

**REVTEK**  
SUSPENSION

*Taking you to your next adventure!*

**REVTEK**  
SUSPENSION





# TABLE OF CONTENTS

## PRODUCT OVERVIEW

Leveling Kits	2
Toyota Kits	4
Ford Kits	6
Dodge Kits	8
Chevy/GMC Kits	10
Jeep/Nissan Kits	12
Light Bar Brackets	14
Coil Over Springs	15
Misc. Parts	16

## APPLICATION GUIDE

Leveling Kits	18-19
Dodge Kits	20
Ford Kits	21-22
Jeep Kits	23
Nissan Kits	23
Toyota Kits	23-25
Misc. Parts	26-29
Bill Of Materials	30-55

## ABOUT OUR COMPANY

Revttek was founded in 2000 to market our unique Toyota suspension lift systems. Since then, we have introduced suspension lift systems for Chevrolet trucks, and SUVs; Ford F150s and Super Duty trucks, and Excursion SUVs; Dodge Ram and Nitro; Jeep JK, Liberty, Grand Cherokee, and Commander; and Nissan Frontier, and Xterra. Our personnel has been professionally involved in the suspension market place for over 25 years.

## OUR MISSION

We continue to evolve with our products. Our goal is to Raise Your Perspective. We make installer friendly, rugged kits. Everything we make is designed to be superior and give you worry-free performance.







# LEVELING KITS

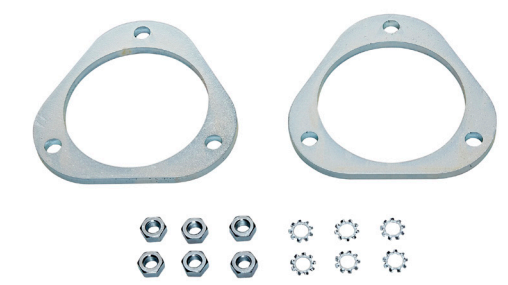
**2003-2020 Toyota 4Runner**  
1.5" Front Leveling Kit



#415 Shown

Designed to bring the front of your vehicle level with the rear, Revtek's leveling kits offer an OEM like ride quality with easy installation for you Chevy/GMC, Dodge, Ford, Jeep, Nissan and Toyota!

**2016-2018 Toyota Rav4**  
1" Front Leveling Kit



#450 Shown

**2005-2020 Ford F350**  
2.5" Front Leveling Kit



#6128 Shown

**2013-2020 Dodge Ram 3500**  
2" Front Leveling Kit



#713 Shown



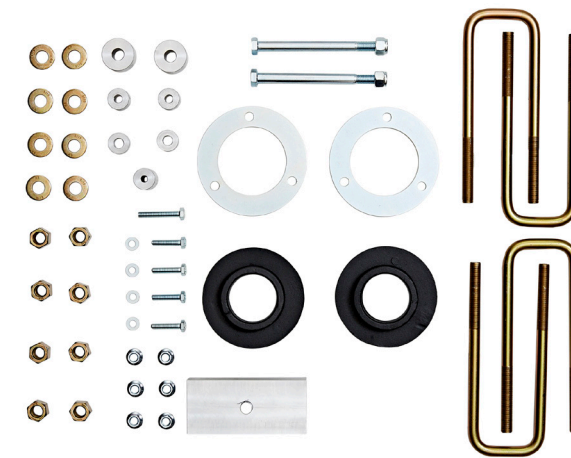




# TOYOTA KITS

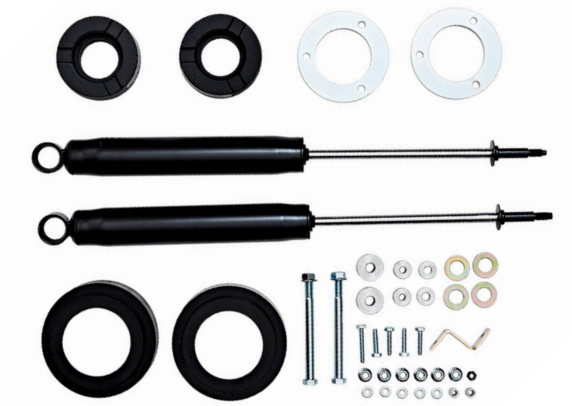
Performance and reliability is what you think of when you think of your Toyota. Revtek Toyota lift and leveling kits will meet that same standard! Our wide range of Toyota kits offer easy and quick installation.

### 2016-2020 Toyota Tacoma & PreRunner 3" Front - 1.25" Rear



#427 Shown

### 2010-2020 Toyota 4Runner 3" Front - 2" Rear



#432 Shown



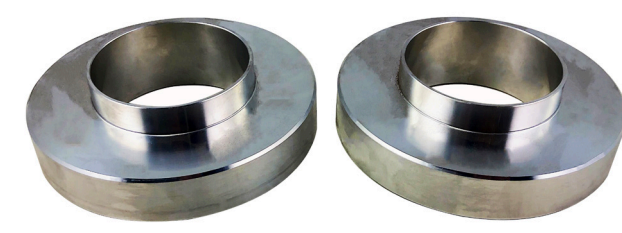




# FORD KITS

Revttek's Ford lift and leveling kits are designed to be stronger than factory parts yet keep that factory geometry. No cutting or welding. High quality bushings to help support your lift kits components.

### 2004-2020 F150 2" Leveling Kit



#620 Shown

### 2000-2005 Excursion 6 3/4" Suspension Lift Kit



#6065 Shown







# DODGE KITS

Revttek offers a strong lineup of leveling and lift kits for your Dodge Ram 1500, 2500, and 3500 trucks!

**2006-2020 Dodge RAM 1500**  
3" Leveling Kit

**1994-2012 RAM 2500/3500**  
4" Leveling Kit



#762 Shown

#702 Shown





# CHEVY/GMC

## KITS

Improve the look and stance of your Chevy/GMC without throwing off the OEM geometry. No cutting or welding necessary when installing our high quality lift kit components.



**2011-2019 Silverado 2500HD**  
2" Leveling Kit



#334 Shown

**2007-2018 Silverado 1500**  
2" Leveling Kit



#315 Shown





# JEEP/NISSAN

## KITS



Revtex doesn't forget about Jeep or Nissan! We have a solid selection of easy to install lift kits to get your vehicle lifted the right way.

**2001-2007 Jeep Liberty**  
2"/1.25" Suspension Lift Kit



#580 Shown

**2005-2018 Nissan Frontier**  
2"/1.25" Suspension Lift Kit



#835 Shown





# LIGHT BAR BRACKETS

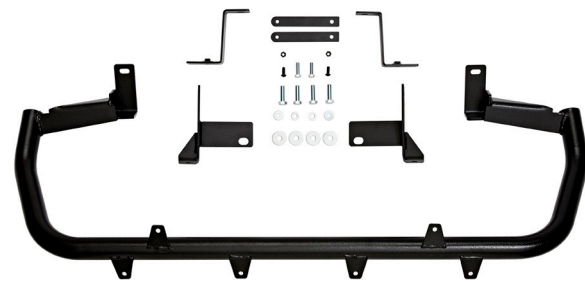
Revttek's Toyota light bar mounts will work with factory grilles! Designed to fit many different light bar brand names, these mounts use OEM holes and mount points to make install easier.

# COIL OVER SPRINGS



Revttek's coil over kits are designed for proper on and off road comfort and performance. They are adjustable to fine tune the ride height as well as the rebound rates. Comes fully assembled and ready to install!

**2014-2019 Toyota 4Runner**  
Front Light Bar Mount



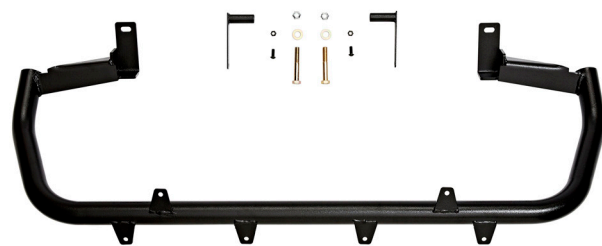
#20014 Shown

**2014-2019 Toyota 4Runner**  
Behind Grille Light Bar Mount



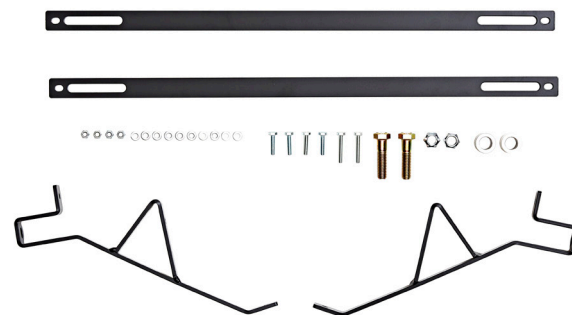
#20015 Shown

**2016-2019 Toyota Tacoma Pre Runner**  
Front Light Bar Mount Up to 30"



#20016 Shown

**2016-2019 Toyota Tacoma Pre Runner**  
Behind Grille Light Bar Mount For Up to Two 20"



#20017 Shown

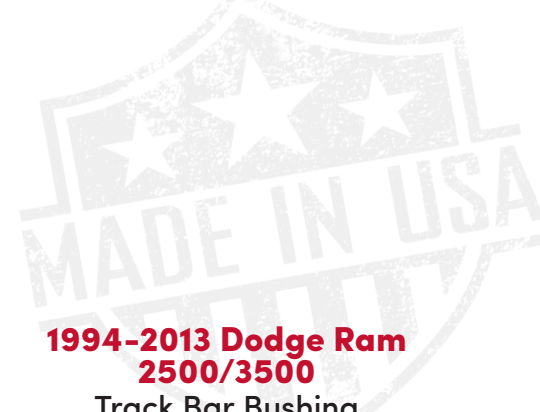
**2005-2020 Toyota Tacoma & Pre Runner**  
3" Adjustable Coil Over Kit



#905A Shown



# MISC. PARTS



**2007-2019 Chevy/GMC 1500**  
Differential Drop Spacer



#RTDD1-KB Shown

**1994-2013 Dodge Ram**  
**2500/3500**  
Track Bar Bushing



#707BKIT Shown

**2005-2015 Toyota Tacoma**  
1.5" Rear Add-A-Leaf Kit



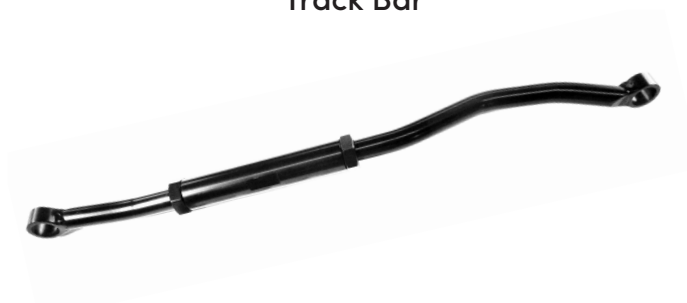
#AALT5B Shown

**2007-2018 Jeep Wrangler**  
Track Bar



#507 Shown

**2013-2019 Dodge Ram**  
**2500/3500**  
Track Bar



#710 Shown

**2008-2016 Ford F250**  
2.5" Track Bar Bracket



#TSD582 Shown