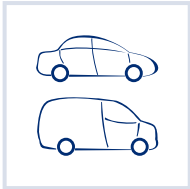




Brake pads

Legend



Make and model



Front



Engine power



Rear



Manufacturing year



Technical information

**MAGNETI
MARELLI**

Magneti Marelli references

Th
[mm]

Thickness

WI

Wear indicator

SYS

Braking system

[+] With integrated wear indicator or enclosed wear indicator.**[o]** With wear indicator device.**[-]** Without wear indicator device.

ADV	Advics
AKE	Akebono
ALC	Alcon
ATE	ATE
BDX	Bendix
BRE	Brembo
BSH	Bosch
CIT	Citroën
DE	Delco Moraine
GIR	Girling
GM	General Motors
HIT	Hitachi
JWA	Jiangxi Wa
KH	Kelsey Hayes
LKD	Lockheed
MN	Mando
NBK	NBK
NSN	Nissin
PBR	PBR
PER	Perrot
SAN	Sangshin
SNG	Sangsin
SUM	Sumitomo
TOK	Tokico
TRW	TRW Lucas
VAR	Varga
VW/VAG	Wolkswagen
WAB	Wabco

LENGHT

Lenght

**LENGHT ×
HEIGHT ×
THICKNESS
[mm]**

Lenght × Height × Thickness

FK

Fitting kit

→ **XXXXXXXX**

To chassis n.: **XXXXX**



Drawings

XXXXXXXX →

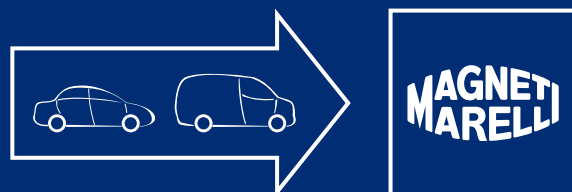
From chassis n.: **XXXXX**

WVA

WVA code

Magneti Marelli After Market Parts and Services S.p.A. has devoted its best attention to the editing of this catalogue; it nevertheless declines any responsibility for possible mistakes or omissions regarding figures, drawings, pictures, correspondence with O.E. codes etc. and it reserves the right to modify the contents without prior notice. Users' comments, reports of inaccuracies or any other suggestions which may in any way improve the next edition of this catalogue are warmly welcomed.

Vehicle application guide



		kw						WI	Th [mm]	SYS		LEIGHT			
--	--	----	--	--	--	--	--	----	---------	-----	--	--------	--	--	--

ABARTH

124 Spider (348_) 03/16 →

1.4	125	03/16 →	•				P49044MM	[+]	14	SUM					
-----	-----	---------	---	--	--	--	----------	-----	----	-----	--	--	--	--	--

500 / 595 / 695 (312_) 01/08 →

1.4 (312.AXD1A)	99	08/08 →	•	06/11 →			P23137MM	[+]	19	BSH					
	99	08/08 →	•	→ 05/11			P23087MM	[+]	19	BSH					
	99	08/08 →	•				P23064MM	[-]	13,7	TRW					
1.4 (312.AXF11)	132	08/08 →	•				P23139MM	[+]	15,3	BRE					
	132	08/08 →	•				P23146MM	[+]	13,7	TRW					
1.4 (312.AXF11, 312.AXF1A, 312.AXD1A)	118	08/08 →	•				P23139MM	[+]	15,3	BRE					
	118	08/08 →	•				P23146MM	[+]	13,7	TRW					
1.4 (312.AXF1A)	103	05/10 →	•				P23137MM	[+]	19	BSH					
	103	05/10 →	•	05/11 →			P23146MM	[+]	13,7	TRW					
1.4 (312.AXT1A)	139	08/08 →	•				P23139MM	[+]	15,3	BRE					
	139	08/08 →	•				P23146MM	[+]	13,7	TRW					
1.4 (312.AXY11, 312.AXY1A)	107	05/16 →	•				P23137MM	[+]	19	BSH					
	107	05/16 →	•				P23146MM	[+]	13,7	TRW					
1.4 (312.AXZ11)	121	05/16 →	•				P23137MM	[+]	19	BSH					
	121	05/16 →	•				P23146MM	[+]	13,7	TRW					
1.4 (312.AYB11)	120	06/16 →	•				P23137MM	[+]	19	BSH					
	120	06/16 →	•				P23146MM	[+]	13,7	TRW					

500C / 595C / 695C (312_) 09/09 →

1.4 (312.AXD1A)	99	01/11 →	•	→ 05/11			P23087MM	[+]	19	BSH					
	99	01/11 →	•				P23064MM	[-]	13,7	TRW					
	99	01/11 →	•	06/11 →			P23137MM	[+]	19	BSH					
1.4 (312.AXF11)	132	09/09 →	•				P23139MM	[+]	15,3	BRE					
	132	09/09 →	•				P23146MM	[+]	13,7	TRW					
1.4 (312.AXF1A)	103	09/09 →	•	→ 05/11			P23087MM	[+]	19	BSH					
	103	09/09 →	•	06/11 →			P23137MM	[+]	19	BSH					
	103	09/09 →	•				P23064MM	[-]	13,7	TRW					
1.4 (312.AXF1A, 312.AXD1A)	118	05/11 →	•				P23137MM	[+]	19	BSH					
	118	05/11 →	•				P23146MM	[+]	13,7	TRW					
	118	05/11 →	•				P23146MM	[+]	13,7	TRW					
1.4 (312.AXY1A)	107	05/16 →	•				P23137MM	[+]	19	BSH					
	107	05/16 →	•				P23146MM	[+]	13,7	TRW					
1.4 (312.AXZ1A)	121	05/16 →	•				P23137MM	[+]	19	BSH					
	121	05/16 →	•				P23146MM	[+]	13,7	TRW					

GRANDE PUNTO (199_) 12/07 → 12/12

1.4 (199.AXN1B)	114	12/07 → 06/10	•				P23117MM	[+]	15,3	BRE					
	114	12/07 → 06/10	•	1631134 →			P23142MM	[+]	17,3	BSH					
	114	12/07 → 06/10	•	→ 1631134			P23104MM	[-]	17,5	BSH					
1.4 (199.AXX1B)	132	12/07 → 12/12	•				P23117MM	[+]	15,3	BRE					
	132	12/07 → 12/12	•	1631134 →			P23142MM	[+]	17,3	BSH					
	132	12/07 → 12/12	•	→ 1631134			P23104MM	[-]	17,5	BSH					

PUNTO (199_) 05/08 →

1.4 (199.AXX1B)	120	04/10 →	•				P23139MM	[+]	15,3	BRE					
	120	04/10 →	•				P23142MM	[+]	17,3	BSH					
	132	05/08 →	•				P23139MM	[+]	15,3	BRE					
	132	05/08 →	•				P23142MM	[+]	17,3	BSH					

									WI			FK	
	kw									LENGHT			

ACURA

CL Coupé 10/96 → 09/03														
3.2 Vtec	165	10/00 → 09/03	•						P28034MM	[+]	17	NSN		
	165	10/00 → 09/03		•					P28022MM	[+]	14,6	AKE		
MDX (YD1) 08/00 → 09/06														
3.5 All-wheel Drive	179	03/01 → 12/05	•						P56040MM	[+]	16,5	NSN		
	193	08/00 → 12/05	•						P56040MM	[+]	16,5	NSN		
	186	08/05 → 09/06	•						P56040MM	[+]	16,5	NSN		
MDX (YD2) 04/06 →														
3.7 AWD	220	10/06 →	•						P56040MM	[+]	16,5	NSN		
	227	10/06 →	•						P56040MM	[+]	16,5	NSN		
MDX (YD3) 06/13 →														
3.5	216	11/13 →		•					P28022MM	[+]	14,6	AKE		
NSX 01/90 → 12/05														
3.0	201	01/90 → 08/97	•						P28026MM	[+]	17,3	AKE		
	201	01/90 → 08/97		•					P28040MM	[+]	15	AKE		
3.2	206	08/97 → 12/05	•						P28026MM	[+]	17,3	AKE		
	206	08/97 → 12/05		•					P28040MM	[+]	15	AKE		
R 3.0	188	01/92 → 08/97	•						P28026MM	[+]	17,3	AKE		
	188	01/92 → 08/97		•					P28040MM	[+]	15	AKE		
NSX Targa (NA1) 01/95 → 12/05														
T 3.0	188	01/95 → 12/97	•						P28026MM	[+]	17,3	AKE		
	188	01/95 → 12/97		•					P28040MM	[+]	15	AKE		
RDX 01/12 →														
3.5	204	07/13 →		•					P28061MM	[+]	15,6	NSN		
RL 10/95 → 09/04														
3.5	153	10/00 → 09/04	•						P28034MM	[+]	17	NSN		
	153	10/00 → 09/04		•					P28039MM	[+]	14,8	NSN		
RSX Coupé (DC_) 10/01 →														
2.0 Sport	118	10/01 →	•						P28032MM	[+]	16	SUM		
	118	10/01 →		•					P28022MM	[+]	14,6	AKE		
TL 10/98 → 09/03														
3.2	168	10/98 → 09/03	•						P28034MM	[+]	17	NSN		
	168	10/98 → 09/03		•					P28022MM	[+]	14,6	AKE		
3.2 Type S	191	06/01 → 09/03	•						P28034MM	[+]	17	NSN		
	191	06/01 → 09/03		•					P28022MM	[+]	14,6	AKE		
TL (UA8, UA9) 01/09 →														
3.7 AWD	227	01/12 →		•					P28067MM	[+]	15,2	-		
TLX 07/14 →														
3.5 i-VTEC AWD	216	07/14 →	•						P28043MM	[+]	17,5	AKE		
TSX (CU_) 01/09 →														
2.4	150	09/10 →	•						P28034MM	[+]	17	NSN		
	150	09/10 →		•					P28072MM	[+]	14,8	NSN		

ALFA ROMEO

4C (960_) 03/13 →														
1.8 (960.CXB1A)	177	03/13 →	•						P23162MM	[+]	15,3	BRE		
	177	03/13 →		•					P23166MM	[+]	17,8	TRW		
4C SPIDER (961_) 10/14 →														
1.8	177	10/14 →	•						P23162MM	[+]	15,3	BRE		
	177	10/14 →		•					P23166MM	[+]	17,8	TRW		

		kw						wi	Th [mm]	SYS		LENGHT		WI		FK	
--	--	-----------	--	--	--	--	--	-----------	----------------	------------	--	---------------	--	-----------	--	-----------	--

ALFA ROMEO

145 (930_) 07/94 → 01/01

1.4 i.e. (930.A3)	66	07/94 → 12/96	●				P23113MM	[+]	17,9	ATE							
	66	07/94 → 12/96	●				P23017MM	[+]	17,1	TRW							
	66	07/94 → 12/96		●			P23026MM	[-]	14,4	TRW							
1.4 i.e. 16V T.S. (930.A3A)	76	12/96 → 01/01	●				P23071MM	[+]	17,9	ATE						A02202	
	76	12/96 → 01/01		●			P23026MM	[-]	14,4	TRW						A02205	
1.6 16V T.S. (930.A2C)	82	09/97 → 12/00	●				P23071MM	[+]	17,9	ATE							
	82	09/97 → 12/00		●			P23026MM	[-]	14,4	TRW							
1.6 i.e. (930.A2)	76	10/94 → 12/96	●				P23113MM	[+]	17,9	ATE							
	76	10/94 → 12/96	●				P23017MM	[+]	17,1	TRW							
	76	10/94 → 12/96		●			P23026MM	[-]	14,4	TRW							
1.6 i.e. 16V T.S. (930.A2)	88	12/96 → 01/01	●				P23071MM	[+]	17,9	ATE						A02202	
	88	12/96 → 01/01		●			P23026MM	[-]	14,4	TRW						A02205	
1.7 i.e. 16V (930.A1)	95	10/94 → 12/96	●				P23113MM	[+]	17,9	ATE							
	95	10/94 → 12/96	●				P23017MM	[+]	17,1	TRW							
	95	10/94 → 12/96		●			P23026MM	[-]	14,4	TRW							
1.8 i.e. 16V (930.A1A)	106	03/98 → 01/01	●		→ 12/99		P23077MM	[+]	19	ATE						A02202	
	106	03/98 → 01/01	●		01/00 →		P23112MM	[+]	19	ATE						A02202	
	106	03/98 → 01/01		●			P23026MM	[-]	14,4	TRW						A02205	
1.8 i.e. 16V T.S. (930.A1A)	103	12/96 → 12/98	●		→ 12/96		P23113MM	[+]	17,9	ATE						A02202	
	103	12/96 → 12/98	●		→ 12/96		P23077MM	[+]	19	ATE						A02202	
	103	12/96 → 12/98		●		01/97 →		P23077MM	[+]	19	ATE					A02202	
	103	12/96 → 12/98		●			P23026MM	[-]	14,4	TRW						A02205	
1.9 JTD (930.A4B)	77	02/99 → 01/01	●				P23070MM	[+]	17,9	ATE						A02202	
	77	02/99 → 01/01		●			P23026MM	[-]	14,4	TRW						A02205	
1.9 TD (930.A4)	66	10/94 → 02/99	●		→ 12/96		P23113MM	[+]	17,9	ATE							
	66	10/94 → 02/99	●		→ 12/96		P23017MM	[+]	17,1	TRW							
	66	10/94 → 02/99	●		01/97 →		P23071MM	[+]	17,9	ATE							
	66	10/94 → 02/99		●			P23026MM	[-]	14,4	TRW							
2.0 16V (930.A5)	114	03/98 → 01/01	●		→ 12/99		P23077MM	[+]	19	ATE						A02202	
	114	03/98 → 01/01	●		01/00 →		P23112MM	[+]	19	ATE						A02202	
	114	03/98 → 01/01		●			P23026MM	[-]	14,4	TRW						A02205	
2.0 16V T.S. (930.A5)	110	10/95 → 01/01	●		→ 12/96		P23071MM	[+]	17,9	ATE						A02202	
	110	10/95 → 01/01	●		01/97 → 12/99		P23077MM	[+]	19	ATE						A02202	
	110	10/95 → 01/01	●		01/00 →		P23112MM	[+]	19	ATE						A02202	
	110	10/95 → 01/01		●			P23026MM	[-]	14,4	TRW						A02205	

146 (930_) 12/94 → 01/01

1.4 i.e. (930.B3)	66	12/94 → 12/96	●				P23113MM	[+]	17,9	ATE						A02202	
	66	12/94 → 12/96	●				P23017MM	[+]	17,1	TRW						A02202	
	66	12/94 → 12/96		●			P23026MM	[-]	14,4	TRW						A02205	
1.4 i.e. 16V T.S. (930.B3A)	76	11/96 → 01/01	●				P23071MM	[+]	17,9	ATE						A02202	
	76	11/96 → 01/01		●			P23026MM	[-]	14,4	TRW						A02205	
1.6 16V T.S. (930.B2C)	82	09/97 → 12/00	●				P23071MM	[+]	17,9	ATE							
	82	09/97 → 12/00		●			P23026MM	[-]	14,4	TRW							
1.6 i.e. (930.B2)	76	12/94 → 12/96	●				P23113MM	[+]	17,9	ATE						A02202	
	76	12/94 → 12/96	●				P23017MM	[+]	17,1	TRW						A02202	
	76	12/94 → 12/96		●			P23026MM	[-]	14,4	TRW						A02205	
1.6 i.e. 16V T.S. (930.B2B)	88	11/96 → 01/01	●				P23071MM	[+]	17,9	ATE						A02202	
	88	11/96 → 01/01		●			P23026MM	[-]	14,4	TRW						A02205	
1.7 i.e. 16V (930.B1)	95	12/94 → 12/96	●				P23113MM	[+]	17,9	ATE						A02202	
	95	12/94 → 12/96	●				P23017MM	[+]	17,1	TRW						A02202	
	95	12/94 → 12/96		●			P23026MM	[-]	14,4	TRW						A02205	

									WI			FK	
	kw								MAGNETI MARELLI	LENGHT		MAGNETI MARELLI	

ALFA ROMEO

146 (930_) 12/94 → 01/01

1.8 i.e. 16V T.S. (930.B1A)	103	11/96 → 01/01	●	01/97 → 12/99	P23077MM	[+]	19	ATE				A02202	
	103	11/96 → 01/01	●	01/00 →	P23112MM	[+]	19	ATE				A02202	
	103	11/96 → 01/01	●		P23026MM	[-]	14,4	TRW				A02205	
	106	03/98 → 01/01	●	→ 12/99	P23077MM	[+]	19	ATE				A02202	
	106	03/98 → 01/01	●	01/00 →	P23112MM	[+]	19	ATE				A02202	
	106	03/98 → 01/01	●		P23026MM	[-]	14,4	TRW				A02205	
1.9 JTD (930.B4B)	77	02/99 → 01/01	●		P23070MM	[+]	17,9	ATE				A02202	
	77	02/99 → 01/01	●		P23026MM	[-]	14,4	TRW				A02205	
1.9 TD (930.B4A)	66	12/94 → 02/99	●	→ 12/96	P23113MM	[+]	17,9	ATE				A02202	
	66	12/94 → 02/99	●	→ 12/96	P23017MM	[+]	17,1	TRW				A02202	
	66	12/94 → 02/99	●	01/97 →	P23071MM	[+]	17,9	ATE				A02202	
	66	12/94 → 02/99	●		P23026MM	[-]	14,4	TRW				A02205	
2.0 16V (930.B5)	114	03/98 → 01/01	●	→ 12/99	P23077MM	[+]	19	ATE				A02202	
	114	03/98 → 01/01	●	01/00 →	P23112MM	[+]	19	ATE				A02202	
	114	03/98 → 01/01	●		P23026MM	[-]	14,4	TRW				A02205	
2.0 16V T.S. (930.B5)	110	10/95 → 01/01	●	→ 12/96	P23071MM	[+]	17,9	ATE				A02202	
	110	10/95 → 01/01	●	01/97 → 12/99	P23077MM	[+]	19	ATE				A02202	
	110	10/95 → 01/01	●	01/00 →	P23112MM	[+]	19	ATE				A02202	
	110	10/95 → 01/01	●		P23026MM	[-]	14,4	TRW				A02205	

147 (937_) 11/00 → 03/10

1.6 16V T.SPARK (937.AXA1A, 937.AXB1A, 937.BXB1A)	88	01/01 → 03/10	●	3021490 →	P23077MM	[+]	19	ATE				A02202	
	88	01/01 → 03/10	●	→ 3021489	P23114MM	[+]	19,3	ATE				A02202	
	88	01/01 → 03/10	●		P23065MM	[-]	16,5	TRW					
1.6 16V T.SPARK ECO (937.AXA1A, 937.BXA1A)	77	01/01 → 03/10	●	3021490 →	P23077MM	[+]	19	ATE				A02202	
	77	01/01 → 03/10	●	→ 3021489	P23114MM	[+]	19,3	ATE				A02202	
	77	01/01 → 03/10	●		P23065MM	[-]	16,5	TRW					
1.9 JTD (937.AXD1A, 937.BXD1A)	85	04/01 → 03/10	●		P23077MM	[+]	19	ATE				A02202	
	85	04/01 → 03/10	●		P23065MM	[-]	16,5	TRW					
1.9 JTD (937.AXF1A, 937.BXF1A)	74	06/03 → 03/10	●		P23077MM	[+]	19	ATE				A02202	
	74	06/03 → 03/10	●		P23065MM	[-]	16,5	TRW					
1.9 JTD 16V (937.AXG1B, 937.BXG1B)	103	11/02 → 03/10	●		P23077MM	[+]	19	ATE				A02202	
	103	11/02 → 03/10	●		P23065MM	[-]	16,5	TRW					
	93	09/03 → 09/04	●		P23077MM	[+]	19	ATE				A02202	
1.9 JTD 16V (937.AXM1B, 937.AXS1B)	100	10/04 → 03/10	●		P23077MM	[+]	19	ATE				A02202	
	100	10/04 → 03/10	●		P23065MM	[-]	16,5	TRW					
1.9 JTDM (937.AXD1A, 937.AXV1A, 937.BXB1A)	85	10/04 → 03/10	●		P23077MM	[+]	19	ATE				A02202	
	85	10/04 → 03/10	●		P23065MM	[-]	16,5	TRW					
1.9 JTDM 16V (937.AXN1B, 937.AXZ1B)	125	06/08 → 03/10	●		P23112MM	[+]	19	ATE					
	125	06/08 → 03/10	●		P23065MM	[-]	16,5	TRW					
1.9 JTDM 16V (937.AXN1B, 937.BXN1B)	110	09/04 → 03/10	●		P23077MM	[+]	19	ATE				A02202	
	110	09/04 → 03/10	●		P23065MM	[-]	16,5	TRW					
1.9 JTDM 8V (937.AXD1A, 937.AXU1A, 937.BXU1A)	88	07/05 → 03/10	●		P23077MM	[+]	19	ATE				A02202	
	88	07/05 → 03/10	●		P23065MM	[-]	16,5	TRW					

Car Model	kw	Date Range	Availability	Part No.	MAGNETI MARELLI	Th [mm]	SYS	WI			FK	
								MAGNETI MARELLI	LENGHT	<i>i</i>	MAGNETI MARELLI	<i>i</i>

ALFA ROMEO

147 (937_) 11/00 → 03/10

2.0 16V T.SPARK (937.AXA1, 937.AXC1, 937.BXC1)	110	01/01 → 03/10	●	3021490 →	P23077MM	[+]	19	ATE				A02202
	110	01/01 → 03/10	●	→ 3021489	P23114MM	[+]	19,3	ATE				A02202
	110	01/01 → 03/10		●		P23065MM	[-]	16,5	TRW			
3.2 GTA (937.AXL1)	184	02/03 → 03/10	●	→ 10/03	P23074MM	[+]	18	BRE				
	184	02/03 → 03/10	●	11/03 →	P23098MM	[+]	16	BRE				
	184	02/03 → 03/10	●		P23065MM	[-]	16,5	TRW				

156 (932_) 09/97 → 09/05

1.6 16V T.SPARK	82	09/97 → 09/05	●	→ 02/00	P23075MM	[+]	19,3	ATE				
	82	09/97 → 09/05	●	03/00 →; → 383455	P23114MM	[+]	19,3	ATE				
	82	09/97 → 09/05	●	383456 →	P23112MM	[+]	19	ATE				
	82	09/97 → 09/05	●	→ 12/01	P23067MM	[-]	16,6	TRW				
	82	09/97 → 09/05	●	01/02 →	P23065MM	[-]	16,5	TRW				
1.6 16V T.SPARK (932.A4, 932.A4100)	88	09/97 → 09/05	●	→ 02/00	P23075MM	[+]	19,3	ATE				A02202
	88	09/97 → 09/05	●	03/00 →; → 383455	P23114MM	[+]	19,3	ATE				A02202
	88	09/97 → 09/05	●	383456 →	P23077MM	[+]	19	ATE				A02202
	88	09/97 → 09/05	●	→ 12/01	P23067MM	[-]	16,6	TRW				
	88	09/97 → 09/05	●	01/02 →	P23065MM	[-]	16,5	TRW				
1.8 16V T.SPARK (932.A3)	106	09/97 → 10/00	●	→ 02/00	P23075MM	[+]	19,3	ATE				A02202
	106	09/97 → 10/00	●	03/00 →; → 383455	P23114MM	[+]	19,3	ATE				A02202
	106	09/97 → 10/00	●	383456 →	P23077MM	[+]	19	ATE				A02202
	106	09/97 → 10/00	●		P23067MM	[-]	16,6	TRW				
1.8 16V T.SPARK (932.A3100)	103	10/00 → 09/05	●	→ 383455	P23114MM	[+]	19,3	ATE				A02202
	103	10/00 → 09/05	●	383456 →	P23077MM	[+]	19	ATE				A02202
	103	10/00 → 09/05	●	→ 12/01	P23067MM	[-]	16,6	TRW				
	103	10/00 → 09/05	●	01/02 →	P23065MM	[-]	16,5	TRW				
1.9 JTD	93	11/03 → 09/05	●		P23077MM	[+]	19	ATE				
	93	11/03 → 09/05	●		P23065MM	[-]	16,5	TRW				
	100	11/02 → 11/04	●		P23077MM	[+]	19	ATE				
	100	11/02 → 11/04	●		P23065MM	[-]	16,5	TRW				
1.9 JTD (932.A2B00)	81	10/00 → 05/01	●	→ 383455	P23114MM	[+]	19,3	ATE				A02202
	81	10/00 → 05/01	●	383456 →	P23077MM	[+]	19	ATE				A02202
	81	10/00 → 05/01	●		P23067MM	[-]	16,6	TRW				
1.9 JTD (932.A2B00, 932.A2C00)	85	05/01 → 09/05	●	→ 383455	P23114MM	[+]	19,3	ATE				A02202
	85	05/01 → 09/05	●	383456 →	P23077MM	[+]	19	ATE				A02202
	85	05/01 → 09/05	●	→ 12/01	P23067MM	[-]	16,6	TRW				
	85	05/01 → 09/05	●	01/02 →	P23065MM	[-]	16,5	TRW				
1.9 JTD (932.AXN00, 932.BXE00)	110	07/04 → 09/05	●		P23077MM	[+]	19	ATE				
	110	07/04 → 09/05	●		P23065MM	[-]	16,5	TRW				
1.9 JTD (932B2)	77	09/97 → 10/00	●		P23075MM	[+]	19,3	ATE				A02202
	77	09/97 → 10/00	●		P23067MM	[-]	16,6	TRW				
1.9 JTD 16V	103	11/02 → 09/05	●	→ 383455	P23114MM	[+]	19,3	ATE				A02202
	103	11/02 → 09/05	●	383456 →	P23077MM	[+]	19	ATE				A02202
	103	11/02 → 09/05	●		P23065MM	[-]	16,5	TRW				
2.0 16V T.SPARK (932A2)	114	09/97 → 06/02	●		P23077MM	[+]	19	ATE				A02202
	114	09/97 → 06/02	●		P23067MM	[-]	16,6	TRW				
2.0 16V T.SPARK (932A21_)	110	10/00 → 03/02	●		P23077MM	[+]	19	ATE				A02202
	110	10/00 → 03/02	●	→ 12/01	P23067MM	[-]	16,6	TRW				
	110	10/00 → 03/02	●	01/02 →	P23065MM	[-]	16,5	TRW				
2.0 JTS	119	01/02 → 09/05	●		P23077MM	[+]	19	ATE				
	119	01/02 → 09/05	●		P23067MM	[-]	16,6	TRW				

									WI			FK	
	kw								MAGNETI MARELLI	LENGHT		MAGNETI MARELLI	

ALFA ROMEO

156 (932_) 09/97 → 09/05

2.0 JTS (932AXA)	122	03/02 → 09/05	●			P23077MM	[+]	19	ATE				A02202
	122	03/02 → 09/05		●		P23065MM	[-]	16,5	TRW				
2.4 JTD	129	10/03 → 09/05	●			P23077MM	[+]	19	ATE				A02202
	129	10/03 → 09/05		●		P23065MM	[-]	16,5	TRW				
	120	06/03 → 09/05	●			P23077MM	[+]	19	ATE				
	120	06/03 → 09/05		●		P23065MM	[-]	16,5	TRW				
2.4 JTD (932A1B_)	103	10/00 → 09/05	●			P23077MM	[+]	19	ATE				A02202
	103	10/00 → 09/05		●	→ 12/01	P23067MM	[-]	16,6	TRW				
	103	10/00 → 09/05		●	01/02 →	P23065MM	[-]	16,5	TRW				
2.4 JTD (932AXC)	110	03/02 → 09/05	●			P23077MM	[+]	19	ATE				A02202
	110	03/02 → 09/05		●		P23065MM	[-]	16,5	TRW				
2.4 JTD (932B1)	100	09/97 → 09/03	●			P23077MM	[+]	19	ATE				A02202
	100	09/97 → 09/03		●		P23067MM	[-]	16,6	TRW				
2.5 V6 24V (932A1)	140	09/97 → 12/01	●			P23077MM	[+]	19	ATE				A02202
	140	09/97 → 12/01		●		P23067MM	[-]	16,6	TRW				
2.5 V6 24V (932A11_)	141	10/00 → 09/05	●			P23077MM	[+]	19	ATE				A02202
	141	10/00 → 09/05		●	→ 12/01	P23067MM	[-]	16,6	TRW				
	141	10/00 → 09/05		●	01/02 →	P23065MM	[-]	16,5	TRW				
3.2 GTA (932AXB)	184	03/02 → 09/05	●		→ 0588972	P23074MM	[+]	18	BRE				
	184	03/02 → 09/05		●	0588973 →	P23098MM	[+]	16	BRE				
	184	03/02 → 09/05		●		P23065MM	[-]	16,5	TRW				

156 Sportwagon (932_) 01/00 → 05/06

1.6 16V T.SPARK	82	01/00 → 09/05	●			P23077MM	[+]	19	ATE				
	82	01/00 → 09/05		●	→ 02/00	P23075MM	[+]	19,3	ATE				
	82	01/00 → 09/05		●	03/00 →; → 383455	P23114MM	[+]	19,3	ATE				
	82	01/00 → 09/05		●	383456 →	P23112MM	[+]	19	ATE				
	82	01/00 → 09/05		●	→ 12/01	P23067MM	[-]	16,6	TRW				
	82	01/00 → 09/05		●	01/02 →	P23065MM	[-]	16,5	TRW				
1.6 16V T.SPARK. (932.B4B00)	81	07/00 → 07/05	●		→ 383456	P23114MM	[+]	19,3	ATE				
	81	07/00 → 07/05		●	383456 →	P23077MM	[+]	19	ATE				
	81	07/00 → 07/05		●	→ 12/01	P23067MM	[-]	16,6	TRW				
	81	07/00 → 07/05		●	01/02 →	P23065MM	[-]	16,5	TRW				
1.6 16V T.SPARK. (932A4)	88	05/00 → 05/06	●		→ 383455	P23114MM	[+]	19,3	ATE				A02202
	88	05/00 → 05/06		●	383456 →	P23077MM	[+]	19	ATE				A02202
	88	05/00 → 05/06		●	→ 12/01	P23067MM	[-]	16,6	TRW				
	88	05/00 → 05/06		●	01/02 →	P23065MM	[-]	16,5	TRW				
1.8 16V T.SPARK (932A3)	106	05/00 → 10/00	●		→ 383455	P23114MM	[+]	19,3	ATE				A02202
	106	05/00 → 10/00		●	383456 →	P23077MM	[+]	19	ATE				A02202
	106	05/00 → 10/00		●		P23067MM	[-]	16,6	TRW				
1.8 16V T.SPARK (932B31_)	103	10/00 → 05/06	●		→ 383455	P23114MM	[+]	19,3	ATE				A02202
	103	10/00 → 05/06		●	383456 →	P23077MM	[+]	19	ATE				A02202
	103	10/00 → 05/06		●	→ 12/01	P23067MM	[-]	16,6	TRW				
	103	10/00 → 05/06		●	01/02 →	P23065MM	[-]	16,5	TRW				
1.9 JTD	110	03/05 → 05/06	●		-sport pack	P23077MM	[+]	19	ATE				A02202
	110	03/05 → 05/06		●	+sport pack	P23078MM	[+]	16	BRE				A02202
	110	03/05 → 05/06		●		P23065MM	[-]	16,5	TRW				
	93	11/03 → 05/06	●		383456 →	P23077MM	[+]	19	ATE				
	93	11/03 → 05/06		●		P23065MM	[-]	16,5	TRW				
	100	11/02 → 11/04	●		383456 →	P23077MM	[+]	19	ATE				
1.9 JTD (932.B2B00)	81	10/00 → 05/01	●		→ 383455	P23114MM	[+]	19,3	ATE				A02202
	81	10/00 → 05/01		●	383456 →	P23077MM	[+]	19	ATE				A02202
	81	10/00 → 05/01		●		P23067MM	[-]	16,6	TRW				

ALFA ROMEO

159 (939_) 09/05 → 12/12															
1.9 JTDM 8V	85 09/05 → 11/11 ●						P23109MM [-]	17,8	TRW						
1.9 JTDM 16V	110 09/05 → 11/11 ●	-sport pack; → 7195450					P23103MM [+]	20,5	ATE				A02213	→ 7195450 →	
	110 09/05 → 11/11 ●	-sport pack; 7195451 →					P23129MM [+]	15,8	BRE				A02213	→ 7195450 →	
	110 09/05 → 11/11 ●	+sport pack; 7195451 →					P23115MM [+]	16	BRE				A02213	→ 7195450 →	
	110 09/05 → 11/11 ●						P23109MM [-]	17,8	TRW						
	100 09/05 → 11/11 ●	→ 7195450					P23103MM [+]	20,5	ATE				A02213	→ 12/07	
	100 09/05 → 11/11 ●	7195451 →					P23129MM [+]	15,8	BRE				A02213	→ 12/07	
	100 09/05 → 11/11 ●						P23109MM [-]	17,8	TRW						
1.9 JTS	118 09/05 → 11/11 ●	→ 7195450					P23103MM [+]	20,5	ATE				A02213	→ 12/07	
	118 09/05 → 11/11 ●	7195451 →					P23129MM [+]	15,8	BRE				A02213	→ 12/07	
	118 09/05 → 11/11 ●						P23109MM [-]	17,8	TRW						
2.0 JTDM	120 05/09 → 11/11 ●	+sport pack					P23115MM [+]	16	BRE						
	120 05/09 → 11/11 ●	-sport pack					P23129MM [+]	15,8	BRE						
	120 05/09 → 11/11 ●						P23109MM [-]	17,8	TRW						
	125 05/09 → 11/11 ●	+sport pack					P23115MM [+]	16	BRE						
	125 05/09 → 11/11 ●	-sport pack					P23129MM [+]	15,8	BRE						
	125 05/09 → 11/11 ●						P23109MM [-]	17,8	TRW						
	100 06/10 → 11/11 ●	-sport pack					P23129MM [+]	15,8	BRE						
	100 06/10 → 11/11 ●	+sport pack					P23115MM [+]	16	BRE						
	100 06/10 → 11/11 ●						P23109MM [-]	17,8	TRW						
2.2 JTS	136 09/05 → 11/11 ●	-sport pack; → 7195450					P23103MM [+]	20,5	ATE				A02213	→ 7195450 →	
	136 09/05 → 11/11 ●	-sport pack; 7195451 →					P23129MM [+]	15,8	BRE				A02213	→ 7195450 →	
	136 09/05 → 11/11 ●	+sport pack; → 7195450					P23078MM [+]	16	BRE				A02213	→ 7195450 →	
	136 09/05 → 11/11 ●	+sport pack; 7195451 →					P23115MM [+]	16	BRE				A02213	→ 7195450 →	
	136 09/05 → 11/11 ●						P23109MM [-]	17,8	TRW						
2.4 JTDM	147 09/05 → 11/11 ●	→ 7115379					P23078MM [+]	16	BRE						
	147 09/05 → 11/11 ●	7115380 →					P23115MM [+]	16	BRE						
	147 09/05 → 11/11 ●						P23089MM [-]	17,8	TRW						
	154 05/07 → 11/11 ●	→ 7115379					P23078MM [+]	16	BRE						
	154 05/07 → 11/11 ●	7115380 →					P23115MM [+]	16	BRE						
	154 05/07 → 11/11 ●						P23089MM [-]	17,8	TRW						
2.4 JTDM Q4	154 05/07 → 11/11 ●	→ 7115379					P23078MM [+]	16	BRE						
	154 05/07 → 11/11 ●	7115380 →					P23115MM [+]	16	BRE						
3.2 JTS	191 02/08 → 11/11 ●	→ 7115379					P23078MM [+]	16	BRE						
	191 02/08 → 11/11 ●	7115380 →					P23115MM [+]	16	BRE						
	191 02/08 → 11/11 ●						P23089MM [-]	17,8	TRW						
3.2 JTS Q4	191 12/05 → 11/11 ●	→ 7115379					P23078MM [+]	16	BRE						
	191 12/05 → 11/11 ●	7115380 →					P23115MM [+]	16	BRE						
	191 12/05 → 11/11 ●						P23089MM [-]	17,8	TRW						
159 Sportwagon (939_) 03/06 → 12/12															
1.8 MPI	103 03/07 → 11/11 ●	→ 7195450					P23103MM [+]	20,5	ATE						
	103 03/07 → 11/11 ●	7195451 →					P23129MM [+]	15,8	BRE						
	103 03/07 → 11/11 ●						P23109MM [-]	17,8	TRW						
1.8 TBi	147 05/09 → 11/11 ●						P23115MM [+]	16	BRE						
	147 05/09 → 11/11 ●						P23089MM [-]	17,8	TRW						
1.9 JTDM 8V	88 03/06 → 11/11 ●	→ 7195450					P23103MM [+]	20,5	ATE						
	88 03/06 → 11/11 ●	7195451 →					P23129MM [+]	15,8	BRE						
	88 03/06 → 11/11 ●						P23109MM [-]	17,8	TRW						
	85 03/06 → 11/11 ●	→ 7195450					P23103MM [+]	20,5	ATE						
	85 03/06 → 11/11 ●	7195451 →					P23129MM [+]	15,8	BRE						
	85 03/06 → 11/11 ●						P23109MM [-]	17,8	TRW						

--	--	--	--	--	--	--	--	--	--	--	--	--	--	--	--

ALFA ROMEO

159 Sportwagon (939_) 03/06 → 12/12

1.9 JTDM 16V	110	03/06 → 11/11	●	-sport pack; → 7195450	P23103MM	[+]	20,5	ATE							
	110	03/06 → 11/11	●	-sport pack; 7195451 →	P23129MM	[+]	15,8	BRE							
	110	03/06 → 11/11		●		P23109MM	[-]	17,8	TRW						
	100	03/06 → 11/11	●	→ 7195450	P23103MM	[+]	20,5	ATE							
	100	03/06 → 11/11	●	7195451 →	P23129MM	[+]	15,8	BRE							
	100	03/06 → 11/11		●		P23109MM	[-]	17,8	TRW						
1.9 JTS	118	03/06 → 11/11	●	-sport pack; → 7195450	P23103MM	[+]	20,5	ATE							
	118	03/06 → 11/11	●	-sport pack; 7195451 →	P23129MM	[+]	15,8	BRE							
	118	03/06 → 11/11		●		P23109MM	[-]	17,8	TRW						
2.0 JTDM	120	05/09 → 11/11	●	-sport pack	P23129MM	[+]	15,8	BRE							
	120	05/09 → 11/11	●	+sport pack	P23115MM	[+]	16	BRE							
	120	05/09 → 11/11		●		P23109MM	[-]	17,8	TRW						
	125	05/09 → 11/11	●	-sport pack	P23129MM	[+]	15,8	BRE							
	125	05/09 → 11/11	●	+sport pack	P23115MM	[+]	16	BRE							
	125	05/09 → 11/11		●		P23109MM	[-]	17,8	TRW						
	100	06/10 → 11/11	●	-sport pack	P23129MM	[+]	15,8	BRE							
	100	06/10 → 11/11	●	+sport pack	P23115MM	[+]	16	BRE							
2.2 JTS	136	03/06 → 11/11	●	-sport pack; → 7195450	P23103MM	[+]	20,5	ATE							
	136	03/06 → 11/11	●	-sport pack; 7195451 →	P23129MM	[+]	15,8	BRE							
	136	03/06 → 11/11		●		P23109MM	[-]	17,8	TRW						
2.4 JTDM	147	03/06 → 11/11	●	→ 7115379	P23078MM	[+]	16	BRE							
	147	03/06 → 11/11	●	7115380 →	P23115MM	[+]	16	BRE							
	147	03/06 → 11/11		●		P23089MM	[-]	17,8	TRW						
2.4 JTDM (939.BXM1B)	154	05/07 → 12/12	●	→ 7115379	P23078MM	[+]	16	BRE							
	154	05/07 → 12/12	●	7115380 →	P23115MM	[+]	16	BRE							
	154	05/07 → 12/12		●		P23089MM	[-]	17,8	TRW						
2.4 JTDM Q4	154	05/07 → 11/11	●	→ 7115379	P23078MM	[+]	16	BRE							
	154	05/07 → 11/11	●	7115380 →	P23115MM	[+]	16	BRE							
	154	05/07 → 11/11		●		P23089MM	[-]	17,8	TRW						
3.2 JTS	191	02/08 → 11/11	●	→ 7115379	P23078MM	[+]	16	BRE							
	191	02/08 → 11/11	●	7115380 →	P23115MM	[+]	16	BRE							
	191	02/08 → 11/11		●		P23089MM	[-]	17,8	TRW						
3.2 JTS Q4	191	03/06 → 11/11	●	→ 7115379	P23078MM	[+]	16	BRE							
	191	03/06 → 11/11	●	7115380 →	P23115MM	[+]	16	BRE							
	191	03/06 → 11/11		●		P23089MM	[-]	17,8	TRW						

166 (936_) 09/98 → 06/07

2.0 T.Spark (936A3A_)	114	09/98 → 10/00	●		P23116MM	[+]	19	ATE						A02202	
	114	09/98 → 10/00		●		P23067MM	[-]	16,6	TRW						
2.0 T.Spark (936A3B_)	110	10/00 → 06/07	●		P23116MM	[+]	19	ATE						A02202	
	110	10/00 → 06/07		●		P23067MM	[-]	16,6	TRW						
2.0 V6 (936A3_)	151	09/98 → 10/00	●		P23078MM	[+]	16	BRE							
	151	09/98 → 10/00		●		P23067MM	[-]	16,6	TRW						
2.4 JTD	110	04/02 → 06/07	●		P23116MM	[+]	19	ATE						A02202	
	110	04/02 → 06/07		●		P23067MM	[-]	16,6	TRW						
	129	10/03 → 06/07	●		P23078MM	[+]	16	BRE							
	129	10/03 → 06/07		●		P23067MM	[-]	16,6	TRW						
	132	07/06 → 06/07	●		P23078MM	[+]	16	BRE							
	132	07/06 → 06/07		●		P23067MM	[-]	16,6	TRW						
	136	07/05 → 06/07	●		P23078MM	[+]	16	BRE							
	136	07/05 → 06/07		●		P23067MM	[-]	16,6	TRW						
	120	10/03 → 06/07	●		P23116MM	[+]	19	ATE							
	120	10/03 → 06/07		●		P23067MM	[-]	16,6	TRW						

									WI			FK	
	kw									LENGHT			

ALFA ROMEO

166 (936_) 09/98 → 06/07													
2.4 JTD (936A2A_)	100	09/98 → 10/00	●			P23116MM	[+]	19	ATE				A02202
2.4 JTD (936A2B_)	103	10/00 → 06/07	●			P23116MM	[+]	19	ATE				A02202
2.5 V6 24V (936A2_)	140	09/98 → 12/06	●			P23078MM	[+]	16	BRE				
2.5 V6 24V (936A21_)	138	10/00 → 06/07	●			P23067MM	[-]	16,6	TRW				
3.0 V6 24V (936A1_)	166	09/98 → 06/07	●			P23078MM	[+]	16	BRE				
3.0 V6 24V (936A11_)	162	10/00 → 06/07	●			P23078MM	[+]	16	BRE				
3.2 V6 24V	176	10/03 → 06/07	●			P23078MM	[+]	16	BRE				
	176	10/03 → 06/07	●			P23067MM	[-]	16,6	TRW				

BRERA (939_) 01/06 → 05/11													
1.8 Tbi	147	05/09 → 06/10	●			P23078MM	[+]	16	BRE				
	147	05/09 → 06/10	●			P23089MM	[-]	17,8	TRW				
2.0 JTDM	120	03/08 → 06/10	●			P23129MM	[+]	15,8	BRE				
	120	03/08 → 06/10	●			P23109MM	[-]	17,8	TRW				
	125	05/09 → 06/10	●	-sport pack		P23129MM	[+]	15,8	BRE				
	125	05/09 → 06/10	●			P23109MM	[-]	17,8	TRW				
2.2 JTS (939.DXB11)	136	01/06 → 05/11	●	-sport pack; → 03/08		P23103MM	[+]	20,5	ATE			A02213	→ 03/08
	136	01/06 → 05/11	●	-sport pack; 04/08 →		P23129MM	[+]	15,8	BRE			A02213	→ 03/08
	136	01/06 → 05/11	●			P23109MM	[-]	17,8	TRW				
2.4 JTDM 20V	147	01/06 → 06/10	●			P23078MM	[+]	16	BRE				
	147	01/06 → 06/10	●			P23089MM	[-]	17,8	TRW				
	154	05/07 → 06/10	●			P23078MM	[+]	16	BRE				
	154	05/07 → 06/10	●			P23089MM	[-]	17,8	TRW				
3.2 JTS	191	03/08 → 06/10	●			P23078MM	[+]	16	BRE				
	191	03/08 → 06/10	●			P23089MM	[-]	17,8	TRW				
3.2 JTS Q4 (939.DXG22)	191	01/06 → 05/11	●			P23078MM	[+]	16	BRE				
	191	01/06 → 05/11	●			P23089MM	[-]	17,8	TRW				

GIULIETTA (940_) 04/10 →													
1.4 BIFuel	88	12/11 →	●	-sport pack		P23148MM	[+]	18,5/18,9	ATE				
	88	12/11 →	●	+sport pack; → 05/12		P23134MM	[+]	15,7	BRE				
	88	12/11 →	●	+sport pack; 05/12 →		P23154MM	[+]	16	BRE				
	88	12/11 →	●	-sport pack		P23133MM	[+]	17,8	TRW				
	88	12/11 →	●	+sport pack		P23152MM	[+]	17,8	TRW				
	85	04/10 →	●	+sport pack; → 05/12		P23134MM	[+]	15,7	BRE				
	85	04/10 →	●	+sport pack; 05/12 →		P23154MM	[+]	16	BRE				
	85	04/10 →	●			P23148MM	[+]	18,5/18,9	ATE				
	85	04/10 →	●	+sport pack		P23152MM	[+]	17,8	TRW				
	85	04/10 →	●			P23133MM	[+]	17,8	TRW				
1.4 TB	120	04/10 →	●	-sport pack		P23132MM	[+]	20,1/20,4	ATE				
	120	04/10 →	●	+sport pack; → 05/12		P23134MM	[+]	15,7	BRE				
	120	04/10 →	●	+sport pack; 05/12 →		P23154MM	[+]	16	BRE				
	120	04/10 →	●	-sport pack		P23133MM	[+]	17,8	TRW				
	120	04/10 →	●	+sport pack		P23152MM	[+]	17,8	TRW				
	77	04/11 →	●	+sport pack; → 05/12		P23134MM	[+]	15,7	BRE				
	77	04/11 →	●	+sport pack; 05/12 →		P23154MM	[+]	16	BRE				

		kw						wi	Th [mm]	SYS	WI			FK	
												LENGHT			

ALFA ROMEO

GIULIETTA (940_) 04/10 →

1.4 TB	77	04/11 →	●			P23148MM	[+]	18,5/ 18,9	ATE						
	77	04/11 →		●	+sport pack	P23152MM	[+]	17,8	TRW						
	77	04/11 →		●		P23133MM	[+]	17,8	TRW						
	110	09/14 →	●		-sport pack	P23132MM	[+]	20,1/ 20,4	ATE						
	110	09/14 →	●		+sport pack	P23154MM	[+]	16	BRE						
	110	09/14 →		●	-sport pack	P23133MM	[+]	17,8	TRW						
	110	09/14 →		●	+sport pack	P23152MM	[+]	17,8	TRW						
1.4 TB (940FXA1A)	88	04/10 →	●		-sport pack	P23148MM	[+]	18,5/ 18,9	ATE						
	88	04/10 →	●		+sport pack; → 05/12	P23134MM	[+]	15,7	BRE						
	88	04/10 →	●		+sport pack; 05/12 →	P23154MM	[+]	16	BRE						
	88	04/10 →		●	-sport pack	P23133MM	[+]	17,8	TRW						
	88	04/10 →		●	+sport pack	P23152MM	[+]	17,8	TRW						
1.4 TB (940FXB1A)	125	04/10 →	●		-sport pack	P23132MM	[+]	20,1/ 20,4	ATE						
	125	04/10 →	●		+sport pack; → 05/12	P23134MM	[+]	15,7	BRE						
	125	04/10 →	●		+sport pack; 05/12 →	P23154MM	[+]	16	BRE						
	125	04/10 →		●	-sport pack	P23133MM	[+]	17,8	TRW						
	125	04/10 →		●	+sport pack	P23152MM	[+]	17,8	TRW						
1.6 JTDM (940.FYB1_)	88	02/15 →	●		-sport pack	P23148MM	[+]	18,5/ 18,9	ATE						
	88	02/15 →	●		+sport pack	P23154MM	[+]	16	BRE						
	88	02/15 →		●		P23133MM	[+]	17,8	TRW						
1.6 JTDM (940.FYE1_)	85	09/15 →	●		-sport pack	P23148MM	[+]	18,5/ 18,9	ATE						
	85	09/15 →	●		+sport pack	P23154MM	[+]	16	BRE						
	85	09/15 →		●		P23133MM	[+]	17,8	TRW						
1.6 JTDM (940FXD1A)	77	04/10 →	●		+sport pack; → 05/12	P23134MM	[+]	15,7	BRE						
	77	04/10 →	●		+sport pack; 05/12 →	P23154MM	[+]	16	BRE						
	77	04/10 →	●			P23148MM	[+]	18,5/ 18,9	ATE						
	77	04/10 →		●	+sport pack	P23152MM	[+]	17,8	TRW						
	77	04/10 →		●		P23133MM	[+]	17,8	TRW						
1.8 Tbi	177	09/13 →	●		-sport pack	P23132MM	[+]	20,1/ 20,4	ATE						
	177	09/13 →	●			P23154MM	[+]	16	BRE						
	177	09/13 →		●	-sport pack	P23133MM	[+]	17,8	TRW						
	177	09/13 →		●		P23152MM	[+]	17,8	TRW						
	169	04/10 → 09/13	●		→ 05/12	P23134MM	[+]	15,7	BRE						
	169	04/10 → 09/13	●		05/12 →	P23154MM	[+]	16	BRE						
	169	04/10 → 09/13		●		P23152MM	[+]	17,8	TRW						
1.8 Tbi (940FXC1A)	173	04/10 →	●		→ 05/12	P23134MM	[+]	15,7	BRE						
	173	04/10 →	●		05/12 →	P23154MM	[+]	16	BRE						
	173	04/10 →		●		P23152MM	[+]	17,8	TRW						
2.0 JTDM	120	04/10 →	●		-sport pack	P23132MM	[+]	20,1/ 20,4	ATE						
	120	04/10 →	●		+sport pack; → 05/12	P23134MM	[+]	15,7	BRE						
	120	04/10 →	●		+sport pack; 05/12 →	P23154MM	[+]	16	BRE						
	120	04/10 →		●	-sport pack	P23133MM	[+]	17,8	TRW						
	120	04/10 →		●	+sport pack	P23152MM	[+]	17,8	TRW						
	100	04/10 →	●		-sport pack	P23132MM	[+]	20,1/ 20,4	ATE						
	100	04/10 →	●		+sport pack; → 05/12	P23134MM	[+]	15,7	BRE						

	kw				MAGNETI MARELLI	wi	Th [mm]	SYS	WI			FK	
									MAGNETI MARELLI	LENGHT		MAGNETI MARELLI	

ALFA ROMEO

GIULIETTA (940_) 04/10 →

2.0 JTDM	100	04/10 →	●	+sport pack; 05/12 →	P23154MM	[+]	16	BRE					
	100	04/10 →		● -sport pack	P23133MM	[+]	17,8	TRW					
	100	04/10 →		● +sport pack	P23152MM	[+]	17,8	TRW					
	125	04/10 →	●	-sport pack	P23132MM	[+]	20,1/ 20,4	ATE					
	125	04/10 →	●	+sport pack; → 05/12	P23134MM	[+]	15,7	BRE					
	125	04/10 →	●	+sport pack; 05/12 →	P23154MM	[+]	16	BRE					
	125	04/10 →		● -sport pack	P23133MM	[+]	17,8	TRW					
	125	04/10 →		● +sport pack	P23152MM	[+]	17,8	TRW					
	129	11/13 →	●	-sport pack	P23132MM	[+]	20,1/ 20,4	ATE					
	129	11/13 →	●	+sport pack	P23154MM	[+]	16	BRE					
	129	11/13 →		● -sport pack	P23133MM	[+]	17,8	TRW					
	129	11/13 →		● +sport pack	P23152MM	[+]	17,8	TRW					
2.0 JTDM (940.FXL1A)	103	04/10 →	●	-sport pack	P23132MM	[+]	20,1/ 20,4	ATE					
	103	04/10 →	●	+sport pack; → 05/12	P23134MM	[+]	15,7	BRE					
	103	04/10 →	●	+sport pack; 05/12 →	P23154MM	[+]	16	BRE					
	103	04/10 →		● -sport pack	P23133MM	[+]	17,8	TRW					
	103	04/10 →		● +sport pack	P23152MM	[+]	17,8	TRW					
2.0 JTDM (940.FYC1A, 940.FXQ1A)	110	08/13 →	●	-sport pack	P23132MM	[+]	20,1/ 20,4	ATE					
	110	08/13 →	●	+sport pack	P23154MM	[+]	16	BRE					
	110	08/13 →		● -sport pack	P23133MM	[+]	17,8	TRW					
	110	08/13 →		● +sport pack	P23152MM	[+]	17,8	TRW					

GT (937_) 11/03 → 09/10

1.8 TS	103	11/03 → 09/10	●	→ 3286797	P23077MM	[+]	19	ATE				A02202
	103	11/03 → 09/10	●	3286798 →	P23112MM	[+]	19	ATE				A02202
	103	11/03 → 09/10	●		P23065MM	[-]	16,5	TRW				
1.9 JTD	110	11/03 → 09/10	●	→ 3286797	P23077MM	[+]	19	ATE				A02202
	110	11/03 → 09/10	●	3286798 →	P23112MM	[+]	19	ATE				A02202
	110	11/03 → 09/10	●		P23065MM	[-]	16,5	TRW				
	125	05/08 → 09/10	●	→ 3286797	P23077MM	[+]	19	ATE				
	125	05/08 → 09/10	●	3286798 →	P23112MM	[+]	19	ATE				
	125	05/08 → 09/10	●		P23065MM	[-]	16,5	TRW				
2.0 JTS	119	12/06 → 09/10	●	→ 3286797	P23077MM	[+]	19	ATE				A02202
	119	12/06 → 09/10	●	3286798 →	P23112MM	[+]	19	ATE				A02202
	119	12/06 → 09/10	●		P23065MM	[-]	16,5	TRW				
	121	11/03 → 09/10	●	→ 3286797	P23077MM	[+]	19	ATE				A02202
	121	11/03 → 09/10	●	3286798 →	P23112MM	[+]	19	ATE				A02202
3.2 GTA	176	11/03 → 09/10	●		P23077MM	[+]	19	ATE				A02202
	176	11/03 → 09/10	●		P23098MM	[+]	16	BRE				A02202
	176	11/03 → 09/10	●		P23065MM	[-]	16,5	TRW				

GTV (916_) 09/94 → 10/05

1.8 16V (916C3)	106	05/98 → 10/05	●		P23077MM	[+]	19	ATE				A02202
	106	05/98 → 10/05	●		P23026MM	[-]	14,4	TRW				A02205
2.0 JTS	121	04/03 → 10/05	●		P23077MM	[+]	19	ATE				A02202
	121	04/03 → 10/05	●		P23026MM	[-]	14,4	TRW				A02205
2.0 T.SPARK 16V (916.C2_ 916C2C00)	110	06/95 → 10/05	●	→ 05/98	P23071MM	[+]	17,9	ATE				A02202
	110	06/95 → 10/05	●	→ 05/98	P23066MM	[+]	19,3	TRW				A02202
	110	06/95 → 10/05	●	05/98 →	P23077MM	[+]	19	ATE				A02202
	110	06/95 → 10/05	●		P23026MM	[-]	14,4	TRW				A02205

kw		wi		Th [mm]		SYS		wi		LENGHT		FK		

ALFA ROMEO

GTV (916_) 09/94 → 10/05

2.0 T.SPARK 16V (916C2C)	114	05/98 → 08/00	●		P23077MM	[+]	19	ATE					A02202	
	114	05/98 → 08/00		●	P23026MM	[-]	14,4	TRW					A02205	
2.0 V6 Turbo (916.C2A)	148	06/95 → 09/98	●	→ 05/98	P23071MM	[+]	17,9	ATE					A02202	
	148	06/95 → 09/98	●	→ 05/98	P23066MM	[+]	19,3	TRW					A02202	
	148	06/95 → 09/98	●	05/98 →	P23077MM	[+]	19	ATE					A02202	
	148	06/95 → 09/98		●	P23026MM	[-]	14,4	TRW					A02205	
3.0 V6 24V (916.C1)	162	10/96 → 10/00	●		P23074MM	[+]	18	BRE						
	162	10/96 → 10/00		●	P23026MM	[-]	14,4	TRW					A02205	
3.0 V6 24V (916.C1B_)	160	10/00 → 10/05	●		P23074MM	[+]	18	BRE						
	160	10/00 → 10/05		●	P23026MM	[-]	14,4	TRW					A02205	
3.2 V6 24V	176	04/03 → 10/05	●		P23074MM	[+]	18	BRE						
	176	04/03 → 10/05		●	P23026MM	[-]	14,4	TRW					A02205	

MITO (955_) 09/08 →

0.9	74	12/13 →	●		P23141MM	[+]	17,8	BSH						
	74	12/13 →		●	P23131MM	[+]	17,2	TRW						
0.9 TwinAir	63	07/11 →	●		P23141MM	[+]	17,8	BSH						
	63	07/11 →		●	P23108MM	[+]	17,8	BSH						
	63	07/11 →		●	P23080MM	[-]	15,5	BSH						
	63	07/11 →		●	P23131MM	[+]	17,2	TRW						
	77	04/13 →	●		P23141MM	[+]	17,8	BSH						
	77	04/13 →		●	P23131MM	[+]	17,2	TRW						
1.3 MultiJet	62	01/11 →	●		P23145MM	[+]	19,4	BSH						
	62	01/11 →		●	P23080MM	[-]	15,5	BSH						
	62	01/11 →		●	P23131MM	[+]	17,2	TRW						
	66	09/08 →	●		P23145MM	[+]	19,4	BSH						
	66	09/08 →		●	P23080MM	[-]	15,5	BSH						
	66	09/08 →		●	P23131MM	[+]	17,2	TRW						
	70	10/09 →	●		P23145MM	[+]	19,4	BSH						
	70	10/09 →		●	P23080MM	[-]	15,5	BSH						
	70	10/09 →		●	P23131MM	[+]	17,2	TRW						
	59	12/13 →	●		P23145MM	[+]	19,4	BSH						
	59	12/13 →		●	P23131MM	[+]	17,2	TRW						
	1.4	51	05/11 →	●		P23141MM	[+]	17,8	BSH					
51		05/11 →	●		P23108MM	[+]	17,8	BSH						
51		05/11 →		●	P23080MM	[-]	15,5	BSH						
51		05/11 →		●	P23131MM	[+]	17,2	TRW						
57		03/11 →	●		P23141MM	[+]	17,8	BSH						
57		03/11 →	●		P23108MM	[+]	17,8	BSH						
57		03/11 →		●	P23080MM	[-]	15,5	BSH						
57		03/11 →		●	P23131MM	[+]	17,2	TRW						
70		09/08 →	●	07/10 →; 1096216 →	P23141MM	[+]	17,8	BSH						
70		09/08 →	●	→ 07/10; → 1096215	P23108MM	[+]	17,8	BSH						
70		09/08 →		●	P23080MM	[-]	15,5	BSH						
70		09/08 →		●	P23131MM	[+]	17,2	TRW						
58		09/08 →	●	07/10 →; 1096216 →	P23141MM	[+]	17,8	BSH						
58		09/08 →	●	→ 07/10; → 1096215	P23108MM	[+]	17,8	BSH						
58		09/08 →		●	P23080MM	[-]	15,5	BSH						
58		09/08 →		●	P23131MM	[+]	17,2	TRW						
1.4 Bifuel	88	07/11 →	●		P23145MM	[+]	19,4	BSH						
	88	07/11 →		●	P23080MM	[-]	15,5	BSH						
	88	07/11 →		●	P23131MM	[+]	17,2	TRW						

	kw										LENGHT			

ALFA ROMEO

MITO (955_) 09/08 →

1.4 Bifuel (955.AXG1A)	88	04/16 →	●		P23145MM	[+]	19,4	BSH						
	88	04/16 →		●	P23080MM	[-]	15,5	BSH						
	88	04/16 →		●	113577 →	P23131MM	[+]	17,2	TRW					
1.4 MultiAir	77	08/10 →	●		P23108MM	[+]	17,8	BSH						
	77	08/10 →		●	1096217 →	P23141MM	[+]	17,8	BSH					
	77	08/10 →		●	Bosch	P23080MM	[-]	15,5	BSH					
	77	08/10 →		●	113577 →	P23131MM	[+]	17,2	TRW					
1.4 TB	103	12/13 →	●		P23145MM	[+]	19,4	BSH						
	103	12/13 →		●		P23131MM	[+]	17,2	TRW					
1.4 TJet	114	09/08 →	●		09/10 →	P23139MM	[+]	15,3	BRE					
	114	09/08 →		●	→ 09/10	P23117MM	[+]	15,3	BRE					
	114	09/08 →		●		P23080MM	[-]	15,5	BSH					
	114	09/08 →		●		P23131MM	[+]	17,2	TRW					
	88	09/08 →		●		P23145MM	[+]	19,4	BSH					
	88	09/08 →		●		P23080MM	[-]	15,5	BSH					
	88	09/08 →		●		P23131MM	[+]	17,2	TRW					
	110	09/08 →		●	09/10 →	P23139MM	[+]	15,3	BRE					
	110	09/08 →		●	→ 09/10	P23117MM	[+]	15,3	BRE					
	110	09/08 →		●		P23080MM	[-]	15,5	BSH					
1.4 Turbo MultiAir	120	10/09 →	●		09/10 →	P23139MM	[+]	15,3	BRE					
	120	10/09 →		●	→ 09/10	P23117MM	[+]	15,3	BRE					
	120	10/09 →		●		P23080MM	[-]	15,5	BSH					
	120	10/09 →		●		P23131MM	[+]	17,2	TRW					
	99	10/09 →		●		P23145MM	[+]	19,4	BSH					
	99	10/09 →		●		P23080MM	[-]	15,5	BSH					
	99	10/09 →		●		P23131MM	[+]	17,2	TRW					
	125	10/09 →		●	09/10 →	P23139MM	[+]	15,3	BRE					
	125	10/09 →		●	→ 09/10	P23117MM	[+]	15,3	BRE					
	125	10/09 →		●		P23080MM	[-]	15,5	BSH					
1.6 JTDM	88	09/08 →		●		P23145MM	[+]	19,4	BSH					
	88	09/08 →		●		P23080MM	[-]	15,5	BSH					
	88	09/08 →		●		P23131MM	[+]	17,2	TRW					
	85	09/08 →		●		P23145MM	[+]	19,4	BSH					
	85	09/08 →		●		P23080MM	[-]	15,5	BSH					
	85	09/08 →		●		P23131MM	[+]	17,2	TRW					

SPIDER (916_) 09/94 → 04/05

1.8 16V (916S3)	106	05/98 → 04/05	●		P23077MM	[+]	19	ATE					A02202
	106	05/98 → 04/05		●	P23026MM	[-]	14,4	TRW					A02205
2.0 JTS	121	04/03 → 04/05	●		P23077MM	[+]	19	ATE					A02202
	121	04/03 → 04/05		●	P23026MM	[-]	14,4	TRW					A02205
2.0 T.SPARK 16V (916S2B)	114	05/98 → 08/00	●		P23077MM	[+]	19	ATE					A02202
	114	05/98 → 08/00		●		P23026MM	[-]	14,4	TRW				A02205
2.0 T.SPARK 16V (916S2C00)	110	06/95 → 04/05	●		→ 6009486	P23017MM	[+]	17,1	TRW				A02202
	110	06/95 → 04/05		●	6009487 →	P23071MM	[+]	17,9	ATE				A02202
	110	06/95 → 04/05		●	05/98 →	P23077MM	[+]	19	ATE				A02202
	110	06/95 → 04/05		●		P23026MM	[-]	14,4	TRW				A02205
2.0 V6 Turbo (916S2A)	148	05/98 → 04/05	●			P23077MM	[+]	19	ATE				A02202
	148	05/98 → 04/05		●		P23026MM	[-]	14,4	TRW				A02205
3.0 V6 (916S1)	141	06/95 → 04/05	●		→ 05/98	P23071MM	[+]	17,9	ATE				A02202
	141	06/95 → 04/05		●	→ 05/98	P23066MM	[+]	19,3	TRW				A02202

		kw						wi	Th [mm]	SYS		LENGHT				WI	FK
--	--	----	--	--	--	--	--	----	---------	-----	--	--------	--	--	--	----	----

ALFA ROMEO

SPIDER (916_) 09/94 → 04/05

3.0 V6 (916S1)	141	06/95 → 04/05	●	05/98 →	P23077MM	[+]	19	ATE									A02202
	141	06/95 → 04/05	●		P23026MM	[-]	14,4	TRW									A02205
3.0 V6 (916S1B00)	160	09/94 → 04/05	●		P23074MM	[+]	18	BRE									
	160	09/94 → 04/05	●		P23026MM	[-]	14,4	TRW									A02205
3.0 V6 24V	162	01/99 → 10/03	●		P23074MM	[+]	18	BRE									
	162	01/99 → 10/03	●		P23026MM	[-]	14,4	TRW									A02205
3.2 V6 24V	176	04/03 → 04/05	●		P23074MM	[+]	18	BRE									
	176	04/03 → 04/05	●		P23026MM	[-]	14,4	TRW									A02205

SPIDER (939_) 03/06 → 06/10

1.8 Tbi	147	05/09 → 06/10	●		P23078MM	[+]	16	BRE									
	147	05/09 → 06/10	●		P23089MM	[-]	17,8	TRW									
2.0 JTDM	120	04/09 → 06/10	●		P23129MM	[+]	15,8	BRE									
	120	04/09 → 06/10	●		P23109MM	[-]	17,8	TRW									
	125	05/09 → 06/10	●		P23129MM	[+]	15,8	BRE									
	125	05/09 → 06/10	●		P23109MM	[-]	17,8	TRW									
2.2 JTS	136	03/06 → 06/10	●	→ 03/08	P23103MM	[+]	20,5	ATE								A02213	→ 03/08
	136	03/06 → 06/10	●		P23129MM	[+]	15,8	BRE								A02213	→ 03/08
	136	03/06 → 06/10	●		P23109MM	[-]	17,8	TRW									
2.4 JTDM	147	04/07 → 06/10	●		P23103MM	[+]	20,5	ATE								A02213	
	147	04/07 → 06/10	●		P23089MM	[-]	17,8	TRW									
	154	03/08 → 06/10	●		P23103MM	[+]	20,5	ATE									
	154	03/08 → 06/10	●		P23089MM	[-]	17,8	TRW									
3.2 JTS	191	03/08 → 06/10	●		P23078MM	[+]	16	BRE									
	191	03/08 → 06/10	●		P23089MM	[-]	17,8	TRW									
3.2 JTS Q4	191	03/06 → 06/10	●		P23078MM	[+]	16	BRE									
	191	03/06 → 06/10	●		P23089MM	[-]	17,8	TRW									

ALPINA

B10 (E39) 12/96 → 05/04

4.6 V8	250	12/96 → 10/98	●		P06021MM	[O]	19,3	ATE	A00200	805							
	250	12/96 → 10/98	●		P06023MM	[O]	17,3	ATE	A00201	545							
	255	10/98 → 09/02	●		P06021MM	[O]	19,3	ATE	A00200	805				A02213	04/00 →		
	255	10/98 → 09/02	●		P06023MM	[O]	17,3	ATE	A00201	545							

B10 Estate (E39) 01/97 → 05/04

4.6 V8	250	01/97 → 10/98	●		P06021MM	[O]	19,3	ATE	A00200	805							
	250	01/97 → 10/98	●		P06023MM	[O]	17,3	ATE	A00201	545							
	255	10/98 → 09/02	●		P06021MM	[O]	19,3	ATE	A00200	805				A02213	04/00 →		
	255	10/98 → 09/02	●		P06023MM	[O]	17,3	ATE	A00201	545							

B7 (F01, F02) 03/09 → 01/16

BITURBO	373	03/09 → 06/12	●		P06076MM	[O]	19,3	ATE	A00422	1083							
	373	03/09 → 06/12	●		P06053MM	[O]	16,9	ATE	A00423	1066							

ROADSTER (Z8) 06/02 → 10/03

4.8 V8	280	06/02 → 10/03	●		P06019MM	[O]	20,8	ATE	A00202	760						A02213	
	280	06/02 → 10/03	●		P06020MM	[O]	17,2	ATE	A00201	545							

ROADSTER S (Z4) 07/03 → 12/05

3.3	221	07/03 → 12/05	●		P06024MM	[O]	17,8	ATE	A00220	596						A02224	
	221	07/03 → 12/05	●		P06025MM	[O]	17,3	ATE	A00248	1150						A02222	

	kw				MAGNETI MARELLI	wi	Th [mm]	SYS	WI			FK	
									MAGNETI MARELLI	LENGHT		MAGNETI MARELLI	

ARO

10 06/80 → 10/06														
1.3	40	06/80 → 11/86	●				P68004MM	[o]	14	BDX				
1.4	46	06/84 → 10/99	●				P68004MM	[o]	14	BDX				
1.6	55	06/88 → 10/99	●				P68004MM	[o]	14	BDX				
	67	06/98 → 10/99	●				P68004MM	[o]	14	BDX				
1.6 16V	78	06/98 → 10/99	●				P68004MM	[o]	14	BDX				
1.6 D	40	09/86 → 10/99	●				P68004MM	[o]	14	BDX				
1.6 TD	51	08/88 → 10/99	●				P68004MM	[o]	14	BDX				
	59	01/89 → 12/92	●				P68004MM	[o]	14	BDX				
1.9 D	48	09/92 → 10/06	●				P68004MM	[o]	14	BDX				
1.9 TD	69	06/97 → 10/06	●				P68004MM	[o]	14	BDX				
240-244 04/78 → 12/06														
2.5	59	04/78 → 12/98	●				P68004MM	[o]	14	BDX				
	60	01/80 → 12/98	●				P68004MM	[o]	14	BDX				
2.5 D	52	01/83 → 12/98	●				P68004MM	[o]	14	BDX				
2.5 TD	70	01/92 → 12/06	●				P68004MM	[o]	14	BDX				
	74	01/92 → 12/06	●				P68004MM	[o]	14	BDX				
2.7 D	50	09/89 → 12/98	●				P68004MM	[o]	14	BDX				
	52	04/85 → 12/98	●				P68004MM	[o]	14	BDX				
	60	01/83 → 12/98	●				P68004MM	[o]	14	BDX				
2.7 TD	64	04/85 → 12/06	●				P68004MM	[o]	14	BDX				
2.9 V6	108	01/98 → 12/06	●				P68004MM	[o]	14	BDX				
3.0	70	01/92 → 12/06	●				P68004MM	[o]	14	BDX				
3.1 D	47	01/80 → 12/83	●				P68004MM	[o]	14	BDX				

ASTON MARTIN

CYGNET 04/11 → 10/13														
1.3	72	04/11 → 10/13	●				P83097MM	[+]	16,6	ADV				
	72	04/11 → 10/13	●				P83083MM	[+]	14,3	AKE				
DB7 Coupé 01/94 → 10/03														
3.2	250	01/96 → 10/03	●				P36003MM	[-]	15,6	TRW				
	233	11/95 → 06/99	●				P36003MM	[-]	15,6	TRW				
	233	05/94 → 06/99	●				P36017MM	[o]	16	ATE				
	233	05/94 → 06/99	●				P23062MM	[+]	16,9	ATE				
6.0	309	03/99 → 10/03	●				P36003MM	[-]	15,6	TRW				
	320	10/02 → 10/03	●				P36003MM	[-]	15,6	TRW				
DB9 Convertible 04/04 → 10/16														
6.0	331	04/04 → 07/12	●				P02002MM	[o]	16,6	BRE				
	331	04/04 → 07/12	●				P02003MM	[o]	15,6	BRE				
	331	04/04 → 07/12	●	H/B			P02001MM	[-]	9	BRE				
6.0 V12	350	09/05 → 07/12	●				P02002MM	[o]	16,6	BRE				
	350	09/05 → 07/12	●				P02003MM	[o]	15,6	BRE				
	350	09/05 → 07/12	●	H/B			P02001MM	[-]	9	BRE				
	380	07/12 → 10/16	●				P02003MM	[o]	15,6	BRE				
DB9 Coupé 01/04 → 10/16														
4.2 V8	283	06/05 → 10/16	●				P02002MM	[o]	16,6	BRE				
	283	06/05 → 10/16	●				P02003MM	[o]	15,6	BRE				
	283	06/05 → 10/16	●	H/B			P02001MM	[-]	9	BRE				

ASTON MARTIN

DB9 Coupé 01/04 → 10/16

6.0 V12	331	01/04 → 10/16	●		P02002MM	[O]	16,6	BRE					
	331	01/04 → 10/16		●	P02003MM	[O]	15,6	BRE					
	331	01/04 → 10/16		●	H/B	P02001MM	[-]	9	BRE				
	350	01/08 → 07/12	●		P02002MM	[O]	16,6	BRE					
	350	01/08 → 07/12		●	P02003MM	[O]	15,6	BRE					
	350	01/08 → 07/12		●	H/B	P02001MM	[-]	9	BRE				
	380	07/12 → 10/16		●	P02003MM	[O]	15,6	BRE					

RAPIDE 03/10 →

6.0	350	03/10 → 09/13		●	H/B	P02001MM	[-]	9	BRE				
-----	-----	---------------	--	---	-----	----------	-----	---	-----	--	--	--	--

VANTAGE Coupé 10/05 →

4.3	283	10/05 →	●		P02002MM	[O]	16,6	BRE					
	283	10/05 →		●	P02003MM	[O]	15,6	BRE					
	283	10/05 →		●	H/B	P02001MM	[-]	9	BRE				
4.3 N400	298	01/08 → 12/10	●		P02002MM	[O]	16,6	BRE					
	298	01/08 → 12/10		●	P02003MM	[O]	15,6	BRE					
4.7	313	10/08 →	●		P02002MM	[O]	16,6	BRE					
	313	10/08 →		●	P02003MM	[O]	15,6	BRE					
	313	10/08 →		●	H/B	P02001MM	[-]	9	BRE				
4.7 S	321	01/11 →	●		P02002MM	[O]	16,6	BRE					
	321	01/11 →		●	P02003MM	[O]	15,6	BRE					
6.0 V12	380	09/09 → 12/13		●	H/B	P02001MM	[-]	9	BRE				

VANTAGE Roadster 04/07 →

4.3	283	04/07 →	●		P02002MM	[O]	16,6	BRE					
	283	04/07 →		●	P02003MM	[O]	15,6	BRE					
	283	04/07 →		●	H/B	P02001MM	[-]	9	BRE				
4.7	313	10/08 →	●		P02002MM	[O]	16,6	BRE					
	313	10/08 →		●	P02003MM	[O]	15,6	BRE					
	313	10/08 →		●	H/B	P02001MM	[-]	9	BRE				
4.7 S	321	06/11 →	●		P02002MM	[O]	16,6	BRE					
	321	06/11 →		●	P02003MM	[O]	15,6	BRE					

AUDI

A1 (8X1, 8XK) 05/10 →

1.0 TFSI	70	03/15 →	●	PR:1ZC	P85075MM	[+]	20,3	ATE					
	70	03/15 →	●	PR:1ZG	P85041MM	[-]	19,7	ATE					
	70	03/15 →	●	PR:1ZM; PR:1ZN; PR:1ZS	P85148MM	[-]	20,3	ATE					
	70	03/15 →		●	PR:1KT	P85020MM	[-]	17,2	TRW				
	70	03/15 →		●	PR:1KX; PR:1KF	P85135MM	[-]	17,5	TRW				
	60	01/16 →	●	PR:1ZG	P85041MM	[-]	19,7	ATE					
	60	01/16 →	●	PR:1ZC	P85075MM	[+]	20,3	ATE					
	60	01/16 →	●	PR:1ZS; PR:1ZM; PR:1ZN	P85148MM	[-]	20,3	ATE					
	60	01/16 →		●	PR:1KT	P85020MM	[-]	17,2	TRW				
	60	01/16 →		●	PR:1KF; PR:1KX	P85135MM	[-]	17,5	TRW				
1.2 TFSI	63	05/10 →	●	PR:1ZG	P85041MM	[-]	19,7	ATE					
	63	05/10 →	●	PR:1ZC	P85105MM	[-]	20,3	ATE					
	63	05/10 →		●	PR:1KS	P85114MM	[-]	17,7	BSH				
	63	05/10 →		●	PR:1KT	P85020MM	[-]	17,2	TRW				
1.4 TDI	66	11/14 →	●	PR:1ZG	P85041MM	[-]	19,7	ATE					
	66	11/14 →	●	PR:1ZC	P85105MM	[-]	20,3	ATE					
	66	11/14 →	●	PR:1ZM; PR:1ZN; PR:1ZS	P85148MM	[-]	20,3	ATE					
	66	11/14 →		●	PR:1KT	P85020MM	[-]	17,2	TRW				
	66	11/14 →		●	PR:1KX; PR:1KF	P85135MM	[-]	17,5	TRW				



kw



wi

Th [mm]

SYS

WI

FK



LENGHT



AUDI

A1 (8X1, 8XK) 05/10 →

	kw	Th [mm]	SYS	PR	P	Th [mm]	SYS	WI	FK
1.4 TFSI	136	01/11 →	●	PR:1ZG	P85041MM	[-]	19,7	ATE	
	136	01/11 →	●	PR:1ZC	P85105MM	[-]	20,3	ATE	
	136	01/11 →	●	PR:1LJ	P85075MM	[+]	20,3	ATE	
	136	01/11 →	●	PR:1KS	P85114MM	[-]	17,7	BSH	A02205 PR:1KT
	136	01/11 →	●	PR:1KT	P85020MM	[-]	17,2	TRW	A02205 PR:1KT
	103	04/12 →	●	PR:1ZG	P85041MM	[-]	19,7	ATE	
	103	04/12 →	●	PR:1ZC	P85105MM	[-]	20,3	ATE	
	103	04/12 →	●	PR:1LJ	P85075MM	[+]	20,3	ATE	
	103	04/12 →	●	PR:1KS	P85114MM	[-]	17,7	BSH	A02205 PR:1KT
	103	04/12 →	●	PR:1KT	P85020MM	[-]	17,2	TRW	A02205 PR:1KT
	90	05/10 →	●	PR:1ZG	P85041MM	[-]	19,7	ATE	
	90	05/10 →	●	PR:1ZC	P85105MM	[-]	20,3	ATE	
	90	05/10 →	●	PR:1KS	P85114MM	[-]	17,7	BSH	
	90	05/10 →	●	PR:1KT	P85020MM	[-]	17,2	TRW	
	92	11/14 →	●	PR:1ZG	P85041MM	[-]	19,7	ATE	
	92	11/14 →	●	PR:1ZC	P85105MM	[-]	20,3	ATE	
	92	11/14 →	●	PR:1ZM; PR:1ZN; PR:1ZS	P85148MM	[-]	20,3	ATE	
	92	11/14 →	●	PR:1KT	P85020MM	[-]	17,2	TRW	
	92	11/14 →	●	PR:1KX; PR:1KF	P85135MM	[-]	17,5	TRW	
	110	11/14 →	●	PR:1ZG	P85041MM	[-]	19,7	ATE	
110	11/14 →	●	PR:1ZC	P85105MM	[-]	20,3	ATE		
110	11/14 →	●	PR:1ZN; PR:1ZM; PR:1ZS	P85148MM	[-]	20,3	ATE		
110	11/14 →	●	PR:1KT	P85020MM	[-]	17,2	TRW		
110	11/14 →	●	PR:1KX; PR:1KF	P85135MM	[-]	17,5	TRW		
1.6 TDI	66	03/11 →	●	PR:1ZG	P85041MM	[-]	19,7	ATE	
	66	03/11 →	●	PR:1ZC	P85105MM	[-]	20,3	ATE	
	66	03/11 →	●	PR:1KS	P85114MM	[-]	17,7	BSH	A02205 PR:1KT
	66	03/11 →	●	PR:1KT	P85020MM	[-]	17,2	TRW	A02205 PR:1KT
	77	05/10 →	●	PR:1ZG	P85041MM	[-]	19,7	ATE	
	77	05/10 →	●	PR:1ZC	P85105MM	[-]	20,3	ATE	
	77	05/10 →	●	PR:1KS	P85114MM	[-]	17,7	BSH	
	77	05/10 →	●	PR:1KT	P85020MM	[-]	17,2	TRW	
	85	11/14 →	●	PR:1ZG	P85041MM	[-]	19,7	ATE	
	85	11/14 →	●	PR:1ZC	P85105MM	[-]	20,3	ATE	
	85	11/14 →	●	PR:1ZN; PR:1ZM; PR:1ZS	P85148MM	[-]	20,3	ATE	
	85	11/14 →	●	PR:1KT	P85020MM	[-]	17,2	TRW	
85	11/14 →	●	PR:1KX; PR:1KF	P85135MM	[-]	17,5	TRW		
1.8 TFSI	141	02/15 →	●	PR:1ZG	P85041MM	[-]	19,7	ATE	
	141	02/15 →	●	PR:1ZC	P85105MM	[-]	20,3	ATE	
	141	02/15 →	●	PR:1ZN; PR:1ZS; PR:1ZM	P85148MM	[-]	20,3	ATE	
	141	02/15 →	●	PR:1KT	P85020MM	[-]	17,2	TRW	
	141	02/15 →	●	PR:1KX; PR:1KF	P85135MM	[-]	17,5	TRW	
2.0 TDI	105	09/11 →	●	PR:1ZG	P85041MM	[-]	19,7	ATE	
	105	09/11 →	●	PR:1ZC	P85105MM	[-]	20,3	ATE	
	105	09/11 →	●	PR:1LJ	P85075MM	[+]	20,3	ATE	
	105	09/11 →	●	PR:1KS	P85114MM	[-]	17,7	BSH	A02205 PR:1KT
	105	09/11 →	●	PR:1KT	P85020MM	[-]	17,2	TRW	A02205 PR:1KT
	100	05/12 →	●	PR:1ZG	P85041MM	[-]	19,7	ATE	
	100	05/12 →	●	PR:1ZC	P85105MM	[-]	20,3	ATE	
	100	05/12 →	●	PR:1LJ	P85075MM	[+]	20,3	ATE	
	100	05/12 →	●	PR:1KS	P85114MM	[-]	17,7	BSH	A02205 PR:1KT
100	05/12 →	●	PR:1KT	P85020MM	[-]	17,2	TRW	A02205 PR:1KT	

		kw						wi	Th [mm]	SYS	wi			FK	
												LEIGHT			

AUDI

A1 (8X1, 8XK) 05/10 →

2.0 TFSI quattro	188	03/12 →	●	PR:1ZG	P85041MM [-]	19,7	ATE								
	188	03/12 →	●	PR:1ZC	P85105MM [-]	20,3	ATE								
	188	03/12 →	●	PR:1LJ	P85146MM [+]	20,3	ATE								
	188	03/12 →		●	PR:1KS	P85114MM [-]	17,7	BSH							
	188	03/12 →		●	PR:1KT	P85020MM [-]	17,2	TRW							
S1 quattro	170	03/14 →	●	PR:1ZC	P85105MM [-]	20,3	ATE								
	170	03/14 →	●	PR:1ZS; PR:1ZM; PR:1ZN	P85148MM [-]	20,3	ATE								
	170	03/14 →	●	PR:1LJ	P85075MM [+]	20,3	ATE								
	170	03/14 →		●	PR:1KS	P85114MM [-]	17,7	BSH							

A1 Sportback (8XA, 8XF) 09/11 →

1.0 TFSI	70	03/15 →	●	PR:1ZC	P85075MM [+]	20,3	ATE								
	70	03/15 →	●	PR:1ZG	P85041MM [-]	19,7	ATE								
	70	03/15 →	●	PR:1ZN; PR:1ZM; PR:1ZS	P85148MM [-]	20,3	ATE								
	70	03/15 →		●	PR:1KT	P85020MM [-]	17,2	TRW							
	70	03/15 →		●	PR:1KX; PR:1KF	P85135MM [-]	17,5	TRW							
	60	01/16 →	●	PR:1ZG	P85041MM [-]	19,7	ATE								
	60	01/16 →	●	PR:1ZC	P85075MM [+]	20,3	ATE								
	60	01/16 →	●	PR:1ZM; PR:1ZN; PR:1ZS	P85148MM [-]	20,3	ATE								
	60	01/16 →		●	PR:1KT	P85020MM [-]	17,2	TRW							
1.2 TFSI	63	01/12 →	●	PR:1ZG	P85041MM [-]	19,7	ATE								
	63	01/12 →	●	PR:1ZC	P85105MM [-]	20,3	ATE								
	63	01/12 →		●	PR:1KS	P85114MM [-]	17,7	BSH					A02205	PR:1KT	
	63	01/12 →		●	PR:1KT	P85020MM [-]	17,2	TRW					A02205	PR:1KT	
1.4 TDI	66	11/14 →	●	PR:1ZC	P85075MM [+]	20,3	ATE								
	66	11/14 →	●	PR:1ZG	P85041MM [-]	19,7	ATE								
	66	11/14 →	●	PR:1ZM; PR:1ZN; PR:1ZS	P85148MM [-]	20,3	ATE								
	66	11/14 →		●	PR:1KT	P85020MM [-]	17,2	TRW							
	66	11/14 →		●	PR:1KX; PR:1KF	P85135MM [-]	17,5	TRW							
1.4 TFSI	90	11/11 →	●	PR:1ZC	P85075MM [+]	20,3	ATE								
	90	11/11 →	●	PR:1ZG	P85041MM [-]	19,7	ATE								
	90	11/11 →		●	PR:1KS	P85114MM [-]	17,7	BSH					A02205	PR:1KT	
	90	11/11 →		●	PR:1KT	P85020MM [-]	17,2	TRW					A02205	PR:1KT	
	103	04/12 →	●	PR:1ZG	P85041MM [-]	19,7	ATE								
	103	04/12 →	●	PR:1ZC	P85105MM [-]	20,3	ATE								
	103	04/12 →	●	PR:1LJ	P85075MM [+]	20,3	ATE								
	103	04/12 →		●	PR:1KS	P85114MM [-]	17,7	BSH					A02205	PR:1KT	
	103	04/12 →		●	PR:1KT	P85020MM [-]	17,2	TRW					A02205	PR:1KT	
	136	11/11 →	●	PR:1ZG	P85041MM [-]	19,7	ATE								
	136	11/11 →	●	PR:1ZC	P85105MM [-]	20,3	ATE								
	136	11/11 →	●	PR:1LJ	P85075MM [+]	20,3	ATE								
	136	11/11 →		●	PR:1KS	P85114MM [-]	17,7	BSH					A02205	PR:1KT	
	136	11/11 →		●	PR:1KT	P85020MM [-]	17,2	TRW					A02205	PR:1KT	
	92	11/14 →	●	PR:1ZC	P85075MM [+]	20,3	ATE								
	92	11/14 →	●	PR:1ZG	P85041MM [-]	19,7	ATE								
	92	11/14 →	●	PR:1ZN; PR:1ZM; PR:1ZS	P85148MM [-]	20,3	ATE								
	92	11/14 →		●	PR:1KT	P85020MM [-]	17,2	TRW							
	92	11/14 →		●	PR:1KX; PR:1KF	P85135MM [-]	17,5	TRW							
	110	11/14 →	●	PR:1ZC	P85075MM [+]	20,3	ATE								
110	11/14 →	●	PR:1ZG	P85041MM [-]	19,7	ATE									
110	11/14 →	●	PR:1ZM; PR:1ZN; PR:1ZS	P85148MM [-]	20,3	ATE									
110	11/14 →		●	PR:1KT	P85020MM [-]	17,2	TRW								
110	11/14 →		●	PR:1KX; PR:1KF	P85135MM [-]	17,5	TRW								

									WI			FK	
	kw						Th [mm]		MAGNETI MARELLI	LENGHT		MAGNETI MARELLI	

AUDI

A1 Sportback (8XA, 8XF) 09/11 →

1.6 TDI	66	11/11 →	●	PR:1ZG	P85041MM [-]	19,7	ATE						
	66	11/11 →	●	PR:1ZC	P85105MM [-]	20,3	ATE						
	66	11/11 →		●	PR:1KS	P85114MM [-]	17,7	BSH				A02205	PR:1KT
	66	11/11 →		●	PR:1KT	P85020MM [-]	17,2	TRW				A02205	PR:1KT
	77	11/11 →	●	PR:1ZC	P85075MM [+]	20,3	ATE						
	77	11/11 →	●	PR:1ZG	P85041MM [-]	19,7	ATE						
	77	11/11 →		●	PR:1KS	P85114MM [-]	17,7	BSH				A02205	PR:1KT
	77	11/11 →		●	PR:1KT	P85020MM [-]	17,2	TRW				A02205	PR:1KT
	85	11/14 →	●	PR:1ZC	P85075MM [+]	20,3	ATE						
	85	11/14 →	●	PR:1ZG	P85041MM [-]	19,7	ATE						
	85	11/14 →	●	PR:1ZM; PR:1ZN; PR:1ZS	P85148MM [-]	20,3	ATE						
	85	11/14 →		●	PR:1KT	P85020MM [-]	17,2	TRW					
	85	11/14 →		●	PR:1KX; PR:1KF	P85135MM [-]	17,5	TRW					
	1.8 TFSI	141	02/15 →	●	PR:1ZC	P85075MM [+]	20,3	ATE					
141		02/15 →	●	PR:1ZG	P85041MM [-]	19,7	ATE						
141		02/15 →	●	PR:1ZM; PR:1ZN; PR:1ZS	P85148MM [-]	20,3	ATE						
141		02/15 →		●	PR:1KT	P85020MM [-]	17,2	TRW					
141		02/15 →		●	PR:1KX; PR:1KF	P85135MM [-]	17,5	TRW					
2.0 TDI	100	05/12 →	●	PR:1ZG	P85041MM [-]	19,7	ATE						
	100	05/12 →	●	PR:1ZC	P85105MM [-]	20,3	ATE						
	100	05/12 →	●	PR:1LJ	P85075MM [+]	20,3	ATE						
	100	05/12 →		●	PR:1KS	P85114MM [-]	17,7	BSH				A02205	PR:1KT
	100	05/12 →		●	PR:1KT	P85020MM [-]	17,2	TRW				A02205	PR:1KT
	105	09/11 →	●	PR:1ZG	P85041MM [-]	19,7	ATE						
	105	09/11 →	●	PR:1ZC	P85105MM [-]	20,3	ATE						
	105	09/11 →	●	PR:1LJ	P85075MM [+]	20,3	ATE						
	105	09/11 →		●	PR:1KS	P85114MM [-]	17,7	BSH					
105	09/11 →		●	PR:1KT	P85020MM [-]	17,2	TRW						
S1 quattro	170	03/14 →	●	PR:1ZC	P85105MM [-]	20,3	ATE						
	170	03/14 →	●	PR:1ZS; PR:1ZM; PR:1ZN	P85148MM [-]	20,3	ATE						
	170	03/14 →	●	PR:1LJ	P85146MM [+]	20,3	ATE						
	170	03/14 →		●	PR:1KS	P85114MM [-]	17,7	BSH					

A2 (8Z0) 02/00 → 08/05

1.2 TDI	45	03/01 → 08/05	●		P85063MM [+]	14,5	ATE						
1.4	55	02/00 → 08/05	●		P85072MM [+]	19,7	ATE						
1.4 TDI	55	02/00 → 08/05	●		P85072MM [+]	19,7	ATE						
	66	11/03 → 08/05	●		P85072MM [+]	19,7	ATE						
1.6 FSI	66	11/03 → 08/05		●	P85020MM [-]	17,2	TRW				A02205		
	81	05/02 → 08/05	●		P85072MM [+]	19,7	ATE						
	81	05/02 → 08/05		●	P85020MM [-]	17,2	TRW				A02205		

A3 (8L1) 09/96 → 06/03

1.6	74	09/96 → 05/03	●	→ 8L-X-200000	P85041MM [-]	19,7	ATE						
	74	09/96 → 05/03	●	8L-Y-000001 →	P85072MM [+]	19,7	ATE						
	74	09/96 → 05/03		●	P85020MM [-]	17,2	TRW				A02205		
	75	08/00 → 05/03	●	→ 8L-X-200000	P85041MM [-]	19,7	ATE						
	75	08/00 → 05/03		●	8L-Y-000001 →	P85072MM [+]	19,7	ATE					
	75	08/00 → 05/03		●	P85020MM [-]	17,2	TRW				A02205		
1.8	92	09/96 → 05/03	●	→ 8L-X-200000	P85041MM [-]	19,7	ATE						
	92	09/96 → 05/03	●	8L-Y-000001 →	P85072MM [+]	19,7	ATE						
	92	09/96 → 05/03		●	P85020MM [-]	17,2	TRW				A02205		
1.8 T	110	12/96 → 05/03	●	→ 8L-X-200000	P85035MM [-]	20,6	ATE				A02217		
	110	12/96 → 05/03	●	8L-Y-000001 →	P85045MM [+]	20,6	ATE				A02217		
	110	12/96 → 05/03		●	P85020MM [-]	17,2	TRW				A02205		

		kw												

AUDI

A3 (8L1) 09/96 → 06/03

1.8 T	132	12/98 → 05/03	●	→ 8L-X-200000	P85035MM [-]	20,6	ATE						A02217		
	132	12/98 → 05/03	●	8L-Y-000001 →	P85045MM [+]	20,6	ATE						A02217		
	132	12/98 → 05/03	●		P85020MM [-]	17,2	TRW						A02205		
1.8 T quattro	132	10/98 → 05/03	●	→ 8L-X-200000	P85035MM [-]	20,6	ATE						A02217		
	132	10/98 → 05/03	●	8L-Y-000001 →	P85045MM [+]	20,6	ATE						A02217		
	132	10/98 → 05/03	●		P85020MM [-]	17,2	TRW						A02205		
	110	12/96 → 05/03	●	→ 8L-X-200000	P85035MM [-]	20,6	ATE						A02217		
	110	12/96 → 05/03	●	8L-Y-000001 →	P85045MM [+]	20,6	ATE						A02217		
	110	12/96 → 05/03	●		P85020MM [-]	17,2	TRW						A02205		
1.9 TDI	66	09/96 → 07/01	●	→ 8L-X-200000	P85041MM [-]	19,7	ATE								
	66	09/96 → 07/01	●	8L-Y-000001 →	P85072MM [+]	19,7	ATE								
	66	09/96 → 07/01	●		P85020MM [-]	17,2	TRW						A02205		
	81	08/97 → 07/01	●	→ 8L-X-200000	P85041MM [-]	19,7	ATE								
	81	08/97 → 07/01	●	8L-Y-000001 →	P85072MM [+]	19,7	ATE								
	81	08/97 → 07/01	●		P85020MM [-]	17,2	TRW						A02205		
	96	08/00 → 05/03	●	→ 8L-X-200000	P85035MM [-]	20,6	ATE							A02217	
	96	08/00 → 05/03	●	8L-Y-000001 →	P85045MM [+]	20,6	ATE							A02217	
	96	08/00 → 05/03	●		P85020MM [-]	17,2	TRW						A02205		
	74	10/00 → 05/03	●	→ 8L-X-200000	P85041MM [-]	19,7	ATE								
	74	10/00 → 05/03	●	8L-Y-000001 →	P85072MM [+]	19,7	ATE								
	74	10/00 → 05/03	●		P85020MM [-]	17,2	TRW						A02205		
1.9 TDI quattro	96	08/00 → 05/03	●	→ 8L-X-200000	P85035MM [-]	20,6	ATE						A02217		
	96	08/00 → 05/03	●	8L-Y-000001 →	P85045MM [+]	20,6	ATE						A02217		
	96	08/00 → 05/03	●		P85020MM [-]	17,2	TRW						A02205		
S3 quattro	154	03/99 → 04/02	●	→ 8L-X-200000	P85035MM [-]	20,6	ATE						A02217		
	154	03/99 → 04/02	●	8L-Y-000001 →	P85045MM [+]	20,6	ATE						A02217		
	154	03/99 → 04/02	●		P85020MM [-]	17,2	TRW								
	165	10/01 → 05/03	●	PR:1LT	P85045MM [+]	20,6	ATE						A02217		
	165	10/01 → 05/03	●		P85020MM [-]	17,2	TRW								

A3 (8P1) 05/03 → 08/12

1.2 TSI	77	04/10 → 08/12	●	PR:1ZF; PR:1ZM	P85072MM [+]	19,7	ATE							
	77	04/10 → 08/12	●	PR:1KD; PR:1KQ	P85020MM [-]	17,2	TRW							
	77	04/10 → 08/12	●	PR:1KJ; PR:1KF; PR:1KU; PR:1KZ; PR:1KE; (J)	P85073MM [O]	17,2	TRW							
	77	04/10 → 08/12	●	PR:1KS	P85114MM [-]	17,7	BSH							
1.4 TFSI	92	09/07 → 08/12	●	PR:1ZF; PR:1ZM	P85072MM [+]	19,7	ATE							
	92	09/07 → 08/12	●	PR:1ZE	P85075MM [+]	20,3	ATE							
	92	09/07 → 08/12	●	PR:1ZP	P85146MM [+]	20,3	ATE							
	92	09/07 → 08/12	●	PR:1KD; PR:1KQ	P85020MM [-]	17,2	TRW							
	92	09/07 → 08/12	●	PR:1KE; PR:1KU; PR:1KZ; PR:1KJ; PR:1KF; (J)	P85073MM [O]	17,2	TRW							
	92	09/07 → 08/12	●	PR:1KS	P85114MM [-]	17,7	BSH							
1.6	75	05/03 → 08/12	●	PR:1ZM; PR:1ZF	P85072MM [+]	19,7	ATE							
	75	05/03 → 08/12	●	PR:1ZE	P85075MM [+]	20,3	ATE							
	75	05/03 → 08/12	●	PR:1ZP; disc Ø 288 mm	P85146MM [+]	20,3	ATE							
	75	05/03 → 08/12	●	PR:1KQ; PR:1KD	P85020MM [-]	17,2	TRW					A02205	PR:1KQ; PR:1KD; PR:2EA; PR:1KU	
	75	05/03 → 08/12	●	PR:1KE; PR:1KZ; PR:1KU; PR:1KF; PR:1KJ; (J)	P85073MM [O]	17,2	TRW				A02205	PR:1KQ; PR:1KD; PR:2EA; PR:1KU		
	75	05/03 → 08/12	●	PR:1KS	P85114MM [-]	17,7	BSH				A02205	PR:1KQ; PR:1KD; PR:2EA; PR:1KU		
1.6 E-Power	75	01/11 → 08/12	●	PR:1ZF; PR:1ZM	P85072MM [+]	19,7	ATE							
	75	01/11 → 08/12	●	PR:1ZE; PR:1ZP	P85075MM [+]	20,3	ATE							
	75	01/11 → 08/12	●	PR:1KD; PR:1KQ	P85020MM [-]	17,2	TRW				A02205	PR:1KQ; PR:1KD; PR:2EA; PR:1KU		

AUDI

A3 (8P1) 05/03 → 08/12

1.6 E-Power	75	01/11 → 08/12	●	PR:1KE; PR:1KZ; PR:1KU; PR:1KF; PR:1KJ; (J)	P85073MM	[o]	17,2	TRW					A02205	PR:1KQ; PR:1KD; PR:2EA; PR:1KU
	75	01/11 → 08/12	●	PR:1KS	P85114MM	[-]	17,7	BSH					A02205	PR:1KQ; PR:1KD; PR:2EA; PR:1KU
1.6 FSI	85	08/03 → 09/07	●	PR:1ZM; PR:1ZF	P85072MM	[+]	19,7	ATE						
	85	08/03 → 09/07	●	PR:1ZE; PR:1ZP	P85075MM	[+]	20,3	ATE						
	85	08/03 → 09/07	●	PR:1KQ; PR:1KD	P85020MM	[-]	17,2	TRW					A02205	PR:1KQ; PR:1KD; PR:2EA; PR:1KU
	85	08/03 → 09/07	●	PR:1KE; PR:1KU; PR:1KZ; PR:1KF; PR:1KJ; (J)	P85073MM	[o]	17,2	TRW					A02205	PR:1KQ; PR:1KD; PR:2EA; PR:1KU
	85	08/03 → 09/07	●	PR:1KS	P85114MM	[-]	17,7	BSH					A02205	PR:1KQ; PR:1KD; PR:2EA; PR:1KU
1.6 TDI	66	05/09 → 08/12	●	PR:1ZM; PR:1ZF	P85072MM	[+]	19,7	ATE						
	66	05/09 → 08/12	●	PR:1ZP; PR:1ZE	P85075MM	[+]	20,3	ATE						
	66	05/09 → 08/12	●	PR:1KQ; PR:1KD	P85020MM	[-]	17,2	TRW						
	66	05/09 → 08/12	●	PR:1KE; PR:1KU; PR:1KZ; PR:1KF; PR:1KJ; (J)	P85073MM	[o]	17,2	TRW						
	66	05/09 → 08/12	●	PR:1KS	P85114MM	[-]	17,7	BSH						
	77	05/09 → 08/12	●	PR:1ZM; PR:1ZF	P85072MM	[+]	19,7	ATE						
	77	05/09 → 08/12	●	PR:1ZE; PR:1ZP; PR:1ZD; PR:1LJ	P85075MM	[+]	20,3	ATE						
	77	05/09 → 08/12	●	PR:1KS	P85114MM	[-]	17,7	BSH						
	77	05/09 → 08/12	●	PR:1KQ; PR:1KD	P85020MM	[-]	17,2	TRW						
1.8 T	110	08/06 → 08/12	●	PR:1ZE; PR:1ZP	P85075MM	[+]	20,3	ATE						
	110	08/06 → 08/12	●	PR:1ZP; disc Ø 288 mm	P85146MM	[+]	20,3	ATE						
	110	08/06 → 08/12	●	PR:1KD; PR:1KQ	P85020MM	[-]	17,2	TRW						
	110	08/06 → 08/12	●	PR:1KJ; PR:1KF; PR:1KU; PR:1KZ; PR:1KE; (J)	P85073MM	[o]	17,2	TRW						
	110	08/06 → 08/12	●	PR:1KS	P85114MM	[-]	17,7	BSH						
1.8 TFSI	118	11/06 → 08/12	●	PR:1ZE; PR:1ZD; PR:1LJ	P85075MM	[+]	20,3	ATE						
	118	11/06 → 08/12	●	PR:1ZP; disc Ø 288 mm	P85146MM	[+]	20,3	ATE						
	118	11/06 → 08/12	●	PR:1KD; PR:1KQ	P85020MM	[-]	17,2	TRW						
	118	11/06 → 08/12	●	PR:1KF; PR:1KJ; PR:1KZ; PR:1KU; PR:1KE; (J)	P85073MM	[o]	17,2	TRW						
	118	11/06 → 08/12	●	PR:1KS	P85114MM	[-]	17,7	BSH						
1.8 TFSI quattro	118	07/08 → 08/12	●	PR:1ZE; PR:1ZD; PR:1LJ	P85075MM	[+]	20,3	ATE						
	118	07/08 → 08/12	●	PR:1ZP	P85146MM	[+]	20,3	ATE						
	118	07/08 → 08/12	●	PR:1KQ; PR:1KD	P85020MM	[-]	17,2	TRW						
	118	07/08 → 08/12	●	PR:1KJ; PR:1KF; PR:1KZ; PR:1KU; PR:1KE; (J)	P85073MM	[o]	17,2	TRW						
	118	07/08 → 08/12	●	PR:1KS	P85114MM	[-]	17,7	BSH						
1.9 TDI	77	05/03 → 05/10	●	PR:1ZF; PR:1ZM	P85072MM	[+]	19,7	ATE						
	77	05/03 → 05/10	●	PR:1ZE	P85075MM	[+]	20,3	ATE						
	77	05/03 → 05/10	●	PR:1ZP; disc Ø 288 mm	P85146MM	[+]	20,3	ATE						
	77	05/03 → 05/10	●	PR:1KD; PR:1KQ	P85020MM	[-]	17,2	TRW					A02205	PR:1KQ; PR:1KD; PR:2EA; PR:1KU
	77	05/03 → 05/10	●	PR:1KE; PR:1KU; PR:1KZ; PR:1KF; PR:1KJ; (J)	P85073MM	[o]	17,2	TRW					A02205	PR:1KQ; PR:1KD; PR:2EA; PR:1KU
	77	05/03 → 05/10	●	PR:1KS	P85114MM	[-]	17,7	BSH					A02205	PR:1KQ; PR:1KD; PR:2EA; PR:1KU
2.0 FSI	110	05/03 → 06/08	●	PR:1ZE	P85075MM	[+]	20,3	ATE						
	110	05/03 → 06/08	●	PR:1ZP	P85146MM	[+]	20,3	ATE						
	110	05/03 → 06/08	●	PR:1KQ; PR:1KD	P85020MM	[-]	17,2	TRW					A02205	PR:1KQ; PR:1KD; PR:2EA; PR:1KU
	110	05/03 → 06/08	●	PR:1KF; PR:1KU; PR:1KZ; PR:1KJ; PR:1KE; (J)	P85073MM	[o]	17,2	TRW					A02205	PR:1KQ; PR:1KD; PR:2EA; PR:1KU

		kw					wi	Th [mm]	SYS	WI			FK	
											LEIGHT			

AUDI

A3 (8P1) 05/03 → 08/12

2.0 FSI	110	05/03 → 06/08	●	PR:1KS	P85114MM [-]	17,7	BSH					A02205	PR:1KQ; PR:1KD; PR:2EA; PR:1KU	
	2.0 TDI	100	05/03 → 08/12	●	PR:1ZE	P85075MM [+]	20,3	ATE						
		100	05/03 → 08/12	●	PR:1ZP; disc Ø 288 mm	P85146MM [+]	20,3	ATE						
		100	05/03 → 08/12	●	PR:1KQ; PR:1KD	P85020MM [-]	17,2	TRW					A02205	PR:1KQ; PR:1KD; PR:2EA; PR:1KU
		100	05/03 → 08/12	●	PR:1KJ; PR:1KF; PR:1KZ; PR:1KU; PR:1KE; (J)	P85073MM [O]	17,2	TRW					A02205	PR:1KQ; PR:1KD; PR:2EA; PR:1KU
		100	05/03 → 08/12	●	PR:1KS	P85114MM [-]	17,7	BSH					A02205	PR:1KQ; PR:1KD; PR:2EA; PR:1KU
		125	03/06 → 08/12	●	PR:1LJ; PR:1ZD	P85075MM [+]	20,3	ATE						
		125	03/06 → 08/12	●	PR:1ZA	P85146MM [+]	20,3	ATE						
		125	03/06 → 08/12	●	PR:1KD; PR:1KQ	P85020MM [-]	17,2	TRW					A02205	PR:1KQ; PR:1KD; PR:2EA; PR:1KU
		125	03/06 → 08/12	●	PR:1KF; PR:1KU; PR:1KZ; PR:1KJ; PR:1KE; (J)	P85073MM [O]	17,2	TRW					A02205	PR:1KQ; PR:1KD; PR:2EA; PR:1KU
		125	03/06 → 08/12	●	PR:1KS	P85114MM [-]	17,7	BSH					A02205	PR:1KQ; PR:1KD; PR:2EA; PR:1KU
		103	06/05 → 06/08	●	PR:1ZE	P85075MM [+]	20,3	ATE						
		103	06/05 → 06/08	●	PR:1ZP	P85146MM [+]	20,3	ATE						
		103	06/05 → 06/08	●	PR:1KD; PR:1KQ	P85020MM [-]	17,2	TRW						
		103	06/05 → 06/08	●	PR:1KJ; PR:1KF; PR:1KZ; PR:1KU; PR:1KE; (J)	P85073MM [O]	17,2	TRW						
		103	06/05 → 06/08	●	PR:1KS	P85114MM [-]	17,7	BSH						
		120	06/06 → 06/08	●	PR:1LJ; PR:1ZD	P85075MM [+]	20,3	ATE						
120	06/06 → 06/08	●	PR:1ZP; disc Ø 288 mm	P85146MM [+]	20,3	ATE								
120	06/06 → 06/08	●	PR:1KD; PR:1KQ	P85020MM [-]	17,2	TRW								
120	06/06 → 06/08	●	PR:1KE; PR:1KU; PR:1KZ; PR:1KJ; PR:1KF; (J)	P85073MM [O]	17,2	TRW								
120	06/06 → 06/08	●	PR:1KS	P85114MM [-]	17,7	BSH								
2.0 TDI 16V	103	05/03 → 08/12	●	PR:1ZE	P85075MM [+]	20,3	ATE							
	103	05/03 → 08/12	●	PR:1ZP; disc Ø 288 mm	P85146MM [+]	20,3	ATE							
	103	05/03 → 08/12	●	PR:1KD; PR:1KQ	P85020MM [-]	17,2	TRW					A02205	PR:1KQ; PR:1KD; PR:2EA; PR:1KU	
	103	05/03 → 08/12	●	PR:1KF; PR:1KU; PR:1KZ; PR:1KJ; PR:1KE; (J)	P85073MM [O]	17,2	TRW					A02205	PR:1KQ; PR:1KD; PR:2EA; PR:1KU	
	103	05/03 → 08/12	●	PR:1KS	P85114MM [-]	17,7	BSH					A02205	PR:1KQ; PR:1KD; PR:2EA; PR:1KU	
2.0 TDI 16V quattro	103	08/04 → 08/12	●	PR:1ZE; PR:1ZP	P85075MM [+]	20,3	ATE							
	103	08/04 → 08/12	●	PR:1ZP; disc Ø 288 mm	P85146MM [+]	20,3	ATE							
	103	08/04 → 08/12	●	PR:1KQ; PR:1KD	P85020MM [-]	17,2	TRW					A02205	PR:1KQ; PR:1KD; PR:2EA; PR:1KU	
	103	08/04 → 08/12	●	PR:1KE; PR:1KZ; PR:1KU; PR:1KJ; PR:1KF; (J)	P85073MM [O]	17,2	TRW					A02205	PR:1KQ; PR:1KD; PR:2EA; PR:1KU	
	103	08/04 → 08/12	●	PR:1KS	P85114MM [-]	17,7	BSH					A02205	PR:1KQ; PR:1KD; PR:2EA; PR:1KU	
2.0 TDI quattro	100	05/03 → 06/08	●	PR:1ZE	P85075MM [+]	20,3	ATE							
	100	05/03 → 06/08	●	PR:1ZP	P85146MM [+]	20,3	ATE							
	100	05/03 → 06/08	●	PR:1KD; PR:1KQ	P85020MM [-]	17,2	TRW					A02205	PR:1KQ; PR:1KD; PR:2EA; PR:1KU	
	100	05/03 → 06/08	●	PR:1KF; PR:1KU; PR:1KZ; PR:1KJ; PR:1KE; (J)	P85073MM [O]	17,2	TRW					A02205	PR:1KQ; PR:1KD; PR:2EA; PR:1KU	
	100	05/03 → 06/08	●	PR:1KS	P85114MM [-]	17,7	BSH					A02205	PR:1KQ; PR:1KD; PR:2EA; PR:1KU	
	125	03/06 → 08/12	●	PR:1ZD; PR:1LJ	P85075MM [+]	20,3	ATE							
	125	03/06 → 08/12	●	PR:1ZA	P85146MM [+]	20,3	ATE							
	125	03/06 → 08/12	●	PR:1KQ; PR:1KD	P85020MM [-]	17,2	TRW					A02205	PR:1KQ; PR:1KD; PR:2EA; PR:1KU	
	125	03/06 → 08/12	●	PR:1KE; PR:1KJ; PR:1KU; PR:1KZ; PR:1KF; (J)	P85073MM [O]	17,2	TRW					A02205	PR:1KQ; PR:1KD; PR:2EA; PR:1KU	



kw



MAGNETI MARELLI

wi

Th [mm]

SYS

WI

MAGNETI MARELLI

LENGHT



FK

MAGNETI MARELLI



AUDI

A3 (8P1) 05/03 → 08/12

2.0 TDI quattro	125	03/06 → 08/12	●	PR:1KS	P85114MM [-]	17,7	BSH					A02205	PR:1KQ; PR:1KD; PR:2EA; PR:1KU
	103	01/06 → 06/08	●	PR:1ZE	P85075MM [+]	20,3	ATE						
	103	01/06 → 06/08	●	PR:1ZP	P85146MM [+]	20,3	ATE						
	103	01/06 → 06/08	●	PR:1KQ; PR:1KD	P85020MM [-]	17,2	TRW						
	103	01/06 → 06/08	●	PR:1KE; PR:1KZ; PR:1KU; PR:1KF; PR:1KJ; (J)	P85073MM [o]	17,2	TRW						
2.0 TFSI	147	09/04 → 08/12	●	PR:1ZD; PR:1LJ	P85075MM [+]	20,3	ATE						
	147	09/04 → 08/12	●	PR:1KQ; PR:1KD	P85020MM [-]	17,2	TRW					A02205	PR:1KQ; PR:1KD; PR:2EA; PR:1KU
	147	09/04 → 08/12	●	PR:1KE; PR:1KZ; PR:1KU; PR:1KJ; PR:1KF; (J)	P85073MM [o]	17,2	TRW					A02205	PR:1KQ; PR:1KD; PR:2EA; PR:1KU
	147	09/04 → 08/12	●	PR:1KS	P85114MM [-]	17,7	BSH					A02205	PR:1KQ; PR:1KD; PR:2EA; PR:1KU
2.0 TFSI quattro	147	09/04 → 08/12	●	PR:1LJ; PR:1ZD	P85075MM [+]	20,3	ATE						
	147	09/04 → 08/12	●	PR:1KD; PR:1KQ	P85020MM [-]	17,2	TRW					A02205	PR:1KQ; PR:1KD; PR:2EA; PR:1KU
	147	09/04 → 08/12	●	PR:1KF; PR:1KJ; PR:1KU; PR:1KZ; PR:1KE; (J)	P85073MM [o]	17,2	TRW					A02205	PR:1KQ; PR:1KD; PR:2EA; PR:1KU
	147	09/04 → 08/12	●	PR:1KS	P85114MM [-]	17,7	BSH					A02205	PR:1KQ; PR:1KD; PR:2EA; PR:1KU
3.2 V6 quattro	184	07/03 → 05/09	●	PR:1LK	P85079MM [+]	20,3	ATE						
	184	07/03 → 05/09	●	PR:2EA	P85095MM [o]	17,2	TRW					A02205	PR:1KQ; PR:1KD; PR:2EA; PR:1KU
S3 quattro	195	11/06 → 08/12	●	PR:1ZK	P85129MM [+]	20,3	ATE						
	195	11/06 → 08/12	●	PR:1LK	P85079MM [+]	20,3	ATE						
	195	11/06 → 08/12	●	PR:2EA	P85095MM [o]	17,2	TRW						
	188	02/07 → 08/12	●	PR:1ZK	P85129MM [+]	20,3	ATE						
	188	02/07 → 08/12	●	PR:1LK	P85079MM [+]	20,3	ATE						
	188	02/07 → 08/12	●	PR:2EA	P85095MM [o]	17,2	TRW						

A3 (8V1, 8VK) 04/12 →

1.0 TFSI	85	07/16 →	●	PR:1ZA; PR:1ZD; PR:1ZP; PR:1ZE	P85126MM [+]	20,3	TRW	A00492	170	PR:1ZE; PR:1ZP; PR:1ZA; PR:1ZD			
	85	07/16 →	●	PR:1KE	P85125MM [-]	16,4	ATE						
	85	07/16 →	●	PR:2ED	P85124MM [-]	16,4	ATE						
1.2 TFSI	77	02/13 →	●	PR:1ZP; PR:1ZE	P85126MM [+]	20,3	TRW						
	77	02/13 →	●	PR:1KE	P85125MM [-]	16,4	ATE						
	77	02/13 →	●	PR:1KJ; PR:1KY	P85124MM [-]	16,4	ATE						
	81	05/14 →	●	PR:1ZE; PR:1ZP; PR:1ZA; PR:1ZD	P85126MM [+]	20,3	TRW						
	81	05/14 →	●	PR:1KE	P85125MM [-]	16,4	ATE						
1.4 TFSI	81	05/14 →	●	PR:1KY; PR:1KJ	P85124MM [-]	16,4	ATE						
	90	04/12 →	●	PR:1ZE; PR:1ZP	P85126MM [+]	20,3	TRW						
	90	04/12 →	●	PR:1KE	P85125MM [-]	16,4	ATE						
	90	04/12 →	●	PR:1KY; PR:1KJ	P85124MM [-]	16,4	ATE						
	103	03/13 →	●	PR:1ZE; PR:1ZP	P85126MM [+]	20,3	TRW						
	103	03/13 →	●	PR:1KE	P85125MM [-]	16,4	ATE						
	103	03/13 →	●	PR:1KY; PR:1KJ	P85124MM [-]	16,4	ATE						
	92	05/14 →	●	PR:1ZD; PR:1ZA; PR:1ZP; PR:1ZE	P85126MM [+]	20,3	TRW						
	92	05/14 →	●	PR:1KE	P85125MM [-]	16,4	ATE						
	92	05/14 →	●	PR:1KJ; PR:1KY	P85124MM [-]	16,4	ATE						
1.4 TFSI	110	05/14 →	●	PR:1ZE; PR:1ZD; PR:1ZP; PR:1ZA	P85126MM [+]	20,3	TRW						
	110	05/14 →	●	PR:1KE	P85125MM [-]	16,4	ATE						
	110	05/14 →	●	PR:1KY; PR:1KJ	P85124MM [-]	16,4	ATE						

		kw						wi	Th [mm]	SYS	wi		FK		
												LEIGHT			

AUDI

A3 (8V1, 8VK) 04/12 →

1.6 TDI	77	10/12 →	●	PR:1ZP; PR:1ZE	P85126MM	[+]	20,3	TRW							
	77	10/12 →		●	PR:1KE	P85125MM	[-]	16,4	ATE						
	77	10/12 →		●	PR:1KY; PR:1KJ	P85124MM	[-]	16,4	ATE						
	81	09/13 →	●	PR:1ZP; PR:1ZE	P85126MM	[+]	20,3	TRW							
	81	09/13 →		●	PR:1KE	P85125MM	[-]	16,4	ATE						
	81	09/13 →		●	PR:1KJ; PR:1KY	P85124MM	[-]	16,4	ATE						
	85	02/17 →	●	PR:1ZE; PR:1ZD; PR:1ZP; PR:1ZA	P85126MM	[+]	20,3	TRW	A00492	170					
	85	02/17 →		●	PR:1KE; PR:1KR	P85125MM	[-]	16,4	ATE						
	85	02/17 →		●	PR:1KY; PR:1KJ; PR:2ED; → 06/17	P85124MM	[-]	16,4	ATE						
1.8 TFSI	132	04/12 →	●	PR:1ZP; PR:1ZE	P85126MM	[+]	20,3	TRW							
	132	04/12 →		●	PR:1KE	P85125MM	[-]	16,4	ATE						
	132	04/12 →		●	PR:1KJ; PR:1KY	P85124MM	[-]	16,4	ATE						
1.8 TFSI quattro	132	08/12 →	●	PR:1ZE; PR:1ZP	P85126MM	[+]	20,3	TRW							
	132	08/12 →		●	PR:1KE	P85125MM	[-]	16,4	ATE						
	132	08/12 →		●	PR:1KJ; PR:1KY	P85124MM	[-]	16,4	ATE						
2.0 TDI	105	09/12 →	●	PR:1ZE; PR:1ZP	P85126MM	[+]	20,3	TRW							
	105	09/12 →		●	PR:1KE	P85125MM	[-]	16,4	ATE						
	105	09/12 →		●	PR:1KY; PR:1KJ	P85124MM	[-]	16,4	ATE						
	110	04/12 →	●	PR:1ZP; PR:1ZE	P85126MM	[+]	20,3	TRW							
	110	04/12 →		●	PR:1KE	P85125MM	[-]	16,4	ATE						
	110	04/12 →		●	PR:1KY; PR:1KJ	P85124MM	[-]	16,4	ATE						
	81	01/13 →	●	PR:1ZE; PR:1ZP	P85126MM	[+]	20,3	TRW							
	81	01/13 →		●	PR:1KE	P85125MM	[-]	16,4	ATE						
	81	01/13 →		●	PR:1KJ; PR:1KY	P85124MM	[-]	16,4	ATE						
	135	05/13 →	●	PR:1ZE; PR:1ZP	P85126MM	[+]	20,3	TRW							
	135	05/13 →		●	PR:1KE	P85125MM	[-]	16,4	ATE						
	135	05/13 →		●	PR:1KJ; PR:1KY	P85124MM	[-]	16,4	ATE						
	100	05/13 →	●	PR:1ZE; PR:1ZP	P85126MM	[+]	20,3	TRW							
	100	05/13 →		●	PR:1KE	P85125MM	[-]	16,4	ATE						
	100	05/13 →		●	PR:1KY; PR:1KJ	P85124MM	[-]	16,4	ATE						
2.0 TDI quattro	110	10/12 →	●	PR:1ZP; PR:1ZE	P85126MM	[+]	20,3	TRW							
	110	10/12 →		●	PR:1KE	P85125MM	[-]	16,4	ATE						
	110	10/12 →		●	PR:1KY; PR:1KJ	P85124MM	[-]	16,4	ATE						
	135	12/12 →	●	PR:1ZP; PR:1ZE	P85126MM	[+]	20,3	TRW							
	135	12/12 →		●	PR:1KE	P85125MM	[-]	16,4	ATE						
135	12/12 →		●	PR:1KY; PR:1KJ	P85124MM	[-]	16,4	ATE							
2.0 TFSI	140	05/16 →	●	PR:1ZA; PR:1ZD; PR:1ZE; PR:1ZP	P85126MM	[+]	20,3	TRW	A00492	170	PR:1ZE; PR:1ZP; PR:1ZA; PR:1ZD				
	140	05/16 →		●	PR:1KE	P85125MM	[-]	16,4	ATE						
	140	05/16 →		●	PR:2ED	P85124MM	[-]	16,4	ATE						
2.0 TFSI quattro	140	05/16 →	●	PR:1ZE; PR:1ZP; PR:1ZD; PR:1ZA	P85126MM	[+]	20,3	TRW	A00492	170	PR:1ZE; PR:1ZP; PR:1ZA; PR:1ZD				
	140	05/16 →		●	PR:1KE	P85125MM	[-]	16,4	ATE						
	140	05/16 →		●	PR:2ED	P85124MM	[-]	16,4	ATE						
S3 quattro	206	02/13 →	●	PR:1LC; PR:1LJ	P85144MM	[+]	20	TRW							
	206	02/13 →		●	PR:1KE	P85125MM	[-]	16,4	ATE						
	206	02/13 →		●	PR:1KY; PR:1KJ	P85124MM	[-]	16,4	ATE						
	221	11/12 →	●	PR:1LJ; PR:1LC	P85144MM	[+]	20	TRW							
	221	11/12 →		●	PR:1KE	P85125MM	[-]	16,4	ATE						
	221	11/12 →		●	PR:1KJ; PR:1KY	P85124MM	[-]	16,4	ATE						
	210	05/14 →	●	PR:1LC; PR:1LJ	P85144MM	[+]	20	TRW							
	210	05/14 →		●	PR:1KE	P85125MM	[-]	16,4	ATE						
210	05/14 →		●	PR:1KJ; PR:1KY	P85124MM	[-]	16,4	ATE							

									WI			FK	

AUDI

A3 (8V1, 8VK) 04/12 →

S3 quattro	228 06/16 →	●	PR:1LC; PR:1LJ	P85144MM	[+]	20	TRW						
	228 06/16 →		●	PR:1KE	P85125MM	[-]	16,4	ATE					
	228 06/16 →		●	PR:1KY; PR:1KY	P85124MM	[-]	16,4	ATE					
	213 07/16 →	●	PR:1LJ; PR:1LC	P85144MM	[+]	20	TRW	A00492	170	PR:1LC; PR:1LJ			
	213 07/16 →		●	PR:1KE	P85125MM	[-]	16,4	ATE					
	213 07/16 →		●	PR:1KY; PR:1KY	P85124MM	[-]	16,4	ATE					

A3 Convertible (8P7) 04/08 → 05/13

1.2 TFSI	77 03/10 → 05/13	●	PR:1ZF; PR:1ZM	P85072MM	[+]	19,7	ATE						
	77 03/10 → 05/13		●	PR:1KD	P85020MM	[-]	17,2	TRW					
	77 03/10 → 05/13		●	PR:1KS	P85114MM	[-]	17,7	BSH					
	77 03/10 → 05/13		●	PR:1KZ; (J)	P85073MM	[o]	17,2	TRW					
1.4 TFSI	92 02/11 → 05/13	●	PR:1ZE	P85075MM	[+]	20,3	ATE						
	92 02/11 → 05/13		●	PR:1KD	P85020MM	[-]	17,2	TRW			A02205	PR:1KD	
	92 02/11 → 05/13		●	PR:1KS	P85114MM	[-]	17,7	BSH			A02205	PR:1KD	
	92 02/11 → 05/13		●	PR:1KZ; (J)	P85073MM	[o]	17,2	TRW			A02205	PR:1KD	
1.6	75 09/08 → 05/10	●	PR:1ZF; PR:1ZM	P85072MM	[+]	19,7	ATE						
	75 09/08 → 05/10		●	PR:1KD	P85020MM	[-]	17,2	TRW					
	75 09/08 → 05/10		●	PR:1KS	P85114MM	[-]	17,7	BSH					
	75 09/08 → 05/10		●	PR:1KZ; (J)	P85073MM	[o]	17,2	TRW					
1.6 TDI	77 05/09 → 05/13	●	PR:1ZF; PR:1ZM	P85072MM	[+]	19,7	ATE						
	77 05/09 → 05/13		●	PR:1KD	P85020MM	[-]	17,2	TRW					
	77 05/09 → 05/13		●	PR:1KS	P85114MM	[-]	17,7	BSH					
	77 05/09 → 05/13		●	PR:1KZ; (J)	P85073MM	[o]	17,2	TRW					
1.8 TFSI	118 04/08 → 05/13	●	PR:1ZE	P85075MM	[+]	20,3	ATE						
	118 04/08 → 05/13		●	PR:1KD	P85020MM	[-]	17,2	TRW					
	118 04/08 → 05/13		●	PR:1KS	P85114MM	[-]	17,7	BSH					
	118 04/08 → 05/13		●	PR:1KZ; (J)	P85073MM	[o]	17,2	TRW					
1.9 TDI	77 04/08 → 10/09	●	PR:1ZF; PR:1ZM	P85072MM	[+]	19,7	ATE						
	77 04/08 → 10/09		●	PR:1KD	P85020MM	[-]	17,2	TRW					
	77 04/08 → 10/09		●	PR:1KS	P85114MM	[-]	17,7	BSH					
	77 04/08 → 10/09		●	PR:1KZ; (J)	P85073MM	[o]	17,2	TRW					
2.0 TDI	103 04/08 → 05/13	●	PR:1ZE	P85075MM	[+]	20,3	ATE						
	103 04/08 → 05/13		●	PR:1KD	P85020MM	[-]	17,2	TRW					
	103 04/08 → 05/13		●	PR:1KS	P85114MM	[-]	17,7	BSH					
	103 04/08 → 05/13		●	PR:1KZ; (J)	P85073MM	[o]	17,2	TRW					
	100 04/08 → 05/13	●	PR:1ZE	P85075MM	[+]	20,3	ATE						
	100 04/08 → 05/13		●	PR:1KD	P85020MM	[-]	17,2	TRW					
	100 04/08 → 05/13		●	PR:1KS	P85114MM	[-]	17,7	BSH					
	100 04/08 → 05/13		●	PR:1KZ; (J)	P85073MM	[o]	17,2	TRW					
2.0 TFSI	147 04/08 → 05/13	●	PR:1ZE; PR:1LJ	P85075MM	[+]	20,3	ATE						
	147 04/08 → 05/13	●	PR:1ZA	P85146MM	[+]	20,3	ATE						
	147 04/08 → 05/13		●	PR:1KD	P85020MM	[-]	17,2	TRW					
	147 04/08 → 05/13		●	PR:1KS	P85114MM	[-]	17,7	BSH					
	147 04/08 → 05/13		●	PR:1KZ; (J)	P85073MM	[o]	17,2	TRW					

A3 Convertible (8V7, 8VE) 10/13 →

1.4 TFSI	103 10/13 →	●	PR:1ZD; PR:1ZA; PR:1ZP; PR:1ZE	P85126MM	[+]	20,3	TRW						
	103 10/13 →		●	PR:1KE	P85125MM	[-]	16,4	ATE					
	103 10/13 →		●	PR:1KY; PR:1KJ	P85124MM	[-]	16,4	ATE					
	92 02/14 →	●	PR:1ZA; PR:1ZP; PR:1ZD; PR:1ZE	P85126MM	[+]	20,3	TRW						
	92 02/14 →		●	PR:1KE	P85125MM	[-]	16,4	ATE					
	92 02/14 →		●	PR:1KY; PR:1KJ	P85124MM	[-]	16,4	ATE					

		kw					wi	Th [mm]	SYS	WI		FK	
											LENGHT		

AUDI

A3 Convertible (8V7, 8VE) 10/13 →

1.4 TFSI	110	05/14 →	●	PR:1ZA; PR:1ZD; PR:1ZP; PR:1ZE	P85126MM	[+]	20,3	TRW					
	110	05/14 →		●	PR:1KE	P85125MM	[-]	16,4	ATE				
	110	05/14 →		●	PR:1KY; PR:1KJ	P85124MM	[-]	16,4	ATE				
	85	02/16 →	●	PR:1ZE; PR:1ZP; PR:1ZD; PR:1ZA	P85126MM	[+]	20,3	TRW	A00492	170	PR:1ZA; PR:1ZD; PR:1ZE; PR:1ZP		
	85	02/16 →	●	PR:1ZF	P85137MM	[+]	17,2	ATE	A00492	170	PR:1ZA; PR:1ZD; PR:1ZE; PR:1ZP		
	85	02/16 →		●	PR:1KY; PR:1KJ	P85124MM	[-]	16,4	ATE				
	85	02/16 →		●	PR:1KE	P85125MM	[-]	16,4	ATE				
1.6 TDI	81	02/14 →	●	PR:1ZE; PR:1ZP; PR:1ZA; PR:1ZD	P85126MM	[+]	20,3	TRW					
	81	02/14 →		●	PR:1KE	P85125MM	[-]	16,4	ATE				
	81	02/14 →		●	PR:1KJ; PR:1KY	P85124MM	[-]	16,4	ATE				
1.8 TFSI	132	10/13 →	●	PR:1ZP; PR:1ZE; PR:1ZD; PR:1ZA	P85126MM	[+]	20,3	TRW					
	132	10/13 →		●	PR:1KE	P85125MM	[-]	16,4	ATE				
	132	10/13 →		●	PR:1KJ; PR:1KY	P85124MM	[-]	16,4	ATE				
	125	05/14 →	●	PR:1ZE; PR:1ZP; PR:1ZD; PR:1ZA	P85126MM	[+]	20,3	TRW					
	125	05/14 →		●	PR:1KE	P85125MM	[-]	16,4	ATE				
	125	05/14 →		●	PR:1KJ; PR:1KY	P85124MM	[-]	16,4	ATE				
1.8 TFSI quattro	132	03/14 →	●	PR:1ZD; PR:1ZA; PR:1ZP; PR:1ZE	P85126MM	[+]	20,3	TRW					
	132	03/14 →		●	PR:1KE	P85125MM	[-]	16,4	ATE				
	132	03/14 →		●	PR:1KY; PR:1KJ	P85124MM	[-]	16,4	ATE				
2.0 TDI	110	10/13 →	●	PR:1ZD; PR:1ZA; PR:1ZP; PR:1ZE	P85126MM	[+]	20,3	TRW					
	110	10/13 →		●	PR:1KE	P85125MM	[-]	16,4	ATE				
	110	10/13 →		●	PR:1KY; PR:1KJ	P85124MM	[-]	16,4	ATE				
	135	05/14 →	●	PR:1ZE; PR:1ZP; PR:1ZA; PR:1ZD	P85126MM	[+]	20,3	TRW					
	135	05/14 →		●	PR:1KE	P85125MM	[-]	16,4	ATE				
	135	05/14 →		●	PR:1KJ; PR:1KY	P85124MM	[-]	16,4	ATE				
	100	10/13 →	●	PR:1ZE; PR:1ZP; PR:1ZD; PR:1ZA	P85126MM	[+]	20,3	TRW					
100	10/13 →		●	PR:1KE	P85125MM	[-]	16,4	ATE					
2.0 TDI	100	10/13 →		●	PR:1KJ; PR:1KY	P85124MM	[-]	16,4	ATE				
2.0 TDI quattro	110	03/14 →	●	PR:1ZE; PR:1ZD; PR:1ZP; PR:1ZA	P85126MM	[+]	20,3	TRW					
	110	03/14 →		●	PR:1KE	P85125MM	[-]	16,4	ATE				
	110	03/14 →		●	PR:1KJ; PR:1KY	P85124MM	[-]	16,4	ATE				
	135	05/14 →	●	PR:1ZA; PR:1ZD; PR:1ZP; PR:1ZE	P85126MM	[+]	20,3	TRW					
	135	05/14 →		●	PR:1KE	P85125MM	[-]	16,4	ATE				
	135	05/14 →		●	PR:1KY; PR:1KJ	P85124MM	[-]	16,4	ATE				
2.0 TFSI	140	05/16 →	●	PR:1ZE; PR:1ZP; PR:1ZD; PR:1ZA	P85126MM	[+]	20,3	TRW	A00492	170	PR:1ZE; PR:1ZP; PR:1ZA; PR:1ZD		
	140	05/16 →		●	PR:1KE	P85125MM	[-]	16,4	ATE				
2.0 TFSI quattro	162	05/14 →	●	PR:1ZD; PR:1ZA; PR:1ZP; PR:1ZE	P85126MM	[+]	20,3	TRW	A00492	170			
	162	05/14 →	●	PR:1ZF	P85137MM	[+]	17,2	ATE	A00492	170			
	162	05/14 →		●	PR:1KJ; PR:1KY	P85124MM	[-]	16,4	ATE				
	162	05/14 →		●	PR:1KE	P85125MM	[-]	16,4	ATE				
	140	05/16 →	●	PR:1ZA; PR:1ZD; PR:1ZE; PR:1ZP	P85126MM	[+]	20,3	TRW	A00492	170	PR:1ZE; PR:1ZP; PR:1ZA; PR:1ZD		
	140	05/16 →		●	PR:1KE	P85125MM	[-]	16,4	ATE				

										WI			FK	
											LENGHT			

AUDI

A3 Convertible (8V7, 8VE) 10/13 →

S3 quattro	221	04/14 →	●	PR:1LC; PR:1LJ	P85144MM	[+]	20	TRW	A00492	170	PR:1LJ; PR:1LC		
	221	04/14 →	●	PR:1LJ; PR:1LC	P85131MM	[+]	20	TRW	A00492	170	PR:1LJ; PR:1LC		
	221	04/14 →		●	PR:1KE	P85125MM	[-]	16,4	ATE				
	221	04/14 →		●	PR:1KY; PR:1KJ	P85124MM	[-]	16,4	ATE				
	210	03/14 →	●	PR:1LJ; PR:1LC	P85144MM	[+]	20	TRW					
	210	03/14 →		●	PR:1KE	P85125MM	[-]	16,4	ATE				
	210	03/14 →		●	PR:1KY; PR:1KJ	P85124MM	[-]	16,4	ATE				
	228	07/16 →	●	PR:1LC; PR:1LJ	P85144MM	[+]	20	TRW					
	228	07/16 →		●	PR:1KE	P85125MM	[-]	16,4	ATE				
	228	07/16 →		●	PR:1KJ; PR:1KY	P85124MM	[-]	16,4	ATE				
213	07/16 →	●	PR:1ZA; PR:1ZD; PR:1ZP; PR:1ZE	P85126MM	[+]	20,3	TRW	A00492	170	PR:1LC; PR:1LJ; PR:1ZE; PR:1ZP; PR:1ZA; PR:1ZD			
213	07/16 →		●	PR:1KE	P85125MM	[-]	16,4	ATE					

A3 Limousine (8VS, 8VM) 05/13 →

1.0 TFSI	85	07/16 →	●	PR:1ZE; PR:1ZD; PR:1ZA; PR:1ZP	P85126MM	[+]	20,3	TRW	A00492	170	PR:1ZE; PR:1ZP; PR:1ZA; PR:1ZD		
	85	07/16 →		●	PR:1KE	P85125MM	[-]	16,4	ATE				
	85	07/16 →		●	PR:2ED	P85124MM	[-]	16,4	ATE				
1.2 TFSI	77	10/13 →	●	PR:1ZE; PR:1ZP; PR:1ZD; PR:1ZA	P85126MM	[+]	20,3	TRW					
	77	10/13 →		●	PR:1KE	P85125MM	[-]	16,4	ATE				
	77	10/13 →		●	PR:1KJ; PR:1KY	P85124MM	[-]	16,4	ATE				
	81	05/14 →	●	PR:1ZE; PR:1ZA; PR:1ZD; PR:1ZP	P85126MM	[+]	20,3	TRW					
	81	05/14 →		●	PR:1KE	P85125MM	[-]	16,4	ATE				
1.4 TFSI	81	05/14 →		●	PR:1KJ; PR:1KY	P85124MM	[-]	16,4	ATE				
	90	09/13 →	●	PR:1ZE; PR:1ZP; PR:1ZD; PR:1ZA	P85126MM	[+]	20,3	TRW					
	90	09/13 →		●	PR:1KE	P85125MM	[-]	16,4	ATE				
	90	09/13 →		●	PR:1KY; PR:1KJ	P85124MM	[-]	16,4	ATE				
	92	09/13 →	●	PR:1ZE; PR:1ZD; PR:1ZP; PR:1ZA	P85126MM	[+]	20,3	TRW					
	92	09/13 →		●	PR:1KE	P85125MM	[-]	16,4	ATE				
	92	09/13 →		●	PR:1KJ; PR:1KY	P85124MM	[-]	16,4	ATE				
	103	05/13 →	●	PR:1ZE; PR:1ZP; PR:1ZD; PR:1ZA	P85126MM	[+]	20,3	TRW					
1.4 TFSI	110	05/14 →	●	PR:1ZP; PR:1ZD; PR:1ZA; PR:1ZE	P85126MM	[+]	20,3	TRW					
1.4 TFSI	110	05/14 →		●	PR:1KE	P85125MM	[-]	16,4	ATE				
1.4 TFSI	110	05/14 →		●	PR:1KY; PR:1KJ	P85124MM	[-]	16,4	ATE				
1.6 TDI	77	09/13 →	●	PR:1ZA; PR:1ZD; PR:1ZP; PR:1ZE	P85126MM	[+]	20,3	TRW					
	77	09/13 →		●	PR:1KE	P85125MM	[-]	16,4	ATE				
	77	09/13 →		●	PR:1KY; PR:1KJ	P85124MM	[-]	16,4	ATE				
	81	05/14 →	●	PR:1ZE; PR:1ZA; PR:1ZD; PR:1ZP	P85126MM	[+]	20,3	TRW	A00492	170	PR:1ZE; PR:1ZP; PR:1ZA; PR:1ZD		
	81	05/14 →		●	PR:1KE	P85125MM	[-]	16,4	ATE				
	81	05/14 →		●	PR:1KJ; PR:1KY	P85124MM	[-]	16,4	ATE				
	85	03/17 →	●	PR:1ZD; PR:1ZP; PR:1ZA; PR:1ZE	P85126MM	[+]	20,3	TRW	A00492	170			
	85	03/17 →		●	PR:1KE; PR:1KR	P85125MM	[-]	16,4	ATE				
85	03/17 →		●	PR:1KY; PR:1KJ; PR:2ED; → 06/17	P85124MM	[-]	16,4	ATE					

AUDI

A3 Limousine (8VS, 8VM) 05/13 →

1.6 TDI quattro	81	05/15 →	●	PR:1ZP; PR:1ZA; PR:1ZD; PR:1ZE	P85126MM	[+]	20,3	TRW							
	81	05/15 →	●	PR:1ZF	P85137MM	[+]	17,2	ATE							
	81	05/15 →	●	PR:1KE	P85125MM	[-]	16,4	ATE							
	81	05/15 →	●	PR:1KJ; PR:2ED; PR:1KY	P85124MM	[-]	16,4	ATE							
1.8 TFSI	132	05/13 →	●	PR:1ZA; PR:1ZD; PR:1ZP; PR:1ZE	P85126MM	[+]	20,3	TRW	A00492	170	PR:1ZA; PR:1ZD				
	132	05/13 →	●	PR:1KE	P85125MM	[-]	16,4	ATE							
	132	05/13 →	●	PR:1KJ; PR:1KY	P85124MM	[-]	16,4	ATE							
	125	11/13 →	●	PR:1ZE; PR:1ZP; PR:1ZD; PR:1ZA	P85126MM	[+]	20,3	TRW	A00492	170	PR:1ZA; PR:1ZD				
	125	11/13 →	●	PR:1KE	P85125MM	[-]	16,4	ATE							
125	11/13 →	●	PR:1KY; PR:1KJ	P85124MM	[-]	16,4	ATE								
1.8 TFSI quattro	132	11/13 →	●	PR:1ZA; PR:1ZD; PR:1ZP; PR:1ZE	P85126MM	[+]	20,3	TRW							
	132	11/13 →	●	PR:1KE	P85125MM	[-]	16,4	ATE							
	132	11/13 →	●	PR:1KY; PR:1KJ	P85124MM	[-]	16,4	ATE							
2.0 TDI	105	10/13 →	●	PR:1ZA; PR:1ZD; PR:1ZP; PR:1ZE	P85126MM	[+]	20,3	TRW							
	105	10/13 →	●	PR:1KE	P85125MM	[-]	16,4	ATE							
	105	10/13 →	●	PR:1KY; PR:1KJ	P85124MM	[-]	16,4	ATE							
	81	05/13 →	●	PR:1ZE; PR:1ZP; PR:1ZD; PR:1ZA	P85126MM	[+]	20,3	TRW							
	81	05/13 →	●	PR:1KE	P85125MM	[-]	16,4	ATE							
	81	05/13 →	●	PR:1KY; PR:1KJ	P85124MM	[-]	16,4	ATE							
	110	05/13 →	●	PR:1ZA; PR:1ZD; PR:1ZP; PR:1ZE	P85126MM	[+]	20,3	TRW							
	110	05/13 →	●	PR:1KE	P85125MM	[-]	16,4	ATE							
	110	05/13 →	●	PR:1KJ; PR:1KY	P85124MM	[-]	16,4	ATE							
	100	09/13 →	●	PR:1ZE; PR:1ZP; PR:1ZD; PR:1ZA	P85126MM	[+]	20,3	TRW							
	100	09/13 →	●	PR:1KE	P85125MM	[-]	16,4	ATE							
	100	09/13 →	●	PR:1KY; PR:1KJ	P85124MM	[-]	16,4	ATE							
	135	05/14 →	●	PR:1ZA; PR:1ZD; PR:1ZP; PR:1ZE	P85126MM	[+]	20,3	TRW	A00492	170	PR:1ZD; PR:1ZA				
135	05/14 →	●	PR:1KE	P85125MM	[-]	16,4	ATE								
135	05/14 →	●	PR:1KJ; PR:1KY	P85124MM	[-]	16,4	ATE								
2.0 TDI quattro	110	10/13 →	●	PR:1ZA; PR:1ZD; PR:1ZP; PR:1ZE	P85126MM	[+]	20,3	TRW							
	110	10/13 →	●	PR:1KE	P85125MM	[-]	16,4	ATE							
	110	10/13 →	●	PR:1KJ; PR:1KY	P85124MM	[-]	16,4	ATE							
	135	05/14 →	●	PR:1ZE; PR:1ZD; PR:1ZA; PR:1ZP	P85126MM	[+]	20,3	TRW	A00492	170	PR:1ZD; PR:1ZA				
2.0 TDI quattro	135	05/14 →	●	PR:1KE	P85125MM	[-]	16,4	ATE							
	135	05/14 →	●	PR:1KY; PR:1KJ	P85124MM	[-]	16,4	ATE							
2.0 TFSI	140	05/16 →	●	PR:1ZE; PR:1ZD; PR:1ZA; PR:1ZP	P85126MM	[+]	20,3	TRW	A00492	170	PR:1ZE; PR:1ZP; PR:1ZA; PR:1ZD				
	140	05/16 →	●	PR:1KE	P85125MM	[-]	16,4	ATE							
	140	05/16 →	●	PR:2ED	P85124MM	[-]	16,4	ATE							
2.0 TFSI quattro	140	05/16 →	●	PR:1ZP; PR:1ZA; PR:1ZD; PR:1ZE	P85126MM	[+]	20,3	TRW	A00492	170	PR:1ZE; PR:1ZP; PR:1ZA; PR:1ZD				
	140	05/16 →	●	PR:1KE	P85125MM	[-]	16,4	ATE							
	140	05/16 →	●	PR:2ED	P85124MM	[-]	16,4	ATE							
S3 quattro	221	10/13 →	●	PR:1LC; PR:1LJ	P85144MM	[+]	20	TRW							
	221	10/13 →	●	PR:1KE	P85125MM	[-]	16,4	ATE							
	221	10/13 →	●	PR:1KJ; PR:1KY	P85124MM	[-]	16,4	ATE							
	206	10/13 →	●	PR:1LC; PR:1LJ	P85144MM	[+]	20	TRW							
	206	10/13 →	●	PR:1KE	P85125MM	[-]	16,4	ATE							

									WI			FK	
	kw						[mm]		MAGNETI MARELLI	LENGHT		MAGNETI MARELLI	

AUDI

A3 Limousine (8VS, 8VM) 05/13 →

S3 quattro	206	10/13 →	●	PR:1KJ; PR:1KY	P85124MM	[-]	16,4	ATE						
	210	05/14 →	●	PR:1LC; PR:1LJ	P85144MM	[+]	20	TRW						
	210	05/14 →	●	PR:1KE	P85125MM	[-]	16,4	ATE						
	210	05/14 →	●	PR:1KY; PR:1KJ	P85124MM	[-]	16,4	ATE						
	228	06/16 →	●	PR:1LC; PR:1LJ	P85144MM	[+]	20	TRW						
	228	06/16 →	●	PR:1KE	P85125MM	[-]	16,4	ATE						
	228	06/16 →	●	PR:1KY; PR:1KJ	P85124MM	[-]	16,4	ATE						
	213	08/16 →	●	PR:1LJ; PR:1LC	P85144MM	[+]	20	TRW	A00492	170	PR:1LC; PR:1LJ			
	213	08/16 →	●	PR:1KE	P85125MM	[-]	16,4	ATE						
213	08/16 →	●	PR:1KY; PR:1KJ	P85124MM	[-]	16,4	ATE							

A3 Sportback (8PA) 09/04 → 03/13

1.2 TSI	77	04/10 → 03/13	●	PR:1ZM; PR:1ZF	P85072MM	[+]	19,7	ATE					
	77	04/10 → 03/13	●	PR:1KQ; PR:1KD	P85020MM	[-]	17,2	TRW					
	77	04/10 → 03/13	●	PR:1KZ; PR:1KU; PR:1KJ; PR:1KF; PR:1KE; (J)	P85073MM	[o]	17,2	TRW					
	77	04/10 → 03/13	●	PR:1KS	P85114MM	[-]	17,7	BSH					
1.4 TFSI	92	09/07 → 03/13	●	PR:1ZM; PR:1ZF	P85072MM	[+]	19,7	ATE					
	92	09/07 → 03/13	●	PR:1ZE	P85075MM	[+]	20,3	ATE					
	92	09/07 → 03/13	●	PR:1ZP	P85146MM	[+]	20,3	ATE					
	92	09/07 → 03/13	●	PR:1KQ; PR:1KD	P85020MM	[-]	17,2	TRW					
	92	09/07 → 03/13	●	PR:1KE; PR:1KF; PR:1KJ; PR:1KU; PR:1KZ; (J)	P85073MM	[o]	17,2	TRW					
1.6	75	09/04 → 03/13	●	PR:1ZP	P85146MM	[+]	20,3	ATE					
	75	09/04 → 03/13	●	PR:1ZF; PR:1ZM	P85072MM	[+]	19,7	ATE					
	75	09/04 → 03/13	●	PR:1KD; PR:1KQ	P85020MM	[-]	17,2	TRW			A02205	PR:1KQ; PR:1KD; PR:2EA; PR:1KU	
	75	09/04 → 03/13	●	PR:1KZ; PR:1KU; PR:1KJ; PR:1KF; PR:1KE; (J)	P85073MM	[o]	17,2	TRW			A02205	PR:1KQ; PR:1KD; PR:2EA; PR:1KU	
1.6 E-Power	75	09/04 → 03/13	●	PR:1KS	P85114MM	[-]	17,7	BSH			A02205	PR:1KQ; PR:1KD; PR:2EA; PR:1KU	
	75	01/11 → 03/13	●	PR:1ZF; PR:1ZM	P85072MM	[+]	19,7	ATE					
	75	01/11 → 03/13	●	PR:1ZP; PR:1ZE	P85075MM	[+]	20,3	ATE					
	75	01/11 → 03/13	●	PR:1KD; PR:1KQ	P85020MM	[-]	17,2	TRW					
	75	01/11 → 03/13	●	PR:1KE; PR:1KF; PR:1KJ; PR:1KZ; PR:1KU; (J)	P85073MM	[o]	17,2	TRW					
1.6 FSI	75	01/11 → 03/13	●	PR:1KS	P85114MM	[-]	17,7	BSH					
	85	09/04 → 09/07	●	PR:1ZF; PR:1ZM	P85072MM	[+]	19,7	ATE					
	85	09/04 → 09/07	●	PR:1KD; PR:1KQ	P85020MM	[-]	17,2	TRW			A02205	PR:1KQ; PR:1KD; PR:2EA; PR:1KU	
	85	09/04 → 09/07	●	PR:1KU; PR:1KZ; PR:1KJ; PR:1KF; PR:1KE; (J)	P85073MM	[o]	17,2	TRW			A02205	PR:1KQ; PR:1KD; PR:2EA; PR:1KU	
1.6 TDI	85	09/04 → 09/07	●	PR:1KS	P85114MM	[-]	17,7	BSH			A02205	PR:1KQ; PR:1KD; PR:2EA; PR:1KU	
	66	05/09 → 03/13	●	PR:1ZF; PR:1ZM	P85072MM	[+]	19,7	ATE					
	66	05/09 → 03/13	●	PR:1KD; PR:1KQ	P85020MM	[-]	17,2	TRW					
	66	05/09 → 03/13	●	PR:1KE; PR:1KF; PR:1KJ; PR:1KU; PR:1KZ; (J)	P85073MM	[o]	17,2	TRW					
	66	05/09 → 03/13	●	PR:1KS	P85114MM	[-]	17,7	BSH					
	77	05/09 → 03/13	●	PR:1ZF; PR:1ZM	P85072MM	[+]	19,7	ATE					
1.8 TFSI	77	05/09 → 03/13	●	PR:1KD; PR:1KQ	P85020MM	[-]	17,2	TRW					
	77	05/09 → 03/13	●	PR:1KZ; PR:1KU; PR:1KJ; PR:1KF; PR:1KE; (J)	P85073MM	[o]	17,2	TRW					
	77	05/09 → 03/13	●	PR:1KS	P85114MM	[-]	17,7	BSH					
	118	11/06 → 03/13	●	PR:1ZE	P85075MM	[+]	20,3	ATE					
	118	11/06 → 03/13	●	PR:1ZP	P85146MM	[+]	20,3	ATE					
118	11/06 → 03/13	●	PR:1KD; PR:1KQ	P85020MM	[-]	17,2	TRW			A02205	PR:1KQ; PR:1KD; PR:2EA; PR:1KU		

AUDI

A3 Sportback (8PA) 09/04 → 03/13

1.8 TFSI	118	11/06 → 03/13	●	PR:1KE; PR:1KF; PR:1KJ; PR:1KZ; PR:1KU; (J)	P85073MM	[O]	17,2	TRW					A02205	PR:1KQ; PR:1KD; PR:2EA; PR:1KU
	118	11/06 → 03/13	●	PR:1KS	P85114MM	[-]	17,7	BSH					A02205	PR:1KQ; PR:1KD; PR:2EA; PR:1KU
1.8 TFSI quattro	118	07/08 → 03/13	●	PR:1ZE; PR:1ZD; PR:1LJ	P85075MM	[+]	20,3	ATE						
	118	07/08 → 03/13	●	PR:1ZP	P85146MM	[+]	20,3	ATE						
	118	07/08 → 03/13	●	PR:1KD; PR:1KQ	P85020MM	[-]	17,2	TRW						
	118	07/08 → 03/13	●	PR:1KZ; PR:1KU; PR:1KJ; PR:1KF; PR:1KE; (J)	P85073MM	[O]	17,2	TRW						
	118	07/08 → 03/13	●	PR:1KS	P85114MM	[-]	17,7	BSH						
1.9 TDI	77	09/04 → 05/10	●	PR:1ZE	P85075MM	[+]	20,3	ATE						
	77	09/04 → 05/10	●	PR:1ZF; PR:1ZM	P85072MM	[+]	19,7	ATE						
	77	09/04 → 05/10	●	PR:1ZP	P85146MM	[+]	20,3	ATE						
	77	09/04 → 05/10	●	PR:1KD; PR:1KQ	P85020MM	[-]	17,2	TRW					A02205	PR:1KQ; PR:1KD; PR:2EA; PR:1KU
	77	09/04 → 05/10	●	PR:1KE; PR:1KF; PR:1KJ; PR:1KU; PR:1KZ; (J)	P85073MM	[O]	17,2	TRW					A02205	PR:1KQ; PR:1KD; PR:2EA; PR:1KU
	77	09/04 → 05/10	●	PR:1KS	P85114MM	[-]	17,7	BSH					A02205	PR:1KQ; PR:1KD; PR:2EA; PR:1KU
2.0 FSI	110	09/04 → 06/08	●	PR:1ZE	P85075MM	[+]	20,3	ATE						
	110	09/04 → 06/08	●	PR:1ZP	P85146MM	[+]	20,3	ATE						
	110	09/04 → 06/08	●	PR:1KQ; PR:1KD	P85020MM	[-]	17,2	TRW					A02205	PR:1KQ; PR:1KD; PR:2EA; PR:1KU
	110	09/04 → 06/08	●	PR:1KE; PR:1KF; PR:1KJ; PR:1KZ; PR:1KU; (J)	P85073MM	[O]	17,2	TRW					A02205	PR:1KQ; PR:1KD; PR:2EA; PR:1KU
	110	09/04 → 06/08	●	PR:1KS	P85114MM	[-]	17,7	BSH					A02205	PR:1KQ; PR:1KD; PR:2EA; PR:1KU
2.0 TDI	100	09/04 → 03/13	●	PR:1ZE; PR:1ZP	P85075MM	[+]	20,3	ATE						
	100	09/04 → 03/13	●	PR:1ZP	P85146MM	[+]	20,3	ATE						
	100	09/04 → 03/13	●	PR:1KD; PR:1KQ	P85020MM	[-]	17,2	TRW					A02205	PR:1KQ; PR:1KD; PR:2EA; PR:1KU
	100	09/04 → 03/13	●	PR:1KE; PR:1KJ; PR:1KF; PR:1KU; PR:1KZ; (J)	P85073MM	[O]	17,2	TRW					A02205	PR:1KQ; PR:1KD; PR:2EA; PR:1KU
	100	09/04 → 03/13	●	PR:1KS	P85114MM	[-]	17,7	BSH					A02205	PR:1KQ; PR:1KD; PR:2EA; PR:1KU
	125	03/06 → 03/13	●	PR:1ZD; PR:1LJ	P85075MM	[+]	20,3	ATE						
	125	03/06 → 03/13	●	PR:1ZA	P85146MM	[+]	20,3	ATE						
	125	03/06 → 03/13	●	PR:1KD; PR:1KQ	P85020MM	[-]	17,2	TRW					A02205	PR:1KQ; PR:1KD; PR:2EA; PR:1KU
	125	03/06 → 03/13	●	PR:1KE; PR:1KF; PR:1KJ; PR:1KU; PR:1KZ; (J)	P85073MM	[O]	17,2	TRW					A02205	PR:1KQ; PR:1KD; PR:2EA; PR:1KU
	125	03/06 → 03/13	●	PR:1KS	P85114MM	[-]	17,7	BSH					A02205	PR:1KQ; PR:1KD; PR:2EA; PR:1KU
	103	06/05 → 06/08	●	PR:1ZE; PR:1ZP	P85075MM	[+]	20,3	ATE						
	103	06/05 → 06/08	●	PR:1ZP	P85146MM	[+]	20,3	ATE						
	103	06/05 → 06/08	●	PR:1KQ; PR:1KD	P85020MM	[-]	17,2	TRW						
2.0 TDI	103	06/05 → 06/08	●	PR:1KE; PR:1KF; PR:1KJ; PR:1KZ; PR:1KU; (J)	P85073MM	[O]	17,2	TRW						
	103	06/05 → 06/08	●	PR:1KS	P85114MM	[-]	17,7	BSH						
	120	06/06 → 06/08	●	PR:1LJ; PR:1ZD	P85075MM	[+]	20,3	ATE						
	120	06/06 → 06/08	●	PR:1ZP	P85146MM	[+]	20,3	ATE						
	120	06/06 → 06/08	●	PR:1KQ; PR:1KD	P85020MM	[-]	17,2	TRW						
	120	06/06 → 06/08	●	PR:1KE; PR:1KF; PR:1KJ; PR:1KU; PR:1KZ; (J)	P85073MM	[O]	17,2	TRW						
	120	06/06 → 06/08	●	PR:1KS	P85114MM	[-]	17,7	BSH						
2.0 TDI 16V	103	09/04 → 03/13	●	PR:1ZE	P85075MM	[+]	20,3	ATE						
	103	09/04 → 03/13	●	PR:1ZP	P85146MM	[+]	20,3	ATE						
	103	09/04 → 03/13	●	PR:1KD; PR:1KQ	P85020MM	[-]	17,2	TRW					A02205	PR:1KQ; PR:1KD; PR:2EA; PR:1KU



kw



MAGNETI MARELLI

wi

Th [mm]

SYS

WI

MAGNETI MARELLI

LENGHT



FK

MAGNETI MARELLI



AUDI

A3 Sportback (8PA) 09/04 → 03/13

2.0 TDI 16V	103	09/04 → 03/13	●	PR:1KZ; PR:1KU; PR:1KJ; PR:1KF; PR:1KE; (J)	P85073MM	[o]	17,2	TRW					A02205	PR:1KQ; PR:1KD; PR:2EA; PR:1KU
	103	09/04 → 03/13	●	PR:1KS	P85114MM	[-]	17,7	BSH					A02205	PR:1KQ; PR:1KD; PR:2EA; PR:1KU
2.0 TDI 16V quattro	103	11/05 → 03/13	●	PR:1ZE	P85075MM	[+]	20,3	ATE						
	103	11/05 → 03/13	●	PR:1ZP; PR:1ZA	P85146MM	[+]	20,3	ATE						
	103	11/05 → 03/13	●	PR:1KS	P85114MM	[-]	17,7	BSH					A02205	PR:1KQ; PR:1KD; PR:2EA; PR:1KU
	103	11/05 → 03/13	●	PR:1KQ; PR:1KD	P85020MM	[-]	17,2	TRW					A02205	PR:1KQ; PR:1KD; PR:2EA; PR:1KU
	103	11/05 → 03/13	●	PR:1KZ; PR:1KU; PR:1KJ; PR:1KF; PR:1KE; (J)	P85073MM	[o]	17,2	TRW					A02205	PR:1KQ; PR:1KD; PR:2EA; PR:1KU
2.0 TDI quattro	125	03/06 → 03/13	●	PR:1LJ; PR:1ZD	P85075MM	[+]	20,3	ATE						
	125	03/06 → 03/13	●	PR:1ZA	P85146MM	[+]	20,3	ATE						
	125	03/06 → 03/13	●	PR:1KZ; PR:1KU; PR:1KJ; PR:1KF; PR:1KE; (J)	P85073MM	[o]	17,2	TRW					A02205	PR:1KQ; PR:1KD; PR:2EA; PR:1KU
	125	03/06 → 03/13	●	PR:1KS	P85114MM	[-]	17,7	BSH					A02205	PR:1KQ; PR:1KD; PR:2EA; PR:1KU
	103	01/06 → 06/08	●	PR:1ZP; PR:1ZE	P85075MM	[+]	20,3	ATE						
	103	01/06 → 06/08	●	PR:1ZA	P85146MM	[+]	20,3	ATE						
	103	01/06 → 06/08	●	PR:1KU; PR:1KZ; PR:1KJ; PR:1KF; PR:1KE; (J)	P85073MM	[o]	17,2	TRW						
2.0 TFSI	147	09/04 → 03/13	●	PR:1ZD; PR:1LJ	P85075MM	[+]	20,3	ATE						
	147	09/04 → 03/13	●	PR:1ZA	P85146MM	[+]	20,3	ATE						
	147	09/04 → 03/13	●	PR:1KQ; PR:1KD	P85020MM	[-]	17,2	TRW					A02205	PR:1KQ; PR:1KD; PR:2EA; PR:1KU
	147	09/04 → 03/13	●	PR:1KE; PR:1KF; PR:1KJ; PR:1KU; PR:1KZ; (J)	P85073MM	[o]	17,2	TRW					A02205	PR:1KQ; PR:1KD; PR:2EA; PR:1KU
	147	09/04 → 03/13	●	PR:1KS	P85114MM	[-]	17,7	BSH					A02205	PR:1KQ; PR:1KD; PR:2EA; PR:1KU
2.0 TFSI quattro	147	09/04 → 03/13	●	PR:1LJ; PR:1ZD	P85075MM	[+]	20,3	ATE						
	147	09/04 → 03/13	●	PR:1ZA	P85146MM	[+]	20,3	ATE						
	147	09/04 → 03/13	●	PR:1KZ; PR:1KU; PR:1KJ; PR:1KF; PR:1KE; (J)	P85073MM	[o]	17,2	TRW					A02205	PR:1KQ; PR:1KD; PR:2EA; PR:1KU
	147	09/04 → 03/13	●	PR:1KS	P85114MM	[-]	17,7	BSH					A02205	PR:1KQ; PR:1KD; PR:2EA; PR:1KU
3.2 V6 quattro	184	09/04 → 05/09	●	PR:1LK	P85079MM	[+]	20,3	ATE						
	184	09/04 → 05/09	●	PR:2EA	P85095MM	[o]	17,2	TRW						
RS3 quattro	250	01/11 → 12/12	●		P85116MM	[o]	16	BRE	A00421	370				
	250	01/11 → 12/12	●		P85095MM	[o]	17,2	TRW						
S3 quattro	195	06/08 → 03/13	●	PR:1ZK	P85129MM	[+]	20,3	ATE						
	195	06/08 → 03/13	●	PR:1LK	P85079MM	[+]	20,3	ATE						
	195	06/08 → 03/13	●	PR:2EA	P85095MM	[o]	17,2	TRW						
	188	07/08 → 03/13	●	PR:1ZK	P85129MM	[+]	20,3	ATE						
	188	07/08 → 03/13	●	PR:1LK	P85079MM	[+]	20,3	ATE						
	188	07/08 → 03/13	●	PR:2EA	P85095MM	[o]	17,2	TRW						

A3 Sportback (8VA, 8VF) 09/12 →

1.0 TFSI	85	07/16 →	●	PR:1ZE; PR:1ZA; PR:1ZP; PR:1ZD	P85126MM	[+]	20,3	TRW	A00492	170	PR:1ZE; PR:1ZP; PR:1ZA; PR:1ZD		
	85	07/16 →	●	PR:1KE	P85125MM	[-]	16,4	ATE					
	85	07/16 →	●	PR:2ED	P85124MM	[-]	16,4	ATE					
1.2 TFSI	77	05/13 →	●	PR:1ZE; PR:1ZP; PR:1ZD; PR:1ZA	P85126MM	[+]	20,3	TRW					
	77	05/13 →	●	PR:1KE	P85125MM	[-]	16,4	ATE					
	77	05/13 →	●	PR:1KJ; PR:1KY	P85124MM	[-]	16,4	ATE					
	81	05/14 →	●	PR:1ZA; PR:1ZD; PR:1ZP; PR:1ZE	P85126MM	[+]	20,3	TRW					
	81	05/14 →	●	PR:1KE	P85125MM	[-]	16,4	ATE					

Car Model	kw	Icon 1	Icon 2	Icon 3	MAGNETI MARELLI	wi	Th [mm]	SYS	WI			FK	
									MAGNETI MARELLI	LENGHT	Icon 4	MAGNETI MARELLI	Icon 5

AUDI

A3 Sportback (8VA, 8VF) 09/12 →

1.2 TFSI	81	05/14 →		●	PR:1KJ; PR:1KY	P85124MM [-]	16,4	ATE					
1.4 TFSI	90	09/12 →		●	PR:1ZP; PR:1ZA; PR:1ZD; PR:1ZE	P85126MM [+]	20,3	TRW					
	90	09/12 →		●	PR:1KE	P85125MM [-]	16,4	ATE					
	90	09/12 →		●	PR:1KJ; PR:1KY	P85124MM [-]	16,4	ATE					
	103	03/13 →		●	PR:1ZA; PR:1ZD; PR:1ZP; PR:1ZE	P85126MM [+]	20,3	TRW					
	103	03/13 →		●	PR:1KE	P85125MM [-]	16,4	ATE					
	103	03/13 →		●	PR:1KJ; PR:1KY	P85124MM [-]	16,4	ATE					
	92	05/14 →		●	PR:1ZE; PR:1ZD; PR:1ZP; PR:1ZA	P85126MM [+]	20,3	TRW					
	92	05/14 →		●	PR:1KE	P85125MM [-]	16,4	ATE					
	92	05/14 →		●	PR:1KY; PR:1KJ	P85124MM [-]	16,4	ATE					
	110	05/14 →		●	PR:1ZA; PR:1ZD; PR:1ZP; PR:1ZE	P85126MM [+]	20,3	TRW					
1.4 TFSI e-tron	110	05/14 →		●	PR:1ZE; PR:1ZP; PR:1ZD; PR:1ZA	P85126MM [+]	20,3	TRW					
	110	05/14 →		●	PR:1KE	P85125MM [-]	16,4	ATE					
	110	05/14 →		●	PR:1KY; PR:1KJ	P85124MM [-]	16,4	ATE					
1.4 TFSI g-tron	81	11/13 →		●	PR:1ZE; PR:1ZP; PR:1ZD; PR:1ZA	P85126MM [+]	20,3	TRW					
	81	11/13 →		●	PR:1KE	P85125MM [-]	16,4	ATE					
	81	11/13 →		●	PR:1KY; PR:1KJ	P85124MM [-]	16,4	ATE					
1.6 TDI	77	10/12 →		●	PR:1ZE; PR:1ZP; PR:1ZD; PR:1ZA	P85126MM [+]	20,3	TRW					
	77	10/12 →		●	PR:1KE	P85125MM [-]	16,4	ATE					
	77	10/12 →		●	PR:1KY; PR:1KJ	P85124MM [-]	16,4	ATE					
	81	09/13 →		●	PR:1ZA; PR:1ZP; PR:1ZD; PR:1ZE	P85126MM [+]	20,3	TRW					
	81	09/13 →		●	PR:1KE	P85125MM [-]	16,4	ATE					
	81	09/13 →		●	PR:1KJ; PR:1KY	P85124MM [-]	16,4	ATE					
	85	02/17 →		●	PR:1ZP; PR:1ZA; PR:1ZD; PR:1ZE	P85126MM [+]	20,3	TRW	A00492	170			
	85	02/17 →		●	PR:1KY; PR:1KJ; PR:2ED; → 06/17	P85124MM [-]	16,4	ATE					
1.6 TDI quattro	81	05/15 →		●	PR:1ZD; PR:1ZP; PR:1ZA; PR:1ZE	P85126MM [+]	20,3	TRW					
	81	05/15 →		●	PR:1ZF	P85137MM [+]	17,2	ATE					
	81	05/15 →		●	PR:1KE	P85125MM [-]	16,4	ATE					
	81	05/15 →		●	PR:1KJ; PR:1KY	P85124MM [-]	16,4	ATE					
1.8 TFSI	132	09/12 →		●	PR:1ZD; PR:1ZP; PR:1ZA; PR:1ZE	P85126MM [+]	20,3	TRW					
	132	09/12 →		●	PR:1KE	P85125MM [-]	16,4	ATE					
	132	09/12 →		●	PR:1KJ; PR:1KY	P85124MM [-]	16,4	ATE					
1.8 TFSI quattro	132	05/13 →		●	PR:1ZA; PR:1ZD; PR:1ZP; PR:1ZE	P85126MM [+]	20,3	TRW					
	132	05/13 →		●	PR:1KE	P85125MM [-]	16,4	ATE					
	132	05/13 →		●	PR:1KY; PR:1KJ	P85124MM [-]	16,4	ATE					



kw



wi

Th [mm]

SYS

WI

FK



LENGHT



AUDI

A3 Sportback (8VA, 8VF) 09/12 →

2.0 TD	81	05/13 →	●	PR:1ZE; PR:1ZD; PR:1ZA; PR:1ZP	P85126MM	[+]	20,3	TRW					
	81	05/13 →		●	PR:1KE	P85125MM	[-]	16,4	ATE				
	81	05/13 →		●	PR:1KY; PR:1KJ	P85124MM	[-]	16,4	ATE				
	110	09/12 →	●	PR:1ZE; PR:1ZA; PR:1ZP; PR:1ZD	P85126MM	[+]	20,3	TRW					
	110	09/12 →		●	PR:1KE	P85125MM	[-]	16,4	ATE				
	110	09/12 →		●	PR:1KY; PR:1KJ	P85124MM	[-]	16,4	ATE				
	105	03/13 →	●	PR:1ZE; PR:1ZD; PR:1ZA; PR:1ZP	P85126MM	[+]	20,3	TRW					
	105	03/13 →		●	PR:1KE	P85125MM	[-]	16,4	ATE				
	105	03/13 →		●	PR:1KY; PR:1KJ	P85124MM	[-]	16,4	ATE				
	135	05/13 →	●	PR:1ZA; PR:1ZD; PR:1ZP; PR:1ZE	P85126MM	[+]	20,3	TRW					
	135	05/13 →		●	PR:1KE	P85125MM	[-]	16,4	ATE				
	135	05/13 →		●	PR:1KY; PR:1KJ	P85124MM	[-]	16,4	ATE				
	100	05/13 →	●	PR:1ZE; PR:1ZP; PR:1ZD; PR:1ZA	P85126MM	[+]	20,3	TRW					
	100	05/13 →		●	PR:1KE	P85125MM	[-]	16,4	ATE				
100	05/13 →		●	PR:1KJ; PR:1KY	P85124MM	[-]	16,4	ATE					
2.0 TDI quattro	135	05/13 →	●	PR:1ZP; PR:1ZA; PR:1ZD; PR:1ZE	P85126MM	[+]	20,3	TRW					
	135	05/13 →		●	PR:1KE	P85125MM	[-]	16,4	ATE				
	135	05/13 →		●	PR:1KJ; PR:1KY	P85124MM	[-]	16,4	ATE				
	110	02/13 →	●	PR:1ZE; PR:1ZP; PR:1ZD; PR:1ZA	P85126MM	[+]	20,3	TRW					
	110	02/13 →		●	PR:1KE	P85125MM	[-]	16,4	ATE				
110	02/13 →		●	PR:1KY; PR:1KJ	P85124MM	[-]	16,4	ATE					
2.0 TFSI	140	05/16 →	●	PR:1ZE; PR:1ZD; PR:1ZA; PR:1ZP	P85126MM	[+]	20,3	TRW	A00492	170	PR:1ZE; PR:1ZP; PR:1ZA; PR:1ZD		
	140	05/16 →		●	PR:1KE	P85125MM	[-]	16,4	ATE				
	140	05/16 →		●	PR:2ED	P85124MM	[-]	16,4	ATE				
2.0 TFSI quattro	140	05/16 →	●	PR:1ZP; PR:1ZA; PR:1ZD; PR:1ZE	P85126MM	[+]	20,3	TRW	A00492	170	PR:1ZE; PR:1ZP; PR:1ZA; PR:1ZD		
	140	05/16 →		●	PR:1KE	P85125MM	[-]	16,4	ATE				
	140	05/16 →		●	PR:2ED	P85124MM	[-]	16,4	ATE				
S3 quattro	221	11/12 →	●	PR:1LC; PR:1LJ	P85144MM	[+]	20	TRW					
	221	11/12 →		●	PR:1KE	P85125MM	[-]	16,4	ATE				
	221	11/12 →		●	PR:1KJ; PR:1KY	P85124MM	[-]	16,4	ATE				
	206	05/13 →	●	PR:1LJ; PR:1LC	P85144MM	[+]	20	TRW					
	206	05/13 →		●	PR:1KE	P85125MM	[-]	16,4	ATE				
	206	05/13 →		●	PR:1KY; PR:1KJ	P85124MM	[-]	16,4	ATE				
	210	05/14 →	●	PR:1LC; PR:1LJ	P85144MM	[+]	20	TRW					
	210	05/14 →		●	PR:1KE	P85125MM	[-]	16,4	ATE				
	210	05/14 →		●	PR:1KY; PR:1KJ	P85124MM	[-]	16,4	ATE				
	228	06/16 →	●	PR:1LC; PR:1LJ	P85144MM	[+]	20	TRW					
	228	06/16 →		●	PR:1KE	P85125MM	[-]	16,4	ATE				
	228	06/16 →		●	PR:1KY; PR:1KJ	P85124MM	[-]	16,4	ATE				
	213	07/16 →	●	PR:1LJ; PR:1LC	P85144MM	[+]	20	TRW	A00492	170	PR:1LC; PR:1LJ		
	213	07/16 →		●	PR:1KE	P85125MM	[-]	16,4	ATE				
	213	07/16 →		●	PR:1KY; PR:1KJ	P85124MM	[-]	16,4	ATE				
A4 (8D2, B5) 11/94 → 09/01													
1.6	74	11/94 → 10/00	●	→ 8D-V-169695	P85092MM	[-]	19,6	TRW					
	74	11/94 → 10/00	●	8D-V-169696 → ; → 8D-X-199999	P85042MM	[-]	19,6	TRW					
	74	11/94 → 10/00	●	8D-X-200001 →	P85044MM	[+]	19,6	TRW					
	74	11/94 → 10/00	●	→ 8D-V-168350	P85013MM	[-]	16,6	TRW					

AUDI

A4 (8D2, B5) 11/94 → 09/01

1.6	74	11/94 → 10/00	●	8D-V-168351 →	P85020MM [-]	17,2	TRW								
	75	07/00 → 11/00	●	→ 8D-V-169695	P85092MM [-]	19,6	TRW								
	75	07/00 → 11/00	●	8D-V-169696 →; → 8D-X-199999	P85042MM [-]	19,6	TRW								
	75	07/00 → 11/00	●	8D-X-200001 →	P85044MM [+]	19,6	TRW								
	75	07/00 → 11/00	●	→ 8D-V-168350	P85013MM [-]	16,6	TRW								
	75	07/00 → 11/00	●	8D-V-168351 →	P85020MM [-]	17,2	TRW								
1.8	92	11/94 → 11/00	●	→ 8D-V-054061	P85036MM [-]	20,4	ATE								
	92	11/94 → 11/00	●	8D-V-054062 →; → 8D-X-199999	P85042MM [-]	19,6	TRW								
	92	11/94 → 11/00	●	8D-X-200001 →	P85044MM [+]	19,6	TRW								
	92	11/94 → 11/00	●	→ 8D-V-168350	P85013MM [-]	16,6	TRW								
	92	11/94 → 11/00	●	8D-V-168351 →	P85020MM [-]	17,2	TRW								
	85	04/95 → 11/00	●	→ 8D-V-054061	P85036MM [-]	20,4	ATE						A02217	→ 8D-V-054061	
	85	04/95 → 11/00	●	8D-V-054062 →; → 8D-X-199999	P85042MM [-]	19,6	TRW						A02217	→ 8D-V-054061	
	85	04/95 → 11/00	●	8D-X-200001 →	P85044MM [+]	19,6	TRW						A02217	→ 8D-V-054061	
	85	04/95 → 11/00	●	→ 8D-V-168350	P85013MM [-]	16,6	TRW								
1.8 quattro	92	01/95 → 11/00	●	→ 8D-V-054061	P85036MM [-]	20,4	ATE								
	92	01/95 → 11/00	●	8D-V-054062 →; → 8D-X-199999	P85042MM [-]	19,6	TRW								
	92	01/95 → 11/00	●	8D-X-200001 →	P85044MM [+]	19,6	TRW								
	92	01/95 → 11/00	●	→ 8D-X-199999; PR:1KD; 8D-X-200001 →	P85013MM [-]	16,6	TRW								
	92	01/95 → 11/00	●	PR:1KE; 8D-X-200001 →	P85020MM [-]	17,2	TRW								
	85	07/95 → 11/00	●	→ 8D-V-054061	P85036MM [-]	20,4	ATE						A02217	→ 8D-V-054061	
	85	07/95 → 11/00	●	8D-V-054062 →; → 8D-X-199999	P85042MM [-]	19,6	TRW						A02217	→ 8D-V-054061	
	85	07/95 → 11/00	●	8D-X-200001 →	P85044MM [+]	19,6	TRW						A02217	→ 8D-V-054061	
	85	07/95 → 11/00	●	→ 8D-X-199999; PR:1KD; 8D-X-200001 →	P85013MM [-]	16,6	TRW								
1.8 T	110	01/95 → 11/00	●	→ 8D-X-199999	P85036MM [-]	20,4	ATE								
	110	01/95 → 11/00	●	8D-X-200000 →	P85037MM [+]	20,4	ATE								
	110	01/95 → 11/00	●	→ 8D-V-168350	P85013MM [-]	16,6	TRW								
	110	01/95 → 11/00	●	8D-V-168351 →	P85020MM [-]	17,2	TRW								
	132	12/97 → 11/00	●	→ 8D-X-199999	P85036MM [-]	20,4	ATE						A02217		
	132	12/97 → 11/00	●	8D-X-200000 →	P85037MM [+]	20,4	ATE						A02217		
	132	12/97 → 11/00	●	→ 8D-V-168350	P85013MM [-]	16,6	TRW								
1.8 T quattro	110	01/95 → 11/00	●	→ 8D-X-199999	P85036MM [-]	20,4	ATE								
	110	01/95 → 11/00	●	8D-X-200001 →	P85037MM [+]	20,4	ATE								
	110	01/95 → 11/00	●	→ 8D-X-199999; PR:1KD; 8D-X-200001 →	P85013MM [-]	16,6	TRW								
	110	01/95 → 11/00	●	PR:1KE; 8D-X-200001 →	P85020MM [-]	17,2	TRW								
	132	12/97 → 11/00	●	→ 8D-X-199999	P85036MM [-]	20,4	ATE						A02217		
	132	12/97 → 11/00	●	8D-X-200001 →	P85037MM [+]	20,4	ATE						A02217		
	132	12/97 → 11/00	●	→ 8D-X-199999; PR:1KD; 8D-X-200001 →	P85013MM [-]	16,6	TRW								
1.9 TDI	66	01/95 → 11/00	●	→ 8D-V-169695	P85092MM [-]	19,6	TRW								
	66	01/95 → 11/00	●	8D-V-169696 →; → 8D-X-199999	P85042MM [-]	19,6	TRW								
	66	01/95 → 11/00	●	8D-X-200001 →	P85044MM [+]	19,6	TRW								
	66	01/95 → 11/00	●	→ 8D-V-168350	P85013MM [-]	16,6	TRW								
	66	01/95 → 11/00	●	8D-V-168351 →	P85020MM [-]	17,2	TRW								

AUDI

A4 (8D2, B5) 11/94 → 09/01

2.6 quattro	110	01/95 → 11/00	●	→ 8D-X-199999	P85036MM [-]	20,4	ATE						
	110	01/95 → 11/00	●	8D-X-200001 →	P85037MM [+]	20,4	ATE						
	110	01/95 → 11/00	●	→ 8D-X-199999; PR:1KD; 8D-X-200001 →	P85013MM [-]	16,6	TRW						
	110	01/95 → 11/00	●	PR:1KE; 8D-X-200001 →	P85020MM [-]	17,2	TRW						
2.8	128	09/95 → 07/97	●	→ 8D-X-199999	P85036MM [-]	20,4	ATE						
	128	09/95 → 07/97	●	8D-X-200000 →	P85037MM [+]	20,4	ATE						
	128	09/95 → 07/97	●	→ 8D-V-168350	P85013MM [-]	16,6	TRW						
	128	09/95 → 07/97	●	8D-V-168351 →	P85020MM [-]	17,2	TRW						
	142	10/96 → 11/00	●	→ 8D-X-199999	P85036MM [-]	20,4	ATE					A02217	
	142	10/96 → 11/00	●	8D-X-200000 →	P85037MM [+]	20,4	ATE					A02217	
	142	10/96 → 11/00	●	→ 8D-V-168350	P85013MM [-]	16,6	TRW						
	142	10/96 → 11/00	●	8D-V-168351 →	P85020MM [-]	17,2	TRW						
2.8 quattro	128	01/95 → 07/97	●	→ 8D-X-199999	P85036MM [-]	20,4	ATE						
	128	01/95 → 07/97	●	8D-X-200001 →	P85037MM [+]	20,4	ATE						
	128	01/95 → 07/97	●	→ 8D-X-199999; PR:1KD; 8D-X-200001 →	P85013MM [-]	16,6	TRW						
	128	01/95 → 07/97	●	PR:1KE; 8D-X-200001 →	P85020MM [-]	17,2	TRW						
	142	10/96 → 08/01	●	→ 8D-X-199999	P85036MM [-]	20,4	ATE					A02217	
	142	10/96 → 08/01	●	8D-X-200001 →	P85037MM [+]	20,4	ATE					A02217	
	142	10/96 → 08/01	●	→ 8D-X-199999; PR:1KD; 8D-X-200001 →	P85013MM [-]	16,6	TRW						
	142	10/96 → 08/01	●	PR:1KE; 8D-X-200001 →	P85020MM [-]	17,2	TRW						
S4 quattro	195	09/97 → 09/01	●	→ 8D-X-199999	P85096MM [+]	18,5	TRW					A02217	8E-1-000001 →
	195	09/97 → 09/01	●	8D-X-200000 → ; → 8D-1-200000	P85067MM [+]	18,3/ 18,5	TRW					A02217	8E-1-000001 →
	195	09/97 → 09/01	●	8E-1-000001 →	P85084MM [+]	20,3	ATE					A02217	8E-1-000001 →
	195	09/97 → 09/01	●		P85020MM [-]	17,2	TRW						

A4 (8E2, B6) 11/00 → 12/04

1.6	75	11/00 → 12/04	●	PR:1LZ	P85044MM [+]	19,6	TRW					A02205	PR:1LZ
	75	11/00 → 12/04	●	PR:1LF; PR:1LT; PR:1LE; PR:1LB	P85085MM [+]	20,4	ATE					A02205	PR:1LZ
	75	11/00 → 12/04	●	PR:1LE; PR:1LT; PR:1LF; PR:1LB; (J)	P85037MM [+]	20,4	ATE					A02205	PR:1LZ
	75	11/00 → 12/04	●		P85020MM [-]	17,2	TRW					A02205	PR:1LZ
1.8 T	110	11/00 → 07/02	●	PR:1LB; PR:1LE; PR:1LT; PR:1LF	P85085MM [+]	20,4	ATE					A02217	PR:1LB; PR:1LE; PR:1LF; PR:1LT
	110	11/00 → 07/02	●	PR:1LB; PR:1LF; PR:1LT; PR:1LE; (J)	P85037MM [+]	20,4	ATE					A02217	PR:1LB; PR:1LE; PR:1LF; PR:1LT
	110	11/00 → 07/02	●		P85020MM [-]	17,2	TRW					A02205	
	120	07/02 → 12/04	●	PR:1LT; PR:1LF; PR:1LE; PR:1LB	P85085MM [+]	20,4	ATE					A02217	PR:1LB; PR:1LE; PR:1LF; PR:1LT
	120	07/02 → 12/04	●	PR:1LE; PR:1LF; PR:1LT; PR:1LB; (J)	P85037MM [+]	20,4	ATE					A02217	PR:1LB; PR:1LE; PR:1LF; PR:1LT
	120	07/02 → 12/04	●	PR:1KP	P85017MM [-]	15,2	TRW					A02205	
	140	11/02 → 12/04	●	PR:1LT; PR:1LF; PR:1LE; PR:1LB	P85085MM [+]	20,4	ATE					A02217	PR:1LB; PR:1LE; PR:1LF; PR:1LT
	140	11/02 → 12/04	●	PR:1LE; PR:1LF; PR:1LT; PR:1LB; (J)	P85037MM [+]	20,4	ATE					A02217	PR:1LB; PR:1LE; PR:1LF; PR:1LT
1.8 T quattro	110	11/00 → 07/02	●	PR:1LB; PR:1LE; PR:1LT; PR:1LF	P85085MM [+]	20,4	ATE					A02217	PR:1LB; PR:1LE; PR:1LF; PR:1LT
	110	11/00 → 07/02	●	PR:1LB; PR:1LF; PR:1LT; PR:1LE; (J)	P85037MM [+]	20,4	ATE					A02217	PR:1LB; PR:1LE; PR:1LF; PR:1LT
	110	11/00 → 07/02	●		P85020MM [-]	17,2	TRW					A02205	
	120	07/02 → 12/04	●	PR:1LB; PR:1LE; PR:1LF; PR:1LT	P85085MM [+]	20,4	ATE					A02217	PR:1LB; PR:1LE; PR:1LF; PR:1LT
	120	07/02 → 12/04	●	PR:1LB; PR:1LT; PR:1LF; PR:1LE; (J)	P85037MM [+]	20,4	ATE					A02217	PR:1LB; PR:1LE; PR:1LF; PR:1LT



kw



wi

Th [mm]

SYS

WI



LENGHT



FK



AUDI

A4 (8E2, B6) 11/00 → 12/04

1.8 T quattro	120	07/02 → 12/04	●		P85020MM	[-]	17,2	TRW				A02205	
	140	11/02 → 12/04	●	PR:1LB; PR:1LE; PR:1LF; PR:1LT	P85085MM	[+]	20,4	ATE				A02217	PR:1LB; PR:1LE; PR:1LF; PR:1LT
	140	11/02 → 12/04	●	PR:1LB; PR:1LT; PR:1LF; PR:1LE; (J)	P85037MM	[+]	20,4	ATE				A02217	PR:1LB; PR:1LE; PR:1LF; PR:1LT
	140	11/02 → 12/04	●		P85020MM	[-]	17,2	TRW				A02205	
1.9 TDI	96	11/00 → 12/04	●	PR:1LF; PR:1LT; PR:1LE; PR:1LB	P85085MM	[+]	20,4	ATE				A02217	PR:1LB; PR:1LE; PR:1LF; PR:1LT
	96	11/00 → 12/04	●	PR:1LE; PR:1LT; PR:1LF; PR:1LB; (J)	P85037MM	[+]	20,4	ATE				A02217	PR:1LB; PR:1LE; PR:1LF; PR:1LT
	96	11/00 → 12/04	●		P85020MM	[-]	17,2	TRW				A02205	
	74	05/01 → 12/04	●	PR:1LZ	P85044MM	[+]	19,6	TRW				A02205	PR:1LZ
	74	05/01 → 12/04	●	PR:1LT; PR:1LF; PR:1LE; PR:1LB	P85085MM	[+]	20,4	ATE				A02205	PR:1LZ
	74	05/01 → 12/04	●	PR:1LE; PR:1LT; PR:1LF; PR:1LB; (J)	P85037MM	[+]	20,4	ATE				A02205	PR:1LZ
	74	05/01 → 12/04	●		P85020MM	[-]	17,2	TRW				A02205	PR:1LZ
	85	06/04 → 12/04	●	PR:1LZ	P85044MM	[+]	19,6	TRW				A02205	PR:1LZ
	85	06/04 → 12/04	●	PR:1LT; PR:1LF; PR:1LE; PR:1LB	P85085MM	[+]	20,4	ATE				A02205	PR:1LZ
	85	06/04 → 12/04	●	PR:1LE; PR:1LT; PR:1LF; PR:1LB; (J)	P85037MM	[+]	20,4	ATE				A02205	PR:1LZ
1.9 TDI quattro	96	11/01 → 12/04	●	PR:1LB; PR:1LE; PR:1LF; PR:1LT	P85085MM	[+]	20,4	ATE				A02217	PR:1LB; PR:1LE; PR:1LF; PR:1LT
	96	11/01 → 12/04	●	PR:1LB; PR:1LT; PR:1LF; PR:1LE; (J)	P85037MM	[+]	20,4	ATE				A02217	PR:1LB; PR:1LE; PR:1LF; PR:1LT
	96	11/01 → 12/04	●		P85020MM	[-]	17,2	TRW				A02205	
2.0	96	11/00 → 12/04	●	PR:1LF; PR:1LT; PR:1LE; PR:1LB	P85085MM	[+]	20,4	ATE				A02217	PR:1LB; PR:1LE; PR:1LF; PR:1LT
	96	11/00 → 12/04	●	PR:1LE; PR:1LT; PR:1LF; PR:1LB; (J)	P85037MM	[+]	20,4	ATE				A02217	PR:1LB; PR:1LE; PR:1LF; PR:1LT
	96	11/00 → 12/04	●		P85020MM	[-]	17,2	TRW				A02205	
2.0 FSI	110	07/02 → 12/04	●	PR:1LT; PR:1LF; PR:1LE; PR:1LB	P85085MM	[+]	20,4	ATE				A02217	PR:1LB; PR:1LE; PR:1LF; PR:1LT
	110	07/02 → 12/04	●	PR:1LF; PR:1LE; PR:1LT; PR:1LB; (J)	P85037MM	[+]	20,4	ATE				A02217	PR:1LB; PR:1LE; PR:1LF; PR:1LT
	110	07/02 → 12/04	●		P85020MM	[-]	17,2	TRW				A02205	
2.4	125	09/01 → 12/04	●	PR:1LB; PR:1LE; PR:1LF; PR:1LT	P85085MM	[+]	20,4	ATE				A02217	PR:1LB; PR:1LE; PR:1LF; PR:1LT
	125	09/01 → 12/04	●	PR:1LB; PR:1LF; PR:1LT; PR:1LE; (J)	P85037MM	[+]	20,4	ATE				A02217	PR:1LB; PR:1LE; PR:1LF; PR:1LT
	125	09/01 → 12/04	●	PR:1KP	P85017MM	[-]	15,2	TRW				A02205	
	120	09/01 → 12/04	●	PR:1LB; PR:1LE; PR:1LF; PR:1LT	P85085MM	[+]	20,4	ATE				A02217	PR:1LB; PR:1LE; PR:1LF; PR:1LT
	120	09/01 → 12/04	●	PR:1LB; PR:1LT; PR:1LF; PR:1LE; (J)	P85037MM	[+]	20,4	ATE				A02217	PR:1LB; PR:1LE; PR:1LF; PR:1LT
	120	09/01 → 12/04	●		P85020MM	[-]	17,2	TRW				A02205	
2.5 TDI	114	08/01 → 07/02	●	PR:1LB; PR:1LE; PR:1LT; PR:1LF	P85085MM	[+]	20,4	ATE				A02217	PR:1LB; PR:1LE; PR:1LF; PR:1LT
	114	08/01 → 07/02	●	PR:1LB; PR:1LF; PR:1LT; PR:1LE; (J)	P85037MM	[+]	20,4	ATE				A02217	PR:1LB; PR:1LE; PR:1LF; PR:1LT
	114	08/01 → 07/02	●		P85020MM	[-]	17,2	TRW				A02205	
	120	07/02 → 12/04	●	PR:1LT; PR:1LF; PR:1LE; PR:1LB	P85085MM	[+]	20,4	ATE				A02217	PR:1LB; PR:1LE; PR:1LF; PR:1LT
	120	07/02 → 12/04	●	PR:1LE; PR:1LF; PR:1LT; PR:1LB; (J)	P85037MM	[+]	20,4	ATE				A02217	PR:1LB; PR:1LE; PR:1LF; PR:1LT
	120	07/02 → 12/04	●	PR:1KP	P85017MM	[-]	15,2	TRW				A02205	

		kw						wi	Th [mm]	SYS	wi			FK	
												LENGHT			

AUDI

A4 (8E2, B6) 11/00 → 12/04

2.5 TDI quattro	132	11/00 → 12/04	●	PR:1LB; PR:1LE; PR:1LT; PR:1LF	P85085MM	[+]	20,4	ATE					A02217	PR:1LB; PR:1LE; PR:1LF; PR:1LT
	132	11/00 → 12/04	●	PR:1LB; PR:1LF; PR:1LT; PR:1LE; (J)	P85037MM	[+]	20,4	ATE					A02217	PR:1LB; PR:1LE; PR:1LF; PR:1LT
	132	11/00 → 12/04	●	PR:1KP	P85017MM	[-]	15,2	TRW					A02205	
3.0	162	11/00 → 12/04	●	PR:1LF; PR:1LT; PR:1LE; PR:1LB	P85085MM	[+]	20,4	ATE					A02217	PR:1LB; PR:1LE; PR:1LF; PR:1LT
	162	11/00 → 12/04	●	PR:1LE; PR:1LT; PR:1LF; PR:1LB; (J)	P85037MM	[+]	20,4	ATE					A02217	PR:1LB; PR:1LE; PR:1LF; PR:1LT
	162	11/00 → 12/04	●	PR:1KP	P85017MM	[-]	15,2	TRW					A02205	
	160	04/01 → 12/04	●	PR:1LB; PR:1LE; PR:1LF; PR:1LT	P85085MM	[+]	20,4	ATE					A02217	PR:1LB; PR:1LE; PR:1LF; PR:1LT
	160	04/01 → 12/04	●	PR:1LB; PR:1LF; PR:1LT; PR:1LE; (J)	P85037MM	[+]	20,4	ATE					A02217	PR:1LB; PR:1LE; PR:1LF; PR:1LT
	160	04/01 → 12/04	●		P85020MM	[-]	17,2	TRW					A02205	
3.0 quattro	162	11/00 → 12/04	●	PR:1LB; PR:1LE; PR:1LT; PR:1LF	P85085MM	[+]	20,4	ATE					A02217	PR:1LB; PR:1LE; PR:1LF; PR:1LT
	162	11/00 → 12/04	●	PR:1LB; PR:1LF; PR:1LT; PR:1LE; (J)	P85037MM	[+]	20,4	ATE					A02217	PR:1LB; PR:1LE; PR:1LF; PR:1LT
	162	11/00 → 12/04	●	PR:1KP	P85017MM	[-]	15,2	TRW					A02205	
	160	04/01 → 12/04	●	PR:1LT; PR:1LF; PR:1LE; PR:1LB	P85085MM	[+]	20,4	ATE					A02217	PR:1LB; PR:1LE; PR:1LF; PR:1LT
	160	04/01 → 12/04	●	PR:1LF; PR:1LE; PR:1LT; PR:1LB; (J)	P85037MM	[+]	20,4	ATE					A02217	PR:1LB; PR:1LE; PR:1LF; PR:1LT
	160	04/01 → 12/04	●		P85020MM	[-]	17,2	TRW					A02205	
S4 quattro	253	03/03 → 12/04	●		P85097MM	[+]	20,3	ATE						
	253	03/03 → 12/04	●		P85076MM	[-]	17,7	TRW						

A4 (8EC, B7) 11/04 → 06/08

1.6	75	11/04 → 06/08	●	PR:1LZ	P85044MM	[+]	19,6	TRW					A02205	PR:1LZ
	75	11/04 → 06/08	●	PR:1LB; PR:1LE; -(J)	P85085MM	[+]	20,4	ATE					A02205	PR:1LZ
	75	11/04 → 06/08	●	PR:1LB; PR:1LE; (J)	P85037MM	[+]	20,4	ATE					A02205	PR:1LZ
	75	11/04 → 06/08	●	PR:1KP; PR:1KD	P85017MM	[-]	15,2	TRW						
1.8 T	120	11/04 → 06/08	●	PR:1LF; PR:1LT; -(J)	P85085MM	[+]	20,4	ATE					A02217	PR:1LB; PR:1LT; PR:1LE; PR:1LF; PR:1LJ
	120	11/04 → 06/08	●	PR:1LF; PR:1LT; (J)	P85037MM	[+]	20,4	ATE					A02217	PR:1LB; PR:1LT; PR:1LE; PR:1LF; PR:1LJ
	120	11/04 → 06/08	●	PR:1KD; PR:1KP	P85017MM	[-]	15,2	TRW						
1.8 T quattro	120	11/04 → 06/08	●	PR:1LT; PR:1LF; -(J)	P85085MM	[+]	20,4	ATE					A02217	PR:1LB; PR:1LT; PR:1LE; PR:1LF; PR:1LJ
	120	11/04 → 06/08	●	PR:1LT; PR:1LF; (J)	P85037MM	[+]	20,4	ATE					A02217	PR:1LB; PR:1LT; PR:1LE; PR:1LF; PR:1LJ
	120	11/04 → 06/08	●	PR:1KP; PR:1KD	P85017MM	[-]	15,2	TRW						
1.9 TDI	85	11/04 → 06/08	●	PR:1LZ	P85044MM	[+]	19,6	TRW					A02205	PR:1LZ
	85	11/04 → 06/08	●	PR:1LE; PR:1LB; -(J)	P85085MM	[+]	20,4	ATE					A02205	PR:1LZ
	85	11/04 → 06/08	●	PR:1LE; PR:1LB; (J)	P85037MM	[+]	20,4	ATE					A02205	PR:1LZ
	85	11/04 → 06/08	●	PR:1KD; PR:1KP	P85017MM	[-]	15,2	TRW						
2.0	96	11/04 → 06/08	●	PR:1LE; PR:1LB; -(J)	P85085MM	[+]	20,4	ATE					A02217	PR:1LB; PR:1LT; PR:1LE; PR:1LF; PR:1LJ
	96	11/04 → 06/08	●	PR:1LE; PR:1LB; (J)	P85037MM	[+]	20,4	ATE					A02217	PR:1LB; PR:1LT; PR:1LE; PR:1LF; PR:1LJ
	96	11/04 → 06/08	●	PR:1LC; PR:1LA	P85084MM	[+]	20,3	ATE					A02217	PR:1LB; PR:1LT; PR:1LE; PR:1LF; PR:1LJ
	96	11/04 → 06/08	●	PR:1KD; PR:1KP	P85017MM	[-]	15,2	TRW						
2.0 TDI	100	11/04 → 06/08	●	PR:1LE; PR:1LB; -(J)	P85085MM	[+]	20,4	ATE					A02217	PR:1LB; PR:1LT; PR:1LE; PR:1LF; PR:1LJ
	100	11/04 → 06/08	●	PR:1LE; PR:1LB; (J)	P85037MM	[+]	20,4	ATE					A02217	PR:1LB; PR:1LT; PR:1LE; PR:1LF; PR:1LJ
	100	11/04 → 06/08	●	PR:1KD; PR:1KP	P85017MM	[-]	15,2	TRW						
	125	06/06 → 06/08	●	PR:1LE; PR:1LB; PR:1LF; PR:1LT; -(J)	P85085MM	[+]	20,4	ATE						

								WI			FK		
	kw					wi	Th [mm]	SYS		LENGHT			

AUDI

A4 (8EC, B7) 11/04 → 06/08

2.0 TDI	125	06/06 → 06/08	●	PR:1LE; PR:1LB; PR:1LF; PR:1LT; (J)	P85037MM	[+]	20,4	ATE				
	125	06/06 → 06/08	●	PR:1KP; PR:1KD	P85017MM	[-]	15,2	TRW				
	103	11/04 → 06/08	●	PR:1LE; PR:1LB; PR:1LF; PR:1LT; -(J)	P85085MM	[+]	20,4	ATE				
	103	11/04 → 06/08	●	PR:1LB; PR:1LE; PR:1LF; PR:1LT; (J)	P85037MM	[+]	20,4	ATE				
	103	11/04 → 06/08	●	PR:1KP; PR:1KD	P85017MM	[-]	15,2	TRW				
	89	09/05 → 09/06	●	PR:1LZ	P85044MM	[+]	19,6	TRW				
	89	09/05 → 09/06	●	PR:1LT; PR:1LF; PR:1LE; PR:1LB; -(J)	P85085MM	[+]	20,4	ATE				
	89	09/05 → 09/06	●	PR:1LT; PR:1LF; PR:1LB; PR:1LE; (J)	P85037MM	[+]	20,4	ATE				
	89	09/05 → 09/06	●	PR:1KD; PR:1KP	P85017MM	[-]	15,2	TRW				
	120	06/06 → 06/08	●	PR:1LC; PR:1LA; disc Ø 320 mm	P85084MM	[+]	20,3	ATE				
	120	06/06 → 06/08	●	PR:1LT; PR:1LB; PR:1LF; PR:1LE; -(J)	P85085MM	[+]	20,4	ATE				
	120	06/06 → 06/08	●	PR:1LE; PR:1LB; PR:1LF; PR:1LT; (J)	P85037MM	[+]	20,4	ATE				
	120	06/06 → 06/08	●	PR:1KW; disc Ø 288 mm	P85073MM	[O]	17,2	TRW				
	120	06/06 → 06/08	●	PR:1KP; PR:1KD	P85017MM	[-]	15,2	TRW				
	93	11/05 → 11/06	●	PR:1LZ	P85044MM	[+]	19,6	TRW				
	93	11/05 → 11/06	●	PR:1LB; PR:1LE; -(J)	P85085MM	[+]	20,4	ATE				
93	11/05 → 11/06	●	PR:1LE; PR:1LB; (J)	P85037MM	[+]	20,4	ATE					
93	11/05 → 11/06	●	PR:1KP; PR:1KD	P85017MM	[-]	15,2	TRW					
2.0 TDI 16V	103	11/04 → 06/08	●	PR:1LB; PR:1LE; -(J)	P85085MM	[+]	20,4	ATE		A02217	PR:1LB; PR:1LT; PR:1LE; PR:1LF; PR:1LJ	
	103	11/04 → 06/08	●	PR:1LB; PR:1LE; (J)	P85037MM	[+]	20,4	ATE		A02217	PR:1LB; PR:1LT; PR:1LE; PR:1LF; PR:1LJ	
	103	11/04 → 06/08	●	PR:1KP; PR:1KD	P85017MM	[-]	15,2	TRW				
2.0 TDI quattro	103	01/06 → 06/08	●	PR:1LT; PR:1LF; PR:1LB; PR:1LE; -(J)	P85085MM	[+]	20,4	ATE				
	103	01/06 → 06/08	●	PR:1LT; PR:1LF; PR:1LB; PR:1LE; (J)	P85037MM	[+]	20,4	ATE				
	103	01/06 → 06/08	●	PR:1KD; PR:1KP	P85017MM	[-]	15,2	TRW				
	125	06/06 → 06/08	●	PR:1LA; PR:1LC	P85084MM	[+]	20,3	ATE				
	125	06/06 → 06/08	●	PR:1LT; PR:1LF; PR:1LB; PR:1LE; -(J)	P85085MM	[+]	20,4	ATE				
	125	06/06 → 06/08	●	PR:1LT; PR:1LF; PR:1LE; PR:1LB; (J)	P85037MM	[+]	20,4	ATE				
	125	06/06 → 06/08	●	PR:1KW	P85073MM	[O]	17,2	TRW				
	125	06/06 → 06/08	●	PR:1KD; PR:1KP	P85017MM	[-]	15,2	TRW				
	120	06/06 → 06/08	●	PR:1LA; PR:1LC	P85084MM	[+]	20,3	ATE				
	120	06/06 → 06/08	●	PR:1LE; PR:1LB; PR:1LF; PR:1LT; -(J)	P85085MM	[+]	20,4	ATE				
	120	06/06 → 06/08	●	PR:1LT; PR:1LF; PR:1LB; PR:1LE; (J)	P85037MM	[+]	20,4	ATE				
	120	06/06 → 06/08	●	PR:1KW; disc Ø 288 mm	P85073MM	[O]	17,2	TRW				
120	06/06 → 06/08	●	PR:1KD; PR:1KP	P85017MM	[-]	15,2	TRW					
2.0 TFSI	147	11/04 → 06/08	●	PR:1LA; PR:1LC	P85084MM	[+]	20,3	ATE				
	147	11/04 → 06/08	●	PR:1KW	P85073MM	[O]	17,2	TRW				
	162	06/05 → 06/08	●	PR:1LC; PR:1LA	P85084MM	[+]	20,3	ATE		A02217		
	162	06/05 → 06/08	●	PR:1KW	P85073MM	[O]	17,2	TRW				
	125	10/06 → 06/08	●	PR:1LT; PR:1LF; PR:1LB; PR:1LE; -(J)	P85085MM	[+]	20,4	ATE		A02217	PR:1LB; PR:1LT; PR:1LE; PR:1LF; PR:1LJ	
	125	10/06 → 06/08	●	PR:1LT; PR:1LF; PR:1LE; PR:1LB; (J)	P85037MM	[+]	20,4	ATE		A02217	PR:1LB; PR:1LT; PR:1LE; PR:1LF; PR:1LJ	
	125	10/06 → 06/08	●	PR:1LC; PR:1LA	P85084MM	[+]	20,3	ATE		A02217	PR:1LB; PR:1LT; PR:1LE; PR:1LF; PR:1LJ	

AUDI

A4 (8EC, B7) 11/04 → 06/08

2.0 TFSI	125	10/06 → 06/08	●	PR:1KD; PR:1KP	P85017MM [-]	15,2	TRW								
2.0 TFSI quattro	147	11/04 → 06/08	●	PR:1LC; PR:1LA	P85084MM [+]	20,3	ATE								
	147	11/04 → 06/08	●	PR:1KW	P85073MM [O]	17,2	TRW								
	162	06/05 → 06/08	●	PR:1LT; PR:1LF; -(J)	P85085MM [+]	20,4	ATE							A02217	
	162	06/05 → 06/08	●	PR:1LT; PR:1LF; (J)	P85037MM [+]	20,4	ATE							A02217	
	162	06/05 → 06/08	●	PR:1LA; PR:1LC	P85084MM [+]	20,3	ATE							A02217	
	162	06/05 → 06/08	●	PR:1KP	P85017MM [-]	15,2	TRW								
	162	06/05 → 06/08	●	PR:1KW	P85073MM [O]	17,2	TRW								
2.5 TDI	120	11/04 → 05/06	●	PR:1LA; PR:1LC	P85084MM [+]	20,3	ATE								
	120	11/04 → 05/06	●	PR:1KW	P85073MM [O]	17,2	TRW								
2.7 TDI	132	01/06 → 06/08	●	PR:1LC; PR:1LA	P85084MM [+]	20,3	ATE								
	132	01/06 → 06/08	●	PR:1KW	P85073MM [O]	17,2	TRW								
	120	11/05 → 06/08	●	PR:1LB; PR:1LE; (J); disc Ø 288 mm; PR:1LF; PR:1LT; disc Ø 312 mm	P85037MM [+]	20,4	ATE								
	120	11/05 → 06/08	●	PR:1LE; PR:1LB; disc Ø 288 mm; PR:1LF; PR:1LT; -(J); disc Ø 312 mm	P85085MM [+]	20,4	ATE								
	120	11/05 → 06/08	●	PR:1LC; PR:1LA	P85084MM [+]	20,3	ATE								
	120	11/05 → 06/08	●	PR:1KD; disc Ø 245 mm; PR:1KP; disc Ø 255 mm	P85017MM [-]	15,2	TRW								
	120	11/05 → 06/08	●	PR:1KW	P85073MM [O]	17,2	TRW								
3.0	160	11/04 → 05/06	●	PR:1LF; PR:1LT; (J)	P85037MM [+]	20,4	ATE							A02217	
	160	11/04 → 05/06	●	PR:1LF; PR:1LT; -(J)	P85085MM [+]	20,4	ATE							A02217	
	160	11/04 → 05/06	●	PR:1LC; PR:1LA	P85084MM [+]	20,3	ATE							A02217	
	160	11/04 → 05/06	●	PR:1KP	P85017MM [-]	15,2	TRW								
	160	11/04 → 05/06	●	PR:1KW	P85073MM [O]	17,2	TRW								
3.0 quattro	160	11/04 → 07/06	●	PR:1LF; PR:1LT; -(J)	P85085MM [+]	20,4	ATE								
	160	11/04 → 07/06	●	PR:1LF; PR:1LT; (J)	P85037MM [+]	20,4	ATE								
	160	11/04 → 07/06	●	PR:1LA; PR:1LC	P85084MM [+]	20,3	ATE								
	160	11/04 → 07/06	●	PR:1KP	P85017MM [-]	15,2	TRW								
	160	11/04 → 07/06	●	PR:1KW	P85073MM [O]	17,2	TRW								
3.0 TDI quattro	150	11/04 → 06/08	●	PR:1LA; PR:1LC	P85084MM [+]	20,3	ATE								
	150	11/04 → 06/08	●	PR:1KW	P85073MM [O]	17,2	TRW								
	171	01/06 → 06/08	●	PR:1LA; PR:1LC	P85084MM [+]	20,3	ATE								
3.2 FSI	188	01/05 → 06/08	●	PR:1LT; PR:1LF; (J)	P85037MM [+]	20,4	ATE							A02217	
	188	01/05 → 06/08	●	PR:1LT; PR:1LF; -(J)	P85085MM [+]	20,4	ATE							A02217	
	188	01/05 → 06/08	●	PR:1LA; PR:1LC	P85084MM [+]	20,3	ATE							A02217	
	188	01/05 → 06/08	●	PR:1KP	P85017MM [-]	15,2	TRW								
	188	01/05 → 06/08	●	PR:1KW	P85073MM [O]	17,2	TRW								
3.2 FSI quattro	188	01/05 → 06/08	●	PR:1LC; PR:1LA	P85084MM [+]	20,3	ATE								
	188	01/05 → 06/08	●	PR:1KW	P85073MM [O]	17,2	TRW								
RS4 quattro	309	09/05 → 06/08	●		P85076MM [-]	17,7	TRW								
S4 quattro	253	11/04 → 06/08	●		P85097MM [+]	20,3	ATE								
	253	11/04 → 06/08	●		P85076MM [-]	17,7	TRW								

A4 (8K2, B8) 11/07 → 12/15

1.8 TFSI	125	11/11 → 12/15	●	PR:1LT; PR:1LY	P85113MM [+]	20	ATE								
	125	11/11 → 12/15	●	PR:1KW; PR:2EH	P85099MM [-]	17,5	TRW								
	118	11/07 → 03/12	●	PR:1LY; PR:1LT	P85113MM [+]	20	ATE								
	118	11/07 → 03/12	●	PR:1LA	P85098MM [+]	19,4	TRW								
	118	11/07 → 03/12	●	PR:1KW	P85099MM [-]	17,5	TRW								
	88	01/08 → 12/15	●	PR:1LT	P85113MM [+]	20	ATE								
	88	01/08 → 12/15	●	PR:1LA	P85098MM [+]	19,4	TRW								
	88	01/08 → 12/15	●	PR:1KW	P85099MM [-]	17,5	TRW								



kw



wi

Th
[mm]

SYS

WI

FK



LENGHT



AUDI

A4 (8K2, B8) 11/07 → 12/15

	kw	Th [mm]	SYS	PR	P	+	-	ATE	TRW				
1.8 TFSI quattro	125	11/11 → 12/15	•	PR:1LY; PR:1LT	P85113MM	[+]	20	ATE					
	125	11/11 → 12/15	•	PR:2EH; PR:1KW	P85099MM	[-]	17,5	TRW					
	118	09/08 → 03/12	•	PR:1LT	P85113MM	[+]	20	ATE					
	118	09/08 → 03/12	•	PR:1LA	P85098MM	[+]	19,4	TRW					
	118	09/08 → 03/12	•	PR:1KW	P85099MM	[-]	17,5	TRW					
2.0 TDI	130	11/11 → 12/15	•	PR:1LY; PR:1LT	P85113MM	[+]	20	ATE					
	130	11/11 → 12/15	•	PR:1KW; PR:2EH	P85099MM	[-]	17,5	TRW					
	105	11/07 → 12/15	•	PR:1LY; PR:1LT	P85113MM	[+]	20	ATE					
	105	11/07 → 12/15	•	PR:1LA	P85098MM	[+]	19,4	TRW					
	105	11/07 → 12/15	•	PR:1KW	P85099MM	[-]	17,5	TRW					
	100	11/07 → 12/15	•	PR:1LT	P85113MM	[+]	20	ATE					
	100	11/07 → 12/15	•	PR:1LA	P85098MM	[+]	19,4	TRW					
	100	11/07 → 12/15	•	PR:1KW	P85099MM	[-]	17,5	TRW					
	125	01/08 → 03/12	•	PR:1LT; PR:1LY	P85113MM	[+]	20	ATE					
	125	01/08 → 03/12	•	PR:1LA; PR:1LJ; PR:1ZT	P85098MM	[+]	19,4	TRW					
	125	01/08 → 03/12	•	PR:1KW	P85099MM	[-]	17,5	TRW					
	88	06/08 → 12/15	•	PR:1LT	P85113MM	[+]	20	ATE					
	88	06/08 → 12/15	•	PR:1LA	P85098MM	[+]	19,4	TRW					
	88	06/08 → 12/15	•	PR:1KW	P85099MM	[-]	17,5	TRW					
	120	08/08 → 12/15	•	PR:1LT; PR:1LY	P85113MM	[+]	20	ATE					
	120	08/08 → 12/15	•	PR:1LA; PR:1ZT; PR:1LJ	P85098MM	[+]	19,4	TRW					
	120	08/08 → 12/15	•	PR:1KW	P85099MM	[-]	17,5	TRW					
	110	05/13 → 12/15	•	PR:1LA; PR:1LB; PR:1LJ; PR:1LD	P85098MM	[+]	19,4	TRW					
	110	05/13 → 12/15	•	PR:1LT; PR:1LY	P85113MM	[+]	20	ATE					
	110	05/13 → 12/15	•	PR:1KP; PR:1KE	P85100MM	[-]	17,7	TRW					
	110	05/13 → 12/15	•	PR:1KW; PR:2EH	P85099MM	[-]	17,5	TRW					
	140	09/13 → 12/15	•	PR:1LA; PR:1LB; PR:1LJ; PR:1LD	P85098MM	[+]	19,4	TRW					
	140	09/13 → 12/15	•	PR:1LT; PR:1LY	P85113MM	[+]	20	ATE					
	140	09/13 → 12/15	•	PR:1KP; PR:1KE	P85100MM	[-]	17,7	TRW					
	140	09/13 → 12/15	•	PR:1KW; PR:2EH	P85099MM	[-]	17,5	TRW					
	2.0 TDI 16V	103	07/08 →	•	PR:1LT; PR:1LY	P85113MM	[+]	20	ATE				
		103	07/08 →	•	PR:1LA	P85098MM	[+]	19,4	TRW				
		103	07/08 →	•	PR:1KW	P85099MM	[-]	17,5	TRW				
	2.0 TDI quattro	130	11/11 → 12/15	•	PR:1LT; PR:1LY	P85113MM	[+]	20	ATE				
		130	11/11 → 12/15	•	PR:2EH; PR:1KW	P85099MM	[-]	17,5	TRW				
		125	01/08 → 03/12	•	PR:1LY; PR:1LT	P85113MM	[+]	20	ATE				
125		01/08 → 03/12	•	PR:1ZT; PR:1LJ; PR:1LA	P85098MM	[+]	19,4	TRW					
125		01/08 → 03/12	•	PR:1KW	P85099MM	[-]	17,5	TRW					
105		11/08 → 12/15	•	PR:1LT	P85113MM	[+]	20	ATE					
105		11/08 → 12/15	•	PR:1LA	P85098MM	[+]	19,4	TRW					
105		11/08 → 12/15	•	PR:1KW	P85099MM	[-]	17,5	TRW					
110		05/13 → 12/15	•	PR:1LD; PR:1LJ; PR:1LB; PR:1LA	P85098MM	[+]	19,4	TRW					
110		05/13 → 12/15	•	PR:1LY; PR:1LT	P85113MM	[+]	20	ATE					
110		05/13 → 12/15	•	PR:1KP; PR:1KE	P85100MM	[-]	17,7	TRW					
110		05/13 → 12/15	•	PR:1KW; PR:2EH	P85099MM	[-]	17,5	TRW					
140		09/13 → 12/15	•	PR:1LD; PR:1LJ; PR:1LB; PR:1LA	P85098MM	[+]	19,4	TRW					
140		09/13 → 12/15	•	PR:1LY; PR:1LT	P85113MM	[+]	20	ATE					
140		09/13 → 12/15	•	PR:1KP; PR:1KE	P85100MM	[-]	17,7	TRW					
140	09/13 → 12/15	•	PR:1KW; PR:2EH	P85099MM	[-]	17,5	TRW						
2.0 TFSI	132	06/08 → 12/15	•	PR:1LT; PR:1LY	P85113MM	[+]	20	ATE					
	132	06/08 → 12/15	•	PR:1LA; PR:1LJ; PR:1ZT	P85098MM	[+]	19,4	TRW					

								WI			FK	
	kw				wi	Th [mm]	SYS		LENGHT			

AUDI

A4 (8K2, B8) 11/07 → 12/15

3.0 TDI quattro	155 06/08 → 05/10	●	PR:1LJ; PR:1ZT; PR:1LA	P85098MM	[+]	19,4	TRW					
	155 06/08 → 05/10	●	PR:1KE	P85100MM	[-]	17,7	TRW					
	155 06/08 → 05/10	●	PR:1KW	P85099MM	[-]	17,5	TRW					
3.0 TFSI quattro	200 02/12 → 12/15	●	PR:1LA; PR:1ZT; PR:1LJ	P85098MM	[+]	19,4	TRW					
	200 02/12 → 12/15	●	PR:1LT; PR:1LY	P85113MM	[+]	20	ATE					
	200 02/12 → 12/15	●	PR:1KW	P85100MM	[-]	17,7	TRW					
	200 02/12 → 12/15	●	PR:1KW; PR:2EH	P85099MM	[-]	17,5	TRW					
3.2 FSI	195 09/08 → 03/12	●	PR:1LT; PR:1LY	P85113MM	[+]	20	ATE					
	195 09/08 → 03/12	●	PR:1LA; PR:1ZT; PR:1LJ	P85098MM	[+]	19,4	TRW					
	195 09/08 → 03/12	●	PR:1KW	P85099MM	[-]	17,5	TRW					
3.2 FSI quattro	195 11/07 → 03/12	●	PR:1LT; PR:1LY	P85113MM	[+]	20	ATE					
	195 11/07 → 03/12	●	PR:1LA; PR:1ZT; PR:1LJ	P85098MM	[+]	19,4	TRW					
	195 11/07 → 03/12	●	PR:1KW	P85099MM	[-]	17,5	TRW					
S4 quattro	245 11/08 → 12/15	●	PR:1LJ	P85098MM	[+]	19,4	TRW					
	245 11/08 → 12/15	●	PR:1KE; PR:1KP	P85100MM	[-]	17,7	TRW					

A4 (8W2, B9) 05/15 →

S4 quattro	260 05/16 →	●	PR:1LN; PR:1LX	P85136MM	[O]	17	BRE	A00466	264	PR:1LN; PR:1LX		
	260 05/16 →	●	PR:1KY; PR:1KZ	P85117MM	[+]	15,6	TRW					
	260 05/16 →	●	PR:1KW	P85120MM	[+]	17,5	TRW					
	260 05/16 →	●	PR:1KE	P85157MM	[+]	17,5	TRW					

A4 Allroad (8KH, B8) 04/09 → 05/16

2.0 TDI quattro	130 11/11 → 05/16	●	PR:1LT	P85113MM	[+]	20	ATE					
	130 11/11 → 05/16	●	PR:1KW	P85099MM	[-]	17,5	TRW					
	125 04/09 → 05/16	●	PR:1LT	P85113MM	[+]	20	ATE					
	125 04/09 → 05/16	●	PR:1LA	P85098MM	[+]	19,4	TRW					
	125 04/09 → 05/16	●	PR:1KW	P85099MM	[-]	17,5	TRW					
	105 09/09 → 05/16	●	PR:1LT	P85113MM	[+]	20	ATE					
	105 09/09 → 05/16	●	PR:1LA	P85098MM	[+]	19,4	TRW					
	105 09/09 → 05/16	●	PR:1KW	P85099MM	[-]	17,5	TRW					
	100 09/09 → 05/16	●	PR:1LT	P85113MM	[+]	20	ATE					
	100 09/09 → 05/16	●	PR:1LA	P85098MM	[+]	19,4	TRW					
	100 09/09 → 05/16	●	PR:1KW	P85099MM	[-]	17,5	TRW					
	120 04/09 → 05/16	●	PR:1LT	P85113MM	[+]	20	ATE					
	120 04/09 → 05/16	●	PR:1LA	P85098MM	[+]	19,4	TRW					
	120 04/09 → 05/16	●	PR:1KW	P85099MM	[-]	17,5	TRW					
	110 05/13 → 05/16	●	PR:1LA	P85098MM	[+]	19,4	TRW					
	110 05/13 → 05/16	●	PR:1LT	P85113MM	[+]	20	ATE					
	110 05/13 → 05/16	●	PR:1KW	P85099MM	[-]	17,5	TRW					
	140 09/13 → 05/16	●	PR:1LA	P85098MM	[+]	19,4	TRW					
	140 09/13 → 05/16	●	PR:1LT	P85113MM	[+]	20	ATE					
140 09/13 → 05/16	●	PR:1KW	P85099MM	[-]	17,5	TRW						
2.0 TFSI quattro	155 04/09 → 05/16	●	PR:1LT	P85113MM	[+]	20	ATE					
	155 04/09 → 05/16	●	PR:1LA	P85098MM	[+]	19,4	TRW					
	155 04/09 → 05/16	●	PR:1KW	P85099MM	[-]	17,5	TRW					
	162 05/13 → 05/16	●	PR:1LT	P85113MM	[+]	20	ATE					
	162 05/13 → 05/16	●	PR:1LA	P85098MM	[+]	19,4	TRW					
	162 05/13 → 05/16	●	PR:1KW	P85099MM	[-]	17,5	TRW					
	165 05/13 → 05/16	●	PR:1LT	P85113MM	[+]	20	ATE					
165 05/13 → 05/16	●	PR:1LA	P85098MM	[+]	19,4	TRW						
165 05/13 → 05/16	●	PR:1KW	P85099MM	[-]	17,5	TRW						
3.0 TDI quattro	180 01/12 → 05/16	●	PR:1LA	P85098MM	[+]	19,4	TRW					
	180 01/12 → 05/16	●	PR:1LT	P85113MM	[+]	20	ATE					
	180 01/12 → 05/16	●	PR:1KW	P85099MM	[-]	17,5	TRW					

AUDI

A4 Allroad (8KH, B8) 04/09 → 05/16

3.0 TDI quattro	176	04/09 → 01/12	●	PR:1LT	P85113MM	[+]	20	ATE						
	176	04/09 → 01/12	●	PR:1LA	P85098MM	[+]	19,4	TRW						
	176	04/09 → 01/12	●	PR:1KW	P85099MM	[-]	17,5	TRW						

A4 Avant (8D5, B5) 11/94 → 09/01

1.6	74	11/94 → 09/01	●	→ 8D-V-169695	P85092MM	[-]	19,6	TRW						
	74	11/94 → 09/01	●	8D-V-169696 →; → 8D-X-199999	P85042MM	[-]	19,6	TRW						
	74	11/94 → 09/01	●	8D-X-200001 →	P85044MM	[+]	19,6	TRW						
	74	11/94 → 09/01	●	→ 8D-V-168350	P85013MM	[-]	16,6	TRW						
	74	11/94 → 09/01	●	8D-V-168351 →	P85020MM	[-]	17,2	TRW						
	75	07/00 → 09/01	●	→ 8D-V-169695	P85092MM	[-]	19,6	TRW						
	75	07/00 → 09/01	●	8D-V-169696 →; → 8D-X-199999	P85042MM	[-]	19,6	TRW						
	75	07/00 → 09/01	●	8D-X-200001 →	P85044MM	[+]	19,6	TRW						
	75	07/00 → 09/01	●	→ 8D-V-168350	P85013MM	[-]	16,6	TRW						
1.8	92	02/96 → 09/01	●	→ 8D-V-054061	P85036MM	[-]	20,4	ATE				A02217	→ 8D-V-054061	
	92	02/96 → 09/01	●	8D-V-054062 →; → 8D-X-199999	P85042MM	[-]	19,6	TRW				A02217	→ 8D-V-054061	
	92	02/96 → 09/01	●	8D-X-200001 →	P85044MM	[+]	19,6	TRW				A02217	→ 8D-V-054061	
	92	02/96 → 09/01	●	→ 8D-V-168350	P85013MM	[-]	16,6	TRW						
	92	02/96 → 09/01	●	8D-V-168351 →	P85020MM	[-]	17,2	TRW						
	85	07/95 → 09/01	●	→ 8D-V-054061	P85036MM	[-]	20,4	ATE				A02217	→ 8D-V-054061	
	85	07/95 → 09/01	●	8D-V-054062 →; → 8D-X-199999	P85042MM	[-]	19,6	TRW				A02217	→ 8D-V-054061	
	85	07/95 → 09/01	●	8D-X-200001 →	P85044MM	[+]	19,6	TRW				A02217	→ 8D-V-054061	
	85	07/95 → 09/01	●	→ 8D-V-168350	P85013MM	[-]	16,6	TRW						
1.8 quattro	92	01/96 → 09/01	●	→ 8D-V-054061	P85036MM	[-]	20,4	ATE				A02217	→ 8D-V-054061	
	92	01/96 → 09/01	●	8D-V-054062 →; → 8D-X-199999	P85042MM	[-]	19,6	TRW				A02217	→ 8D-V-054061	
	92	01/96 → 09/01	●	8D-X-200001 →	P85044MM	[+]	19,6	TRW				A02217	→ 8D-V-054061	
	92	01/96 → 09/01	●	→ 8D-X-199999; PR:1KD; 8D-X-200001 →	P85013MM	[-]	16,6	TRW						
	92	01/96 → 09/01	●	PR:1KE; 8D-X-200001 →	P85020MM	[-]	17,2	TRW						
	85	07/95 → 09/01	●	→ 8D-V-054061	P85036MM	[-]	20,4	ATE				A02217	→ 8D-V-054061	
	85	07/95 → 09/01	●	8D-V-054062 →; → 8D-X-199999	P85042MM	[-]	19,6	TRW				A02217	→ 8D-V-054061	
	85	07/95 → 09/01	●	8D-X-200001 →	P85044MM	[+]	19,6	TRW				A02217	→ 8D-V-054061	
	85	07/95 → 09/01	●	→ 8D-X-199999; PR:1KD; 8D-X-200001 →	P85013MM	[-]	16,6	TRW						
1.8 T	110	03/96 → 09/01	●	→ 8D-X-199999	P85036MM	[-]	20,4	ATE				A02217		
	110	03/96 → 09/01	●	8D-X-200000 →	P85037MM	[+]	20,4	ATE				A02217		
	110	03/96 → 09/01	●	→ 8D-V-168350	P85013MM	[-]	16,6	TRW						
	110	03/96 → 09/01	●	8D-V-168351 →	P85020MM	[-]	17,2	TRW						
	132	12/97 → 09/01	●	→ 8D-X-199999	P85036MM	[-]	20,4	ATE				A02217		
	132	12/97 → 09/01	●	8D-X-200000 →	P85037MM	[+]	20,4	ATE				A02217		
	132	12/97 → 09/01	●	→ 8D-V-168350	P85013MM	[-]	16,6	TRW						
1.8 T quattro	110	01/96 → 09/01	●	→ 8D-X-199999	P85036MM	[-]	20,4	ATE				A02217		
	110	01/96 → 09/01	●	8D-X-200001 →	P85037MM	[+]	20,4	ATE				A02217		
	110	01/96 → 09/01	●	→ 8D-X-199999; PR:1KD; 8D-X-200001 →	P85013MM	[-]	16,6	TRW						
	110	01/96 → 09/01	●	PR:1KE; 8D-X-200001 →	P85020MM	[-]	17,2	TRW						
	132	12/97 → 09/01	●	→ 8D-X-199999	P85036MM	[-]	20,4	ATE				A02217		

										WI			FK	
											LENGHT			

AUDI

A4 Avant (8D5, B5) 11/94 → 09/01

1.8 T quattro	132	12/97 → 09/01	●	8D-X-200001 →	P85037MM	[+]	20,4	ATE						A02217
	132	12/97 → 09/01	●	→ 8D-X-199999; PR:1KD; 8D-X-200001 →	P85013MM	[-]	16,6	TRW						
	132	12/97 → 09/01	●	PR:1KE; 8D-X-200001 →	P85020MM	[-]	17,2	TRW						
1.9 DUO	66	03/98 → 09/01	●	→ 8D-V-169695	P85092MM	[-]	19,6	TRW						
	66	03/98 → 09/01	●	8D-V-169696 → ; → 8D-X-199999	P85042MM	[-]	19,6	TRW						
	66	03/98 → 09/01	●	8D-X-200001 →	P85044MM	[+]	19,6	TRW						
	66	03/98 → 09/01	●	→ 8D-V-168350	P85013MM	[-]	16,6	TRW						
1.9 TDI	66	03/98 → 09/01	●	8D-V-168351 →	P85020MM	[-]	17,2	TRW						
	66	02/96 → 09/01	●	→ 8D-V-169695	P85092MM	[-]	19,6	TRW						
	66	02/96 → 09/01	●	8D-V-169696 → ; → 8D-X-199999	P85042MM	[-]	19,6	TRW						
	66	02/96 → 09/01	●	8D-X-200001 →	P85044MM	[+]	19,6	TRW						
	66	02/96 → 09/01	●	→ 8D-V-168350	P85013MM	[-]	16,6	TRW						
	66	02/96 → 09/01	●	8D-V-168351 →	P85020MM	[-]	17,2	TRW						
	81	02/96 → 09/01	●	→ 8D-X-199999	P85036MM	[-]	20,4	ATE						A02217
	81	02/96 → 09/01	●	8D-X-200000 →	P85037MM	[+]	20,4	ATE						A02217
	81	02/96 → 09/01	●	→ 8D-V-168350	P85013MM	[-]	16,6	TRW						
	81	02/96 → 09/01	●	8D-V-168351 →	P85020MM	[-]	17,2	TRW						
	85	03/00 → 09/01	●	→ 8D-X-199999	P85036MM	[-]	20,4	ATE						A02217
	85	03/00 → 09/01	●	8D-X-200000 →	P85037MM	[+]	20,4	ATE						A02217
	85	03/00 → 09/01	●	→ 8D-V-168350	P85013MM	[-]	16,6	TRW						
	85	03/00 → 09/01	●	8D-V-168351 →	P85020MM	[-]	17,2	TRW						
	55	03/96 → 09/01	●	→ 8D-V-169695	P85092MM	[-]	19,6	TRW						
	55	03/96 → 09/01	●	8D-V-169696 → ; → 8D-X-199999	P85042MM	[-]	19,6	TRW						
	55	03/96 → 09/01	●	8D-X-200001 →	P85044MM	[+]	19,6	TRW						
	55	03/96 → 09/01	●	→ 8D-V-168350	P85013MM	[-]	16,6	TRW						
55	03/96 → 09/01	●	8D-V-168351 →	P85020MM	[-]	17,2	TRW							
1.9 TDI quattro	81	09/96 → 09/01	●	→ 8D-X-199999	P85036MM	[-]	20,4	ATE						A02217
	81	09/96 → 09/01	●	8D-X-200001 →	P85037MM	[+]	20,4	ATE						A02217
	81	09/96 → 09/01	●	→ 8D-X-199999; PR:1KD; 8D-X-200001 →	P85013MM	[-]	16,6	TRW						
	81	09/96 → 09/01	●	PR:1KE; 8D-X-200001 →	P85020MM	[-]	17,2	TRW						
	85	03/00 → 09/01	●	→ 8D-X-199999	P85036MM	[-]	20,4	ATE						A02217
	85	03/00 → 09/01	●	8D-X-200001 →	P85037MM	[+]	20,4	ATE						A02217
	85	03/00 → 09/01	●	→ 8D-X-199999; PR:1KD; 8D-X-200001 →	P85013MM	[-]	16,6	TRW						
2.4	121	03/97 → 09/01	●	→ 8D-X-199999	P85036MM	[-]	20,4	ATE						A02217
	121	03/97 → 09/01	●	8D-X-200000 →	P85037MM	[+]	20,4	ATE						A02217
	121	03/97 → 09/01	●	→ 8D-V-168350	P85013MM	[-]	16,6	TRW						
	121	03/97 → 09/01	●	8D-V-168351 →	P85020MM	[-]	17,2	TRW						
	120	08/97 → 09/01	●	→ 8D-X-199999	P85036MM	[-]	20,4	ATE						A02217
	120	08/97 → 09/01	●	8D-X-200000 →	P85037MM	[+]	20,4	ATE						A02217
	120	08/97 → 09/01	●	→ 8D-V-168350	P85013MM	[-]	16,6	TRW						
	120	08/97 → 09/01	●	8D-V-168351 →	P85020MM	[-]	17,2	TRW						
2.4 quattro	121	03/97 → 09/01	●	→ 8D-X-199999	P85036MM	[-]	20,4	ATE						A02217
	121	03/97 → 09/01	●	8D-X-200001 →	P85037MM	[+]	20,4	ATE						A02217
	121	03/97 → 09/01	●	→ 8D-X-199999; PR:1KD; 8D-X-200001 →	P85013MM	[-]	16,6	TRW						
	121	03/97 → 09/01	●	PR:1KE; 8D-X-200001 →	P85020MM	[-]	17,2	TRW						
	120	08/97 → 09/01	●	→ 8D-X-199999	P85036MM	[-]	20,4	ATE						A02217
	120	08/97 → 09/01	●	8D-X-200001 →	P85037MM	[+]	20,4	ATE						A02217

--	--	--	--	--	--	--	--	--	--	--	--	--	--	--

AUDI

A4 Avant (8D5, B5) 11/94 → 09/01

2.4 quattro	120	08/97 → 09/01		•	→ 8D-X-199999; PR:1KD; 8D-X-200001 →	P85013MM [-]	16,6	TRW							
	120	08/97 → 09/01		•	PR:1KE; 8D-X-200001 →	P85020MM [-]	17,2	TRW							
2.5 TDI	110	09/97 → 09/01		•	→ 8D-X-199999	P85036MM [-]	20,4	ATE					A02217		
	110	09/97 → 09/01		•	8D-X-200000 →	P85037MM [+]	20,4	ATE					A02217		
	110	09/97 → 09/01		•	→ 8D-V-168350	P85013MM [-]	16,6	TRW							
	110	09/97 → 09/01		•	8D-V-168351 →	P85020MM [-]	17,2	TRW							
2.5 TDI quattro	110	09/97 → 09/01		•	→ 8D-X-199999	P85036MM [-]	20,4	ATE					A02217		
	110	09/97 → 09/01		•	8D-X-200001 →	P85037MM [+]	20,4	ATE					A02217		
2.6	110	02/96 → 09/01		•	→ 8D-X-199999; PR:1KD; 8D-X-200001 →	P85013MM [-]	16,6	TRW							
	110	02/96 → 09/01		•	PR:1KE; 8D-X-200001 →	P85020MM [-]	17,2	TRW							
	110	02/96 → 09/01		•	→ 8D-X-199999	P85036MM [-]	20,4	ATE					A02217		
	110	02/96 → 09/01		•	8D-X-200000 →	P85037MM [+]	20,4	ATE					A02217		
2.6 quattro	110	02/96 → 09/01		•	→ 8D-V-168350	P85013MM [-]	16,6	TRW							
	110	02/96 → 09/01		•	8D-V-168351 →	P85020MM [-]	17,2	TRW							
	110	01/96 → 09/01		•	→ 8D-X-199999	P85036MM [-]	20,4	ATE					A02217		
	110	01/96 → 09/01		•	8D-X-200001 →	P85037MM [+]	20,4	ATE					A02217		
2.8	110	01/96 → 09/01		•	→ 8D-X-199999; PR:1KD; 8D-X-200001 →	P85013MM [-]	16,6	TRW							
	110	01/96 → 09/01		•	PR:1KE; 8D-X-200001 →	P85020MM [-]	17,2	TRW							
	128	03/96 → 09/96		•	→ 8D-X-199999	P85036MM [-]	20,4	ATE					A02217		
	128	03/96 → 09/96		•	8D-X-200000 →	P85037MM [+]	20,4	ATE					A02217		
	128	03/96 → 09/96		•	→ 8D-V-168350	P85013MM [-]	16,6	TRW							
	128	03/96 → 09/96		•	8D-V-168351 →	P85020MM [-]	17,2	TRW							
	142	10/96 → 09/01		•	→ 8D-X-199999	P85036MM [-]	20,4	ATE					A02217		
	142	10/96 → 09/01		•	8D-X-200000 →	P85037MM [+]	20,4	ATE					A02217		
	142	10/96 → 09/01		•	→ 8D-V-168350	P85013MM [-]	16,6	TRW							
	142	10/96 → 09/01		•	8D-V-168351 →	P85020MM [-]	17,2	TRW							
	140	03/99 → 09/00		•	→ 8D-X-199999	P85036MM [-]	20,4	ATE							
	140	03/99 → 09/00		•	8D-X-200000 →	P85037MM [+]	20,4	ATE							
	140	03/99 → 09/00		•	→ 8D-V-168350	P85013MM [-]	16,6	TRW							
	140	03/99 → 09/00		•	8D-V-168351 →	P85020MM [-]	17,2	TRW							
	2.8 quattro	128	01/96 → 09/96		•	→ 8D-X-199999	P85036MM [-]	20,4	ATE					A02217	
		128	01/96 → 09/96		•	8D-X-200001 →	P85037MM [+]	20,4	ATE					A02217	
128		01/96 → 09/96		•	→ 8D-X-199999; PR:1KD; 8D-X-200001 →	P85013MM [-]	16,6	TRW							
128		01/96 → 09/96		•	PR:1KE; 8D-X-200001 →	P85020MM [-]	17,2	TRW							
142		10/96 → 09/01		•	→ 8D-X-199999	P85036MM [-]	20,4	ATE					A02217		
142		10/96 → 09/01		•	8D-X-200001 →	P85037MM [+]	20,4	ATE					A02217		
142		10/96 → 09/01		•	→ 8D-X-199999; PR:1KD; 8D-X-200001 →	P85013MM [-]	16,6	TRW							
142		10/96 → 09/01		•	PR:1KE; 8D-X-200001 →	P85020MM [-]	17,2	TRW							
140		03/99 → 09/00		•	→ 8D-X-199999	P85036MM [-]	20,4	ATE							
140		03/99 → 09/00		•	8D-X-200001 →	P85037MM [+]	20,4	ATE							
140		03/99 → 09/00		•	→ 8D-X-199999; PR:1KD; 8D-X-200001 →	P85013MM [-]	16,6	TRW							
140		03/99 → 09/00		•	PR:1KE; 8D-X-200001 →	P85020MM [-]	17,2	TRW							
RS4 quattro	280	05/00 → 09/01		•		P06019MM [O]	20,8	ATE	A00203	305			A02217		
	280	05/00 → 09/01		•		P85101MM [+]	17,2	TRW							
S4 quattro	195	09/97 → 09/01		•	→ 8D-X-199999	P85096MM [+]	18,5	TRW					A02217	8E-1-000001 →	
	195	09/97 → 09/01		•	8D-X-200000 →; → 8D-1-200000	P85067MM [+]	18,3/18,5	TRW					A02217	8E-1-000001 →	
	195	09/97 → 09/01		•	8E-1-000001 →	P85084MM [+]	20,3	ATE					A02217	8E-1-000001 →	
	195	09/97 → 09/01		•		P85020MM [-]	17,2	TRW							

									WI			FK	
	kw									LENGHT			

AUDI

A4 Avant (8E5, B6) 04/01 → 12/04

1.6	75	09/01 → 12/04	●	PR:1LZ	P85044MM	[+]	19,6	TRW				A02205	PR:1LZ
	75	09/01 → 12/04	●	PR:1LB; PR:1LE; PR:1LT; PR:1LF	P85085MM	[+]	20,4	ATE				A02205	PR:1LZ
	75	09/01 → 12/04	●	PR:1LB; PR:1LT; PR:1LF; PR:1LE; (J)	P85037MM	[+]	20,4	ATE				A02205	PR:1LZ
	75	09/01 → 12/04	●		P85020MM	[-]	17,2	TRW				A02205	PR:1LZ
1.8 T	110	09/01 → 07/02	●	PR:1LB; PR:1LE; PR:1LT; PR:1LF	P85085MM	[+]	20,4	ATE				A02217	PR:1LB; PR:1LE; PR:1LF; PR:1LT
	110	09/01 → 07/02	●	PR:1LB; PR:1LT; PR:1LF; PR:1LE; (J)	P85037MM	[+]	20,4	ATE				A02217	PR:1LB; PR:1LE; PR:1LF; PR:1LT
	110	09/01 → 07/02	●		P85020MM	[-]	17,2	TRW				A02205	
	120	07/02 → 12/04	●	PR:1LT; PR:1LF; PR:1LE; PR:1LB	P85085MM	[+]	20,4	ATE				A02217	PR:1LB; PR:1LE; PR:1LF; PR:1LT
	120	07/02 → 12/04	●	PR:1LE; PR:1LT; PR:1LF; PR:1LB; (J)	P85037MM	[+]	20,4	ATE				A02217	PR:1LB; PR:1LE; PR:1LF; PR:1LT
	120	07/02 → 12/04	●		P85017MM	[-]	15,2	TRW				A02205	
	120	07/02 → 12/04	●		P85020MM	[-]	17,2	TRW				A02205	
	140	11/02 → 12/04	●	PR:1LF; PR:1LT; PR:1LE; PR:1LB	P85085MM	[+]	20,4	ATE				A02217	PR:1LB; PR:1LE; PR:1LF; PR:1LT
1.8 T quattro	110	09/01 → 07/02	●	PR:1LB; PR:1LE; PR:1LF; PR:1LT	P85085MM	[+]	20,4	ATE				A02217	PR:1LB; PR:1LE; PR:1LF; PR:1LT
	110	09/01 → 07/02	●	PR:1LB; PR:1LT; PR:1LF; PR:1LE; (J)	P85037MM	[+]	20,4	ATE				A02217	PR:1LB; PR:1LE; PR:1LF; PR:1LT
	110	09/01 → 07/02	●		P85020MM	[-]	17,2	TRW				A02205	
	120	07/02 → 12/04	●	PR:1LB; PR:1LE; PR:1LF; PR:1LT	P85085MM	[+]	20,4	ATE				A02217	PR:1LB; PR:1LE; PR:1LF; PR:1LT
	120	07/02 → 12/04	●	PR:1LB; PR:1LF; PR:1LT; PR:1LE; (J)	P85037MM	[+]	20,4	ATE				A02217	PR:1LB; PR:1LE; PR:1LF; PR:1LT
	120	07/02 → 12/04	●		P85017MM	[-]	15,2	TRW				A02205	
	120	07/02 → 12/04	●		P85020MM	[-]	17,2	TRW				A02205	
	140	11/02 → 12/04	●	PR:1LB; PR:1LE; PR:1LT; PR:1LF	P85085MM	[+]	20,4	ATE				A02217	PR:1LB; PR:1LE; PR:1LF; PR:1LT
	140	11/02 → 12/04	●	PR:1LB; PR:1LF; PR:1LT; PR:1LE; (J)	P85037MM	[+]	20,4	ATE				A02217	PR:1LB; PR:1LE; PR:1LF; PR:1LT
	140	11/02 → 12/04	●		P85020MM	[-]	17,2	TRW				A02205	
	125	09/01 → 12/04	●	PR:1LB; PR:1LE; PR:1LT; PR:1LF	P85085MM	[+]	20,4	ATE				A02217	PR:1LB; PR:1LE; PR:1LF; PR:1LT
	125	09/01 → 12/04	●	PR:1LB; PR:1LF; PR:1LT; PR:1LE; (J)	P85037MM	[+]	20,4	ATE				A02217	PR:1LB; PR:1LE; PR:1LF; PR:1LT
125	09/01 → 12/04	●		P85020MM	[-]	17,2	TRW				A02205		
1.9 TDI	96	09/01 → 12/04	●	PR:1LB; PR:1LE; PR:1LT; PR:1LF	P85085MM	[+]	20,4	ATE				A02217	PR:1LB; PR:1LE; PR:1LF; PR:1LT
	96	09/01 → 12/04	●	PR:1LB; PR:1LT; PR:1LF; PR:1LE; (J)	P85037MM	[+]	20,4	ATE				A02217	PR:1LB; PR:1LE; PR:1LF; PR:1LT
	96	09/01 → 12/04	●		P85020MM	[-]	17,2	TRW				A02205	
	74	11/01 → 12/04	●	PR:1LZ	P85044MM	[+]	19,6	TRW				A02205	PR:1LZ
	74	11/01 → 12/04	●	PR:1LB; PR:1LE; PR:1LF; PR:1LT	P85085MM	[+]	20,4	ATE				A02205	PR:1LZ
	74	11/01 → 12/04	●	PR:1LB; PR:1LF; PR:1LT; PR:1LE; (J)	P85037MM	[+]	20,4	ATE				A02205	PR:1LZ
	74	11/01 → 12/04	●		P85020MM	[-]	17,2	TRW				A02205	PR:1LZ
	85	06/04 → 12/04	●	PR:1LZ	P85044MM	[+]	19,6	TRW				A02205	PR:1LZ
	85	06/04 → 12/04	●	PR:1LF; PR:1LT; PR:1LE; PR:1LB	P85085MM	[+]	20,4	ATE				A02205	PR:1LZ
	85	06/04 → 12/04	●	PR:1LE; PR:1LT; PR:1LF; PR:1LB; (J)	P85037MM	[+]	20,4	ATE				A02205	PR:1LZ
85	06/04 → 12/04	●		P85020MM	[-]	17,2	TRW				A02205	PR:1LZ	

AUDI

A4 Avant (8E5, B6) 04/01 → 12/04

1.9 TDI quattro	96	11/01 → 12/04	●	PR:1LT; PR:1LF; PR:1LE; PR:1LB	P85085MM	[+]	20,4	ATE					A02217	PR:1LB; PR:1LE; PR:1LF; PR:1LT
	96	11/01 → 12/04	●	PR:1LE; PR:1LT; PR:1LF; PR:1LB; (J)	P85037MM	[+]	20,4	ATE					A02217	PR:1LB; PR:1LE; PR:1LF; PR:1LT
	96	11/01 → 12/04	●		P85020MM	[-]	17,2	TRW					A02205	
2.0	96	09/01 → 12/04	●	PR:1LF; PR:1LT; PR:1LE; PR:1LB	P85085MM	[+]	20,4	ATE					A02217	PR:1LB; PR:1LE; PR:1LF; PR:1LT
	96	09/01 → 12/04	●	PR:1LE; PR:1LF; PR:1LT; PR:1LB; (J)	P85037MM	[+]	20,4	ATE					A02217	PR:1LB; PR:1LE; PR:1LF; PR:1LT
	96	09/01 → 12/04	●		P85020MM	[-]	17,2	TRW					A02205	
2.0 FSI	110	07/02 → 12/04	●	PR:1LB; PR:1LE; PR:1LF; PR:1LT	P85085MM	[+]	20,4	ATE					A02217	PR:1LB; PR:1LE; PR:1LF; PR:1LT
	110	07/02 → 12/04	●	PR:1LB; PR:1LF; PR:1LT; PR:1LE; (J)	P85037MM	[+]	20,4	ATE					A02217	PR:1LB; PR:1LE; PR:1LF; PR:1LT
	110	07/02 → 12/04	●		P85020MM	[-]	17,2	TRW					A02205	
2.4	125	09/01 → 12/04	●	PR:1LT; PR:1LF; PR:1LE; PR:1LB	P85085MM	[+]	20,4	ATE					A02217	PR:1LB; PR:1LE; PR:1LF; PR:1LT
	125	09/01 → 12/04	●	PR:1LE; PR:1LF; PR:1LT; PR:1LB; (J)	P85037MM	[+]	20,4	ATE					A02217	PR:1LB; PR:1LE; PR:1LF; PR:1LT
	125	09/01 → 12/04	●		P85017MM	[-]	15,2	TRW					A02205	
	125	09/01 → 12/04	●		P85020MM	[-]	17,2	TRW					A02205	
	120	09/01 → 12/04	●	PR:1LB; PR:1LE; PR:1LF; PR:1LT	P85085MM	[+]	20,4	ATE					A02217	PR:1LB; PR:1LE; PR:1LF; PR:1LT
	120	09/01 → 12/04	●	PR:1LB; PR:1LF; PR:1LT; PR:1LE; (J)	P85037MM	[+]	20,4	ATE					A02217	PR:1LB; PR:1LE; PR:1LF; PR:1LT
	120	09/01 → 12/04	●		P85020MM	[-]	17,2	TRW					A02205	
2.5 TDI	114	09/01 → 07/02	●	PR:1LT; PR:1LF; PR:1LE; PR:1LB	P85085MM	[+]	20,4	ATE					A02217	PR:1LB; PR:1LE; PR:1LF; PR:1LT
	114	09/01 → 07/02	●	PR:1LE; PR:1LF; PR:1LT; PR:1LB; (J)	P85037MM	[+]	20,4	ATE					A02217	PR:1LB; PR:1LE; PR:1LF; PR:1LT
	114	09/01 → 07/02	●		P85017MM	[-]	15,2	TRW					A02205	
	114	09/01 → 07/02	●		P85020MM	[-]	17,2	TRW					A02205	
	120	07/02 → 12/04	●	PR:1LT; PR:1LF; PR:1LE; PR:1LB	P85085MM	[+]	20,4	ATE					A02217	PR:1LB; PR:1LE; PR:1LF; PR:1LT
	120	07/02 → 12/04	●	PR:1LE; PR:1LT; PR:1LF; PR:1LB; (J)	P85037MM	[+]	20,4	ATE					A02217	PR:1LB; PR:1LE; PR:1LF; PR:1LT
	120	07/02 → 12/04	●		P85017MM	[-]	15,2	TRW					A02205	
	120	07/02 → 12/04	●		P85020MM	[-]	17,2	TRW					A02205	
2.5 TDI quattro	132	09/01 → 12/04	●	PR:1LB; PR:1LE; PR:1LF; PR:1LT	P85085MM	[+]	20,4	ATE					A02217	PR:1LB; PR:1LE; PR:1LF; PR:1LT
	132	09/01 → 12/04	●	PR:1LB; PR:1LT; PR:1LF; PR:1LE; (J)	P85037MM	[+]	20,4	ATE					A02217	PR:1LB; PR:1LE; PR:1LF; PR:1LT
	132	09/01 → 12/04	●		P85017MM	[-]	15,2	TRW					A02205	
	132	09/01 → 12/04	●		P85020MM	[-]	17,2	TRW					A02205	
3.0	162	09/01 → 12/04	●	PR:1LF; PR:1LT; PR:1LE; PR:1LB	P85085MM	[+]	20,4	ATE					A02217	PR:1LB; PR:1LE; PR:1LF; PR:1LT
	162	09/01 → 12/04	●	PR:1LE; PR:1LF; PR:1LT; PR:1LB; (J)	P85037MM	[+]	20,4	ATE					A02217	PR:1LB; PR:1LE; PR:1LF; PR:1LT
	162	09/01 → 12/04	●		P85020MM	[-]	17,2	TRW					A02205	
	160	04/01 → 12/04	●	PR:1LF; PR:1LT; PR:1LE; PR:1LB	P85085MM	[+]	20,4	ATE					A02217	PR:1LB; PR:1LE; PR:1LF; PR:1LT
	160	04/01 → 12/04	●	PR:1LE; PR:1LT; PR:1LF; PR:1LB; (J)	P85037MM	[+]	20,4	ATE					A02217	PR:1LB; PR:1LE; PR:1LF; PR:1LT
	160	04/01 → 12/04	●		P85020MM	[-]	17,2	TRW					A02205	
3.0 quattro	162	09/01 → 12/04	●	PR:1LT; PR:1LF; PR:1LE; PR:1LB	P85085MM	[+]	20,4	ATE					A02217	PR:1LB; PR:1LE; PR:1LF; PR:1LT
3.0 quattro	162	09/01 → 12/04	●	PR:1LF; PR:1LE; PR:1LT; PR:1LB; (J)	P85037MM	[+]	20,4	ATE					A02217	PR:1LB; PR:1LE; PR:1LF; PR:1LT
3.0 quattro	162	09/01 → 12/04	●		P85017MM	[-]	15,2	TRW					A02205	
3.0 quattro	162	09/01 → 12/04	●		P85020MM	[-]	17,2	TRW					A02205	

										WI			FK	
											LENGHT			

AUDI

A4 Avant (8E5, B6) 04/01 → 12/04

3.0 quattro	160	04/01 → 12/04	●	PR:1LB; PR:1LE; PR:1LT; PR:1LF	P85085MM	[+]	20,4	ATE					A02217	PR:1LB; PR:1LE; PR:1LF; PR:1LT
3.0 quattro	160	04/01 → 12/04	●	PR:1LB; PR:1LF; PR:1LT; PR:1LE; (J)	P85037MM	[+]	20,4	ATE					A02217	PR:1LB; PR:1LE; PR:1LF; PR:1LT
3.0 quattro	160	04/01 → 12/04	●		P85020MM	[-]	17,2	TRW					A02205	
S4 quattro	253	03/03 → 12/04	●		P85097MM	[+]	20,3	ATE						
	253	03/03 → 12/04	●		P85076MM	[-]	17,7	TRW						

A4 Avant (8ED, B7) 11/04 → 06/08

1.6	75	11/04 → 06/08	●	PR:1LZ	P85044MM	[+]	19,6	TRW					A02205	PR:1LZ
	75	11/04 → 06/08	●	PR:1LE; PR:1LB; -(J)	P85085MM	[+]	20,4	ATE					A02205	PR:1LZ
	75	11/04 → 06/08	●	PR:1LE; PR:1LB; (J)	P85037MM	[+]	20,4	ATE					A02205	PR:1LZ
	75	11/04 → 06/08	●	PR:1KD; PR:1KP	P85017MM	[-]	15,2	TRW						
1.8 T	120	11/04 → 06/08	●	PR:1LF; PR:1LT; -(J)	P85085MM	[+]	20,4	ATE					A02217	PR:1LB; PR:1LT; PR:1LE; PR:1LF; PR:1LJ
	120	11/04 → 06/08	●	PR:1LF; PR:1LT; (J)	P85037MM	[+]	20,4	ATE					A02217	PR:1LB; PR:1LT; PR:1LE; PR:1LF; PR:1LJ
	120	11/04 → 06/08	●	PR:1KD; PR:1KP	P85017MM	[-]	15,2	TRW						
1.8 T quattro	120	11/04 → 06/08	●	PR:1LT; PR:1LF; -(J)	P85085MM	[+]	20,4	ATE					A02217	PR:1LB; PR:1LT; PR:1LE; PR:1LF; PR:1LJ
	120	11/04 → 06/08	●	PR:1LT; PR:1LF; (J)	P85037MM	[+]	20,4	ATE					A02217	PR:1LB; PR:1LT; PR:1LE; PR:1LF; PR:1LJ
	120	11/04 → 06/08	●	PR:1KP; PR:1KD	P85017MM	[-]	15,2	TRW						
1.9 TDI	85	11/04 → 06/08	●	PR:1LZ	P85044MM	[+]	19,6	TRW					A02217	PR:1LB; PR:1LT; PR:1LE; PR:1LF; PR:1LJ
	85	11/04 → 06/08	●	PR:1LE; PR:1LB; -(J)	P85085MM	[+]	20,4	ATE					A02217	PR:1LB; PR:1LT; PR:1LE; PR:1LF; PR:1LJ
	85	11/04 → 06/08	●	PR:1LE; PR:1LB; (J)	P85037MM	[+]	20,4	ATE					A02217	PR:1LB; PR:1LT; PR:1LE; PR:1LF; PR:1LJ
	85	11/04 → 06/08	●	PR:1KD; PR:1KP	P85017MM	[-]	15,2	TRW						
2.0	96	11/04 → 06/08	●	PR:1LB; PR:1LE; -(J)	P85085MM	[+]	20,4	ATE					A02217	PR:1LB; PR:1LT; PR:1LE; PR:1LF; PR:1LJ
	96	11/04 → 06/08	●	PR:1LB; PR:1LE; (J)	P85037MM	[+]	20,4	ATE					A02217	PR:1LB; PR:1LT; PR:1LE; PR:1LF; PR:1LJ
	96	11/04 → 06/08	●	PR:1KP; PR:1KD	P85017MM	[-]	15,2	TRW						
2.0 TDI	125	06/06 → 06/08	●	PR:1LT; PR:1LF; -(J)	P85085MM	[+]	20,4	ATE						
	125	06/06 → 06/08	●	PR:1LT; PR:1LF; (J)	P85037MM	[+]	20,4	ATE						
	125	06/06 → 06/08	●	PR:1LA; PR:1LC	P85084MM	[+]	20,3	ATE						
	125	06/06 → 06/08	●	PR:1KP; PR:1KD	P85017MM	[-]	15,2	TRW						
	100	11/04 → 06/08	●	PR:1LB; PR:1LE; -(J)	P85085MM	[+]	20,4	ATE						
	100	11/04 → 06/08	●	PR:1LB; PR:1LE; (J)	P85037MM	[+]	20,4	ATE						
	100	11/04 → 06/08	●	PR:1KP; PR:1KD	P85017MM	[-]	15,2	TRW						
	103	11/04 → 06/08	●	PR:1LE; PR:1LB; -(J)	P85085MM	[+]	20,4	ATE						
	103	11/04 → 06/08	●	PR:1LE; PR:1LB; (J)	P85037MM	[+]	20,4	ATE						
	103	11/04 → 06/08	●	PR:1KD; PR:1KP	P85017MM	[-]	15,2	TRW						
	89	09/05 → 09/06	●	PR:1LZ	P85044MM	[+]	19,6	TRW						
	89	09/05 → 09/06	●	PR:1LE; PR:1LB; -(J)	P85085MM	[+]	20,4	ATE						
	89	09/05 → 09/06	●	PR:1LE; PR:1LB; (J)	P85037MM	[+]	20,4	ATE						
	89	09/05 → 09/06	●	PR:1KD; PR:1KP	P85017MM	[-]	15,2	TRW						
	120	06/06 → 06/08	●	PR:1LT; PR:1LF; -(J)	P85085MM	[+]	20,4	ATE						
	120	06/06 → 06/08	●	PR:1LT; PR:1LF; (J)	P85037MM	[+]	20,4	ATE						
	120	06/06 → 06/08	●	PR:1LC; PR:1LA	P85084MM	[+]	20,3	ATE						
	120	06/06 → 06/08	●	PR:1KP; PR:1KD	P85017MM	[-]	15,2	TRW						
	120	06/06 → 06/08	●	PR:1KW; disc Ø 288 mm	P85073MM	[O]	17,2	TRW						
	93	11/05 → 11/06	●	PR:1LZ	P85044MM	[+]	19,6	TRW						
93	11/05 → 11/06	●	PR:1LB; PR:1LE; -(J)	P85085MM	[+]	20,4	ATE							
93	11/05 → 11/06	●	PR:1LB; PR:1LE; (J)	P85037MM	[+]	20,4	ATE							
93	11/05 → 11/06	●	PR:1KD; PR:1KP	P85017MM	[-]	15,2	TRW							

AUDI

A4 Avant (8ED, B7) 11/04 → 06/08

2.0 TDI 16V	103	11/04 → 06/08	●	PR:1LB; PR:1LE; -(J)	P85085MM	[+]	20,4	ATE					A02217	PR:1LB; PR:1LT; PR:1LE; PR:1LF; PR:1LJ
	103	11/04 → 06/08	●	PR:1LB; PR:1LE; (J)	P85037MM	[+]	20,4	ATE					A02217	PR:1LB; PR:1LT; PR:1LE; PR:1LF; PR:1LJ
	103	11/04 → 06/08	●	PR:1KP; PR:1KD	P85017MM	[-]	15,2	TRW						
2.0 TDI quattro	103	01/06 → 06/08	●	PR:1LE; PR:1LB; -(J)	P85085MM	[+]	20,4	ATE						
	103	01/06 → 06/08	●	PR:1LE; PR:1LB; (J)	P85037MM	[+]	20,4	ATE						
	103	01/06 → 06/08	●	PR:1KD; PR:1KP	P85017MM	[-]	15,2	TRW						
	125	06/06 → 06/08	●	PR:1LF; PR:1LT; -(J)	P85085MM	[+]	20,4	ATE						
	125	06/06 → 06/08	●	PR:1LF; PR:1LT; (J)	P85037MM	[+]	20,4	ATE						
	125	06/06 → 06/08	●	PR:1LC; PR:1LA	P85084MM	[+]	20,3	ATE						
	125	06/06 → 06/08	●	PR:1KD; PR:1KP	P85017MM	[-]	15,2	TRW						
	120	06/06 → 06/08	●	PR:1LF; PR:1LT; -(J)	P85085MM	[+]	20,4	ATE						
	120	06/06 → 06/08	●	PR:1LF; PR:1LT; (J)	P85037MM	[+]	20,4	ATE						
	120	06/06 → 06/08	●	PR:1LA; PR:1LC	P85084MM	[+]	20,3	ATE						
	120	06/06 → 06/08	●	PR:1KD; PR:1KP	P85017MM	[-]	15,2	TRW						
	120	06/06 → 06/08	●	PR:1KW; disc Ø 288 mm	P85073MM	[O]	17,2	TRW						
2.0 TFSI	147	11/04 → 06/08	●	PR:1LA; PR:1LC	P85084MM	[+]	20,3	ATE						
	147	11/04 → 06/08	●	PR:1KW	P85073MM	[O]	17,2	TRW						
	162	06/05 → 06/08	●	PR:1LA; PR:1LC	P85084MM	[+]	20,3	ATE						
	162	06/05 → 06/08	●	PR:1KW	P85073MM	[O]	17,2	TRW						
	125	10/06 → 06/08	●	PR:1LT; PR:1LF; -(J)	P85085MM	[+]	20,4	ATE					A02217	PR:1LB; PR:1LT; PR:1LE; PR:1LF; PR:1LJ
	125	10/06 → 06/08	●	PR:1LT; PR:1LF; (J)	P85037MM	[+]	20,4	ATE					A02217	PR:1LB; PR:1LT; PR:1LE; PR:1LF; PR:1LJ
	125	10/06 → 06/08	●	PR:1LA; PR:1LC	P85084MM	[+]	20,3	ATE					A02217	PR:1LB; PR:1LT; PR:1LE; PR:1LF; PR:1LJ
2.0 TFSI quattro	147	11/04 → 06/08	●	PR:1LC; PR:1LA	P85084MM	[+]	20,3	ATE						
	147	11/04 → 06/08	●	PR:1KW	P85073MM	[O]	17,2	TRW						
	162	06/05 → 06/08	●	PR:1LC; PR:1LA	P85084MM	[+]	20,3	ATE						
	162	06/05 → 06/08	●	PR:1KW	P85073MM	[O]	17,2	TRW						
2.5 TDI	120	11/04 → 05/06	●	PR:1LA; PR:1LC	P85084MM	[+]	20,3	ATE						
	120	11/04 → 05/06	●	PR:1KW	P85073MM	[O]	17,2	TRW						
2.7 TDI	132	01/06 → 06/08	●	PR:1LA; PR:1LC	P85084MM	[+]	20,3	ATE						
	132	01/06 → 06/08	●	PR:1KW	P85073MM	[O]	17,2	TRW						
	120	11/05 → 03/08	●	PR:1LC; PR:1LA	P85084MM	[+]	20,3	ATE						
	120	11/05 → 03/08	●	PR:1LB; PR:1LE; disc Ø 288 mm; PR:1LF; PR:1LT; (J); disc Ø 312 mm	P85037MM	[+]	20,4	ATE						
	120	11/05 → 03/08	●	PR:1LB; PR:1LE; -(J); disc Ø 288 mm; PR:1LF; PR:1LT; disc Ø 312 mm	P85085MM	[+]	20,4	ATE						
	120	11/05 → 03/08	●	PR:1KW	P85073MM	[O]	17,2	TRW						
3.0	160	11/04 → 05/06	●	PR:1LA; PR:1LC	P85084MM	[+]	20,3	ATE						
	160	11/04 → 05/06	●	PR:1KW	P85073MM	[O]	17,2	TRW						
3.0 quattro	160	11/04 → 07/06	●	PR:1LC; PR:1LA	P85084MM	[+]	20,3	ATE						
	160	11/04 → 07/06	●	PR:1KW	P85073MM	[O]	17,2	TRW						
3.0 TDI quattro	150	11/04 → 06/08	●	PR:1LC; PR:1LA	P85084MM	[+]	20,3	ATE						
	150	11/04 → 06/08	●	PR:1KW	P85073MM	[O]	17,2	TRW						
	171	01/06 → 06/08	●	PR:1LC; PR:1LA	P85084MM	[+]	20,3	ATE						
3.2 FSI	171	01/06 → 06/08	●	PR:1KW	P85073MM	[O]	17,2	TRW						
	188	01/05 → 06/08	●	PR:1LA; PR:1LC	P85084MM	[+]	20,3	ATE						
	188	01/05 → 06/08	●	PR:1KW	P85073MM	[O]	17,2	TRW						

								WI			FK	
	kw				wi	Th [mm]	SYS		LENGHT			

AUDI

A4 Avant (8ED, B7) 11/04 → 06/08

3.2 FSI quattro	188	01/05 → 06/08	●	PR:1LC; PR:1LA	P85084MM	[+]	20,3	ATE				
RS4 quattro	309	09/05 → 06/08	●		P85076MM	[-]	17,7	TRW				
S4 quattro	253	11/04 → 06/08	●		P85097MM	[+]	20,3	ATE				
	253	11/04 → 06/08	●		P85076MM	[-]	17,7	TRW				

A4 Avant (8K5, B8) 11/07 → 12/15

1.8 TFSI	125	11/11 → 12/15	●	PR:1LY; PR:1LT	P85113MM	[+]	20	ATE					
	125	11/11 → 12/15	●	PR:1KW	P85099MM	[-]	17,5	TRW					
	118	11/07 → 03/12	●	PR:1LT; PR:1LY	P85113MM	[+]	20	ATE					
	118	11/07 → 03/12	●	PR:1LA	P85098MM	[+]	19,4	TRW					
	118	11/07 → 03/12	●	PR:1KW	P85099MM	[-]	17,5	TRW					
	88	04/08 → 12/15	●	PR:1LT	P85113MM	[+]	20	ATE					
	88	04/08 → 12/15	●	PR:1LA	P85098MM	[+]	19,4	TRW					
	88	04/08 → 12/15	●	PR:1KW	P85099MM	[-]	17,5	TRW					
1.8 TFSI quattro	125	11/11 → 12/15	●	PR:1LT; PR:1LY	P85113MM	[+]	20	ATE					
	125	11/11 → 12/15	●	PR:1KW	P85099MM	[-]	17,5	TRW					
	118	09/08 → 03/12	●	PR:1LT	P85113MM	[+]	20	ATE					
	118	09/08 → 03/12	●	PR:1LA; PR:1LB	P85098MM	[+]	19,4	TRW					
2.0 TDI	130	11/11 → 12/15	●	PR:1LT; PR:1LY	P85113MM	[+]	20	ATE					
	130	11/11 → 12/15	●	PR:1KW; PR:2EH	P85099MM	[-]	17,5	TRW					
	105	04/08 → 12/15	●	PR:1LT; PR:1LY	P85113MM	[+]	20	ATE					
	105	04/08 → 12/15	●	PR:1LA	P85098MM	[+]	19,4	TRW					
	105	04/08 → 12/15	●	PR:1KW	P85099MM	[-]	17,5	TRW					
	125	04/08 → 03/12	●	PR:1LT; PR:1LY	P85113MM	[+]	20	ATE					
	125	04/08 → 03/12	●	PR:1LB; PR:1LA	P85098MM	[+]	19,4	TRW					
	125	04/08 → 03/12	●	PR:1KW	P85099MM	[-]	17,5	TRW					
	100	04/08 → 12/15	●	PR:1LT	P85113MM	[+]	20	ATE					
	100	04/08 → 12/15	●	PR:1LA	P85098MM	[+]	19,4	TRW					
	100	04/08 → 12/15	●	PR:1KW	P85099MM	[-]	17,5	TRW					
	88	06/08 → 12/15	●	PR:1LT	P85113MM	[+]	20	ATE					
	88	06/08 → 12/15	●	PR:1LA	P85098MM	[+]	19,4	TRW					
	88	06/08 → 12/15	●	PR:1KW	P85099MM	[-]	17,5	TRW					
	120	08/08 → 12/15	●	PR:1LT; PR:1LY	P85113MM	[+]	20	ATE					
	120	08/08 → 12/15	●	PR:1LA; PR:1LB	P85098MM	[+]	19,4	TRW					
	120	08/08 → 12/15	●	PR:1KW	P85099MM	[-]	17,5	TRW					
	110	05/13 → 12/15	●	PR:1LT; PR:1LY	P85113MM	[+]	20	ATE					
	110	05/13 → 12/15	●	PR:1LD; PR:1LB; PR:1LJ; PR:1LA	P85098MM	[+]	19,4	TRW					
	110	05/13 → 12/15	●	PR:1KW; PR:2EH	P85099MM	[-]	17,5	TRW					
	110	05/13 → 12/15	●	PR:1KP; PR:1KE	P85100MM	[-]	17,7	TRW					
	140	09/13 → 12/15	●	PR:1LT; PR:1LY	P85113MM	[+]	20	ATE					
	140	09/13 → 12/15	●	PR:1LD; PR:1LJ; PR:1LB; PR:1LA	P85098MM	[+]	19,4	TRW					
	140	09/13 → 12/15	●	PR:1KW; PR:2EH	P85099MM	[-]	17,5	TRW					
	140	09/13 → 12/15	●	PR:1KP; PR:1KE	P85100MM	[-]	17,7	TRW					
	2.0 TDI 16V	103	07/08 →	●	PR:1LT; PR:1LY	P85113MM	[+]	20	ATE				
		103	07/08 →	●	PR:1LA	P85098MM	[+]	19,4	TRW				
		103	07/08 →	●	PR:1KW	P85099MM	[-]	17,5	TRW				
	2.0 TDI quattro	130	11/11 → 12/15	●	PR:1LY; PR:1LT	P85113MM	[+]	20	ATE				
		130	11/11 → 12/15	●	PR:2EH; PR:1KW	P85099MM	[-]	17,5	TRW				
		125	08/08 → 03/12	●	PR:1LT; PR:1LY	P85113MM	[+]	20	ATE				
		125	08/08 → 03/12	●	PR:1LA; PR:1LB	P85098MM	[+]	19,4	TRW				
	125	08/08 → 03/12	●	PR:1KW	P85099MM	[-]	17,5	TRW					

		kw						wi	Th [mm]	SYS	WI			FK	
												LENGHT			

AUDI

A4 Avant (8K5, B8) 11/07 → 12/15

2.0 TDI quattro	105	04/08 → 12/15	●	PR:1LT	P85113MM	[+]	20	ATE							
	105	04/08 → 12/15	●	PR:1LA	P85098MM	[+]	19,4	TRW							
	105	04/08 → 12/15	●	PR:1KW	P85099MM	[-]	17,5	TRW							
2.0 TDI quattro	110	05/13 → 12/15	●	PR:1LY; PR:1LT	P85113MM	[+]	20	ATE							
	110	05/13 → 12/15	●	PR:1LA; PR:1LJ; PR:1LB; PR:1LD	P85098MM	[+]	19,4	TRW							
	110	05/13 → 12/15	●	PR:1KW; PR:2EH	P85099MM	[-]	17,5	TRW							
	110	05/13 → 12/15	●	PR:1KP; PR:1KE	P85100MM	[-]	17,7	TRW							
	140	09/13 → 12/15	●	PR:1LY; PR:1LT	P85113MM	[+]	20	ATE							
	140	09/13 → 12/15	●	PR:1LA; PR:1LB; PR:1LJ; PR:1LD	P85098MM	[+]	19,4	TRW							
	140	09/13 → 12/15	●	PR:1KW; PR:2EH	P85099MM	[-]	17,5	TRW							
2.0 TFSI	155	06/08 → 05/13	●	PR:1LT; PR:1LY	P85113MM	[+]	20	ATE							
	155	06/08 → 05/13	●	PR:1LB; PR:1LA	P85098MM	[+]	19,4	TRW							
	155	06/08 → 05/13	●	PR:1KW	P85099MM	[-]	17,5	TRW							
	132	06/08 → 12/15	●	PR:1LT; PR:1LY	P85113MM	[+]	20	ATE							
	132	06/08 → 12/15	●	PR:1LA; PR:1LB	P85098MM	[+]	19,4	TRW							
	132	06/08 → 12/15	●	PR:1KE	P85100MM	[-]	17,7	TRW							
	132	06/08 → 12/15	●	PR:1KW	P85099MM	[-]	17,5	TRW							
	165	05/13 → 12/15	●	PR:1LT; PR:1LY	P85113MM	[+]	20	ATE							
	165	05/13 → 12/15	●	PR:1LD; PR:1LJ; PR:1LB; PR:1LA	P85098MM	[+]	19,4	TRW							
	165	05/13 → 12/15	●	PR:1KW; PR:2EH	P85099MM	[-]	17,5	TRW							
	165	05/13 → 12/15	●	PR:1KP; PR:1KE	P85100MM	[-]	17,7	TRW							
2.0 TFSI flexible fuel	132	11/09 → 12/15	●	PR:1LT; PR:1LY	P85113MM	[+]	20	ATE							
	132	11/09 → 12/15	●	PR:1LA; PR:1LJ; PR:1ZT	P85098MM	[+]	19,4	TRW							
	132	11/09 → 12/15	●	PR:1KE	P85100MM	[-]	17,7	TRW							
	132	11/09 → 12/15	●	PR:1KW	P85099MM	[-]	17,5	TRW							
	132	11/09 → 12/15	●	PR:1LY; PR:1LT	P85113MM	[+]	20	ATE							
	132	11/09 → 12/15	●	PR:1ZT; PR:1LJ; PR:1LA	P85098MM	[+]	19,4	TRW							
	132	11/09 → 12/15	●	PR:1KE	P85100MM	[-]	17,7	TRW							
	132	11/09 → 12/15	●	PR:1KW	P85099MM	[-]	17,5	TRW							
2.0 TFSI quattro	155	06/08 → 12/15	●	PR:1LY; PR:1LT	P85113MM	[+]	20	ATE							
	155	06/08 → 12/15	●	PR:1LB; PR:1LA	P85098MM	[+]	19,4	TRW							
	155	06/08 → 12/15	●	PR:1KW	P85099MM	[-]	17,5	TRW							
	165	05/13 → 12/15	●	PR:1LY; PR:1LT	P85113MM	[+]	20	ATE							
	165	05/13 → 12/15	●	PR:1LA; PR:1LB; PR:1LJ; PR:1LD	P85098MM	[+]	19,4	TRW							
	165	05/13 → 12/15	●	PR:1KW; PR:2EH	P85099MM	[-]	17,5	TRW							
2.7 TDI	120	06/08 → 03/12	●	PR:1LY; PR:1LT	P85113MM	[+]	20	ATE							
	120	06/08 → 03/12	●	PR:1LA; PR:1LB	P85098MM	[+]	19,4	TRW							
	120	06/08 → 03/12	●	PR:1KE	P85100MM	[-]	17,7	TRW							
	120	06/08 → 03/12	●	PR:1KW	P85099MM	[-]	17,5	TRW							
	140	04/08 → 03/12	●	PR:1LY; PR:1LT	P85113MM	[+]	20	ATE							
	140	04/08 → 03/12	●	PR:1LB; PR:1LA	P85098MM	[+]	19,4	TRW							
	140	04/08 → 03/12	●	PR:1KW	P85099MM	[-]	17,5	TRW							
3.0 TDI	150	11/11 → 12/15	●	PR:1LY; PR:1LT	P85113MM	[+]	20	ATE							
	150	11/11 → 12/15	●	PR:1LA	P85098MM	[+]	19,4	TRW							
	150	11/11 → 12/15	●	PR:2EH; PR:1KW	P85099MM	[-]	17,5	TRW							
3.0 TDI quattro	180	11/11 → 12/15	●	PR:1LT; PR:1LY	P85113MM	[+]	20	ATE							
	180	11/11 → 12/15	●	PR:1LA	P85098MM	[+]	19,4	TRW							
	180	11/11 → 12/15	●	PR:1KW; PR:2EH	P85099MM	[-]	17,5	TRW							
	176	04/08 → 03/12	●	PR:1LY; PR:1LT	P85113MM	[+]	20	ATE							

									WI			FK	
	kw						Th [mm]		MAGNETI MARELLI	LENGHT		MAGNETI MARELLI	

AUDI

A4 Avant (8K5, B8) 11/07 → 12/15

3.0 TDI quattro	176	04/08 → 03/12	●	PR:1LA; PR:1LB	P85098MM	[+]	19,4	TRW					
	176	04/08 → 03/12	●	PR:1KW	P85099MM	[-]	17,5	TRW					
	155	06/08 → 05/10	●	PR:1LT; PR:1LY	P85113MM	[+]	20	ATE					
	155	06/08 → 05/10	●	PR:1LA; PR:1LJ; PR:1ZT	P85098MM	[+]	19,4	TRW					
	155	06/08 → 05/10	●	PR:1KW	P85099MM	[-]	17,5	TRW					
3.0 TFSI quattro	200	02/12 → 12/15	●	PR:1LY; PR:1LT	P85113MM	[+]	20	ATE					
	200	02/12 → 12/15	●	PR:1LA	P85098MM	[+]	19,4	TRW					
	200	02/12 → 12/15	●	PR:1KW; PR:2EH	P85099MM	[-]	17,5	TRW					
	200	02/12 → 12/15	●	PR:1KP; PR:1KE	P85100MM	[-]	17,7	TRW					
3.2 FSI	195	09/08 → 03/12	●	PR:1LY; PR:1LT	P85113MM	[+]	20	ATE					
	195	09/08 → 03/12	●	PR:1LB; PR:1LA	P85098MM	[+]	19,4	TRW					
	195	09/08 → 03/12	●	PR:1KW	P85099MM	[-]	17,5	TRW					
3.2 FSI quattro	195	04/08 → 03/12	●	PR:1LY; PR:1LT	P85113MM	[+]	20	ATE					
	195	04/08 → 03/12	●	PR:1LA; PR:1LB	P85098MM	[+]	19,4	TRW					
	195	04/08 → 03/12	●	PR:1KW	P85099MM	[-]	17,5	TRW					
RS4 quattro	331	05/12 → 08/15	●		P85119MM	[+]	17,5	TRW					
S4 quattro	245	11/08 → 12/15	●		P85098MM	[+]	19,4	TRW					
	245	11/08 → 12/15	●	PR:1KE; PR:1KP	P85100MM	[-]	17,7	TRW					

A4 Avant (8W5, B9) 08/15 →

S4 quattro	260	05/16 →	●	PR:1LN; PR:1LX	P85136MM	[O]	17	BRE	A00466	264	PR:1LN; PR:1LX		
	260	05/16 →	●	PR:1KY; PR:1KZ	P85117MM	[+]	15,6	TRW					
	260	05/16 →	●	PR:1KW	P85120MM	[+]	17,5	TRW					
	260	05/16 →	●	PR:1KE	P85157MM	[+]	17,5	TRW					

A4 Convertible (8H7, B6, 8HE, B7) 04/02 → 03/09

1.8 T	120	07/02 → 03/09	●	PR:1LE; PR:1LT; PR:1LF; PR:1LB; -(J)	P85085MM	[+]	20,4	ATE				A02217	
	120	07/02 → 03/09	●	PR:1LB; PR:1LE; PR:1LT; PR:1LF; (J)	P85037MM	[+]	20,4	ATE				A02217	
	120	07/02 → 03/09	●		P85020MM	[-]	17,2	TRW				A02205	
1.8 T quattro	120	05/03 → 03/09	●	PR:1LB; PR:1LT; PR:1LF; PR:1LE; -(J)	P85085MM	[+]	20,4	ATE				A02217	
	120	05/03 → 03/09	●	PR:1LF; PR:1LT; PR:1LE; PR:1LB; (J)	P85037MM	[+]	20,4	ATE				A02217	
	120	05/03 → 03/09	●		P85020MM	[-]	17,2	TRW				A02205	
2.0	96	09/04 → 12/05	●	PR:1LB; PR:1LF; PR:1LT; PR:1LE; -(J)	P85085MM	[+]	20,4	ATE				A02217	
	96	09/04 → 12/05	●	PR:1LF; PR:1LT; PR:1LE; PR:1LB; (J)	P85037MM	[+]	20,4	ATE				A02217	
	96	09/04 → 12/05	●		P85020MM	[-]	17,2	TRW				A02205	
2.0 TDI	103	01/06 → 03/09	●	PR:1LB; PR:1LT; PR:1LF; PR:1LE; -(J)	P85085MM	[+]	20,4	ATE				A02217	
	103	01/06 → 03/09	●	PR:1LB; PR:1LF; PR:1LT; PR:1LE; (J)	P85037MM	[+]	20,4	ATE				A02217	
	103	01/06 → 03/09	●		P85020MM	[-]	17,2	TRW				A02205	
	100	01/06 → 03/09	●	PR:1LE; PR:1LF; PR:1LT; PR:1LB; -(J)	P85085MM	[+]	20,4	ATE					
	100	01/06 → 03/09	●	PR:1LE; PR:1LT; PR:1LF; PR:1LB; (J)	P85037MM	[+]	20,4	ATE					
	100	01/06 → 03/09	●		P85020MM	[-]	17,2	TRW					
2.0 TFSI 16V	147	01/06 → 03/09	●	PR:1LA	P85084MM	[+]	20,3	ATE				A02217	
	147	01/06 → 03/09	●	PR:1KE	P85095MM	[O]	17,2	TRW				A02205	
	147	01/06 → 03/09	●	PR:1KW; PR:1KP	P85020MM	[-]	17,2	TRW				A02205	
2.4	125	04/02 → 12/05	●	PR:1LE; PR:1LF; PR:1LT; PR:1LB; -(J)	P85085MM	[+]	20,4	ATE				A02217	
	125	04/02 → 12/05	●	PR:1LB; PR:1LE; PR:1LT; PR:1LF; (J)	P85037MM	[+]	20,4	ATE				A02217	
	125	04/02 → 12/05	●	PR:1LF; PR:1LT	P85073MM	[O]	17,2	TRW				A02205	

									WI		FK		
									MAGNETI MARELLI	LENGHT		MAGNETI MARELLI	

AUDI

A5 (8T3) 06/07 → 01/17

1.8 TFSI	118	05/09 → 09/11	●	PR:1LJ; PR:1LA	P85098MM	[+]	19,4	TRW				
	118	05/09 → 09/11	●	PR:1KW	P85099MM	[-]	17,5	TRW				
	130	05/15 → 01/17	●	PR:1LA; PR:1LB; PR:1LD; PR:1LJ	P85098MM	[+]	19,4	TRW	A00484	300	PR:1LA; PR:1LB; PR:1LD; PR:1LJ	
	130	05/15 → 01/17	●	PR:1LT; PR:1LY	P85113MM	[+]	20	ATE	A00484	300	PR:1LA; PR:1LB; PR:1LD; PR:1LJ	
	130	05/15 → 01/17	●	PR:1KP; PR:1KE	P85100MM	[-]	17,7	TRW				
	130	05/15 → 01/17	●	PR:1KW; PR:2EH	P85099MM	[-]	17,5	TRW				
2.0 TDI	130	10/11 → 01/17	●	PR:1LT	P85113MM	[+]	20	ATE				
	130	10/11 → 01/17	●	PR:1KW	P85099MM	[-]	17,5	TRW				
	125	08/08 → 03/12	●	PR:1LT	P85113MM	[+]	20	ATE				
	125	08/08 → 03/12	●	PR:1LJ; PR:1LA	P85098MM	[+]	19,4	TRW				
	125	08/08 → 03/12	●	PR:1KW	P85099MM	[-]	17,5	TRW				
	120	08/08 → 01/17	●	PR:1LT	P85113MM	[+]	20	ATE				
	120	08/08 → 01/17	●	PR:1LA; PR:1LJ	P85098MM	[+]	19,4	TRW				
	120	08/08 → 01/17	●	PR:1KW	P85099MM	[-]	17,5	TRW				
	140	09/13 → 01/17	●	PR:1LT; PR:1LY	P85113MM	[+]	20	ATE				
	140	09/13 → 01/17	●	PR:1LB; PR:1LJ; PR:1LD; PR:1LA	P85098MM	[+]	19,4	TRW				
2.0 TDI quattro	130	12/11 → 01/17	●	PR:1LT	P85113MM	[+]	20	ATE				
	130	12/11 → 01/17	●	PR:1KW	P85099MM	[-]	17,5	TRW				
	125	08/08 → 03/12	●	PR:1LT	P85113MM	[+]	20	ATE				
	125	08/08 → 03/12	●	PR:1LA; PR:1LJ	P85098MM	[+]	19,4	TRW				
	125	08/08 → 03/12	●	PR:1KW	P85099MM	[-]	17,5	TRW				
	140	09/13 → 01/17	●	PR:1LA; PR:1LD; PR:1LJ; PR:1LB	P85098MM	[+]	19,4	TRW				
	140	09/13 → 01/17	●	PR:1LY; PR:1LT	P85113MM	[+]	20	ATE				
	140	09/13 → 01/17	●	PR:1KP; PR:1KE	P85100MM	[-]	17,7	TRW				
	140	09/13 → 01/17	●	PR:1KW; PR:2EH	P85099MM	[-]	17,5	TRW				
	2.0 TFSI	132	11/08 → 03/12	●	PR:1LT	P85113MM	[+]	20	ATE			
132		11/08 → 03/12	●	PR:1LA; PR:1LJ	P85098MM	[+]	19,4	TRW				
132		11/08 → 03/12	●	PR:1KW	P85099MM	[-]	17,5	TRW				
155		06/08 → 11/13	●	PR:1LT	P85113MM	[+]	20	ATE				
155		06/08 → 11/13	●	PR:1LJ; PR:1LA	P85098MM	[+]	19,4	TRW				
155		06/08 → 11/13	●	PR:1KW	P85099MM	[-]	17,5	TRW				
165		05/13 → 05/16	●	PR:1LT; PR:1LY	P85113MM	[+]	20	ATE				
165		05/13 → 05/16	●	PR:1LB; PR:1LD; PR:1LJ; PR:1LA	P85098MM	[+]	19,4	TRW				
165		05/13 → 05/16	●	PR:1KW; PR:2EH	P85099MM	[-]	17,5	TRW				
165		05/13 → 05/16	●	PR:1KP; PR:1KE	P85100MM	[-]	17,7	TRW				
169		08/15 → 01/17	●	PR:1LJ; PR:1LD; PR:1LB; PR:1LA	P85098MM	[+]	19,4	TRW	A00484	300	PR:1LA; PR:1LB; PR:1LD; PR:1LJ	
169		08/15 → 01/17	●	PR:1LY; PR:1LT	P85113MM	[+]	20	ATE	A00484	300	PR:1LA; PR:1LB; PR:1LD; PR:1LJ	
169		08/15 → 01/17	●	PR:1KW; PR:2EH	P85099MM	[-]	17,5	TRW				
169		08/15 → 01/17	●	PR:1KP; PR:1KE	P85100MM	[-]	17,7	TRW				
2.0 TFSI quattro	155	06/08 → 01/17	●	PR:1LT	P85113MM	[+]	20	ATE				
	155	06/08 → 01/17	●	PR:1LA; PR:1LJ	P85098MM	[+]	19,4	TRW				
	155	06/08 → 01/17	●	PR:1KW	P85099MM	[-]	17,5	TRW				
	165	05/13 → 05/16	●	PR:1LA; PR:1LJ; PR:1LD; PR:1LB	P85098MM	[+]	19,4	TRW				
	165	05/13 → 05/16	●	PR:1LY; PR:1LT	P85113MM	[+]	20	ATE				
	165	05/13 → 05/16	●	PR:1KW; PR:2EH	P85099MM	[-]	17,5	TRW				
	165	05/13 → 05/16	●	PR:1KP; PR:1KE	P85100MM	[-]	17,7	TRW				

 	kw	 	 			wi	Th [mm]	SYS	WI			FK	
										LEIGHT			

AUDI

A5 (8T3) 06/07 → 01/17

2.0 TFSI quattro	162	03/12 → 01/17	●	PR:1LB; PR:1LA	P85098MM	[+]	19,4	TRW					
	162	03/12 → 01/17	●	PR:1LT	P85113MM	[+]	20	ATE					
	162	03/12 → 01/17		●	PR:1KW	P85099MM	[-]	17,5	TRW				
	169	08/15 → 01/17	●	PR:1LA; PR:1LB; PR:1LD; PR:1LJ	P85098MM	[+]	19,4	TRW	A00484	300	PR:1LA; PR:1LB; PR:1LD; PR:1LJ		
	169	08/15 → 01/17	●	PR:1LT; PR:1LY	P85113MM	[+]	20	ATE	A00484	300	PR:1LA; PR:1LB; PR:1LD; PR:1LJ		
	169	08/15 → 01/17		●	PR:1KP; PR:1KE	P85100MM	[-]	17,7	TRW				
	169	08/15 → 01/17		●	PR:1KW; PR:2EH	P85099MM	[-]	17,5	TRW				
2.7 TDI	140	06/07 → 03/12	●	PR:1LT	P85113MM	[+]	20	ATE					
	140	06/07 → 03/12	●	PR:1LA; PR:1LJ	P85098MM	[+]	19,4	TRW					
	140	06/07 → 03/12		●	PR:1KW	P85099MM	[-]	17,5	TRW				
	120	09/07 → 03/12	●	PR:1LT	P85113MM	[+]	20	ATE					
	120	09/07 → 03/12	●	PR:1LJ; PR:1LA	P85098MM	[+]	19,4	TRW					
3.0 TDI	150	10/11 → 01/17	●	PR:1LA; PR:1LB	P85098MM	[+]	19,4	TRW					
	150	10/11 → 01/17	●	PR:1LT	P85113MM	[+]	20	ATE					
	150	10/11 → 01/17		●	PR:1KW	P85099MM	[-]	17,5	TRW				
3.0 TDI quattro	180	10/11 → 01/17	●	PR:1LT	P85113MM	[+]	20	ATE					
	180	10/11 → 01/17	●	PR:1LJ; PR:1LA	P85098MM	[+]	19,4	TRW					
	180	10/11 → 01/17		●	PR:1KW	P85099MM	[-]	17,5	TRW				
	176	06/07 → 03/12	●	PR:1LT	P85113MM	[+]	20	ATE					
	176	06/07 → 03/12	●	PR:1LJ; PR:1LA	P85098MM	[+]	19,4	TRW					
	176	06/07 → 03/12		●	PR:1KW	P85099MM	[-]	17,5	TRW				
	155	03/08 → 05/10	●	PR:1LA; PR:1LB	P85098MM	[+]	19,4	TRW					
	155	03/08 → 05/10	●	PR:1LT	P85113MM	[+]	20	ATE					
	155	03/08 → 05/10		●	PR:1KW	P85099MM	[-]	17,5	TRW				
	160	05/15 → 01/17	●	PR:1LD; PR:1LB; PR:1LJ; PR:1LA	P85098MM	[+]	19,4	TRW	A00484	300	PR:1LA; PR:1LB; PR:1LD; PR:1LJ		
	160	05/15 → 01/17	●	PR:1LY; PR:1LT	P85113MM	[+]	20	ATE	A00484	300	PR:1LA; PR:1LB; PR:1LD; PR:1LJ		
3.0 TFSI quattro	160	05/15 → 01/17		●	PR:1KW; PR:2EH	P85099MM	[-]	17,5	TRW				
	160	05/15 → 01/17		●	PR:1KP; PR:1KE	P85100MM	[-]	17,7	TRW				
	200	12/11 → 01/17	●	PR:1LA; PR:1LB	P85098MM	[+]	19,4	TRW					
	200	12/11 → 01/17	●	PR:1LT	P85113MM	[+]	20	ATE					
	200	12/11 → 01/17		●	PR:1KE; PR:1KP	P85100MM	[-]	17,7	TRW				
3.2 FSI	200	12/11 → 01/17		●	PR:1KW	P85099MM	[-]	17,5	TRW				
	195	06/07 → 03/12	●	PR:1LT	P85113MM	[+]	20	ATE					
	195	06/07 → 03/12	●	PR:1LA; PR:1LJ	P85098MM	[+]	19,4	TRW					
3.2 FSI quattro	195	06/07 → 03/12		●	PR:1KW	P85099MM	[-]	17,5	TRW				
	195	06/07 → 03/12	●	PR:1LT	P85113MM	[+]	20	ATE	A00354	300			
	195	06/07 → 03/12	●	PR:1LJ; PR:1LA	P85098MM	[+]	19,4	TRW	A00354	300			
RS 5 quattro	195	06/07 → 03/12		●	PR:1KW	P85099MM	[-]	17,5	TRW				
	331	03/10 → 08/15		●	PR:GP0; PR:GP1	P85100MM	[-]	17,7	TRW				
S5 quattro	331	03/10 → 08/15		●	PR:GP2	P85119MM	[+]	17,5	TRW				
	245	10/11 → 01/17	●	PR:1LA; PR:1LJ	P85098MM	[+]	19,4	TRW					
	245	10/11 → 01/17		●	PR:1KE; PR:1KP	P85100MM	[-]	17,7	TRW				
	260	06/07 → 03/12	●	PR:1LJ; PR:1LA	P85098MM	[+]	19,4	TRW					
	260	06/07 → 03/12		●	PR:1KE; PR:1KP	P85100MM	[-]	17,7	TRW				

A5 Convertible (8F7) 03/09 → 01/17

1.8 TFSI	125	10/11 → 03/16	●	PR:1LT	P85113MM	[+]	20	ATE					
	125	10/11 → 03/16		●	PR:1KW	P85099MM	[-]	17,5	TRW				
	118	09/09 → 03/12	●	PR:1LT	P85113MM	[+]	20	ATE					
	118	09/09 → 03/12	●	PR:1LA; PR:1LB	P85098MM	[+]	19,4	TRW					
	118	09/09 → 03/12		●	PR:1KW	P85099MM	[-]	17,5	TRW				

									WI			FK	
	kw								MAGNETI MARELLI	LENGHT		MAGNETI MARELLI	

AUDI

A5 Convertible (8F7) 03/09 → 01/17

1.8 TFSI	130	05/15 → 01/17	●	PR:1LT	P85113MM	[+]	20	ATE	A00484	300	PR:1LA; PR:1LB; PR:1LD; PR:1LJ		
	130	05/15 → 01/17	●	PR:1LA; PR:1LJ; PR:1LD; PR:1LB	P85098MM	[+]	19,4	TRW	A00484	300	PR:1LA; PR:1LB; PR:1LD; PR:1LJ		
	130	05/15 → 01/17	●	PR:1KW; PR:2EH	P85099MM	[-]	17,5	TRW					
	130	05/15 → 01/17	●	PR:1KE; PR:1KP	P85100MM	[-]	17,7	TRW					
2.0 TDI	130	10/11 → 01/17	●	PR:1LT	P85113MM	[+]	20	ATE					
	130	10/11 → 01/17	●	PR:1KW	P85099MM	[-]	17,5	TRW					
	105	10/11 → 05/15	●	PR:1LT	P85113MM	[+]	20	ATE					
	105	10/11 → 05/15	●	PR:1KW	P85099MM	[-]	17,5	TRW					
	125	05/09 → 03/12	●	PR:1LT	P85113MM	[+]	20	ATE					
	125	05/09 → 03/12	●	PR:1LA; PR:1LB	P85098MM	[+]	19,4	TRW					
	125	05/09 → 03/12	●	PR:1KW	P85099MM	[-]	17,5	TRW					
	120	05/09 → 06/14	●	PR:1LT	P85113MM	[+]	20	ATE					
	120	05/09 → 06/14	●	PR:1LA; PR:1LB	P85098MM	[+]	19,4	TRW					
	120	05/09 → 06/14	●	PR:1KW	P85099MM	[-]	17,5	TRW					
	110	05/13 → 01/17	●	PR:1LB; PR:1LJ; PR:1LD; PR:1LA	P85098MM	[+]	19,4	TRW					
	110	05/13 → 01/17	●	PR:1LT; PR:1LY	P85113MM	[+]	20	ATE					
	110	05/13 → 01/17	●	PR:2EH; PR:1KW	P85099MM	[-]	17,5	TRW					
	110	05/13 → 01/17	●	PR:1KE; PR:1KP	P85100MM	[-]	17,7	TRW					
	140	09/13 → 01/17	●	PR:1LY; PR:1LT	P85113MM	[+]	20	ATE					
	140	09/13 → 01/17	●	PR:1LA; PR:1LJ; PR:1LD; PR:1LB	P85098MM	[+]	19,4	TRW					
140	09/13 → 01/17	●	PR:2EH; PR:1KW	P85099MM	[-]	17,5	TRW						
140	09/13 → 01/17	●	PR:1KE; PR:1KP	P85100MM	[-]	17,7	TRW						
2.0 TDI quattro	130	01/12 → 05/15	●	PR:1LT	P85113MM	[+]	20	ATE					
	130	01/12 → 05/15	●	PR:1KW	P85099MM	[-]	17,5	TRW					
	140	09/13 → 01/17	●	PR:1LB; PR:1LD; PR:1LJ; PR:1LA	P85098MM	[+]	19,4	TRW					
	140	09/13 → 01/17	●	PR:1LT; PR:1LY	P85113MM	[+]	20	ATE					
	140	09/13 → 01/17	●	PR:2EH; PR:1KW	P85099MM	[-]	17,5	TRW					
	140	09/13 → 01/17	●	PR:1KE; PR:1KP	P85100MM	[-]	17,7	TRW					
2.0 TFSI	132	03/09 → 03/12	●	PR:1LT	P85113MM	[+]	20	ATE					
	132	03/09 → 03/12	●	PR:1LB; PR:1LA	P85098MM	[+]	19,4	TRW					
	132	03/09 → 03/12	●	PR:1KW	P85099MM	[-]	17,5	TRW					
	155	03/09 → 06/14	●	PR:1LT	P85113MM	[+]	20	ATE					
	155	03/09 → 06/14	●	PR:1LA; PR:1LJ	P85098MM	[+]	19,4	TRW					
	155	03/09 → 06/14	●	PR:1KW	P85099MM	[-]	17,5	TRW					
	165	05/13 → 05/16	●	PR:1LA; PR:1LD; PR:1LB; PR:1LJ	P85098MM	[+]	19,4	TRW					
	165	05/13 → 05/16	●	PR:1LY; PR:1LT	P85113MM	[+]	20	ATE					
	165	05/13 → 05/16	●	PR:1KE; PR:1KP	P85100MM	[-]	17,7	TRW					
	165	05/13 → 05/16	●	PR:2EH; PR:1KW	P85099MM	[-]	17,5	TRW					
	162	05/13 → 12/14	●	PR:1LA; PR:1LJ; PR:1LD; PR:1LB	P85098MM	[+]	19,4	TRW					
	162	05/13 → 12/14	●	PR:1LT	P85113MM	[+]	20	ATE					
	162	05/13 → 12/14	●	PR:1KW	P85099MM	[-]	17,5	TRW					
	169	08/15 → 01/17	●	PR:1LA; PR:1LJ; PR:1LD; PR:1LB	P85098MM	[+]	19,4	TRW	A00484	300	PR:1LA; PR:1LB; PR:1LD; PR:1LJ		
169	08/15 → 01/17	●	PR:1LT	P85113MM	[+]	20	ATE	A00484	300	PR:1LA; PR:1LB; PR:1LD; PR:1LJ			
169	08/15 → 01/17	●	PR:1KE; PR:1KP	P85100MM	[-]	17,7	TRW						
169	08/15 → 01/17	●	PR:2EH; PR:1KW	P85099MM	[-]	17,5	TRW						

		kw						wi	Th [mm]	SYS	WI			FK	
												LEIGHT			

AUDI

A5 Convertible (8F7) 03/09 → 01/17

2.0 TFSI quattro	155	03/09 → 01/17	●	PR:1LT	P85113MM	[+]	20	ATE							
	155	03/09 → 01/17	●	PR:1LJ; PR:1LA	P85098MM	[+]	19,4	TRW							
	155	03/09 → 01/17		●	PR:1KW	P85099MM	[-]	17,5	TRW						
	165	05/13 → 05/16	●	PR:1LT; PR:1LY	P85113MM	[+]	20	ATE							
	165	05/13 → 05/16	●	PR:1LB; PR:1LD; PR:1LJ; PR:1LA	P85098MM	[+]	19,4	TRW							
	165	05/13 → 05/16	●	PR:1KE; PR:1KP	P85100MM	[-]	17,7	TRW							
	165	05/13 → 05/16	●	PR:2EH; PR:1KW	P85099MM	[-]	17,5	TRW							
2.0 TFSI quattro	162	03/12 → 01/17	●	PR:1LB; PR:1LD; PR:1LJ; PR:1LA	P85098MM	[+]	19,4	TRW							
	162	03/12 → 01/17	●	PR:1LT	P85113MM	[+]	20	ATE							
	162	03/12 → 01/17		●	PR:1KW	P85099MM	[-]	17,5	TRW						
	169	08/15 → 01/17	●	PR:1LT	P85113MM	[+]	20	ATE	A00484	300	PR:1LA; PR:1LB; PR:1LD; PR:1LJ				
	169	08/15 → 01/17	●	PR:1LJ; PR:1LB; PR:1LD; PR:1LA	P85098MM	[+]	19,4	TRW	A00484	300	PR:1LA; PR:1LB; PR:1LD; PR:1LJ				
	169	08/15 → 01/17	●	PR:1KE; PR:1KP	P85100MM	[-]	17,7	TRW							
	169	08/15 → 01/17	●	PR:2EH; PR:1KW	P85099MM	[-]	17,5	TRW							
2.7 TDI	140	03/09 → 03/12	●	PR:1LT	P85113MM	[+]	20	ATE							
	140	03/09 → 03/12	●	PR:1LA; PR:1LJ	P85098MM	[+]	19,4	TRW							
	140	03/09 → 03/12		●	PR:1KW	P85099MM	[-]	17,5	TRW						
	120	05/09 → 03/12	●	PR:1LT	P85113MM	[+]	20	ATE							
	120	05/09 → 03/12	●	PR:1LJ; PR:1LA	P85098MM	[+]	19,4	TRW							
	120	05/09 → 03/12		●	PR:1KW	P85099MM	[-]	17,5	TRW						
3.0 TDI	150	10/11 → 01/17	●	PR:1LA; PR:1LB; PR:1LD; PR:1LJ	P85098MM	[+]	19,4	TRW							
	150	10/11 → 01/17	●	PR:1LT	P85113MM	[+]	20	ATE							
	150	10/11 → 01/17		●	PR:1KW	P85099MM	[-]	17,5	TRW						
3.0 TDI quattro	180	10/11 → 01/17	●	PR:1LD; PR:1LB; PR:1LJ; PR:1LA	P85098MM	[+]	19,4	TRW							
	180	10/11 → 01/17	●	PR:1LT	P85113MM	[+]	20	ATE							
	180	10/11 → 01/17		●	PR:1KW	P85099MM	[-]	17,5	TRW						
	176	03/09 → 03/12	●	PR:1LT	P85113MM	[+]	20	ATE							
	176	03/09 → 03/12	●	PR:1LJ; PR:1LA	P85098MM	[+]	19,4	TRW							
	176	03/09 → 03/12		●	PR:1KW	P85099MM	[-]	17,5	TRW						
	160	05/15 → 01/17	●	PR:1LB; PR:1LD; PR:1LJ; PR:1LA	P85098MM	[+]	19,4	TRW	A00484	300	PR:1LA; PR:1LB; PR:1LD; PR:1LJ				
	160	05/15 → 01/17	●	PR:1LT	P85113MM	[+]	20	ATE	A00484	300	PR:1LA; PR:1LB; PR:1LD; PR:1LJ				
	160	05/15 → 01/17	●	PR:2EH; PR:1KW	P85099MM	[-]	17,5	TRW							
	160	05/15 → 01/17	●	PR:1KE; PR:1KP	P85100MM	[-]	17,7	TRW							
3.0 TFSI quattro	200	11/11 → 01/17	●	PR:1LA; PR:1LB; PR:1LD; PR:1LJ	P85098MM	[+]	19,4	TRW							
	200	11/11 → 01/17	●	PR:1LT	P85113MM	[+]	20	ATE							
	200	11/11 → 01/17		●	PR:1KE; PR:1KP	P85100MM	[-]	17,7	TRW						
	200	11/11 → 01/17		●	PR:1KW	P85099MM	[-]	17,5	TRW						
3.2 FSI	195	03/09 → 03/12	●	PR:1LT	P85113MM	[+]	20	ATE							
	195	03/09 → 03/12	●	PR:1LA; PR:1LJ	P85098MM	[+]	19,4	TRW							
	195	03/09 → 03/12		●	PR:1KW	P85099MM	[-]	17,5	TRW						
3.2 FSI quattro	195	03/09 → 03/12	●	PR:1LT	P85113MM	[+]	20	ATE							
	195	03/09 → 03/12	●	PR:1LJ; PR:1LA	P85098MM	[+]	19,4	TRW							
	195	03/09 → 03/12		●	PR:1KW	P85099MM	[-]	17,5	TRW						
RS 5 quattro	331	11/12 → 08/15	●	PR:1KE; PR:1KP	P85100MM	[-]	17,7	TRW							
	331	11/12 → 08/15		●	PR:2ED	P85119MM	[+]	17,5	TRW						
S5 quattro	245	06/09 → 01/17	●	PR:1LJ; PR:1LA	P85098MM	[+]	19,4	TRW							
	245	06/09 → 01/17		●	PR:1KE; PR:1KP	P85100MM	[-]	17,7	TRW						

									WI			FK	
										LENGHT			

AUDI

A5 Convertible (F57) 11/16 →

2.0 TDI quattro	140	03/17 →	●	PR:1LB; PR:1LD; PR:1LA; 8F-H-000001 →	P85098MM	[+]	19,4	TRW	A00484	300	PR:1LA; PR:1LB; PR:1LD; 8F-H-000001 →		
	140	03/17 →	●	PR:1LT; 8F-H-000001 →	P85113MM	[+]	20	ATE	A00484	300	PR:1LA; PR:1LB; PR:1LD; 8F-H-000001 →		
	140	03/17 →	●	PR:1KW; PR:1KP; PR:2EH; 8F-H-000001 →	P85099MM	[-]	17,5	TRW					
2.0 TFSI	185	03/17 →	●	PR:1LA; PR:1LD; PR:1LB; 8F-H-000001 →	P85098MM	[+]	19,4	TRW	A00484	300	PR:1LA; PR:1LB; PR:1LD; 8F-H-000001 →		
2.0 TFSI	185	03/17 →	●	PR:1LT; 8F-H-000001 →	P85113MM	[+]	20	ATE	A00484	300	PR:1LA; PR:1LB; PR:1LD; 8F-H-000001 →		
2.0 TFSI	185	03/17 →	●	PR:2EH; PR:1KP; PR:1KW; 8F-H-000001 →	P85099MM	[-]	17,5	TRW					
2.0 TFSI	140	03/17 →	●	PR:1LB; PR:1LD; PR:1LA; 8F-H-000001 →	P85098MM	[+]	19,4	TRW	A00484	300	PR:1LA; PR:1LB; PR:1LD; 8F-H-000001 →		
2.0 TFSI	140	03/17 →	●	PR:1LT; 8F-H-000001 →	P85113MM	[+]	20	ATE	A00484	300	PR:1LA; PR:1LB; PR:1LD; 8F-H-000001 →		
2.0 TFSI	140	03/17 →	●	PR:1KW; PR:1KP; PR:2EH; 8F-H-000001 →	P85099MM	[-]	17,5	TRW					
3.0 TDI	160	03/17 →	●	PR:1LA; PR:1LD; PR:1LB; 8F-H-000001 →	P85098MM	[+]	19,4	TRW	A00484	300	PR:1LA; PR:1LB; PR:1LD; 8F-H-000001 →		
	160	03/17 →	●	PR:1LT; 8F-H-000001 →	P85113MM	[+]	20	ATE	A00484	300	PR:1LA; PR:1LB; PR:1LD; 8F-H-000001 →		
	160	03/17 →	●	PR:2EH; PR:1KP; PR:1KW; 8F-H-000001 →	P85099MM	[-]	17,5	TRW					
3.0 TDI quattro	210	11/16 →	●	PR:1LA; PR:1LB; PR:1LD; 8F-H-000001 →	P85098MM	[+]	19,4	TRW	A00484	300	PR:1LA; PR:1LB; PR:1LD; 8F-H-000001 →		
	210	11/16 →	●	PR:1LT; 8F-H-000001 →	P85113MM	[+]	20	ATE	A00484	300	PR:1LA; PR:1LB; PR:1LD; 8F-H-000001 →		
	210	11/16 →	●	PR:2EH; PR:1KP; PR:1KW; 8F-H-000001 →	P85099MM	[-]	17,5	TRW					

A5 Sportback (8TA) 09/09 → 01/17

1.8 TFSI	125	08/11 → 01/17	●	PR:1LT	P85113MM	[+]	20	ATE					
	125	08/11 → 01/17	●	PR:1KW	P85099MM	[-]	17,5	TRW					
	118	11/09 → 09/11	●	PR:1LT	P85113MM	[+]	20	ATE					
	118	11/09 → 09/11	●	PR:1LJ; PR:1LA	P85098MM	[+]	19,4	TRW					
	118	11/09 → 09/11	●	PR:1KW	P85099MM	[-]	17,5	TRW					
	106	09/14 → 01/17	●	PR:1LJ; PR:1LD; PR:1LB; PR:1LA	P85098MM	[+]	19,4	TRW					
	106	09/14 → 01/17	●	PR:1LT	P85113MM	[+]	20	ATE					
	106	09/14 → 01/17	●	PR:1KE; PR:1KP	P85100MM	[-]	17,7	TRW					
	106	09/14 → 01/17	●	PR:1KW	P85099MM	[-]	17,5	TRW					
	130	05/15 → 01/17	●	PR:1LT; PR:1LY	P85113MM	[+]	20	ATE	A00484	300	PR:1LA; PR:1LB; PR:1LD; PR:1LJ		
2.0 TDI	130	05/15 → 01/17	●	PR:1LA; PR:1LB; PR:1LJ; PR:1LD	P85098MM	[+]	19,4	TRW	A00484	300	PR:1LA; PR:1LB; PR:1LD; PR:1LJ		
	130	05/15 → 01/17	●	PR:1KE; PR:1KP	P85100MM	[-]	17,7	TRW					
	130	05/15 → 01/17	●	PR:2EH; PR:1KW	P85099MM	[-]	17,5	TRW					
	130	10/11 → 01/17	●	PR:1LT	P85113MM	[+]	20	ATE					
	130	10/11 → 01/17	●	PR:1KW	P85099MM	[-]	17,5	TRW					
	125	09/09 → 03/12	●	PR:1LT	P85113MM	[+]	20	ATE					
	125	09/09 → 03/12	●	PR:1LJ; PR:1LA	P85098MM	[+]	19,4	TRW					
	125	09/09 → 03/12	●	PR:1KW	P85099MM	[-]	17,5	TRW					
	120	09/09 → 01/17	●	PR:1LT	P85113MM	[+]	20	ATE					
	120	09/09 → 01/17	●	PR:1LA; PR:1LJ	P85098MM	[+]	19,4	TRW					
2.0 TDI	120	09/09 → 01/17	●	PR:1KW	P85099MM	[-]	17,5	TRW					
	100	09/09 → 01/17	●	PR:1LT	P85113MM	[+]	20	ATE					
	100	09/09 → 01/17	●	PR:1LA; PR:1LJ	P85098MM	[+]	19,4	TRW					
	100	09/09 → 01/17	●	PR:1KW	P85099MM	[-]	17,5	TRW					
	105	09/09 → 01/17	●	PR:1LT	P85113MM	[+]	20	ATE					

		kw						wi	Th [mm]	SYS	wi			FK	
												LEIGHT			

AUDI

A5 Sportback (8TA) 09/09 → 01/17

2.0 TDI	105	09/09 → 01/17	●	PR:1LJ; PR:1LA	P85098MM	[+]	19,4	TRW							
	105	09/09 → 01/17	●	PR:1KW	P85099MM	[-]	17,5	TRW							
	110	05/13 → 01/17	●	PR:1LA; PR:1LJ; PR:1LB; PR:1LD	P85098MM	[+]	19,4	TRW							
	110	05/13 → 01/17	●	PR:1LY; PR:1LT	P85113MM	[+]	20	ATE							
	110	05/13 → 01/17	●	PR:1KW; PR:2EH	P85099MM	[-]	17,5	TRW							
	110	05/13 → 01/17	●	PR:1KP; PR:1KE	P85100MM	[-]	17,7	TRW							
	140	09/13 → 01/17	●	PR:1LJ; PR:1LD; PR:1LB; PR:1LA	P85098MM	[+]	19,4	TRW							
	140	09/13 → 01/17	●	PR:1LT; PR:1LY	P85113MM	[+]	20	ATE							
	140	09/13 → 01/17	●	PR:1KP; PR:1KE	P85100MM	[-]	17,7	TRW							
	140	09/13 → 01/17	●	PR:1KW; PR:2EH	P85099MM	[-]	17,5	TRW							
2.0 TDI quattro	130	12/11 → 01/17	●	PR:1LT	P85113MM	[+]	20	ATE							
	130	12/11 → 01/17	●	PR:1KW	P85099MM	[-]	17,5	TRW							
	125	09/09 → 03/12	●	PR:1LT	P85113MM	[+]	20	ATE							
	125	09/09 → 03/12	●	PR:1LJ; PR:1LA	P85098MM	[+]	19,4	TRW							
	125	09/09 → 03/12	●	PR:1KW	P85099MM	[-]	17,5	TRW							
	140	09/13 → 01/17	●	PR:1LT; PR:1LY	P85113MM	[+]	20	ATE							
	140	09/13 → 01/17	●	PR:1LA; PR:1LB; PR:1LD; PR:1LJ	P85098MM	[+]	19,4	TRW							
	140	09/13 → 01/17	●	PR:1KP; PR:1KE	P85100MM	[-]	17,7	TRW							
2.0 TFSI	132	09/09 → 06/14	●	PR:1LT	P85113MM	[+]	20	ATE							
	132	09/09 → 06/14	●	PR:1LA; PR:1LJ	P85098MM	[+]	19,4	TRW							
	132	09/09 → 06/14	●	PR:1KW	P85099MM	[-]	17,5	TRW							
	155	09/09 → 11/13	●	PR:1LT	P85113MM	[+]	20	ATE							
	155	09/09 → 11/13	●	PR:1LA; PR:1LJ	P85098MM	[+]	19,4	TRW							
	155	09/09 → 11/13	●	PR:1KW	P85099MM	[-]	17,5	TRW							
	165	05/13 → 05/16	●	PR:1LT; PR:1LY	P85113MM	[+]	20	ATE							
	165	05/13 → 05/16	●	PR:1LA; PR:1LB; PR:1LJ; PR:1LD	P85098MM	[+]	19,4	TRW							
	165	05/13 → 05/16	●	PR:1KP; PR:1KE	P85100MM	[-]	17,7	TRW							
	165	05/13 → 05/16	●	PR:1KW; PR:2EH	P85099MM	[-]	17,5	TRW							
	169	08/15 → 01/17	●	PR:1LT; PR:1LY	P85113MM	[+]	20	ATE	A00484	300	PR:1LA; PR:1LB; PR:1LD; PR:1LJ				
	169	08/15 → 01/17	●	PR:1LA; PR:1LB; PR:1LJ; PR:1LD	P85098MM	[+]	19,4	TRW	A00484	300	PR:1LA; PR:1LB; PR:1LD; PR:1LJ				
2.0 TFSI quattro	155	09/09 → 01/17	●	PR:1LT	P85113MM	[+]	20	ATE							
	155	09/09 → 01/17	●	PR:1LJ; PR:1LA	P85098MM	[+]	19,4	TRW							
	155	09/09 → 01/17	●	PR:1KW	P85099MM	[-]	17,5	TRW							
	165	05/13 → 05/16	●	PR:1LD; PR:1LB; PR:1LJ; PR:1LA	P85098MM	[+]	19,4	TRW							
	165	05/13 → 05/16	●	PR:1LT; PR:1LY	P85113MM	[+]	20	ATE							
	165	05/13 → 05/16	●	PR:1KP; PR:1KE	P85100MM	[-]	17,7	TRW							
	165	05/13 → 05/16	●	PR:1KW; PR:2EH	P85099MM	[-]	17,5	TRW							
	169	08/15 → 01/17	●	PR:1LD; PR:1LJ; PR:1LB; PR:1LA	P85098MM	[+]	19,4	TRW	A00484	300	PR:1LA; PR:1LB; PR:1LD; PR:1LJ				
	169	08/15 → 01/17	●	PR:1LY; PR:1LT	P85113MM	[+]	20	ATE	A00484	300	PR:1LA; PR:1LB; PR:1LD; PR:1LJ				
	169	08/15 → 01/17	●	PR:2EH; PR:1KW	P85099MM	[-]	17,5	TRW							
169	08/15 → 01/17	●	PR:1KE; PR:1KP	P85100MM	[-]	17,7	TRW								
2.7 TDI	140	09/09 → 03/12	●	PR:1LT	P85113MM	[+]	20	ATE							
	140	09/09 → 03/12	●	PR:1LA; PR:1LJ	P85098MM	[+]	19,4	TRW							
	140	09/09 → 03/12	●	PR:1KW	P85099MM	[-]	17,5	TRW							
	120	09/09 → 01/17	●	PR:1LT	P85113MM	[+]	20	ATE							

										WI			FK	

AUDI

A5 Sportback (8TA) 09/09 → 01/17

2.7 TDI	120	09/09 → 01/17	●	PR:1LA; PR:1LJ	P85098MM	[+]	19,4	TRW						
	120	09/09 → 01/17	●	PR:1KW	P85099MM	[-]	17,5	TRW						
3.0 TDI	150	10/11 → 01/17	●	PR:1LB; PR:1LA	P85098MM	[+]	19,4	TRW						
	150	10/11 → 01/17	●	PR:1LT	P85113MM	[+]	20	ATE						
	150	10/11 → 01/17	●	PR:1KW	P85099MM	[-]	17,5	TRW						
3.0 TDI quattro	180	10/11 → 01/17	●	PR:1LA; PR:1LB	P85098MM	[+]	19,4	TRW	A00484	300	PR:1LD			
	180	10/11 → 01/17	●	PR:1LT	P85113MM	[+]	20	ATE	A00484	300	PR:1LD			
	180	10/11 → 01/17	●	PR:1KW	P85099MM	[-]	17,5	TRW						
	180	10/11 → 01/17	●	PR:1KP	P85100MM	[-]	17,7	TRW						
	176	09/09 → 03/12	●	PR:1LT	P85113MM	[+]	20	ATE						
	176	09/09 → 03/12	●	PR:1LJ; PR:1LA	P85098MM	[+]	19,4	TRW						
	176	09/09 → 03/12	●	PR:1KW	P85099MM	[-]	17,5	TRW						
	160	05/15 → 01/17	●	PR:1LY; PR:1LT	P85113MM	[+]	20	ATE	A00484	300	PR:1LA; PR:1LB; PR:1LD; PR:1LJ			
	160	05/15 → 01/17	●	PR:1LD; PR:1LJ; PR:1LB; PR:1LA	P85098MM	[+]	19,4	TRW	A00484	300	PR:1LA; PR:1LB; PR:1LD; PR:1LJ			
	160	05/15 → 01/17	●	PR:1KE; PR:1KP	P85100MM	[-]	17,7	TRW						
3.0 TFSI quattro	200	12/11 → 01/17	●	PR:1LB; PR:1LJ	P85098MM	[+]	19,4	TRW						
	200	12/11 → 01/17	●	PR:1LT	P85113MM	[+]	20	ATE						
	200	12/11 → 01/17	●	PR:1KE; PR:1KP	P85100MM	[-]	17,7	TRW						
	200	12/11 → 01/17	●	PR:1KW	P85099MM	[-]	17,5	TRW						
	195	09/09 → 03/12	●	PR:1LT	P85113MM	[+]	20	ATE						
	195	09/09 → 03/12	●	PR:1LA; PR:1LJ	P85098MM	[+]	19,4	TRW						
S5 quattro	245	01/10 → 01/17	●	PR:1LJ; PR:1LA	P85098MM	[+]	19,4	TRW						
	245	01/10 → 01/17	●	PR:1KE; PR:1KP	P85100MM	[-]	17,7	TRW						

A6 (4B2, C5) 01/97 → 01/05

1.8	92	07/97 → 01/05	●	→ 4B-X-070000; PR:1LB; PR:1LT; PR:1LF; PR:1LE; (J)	P85037MM	[+]	20,4	ATE					A02217	
	92	07/97 → 01/05	●	PR:1LB; PR:1LE; PR:1LT; PR:1LF; 4B-X-070001 →	P85085MM	[+]	20,4	ATE					A02217	
	92	07/97 → 01/05	●	→ 4B-1-200000	P85020MM	[-]	17,2	TRW					A02205	
	92	07/97 → 01/05	●	4B-2-000001 →	P85017MM	[-]	15,2	TRW					A02205	
	85	05/97 → 01/05	●	→ 4B-X-070000; PR:1LB; PR:1LT; PR:1LF; PR:1LE; (J)	P85037MM	[+]	20,4	ATE					A02217	
	85	05/97 → 01/05	●	PR:1LB; PR:1LE; PR:1LF; PR:1LT; 4B-X-070001 →	P85085MM	[+]	20,4	ATE					A02217	
	85	05/97 → 01/05	●	→ 4B-1-200000	P85020MM	[-]	17,2	TRW					A02205	
	85	05/97 → 01/05	●	4B-2-000001 →	P85017MM	[-]	15,2	TRW					A02205	
1.8 T	110	01/97 → 01/05	●	→ 4B-X-070000; PR:1LB; PR:1LT; PR:1LF; PR:1LE; (J)	P85037MM	[+]	20,4	ATE					A02217	
	110	01/97 → 01/05	●	PR:1LT; PR:1LF; PR:1LE; PR:1LB; 4B-X-070001 →	P85085MM	[+]	20,4	ATE					A02217	
	110	01/97 → 01/05	●	→ 4B-1-200000	P85020MM	[-]	17,2	TRW					A02205	
	110	01/97 → 01/05	●	4B-2-000001 →	P85017MM	[-]	15,2	TRW					A02205	
	132	12/97 → 01/05	●	→ 4B-X-070000; PR:1LB; PR:1LT; PR:1LF; PR:1LE; (J)	P85037MM	[+]	20,4	ATE					A02217	
	132	12/97 → 01/05	●	PR:1LB; PR:1LE; PR:1LT; PR:1LF; 4B-X-070001 →	P85085MM	[+]	20,4	ATE					A02217	
	132	12/97 → 01/05	●	→ 4B-1-200000	P85020MM	[-]	17,2	TRW					A02205	
	132	12/97 → 01/05	●	4B-2-000001 →	P85017MM	[-]	15,2	TRW					A02205	
1.8 T quattro	110	02/97 → 01/05	●	→ 4B-X-070000; PR:1LB; PR:1LT; PR:1LF; PR:1LE; (J)	P85037MM	[+]	20,4	ATE					A02217	
	110	02/97 → 01/05	●	PR:1LB; PR:1LE; PR:1LT; PR:1LF; 4B-X-070001 →	P85085MM	[+]	20,4	ATE					A02217	
	110	02/97 → 01/05	●	→ 4B-1-200000	P85020MM	[-]	17,2	TRW					A02205	

AUDI

A6 (4B2, C5) 01/97 → 01/05

1.8 T quattro	110	02/97 → 01/05	●	4B-2-000001 →	P85017MM [-]	15,2	TRW							A02205	
	132	12/97 → 01/05	●	→ 4B-X-070000; PR:1LB; PR:1LT; PR:1LF; PR:1LE; (J)	P85037MM [+]	20,4	ATE							A02217	
	132	12/97 → 01/05	●	PR:1LB; PR:1LE; PR:1LT; PR:1LF; 4B-X-070001 →	P85085MM [+]	20,4	ATE							A02217	
	132	12/97 → 01/05	●	→ 4B-1-200000	P85020MM [-]	17,2	TRW							A02205	
	132	12/97 → 01/05	●	4B-2-000001 →	P85017MM [-]	15,2	TRW							A02205	
1.9 TDI	81	04/97 → 10/00	●	→ 4B-X-070000; PR:1LB; PR:1LT; PR:1LF; PR:1LE; (J)	P85037MM [+]	20,4	ATE							A02217	
	81	04/97 → 10/00	●	PR:1LT; PR:1LE; PR:1LF; PR:1LB; 4B-X-070001 →	P85085MM [+]	20,4	ATE							A02217	
	81	04/97 → 10/00	●		P85020MM [-]	17,2	TRW							A02205	
	85	07/00 → 01/05	●	→ 4B-X-070000; PR:1LB; PR:1LT; PR:1LF; PR:1LE; (J)	P85037MM [+]	20,4	ATE							A02217	
	85	07/00 → 01/05	●	PR:1LT; PR:1LF; PR:1LE; PR:1LB; 4B-X-070001 →	P85085MM [+]	20,4	ATE							A02217	
	85	07/00 → 01/05	●	→ 4B-1-200000	P85020MM [-]	17,2	TRW							A02205	
	85	07/00 → 01/05	●	4B-2-000001 →	P85017MM [-]	15,2	TRW							A02205	
	96	08/01 → 01/05	●	→ 4B-X-070000; PR:1LB; PR:1LT; PR:1LF; PR:1LE; (J)	P85037MM [+]	20,4	ATE								
	96	08/01 → 01/05	●	PR:1LB; PR:1LF; PR:1LE; PR:1LT; 4B-X-070001 →	P85085MM [+]	20,4	ATE								
	96	08/01 → 01/05	●	→ 4B-1-200000	P85020MM [-]	17,2	TRW								
2.0	96	08/01 → 01/05	●	4B-2-000001 →	P85017MM [-]	15,2	TRW								
	96	08/01 → 01/05	●	→ 4B-X-070000; PR:1LB; PR:1LT; PR:1LF; PR:1LE; (J)	P85037MM [+]	20,4	ATE							A02217	
	96	08/01 → 01/05	●	PR:1LB; PR:1LE; PR:1LT; PR:1LF; 4B-X-070001 →	P85085MM [+]	20,4	ATE							A02217	
	96	08/01 → 01/05	●	→ 4B-1-200000	P85020MM [-]	17,2	TRW							A02205	
2.4	121	02/97 → 01/05	●	→ 4B-X-070000; PR:1LB; PR:1LT; PR:1LF; PR:1LE; (J)	P85037MM [+]	20,4	ATE							A02217	
	121	02/97 → 01/05	●	PR:1LF; PR:1LT; PR:1LE; PR:1LB; 4B-X-070001 →	P85085MM [+]	20,4	ATE							A02217	
	121	02/97 → 01/05	●	→ 4B-1-200000	P85020MM [-]	17,2	TRW							A02205	
	121	02/97 → 01/05	●	4B-2-000001 →	P85017MM [-]	15,2	TRW							A02205	
	100	07/98 → 01/05	●	→ 4B-X-070000; PR:1LB; PR:1LT; PR:1LF; PR:1LE; (J)	P85037MM [+]	20,4	ATE							A02217	
	100	07/98 → 01/05	●	PR:1LF; PR:1LT; PR:1LE; PR:1LB; 4B-X-070001 →	P85085MM [+]	20,4	ATE							A02217	
	100	07/98 → 01/05	●	→ 4B-1-200000	P85020MM [-]	17,2	TRW							A02205	
	100	07/98 → 01/05	●	4B-2-000001 →	P85017MM [-]	15,2	TRW							A02205	
	115	02/97 → 01/05	●	→ 4B-X-070000; PR:1LB; PR:1LT; PR:1LF; PR:1LE; (J)	P85037MM [+]	20,4	ATE							A02217	
	115	02/97 → 01/05	●	PR:1LF; PR:1LT; PR:1LE; PR:1LB; 4B-X-070001 →	P85085MM [+]	20,4	ATE							A02217	
	115	02/97 → 01/05	●	→ 4B-1-200000	P85020MM [-]	17,2	TRW							A02205	
	115	02/97 → 01/05	●	4B-2-000001 →	P85017MM [-]	15,2	TRW							A02205	
	125	08/01 → 01/05	●	→ 4B-X-070000; PR:1LB; PR:1LT; PR:1LF; PR:1LE; (J)	P85037MM [+]	20,4	ATE							A02217	
	125	08/01 → 01/05	●	PR:1LF; PR:1LT; PR:1LE; PR:1LB; 4B-X-070001 →	P85085MM [+]	20,4	ATE							A02217	
	125	08/01 → 01/05	●	→ 4B-1-200000	P85020MM [-]	17,2	TRW							A02205	
	125	08/01 → 01/05	●	4B-2-000001 →	P85017MM [-]	15,2	TRW							A02205	
120	02/97 → 01/05	●	→ 4B-X-070000; PR:1LB; PR:1LT; PR:1LF; PR:1LE; (J)	P85037MM [+]	20,4	ATE							A02217		
120	02/97 → 01/05	●	PR:1LT; PR:1LF; PR:1LE; PR:1LB; 4B-X-070001 →	P85085MM [+]	20,4	ATE							A02217		
120	02/97 → 01/05	●	→ 4B-1-200000	P85020MM [-]	17,2	TRW							A02205		
120	02/97 → 01/05	●	4B-2-000001 →	P85017MM [-]	15,2	TRW							A02205		

									WI			FK	
	kw						Th [mm]		MAGNETI MARELLI	LENGHT		MAGNETI MARELLI	

AUDI

A6 (4B2, C5) 01/97 → 01/05

2.4 quattro	121	02/97 → 01/05	●	→ 4B-X-070000; PR:1LB; PR:1LT; PR:1LF; PR:1LE; (J)	P85037MM	[+]	20,4	ATE				A02217	
	121	02/97 → 01/05	●	PR:1LB; PR:1LE; PR:1LT; PR:1LF; 4B-X-070001 →	P85085MM	[+]	20,4	ATE				A02217	
	121	02/97 → 01/05	●	→ 4B-1-200000	P85020MM	[-]	17,2	TRW				A02205	
	121	02/97 → 01/05	●	4B-2-000001 →	P85017MM	[-]	15,2	TRW				A02205	
	125	08/01 → 01/05	●	→ 4B-X-070000; PR:1LB; PR:1LT; PR:1LF; PR:1LE; (J)	P85037MM	[+]	20,4	ATE				A02217	
	125	08/01 → 01/05	●	PR:1LB; PR:1LF; PR:1LE; PR:1LT; 4B-X-070001 →	P85085MM	[+]	20,4	ATE				A02217	
	125	08/01 → 01/05	●	→ 4B-1-200000	P85020MM	[-]	17,2	TRW				A02205	
	125	08/01 → 01/05	●	4B-2-000001 →	P85017MM	[-]	15,2	TRW				A02205	
	120	02/97 → 01/05	●	→ 4B-X-070000; PR:1LB; PR:1LT; PR:1LF; PR:1LE; (J)	P85037MM	[+]	20,4	ATE				A02217	
	120	02/97 → 01/05	●	PR:1LB; PR:1LE; PR:1LF; PR:1LT; 4B-X-070001 →	P85085MM	[+]	20,4	ATE				A02217	
	120	02/97 → 01/05	●	→ 4B-1-200000	P85020MM	[-]	17,2	TRW				A02205	
	120	02/97 → 01/05	●	4B-2-000001 →	P85017MM	[-]	15,2	TRW				A02205	
2.5 TDI	115	08/98 → 07/99	●	→ 4B-X-070000; PR:1LB; PR:1LT; PR:1LF; PR:1LE; (J)	P85037MM	[+]	20,4	ATE				A02217	
	115	08/98 → 07/99	●	PR:1LB; PR:1LE; PR:1LF; PR:1LT; 4B-X-070001 →	P85085MM	[+]	20,4	ATE				A02217	
	115	08/98 → 07/99	●		P85020MM	[-]	17,2	TRW				A02205	
	110	07/97 → 01/05	●	PR:1LG; PR:1LA	P85056MM	[+]	20,4	ATE				A02217	
	110	07/97 → 01/05	●	→ 4B-X-070000; PR:1LB; PR:1LT; PR:1LF; PR:1LE; (J)	P85037MM	[+]	20,4	ATE				A02217	
	110	07/97 → 01/05	●	PR:1LB; PR:1LE; PR:1LT; PR:1LF; 4B-X-070001 →	P85085MM	[+]	20,4	ATE				A02217	
	110	07/97 → 01/05	●	→ 4B-1-200000	P85020MM	[-]	17,2	TRW				A02205	
	110	07/97 → 01/05	●	4B-2-000001 →	P85017MM	[-]	15,2	TRW				A02205	
	132	02/00 → 01/05	●	→ 4B-X-070000; PR:1LB; PR:1LT; PR:1LF; PR:1LE; (J)	P85037MM	[+]	20,4	ATE				A02217	
	132	02/00 → 01/05	●	PR:1LF; PR:1LT; PR:1LE; PR:1LB; 4B-X-070001 →	P85085MM	[+]	20,4	ATE				A02217	
	132	02/00 → 01/05	●	PR:1LG; PR:1LA	P85056MM	[+]	20,4	ATE				A02217	
	132	02/00 → 01/05	●	→ 4B-1-200000	P85020MM	[-]	17,2	TRW				A02205	
2.5 TDI quattro	132	02/00 → 01/05	●	4B-2-000001 →	P85017MM	[-]	15,2	TRW				A02205	
	114	08/01 → 01/05	●	PR:1LG; PR:1LA	P85056MM	[+]	20,4	ATE				A02217	
	114	08/01 → 01/05	●	→ 4B-X-070000; PR:1LB; PR:1LT; PR:1LF; PR:1LE; (J)	P85037MM	[+]	20,4	ATE				A02217	
	114	08/01 → 01/05	●	PR:1LT; PR:1LF; PR:1LE; PR:1LB; 4B-X-070001 →	P85085MM	[+]	20,4	ATE				A02217	
	114	08/01 → 01/05	●	→ 4B-1-200000	P85020MM	[-]	17,2	TRW				A02205	
	114	08/01 → 01/05	●	4B-2-000001 →	P85017MM	[-]	15,2	TRW				A02205	
	120	07/02 → 01/05	●	PR:1LG; PR:1LA	P85056MM	[+]	20,4	ATE				A02217	
	120	07/02 → 01/05	●	→ 4B-X-070000; PR:1LB; PR:1LT; PR:1LF; PR:1LE; (J)	P85037MM	[+]	20,4	ATE				A02217	
	120	07/02 → 01/05	●	PR:1LT; PR:1LF; PR:1LE; PR:1LB; 4B-X-070001 →	P85085MM	[+]	20,4	ATE				A02217	
	120	07/02 → 01/05	●	→ 4B-1-200000	P85020MM	[-]	17,2	TRW				A02205	
	120	07/02 → 01/05	●	4B-2-000001 →	P85017MM	[-]	15,2	TRW				A02205	
	2.5 TDI quattro	110	07/97 → 01/05	●	→ 4B-X-070000; PR:1LB; PR:1LT; PR:1LF; PR:1LE; (J)	P85037MM	[+]	20,4	ATE				A02217
110		07/97 → 01/05	●	PR:1LT; PR:1LE; PR:1LF; PR:1LB; 4B-X-070001 →	P85085MM	[+]	20,4	ATE				A02217	
110		07/97 → 01/05	●	PR:1LA; PR:1LG	P85056MM	[+]	20,4	ATE				A02217	
110		07/97 → 01/05	●	→ 4B-1-200000	P85020MM	[-]	17,2	TRW				A02205	
110		07/97 → 01/05	●	4B-2-000001 →	P85017MM	[-]	15,2	TRW				A02205	
132		02/00 → 01/05	●	→ 4B-X-070000; PR:1LB; PR:1LT; PR:1LF; PR:1LE; (J)	P85037MM	[+]	20,4	ATE				A02217	PR:1LB; PR:1LE; PR:1LF; PR:1LT

AUDI

A6 (4B2, C5) 01/97 → 01/05

2.5 TDI quattro	132	02/00 → 01/05	●	PR:1LB; PR:1LF; PR:1LE; PR:1LT; 4B-X-070001 →	P85085MM [+]	20,4	ATE							A02217	PR:1LB; PR:1LE; PR:1LF; PR:1LT	
	132	02/00 → 01/05	●	PR:1LA; PR:1LG	P85056MM [+]	20,4	ATE							A02217	PR:1LB; PR:1LE; PR:1LF; PR:1LT	
	132	02/00 → 01/05	●	→ 4B-1-200000	P85020MM [-]	17,2	TRW							A02205		
	132	02/00 → 01/05	●	4B-2-000001 →	P85017MM [-]	15,2	TRW							A02205		
2.7 T	169	02/99 → 01/05	●	PR:1LG; PR:1LA	P85056MM [+]	20,4	ATE							A02217		
	169	02/99 → 01/05	●	PR:1LX; PR:T7Z; → 4B-X-060000	P85096MM [+]	18,5	TRW							A02217		
	169	02/99 → 01/05	●	PR:1LX; PR:T7Z; 4B-X-060001 →	P85067MM [+]	18,3/ 18,5	TRW							A02217		
	169	02/99 → 01/05	●	→ 4B-1-200000	P85020MM [-]	17,2	TRW							A02205		
	169	02/99 → 01/05	●	4B-2-000001 →	P85017MM [-]	15,2	TRW							A02205		
2.7 T quattro	169	12/97 → 01/05	●	PR:1LA; PR:1LG	P85056MM [+]	20,4	ATE							A02217		
	169	12/97 → 01/05	●	PR:1LX; → 4B-X-060000	P85096MM [+]	18,5	TRW							A02217		
	169	12/97 → 01/05	●	PR:1LX; 4B-X-060001 →	P85067MM [+]	18,3/ 18,5	TRW							A02217		
	169	12/97 → 01/05	●	→ 4B-1-200000	P85020MM [-]	17,2	TRW							A02205		
	169	12/97 → 01/05	●	4B-2-000001 →	P85017MM [-]	15,2	TRW							A02205		
	184	08/01 → 01/05	●	PR:1LA; PR:1LG	P85056MM [+]	20,4	ATE									
	184	08/01 → 01/05	●	PR:1LX; → 4B-X-060000	P85096MM [+]	18,5	TRW									
	184	08/01 → 01/05	●	PR:1LX; 4B-X-060001 →	P85067MM [+]	18,3/ 18,5	TRW									
	184	08/01 → 01/05	●	→ 4B-1-200000	P85020MM [-]	17,2	TRW									
	184	08/01 → 01/05	●	4B-2-000001 →	P85017MM [-]	15,2	TRW									
2.8	142	02/97 → 01/05	●	→ 4B-X-070000; PR:1LB; PR:1LT; PR:1LF; PR:1LE; (J)	P85037MM [+]	20,4	ATE							A02217		
	142	02/97 → 01/05	●	PR:1LF; PR:1LT; PR:1LE; PR:1LB; 4B-X-070001 →	P85085MM [+]	20,4	ATE							A02217		
	142	02/97 → 01/05	●	→ 4B-1-200000	P85020MM [-]	17,2	TRW							A02205		
	142	02/97 → 01/05	●	4B-2-000001 →	P85017MM [-]	15,2	TRW							A02205		
	132	10/97 → 05/00	●	→ 4B-X-070000; PR:1LB; PR:1LT; PR:1LF; PR:1LE; (J)	P85037MM [+]	20,4	ATE							A02217		
	132	10/97 → 05/00	●	PR:1LT; PR:1LE; PR:1LF; PR:1LB; 4B-X-070001 →	P85085MM [+]	20,4	ATE							A02217		
	132	10/97 → 05/00	●		P85020MM [-]	17,2	TRW							A02205		
	140	07/99 → 01/05	●	→ 4B-X-070000; PR:1LB; PR:1LT; PR:1LF; PR:1LE; (J)	P85037MM [+]	20,4	ATE							A02217		
	140	07/99 → 01/05	●	PR:1LB; PR:1LF; PR:1LE; PR:1LT; 4B-X-070001 →	P85085MM [+]	20,4	ATE							A02217		
	140	07/99 → 01/05	●	→ 4B-1-200000	P85020MM [-]	17,2	TRW							A02205		
	140	07/99 → 01/05	●	4B-2-000001 →	P85017MM [-]	15,2	TRW							A02205		
	2.8 quattro	142	02/97 → 01/05	●	→ 4B-X-070000; PR:1LB; PR:1LT; PR:1LF; PR:1LE; (J)	P85037MM [+]	20,4	ATE							A02217	
		142	02/97 → 01/05	●	PR:1LB; PR:1LE; PR:1LT; PR:1LF; 4B-X-070001 →	P85085MM [+]	20,4	ATE							A02217	
142		02/97 → 01/05	●	→ 4B-1-200000	P85020MM [-]	17,2	TRW							A02205		
142		02/97 → 01/05	●	4B-2-000001 →	P85017MM [-]	15,2	TRW							A02205		
132		01/98 → 04/00	●	→ 4B-X-070000; PR:1LB; PR:1LT; PR:1LF; PR:1LE; (J)	P85037MM [+]	20,4	ATE									
132		01/98 → 04/00	●	PR:1LT; PR:1LF; PR:1LE; PR:1LB; 4B-X-070001 →	P85085MM [+]	20,4	ATE									
132		01/98 → 04/00	●		P85020MM [-]	17,2	TRW									
140		07/99 → 05/01	●	PR:1LB; PR:1LE; PR:1LT; PR:1LF; (J); → 4B-X-070000;	P85037MM [+]	20,4	ATE									
140		07/99 → 05/01	●	PR:1LB; PR:1LE; PR:1LF; PR:1LT; 4B-X-070001 →; -(J)	P85085MM [+]	20,4	ATE									
140		07/99 → 05/01	●		P85020MM [-]	17,2	TRW									

									WI			FK	
	kw								MAGNETI MARELLI	LENGHT		MAGNETI MARELLI	

AUDI

A6 (4B2, C5) 01/97 → 01/05

3.0	162	08/01 → 01/05	●	PR:1LG; PR:1LA	P85056MM	[+]	20,4	ATE				A02217	
	162	08/01 → 01/05	●	PR:1LX; PR:T7Z; → 4B-X-060000	P85096MM	[+]	18,5	TRW				A02217	
	162	08/01 → 01/05	●	PR:T7Z; PR:1LX; 4B-X-060001 →	P85067MM	[+]	18,3/ 18,5	TRW				A02217	
	162	08/01 → 01/05	●	→ 4B-1-200000	P85020MM	[-]	17,2	TRW				A02205	
	162	08/01 → 01/05	●	4B-2-000001 →	P85017MM	[-]	15,2	TRW				A02205	
3.0 quattro	162	08/01 → 01/05	●	PR:1LA; PR:1LG	P85056MM	[+]	20,4	ATE				A02217	
	162	08/01 → 01/05	●	PR:1LX; → 4B-X-060000	P85096MM	[+]	18,5	TRW				A02217	
	162	08/01 → 01/05	●	PR:1LX; 4B-X-060001 →	P85067MM	[+]	18,3/ 18,5	TRW				A02217	
	162	08/01 → 01/05	●	→ 4B-1-200000	P85020MM	[-]	17,2	TRW				A02205	
	162	08/01 → 01/05	●	4B-2-000001 →	P85017MM	[-]	15,2	TRW				A02205	
	160	06/01 → 07/04	●	PR:1LG; PR:1LA	P85056MM	[+]	20,4	ATE					
	160	06/01 → 07/04	●	PR:1LX; → 4B-X-060000	P85096MM	[+]	18,5	TRW					
	160	06/01 → 07/04	●	PR:1LX; 4B-X-060001 →	P85067MM	[+]	18,3/ 18,5	TRW					
	160	06/01 → 07/04	●	→ 4B-1-200000	P85020MM	[-]	17,2	TRW					
160	06/01 → 07/04	●	4B-2-000001 →	P85017MM	[-]	15,2	TRW						
3.7	191	03/99 → 01/05	●	PR:1LG; PR:1LA	P85056MM	[+]	20,4	ATE				A02217	
	191	03/99 → 01/05	●	PR:1LX; PR:T7Z; → 4B-X-060000	P85096MM	[+]	18,5	TRW				A02217	
	191	03/99 → 01/05	●	PR:1LX; PR:T7Z; 4B-X-060001 →	P85067MM	[+]	18,3/ 18,5	TRW				A02217	
	191	03/99 → 01/05	●	→ 4B-1-200000	P85020MM	[-]	17,2	TRW				A02205	
	191	03/99 → 01/05	●	4B-2-000001 →	P85017MM	[-]	15,2	TRW				A02205	
3.7 quattro	191	03/99 → 01/05	●	PR:1LG; PR:1LA	P85056MM	[+]	20,4	ATE				A02217	
	191	03/99 → 01/05	●	PR:1LX; → 4B-X-060000	P85096MM	[+]	18,5	TRW				A02217	
	191	03/99 → 01/05	●	PR:1LX; 4B-X-060001 →	P85067MM	[+]	18,3/ 18,5	TRW				A02217	
	191	03/99 → 01/05	●	→ 4B-1-200000	P85020MM	[-]	17,2	TRW				A02205	
	191	03/99 → 01/05	●	4B-2-000001 →	P85017MM	[-]	15,2	TRW				A02205	
4.2 quattro	220	11/98 → 01/05	●	PR:1LA; PR:1LG	P85056MM	[+]	20,4	ATE					
	220	11/98 → 01/05	●	PR:1LX; → 4B-X-060000	P85096MM	[+]	18,5	TRW					
	220	11/98 → 01/05	●	PR:1LX; 4B-X-060001 →	P85067MM	[+]	18,3/ 18,5	TRW					
	220	11/98 → 01/05	●	→ 4B-1-200000	P85020MM	[-]	17,2	TRW					
RS6 quattro	331	07/02 → 01/05	●		P85078MM	[+]	16,7	BRE					
	331	07/02 → 01/05	●		P85076MM	[-]	17,7	TRW					
S6 quattro	250	09/99 → 01/05	●	PR:1LA; PR:1LG	P85056MM	[+]	20,4	ATE					
	250	09/99 → 01/05	●	PR:1LX; PR:T7Z	P85067MM	[+]	18,3/ 18,5	TRW					
	250	09/99 → 01/05	●	→ 4B-1-200000	P85020MM	[-]	17,2	TRW				A02205	
	250	09/99 → 01/05	●	4B-2-000001 →	P85017MM	[-]	15,2	TRW				A02205	
A6 (4F2, C6) 05/04 → 03/11													
2.0 TDI	103	07/04 → 10/08	●	PR:1LT	P85085MM	[+]	20,4	ATE				A02217	PR:1LD; PR:1LG; PR:1ZL; PR:1ZH; PR:1LT
	103	07/04 → 10/08	●	PR:2ED; PR:1KD	P85073MM	[o]	17,2	TRW					
	100	07/04 → 03/11	●	PR:1LT	P85085MM	[+]	20,4	ATE				A02217	PR:1LD; PR:1LG; PR:1ZL; PR:1ZH; PR:1LT
	100	07/04 → 03/11	●	PR:1KD; PR:2ED	P85073MM	[o]	17,2	TRW					
	89	09/05 → 06/06	●	PR:1LT	P85085MM	[+]	20,4	ATE					
	89	09/05 → 06/06	●	PR:1KD; PR:2ED	P85073MM	[o]	17,2	TRW					
	125	11/08 → 03/11	●	PR:1LT	P85085MM	[+]	20,4	ATE					
	125	11/08 → 03/11	●	PR:1LG; PR:1LD	P85097MM	[+]	20,3	ATE					

		kw						wi	Th [mm]	SYS	wi			FK	
												LEIGHT			

AUDI

A6 (4F2, C6) 05/04 → 03/11

2.0 TDI	125	11/08 → 03/11	●	PR:2ED; PR:1KD	P85073MM	[O]	17,2	TRW							
	120	04/09 → 03/11	●	PR:1LT	P85085MM	[+]	20,4	ATE							
	120	04/09 → 03/11	●	PR:1LD; PR:1LG	P85097MM	[+]	20,3	ATE							
	120	04/09 → 03/11	●	PR:1KD; PR:2ED	P85073MM	[O]	17,2	TRW							
2.0 TFSI	125	06/05 → 03/11	●	PR:1LT	P85085MM	[+]	20,4	ATE					A02217	PR:1LD; PR:1LG; PR:1ZL; PR:1ZH; PR:1LT	
	125	06/05 → 03/11	●	PR:1LG; PR:1LD	P85097MM	[+]	20,3	ATE					A02217	PR:1LD; PR:1LG; PR:1ZL; PR:1ZH; PR:1LT	
	125	06/05 → 03/11	●	PR:2ED; PR:1KD	P85073MM	[O]	17,2	TRW							
2.4	130	05/04 → 10/08	●	PR:1LT	P85085MM	[+]	20,4	ATE					A02217	PR:1LD; PR:1LG; PR:1ZL; PR:1ZH; PR:1LT	
	130	05/04 → 10/08	●	PR:1KD; PR:2ED	P85073MM	[O]	17,2	TRW							
2.4 quattro	130	01/05 → 10/08	●	PR:1LT	P85085MM	[+]	20,4	ATE					A02217	PR:1LD; PR:1LG; PR:1ZL; PR:1ZH; PR:1LT	
	130	01/05 → 10/08	●	PR:2ED; PR:1KD	P85073MM	[O]	17,2	TRW							
2.7 TDI	132	11/04 → 10/08	●	PR:1LG; PR:1LD	P85097MM	[+]	20,3	ATE					A02217	PR:1LD; PR:1LG; PR:1ZL; PR:1ZH; PR:1LT	
	132	11/04 → 10/08	●	PR:1ZL; PR:1LH	P85084MM	[+]	20,3	ATE					A02217	PR:1LD; PR:1LG; PR:1ZL; PR:1ZH; PR:1LT	
	132	11/04 → 10/08	●	PR:2ED; PR:1KD	P85073MM	[O]	17,2	TRW							
	120	11/04 → 03/11	●	PR:1LD; PR:1LG	P85097MM	[+]	20,3	ATE					A02217	PR:1LD; PR:1LG; PR:1ZL; PR:1ZH; PR:1LT	
	120	11/04 → 03/11	●	PR:1KD; PR:2ED	P85073MM	[O]	17,2	TRW							
	140	10/08 → 03/11	●	PR:1LG; PR:1LD	P85097MM	[+]	20,3	ATE							
	140	10/08 → 03/11	●	PR:1KD; PR:2ED	P85073MM	[O]	17,2	TRW							
2.7 TDI quattro	140	10/08 → 03/11	●	PR:1KW	P85076MM	[-]	17,7	TRW							
	132	11/04 → 10/08	●	PR:1LT	P85085MM	[+]	20,4	ATE					A02217	PR:1LD; PR:1LG; PR:1ZL; PR:1ZH; PR:1LT	
	132	11/04 → 10/08	●	PR:1LH; PR:1ZL	P85084MM	[+]	20,3	ATE					A02217	PR:1LD; PR:1LG; PR:1ZL; PR:1ZH; PR:1LT	
	132	11/04 → 10/08	●	PR:1LD; PR:1LG	P85097MM	[+]	20,3	ATE					A02217	PR:1LD; PR:1LG; PR:1ZL; PR:1ZH; PR:1LT	
	132	11/04 → 10/08	●	PR:1KD; PR:2ED	P85073MM	[O]	17,2	TRW							
	132	11/04 → 10/08	●	PR:2EE; PR:1KW	P85076MM	[-]	17,7	TRW							
	120	06/05 → 03/11	●	PR:1LT	P85085MM	[+]	20,4	ATE					A02217	PR:1LD; PR:1LG; PR:1ZL; PR:1ZH; PR:1LT	
	120	06/05 → 03/11	●	PR:1LD; PR:1LG	P85097MM	[+]	20,3	ATE					A02217	PR:1LD; PR:1LG; PR:1ZL; PR:1ZH; PR:1LT	
	120	06/05 → 03/11	●	PR:2ED; PR:1KD	P85073MM	[O]	17,2	TRW							
	140	10/08 → 03/11	●	PR:1LD; PR:1LG	P85097MM	[+]	20,3	ATE							
140	10/08 → 03/11	●	PR:1KW	P85076MM	[-]	17,7	TRW								
140	10/08 → 03/11	●	PR:2ED; PR:1KD	P85073MM	[O]	17,2	TRW								
2.8 FSI	154	11/06 → 10/08	●	PR:1LG; PR:1LD	P85097MM	[+]	20,3	ATE					A02217	PR:1LD; PR:1LG; PR:1ZL; PR:1ZH; PR:1LT	
	154	11/06 → 10/08	●	PR:2ED; PR:1KD	P85073MM	[O]	17,2	TRW							
	140	10/08 → 03/11	●	PR:1LG; PR:1LD	P85097MM	[+]	20,3	ATE							
	140	10/08 → 03/11	●	PR:1KD; PR:2ED	P85073MM	[O]	17,2	TRW							
	162	10/08 → 03/11	●	PR:1LD; PR:1LG	P85097MM	[+]	20,3	ATE							
	162	10/08 → 03/11	●	PR:2ED; PR:1KD	P85073MM	[O]	17,2	TRW							
2.8 FSI quattro	154	06/07 → 10/08	●	PR:1LD; PR:1LG	P85097MM	[+]	20,3	ATE							
	154	06/07 → 10/08	●	PR:1KD; PR:2ED	P85073MM	[O]	17,2	TRW							
	140	10/08 → 03/11	●	PR:1LD; PR:1LG	P85097MM	[+]	20,3	ATE							
	140	10/08 → 03/11	●	PR:2ED; PR:1KD	P85073MM	[O]	17,2	TRW							
	162	10/08 → 03/11	●	PR:1LG; PR:1LD	P85097MM	[+]	20,3	ATE							
3.0	160	08/04 → 05/06	●	PR:1LD; PR:1LD	P85097MM	[+]	20,3	ATE							
	160	08/04 → 05/06	●	PR:2ED; PR:1KD	P85073MM	[O]	17,2	TRW							



kw



MAGNETI MARELLI

wi

Th [mm]

SYS

WI

MAGNETI MARELLI

LENGHT



FK

MAGNETI MARELLI



AUDI

A6 (4F2, C6) 05/04 → 03/11

Model	kw	05/04 → 03/11	•	PR:1LD; PR:1LG	P85097MM	[+]	20,3	ATE				A02217	PR:1LD; PR:1LG; PR:1ZL; PR:1ZH; PR:1LT
3.0 quattro	160	05/04 → 05/06	•	PR:1LD; PR:1LG	P85097MM	[+]	20,3	ATE				A02217	PR:1LD; PR:1LG; PR:1ZL; PR:1ZH; PR:1LT
	160	05/04 → 05/06	•	PR:1KD; PR:2ED	P85073MM	[o]	17,2	TRW					
3.0 TDI quattro	165	05/04 → 05/06	•	PR:1LD; PR:1LG	P85097MM	[+]	20,3	ATE				A02217	PR:1LD; PR:1LG; PR:1ZL; PR:1ZH; PR:1LT
	165	05/04 → 05/06	•	PR:1ZH; PR:1ZL	P85084MM	[+]	20,3	ATE				A02217	PR:1LD; PR:1LG; PR:1ZL; PR:1ZH; PR:1LT
	165	05/04 → 05/06	•	PR:1KD; PR:2ED	P85073MM	[o]	17,2	TRW					
	165	05/04 → 05/06	•	PR:1KW; PR:2EE	P85076MM	[-]	17,7	TRW					
	155	05/04 → 03/11	•	PR:1LD; PR:1LG	P85097MM	[+]	20,3	ATE				A02217	PR:1LD; PR:1LG; PR:1ZL; PR:1ZH; PR:1LT
	155	05/04 → 03/11	•	PR:1LT	P85085MM	[+]	20,4	ATE				A02217	PR:1LD; PR:1LG; PR:1ZL; PR:1ZH; PR:1LT
	155	05/04 → 03/11	•	PR:1KD; PR:2ED	P85073MM	[o]	17,2	TRW					
	155	05/04 → 03/11	•	PR:1KW; PR:2EE	P85076MM	[-]	17,7	TRW					
	171	06/06 → 10/08	•	PR:1LD; PR:1LG	P85097MM	[+]	20,3	ATE				A02217	PR:1LD; PR:1LG; PR:1ZL; PR:1ZH; PR:1LT
	171	06/06 → 10/08	•	PR:1ZH; PR:1ZL	P85084MM	[+]	20,3	ATE				A02217	PR:1LD; PR:1LG; PR:1ZL; PR:1ZH; PR:1LT
	171	06/06 → 10/08	•	PR:1KD; PR:2ED	P85073MM	[o]	17,2	TRW					
	171	06/06 → 10/08	•	PR:1KW; PR:2EE	P85076MM	[-]	17,7	TRW					
	176	10/08 → 03/11	•	PR:1LG; PR:1LD	P85097MM	[+]	20,3	ATE					
	176	10/08 → 03/11	•	PR:1KW; PR:2EE	P85076MM	[-]	17,7	TRW					
176	10/08 → 03/11	•	PR:1KD; PR:2ED	P85073MM	[o]	17,2	TRW						
3.0 TFSI quattro	220	10/08 → 03/11	•	PR:1LH; PR:1ZL	P85084MM	[+]	20,3	ATE				A02217	
	220	10/08 → 03/11	•	PR:1LD; PR:1LG	P85097MM	[+]	20,3	ATE				A02217	
	220	10/08 → 03/11	•	PR:1KD; PR:2ED	P85073MM	[o]	17,2	TRW					
	220	10/08 → 03/11	•	PR:1KW; PR:2EE	P85076MM	[-]	17,7	TRW					
	213	10/08 → 03/11	•	PR:1LD; PR:1LG	P85097MM	[+]	20,3	ATE					
	213	10/08 → 03/11	•	PR:2EE; PR:1KW	P85076MM	[-]	17,7	TRW					
	213	10/08 → 03/11	•	PR:2ED; PR:1KD	P85073MM	[o]	17,2	TRW					
3.2 FSI	195	05/09 → 03/11	•	PR:1ZL; PR:1ZH	P85084MM	[+]	20,3	ATE				A02217	PR:1LD; PR:1LG; PR:1ZL; PR:1ZH; PR:1LT
	195	05/09 → 03/11	•	PR:1LG; PR:1LD	P85097MM	[+]	20,3	ATE				A02217	PR:1LD; PR:1LG; PR:1ZL; PR:1ZH; PR:1LT
	195	05/09 → 03/11	•	PR:2EE; PR:1KW	P85076MM	[-]	17,7	TRW					
	195	05/09 → 03/11	•	PR:2ED; PR:1KD	P85073MM	[o]	17,2	TRW					
	188	05/04 → 05/09	•	PR:1LH; PR:1ZL	P85084MM	[+]	20,3	ATE				A02217	PR:1LD; PR:1LG; PR:1ZL; PR:1ZH; PR:1LT
	188	05/04 → 05/09	•	PR:1LD; PR:1LG	P85097MM	[+]	20,3	ATE				A02217	PR:1LD; PR:1LG; PR:1ZL; PR:1ZH; PR:1LT
	188	05/04 → 05/09	•	PR:1KW; PR:2EE	P85076MM	[-]	17,7	TRW					
	188	05/04 → 05/09	•	PR:2ED; PR:1KD	P85073MM	[o]	17,2	TRW					
3.2 FSI quattro	188	05/04 → 10/08	•	PR:1LG; PR:1LD	P85097MM	[+]	20,3	ATE				A02217	PR:1LD; PR:1LG; PR:1ZL; PR:1ZH; PR:1LT
	188	05/04 → 10/08	•	PR:1KD; PR:2ED	P85073MM	[o]	17,2	TRW					
	183	09/06 → 10/08	•	PR:1ZL; PR:1ZH	P85084MM	[+]	20,3	ATE				A02217	PR:1LD; PR:1LG; PR:1ZL; PR:1ZH; PR:1LT
	183	09/06 → 10/08	•	PR:1LG; PR:1LD	P85097MM	[+]	20,3	ATE				A02217	PR:1LD; PR:1LG; PR:1ZL; PR:1ZH; PR:1LT
	183	09/06 → 10/08	•	PR:2EE; PR:1KW	P85076MM	[-]	17,7	TRW					
	183	09/06 → 10/08	•	PR:2ED; PR:1KD	P85073MM	[o]	17,2	TRW					
4.2 FSI quattro	257	06/06 → 03/11	•	PR:1ZL; PR:1LH	P85084MM	[+]	20,3	ATE				A02217	PR:1LD; PR:1LG; PR:1ZL; PR:1ZH; PR:1LT
	257	06/06 → 03/11	•	PR:2EE; PR:1KW	P85076MM	[-]	17,7	TRW					
4.2 quattro	246	05/04 → 05/06	•	PR:1ZL; PR:1LH	P85084MM	[+]	20,3	ATE				A02217	PR:1LD; PR:1LG; PR:1ZL; PR:1ZH; PR:1LT
	246	05/04 → 05/06	•	PR:2EE; PR:1KW	P85076MM	[-]	17,7	TRW					
RS6 quattro	426	09/08 → 08/10	•	-ceramic brake disc	P85143MM	[-]	17,7	TRW					

AUDI

A6 (4F2, C6) 05/04 → 03/11

S6 quattro	320	03/06 → 03/11	●	PR:1LJ	P85087MM	[+]	20,5	ATE					
	320	03/06 → 03/11	●	PR:1KW; PR:2EE	P85076MM	[-]	17,7	TRW					

A6 (4G2, C7, 4GC) 11/10 →

1.8 TFSI	140	09/14 →	●	PR:1LP	P85123MM	[O]	16,7	BRE					
	140	09/14 →	●	PR:1LL	P85127MM	[O]	20	ATE					
	140	09/14 →	●	PR:1LJ; PR:1LA	P85145MM	[+]	19,4	TRW					
	140	09/14 →	●	PR:1LU	P85136MM	[O]	17	BRE					
	140	09/14 →	●	PR:1KW	P85118MM	[+]	17,5	TRW					
	140	09/14 →	●	PR:2EE; PR:1KJ; PR:2EJ	P85119MM	[+]	17,5	TRW					
	140	09/14 →	●	PR:2EA	P85150MM	[+]	17,5	TRW					
2.0 TDI	130	03/11 →	●	PR:1LA; PR:1LJ	P85145MM	[+]	19,4	TRW	A00468	312	PR:1LL		
	130	03/11 →	●	PR:1LL	P85127MM	[O]	20	ATE	A00468	312	PR:1LL		
	130	03/11 →	●	PR:2EA	P85150MM	[+]	17,5	TRW					
	130	03/11 →	●	PR:1KW	P85118MM	[+]	17,5	TRW					
	120	03/11 →	●	PR:1LJ; PR:1LA; disc Ø 320 mm; disc Ø 345 mm	P85145MM	[+]	19,4	TRW	A00468	312	PR:1LL		
	120	03/11 →	●	PR:1LL	P85127MM	[O]	20	ATE	A00468	312	PR:1LL		
	120	03/11 →	●	PR:2EA	P85150MM	[+]	17,5	TRW					
	120	03/11 →	●	PR:1KW	P85118MM	[+]	17,5	TRW					
	100	01/12 →	●	PR:1LA	P85145MM	[+]	19,4	TRW					
	100	01/12 →	●	PR:1LJ	P85098MM	[+]	19,4	TRW					
	100	01/12 →	●	PR:1LL	P85127MM	[O]	20	ATE					
	100	01/12 →	●	PR:1KW	P85118MM	[+]	17,5	TRW					
	100	01/12 →	●	PR:2EE; PR:1KJ; PR:2EJ	P85119MM	[+]	17,5	TRW					
	100	01/12 →	●	PR:2EA	P85150MM	[+]	17,5	TRW					
	2.0 TDI	140	11/13 →	●	PR:1LA; PR:1LJ	P85145MM	[+]	19,4	TRW	A00466	264	PR:1LU	
140		11/13 →	●	PR:1LU	P85136MM	[O]	17	BRE	A00466	264	PR:1LU		
140		11/13 →	●	PR:1LL	P85127MM	[O]	20	ATE	A00466	264	PR:1LU		
140		11/13 →	●	PR:2EA	P85150MM	[+]	17,5	TRW					
140		11/13 →	●	PR:1KW	P85118MM	[+]	17,5	TRW					
140		11/13 →	●	PR:2EA; PR:1KY	P85119MM	[+]	17,5	TRW					
110		09/14 →	●	PR:1LP	P85123MM	[O]	16,7	BRE					
110		09/14 →	●	PR:1LF; PR:1LL	P85127MM	[O]	20	ATE					
110		09/14 →	●	PR:1LA; PR:1LJ	P85145MM	[+]	19,4	TRW					
110		09/14 →	●	PR:1LU	P85136MM	[O]	17	BRE					
110		09/14 →	●	PR:1KW	P85118MM	[+]	17,5	TRW					
2.0 TDI quattro	140	04/15 →	●	PR:1LA; PR:1LJ	P85145MM	[+]	19,4	TRW	A00466	264	PR:1LU		
	140	04/15 →	●	PR:1LL	P85127MM	[O]	20	ATE	A00466	264	PR:1LU		
	140	04/15 →	●	PR:1LU	P85136MM	[O]	17	BRE	A00466	264	PR:1LU		
	140	04/15 →	●	PR:1KW	P85118MM	[+]	17,5	TRW	A00486	215	PR:1KW; PR:1KY; PR:2EA; PR:2EE; PR:2EJ		
	140	04/15 →	●	PR:2EE; PR:2EJ; PR:1KJ	P85119MM	[+]	17,5	TRW	A00486	215	PR:1KW; PR:1KY; PR:2EA; PR:2EE; PR:2EJ		
	140	04/15 →	●	PR:2EA	P85150MM	[+]	17,5	TRW	A00486	215	PR:1KW; PR:1KY; PR:2EA; PR:2EE; PR:2EJ		
2.0 TFSI	132	05/11 →	●	PR:1LA; PR:1LJ; disc Ø 345 mm; disc Ø 320 mm	P85145MM	[+]	19,4	TRW	A00468	312	PR:1LL		
	132	05/11 →	●	PR:1LL	P85127MM	[O]	20	ATE	A00468	312	PR:1LL		
	132	05/11 →	●	PR:1KW	P85118MM	[+]	17,5	TRW					
	132	05/11 →	●	PR:2EA	P85150MM	[+]	17,5	TRW					

								WI		FK		
	kw					Th [mm]	SYS		LENGHT			

AUDI

A6 (4G2, C7, 4GC) 11/10 →

2.0 TFSI	155	03/11 → 05/13	●	PR:1LJ; PR:1LA; disc Ø 320 mm; disc Ø 345 mm	P85145MM	[+]	19,4	TRW	A00468	312		
	155	03/11 → 05/13	●	PR:1LL	P85127MM	[O]	20	ATE	A00468	312		
	155	03/11 → 05/13	●	PR:1KW	P85118MM	[+]	17,5	TRW				
	155	03/11 → 05/13	●	PR:2EA	P85150MM	[+]	17,5	TRW				
	162	05/13 →	●	PR:1LU	P85136MM	[O]	17	BRE	A00466	264	PR:1LU	
	162	05/13 →	●	PR:1LJ; PR:1LA	P85145MM	[+]	19,4	TRW	A00466	264	PR:1LU	
	162	05/13 →	●	PR:1LL	P85127MM	[O]	20	ATE	A00466	264	PR:1LU	
	162	05/13 →	●	PR:1KW	P85118MM	[+]	17,5	TRW				
	162	05/13 →	●	PR:1KY	P85119MM	[+]	17,5	TRW				
	162	05/13 →	●	PR:2EA	P85150MM	[+]	17,5	TRW				
	185	09/14 →	●	PR:1LP	P85123MM	[O]	16,7	BRE				
	185	09/14 →	●	PR:1LL	P85127MM	[O]	20	ATE				
	185	09/14 →	●	PR:1LJ; PR:1LA	P85145MM	[+]	19,4	TRW				
	185	09/14 →	●	PR:1LU	P85136MM	[O]	17	BRE				
	2.0 TFSI hybrid	155	11/11 →	●	PR:1LA; PR:1LJ	P85145MM	[+]	19,4	TRW	A00468	312	PR:1LL
155		11/11 →	●	PR:1LL; disc Ø 320 mm; disc Ø 345 mm	P85127MM	[O]	20	ATE	A00468	312	PR:1LL	
155		11/11 →	●	PR:1KW	P85118MM	[+]	17,5	TRW				
155		11/11 →	●	PR:2EA	P85150MM	[+]	17,5	TRW				
2.0 TFSI quattro	155	05/12 → 05/13	●	PR:1LU	P85136MM	[O]	17	BRE	A00466	264	PR:1LU	
	155	05/12 → 05/13	●	PR:1LA; PR:1LJ	P85145MM	[+]	19,4	TRW	A00466	264	PR:1LU	
	155	05/12 → 05/13	●	PR:1LL	P85127MM	[O]	20	ATE	A00466	264	PR:1LU	
	155	05/12 → 05/13	●	PR:1KW	P85118MM	[+]	17,5	TRW				
	155	05/12 → 05/13	●	PR:1KY	P85119MM	[+]	17,5	TRW				
	155	05/12 → 05/13	●	PR:2EA	P85150MM	[+]	17,5	TRW				
	162	05/13 →	●	PR:1LL	P85127MM	[O]	20	ATE	A00466	264	PR:1LU	
	162	05/13 →	●	PR:1LA; PR:1LJ	P85145MM	[+]	19,4	TRW	A00466	264	PR:1LU	
	162	05/13 →	●	PR:1LU	P85136MM	[O]	17	BRE	A00466	264	PR:1LU	
	162	05/13 →	●	PR:1KW	P85118MM	[+]	17,5	TRW				
	162	05/13 →	●	PR:1KY	P85119MM	[+]	17,5	TRW				
	162	05/13 →	●	PR:2EA	P85150MM	[+]	17,5	TRW				
	185	05/14 →	●	PR:1LJ; PR:1LA	P85145MM	[+]	19,4	TRW	A00466	264	PR:1LU	
	185	05/14 →	●	PR:1LU	P85136MM	[O]	17	BRE	A00466	264	PR:1LU	
	185	05/14 →	●	PR:1KW	P85118MM	[+]	17,5	TRW	A00486	215	PR:1KW; PR:1KY; PR:2EA; PR:2EE; PR:2EJ	
	185	05/14 →	●	PR:2EJ; PR:1KY; PR:2EE	P85119MM	[+]	17,5	TRW	A00486	215	PR:1KW; PR:1KY; PR:2EA; PR:2EE; PR:2EJ	
	185	05/14 →	●	PR:2EA	P85150MM	[+]	17,5	TRW	A00486	215	PR:1KW; PR:1KY; PR:2EA; PR:2EE; PR:2EJ	
	183	05/15 →	●	PR:1LP; → 10/15	P85123MM	[O]	16,7	BRE	A00466	264	→ 10/15; PR:1LU	
	183	05/15 →	●	PR:1LF; PR:1LL; PR:1ZK; PR:1LG	P85127MM	[O]	20	ATE	A00466	264	→ 10/15; PR:1LU	
	183	05/15 →	●	PR:1LA; PR:1LJ	P85145MM	[+]	19,4	TRW	A00466	264	→ 10/15; PR:1LU	
183	05/15 →	●	PR:1LU	P85136MM	[O]	17	BRE	A00466	264	→ 10/15; PR:1LU		
183	05/15 →	●	PR:1KW	P85118MM	[+]	17,5	TRW	A00486	215	PR:1KW; PR:1KY; PR:2EA; PR:2EE; PR:2EJ		
183	05/15 →	●	PR:2EJ; PR:1KY; PR:2EE	P85119MM	[+]	17,5	TRW	A00486	215	PR:1KW; PR:1KY; PR:2EA; PR:2EE; PR:2EJ		

		kw						wi	Th [mm]	SYS	wi		FK	
												LENGHT		

AUDI

A6 (4G2, C7, 4GC) 11/10→

2.0 TFSI quattro	183	05/15→	●	PR:2EA	P85150MM	[+]	17,5	TRW	A00486	215	PR:1KW; PR:1KY; PR:2EA; PR:2EE; PR:2EJ			
2.8 FSI	150	11/10→ 04/15	●	PR:1LA; PR:1LJ; disc Ø 320 mm; disc Ø 345 mm	P85145MM	[+]	19,4	TRW	A00468	312	PR:1LL			
	150	11/10→ 04/15	●	PR:1LL; disc Ø 356 mm	P85127MM	[O]	20	ATE	A00468	312	PR:1LL			
	150	11/10→ 04/15	●	PR:1KW	P85118MM	[+]	17,5	TRW						
	150	11/10→ 04/15	●	PR:2EA	P85150MM	[+]	17,5	TRW						
2.8 FSI quattro	150	11/10→ 04/15	●	PR:1LJ; PR:1LA; disc Ø 320 mm; disc Ø 345 mm	P85145MM	[+]	19,4	TRW	A00468	312	PR:1LL			
	150	11/10→ 04/15	●	PR:1LL; disc Ø 356 mm	P85127MM	[O]	20	ATE	A00468	312	PR:1LL			
	150	11/10→ 04/15	●	PR:1KW	P85118MM	[+]	17,5	TRW						
	150	11/10→ 04/15	●	PR:2EA	P85150MM	[+]	17,5	TRW						
	162	09/14→	●	PR:1LP; → 10/15	P85123MM	[O]	16,7	BRE	A00466	264	→ 10/15; PR:1LU; PR:1LV			
	162	09/14→	●	PR:1LF; PR:1LL; PR:1ZK; PR:1LG	P85127MM	[O]	20	ATE	A00466	264	→ 10/15; PR:1LU; PR:1LV			
	162	09/14→	●	PR:1LJ; PR:1LA	P85145MM	[+]	19,4	TRW	A00466	264	→ 10/15; PR:1LU; PR:1LV			
	162	09/14→	●	PR:1LU; PR:1LV	P85136MM	[O]	17	BRE	A00466	264	→ 10/15; PR:1LU; PR:1LV			
	162	09/14→	●	PR:1KW	P85118MM	[+]	17,5	TRW	A00486	215				
	162	09/14→	●	PR:2EJ; PR:1KZ; PR:1KY; PR:2EE	P85119MM	[+]	17,5	TRW	A00486	215				
3.0 TDI	150	11/10→	●	PR:1LJ; PR:1LA; disc Ø 320 mm; disc Ø 345 mm	P85145MM	[+]	19,4	TRW	A00468	312	PR:1LL			
	150	11/10→	●	PR:1LL	P85127MM	[O]	20	ATE	A00468	312	PR:1LL			
	150	11/10→	●	PR:2EA	P85150MM	[+]	17,5	TRW						
	150	11/10→	●	PR:1KW	P85118MM	[+]	17,5	TRW						
	155	09/14→	●	PR:1LA; PR:1LJ; disc Ø 320 mm; disc Ø 345 mm	P85145MM	[+]	19,4	TRW						
	155	09/14→	●	PR:1LU	P85136MM	[O]	17	BRE						
	155	09/14→	●	PR:1LP; disc Ø 345 mm	P85123MM	[O]	16,7	BRE						
	155	09/14→	●	PR:1LF; PR:1LL	P85127MM	[O]	20	ATE						
	155	09/14→	●	PR:1KW	P85118MM	[+]	17,5	TRW						
	155	09/14→	●	PR:2EE; PR:1KJ; PR:2EJ	P85119MM	[+]	17,5	TRW						
	155	09/14→	●	PR:2EA	P85150MM	[+]	17,5	TRW						
	160	09/14→	●	PR:1LA; PR:1LJ; disc Ø 320 mm; disc Ø 345 mm	P85145MM	[+]	19,4	TRW						
	160	09/14→	●	PR:1LU; disc Ø 400 mm	P85136MM	[O]	17	BRE						
	160	09/14→	●	PR:1LP; disc Ø 345 mm	P85123MM	[O]	16,7	BRE						
	160	09/14→	●	PR:1LL; PR:1LF; disc Ø 356 mm	P85127MM	[O]	20	ATE						
	160	09/14→	●	PR:1KW	P85118MM	[+]	17,5	TRW						
	160	09/14→	●	PR:1KJ; PR:2EJ; PR:2EE	P85119MM	[+]	17,5	TRW						
	160	09/14→	●	PR:2EA	P85150MM	[+]	17,5	TRW						
	3.0 TDI quattro	150	03/11→	●	PR:1LL; PR:1LF	P85127MM	[O]	20	ATE					
		150	03/11→	●	PR:1LA	P85145MM	[+]	19,4	TRW					
150		03/11→	●	PR:2EA	P85150MM	[+]	17,5	TRW						
150		03/11→	●	PR:1KW	P85118MM	[+]	17,5	TRW						
180		03/11→	●	PR:1LA; PR:1LJ	P85145MM	[+]	19,4	TRW	A00484	300	PR:1LJ			
180		03/11→	●	PR:2EA	P85150MM	[+]	17,5	TRW	A00486	215	PR:2EA			
180		03/11→	●	PR:1KW	P85118MM	[+]	17,5	TRW	A00486	215	PR:2EA			
230		11/11→	●	PR:1LL	P85127MM	[O]	20	ATE	A00468	312	PR:1LF; PR:1LL			
230		11/11→	●	PR:2EA	P85150MM	[+]	17,5	TRW						
230		11/11→	●	PR:1KW	P85118MM	[+]	17,5	TRW						
176	05/13→	●	PR:1LL	P85127MM	[O]	20	ATE	A00466	264	PR:1LU				

								WI			FK	
	kw				wi	Th [mm]	SYS	MAGNETI MARELLI	LENGHT		MAGNETI MARELLI	

AUDI

A6 (4G2, C7, 4GC) 11/10 →

3.0 TDI quattro	176	05/13 →	●	PR:1LU	P85136MM	[O]	17	BRE	A00466	264	PR:1LU		
	176	05/13 →	●	PR:1LJ; PR:1LA	P85145MM	[+]	19,4	TRW	A00466	264	PR:1LU		
	176	05/13 →		●	PR:1KW	P85118MM	[+]	17,5	TRW				
	176	05/13 →		●	PR:1KY	P85119MM	[+]	17,5	TRW				
	176	05/13 →		●	PR:2EA	P85150MM	[+]	17,5	TRW				
	155	09/14 →	●		PR:1LJ; PR:1LA; disc Ø 320 mm; disc Ø 345 mm	P85145MM	[+]	19,4	TRW				
	155	09/14 →	●		PR:1LU	P85136MM	[O]	17	BRE				
	155	09/14 →	●		PR:1LP; disc Ø 345 mm	P85123MM	[O]	16,7	BRE				
	155	09/14 →	●		PR:1LF; PR:1LL	P85127MM	[O]	20	ATE				
	155	09/14 →		●	PR:1KW	P85118MM	[+]	17,5	TRW				
	155	09/14 →		●	PR:2EE; PR:1KJ; PR:2EJ	P85119MM	[+]	17,5	TRW				
	155	09/14 →		●	PR:2EA	P85150MM	[+]	17,5	TRW				
	160	09/14 →	●		PR:1LU; disc Ø 400 mm	P85136MM	[O]	17	BRE				
	160	09/14 →	●		PR:1LL; PR:1LF	P85127MM	[O]	20	ATE				
	160	09/14 →	●		PR:1LA; PR:1LJ; disc Ø 320 mm; disc Ø 345 mm	P85145MM	[+]	19,4	TRW				
	160	09/14 →	●		PR:1LP; disc Ø 345 mm	P85123MM	[O]	16,7	BRE				
	160	09/14 →		●	PR:1KW	P85118MM	[+]	17,5	TRW				
	160	09/14 →		●	PR:1KJ; PR:2EJ; PR:2EE	P85119MM	[+]	17,5	TRW				
	160	09/14 →		●	PR:2EA	P85150MM	[+]	17,5	TRW				
	200	09/14 →	●		PR:1LP; disc Ø 345 mm	P85123MM	[O]	16,7	BRE				
	200	09/14 →	●		PR:1LJ; PR:1LA; disc Ø 345 mm; disc Ø 320 mm	P85145MM	[+]	19,4	TRW				
	200	09/14 →	●		PR:1LL; PR:1LF; disc Ø 356 mm	P85127MM	[O]	20	ATE				
	200	09/14 →	●		PR:1LU; disc Ø 400 mm	P85136MM	[O]	17	BRE				
	200	09/14 →		●	PR:1KW	P85118MM	[+]	17,5	TRW				
	200	09/14 →		●	PR:1KJ; PR:2EJ; PR:2EE	P85119MM	[+]	17,5	TRW				
	200	09/14 →		●	PR:2EA	P85150MM	[+]	17,5	TRW				
	235	09/14 →	●		PR:1LA; PR:1LJ; disc Ø 320 mm; disc Ø 345 mm	P85145MM	[+]	19,4	TRW				
	235	09/14 →	●		PR:1LP; disc Ø 345 mm	P85123MM	[O]	16,7	BRE				
	235	09/14 →	●		PR:1LL; PR:1LF; disc Ø 356 mm	P85127MM	[O]	20	ATE				
	235	09/14 →	●		PR:1LU; disc Ø 400 mm	P85136MM	[O]	17	BRE				
	235	09/14 →		●	PR:2EA	P85150MM	[+]	17,5	TRW				
	235	09/14 →		●	PR:1KW	P85118MM	[+]	17,5	TRW				
	235	09/14 →		●	PR:1KY; PR:2EJ; PR:2EE	P85119MM	[+]	17,5	TRW				
	240	09/14 →	●		PR:1LJ; PR:1LA; disc Ø 320 mm; disc Ø 345 mm	P85145MM	[+]	19,4	TRW				
240	09/14 →	●		PR:1LL; PR:1LF; disc Ø 356 mm	P85127MM	[O]	20	ATE					
240	09/14 →	●		PR:1LP; disc Ø 345 mm	P85123MM	[O]	16,7	BRE					
240	09/14 →	●		PR:1LU; disc Ø 400 mm	P85136MM	[O]	17	BRE					
240	09/14 →		●	PR:2EA	P85150MM	[+]	17,5	TRW					
240	09/14 →		●	PR:1KW	P85118MM	[+]	17,5	TRW					
240	09/14 →		●	PR:1KY; PR:2EJ; PR:2EE	P85119MM	[+]	17,5	TRW					
3.0 TFSI quattro	220	11/10 → 05/12	●	PR:1LL	P85127MM	[O]	20	ATE	A00468	312	PR:1LF; PR:1LL		
	220	11/10 → 05/12	●	PR:2EA	P85150MM	[+]	17,5	TRW					
	228	03/11 →	●	PR:1LL	P85127MM	[O]	20	ATE	A00468	312	PR:1LF; PR:1LL		
	228	03/11 →	●	PR:2EA	P85150MM	[+]	17,5	TRW					
	245	09/14 →	●	PR:1LP	P85123MM	[O]	16,7	BRE					
	245	09/14 →	●		PR:1LL; PR:1LF	P85127MM	[O]	20	ATE				
	245	09/14 →	●		PR:1LA; PR:1LJ	P85145MM	[+]	19,4	TRW				
245	09/14 →	●		PR:1LU	P85136MM	[O]	17	BRE					

AUDI

A6 (4G2, C7, 4GC) 11/10→

3.0 TFSI quattro	245	09/14 →	●	PR:2EA	P85150MM	[+]	17,5	TRW					
	245	09/14 →	●	PR:1KW	P85118MM	[+]	17,5	TRW					
	245	09/14 →	●	PR:2EA	P85119MM	[+]	17,5	TRW					
S6 quattro	309	02/12 →	●	PR:1LU	P85136MM	[O]	17	BRE	A00466	264			
	309	02/12 →	●	PR:2EA	P85150MM	[+]	17,5	TRW					
	309	02/12 →	●	PR:2EE	P85119MM	[+]	17,5	TRW					
	331	10/14 →	●	PR:1LL	P85127MM	[O]	20	ATE					
	331	10/14 →	●	PR:1LJ; PR:1LA	P85145MM	[+]	19,4	TRW					
	331	10/14 →	●	PR:1LU	P85136MM	[O]	17	BRE					
	331	10/14 →	●	PR:2EA	P85150MM	[+]	17,5	TRW					
	331	10/14 →	●	PR:1KW	P85118MM	[+]	17,5	TRW					
331	10/14 →	●	PR:2EE; PR:1KY; PR:2EJ	P85119MM	[+]	17,5	TRW						

A6 Allroad (4FH, C6) 05/06 → 08/11

2.7 TDI quattro	132	05/06 → 10/08	●	PR:1LG	P85097MM	[+]	20,3	ATE				A02217		
	132	05/06 → 10/08	●	PR:1ZL	P85084MM	[+]	20,3	ATE				A02217		
	132	05/06 → 10/08	●	PR:1KD	P85073MM	[O]	17,2	TRW						
	132	05/06 → 10/08	●	PR:1KW	P85076MM	[-]	17,7	TRW						
	120	05/06 → 08/11	●	PR:1LG	P85097MM	[+]	20,3	ATE				A02217		
	120	05/06 → 08/11	●	PR:1KD	P85073MM	[O]	17,2	TRW						
	140	10/08 → 08/11	●	PR:1LG	P85097MM	[+]	20,3	ATE						
	140	10/08 → 08/11	●	PR:1ZL	P85084MM	[+]	20,3	ATE						
	140	10/08 → 08/11	●	PR:1KD	P85073MM	[O]	17,2	TRW						
3.0 TDI quattro	171	05/06 → 10/08	●	PR:1LG	P85097MM	[+]	20,3	ATE				A02217		
	171	05/06 → 10/08	●	PR:1ZL	P85084MM	[+]	20,3	ATE				A02217		
	171	05/06 → 10/08	●	PR:1KD	P85073MM	[O]	17,2	TRW						
	171	05/06 → 10/08	●	PR:1KW	P85076MM	[-]	17,7	TRW						
	155	05/06 → 08/11	●	PR:1LG	P85097MM	[+]	20,3	ATE				A02217		
	155	05/06 → 08/11	●	PR:1ZL	P85084MM	[+]	20,3	ATE				A02217		
	155	05/06 → 08/11	●	PR:1KD	P85073MM	[O]	17,2	TRW						
	155	05/06 → 08/11	●	PR:1KW	P85076MM	[-]	17,7	TRW						
	176	10/08 → 08/11	●	PR:1LG	P85097MM	[+]	20,3	ATE						
3.0 TFSI quattro	213	10/08 → 08/11	●	PR:1LG	P85097MM	[+]	20,3	ATE						
	213	10/08 → 08/11	●	PR:1ZL	P85084MM	[+]	20,3	ATE						
	213	10/08 → 08/11	●	PR:1KW	P85076MM	[-]	17,7	TRW						
	213	10/08 → 08/11	●	PR:1KD	P85073MM	[O]	17,2	TRW						
	3.2 FSI quattro	188	05/06 → 10/08	●	PR:1LG	P85097MM	[+]	20,3	ATE				A02217	
		188	05/06 → 10/08	●	PR:1ZL	P85084MM	[+]	20,3	ATE				A02217	
		188	05/06 → 10/08	●	PR:1KW	P85076MM	[-]	17,7	TRW					
		188	05/06 → 10/08	●	PR:1KD	P85073MM	[O]	17,2	TRW					
	4.2 FSI quattro	257	05/06 → 12/10	●	PR:1ZL	P85084MM	[+]	20,3	ATE				A02217	PR:1ZL
257		05/06 → 12/10	●	PR:1KW; PR:2EE	P85076MM	[-]	17,7	TRW						

A6 Allroad (4GH, 4GJ) 01/12→

3.0 TDI quattro	150	01/12 →	●	PR:A8U; PR:A8S	P85145MM	[+]	19,4	TRW					
	150	01/12 →	●	PR:2EA	P85150MM	[+]	17,5	TRW					
	150	01/12 →	●	PR:2EJ	P85119MM	[+]	17,5	TRW					
	180	01/12 →	●	PR:A8S; PR:A8U	P85145MM	[+]	19,4	TRW	A00484	300	PR:1LJ		
	180	01/12 →	●	PR:2EA	P85150MM	[+]	17,5	TRW	A00486	215	PR:2EA		
	180	01/12 →	●	PR:2EJ	P85119MM	[+]	17,5	TRW	A00486	215	PR:2EA		
	230	01/12 →	●	PR:1LL; PR:1ZK	P85127MM	[O]	20	ATE	A00468	312			

										WI			FK	
											LENGHT			

AUDI

A6 Allroad (4GH, 4GJ) 01/12 →

3.0 TDI quattro	230	01/12 →	●	PR:2EA	P85150MM	[+]	17,5	TRW						
	230	01/12 →	●	PR:2EJ	P85119MM	[+]	17,5	TRW						
	155	09/14 →	●	PR:A8U; PR:A8S	P85145MM	[+]	19,4	TRW	A00468	312	PR:1LL; PR:1ZK			
	155	09/14 →	●	PR:1LL; PR:1ZK	P85127MM	[O]	20	ATE	A00468	312	PR:1LL; PR:1ZK			
	155	09/14 →	●	PR:2EA	P85150MM	[+]	17,5	TRW	A00486	215	PR:2EA; PR:2EJ			
	155	09/14 →	●	PR:2EJ	P85119MM	[+]	17,5	TRW	A00486	215	PR:2EA; PR:2EJ			
	160	09/14 →	●	PR:A8S; PR:A8U	P85145MM	[+]	19,4	TRW	A00468	312	PR:1LL; PR:1ZK			
	160	09/14 →	●	PR:1LL; PR:1ZK	P85127MM	[O]	20	ATE	A00468	312	PR:1LL; PR:1ZK			
	160	09/14 →	●	PR:2EA	P85150MM	[+]	17,5	TRW	A00486	215	PR:2EA; PR:2EJ			
	160	09/14 →	●	PR:2EJ	P85119MM	[+]	17,5	TRW	A00486	215	PR:2EA; PR:2EJ			
	200	09/14 →	●	PR:A8U; PR:A8S	P85145MM	[+]	19,4	TRW	A00468	312	PR:1LL; PR:1ZK			
	200	09/14 →	●	PR:1LL; PR:1ZK	P85127MM	[O]	20	ATE	A00468	312	PR:1LL; PR:1ZK			
	200	09/14 →	●	PR:2EA	P85150MM	[+]	17,5	TRW	A00486	215	PR:2EA; PR:2EJ			
	200	09/14 →	●	PR:2EJ	P85119MM	[+]	17,5	TRW	A00486	215	PR:2EA; PR:2EJ			
	235	01/12 →	●	PR:A8S; PR:A8U	P85145MM	[+]	19,4	TRW	A00468	312	PR:1LL; PR:1ZK			
	235	01/12 →	●	PR:1LL; PR:1ZK	P85127MM	[O]	20	ATE	A00468	312	PR:1LL; PR:1ZK			
	235	01/12 →	●	PR:2EJ; PR:2EA	P85119MM	[+]	17,5	TRW	A00486	215	PR:2EA; PR:2EJ			
	3.0 TFSI quattro	140	11/15 →	●	PR:A8S; PR:A8U	P85145MM	[+]	19,4	TRW	A00468	312	PR:1LL; PR:1ZK		
140		11/15 →	●	PR:1LL; PR:1ZK	P85127MM	[O]	20	ATE	A00468	312	PR:1LL; PR:1ZK			
140		11/15 →	●	PR:2EA	P85150MM	[+]	17,5	TRW	A00486	215	PR:2EA; PR:2EJ			
140		11/15 →	●	PR:2EJ	P85119MM	[+]	17,5	TRW	A00486	215	PR:2EA; PR:2EJ			
228		01/12 →	●	PR:1LL; PR:1ZK	P85127MM	[O]	20	ATE	A00468	312				
228		01/12 →	●	PR:2EA	P85150MM	[+]	17,5	TRW						
228		01/12 →	●	PR:2EJ	P85119MM	[+]	17,5	TRW						
245		09/14 →	●	PR:A8U; PR:A8S	P85145MM	[+]	19,4	TRW	A00468	312	PR:1LL; PR:1ZK			
245	09/14 →	●	PR:1LL; PR:1ZK	P85127MM	[O]	20	ATE	A00468	312	PR:1LL; PR:1ZK				
245	09/14 →	●	PR:2EA	P85150MM	[+]	17,5	TRW	A00486	215	PR:2EA; PR:2EJ				
245	09/14 →	●	PR:2EJ	P85119MM	[+]	17,5	TRW	A00486	215	PR:2EA; PR:2EJ				

A6 Avant (4B5, C5) 11/97 → 01/05

1.8	92	12/97 → 01/05	●	→ 4B-X-070000; PR:1LB; PR:1LT; PR:1LF; PR:1LE; (J)	P85037MM	[+]	20,4	ATE					A02217
	92	12/97 → 01/05	●	PR:1LF; PR:1LT; PR:1LB; PR:1LE; 4B-X-070001 →	P85085MM	[+]	20,4	ATE					A02217
	92	12/97 → 01/05	●	→ 4B-1-200000	P85020MM	[-]	17,2	TRW					A02205
	92	12/97 → 01/05	●	4B-2-000001 →	P85017MM	[-]	15,2	TRW					A02205
	85	02/98 → 01/05	●	→ 4B-X-070000; PR:1LB; PR:1LT; PR:1LF; PR:1LE; (J)	P85037MM	[+]	20,4	ATE					A02217
	85	02/98 → 01/05	●	PR:1LB; PR:1LF; PR:1LE; PR:1LT; 4B-X-070001 →	P85085MM	[+]	20,4	ATE					A02217
	85	02/98 → 01/05	●	→ 4B-1-200000	P85020MM	[-]	17,2	TRW					A02205
	85	02/98 → 01/05	●	4B-2-000001 →	P85017MM	[-]	15,2	TRW					A02205
1.8 T	110	12/97 → 01/05	●	→ 4B-X-070000; PR:1LB; PR:1LT; PR:1LF; PR:1LE; (J)	P85037MM	[+]	20,4	ATE					A02217
	110	12/97 → 01/05	●	PR:1LF; PR:1LT; PR:1LE; PR:1LB; 4B-X-070001 →	P85085MM	[+]	20,4	ATE					A02217
	110	12/97 → 01/05	●	→ 4B-1-200000	P85020MM	[-]	17,2	TRW					A02205
	110	12/97 → 01/05	●	4B-2-000001 →	P85017MM	[-]	15,2	TRW					A02205
	132	04/99 → 01/05	●	→ 4B-X-070000; PR:1LB; PR:1LT; PR:1LF; PR:1LE; (J)	P85037MM	[+]	20,4	ATE					A02217
	132	04/99 → 01/05	●	PR:1LB; PR:1LF; PR:1LE; PR:1LT; 4B-X-070001 →	P85085MM	[+]	20,4	ATE					A02217
	132	04/99 → 01/05	●	→ 4B-1-200000	P85020MM	[-]	17,2	TRW					A02205
	132	04/99 → 01/05	●	4B-2-000001 →	P85017MM	[-]	15,2	TRW					A02205
1.8 T quattro	110	12/97 → 01/05	●	→ 4B-X-070000; PR:1LB; PR:1LT; PR:1LF; PR:1LE; (J)	P85037MM	[+]	20,4	ATE					A02217
	110	12/97 → 01/05	●	PR:1LB; PR:1LF; PR:1LE; PR:1LT; 4B-X-070001 →	P85085MM	[+]	20,4	ATE					A02217

								WI			FK	
	kw				wi	Th [mm]	SYS		LENGHT			

AUDI

A6 Avant (4B5, C5) 11/97 → 01/05

2.4	120	12/97 → 01/05	●	4B-2-000001 →	P85017MM	[-]	15,2	TRW				A02205	
	2.4 quattro	121	12/97 → 01/05	●	→ 4B-X-070000; PR:1LB; PR:1LT; PR:1LF; PR:1LE; (J)	P85037MM	[+]	20,4	ATE				A02217
		121	12/97 → 01/05	●	PR:1LT; PR:1LE; PR:1LF; PR:1LB; 4B-X-070001 →	P85085MM	[+]	20,4	ATE				A02217
		121	12/97 → 01/05	●	→ 4B-1-200000	P85020MM	[-]	17,2	TRW				A02205
		121	12/97 → 01/05	●	4B-2-000001 →	P85017MM	[-]	15,2	TRW				A02205
		125	08/01 → 01/05	●	→ 4B-X-070000; PR:1LB; PR:1LT; PR:1LF; PR:1LE; (J)	P85037MM	[+]	20,4	ATE				A02217
		125	08/01 → 01/05	●	PR:1LB; PR:1LE; PR:1LT; PR:1LF; 4B-X-070001 →	P85085MM	[+]	20,4	ATE				A02217
		125	08/01 → 01/05	●	→ 4B-1-200000	P85020MM	[-]	17,2	TRW				A02205
		125	08/01 → 01/05	●	4B-2-000001 →	P85017MM	[-]	15,2	TRW				A02205
		120	12/97 → 01/05	●	→ 4B-X-070000; PR:1LB; PR:1LT; PR:1LF; PR:1LE; (J)	P85037MM	[+]	20,4	ATE				A02217
		120	12/97 → 01/05	●	PR:1LB; PR:1LE; PR:1LF; PR:1LT; 4B-X-070001 →	P85085MM	[+]	20,4	ATE				A02217
		120	12/97 → 01/05	●	→ 4B-1-200000	P85020MM	[-]	17,2	TRW				A02205
		120	12/97 → 01/05	●	4B-2-000001 →	P85017MM	[-]	15,2	TRW				A02205
		115	08/98 → 05/01	●	→ 4B-X-070000; PR:1LB; PR:1LT; PR:1LF; PR:1LE; (J)	P85037MM	[+]	20,4	ATE				A02217
		115	08/98 → 05/01	●	PR:1LB; PR:1LF; PR:1LE; PR:1LT; 4B-X-070001 →	P85085MM	[+]	20,4	ATE				A02217
115	08/98 → 05/01	●	→ 4B-1-200000	P85020MM	[-]	17,2	TRW				A02205		
115	08/98 → 05/01	●	4B-2-000001 →	P85017MM	[-]	15,2	TRW				A02205		
2.5 TDI	110	12/97 → 01/05	●	→ 4B-X-070000; PR:1LB; PR:1LT; PR:1LF; PR:1LE; (J)	P85037MM	[+]	20,4	ATE				A02217	
	110	12/97 → 01/05	●	PR:1LB; PR:1LE; PR:1LF; PR:1LT; 4B-X-070001 →	P85085MM	[+]	20,4	ATE				A02217	
	110	12/97 → 01/05	●	PR:1LA; PR:1LG	P85056MM	[+]	20,4	ATE				A02217	
	110	12/97 → 01/05	●	→ 4B-1-200000	P85020MM	[-]	17,2	TRW				A02205	
	110	12/97 → 01/05	●	4B-2-000001 →	P85017MM	[-]	15,2	TRW				A02205	
	132	02/00 → 01/05	●	→ 4B-X-070000; PR:1LB; PR:1LT; PR:1LF; PR:1LE; (J)	P85037MM	[+]	20,4	ATE				A02217	
	132	02/00 → 01/05	●	PR:1LT; PR:1LF; PR:1LE; PR:1LB; 4B-X-070001 →	P85085MM	[+]	20,4	ATE				A02217	
	132	02/00 → 01/05	●	PR:1LA; PR:1LG	P85056MM	[+]	20,4	ATE				A02217	
	132	02/00 → 01/05	●	→ 4B-1-200000	P85020MM	[-]	17,2	TRW				A02205	
	132	02/00 → 01/05	●	4B-2-000001 →	P85017MM	[-]	15,2	TRW				A02205	
	114	08/01 → 01/05	●	→ 4B-X-070000; PR:1LB; PR:1LT; PR:1LF; PR:1LE; (J)	P85037MM	[+]	20,4	ATE				A02217	
	114	08/01 → 01/05	●	PR:1LF; PR:1LT; PR:1LE; PR:1LB; 4B-X-070001 →	P85085MM	[+]	20,4	ATE				A02217	
	114	08/01 → 01/05	●	PR:1LA; PR:1LG	P85056MM	[+]	20,4	ATE				A02217	
	114	08/01 → 01/05	●	→ 4B-1-200000	P85020MM	[-]	17,2	TRW				A02205	
	114	08/01 → 01/05	●	4B-2-000001 →	P85017MM	[-]	15,2	TRW				A02205	
	120	07/02 → 01/05	●	→ 4B-X-070000; PR:1LB; PR:1LT; PR:1LF; PR:1LE; (J)	P85037MM	[+]	20,4	ATE				A02217	
	120	07/02 → 01/05	●	PR:1LT; PR:1LE; PR:1LF; PR:1LB; 4B-X-070001 →	P85085MM	[+]	20,4	ATE				A02217	
	120	07/02 → 01/05	●	PR:1LG; PR:1LA	P85056MM	[+]	20,4	ATE				A02217	
	120	07/02 → 01/05	●	→ 4B-1-200000	P85020MM	[-]	17,2	TRW				A02205	
	120	07/02 → 01/05	●	4B-2-000001 →	P85017MM	[-]	15,2	TRW				A02205	
2.5 TDI quattro	110	12/97 → 01/05	●	→ 4B-X-070000; PR:1LB; PR:1LT; PR:1LF; PR:1LE; (J)	P85037MM	[+]	20,4	ATE				A02217	
	110	12/97 → 01/05	●	PR:1LT; PR:1LF; PR:1LE; PR:1LB; 4B-X-070001 →	P85085MM	[+]	20,4	ATE				A02217	
	110	12/97 → 01/05	●	PR:1LG; PR:1LA	P85056MM	[+]	20,4	ATE				A02217	
	110	12/97 → 01/05	●	→ 4B-1-200000	P85020MM	[-]	17,2	TRW				A02205	

		kw						wi	Th [mm]	SYS	WI			FK	
												LENGHT			

AUDI

A6 Avant (4B5, C5) 11/97 → 01/05

2.5 TDI quattro	110	12/97 → 01/05	●	4B-2-000001 →	P85017MM [-]	15,2	TRW							A02205		
	132	02/00 → 01/05	●	→ 4B-X-070000; PR:1LB; PR:1LT; PR:1LF; PR:1LE; (J)	P85037MM [+]	20,4	ATE							A02217		
	132	02/00 → 01/05	●	PR:1LB; PR:1LE; PR:1LF; PR:1LT; 4B-X-070001 →	P85085MM [+]	20,4	ATE							A02217		
	132	02/00 → 01/05	●	PR:1LG; PR:1LA	P85056MM [+]	20,4	ATE							A02217		
	132	02/00 → 01/05	●	→ 4B-1-200000	P85020MM [-]	17,2	TRW							A02205		
	132	02/00 → 01/05	●	4B-2-000001 →	P85017MM [-]	15,2	TRW							A02205		
2.7 T	169	02/99 → 01/05	●	PR:1LA; PR:1LG	P85056MM [+]	20,4	ATE							A02217		
	169	02/99 → 01/05	●	PR:1LX; PR:T7Z; → 4B-X-060000	P85096MM [+]	18,5	TRW							A02217		
	169	02/99 → 01/05	●	PR:1LX; PR:T7Z; 4B-X-060001 →	P85067MM [+]	18,3/ 18,5	TRW							A02217		
	169	02/99 → 01/05	●	→ 4B-1-200000	P85020MM [-]	17,2	TRW							A02205		
	169	02/99 → 01/05	●	4B-2-000001 →	P85017MM [-]	15,2	TRW							A02205		
	169	02/99 → 01/05	●	PR:1LG; PR:1LA	P85056MM [+]	20,4	ATE							A02217		
2.7 T quattro	169	12/97 → 01/05	●	PR:1LX; → 4B-X-060000	P85096MM [+]	18,5	TRW							A02217		
	169	12/97 → 01/05	●	PR:1LX; 4B-X-060001 →	P85067MM [+]	18,3/ 18,5	TRW							A02217		
	169	12/97 → 01/05	●	→ 4B-1-200000	P85020MM [-]	17,2	TRW							A02205		
	169	12/97 → 01/05	●	4B-2-000001 →	P85017MM [-]	15,2	TRW							A02205		
	184	08/01 → 01/05	●	PR:1LG; PR:1LA	P85056MM [+]	20,4	ATE							A02217		
	184	08/01 → 01/05	●	PR:1LX; → 4B-X-060000	P85096MM [+]	18,5	TRW							A02217		
	184	08/01 → 01/05	●	PR:1LX; 4B-X-060001 →	P85067MM [+]	18,3/ 18,5	TRW							A02217		
	184	08/01 → 01/05	●	→ 4B-1-200000	P85020MM [-]	17,2	TRW							A02205		
	184	08/01 → 01/05	●	4B-2-000001 →	P85017MM [-]	15,2	TRW							A02205		
	184	08/01 → 01/05	●	PR:1LX; 4B-X-060001 →	P85067MM [+]	18,3/ 18,5	TRW							A02217		
2.8	142	12/97 → 01/05	●	→ 4B-X-070000; PR:1LB; PR:1LT; PR:1LF; PR:1LE; (J)	P85037MM [+]	20,4	ATE							A02217		
	142	12/97 → 01/05	●	PR:1LF; PR:1LT; PR:1LE; PR:1LB; 4B-X-070001 →	P85085MM [+]	20,4	ATE							A02217		
	142	12/97 → 01/05	●	→ 4B-1-200000	P85020MM [-]	17,2	TRW							A02205		
	142	12/97 → 01/05	●	4B-2-000001 →	P85017MM [-]	15,2	TRW							A02205		
	132	12/97 → 05/00	●	→ 4B-X-070000; PR:1LB; PR:1LT; PR:1LF; PR:1LE; (J)	P85037MM [+]	20,4	ATE							A02217		
	132	12/97 → 05/00	●	PR:1LT; PR:1LF; PR:1LE; PR:1LB; 4B-X-070001 →	P85085MM [+]	20,4	ATE							A02217		
	132	12/97 → 05/00	●	→ 4B-1-200000	P85020MM [-]	17,2	TRW							A02205		
	132	12/97 → 05/00	●	4B-2-000001 →	P85017MM [-]	15,2	TRW							A02205		
	140	07/99 → 01/05	●	→ 4B-X-070000; PR:1LB; PR:1LT; PR:1LF; PR:1LE; (J)	P85037MM [+]	20,4	ATE							A02217		
	140	07/99 → 01/05	●	PR:1LB; PR:1LE; PR:1LF; PR:1LT; 4B-X-070001 →	P85085MM [+]	20,4	ATE							A02217		
	140	07/99 → 01/05	●	→ 4B-1-200000	P85020MM [-]	17,2	TRW							A02205		
	140	07/99 → 01/05	●	4B-2-000001 →	P85017MM [-]	15,2	TRW							A02205		
	2.8 quattro	142	12/97 → 01/05	●	→ 4B-X-070000; PR:1LB; PR:1LT; PR:1LF; PR:1LE; (J)	P85037MM [+]	20,4	ATE							A02217	
		142	12/97 → 01/05	●	PR:1LB; PR:1LE; PR:1LT; PR:1LF; 4B-X-070001 →	P85085MM [+]	20,4	ATE							A02217	
142		12/97 → 01/05	●	→ 4B-1-200000	P85020MM [-]	17,2	TRW							A02205		
142		12/97 → 01/05	●	4B-2-000001 →	P85017MM [-]	15,2	TRW							A02205		
3.0	162	08/01 → 01/05	●	PR:1LG; PR:1LA	P85056MM [+]	20,4	ATE							A02217		
	162	08/01 → 01/05	●	PR:1LX; PR:T7Z; → 4B-X-060000	P85096MM [+]	18,5	TRW							A02217		
	162	08/01 → 01/05	●	PR:1LX; PR:T7Z; 4B-X-060001 →	P85067MM [+]	18,3/ 18,5	TRW							A02217		
	162	08/01 → 01/05	●	→ 4B-1-200000	P85020MM [-]	17,2	TRW							A02205		
	162	08/01 → 01/05	●	4B-2-000001 →	P85017MM [-]	15,2	TRW							A02205		



kw



MAGNETI MARELLI

wi

Th [mm]

SYS

WI

MAGNETI MARELLI

LENGHT



FK

MAGNETI MARELLI



AUDI

A6 Avant (4B5, C5) 11/97 → 01/05

3.0 quattro	162	08/01 → 01/05	●	PR:1LA; PR:1LG	P85056MM	[+]	20,4	ATE					A02217	
	162	08/01 → 01/05	●	PR:1LX; → 4B-X-060000	P85096MM	[+]	18,5	TRW					A02217	
	162	08/01 → 01/05	●	PR:1LX; 4B-X-060001 →	P85067MM	[+]	18,3/ 18,5	TRW					A02217	
	162	08/01 → 01/05	●	→ 4B-1-200000	P85020MM	[-]	17,2	TRW					A02205	
	162	08/01 → 01/05	●	4B-2-000001 →	P85017MM	[-]	15,2	TRW					A02205	
3.7	191	03/99 → 01/05	●	PR:1LG; PR:1LA	P85056MM	[+]	20,4	ATE					A02217	
	191	03/99 → 01/05	●	PR:1LX; PR:T7Z; → 4B-X-060000	P85096MM	[+]	18,5	TRW					A02217	
	191	03/99 → 01/05	●	PR:1LX; PR:T7Z; 4B-X-060001 →	P85067MM	[+]	18,3/ 18,5	TRW					A02217	
	191	03/99 → 01/05	●	→ 4B-1-200000	P85020MM	[-]	17,2	TRW					A02205	
	191	03/99 → 01/05	●	4B-2-000001 →	P85017MM	[-]	15,2	TRW					A02205	
3.7 quattro	191	03/99 → 01/05	●	PR:1LA; PR:1LG	P85056MM	[+]	20,4	ATE					A02217	
	191	03/99 → 01/05	●	PR:1LX; → 4B-X-060000	P85096MM	[+]	18,5	TRW					A02217	
	191	03/99 → 01/05	●	PR:1LX; 4B-X-060001 →	P85067MM	[+]	18,3/ 18,5	TRW					A02217	
	191	03/99 → 01/05	●	→ 4B-1-200000	P85020MM	[-]	17,2	TRW					A02205	
4.2 quattro	220	11/98 → 01/05	●	PR:1LA; PR:1LG	P85056MM	[+]	20,4	ATE					A02217	
	220	11/98 → 01/05	●	PR:1LX; → 4B-X-060000	P85096MM	[+]	18,5	TRW					A02217	
	220	11/98 → 01/05	●	PR:1LX; 4B-X-060001 →	P85067MM	[+]	18,3/ 18,5	TRW					A02217	
RS6 plus quattro	353	04/04 → 01/05	●		P85078MM	[+]	16,7	BRE						
	353	04/04 → 01/05	●		P85076MM	[-]	17,7	TRW						
	331	07/02 → 01/05	●		P85078MM	[+]	16,7	BRE						
RS6 quattro	331	07/02 → 01/05	●		P85076MM	[-]	17,7	TRW						
	250	09/99 → 01/05	●	PR:1LG; PR:1LA	P85056MM	[+]	20,4	ATE					A02217	
S6 quattro	250	09/99 → 01/05	●	PR:1LX; PR:T7Z; → 4B-X-060000	P85096MM	[+]	18,5	TRW					A02217	
	250	09/99 → 01/05	●	PR:1LX; PR:T7Z; 4B-X-060001 →	P85067MM	[+]	18,3/ 18,5	TRW					A02217	
	250	09/99 → 01/05	●	→ 4B-1-200000	P85020MM	[-]	17,2	TRW					A02205	
	250	09/99 → 01/05	●	4B-2-000001 →	P85017MM	[-]	15,2	TRW					A02205	

A6 Avant (4F5, C6) 03/05 → 08/11

2.0 TDI	103	06/05 → 10/08	●	PR:1LT	P85085MM	[+]	20,4	ATE					A02217	PR:1LD; PR:1LG; PR:1ZL; PR:1ZH; PR:1LT
	103	06/05 → 10/08	●	PR:1KD; PR:2ED	P85073MM	[o]	17,2	TRW						
	100	06/05 → 08/11	●	PR:1LT	P85085MM	[+]	20,4	ATE					A02217	PR:1LD; PR:1LG; PR:1ZL; PR:1ZH; PR:1LT
	100	06/05 → 08/11	●	PR:2ED; PR:1KD	P85073MM	[o]	17,2	TRW						
	89	09/05 → 06/06	●	PR:1LT	P85085MM	[+]	20,4	ATE						
	89	09/05 → 06/06	●	PR:2ED; PR:1KD	P85073MM	[o]	17,2	TRW						
	125	10/08 → 08/11	●	PR:1LT	P85085MM	[+]	20,4	ATE						
	125	10/08 → 08/11	●	PR:1LG; PR:1LD	P85097MM	[+]	20,3	ATE						
	125	10/08 → 08/11	●	PR:1KD; PR:2ED	P85073MM	[o]	17,2	TRW						
	120	04/09 → 08/11	●	PR:1LT	P85085MM	[+]	20,4	ATE						
2.0 TFSI	125	06/05 → 08/11	●	PR:1LD; PR:1LG; PR:1LV; PR:1ZT	P85097MM	[+]	20,3	ATE					A02217	PR:1LD; PR:1LG; PR:1ZL; PR:1ZH; PR:1LT
	125	06/05 → 08/11	●	PR:1LH; PR:1ZL	P85084MM	[+]	20,3	ATE					A02217	PR:1LD; PR:1LG; PR:1ZL; PR:1ZH; PR:1LT
	125	06/05 → 08/11	●										A02217	PR:1LD; PR:1LG; PR:1ZL; PR:1ZH; PR:1LT

AUDI

A6 Avant (4F5, C6) 03/05 → 08/11

2.0 TFSI	125	06/05 → 08/11	●	PR:1KD; PR:2ED	P85073MM	[O]	17,2	TRW							
	125	06/05 → 08/11	●	PR:1KW; PR:2EE	P85076MM	[-]	17,7	TRW							
2.4	130	03/05 → 10/08	●	PR:1LT	P85085MM	[+]	20,4	ATE							
	130	03/05 → 10/08	●	PR:1LG; PR:1LD	P85097MM	[+]	20,3	ATE							
	130	03/05 → 10/08	●	PR:1LH; PR:1ZL; disc Ø 347 mm	P85084MM	[+]	20,3	ATE							
	130	03/05 → 10/08	●	PR:2ED; PR:1KD	P85073MM	[O]	17,2	TRW							
	130	03/05 → 10/08	●	PR:2EE; PR:1KW; disc Ø 330 mm	P85076MM	[-]	17,7	TRW							
2.4 quattro	130	03/05 → 10/08	●	PR:1LT	P85085MM	[+]	20,4	ATE					A02217	PR:1LD; PR:1LG; PR:1ZL; PR:1ZH; PR:1LT	
	130	03/05 → 10/08	●	PR:1LD; PR:1LG	P85097MM	[+]	20,3	ATE					A02217	PR:1LD; PR:1LG; PR:1ZL; PR:1ZH; PR:1LT	
	130	03/05 → 10/08	●	PR:1ZL; PR:1LH; disc Ø 347 mm	P85084MM	[+]	20,3	ATE					A02217	PR:1LD; PR:1LG; PR:1ZL; PR:1ZH; PR:1LT	
	130	03/05 → 10/08	●	PR:1KD; PR:2ED	P85073MM	[O]	17,2	TRW							
	130	03/05 → 10/08	●	PR:1KW; PR:2EE; disc Ø 330 mm	P85076MM	[-]	17,7	TRW							
2.7 TDI	120	03/05 → 08/11	●	PR:1LG; PR:1LD	P85097MM	[+]	20,3	ATE					A02217	PR:1LD; PR:1LG; PR:1ZL; PR:1ZH; PR:1LT	
	120	03/05 → 08/11	●	PR:1LT; disc Ø 314 mm	P85085MM	[+]	20,4	ATE					A02217	PR:1LD; PR:1LG; PR:1ZL; PR:1ZH; PR:1LT	
	120	03/05 → 08/11	●	PR:1ZL; PR:1LH; disc Ø 347 mm	P85084MM	[+]	20,3	ATE					A02217	PR:1LD; PR:1LG; PR:1ZL; PR:1ZH; PR:1LT	
	120	03/05 → 08/11	●	PR:2ED; PR:1KD	P85073MM	[O]	17,2	TRW							
	120	03/05 → 08/11	●	PR:1KW; PR:2EE; disc Ø 330 mm	P85076MM	[-]	17,7	TRW							
	132	03/05 → 10/08	●	PR:1LD; PR:1LG	P85097MM	[+]	20,3	ATE					A02217	PR:1LD; PR:1LG; PR:1ZL; PR:1ZH; PR:1LT	
	132	03/05 → 10/08	●	PR:1KD; PR:2ED	P85073MM	[O]	17,2	TRW							
	132	03/05 → 10/08	●	PR:1KW; PR:2EL; disc Ø 330 mm	P85076MM	[-]	17,7	TRW							
	140	10/08 → 08/11	●	PR:1LD; PR:1LG	P85097MM	[+]	20,3	ATE							
	140	10/08 → 08/11	●	PR:1KW; PR:2EL; disc Ø 330 mm	P85076MM	[-]	17,7	TRW							
140	10/08 → 08/11	●	PR:2ED; PR:1KD	P85073MM	[O]	17,2	TRW								
2.7 TDI quattro	132	03/05 → 10/08	●	PR:1LG; PR:1LD	P85097MM	[+]	20,3	ATE					A02217	PR:1LD; PR:1LG; PR:1ZL; PR:1ZH; PR:1LT	
	132	03/05 → 10/08	●	PR:1LT; disc Ø 314 mm	P85085MM	[+]	20,4	ATE					A02217	PR:1LD; PR:1LG; PR:1ZL; PR:1ZH; PR:1LT	
	132	03/05 → 10/08	●	PR:1ZL; PR:1LH; disc Ø 347 mm	P85084MM	[+]	20,3	ATE					A02217	PR:1LD; PR:1LG; PR:1ZL; PR:1ZH; PR:1LT	
	132	03/05 → 10/08	●	PR:2EE; PR:1KW; disc Ø 330 mm	P85076MM	[-]	17,7	TRW							
	132	03/05 → 10/08	●	PR:2ED; PR:1KD	P85073MM	[O]	17,2	TRW							
	120	06/05 → 08/11	●	PR:1LG; PR:1LD	P85097MM	[+]	20,3	ATE					A02217	PR:1LD; PR:1LG; PR:1ZL; PR:1ZH; PR:1LT	
	120	06/05 → 08/11	●	PR:1LT; disc Ø 314 mm	P85085MM	[+]	20,4	ATE					A02217	PR:1LD; PR:1LG; PR:1ZL; PR:1ZH; PR:1LT	
	120	06/05 → 08/11	●	PR:1ZL; PR:1LH; disc Ø 347 mm	P85084MM	[+]	20,3	ATE					A02217	PR:1LD; PR:1LG; PR:1ZL; PR:1ZH; PR:1LT	
	120	06/05 → 08/11	●	PR:1KD; PR:2ED	P85073MM	[O]	17,2	TRW							
	120	06/05 → 08/11	●	PR:2EE; PR:1KW; disc Ø 330 mm	P85076MM	[-]	17,7	TRW							
	140	10/08 → 08/11	●	PR:1LG; PR:1LD	P85097MM	[+]	20,3	ATE							
	140	10/08 → 08/11	●	PR:1LT; disc Ø 314 mm	P85085MM	[+]	20,4	ATE							
	140	10/08 → 08/11	●	PR:1ZL; PR:1LH; disc Ø 347 mm	P85084MM	[+]	20,3	ATE							
	140	10/08 → 08/11	●	PR:1KD; PR:2ED	P85073MM	[O]	17,2	TRW							
140	10/08 → 08/11	●	PR:2EE; PR:1KW; disc Ø 330 mm	P85076MM	[-]	17,7	TRW								



kw



MAGNETI MARELLI

wi

Th [mm]

SYS

WI

MAGNETI MARELLI

LENGHT



FK

MAGNETI MARELLI



AUDI

A6 Avant (4F5, C6) 03/05 → 08/11

2.8 FSI	154	11/06 → 10/08	●	PR:1LG; PR:1LD	P85097MM	[+]	20,3	ATE				A02217	PR:1LD; PR:1LG; PR:1ZL; PR:1ZH; PR:1LT
	154	11/06 → 10/08	●	PR:2ED; PR:1KD	P85073MM	[O]	17,2	TRW					
	154	11/06 → 10/08	●	PR:2EE; PR:1KW; disc Ø 330 mm	P85076MM	[-]	17,7	TRW					
	140	10/08 → 08/11	●	PR:1LD; PR:1LG	P85097MM	[+]	20,3	ATE					
	140	10/08 → 08/11	●	PR:2ED; PR:1KD	P85073MM	[O]	17,2	TRW					
	140	10/08 → 08/11	●	PR:1KW; PR:2EE; disc Ø 330 mm	P85076MM	[-]	17,7	TRW					
	162	10/08 → 08/11	●	PR:1LG; PR:1LD	P85097MM	[+]	20,3	ATE					
	162	10/08 → 08/11	●	PR:1KD; PR:2ED	P85073MM	[O]	17,2	TRW					
2.8 FSI quattro	154	06/07 → 10/08	●	PR:1LD; PR:1LG	P85097MM	[+]	20,3	ATE					
	154	06/07 → 10/08	●	PR:1KD; PR:2ED	P85073MM	[O]	17,2	TRW					
	154	06/07 → 10/08	●	PR:2EE; PR:1KW; disc Ø 330 mm	P85076MM	[-]	17,7	TRW					
	140	10/08 → 08/11	●	PR:1LD; PR:1LG	P85097MM	[+]	20,3	ATE					
	140	10/08 → 08/11	●	PR:2ED; PR:1KD	P85073MM	[O]	17,2	TRW					
	140	10/08 → 08/11	●	PR:1KW; PR:2EE; disc Ø 330 mm	P85076MM	[-]	17,7	TRW					
	162	10/08 → 08/11	●	PR:1LG; PR:1LD	P85097MM	[+]	20,3	ATE					
	162	10/08 → 08/11	●	PR:1KD; PR:2ED	P85073MM	[O]	17,2	TRW					
3.0	160	03/05 → 05/06	●	PR:1LD; PR:1LG	P85097MM	[+]	20,3	ATE					
	160	03/05 → 05/06	●	PR:2ED; PR:1KD	P85073MM	[O]	17,2	TRW					
3.0 quattro	160	03/05 → 05/06	●	PR:1LG; PR:1LD	P85097MM	[+]	20,3	ATE				A02217	PR:1LD; PR:1LG; PR:1ZL; PR:1ZH; PR:1LT
	160	03/05 → 05/06	●	PR:2ED; PR:1KD	P85073MM	[O]	17,2	TRW					
3.0 TDi	171	06/06 → 08/11	●	PR:1LT; disc Ø 314 mm	P85085MM	[+]	20,4	ATE				A02217	PR:1LD; PR:1LG; PR:1ZL; PR:1ZH; PR:1LT
	171	06/06 → 08/11	●	PR:1LD; PR:1LG	P85097MM	[+]	20,3	ATE				A02217	PR:1LD; PR:1LG; PR:1ZL; PR:1ZH; PR:1LT
	171	06/06 → 08/11	●	PR:1LH; PR:1ZL; disc Ø 347 mm	P85084MM	[+]	20,3	ATE				A02217	PR:1LD; PR:1LG; PR:1ZL; PR:1ZH; PR:1LT
	171	06/06 → 08/11	●	PR:1KD; PR:2ED	P85073MM	[O]	17,2	TRW					
	171	06/06 → 08/11	●	PR:1KW; PR:2EE; disc Ø 330 mm	P85076MM	[-]	17,7	TRW					
3.0 TDi quattro	165	03/05 → 05/06	●	PR:1LH; PR:1ZL; disc Ø 347 mm	P85084MM	[+]	20,3	ATE				A02217	PR:1LD; PR:1LG; PR:1ZL; PR:1ZH; PR:1LT
	165	03/05 → 05/06	●	PR:1LT; disc Ø 314 mm	P85085MM	[+]	20,4	ATE				A02217	PR:1LD; PR:1LG; PR:1ZL; PR:1ZH; PR:1LT
	165	03/05 → 05/06	●	PR:1LD; PR:1LG	P85097MM	[+]	20,3	ATE				A02217	PR:1LD; PR:1LG; PR:1ZL; PR:1ZH; PR:1LT
	165	03/05 → 05/06	●	PR:2EE; PR:1KW; disc Ø 330 mm	P85076MM	[-]	17,7	TRW					
	165	03/05 → 05/06	●	PR:1KD; PR:2ED	P85073MM	[O]	17,2	TRW					
	155	03/05 → 08/11	●	PR:1LG; PR:1LD	P85097MM	[+]	20,3	ATE				A02217	PR:1LD; PR:1LG; PR:1ZL; PR:1ZH; PR:1LT
	155	03/05 → 08/11	●	PR:1LT; disc Ø 314 mm	P85085MM	[+]	20,4	ATE				A02217	PR:1LD; PR:1LG; PR:1ZL; PR:1ZH; PR:1LT
	155	03/05 → 08/11	●	PR:1LH; PR:1ZL; disc Ø 347 mm	P85084MM	[+]	20,3	ATE				A02217	PR:1LD; PR:1LG; PR:1ZL; PR:1ZH; PR:1LT
	155	03/05 → 08/11	●	PR:2ED; PR:1KD	P85073MM	[O]	17,2	TRW					
	155	03/05 → 08/11	●	PR:2EE; PR:1KW; disc Ø 330 mm	P85076MM	[-]	17,7	TRW					
	171	06/06 → 10/08	●	PR:1LD; PR:1LG	P85097MM	[+]	20,3	ATE				A02217	PR:1LD; PR:1LG; PR:1ZL; PR:1ZH; PR:1LT
	171	06/06 → 10/08	●	PR:1LT; disc Ø 314 mm	P85085MM	[+]	20,4	ATE				A02217	PR:1LD; PR:1LG; PR:1ZL; PR:1ZH; PR:1LT

AUDI

A6 Avant (4F5, C6) 03/05 → 08/11

3.0 TDI quattro	171	06/06 → 10/08	●	PR:1ZL; PR:1LH; disc Ø 347 mm	P85084MM	[+]	20,3	ATE						A02217	PR:1LD; PR:1LG; PR:1ZL; PR:1ZH; PR:1LT
	171	06/06 → 10/08	●	PR:1KD; PR:2ED	P85073MM	[O]	17,2	TRW							
	171	06/06 → 10/08	●	PR:1KW; PR:2EE; disc Ø 330 mm	P85076MM	[-]	17,7	TRW							
	176	10/08 → 08/11	●	PR:1LD; PR:1LG	P85097MM	[+]	20,3	ATE							
	176	10/08 → 08/11	●	PR:1LT; disc Ø 314 mm	P85085MM	[+]	20,4	ATE							
	176	10/08 → 08/11	●	PR:1LH; PR:1ZL; disc Ø 347 mm	P85084MM	[+]	20,3	ATE							
	176	10/08 → 08/11	●	PR:2ED; PR:1KD	P85073MM	[O]	17,2	TRW							
	176	10/08 → 08/11	●	PR:1KW; PR:2EE; disc Ø 330 mm	P85076MM	[-]	17,7	TRW							
3.0 TFSI quattro	220	10/08 → 08/11	●	PR:1LG; PR:1LD	P85097MM	[+]	20,3	ATE						A02217	
	220	10/08 → 08/11	●	PR:1ZL; PR:1LH	P85084MM	[+]	20,3	ATE						A02217	
	220	10/08 → 08/11	●	PR:1KD; PR:2ED	P85073MM	[O]	17,2	TRW							
	220	10/08 → 08/11	●	PR:1KW; PR:2EE	P85076MM	[-]	17,7	TRW							
	213	10/08 → 08/11	●	PR:1LG; PR:1LD	P85097MM	[+]	20,3	ATE							
	213	10/08 → 08/11	●	PR:1KD; PR:2ED	P85073MM	[O]	17,2	TRW							
	213	10/08 → 08/11	●	PR:2EE; PR:1KW; disc Ø 330 mm	P85076MM	[-]	17,7	TRW							
3.2 FSI	188	03/05 → 10/08	●	PR:1LG; PR:1LD	P85097MM	[+]	20,3	ATE							
	188	03/05 → 10/08	●	PR:1KW; PR:2EE; disc Ø 330 mm	P85076MM	[-]	17,7	TRW							
	188	03/05 → 10/08	●	PR:2ED; PR:1KD	P85073MM	[O]	17,2	TRW							
3.2 FSI quattro	188	03/05 → 10/08	●	PR:1LD; PR:1LG	P85097MM	[+]	20,3	ATE						A02217	PR:1LD; PR:1LG; PR:1ZL; PR:1ZH; PR:1LT
	188	03/05 → 10/08	●	PR:2EE; PR:1KW; disc Ø 330 mm	P85076MM	[-]	17,7	TRW							
	188	03/05 → 10/08	●	PR:1KD; PR:2ED	P85073MM	[O]	17,2	TRW							
4.2 FSI quattro	257	06/06 → 08/11	●	PR:1LH; PR:1ZL	P85084MM	[+]	20,3	ATE						A02217	PR:1LD; PR:1LG; PR:1ZL; PR:1ZH; PR:1LT
	257	06/06 → 08/11	●	PR:2EE; PR:1KW	P85076MM	[-]	17,7	TRW							
4.2 quattro	246	03/05 → 05/06	●	PR:1ZL; PR:1LH	P85084MM	[+]	20,3	ATE							
	246	03/05 → 05/06	●	PR:1KW; PR:2EE	P85076MM	[-]	17,7	TRW							
RS6 quattro	426	04/08 → 08/10	●	-ceramic brake disc	P85143MM	[-]	17,7	TRW							
S6 quattro	320	03/06 → 08/11	●	PR:1LJ	P85087MM	[+]	20,5	ATE							
	320	03/06 → 08/11	●	PR:1KW; PR:2EE	P85076MM	[-]	17,7	TRW							

A6 Avant (4G5, C7, 4GD) 05/11 →

1.8 TFSI	140	09/14 →	●	PR:1LA; PR:1LJ; disc Ø 345 mm; disc Ø 320 mm	P85145MM	[+]	19,4	TRW								
	140	09/14 →	●	PR:1LP; disc Ø 345 mm	P85123MM	[O]	16,7	BRE								
	140	09/14 →	●	PR:1LL; PR:1LF; disc Ø 356 mm	P85127MM	[O]	20	ATE								
	140	09/14 →	●	PR:1LU; disc Ø 400 mm	P85136MM	[O]	17	BRE								
	140	09/14 →	●	PR:2EA	P85150MM	[+]	17,5	TRW								
	140	09/14 →	●	PR:1KW	P85118MM	[+]	17,5	TRW								
	140	09/14 →	●	PR:2EJ; PR:1KY; PR:2EE	P85119MM	[+]	17,5	TRW								
	2.0 TDI	130	05/11 →	●	PR:1LA; PR:1LJ; disc Ø 320 mm; disc Ø 345 mm	P85145MM	[+]	19,4	TRW	A00468	312	PR:1LL				
130		05/11 →	●	PR:1LL; disc Ø 356 mm	P85127MM	[O]	20	ATE	A00468	312	PR:1LL					
130		05/11 →	●	PR:2EA	P85150MM	[+]	17,5	TRW								
130		05/11 →	●	PR:1KW	P85118MM	[+]	17,5	TRW								
120		05/11 →	●	PR:1LA; PR:1LJ; disc Ø 320 mm; disc Ø 345 mm	P85145MM	[+]	19,4	TRW	A00468	312	PR:1LL					
120		05/11 →	●	PR:1LL; disc Ø 356 mm	P85127MM	[O]	20	ATE	A00468	312	PR:1LL					
120		05/11 →	●	PR:2EA	P85150MM	[+]	17,5	TRW								
120		05/11 →	●	PR:1KW	P85118MM	[+]	17,5	TRW								
100		01/12 →	●	PR:1LA; PR:1LJ	P85145MM	[+]	19,4	TRW								

								WI		FK		
	kw				wi	Th [mm]	SYS	MAGNETI MARELLI	LENGHT		MAGNETI MARELLI	

AUDI

A6 Avant (4G5, C7, 4GD) 05/11 →

2.0 TDI	100	01/12 →	●	PR:1KW	P85118MM	[+]	17,5	TRW				
	140	11/13 →	●	PR:1LU	P85136MM	[O]	17	BRE	A00466	264	PR:1LU	
	140	11/13 →	●	PR:1LJ; PR:1LA	P85145MM	[+]	19,4	TRW	A00466	264	PR:1LU	
	140	11/13 →	●	PR:1LL	P85127MM	[O]	20	ATE	A00466	264	PR:1LU	
	140	11/13 →	●	PR:2EA	P85150MM	[+]	17,5	TRW				
	140	11/13 →	●	PR:1KW	P85118MM	[+]	17,5	TRW				
	140	11/13 →	●	PR:1KY	P85119MM	[+]	17,5	TRW				
	110	09/14 →	●	PR:1LJ; PR:1LA; disc Ø 320 mm; disc Ø 345 mm	P85145MM	[+]	19,4	TRW				
	110	09/14 →	●	PR:1LU; disc Ø 400 mm	P85136MM	[O]	17	BRE				
	110	09/14 →	●	PR:1LP; disc Ø 345 mm	P85123MM	[O]	16,7	BRE				
	110	09/14 →	●	PR:1LL; PR:1LF; disc Ø 356 mm	P85127MM	[O]	20	ATE				
	110	09/14 →	●	PR:2EA	P85150MM	[+]	17,5	TRW				
110	09/14 →	●	PR:1KW	P85118MM	[+]	17,5	TRW					
110	09/14 →	●	PR:1KY; PR:2EJ; PR:2EE	P85119MM	[+]	17,5	TRW					
2.0 TDI quattro	140	04/15 →	●	PR:1LA; PR:1LJ	P85145MM	[+]	19,4	TRW	A00466	264	PR:1LU	
	140	04/15 →	●	PR:1LU	P85136MM	[O]	17	BRE	A00466	264	PR:1LU	
	140	04/15 →	●	PR:2EA	P85150MM	[+]	17,5	TRW	A00486	215	PR:1KW; PR:1KY; PR:2EA; PR:2EE; PR:2EJ	
	140	04/15 →	●	PR:1KW	P85118MM	[+]	17,5	TRW	A00486	215	PR:1KW; PR:1KY; PR:2EA; PR:2EE; PR:2EJ	
140	04/15 →	●	PR:2EJ; PR:1KY; PR:2EE	P85119MM	[+]	17,5	TRW	A00486	215	PR:1KW; PR:1KY; PR:2EA; PR:2EE; PR:2EJ		
2.0 TFSI	132	06/11 →	●	PR:1LJ; PR:1LA; disc Ø 320 mm; disc Ø 345 mm	P85145MM	[+]	19,4	TRW	A00468	312	PR:1LL	
	132	06/11 →	●	PR:1LL; disc Ø 356 mm	P85127MM	[O]	20	ATE	A00468	312	PR:1LL	
	132	06/11 →	●	PR:2EA	P85150MM	[+]	17,5	TRW				
	132	06/11 →	●	PR:1KW	P85118MM	[+]	17,5	TRW				
	185	09/14 →	●	PR:1LA; PR:1LJ; disc Ø 320 mm; disc Ø 345 mm	P85145MM	[+]	19,4	TRW				
	185	09/14 →	●	PR:1LP; disc Ø 345 mm	P85123MM	[O]	16,7	BRE				
	185	09/14 →	●	PR:1LL; PR:1LF; disc Ø 356 mm	P85127MM	[O]	20	ATE				
	185	09/14 →	●	PR:1LU; disc Ø 400 mm	P85136MM	[O]	17	BRE				
	185	09/14 →	●	PR:2EA	P85150MM	[+]	17,5	TRW				
	185	09/14 →	●	PR:1KW	P85118MM	[+]	17,5	TRW				
185	09/14 →	●	PR:1KY; PR:2EJ; PR:2EE	P85119MM	[+]	17,5	TRW					
2.0 TFSI quattro	183	05/15 →	●	PR:1LP; → 10/15	P85123MM	[O]	16,7	BRE	A00466	264	→ 10/15; PR:1LU	
	183	05/15 →	●	PR:1LF; PR:1ZK; PR:1LL; PR:1LG	P85127MM	[O]	20	ATE	A00466	264	→ 10/15; PR:1LU	
	183	05/15 →	●	PR:1LJ; PR:1LA	P85145MM	[+]	19,4	TRW	A00466	264	→ 10/15; PR:1LU	
	183	05/15 →	●	PR:1LU	P85136MM	[O]	17	BRE	A00466	264	→ 10/15; PR:1LU	
	183	05/15 →	●	PR:2EA	P85150MM	[+]	17,5	TRW	A00486	215	PR:1KW; PR:1KY; PR:2EA; PR:2EE; PR:2EJ	
	183	05/15 →	●	PR:1KW	P85118MM	[+]	17,5	TRW	A00486	215	PR:1KW; PR:1KY; PR:2EA; PR:2EE; PR:2EJ	
	183	05/15 →	●	PR:2EJ; PR:1KY; PR:2EE	P85119MM	[+]	17,5	TRW	A00486	215	PR:1KW; PR:1KY; PR:2EA; PR:2EE; PR:2EJ	
	185	05/15 →	●	PR:1LP; → 10/15	P85123MM	[O]	16,7	BRE	A00466	264	→ 10/15; PR:1LU	
	185	05/15 →	●	PR:1LF; PR:1LL; PR:1ZK; PR:1LG	P85127MM	[O]	20	ATE	A00466	264	→ 10/15; PR:1LU	
	185	05/15 →	●	PR:1LA; PR:1LJ	P85145MM	[+]	19,4	TRW	A00466	264	→ 10/15; PR:1LU	

		kw						wi	Th [mm]	SYS	WI		FK		
												LEIGHT			

AUDI

A6 Avant (4G5, C7, 4GD) 05/11 →

2.0 TFSI quattro	185	05/15 →	●	PR:1LU	P85136MM [O]	17	BRE	A00466	264	→ 10/15; PR:1LU			
	185	05/15 →		●	PR:2EA	P85150MM [+]	17,5	TRW	A00486	215	PR:1KW; PR:1KY; PR:2EA; PR:2EE; PR:2EJ		
	185	05/15 →		●	PR:1KW	P85118MM [+]	17,5	TRW	A00486	215	PR:1KW; PR:1KY; PR:2EA; PR:2EE; PR:2EJ		
	185	05/15 →		●	PR:2EJ; PR:1KY; PR:2EE	P85119MM [+]	17,5	TRW	A00486	215	PR:1KW; PR:1KY; PR:2EA; PR:2EE; PR:2EJ		
2.8 FSI	150	05/11 → 04/15	●	PR:1LA; PR:1LJ	P85145MM [+]	19,4	TRW	A00468	312	PR:1LL			
	150	05/11 → 04/15	●	PR:1LL	P85127MM [O]	20	ATE	A00468	312	PR:1LL			
	150	05/11 → 04/15		●	PR:1KW	P85118MM [+]	17,5	TRW					
	150	05/11 → 04/15		●	PR:2EA	P85150MM [+]	17,5	TRW					
2.8 FSI quattro	150	05/11 → 04/15	●	PR:1LJ; PR:1LA	P85145MM [+]	19,4	TRW	A00468	312	PR:1LL			
	150	05/11 → 04/15	●	PR:1LL	P85127MM [O]	20	ATE	A00468	312	PR:1LL			
	150	05/11 → 04/15		●	PR:1KW	P85118MM [+]	17,5	TRW					
	150	05/11 → 04/15		●	PR:2EA	P85150MM [+]	17,5	TRW					
	162	09/14 →	●	PR:1LJ; PR:1LA	P85145MM [+]	19,4	TRW	A00466	264	→ 10/15; PR:1LU; PR:1LV			
	162	09/14 →	●	PR:1LU; PR:1LV	P85136MM [O]	17	BRE	A00466	264	→ 10/15; PR:1LU; PR:1LV			
	162	09/14 →	●	PR:1LL; PR:1ZK; PR:1LG; PR:1LF	P85127MM [O]	20	ATE	A00466	264	→ 10/15; PR:1LU; PR:1LV			
	162	09/14 →	●	PR:1LP; → 10/15	P85123MM [O]	16,7	BRE	A00466	264	→ 10/15; PR:1LU; PR:1LV			
	162	09/14 →		●	PR:2EA	P85150MM [+]	17,5	TRW	A00486	215			
	162	09/14 →		●	PR:1KW	P85118MM [+]	17,5	TRW	A00486	215			
3.0 TDI	150	05/11 →	●	PR:1LJ; PR:1LA; disc Ø 345 mm; disc Ø 320 mm	P85145MM [+]	19,4	TRW	A00468	312	PR:1LL			
	150	05/11 →	●	PR:1LL; disc Ø 356 mm	P85127MM [O]	20	ATE	A00468	312	PR:1LL			
	150	05/11 →		●	PR:2EA	P85150MM [+]	17,5	TRW					
	150	05/11 →		●	PR:1KW	P85118MM [+]	17,5	TRW					
	155	09/14 →	●	PR:1LJ; PR:1LA	P85145MM [+]	19,4	TRW	A00466	264	PR:1LU			
	155	09/14 →	●	PR:1LP	P85123MM [O]	16,7	BRE	A00466	264	PR:1LU			
	155	09/14 →	●	PR:1LL; PR:1LF; PR:1ZK	P85127MM [O]	20	ATE	A00466	264	PR:1LU			
	155	09/14 →	●	PR:1LU	P85136MM [O]	17	BRE	A00466	264	PR:1LU			
	155	09/14 →		●	PR:2EA	P85150MM [+]	17,5	TRW	A00486	215	PR:1KW; PR:1KY; PR:2EA; PR:2EE; PR:2EJ		
	155	09/14 →		●	PR:1KW	P85118MM [+]	17,5	TRW	A00486	215	PR:1KW; PR:1KY; PR:2EA; PR:2EE; PR:2EJ		
	155	09/14 →		●	PR:2EE; PR:2EJ; PR:1KY	P85119MM [+]	17,5	TRW	A00486	215	PR:1KW; PR:1KY; PR:2EA; PR:2EE; PR:2EJ		
	160	09/14 →	●	PR:1LA; PR:1LJ; disc Ø 320 mm; disc Ø 345 mm	P85145MM [+]	19,4	TRW						
	160	09/14 →	●	PR:1LP; disc Ø 345 mm	P85123MM [O]	16,7	BRE						
	160	09/14 →	●	PR:1LF; PR:1LL; disc Ø 356 mm	P85127MM [O]	20	ATE						
	160	09/14 →	●	PR:1LU; disc Ø 400 mm	P85136MM [O]	17	BRE						
	160	09/14 →		●	PR:2EA	P85150MM [+]	17,5	TRW					
160	09/14 →		●	PR:1KW	P85118MM [+]	17,5	TRW						
160	09/14 →		●	PR:2EE; PR:1KY; PR:2EJ	P85119MM [+]	17,5	TRW						
3.0 TDI quattro	150	05/11 →	●	PR:1LA; PR:1LJ	P85145MM [+]	19,4	TRW						

								WI			FK		
	kw						Th [mm]	SYS		LENGHT			

AUDI

A6 Avant (4G5, C7, 4GD) 05/11 →

3.0 TDI quattro	150	05/11 →	●	PR:2EA	P85150MM	[+]	17,5	TRW						
	150	05/11 →	●	PR:1KW	P85118MM	[+]	17,5	TRW						
	180	05/11 →	●	PR:1LJ; PR:1LA	P85145MM	[+]	19,4	TRW						
	180	05/11 →	●	PR:2EA	P85150MM	[+]	17,5	TRW						
	180	05/11 →	●	PR:1KW	P85118MM	[+]	17,5	TRW						
	230	11/11 →	●	PR:1LL	P85127MM	[O]	20	ATE	A00468	312	PR:1LF; PR:1LL			
	230	11/11 →	●	PR:2EA	P85150MM	[+]	17,5	TRW						
	230	11/11 →	●	PR:1KW	P85118MM	[+]	17,5	TRW						
	155	09/14 →	●	PR:1LJ; PR:1LA	P85145MM	[+]	19,4	TRW	A00466	264	PR:1LU			
	155	09/14 →	●	PR:1LU	P85136MM	[O]	17	BRE	A00466	264	PR:1LU			
	155	09/14 →	●	PR:2EA	P85150MM	[+]	17,5	TRW	A00486	215	PR:1KW; PR:1KY; PR:2EA; PR:2EE; PR:2EJ			
	155	09/14 →	●	PR:1KW	P85118MM	[+]	17,5	TRW	A00486	215	PR:1KW; PR:1KY; PR:2EA; PR:2EE; PR:2EJ			
	155	09/14 →	●	PR:2EJ; PR:1KY; PR:2EE	P85119MM	[+]	17,5	TRW	A00486	215	PR:1KW; PR:1KY; PR:2EA; PR:2EE; PR:2EJ			
	160	09/14 →	●	PR:1LA; PR:1LJ; disc Ø 320 mm; disc Ø 345 mm	P85145MM	[+]	19,4	TRW						
	160	09/14 →	●	PR:1LP; disc Ø 345 mm	P85123MM	[O]	16,7	BRE						
	160	09/14 →	●	PR:1LL; PR:1LF; disc Ø 356 mm	P85127MM	[O]	20	ATE						
	160	09/14 →	●	PR:1LU; disc Ø 400 mm	P85136MM	[O]	17	BRE						
	160	09/14 →	●	PR:2EA	P85150MM	[+]	17,5	TRW						
	160	09/14 →	●	PR:1KW	P85118MM	[+]	17,5	TRW						
	160	09/14 →	●	PR:1KY; PR:2EJ; PR:2EE	P85119MM	[+]	17,5	TRW						
	200	09/14 →	●	PR:1LJ; PR:1LA; disc Ø 320 mm; disc Ø 345 mm	P85145MM	[+]	19,4	TRW						
	200	09/14 →	●	PR:1LP; disc Ø 345 mm	P85123MM	[O]	16,7	BRE						
	200	09/14 →	●	PR:1LL; PR:1LF; disc Ø 356 mm	P85127MM	[O]	20	ATE						
	200	09/14 →	●	PR:1LU; disc Ø 400 mm	P85136MM	[O]	17	BRE						
	200	09/14 →	●	PR:2EA	P85150MM	[+]	17,5	TRW						
	200	09/14 →	●	PR:1KW	P85118MM	[+]	17,5	TRW						
	200	09/14 →	●	PR:1KY; PR:2EJ; PR:2EE	P85119MM	[+]	17,5	TRW						
	235	09/14 →	●	PR:1LA; PR:1LJ; disc Ø 320 mm; disc Ø 345 mm	P85145MM	[+]	19,4	TRW						
	235	09/14 →	●	PR:1LP; disc Ø 345 mm	P85123MM	[O]	16,7	BRE						
	235	09/14 →	●	PR:1LL	P85127MM	[O]	20	ATE						
	235	09/14 →	●	PR:1LU; disc Ø 400 mm	P85136MM	[O]	17	BRE						
	235	09/14 →	●	PR:2EA	P85150MM	[+]	17,5	TRW						
235	09/14 →	●	PR:1KW	P85118MM	[+]	17,5	TRW							
235	09/14 →	●	PR:2EE; PR:2EJ; PR:1KY	P85119MM	[+]	17,5	TRW							
240	09/14 →	●	PR:1LJ; PR:1LA; disc Ø 320 mm; disc Ø 345 mm	P85145MM	[+]	19,4	TRW							
240	09/14 →	●	PR:1LP; disc Ø 345 mm	P85123MM	[O]	16,7	BRE							
240	09/14 →	●	PR:1LF; PR:1LL; disc Ø 356 mm	P85127MM	[O]	20	ATE							
240	09/14 →	●	PR:1LU; disc Ø 400 mm	P85136MM	[O]	17	BRE							
240	09/14 →	●	PR:2EA	P85150MM	[+]	17,5	TRW							
240	09/14 →	●	PR:1KW	P85118MM	[+]	17,5	TRW							
240	09/14 →	●	PR:2EE; PR:1KY; PR:2EJ	P85119MM	[+]	17,5	TRW							
3.0 TFSI quattro	220	05/11 → 05/12	●	PR:1LL	P85127MM	[O]	20	ATE	A00468	312	PR:1LF; PR:1LL			
	220	05/11 → 05/12	●	PR:1KW	P85118MM	[+]	17,5	TRW						
	220	05/11 → 05/12	●	PR:2EA	P85150MM	[+]	17,5	TRW						

AUDI

A6 Avant (4G5, C7, 4GD) 05/11 →

3.0 TFSI quattro	228	11/11 →	●	PR:1LL	P85127MM	[O]	20	ATE	A00468	312	PR:1LF; PR:1LL		
	228	11/11 →		●	PR:2EA	P85150MM	[+]	17,5	TRW				
	228	11/11 →		●	PR:1KW	P85118MM	[+]	17,5	TRW				
	245	09/14 →	●	PR:1LP; disc Ø 345 mm	P85123MM	[O]	16,7	BRE					
	245	09/14 →	●	PR:1LF; PR:1LL; disc Ø 356 mm	P85127MM	[O]	20	ATE					
	245	09/14 →	●	PR:1LJ; PR:1LA; disc Ø 320 mm; disc Ø 345 mm	P85145MM	[+]	19,4	TRW					
	245	09/14 →	●	PR:1LU; disc Ø 400 mm	P85136MM	[O]	17	BRE					
	245	09/14 →		●	PR:2EA	P85150MM	[+]	17,5	TRW				
	245	09/14 →		●	PR:1KW	P85118MM	[+]	17,5	TRW				
	245	09/14 →		●	PR:2EE; PR:1KY; PR:2EJ	P85119MM	[+]	17,5	TRW				
RS6 performance quattro	445	11/15 →		●	PR:1KJ; PR:1KQ	P85119MM	[+]	17,5	TRW	A00486	215	PR:1KJ; PR:1KQ	
RS6 quattro	412	01/13 →		●	PR:2EA	P85150MM	[+]	17,5	TRW				
S6 quattro	309	02/12 →	●	PR:1LU	P85136MM	[O]	17	BRE	A00466	264			
	309	02/12 →		●	PR:2EE	P85119MM	[+]	17,5	TRW				
	309	02/12 →		●	PR:2EA	P85150MM	[+]	17,5	TRW				
	331	10/14 →	●	PR:1LL; disc Ø 356 mm	P85127MM	[O]	20	ATE					
	331	10/14 →	●	PR:1LA; PR:1LJ; disc Ø 320 mm; disc Ø 345 mm	P85145MM	[+]	19,4	TRW					
	331	10/14 →	●	PR:1LL; disc Ø 400 mm	P85136MM	[O]	17	BRE					
	331	10/14 →		●	PR:2EA	P85150MM	[+]	17,5	TRW				
	331	10/14 →		●	PR:1KW; disc Ø 300 mm	P85118MM	[+]	17,5	TRW				
331	10/14 →		●	PR:2EE; PR:2EJ; PR:1KY	P85119MM	[+]	17,5	TRW					

A7 Sportback (4GA, 4GF) 10/10 →

1.8 TFSI	140	04/15 →	●	PR:1LP; → 10/15	P85123MM	[O]	16,7	BRE	A00466	264	PR:1LU; → 10/15			
	140	04/15 →	●	PR:1LL; PR:1ZK; PR:1LF; PR:1LG	P85127MM	[O]	20	ATE	A00466	264	PR:1LU; → 10/15			
	140	04/15 →	●	PR:1LA	P85145MM	[+]	19,4	TRW	A00466	264	PR:1LU; → 10/15			
	140	04/15 →	●	PR:1LU	P85136MM	[O]	17	BRE	A00466	264	PR:1LU; → 10/15			
	140	04/15 →		●	PR:1KW	P85118MM	[+]	17,5	TRW	A00486	215	PR:1KW; PR:1KY; PR:2EA; PR:2EE; PR:2EJ		
	140	04/15 →		●	PR:1KY; PR:2EJ; PR:2EE	P85119MM	[+]	17,5	TRW	A00486	215	PR:1KW; PR:1KY; PR:2EA; PR:2EE; PR:2EJ		
	140	04/15 →		●	PR:2EA	P85150MM	[+]	17,5	TRW	A00486	215	PR:1KW; PR:1KY; PR:2EA; PR:2EE; PR:2EJ		
2.0 TFSI	185	09/14 →	●	PR:1LP	P85123MM	[O]	16,7	BRE						
	185	09/14 →	●	PR:1LL; PR:1LF; PR:1ZK	P85127MM	[O]	20	ATE						
	185	09/14 →	●	PR:1LA	P85145MM	[+]	19,4	TRW						
	185	09/14 →	●	PR:1LU	P85136MM	[O]	17	BRE						
	185	09/14 →		●	PR:1KW	P85118MM	[+]	17,5	TRW					
	185	09/14 →		●	PR:2EJ; PR:1KY; PR:2EE	P85119MM	[+]	17,5	TRW					
	185	09/14 →		●	PR:2EA	P85150MM	[+]	17,5	TRW					
2.0 TFSI quattro	183	05/15 →	●	PR:1LP; → 10/15	P85123MM	[O]	16,7	BRE	A00466	264	PR:1LU; → 10/15			
	183	05/15 →	●	PR:1LL; PR:1LG; PR:1LF; PR:1ZK	P85127MM	[O]	20	ATE	A00466	264	PR:1LU; → 10/15			
	183	05/15 →	●	PR:1LA	P85145MM	[+]	19,4	TRW	A00466	264	PR:1LU; → 10/15			
	183	05/15 →	●	PR:1LU	P85136MM	[O]	17	BRE	A00466	264	PR:1LU; → 10/15			
	183	05/15 →		●	PR:1KW	P85118MM	[+]	17,5	TRW	A00486	215	PR:1KW; PR:1KY; PR:2EA; PR:2EE; PR:2EJ		

									WI			FK	
	kw						Th [mm]		MAGNETI MARELLI	LENGHT		MAGNETI MARELLI	

AUDI

A7 Sportback (4GA, 4GF) 10/10 →

2.0 TFSI quattro	183	05/15 →	●	PR:2EE; PR:2EJ; PR:1KY	P85119MM	[+]	17,5	TRW	A00486	215	PR:1KW; PR:1KY; PR:2EA; PR:2EE; PR:2EJ		
	183	05/15 →	●	PR:2EA	P85150MM	[+]	17,5	TRW	A00486	215	PR:1KW; PR:1KY; PR:2EA; PR:2EE; PR:2EJ		
	185	05/15 →	●	PR:1LP; → 10/15	P85123MM	[o]	16,7	BRE	A00466	264	PR:1LU; → 10/15		
	185	05/15 →	●	PR:1LA	P85145MM	[+]	19,4	TRW	A00466	264	PR:1LU; → 10/15		
	185	05/15 →	●	PR:1LF; PR:1LG; PR:1ZK; PR:1LL	P85127MM	[o]	20	ATE	A00466	264	PR:1LU; → 10/15		
	185	05/15 →	●	PR:1LU	P85136MM	[o]	17	BRE	A00466	264	PR:1LU; → 10/15		
	185	05/15 →	●	PR:2EE; PR:2EJ; PR:1KY	P85119MM	[+]	17,5	TRW	A00486	215	PR:1KW; PR:1KY; PR:2EA; PR:2EE; PR:2EJ		
	185	05/15 →	●	PR:1KW	P85118MM	[+]	17,5	TRW	A00486	215	PR:1KW; PR:1KY; PR:2EA; PR:2EE; PR:2EJ		
	185	05/15 →	●	PR:2EA	P85150MM	[+]	17,5	TRW	A00486	215	PR:1KW; PR:1KY; PR:2EA; PR:2EE; PR:2EJ		
2.8 FSI	150	02/11 →	●	PR:1LA	P85145MM	[+]	19,4	TRW					
	150	02/11 →	●	PR:1KW	P85118MM	[+]	17,5	TRW					
	150	02/11 →	●	PR:2EA	P85150MM	[+]	17,5	TRW					
2.8 FSI quattro	150	10/10 →	●	PR:1LA	P85145MM	[+]	19,4	TRW					
	150	10/10 →	●	PR:1KW	P85118MM	[+]	17,5	TRW					
3.0 TDI	150	11/10 →	●	PR:1LA	P85145MM	[+]	19,4	TRW					
	150	11/10 →	●	PR:1KW	P85118MM	[+]	17,5	TRW					
	150	11/10 →	●	PR:2EA	P85119MM	[+]	17,5	TRW					
	160	07/14 →	●	PR:1LA; PR:1LJ	P85098MM	[+]	19,4	TRW	A00482	342	PR:1LP		
	160	07/14 →	●	PR:1LP	P85123MM	[o]	16,7	BRE	A00482	342	PR:1LP		
	160	07/14 →	●	PR:1LL; PR:1ZK; PR:1LF	P85127MM	[o]	20	ATE	A00482	342	PR:1LP		
	160	07/14 →	●	PR:1KW	P85118MM	[+]	17,5	TRW	A00486	215	PR: 2EE; PR:2EA		
	160	07/14 →	●	PR:2EE	P85119MM	[+]	17,5	TRW	A00486	215	PR: 2EE; PR:2EA		
	160	07/14 →	●	PR:2EA	P85150MM	[+]	17,5	TRW	A00486	215	PR: 2EE; PR:2EA		
	140	11/15 →	●	PR:1LA	P85145MM	[+]	19,4	TRW	A00494	450	PR:1LW		
	140	11/15 →	●	PR:1LU; PR:1LV	P85136MM	[o]	17	BRE	A00494	450	PR:1LW		
	140	11/15 →	●	PR:1LF; PR:1LG; PR:1ZK; PR:1LL	P85127MM	[o]	20	ATE	A00494	450	PR:1LW		
	140	11/15 →	●	PR:1LP	P85123MM	[o]	16,7	BRE	A00494	450	PR:1LW		
	140	11/15 →	●	PR:1KW	P85118MM	[+]	17,5	TRW	A00486	215			
	140	11/15 →	●	PR:2EE; PR:1KD; PR:1KZ; PR:1KY; PR:2EJ	P85119MM	[+]	17,5	TRW	A00486	215			
	140	11/15 →	●	PR:2EA	P85150MM	[+]	17,5	TRW	A00486	215			
	155	11/15 →	●	PR:1LA	P85145MM	[+]	19,4	TRW	A00494	450	PR:1LW		
	155	11/15 →	●	PR:1LF; PR:1LG; PR:1ZK; PR:1LL	P85127MM	[o]	20	ATE	A00494	450	PR:1LW		
	155	11/15 →	●	PR:1LV; PR:1LU	P85136MM	[o]	17	BRE	A00494	450	PR:1LW		
	155	11/15 →	●	PR:1LP	P85123MM	[o]	16,7	BRE	A00494	450	PR:1LW		
	155	11/15 →	●	PR:2EA	P85150MM	[+]	17,5	TRW	A00486	215			
155	11/15 →	●	PR:2EE; PR:1KD; PR:1KZ; PR:1KY; PR:2EJ	P85119MM	[+]	17,5	TRW	A00486	215				
155	11/15 →	●	PR:1KW	P85118MM	[+]	17,5	TRW	A00486	215				
3.0 TDI quattro	150	12/10 →	●	PR:1LA; PR:1LJ	P85145MM	[+]	19,4	TRW					
	150	12/10 →	●	PR:1LL; PR:1LF; PR:1ZK	P85127MM	[o]	20	ATE					
	150	12/10 →	●	PR:1KW	P85118MM	[+]	17,5	TRW					
	230	11/11 →	●	PR:1LL; PR:1LF; PR:1ZK	P85127MM	[o]	20	ATE	A00468	312	PR:1LF; PR:1LL; PR:1ZK		
	230	11/11 →	●	PR:1KW	P85118MM	[+]	17,5	TRW					

										WI			FK	
											LEIGHT			

AUDI

A7 Sportback (4GA, 4GF) 10/10 →

3.0 TDI quattro	230	11/11 →	●	PR:2EE	P85119MM	[+]	17,5	TRW							
	230	11/11 →	●	PR:2EA	P85150MM	[+]	17,5	TRW							
	180	10/10 →	●	PR:1LA; PR:1LJ	P85145MM	[+]	19,4	TRW							
	180	10/10 →	●	PR:1LL	P85127MM	[O]	20	ATE							
	180	10/10 →	●	PR:1KW	P85118MM	[+]	17,5	TRW							
	180	10/10 →	●	PR:2EE	P85119MM	[+]	17,5	TRW							
	180	10/10 →	●	PR:2EA	P85150MM	[+]	17,5	TRW							
	176	05/13 →	●	PR:1LA; PR:1LJ	P85145MM	[+]	19,4	TRW	A00466	264	PR:1LU				
	176	05/13 →	●	PR:1LL	P85127MM	[O]	20	ATE	A00466	264	PR:1LU				
	176	05/13 →	●	PR:1LU	P85136MM	[O]	17	BRE	A00466	264	PR:1LU				
	176	05/13 →	●	PR:1KW	P85118MM	[+]	17,5	TRW							
	176	05/13 →	●	PR:1KY	P85119MM	[+]	17,5	TRW							
	176	05/13 →	●	PR:2EA	P85150MM	[+]	17,5	TRW							
	160	07/14 →	●	PR:1LA; PR:1LJ	P85098MM	[+]	19,4	TRW	A00482	342	PR:1LP				
	160	07/14 →	●	PR:1LP	P85123MM	[O]	16,7	BRE	A00482	342	PR:1LP				
	160	07/14 →	●	PR:1ZK; PR:1LF; PR:1LL	P85127MM	[O]	20	ATE	A00482	342	PR:1LP				
	160	07/14 →	●	PR:1KW	P85118MM	[+]	17,5	TRW	A00486	215	PR: 2EE; PR:2EA				
	160	07/14 →	●	PR:2EE	P85119MM	[+]	17,5	TRW	A00486	215	PR: 2EE; PR:2EA				
	160	07/14 →	●	PR:2EA	P85150MM	[+]	17,5	TRW	A00486	215	PR: 2EE; PR:2EA				
	200	05/14 →	●	PR:1LA; PR:1LJ	P85098MM	[+]	19,4	TRW	A00482	342	PR:1LP				
	200	05/14 →	●	PR:1LP	P85123MM	[O]	16,7	BRE	A00482	342	PR:1LP				
	200	05/14 →	●	PR:1LL; PR:1LF; PR:1ZK	P85127MM	[O]	20	ATE	A00482	342	PR:1LP				
	200	05/14 →	●	PR:1KW	P85118MM	[+]	17,5	TRW	A00486	215	PR: 2EE; PR:2EA				
	200	05/14 →	●	PR:2EE	P85119MM	[+]	17,5	TRW	A00486	215	PR: 2EE; PR:2EA				
	200	05/14 →	●	PR:2EA	P85150MM	[+]	17,5	TRW	A00486	215	PR: 2EE; PR:2EA				
	235	05/14 →	●	PR:1LA; PR:1LJ	P85098MM	[+]	19,4	TRW	A00468	312					
	235	05/14 →	●	PR:1LL; PR:1ZK; PR:1LF	P85127MM	[O]	20	ATE	A00468	312					
	235	05/14 →	●	PR:1KW	P85118MM	[+]	17,5	TRW	A00486	215	PR: 2EE; PR:2EA				
	235	05/14 →	●	PR:2EE	P85119MM	[+]	17,5	TRW	A00486	215	PR: 2EE; PR:2EA				
	235	05/14 →	●	PR:2EA	P85150MM	[+]	17,5	TRW	A00486	215	PR: 2EE; PR:2EA				
	155	07/14 →	●	PR:1LP	P85123MM	[O]	16,7	BRE							
	155	07/14 →	●	PR:1LJ; PR:1LA	P85145MM	[+]	19,4	TRW							
	155	07/14 →	●	PR:1LL; PR:1LF; PR:1ZK	P85127MM	[O]	20	ATE							
	155	07/14 →	●	PR:1LU	P85136MM	[O]	17	BRE							
	155	07/14 →	●	PR:1KW	P85118MM	[+]	17,5	TRW							
	155	07/14 →	●	PR:1KW; disc Ø 356 mm	P85119MM	[+]	17,5	TRW							
	155	07/14 →	●	PR:2EA	P85150MM	[+]	17,5	TRW							
	240	09/14 →	●	PR:1LA; PR:1LJ	P85145MM	[+]	19,4	TRW							
	240	09/14 →	●	PR:1LU	P85136MM	[O]	17	BRE							
	240	09/14 →	●	PR:1LP	P85123MM	[O]	16,7	BRE							
	240	09/14 →	●	PR:1LL; PR:1ZK; PR:1LF	P85127MM	[O]	20	ATE							
240	09/14 →	●	PR:1KW	P85118MM	[+]	17,5	TRW								
240	09/14 →	●	PR:1KY	P85119MM	[+]	17,5	TRW								
240	09/14 →	●	PR:2EA	P85150MM	[+]	17,5	TRW								
140	11/15 →	●	PR:1LA	P85145MM	[+]	19,4	TRW	A00494	450	PR:1LW					
140	11/15 →	●	PR:1LF; PR:1LG; PR:1ZK; PR:1LL	P85127MM	[O]	20	ATE	A00494	450	PR:1LW					
140	11/15 →	●	PR:1LV; PR:1LU	P85136MM	[O]	17	BRE	A00494	450	PR:1LW					
140	11/15 →	●	PR:1LP	P85123MM	[O]	16,7	BRE	A00486	215						
140	11/15 →	●	PR:1KW	P85118MM	[+]	17,5	TRW	A00486	215						
140	11/15 →	●	PR:2EE; PR:1KD; PR:1KY; PR:1KZ; PR:2EJ	P85119MM	[+]	17,5	TRW	A00486	215						
140	11/15 →	●	PR:2EA	P85150MM	[+]	17,5	TRW	A00486	215						

									WI			FK	

AUDI

A7 Sportback (4GA, 4GF) 10/10 →

3.0 TFSI quattro	228	01/11 →	●	PR:1LF; PR:1ZK; PR:1LL	P85127MM	[o]	20	ATE	A00468	312	PR:1LF; PR:1LL; PR:1ZK		
	228	01/11 →		●	PR:1KW	P85118MM	[+]	17,5	TRW				
	228	01/11 →		●	PR:2EE	P85119MM	[+]	17,5	TRW				
	228	01/11 →		●	PR:2EA	P85150MM	[+]	17,5	TRW				
	220	10/10 →	●	PR:1LL; PR:1ZK; PR:1LF	P85127MM	[o]	20	ATE	A00468	312	PR:1LF; PR:1LL; PR:1ZK		
	220	10/10 →		●	PR:1KW	P85118MM	[+]	17,5	TRW				
	220	10/10 →		●	PR:2EE	P85119MM	[+]	17,5	TRW				
	220	10/10 →		●	PR:2EA	P85150MM	[+]	17,5	TRW				
	245	05/14 →	●	PR:1LA; PR:1LJ	P85145MM	[+]	19,4	TRW					
	245	05/14 →	●	PR:1LP	P85123MM	[o]	16,7	BRE					
	245	05/14 →	●	PR:1LL; PR:1ZK	P85127MM	[o]	20	ATE					
	245	05/14 →	●	PR:1LU	P85136MM	[o]	17	BRE					
	245	05/14 →		●	PR:1KW	P85118MM	[+]	17,5	TRW				
	245	05/14 →		●	PR:1KY	P85119MM	[+]	17,5	TRW				
245	05/14 →		●	PR:2EA	P85150MM	[+]	17,5	TRW					
RS7 performance quattro	445	11/15 →	●	PR:1LA	P85145MM	[+]	19,4	TRW	A00494	450	PR:1LW		
	445	11/15 →	●	PR:1LF; PR:1LG; PR:1ZK; PR:1LL	P85127MM	[o]	20	ATE	A00494	450	PR:1LW		
	445	11/15 →	●	PR:1LU; PR:1LV	P85136MM	[o]	17	BRE	A00494	450	PR:1LW		
	445	11/15 →	●	PR:1LP	P85123MM	[o]	16,7	BRE	A00494	450	PR:1LW		
	445	11/15 →		●	PR:2EA	P85150MM	[+]	17,5	TRW	A00486	215		
	445	11/15 →		●	PR:1KW	P85118MM	[+]	17,5	TRW	A00486	215		
RS7 quattro	412	10/13 →	●	PR:1LU; PR:1LA	P85145MM	[+]	19,4	TRW	A00466	264	PR:1LU		
	412	10/13 →	●	PR:1LL	P85127MM	[o]	20	ATE	A00466	264	PR:1LU		
	412	10/13 →	●	PR:1LU	P85136MM	[o]	17	BRE	A00466	264	PR:1LU		
	412	10/13 →		●	PR:1KW	P85118MM	[+]	17,5	TRW				
	412	10/13 →		●	PR:1KY	P85119MM	[+]	17,5	TRW				
	412	10/13 →		●	PR:2EA	P85150MM	[+]	17,5	TRW				
S7 quattro	309	02/12 →	●	PR:1LU	P85136MM	[o]	17	BRE	A00466	264			
	309	02/12 →		●	PR:2EE	P85119MM	[+]	17,5	TRW				
	309	02/12 →		●	PR:2EA	P85150MM	[+]	17,5	TRW				
	331	07/14 →		●	PR:1LU	P85136MM	[o]	17	BRE				
	331	07/14 →		●	PR:1KY	P85119MM	[+]	17,5	TRW				

A8 (4D2, 4D8) 03/94 → 12/02

2.5 TDI	110	01/97 → 04/00	●	(USA)	P85040MM	[+]	20,4	ATE					
	110	01/97 → 04/00	●	→ 4D-X-004999	P85038MM	[+]	18,5	TRW					
	110	01/97 → 04/00	●	PR:1LX; 4D-X-005001 →	P85054MM	[+]	18,3/ 18,5	TRW					
	110	01/97 → 04/00	●	PR:1ZL	P85053MM	[+]	17,5	BRE					
	110	01/97 → 04/00		●	→ 4D-X-004999	P85013MM	[-]	16,6	TRW		A02205	4D-X-005000 →	
	110	01/97 → 04/00		●	4D-X-005000 →	P85020MM	[-]	17,2	TRW		A02205	4D-X-005000 →	
	132	09/00 → 09/02	●	(USA)	P85040MM	[+]	20,4	ATE					
	132	09/00 → 09/02	●	PR:1LX	P85054MM	[+]	18,3/ 18,5	TRW					
	132	09/00 → 09/02	●	PR:1ZL	P85053MM	[+]	17,5	BRE					
	132	09/00 → 09/02		●		P85020MM	[-]	17,2	TRW		A02205		
2.5 TDI quattro	110	07/97 → 04/00	●	(USA)	P85040MM	[+]	20,4	ATE					
	110	07/97 → 04/00	●	→ 4D-X-004999	P85038MM	[+]	18,5	TRW					
	110	07/97 → 04/00	●	PR:1LX; 4D-X-005001 →	P85054MM	[+]	18,3/ 18,5	TRW					
	110	07/97 → 04/00	●	PR:1ZL	P85053MM	[+]	17,5	BRE					



kw



wi

Th [mm]

SYS

WI

FK



LENGHT



AUDI

A8 (4D2, 4D8) 03/94 → 12/02

3.7 quattro	169	07/95 → 11/98	●		P85013MM [-]	16,6	TRW							
	191	11/98 → 09/02	●	(USA)	P85040MM [+]	20,4	ATE							
	191	11/98 → 09/02	●	PR:1LX	P85054MM [+]	18,3/ 18,5	TRW							
	191	11/98 → 09/02	●	PR:1ZL	P85053MM [+]	17,5	BRE							
	191	11/98 → 09/02	●		P85020MM [-]	17,2	TRW					A02205		
4.2 quattro	220	03/94 → 11/98	●	(USA)	P85040MM [+]	20,4	ATE							
	220	03/94 → 11/98	●		P85038MM [+]	18,5	TRW							
	220	03/94 → 11/98	●	PR:1ZL	P85053MM [+]	17,5	BRE							
	220	03/94 → 11/98	●		P85013MM [-]	16,6	TRW							
	180	03/94 → 07/96	●		P85038MM [+]	18,5	TRW							
	180	03/94 → 07/96	●	(USA)	P85040MM [+]	20,4	ATE							
	180	03/94 → 07/96	●	PR:1ZL	P85053MM [+]	17,5	BRE							
	180	03/94 → 07/96	●		P85013MM [-]	16,6	TRW							
	228	11/98 → 09/02	●	(USA)	P85040MM [+]	20,4	ATE							
	228	11/98 → 09/02	●	PR:1LX	P85054MM [+]	18,3/ 18,5	TRW							
	228	11/98 → 09/02	●	PR:1ZL	P85053MM [+]	17,5	BRE							
	228	11/98 → 09/02	●		P85020MM [-]	17,2	TRW					A02205		
	175	02/99 → 04/00	●	(USA)	P85040MM [+]	20,4	ATE							
	175	02/99 → 04/00	●	PR:1LX	P85054MM [+]	18,3/ 18,5	TRW							
	175	02/99 → 04/00	●	PR:1ZL	P85053MM [+]	17,5	BRE							
175	02/99 → 04/00	●		P85020MM [-]	17,2	TRW					A02205			
210	07/95 → 09/98	●	(USA)	P85040MM [+]	20,4	ATE								
210	07/95 → 09/98	●		P85038MM [+]	18,5	TRW								
210	07/95 → 09/98	●	PR:1ZL	P85053MM [+]	17,5	BRE								
210	07/95 → 09/98	●		P85013MM [-]	16,6	TRW								
6.0 W12 quattro	309	01/01 → 09/02	●	PR:1LJ	P06019MM [O]	20,8	ATE	A00205	287	PR:1LJ				
	309	01/01 → 09/02	●	(USA)	P85040MM [+]	20,4	ATE	A00205	287	PR:1LJ				
	309	01/01 → 09/02	●		P85020MM [-]	17,2	TRW					A02205		
S 8 quattro	265	06/99 → 09/02	●	(USA)	P85040MM [+]	20,4	ATE							
	265	06/99 → 09/02	●	PR:1LX	P85054MM [+]	18,3/ 18,5	TRW							
	265	06/99 → 09/02	●	PR:1ZL	P85053MM [+]	17,5	BRE							
	265	06/99 → 09/02	●		P85020MM [-]	17,2	TRW					A02205		
	250	07/96 → 06/99	●	(USA)	P85040MM [+]	20,4	ATE							
	250	07/96 → 06/99	●	→ 4D-X-004999	P85038MM [+]	18,5	TRW							
	250	07/96 → 06/99	●	PR:1LX; 4D-X-005001 →	P85054MM [+]	18,3/ 18,5	TRW							
	250	07/96 → 06/99	●	PR:1ZL	P85053MM [+]	17,5	BRE							
	250	07/96 → 06/99	●	→ 4D-X-004999	P85013MM [-]	16,6	TRW					A02205	4D-X-005000 →	
250	07/96 → 06/99	●	4D-X-005000 →	P85020MM [-]	17,2	TRW					A02205	4D-X-005000 →		
A8 (4E_) 10/02 → 07/10														
2.8 FSI	154	08/07 → 07/10	●	PR:1LG	P85084MM [+]	20,3	ATE							
	154	08/07 → 07/10	●	PR:1KY; PR:1KW; PR:1KE	P85076MM [-]	17,7	TRW							
3.0	162	07/03 → 05/05	●	PR:1LG	P85084MM [+]	20,3	ATE					A02217	PR:1LG	
	162	07/03 → 05/05	●	PR:1KE; PR:1KW; PR:1KY	P85076MM [-]	17,7	TRW							
	160	07/03 → 05/06	●	PR:1LG	P85084MM [+]	20,3	ATE					A02217	PR:1LG	
160	07/03 → 05/06	●	PR:1KE; PR:1KW; PR:1KY	P85076MM [-]	17,7	TRW								
3.0 TDI quattro	171	08/03 → 07/10	●	PR:1LG	P85084MM [+]	20,3	ATE					A02217	PR:1LG	
	171	08/03 → 07/10	●	PR:1LL; PR:1LM	P85102MM [+]	20,5	ATE					A02217	PR:1LG	
	171	08/03 → 07/10	●	PR:1KE; PR:1KW; PR:1KY	P85076MM [-]	17,7	TRW							

--	--	--	--	--	--	--	--	--	--	--	--	--	--

AUDI

A8 (4E_) 10/02 → 07/10

3.0 TDI quattro	155	11/03 → 07/10	●	PR:1LG	P85084MM	[+]	20,3	ATE				A02217	PR:1LG
	155	11/03 → 07/10	●	PR:1KY; PR:1KW; PR:1KE	P85076MM	[-]	17,7	TRW					
3.2 FSI	191	06/05 → 07/10	●	PR:1LL; PR:1LM	P85102MM	[+]	20,5	ATE				A02217	PR:1LG
	191	06/05 → 07/10	●	PR:1LG	P85084MM	[+]	20,3	ATE				A02217	PR:1LG
3.2 FSI quattro	191	06/05 → 07/10	●	PR:1KY; PR:1KW; PR:1KE	P85076MM	[-]	17,7	TRW					
	191	06/05 → 07/10	●	PR:1LG	P85084MM	[+]	20,3	ATE				A02217	PR:1LG
	191	06/05 → 07/10	●	PR:1LL; PR:1LM	P85102MM	[+]	20,5	ATE				A02217	PR:1LG
3.7 quattro	206	10/02 → 05/06	●	PR:1LG	P85084MM	[+]	20,3	ATE				A02217	PR:1LG
	206	10/02 → 05/06	●	PR:1LL; PR:1LM	P85102MM	[+]	20,5	ATE				A02217	PR:1LG
	206	10/02 → 05/06	●	PR:1KE; PR:1KW; PR:1KY	P85076MM	[-]	17,7	TRW					
4.0 TDI quattro	202	05/03 → 07/05	●	PR:1LG	P85084MM	[+]	20,3	ATE				A02217	PR:1LG
	202	05/03 → 07/05	●	PR:1LL; PR:1LM	P85102MM	[+]	20,5	ATE				A02217	PR:1LG
	202	05/03 → 07/05	●	PR:1KY; PR:1KW; PR:1KE	P85076MM	[-]	17,7	TRW					
4.2 FSI quattro	257	06/06 → 07/10	●	PR:1LM; PR:1LL	P85102MM	[+]	20,5	ATE					
	257	06/06 → 07/10	●	PR:1KE; PR:1KW; PR:1KY	P85076MM	[-]	17,7	TRW					
4.2 quattro	246	10/02 → 07/10	●	PR:1LL; PR:1LM	P85102MM	[+]	20,5	ATE					
	246	10/02 → 07/10	●	PR:1KY; PR:1KW; PR:1KE	P85076MM	[-]	17,7	TRW					
4.2 TDI quattro	235	01/05 → 06/05	●	PR:1LM; PR:1LL	P85102MM	[+]	20,5	ATE					
	235	01/05 → 06/05	●	PR:1KY; PR:1KW; PR:1KE	P85076MM	[-]	17,7	TRW					
	240	07/05 → 07/10	●	PR:1LL; PR:1LM	P85102MM	[+]	20,5	ATE					
6.0 W12 quattro	331	12/03 → 07/10	●	PR:1LJ; PR:1LK	P85087MM	[+]	20,5	ATE				A02217	PR:1LG
	331	12/03 → 07/10	●	PR:1KY; PR:1KW; PR:1KE	P85076MM	[-]	17,7	TRW					
	331	06/06 → 07/10	●	PR:1LK; PR:1LJ	P85087MM	[+]	20,5	ATE					
S8 quattro	331	06/06 → 07/10	●	PR:1KE; PR:1KW; PR:1KY	P85076MM	[-]	17,7	TRW					

A8 (4H_) 11/09 →

2.0 TFSI hybrid	155	02/12 →	●	PR:1LL; disc Ø 356 mm	P85127MM	[O]	20	ATE	A00468	312	PR:1LJ; PR:1LL		
	155	02/12 →	●	PR:1LJ; disc Ø 380 mm	P85128MM	[O]	20	ATE	A00468	312	PR:1LJ; PR:1LL		
	155	02/12 →	●	PR:1KW	P85120MM	[+]	17,5	TRW					
	155	02/12 →	●	PR:1KY	P85117MM	[+]	15,6	TRW					
2.0 TFSI quattro	185	09/16 →	●	PR:1LN; PR:1LX	P85136MM	[O]	17	BRE	A00466	264	PR:1LN; PR:1LX		
	185	09/16 →	●	PR:1KZ; PR:1KY	P85117MM	[+]	15,6	TRW					
	185	09/16 →	●	PR:1KW	P85120MM	[+]	17,5	TRW					
	185	09/16 →	●	PR:1KE	P85157MM	[+]	17,5	TRW					
2.5 TFSI	150	07/12 →	●	PR:1LL; disc Ø 356 mm	P85127MM	[O]	20	ATE	A00468	312	PR:1LJ; PR:1LL		
	150	07/12 →	●	PR:1LJ; disc Ø 380 mm	P85128MM	[O]	20	ATE	A00468	312	PR:1LJ; PR:1LL		
	150	07/12 →	●	PR:1KW; disc Ø 330 mm	P85120MM	[+]	17,5	TRW					
	150	07/12 →	●	PR:1KY; disc Ø 356 mm	P85117MM	[+]	15,6	TRW					
3.0 TDI	150	09/11 →	●	PR:1LL; disc Ø 356 mm	P85127MM	[O]	20	ATE	A00468	312	PR:1LJ; PR:1LL		
	150	09/11 →	●	PR:1LJ; disc Ø 380 mm	P85128MM	[O]	20	ATE	A00468	312	PR:1LJ; PR:1LL		
	150	09/11 →	●	PR:1KW	P85120MM	[+]	17,5	TRW					
	150	09/11 →	●	PR:1KY	P85117MM	[+]	15,6	TRW					
3.0 TDI quattro	155	08/10 →	●	PR:1LL; disc Ø 356 mm	P85127MM	[O]	20	ATE	A00468	312	PR:1LJ; PR:1LL		
	155	08/10 →	●	PR:1LJ; disc Ø 380 mm	P85128MM	[O]	20	ATE	A00468	312	PR:1LJ; PR:1LL		
	155	08/10 →	●	PR:1KW	P85120MM	[+]	17,5	TRW					
	155	08/10 →	●	PR:1KY	P85117MM	[+]	15,6	TRW					
	184	07/10 →	●	PR:1LL; disc Ø 356 mm	P85127MM	[O]	20	ATE	A00468	312	PR:1LJ; PR:1LL		
	184	07/10 →	●	PR:1LJ; disc Ø 380 mm	P85128MM	[O]	20	ATE	A00468	312	PR:1LJ; PR:1LL		
	184	07/10 →	●	PR:1KW	P85120MM	[+]	17,5	TRW					
	184	07/10 →	●	PR:1KY	P85117MM	[+]	15,6	TRW					
190	190	10/13 →	●	PR:1LL; disc Ø 356 mm	P85127MM	[O]	20	ATE	A00468	312	PR:1LJ; PR:1LL		
	190	10/13 →	●	PR:1LJ; disc Ø 380 mm	P85128MM	[O]	20	ATE	A00468	312	PR:1LJ; PR:1LL		

									WI			FK	
	kw						Th [mm]		MAGNETI MARELLI	LENGHT		MAGNETI MARELLI	

AUDI

A8 (4H) 11/09 →

3.0 TDI quattro	190	10/13 →	●	PR:1KW; disc Ø 330 mm	P85120MM	[+]	17,5	TRW						
	190	10/13 →	●	PR:1KY; disc Ø 356 mm	P85117MM	[+]	15,6	TRW						
	176	11/12 →	●	PR:1LL; disc Ø 356 mm	P85127MM	[O]	20	ATE	A00468	312	PR:1LJ; PR:1LL			
	176	11/12 →	●	PR:1LJ; disc Ø 380 mm	P85128MM	[O]	20	ATE	A00468	312	PR:1LJ; PR:1LL			
	176	11/12 →	●	PR:1KW; disc Ø 330 mm	P85120MM	[+]	17,5	TRW						
	176	11/12 →	●	PR:1KY; disc Ø 356 mm	P85117MM	[+]	15,6	TRW						
	193	05/15 →	●	PR:1LL	P85127MM	[O]	20	ATE	A00466	264	PR:F4S; PR:1LN; PR:1LX; +am.veh.			
	193	05/15 →	●	PR:1LJ; PR:1LP	P85128MM	[O]	20	ATE	A00466	264	PR:F4S; PR:1LN; PR:1LX; +am.veh.			
	193	05/15 →	●	PR:1LX; PR:1LN	P85136MM	[O]	17	BRE	A00466	264	PR:F4S; PR:1LN; PR:1LX; +am.veh.			
	193	05/15 →	●	PR:1KY; PR:1KZ	P85117MM	[+]	15,6	TRW						
3.0 TFSI quattro	245	06/10 →	●	PR:1LL; disc Ø 356 mm	P85127MM	[O]	20	ATE	A00467	297	07/10 →; PR:1LJ			
	245	06/10 →	●	PR:1LJ; disc Ø 380 mm	P85128MM	[O]	20	ATE	A00467	297	07/10 →; PR:1LJ			
	245	06/10 →	●	PR:1KW	P85120MM	[+]	17,5	TRW						
	245	06/10 →	●	PR:1KY	P85117MM	[+]	15,6	TRW						
	228	11/11 →	●	PR:1LL; disc Ø 356 mm	P85127MM	[O]	20	ATE	A00468	312	PR:1LJ; PR:1LL			
	228	11/11 →	●	PR:1LJ; disc Ø 380 mm	P85128MM	[O]	20	ATE	A00468	312	PR:1LJ; PR:1LL			
	228	11/11 →	●	PR:1KW	P85120MM	[+]	17,5	TRW						
	228	11/11 →	●	PR:1KY	P85117MM	[+]	15,6	TRW						
	213	07/10 →	●	PR:1LL; disc Ø 356 mm	P85127MM	[O]	20	ATE	A00468	312	PR:1LJ; PR:1LL			
	213	07/10 →	●	PR:1LJ; disc Ø 380 mm	P85128MM	[O]	20	ATE	A00468	312	PR:1LJ; PR:1LL			
4.0 TFSI quattro	309	03/12 →	●	PR:1LL; disc Ø 356 mm	P85127MM	[O]	20	ATE	A00468	312	PR:1LJ; PR:1LL			
	309	03/12 →	●	PR:1LJ; disc Ø 380 mm	P85128MM	[O]	20	ATE	A00468	312	PR:1LJ; PR:1LL			
	309	03/12 →	●	PR:1KW	P85120MM	[+]	17,5	TRW						
	309	03/12 →	●	PR:1KY	P85117MM	[+]	15,6	TRW						
	320	10/13 →	●	PR:1LL; disc Ø 356 mm	P85127MM	[O]	20	ATE	A00468	312	06/10 →; PR:1LJ; PR:1LL			
	320	10/13 →	●	PR:1LJ; disc Ø 380 mm	P85128MM	[O]	20	ATE	A00468	312	06/10 →; PR:1LJ; PR:1LL			
	320	10/13 →	●	PR:1KW; disc Ø 330 mm	P85120MM	[+]	17,5	TRW						
	320	10/13 →	●	PR:1KY; disc Ø 356 mm	P85117MM	[+]	15,6	TRW						
4.2 FSI quattro	273	11/09 →	●	PR:1LL; disc Ø 356 mm	P85127MM	[O]	20	ATE	A00467	297	→ 06/10			
	273	11/09 →	●	PR:1LJ; disc Ø 380 mm	P85128MM	[O]	20	ATE	A00467	297	→ 06/10			
	273	11/09 →	●	PR:1KW	P85120MM	[+]	17,5	TRW						
	273	11/09 →	●	PR:1KY	P85117MM	[+]	15,6	TRW						
4.2 TDI quattro	258	11/09 →	●	PR:1LL; disc Ø 356 mm	P85127MM	[O]	20	ATE	A00467	297	→ 06/10			
	258	11/09 →	●	PR:1LJ; disc Ø 380 mm	P85128MM	[O]	20	ATE	A00467	297	→ 06/10			
	258	11/09 →	●	PR:1KW	P85120MM	[+]	17,5	TRW						
	258	11/09 →	●	PR:1KY	P85117MM	[+]	15,6	TRW						
	283	10/13 →	●	PR:1LL; disc Ø 356 mm	P85127MM	[O]	20	ATE	A00468	312	06/10 →; PR:1LJ; PR:1LL			
	283	10/13 →	●	PR:1LJ; disc Ø 380 mm	P85128MM	[O]	20	ATE	A00468	312	06/10 →; PR:1LJ; PR:1LL			
	283	10/13 →	●	PR:1KW; disc Ø 330 mm	P85120MM	[+]	17,5	TRW						
	283	10/13 →	●	PR:1KY; disc Ø 356 mm	P85117MM	[+]	15,6	TRW						
6.3 W12 quattro	368	01/11 →	●	PR:1LL; disc Ø 356 mm	P85127MM	[O]	20	ATE	A00468	312	PR:1LJ; PR:1LL			
	368	01/11 →	●	PR:1LJ; disc Ø 380 mm	P85128MM	[O]	20	ATE	A00468	312	PR:1LJ; PR:1LL			
	368	01/11 →	●	PR:1KW	P85120MM	[+]	17,5	TRW						
	368	01/11 →	●	PR:1KY	P85117MM	[+]	15,6	TRW						

 	kw						wi	Th [mm]	SYS	WI			FK	
											LENGHT			

AUDI

A8 (4H_) 11/09 →

S8 plus quattro	445	11/15 →	●	PR:1LL	P85127MM	[O]	20	ATE	A00494	450	PR:1LW		
	445	11/15 →	●	PR:1LJ; PR:1LP; → 02/16	P85128MM	[O]	20	ATE	A00494	450	PR:1LW		
	445	11/15 →	●	PR:1LX; PR:1LN	P85136MM	[O]	17	BRE	A00494	450	PR:1LW		
	445	11/15 →	●	PR:1KE; PR:1KW; PR:1KY; PR:1KZ	P85120MM	[+]	17,5	TRW					
	445	11/15 →	●	PR:1KE	P85157MM	[+]	17,5	TRW					
S8 quattro	382	04/12 →	●	PR:1LN; PR:1LX	P85136MM	[O]	17	BRE	A00466	264	PR:1LN; PR:1LX		
	382	04/12 →	●	PR:1KZ	P85117MM	[+]	15,6	TRW					

ALLROAD (4BH, C5) 05/00 → 08/05

2.5 TDI quattro	132	05/00 → 08/05	●	PR:1LA	P85056MM	[+]	20,4	ATE					
	132	05/00 → 08/05	●	PR:1LX	P85067MM	[+]	18,3/18,5	TRW					
	132	05/00 → 08/05	●		P85020MM	[-]	17,2	TRW				A02205	
	120	05/03 → 08/05	●	PR:1LA	P85056MM	[+]	20,4	ATE					
	120	05/03 → 08/05	●	PR:1LX	P85067MM	[+]	18,3/18,5	TRW					
	120	05/03 → 08/05	●		P85020MM	[-]	17,2	TRW				A02205	
2.7 T quattro	184	05/00 → 08/05	●	PR:1LA	P85056MM	[+]	20,4	ATE					
	184	05/00 → 08/05	●	PR:1LX	P85067MM	[+]	18,3/18,5	TRW					
	184	05/00 → 08/05	●		P85020MM	[-]	17,2	TRW				A02205	
4.2 V8 quattro	220	07/02 → 08/05	●	PR:1LA	P85056MM	[+]	20,4	ATE					
	220	07/02 → 08/05	●	PR:1LX	P85067MM	[+]	18,3/18,5	TRW					
	220	07/02 → 08/05	●		P85020MM	[-]	17,2	TRW				A02205	

CABRIOLET (8G7, B4) 05/91 → 08/00

1.8	92	01/97 → 08/00	●		P85092MM	[-]	19,6	TRW					
	92	01/97 → 08/00	●		P85013MM	[-]	16,6	TRW					
1.9 TDI	66	06/95 → 08/00	●		P85092MM	[-]	19,6	TRW					
	66	06/95 → 08/00	●		P85013MM	[-]	16,6	TRW					
2.0 16V	103	06/95 → 07/96	●		P85092MM	[-]	19,6	TRW					
	103	06/95 → 07/96	●		P85013MM	[-]	16,6	TRW					
2.0 E	85	01/93 → 07/98	●		P85092MM	[-]	19,6	TRW					
	85	01/93 → 07/98	●		P85013MM	[-]	16,6	TRW					
2.3 E	98	05/91 → 07/94	●		P85092MM	[-]	19,6	TRW					
	98	05/91 → 07/94	●		P85013MM	[-]	16,6	TRW					
2.6	110	06/93 → 08/00	●		P85092MM	[-]	19,6	TRW					
	110	06/93 → 08/00	●		P85013MM	[-]	16,6	TRW					
	102	05/95 → 08/00	●		P85092MM	[-]	19,6	TRW					
	102	05/95 → 08/00	●		P85013MM	[-]	16,6	TRW					
2.8	128	11/92 → 08/00	●		P85018MM	[+]	19,5	TRW					
	128	11/92 → 08/00	●		P85013MM	[-]	16,6	TRW					

Q2 (GA) 06/16 →

1.0 TFSI	85	10/16 →	●	PR:1ZA; PR:1ZD	P85126MM	[+]	20,3	TRW	A00492	170	PR:1ZA; PR:1ZB		
	85	10/16 →	●	PR:1KE	P85125MM	[-]	16,4	ATE					
1.4 TFSI	110	06/16 →	●	PR:1ZA; PR:1ZD	P85126MM	[+]	20,3	TRW	A00492	170	PR:1ZA; PR:1ZB		
	110	06/16 →	●	PR:1KE	P85125MM	[-]	16,4	ATE					
1.4 TFSI quattro	110	09/16 →	●	PR:1ZD; PR:1ZA	P85126MM	[+]	20,3	TRW	A00492	170	PR:1ZA; PR:1ZB		
	110	09/16 →	●	PR:1KE	P85125MM	[-]	16,4	ATE					
1.6 TDI	85	06/16 →	●	PR:1ZA; PR:1ZD	P85126MM	[+]	20,3	TRW	A00492	170	PR:1ZA; PR:1ZB		
	85	06/16 →	●	PR:1KE	P85125MM	[-]	16,4	ATE					
2.0 TDI	110	09/16 →	●	PR:1ZA; PR:1ZD	P85126MM	[+]	20,3	TRW	A00492	170	PR:1ZA; PR:1ZB		
	110	09/16 →	●	PR:1KE	P85125MM	[-]	16,4	ATE					

Car Model	kW	Icon 1	Icon 2	Icon 3	MAGNETI MARELLI	wi	Th [mm]	SYS	WI			FK	
									MAGNETI MARELLI	LENGHT	i	MAGNETI MARELLI	i

AUDI

Q2 (GA) 06/16 →

2.0 TDI quattro	110 09/16 →	●	PR:1ZD; PR:1ZA	P85126MM	[+]	20,3	TRW	A00492	170	PR:1ZA; PR:1ZB		
	110 09/16 →		● PR:1KE	P85125MM	[-]	16,4	ATE					
	140 07/16 →	●	PR:1ZA; PR:1ZD	P85126MM	[+]	20,3	TRW	A00492	170	PR:1ZA; PR:1ZB		
	140 07/16 →		● PR:1KE	P85125MM	[-]	16,4	ATE					
2.0 TFSI quattro	140 05/17 →	●	PR:1ZD; PR:1ZA	P85126MM	[+]	20,3	TRW	A00492	170	PR:1ZA; PR:1ZB		
	140 05/17 →		● PR:1KE	P85125MM	[-]	16,4	ATE					

Q3 (8U) 06/11 →

1.4 TFSI	110 10/13 →	●	PR:1ZD	P85130MM	[+]	19,5/20	ATE					
	110 10/13 →	●	PR:1LJ	P85112MM	[+]	19,9/20,6	ATE					
	110 10/13 →		● PR:1KU; MY 2015 →	P85140MM	[-]	17,5	TRW					
	110 10/13 →		● PR:1KU; MY → 2015	P85109MM	[-]	17,2	TRW					
	92 07/16 →	●	PR:1LJ	P85112MM	[+]	19,9/20,6	ATE					
	92 07/16 →	●	PR:1ZD	P85130MM	[+]	19,5/20	ATE					
	92 07/16 →		● PR:1KU	P85140MM	[-]	17,5	TRW					
2.0 TDI	103 09/11 →	●	PR:1ZD	P85130MM	[+]	19,5/20	ATE					
	103 09/11 →	●	PR:1LJ	P85112MM	[+]	19,9/20,6	ATE					
	103 09/11 →		● PR:1KU; MY 2015 →	P85140MM	[-]	17,5	TRW					
	103 09/11 →		● PR:1KU; MY → 2015	P85109MM	[-]	17,2	TRW					
	100 09/11 →	●	PR:1ZD	P85130MM	[+]	19,5/20	ATE					
	100 09/11 →	●	PR:1LJ	P85112MM	[+]	19,9/20,6	ATE					
	100 09/11 →		● PR:1KU; MY 2015 →	P85140MM	[-]	17,5	TRW					
	100 09/11 →		● PR:1KU; MY → 2015	P85109MM	[-]	17,2	TRW					
	130 05/13 →	●	PR:1ZD	P85130MM	[+]	19,5/20	ATE					
	130 05/13 →	●	PR:1LJ	P85112MM	[+]	19,9/20,6	ATE					
	130 05/13 →		● PR:1KU; MY 2015 →	P85140MM	[-]	17,5	TRW					
	130 05/13 →		● PR:1KU; MY → 2015	P85109MM	[-]	17,2	TRW					
	110 11/14 →	●	PR:1LJ	P85112MM	[+]	19,9/20,6	ATE					
	110 11/14 →	●	PR:1ZD	P85130MM	[+]	19,5/20	ATE					
	110 11/14 →		● PR:1KU	P85140MM	[-]	17,5	TRW					
	88 03/15 →	●	PR:1LJ	P85112MM	[+]	19,9/20,6	ATE					
	88 03/15 →	●	PR:1ZD	P85130MM	[+]	19,5/20	ATE					
	88 03/15 →		● PR:1KU	P85140MM	[-]	17,5	TRW					
	135 05/15 →	●	PR:1LJ	P85112MM	[+]	19,9/20,6	ATE					
	135 05/15 →	●	PR:1ZD	P85130MM	[+]	19,5/20	ATE					
135 05/15 →		● PR:1KU	P85140MM	[-]	17,5	TRW						
2.0 TDI quattro	130 06/11 →	●	PR:1ZD	P85130MM	[+]	19,5/20	ATE					
	130 06/11 →	●	PR:1LJ	P85112MM	[+]	19,9/20,6	ATE					
	130 06/11 →		● PR:1KU; MY 2015 →	P85140MM	[-]	17,5	TRW					

 	kw					wi	Th [mm]	SYS	WI			FK	
										LENGHT			

AUDI

Q3 (8U) 06/11 →

2.0 TDI quattro	130	06/11 →	●	PR:1KU; MY → 2015	P85109MM [-]	17,2	TRW						
	120	06/11 →	●	PR:1ZD	P85130MM [+]	19,5/20	ATE						
	120	06/11 →	●	PR:1LJ	P85112MM [+]	19,9/20,6	ATE						
	120	06/11 →	●	PR:1KU; MY 2015 →	P85140MM [-]	17,5	TRW						
	120	06/11 →	●	PR:1KU; MY → 2015	P85109MM [-]	17,2	TRW						
	103	01/12 →	●	PR:1ZD	P85130MM [+]	19,5/20	ATE						
	103	01/12 →	●	PR:1LJ	P85112MM [+]	19,9/20,6	ATE						
	103	01/12 →	●	PR:1KU; MY 2015 →	P85140MM [-]	17,5	TRW						
	103	01/12 →	●	PR:1KU; MY → 2015	P85109MM [-]	17,2	TRW						
	110	11/14 →	●	PR:1LJ	P85112MM [+]	19,9/20,6	ATE						
	110	11/14 →	●	PR:1ZD	P85130MM [+]	19,5/20	ATE						
	110	11/14 →	●	PR:1KU	P85140MM [-]	17,5	TRW						
	135	11/14 →	●	PR:1LJ	P85112MM [+]	19,9/20,6	ATE						
	135	11/14 →	●	PR:1ZD	P85130MM [+]	19,5/20	ATE						
	135	11/14 →	●	PR:1KU	P85140MM [-]	17,5	TRW						
2.0 TFSI	132	05/15 →	●	PR:1LJ	P85112MM [+]	19,9/20,6	ATE						
	132	05/15 →	●	PR:1ZD	P85130MM [+]	19,5/20	ATE						
	132	05/15 →	●	PR:1KU	P85140MM [-]	17,5	TRW						
2.0 TFSI quattro	155	06/11 →	●	PR:1ZD	P85130MM [+]	19,5/20	ATE						
	155	06/11 →	●	PR:1LJ	P85112MM [+]	19,9/20,6	ATE						
	155	06/11 →	●	PR:1KU; MY 2015 →	P85140MM [-]	17,5	TRW						
	155	06/11 →	●	PR:1KU; MY → 2015	P85109MM [-]	17,2	TRW						
	125	06/11 →	●	PR:1ZD	P85130MM [+]	19,5/20	ATE						
	125	06/11 →	●	PR:1LJ	P85112MM [+]	19,9/20,6	ATE						
	125	06/11 →	●	PR:1KU; MY 2015 →	P85140MM [-]	17,5	TRW						
	125	06/11 →	●	PR:1KU; MY → 2015	P85109MM [-]	17,2	TRW						
	162	11/14 →	●	PR:1LJ	P85112MM [+]	19,9/20,6	ATE						
	162	11/14 →	●	PR:1ZD	P85130MM [+]	19,5/20	ATE						
	162	11/14 →	●	PR:1KU	P85140MM [-]	17,5	TRW						
	132	11/14 →	●	PR:1LJ	P85112MM [+]	19,9/20,6	ATE						
132	11/14 →	●	PR:1ZD	P85130MM [+]	19,5/20	ATE							
132	11/14 →	●	PR:1KU	P85140MM [-]	17,5	TRW							
RS 2.5 quattro	228	10/13 →	●	PR:1LJ	P85112MM [+]	19,9/20,6	ATE						
	228	10/13 →	●	PR:1KU	P85109MM [-]	17,2	TRW						
	228	10/13 →	●	PR:2EA; PR:2EJ	P85142MM [+]	17,2	TRW						
	250	05/13 →	●	PR:1LJ	P85112MM [+]	19,9/20,6	ATE						

								WI			FK	

AUDI

Q3 (8U) 06/11 →

RS 2.5 quattro	250	05/13 →	●	PR:1KU	P85109MM [-]	17,2	TRW					
	250	05/13 →	●	PR:2EA; PR:2EJ	P85142MM [+]	17,2	TRW					
RS performance 2.5 quattro	270	01/15 →	●	PR:1LJ	P85112MM [+]	19,9/ 20,6	ATE					
	270	01/15 →	●	PR:1ZD	P85130MM [+]	19,5/ 20	ATE					
	270	01/15 →	●	PR:1KU	P85140MM [-]	17,5	TRW					

Q5 (8R) 11/08 →

2.0 TDI	100	11/10 →	●	PR:1LA	P85145MM [+]	19,4	TRW						
	100	11/10 →	●	PR:1KW	P85099MM [-]	17,5	TRW						
	100	11/10 →	●	PR:1KE; PR:1KP	P85100MM [-]	17,7	TRW						
	105	11/10 →	●	PR:1LA	P85145MM [+]	19,4	TRW						
	105	11/10 →	●	PR:1KW	P85099MM [-]	17,5	TRW						
	105	11/10 →	●	PR:1KE; PR:1KP	P85100MM [-]	17,7	TRW						
	110	05/13 →	●	PR:1LP	P85123MM [O]	16,7	BRE	A00468	312	PR:1LV			
	110	05/13 →	●	PR:1LJ	P85145MM [+]	19,4	TRW	A00468	312	PR:1LV			
	110	05/13 →	●	PR:1LC; → 07/13	P85122MM [O]	15,6	BRE	A00468	312	PR:1LV			
	110	05/13 →	●	PR:1LC; 07/13 →	P85133MM [O]	16,7	BRE	A00468	312	PR:1LV			
	110	05/13 →	●	PR:1KW	P85099MM [-]	17,5	TRW						
	140	09/15 →	●	PR:1LP	P85123MM [O]	16,7	BRE	A00468	312	PR:1LV; PR:1ZK			
	140	09/15 →	●	PR:1LJ	P85145MM [+]	19,4	TRW	A00468	312	PR:1LV; PR:1ZK			
	140	09/15 →	●	PR:1LB	P85122MM [O]	15,6	BRE	A00468	312	PR:1LV; PR:1ZK			
	140	09/15 →	●	PR:1LV; PR:1ZK	P85128MM [O]	20	ATE	A00468	312	PR:1LV; PR:1ZK			
	140	09/15 →	●	PR:1LC; PR:1LE	P85133MM [O]	16,7	BRE	A00468	312	PR:1LV; PR:1ZK			
140	09/15 →	●	PR:1KE; PR:1KF; PR:2EJ; PR:2EL	P85100MM [-]	17,7	TRW							
140	09/15 →	●	PR:2EK; PR:1KW	P85099MM [-]	17,5	TRW							
2.0 TDI quattro	125	11/08 →	●	PR:1LA	P85145MM [+]	19,4	TRW						
	125	11/08 →	●	PR:1KW	P85099MM [-]	17,5	TRW						
	125	11/08 →	●	PR:1KE; PR:1KP	P85100MM [-]	17,7	TRW						
	105	08/09 →	●	PR:1LA	P85145MM [+]	19,4	TRW						
	105	08/09 →	●	PR:1LC	P85133MM [O]	16,7	BRE						
	105	08/09 →	●	PR:1KW	P85099MM [-]	17,5	TRW						
	105	08/09 →	●	PR:1KE; PR:1KP	P85100MM [-]	17,7	TRW						
	100	08/09 →	●	PR:1LA	P85145MM [+]	19,4	TRW						
	100	08/09 →	●	PR:1KW	P85099MM [-]	17,5	TRW						
	100	08/09 →	●	PR:1KE; PR:1KP	P85100MM [-]	17,7	TRW						
	120	11/08 →	●	PR:1LA; PR:1LJ	P85098MM [+]	19,4	TRW						
	120	11/08 →	●	PR:1LA	P85145MM [+]	19,4	TRW						
	120	11/08 →	●	PR:1KW	P85099MM [-]	17,5	TRW						
	120	11/08 →	●	PR:1KE; PR:1KP	P85100MM [-]	17,7	TRW						
	130	06/12 →	●	PR:1LC	P85122MM [O]	15,6	BRE	A00482	342	→ 07/13; PR:1LC			
	130	06/12 →	●	PR:1KW	P85099MM [-]	17,5	TRW						
	130	06/12 →	●	PR:1KE; PR:1KP	P85100MM [-]	17,7	TRW						
	110	05/13 →	●	PR:1LP	P85123MM [O]	16,7	BRE	A00468	312	PR:1LV			
	110	05/13 →	●	PR:1LJ	P85145MM [+]	19,4	TRW	A00468	312	PR:1LV			
	110	05/13 →	●	PR:1LC; → 07/13	P85122MM [O]	15,6	BRE	A00468	312	PR:1LV			
	110	05/13 →	●	PR:1LC; 07/13 →	P85133MM [O]	16,7	BRE	A00468	312	PR:1LV			
	110	05/13 →	●	PR:1KW	P85099MM [-]	17,5	TRW						
	140	11/13 →	●	PR:1LJ	P85145MM [+]	19,4	TRW	A00468	312	PR:1LV; PR:1ZK			
	140	11/13 →	●	PR:1LV; PR:1ZK	P85136MM [O]	17	BRE	A00468	312	PR:1LV; PR:1ZK			
140	11/13 →	●	PR:1LE; PR:1LB	P85128MM [O]	20	ATE	A00468	312	PR:1LV; PR:1ZK				
140	11/13 →	●	PR:1LP	P85123MM [O]	16,7	BRE	A00468	312	PR:1LV; PR:1ZK				

		kw						wi	Th [mm]	SYS	WI			FK	
												LEIGHT			

AUDI

Q5 (8R) 11/08 →

2.0 TDI quattro	140	11/13 →	●	PR:1LC	P85133MM [O]	16,7	BRE	A00468	312	PR:1LV; PR:1ZK				
	140	11/13 →	●	PR:1KE; PR:1KF; PR:2EJ; PR:2EL	P85100MM [-]	17,7	TRW							
	140	11/13 →	●	PR:2EK; PR:1KW	P85099MM [-]	17,5	TRW							
2.0 TFSI hybrid quattro	155	06/11 →	●	PR:1LA; PR:1ZB; disc Ø 320 mm; PR:1LJ; PR:1ZT; disc Ø 345 mm	P85145MM [+]	19,4	TRW							
	155	06/11 →	●	PR:1KW	P85099MM [-]	17,5	TRW							
	155	06/11 →	●	PR:1KE; PR:1KP	P85100MM [-]	17,7	TRW							
2.0 TFSI quattro	155	11/08 →	●	PR:1LA; PR:1LJ	P85145MM [+]	19,4	TRW							
	155	11/08 →	●	PR:1KW	P85099MM [-]	17,5	TRW							
	155	11/08 →	●	PR:1KE; PR:1KP	P85100MM [-]	17,7	TRW							
	132	08/09 →	●	PR:1LA; PR:1LJ	P85145MM [+]	19,4	TRW							
	132	08/09 →	●	PR:1KW	P85099MM [-]	17,5	TRW							
	132	08/09 →	●	PR:1KE; PR:1KP	P85100MM [-]	17,7	TRW							
	165	06/12 →	●	PR:1LC	P85122MM [O]	15,6	BRE	A00482	342	→ 07/13; PR:1LC				
	165	06/12 →	●	PR:1KW	P85099MM [-]	17,5	TRW							
	165	06/12 →	●	PR:1KE; PR:1KP	P85100MM [-]	17,7	TRW							
	162	05/13 →	●	PR:1LC	P85122MM [O]	15,6	BRE	A00500	255	PR:1LC				
	162	05/13 →	●	PR:1KW	P85099MM [-]	17,5	TRW							
	169	08/15 →	●	PR:1LB	P85122MM [O]	15,6	BRE	A00482	342	PR:1LE; PR:1LP				
	169	08/15 →	●	PR:1LP	P85123MM [O]	16,7	BRE	A00482	342	PR:1LE; PR:1LP				
	169	08/15 →	●	PR:1LC; PR:1LE	P85133MM [O]	16,7	BRE	A00482	342	PR:1LE; PR:1LP				
	169	08/15 →	●	PR:1LA	P85145MM [+]	19,4	TRW	A00482	342	PR:1LE; PR:1LP				
	169	08/15 →	●	PR:1KE; PR:2EL	P85100MM [-]	17,7	TRW							
169	08/15 →	●	PR:2EK; PR:1KW	P85099MM [-]	17,5	TRW								
3.0 TDI quattro	176	11/08 →	●	PR:1LA; PR:1LJ	P85145MM [+]	19,4	TRW							
	176	11/08 →	●	PR:1KW	P85099MM [-]	17,5	TRW							
	176	11/08 →	●	PR:1KE; PR:1KP	P85100MM [-]	17,7	TRW							
	155	11/08 →	●	PR:1LJ; PR:1LA	P85098MM [+]	19,4	TRW							
	155	11/08 →	●	PR:1LA; PR:1ZB; PR:1ZT; PR:1LJ	P85145MM [+]	19,4	TRW							
	155	11/08 →	●	PR:1KW	P85099MM [-]	17,5	TRW							
	155	11/08 →	●	PR:1KE; PR:1KP	P85100MM [-]	17,7	TRW							
	180	06/12 →	●	PR:1LE; PR:1LP; → 07/13	P85123MM [O]	16,7	BRE	A00482	342	→ 07/13; PR:1LE; PR:1LP				
	180	06/12 →	●	PR:1LE; PR:1LP; 07/13 →	P85133MM [O]	16,7	BRE	A00482	342	→ 07/13; PR:1LE; PR:1LP				
	180	06/12 →	●	PR:1KW	P85099MM [-]	17,5	TRW							
	180	06/12 →	●	PR:1KE; PR:1KP	P85100MM [-]	17,7	TRW							
	190	11/13 →	●	PR:1LJ	P85145MM [+]	19,4	TRW	A00468	312	PR:1LV; PR:1ZK				
	190	11/13 →	●	PR:1LP	P85123MM [O]	16,7	BRE	A00468	312	PR:1LV; PR:1ZK				
	190	11/13 →	●	PR:1LB; PR:1LE	P85128MM [O]	20	ATE	A00468	312	PR:1LV; PR:1ZK				
	190	11/13 →	●	PR:1LC	P85133MM [O]	16,7	BRE	A00468	312	PR:1LV; PR:1ZK				
	190	11/13 →	●	PR:1ZK; PR:1LV	P85136MM [O]	17	BRE	A00468	312	PR:1LV; PR:1ZK				
190	11/13 →	●	PR:1KE; PR:1KF; PR:2EJ; PR:2EL	P85100MM [-]	17,7	TRW								
190	11/13 →	●	PR:2EK; PR:1KW	P85099MM [-]	17,5	TRW								
184	06/12 →	●	PR:1LJ	P85145MM [+]	19,4	TRW	A00468	312	PR:1LV					
184	06/12 →	●	PR:1LC; → 07/13	P85122MM [O]	15,6	BRE	A00468	312	PR:1LV					
184	06/12 →	●	PR:1LP	P85123MM [O]	16,7	BRE	A00468	312	PR:1LV					
184	06/12 →	●	PR:1LC; 07/13 →	P85133MM [O]	16,7	BRE	A00468	312	PR:1LV					
184	06/12 →	●	PR:1KW	P85099MM [-]	17,5	TRW								



kw



**MAGNETI
MARELLI**

wi

Th
[mm]

SYS

WI

FK

**MAGNETI
MARELLI**

LENGHT



**MAGNETI
MARELLI**



AUDI

Q5 (8R) 11/08 →

3.0 TFSI quattro	200	06/12 →	•	PR:1LP; PR:1LE; → 07/13	P85123MM	[O]	16,7	BRE	A00482	342	→ 07/13; PR:1LE; PR:1LP		
	200	06/12 →	•	PR:1LE; PR:1LP; 07/13 →	P85133MM	[O]	16,7	BRE	A00482	342	→ 07/13; PR:1LE; PR:1LP		
	200	06/12 →		• PR:1KW	P85099MM	[-]	17,5	TRW					
	200	06/12 →		• PR:1KE; PR:1KP	P85100MM	[-]	17,7	TRW					
3.2 FSI quattro	199	11/08 →	•	PR:1LJ	P85145MM	[+]	19,4	TRW					
	199	11/08 →		• PR:1KW	P85099MM	[-]	17,5	TRW					
	199	11/08 →		• PR:1KE; PR:1KP	P85100MM	[-]	17,7	TRW					
SQ5 TDI quattro	230	12/12 →	•		P85128MM	[O]	20	ATE	A00468	312			
	230	12/12 →		• PR:1KW	P85099MM	[-]	17,5	TRW					
	230	12/12 →		• PR:1KE; PR:1KP	P85100MM	[-]	17,7	TRW					
	240	04/15 →	•	PR:1LV; PR:1ZK	P85128MM	[O]	20	ATE	A00468	312	PR:1LV; PR:1ZK		
	240	04/15 →		• PR:1KF; PR:2EJ	P85100MM	[-]	17,7	TRW					
	250	11/15 →	•	PR:1LP	P85123MM	[O]	16,7	BRE	A00468	312	PR:1LV; PR:1ZK		
	250	11/15 →	•	PR:1LB	P85122MM	[O]	15,6	BRE	A00468	312	PR:1LV; PR:1ZK		
	250	11/15 →	•	PR:1ZK; PR:1LV	P85128MM	[O]	20	ATE	A00468	312	PR:1LV; PR:1ZK		
SQ5 TFSI quattro	250	11/15 →	•	PR:1LE; PR:1LC	P85133MM	[O]	16,7	BRE	A00468	312	PR:1LV; PR:1ZK		
	250	11/15 →		• PR:1KE; PR:1KF; PR:2EJ; PR:2EL	P85100MM	[-]	17,7	TRW					
	250	11/15 →		• PR:2EK; PR:1KW	P85099MM	[-]	17,5	TRW					
	260	05/13 →	•	PR:1LJ	P85098MM	[+]	19,4	TRW	A00468	312	PR:1LV; PR:1ZK		
	260	05/13 →	•	PR:1LP	P85123MM	[O]	16,7	BRE	A00468	312	PR:1LV; PR:1ZK		

Q7 (4L) 03/06 → 08/15

3.0 TDI quattro	165	06/09 → 05/12	•	PR:1LF; -ceramic brake disc	P85065MM	[O]	16,7	BRE	A00206	420			
	165	06/09 → 05/12		• PR:2EA; -ceramic brake disc	P85088MM	[O]	16,7	BRE	A00207	255	PR:1KF		
	165	06/09 → 05/12		• PR:1KF; -ceramic brake disc	P85070MM	[O]	16,7	BRE	A00207	255	PR:1KF		
	180	05/11 → 08/15	•	PR:1LF; -ceramic brake disc	P85065MM	[O]	16,7	BRE	A00206	420			
	180	05/11 → 08/15		• PR:1KF; -ceramic brake disc	P85070MM	[O]	16,7	BRE	A00207	255	PR:1KF		
	171	03/06 → 05/08	•	PR:1LF; -ceramic brake disc	P85065MM	[O]	16,7	BRE	A00206	420			
	171	03/06 → 05/08		• PR:1KF; -ceramic brake disc	P85070MM	[O]	16,7	BRE	A00207	255			
	171	03/06 → 05/08		• PR:2EA; -ceramic brake disc	P85088MM	[O]	16,7	BRE	A00207	255			
	155	03/06 → 05/10	•	PR:1LF; -ceramic brake disc	P85065MM	[O]	16,7	BRE	A00206	420			
	155	03/06 → 05/10		• PR:1KF; -ceramic brake disc	P85070MM	[O]	16,7	BRE	A00207	255			
	176	11/07 → 08/15	•	PR:1LF; -ceramic brake disc	P85065MM	[O]	16,7	BRE	A00206	420			
	176	11/07 → 08/15		• PR:1KF; -ceramic brake disc	P85070MM	[O]	16,7	BRE	A00207	255			
	150	05/10 → 08/15	•	PR:1LF; -ceramic brake disc	P85065MM	[O]	16,7	BRE	A00206	420			
150	05/10 → 08/15		• PR:1KF; -ceramic brake disc	P85070MM	[O]	16,7	BRE	A00207	255				
3.0 TFSI quattro	206	05/11 → 08/15	•	PR:1LF; -ceramic brake disc	P85065MM	[O]	16,7	BRE	A00206	420			
	206	05/11 → 08/15		• PR:1KF; -ceramic brake disc	P85070MM	[O]	16,7	BRE	A00207	255			
	200	05/10 → 08/15	•	PR:1LF; -ceramic brake disc	P85065MM	[O]	16,7	BRE	A00206	420			
	200	05/10 → 08/15		• PR:1KF; -ceramic brake disc	P85070MM	[O]	16,7	BRE	A00207	255			
	245	05/10 → 08/15	•	PR:1LF; -ceramic brake disc	P85065MM	[O]	16,7	BRE	A00206	420			
245	05/10 → 08/15		• PR:1KF; -ceramic brake disc	P85070MM	[O]	16,7	BRE	A00207	255				
3.6 FSI quattro	206	08/06 → 05/10	•	PR:1LF; -ceramic brake disc	P85065MM	[O]	16,7	BRE	A00206	420			
	206	08/06 → 05/10		• PR:1KD	P85103MM	[O]	16,6	BRE	A00207	255			
	206	08/06 → 05/10		• PR:2EA; -ceramic brake disc	P85088MM	[O]	16,7	BRE	A00207	255			
206	08/06 → 05/10		• PR:1KF; -ceramic brake disc	P85070MM	[O]	16,7	BRE	A00207	255				

AUDI

Q7 (4L) 03/06 → 08/15

4.2 FSI quattro	257	03/06 → 05/10	●	PR:1LF; -ceramic brake disc	P85065MM	[O]	16,7	BRE	A00206	420		
	257	03/06 → 05/10	●	PR:1KD	P85103MM	[O]	16,6	BRE	A00207	255		
	257	03/06 → 05/10	●	PR:2EA; -ceramic brake disc	P85088MM	[O]	16,7	BRE	A00207	255		
4.2 TDI quattro	240	03/07 → 06/09	●	PR:1LF; -ceramic brake disc	P85065MM	[O]	16,7	BRE	A00206	420		
	240	03/07 → 06/09	●	PR:1KD	P85103MM	[O]	16,6	BRE	A00207	255		
	240	03/07 → 06/09	●	PR:2EA; -ceramic brake disc	P85088MM	[O]	16,7	BRE	A00207	255		
	250	05/09 → 08/15	●	PR:1LF; -ceramic brake disc	P85065MM	[O]	16,7	BRE	A00206	420		
	250	05/09 → 08/15	●	PR:1KD	P85103MM	[O]	16,6	BRE	A00207	255		
	250	05/09 → 08/15	●	PR:2EA; -ceramic brake disc	P85088MM	[O]	16,7	BRE	A00207	255		
	250	05/09 → 08/15	●	PR:1KF; -ceramic brake disc	P85070MM	[O]	16,7	BRE	A00207	255		
6.0 TDI quattro	368	09/08 → 05/14	●	PR:1LF; -ceramic brake disc	P85065MM	[O]	16,7	BRE	A00206	420		
	368	09/08 → 05/14	●	PR:1KD	P85103MM	[O]	16,6	BRE	A00207	255		
	368	09/08 → 05/14	●	PR:2EA; -ceramic brake disc	P85088MM	[O]	16,7	BRE	A00207	255		
	368	09/08 → 05/14	●	PR:1KF; -ceramic brake disc	P85070MM	[O]	16,7	BRE	A00207	255		

R8 (422, 423) 04/07 → 07/15

4.2 FSI quattro	309	04/07 → 09/10	●	H/B	P02001MM	[-]	9	BRE				
	316	07/10 → 07/15	●	H/B	P02001MM	[-]	9	BRE				
5.2 FSI quattro	412	11/10 → 07/15	●	H/B	P02001MM	[-]	9	BRE				
	404	05/12 → 07/15	●	H/B	P02001MM	[-]	9	BRE				
	386	04/09 → 07/15	●	H/B	P02001MM	[-]	9	BRE				
	419	07/14 → 07/15	●	H/B	P02001MM	[-]	9	BRE				

R8 Spyder (427, 429) 02/10 → 07/15

4.2 FSI quattro	316	09/10 → 07/15	●	H/B	P02001MM	[-]	9	BRE				
5.2 FSI quattro	412	11/11 → 07/15	●	H/B	P02001MM	[-]	9	BRE				
	386	02/10 → 07/15	●	H/B	P02001MM	[-]	9	BRE				

TT (8J3) 08/06 → 06/14

1.8 TFSI	118	06/08 → 06/14	●	PR:1LL; PR:1LJ	P85146MM	[+]	20,3	ATE				
	118	06/08 → 06/14	●	PR:2ED; PR:1KZ	P85073MM	[O]	17,2	TRW				
2.0 TDI quattro	125	06/08 → 06/14	●	PR:1LJ; PR:1LL	P85146MM	[+]	20,3	ATE				
	125	06/08 → 06/14	●	PR:1LK; PR:1LM; PR:1LN	P85129MM	[+]	20,3	ATE				
	125	06/08 → 06/14	●	PR:1KZ; PR:2ED	P85073MM	[O]	17,2	TRW				
2.0 TFSI	125	06/08 → 06/14	●	PR:2EF; PR:2EG; PR:2EA	P85095MM	[O]	17,2	TRW				
	155	05/10 → 06/14	●	PR:1LJ; PR:1LL	P85146MM	[+]	20,3	ATE				
	155	05/10 → 06/14	●	PR:1KZ; PR:2ED	P85073MM	[O]	17,2	TRW				
	147	08/06 → 06/10	●	PR:1LJ; PR:1LL	P85146MM	[+]	20,3	ATE				
2.0 TFSI quattro	147	08/06 → 06/10	●	PR:1KZ; PR:2ED	P85073MM	[O]	17,2	TRW				
	155	05/10 → 06/14	●	PR:1LL; PR:1LJ	P85146MM	[+]	20,3	ATE				
	155	05/10 → 06/14	●	PR:2EE; PR:1KJ	P85073MM	[O]	17,2	TRW				
	147	06/08 → 06/10	●	PR:1LL; PR:1LJ	P85146MM	[+]	20,3	ATE				
	147	06/08 → 06/10	●	PR:2EE; PR:1KJ	P85073MM	[O]	17,2	TRW				
2.0 TTS quattro	147	06/08 → 06/10	●	PR:2EF; PR:2EG; PR:2EA	P85095MM	[O]	17,2	TRW				
	200	05/08 → 06/14	●	PR:1LN; PR:1LM; PR:1LK	P85129MM	[+]	20,3	ATE				
	200	05/08 → 06/14	●	PR:2EA; PR:2EG; PR:2EF	P85095MM	[O]	17,2	TRW				
	195	05/08 → 06/14	●	PR:1LM; PR:1LN; PR:1LK	P85129MM	[+]	20,3	ATE				
2.5 RS quattro	195	05/08 → 06/14	●	PR:2EA; PR:2EG; PR:2EF	P85095MM	[O]	17,2	TRW				
	265	05/11 → 06/14	●	PR:2EA; PR:2EG; PR:2EF	P85095MM	[O]	17,2	TRW				
	250	07/09 → 06/14	●		P85116MM	[O]	16	BRE	A00421	370		
3.2 V6 quattro	250	07/09 → 06/14	●	PR:2EA; PR:2EG; PR:2EF	P85095MM	[O]	17,2	TRW				
	184	08/06 → 06/10	●	PR:1LK; PR:1LM; PR:1LN	P85129MM	[+]	20,3	ATE				
	184	08/06 → 06/10	●	PR:2EF; PR:2EG; PR:2EA	P85095MM	[O]	17,2	TRW				

										WI			FK	
											LENGHT			

AUDI

TT (8N3) 10/98 → 06/06

1.8 T	132	10/98 → 06/06	●		P85035MM	[-]	20,6	ATE					A02217	
	132	10/98 → 06/06	●	PR:1LT; PR:1LV; PR:1LD	P85045MM	[+]	20,6	ATE					A02217	
	132	10/98 → 06/06	●	PR:1KK	P85020MM	[-]	17,2	TRW					A02205	
	110	09/02 → 06/06	●		P85035MM	[-]	20,6	ATE					A02217	
	110	09/02 → 06/06	●	PR:1LV; PR:1LD; PR:1LT	P85045MM	[+]	20,6	ATE					A02217	
	110	09/02 → 06/06	●	PR:1KK	P85020MM	[-]	17,2	TRW					A02205	
	120	09/05 → 06/06	●		P85035MM	[-]	20,6	ATE					A02217	
	120	09/05 → 06/06	●	PR:1LV; PR:1LD; PR:1LT	P85045MM	[+]	20,6	ATE					A02217	
	120	09/05 → 06/06	●	PR:1KK	P85020MM	[-]	17,2	TRW					A02205	
	140	09/05 → 06/06	●		P85035MM	[-]	20,6	ATE					A02217	
	140	09/05 → 06/06	●	PR:1LD; PR:1LT; PR:1LV	P85045MM	[+]	20,6	ATE					A02217	
	140	09/05 → 06/06	●	PR:1KK	P85020MM	[-]	17,2	TRW					A02205	
1.8 T quattro	132	10/98 → 06/06	●		P85035MM	[-]	20,6	ATE					A02217	
	132	10/98 → 06/06	●	PR:1LV; PR:1LD; PR:1LT	P85045MM	[+]	20,6	ATE					A02217	
	132	10/98 → 06/06	●	PR:1KE; PR:1KF	P85020MM	[-]	17,2	TRW					A02205	
	165	10/98 → 06/06	●		P85035MM	[-]	20,6	ATE					A02217	
	165	10/98 → 06/06	●	PR:1LT; PR:1LD; PR:1LV	P85045MM	[+]	20,6	ATE					A02217	
	165	10/98 → 06/06	●	PR:1KF	P85020MM	[-]	17,2	TRW					A02205	
	176	03/05 → 06/06	●		P85035MM	[-]	20,6	ATE					A02217	
	176	03/05 → 06/06	●	PR:1LT; PR:1LD; PR:1LV	P85045MM	[+]	20,6	ATE					A02217	
	176	03/05 → 06/06	●	PR:1KF	P85020MM	[-]	17,2	TRW					A02205	
	140	09/05 → 06/06	●		P85035MM	[-]	20,6	ATE					A02217	
140	09/05 → 06/06	●	PR:1LT; PR:1LD; PR:1LV	P85045MM	[+]	20,6	ATE					A02217		
140	09/05 → 06/06	●	PR:1KF; PR:1KE	P85020MM	[-]	17,2	TRW					A02205		
3.2 VR6 quattro	184	07/03 → 06/06	●		P06019MM	[O]	20,8	ATE	A00209	270				
	184	07/03 → 06/06	●	PR:1KF	P85020MM	[-]	17,2	TRW						

TT (FV3) 07/14 →

1.8 TFSI	132	08/15 →	●	PR:1LJ; PR:1ZD; PR:1LP	P85126MM	[+]	20,3	TRW	A00492	170	PR:1LJ; PR:1ZD		
	132	08/15 →	●	PR:2EG; PR:2EK; PR:2ED; PR:1KV	P85124MM	[-]	16,4	ATE					
	132	08/15 →	●	PR:1KZ	P85125MM	[-]	16,4	ATE					
2.0 TDI	135	07/14 →	●	PR:1LJ; PR:1LP; PR:1ZD	P85126MM	[+]	20,3	TRW	A00492	170	PR:1LJ; PR:1ZD		
	135	07/14 →	●	PR:1KZ	P85125MM	[-]	16,4	ATE					
	135	07/14 →	●	PR:2EG; PR:2EK; PR:2ED; PR:1KV	P85124MM	[-]	16,4	ATE					
2.0 TDI quattro	135	01/17 →	●	PR:1ZD; PR:1LP; PR:1LJ	P85126MM	[+]	20,3	TRW	A00492	170	PR:1LJ; PR:1ZD; PR:1LP; PR:1ZT		
	135	01/17 →	●	PR:2EG; PR:2ED; PR:2EK; PR:1KV	P85124MM	[-]	16,4	ATE					
	135	01/17 →	●	PR:1KZ	P85125MM	[-]	16,4	ATE					
2.0 TFSI	169	07/14 →	●	PR:1LJ; PR:1LP; PR:1ZD	P85126MM	[+]	20,3	TRW	A00492	170	PR:1LJ; PR:1ZD		
	169	07/14 →	●	PR:1KZ	P85125MM	[-]	16,4	ATE					
	169	07/14 →	●	PR:2EG; PR:2EK; PR:2ED; PR:1KV	P85124MM	[-]	16,4	ATE					
2.0 TFSI quattro	169	07/14 →	●	PR:1ZD; PR:1LP; PR:1LJ	P85126MM	[+]	20,3	TRW	A00492	170	PR:1LJ; PR:1ZD		
	169	07/14 →	●	PR:1KZ	P85125MM	[-]	16,4	ATE					
	169	07/14 →	●	PR:1KV; PR:2ED; PR:2EK; PR:2EG	P85124MM	[-]	16,4	ATE					
	162	04/15 →	●	PR:1LJ; PR:1ZD; PR:1LP	P85126MM	[+]	20,3	TRW	A00492	170	PR:1LJ; PR:1ZD; PR:1LP; PR:1ZT		
	162	04/15 →	●	PR:2EG; PR:2EK; PR:2ED; PR:1KV	P85124MM	[-]	16,4	ATE					
162	04/15 →	●	PR:1KZ	P85125MM	[-]	16,4	ATE						
2.0 TTS quattro	228	11/14 →	●	PR:1ZD; PR:1LP; PR:1LJ	P85126MM	[+]	20,3	TRW	A00492	170	PR:1LJ; PR:1ZD		
	228	11/14 →	●	PR:1KZ	P85125MM	[-]	16,4	ATE					

								WI			FK	
	kw				wi	Th [mm]	SYS		LENGHT			

AUDI

TT Roadster (8N9) 10/99 → 06/06

1.8 T quattro	165	10/99 → 06/06	●	PR:1KF	P85020MM	[-]	17,2	TRW				A02205
	140	09/05 → 06/06	●		P85035MM	[-]	20,6	ATE				A02217
	140	09/05 → 06/06	●	PR:1LT; PR:1LV; PR:1LD	P85045MM	[+]	20,6	ATE				A02217
	140	09/05 → 06/06	●	PR:1KE; PR:1KF	P85020MM	[-]	17,2	TRW				A02205
3.2 VR6 quattro	184	07/03 → 06/06	●		P06019MM	[o]	20,8	ATE	A00209	270		
	184	07/03 → 06/06	●	PR:1KF	P85020MM	[-]	17,2	TRW				

TT Roadster (FV9) 11/14 →

1.8 TFSI	132	08/15 →	●	PR:1LJ; PR:1LP; PR:1ZD	P85126MM	[+]	20,3	TRW	A00492	170	PR:1LJ; PR:1ZD	
	132	08/15 →	●	PR:2EG; PR:2EK; PR:1KV; PR:2ED	P85124MM	[-]	16,4	ATE				
	132	08/15 →	●	PR:1KZ	P85125MM	[-]	16,4	ATE				
2.0 TDI	135	11/14 →	●	PR:1LJ; PR:1LP; PR:1ZD	P85126MM	[+]	20,3	TRW	A00492	170	PR:1LJ; PR:1ZD	
	135	11/14 →	●	PR:2EG; PR:2EK; PR:1KV; PR:2ED	P85124MM	[-]	16,4	ATE				
	135	11/14 →	●	PR:1KZ	P85125MM	[-]	16,4	ATE				
2.0 TDI quattro	135	01/17 →	●	PR:1ZD; PR:1LP; PR:1LJ	P85126MM	[+]	20,3	TRW	A00492	170	PR:1LJ; PR:1ZD; PR:1LP; PR:1ZT	
	135	01/17 →	●	PR:2EG; PR:2ED; PR:2EK; PR:1KV	P85124MM	[-]	16,4	ATE				
	135	01/17 →	●	PR:1KZ	P85125MM	[-]	16,4	ATE				
2.0 TFSI	169	11/14 →	●	PR:1LJ; PR:1LP; PR:1ZD	P85126MM	[+]	20,3	TRW	A00492	170	PR:1LJ; PR:1ZD	
	169	11/14 →	●	PR:2EG; PR:2EK; PR:2ED; PR:1KV	P85124MM	[-]	16,4	ATE				
	169	11/14 →	●	PR:1KZ	P85125MM	[-]	16,4	ATE				
2.0 TFSI quattro	169	11/14 →	●	PR:1ZD; PR:1LP; PR:1LJ	P85126MM	[+]	20,3	TRW	A00492	170	PR:1LJ; PR:1ZD	
	169	11/14 →	●	PR:1KV; PR:2ED; PR:2EK; PR:2EG	P85124MM	[-]	16,4	ATE				
	169	11/14 →	●	PR:1KZ	P85125MM	[-]	16,4	ATE				
	162	04/15 →	●	PR:1LJ; PR:1LP; PR:1ZD	P85126MM	[+]	20,3	TRW	A00492	170	PR:1LJ; PR:1ZD; PR:1LP; PR:1ZT	
	162	04/15 →	●	PR:2EG; PR:2ED; PR:2EK; PR:1KV	P85124MM	[-]	16,4	ATE				
2.0 TTS quattro	228	11/14 →	●	PR:1ZD; PR:1LP; PR:1LJ	P85126MM	[+]	20,3	TRW	A00492	170	PR:1LJ; PR:1ZD	
	228	11/14 →	●	PR:2ED; PR:1KV; PR:2EK; PR:2EG	P85124MM	[-]	16,4	ATE				
	228	11/14 →	●	PR:1KZ	P85125MM	[-]	16,4	ATE				
	210	02/15 →	●	PR:1ZD; PR:1LP; PR:1LJ	P85126MM	[+]	20,3	TRW	A00492	170	PR:1LJ; PR:1ZD	
	210	02/15 →	●	PR:1KV; PR:2EK; PR:2ED; PR:2EG	P85124MM	[-]	16,4	ATE				
2.5 RS quattro	294	10/16 →	●	PR:1ZD; PR:1LP; PR:1LJ	P85126MM	[+]	20,3	TRW	A00492	170	PR:1LJ; PR:1ZD; PR:1LP; PR:1ZT	
	294	10/16 →	●	PR:1KV; PR:2EK; PR:2ED; PR:2EG	P85124MM	[-]	16,4	ATE				
	294	10/16 →	●	PR:1KZ	P85125MM	[-]	16,4	ATE				

BENTLEY

ARNAGE (RBS_) 04/98 → 10/09

4.4 V8	260	04/98 → 01/02	●		P06019MM	[o]	20,8	ATE				
	260	04/98 → 01/02	●		P05001MM	[o]	17,3	ATE				
6.7 V8	298	09/99 → 10/09	●		P06019MM	[o]	20,8	ATE				
	298	09/99 → 10/09	●		P05001MM	[o]	17,3	ATE				
6.7 V8 T	336	02/02 → 10/09	●		P06019MM	[o]	20,8	ATE				
	336	02/02 → 10/09	●		P05001MM	[o]	17,3	ATE				

Car Model	kw	Icon 1	Icon 2	Icon 3	MAGNETI MARELLI	wi	Th [mm]	SYS	WI			FK	
									MAGNETI MARELLI	LENGHT	Icon 4	MAGNETI MARELLI	Icon 5

BENTLEY

ARNAGE Coupé 09/05 →

6.8	373	09/06 →	●		P06019MM	[O]	20,8	ATE					
	373	09/06 →		●	P05001MM	[O]	17,3	ATE					

AZURE 09/95 → 06/06

6.75 V8	300	08/99 → 06/06	●		P06019MM	[O]	20,8	ATE					
	300	08/99 → 06/06		●	P05001MM	[O]	17,3	ATE					
6.75 V8 Mulliner	313	08/99 → 06/06	●		P06019MM	[O]	20,8	ATE					
	313	08/99 → 06/06		●	P05001MM	[O]	17,3	ATE					

CONTINENTAL 10/91 → 10/02

6.7 Turbo R	235	10/91 → 09/95	●		P06019MM	[O]	20,8	ATE					
	235	10/91 → 09/95		●	P05001MM	[O]	17,3	ATE					
6.75 V8 R	265	10/91 → 08/99	●		P06019MM	[O]	20,8	ATE					
	265	10/91 → 08/99		●	P05001MM	[O]	17,3	ATE					
	300	08/99 → 10/02	●		P06019MM	[O]	20,8	ATE					
	300	08/99 → 10/02		●	P05001MM	[O]	17,3	ATE					
6.75 V8 S	286	05/94 → 12/95	●		P06019MM	[O]	20,8	ATE					
	286	05/94 → 12/95		●	P05001MM	[O]	17,3	ATE					
6.75 V8 T Mulliner	313	08/99 → 10/02	●		P06019MM	[O]	20,8	ATE					
	313	08/99 → 10/02		●	P05001MM	[O]	17,3	ATE					

CONTINENTAL Convertible (3W_) 12/06 →

6.0 All-wheel Drive	449	08/07 →	●	PR:1LL; -ceramic brake disc	P05003MM	[+]	20,4/20,8	ATE					
	449	08/07 →		●	PR:1KK; -ceramic brake disc	P85143MM	[-]	17,7	TRW				
6.0 AWD	412	12/06 →	●	PR:1LL; -ceramic brake disc	P05003MM	[+]	20,4/20,8	ATE					
	412	12/06 →		●	PR:1KK; -ceramic brake disc	P85143MM	[-]	17,7	TRW				
6.0 FLEX AWD	423	11/10 →	●	PR:1KK	P85143MM	[-]	17,7	TRW					
	463	03/10 →	●	PR:1LL; -ceramic brake disc	P05003MM	[+]	20,4/20,8	ATE					
	463	03/10 →		●	PR:1KK; -ceramic brake disc	P85143MM	[-]	17,7	TRW				
	429	09/11 → 12/12	●	PR:1KK	P85143MM	[-]	17,7	TRW					
	460	03/13 →	●	PR:1LL; → 04/13; -ceramic brake disc	P05003MM	[+]	20,4/20,8	ATE					

CONTINENTAL Coupé (3W_) 06/03 →

4.0 FLEX AWD	373	09/11 →		●	PR:1KK	P85143MM	[-]	17,7	TRW				
6.0 AWD	412	06/03 → 12/11	●			P06019MM	[O]	20,8	ATE				
	412	06/03 → 12/11		●	PR:1LL; -ceramic brake disc	P05003MM	[+]	20,4/20,8	ATE				
	412	06/03 → 12/11		●	PR:1KK; -ceramic brake disc	P85143MM	[-]	17,7	TRW				
	449	09/07 → 12/11	●		PR:1LL; -ceramic brake disc	P05003MM	[+]	20,4/20,8	ATE				
	449	09/07 → 12/11		●	PR:1KK; -ceramic brake disc	P85143MM	[-]	17,7	TRW				
	463	10/09 →	●		PR:1LL; -ceramic brake disc	P05003MM	[+]	20,4/20,8	ATE				
	463	10/09 →		●	PR:1KK; -ceramic brake disc	P85143MM	[-]	17,7	TRW				
6.0 FLEX AWD	423	11/10 → 12/11	●		PR:1LL; -ceramic brake disc	P05003MM	[+]	20,4/20,8	ATE				
	423	11/10 → 12/11		●	PR:1KK; -ceramic brake disc	P85143MM	[-]	17,7	TRW				
	429	09/11 → 12/13	●		PR:1KK	P85143MM	[-]	17,7	TRW				
	460	09/12 →	●		PR:1LL; -ceramic brake disc	P05003MM	[+]	20,4/20,8	ATE				
	460	09/12 →		●	PR:1KK; -ceramic brake disc	P85143MM	[-]	17,7	TRW				

											WI			FK	

BENTLEY

CONTINENTAL FLYING SPUR (3W_) 03/05 →

6.0	412	03/05 →	●		P06019MM	[o]	20,8	ATE							
	412	03/05 →	●	PR:1LL; -ceramic brake disc	P05003MM	[+]	20,4/ 20,8	ATE							
	412	03/05 →		● PR:1KK; -ceramic brake disc	P85143MM	[-]	17,7	TRW							
	449	09/08 →	●	PR:1LL; -ceramic brake disc	P05003MM	[+]	20,4/ 20,8	ATE							
	449	09/08 →		● PR:1KK; -ceramic brake disc	P85143MM	[-]	17,7	TRW							
6.0 FLEX	449	09/12 →	●	PR:1LL	P05003MM	[+]	20,4/ 20,8	ATE							

BMW

1 (E81) 09/06 → 12/11

116 d	85	11/08 → 12/11	●	-M-Technik vehicles	P06034MM	[o]	17,8	TRW	A00211	635	-sport pack; → 03/10		
	85	11/08 → 12/11	●	+M-Technik vehicles	P06041MM	[o]	17	BRE	A00211	635	-sport pack; → 03/10		
	85	11/08 → 12/11	●	-M-Technik vehicles	P06037MM	[o]	17,4	TRW	A00212	1093	→ 03/10		
	85	11/08 → 12/11	●	+M-Technik vehicles	P06038MM	[o]	17,3	ATE	A00212	1093	→ 03/10		
	66	01/11 → 12/11	●	-sport pack	P06034MM	[o]	17,8	TRW	A00213	692	+sport pack		
	66	01/11 → 12/11	●	+sport pack	P06041MM	[o]	17	BRE	A00213	692	+sport pack		
	66	01/11 → 12/11		● -sport pack	P06037MM	[o]	17,4	TRW	A00212	1093	→ 03/10; -sport pack; +sport pack		
116 i	85	04/07 → 12/11	●	-M-Technik vehicles	P06034MM	[o]	17,8	TRW	A00211	635	-sport pack; → 03/10		
	85	04/07 → 12/11	●	+M-Technik vehicles	P06041MM	[o]	17	BRE	A00211	635	-sport pack; → 03/10		
	85	04/07 → 12/11	●	-M-Technik vehicles	P06037MM	[o]	17,4	TRW	A00212	1093	→ 03/10	A02222	+sport pack
	85	04/07 → 12/11	●	+M-Technik vehicles	P06038MM	[o]	17,3	ATE	A00212	1093	→ 03/10	A02222	+sport pack
	90	03/07 → 11/11	●	-M-Technik vehicles	P06034MM	[o]	17,8	TRW	A00211	635	-sport pack; → 03/10		
	90	03/07 → 11/11	●	+M-Technik vehicles	P06041MM	[o]	17	BRE	A00211	635	-sport pack; → 03/10		
	90	03/07 → 11/11	●	-M-Technik vehicles	P06037MM	[o]	17,4	TRW	A00212	1093	→ 03/10		
	90	03/07 → 11/11	●	+M-Technik vehicles	P06038MM	[o]	17,3	ATE	A00212	1093	→ 03/10		
	90	11/08 → 12/11	●	-M-Technik vehicles	P06034MM	[o]	17,8	TRW	A00211	635	-sport pack; → 03/10		
	90	11/08 → 12/11	●	+M-Technik vehicles	P06041MM	[o]	17	BRE	A00211	635	-sport pack; → 03/10		
	90	11/08 → 12/11	●	-M-Technik vehicles	P06037MM	[o]	17,4	TRW	A00212	1093	→ 03/10		
	90	11/08 → 12/11	●	+M-Technik vehicles	P06038MM	[o]	17,3	ATE	A00212	1093	→ 03/10		
	89	08/07 → 11/11	●	-sport pack	P06034MM	[o]	17,8	TRW	A00211	635	-sport pack		
	89	08/07 → 11/11	●	+sport pack	P06041MM	[o]	17	BRE	A00211	635	-sport pack		
	89	08/07 → 11/11		● -sport pack	P06037MM	[o]	17,4	TRW	A00212	1093	-sport pack; → 03/10; +sport pack		
89	08/07 → 11/11		● +sport pack	P06038MM	[o]	17,3	ATE	A00212	1093	-sport pack; → 03/10; +sport pack			
118 d	105	09/06 → 12/11	●	-M-Technik vehicles	P06034MM	[o]	17,8	TRW	A00211	635	-sport pack; → 03/10		
	105	09/06 → 12/11	●	+M-Technik vehicles	P06041MM	[o]	17	BRE	A00211	635	-sport pack; → 03/10		
	105	09/06 → 12/11	●	-M-Technik vehicles	P06037MM	[o]	17,4	TRW	A00212	1093	→ 03/10		
	105	09/06 → 12/11	●	-M-Technik vehicles; 03/07 →; +M-Technik vehicles	P06038MM	[o]	17,3	ATE	A00212	1093	→ 03/10		
	100	09/06 → 12/11	●	-sport pack	P06034MM	[o]	17,8	TRW	A00211	635	-sport pack; → 03/10		
	100	09/06 → 12/11	●	+sport pack	P06041MM	[o]	17	BRE	A00211	635	-sport pack; → 03/10		
	100	09/06 → 12/11	●	+sport pack	P06038MM	[o]	17,3	ATE	A00212	1093	→ 03/10		
	100	09/06 → 12/11	●	-sport pack	P06037MM	[o]	17,4	TRW	A00212	1093	→ 03/10		
118 i	105	09/06 → 12/11	●	-M-Technik vehicles	P06034MM	[o]	17,8	TRW	A00211	635	-sport pack; → 03/10		
	105	09/06 → 12/11	●	+M-Technik vehicles	P06041MM	[o]	17	BRE	A00211	635	-sport pack; → 03/10		
	105	09/06 → 12/11	●	-M-Technik vehicles	P06037MM	[o]	17,4	TRW	A00212	1093	→ 03/10		
	105	09/06 → 12/11	●	+M-Technik vehicles	P06038MM	[o]	17,3	ATE	A00212	1093	→ 03/10		
	100	09/06 → 12/11	●	-sport pack	P06034MM	[o]	17,8	TRW	A00211	635	-sport pack		
	100	09/06 → 12/11	●	+sport pack	P06041MM	[o]	17	BRE	A00211	635	-sport pack		

--	--	--	--	--	--	--	--	--	--	--	--	--	--	--	--

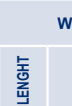
BMW

1 (E81) 09/06 → 12/11

118 i	100	09/06 → 12/11	●	-sport pack	P06037MM	[O]	17,4	TRW	A00212	1093	-sport pack; → 03/10; +sport pack		
	100	09/06 → 12/11	●	+sport pack	P06038MM	[O]	17,3	ATE	A00212	1093	-sport pack; → 03/10; +sport pack		
120 d	120	09/06 → 12/11	●	→ 03/07; -M-Technik vehicles	P06035MM	[O]	17,8	ATE	A00211	635	-sport pack; → 03/10		
	120	09/06 → 12/11	●	03/07 →; -M-Technik vehicles	P06040MM	[O]	20,3	ATE	A00211	635	-sport pack; → 03/10		
	120	09/06 → 12/11	●	+M-Technik vehicles	P06041MM	[O]	17	BRE	A00211	635	-sport pack; → 03/10		
	120	09/06 → 12/11	●	-M-Technik vehicles; 03/07 →; +M-Technik vehicles	P06038MM	[O]	17,3	ATE	A00212	1093	→ 03/10	A02222	
	130	09/06 → 12/11	●	-M-Technik vehicles	P06040MM	[O]	20,3	ATE	A00211	635	-sport pack; → 03/10		
	130	09/06 → 12/11	●	+M-Technik vehicles	P06041MM	[O]	17	BRE	A00211	635	-sport pack; → 03/10		
	130	09/06 → 12/11	●		P06038MM	[O]	17,3	ATE	A00212	1093	→ 03/10		
120 i	125	09/06 → 12/11	●	-M-Technik vehicles	P06040MM	[O]	20,3	ATE	A00211	635	-sport pack; → 03/10		
	125	09/06 → 12/11	●	+M-Technik vehicles	P06041MM	[O]	17	BRE	A00211	635	-sport pack; → 03/10		
	125	09/06 → 12/11	●	-M-Technik vehicles	P06037MM	[O]	17,4	TRW	A00212	1093	→ 03/10		
	125	09/06 → 12/11	●	+M-Technik vehicles	P06038MM	[O]	17,3	ATE	A00212	1093	→ 03/10		
	115	09/06 → 10/11	●	-M-Technik vehicles	P06040MM	[O]	20,3	ATE	A00211	635	-sport pack; → 03/10		
	115	09/06 → 10/11	●	+M-Technik vehicles	P06041MM	[O]	17	BRE	A00211	635	-sport pack; → 03/10		
	115	09/06 → 10/11	●	-M-Technik vehicles	P06037MM	[O]	17,4	TRW	A00212	1093	→ 03/10		
	115	09/06 → 10/11	●	+M-Technik vehicles	P06038MM	[O]	17,3	ATE	A00212	1093	→ 03/10		
	120	09/06 → 12/11	●	-M-Technik vehicles	P06040MM	[O]	20,3	ATE	A00211	635	-sport pack; → 03/10		
	120	09/06 → 12/11	●	+M-Technik vehicles	P06041MM	[O]	17	BRE	A00211	635	-sport pack; → 03/10		
	120	09/06 → 12/11	●	-M-Technik vehicles	P06037MM	[O]	17,4	TRW	A00212	1093	→ 03/10		
	120	09/06 → 12/11	●	+M-Technik vehicles	P06038MM	[O]	17,3	ATE	A00212	1093	→ 03/10		
123 d	150	03/07 → 12/11	●	-M-Technik vehicles	P06040MM	[O]	20,3	ATE	A00213	692	-sport pack; → 03/10; +sport pack		
	150	03/07 → 12/11	●	+M-Technik vehicles	P06041MM	[O]	17	BRE	A00213	692	-sport pack; → 03/10; +sport pack		
	150	03/07 → 12/11	●	-M-Technik vehicles	P06038MM	[O]	17,3	ATE	A00212	1093	→ 03/10		
	150	03/07 → 12/11	●	+M-Technik vehicles	P06059MM	[O]	17,1	BRE	A00212	1093	→ 03/10		
130 i	195	09/06 → 12/11	●	-M-Technik vehicles	P06040MM	[O]	20,3	ATE	A00213	692	-sport pack; → 03/10; +sport pack		
	195	09/06 → 12/11	●	+M-Technik vehicles	P06041MM	[O]	17	BRE	A00213	692	-sport pack; → 03/10; +sport pack		
	195	09/06 → 12/11	●	-M-Technik vehicles	P06038MM	[O]	17,3	ATE	A00212	1093	→ 03/10	A02222	+sport pack
	195	09/06 → 12/11	●	+M-Technik vehicles	P06059MM	[O]	17,1	BRE	A00212	1093	→ 03/10	A02222	+sport pack
	190	09/06 → 12/11	●	-M-Technik vehicles	P06040MM	[O]	20,3	ATE	A00213	692	-sport pack; → 03/10; +sport pack		
	190	09/06 → 12/11	●	+M-Technik vehicles	P06041MM	[O]	17	BRE	A00213	692	-sport pack; → 03/10; +sport pack		
	190	09/06 → 12/11	●	-M-Technik vehicles	P06038MM	[O]	17,3	ATE	A00212	1093	→ 03/10		
190	09/06 → 12/11	●	+M-Technik vehicles	P06059MM	[O]	17,1	BRE	A00212	1093	→ 03/10			

1 (E87) 02/03 → 01/13

116 d	85	12/08 → 09/12	●	-M-Technik vehicles	P06034MM	[O]	17,8	TRW	A00211	635	→ 03/10; -sport pack		
	85	12/08 → 09/12	●	+M-Technik vehicles	P06041MM	[O]	17	BRE	A00211	635	→ 03/10; -sport pack		
	85	12/08 → 09/12	●	-M-Technik vehicles	P06037MM	[O]	17,4	TRW	A00212	1093	→ 03/10		
	85	12/08 → 09/12	●	+M-Technik vehicles	P06038MM	[O]	17,3	ATE	A00212	1093	→ 03/10		
	66	01/11 → 12/11	●	-sport pack	P06034MM	[O]	17,8	TRW	A00213	692	+sport pack		
	66	01/11 → 12/11	●	+sport pack	P06041MM	[O]	17	BRE	A00213	692	+sport pack		
	66	01/11 → 12/11	●	+sport pack	P06037MM	[O]	17,4	TRW	A00212	1093	+sport pack; → 03/10; -sport pack		
116 i	89	03/07 → 06/11	●	-sport pack	P06034MM	[O]	17,8	TRW	A00211	635	-sport pack		
	89	03/07 → 06/11	●	+sport pack	P06041MM	[O]	17	BRE	A00211	635	-sport pack		
	89	03/07 → 06/11	●	-sport pack	P06037MM	[O]	17,4	TRW	A00212	1093	-sport pack; → 03/10; +sport pack		
	89	03/07 → 06/11	●	+sport pack	P06038MM	[O]	17,3	ATE	A00212	1093	-sport pack; → 03/10; +sport pack		
	85	11/03 → 06/11	●	-M-Technik vehicles	P06034MM	[O]	17,8	TRW	A00211	635	-sport pack; → 03/10		



BMW

1 (E87) 02/03 → 01/13

116 i	85	11/03 → 06/11	●	+M-Technik vehicles	P06041MM	[o]	17	BRE	A00211	635	-sport pack; → 03/10							
	85	11/03 → 06/11	●	-M-Technik vehicles	P06037MM	[o]	17,4	TRW	A00212	1093	→ 03/10							
	85	11/03 → 06/11	●	+M-Technik vehicles	P06038MM	[o]	17,3	ATE	A00212	1093	→ 03/10							
	90	03/07 → 06/11	●	-M-Technik vehicles	P06034MM	[o]	17,8	TRW	A00211	635	-sport pack; → 03/10							
	90	03/07 → 06/11	●	+M-Technik vehicles	P06041MM	[o]	17	BRE	A00211	635	-sport pack; → 03/10							
	90	03/07 → 06/11	●	-M-Technik vehicles	P06037MM	[o]	17,4	TRW	A00212	1093	→ 03/10							
	90	03/07 → 06/11	●	+M-Technik vehicles	P06038MM	[o]	17,3	ATE	A00212	1093	→ 03/10							
	90	01/09 → 06/11	●	-M-Technik vehicles	P06034MM	[o]	17,8	TRW	A00211	635	-sport pack; → 03/10							
	90	01/09 → 06/11	●	+M-Technik vehicles	P06041MM	[o]	17	BRE	A00211	635	-sport pack; → 03/10							
	90	01/09 → 06/11	●	-M-Technik vehicles	P06037MM	[o]	17,4	TRW	A00212	1093	→ 03/10							
90	01/09 → 06/11	●	+M-Technik vehicles	P06038MM	[o]	17,3	ATE	A00212	1093	→ 03/10								
118 d	90	11/03 → 02/07	●	-M-Technik vehicles	P06034MM	[o]	17,8	TRW	A00211	635	→ 03/10; -sport pack							
	90	11/03 → 02/07	●	+M-Technik vehicles	P06041MM	[o]	17	BRE	A00211	635	→ 03/10; -sport pack							
	90	11/03 → 02/07	●	-sport pack; → 03/07	P06037MM	[o]	17,4	TRW	A00212	1093	→ 03/10							
	90	11/03 → 02/07	●	-sport pack; 03/07 →	P06038MM	[o]	17,3	ATE	A00212	1093	→ 03/10							
	100	09/06 → 06/11	●	-sport pack	P06034MM	[o]	17,8	TRW	A00211	635	→ 03/10; -sport pack							
	100	09/06 → 06/11	●	+sport pack	P06041MM	[o]	17	BRE	A00211	635	→ 03/10; -sport pack							
	100	09/06 → 06/11	●	-sport pack	P06038MM	[o]	17,3	ATE	A00212	1093	→ 03/10							
	105	09/06 → 06/11	●	-M-Technik vehicles	P06034MM	[o]	17,8	TRW	A00211	635	-sport pack; → 03/10							
	105	09/06 → 06/11	●	+M-Technik vehicles	P06041MM	[o]	17	BRE	A00211	635	-sport pack; → 03/10							
	105	09/06 → 06/11	●	-sport pack	P06038MM	[o]	17,3	ATE	A00212	1093	→ 03/10							
118 i	95	07/04 → 02/07	●	-M-Technik vehicles	P06034MM	[o]	17,8	TRW	A00211	635	-sport pack; → 03/10							
	95	07/04 → 02/07	●	+M-Technik vehicles	P06041MM	[o]	17	BRE	A00211	635	-sport pack; → 03/10							
	95	07/04 → 02/07	●	-M-Technik vehicles	P06037MM	[o]	17,4	TRW	A00212	1093	→ 03/10							
	95	07/04 → 02/07	●	+M-Technik vehicles	P06038MM	[o]	17,3	ATE	A00212	1093	→ 03/10							
	100	10/06 → 06/11	●	+sport pack	P06041MM	[o]	17	BRE	A00211	635	-sport pack; → 03/10							
	100	10/06 → 06/11	●	-sport pack	P06034MM	[o]	17,8	TRW	A00211	635	-sport pack; → 03/10							
	100	10/06 → 06/11	●	+sport pack	P06038MM	[o]	17,3	ATE	A00212	1093	-sport pack; → 03/10; +sport pack							
	100	10/06 → 06/11	●	-sport pack	P06037MM	[o]	17,4	TRW	A00212	1093	-sport pack; → 03/10; +sport pack							
	105	09/06 → 06/11	●	-M-Technik vehicles	P06034MM	[o]	17,8	TRW	A00211	635	-sport pack; → 03/10							
	105	09/06 → 06/11	●	+M-Technik vehicles	P06041MM	[o]	17	BRE	A00211	635	-sport pack; → 03/10							
	105	09/06 → 06/11	●	-M-Technik vehicles	P06037MM	[o]	17,4	TRW	A00212	1093	→ 03/10							
	105	09/06 → 06/11	●	+M-Technik vehicles	P06038MM	[o]	17,3	ATE	A00212	1093	→ 03/10							
	125	03/07 → 12/07	●	-sport pack	P06034MM	[o]	17,8	TRW	A00211	635	-sport pack							
	125	03/07 → 12/07	●	+sport pack	P06041MM	[o]	17	BRE	A00211	635	-sport pack							
125	03/07 → 12/07	●	-sport pack	P06037MM	[o]	17,4	TRW	A00212	1093									
125	03/07 → 12/07	●	+sport pack	P06038MM	[o]	17,3	ATE	A00212	1093									
120 d	120	03/03 → 06/11	●	-sport pack; → 02/07	P06035MM	[o]	17,8	ATE	A00211	635	-sport pack; → 03/10							
	120	03/03 → 06/11	●	-sport pack; 03/07 →	P06040MM	[o]	20,3	ATE	A00211	635	-sport pack; → 03/10							
	120	03/03 → 06/11	●	+sport pack	P06041MM	[o]	17	BRE	A00211	635	-sport pack; → 03/10							
	120	03/03 → 06/11	●	-sport pack	P06038MM	[o]	17,3	ATE	A00212	1093	→ 03/10							
	130	09/06 → 06/11	●	→ 02/07; -M-Technik vehicles	P06035MM	[o]	17,8	ATE	A00211	635	-sport pack; → 03/10							
	130	09/06 → 06/11	●	03/07 →; -M-Technik vehicles	P06040MM	[o]	20,3	ATE	A00211	635	-sport pack; → 03/10							
	130	09/06 → 06/11	●	+M-Technik vehicles	P06041MM	[o]	17	BRE	A00211	635	-sport pack; → 03/10							
	130	09/06 → 06/11	●	-sport pack	P06038MM	[o]	17,3	ATE	A00212	1093	→ 03/10							
120 i	110	11/03 → 06/11	●	→ 01/06; -M-Technik vehicles	P06035MM	[o]	17,8	ATE	A00211	635	-sport pack; → 03/10							
	110	11/03 → 06/11	●	01/06 →; -M-Technik vehicles	P06034MM	[o]	17,8	TRW	A00211	635	-sport pack; → 03/10							
	110	11/03 → 06/11	●	+M-Technik vehicles	P06041MM	[o]	17	BRE	A00211	635	-sport pack; → 03/10							
	110	11/03 → 06/11	●	-M-Technik vehicles	P06037MM	[o]	17,4	TRW	A00212	1093	-sport pack; → 03/10							
	110	11/03 → 06/11	●	+M-Technik vehicles	P06038MM	[o]	17,3	ATE	A00212	1093	-sport pack; → 03/10							
	115	11/03 → 06/11	●	-M-Technik vehicles	P06040MM	[o]	20,3	ATE	A00211	635	-sport pack; → 03/10							
	115	11/03 → 06/11	●	+M-Technik vehicles	P06041MM	[o]	17	BRE	A00211	635	-sport pack; → 03/10							



kw				MAGNETI MARELLI	wi	Th [mm]	SYS	WI			FK	
								MAGNETI MARELLI	LENGHT		MAGNETI MARELLI	

BMW

1 (E87) 02/03 → 01/13

120 i	115	11/03 → 06/11	●	-M-Technik vehicles	P06037MM	[O]	17,4	TRW	A00212	1093	→ 03/10		
	115	11/03 → 06/11	●	+M-Technik vehicles	P06038MM	[O]	17,3	ATE	A00212	1093	→ 03/10		
	120	09/06 → 06/11	●	-M-Technik vehicles	P06040MM	[O]	20,3	ATE	A00211	635	-sport pack; → 03/10		
	120	09/06 → 06/11	●	+M-Technik vehicles	P06041MM	[O]	17	BRE	A00211	635	-sport pack; → 03/10		
	120	09/06 → 06/11	●	-M-Technik vehicles	P06037MM	[O]	17,4	TRW	A00212	1093	→ 03/10		
	120	09/06 → 06/11	●	+M-Technik vehicles	P06038MM	[O]	17,3	ATE	A00212	1093	→ 03/10		
	125	09/06 → 06/11	●	-M-Technik vehicles	P06040MM	[O]	20,3	ATE	A00211	635	-sport pack; → 03/10		
	125	09/06 → 06/11	●	+M-Technik vehicles	P06041MM	[O]	17	BRE	A00211	635	-sport pack; → 03/10		
	125	09/06 → 06/11	●	-M-Technik vehicles	P06037MM	[O]	17,4	TRW	A00212	1093	→ 03/10		
	125	09/06 → 06/11	●	+M-Technik vehicles	P06038MM	[O]	17,3	ATE	A00212	1093	→ 03/10		
123 d	150	03/07 → 09/12	●	-M-Technik vehicles	P06040MM	[O]	20,3	ATE	A00213	692	→ 03/10; -sport pack; +sport pack		
	150	03/07 → 09/12	●	+M-Technik vehicles	P06041MM	[O]	17	BRE	A00213	692	→ 03/10; -sport pack; +sport pack		
	150	03/07 → 09/12	●	-M-Technik vehicles	P06038MM	[O]	17,3	ATE	A00212	1093	→ 03/10		
	150	03/07 → 09/12	●	+M-Technik vehicles	P06059MM	[O]	17,1	BRE	A00212	1093	→ 03/10		
130 i	190	03/05 → 09/12	●	-M-Technik vehicles	P06040MM	[O]	20,3	ATE	A00213	692	→ 03/10; -sport pack; +sport pack		
	190	03/05 → 09/12	●	+M-Technik vehicles	P06041MM	[O]	17	BRE	A00213	692	→ 03/10; -sport pack; +sport pack		
	190	03/05 → 09/12	●		P06038MM	[O]	17,3	ATE	A00212	1093	→ 03/10		
	190	03/05 → 09/12	●	+M-Technik vehicles	P06059MM	[O]	17,1	BRE	A00212	1093	→ 03/10		
	195	03/05 → 09/12	●	-M-Technik vehicles	P06040MM	[O]	20,3	ATE	A00213	692	→ 03/10; -sport pack; +sport pack		
	195	03/05 → 09/12	●	+M-Technik vehicles	P06041MM	[O]	17	BRE	A00213	692	→ 03/10; -sport pack; +sport pack		
	195	03/05 → 09/12	●	-sport pack	P06038MM	[O]	17,3	ATE	A00212	1093	→ 03/10		
	195	03/05 → 09/12	●	+M-Technik vehicles	P06059MM	[O]	17,1	BRE	A00212	1093	→ 03/10		

1 (F20) 11/10 →

114 d	70	10/12 →	●	-M-Technik vehicles	P06078MM	[O]	18,3	ATE	A00473	675			
	70	10/12 →	●	+M-Technik vehicles	P06088MM	[O]	17,7	BRE	A00473	675			
	70	10/12 →	●	-sport pack	P06071MM	[O]	17,2	ATE	A00474	1045			
	70	10/12 →	●	+sport pack	P06087MM	[O]	17	BRE	A00474	1045			
	70	06/15 →	●	-sport pack	P06078MM	[O]	18,3	ATE	A00473	675			
	70	06/15 →	●	+sport pack	P06088MM	[O]	17,7	BRE	A00473	675			
	70	06/15 →	●	-sport pack	P06071MM	[O]	17,2	ATE	A00474	1045			
	70	06/15 →	●	+sport pack	P06087MM	[O]	17	BRE	A00474	1045			
114 i	75	11/11 →	●	-M-Technik vehicles	P06078MM	[O]	18,3	ATE	A00473	675			
	75	11/11 →	●	+M-Technik vehicles	P06088MM	[O]	17,7	BRE	A00473	675			
	75	11/11 →	●	-sport pack	P06071MM	[O]	17,2	ATE	A00474	1045			
	75	11/11 →	●	+sport pack	P06087MM	[O]	17	BRE	A00474	1045			
116 d	85	11/12 →	●	-M-Technik vehicles	P06078MM	[O]	18,3	ATE	A00473	675			
	85	11/12 →	●	+M-Technik vehicles	P06088MM	[O]	17,7	BRE	A00473	675			
	85	11/12 →	●	-sport pack	P06071MM	[O]	17,2	ATE	A00474	1045			
	85	11/12 →	●	+sport pack	P06087MM	[O]	17	BRE	A00474	1045			
	85	12/10 →	●	-M-Technik vehicles	P06078MM	[O]	18,3	ATE	A00473	675			
	85	12/10 →	●	+M-Technik vehicles	P06088MM	[O]	17,7	BRE	A00473	675			
	85	12/10 →	●	-sport pack	P06071MM	[O]	17,2	ATE	A00474	1045			
	85	12/10 →	●	+sport pack	P06087MM	[O]	17	BRE	A00474	1045			
	85	03/15 →	●	-M-Technik vehicles	P06078MM	[O]	18,3	ATE	A00473	675			
	85	03/15 →	●	+M-Technik vehicles	P06088MM	[O]	17,7	BRE	A00473	675			
	85	03/15 →	●	-sport pack	P06071MM	[O]	17,2	ATE	A00474	1045			
	85	03/15 →	●	+sport pack	P06087MM	[O]	17	BRE	A00474	1045			

BMW

1 (F20)	11/10 →												
116 i	100 12/10 →	●	-M-Technik vehicles	P06078MM	[o]	18,3	ATE	A00473	675				
	100 12/10 →	●	+M-Technik vehicles	P06088MM	[o]	17,7	BRE	A00473	675				
	100 12/10 →		-sport pack	P06071MM	[o]	17,2	ATE	A00474	1045				
	100 12/10 →		+sport pack	P06087MM	[o]	17	BRE	A00474	1045				
	80 03/15 →	●	-M-Technik vehicles	P06078MM	[o]	18,3	ATE	A00473	675				
	80 03/15 →	●	+M-Technik vehicles	P06088MM	[o]	17,7	BRE	A00473	675				
	80 03/15 →		-M-Technik vehicles	P06071MM	[o]	17,2	ATE	A00474	1045				
	80 03/15 →		+M-Technik vehicles	P06087MM	[o]	17	BRE	A00474	1045				
118 d	100 12/10 →	●	-M-Technik vehicles; disc Ø 284 mm	P06078MM	[o]	18,3	ATE	A00473	675				
	100 12/10 →	●	+M-Technik vehicles	P06088MM	[o]	17,7	BRE	A00473	675				
	100 12/10 →		-sport pack; disc Ø 292 mm	P06071MM	[o]	17,2	ATE	A00474	1045				
	100 12/10 →		+sport pack; disc Ø 345 mm	P06087MM	[o]	17	BRE	A00474	1045				
	105 12/10 →	●	-M-Technik vehicles; disc Ø 284 mm	P06078MM	[o]	18,3	ATE	A00473	675				
	105 12/10 →	●	+M-Technik vehicles	P06088MM	[o]	17,7	BRE	A00473	675				
	105 12/10 →		-sport pack; disc Ø 292 mm	P06071MM	[o]	17,2	ATE	A00474	1045				
	105 12/10 →		+sport pack; disc Ø 345 mm	P06087MM	[o]	17	BRE	A00474	1045				
	110 03/15 →	●	-M-Technik vehicles	P06075MM	[o]	19,2	BSH	A00473	675				
	110 03/15 →	●	-M-Technik vehicles	P06078MM	[o]	18,3	ATE	A00473	675				
	110 03/15 →	●	+M-Technik vehicles	P06088MM	[o]	17,7	BRE	A00473	675				
	110 03/15 →		-M-Technik vehicles	P06071MM	[o]	17,2	ATE	A00474	1045				
110 03/15 →		+M-Technik vehicles	P06087MM	[o]	17	BRE	A00474	1045					
118 d xDrive	105 07/13 →	●	-M-Technik vehicles	P06070MM	[o]	18,2	ATE	A00473	675				
	105 07/13 →	●	+M-Technik vehicles	P06088MM	[o]	17,7	BRE	A00473	675				
	105 07/13 →		-M-Technik vehicles	P06071MM	[o]	17,2	ATE	A00474	1045				
	105 07/13 →		+M-Technik vehicles	P06087MM	[o]	17	BRE	A00474	1045				
	110 03/15 →	●	-M-Technik vehicles	P06070MM	[o]	18,2	ATE	A00473	675				
	110 03/15 →	●	-sport pack	P06078MM	[o]	18,3	ATE	A00473	675				
	110 03/15 →	●	+M-Technik vehicles	P06088MM	[o]	17,7	BRE	A00473	675				
	110 03/15 →	●	-M-Technik vehicles	P06071MM	[o]	17,2	ATE	A00474	1045				
110 03/15 →	●	+M-Technik vehicles	P06087MM	[o]	17	BRE	A00474	1045					
118 i	125 11/10 →	●	-M-Technik vehicles	P06070MM	[o]	18,2	ATE	A00473	675				
	125 11/10 →	●	+M-Technik vehicles	P06088MM	[o]	17,7	BRE	A00473	675				
	125 11/10 →		-sport pack	P06071MM	[o]	17,2	ATE	A00474	1045				
	125 11/10 →		+sport pack	P06087MM	[o]	17	BRE	A00474	1045				
	100 03/15 →	●	-M-Technik vehicles	P06078MM	[o]	18,3	ATE	A00473	675				
	100 03/15 →	●	+M-Technik vehicles	P06088MM	[o]	17,7	BRE	A00473	675				
	100 03/15 →		-M-Technik vehicles	P06071MM	[o]	17,2	ATE	A00474	1045				
	100 03/15 →		+M-Technik vehicles	P06087MM	[o]	17	BRE	A00474	1045				
120 d	120 12/10 →	●	-M-Technik vehicles; disc Ø 300 mm	P06070MM	[o]	18,2	ATE	A00473	675				
	120 12/10 →	●	+M-Technik vehicles; disc Ø 340 mm	P06088MM	[o]	17,7	BRE	A00473	675				
	120 12/10 →		-sport pack; disc Ø 300 mm	P06071MM	[o]	17,2	ATE	A00474	1045				
	120 12/10 →		+sport pack; disc Ø 345 mm	P06087MM	[o]	17	BRE	A00474	1045				
	135 12/10 →	●	-M-Technik vehicles; disc Ø 300 mm	P06070MM	[o]	18,2	ATE	A00473	675				
	135 12/10 →	●	+M-Technik vehicles; disc Ø 340 mm	P06088MM	[o]	17,7	BRE	A00473	675				
	135 12/10 →		-sport pack; disc Ø 300 mm	P06071MM	[o]	17,2	ATE	A00474	1045				
	135 12/10 →		+sport pack; disc Ø 345 mm	P06087MM	[o]	17	BRE	A00474	1045				
	147 01/11 →	●	03/12 →; -M-Technik vehicles; +reinf.brakes	P06070MM	[o]	18,2	ATE	A00473	675				
	147 01/11 →	●	03/12 →; -M-Technik vehicles; -reinf.brakes	P06075MM	[o]	19,2	BSH	A00473	675				

		kw						wi	Th [mm]	SYS	wi		FK		
												LENGHT			

BMW

1 (F20) 11/10 →

120 d	147	01/11 →	●	+M-Technik vehicles	P06088MM	[O]	17,7	BRE	A00473	675				
	147	01/11 →		●	-M-Technik vehicles	P06071MM	[O]	17,2	ATE	A00474	1045			
	147	01/11 →		●	+M-Technik vehicles	P06087MM	[O]	17	BRE	A00474	1045			
	140	03/15 →	●	-M-Technik vehicles	P06070MM	[O]	18,2	ATE	A00473	675				
	140	03/15 →	●	-M-Technik vehicles	P06075MM	[O]	19,2	BSH	A00473	675				
	140	03/15 →	●	+M-Technik vehicles	P06088MM	[O]	17,7	BRE	A00473	675				
	140	03/15 →		●	-M-Technik vehicles	P06071MM	[O]	17,2	ATE	A00474	1045			
	140	03/15 →		●	+M-Technik vehicles	P06087MM	[O]	17	BRE	A00474	1045			
	120 d xDrive	135	02/12 →	●	-M-Technik vehicles	P06070MM	[O]	18,2	ATE	A00473	675			
135		02/12 →	●	+M-Technik vehicles	P06088MM	[O]	17,7	BRE	A00473	675				
135		02/12 →		●	-sport pack	P06071MM	[O]	17,2	ATE	A00474	1045			
135		02/12 →		●	+sport pack	P06087MM	[O]	17	BRE	A00474	1045			
147		01/11 →	●	-M-Technik vehicles	P06070MM	[O]	18,2	ATE	A00473	675				
147		01/11 →	●	+M-Technik vehicles	P06088MM	[O]	17,7	BRE	A00473	675				
147		01/11 →		●	-M-Technik vehicles	P06071MM	[O]	17,2	ATE	A00474	1045			
147		01/11 →		●	+M-Technik vehicles	P06087MM	[O]	17	BRE	A00474	1045			
140		03/15 →	●	-M-Technik vehicles	P06070MM	[O]	18,2	ATE	A00473	675				
140		03/15 →	●	+M-Technik vehicles	P06088MM	[O]	17,7	BRE	A00473	675				
140		03/15 →		●	-M-Technik vehicles	P06071MM	[O]	17,2	ATE	A00474	1045			
140		03/15 →		●	+M-Technik vehicles	P06087MM	[O]	17	BRE	A00474	1045			
120 i	130	03/15 →	●	-M-Technik vehicles	P06070MM	[O]	18,2	ATE	A00473	675				
	130	03/15 →	●	-sport pack	P06078MM	[O]	18,3	ATE	A00473	675				
	130	03/15 →	●	+M-Technik vehicles	P06088MM	[O]	17,7	BRE	A00473	675				
	130	03/15 →		●	-M-Technik vehicles	P06071MM	[O]	17,2	ATE	A00474	1045			
	130	03/15 →		●	+M-Technik vehicles	P06087MM	[O]	17	BRE	A00474	1045			
	135	09/15 →	●	-M-Technik vehicles	P06070MM	[O]	18,2	ATE	A00473	675	Left			
	135	09/15 →	●	+M-Technik vehicles	P06088MM	[O]	17,7	BRE	A00473	675	Left			
	135	09/15 →		●	-M-Technik vehicles	P06071MM	[O]	17,2	ATE	A00474	1045			
135	09/15 →		●	+M-Technik vehicles	P06087MM	[O]	17	BRE	A00474	1045				
125 d	155	08/11 →	●	→ 05/12; -M-Technik vehicles	P06075MM	[O]	19,2	BSH	A00473	675				
	155	08/11 →	●	+M-Technik vehicles	P06088MM	[O]	17,7	BRE	A00473	675				
	155	08/11 →		●	-sport pack	P06071MM	[O]	17,2	ATE	A00474	1045			
	155	08/11 →		●	+sport pack	P06087MM	[O]	17	BRE	A00474	1045			
	160	08/11 →	●	→ 05/12; -M-Technik vehicles	P06075MM	[O]	19,2	BSH	A00473	675				
	160	08/11 →	●	+M-Technik vehicles	P06088MM	[O]	17,7	BRE	A00473	675				
	160	08/11 →		●	-sport pack	P06071MM	[O]	17,2	ATE	A00474	1045			
	160	08/11 →		●	+sport pack	P06087MM	[O]	17	BRE	A00474	1045			
	165	03/15 →	●	-sport pack	P06070MM	[O]	18,2	ATE	A00473	675				
	165	03/15 →	●	-M-Technik vehicles	P06075MM	[O]	19,2	BSH	A00473	675				
	165	03/15 →	●	+M-Technik vehicles	P06088MM	[O]	17,7	BRE	A00473	675				
	165	03/15 →		●	-M-Technik vehicles	P06071MM	[O]	17,2	ATE	A00474	1045			
165	03/15 →		●	+M-Technik vehicles	P06087MM	[O]	17	BRE	A00474	1045				
125 i	160	08/11 →	●	→ 05/12; -M-Technik vehicles	P06075MM	[O]	19,2	BSH	A00473	675				
	160	08/11 →	●	+M-Technik vehicles	P06088MM	[O]	17,7	BRE	A00473	675				
	160	08/11 →		●	-sport pack	P06071MM	[O]	17,2	ATE	A00474	1045			
	160	08/11 →		●	+sport pack	P06087MM	[O]	17	BRE	A00474	1045			
	175	03/13 →	●	-M-Technik vehicles	P06075MM	[O]	19,2	BSH	A00473	675				
	175	03/13 →	●	+M-Technik vehicles	P06088MM	[O]	17,7	BRE	A00473	675				
	175	03/13 →		●	-M-Technik vehicles	P06071MM	[O]	17,2	ATE	A00474	1045			
	175	03/13 →		●	+M-Technik vehicles	P06087MM	[O]	17	BRE	A00474	1045			
	165	09/15 →	●	-M-Technik vehicles	P06075MM	[O]	19,2	BSH	A00473	675	Left			
	165	09/15 →	●	+M-Technik vehicles	P06088MM	[O]	17,7	BRE	A00473	675	Left			
	165	09/15 →		●	-M-Technik vehicles	P06071MM	[O]	17,2	ATE	A00474	1045			
	165	09/15 →		●	+M-Technik vehicles	P06087MM	[O]	17	BRE	A00474	1045			

									WI		FK		
	kw						Th [mm]		MAGNETI MARELLI	LENGHT		MAGNETI MARELLI	

BMW

1 (F20) 11/10 →

M 135 i	235 11/11 →	●	+M-Technik vehicles	P06088MM	[o]	17,7	BRE	A00473	675			
	235 11/11 →		●	+M-Technik vehicles	P06087MM	[o]	17	BRE	A00474	1045		
	240 03/15 →	●	+M-Technik vehicles	P06088MM	[o]	17,7	BRE	A00473	675			
	240 03/15 →		●	+M-Technik vehicles	P06087MM	[o]	17	BRE	A00474	1045		
M 135 i xDrive	235 02/12 →	●	+M-Technik vehicles	P06088MM	[o]	17,7	BRE	A00473	675			
	235 02/12 →		●	+M-Technik vehicles	P06087MM	[o]	17	BRE	A00474	1045		
	240 03/15 →	●	+M-Technik vehicles	P06088MM	[o]	17,7	BRE	A00473	675			
	240 03/15 →		●	+M-Technik vehicles	P06087MM	[o]	17	BRE	A00474	1045		
M 140 i	250 09/15 →	●		P06088MM	[o]	17,7	BRE	A00473	675	Left		
	250 09/15 →		●		P06087MM	[o]	17	BRE	A00474	1045		
M 140 i xDrive	250 09/15 →	●		P06088MM	[o]	17,7	BRE	A00473	675	Left		
	250 09/15 →		●		P06087MM	[o]	17	BRE	A00474	1045		

1 (F21) 12/11 →

114 d	70 07/12 →	●	-M-Technik vehicles	P06078MM	[o]	18,3	ATE	A00473	675			
	70 07/12 →	●	+M-Technik vehicles	P06088MM	[o]	17,7	BRE	A00473	675			
	70 07/12 →		●	-sport pack	P06071MM	[o]	17,2	ATE	A00474	1045		
	70 07/12 →		●	+sport pack	P06087MM	[o]	17	BRE	A00474	1045		
	70 06/15 →	●	-sport pack	P06078MM	[o]	18,3	ATE	A00473	675			
	70 06/15 →	●	+sport pack	P06088MM	[o]	17,7	BRE	A00473	675			
	70 06/15 →	●	-sport pack	P06071MM	[o]	17,2	ATE	A00474	1045			
	70 06/15 →		●	+sport pack	P06087MM	[o]	17	BRE	A00474	1045		
114 i	75 12/11 →	●	-M-Technik vehicles	P06078MM	[o]	18,3	ATE	A00473	675			
	75 12/11 →	●	+M-Technik vehicles	P06088MM	[o]	17,7	BRE	A00473	675			
	75 12/11 →		●	-sport pack	P06071MM	[o]	17,2	ATE	A00474	1045		
	75 12/11 →		●	+sport pack	P06087MM	[o]	17	BRE	A00474	1045		
116 d	85 12/11 →	●	-M-Technik vehicles	P06078MM	[o]	18,3	ATE	A00473	675			
	85 12/11 →	●	+M-Technik vehicles	P06088MM	[o]	17,7	BRE	A00473	675			
	85 12/11 →		●	-sport pack	P06071MM	[o]	17,2	ATE	A00474	1045		
	85 12/11 →		●	+sport pack	P06087MM	[o]	17	BRE	A00474	1045		
	85 01/12 →	●	-M-Technik vehicles	P06078MM	[o]	18,3	ATE	A00473	675			
	85 01/12 →	●	+M-Technik vehicles	P06088MM	[o]	17,7	BRE	A00473	675			
	85 01/12 →		●	-sport pack	P06071MM	[o]	17,2	ATE	A00474	1045		
	85 01/12 →		●	+sport pack	P06087MM	[o]	17	BRE	A00474	1045		
	85 03/15 →	●	-M-Technik vehicles	P06078MM	[o]	18,3	ATE	A00473	675			
	85 03/15 →	●	+M-Technik vehicles	P06088MM	[o]	17,7	BRE	A00473	675			
	85 03/15 →		●	-M-Technik vehicles	P06071MM	[o]	17,2	ATE	A00474	1045		
	85 03/15 →		●	+M-Technik vehicles	P06087MM	[o]	17	BRE	A00474	1045		
116 i	100 12/11 →	●	-M-Technik vehicles	P06078MM	[o]	18,3	ATE	A00473	675			
	100 12/11 →	●	+M-Technik vehicles	P06088MM	[o]	17,7	BRE	A00473	675			
	100 12/11 →		●	-sport pack	P06071MM	[o]	17,2	ATE	A00474	1045		
	100 12/11 →		●	+sport pack	P06087MM	[o]	17	BRE	A00474	1045		
	80 03/15 →	●	-M-Technik vehicles	P06078MM	[o]	18,3	ATE	A00473	675			
	80 03/15 →	●	+M-Technik vehicles	P06088MM	[o]	17,7	BRE	A00473	675			
	80 03/15 →		●	-M-Technik vehicles	P06071MM	[o]	17,2	ATE	A00474	1045		
	80 03/15 →		●	+M-Technik vehicles	P06087MM	[o]	17	BRE	A00474	1045		
118 d	100 12/11 →	●	-M-Technik vehicles	P06078MM	[o]	18,3	ATE	A00473	675			
	100 12/11 →	●	+M-Technik vehicles; disc Ø 340 mm	P06088MM	[o]	17,7	BRE	A00473	675			
	100 12/11 →		●	-sport pack; disc Ø 292 mm	P06071MM	[o]	17,2	ATE	A00474	1045		
	100 12/11 →		●	+sport pack; disc Ø 345 mm	P06087MM	[o]	17	BRE	A00474	1045		
	105 12/11 →	●	-M-Technik vehicles	P06078MM	[o]	18,3	ATE	A00473	675			
	105 12/11 →	●	+M-Technik vehicles; disc Ø 340 mm	P06088MM	[o]	17,7	BRE	A00473	675			
105 12/11 →		●	-sport pack; disc Ø 292 mm	P06071MM	[o]	17,2	ATE	A00474	1045			

		kw						wi	Th [mm]	SYS	wi		FK		
												LENGHT			

BMW

1 (F21) 12/11 →

118 d	105	12/11 →	●	+sport pack; disc Ø 345 mm	P06087MM	[O]	17	BRE	A00474	1045		
	110	03/15 →	●	-M-Technik vehicles	P06078MM	[O]	18,3	ATE	A00473	675		
	110	03/15 →	●	+M-Technik vehicles	P06088MM	[O]	17,7	BRE	A00473	675		
	110	03/15 →	●	-M-Technik vehicles	P06071MM	[O]	17,2	ATE	A00474	1045		
	110	03/15 →	●	+M-Technik vehicles	P06087MM	[O]	17	BRE	A00474	1045		
118 d xDrive	105	05/13 →	●	-M-Technik vehicles	P06070MM	[O]	18,2	ATE	A00473	675		
	105	05/13 →	●	+M-Technik vehicles	P06088MM	[O]	17,7	BRE	A00473	675		
	105	05/13 →	●	-M-Technik vehicles	P06071MM	[O]	17,2	ATE	A00474	1045		
	105	05/13 →	●	+M-Technik vehicles	P06087MM	[O]	17	BRE	A00474	1045		
	110	03/15 →	●	-M-Technik vehicles	P06078MM	[O]	18,3	ATE	A00473	675		
	110	03/15 →	●	+M-Technik vehicles	P06088MM	[O]	17,7	BRE	A00473	675		
	110	03/15 →	●	-M-Technik vehicles	P06071MM	[O]	17,2	ATE	A00474	1045		
	110	03/15 →	●	+M-Technik vehicles	P06087MM	[O]	17	BRE	A00474	1045		
118 i	125	07/12 →	●	-M-Technik vehicles	P06070MM	[O]	18,2	ATE	A00473	675		
	125	07/12 →	●	+M-Technik vehicles	P06088MM	[O]	17,7	BRE	A00473	675		
	125	07/12 →	●	-M-Technik vehicles	P06071MM	[O]	17,2	ATE	A00474	1045		
	125	07/12 →	●	+M-Technik vehicles	P06087MM	[O]	17	BRE	A00474	1045		
	100	03/15 →	●	-M-Technik vehicles	P06078MM	[O]	18,3	ATE	A00473	675		
	100	03/15 →	●	+M-Technik vehicles	P06088MM	[O]	17,7	BRE	A00473	675		
	100	03/15 →	●	-M-Technik vehicles	P06071MM	[O]	17,2	ATE	A00474	1045		
	100	03/15 →	●	+M-Technik vehicles	P06087MM	[O]	17	BRE	A00474	1045		
120 d	120	07/12 →	●	-M-Technik vehicles; disc Ø 300 mm	P06070MM	[O]	18,2	ATE	A00473	675		
	120	07/12 →	●	+M-Technik vehicles; disc Ø 340 mm	P06088MM	[O]	17,7	BRE	A00473	675		
	120	07/12 →	●	-M-Technik vehicles; disc Ø 300 mm	P06071MM	[O]	17,2	ATE	A00474	1045		
	120	07/12 →	●	+M-Technik vehicles; disc Ø 345 mm	P06087MM	[O]	17	BRE	A00474	1045		
	135	07/12 →	●	-M-Technik vehicles; disc Ø 300 mm	P06070MM	[O]	18,2	ATE	A00473	675		
	135	07/12 →	●	+M-Technik vehicles; disc Ø 340 mm	P06088MM	[O]	17,7	BRE	A00473	675		
	135	07/12 →	●	-M-Technik vehicles	P06071MM	[O]	17,2	ATE	A00474	1045		
	135	07/12 →	●	+M-Technik vehicles; disc Ø 345 mm	P06087MM	[O]	17	BRE	A00474	1045		
	147	01/12 →	●	-M-Technik vehicles	P06070MM	[O]	18,2	ATE	A00473	675		
	147	01/12 →	●	+M-Technik vehicles	P06088MM	[O]	17,7	BRE	A00473	675		
	147	01/12 →	●	-M-Technik vehicles	P06071MM	[O]	17,2	ATE	A00474	1045		
	147	01/12 →	●	+M-Technik vehicles	P06087MM	[O]	17	BRE	A00474	1045		
	140	03/15 →	●	-M-Technik vehicles	P06070MM	[O]	18,2	ATE	A00473	675		
	140	03/15 →	●	+M-Technik vehicles	P06088MM	[O]	17,7	BRE	A00473	675		
	140	03/15 →	●	-M-Technik vehicles	P06071MM	[O]	17,2	ATE	A00474	1045		
	140	03/15 →	●	+M-Technik vehicles	P06087MM	[O]	17	BRE	A00474	1045		
120 d xDrive	135	02/12 →	●	-M-Technik vehicles	P06070MM	[O]	18,2	ATE	A00473	675		
	135	02/12 →	●	+M-Technik vehicles	P06088MM	[O]	17,7	BRE	A00473	675		
	135	02/12 →	●	-M-Technik vehicles	P06071MM	[O]	17,2	ATE	A00474	1045		
	135	02/12 →	●	+M-Technik vehicles	P06087MM	[O]	17	BRE	A00474	1045		
	147	01/12 →	●	-M-Technik vehicles	P06070MM	[O]	18,2	ATE	A00473	675		
	147	01/12 →	●	+M-Technik vehicles	P06088MM	[O]	17,7	BRE	A00473	675		
	147	01/12 →	●	-M-Technik vehicles	P06071MM	[O]	17,2	ATE	A00474	1045		
	147	01/12 →	●	+M-Technik vehicles	P06087MM	[O]	17	BRE	A00474	1045		
	140	03/15 →	●	-M-Technik vehicles	P06070MM	[O]	18,2	ATE	A00473	675		
	140	03/15 →	●	+M-Technik vehicles	P06088MM	[O]	17,7	BRE	A00473	675		
	140	03/15 →	●	-M-Technik vehicles	P06071MM	[O]	17,2	ATE	A00474	1045		
	140	03/15 →	●	+M-Technik vehicles	P06087MM	[O]	17	BRE	A00474	1045		

										LENGHT			

BMW

1 (F21) 12/11 →													
120 i	130 03/15 →	●	-M-Technik vehicles	P06070MM	[o]	18,2	ATE	A00473	675				
	130 03/15 →	●	+M-Technik vehicles	P06088MM	[o]	17,7	BRE	A00473	675				
	130 03/15 →		●	-M-Technik vehicles	P06071MM	[o]	17,2	ATE	A00474	1045			
	130 03/15 →		●	+M-Technik vehicles	P06087MM	[o]	17	BRE	A00474	1045			
	135 10/15 →	●	-M-Technik vehicles	P06070MM	[o]	18,2	ATE	A00473	675	Left			
	135 10/15 →	●	+M-Technik vehicles	P06088MM	[o]	17,7	BRE	A00473	675	Left			
	135 10/15 →		●	-M-Technik vehicles	P06071MM	[o]	17,2	ATE	A00474	1045			
	135 10/15 →		●	+M-Technik vehicles	P06087MM	[o]	17	BRE	A00474	1045			
125 d	155 12/11 →	●	→ 05/12; -M-Technik vehicles	P06075MM	[o]	19,2	BSH	A00473	675				
	155 12/11 →	●	+M-Technik vehicles	P06088MM	[o]	17,7	BRE	A00473	675				
	155 12/11 →		●	-M-Technik vehicles	P06071MM	[o]	17,2	ATE	A00474	1045			
	155 12/11 →		●	+M-Technik vehicles	P06087MM	[o]	17	BRE	A00474	1045			
	160 12/11 →	●	→ 05/12; -M-Technik vehicles	P06075MM	[o]	19,2	BSH	A00473	675				
	160 12/11 →	●	+M-Technik vehicles	P06088MM	[o]	17,7	BRE	A00473	675				
	160 12/11 →		●	-M-Technik vehicles	P06071MM	[o]	17,2	ATE	A00474	1045			
	160 12/11 →		●	+M-Technik vehicles	P06087MM	[o]	17	BRE	A00474	1045			
	165 03/15 →	●	-sport pack	P06070MM	[o]	18,2	ATE	A00473	675				
	165 03/15 →	●	-M-Technik vehicles	P06075MM	[o]	19,2	BSH	A00473	675				
	165 03/15 →	●	+M-Technik vehicles	P06088MM	[o]	17,7	BRE	A00473	675				
	165 03/15 →		●	-M-Technik vehicles	P06071MM	[o]	17,2	ATE	A00474	1045			
165 03/15 →		●	+M-Technik vehicles	P06087MM	[o]	17	BRE	A00474	1045				
125 i	160 12/11 →	●	→ 05/12; -M-Technik vehicles	P06075MM	[o]	19,2	BSH	A00473	675				
	160 12/11 →	●	+M-Technik vehicles	P06088MM	[o]	17,7	BRE	A00473	675				
	160 12/11 →		●	-M-Technik vehicles	P06071MM	[o]	17,2	ATE	A00474	1045			
	160 12/11 →		●	+M-Technik vehicles	P06087MM	[o]	17	BRE	A00474	1045			
	175 03/13 →	●	-M-Technik vehicles	P06075MM	[o]	19,2	BSH	A00473	675				
	175 03/13 →	●	+M-Technik vehicles	P06088MM	[o]	17,7	BRE	A00473	675				
	175 03/13 →		●	-M-Technik vehicles	P06071MM	[o]	17,2	ATE	A00474	1045			
	175 03/13 →		●	+M-Technik vehicles	P06087MM	[o]	17	BRE	A00474	1045			
	165 10/15 →	●	-M-Technik vehicles	P06075MM	[o]	19,2	BSH	A00473	675	Left			
	165 10/15 →	●	+M-Technik vehicles	P06088MM	[o]	17,7	BRE	A00473	675	Left			
	165 10/15 →		●	-M-Technik vehicles	P06071MM	[o]	17,2	ATE	A00474	1045			
	165 10/15 →		●	+M-Technik vehicles	P06087MM	[o]	17	BRE	A00474	1045			
M 135 i	235 12/11 →	●	+sport pack	P06088MM	[o]	17,7	BRE	A00473	675				
	235 12/11 →		●	+sport pack	P06087MM	[o]	17	BRE	A00474	1045			
	240 03/15 →	●		P06088MM	[o]	17,7	BRE	A00473	675				
	240 03/15 →		●		P06087MM	[o]	17	BRE	A00474	1045			
M 135 i xDrive	235 02/12 →	●	+sport pack	P06088MM	[o]	17,7	BRE	A00473	675				
	235 02/12 →		●	+sport pack	P06087MM	[o]	17	BRE	A00474	1045			
	240 03/15 →	●		P06088MM	[o]	17,7	BRE	A00473	675				
M 140 i	240 03/15 →		●		P06087MM	[o]	17	BRE	A00474	1045			
	250 10/15 →	●		P06088MM	[o]	17,7	BRE	A00473	675	Left			
M 140 i xDrive	250 10/15 →		●		P06087MM	[o]	17	BRE	A00474	1045			
	250 09/15 →	●		P06088MM	[o]	17,7	BRE	A00473	675	Left			
250 09/15 →		●		P06087MM	[o]	17	BRE	A00474	1045				
1 Convertible (E88) 03/08 → 12/13													
118 d	105 09/08 → 12/13	●	-M-Technik vehicles	P06034MM	[o]	17,8	TRW	A00211	635	→ 03/10; -sport pack			
	105 09/08 → 12/13	●	+M-Technik vehicles	P06041MM	[o]	17	BRE	A00211	635	→ 03/10; -sport pack			
	105 09/08 → 12/13		●		P06038MM	[o]	17,3	ATE	A00212	1093	→ 03/10		
	100 09/08 → 12/13	●	-sport pack	P06034MM	[o]	17,8	TRW	A00211	635	→ 03/10; -sport pack			
	100 09/08 → 12/13	●	+sport pack	P06041MM	[o]	17	BRE	A00211	635	→ 03/10; -sport pack			
	100 09/08 → 12/13		●		P06038MM	[o]	17,3	ATE	A00212	1093	→ 03/10		

--	--	--	--	--	--	--	--	--	--	--	--	--	--	--	--

BMW

1 Convertible (E88) 03/08 → 12/13

118 i	105	03/08 → 12/13	●	-M-Technik vehicles	P06034MM	[O]	17,8	TRW	A00211	635	→ 03/10; -sport pack		
	105	03/08 → 12/13	●	+M-Technik vehicles	P06041MM	[O]	17	BRE	A00211	635	→ 03/10; -sport pack		
	105	03/08 → 12/13	●		P06038MM	[O]	17,3	ATE	A00212	1093	→ 03/10		
	100	09/08 → 12/13	●	-sport pack	P06034MM	[O]	17,8	TRW	A00211	635	→ 03/10; -sport pack		
	100	09/08 → 12/13	●	+sport pack	P06041MM	[O]	17	BRE	A00211	635	→ 03/10; -sport pack		
	100	09/08 → 12/13	●		P06038MM	[O]	17,3	ATE	A00212	1093	+sport pack; → 03/10; -sport pack		
120 d	130	03/08 → 12/13	●	-M-Technik vehicles	P06040MM	[O]	20,3	ATE	A00211	635	→ 03/10; -sport pack		
	130	03/08 → 12/13	●	+M-Technik vehicles	P06041MM	[O]	17	BRE	A00211	635	→ 03/10; -sport pack		
	130	03/08 → 12/13	●		P06038MM	[O]	17,3	ATE	A00212	1093	→ 03/10		
	120	03/08 → 12/13	●	-sport pack	P06040MM	[O]	20,3	ATE	A00211	635	→ 03/10; -sport pack		
	120	03/08 → 12/13	●	+sport pack	P06041MM	[O]	17	BRE	A00211	635	→ 03/10; -sport pack		
	120	03/08 → 12/13	●		P06038MM	[O]	17,3	ATE	A00212	1093	→ 03/10		
	145	03/08 → 12/13	●	-M-Technik vehicles	P06040MM	[O]	20,3	ATE	A00211	635	→ 03/10; -sport pack		
145	03/08 → 12/13	●	+M-Technik vehicles	P06041MM	[O]	17	BRE	A00211	635	→ 03/10; -sport pack			
120 i	145	03/08 → 12/13	●		P06038MM	[O]	17,3	ATE	A00212	1093	→ 03/10		
	125	03/08 → 12/13	●	-M-Technik vehicles	P06040MM	[O]	20,3	ATE	A00211	635	→ 03/10; -sport pack		
	125	03/08 → 12/13	●	+M-Technik vehicles	P06041MM	[O]	17	BRE	A00211	635	→ 03/10; -sport pack		
	125	03/08 → 12/13	●		P06038MM	[O]	17,3	ATE	A00212	1093	→ 03/10		
	120	03/08 → 12/13	●	-sport pack	P06040MM	[O]	20,3	ATE	A00211	635	→ 03/10; -sport pack		
	120	03/08 → 12/13	●	+sport pack	P06041MM	[O]	17	BRE	A00211	635	→ 03/10; -sport pack		
	120	03/08 → 12/13	●		P06038MM	[O]	17,3	ATE	A00212	1093	→ 03/10		
	115	03/08 → 12/13	●	-M-Technik vehicles	P06040MM	[O]	20,3	ATE	A00211	635	+sport pack; → 03/10		
115	03/08 → 12/13	●	+M-Technik vehicles	P06041MM	[O]	17	BRE	A00211	635	+sport pack; → 03/10			
123 d	115	03/08 → 12/13	●		P06038MM	[O]	17,3	ATE	A00212	1093	→ 03/10		
	150	09/08 → 12/13	●	-M-Technik vehicles	P06040MM	[O]	20,3	ATE	A00213	692	→ 03/10; -sport pack; +sport pack		
	150	09/08 → 12/13	●	+M-Technik vehicles	P06041MM	[O]	17	BRE	A00213	692	→ 03/10; -sport pack; +sport pack		
	150	09/08 → 12/13	●	-M-Technik vehicles	P06038MM	[O]	17,3	ATE	A00212	1093	→ 03/10		
125 i	150	09/08 → 12/13	●	+M-Technik vehicles	P06059MM	[O]	17,1	BRE	A00212	1093	→ 03/10		
	160	03/08 → 12/13	●	-M-Technik vehicles	P06040MM	[O]	20,3	ATE	A00211	635	→ 03/10; -sport pack		
	160	03/08 → 12/13	●	+M-Technik vehicles	P06041MM	[O]	17	BRE	A00211	635	→ 03/10; -sport pack		
128 i	160	03/08 → 12/13	●	+sport pack	P06038MM	[O]	17,3	ATE	A00212	1093	→ 03/10		
	171	03/08 → 12/13	●	-sport pack	P06040MM	[O]	20,3	ATE	A00211	635	→ 03/10; -sport pack		
	171	03/08 → 12/13	●	+sport pack	P06041MM	[O]	17	BRE	A00211	635	→ 03/10; -sport pack		
135 i	171	03/08 → 12/13	●	+sport pack	P06038MM	[O]	17,3	ATE	A00212	1093			
	225	03/08 → 12/13	●		P06041MM	[O]	17	BRE	A00213	692	+sport pack		
	225	03/08 → 12/13	●		P06059MM	[O]	17,1	BRE	A00212	1093	→ 03/10		
	240	03/08 → 12/13	●		P06041MM	[O]	17	BRE	A00213	692	+sport pack		
	240	03/08 → 12/13	●		P06059MM	[O]	17,1	BRE	A00212	1093	+sport pack; → 03/10; -sport pack		

1 Coupé (E82) 10/06 → 10/13

118 d	100	09/09 → 10/13	●	-M-Technik vehicles	P06034MM	[O]	17,8	TRW	A00211	635	→ 03/10; -sport pack		
	100	09/09 → 10/13	●	+M-Technik vehicles	P06041MM	[O]	17	BRE	A00211	635	→ 03/10; -sport pack		
	100	09/09 → 10/13	●		P06038MM	[O]	17,3	ATE	A00212	1093	→ 03/10	A02222	
	105	09/09 → 10/13	●	-M-Technik vehicles	P06034MM	[O]	17,8	TRW	A00211	635	→ 03/10; -sport pack		
	105	09/09 → 10/13	●	+M-Technik vehicles	P06041MM	[O]	17	BRE	A00211	635	→ 03/10; -sport pack		
	105	09/09 → 10/13	●		P06038MM	[O]	17,3	ATE	A00212	1093	→ 03/10		
120 d	130	10/07 → 10/13	●	-M-Technik vehicles	P06040MM	[O]	20,3	ATE	A00211	635	→ 03/10; -sport pack		
	130	10/07 → 10/13	●	+M-Technik vehicles	P06041MM	[O]	17	BRE	A00211	635	→ 03/10; -sport pack		
	130	10/07 → 10/13	●		P06038MM	[O]	17,3	ATE	A00212	1093	→ 03/10		
	120	10/07 → 10/13	●	-sport pack	P06040MM	[O]	20,3	ATE	A00211	635	→ 03/10; -sport pack		
	120	10/07 → 10/13	●	+sport pack	P06041MM	[O]	17	BRE	A00211	635	→ 03/10; -sport pack		
	120	10/07 → 10/13	●		P06038MM	[O]	17,3	ATE	A00212	1093	→ 03/10		

									WI		FK		
	kw						Th [mm]		MAGNETI MARELLI	LENGHT		MAGNETI MARELLI	

BMW

1 Coupé (E82) 10/06 → 10/13

120 d	145	10/06 → 10/13	●		P06040MM	[o]	20,3	ATE	A00211	635	→ 03/10			
	145	10/06 → 10/13		●	P06038MM	[o]	17,3	ATE	A00212	1093	→ 03/10			
120 i	125	10/07 → 10/13	●	-M-Technik vehicles	P06040MM	[o]	20,3	ATE	A00211	635	→ 03/10; -sport pack			
	125	10/07 → 10/13	●	+M-Technik vehicles	P06041MM	[o]	17	BRE	A00211	635	→ 03/10; -sport pack			
	125	10/07 → 10/13		●	P06038MM	[o]	17,3	ATE	A00212	1093	→ 03/10			
	115	09/09 → 10/13	●	-sport pack	P06040MM	[o]	20,3	ATE	A00211	635	→ 03/10; -sport pack			
	115	09/09 → 10/13	●	+sport pack	P06041MM	[o]	17	BRE	A00211	635	→ 03/10; -sport pack			
	115	09/09 → 10/13		●	P06038MM	[o]	17,3	ATE	A00212	1093	+sport pack; → 03/10; -sport pack			
123 d	150	10/07 → 10/13	●	-M-Technik vehicles	P06040MM	[o]	20,3	ATE	A00213	692	+sport pack; → 03/10; -sport pack			
	150	10/07 → 10/13	●	+M-Technik vehicles	P06041MM	[o]	17	BRE	A00213	692	+sport pack; → 03/10; -sport pack			
	150	10/07 → 10/13		●	-M-Technik vehicles	P06038MM	[o]	17,3	ATE	A00212	1093	→ 03/10		
	150	10/07 → 10/13		●	+M-Technik vehicles	P06059MM	[o]	17,1	BRE	A00212	1093	→ 03/10		
125 i	160	10/07 → 10/13	●	-M-Technik vehicles	P06040MM	[o]	20,3	ATE	A00211	635	→ 03/10; -sport pack			
	160	10/07 → 10/13	●	+M-Technik vehicles	P06041MM	[o]	17	BRE	A00211	635	→ 03/10; -sport pack			
	160	10/07 → 10/13		●	P06038MM	[o]	17,3	ATE	A00212	1093	→ 03/10			
135 i	225	10/07 → 10/13	●		P06041MM	[o]	17	BRE	A00213	692	+sport pack			
	225	10/07 → 10/13		●	-sport pack	P06059MM	[o]	17,1	BRE	A00212	1093	+sport pack		
	225	10/07 → 10/13		●	+sport pack	P06038MM	[o]	17,3	ATE	A00212	1093	+sport pack		
	240	10/07 → 10/13	●		P06041MM	[o]	17	BRE	A00213	692	+sport pack			
	240	10/07 → 10/13		●	P06059MM	[o]	17,1	BRE	A00212	1093	+sport pack			
M	250	04/11 → 06/12	●		P06046MM	[o]	20,3	ATE	A00412	675				

2 Active Tourer (F45) 11/13 →

214 d	70	07/14 →	●		P06034MM	[o]	17,8	TRW	A00506	200/475			
	70	07/14 →		●	P06094MM	[o]	16,2	ATE	A00507	642			
216 d	85	03/14 →	●		P06092MM	[o]	18,3	TRW	A00506	200/475			
	85	03/14 →		●	P06094MM	[o]	16,2	ATE	A00507	642			
216 i	75	02/15 →	●		P06034MM	[o]	17,8	TRW	A00506	200/475			
	75	02/15 →		●	P06094MM	[o]	16,2	ATE	A00507	642			
218 d	110	11/13 →	●		P06092MM	[o]	18,3	TRW	A00506	200/475			
	110	11/13 →		●	P06094MM	[o]	16,2	ATE	A00507	642			
	100	11/13 →	●	→ 07/15	P06092MM	[o]	18,3	TRW	A00506	200/475			
	100	11/13 →		●	P06094MM	[o]	16,2	ATE	A00507	642			
218 d xDrive	110	12/14 →	●		P06092MM	[o]	18,3	TRW	A00506	200/475			
	110	12/14 →		●	P06094MM	[o]	16,2	ATE	A00507	642			
	100	12/14 →	●		P06092MM	[o]	18,3	TRW	A00506	200/475			
	100	12/14 →		●	P06094MM	[o]	16,2	ATE	A00507	642			
218 i	100	11/13 →	●	+M-Technik vehicles	P06093MM	[o]	18,6	TRW	A00506	200/475			
	100	11/13 →	●	-M-Technik vehicles	P06092MM	[o]	18,3	TRW	A00506	200/475			
	100	11/13 →		●	P06094MM	[o]	16,2	ATE	A00507	642			
220 d	140	03/14 →	●		P06093MM	[o]	18,6	TRW	A00506	200/475			
	140	03/14 →		●	P06094MM	[o]	16,2	ATE	A00507	642			
	120	03/14 →	●		P06093MM	[o]	18,6	TRW	A00506	200/475			
	120	03/14 →		●	P06094MM	[o]	16,2	ATE	A00507	642			

		kw						wi	Th [mm]	SYS		LENGHT	WI			FK	
--	--	----	--	--	--	--	--	----	---------	-----	--	--------	----	--	--	----	--

BMW

2 Active Tourer (F45) 11/13 →

220 d xDrive	140	03/14 →	●		P06093MM	[O]	18,6	TRW	A00506	200/475							
	140	03/14 →		●	P06094MM	[O]	16,2	ATE	A00507	642							
	120	03/14 →	●		P06093MM	[O]	18,6	TRW	A00506	200/475							
	120	03/14 →		●	P06094MM	[O]	16,2	ATE	A00507	642							
220 i	141	03/14 →	●		P06093MM	[O]	18,6	TRW	A00506	200/475							
	141	03/14 →		●	P06094MM	[O]	16,2	ATE	A00507	642							
	120	03/14 →	●		P06093MM	[O]	18,6	TRW	A00506	200/475							
	120	03/14 →		●	P06094MM	[O]	16,2	ATE	A00507	642							
225 i	170	11/13 →	●		P06093MM	[O]	18,6	TRW	A00506	200/475							
	170	11/13 →		●	P06094MM	[O]	16,2	ATE	A00507	642							
225 i xDrive	170	03/14 →	●		P06093MM	[O]	18,6	TRW	A00506	200/475							
	170	03/14 →		●	P06094MM	[O]	16,2	ATE	A00507	642							
225 xe	165	11/14 →	●		P06093MM	[O]	18,6	TRW	A00506	200/475							
	165	11/14 →		●	P06094MM	[O]	16,2	ATE	A00507	642							
	100	11/14 →	●		P06093MM	[O]	18,6	TRW	A00506	200/475							
	100	11/14 →		●	P06094MM	[O]	16,2	ATE	A00507	642							

2 Convertible (F23) 03/14 →

218 d	110	07/15 →	●	-M-Technik vehicles	P06078MM	[O]	18,3	ATE	A00473	675							
	110	07/15 →	●	+M-Technik vehicles	P06088MM	[O]	17,7	BRE	A00473	675							
	110	07/15 →		●	-M-Technik vehicles	P06071MM	[O]	17,2	ATE	A00474	1045						
	110	07/15 →		●	+M-Technik vehicles	P06087MM	[O]	17	BRE	A00474	1045						
	100	07/15 →	●	-sport pack	P06078MM	[O]	18,3	ATE	A00473	675							
	100	07/15 →	●	+sport pack	P06088MM	[O]	17,7	BRE	A00473	675							
	100	07/15 →		●	-sport pack	P06071MM	[O]	17,2	ATE	A00474	1045						
	100	07/15 →		●	+sport pack	P06087MM	[O]	17	BRE	A00474	1045						
218 i	100	03/15 →	●	-sport pack	P06078MM	[O]	18,3	ATE	A00473	675	+sport pack						
	100	03/15 →	●	+sport pack	P06088MM	[O]	17,7	BRE	A00473	675	+sport pack						
	100	03/15 →		●	-sport pack	P06071MM	[O]	17,2	ATE	A00474	1045						
	100	03/15 →		●	+sport pack	P06087MM	[O]	17	BRE	A00474	1045						
220 d	140	03/14 →	●	+M-Technik vehicles	P06088MM	[O]	17,7	BRE	A00473	675							
	140	03/14 →	●	-M-Technik vehicles	P06075MM	[O]	19,2	BSH	A00473	675							
	140	03/14 →		●	-M-Technik vehicles	P06071MM	[O]	17,2	ATE	A00474	1045						
	140	03/14 →		●	+M-Technik vehicles	P06087MM	[O]	17	BRE	A00474	1045						
	120	03/14 →	●	+sport pack	P06088MM	[O]	17,7	BRE	A00473	675							
	120	03/14 →		●	-sport pack	P06071MM	[O]	17,2	ATE	A00474	1045						
220 i	135	11/14 →	●	+M-Technik vehicles	P06088MM	[O]	17,7	BRE	A00473	675							
	135	11/14 →	●	-M-Technik vehicles	P06075MM	[O]	19,2	BSH	A00473	675							
	135	11/14 →		●	-M-Technik vehicles	P06071MM	[O]	17,2	ATE	A00474	1045						
	135	11/14 →		●	+M-Technik vehicles	P06087MM	[O]	17	BRE	A00474	1045						
	135	09/15 →	●	-M-Technik vehicles	P06075MM	[O]	19,2	BSH	A00473	675	Left						
	135	09/15 →	●	+M-Technik vehicles	P06088MM	[O]	17,7	BRE	A00473	675	Left						
	135	09/15 →		●	-M-Technik vehicles	P06071MM	[O]	17,2	ATE	A00474	1045						
	135	09/15 →		●	+M-Technik vehicles	P06087MM	[O]	17	BRE	A00474	1045						

									WI		FK		
	kw						Th [mm]		MAGNETI MARELLI	LENGHT		MAGNETI MARELLI	

BMW

2 Convertible (F23) 03/14 →

225 d	165 07/15 →	●	-M-Technik vehicles	P06075MM	[o]	19,2	BSH	A00473	675			
	165 07/15 →	●	+M-Technik vehicles	P06088MM	[o]	17,7	BRE	A00473	675			
	165 07/15 →	●	-M-Technik vehicles	P06071MM	[o]	17,2	ATE	A00474	1045			
	165 07/15 →	●	+M-Technik vehicles	P06087MM	[o]	17	BRE	A00474	1045			
228 i	180 11/14 →	●	-M-Technik vehicles	P06075MM	[o]	19,2	BSH	A00473	675			
	180 11/14 →	●	+M-Technik vehicles	P06088MM	[o]	17,7	BRE	A00473	675			
	180 11/14 →	●	-M-Technik vehicles	P06071MM	[o]	17,2	ATE	A00474	1045			
	180 11/14 →	●	+M-Technik vehicles	P06087MM	[o]	17	BRE	A00474	1045			
230 i	185 09/15 →	●	-M-Technik vehicles	P06075MM	[o]	19,2	BSH	A00473	675	Left		
	185 09/15 →	●	+M-Technik vehicles	P06088MM	[o]	17,7	BRE	A00473	675	Left		
	185 09/15 →	●	-M-Technik vehicles	P06071MM	[o]	17,2	ATE	A00474	1045			
	185 09/15 →	●	+M-Technik vehicles	P06087MM	[o]	17	BRE	A00474	1045			
M 235 i	240 11/14 →	●		P06088MM	[o]	17,7	BRE					
	240 11/14 →	●		P06087MM	[o]	17	BRE					
M 235 i xDrive	240 07/15 →	●		P06088MM	[o]	17,7	BRE	A00473	675			
	240 07/15 →	●		P06087MM	[o]	17	BRE	A00474	1045			
M 240 i	250 09/15 →	●		P06088MM	[o]	17,7	BRE	A00473	675	Left		
	250 09/15 →	●		P06087MM	[o]	17	BRE	A00474	1045			
M 240 i xDrive	250 09/15 →	●		P06088MM	[o]	17,7	BRE	A00473	675	Left		
	250 09/15 →	●		P06087MM	[o]	17	BRE	A00474	1045			

2 Coupé (F22, F87) 10/12 →

218 d	105 01/14 →	●	-M-Technik vehicles	P06078MM	[o]	18,3	ATE	A00473	675			
	105 01/14 →	●	-M-Technik vehicles	P06075MM	[o]	19,2	BSH	A00473	675			
	105 01/14 →	●	+M-Technik vehicles	P06088MM	[o]	17,7	BRE	A00473	675			
	105 01/14 →	●	-M-Technik vehicles	P06071MM	[o]	17,2	ATE	A00474	1045			
	105 01/14 →	●	+M-Technik vehicles	P06087MM	[o]	17	BRE	A00474	1045			
	110 07/15 →	●	-M-Technik vehicles	P06078MM	[o]	18,3	ATE	A00473	675			
	110 07/15 →	●	+M-Technik vehicles	P06088MM	[o]	17,7	BRE	A00473	675			
	110 07/15 →	●	-M-Technik vehicles	P06071MM	[o]	17,2	ATE	A00474	1045			
	110 07/15 →	●	+M-Technik vehicles	P06087MM	[o]	17	BRE	A00474	1045			
	100 07/15 →	●	-M-Technik vehicles	P06078MM	[o]	18,3	ATE	A00473	675			
	100 07/15 →	●	+sport pack; → 12/15	P06088MM	[o]	17,7	BRE	A00473	675			
	100 07/15 →	●	-M-Technik vehicles	P06071MM	[o]	17,2	ATE	A00474	1045			
100 07/15 →	●	+sport pack	P06087MM	[o]	17	BRE	A00474	1045				
218 i	100 03/15 →	●	-M-Technik vehicles	P06078MM	[o]	18,3	ATE	A00473	675	+sport pack		
	100 03/15 →	●	+M-Technik vehicles	P06088MM	[o]	17,7	BRE	A00473	675	+sport pack		
	100 03/15 →	●	-M-Technik vehicles	P06071MM	[o]	17,2	ATE	A00474	1045			
	100 03/15 →	●	+M-Technik vehicles	P06087MM	[o]	17	BRE	A00474	1045			
220 d	135 10/12 → 11/14	●	-M-Technik vehicles	P06075MM	[o]	19,2	BSH	A00473	675			
	135 10/12 → 11/14	●	+M-Technik vehicles	P06088MM	[o]	17,7	BRE	A00473	675			
	135 10/12 → 11/14	●	-M-Technik vehicles	P06071MM	[o]	17,2	ATE	A00474	1045			
	135 10/12 → 11/14	●	+M-Technik vehicles	P06087MM	[o]	17	BRE	A00474	1045			
	147 10/12 → 11/14	●	-M-Technik vehicles	P06075MM	[o]	19,2	BSH	A00473	675			
	147 10/12 → 11/14	●	+M-Technik vehicles	P06088MM	[o]	17,7	BRE	A00473	675			
	147 10/12 → 11/14	●	-M-Technik vehicles	P06071MM	[o]	17,2	ATE	A00474	1045			
	147 10/12 → 11/14	●	+M-Technik vehicles	P06087MM	[o]	17	BRE	A00474	1045			
	140 03/14 →	●	-M-Technik vehicles	P06075MM	[o]	19,2	BSH	A00473	675			
	140 03/14 →	●	+M-Technik vehicles	P06088MM	[o]	17,7	BRE	A00473	675			
	140 03/14 →	●	-M-Technik vehicles	P06071MM	[o]	17,2	ATE	A00474	1045			
	140 03/14 →	●	+M-Technik vehicles	P06087MM	[o]	17	BRE	A00474	1045			
	120 11/14 →	●	-sport pack	P06075MM	[o]	19,2	BSH	A00473	675			
	120 11/14 →	●	+sport pack; → 12/15	P06088MM	[o]	17,7	BRE	A00473	675			
	120 11/14 →	●	-M-Technik vehicles	P06071MM	[o]	17,2	ATE	A00474	1045			
	120 11/14 →	●	+sport pack	P06087MM	[o]	17	BRE	A00474	1045			

		kw						wi	Th [mm]	SYS		LENGHT			
--	--	----	--	--	--	--	--	----	---------	-----	--	--------	--	--	--

BMW

2 Coupé (F22, F87) 10/12 →

220 d xDrive	140	06/14 →	●	+M-Technik vehicles	P06088MM	[O]	17,7	BRE	A00473	675					
	140	06/14 →	●	-M-Technik vehicles	P06075MM	[O]	19,2	BSH	A00473	675					
	140	06/14 →		●	-M-Technik vehicles	P06071MM	[O]	17,2	ATE	A00474	1045				
	140	06/14 →		●	+M-Technik vehicles	P06087MM	[O]	17	BRE	A00474	1045				
	120	03/15 →	●	-sport pack	P06075MM	[O]	19,2	BSH	A00473	675					
	120	03/15 →	●	+sport pack; → 12/15	P06088MM	[O]	17,7	BRE	A00473	675					
	120	03/15 →		●	-sport pack	P06071MM	[O]	17,2	ATE	A00474	1045				
	120	03/15 →		●	+sport pack	P06087MM	[O]	17	BRE	A00474	1045				
220 i	135	10/13 →	●	-M-Technik vehicles	P06075MM	[O]	19,2	BSH	A00473	675					
	135	10/13 →	●	+M-Technik vehicles	P06088MM	[O]	17,7	BRE	A00473	675					
	135	10/13 →		●	-M-Technik vehicles	P06071MM	[O]	17,2	ATE	A00474	1045				
	135	10/13 →		●	+M-Technik vehicles	P06087MM	[O]	17	BRE	A00474	1045				
	135	09/15 →	●	-M-Technik vehicles	P06075MM	[O]	19,2	BSH	A00473	675	Left				
	135	09/15 →	●	→ 12/15; +M-Technik vehicles	P06088MM	[O]	17,7	BRE	A00473	675	Left				
	135	09/15 →		●	-M-Technik vehicles	P06071MM	[O]	17,2	ATE	A00474	1045				
225 d	160	01/14 →	●	-M-Technik vehicles	P06075MM	[O]	19,2	BSH	A00473	675					
	160	01/14 →	●	+M-Technik vehicles	P06088MM	[O]	17,7	BRE	A00473	675					
	160	01/14 →		●	-M-Technik vehicles	P06071MM	[O]	17,2	ATE	A00474	1045				
	160	01/14 →		●	+M-Technik vehicles	P06087MM	[O]	17	BRE	A00474	1045				
	165	07/15 →	●	-M-Technik vehicles	P06075MM	[O]	19,2	BSH	A00473	675					
	165	07/15 →	●	+M-Technik vehicles	P06088MM	[O]	17,7	BRE	A00473	675					
	165	07/15 →		●	-M-Technik vehicles	P06071MM	[O]	17,2	ATE	A00474	1045				
228 i	180	07/14 →	●	-M-Technik vehicles	P06078MM	[O]	18,3	ATE	A00473	675					
	180	07/14 →	●	+M-Technik vehicles	P06088MM	[O]	17,7	BRE	A00473	675					
	180	07/14 →		●	-M-Technik vehicles	P06071MM	[O]	17,2	ATE	A00474	1045				
	180	07/14 →		●	+M-Technik vehicles	P06087MM	[O]	17	BRE	A00474	1045				
230 i	185	09/15 →	●	-M-Technik vehicles	P06075MM	[O]	19,2	BSH	A00473	675	Left				
	185	09/15 →	●	→ 12/15; +M-Technik vehicles	P06088MM	[O]	17,7	BRE	A00473	675	Left				
	185	09/15 →		●	-M-Technik vehicles	P06071MM	[O]	17,2	ATE	A00474	1045				
	185	09/15 →		●	+M-Technik vehicles	P06087MM	[O]	17	BRE	A00474	1045				
M 235 i	240	10/13 →	●		P06088MM	[O]	17,7	BRE	A00473	675					
	240	10/13 →		●	P06087MM	[O]	17	BRE	A00474	1045					
M 235 i xDrive	240	07/14 →	●		P06088MM	[O]	17,7	BRE	A00473	675					
	240	07/14 →		●	P06087MM	[O]	17	BRE	A00474	1045					
M 240 i	250	09/15 →	●		P06088MM	[O]	17,7	BRE	A00473	675	Left				
	250	09/15 →		●	P06087MM	[O]	17	BRE	A00474	1045					
M 240 i xDrive	250	09/15 →	●		P06088MM	[O]	17,7	BRE	A00473	675	Left				
	250	09/15 →		●	P06087MM	[O]	17	BRE	A00474	1045					
M2	272	11/15 →		●	P06095MM	[O]	16,8	ATE							

2 Gran Tourer (F46) 07/14 →

214 d	70	10/14 →	●		P06092MM	[O]	18,3	TRW	A00506	200/475					
	70	10/14 →		●	P06094MM	[O]	16,2	ATE	A00507	642					
216 d	85	08/14 →	●		P06092MM	[O]	18,3	TRW	A00506	200/475					
	85	08/14 →		●	P06094MM	[O]	16,2	ATE	A00507	642					
216 i	75	09/14 →	●		P06092MM	[O]	18,3	TRW	A00506	200/475					
	75	09/14 →		●	P06094MM	[O]	16,2	ATE	A00507	642					

									WI		FK		
									MAGNETI MARELLI	LENGHT		MAGNETI MARELLI	

BMW

2 Gran Tourer (F46) 07/14 →

218 d	110 07/14 →	●		P06093MM	[o]	18,6	TRW	A00506	200/475		
	110 07/14 →		●	P06094MM	[o]	16,2	ATE	A00507	642		
	100 07/14 →	●		P06093MM	[o]	18,6	TRW	A00506	200/475		
	100 07/14 →		●	P06094MM	[o]	16,2	ATE	A00507	642		
218 d xDrive	110 03/15 →	●		P06093MM	[o]	18,6	TRW	A00506	200/475		
	110 03/15 →		●	P06094MM	[o]	16,2	ATE	A00507	642		
	100 03/15 →	●		P06093MM	[o]	18,6	TRW	A00506	200/475		
	100 03/15 →		●	P06094MM	[o]	16,2	ATE	A00507	642		
218 i	100 07/14 →	●		P06093MM	[o]	18,6	TRW	A00506	200/475		
	100 07/14 →		●	P06094MM	[o]	16,2	ATE	A00507	642		
220 d	140 09/14 →	●		P06093MM	[o]	18,6	TRW	A00506	200/475		
	140 09/14 →		●	P06094MM	[o]	16,2	ATE	A00507	642		
	120 09/14 →	●		P06093MM	[o]	18,6	TRW	A00506	200/475		
	120 09/14 →		●	P06094MM	[o]	16,2	ATE	A00507	642		
220 d xDrive	140 07/14 →	●		P06093MM	[o]	18,6	TRW	A00506	200/475		
	140 07/14 →		●	P06094MM	[o]	16,2	ATE	A00507	642		
	120 07/14 →	●		P06093MM	[o]	18,6	TRW	A00506	200/475		
	120 07/14 →		●	P06094MM	[o]	16,2	ATE	A00507	642		
220 i	141 07/14 →	●		P06093MM	[o]	18,6	TRW	A00506	200/475		
	141 07/14 →		●	P06094MM	[o]	16,2	ATE	A00507	642		
	120 07/14 →	●		P06093MM	[o]	18,6	TRW	A00506	200/475		
	120 07/14 →		●	P06094MM	[o]	16,2	ATE	A00507	642		

3 (E46) 02/98 → 04/05

316 i	77 09/98 → 02/05	●		P06024MM	[o]	17,8	ATE	A00220	596		A02224
	77 09/98 → 02/05		●	P06025MM	[o]	17,3	ATE	A00221	1338		A02222
	77 04/00 → 02/05	●		P06024MM	[o]	17,8	ATE	A00220	596		A02224
	77 04/00 → 02/05		●	P06025MM	[o]	17,3	ATE	A00221	1338		A02222
	85 02/02 → 02/05	●		P06024MM	[o]	17,8	ATE	A00220	596		A02224
	85 02/02 → 02/05		●	P06025MM	[o]	17,3	ATE	A00221	1338		A02222
	85 06/02 → 02/05	●		P06024MM	[o]	17,8	ATE	A00220	596		A02224
	85 06/02 → 02/05		●	P06025MM	[o]	17,3	ATE	A00221	1338		A02222
318 d	85 09/01 → 03/03	●		P06024MM	[o]	17,8	ATE	A00220	596		A02224
	85 09/01 → 03/03		●	P06025MM	[o]	17,3	ATE	A00221	1338		A02222
	85 03/03 → 02/05	●		P06024MM	[o]	17,8	ATE	A00220	596		A02224
	85 03/03 → 02/05		●	P06025MM	[o]	17,3	ATE	A00221	1338		A02222
318 i	87 02/98 → 09/01	●		P06024MM	[o]	17,8	ATE	A00220	596		A02224
	87 02/98 → 09/01		●	P06025MM	[o]	17,3	ATE	A00221	1338		A02222
	105 09/01 → 02/05	●		P06024MM	[o]	17,8	ATE	A00220	596		A02224
	105 09/01 → 02/05		●	P06025MM	[o]	17,3	ATE	A00221	1338		A02222
320 d	100 04/98 → 09/01	●		P06024MM	[o]	17,8	ATE	A00220	596		A02224
	100 04/98 → 09/01		●	P06025MM	[o]	17,3	ATE	A00221	1338		A02222
	110 09/01 → 02/05	●		P06024MM	[o]	17,8	ATE	A00220	596		A02224
	110 09/01 → 02/05		●	P06025MM	[o]	17,3	ATE	A00221	1338		A02222
	95 02/98 → 04/05	●		P06024MM	[o]	17,8	ATE	A00220	596		A02224
95 02/98 → 04/05		●	P06025MM	[o]	17,3	ATE	A00221	1338		A02222	

		kw						wi	Th [mm]	SYS		LENGHT			
--	--	----	--	--	--	--	--	----	---------	-----	--	--------	--	--	--

BMW

3 (E46) 02/98 → 04/05

320 i	110	03/98 → 09/00	●				P06024MM	○	17,8	ATE	A00220	596			A02224
	110	03/98 → 09/00		●			P06025MM	○	17,3	ATE	A00221	1338			A02222
	125	09/00 → 02/05	●				P06024MM	○	17,8	ATE	A00220	596			A02224
	125	09/00 → 02/05		●			P06025MM	○	17,3	ATE	A00221	1338			A02222
323 i	125	03/98 → 09/00	●				P06024MM	○	17,8	ATE	A00220	596			A02224
	125	03/98 → 09/00		●			P06025MM	○	17,3	ATE	A00221	1338			A02222
325 i	141	09/00 → 02/05	●				P06024MM	○	17,8	ATE	A00220	596			A02224
	141	09/00 → 02/05		●			P06025MM	○	17,3	ATE	A00221	1338			A02222
325 xi	141	09/00 → 02/05	●				P06024MM	○	17,8	ATE	A00220	596			A02224
	141	09/00 → 02/05		●			P06025MM	○	17,3	ATE	A00221	1338			A02222
328 i	142	02/98 → 06/00	●				P06024MM	○	17,8	ATE	A00220	596			A02224
	142	02/98 → 06/00		●			P06025MM	○	17,3	ATE	A00221	1338			A02222
330 d	135	10/99 → 02/05	●				P06043MM	○	20,3	ATE	A00222	650			A02223
	135	10/99 → 02/05		●			P06044MM	○	17,2	ATE	A00221	1338			A02223
	150	03/03 → 02/05	●				P06043MM	○	20,3	ATE	A00222	650			A02223
	150	03/03 → 02/05		●			P06044MM	○	17,2	ATE	A00221	1338			A02223
330 i	170	06/00 → 02/05	●				P06043MM	○	20,3	ATE	A00222	650			A02223
	170	06/00 → 02/05		●			P06044MM	○	17,2	ATE	A00221	1338			A02223
330 xd	135	01/00 → 02/03	●				P06043MM	○	20,3	ATE	A00222	650			A02223
	135	01/00 → 02/03		●			P06044MM	○	17,2	ATE	A00221	1338			A02223
	150	09/02 → 12/04	●				P06043MM	○	20,3	ATE	A00222	650			A02223
	150	09/02 → 12/04		●			P06044MM	○	17,2	ATE	A00221	1338			A02223
330 xi	170	06/00 → 02/05	●				P06043MM	○	20,3	ATE	A00222	650			A02223
	170	06/00 → 02/05		●			P06044MM	○	17,2	ATE	A00221	1338			A02223

3 (E90) 02/04 → 12/11

316 d	85	07/09 → 12/11	●				P06040MM	○	20,3	ATE	A00211	635	→ 03/10		
	85	07/09 → 12/11		●		-sport pack	P06037MM	○	17,4	TRW	A00212	1093	→ 03/10		
	85	07/09 → 12/11		●		+sport pack	P06038MM	○	17,3	ATE	A00212	1093	→ 03/10		
316 i	85	03/05 → 10/11	●			-sport pack	P06035MM	○	17,8	ATE	A00211	635			
	85	03/05 → 10/11		●		+sport pack	P06041MM	○	17	BRE	A00211	635			
	85	03/05 → 10/11	●			-sport pack	P06037MM	○	17,4	TRW	A00212	1093	→ 03/10		
	85	03/05 → 10/11		●		+sport pack	P06038MM	○	17,3	ATE	A00212	1093	→ 03/10		
	90	02/07 → 10/11	●			-sport pack; -high payload	P06040MM	○	20,3	ATE	A00211	635	-sport pack		
	90	02/07 → 10/11		●		+sport pack; +high payload	P06041MM	○	17	BRE	A00211	635	-sport pack		
	90	02/07 → 10/11	●			-sport pack	P06037MM	○	17,4	TRW	A00212	1093	→ 03/10		
	90	02/07 → 10/11		●		+sport pack	P06038MM	○	17,3	ATE	A00212	1093	→ 03/10		
	100	02/07 → 03/10	●			-sport pack	P06040MM	○	20,3	ATE	A00211	635	-sport pack	A02224	+sport pack
	100	02/07 → 03/10		●		+sport pack	P06041MM	○	17	BRE	A00211	635	-sport pack	A02224	+sport pack
318 d	100	02/07 → 03/10		●			P06038MM	○	17,3	ATE	A00212	1093	→ 03/10		A02222
	90	01/05 → 08/07	●			-sport pack; -high payload	P06035MM	○	17,8	ATE	A00211	635	-sport pack		
	90	01/05 → 08/07		●		-sport pack; +high payload	P06036MM	○	20,3	ATE	A00211	635	-sport pack		
	90	01/05 → 08/07	●			+sport pack; -high payload	P06041MM	○	17	BRE	A00211	635	-sport pack		
	90	01/05 → 08/07		●		-sport pack; -high payload	P06037MM	○	17,4	TRW	A00212	1093	→ 03/10		
	90	01/05 → 08/07		●		+sport pack; +high payload	P06038MM	○	17,3	ATE	A00212	1093	→ 03/10		
	105	02/07 → 10/11	●			-sport pack; -high payload	P06035MM	○	17,8	ATE	A00211	635	-sport pack		
	105	02/07 → 10/11		●		-sport pack	P06040MM	○	20,3	ATE	A00211	635	-sport pack		
	105	02/07 → 10/11	●			-sport pack; +high payload	P06036MM	○	20,3	ATE	A00211	635	-sport pack		
	105	02/07 → 10/11		●		+sport pack; -high payload	P06041MM	○	17	BRE	A00211	635	-sport pack		
	105	02/07 → 10/11	●			-sport pack; -high payload	P06037MM	○	17,4	TRW	A00212	1093	→ 03/10		
	105	02/07 → 10/11		●		+sport pack; +high payload	P06038MM	○	17,3	ATE	A00212	1093	→ 03/10		
318 i	95	08/04 → 08/07	●			-sport pack; -high payload	P06035MM	○	17,8	ATE	A00211	635	-sport pack		
	95	08/04 → 08/07		●		-sport pack; +high payload	P06036MM	○	20,3	ATE	A00211	635	-sport pack		
	95	08/04 → 08/07	●			+sport pack; -high payload	P06041MM	○	17	BRE	A00211	635	-sport pack		
	95	08/04 → 08/07		●		-sport pack; -high payload	P06037MM	○	17,4	TRW	A00212	1093			



kw



MAGNETI MARELLI

WI

Th [mm]

SYS

MAGNETI MARELLI

LENGHT

WI

MAGNETI MARELLI

FK

MAGNETI MARELLI

MAGNETI MARELLI

BMW

3 (E90) 02/04 → 12/11

	kw	Th [mm]	SYS	MAGNETI MARELLI	LENGHT	WI	FK
318 i	95 08/04 → 08/07	●	+sport pack; +high payload	P06038MM [o]	17,3	ATE A00212	1093
	105 02/07 → 10/11	●	-sport pack	P06040MM [o]	20,3	ATE A00211	635 -sport pack
	105 02/07 → 10/11	●	-sport pack; -high payload	P06055MM [o]	20,3	ATE A00211	635 -sport pack
	105 02/07 → 10/11	●	+sport pack	P06041MM [o]	17	BRE A00211	635 -sport pack
	105 02/07 → 10/11	●		P06038MM [o]	17,3	ATE A00212	1093 → 03/10
	100 03/07 → 10/11	●	-sport pack	P06055MM [o]	20,3	ATE A00211	635 -sport pack; → 03/10
	100 03/07 → 10/11	●	-high payload	P06035MM [o]	17,8	ATE A00211	635 -sport pack; → 03/10
	100 03/07 → 10/11	●	+high payload	P06036MM [o]	20,3	ATE A00211	635 -sport pack; → 03/10
	100 03/07 → 10/11	●	+sport pack	P06041MM [o]	17	BRE A00211	635 -sport pack; → 03/10
	100 03/07 → 10/11	●	-high payload	P06037MM [o]	17,4	TRW A00212	1093 → 03/10
100 03/07 → 10/11	●	+high payload	P06038MM [o]	17,3	ATE A00212	1093 → 03/10	
320 d	120 02/04 → 12/11	●	-sport pack; +special veh.	P06036MM [o]	20,3	ATE A00211	635 -sport pack
	120 02/04 → 12/11	●	-sport pack; -special veh.	P06055MM [o]	20,3	ATE A00211	635 -sport pack
	120 02/04 → 12/11	●	+sport pack	P06041MM [o]	17	BRE A00211	635 -sport pack
	120 02/04 → 12/11	●	-sport pack	P06039MM [o]	17,3	ATE A00212	1093 → 03/10 A02222 +sport pack
	120 02/04 → 12/11	●	+sport pack	P06038MM [o]	17,3	ATE A00212	1093 → 03/10 A02222 +sport pack
	110 09/05 → 12/11	●	-sport pack	P06036MM [o]	20,3	ATE A00211	635 -sport pack
	110 09/05 → 12/11	●	-sport pack	P06055MM [o]	20,3	ATE A00211	635 -sport pack
	110 09/05 → 12/11	●	+sport pack	P06041MM [o]	17	BRE A00211	635 -sport pack
	110 09/05 → 12/11	●	-sport pack	P06039MM [o]	17,3	ATE A00212	1093 → 03/10
	110 09/05 → 12/11	●	+sport pack	P06038MM [o]	17,3	ATE A00212	1093 → 03/10
	130 09/07 → 12/11	●	-sport pack	P06036MM [o]	20,3	ATE A00211	635 +special veh.; → 03/10; -sport pack
	130 09/07 → 12/11	●	-sport pack; disc Ø 312 mm; +special veh.	P06055MM [o]	20,3	ATE A00211	635 +special veh.; → 03/10; -sport pack
	130 09/07 → 12/11	●	+sport pack	P06041MM [o]	17	BRE A00211	635 +special veh.; → 03/10; -sport pack
	130 09/07 → 12/11	●	-special veh.	P06038MM [o]	17,3	ATE A00212	1093 → 03/10
130 09/07 → 12/11	●	+special veh.	P06039MM [o]	17,3	ATE A00212	1093 → 03/10	
135 01/10 → 12/11	●	-sport pack; -special veh.	P06055MM [o]	20,3	ATE A00211	635 +special veh.; → 03/10	
135 01/10 → 12/11	●	+sport pack; -special veh.	P06041MM [o]	17	BRE A00211	635 +special veh.; → 03/10	
135 01/10 → 12/11	●	-sport pack; +special veh.	P06036MM [o]	20,3	ATE A00211	635 +special veh.; → 03/10	
135 01/10 → 12/11	●	-special veh.	P06038MM [o]	17,3	ATE A00212	1093 → 03/10	
135 01/10 → 12/11	●	+special veh.	P06039MM [o]	17,3	ATE A00212	1093 → 03/10	
320 d xDrive	120 07/08 → 12/11	●	-special veh.	P06055MM [o]	20,3	ATE A00211	635 → 03/10; +high payload
	120 07/08 → 12/11	●	+special veh.	P06036MM [o]	20,3	ATE A00211	635 → 03/10; +high payload
	120 07/08 → 12/11	●	-special veh.	P06038MM [o]	17,3	ATE A00212	1093 → 03/10 A02222 -high payload
	120 07/08 → 12/11	●	+special veh.	P06039MM [o]	17,3	ATE A00212	1093 → 03/10 A02222 -high payload
	130 09/08 → 12/11	●	-special veh.; disc Ø 312 mm	P06055MM [o]	20,3	ATE A00211	635 → 03/10; +high payload
	130 09/08 → 12/11	●	+special veh.; disc Ø 330 mm	P06036MM [o]	20,3	ATE A00211	635 → 03/10; +high payload
	130 09/08 → 12/11	●	-special veh.	P06038MM [o]	17,3	ATE A00212	1093 → 03/10
	130 09/08 → 12/11	●	+special veh.	P06039MM [o]	17,3	ATE A00212	1093 → 03/10
	135 01/10 → 12/11	●	-special veh.	P06055MM [o]	20,3	ATE A00211	635 → 03/10; +high payload
	135 01/10 → 12/11	●	+special veh.	P06036MM [o]	20,3	ATE A00211	635 → 03/10; +high payload
	135 01/10 → 12/11	●	-special veh.	P06038MM [o]	17,3	ATE A00212	1093 → 03/10
	135 01/10 → 12/11	●	+special veh.	P06039MM [o]	17,3	ATE A00212	1093 → 03/10
320 i	110 06/04 → 03/07	●	+sport pack; -high payload	P06035MM [o]	17,8	ATE A00211	635 -sport pack A02224 -high payload
	110 06/04 → 03/07	●	+sport pack; +high payload	P06036MM [o]	20,3	ATE A00211	635 -sport pack A02224 -high payload
	110 06/04 → 03/07	●	+sport pack; -high payload	P06041MM [o]	17	BRE A00211	635 -sport pack A02224 -high payload
	110 06/04 → 03/07	●	-sport pack; -high payload	P06037MM [o]	17,4	TRW A00212	1093 A02222 +high payload
	110 06/04 → 03/07	●	+sport pack; +high payload	P06038MM [o]	17,3	ATE A00212	1093 A02222 +high payload
	125 03/07 → 12/11	●	-sport pack; -high payload; disc Ø 300 mm	P06040MM [o]	20,3	ATE A00211	635 -high payload
	125 03/07 → 12/11	●	-sport pack; +high payload; disc Ø 312 mm	P06055MM [o]	20,3	ATE A00211	635 -high payload

--	--	--	--	--	--	--	--	--	--	--	--	--	--	--

BMW														
3 (E90) 02/04 → 12/11														
320 i	125	03/07 → 12/11	●	+sport pack	P06041MM	[O]	17	BRE	A00211	635	-high payload			
	125	03/07 → 12/11	●		P06038MM	[O]	17,3	ATE	A00212	1093	→ 03/10			
	115	09/06 → 12/11	●	-sport pack; -high payload; disc Ø 300 mm	P06040MM	[O]	20,3	ATE	A00211	635	-sport pack; -high payload			
	115	09/06 → 12/11	●	-sport pack; +high payload; disc Ø 312 mm	P06055MM	[O]	20,3	ATE	A00211	635	-sport pack; -high payload			
	115	09/06 → 12/11	●	+sport pack	P06041MM	[O]	17	BRE	A00211	635	-sport pack; -high payload			
	115	09/06 → 12/11	●		P06038MM	[O]	17,3	ATE	A00212	1093	→ 03/10			
	120	03/07 → 12/11	●	-high payload	P06040MM	[O]	20,3	ATE						
	120	03/07 → 12/11	●	+high payload	P06055MM	[O]	20,3	ATE						
	120	03/07 → 12/11	●		P06038MM	[O]	17,3	ATE						
320 si	127	09/05 → 08/06	●		P06036MM	[O]	20,3	ATE	A00211	635				
	127	09/05 → 08/06	●		P06038MM	[O]	17,3	ATE	A00212	1093			A02222	
320 xd	130	09/07 → 12/11	●	-special.veh.; disc Ø 312 mm	P06055MM	[O]	20,3	ATE	A00211	635	→ 03/10; +high payload			
	130	09/07 → 12/11	●	+special.veh.; disc Ø 330 mm	P06036MM	[O]	20,3	ATE	A00211	635	→ 03/10; +high payload			
	130	09/07 → 12/11	●		P06038MM	[O]	17,3	ATE	A00212	1093	→ 03/10			
	130	09/07 → 12/11	●	-special.veh.	P06039MM	[O]	17,3	ATE	A00212	1093	→ 03/10			
323 i	130	04/06 → 12/11	●	-sport pack	P06055MM	[O]	20,3	ATE	A00211	635	-sport pack			
	130	04/06 → 12/11	●	+sport pack	P06041MM	[O]	17	BRE	A00211	635	-sport pack			
	130	04/06 → 12/11	●		P06038MM	[O]	17,3	ATE	A00212	1093				
	140	03/08 → 12/11	●	-sport pack	P06055MM	[O]	20,3	ATE	A00211	635	→ 03/10; -sport pack			
	140	03/08 → 12/11	●	+sport pack	P06041MM	[O]	17	BRE	A00211	635	→ 03/10; -sport pack			
325 d	145	09/06 → 12/11	●	-sport pack; -special.veh.	P06036MM	[O]	20,3	ATE	A00211	635	-sport pack			
	145	09/06 → 12/11	●	-sport pack; +special.veh.	P06081MM	[O]	20,3	ATE	A00211	635	-sport pack			
	145	09/06 → 12/11	●	+sport pack	P06041MM	[O]	17	BRE	A00211	635	-sport pack			
	145	09/06 → 12/11	●	-sport pack	P06039MM	[O]	17,3	ATE	A00212	1093	→ 03/10			
	145	09/06 → 12/11	●	+sport pack	P06059MM	[O]	17,1	BRE	A00212	1093	→ 03/10			
	150	01/10 → 12/11	●	-sport pack; -special.veh.	P06036MM	[O]	20,3	ATE	A00211	635				
	150	01/10 → 12/11	●	-sport pack; +special.veh.	P06081MM	[O]	20,3	ATE	A00211	635				
	150	01/10 → 12/11	●	+sport pack	P06041MM	[O]	17	BRE	A00211	635				
	150	01/10 → 12/11	●	-sport pack	P06039MM	[O]	17,3	ATE	A00212	1093	→ 03/10			
	150	01/10 → 12/11	●	+sport pack	P06059MM	[O]	17,1	BRE	A00212	1093	→ 03/10			
325 i	160	01/05 → 12/11	●	-sport pack	P06036MM	[O]	20,3	ATE	A00211	635	-high payload; -sport pack			
	160	01/05 → 12/11	●	+sport pack	P06041MM	[O]	17	BRE	A00211	635	-high payload; -sport pack			
	160	01/05 → 12/11	●	-high payload	P06038MM	[O]	17,3	ATE	A00212	1093	→ 03/10	A02222	-high payload	
	160	01/05 → 12/11	●	+high payload	P06039MM	[O]	17,3	ATE	A00212	1093	→ 03/10	A02222	-high payload	
	160	03/07 → 12/11	●	-sport pack; -high payload	P06055MM	[O]	20,3	ATE	A00211	635	→ 03/10; -sport pack			
	160	03/07 → 12/11	●	-sport pack; +high payload	P06036MM	[O]	20,3	ATE	A00211	635	→ 03/10; -sport pack			
	160	03/07 → 12/11	●	+sport pack	P06041MM	[O]	17	BRE	A00211	635	→ 03/10; -sport pack			
	160	03/07 → 12/11	●	-high payload	P06038MM	[O]	17,3	ATE	A00212	1093	→ 03/10			
	160	03/07 → 12/11	●	+high payload	P06039MM	[O]	17,3	ATE	A00212	1093	→ 03/10			
	155	01/06 → 12/11	●	-sport pack	P06036MM	[O]	20,3	ATE	A00211	635	-sport pack			
	155	01/06 → 12/11	●	+sport pack	P06041MM	[O]	17	BRE	A00211	635	-sport pack			
	155	01/06 → 12/11	●	-high payload	P06038MM	[O]	17,3	ATE	A00212	1093	-sport pack; +sport pack			
	155	01/06 → 12/11	●	+high payload	P06039MM	[O]	17,3	ATE	A00212	1093	-sport pack; +sport pack			
	155	03/07 → 12/11	●	-high payload	P06055MM	[O]	20,3	ATE	A00211	635	+high payload; → 03/10			
	155	03/07 → 12/11	●	+high payload	P06036MM	[O]	20,3	ATE	A00211	635	+high payload; → 03/10			
	155	03/07 → 12/11	●	-high payload	P06038MM	[O]	17,3	ATE	A00212	1093	→ 03/10			
155	03/07 → 12/11	●	+high payload	P06039MM	[O]	17,3	ATE	A00212	1093	→ 03/10				
325 i xDrive	160	06/08 → 10/11	●	-high payload	P06055MM	[O]	20,3	ATE	A00211	635	→ 03/10; +high payload			
	160	06/08 → 10/11	●	+high payload	P06036MM	[O]	20,3	ATE	A00211	635	→ 03/10; +high payload			
	160	06/08 → 10/11	●	-high payload	P06038MM	[O]	17,3	ATE	A00212	1093	→ 03/10			
	160	06/08 → 10/11	●	+high payload	P06039MM	[O]	17,3	ATE	A00212	1093	→ 03/10			



kw



MAGNETI MARELLI

WI

Th [mm]

SYS

MAGNETI MARELLI

LENGHT

WI

MAGNETI MARELLI

LENGHT

WI

MAGNETI MARELLI

LENGHT

FK

MAGNETI MARELLI

WI

BMW

3 (E90) 02/04 → 12/11

Model	Power (kw)	Duration	Icon	Notes	Part No.	Option	Th [mm]	SYS	Length (mm)	WI	Length (mm)	FK
325 xi	160	03/05 → 10/11	●	-high payload	P06055MM	[o]	20,3	ATE	A00223	850	→ 03/10	
	160	03/05 → 10/11	●	+high payload	P06036MM	[o]	20,3	ATE	A00223	850	→ 03/10	
	160	03/05 → 10/11	●	-high payload	P06038MM	[o]	17,3	ATE	A00212	1093	→ 03/10	A02222 -high payload
	160	03/05 → 10/11	●	+high payload	P06039MM	[o]	17,3	ATE	A00212	1093	→ 03/10	A02222 -high payload
	160	03/07 → 06/08	●	-high payload	P06055MM	[o]	20,3	ATE	A00211	635	+high payload	
	160	03/07 → 06/08	●	+high payload	P06036MM	[o]	20,3	ATE	A00211	635	+high payload	
	160	03/07 → 06/08	●	-high payload	P06038MM	[o]	17,3	ATE	A00212	1093	→ 03/10	
	160	03/07 → 06/08	●	+high payload	P06039MM	[o]	17,3	ATE	A00212	1093	→ 03/10	
328 i	187	07/05 → 11/07	●	-sport pack; → 09/07	P06036MM	[o]	20,3	ATE	A00211	635	-sport pack	
	187	07/05 → 11/07	●	-sport pack; 09/07 →	P06055MM	[o]	20,3	ATE	A00211	635	-sport pack	
	187	07/05 → 11/07	●	+sport pack	P06041MM	[o]	17	BRE	A00211	635	-sport pack	
	187	07/05 → 11/07	●		P06038MM	[o]	17,3	ATE	A00212	1093		
	171	03/07 → 12/11	●		P06036MM	[o]	20,3	ATE	A00213	692	+sport pack; → 03/10; -sport pack	
	171	03/07 → 12/11	●		P06038MM	[o]	17,3	ATE	A00212	1093	→ 03/10; -sport pack; +sport pack	
330 d	170	09/04 → 08/08	●	-sport pack; → 09/07	P06036MM	[o]	20,3	ATE	A00213	692	→ 03/10	
	170	09/04 → 08/08	●	09/07 →	P06081MM	[o]	20,3	ATE	A00213	692	→ 03/10	
	170	09/04 → 08/08	●		P06039MM	[o]	17,3	ATE	A00212	1093	→ 03/10	
	180	02/08 → 12/11	●	→ 09/09; +high payload	P06036MM	[o]	20,3	ATE	A00213	692	+sport pack	
	180	02/08 → 12/11	●	+high payload; → 09/09; -high payload	P06081MM	[o]	20,3	ATE	A00213	692	+sport pack	
	180	02/08 → 12/11	●	+sport pack	P06041MM	[o]	17	BRE	A00213	692	+sport pack	
330 d xDrive	180	01/09 → 12/11	●	→ 09/09; +high payload	P06036MM	[o]	20,3	ATE	A00223	850	→ 03/10	
	180	01/09 → 12/11	●	+high payload; → 09/09; -high payload	P06081MM	[o]	20,3	ATE	A00223	850	→ 03/10	
	180	01/09 → 12/11	●		P06039MM	[o]	17,3	ATE	A00212	1093	→ 03/10	
330 i	190	01/05 → 08/07	●	→ 09/07	P06036MM	[o]	20,3	ATE	A00211	635		
	190	01/05 → 08/07	●	09/07 →; +high payload	P06081MM	[o]	20,3	ATE	A00211	635		
	190	01/05 → 08/07	●		P06039MM	[o]	17,3	ATE	A00212	1093	→ 03/10	
	200	09/07 → 12/11	●		P06081MM	[o]	20,3	ATE	A00211	635	→ 03/10	
	200	09/07 → 12/11	●	09/09 →; -high payload	P06036MM	[o]	20,3	ATE	A00211	635	→ 03/10	
	200	09/07 → 12/11	●		P06039MM	[o]	17,3	ATE	A00212	1093	→ 03/10	
	200	09/07 → 12/11	●		P06036MM	[o]	20,3	ATE	A00211	635	→ 03/10	
330 i xDrive	200	09/08 → 12/11	●	-high payload	P06036MM	[o]	20,3	ATE	A00223	850	→ 03/10	
	200	09/08 → 12/11	●	+high payload; → 09/09; -high payload	P06081MM	[o]	20,3	ATE	A00223	850	→ 03/10	
330 xd	170	09/05 → 12/11	●	→ 09/07	P06036MM	[o]	20,3	ATE	A00223	850	→ 09/07	
	170	09/05 → 12/11	●	+high payload; → 09/09; -high payload	P06081MM	[o]	20,3	ATE	A00223	850	→ 09/07	
	170	09/05 → 12/11	●		P06039MM	[o]	17,3	ATE	A00212	1093	→ 03/10	
330 xi	190	01/05 → 08/07	●	→ 09/07	P06036MM	[o]	20,3	ATE	A00223	850		
	190	01/05 → 08/07	●	+high payload; → 09/09; -high payload	P06081MM	[o]	20,3	ATE	A00223	850		
	190	01/05 → 08/07	●		P06039MM	[o]	17,3	ATE	A00212	1093	→ 03/10	
	200	09/07 → 12/11	●	-high payload	P06036MM	[o]	20,3	ATE	A00223	850		
	200	09/07 → 12/11	●	→ 09/09; +high payload; → 09/09; -high payload	P06081MM	[o]	20,3	ATE	A00223	850		
335 d	210	09/06 → 12/11	●		P06039MM	[o]	17,3	ATE	A00212	1093	→ 03/10	
	210	09/06 → 12/11	●		P06081MM	[o]	20,3	ATE	A00213	692	→ 03/10	
335 i	225	03/06 → 12/11	●		P06081MM	[o]	20,3	ATE	A00213	692		
	224	03/06 → 12/11	●		P06039MM	[o]	17,3	ATE	A00212	1093	→ 03/10	
	224	03/06 → 12/11	●		P06081MM	[o]	20,3	ATE	A00436	723		

BMW

3 (E90) 02/04 → 12/11

335 i	224	03/06 → 12/11	•		P06039MM	[O]	17,3	ATE	A00437	1110	03/10 →		
	220	03/06 → 12/11	•		P06081MM	[O]	20,3	ATE	A00213	692			
	220	03/06 → 12/11	•		P06039MM	[O]	17,3	ATE	A00212	1093	→ 03/10		
	240	03/06 → 12/11	•		P06081MM	[O]	20,3	ATE	A00213	692	→ 03/10		
	240	03/06 → 12/11	•		P06039MM	[O]	17,3	ATE	A00212	1093	→ 03/10		
335 i xDrive	225	05/08 → 10/11	•		P06081MM	[O]	20,3	ATE	A00223	850	→ 03/10		
	225	05/08 → 10/11	•		P06039MM	[O]	17,3	ATE	A00212	1093	→ 03/10		
	240	05/08 → 10/11	•		P06081MM	[O]	20,3	ATE	A00223	850	Left, → 03/10		
	240	05/08 → 10/11	•		P06039MM	[O]	17,3	ATE	A00212	1093	→ 03/10		
335 xi	225	09/06 → 06/08	•		P06081MM	[O]	20,3	ATE	A00223	850	→ 03/10		
	225	09/06 → 06/08	•		P06039MM	[O]	17,3	ATE	A00212	1093	→ 03/10		
	224	09/06 → 06/08	•		P06036MM	[O]	20,3	ATE	A00223	850	→ 03/10		
	224	09/06 → 06/08	•		P06038MM	[O]	17,3	ATE	A00212	1093	→ 03/10		
	240	09/06 → 06/08	•		P06081MM	[O]	20,3	ATE	A00223	850	Left		
M3	309	03/07 → 12/11	•		P06046MM	[O]	20,3	ATE	A00412	675			
	309	03/07 → 12/11	•		P06026MM	[O]	17,3	ATE	A00212	1093			
M3 CRT	331	03/11 → 12/11	•		P06046MM	[O]	20,3	ATE	A00412	675			

3 (F30, F80) 03/11 →

316 d	85	05/11 →	•	-M-Technik vehicles	P06070MM	[O]	18,2	ATE	A00473	675			
	85	05/11 →	•	+M-Technik vehicles	P06088MM	[O]	17,7	BRE	A00473	675			
	85	05/11 →	•	-sport pack	P06071MM	[O]	17,2	ATE	A00474	1045			
	85	05/11 →	•	+sport pack	P06087MM	[O]	17	BRE	A00474	1045			
316 i	100	10/12 → 08/16	•	-M-Technik vehicles	P06070MM	[O]	18,2	ATE	A00473	675			
	100	10/12 → 08/16	•	+M-Technik vehicles	P06088MM	[O]	17,7	BRE	A00473	675			
	100	10/12 → 08/16	•	-sport pack	P06071MM	[O]	17,2	ATE	A00474	1045			
	100	10/12 → 08/16	•	+sport pack	P06087MM	[O]	17	BRE	A00474	1045			
318 d	105	05/11 → 06/15	•	-M-Technik vehicles	P06070MM	[O]	18,2	ATE	A00473	675			
	105	05/11 → 06/15	•	+M-Technik vehicles	P06088MM	[O]	17,7	BRE	A00473	675			
	105	05/11 → 06/15	•	-sport pack	P06071MM	[O]	17,2	ATE	A00474	1045			
	105	05/11 → 06/15	•	+sport pack	P06087MM	[O]	17	BRE	A00474	1045			
	100	05/11 →	•	-M-Technik vehicles	P06070MM	[O]	18,2	ATE	A00473	675			
	100	05/11 →	•	+sport pack	P06088MM	[O]	17,7	BRE	A00473	675			
	100	05/11 →	•	-sport pack	P06071MM	[O]	17,2	ATE	A00474	1045			
	100	05/11 →	•	+sport pack	P06087MM	[O]	17	BRE	A00474	1045			
	110	10/14 →	•	-M-Technik vehicles	P06070MM	[O]	18,2	ATE	A00473	675			
	110	10/14 →	•	+M-Technik vehicles	P06088MM	[O]	17,7	BRE	A00473	675			
	110	10/14 →	•	-M-Technik vehicles	P06071MM	[O]	17,2	ATE	A00474	1045			
	110	10/14 →	•	+M-Technik vehicles	P06087MM	[O]	17	BRE	A00474	1045			
318 d xDrive	105	11/12 → 05/15	•	-M-Technik vehicles	P06070MM	[O]	18,2	ATE	A00473	675			
	105	11/12 → 05/15	•	+M-Technik vehicles	P06088MM	[O]	17,7	BRE	A00473	675			
	105	11/12 → 05/15	•	-sport pack	P06071MM	[O]	17,2	ATE	A00474	1045			
	105	11/12 → 05/15	•	+sport pack	P06087MM	[O]	17	BRE	A00474	1045			
	110	11/14 →	•	-M-Technik vehicles	P06070MM	[O]	18,2	ATE	A00473	675			
	110	11/14 →	•	+M-Technik vehicles	P06088MM	[O]	17,7	BRE	A00473	675			
	110	11/14 →	•	-M-Technik vehicles	P06071MM	[O]	17,2	ATE	A00474	1045			
	110	11/14 →	•	+M-Technik vehicles	P06087MM	[O]	17	BRE	A00474	1045			
318 i	100	03/15 →	•	-M-Technik vehicles	P06070MM	[O]	18,2	ATE	A00473	675			
	100	03/15 →	•	+M-Technik vehicles	P06088MM	[O]	17,7	BRE	A00473	675			
	100	03/15 →	•	-M-Technik vehicles	P06071MM	[O]	17,2	ATE	A00474	1045			
	100	03/15 →	•	+M-Technik vehicles	P06087MM	[O]	17	BRE	A00474	1045			
320 d	135	03/11 → 03/16	•	-M-Technik vehicles	P06075MM	[O]	19,2	BSH	A00473	675			
	135	03/11 → 03/16	•	+M-Technik vehicles	P06088MM	[O]	17,7	BRE	A00473	675			
	135	03/11 → 03/16	•	-sport pack	P06071MM	[O]	17,2	ATE	A00474	1045			



kw



MAGNETI MARELLI

wi

Th [mm]

SYS

MAGNETI MARELLI

LENGHT

WI

FK

MAGNETI MARELLI

MAGNETI MARELLI

LENGHT

MAGNETI MARELLI

MAGNETI MARELLI

BMW

3 (F30, F80) 03/11 →

Model	Year Range	Icon	Notes	Part No.	Option	Th [mm]	SYS	WI	FK
320 d	135 03/11 → 03/16	●	+sport pack	P06087MM	[o]	17	BRE	A00474	1045
	147 03/11 → 03/16	●	-M-Technik vehicles	P06075MM	[o]	19,2	BSH	A00473	675
	147 03/11 → 03/16	●	+M-Technik vehicles	P06088MM	[o]	17,7	BRE	A00473	675
	147 03/11 → 03/16	●	-M-Technik vehicles	P06071MM	[o]	17,2	ATE	A00474	1045
	147 03/11 → 03/16	●	+M-Technik vehicles	P06087MM	[o]	17	BRE	A00474	1045
	140 10/14 →	●	-M-Technik vehicles	P06075MM	[o]	19,2	BSH	A00473	675
	140 10/14 →	●	+M-Technik vehicles	P06088MM	[o]	17,7	BRE	A00473	675
	140 10/14 →	●	-M-Technik vehicles	P06071MM	[o]	17,2	ATE	A00474	1045
320 d Efficient Dynamics	140 10/14 →	●	+M-Technik vehicles	P06087MM	[o]	17	BRE	A00474	1045
	120 04/11 →	●	-M-Technik vehicles	P06070MM	[o]	18,2	ATE	A00473	675
	120 04/11 →	●	+M-Technik vehicles	P06088MM	[o]	17,7	BRE	A00473	675
	120 04/11 →	●	-sport pack	P06071MM	[o]	17,2	ATE	A00474	1045
320 d xDrive	120 04/11 →	●	+sport pack	P06087MM	[o]	17	BRE	A00474	1045
	120 05/11 →	●	-sport pack	P06075MM	[o]	19,2	BSH	A00473	675
	120 05/11 →	●	+sport pack	P06088MM	[o]	17,7	BRE	A00473	675
	120 05/11 →	●	-sport pack	P06071MM	[o]	17,2	ATE	A00474	1045
	120 05/11 →	●	+sport pack	P06087MM	[o]	17	BRE	A00474	1045
	135 10/11 → 07/15	●	-M-Technik vehicles	P06075MM	[o]	19,2	BSH	A00473	675
	135 10/11 → 07/15	●	+M-Technik vehicles	P06088MM	[o]	17,7	BRE	A00473	675
	135 10/11 → 07/15	●	-sport pack	P06071MM	[o]	17,2	ATE	A00474	1045
	135 10/11 → 07/15	●	+sport pack	P06087MM	[o]	17	BRE	A00474	1045
	147 05/11 → 06/15	●	-M-Technik vehicles	P06075MM	[o]	19,2	BSH	A00473	675
	147 05/11 → 06/15	●	+M-Technik vehicles	P06088MM	[o]	17,7	BRE	A00473	675
	147 05/11 → 06/15	●	-M-Technik vehicles	P06071MM	[o]	17,2	ATE	A00474	1045
	147 05/11 → 06/15	●	+M-Technik vehicles	P06087MM	[o]	17	BRE	A00474	1045
	140 10/14 →	●	-M-Technik vehicles	P06075MM	[o]	19,2	BSH	A00473	675
	140 10/14 →	●	+M-Technik vehicles	P06088MM	[o]	17,7	BRE	A00473	675
	320 i	140 10/14 →	●	-M-Technik vehicles	P06071MM	[o]	17,2	ATE	A00474
140 10/14 →		●	+M-Technik vehicles	P06087MM	[o]	17	BRE	A00474	1045
135 04/11 →		●	-M-Technik vehicles	P06070MM	[o]	18,2	ATE	A00473	675
135 04/11 →		●	-sport pack; (USA)	P06075MM	[o]	19,2	BSH	A00473	675
135 04/11 →		●	+M-Technik vehicles	P06088MM	[o]	17,7	BRE	A00473	675
135 04/11 →		●	-sport pack	P06071MM	[o]	17,2	ATE	A00474	1045
135 04/11 →		●	+sport pack	P06087MM	[o]	17	BRE	A00474	1045
135 09/14 →		●	-M-Technik vehicles	P06070MM	[o]	18,2	ATE	A00473	675
135 09/14 →		●	+M-Technik vehicles	P06088MM	[o]	17,7	BRE	A00473	675
135 09/14 →		●	-M-Technik vehicles	P06071MM	[o]	17,2	ATE	A00474	1045
135 09/14 →		●	+M-Technik vehicles	P06087MM	[o]	17	BRE	A00474	1045
320 i Efficient Dynamics		125 04/12 → 06/16	●	-M-Technik vehicles	P06070MM	[o]	18,2	ATE	A00473
	125 04/12 → 06/16	●	+cruise control; → 07/13	P06075MM	[o]	19,2	BSH	A00473	675
	125 04/12 → 06/16	●	+M-Technik vehicles	P06088MM	[o]	17,7	BRE	A00473	675
	125 04/12 → 06/16	●	-sport pack	P06071MM	[o]	17,2	ATE	A00474	1045
	125 04/12 → 06/16	●	+sport pack	P06087MM	[o]	17	BRE	A00474	1045
320 i xDrive	135 05/11 → 06/15	●	+cruise control	P06070MM	[o]	18,2	ATE	A00473	675
	135 05/11 → 06/15	●	-M-Technik vehicles	P06075MM	[o]	19,2	BSH	A00473	675
	135 05/11 → 06/15	●	+M-Technik vehicles; -(J)	P06088MM	[o]	17,7	BRE	A00473	675
	135 05/11 → 06/15	●	-sport pack	P06071MM	[o]	17,2	ATE	A00474	1045
	135 05/11 → 06/15	●	+sport pack	P06087MM	[o]	17	BRE	A00474	1045
	135 09/14 →	●	-M-Technik vehicles	P06070MM	[o]	18,2	ATE	A00473	675
	135 09/14 →	●	+M-Technik vehicles	P06088MM	[o]	17,7	BRE	A00473	675
	135 09/14 →	●	-M-Technik vehicles	P06071MM	[o]	17,2	ATE	A00474	1045
135 09/14 →	●	+M-Technik vehicles	P06087MM	[o]	17	BRE	A00474	1045	

BMW

3 (F30, F80) 03/11 →

Model	Power (kW)	Year Range	Configuration	Part Number	Availability	Th [mm]	SYS	MAGNETI MARELLI	LENGHT	i	MAGNETI MARELLI	i
325 d	160	07/12 → 02/16	● -M-Technik vehicles	P06075MM	[O]	19,2	BSH	A00473	675			
	160	07/12 → 02/16	● +M-Technik vehicles	P06088MM	[O]	17,7	BRE	A00473	675			
	160	07/12 → 02/16	● -sport pack	P06071MM	[O]	17,2	ATE	A00474	1045			
	160	07/12 → 02/16	● +sport pack	P06087MM	[O]	17	BRE	A00474	1045			
	155	07/12 → 02/16	● -sport pack	P06075MM	[O]	19,2	BSH	A00473	675			
	155	07/12 → 02/16	●	P06087MM	[O]	17	BRE	A00474	1045			
	165	04/15 →	● -M-Technik vehicles	P06075MM	[O]	19,2	BSH	A00473	675			
	165	04/15 →	● -M-Technik vehicles	P06071MM	[O]	17,2	ATE	A00474	1045			
	165	04/15 →	● +M-Technik vehicles	P06087MM	[O]	17	BRE	A00474	1045			
328 i	180	04/11 → 07/16	● -M-Technik vehicles	P06075MM	[O]	19,2	BSH	A00473	675			
	180	04/11 → 07/16	● -sport pack	P06071MM	[O]	17,2	ATE	A00474	1045			
	180	04/11 → 07/16	● +sport pack	P06087MM	[O]	17	BRE	A00474	1045			
328 i xDrive	180	05/11 → 07/16	● -M-Technik vehicles	P06075MM	[O]	19,2	BSH	A00473	675			
	180	05/11 → 07/16	● -sport pack	P06071MM	[O]	17,2	ATE	A00474	1045			
	180	05/11 → 07/16	● +sport pack	P06087MM	[O]	17	BRE	A00474	1045			
330 d	190	01/12 →	● -M-Technik vehicles	P06075MM	[O]	19,2	BSH	A00473	675			
	190	01/12 →	● +M-Technik vehicles	P06088MM	[O]	17,7	BRE	A00473	675			
	190	01/12 →	● -M-Technik vehicles	P06072MM	[O]	18,3	ATE	A00474	1045			
	190	01/12 →	● -M-Technik vehicles; -(J)	P06071MM	[O]	17,2	ATE	A00474	1045			
	190	01/12 →	● +M-Technik vehicles	P06087MM	[O]	17	BRE	A00474	1045			
	210	01/12 →	● -M-Technik vehicles	P06075MM	[O]	19,2	BSH	A00473	675			
	210	01/12 →	● +sport pack	P06088MM	[O]	17,7	BRE	A00473	675			
	210	01/12 →	● -M-Technik vehicles	P06072MM	[O]	18,3	ATE	A00474	1045			
	210	01/12 →	● +M-Technik vehicles	P06087MM	[O]	17	BRE	A00474	1045			
330 d xDrive	190	01/12 →	● -M-Technik vehicles	P06075MM	[O]	19,2	BSH	A00473	675			
	190	01/12 →	● +M-Technik vehicles	P06088MM	[O]	17,7	BRE	A00473	675			
	190	01/12 →	● -M-Technik vehicles	P06072MM	[O]	18,3	ATE	A00474	1045			
	190	01/12 →	● +M-Technik vehicles	P06087MM	[O]	17	BRE	A00474	1045			
	210	01/12 →	● -M-Technik vehicles	P06075MM	[O]	19,2	BSH	A00473	675			
	210	01/12 →	● +sport pack	P06088MM	[O]	17,7	BRE	A00473	675			
	210	01/12 →	● -M-Technik vehicles	P06072MM	[O]	18,3	ATE	A00474	1045			
	210	01/12 →	● +M-Technik vehicles	P06087MM	[O]	17	BRE	A00474	1045			
330 e	185	02/15 →	● +M-Technik vehicles	P06088MM	[O]	17,7	BRE	A00473	675			
	185	02/15 →	● -M-Technik vehicles	P06075MM	[O]	19,2	BSH	A00473	675			
	185	02/15 →	● -M-Technik vehicles	P06071MM	[O]	17,2	ATE	A00474	1045			
	185	02/15 →	● +M-Technik vehicles	P06087MM	[O]	17	BRE	A00474	1045			
	135	02/15 →	● +M-Technik vehicles	P06088MM	[O]	17,7	BRE	A00473	675			
	135	02/15 →	● -M-Technik vehicles	P06075MM	[O]	19,2	BSH	A00473	675			
	135	02/15 →	● -M-Technik vehicles	P06071MM	[O]	17,2	ATE	A00474	1045			
	135	02/15 →	● +M-Technik vehicles	P06087MM	[O]	17	BRE	A00474	1045			
330 i	185	09/14 →	● -M-Technik vehicles	P06075MM	[O]	19,2	BSH	A00473	675			
	185	09/14 →	● -M-Technik vehicles	P06071MM	[O]	17,2	ATE	A00474	1045			
	185	09/14 →	● +M-Technik vehicles	P06087MM	[O]	17	BRE	A00474	1045			
330 i xDrive	185	10/14 →	● -M-Technik vehicles	P06075MM	[O]	19,2	BSH	A00473	675			
	185	10/14 →	● -M-Technik vehicles	P06071MM	[O]	17,2	ATE	A00474	1045			
	185	10/14 →	● +M-Technik vehicles	P06087MM	[O]	17	BRE	A00474	1045			
335 d xDrive	230	11/12 →	● -M-Technik vehicles	P06088MM	[O]	17,7	BRE	A00473	675			
	230	11/12 →	● -M-Technik vehicles	P06072MM	[O]	18,3	ATE	A00474	1045			
	230	11/12 →	● +M-Technik vehicles	P06087MM	[O]	17	BRE	A00474	1045			
335 i	225	04/11 → 07/15	● -M-Technik vehicles	P06088MM	[O]	17,7	BRE	A00473	675			
	225	04/11 → 07/15	● -M-Technik vehicles; (USA)	P06075MM	[O]	19,2	BSH	A00473	675			
	225	04/11 → 07/15	● -M-Technik vehicles	P06072MM	[O]	18,3	ATE	A00474	1045			
	225	04/11 → 07/15	● +sport pack	P06087MM	[O]	17	BRE	A00474	1045			
	240	04/11 → 07/13	● -M-Technik vehicles	P06088MM	[O]	17,7	BRE	A00473	675			

--	--	--	--	--	--	--	--	--	--	--	--	--

BMW

3 (F30, F80) 03/11 →

335 i	240	04/11 → 07/13	●	-M-Technik vehicles	P06072MM	[o]	18,3	ATE	A00474	1045		
	240	04/11 → 07/13	●	-M-Technik vehicles; (J)	P06071MM	[o]	17,2	ATE	A00474	1045		
	240	04/11 → 07/13	●	+M-Technik vehicles	P06087MM	[o]	17	BRE	A00474	1045		
	250	07/13 →	●	-M-Technik vehicles	P06088MM	[o]	17,7	BRE	A00473	675		
	250	07/13 →	●	-M-Technik vehicles	P06072MM	[o]	18,3	ATE	A00474	1045		
	250	07/13 →	●	+M-Technik vehicles	P06087MM	[o]	17	BRE	A00474	1045		
335 i xDrive	225	05/11 → 07/15	●	-M-Technik vehicles; (USA)	P06075MM	[o]	19,2	BSH	A00473	675		
	225	05/11 → 07/15	●	-M-Technik vehicles	P06088MM	[o]	17,7	BRE	A00473	675		
	225	05/11 → 07/15	●	-M-Technik vehicles	P06072MM	[o]	18,3	ATE	A00474	1045		
	225	05/11 → 07/15	●	+sport pack	P06087MM	[o]	17	BRE	A00474	1045		
	240	04/11 → 07/13	●	-M-Technik vehicles	P06088MM	[o]	17,7	BRE	A00473	675		
	240	04/11 → 07/13	●	-M-Technik vehicles	P06072MM	[o]	18,3	ATE	A00474	1045		
	240	04/11 → 07/13	●	+M-Technik vehicles	P06087MM	[o]	17	BRE	A00474	1045		
	250	07/13 →	●	-M-Technik vehicles	P06088MM	[o]	17,7	BRE	A00473	675		
340 i	240	10/14 →	●	-M-Technik vehicles	P06088MM	[o]	17,7	BRE	A00473	675		
	240	10/14 →	●	-M-Technik vehicles	P06072MM	[o]	18,3	ATE	A00474	1045		
	240	10/14 →	●	+M-Technik vehicles	P06087MM	[o]	17	BRE	A00474	1045		
	265	10/14 →	●	→ 12/15; -M-Technik vehicles	P06088MM	[o]	17,7	BRE	A00473	675		
	265	10/14 →	●	-M-Technik vehicles	P06072MM	[o]	18,3	ATE	A00474	1045		
	265	10/14 →	●	+M-Technik vehicles	P06087MM	[o]	17	BRE	A00474	1045		
340 i xDrive	240	10/14 →	●	-M-Technik vehicles	P06088MM	[o]	17,7	BRE	A00473	675		
	240	10/14 →	●	-M-Technik vehicles	P06072MM	[o]	18,3	ATE	A00474	1045		
	240	10/14 →	●	+M-Technik vehicles	P06087MM	[o]	17	BRE	A00474	1045		
	265	10/14 →	●	→ 12/15; -M-Technik vehicles	P06088MM	[o]	17,7	BRE	A00473	675		
	265	10/14 →	●	-M-Technik vehicles	P06072MM	[o]	18,3	ATE	A00474	1045		
	265	10/14 →	●	+M-Technik vehicles	P06087MM	[o]	17	BRE	A00474	1045		
ActiveHybrid	250	11/11 → 05/15	●	-M-Technik vehicles	P06088MM	[o]	17,7	BRE	A00473	675		
	250	11/11 → 05/15	●	-M-Technik vehicles	P06072MM	[o]	18,3	ATE	A00474	1045		
	250	11/11 → 05/15	●	-M-Technik vehicles; -(J)	P06071MM	[o]	17,2	ATE	A00474	1045		
	250	11/11 → 05/15	●	+M-Technik vehicles	P06087MM	[o]	17	BRE	A00474	1045		
	225	11/11 → 05/15	●	-M-Technik vehicles	P06088MM	[o]	17,7	BRE	A00473	675		
	225	11/11 → 05/15	●	-M-Technik vehicles	P06072MM	[o]	18,3	ATE	A00474	1045		
	225	11/11 → 05/15	●	-M-Technik vehicles; -(J)	P06071MM	[o]	17,2	ATE	A00474	1045		
	225	11/11 → 05/15	●	+M-Technik vehicles	P06087MM	[o]	17	BRE	A00474	1045		
	M3	317	04/12 →	●	-ceramic brake disc	P06088MM	[o]	17,7	BRE	A00473	675	-ceramic brake disc
317		04/12 →	●	-ceramic brake disc	P06095MM	[o]	16,8	ATE	A00474	1045	-ceramic brake disc	
M3 Competition	331	03/16 →	●	-ceramic brake disc	P06095MM	[o]	16,8	ATE	A00474	1045	-ceramic brake disc	

3 Compact (E36) 03/94 → 08/00

316 g	75	03/94 → 08/00	●		P06024MM	[o]	17,8	ATE	A00217	776		A02213
	75	03/94 → 08/00	●		P06013MM	[o]	17,3	ATE	A00224	840		
316 i	75	03/94 → 08/00	●		P06024MM	[o]	17,8	ATE	A00217	776		A02213
	75	03/94 → 08/00	●		P06013MM	[o]	17,3	ATE	A00224	840		
	77	12/98 → 08/00	●		P06024MM	[o]	17,8	ATE	A00217	776		A02213
318 tds	66	01/95 → 08/00	●		P06024MM	[o]	17,8	ATE	A00217	776		
	66	01/95 → 08/00	●		P06013MM	[o]	17,3	ATE	A00224	840		
318 ti	103	11/94 → 08/95	●		P06024MM	[o]	17,8	ATE	A00217	776		
	103	11/94 → 08/95	●		P06013MM	[o]	17,3	ATE	A00224	840		
	103	07/95 → 08/00	●		P06024MM	[o]	17,8	ATE	A00217	776		A02213
	103	07/95 → 08/00	●		P06013MM	[o]	17,3	ATE	A00224	840		A02222

--	--	--	--	--	--	--	--	--	--	--	--	--	--	--

BMW

3 Compact (E36) 03/94 → 08/00

323 ti	125	08/97 → 08/00	●			P06024MM	○	17,8	ATE	A00217	776		A02213	
	125	08/97 → 08/00	●			P06013MM	○	17,3	ATE	A00224	840		A02222	

3 Compact (E46) 03/01 → 02/05

316 ti	85	06/01 → 02/05	●			P06024MM	○	17,8	ATE	A00220	596		A02224	
	85	06/01 → 02/05	●			P06025MM	○	17,3	ATE	A00221	1338		A02222	
	77	06/02 → 02/05	●			P06024MM	○	17,8	ATE	A00220	596			
	77	06/02 → 02/05	●			P06025MM	○	17,3	ATE	A00221	1338			
	85	06/02 → 02/05	●			P06024MM	○	17,8	ATE	A00220	596			
	85	06/02 → 02/05	●			P06025MM	○	17,3	ATE	A00221	1338			
318 td	85	03/03 → 02/05	●			P06024MM	○	17,8	ATE	A00220	596		A02224	
	85	03/03 → 02/05	●			P06025MM	○	17,3	ATE	A00221	1338		A02222	
318 ti	105	03/01 → 12/04	●			P06024MM	○	17,8	ATE	A00220	596			
	105	03/01 → 12/04	●			P06025MM	○	17,3	ATE	A00221	1338			
	100	03/01 → 12/04	●			P06025MM	○	17,3	ATE					
320 td	110	09/01 → 02/05	●			P06024MM	○	17,8	ATE	A00220	596			
	110	09/01 → 02/05	●			P06025MM	○	17,3	ATE	A00221	1338			
325 ti	141	06/01 → 02/05	●			P06024MM	○	17,8	ATE	A00220	596		A02224	
	141	06/01 → 02/05	●			P06025MM	○	17,3	ATE	A00221	1338		A02222	

3 Convertible (E36) 03/93 → 04/99

318 i	85	01/94 → 04/99	●			P06024MM	○	17,8	ATE	A00217	776		A02213	
	85	01/94 → 04/99	●			P06013MM	○	17,3	ATE	A00218	790		A02222	
320 i	110	12/93 → 04/99	●			P06024MM	○	17,8	ATE	A00217	776		A02213	
	110	12/93 → 04/99	●			P06013MM	○	17,3	ATE	A00218	790		A02222	
323 i	125	06/95 → 04/99	●			P06024MM	○	17,8	ATE	A00217	776		A02213	
	125	06/95 → 04/99	●			P06013MM	○	17,3	ATE	A00218	790		A02222	
325 i	141	03/93 → 03/95	●			P06024MM	○	17,8	ATE	A00217	776		A02213	
	141	03/93 → 03/95	●			P06013MM	○	17,3	ATE	A00218	790		A02222	
328 i	142	03/95 → 04/99	●			P06024MM	○	17,8	ATE	A00217	776			
	142	03/95 → 04/99	●			P06013MM	○	17,3	ATE	A00218	790			
M3 3.0	210	01/94 → 10/95	●			P06042MM	○	20,3	ATE	A00219	810			
	210	01/94 → 10/95	●			P06011MM	○	17,3	ATE	A00218	790			
M3 3.2	236	10/95 → 04/99	●			P06042MM	○	20,3	ATE	A00219	810		A02213	
	236	10/95 → 04/99	●			P06011MM	○	17,3	ATE	A00218	790		A02222	

3 Convertible (E46) 04/00 → 12/07

318 Ci	105	09/01 → 12/07	●			P06024MM	○	17,8	ATE	A00220	596		A02224	
	105	09/01 → 12/07	●			P06025MM	○	17,3	ATE	A00221	1338		A02222	
	110	02/05 → 12/07	●			P06024MM	○	17,8	ATE	A00220	596		A02224	
	110	02/05 → 12/07	●			P06025MM	○	17,3	ATE	A00221	1338		A02222	
320 Cd	110	02/05 → 12/07	●			P06024MM	○	17,8	ATE	A00220	596		A02224	
	110	02/05 → 12/07	●			P06025MM	○	17,3	ATE	A00221	1338		A02222	
320 Ci	125	09/00 → 12/07	●			P06024MM	○	17,8	ATE	A00220	596		A02224	
	125	09/00 → 12/07	●			P06025MM	○	17,3	ATE	A00221	1338		A02222	
	120	01/06 → 12/07	●			P06024MM	○	17,8	ATE	A00220	596			
	120	01/06 → 12/07	●			P06025MM	○	17,3	ATE	A00221	1338			
323 Ci	125	04/00 → 09/00	●			P06024MM	○	17,8	ATE	A00220	596		A02224	
	125	04/00 → 09/00	●			P06025MM	○	17,3	ATE	A00221	1338		A02222	
	120	04/00 → 09/00	●			P06025MM	○	17,3	ATE					
325 Ci	141	09/00 → 12/07	●			P06024MM	○	17,8	ATE	A00220	596		A02224	
	141	09/00 → 12/07	●			P06025MM	○	17,3	ATE	A00221	1338		A02222	
330 Cd	150	08/05 → 12/07	●			P06043MM	○	20,3	ATE	A00222	650		A02223	
	150	08/05 → 12/07	●			P06044MM	○	17,2	ATE	A00221	1338		A02223	
330 Ci	170	06/00 → 12/07	●			P06043MM	○	20,3	ATE	A00222	650		A02223	
	170	06/00 → 12/07	●			P06044MM	○	17,2	ATE	A00221	1338		A02223	

									WI		FK		

BMW

3 Convertible (E46) 04/00 → 12/07

M3 3.2	252	04/01 → 12/07	●		P06042MM	[o]	20,3	ATE	A00222	650		A02223
	252	04/01 → 12/07		●	P06020MM	[o]	17,2	ATE	A00225	1350		A02223

3 Convertible (E93) 05/06 → 12/13

318 i	105	03/10 → 12/13	●	-sport pack	P06040MM	[o]	20,3	ATE	A00213	692	+sport pack		
	105	03/10 → 12/13	●	+sport pack	P06041MM	[o]	17	BRE	A00213	692	+sport pack		
	105	03/10 → 12/13		●	P06038MM	[o]	17,3	ATE	A00437	1110	03/10 →	A02222	
320 d	130	09/07 → 02/10	●	-sport pack	P06055MM	[o]	20,3	ATE	A00213	692	+sport pack		
	130	09/07 → 02/10	●	+sport pack	P06041MM	[o]	17	BRE	A00213	692	+sport pack		
	130	09/07 → 02/10	●	-sport pack	P06038MM	[o]	17,3	ATE	A00212	1093	→ 03/10		
	130	09/07 → 02/10	●	+sport pack	P06059MM	[o]	17,1	BRE	A00212	1093	→ 03/10		
	135	03/10 → 10/13	●	-sport pack	P06055MM	[o]	20,3	ATE	A00213	692	+sport pack		
	135	03/10 → 10/13	●	+sport pack	P06041MM	[o]	17	BRE	A00213	692	+sport pack		
	135	03/10 → 10/13		●	P06038MM	[o]	17,3	ATE	A00212	1093	→ 03/10		
	120	01/08 → 12/13	●	-sport pack	P06055MM	[o]	20,3	ATE	A00213	692	+sport pack; → 03/10; -sport pack		
	120	01/08 → 12/13	●	+sport pack	P06041MM	[o]	17	BRE	A00213	692	+sport pack; → 03/10; -sport pack		
	120	01/08 → 12/13		●	-sport pack	P06038MM	[o]	17,3	ATE	A00212	1093	→ 03/10; -sport pack; +sport pack	
	120	01/08 → 12/13		●	+sport pack	P06059MM	[o]	17,1	BRE	A00212	1093	→ 03/10; -sport pack; +sport pack	
	147	03/10 → 10/13	●		P06055MM	[o]	20,3	ATE	A00436	723			
	147	03/10 → 10/13		●	P06038MM	[o]	17,3	ATE	A00437	1110			
	145	09/07 → 02/10	●		P06055MM	[o]	20,3	ATE	A00213	692			
145	09/07 → 02/10		●	P06038MM	[o]	17,3	ATE	A00212	1093				
320 i	125	09/06 → 10/13	●	-sport pack; → 04/08	P06055MM	[o]	20,3	ATE	A00211	635	-sport pack		
	125	09/06 → 10/13	●	-sport pack; 04/08 →	P06040MM	[o]	20,3	ATE	A00211	635	-sport pack		
	125	09/06 → 10/13	●	-sport pack	P06036MM	[o]	20,3	ATE	A00211	635	-sport pack		
	125	09/06 → 10/13	●	+sport pack	P06041MM	[o]	17	BRE	A00211	635	-sport pack		
	125	09/06 → 10/13		●	P06038MM	[o]	17,3	ATE	A00212	1093	→ 03/10	A02222	
	110	01/07 → 08/13	●	-sport pack	P06040MM	[o]	20,3	ATE	A00211	635	-sport pack		
	110	01/07 → 08/13	●	-sport pack	P06055MM	[o]	20,3	ATE	A00211	635	-sport pack		
	110	01/07 → 08/13	●	+sport pack	P06041MM	[o]	17	BRE	A00211	635	-sport pack		
	110	01/07 → 08/13		●	P06038MM	[o]	17,3	ATE	A00212	1093			
	115	01/07 → 08/13	●	-sport pack	P06036MM	[o]	20,3	ATE	A00211	635	-sport pack; → 03/10		
	115	01/07 → 08/13	●	-sport pack; → 04/08	P06055MM	[o]	20,3	ATE	A00211	635	-sport pack; → 03/10		
	115	01/07 → 08/13	●	-sport pack; 04/08 →	P06040MM	[o]	20,3	ATE	A00211	635	-sport pack; → 03/10		
	115	01/07 → 08/13	●	+sport pack	P06041MM	[o]	17	BRE	A00211	635	-sport pack; → 03/10		
	115	01/07 → 08/13		●	P06038MM	[o]	17,3	ATE	A00212	1093	→ 03/10		
	120	09/06 → 10/13	●	-sport pack	P06036MM	[o]	20,3	ATE	A00211	635	-sport pack; → 03/10		
	120	09/06 → 10/13	●	-sport pack; → 04/08	P06055MM	[o]	20,3	ATE	A00211	635	-sport pack; → 03/10		
	120	09/06 → 10/13	●	-sport pack; 04/08 →	P06040MM	[o]	20,3	ATE	A00211	635	-sport pack; → 03/10		
120	09/06 → 10/13	●	+sport pack	P06041MM	[o]	17	BRE	A00211	635	-sport pack; → 03/10			
120	09/06 → 10/13		●	P06038MM	[o]	17,3	ATE	A00212	1093	→ 03/10			
323 i	140	03/07 → 09/11	●		P06055MM	[o]	20,3	ATE					
	140	03/07 → 09/11		●	P06038MM	[o]	17,3	ATE					
325 d	150	09/09 → 09/13	●	-sport pack	P06036MM	[o]	20,3	ATE	A00213	692	+sport pack		
	150	09/09 → 09/13	●	+sport pack	P06041MM	[o]	17	BRE	A00213	692	+sport pack		
	150	09/09 → 09/13	●	-sport pack	P06039MM	[o]	17,3	ATE	A00212	1093	→ 03/10		
	150	09/09 → 09/13	●	+sport pack	P06059MM	[o]	17,1	BRE	A00212	1093	→ 03/10		
	145	03/07 → 12/10	●	Eng. Nr N52N	P06036MM	[o]	20,3	ATE	A00211	635	Eng. Nr N52N		
	145	03/07 → 12/10	●	+sport pack	P06041MM	[o]	17	BRE	A00211	635	Eng. Nr N52N		
	145	03/07 → 12/10	●	-sport pack	P06039MM	[o]	17,3	ATE	A00212	1093	→ 03/10		
	145	03/07 → 12/10	●	+sport pack	P06059MM	[o]	17,1	BRE	A00212	1093	→ 03/10		
155	03/07 → 12/10	●	+sport pack	P06041MM	[o]	17	BRE	A00211	635	-sport pack			

		kw						wi	Th [mm]	SYS		LENGHT		WI			FK		
--	--	----	--	--	--	--	--	----	---------	-----	--	--------	--	----	--	--	----	--	--

BMW

3 Convertible (E93) 05/06 → 12/13

325 d	155	03/07 → 12/10	●	-sport pack	P06036MM	[O]	20,3	ATE	A00211	635	-sport pack									
	155	03/07 → 12/10	●	+sport pack	P06059MM	[O]	17,1	BRE	A00212	1093										
	155	03/07 → 12/10	●	-sport pack	P06039MM	[O]	17,3	ATE	A00212	1093										
325 i	160	03/07 → 12/13	●	-sport pack	P06036MM	[O]	20,3	ATE	A00211	635										
	160	03/07 → 12/13	●	+sport pack	P06041MM	[O]	17	BRE	A00211	635										
	160	03/07 → 12/13	●	-sport pack	P06038MM	[O]	17,3	ATE	A00212	1093	→ 03/10		A02222							
	160	03/07 → 12/13	●	+sport pack	P06059MM	[O]	17,1	BRE	A00212	1093	→ 03/10		A02222							
	160	03/07 → 12/13	●		P06055MM	[O]	20,3	ATE	A00211	635										
	155	10/06 → 12/13	●	-sport pack	P06036MM	[O]	20,3	ATE	A00211	635	-sport pack									
	155	10/06 → 12/13	●	+sport pack	P06041MM	[O]	17	BRE	A00211	635	-sport pack									
330 d	155	10/06 → 12/13	●	+sport pack	P06059MM	[O]	17,1	BRE	A00212	1093	→ 03/10; -sport pack; +sport pack									
	155	10/06 → 12/13	●	-sport pack	P06038MM	[O]	17,3	ATE	A00212	1093	→ 03/10; -sport pack; +sport pack									
	170	03/07 → 12/13	●	Eng. Nr N52N	P06036MM	[O]	20,3	ATE	A00211	635	Eng. Nr N52N									
	170	03/07 → 12/13	●	+sport pack	P06041MM	[O]	17	BRE	A00211	635	Eng. Nr N52N									
	170	03/07 → 12/13	●	-sport pack; +high payload; → 09/09; -high payload	P06081MM	[O]	20,3	ATE	A00211	635	Eng. Nr N52N									
	170	03/07 → 12/13	●	-sport pack	P06039MM	[O]	17,3	ATE	A00212	1093	→ 03/10									
	170	03/07 → 12/13	●	+sport pack	P06059MM	[O]	17,1	BRE	A00212	1093	→ 03/10									
	180	01/09 → 12/13	●	-sport pack	P06036MM	[O]	20,3	ATE	A00211	635	→ 03/10; -sport pack									
	180	01/09 → 12/13	●	+sport pack	P06041MM	[O]	17	BRE	A00211	635	→ 03/10; -sport pack									
	180	01/09 → 12/13	●	-sport pack; +high payload; → 09/09; -high payload	P06081MM	[O]	20,3	ATE	A00211	635	→ 03/10; -sport pack									
330 i	180	01/09 → 12/13	●	-sport pack	P06039MM	[O]	17,3	ATE	A00212	1093	→ 03/10									
	180	01/09 → 12/13	●	+sport pack	P06059MM	[O]	17,1	BRE	A00212	1093	→ 03/10									
	200	03/07 → 12/13	●	Eng. Nr N52N	P06036MM	[O]	20,3	ATE	A00211	635	→ 03/10									
	200	03/07 → 12/13	●	+sport pack	P06041MM	[O]	17	BRE	A00211	635	→ 03/10									
	200	03/07 → 12/13	●	-sport pack; +high payload; → 09/09; -high payload	P06081MM	[O]	20,3	ATE	A00211	635	→ 03/10									
	200	03/07 → 12/13	●	-sport pack	P06039MM	[O]	17,3	ATE	A00212	1093	→ 03/10									
	200	03/07 → 12/13	●	+sport pack	P06059MM	[O]	17,1	BRE	A00212	1093	→ 03/10									
	190	03/07 → 12/13	●	-sport pack	P06036MM	[O]	20,3	ATE	A00211	635										
	190	03/07 → 12/13	●	+sport pack	P06041MM	[O]	17	BRE	A00211	635										
	190	03/07 → 12/13	●	-sport pack	P06039MM	[O]	17,3	ATE	A00212	1093	→ 03/10									
335 i	190	03/07 → 12/13	●	+sport pack	P06059MM	[O]	17,1	BRE	A00212	1093	→ 03/10									
	200	03/07 → 12/13	●	09/09 →	P06036MM	[O]	20,3	ATE	A00211	635	→ 03/10									
	200	03/07 → 12/13	●	→ 09/09	P06081MM	[O]	20,3	ATE	A00211	635	→ 03/10									
	200	03/07 → 12/13	●		P06039MM	[O]	17,3	ATE	A00212	1093	→ 03/10									
	225	05/06 → 10/13	●	Eng. Nr N52N	P06036MM	[O]	20,3	ATE	A00213	692	→ 03/10									
	225	05/06 → 10/13	●		P06081MM	[O]	20,3	ATE	A00213	692	→ 03/10									
M3	240	05/06 → 10/13	●		P06039MM	[O]	17,3	ATE	A00212	1093	→ 03/10									
	240	05/06 → 10/13	●		P06081MM	[O]	20,3	ATE	A00213	692	Left; → 03/10									
316 i	309	03/07 → 10/13	●		P06046MM	[O]	20,3	ATE	A00412	675										
	309	03/07 → 10/13	●		P06026MM	[O]	17,3	ATE	A00212	1093										

3 Coupé (E36) 03/92 → 04/99

316 i	75	09/93 → 04/99	●		P06024MM	[O]	17,8	ATE	A00217	776			A02213					
	75	09/93 → 04/99	●		P06013MM	[O]	17,3	ATE	A00218	790			A02222					
318 is	103	03/92 → 10/95	●		P06024MM	[O]	17,8	ATE	A00217	776								
	103	03/92 → 10/95	●		P06013MM	[O]	17,3	ATE	A00218	790								
	103	09/95 → 04/99	●		P06024MM	[O]	17,8	ATE	A00217	776			A02213					
	103	09/95 → 04/99	●		P06013MM	[O]	17,3	ATE	A00218	790			A02222					
320 i	110	03/92 → 04/99	●		P06024MM	[O]	17,8	ATE	A00217	776			A02213					
	110	03/92 → 04/99	●		P06013MM	[O]	17,3	ATE	A00218	790			A02222					



kw



MAGNETI MARELLI

WI

Th [mm]

SYS

MAGNETI MARELLI

LENGHT

WI

MAGNETI MARELLI

FK

MAGNETI MARELLI

MAGNETI MARELLI

MAGNETI MARELLI

BMW

3 Coupé (E36) 03/92 → 04/99

323 i	125	03/95 → 04/99	●		P06024MM	[o]	17,8	ATE	A00217	776		A02213
	125	03/95 → 04/99	●		P06013MM	[o]	17,3	ATE	A00218	790		A02222
325 i	141	03/92 → 04/99	●		P06024MM	[o]	17,8	ATE	A00217	776		A02213
	141	03/92 → 04/99	●		P06013MM	[o]	17,3	ATE	A00218	790		A02222
328 i	142	01/95 → 04/99	●		P06024MM	[o]	17,8	ATE	A00217	776		
	142	01/95 → 04/99	●		P06013MM	[o]	17,3	ATE	A00218	790		
M3 3.0	210	10/92 → 01/95	●		P06042MM	[o]	20,3	ATE	A00219	810		
	210	10/92 → 01/95	●		P06011MM	[o]	17,3	ATE	A00218	790		
	217	01/95 → 10/95	●		P06042MM	[o]	20,3	ATE	A00219	810		A02213
	217	01/95 → 10/95	●		P06011MM	[o]	17,3	ATE	A00218	790		A02222
M3 3.2	236	10/95 → 04/99	●		P06042MM	[o]	20,3	ATE	A00219	810		A02213
	236	10/95 → 04/99	●		P06011MM	[o]	17,3	ATE	A00218	790		A02222

3 Coupé (E46) 02/99 → 07/06

316 Ci	77	04/00 → 07/06	●		P06024MM	[o]	17,8	ATE	A00220	596		A02224
	77	04/00 → 07/06	●		P06025MM	[o]	17,3	ATE	A00221	1338		A02222
	85	06/02 → 07/06	●		P06024MM	[o]	17,8	ATE	A00220	596		A02224
	85	06/02 → 07/06	●		P06025MM	[o]	17,3	ATE	A00221	1338		A02222
318 Ci	87	11/99 → 09/01	●		P06024MM	[o]	17,8	ATE	A00220	596		A02224
	87	11/99 → 09/01	●		P06025MM	[o]	17,3	ATE	A00221	1338		A02222
	105	12/00 → 05/06	●		P06024MM	[o]	17,8	ATE	A00220	596		
	105	12/00 → 05/06	●		P06025MM	[o]	17,3	ATE	A00221	1338		
320 Cd	110	03/05 → 07/06	●		P06024MM	[o]	17,8	ATE	A00220	596		
	110	03/05 → 07/06	●		P06025MM	[o]	17,3	ATE	A00221	1338		
320 Ci	110	11/03 → 07/06	●		P06024MM	[o]	17,8	ATE	A00220	596		A02224
	110	11/03 → 07/06	●		P06025MM	[o]	17,3	ATE	A00221	1338		A02222
	110	02/99 → 08/01	●		P06024MM	[o]	17,8	ATE	A00220	596		A02224
	110	02/99 → 08/01	●		P06025MM	[o]	17,3	ATE	A00221	1338		A02222
323 Ci	125	01/00 → 05/06	●		P06024MM	[o]	17,8	ATE	A00220	596		A02224
	125	01/00 → 05/06	●		P06025MM	[o]	17,3	ATE	A00221	1338		A02222
325 Ci	125	04/99 → 09/00	●		P06024MM	[o]	17,8	ATE	A00220	596		A02224
	125	04/99 → 09/00	●		P06025MM	[o]	17,3	ATE	A00221	1338		A02222
328 Ci	141	09/00 → 07/06	●		P06024MM	[o]	17,8	ATE	A00220	596		A02224
	141	09/00 → 07/06	●		P06025MM	[o]	17,3	ATE	A00221	1338		A02222
330 Cd	142	04/99 → 06/00	●		P06024MM	[o]	17,8	ATE	A00220	596		A02224
	142	04/99 → 06/00	●		P06025MM	[o]	17,3	ATE	A00221	1338		A02222
330 Ci	150	03/03 → 07/06	●		P06043MM	[o]	20,3	ATE	A00222	650		A02223
	150	03/03 → 07/06	●		P06044MM	[o]	17,2	ATE	A00221	1338		A02223
330 xi	170	06/00 → 07/06	●		P06043MM	[o]	20,3	ATE	A00222	650		A02223
	170	06/00 → 07/06	●		P06044MM	[o]	17,2	ATE	A00221	1338		A02223
M3	252	06/00 → 07/06	●		P06042MM	[o]	20,3	ATE	A00222	650		A02223
	252	06/00 → 07/06	●		P06020MM	[o]	17,2	ATE	A00225	1350		A02223
	265	06/03 → 07/06	●		P06042MM	[o]	20,3	ATE	A00222	650		
	265	06/03 → 07/06	●		P06020MM	[o]	17,2	ATE	A00225	1350		

3 Coupé (E92) 01/05 → 12/13

316 i	90	09/07 → 12/13	●	-sport pack	P06040MM	[o]	20,3	ATE	A00211	635	→ 03/10	
	90	09/07 → 12/13	●	+sport pack	P06041MM	[o]	17	BRE	A00211	635	→ 03/10	
	90	09/07 → 12/13	●	-sport pack	P06037MM	[o]	17,4	TRW	A00212	1093	→ 03/10	
	90	09/07 → 12/13	●	+sport pack	P06038MM	[o]	17,3	ATE	A00212	1093	→ 03/10	
318 i	105	03/10 → 12/13	●	-sport pack	P06040MM	[o]	20,3	ATE	A00213	692	+sport pack	
	105	03/10 → 12/13	●	+sport pack	P06041MM	[o]	17	BRE	A00213	692	+sport pack	
	105	03/10 → 12/13	●		P06038MM	[o]	17,3	ATE	A00437	1110		A02222

BMW

3 Coupé (E92) 01/05 → 12/13

320 d	130	09/06 → 02/10	●	-sport pack	P06036MM	[O]	20,3	ATE	A00213	692	+sport pack		
	130	09/06 → 02/10	●	-sport pack	P06055MM	[O]	20,3	ATE	A00213	692	+sport pack		
	130	09/06 → 02/10	●	+sport pack	P06041MM	[O]	17	BRE	A00213	692	+sport pack		
	130	09/06 → 02/10	●		P06038MM	[O]	17,3	ATE	A00212	1093	→ 03/10	A02222	
	135	03/10 → 06/13	●	-sport pack	P06055MM	[O]	20,3	ATE	A00213	692	+sport pack		
	135	03/10 → 06/13	●	+sport pack	P06041MM	[O]	17	BRE	A00213	692	+sport pack		
	135	03/10 → 06/13	●		P06038MM	[O]	17,3	ATE	A00212	1093	→ 03/10		
	120	03/07 → 06/13	●	-sport pack	P06055MM	[O]	20,3	ATE	A00213	692	+sport pack; → 03/10; -sport pack		
	120	03/07 → 06/13	●	+sport pack	P06041MM	[O]	17	BRE	A00213	692	+sport pack; → 03/10; -sport pack		
	120	03/07 → 06/13	●		P06038MM	[O]	17,3	ATE	A00212	1093	→ 03/10; -sport pack; +sport pack		
	147	03/10 → 06/13	●		P06055MM	[O]	20,3	ATE	A00436	723			
	147	03/10 → 06/13	●		P06038MM	[O]	17,3	ATE	A00437	1110			
	145	09/06 → 02/10	●		P06055MM	[O]	20,3	ATE	A00213	692			
	145	09/06 → 02/10	●		P06038MM	[O]	17,3	ATE	A00212	1093			
320 d xDrive	130	09/09 → 02/10	●		P06055MM	[O]	20,3	ATE	A00223	850	→ 03/10		
	130	09/09 → 02/10	●		P06038MM	[O]	17,3	ATE	A00212	1093	→ 03/10		
	135	03/10 → 06/13	●		P06055MM	[O]	20,3	ATE	A00223	850	→ 03/10		
	135	03/10 → 06/13	●		P06038MM	[O]	17,3	ATE	A00212	1093	→ 03/10		
	147	03/10 → 06/13	●		P06055MM	[O]	20,3	ATE	A00441	865			
	147	03/10 → 06/13	●		P06038MM	[O]	17,3	ATE	A00437	1110			
	145	09/09 → 02/10	●		P06055MM	[O]	20,3	ATE	A00223	850			
	145	09/09 → 02/10	●		P06038MM	[O]	17,3	ATE	A00212	1093			
	120	03/10 → 06/13	●		P06055MM	[O]	20,3	ATE					
	120	03/10 → 06/13	●		P06038MM	[O]	17,3	ATE					
320 i	125	03/07 → 12/13	●	-sport pack	P06036MM	[O]	20,3	ATE	A00211	635	→ 03/10; -sport pack		
	125	03/07 → 12/13	●	-sport pack	P06040MM	[O]	20,3	ATE	A00211	635	→ 03/10; -sport pack		
	125	03/07 → 12/13	●	+sport pack	P06041MM	[O]	17	BRE	A00211	635	→ 03/10; -sport pack		
	125	03/07 → 12/13	●		P06038MM	[O]	17,3	ATE	A00212	1093	→ 03/10	A02222	
	110	11/06 → 06/07	●	-sport pack	P06040MM	[O]	20,3	ATE	A00211	635	-sport pack		
	110	11/06 → 06/07	●	+sport pack	P06041MM	[O]	17	BRE	A00211	635	-sport pack		
	110	11/06 → 06/07	●		P06038MM	[O]	17,3	ATE	A00212	1093			
	120	01/07 → 12/13	●	+sport pack	P06041MM	[O]	17	BRE	A00211	635	-sport pack		
	120	01/07 → 12/13	●	-sport pack	P06040MM	[O]	20,3	ATE	A00211	635	-sport pack		
	120	01/07 → 12/13	●		P06038MM	[O]	17,3	ATE	A00212	1093	+sport pack; → 03/10; -sport pack		
	115	06/07 → 12/13	●	-sport pack	P06040MM	[O]	20,3	ATE	A00211	635	→ 03/10		
	115	06/07 → 12/13	●	+sport pack	P06041MM	[O]	17	BRE	A00211	635	→ 03/10		
	115	06/07 → 12/13	●		P06038MM	[O]	17,3	ATE	A00212	1093	→ 03/10		
	320 xd	130	03/08 → 02/10	●		P06055MM	[O]	20,3	ATE	A00223	850	→ 03/10	
130		03/08 → 02/10	●		P06038MM	[O]	17,3	ATE	A00212	1093	→ 03/10		
145		03/08 → 02/10	●		P06055MM	[O]	20,3	ATE	A00223	850			
145		03/08 → 02/10	●		P06038MM	[O]	17,3	ATE	A00212	1093			
120		03/08 → 02/10	●		P06055MM	[O]	20,3	ATE					
120		03/08 → 02/10	●		P06038MM	[O]	17,3	ATE					
323 i	140	04/06 → 02/12	●	09/07 →	P06055MM	[O]	20,3	ATE					
	140	04/06 → 02/12	●	→ 09/07	P06036MM	[O]	20,3	ATE					
	140	04/06 → 02/12	●		P06038MM	[O]	17,3	ATE					
325 d	145	03/07 → 12/13	●	-sport pack	P06036MM	[O]	20,3	ATE	A00211	635			
	145	03/07 → 12/13	●	+sport pack	P06041MM	[O]	17	BRE	A00211	635			
	145	03/07 → 12/13	●	-sport pack	P06039MM	[O]	17,3	ATE	A00212	1093	→ 03/10		
	145	03/07 → 12/13	●	+sport pack	P06059MM	[O]	17,1	BRE	A00212	1093	→ 03/10		
	150	04/10 → 12/13	●	-sport pack	P06036MM	[O]	20,3	ATE	A00213	692	+sport pack		



kw



wi

Th [mm]

SYS

MAGNETI MARELLI

LENGHT

WI



FK



BMW

3 Coupé (E92) 01/05 → 12/13

	kw	Th [mm]	SYS	MAGNETI MARELLI	LENGHT	WI	FK
325 d	150 04/10 → 12/13 ● +sport pack	P06041MM [o]	17 BRE	A00213	692	+sport pack	
	150 04/10 → 12/13 ● -sport pack	P06039MM [o]	17,3 ATE	A00212	1093	+sport pack	
	150 04/10 → 12/13 ● +sport pack	P06059MM [o]	17,1 BRE	A00212	1093	+sport pack	
	155 01/07 → 12/09 ● -sport pack	P06036MM [o]	20,3 ATE	A00211	635	-sport pack	
	155 01/07 → 12/09 ● +sport pack	P06041MM [o]	17 BRE	A00211	635	-sport pack	
	155 01/07 → 12/09 ● -sport pack	P06039MM [o]	17,3 ATE	A00212	1093		
	155 01/07 → 12/09 ● +sport pack	P06059MM [o]	17,1 BRE	A00212	1093		
325 i	160 05/05 → 06/13 ● → 09/07	P06036MM [o]	20,3 ATE	A00211	635		
	160 05/05 → 06/13 ● 09/07 →	P06055MM [o]	20,3 ATE	A00211	635		
	160 05/05 → 06/13 ● +sport pack	P06041MM [o]	17 BRE	A00211	635		
	160 05/05 → 06/13 ●	P06038MM [o]	17,3 ATE	A00212	1093	→ 03/10	A02222
	160 01/05 → 06/13 ●	P06055MM [o]	20,3 ATE	A00211	635	Eng. Nr N53	
	160 01/05 → 06/13 ● Eng. Nr N53	P06036MM [o]	20,3 ATE	A00211	635	Eng. Nr N53	
	160 01/05 → 06/13 ●	P06038MM [o]	17,3 ATE	A00212	1093	→ 03/10	
	155 05/05 → 06/13 ● → 09/07	P06036MM [o]	20,3 ATE	A00213	692	-sport pack; → 03/10; +sport pack	
	155 05/05 → 06/13 ● -sport pack	P06055MM [o]	20,3 ATE	A00213	692	-sport pack; → 03/10; +sport pack	
	155 05/05 → 06/13 ● +sport pack	P06041MM [o]	17 BRE	A00213	692	-sport pack; → 03/10; +sport pack	
	155 05/05 → 06/13 ●	P06038MM [o]	17,3 ATE	A00212	1093	-sport pack; → 03/10; +sport pack	
	155 01/05 → 06/13 ● 09/07 →	P06055MM [o]	20,3 ATE	A00211	635	-sport pack	
	155 01/05 → 06/13 ● +sport pack	P06041MM [o]	17 BRE	A00211	635	-sport pack	
	155 01/05 → 06/13 ● -sport pack	P06036MM [o]	20,3 ATE	A00211	635	-sport pack	
155 01/05 → 06/13 ●	P06038MM [o]	17,3 ATE	A00212	1093	-sport pack; → 03/10; +sport pack		
325 i xDrive	160 09/08 → 12/13 ●	P06036MM [o]	20,3 ATE	A00223	850	→ 03/10	
	160 09/08 → 12/13 ●	P06038MM [o]	17,3 ATE	A00212	1093	→ 03/10	
	150 03/06 → 12/13 ● → 09/07	P06036MM [o]	20,3 ATE				
	150 03/06 → 12/13 ● 09/07 →	P06055MM [o]	20,3 ATE				
	150 03/06 → 12/13 ●	P06038MM [o]	17,3 ATE				
325 xi	160 09/06 → 12/13 ● → 09/07	P06036MM [o]	20,3 ATE	A00223	850	→ 03/10	
	160 09/06 → 12/13 ● 09/07 →	P06055MM [o]	20,3 ATE	A00223	850	→ 03/10	
	160 09/06 → 12/13 ●	P06038MM [o]	17,3 ATE	A00212	1093	→ 03/10	A02222
	160 09/07 → 12/13 ● disc Ø 312 mm	P06055MM [o]	20,3 ATE	A00223	850	→ 03/10	
	160 09/07 → 12/13 ● disc Ø 330 mm	P06036MM [o]	20,3 ATE	A00223	850	→ 03/10	
	160 09/07 → 12/13 ●	P06038MM [o]	17,3 ATE	A00212	1093	→ 03/10	
328 i	172 06/07 → 12/13 ● → 09/07	P06036MM [o]	20,3 ATE	A00211	635	→ 03/10; -sport pack	
	172 06/07 → 12/13 ● 09/07 →	P06055MM [o]	20,3 ATE	A00211	635	→ 03/10; -sport pack	
	172 06/07 → 12/13 ●	P06038MM [o]	17,3 ATE	A00212	1093	+sport pack; -sport pack; → 03/10; -sport pack	
328 i xDrive	172 09/09 → 06/13 ●	P06055MM [o]	20,3 ATE				
	172 09/09 → 06/13 ●	P06038MM [o]	17,3 ATE				
330 d	170 09/06 → 12/13 ● -sport pack	P06081MM [o]	20,3 ATE	A00211	635		
	170 09/06 → 12/13 ● +sport pack	P06041MM [o]	17 BRE	A00211	635		
	170 09/06 → 12/13 ● -sport pack	P06039MM [o]	17,3 ATE	A00212	1093	→ 03/10	
	170 09/06 → 12/13 ● +sport pack	P06059MM [o]	17,1 BRE	A00212	1093	→ 03/10	
	180 01/09 → 12/13 ● -sport pack	P06036MM [o]	20,3 ATE	A00211	635		
	180 01/09 → 12/13 ● -sport pack	P06081MM [o]	20,3 ATE	A00211	635		
	180 01/09 → 12/13 ● +sport pack	P06041MM [o]	17 BRE	A00211	635		
	180 01/09 → 12/13 ● -sport pack	P06039MM [o]	17,3 ATE	A00212	1093	→ 03/10	
330 d xDrive	180 01/09 → 12/13 ● 09/09 →	P06036MM [o]	20,3 ATE	A00223	850	→ 03/10	
	180 01/09 → 12/13 ● → 09/09	P06081MM [o]	20,3 ATE	A00223	850	→ 03/10	
	180 01/09 → 12/13 ●	P06039MM [o]	17,3 ATE	A00212	1093	→ 03/10	

		kw						wi	Th [mm]	SYS	WI		FK		
												LENGHT			

BMW

3 Coupé (E92) 01/05 → 12/13

330 i	200	09/06 → 02/10	●	-sport pack	P06036MM	[O]	20,3	ATE	A00211	635				
	200	09/06 → 02/10	●	-sport pack; → 09/09	P06081MM	[O]	20,3	ATE	A00211	635				
	200	09/06 → 02/10	●	+sport pack	P06041MM	[O]	17	BRE	A00211	635				
	200	09/06 → 02/10	●	-sport pack	P06039MM	[O]	17,3	ATE	A00212	1093	→ 03/10			
	200	09/06 → 02/10	●	+sport pack	P06059MM	[O]	17,1	BRE	A00212	1093	→ 03/10			
	190	09/06 → 12/13	●	-sport pack	P06036MM	[O]	20,3	ATE	A00211	635				
	190	09/06 → 12/13	●	+sport pack	P06041MM	[O]	17	BRE	A00211	635				
	190	09/06 → 12/13	●	-sport pack	P06039MM	[O]	17,3	ATE	A00212	1093	→ 03/10			
	190	09/06 → 12/13	●	+sport pack	P06059MM	[O]	17,1	BRE	A00212	1093	→ 03/10			
	200	03/07 → 12/13	●	→ 03/10	P06081MM	[O]	20,3	ATE	A00213	692	→ 03/10			
330 i xDrive	200	03/07 → 12/13	●	03/10 →	P06036MM	[O]	20,3	ATE	A00213	692	→ 03/10			
	200	03/07 → 12/13	●		P06039MM	[O]	17,3	ATE	A00212	1093	→ 03/10			
	200	09/08 → 12/13	●		P06036MM	[O]	20,3	ATE	A00223	850	→ 03/10			
330 xd	200	09/08 → 12/13	●		P06039MM	[O]	17,3	ATE	A00212	1093	→ 03/10			
	170	09/06 → 12/13	●	→ 03/10	P06081MM	[O]	20,3	ATE	A00223	850	03/10 →			
	170	09/06 → 12/13	●	03/10 →	P06036MM	[O]	20,3	ATE	A00223	850	03/10 →			
	170	09/06 → 12/13	●		P06039MM	[O]	17,3	ATE	A00212	1093	→ 03/10			
	180	01/09 → 12/13	●	03/10 →	P06036MM	[O]	20,3	ATE	A00223	850	→ 03/10			
330 xi	180	01/09 → 12/13	●	→ 03/10	P06081MM	[O]	20,3	ATE	A00223	850	→ 03/10			
	180	01/09 → 12/13	●		P06039MM	[O]	17,3	ATE	A00212	1093	→ 03/10			
335 d	200	09/06 → 12/13	●		P06036MM	[O]	20,3	ATE	A00223	850	→ 03/10			
	200	09/06 → 12/13	●		P06039MM	[O]	17,3	ATE	A00212	1093	→ 03/10			
335 i	225	11/05 → 06/13	●		P06081MM	[O]	20,3	ATE	A00213	692	→ 03/10			
	225	11/05 → 06/13	●		P06039MM	[O]	17,3	ATE	A00212	1093	→ 03/10			
	240	11/05 → 06/13	●		P06081MM	[O]	20,3	ATE	A00213	692	→ 03/10			
	240	11/05 → 06/13	●		P06039MM	[O]	17,3	ATE	A00212	1093	→ 03/10			
335 i xDrive	225	11/08 → 12/13	●		P06081MM	[O]	20,3	ATE	A00223	850	→ 03/10			
	225	11/08 → 12/13	●		P06039MM	[O]	17,3	ATE	A00212	1093	→ 03/10			
	240	11/08 → 06/13	●		P06081MM	[O]	20,3	ATE	A00223	850	→ 03/10			
	240	11/08 → 06/13	●		P06039MM	[O]	17,3	ATE	A00212	1093	→ 03/10			
335 xi	225	03/07 → 02/10	●		P06081MM	[O]	20,3	ATE	A00213	692	→ 03/10			
	225	03/07 → 02/10	●		P06039MM	[O]	17,3	ATE	A00212	1093	→ 03/10			
	240	03/07 → 02/10	●		P06081MM	[O]	20,3	ATE	A00213	692				
	240	03/07 → 02/10	●		P06039MM	[O]	17,3	ATE	A00212	1093				
M	309	03/07 → 12/13	●		P06046MM	[O]	20,3	ATE	A00412	675				
	309	03/07 → 12/13	●		P06026MM	[O]	17,3	ATE	A00212	1093				
M GTS	331	03/07 → 12/13	●		P06046MM	[O]	20,3	ATE	A00412	675				
	331	03/07 → 12/13	●		P06026MM	[O]	17,3	ATE	A00212	1093				

3 Gran Turismo (F34) 07/12 →

318 d	105	03/13 →	●	-M-Technik vehicles	P06070MM	[O]	18,2	ATE	A00473	675				
	105	03/13 →	●	+M-Technik vehicles	P06088MM	[O]	17,7	BRE	A00473	675				
	105	03/13 →	●	-M-Technik vehicles	P06071MM	[O]	17,2	ATE	A00474	1045				
	105	03/13 →	●	+M-Technik vehicles	P06087MM	[O]	17	BRE	A00474	1045				
	110	07/15 →	●	-M-Technik vehicles	P06070MM	[O]	18,2	ATE	A00473	675				
	110	07/15 →	●	+M-Technik vehicles	P06088MM	[O]	17,7	BRE	A00473	675				
	110	07/15 →	●	-M-Technik vehicles	P06071MM	[O]	17,2	ATE	A00474	1045				
	110	07/15 →	●	+M-Technik vehicles	P06087MM	[O]	17	BRE	A00474	1045				
	100	03/13 →	●	-sport pack	P06070MM	[O]	18,2	ATE	A00473	675				
	100	03/13 →	●	+sport pack; → 12/15	P06088MM	[O]	17,7	BRE	A00473	675				
	100	03/13 →	●	-sport pack	P06071MM	[O]	17,2	ATE	A00474	1045				
	100	03/13 →	●	+sport pack	P06087MM	[O]	17	BRE	A00474	1045				

									WI		FK		
	kw						Th [mm]		MAGNETI MARELLI	LENGHT		MAGNETI MARELLI	

BMW

3 Gran Turismo (F34) 07/12 →

320 d	120 03/13 →	●	-sport pack	P06075MM	[o]	19,2	BSH	A00473	675			
	120 03/13 →	●	+sport pack	P06088MM	[o]	17,7	BRE	A00473	675			
	120 03/13 →	●	-sport pack	P06071MM	[o]	17,2	ATE	A00474	1045			
	120 03/13 →	●	+sport pack	P06087MM	[o]	17	BRE	A00474	1045			
	135 03/13 → 07/15	●	-M-Technik vehicles	P06075MM	[o]	19,2	BSH	A00473	675			
	135 03/13 → 07/15	●	+M-Technik vehicles	P06088MM	[o]	17,7	BRE	A00473	675			
	135 03/13 → 07/15	●	-M-Technik vehicles	P06071MM	[o]	17,2	ATE	A00474	1045			
	135 03/13 → 07/15	●	+M-Technik vehicles	P06087MM	[o]	17	BRE	A00474	1045			
	147 05/13 →	●	-M-Technik vehicles	P06075MM	[o]	19,2	BSH	A00473	675			
	147 05/13 →	●	+M-Technik vehicles	P06088MM	[o]	17,7	BRE	A00473	675			
	147 05/13 →	●	-M-Technik vehicles	P06071MM	[o]	17,2	ATE	A00474	1045			
	147 05/13 →	●	+M-Technik vehicles	P06087MM	[o]	17	BRE	A00474	1045			
	140 07/15 →	●	-M-Technik vehicles	P06075MM	[o]	19,2	BSH	A00473	675			
	140 07/15 →	●	+M-Technik vehicles	P06088MM	[o]	17,7	BRE	A00473	675			
140 07/15 →	●	-M-Technik vehicles	P06071MM	[o]	17,2	ATE	A00474	1045				
140 07/15 →	●	+M-Technik vehicles	P06087MM	[o]	17	BRE	A00474	1045				
320 d xDrive	135 03/13 → 07/15	●	-M-Technik vehicles	P06075MM	[o]	19,2	BSH	A00473	675			
	135 03/13 → 07/15	●	+M-Technik vehicles	P06088MM	[o]	17,7	BRE	A00473	675			
	135 03/13 → 07/15	●	-M-Technik vehicles	P06071MM	[o]	17,2	ATE	A00474	1045			
	135 03/13 → 07/15	●	+M-Technik vehicles	P06087MM	[o]	17	BRE	A00474	1045			
	147 05/13 →	●	-M-Technik vehicles	P06075MM	[o]	19,2	BSH	A00473	675			
	147 05/13 →	●	+M-Technik vehicles	P06088MM	[o]	17,7	BRE	A00473	675			
	147 05/13 →	●	-M-Technik vehicles	P06071MM	[o]	17,2	ATE	A00474	1045			
	147 05/13 →	●	+M-Technik vehicles	P06087MM	[o]	17	BRE	A00474	1045			
	140 07/15 →	●	-M-Technik vehicles	P06075MM	[o]	19,2	BSH	A00473	675			
	140 07/15 →	●	+M-Technik vehicles	P06088MM	[o]	17,7	BRE	A00473	675			
140 07/15 →	●	-M-Technik vehicles	P06071MM	[o]	17,2	ATE	A00474	1045				
140 07/15 →	●	+M-Technik vehicles	P06087MM	[o]	17	BRE	A00474	1045				
	120 03/13 →	●	-sport pack	P06075MM	[o]	19,2	BSH	A00473	675	+sport pack		
	120 03/13 →	●	+sport pack; → 12/15	P06088MM	[o]	17,7	BRE	A00473	675	+sport pack		
	120 03/13 →	●	-sport pack	P06071MM	[o]	17,2	ATE	A00474	1045	+sport pack		
	120 03/13 →	●	+sport pack	P06087MM	[o]	17	BRE	A00474	1045	+sport pack		
320 i	135 07/12 → 06/16	●	-M-Technik vehicles	P06070MM	[o]	18,2	ATE	A00473	675			
	135 07/12 → 06/16	●	+M-Technik vehicles	P06088MM	[o]	17,7	BRE	A00473	675			
	135 07/12 → 06/16	●	-M-Technik vehicles	P06071MM	[o]	17,2	ATE	A00474	1045			
	135 07/12 → 06/16	●	+M-Technik vehicles	P06087MM	[o]	17	BRE	A00474	1045			
	120 07/12 → 06/16	●	-M-Technik vehicles	P06070MM	[o]	18,2	ATE	A00473	675			
	120 07/12 → 06/16	●	+sport pack; → 12/15	P06088MM	[o]	17,7	BRE	A00473	675			
	120 07/12 → 06/16	●	-M-Technik vehicles	P06071MM	[o]	17,2	ATE	A00474	1045			
	120 07/12 → 06/16	●	+M-Technik vehicles	P06087MM	[o]	17	BRE	A00474	1045			
	135 09/15 →	●	-M-Technik vehicles	P06070MM	[o]	18,2	ATE	A00473	675	Left		
	135 09/15 →	●	+M-Technik vehicles	P06088MM	[o]	17,7	BRE	A00473	675	Left		
	135 09/15 →	●	-M-Technik vehicles	P06071MM	[o]	17,2	ATE	A00474	1045			
	135 09/15 →	●	+M-Technik vehicles	P06087MM	[o]	17	BRE	A00474	1045			
320 i xDrive	135 11/12 → 06/16	●	-M-Technik vehicles	P06070MM	[o]	18,2	ATE	A00473	675			
	135 11/12 → 06/16	●	+M-Technik vehicles	P06088MM	[o]	17,7	BRE	A00473	675			
	135 11/12 → 06/16	●	-sport pack	P06071MM	[o]	17,2	ATE	A00474	1045			
	135 11/12 → 06/16	●	+sport pack	P06087MM	[o]	17	BRE	A00474	1045			
	120 11/12 → 06/16	●	-sport pack	P06070MM	[o]	18,2	ATE	A00473	675			
	120 11/12 → 06/16	●	+sport pack; → 12/15	P06088MM	[o]	17,7	BRE	A00473	675			
	120 11/12 → 06/16	●	-sport pack	P06071MM	[o]	17,2	ATE	A00474	1045			
	120 11/12 → 06/16	●	+sport pack	P06087MM	[o]	17	BRE	A00474	1045			
	135 10/15 →	●	-M-Technik vehicles	P06070MM	[o]	18,2	ATE	A00473	675	Left		
	135 10/15 →	●	+M-Technik vehicles	P06088MM	[o]	17,7	BRE	A00473	675	Left		

kw		FK		FK		FK		FK		FK		FK		FK	

BMW

3 Gran Turismo (F34) 07/12 →

320 i xDrive	135	10/15 →		●	-M-Technik vehicles	P06071MM	[O]	17,2	ATE	A00474	1045				
	135	10/15 →		●	+M-Technik vehicles	P06087MM	[O]	17	BRE	A00474	1045				
325 d	155	07/13 →		●	-sport pack	P06075MM	[O]	19,2	BSH	A00473	675				
	155	07/13 →		●	-sport pack	P06071MM	[O]	17,2	ATE	A00474	1045				
	155	07/13 →		●	+sport pack	P06087MM	[O]	17	BRE	A00474	1045				
	160	03/13 →		●	-M-Technik vehicles	P06075MM	[O]	19,2	BSH	A00473	675				
	160	03/13 →		●	-M-Technik vehicles	P06071MM	[O]	17,2	ATE	A00474	1045				
	160	03/13 →		●	+M-Technik vehicles	P06087MM	[O]	17	BRE	A00474	1045				
	165	07/16 →		●	-M-Technik vehicles	P06075MM	[O]	19,2	BSH	A00473	675	Left			
	165	07/16 →		●	-M-Technik vehicles	P06071MM	[O]	17,2	ATE	A00474	1045				
	165	07/16 →		●	+M-Technik vehicles	P06087MM	[O]	17	BRE	A00474	1045				
	328 i	180	08/12 → 02/15		●	-M-Technik vehicles	P06075MM	[O]	19,2	BSH	A00473	675			
180		08/12 → 02/15		●	-M-Technik vehicles	P06071MM	[O]	17,2	ATE	A00474	1045				
180		08/12 → 02/15		●	+M-Technik vehicles	P06087MM	[O]	17	BRE	A00474	1045				
328 i xDrive	180	03/13 → 07/16		●	-M-Technik vehicles	P06075MM	[O]	19,2	BSH	A00473	675				
	180	03/13 → 07/16		●	-M-Technik vehicles	P06071MM	[O]	17,2	ATE	A00474	1045				
	180	03/13 → 07/16		●	+M-Technik vehicles	P06087MM	[O]	17	BRE	A00474	1045				
330 d	190	01/14 →		●	+sport pack	P06088MM	[O]	17,7	BRE	A00473	675				
	190	01/14 →		●	-M-Technik vehicles	P06075MM	[O]	19,2	BSH	A00473	675				
	190	01/14 →		●	-M-Technik vehicles	P06072MM	[O]	18,3	ATE	A00474	1045				
	190	01/14 →		●	+M-Technik vehicles	P06087MM	[O]	17	BRE	A00474	1045				
	210	01/14 →		●	-M-Technik vehicles	P06075MM	[O]	19,2	BSH	A00473	675				
	210	01/14 →		●	+sport pack	P06088MM	[O]	17,7	BRE	A00473	675				
	210	01/14 →		●	-M-Technik vehicles	P06072MM	[O]	18,3	ATE	A00474	1045				
	210	01/14 →		●	+M-Technik vehicles	P06087MM	[O]	17	BRE	A00474	1045				
330 d xDrive	190	01/14 →		●	+sport pack	P06088MM	[O]	17,7	BRE	A00473	675				
	190	01/14 →		●	-M-Technik vehicles	P06075MM	[O]	19,2	BSH	A00473	675				
	190	01/14 →		●	-M-Technik vehicles	P06072MM	[O]	18,3	ATE	A00474	1045				
	190	01/14 →		●	+M-Technik vehicles	P06087MM	[O]	17	BRE	A00474	1045				
	210	01/14 →		●	-M-Technik vehicles	P06075MM	[O]	19,2	BSH	A00473	675				
	210	01/14 →		●	+sport pack	P06088MM	[O]	17,7	BRE	A00473	675				
	210	01/14 →		●	-M-Technik vehicles	P06072MM	[O]	18,3	ATE	A00474	1045				
	210	01/14 →		●	+M-Technik vehicles	P06087MM	[O]	17	BRE	A00474	1045				
330 i	185	10/15 →		●	-M-Technik vehicles	P06075MM	[O]	19,2	BSH	A00473	675	Left			
	185	10/15 →		●	-M-Technik vehicles	P06071MM	[O]	17,2	ATE	A00474	1045				
	185	10/15 →		●	+M-Technik vehicles	P06087MM	[O]	17	BRE	A00474	1045				
330 i xDrive	185	10/15 →		●	-M-Technik vehicles	P06075MM	[O]	19,2	BSH	A00473	675	Left			
	185	10/15 →		●	+M-Technik vehicles	P06087MM	[O]	17	BRE	A00474	1045				
335 d xDrive	230	01/14 →		●	-M-Technik vehicles	P06088MM	[O]	17,7	BRE	A00473	675				
	230	01/14 →		●	-M-Technik vehicles	P06072MM	[O]	18,3	ATE	A00474	1045				
	230	01/14 →		●	+M-Technik vehicles	P06087MM	[O]	17	BRE	A00474	1045				
335 i	225	03/13 →		●	-M-Technik vehicles	P06088MM	[O]	17,7	BRE	A00473	675				
	225	03/13 →		●	-M-Technik vehicles	P06072MM	[O]	18,3	ATE	A00474	1045				
	225	03/13 →		●	+M-Technik vehicles	P06087MM	[O]	17	BRE	A00474	1045				
	240	03/13 → 03/14		●	-M-Technik vehicles	P06088MM	[O]	17,7	BRE	A00473	675				
	240	03/13 → 03/14		●	-M-Technik vehicles	P06072MM	[O]	18,3	ATE	A00474	1045				
	240	03/13 → 03/14		●	+M-Technik vehicles	P06087MM	[O]	17	BRE	A00474	1045				
	250	07/13 →		●	-M-Technik vehicles	P06088MM	[O]	17,7	BRE	A00473	675				
	250	07/13 →		●	-M-Technik vehicles	P06072MM	[O]	18,3	ATE	A00474	1045				
	250	07/13 →		●	+M-Technik vehicles	P06087MM	[O]	17	BRE	A00474	1045				

									WI		FK		
	kw								MAGNETI MARELLI	LENGHT		MAGNETI MARELLI	

BMW

3 Gran Turismo (F34) 07/12 →

335 i xDrive	225	03/13 →	●	-M-Technik vehicles	P06088MM	[o]	17,7	BRE	A00473	675		
	225	03/13 →	●	-M-Technik vehicles	P06072MM	[o]	18,3	ATE	A00474	1045		
	225	03/13 →	●	+M-Technik vehicles	P06087MM	[o]	17	BRE	A00474	1045		
	240	03/13 → 03/14	●	-M-Technik vehicles	P06088MM	[o]	17,7	BRE	A00473	675		
	240	03/13 → 03/14	●	-M-Technik vehicles	P06072MM	[o]	18,3	ATE	A00474	1045		
	240	03/13 → 03/14	●	+M-Technik vehicles	P06087MM	[o]	17	BRE	A00474	1045		
	250	03/14 →	●	-M-Technik vehicles	P06088MM	[o]	17,7	BRE	A00473	675		
	250	03/14 →	●	-M-Technik vehicles	P06072MM	[o]	18,3	ATE	A00474	1045		
	250	03/14 →	●	+M-Technik vehicles	P06087MM	[o]	17	BRE	A00474	1045		
340 i	240	10/15 →	●	-M-Technik vehicles	P06088MM	[o]	17,7	BRE	A00473	675	Left	
	240	10/15 →	●	-M-Technik vehicles	P06072MM	[o]	18,3	ATE	A00474	1045		
	240	10/15 →	●	+M-Technik vehicles	P06087MM	[o]	17	BRE	A00474	1045		
340 i xDrive	240	10/15 →	●	-M-Technik vehicles	P06088MM	[o]	17,7	BRE	A00473	675	Left	
	240	10/15 →	●	-M-Technik vehicles	P06072MM	[o]	18,3	ATE	A00474	1045		
	240	10/15 →	●	+M-Technik vehicles	P06087MM	[o]	17	BRE	A00474	1045		

3 Touring (E36) 01/95 → 10/99

316 i	75	01/96 → 10/99	●		P06024MM	[o]	17,8	ATE	A00217	776		A02213
	75	01/96 → 10/99	●		P06013MM	[o]	17,3	ATE	A00218	790		A02222
318 i	85	07/95 → 10/99	●		P06024MM	[o]	17,8	ATE	A00217	776		A02213
	85	07/95 → 10/99	●		P06013MM	[o]	17,3	ATE	A00218	790		A02222
318 tds	66	01/95 → 10/99	●		P06024MM	[o]	17,8	ATE	A00217	776		
	66	01/95 → 10/99	●		P06013MM	[o]	17,3	ATE	A00218	790		
320 i	110	01/95 → 10/99	●		P06024MM	[o]	17,8	ATE	A00217	776		
	110	01/95 → 10/99	●		P06013MM	[o]	17,3	ATE	A00218	790		
323 i	125	09/95 → 10/99	●		P06024MM	[o]	17,8	ATE	A00217	776		A02213
	125	09/95 → 10/99	●		P06013MM	[o]	17,3	ATE	A00218	790		A02222
325 tds	105	01/95 → 10/99	●		P06024MM	[o]	17,8	ATE	A00217	776		
	105	01/95 → 10/99	●		P06013MM	[o]	17,3	ATE	A00218	790		
328 i	142	01/95 → 10/99	●		P06024MM	[o]	17,8	ATE	A00217	776		
	142	01/95 → 10/99	●		P06013MM	[o]	17,3	ATE	A00218	790		

3 Touring (E46) 10/99 → 05/05

316 i	85	03/02 → 02/05	●		P06024MM	[o]	17,8	ATE	A00220	596		A02224
	85	03/02 → 02/05	●		P06025MM	[o]	17,3	ATE	A00221	1338		A02222
	85	06/02 → 02/05	●		P06024MM	[o]	17,8	ATE	A00220	596		A02224
	85	06/02 → 02/05	●		P06025MM	[o]	17,3	ATE	A00221	1338		A02222
318 d	85	10/02 → 03/03	●		P06024MM	[o]	17,8	ATE	A00220	596		
	85	10/02 → 03/03	●		P06025MM	[o]	17,3	ATE	A00221	1338		
	85	03/03 → 02/05	●		P06024MM	[o]	17,8	ATE	A00220	596		A02224
	85	03/03 → 02/05	●		P06025MM	[o]	17,3	ATE	A00221	1338		A02222
318 i	87	10/99 → 09/01	●		P06024MM	[o]	17,8	ATE	A00220	596		A02224
	87	10/99 → 09/01	●		P06025MM	[o]	17,3	ATE	A00221	1338		A02222
	105	09/01 → 02/05	●		P06024MM	[o]	17,8	ATE	A00220	596		A02224
	105	09/01 → 02/05	●		P06025MM	[o]	17,3	ATE	A00221	1338		A02222
	85	10/99 → 09/01	●		P06024MM	[o]	17,8	ATE	A00220	596		
320 d	85	10/99 → 09/01	●		P06025MM	[o]	17,3	ATE	A00221	1338		
	100	03/00 → 09/01	●		P06024MM	[o]	17,8	ATE	A00220	596		A02224
	100	03/00 → 09/01	●		P06025MM	[o]	17,3	ATE	A00221	1338		A02222
	110	09/01 → 02/05	●		P06024MM	[o]	17,8	ATE	A00220	596		
320 i	110	09/01 → 02/05	●		P06025MM	[o]	17,3	ATE	A00221	1338		
	110	10/99 → 09/00	●		P06024MM	[o]	17,8	ATE	A00220	596		A02224
	110	10/99 → 09/00	●		P06025MM	[o]	17,3	ATE	A00221	1338		A02222
	125	09/00 → 02/05	●		P06024MM	[o]	17,8	ATE	A00220	596		A02224
	125	09/00 → 02/05	●		P06025MM	[o]	17,3	ATE	A00221	1338		A02222

--	--	--	--	--	--	--	--	--	--	--	--	--	--	--	--

BMW

3 Touring (E46) 10/99 → 05/05

325 i	141	09/00 → 02/05	●				P06024MM	[O]	17,8	ATE	A00220	596			A02224
	141	09/00 → 02/05		●			P06025MM	[O]	17,3	ATE	A00221	1338			A02222
325 xi	141	09/00 → 02/05	●				P06024MM	[O]	17,8	ATE	A00220	596			A02224
	141	09/00 → 02/05		●			P06025MM	[O]	17,3	ATE	A00221	1338			A02222
328 i	142	10/99 → 06/00	●				P06024MM	[O]	17,8	ATE	A00220	596			A02224
	142	10/99 → 06/00		●			P06025MM	[O]	17,3	ATE	A00221	1338			A02222
330 d	135	10/99 → 02/05	●				P06043MM	[O]	20,3	ATE	A00222	650			A02223
	135	10/99 → 02/05		●			P06044MM	[O]	17,2	ATE	A00221	1338			A02223
	150	03/03 → 02/05	●				P06043MM	[O]	20,3	ATE	A00222	650			A02223
	150	03/03 → 02/05		●			P06044MM	[O]	17,2	ATE	A00221	1338			A02223
330 i	170	06/00 → 02/05	●				P06043MM	[O]	20,3	ATE	A00222	650			A02223
	170	06/00 → 02/05		●			P06044MM	[O]	17,2	ATE	A00221	1338			A02223
330 xd	135	01/00 → 03/03	●				P06043MM	[O]	20,3	ATE	A00222	650			A02223
	135	01/00 → 03/03		●			P06044MM	[O]	17,2	ATE	A00221	1338			A02223
	150	08/02 → 05/05	●				P06043MM	[O]	20,3	ATE	A00222	650			A02223
	150	08/02 → 05/05		●			P06044MM	[O]	17,2	ATE	A00221	1338			A02223
330 xi	170	06/00 → 02/05	●				P06043MM	[O]	20,3	ATE	A00222	650			A02223
	170	06/00 → 02/05		●			P06044MM	[O]	17,2	ATE	A00221	1338			A02223

3 Touring (E91) 12/04 → 06/12

316 d	85	09/09 → 06/12	●		-sport pack		P06040MM	[O]	20,3	ATE	A00211	635	→ 03/10; -sport pack		
	85	09/09 → 06/12	●		+sport pack		P06041MM	[O]	17	BRE	A00211	635	→ 03/10; -sport pack		
	85	09/09 → 06/12		●			P06038MM	[O]	17,3	ATE	A00212	1093	→ 03/10		A02222
316 i	90	05/08 → 05/12	●		-sport pack		P06040MM	[O]	20,3	ATE	A00211	635	→ 03/10; -sport pack		
	90	05/08 → 05/12	●		+sport pack		P06041MM	[O]	17	BRE	A00211	635	→ 03/10; -sport pack		
	90	05/08 → 05/12		●		-sport pack	P06038MM	[O]	17,3	ATE	A00212	1093	→ 03/10		
	90	05/08 → 05/12		●		+sport pack	P06059MM	[O]	17,1	BRE	A00212	1093	→ 03/10		
318 d	100	07/07 → 06/12	●		-sport pack		P06055MM	[O]	20,3	ATE	A00213	692	+sport pack		
	100	07/07 → 06/12	●		+sport pack		P06041MM	[O]	17	BRE	A00213	692	+sport pack		
	100	07/07 → 06/12		●		-sport pack	P06038MM	[O]	17,3	ATE	A00212	1093	→ 03/10		A02222
	100	07/07 → 06/12		●		+sport pack	P06059MM	[O]	17,1	BRE	A00212	1093	→ 03/10		A02222
	90	09/05 → 06/12	●			-sport pack; -high payload	P06035MM	[O]	17,8	ATE	A00211	635	→ 03/10; -sport pack		
	90	09/05 → 06/12	●			-sport pack; +high payload	P06036MM	[O]	20,3	ATE	A00211	635	→ 03/10; -sport pack		
	90	09/05 → 06/12	●			+sport pack	P06041MM	[O]	17	BRE	A00211	635	→ 03/10; -sport pack		
	90	09/05 → 06/12		●		-high payload	P06037MM	[O]	17,4	TRW	A00212	1093	→ 03/10		A02222
	90	09/05 → 06/12		●		-sport pack; +high payload; -sport pack; 09/09 →	P06038MM	[O]	17,3	ATE	A00212	1093	→ 03/10		A02222
	90	09/05 → 06/12		●		+sport pack; → 09/09	P06059MM	[O]	17,1	BRE	A00212	1093	→ 03/10		A02222
	105	09/07 → 06/12	●			-sport pack	P06055MM	[O]	20,3	ATE	A00213	692	+sport pack		
	105	09/07 → 06/12	●			+sport pack	P06041MM	[O]	17	BRE	A00213	692	+sport pack		
	105	09/07 → 06/12		●		-sport pack; +sport pack; 09/09 →	P06038MM	[O]	17,3	ATE	A00212	1093	→ 03/10		
	105	09/07 → 06/12		●		+sport pack; → 09/09	P06059MM	[O]	17,1	BRE	A00212	1093	→ 03/10		
	318 i	100	09/07 → 03/12	●		-sport pack		P06036MM	[O]	20,3	ATE	A00211	635	-sport pack	
100		09/07 → 03/12	●		+sport pack		P06041MM	[O]	17	BRE	A00211	635	-sport pack		
100		09/07 → 03/12		●		-sport pack	P06038MM	[O]	17,3	ATE	A00212	1093	→ 03/10		A02222
100		09/07 → 03/12		●		+sport pack	P06059MM	[O]	17,1	BRE	A00212	1093	→ 03/10		A02222
95		01/06 → 08/07	●			-sport pack; -high payload	P06035MM	[O]	17,8	ATE	A00211	635	-sport pack		
95		01/06 → 08/07	●			-sport pack; +high payload	P06036MM	[O]	20,3	ATE	A00211	635	-sport pack		
95		01/06 → 08/07	●			+sport pack	P06041MM	[O]	17	BRE	A00211	635	-sport pack		
95		01/06 → 08/07		●		-high payload	P06037MM	[O]	17,4	TRW	A00212	1093	→ 03/10		A02222
95		01/06 → 08/07		●		-sport pack; +high payload; -sport pack; 09/09 →	P06038MM	[O]	17,3	ATE	A00212	1093	→ 03/10		A02222
95		01/06 → 08/07		●		+sport pack; → 09/09	P06059MM	[O]	17,1	BRE	A00212	1093	→ 03/10		A02222
105		05/07 → 05/12	●			-sport pack	P06055MM	[O]	20,3	ATE	A00211	635	-sport pack		
105	05/07 → 05/12	●			+sport pack	P06041MM	[O]	17	BRE	A00211	635	-sport pack			



kw



MAGNETI MARELLI

wi

Th [mm]

SYS

WI

FK

MAGNETI MARELLI

LENGHT



MAGNETI MARELLI



BMW

3 Touring (E91) 12/04 → 06/12

	kw	Hourglass	Truck/Car	Stylized 'i'	MAGNETI MARELLI	wi	Th [mm]	SYS	MAGNETI MARELLI	LENGHT	Stylized 'i'	MAGNETI MARELLI	Stylized 'i'
318 i	105	05/07 → 05/12	●	02/08 →; -high payload	P06040MM	[o]	20,3	ATE	A00211	635	-sport pack		
	105	05/07 → 05/12	●	-sport pack; +sport pack; 09/09 →	P06038MM	[o]	17,3	ATE	A00212	1093	→ 03/10		
	105	05/07 → 05/12	●	+sport pack; → 09/09	P06059MM	[o]	17,1	BRE	A00212	1093	→ 03/10		
320 d	120	12/04 → 08/07	●	-sport pack	P06036MM	[o]	20,3	ATE	A00211	635	+special veh.; → 03/10; -sport pack		
	120	12/04 → 08/07	●	-sport pack	P06055MM	[o]	20,3	ATE	A00211	635	+special veh.; → 03/10; -sport pack		
	120	12/04 → 08/07	●	+sport pack	P06041MM	[o]	17	BRE	A00211	635	+special veh.; → 03/10; -sport pack		
	120	12/04 → 08/07	●	-sport pack	P06038MM	[o]	17,3	ATE	A00212	1093	→ 03/10	A02222	-sport pack
	120	12/04 → 08/07	●	+sport pack	P06039MM	[o]	17,3	ATE	A00212	1093	→ 03/10	A02222	-sport pack
	120	12/04 → 08/07	●	+sport pack	P06059MM	[o]	17,1	BRE	A00212	1093	→ 03/10	A02222	-sport pack
	110	12/04 → 08/07	●	-sport pack	P06036MM	[o]	20,3	ATE	A00211	635	+special veh.; → 03/10; -sport pack		
	110	12/04 → 08/07	●	-sport pack	P06055MM	[o]	20,3	ATE	A00211	635	+special veh.; → 03/10; -sport pack		
	110	12/04 → 08/07	●	+sport pack	P06041MM	[o]	17	BRE	A00211	635	+special veh.; → 03/10; -sport pack		
	110	12/04 → 08/07	●	-sport pack	P06038MM	[o]	17,3	ATE	A00212	1093	→ 03/10		
	110	12/04 → 08/07	●	+sport pack	P06039MM	[o]	17,3	ATE	A00212	1093	→ 03/10		
	110	12/04 → 08/07	●	+sport pack	P06059MM	[o]	17,1	BRE	A00212	1093	→ 03/10		
	130	02/07 → 02/10	●	-sport pack; -special.veh.	P06055MM	[o]	20,3	ATE	A00211	635	+special veh.; → 03/10; -sport pack		
	130	02/07 → 02/10	●	-sport pack; +special.veh.	P06036MM	[o]	20,3	ATE	A00211	635	+special veh.; → 03/10; -sport pack		
	130	02/07 → 02/10	●	+sport pack	P06041MM	[o]	17	BRE	A00211	635	+special veh.; → 03/10; -sport pack		
130	02/07 → 02/10	●	-sport pack	P06038MM	[o]	17,3	ATE	A00212	1093	→ 03/10			
130	02/07 → 02/10	●	+sport pack	P06039MM	[o]	17,3	ATE	A00212	1093	→ 03/10			
130	02/07 → 02/10	●	+sport pack	P06059MM	[o]	17,1	BRE	A00212	1093	→ 03/10			
135	03/10 → 05/12	●	-sport pack; -special.veh.	P06055MM	[o]	20,3	ATE	A00211	635	→ 03/10; -special.veh.			
135	03/10 → 05/12	●	-sport pack; +special.veh.	P06036MM	[o]	20,3	ATE	A00211	635	→ 03/10; -special.veh.			
135	03/10 → 05/12	●	+sport pack	P06041MM	[o]	17	BRE	A00211	635	→ 03/10; -special.veh.			
135	03/10 → 05/12	●	-special.veh.	P06038MM	[o]	17,3	ATE	A00212	1093	→ 03/10			
135	03/10 → 05/12	●	+special.veh.	P06039MM	[o]	17,3	ATE	A00212	1093	→ 03/10			
147	03/10 → 05/12	●	+high payload	P06036MM	[o]	20,3	ATE	A00211	635	→ 03/10; +high payload			
147	03/10 → 05/12	●	-high payload	P06055MM	[o]	20,3	ATE	A00211	635	→ 03/10; +high payload			
147	03/10 → 05/12	●	+high payload	P06039MM	[o]	17,3	ATE	A00212	1093	→ 03/10			
147	03/10 → 05/12	●	-high payload	P06038MM	[o]	17,3	ATE	A00212	1093	→ 03/10			
145	02/07 → 02/10	●	+high payload	P06036MM	[o]	20,3	ATE	A00211	635	+high payload			
145	02/07 → 02/10	●	-high payload	P06055MM	[o]	20,3	ATE	A00211	635	+high payload			
145	02/07 → 02/10	●	-high payload	P06038MM	[o]	17,3	ATE	A00212	1093				
145	02/07 → 02/10	●	+high payload	P06039MM	[o]	17,3	ATE	A00212	1093				
320 d ed	120	10/10 → 05/12	●		P06055MM	[o]	20,3	ATE	A00436	723			
	120	10/10 → 05/12	●		P06038MM	[o]	17,3	ATE	A00437	1110			
320 d xDrive	130	02/08 → 02/10	●	-special.veh.	P06055MM	[o]	20,3	ATE	A00223	850	+special veh.; → 03/10		
	130	02/08 → 02/10	●	+special.veh.	P06036MM	[o]	20,3	ATE	A00223	850	+special veh.; → 03/10		
	130	02/08 → 02/10	●	-special.veh.	P06038MM	[o]	17,3	ATE	A00212	1093	→ 03/10		
	130	02/08 → 02/10	●	+special.veh.	P06039MM	[o]	17,3	ATE	A00212	1093	→ 03/10		
	135	03/10 → 05/12	●	-special.veh.	P06055MM	[o]	20,3	ATE	A00211	635	→ 03/10; +high payload		
	135	03/10 → 05/12	●	+special.veh.	P06036MM	[o]	20,3	ATE	A00211	635	→ 03/10; +high payload		
	135	03/10 → 05/12	●	-special.veh.	P06038MM	[o]	17,3	ATE	A00212	1093	→ 03/10		
	135	03/10 → 05/12	●	+special.veh.	P06039MM	[o]	17,3	ATE	A00212	1093	→ 03/10		
	120	07/09 → 06/12	●	-special.veh.	P06055MM	[o]	20,3	ATE	A00211	635	→ 03/10; +high payload		
	120	07/09 → 06/12	●	+special.veh.	P06036MM	[o]	20,3	ATE	A00211	635	→ 03/10; +high payload		
120	07/09 → 06/12	●	-special.veh.	P06038MM	[o]	17,3	ATE	A00212	1093	→ 03/10			

--	--	--	--	--	--	--	--	--	--	--	--	--	--	--	--

BMW
3 Touring (E91) 12/04 → 06/12

320 d xDrive	120	07/09 → 06/12	●	+special veh.	P06039MM	[O]	17,3	ATE	A00212	1093	→ 03/10		
	147	03/10 → 05/12	●	-high payload	P06055MM	[O]	20,3	ATE	A00211	635	→ 03/10; +high payload		
	147	03/10 → 05/12	●	+high payload	P06036MM	[O]	20,3	ATE	A00211	635	→ 03/10; +high payload		
	147	03/10 → 05/12	●	+high payload	P06039MM	[O]	17,3	ATE	A00212	1093	→ 03/10		
	147	03/10 → 05/12	●	-high payload	P06038MM	[O]	17,3	ATE	A00212	1093	→ 03/10		
	145	02/08 → 02/10	●	+high payload	P06036MM	[O]	20,3	ATE	A00223	850	Left		
	145	02/08 → 02/10	●	-high payload	P06055MM	[O]	20,3	ATE	A00223	850	Left		
	145	02/08 → 02/10	●	+high payload	P06039MM	[O]	17,3	ATE	A00212	1093			
	145	02/08 → 02/10	●	-high payload	P06038MM	[O]	17,3	ATE	A00212	1093			
320 i	110	09/05 → 06/12	●	+high payload	P06055MM	[O]	20,3	ATE	A00211	635	-sport pack		
	110	09/05 → 06/12	●	-sport pack	P06036MM	[O]	20,3	ATE	A00211	635	-sport pack		
	110	09/05 → 06/12	●	+sport pack	P06041MM	[O]	17	BRE	A00211	635	-sport pack		
	110	09/05 → 06/12	●	-sport pack	P06038MM	[O]	17,3	ATE	A00212	1093	→ 03/10	A02222	
	110	09/05 → 06/12	●	+sport pack	P06059MM	[O]	17,1	BRE	A00212	1093	→ 03/10	A02222	
	125	02/07 → 05/12	●	-sport pack	P06055MM	[O]	20,3	ATE	A00213	692	+sport pack		
	125	02/07 → 05/12	●	+sport pack	P06041MM	[O]	17	BRE	A00213	692	+sport pack		
	125	02/07 → 05/12	●	-sport pack	P06038MM	[O]	17,3	ATE	A00212	1093	→ 03/10		
	125	02/07 → 05/12	●	+sport pack	P06059MM	[O]	17,1	BRE	A00212	1093	→ 03/10		
	120	02/07 → 05/12	●		P06055MM	[O]	20,3	ATE					
120	02/07 → 05/12	●		P06038MM	[O]	17,3	ATE						
323 i	130	04/06 → 06/07	●		P06036MM	[O]	20,3	ATE	A00211	635	-sport pack		
	130	04/06 → 06/07	●	-sport pack	P06055MM	[O]	20,3	ATE	A00211	635	-sport pack		
	130	04/06 → 06/07	●	+sport pack	P06041MM	[O]	17	BRE	A00211	635	-sport pack		
	130	04/06 → 06/07	●	-sport pack	P06038MM	[O]	17,3	ATE	A00212	1093	→ 03/10		
	130	04/06 → 06/07	●	+sport pack	P06059MM	[O]	17,1	BRE	A00212	1093	→ 03/10		
	140	09/06 → 07/08	●		P06036MM	[O]	20,3	ATE	A00211	635	-sport pack		
	140	09/06 → 07/08	●		P06038MM	[O]	17,3	ATE	A00212	1093	→ 03/10		
325 d	145	09/06 → 06/12	●	-sport pack; -special.veh.	P06036MM	[O]	20,3	ATE	A00211	635	-sport pack		
	145	09/06 → 06/12	●	-sport pack; +special veh.	P06081MM	[O]	20,3	ATE	A00211	635	-sport pack		
	145	09/06 → 06/12	●	+sport pack	P06041MM	[O]	17	BRE	A00211	635	-sport pack		
	145	09/06 → 06/12	●	-sport pack	P06039MM	[O]	17,3	ATE	A00212	1093	→ 03/10		
	145	09/06 → 06/12	●	+sport pack	P06059MM	[O]	17,1	BRE	A00212	1093	→ 03/10		
	150	02/10 → 06/12	●	-sport pack; -special.veh.	P06036MM	[O]	20,3	ATE	A00211	635	Left; -high payload		
	150	02/10 → 06/12	●	-sport pack; +special veh.	P06081MM	[O]	20,3	ATE	A00211	635	Left; -high payload		
	150	02/10 → 06/12	●	+sport pack	P06041MM	[O]	17	BRE	A00211	635	Left; -high payload		
	150	02/10 → 06/12	●	-sport pack	P06039MM	[O]	17,3	ATE	A00212	1093	→ 03/10		
	150	02/10 → 06/12	●	+sport pack	P06059MM	[O]	17,1	BRE	A00212	1093	→ 03/10		
325 i	155	09/07 → 06/12	●	-high payload	P06055MM	[O]	20,3	ATE	A00211	635	→ 03/10; -high payload; -sport pack		
	155	09/07 → 06/12	●	+sport pack	P06041MM	[O]	17	BRE	A00211	635	→ 03/10; -high payload; -sport pack		
	155	09/07 → 06/12	●	+high payload	P06036MM	[O]	20,3	ATE	A00211	635	→ 03/10; -high payload; -sport pack		
	155	09/07 → 06/12	●	-high payload	P06038MM	[O]	17,3	ATE	A00212	1093	→ 03/10		
	155	09/07 → 06/12	●	+sport pack	P06059MM	[O]	17,1	BRE	A00212	1093	→ 03/10		
	155	09/07 → 06/12	●	+high payload	P06039MM	[O]	17,3	ATE	A00212	1093	→ 03/10		
	160	12/04 → 12/10	●	-sport pack	P06036MM	[O]	20,3	ATE	A00211	635	-high payload; -sport pack		
	160	12/04 → 12/10	●	+sport pack	P06041MM	[O]	17	BRE	A00211	635	-high payload; -sport pack		
	160	12/04 → 12/10	●	-high payload	P06038MM	[O]	17,3	ATE	A00212	1093	→ 03/10	A02222	-sport pack; -high payload; disc Ø 300 mm
	160	12/04 → 12/10	●	+high payload	P06039MM	[O]	17,3	ATE	A00212	1093	→ 03/10	A02222	-sport pack; -high payload; disc Ø 300 mm
160	12/04 → 12/10	●	+sport pack	P06059MM	[O]	17,1	BRE	A00212	1093	→ 03/10	A02222	-sport pack; -high payload; disc Ø 300 mm	
160	09/07 → 06/12	●	-high payload	P06055MM	[O]	20,3	ATE	A00211	635	→ 03/10; -high payload; -sport pack			

										WI		FK		
	kw										LENGHT			

BMW

3 Touring (E91) 12/04 → 06/12

325 i	160	09/07 → 06/12	●	+high payload	P06036MM	[o]	20,3	ATE	A00211	635	→ 03/10; -high payload; -sport pack		
	160	09/07 → 06/12	●	+sport pack	P06041MM	[o]	17	BRE	A00211	635	→ 03/10; -high payload; -sport pack		
	160	09/07 → 06/12	●	-high payload	P06038MM	[o]	17,3	ATE	A00212	1093	→ 03/10		
	160	09/07 → 06/12	●	+high payload	P06039MM	[o]	17,3	ATE	A00212	1093	→ 03/10		
	160	09/07 → 06/12	●	+sport pack	P06059MM	[o]	17,1	BRE	A00212	1093	→ 03/10		
325 i xDrive	160	09/07 → 06/12	●		P06036MM	[o]	20,3	ATE	A00223	850	→ 03/10		
	160	09/07 → 06/12	●		P06039MM	[o]	17,3	ATE	A00212	1093	→ 03/10		
325 xi	160	09/05 → 08/11	●	-high payload	P06055MM	[o]	20,3	ATE	A00223	850	→ 03/10		
	160	09/05 → 08/11	●	+high payload	P06036MM	[o]	20,3	ATE	A00223	850	→ 03/10		
	160	09/05 → 08/11	●	-high payload	P06038MM	[o]	17,3	ATE	A00212	1093	→ 03/10	A02222	-high payload
	160	09/05 → 08/11	●	+high payload	P06039MM	[o]	17,3	ATE	A00212	1093	→ 03/10	A02222	-high payload
	160	09/07 → 06/12	●	-high payload	P06055MM	[o]	20,3	ATE	A00223	850	→ 03/10		
	160	09/07 → 06/12	●	+high payload	P06036MM	[o]	20,3	ATE	A00223	850	→ 03/10		
	160	09/07 → 06/12	●	-high payload	P06038MM	[o]	17,3	ATE	A00212	1093	→ 03/10		
	160	09/07 → 06/12	●	+high payload	P06039MM	[o]	17,3	ATE	A00212	1093	→ 03/10		
330 d	170	12/04 → 08/08	●	→ 09/07	P06036MM	[o]	20,3	ATE	A00211	635	-sport pack; → 03/10		
	170	12/04 → 08/08	●	09/07 →	P06081MM	[o]	20,3	ATE	A00211	635	-sport pack; → 03/10		
	170	12/04 → 08/08	●		P06039MM	[o]	17,3	ATE	A00212	1093	→ 03/10		
	180	02/08 → 05/12	●	09/09 →; -high payload	P06036MM	[o]	20,3	ATE	A00213	692	→ 03/10		
	180	02/08 → 05/12	●	+sport pack	P06041MM	[o]	17	BRE	A00213	692	→ 03/10		
	180	02/08 → 05/12	●	-sport pack; +high payload; → 09/09; -high payload	P06081MM	[o]	20,3	ATE	A00213	692	→ 03/10		
	180	02/08 → 05/12	●		P06039MM	[o]	17,3	ATE	A00212	1093	→ 03/10		
330 d xDrive	180	01/09 → 06/12	●	09/09 →; -high payload	P06036MM	[o]	20,3	ATE	A00223	850	→ 03/10		
	180	01/09 → 06/12	●	+high payload; → 09/09; -high payload	P06081MM	[o]	20,3	ATE	A00223	850	→ 03/10		
	180	01/09 → 06/12	●		P06039MM	[o]	17,3	ATE	A00212	1093	→ 03/10		
330 i	190	09/05 → 08/07	●	→ 09/07; +high payload; -high payload	P06036MM	[o]	20,3	ATE	A00211	635	-high payload		
	190	09/05 → 08/07	●	09/07 →; +high payload	P06081MM	[o]	20,3	ATE	A00211	635	-high payload		
	190	09/05 → 08/07	●		P06039MM	[o]	17,3	ATE	A00212	1093	→ 03/10		
	200	09/07 → 06/12	●	-sport pack; 09/09 →; -high payload	P06036MM	[o]	20,3	ATE	A00213	692	→ 03/10		
	200	09/07 → 06/12	●	-sport pack; +high payload; → 09/09; -high payload	P06081MM	[o]	20,3	ATE	A00213	692	→ 03/10		
	200	09/07 → 06/12	●	+sport pack	P06041MM	[o]	17	BRE	A00213	692	→ 03/10		
	200	09/07 → 06/12	●		P06039MM	[o]	17,3	ATE	A00212	1093	→ 03/10		
330 i xDrive	200	09/07 → 06/12	●	09/09 →; -high payload	P06036MM	[o]	20,3	ATE	A00223	850	→ 03/10		
	200	09/07 → 06/12	●	+high payload; → 09/09; -high payload	P06081MM	[o]	20,3	ATE	A00223	850	→ 03/10		
330 xd	170	09/05 → 06/12	●	→ 09/07; +high payload; -high payload	P06036MM	[o]	20,3	ATE	A00223	850	→ 03/10		
	170	09/05 → 06/12	●	09/07 →; +high payload	P06081MM	[o]	20,3	ATE	A00223	850	→ 03/10		
	170	09/05 → 06/12	●		P06039MM	[o]	17,3	ATE	A00212	1093	→ 03/10		
330 xi	190	09/05 → 08/07	●	→ 09/07; +high payload; -high payload	P06036MM	[o]	20,3	ATE	A00223	850	→ 03/10		
	190	09/05 → 08/07	●	09/07 →; +high payload	P06081MM	[o]	20,3	ATE	A00223	850	→ 03/10		
	190	09/05 → 08/07	●		P06039MM	[o]	17,3	ATE	A00212	1093	→ 03/10		
	200	09/07 → 06/12	●	09/09 →; -high payload	P06036MM	[o]	20,3	ATE	A00223	850	→ 03/10		
	200	09/07 → 06/12	●	+high payload; → 09/09; -high payload	P06081MM	[o]	20,3	ATE	A00223	850	→ 03/10		
200	09/07 → 06/12	●		P06039MM	[o]	17,3	ATE	A00212	1093	→ 03/10			

--	--	--	--	--	--	--	--	--	--	--	--	--	--	--	--

BMW

3 Touring (E91) 12/04 → 06/12

335 d	210	09/06 → 06/12	●		P06036MM	[O]	20,3	ATE	A00213	692	→ 03/10		
	210	09/06 → 06/12	●		P06081MM	[O]	20,3	ATE	A00213	692	→ 03/10		
	210	09/06 → 06/12		●	P06039MM	[O]	17,3	ATE	A00212	1093	→ 03/10		
335 i	225	03/06 → 05/12	●		P06036MM	[O]	20,3	ATE	A00213	692	→ 03/10		
	225	03/06 → 05/12	●		P06081MM	[O]	20,3	ATE	A00213	692	→ 03/10		
	225	03/06 → 05/12		●	P06039MM	[O]	17,3	ATE	A00212	1093	→ 03/10		
	240	03/06 → 05/12	●		P06081MM	[O]	20,3	ATE	A00213	692	Left; → 03/10		
	240	03/06 → 05/12		●	P06039MM	[O]	17,3	ATE	A00212	1093	→ 03/10		
335 i xDrive	225	05/08 → 05/12	●		P06081MM	[O]	20,3	ATE	A00223	850	→ 03/10		
	225	05/08 → 05/12		●	P06039MM	[O]	17,3	ATE	A00212	1093	→ 03/10		
	240	05/08 → 05/12	●		P06081MM	[O]	20,3	ATE	A00223	850	Left; → 03/10		
	240	05/08 → 05/12		●	P06039MM	[O]	17,3	ATE	A00212	1093	→ 03/10		
335 xi	225	09/06 → 08/08	●	09/09 →; -high payload	P06036MM	[O]	20,3	ATE	A00223	850	→ 03/10		
	225	09/06 → 08/08	●	+high payload; → 09/09; -high payload	P06081MM	[O]	20,3	ATE	A00223	850	→ 03/10		
	225	09/06 → 08/08		●	P06039MM	[O]	17,3	ATE	A00212	1093	→ 03/10		
	240	09/06 → 08/08	●		P06081MM	[O]	20,3	ATE	A00223	850	Left		
	240	09/06 → 08/08		●	P06039MM	[O]	17,3	ATE	A00212	1093			

3 Touring (F31) 07/11 →

316 d	85	02/12 →	●	-M-Technik vehicles	P06070MM	[O]	18,2	ATE	A00473	675			
	85	02/12 →	●	+M-Technik vehicles	P06088MM	[O]	17,7	BRE	A00473	675			
	85	02/12 →		● -sport pack	P06071MM	[O]	17,2	ATE	A00474	1045			
	85	02/12 →		● +sport pack	P06087MM	[O]	17	BRE	A00474	1045			
316 i	100	03/12 → 08/16	●	-M-Technik vehicles	P06070MM	[O]	18,2	ATE	A00473	675			
	100	03/12 → 08/16	●	+M-Technik vehicles	P06088MM	[O]	17,7	BRE	A00473	675			
	100	03/12 → 08/16		● -sport pack	P06071MM	[O]	17,2	ATE	A00474	1045			
	100	03/12 → 08/16		● +sport pack	P06087MM	[O]	17	BRE	A00474	1045			
318 d	105	07/11 → 06/15	●	-M-Technik vehicles	P06070MM	[O]	18,2	ATE	A00473	675			
	105	07/11 → 06/15	●	+M-Technik vehicles	P06088MM	[O]	17,7	BRE	A00473	675			
	105	07/11 → 06/15		● -sport pack	P06071MM	[O]	17,2	ATE	A00474	1045			
	105	07/11 → 06/15		● +sport pack	P06087MM	[O]	17	BRE	A00474	1045			
	110	09/14 →	●	-M-Technik vehicles	P06070MM	[O]	18,2	ATE	A00473	675			
	110	09/14 →	●	+M-Technik vehicles	P06088MM	[O]	17,7	BRE	A00473	675			
	110	09/14 →		● -M-Technik vehicles	P06071MM	[O]	17,2	ATE	A00474	1045			
	110	09/14 →		● +M-Technik vehicles	P06087MM	[O]	17	BRE	A00474	1045			
	100	07/11 →	●	-sport pack	P06070MM	[O]	18,2	ATE	A00473	675			
	100	07/11 →	●	+sport pack	P06088MM	[O]	17,7	BRE	A00473	675			
	100	07/11 →		● -sport pack	P06071MM	[O]	17,2	ATE	A00474	1045			
	100	07/11 →		● +sport pack	P06087MM	[O]	17	BRE	A00474	1045			
318 d xDrive	105	01/13 → 05/15	●	-M-Technik vehicles	P06070MM	[O]	18,2	ATE	A00473	675			
	105	01/13 → 05/15	●	+M-Technik vehicles	P06088MM	[O]	17,7	BRE	A00473	675			
	105	01/13 → 05/15		● -sport pack	P06071MM	[O]	17,2	ATE	A00474	1045			
	105	01/13 → 05/15		● +sport pack	P06087MM	[O]	17	BRE	A00474	1045			
	110	03/15 →	●	-M-Technik vehicles	P06070MM	[O]	18,2	ATE	A00473	675			
	110	03/15 →	●	+M-Technik vehicles	P06088MM	[O]	17,7	BRE	A00473	675			
	110	03/15 →		● -M-Technik vehicles	P06071MM	[O]	17,2	ATE	A00474	1045			
	110	03/15 →		● +M-Technik vehicles	P06087MM	[O]	17	BRE	A00474	1045			
318 i	100	01/15 →	●	-M-Technik vehicles	P06070MM	[O]	18,2	ATE	A00473	675	+sport pack		
	100	01/15 →	●	+M-Technik vehicles	P06088MM	[O]	17,7	BRE	A00473	675	+sport pack		
	100	01/15 →		● -M-Technik vehicles	P06071MM	[O]	17,2	ATE	A00474	1045			
	100	01/15 →		● +M-Technik vehicles	P06087MM	[O]	17	BRE	A00474	1045			

	kw						Th [mm]			LENGHT			

BMW

3 Touring (F31) 07/11 →

320 d	135	07/11 → 02/16	●	-sport pack	P06075MM	[o]	19,2	BSH	A00473	675		
	135	07/11 → 02/16	●	-sport pack	P06071MM	[o]	17,2	ATE	A00474	1045		
	135	07/11 → 02/16	●	+sport pack	P06087MM	[o]	17	BRE	A00474	1045		
	120	07/11 →	●	-sport pack	P06075MM	[o]	19,2	BSH	A00473	675		
	120	07/11 →	●	+sport pack; -sport pack; +reinf.brakes	P06088MM	[o]	17,7	BRE	A00473	675		
	120	07/11 →	●	-sport pack	P06071MM	[o]	17,2	ATE	A00474	1045		
	120	07/11 →	●	-sport pack; +reinf.brakes	P06072MM	[o]	18,3	ATE	A00474	1045		
	120	07/11 →	●	+sport pack	P06087MM	[o]	17	BRE	A00474	1045		
	147	07/11 → 02/16	●	-M-Technik vehicles; -reinf.brakes	P06075MM	[o]	19,2	BSH	A00473	675		
	147	07/11 → 02/16	●	+reinf.brakes	P06088MM	[o]	17,7	BRE	A00473	675		
	147	07/11 → 02/16	●	-M-Technik vehicles; +reinf.brakes	P06072MM	[o]	18,3	ATE	A00474	1045		
	147	07/11 → 02/16	●	-M-Technik vehicles; -reinf.brakes	P06071MM	[o]	17,2	ATE	A00474	1045		
	147	07/11 → 02/16	●	+M-Technik vehicles	P06087MM	[o]	17	BRE	A00474	1045		
	140	09/14 →	●	-M-Technik vehicles	P06075MM	[o]	19,2	BSH	A00473	675		
	140	09/14 →	●	+M-Technik vehicles	P06088MM	[o]	17,7	BRE	A00473	675		
	140	09/14 →	●	-M-Technik vehicles	P06072MM	[o]	18,3	ATE	A00474	1045		
140	09/14 →	●	-M-Technik vehicles	P06071MM	[o]	17,2	ATE	A00474	1045			
320 d xDrive	135	01/12 → 06/15	●	-M-Technik vehicles	P06075MM	[o]	19,2	BSH	A00473	675		
	135	01/12 → 06/15	●	+sport pack; +M-Technik vehicles; -sport pack; -M-Technik vehicles; +reinf.brakes	P06088MM	[o]	17,7	BRE	A00473	675		
	135	01/12 → 06/15	●	-sport pack	P06071MM	[o]	17,2	ATE	A00474	1045		
	135	01/12 → 06/15	●	-M-Technik vehicles; +reinf.brakes	P06072MM	[o]	18,3	ATE	A00474	1045		
	135	01/12 → 06/15	●	+sport pack	P06087MM	[o]	17	BRE	A00474	1045		
	147	01/12 → 06/15	●	-M-Technik vehicles; -reinf.brakes	P06075MM	[o]	19,2	BSH	A00473	675		
	147	01/12 → 06/15	●	+reinf.brakes	P06088MM	[o]	17,7	BRE	A00473	675		
	147	01/12 → 06/15	●	-M-Technik vehicles; +reinf.brakes	P06072MM	[o]	18,3	ATE	A00474	1045		
	147	01/12 → 06/15	●	-M-Technik vehicles; -reinf.brakes	P06071MM	[o]	17,2	ATE	A00474	1045		
	147	01/12 → 06/15	●	+M-Technik vehicles	P06087MM	[o]	17	BRE	A00474	1045		
	140	07/15 →	●	-M-Technik vehicles	P06075MM	[o]	19,2	BSH	A00473	675		
	140	07/15 →	●	-M-Technik vehicles	P06088MM	[o]	17,7	BRE	A00473	675		
	140	07/15 →	●	+reinf.brakes	P06072MM	[o]	18,3	ATE	A00474	1045		
	140	07/15 →	●	-M-Technik vehicles	P06071MM	[o]	17,2	ATE	A00474	1045		
	140	07/15 →	●	+M-Technik vehicles	P06087MM	[o]	17	BRE	A00474	1045		
	120	01/12 →	●	-sport pack	P06075MM	[o]	19,2	BSH	A00473	675		
	120	01/12 →	●	-sport pack	P06088MM	[o]	17,7	BRE	A00473	675		
	120	01/12 →	●	-sport pack	P06071MM	[o]	17,2	ATE	A00474	1045		
	120	01/12 →	●	+reinf.brakes	P06072MM	[o]	18,3	ATE	A00474	1045		
	120	01/12 →	●	+sport pack	P06087MM	[o]	17	BRE	A00474	1045		
320 i	135	02/12 → 06/15	●	-M-Technik vehicles	P06070MM	[o]	18,2	ATE	A00473	675		
	135	02/12 → 06/15	●	-M-Technik vehicles	P06075MM	[o]	19,2	BSH	A00473	675		
	135	02/12 → 06/15	●	+M-Technik vehicles	P06088MM	[o]	17,7	BRE	A00473	675		
	135	02/12 → 06/15	●	-sport pack	P06071MM	[o]	17,2	ATE	A00474	1045		
	135	02/12 → 06/15	●	+sport pack	P06087MM	[o]	17	BRE	A00474	1045		
	135	10/14 →	●	-M-Technik vehicles	P06070MM	[o]	18,2	ATE	A00473	675		
	135	10/14 →	●	+M-Technik vehicles	P06088MM	[o]	17,7	BRE	A00473	675		
	135	10/14 →	●	-M-Technik vehicles	P06071MM	[o]	17,2	ATE	A00474	1045		
	135	10/14 →	●	+M-Technik vehicles	P06087MM	[o]	17	BRE	A00474	1045		

kw														

BMW

3 Touring (F31) 07/11 →

320 i xDrive	135	01/12 → 06/15	●	-M-Technik vehicles	P06070MM	[O]	18,2	ATE	A00473	675				
	135	01/12 → 06/15	●	+cruise control	P06075MM	[O]	19,2	BSH	A00473	675				
	135	01/12 → 06/15	●	+M-Technik vehicles	P06088MM	[O]	17,7	BRE	A00473	675				
	135	01/12 → 06/15	●	-sport pack	P06071MM	[O]	17,2	ATE	A00474	1045				
	135	01/12 → 06/15	●	+sport pack	P06087MM	[O]	17	BRE	A00474	1045				
	135	09/14 →	●	-M-Technik vehicles	P06070MM	[O]	18,2	ATE	A00473	675				
	135	09/14 →	●	+M-Technik vehicles	P06088MM	[O]	17,7	BRE	A00473	675				
	135	09/14 →	●	-M-Technik vehicles	P06071MM	[O]	17,2	ATE	A00474	1045				
	135	09/14 →	●	+M-Technik vehicles	P06087MM	[O]	17	BRE	A00474	1045				
325 d	160	09/12 → 02/16	●	-M-Technik vehicles	P06075MM	[O]	19,2	BSH	A00473	675				
	160	09/12 → 02/16	●	+sport pack; +reinf.brakes	P06088MM	[O]	17,7	BRE	A00473	675				
	160	09/12 → 02/16	●	-sport pack	P06071MM	[O]	17,2	ATE	A00474	1045				
	160	09/12 → 02/16	●	+M-Technik vehicles; +reinf.brakes	P06072MM	[O]	18,3	ATE	A00474	1045				
	160	09/12 → 02/16	●	+M-Technik vehicles	P06087MM	[O]	17	BRE	A00474	1045				
	155	09/12 → 02/16	●	-sport pack	P06075MM	[O]	19,2	BSH	A00473	675				
	155	09/12 → 02/16	●	→ 12/15	P06088MM	[O]	17,7	BRE	A00473	675				
	155	09/12 → 02/16	●	→ 07/14	P06071MM	[O]	17,2	ATE	A00474	1045				
	155	09/12 → 02/16	●	+sport pack; +reinf.brakes	P06072MM	[O]	18,3	ATE	A00474	1045				
	155	09/12 → 02/16	●	+sport pack; -reinf.brakes	P06087MM	[O]	17	BRE	A00474	1045				
	165	04/15 →	●	-M-Technik vehicles	P06075MM	[O]	19,2	BSH	A00473	675				
	165	04/15 →	●	-M-Technik vehicles	P06071MM	[O]	17,2	ATE	A00474	1045				
165	04/15 →	●	+M-Technik vehicles	P06087MM	[O]	17	BRE	A00474	1045					
328 i	180	01/12 → 06/15	●	-M-Technik vehicles	P06075MM	[O]	19,2	BSH	A00473	675				
	180	01/12 → 06/15	●	-sport pack	P06071MM	[O]	17,2	ATE	A00474	1045				
	180	01/12 → 06/15	●	+sport pack	P06087MM	[O]	17	BRE	A00474	1045				
328 i xDrive	180	06/12 → 06/16	●	-M-Technik vehicles	P06075MM	[O]	19,2	BSH	A00473	675				
	180	06/12 → 06/16	●	-sport pack	P06071MM	[O]	17,2	ATE	A00474	1045				
	180	06/12 → 06/16	●	+sport pack	P06087MM	[O]	17	BRE	A00474	1045				
330 d	190	01/12 →	●	-M-Technik vehicles	P06075MM	[O]	19,2	BSH	A00473	675				
	190	01/12 →	●	-M-Technik vehicles	P06072MM	[O]	18,3	ATE	A00474	1045				
	190	01/12 →	●	+M-Technik vehicles	P06087MM	[O]	17	BRE	A00474	1045				
	210	01/12 →	●	-M-Technik vehicles	P06075MM	[O]	19,2	BSH	A00473	675				
	210	01/12 →	●	-M-Technik vehicles	P06072MM	[O]	18,3	ATE	A00474	1045				
	210	01/12 →	●	+M-Technik vehicles	P06087MM	[O]	17	BRE	A00474	1045				
330 d xDrive	190	06/12 →	●	-M-Technik vehicles	P06075MM	[O]	19,2	BSH	A00473	675				
	190	06/12 →	●	+M-Technik vehicles	P06088MM	[O]	17,7	BRE	A00473	675				
	190	06/12 →	●	-M-Technik vehicles	P06072MM	[O]	18,3	ATE	A00474	1045				
	190	06/12 →	●	+M-Technik vehicles	P06087MM	[O]	17	BRE	A00474	1045				
	210	06/12 →	●	-M-Technik vehicles	P06075MM	[O]	19,2	BSH	A00473	675				
	210	06/12 →	●	-M-Technik vehicles	P06072MM	[O]	18,3	ATE	A00474	1045				
	210	06/12 →	●	+M-Technik vehicles	P06087MM	[O]	17	BRE	A00474	1045				
330 i	185	09/14 →	●	-M-Technik vehicles	P06075MM	[O]	19,2	BSH	A00473	675				
	185	09/14 →	●	-M-Technik vehicles	P06071MM	[O]	17,2	ATE	A00474	1045				
	185	09/14 →	●	+M-Technik vehicles	P06087MM	[O]	17	BRE	A00474	1045				
330 i xDrive	185	10/14 →	●	-M-Technik vehicles	P06075MM	[O]	19,2	BSH	A00473	675				
	185	10/14 →	●	-M-Technik vehicles	P06071MM	[O]	17,2	ATE	A00473	675				
	185	10/14 →	●	+M-Technik vehicles	P06087MM	[O]	17	BRE	A00473	675				
335 d xDrive	230	04/13 →	●		P06088MM	[O]	17,7	BRE	A00473	675				
	230	04/13 →	●	-sport pack	P06072MM	[O]	18,3	ATE	A00474	1045				
	230	04/13 →	●	+sport pack	P06087MM	[O]	17	BRE	A00474	1045				
335 i	225	07/12 → 06/15	●	-M-Technik vehicles	P06088MM	[O]	17,7	BRE	A00473	675				
	225	07/12 → 06/15	●	-M-Technik vehicles	P06072MM	[O]	18,3	ATE	A00474	1045				
	225	07/12 → 06/15	●	+M-Technik vehicles	P06087MM	[O]	17	BRE	A00474	1045				

									WI		FK		
	kw								MAGNETI MARELLI	LENGHT		MAGNETI MARELLI	

BMW

3 Touring (F31) 07/11 →

335 i	240	07/12 → 07/13	●	-M-Technik vehicles	P06088MM	[o]	17,7	BRE	A00473	675		
	240	07/12 → 07/13	●	-M-Technik vehicles; (J)	P06071MM	[o]	17,2	ATE	A00474	1045		
	240	07/12 → 07/13	●	-M-Technik vehicles	P06072MM	[o]	18,3	ATE	A00474	1045		
	240	07/12 → 07/13	●	+M-Technik vehicles	P06087MM	[o]	17	BRE	A00474	1045		
	250	07/13 → 06/15	●	-M-Technik vehicles	P06088MM	[o]	17,7	BRE	A00473	675		
	250	07/13 → 06/15	●	→ 07/14; -M-Technik vehicles; (J)	P06071MM	[o]	17,2	ATE	A00474	1045		
	250	07/13 → 06/15	●	-M-Technik vehicles	P06072MM	[o]	18,3	ATE	A00474	1045		
	250	07/13 → 06/15	●	+M-Technik vehicles	P06087MM	[o]	17	BRE	A00474	1045		
335 i xDrive	225	07/12 → 06/15	●	-M-Technik vehicles	P06088MM	[o]	17,7	BRE	A00473	675		
	225	07/12 → 06/15	●	-M-Technik vehicles	P06072MM	[o]	18,3	ATE	A00474	1045		
	225	07/12 → 06/15	●	+M-Technik vehicles	P06087MM	[o]	17	BRE	A00474	1045		
	240	07/12 → 07/13	●	-M-Technik vehicles	P06088MM	[o]	17,7	BRE	A00473	675		
	240	07/12 → 07/13	●	-M-Technik vehicles	P06072MM	[o]	18,3	ATE	A00474	1045		
	240	07/12 → 07/13	●	+M-Technik vehicles	P06087MM	[o]	17	BRE	A00474	1045		
	250	07/13 → 06/15	●	-M-Technik vehicles	P06088MM	[o]	17,7	BRE	A00473	675		
	250	07/13 → 06/15	●	-M-Technik vehicles	P06072MM	[o]	18,3	ATE	A00474	1045		
340 i	240	10/14 →	●	-M-Technik vehicles	P06088MM	[o]	17,7	BRE	A00473	675		
	240	10/14 →	●	-M-Technik vehicles	P06072MM	[o]	18,3	ATE	A00474	1045		
	240	10/14 →	●	+M-Technik vehicles	P06087MM	[o]	17	BRE	A00474	1045		
	265	10/14 →	●	→ 12/15; -M-Technik vehicles	P06088MM	[o]	17,7	BRE	A00473	675		
	265	10/14 →	●	-M-Technik vehicles	P06072MM	[o]	18,3	ATE	A00474	1045		
	265	10/14 →	●	+M-Technik vehicles	P06087MM	[o]	17	BRE	A00474	1045		
340 i xDrive	240	10/14 →	●	-M-Technik vehicles	P06088MM	[o]	17,7	BRE	A00473	675		
	240	10/14 →	●	-M-Technik vehicles	P06072MM	[o]	18,3	ATE	A00474	1045		
	240	10/14 →	●	+M-Technik vehicles	P06087MM	[o]	17	BRE	A00474	1045		
	265	10/14 →	●	→ 12/15; -M-Technik vehicles	P06088MM	[o]	17,7	BRE	A00473	675		
	265	10/14 →	●	-M-Technik vehicles	P06072MM	[o]	18,3	ATE	A00474	1045		
	265	10/14 →	●	+M-Technik vehicles	P06087MM	[o]	17	BRE	A00474	1045		

4 Convertible (F33, F83) 10/13 →

420 d	135	10/13 → 07/15	●	-M-Technik vehicles	P06075MM	[o]	19,2	BSH	A00473	675		
	135	10/13 → 07/15	●	+M-Technik vehicles	P06088MM	[o]	17,7	BRE	A00473	675		
	135	10/13 → 07/15	●	-M-Technik vehicles	P06071MM	[o]	17,2	ATE	A00474	1045		
	135	10/13 → 07/15	●	+M-Technik vehicles	P06087MM	[o]	17	BRE	A00474	1045		
	147	10/13 → 07/15	●	-M-Technik vehicles	P06075MM	[o]	19,2	BSH	A00473	675		
	147	10/13 → 07/15	●	+M-Technik vehicles	P06088MM	[o]	17,7	BRE	A00473	675		
	147	10/13 → 07/15	●	-M-Technik vehicles	P06071MM	[o]	17,2	ATE	A00474	1045		
	147	10/13 → 07/15	●	+M-Technik vehicles	P06087MM	[o]	17	BRE	A00474	1045		
	140	07/15 →	●	-M-Technik vehicles	P06075MM	[o]	19,2	BSH	A00473	675		
	140	07/15 →	●	+M-Technik vehicles	P06088MM	[o]	17,7	BRE	A00473	675		
	140	07/15 →	●	-M-Technik vehicles	P06071MM	[o]	17,2	ATE	A00474	1045		
	140	07/15 →	●	+M-Technik vehicles	P06087MM	[o]	17	BRE	A00474	1045		
	120	10/13 →	●	-sport pack	P06075MM	[o]	19,2	BSH	A00473	675		
	120	10/13 →	●	+sport pack; → 12/15	P06088MM	[o]	17,7	BRE	A00473	675		
	120	10/13 →	●	-sport pack	P06071MM	[o]	17,2	ATE	A00474	1045		
	120	10/13 →	●	+sport pack	P06087MM	[o]	17	BRE	A00474	1045		
420 i	135	07/14 →	●	-M-Technik vehicles	P06070MM	[o]	18,2	ATE	A00473	675		
	135	07/14 →	●	+M-Technik vehicles	P06088MM	[o]	17,7	BRE	A00473	675		
	135	07/14 →	●	-M-Technik vehicles	P06071MM	[o]	17,2	ATE	A00474	1045		
	135	07/14 →	●	+M-Technik vehicles	P06087MM	[o]	17	BRE	A00474	1045		
	120	07/14 →	●	-sport pack	P06070MM	[o]	18,2	ATE	A00473	675		
	120	07/14 →	●	+sport pack; → 12/15	P06088MM	[o]	17,7	BRE	A00473	675		
120	07/14 →	●	-sport pack	P06071MM	[o]	17,2	ATE	A00474	1045			

		kw						wi	Th [mm]	SYS		LENGHT	WI			FK	
--	--	----	--	--	--	--	--	----	---------	-----	--	--------	----	--	--	----	--

BMW

4 Convertible (F33, F83) 10/13 →

420 i	120	07/14 →	●	+sport pack	P06087MM	[O]	17	BRE	A00474	1045							
	135	02/16 →	●	-M-Technik vehicles	P06070MM	[O]	18,2	ATE	A00473	675	Left						
	135	02/16 →	●	+M-Technik vehicles	P06088MM	[O]	17,7	BRE	A00473	675	Left						
	135	02/16 →	●	-M-Technik vehicles	P06071MM	[O]	17,2	ATE	A00474	1045							
	135	02/16 →	●	+M-Technik vehicles	P06087MM	[O]	17	BRE	A00474	1045							
425 d	160	07/14 →	●	-M-Technik vehicles	P06075MM	[O]	19,2	BSH	A00473	675							
	160	07/14 →	●	-M-Technik vehicles	P06071MM	[O]	17,2	ATE	A00474	1045							
	160	07/14 →	●	+M-Technik vehicles	P06087MM	[O]	17	BRE	A00474	1045							
	155	07/14 →	●	-sport pack	P06075MM	[O]	19,2	BSH	A00473	675							
	155	07/14 →	●	-sport pack	P06071MM	[O]	17,2	ATE	A00474	1045							
	155	07/14 →	●	+sport pack	P06087MM	[O]	17	BRE	A00474	1045							
	165	03/16 →	●	-M-Technik vehicles	P06075MM	[O]	19,2	BSH	A00473	675							
428 i	180	10/13 →	●	-M-Technik vehicles	P06075MM	[O]	19,2	BSH	A00473	675							
	180	10/13 →	●	-M-Technik vehicles	P06071MM	[O]	17,2	ATE	A00474	1045							
	180	10/13 →	●	+M-Technik vehicles	P06087MM	[O]	17	BRE	A00474	1045							
	180	10/13 →	●	-M-Technik vehicles	P06075MM	[O]	19,2	BSH	A00473	675							
428 i xDrive	180	01/14 →	●	-M-Technik vehicles	P06075MM	[O]	19,2	BSH	A00473	675							
	180	01/14 →	●	-M-Technik vehicles	P06071MM	[O]	17,2	ATE	A00474	1045							
	180	01/14 →	●	+M-Technik vehicles	P06087MM	[O]	17	BRE	A00474	1045							
430 d	190	07/14 →	●	-M-Technik vehicles	P06075MM	[O]	19,2	BSH	A00473	675							
	190	07/14 →	●	-M-Technik vehicles	P06071MM	[O]	17,2	ATE	A00474	1045							
	190	07/14 →	●	+M-Technik vehicles	P06087MM	[O]	17	BRE	A00474	1045							
	210	10/13 →	●	-M-Technik vehicles	P06075MM	[O]	19,2	BSH	A00473	675							
	210	10/13 →	●	+M-Technik vehicles	P06087MM	[O]	17	BRE	A00474	1045							
430 i	185	03/16 →	●	-M-Technik vehicles	P06075MM	[O]	19,2	BSH	A00473	675							
	185	03/16 →	●	-M-Technik vehicles	P06071MM	[O]	17,2	ATE	A00474	1045							
	185	03/16 →	●	+M-Technik vehicles	P06087MM	[O]	17	BRE	A00474	1045							
430 i xDrive	185	03/16 →	●	-M-Technik vehicles	P06075MM	[O]	19,2	BSH	A00473	675							
	185	03/16 →	●	-M-Technik vehicles	P06071MM	[O]	17,2	ATE	A00474	1045							
	185	03/16 →	●	+M-Technik vehicles	P06087MM	[O]	17	BRE	A00474	1045							
435 d xDrive	230	07/14 →	●	-M-Technik vehicles	P06088MM	[O]	17,7	BRE	A00473	675							
	230	07/14 →	●	-M-Technik vehicles	P06072MM	[O]	18,3	ATE	A00474	1045							
	230	07/14 →	●	+M-Technik vehicles	P06087MM	[O]	17	BRE	A00474	1045							
435 i	225	10/13 →	●	-M-Technik vehicles	P06088MM	[O]	17,7	BRE	A00473	675							
	225	10/13 →	●	-M-Technik vehicles	P06072MM	[O]	18,3	ATE	A00474	1045							
	225	10/13 →	●	+M-Technik vehicles	P06087MM	[O]	17	BRE	A00474	1045							
	250	10/13 →	●	-M-Technik vehicles	P06088MM	[O]	17,7	BRE	A00473	675							
	250	10/13 →	●	-M-Technik vehicles	P06072MM	[O]	18,3	ATE	A00474	1045							
	250	10/13 →	●	-M-Technik vehicles; (J)	P06071MM	[O]	17,2	ATE	A00474	1045							
435 i xDrive	225	07/14 →	●	-M-Technik vehicles	P06088MM	[O]	17,7	BRE	A00473	675							
	225	07/14 →	●	-M-Technik vehicles	P06072MM	[O]	18,3	ATE	A00474	1045							
	225	07/14 →	●	+M-Technik vehicles	P06087MM	[O]	17	BRE	A00474	1045							
	250	07/14 →	●	-M-Technik vehicles	P06088MM	[O]	17,7	BRE	A00473	675							
	250	07/14 →	●	-M-Technik vehicles	P06072MM	[O]	18,3	ATE	A00474	1045							
	250	07/14 →	●	+M-Technik vehicles	P06087MM	[O]	17	BRE	A00474	1045							
440 i	240	03/16 →	●	-M-Technik vehicles	P06088MM	[O]	17,7	BRE	A00473	675	Left						
	240	03/16 →	●	-M-Technik vehicles	P06072MM	[O]	18,3	ATE	A00474	1045							
	240	03/16 →	●	+M-Technik vehicles	P06087MM	[O]	17	BRE	A00474	1045							
	265	03/16 →	●	-M-Technik vehicles	P06088MM	[O]	17,7	BRE	A00473	675	Left						
	265	03/16 →	●	-M-Technik vehicles	P06072MM	[O]	18,3	ATE	A00474	1045							
	265	03/16 →	●	+M-Technik vehicles	P06087MM	[O]	17	BRE	A00474	1045							

									WI		FK		
	kw						Th [mm]		MAGNETI MARELLI	LENGHT		MAGNETI MARELLI	

BMW

4 Convertible (F33, F83) 10/13 →

440 i xDrive	240 03/16 →	●	-M-Technik vehicles	P06088MM	[o]	17,7	BRE	A00473	675			
	240 03/16 →		●	-M-Technik vehicles	P06072MM	[o]	18,3	ATE	A00474	1045		
	240 03/16 →		●	+M-Technik vehicles	P06087MM	[o]	17	BRE	A00474	1045		
	265 03/16 →	●	-M-Technik vehicles	P06088MM	[o]	17,7	BRE	A00473	675	Left		
	265 03/16 →		●	-M-Technik vehicles	P06072MM	[o]	18,3	ATE	A00474	1045		
	265 03/16 →		●	+M-Technik vehicles	P06087MM	[o]	17	BRE	A00474	1045		
M4	317 07/14 →		●	-ceramic brake disc	P06095MM	[o]	16,8	ATE				
M4 Competition	331 03/16 →		●		P06095MM	[o]	16,8	ATE	A00474	1045		

4 Coupé (F32, F82) 07/13 →

418 d	110 03/15 →	●	-M-Technik vehicles	P06070MM	[o]	18,2	ATE	A00473	675	+sport pack			
	110 03/15 →	●	+M-Technik vehicles	P06088MM	[o]	17,7	BRE	A00473	675	+sport pack			
	110 03/15 →		●	-M-Technik vehicles	P06071MM	[o]	17,2	ATE	A00474	1045			
	110 03/15 →		●	+M-Technik vehicles	P06087MM	[o]	17	BRE	A00474	1045			
	100 03/15 →	●	-sport pack	P06070MM	[o]	18,2	ATE	A00473	675				
	100 03/15 →	●	+sport pack; → 12/15	P06088MM	[o]	17,7	BRE	A00473	675				
	100 03/15 →		●	-sport pack	P06071MM	[o]	17,2	ATE	A00474	1045			
	100 03/15 →		●	+sport pack	P06087MM	[o]	17	BRE	A00474	1045			
418 i	100 02/16 →	●	-M-Technik vehicles	P06070MM	[o]	18,2	ATE	A00473	675				
	100 02/16 →	●	+M-Technik vehicles	P06088MM	[o]	17,7	BRE	A00473	675				
	100 02/16 →		●	-M-Technik vehicles	P06071MM	[o]	17,2	ATE	A00474	1045			
	100 02/16 →		●	+M-Technik vehicles	P06087MM	[o]	17	BRE	A00474	1045			
420 d	135 07/13 → 03/15	●	-M-Technik vehicles	P06075MM	[o]	19,2	BSH	A00473	675				
	135 07/13 → 03/15	●	+M-Technik vehicles	P06088MM	[o]	17,7	BRE	A00473	675				
	135 07/13 → 03/15		●	-sport pack	P06071MM	[o]	17,2	ATE	A00474	1045			
	135 07/13 → 03/15		●	+sport pack	P06087MM	[o]	17	BRE	A00474	1045			
	140 03/15 →	●	-sport pack	P06070MM	[o]	18,2	ATE	A00473	675				
	140 03/15 →	●	-sport pack	P06075MM	[o]	19,2	BSH	A00473	675				
	140 03/15 →	●	+sport pack	P06088MM	[o]	17,7	BRE	A00473	675				
	140 03/15 →		●	-sport pack	P06071MM	[o]	17,2	ATE	A00474	1045			
	140 03/15 →		●	+sport pack	P06087MM	[o]	17	BRE	A00474	1045			
	120 07/13 →	●	-sport pack	P06075MM	[o]	19,2	BSH	A00473	675				
	120 07/13 →	●	+sport pack; → 12/15	P06088MM	[o]	17,7	BRE	A00473	675				
	120 07/13 →		●	-sport pack	P06071MM	[o]	17,2	ATE	A00474	1045			
	120 07/13 →		●	+sport pack	P06087MM	[o]	17	BRE	A00474	1045			
	147 07/13 → 03/15	●	-M-Technik vehicles	P06075MM	[o]	19,2	BSH	A00473	675				
	147 07/13 → 03/15	●	+M-Technik vehicles	P06088MM	[o]	17,7	BRE	A00473	675				
	147 07/13 → 03/15		●	-M-Technik vehicles	P06071MM	[o]	17,2	ATE	A00474	1045	-sport pack		
	147 07/13 → 03/15		●	+M-Technik vehicles	P06087MM	[o]	17	BRE	A00474	1045	-sport pack		
	420 d xDrive	135 11/13 → 03/15	●	-M-Technik vehicles	P06075MM	[o]	19,2	BSH	A00473	675			
		135 11/13 → 03/15	●	+M-Technik vehicles	P06088MM	[o]	17,7	BRE	A00473	675			
		135 11/13 → 03/15		●	-M-Technik vehicles	P06071MM	[o]	17,2	ATE	A00474	1045		
135 11/13 → 03/15			●	+M-Technik vehicles	P06087MM	[o]	17	BRE	A00474	1045			
140 03/15 →		●	-sport pack	P06070MM	[o]	18,2	ATE	A00473	675				
140 03/15 →		●	-sport pack	P06075MM	[o]	19,2	BSH	A00473	675				
140 03/15 →		●	+sport pack	P06088MM	[o]	17,7	BRE	A00473	675				
140 03/15 →			●	-sport pack	P06071MM	[o]	17,2	ATE	A00474	1045			
140 03/15 →			●	+sport pack	P06087MM	[o]	17	BRE	A00474	1045			
120 11/13 →		●	-sport pack	P06075MM	[o]	19,2	BSH	A00473	675				
120 11/13 →		●	+sport pack; → 12/15	P06088MM	[o]	17,7	BRE	A00473	675				
120 11/13 →			●	-sport pack	P06071MM	[o]	17,2	ATE	A00474	1045			
120 11/13 →			●	+sport pack	P06087MM	[o]	17	BRE	A00474	1045			
147 11/13 → 03/15		●	-M-Technik vehicles	P06075MM	[o]	19,2	BSH	A00473	675				
147 11/13 → 03/15		●	+M-Technik vehicles	P06088MM	[o]	17,7	BRE	A00473	675				

BMW

4 Coupé (F32, F82) 07/13 →

420 d xDrive	147	11/13 → 03/15	●	-M-Technik vehicles	P06071MM	[O]	17,2	ATE	A00474	1045				
	147	11/13 → 03/15	●	+M-Technik vehicles	P06087MM	[O]	17	BRE	A00474	1045				
420 i	135	11/13 →	●	-M-Technik vehicles	P06070MM	[O]	18,2	ATE	A00473	675				
	135	11/13 →	●	+M-Technik vehicles	P06088MM	[O]	17,7	BRE	A00473	675				
	135	11/13 →	●	-M-Technik vehicles	P06071MM	[O]	17,2	ATE	A00474	1045				
	135	11/13 →	●	+M-Technik vehicles	P06087MM	[O]	17	BRE	A00474	1045				
	120	11/13 →	●	-sport pack	P06070MM	[O]	18,2	ATE	A00473	675				
	120	11/13 →	●	→ 12/15	P06088MM	[O]	17,7	BRE	A00473	675				
	120	11/13 →	●	-sport pack; → 07/14	P06071MM	[O]	17,2	ATE	A00474	1045				
	120	11/13 →	●	+sport pack; → 08/15	P06087MM	[O]	17	BRE	A00474	1045				
	135	02/16 →	●	-M-Technik vehicles	P06070MM	[O]	18,2	ATE	A00473	675				
	135	02/16 →	●	+M-Technik vehicles	P06088MM	[O]	17,7	BRE	A00473	675				
	135	02/16 →	●	-M-Technik vehicles	P06071MM	[O]	17,2	ATE	A00474	1045				
	135	02/16 →	●	+M-Technik vehicles	P06087MM	[O]	17	BRE	A00474	1045				
420 i xDrive	135	11/13 →	●	-M-Technik vehicles	P06070MM	[O]	18,2	ATE	A00473	675				
	135	11/13 →	●	+M-Technik vehicles	P06088MM	[O]	17,7	BRE	A00473	675				
	135	11/13 →	●	-M-Technik vehicles	P06071MM	[O]	17,2	ATE	A00474	1045				
	135	11/13 →	●	+M-Technik vehicles	P06087MM	[O]	17	BRE	A00474	1045				
	120	11/13 →	●	-sport pack	P06070MM	[O]	18,2	ATE	A00473	675				
	120	11/13 →	●	-sport pack	P06075MM	[O]	19,2	BSH	A00473	675				
	120	11/13 →	●	+sport pack; → 12/15	P06088MM	[O]	17,7	BRE	A00473	675				
	120	11/13 →	●	-sport pack	P06071MM	[O]	17,2	ATE	A00474	1045				
	120	11/13 →	●	+sport pack	P06087MM	[O]	17	BRE	A00474	1045				
	135	02/16 →	●	-M-Technik vehicles	P06070MM	[O]	18,2	ATE	A00473	675				
	135	02/16 →	●	+M-Technik vehicles	P06088MM	[O]	17,7	BRE	A00473	675				
	135	02/16 →	●	-M-Technik vehicles	P06071MM	[O]	17,2	ATE	A00474	1045				
135	02/16 →	●	+M-Technik vehicles	P06087MM	[O]	17	BRE	A00474	1045					
425 d	160	01/14 →	●	-M-Technik vehicles	P06075MM	[O]	19,2	BSH	A00473	675				
	160	01/14 →	●	-M-Technik vehicles	P06071MM	[O]	17,2	ATE	A00474	1045				
	160	01/14 →	●	+M-Technik vehicles	P06087MM	[O]	17	BRE	A00474	1045				
	155	01/14 →	●	-sport pack	P06075MM	[O]	19,2	BSH	A00473	675				
	155	01/14 →	●	-sport pack	P06071MM	[O]	17,2	ATE	A00474	1045				
	155	01/14 →	●	+sport pack	P06087MM	[O]	17	BRE	A00474	1045				
	165	03/16 →	●	-M-Technik vehicles	P06075MM	[O]	19,2	BSH	A00473	675				
	165	03/16 →	●	-M-Technik vehicles	P06071MM	[O]	17,2	ATE	A00474	1045				
	165	03/16 →	●	+M-Technik vehicles	P06087MM	[O]	17	BRE	A00474	1045				
428 i	180	07/13 →	●	-sport pack	P06075MM	[O]	19,2	BSH	A00473	675				
	180	07/13 →	●	-sport pack	P06071MM	[O]	17,2	ATE	A00474	1045				
	180	07/13 →	●	+sport pack	P06087MM	[O]	17	BRE	A00474	1045				
428 i xDrive	180	07/13 →	●	-M-Technik vehicles	P06075MM	[O]	19,2	BSH	A00473	675				
	180	07/13 →	●	-M-Technik vehicles	P06071MM	[O]	17,2	ATE	A00474	1045				
	180	07/13 →	●	+M-Technik vehicles	P06087MM	[O]	17	BRE	A00474	1045				
430 d	190	11/13 →	●	-M-Technik vehicles	P06075MM	[O]	19,2	BSH	A00473	675				
	190	11/13 →	●	-M-Technik vehicles	P06072MM	[O]	18,3	ATE	A00474	1045				
	190	11/13 →	●	+M-Technik vehicles	P06087MM	[O]	17	BRE	A00474	1045				
	210	11/13 →	●	-M-Technik vehicles	P06075MM	[O]	19,2	BSH	A00473	675				
	210	11/13 →	●	-M-Technik vehicles	P06072MM	[O]	18,3	ATE	A00474	1045				
	210	11/13 →	●	+M-Technik vehicles	P06087MM	[O]	17	BRE	A00474	1045				
430 d xDrive	190	01/14 →	●	-M-Technik vehicles	P06075MM	[O]	19,2	BSH	A00473	675				
	190	01/14 →	●	-M-Technik vehicles	P06072MM	[O]	18,3	ATE	A00474	1045				
	190	01/14 →	●	+M-Technik vehicles	P06087MM	[O]	17	BRE	A00474	1045				
	210	11/13 →	●	-M-Technik vehicles	P06075MM	[O]	19,2	BSH	A00473	675				
	210	11/13 →	●	-M-Technik vehicles	P06072MM	[O]	18,3	ATE	A00474	1045				
	210	11/13 →	●	+M-Technik vehicles	P06087MM	[O]	17	BRE	A00474	1045				

	kw									LENGHT			

BMW

4 Coupé (F32, F82) 07/13 →

430 i	185	03/16 →	●	-M-Technik vehicles	P06075MM	[o]	19,2	BSH	A00473	675		
	185	03/16 →	●	-M-Technik vehicles	P06071MM	[o]	17,2	ATE	A00474	1045		
	185	03/16 →	●	+M-Technik vehicles	P06087MM	[o]	17	BRE	A00474	1045		
430 i xDrive	185	03/16 →	●	-M-Technik vehicles	P06075MM	[o]	19,2	BSH	A00473	675		
	185	03/16 →	●	-M-Technik vehicles	P06071MM	[o]	17,2	ATE	A00474	1045		
	185	03/16 →	●	+M-Technik vehicles	P06087MM	[o]	17	BRE	A00474	1045		
435 d xDrive	230	11/13 →	●	-M-Technik vehicles	P06088MM	[o]	17,7	BRE	A00473	675		
	230	11/13 →	●	-M-Technik vehicles	P06072MM	[o]	18,3	ATE	A00474	1045		
	230	11/13 →	●	+M-Technik vehicles	P06087MM	[o]	17	BRE	A00474	1045		
435 i	225	07/13 →	●	-M-Technik vehicles	P06088MM	[o]	17,7	BRE	A00473	675		
	225	07/13 →	●	-M-Technik vehicles	P06072MM	[o]	18,3	ATE	A00474	1045		
	225	07/13 →	●	+M-Technik vehicles	P06087MM	[o]	17	BRE	A00474	1045		
	250	07/13 →	●	-M-Technik vehicles	P06088MM	[o]	17,7	BRE	A00473	675		
	250	07/13 →	●	-M-Technik vehicles	P06072MM	[o]	18,3	ATE	A00474	1045		
435 i xDrive	225	07/13 →	●	-M-Technik vehicles	P06088MM	[o]	17,7	BRE	A00473	675		
	225	07/13 →	●	-M-Technik vehicles	P06072MM	[o]	18,3	ATE	A00474	1045		
	225	07/13 →	●	+M-Technik vehicles	P06087MM	[o]	17	BRE	A00474	1045		
	250	07/13 →	●	-M-Technik vehicles	P06088MM	[o]	17,7	BRE	A00473	675		
	250	07/13 →	●	-M-Technik vehicles	P06072MM	[o]	18,3	ATE	A00474	1045		
440 i	240	03/16 →	●	-M-Technik vehicles	P06088MM	[o]	17,7	BRE	A00473	675		
	240	03/16 →	●	-M-Technik vehicles	P06072MM	[o]	18,3	ATE	A00474	1045		
	240	03/16 →	●	+M-Technik vehicles	P06087MM	[o]	17	BRE	A00474	1045		
	265	03/16 →	●	-M-Technik vehicles	P06088MM	[o]	17,7	BRE	A00473	675		
	265	03/16 →	●	-M-Technik vehicles	P06072MM	[o]	18,3	ATE	A00474	1045		
440 i xDrive	240	03/16 →	●	-M-Technik vehicles	P06088MM	[o]	17,7	BRE	A00473	675		
	240	03/16 →	●	-M-Technik vehicles	P06072MM	[o]	18,3	ATE	A00474	1045		
	240	03/16 →	●	+M-Technik vehicles	P06087MM	[o]	17	BRE	A00474	1045		
	265	03/16 →	●	-M-Technik vehicles	P06088MM	[o]	17,7	BRE	A00473	675		
	265	03/16 →	●	-M-Technik vehicles	P06072MM	[o]	18,3	ATE	A00474	1045		
M4	317	01/14 →	●	-ceramic brake disc	P06095MM	[o]	16,8	ATE	A00474	1045	-ceramic brake disc	
M4 Competition	331	03/16 →	●	-ceramic brake disc	P06095MM	[o]	16,8	ATE	A00474	1045	-ceramic brake disc	

4 Gran Coupé (F36) 03/14 →

418 d	105	03/14 →	●	-M-Technik vehicles	P06070MM	[o]	18,2	ATE	A00473	675		
	105	03/14 →	●	+M-Technik vehicles	P06088MM	[o]	17,7	BRE	A00473	675		
	105	03/14 →	●	-M-Technik vehicles	P06071MM	[o]	17,2	ATE	A00474	1045		
	105	03/14 →	●	+M-Technik vehicles	P06087MM	[o]	17	BRE	A00474	1045		
	110	07/15 →	●	-M-Technik vehicles	P06070MM	[o]	18,2	ATE	A00473	675		
	110	07/15 →	●	+M-Technik vehicles	P06088MM	[o]	17,7	BRE	A00473	675		
	110	07/15 →	●	-M-Technik vehicles	P06071MM	[o]	17,2	ATE	A00474	1045		
	110	07/15 →	●	+M-Technik vehicles	P06087MM	[o]	17	BRE	A00474	1045		
	100	03/14 →	●	-sport pack	P06070MM	[o]	18,2	ATE	A00473	675		
	100	03/14 →	●	+sport pack; → 12/15	P06088MM	[o]	17,7	BRE	A00473	675		
418 i	100	03/14 →	●	-sport pack	P06071MM	[o]	17,2	ATE	A00474	1045		
	100	03/14 →	●	+sport pack	P06087MM	[o]	17	BRE	A00474	1045		
	100	07/15 →	●	-M-Technik vehicles	P06070MM	[o]	18,2	ATE	A00473	675		
	100	07/15 →	●	+M-Technik vehicles	P06088MM	[o]	17,7	BRE	A00473	675		
	100	07/15 →	●	-M-Technik vehicles	P06071MM	[o]	17,2	ATE	A00474	1045		
	100	07/15 →	●	+M-Technik vehicles	P06087MM	[o]	17	BRE	A00474	1045		

--	--	--	--	--	--	--	--	--	--	--	--	--	--	--	--

BMW

4 Gran Coupé (F36) 03/14 →

Model	Power (kW)	Year Range	Options	Vehicle Type	Part No.	Th [mm]	SYS	WI	LENGHT	FK	
420 d	135	03/14 → 03/15	●	-M-Technik vehicles	P06075MM	19,2	BSH	A00473	675		
	135	03/14 → 03/15	●	+M-Technik vehicles	P06088MM	17,7	BRE	A00473	675		
	135	03/14 → 03/15	●	-M-Technik vehicles	P06071MM	17,2	ATE	A00474	1045		
	135	03/14 → 03/15	●	+M-Technik vehicles	P06087MM	17	BRE	A00474	1045		
	140	03/15 →	●	-sport pack	P06075MM	19,2	BSH	A00473	675		
	140	03/15 →	●	+sport pack	P06088MM	17,7	BRE	A00473	675		
	140	03/15 →	●	-sport pack	P06071MM	17,2	ATE	A00474	1045		
	140	03/15 →	●	+sport pack	P06087MM	17	BRE	A00474	1045		
	120	03/14 →	●	-sport pack	P06075MM	19,2	BSH	A00473	675		
	120	03/14 →	●	+sport pack; → 12/15	P06088MM	17,7	BRE	A00473	675		
	120	03/14 →	●	-sport pack	P06071MM	17,2	ATE	A00474	1045		
	120	03/14 →	●	+sport pack	P06087MM	17	BRE	A00474	1045		
	147	03/14 → 03/15	●	-M-Technik vehicles	P06075MM	19,2	BSH	A00473	675		
	147	03/14 → 03/15	●	+M-Technik vehicles	P06088MM	17,7	BRE	A00473	675		
	147	03/14 → 03/15	●	-M-Technik vehicles	P06071MM	17,2	ATE	A00474	1045		
	147	03/14 → 03/15	●	+M-Technik vehicles	P06087MM	17	BRE	A00474	1045		
420 d xDrive	135	03/14 → 03/15	●	-M-Technik vehicles	P06075MM	19,2	BSH	A00473	675		
	135	03/14 → 03/15	●	+M-Technik vehicles	P06088MM	17,7	BRE	A00473	675		
	135	03/14 → 03/15	●	-M-Technik vehicles	P06071MM	17,2	ATE	A00474	1045		
	135	03/14 → 03/15	●	+M-Technik vehicles	P06087MM	17	BRE	A00474	1045		
	140	03/15 →	●	-sport pack	P06075MM	19,2	BSH	A00473	675		
	140	03/15 →	●	+sport pack	P06088MM	17,7	BRE	A00473	675		
	140	03/15 →	●	-sport pack	P06071MM	17,2	ATE	A00474	1045		
	140	03/15 →	●	+sport pack	P06087MM	17	BRE	A00474	1045		
	120	03/14 →	●	-sport pack	P06075MM	19,2	BSH	A00473	675		
	120	03/14 →	●	+sport pack; → 12/15	P06088MM	17,7	BRE	A00473	675		
	120	03/14 →	●	-sport pack	P06071MM	17,2	ATE	A00474	1045		
	120	03/14 →	●	+sport pack	P06087MM	17	BRE	A00474	1045		
	147	03/14 → 03/15	●	-M-Technik vehicles	P06075MM	19,2	BSH	A00473	675		
	147	03/14 → 03/15	●	+M-Technik vehicles	P06088MM	17,7	BRE	A00473	675		
	147	03/14 → 03/15	●	-M-Technik vehicles	P06071MM	17,2	ATE	A00474	1045		
	147	03/14 → 03/15	●	+M-Technik vehicles	P06087MM	17	BRE	A00474	1045		
420 i	135	03/14 →	●	-M-Technik vehicles	P06075MM	19,2	BSH	A00473	675		
	135	03/14 →	●	+M-Technik vehicles	P06088MM	17,7	BRE	A00473	675		
	135	03/14 →	●	-M-Technik vehicles	P06071MM	17,2	ATE	A00474	1045		
	135	03/14 →	●	+M-Technik vehicles	P06087MM	17	BRE	A00474	1045		
	120	03/14 →	●	-sport pack	P06070MM	18,2	ATE	A00473	675		
	120	03/14 →	●	+sport pack; → 12/15	P06088MM	17,7	BRE	A00473	675		
	120	03/14 →	●	-sport pack	P06071MM	17,2	ATE	A00474	1045		
	120	03/14 →	●	+sport pack	P06087MM	17	BRE	A00474	1045		
	135	02/16 →	●	-M-Technik vehicles	P06070MM	18,2	ATE	A00473	675	Left	
	135	02/16 →	●	+M-Technik vehicles	P06088MM	17,7	BRE	A00473	675	Left	
	135	02/16 →	●	-M-Technik vehicles	P06071MM	17,2	ATE	A00474	1045		
	135	02/16 →	●	+M-Technik vehicles	P06087MM	17	BRE	A00474	1045		
	420 i xDrive	135	07/14 →	●	-M-Technik vehicles	P06070MM	18,2	ATE	A00473	675	
		135	07/14 →	●	+M-Technik vehicles	P06088MM	17,7	BRE	A00473	675	
		135	07/14 →	●	-M-Technik vehicles	P06071MM	17,2	ATE	A00474	1045	
		135	07/14 →	●	+M-Technik vehicles	P06087MM	17	BRE	A00474	1045	
120		03/14 →	●	-sport pack	P06070MM	18,2	ATE	A00473	675		
120		03/14 →	●	+sport pack; → 12/15	P06088MM	17,7	BRE	A00473	675		
120		03/14 →	●	-sport pack	P06071MM	17,2	ATE	A00474	1045		
120		03/14 →	●	+sport pack	P06087MM	17	BRE	A00474	1045		
135		02/16 →	●	-M-Technik vehicles	P06070MM	18,2	ATE	A00473	675	Left	
135		02/16 →	●	+M-Technik vehicles	P06088MM	17,7	BRE	A00473	675	Left	

										WI		FK		
											LENGHT			

BMW

4 Gran Coupé (F36) 03/14 →

420 i xDrive	135 02/16 →		●	-M-Technik vehicles	P06071MM	[o]	17,2	ATE	A00474	1045			
	135 02/16 →			●	+M-Technik vehicles	P06087MM	[o]	17	BRE	A00474	1045		
425 d	165 03/16 →		●	-M-Technik vehicles	P06075MM	[o]	19,2	BSH	A00473	675			
	165 03/16 →			●	-M-Technik vehicles	P06071MM	[o]	17,2	ATE	A00474	1045		
	165 03/16 →			●	+M-Technik vehicles	P06087MM	[o]	17	BRE	A00474	1045		
	155 03/16 →		●		-sport pack	P06075MM	[o]	19,2	BSH				
	155 03/16 →			●	-sport pack	P06071MM	[o]	17,2	ATE				
	155 03/16 →			●	+sport pack	P06087MM	[o]	17	BRE				
428 i	180 03/14 →		●	-M-Technik vehicles	P06075MM	[o]	19,2	BSH	A00473	675			
	180 03/14 →			●	-M-Technik vehicles	P06071MM	[o]	17,2	ATE	A00474	1045		
	180 03/14 →			●	+M-Technik vehicles	P06087MM	[o]	17	BRE	A00474	1045		
428 i xDrive	180 03/14 →		●	-M-Technik vehicles	P06075MM	[o]	19,2	BSH	A00473	675			
	180 03/14 →			●	-M-Technik vehicles	P06071MM	[o]	17,2	ATE	A00474	1045		
	180 03/14 →			●	+M-Technik vehicles	P06087MM	[o]	17	BRE	A00474	1045		
430 d	190 07/14 →		●	-M-Technik vehicles	P06075MM	[o]	19,2	BSH	A00473	675			
	190 07/14 →			●	-M-Technik vehicles	P06072MM	[o]	18,3	ATE	A00474	1045		
	190 07/14 →			●	+M-Technik vehicles	P06087MM	[o]	17	BRE	A00474	1045		
	210 07/14 →		●	-M-Technik vehicles	P06075MM	[o]	19,2	BSH	A00473	675			
	210 07/14 →			●	-M-Technik vehicles	P06072MM	[o]	18,3	ATE	A00474	1045		
	210 07/14 →			●	+M-Technik vehicles	P06087MM	[o]	17	BRE	A00474	1045		
430 d xDrive	190 07/14 →		●	-M-Technik vehicles	P06075MM	[o]	19,2	BSH	A00473	675			
	190 07/14 →			●	-M-Technik vehicles	P06072MM	[o]	18,3	ATE	A00474	1045		
	190 07/14 →			●	+M-Technik vehicles	P06087MM	[o]	17	BRE	A00474	1045		
	210 07/14 →		●	-M-Technik vehicles	P06075MM	[o]	19,2	BSH					
430 i	185 03/16 →		●	-M-Technik vehicles	P06075MM	[o]	19,2	BSH	A00473	675			
	185 03/16 →			●	-M-Technik vehicles	P06071MM	[o]	17,2	ATE	A00474	1045		
	185 03/16 →			●	+M-Technik vehicles	P06087MM	[o]	17	BRE	A00474	1045		
430 i xDrive	185 03/16 →		●	-M-Technik vehicles	P06075MM	[o]	19,2	BSH	A00473	675			
	185 03/16 →			●	-M-Technik vehicles	P06071MM	[o]	17,2	ATE	A00474	1045		
	185 03/16 →			●	+M-Technik vehicles	P06087MM	[o]	17	BRE	A00474	1045		
	230 07/14 →		●	-M-Technik vehicles	P06088MM	[o]	17,7	BRE	A00473	675			
435 d xDrive	230 07/14 →			●	+M-Technik vehicles	P06072MM	[o]	18,3	ATE	A00474	1045		
	230 07/14 →			●	-M-Technik vehicles	P06087MM	[o]	17	BRE	A00474	1045		
	225 03/14 →		●	-M-Technik vehicles	P06088MM	[o]	17,7	BRE	A00473	675			
435 i	225 03/14 →			●	-M-Technik vehicles	P06072MM	[o]	18,3	ATE	A00474	1045		
	225 03/14 →			●	+M-Technik vehicles	P06087MM	[o]	17	BRE	A00474	1045		
	250 03/14 →		●	-M-Technik vehicles	P06088MM	[o]	17,7	BRE	A00473	675			
	250 03/14 →			●	-M-Technik vehicles	P06072MM	[o]	18,3	ATE	A00474	1045		
	250 03/14 →			●	+M-Technik vehicles	P06087MM	[o]	17	BRE	A00474	1045		
	225 07/14 →		●	-M-Technik vehicles	P06088MM	[o]	17,7	BRE	A00473	675			
435 i xDrive	225 07/14 →			●	-M-Technik vehicles	P06072MM	[o]	18,3	ATE	A00474	1045		
	225 07/14 →			●	+M-Technik vehicles	P06087MM	[o]	17	BRE	A00474	1045		
	250 07/14 →		●	-M-Technik vehicles	P06088MM	[o]	17,7	BRE	A00473	675			
	250 07/14 →			●	-M-Technik vehicles	P06072MM	[o]	18,3	ATE	A00474	1045		
	250 07/14 →			●	+M-Technik vehicles	P06087MM	[o]	17	BRE	A00474	1045		
	240 03/16 →		●	-M-Technik vehicles	P06088MM	[o]	17,7	BRE	A00473	675			
440 i	240 03/16 →			●	+M-Technik vehicles	P06087MM	[o]	17	BRE	A00474	1045		
	240 03/16 →			●	-M-Technik vehicles	P06072MM	[o]	18,3	ATE	A00474	1045		
	265 03/16 →		●	-M-Technik vehicles	P06088MM	[o]	17,7	BRE	A00473	675	Left		
	265 03/16 →			●	+M-Technik vehicles	P06087MM	[o]	17	BRE	A00474	1045		
	265 03/16 →			●	-M-Technik vehicles	P06072MM	[o]	18,3	ATE	A00474	1045		

		kw						wi	Th [mm]	SYS	WI		FK		
												LENGHT			

BMW

4 Gran Coupé (F36) 03/14 →

440 i xDrive	240	03/16 →	●	-M-Technik vehicles	P06088MM	[O]	17,7	BRE	A00473	675				
	240	03/16 →	●	+M-Technik vehicles	P06087MM	[O]	17	BRE	A00474	1045				
	240	03/16 →	●	-M-Technik vehicles	P06072MM	[O]	18,3	ATE	A00474	1045				
	265	03/16 →	●	-M-Technik vehicles	P06088MM	[O]	17,7	BRE	A00473	675	Left			
	265	03/16 →	●	+M-Technik vehicles	P06087MM	[O]	17	BRE	A00474	1045				
	265	03/16 →	●	-M-Technik vehicles	P06072MM	[O]	18,3	ATE	A00474	1045				

5 (E39) 11/95 → 06/03

520 d	100	02/00 → 06/03	●	-special.veh.	P06065MM	[O]	20,3	ATE	A00200	805			
	100	02/00 → 06/03	●	+special.veh.	P06021MM	[O]	19,3	ATE	A00200	805			
	100	02/00 → 06/03	●		P06023MM	[O]	17,3	ATE	A00201	545			
520 i	110	01/96 → 09/00	●	→ 10/96	P06022MM	[O]	20,3	ATE	A00200	805			
	110	01/96 → 09/00	●	10/96 →	P06065MM	[O]	20,3	ATE	A00200	805			
	110	01/96 → 09/00	●		P06023MM	[O]	17,3	ATE	A00201	545			
	100	04/99 → 06/03	●		P06065MM	[O]	20,3	ATE	A00200	805			
	100	04/99 → 06/03	●		P06023MM	[O]	17,3	ATE	A00201	545			
	125	09/00 → 06/03	●	-special.veh.	P06065MM	[O]	20,3	ATE	A00200	805			
	125	09/00 → 06/03	●	+special.veh.	P06021MM	[O]	19,3	ATE	A00200	805			
523 i	125	09/00 → 06/03	●		P06023MM	[O]	17,3	ATE	A00201	545			
	125	11/95 → 09/00	●	→ 10/96	P06022MM	[O]	20,3	ATE	A00200	805			
	125	11/95 → 09/00	●	10/96 →	P06065MM	[O]	20,3	ATE	A00200	805			
525 d	125	11/95 → 09/00	●		P06023MM	[O]	17,3	ATE	A00201	545			
	120	02/00 → 06/03	●	-special.veh.	P06065MM	[O]	20,3	ATE	A00200	805			
	120	02/00 → 06/03	●	+special.veh.	P06021MM	[O]	19,3	ATE	A00200	805			
525 i	120	02/00 → 06/03	●		P06023MM	[O]	17,3	ATE	A00201	545			
	141	09/00 → 06/03	●	-special.veh.	P06065MM	[O]	20,3	ATE	A00200	805			
	141	09/00 → 06/03	●	+special.veh.	P06021MM	[O]	19,3	ATE	A00200	805			
525 td	141	09/00 → 06/03	●		P06023MM	[O]	17,3	ATE	A00201	545			
	85	01/97 → 06/03	●		P06065MM	[O]	20,3	ATE	A00200	805			
	85	01/97 → 06/03	●		P06023MM	[O]	17,3	ATE	A00201	545			
525 tds	105	01/96 → 06/03	●	→ 10/96	P06022MM	[O]	20,3	ATE	A00200	805			
	105	01/96 → 06/03	●	10/96 →	P06065MM	[O]	20,3	ATE	A00200	805			
	105	01/96 → 06/03	●		P06023MM	[O]	17,3	ATE	A00201	545			
528 i	142	11/95 → 09/00	●	→ 10/96	P06022MM	[O]	20,3	ATE	A00200	805			
	142	11/95 → 09/00	●	10/96 →	P06065MM	[O]	20,3	ATE	A00200	805			
	142	11/95 → 09/00	●		P06023MM	[O]	17,3	ATE	A00201	545			
530 d	135	08/98 → 09/00	●		P06065MM	[O]	20,3	ATE	A00200	805			
	135	08/98 → 09/00	●		P06023MM	[O]	17,3	ATE	A00201	545			
	142	09/00 → 06/03	●		P06021MM	[O]	19,3	ATE	A00200	805		A02213	
	142	09/00 → 06/03	●		P06023MM	[O]	17,3	ATE	A00201	545			
530 i	170	09/00 → 06/03	●		P06021MM	[O]	19,3	ATE	A00200	805		A02213	
	170	09/00 → 06/03	●		P06023MM	[O]	17,3	ATE	A00201	545			
535 i	173	04/96 → 03/99	●	→ 10/96	P06022MM	[O]	20,3	ATE	A00200	805			
	173	04/96 → 03/99	●	10/96 → 08/97	P06065MM	[O]	20,3	ATE	A00200	805			
	173	04/96 → 03/99	●	09/97 →	P06021MM	[O]	19,3	ATE	A00200	805			
	173	04/96 → 03/99	●		P06023MM	[O]	17,3	ATE	A00201	545			
	180	04/99 → 06/03	●		P06021MM	[O]	19,3	ATE	A00200	805		A02213	04/00 →
	180	04/99 → 06/03	●		P06023MM	[O]	17,3	ATE	A00201	545			
540 i	210	04/96 → 06/03	●		P06021MM	[O]	19,3	ATE	A00200	805		A02213	04/00 →
	210	04/96 → 06/03	●		P06023MM	[O]	17,3	ATE	A00201	545			
M5	294	10/98 → 06/03	●		P06021MM	[O]	19,3	ATE	A00200	805		A02213	
	294	10/98 → 06/03	●		P06020MM	[O]	17,2	ATE	A00201	545			

										WI		FK		
	kw										LENGHT			

BMW

5 (E60) 12/01 → 03/10

520 d	120	02/05 → 02/08	●	-special.veh.; -high payload	P06057MM	[o]	20,3	ATE	A00228	670			
	120	02/05 → 02/08	●	+special.veh.; +high payload	P06054MM	[o]	20,3	ATE	A00228	670			
	120	02/05 → 02/08	●		P06033MM	[o]	17,3	ATE	A00229	685			
	110	02/05 → 02/08	●	-special.veh.; -high payload	P06057MM	[o]	20,3	ATE	A00228	670			
	110	02/05 → 02/08	●	+special.veh.; +high payload	P06054MM	[o]	20,3	ATE	A00228	670			
	110	02/05 → 02/08	●		P06033MM	[o]	17,3	ATE	A00229	685			
	130	04/06 → 12/09	●	-special.veh.; -high payload	P06057MM	[o]	20,3	ATE	A00228	670			
	130	04/06 → 12/09	●	+special.veh.; +high payload	P06054MM	[o]	20,3	ATE	A00228	670			
	130	04/06 → 12/09	●		P06033MM	[o]	17,3	ATE	A00229	685			
520 i	125	07/03 → 03/10	●	-special.veh.	P06057MM	[o]	20,3	ATE	A00228	670			
	125	07/03 → 03/10	●	+special.veh.	P06054MM	[o]	20,3	ATE	A00228	670			
	125	07/03 → 03/10	●		P06033MM	[o]	17,3	ATE	A00229	685			
	125	09/07 → 03/10	●	+special.veh.	P06054MM	[o]	20,3	ATE	A00228	670			
	125	09/07 → 03/10	●	-special.veh.	P06057MM	[o]	20,3	ATE	A00228	670			
	125	09/07 → 03/10	●		P06033MM	[o]	17,3	ATE	A00229	685			
	120	12/06 → 03/10	●	-special.veh.	P06057MM	[o]	20,3	ATE	A00228	670			
	120	12/06 → 03/10	●	+special.veh.	P06054MM	[o]	20,3	ATE	A00228	670			
	120	12/06 → 03/10	●		P06033MM	[o]	17,3	ATE	A00229	685			
523 i	115	04/06 → 12/09	●	-special.veh.; -M-Technik vehicles	P06057MM	[o]	20,3	ATE	A00228	670			
	115	04/06 → 12/09	●	+special.veh.; -M-Technik vehicles	P06054MM	[o]	20,3	ATE	A00228	670			
	115	04/06 → 12/09	●	-M-Technik vehicles	P06033MM	[o]	17,3	ATE	A00229	685			
523 i	130	10/04 → 02/07	●	-special.veh.	P06057MM	[o]	20,3	ATE	A00228	670			
	130	10/04 → 02/07	●	+special.veh.	P06054MM	[o]	20,3	ATE	A00228	670			
	130	10/04 → 02/07	●		P06033MM	[o]	17,3	ATE	A00229	685			
	140	01/07 → 03/10	●	+special.veh.; -high payload	P06057MM	[o]	20,3	ATE	A00228	670			
	140	01/07 → 03/10	●	-special.veh.; +high payload	P06054MM	[o]	20,3	ATE	A00228	670			
	140	01/07 → 03/10	●		P06033MM	[o]	17,3	ATE	A00229	685			
525 d	140	01/07 → 03/10	●		P06054MM	[o]	20,3	ATE	A00228	670			
	130	06/04 → 03/10	●	-special.veh.	P06057MM	[o]	20,3	ATE	A00228	670			
	130	06/04 → 03/10	●	+special.veh.	P06054MM	[o]	20,3	ATE	A00228	670			
	130	06/04 → 03/10	●		P06033MM	[o]	17,3	ATE	A00229	685			
	120	12/04 → 03/10	●	+special.veh.	P06054MM	[o]	20,3	ATE	A00228	670			
	120	12/04 → 03/10	●	-special.veh.	P06057MM	[o]	20,3	ATE	A00228	670			
	120	12/04 → 03/10	●		P06033MM	[o]	17,3	ATE	A00229	685			
	145	01/07 → 03/10	●		P06054MM	[o]	20,3	ATE	A00228	670			
525 d xDrive	145	01/07 → 03/10	●		P06033MM	[o]	17,3	ATE	A00229	685			
	145	09/07 → 12/09	●		P06054MM	[o]	20,3	ATE	A00228	670			
525 i	145	09/07 → 12/09	●		P06033MM	[o]	17,3	ATE	A00229	685			
	141	09/03 → 03/10	●	-special.veh.	P06057MM	[o]	20,3	ATE	A00228	670			
	141	09/03 → 03/10	●	+special.veh.	P06054MM	[o]	20,3	ATE	A00228	670			
	141	09/03 → 03/10	●		P06033MM	[o]	17,3	ATE	A00229	685			
	160	10/04 → 12/09	●	disc Ø 310 mm	P06057MM	[o]	20,3	ATE	A00228	670			
	160	10/04 → 12/09	●	disc Ø 324 mm	P06054MM	[o]	20,3	ATE	A00228	670			
	160	10/04 → 12/09	●		P06033MM	[o]	17,3	ATE	A00229	685			
	160	01/07 → 03/10	●		P06054MM	[o]	20,3	ATE	A00228	670			
	160	01/07 → 03/10	●	-special.veh.	P06033MM	[o]	17,3	ATE	A00229	685			
	160	01/07 → 03/10	●	+special.veh.; +high payload	P06026MM	[o]	17,3	ATE	A00229	685			
	155	07/05 → 03/10	●		P06054MM	[o]	20,3	ATE					
	155	07/05 → 03/10	●		P06033MM	[o]	17,3	ATE					
	155	01/07 → 03/10	●	-reinf.brakes	P06054MM	[o]	20,3	ATE					
	155	01/07 → 03/10	●	+reinf.brakes	P06026MM	[o]	17,3	ATE					
	155	01/07 → 03/10	●	-reinf.brakes	P06033MM	[o]	17,3	ATE					

--	--	--	--	--	--	--	--	--	--	--	--	--	--	--

BMW														
5 (E60)		12/01 → 03/10												
525 i xDrive	160	09/08 → 03/10	●			P06054MM	○	20,3	ATE	A00228	670			
	160	09/08 → 03/10		●		P06033MM	○	17,3	ATE	A00229	685			
525 xd	145	11/06 → 08/07	●			P06054MM	○	20,3	ATE	A00228	670			
	145	11/06 → 08/07		●		P06033MM	○	17,3	ATE	A00229	685			
525 xi	160	07/05 → 03/10	●			P06054MM	○	20,3	ATE	A00228	670			
	160	07/05 → 03/10		●		P06033MM	○	17,3	ATE	A00229	685			
	160	01/07 → 03/10	●			P06054MM	○	20,3	ATE	A00228	670			
	160	01/07 → 03/10		●		P06033MM	○	17,3	ATE	A00229	685			
530 d	160	02/02 → 09/05	●			P06054MM	○	20,3	ATE	A00228	670			
	160	02/02 → 09/05		●	-special.veh.	P06033MM	○	17,3	ATE	A00229	685			
	160	02/02 → 09/05		●	+special.veh.	P06026MM	○	17,3	ATE	A00229	685			
	170	02/05 → 02/07	●			P06054MM	○	20,3	ATE	A00228	670			
	170	02/05 → 02/07		●	-special.veh.	P06033MM	○	17,3	ATE	A00229	685			
	170	02/05 → 02/07		●	+special.veh.	P06026MM	○	17,3	ATE	A00229	685			
	173	09/06 → 12/09	●			P06054MM	○	20,3	ATE	A00228	670			
	173	09/06 → 12/09		●	-special.veh.	P06033MM	○	17,3	ATE	A00229	685			
	173	09/06 → 12/09		●	+special.veh.	P06026MM	○	17,3	ATE	A00229	685			
	155	02/02 → 12/09	●			P06054MM	○	20,3	ATE	A00228	670			
	155	02/02 → 12/09		●	-special.veh.	P06033MM	○	17,3	ATE	A00229	685			
	155	02/02 → 12/09		●	+special.veh.	P06026MM	○	17,3	ATE	A00229	685			
530 d xDrive	173	09/07 → 12/09	●			P06054MM	○	20,3	ATE	A00228	670			
	173	09/07 → 12/09		●		P06033MM	○	17,3	ATE	A00229	685			
530 i	170	12/01 → 02/05	●			P06054MM	○	20,3	ATE	A00228	670			
	170	12/01 → 02/05		●		P06033MM	○	17,3	ATE	A00229	685			
	190	09/04 → 02/07	●			P06054MM	○	20,3	ATE	A00228	670			
	190	09/04 → 02/07		●	-special.veh.	P06033MM	○	17,3	ATE	A00229	685			
	190	09/04 → 02/07		●	+special.veh.	P06026MM	○	17,3	ATE	A00229	685			
	200	09/06 → 12/09	●			P06054MM	○	20,3	ATE	A00228	670			
	200	09/06 → 12/09		●		P06026MM	○	17,3	ATE	A00229	685			
	187	03/05 → 03/10	●			P06054MM	○	20,3	ATE	A00228	670			
	187	03/05 → 03/10		●		P06033MM	○	17,3	ATE	A00229	685			
	200	09/06 → 12/09		●	+special.veh.	P06026MM	○	17,3	ATE	A00229	685			
200	09/06 → 12/09		●	-special.veh.	P06033MM	○	17,3	ATE	A00229	685				
530 i xDrive	200	09/07 → 12/09	●			P06054MM	○	20,3	ATE	A00228	670			
	200	09/07 → 12/09		●		P06033MM	○	17,3	ATE	A00229	685			
530 xd	170	02/05 → 02/07	●			P06054MM	○	20,3	ATE	A00228	670			
	170	02/05 → 02/07		●		P06033MM	○	17,3	ATE	A00229	685			
	173	09/06 → 08/07	●			P06054MM	○	20,3	ATE	A00228	670			
	173	09/06 → 08/07		●		P06033MM	○	17,3	ATE	A00229	685			
530 xi	190	09/04 → 02/07	●			P06054MM	○	20,3	ATE	A00228	670			
	190	09/04 → 02/07		●		P06033MM	○	17,3	ATE	A00229	685			
	200	11/05 → 08/07	●			P06054MM	○	20,3	ATE	A00228	670			
	200	11/05 → 08/07		●		P06033MM	○	17,3	ATE	A00229	685			
535 d	200	09/04 → 03/10	●			P06047MM	○	20,8	ATE	A00228	670			
	200	09/04 → 03/10		●		P06026MM	○	17,3	ATE	A00229	685			
	210	01/07 → 03/10	●			P06047MM	○	20,8	ATE	A00228	670			
210	01/07 → 03/10		●		P06026MM	○	17,3	ATE	A00229	685				
540 i	225	07/05 → 03/10	●			P06054MM	○	20,3	ATE	A00228	670			
	225	07/05 → 03/10		●		P06026MM	○	17,3	ATE	A00229	685			
	225	09/05 → 02/10	●			P06054MM	○	20,3	ATE	A00228	670			
	225	09/05 → 02/10		●		P06026MM	○	17,3	ATE	A00229	685			
545 i	245	09/03 → 03/10	●			P06054MM	○	20,3	ATE	A00228	670			
	245	09/03 → 03/10		●		P06026MM	○	17,3	ATE	A00229	685			

Car Icon	kw	Hourglass	Truck	i	MAGNETI MARELLI	wi	Th [mm]	SYS	WI			FK	
									MAGNETI MARELLI	LENGHT	i	MAGNETI MARELLI	i

BMW

5 (E60) 12/01 → 03/10

550 i	270	07/05 → 03/10	•		P06054MM	[o]	20,3	ATE	A00228	670			
	270	07/05 → 03/10	•		P06047MM	[o]	20,8	ATE	A00228	670			
	270	07/05 → 03/10	•		P06026MM	[o]	17,3	ATE	A00229	685			
M5	373	09/04 → 03/10	•	→ 09/08	P06047MM	[o]	20,8	ATE	A00228	670			
	373	09/04 → 03/10	•	10/08 →	P06066MM	[o]	20,8	ATE	A00228	670			
	373	09/04 → 03/10	•		P06026MM	[o]	17,3	ATE	A00229	685			

5 (F10) 01/09 → 10/16

518 d	105	02/13 → 06/14	•		P06060MM	[o]	19,3/ 20,3	ATE	A00422	1083			
	105	02/13 → 06/14	•		P06064MM	[o]	18	TRW	A00431	915			
	110	10/13 → 10/16	•		P06060MM	[o]	19,3/ 20,3	ATE	A00422	1083			
	110	10/13 → 10/16	•		P06064MM	[o]	18	TRW	A00431	915			
	100	02/13 → 06/14	•		P06060MM	[o]	19,3/ 20,3	ATE	A00422	1083			
	100	02/13 → 06/14	•		P06064MM	[o]	18	TRW	A00431	915			
520 d	135	03/10 → 10/16	•		P06060MM	[o]	19,3/ 20,3	ATE	A00422	1083			
	135	03/10 → 10/16	•		P06064MM	[o]	18	TRW	A00431	915			
	140	10/13 → 10/16	•		P06060MM	[o]	19,3/ 20,3	ATE	A00422	1083			
	140	10/13 → 10/16	•		P06064MM	[o]	18	TRW	A00431	915			
	120	01/09 → 10/16	•		P06060MM	[o]	19,3/ 20,3	ATE	A00422	1083			
	120	01/09 → 10/16	•		P06064MM	[o]	18	TRW	A00431	915			
	147	01/13 → 10/16	•		P06060MM	[o]	19,3/ 20,3	ATE	A00422	1083	Left		
	147	01/13 → 10/16	•		P06064MM	[o]	18	TRW	A00431	915			
	100	01/13 → 10/16	•		P06060MM	[o]	19,3/ 20,3	ATE					
	100	01/13 → 10/16	•		P06064MM	[o]	18	TRW					
	155	10/13 → 10/16	•		P06060MM	[o]	19,3/ 20,3	ATE	A00422	1083	Left		
	155	10/13 → 10/16	•		P06064MM	[o]	18	TRW	A00431	915			
520 d xDrive	135	01/13 → 06/14	•		P06060MM	[o]	19,3/ 20,3	ATE	A00422	1083			
	135	01/13 → 06/14	•		P06064MM	[o]	18	TRW	A00431	915			
	140	10/13 → 10/16	•		P06060MM	[o]	19,3/ 20,3	ATE	A00422	1083			
	140	10/13 → 10/16	•		P06064MM	[o]	18	TRW	A00431	915			
	120	10/13 → 10/16	•		P06060MM	[o]	19,3/ 20,3	ATE	A00422	1083			
	120	10/13 → 10/16	•		P06064MM	[o]	18	TRW	A00431	915			
	147	01/13 → 06/14	•		P06060MM	[o]	19,3/ 20,3	ATE	A00422	1083	Left		
	147	01/13 → 06/14	•		P06064MM	[o]	18	TRW	A00431	915			
	100	01/13 → 06/14	•		P06060MM	[o]	19,3/ 20,3	ATE					
	100	01/13 → 06/14	•		P06064MM	[o]	18	TRW					
	155	10/13 → 10/16	•		P06060MM	[o]	19,3/ 20,3	ATE	A00422	1083	Left		
	155	10/13 → 10/16	•		P06064MM	[o]	18	TRW	A00431	915			
520 i	120	10/10 → 10/16	•		P06060MM	[o]	19,3/ 20,3	ATE	A00422	1083			
	120	10/10 → 10/16	•		P06064MM	[o]	18	TRW	A00431	915			

 	kw						wi	Th [mm]	SYS	WI			FK	
											LENGHT			

BMW
5 (F10) 01/09 → 10/16

520 i	135	10/10 → 10/16	●			P06060MM	[O]	19,3/20,3	ATE	A00422	1083		
	135	10/10 → 10/16		●		P06064MM	[O]	18	TRW	A00431	915		
	125	07/13 → 10/16	●			P06060MM	[O]	19,3/20,3	ATE	A00422	1083		
	125	07/13 → 10/16		●		P06064MM	[O]	18	TRW	A00431	915		
523 i	150	01/09 → 08/11	●			P06060MM	[O]	19,3/20,3	ATE	A00422	1083		
	150	01/09 → 08/11		●		P06064MM	[O]	18	TRW	A00431	915		
	150	06/09 → 08/11	●			P06060MM	[O]	19,3/20,3	ATE	A00422	1083		
	150	06/09 → 08/11		●		P06064MM	[O]	18	TRW	A00431	915		
525 d	155	01/11 → 10/16	●		-sport pack; disc Ø 330 mm	P06060MM	[O]	19,3/20,3	ATE	A00422	1083		
	155	01/11 → 10/16	●		-sport pack; disc Ø 348 mm	P06074MM	[O]	19,2/20,3	ATE	A00422	1083		
	155	01/11 → 10/16	●		+sport pack	P06076MM	[O]	19,3	ATE	A00422	1083		
	155	01/11 → 10/16		●		P06064MM	[O]	18	TRW	A00431	915		
	160	01/11 → 10/16	●		-sport pack; disc Ø 330 mm	P06060MM	[O]	19,3/20,3	ATE	A00422	1083		
	160	01/11 → 10/16	●		-sport pack; disc Ø 348 mm	P06074MM	[O]	19,2/20,3	ATE	A00422	1083		
	160	01/11 → 10/16	●		+sport pack	P06076MM	[O]	19,3	ATE	A00422	1083		
	160	01/11 → 10/16		●		P06064MM	[O]	18	TRW	A00431	915		
	150	06/09 → 08/11	●		-sport pack; disc Ø 330 mm	P06060MM	[O]	19,3/20,3	ATE	A00422	1083		
	150	06/09 → 08/11	●		→ 04/11	P06074MM	[O]	19,2/20,3	ATE	A00422	1083		
	150	06/09 → 08/11	●		05/11 →	P06076MM	[O]	19,3	ATE	A00422	1083		
	150	06/09 → 08/11		●		P06064MM	[O]	18	TRW	A00431	915		
525 d xDrive	155	01/11 → 10/16	●		disc Ø 330 mm	P06060MM	[O]	19,3/20,3	ATE	A00422	1083		
	155	01/11 → 10/16	●		disc Ø 348 mm	P06074MM	[O]	19,2/20,3	ATE	A00422	1083		
	155	01/11 → 10/16		●		P06064MM	[O]	18	TRW	A00431	915		
	160	01/11 → 10/16	●		disc Ø 330 mm	P06060MM	[O]	19,3/20,3	ATE	A00422	1083		
	160	01/11 → 10/16	●		disc Ø 348 mm	P06074MM	[O]	19,2/20,3	ATE	A00422	1083		
	160	01/11 → 10/16		●		P06064MM	[O]	18	TRW	A00431	915		
528 i	180	10/10 → 10/16	●		-sport pack; disc Ø 330 mm	P06060MM	[O]	19,3/20,3	ATE	A00422	1083		
	180	10/10 → 10/16	●		-sport pack; disc Ø 348 mm	P06074MM	[O]	19,2/20,3	ATE	A00422	1083		
	180	10/10 → 10/16	●		+sport pack	P06076MM	[O]	19,3	ATE	A00422	1083		
	180	10/10 → 10/16		●		P06064MM	[O]	18	TRW	A00431	915		
	190	01/09 → 08/11	●		-sport pack; disc Ø 330 mm	P06060MM	[O]	19,3/20,3	ATE	A00422	1083		
	190	01/09 → 08/11	●		-sport pack; disc Ø 348 mm	P06074MM	[O]	19,2/20,3	ATE	A00422	1083		
	190	01/09 → 08/11	●		+sport pack	P06076MM	[O]	19,3	ATE	A00422	1083		
	190	01/09 → 08/11		●		P06064MM	[O]	18	TRW	A00431	915		
528 i xDrive	180	10/10 → 10/16	●		disc Ø 330 mm	P06060MM	[O]	19,3/20,3	ATE	A00422	1083		
	180	10/10 → 10/16	●		disc Ø 348 mm	P06074MM	[O]	19,2/20,3	ATE	A00422	1083		
	180	10/10 → 10/16		●		P06064MM	[O]	18	TRW	A00431	915		



kw



MAGNETI MARELLI

WI

Th [mm]

SYS

WI

FK

MAGNETI MARELLI

LENGHT



MAGNETI MARELLI



BMW

5 (F10) 01/09 → 10/16

530 d	190	01/11 → 10/16	●	-sport pack	P06074MM	[o]	19,2/ 20,3	ATE	A00422	1083		
	190	01/11 → 10/16	●	+sport pack	P06076MM	[o]	19,3	ATE	A00422	1083		
	190	01/11 → 10/16	●	disc Ø 330 mm	P06064MM	[o]	18	TRW	A00431	915		
	190	01/11 → 10/16	●	disc Ø 345 mm	P06061MM	[o]	18	TRW	A00431	915		
	180	01/09 → 08/11	●	-sport pack	P06074MM	[o]	19,2/ 20,3	ATE	A00422	1083		
	180	01/09 → 08/11	●	+sport pack	P06076MM	[o]	19,3	ATE	A00422	1083		
	180	01/09 → 08/11	●	disc Ø 345 mm	P06061MM	[o]	18	TRW	A00431	915		
	180	01/09 → 08/11	●		P06064MM	[o]	18	TRW	A00431	915		
	210	09/10 → 10/16	●	+reinf.brakes	P06076MM	[o]	19,3	ATE	A00422	1083		
	210	09/10 → 10/16	●	-reinf.brakes	P06074MM	[o]	19,2/ 20,3	ATE	A00422	1083		
	210	09/10 → 10/16	●	-reinf.brakes	P06064MM	[o]	18	TRW	A00431	915		
	210	09/10 → 10/16	●	+reinf.brakes	P06061MM	[o]	18	TRW	A00431	915		
530 d xDrive	190	09/10 → 10/16	●	+sport pack	P06076MM	[o]	19,3	ATE	A00422	1083		
	190	09/10 → 10/16	●	-sport pack	P06074MM	[o]	19,2/ 20,3	ATE	A00422	1083		
	190	09/10 → 10/16	●	disc Ø 345 mm	P06061MM	[o]	18	TRW	A00431	915		
	190	09/10 → 10/16	●	disc Ø 330 mm	P06064MM	[o]	18	TRW	A00431	915		
	210	09/10 → 10/16	●		P06076MM	[o]	19,3	ATE	A00422	1083		
	210	09/10 → 10/16	●	-reinf.brakes	P06064MM	[o]	18	TRW	A00431	915		
530 i	200	05/11 → 06/13	●	-sport pack	P06074MM	[o]	19,2/ 20,3	ATE	A00422	1083		
	200	05/11 → 06/13	●	+sport pack	P06076MM	[o]	19,3	ATE	A00422	1083		
	200	05/11 → 06/13	●	disc Ø 330 mm	P06064MM	[o]	18	TRW	A00431	915		
	200	05/11 → 06/13	●	disc Ø 345 mm	P06061MM	[o]	18	TRW	A00431	915		
535 d	230	01/11 → 10/16	●		P06076MM	[o]	19,3	ATE	A00422	1083		
	230	01/11 → 10/16	●		P06061MM	[o]	18	TRW	A00431	915		
	220	03/10 → 08/11	●		P06076MM	[o]	19,3	ATE	A00422	1083		
	220	03/10 → 08/11	●		P06061MM	[o]	18	TRW	A00431	915		
535 d xDrive	230	02/11 → 10/16	●		P06076MM	[o]	19,3	ATE	A00422	1083		
	230	02/11 → 10/16	●		P06061MM	[o]	18	TRW	A00431	915		
535 i	225	01/09 → 10/16	●	(USA)	P06074MM	[o]	19,2/ 20,3	ATE	A00422	1083		
	225	01/09 → 10/16	●		P06076MM	[o]	19,3	ATE	A00422	1083		
	225	01/09 → 10/16	●	(USA)	P06064MM	[o]	18	TRW	A00431	915		
	225	01/09 → 10/16	●		P06061MM	[o]	18	TRW	A00431	915		
	240	07/13 → 10/16	●	-M-Technik vehicles; -reinf.brakes	P06074MM	[o]	19,2/ 20,3	ATE	A00422	1083		
	240	07/13 → 10/16	●	+M-Technik vehicles; +reinf.brakes	P06076MM	[o]	19,3	ATE	A00422	1083		
	240	07/13 → 10/16	●	-reinf.brakes	P06064MM	[o]	18	TRW	A00431	915		
	240	07/13 → 10/16	●	+reinf.brakes	P06061MM	[o]	18	TRW	A00431	915		
535 i xDrive	225	03/10 → 10/16	●	(USA)	P06074MM	[o]	19,2/ 20,3	ATE	A00422	1083		
	225	03/10 → 10/16	●		P06076MM	[o]	19,3	ATE	A00422	1083		
	225	03/10 → 10/16	●	(USA)	P06064MM	[o]	18	TRW	A00431	915		
	225	03/10 → 10/16	●		P06061MM	[o]	18	TRW	A00431	915		
	240	07/13 → 10/16	●	-M-Technik vehicles; -reinf.brakes	P06074MM	[o]	19,2/ 20,3	ATE	A00422	1083		
	240	07/13 → 10/16	●	+M-Technik vehicles; +reinf.brakes	P06076MM	[o]	19,3	ATE	A00422	1083		
	240	07/13 → 10/16	●	-reinf.brakes	P06064MM	[o]	18	TRW	A00431	915		
	240	07/13 → 10/16	●	+reinf.brakes	P06061MM	[o]	18	TRW	A00431	915		

		kw						wi	Th [mm]	SYS		LENGHT	WI			FK			
--	--	----	--	--	--	--	--	----	---------	-----	--	--------	----	--	--	----	--	--	--

BMW

5 (F10) 01/09 → 10/16

550 i	300	01/09 → 06/13	●			P06076MM	[O]	19,3	ATE	A00422	1083								
	300	01/09 → 06/13		●		P06061MM	[O]	18	TRW	A00431	915								
	330	08/12 → 10/16	●			P06076MM	[O]	19,3	ATE	A00422	1083								
	330	08/12 → 10/16		●		P06061MM	[O]	18	TRW	A00431	915								
550 i xDrive	300	08/10 → 06/13	●			P06076MM	[O]	19,3	ATE	A00422	1083								
	300	08/10 → 06/13		●		P06061MM	[O]	18	TRW	A00431	915								
	330	01/13 → 10/16	●			P06076MM	[O]	19,3	ATE	A00422	1083								
	330	01/13 → 10/16		●		P06061MM	[O]	18	TRW	A00431	915								
ActiveHybrid	250	09/10 → 08/16	●		(D)	P06074MM	[O]	19,2/ 20,3	ATE	A00422	1083								
	250	09/10 → 08/16	●		-(D)	P06076MM	[O]	19,3	ATE	A00422	1083								
	250	09/10 → 08/16		●	(D)	P06064MM	[O]	18	TRW	A00431	915								
	250	09/10 → 08/16		●	-(D)	P06061MM	[O]	18	TRW	A00431	915								
	225	09/10 → 08/16	●		(D)	P06074MM	[O]	19,2/ 20,3	ATE	A00422	1083								
	225	09/10 → 08/16	●		-(D)	P06076MM	[O]	19,3	ATE	A00422	1083								
	225	09/10 → 08/16		●	(D)	P06064MM	[O]	18	TRW	A00431	915								
	225	09/10 → 08/16		●	-(D)	P06061MM	[O]	18	TRW	A00431	915								
M 550 d xDrive	280	07/11 → 10/16	●			P06076MM	[O]	19,3	ATE	A00422	1083								
	280	07/11 → 10/16		●		P06061MM	[O]	18	TRW	A00431	915								
M5	412	10/10 → 10/16	●		-ceramic brake disc	P06079MM	[O]	20,4	BRE	A00422	1083								
	412	10/10 → 10/16		●		P06061MM	[O]	18	TRW	A00475	1000								
M5 Competition	423	02/13 → 10/16	●		-ceramic brake disc	P06079MM	[O]	20,4	BRE	A00422	1083								
	423	02/13 → 10/16		●	-ceramic brake disc	P06061MM	[O]	18	TRW	A00475	1000								
M5 Edition 30	441	07/14 → 10/16	●		-ceramic brake disc	P06079MM	[O]	20,4	BRE	A00422	1083								
	441	07/14 → 10/16		●	-ceramic brake disc	P06061MM	[O]	18	TRW	A00475	1000								

5 (G30) 09/16 →

520 d	140	09/16 →	●		-performance brake	P06093MM	[O]	18,6	TRW										
	140	09/16 →		●		P06064MM	[O]	18	TRW										
	120	09/16 →	●		-performance brake	P06093MM	[O]	18,6	TRW										
	120	09/16 →		●		P06064MM	[O]	18	TRW										
520 d xDrive	140	09/16 →	●		-performance brake	P06093MM	[O]	18,6	TRW										
	140	09/16 →		●		P06064MM	[O]	18	TRW										
	120	09/16 →	●		-performance brake	P06093MM	[O]	18,6	TRW										
	120	09/16 →		●		P06064MM	[O]	18	TRW										
530 d	195	09/16 →	●		-M-Technik vehicles	P06064MM	[O]	18	TRW										
530 d xDrive	195	09/16 →	●		-M-Technik vehicles	P06064MM	[O]	18	TRW										
	183	09/16 →	●		-M-Technik vehicles	P06064MM	[O]	18	TRW										
530 e iPerformance	135	03/17 →	●		-M-Technik vehicles	P06064MM	[O]	18	TRW										
	185	03/17 →	●		-M-Technik vehicles	P06064MM	[O]	18	TRW										
530 i	185	09/16 →	●		-M-Technik vehicles	P06064MM	[O]	18	TRW										
530 i xDrive	185	09/16 →	●		-M-Technik vehicles	P06064MM	[O]	18	TRW										

5 Gran Turismo (F07) 01/09 →

520 d	135	04/11 →	●			P06076MM	[O]	19,3	ATE	A00422	1083								
	135	04/11 →		●		P06053MM	[O]	16,9	ATE	A00430	1055								
	120	04/11 →	●			P06076MM	[O]	19,3	ATE	A00422	1083								
	120	04/11 →		●		P06053MM	[O]	16,9	ATE	A00430	1055								
528 i	180	01/13 →	●			P06076MM	[O]	19,3	ATE	A00422	1083								
	180	01/13 →		●		P06053MM	[O]	16,9	ATE	A00430	1055								
530 d	155	03/10 →	●			P06076MM	[O]	19,3	ATE	A00422	1083								
	155	03/10 →		●		P06053MM	[O]	16,9	ATE	A00430	1055								
	180	01/09 → 06/12	●		04/11 →	P06076MM	[O]	19,3	ATE	A00422	1083								
	180	01/09 → 06/12	●		→ 03/11	P06074MM	[O]	19,2/ 20,3	ATE	A00422	1083								



kw



WI

Th [mm]

SYS

WI

FK



LENGHT



BMW

5 Gran Turismo (F07) 01/09 →

530 d	180	01/09 → 06/12	●		P06053MM	[o]	16,9	ATE	A00430	1055		
	190	10/11 →	●		P06076MM	[o]	19,3	ATE	A00422	1083		
	190	10/11 →	●		P06053MM	[o]	16,9	ATE	A00430	1055		
530 d xDrive	180	01/10 → 06/12	●		P06076MM	[o]	19,3	ATE	A00422	1083		
	180	01/10 → 06/12	●		P06053MM	[o]	16,9	ATE	A00430	1055		
	190	11/11 →	●		P06076MM	[o]	19,3	ATE	A00422	1083		
	190	11/11 →	●		P06053MM	[o]	16,9	ATE	A00430	1055		
535 d	220	05/09 → 06/12	●		P06076MM	[o]	19,3	ATE	A00422	1083		
	220	05/09 → 06/12	●		P06053MM	[o]	16,9	ATE	A00430	1055		
	230	01/12 →	●		P06076MM	[o]	19,3	ATE	A00422	1083		
535 d xDrive	220	05/09 → 06/12	●		P06076MM	[o]	19,3	ATE	A00422	1083		
	220	05/09 → 06/12	●		P06053MM	[o]	16,9	ATE	A00430	1055		
	230	01/12 →	●		P06076MM	[o]	19,3	ATE	A00422	1083		
	230	01/12 →	●		P06053MM	[o]	16,9	ATE	A00430	1055		
535 i	225	01/09 →	●		P06076MM	[o]	19,3	ATE	A00422	1083		
	225	01/09 →	●		P06053MM	[o]	16,9	ATE	A00430	1055		
535 i xDrive	225	01/10 →	●		P06076MM	[o]	19,3	ATE	A00422	1083		
	225	01/10 →	●		P06053MM	[o]	16,9	ATE	A00430	1055		
550 i	300	01/09 → 05/12	●	(USA)	P06076MM	[o]	19,3	ATE	A00422	1083		
	300	01/09 → 05/12	●		P06073MM	[o]	19,9	ATE	A00422	1083		
	300	01/09 → 05/12	●		P06053MM	[o]	16,9	ATE	A00430	1055		
	330	01/12 → 07/16	●	(USA)	P06076MM	[o]	19,3	ATE	A00422	1083		
	330	01/12 → 07/16	●		P06073MM	[o]	19,9	ATE	A00422	1083		
	330	01/12 → 07/16	●		P06053MM	[o]	16,9	ATE	A00430	1055		
	298	10/09 → 05/12	●	(USA)	P06076MM	[o]	19,3	ATE	A00422	1083		
	298	10/09 → 05/12	●		P06073MM	[o]	19,9	ATE	A00422	1083		
550 i xDrive	300	04/09 → 06/12	●	(USA)	P06076MM	[o]	19,3	ATE	A00422	1083		
	300	04/09 → 06/12	●		P06073MM	[o]	19,9	ATE	A00422	1083		
	300	04/09 → 06/12	●		P06053MM	[o]	16,9	ATE	A00430	1055		
	330	04/11 →	●	(USA)	P06076MM	[o]	19,3	ATE	A00422	1083		
	330	04/11 →	●		P06073MM	[o]	19,9	ATE	A00422	1083		
	330	04/11 →	●		P06053MM	[o]	16,9	ATE	A00430	1055		

5 Touring (E39) 09/96 → 05/04

520 d	100	02/00 → 09/03	●	-special. veh.	P06065MM	[o]	20,3	ATE	A00200	805		
	100	02/00 → 09/03	●	+special. veh.	P06021MM	[o]	19,3	ATE	A00200	805		
	100	02/00 → 09/03	●		P06023MM	[o]	17,3	ATE	A00230	1100		
520 i	110	01/97 → 09/00	●		P06065MM	[o]	20,3	ATE	A00200	805		
	110	01/97 → 09/00	●		P06023MM	[o]	17,3	ATE	A00230	1100		
	100	04/99 → 05/04	●		P06065MM	[o]	20,3	ATE	A00200	805		
	100	04/99 → 05/04	●		P06023MM	[o]	17,3	ATE	A00230	1100		
	125	09/00 → 05/04	●	-special. veh.	P06065MM	[o]	20,3	ATE	A00200	805		
	125	09/00 → 05/04	●	+special. veh.	P06021MM	[o]	19,3	ATE	A00200	805		
523 i	120	09/96 → 09/98	●		P06065MM	[o]	20,3	ATE	A00200	805		
	120	09/96 → 09/98	●		P06023MM	[o]	17,3	ATE	A00230	1100		
525 d	120	02/00 → 05/04	●	-special. veh.	P06065MM	[o]	20,3	ATE	A00200	805		
	120	02/00 → 05/04	●	+special. veh.	P06021MM	[o]	19,3	ATE	A00200	805		
	120	02/00 → 05/04	●		P06023MM	[o]	17,3	ATE	A00230	1100		
525 i	141	09/00 → 05/04	●	-special. veh.	P06065MM	[o]	20,3	ATE	A00200	805	A02213	-special. veh.
	141	09/00 → 05/04	●	+special. veh.	P06021MM	[o]	19,3	ATE	A00200	805	A02213	-special. veh.
	141	09/00 → 05/04	●		P06023MM	[o]	17,3	ATE	A00230	1100		

BMW

5 Touring (E39) 09/96 → 05/04

525 tds	105	03/97 → 05/04	●			P06065MM	○	20,3	ATE	A00200	805		
	105	03/97 → 05/04		●		P06023MM	○	17,3	ATE	A00230	1100		
528 i	142	01/97 → 09/00	●			P06065MM	○	20,3	ATE	A00200	805		
	142	01/97 → 09/00		●		P06023MM	○	17,3	ATE	A00230	1100		
530 d	135	08/98 → 09/00	●			P06065MM	○	20,3	ATE	A00200	805		
	135	08/98 → 09/00		●		P06023MM	○	17,3	ATE	A00230	1100		
	142	09/00 → 05/04	●			P06021MM	○	19,3	ATE	A00200	805		A02213
	142	09/00 → 05/04		●		P06023MM	○	17,3	ATE	A00230	1100		
530 i	170	09/00 → 05/04	●			P06021MM	○	19,3	ATE	A00200	805		A02213
	170	09/00 → 05/04		●		P06023MM	○	17,3	ATE	A00230	1100		
540 i	210	01/97 → 05/04	●			P06021MM	○	19,3	ATE	A00200	805		A02213 04/00 →
	210	01/97 → 05/04		●		P06023MM	○	17,3	ATE	A00230	1100		

5 Touring (E61) 06/04 → 12/10

520 d	120	04/05 → 02/08	●		+special veh.	P06054MM	○	20,3	ATE	A00228	670		
	120	04/05 → 02/08	●		-special veh.	P06057MM	○	20,3	ATE	A00228	670		
	120	04/05 → 02/08		●		P06033MM	○	17,3	ATE	A00231	883		
	110	04/05 → 02/08	●		+special veh.	P06054MM	○	20,3	ATE	A00228	670		
	110	04/05 → 02/08	●		-special veh.	P06057MM	○	20,3	ATE	A00228	670		
	110	04/05 → 02/08		●		P06033MM	○	17,3	ATE	A00231	883		
	130	03/07 → 05/10	●			P06054MM	○	20,3	ATE	A00228	670		
520 i	130	03/07 → 05/10		●		P06033MM	○	17,3	ATE	A00231	883		
	125	09/07 → 12/10	●		-special veh.	P06057MM	○	20,3	ATE	A00228	670		
	125	09/07 → 12/10	●		+special veh.	P06054MM	○	20,3	ATE	A00228	670		
	125	09/07 → 12/10		●		P06033MM	○	17,3	ATE	A00231	883		
	120	07/07 → 08/10	●		-special veh.	P06057MM	○	20,3	ATE	A00228	670		
523 i	120	07/07 → 08/10	●		+special veh.	P06054MM	○	20,3	ATE	A00228	670		
	120	07/07 → 08/10		●		P06033MM	○	17,3	ATE	A00231	883		
	130	10/04 → 02/07	●		-special veh.; -high payload	P06057MM	○	20,3	ATE	A00228	670		
	130	10/04 → 02/07	●		+special veh.; +high payload	P06054MM	○	20,3	ATE	A00228	670		
	130	10/04 → 02/07		●		P06033MM	○	17,3	ATE	A00231	883		
	140	03/07 → 01/10	●		-special veh.; -high payload	P06057MM	○	20,3	ATE	A00228	670		
	140	03/07 → 01/10	●		+special veh.	P06054MM	○	20,3	ATE	A00228	670		
525 d	140	03/07 → 01/10		●		P06033MM	○	17,3	ATE	A00231	883		
	140	01/07 → 12/10	●			P06054MM	○	20,3	ATE	A00228	670		
	140	01/07 → 12/10		●		P06033MM	○	17,3	ATE	A00231	883		
	130	06/04 → 12/10	●		-special veh.	P06057MM	○	20,3	ATE	A00228	670		
	130	06/04 → 12/10	●		+special veh.	P06054MM	○	20,3	ATE	A00228	670		
	130	06/04 → 12/10		●		P06033MM	○	17,3	ATE	A00231	883		
	120	12/04 → 12/10	●		-special veh.	P06057MM	○	20,3	ATE	A00228	670		
	120	12/04 → 12/10	●		+special veh.	P06054MM	○	20,3	ATE	A00228	670		
	120	12/04 → 12/10		●		P06033MM	○	17,3	ATE	A00231	883		
525 d xDrive	145	01/07 → 12/10	●		-special veh.; -high payload	P06057MM	○	20,3	ATE	A00228	670		
	145	01/07 → 12/10	●		+special veh.; +high payload	P06054MM	○	20,3	ATE	A00228	670		
	145	01/07 → 12/10		●		P06033MM	○	17,3	ATE	A00231	883		
	145	01/07 → 12/10	●		-special veh.; -high payload	P06033MM	○	17,3	ATE	A00231	883		
	145	01/07 → 12/10	●		+special veh.; +high payload	P06026MM	○	17,3	ATE	A00231	883		
525 i	145	09/08 → 12/10	●			P06054MM	○	20,3	ATE	A00228	670		
	145	09/08 → 12/10		●		P06033MM	○	17,3	ATE	A00231	883		
	141	06/04 → 12/10	●		-special veh.	P06057MM	○	20,3	ATE	A00228	670		
	141	06/04 → 12/10	●		+special veh.	P06054MM	○	20,3	ATE	A00228	670		
	141	06/04 → 12/10		●		P06033MM	○	17,3	ATE	A00231	883		
	160	10/04 → 03/10	●			P06054MM	○	20,3	ATE	A00228	670		
	160	10/04 → 03/10		●		P06033MM	○	17,3	ATE	A00231	883		
160	01/07 → 12/10	●			P06054MM	○	20,3	ATE	A00228	670			
160	01/07 → 12/10		●		+special veh.; +high payload	P06026MM	○	17,3	ATE	A00231	883		

BMW

5 Touring (E61) 06/04 → 12/10

525 i	160	01/07 → 12/10	●		P06033MM	[o]	17,3	ATE	A00231	883		
525 i xDrive	160	09/08 → 12/10	●		P06054MM	[o]	20,3	ATE	A00228	670		
	160	09/08 → 12/10	●		P06033MM	[o]	17,3	ATE	A00231	883		
525 xd	145	01/07 → 12/10	●		P06054MM	[o]	20,3	ATE	A00228	670		
	145	01/07 → 12/10	●		P06033MM	[o]	17,3	ATE	A00231	883		
525 xi	160	07/05 → 12/10	●		P06054MM	[o]	20,3	ATE	A00228	670		
	160	07/05 → 12/10	●		P06033MM	[o]	17,3	ATE	A00231	883		
	160	01/07 → 12/10	●		P06054MM	[o]	20,3	ATE	A00228	670		
	160	01/07 → 12/10	●		P06033MM	[o]	17,3	ATE	A00231	883		
530 d	160	06/04 → 12/10	●		P06054MM	[o]	20,3	ATE	A00228	670		
	160	06/04 → 12/10	●	-special. veh.	P06033MM	[o]	17,3	ATE	A00231	883		
	160	06/04 → 12/10	●	+special. veh.	P06026MM	[o]	17,3	ATE	A00231	883		
	170	07/05 → 12/10	●		P06054MM	[o]	20,3	ATE	A00228	670		
	170	07/05 → 12/10	●	-special. veh.	P06033MM	[o]	17,3	ATE	A00231	883		
	170	07/05 → 12/10	●	+special. veh.	P06026MM	[o]	17,3	ATE	A00231	883		
	173	01/07 → 12/10	●		P06054MM	[o]	20,3	ATE	A00228	670		
	173	01/07 → 12/10	●	-special. veh.	P06033MM	[o]	17,3	ATE	A00231	883		
	173	01/07 → 12/10	●	+special. veh.	P06026MM	[o]	17,3	ATE	A00231	883		
	155	11/05 → 12/10	●		P06054MM	[o]	20,3	ATE	A00228	670		
	155	11/05 → 12/10	●	-special. veh.	P06033MM	[o]	17,3	ATE	A00231	883		
	155	11/05 → 12/10	●	+special. veh.	P06026MM	[o]	17,3	ATE	A00231	883		
530 d xDrive	173	09/08 → 12/10	●		P06054MM	[o]	20,3	ATE	A00228	670		
	173	09/08 → 12/10	●		P06033MM	[o]	17,3	ATE	A00231	883		
530 i	190	09/04 → 02/07	●		P06054MM	[o]	20,3	ATE	A00228	670		
	190	09/04 → 02/07	●		P06033MM	[o]	17,3	ATE	A00231	883		
	200	01/07 → 12/10	●		P06054MM	[o]	20,3	ATE	A00228	670		
	200	01/07 → 12/10	●	-special. veh.	P06033MM	[o]	17,3	ATE	A00231	883		
	200	01/07 → 12/10	●	+special. veh.	P06026MM	[o]	17,3	ATE	A00231	883		
	200	09/06 → 03/10	●		P06054MM	[o]	20,3	ATE	A00228	670		
	200	09/06 → 03/10	●	+special. veh.	P06033MM	[o]	17,3	ATE	A00231	883		
	200	09/06 → 03/10	●	-special. veh.	P06026MM	[o]	17,3	ATE	A00231	883		
530 i xDrive	200	09/08 → 12/10	●		P06054MM	[o]	20,3	ATE	A00228	670		
	200	09/08 → 12/10	●		P06033MM	[o]	17,3	ATE	A00231	883		
530 xd	170	07/05 → 12/10	●		P06054MM	[o]	20,3	ATE	A00228	670		
	170	07/05 → 12/10	●		P06033MM	[o]	17,3	ATE	A00231	883		
	173	01/07 → 12/10	●		P06054MM	[o]	20,3	ATE	A00228	670		
	173	01/07 → 12/10	●		P06033MM	[o]	17,3	ATE	A00231	883		
530 xi	190	07/05 → 12/10	●		P06054MM	[o]	20,3	ATE	A00228	670		
	190	07/05 → 12/10	●		P06033MM	[o]	17,3	ATE	A00231	883		
	200	01/07 → 12/10	●		P06054MM	[o]	20,3	ATE	A00228	670		
	200	01/07 → 12/10	●		P06033MM	[o]	17,3	ATE	A00231	883		
535 d	200	09/04 → 12/10	●		P06047MM	[o]	20,8	ATE	A00228	670		
	200	09/04 → 12/10	●	-special. veh.	P06033MM	[o]	17,3	ATE	A00231	883		
	200	09/04 → 12/10	●	+special. veh.	P06026MM	[o]	17,3	ATE	A00231	883		
	210	01/07 → 12/10	●		P06047MM	[o]	20,8	ATE	A00228	670		
	210	01/07 → 12/10	●		P06026MM	[o]	17,3	ATE	A00231	883		
545 i	245	06/04 → 12/10	●		P06054MM	[o]	20,3	ATE	A00228	670		
	245	06/04 → 12/10	●		P06026MM	[o]	17,3	ATE	A00231	883		
550 i	270	07/05 → 12/10	●	-(USA)	P06047MM	[o]	20,8	ATE	A00228	670		
	270	07/05 → 12/10	●	(USA)	P06054MM	[o]	20,3	ATE	A00228	670		
	270	07/05 → 12/10	●		P06026MM	[o]	17,3	ATE	A00231	883		
M5	373	02/07 → 12/10	●		P06047MM	[o]	20,8	ATE	A00228	670		
	373	02/07 → 12/10	●		P06066MM	[o]	20,8	ATE	A00228	670		
	373	02/07 → 12/10	●		P06026MM	[o]	17,3	ATE	A00414	1005		

BMW
5 Touring (F11) 02/09 →

518 d	105	10/12 → 07/14	●	-reinf.brakes	P06060MM	[O]	19,3/20,3	ATE	A00422	1083			
	105	10/12 → 07/14	●	+reinf.brakes	P06074MM	[O]	19,2/20,3	ATE	A00422	1083			
	105	10/12 → 07/14	●	-reinf.brakes	P06064MM	[O]	18	TRW	A00472	1110			
	105	10/12 → 07/14	●	+reinf.brakes	P06061MM	[O]	18	TRW	A00472	1110			
	110	01/14 →	●	-reinf.brakes	P06060MM	[O]	19,3/20,3	ATE	A00422	1083			
	110	01/14 →	●	+reinf.brakes	P06076MM	[O]	19,3	ATE	A00422	1083			
	110	01/14 →	●	-reinf.brakes	P06064MM	[O]	18	TRW	A00472	1110			
	110	01/14 →	●	+reinf.brakes	P06061MM	[O]	18	TRW	A00472	1110			
	100	10/12 →	●	→ 12/15; -reinf.brakes	P06060MM	[O]	19,3/20,3	ATE	A00422	1083			
	100	10/12 →	●	+reinf.brakes	P06076MM	[O]	19,3	ATE	A00422	1083			
	100	10/12 →	●	-reinf.brakes	P06064MM	[O]	18	TRW	A00472	1110			
	100	10/12 →	●	+reinf.brakes	P06061MM	[O]	18	TRW	A00472	1110			
520 d	135	02/09 → 10/16	●	-reinf.brakes	P06060MM	[O]	19,3/20,3	ATE	A00422	1083			
	135	02/09 → 10/16	●	+reinf.brakes	P06074MM	[O]	19,2/20,3	ATE	A00422	1083			
	135	02/09 → 10/16	●	-reinf.brakes	P06064MM	[O]	18	TRW	A00472	1110			
	135	02/09 → 10/16	●	+reinf.brakes	P06061MM	[O]	18	TRW	A00472	1110			
	140	10/13 →	●	-reinf.brakes	P06060MM	[O]	19,3/20,3	ATE	A00422	1083			
	140	10/13 →	●	+reinf.brakes	P06074MM	[O]	19,2/20,3	ATE	A00422	1083			
	140	10/13 →	●	+reinf.brakes	P06076MM	[O]	19,3	ATE	A00422	1083			
	140	10/13 →	●	-reinf.brakes	P06064MM	[O]	18	TRW	A00472	1110			
	140	10/13 →	●	+reinf.brakes	P06061MM	[O]	18	TRW	A00472	1110			
	120	10/13 →	●	+reinf.brakes	P06074MM	[O]	19,2/20,3	ATE	A00422	1083			
	120	10/13 →	●	-reinf.brakes	P06060MM	[O]	19,3/20,3	ATE	A00422	1083			
	120	10/13 →	●	-reinf.brakes	P06064MM	[O]	18	TRW	A00472	1110			
	120	10/13 →	●	+reinf.brakes	P06061MM	[O]	18	TRW	A00472	1110			
	155	10/13 →	●	-reinf.brakes	P06060MM	[O]	19,3/20,3	ATE	A00422	1083	Left		
	155	10/13 →	●	+reinf.brakes	P06076MM	[O]	19,3	ATE	A00422	1083	Left		
	155	10/13 →	●	+reinf.brakes	P06061MM	[O]	18	TRW	A00472	1110			
	155	10/13 →	●	-reinf.brakes	P06064MM	[O]	18	TRW	A00472	1110			
	147	02/09 → 10/16	●	+reinf.brakes	P06074MM	[O]	19,2/20,3	ATE	A00422	1083	Left		
	147	02/09 → 10/16	●	-reinf.brakes	P06060MM	[O]	19,3/20,3	ATE	A00422	1083	Left		
	147	02/09 → 10/16	●	-reinf.brakes	P06064MM	[O]	18	TRW	A00472	1110			
147	02/09 → 10/16	●	+reinf.brakes	P06061MM	[O]	18	TRW	A00472	1110				
520 d xDrive	135	02/13 → 07/14	●	-reinf.brakes	P06060MM	[O]	19,3/20,3	ATE	A00422	1083			
	135	02/13 → 07/14	●	+reinf.brakes	P06074MM	[O]	19,2/20,3	ATE	A00422	1083			
	135	02/13 → 07/14	●	-reinf.brakes	P06064MM	[O]	18	TRW	A00472	1110			
	135	02/13 → 07/14	●	+reinf.brakes	P06061MM	[O]	18	TRW	A00472	1110			
	140	10/13 →	●	-reinf.brakes	P06060MM	[O]	19,3/20,3	ATE	A00422	1083			
	140	10/13 →	●	→ 07/14; +reinf.brakes	P06074MM	[O]	19,2/20,3	ATE	A00422	1083			

									WI			FK	
										LENGHT			

BMW

5 Touring (F11) 02/09 →

520 d xDrive	140	10/13 →	●	08/14 →; +reinf.brakes	P06076MM	[o]	19,3	ATE	A00422	1083				
	140	10/13 →		● -reinf.brakes	P06064MM	[o]	18	TRW	A00472	1110				
	140	10/13 →		● +reinf.brakes	P06061MM	[o]	18	TRW	A00472	1110				
	120	10/13 →	●	→ 12/15; -reinf.brakes	P06060MM	[o]	19,3/ 20,3	ATE	A00422	1083				
	120	10/13 →	●	+reinf.brakes	P06076MM	[o]	19,3	ATE	A00422	1083				
	120	10/13 →		● +reinf.brakes	P06061MM	[o]	18	TRW	A00472	1110				
	120	10/13 →		● -reinf.brakes	P06064MM	[o]	18	TRW	A00472	1110				
	155	10/13 →	●	-reinf.brakes	P06060MM	[o]	19,3/ 20,3	ATE	A00422	1083	Left			
	155	10/13 →	●	+reinf.brakes	P06076MM	[o]	19,3	ATE	A00422	1083	Left			
	155	10/13 →		● +reinf.brakes	P06061MM	[o]	18	TRW	A00472	1110				
	155	10/13 →		● -reinf.brakes	P06064MM	[o]	18	TRW	A00472	1110				
	147	02/13 → 07/14	●	+reinf.brakes	P06076MM	[o]	19,3	ATE	A00422	1083	Left			
	147	02/13 → 07/14	●	-reinf.brakes	P06060MM	[o]	19,3/ 20,3	ATE	A00422	1083	Left			
	147	02/13 → 07/14	●	+reinf.brakes	P06074MM	[o]	19,2/ 20,3	ATE	A00422	1083	Left			
147	02/13 → 07/14		● +reinf.brakes	P06061MM	[o]	18	TRW	A00472	1110					
147	02/13 → 07/14		● -reinf.brakes	P06064MM	[o]	18	TRW	A00472	1110					
520 i	135	10/10 →	●		P06060MM	[o]	19,3/ 20,3	ATE	A00422	1083				
	135	10/10 →		●	P06064MM	[o]	18	TRW	A00472	1110				
	120	09/11 →	●		P06060MM	[o]	19,3/ 20,3	ATE	A00422	1083				
	120	09/11 →		●	P06064MM	[o]	18	TRW	A00472	1110				
523 i	150	10/09 → 08/11	●		P06060MM	[o]	19,3/ 20,3	ATE	A00422	1083				
	150	10/09 → 08/11		●	P06064MM	[o]	18	TRW	A00472	1110				
	150	11/09 → 08/11	●		P06060MM	[o]	19,3/ 20,3	ATE	A00422	1083				
	150	11/09 → 08/11		●	P06064MM	[o]	18	TRW	A00472	1110				
525 d	160	03/11 →	●	-sport pack; (D)	P06060MM	[o]	19,3/ 20,3	ATE	A00422	1083				
	160	03/11 →	●	-sport pack; -(D)	P06074MM	[o]	19,2/ 20,3	ATE	A00422	1083				
	160	03/11 →	●	+sport pack	P06076MM	[o]	19,3	ATE	A00422	1083				
	160	03/11 →		● -sport pack	P06064MM	[o]	18	TRW	A00472	1110				
	160	03/11 →		● +sport pack	P06061MM	[o]	18	TRW	A00472	1110				
	150	11/09 → 08/11	●	disc Ø 330 mm; -reinf.brakes	P06060MM	[o]	19,3/ 20,3	ATE	A00422	1083				
	150	11/09 → 08/11	●	+reinf.brakes	P06076MM	[o]	19,3	ATE	A00422	1083				
	150	11/09 → 08/11	●	disc Ø 348 mm; -reinf.brakes	P06074MM	[o]	19,2/ 20,3	ATE	A00422	1083				
	150	11/09 → 08/11		● +reinf.brakes	P06061MM	[o]	18	TRW	A00472	1110				
	150	11/09 → 08/11		● -reinf.brakes	P06064MM	[o]	18	TRW	A00472	1110				
	155	03/11 →	●	+reinf.brakes	P06076MM	[o]	19,3	ATE	A00422	1083				
	155	03/11 →	●	-reinf.brakes	P06074MM	[o]	19,2/ 20,3	ATE	A00422	1083				
155	03/11 →		● -reinf.brakes	P06064MM	[o]	18	TRW	A00472	1110					
155	03/11 →		● +reinf.brakes	P06061MM	[o]	18	TRW	A00472	1110					
525 d xDrive	160	02/11 →	●	-sport pack; (D)	P06060MM	[o]	19,3/ 20,3	ATE	A00422	1083				
	160	02/11 →	●	-sport pack; -(D)	P06074MM	[o]	19,2/ 20,3	ATE	A00422	1083				
	160	02/11 →	●	+sport pack	P06076MM	[o]	19,3	ATE	A00422	1083				

 	kw						wi	Th [mm]	SYS	WI		FK	
											LENGHT		

BMW

5 Touring (F11) 02/09 →

525 d xDrive	160	02/11 →		•	-sport pack	P06064MM	[O]	18	TRW	A00472	1110		
	160	02/11 →		•	+sport pack	P06061MM	[O]	18	TRW	A00472	1110		
	155	02/11 →		•	-reinf.brakes	P06074MM	[O]	19,2/20,3	ATE	A00422	1083		
	155	02/11 →		•	+reinf.brakes	P06076MM	[O]	19,3	ATE	A00422	1083		
	155	02/11 →		•	+reinf.brakes	P06061MM	[O]	18	TRW	A00472	1110		
	155	02/11 →		•	-reinf.brakes	P06064MM	[O]	18	TRW	A00472	1110		
528 i	180	10/10 →		•	-sport pack; (D)	P06060MM	[O]	19,3/20,3	ATE	A00422	1083		
	180	10/10 →		•	-sport pack; -(D)	P06074MM	[O]	19,2/20,3	ATE	A00422	1083		
	180	10/10 →		•	+sport pack	P06076MM	[O]	19,3	ATE	A00422	1083		
	180	10/10 →		•	-sport pack	P06064MM	[O]	18	TRW	A00472	1110		
	180	10/10 →		•	+sport pack	P06061MM	[O]	18	TRW	A00472	1110		
	190	11/09 → 08/11		•	(USA); -reinf.brakes	P06060MM	[O]	19,3/20,3	ATE	A00422	1083		
	190	11/09 → 08/11		•	-(USA); +reinf.brakes	P06076MM	[O]	19,3	ATE	A00422	1083		
	190	11/09 → 08/11		•	-(USA); -reinf.brakes	P06074MM	[O]	19,2/20,3	ATE	A00422	1083		
	190	11/09 → 08/11		•	+reinf.brakes	P06061MM	[O]	18	TRW	A00472	1110		
	190	11/09 → 08/11		•	-reinf.brakes	P06064MM	[O]	18	TRW	A00472	1110		
528 i xDrive	180	03/11 →		•	-sport pack; (D)	P06060MM	[O]	19,3/20,3	ATE	A00422	1083		
	180	03/11 →		•	-(USA); +reinf.brakes	P06076MM	[O]	19,3	ATE	A00422	1083		
	180	03/11 →		•	-sport pack; -(D)	P06074MM	[O]	19,2/20,3	ATE	A00422	1083		
	180	03/11 →		•		P06064MM	[O]	18	TRW	A00472	1110		
	180	03/11 →		•	+reinf.brakes	P06061MM	[O]	18	TRW	A00472	1110		
530 d	190	02/11 →		•	-sport pack	P06074MM	[O]	19,2/20,3	ATE	A00422	1083		
	190	02/11 →		•	+sport pack	P06076MM	[O]	19,3	ATE	A00422	1083		
	190	02/11 →		•	(D)	P06064MM	[O]	18	TRW	A00472	1110		
	190	02/11 →		•	-(D)	P06061MM	[O]	18	TRW	A00472	1110		
	180	11/09 → 08/11		•	+reinf.brakes	P06076MM	[O]	19,3	ATE	A00422	1083		
	180	11/09 → 08/11		•		P06074MM	[O]	19,2/20,3	ATE	A00422	1083		
	180	11/09 → 08/11		•	+reinf.brakes	P06061MM	[O]	18	TRW	A00472	1110		
	180	11/09 → 08/11		•		P06064MM	[O]	18	TRW	A00472	1110		
	210	09/11 →		•	-M-Technik vehicles; -reinf.brakes	P06074MM	[O]	19,2/20,3	ATE	A00422	1083		
	210	09/11 →		•	+M-Technik vehicles; +reinf.brakes	P06076MM	[O]	19,3	ATE	A00422	1083		
	210	09/11 →		•		P06061MM	[O]	18	TRW	A00472	1110		
530 d xDrive	190	07/10 →		•	+reinf.brakes	P06076MM	[O]	19,3	ATE	A00422	1083		
	190	07/10 →		•	-reinf.brakes	P06074MM	[O]	19,2/20,3	ATE	A00422	1083		
	190	07/10 →		•	-reinf.brakes	P06064MM	[O]	18	TRW	A00472	1110		
	190	07/10 →		•	+reinf.brakes	P06061MM	[O]	18	TRW	A00472	1110		
	210	09/11 →		•	+M-Technik vehicles; +reinf.brakes	P06076MM	[O]	19,3	ATE	A00422	1083		
	210	09/11 →		•	-M-Technik vehicles; -reinf.brakes	P06074MM	[O]	19,2/20,3	ATE	A00422	1083		
	210	09/11 →		•		P06061MM	[O]	18	TRW	A00472	1110		
530 i	200	07/11 → 06/13		•	disc Ø 330 mm; -reinf.brakes	P06060MM	[O]	19,3/20,3	ATE	A00422	1083		
	200	07/11 → 06/13		•	-sport pack	P06074MM	[O]	19,2/20,3	ATE	A00422	1083		

									WI			FK	
	kw						Th [mm]		MAGNETI MARELLI	LENGHT		MAGNETI MARELLI	

BMW

5 Touring (F11) 02/09 →

530 i	200	07/11 → 06/13	●		+sport pack	P06076MM	[o]	19,3	ATE	A00422	1083		
	200	07/11 → 06/13		●		P06064MM	[o]	18	TRW	A00472	1110		
535 d	230	03/11 →	●			P06076MM	[o]	19,3	ATE	A00422	1083		
	230	03/11 →		●		P06061MM	[o]	18	TRW	A00472	1110		
	220	03/10 → 08/11	●			P06076MM	[o]	19,3	ATE	A00422	1083		
	220	03/10 → 08/11		●		P06061MM	[o]	18	TRW	A00472	1110		
535 d xDrive	230	01/11 →	●			P06076MM	[o]	19,3	ATE	A00422	1083		
	230	01/11 →		●		P06061MM	[o]	18	TRW	A00472	1110		
535 i	225	11/09 →	●		(USA)	P06074MM	[o]	19,2/ 20,3	ATE	A00422	1083		
	225	11/09 →		●		P06076MM	[o]	19,3	ATE	A00422	1083		
	225	11/09 →		●	(USA)	P06064MM	[o]	18	TRW	A00472	1110		
	225	11/09 →		●		P06061MM	[o]	18	TRW	A00472	1110		
	240	01/13 →	●			P06074MM	[o]	19,2/ 20,3	ATE	A00422	1083		
	240	01/13 →		●		P06061MM	[o]	18	TRW	A00472	1110		
535 i xDrive	225	07/10 →	●		(D)	P06074MM	[o]	19,2/ 20,3	ATE	A00422	1083		
	225	07/10 →	●		-(D)	P06076MM	[o]	19,3	ATE	A00422	1083		
	225	07/10 →		●	(D)	P06064MM	[o]	18	TRW	A00472	1110		
	225	07/10 →		●	-(D)	P06061MM	[o]	18	TRW	A00472	1110		
	240	07/13 →	●			P06074MM	[o]	19,2/ 20,3	ATE	A00422	1083		
	240	07/13 →		●		P06061MM	[o]	18	TRW	A00472	1110		
550 i	300	09/10 → 06/13	●			P06076MM	[o]	19,3	ATE	A00422	1083		
	300	09/10 → 06/13		●		P06061MM	[o]	18	TRW	A00472	1110		
	330	08/12 →	●			P06076MM	[o]	19,3	ATE	A00422	1083		
	330	08/12 →		●		P06061MM	[o]	18	TRW	A00472	1110		
M 550 d xDrive	280	10/10 →	●			P06076MM	[o]	19,3	ATE	A00422	1083		
	280	10/10 →		●		P06061MM	[o]	18	TRW	A00472	1110		

5 Touring (G31) 03/17 →

520 d	140	03/17 →	●			P06093MM	[o]	18,6	TRW				
	140	03/17 →		●		P06064MM	[o]	18	TRW				
	120	03/17 →	●			P06093MM	[o]	18,6	TRW				
	120	03/17 →		●		P06064MM	[o]	18	TRW				
530 d	195	03/17 →	●		-M-Technik vehicles	P06064MM	[o]	18	TRW				
530 d xDrive	195	03/17 →	●		-M-Technik vehicles	P06064MM	[o]	18	TRW				
530 i	185	03/17 →	●		-M-Technik vehicles	P06064MM	[o]	18	TRW				

6 (E63) 01/04 → 12/10

630 i	190	02/04 → 07/07	●			P06054MM	[o]	20,3	ATE	A00228	670		
	190	02/04 → 07/07		●		P06033MM	[o]	17,3	ATE	A00229	685		
	200	07/07 → 07/10	●			P06054MM	[o]	20,3	ATE	A00228	670		
	200	07/07 → 07/10		●		P06026MM	[o]	17,3	ATE	A00229	685		
	200	07/07 → 07/10		●		P06033MM	[o]	17,3	ATE	A00229	685		
635 d	210	07/07 → 07/10	●			P06047MM	[o]	20,8	ATE	A00228	670		
	210	07/07 → 07/10		●		P06026MM	[o]	17,3	ATE	A00229	685		
645 Ci	245	01/04 → 08/05	●			P06054MM	[o]	20,3	ATE	A00228	670		
	245	01/04 → 08/05		●		P06026MM	[o]	17,3	ATE	A00229	685		
650 i	270	07/05 → 07/10	●		-(USA)	P06047MM	[o]	20,8	ATE	A00228	670		
	270	07/05 → 07/10	●		(USA)	P06054MM	[o]	20,3	ATE	A00228	670		
	270	07/05 → 07/10		●		P06026MM	[o]	17,3	ATE	A00229	685		
M	373	09/05 → 07/10	●		→ 09/08	P06047MM	[o]	20,8	ATE	A00228	670		
	373	09/05 → 07/10	●			P06066MM	[o]	20,8	ATE	A00228	670		
	373	09/05 → 07/10		●		P06026MM	[o]	17,3	ATE	A00229	685		

--	--	--	--	--	--	--	--	--	--	--	--	--	--	--	--

BMW

6 Convertible (E64) 03/04 → 12/10

630 i	190	03/04 → 07/07	•			P06054MM	[O]	20,3	ATE	A00228	670				
	190	03/04 → 07/07		•		P06033MM	[O]	17,3	ATE	A00229	685				
	200	07/07 → 07/10	•			P06054MM	[O]	20,3	ATE	A00228	670				
	200	07/07 → 07/10		•		P06026MM	[O]	17,3	ATE	A00229	685				
	200	07/07 → 07/10		•		P06033MM	[O]	17,3	ATE	A00229	685				
635 d	210	07/07 → 07/10	•			P06047MM	[O]	20,8	ATE	A00228	670				
	210	07/07 → 07/10		•		P06026MM	[O]	17,3	ATE	A00229	685				
645 Ci	245	04/04 → 08/05	•			P06054MM	[O]	20,3	ATE	A00228	670				
	245	04/04 → 08/05		•		P06026MM	[O]	17,3	ATE	A00229	685				
650 i	270	07/05 → 07/10	•		-(USA)	P06047MM	[O]	20,8	ATE	A00228	670				
	270	07/05 → 07/10	•		(USA)	P06054MM	[O]	20,3	ATE	A00228	670				
	270	07/05 → 07/10		•		P06026MM	[O]	17,3	ATE	A00229	685				
M	373	07/06 → 07/10	•		→ 09/08	P06047MM	[O]	20,8	ATE	A00228	670				
	373	07/06 → 07/10	•			P06066MM	[O]	20,8	ATE	A00228	670				
	373	07/06 → 07/10		•		P06026MM	[O]	17,3	ATE	A00229	685				

6 Convertible (F12) 03/11 →

640 d	230	09/11 →	•			P06076MM	[O]	19,3	ATE	A00422	1083				
	230	09/11 →		•		P06061MM	[O]	18	TRW	A00431	915				
640 d xDrive	230	09/11 →	•			P06076MM	[O]	19,3	ATE	A00422	1083				
	230	09/11 →		•		P06061MM	[O]	18	TRW	A00431	915				
640 i	235	03/11 →	•		-(D)	P06074MM	[O]	19,2/ 20,3	ATE	A00422	1083				
	235	03/11 →	•		(D)	P06076MM	[O]	19,3	ATE	A00422	1083				
	235	03/11 →		•		P06061MM	[O]	18	TRW	A00431	915				
640 i xDrive	235	01/13 →	•		+M-Technik vehicles; (D)	P06076MM	[O]	19,3	ATE	A00422	1083				
	235	01/13 →	•		-M-Technik vehicles; -(D)	P06074MM	[O]	19,2/ 20,3	ATE	A00422	1083				
	235	01/13 →		•		P06061MM	[O]	18	TRW	A00431	915				
650 i	300	03/11 →	•			P06076MM	[O]	19,3	ATE	A00422	1083				
	300	03/11 →		•		P06061MM	[O]	18	TRW	A00431	915				
	330	10/11 →	•			P06076MM	[O]	19,3	ATE	A00422	1083				
	330	10/11 →		•		P06061MM	[O]	18	TRW	A00431	915				
	298	09/11 → 12/12	•			P06076MM	[O]	19,3	ATE	A00422	1083				
	298	09/11 → 12/12		•		P06061MM	[O]	18	TRW	A00431	915				
650 i xDrive	300	06/11 →	•			P06076MM	[O]	19,3	ATE	A00422	1083				
	300	06/11 →		•		P06061MM	[O]	18	TRW	A00431	915				
	330	11/11 →	•			P06076MM	[O]	19,3	ATE	A00422	1083				
	330	11/11 →		•		P06061MM	[O]	18	TRW	A00431	915				
M6	412	01/12 →	•			P06079MM	[O]	20,4	BRE	A00422	1083				
	412	01/12 →		•		P06061MM	[O]	18	TRW	A00475	1000				
	423	02/14 →	•		-ceramic brake disc	P06079MM	[O]	20,4	BRE	A00422	1083				
	423	02/14 →		•		P06061MM	[O]	18	TRW	A00475	1000				
	441	07/15 →	•		Competition Pack	P06079MM	[O]	20,4	BRE	A00422	1083				
	441	07/15 →		•		P06061MM	[O]	18	TRW	A00475	1000				

6 Coupé (F13) 11/10 →

640 d	230	11/10 →	•			P06076MM	[O]	19,3	ATE	A00422	1083				
	230	11/10 →		•		P06061MM	[O]	18	TRW	A00431	915				
640 d xDrive	230	09/11 →	•			P06076MM	[O]	19,3	ATE	A00422	1083				
	230	09/11 →		•		P06061MM	[O]	18	TRW	A00431	915				
640 i	235	11/10 →	•		(D)	P06076MM	[O]	19,3	ATE	A00422	1083				
	235	11/10 →	•		-(D)	P06074MM	[O]	19,2/ 20,3	ATE	A00422	1083				
	235	11/10 →		•		P06061MM	[O]	18	TRW	A00431	915				

									WI		FK		
	kw						Th [mm]		MAGNETI MARELLI	LENGHT		MAGNETI MARELLI	

BMW

6 Coupé (F13) 11/10 →

640 i xDrive	235 01/13 →	●	-M-Technik vehicles; -(D)	P06074MM	[o]	19,2/ 20,3	ATE	A00422	1083			
	235 01/13 →	●	+M-Technik vehicles; (D)	P06076MM	[o]	19,3	ATE	A00422	1083			
	235 01/13 →	●		P06061MM	[o]	18	TRW	A00431	915			
650 i	300 11/10 →	●		P06076MM	[o]	19,3	ATE	A00422	1083			
	300 11/10 →	●		P06061MM	[o]	18	TRW	A00431	915			
	330 10/11 →	●		P06076MM	[o]	19,3	ATE	A00422	1083			
	330 10/11 →	●		P06061MM	[o]	18	TRW	A00431	915			
	298 09/11 → 12/12	●		P06076MM	[o]	19,3	ATE	A00422	1083			
	298 09/11 → 12/12	●		P06061MM	[o]	18	TRW	A00431	915			
650 i xDrive	300 06/11 →	●		P06076MM	[o]	19,3	ATE	A00422	1083			
	300 06/11 →	●		P06061MM	[o]	18	TRW	A00431	915			
	330 11/11 →	●		P06076MM	[o]	19,3	ATE	A00422	1083			
	330 11/11 →	●		P06061MM	[o]	18	TRW	A00431	915			
M6	412 01/12 →	●		P06079MM	[o]	20,4	BRE	A00422	1083			
	412 01/12 →	●		P06061MM	[o]	18	TRW	A00475	1000			
	423 02/14 →	●	-ceramic brake disc	P06079MM	[o]	20,4	BRE	A00422	1083			
	423 02/14 →	●		P06061MM	[o]	18	TRW	A00475	1000			
	441 07/15 →	●	Competition Pack	P06079MM	[o]	20,4	BRE	A00422	1083			
441 07/15 →	●		P06061MM	[o]	18	TRW	A00475	1000				

6 Gran Coupé (F06) 09/11 →

640 d	230 09/11 →	●		P06076MM	[o]	19,3	ATE	A00422	1083			
	230 09/11 →	●	(USA)	P06074MM	[o]	19,2/ 20,3	ATE	A00422	1083			
	230 09/11 →	●		P06061MM	[o]	18	TRW	A00431	915			
640 d xDrive	230 01/13 →	●		P06076MM	[o]	19,3	ATE	A00422	1083			
	230 01/13 →	●		P06061MM	[o]	18	TRW	A00431	915			
640 i	235 09/11 →	●	-(D)	P06074MM	[o]	19,2/ 20,3	ATE	A00422	1083			
	235 09/11 →	●	(D)	P06076MM	[o]	19,3	ATE	A00422	1083			
	235 09/11 →	●		P06061MM	[o]	18	TRW	A00431	915			
640 i xDrive	235 01/13 →	●	-(D)	P06074MM	[o]	19,2/ 20,3	ATE	A00422	1083			
	235 01/13 →	●	(D)	P06076MM	[o]	19,3	ATE	A00422	1083			
	235 01/13 →	●		P06061MM	[o]	18	TRW	A00431	915			
650 i	330 11/11 →	●		P06076MM	[o]	19,3	ATE	A00422	1083			
	330 11/11 →	●		P06061MM	[o]	18	TRW	A00431	915			
650 i xDrive	330 11/11 →	●		P06076MM	[o]	19,3	ATE	A00422	1083			
	330 11/11 →	●		P06061MM	[o]	18	TRW	A00431	915			
M6	412 12/12 →	●	-ceramic brake disc	P06079MM	[o]	20,4	BRE	A00422	1083			
	412 12/12 →	●	-ceramic brake disc	P06061MM	[o]	18	TRW	A00475	1000			
	423 02/14 →	●	-ceramic brake disc	P06079MM	[o]	20,4	BRE	A00422	1083			
	423 02/14 →	●	-ceramic brake disc	P06061MM	[o]	18	TRW	A00475	1000			
	441 07/15 →	●	Competition Pack	P06079MM	[o]	20,4	BRE	A00422	1083			
441 07/15 →	●		P06061MM	[o]	18	TRW	A00475	1000				

7 (E38) 10/94 → 11/01

725 tds	105 04/96 → 11/01	●		P06018MM	[o]	18	BRE	A00232	570			
	105 04/96 → 11/01	●		P06020MM	[o]	17,2	ATE	A00233	620			
728 i, iL	142 08/95 → 11/01	●		P06018MM	[o]	18	BRE	A00232	570			
	142 08/95 → 11/01	●		P06020MM	[o]	17,2	ATE	A00233	620			
728i X	142 11/95 → 09/01	●		P06018MM	[o]	18	BRE	A00232	570			
	142 11/95 → 09/01	●		P06020MM	[o]	17,2	ATE	A00233	620			

		kw					MAGNETI MARELLI	wi	Th [mm]	SYS	WI		FK		
											MAGNETI MARELLI	LENGHT		MAGNETI MARELLI	

BMW

7 (E38) 10/94 → 11/01

730 d	135	08/98 → 04/00	•				P06018MM	[O]	18	BRE	A00232	570			
	135	08/98 → 04/00		•			P06020MM	[O]	17,2	ATE	A00233	620			
	142	04/00 → 11/01	•				P06018MM	[O]	18	BRE	A00232	570			
	142	04/00 → 11/01		•			P06020MM	[O]	17,2	ATE	A00233	620			
730 i, iL	155	10/94 → 11/01	•				P06018MM	[O]	18	BRE	A00232	570			
	155	10/94 → 11/01		•			P06020MM	[O]	17,2	ATE	A00233	620			
	160	10/94 → 11/01	•				P06018MM	[O]	18	BRE	A00232	570			
	160	10/94 → 11/01		•			P06020MM	[O]	17,2	ATE	A00233	620			
735 i, iL	173	01/96 → 12/98	•				P06018MM	[O]	18	BRE	A00232	570			
	173	01/96 → 12/98		•			P06020MM	[O]	17,2	ATE	A00233	620			
740 d	180	05/99 → 11/01	•				P06019MM	[O]	20,8	ATE	A00235	585			
	180	05/99 → 11/01		•			P06020MM	[O]	17,2	ATE	A00233	620			
740 i, iL	210	10/94 → 11/01	•				P06021MM	[O]	19,3	ATE	A00232	570			
	210	10/94 → 11/01		•			P06020MM	[O]	17,2	ATE	A00233	620			
	210	01/96 → 11/01	•				P06021MM	[O]	19,3	ATE	A00232	570			
	210	01/96 → 11/01		•			P06020MM	[O]	17,2	ATE	A00233	620			
750 i, iL	240	12/94 → 11/01	•				P06019MM	[O]	20,8	ATE	A00234	580	→ 08/98		
	240	12/94 → 11/01		•			P06020MM	[O]	17,2	ATE	A00233	620			

7 (E65, E66, E67) 11/01 → 12/09

730 d	155	10/02 → 07/08	•				P06054MM	[O]	20,3	ATE	A00236	830			
	155	10/02 → 07/08		•			P06029MM	[O]	17,3	ATE	A00237	845			
	160	10/02 → 07/08	•				P06054MM	[O]	20,3	ATE	A00236	830			
	160	10/02 → 07/08		•			P06029MM	[O]	17,3	ATE	A00237	845			
	150	10/02 → 07/08	•				P06054MM	[O]	20,3	ATE					
	150	10/02 → 07/08		•			P06029MM	[O]	17,3	ATE					
730 i, Li	170	03/03 → 07/08	•				P06054MM	[O]	20,3	ATE	A00236	830			
	170	03/03 → 07/08		•			P06029MM	[O]	17,3	ATE	A00237	845			
	190	03/05 → 07/08	•				P06054MM	[O]	20,3	ATE	A00236	830			
	190	03/05 → 07/08		•			P06029MM	[O]	17,3	ATE	A00237	845			
730 Ld	170	07/05 → 12/09	•				P06054MM	[O]	20,3	ATE	A00236	830			
	170	07/05 → 12/09		•			P06026MM	[O]	17,3	ATE	A00237	845			
735 i, Li	200	11/01 → 02/05	•				P06054MM	[O]	20,3	ATE	A00236	830			
	200	11/01 → 02/05		•			P06029MM	[O]	17,3	ATE	A00237	845			
740 d	190	10/02 → 02/05	•				P06054MM	[O]	20,3	ATE	A00236	830			
	190	10/02 → 02/05		•			P06026MM	[O]	17,3	ATE	A00237	845			
740 i, Li	225	07/05 → 07/08	•				P06054MM	[O]	20,3	ATE	A00236	830			
	225	07/05 → 07/08		•			P06026MM	[O]	17,3	ATE	A00237	845			
745 d	242	07/05 → 07/08	•				P06047MM	[O]	20,8	ATE	A00236	830			
	242	07/05 → 07/08		•			P06026MM	[O]	17,3	ATE	A00237	845			
	220	03/05 → 08/05	•				P06047MM	[O]	20,8	ATE	A00236	830			
	220	03/05 → 08/05		•			P06026MM	[O]	17,3	ATE	A00237	845			
745 i, Li	245	11/01 → 07/08	•				P06054MM	[O]	20,3	ATE	A00236	830			
	245	11/01 → 07/08		•			P06026MM	[O]	17,3	ATE	A00237	845			
750 i, Li	270	07/05 → 07/08	•				P06047MM	[O]	20,8	ATE	A00236	830			
	270	07/05 → 07/08		•			P06026MM	[O]	17,3	ATE	A00237	845			
760 i, Li	327	01/03 → 07/08	•				P06047MM	[O]	20,8	ATE	A00236	830			
	327	01/03 → 07/08		•			P06026MM	[O]	17,3	ATE	A00237	845			
	326	11/01 → 12/09	•		-(USA)		P06047MM	[O]	20,8	ATE	A00236	830			
	326	11/01 → 12/09	•		(USA)		P06054MM	[O]	20,3	ATE	A00236	830			
	326	11/01 → 12/09		•			P06026MM	[O]	17,3	ATE	A00237	845			



kw



wi

Th [mm]

SYS



LENGHT



WI

FK

BMW

7 (F01, F02, F03, F04) 02/08 → 12/15

730 d	180	02/08 → 07/12	●	→ 03/11	P06076MM	[o]	19,3	ATE	A00422	1083	09/09 →		
	180	02/08 → 07/12	●	04/11 →	P06074MM	[o]	19,2/ 20,3	ATE	A00422	1083	09/09 →		
	180	02/08 → 07/12	●		P06053MM	[o]	16,9	ATE	A00423	1066	09/09 →		
	155	02/08 → 05/15	●		P06076MM	[o]	19,3	ATE	A00422	1083			
	155	02/08 → 05/15	●		P06053MM	[o]	16,9	ATE	A00423	1066			
	190	07/12 → 05/15	●		P06076MM	[o]	19,3	ATE	A00422	1083			
730 d xDrive	190	07/12 → 05/15	●		P06053MM	[o]	16,9	ATE	A00423	1066			
	190	11/11 → 05/15	●		P06076MM	[o]	19,3	ATE	A00422	1083			
	190	11/11 → 05/15	●		P06053MM	[o]	16,9	ATE	A00423	1066			
	155	11/11 → 05/15	●		P06076MM	[o]	19,3	ATE	A00422	1083	Left		
730 i, Li	190	06/08 → 12/15	●	→ 03/11	P06076MM	[o]	19,3	ATE	A00422	1083	09/09 →		
	190	06/08 → 12/15	●	04/11 →	P06074MM	[o]	19,2/ 20,3	ATE	A00422	1083	09/09 →		
740 d	190	06/08 → 12/15	●		P06053MM	[o]	16,9	ATE	A00423	1066	09/09 →		
	225	09/09 → 12/15	●		P06076MM	[o]	19,3	ATE	A00422	1083			
	225	09/09 → 12/15	●		P06053MM	[o]	16,9	ATE	A00423	1066			
	230	07/12 → 12/15	●		P06076MM	[o]	19,3	ATE	A00422	1083			
740 d xDrive	230	07/12 → 12/15	●		P06053MM	[o]	16,9	ATE	A00423	1066			
	225	09/09 → 12/15	●		P06076MM	[o]	19,3	ATE	A00422	1083			
	225	09/09 → 12/15	●		P06053MM	[o]	16,9	ATE	A00423	1066			
	230	07/12 → 12/15	●		P06076MM	[o]	19,3	ATE	A00422	1083			
740 i	230	07/12 → 12/15	●		P06053MM	[o]	16,9	ATE	A00423	1066			
	240	10/08 → 12/15	●		P06076MM	[o]	19,3	ATE	A00422	1083	09/09 →		
740 i, Li	240	10/08 → 12/15	●		P06053MM	[o]	16,9	ATE	A00423	1066	09/09 →		
	235	07/12 → 12/15	●		P06076MM	[o]	19,3	ATE	A00422	1083			
740 i, Li xDrive	235	07/12 → 12/15	●		P06053MM	[o]	16,9	ATE	A00423	1066			
	235	07/12 → 12/15	●		P06076MM	[o]	19,3	ATE					
750 d xDrive	235	07/12 → 12/15	●		P06053MM	[o]	16,9	ATE					
	280	07/12 → 12/15	●	-(D)	P06073MM	[o]	19,9	ATE	A00422	1083			
	280	07/12 → 12/15	●	(D)	P06076MM	[o]	19,3	ATE	A00422	1083			
750 i	280	07/12 → 12/15	●		P06053MM	[o]	16,9	ATE	A00423	1066			
	300	10/08 → 12/15	●	-sport pack	P06076MM	[o]	19,3	ATE	A00422	1083	09/09 →		
	300	10/08 → 12/15	●	+sport pack	P06073MM	[o]	19,9	ATE	A00422	1083	09/09 →		
	300	10/08 → 12/15	●		P06053MM	[o]	16,9	ATE	A00423	1066	09/09 →		
	330	10/12 → 12/15	●	-sport pack	P06076MM	[o]	19,3	ATE	A00422	1083			
	330	10/12 → 12/15	●	+sport pack	P06073MM	[o]	19,9	ATE	A00422	1083			
750 i xDrive	330	10/12 → 12/15	●		P06053MM	[o]	16,9	ATE	A00423	1066			
	300	09/09 → 12/15	●	-sport pack	P06076MM	[o]	19,3	ATE	A00422	1083			
	300	09/09 → 12/15	●	+sport pack	P06073MM	[o]	19,9	ATE	A00422	1083			
	300	09/09 → 12/15	●		P06053MM	[o]	16,9	ATE	A00423	1066			
	330	10/12 → 12/15	●	-sport pack	P06076MM	[o]	19,3	ATE	A00422	1083			
	330	10/12 → 12/15	●	+sport pack	P06073MM	[o]	19,9	ATE	A00422	1083			
760 i	330	10/12 → 12/15	●		P06053MM	[o]	16,9	ATE	A00423	1066			
	400	09/09 → 12/15	●		P06073MM	[o]	19,9	ATE	A00422	1083			
ActiveHybrid	400	09/09 → 12/15	●		P06053MM	[o]	16,9	ATE	A00423	1066			
	342	09/09 → 06/12	●	-sport pack	P06076MM	[o]	19,3	ATE	A00422	1083			
	342	09/09 → 06/12	●	+sport pack	P06073MM	[o]	19,9	ATE	A00422	1083			
	342	09/09 → 06/12	●		P06053MM	[o]	16,9	ATE	A00423	1066			
	330	09/09 → 06/12	●	-sport pack	P06076MM	[o]	19,3	ATE	A00422	1083			
	330	09/09 → 06/12	●	+sport pack	P06073MM	[o]	19,9	ATE	A00422	1083			
	260	05/11 → 05/15	●		P06053MM	[o]	16,9	ATE	A00423	1066			
	260	05/11 → 05/15	●		P06076MM	[o]	19,3	ATE	A00422	1083			

BMW

7 (F01, F02, F03, F04) 02/08 → 12/15

ActiveHybrid	260	05/11 → 05/15	●	+reinf.brakes	P06073MM	[O]	19,9	ATE	A00422	1083				
	260	05/11 → 05/15	●		P06053MM	[O]	16,9	ATE	A00423	1066				
	235	05/11 → 05/15	●		P06076MM	[O]	19,3	ATE	A00422	1083				
	235	05/11 → 05/15	●	+reinf.brakes	P06073MM	[O]	19,9	ATE	A00422	1083				
	235	05/11 → 05/15	●		P06053MM	[O]	16,9	ATE	A00423	1066				

7 (G11, G12) 10/14 →

725 d, Ld	170	09/15 →	●	-M-Technik vehicles	P06064MM	[O]	18	TRW						
730 d	195	09/15 →	●		P06061MM	[O]	18	TRW						
	195	09/15 →	●	-M-Technik vehicles	P06064MM	[O]	18	TRW						
730 d xDrive	155	09/15 →	●	-M-Technik vehicles	P06064MM	[O]	18	TRW						
	195	09/15 →	●		P06064MM	[O]	18	TRW						
730 d, Ld xDrive	195	09/15 →	●		P06061MM	[O]	18	TRW						
	235	11/15 →	●	-M-Technik vehicles	P06061MM	[O]	18	TRW						
740 i, Li	240	09/15 →	●	-M-Technik vehicles	P06061MM	[O]	18	TRW						
750 i, Li	330	11/15 →	●		P06061MM	[O]	18	TRW						
750 i, Li xDrive	330	09/15 →	●		P06061MM	[O]	18	TRW						

8 (E31) 04/90 → 12/99

840 Ci	210	01/96 → 12/99	●		P06018MM	[O]	18	BRE	A00239	370				
	210	01/96 → 12/99	●		P06016MM	[O]	17,3	ATE	A00238	260				
840 i	210	02/93 → 02/96	●	03/94 →	P06018MM	[O]	18	BRE	A00239	370				
	210	02/93 → 02/96	●	→ 09/93	P06016MM	[O]	17,3	ATE	A00238	260				
850 Ci	240	09/94 → 12/99	●		P06018MM	[O]	18	BRE	A00239	370				
	240	09/94 → 12/99	●		P06016MM	[O]	17,3	ATE	A00238	260				
850 CSI	280	04/93 → 12/96	●	03/94 →	P06018MM	[O]	18	BRE	A00239	370				
	280	04/93 → 12/96	●		P06016MM	[O]	17,3	ATE	A00238	260				
850 i,Ci	220	04/90 → 10/94	●	03/94 →	P06018MM	[O]	18	BRE	A00226	220	→ 09/91			
	220	04/90 → 10/94	●	→ 09/93	P06016MM	[O]	17,3	ATE	A00226	220	→ 09/91			

i3 (I01) 08/13 →

Electric	75	08/13 →	●		P06091MM	[O]	13,6	TRW						
	75	08/13 →	●		P06094MM	[O]	16,2	ATE						
	125	09/14 →	●		P06091MM	[O]	13,6	TRW						
	125	09/14 →	●		P06094MM	[O]	16,2	ATE						
Hybrid	75	08/13 →	●		P06091MM	[O]	13,6	TRW						
	75	08/13 →	●		P06094MM	[O]	16,2	ATE						
	125	09/14 →	●		P06091MM	[O]	13,6	TRW						
	125	09/14 →	●		P06094MM	[O]	16,2	ATE						

i8 (I12) 03/14 →

hybrid	170	03/14 →	●		P06088MM	[O]	17,7	BRE						
	170	03/14 →	●		P06064MM	[O]	18	TRW						
	266	03/14 →	●		P06088MM	[O]	17,7	BRE						
	266	03/14 →	●		P06064MM	[O]	18	TRW						

X1 (E84) 03/09 → 06/15

sDrive 16 d	85	04/12 → 06/15	●		P06055MM	[O]	20,3	ATE	A00438	675				
	85	04/12 → 06/15	●		P06038MM	[O]	17,3	ATE	A00439	1143				
sDrive 16 i	105	03/13 → 06/15	●		P06055MM	[O]	20,3	ATE	A00438	675				
	105	03/13 → 06/15	●		P06038MM	[O]	17,3	ATE	A00439	1143				
sDrive 18 d	105	10/09 → 06/15	●		P06055MM	[O]	20,3	ATE	A00426	645	→ 03/10			
	105	10/09 → 06/15	●		P06038MM	[O]	17,3	ATE	A00427	1130	→ 03/10			
	100	03/09 → 06/15	●		P06055MM	[O]	20,3	ATE	A00426	645	→ 03/10			
	100	03/09 → 06/15	●		P06038MM	[O]	17,3	ATE	A00427	1130	→ 03/10			



kw



MAGNETI MARELLI

WI

Th [mm]

SYS

MAGNETI MARELLI

LENGHT

WI

MAGNETI MARELLI

FK

MAGNETI MARELLI

MAGNETI MARELLI

MAGNETI MARELLI

MAGNETI MARELLI

MAGNETI MARELLI

MAGNETI MARELLI

BMW

X1 (E84) 03/09 → 06/15

sDrive 18 i	100	03/09 → 06/15	•			P06055MM	[o]	20,3	ATE	A00426	645	→ 03/10		
	100	03/09 → 06/15	•			P06038MM	[o]	17,3	ATE	A00427	1130	→ 03/10		
	110	01/10 → 06/15	•			P06055MM	[o]	20,3	ATE	A00426	645	→ 03/10		
	110	01/10 → 06/15	•			P06038MM	[o]	17,3	ATE	A00427	1130	→ 03/10		
sDrive 20 d	130	10/09 → 06/15	•			P06055MM	[o]	20,3	ATE	A00426	645	→ 03/10		
	130	10/09 → 06/15	•			P06038MM	[o]	17,3	ATE	A00427	1130	→ 03/10		
	120	03/10 → 06/15	•			P06055MM	[o]	20,3	ATE	A00438	675			
	120	03/10 → 06/15	•			P06038MM	[o]	17,3	ATE	A00439	1143			
	135	07/12 → 06/15	•			P06055MM	[o]	20,3	ATE	A00438	675			
sDrive 20 i	135	07/12 → 06/15	•			P06038MM	[o]	17,3	ATE	A00439	1143			
	135	09/11 → 06/15	•			P06055MM	[o]	20,3	ATE	A00438	675			
xDrive 18 d	135	09/11 → 06/15	•			P06038MM	[o]	17,3	ATE	A00439	1143		A02222	
	105	10/09 → 06/15	•			P06055MM	[o]	20,3	ATE	A00223	850	→ 03/10		
	105	10/09 → 06/15	•			P06038MM	[o]	17,3	ATE	A00427	1130	→ 03/10		
	100	03/09 → 06/15	•			P06055MM	[o]	20,3	ATE	A00223	850	→ 03/10		
xDrive 20 d	100	03/09 → 06/15	•			P06038MM	[o]	17,3	ATE	A00427	1130	→ 03/10		
	130	10/09 → 06/15	•			P06055MM	[o]	20,3	ATE	A00223	850	→ 03/10		
	130	10/09 → 06/15	•			P06038MM	[o]	17,3	ATE	A00427	1130	→ 03/10		
	120	03/10 → 06/15	•			P06055MM	[o]	20,3	ATE	A00441	865			
	120	03/10 → 06/15	•			P06038MM	[o]	17,3	ATE	A00439	1143			
xDrive 20 i	135	07/12 → 06/15	•			P06055MM	[o]	20,3	ATE	A00441	865	03/10 →		
	135	07/12 → 06/15	•			P06038MM	[o]	17,3	ATE	A00439	1143	03/10 →		
xDrive 23 d	135	09/11 → 06/15	•			P06055MM	[o]	20,3	ATE	A00441	865			
	135	09/11 → 06/15	•			P06038MM	[o]	17,3	ATE	A00439	1143		A02222	
xDrive 25 d	150	10/09 → 06/15	•		→ 04/12	P06036MM	[o]	20,3	ATE	A00223	850			
	150	10/09 → 06/15	•		04/12 →	P06055MM	[o]	20,3	ATE	A00223	850			
	150	10/09 → 06/15	•			P06038MM	[o]	17,3	ATE	A00427	1130	→ 03/10		
xDrive 25 i	160	10/09 → 06/15	•			P06055MM	[o]	20,3	ATE	A00441	865			
	160	10/09 → 06/15	•			P06038MM	[o]	17,3	ATE	A00439	1143			
xDrive 28 i	160	01/10 → 06/15	•			P06036MM	[o]	20,3	ATE	A00223	850			
	160	01/10 → 06/15	•			P06038MM	[o]	17,3	ATE	A00427	1130	→ 03/10		
xDrive 28 i	180	04/11 → 06/15	•		→ 03/12	P06036MM	[o]	20,3	ATE	A00441	865			
	180	04/11 → 06/15	•		03/12 →	P06055MM	[o]	20,3	ATE	A00441	865			
	180	04/11 → 06/15	•			P06038MM	[o]	17,3	ATE	A00439	1143		A02222	
	190	10/09 → 06/15	•			P06081MM	[o]	20,3	ATE	A00223	850	→ 03/10		
	190	10/09 → 06/15	•			P06039MM	[o]	17,3	ATE	A00427	1130	→ 03/10		

X1 (F48) 11/14 →

sDrive 16 d	85	11/14 →	•			P06093MM	[o]	18,6	TRW	A00506	200/475			
	85	11/14 →	•			P06094MM	[o]	16,2	ATE	A00507	642			
sDrive 18 d	110	11/14 →	•			P06093MM	[o]	18,6	TRW	A00506	200/475			
	110	11/14 →	•			P06094MM	[o]	16,2	ATE	A00507	642			
	100	11/14 →	•			P06093MM	[o]	18,6	TRW	A00506	200/475			
sDrive 18 i	100	11/14 →	•			P06094MM	[o]	16,2	ATE	A00507	642			
	100	11/14 →	•			P06093MM	[o]	18,6	TRW	A00506	200/475			
sDrive 20 d	140	01/15 →	•			P06093MM	[o]	18,6	TRW	A00506	200/475			
	140	01/15 →	•			P06094MM	[o]	16,2	ATE	A00507	642			
	120	01/15 →	•			P06093MM	[o]	18,6	TRW	A00506	200/475			
	120	01/15 →	•			P06094MM	[o]	16,2	ATE	A00507	642			

 	kw						wi	Th [mm]	SYS	WI		FK	
											LENGHT		

BMW
X1 (F48) 11/14 →

sDrive 20 i	141	11/14 →	•			P06093MM	[O]	18,6	TRW	A00506	200/475		
	141	11/14 →		•		P06094MM	[O]	16,2	ATE	A00507	642		
xDrive 18 d	110	11/14 →	•			P06093MM	[O]	18,6	TRW	A00506	200/475		
	110	11/14 →		•		P06094MM	[O]	16,2	ATE	A00507	642		
	100	11/14 →	•			P06093MM	[O]	18,6	TRW	A00506	200/475		
	100	11/14 →		•		P06094MM	[O]	16,2	ATE	A00507	642		
xDrive 20 d	140	11/14 →	•			P06093MM	[O]	18,6	TRW	A00506	200/475		
	140	11/14 →		•		P06094MM	[O]	16,2	ATE	A00507	642		
	120	11/14 →	•			P06093MM	[O]	18,6	TRW	A00506	200/475		
	120	11/14 →		•		P06094MM	[O]	16,2	ATE	A00507	642		
xDrive 20 i	141	11/14 →	•			P06093MM	[O]	18,6	TRW	A00506	200/475		
	141	11/14 →		•		P06094MM	[O]	16,2	ATE	A00507	642		
xDrive 25 d	170	11/14 →	•			P06093MM	[O]	18,6	TRW	A00506	200/475		
	170	11/14 →		•		P06094MM	[O]	16,2	ATE	A00507	642		
xDrive 25 i	170	11/14 →	•			P06093MM	[O]	18,6	TRW	A00506	200/475		
	170	11/14 →		•		P06094MM	[O]	16,2	ATE	A00507	642		

X3 (E83) 01/03 → 12/11

2.0 d	110	11/03 → 08/07	•			P06043MM	[O]	20,3	ATE	A00240	740		A02223
	110	11/03 → 08/07		•		P06044MM	[O]	17,2	ATE	A00241	1055		
	130	03/07 → 08/07	•			P06043MM	[O]	20,3	ATE	A00240	740		
	130	03/07 → 08/07		•		P06044MM	[O]	17,2	ATE	A00241	1055		
2.0 i	110	07/05 → 08/08	•			P06043MM	[O]	20,3	ATE	A00240	740		A02223
	110	07/05 → 08/08		•		P06044MM	[O]	17,2	ATE	A00241	1055		
2.5 i	141	01/04 → 08/06	•			P06043MM	[O]	20,3	ATE	A00240	740		A02223
	141	01/04 → 08/06		•		P06044MM	[O]	17,2	ATE	A00241	1055		
2.5 si	160	09/06 → 08/08	•			P06043MM	[O]	20,3	ATE	A00240	740		
	160	09/06 → 08/08		•		P06044MM	[O]	17,2	ATE	A00241	1055		
2.5 si xDrive	155	07/06 → 12/08	•			P06043MM	[O]	20,3	ATE	A00240	740		
	155	07/06 → 12/08		•		P06044MM	[O]	17,2	ATE	A00241	1055		
	155	07/06 → 12/08		•		P06020MM	[O]	17,2	ATE	A00241	1055		
3.0 d	150	01/03 → 08/05	•			P06043MM	[O]	20,3	ATE	A00240	740		A02223
	150	01/03 → 08/05		•		P06044MM	[O]	17,2	ATE	A00241	1055		
	160	10/04 → 07/06	•			P06043MM	[O]	20,3	ATE	A00240	740		A02223
	160	10/04 → 07/06		•		P06044MM	[O]	17,2	ATE	A00241	1055		
	155	10/04 → 07/06	•			P06043MM	[O]	20,3	ATE				
3.0 i xDrive	170	01/04 → 08/06	•			P06043MM	[O]	20,3	ATE	A00240	740		A02223
	170	01/04 → 08/06		•		P06044MM	[O]	17,2	ATE	A00241	1055		
3.0 sd	210	09/06 → 08/08	•			P06021MM	[O]	19,3	ATE	A00242	744		
	210	09/06 → 08/08		•		P06044MM	[O]	17,2	ATE	A00241	1055		
3.0 si	200	09/06 → 08/08	•			P06043MM	[O]	20,3	ATE	A00240	740		
	200	09/06 → 08/08		•		P06044MM	[O]	17,2	ATE	A00241	1055		
xDrive 18 d	105	09/08 → 12/11	•			P06043MM	[O]	20,3	ATE	A00240	740		
	105	09/08 → 12/11		•		P06044MM	[O]	17,2	ATE	A00241	1055		
	100	04/09 → 12/11	•			P06043MM	[O]	20,3	ATE	A00240	740		
	100	04/09 → 12/11		•		P06044MM	[O]	17,2	ATE	A00241	1055		
	100	04/09 → 12/11		•		P06020MM	[O]	17,2	ATE	A00241	1055		



kw



MAGNETI MARELLI

wi

Th [mm]

SYS

MAGNETI MARELLI

LENGHT

WI

MAGNETI MARELLI

FK

MAGNETI MARELLI

MAGNETI MARELLI

MAGNETI MARELLI

BMW

X3 (E83) 01/03 → 12/11

xDrive 20 d	120	09/07 → 08/10	●		P06043MM	[o]	20,3	ATE	A00240	740		A02223
	120	09/07 → 08/10		●	P06044MM	[o]	17,2	ATE	A00241	1055		
	130	09/07 → 08/10	●		P06043MM	[o]	20,3	ATE	A00240	740		
	130	09/07 → 08/10		●	P06044MM	[o]	17,2	ATE	A00241	1055		
xDrive 20 i	110	09/08 → 08/11	●		P06043MM	[o]	20,3	ATE	A00240	740		
	110	09/08 → 08/11		●	P06044MM	[o]	17,2	ATE	A00241	1055		
xDrive 25 i	160	09/08 → 12/11	●		P06043MM	[o]	20,3	ATE	A00240	740		
	160	09/08 → 12/11		●	P06044MM	[o]	17,2	ATE	A00241	1055		
xDrive 30 d	155	03/06 → 08/10	●		P06043MM	[o]	20,3	ATE	A00240	740		A02223
	155	03/06 → 08/10		●	P06044MM	[o]	17,2	ATE	A00241	1055		
	160	03/06 → 08/10	●		P06043MM	[o]	20,3	ATE	A00240	740		
	160	03/06 → 08/10		●	P06044MM	[o]	17,2	ATE	A00241	1055		
xDrive 30 i	200	09/08 → 12/11	●		P06043MM	[o]	20,3	ATE	A00240	740		
	200	09/08 → 12/11		●	P06044MM	[o]	17,2	ATE	A00241	1055		
xDrive 35 d	210	09/08 → 08/11	●		P06021MM	[o]	19,3	ATE	A00242	744		
	210	09/08 → 08/11		●	P06044MM	[o]	17,2	ATE	A00241	1055		

X3 (F25) 09/10 →

sDrive 18 d	100	08/11 →	●		P06075MM	[o]	19,2	BSH	A00433	955		
	100	08/11 →		●	P06064MM	[o]	18	TRW	A00455	1243		
	105	08/11 →	●		P06075MM	[o]	19,2	BSH	A00433	955		
	105	08/11 →		●	P06064MM	[o]	18	TRW	A00455	1243		
	110	02/14 →	●		P06075MM	[o]	19,2	BSH	A00433	955		
	110	02/14 →		●	P06064MM	[o]	18	TRW	A00455	1243		
sDrive 18 i	125	07/13 →	●		P06075MM	[o]	19,2	BSH	A00433	955		
	125	07/13 →		●	P06064MM	[o]	18	TRW	A00455	1243		
sDrive 20 i	135	02/14 →	●		P06075MM	[o]	19,2	BSH	A00433	955		
	135	02/14 →		●	P06064MM	[o]	18	TRW	A00455	1243		
xDrive 20 d	135	09/10 →	●		P06075MM	[o]	19,2	BSH	A00433	955		
	135	09/10 →		●	P06064MM	[o]	18	TRW	A00455	1243		
	120	09/10 →	●		P06075MM	[o]	19,2	BSH	A00433	955		
	120	09/10 →		●	P06064MM	[o]	18	TRW	A00455	1243		
	140	02/14 →	●		P06075MM	[o]	19,2	BSH	A00433	955		
	140	02/14 →		●	P06064MM	[o]	18	TRW	A00455	1243		
xDrive 20 i	135	09/11 →	●		P06075MM	[o]	19,2	BSH	A00433	955		
	135	09/11 →		●	P06064MM	[o]	18	TRW	A00455	1243		
xDrive 28 d	134	09/14 →	●		P06075MM	[o]	19,2	BSH	A00433	955		
	134	09/14 →		●	P06064MM	[o]	18	TRW	A00455	1243		
xDrive 28 i	190	04/11 →	●		P06075MM	[o]	19,2	BSH	A00423	1066		
	190	04/11 →		●	P06064MM	[o]	18	TRW	A00455	1243		
	190	04/11 →	●	(USA)	P06071MM	[o]	17,2	ATE	A00455	1243		
	180	08/11 →	●		P06075MM	[o]	19,2	BSH	A00433	955		
	180	08/11 →		●	P06064MM	[o]	18	TRW	A00455	1243		
	180	08/11 →	●	(USA)	P06071MM	[o]	17,2	ATE	A00455	1243		
xDrive 30 d	190	05/11 →	●		P06075MM	[o]	19,2	BSH	A00433	955		
	190	05/11 →		●	P06064MM	[o]	18	TRW	A00455	1243		
	155	05/11 →	●		P06075MM	[o]	19,2	BSH	A00433	955		
	155	05/11 →		●	P06064MM	[o]	18	TRW	A00455	1243		
	210	04/14 →	●		P06075MM	[o]	19,2	BSH	A00433	955		
	210	04/14 →		●	P06064MM	[o]	18	TRW	A00455	1243		
	183	04/15 →	●		P06075MM	[o]	19,2	BSH	A00433	955		
	183	04/15 →		●	P06064MM	[o]	18	TRW	A00455	1243		
xDrive 30 i	204	06/16 →	●		P06075MM	[o]	19,2	BSH	A00433	955		
	204	06/16 →		●	P06064MM	[o]	18	TRW	A00455	1243		

 	kw						wi	Th [mm]	SYS	WI		FK	
											LENGHT		

BMW

X3 (F25) 09/10 →

xDrive 35 d	230 09/11 →	•				P06075MM	[O]	19,2	BSH	A00433	955		
	230 09/11 →		•			P06064MM	[O]	18	TRW	A00455	1243		
xDrive 35 i	225 09/10 →	•				P06075MM	[O]	19,2	BSH	A00433	955		
	225 09/10 →		•			P06064MM	[O]	18	TRW	A00455	1243		
	225 09/10 →		•	(USA)		P06071MM	[O]	17,2	ATE	A00455	1243		

X4 (F26) 05/13 →

M 40 i	265 11/14 →	•				P06049MM	[O]	19,7	ATE	A00433	955		
xDrive 20 d	140 07/13 →	•				P06075MM	[O]	19,2	BSH	A00433	955		
	140 07/13 →		•			P06064MM	[O]	18	TRW	A00455	1243		
	120 07/13 →	•				P06075MM	[O]	19,2	BSH	A00433	955		
	120 07/13 →		•			P06064MM	[O]	18	TRW	A00455	1243		
xDrive 20 i	135 07/13 →	•				P06075MM	[O]	19,2	BSH	A00433	955		
	135 07/13 →		•			P06064MM	[O]	18	TRW	A00455	1243		
xDrive 28 i	180 05/13 →	•				P06075MM	[O]	19,2	BSH	A00433	955		
	180 05/13 →		•			P06064MM	[O]	18	TRW	A00455	1243		
xDrive 30 d	190 06/13 →	•				P06075MM	[O]	19,2	BSH	A00433	955		
	190 06/13 →		•			P06064MM	[O]	18	TRW	A00455	1243		
	155 06/13 →	•				P06075MM	[O]	19,2	BSH	A00433	955		
	155 06/13 →		•			P06064MM	[O]	18	TRW	A00455	1243		
	210 06/13 →	•				P06075MM	[O]	19,2	BSH	A00433	955		
	210 06/13 →		•			P06064MM	[O]	18	TRW	A00455	1243		
	183 06/15 →	•				P06075MM	[O]	19,2	BSH	A00433	955		
	183 06/15 →		•			P06064MM	[O]	18	TRW	A00455	1243		
	204 06/13 →	•				P06075MM	[O]	19,2	BSH	A00433	955		
	204 06/13 →		•			P06064MM	[O]	18	TRW	A00455	1243		
xDrive 35 d	230 05/13 →	•				P06075MM	[O]	19,2	BSH	A00433	955		
	230 05/13 →		•			P06064MM	[O]	18	TRW	A00455	1243		
xDrive 35 i	225 06/13 →	•				P06075MM	[O]	19,2	BSH	A00433	955		
	225 06/13 →		•			P06064MM	[O]	18	TRW	A00455	1243		

X5 (E53) 05/00 → 02/07

3.0 d	135 05/01 → 12/03	•				P06021MM	[O]	19,3	ATE	A00243	800		
	135 05/01 → 12/03		•			P06020MM	[O]	17,2	ATE	A00244	715		
	160 12/03 → 12/06	•				P06021MM	[O]	19,3	ATE	A00243	800		
	160 12/03 → 12/06		•			P06020MM	[O]	17,2	ATE	A00244	715		
	155 09/03 → 12/06	•				P06021MM	[O]	19,3	ATE	A00243	800		
	155 09/03 → 12/06		•			P06020MM	[O]	17,2	ATE	A00244	715		
3.0 i	170 05/00 → 12/06	•				P06021MM	[O]	19,3	ATE	A00243	800		
	170 05/00 → 12/06		•			P06020MM	[O]	17,2	ATE	A00244	715		
4.4 i	210 05/00 → 12/03	•				P06021MM	[O]	19,3	ATE	A00243	800		
	210 05/00 → 12/03		•			P06020MM	[O]	17,2	ATE	A00244	715		
	235 12/03 → 09/06	•		-special.veh.		P06021MM	[O]	19,3	ATE	A00243	800		
	235 12/03 → 09/06	•		+special.veh.		P06028MM	[O]	20,8	ATE	A00243	800		
4.6 is	235 12/03 → 09/06	•				P06020MM	[O]	17,2	ATE	A00244	715		
	255 02/02 → 12/03	•				P06028MM	[O]	20,8	ATE	A00243	800		
	255 02/02 → 12/03		•			P06020MM	[O]	17,2	ATE	A00244	715		
4.8 is	265 04/04 → 09/06	•				P06028MM	[O]	20,8	ATE	A00243	800		
	265 04/04 → 09/06		•			P06020MM	[O]	17,2	ATE	A00244	715		

X5 (E70) 02/06 → 06/13

3.0 d	173 02/07 → 09/08	•				P06049MM	[O]	19,7	ATE	A00245	960		
	173 02/07 → 09/08		•	disc Ø 345 mm		P06026MM	[O]	17,3	ATE	A00247	1006		
	173 02/07 → 09/08		•	disc Ø 320 mm		P06056MM	[O]	17,3	ATE	A00247	1006		
	155 02/07 → 09/08	•				P06049MM	[O]	19,7	ATE	A00245	960		
	155 02/07 → 09/08		•			P06056MM	[O]	17,3	ATE	A00247	1006		



kw



wi

Th [mm]

SYS

MAGNETI MARELLI

LENGHT



MAGNETI MARELLI

FK



BMW

X5 (E70) 02/06 → 06/13

3.0 sd	210	09/07 → 02/09	●	10/08 →	P06049MM	[o]	19,7	ATE	A00245	960			
	210	09/07 → 02/09	●	→ 10/08	P06058MM	[o]	19,7	ATE	A00245	960			
	210	09/07 → 02/09	●		P06026MM	[o]	17,3	ATE	A00247	1006			
3.0 si	200	02/06 → 09/08	●		P06049MM	[o]	19,7	ATE	A00245	960			
	200	02/06 → 09/08	●		P06056MM	[o]	17,3	ATE	A00247	1006			
4.8 i xDrive	261	02/07 → 09/08	●	disc Ø 348 mm	P06049MM	[o]	19,7	ATE	A00245	960	disc Ø 348 mm		
	261	02/07 → 09/08	●	disc Ø 365 mm	P06058MM	[o]	19,7	ATE	A00245	960	disc Ø 348 mm		
	261	02/07 → 09/08	●		P06026MM	[o]	17,3	ATE	A00247	1006			
M	408	09/09 → 06/13	●		P06077MM	[o]	19,4	BRE	A00432	1020	04/10 →		
	408	09/09 → 06/13	●		P06050MM	[o]	17,1	ATE	A00247	1006	→ 04/10		
M 50 d	280	08/11 → 06/13	●		P06073MM	[o]	19,9	ATE	A00443	1005			
	280	08/11 → 06/13	●		P06026MM	[o]	17,3	ATE	A00434	1047			
xDrive 30 d	180	09/10 → 06/13	●		P06049MM	[o]	19,7	ATE	A00245	960			
	180	09/10 → 06/13	●		P06056MM	[o]	17,3	ATE	A00434	1047			
	173	09/08 → 06/13	●		P06049MM	[o]	19,7	ATE	A00245	960			
	173	09/08 → 06/13	●		P06056MM	[o]	17,3	ATE	A00247	1006	→ 04/10		
	155	09/08 → 06/13	●		P06049MM	[o]	19,7	ATE	A00245	960			
	155	09/08 → 06/13	●		P06056MM	[o]	17,3	ATE	A00434	1047			
xDrive 30 i	171	09/08 → 12/10	●		P06049MM	[o]	19,7	ATE					
	171	09/08 → 12/10	●		P06056MM	[o]	17,3	ATE					
	200	09/08 → 03/10	●		P06049MM	[o]	19,7	ATE	A00245	960			
xDrive 35 d	210	09/08 → 06/13	●	→ 10/08	P06058MM	[o]	19,7	ATE	A00245	960	10/08 →		
	210	09/08 → 06/13	●	10/08 →	P06049MM	[o]	19,7	ATE	A00245	960	10/08 →		
	210	09/08 → 06/13	●	→ 10/09	P06026MM	[o]	17,3	ATE	A00247	1006	→ 04/10		
	210	09/08 → 06/13	●	10/09 →	P06056MM	[o]	17,3	ATE	A00247	1006	→ 04/10		
xDrive 35 i	225	09/10 → 06/13	●		P06049MM	[o]	19,7	ATE	A00442	895			
	225	09/10 → 06/13	●		P06056MM	[o]	17,3	ATE	A00434	1047			
	235	02/12 → 06/13	●		P06049MM	[o]	19,7	ATE	A00442	895			
	235	02/12 → 06/13	●		P06056MM	[o]	17,3	ATE	A00434	1047			
xDrive 40 d	225	09/10 → 06/13	●		P06049MM	[o]	19,7	ATE	A00442	895			
	225	09/10 → 06/13	●		P06056MM	[o]	17,3	ATE	A00434	1047			
xDrive 40 i	225	01/12 → 06/13	●		P06049MM	[o]	19,7	ATE					
	225	01/12 → 06/13	●		P06056MM	[o]	17,3	ATE					
xDrive 48 i	261	09/08 → 06/13	●	disc Ø 348 mm	P06049MM	[o]	19,7	ATE	A00245	960	disc Ø 348 mm		
	261	09/08 → 06/13	●	disc Ø 365 mm	P06058MM	[o]	19,7	ATE	A00245	960	disc Ø 348 mm		
	261	09/08 → 06/13	●		P06026MM	[o]	17,3	ATE	A00247	1006	→ 04/10		
xDrive 50 i	300	06/10 → 06/13	●	(USA); +arm.veh.	P06058MM	[o]	19,7	ATE	A00432	1020	+arm.veh.; (USA)		
	300	06/10 → 06/13	●		P06073MM	[o]	19,9	ATE	A00443	1005			
	300	06/10 → 06/13	●		P06026MM	[o]	17,3	ATE	A00434	1047			

X5 (F15, F85) 06/12 →

M	423	12/14 →	●	-sport pack	P06050MM	[o]	17,1	ATE	A00434	1047			
M 50 d	280	07/13 →	●		P06073MM	[o]	19,9	ATE	A00443	1005			
	280	07/13 →	●		P06026MM	[o]	17,3	ATE	A00434	1047			
sDrive 25 d	160	11/13 →	●		P06049MM	[o]	19,7	ATE	A00442	895			
	160	11/13 →	●		P06056MM	[o]	17,3	ATE	A00434	1047			
	170	07/15 →	●		P06049MM	[o]	19,7	ATE	A00442	895			
	170	07/15 →	●		P06056MM	[o]	17,3	ATE	A00434	1047			
	155	11/13 →	●		P06049MM	[o]	19,7	ATE	A00442	895			
	155	11/13 →	●		P06056MM	[o]	17,3	ATE	A00434	1047			
xDrive 25 d	160	11/13 →	●		P06049MM	[o]	19,7	ATE	A00442	895			
	160	11/13 →	●		P06056MM	[o]	17,3	ATE	A00434	1047			
	170	07/15 →	●		P06049MM	[o]	19,7	ATE	A00442	895			
	170	07/15 →	●		P06056MM	[o]	17,3	ATE	A00434	1047			

BMW

X5 (F15, F85) 06/12 →

xDrive 25 d	155	11/13 →	●		P06049MM	○	19,7	ATE	A00442	895				
	155	11/13 →		●	P06056MM	○	17,3	ATE	A00434	1047				
	160	06/15 →	●		P06049MM	○	19,7	ATE	A00442	895				
	160	06/15 →		●	P06056MM	○	17,3	ATE	A00434	1047				
xDrive 30 d	190	07/13 →	●		P06049MM	○	19,7	ATE	A00442	895				
	190	07/13 →		●	P06056MM	○	17,3	ATE	A00434	1047				
	204	11/13 →	●		P06049MM	○	19,7	ATE	A00442	895				
	204	11/13 →		●	P06056MM	○	17,3	ATE	A00434	1047				
	183	04/15 →	●		P06049MM	○	19,7	ATE	A00442	895				
	183	04/15 →		●	P06056MM	○	17,3	ATE	A00434	1047				
xDrive 35 i	210	07/13 →	●		P06049MM	○	19,7	ATE	A00442	895	Left			
	210	07/13 →		●	P06056MM	○	17,3	ATE						
	225	11/13 →	●		P06049MM	○	19,7	ATE	A00442	895				
	225	11/13 →		●	P06026MM	○	17,3	ATE	A00434	1047				
	225	11/13 →		●	(USA)	P06056MM	○	17,3	ATE	A00434	1047			
	240	11/13 →	●		P06049MM	○	19,7	ATE	A00442	895				
xDrive 40 d	240	11/13 →		●	P06026MM	○	17,3	ATE	A00434	1047				
	230	12/13 →	●		P06049MM	○	19,7	ATE	A00442	895				
xDrive 40e	230	12/13 →		●	P06026MM	○	17,3	ATE	A00434	1047				
	230	09/15 →	●		P06049MM	○	19,7	ATE	A00442	895				
	230	09/15 →		●	P06056MM	○	17,3	ATE	A00434	1047				
	180	09/15 →	●		P06049MM	○	19,7	ATE	A00442	895				
	180	09/15 →		●	P06056MM	○	17,3	ATE	A00434	1047				
	205	09/15 →	●		P06049MM	○	19,7	ATE	A00442	895				
	205	09/15 →		●	P06056MM	○	17,3	ATE	A00434	1047				
	155	09/15 →	●		P06049MM	○	19,7	ATE	A00442	895				
xDrive 50 i	155	09/15 →		●	P06056MM	○	17,3	ATE	A00434	1047				
	330	07/13 →	●	-sport pack, (USA)	P06058MM	○	19,7	ATE	A00443	1005				
	330	07/13 →		●	P06073MM	○	19,9	ATE	A00443	1005				
	330	07/13 →		●	P06026MM	○	17,3	ATE	A00434	1047				

X6 (E71, E72) 06/07 → 06/14

ActiveHybrid	357	01/09 → 10/11	●		P06073MM	○	19,9	ATE	A00443	1005				
	357	01/09 → 10/11		●	P06026MM	○	17,3	ATE	A00247	1006				
	300	01/09 → 10/11	●		P06073MM	○	19,9	ATE	A00443	1005				
	300	01/09 → 10/11		●	P06026MM	○	17,3	ATE	A00247	1006				
M	408	07/08 → 06/14	●		P06077MM	○	19,4	BRE	A00432	1020	04/10 →			
	408	07/08 → 06/14		●	P06050MM	○	17,1	ATE	A00247	1006	→ 04/10			
M 50 d	280	08/11 → 06/14	●		P06073MM	○	19,9	ATE	A00443	1005				
	280	08/11 → 06/14		●	P06026MM	○	17,3	ATE	A00434	1047				
xDrive 30 d	180	04/09 → 06/14	●		P06049MM	○	19,7	ATE	A00442	895				
	180	04/09 → 06/14		●	disc Ø 345 mm	P06026MM	○	17,3	ATE	A00247	1006	disc Ø 320 mm		
	180	04/09 → 06/14		●	P06056MM	○	17,3	ATE	A00434	1047				
	155	07/09 → 06/14	●		P06049MM	○	19,7	ATE	A00442	895				
	155	07/09 → 06/14		●	P06056MM	○	17,3	ATE	A00434	1047				
	155	07/09 → 06/14		●	disc Ø 345 mm	P06026MM	○	17,3	ATE	A00247	1006	disc Ø 320 mm		
	173	09/07 → 03/10	●		P06049MM	○	19,7	ATE	A00442	895				
	173	09/07 → 03/10		●	disc Ø 345 mm	P06026MM	○	17,3	ATE	A00247	1006	disc Ø 320 mm		
xDrive 35 d	173	09/07 → 03/10		●	P06056MM	○	17,3	ATE	A00247	1006	disc Ø 320 mm			
	210	06/07 → 03/10	●	disc Ø 348 mm	P06049MM	○	19,7	ATE	A00245	960	10/08 →			
	210	06/07 → 03/10		●	disc Ø 365 mm	P06058MM	○	19,7	ATE	A00245	960	10/08 →		
	210	06/07 → 03/10		●	disc Ø 320 mm	P06056MM	○	17,3	ATE	A00247	1006	→ 04/10		
	210	06/07 → 03/10		●	disc Ø 345 mm	P06026MM	○	17,3	ATE	A00247	1006	→ 04/10		

									WI		FK		
	kw						Th [mm]		MAGNETI MARELLI	LENGHT		MAGNETI MARELLI	

BMW

X6 (E71, E72) 06/07 → 06/14

xDrive 35 i	225	06/07 → 03/10	●	disc Ø 348 mm	P06049MM	[o]	19,7	ATE	A00245	960	disc Ø 348 mm		
	225	06/07 → 03/10	●	disc Ø 365 mm	P06058MM	[o]	19,7	ATE	A00245	960	disc Ø 348 mm		
	225	06/07 → 03/10	●	disc Ø 320 mm	P06056MM	[o]	17,3	ATE	A00247	1006	→ 04/10		
	225	06/07 → 03/10	●	disc Ø 345 mm	P06026MM	[o]	17,3	ATE	A00247	1006	→ 04/10		
	240	06/07 → 03/10	●		P06049MM	[o]	19,7	ATE	A00245	960			
	240	06/07 → 03/10	●		P06056MM	[o]	17,3	ATE	A00247	1006	→ 04/10		
	235	07/09 → 06/14	●	disc Ø 365 mm	P06058MM	[o]	19,7	ATE	A00442	895			
	235	07/09 → 06/14	●		P06049MM	[o]	19,7	ATE	A00442	895			
	235	07/09 → 06/14	●	disc Ø 345 mm	P06026MM	[o]	17,3	ATE	A00434	1047			
xDrive 40 d	225	07/09 → 06/14	●		P06049MM	[o]	19,7	ATE	A00442	895			
	225	07/09 → 06/14	●		P06056MM	[o]	17,3	ATE	A00434	1047			
xDrive 50 i	300	10/07 → 06/14	●	disc Ø 365 mm	P06058MM	[o]	19,7	ATE	A00246	953	→ 04/10		
	300	10/07 → 06/14	●	disc Ø 385 mm	P06073MM	[o]	19,9	ATE	A00246	953	→ 04/10		
	300	10/07 → 06/14	●	→ 10/09	P06050MM	[o]	17,1	ATE	A00247	1006	→ 04/10		
	300	10/07 → 06/14	●	10/09 →	P06026MM	[o]	17,3	ATE	A00247	1006	→ 04/10		
	330	10/07 → 06/14	●	disc Ø 365 mm	P06058MM	[o]	19,7	ATE	A00246	953	→ 04/10		
	330	10/07 → 06/14	●	disc Ø 385 mm	P06073MM	[o]	19,9	ATE	A00246	953	→ 04/10		
	330	10/07 → 06/14	●	→ 10/09	P06050MM	[o]	17,1	ATE	A00247	1006	→ 04/10		
	330	10/07 → 06/14	●	10/09 →	P06026MM	[o]	17,3	ATE	A00247	1006	→ 04/10		

X6 (F16, F86) 08/14 →

M	423	12/14 →	●	-sport pack	P06050MM	[o]	17,1	ATE						
M 50 d	280	08/14 →	●		P06073MM	[o]	19,9	ATE	A00443	1005				
	280	08/14 →	●		P06026MM	[o]	17,3	ATE	A00434	1047				
xDrive 30 d	190	08/14 →	●		P06049MM	[o]	19,7	ATE	A00442	895				
	190	08/14 →	●		P06056MM	[o]	17,3	ATE	A00434	1047				
	155	08/14 →	●		P06049MM	[o]	19,7	ATE	A00442	895				
	155	08/14 →	●		P06056MM	[o]	17,3	ATE	A00434	1047				
	204	02/15 →	●		P06049MM	[o]	19,7	ATE	A00442	895				
	204	02/15 →	●		P06056MM	[o]	17,3	ATE	A00434	1047				
	183	12/15 →	●		P06049MM	[o]	19,7	ATE	A00442	895	Left			
	183	12/15 →	●		P06056MM	[o]	17,3	ATE						
xDrive 35 i	225	12/14 →	●		P06049MM	[o]	19,7	ATE	A00442	895				
	225	12/14 →	●		P06026MM	[o]	17,3	ATE	A00434	1047				
	240	02/15 →	●		P06049MM	[o]	19,7	ATE	A00442	895				
	240	02/15 →	●		P06026MM	[o]	17,3	ATE	A00434	1047				
xDrive 40 d	230	12/14 →	●		P06049MM	[o]	19,7	ATE	A00442	895				
	230	12/14 →	●		P06026MM	[o]	17,3	ATE	A00434	1047				
	230	12/14 →	●		P06056MM	[o]	17,3	ATE	A00434	1047				
xDrive 50 i	330	08/14 →	●	disc Ø 385 mm	P06073MM	[o]	19,9	ATE	A00432	1020	+arm.veh.			
	330	08/14 →	●		P06026MM	[o]	17,3	ATE	A00434	1047				

Z3 Coupé (E36) 04/97 → 06/03

2.8 i	142	07/97 → 06/00	●		P06024MM	[o]	17,8	ATE	A00217	776		A02224
	142	07/97 → 06/00	●		P06013MM	[o]	17,3	ATE	A00224	840		A02222
3.0 i	170	06/00 → 06/03	●		P06024MM	[o]	17,8	ATE	A00217	776		A02224
	170	06/00 → 06/03	●		P06013MM	[o]	17,3	ATE	A00224	840		A02222
M	236	02/98 → 06/01	●		P06042MM	[o]	20,3	ATE	A00219	810		A02227
	236	02/98 → 06/01	●		P06011MM	[o]	17,3	ATE	A00224	840		A02222
	239	06/01 → 06/03	●		P06042MM	[o]	20,3	ATE	A00219	810		A02227
	239	06/01 → 06/03	●		P06011MM	[o]	17,3	ATE	A00224	840		A02222

Z3 Roadster (E36) 10/95 → 01/03

1.8 i	85	10/95 → 10/98	●		P06024MM	[o]	17,8	ATE	A00217	776		A02224
	85	10/95 → 10/98	●		P06013MM	[o]	17,3	ATE	A00224	840		A02222

		kw						wi	Th [mm]	SYS	WI		FK		
												LENGHT			

BMW

Z3 Roadster (E36) 10/95 → 01/03

1.9 i	103	10/95 → 03/99	●				P06024MM	[O]	17,8	ATE	A00217	776		A02224	
	103	10/95 → 03/99		●			P06013MM	[O]	17,3	ATE	A00224	840		A02222	
	87	07/98 → 01/03	●				P06024MM	[O]	17,8	ATE	A00217	776		A02224	
	87	07/98 → 01/03		●			P06013MM	[O]	17,3	ATE	A00224	840		A02222	
	85	01/99 → 01/03	●				P06024MM	[O]	17,8	ATE	A00217	776		A02224	
	85	01/99 → 01/03		●			P06013MM	[O]	17,3	ATE	A00224	840		A02222	
2.0 i	110	04/99 → 01/03	●				P06024MM	[O]	17,8	ATE	A00217	776		A02224	
	110	04/99 → 01/03		●			P06013MM	[O]	17,3	ATE	A00224	840		A02222	
2.2 i	125	08/00 → 01/03	●				P06024MM	[O]	17,8	ATE	A00217	776		A02224	
	125	08/00 → 01/03		●			P06013MM	[O]	17,3	ATE	A00224	840		A02222	
2.8 i	142	04/97 → 06/00	●				P06024MM	[O]	17,8	ATE	A00217	776		A02224	
	142	04/97 → 06/00		●			P06013MM	[O]	17,3	ATE	A00224	840		A02222	
	143	01/96 → 07/00	●				P06024MM	[O]	17,8	ATE	A00217	776			
	143	01/96 → 07/00		●			P06013MM	[O]	17,3	ATE	A00224	840			
3.0 i	170	06/00 → 01/03	●				P06024MM	[O]	17,8	ATE	A00217	776		A02224	
	170	06/00 → 01/03		●			P06013MM	[O]	17,3	ATE	A00224	840		A02222	
M 3.2	236	03/97 → 06/01	●				P06042MM	[O]	20,3	ATE	A00219	810		A02227	
	236	03/97 → 06/01		●			P06011MM	[O]	17,3	ATE	A00224	840		A02222	
	239	06/01 → 01/03	●				P06042MM	[O]	20,3	ATE	A00219	810		A02227	
	239	06/01 → 01/03		●			P06011MM	[O]	17,3	ATE	A00224	840		A02222	

Z4 Coupé (E86) 03/06 → 01/09

3.0 si	195	03/06 → 01/09	●				P06043MM	[O]	20,3	ATE	A00249	612		A02223	
	195	03/06 → 01/09		●			P06025MM	[O]	17,3	ATE	A00248	1150		A02222	
M	252	03/06 → 01/09	●				P06042MM	[O]	20,3	ATE	A00249	612			
	252	03/06 → 01/09		●			P06020MM	[O]	17,2	ATE	A00250	1160			

Z4 Roadster (E85) 02/03 → 12/09

2.0 i	110	03/05 → 02/09	●				P06024MM	[O]	17,8	ATE	A00220	596		A02224	
	110	03/05 → 02/09		●			P06025MM	[O]	17,3	ATE	A00248	1150		A02222	
2.2 i	125	10/03 → 10/05	●				P06024MM	[O]	17,8	ATE	A00220	596		A02224	
	125	10/03 → 10/05		●			P06025MM	[O]	17,3	ATE	A00248	1150		A02222	
2.5 i	141	02/03 → 12/05	●				P06024MM	[O]	17,8	ATE	A00220	596		A02224	
	141	02/03 → 12/05		●			P06025MM	[O]	17,3	ATE	A00248	1150		A02222	
	130	09/05 → 02/09	●				P06024MM	[O]	17,8	ATE	A00220	596		A02224	
	130	09/05 → 02/09		●			P06025MM	[O]	17,3	ATE	A00248	1150		A02222	
2.5 si	160	09/05 → 02/09	●				P06024MM	[O]	17,8	ATE	A00220	596		A02224	
	160	09/05 → 02/09		●			P06025MM	[O]	17,3	ATE	A00248	1150		A02222	
3.0 i	170	02/03 → 10/05	●				P06024MM	[O]	17,8	ATE	A00220	596		A02224	
	170	02/03 → 10/05		●			P06025MM	[O]	17,3	ATE	A00248	1150		A02222	
3.0 si	195	01/06 → 12/08	●				P06043MM	[O]	20,3	ATE	A00249	612		A02223	
	195	01/06 → 12/08		●			P06025MM	[O]	17,3	ATE	A00248	1150		A02222	
M	252	03/06 → 02/09	●				P06042MM	[O]	20,3	ATE	A00249	612			
	252	03/06 → 02/09		●			P06020MM	[O]	17,2	ATE	A00250	1160			

Z4 Roadster (E89) 05/09 →

sDrive 18 i	115	04/13 →	●				P06036MM	[O]	20,3	ATE	A00487	1015			
	115	04/13 →		●			P06062MM	[O]	18	TRW	A00440	1360			
sDrive 20 i	135	09/11 →	●				P06036MM	[O]	20,3	ATE	A00487	1015			
	135	09/11 →		●			P06062MM	[O]	18	TRW	A00440	1360			
	120	09/11 →	●				P06036MM	[O]	20,3	ATE	A00487	1015			
sDrive 23 i	150	05/09 →	●				P06036MM	[O]	20,3	ATE	A00424	980	→ 03/10		
	150	05/09 →		●			P06062MM	[O]	18	TRW	A00425	1350			
sDrive 28 i	180	09/11 →	●				P06036MM	[O]	20,3	ATE	A00487	1015			
	180	09/11 →		●			P06062MM	[O]	18	TRW	A00440	1360			

										WI			FK	

BMW

Z4 Roadster (E89) 05/09 →														
sDrive 30 i	190	05/09 →	●			P06036MM	[o]	20,3	ATE	A00424	980	→ 03/10		
	190	05/09 →		●		P06062MM	[o]	18	TRW	A00425	1350			
sDrive 35 i	225	05/09 →	●		→ 10/10; (USA)	P06036MM	[o]	20,3	ATE	A00424	980	→ 03/10		
	225	05/09 →	●			P06081MM	[o]	20,3	ATE	A00424	980	→ 03/10		
	225	05/09 →		●	→ 11/10; (USA)	P06062MM	[o]	18	TRW	A00425	1350			
	225	05/09 →		●		P06064MM	[o]	18	TRW	A00425	1350			
sDrive 35 is	250	09/10 →	●			P06081MM	[o]	20,3	ATE	A00487	1015			
	250	09/10 →		●		P06064MM	[o]	18	TRW	A00440	1360			

Z8 Roadster (E52) 06/00 → 06/03														
4.9	294	06/00 → 06/03	●			P06019MM	[o]	20,8	ATE	A00202	760		A02213	
	294	06/00 → 06/03		●		P06020MM	[o]	17,2	ATE	A00201	545			

BUICK

EXCELLE 04/03 →														
1.6	78	04/03 →	●			P15002MM	[+]	16,9	AKE					
	78	04/03 →		●	+rear disc	P10001MM	[-]	14,6	SUM					
1.8	90	08/03 →	●			P15002MM	[+]	16,9	AKE					
	90	08/03 →		●	+rear disc	P10001MM	[-]	14,6	SUM					

RIVIERA Coupé 09/85 → 12/99														
3.8	153	09/94 → 12/99	●		03/95 → 12/96	P07002MM	[+]	15,9	DE					
	153	09/94 → 12/99	●		01/97 →	P59028MM	[+]	18	WAG					
	153	09/94 → 12/99		●		P59027MM	[+]	15	AKE					

SKYLARK 09/91 → 12/99														
3.1	117	01/94 → 12/99	●		→ 12/95	P07004MM	[+]	13,7/ 16,2	KH					

BYD

F3 03/05 →														
1.5	79	11/09 → 12/12	●			P83103MM	[+]	16,6	AKE					
	79	11/09 → 12/12		●		P83063MM	[-]	15	AKE					
1.6	74	09/05 → 12/13	●			P83103MM	[+]	16,6	AKE					
	74	09/05 → 12/13		●		P83063MM	[-]	15	AKE					
DM 1.0	50	01/09 →	●			P83103MM	[+]	16,6	AKE					
	50	01/09 →		●		P83063MM	[-]	15	AKE					

F3R Hatchback 04/07 →														
1.5	78	04/07 → 08/09	●			P83103MM	[+]	16,6	AKE					
	78	04/07 → 08/09		●		P83063MM	[-]	15	AKE					
1.6	74	09/07 →	●			P83103MM	[+]	16,6	AKE					
	74	09/07 →		●		P83063MM	[-]	15	AKE					

F6 09/07 → 12/14														
2.0	103	03/08 → 12/14	●			P28034MM	[+]	17	NSN					
	103	03/08 → 12/14		●		P28072MM	[+]	14,8	NSN					

G6 Saloon 09/11 →														
2.0	103	09/11 →	●			P28034MM	[+]	17	NSN					
	103	09/11 →		●		P61100MM	[-]	18	BSH					

M6 07/10 →														
2.0	103	07/10 →		●		P24063MM	[-]	16,3	BSH					
2.4	118	07/10 →		●		P24063MM	[-]	16,3	BSH					

S6 Closed Off-Road Vehicle 05/11 →														
2.0	103	05/11 →		●		P24063MM	[-]	16,3	BSH					
2.4	118	05/11 →		●		P24063MM	[-]	16,3	BSH					

--	--	--	--	--	--	--	--	--	--	--	--	--	--	--

CADILLAC

ATS 02/13 →

2.0	203	02/13 →	●	MY→ 2013; +reinf.brakes	P09004MM	[+]	15	BRE						
	203	02/13 →	●	-reinf.brakes	P59077MM	[+]	18,8	BSH						
	203	02/13 →	●	+reinf.brakes	P59079MM	[+]	16	BRE						
2.0 AWD	203	02/13 →	●	MY→ 2013; +reinf.brakes	P09004MM	[+]	15	BRE						
	203	02/13 →	●	-reinf.brakes	P59077MM	[+]	18,8	BSH						
	203	02/13 →	●	+reinf.brakes	P59079MM	[+]	16	BRE						

ATS Coupé 02/13 →

2.0	203	02/13 →	●	-reinf. susp.	P59077MM	[+]	18,8	BSH						
	203	02/13 →	●	+reinf. susp.	P59079MM	[+]	16	BRE						
2.0 AWD	203	02/13 →	●	-reinf. susp.	P59077MM	[+]	18,8	BSH						
	203	02/13 →	●	+reinf. susp.	P59079MM	[+]	16	BRE						

BLS 04/06 →

1.9 D	110	04/06 →	●		P59043MM	[O]	20,6	ATE	A00251	685				
	110	04/06 →	●		P59046MM	[O]	20,4	ATE	A00251	685				
	110	04/06 →		●	P59042MM	[O]	16,7	ATE						
	132	12/07 →	●		P59043MM	[O]	20,6	ATE	A00251	685				
	132	12/07 →	●		P59046MM	[O]	20,4	ATE	A00251	685				
	132	12/07 →		●	P59042MM	[O]	16,7	ATE						
2.0 T	129	04/06 →	●		P59043MM	[O]	20,6	ATE	A00251	685				
	129	04/06 →	●		P59046MM	[O]	20,4	ATE	A00251	685				
	129	04/06 →		●	P59042MM	[O]	16,7	ATE						
	154	04/06 →	●		P59043MM	[O]	20,6	ATE	A00251	685				
	154	04/06 →	●		P59046MM	[O]	20,4	ATE	A00251	685				
2.0 T AWD	154	04/06 →	●		P59046MM	[O]	20,4	ATE	A00251	685				
	154	04/06 →	●		P59043MM	[O]	20,6	ATE	A00251	685				
	154	04/06 →		●	P59042MM	[O]	16,7	ATE						
2.0 T Flexpower	147	12/07 →	●		P59043MM	[O]	20,6	ATE	A00251	685				
	147	12/07 →	●		P59046MM	[O]	20,4	ATE	A00251	685				
	147	12/07 →		●	P59042MM	[O]	16,7	ATE						
2.8 T	188	04/06 →	●		P59049MM	[O]	20,9	ATE	A00251	685				
	188	04/06 →	●	16" wheel	P59046MM	[O]	20,4	ATE	A00251	685				
	188	04/06 →	●	15" wheel	P59043MM	[O]	20,6	ATE	A00251	685				
	188	04/06 →		●	P59042MM	[O]	16,7	ATE						
	206	12/09 → 12/10	●		P59049MM	[O]	20,9	ATE						
2.8 T AWD	206	12/09 → 12/10		●	P59042MM	[O]	16,7	ATE						
	206	10/08 →	●		P59049MM	[O]	20,9	ATE						
	206	10/08 →		●	P59042MM	[O]	16,7	ATE						

BLS Wagon 12/07 →

1.9 D	110	12/07 →	●		P59043MM	[O]	20,6	ATE	A00251	685				
	110	12/07 →	●		P59046MM	[O]	20,4	ATE	A00251	685				
	110	12/07 →		●	P59042MM	[O]	16,7	ATE						
	132	12/07 →	●		P59043MM	[O]	20,6	ATE	A00251	685				
	132	12/07 →	●		P59046MM	[O]	20,4	ATE	A00251	685				
	132	12/07 →		●	P59042MM	[O]	16,7	ATE						
2.0 T	129	12/07 →	●		P59043MM	[O]	20,6	ATE	A00251	685				
	129	12/07 →	●		P59046MM	[O]	20,4	ATE	A00251	685				
	129	12/07 →		●	P59042MM	[O]	16,7	ATE						
	154	12/07 →	●		P59043MM	[O]	20,6	ATE	A00251	685				
	154	12/07 →	●		P59046MM	[O]	20,4	ATE	A00251	685				
2.0 T AWD	154	12/07 →		●	P59042MM	[O]	16,7	ATE						
	154	12/07 →	●		P59046MM	[O]	20,4	ATE	A00251	685				
	154	12/07 →	●		P59043MM	[O]	20,6	ATE	A00251	685				

	kw										LENGHT			

CADILLAC

BLS Wagon 12/07 →

2.0 T Flexpower	147	12/07 →	●		P59043MM	[O]	20,6	ATE	A00251	685				
	147	12/07 →	●		P59046MM	[O]	20,4	ATE	A00251	685				
	147	12/07 →		●	P59042MM	[O]	16,7	ATE						
2.8 T	206	08/10 →	●		P59049MM	[O]	20,9	ATE						
	206	08/10 →		●	P59042MM	[O]	16,7	ATE						
	188	12/07 →	●		P59049MM	[O]	20,9	ATE	A00251	685				
	188	12/07 →	●	16" wheel	P59046MM	[O]	20,4	ATE	A00251	685				
	188	12/07 →	●	15" wheel	P59043MM	[O]	20,6	ATE	A00251	685				
	188	12/07 →		●	P59042MM	[O]	16,7	ATE						
2.8 T AWD	206	10/08 →	●		P59049MM	[O]	20,9	ATE						
	206	10/08 →		●	P59042MM	[O]	16,7	ATE						

CT6 11/15 →

3.0 Turbo AWD	307	01/16 →	●		P59079MM	[+]	16	BRE						
---------------	-----	---------	---	--	----------	-----	----	-----	--	--	--	--	--	--

CTS 09/13 →

2.0 Turbo	203	09/13 →	●	J55	P59079MM	[+]	16	BRE						
2.0 Turbo AWD	203	01/14 →	●	J55	P59079MM	[+]	16	BRE						

CTS 03/02 → 12/07

2.6	136	03/02 → 09/07	●	+sport pack	P09011MM	[+]	15,3	-						
	136	03/02 → 09/07	●	05/05 →	P09007MM	[+]	13,7	WAG						
	133	04/03 → 09/07	●	+sport pack	P09011MM	[+]	15,3	-						
	133	04/03 → 09/07	●	05/05 →	P09007MM	[+]	13,7	WAG						
2.8	158	03/05 → 09/07	●	+sport pack	P09011MM	[+]	15,3	-						
	158	03/05 → 09/07	●	05/05 →	P09007MM	[+]	13,7	WAG						
3.2	160	03/02 → 09/07	●	+sport pack	P09011MM	[+]	15,3	-						
	160	03/02 → 09/07	●	05/05 →; +rear disc	P09007MM	[+]	13,7	WAG						
3.6	189	03/05 → 09/07	●	+sport pack	P09011MM	[+]	15,3	-						
	189	03/05 → 09/07	●	05/05 →	P09007MM	[+]	13,7	WAG						
5.7 V8	294	03/05 → 09/07	●		P09004MM	[+]	15	BRE						
	294	03/05 → 09/07	●		P09003MM	[+]	14,3	BRE						

CTS 01/08 →

6.2	415	01/09 →	●		P09003MM	[+]	14,3	BRE						
6.2 V	477	04/15 →	●		P09003MM	[+]	14,3	BRE						

CTS Coupé 01/08 →

6.2 V	415	01/08 →	●		P09003MM	[+]	14,3	BRE						
-------	-----	---------	---	--	----------	-----	------	-----	--	--	--	--	--	--

ELDORADO Coupé 09/91 → 09/02

4.6	220	09/91 → 09/94	●		P59027MM	[+]	15	AKE						
	224	09/94 → 09/02	●		P59027MM	[+]	15	AKE						

SEVILLE 09/97 → 09/04

4.6	220	10/00 → 09/04	●	MY → 1999; +rear disc; +reinf.brakes	P59027MM	[+]	15	AKE						
4.6 SLS V8	205	09/97 → 09/04	●	MY → 1999; +rear disc; +reinf.brakes	P59027MM	[+]	15	AKE						
	224	09/97 → 09/04	●	MY → 1999; +rear disc; +reinf.brakes	P59027MM	[+]	15	AKE						

SRX 01/09 →

2.8	224	01/09 →	●	-sport pack	P09010MM	[+]	16,7	-						
	224	01/09 →	●	+sport pack	P09009MM	[+]	17,8	MN						
2.8 AWD	224	01/09 →	●	-sport pack	P09010MM	[+]	16,7	-						
	224	01/09 →	●	+sport pack	P09009MM	[+]	17,8	MN						
3.0	198	01/09 →	●	-sport pack	P09010MM	[+]	16,7	-						
	198	01/09 →	●	+sport pack	P09009MM	[+]	17,8	MN						

Car Model	kw	S	E	i	MAGNETI MARELLI	wi	Th [mm]	SYS	WI			FK	
									MAGNETI MARELLI	LENGHT	i	MAGNETI MARELLI	i

CADILLAC

SRX 01/09 →

3.0 AWD	198	01/09 →	●	-sport pack	P09010MM	[+]	16,7	-					
	198	01/09 →	●	+sport pack	P09009MM	[+]	17,8	MN					
	199	01/09 →	●	-sport pack	P09010MM	[+]	16,7	-					
	199	01/09 →	●	+sport pack	P09009MM	[+]	17,8	MN					
3.6 AWD	234	10/12 →	●	-sport pack	P09010MM	[+]	16,7	-					
	234	10/12 →	●	+sport pack	P09009MM	[+]	17,8	MN					

STS 09/07 → 12/12

3.6	229	10/09 → 12/12	●	-sport pack	P09004MM	[+]	15	BRE					
	229	10/09 → 12/12	●	+sport pack; +reinf. susp.	P09003MM	[+]	14,3	BRE					
	229	10/09 → 12/12	●		P09007MM	[+]	13,7	WAG					

STS 09/04 → 12/07

3.6	189	05/05 → 12/07	●	J56	P09004MM	[+]	15	BRE					
	189	05/05 → 12/07	●	J56	P09003MM	[+]	14,3	BRE					
	189	05/05 → 12/07	●	JL9	P09007MM	[+]	13,7	WAG					
3.6 AWD	229	10/09 → 12/12	●	J56	P09004MM	[+]	15	BRE					
	229	10/09 → 12/12	●	J56	P09003MM	[+]	14,3	BRE					
	229	10/09 → 12/12	●	JL9	P09007MM	[+]	13,7	WAG					
4.4 Kompressor	350	09/05 → 12/07	●	J56	P09004MM	[+]	15	BRE					
	350	09/05 → 12/07	●	J56	P09003MM	[+]	14,3	BRE					
	350	09/05 → 12/07	●	JL9	P09007MM	[+]	13,7	WAG					
4.4 Kompressor AWD	350	09/05 → 12/07	●	J56	P09004MM	[+]	15	BRE					
	350	09/05 → 12/07	●	J56	P09003MM	[+]	14,3	BRE					
	350	09/05 → 12/07	●	JL9	P09007MM	[+]	13,7	WAG					
4.6	239	05/05 → 12/07	●	J56	P09004MM	[+]	15	BRE					
	239	05/05 → 12/07	●	J56	P09003MM	[+]	14,3	BRE					
	239	05/05 → 12/07	●	JL9	P09007MM	[+]	13,7	WAG					
4.6 AWD	239	09/04 → 12/05	●	J56	P09004MM	[+]	15	BRE					
	239	09/04 → 12/05	●	J56	P09003MM	[+]	14,3	BRE					
	239	09/04 → 12/05	●	JL9	P09007MM	[+]	13,7	WAG					

XLR 09/03 → 09/09

4.4	331	03/04 → 09/09	●		P10052MM	[+]	15,3	PBR					
4.6	240	03/04 → 09/09	●		P10052MM	[+]	15,3	PBR					

XTS 09/11 →

3.6	227	09/11 →	●		P59079MM	[+]	16	BRE					
3.6 AWD	227	04/12 →	●		P59079MM	[+]	16	BRE					
	306	07/14 →	●		P59079MM	[+]	16	BRE					

CHEVROLET

ALERO 03/99 → 09/04

2.2	104	12/01 → 09/04	●		P59027MM	[+]	15	AKE					
2.4 16V	104	03/99 → 09/04	●		P59027MM	[+]	15	AKE					
3.4 V6	130	03/99 → 09/04	●		P59027MM	[+]	15	AKE					

ASTRA Hatchback 09/98 → 12/11

1.8	103	08/06 → 03/09	●		P59030MM	[+]	17,3	ATE					
	103	08/06 → 03/09	●		P59031MM	[+]	16,9	BSH					
	103	08/06 → 03/09	●		P59038MM	[+]	15,2	TRW					

ASTRA Saloon 01/99 → 12/11

1.8	92	08/02 → 06/05	●		P59030MM	[+]	17,3	ATE					
	92	08/02 → 06/05	●		P59038MM	[+]	15,2	TRW					
	92	08/02 → 06/05	●		P59031MM	[+]	16,9	BSH					

AVEO Hatchback (T200) 02/03 → 05/08

1.2	53	01/04 → 05/08	●	disc Ø 236 mm	P10057MM	[+]	17,8	AKE					
	53	01/04 → 05/08	●	disc Ø 256 mm	P15002MM	[+]	16,9	AKE					

CHEVROLET

AVEO Hatchback (T200) 02/03 → 05/08

1.5	62	01/05 → 05/08	●			P24048MM	[-]	17,8	AKE					
	62	01/05 → 05/08	●			P10057MM	[+]	17,8	AKE					

AVEO Hatchback (T250, T255) 01/07 →

1.2	55	04/08 →	●			P24048MM	[-]	17,8	AKE					
	55	04/08 →	●			P10057MM	[+]	17,8	AKE					
	62	04/08 →	●			P24048MM	[-]	17,8	AKE					
	62	04/08 →	●			P10057MM	[+]	17,8	AKE					
	56	01/07 →	●			P24048MM	[-]	17,8	AKE					
	56	01/07 →	●			P10057MM	[+]	17,8	AKE					
	53	10/08 →	●			P24048MM	[-]	17,8	AKE					
	53	10/08 →	●			P10057MM	[+]	17,8	AKE					
1.2 LPG	62	04/08 →	●			P24048MM	[-]	17,8	AKE					
	62	04/08 →	●			P10057MM	[+]	17,8	AKE					
	60	06/08 →	●			P24048MM	[-]	17,8	AKE					
	60	06/08 →	●			P10057MM	[+]	17,8	AKE					
1.4	74	04/08 →	●			P24048MM	[-]	17,8	AKE					
	74	04/08 →	●			P10057MM	[+]	17,8	AKE					

AVEO Hatchback (T300) 03/11 →

1.2	51	03/11 →	●	15" wheel		P59076MM	[+]	18,8	BSH					
	63	03/11 →	●	15" wheel		P59076MM	[+]	18,8	BSH					
1.2 LPG	63	11/12 →	●	15" wheel		P59076MM	[+]	18,8	BSH					
1.3 D	55	07/11 →	●	15" wheel		P59076MM	[+]	18,8	BSH					
	70	07/11 →	●	15" wheel		P59076MM	[+]	18,8	BSH					
1.4	74	03/11 →	●	15" wheel		P59076MM	[+]	18,8	BSH					
1.4 Turbo	103	08/13 →	●			P59076MM	[+]	18,8	BSH					
1.6	85	03/11 →	●	15" wheel		P59076MM	[+]	18,8	BSH					

AVEO Saloon (T200) 01/03 → 12/08

1.4	69	05/03 → 01/07	●			P24048MM	[-]	17,8	AKE					
	69	05/03 → 01/07	●			P10057MM	[+]	17,8	AKE					

AVEO Saloon (T250, T255) 05/05 →

1.2	62	01/08 →	●			P24048MM	[-]	17,8	AKE					
	62	01/08 →	●			P10057MM	[+]	17,8	AKE					
	55	01/08 →	●			P24048MM	[-]	17,8	AKE					
	55	01/08 →	●			P10057MM	[+]	17,8	AKE					
	53	03/06 → 12/07	●			P24048MM	[-]	17,8	AKE					
	53	03/06 → 12/07	●			P10057MM	[+]	17,8	AKE					
1.2 LPG	62	01/09 →	●			P24048MM	[-]	17,8	AKE					
	62	01/09 →	●			P10057MM	[+]	17,8	AKE					
	60	12/08 →	●			P24048MM	[-]	17,8	AKE					
	60	12/08 →	●			P10057MM	[+]	17,8	AKE					
1.4	69	03/06 → 12/07	●			P24048MM	[-]	17,8	AKE					
	69	03/06 → 12/07	●			P10057MM	[+]	17,8	AKE					
	74	09/08 →	●			P24048MM	[-]	17,8	AKE					
	74	09/08 →	●			P10057MM	[+]	17,8	AKE					
	62	05/05 →	●			P24048MM	[-]	17,8	AKE					
	62	05/05 →	●			P10057MM	[+]	17,8	AKE					
1.6	76	05/05 →	●			P24048MM	[-]	17,8	AKE					
	76	05/05 →	●			P10057MM	[+]	17,8	AKE					

AVEO Saloon (T300) 03/11 →

1.2	63	03/11 →	●	15" wheel		P59076MM	[+]	18,8	BSH					
	51	03/11 →	●	15" wheel		P59076MM	[+]	18,8	BSH					
1.2 LPG	63	11/12 →	●	15" wheel		P59076MM	[+]	18,8	BSH					

--	--	--	--	--	--	--	--	--	--	--	--	--	--	--	--

CHEVROLET

AVEO Saloon (T300) 03/11 →

1.3 D	55	07/11 →	●	15" wheel	P59076MM	[+]	18,8	BSH							
	70	07/11 →	●	15" wheel	P59076MM	[+]	18,8	BSH							
1.4	74	07/11 →	●	15" wheel	P59076MM	[+]	18,8	BSH							
1.6	85	03/11 →	●	15" wheel	P59076MM	[+]	18,8	BSH							

BLAZER S10 10/93 → 09/05

2.2 AWD	90	10/94 → 09/97	●		P10016MM	[-]	15,2	AKE							
	90	10/94 → 09/97	●		P10002MM	[+]	15,5	BDX							
4.3 AWD	127	10/95 → 09/98	●		P10016MM	[-]	15,2	AKE							
	127	10/95 → 09/98	●		P10002MM	[+]	15,5	BDX							

BLAZER S10 08/96 → 12/10

4.3 4WD	142	10/97 → 09/04	●		P10016MM	[-]	15,2	AKE							
	142	10/97 → 09/04	●		P10002MM	[+]	15,5	BDX							

CAMARO 09/15 →

2.0 Turbo	202	08/16 →	●		P59079MM	[+]	16	BRE							
6.2	333	06/16 →	●	J55	P59079MM	[+]	16	BRE							

CAMARO 02/09 → 12/15

3.6	232	01/11 → 12/15	●		P59055MM	[+]	19,1	MN							
	232	01/11 → 12/15	●	MY 2013 →	P09003MM	[+]	14,3	BRE							
	224	09/09 → 12/10	●		P59055MM	[+]	19,1	MN							
	224	09/09 → 12/10	●		P09003MM	[+]	14,3	BRE							
	241	09/11 → 12/15	●		P59055MM	[+]	19,1	MN							
	241	09/11 → 12/15	●		P09003MM	[+]	14,3	BRE							
6.2	298	09/09 → 12/15	●		P09003MM	[+]	14,3	BRE							
	318	09/09 → 12/15	●		P09003MM	[+]	14,3	BRE							
6.2 ZL1	432	09/12 → 12/15	●		P09003MM	[+]	14,3	BRE							

CAMARO Convertible 09/15 →

2.0 Turbo	202	08/16 →	●		P59079MM	[+]	16	BRE							
6.2	333	06/16 →	●	J55	P59079MM	[+]	16	BRE							

CAMARO Convertible 01/11 →

3.6	232	01/11 →	●		P59055MM	[+]	19,1	MN							
	232	01/11 →	●	MY 2013 →	P09003MM	[+]	14,3	BRE							
	241	09/11 →	●		P59055MM	[+]	19,1	MN							
6.2	318	01/11 →	●		P09003MM	[+]	14,3	BRE							
	298	01/11 →	●		P09003MM	[+]	14,3	BRE							

CAMARO Convertible 10/92 → 12/02

5.7	205	10/92 → 12/95	●	01/94 →	P07002MM	[+]	15,9	DE							
-----	-----	---------------	---	---------	----------	-----	------	----	--	--	--	--	--	--	--

CAPTIVA (C100, C140) 06/06 →

2.0 D	110	09/07 →	●		P10003MM	[+]	16,9	MN							
	110	09/07 →	●		P10004MM	[+]	15,4	MN							
	93	10/06 →	●		P10003MM	[+]	16,9	MN							
	93	10/06 →	●		P10004MM	[+]	15,4	MN							
	120	01/11 →	●		P10003MM	[+]	16,9	MN							
	120	01/11 →	●		P10004MM	[+]	15,4	MN							
2.0 D 4WD	93	10/06 →	●		P10003MM	[+]	16,9	MN							
	93	10/06 →	●		P10004MM	[+]	15,4	MN							
	110	10/06 →	●		P10003MM	[+]	16,9	MN							
	110	10/06 →	●		P10004MM	[+]	15,4	MN							
	120	01/11 →	●		P10003MM	[+]	16,9	MN							
	120	01/11 →	●		P10004MM	[+]	15,4	MN							
2.2 D	120	03/11 →	●		P10003MM	[+]	16,9	MN							
	120	03/11 →	●		P10004MM	[+]	15,4	MN							
	135	07/14 →	●		P10003MM	[+]	16,9	MN							

							WI			FK	

CHEVROLET

CAPTIVA (C100, C140) 06/06 →

2.2 D 4WD	135 03/11 →	●		P10003MM	[+]	16,9	MN				
	135 03/11 →		●	P10004MM	[+]	15,4	MN				
	120 03/11 →	●		P10003MM	[+]	16,9	MN				
	120 03/11 →		●	P10004MM	[+]	15,4	MN				
2.4	123 03/11 →	●		P10003MM	[+]	16,9	MN				
	123 03/11 →		●	P10004MM	[+]	15,4	MN				
	100 06/06 →	●		P10003MM	[+]	16,9	MN				
	100 06/06 →		●	P10004MM	[+]	15,4	MN				
2.4 4WD	123 03/11 →	●		P10003MM	[+]	16,9	MN				
	123 03/11 →		●	P10004MM	[+]	15,4	MN				
	100 06/06 →	●		P10003MM	[+]	16,9	MN				
	100 06/06 →		●	P10004MM	[+]	15,4	MN				
2.4 LPG	100 01/07 →	●		P10003MM	[+]	16,9	MN				
	100 01/07 →		●	P10004MM	[+]	15,4	MN				
2.4 LPG 4WD	100 01/07 →	●		P10003MM	[+]	16,9	MN				
	100 01/07 →		●	P10004MM	[+]	15,4	MN				
3.0 4WD	190 01/10 →	●		P10003MM	[+]	16,9	MN				
	190 01/10 →		●	P10004MM	[+]	15,4	MN				
3.2 4WD	169 06/06 →	●		P10003MM	[+]	16,9	MN				
	169 06/06 →		●	P10004MM	[+]	15,4	MN				

COBALT 11/03 →

2.2	108 04/04 →	●	disc Ø 296 mm	P10015MM	[+]	19,5	BSH				
-----	-------------	---	---------------	----------	-----	------	-----	--	--	--	--

CORSA Estate 01/96 → 12/10

1.6 GLS	68 08/97 → 07/02	●		P59011MM	[o]	16,8	ATE			A02238	
---------	------------------	---	--	----------	-----	------	-----	--	--	--------	--

CORSA Pickup 08/94 → 12/10

1.0	44 08/97 → 07/00	●		P59011MM	[o]	16,8	ATE				
	50 08/97 → 07/02	●		P59011MM	[o]	16,8	ATE				
	47 08/99 → 07/02	●		P59011MM	[o]	16,8	ATE				
1.4 GLS	44 08/94 → 07/97	●	solid	P59011MM	[o]	16,8	ATE				

CORSA Saloon 03/94 → 12/10

1.0	44 03/94 → 07/00	●		P59011MM	[o]	16,8	ATE				
	50 08/97 → 07/02	●		P59011MM	[o]	16,8	ATE				
	47 08/99 → 07/02	●		P59011MM	[o]	16,8	ATE				
1.4 GLS	44 08/94 → 07/97	●	solid	P59011MM	[o]	16,8	ATE				
	68 08/94 → 07/02	●		P59030MM	[+]	17,3	ATE				
1.6 GLS	68 08/94 → 07/02	●	06/01 →	P59038MM	[+]	15,2	TRW				
	68 08/94 → 07/02	●	09/98 →; → 08/98	P59031MM	[+]	16,9	BSH				
	75 08/97 → 07/02	●		P59030MM	[+]	17,3	ATE				
1.6 GS	75 08/97 → 07/02	●	06/01 →	P59038MM	[+]	15,2	TRW				
	75 08/97 → 07/02	●	09/98 →; → 08/98	P59031MM	[+]	16,9	BSH				
	44 08/00 → 07/02	●		P59030MM	[+]	17,3	ATE				
1.7 D	44 08/00 → 07/02	●		P59038MM	[+]	15,2	TRW				

CORVETTE 01/97 → 12/04

5.7	253 01/97 → 09/04	●		P10052MM	[+]	15,3	PBR				
	287 10/00 → 03/04	●		P10052MM	[+]	15,3	PBR				

CORVETTE (C6) 09/04 →

6.0	298 09/04 →	●	-reinf.brakes	P10052MM	[+]	15,3	PBR				
6.2	316 03/06 →	●	+ABS; -reinf.brakes	P10052MM	[+]	15,3	PBR				
	321 02/08 →	●	+ABS; -reinf.brakes	P10052MM	[+]	15,3	PBR				
6.2 ZR1	476 09/08 →	●	+ABS; -reinf.brakes	P10052MM	[+]	15,3	PBR				
Z06 7.0	377 03/06 →	●	+ABS; -reinf.brakes	P10052MM	[+]	15,3	PBR				
	371 03/06 →	●	+ABS; -reinf.brakes	P10052MM	[+]	15,3	PBR				

							WI	Th [mm]	SYS	WI		FK		
											LEIGHT			

CHEVROLET

CORVETTE (C7) 09/13 →

6.2	321	09/13 →	●	-reinf.brakes	P59079MM	[+]	16	BRE					
	343	04/14 →	●	-reinf.brakes	P59079MM	[+]	16	BRE					

CORVETTE Convertible 09/97 → 09/04

5.7	253	09/97 → 09/04	●		P10052MM	[+]	15,3	PBR					
-----	-----	---------------	---	--	----------	-----	------	-----	--	--	--	--	--

CORVETTE Convertible (C6) 09/04 →

6.0	298	09/04 →	●	-reinf.brakes	P10052MM	[+]	15,3	PBR					
6.2	316	03/06 →	●	+ABS; -reinf.brakes	P10052MM	[+]	15,3	PBR					
	321	02/08 →	●	+ABS; -reinf.brakes	P10052MM	[+]	15,3	PBR					
6.2 ZR1	476	09/08 → 04/10	●	+ABS; -reinf.brakes	P10052MM	[+]	15,3	PBR					
Z06 7.0	377	06/12 →	●	+ABS; -reinf.brakes	P10052MM	[+]	15,3	PBR					

CORVETTE Convertible (C7) 09/13 →

6.2	335	09/13 →	●	-reinf.brakes	P59079MM	[+]	16	BRE					
	343	04/14 →	●	-reinf.brakes	P59079MM	[+]	16	BRE					

CRUZE (J300) 05/09 →

1.4	103	09/10 →	●	15" wheel	P59076MM	[+]	18,8	BSH					
	103	09/10 →	●	16" wheel	P59077MM	[+]	18,8	BSH					
	103	09/10 →	●	15" wheel; 16" wheel	P59080MM	[+]	16,2	TRW					
	74	07/13 →	●	15" wheel	P59076MM	[+]	18,8	BSH					
	74	07/13 →	●	16" wheel	P59077MM	[+]	18,8	BSH					
	74	07/13 →	●	15" wheel; 16" wheel	P59080MM	[+]	16,2	TRW					
1.6	91	05/09 →	●	15" wheel	P59076MM	[+]	18,8	BSH					
	91	05/09 →	●	16" wheel	P59077MM	[+]	18,8	BSH					
	91	05/09 →	●	16" wheel	P59080MM	[+]	16,2	TRW					
	80	05/09 →	●	15" wheel	P59076MM	[+]	18,8	BSH					
	80	05/09 →	●	16" wheel	P59077MM	[+]	18,8	BSH					
	80	05/09 →	●	15" wheel; 16" wheel	P59080MM	[+]	16,2	TRW					
	83	05/09 →	●	15" wheel	P59076MM	[+]	18,8	BSH					
	83	05/09 →	●	16" wheel	P59077MM	[+]	18,8	BSH					
	83	05/09 →	●	15" wheel; 16" wheel	P59080MM	[+]	16,2	TRW					
	86	12/12 →	●	15" wheel	P59076MM	[+]	18,8	BSH					
	86	12/12 →	●	16" wheel	P59077MM	[+]	18,8	BSH					
	86	12/12 →	●	16" wheel; 15" wheel	P59080MM	[+]	16,2	TRW					
1.7 D	89	12/12 →	●	15" wheel	P59076MM	[+]	18,8	BSH					
	89	12/12 →	●	16" wheel	P59077MM	[+]	18,8	BSH					
	89	12/12 →	●	15" wheel; 16" wheel	P59080MM	[+]	16,2	TRW					
1.7 TD	96	01/12 →	●	15" wheel	P59076MM	[+]	18,8	BSH					
	96	01/12 →	●	16" wheel	P59077MM	[+]	18,8	BSH					
	96	01/12 →	●	16" wheel	P59080MM	[+]	16,2	TRW					
1.7 TD	81	11/13 →	●	15" wheel	P59076MM	[+]	18,8	BSH					
	81	11/13 →	●	16" wheel	P59077MM	[+]	18,8	BSH					
	81	11/13 →	●	16" wheel	P59080MM	[+]	16,2	TRW					
1.8	104	05/09 →	●	15" wheel	P59076MM	[+]	18,8	BSH					
	104	05/09 →	●	16" wheel	P59077MM	[+]	18,8	BSH					
	104	05/09 →	●	16" wheel; 15" wheel	P59080MM	[+]	16,2	TRW					
	103	11/09 →	●	15" wheel	P59076MM	[+]	18,8	BSH					
	103	11/09 →	●	16" wheel	P59077MM	[+]	18,8	BSH					
1.8 LPG	103	11/09 →	●	16" wheel	P59080MM	[+]	16,2	TRW					
	104	06/11 →	●	15" wheel	P59076MM	[+]	18,8	BSH					
	104	06/11 →	●	16" wheel	P59077MM	[+]	18,8	BSH					
2.0 CDI	104	06/11 →	●	16" wheel; 15" wheel	P59080MM	[+]	16,2	TRW					
	120	08/10 →	●	15" wheel	P59076MM	[+]	18,8	BSH					
	120	08/10 →	●	16" wheel	P59077MM	[+]	18,8	BSH					
	120	08/10 →	●	15" wheel; 16" wheel	P59080MM	[+]	16,2	TRW					

CHEVROLET

CRUZE (J300) 05/09 →

2.0 CDI	110	05/09 →	●	15" wheel	P59076MM	[+]	18,8	BSH							
	110	05/09 →	●	16" wheel	P59077MM	[+]	18,8	BSH							
	110	05/09 →		●	15" wheel; 16" wheel	P59080MM	[+]	16,2	TRW						
	90	05/09 →	●	15" wheel	P59076MM	[+]	18,8	BSH							
	90	05/09 →	●	16" wheel	P59077MM	[+]	18,8	BSH							
	90	05/09 →		●	16" wheel; 15" wheel	P59080MM	[+]	16,2	TRW						
	92	05/09 →	●	15" wheel	P59076MM	[+]	18,8	BSH							
	92	05/09 →	●	16" wheel	P59077MM	[+]	18,8	BSH							
	92	05/09 →		●	16" wheel; 15" wheel	P59080MM	[+]	16,2	TRW						

CRUZE Hatchback (J305) 12/10 →

1.4	74	07/13 →	●	15" wheel	P59076MM	[+]	18,8	BSH							
	74	07/13 →	●	16" wheel	P59077MM	[+]	18,8	BSH							
	74	07/13 →		●	16" wheel; 15" wheel	P59080MM	[+]	16,2	TRW						
	103	06/12 →	●	15" wheel	P59076MM	[+]	18,8	BSH							
	103	06/12 →	●	16" wheel	P59077MM	[+]	18,8	BSH							
	103	06/12 →		●	16" wheel; 15" wheel	P59080MM	[+]	16,2	TRW						
1.6	91	06/11 →	●	15" wheel	P59076MM	[+]	18,8	BSH							
	91	06/11 →	●	16" wheel	P59077MM	[+]	18,8	BSH							
	91	06/11 →		●	16" wheel; 15" wheel	P59080MM	[+]	16,2	TRW						
	80	01/12 →	●	15" wheel	P59076MM	[+]	18,8	BSH							
	80	01/12 →	●	16" wheel	P59077MM	[+]	18,8	BSH							
	80	01/12 →		●	16" wheel; 15" wheel	P59080MM	[+]	16,2	TRW						
	86	12/12 →	●	15" wheel	P59076MM	[+]	18,8	BSH							
	86	12/12 →	●	16" wheel	P59077MM	[+]	18,8	BSH							
	86	12/12 →		●	16" wheel; 15" wheel	P59080MM	[+]	16,2	TRW						
1.7 D	96	01/12 →	●	15" wheel	P59076MM	[+]	18,8	BSH							
	96	01/12 →	●	16" wheel	P59077MM	[+]	18,8	BSH							
	96	01/12 →		●	15" wheel; 16" wheel	P59080MM	[+]	16,2	TRW						
1.7 TD	81	08/13 →	●	15" wheel	P59076MM	[+]	18,8	BSH							
	81	08/13 →	●	16" wheel	P59077MM	[+]	18,8	BSH							
	81	08/13 →		●	16" wheel; 15" wheel	P59080MM	[+]	16,2	TRW						
1.8	104	06/11 →	●	15" wheel	P59076MM	[+]	18,8	BSH							
	104	06/11 →	●	16" wheel	P59077MM	[+]	18,8	BSH							
	104	06/11 →		●	16" wheel; 15" wheel	P59080MM	[+]	16,2	TRW						
	103	10/11 →	●	15" wheel	P59076MM	[+]	18,8	BSH							
	103	10/11 →	●	16" wheel	P59077MM	[+]	18,8	BSH							
	103	10/11 →		●	16" wheel; 15" wheel	P59080MM	[+]	16,2	TRW						
1.8 LPG	104	06/11 →	●	15" wheel	P59076MM	[+]	18,8	BSH							
	104	06/11 →	●	16" wheel	P59077MM	[+]	18,8	BSH							
	104	06/11 →		●	15" wheel; 16" wheel	P59080MM	[+]	16,2	TRW						
2.0 CDI	120	06/11 →	●	15" wheel	P59076MM	[+]	18,8	BSH							
	120	06/11 →	●	16" wheel	P59077MM	[+]	18,8	BSH							
	120	06/11 →		●	15" wheel; 16" wheel	P59080MM	[+]	16,2	TRW						

CRUZE Station Wagon (J308) 08/12 →

1.4	74	07/13 →	●	15" wheel	P59076MM	[+]	18,8	BSH							
	74	07/13 →	●	16" wheel	P59077MM	[+]	18,8	BSH							
	74	07/13 →		●	15" wheel; 16" wheel	P59080MM	[+]	16,2	TRW						
	103	08/12 →	●	15" wheel	P59076MM	[+]	18,8	BSH							
	103	08/12 →	●	16" wheel	P59077MM	[+]	18,8	BSH							
	103	08/12 →		●	16" wheel; 15" wheel	P59080MM	[+]	16,2	TRW						

		kw						WI	Th [mm]	SYS		WI			FK	

CHEVROLET

CRUZE Station Wagon (J308) 08/12 →

1.6	91	08/12 →	●	15" wheel	P59076MM	[+]	18,8	BSH										
	91	08/12 →	●	16" wheel	P59077MM	[+]	18,8	BSH										
	91	08/12 →		● 16" wheel; 15" wheel	P59080MM	[+]	16,2	TRW										
	89	12/12 →	●	15" wheel	P59076MM	[+]	18,8	BSH										
	89	12/12 →	●	16" wheel	P59077MM	[+]	18,8	BSH										
	89	12/12 →		● 16" wheel; 15" wheel	P59080MM	[+]	16,2	TRW										
	86	12/12 →	●	15" wheel	P59076MM	[+]	18,8	BSH										
	86	12/12 →	●	16" wheel	P59077MM	[+]	18,8	BSH										
	86	12/12 →		● 16" wheel; 15" wheel	P59080MM	[+]	16,2	TRW										
1.7 TD	96	08/12 →	●	15" wheel	P59076MM	[+]	18,8	BSH										
	96	08/12 →	●	16" wheel	P59077MM	[+]	18,8	BSH										
	96	08/12 →		● 16" wheel; 15" wheel	P59080MM	[+]	16,2	TRW										
	81	11/13 →	●	15" wheel	P59076MM	[+]	18,8	BSH										
	81	11/13 →	●	16" wheel	P59077MM	[+]	18,8	BSH										
1.8	104	08/12 →	●	15" wheel	P59076MM	[+]	18,8	BSH										
	104	08/12 →	●	16" wheel	P59077MM	[+]	18,8	BSH										
	104	08/12 →		● 15" wheel; 16" wheel	P59080MM	[+]	16,2	TRW										
	120	08/12 →	●	15" wheel	P59076MM	[+]	18,8	BSH										
2.0 TD	120	08/12 →	●	16" wheel	P59077MM	[+]	18,8	BSH										
	120	08/12 →		● 15" wheel; 16" wheel	P59080MM	[+]	16,2	TRW										

EPICA (KL1_) 01/05 →

2.0	105	06/06 →	●	→ 112278	P10007MM	[+]	17	SUM										
	105	06/06 →	●	112279 →	P10006MM	[+]	17,6	SUM										
	105	06/06 →		●		P10060MM	[+]	14,7	-									
	98	01/05 → 12/06	●	→ 112278	P10007MM	[+]	17	SUM										
	98	01/05 → 12/06	●	112279 →	P10006MM	[+]	17,6	SUM										
	98	01/05 → 12/06		●		P10060MM	[+]	14,7	-									
	94	01/05 → 12/06	●	→ 112278	P10007MM	[+]	17	SUM										
	94	01/05 → 12/06	●	112279 →	P10006MM	[+]	17,6	SUM										
	94	01/05 → 12/06		●		P10060MM	[+]	14,7	-									
	96	08/06 →	●	→ 112278	P10007MM	[+]	17	SUM										
	96	08/06 →	●	112279 →	P10006MM	[+]	17,6	SUM										
	96	08/06 →		●		P10060MM	[+]	14,7	-									
2.0 D	110	01/07 →	●	→ 112278	P10007MM	[+]	17	SUM										
	110	01/07 →	●	112279 →	P10006MM	[+]	17,6	SUM										
	110	01/07 →		●		P10060MM	[+]	14,7	-									
2.5	115	06/06 →	●	→ 112278	P10007MM	[+]	17	SUM										
	115	06/06 →	●	112279 →	P10006MM	[+]	17,6	SUM										
	115	06/06 →		●		P10060MM	[+]	14,7	-									

EQUINOX 04/03 → 12/09

3.4	138	04/03 → 09/09	●		P10003MM	[+]	16,9	MN								
	138	04/03 → 09/09		●		P10004MM	[+]	15,4	MN							

EVANDA 03/05 →

2.0	96	03/05 →	●		P10006MM	[+]	17,6	SUM								
	96	03/05 →		●		P10008MM	[-]	14,8	SUM							

IMPALA Saloon 01/99 → 12/05

3.4 V6	134	01/99 → 12/05	●		P59028MM	[+]	18	WAG									
	134	01/99 → 12/05		●		P59027MM	[+]	15	AKE								
3.8 V6	149	01/99 → 12/05	●		P59028MM	[+]	18	WAG									
	149	01/99 → 12/05		●		P59027MM	[+]	15	AKE								

									WI			FK	
	kw									LENGHT			

CHEVROLET

KALOS 03/05 →													
1.2	53	03/05 →	●			P24048MM	[-]	17,8	AKE				
	53	03/05 →	●			P10057MM	[+]	17,8	AKE				
1.4	61	03/05 →	●			P24048MM	[-]	17,8	AKE				
	61	03/05 →	●			P10057MM	[+]	17,8	AKE				
1.4 16V	69	03/05 →	●			P24048MM	[-]	17,8	AKE				
	69	03/05 →	●			P10057MM	[+]	17,8	AKE				
1.6	77	06/06 → 05/08	●			P24048MM	[-]	17,8	AKE				
	77	06/06 → 05/08	●			P10057MM	[+]	17,8	AKE				

KALOS Saloon 03/05 →													
1.2	53	03/05 →	●			P24048MM	[-]	17,8	AKE				
	53	03/05 →	●			P10057MM	[+]	17,8	AKE				
1.4	61	03/05 →	●			P24048MM	[-]	17,8	AKE				
	61	03/05 →	●			P10057MM	[+]	17,8	AKE				
1.4 16V	69	03/05 →	●			P24048MM	[-]	17,8	AKE				
	69	03/05 →	●			P10057MM	[+]	17,8	AKE				

LACETTI (J200) 03/03 →													
1.4 16V	70	03/05 →	●			P15002MM	[+]	16,9	AKE				
	70	03/05 →		●	→ 12/06	P10001MM	[-]	14,6	SUM				
	70	03/05 →		●	01/07 →	P10053MM	[-]	14,4	SUM				
1.6	80	03/05 →	●			P15002MM	[+]	16,9	AKE				
	80	03/05 →		●	→ 12/06	P10001MM	[-]	14,6	SUM				
	80	03/05 →		●	01/07 →	P10053MM	[-]	14,4	SUM				
1.8	90	03/05 →	●			P15002MM	[+]	16,9	AKE				
	90	03/05 →		●	→ 12/06	P10001MM	[-]	14,6	SUM				
	90	03/05 →		●	01/07 →	P10053MM	[-]	14,4	SUM				
	89	08/05 →	●			P15002MM	[+]	16,9	AKE				
	89	08/05 →		●	→ 12/06	P10001MM	[-]	14,6	SUM				
	89	08/05 →		●	01/07 →	P10053MM	[-]	14,4	SUM				
	67	03/05 → 12/09	●			P15002MM	[+]	16,9	AKE				
2.0 D	89	01/07 →	●			P15002MM	[+]	16,9	AKE				
	89	01/07 →		●		P10053MM	[-]	14,4	SUM				
	89	01/07 →		●		P10053MM	[-]	14,4	SUM				

LACETTI Estate (J200) 03/05 →													
1.4	70	03/05 →	●			P15002MM	[+]	16,9	AKE				
	70	03/05 →		●	→ 12/06	P10001MM	[-]	14,6	SUM				
	70	03/05 →		●	01/07 →	P10053MM	[-]	14,4	SUM				
1.6	80	03/05 →	●			P15002MM	[+]	16,9	AKE				
	80	03/05 →		●	→ 12/06	P10001MM	[-]	14,6	SUM				
	80	03/05 →		●	01/07 →	P10053MM	[-]	14,4	SUM				
1.8	89	08/05 →	●			P15002MM	[+]	16,9	AKE				
	89	08/05 →		●	→ 12/06	P10001MM	[-]	14,6	SUM				
	89	08/05 →		●	01/07 →	P10053MM	[-]	14,4	SUM				
2.0 D	89	01/07 →	●			P15002MM	[+]	16,9	AKE				
	89	01/07 →		●		P10053MM	[-]	14,4	SUM				

LACETTI Saloon 03/03 → 03/13													
1.6	80	03/05 → 03/13	●			P15002MM	[+]	16,9	AKE				
	80	03/05 → 03/13		●	01/07 →	P10053MM	[-]	14,4	SUM				
	80	03/05 → 03/13		●	→ 12/06	P10001MM	[-]	14,6	SUM				
1.8	90	05/03 → 03/13	●			P15002MM	[+]	16,9	AKE				
	90	05/03 → 03/13		●	01/07 →	P10053MM	[-]	14,4	SUM				
	90	05/03 → 03/13		●	→ 12/06	P10001MM	[-]	14,6	SUM				

Car	kw	Icon 1	Icon 2	Icon 3	MAGNETI MARELLI	wi	Th [mm]	SYS	WI			FK	
									MAGNETI MARELLI	LENGHT	Icon 4	MAGNETI MARELLI	Icon 5

CHEVROLET

LANOS Saloon 11/05 →

1.4	55	11/05 →	●		P59011MM	[O]	16,8	ATE					
1.5	63	11/05 →	●		P59011MM	[O]	16,8	ATE					
1.6 16V	78	11/05 →	●		P59017MM	[O]	18,3	ATE					

MALIBU 08/96 → 09/03

2.4	112	08/96 → 09/02	●		P07003MM	[+]	17,3	WAG					
-----	-----	---------------	---	--	----------	-----	------	-----	--	--	--	--	--

MALIBU (V300) 01/12 →

2.0 D	118	04/12 →	●	16" wheel	P59054MM	[+]	19,1	MN					
	118	04/12 →	●	17" wheel	P59055MM	[+]	19,1	MN					
	118	04/12 →		● 16" wheel	P59059MM	[+]	16,7	TRW					
	118	04/12 →		● 17" wheel	P59060MM	[+]	16,7	TRW					
2.4	123	01/12 →	●	16" wheel	P59054MM	[+]	19,1	MN					
	123	01/12 →	●	17" wheel	P59055MM	[+]	19,1	MN					
	123	01/12 →		● 16" wheel	P59059MM	[+]	16,7	TRW					
	123	01/12 →		● 17" wheel	P59060MM	[+]	16,7	TRW					
	125	01/12 →	●	16" wheel	P59054MM	[+]	19,1	MN					
	125	01/12 →	●	17" wheel	P59055MM	[+]	19,1	MN					
	125	01/12 →		● 16" wheel	P59059MM	[+]	16,7	TRW					
	125	01/12 →		● 17" wheel	P59060MM	[+]	16,7	TRW					

MATIZ (M200, M250) 03/05 →

0.8	38	03/05 →	●		P15006MM	[-]	16,5	AKE					
0.8 LPG	38	03/05 →	●		P15006MM	[-]	16,5	AKE					
1.0	47	03/05 →	●		P15006MM	[-]	16,5	AKE					
	49	03/05 →	●		P15006MM	[-]	16,5	AKE					
1.0 LPG	49	03/05 →	●		P15006MM	[-]	16,5	AKE					

MONTE CARLO Coupé 09/99 → 12/07

3.8	149	09/99 → 12/05	●		P59028MM	[+]	18	WAG					
	149	09/99 → 12/05	●		P59027MM	[+]	15	AKE					

NIVA 09/02 →

1.7 4x4	61	01/10 →	●		P41005MM	[-]	16	GM					
	59	09/02 →	●		P41005MM	[-]	16	GM					
1.8 4x4	92	01/07 → 12/09	●		P41005MM	[-]	16	GM					

NUBIRA Estate 01/05 →

1.5	78	01/05 →	●		P15002MM	[+]	16,9	AKE					
	78	01/05 →		●	P15005MM	[-]	14,5	TRW					
	78	01/05 →		● → 12/06	P10001MM	[-]	14,6	SUM					
	78	01/05 →		● 01/07 →	P10053MM	[-]	14,4	SUM					
1.6	80	03/05 →	●		P15002MM	[+]	16,9	AKE					
	80	03/05 →		●	P15005MM	[-]	14,5	TRW					
	80	03/05 →		● → 12/06	P10001MM	[-]	14,6	SUM					
	80	03/05 →		● 01/07 →	P10053MM	[-]	14,4	SUM					
1.8	90	03/05 →	●		P15002MM	[+]	16,9	AKE					
	90	03/05 →		●	P15005MM	[-]	14,5	TRW					
	90	03/05 →		● → 12/06	P10001MM	[-]	14,6	SUM					
	90	03/05 →		● 01/07 →	P10053MM	[-]	14,4	SUM					
	89	08/05 →	●		P15002MM	[+]	16,9	AKE					
	89	08/05 →		●	P15005MM	[-]	14,5	TRW					
	89	08/05 →		● → 12/06	P10001MM	[-]	14,6	SUM					
	89	08/05 →		● 01/07 →	P10053MM	[-]	14,4	SUM					
2.0	88	01/05 →	●		P15002MM	[+]	16,9	AKE					
	88	01/05 →		●	P15005MM	[-]	14,5	TRW					
	88	01/05 →		● → 12/06	P10001MM	[-]	14,6	SUM					
	88	01/05 →		● 01/07 →	P10053MM	[-]	14,4	SUM					

									WI			FK	

CHEVROLET

NUBIRA Estate 01/05 →

2.0 D	89 01/07 →	●		P15002MM	[+]	16,9	AKE					
	89 01/07 →		●	P15005MM	[-]	14,5	TRW					
	89 01/07 →		●	P10053MM	[-]	14,4	SUM					

NUBIRA Saloon 01/05 →

1.4	70 01/06 →	●		P15002MM	[+]	16,9	AKE					
	70 01/06 →		●	P15005MM	[-]	14,5	TRW					
	70 01/06 →		●	→ 12/06	P10001MM	[-]	14,6	SUM				
	70 01/06 →		●	01/07 →	P10053MM	[-]	14,4	SUM				
1.5	69 01/05 →	●		P15002MM	[+]	16,9	AKE					
	69 01/05 →		●	P15005MM	[-]	14,5	TRW					
	69 01/05 →		●	→ 12/06	P10001MM	[-]	14,6	SUM				
	69 01/05 →		●	01/07 →	P10053MM	[-]	14,4	SUM				
1.6	78 01/05 →	●		P15002MM	[+]	16,9	AKE					
	78 01/05 →		●	P15005MM	[-]	14,5	TRW					
	78 01/05 →		●	→ 12/06	P10001MM	[-]	14,6	SUM				
	78 01/05 →		●	01/07 →	P10053MM	[-]	14,4	SUM				
1.8	80 03/05 →	●		P15002MM	[+]	16,9	AKE					
	80 03/05 →		●	P15005MM	[-]	14,5	TRW					
	80 03/05 →		●	→ 12/06	P10001MM	[-]	14,6	SUM				
	80 03/05 →		●	01/07 →	P10053MM	[-]	14,4	SUM				
2.0	90 03/05 →	●		P15002MM	[+]	16,9	AKE					
	90 03/05 →		●	P15005MM	[-]	14,5	TRW					
	90 03/05 →		●	→ 12/06	P10001MM	[-]	14,6	SUM				
	90 03/05 →		●	01/07 →	P10053MM	[-]	14,4	SUM				
2.0 D	89 01/06 →	●		P15002MM	[+]	16,9	AKE					
	89 01/06 →		●	P15005MM	[-]	14,5	TRW					
	89 01/06 →		●	→ 12/06	P10001MM	[-]	14,6	SUM				
	89 01/06 →		●	01/07 →	P10053MM	[-]	14,4	SUM				

OPTRA (1J_) 08/03 →

1.6	78 08/03 → 12/08	●		P15002MM	[+]	16,9	AKE					
	78 08/03 → 12/08		●	+rear disc	P15005MM	[-]	14,5	TRW				
	78 08/03 → 12/08		●	+rear disc	P10001MM	[-]	14,6	SUM				

ORLANDO (J309) 12/10 →

1.4	103 06/12 →	●		P59077MM	[+]	18,8	BSH					
	103 06/12 →		●	P59080MM	[+]	16,2	TRW					
1.8	104 02/11 →	●		P59077MM	[+]	18,8	BSH					
	104 02/11 →		●	P59080MM	[+]	16,2	TRW					
1.8 LPG	104 06/11 →	●		P59077MM	[+]	18,8	BSH					
	104 06/11 →		●	P59080MM	[+]	16,2	TRW					
2.0 D	96 02/11 →	●		P59077MM	[+]	18,8	BSH					
	96 02/11 →		●	P59080MM	[+]	16,2	TRW					
	120 02/11 →	●		P59077MM	[+]	18,8	BSH					
	120 02/11 →		●	P59080MM	[+]	16,2	TRW					
2.0 LPG	103 02/12 →	●		P59077MM	[+]	18,8	BSH					
	103 02/12 →		●	P59080MM	[+]	16,2	TRW					

Car Model	kw	Icon 1	Icon 2	Icon 3	MAGNETI MARELLI	wi	Th [mm]	SYS	WI			FK	
									MAGNETI MARELLI	LENGHT	Icon 4	MAGNETI MARELLI	Icon 5

CHEVROLET

REZZO 03/05 →

1.6	77	03/05 →	●		P15002MM	[+]	16,9	AKE					
	79	08/05 →	●		P15002MM	[+]	16,9	AKE					
2.0	89	03/05 →	●		P15002MM	[+]	16,9	AKE					
	90	08/05 →	●		P15002MM	[+]	16,9	AKE					

SPARK 05/05 →

0.8	37	05/05 →	●		P15006MM	[-]	16,5	AKE					
	44	06/09 →	●		P15006MM	[-]	16,5	AKE					
1.0 SX	46	05/05 →	●		P15006MM	[-]	16,5	AKE					
	49	05/05 →	●		P15006MM	[-]	16,5	AKE					

SPARK (M300) 12/09 →

1.0	50	03/10 →	●		P10054MM	[+]	17,9	AKE					
	48	07/10 →	●		P10054MM	[+]	17,9	AKE					
1.0 LPG	50	03/10 →	●		P10054MM	[+]	17,9	AKE					
	48	07/10 →	●		P10054MM	[+]	17,9	AKE					
1.2	60	03/10 →	●		P10054MM	[+]	17,9	AKE					
	64	01/12 →	●		P10054MM	[+]	17,9	AKE					
1.2 LPG	60	03/10 →	●		P10054MM	[+]	17,9	AKE					

TRAILBLAZER (KC_) 09/01 → 12/09

4.2 AWD	217	08/05 → 09/08	●		P10009MM	[+]	16,8	ATE					
	217	08/05 → 09/08		●	P10010MM	[+]	17,5	-					
	201	09/01 → 09/08	●		P10009MM	[+]	16,8	ATE					
	201	09/01 → 09/08		●	P10010MM	[+]	17,5	-					

TRANS SPORT 08/96 → 09/05

3.4	137	08/96 → 09/05	●		P59028MM	[+]	18	WAG					
	137	08/96 → 09/05		●	P59027MM	[+]	15	AKE					
3.4 V6	138	10/00 → 09/05	●		P59028MM	[+]	18	WAG					
	138	10/00 → 09/05		●	P59027MM	[+]	15	AKE					
3.4 V6 AWD	138	10/01 → 09/05	●		P59028MM	[+]	18	WAG					
	138	10/01 → 09/05		●	P59027MM	[+]	15	AKE					

TRAX 12/12 →

1.4	103	12/12 →	●		P59077MM	[+]	18,8	BSH					
	103	12/12 →		●	P59080MM	[+]	16,2	TRW					
1.4 AWD	103	12/12 →	●		P59077MM	[+]	18,8	BSH					
	103	12/12 →		●	P59080MM	[+]	16,2	TRW					
1.4 LPG	103	04/13 →	●		P59077MM	[+]	18,8	BSH					
	103	04/13 →		●	P59080MM	[+]	16,2	TRW					
1.6	85	12/12 →	●		P59077MM	[+]	18,8	BSH					
	85	12/12 →		●	P59080MM	[+]	16,2	TRW					
1.7 TD	96	12/12 →	●		P59077MM	[+]	18,8	BSH					
	96	12/12 →		●	P59080MM	[+]	16,2	TRW					
1.7 TD AWD	96	12/12 →	●		P59077MM	[+]	18,8	BSH					
	96	12/12 →		●	P59080MM	[+]	16,2	TRW					
1.8	103	03/13 →	●		P59077MM	[+]	18,8	BSH					
	103	03/13 →		●	P59080MM	[+]	16,2	TRW					
1.8 AWD	103	03/13 →	●		P59077MM	[+]	18,8	BSH					
	103	03/13 →		●	P59080MM	[+]	16,2	TRW					

VECTRA 03/96 → 11/06

2.2	102	05/98 → 12/05	●		P59022MM	[O]	19,6	ATE					
	102	05/98 → 12/05		●	P59014MM	[-]	15,2	ATE					

VENTURE 09/96 → 12/05

3.4	130	04/98 → 09/04	●		P59028MM	[+]	18	WAG					
	130	04/98 → 09/04		●	P59027MM	[+]	15	AKE					

										WI			FK	
	kw										LENGHT			

CHEVROLET

VOLT 04/11 →

EV 150	111	11/11 →	•			P59077MM	[+]	18,8	BSH					
	111	11/11 →		•		P59080MM	[+]	16,2	TRW					

ZAFIRA (F75) 02/99 → 07/12

2.0	85	04/01 → 07/04	•			P59045MM	[+]	19,6	ATE	A00254	750	-elec.damp.susp.	A02202	
	85	04/01 → 07/04		•		P59031MM	[+]	16,9	BSH					
	85	04/01 → 07/04		•		P59038MM	[+]	15,2	TRW					
	89	08/04 → 12/06	•			P59045MM	[+]	19,6	ATE	A00254	750	-elec.damp.susp.	A02202	
	89	08/04 → 12/06		•		P59031MM	[+]	16,9	BSH					
	89	08/04 → 12/06		•		P59038MM	[+]	15,2	TRW					
	100	04/01 → 07/12	•			P59045MM	[+]	19,6	ATE	A00254	750	-elec.damp.susp.	A02202	
	100	04/01 → 07/12		•		P59031MM	[+]	16,9	BSH					
	100	04/01 → 07/12		•		P59038MM	[+]	15,2	TRW					

CHRYSLER

300 C (LX) 09/04 →

2.7	130	01/07 → 11/12	•			P11023MM	[+]	17	BRE					
	130	01/07 → 11/12	•			P23149MM	[+]	18,1	BSH					
	130	01/07 → 11/12		•		P11024MM	[+]	14,8	BRE					
	130	01/07 → 11/12		•		P23175MM	[+]	17,8	BSH					
	142	09/04 → 11/12	•			P11023MM	[+]	17	BRE					
	142	09/04 → 11/12	•			P23149MM	[+]	18,1	BSH					
	142	09/04 → 11/12		•		P11024MM	[+]	14,8	BRE					
	142	09/04 → 11/12		•		P23175MM	[+]	17,8	BSH					
3.0 CRD	160	09/05 → 11/12	•			P11023MM	[+]	17	BRE					
	160	09/05 → 11/12	•			P23149MM	[+]	18,1	BSH					
	160	09/05 → 11/12		•		P11024MM	[+]	14,8	BRE					
	160	09/05 → 11/12		•		P23175MM	[+]	17,8	BSH					
3.0 V6 CRD	155	11/10 → 11/12	•			P11023MM	[+]	17	BRE					
	155	11/10 → 11/12	•			P23149MM	[+]	18,1	BSH					
	155	11/10 → 11/12		•		P11024MM	[+]	14,8	BRE					
	155	11/10 → 11/12		•		P23175MM	[+]	17,8	BSH					
3.5	183	09/04 → 11/12	•			P11023MM	[+]	17	BRE					
	183	09/04 → 11/12	•			P23149MM	[+]	18,1	BSH					
	183	09/04 → 11/12		•		P11024MM	[+]	14,8	BRE					
	183	09/04 → 11/12		•		P23175MM	[+]	17,8	BSH					
5.7	250	09/04 → 12/08	•			P11023MM	[+]	17	BRE					
	250	09/04 → 12/08	•			P23149MM	[+]	18,1	BSH					
	250	09/04 → 12/08		•		P11024MM	[+]	14,8	BRE					
	250	09/04 → 12/08		•		P23175MM	[+]	17,8	BSH					
6.1 SRT8	317	06/05 → 11/12	•			P23149MM	[+]	18,1	BSH					
	317	06/05 → 11/12	•			P11023MM	[+]	17	BRE					
	317	06/05 → 11/12		•		P23175MM	[+]	17,8	BSH					
	317	06/05 → 11/12		•		P11024MM	[+]	14,8	BRE					

300 C Touring (LX) 09/04 → 12/10

2.7	130	01/07 → 12/10	•			P11023MM	[+]	17	BRE					
	130	01/07 → 12/10	•			P23149MM	[+]	18,1	BSH					
	130	01/07 → 12/10		•		P11024MM	[+]	14,8	BRE					
	130	01/07 → 12/10		•		P23175MM	[+]	17,8	BSH					
	142	09/04 → 12/10	•			P11023MM	[+]	17	BRE					
	142	09/04 → 12/10	•			P23149MM	[+]	18,1	BSH					
	142	09/04 → 12/10		•		P11024MM	[+]	14,8	BRE					
	142	09/04 → 12/10		•		P23175MM	[+]	17,8	BSH					

Car Model	kw	Icon 1	Icon 2	Icon 3	MAGNETI MARELLI	wi	Th [mm]	SYS	WI			FK	
									MAGNETI MARELLI	LEIGHT	Icon 4	MAGNETI MARELLI	Icon 5

CHRYSLER

300 C Touring (LX) 09/04 → 12/10

3.0 CRD	160	09/05 → 12/10	●			P11023MM	[+]	17	BRE				
	160	09/05 → 12/10	●			P23149MM	[+]	18,1	BSH				
	160	09/05 → 12/10		●		P11024MM	[+]	14,8	BRE				
	160	09/05 → 12/10		●		P23175MM	[+]	17,8	BSH				
3.5	183	09/04 → 12/10	●			P11023MM	[+]	17	BRE				
	183	09/04 → 12/10	●			P23149MM	[+]	18,1	BSH				
	183	09/04 → 12/10		●		P11024MM	[+]	14,8	BRE				
	183	09/04 → 12/10		●		P23175MM	[+]	17,8	BSH				
3.5 AWD	183	09/04 → 12/10	●			P23149MM	[+]	18,1	BSH				
	183	09/04 → 12/10		●		P23175MM	[+]	17,8	BSH				
5.7	250	09/04 → 12/10	●			P11023MM	[+]	17	BRE				
	250	09/04 → 12/10	●			P23149MM	[+]	18,1	BSH				
	250	09/04 → 12/10		●		P11024MM	[+]	14,8	BRE				
	250	09/04 → 12/10		●		P23175MM	[+]	17,8	BSH				
5.7 AWD	250	04/05 → 12/10	●		+sport pack	P23149MM	[+]	18,1	BSH				
	250	04/05 → 12/10	●		-sport pack	P11041MM	[+]	18,8	-				
6.1 SRT8	317	06/05 → 12/10	●			P23149MM	[+]	18,1	BSH				
	317	06/05 → 12/10	●			P11023MM	[+]	17	BRE				
	317	06/05 → 12/10		●		P23175MM	[+]	17,8	BSH				
	317	06/05 → 12/10		●		P11024MM	[+]	14,8	BRE				

300 M (LR) 07/98 → 09/04

2.7 V6 24V	149	11/98 → 08/00	●			P11008MM	[-]	18,6	KH				
	149	11/98 → 08/00		●		P11010MM	[-]	17	KH				
	150	08/00 → 09/04	●			P11008MM	[-]	18,6	KH				
	150	08/00 → 09/04		●		P11010MM	[-]	17	KH				
3.5 V6 24V	187	07/98 → 08/00	●			P11008MM	[-]	18,6	KH				
	187	07/98 → 08/00		●		P11010MM	[-]	17	KH				
	185	08/00 → 09/04	●			P11008MM	[-]	18,6	KH				
	185	08/00 → 09/04		●		P11010MM	[-]	17	KH				

300C 09/10 →

3.0 CRD	176	09/11 →	●		-sport pack	P11019MM	[+]	18,8	BSH				
	176	09/11 →	●		+sport pack	P11017MM	[+]	17,8	BSH				
3.6	210	09/11 →	●			P11023MM	[+]	17	BRE				
	210	09/11 →	●			P23149MM	[+]	18,1	BSH				
	210	09/11 →	●			P11041MM	[+]	18,8	-				
	210	09/11 →		●		P23175MM	[+]	17,8	BSH				
	210	09/11 →		●		P11024MM	[+]	14,8	BRE				
	215	07/11 →	●			P11023MM	[+]	17	BRE				
	215	07/11 →	●			P23149MM	[+]	18,1	BSH				
	215	07/11 →	●		BR3	P11041MM	[+]	18,8	-				
	215	07/11 →		●		P23175MM	[+]	17,8	BSH				
	215	07/11 →		●		P11024MM	[+]	14,8	BRE				
6.4	347	09/11 →	●		BR4	P11023MM	[+]	17	BRE				
	347	09/11 →	●		BR5; BR6	P23149MM	[+]	18,1	BSH				
	347	09/11 →	●		BR3	P11041MM	[+]	18,8	-				
	347	09/11 →		●	BR3	P11040MM	[+]	17,8	-				

CIRRUS 05/94 → 09/00

2.0 LX	96	05/94 → 09/97	●			P11011MM	[+]	15,9	BDX				
	96	05/94 → 09/97		●		P11010MM	[-]	17	KH				
	98	10/97 → 09/00	●			P11011MM	[+]	15,9	BDX				
	98	10/97 → 09/00		●		P11010MM	[-]	17	KH				
2.4 LX	103	05/94 → 09/00	●			P11011MM	[+]	15,9	BDX				
	103	05/94 → 09/00		●		P11010MM	[-]	17	KH				

CHRYSLER

CIRRUS 05/94 → 09/00

2.5 LX	120	10/94 → 09/00	●			P11011MM	[+]	15,9	BDX					
	120	10/94 → 09/00		●		P11010MM	[-]	17	KH					

CROSSFIRE 07/03 → 12/08

3.2	160	07/03 → 12/08	●			P50026MM	[o]	20,3	ATE	A00349	90		A02202	
	160	07/03 → 12/08		●		P50025MM	[-]	15,7	ATE	A00349	90			
SRT-6	246	09/04 → 12/07	●			P06019MM	[o]	20,8	ATE	A00349	90		A02202	
	246	09/04 → 12/07		●		P50017MM	[o]	15,5	ATE	A00349	90		A02270	

CROSSFIRE Roadster 05/04 → 12/08

3.2	160	05/04 → 12/08	●			P50026MM	[o]	20,3	ATE	A00349	90		A02202	
	160	05/04 → 12/08		●		P50025MM	[-]	15,7	ATE	A00349	90			
SRT-6	246	09/04 → 12/06	●			P06019MM	[o]	20,8	ATE	A00349	90		A02202	
	246	09/04 → 12/06		●		P50017MM	[o]	15,5	ATE	A00349	90		A02270	

DELTA 08/11 →

1.4 16V	103	08/11 →	●			P23145MM	[+]	19,4	BSH					
---------	-----	---------	---	--	--	----------	-----	------	-----	--	--	--	--	--

GRAND VOYAGER V (RT) 10/07 →

2.8 CRD	120	10/07 →	●			P11025MM	[+]	18,5	BSH					
	120	10/07 →	●		MY 2012 →	P11035MM	[+]	18,1	AKE					
	120	10/07 →		●		P11021MM	[+]	17	TRW					
	120	10/07 →		●	MY 2012 →	P11032MM	[+]	17,6	TRW					
	132	09/12 →	●		BRE	P11025MM	[+]	18,5	BSH					
	132	09/12 →	●		BRG; BR3	P11035MM	[+]	18,1	AKE					
	132	09/12 →		●	BRG; BR3	P11032MM	[+]	17,6	TRW					
3.3	125	01/08 →	●			P11025MM	[+]	18,5	BSH					
	125	01/08 →	●		MY 2012 →	P11035MM	[+]	18,1	AKE					
	125	01/08 →		●		P11021MM	[+]	17	TRW					
	125	01/08 →		●	MY 2012 →; +rear disc	P11032MM	[+]	17,6	TRW					
3.6	208	02/11 →	●		BRE	P11025MM	[+]	18,5	BSH					
	208	02/11 →	●		BR3	P11035MM	[+]	18,1	AKE					
	208	02/11 →		●	BR3	P11032MM	[+]	17,6	TRW					
	211	02/11 →	●		BRE	P11025MM	[+]	18,5	BSH					
	211	02/11 →	●		BR3	P11035MM	[+]	18,1	AKE					
	211	02/11 →		●	BR3	P11032MM	[+]	17,6	TRW					
3.8	142	10/07 →	●			P11025MM	[+]	18,5	BSH					
	142	10/07 →	●		MY 2012 →	P11035MM	[+]	18,1	AKE					
	142	10/07 →		●		P11021MM	[+]	17	TRW					
	142	10/07 →		●	MY 2012 →	P11032MM	[+]	17,6	TRW					
	148	10/07 →	●		BR3; BR4; BRE; BRG	P11025MM	[+]	18,5	BSH					
	148	10/07 →	●		BR3; MY 2012 →	P11035MM	[+]	18,1	AKE					
	148	10/07 →		●	BRG; BR3; BR4; BRE; MY → 2011; BRG; BR3; BR4; BRE; MY 2012 →	P11021MM	[+]	17	TRW					
	148	10/07 →		●	BR3; MY 2012 →	P11032MM	[+]	17,6	TRW					

NEON (PL) 05/94 → 09/00

1.8 16V	85	09/97 → 08/99	●			P11008MM	[-]	18,6	KH					
	85	09/97 → 08/99	●			P11009MM	[-]	15,5	KH					
	85	09/97 → 08/99		●	09/97 →; +rear disc	P11010MM	[-]	17	KH					
2.0 16V	98	05/94 → 08/99	●			P11008MM	[-]	18,6	KH					
	98	05/94 → 08/99	●			P11009MM	[-]	15,5	KH					
	98	05/94 → 08/99		●	09/97 →; +rear disc	P11010MM	[-]	17	KH					
	107	06/94 → 08/99	●			P11008MM	[-]	18,6	KH					
	107	06/94 → 08/99	●			P11009MM	[-]	15,5	KH					
	107	06/94 → 08/99		●	09/97 →; +rear disc	P11010MM	[-]	17	KH					
	109	04/96 → 08/99	●			P11008MM	[-]	18,6	KH					

Car Model	kw	S	D	i	MAGNETI MARELLI	wi	Th [mm]	SYS	WI			FK	
									MAGNETI MARELLI	LENGHT	i	MAGNETI MARELLI	i

CHRYSLER

NEON (PL) 05/94 → 09/00

2.0 16V	109	04/96 → 08/99	●						P11009MM	[-]	15,5	KH		
	109	04/96 → 08/99		●	09/97 → ; +rear disc				P11010MM	[-]	17	KH		

NEON II 08/99 → 12/06

1.6	85	11/01 → 12/06	●						P11008MM	[-]	18,6	KH		
	85	11/01 → 12/06		●					P11010MM	[-]	17	KH		
1.8	91	01/00 → 12/01	●						P11008MM	[-]	18,6	KH		
	91	01/00 → 12/01		●					P11010MM	[-]	17	KH		
2.0 16V	98	08/99 → 12/06	●						P11008MM	[-]	18,6	KH		
	98	08/99 → 12/06		●					P11010MM	[-]	17	KH		
	97	10/02 → 12/06	●						P11008MM	[-]	18,6	KH		
	97	10/02 → 12/06		●					P11010MM	[-]	17	KH		
2.0 16V R/T	110	10/01 → 12/06	●						P11008MM	[-]	18,6	KH		
	110	10/01 → 12/06		●					P11010MM	[-]	17	KH		

PT CRUISER (PT_) 06/00 → 12/10

1.6	85	11/01 → 12/10	●						P11012MM	[+]	20	TRW		
	85	11/01 → 12/10		●					P11010MM	[-]	17	KH		
2.0	104	06/00 → 12/10	●						P11012MM	[+]	20	TRW		
	104	06/00 → 12/10		●					P11010MM	[-]	17	KH		
	100	10/04 → 12/10	●						P11012MM	[+]	20	TRW		
	100	10/04 → 12/10		●					P11010MM	[-]	17	KH		
2.2 CRD	89	03/02 → 12/10	●						P11012MM	[+]	20	TRW		
	89	03/02 → 12/10		●					P11010MM	[-]	17	KH		
	110	08/05 → 12/10	●						P11012MM	[+]	20	TRW		
	110	08/05 → 12/10		●					P11010MM	[-]	17	KH		
2.4	169	09/04 → 12/10	●						P11012MM	[+]	20	TRW		
	169	09/04 → 12/10		●					P11010MM	[-]	17	KH		
	110	06/00 → 12/10	●						P11012MM	[+]	20	TRW		
	110	06/00 → 12/10		●					P11010MM	[-]	17	KH		
	105	08/05 → 12/10	●						P11012MM	[+]	20	TRW		
	105	08/05 → 12/10		●					P11010MM	[-]	17	KH		
GT 2.4	164	08/03 → 12/10	●						P11012MM	[+]	20	TRW		
	164	08/03 → 12/10		●					P11010MM	[-]	17	KH		

PT CRUISER Convertible 06/00 → 12/10

2.4	105	03/04 → 03/08	●						P11012MM	[+]	20	TRW		
	105	03/04 → 03/08		●					P11010MM	[-]	17	KH		
2.4 GT	164	03/04 → 03/08	●						P11012MM	[+]	20	TRW		
	164	03/04 → 03/08		●					P11010MM	[-]	17	KH		

SEBRING (JR) 09/00 → 06/07

2.0	104	04/01 → 06/07	●						P11016MM	[+]	20,5	ATE		
	104	04/01 → 06/07		●					P54012MM	[+]	15,5	AKE		
	104	04/01 → 06/07		●	09/02 →				P11010MM	[-]	17	KH		
2.4	105	04/01 → 06/07	●						P11016MM	[+]	20,5	ATE		
	105	04/01 → 06/07		●					P54012MM	[+]	15,5	AKE		
	105	04/01 → 06/07		●	09/02 →				P11010MM	[-]	17	KH		
	112	04/01 → 06/07	●						P11016MM	[+]	20,5	ATE		
	112	04/01 → 06/07		●					P54012MM	[+]	15,5	AKE		
	112	04/01 → 06/07		●	09/02 →				P11010MM	[-]	17	KH		
2.7 V6 24V	149	04/01 → 06/07	●						P11016MM	[+]	20,5	ATE		
	149	04/01 → 06/07		●					P54012MM	[+]	15,5	AKE		
	149	04/01 → 06/07		●	09/02 →				P11010MM	[-]	17	KH		

										WI			FK	
	kw						WI	Th [mm]	SYS	MAGNETI MARELLI	LENGHT		MAGNETI MARELLI	

CHRYSLER

SEBRING (JS) 09/06 → 12/10

2.0 CRD	103	07/07 → 12/10	●	(EU)	P11026MM	[+]	16	AKE						
	103	07/07 → 12/10	●	-(EU)	P18001MM	[+]	17	AKE						
	103	07/07 → 12/10	●	+ABS	P54031MM	[+]	15,5	AKE						
	103	07/07 → 12/10	●		P54034MM	[+]	15,4	AKE						
2.0 VVT	115	07/07 → 12/10	●	(EU)	P11026MM	[+]	16	AKE						
	115	07/07 → 12/10	●	-(EU)	P18001MM	[+]	17	AKE						
	115	07/07 → 12/10	●	+ABS	P54031MM	[+]	15,5	AKE						
	115	07/07 → 12/10	●		P54034MM	[+]	15,4	AKE						
2.4 VVT	125	07/07 → 12/10	●	(EU)	P11026MM	[+]	16	AKE						
	125	07/07 → 12/10	●	-(EU)	P18001MM	[+]	17	AKE						
	125	07/07 → 12/10	●	+ABS	P54031MM	[+]	15,5	AKE						
	125	07/07 → 12/10	●		P54034MM	[+]	15,4	AKE						
2.7	138	07/07 → 12/10	●		P11026MM	[+]	16	AKE						
	138	07/07 → 12/10	●	+ABS	P54031MM	[+]	15,5	AKE						
2.7 VVT	141	09/06 → 12/10	●	(EU)	P11026MM	[+]	16	AKE						
	141	09/06 → 12/10	●	-(EU)	P18001MM	[+]	17	AKE						
	141	09/06 → 12/10	●	+ABS	P54031MM	[+]	15,5	AKE						
	141	09/06 → 12/10	●		P54034MM	[+]	15,4	AKE						
	137	07/07 → 09/10	●	(EU)	P11026MM	[+]	16	AKE						
	137	07/07 → 09/10	●	-(EU)	P18001MM	[+]	17	AKE						
	137	07/07 → 09/10	●	+ABS	P54031MM	[+]	15,5	AKE						
	137	07/07 → 09/10	●		P54034MM	[+]	15,4	AKE						

SEBRING Convertible (JR) 04/01 → 06/07

2.0	104	04/01 → 06/07	●		P11016MM	[+]	20,5	ATE						
	104	04/01 → 06/07	●		P54012MM	[+]	15,5	AKE						
	104	04/01 → 06/07	●	09/02 →	P11010MM	[-]	17	KH						
2.4	112	04/01 → 06/07	●		P11016MM	[+]	20,5	ATE						
	112	04/01 → 06/07	●		P54012MM	[+]	15,5	AKE						
	112	04/01 → 06/07	●	09/02 →	P11010MM	[-]	17	KH						
2.7 V6 24V	149	04/01 → 06/07	●		P11016MM	[+]	20,5	ATE						
	149	04/01 → 06/07	●		P54012MM	[+]	15,5	AKE						
	149	04/01 → 06/07	●	09/02 →	P11010MM	[-]	17	KH						

SEBRING Convertible (JS) 05/07 → 12/10

2.0 CRD	103	07/07 → 12/10	●		P11026MM	[+]	16	AKE						
	103	07/07 → 12/10	●		P54031MM	[+]	15,5	AKE						
2.4 VVT	125	07/07 → 12/10	●		P11026MM	[+]	16	AKE						
	125	07/07 → 12/10	●		P54031MM	[+]	15,5	AKE						
2.7	137	07/07 → 12/10	●		P11026MM	[+]	16	AKE						
	137	07/07 → 12/10	●		P54031MM	[+]	15,5	AKE						
2.7 VVT	141	07/07 → 12/10	●		P11026MM	[+]	16	AKE						
	141	07/07 → 12/10	●		P54031MM	[+]	15,5	AKE						

SEBRING Coupé (FJ) 05/95 → 09/00

2.5 LE	120	05/95 → 12/96	●		P54014MM	[+]	16	SUM						
	120	05/95 → 12/96	●		P54012MM	[+]	15,5	AKE						

STRATUS (JA) 09/94 → 04/01

2.0 16V	98	12/95 → 04/01	●		P11011MM	[+]	15,9	BDX						
2.0 LE	96	12/95 → 04/01	●		P11011MM	[+]	15,9	BDX						
2.4 16 V	103	12/95 → 04/01	●		P11011MM	[+]	15,9	BDX						
	112	12/95 → 04/01	●		P11011MM	[+]	15,9	BDX						
2.5 LX V6	120	12/95 → 04/01	●		P11011MM	[+]	15,9	BDX						
	120	12/95 → 04/01	●		P11010MM	[-]	17	KH						
2.5 V6	125	12/95 → 04/01	●		P11011MM	[+]	15,9	BDX						
	125	12/95 → 04/01	●		P11010MM	[-]	17	KH						

Car Model	KW	S	E	i	MAGNETI MARELLI	WI	Th [mm]	SYS	WI			FK	
									MAGNETI MARELLI	LENGHT	i	MAGNETI MARELLI	i

CHRYSLER

STRATUS Convertible (JX) 04/96 → 04/01

2.0 LE	96	06/96 → 04/01	●			P11011MM	[+]	15,9	BDX				
2.5 LX	120	04/96 → 04/01	●			P11011MM	[+]	15,9	BDX				
	120	04/96 → 04/01		●		P11010MM	[-]	17	KH				

VOYAGER / GRAND VOYAGER III (GS) 01/95 → 03/01

2.0 i	98	01/95 → 03/01	●		10/96 →	P11008MM	[-]	18,6	KH				
	98	01/95 → 03/01		●	01/98 →; +rear disc	P11014MM	[-]	16	KH				
	98	01/95 → 03/01		●	→ 09/96	P11010MM	[-]	17	KH				
2.4 AWD	111	02/97 → 03/01	●			P11008MM	[-]	18,6	KH				
	111	02/97 → 03/01	●		01/99 →	P11013MM	[-]	18,5	ATE				
2.4 i	111	01/95 → 03/01	●		10/96 →	P11008MM	[-]	18,6	KH				
	111	01/95 → 03/01		●	01/98 →; +rear disc	P11014MM	[-]	16	KH				
	111	01/95 → 03/01		●	→ 09/96	P11010MM	[-]	17	KH				
2.5 TD	85	01/95 → 03/01	●		10/96 →	P11008MM	[-]	18,6	KH				
	85	01/95 → 03/01		●	01/98 →; +rear disc	P11014MM	[-]	16	KH				
	85	01/95 → 03/01		●	→ 09/96	P11010MM	[-]	17	KH				
2.5 TDIC AWD	85	10/95 → 03/01	●		10/96 →	P11008MM	[-]	18,6	KH				
	85	10/95 → 03/01	●		01/99 →	P11013MM	[-]	18,5	ATE				
	85	10/95 → 03/01		●	→ 09/96; +ABS; +rear disc	P11010MM	[-]	17	KH				
3.0	112	01/95 → 03/01	●		10/96 →	P11008MM	[-]	18,6	KH				
	112	01/95 → 03/01		●	01/98 →; +rear disc	P11014MM	[-]	16	KH				
	112	01/95 → 03/01		●	→ 09/96	P11010MM	[-]	17	KH				
3.3 i	116	01/95 → 03/01	●		10/96 →	P11008MM	[-]	18,6	KH				
	116	01/95 → 03/01		●	01/98 →; +rear disc	P11014MM	[-]	16	KH				
3.8 i AWD	122	01/95 → 03/01	●		01/99 →	P11013MM	[-]	18,5	ATE				
	122	01/95 → 03/01	●		10/96 →	P11008MM	[-]	18,6	KH				
	122	01/95 → 03/01		●	→ 09/96	P11010MM	[-]	17	KH				
	131	01/95 → 03/01	●		10/96 →	P11008MM	[-]	18,6	KH				
	131	01/95 → 03/01	●		01/99 →	P11013MM	[-]	18,5	ATE				
	131	01/95 → 03/01		●	→ 09/96; +ABS; +rear disc	P11010MM	[-]	17	KH				
	131	01/95 → 03/01		●									

VOYAGER IV (RG, RS) 09/99 → 12/08

2.4	108	02/00 → 12/08	●		16" wheel	P11013MM	[-]	18,5	ATE				
	108	02/00 → 12/08		●		P11014MM	[-]	16	KH				
2.5 CRD	105	02/00 → 12/08	●			P37007MM	[+]	17,5	TRW				
	105	02/00 → 12/08	●		15" wheel	P11015MM	[+]	18	ATE				
	105	02/00 → 12/08	●		16" wheel	P11013MM	[-]	18,5	ATE				
	105	02/00 → 12/08		●		P11014MM	[-]	16	KH				
	88	08/05 → 12/08	●		15" wheel	P11015MM	[+]	18	ATE				
	88	08/05 → 12/08	●		16" wheel	P11013MM	[-]	18,5	ATE				
	88	08/05 → 12/08		●		P11014MM	[-]	16	KH				
2.8 CRD	110	06/04 → 12/08	●		15" wheel	P11015MM	[+]	18	ATE				
	110	06/04 → 12/08	●		16" wheel	P11013MM	[-]	18,5	ATE				
	110	06/04 → 12/08		●		P11014MM	[-]	16	KH				
3.3	128	02/00 → 12/08	●		15" wheel	P11015MM	[+]	18	ATE				
	128	02/00 → 12/08	●		16" wheel	P11013MM	[-]	18,5	ATE				
	128	02/00 → 12/08		●		P11014MM	[-]	16	KH				
3.3 AWD	128	02/00 → 12/08	●			P37007MM	[+]	17,5	TRW				
	128	02/00 → 12/08	●		15" wheel	P11015MM	[+]	18	ATE				
	128	02/00 → 12/08	●		16" wheel	P11013MM	[-]	18,5	ATE				
	128	02/00 → 12/08		●		P11014MM	[-]	16	KH				
3.3 Flex-Fuel	128	02/00 → 12/08	●		15" wheel	P11015MM	[+]	18	ATE				
	128	02/00 → 12/08	●		16" wheel	P11013MM	[-]	18,5	ATE				
	128	02/00 → 12/08		●		P11014MM	[-]	16	KH				

								WI			FK		
	kw				MAGNETI MARELLI	WI	Th [mm]	SYS	MAGNETI MARELLI	LENGHT		MAGNETI MARELLI	

CHRYSLER

VOYAGER IV (RG, RS) 09/99 → 12/08

3.8	160	02/00 → 12/08	●		P37007MM	[+]	17,5	TRW					
	160	02/00 → 12/08	●	15" wheel	P11015MM	[+]	18	ATE					
	160	02/00 → 12/08	●	16" wheel	P11013MM	[-]	18,5	ATE					
	160	02/00 → 12/08	●		P11014MM	[-]	16	KH					
3.8 AWD	160	02/00 → 12/08	●		P37007MM	[+]	17,5	TRW					
	160	02/00 → 12/08	●	15" wheel	P11015MM	[+]	18	ATE					
	160	02/00 → 12/08	●	16" wheel	P11013MM	[-]	18,5	ATE					
	160	02/00 → 12/08	●		P11014MM	[-]	16	KH					

YPSILON 05/11 →

0.9 Twinair	63	05/11 →	●		P11031MM	[+]	17,3	ATE					
1.2	51	05/11 →	●		P11031MM	[+]	17,3	ATE					
1.3 Multijet	70	05/11 →	●		P11031MM	[+]	17,3	ATE					

CITROËN

BERLINGO (B9) 04/08 →

1.2 PureTech 110	81	02/16 →	●		P61083MM	[-]	18,3/ 18,8	ATE					
	81	02/16 →	●		P61084MM	[-]	16,6	TRW					
1.6	66	04/08 →	●		P61083MM	[-]	18,3/ 18,8	ATE					
	66	04/08 →	●		P61084MM	[-]	16,6	TRW					
	80	04/08 →	●		P61083MM	[-]	18,3/ 18,8	ATE					
	80	04/08 →	●		P61084MM	[-]	16,6	TRW					
1.6 BlueHDi 100	73	12/14 →	●		P61083MM	[-]	18,3/ 18,8	ATE					
	73	12/14 →	●		P61084MM	[-]	16,6	TRW					
1.6 BlueHDi 120	88	12/14 →	●		P61083MM	[-]	18,3/ 18,8	ATE					
	88	12/14 →	●		P61084MM	[-]	16,6	TRW					
1.6 HDi 110	80	04/08 →	●		P61083MM	[-]	18,3/ 18,8	ATE					
	80	04/08 →	●		P61084MM	[-]	16,6	TRW					
	82	07/10 →	●		P61083MM	[-]	18,3/ 18,8	ATE					
	82	07/10 →	●		P61084MM	[-]	16,6	TRW					
1.6 HDi 115	84	07/10 →	●		P61083MM	[-]	18,3/ 18,8	ATE					
	84	07/10 →	●		P61084MM	[-]	16,6	TRW					
1.6 HDi 115 4x4	84	02/12 →	●		P61083MM	[-]	18,3/ 18,8	ATE					
	84	02/12 →	●		P61084MM	[-]	16,6	TRW					
1.6 HDi 75 / BlueHDi 75	55	04/08 →	●		P61083MM	[-]	18,3/ 18,8	ATE					
	55	04/08 →	●		P61084MM	[-]	16,6	TRW					
1.6 HDi 75 16V	55	04/08 →	●		P61083MM	[-]	18,3/ 18,8	ATE					
	55	04/08 →	●		P61084MM	[-]	16,6	TRW					
1.6 HDi 90	68	07/10 →	●		P61083MM	[-]	18,3/ 18,8	ATE				A02202	
	68	07/10 →	●		P61084MM	[-]	16,6	TRW					
	66	04/08 →	●		P61083MM	[-]	18,3/ 18,8	ATE					
	66	04/08 →	●		P61084MM	[-]	16,6	TRW					

 	kw						wi	Th [mm]	SYS	WI			FK	
											LENGHT			

CITROËN

BERLINGO (B9) 04/08 →

1.6 HDi 90 4x4	66	02/12 →	•			P61083MM [-]	18,3/ 18,8	ATE					
	66	02/12 →		•		P61084MM [-]	16,6	TRW					
1.6 VTi 120	88	11/09 →	•			P61083MM [-]	18,3/ 18,8	ATE					
	88	11/09 →		•		P61084MM [-]	16,6	TRW					
1.6 VTi 95	72	07/10 →	•			P61083MM [-]	18,3/ 18,8	ATE					
	72	07/10 →		•		P61084MM [-]	16,6	TRW					

BERLINGO (MF) 07/96 → 12/11

1.1 i (MFHDZ, MFHFX)	44	07/96 → 05/08	•		→ 9127	P61060MM [+]	19,3	GIR					
	44	07/96 → 05/08	•		9128 →	P61082MM [-]	19	BSH					
	44	07/96 → 05/08	•		9128 →	P61069MM [-]	19,3	TRW					
1.4	53	11/02 → 10/05	•			P61082MM [-]	19	BSH					
	53	11/02 → 10/05	•			P61069MM [-]	19,3	TRW					
1.4 bivalent	48	11/02 → 12/11	•			P61082MM [-]	19	BSH					
	48	11/02 → 12/11	•			P61069MM [-]	19,3	TRW					
	48	11/02 → 12/11		•		P85020MM [-]	17,2	TRW					
1.4 i (MFKFX, MFKFW)	55	07/96 → 10/08	•		→ 9127	P61060MM [+]	19,3	GIR					
	55	07/96 → 10/08	•		9128 →	P61082MM [-]	19	BSH					
	55	07/96 → 10/08	•		9128 →	P61069MM [-]	19,3	TRW					
	55	07/96 → 10/08		•		P85020MM [-]	17,2	TRW					
1.4 i bivalent (MFKFW)	55	04/03 → 10/08	•			P61082MM [-]	19	BSH					
	55	04/03 → 10/08	•			P61069MM [-]	19,3	TRW					
	55	04/03 → 10/08		•		P85020MM [-]	17,2	TRW					
1.6 16V (MFNFU)	80	10/00 → 12/11	•			P61082MM [-]	19	BSH					
	80	10/00 → 12/11	•			P61069MM [-]	19,3	TRW					
	80	10/00 → 12/11		•		P85020MM [-]	17,2	TRW					
	81	11/02 → 10/08	•			P61082MM [-]	19	BSH					
	81	11/02 → 10/08	•			P61069MM [-]	19,3	TRW					
1.6 HDi 75 (MF9HW)	55	07/05 → 12/11	•			P61082MM [-]	19	BSH					
	55	07/05 → 12/11	•			P61069MM [-]	19,3	TRW					
	55	07/05 → 12/11		•		P85020MM [-]	17,2	TRW					
1.6 HDi 90 (MF9HX)	66	07/05 → 05/08	•			P61082MM [-]	19	BSH					
	66	07/05 → 05/08	•			P61069MM [-]	19,3	TRW					
	66	07/05 → 05/08		•		P85020MM [-]	17,2	TRW					
1.8 D (MFA9A)	43	07/98 → 10/02	•		→ 9127	P61060MM [+]	19,3	GIR					
	43	07/98 → 10/02	•		9128 →	P61082MM [-]	19	BSH					
	43	07/98 → 10/02	•		9128 →	P61069MM [-]	19,3	TRW					
1.8 i (MFLFX)	66	05/97 → 10/02	•		→ 9127	P61060MM [+]	19,3	GIR					
	66	05/97 → 10/02	•		9128 →	P61082MM [-]	19	BSH					
	66	05/97 → 10/02	•		9128 →	P61069MM [-]	19,3	TRW					
	66	05/97 → 10/02		•		P85020MM [-]	17,2	TRW					
1.8 i 4WD (MFLFX)	66	04/97 → 10/01	•		→ 9127	P61060MM [+]	19,3	GIR					
	66	04/97 → 10/01	•		9128 →	P61082MM [-]	19	BSH					
	66	04/97 → 10/01	•		9128 →	P61069MM [-]	19,3	TRW					
	66	04/97 → 10/01		•		P85020MM [-]	17,2	TRW					
1.9 D (MFDJY)	50	07/96 → 12/03	•			P61082MM [-]	19	BSH					
	50	07/96 → 12/03	•			P61069MM [-]	19,3	TRW					
	50	07/96 → 12/03		•		P85020MM [-]	17,2	TRW					
1.9 D (MFWJZ)	51	07/98 → 10/05	•			P61082MM [-]	19	BSH					
	51	07/98 → 10/05	•			P61069MM [-]	19,3	TRW					
	51	07/98 → 10/05		•		P85020MM [-]	17,2	TRW					

										WI			FK	

CITROËN

BERLINGO (MF) 07/96 → 12/11

1.9 D 4WD (MFWJZ)	51	07/98 → 10/05	●			P61082MM	[-]	19	BSH					
	51	07/98 → 10/05	●			P61069MM	[-]	19,3	TRW					
	51	07/98 → 10/05	●			P85020MM	[-]	17,2	TRW					
2.0 HDi 4x4 (MFRHY)	66	11/02 → 10/05	●			P61082MM	[-]	19	BSH					
	66	11/02 → 10/05	●			P61069MM	[-]	19,3	TRW					
	66	11/02 → 10/05	●			P85020MM	[-]	17,2	TRW					
2.0 HDi 90 (MFRHY)	66	12/99 → 10/05	●		→ 9127	P61060MM	[+]	19,3	GIR					
	66	12/99 → 10/05	●		9128 →	P61082MM	[-]	19	BSH					
	66	12/99 → 10/05	●		9128 →	P61069MM	[-]	19,3	TRW					
	66	12/99 → 10/05	●			P85020MM	[-]	17,2	TRW					
Electric	28	01/98 → 12/05	●			P61082MM	[-]	19	BSH					
	28	01/98 → 12/05	●			P61069MM	[-]	19,3	TRW					
electrique	16	01/00 → 10/02	●		→ 9127	P61060MM	[+]	19,3	GIR					
	16	01/00 → 10/02	●		9128 →	P61082MM	[-]	19	BSH					
	16	01/00 → 10/02	●		9128 →	P61069MM	[-]	19,3	TRW					

BERLINGO Box (B9) 04/08 →

1.6	66	04/08 →	●			P61083MM	[-]	18,3/ 18,8	ATE					
	66	04/08 →	●			P61084MM	[-]	16,6	TRW					
	80	04/08 →	●			P61083MM	[-]	18,3/ 18,8	ATE					
	80	04/08 →	●			P61084MM	[-]	16,6	TRW					
1.6 BlueHDi 100	73	12/14 →	●			P61083MM	[-]	18,3/ 18,8	ATE					
	73	12/14 →	●			P61084MM	[-]	16,6	TRW					
1.6 BlueHDi 100 4x4	73	12/14 →	●			P61083MM	[-]	18,3/ 18,8	ATE					
	73	12/14 →	●			P61084MM	[-]	16,6	TRW					
1.6 BlueHDi 120	88	12/14 →	●			P61083MM	[-]	18,3/ 18,8	ATE					
	88	12/14 →	●			P61084MM	[-]	16,6	TRW					
1.6 HDi / BlueHDi 75	55	07/10 →	●			P61083MM	[-]	18,3/ 18,8	ATE					
	55	07/10 →	●			P61084MM	[-]	16,6	TRW					
1.6 HDi 110	82	07/10 →	●			P61083MM	[-]	18,3/ 18,8	ATE				A02202	
	82	07/10 →	●			P61084MM	[-]	16,6	TRW					
	80	04/08 →	●			P61083MM	[-]	18,3/ 18,8	ATE					
	80	04/08 →	●			P61084MM	[-]	16,6	TRW					
1.6 HDi 115	84	07/10 →	●			P61083MM	[-]	18,3/ 18,8	ATE					
	84	07/10 →	●			P61084MM	[-]	16,6	TRW					
1.6 HDi 115 4x4	84	02/12 →	●			P61083MM	[-]	18,3/ 18,8	ATE					
	84	02/12 →	●			P61084MM	[-]	16,6	TRW					
1.6 HDi 75	55	04/08 →	●			P61083MM	[-]	18,3/ 18,8	ATE					
	55	04/08 →	●			P61084MM	[-]	16,6	TRW					
1.6 HDi 75 4x4	55	02/12 →	●			P61083MM	[-]	18,3/ 18,8	ATE					
	55	02/12 →	●			P61084MM	[-]	16,6	TRW					
1.6 HDi 90	68	07/10 →	●			P61083MM	[-]	18,3/ 18,8	ATE				A02202	
	68	07/10 →	●			P61084MM	[-]	16,6	TRW					

Car	kw	S	E	i	MAGNETI MARELLI	wi	Th [mm]	SYS	WI			FK	
									MAGNETI MARELLI	LENGHT	i	MAGNETI MARELLI	i

CITROËN

BERLINGO Box (B9) 04/08 →

1.6 HDi 90	66	07/10 →	•				P61083MM [-]	18,3/18,8	ATE				
	66	07/10 →		•			P61084MM [-]	16,6	TRW				
1.6 HDi 90 16V	66	04/08 →	•				P61083MM [-]	18,3/18,8	ATE				
	66	04/08 →		•			P61084MM [-]	16,6	TRW				
1.6 HDi 90 4x4	66	02/12 →	•				P61083MM [-]	18,3/18,8	ATE				
	66	02/12 →		•			P61084MM [-]	16,6	TRW				
1.6 VTi 120	88	11/09 →	•				P61083MM [-]	18,3/18,8	ATE			A02202	
	88	11/09 →		•			P61084MM [-]	16,6	TRW				
1.6 VTi 95	72	07/10 →	•				P61083MM [-]	18,3/18,8	ATE				
	72	07/10 →		•			P61084MM [-]	16,6	TRW				
Electric	42	09/11 →	•				P61083MM [-]	18,3/18,8	ATE				
	42	09/11 →		•			P61084MM [-]	16,6	TRW				
	49	03/14 →	•				P61083MM [-]	18,3/18,8	ATE				
	49	03/14 →		•			P61084MM [-]	16,6	TRW				
	35	01/13 →	•				P61083MM [-]	18,3/18,8	ATE				
	35	01/13 →		•			P61084MM [-]	16,6	TRW				

BERLINGO Box (M_) 07/96 → 12/11

1.1 i (MAHDZ, MBHDZ, MBHFX)	44	07/96 → 03/08	•	→ 9127; solid; vented	P61060MM [+]	19,3	GIR					
	44	07/96 → 03/08	•	9128 →; vented	P61082MM [-]	19	BSH					
	44	07/96 → 03/08	•	9128 →; vented	P61069MM [-]	19,3	TRW					
	44	07/96 → 03/08		•		P85020MM [-]	17,2	TRW				
1.4 bivalent	48	11/02 → 12/11	•		P61082MM [-]	19	BSH					
	48	11/02 → 12/11	•		P61069MM [-]	19,3	TRW					
	48	11/02 → 12/11		•		P85020MM [-]	17,2	TRW				
1.4 i (MBKFX, MBKFW)	55	07/96 → 12/11	•	→ 9127; vented; solid	P61060MM [+]	19,3	GIR					
	55	07/96 → 12/11	•	vented	P61082MM [-]	19	BSH					
	55	07/96 → 12/11	•	vented	P61069MM [-]	19,3	TRW					
	55	07/96 → 12/11		•		P85020MM [-]	17,2	TRW				
1.4 i bivalent (MBKFW)	55	04/03 → 10/05	•		P61082MM [-]	19	BSH					
	55	04/03 → 10/05	•		P61069MM [-]	19,3	TRW					
	55	04/03 → 10/05		•		P85020MM [-]	17,2	TRW				
1.6 16V	81	08/05 → 12/07	•	11/01 →	P61082MM [-]	19	BSH					
	81	08/05 → 12/07	•	11/01 →	P61069MM [-]	19,3	TRW					
	81	08/05 → 12/07		•		P85020MM [-]	17,2	TRW				
1.6 16V (MBNFU)	80	10/00 → 03/08	•		P61082MM [-]	19	BSH					
	80	10/00 → 03/08	•		P61069MM [-]	19,3	TRW					
	80	10/00 → 03/08		•		P85020MM [-]	17,2	TRW				
1.6 HDi 75 (MB9HW)	55	07/05 → 12/11	•		P61082MM [-]	19	BSH					
	55	07/05 → 12/11	•		P61069MM [-]	19,3	TRW					
	55	07/05 → 12/11		•		P85020MM [-]	17,2	TRW				
1.6 HDi 90 (MB9HX, MC9HX)	66	07/05 → 12/11	•		P61082MM [-]	19	BSH					
	66	07/05 → 12/11	•		P61069MM [-]	19,3	TRW					
	66	07/05 → 12/11		•		P85020MM [-]	17,2	TRW				
1.8 D (MBA9A, MCA9A)	43	07/96 → 10/02	•	→ 9127	P61060MM [+]	19,3	GIR					
	43	07/96 → 10/02	•	9128 →; vented	P61082MM [-]	19	BSH					
	43	07/96 → 10/02	•	9128 →; vented	P61069MM [-]	19,3	TRW					

	kw										LENGHT			

CITROËN

BERLINGO Box (M_) 07/96 → 12/11

1.8 i	66	08/99 → 10/02	●	→ 9127	P61060MM	[+]	19,3	GIR						
	66	08/99 → 10/02	●	9128 →	P61082MM	[-]	19	BSH						
	66	08/99 → 10/02	●	9128 →	P61069MM	[-]	19,3	TRW						
1.9 D (MBDJY)	51	07/96 → 12/03	●	→ 9127	P61060MM	[+]	19,3	GIR						
	51	07/96 → 12/03	●	9128 →	P61082MM	[-]	19	BSH						
	51	07/96 → 12/03	●	9128 →	P61069MM	[-]	19,3	TRW						
	51	07/96 → 12/03	●		P85020MM	[-]	17,2	TRW						
1.9 D 70 (MBWJZ, MCWJZ)	51	04/99 → 12/11	●	→ 9127	P61060MM	[+]	19,3	GIR						
	51	04/99 → 12/11	●	9128 →	P61082MM	[-]	19	BSH						
	51	04/99 → 12/11	●	9128 →	P61069MM	[-]	19,3	TRW						
	51	04/99 → 12/11	●		P85020MM	[-]	17,2	TRW						
	51	07/98 → 03/06	●	→ 9127	P61060MM	[+]	19,3	GIR						
	51	07/98 → 03/06	●	9128 →	P61082MM	[-]	19	BSH						
	51	07/98 → 03/06	●	9128 →	P61069MM	[-]	19,3	TRW						
	51	07/98 → 03/06	●		P85020MM	[-]	17,2	TRW						
2.0 HDI 90 (MBRHY, MCRHY)	66	12/99 → 12/11	●	→ 9127	P61060MM	[+]	19,3	GIR						
	66	12/99 → 12/11	●	9128 →	P61082MM	[-]	19	BSH						
	66	12/99 → 12/11	●	9128 →	P61069MM	[-]	19,3	TRW						
	66	12/99 → 12/11	●		P85020MM	[-]	17,2	TRW						
2.0 HDI 90 4WD (MBRHY, MCRHY)	66	11/00 → 10/05	●	→ 9127	P61060MM	[+]	19,3	GIR						
	66	11/00 → 10/05	●	9128 →	P61082MM	[-]	19	BSH						
	66	11/00 → 10/05	●	9128 →	P61069MM	[-]	19,3	TRW						
	66	11/00 → 10/05	●		P85020MM	[-]	17,2	TRW						
Electric	27	07/03 → 12/05	●		P61082MM	[-]	19	BSH						
	27	07/03 → 12/05	●		P61069MM	[-]	19,3	TRW						

BERLINGO Platform/Chassis (B9) 04/08 →

1.6 BlueHdi 100	73	12/14 →	●		P61083MM	[-]	18,3/ 18,8	ATE						
	73	12/14 →	●		P61084MM	[-]	16,6	TRW						
1.6 HDi 90	66	04/08 →	●		P61083MM	[-]	18,3/ 18,8	ATE						
	66	04/08 →	●		P61084MM	[-]	16,6	TRW						
1.6 HDi 92	68	07/10 →	●		P61083MM	[-]	18,3/ 18,8	ATE						
	68	07/10 →	●		P61084MM	[-]	16,6	TRW						

C1 (PM_, PN_) 06/05 → 09/14

1.0	50	06/05 → 09/14	●		P61081MM	[-]	17,5	BSH						
1.4 HDi	40	06/05 → 09/14	●		P61081MM	[-]	17,5	BSH						

C1 II 04/14 →

1.0 VTI 68	51	04/14 →	●		P61081MM	[-]	17,5	BSH						
1.2 VTI 82	60	04/14 →	●		P61081MM	[-]	17,5	BSH						

C15 (VD-_) 10/84 → 10/06

1.0	33	10/84 → 12/97	●		P61031MM	[+]	17,7	TRW						
1.0 E	37	11/92 → 07/96	●		P61031MM	[+]	17,7	TRW						
	35	10/84 → 12/96	●		P61031MM	[+]	17,7	TRW						
1.1	40	11/88 → 07/96	●		P61031MM	[+]	17,7	TRW						
	40	10/84 → 07/87	●		P61031MM	[+]	17,7	TRW						
1.1 i	44	07/88 → 12/96	●		P61031MM	[+]	17,7	TRW						
1.3	47	07/87 → 05/88	●		P61031MM	[+]	17,7	TRW						
1.4	49	07/87 → 12/96	●		P61031MM	[+]	17,7	TRW						
1.4 E	44	05/87 → 12/96	●		P61031MM	[+]	17,7	TRW						
	40	07/87 → 12/96	●		P61031MM	[+]	17,7	TRW						
1.4 i	55	05/91 → 12/96	●		P61031MM	[+]	17,7	TRW						

Car Model	kw	Icon 1	Icon 2	Icon 3	MAGNETI MARELLI	wi	Th [mm]	SYS	WI			FK	
									MAGNETI MARELLI	LEIGHT	Icon 4	MAGNETI MARELLI	Icon 5

CITROËN

C15 (VD-_) 10/84 → 10/06

1.8 D	44	07/86 → 12/00	●		P61031MM	[+]	17,7	TRW					
1.9 D	44	12/00 → 12/05	●		P61031MM	[+]	17,7	TRW					

C15 Estate 04/87 → 08/00

1.1	40	10/88 → 10/92	●		P61031MM	[+]	17,7	TRW					
	44	08/88 → 07/96	●		P61031MM	[+]	17,7	TRW					
1.4	49	05/87 → 09/92	●		P61031MM	[+]	17,7	TRW					
	44	05/87 → 10/92	●		P61031MM	[+]	17,7	TRW					
	55	05/91 → 07/96	●		P61031MM	[+]	17,7	TRW					
1.8 D	44	04/87 → 08/00	●		P61031MM	[+]	17,7	TRW					

C2 (JM_) 09/03 →

1.1	44	09/03 →	●		P61074MM	[-]	19,3	TRW					
1.4	54	09/03 →	●	solid	P61074MM	[-]	19,3	TRW					
	54	09/03 →	●	vented	P61075MM	[-]	19,3	TRW					
	54	09/03 →	●		P85020MM	[-]	17,2	TRW				A02205	
	55	10/06 →	●	solid	P61074MM	[-]	19,3	TRW					
	55	10/06 →	●	vented	P61075MM	[-]	19,3	TRW					
	55	10/06 →	●		P85020MM	[-]	17,2	TRW					
1.4 16V	65	06/06 →	●	solid	P61074MM	[-]	19,3	TRW					
	65	06/06 →	●	vented	P61075MM	[-]	19,3	TRW					
	65	06/06 →	●		P85020MM	[-]	17,2	TRW				A02205	
1.4 HDi	50	09/03 →	●	solid	P61074MM	[-]	19,3	TRW					
	50	09/03 →	●	15" wheel; vented; → 10800; 16" wheel	P61075MM	[-]	19,3	TRW					
	50	09/03 →	●	10801 →; 16" wheel	P61066MM	[-]	19	BSH					
	50	09/03 →	●		P85020MM	[-]	17,2	TRW				A02205	
1.6	80	09/03 →	●	15" wheel; → 10800; 16" wheel	P61075MM	[-]	19,3	TRW					
	80	09/03 →	●	10801 →; 16" wheel	P61066MM	[-]	19	BSH					
	80	09/03 →	●		P85020MM	[-]	17,2	TRW				A02205	
1.6 HDi	80	09/05 →	●		P61066MM	[-]	19	BSH					
	80	09/05 →	●		P85020MM	[-]	17,2	TRW					
1.6 VTS	90	01/05 →	●		P61066MM	[-]	19	BSH					
	90	01/05 →	●		P85020MM	[-]	17,2	TRW				A02205	

C2 ENTERPRISE 04/09 →

1.4 HDi	50	04/09 →	●	-16" wheel; vented	P61075MM	[-]	19,3	TRW					
	50	04/09 →	●	16" wheel; vented	P61082MM	[-]	19	BSH					
	50	04/09 →	●	solid	P61074MM	[-]	19,3	TRW					
	50	04/09 →	●	vented	P61066MM	[-]	19	BSH					
	50	04/09 →	●		P85020MM	[-]	17,2	TRW					

C3 I (FC_) 02/02 →

1.1 i	44	02/02 →	●		P61074MM	[-]	19,3	TRW					
1.4 16V	65	12/03 →	●	15" wheel	P61075MM	[-]	19,3	TRW					
	65	12/03 →	●	16" wheel	P61066MM	[-]	19	BSH					
1.4 16V HDi	65	12/03 →	●		P85020MM	[-]	17,2	TRW				A02205	
	66	02/02 →	●	solid	P61074MM	[-]	19,3	TRW					
	66	02/02 →	●	vented	P61075MM	[-]	19,3	TRW					
1.4 HDi	66	02/02 →	●		P85020MM	[-]	17,2	TRW				A02205	
	52	07/03 → 02/11	●		P61074MM	[-]	19,3	TRW					
	50	02/02 →	●	solid	P61074MM	[-]	19,3	TRW					
	50	02/02 →	●	vented	P61075MM	[-]	19,3	TRW					
	55	05/05 →	●	solid	P61074MM	[-]	19,3	TRW					
1.4 i	55	05/05 →	●	vented	P61075MM	[-]	19,3	TRW					
	54	02/02 →	●	solid	P61074MM	[-]	19,3	TRW					
	54	02/02 →	●	vented	P61075MM	[-]	19,3	TRW					

									WI			FK	
	kw								MAGNETI MARELLI	LENGHT		MAGNETI MARELLI	

CITROËN

C3 I (FC_) 02/02 →

1.4 i Bivalent	54	02/02 →	●	solid	P61074MM	[-]	19,3	TRW					
	54	02/02 →	●	vented	P61075MM	[-]	19,3	TRW					
1.6 16V	81	05/03 → 09/05	●	disc Ø 266 mm	P61075MM	[-]	19,3	TRW					
	81	05/03 → 09/05	●	disc Ø 283 mm	P61068MM	[-]	19	BSH					
	81	05/03 → 09/05	●		P85020MM	[-]	17,2	TRW				A02205	
	80	02/02 →	●	Man.; 15" wheel	P61075MM	[-]	19,3	TRW					
	80	02/02 →	●	Man.; 16" wheel	P61066MM	[-]	19	BSH					
	80	02/02 →	●	Aut.; disc Ø 283 mm	P61068MM	[-]	19	BSH					
	80	02/02 →	●		P85020MM	[-]	17,2	TRW				A02205	
1.6 16V HDi	80	09/05 →	●	disc Ø 266 mm	P61075MM	[-]	19,3	TRW					
	80	09/05 →	●	disc Ø 283 mm	P61068MM	[-]	19	BSH					
	80	09/05 →	●		P85020MM	[-]	17,2	TRW					
	66	10/05 →	●	15" wheel	P61075MM	[-]	19,3	TRW					
	66	10/05 →	●	16" wheel	P61066MM	[-]	19	BSH					
	66	10/05 →	●		P85020MM	[-]	17,2	TRW				A02205	

C3 II 11/09 →

1.0 VTi 68	50	08/12 →	●	→ 06/10; disc Ø 266 mm	P61066MM	[-]	19	BSH					
	50	08/12 →	●	06/10 →; disc Ø 283 mm	P61103MM	[-]	18	BSH					
	50	08/12 →	●		P85020MM	[-]	17,2	TRW					
1.1	44	11/09 →	●	→ 06/10; disc Ø 266 mm	P61066MM	[-]	19	BSH					
	44	11/09 →	●	06/10 →; disc Ø 283 mm	P61103MM	[-]	18	BSH					
	44	11/09 →	●		P85020MM	[-]	17,2	TRW					
1.1 BiFuel	44	11/10 →	●	→ 06/10; disc Ø 266 mm	P61066MM	[-]	19	BSH					
	44	11/10 →	●	06/10 →; disc Ø 283 mm	P61103MM	[-]	18	BSH					
	44	11/10 →	●		P85020MM	[-]	17,2	TRW					
1.2 THP 110	81	10/14 →	●	→ 06/10; disc Ø 266 mm	P61066MM	[-]	19	BSH					
	81	10/14 →	●	06/10 →; disc Ø 283 mm	P61103MM	[-]	18	BSH					
	81	10/14 →	●	06/10 →	P85020MM	[-]	17,2	TRW					
1.2 VTi 82	60	06/12 →	●	→ 06/10; disc Ø 266 mm	P61066MM	[-]	19	BSH					
	60	06/12 →	●	06/10 →; disc Ø 283 mm	P61103MM	[-]	18	BSH					
	60	06/12 →	●	06/10 →	P85020MM	[-]	17,2	TRW					
1.4	54	11/09 →	●	→ 06/10; disc Ø 266 mm	P61066MM	[-]	19	BSH					
	54	11/09 →	●	06/10 →; disc Ø 283 mm	P61103MM	[-]	18	BSH					
	54	11/09 →	●		P85020MM	[-]	17,2	TRW					
1.4 HDi 70	50	11/09 →	●	→ 06/10; disc Ø 266 mm	P61066MM	[-]	19	BSH					
	50	11/09 →	●	06/10 →; disc Ø 283 mm	P61103MM	[-]	18	BSH					
	50	11/09 →	●		P85020MM	[-]	17,2	TRW					
1.4 LPG	70	06/13 →	●		P61075MM	[-]	19,3	TRW					
	70	06/13 →	●		P61066MM	[-]	19	BSH					
	70	06/13 →	●		P85020MM	[-]	17,2	TRW					
	54	07/10 →	●		P61074MM	[-]	19,3	TRW					
1.4 VTi	72	11/09 →	●	→ 06/10	P61066MM	[-]	19	BSH					
	72	11/09 →	●	06/10 →	P61103MM	[-]	18	BSH					
	72	11/09 →	●	+rear disc	P85020MM	[-]	17,2	TRW					
1.4 VTi 95	70	11/09 →	●	→ 06/10; disc Ø 266 mm	P61066MM	[-]	19	BSH					
	70	11/09 →	●	06/10 →; disc Ø 283 mm	P61103MM	[-]	18	BSH					
	70	11/09 →	●		P85020MM	[-]	17,2	TRW					
1.6 BlueHDi 100	73	07/14 →	●	disc Ø 266 mm	P61066MM	[-]	19	BSH					
	73	07/14 →	●	disc Ø 283 mm	P61103MM	[-]	18	BSH					
	73	07/14 →	●	disc Ø 266 mm	P61082MM	[-]	19	BSH					
	73	07/14 →	●	+rear disc	P85020MM	[-]	17,2	TRW					

Car Model	kw	Icon 1	Icon 2	Icon 3	MAGNETI MARELLI	wi	Th [mm]	SYS	WI			FK	
									MAGNETI MARELLI	LENGHT	Icon 4	MAGNETI MARELLI	Icon 5

CITROËN

C3 II 11/09 →

1.6 BlueHDI 75	55	04/15 →	●	disc Ø 266 mm; +rear disc	P61066MM [-]	19	BSH						
	55	04/15 →	●	disc Ø 266 mm	P61082MM [-]	19	BSH						
	55	04/15 →	●	disc Ø 283 mm	P61103MM [-]	18	BSH						
	55	04/15 →	●	+rear disc	P85020MM [-]	17,2	TRW						
1.6 HDi	68	11/09 →	●	→ 06/10; disc Ø 266 mm	P61066MM [-]	19	BSH						
	68	11/09 →	●	06/10 →; disc Ø 283 mm	P61103MM [-]	18	BSH						
	68	11/09 →	●		P85020MM [-]	17,2	TRW						
1.6 HDi 110	82	11/09 →	●	→ 06/10	P61066MM [-]	19	BSH						
	82	11/09 →	●	06/10 →	P61103MM [-]	18	BSH						
	82	11/09 →	●		P85020MM [-]	17,2	TRW						
1.6 HDi 115	84	09/12 →	●	06/10 →	P61103MM [-]	18	BSH						
	84	09/12 →	●	→ 06/10	P61066MM [-]	19	BSH						
	84	09/12 →	●		P85020MM [-]	17,2	TRW						
1.6 HDi 90	66	11/09 →	●	→ 06/10; disc Ø 266 mm	P61066MM [-]	19	BSH						
	66	11/09 →	●	06/10 →; disc Ø 283 mm	P61103MM [-]	18	BSH						
	66	11/09 →	●		P85020MM [-]	17,2	TRW						
1.6 VTi 120	88	11/09 →	●	→ 06/10	P61066MM [-]	19	BSH						
	88	11/09 →	●	06/10 →	P61103MM [-]	18	BSH						
	88	11/09 →	●		P85020MM [-]	17,2	TRW						

C3 III (SX) 07/16 →

1.2 THP 110	81	07/16 →	●	solid	P85020MM [-]	17,2	TRW						
	81	07/16 →	●	vented	P61066MM [-]	19	BSH						
1.2 VTi 68	50	07/16 →	●		P61066MM [-]	19	BSH						
	50	07/16 →	●	+rear disc	P85020MM [-]	17,2	TRW						
1.2 VTi 82	60	07/16 →	●		P61066MM [-]	19	BSH						
	60	07/16 →	●	+rear disc	P85020MM [-]	17,2	TRW						
1.6 BlueHDI 100	73	07/16 →	●	vented	P61066MM [-]	19	BSH						
	73	07/16 →	●	solid	P85020MM [-]	17,2	TRW						
1.6 BlueHDI 75	55	07/16 →	●	solid	P85020MM [-]	17,2	TRW						
	55	07/16 →	●	vented	P61066MM [-]	19	BSH						

C3 Picasso 02/09 →

1.2 THP 110	81	01/15 →	●	disc Ø 266 mm	P61066MM [-]	19	BSH						
	81	01/15 →	●	disc Ø 283 mm	P61103MM [-]	18	BSH						
	81	01/15 →	●		P85020MM [-]	17,2	TRW						
1.4 VTi 95	70	02/09 →	●		P61066MM [-]	19	BSH						
	70	02/09 →	●		P85020MM [-]	17,2	TRW						
1.4 VTi 95 LPG	70	01/12 →	●		P61066MM [-]	19	BSH						
	70	01/12 →	●		P85020MM [-]	17,2	TRW						
1.6 BlueHDI 100	73	01/15 →	●	disc Ø 266 mm	P61066MM [-]	19	BSH						
	73	01/15 →	●	disc Ø 283 mm	P61103MM [-]	18	BSH						
	73	01/15 →	●		P85020MM [-]	17,2	TRW						
1.6 HDi	80	02/09 →	●	disc Ø 266 mm	P61066MM [-]	19	BSH						
	80	02/09 →	●	disc Ø 283 mm	P61103MM [-]	18	BSH						
	80	02/09 →	●		P85020MM [-]	17,2	TRW						
	66	02/09 →	●		P61066MM [-]	19	BSH						
	66	02/09 →	●		P85020MM [-]	17,2	TRW						
1.6 HDi 110	82	05/10 →	●	disc Ø 266 mm	P61066MM [-]	19	BSH						
	82	05/10 →	●	disc Ø 283 mm	P61103MM [-]	18	BSH						
	82	05/10 →	●		P85020MM [-]	17,2	TRW					A02205	
1.6 HDi 115	84	01/13 →	●	disc Ø 266 mm	P61066MM [-]	19	BSH						
	84	01/13 →	●	disc Ø 283 mm	P61103MM [-]	18	BSH						
	84	01/13 →	●		P85020MM [-]	17,2	TRW						

									WI			FK	
										LENGHT			

CITROËN

C3 Picasso 02/09 →

1.6 HDI 90	68 07/10 →	●	disc Ø 266 mm	P61066MM [-]	19	BSH						
	68 07/10 →	●	disc Ø 283 mm	P61103MM [-]	18	BSH						
	68 07/10 →	●		P85020MM [-]	17,2	TRW						
1.6 VTI 120	88 02/09 →	●		P61103MM [-]	18	BSH						
	88 02/09 →	●		P85020MM [-]	17,2	TRW						
1.6 VTRi	84 10/16 →	●	disc Ø 283 mm	P61103MM [-]	18	BSH						
	84 10/16 →	●	disc Ø 266 mm	P61066MM [-]	19	BSH						
	84 10/16 →	●		P85020MM [-]	17,2	TRW						

C3 Pluriel (HB_) 05/03 →

1.4	54 05/03 →	●		P61075MM [-]	19,3	TRW						
	55 07/03 →	●		P61075MM [-]	19,3	TRW						
1.4 HDi	50 04/04 →	●		P61075MM [-]	19,3	TRW						
1.4 Hybrid	54 05/05 →	●		P61075MM [-]	19,3	TRW						
1.6	80 05/03 →	●		P61075MM [-]	19,3	TRW						
	80 05/03 →	●		P85020MM [-]	17,2	TRW					A02205	

C4 AIRCROSS 08/10 →

1.6	86 04/12 →	●		P54030MM [+]	16	AKE						
	86 04/12 →	●	13115 →	P61111MM [+]	14,3	AKE						
	86 04/12 →	●	→ 13114	P54031MM [+]	15,5	AKE						
1.6 HDi 115	84 04/12 →	●		P54030MM [+]	16	AKE						
	84 04/12 →	●	13115 →	P61111MM [+]	14,3	AKE						
	84 04/12 →	●	→ 13114	P54031MM [+]	15,5	AKE						
1.6 HDi 115 AWC	84 05/12 →	●		P54030MM [+]	16	AKE						
	84 05/12 →	●	13115 →	P61111MM [+]	14,3	AKE						
	84 05/12 →	●	→ 13114	P54031MM [+]	15,5	AKE						
1.8 HDi 150	110 04/12 →	●		P54030MM [+]	16	AKE						
	110 04/12 →	●	13115 →	P61111MM [+]	14,3	AKE						
	110 04/12 →	●	→ 13114	P54031MM [+]	15,5	AKE						
1.8 HDi 150 AWC	110 04/12 →	●		P54030MM [+]	16	AKE						
	110 04/12 →	●	13115 →	P61111MM [+]	14,3	AKE						
	110 04/12 →	●	→ 13114	P54031MM [+]	15,5	AKE						

C4 CACTUS 09/14 →

1.2 THP 110	81 09/14 →	●	solid	P61113MM [-]	18,7	MN						
	81 09/14 →	●	vented	P61066MM [-]	19	BSH						
	81 09/14 →	●		P85020MM [-]	17,2	TRW						
1.2 VTI 75	55 09/14 →	●	solid	P61113MM [-]	18,7	MN						
	55 09/14 →	●	vented	P61066MM [-]	19	BSH						
	55 09/14 →	●		P85020MM [-]	17,2	TRW						
1.2 VTI 82	60 09/14 →	●	solid	P61113MM [-]	18,7	MN						
	60 09/14 →	●	vented	P61066MM [-]	19	BSH						
	60 09/14 →	●		P85020MM [-]	17,2	TRW						
1.6 BlueHDI 100	73 09/14 →	●	solid	P61113MM [-]	18,7	MN						
	73 09/14 →	●	vented	P61066MM [-]	19	BSH						
	73 09/14 →	●		P85020MM [-]	17,2	TRW						
1.6 HDi 90	68 09/14 →	●	solid	P61113MM [-]	18,7	MN						
	68 09/14 →	●	vented	P61066MM [-]	19	BSH						
	68 09/14 →	●		P85020MM [-]	17,2	TRW						

C4 Coupé (LA_) 11/04 → 07/11

1.4 16V	65 11/04 → 07/11	●	-ESP	P61066MM [-]	19	BSH						
	65 11/04 → 07/11	●	+ESP	P61068MM [-]	19	BSH						
	65 11/04 → 07/11	●		P61080MM [-]	17,6	BSH						
	65 11/04 → 07/11	●		P85020MM [-]	17,2	TRW						

Car	kw	S	E	i	MAGNETI MARELLI	wi	Th [mm]	SYS	WI			FK	
									MAGNETI MARELLI	LENGHT	i	MAGNETI MARELLI	i

CITROËN

C4 Coupé (LA_) 11/04 → 07/11

1.6 16V	80	11/04 → 07/11	●	-ESP	P61066MM [-]	19	BSH						
	80	11/04 → 07/11	●	+ESP	P61068MM [-]	19	BSH						
	80	11/04 → 07/11	●		P61080MM [-]	17,6	BSH						
	80	11/04 → 07/11	●		P85020MM [-]	17,2	TRW						
1.6 HDi	66	11/04 → 07/11	●	-ESP	P61066MM [-]	19	BSH						
	66	11/04 → 07/11	●	+ESP	P61068MM [-]	19	BSH						
	66	11/04 → 07/11	●		P61080MM [-]	17,6	BSH						
	66	11/04 → 07/11	●		P85020MM [-]	17,2	TRW						
	80	11/04 → 07/11	●		P61068MM [-]	19	BSH						
	80	11/04 → 07/11	●		P61080MM [-]	17,6	BSH						
1.6 THP 150	80	11/04 → 07/11	●		P85020MM [-]	17,2	TRW						
	110	07/08 → 07/11	●		P61068MM [-]	19	BSH						
	110	07/08 → 07/11	●		P61080MM [-]	17,6	BSH						
1.6 VTi 120	110	07/08 → 07/11	●		P85020MM [-]	17,2	TRW						
	88	07/08 → 07/11	●		P61068MM [-]	19	BSH						
	88	07/08 → 07/11	●		P61080MM [-]	17,6	BSH						
2.0 16V	88	07/08 → 07/11	●		P85020MM [-]	17,2	TRW						
	100	11/04 → 07/07	●		P61068MM [-]	19	BSH						
	100	11/04 → 07/07	●		P61080MM [-]	17,6	BSH						
	100	11/04 → 07/07	●		P85020MM [-]	17,2	TRW						
	130	11/04 → 12/10	●		P61076MM [-]	19	ATE						
2.0 HDi	130	11/04 → 12/10	●		P61080MM [-]	17,6	BSH					A02205	
	130	11/04 → 12/10	●		P85020MM [-]	17,2	TRW					A02205	
	100	11/04 → 12/10	●		P61076MM [-]	19	ATE						
	100	11/04 → 12/10	●		P61080MM [-]	17,6	BSH					A02205	
	100	11/04 → 12/10	●		P85020MM [-]	17,2	TRW					A02205	
2.0 VTR	103	07/08 → 07/11	●		P61076MM [-]	19	ATE						
	103	07/08 → 07/11	●		P61080MM [-]	17,6	BSH						
	103	07/08 → 07/11	●		P85020MM [-]	17,2	TRW						
2.0 VTR	103	10/06 → 12/07	●		P61068MM [-]	19	BSH						
	103	10/06 → 12/07	●		P85020MM [-]	17,2	TRW						

C4 Grand Picasso I (UA_) 10/06 →

1.6 16V	103	07/08 →	●	→ 11920	P61086MM [-]	18,2/ 19	ATE						
	103	07/08 →	●	11921 →	P61117MM [-]	18/ 18,9	ATE						
	103	07/08 →	●		P61085MM [-]	16,4	BSH						
	110	10/08 →	●	→ 11920	P61086MM [-]	18,2/ 19	ATE						
	110	10/08 →	●	11921 →	P61117MM [-]	18/ 18,9	ATE						
	110	10/08 →	●		P61085MM [-]	16,4	BSH						
1.6 HDi	80	10/06 →	●		P61083MM [-]	18,3/ 18,8	ATE					A02202	
	80	10/06 →	●		P61085MM [-]	16,4	BSH						
1.6 HDi 110	82	09/10 →	●		P61083MM [-]	18,3/ 18,8	ATE					A02202	
	82	09/10 →	●		P61085MM [-]	16,4	BSH						
1.6 THP 155	115	09/10 →	●		P61117MM [-]	18/ 18,9	ATE					A02202	
	115	09/10 →	●		P61085MM [-]	16,4	BSH						
1.6 VTi 120	88	07/08 →	●		P61083MM [-]	18,3/ 18,8	ATE						
	88	07/08 →	●		P61085MM [-]	16,4	BSH						

								WI			FK	

CITROËN

C4 Grand Picasso I (UA_) 10/06 →

1.8 i 16V	92	10/06 →	●		P61083MM	[-]	18,3/18,8	ATE				A02202	
	92	10/06 →		●		P61085MM	[-]	16,4	BSH				
2.0 HDi 138	100	10/06 →	●	→ 11920	P61086MM	[-]	18,2/19	ATE				A02202	
	100	10/06 →	●	11921 →	P61117MM	[-]	18/18,9	ATE				A02202	
	100	10/06 →		●		P61085MM	[-]	16,4	BSH				
2.0 HDi 150	110	07/09 →	●		P61117MM	[-]	18/18,9	ATE					
	110	07/09 →		●		P61085MM	[-]	16,4	BSH				
2.0 HDi 165	120	09/10 →	●		P61117MM	[-]	18/18,9	ATE				A02202	
	120	09/10 →		●		P61085MM	[-]	16,4	BSH				
2.0 i 16V	103	10/06 →	●	→ 11920	P61086MM	[-]	18,2/19	ATE				A02202	
	103	10/06 →	●	11921 →	P61117MM	[-]	18/18,9	ATE				A02202	
	103	10/06 →		●		P61085MM	[-]	16,4	BSH				
	105	01/10 →	●	→ 11920	P61086MM	[-]	18,2/19	ATE					
	105	01/10 →	●	11921 →	P61117MM	[-]	18/18,9	ATE					
105	01/10 →		●		P61085MM	[-]	16,4	BSH					

C4 Grand Picasso II 09/13 →

1.2 THP 130	96	04/14 →	●	disc Ø 283 mm	P61116MM	[o]	17	ATE					
	96	04/14 →	●	→ 13732; disc Ø 304 mm	P61123MM	[o]	17,1	ATE					
	96	04/14 →	●	13733 →; disc Ø 304 mm	P61127MM	[o]	17,1	ATE					
	96	04/14 →		●	disc Ø 268 mm	P61122MM	[-]	17,5	BSH				
	96	04/14 →		●	disc Ø 290 mm	P61124MM	[-]	17,3	BSH				
1.6 BlueHDi 100	73	01/15 →	●	disc Ø 304 mm	P61127MM	[o]	17,1	ATE					
	73	01/15 →		●	disc Ø 268 mm	P61122MM	[-]	17,5	BSH				
	73	01/15 →		●	disc Ø 290 mm	P61124MM	[-]	17,3	BSH				
1.6 BlueHDi 120	88	07/14 →	●	disc Ø 283 mm	P61116MM	[o]	17	ATE					
	88	07/14 →	●	disc Ø 304 mm	P61127MM	[o]	17,1	ATE					
	88	07/14 →		●	disc Ø 268 mm	P61122MM	[-]	17,5	BSH				
	88	07/14 →		●	disc Ø 290 mm	P61124MM	[-]	17,3	BSH				
1.6 HDi / BlueHDi 115	85	09/13 →	●	disc Ø 283 mm	P61116MM	[o]	17	ATE					
	85	09/13 →	●	disc Ø 304 mm	P61123MM	[o]	17,1	ATE					
	85	09/13 →		●	disc Ø 290 mm	P61124MM	[-]	17,3	BSH				
	85	09/13 →		●	disc Ø 268 mm	P61122MM	[-]	17,5	BSH				
1.6 HDi 90	68	09/13 →	●	disc Ø 283 mm	P61116MM	[o]	17	ATE					
	68	09/13 →	●	disc Ø 304 mm	P61123MM	[o]	17,1	ATE					
	68	09/13 →		●	disc Ø 290 mm	P61124MM	[-]	17,3	BSH				
	68	09/13 →		●	disc Ø 268 mm	P61122MM	[-]	17,5	BSH				
1.6 THP 150	110	09/14 →	●	disc Ø 283 mm	P61116MM	[o]	17	ATE					
	110	09/14 →	●	disc Ø 304 mm	P61127MM	[o]	17,1	ATE					
	110	09/14 →		●	disc Ø 290 mm	P61124MM	[-]	17,3	BSH				
	110	09/14 →		●	disc Ø 268 mm	P61122MM	[-]	17,5	BSH				
1.6 THP 155	115	09/13 →	●	disc Ø 304 mm	P61123MM	[o]	17,1	ATE					
	115	09/13 →	●	disc Ø 283 mm	P61116MM	[o]	17	ATE					
	115	09/13 →		●	disc Ø 290 mm	P61124MM	[-]	17,3	BSH				
	115	09/13 →		●	disc Ø 268 mm	P61122MM	[-]	17,5	BSH				
1.6 THP 165	121	07/14 →	●	disc Ø 283 mm	P61116MM	[o]	17	ATE					
	121	07/14 →	●	disc Ø 304 mm	P61127MM	[o]	17,1	ATE					

 	kw						wi	Th [mm]	SYS	WI			FK	
											LENGHT			

CITROËN

C4 Grand Picasso II 09/13 →

1.6 THP 165	121	07/14 →		•	disc Ø 268 mm	P61122MM [-]	17,5	BSH						
	121	07/14 →		•	disc Ø 290 mm	P61124MM [-]	17,3	BSH						
1.6 VTi 120	88	09/13 →		•	disc Ø 283 mm	P61116MM [O]	17	ATE						
	88	09/13 →		•	disc Ø 304 mm	P61123MM [O]	17,1	ATE						
	88	09/13 →		•	disc Ø 290 mm	P61124MM [-]	17,3	BSH						
	88	09/13 →		•	disc Ø 268 mm	P61122MM [-]	17,5	BSH						
2.0 BlueHDI 135	100	09/13 →		•	→ 06/14; → 13732; disc Ø 304 mm	P61123MM [O]	17,1	ATE						
	100	09/13 →		•	disc Ø 283 mm	P61116MM [O]	17	ATE						
	100	09/13 →		•	06/14 →; 13733 →; disc Ø 304 mm	P61127MM [O]	17,1	ATE						
	100	09/13 →		•	disc Ø 290 mm	P61124MM [-]	17,3	BSH						
2.0 BlueHDI 135 Hybrid	100	09/13 →		•	→ 06/14; → 13732; disc Ø 304 mm	P61123MM [O]	17,1	ATE						
	100	09/13 →		•	disc Ø 283 mm	P61116MM [O]	17	ATE						
	100	09/13 →		•	06/14 →; 13733 →; disc Ø 304 mm	P61127MM [O]	17,1	ATE						
	100	09/13 →		•	disc Ø 290 mm	P61124MM [-]	17,3	BSH						
2.0 BlueHDI 150	110	09/13 →		•	disc Ø 283 mm	P61116MM [O]	17	ATE						
	110	09/13 →		•	disc Ø 304 mm	P61123MM [O]	17,1	ATE						
	110	09/13 →		•	disc Ø 290 mm	P61124MM [-]	17,3	BSH						
	110	09/13 →		•	disc Ø 268 mm	P61122MM [-]	17,5	BSH						

C4 I (LC_) 11/04 → 07/11

1.4 16V	65	11/04 → 07/11		•	-ESP	P61066MM [-]	19	BSH						
	65	11/04 → 07/11		•	+ESP	P61068MM [-]	19	BSH						
	65	11/04 → 07/11		•		P61080MM [-]	17,6	BSH						
	65	11/04 → 07/11		•		P85020MM [-]	17,2	TRW						
1.6 16V	80	11/04 → 07/11		•	-ESP	P61066MM [-]	19	BSH						
	80	11/04 → 07/11		•	+ESP	P61068MM [-]	19	BSH						
	80	11/04 → 07/11		•		P61080MM [-]	17,6	BSH						
	80	11/04 → 07/11		•		P85020MM [-]	17,2	TRW						
1.6 16V Bio-Flex	80	09/07 → 07/08		•	-ESP	P61066MM [-]	19	BSH						
	80	09/07 → 07/08		•	+ESP	P61068MM [-]	19	BSH						
	80	09/07 → 07/08		•		P61080MM [-]	17,6	BSH						
	80	09/07 → 07/08		•		P85020MM [-]	17,2	TRW						
1.6 Flex	81	02/09 → 07/11		•	Man.; +ESP; → 10552; Aut.	P61068MM [-]	19	BSH						
	81	02/09 → 07/11		•	Man.; -ESP; Man.; +ESP; 10553 →	P61066MM [-]	19	BSH						
	81	02/09 → 07/11		•		P61080MM [-]	17,6	BSH						
	81	02/09 → 07/11		•		P85020MM [-]	17,2	TRW						
1.6 HDi	66	11/04 → 07/11		•	-ESP	P61066MM [-]	19	BSH						
	66	11/04 → 07/11		•	+ESP	P61068MM [-]	19	BSH						
	66	11/04 → 07/11		•		P61080MM [-]	17,6	BSH						
	66	11/04 → 07/11		•		P85020MM [-]	17,2	TRW						
	80	11/04 → 07/11		•		P61068MM [-]	19	BSH						
	80	11/04 → 07/11		•		P61080MM [-]	17,6	BSH						
	80	11/04 → 07/11		•		P85020MM [-]	17,2	TRW						
	80	11/04 → 07/11		•		P61068MM [-]	19	BSH						
1.6 THP 140	103	07/08 → 07/11		•		P61068MM [-]	19	BSH						
	103	07/08 → 07/11		•		P61080MM [-]	17,6	BSH						
	103	07/08 → 07/11		•		P85020MM [-]	17,2	TRW						
	110	07/08 → 07/11		•		P61068MM [-]	19	BSH						
	110	07/08 → 07/11		•		P61080MM [-]	17,6	BSH						
	110	07/08 → 07/11		•		P85020MM [-]	17,2	TRW						

CITROËN

C4 I (LC_) 11/04 → 07/11

1.6 VTI 120	88	07/08 → 07/11	●	-ESP	P61066MM	[-]	19	BSH					
	88	07/08 → 07/11	●	+ESP	P61068MM	[-]	19	BSH					
	88	07/08 → 07/11	●		P61080MM	[-]	17,6	BSH					
	88	07/08 → 07/11	●		P85020MM	[-]	17,2	TRW					
2.0 16V	100	11/04 → 07/07	●		P61068MM	[-]	19	BSH					
	100	11/04 → 07/07	●		P61080MM	[-]	17,6	BSH					
	100	11/04 → 07/07	●		P85020MM	[-]	17,2	TRW					
	103	11/04 → 07/11	●		P61068MM	[-]	19	BSH					
	103	11/04 → 07/11	●		P61080MM	[-]	17,6	BSH					
	103	11/04 → 07/11	●		P85020MM	[-]	17,2	TRW					
	130	11/04 → 07/08	●		P61076MM	[-]	19	ATE					
	130	11/04 → 07/08	●		P61080MM	[-]	17,6	BSH					
	130	11/04 → 07/08	●		P85020MM	[-]	17,2	TRW					
	105	09/06 → 07/09	●		P61068MM	[-]	19	BSH					
2.0 HDi	100	11/04 → 07/11	●		P61076MM	[-]	19	ATE					
	100	11/04 → 07/11	●		P61080MM	[-]	17,6	BSH				A02205	
	100	11/04 → 07/11	●		P85020MM	[-]	17,2	TRW				A02205	
	103	07/08 → 07/11	●		P61076MM	[-]	19	ATE					
	103	07/08 → 07/11	●		P61080MM	[-]	17,6	BSH					
	103	07/08 → 07/11	●		P85020MM	[-]	17,2	TRW					
	81	04/07 → 07/08	●		P61068MM	[-]	19	BSH					
	81	04/07 → 07/08	●		P85020MM	[-]	17,2	TRW					

C4 II (B7) 11/09 →

1.2 THP 110	81	02/15 →	●		P61105MM	[-]	18,5	TRW					
	81	02/15 →	●	+elect.handbrake	P61114MM	[-]	17,3	TRW					
	81	02/15 →	●	-elect.handbrake	P85020MM	[-]	17,2	TRW					
1.2 THP 130	96	04/14 →	●		P61083MM	[-]	18,3/ 18,8	ATE					
	96	04/14 →	●		P61114MM	[-]	17,3	TRW					
1.4 VTI 95	70	11/09 →	●		P61105MM	[-]	18,5	TRW				A02202	
	70	11/09 →	●	-elect.handbrake	P85020MM	[-]	17,2	TRW				A02205	-elect.handbrake
	70	11/09 →	●	+elect.handbrake	P61114MM	[-]	17,3	TRW				A02205	-elect.handbrake
1.6 BlueHDi 100	73	07/14 →	●		P61105MM	[-]	18,5	TRW					
	73	07/14 →	●	+elect.handbrake	P61114MM	[-]	17,3	TRW					
	73	07/14 →	●	-elect.handbrake	P85020MM	[-]	17,2	TRW					
1.6 BlueHDi 115	85	08/14 →	●		P61083MM	[-]	18,3/ 18,8	ATE					
	85	08/14 →	●		P61114MM	[-]	17,3	TRW					
1.6 BlueHDi 120	88	02/15 →	●		P61083MM	[-]	18,3/ 18,8	ATE					
	88	02/15 →	●	-elect.handbrake	P85020MM	[-]	17,2	TRW					
	88	02/15 →	●	+elect.handbrake	P61114MM	[-]	17,3	TRW					
1.6 HDi 110	82	11/09 →	●		P61083MM	[-]	18,3/ 18,8	ATE				A02202	
	82	11/09 →	●		P85020MM	[-]	17,2	TRW				A02205	-elect.handbrake
	82	11/09 →	●	+elect.handbrake	P61114MM	[-]	17,3	TRW				A02205	-elect.handbrake
1.6 HDi 115	84	07/12 →	●		P61083MM	[-]	18,3/ 18,8	ATE					
	84	07/12 →	●	-elect.handbrake	P85020MM	[-]	17,2	TRW					
	84	07/12 →	●	+elect.handbrake	P61114MM	[-]	17,3	TRW					
1.6 HDi 90	68	11/09 →	●	-elect.handbrake	P61105MM	[-]	18,5	TRW				A02202	+elect.handbrake
	68	11/09 →	●	+elect.handbrake	P61083MM	[-]	18,3/ 18,8	ATE				A02202	+elect.handbrake

 	kw						wi	Th [mm]	SYS	WI			FK	
											LENGHT			

CITROËN

C4 II (B7) 11/09 →

1.6 HDi 90	68	11/09 →		•	-elect.handbrake	P85020MM [-]	17,2	TRW					A02205	-elect.handbrake
	68	11/09 →		•	+elect.handbrake	P61114MM [-]	17,3	TRW					A02205	-elect.handbrake
1.6 THP 155	115	11/09 →		•		P61086MM [-]	18,2/19	ATE					A02202	
	115	11/09 →		•	-elect.handbrake	P85020MM [-]	17,2	TRW					A02205	-elect.handbrake
	115	11/09 →		•	+elect.handbrake	P61114MM [-]	17,3	TRW					A02205	-elect.handbrake
1.6 VTi 120	88	11/09 →		•		P61083MM [-]	18,3/18,8	ATE					A02202	
	88	11/09 →		•		P85020MM [-]	17,2	TRW					A02205	-elect.handbrake
	88	11/09 →		•	+elect.handbrake	P61114MM [-]	17,3	TRW					A02205	-elect.handbrake
1.6 VTi 120 LPG	88	09/11 →		•		P61083MM [-]	18,3/18,8	ATE					A02202	
	88	09/11 →		•	-elect.handbrake	P85020MM [-]	17,2	TRW					A02205	-elect.handbrake
	88	09/11 →		•	+elect.handbrake	P61114MM [-]	17,3	TRW					A02205	-elect.handbrake
2.0 HDi / BlueHDi 150	110	11/09 →		•		P61086MM [-]	18,2/19	ATE					A02202	
	110	11/09 →		•		P85020MM [-]	17,2	TRW					A02205	-elect.handbrake
	110	11/09 →		•	+elect.handbrake	P61114MM [-]	17,3	TRW					A02205	-elect.handbrake

C4 Picasso I (UD_) 10/06 → 08/13

1.6 16V	110	07/08 → 08/13		•	→ 11920	P61086MM [-]	18,2/19	ATE						
	110	07/08 → 08/13		•	11921 →	P61117MM [-]	18/18,9	ATE						
	110	07/08 → 08/13		•		P61085MM [-]	16,4	BSH						
1.6 HDi	80	02/07 → 08/13		•		P61083MM [-]	18,3/18,8	ATE					A02202	
	80	02/07 → 08/13		•		P61085MM [-]	16,4	BSH						
1.6 HDi 110	82	09/10 → 08/13		•		P61083MM [-]	18,3/18,8	ATE					A02202	
	82	09/10 → 08/13		•		P61085MM [-]	16,4	BSH						
1.6 THP 140	103	07/08 → 08/13		•	→ 11920	P61086MM [-]	18,2/19	ATE						
	103	07/08 → 08/13		•	11921 →	P61117MM [-]	18/18,9	ATE						
	103	07/08 → 08/13		•		P61085MM [-]	16,4	BSH						
1.6 THP 155	115	09/10 → 08/13		•		P61117MM [-]	18/18,9	ATE					A02202	
	115	09/10 → 08/13		•		P61085MM [-]	16,4	BSH						
1.6 VTi 120	88	07/08 → 08/13		•		P61083MM [-]	18,3/18,8	ATE						
	88	07/08 → 08/13		•		P61085MM [-]	16,4	BSH						
1.8 Bifuel	92	01/09 → 10/12		•		P61083MM [-]	18,3/18,8	ATE					A02202	
	92	01/09 → 10/12		•		P61085MM [-]	16,4	BSH						
1.8 i 16V	92	02/07 → 12/11		•		P61083MM [-]	18,3/18,8	ATE					A02202	
	92	02/07 → 12/11		•		P61085MM [-]	16,4	BSH						
2.0 HDi 138	100	10/06 → 08/13		•	→ 11920	P61086MM [-]	18,2/19	ATE					A02202	
	100	10/06 → 08/13		•	11921 →	P61117MM [-]	18/18,9	ATE					A02202	
	100	10/06 → 08/13		•		P61085MM [-]	16,4	BSH						
2.0 HDi 150	110	07/09 → 08/13		•	→ 11920	P61086MM [-]	18,2/19	ATE						
	110	07/09 → 08/13		•	11921 →	P61117MM [-]	18/18,9	ATE						

	kw										LENGHT			

CITROËN

C4 Picasso I (UD_) 10/06 → 08/13

2.0 HDi 150	110	07/09 → 08/13	●		P61085MM [-]	16,4	BSH							
2.0 HDi 165	120	09/10 → 08/13	●		P61117MM [-]	18/ 18,9	ATE						A02202	
	120	09/10 → 08/13	●		P61085MM [-]	16,4	BSH							
2.0 i 16V	103	02/07 → 08/13	●	→ 11920	P61086MM [-]	18,2/ 19	ATE						A02202	
	103	02/07 → 08/13	●	11921 →	P61117MM [-]	18/ 18,9	ATE						A02202	
	103	02/07 → 08/13	●		P61085MM [-]	16,4	BSH							
	105	05/08 → 05/13	●	→ 06/09; → 11920	P61086MM [-]	18,2/ 19	ATE							
	105	05/08 → 05/13	●	06/09 →; 11921 →	P61117MM [-]	18/ 18,9	ATE							
105	05/08 → 05/13	●		P61085MM [-]	16,4	BSH								

C4 Picasso II 02/13 →

1.2 THP 110i	81	04/16 →	●	disc Ø 283 mm	P61116MM [o]	17	ATE							
	81	04/16 →	●	disc Ø 304 mm	P61127MM [o]	17,1	ATE							
	81	04/16 →	●	disc Ø 290 mm	P61124MM [-]	17,3	BSH							
	81	04/16 →	●	disc Ø 268 mm	P61122MM [-]	17,5	BSH							
1.2 THP 130	96	04/14 →	●	disc Ø 283 mm	P61116MM [o]	17	ATE							
	96	04/14 →	●	→ 13732; disc Ø 304 mm	P61123MM [o]	17,1	ATE							
	96	04/14 →	●	13733 →; disc Ø 304 mm	P61127MM [o]	17,1	ATE							
	96	04/14 →	●	disc Ø 268 mm	P61122MM [-]	17,5	BSH							
1.6 BlueHDi 100	73	12/14 →	●	disc Ø 283 mm	P61116MM [o]	17	ATE							
	73	12/14 →	●	disc Ø 304 mm	P61127MM [o]	17,1	ATE							
	73	12/14 →	●	disc Ø 268 mm	P61122MM [-]	17,5	BSH							
	73	12/14 →	●	disc Ø 290 mm	P61124MM [-]	17,3	BSH							
1.6 BlueHDi 120	88	07/14 →	●	disc Ø 283 mm	P61116MM [o]	17	ATE							
	88	07/14 →	●	disc Ø 304 mm	P61127MM [o]	17,1	ATE							
	88	07/14 →	●	disc Ø 268 mm	P61122MM [-]	17,5	BSH							
	88	07/14 →	●	disc Ø 290 mm	P61124MM [-]	17,3	BSH							
1.6 HDi / BlueHDi 115	85	02/13 →	●	disc Ø 283 mm	P61116MM [o]	17	ATE							
	85	02/13 →	●	disc Ø 304 mm	P61123MM [o]	17,1	ATE							
	85	02/13 →	●	disc Ø 268 mm	P61122MM [-]	17,5	BSH							
	85	02/13 →	●	disc Ø 290 mm	P61124MM [-]	17,3	BSH							
1.6 HDi 90	68	02/13 →	●	disc Ø 283 mm	P61116MM [o]	17	ATE							
	68	02/13 →	●	disc Ø 304 mm	P61123MM [o]	17,1	ATE							
	68	02/13 →	●	disc Ø 268 mm	P61122MM [-]	17,5	BSH							
	68	02/13 →	●	disc Ø 290 mm	P61124MM [-]	17,3	BSH							
1.6 THP 150	110	09/14 →	●	disc Ø 283 mm	P61116MM [o]	17	ATE							
	110	09/14 →	●	disc Ø 304 mm	P61127MM [o]	17,1	ATE							
	110	09/14 →	●	disc Ø 290 mm	P61124MM [-]	17,3	BSH							
	110	09/14 →	●	disc Ø 268 mm	P61122MM [-]	17,5	BSH							
1.6 THP 155	115	02/13 →	●	disc Ø 283 mm	P61116MM [o]	17	ATE							
	115	02/13 →	●	disc Ø 304 mm	P61123MM [o]	17,1	ATE							
	115	02/13 →	●	disc Ø 268 mm	P61122MM [-]	17,5	BSH							
	115	02/13 →	●	disc Ø 290 mm	P61124MM [-]	17,3	BSH							
1.6 THP 165	121	07/14 →	●	disc Ø 283 mm	P61116MM [o]	17	ATE							
	121	07/14 →	●	disc Ø 304 mm	P61127MM [o]	17,1	ATE							
	121	07/14 →	●	disc Ø 268 mm	P61122MM [-]	17,5	BSH							
	121	07/14 →	●	disc Ø 290 mm	P61124MM [-]	17,3	BSH							
1.6 VTI 120	88	02/13 →	●	disc Ø 283 mm	P61116MM [o]	17	ATE							
	88	02/13 →	●	disc Ø 304 mm	P61123MM [o]	17,1	ATE							

	kw						wi	Th [mm]	SYS	WI			FK	
											LENGHT			

CITROËN

C4 Picasso II 02/13 →

1.6 VTi 120	88	02/13 →		●	disc Ø 268 mm	P61122MM [-]	17,5	BSH						
	88	02/13 →		●	disc Ø 290 mm	P61124MM [-]	17,3	BSH						
2.0 BlueHDi 135	100	09/13 →		●	disc Ø 283 mm	P61116MM [O]	17	ATE						
	100	09/13 →		●	→ 06/14; → 13732; disc Ø 304 mm	P61123MM [O]	17,1	ATE						
	100	09/13 →		●	06/14 →; 13733 →; disc Ø 304 mm	P61127MM [O]	17,1	ATE						
	100	09/13 →		●	disc Ø 290 mm	P61124MM [-]	17,3	BSH						
	100	09/13 →		●	disc Ø 268 mm	P61122MM [-]	17,5	BSH						
2.0 BlueHDi 135 Hybrid	100	09/13 →		●	→ 06/14; → 13732; disc Ø 304 mm	P61123MM [O]	17,1	ATE						
	100	09/13 →		●	disc Ø 283 mm	P61116MM [O]	17	ATE						
	100	09/13 →		●	06/14 →; 13733 →; disc Ø 304 mm	P61127MM [O]	17,1	ATE						
	100	09/13 →		●	disc Ø 290 mm	P61124MM [-]	17,3	BSH						
2.0 BlueHDi 150	110	09/13 →		●	disc Ø 283 mm	P61116MM [O]	17	ATE						
	110	09/13 →		●	→ 13732; disc Ø 304 mm	P61123MM [O]	17,1	ATE						
	110	09/13 →		●	13733 →; disc Ø 304 mm	P61127MM [O]	17,1	ATE						
	110	09/13 →		●	disc Ø 268 mm	P61122MM [-]	17,5	BSH						
	110	09/13 →		●	disc Ø 290 mm	P61124MM [-]	17,3	BSH						

C4 Saloon 07/06 →

1.6 16V	80	07/06 → 07/11		●	→ 1205377	P61068MM [-]	19	BSH						
	80	07/06 → 07/11		●	→ 1205677	P85020MM [-]	17,2	TRW						
	80	07/06 → 07/11		●	1205777 →	P61085MM [-]	16,4	BSH						
1.6 HDi	80	07/06 → 07/11		●	→ 1205377	P61068MM [-]	19	BSH						
	80	07/06 → 07/11		●	→ 1205677	P85020MM [-]	17,2	TRW						
	80	07/06 → 07/11		●	1205777 →	P61085MM [-]	16,4	BSH						
2.0 16V2.0 16V	103	07/06 →		●	→ 1205377	P61068MM [-]	19	BSH						
	103	07/06 →		●	→ 1205677	P85020MM [-]	17,2	TRW						
	103	07/06 →		●	1205777 →	P61085MM [-]	16,4	BSH						

C5 I (DC_) 03/01 → 03/05

1.8 16V (DC6FZB, DC6FZE)	85	03/01 → 08/04		●		P61070MM [+]	17,5	BSH						
	85	03/01 → 08/04		●		P61073MM [-]	15,4	CIT						
2.0 16V (DCRFNC, DCRFNF)	100	03/01 → 08/04		●		P61071MM [+]	17,7	BSH						
	100	03/01 → 08/04		●		P61073MM [-]	15,4	CIT						
2.0 16V HPI (DCRLZB)	103	03/01 → 08/04		●		P61071MM [+]	17,7	BSH						
	103	03/01 → 08/04		●		P61073MM [-]	15,4	CIT						
2.0 HDi	79	03/01 → 08/04		●		P61071MM [+]	17,7	BSH						
	79	03/01 → 08/04		●		P61073MM [-]	15,4	CIT						
2.0 HDi (DCRHYB)	66	03/01 → 08/04		●		P61071MM [+]	17,7	BSH						
	66	03/01 → 08/04		●		P61073MM [-]	15,4	CIT						
2.0 HDi (DCRHZB, DCRHZE)	80	03/01 → 08/04		●		P61071MM [+]	17,7	BSH						
	80	03/01 → 08/04		●		P61073MM [-]	15,4	CIT						
2.2 HDi (DC4HXB, DC4HXE)	98	03/01 → 08/04		●		P61072MM [+]	18	BSH						
	98	03/01 → 08/04		●		P61073MM [-]	15,4	CIT						
3.0 V6 (DCXFXC, DCXFXF)	152	03/01 → 08/04		●		P61072MM [+]	18	BSH						
	152	03/01 → 08/04		●		P61073MM [-]	15,4	CIT						

								WI			FK		
	kw					wi	Th [mm]	SYS		LENGHT			

CITROËN

C5 I Break (DE_) 06/01 → 08/04

1.8 16V (DE6FZB, DE6FZE)	85	06/01 → 08/04	●					P61071MM	[+]	17,7	BSH				
	85	06/01 → 08/04		●				P61073MM	[-]	15,4	CIT				
2.0 16V (DERFNF, DERFNC, RERFNC)	100	06/01 → 08/04	●					P61071MM	[+]	17,7	BSH				
	100	06/01 → 08/04		●				P61073MM	[-]	15,4	CIT				
2.0 16V HPi (DERLZB)	103	06/01 → 08/04	●					P61071MM	[+]	17,7	BSH				
	103	06/01 → 08/04		●				P61073MM	[-]	15,4	CIT				
2.0 HDi	80	06/01 → 08/04	●					P61071MM	[+]	17,7	BSH				
	80	06/01 → 08/04		●				P61073MM	[-]	15,4	CIT				
2.0 HDi (DERHSB, DERHSE)	79	06/01 → 08/04	●					P61071MM	[+]	17,7	BSH				
	79	06/01 → 08/04		●				P61073MM	[-]	15,4	CIT				
2.0 HDi (DERHYB)	66	06/01 → 08/04	●					P61071MM	[+]	17,7	BSH				
	66	06/01 → 08/04		●				P61073MM	[-]	15,4	CIT				
2.2 HDi (DE4HXB, DE4HXE)	98	06/01 → 08/04	●					P61072MM	[+]	18	BSH				
	98	06/01 → 08/04		●				P61073MM	[-]	15,4	CIT				
3.0 Carlsson	173	09/03 → 08/04	●					P61072MM	[+]	18	BSH				
	173	09/03 → 08/04		●				P61073MM	[-]	15,4	CIT				
3.0 V6 (DEXFXC, DEXFXF)	152	06/01 → 08/04	●					P61072MM	[+]	18	BSH				
	152	06/01 → 08/04		●				P61073MM	[-]	15,4	CIT				

C5 II (RC_) 08/04 →

1.6 HDi (RC8HZB)	80	09/04 →	●					P61071MM	[+]	17,7	BSH				
	80	09/04 →		●				P61073MM	[-]	15,4	CIT				
1.8 16V	92	09/05 →	●					P61071MM	[+]	17,7	BSH				
	92	09/05 →		●				P61073MM	[-]	15,4	CIT				
1.8 16V (RC6FZB)	85	09/04 →	●					P61071MM	[+]	17,7	BSH				
	85	09/04 →		●				P61073MM	[-]	15,4	CIT				
2.0 16V (RCRFJB, RCRFJC)	103	09/04 →	●					P61071MM	[+]	17,7	BSH				
	103	09/04 →		●				P61073MM	[-]	15,4	CIT				
2.0 HDi (RCRHRH)	100	09/04 →	●					P61072MM	[+]	18	BSH				
	100	09/04 →		●				P61073MM	[-]	15,4	CIT				
2.2 HDi	125	04/06 →	●					P61072MM	[+]	18	BSH				
	125	04/06 →		●				P61073MM	[-]	15,4	CIT				
	120	05/06 →	●					P61072MM	[+]	18	BSH				
	120	05/06 →		●				P61073MM	[-]	15,4	CIT				
2.2 HDi (RC4HXE)	98	09/04 →	●					P61072MM	[+]	18	BSH				
	98	09/04 →		●				P61073MM	[-]	15,4	CIT				
3.0 V6	155	10/04 → 04/07	●					P61072MM	[+]	18	BSH				
	155	10/04 → 04/07		●				P61073MM	[-]	15,4	CIT				
3.0 V6 (RCXFUF)	152	09/04 →	●					P61072MM	[+]	18	BSH				
	152	09/04 →		●				P61073MM	[-]	15,4	CIT				

C5 II Break (RE_) 09/04 →

1.6 HDi (RE8HZB)	80	09/04 →	●					P61071MM	[+]	17,7	BSH				
	80	09/04 →		●				P61073MM	[-]	15,4	CIT				
1.8 16V	92	09/05 →	●					P61071MM	[+]	17,7	BSH				
	92	09/05 →		●				P61073MM	[-]	15,4	CIT				
1.8 16V (RE6FZB)	85	09/04 →	●					P61071MM	[+]	17,7	BSH				
	85	09/04 →		●				P61073MM	[-]	15,4	CIT				

 	kw					wi	Th [mm]	SYS	WI			FK	
										LENGHT			

CITROËN

C5 II Break (RE_) 09/04 →

2.0 16V (RERFJB, RERFJC)	103	09/04 →	•			P61071MM	[+]	17,7	BSH				
	103	09/04 →		•		P61073MM	[-]	15,4	CIT				
2.0 HDi (RERHRH)	100	09/04 →	•			P61072MM	[+]	18	BSH				
	100	09/04 →		•		P61073MM	[-]	15,4	CIT				
2.2 HDi	125	04/06 →	•			P61072MM	[+]	18	BSH				
	125	04/06 →		•		P61073MM	[-]	15,4	CIT				
	120	05/06 →	•			P61072MM	[+]	18	BSH				
	120	05/06 →		•		P61073MM	[-]	15,4	CIT				
2.2 HDi (RE4HXE)	98	09/04 →	•			P61072MM	[+]	18	BSH				
	98	09/04 →		•		P61073MM	[-]	15,4	CIT				
3.0	173	09/04 →	•			P61072MM	[+]	18	BSH				
	173	09/04 →		•		P61073MM	[-]	15,4	CIT				
3.0 V6	155	10/04 → 04/07	•			P61072MM	[+]	18	BSH				
	155	10/04 → 04/07		•		P61073MM	[-]	15,4	CIT				
3.0 V6 (REXFUF)	152	09/04 →	•			P61072MM	[+]	18	BSH				
	152	09/04 →		•		P61073MM	[-]	15,4	CIT				

C5 III (RD_) 02/08 →

1.6 HDi 110	80	02/08 →	•			P61106MM	[+]	17,9/ 18,8	ATE				
	80	02/08 →		•	-elect.handbrake	P61079MM	[-]	17,8	TRW				
	80	02/08 →		•	+elect.handbrake	P59042MM	[O]	16,7	ATE				
	82	07/10 →	•			P61106MM	[+]	17,9/ 18,8	ATE				
	82	07/10 →		•	-elect.handbrake	P61079MM	[-]	17,8	TRW				
	82	07/10 →		•	+elect.handbrake	P59042MM	[O]	16,7	ATE				
1.6 HDi 115	84	01/12 →	•			P61106MM	[+]	17,9/ 18,8	ATE				
	84	01/12 →		•	-elect.handbrake	P61079MM	[-]	17,8	TRW				
	84	01/12 →		•	+elect.handbrake	P59042MM	[O]	16,7	ATE				
1.6 THP 150	110	07/10 →	•			P61106MM	[+]	17,9/ 18,8	ATE				
	110	07/10 →		•	-elect.handbrake	P61079MM	[-]	17,8	TRW				
	110	07/10 →		•	+elect.handbrake	P59042MM	[O]	16,7	ATE				
1.6 THP 155	115	04/09 →	•		disc Ø 304 mm	P61106MM	[+]	17,9/ 18,8	ATE				
	115	04/09 →	•		disc Ø 330 mm	P61078MM	[+]	17,7	TRW				
	115	04/09 →		•	-elect.handbrake	P61079MM	[-]	17,8	TRW				
	115	04/09 →		•	+elect.handbrake	P59042MM	[O]	16,7	ATE				
1.6 VTi 120	88	07/10 →	•			P61106MM	[+]	17,9/ 18,8	ATE			A02202	
	88	07/10 →		•	-elect.handbrake	P61079MM	[-]	17,8	TRW				
	88	07/10 →		•	+elect.handbrake	P59042MM	[O]	16,7	ATE				
1.8 16V	92	02/08 →	•			P61106MM	[+]	17,9/ 18,8	ATE				
	92	02/08 →		•	-elect.handbrake	P61079MM	[-]	17,8	TRW				
	92	02/08 →		•	+elect.handbrake	P59042MM	[O]	16,7	ATE				
2.0 16V	103	02/08 →	•			P61106MM	[+]	17,9/ 18,8	ATE				
	103	02/08 →		•	-elect.handbrake	P61079MM	[-]	17,8	TRW				
	103	02/08 →		•	+elect.handbrake	P59042MM	[O]	16,7	ATE				
2.0 16V BioFlex	103	02/08 →	•			P61106MM	[+]	17,9/ 18,8	ATE				
	103	02/08 →		•	-elect.handbrake	P61079MM	[-]	17,8	TRW				
	103	02/08 →		•	+elect.handbrake	P59042MM	[O]	16,7	ATE				

									WI			FK	

CITROËN

C5 III (RD_) 02/08 →

2.0 HDi	100	02/08 →	●		P61106MM	[+]	17,9/ 18,8	ATE					
	100	02/08 →		● -elect.handbrake	P61079MM	[-]	17,8	TRW					
	100	02/08 →		● +elect.handbrake	P59042MM	[O]	16,7	ATE					
2.0 HDi 140	103	04/09 →	●		P61106MM	[+]	17,9/ 18,8	ATE					
	103	04/09 →		● -elect.handbrake	P61079MM	[-]	17,8	TRW					
	103	04/09 →		● +elect.handbrake	P59042MM	[O]	16,7	ATE					
2.0 HDi 150 / BlueHDi 150	110	04/09 →	●		P61106MM	[+]	17,9/ 18,8	ATE					
	110	04/09 →		● +elect.handbrake	P59042MM	[O]	16,7	ATE					
	110	04/09 →		● -elect.handbrake	P61079MM	[-]	17,8	TRW					
2.0 HDi 165	120	04/09 →	●	disc Ø 304 mm	P61106MM	[+]	17,9/ 18,8	ATE					
	120	04/09 →	●	disc Ø 330 mm	P61078MM	[+]	17,7	TRW					
	120	04/09 →		● -elect.handbrake	P61079MM	[-]	17,8	TRW					
	120	04/09 →		● +elect.handbrake	P59042MM	[O]	16,7	ATE					
2.0 HDi 180	133	03/15 →	●		P61115MM	[O]	17	ATE					
	133	03/15 →		● -elect.handbrake	P61079MM	[-]	17,8	TRW					
	133	03/15 →		● +elect.handbrake	P59042MM	[O]	16,7	ATE					
2.2 HDi	125	02/08 →	●		P61078MM	[+]	17,7	TRW					
	125	02/08 →		● -elect.handbrake	P61079MM	[-]	17,8	TRW					
	125	02/08 →		● +elect.handbrake	P59042MM	[O]	16,7	ATE					
2.2 HDi 200	150	07/10 →	●		P61107MM	[+]	17	ATE					
	150	07/10 →	●		P61119MM	[+]	18,3	TRW					
	150	07/10 →		● -elect.handbrake	P61079MM	[-]	17,8	TRW					
	150	07/10 →		● +elect.handbrake	P59042MM	[O]	16,7	ATE					
2.7 HDi	150	02/08 →	●		P61078MM	[+]	17,7	TRW					
	150	02/08 →		● -elect.handbrake	P61079MM	[-]	17,8	TRW					
	150	02/08 →		● +elect.handbrake	P59042MM	[O]	16,7	ATE					
3.0 HDi 240	177	04/09 →	●	→ 12775	P61107MM	[+]	17	ATE					
	177	04/09 →	●	12776 →	P61115MM	[O]	17	ATE					
	177	04/09 →		● -elect.handbrake	P61079MM	[-]	17,8	TRW					
	177	04/09 →		● +elect.handbrake	P59042MM	[O]	16,7	ATE					
3.0 V6	155	02/08 →	●		P61078MM	[+]	17,7	TRW					
	155	02/08 →		● -elect.handbrake	P61079MM	[-]	17,8	TRW					
	155	02/08 →		● +elect.handbrake	P59042MM	[O]	16,7	ATE					

C5 III Break (TD_) 02/08 →

1.6 HDi 110	80	02/08 →	●		P61106MM	[+]	17,9/ 18,8	ATE					
	80	02/08 →		● -elect.handbrake	P61079MM	[-]	17,8	TRW					
	80	02/08 →		● +elect.handbrake	P59042MM	[O]	16,7	ATE					
	82	07/10 →	●		P61106MM	[+]	17,9/ 18,8	ATE					
	82	07/10 →		● -elect.handbrake	P61079MM	[-]	17,8	TRW					
	82	07/10 →		● +elect.handbrake	P59042MM	[O]	16,7	ATE					
1.6 HDi 115	84	01/12 →	●		P61106MM	[+]	17,9/ 18,8	ATE					
	84	01/12 →		● -elect.handbrake	P61079MM	[-]	17,8	TRW					
	84	01/12 →		● +elect.handbrake	P59042MM	[O]	16,7	ATE					
1.6 THP 150	110	04/09 →	●		P61106MM	[+]	17,9/ 18,8	ATE					
	110	04/09 →		● -elect.handbrake	P61079MM	[-]	17,8	TRW					
	110	04/09 →		● +elect.handbrake	P59042MM	[O]	16,7	ATE					

 	kw						wi	Th [mm]	SYS	WI			FK	
											LENGHT			

CITROËN

C5 III Break (TD_) 02/08 →

1.6 THP 155	115	04/09 →	●			P61106MM	[+]	17,9/ 18,8	ATE					
	115	04/09 →	●			P61078MM	[+]	17,7	TRW					
	115	04/09 →		●	-elect.handbrake	P61079MM	[-]	17,8	TRW					
	115	04/09 →		●	+elect.handbrake	P59042MM	[O]	16,7	ATE					
1.6 VTI 120	88	07/10 →	●			P61106MM	[+]	17,9/ 18,8	ATE				A02202	
	88	07/10 →		●	-elect.handbrake	P61079MM	[-]	17,8	TRW					
	88	07/10 →		●	+elect.handbrake	P59042MM	[O]	16,7	ATE					
1.8 16V	92	02/08 →	●			P61106MM	[+]	17,9/ 18,8	ATE					
	92	02/08 →		●	-elect.handbrake	P61079MM	[-]	17,8	TRW					
	92	02/08 →		●	+elect.handbrake	P59042MM	[O]	16,7	ATE					
2.0 16V	103	02/08 →	●			P61106MM	[+]	17,9/ 18,8	ATE					
	103	02/08 →		●	-elect.handbrake	P61079MM	[-]	17,8	TRW					
	103	02/08 →		●	+elect.handbrake	P59042MM	[O]	16,7	ATE					
2.0 16V BioFlex	103	02/08 →	●			P61106MM	[+]	17,9/ 18,8	ATE					
	103	02/08 →		●	-elect.handbrake	P61079MM	[-]	17,8	TRW					
	103	02/08 →		●	+elect.handbrake	P59042MM	[O]	16,7	ATE					
2.0 HDi	100	02/08 →	●			P61106MM	[+]	17,9/ 18,8	ATE					
	100	02/08 →		●	-elect.handbrake	P61079MM	[-]	17,8	TRW					
	100	02/08 →		●	+elect.handbrake	P59042MM	[O]	16,7	ATE					
2.0 HDi 140	103	04/09 →	●			P61106MM	[+]	17,9/ 18,8	ATE					
	103	04/09 →		●	-elect.handbrake	P61079MM	[-]	17,8	TRW					
	103	04/09 →		●	+elect.handbrake	P59042MM	[O]	16,7	ATE					
2.0 HDi 150 / BlueHDi 150	110	04/09 →	●			P61106MM	[+]	17,9/ 18,8	ATE					
	110	04/09 →		●	-elect.handbrake	P61079MM	[-]	17,8	TRW					
	110	04/09 →		●	+elect.handbrake	P59042MM	[O]	16,7	ATE					
2.0 HDi 165	120	04/09 →	●			P61106MM	[+]	17,9/ 18,8	ATE					
	120	04/09 →		●	-elect.handbrake	P61079MM	[-]	17,8	TRW					
	120	04/09 →		●	+elect.handbrake	P59042MM	[O]	16,7	ATE					
2.0 HDi 180	133	03/15 →	●			P61115MM	[O]	17	ATE					
	133	03/15 →		●	+elect.handbrake	P59042MM	[O]	16,7	ATE					
	133	03/15 →		●	-elect.handbrake	P61079MM	[-]	17,8	TRW					
2.2 HDi	125	02/08 →	●			P61078MM	[+]	17,7	TRW					
	125	02/08 →		●	-elect.handbrake	P61079MM	[-]	17,8	TRW					
	125	02/08 →		●	+elect.handbrake	P59042MM	[O]	16,7	ATE					
2.2 HDi 165	120	02/08 →	●			P61078MM	[+]	17,7	TRW					
	120	02/08 →	●			P61119MM	[+]	18,3	TRW					
	120	02/08 →		●	-elect.handbrake	P61079MM	[-]	17,8	TRW					
	120	02/08 →		●	+elect.handbrake	P59042MM	[O]	16,7	ATE					
2.2 HDi 200	150	07/10 →	●			P61107MM	[+]	17	ATE					
	150	07/10 →	●			P61119MM	[+]	18,3	TRW					
	150	07/10 →		●	-elect.handbrake	P61079MM	[-]	17,8	TRW					
	150	07/10 →		●	+elect.handbrake	P59042MM	[O]	16,7	ATE					
2.7 HDi	150	02/08 →	●			P61078MM	[+]	17,7	TRW					
	150	02/08 →		●	-elect.handbrake	P61079MM	[-]	17,8	TRW					
	150	02/08 →		●	+elect.handbrake	P59042MM	[O]	16,7	ATE					

Car Icon	kw	Hourglass	Truck	i	MAGNETI MARELLI	wi	Th [mm]	SYS	WI			FK	
									MAGNETI MARELLI	LENGHT	i	MAGNETI MARELLI	i

CITROËN

C5 III Break (TD_) 02/08 →

3.0 HDi 240	177 04/09 →	●	→ 12775	P61107MM	[+]	17	ATE						
	177 04/09 →	●	12776 →	P61115MM	[O]	17	ATE						
	177 04/09 →		● -elect.handbrake	P61079MM	[-]	17,8	TRW						
	177 04/09 →		● +elect.handbrake	P59042MM	[O]	16,7	ATE						
3.0 V6	155 02/08 →	●		P61078MM	[+]	17,7	TRW						
	155 02/08 →		● -elect.handbrake	P61079MM	[-]	17,8	TRW						
	155 02/08 →		● +elect.handbrake	P59042MM	[O]	16,7	ATE						

C6 (TD_) 09/05 →

2.2 HDi	125 06/06 →	●		P61078MM	[+]	17,7	TRW						
	125 06/06 →		●	P61087MM	[-]	16,7	TRW						
	120 06/06 →	●		P61078MM	[+]	17,7	TRW						
	120 06/06 →	●		P61119MM	[+]	18,3	TRW						
	120 06/06 →		●	P61087MM	[-]	16,7	TRW						
2.7 HDi	150 09/05 →	●		P61078MM	[+]	17,7	TRW						
	150 09/05 →		●	P61087MM	[-]	16,7	TRW						
3.0 HDi	177 04/09 →	●	→ 12775	P61107MM	[+]	17	ATE						
	177 04/09 →	●	12776 →	P61115MM	[O]	17	ATE						
	177 04/09 →		●	P61087MM	[-]	16,7	TRW						
3.0 V6	155 09/05 →	●		P61078MM	[+]	17,7	TRW						
	155 09/05 →		●	P61087MM	[-]	16,7	TRW						

C8 (EA_, EB_) 07/02 →

2.0	100 07/02 →	●		P23090MM	[+]	19,3	TRW						
	100 07/02 →		●	P61088MM	[-]	17,4	TRW						
2.0 16V	104 09/05 →	●		P23090MM	[+]	19,3	TRW						
	104 09/05 →		●	P61088MM	[-]	17,4	TRW						
	103 09/05 →	●		P23090MM	[+]	19,3	TRW						
	103 09/05 →		●	P61088MM	[-]	17,4	TRW						
2.0 HDi	79 07/02 →	●		P23090MM	[+]	19,3	TRW						
	79 07/02 →		●	P61088MM	[-]	17,4	TRW						
	88 07/06 →	●		P23090MM	[+]	19,3	TRW						
	88 07/06 →		●	P61088MM	[-]	17,4	TRW						
	80 07/02 →	●		P23090MM	[+]	19,3	TRW						
	80 07/02 →		●	P61088MM	[-]	17,4	TRW						
	81 07/02 →	●		P23090MM	[+]	19,3	TRW						
	81 07/02 →		●	P61088MM	[-]	17,4	TRW						
2.0 HDi 135	100 03/06 →	●		P23090MM	[+]	19,3	TRW						
	100 03/06 →		●	P61088MM	[-]	17,4	TRW						
2.0 HDi 165	120 03/06 →	●		P61104MM	[+]	19,4	TRW						
	120 03/06 →		●	P61088MM	[-]	17,4	TRW						
2.2	116 07/02 →	●		P23090MM	[+]	19,3	TRW						
	116 07/02 →		●	P61088MM	[-]	17,4	TRW						
2.2 HDi	94 07/02 →	●		P23090MM	[+]	19,3	TRW						
	94 07/02 →		●	P61088MM	[-]	17,4	TRW						
	125 06/06 →	●		P61104MM	[+]	19,4	TRW						
	125 06/06 →		●	P61088MM	[-]	17,4	TRW						
	120 06/07 →	●		P61104MM	[+]	19,4	TRW						
	120 06/07 →		●	P61088MM	[-]	17,4	TRW						
3.0 V6	150 07/02 →	●		P23082MM	[+]	16	BRE						
	150 07/02 →		●	P61088MM	[-]	17,4	TRW						

C-CROSSER (EP_) 02/07 →

2.0	108 11/10 →	●		P54017MM	[+]	15,7	AKE				A02236		
	108 11/10 →	●		P61089MM	[+]	15,7	AKE				A02236		
	108 11/10 →		●	P54031MM	[+]	15,5	AKE						

		kw				MAGNETI MARELLI	wi	Th [mm]	SYS	WI			FK	
										MAGNETI MARELLI	LENGHT		MAGNETI MARELLI	

CITROËN

C-CROSSER (EP_) 02/07 →

2.0 All-wheel Drive	108	11/10 →	•			P54017MM	[+]	15,7	AKE					A02236	
	108	11/10 →	•			P61089MM	[+]	15,7	AKE					A02236	
	108	11/10 →		•		P54031MM	[+]	15,5	AKE						
2.2 HDi	115	02/07 →	•			P54017MM	[+]	15,7	AKE					A02236	
	115	02/07 →	•			P61089MM	[+]	15,7	AKE					A02236	
	115	02/07 →		•		P54031MM	[+]	15,5	AKE						
2.4 16V	125	08/08 →	•			P54017MM	[+]	15,7	AKE						
	125	08/08 →	•			P61089MM	[+]	15,7	AKE						
	125	08/08 →		•		P54031MM	[+]	15,5	AKE						

C-CROSSER ENTERPRISE 01/09 →

2.2 HDi	115	01/09 →	•			P54017MM	[+]	15,7	AKE						
	115	01/09 →	•			P61089MM	[+]	15,7	AKE						
	115	01/09 →		•		P54031MM	[+]	15,5	AKE						
2.4 16V	125	01/09 →	•			P54017MM	[+]	15,7	AKE					A02236	
	125	01/09 →	•			P61089MM	[+]	15,7	AKE					A02236	
	125	01/09 →		•		P54031MM	[+]	15,5	AKE						

C-ELYSEE 11/12 →

1.2 VTi 72	53	11/12 →	•			P61066MM	[-]	19	BSH						
	53	11/12 →	•			P61113MM	[-]	18,7	MN						
1.2 VTi 82	60	12/14 →	•			P61066MM	[-]	19	BSH						
	60	12/14 →	•			P61113MM	[-]	18,7	MN						
1.6 BlueHDi 100	73	11/14 →	•			P61066MM	[-]	19	BSH						
	73	11/14 →	•			P61113MM	[-]	18,7	MN						
1.6 HDi 92	68	11/12 →	•			P61066MM	[-]	19	BSH						
	68	11/12 →	•			P61113MM	[-]	18,7	MN						
1.6 VTi 115	85	11/12 →	•			P61066MM	[-]	19	BSH						
	85	11/12 →	•			P61113MM	[-]	18,7	MN						

C-ZERO 10/10 →

C-Zero	35	10/10 →	•			P61108MM	[+]	14,7	SUM						
	47	10/10 →	•			P61108MM	[+]	14,7	SUM						
	49	10/14 →	•			P61108MM	[+]	14,7	SUM						

DS3 11/09 → 07/15

1.2 THP 110	81	10/14 → 03/15	•		disc Ø 266 mm	P61066MM	[-]	19	BSH						
	81	10/14 → 03/15	•		disc Ø 283 mm	P61103MM	[-]	18	BSH						
	81	10/14 → 03/15	•		disc Ø 323 mm	P36020MM	[-]	15	BRE						
	81	10/14 → 03/15	•		+rear disc	P85020MM	[-]	17,2	TRW						
1.2 VTi 82	60	01/13 → 03/15	•		disc Ø 266 mm	P61066MM	[-]	19	BSH						
	60	01/13 → 03/15	•		disc Ø 283 mm	P61103MM	[-]	18	BSH						
	60	01/13 → 03/15	•			P85020MM	[-]	17,2	TRW						
1.4 HDi 70	50	04/10 → 07/15	•		disc Ø 266 mm	P61066MM	[-]	19	BSH						
	50	04/10 → 07/15	•		disc Ø 283 mm	P61103MM	[-]	18	BSH						
	50	04/10 → 07/15	•		→ 12774	P85020MM	[-]	17,2	TRW				A02205	+rear disc	
	70	04/10 → 07/15	•		disc Ø 266 mm	P61066MM	[-]	19	BSH						
1.4 VTi 95	70	04/10 → 07/15	•		disc Ø 283 mm	P61103MM	[-]	18	BSH						
	70	04/10 → 07/15	•		→ 12774	P85020MM	[-]	17,2	TRW						
	70	04/10 → 07/15	•												
1.4 VTi 95 LPG	70	08/12 → 07/15	•		disc Ø 266 mm	P61066MM	[-]	19	BSH						
	70	08/12 → 07/15	•		disc Ø 283 mm	P61103MM	[-]	18	BSH						
	70	08/12 → 07/15	•			P85020MM	[-]	17,2	TRW						
1.4 VTi 98	72	11/09 → 07/15	•		06/10 →; disc Ø 266 mm	P61066MM	[-]	19	BSH						
	72	11/09 → 07/15	•		06/10 →; disc Ø 283 mm	P61103MM	[-]	18	BSH						
	72	11/09 → 07/15	•		06/10 →	P85020MM	[-]	17,2	TRW						
1.6	120	01/12 → 07/15	•		disc Ø 266 mm	P61066MM	[-]	19	BSH						
	120	01/12 → 07/15	•		disc Ø 283 mm	P61103MM	[-]	18	BSH						

CITROËN

DS3 11/09 → 07/15

1.6	120	01/12 → 07/15	●	disc Ø 323 mm	P36020MM [-]	15	BRE					
	120	01/12 → 07/15	●	+rear disc	P85020MM [-]	17,2	TRW					
1.6 BlueHdi 100	73	07/14 → 07/15	●	disc Ø 266 mm	P61066MM [-]	19	BSH					
	73	07/14 → 07/15	●	disc Ø 283 mm	P61103MM [-]	18	BSH					
	73	07/14 → 07/15	●	disc Ø 323 mm	P36020MM [-]	15	BRE					
	73	07/14 → 07/15	●		P85020MM [-]	17,2	TRW					
1.6 BlueHdi 120	88	10/13 → 07/15	●	disc Ø 266 mm	P61066MM [-]	19	BSH					
	88	10/13 → 07/15	●	disc Ø 283 mm	P61103MM [-]	18	BSH					
	88	10/13 → 07/15	●		P85020MM [-]	17,2	TRW					
1.6 BlueHdi 75	55	03/15 → 07/15	●	disc Ø 283 mm	P61103MM [-]	18	BSH					
	55	03/15 → 07/15	●	disc Ø 266 mm	P61066MM [-]	19	BSH					
	55	03/15 → 07/15	●	disc Ø 323 mm	P36020MM [-]	15	BRE					
	55	03/15 → 07/15	●	+rear disc	P85020MM [-]	17,2	TRW					
1.6 Hdi 110	82	11/09 → 07/15	●	06/10 →; disc Ø 266 mm	P61066MM [-]	19	BSH					
	82	11/09 → 07/15	●	disc Ø 283 mm	P61103MM [-]	18	BSH					
	82	11/09 → 07/15	●	→ 12774	P85020MM [-]	17,2	TRW					
1.6 Hdi 115	84	08/12 → 07/15	●	disc Ø 266 mm	P61066MM [-]	19	BSH					
	84	08/12 → 07/15	●	disc Ø 283 mm	P61103MM [-]	18	BSH					
	84	08/12 → 07/15	●		P85020MM [-]	17,2	TRW					
	85	10/13 → 07/15	●	disc Ø 266 mm	P61066MM [-]	19	BSH					
	85	10/13 → 07/15	●	disc Ø 283 mm	P61103MM [-]	18	BSH					
1.6 Hdi 90	68	11/09 → 07/15	●	disc Ø 266 mm	P61066MM [-]	19	BSH					
	68	11/09 → 07/15	●	disc Ø 283 mm	P61103MM [-]	18	BSH					
	68	11/09 → 07/15	●	→ 12774	P85020MM [-]	17,2	TRW					
1.6 Racing	147	02/11 → 07/15	●	disc Ø 283 mm	P61103MM [-]	18	BSH					
	147	02/11 → 07/15	●		P36020MM [-]	15	BRE					
	147	02/11 → 07/15	●	disc Ø 323 mm	P24073MM [-]	14	BRE					
	147	02/11 → 07/15	●	→ 12774	P85020MM [-]	17,2	TRW				A02205	
	152	02/11 → 07/15	●	disc Ø 283 mm	P61103MM [-]	18	BSH					
	152	02/11 → 07/15	●		P36020MM [-]	15	BRE					
	152	02/11 → 07/15	●	disc Ø 323 mm	P24073MM [-]	14	BRE					
1.6 THP 150	110	01/10 → 07/15	●	06/10 →; 12271 →; disc Ø 266 mm	P61066MM [-]	19	BSH					
	110	01/10 → 07/15	●		P61103MM [-]	18	BSH					
	110	01/10 → 07/15	●	→ 12774	P85020MM [-]	17,2	TRW				A02205	
1.6 THP 155	115	04/10 → 07/15	●	06/10 →; 12271 →; disc Ø 266 mm	P61066MM [-]	19	BSH					
	115	04/10 → 07/15	●		P61103MM [-]	18	BSH					
	115	04/10 → 07/15	●	→ 12774	P85020MM [-]	17,2	TRW					
1.6 THP 165	121	10/14 → 06/15	●	disc Ø 283 mm	P61103MM [-]	18	BSH					
	121	10/14 → 06/15	●	disc Ø 266 mm	P61066MM [-]	19	BSH					
	121	10/14 → 06/15	●	disc Ø 323 mm	P36020MM [-]	15	BRE					
	121	10/14 → 06/15	●	+rear disc	P85020MM [-]	17,2	TRW					
1.6 VTi 120	88	04/10 → 07/15	●	06/10 →; disc Ø 266 mm	P61066MM [-]	19	BSH					
	88	04/10 → 07/15	●	disc Ø 283 mm	P61103MM [-]	18	BSH					
	88	04/10 → 07/15	●	→ 12774	P85020MM [-]	17,2	TRW					

DS3 Convertible 01/13 → 07/15

1.2 THP 110	81	10/14 → 07/15	●	disc Ø 266 mm	P61066MM [-]	19	BSH					
	81	10/14 → 07/15	●	disc Ø 323 mm	P36020MM [-]	15	BRE					
	81	10/14 → 07/15	●	disc Ø 283 mm	P61103MM [-]	18	BSH					
	81	10/14 → 07/15	●		P85020MM [-]	17,2	TRW					



kw



wi

Th [mm]

SYS



LENGHT

WI



FK



CITROËN

DS3 Convertible 01/13 → 07/15

1.2 VTI 82	60	01/13 → 07/15	●	disc Ø 266 mm	P61066MM [-]	19	BSH						
	60	01/13 → 07/15	●	disc Ø 283 mm	P61103MM [-]	18	BSH						
	60	01/13 → 07/15	●		P85020MM [-]	17,2	TRW						
1.6 BlueHDI 100	73	07/14 → 07/15	●	disc Ø 266 mm	P61066MM [-]	19	BSH						
	73	07/14 → 07/15	●	disc Ø 323 mm	P36020MM [-]	15	BRE						
	73	07/14 → 07/15	●	disc Ø 283 mm	P61103MM [-]	18	BSH						
	73	07/14 → 07/15	●		P85020MM [-]	17,2	TRW						
1.6 BlueHDI 115	85	10/13 → 07/15	●	disc Ø 266 mm	P61066MM [-]	19	BSH						
	85	10/13 → 07/15	●	disc Ø 283 mm	P61103MM [-]	18	BSH						
	85	10/13 → 07/15	●	disc Ø 323 mm	P36020MM [-]	15	BRE						
	85	10/13 → 07/15	●	+rear disc	P85020MM [-]	17,2	TRW						
1.6 BlueHDI 120	88	07/14 → 07/15	●	disc Ø 266 mm	P61066MM [-]	19	BSH						
	88	07/14 → 07/15	●	disc Ø 283 mm	P61103MM [-]	18	BSH						
	88	07/14 → 07/15	●		P85020MM [-]	17,2	TRW						
1.6 HDi 90	69	01/13 → 07/15	●	disc Ø 283 mm	P61103MM [-]	18	BSH						
	69	01/13 → 07/15	●	disc Ø 266 mm	P61066MM [-]	19	BSH						
	69	01/13 → 07/15	●	disc Ø 283 mm	P85020MM [-]	17,2	TRW						
1.6 Racing	152	03/14 → 07/15	●	disc Ø 283 mm	P61103MM [-]	18	BSH						
	152	03/14 → 07/15	●		P24073MM [-]	14	BRE						
	152	03/14 → 07/15	●	disc Ø 266 mm	P61066MM [-]	19	BSH						
	152	03/14 → 07/15	●	disc Ø 323 mm	P36020MM [-]	15	BRE						
	152	03/14 → 07/15	●		P85020MM [-]	17,2	TRW						
	152	03/14 → 07/15	●										
1.6 THP 150	110	01/13 → 07/15	●	disc Ø 266 mm	P61066MM [-]	19	BSH						
	110	01/13 → 07/15	●	disc Ø 283 mm	P61103MM [-]	18	BSH						
	110	01/13 → 07/15	●		P85020MM [-]	17,2	TRW						
1.6 THP 155	115	01/13 → 07/15	●	disc Ø 266 mm	P61066MM [-]	19	BSH						
	115	01/13 → 07/15	●	disc Ø 283 mm	P61103MM [-]	18	BSH						
	115	01/13 → 07/15	●		P85020MM [-]	17,2	TRW						
1.6 THP 165	121	10/14 → 07/15	●	disc Ø 266 mm	P61066MM [-]	19	BSH						
	121	10/14 → 07/15	●	disc Ø 283 mm	P61103MM [-]	18	BSH						
	121	10/14 → 07/15	●	disc Ø 323 mm	P36020MM [-]	15	BRE						
	121	10/14 → 07/15	●		P85020MM [-]	17,2	TRW						
1.6 VTI 120	88	01/13 → 07/15	●	disc Ø 266 mm	P61066MM [-]	19	BSH						
	88	01/13 → 07/15	●	disc Ø 283 mm	P61103MM [-]	18	BSH						
	88	01/13 → 07/15	●		P85020MM [-]	17,2	TRW						

DS4 04/11 → 07/15

1.2 THP 130	96	07/14 → 07/15	●		P61083MM [-]	18,3/18,8	ATE						
	96	07/14 → 07/15	●	-elect.handbrake	P85020MM [-]	17,2	TRW						
	96	07/14 → 07/15	●	+elect.handbrake	P61114MM [-]	17,3	TRW						
1.6 BlueHDI 115	85	08/14 → 07/15	●		P61083MM [-]	18,3/18,8	ATE						
	85	08/14 → 07/15	●		P61114MM [-]	17,3	TRW						
1.6 BlueHDI 120	88	07/14 → 07/15	●		P61083MM [-]	18,3/18,8	ATE						
	88	07/14 → 07/15	●	-elect.handbrake	P85020MM [-]	17,2	TRW						
	88	07/14 → 07/15	●	+elect.handbrake	P61114MM [-]	17,3	TRW						
1.6 HDi 110	82	04/11 → 07/15	●	+elect.handbrake	P61083MM [-]	18,3/18,8	ATE					A02202	
	82	04/11 → 07/15	●	-elect.handbrake	P85020MM [-]	17,2	TRW					A02205	-elect.handbrake
	82	04/11 → 07/15	●	+elect.handbrake	P61114MM [-]	17,3	TRW					A02205	-elect.handbrake
	81	04/11 → 07/15	●	-elect.handbrake	P61105MM [-]	18,5	TRW					A02202	
	81	04/11 → 07/15	●	+elect.handbrake	P61083MM [-]	18,3/18,8	ATE					A02202	

	kW				MAGNETI MARELLI	wi	Th [mm]	SYS	WI			FK	
									MAGNETI MARELLI	LENGHT		MAGNETI MARELLI	

CITROËN

DS4 04/11 → 07/15

1.6 HDi 110	81	04/11 → 07/15	●	-elect.handbrake	P85020MM	[-]	17,2	TRW					A02205	-elect.handbrake
	81	04/11 → 07/15	●	+elect.handbrake	P61114MM	[-]	17,3	TRW					A02205	-elect.handbrake
1.6 HDi 115	84	08/12 → 07/15	●		P61083MM	[-]	18,3/ 18,8	ATE						
	84	08/12 → 07/15	●	-elect.handbrake	P85020MM	[-]	17,2	TRW						
	84	08/12 → 07/15	●	+elect.handbrake	P61114MM	[-]	17,3	TRW						
1.6 HDi 90	68	05/11 → 07/15	●	-elect.handbrake	P61105MM	[-]	18,5	TRW						
	68	05/11 → 07/15	●	+elect.handbrake	P61083MM	[-]	18,3/ 18,8	ATE						
	68	05/11 → 07/15	●	-elect.handbrake	P85020MM	[-]	17,2	TRW						
1.6 THP 155	115	04/11 → 07/15	●		P61086MM	[-]	18,2/ 19	ATE					A02202	
	115	04/11 → 07/15	●	-elect.handbrake	P85020MM	[-]	17,2	TRW					A02205	-elect.handbrake
	115	04/11 → 07/15	●	+elect.handbrake	P61114MM	[-]	17,3	TRW					A02205	-elect.handbrake
1.6 THP 160	120	04/12 → 07/15	●		P61086MM	[-]	18,2/ 19	ATE						
	120	04/12 → 07/15	●	+elect.handbrake	P61114MM	[-]	17,3	TRW						
	120	04/12 → 07/15	●	-elect.handbrake	P85020MM	[-]	17,2	TRW						
1.6 THP 165	121	01/12 → 07/15	●		P61117MM	[-]	18/ 18,9	ATE						
	121	01/12 → 07/15	●		P61114MM	[-]	17,3	TRW						
1.6 THP 200	147	04/11 → 07/15	●		P61107MM	[+]	17	ATE						
	147	04/11 → 07/15	●		P61114MM	[-]	17,3	TRW					A02205	
	147	04/11 → 07/15	●		P85020MM	[-]	17,2	TRW					A02205	
1.6 VTI 120	88	04/11 → 07/15	●		P61083MM	[-]	18,3/ 18,8	ATE					A02202	
	88	04/11 → 07/15	●	-elect.handbrake	P85020MM	[-]	17,2	TRW					A02205	-elect.handbrake
	88	04/11 → 07/15	●	+elect.handbrake	P61114MM	[-]	17,3	TRW					A02205	-elect.handbrake
2.0 BlueHDi 150	110	07/14 → 07/15	●	-19" wheel	P61117MM	[-]	18/ 18,9	ATE						
	110	07/14 → 07/15	●	-19" wheel	P61115MM	[o]	17	ATE						
	110	07/14 → 07/15	●	-elect.handbrake	P85020MM	[-]	17,2	TRW						
	110	07/14 → 07/15	●	+elect.handbrake	P61114MM	[-]	17,3	TRW						
2.0 BlueHDi 180	133	07/14 → 07/15	●	-19" wheel	P61117MM	[-]	18/ 18,9	ATE						
	133	07/14 → 07/15	●	19" wheel	P61115MM	[o]	17	ATE						
	133	07/14 → 07/15	●	+elect.handbrake	P61114MM	[-]	17,3	TRW						
	133	07/14 → 07/15	●	-elect.handbrake	P85020MM	[-]	17,2	TRW						
2.0 HDi / BlueHDi 135	100	09/11 → 07/15	●	-19" wheel	P61117MM	[-]	18/ 18,9	ATE						
	100	09/11 → 07/15	●	19" wheel	P61115MM	[o]	17	ATE						
	100	09/11 → 07/15	●	-elect.handbrake	P85020MM	[-]	17,2	TRW						
	100	09/11 → 07/15	●	+elect.handbrake	P61114MM	[-]	17,3	TRW						
2.0 HDi 165	120	04/11 → 07/15	●	-19" wheel	P61117MM	[-]	18/ 18,9	ATE					A02202	
	120	04/11 → 07/15	●	-19" wheel	P61115MM	[o]	17	ATE					A02202	
	120	04/11 → 07/15	●	+elect.handbrake	P61114MM	[-]	17,3	TRW					A02205	
	120	04/11 → 07/15	●	-elect.handbrake	P85020MM	[-]	17,2	TRW					A02205	

DS5 11/11 → 07/15

1.6 BlueHDi 120	88	07/14 → 07/15	●	disc Ø 283 mm	P61083MM	[-]	18,3/ 18,8	ATE						
	88	07/14 → 07/15	●	disc Ø 302 mm	P61117MM	[-]	18/ 18,9	ATE						
	88	07/14 → 07/15	●	disc Ø 340 mm	P61115MM	[o]	17	ATE						

		kw						wi	Th [mm]	SYS	WI			FK	
												LENGHT			

CITROËN

DS5 11/11 → 07/15

1.6 BlueHDi 120	88	07/14 → 07/15	●		disc Ø 340 mm	P61107MM	[+]	17	ATE						
	88	07/14 → 07/15		●			P61114MM	[-]	17,3	TRW					
1.6 HDi	85	11/13 → 07/15	●		disc Ø 283 mm	P61083MM	[-]	18,3/ 18,8	ATE						
	85	11/13 → 07/15	●		disc Ø 302 mm	P61117MM	[-]	18/ 18,9	ATE						
	85	11/13 → 07/15	●		disc Ø 340 mm	P61115MM	[O]	17	ATE						
	85	11/13 → 07/15		●			P61114MM	[-]	17,3	TRW					
1.6 HDi 110	82	11/11 → 07/15	●		disc Ø 302 mm	P61117MM	[-]	18/ 18,9	ATE				A02202	disc Ø 304 mm	
	82	11/11 → 07/15	●		disc Ø 340 mm	P61107MM	[+]	17	ATE				A02202	disc Ø 304 mm	
	82	11/11 → 07/15		●			P61114MM	[-]	17,3	TRW					
1.6 HDi 115	84	06/12 → 07/15	●		disc Ø 283 mm	P61083MM	[-]	18,3/ 18,8	ATE						
	84	06/12 → 07/15	●		disc Ø 302 mm	P61117MM	[-]	18/ 18,9	ATE						
	84	06/12 → 07/15	●		disc Ø 340 mm	P61115MM	[O]	17	ATE						
	84	06/12 → 07/15		●		disc Ø 268 mm	P61114MM	[-]	17,3	TRW					
1.6 THP 155	115	11/11 → 07/15	●		disc Ø 302 mm	P61117MM	[-]	18/ 18,9	ATE				A02202	disc Ø 304 mm	
	115	11/11 → 07/15	●		disc Ø 340 mm	P61107MM	[+]	17	ATE				A02202	disc Ø 304 mm	
	115	11/11 → 07/15		●			P61114MM	[-]	17,3	TRW					
1.6 THP 165	121	01/12 → 07/15	●		disc Ø 302 mm	P61117MM	[-]	18/ 18,9	ATE						
	121	01/12 → 07/15	●		disc Ø 340 mm	P61115MM	[O]	17	ATE						
	121	01/12 → 07/15	●		disc Ø 340 mm	P61107MM	[+]	17	ATE						
	121	01/12 → 07/15		●			P61114MM	[-]	17,3	TRW					
1.6 THP 165 Hybrid	121	06/12 → 07/15	●		disc Ø 302 mm	P61117MM	[-]	18/ 18,9	ATE						
	121	06/12 → 07/15	●		disc Ø 340 mm	P61115MM	[O]	17	ATE						
	121	06/12 → 07/15	●		disc Ø 340 mm	P61107MM	[+]	17	ATE						
	121	06/12 → 07/15		●			P61114MM	[-]	17,3	TRW					
1.6 THP 200	147	11/11 → 07/15	●		disc Ø 302 mm	P61117MM	[-]	18/ 18,9	ATE				A02202	disc Ø 304 mm	
	147	11/11 → 07/15	●		disc Ø 340 mm	P61107MM	[+]	17	ATE				A02202	disc Ø 304 mm	
	147	11/11 → 07/15		●			P61114MM	[-]	17,3	TRW					
1.6 THP 210	155	11/14 → 07/15	●		disc Ø 302 mm	P61117MM	[-]	18/ 18,9	ATE						
	155	11/14 → 07/15	●		disc Ø 340 mm	P61115MM	[O]	17	ATE						
	155	11/14 → 07/15		●			P61114MM	[-]	17,3	TRW					
2.0 BlueHDi 150	110	07/14 → 07/15	●		disc Ø 302 mm	P61117MM	[-]	18/ 18,9	ATE						
	110	07/14 → 07/15	●		disc Ø 340 mm	P61115MM	[O]	17	ATE						
	110	07/14 → 07/15	●		disc Ø 340 mm	P61107MM	[+]	17	ATE						
	110	07/14 → 07/15		●			P61114MM	[-]	17,3	TRW					
2.0 BlueHDi 180	133	08/13 → 07/15	●		disc Ø 302 mm	P61117MM	[-]	18/ 18,9	ATE						
	133	08/13 → 07/15	●		disc Ø 340 mm	P61115MM	[O]	17	ATE						
	133	08/13 → 07/15		●			P61114MM	[-]	17,3	TRW					
2.0 HDi 135	100	11/11 → 07/15	●		disc Ø 302 mm	P61117MM	[-]	18/ 18,9	ATE						
	100	11/11 → 07/15	●		disc Ø 340 mm	P61115MM	[O]	17	ATE						
	100	11/11 → 07/15		●			P61114MM	[-]	17,3	TRW					
2.0 HDi 150 Hybrid	110	11/11 → 07/15	●		disc Ø 302 mm	P61117MM	[-]	18/ 18,9	ATE						
	110	11/11 → 07/15	●		disc Ø 340 mm	P61115MM	[O]	17	ATE						

Car Icon	kW	Hourglass	Gear	i	MAGNETI MARELLI	wi	Th [mm]	SYS	WI			FK	
									MAGNETI MARELLI	LENGHT	i	MAGNETI MARELLI	i

CITROËN

DS5 11/11 → 07/15														
2.0 HDi 150 Hybrid	110	11/11 → 07/15	●		disc Ø 340 mm	P61107MM	[+]	17	ATE					
	110	11/11 → 07/15		●		P61114MM	[-]	17,3	TRW					
2.0 HDi 165	120	11/11 → 07/15	●		disc Ø 302 mm	P61117MM	[-]	18/18,9	ATE			A02202	disc Ø 304 mm	
	120	11/11 → 07/15	●		disc Ø 340 mm	P61107MM	[+]	17	ATE			A02202	disc Ø 304 mm	
	120	11/11 → 07/15		●		P61114MM	[-]	17,3	TRW					
2.0 HDi 165 Hybrid4 4x4	120	12/11 → 07/15	●		disc Ø 302 mm	P61117MM	[-]	18/18,9	ATE			A02202	disc Ø 302 mm	
	120	12/11 → 07/15	●		disc Ø 340 mm	P61107MM	[+]	17	ATE			A02202	disc Ø 302 mm	
	120	12/11 → 07/15		●		P61114MM	[-]	17,3	TRW					
2.0 HDi 200 Hybrid4	147	12/11 → 07/15	●		disc Ø 302 mm	P61117MM	[-]	18/18,9	ATE					
	147	12/11 → 07/15	●		disc Ø 340 mm	P61115MM	[o]	17	ATE					
	147	12/11 → 07/15	●		disc Ø 340 mm	P61107MM	[+]	17	ATE					
	147	12/11 → 07/15		●		P61114MM	[-]	17,3	TRW					

E-MEHARI 06/16 →														
E	50	06/16 →	●			P23141MM	[+]	17,8	BSH					

EVASION (22, U6) 06/94 → 07/02

1.8	73	05/97 → 07/02	●			P23072MM	[+]	19	BDX			A02231		
	73	05/97 → 07/02		●		P23062MM	[+]	16,9	ATE			A02237	+rear disc	
	76	02/96 → 12/96	●			P23072MM	[+]	19	BDX					
	76	02/96 → 12/96		●		P23062MM	[+]	16,9	ATE					
1.9 TD	66	11/94 → 07/02	●			P23061MM	[+]	19,3	GIR					
	66	11/94 → 07/02		●		P23062MM	[+]	16,9	ATE					
	68	10/95 → 12/98	●			P23061MM	[+]	19,3	GIR					
2.0	89	06/94 → 07/02	●			P23061MM	[+]	19,3	GIR					
	89	06/94 → 07/02		●		P23062MM	[+]	16,9	ATE			A02237	+rear disc	
2.0 16V	97	05/98 → 04/00	●			P23061MM	[+]	19,3	GIR					
	97	05/98 → 04/00		●		P23062MM	[+]	16,9	ATE			A02237	+rear disc	
	100	05/00 → 07/02	●			P23061MM	[+]	19,3	GIR					
	100	05/00 → 07/02		●		P23062MM	[+]	16,9	ATE			A02237	+rear disc	
2.0 HDI	80	08/99 → 07/02	●			P23061MM	[+]	19,3	GIR					
	80	08/99 → 07/02		●		P23062MM	[+]	16,9	ATE			A02237	+rear disc	
2.0 HDI 16V	80	09/99 → 07/02	●			P23061MM	[+]	19,3	GIR					
	80	09/99 → 07/02		●		P23062MM	[+]	16,9	ATE					
2.0 Turbo C.T.	108	06/94 → 07/02	●			P23061MM	[+]	19,3	GIR					
	108	06/94 → 07/02		●		P23062MM	[+]	16,9	ATE			A02237	+rear disc	
2.1 TD	80	05/96 → 07/02	●			P23061MM	[+]	19,3	GIR					
	80	05/96 → 07/02		●		P23062MM	[+]	16,9	ATE			A02237	+rear disc	

JUMPER Box / RELAY Box 04/06 →

2.0 BlueHdi 110	81	04/16 →	●		1200 kg payload; 1400 kg payload	P23143MM	[+]	19	BRE					
	81	04/16 →	●		1600 kg payload; +high payload	P61118MM	[+]	19	BRE					
	81	04/16 →	●		1600 kg payload; -high payload	P23144MM	[+]	19	BRE					
	81	04/16 →	●		2000 kg payload; +high payload	P23136MM	[+]	19	BRE					
	81	04/16 →		●	2000 kg payload; +high payload	P61125MM	[+]	18,8	BSH					
	81	04/16 →		●	2000 kg payload; +high payload	P23136MM	[+]	19	BRE					
2.0 BlueHdi 130	96	04/16 →	●		1200 kg payload; 1400 kg payload	P23143MM	[+]	19	BRE					
	96	04/16 →	●		1600 kg payload; +high payload	P61118MM	[+]	19	BRE					
	96	04/16 →	●		1600 kg payload; -high payload	P23144MM	[+]	19	BRE					
	96	04/16 →	●		2000 kg payload; +high payload	P23136MM	[+]	19	BRE					
	96	04/16 →		●	2000 kg payload; +high payload	P61125MM	[+]	18,8	BSH					
	96	04/16 →		●	2000 kg payload; +high payload	P23136MM	[+]	19	BRE					

CITROËN

JUMPER Box / RELAY Box 04/06 →

2.0 BlueHDi 160	120	04/16 →	●	1200 kg payload; 1400 kg payload	P23143MM	[+]	19	BRE				
	120	04/16 →	●	1600 kg payload; +high payload	P61118MM	[+]	19	BRE				
	120	04/16 →	●	1600 kg payload; -high payload	P23144MM	[+]	19	BRE				
	120	04/16 →	●	2000 kg payload; +high payload	P23136MM	[+]	19	BRE				
	120	04/16 →	●	2000 kg payload; +high payload	P61125MM	[+]	18,8	BSH				
	120	04/16 →	●	2000 kg payload; +high payload	P23136MM	[+]	19	BRE				
2.0 BlueHDi 160 4x4	120	04/16 →	●	1200 kg payload; 1400 kg payload	P23143MM	[+]	19	BRE				
	120	04/16 →	●	1600 kg payload; +high payload	P61118MM	[+]	19	BRE				
	120	04/16 →	●	1600 kg payload; -high payload	P23144MM	[+]	19	BRE				
	120	04/16 →	●	2000 kg payload; +high payload	P23136MM	[+]	19	BRE				
	120	04/16 →	●	2000 kg payload; +high payload	P61125MM	[+]	18,8	BSH				
	120	04/16 →	●	2000 kg payload; +high payload	P23136MM	[+]	19	BRE				
2.2 HDi 100	74	04/06 →	●	1200 kg payload; 1400 kg payload; -high payload	P23143MM	[+]	19	BRE				
	74	04/06 →	●	1600 kg payload; -high payload	P23144MM	[+]	19	BRE				
	74	04/06 →	●	1600 kg payload; +high payload	P61118MM	[+]	19	BRE				
	74	04/06 →	●	2000 kg payload; +high payload	P23136MM	[+]	19	BRE				
	74	04/06 →	●	→ 11/13	P61091MM	[-]	18,8	BSH				
	74	04/06 →	●	12/13 →	P61125MM	[+]	18,8	BSH				
2.2 HDi 110	81	07/11 →	●	1200 kg payload; 1400 kg payload; -high payload	P23143MM	[+]	19	BRE				
	81	07/11 →	●	1600 kg payload; -high payload	P23144MM	[+]	19	BRE				
	81	07/11 →	●	1600 kg payload; +high payload	P61118MM	[+]	19	BRE				
	81	07/11 →	●	2000 kg payload; +high payload	P23136MM	[+]	19	BRE				
	81	07/11 →	●	→ 11/13	P61091MM	[-]	18,8	BSH				
	81	07/11 →	●	12/13 →	P61125MM	[+]	18,8	BSH				
2.2 HDi 120	88	04/06 →	●	1200 kg payload; 1400 kg payload; -high payload	P23143MM	[+]	19	BRE				
	88	04/06 →	●	1600 kg payload; -high payload	P23144MM	[+]	19	BRE				
	88	04/06 →	●	1600 kg payload; +high payload	P61118MM	[+]	19	BRE				
	88	04/06 →	●	2000 kg payload; +high payload	P23136MM	[+]	19	BRE				
	88	04/06 →	●	→ 11/13	P61091MM	[-]	18,8	BSH				
	88	04/06 →	●	12/13 →	P61125MM	[+]	18,8	BSH				
2.2 HDi 130	96	07/11 →	●	1200 kg payload; 1400 kg payload; -high payload	P23143MM	[+]	19	BRE				
	96	07/11 →	●	1600 kg payload; -high payload	P23144MM	[+]	19	BRE				
	96	07/11 →	●	1600 kg payload; +high payload	P61118MM	[+]	19	BRE				
	96	07/11 →	●	2000 kg payload; +high payload	P23136MM	[+]	19	BRE				
	96	07/11 →	●	→ 11/13	P61091MM	[-]	18,8	BSH				
	96	07/11 →	●	12/13 →	P61125MM	[+]	18,8	BSH				
2.2 HDi 150	110	07/11 →	●	1200 kg payload; 1400 kg payload; -high payload	P23143MM	[+]	19	BRE				
	110	07/11 →	●	1600 kg payload; -high payload	P23144MM	[+]	19	BRE				
	110	07/11 →	●	1600 kg payload; +high payload	P61118MM	[+]	19	BRE				
	110	07/11 →	●	2000 kg payload; +high payload	P23136MM	[+]	19	BRE				
	110	07/11 →	●	→ 11/13	P61091MM	[-]	18,8	BSH				
	110	07/11 →	●	12/13 →	P61125MM	[+]	18,8	BSH				
3.0 HDi 145	107	07/10 →	●	1200 kg payload; 1400 kg payload; -high payload	P23143MM	[+]	19	BRE				
	107	07/10 →	●	1600 kg payload; -high payload	P23144MM	[+]	19	BRE				
	107	07/10 →	●	1600 kg payload; +high payload	P61118MM	[+]	19	BRE				
	107	07/10 →	●	2000 kg payload; +high payload	P23136MM	[+]	19	BRE				
	107	07/10 →	●	→ 11/13	P61091MM	[-]	18,8	BSH				
	107	07/10 →	●	12/13 →	P61125MM	[+]	18,8	BSH				

CITROËN

JUMPER Box / RELAY Box 04/06 →

3.0 HDi 155	115	07/10 →	●	1200 kg payload; 1400 kg payload; -high payload	P23143MM	[+]	19	BRE					
	115	07/10 →	●	1600 kg payload; -high payload	P23144MM	[+]	19	BRE					
	115	07/10 →	●	1600 kg payload; +high payload	P61118MM	[+]	19	BRE					
	115	07/10 →	●	2000 kg payload; +high payload	P23136MM	[+]	19	BRE					
	115	07/10 →		● → 11/13	P61091MM	[-]	18,8	BSH					
	115	07/10 →		● 12/13 →	P61125MM	[+]	18,8	BSH					
3.0 HDi 160	116	09/06 →	●	1200 kg payload; 1400 kg payload; -high payload	P23143MM	[+]	19	BRE					
	116	09/06 →	●	1600 kg payload; -high payload	P23144MM	[+]	19	BRE					
	116	09/06 →	●	1600 kg payload; +high payload	P61118MM	[+]	19	BRE					
	116	09/06 →	●	2000 kg payload; +high payload	P23136MM	[+]	19	BRE					
	116	09/06 →		● → 11/13	P61091MM	[-]	18,8	BSH					
	116	09/06 →		● 12/13 →	P61125MM	[+]	18,8	BSH					
3.0 HDi 180	130	07/11 →	●	1400 kg payload; 1200 kg payload; -high payload	P23143MM	[+]	19	BRE					
	130	07/11 →	●	1600 kg payload; -high payload	P23144MM	[+]	19	BRE					
	130	07/11 →	●	1600 kg payload; +high payload	P61118MM	[+]	19	BRE					
	130	07/11 →	●	2000 kg payload; +high payload	P23136MM	[+]	19	BRE					
	130	07/11 →		● → 11/13	P61091MM	[-]	18,8	BSH					
	130	07/11 →		● 12/13 →	P61125MM	[+]	18,8	BSH					

JUMPER Box (230L) / RELAY Box (230L) 02/94 → 04/02

1.9 D	51	02/94 → 04/02	●	27 + 31; → 08/01	P23068MM	[+]	19,7	TRW					
	51	02/94 → 04/02	●	27 + 31; → 08/01	P23083MM	[+]	19,7	TRW					
	51	02/94 → 04/02	●	27 + 31; 09/01 →	P23091MM	[+]	19,1	BRE					
	51	02/94 → 04/02	●	35; → 08/01; 1800 kg payload	P23069MM	[+]	19,7	TRW					
	51	02/94 → 04/02	●	35; → 08/01; 1800 kg payload	P23084MM	[+]	19,7	TRW					
	51	02/94 → 04/02	●	35; 09/01 →; 1800 kg payload	P23092MM	[+]	19,1	BRE					
	51	02/94 → 04/02	●		P23093MM	[-]	20,1	BRE					
	50	07/99 → 04/02	●	27 + 31; → 08/01	P23068MM	[+]	19,7	TRW					
	50	07/99 → 04/02	●	27 + 31; → 08/01	P23083MM	[+]	19,7	TRW					
	50	07/99 → 04/02	●	27 + 31; 09/01 →	P23091MM	[+]	19,1	BRE					
	50	07/99 → 04/02	●	35; → 08/01; 1800 kg payload	P23069MM	[+]	19,7	TRW					
	50	07/99 → 04/02	●	35; → 08/01; 1800 kg payload	P23084MM	[+]	19,7	TRW					
	50	07/99 → 04/02	●	35; 09/01 →; 1800 kg payload	P23092MM	[+]	19,1	BRE					
	50	07/99 → 04/02		●	P23093MM	[-]	20,1	BRE					
1.9 TD	68	03/94 → 04/02	●	27 + 31; → 08/01	P23068MM	[+]	19,7	TRW					
	68	03/94 → 04/02	●	27 + 31; → 08/01	P23083MM	[+]	19,7	TRW					
	68	03/94 → 04/02	●	27 + 31; 09/01 →	P23091MM	[+]	19,1	BRE					
	68	03/94 → 04/02	●	35; → 08/01; 1800 kg payload	P23069MM	[+]	19,7	TRW					
	68	03/94 → 04/02	●	35; → 08/01; 1800 kg payload	P23084MM	[+]	19,7	TRW					
	68	03/94 → 04/02	●	35; 09/01 →; 1800 kg payload	P23092MM	[+]	19,1	BRE					
	68	03/94 → 04/02		●	P23093MM	[-]	20,1	BRE					
	66	03/94 → 04/02	●	27 + 31; → 08/01	P23068MM	[+]	19,7	TRW					
	66	03/94 → 04/02	●	27 + 31; → 08/01	P23083MM	[+]	19,7	TRW					
	66	03/94 → 04/02	●	27 + 31; 09/01 →	P23091MM	[+]	19,1	BRE					
	66	03/94 → 04/02	●	35; → 08/01; 1800 kg payload	P23069MM	[+]	19,7	TRW					
	66	03/94 → 04/02	●	35; → 08/01; 1800 kg payload	P23084MM	[+]	19,7	TRW					
	66	03/94 → 04/02	●	35; 09/01 →; 1800 kg payload	P23092MM	[+]	19,1	BRE					
	66	03/94 → 04/02		●	P23093MM	[-]	20,1	BRE					
2.0	80	03/94 → 04/02	●	27 + 31; → 08/01	P23068MM	[+]	19,7	TRW					
	80	03/94 → 04/02	●	27 + 31; → 08/01	P23083MM	[+]	19,7	TRW					
	80	03/94 → 04/02	●	27 + 31; 09/01 →	P23091MM	[+]	19,1	BRE					
	80	03/94 → 04/02	●	35; → 08/01; 1800 kg payload	P23069MM	[+]	19,7	TRW					
	80	03/94 → 04/02	●	35; → 08/01; 1800 kg payload	P23084MM	[+]	19,7	TRW					

CITROËN

JUMPER Box (230L) / RELAY Box (230L) 02/94 → 04/02

Model	Year	Code	Feature	Capacity	Part	Offset	Th [mm]	SYS	WI	FK
2.0	80	03/94 → 04/02	●	35; 09/01 →; 1800 kg payload	P23092MM	[+]	19,1	BRE		
	80	03/94 → 04/02	●		P23093MM	[-]	20,1	BRE		
2.0 4x4	80	10/96 → 01/02	●	27 + 31; → 08/01	P23068MM	[+]	19,7	TRW		
	80	10/96 → 01/02	●	27 + 31; → 08/01	P23083MM	[+]	19,7	TRW		
	80	10/96 → 01/02	●	27 + 31; 09/01 →	P23091MM	[+]	19,1	BRE		
	80	10/96 → 01/02	●	35; → 08/01; 1800 kg payload	P23069MM	[+]	19,7	TRW		
	80	10/96 → 01/02	●	35; → 08/01; 1800 kg payload	P23084MM	[+]	19,7	TRW		
	80	10/96 → 01/02	●	35; 09/01 →; 1800 kg payload	P23092MM	[+]	19,1	BRE		
	80	10/96 → 01/02	●		P23093MM	[-]	20,1	BRE		
2.0 HDI	62	11/01 → 04/02	●	27 + 31; → 16206253; 1000 kg payload; 1400 kg payload	P23083MM	[+]	19,7	TRW		
	62	11/01 → 04/02	●	27 + 31; → 16206253; 1400 kg payload; 1000 kg payload	P23068MM	[+]	19,7	TRW		
	62	11/01 → 04/02	●	35; → 16205352; 1800 kg payload	P23084MM	[+]	19,7	TRW		
	62	11/01 → 04/02	●	27 + 31	P23091MM	[+]	19,1	BRE		
	62	11/01 → 04/02	●	35; → 16205352; 1800 kg payload	P23069MM	[+]	19,7	TRW		
	62	11/01 → 04/02	●	35; 1800 kg payload	P23092MM	[+]	19,1	BRE		
	62	11/01 → 04/02	●		P23093MM	[-]	20,1	BRE		
2.5 D	63	03/94 → 04/02	●	27 + 31; → 08/01	P23068MM	[+]	19,7	TRW		
	63	03/94 → 04/02	●	27 + 31; → 08/01	P23083MM	[+]	19,7	TRW		
	63	03/94 → 04/02	●	27 + 31; 09/01 →	P23091MM	[+]	19,1	BRE		
	63	03/94 → 04/02	●	35; → 08/01; 1800 kg payload	P23069MM	[+]	19,7	TRW		
	63	03/94 → 04/02	●	35; → 08/01; 1800 kg payload	P23084MM	[+]	19,7	TRW		
	63	03/94 → 04/02	●	35; 09/01 →; 1800 kg payload	P23092MM	[+]	19,1	BRE		
	63	03/94 → 04/02	●		P23093MM	[-]	20,1	BRE		
2.5 D 4x4	63	03/00 → 04/02	●	27 + 31; → 08/01	P23068MM	[+]	19,7	TRW		
	63	03/00 → 04/02	●	27 + 31; → 08/01	P23083MM	[+]	19,7	TRW		
	63	03/00 → 04/02	●	27 + 31; 09/01 →	P23091MM	[+]	19,1	BRE		
	63	03/00 → 04/02	●	35; → 08/01; 1800 kg payload	P23069MM	[+]	19,7	TRW		
	63	03/00 → 04/02	●	35; → 08/01; 1800 kg payload	P23084MM	[+]	19,7	TRW		
	63	03/00 → 04/02	●	35; 09/01 →; 1800 kg payload	P23092MM	[+]	19,1	BRE		
	63	03/00 → 04/02	●		P23093MM	[-]	20,1	BRE		
2.5 DT 4x4	76	10/96 → 08/97	●	27 + 31	P23068MM	[+]	19,7	TRW		
	76	10/96 → 08/97	●	27 + 31	P23083MM	[+]	19,7	TRW		
	76	10/96 → 08/97	●	35; 1800 kg payload	P23069MM	[+]	19,7	TRW		
	76	10/96 → 08/97	●	35; 1800 kg payload	P23084MM	[+]	19,7	TRW		
	76	10/96 → 08/97	●		P23093MM	[-]	20,1	BRE		
2.5 TD	76	03/94 → 04/02	●	27 + 31; → 08/01	P23068MM	[+]	19,7	TRW		
	76	03/94 → 04/02	●	27 + 31; → 08/01	P23083MM	[+]	19,7	TRW		
	76	03/94 → 04/02	●	27 + 31; 09/01 →	P23091MM	[+]	19,1	BRE		
	76	03/94 → 04/02	●	35; → 08/01; 1800 kg payload	P23069MM	[+]	19,7	TRW		
	76	03/94 → 04/02	●	35; → 08/01; 1800 kg payload	P23084MM	[+]	19,7	TRW		
	76	03/94 → 04/02	●	35; 09/01 →; 1800 kg payload	P23092MM	[+]	19,1	BRE		
	76	03/94 → 04/02	●		P23093MM	[-]	20,1	BRE		
2.5 TDi	79	12/96 → 11/00	●	27 + 31	P23068MM	[+]	19,7	TRW		
	79	12/96 → 11/00	●	27 + 31	P23083MM	[+]	19,7	TRW		
	79	12/96 → 11/00	●	35; 1800 kg payload	P23069MM	[+]	19,7	TRW		
	79	12/96 → 11/00	●	35; 1800 kg payload	P23084MM	[+]	19,7	TRW		
	79	12/96 → 11/00	●		P23093MM	[-]	20,1	BRE		
2.5 TDi 4x4	79	03/00 → 11/00	●	35; 16194400 →; 1800 kg payload	P23092MM	[+]	19,1	BRE		
	79	03/00 → 11/00	●	27 + 31; 16204256 →	P23091MM	[+]	19,1	BRE		

									WI			FK	

CITROËN

JUMPER Box (230L) / RELAY Box (230L) 02/94 → 04/02

2.5 TDi 4x4	79	03/00 → 11/00	●	27 + 31	P23068MM	[+]	19,7	TRW					
	79	03/00 → 11/00	●	27 + 31	P23083MM	[+]	19,7	TRW					
	79	03/00 → 11/00	●	35; 1800 kg payload	P23069MM	[+]	19,7	TRW					
	79	03/00 → 11/00	●	35; 1800 kg payload	P23084MM	[+]	19,7	TRW					
	79	03/00 → 11/00	●		P23093MM	[-]	20,1	BRE					
2.8 D	64	01/99 → 02/02	●	27 + 31	P23068MM	[+]	19,7	TRW					
	64	01/99 → 02/02	●	27 + 31	P23083MM	[+]	19,7	TRW					
	64	01/99 → 02/02	●	27 + 31	P23091MM	[+]	19,1	BRE					
	64	01/99 → 02/02	●	35; 1800 kg payload	P23069MM	[+]	19,7	TRW					
	64	01/99 → 02/02	●	35; 1800 kg payload	P23084MM	[+]	19,7	TRW					
	64	01/99 → 02/02	●	35; 1800 kg payload	P23092MM	[+]	19,1	BRE					
	64	01/99 → 02/02	●		P23093MM	[-]	20,1	BRE					
2.8 HDi	94	09/00 → 04/02	●	27 + 31; → 08/01	P23068MM	[+]	19,7	TRW					
	94	09/00 → 04/02	●	27 + 31; → 08/01	P23083MM	[+]	19,7	TRW					
	94	09/00 → 04/02	●	27 + 31; 09/01 →	P23091MM	[+]	19,1	BRE					
	94	09/00 → 04/02	●	35; → 08/01; 1800 kg payload	P23069MM	[+]	19,7	TRW					
	94	09/00 → 04/02	●	35; → 08/01; 1800 kg payload	P23084MM	[+]	19,7	TRW					
	94	09/00 → 04/02	●	35; 09/01 →; 1800 kg payload	P23092MM	[+]	19,1	BRE					
	94	09/00 → 04/02	●		P23093MM	[-]	20,1	BRE					
2.8 HDi 4x4	94	09/00 → 04/02	●	27 + 31; → 08/01	P23068MM	[+]	19,7	TRW					
	94	09/00 → 04/02	●	27 + 31; → 08/01	P23083MM	[+]	19,7	TRW					
	94	09/00 → 04/02	●	27 + 31; 09/01 →	P23091MM	[+]	19,1	BRE					
	94	09/00 → 04/02	●	35; → 08/01; 1800 kg payload	P23069MM	[+]	19,7	TRW					
	94	09/00 → 04/02	●	35; → 08/01; 1800 kg payload	P23084MM	[+]	19,7	TRW					
	94	09/00 → 04/02	●	35; 09/01 →; 1800 kg payload	P23092MM	[+]	19,1	BRE					
	94	09/00 → 04/02	●		P23093MM	[-]	20,1	BRE					

JUMPER Box (244) / RELAY Box (244) 04/02 →

2.0	81	04/02 →	●	29 + 33	P23091MM	[+]	19,1	BRE					
	81	04/02 →	●	35; 1800 kg payload	P23092MM	[+]	19,1	BRE					
	81	04/02 →	●		P23093MM	[-]	20,1	BRE					
2.0 bivalent	81	02/03 →	●	29 + 33	P23091MM	[+]	19,1	BRE					
	81	02/03 →	●	35; 1800 kg payload	P23092MM	[+]	19,1	BRE					
	81	02/03 →	●		P23093MM	[-]	20,1	BRE					
2.0 HDi	62	04/02 →	●	29 + 33	P23091MM	[+]	19,1	BRE					
	62	04/02 →	●	35; 1800 kg payload	P23092MM	[+]	19,1	BRE					
	62	04/02 →	●		P23093MM	[-]	20,1	BRE					
2.2 HDi	74	04/02 →	●	29 + 33	P23091MM	[+]	19,1	BRE					
	74	04/02 →	●	35; 1800 kg payload	P23092MM	[+]	19,1	BRE					
	74	04/02 →	●		P23093MM	[-]	20,1	BRE					
2.8 HDi	94	04/02 →	●	29 + 33	P23091MM	[+]	19,1	BRE					
	94	04/02 →	●	35; 1800 kg payload	P23092MM	[+]	19,1	BRE					
	94	04/02 →	●		P23093MM	[-]	20,1	BRE					
	107	05/04 →	●	29 + 33	P23091MM	[+]	19,1	BRE					
	107	05/04 →	●	35; 1800 kg payload	P23092MM	[+]	19,1	BRE					
2.8 HDi 4x4	94	04/02 →	●	29 + 33	P23091MM	[+]	19,1	BRE					
	94	04/02 →	●	35; 1800 kg payload	P23092MM	[+]	19,1	BRE					
	94	04/02 →	●		P23093MM	[-]	20,1	BRE					

JUMPER Bus / RELAY Bus 04/06 →

2.0 BlueHDi 110	81	07/15 →	●	1200 kg payload; 1400 kg payload; -high payload	P23143MM	[+]	19	BRE					
	81	07/15 →	●	1600 kg payload; -high payload	P23144MM	[+]	19	BRE					
	81	07/15 →	●	1600 kg payload; +high payload	P61118MM	[+]	19	BRE					

CITROËN

JUMPER Bus / RELAY Bus 04/06 →

2.0 BlueHDi 110	81	07/15 →	●	2000 kg payload; +high payload	P23136MM	[+]	19	BRE						
	81	07/15 →	●	-high payload; -2000 kg payload	P61125MM	[+]	18,8	BSH						
2.0 BlueHDi 130	96	07/15 →	●	1200 kg payload; 1400 kg payload; -high payload	P23143MM	[+]	19	BRE						
	96	07/15 →	●	1600 kg payload; -high payload	P23144MM	[+]	19	BRE						
	96	07/15 →	●	1600 kg payload; +high payload	P61118MM	[+]	19	BRE						
	96	07/15 →	●	2000 kg payload; +high payload	P23136MM	[+]	19	BRE						
	96	07/15 →	●	-high payload; -2000 kg payload	P61125MM	[+]	18,8	BSH						
2.0 BlueHDi 160	120	07/15 →	●	1200 kg payload; 1400 kg payload; -high payload	P23143MM	[+]	19	BRE						
	120	07/15 →	●	1600 kg payload; -high payload	P23144MM	[+]	19	BRE						
	120	07/15 →	●	1600 kg payload; +high payload	P61118MM	[+]	19	BRE						
	120	07/15 →	●	2000 kg payload; +high payload	P23136MM	[+]	19	BRE						
	120	07/15 →	●	-high payload; -2000 kg payload	P61125MM	[+]	18,8	BSH						
2.2 HDi 100	74	04/06 →	●	1200 kg payload; 1400 kg payload; -high payload	P23143MM	[+]	19	BRE						
	74	04/06 →	●	1600 kg payload; -high payload	P23144MM	[+]	19	BRE						
	74	04/06 →	●	1600 kg payload; +high payload	P61118MM	[+]	19	BRE						
	74	04/06 →	●	2000 kg payload; +high payload	P23136MM	[+]	19	BRE						
	74	04/06 →	●	→ 11/13	P61091MM	[-]	18,8	BSH						
	74	04/06 →	●	12/13 →	P61125MM	[+]	18,8	BSH						
2.2 HDi 110	81	07/11 →	●	1200 kg payload; 1400 kg payload; -high payload	P23143MM	[+]	19	BRE						
	81	07/11 →	●	1600 kg payload; -high payload	P23144MM	[+]	19	BRE						
	81	07/11 →	●	1600 kg payload; +high payload	P61118MM	[+]	19	BRE						
	81	07/11 →	●	2000 kg payload; +high payload	P23136MM	[+]	19	BRE						
	81	07/11 →	●	→ 11/13	P61091MM	[-]	18,8	BSH						
	81	07/11 →	●	12/13 →; -high payload	P61125MM	[+]	18,8	BSH						
2.2 HDi 120	88	04/06 →	●	1200 kg payload; 1400 kg payload; -high payload	P23143MM	[+]	19	BRE						
	88	04/06 →	●	1600 kg payload; -high payload	P23144MM	[+]	19	BRE						
	88	04/06 →	●	1600 kg payload; +high payload	P61118MM	[+]	19	BRE						
	88	04/06 →	●	2000 kg payload; +high payload	P23136MM	[+]	19	BRE						
	88	04/06 →	●	→ 11/13	P61091MM	[-]	18,8	BSH						
	88	04/06 →	●	12/13 →	P61125MM	[+]	18,8	BSH						
2.2 HDi 130	96	07/11 →	●	1200 kg payload; 1400 kg payload; -high payload	P23143MM	[+]	19	BRE						
	96	07/11 →	●	1600 kg payload; -high payload	P23144MM	[+]	19	BRE						
	96	07/11 →	●	1600 kg payload; +high payload	P61118MM	[+]	19	BRE						
	96	07/11 →	●	2000 kg payload; +high payload	P23136MM	[+]	19	BRE						
	96	07/11 →	●	→ 11/13	P61091MM	[-]	18,8	BSH						
	96	07/11 →	●	12/13 →	P61125MM	[+]	18,8	BSH						
2.2 HDi 150	110	07/11 →	●	1200 kg payload; 1400 kg payload; -high payload	P23143MM	[+]	19	BRE						
	110	07/11 →	●	1600 kg payload; -high payload	P23144MM	[+]	19	BRE						
	110	07/11 →	●	1600 kg payload; +high payload	P61118MM	[+]	19	BRE						
	110	07/11 →	●	2000 kg payload; +high payload	P23136MM	[+]	19	BRE						
	110	07/11 →	●	→ 11/13	P61091MM	[-]	18,8	BSH						
	110	07/11 →	●	12/13 →	P61125MM	[+]	18,8	BSH						
3.0 HDi 155	115	07/10 →	●	1200 kg payload; 1400 kg payload; -high payload	P23143MM	[+]	19	BRE						
	115	07/10 →	●	1600 kg payload; -high payload	P23144MM	[+]	19	BRE						
	115	07/10 →	●	1600 kg payload; +high payload	P61118MM	[+]	19	BRE						
	115	07/10 →	●	2000 kg payload; +high payload	P23136MM	[+]	19	BRE						
	115	07/10 →	●	→ 11/13	P61091MM	[-]	18,8	BSH						
	115	07/10 →	●	12/13 →	P61125MM	[+]	18,8	BSH						

								WI			FK	

CITROËN

JUMPER Bus / RELAY Bus 04/06 →

3.0 HDi 160	116	09/06 →	●	1200 kg payload; 1400 kg payload; -high payload	P23143MM	[+]	19	BRE				
	116	09/06 →	●	1600 kg payload; -high payload	P23144MM	[+]	19	BRE				
	116	09/06 →	●	1600 kg payload; +high payload	P61118MM	[+]	19	BRE				
	116	09/06 →	●	2000 kg payload; +high payload	P23136MM	[+]	19	BRE				
	116	09/06 →		● → 11/13	P61091MM	[-]	18,8	BSH				
	116	09/06 →		● 12/13 →	P61125MM	[+]	18,8	BSH				
3.0 HDi 180	130	07/11 →	●	1200 kg payload; 1400 kg payload; -high payload	P23143MM	[+]	19	BRE				
	130	07/11 →	●	1600 kg payload; -high payload	P23144MM	[+]	19	BRE				
	130	07/11 →	●	1600 kg payload; +high payload	P61118MM	[+]	19	BRE				
	130	07/11 →	●	2000 kg payload; +high payload	P23136MM	[+]	19	BRE				
	130	07/11 →		● → 11/13	P61091MM	[-]	18,8	BSH				
	130	07/11 →		● 12/13 →	P61125MM	[+]	18,8	BSH				

JUMPER Bus (230P) / RELAY Bus (230P) 02/94 → 04/02

1.9 D	51	01/99 → 04/02	●	27 + 31; → 08/01	P23068MM	[+]	19,7	TRW				
	51	01/99 → 04/02	●	27 + 31; → 08/01	P23083MM	[+]	19,7	TRW				
	51	01/99 → 04/02	●	27 + 31; 09/01 →	P23091MM	[+]	19,1	BRE				
	51	01/99 → 04/02	●	35; → 08/01; 1800 kg payload	P23069MM	[+]	19,7	TRW				
	51	01/99 → 04/02	●	35; → 08/01; 1800 kg payload	P23084MM	[+]	19,7	TRW				
	51	01/99 → 04/02	●	35; 09/01 →; 1800 kg payload	P23092MM	[+]	19,1	BRE				
	51	01/99 → 04/02		●	P23093MM	[-]	20,1	BRE				
1.9 TD	68	02/94 → 04/02	●	27 + 31; → 08/01	P23068MM	[+]	19,7	TRW				
	68	02/94 → 04/02	●	27 + 31; → 08/01	P23083MM	[+]	19,7	TRW				
	68	02/94 → 04/02	●	27 + 31; 09/01 →	P23091MM	[+]	19,1	BRE				
	68	02/94 → 04/02	●	35; → 08/01; 1800 kg payload	P23069MM	[+]	19,7	TRW				
	68	02/94 → 04/02	●	35; → 08/01; 1800 kg payload	P23084MM	[+]	19,7	TRW				
	68	02/94 → 04/02	●	35; 09/01 →; 1800 kg payload	P23092MM	[+]	19,1	BRE				
	68	02/94 → 04/02		●	P23093MM	[-]	20,1	BRE				
	66	08/94 → 04/02	●	27 + 31; → 08/01	P23068MM	[+]	19,7	TRW				
	66	08/94 → 04/02	●	27 + 31; → 08/01	P23083MM	[+]	19,7	TRW				
	66	08/94 → 04/02	●	27 + 31; 09/01 →	P23091MM	[+]	19,1	BRE				
	66	08/94 → 04/02	●	35; → 08/01; 1800 kg payload	P23069MM	[+]	19,7	TRW				
	66	08/94 → 04/02	●	35; → 08/01; 1800 kg payload	P23084MM	[+]	19,7	TRW				
	66	08/94 → 04/02	●	35; 09/01 →; 1800 kg payload	P23092MM	[+]	19,1	BRE				
66	08/94 → 04/02		●	P23093MM	[-]	20,1	BRE					
1.9 TD 4x4	68	08/96 → 04/02	●	27 + 31; → 08/01	P23068MM	[+]	19,7	TRW				
	68	08/96 → 04/02	●	27 + 31; → 08/01	P23083MM	[+]	19,7	TRW				
	68	08/96 → 04/02	●	27 + 31; 09/01 →	P23091MM	[+]	19,1	BRE				
	68	08/96 → 04/02	●	35; → 08/01; 1800 kg payload	P23069MM	[+]	19,7	TRW				
	68	08/96 → 04/02	●	35; → 08/01; 1800 kg payload	P23084MM	[+]	19,7	TRW				
	68	08/96 → 04/02	●	35; 09/01 →; 1800 kg payload	P23092MM	[+]	19,1	BRE				
	68	08/96 → 04/02		●	P23093MM	[-]	20,1	BRE				
2.0	80	02/94 → 04/02	●	27 + 31; → 08/01	P23068MM	[+]	19,7	TRW				
	80	02/94 → 04/02	●	27 + 31; → 08/01	P23083MM	[+]	19,7	TRW				
	80	02/94 → 04/02	●	27 + 31; 09/01 →	P23091MM	[+]	19,1	BRE				
	80	02/94 → 04/02	●	35; → 08/01; 1800 kg payload	P23069MM	[+]	19,7	TRW				
	80	02/94 → 04/02	●	35; → 08/01; 1800 kg payload	P23084MM	[+]	19,7	TRW				
	80	02/94 → 04/02	●	35; 09/01 →; 1800 kg payload	P23092MM	[+]	19,1	BRE				
	80	02/94 → 04/02		●	P23093MM	[-]	20,1	BRE				
2.0 4x4	80	08/96 → 04/02	●	27 + 31; → 08/01	P23068MM	[+]	19,7	TRW				
	80	08/96 → 04/02	●	27 + 31; → 08/01	P23083MM	[+]	19,7	TRW				
	80	08/96 → 04/02	●	27 + 31; 09/01 →	P23091MM	[+]	19,1	BRE				
	80	08/96 → 04/02	●	35; → 08/01; 1800 kg payload	P23069MM	[+]	19,7	TRW				

CITROËN

JUMPER Bus (230P) / RELAY Bus (230P) 02/94 → 04/02

Model	Year	Code	Notes	Part No.	Offset	Th [mm]	SYS	wi	LEIGHT	i	MAGNETI MARELLI	FK
2.0 4x4	80	08/96 → 04/02	●	35; → 08/01; 1800 kg payload	P23084MM	[+]	19,7	TRW				
	80	08/96 → 04/02	●	35; 09/01 →; 1800 kg payload	P23092MM	[+]	19,1	BRE				
	80	08/96 → 04/02	●		P23093MM	[-]	20,1	BRE				
2.5 D	63	08/94 → 04/02	●	27 + 31; → 08/01	P23068MM	[+]	19,7	TRW				
	63	08/94 → 04/02	●	27 + 31; → 08/01	P23083MM	[+]	19,7	TRW				
	63	08/94 → 04/02	●	27 + 31; 09/01 →	P23091MM	[+]	19,1	BRE				
	63	08/94 → 04/02	●	35; → 08/01; 1800 kg payload	P23069MM	[+]	19,7	TRW				
	63	08/94 → 04/02	●	35; → 08/01; 1800 kg payload	P23084MM	[+]	19,7	TRW				
	63	08/94 → 04/02	●	35; 09/01 →; 1800 kg payload	P23092MM	[+]	19,1	BRE				
	63	08/94 → 04/02	●		P23093MM	[-]	20,1	BRE				
2.5 D 4x4	63	08/96 → 04/02	●	27 + 31; → 08/01	P23068MM	[+]	19,7	TRW				
	63	08/96 → 04/02	●	27 + 31; → 08/01	P23083MM	[+]	19,7	TRW				
	63	08/96 → 04/02	●	27 + 31; 09/01 →	P23091MM	[+]	19,1	BRE				
	63	08/96 → 04/02	●	35; → 08/01; 1800 kg payload	P23069MM	[+]	19,7	TRW				
	63	08/96 → 04/02	●	35; → 08/01; 1800 kg payload	P23084MM	[+]	19,7	TRW				
	63	08/96 → 04/02	●	35; 09/01 →; 1800 kg payload	P23092MM	[+]	19,1	BRE				
	63	08/96 → 04/02	●		P23093MM	[-]	20,1	BRE				
2.5 TD	76	08/94 → 04/02	●	27 + 31; → 08/01	P23068MM	[+]	19,7	TRW				
	76	08/94 → 04/02	●	27 + 31; → 08/01	P23083MM	[+]	19,7	TRW				
	76	08/94 → 04/02	●	27 + 31; 09/01 →	P23091MM	[+]	19,1	BRE				
	76	08/94 → 04/02	●	35; → 08/01; 1800 kg payload	P23069MM	[+]	19,7	TRW				
	76	08/94 → 04/02	●	35; → 08/01; 1800 kg payload	P23084MM	[+]	19,7	TRW				
	76	08/94 → 04/02	●	35; 09/01 →; 1800 kg payload	P23092MM	[+]	19,1	BRE				
2.5 TD 4x4	76	08/94 → 04/02	●		P23093MM	[-]	20,1	BRE				
	76	08/96 → 04/02	●	27 + 31; → 08/01	P23068MM	[+]	19,7	TRW				
	76	08/96 → 04/02	●	27 + 31; → 08/01	P23083MM	[+]	19,7	TRW				
	76	08/96 → 04/02	●	27 + 31; 09/01 →	P23091MM	[+]	19,1	BRE				
	76	08/96 → 04/02	●	35; → 08/01; 1800 kg payload	P23069MM	[+]	19,7	TRW				
	76	08/96 → 04/02	●	35; → 08/01; 1800 kg payload	P23084MM	[+]	19,7	TRW				
	76	08/96 → 04/02	●	35; 09/01 →; 1800 kg payload	P23092MM	[+]	19,1	BRE				
2.5 TDi	79	12/96 → 11/00	●	35; 16194400 →; 1800 kg payload	P23092MM	[+]	19,1	BRE				
	79	12/96 → 11/00	●	27 + 31; 16204256 →	P23091MM	[+]	19,1	BRE				
	79	12/96 → 11/00	●	27 + 31	P23068MM	[+]	19,7	TRW				
	79	12/96 → 11/00	●	27 + 31	P23083MM	[+]	19,7	TRW				
	79	12/96 → 11/00	●	35; 1800 kg payload	P23069MM	[+]	19,7	TRW				
	79	12/96 → 11/00	●	35; 1800 kg payload	P23084MM	[+]	19,7	TRW				
2.5 TDi 4x4	79	12/96 → 11/00	●		P23093MM	[-]	20,1	BRE				
	79	12/96 → 11/00	●	35; 16194400 →; 1800 kg payload	P23092MM	[+]	19,1	BRE				
	79	12/96 → 11/00	●	27 + 31	P23068MM	[+]	19,7	TRW				
	79	12/96 → 11/00	●	27 + 31; 16204256 →	P23091MM	[+]	19,1	BRE				
	79	12/96 → 11/00	●	27 + 31	P23083MM	[+]	19,7	TRW				
	79	12/96 → 11/00	●	35; 1800 kg payload	P23069MM	[+]	19,7	TRW				
	79	12/96 → 11/00	●	35; 1800 kg payload	P23084MM	[+]	19,7	TRW				
2.8 D	64	01/99 → 02/02	●	27 + 31	P23068MM	[+]	19,7	TRW				
	64	01/99 → 02/02	●	27 + 31	P23083MM	[+]	19,7	TRW				
	64	01/99 → 02/02	●	27 + 31	P23091MM	[+]	19,1	BRE				
	64	01/99 → 02/02	●	35; 1800 kg payload	P23069MM	[+]	19,7	TRW				
	64	01/99 → 02/02	●	35; 1800 kg payload	P23084MM	[+]	19,7	TRW				
	64	01/99 → 02/02	●	35; 1800 kg payload	P23092MM	[+]	19,1	BRE				
64	01/99 → 02/02	●		P23093MM	[-]	20,1	BRE					

									WI			FK	

CITROËN

JUMPER Bus (230P) / RELAY Bus (230P) 02/94 → 04/02

2.8 HDi	94	09/00 → 04/02	●	27 + 31; → 08/01	P23068MM	[+]	19,7	TRW					
	94	09/00 → 04/02	●	27 + 31; → 08/01	P23083MM	[+]	19,7	TRW					
	94	09/00 → 04/02	●	27 + 31; 09/01 →	P23091MM	[+]	19,1	BRE					
	94	09/00 → 04/02	●	35; → 08/01; 1800 kg payload	P23069MM	[+]	19,7	TRW					
	94	09/00 → 04/02	●	35; → 08/01; 1800 kg payload	P23084MM	[+]	19,7	TRW					
	94	09/00 → 04/02	●	35; 09/01 →; 1800 kg payload	P23092MM	[+]	19,1	BRE					
	94	09/00 → 04/02	●		P23093MM	[-]	20,1	BRE					
2.8 HDi 4x4	94	09/00 → 04/02	●	27 + 31; → 08/01	P23068MM	[+]	19,7	TRW					
	94	09/00 → 04/02	●	27 + 31; → 08/01	P23083MM	[+]	19,7	TRW					
	94	09/00 → 04/02	●	27 + 31; 09/01 →	P23091MM	[+]	19,1	BRE					
	94	09/00 → 04/02	●	35; → 08/01; 1800 kg payload	P23069MM	[+]	19,7	TRW					
	94	09/00 → 04/02	●	35; → 08/01; 1800 kg payload	P23084MM	[+]	19,7	TRW					
	94	09/00 → 04/02	●	35; 09/01 →; 1800 kg payload	P23092MM	[+]	19,1	BRE					
	94	09/00 → 04/02	●		P23093MM	[-]	20,1	BRE					

JUMPER Bus (244, Z_) / RELAY Bus (244, Z_) 04/02 →

2.0	81	04/02 →	●	29 + 33	P23091MM	[+]	19,1	BRE					
	81	04/02 →	●	35; 1800 kg payload	P23092MM	[+]	19,1	BRE					
	81	04/02 →	●		P23093MM	[-]	20,1	BRE					
2.0 bivalent	81	02/03 →	●	29 + 33	P23091MM	[+]	19,1	BRE					
	81	02/03 →	●	35; 1800 kg payload	P23092MM	[+]	19,1	BRE					
	81	02/03 →	●		P23093MM	[-]	20,1	BRE					
2.0 HDi	62	04/02 →	●	29 + 33	P23091MM	[+]	19,1	BRE					
	62	04/02 →	●	35; 1800 kg payload	P23092MM	[+]	19,1	BRE					
	62	04/02 →	●		P23093MM	[-]	20,1	BRE					
2.2 HDi	74	04/02 →	●	29 + 33	P23091MM	[+]	19,1	BRE					
	74	04/02 →	●	35; 1800 kg payload	P23092MM	[+]	19,1	BRE					
	74	04/02 →	●		P23093MM	[-]	20,1	BRE					
2.8 HDi	94	04/02 →	●	29 + 33	P23091MM	[+]	19,1	BRE					
	94	04/02 →	●	35; 1800 kg payload	P23092MM	[+]	19,1	BRE					
	94	04/02 →	●		P23093MM	[-]	20,1	BRE					
2.8 HDi All-wheel Drive	94	04/02 →	●	35; 1800 kg payload	P23092MM	[+]	19,1	BRE					
	94	04/02 →	●	29 + 33	P23091MM	[+]	19,1	BRE					
	94	04/02 →	●		P23093MM	[-]	20,1	BRE					

JUMPER Platform/Chassis / RELAY Platform/Chassis 04/06 →

2.0 BlueHDi 110	81	04/16 →	●	1200 kg payload; 1400 kg payload	P23143MM	[+]	19	BRE					
	81	04/16 →	●	1600 kg payload; +high payload	P61118MM	[+]	19	BRE					
	81	04/16 →	●	1600 kg payload; -high payload	P23144MM	[+]	19	BRE					
	81	04/16 →	●	2000 kg payload; +high payload	P23136MM	[+]	19	BRE					
	81	04/16 →	●	2000 kg payload; +high payload	P61125MM	[+]	18,8	BSH					
	81	04/16 →	●	2000 kg payload; +high payload	P23136MM	[+]	19	BRE					
2.0 BlueHDi 130	96	04/16 →	●	1200 kg payload; 1400 kg payload	P23143MM	[+]	19	BRE					
	96	04/16 →	●	1600 kg payload; +high payload	P61118MM	[+]	19	BRE					
	96	04/16 →	●	1600 kg payload; -high payload	P23144MM	[+]	19	BRE					
	96	04/16 →	●	2000 kg payload; +high payload	P23136MM	[+]	19	BRE					
	96	04/16 →	●	2000 kg payload; +high payload	P61125MM	[+]	18,8	BSH					
	96	04/16 →	●	2000 kg payload; +high payload	P23136MM	[+]	19	BRE					
2.0 BlueHDi 130 4x4	96	04/16 →	●	1200 kg payload; 1400 kg payload	P23143MM	[+]	19	BRE					
	96	04/16 →	●	1600 kg payload; +high payload	P61118MM	[+]	19	BRE					
	96	04/16 →	●	1600 kg payload; -high payload	P23144MM	[+]	19	BRE					
	96	04/16 →	●	2000 kg payload; +high payload	P23136MM	[+]	19	BRE					
	96	04/16 →	●	2000 kg payload; +high payload	P61125MM	[+]	18,8	BSH					
	96	04/16 →	●	2000 kg payload; +high payload	P23136MM	[+]	19	BRE					

CITROËN

JUMPER Platform/Chassis / RELAY Platform/Chassis 04/06 →

2.0 BlueHDi 160	120	04/16 →	●	1200 kg payload; 1400 kg payload	P23143MM	[+]	19	BRE						
	120	04/16 →	●	1600 kg payload; +high payload	P61118MM	[+]	19	BRE						
	120	04/16 →	●	1600 kg payload; -high payload	P23144MM	[+]	19	BRE						
	120	04/16 →	●	2000 kg payload; +high payload	P23136MM	[+]	19	BRE						
	120	04/16 →	●	2000 kg payload; +high payload	P61125MM	[+]	18,8	BSH						
	120	04/16 →	●	2000 kg payload; +high payload	P23136MM	[+]	19	BRE						
2.0 BlueHDi 160 4x4	120	04/16 →	●	1200 kg payload; 1400 kg payload	P23143MM	[+]	19	BRE						
	120	04/16 →	●	1600 kg payload; +high payload	P61118MM	[+]	19	BRE						
	120	04/16 →	●	1600 kg payload; -high payload	P23144MM	[+]	19	BRE						
	120	04/16 →	●	2000 kg payload; +high payload	P23136MM	[+]	19	BRE						
	120	04/16 →	●	2000 kg payload; +high payload	P61125MM	[+]	18,8	BSH						
	120	04/16 →	●	2000 kg payload; +high payload	P23136MM	[+]	19	BRE						
2.2 HDi 100	74	04/06 →	●	1400 kg payload; 1200 kg payload; -high payload	P23143MM	[+]	19	BRE						
	74	04/06 →	●	1600 kg payload; -high payload	P23144MM	[+]	19	BRE						
	74	04/06 →	●	1600 kg payload; +high payload	P61118MM	[+]	19	BRE						
	74	04/06 →	●	2000 kg payload; +high payload	P23136MM	[+]	19	BRE						
	74	04/06 →	●	→ 11/13	P61091MM	[-]	18,8	BSH						
	74	04/06 →	●	12/13 →	P61125MM	[+]	18,8	BSH						
	81	07/11 →	●	1200 kg payload; 1400 kg payload; -high payload	P23143MM	[+]	19	BRE						
2.2 HDi 110	81	07/11 →	●	1600 kg payload; -high payload	P23144MM	[+]	19	BRE						
	81	07/11 →	●	1600 kg payload; +high payload	P61118MM	[+]	19	BRE						
	81	07/11 →	●	2000 kg payload; +high payload	P23136MM	[+]	19	BRE						
	81	07/11 →	●	→ 11/13	P61091MM	[-]	18,8	BSH						
	81	07/11 →	●	12/13 →	P61125MM	[+]	18,8	BSH						
2.2 HDi 120	88	04/06 →	●	1200 kg payload; 1400 kg payload; -high payload	P23143MM	[+]	19	BRE						
	88	04/06 →	●	1600 kg payload; -high payload	P23144MM	[+]	19	BRE						
	88	04/06 →	●	1600 kg payload; +high payload	P61118MM	[+]	19	BRE						
	88	04/06 →	●	2000 kg payload; +high payload	P23136MM	[+]	19	BRE						
	88	04/06 →	●	→ 11/13	P61091MM	[-]	18,8	BSH						
	88	04/06 →	●	12/13 →	P61125MM	[+]	18,8	BSH						
2.2 HDi 130	96	07/11 →	●	1200 kg payload; 1400 kg payload; -high payload	P23143MM	[+]	19	BRE						
	96	07/11 →	●	1600 kg payload; -high payload	P23144MM	[+]	19	BRE						
	96	07/11 →	●	1600 kg payload; +high payload	P61118MM	[+]	19	BRE						
	96	07/11 →	●	2000 kg payload; +high payload	P23136MM	[+]	19	BRE						
	96	07/11 →	●	→ 11/13	P61091MM	[-]	18,8	BSH						
	96	07/11 →	●	12/13 →	P61125MM	[+]	18,8	BSH						
2.2 HDi 150	110	07/11 →	●	1400 kg payload; 1200 kg payload; -high payload	P23143MM	[+]	19	BRE						
	110	07/11 →	●	1600 kg payload; -high payload	P23144MM	[+]	19	BRE						
	110	07/11 →	●	1600 kg payload; +high payload	P61118MM	[+]	19	BRE						
	110	07/11 →	●	2000 kg payload; +high payload	P23136MM	[+]	19	BRE						
	110	07/11 →	●	→ 11/13	P61091MM	[-]	18,8	BSH						
	110	07/11 →	●	12/13 →	P61125MM	[+]	18,8	BSH						
3.0 HDi 145	107	07/10 →	●	1200 kg payload; 1400 kg payload; -high payload	P23143MM	[+]	19	BRE						
	107	07/10 →	●	1600 kg payload; -high payload	P23144MM	[+]	19	BRE						
	107	07/10 →	●	1600 kg payload; +high payload	P61118MM	[+]	19	BRE						
	107	07/10 →	●	2000 kg payload; +high payload	P23136MM	[+]	19	BRE						
	107	07/10 →	●	→ 11/13	P61091MM	[-]	18,8	BSH						
	107	07/10 →	●	12/13 →	P61125MM	[+]	18,8	BSH						

								WI			FK	

CITROËN

JUMPER Platform/Chassis / RELAY Platform/Chassis 04/06 →

3.0 HDi 160	116	09/06 →	●	1200 kg payload; 1400 kg payload; -high payload	P23143MM	[+]	19	BRE				
	116	09/06 →	●	1600 kg payload; -high payload	P23144MM	[+]	19	BRE				
	116	09/06 →	●	1600 kg payload; +high payload	P61118MM	[+]	19	BRE				
	116	09/06 →	●	2000 kg payload; +high payload	P23136MM	[+]	19	BRE				
	116	09/06 →		● → 11/13	P61091MM	[-]	18,8	BSH				
	116	09/06 →		● 12/13 →	P61125MM	[+]	18,8	BSH				
3.0 HDi 180	130	07/11 →	●	1200 kg payload; 1400 kg payload; -high payload	P23143MM	[+]	19	BRE				
	130	07/11 →	●	1600 kg payload; -high payload	P23144MM	[+]	19	BRE				
	130	07/11 →	●	1600 kg payload; +high payload	P61118MM	[+]	19	BRE				
	130	07/11 →	●	2000 kg payload; +high payload	P23136MM	[+]	19	BRE				
	130	07/11 →		● → 11/13	P61091MM	[-]	18,8	BSH				
	130	07/11 →		● 12/13 →	P61125MM	[+]	18,8	BSH				

JUMPER Platform/Chassis (230) / RELAY Platform/Chassis (230) 03/94 → 04/02

1.9 TD	68	03/94 → 04/02	●	27 + 31; → 08/01	P23068MM	[+]	19,7	TRW				
	68	03/94 → 04/02	●	27 + 31; → 08/01	P23083MM	[+]	19,7	TRW				
	68	03/94 → 04/02	●	27 + 31; 09/01 →	P23091MM	[+]	19,1	BRE				
	68	03/94 → 04/02	●	35; → 08/01; 1800 kg payload	P23069MM	[+]	19,7	TRW				
	68	03/94 → 04/02	●	35; → 08/01; 1800 kg payload	P23084MM	[+]	19,7	TRW				
	68	03/94 → 04/02	●	35; 09/01 →; 1800 kg payload	P23092MM	[+]	19,1	BRE				
	68	03/94 → 04/02	●		P23093MM	[-]	20,1	BRE				
	66	03/94 → 04/02	●	27 + 31; → 08/01	P23068MM	[+]	19,7	TRW				
	66	03/94 → 04/02	●	27 + 31; → 08/01	P23083MM	[+]	19,7	TRW				
	66	03/94 → 04/02	●	27 + 31; 09/01 →	P23091MM	[+]	19,1	BRE				
	66	03/94 → 04/02	●	35; → 08/01; 1800 kg payload	P23069MM	[+]	19,7	TRW				
	66	03/94 → 04/02	●	35; → 08/01; 1800 kg payload	P23084MM	[+]	19,7	TRW				
	66	03/94 → 04/02	●	35; 09/01 →; 1800 kg payload	P23092MM	[+]	19,1	BRE				
	66	03/94 → 04/02	●		P23093MM	[-]	20,1	BRE				
2.0	80	03/94 → 04/02	●	27 + 31; → 08/01	P23068MM	[+]	19,7	TRW				
	80	03/94 → 04/02	●	27 + 31; → 08/01	P23083MM	[+]	19,7	TRW				
	80	03/94 → 04/02	●	27 + 31; 09/01 →	P23091MM	[+]	19,1	BRE				
	80	03/94 → 04/02	●	35; → 08/01; 1800 kg payload	P23069MM	[+]	19,7	TRW				
	80	03/94 → 04/02	●	35; → 08/01; 1800 kg payload	P23084MM	[+]	19,7	TRW				
	80	03/94 → 04/02	●	35; 09/01 →; 1800 kg payload	P23092MM	[+]	19,1	BRE				
2.5 D	63	03/94 → 04/02	●	27 + 31; → 08/01	P23068MM	[+]	19,7	TRW				
	63	03/94 → 04/02	●	27 + 31; → 08/01	P23083MM	[+]	19,7	TRW				
	63	03/94 → 04/02	●	27 + 31; 09/01 →	P23091MM	[+]	19,1	BRE				
	63	03/94 → 04/02	●	35; → 08/01; 1800 kg payload	P23069MM	[+]	19,7	TRW				
	63	03/94 → 04/02	●	35; → 08/01; 1800 kg payload	P23084MM	[+]	19,7	TRW				
	63	03/94 → 04/02	●	35; 09/01 →; 1800 kg payload	P23092MM	[+]	19,1	BRE				
	63	03/94 → 04/02	●		P23093MM	[-]	20,1	BRE				
2.5 D 4x4	63	03/00 → 04/02	●	27 + 31; → 08/01	P23068MM	[+]	19,7	TRW				
	63	03/00 → 04/02	●	27 + 31; → 08/01	P23083MM	[+]	19,7	TRW				
	63	03/00 → 04/02	●	27 + 31; 09/01 →	P23091MM	[+]	19,1	BRE				
	63	03/00 → 04/02	●	35; → 08/01; 1800 kg payload	P23069MM	[+]	19,7	TRW				
	63	03/00 → 04/02	●	35; → 08/01; 1800 kg payload	P23084MM	[+]	19,7	TRW				
	63	03/00 → 04/02	●	35; 09/01 →; 1800 kg payload	P23092MM	[+]	19,1	BRE				
	63	03/00 → 04/02	●		P23093MM	[-]	20,1	BRE				
2.5 TD	76	03/94 → 04/02	●	27 + 31; → 08/01	P23068MM	[+]	19,7	TRW				
	76	03/94 → 04/02	●	27 + 31; → 08/01	P23083MM	[+]	19,7	TRW				
	76	03/94 → 04/02	●	27 + 31; 09/01 →	P23091MM	[+]	19,1	BRE				
	76	03/94 → 04/02	●	35; → 08/01; 1800 kg payload	P23069MM	[+]	19,7	TRW				

CITROËN

JUMPER Platform/Chassis (230) / RELAY Platform/Chassis (230) 03/94 → 04/02

2.5 TD	76	03/94 → 04/02	●	35; → 08/01; 1800 kg payload	P23084MM	[+]	19,7	TRW						
	76	03/94 → 04/02	●	35; 09/01 →; 1800 kg payload	P23092MM	[+]	19,1	BRE						
	76	03/94 → 04/02	●		P23093MM	[-]	20,1	BRE						
2.5 TDi	79	12/96 → 04/02	●	27 + 31; → 08/01	P23068MM	[+]	19,7	TRW						
	79	12/96 → 04/02	●	27 + 31; → 08/01	P23083MM	[+]	19,7	TRW						
	79	12/96 → 04/02	●	27 + 31; 09/01 →	P23091MM	[+]	19,1	BRE						
	79	12/96 → 04/02	●	35; → 08/01; 1800 kg payload	P23069MM	[+]	19,7	TRW						
	79	12/96 → 04/02	●	35; → 08/01; 1800 kg payload	P23084MM	[+]	19,7	TRW						
	79	12/96 → 04/02	●	35; 09/01 →; 1800 kg payload	P23092MM	[+]	19,1	BRE						
	79	12/96 → 04/02	●		P23093MM	[-]	20,1	BRE						
2.5 TDi 4x4	79	03/00 → 04/02	●	27 + 31; → 08/01	P23068MM	[+]	19,7	TRW						
	79	03/00 → 04/02	●	27 + 31; → 08/01	P23083MM	[+]	19,7	TRW						
	79	03/00 → 04/02	●	27 + 31; 09/01 →	P23091MM	[+]	19,1	BRE						
	79	03/00 → 04/02	●	35; → 08/01; 1800 kg payload	P23069MM	[+]	19,7	TRW						
	79	03/00 → 04/02	●	35; → 08/01; 1800 kg payload	P23084MM	[+]	19,7	TRW						
	79	03/00 → 04/02	●	35; 09/01 →; 1800 kg payload	P23092MM	[+]	19,1	BRE						
	79	03/00 → 04/02	●		P23093MM	[-]	20,1	BRE						
2.8 D	64	01/99 → 02/02	●	27 + 31	P23068MM	[+]	19,7	TRW						
	64	01/99 → 02/02	●	27 + 31	P23083MM	[+]	19,7	TRW						
	64	01/99 → 02/02	●	27 + 31	P23091MM	[+]	19,1	BRE						
	64	01/99 → 02/02	●	35; 1800 kg payload	P23069MM	[+]	19,7	TRW						
	64	01/99 → 02/02	●	35; 1800 kg payload	P23084MM	[+]	19,7	TRW						
	64	01/99 → 02/02	●	35; 1800 kg payload	P23092MM	[+]	19,1	BRE						
2.8 HDii	94	09/00 → 04/02	●	27 + 31; → 08/01	P23068MM	[+]	19,7	TRW						
	94	09/00 → 04/02	●	35; → 08/01; 1800 kg payload	P23069MM	[+]	19,7	TRW						
	94	09/00 → 04/02	●	27 + 31; 09/01 →	P23091MM	[+]	19,1	BRE						
	94	09/00 → 04/02	●	27 + 31; → 08/01	P23083MM	[+]	19,7	TRW						
	94	09/00 → 04/02	●	35; → 08/01; 1800 kg payload	P23084MM	[+]	19,7	TRW						
	94	09/00 → 04/02	●	35; 09/01 →; 1800 kg payload	P23092MM	[+]	19,1	BRE						
	94	09/00 → 04/02	●		P23093MM	[-]	20,1	BRE						
	93	10/00 → 01/02	●	27 + 31; → 08/01	P23068MM	[+]	19,7	TRW						
	93	10/00 → 01/02	●	27 + 31; → 08/01	P23083MM	[+]	19,7	TRW						
	93	10/00 → 01/02	●	27 + 31; 09/01 →	P23091MM	[+]	19,1	BRE						
	93	10/00 → 01/02	●	35; → 08/01; 1800 kg payload	P23069MM	[+]	19,7	TRW						
	93	10/00 → 01/02	●	35; → 08/01; 1800 kg payload	P23084MM	[+]	19,7	TRW						
	93	10/00 → 01/02	●	35; 09/01 →; 1800 kg payload	P23092MM	[+]	19,1	BRE						
	93	10/00 → 01/02	●		P23093MM	[-]	20,1	BRE						

JUMPER Platform/Chassis (244) / RELAY Platform/Chassis (244) 02/02 →

2.0 HDi	62	04/02 →	●	29 + 33	P23091MM	[+]	19,1	BRE						
	62	04/02 →	●	35; 1800 kg payload	P23092MM	[+]	19,1	BRE						
	62	04/02 →	●		P23093MM	[-]	20,1	BRE						
2.2 HDi	74	04/02 →	●	29 + 33	P23091MM	[+]	19,1	BRE						
	74	04/02 →	●	35; 1800 kg payload	P23092MM	[+]	19,1	BRE						
	74	04/02 →	●		P23093MM	[-]	20,1	BRE						
	74	02/02 → 06/06	●	29 + 33	P23091MM	[+]	19,1	BRE						
	74	02/02 → 06/06	●	35; 1800 kg payload	P23092MM	[+]	19,1	BRE						
2.8 HDi	94	04/02 →	●	29 + 33	P23091MM	[+]	19,1	BRE						
	94	04/02 →	●	35; 1800 kg payload	P23092MM	[+]	19,1	BRE						
	94	04/02 →	●		P23093MM	[-]	20,1	BRE						
	107	05/04 →	●	29 + 33	P23091MM	[+]	19,1	BRE						
	107	05/04 →	●	35; 1800 kg payload	P23092MM	[+]	19,1	BRE						
107	05/04 →	●		P23093MM	[-]	20,1	BRE							

							WI			FK	

CITROËN

JUMPER Platform/Chassis (244) / RELAY Platform/Chassis (244) 02/02 →

2.8 HDi 4x4	94	02/02 → 06/06	●	29 + 33	P23091MM	[+]	19,1	BRE				
	94	02/02 → 06/06	●	35; 1800 kg payload	P23092MM	[+]	19,1	BRE				
	94	02/02 → 06/06	●		P23093MM	[-]	20,1	BRE				

JUMPY 01/07 →

1.6 HDi 90 16V	66	01/07 →	●		P61096MM	[+]	18,3	TRW				
	66	01/07 →	●		P61095MM	[-]	16,6	TRW				
1.6 HDi 90 8V	66	01/07 →	●		P61096MM	[+]	18,3	TRW				
	66	01/07 →	●		P61095MM	[-]	16,6	TRW				
2.0 HDi 120	88	01/07 →	●		P61096MM	[+]	18,3	TRW				
	88	01/07 →	●		P61095MM	[-]	16,6	TRW				
2.0 HDi 125	94	07/11 →	●		P61096MM	[+]	18,3	TRW				
	94	07/11 →	●		P61095MM	[-]	16,6	TRW				
2.0 HDi 140	100	01/07 →	●		P61096MM	[+]	18,3	TRW				
	100	01/07 →	●		P61095MM	[-]	16,6	TRW				
2.0 HDi 165	120	07/10 →	●		P61096MM	[+]	18,3	TRW				
	120	07/10 →	●		P61095MM	[-]	16,6	TRW				
2.0 HDi 95	72	07/11 →	●		P61096MM	[+]	18,3	TRW				
	72	07/11 →	●		P61095MM	[-]	16,6	TRW				
2.0 i	103	01/07 →	●		P61096MM	[+]	18,3	TRW				
	103	01/07 →	●		P61095MM	[-]	16,6	TRW				

JUMPY (U6U) 06/94 → 12/06

1.6	58	10/95 → 08/00	●	→ 09155; 815 kg payload	P23072MM	[+]	19	BDX			A02231	→ 09155; 815 kg payload
	58	10/95 → 08/00	●	09156 →; → 9792; 815 kg payload; → 9792; 900 kg payload	P23061MM	[+]	19,3	GIR			A02231	→ 09155; 815 kg payload
	58	10/95 → 08/00	●	9793 →	P23090MM	[+]	19,3	TRW			A02231	→ 09155; 815 kg payload
1.9 D	51	10/95 → 08/98	●	→ 09155; 815 kg payload	P23072MM	[+]	19	BDX			A02231	→ 09155; 815 kg payload
	51	10/95 → 08/98	●	09156 →; → 9792; 815 kg payload; → 9792; 900 kg payload	P23061MM	[+]	19,3	GIR			A02231	→ 09155; 815 kg payload
	51	10/95 → 08/98	●	9793 →	P23090MM	[+]	19,3	TRW			A02231	→ 09155; 815 kg payload
1.9 D 70	51	04/98 → 11/03	●	→ 09155; 815 kg payload	P23072MM	[+]	19	BDX			A02231	→ 09155; 815 kg payload
	51	04/98 → 11/03	●	09156 →; → 9792; 815 kg payload; → 9792; 900 kg payload	P23061MM	[+]	19,3	GIR			A02231	→ 09155; 815 kg payload
	51	04/98 → 11/03	●	9793 →	P23090MM	[+]	19,3	TRW			A02231	→ 09155; 815 kg payload
1.9 TD	68	04/96 → 11/03	●	→ 09155; 815 kg payload	P23072MM	[+]	19	BDX			A02231	→ 09155; 815 kg payload
	68	04/96 → 11/03	●	09156 →; → 9792; 815 kg payload; → 9792; 900 kg payload	P23061MM	[+]	19,3	GIR			A02231	→ 09155; 815 kg payload
	68	04/96 → 11/03	●	9793 →	P23090MM	[+]	19,3	TRW			A02231	→ 09155; 815 kg payload
	66	10/95 → 08/00	●	→ 09155; 815 kg payload	P23072MM	[+]	19	BDX			A02231	→ 09155; 815 kg payload
	66	10/95 → 08/00	●	09156 →; → 9792; 815 kg payload; → 9792; 900 kg payload	P23061MM	[+]	19,3	GIR			A02231	→ 09155; 815 kg payload
	66	10/95 → 08/00	●	9793 →	P23090MM	[+]	19,3	TRW			A02231	→ 09155; 815 kg payload
2.0	100	04/00 → 12/06	●	→ 09155; 815 kg payload	P23072MM	[+]	19	BDX			A02231	→ 09155; 815 kg payload
	100	04/00 → 12/06	●	09156 →; → 9792; 815 kg payload; → 9792; 900 kg payload	P23061MM	[+]	19,3	GIR			A02231	→ 09155; 815 kg payload
2.0 HDi 110	80	03/00 → 10/06	●	→ 09155; 815 kg payload	P23072MM	[+]	19	BDX			A02231	→ 09155; 815 kg payload
	80	03/00 → 10/06	●	9793 →	P23090MM	[+]	19,3	TRW			A02231	→ 09155; 815 kg payload
	80	03/00 → 10/06	●	09156 →; → 9792; 815 kg payload; → 9792; 900 kg payload	P23061MM	[+]	19,3	GIR			A02231	→ 09155; 815 kg payload

		kw						wi	Th [mm]	SYS	wi			FK	
												LENGHT			

CITROËN

JUMPY (U6U) 06/94 → 12/06

2.0 HDi 95	69	10/99 → 10/06	●	→ 09155; 815 kg payload	P23072MM [+]	19	BDX							A02231	→ 09155; 815 kg payload
	69	10/99 → 10/06	●	09156 →; → 9792; 815 kg payload; → 9792; 900 kg payload	P23061MM [+]	19,3	GIR							A02231	→ 09155; 815 kg payload
	69	10/99 → 10/06	●	9793 →	P23090MM [+]	19,3	TRW							A02231	→ 09155; 815 kg payload
2.0 i 16V	102	03/00 → 10/06	●	→ 09155; 815 kg payload	P23072MM [+]	19	BDX							A02231	→ 09155; 815 kg payload
	102	03/00 → 10/06	●	09156 →; → 9792; 815 kg payload; → 9792; 900 kg payload	P23061MM [+]	19,3	GIR							A02231	→ 09155; 815 kg payload
	102	03/00 → 10/06	●	9793 →	P23090MM [+]	19,3	TRW							A02231	→ 09155; 815 kg payload

JUMPY Box 01/07 →

1.6 HDi 90 16V	66	01/07 →	●		P61096MM [-]	18,3	TRW								
	66	01/07 →	●		P61095MM [-]	16,6	TRW								
1.6 HDi 90 8V	66	01/07 →	●		P61096MM [+]	18,3	TRW								
	66	01/07 →	●		P61095MM [-]	16,6	TRW								
2.0 HDi 120	88	01/07 →	●		P61096MM [+]	18,3	TRW								
	88	01/07 →	●		P61095MM [-]	16,6	TRW								
2.0 HDi 120 4x4	88	01/10 →	●		P61096MM [+]	18,3	TRW								
	88	01/10 →	●		P61095MM [-]	16,6	TRW								
2.0 HDi 125	94	07/11 →	●		P61096MM [+]	18,3	TRW								
	94	07/11 →	●		P61095MM [-]	16,6	TRW								
2.0 HDi 125 4x4	94	07/11 →	●		P61096MM [+]	18,3	TRW								
	94	07/11 →	●		P61095MM [-]	16,6	TRW								
2.0 HDi 140	100	01/07 →	●		P61096MM [+]	18,3	TRW								
	100	01/07 →	●		P61095MM [-]	16,6	TRW								
2.0 HDi 165	120	07/10 →	●		P61096MM [+]	18,3	TRW								
	120	07/10 →	●		P61095MM [-]	16,6	TRW								
2.0 HDi 95	72	07/11 →	●		P61096MM [+]	18,3	TRW								
	72	07/11 →	●		P61095MM [-]	16,6	TRW								
2.0 i	103	01/07 →	●		P61096MM [+]	18,3	TRW								
	103	01/07 →	●		P61095MM [-]	16,6	TRW								

JUMPY Box (BS_, BT_, BY_, BZ_) 06/94 → 10/06

1.6 i	58	10/95 → 08/00	●	→ 09155; 815 kg payload	P23072MM [+]	19	BDX							A02231	→ 09155; 815 kg payload
	58	10/95 → 08/00	●	09156 →; → 9792; 815 kg payload; → 9792; 900 kg payload	P23061MM [+]	19,3	GIR							A02231	→ 09155; 815 kg payload
	58	10/95 → 08/00	●	9793 →	P23090MM [+]	19,3	TRW							A02231	→ 09155; 815 kg payload
1.9 D	51	10/95 → 08/98	●	→ 09155; 815 kg payload	P23072MM [+]	19	BDX								
	51	10/95 → 08/98	●	09156 →; → 9792; 815 kg payload; → 9792; 900 kg payload	P23061MM [+]	19,3	GIR								
	51	10/95 → 08/98	●	9793 →	P23090MM [+]	19,3	TRW								
1.9 D 70	51	04/98 → 10/06	●	→ 09155; 815 kg payload	P23072MM [+]	19	BDX							A02231	→ 09155; 815 kg payload
	51	04/98 → 10/06	●	09156 →; → 9792; 815 kg payload; → 9792; 900 kg payload	P23061MM [+]	19,3	GIR							A02231	→ 09155; 815 kg payload
	51	04/98 → 10/06	●	9793 →	P23090MM [+]	19,3	TRW							A02231	→ 09155; 815 kg payload
1.9 DT	65	10/95 → 08/00	●	→ 09155; 815 kg payload	P23072MM [+]	19	BDX								
	65	10/95 → 08/00	●	09156 →; → 9792; 815 kg payload; → 9792; 900 kg payload	P23061MM [+]	19,3	GIR								
	65	10/95 → 08/00	●	9793 →	P23090MM [+]	19,3	TRW								
1.9 TD	66	10/95 → 08/00	●	→ 09155; 815 kg payload	P23072MM [+]	19	BDX							A02231	→ 09155; 815 kg payload
	66	10/95 → 08/00	●	09156 →; → 9792; 815 kg payload; → 9792; 900 kg payload	P23061MM [+]	19,3	GIR							A02231	→ 09155; 815 kg payload
	66	10/95 → 08/00	●	9793 →	P23090MM [+]	19,3	TRW							A02231	→ 09155; 815 kg payload

										WI			FK	

CITROËN

JUMPY Box (BS_, BT_, BY_, BZ_) 06/94 → 10/06

2.0 HDi 110	80	01/02 → 10/06	●	→ 09155; 815 kg payload	P23072MM	[+]	19	BDX					A02231	→ 09155; 815 kg payload
	80	01/02 → 10/06	●	09156 →; → 9792; 815 kg payload; → 9792; 900 kg payload	P23061MM	[+]	19,3	GIR					A02231	→ 09155; 815 kg payload
	80	01/02 → 10/06	●	9793 →	P23090MM	[+]	19,3	TRW					A02231	→ 09155; 815 kg payload
	80	10/01 → 10/06	●	→ 09155; 815 kg payload	P23072MM	[+]	19	BDX					A02231	→ 09155; 815 kg payload
	80	10/01 → 10/06	●	09156 →; → 9792; 815 kg payload; → 9792; 900 kg payload	P23061MM	[+]	19,3	GIR					A02231	→ 09155; 815 kg payload
	80	10/01 → 10/06	●	9793 →	P23090MM	[+]	19,3	TRW					A02231	→ 09155; 815 kg payload
2.0 HDi 95	69	10/99 → 10/06	●	→ 09155; 815 kg payload	P23072MM	[+]	19	BDX					A02231	→ 09155; 815 kg payload
	69	10/99 → 10/06	●	09156 →; → 9792; 815 kg payload; → 9792; 900 kg payload	P23061MM	[+]	19,3	GIR					A02231	→ 09155; 815 kg payload
	69	10/99 → 10/06	●	9793 →	P23090MM	[+]	19,3	TRW					A02231	→ 09155; 815 kg payload
2.0 i 16V	102	03/00 → 10/06	●	→ 09155; 815 kg payload	P23072MM	[+]	19	BDX					A02231	→ 09155; 815 kg payload
	102	03/00 → 10/06	●	09156 →; → 9792; 815 kg payload; → 9792; 900 kg payload	P23061MM	[+]	19,3	GIR					A02231	→ 09155; 815 kg payload
	102	03/00 → 10/06	●	9793 →	P23090MM	[+]	19,3	TRW					A02231	→ 09155; 815 kg payload

JUMPY Platform/Chassis 07/11 →

2.0 HDi 125	94	07/11 →	●		P61096MM	[+]	18,3	TRW						
	94	07/11 →	●		P61095MM	[-]	16,6	TRW						

JUMPY Platform/Chassis (BU_, BV_, BW_, BX_) 10/99 → 10/06

1.9 TD	68	10/99 → 10/06	●	→ 9792	P23061MM	[+]	19,3	GIR						
	68	10/99 → 10/06	●	9793 →	P23090MM	[+]	19,3	TRW						
2.0	100	12/03 → 10/06	●	→ 09792	P23061MM	[+]	19,3	GIR						
	100	12/03 → 10/06	●	09793 →	P23090MM	[+]	19,3	TRW						
2.0 HDi 110	80	12/03 → 10/06	●	→ 09792	P23061MM	[+]	19,3	GIR						
	80	12/03 → 10/06	●	09793 →	P23090MM	[+]	19,3	TRW						
2.0 HDi 110 16V	80	12/03 → 10/06	●	→ 09792	P23061MM	[+]	19,3	GIR						
	80	12/03 → 10/06	●	09793 →	P23090MM	[+]	19,3	TRW						
2.0 HDi 95	69	10/99 → 10/06	●	→ 9792	P23061MM	[+]	19,3	GIR						
	69	10/99 → 10/06	●	9793 →	P23090MM	[+]	19,3	TRW						

NEMO Box (AA_) 02/08 →

1.3 BlueHDi 80	59	02/16 →	●		P23141MM	[+]	17,8	BSH						
1.3 HDi 75	55	10/10 →	●		P23141MM	[+]	17,8	BSH						
1.4	54	02/08 →	●		P23140MM	[+]	17,8	BSH						
1.4 HDi	50	02/08 →	●		P23140MM	[+]	17,8	BSH						

NEMO Estate 04/09 →

1.3 HDi 75	55	10/10 →	●		P23141MM	[+]	17,8	BSH						
1.3 HDi 80	59	10/15 →	●		P23141MM	[+]	17,8	BSH						
1.4	54	04/09 →	●		P23140MM	[+]	17,8	BSH						
1.4 HDi	50	04/09 →	●		P23140MM	[+]	17,8	BSH						

SAXO (S0, S1) 02/96 → 04/04

1.0 X	33	05/96 → 11/98	●	3 holes	P61047MM	[+]	17	ATE					A02214	
	33	05/96 → 11/98	●	3 holes	P61059MM	[-]	17	ATE					A02214	
	33	05/96 → 11/98	●	4 holes	P61044MM	[+]	18	BDX					A02214	
	33	05/96 → 11/98	●	4 holes	P61097MM	[O]	18	BDX					A02214	
	37	05/98 → 06/03	●	3 holes	P61047MM	[+]	17	ATE					A02214	
	37	05/98 → 06/03	●	3 holes	P61059MM	[-]	17	ATE					A02214	
	37	05/98 → 06/03	●	4 holes	P61044MM	[+]	18	BDX					A02214	
	37	05/98 → 06/03	●	4 holes	P61097MM	[O]	18	BDX					A02214	

CITROËN

SAXO (S0, S1) 02/96 → 04/04

1.1 X,SX	40	05/96 → 09/03	●	3 holes	P61047MM	[+]	17	ATE						A02214		
	40	05/96 → 09/03	●	3 holes	P61059MM	[-]	17	ATE						A02214		
	40	05/96 → 09/03	●	4 holes	P61044MM	[+]	18	BDX						A02214		
	40	05/96 → 09/03	●	4 holes	P61097MM	[O]	18	BDX						A02214		
	44	05/96 → 09/03	●	3 holes	P61059MM	[-]	17	ATE						A02214		
	44	05/96 → 09/03	●	4 holes	P68010MM	[+]	18	BDX						A02214		
	44	05/96 → 09/03	●	4 holes	P61097MM	[O]	18	BDX						A02214		
1.4 VTS	55	05/96 → 06/03	●	3 holes; solid	P61059MM	[-]	17	ATE						A02229	solid	
	55	05/96 → 06/03	●	4 holes; solid	P61044MM	[+]	18	BDX						A02229	solid	
	55	05/96 → 06/03	●	vented	P61051MM	[-]	17,3	ATE						A02229	solid	
1.5 D	40	09/96 → 09/03	●	3 holes; solid	P61059MM	[-]	17	ATE						A02229		
	40	09/96 → 09/03	●	4 holes; solid	P61097MM	[O]	18	BDX						A02229		
	40	09/96 → 09/03	●	4 holes; solid	P61044MM	[+]	18	BDX						A02229		
	40	09/96 → 09/03	●	vented	P61051MM	[-]	17,3	ATE						A02229		
	42	09/96 → 06/01	●	3 holes; solid	P61059MM	[-]	17	ATE						A02229		
	42	09/96 → 06/01	●	4 holes; solid	P61097MM	[O]	18	BDX						A02229		
	42	09/96 → 06/01	●	4 holes; solid	P61044MM	[+]	18	BDX						A02229		
	42	09/96 → 06/01	●	vented	P61051MM	[-]	17,3	ATE						A02229		
	43	07/01 → 04/04	●	3 holes; solid	P61059MM	[-]	17	ATE								
	43	07/01 → 04/04	●	4 holes; solid	P61097MM	[O]	18	BDX								
	43	07/01 → 04/04	●	4 holes; solid	P61044MM	[+]	18	BDX								
1.6	66	02/96 → 06/03	●		P61051MM	[-]	17,3	ATE								
	66	02/96 → 06/03	●		P61054MM	[+]	17,3	ATE								
	66	02/96 → 06/03	●		P61032MM	[O]	11	BDX								
	74	02/01 → 04/04	●		P61051MM	[-]	17,3	ATE								
	74	02/01 → 04/04	●		P61054MM	[+]	17,3	ATE								
	74	02/01 → 04/04	●		P61032MM	[O]	11	BDX								
	88	02/96 → 04/04	●		P61051MM	[-]	17,3	ATE								
	88	02/96 → 04/04	●		P61054MM	[+]	17,3	ATE								
1.6 VTL,VTR	65	05/96 → 06/03	●		P61051MM	[-]	17,3	ATE						A02229	solid	
	65	05/96 → 06/03	●		P61054MM	[+]	17,3	ATE						A02229	solid	
	65	05/96 → 06/03	●		P61032MM	[O]	11	BDX						A02215		
1.6 VTR	80	05/96 → 07/99	●		P61051MM	[-]	17,3	ATE								
	80	05/96 → 07/99	●		P61054MM	[+]	17,3	ATE								
	80	05/96 → 07/99	●		P61032MM	[O]	11	BDX								
1.6 VTS	87	06/96 → 09/03	●		P61051MM	[-]	17,3	ATE						A02229	solid	
	87	06/96 → 09/03	●		P61054MM	[+]	17,3	ATE						A02229	solid	
	87	06/96 → 09/03	●		P61032MM	[O]	11	BDX						A02215		
	72	09/00 → 09/03	●		P61051MM	[-]	17,3	ATE						A02238		
	72	09/00 → 09/03	●		P61054MM	[+]	17,3	ATE						A02238		
	72	09/00 → 09/03	●		P61032MM	[O]	11	BDX						A02215		

XANTIA (X2) 01/98 → 04/03

1.6 i SX	65	01/98 → 03/01	●		P61052MM	[+]	17	BDX						A02231	
	65	01/98 → 03/01	●		P61037MM	[-]	15,4	CIT						A02232	
1.8 i	66	01/98 → 04/03	●		P61052MM	[+]	17	BDX						A02231	
	66	01/98 → 04/03	●		P61037MM	[-]	15,4	CIT						A02232	
1.8 i 16V	81	01/98 → 04/03	●		P61052MM	[+]	17	BDX						A02231	
	81	01/98 → 04/03	●		P61037MM	[-]	15,4	CIT						A02232	
1.9 SD	55	01/98 → 04/03	●		P61052MM	[+]	17	BDX						A02231	
	55	01/98 → 04/03	●		P61037MM	[-]	15,4	CIT						A02232	

CITROËN

XANTIA (X2) 01/98 → 04/03

1.9 Turbo D	66	01/98 → 04/03	●	Man.	P61052MM	[+]	17	BDX							A02231
	66	01/98 → 04/03	●	Aut.	P61061MM	[+]	18	BSH							A02231
	66	01/98 → 04/03	●		P61037MM	[-]	15,4	CIT							A02232
2.0 HDI 109	80	02/99 → 04/03	●		P61061MM	[+]	18	BSH							
	80	02/99 → 04/03	●		P61037MM	[-]	15,4	CIT							A02232
2.0 HDI 90	66	03/99 → 04/03	●		P61061MM	[+]	18	BSH							
	66	03/99 → 04/03	●		P61037MM	[-]	15,4	CIT							A02232
2.0 i	89	01/98 → 04/03	●	Aut.	P61053MM	[+]	16	BDX							A02231
	89	01/98 → 04/03	●	Man.; Man.	P61052MM	[+]	17	BDX							A02231
	89	01/98 → 04/03	●		P61037MM	[-]	15,4	CIT							A02232
	89	01/98 → 04/03	●	Man.; Man.	P61052MM	[+]	17	BDX							A02232
2.0 i 16V	97	01/98 → 04/03	●		P61053MM	[+]	16	BDX							
	97	01/98 → 04/03	●	Activa; → 10/98	P61055MM	[+]	17	BDX							
	97	01/98 → 04/03	●	Activa; 10/98 →	P61061MM	[+]	18	BSH							
	97	01/98 → 04/03	●		P61037MM	[-]	15,4	CIT							
2.0 Turbo	108	01/98 → 04/03	●	→ 10/98	P61055MM	[+]	17	BDX							
	108	01/98 → 04/03	●	10/98 →	P61061MM	[+]	18	BSH							
	108	01/98 → 04/03	●		P61037MM	[-]	15,4	CIT							A02232
2.1 Turbo D 12V	80	01/98 → 02/99	●	→ 10/98	P61055MM	[+]	17	BDX							
	80	01/98 → 02/99	●	10/98 →	P61061MM	[+]	18	BSH							
	80	01/98 → 02/99	●		P61037MM	[-]	15,4	CIT							A02232
3.0 V6	140	01/98 → 04/03	●		P61061MM	[+]	18	BSH							
	140	01/98 → 04/03	●		P61037MM	[-]	15,4	CIT							A02232

XANTIA Break (X2) 01/98 → 04/03

1.8 i	66	01/98 → 04/03	●	disc Ø 266 mm	P61052MM	[+]	17	BDX							A02231
	66	01/98 → 04/03	●	disc Ø 283 mm	P61053MM	[+]	16	BDX							A02231
	66	01/98 → 04/03	●		P61019MM	[-]	16	CIT							
1.8 i 16V	81	01/98 → 04/03	●	disc Ø 266 mm	P61052MM	[+]	17	BDX							A02231
	81	01/98 → 04/03	●	disc Ø 283 mm	P61053MM	[+]	16	BDX							A02231
	81	01/98 → 04/03	●		P61019MM	[-]	16	CIT							
1.9 SD	55	01/98 → 04/03	●		P61053MM	[+]	16	BDX							
	55	01/98 → 04/03	●		P61019MM	[-]	16	CIT							
1.9 Turbo D	66	01/98 → 04/03	●	Man.	P61053MM	[+]	16	BDX							A02231
	66	01/98 → 04/03	●	Aut.	P61061MM	[+]	18	BSH							A02231
	66	01/98 → 04/03	●		P61019MM	[-]	16	CIT							
2.0 HDI 109	80	02/99 → 04/03	●		P61061MM	[+]	18	BSH							
	80	02/99 → 04/03	●		P61019MM	[-]	16	CIT							
2.0 HDI 90	66	03/99 → 04/03	●		P61061MM	[+]	18	BSH							
	66	03/99 → 04/03	●		P61019MM	[-]	16	CIT							
2.0 i	89	01/98 → 04/03	●		P61053MM	[+]	16	BDX							A02231
	89	01/98 → 04/03	●		P61019MM	[-]	16	CIT							
2.0 i 16V	97	01/98 → 04/03	●		P61053MM	[+]	16	BDX							
	97	01/98 → 04/03	●		P61019MM	[-]	16	CIT							
2.0 Turbo	108	01/98 → 04/03	●	→ 10/98	P61055MM	[+]	17	BDX							
	108	01/98 → 04/03	●	10/98 →	P61061MM	[+]	18	BSH							
	108	01/98 → 04/03	●		P61019MM	[-]	16	CIT							
2.1 Turbo D 12V	80	01/98 → 02/99	●	→ 10/98	P61055MM	[+]	17	BDX							
	80	01/98 → 02/99	●	10/98 →	P61061MM	[+]	18	BSH							
	80	01/98 → 02/99	●		P61019MM	[-]	16	CIT							
3.0 V6	140	01/98 → 04/03	●		P61061MM	[+]	18	BSH							
	140	01/98 → 04/03	●		P61019MM	[-]	16	CIT							

--	--	--	--	--	--	--	--	--	--	--	--	--	--	--	--

CITROËN

XM (Y4) 05/94 → 10/00

2.0 i 16V	97	05/94 → 10/00	●				P61046MM	[+]	17	BDX					A02240	
	97	05/94 → 10/00		●			P61037MM	[-]	15,4	CIT					A02232	
2.0 Turbo	108	05/94 → 10/00	●				P61046MM	[+]	17	BDX					A02240	
	108	05/94 → 10/00		●			P61037MM	[-]	15,4	CIT					A02232	
2.1 D12 VSX	60	03/96 → 08/96	●				P61046MM	[+]	17	BDX					A02240	
	60	03/96 → 08/96		●			P61037MM	[-]	15,4	CIT					A02232	
2.1 TD 12V	80	05/94 → 10/00	●				P61046MM	[+]	17	BDX					A02240	
	80	05/94 → 10/00		●			P61037MM	[-]	15,4	CIT					A02232	
2.5 TD	95	05/94 → 10/00	●		→ 05/97		P61049MM	[O]	18,7	ATE					A02240	→ 05/97
	95	05/94 → 10/00	●		→ 05/97		P61046MM	[+]	17	BDX					A02240	→ 05/97
	95	05/94 → 10/00	●		06/97 →		P61061MM	[+]	18	BSH					A02240	→ 05/97
	95	05/94 → 10/00		●			P61037MM	[-]	15,4	CIT					A02232	
3.0 V6	140	04/97 → 10/00	●				P61061MM	[+]	18	BSH						
	140	04/97 → 10/00		●			P61037MM	[-]	15,4	CIT					A02232	
	123	05/94 → 10/00	●		→ 05/97		P61046MM	[+]	17	BDX					A02240	→ 05/97
	123	05/94 → 10/00	●		06/97 →		P61061MM	[+]	18	BSH					A02240	→ 05/97
3.0 V6 24V	123	05/94 → 10/00		●			P61037MM	[-]	15,4	CIT					A02232	
	147	05/94 → 10/00	●		→ 05/97		P61049MM	[O]	18,7	ATE					A02240	→ 05/97
	147	05/94 → 10/00	●		06/97 →		P61061MM	[+]	18	BSH					A02240	→ 05/97
	147	05/94 → 10/00	●		→ 05/97		P61046MM	[+]	17	BDX					A02240	→ 05/97
	147	05/94 → 10/00		●			P61037MM	[-]	15,4	CIT					A02232	

XM Break (Y4) 05/94 → 10/00

2.0 i 16V	97	05/94 → 10/00	●				P61046MM	[+]	17	BDX					A02240	
	97	05/94 → 10/00		●			P61019MM	[-]	16	CIT					A02232	
2.0 Turbo	108	05/94 → 10/00	●				P61046MM	[+]	17	BDX					A02240	
	108	05/94 → 10/00		●			P61019MM	[-]	16	CIT					A02232	
2.1 D12	60	07/94 → 06/96	●				P61046MM	[+]	17	BDX					A02240	
	60	07/94 → 06/96		●			P61019MM	[-]	16	CIT					A02232	
2.1 TD 12V	80	05/94 → 10/00	●				P61046MM	[+]	17	BDX					A02240	
	80	05/94 → 10/00		●			P61019MM	[-]	16	CIT					A02232	
2.5 TD	95	05/94 → 10/00	●		→ 05/97		P61049MM	[O]	18,7	ATE					A02240	→ 05/97
	95	05/94 → 10/00	●		→ 05/97		P61046MM	[+]	17	BDX					A02240	→ 05/97
	95	05/94 → 10/00	●		06/97 →		P61061MM	[+]	18	BSH					A02240	→ 05/97
	95	05/94 → 10/00		●			P61019MM	[-]	16	CIT					A02232	
3.0 V6	140	04/97 → 10/00	●				P61061MM	[+]	18	BSH						
	140	04/97 → 10/00		●			P61019MM	[-]	16	CIT					A02232	
	123	05/94 → 10/00	●		→ 05/97		P61046MM	[+]	17	BDX					A02240	
	123	05/94 → 10/00	●		06/97 →		P61061MM	[+]	18	BSH					A02240	
	123	05/94 → 10/00		●			P61019MM	[-]	16	CIT					A02232	

XSARA (N1) 04/97 → 04/05

1.4 HDi	50	01/03 → 03/05	●				P61066MM	[-]	19	BSH						
	50	01/03 → 03/05		●			P61032MM	[O]	11	BDX						
1.4 i	55	04/97 → 03/05	●		→ 08/00; -ABS		P61063MM	[-]	18	BSH					A02238	
	55	04/97 → 03/05	●		08/00 →		P61066MM	[-]	19	BSH					A02238	
	55	04/97 → 03/05	●		→ 08/00; +ABS		P61051MM	[-]	17,3	ATE					A02238	
	55	04/97 → 03/05		●	-ABS		P61032MM	[O]	11	BDX						
1.5 D	42	04/97 → 09/00	●		-ABS		P61063MM	[-]	18	BSH					A02238	
	42	04/97 → 09/00	●		+ABS		P61051MM	[-]	17,3	ATE					A02238	
	42	04/97 → 09/00		●	+ABS		P61032MM	[O]	11	BDX						
1.6 16V	80	09/00 → 03/05	●				P61066MM	[-]	19	BSH						
	80	09/00 → 03/05		●			P61032MM	[O]	11	BDX						
1.6 i	65	04/97 → 09/00	●				P61051MM	[-]	17,3	ATE					A02238	
	65	04/97 → 09/00		●			P61032MM	[O]	11	BDX						

										WI			FK	
	kw										LENGHT			

CITROËN

XSARA (N1) 04/97 → 04/05

1.8 D	43	04/97 → 09/00	●			P61051MM	[-]	17,3	ATE					A02238	
	43	04/97 → 09/00		●		P61032MM	[o]	11	BDX						
1.8 i	66	04/97 → 09/00	●			P61051MM	[-]	17,3	ATE						
	66	04/97 → 09/00		●		P61032MM	[o]	11	BDX						
1.8 i 16V	81	04/97 → 09/00	●			P61067MM	[-]	18	BSH						
	81	04/97 → 09/00	●			P61060MM	[+]	19,3	GIR						
	81	04/97 → 09/00		●		P61032MM	[o]	11	BDX					A02215	
1.8 i Aut.	74	04/97 → 09/00	●			P61051MM	[-]	17,3	ATE					A02238	
	74	04/97 → 09/00		●		P61032MM	[o]	11	BDX						
1.8 VTS	85	09/00 → 10/04	●			P61067MM	[-]	18	BSH						
	85	09/00 → 10/04	●			P61060MM	[+]	19,3	GIR						
	85	09/00 → 10/04		●		P61032MM	[o]	11	BDX					A02215	
1.9 D	50	04/97 → 09/00	●			P61051MM	[-]	17,3	ATE					A02238	
	50	04/97 → 09/00		●		P61032MM	[o]	11	BDX						
	51	07/98 → 03/05	●		→ 08/00	P61051MM	[-]	17,3	ATE						
	51	07/98 → 03/05	●		08/00 →	P61066MM	[-]	19	BSH						
1.9 SD	55	01/98 → 09/00	●			P61051MM	[-]	17,3	ATE					A02238	
	55	01/98 → 09/00		●		P61032MM	[o]	11	BDX						
	66	04/97 → 09/00	●			P61051MM	[-]	17,3	ATE					A02238	
1.9 TD	66	04/97 → 09/00	●			P61032MM	[o]	11	BDX						
	66	04/97 → 09/00		●		P61051MM	[-]	17,3	ATE					A02238	
2.0 16V	120	04/97 → 09/00	●			P61057MM	[+]	19,3	TRW						
	120	04/97 → 09/00		●		P61032MM	[o]	11	BDX					A02215	
	97	07/98 → 09/00	●			P61067MM	[-]	18	BSH						
	97	07/98 → 09/00	●			P61060MM	[+]	19,3	GIR						
	97	07/98 → 09/00		●		P61032MM	[o]	11	BDX					A02215	
	100	09/00 → 03/05	●		→ 12/01	P61057MM	[+]	19,3	TRW						
	100	09/00 → 03/05	●		01/02 →	P61068MM	[-]	19	BSH						
2.0 HDi 109	80	05/01 → 03/05	●		→ 12/01	P61057MM	[+]	19,3	TRW						
	80	05/01 → 03/05	●		01/02 →	P61068MM	[-]	19	BSH						
	80	05/01 → 03/05		●		P61032MM	[o]	11	BDX					A02215	
2.0 HDi 90	66	02/99 → 03/05	●		→ 08/00	P61065MM	[-]	18	BSH						
	66	02/99 → 03/05	●		→ 08/00	P61060MM	[+]	19,3	GIR						
	66	02/99 → 03/05	●		08/00 →	P61066MM	[-]	19	BSH						
	66	02/99 → 03/05		●		P61032MM	[o]	11	BDX					A02215	

XSARA Box Body / Estate 05/98 → 08/05

2.0 HDi	66	09/00 → 03/05	●			P61066MM	[-]	19	BSH						
	66	09/00 → 03/05		●		P61032MM	[o]	11	BDX					A02215	

XSARA Break (N2) 10/97 → 03/10

1.4 HDi	50	01/03 → 08/05	●			P61066MM	[-]	19	BSH						
1.4 i	55	10/97 → 08/05	●		→ 08/00; -ABS	P61051MM	[-]	17,3	ATE				A02238	→ 08/00	
	55	10/97 → 08/05	●		→ 08/00; +ABS	P61060MM	[+]	19,3	GIR				A02238	→ 08/00	
	55	10/97 → 08/05	●		08/00 →	P61066MM	[-]	19	BSH				A02238	→ 08/00	
1.5 D	42	10/97 → 09/00	●		-ABS	P61051MM	[-]	17,3	ATE				A02238		
	42	10/97 → 09/00	●		+ABS	P61060MM	[+]	19,3	GIR				A02238		
1.6 16V	80	09/00 → 08/05	●			P61066MM	[-]	19	BSH						
	80	09/00 → 08/05		●		P61032MM	[o]	11	BDX						
1.6 i	65	10/97 → 09/00	●		-ABS	P61051MM	[-]	17,3	ATE				A02238		
	65	10/97 → 09/00	●		+ABS	P61060MM	[+]	19,3	GIR				A02238		
1.8 D	43	10/97 → 09/00	●		-ABS	P61051MM	[-]	17,3	ATE				A02238		
	43	10/97 → 09/00	●		+ABS	P61060MM	[+]	19,3	GIR				A02238		

Car Model	KW	S	T	i	MAGNETI MARELLI	wi	Th [mm]	SYS	WI			FK	
									MAGNETI MARELLI	LENGHT	i	MAGNETI MARELLI	i

CITROËN

XSARA Break (N2) 10/97 → 03/10

1.8 i	66	10/97 → 09/00	●					P61060MM	[+]	19,3	GIR			
	66	10/97 → 09/00		●				P61032MM	[O]	11	BDX		A02215	
1.8 i 16V	81	10/97 → 09/00	●					P61060MM	[+]	19,3	GIR			
	81	10/97 → 09/00		●				P61032MM	[O]	11	BDX		A02215	
1.8 i Aut.	74	10/97 → 09/00	●					P61060MM	[+]	19,3	GIR			
	74	10/97 → 09/00		●				P61032MM	[O]	11	BDX		A02215	
1.8 LPG	81	05/98 → 08/00	●					P61060MM	[+]	19,3	GIR			
	81	05/98 → 08/00		●				P61032MM	[O]	11	BDX			
1.9 D	50	10/97 → 09/00	●		-ABS			P61051MM	[-]	17,3	ATE		A02238	
	50	10/97 → 09/00	●		+ABS			P61060MM	[+]	19,3	GIR		A02238	
	55	01/98 → 09/00	●		-ABS			P61051MM	[-]	17,3	ATE		A02238	
	55	01/98 → 09/00	●		+ABS			P61060MM	[+]	19,3	GIR		A02238	
	51	07/98 → 08/05	●		→ 08/00; -ABS			P61051MM	[-]	17,3	ATE		A02238	→ 08/00
	51	07/98 → 08/05	●		→ 08/00; +ABS			P61060MM	[+]	19,3	GIR		A02238	→ 08/00
	51	07/98 → 08/05	●		08/00 →			P61066MM	[-]	19	BSH		A02238	→ 08/00
1.9 TD	66	10/97 → 09/00	●					P61060MM	[+]	19,3	GIR			
	66	10/97 → 09/00		●				P61032MM	[O]	11	BDX		A02215	
2.0 16V	97	07/98 → 09/00	●					P61060MM	[+]	19,3	GIR			
	97	07/98 → 09/00		●				P61032MM	[O]	11	BDX		A02215	
	100	09/00 → 08/05	●		→ 12/01			P61057MM	[+]	19,3	TRW			
	100	09/00 → 08/05	●		01/02 →			P61068MM	[-]	19	BSH			
2.0 HDi 109	100	09/00 → 08/05	●					P61032MM	[O]	11	BDX		A02215	
	80	05/01 → 08/05	●		→ 12/01			P61057MM	[+]	19,3	TRW			
	80	05/01 → 08/05	●		01/02 →			P61068MM	[-]	19	BSH			
2.0 HDi 90	80	05/01 → 08/05	●					P61032MM	[O]	11	BDX		A02215	
	66	02/99 → 08/05	●		→ 08/00			P61065MM	[-]	18	BSH			
	66	02/99 → 08/05	●		→ 08/00			P61060MM	[+]	19,3	GIR			
	66	02/99 → 08/05	●		08/00 →			P61066MM	[-]	19	BSH			
66	02/99 → 08/05		●				P61032MM	[O]	11	BDX		A02215		

XSARA Coupé (N0) 01/98 → 04/05

1.4 HDi	50	01/03 → 03/05	●					P61066MM	[-]	19	BSH			
	50	01/03 → 03/05		●				P61032MM	[O]	11	BDX			
1.4 i	55	03/98 → 03/05	●		→ 08/00; -ABS			P61098MM	[-]	18	BSH		A02238	→ 08/00
	55	03/98 → 03/05	●		→ 08/00; +ABS			P61051MM	[-]	17,3	ATE		A02238	→ 08/00
	55	03/98 → 03/05	●		08/00 →			P61066MM	[-]	19	BSH		A02238	→ 08/00
	55	03/98 → 03/05		●				P61032MM	[O]	11	BDX			
1.6 16V	80	09/00 → 03/05	●					P61066MM	[-]	19	BSH			
	80	09/00 → 03/05		●				P61032MM	[O]	11	BDX			
1.6 i	65	02/98 → 09/00	●					P61051MM	[-]	17,3	ATE		A02238	
	65	02/98 → 09/00		●				P61032MM	[O]	11	BDX			
1.8 i	66	02/98 → 09/00	●					P61051MM	[-]	17,3	ATE		A02238	
	66	02/98 → 09/00		●				P61032MM	[O]	11	BDX			
	74	02/98 → 09/00	●					P61051MM	[-]	17,3	ATE		A02238	
	74	02/98 → 09/00		●				P61032MM	[O]	11	BDX			
1.8 i 16V	81	02/98 → 09/00	●					P61067MM	[-]	18	BSH			
	81	02/98 → 09/00		●				P61060MM	[+]	19,3	GIR			
1.9 D	81	02/98 → 09/00		●				P61032MM	[O]	11	BDX		A02215	
	51	02/99 → 03/05	●		→ 08/00			P61051MM	[-]	17,3	ATE		A02238	→ 08/00
	51	02/99 → 03/05	●		08/00 →			P61066MM	[-]	19	BSH		A02238	→ 08/00
	51	02/99 → 03/05		●				P61032MM	[O]	11	BDX			
	50	02/98 → 09/00	●					P61051MM	[-]	17,3	ATE		A02238	
1.9 TD	50	02/98 → 09/00		●				P61032MM	[O]	11	BDX			
	66	02/98 → 09/00	●					P61051MM	[-]	17,3	ATE		A02238	
66	02/98 → 09/00		●				P61032MM	[O]	11	BDX				

									WI			FK	

CITROËN

XSARA Coupé (N0) 01/98 → 04/05

2.0 16V	100	09/00 → 03/05	●	→ 12/01	P61057MM	[+]	19,3	TRW					
	100	09/00 → 03/05	●	01/02 →	P61068MM	[-]	19	BSH					
	100	09/00 → 03/05	●		P61032MM	[o]	11	BDX				A02215	
2.0 HDi 109	80	05/01 → 03/05	●	→ 12/01	P61057MM	[+]	19,3	TRW					
	80	05/01 → 03/05	●	01/02 →	P61068MM	[-]	19	BSH					
	80	05/01 → 03/05	●		P61032MM	[o]	11	BDX				A02215	
2.0 HDi 90	66	02/99 → 03/05	●	→ 08/00	P61065MM	[-]	18	BSH					
	66	02/99 → 03/05	●	→ 08/00	P61060MM	[+]	19,3	GIR					
	66	02/99 → 03/05	●	08/00 →	P61066MM	[-]	19	BSH					
	66	02/99 → 03/05	●		P61032MM	[o]	11	BDX				A02215	
2.0 i 16V	120	02/98 → 03/05	●	→ 12/01	P61057MM	[+]	19,3	TRW					
	120	02/98 → 03/05	●	01/02 →	P61068MM	[-]	19	BSH					
	120	02/98 → 03/05	●		P61032MM	[o]	11	BDX				A02215	

XSARA PICASSO (N68) 12/99 →

1.6	65	12/99 →	●	-ESP	P61066MM	[-]	19	BSH					
	65	12/99 →	●	+ESP	P61068MM	[-]	19	BSH					
	65	12/99 →	●		P61069MM	[-]	19,3	TRW					
	65	12/99 →	●		P85020MM	[-]	17,2	TRW				A02205	
	70	12/99 →	●	-ESP	P61066MM	[-]	19	BSH					
	70	12/99 →	●	+ESP	P61068MM	[-]	19	BSH					
	70	12/99 →	●		P61069MM	[-]	19,3	TRW					
	70	12/99 →	●		P85020MM	[-]	17,2	TRW				A02205	
1.6 16V	81	06/05 → 09/06	●	-ESP	P61066MM	[-]	19	BSH					
	81	06/05 → 09/06	●	+ESP	P61068MM	[-]	19	BSH					
	81	06/05 → 09/06	●		P61069MM	[-]	19,3	TRW					
	81	06/05 → 09/06	●		P85020MM	[-]	17,2	TRW				A02205	
	80	09/05 →	●	-ESP	P61066MM	[-]	19	BSH					
	80	09/05 →	●	+ESP	P61068MM	[-]	19	BSH					
	80	09/05 →	●		P61069MM	[-]	19,3	TRW					
	80	09/05 →	●		P85020MM	[-]	17,2	TRW					
1.6 HDi	80	05/04 →	●		P61069MM	[-]	19,3	TRW					
	80	05/04 →	●	-ESP	P61066MM	[-]	19	BSH					
	80	05/04 →	●	+ESP	P61068MM	[-]	19	BSH					
	80	05/04 →	●		P85020MM	[-]	17,2	TRW				A02205	
	66	09/05 →	●		P61069MM	[-]	19,3	TRW					
	66	09/05 →	●	-ESP	P61066MM	[-]	19	BSH					
	66	09/05 →	●	+ESP	P61068MM	[-]	19	BSH					
	66	09/05 →	●		P85020MM	[-]	17,2	TRW					
1.8 16V	85	02/00 →	●		P61069MM	[-]	19,3	TRW					
	85	02/00 →	●	-ESP	P61066MM	[-]	19	BSH					
	85	02/00 →	●	+ESP	P61068MM	[-]	19	BSH					
	85	02/00 →	●		P85020MM	[-]	17,2	TRW				A02205	
2.0 16V	100	01/03 →	●		P61069MM	[-]	19,3	TRW					
	100	01/03 →	●	-ESP	P61066MM	[-]	19	BSH					
	100	01/03 →	●	+ESP	P61068MM	[-]	19	BSH					
	100	01/03 →	●		P85020MM	[-]	17,2	TRW				A02205	
2.0 HDi	66	12/99 →	●		P61069MM	[-]	19,3	TRW					
	66	12/99 →	●	-ESP	P61066MM	[-]	19	BSH					
	66	12/99 →	●	+ESP	P61068MM	[-]	19	BSH					
	66	12/99 →	●		P85020MM	[-]	17,2	TRW				A02205	
	80	12/99 →	●	-ESP	P61066MM	[-]	19	BSH					
	80	12/99 →	●	+ESP	P61068MM	[-]	19	BSH					
	80	12/99 →	●		P61069MM	[-]	19,3	TRW					
	80	12/99 →	●		P85020MM	[-]	17,2	TRW				A02205	

Car Model	kw	S	T	i	MAGNETI MARELLI	wi	Th [mm]	SYS	WI			FK	
									MAGNETI MARELLI	LENGHT	i	MAGNETI MARELLI	i

CITROËN

ZX (N2) 03/91 → 07/99

1.1	40	03/91 → 08/93	●					P61099MM	[+]	18	BDX			A02230	
	44	03/91 → 06/97	●					P61099MM	[+]	18	BDX			A02230	
1.4	55	03/91 → 06/97	●					P61099MM	[+]	18	BDX			A02230	
1.4 D	37	07/94 → 10/97	●					P61099MM	[+]	18	BDX			A02230	
1.4 i	55	03/91 → 06/97	●					P61099MM	[+]	18	BDX				
1.6	66	07/94 → 10/97	●					P61043MM	[+]	18	TRW				
	66	07/94 → 10/97	●	●				P61032MM	[O]	11	BDX				
1.6 i	65	03/91 → 06/97	●					P61043MM	[+]	18	TRW				
	65	03/91 → 06/97	●	●				P61032MM	[O]	11	BDX				
1.8	82	04/96 → 10/97	●					P61043MM	[+]	18	TRW				
	82	04/96 → 10/97	●	●				P61032MM	[O]	11	BDX				
	76	07/94 → 10/97	●					P61043MM	[+]	18	TRW				
	76	07/94 → 10/97	●	●				P61032MM	[O]	11	BDX				
1.8 D	44	06/93 → 06/97	●					P61041MM	[+]	18	BDX			A02230	
	44	06/93 → 06/97	●					P61099MM	[+]	18	BDX			A02230	
1.8 i	74	07/92 → 06/97	●					P61043MM	[+]	18	TRW				
	74	07/92 → 06/97	●	●				P61032MM	[O]	11	BDX				
1.8 i 16V	81	01/96 → 06/97	●					P61043MM	[+]	18	TRW				
	81	01/96 → 06/97	●	●				P61032MM	[O]	11	BDX			A02215	
1.9	96	03/91 → 09/93	●					P61043MM	[+]	18	TRW				
	96	03/91 → 09/93	●	●				P61032MM	[O]	11	BDX				
	93	03/91 → 06/97	●					P61043MM	[+]	18	TRW				
	93	03/91 → 06/97	●	●				P61032MM	[O]	11	BDX				
1.9 D	47	03/91 → 06/97	●					P61041MM	[+]	18	BDX				
	47	03/91 → 06/97	●					P61099MM	[+]	18	BDX				
	50	07/93 → 06/97	●					P61041MM	[+]	18	BDX			A02230	
	50	07/93 → 06/97	●					P61099MM	[+]	18	BDX			A02230	
1.9 DT	65	07/94 → 10/97	●					P61043MM	[+]	18	TRW				
	65	07/94 → 10/97	●	●				P61032MM	[O]	11	BDX				
	68	06/92 → 06/94	●					P61043MM	[+]	18	TRW				
	68	06/92 → 06/94	●	●				P61032MM	[O]	11	BDX				
1.9 i	88	03/91 → 06/97	●					P61043MM	[+]	18	TRW				
	88	03/91 → 06/97	●	●				P61032MM	[O]	11	BDX				
1.9 TD	66	07/92 → 06/97	●					P61043MM	[+]	18	TRW				
	66	07/92 → 06/97	●	●				P61032MM	[O]	11	BDX				
2.0	122	09/96 → 10/97	●					P61057MM	[+]	19,3	TRW				
	122	09/96 → 10/97	●	●				P61032MM	[O]	11	BDX				
	90	07/94 → 10/97	●					P61043MM	[+]	18	TRW				
	90	07/94 → 10/97	●	●				P61032MM	[O]	11	BDX				
2.0 i	89	07/92 → 06/97	●					P61043MM	[+]	18	TRW				
	89	07/92 → 06/97	●	●				P61032MM	[O]	11	BDX				
2.0 i 16V	112	07/92 → 10/94	●					P61050MM	[+]	19,4	TRW				
	112	07/92 → 10/94	●	●				P61032MM	[O]	11	BDX				
	110	06/94 → 06/97	●					P61050MM	[+]	19,4	TRW				
	110	06/94 → 06/97	●	●				P61032MM	[O]	11	BDX			A02215	
	120	05/96 → 06/97	●					P61057MM	[+]	19,3	TRW				
	120	05/96 → 06/97	●	●				P61032MM	[O]	11	BDX			A02215	

ZX Break (N2) 10/93 → 07/99

1.4 i	55	10/93 → 10/97	●					P61099MM	[+]	18	BDX			A02215	
1.6 i	65	10/93 → 10/97	●					P61043MM	[+]	18	TRW				
	65	10/93 → 10/97	●	●				P61032MM	[O]	11	BDX			A02215	
1.8 D	44	10/93 → 10/97	●					P61043MM	[+]	18	TRW				
1.8 i	74	10/93 → 10/97	●					P61043MM	[+]	18	TRW				
	74	10/93 → 10/97	●	●				P61032MM	[O]	11	BDX			A02215	

CITROËN

ZX Break (N2) 10/93 → 07/99

1.8 i 16V	81	01/96 → 02/98	●			P61043MM	[+]	18	TRW					
	81	01/96 → 02/98		●		P61032MM	[o]	11	BDX				A02215	
1.9 D	47	10/93 → 10/97	●			P61043MM	[+]	18	TRW					
	50	06/94 → 10/97	●			P61043MM	[+]	18	TRW					
1.9 TD	66	10/93 → 10/97	●			P61043MM	[+]	18	TRW					
	66	10/93 → 10/97		●		P61032MM	[o]	11	BDX				A02215	

DACIA

1310 Estate 05/83 → 07/04

1.3	40	05/83 → 07/04	●			P68004MM	[o]	14	BDX					
1.4	46	01/95 → 07/04	●			P68004MM	[o]	14	BDX					

1310 Saloon (U, X) 05/83 → 07/04

1.3	40	05/83 → 07/04	●			P68004MM	[o]	14	BDX					
1.4	48	09/85 → 12/94	●			P68004MM	[o]	14	BDX					
1.4 Classic	46	01/95 → 07/04	●			P68004MM	[o]	14	BDX					
1.5	46	01/95 → 07/04	●			P68004MM	[o]	14	BDX					

DOKKER 11/12 →

1.2 TCe	85	11/12 →	●		-ESP	P68033MM	[-]	17,3	TRW					
	85	11/12 →	●		+ESP	P68050MM	[-]	18	ATE					
1.5 dCi	55	11/12 →	●		-ESP	P68033MM	[-]	17,3	TRW					
	55	11/12 →	●		+ESP	P68050MM	[-]	18	ATE					
	66	11/12 →	●		-ESP	P68033MM	[-]	17,3	TRW					
	66	11/12 →	●		+ESP	P68050MM	[-]	18	ATE					
1.6	61	11/12 →	●		-ESP	P68033MM	[-]	17,3	TRW					
	61	11/12 →	●		+ESP	P68050MM	[-]	18	ATE					
	75	04/15 →	●		-high payload	P68033MM	[-]	17,3	TRW					
	75	04/15 →	●		+high payload	P68050MM	[-]	18	ATE					
1.6 LPG	61	11/13 →	●		+ESP	P68050MM	[-]	18	ATE					
	61	11/13 →	●		-ESP	P68033MM	[-]	17,3	TRW					
	75	04/15 →	●			P68050MM	[-]	18	ATE					
	75	04/15 →		●		P68033MM	[-]	17,3	TRW					

DOKKER Express 12/12 →

1.2 TCe 115	84	12/12 →	●		+ESP	P68050MM	[-]	18	ATE					
	84	12/12 →	●		-ESP	P68033MM	[-]	17,3	TRW					
	85	07/15 →	●		+high payload	P68050MM	[-]	18	ATE					
	85	07/15 →	●		-high payload	P68033MM	[-]	17,3	TRW					
1.5 dCi	55	12/12 →	●		-ESP	P68033MM	[-]	17,3	TRW					
	55	12/12 →	●		+ESP	P68050MM	[-]	18	ATE					
	66	12/12 →	●		-ESP	P68033MM	[-]	17,3	TRW					
1.6	66	12/12 →	●		+ESP	P68050MM	[-]	18	ATE					
	61	12/12 →	●		-ESP	P68033MM	[-]	17,3	TRW					
	61	12/12 →	●		+ESP	P68050MM	[-]	18	ATE					
1.6 LPG	75	04/15 →	●		+high payload	P68050MM	[-]	18	ATE					
	75	04/15 →	●		-high payload	P68033MM	[-]	17,3	TRW					
	61	11/13 →	●		-ESP	P68033MM	[-]	17,3	TRW					
	61	11/13 →	●		+ESP	P68050MM	[-]	18	ATE					
	75	04/15 →	●		+high payload	P68050MM	[-]	18	ATE					
	75	04/15 →	●		-high payload	P68033MM	[-]	17,3	TRW					

DUSTER 04/10 →

1.2 TCe 125	92	10/13 →	●			P68050MM	[-]	18	ATE					
1.2 TCe 125 4x4	92	06/15 →	●			P68050MM	[-]	18	ATE					

 	kw						wi	Th [mm]	SYS	WI			FK	
											LENGHT			

DACIA

DUSTER 04/10 →

1.5 dCi	66	10/10 →	●	-ESP	P68033MM [-]	17,3	TRW					A02202	+ESP
	66	10/10 →	●	+ESP	P68050MM [-]	18	ATE					A02202	+ESP
	63	04/10 →	●	-ESP	P68033MM [-]	17,3	TRW						
	63	04/10 →	●	+ESP	P68050MM [-]	18	ATE						
	79	06/10 →	●	-ESP	P68033MM [-]	17,3	TRW						
	79	06/10 →	●	+ESP	P68050MM [-]	18	ATE						
	80	08/13 →	●	+ESP	P68050MM [-]	18	ATE						
	80	08/13 →	●	-ESP	P68033MM [-]	17,3	TRW						
1.5 dCi 4x4	66	10/10 →	●	-ESP	P68033MM [-]	17,3	TRW					A02202	+ESP
	66	10/10 →	●	+ESP	P68050MM [-]	18	ATE					A02202	+ESP
	81	10/10 →	●	-ESP	P68033MM [-]	17,3	TRW					A02202	+ESP
	81	10/10 →	●	+ESP	P68050MM [-]	18	ATE					A02202	+ESP
	79	06/10 →	●	-ESP	P68033MM [-]	17,3	TRW						
	79	06/10 →	●	+ESP	P68050MM [-]	18	ATE						
	80	08/13 →	●	+ESP	P68050MM [-]	18	ATE						
	80	08/13 →	●	-ESP	P68033MM [-]	17,3	TRW						
1.6 16V	77	04/10 →	●	-ESP	P68033MM [-]	17,3	TRW						
	77	04/10 →	●	+ESP	P68050MM [-]	18	ATE						
1.6 16V 4x4	77	06/10 →	●	-ESP	P68033MM [-]	17,3	TRW						
	77	06/10 →	●	+ESP	P68050MM [-]	18	ATE						
1.6 16V Hi-Flex	77	08/10 →	●	-ESP	P68033MM [-]	17,3	TRW						
	77	08/10 →	●	+ESP	P68050MM [-]	18	ATE						
1.6 16V LPG	77	04/11 →	●	-ESP	P68033MM [-]	17,3	TRW					A02202	+ESP
	77	04/11 →	●	+ESP	P68050MM [-]	18	ATE					A02202	+ESP
1.6 SCe 115	84	06/15 →	●		P68050MM [-]	18	ATE						
1.6 SCe 115 4x4	84	06/15 →	●		P68050MM [-]	18	ATE						
1.6 SCe 115 LPG	84	06/15 →	●		P68050MM [-]	18	ATE						

DUSTER Box 04/11 →

1.2 TCe 125 4x4	92	10/13 →	●		P68050MM [-]	18	ATE						
1.5 dCi	66	04/11 →	●	-ESP	P68033MM [-]	17,3	TRW						
	66	04/11 →	●	+ESP	P68050MM [-]	18	ATE						
	80	04/13 →	●	-ESP	P68033MM [-]	17,3	TRW						
	80	04/13 →	●	+ESP	P68050MM [-]	18	ATE						
1.5 dCi 4x4	66	04/11 →	●	-ESP	P68033MM [-]	17,3	TRW						
	66	04/11 →	●	+ESP	P68050MM [-]	18	ATE						
	80	04/13 →	●	+ESP	P68050MM [-]	18	ATE						
	80	04/13 →	●	-ESP	P68033MM [-]	17,3	TRW						
1.6 16V 4x4	77	04/11 →	●	-ESP	P68033MM [-]	17,3	TRW						
	77	04/11 →	●	+ESP	P68050MM [-]	18	ATE						
1.6 16V Hi-Flex	77	04/11 →	●	-ESP	P68033MM [-]	17,3	TRW						
	77	04/11 →	●	+ESP	P68050MM [-]	18	ATE						
1.6 SCe 115	84	06/15 →	●		P68050MM [-]	18	ATE						
1.6 SCe 115 4x4	84	06/15 →	●		P68050MM [-]	18	ATE						

LODGY 03/12 →

1.2 TCe	85	03/12 →	●	-ESP	P68033MM [-]	17,3	TRW						
	85	03/12 →	●	+ESP	P68050MM [-]	18	ATE						
1.5 dCi	66	03/12 →	●	+ESP	P68050MM [-]	18	ATE						
	66	03/12 →	●	-ESP	P68033MM [-]	17,3	TRW						
	79	01/13 →	●	-ESP	P68033MM [-]	17,3	TRW						
	79	01/13 →	●	+ESP	P68050MM [-]	18	ATE						
	79	01/13 →	●	+ESP	P68050MM [-]	18	ATE						

Car Model	kw	Icon 1	Icon 2	Icon 3	MAGNETI MARELLI	wi	Th [mm]	SYS	WI			FK	
									MAGNETI MARELLI	LENGHT	Icon 4	MAGNETI MARELLI	Icon 5

DACIA

LOGAN EXPRESS (FS_) 03/09 →

1.6 MPI 85	62	05/10 →	●	-ABS	P68039MM [-]	18	ATE						A02227
	62	05/10 →	●	+ABS	P68033MM [-]	17,3	TRW						A02227

LOGAN II 10/12 →

1.2	55	10/12 →	●		P68060MM [-]	18	ATE						
	54	05/15 →	●		P68060MM [-]	18	ATE						
1.2 LPG	55	10/12 →	●		P68059MM [-]	18	ATE						
1.5 dCi	55	10/12 →	●		P68059MM [-]	18	ATE						
	66	10/12 →	●		P68059MM [-]	18	ATE						
	63	01/13 →	●		P68059MM [-]	18	ATE						
1.6 16V	77	01/13 →	●		P68059MM [-]	18	ATE						
TCe 90	66	10/12 →	●		P68059MM [-]	18	ATE						

LOGAN MCV (KS_) 02/07 →

1.4	55	02/07 →	●	-ABS; disc Ø 259 mm	P68039MM [-]	18	ATE						
	55	02/07 →	●	disc Ø 259 mm	P68008MM [+]	18,2	TRW						
	55	02/07 →	●	+ABS; disc Ø 260 mm	P68033MM [-]	17,3	TRW						
1.5 dCi (KS04)	55	05/10 →	●	-ABS; disc Ø 259 mm	P68039MM [-]	18	ATE						A02227
	55	05/10 →	●	disc Ø 259 mm	P68008MM [+]	18,2	TRW						A02227
	55	05/10 →	●	+ABS; disc Ø 260 mm	P68033MM [-]	17,3	TRW						A02227
	65	05/10 →	●	-ABS; disc Ø 259 mm	P68039MM [-]	18	ATE						A02227
	65	05/10 →	●	disc Ø 259 mm	P68008MM [+]	18,2	TRW						A02227
	65	05/10 →	●	+ABS; disc Ø 260 mm	P68033MM [-]	17,3	TRW						A02227
1.5 dCi (KS0K)	50	02/07 →	●	-ABS; disc Ø 259 mm	P68039MM [-]	18	ATE						
	50	02/07 →	●	disc Ø 259 mm	P68008MM [+]	18,2	TRW						
	50	02/07 →	●	+ABS; disc Ø 260 mm	P68033MM [-]	17,3	TRW						
1.5 dCi (KS0W)	63	09/07 →	●	-ABS; disc Ø 259 mm	P68039MM [-]	18	ATE						
	63	09/07 →	●	disc Ø 259 mm	P68008MM [+]	18,2	TRW						
	63	09/07 →	●	+ABS; disc Ø 260 mm	P68033MM [-]	17,3	TRW						
1.6	64	02/07 →	●	-ABS; disc Ø 259 mm	P68039MM [-]	18	ATE						
	64	02/07 →	●	disc Ø 259 mm	P68008MM [+]	18,2	TRW						
	64	02/07 →	●	+ABS; disc Ø 260 mm	P68033MM [-]	17,3	TRW						
1.6 16V	77	02/07 →	●	-ABS; disc Ø 259 mm	P68039MM [-]	18	ATE						
	77	02/07 →	●	disc Ø 259 mm	P68008MM [+]	18,2	TRW						
	77	02/07 →	●	+ABS; disc Ø 260 mm	P68033MM [-]	17,3	TRW						
1.6 16V Hi-Flex	77	11/09 →	●	-ABS; disc Ø 259 mm	P68039MM [-]	18	ATE						A02227
	77	11/09 →	●	disc Ø 259 mm	P68008MM [+]	18,2	TRW						A02227
	77	11/09 →	●	+ABS; disc Ø 260 mm	P68033MM [-]	17,3	TRW						A02227
1.6 Bifuel	64	11/08 →	●	-ABS; disc Ø 259 mm	P68039MM [-]	18	ATE						
	64	11/08 →	●	disc Ø 259 mm	P68008MM [+]	18,2	TRW						
	64	11/08 →	●	+ABS; disc Ø 260 mm	P68033MM [-]	17,3	TRW						
	62	05/10 →	●	disc Ø 259 mm	P68008MM [+]	18,2	TRW						
	62	05/10 →	●	disc Ø 260 mm	P68033MM [-]	17,3	TRW						
	62	05/10 →	●	disc Ø 260 mm	P68039MM [-]	18	ATE						
1.6 MPI 85	62	05/10 →	●	-ABS; disc Ø 259 mm	P68039MM [-]	18	ATE						A02227
	62	05/10 →	●	disc Ø 259 mm	P68008MM [+]	18,2	TRW						A02227
	62	05/10 →	●	+ABS; disc Ø 260 mm	P68033MM [-]	17,3	TRW						A02227

LOGAN MCV II 02/13 →

1.2	55	02/13 →	●		P68059MM [-]	18	ATE						
1.2 LPG	55	02/13 →	●		P68059MM [-]	18	ATE						
1.5 dCi	55	02/13 →	●		P68059MM [-]	18	ATE						
	66	02/13 →	●		P68059MM [-]	18	ATE						
	63	02/13 →	●		P68059MM [-]	18	ATE						
TCe 90	66	02/13 →	●		P68059MM [-]	18	ATE						

										WI			FK	

DACIA

LOGAN Pickup (US_) 03/08 →

1.4	55	01/09 →	●			P68033MM	[-]	17,3	TRW					A02227	
	55	01/09 →	●			P68039MM	[-]	18	ATE					A02227	
1.5 dCi	55	05/10 →	●			P68033MM	[-]	17,3	TRW					A02227	
	55	05/10 →	●			P68039MM	[-]	18	ATE					A02227	
	65	05/10 →	●			P68033MM	[-]	17,3	TRW					A02227	
	65	05/10 →	●			P68039MM	[-]	18	ATE					A02227	
1.5 dCi (USOK)	50	03/08 →	●			P68039MM	[-]	18	ATE						
	50	03/08 →	●			P68033MM	[-]	17,3	TRW						
1.5 dCi (USOW)	63	03/08 →	●			P68039MM	[-]	18	ATE						
	63	03/08 →	●			P68033MM	[-]	17,3	TRW						
1.6	64	03/08 →	●			P68039MM	[-]	18	ATE						
	64	03/08 →	●			P68033MM	[-]	17,3	TRW						
1.6 Bifuel	62	05/10 →	●			P68033MM	[-]	17,3	TRW					A02227	
	62	05/10 →	●			P68039MM	[-]	18	ATE					A02227	
1.6 MPI 85	62	05/10 →	●			P68033MM	[-]	17,3	TRW					A02227	
	62	05/10 →	●			P68039MM	[-]	18	ATE					A02227	

NOVA 04/96 → 03/03

1.4	48	04/96 → 03/01	●			P68001MM	[+]	14	BDX						
1.6	53	04/96 → 03/03	●			P68001MM	[+]	14	BDX						

SANDERO 06/08 →

1.2 16V	55	11/08 →	●			P68008MM	[+]	18,2	TRW						
1.2 16V LPG	55	11/08 →	●			P68008MM	[+]	18,2	TRW						
1.4	55	06/08 →	●			P68008MM	[+]	18,2	TRW						
	55	06/08 →	●			P68038MM	[-]	18,2	TRW						
1.4 MPI LPG	53	01/09 →	●			P68008MM	[+]	18,2	TRW						
1.5 dCi	55	05/10 →	●			P68008MM	[+]	18,2	TRW						
	65	05/10 →	●			P68008MM	[+]	18,2	TRW						
	50	11/08 →	●			P68008MM	[+]	18,2	TRW						
	63	11/08 →	●			P68008MM	[+]	18,2	TRW						
1.6	64	06/08 →	●			P68008MM	[+]	18,2	TRW						
	64	06/08 →	●			P68038MM	[-]	18,2	TRW						
1.6 16V	77	07/11 →	●			P68008MM	[+]	18,2	TRW						
1.6 16V Bifuel	77	01/11 →	●			P68008MM	[+]	18,2	TRW						
1.6 LPG	62	05/10 → 10/12	●			P68008MM	[+]	18,2	TRW						
1.6 LPG (BS03)	60	01/11 → 12/12	●			P68008MM	[+]	18,2	TRW						
1.6 MPI 85	62	05/10 →	●			P68008MM	[+]	18,2	TRW						

SANDERO II 10/12 →

1.2	55	10/12 →	●		STEPWAY	P68059MM	[-]	18	ATE						
	55	10/12 →	●			P68060MM	[-]	18	ATE						
	54	05/15 →	●			P68060MM	[-]	18	ATE						
1.2 LPG	55	10/12 →	●		Stepway	P68059MM	[-]	18	ATE						
	55	10/12 →	●			P68060MM	[-]	18	ATE						
	55	10/12 →	●			P68008MM	[+]	18,2	TRW						
1.5 dCi	55	10/12 →	●		→ 04/15	P68059MM	[-]	18	ATE						
	66	10/12 →	●		→ 04/15	P68059MM	[-]	18	ATE						
	63	01/13 →	●			P68059MM	[-]	18	ATE						
1.6	61	11/12 →	●			P68060MM	[-]	18	ATE						
TCe 90	66	10/12 →	●			P68059MM	[-]	18	ATE						
TCe 90 LPG	66	09/15 →	●			P68059MM	[-]	18	ATE						

SOLENZA (B41_) 02/03 →

1.4 (B41A, B41B, B41C)	55	02/03 →	●			P68008MM	[+]	18,2	TRW						
------------------------	----	---------	---	--	--	----------	-----	------	-----	--	--	--	--	--	--

Car Model	KW	S	M	i	MAGNETI MARELLI	WI	Th [mm]	SYS	WI			FK	
									MAGNETI MARELLI	LENGHT	i	MAGNETI MARELLI	i

DACIA

SANDERO II 10/12 →

1.9 D (B41E, B41F, B41G)	46	02/03 →	•			P68008MM	[+]	18,2	TRW				
--------------------------	----	---------	---	--	--	----------	-----	------	-----	--	--	--	--

DAEWOO

CIELO 06/94 → 12/07

1.5	66	06/94 → 07/98	•			P59017MM	[O]	18,3	ATE				
	55	04/95 → 07/97	•			P59017MM	[O]	18,3	ATE				

ESPERO (KLEJ) 10/91 → 09/99

1.5	55	10/97 → 08/99	•			P15002MM	[+]	16,9	AKE				
1.5 16V	66	02/95 → 06/99	•	→ 05/97		P59017MM	[O]	18,3	ATE				
	66	02/95 → 06/99	•	05/97 →		P15002MM	[+]	16,9	AKE				
	65	10/93 → 09/94	•			P59017MM	[O]	18,3	ATE			A02241	
1.8	66	02/95 → 09/99	•	→ 05/97		P59017MM	[O]	18,3	ATE				
	66	02/95 → 09/99	•	05/97 →		P15002MM	[+]	16,9	AKE				
	70	02/95 → 06/99	•	→ 05/97		P59017MM	[O]	18,3	ATE				
2.0	70	02/95 → 06/99	•	05/97 →		P15002MM	[+]	16,9	AKE				
	77	02/95 → 06/99	•	→ 05/97		P59017MM	[O]	18,3	ATE				
	77	02/95 → 06/99	•	05/97 →		P15002MM	[+]	16,9	AKE				
	74	10/91 → 09/93	•			P59017MM	[O]	18,3	ATE			A02241	
	81	10/93 → 09/94	•			P59017MM	[O]	18,3	ATE			A02241	

EVANDA (KLAL) 08/02 →

2.0	96	08/02 →	•			P15002MM	[+]	16,9	AKE				
	96	08/02 →	•			P10006MM	[+]	17,6	SUM				
	96	08/02 →		•		P10008MM	[-]	14,8	SUM				

GENTRA Saloon 06/13 →

1.5	79	06/13 →	•			P15002MM	[+]	16,9	AKE				
	79	06/13 →		•		P10053MM	[-]	14,4	SUM				

KALOS (KLAS) 09/02 →

1.2	53	04/03 →	•			P24048MM	[-]	17,8	AKE				
	53	04/03 →	•			P10057MM	[+]	17,8	AKE				
1.4	61	09/02 →	•			P24048MM	[-]	17,8	AKE				
	61	09/02 →	•			P10057MM	[+]	17,8	AKE				
1.4 16V	69	04/03 →	•			P24048MM	[-]	17,8	AKE				
	69	04/03 →	•			P10057MM	[+]	17,8	AKE				
1.5	62	11/02 → 12/04	•			P24048MM	[-]	17,8	AKE				
	62	11/02 → 12/04	•			P10057MM	[+]	17,8	AKE				

KALOS Saloon (KLAS) 11/02 → 12/04

1.4	61	11/02 → 12/04	•			P24048MM	[-]	17,8	AKE				
	61	11/02 → 12/04	•			P10057MM	[+]	17,8	AKE				
	69	05/03 → 12/04	•			P24048MM	[-]	17,8	AKE				
	69	05/03 → 12/04	•			P10057MM	[+]	17,8	AKE				
1.5	62	11/02 → 12/04	•			P24048MM	[-]	17,8	AKE				
	62	11/02 → 12/04	•			P10057MM	[+]	17,8	AKE				

KORANDO (KJ) 01/99 →

2.3	105	01/99 →	•	Type:EL		P15003MM	[+]	15,8	TRW				
	105	01/99 →	•	Type:ME; +W.I.		P15008MM	[+]	15,8	TRW				
	105	01/99 →		•		P15004MM	[+]	14,2	TRW				
	105	01/99 →		•		P15005MM	[-]	14,5	TRW				
	103	01/99 → 02/01	•	Mando		P30022MM	[+]	17	SUM				
	103	01/99 → 02/01	•			P15008MM	[+]	15,8	TRW				
	103	01/99 → 02/01		•		P15004MM	[+]	14,2	TRW				



kw



wi

Th [mm]

SYS

WI

FK



LENGHT



DAEWOO

KORANDO (KJ) 01/99 →

2.9 D	72	01/99 →	●	Type:EL	P15003MM	[+]	15,8	TRW				
	72	01/99 →	●	Type:ME; +W.I.	P15008MM	[+]	15,8	TRW				
	72	01/99 →	●		P15004MM	[+]	14,2	TRW				
	72	01/99 →	●		P15005MM	[-]	14,5	TRW				
2.9 TD	88	01/99 →	●	Type:EL	P15003MM	[+]	15,8	TRW				
	88	01/99 →	●	Type:ME; +W.I.	P15008MM	[+]	15,8	TRW				
	88	01/99 →	●		P15004MM	[+]	14,2	TRW				
	88	01/99 →	●		P15005MM	[-]	14,5	TRW				
3.2 4x4	156	01/99 →	●	Type:EL	P15003MM	[+]	15,8	TRW				
	156	01/99 →	●	Type:ME; +W.I.	P15008MM	[+]	15,8	TRW				
	156	01/99 →	●		P15004MM	[+]	14,2	TRW				
	156	01/99 →	●		P15005MM	[-]	14,5	TRW				

KORANDO Cabrio (KJ) 02/99 →

2.0 16V	94	02/99 →	●	Type:EL	P15003MM	[+]	15,8	TRW				
	94	02/99 →	●	Type:ME; +W.I.	P15008MM	[+]	15,8	TRW				
	94	02/99 →	●		P15004MM	[+]	14,2	TRW				
	94	02/99 →	●		P15005MM	[-]	14,5	TRW				
2.3	105	02/99 →	●	Type:EL	P15003MM	[+]	15,8	TRW				
	105	02/99 →	●	Type:ME; +W.I.	P15008MM	[+]	15,8	TRW				
	105	02/99 →	●		P15004MM	[+]	14,2	TRW				
	105	02/99 →	●		P15005MM	[-]	14,5	TRW				
	103	02/99 → 02/01	●	Mando	P30022MM	[+]	17	SUM				
	103	02/99 → 02/01	●		P15008MM	[+]	15,8	TRW				
2.9 D	72	02/99 →	●	Type:EL	P15003MM	[+]	15,8	TRW				
	72	02/99 →	●	Type:ME; +W.I.	P15008MM	[+]	15,8	TRW				
	72	02/99 →	●		P15004MM	[+]	14,2	TRW				
	72	02/99 →	●		P15005MM	[-]	14,5	TRW				
2.9 TD	88	02/99 →	●	Type:EL	P15003MM	[+]	15,8	TRW				
	88	02/99 →	●	Type:ME; +W.I.	P15008MM	[+]	15,8	TRW				
	88	02/99 →	●		P15004MM	[+]	14,2	TRW				
	88	02/99 →	●		P15005MM	[-]	14,5	TRW				

LACETTI Hatchback (KLAN) 02/02 →

1.4	70	02/04 →	●		P15002MM	[+]	16,9	AKE				
	70	02/04 →	●		P10001MM	[-]	14,6	SUM				
	69	06/02 → 12/04	●		P15002MM	[+]	16,9	AKE				
	69	06/02 → 12/04	●		P10001MM	[-]	14,6	SUM				
1.6	80	02/04 →	●		P15002MM	[+]	16,9	AKE				
	80	02/04 →	●		P10001MM	[-]	14,6	SUM				
1.8	90	02/04 →	●		P15002MM	[+]	16,9	AKE				
	90	02/04 →	●		P10001MM	[-]	14,6	SUM				

LACETTI Saloon 06/99 → 07/03

1.6	78	06/99 → 07/03	●		P15002MM	[+]	16,9	AKE				
	78	06/99 → 07/03	●		P10001MM	[-]	14,6	SUM				

LANOS (KLAT) 05/97 →

1.3	55	05/97 →	●	→ 447433	P59011MM	[O]	16,8	ATE			A02241	→ 447433
	55	05/97 →	●	447434 →	P15006MM	[-]	16,5	AKE			A02241	→ 447433
1.5	63	05/97 →	●	→ 447433	P59011MM	[O]	16,8	ATE			A02241	→ 447433
	63	05/97 →	●	447434 →	P15006MM	[-]	16,5	AKE			A02241	→ 447433
	73	10/97 → 06/99	●	447434 →	P15006MM	[-]	16,5	AKE				
	73	10/97 → 06/99	●	→ 447433	P59011MM	[O]	16,8	ATE				
1.6 16V	78	05/97 →	●	→ 447433	P59017MM	[O]	18,3	ATE			A02241	→ 447433
	78	05/97 →	●	447434 →	P15002MM	[+]	16,9	AKE			A02241	→ 447433

Car Model	kw	Icon 1	Icon 2	Icon 3	MAGNETI MARELLI	wi	Th [mm]	SYS	WI			FK	
									MAGNETI MARELLI	LENGHT	Icon 4	MAGNETI MARELLI	Icon 5

DAEWOO

LANOS Saloon (KLAT) 02/97 →

1.3	55	05/97 →	●	→ 447433	P59011MM	[O]	16,8	ATE				A02241	→ 447433
	55	05/97 →	●	447434 →	P15006MM	[-]	16,5	AKE				A02241	→ 447433
1.5	63	05/97 →	●	→ 447433	P59011MM	[O]	16,8	ATE				A02241	→ 447433
	63	05/97 →	●	447434 →	P15006MM	[-]	16,5	AKE				A02241	→ 447433
	73	10/97 → 06/99	●	→ 447433	P59011MM	[O]	16,8	ATE					
	73	10/97 → 06/99	●	447434 →	P15006MM	[-]	16,5	AKE					
1.6 16V	78	02/97 →	●	→ 447433	P59017MM	[O]	18,3	ATE				A02241	→ 447433
	78	02/97 →	●	447434 →	P15002MM	[+]	16,9	AKE				A02241	→ 447433

LEGANZA (KLAV) 06/97 → 04/04

2.0	85	06/97 → 12/02	●		P10006MM	[+]	17,6	SUM					
	85	06/97 → 12/02	●		P15002MM	[+]	16,9	AKE					
	85	06/97 → 12/02	●		P15005MM	[-]	14,5	TRW					
2.0 16V	98	06/97 → 12/02	●		P15002MM	[+]	16,9	AKE					
	98	06/97 → 12/02	●		P10006MM	[+]	17,6	SUM					
	98	06/97 → 12/02	●		P15005MM	[-]	14,5	TRW					
	93	07/00 → 04/04	●		P15002MM	[+]	16,9	AKE					
	93	07/00 → 04/04	●		P10006MM	[+]	17,6	SUM					
	93	07/00 → 04/04	●		P15005MM	[-]	14,5	TRW					
	93	07/00 → 04/04	●										
2.2 16V	100	04/99 → 12/02	●		P15002MM	[+]	16,9	AKE					
	100	04/99 → 12/02	●		P10006MM	[+]	17,6	SUM					
	100	04/99 → 12/02	●		P15005MM	[-]	14,5	TRW					

LUBLIN II Box 04/97 →

2.4 D (3302)	52	04/97 →	●		P68014MM	[+]	18,3	GIR					
2.4 TD (3304)	66	04/97 →	●		P68014MM	[+]	18,3	GIR					

LUBLIN II Platform/Chassis 04/97 →

2.4 D (3352)	52	04/97 →	●		P68014MM	[+]	18,3	GIR					
2.4 TD (3354)	66	04/97 →	●		P68014MM	[+]	18,3	GIR					

MAGNUS 07/99 →

2.5	115	08/03 → 12/04	●		P10006MM	[+]	17,6	SUM					
	115	08/03 → 12/04	●		P10008MM	[-]	14,8	SUM					

MATIZ (KLYA) 09/98 →

0.8	38	09/98 →	●		P15006MM	[-]	16,5	AKE					
1.0	47	01/03 →	●		P15006MM	[-]	16,5	AKE					
	46	04/03 → 12/04	●		P15006MM	[-]	16,5	AKE					

MATIZ Box (KLA4) 08/98 → 08/02

0.8	38	08/98 → 08/02	●		P15006MM	[-]	16,5	AKE					
-----	----	---------------	---	--	----------	-----	------	-----	--	--	--	--	--

MUSSO (FJ) 07/98 →

2.2 TD	74	09/99 →	●	Type:EL	P15003MM	[+]	15,8	TRW					
	74	09/99 →	●	Type:ME; +W.I.	P15008MM	[+]	15,8	TRW					
	74	09/99 →	●		P15009MM	[+]	15,2	AKE					
	74	09/99 →	●		P15004MM	[+]	14,2	TRW					
	74	09/99 →	●		P15005MM	[-]	14,5	TRW					
2.3	103	01/99 →	●	Type:EL	P15003MM	[+]	15,8	TRW					
	103	01/99 →	●	Type:ME; +W.I.	P15008MM	[+]	15,8	TRW					
	103	01/99 →	●		P15009MM	[+]	15,2	AKE					
	103	01/99 →	●		P15004MM	[+]	14,2	TRW					
	103	01/99 →	●		P15005MM	[-]	14,5	TRW					
2.9 D 4x4	73	01/99 → 09/99	●	Type:EL	P15003MM	[+]	15,8	TRW					
	73	01/99 → 09/99	●	Type:ME; +W.I.	P15008MM	[+]	15,8	TRW					
	73	01/99 → 09/99	●		P15009MM	[+]	15,2	AKE					
	73	01/99 → 09/99	●		P15004MM	[+]	14,2	TRW					
	73	01/99 → 09/99	●		P15005MM	[-]	14,5	TRW					

									WI			FK	

DAEWOO

MUSSO (FJ) 07/98 →

2.9 TD 4x4	88 01/99 →	●	Type:EL	P15003MM	[+]	15,8	TRW						
	88 01/99 →	●	Type:ME; +W.I.	P15008MM	[+]	15,8	TRW						
	88 01/99 →		●		P15009MM	[+]	15,2	AKE					
	88 01/99 →		●		P15004MM	[+]	14,2	TRW					
	88 01/99 →		●		P15005MM	[-]	14,5	TRW					
3.2 4x4	162 01/99 →	●	Type:EL	P15003MM	[+]	15,8	TRW						
	162 01/99 →	●	Type:ME; +W.I.	P15008MM	[+]	15,8	TRW						
	162 01/99 →		●		P15009MM	[+]	15,2	AKE					
	162 01/99 →		●		P15004MM	[+]	14,2	TRW					
	162 01/99 →		●		P15005MM	[-]	14,5	TRW					

NEXIA Saloon (KLETN) 02/95 → 06/08

1.5	52 02/95 → 08/97	●		P59011MM	[O]	16,8	ATE					A02241	
	55 02/95 → 08/97	●		P59011MM	[O]	16,8	ATE					A02241	
	44 08/96 → 08/97	●		P59011MM	[O]	16,8	ATE					A02241	
1.5 16V	66 02/95 → 08/97	●		P59017MM	[O]	18,3	ATE						

NUBIRA (KLAJ) 04/97 →

1.6 16V	78 05/97 →	●		P15002MM	[+]	16,9	AKE						
	78 05/97 →		●		P15005MM	[-]	14,5	TRW					
	78 05/97 →		●		P10001MM	[-]	14,6	SUM					
2.0 16V	98 05/97 →	●		P15002MM	[+]	16,9	AKE						
	98 05/97 →		●		P15005MM	[-]	14,5	TRW					
	98 05/97 →		●		P10001MM	[-]	14,6	SUM					
2.0 CDX	93 08/02 → 07/03	●		P15002MM	[+]	16,9	AKE						
	93 08/02 → 07/03		●		P10001MM	[-]	14,6	SUM					
	93 08/02 → 07/03		●		P15005MM	[-]	14,5	TRW					

NUBIRA Saloon (KLAJ) 04/97 →

1.5 SE	81 06/99 → 07/03	●		P15002MM	[+]	16,9	AKE						
	81 06/99 → 07/03		●		P15005MM	[-]	14,5	TRW					
	81 06/99 → 07/03		●		P10001MM	[-]	14,6	SUM					
1.6 16V	78 05/97 →	●		P15002MM	[+]	16,9	AKE						
	78 05/97 →		●		P15005MM	[-]	14,5	TRW					
	78 05/97 →		●		P10001MM	[-]	14,6	SUM					
	76 07/00 →	●		P15002MM	[+]	16,9	AKE						
	76 07/00 →		●		P15005MM	[-]	14,5	TRW					
2.0	81 06/99 → 07/03	●		P15002MM	[+]	16,9	AKE						
	81 06/99 → 07/03		●		P15005MM	[-]	14,5	TRW					
	81 06/99 → 07/03		●		P10001MM	[-]	14,6	SUM					
2.0 16V	98 05/97 →	●		P15002MM	[+]	16,9	AKE						
	98 05/97 →		●		P15005MM	[-]	14,5	TRW					
	98 05/97 →		●		P10001MM	[-]	14,6	SUM					
	93 12/00 →	●		P15002MM	[+]	16,9	AKE						
	93 12/00 →		●		P15005MM	[-]	14,5	TRW					
93 12/00 →		●		P10001MM	[-]	14,6	SUM						

NUBIRA Saloon (KLAN) 07/03 →

1.4	69 10/03 → 12/04	●		P15002MM	[+]	16,9	AKE						
	69 10/03 → 12/04		●		P10001MM	[-]	14,6	SUM					
1.6	80 07/03 →	●		P15002MM	[+]	16,9	AKE						
	80 07/03 →		●		P10001MM	[-]	14,6	SUM					
1.8	90 07/03 →	●		P15002MM	[+]	16,9	AKE						
	90 07/03 →		●		P10001MM	[-]	14,6	SUM					

--	--	--	--	--	--	--	--	--	--	--	--	--	--	--

DAEWOO

NUBIRA Wagon (KLAJ) 04/97 →

1.6 16V	78	05/97 →	●		P15002MM	[+]	16,9	AKE						
	78	05/97 →		●	P15005MM	[-]	14,5	TRW						
	78	05/97 →		●	P10001MM	[-]	14,6	SUM						
	76	12/00 →	●		P15002MM	[+]	16,9	AKE						
	76	12/00 →		●	P15005MM	[-]	14,5	TRW						
	76	12/00 →		●	P10001MM	[-]	14,6	SUM						
	66	06/97 →	●		P15002MM	[+]	16,9	AKE						
	66	06/97 →		●	P15005MM	[-]	14,5	TRW						
	66	06/97 →		●	P10001MM	[-]	14,6	SUM						
2.0 16V	98	05/97 →	●		P15002MM	[+]	16,9	AKE						
	98	05/97 →		●	P15005MM	[-]	14,5	TRW						
	98	05/97 →		●	P10001MM	[-]	14,6	SUM						
	93	12/00 →	●		P15002MM	[+]	16,9	AKE						
	93	12/00 →		●	P15005MM	[-]	14,5	TRW						
	93	12/00 →		●	P10001MM	[-]	14,6	SUM						

NUBIRA Wagon (KLAN) 07/03 →

1.6	80	07/03 →	●		P15002MM	[+]	16,9	AKE						
	80	07/03 →		●	P15005MM	[-]	14,5	TRW						
	80	07/03 →		●	P10001MM	[-]	14,6	SUM						
1.8	90	07/03 →	●		P15002MM	[+]	16,9	AKE						
	90	07/03 →		●	P15005MM	[-]	14,5	TRW						
	90	07/03 →		●	P10001MM	[-]	14,6	SUM						

PRINCE (J19) 08/90 → 08/99

1.8	76	08/93 → 08/98	●		P59017MM	[O]	18,3	ATE						
-----	----	---------------	---	--	----------	-----	------	-----	--	--	--	--	--	--

REXTON (GAB_) 04/02 →

2.3 RX230 4x4	110	05/02 →	●	2 piston cal.	P30013MM	[+]	17	MN						
	110	05/02 →	●	1 piston cal.	P15011MM	[+]	15,6	SUM						
	110	05/02 →		●	P15010MM	[+]	15	SAN						
	110	05/02 →		●	P15004MM	[+]	14,2	TRW						
2.8 RX280 4x4	142	03/03 →	●	1 piston cal.	P15011MM	[+]	15,6	SUM						
	142	03/03 →	●	2 piston cal.	P30013MM	[+]	17	MN						
	142	03/03 →		●	P15010MM	[+]	15	SAN						
	142	03/03 →		●	P15004MM	[+]	14,2	TRW						
2.9 TD	88	04/02 →	●	1 piston cal.	P15011MM	[+]	15,6	SUM						
	88	04/02 →	●	2 piston cal.	P30013MM	[+]	17	MN						
	88	04/02 →		●	P15010MM	[+]	15	SAN						
	88	04/02 →		●	P15004MM	[+]	14,2	TRW						
3.2 V6	162	04/02 →	●	1 piston cal.	P15011MM	[+]	15,6	SUM						
	162	04/02 →	●	2 piston cal.	P30013MM	[+]	17	MN						
	162	04/02 →		●	P15010MM	[+]	15	SAN						
	162	04/02 →		●	P15004MM	[+]	14,2	TRW						

REZZO (KLAU) 06/00 →

1.6	77	09/00 →	●		P15002MM	[+]	16,9	AKE						
1.6 SX	66	08/01 → 12/04	●		P15002MM	[+]	16,9	AKE						
	74	09/00 →	●		P15002MM	[+]	16,9	AKE						
1.8	72	09/00 →	●		P15002MM	[+]	16,9	AKE						
	67	09/00 →	●		P15002MM	[+]	16,9	AKE						
2.0	94	09/00 →	●		P15002MM	[+]	16,9	AKE						
	89	09/01 →	●		P15002MM	[+]	16,9	AKE						

TICO (KLY3) 02/95 → 12/00

0.8	35	02/95 → 12/00	●		P15001MM	[-]	14	SUM						
	38	01/96 → 12/00	●		P15001MM	[-]	14	SUM						

									WI			FK	
	kw						Th [mm]		MAGNETI MARELLI	LENGHT		MAGNETI MARELLI	

DAIHATSU

APPLAUSE II (A101) 07/97 → 05/00

1.6 16V (A101)	73	07/97 → 05/00	●		P16005MM	[+]	14	AKE					
	73	07/97 → 05/00	●	+rear disc	P49015MM	[-]	12,5	AKE					

BEGO 11/05 →

1.3 DVVT 4x4	63	11/05 →	●		P54015MM	[+]	15	SUM					
--------------	----	---------	---	--	----------	-----	----	-----	--	--	--	--	--

CHARADE 05/11 →

1.33 16V	73	05/11 →	●	-ABS; Made in (J)	P83141MM	[-]	17,2	AKE				A02227	Made in (F)
	73	05/11 →	●	Made in (J)	P83101MM	[-]	17,6	ADV				A02227	Made in (F)
	73	05/11 →	●	Made in (F)	P83085MM	[+]	17,7	ATE				A02227	Made in (F)
	73	05/11 →	●	-ABS; Made in (J)	P83086MM	[-]	18,6	AKE				A02227	Made in (F)
	73	05/11 →	●	+ABS; Made in (F)	P83087MM	[+]	15	ATE				A02217	+ABS; Made in (F)

CHARADE (L2_) 03/03 →

1.0 (L251S)	43	03/03 →	●	+ABS	P79012MM	[+]	15	SUM					
	43	03/03 →	●	-ABS	P16011MM	[+]	15,3	AKE					

CHARADE IV (G200, G202) 01/93 → 09/00

1.3	44	09/96 → 11/99	●		P16007MM	[+]	15,6	AKE					
	44	09/96 → 11/99	●		P49005MM	[-]	13	AKE					
1.3 16V	55	05/96 → 11/99	●		P16007MM	[+]	15,6	AKE					
	55	05/96 → 11/99	●		P49005MM	[-]	13	AKE					
1.3 i 16V	62	01/93 → 09/00	●		P16007MM	[+]	15,6	AKE					
	62	01/93 → 09/00	●		P49005MM	[-]	13	AKE					
1.5 i 16V	66	01/97 → 11/99	●		P16007MM	[+]	15,6	AKE					
	66	01/97 → 11/99	●		P49005MM	[-]	13	AKE					
1.6 GTi	77	03/93 → 11/99	●		P16007MM	[+]	15,6	AKE					
	77	03/93 → 11/99	●		P49005MM	[-]	13	AKE					

CHARADE IV Saloon (G203) 03/93 → 01/01

1.5 16V	55	10/94 → 01/01	●		P16007MM	[+]	15,6	AKE					
	55	10/94 → 01/01	●		P49005MM	[-]	13	AKE					
1.5 i 16V	66	06/94 → 11/99	●		P16007MM	[+]	15,6	AKE					
	66	06/94 → 11/99	●		P49005MM	[-]	13	AKE					

COPEN (L880_, L881_) 03/02 → 09/12

0.7	47	09/03 → 09/12	●		P79012MM	[+]	15	SUM					
0.7 (L880)	50	09/03 → 12/07	●		P79012MM	[+]	15	SUM					
1.3	64	03/06 → 09/12	●		P79012MM	[+]	15	SUM					

CUORE V (L7_) 10/98 → 05/03

0.7	31	10/98 → 09/00	●		P16009MM	[+]	14	SUM					
1.0	40	11/98 → 09/00	●		P16009MM	[+]	14	SUM					
1.0 DVVT	43	10/00 → 02/03	●		P16009MM	[+]	14	SUM					
1.0 i (L701)	41	10/98 → 05/03	●		P16009MM	[+]	14	SUM					

CUORE VI (L251, L250_, L260_) 03/03 →

1.0	43	05/03 →	●	solid	P16011MM	[+]	15,3	AKE					
	43	05/03 →	●	vented	P79012MM	[+]	15	SUM					

CUORE VII (L275_, L285_, L276_) 12/06 →

1.0	51	04/07 →	●	13" wheel	P16011MM	[+]	15,3	AKE					
	51	04/07 →	●	14" wheel	P79012MM	[+]	15	SUM					

EXTOL Box 07/00 →

1.3	66	07/00 →	●		P54015MM	[+]	15	SUM					
	63	01/04 → 12/06	●		P54015MM	[+]	15	SUM					

EXTOL Bus (S22_, S23_) 07/00 → 11/11

1.3	63	07/00 → 11/11	●		P54015MM	[+]	15	SUM				A02242	
-----	----	---------------	---	--	----------	-----	----	-----	--	--	--	--------	--

FEROZA Hard Top (F300) 10/88 → 12/99

1.6 16V 4WD	63	10/88 → 12/99	●	→ 08/90	P16012MM	[+]	14	AKE					
1.6 i 16V 4x4	70	10/88 → 12/99	●	→ 08/90	P16012MM	[+]	14	AKE					

		kw						wi	Th [mm]	SYS		LENGHT				WI	FK
--	--	----	--	--	--	--	--	----	---------	-----	--	--------	--	--	--	----	----

DAIHATSU

FEROZA Soft Top (F300) 10/88 → 12/99

1.6 16V	63	10/88 → 12/99	●		→ 08/90	P16012MM	[+]	14	AKE								
1.6 i 16V	70	10/88 → 12/99	●		→ 08/90	P16012MM	[+]	14	AKE								

GRAN MOVE (G3) 10/96 →

1.5 16V (G303)	66	10/96 → 07/98	●			P16007MM	[+]	15,6	AKE								
	66	10/96 → 07/98		●		P49005MM	[-]	13	AKE								
1.5 GLX	71	10/96 → 08/98	●			P16007MM	[+]	15,6	AKE								
	71	10/96 → 08/98		●		P49005MM	[-]	13	AKE								
1.5 GX	55	10/96 → 08/98	●			P16007MM	[+]	15,6	AKE								
	55	10/96 → 08/98		●		P49005MM	[-]	13	AKE								
1.6 16V (G301)	67	05/98 →	●			P16007MM	[+]	15,6	AKE								
	67	05/98 →		●		P49005MM	[-]	13	AKE								
1.6 GLX	77	06/98 → 07/02	●			P16007MM	[+]	15,6	AKE								
	77	06/98 → 07/02		●		P49005MM	[-]	13	AKE								
1.6 GX	67	06/98 → 07/02	●			P16007MM	[+]	15,6	AKE								
	67	06/98 → 07/02		●		P49005MM	[-]	13	AKE								

HIJET Box (S85) 12/92 →

0.7	30	01/96 → 03/98	●			P16003MM	[-]	13,4	SUM								
1.0	33	12/92 → 05/98	●			P16003MM	[-]	13,4	SUM								
1.0 i	35	07/94 → 05/98	●			P16003MM	[-]	13,4	SUM								
1.2 D	26	05/95 → 03/98	●			P16003MM	[-]	13,4	SUM								
1.3 i 16V	48	05/98 →	●			P16003MM	[-]	13,4	SUM								
1.4 D	28	03/98 →	●			P16003MM	[-]	13,4	SUM								

HIJET Bus (S85) 06/93 →

1.0 i	35	07/94 → 05/98	●			P16003MM	[-]	13,4	SUM								
1.3	48	08/98 →	●			P16003MM	[-]	13,4	SUM								

HIJET Pickup 04/98 →

1.3	48	06/98 →	●			P16003MM	[-]	13,4	SUM								
1.4 D	28	04/98 → 12/99	●			P16003MM	[-]	13,4	SUM								

MATERIA (M4_) 10/06 →

1.3	67	10/06 →	●			P16013MM	[+]	16,5	TRW								
1.5	76	10/06 →	●			P16013MM	[+]	16,5	TRW								
1.5 ECO4WD	76	10/06 →	●			P16013MM	[+]	16,5	TRW								

MOVE (L6_) 06/94 → 11/99

0.8 (L601)	31	01/97 → 11/99	●			P16014MM	[-]	13,8	AKE								
------------	----	---------------	---	--	--	----------	-----	------	-----	--	--	--	--	--	--	--	--

MOVE (L9_) 09/98 → 09/02

1.0 i	41	10/98 → 09/02	●			P16003MM	[-]	13,4	SUM								
-------	----	---------------	---	--	--	----------	-----	------	-----	--	--	--	--	--	--	--	--

OPTI II Saloon 11/98 → 02/03

0.7	40	11/98 → 02/03	●			P16009MM	[+]	14	SUM								
-----	----	---------------	---	--	--	----------	-----	----	-----	--	--	--	--	--	--	--	--

RUGGER 05/93 → 12/99

2.8 D 4x4	54	05/93 → 09/94	●			P16012MM	[+]	14	AKE								
2.8 TDIC 4x4	75	05/93 → 06/96	●			P16012MM	[+]	14	AKE								
	72	07/96 → 12/99	●			P16012MM	[+]	14	AKE								

SIRION (M1) 04/98 → 04/05

0.7 Turbo 4WD	88	09/98 → 01/05	●			P16008MM	[+]	15,5	AKE								
1.0	40	04/98 → 10/00	●			P16008MM	[+]	15,5	AKE								
1.0 i (M100)	41	04/98 → 09/00	●			P16008MM	[+]	15,5	AKE								
1.0 i (M101)	43	09/00 → 01/05	●			P16008MM	[+]	15,5	AKE								
1.0 i 4WD	41	04/99 → 09/00	●			P16008MM	[+]	15,5	AKE								
	43	09/00 → 01/05	●			P16008MM	[+]	15,5	AKE								
1.3 Rally	81	06/02 → 03/05	●			P16008MM	[+]	15,5	AKE								
1.3 Rally 4WD	81	06/02 → 03/05	●			P16008MM	[+]	15,5	AKE								

DAIHATSU

SIRION (M1) 04/98 → 04/05

1.3 Sport	75	08/00 → 01/05	●			P16008MM	[+]	15,5	AKE					
1.3 Sport 4WD	75	08/00 → 03/05	●			P16008MM	[+]	15,5	AKE					

SIRION (M3_) 01/05 →

1.0	51	01/05 →	●			P79012MM	[+]	15	SUM					
	51	01/05 →	●	07/07 →; 14" wheel		P16013MM	[+]	16,5	TRW					
1.3	67	03/08 →	●			P79012MM	[+]	15	SUM					
1.3 (M301)	64	01/05 →	●			P79012MM	[+]	15	SUM					
	64	01/05 →	●	07/07 →; 14" wheel		P16013MM	[+]	16,5	TRW					
1.3 4WD	64	04/05 →	●			P79012MM	[+]	15	SUM					
	67	03/08 →	●			P79012MM	[+]	15	SUM					
1.5	76	03/08 →	●			P79012MM	[+]	15	SUM					
	76	03/08 →	●			P16013MM	[+]	16,5	TRW					

TAFT 05/93 → 06/01

2.8 D 4x4	54	05/93 → 11/95	●			P16010MM	[+]	13,8	AKE					
2.8 TDIC 4x4	72	07/96 → 06/01	●			P16010MM	[+]	13,8	AKE					

TERIOS (J1_) 05/97 → 10/06

1.3	63	09/01 → 10/05	●			P54015MM	[+]	15	SUM				A02242	
1.3 4WD (J100)	61	10/97 → 10/00	●			P54015MM	[+]	15	SUM				A02242	
1.3 4WD (J102)	63	10/00 → 10/05	●			P54015MM	[+]	15	SUM				A02242	
1.3 VVT-i Turbo 4WD	103	10/02 → 10/05	●			P54015MM	[+]	15	SUM				A02242	

TERIOS (J2_) 11/05 →

1.3 VVT-i 4x4	63	11/05 →	●			P54015MM	[+]	15	SUM					
1.5 4x4	77	05/06 →	●			P54015MM	[+]	15	SUM				A02242	
1.5 VVT-i [RWD]	75	09/10 →	●			P54015MM	[+]	15	SUM					
1.5 VVT-i 4x4	75	09/10 →	●			P54015MM	[+]	15	SUM					

TERIOS KID (J11_, J13_) 05/97 → 10/12

0.7	44	09/00 → 10/05	●			P54015MM	[+]	15	SUM					
	47	09/00 → 05/12	●			P54015MM	[+]	15	SUM					
0.7 4WD	44	10/98 → 10/05	●			P54015MM	[+]	15	SUM					
	47	05/97 → 08/00	●			P54015MM	[+]	15	SUM					

TREVIS 06/06 →

1.0	43	06/06 →	●	14" wheel		P16011MM	[+]	15,3	AKE					
	43	06/06 →	●	13" wheel		P79012MM	[+]	15	SUM					

YRV (M2) 02/01 →

1.0	43	02/01 →	●			P16008MM	[+]	15,5	AKE					
1.3 (M201)	64	02/01 →	●			P16008MM	[+]	15,5	AKE					
1.3 4WD	64	02/01 →	●			P16008MM	[+]	15,5	AKE					
1.3 GTi	95	07/02 →	●			P16008MM	[+]	15,5	AKE					

DAIMLER

DAIMLER XJ (X30_) 10/94 → 06/03

4.0 Long	216	10/97 → 06/03	●			P36007MM	[o]	17,5	ATE	A00257	300			
	216	10/97 → 06/03	●			P36017MM	[o]	16	ATE					
Double Six 6.0	229	10/94 → 06/03	●			P36007MM	[o]	17,5	ATE	A00257	300		A02217	
	229	10/94 → 06/03	●			P36017MM	[o]	16	ATE					
Six 4.0	177	10/94 → 06/03	●			P36007MM	[o]	17,5	ATE				A02217	
	177	10/94 → 06/03	●			P36017MM	[o]	16	ATE					
	209	07/97 → 12/02	●			P36007MM	[o]	17,5	ATE				A02217	
	209	07/97 → 12/02	●			P36017MM	[o]	16	ATE					

Car icons	kw	Hourglass icon	Brake icons	i icon	MAGNETI MARELLI logo	wi	Th [mm]	SYS	WI			FK	
									MAGNETI MARELLI logo	LENGHT	i icon	MAGNETI MARELLI logo	i icon

DAIMLER

DAIMLER XJ (X30_) 10/94 → 06/03

V8 Super 4.0	267	07/97 → 06/03	●		P36018MM [-]	18,2	BRE	A00257	300			A02217	
	267	07/97 → 06/03		●	P36017MM [O]	16	ATE	A00258	455				
	267	07/97 → 06/03		●	P36020MM [-]	15	BRE	A00258	455				
	276	07/97 → 06/03	●		P36018MM [-]	18,2	BRE						
	276	07/97 → 06/03		●	P36020MM [-]	15	BRE						

DODGE

AVENGER 06/07 →

2.0	115	06/07 →	●	18" wheel	P18001MM [+]	17	AKE						
	115	06/07 →	●	17" wheel	P11026MM [+]	16	AKE						
	115	06/07 →		●	P54034MM [+]	15,4	AKE						
	115	06/07 →		●	+ABS; disc Ø 302 mm	P54031MM [+]	15,5	AKE					
2.0 CRD	103	06/07 →	●	18" wheel	P18001MM [+]	17	AKE						
	103	06/07 →	●	17" wheel	P11026MM [+]	16	AKE						
	103	06/07 →		●	P54034MM [+]	15,4	AKE						
	103	06/07 →		●	+ABS; disc Ø 302 mm	P54031MM [+]	15,5	AKE					
2.4	125	06/07 →	●	18" wheel	P18001MM [+]	17	AKE						
	125	06/07 →	●	17" wheel	P11026MM [+]	16	AKE						
	125	06/07 →		●	P54034MM [+]	15,4	AKE						
	125	06/07 →		●	+ABS; disc Ø 302 mm	P54031MM [+]	15,5	AKE					
	129	06/07 →	●	18" wheel	P18001MM [+]	17	AKE						
	129	06/07 →	●	17" wheel	P11026MM [+]	16	AKE						
	129	06/07 →		●	P54034MM [+]	15,4	AKE						
	129	06/07 →		●	+ABS; disc Ø 302 mm	P54031MM [+]	15,5	AKE					
2.7	137	06/07 →	●	18" wheel	P18001MM [+]	17	AKE						
	137	06/07 →	●	17" wheel	P11026MM [+]	16	AKE						
	137	06/07 →		●	P54034MM [+]	15,4	AKE						
	137	06/07 →		●	+ABS; disc Ø 302 mm	P54031MM [+]	15,5	AKE					
2.7 Flex-Fuel	139	06/07 →	●	18" wheel	P18001MM [+]	17	AKE						
	139	06/07 →	●	17" wheel	P11026MM [+]	16	AKE						
	139	06/07 →		●	P54034MM [+]	15,4	AKE						
	139	06/07 →		●	+ABS; disc Ø 302 mm	P54031MM [+]	15,5	AKE					
3.6	211	01/12 →	●		P18001MM [+]	17	AKE						
	211	01/12 →		●	P54034MM [+]	15,4	AKE						

AVENGER Coupé 09/94 → 12/00

2.5	122	09/94 → 12/00	●		P11011MM [+]	15,9	BDX						
-----	-----	---------------	---	--	--------------	------	-----	--	--	--	--	--	--

CALIBER 06/06 →

1.8	110	06/06 → 12/09	●	Mopar	P54030MM [+]	16	AKE						
	110	06/06 → 12/09	●	18" wheel	P18001MM [+]	17	AKE						
	110	06/06 → 12/09	●	17" wheel	P11026MM [+]	16	AKE						
	110	06/06 → 12/09		●	+rear disc	P54031MM [+]	15,5	AKE					
	110	06/06 → 12/09		●		P54034MM [+]	15,4	AKE					
2.0	115	06/06 →	●	Mopar	P54030MM [+]	16	AKE						
	115	06/06 →	●	18" wheel	P18001MM [+]	17	AKE						
	115	06/06 →	●	17" wheel	P11026MM [+]	16	AKE						
	115	06/06 →		●		P54034MM [+]	15,4	AKE					
	115	06/06 →		●		P54031MM [+]	15,5	AKE					
2.0 CRD	103	06/06 →	●	Mopar	P54030MM [+]	16	AKE						
	103	06/06 →	●	18" wheel	P18001MM [+]	17	AKE						
	103	06/06 →	●	17" wheel	P11026MM [+]	16	AKE						
	103	06/06 →		●	+rear disc	P54031MM [+]	15,5	AKE					
	103	06/06 →		●		P54034MM [+]	15,4	AKE					



kw



wi

Th [mm]

SYS

WI

FK



LENGHT



DODGE

CALIBER 06/06 →

2.2 CRD	120	07/10 →	●	Mopar	P54030MM	[+]	16	AKE						
	120	07/10 →	●	18" wheel	P18001MM	[+]	17	AKE						
	120	07/10 →	●	17" wheel	P11026MM	[+]	16	AKE						
	120	07/10 →		● +rear disc	P54031MM	[+]	15,5	AKE						
	120	07/10 →		●	P54034MM	[+]	15,4	AKE						
2.4	125	10/06 →	●	Mopar	P54030MM	[+]	16	AKE						
	125	10/06 →	●	18" wheel	P18001MM	[+]	17	AKE						
	125	10/06 →	●	17" wheel	P11026MM	[+]	16	AKE						
	125	10/06 →		● +rear disc	P54031MM	[+]	15,5	AKE						
	125	10/06 →		●	P54034MM	[+]	15,4	AKE						
	126	10/06 →	●	Mopar	P54030MM	[+]	16	AKE						
	126	10/06 →	●	18" wheel	P18001MM	[+]	17	AKE						
	126	10/06 →	●	17" wheel	P11026MM	[+]	16	AKE						
	126	10/06 →		● +rear disc	P54031MM	[+]	15,5	AKE						
	126	10/06 →		●	P54034MM	[+]	15,4	AKE						
2.4 AWD	125	10/06 →	●		P18001MM	[+]	17	AKE						
	125	10/06 →	●		P54030MM	[+]	16	AKE						
	125	10/06 →	●		P11026MM	[+]	16	AKE						
	125	10/06 →		●	P54034MM	[+]	15,4	AKE						
	125	10/06 →		●	P54031MM	[+]	15,5	AKE						
2.4 SRT4 AWD	223	10/06 →	●		P11017MM	[+]	17,8	BSH						
2.4 Turbo	217	12/07 →	●	Mopar	P54030MM	[+]	16	AKE						
	217	12/07 →	●	+rear disc	P18001MM	[+]	17	AKE						
	217	12/07 →	●	+rear drum	P11026MM	[+]	16	AKE						
	217	12/07 →		● +rear disc	P54031MM	[+]	15,5	AKE						
	217	12/07 →		● +rear disc	P54034MM	[+]	15,4	AKE						

CARAVAN 01/95 → 03/01

2.0 i	98	01/95 → 03/01	●	10/96 →	P11008MM	[-]	18,6	KH						
2.4 i	111	01/95 → 03/01	●	10/96 →	P11008MM	[-]	18,6	KH						
2.5 TD	85	01/95 → 03/01	●	10/96 →	P11008MM	[-]	18,6	KH						
3.0	112	01/95 → 03/01	●	10/96 →	P11008MM	[-]	18,6	KH						
3.3 i	116	01/95 → 03/01	●	10/96 →	P11008MM	[-]	18,6	KH						
3.8 i	122	01/95 → 03/01	●	10/96 →	P11008MM	[-]	18,6	KH						
	131	01/95 → 03/01	●	10/96 →	P11008MM	[-]	18,6	KH						
3.8 i AWD	122	01/95 → 03/01	●	10/96 →	P11008MM	[-]	18,6	KH						
	131	01/95 → 03/01	●	10/96 →	P11008MM	[-]	18,6	KH						

CARAVAN 01/08 →

2.8 CRD	120	01/09 →	●		P11025MM	[+]	18,5	BSH						
	120	01/09 →	●	MY 2012 →	P11035MM	[+]	18,1	AKE						
	120	01/09 →		●	P11021MM	[+]	17	TRW						
	120	01/09 →		● MY 2012 →	P11032MM	[+]	17,6	TRW						
3.3	131	01/08 →	●		P11025MM	[+]	18,5	BSH						
	131	01/08 →	●	MY 2012 →	P11035MM	[+]	18,1	AKE						
	131	01/08 →		●	P11021MM	[+]	17	TRW						
	131	01/08 →		● MY 2012 →	P11032MM	[+]	17,6	TRW						
3.6	208	01/12 →	●		P11025MM	[+]	18,5	BSH						
	208	01/12 →	●	MY 2012 →	P11035MM	[+]	18,1	AKE						
	208	01/12 →		●	P11021MM	[+]	17	TRW						
	208	01/12 →		● MY 2012 →	P11032MM	[+]	17,6	TRW						
3.8	142	01/08 →	●		P11025MM	[+]	18,5	BSH						
	142	01/08 →	●	MY 2012 →	P11035MM	[+]	18,1	AKE						
	142	01/08 →		●	P11021MM	[+]	17	TRW						
	142	01/08 →		● MY 2012 →	P11032MM	[+]	17,6	TRW						

Car Model	kw	S	E	i	MAGNETI MARELLI	wi	Th [mm]	SYS	WI			FK	
									MAGNETI MARELLI	LENGHT	i	MAGNETI MARELLI	i

DODGE

CARAVAN 01/08 →

4.0	189	01/09 →	●		P11025MM	[+]	18,5	BSH					
	189	01/09 →	●	MY 2012 →	P11035MM	[+]	18,1	AKE					
	189	01/09 →		●	P11021MM	[+]	17	TRW					
	189	01/09 →		●	MY 2012 →	P11032MM	[+]	17,6	TRW				

CARAVAN (RG_) 02/00 → 12/07

2.4	111	02/00 → 12/07	●	15" wheel	P37007MM	[+]	17,5	TRW					
	111	02/00 → 12/07	●	16" wheel	P11015MM	[+]	18	ATE					
	111	02/00 → 12/07		●	P11014MM	[-]	16	KH					
3.3	128	02/00 → 12/07	●	15" wheel	P37007MM	[+]	17,5	TRW					
	128	02/00 → 12/07	●	16" wheel	P11015MM	[+]	18	ATE					
	128	02/00 → 12/07		●	P11014MM	[-]	16	KH					
	132	04/01 → 05/07	●	15" wheel	P37007MM	[+]	17,5	TRW					
3.3 AWD	128	02/00 → 12/07	●	15" wheel	P37007MM	[+]	17,5	TRW					
	128	02/00 → 12/07	●	16" wheel	P11015MM	[+]	18	ATE					
	128	02/00 → 12/07		●	P11014MM	[-]	16	KH					
3.8	160	02/00 → 12/07	●	15" wheel	P37007MM	[+]	17,5	TRW					
	160	02/00 → 12/07	●	16" wheel	P11015MM	[+]	18	ATE					
	160	02/00 → 12/07		●	P11014MM	[-]	16	KH					
	154	04/01 → 05/07	●	15" wheel	P37007MM	[+]	17,5	TRW					
	154	04/01 → 05/07	●	16" wheel	P11015MM	[+]	18	ATE					
3.8 AWD	160	02/00 → 12/07	●	15" wheel	P37007MM	[+]	17,5	TRW					
	160	02/00 → 12/07	●	16" wheel	P11015MM	[+]	18	ATE					
	160	02/00 → 12/07		●	P11014MM	[-]	16	KH					
	154	04/01 → 05/07	●	15" wheel	P37007MM	[+]	17,5	TRW					
	154	04/01 → 05/07	●	16" wheel	P11015MM	[+]	18	ATE					
3.8 Turbo AWD	153	04/01 → 12/07	●	15" wheel	P37007MM	[+]	17,5	TRW					
	153	04/01 → 12/07	●	16" wheel	P11015MM	[+]	18	ATE					
	153	04/01 → 12/07		●	P11014MM	[-]	16	KH					

CHALLENGER Coupé 09/07 →

3.5	186	09/08 → 12/10	●		P11019MM	[+]	18,8	BSH					
	186	09/08 → 12/10	●		P11017MM	[+]	17,8	BSH					
3.6	227	01/11 →	●		P11019MM	[+]	18,8	BSH					
	227	01/11 →	●		P11017MM	[+]	17,8	BSH					
5.7	277	09/08 →	●		P11017MM	[+]	17,8	BSH					
	277	09/08 →	●		P11019MM	[+]	18,8	BSH					
	280	01/10 →	●		P11019MM	[+]	18,8	BSH					
	280	01/10 →	●		P11017MM	[+]	17,8	BSH					
6.1 SRT8	317	09/07 →		●	P09003MM	[+]	14,3	BRE					
6.4 SRT8	351	01/11 →	●	BR4; 01/12 →	P11023MM	[+]	17	BRE					
	351	01/11 →	●	BR5; BR6	P23149MM	[+]	18,1	BSH					
	351	01/11 →	●	BR3	P18034MM	[+]	19,2	BSH					
	351	01/11 →		●	BR4	P11024MM	[+]	14,8	BRE				
	351	01/11 →		●	BR3	P11040MM	[+]	17,8	-				
	346	08/11 →	●	BR4; 01/12 →	P11023MM	[+]	17	BRE					
	346	08/11 →	●	BR5; BR6	P23149MM	[+]	18,1	BSH					
	346	08/11 →	●	BR3	P18034MM	[+]	19,2	BSH					
	346	08/11 →		●	BR4	P11024MM	[+]	14,8	BRE				
	346	08/11 →		●	BR3	P11040MM	[+]	17,8	-				

DODGE

DODGE CHARGER 06/05 → 12/10													
2.7	141	04/06 → 12/10	●		P11019MM	[+]	18,8	BSH					
	141	04/06 → 12/10	●	Performance	P11017MM	[+]	17,8	BSH					
3.5	186	06/05 → 12/10	●		P11019MM	[+]	18,8	BSH					
	186	06/05 → 12/10	●	Performance	P11017MM	[+]	17,8	BSH					
5.7 R/T	254	06/05 → 12/08	●		P11017MM	[+]	17,8	BSH					
	254	06/05 → 12/08	●		P11019MM	[+]	18,8	BSH					
6.1 SRT8	317	09/05 → 12/10	●		P11023MM	[+]	17	BRE					
	317	09/05 → 12/10	●		P11024MM	[+]	14,8	BRE					
DODGE CHARGER 01/11 →													
3.6	218	09/11 → 12/14	●	+reinf. susp.	P23149MM	[+]	18,1	BSH					
	218	09/11 → 12/14	●	-reinf. susp.	P18034MM	[+]	19,2	BSH					
	218	09/11 → 12/14	●	-reinf. susp.	P11040MM	[+]	17,8	-					
5.7 Flexfuel AWD	276	11/11 →	●		P23149MM	[+]	18,1	BSH					
	276	11/11 →	●	-reinf. susp.	P11040MM	[+]	17,8	-					
5.7 R/T	276	09/11 →	●	+reinf. susp.	P23149MM	[+]	18,1	BSH					
	276	09/11 →	●	-reinf. susp.	P18034MM	[+]	19,2	BSH					
	276	09/11 →	●	-reinf. susp.	P11040MM	[+]	17,8	-					
5.7 R/T AWD	276	09/11 →	●		P23149MM	[+]	18,1	BSH					
	276	09/11 →	●	-reinf. susp.	P11040MM	[+]	17,8	-					
6.4 SRT8	351	09/11 →	●	BR4; 01/12 →	P11023MM	[+]	17	BRE					
	351	09/11 →	●	BR8; 01/12 →	P11017MM	[+]	17,8	BSH					
	351	09/11 →	●	BR5; BR6	P23149MM	[+]	18,1	BSH					
	351	09/11 →	●	BR3	P18034MM	[+]	19,2	BSH					
	351	09/11 →	●	BR4; BR7	P11024MM	[+]	14,8	BRE					
	351	09/11 →	●	BR3	P11040MM	[+]	17,8	-					
	362	09/14 →	●	BR4	P11023MM	[+]	17	BRE					
	362	09/14 →	●	BR5; BR6	P23149MM	[+]	18,1	BSH					
	362	09/14 →	●	BR3	P18034MM	[+]	19,2	BSH					
	362	09/14 →	●	BR4	P11024MM	[+]	14,8	BRE					
	362	09/14 →	●	BR3	P11040MM	[+]	17,8	-					
DODGE DURANGO (WD) 12/10 →													
3.6	216	01/11 →	●		P37017MM	[+]	19	ATE					
	216	01/11 →	●		P37016MM	[+]	18	ATE					
3.6 AWD	216	01/11 →	●		P37017MM	[+]	19	ATE					
	216	01/11 →	●		P37016MM	[+]	18	ATE					
5.7	268	01/11 →	●		P37017MM	[+]	19	ATE					
	268	01/11 →	●		P37016MM	[+]	18	ATE					
5.7 AWD	268	01/11 →	●		P37017MM	[+]	19	ATE					
	268	01/11 →	●		P37016MM	[+]	18	ATE					
DODGE GRAND CARAVAN 06/07 →													
3.3	127	06/07 →	●	BR4; BRG; BRE; BR3	P11025MM	[+]	18,5	BSH					
	127	06/07 →	●	BR3; MY 2012 →	P11035MM	[+]	18,1	AKE					
	127	06/07 →	●	BR4; BR3; BRG; BRE; MY → 2011; +rear disc; MY 2012 →	P11021MM	[+]	17	TRW					
	127	06/07 →	●	BR3; MY 2012 →; +rear disc	P11032MM	[+]	17,6	TRW					
	131	06/07 → 12/08	●		P11025MM	[+]	18,5	BSH					
3.6	131	06/07 → 12/08	●		P11021MM	[+]	17	TRW					
	211	09/10 →	●	-HD brakes	P11025MM	[+]	18,5	BSH					
	211	09/10 →	●	HD Brakes	P11035MM	[+]	18,1	AKE					
	211	09/10 →	●		P11021MM	[+]	17	TRW					

	kw													

DODGE

GRAND CARAVAN Mini Passenger Van 09/94 → 12/00

3.3	120	09/94 → 12/96	●			P11007MM	[+]	16,9/19,3	KH					
3.3 AWD	120	09/94 → 12/96	●		→ 09/95	P11007MM	[+]	16,9/19,3	KH					

INTREPID 08/96 → 09/04

2.7	149	10/97 → 09/04	●			P11008MM	[-]	18,6	KH					
	149	10/97 → 09/04		●		P11010MM	[-]	17	KH					
3.2	168	04/98 → 09/04	●			P11008MM	[-]	18,6	KH					
	168	04/98 → 09/04		●		P11010MM	[-]	17	KH					
3.5 ES	187	04/98 → 09/04	●			P11008MM	[-]	18,6	KH					
	187	04/98 → 09/04		●		P11010MM	[-]	17	KH					

JOURNEY 06/08 →

2.0 CRD	103	06/08 →	●		-ABS	P11025MM	[+]	18,5	BSH					
	103	06/08 →	●		+ABS	P11022MM	[+]	17,5	BSH					
	103	06/08 →		●		P11021MM	[+]	17	TRW					
2.4	125	01/09 →	●		-ABS	P11025MM	[+]	18,5	BSH					
	125	01/09 →	●		+ABS	P11022MM	[+]	17,5	BSH					
	125	01/09 →		●		P11021MM	[+]	17	TRW					
	129	09/08 →	●		-ABS	P11025MM	[+]	18,5	BSH					
	129	09/08 →	●		+ABS	P11022MM	[+]	17,5	BSH					
	129	09/08 →		●		P11021MM	[+]	17	TRW					
2.4 ECO+	125	03/09 →	●		-ABS	P11025MM	[+]	18,5	BSH					
	125	03/09 →	●		+ABS	P11022MM	[+]	17,5	BSH					
	125	03/09 →		●		P11021MM	[+]	17	TRW					
2.7	136	01/09 →	●		-ABS	P11025MM	[+]	18,5	BSH					
	136	01/09 →	●		+ABS	P11022MM	[+]	17,5	BSH					
	136	01/09 →		●		P11021MM	[+]	17	TRW					
2.7 FLEXFUEL	136	01/09 →	●		-ABS	P11025MM	[+]	18,5	BSH					
	136	01/09 →	●		+ABS	P11022MM	[+]	17,5	BSH					
	136	01/09 →		●		P11021MM	[+]	17	TRW					
3.5	173	06/08 →	●		-ABS	P11025MM	[+]	18,5	BSH					
	173	06/08 →	●		+ABS	P11022MM	[+]	17,5	BSH					
	173	06/08 →		●		P11021MM	[+]	17	TRW					
3.5 AWD	173	06/08 →	●		-ABS	P11025MM	[+]	18,5	BSH					
	173	06/08 →	●		+ABS	P11022MM	[+]	17,5	BSH					
	173	06/08 →		●		P11021MM	[+]	17	TRW					
3.6	211	01/12 →	●		-ABS	P11025MM	[+]	18,5	BSH					
	211	01/12 →	●		+ABS	P11022MM	[+]	17,5	BSH					
	211	01/12 →		●		P11021MM	[+]	17	TRW					

NEON 05/94 → 08/99

2.0 16V	107	06/94 → 08/99	●			P11008MM	[-]	18,6	KH					
	107	06/94 → 08/99	●			P11009MM	[-]	15,5	KH					
	107	06/94 → 08/99		●	09/97 →; +rear disc	P11010MM	[-]	17	KH					
	98	05/94 → 08/99	●			P11008MM	[-]	18,6	KH					
	98	05/94 → 08/99	●			P11009MM	[-]	15,5	KH					
	98	05/94 → 08/99		●	09/97 →; +rear disc	P11010MM	[-]	17	KH					
	109	04/96 → 08/99	●			P11008MM	[-]	18,6	KH					
	109	04/96 → 08/99	●			P11009MM	[-]	15,5	KH					
	109	04/96 → 08/99		●	09/97 →; +rear disc	P11010MM	[-]	17	KH					
	112	04/96 → 08/99	●			P11008MM	[-]	18,6	KH					
	112	04/96 → 08/99	●			P11009MM	[-]	15,5	KH					
	112	04/96 → 08/99		●	09/97 →; +rear disc	P11010MM	[-]	17	KH					

Car Icon	kW	Hourglass	Truck	i	MAGNETI MARELLI	wi	Th [mm]	SYS	WI			FK	
									MAGNETI MARELLI	LENGHT	i	MAGNETI MARELLI	i

DODGE

NEON II 08/99 →

2.0 16V	98 08/99 →	•			P11008MM	[-]	18,6	KH					
	98 08/99 →		•		P11010MM	[-]	17	KH					
	112 08/99 →	•			P11008MM	[-]	18,6	KH					
	112 08/99 →		•		P11010MM	[-]	17	KH					

NITRO 09/06 → 12/12

2.8 CRD	130 06/07 → 12/12	•			P11022MM	[+]	17,5	BSH					
	130 06/07 → 12/12		•		P18024MM	[+]	16	TRW					
2.8 CRD 4WD	130 06/07 → 12/12	•			P11022MM	[+]	17,5	BSH					
	130 06/07 → 12/12		•		P18024MM	[+]	16	TRW					
3.7	157 09/06 → 12/12	•		-reinf. susp.	P11022MM	[+]	17,5	BSH					
	157 09/06 → 12/12		•		P18024MM	[+]	16	TRW					
3.7 4WD	157 09/06 → 12/12	•		-reinf. susp.	P11022MM	[+]	17,5	BSH					
	157 09/06 → 12/12		•		P18024MM	[+]	16	TRW					
3.7 V6	154 06/07 → 12/12	•			P11022MM	[+]	17,5	BSH					
	154 06/07 → 12/12		•		P18024MM	[+]	16	TRW					
3.7 V6 4WD	151 06/07 → 12/12	•			P11022MM	[+]	17,5	BSH					
	151 06/07 → 12/12		•		P18024MM	[+]	16	TRW					
4.0 4WD	191 09/06 → 12/07	•			P11022MM	[+]	17,5	BSH					
	191 09/06 → 12/07		•		P18024MM	[+]	16	TRW					
	194 09/07 → 12/11	•		Standard brakes	P11022MM	[+]	17,5	BSH					
	194 09/07 → 12/11		•	Premium brakes	P11025MM	[+]	18,5	BSH					
	194 09/07 → 12/11		•		P18024MM	[+]	16	TRW					

STRATUS 09/94 → 04/01

2.0 16V	98 12/95 → 04/01	•			P11011MM	[+]	15,9	BDX					
	98 12/95 → 04/01		•		P11010MM	[-]	17	KH					
2.4 16V	103 12/95 → 04/01	•			P11011MM	[+]	15,9	BDX					
	103 12/95 → 04/01		•		P11010MM	[-]	17	KH					
	112 12/95 → 04/01	•			P11011MM	[+]	15,9	BDX					
	112 12/95 → 04/01		•		P11010MM	[-]	17	KH					
2.5 V6	125 12/95 → 04/01	•			P11011MM	[+]	15,9	BDX					
	125 12/95 → 04/01		•		P11010MM	[-]	17	KH					

VIPER Coupé 10/91 → 09/02

8.0 RT10	282 10/97 → 09/02	•			P23074MM	[+]	18	BRE					
----------	-------------------	---	--	--	----------	-----	----	-----	--	--	--	--	--

DR

DR 5 01/11 →

1.6	80 01/11 →	•			P99026MM	[-]	18	TRW					
	80 01/11 →		•		P83057MM	[+]	14	AKE					
	87 01/11 →	•			P99026MM	[-]	18	TRW					
	87 01/11 →		•		P83057MM	[+]	14	AKE					
1.6 Bifuel	80 01/11 →	•			P99026MM	[-]	18	TRW					
	80 01/11 →		•		P83057MM	[+]	14	AKE					
1.6 LPG	80 01/11 →	•			P99026MM	[-]	18	TRW					
	80 01/11 →		•		P83057MM	[+]	14	AKE					
1.8	97 01/11 →	•			P99026MM	[-]	18	TRW					
	97 01/11 →		•		P83057MM	[+]	14	AKE					
1.9 D	88 01/11 →	•			P99026MM	[-]	18	TRW					
	88 01/11 →		•		P83057MM	[+]	14	AKE					
2.0	94 01/11 →	•			P99026MM	[-]	18	TRW					
	94 01/11 →		•		P83057MM	[+]	14	AKE					
	102 01/11 →	•			P99026MM	[-]	18	TRW					
	102 01/11 →		•		P83057MM	[+]	14	AKE					

DR

DR 5 01/11 →

2.0 4WD	102	01/11 →	●		P99026MM [-]	18	TRW							
	102	01/11 →		●	P83057MM [+]	14	AKE							
2.0 Bifuel	94	01/11 →	●		P99026MM [-]	18	TRW							
	94	01/11 →		●	P83057MM [+]	14	AKE							
2.0 LPG	94	01/11 →	●		P99026MM [-]	18	TRW							
	94	01/11 →		●	P83057MM [+]	14	AKE							

DS

DS 3 04/15 →

1.2 THP 110	81	04/15 →	●	disc Ø 283 mm	P61103MM [-]	18	BSH							
	81	04/15 →	●	disc Ø 266 mm	P61066MM [-]	19	BSH							
	81	04/15 →	●	disc Ø 323 mm	P36020MM [-]	15	BRE							
	81	04/15 →		● +rear disc	P85020MM [-]	17,2	TRW							
1.2 THP 130	96	09/15 →	●	disc Ø 283 mm	P61103MM [-]	18	BSH							
	96	09/15 →	●	disc Ø 266 mm	P61066MM [-]	19	BSH							
	96	09/15 →	●	disc Ø 323 mm	P36020MM [-]	15	BRE							
	96	09/15 →		● +rear disc	P85020MM [-]	17,2	TRW							
1.2 VTi 82	60	04/15 →	●	disc Ø 283 mm	P61103MM [-]	18	BSH							
	60	04/15 →	●	disc Ø 266 mm	P61066MM [-]	19	BSH							
1.6 BlueHDi 100	73	04/15 →	●	disc Ø 283 mm	P61103MM [-]	18	BSH							
	73	04/15 →	●	disc Ø 266 mm	P61066MM [-]	19	BSH							
	73	04/15 →	●	disc Ø 323 mm	P36020MM [-]	15	BRE							
	73	04/15 →		● +rear disc	P85020MM [-]	17,2	TRW							
1.6 BlueHDi 120	88	07/15 →	●	disc Ø 283 mm	P61103MM [-]	18	BSH							
	88	07/15 →	●	disc Ø 266 mm	P61066MM [-]	19	BSH							
	88	07/15 →		● +rear disc	P85020MM [-]	17,2	TRW							
1.6 BlueHDi 75	55	07/15 →	●	disc Ø 266 mm	P61066MM [-]	19	BSH							
	55	07/15 →	●	disc Ø 283 mm	P61103MM [-]	18	BSH							
	55	07/15 →		● +rear disc	P85020MM [-]	17,2	TRW							
1.6 THP 165	121	07/15 →	●	disc Ø 283 mm	P61103MM [-]	18	BSH							
	121	07/15 →	●	disc Ø 266 mm	P61066MM [-]	19	BSH							
	121	07/15 →	●	disc Ø 323 mm	P36020MM [-]	15	BRE							
	121	07/15 →		● +rear disc	P85020MM [-]	17,2	TRW							
1.6 THP 208	153	09/15 →	●		P36020MM [-]	15	BRE							
	153	09/15 →		●	P85020MM [-]	17,2	TRW							

DS 3 Convertible 07/15 →

1.2 THP 110	81	07/15 →	●	disc Ø 283 mm	P61103MM [-]	18	BSH							
	81	07/15 →	●	disc Ø 266 mm	P61066MM [-]	19	BSH							
	81	07/15 →	●	disc Ø 323 mm	P36020MM [-]	15	BRE							
	81	07/15 →		● +rear disc	P85020MM [-]	17,2	TRW							
1.2 THP 130	96	09/15 →	●	disc Ø 323 mm	P36020MM [-]	15	BRE							
	96	09/15 →	●	disc Ø 266 mm	P61066MM [-]	19	BSH							
	96	09/15 →	●	disc Ø 283 mm	P61103MM [-]	18	BSH							
	96	09/15 →		● +rear disc	P85020MM [-]	17,2	TRW							
1.2 VTi 82	60	07/15 →	●	disc Ø 266 mm	P61066MM [-]	19	BSH							
	60	07/15 →	●	disc Ø 283 mm	P61103MM [-]	18	BSH							
	60	07/15 →		● +rear disc	P85020MM [-]	17,2	TRW							
1.6 BlueHDi 100	73	07/15 →	●	disc Ø 283 mm	P61103MM [-]	18	BSH							
	73	07/15 →	●	disc Ø 266 mm	P61066MM [-]	19	BSH							
	73	07/15 →	●	disc Ø 323 mm	P36020MM [-]	15	BRE							
	73	07/15 →		● +rear disc	P85020MM [-]	17,2	TRW							

								WI			FK		
	kw					wi	Th [mm]	SYS		LENGHT			

DS

DS 3 Convertible 07/15 →

1.6 BlueHDi 120	88	07/15 →	●	disc Ø 266 mm	P61066MM	[-]	19	BSH					
	88	07/15 →	●	disc Ø 283 mm	P61103MM	[-]	18	BSH					
	88	07/15 →	●	+rear disc	P85020MM	[-]	17,2	TRW					
1.6 THP 165	121	07/15 →	●	disc Ø 283 mm	P61103MM	[-]	18	BSH					
	121	07/15 →	●	disc Ø 266 mm	P61066MM	[-]	19	BSH					
	121	07/15 →	●	disc Ø 323 mm	P36020MM	[-]	15	BRE					
	121	07/15 →	●	+rear disc	P85020MM	[-]	17,2	TRW					
1.6 THP 208	153	09/15 →	●		P36020MM	[-]	15	BRE					
	153	09/15 →	●		P85020MM	[-]	17,2	TRW					

DS 4 / DS 4 CROSSBACK 07/15 →

1.2 THP 130	96	07/15 →	●		P61083MM	[-]	18,3/ 18,8	ATE					
	96	07/15 →	●		P61114MM	[-]	17,3	TRW					
1.6 BlueHDi 100	73	04/16 →	●	-elect.handbrake	P85020MM	[-]	17,2	TRW					
	73	04/16 →	●	+elect.handbrake	P61114MM	[-]	17,3	TRW					
1.6 BlueHDi 120	88	07/15 →	●		P61083MM	[-]	18,3/ 18,8	ATE					
	88	07/15 →	●	+elect.handbrake	P61114MM	[-]	17,3	TRW					
	88	07/15 →	●	-elect.handbrake	P85020MM	[-]	17,2	TRW					
1.6 THP 165	121	07/15 →	●		P61117MM	[-]	18/ 18,9	ATE					
	121	07/15 →	●		P61114MM	[-]	17,3	TRW					
1.6 THP 210	155	07/15 →	●		P61115MM	[o]	17	ATE					
	155	07/15 →	●	+elect.handbrake	P61114MM	[-]	17,3	TRW					
	155	07/15 →	●	-elect.handbrake	P85020MM	[-]	17,2	TRW					
2.0 BlueHDi 150	110	07/15 →	●		P61083MM	[-]	18,3/ 18,8	ATE					
	110	07/15 →	●		P61114MM	[-]	17,3	TRW					
2.0 BlueHDi 180	133	07/15 →	●	-19" wheel	P61117MM	[-]	18/ 18,9	ATE					
	133	07/15 →	●	19" wheel	P61115MM	[o]	17	ATE					
	133	07/15 →	●	+elect.handbrake	P61114MM	[-]	17,3	TRW					
	133	07/15 →	●	-elect.handbrake	P85020MM	[-]	17,2	TRW					

DS5 04/15 →

1.6 BlueHDi 120	88	07/15 →	●	disc Ø 302 mm	P61117MM	[-]	18/ 18,9	ATE					
	88	07/15 →	●	disc Ø 340 mm	P61115MM	[o]	17	ATE					
	88	07/15 →	●		P61114MM	[-]	17,3	TRW					
1.6 THP 165	121	07/15 →	●		P61117MM	[-]	18/ 18,9	ATE					
	121	07/15 →	●		P61115MM	[o]	17	ATE					
	121	07/15 →	●		P61114MM	[-]	17,3	TRW					
1.6 THP 210	155	04/15 →	●		P61117MM	[-]	18/ 18,9	ATE					
	155	04/15 →	●		P61115MM	[o]	17	ATE					
	155	04/15 →	●		P61114MM	[-]	17,3	TRW					
2.0 BlueHDi 150	110	04/15 →	●	disc Ø 302 mm	P61117MM	[-]	18/ 18,9	ATE					
	110	04/15 →	●	disc Ø 340 mm	P61115MM	[o]	17	ATE					
	110	04/15 →	●		P61114MM	[-]	17,3	TRW					
2.0 BlueHDi 180	133	04/15 →	●	disc Ø 302 mm	P61117MM	[-]	18/ 18,9	ATE					
	133	04/15 →	●	disc Ø 340 mm	P61115MM	[o]	17	ATE					
	133	04/15 →	●		P61114MM	[-]	17,3	TRW					

DS

DS5 04/15 →

2.0 HDi 165 Hybrid4 4x4	120	04/15 →	●	disc Ø 302 mm	P61117MM [-]	18/18,9	ATE					
	120	04/15 →	●	disc Ø 340 mm	P61115MM [O]	17	ATE					
	120	04/15 →	●		P61114MM [-]	17,3	TRW					

FIAT

124 Spider (348_) 03/16 →

1.4	103	03/16 →	●		P49044MM [+]	14	SUM					
-----	-----	---------	---	--	--------------	----	-----	--	--	--	--	--

500 (312_) 10/07 →

0.9	63	07/10 →	●		P23138MM [+]	16,7	ATE				A02227	
	48	09/12 →	●		P23138MM [+]	16,7	ATE					
	77	10/13 →	●		P23141MM [+]	17,8	BSH					
	77	10/13 →	●	●		P23146MM [+]	13,7	TRW				
	44	12/13 →	●			P23138MM [+]	16,7	ATE				
	59	12/13 →	●			P23141MM [+]	17,8	BSH				
	59	12/13 →	●	●	+rear disc	P23146MM [+]	13,7	TRW				
1.2	51	10/07 →	●	→ 06/13	P24147MM [+]	17	BDX					
	51	10/07 →	●	07/13 →	P23107MM [+]	17,7	BSH					
	51	10/07 →	●		P23060MM [+]	17	BDX					
	51	10/07 →	●		P23160MM [+]	17	BDX					
1.2 LPG	51	12/10 →	●	→ 06/13	P24147MM [+]	17	BDX				A02244	
	51	12/10 →	●	07/13 →	P23107MM [+]	17,7	BSH				A02244	
	51	12/10 →	●		P23060MM [+]	17	BDX				A02244	
	51	12/10 →	●		P23160MM [+]	17	BDX				A02244	
1.3 D Multijet	55	10/07 →	●		P23107MM [+]	17,7	BSH					
	70	12/09 →	●		P23108MM [+]	17,8	BSH					
	70	12/09 →	●	●		P23064MM [-]	13,7	TRW				
1.4	57	06/16 →	●		P23141MM [+]	17,8	BSH					
	74	10/07 →	●		P23108MM [+]	17,8	BSH					
	74	10/07 →	●	solid	P23064MM [-]	13,7	TRW					
	74	10/07 →	●	vented	P23141MM [+]	17,8	BSH					
	74	10/07 →	●	solid	P23064MM [-]	13,7	TRW					

500 C (312_) 09/09 →

0.9	63	09/09 →	●		P23138MM [+]	16,7	ATE					
	48	09/12 →	●		P23138MM [+]	16,7	ATE					
	77	12/13 →	●		P23141MM [+]	17,8	BSH					
	77	12/13 →	●	●		P23146MM [+]	13,7	TRW				
	59	12/13 →	●			P23138MM [+]	16,7	ATE				
1.2	51	09/09 →	●		P24150MM [+]	17,7	BSH					
	51	09/09 →	●		P23060MM [+]	17	BDX					
	51	09/09 →	●		P23160MM [+]	17	BDX					
	51	09/09 →	●		P23107MM [+]	17,7	BSH					
1.3 D Multijet	55	09/09 →	●		P23107MM [+]	17,7	BSH					
	70	09/09 →	●	●		P23108MM [+]	17,8	BSH				
1.4	70	09/09 →	●		P23064MM [-]	13,7	TRW					
	74	09/09 →	●		P23108MM [+]	17,8	BSH					
	74	09/09 →	●	●		P23064MM [-]	13,7	TRW				
	75	09/11 →	●		P23108MM [+]	17,8	BSH					
	75	09/11 →	●	●		P23064MM [-]	13,7	TRW				

500L (351_, 352_) 09/12 →

0.9	77	09/12 →	●		P23153MM [+]	19,4	BSH					
	77	09/12 →	●	●		P23150MM [+]	17,1	TRW				

FIAT

500L (351_, 352_) 09/12 →

1.3 D Multijet	62	09/12 →	●			P23153MM	[+]	19,4	BSH					
	62	09/12 →		●		P23150MM	[+]	17,1	TRW					
	70	06/14 →	●			P59052MM	[+]	19,2	BSH					
	70	06/14 →		●		P23150MM	[+]	17,1	TRW					
1.4	70	09/12 →	●			P59052MM	[+]	19,2	BSH					
	70	09/12 →	●			P23153MM	[+]	19,4	BSH					
	70	09/12 →	●			P23167MM	[+]	20,2	ATE					
	70	09/12 →		●		P23150MM	[+]	17,1	TRW					
	88	10/13 →	●			P23155MM	[+]	20	ATE					
1.4 LPG	88	10/13 →	●			P23167MM	[+]	20,2	ATE					
	88	10/13 →		●		P23156MM	[+]	16,8	TRW					
	88	02/14 →	●			P23155MM	[+]	20	ATE					
1.6 D Multijet	88	02/14 →		●		P23156MM	[+]	16,8	TRW					
	88	09/13 →	●			P23155MM	[+]	20	ATE					
1.6 D Multijet	88	09/13 →		●		P23156MM	[+]	16,8	TRW					
	77	09/12 →	●			P23153MM	[+]	19,4	BSH					
	77	09/12 →		●		P23150MM	[+]	17,1	TRW					

500X (334_) 09/14 →

1.3 D Multijet	70	06/15 →	●			P23165MM	[+]	19,2	ATE					
1.4	103	09/14 →	●			P23165MM	[+]	19,2	ATE					
	103	09/14 →		●		P23177MM	[+]	17,2	TRW					
	100	09/14 →	●			P23165MM	[+]	19,2	ATE					
	100	09/14 →		●	→ 03/15	P23177MM	[+]	17,2	TRW					
1.4 4x4	120	02/15 →	●			P23164MM	[+]	20,5	MN					
	120	02/15 →		●	03/15 →	P23177MM	[+]	17,2	TRW					
	125	02/15 →	●			P23164MM	[+]	20,5	MN					
	125	02/15 →		●	03/15 →	P23177MM	[+]	17,2	TRW					
1.6	81	11/14 →	●			P23164MM	[+]	20,5	MN					
	81	11/14 →		●	03/15 →	P23177MM	[+]	17,2	TRW					
1.6 D Multijet	88	09/14 →	●			P23165MM	[+]	19,2	ATE					
	88	09/14 →		●	→ 03/15	P23177MM	[+]	17,2	TRW					
	84	09/14 →	●			P23164MM	[+]	20,5	MN					
	84	09/14 →		●	→ 03/15	P23177MM	[+]	17,2	TRW					
2.0 D Multijet 4x4	103	09/14 →	●			P23164MM	[+]	20,5	MN					
	103	09/14 →		●	→ 03/15	P23177MM	[+]	17,2	TRW					
	100	09/14 →	●			P23164MM	[+]	20,5	MN					
	100	09/14 →		●	→ 03/15	P23177MM	[+]	17,2	TRW					

BARCETTA (183_) 03/95 → 05/05

1.8 16V	96	04/95 → 05/05	●		→ 03/97	P23017MM	[+]	17,1	TRW				A02237	03/97 →
	96	04/95 → 05/05	●		03/97 →	P23070MM	[+]	17,9	ATE				A02237	03/97 →
	96	04/95 → 05/05		●		P23026MM	[-]	14,4	TRW				A02205	

BRAVA (182_) 10/95 → 06/03

1.2 16V	64	12/98 → 12/02	●			P23057MM	[+]	17,9	ATE					
1.2 16V 80	60	12/98 → 12/02	●			P23057MM	[+]	17,9	ATE				A02237	
	59	10/00 → 10/01	●			P23057MM	[+]	17,9	ATE				A02237	
1.4 (182.BG)	55	10/95 → 10/01	●			P23057MM	[+]	17,9	ATE				A02237	
1.4 12 V (182.BA)	59	10/95 → 08/98	●			P23057MM	[+]	17,9	ATE				A02237	
1.6 16V (182.BB)	76	02/96 → 10/01	●		Man.	P23057MM	[+]	17,9	ATE				A02237	
	76	02/96 → 10/01	●		Aut.	P23070MM	[+]	17,9	ATE				A02237	
1.6 16V (182.BH)	66	10/95 → 10/01	●		Man.	P23057MM	[+]	17,9	ATE				A02237	
	66	10/95 → 10/01	●		Aut.	P23070MM	[+]	17,9	ATE				A02237	
1.6 16V (182.BU)	76	01/99 → 12/02	●		Man.	P23057MM	[+]	17,9	ATE					
	76	01/99 → 12/02	●		Aut.	P23070MM	[+]	17,9	ATE					

FIAT

BRAVA (182_) 10/95 → 06/03

1.8 GT 16V (182.BC)	83	10/95 → 10/01	●			P23070MM	[+]	17,9	ATE				A02237	
1.9 D	48	10/95 → 10/01	●			P23057MM	[+]	17,9	ATE				A02237	
1.9 JTD	79	01/01 → 12/02	●			P23070MM	[+]	17,9	ATE					
	74	09/00 → 10/01	●			P23070MM	[+]	17,9	ATE				A02237	
1.9 JTD 105	77	12/98 → 10/01	●			P23070MM	[+]	17,9	ATE				A02237	
1.9 TD 100 S (182.BF)	74	03/96 → 10/01	●			P23070MM	[+]	17,9	ATE				A02237	
1.9 TD 75 S (182.BF)	55	03/96 → 10/01	●			P23057MM	[+]	17,9	ATE				A02237	
2.0	113	09/98 → 08/00	●		→ 03/00	P23077MM	[+]	19	ATE					
	113	09/98 → 08/00	●		04/00 →	P23112MM	[+]	19	ATE					
	113	09/98 → 08/00	●			P23026MM	[-]	14,4	TRW					

BRAVO I (182_) 10/95 → 10/01

1.2 16V 80	60	12/98 → 10/00	●			P23057MM	[+]	17,9	ATE				A02237	
	59	10/00 → 10/01	●			P23057MM	[+]	17,9	ATE				A02237	
	64	12/98 → 10/01	●			P23057MM	[+]	17,9	ATE					
1.4 (182.AA)	59	10/95 → 10/01	●			P23057MM	[+]	17,9	ATE				A02237	
1.4 (182.AG)	55	10/95 → 10/01	●			P23057MM	[+]	17,9	ATE				A02237	
1.6	76	09/00 → 10/01	●			P23057MM	[+]	17,9	ATE					
	76	09/00 → 10/01	●		Aut.	P23070MM	[+]	17,9	ATE					
1.6 16V (182.AB)	76	03/96 → 10/01	●		Man.	P23057MM	[+]	17,9	ATE				A02237	
	76	03/96 → 10/01	●		Aut.	P23070MM	[+]	17,9	ATE				A02237	
1.6 16V (182.AH)	66	10/95 → 10/01	●		Man.	P23057MM	[+]	17,9	ATE				A02237	
	66	10/95 → 10/01	●		Aut.	P23070MM	[+]	17,9	ATE				A02237	
1.8 GT (182.AC)	83	10/95 → 10/01	●			P23070MM	[+]	17,9	ATE				A02237	
1.9 D	48	10/95 → 10/01	●			P23057MM	[+]	17,9	ATE				A02237	
1.9 JTD	74	09/00 → 10/01	●			P23070MM	[+]	17,9	ATE				A02237	
1.9 JTD 105	77	12/98 → 10/01	●			P23070MM	[+]	17,9	ATE				A02237	
1.9 TD 100 S (182.AF)	74	03/96 → 10/01	●			P23070MM	[+]	17,9	ATE				A02237	
1.9 TD 75 S (182.AF)	55	03/96 → 10/01	●			P23057MM	[+]	17,9	ATE				A02237	
2.0 HGT 20V (182.AD)	108	10/95 → 07/98	●			P23077MM	[+]	19	ATE				A02202	
	108	10/95 → 07/98	●			P23026MM	[-]	14,4	TRW				A02205	
2.0 HGT 20V (182.AQ)	113	07/98 → 10/01	●		→ 03/00	P23077MM	[+]	19	ATE				A02202	
	113	07/98 → 10/01	●		04/00 →	P23112MM	[+]	19	ATE				A02202	
	113	07/98 → 10/01	●			P23026MM	[-]	14,4	TRW				A02205	

BRAVO II (198_) 11/06 →

1.4	66	04/07 →	●			P23085MM	[+]	17,8	BSH					
	66	04/07 →			● → 12/09	P23080MM	[-]	15,5	BSH					
	66	04/07 →			● 01/10 →	P23135MM	[+]	17,2	BSH					
1.4 16V	103	03/08 →	●		steel wheel	P23085MM	[+]	17,8	BSH					
	103	03/08 →	●		light alloy wheel	P23145MM	[+]	19,4	BSH					
	103	03/08 →			● → 12/09	P23080MM	[-]	15,5	BSH					
	103	03/08 →			● 01/10 →	P23135MM	[+]	17,2	BSH					
	66	12/08 → 12/14	●			P23085MM	[+]	17,8	BSH					
1.4 LPG	66	12/08 → 12/14			● → 12/09	P23080MM	[-]	15,5	BSH					
	66	12/08 → 12/14			● 01/10 →	P23135MM	[+]	17,2	BSH					
1.4 T-Jet	88	09/07 →	●			P23087MM	[+]	19	BSH					
	88	09/07 →			● → 12/09	P23080MM	[-]	15,5	BSH					
	88	09/07 →			● 01/10 →	P23135MM	[+]	17,2	BSH					
	110	09/07 →	●		steel wheel	P23085MM	[+]	17,8	BSH					

FIAT

BRAVO II (198_) 11/06 →

1.4 T-Jet	110	09/07 →	●	light alloy wheel	P23145MM	[+]	19,4	BSH							
	110	09/07 →		● → 12/09	P23080MM	[-]	15,5	BSH							
	110	09/07 →		● 01/10 →	P23135MM	[+]	17,2	BSH							
1.6 D Multijet	66	03/08 →	●		P23087MM	[+]	19	BSH							
	66	03/08 →		● → 12/09	P23080MM	[-]	15,5	BSH							
	66	03/08 →		● 01/10 →	P23135MM	[+]	17,2	BSH							
	85	11/08 →	●	steel wheel	P23085MM	[+]	17,8	BSH							
	85	11/08 →	●	07/10 →; light alloy wheel	P23145MM	[+]	19,4	BSH							
	85	11/08 →		● → 12/09	P23080MM	[-]	15,5	BSH							
	85	11/08 →		● 01/10 →	P23135MM	[+]	17,2	BSH							
	77	09/07 →	●		P23087MM	[+]	19	BSH							
	77	09/07 →		● → 12/09	P23080MM	[-]	15,5	BSH							
	77	09/07 →		● 01/10 →	P23135MM	[+]	17,2	BSH							
	88	03/08 →	●		P23087MM	[+]	19	BSH							
	1.9 D Multijet	85	11/06 →	●		P23087MM	[+]	19	BSH						
85		11/06 →		● → 12/09	P23080MM	[-]	15,5	BSH							
85		11/06 →		● 01/10 →	P23135MM	[+]	17,2	BSH							
88		04/07 →	●		P23087MM	[+]	19	BSH							
88		04/07 →		● → 12/09	P23080MM	[-]	15,5	BSH							
88		04/07 →		● 01/10 →	P23135MM	[+]	17,2	BSH							
110		04/07 →	●	steel wheel	P23085MM	[+]	17,8	BSH							
110		04/07 →	●	light alloy wheel	P23145MM	[+]	19,4	BSH							
110		04/07 →		● → 12/09	P23080MM	[-]	15,5	BSH							
110		04/07 →		● 01/10 →	P23135MM	[+]	17,2	BSH							
66		04/07 → 12/08	●		P23087MM	[+]	19	BSH							
66		04/07 → 12/08	●		P23080MM	[-]	15,5	BSH							
2.0 D Multijet	120	09/08 →	●	steel wheel	P23085MM	[+]	17,8	BSH							
	120	09/08 →	●	light alloy wheel	P23145MM	[+]	19,4	BSH							
	120	09/08 →		● → 12/09	P23080MM	[-]	15,5	BSH							
	120	09/08 →		● 01/10 →	P23135MM	[+]	17,2	BSH							
	121	09/08 →	●	steel wheel	P23085MM	[+]	17,8	BSH							
	121	09/08 →	●	light alloy wheel	P23145MM	[+]	19,4	BSH							
	121	09/08 →		● → 12/09	P23080MM	[-]	15,5	BSH							
	121	09/08 →		● 01/10 →	P23135MM	[+]	17,2	BSH							

CINQUECENTO (170_) 07/91 → 07/99

0.7 (170AA)	23	12/91 → 01/96	●		P23054MM	[-]	17	BDX						A02244
0.7 i (170AD)	22	07/94 → 01/98	●		P23054MM	[-]	17	BDX						A02244
0.9 (170AB)	30	07/91 → 12/93	●		P23054MM	[-]	17	BDX						A02244
0.9 i.e. (170AC)	30	07/91 → 12/93	●		P23054MM	[-]	17	BDX						A02244
0.9 i.e. S (170AF, 170CF)	29	07/91 → 07/99	●		P23054MM	[-]	17	BDX						
1.1 Sporting (170AH)	40	10/94 → 01/98	●		P23054MM	[-]	17	BDX						A02244

COUPÉ (175_) 11/93 → 08/00

1.8 16V	96	03/96 → 08/00	●		P23077MM	[+]	19	ATE						A02202
	96	03/96 → 08/00	●		P23066MM	[+]	19,3	TRW						A02202
	96	03/96 → 08/00		●	P23026MM	[-]	14,4	TRW						A02205
2.0 16V	102	11/93 → 08/96	●		P23077MM	[+]	19	ATE						A02202
	102	11/93 → 08/96	●		P23066MM	[+]	19,3	TRW						A02202
	102	11/93 → 08/96		●	P23026MM	[-]	14,4	TRW						A02205

FIAT

COUPÉ (175_) 11/93 → 08/00

2.0 16V Turbo	140	11/93 → 08/96	●		P23077MM	[+]	19	ATE					A02202	
	140	11/93 → 08/96	●		P23066MM	[+]	19,3	TRW					A02202	
	140	11/93 → 08/96		●	P23026MM	[-]	14,4	TRW					A02205	
2.0 20V	108	08/96 → 04/98	●		P23077MM	[+]	19	ATE					A02202	
	108	08/96 → 04/98	●		P23066MM	[+]	19,3	TRW					A02202	
	108	08/96 → 04/98		●	P23026MM	[-]	14,4	TRW					A02205	
	113	04/98 → 08/00	●		P23077MM	[+]	19	ATE						
	113	04/98 → 08/00	●		P23066MM	[+]	19,3	TRW						
	113	04/98 → 08/00		●	P23026MM	[-]	14,4	TRW						
2.0 20V Turbo	162	08/96 → 08/00	●		P23074MM	[+]	18	BRE						
	162	08/96 → 08/00		●	P23026MM	[-]	14,4	TRW					A02205	

CROMA (194_) 06/05 →

1.8 16V	103	12/05 →	●		P59043MM	[O]	20,6	ATE	A00251	685				
	103	12/05 →		●	P23101MM	[-]	16,8	TRW						
1.9 D Multijet	100	12/05 →	●	→ 2060168	P59043MM	[O]	20,6	ATE						
	100	12/05 →	●	2060169 →	P23100MM	[+]	19,3	TRW						
	100	12/05 →		● → 2060168	P23102MM	[-]	16,8	TRW						
	100	12/05 →		● 2060169 →	P23101MM	[-]	16,8	TRW						
	88	06/05 →	●		P59043MM	[O]	20,6	ATE	A00251	685			A02202	
	88	06/05 →		●	P23101MM	[-]	16,8	TRW						
	110	06/05 →	●	→ 2060168	P23100MM	[+]	19,3	TRW	A00251	685	→ 2060168		A02202	→ 2060168
	110	06/05 →	●	2060169 →	P59043MM	[O]	20,6	ATE	A00251	685	→ 2060168		A02202	→ 2060168
	110	06/05 →		● → 2060168	P23102MM	[-]	16,8	TRW						
	110	06/05 →		● 2060169 →	P23101MM	[-]	16,8	TRW						
2.2 16V	85	06/05 →	●		P59043MM	[O]	20,6	ATE	A00251	685				
	85	06/05 →		●	P23101MM	[-]	16,8	TRW						
2.4 D Multijet	108	06/05 →	●		P59043MM	[O]	20,6	ATE	A00251	685			A02202	
	108	06/05 →		●	P23101MM	[-]	16,8	TRW						
2.4 D Multijet	147	06/05 →	●		P23100MM	[+]	19,3	TRW						
	147	06/05 →		●	P23102MM	[-]	16,8	TRW						

DOBLO Box Body / Estate (263_) 02/10 →

1.3 D Multijet	66	02/10 →	●	→ 01/14; disc Ø 284 mm	P23087MM	[+]	19	BSH						
	66	02/10 →	●	01/14 →; disc Ø 284 mm	P23137MM	[+]	19	BSH						
	66	02/10 →	●	→ 07/10; disc Ø 305 mm	P23130MM	[+]	20	ATE						
	66	02/10 →	●	07/10 →; disc Ø 305 mm	P23163MM	[+]	20	ATE						
	55	11/13 →	●	→ 01/14; disc Ø 284 mm	P23087MM	[+]	19	BSH						
	55	11/13 →	●	01/14 →; disc Ø 284 mm	P23137MM	[+]	19	BSH						
	55	11/13 →	●	disc Ø 305 mm	P23163MM	[+]	20	ATE						
	70	03/16 →	●	disc Ø 284 mm	P23137MM	[+]	19	BSH						
	70	03/16 →	●	disc Ø 305 mm	P23163MM	[+]	20	ATE						
	59	03/16 →	●	disc Ø 284 mm	P23137MM	[+]	19	BSH						
59	03/16 →	●	disc Ø 305 mm	P23163MM	[+]	20	ATE							
1.4	88	10/11 →	●	→ 01/14; disc Ø 284 mm	P23087MM	[+]	19	BSH						
	88	10/11 →	●	01/14 →; disc Ø 284 mm	P23137MM	[+]	19	BSH						
	88	10/11 →	●	→ 07/10; disc Ø 305 mm	P23130MM	[+]	20	ATE						
	88	10/11 →	●	07/10 →; disc Ø 305 mm	P23163MM	[+]	20	ATE						
	70	02/10 →	●	→ 01/14; disc Ø 284 mm	P23087MM	[+]	19	BSH						
	70	02/10 →	●	01/14 →; disc Ø 284 mm	P23137MM	[+]	19	BSH						
	70	02/10 →	●	→ 07/10; disc Ø 305 mm	P23130MM	[+]	20	ATE						
70	02/10 →	●	07/10 →; disc Ø 305 mm	P23163MM	[+]	20	ATE							
1.4 Natural Power	88	06/10 →	●	→ 01/14; disc Ø 284 mm	P23087MM	[+]	19	BSH						
	88	06/10 →	●	01/14 →; disc Ø 284 mm	P23137MM	[+]	19	BSH						
	88	06/10 →	●	→ 07/10; disc Ø 305 mm	P23130MM	[+]	20	ATE						
	88	06/10 →	●	07/10 →; disc Ø 305 mm	P23163MM	[+]	20	ATE						

FIAT

DOBLO Box Body / Estate (263_) 02/10 →

1.6 D Multijet	77	02/10 →	●	→ 01/14; disc Ø 284 mm	P23087MM	[+]	19	BSH							
	77	02/10 →	●	01/14 →; disc Ø 284 mm	P23137MM	[+]	19	BSH							
	77	02/10 →	●	→ 07/10; disc Ø 305 mm	P23130MM	[+]	20	ATE							
	77	02/10 →	●	07/10 →; disc Ø 305 mm	P23163MM	[+]	20	ATE							
	66	02/10 →	●	→ 01/14; disc Ø 284 mm	P23087MM	[+]	19	BSH							
	66	02/10 →	●	01/14 →; disc Ø 284 mm	P23137MM	[+]	19	BSH							
	66	02/10 →	●	→ 07/10; disc Ø 305 mm	P23130MM	[+]	20	ATE							
	66	02/10 →	●	07/10 →; disc Ø 305 mm	P23163MM	[+]	20	ATE							
	74	02/10 →	●	→ 01/14; disc Ø 284 mm	P23087MM	[+]	19	BSH							
	74	02/10 →	●	01/14 →; disc Ø 284 mm	P23137MM	[+]	19	BSH							
	74	02/10 →	●	→ 07/10; disc Ø 305 mm	P23130MM	[+]	20	ATE							
	74	02/10 →	●	07/10 →; disc Ø 305 mm	P23163MM	[+]	20	ATE							
	88	02/16 →	●	disc Ø 284 mm	P23137MM	[+]	19	BSH							
	88	02/16 →	●	disc Ø 305 mm	P23163MM	[+]	20	ATE							
2.0 D Multijet	99	02/10 →	●	→ 01/14; disc Ø 284 mm	P23087MM	[+]	19	BSH							
	99	02/10 →	●	01/14 →; disc Ø 284 mm	P23137MM	[+]	19	BSH							
	99	02/10 →	●	→ 07/10; disc Ø 305 mm	P23130MM	[+]	20	ATE							
	99	02/10 →	●	07/10 →; disc Ø 305 mm	P23163MM	[+]	20	ATE							

DOBLO Cargo (223_) 11/00 →

1.2 (223ZXA1A)	48	03/01 →	●	Bosch	P23085MM	[+]	17,8	BSH						A02245
	48	03/01 →	●		P23118MM	[-]	18	ATE						A02245
	48	03/01 →	●		P23169MM	[-]	17,8	BSH						A02245
1.3 D Multijet	55	10/05 → 01/10	●	disc Ø 257 mm	P23085MM	[+]	17,8	BSH						A02245
	55	10/05 → 01/10	●	disc Ø 257 mm	P23169MM	[-]	17,8	BSH						A02245
	55	10/05 → 01/10	●	disc Ø 284 mm	P23119MM	[-]	19	BSH						A02245
1.3 JTD 16V	51	05/04 → 12/06	●		P23118MM	[-]	18	ATE						A02245
	51	05/04 → 12/06	●		P23119MM	[-]	19	BSH						A02245
1.3 JTD 16V Multijet	62	08/06 →	●	disc Ø 257 mm	P23108MM	[+]	17,8	BSH						A02245
	62	08/06 →	●	disc Ø 284 mm	P23119MM	[-]	19	BSH						A02245
	62	08/06 →	●		P23118MM	[-]	18	ATE						A02245
1.4	57	10/05 →	●	Bosch	P23085MM	[+]	17,8	BSH						A02245
	57	10/05 →	●		P23118MM	[-]	18	ATE						A02245
	57	10/05 →	●		P23169MM	[-]	17,8	BSH						A02245
1.6 16V (223ZXD1A))	76	10/01 →	●	Bosch	P23085MM	[+]	17,8	BSH						A02245
	76	10/01 →	●		P23118MM	[-]	18	ATE						A02245
	76	10/01 →	●		P23169MM	[-]	17,8	BSH						A02245
1.6 Natural Power	76	09/02 →	●	Bosch	P23085MM	[+]	17,8	BSH						A02245
	76	09/02 →	●		P23118MM	[-]	18	ATE						A02245
	76	09/02 →	●		P23169MM	[-]	17,8	BSH						A02245
1.9 D (223ZXB1A)	46	03/01 →	●	Bosch	P23085MM	[+]	17,8	BSH						A02245
	46	03/01 →	●		P23118MM	[-]	18	ATE						A02245
	46	03/01 →	●		P23169MM	[-]	17,8	BSH						A02245
1.9 JTD	77	07/03 →	●		P23118MM	[-]	18	ATE						A02245
	77	07/03 →	●	10/05 →; disc Ø 257 mm	P59051MM	[+]	17,8	BSH						A02245
	77	07/03 →	●		P23119MM	[-]	19	BSH						A02245
1.9 JTD (223ZXE1A)	74	10/01 →	●	disc Ø 257 mm	P23108MM	[+]	17,8	BSH						A02245
	74	10/01 →	●	10/05 →; disc Ø 257 mm	P59051MM	[+]	17,8	BSH						A02245
	74	10/01 →	●	disc Ø 284 mm	P23119MM	[-]	19	BSH						A02245
	74	10/01 →	●		P23118MM	[-]	18	ATE						A02245
1.9 JTD Multijet	88	12/06 →	●	disc Ø 257 mm	P23108MM	[+]	17,8	BSH						A02245
	88	12/06 →	●	disc Ø 284 mm	P23119MM	[-]	19	BSH						A02245
	88	12/06 →	●		P23118MM	[-]	18	ATE						A02245

		kw						wi	Th [mm]	SYS	wi		FK		
												LENGHT			

FIAT

DOBLO MPV (119_, 223_) 03/01 →

1.2 (223AXA1A)	48	03/01 →	●		P23118MM [-]	18	ATE							A02245	
	48	03/01 →	●		P23169MM [-]	17,8	BSH							A02245	
	48	03/01 →	●	Bosch	P23085MM [+]	17,8	BSH							A02245	
1.3 D Multijet	62	10/05 →	●		P23118MM [-]	18	ATE							A02245	
	62	10/05 →	●		P23119MM [-]	19	BSH							A02245	
1.3 JTD	55	05/05 →	●	Bosch	P23085MM [+]	17,8	BSH								
	55	05/05 →	●	Bosch	P23169MM [-]	17,8	BSH								
1.3 JTD 16V	51	12/04 → 05/05	●	disc Ø 257 mm	P23140MM [+]	17,8	BSH								
	51	12/04 → 05/05	●	disc Ø 257 mm	P23169MM [-]	17,8	BSH								
	51	12/04 → 05/05	●	disc Ø 284 mm	P23119MM [-]	19	BSH								
1.4	57	10/05 →	●		P23118MM [-]	18	ATE							A02245	
	57	10/05 →	●		P23119MM [-]	19	BSH							A02245	
1.6 16V (223AXD1A)	76	10/01 →	●		P23118MM [-]	18	ATE								
	76	10/01 →	●		P23169MM [-]	17,8	BSH								
	76	10/01 →	●	Bosch	P23085MM [+]	17,8	BSH								
1.6 Natural Power	76	09/02 →	●		P23118MM [-]	18	ATE							A02245	
	76	09/02 →	●		P23169MM [-]	17,8	BSH							A02245	
	76	09/02 →	●	Bosch	P23085MM [+]	17,8	BSH							A02245	
1.9 D (223AXB1A)	46	03/01 →	●		P23118MM [-]	18	ATE							A02245	
	46	03/01 →	●		P23169MM [-]	17,8	BSH							A02245	
	46	03/01 →	●	Bosch	P23085MM [+]	17,8	BSH							A02245	
1.9 D Multijet	88	10/05 →	●		P23118MM [-]	18	ATE							A02245	
	88	10/05 →	●		P23119MM [-]	19	BSH							A02245	
1.9 JTD	77	07/03 →	●		P23118MM [-]	18	ATE							A02245	
	77	07/03 →	●		P23119MM [-]	19	BSH							A02245	
1.9 JTD (223AXE1A)	74	10/01 →	●		P23118MM [-]	18	ATE							A02245	
	74	10/01 →	●		P23119MM [-]	19	BSH							A02245	

DOBLO MPV (263_) 11/09 →

1.3 D Multijet	66	02/10 →	●	disc Ø 284 mm	P23087MM [+]	19	BSH								
	66	02/10 →	●	07/10 →; disc Ø 305 mm	P23163MM [+]	20	ATE								
	66	02/10 →	●	disc Ø 305 mm	P23130MM [+]	20	ATE								
	70	03/16 →	●	disc Ø 284 mm	P23137MM [+]	19	BSH								
	70	03/16 →	●	disc Ø 305 mm	P23163MM [+]	20	ATE								
1.4	88	10/11 →	●	disc Ø 284 mm	P23087MM [+]	19	BSH								
	88	10/11 →	●	disc Ø 305 mm	P23163MM [+]	20	ATE								
	70	02/10 →	●	disc Ø 284 mm	P23087MM [+]	19	BSH								
	70	02/10 →	●	07/10 →; disc Ø 305 mm	P23163MM [+]	20	ATE								
	70	02/10 →	●	disc Ø 305 mm	P23130MM [+]	20	ATE								
1.4 Natural Power	88	02/10 →	●	disc Ø 284 mm	P23087MM [+]	19	BSH								
	88	02/10 →	●	07/10 →; disc Ø 305 mm	P23163MM [+]	20	ATE								
	88	02/10 →	●	disc Ø 305 mm	P23130MM [+]	20	ATE								
1.6 D Multijet	66	02/10 →	●	→ 07/10; Teves; disc Ø 305 mm	P23130MM [+]	20	ATE								
	66	02/10 →	●	07/10 →; disc Ø 305 mm	P23163MM [+]	20	ATE								
	66	02/10 →	●	disc Ø 284 mm	P23087MM [+]	19	BSH								
	77	02/10 →	●	disc Ø 284 mm	P23087MM [+]	19	BSH								
	77	02/10 →	●	disc Ø 305 mm	P23130MM [+]	20	ATE								
	77	02/10 →	●	07/10 →; Teves; disc Ø 305 mm	P23163MM [+]	20	ATE								
	70	03/15 →	●	disc Ø 284 mm	P23087MM [+]	19	BSH								
	70	03/15 →	●	disc Ø 305 mm	P23163MM [+]	20	ATE								
	70	03/15 →	●	disc Ø 305 mm	P23130MM [+]	20	ATE								
	88	03/15 →	●	disc Ø 284 mm	P23087MM [+]	19	BSH								
88	03/15 →	●	disc Ø 305 mm	P23163MM [+]	20	ATE									

FIAT

DOBLO MPV (263_) 11/09 →

1.6 D Multijet	74	03/16 →	●	disc Ø 284 mm	P23137MM	[+]	19	BSH							
	74	03/16 →	●	disc Ø 305 mm	P23163MM	[+]	20	ATE							
2.0 D Multijet	99	02/10 →	●	disc Ø 284 mm	P23087MM	[+]	19	BSH							
	99	02/10 →	●	07/10 →; disc Ø 305 mm	P23163MM	[+]	20	ATE							
	99	02/10 →	●	disc Ø 305 mm	P23130MM	[+]	20	ATE							

DOBLO Platform/Chassis (263_) 02/10 →

1.3 D Multijet	66	02/10 →	●	→ 01/14; disc Ø 284 mm	P23087MM	[+]	19	BSH							
	66	02/10 →	●	01/14 →; disc Ø 284 mm	P23137MM	[+]	19	BSH							
	66	02/10 →	●	→ 07/10; disc Ø 305 mm	P23130MM	[+]	20	ATE							
	66	02/10 →	●	07/10 →; disc Ø 305 mm	P23163MM	[+]	20	ATE							
	55	11/13 →	●	→ 01/14; disc Ø 284 mm	P23087MM	[+]	19	BSH							
	55	11/13 →	●	01/14 →; disc Ø 284 mm	P23137MM	[+]	19	BSH							
	55	11/13 →	●	→ 07/10; disc Ø 305 mm	P23130MM	[+]	20	ATE							
	55	11/13 →	●	07/10 →; disc Ø 305 mm	P23163MM	[+]	20	ATE							
	70	03/16 →	●	disc Ø 284 mm	P23137MM	[+]	19	BSH							
	70	03/16 →	●	disc Ø 305 mm	P23163MM	[+]	20	ATE							
1.4	59	03/16 →	●	disc Ø 284 mm	P23137MM	[+]	19	BSH							
	59	03/16 →	●	disc Ø 305 mm	P23163MM	[+]	20	ATE							
	70	04/10 →	●	→ 01/14; disc Ø 284 mm	P23087MM	[+]	19	BSH							
	70	04/10 →	●	01/14 →; disc Ø 284 mm	P23137MM	[+]	19	BSH							
1.4 Natural Power	70	04/10 →	●	→ 07/10; disc Ø 305 mm	P23130MM	[+]	20	ATE							
	70	04/10 →	●	07/10 →; disc Ø 305 mm	P23163MM	[+]	20	ATE							
	88	06/10 →	●		P23130MM	[+]	20	ATE							
	77	02/10 →	●	→ 01/14; disc Ø 284 mm	P23087MM	[+]	19	BSH							
1.6 D Multijet	77	02/10 →	●	01/14 →; disc Ø 284 mm	P23137MM	[+]	19	BSH							
	77	02/10 →	●	→ 07/10; disc Ø 305 mm	P23130MM	[+]	20	ATE							
	77	02/10 →	●	07/10 →; disc Ø 305 mm	P23163MM	[+]	20	ATE							
	74	02/11 →	●	→ 01/14; disc Ø 284 mm	P23087MM	[+]	19	BSH							
	74	02/11 →	●	01/14 →; disc Ø 284 mm	P23137MM	[+]	19	BSH							
	74	02/11 →	●	→ 07/10; disc Ø 305 mm	P23130MM	[+]	20	ATE							
	74	02/11 →	●	07/10 →; disc Ø 305 mm	P23163MM	[+]	20	ATE							
	66	02/10 →	●	→ 01/14; disc Ø 284 mm	P23087MM	[+]	19	BSH							
	66	02/10 →	●	01/14 →; disc Ø 284 mm	P23137MM	[+]	19	BSH							
	66	02/10 →	●	→ 07/10; disc Ø 305 mm	P23130MM	[+]	20	ATE							
66	02/10 →	●	07/10 →; disc Ø 305 mm	P23163MM	[+]	20	ATE								
2.0 D Multijet	88	02/16 →	●	disc Ø 284 mm	P23137MM	[+]	19	BSH							
	88	02/16 →	●	disc Ø 305 mm	P23163MM	[+]	20	ATE							
	99	02/10 →	●	→ 01/14; disc Ø 284 mm	P23087MM	[+]	19	BSH							
	99	02/10 →	●	01/14 →; disc Ø 284 mm	P23137MM	[+]	19	BSH							
	99	02/10 →	●	→ 07/10; disc Ø 305 mm	P23130MM	[+]	20	ATE							
	99	02/10 →	●	07/10 →; disc Ø 305 mm	P23163MM	[+]	20	ATE							

DUCATO Box (230_) 03/94 → 04/02

1.9 D	51	03/94 → 04/02	●	10 + 14; → 08/01	P23068MM	[+]	19,7	TRW							
	51	03/94 → 04/02	●	10 + 14; → 08/01	P23083MM	[+]	19,7	TRW							
	51	03/94 → 04/02	●	10 + 14; 09/01 →	P23091MM	[+]	19,1	BRE							
	51	03/94 → 04/02	●	→ 08/01; 1800 kg payload	P23069MM	[+]	19,7	TRW							
	51	03/94 → 04/02	●	→ 08/01; 1800 kg payload	P23084MM	[+]	19,7	TRW							
	51	03/94 → 04/02	●	09/01 →; 1800 kg payload	P23092MM	[+]	19,1	BRE							
	51	03/94 → 04/02	●	09/01 →	P23093MM	[-]	20,1	BRE							
	50	04/98 → 04/02	●	10 + 14; → 08/01	P23068MM	[+]	19,7	TRW							
	50	04/98 → 04/02	●	10 + 14; → 08/01	P23083MM	[+]	19,7	TRW							
	50	04/98 → 04/02	●	10 + 14; 09/01 →	P23091MM	[+]	19,1	BRE							
	50	04/98 → 04/02	●	→ 08/01; 1800 kg payload	P23069MM	[+]	19,7	TRW							

FIAT

DUCATO Box (230_) 03/94 → 04/02

Model	Year	Code	Options	Payload	Part No.	Delta	Th [mm]	SYS	wi	FK
1.9 D	50	04/98 → 04/02	● → 08/01; 1800 kg payload		P23084MM	[+]	19,7	TRW		
	50	04/98 → 04/02	● 09/01 →; 1800 kg payload		P23092MM	[+]	19,1	BRE		
	50	04/98 → 04/02	● 09/01 →		P23093MM	[-]	20,1	BRE		
1.9 TD	66	04/98 → 04/02	● 10 + 14; → 08/01		P23068MM	[+]	19,7	TRW		
	66	04/98 → 04/02	● 10 + 14; → 08/01		P23083MM	[+]	19,7	TRW		
	66	04/98 → 04/02	● 10 + 14; 09/01 →		P23091MM	[+]	19,1	BRE		
	66	04/98 → 04/02	● → 08/01; 1800 kg payload		P23069MM	[+]	19,7	TRW		
	66	04/98 → 04/02	● → 08/01; 1800 kg payload		P23084MM	[+]	19,7	TRW		
	66	04/98 → 04/02	● 09/01 →; 1800 kg payload		P23092MM	[+]	19,1	BRE		
	66	04/98 → 04/02	● 09/01 →		P23093MM	[-]	20,1	BRE		
	60	03/94 → 04/02	● 10 + 14; → 08/01		P23068MM	[+]	19,7	TRW		
	60	03/94 → 04/02	● 10 + 14; → 08/01		P23083MM	[+]	19,7	TRW		
	60	03/94 → 04/02	● 10 + 14; 09/01 →		P23091MM	[+]	19,1	BRE		
	60	03/94 → 04/02	● → 08/01; 1800 kg payload		P23069MM	[+]	19,7	TRW		
	60	03/94 → 04/02	● → 08/01; 1800 kg payload		P23084MM	[+]	19,7	TRW		
	60	03/94 → 04/02	● 09/01 →; 1800 kg payload		P23092MM	[+]	19,1	BRE		
	60	03/94 → 04/02	● 09/01 →		P23093MM	[-]	20,1	BRE		
1.9 TD CAT	59	08/94 → 04/02	● 10 + 14; → 08/01		P23068MM	[+]	19,7	TRW		
	59	08/94 → 04/02	● 10 + 14; → 08/01		P23083MM	[+]	19,7	TRW		
	59	08/94 → 04/02	● 10 + 14; 09/01 →		P23091MM	[+]	19,1	BRE		
	59	08/94 → 04/02	● → 08/01; 1800 kg payload		P23069MM	[+]	19,7	TRW		
	59	08/94 → 04/02	● → 08/01; 1800 kg payload		P23084MM	[+]	19,7	TRW		
	59	08/94 → 04/02	● 09/01 →; 1800 kg payload		P23092MM	[+]	19,1	BRE		
2.0	80	03/94 → 04/02	● 10 + 14; → 08/01		P23068MM	[+]	19,7	TRW		
	80	03/94 → 04/02	● 10 + 14; → 08/01		P23083MM	[+]	19,7	TRW		
	80	03/94 → 04/02	● 10 + 14; 09/01 →		P23091MM	[+]	19,1	BRE		
	80	03/94 → 04/02	● → 08/01; 1800 kg payload		P23069MM	[+]	19,7	TRW		
	80	03/94 → 04/02	● → 08/01; 1800 kg payload		P23084MM	[+]	19,7	TRW		
	80	03/94 → 04/02	● 09/01 →; 1800 kg payload		P23092MM	[+]	19,1	BRE		
	80	03/94 → 04/02	● 09/01 →		P23093MM	[-]	20,1	BRE		
	80	03/94 → 04/02	● 09/01 →		P23093MM	[-]	20,1	BRE		
2.0 4x4	80	11/94 → 04/02	● 10 + 14; → 08/01		P23068MM	[+]	19,7	TRW		
	80	11/94 → 04/02	● 10 + 14; → 08/01		P23083MM	[+]	19,7	TRW		
	80	11/94 → 04/02	● 10 + 14; 09/01 →		P23091MM	[+]	19,1	BRE		
	80	11/94 → 04/02	● → 08/01; 1800 kg payload		P23069MM	[+]	19,7	TRW		
	80	11/94 → 04/02	● → 08/01; 1800 kg payload		P23084MM	[+]	19,7	TRW		
	80	11/94 → 04/02	● 09/01 →; 1800 kg payload		P23092MM	[+]	19,1	BRE		
	80	11/94 → 04/02	● 09/01 →		P23093MM	[-]	20,1	BRE		
	80	11/94 → 04/02	● 09/01 →		P23093MM	[-]	20,1	BRE		
2.0 JTD	62	10/01 → 04/02	● 10 + 14		P23091MM	[+]	19,1	BRE		
	62	10/01 → 04/02	● 1800 kg payload		P23092MM	[+]	19,1	BRE		
	62	10/01 → 04/02	●		P23093MM	[-]	20,1	BRE		
2.5 D	62	03/94 → 04/02	● 10 + 14; → 08/01		P23068MM	[+]	19,7	TRW		
	62	03/94 → 04/02	● 10 + 14; → 08/01		P23083MM	[+]	19,7	TRW		
	62	03/94 → 04/02	● 10 + 14; 09/01 →		P23091MM	[+]	19,1	BRE		
	62	03/94 → 04/02	● → 08/01; 1800 kg payload		P23069MM	[+]	19,7	TRW		
	62	03/94 → 04/02	● → 08/01; 1800 kg payload		P23084MM	[+]	19,7	TRW		
	62	03/94 → 04/02	● 09/01 →; 1800 kg payload		P23092MM	[+]	19,1	BRE		
2.5 TDI	85	03/94 → 04/02	● 10 + 14; → 08/01		P23068MM	[+]	19,7	TRW		
	85	03/94 → 04/02	● 10 + 14; → 08/01		P23083MM	[+]	19,7	TRW		
	85	03/94 → 04/02	● 10 + 14; 09/01 →		P23091MM	[+]	19,1	BRE		
	85	03/94 → 04/02	● → 08/01; 1800 kg payload		P23069MM	[+]	19,7	TRW		
	85	03/94 → 04/02	● → 08/01; 1800 kg payload		P23084MM	[+]	19,7	TRW		
	85	03/94 → 04/02	● 09/01 →; 1800 kg payload		P23092MM	[+]	19,1	BRE		

FIAT

DUCATO Box (230_) 03/94 → 04/02

2.8 TDI 4x4	90	06/99 → 04/02	●	10 + 14; → 08/01	P23068MM	[+]	19,7	TRW				
	90	06/99 → 04/02	●	10 + 14; → 08/01	P23083MM	[+]	19,7	TRW				
	90	06/99 → 04/02	●	10 + 14; 09/01 →	P23091MM	[+]	19,1	BRE				
	90	06/99 → 04/02	●	→ 08/01; 1800 kg payload	P23069MM	[+]	19,7	TRW				
	90	06/99 → 04/02	●	→ 08/01; 1800 kg payload	P23084MM	[+]	19,7	TRW				
	90	06/99 → 04/02	●	09/01 →; 1800 kg payload	P23092MM	[+]	19,1	BRE				
	90	06/99 → 04/02	●	09/01 →	P23093MM	[-]	20,1	BRE				

DUCATO Box (244_) 04/02 →

2.0	81	04/02 →	●	11 + 15	P23091MM	[+]	19,1	BRE				
	81	04/02 →	●	Maxi; 1800 kg payload	P23092MM	[+]	19,1	BRE				
	81	04/02 →	●		P23093MM	[-]	20,1	BRE				
2.0 4x4	81	05/02 → 07/06	●	11 + 15	P23091MM	[+]	19,1	BRE				
	81	05/02 → 07/06	●	Maxi; 1800 kg payload	P23092MM	[+]	19,1	BRE				
	81	05/02 → 07/06	●		P23093MM	[-]	20,1	BRE				
2.0 Bipower	81	11/02 →	●	11 + 15	P23091MM	[+]	19,1	BRE				
	81	11/02 →	●	Maxi; 1800 kg payload	P23092MM	[+]	19,1	BRE				
	81	11/02 →	●		P23093MM	[-]	20,1	BRE				
2.0 JTD	62	04/02 →	●	11 + 15	P23091MM	[+]	19,1	BRE				
	62	04/02 →	●	Maxi; 1800 kg payload	P23092MM	[+]	19,1	BRE				
	62	04/02 →	●		P23093MM	[-]	20,1	BRE				
2.3 JTD	81	04/02 →	●	11 + 15	P23091MM	[+]	19,1	BRE				
	81	04/02 →	●	Maxi; 1800 kg payload	P23092MM	[+]	19,1	BRE				
	81	04/02 →	●		P23093MM	[-]	20,1	BRE				
2.8 JTD	94	04/02 →	●	11 + 15	P23091MM	[+]	19,1	BRE				
	94	04/02 →	●	Maxi; 1800 kg payload	P23092MM	[+]	19,1	BRE				
	94	04/02 →	●		P23093MM	[-]	20,1	BRE				
2.8 JTD 4x4	94	07/02 →	●	11 + 15	P23091MM	[+]	19,1	BRE				
	94	07/02 →	●	Maxi; 1800 kg payload	P23092MM	[+]	19,1	BRE				
	94	07/02 →	●		P23093MM	[-]	20,1	BRE				
2.8 JTD Power	107	05/04 →	●	11 + 15	P23091MM	[+]	19,1	BRE				
	107	05/04 →	●	Maxi; 1800 kg payload	P23092MM	[+]	19,1	BRE				
	107	05/04 →	●		P23093MM	[-]	20,1	BRE				

DUCATO Box (250_, 290_) 07/06 →

100 Multijet 2,2 D	74	07/06 →	●	2000 kg payload	P23136MM	[+]	19	BRE				
	74	07/06 →	●	1700 kg payload; +high payload	P61118MM	[+]	19	BRE				
	74	07/06 →	●	1700 kg payload; 2000 kg payload; +high payload	P23161MM	[+]	20,8	BRE				
	74	07/06 →	●	1100 kg payload; 1500 kg payload	P23143MM	[+]	19	BRE				
	74	07/06 →	●	1700 kg payload; -high payload	P23144MM	[+]	19	BRE				
	74	07/06 →	●		P61091MM	[-]	18,8	BSH				
	74	07/06 →	●		P61125MM	[+]	18,8	BSH				
110 Multijet 2,3 D	83	10/11 →	●	2000 kg payload	P23136MM	[+]	19	BRE				
	83	10/11 →	●	1700 kg payload; +high payload	P61118MM	[+]	19	BRE				
	83	10/11 →	●	1700 kg payload; 2000 kg payload; +high payload	P23161MM	[+]	20,8	BRE				
	83	10/11 →	●	1100 kg payload; 1500 kg payload	P23143MM	[+]	19	BRE				
	83	10/11 →	●	1700 kg payload; -high payload	P23144MM	[+]	19	BRE				
	83	10/11 →	●		P61091MM	[-]	18,8	BSH				
	83	10/11 →	●		P61125MM	[+]	18,8	BSH				
115 Multijet 2,0 D	85	06/11 →	●	2000 kg payload	P23136MM	[+]	19	BRE				
	85	06/11 →	●	1700 kg payload; +high payload	P61118MM	[+]	19	BRE				
	85	06/11 →	●	1700 kg payload; 2000 kg payload; +high payload	P23161MM	[+]	20,8	BRE				

									WI			FK	
	kw						Th [mm]		MAGNETI MARELLI	LENGHT		MAGNETI MARELLI	

FIAT

DUCATO Box (250_, 290_) 07/06 →

115 Multijet 2,0 D	85	06/11 →	●	1100 kg payload; 1500 kg payload	P23143MM	[+]	19	BRE					
	85	06/11 →	●	1700 kg payload; -high payload	P23144MM	[+]	19	BRE					
	85	06/11 →		●		P61091MM	[-]	18,8	BSH				
	85	06/11 →		●		P61125MM	[+]	18,8	BSH				
120 Multijet 2,3 D	88	07/06 →	●	2000 kg payload	P23136MM	[+]	19	BRE					
	88	07/06 →	●	1700 kg payload; +high payload	P61118MM	[+]	19	BRE					
	88	07/06 →	●	1700 kg payload; 2000 kg payload; +high payload	P23161MM	[+]	20,8	BRE					
	88	07/06 →	●	1100 kg payload; 1500 kg payload	P23143MM	[+]	19	BRE					
	88	07/06 →	●	1700 kg payload; -high payload	P23144MM	[+]	19	BRE					
	88	07/06 →		●		P61091MM	[-]	18,8	BSH				
	88	07/06 →		●		P61125MM	[+]	18,8	BSH				
120 Multijet 2,3 D 4x4	88	03/10 →	●	2000 kg payload	P23136MM	[+]	19	BRE					
	88	03/10 →	●	1700 kg payload; +high payload	P61118MM	[+]	19	BRE					
	88	03/10 →	●	1700 kg payload; 2000 kg payload; +high payload	P23161MM	[+]	20,8	BRE					
	88	03/10 →	●	1500 kg payload; 1100 kg payload	P23143MM	[+]	19	BRE					
	88	03/10 →	●	1700 kg payload; -high payload	P23144MM	[+]	19	BRE					
	88	03/10 →		●		P61091MM	[-]	18,8	BSH				
	88	03/10 →		●		P61125MM	[+]	18,8	BSH				
130 Multijet 2,3 D	96	01/11 →	●	2000 kg payload	P23136MM	[+]	19	BRE					
	96	01/11 →	●	1700 kg payload; +high payload	P61118MM	[+]	19	BRE					
	96	01/11 →	●	1700 kg payload; 2000 kg payload; +high payload	P23161MM	[+]	20,8	BRE					
	96	01/11 →	●	1100 kg payload; 1500 kg payload	P23143MM	[+]	19	BRE					
	96	01/11 →	●	1700 kg payload; -high payload	P23144MM	[+]	19	BRE					
	96	01/11 →		●	→ 02/14	P61091MM	[-]	18,8	BSH				
	96	01/11 →		●	03/14 →	P61125MM	[+]	18,8	BSH				
	93	08/06 →	●	2000 kg payload	P23136MM	[+]	19	BRE					
	93	08/06 →	●	1700 kg payload; +high payload	P61118MM	[+]	19	BRE					
	93	08/06 →	●		P23143MM	[+]	19	BRE					
	93	08/06 →	●	2000 kg payload; 1700 kg payload; +high payload	P23161MM	[+]	20,8	BRE					
	93	08/06 →	●	1700 kg payload; -high payload	P23144MM	[+]	19	BRE					
	93	08/06 →		●		P61091MM	[-]	18,8	BSH				
93	08/06 →		●		P61125MM	[+]	18,8	BSH					
140 Natural Power	100	04/09 →	●	2000 kg payload	P23136MM	[+]	19	BRE					
	100	04/09 →	●	1700 kg payload; +high payload	P61118MM	[+]	19	BRE					
	100	04/09 →	●	1700 kg payload; 2000 kg payload; +high payload	P23161MM	[+]	20,8	BRE					
	100	04/09 →	●	1500 kg payload; 1100 kg payload	P23143MM	[+]	19	BRE					
	100	04/09 →	●	1700 kg payload; -high payload	P23144MM	[+]	19	BRE					
	100	04/09 →		●		P61091MM	[-]	18,8	BSH				
	100	04/09 →		●		P61125MM	[+]	18,8	BSH				
150 Multijet 2,3 D	109	06/11 →	●	2000 kg payload	P23136MM	[+]	19	BRE					
	109	06/11 →	●	1700 kg payload; +high payload	P61118MM	[+]	19	BRE					
	109	06/11 →	●	1700 kg payload; 2000 kg payload; +high payload	P23161MM	[+]	20,8	BRE					
	109	06/11 →	●	1100 kg payload; 1500 kg payload	P23143MM	[+]	19	BRE					
	109	06/11 →	●	1700 kg payload; -high payload	P23144MM	[+]	19	BRE					
	109	06/11 →		●		P61091MM	[-]	18,8	BSH				

		kw						wi	Th [mm]	SYS	wi		FK		
												LENGHT			

FIAT

DUCATO Box (250_, 290_) 07/06 →

150 Multijet 2,3 D	109	06/11 →	•		P61125MM	[+]	18,8	BSH						
	110	12/15 →	•	Maxi 40	P23136MM	[+]	19	BRE						
	110	12/15 →	•	Maxi 35	P61118MM	[+]	19	BRE						
	110	12/15 →	•	30 + 33	P23143MM	[+]	19	BRE						
	110	12/15 →	•	35	P23144MM	[+]	19	BRE						
	110	12/15 →	•	Maxi 40; MY 2014 →	P23161MM	[+]	20,8	BRE						
	110	12/15 →	•		P61125MM	[+]	18,8	BSH						
150 Multijet 3,0 D	107	04/10 →	•	2000 kg payload	P23136MM	[+]	19	BRE						
	107	04/10 →	•	1700 kg payload; +high payload	P61118MM	[+]	19	BRE						
	107	04/10 →	•	1700 kg payload; 2000 kg payload; +high payload	P23161MM	[+]	20,8	BRE						
	107	04/10 →	•	1500 kg payload; 1100 kg payload	P23143MM	[+]	19	BRE						
	107	04/10 →	•	1700 kg payload; -high payload	P23144MM	[+]	19	BRE						
	107	04/10 →	•		P61091MM	[-]	18,8	BSH						
	107	04/10 →	•		P61125MM	[+]	18,8	BSH						
160 Multijet 3,0 D	116	07/06 →	•	2000 kg payload	P23136MM	[+]	19	BRE						
	116	07/06 →	•	1700 kg payload; +high payload	P61118MM	[+]	19	BRE						
	116	07/06 →	•	1700 kg payload; 2000 kg payload; +high payload	P23161MM	[+]	20,8	BRE						
	116	07/06 →	•	1100 kg payload; 1500 kg payload	P23143MM	[+]	19	BRE						
	116	07/06 →	•	1700 kg payload; -high payload	P23144MM	[+]	19	BRE						
	116	07/06 →	•		P61091MM	[-]	18,8	BSH						
	116	07/06 →	•		P61125MM	[+]	18,8	BSH						
	115	07/06 → 12/11	•	2000 kg payload	P23136MM	[+]	19	BRE						
	115	07/06 → 12/11	•	1700 kg payload; +high payload	P61118MM	[+]	19	BRE						
	115	07/06 → 12/11	•	1700 kg payload; 2000 kg payload; +high payload	P23161MM	[+]	20,8	BRE						
	115	07/06 → 12/11	•	1100 kg payload; 1500 kg payload	P23143MM	[+]	19	BRE						
	115	07/06 → 12/11	•	1700 kg payload; -high payload	P23144MM	[+]	19	BRE						
	115	07/06 → 12/11	•		P61091MM	[-]	18,8	BSH						
	115	07/06 → 12/11	•		P61125MM	[+]	18,8	BSH						
	180 Multijet 2,3 D	130	12/15 →	•	Maxi 40	P23136MM	[+]	19	BRE					
130		12/15 →	•	35	P23144MM	[+]	19	BRE						
130		12/15 →	•	Maxi 35	P61118MM	[+]	19	BRE						
130		12/15 →	•	30 + 33	P23143MM	[+]	19	BRE						
130		12/15 →	•	Maxi 40; MY 2014 →	P23161MM	[+]	20,8	BRE						
130		12/15 →	•		P61125MM	[+]	18,8	BSH						
180 Multijet 3,0 D	130	06/11 →	•	2000 kg payload	P23136MM	[+]	19	BRE						
	130	06/11 →	•	1700 kg payload; +high payload	P61118MM	[+]	19	BRE						
	130	06/11 →	•	1700 kg payload; 2000 kg payload; +high payload	P23161MM	[+]	20,8	BRE						
	130	06/11 →	•	1100 kg payload; 1500 kg payload	P23143MM	[+]	19	BRE						
	130	06/11 →	•	1700 kg payload; -high payload	P23144MM	[+]	19	BRE						
	130	06/11 →	•		P61091MM	[-]	18,8	BSH						
	130	06/11 →	•		P61125MM	[+]	18,8	BSH						

DUCATO Bus (230_) 03/94 → 04/02

1.9 D	50	04/98 → 04/02	•	10 + 14; → 08/01	P23068MM	[+]	19,7	TRW						
	50	04/98 → 04/02	•	10 + 14; → 08/01	P23083MM	[+]	19,7	TRW						
	50	04/98 → 04/02	•	10 + 14; 09/01 →	P23091MM	[+]	19,1	BRE						
	50	04/98 → 04/02	•	→ 08/01; 1800 kg payload	P23069MM	[+]	19,7	TRW						
	50	04/98 → 04/02	•	→ 08/01; 1800 kg payload	P23084MM	[+]	19,7	TRW						

FIAT

DUCATO Bus (230_) 03/94 → 04/02

2.5 TDI 4x4	85	04/97 → 04/02	●	10 + 14; → 08/01	P23068MM	[+]	19,7	TRW							
	85	04/97 → 04/02	●	10 + 14; → 08/01	P23083MM	[+]	19,7	TRW							
	85	04/97 → 04/02	●	10 + 14; 09/01 →	P23091MM	[+]	19,1	BRE							
	85	04/97 → 04/02	●	→ 08/01; 1800 kg payload	P23069MM	[+]	19,7	TRW							
	85	04/97 → 04/02	●	→ 08/01; 1800 kg payload	P23084MM	[+]	19,7	TRW							
	85	04/97 → 04/02	●	09/01 →; 1800 kg payload	P23092MM	[+]	19,1	BRE							
	85	04/97 → 04/02	●	09/01 →	P23093MM	[-]	20,1	BRE							
2.5 TDI Panorama/ Combinato	85	03/94 → 04/02	●	10 + 14; → 08/01	P23068MM	[+]	19,7	TRW							
	85	03/94 → 04/02	●	10 + 14; → 08/01	P23083MM	[+]	19,7	TRW							
	85	03/94 → 04/02	●	10 + 14; 09/01 →	P23091MM	[+]	19,1	BRE							
	85	03/94 → 04/02	●	→ 08/01; 1800 kg payload	P23069MM	[+]	19,7	TRW							
	85	03/94 → 04/02	●	→ 08/01; 1800 kg payload	P23084MM	[+]	19,7	TRW							
	85	03/94 → 04/02	●	09/01 →; 1800 kg payload	P23092MM	[+]	19,1	BRE							
	85	03/94 → 04/02	●	09/01 →	P23093MM	[-]	20,1	BRE							
	80	07/94 → 04/02	●	10 + 14; → 08/01	P23068MM	[+]	19,7	TRW							
	80	07/94 → 04/02	●	10 + 14; → 08/01	P23083MM	[+]	19,7	TRW							
	80	07/94 → 04/02	●	10 + 14; 09/01 →	P23091MM	[+]	19,1	BRE							
	80	07/94 → 04/02	●	→ 08/01; 1800 kg payload	P23069MM	[+]	19,7	TRW							
	80	07/94 → 04/02	●	→ 08/01; 1800 kg payload	P23084MM	[+]	19,7	TRW							
	80	07/94 → 04/02	●	09/01 →; 1800 kg payload	P23092MM	[+]	19,1	BRE							
80	07/94 → 04/02	●	09/01 →	P23093MM	[-]	20,1	BRE								
2.8 D	64	02/98 → 04/02	●	10 + 14; → 08/01	P23068MM	[+]	19,7	TRW							
	64	02/98 → 04/02	●	10 + 14; → 08/01	P23083MM	[+]	19,7	TRW							
	64	02/98 → 04/02	●	10 + 14; 09/01 →	P23091MM	[+]	19,1	BRE							
	64	02/98 → 04/02	●	→ 08/01; 1800 kg payload	P23069MM	[+]	19,7	TRW							
	64	02/98 → 04/02	●	→ 08/01; 1800 kg payload	P23084MM	[+]	19,7	TRW							
	64	02/98 → 04/02	●	09/01 →; 1800 kg payload	P23092MM	[+]	19,1	BRE							
	64	02/98 → 04/02	●	09/01 →	P23093MM	[-]	20,1	BRE							
2.8 JTD	94	11/00 → 04/02	●	10 + 14; → 08/01	P23068MM	[+]	19,7	TRW							
	94	11/00 → 04/02	●	10 + 14; → 08/01	P23083MM	[+]	19,7	TRW							
	94	11/00 → 04/02	●	10 + 14; 09/01 →	P23091MM	[+]	19,1	BRE							
	94	11/00 → 04/02	●	→ 08/01; 1800 kg payload	P23069MM	[+]	19,7	TRW							
	94	11/00 → 04/02	●	→ 08/01; 1800 kg payload	P23084MM	[+]	19,7	TRW							
	94	11/00 → 04/02	●	09/01 →; 1800 kg payload	P23092MM	[+]	19,1	BRE							
	94	11/00 → 04/02	●	09/01 →	P23093MM	[-]	20,1	BRE							
2.8 JTD 4x4	94	11/00 → 04/02	●	10 + 14; → 08/01	P23068MM	[+]	19,7	TRW							
	94	11/00 → 04/02	●	10 + 14; → 08/01	P23083MM	[+]	19,7	TRW							
	94	11/00 → 04/02	●	10 + 14; 09/01 →	P23091MM	[+]	19,1	BRE							
	94	11/00 → 04/02	●	→ 08/01; 1800 kg payload	P23069MM	[+]	19,7	TRW							
	94	11/00 → 04/02	●	→ 08/01; 1800 kg payload	P23084MM	[+]	19,7	TRW							
	94	11/00 → 04/02	●	09/01 →; 1800 kg payload	P23092MM	[+]	19,1	BRE							
	94	11/00 → 04/02	●	09/01 →	P23093MM	[-]	20,1	BRE							
2.8 TDI	90	10/97 → 04/02	●	10 + 14; → 08/01	P23068MM	[+]	19,7	TRW							
	90	10/97 → 04/02	●	10 + 14; → 08/01	P23083MM	[+]	19,7	TRW							
	90	10/97 → 04/02	●	10 + 14; 09/01 →	P23091MM	[+]	19,1	BRE							
	90	10/97 → 04/02	●	→ 08/01; 1800 kg payload	P23069MM	[+]	19,7	TRW							
	90	10/97 → 04/02	●	→ 08/01; 1800 kg payload	P23084MM	[+]	19,7	TRW							
	90	10/97 → 04/02	●	09/01 →; 1800 kg payload	P23092MM	[+]	19,1	BRE							
2.8 TDI 4x4	90	07/99 → 04/02	●	10 + 14; → 08/01	P23068MM	[+]	19,7	TRW							
	90	07/99 → 04/02	●	10 + 14; → 08/01	P23083MM	[+]	19,7	TRW							
	90	07/99 → 04/02	●	10 + 14; 09/01 →	P23091MM	[+]	19,1	BRE							
	90	07/99 → 04/02	●	→ 08/01; 1800 kg payload	P23069MM	[+]	19,7	TRW							
	90	07/99 → 04/02	●	→ 08/01; 1800 kg payload	P23084MM	[+]	19,7	TRW							

								WI			FK		
	kw									LENGHT			

FIAT

DUCATO Bus (230_) 03/94 → 04/02

2.8 TDI 4x4	90	07/99 → 04/02	●	09/01 →; 1800 kg payload	P23092MM	[+]	19,1	BRE					
	90	07/99 → 04/02	●	09/01 →	P23093MM	[-]	20,1	BRE					

DUCATO Bus (244_) 04/02 →

2.0	81	04/02 →	●	11 + 15	P23091MM	[+]	19,1	BRE					
	81	04/02 →	●	Maxi; 1800 kg payload	P23092MM	[+]	19,1	BRE					
	81	04/02 →	●		P23093MM	[-]	20,1	BRE					
2.0 4x4	81	05/02 → 07/06	●	11 + 15	P23091MM	[+]	19,1	BRE					
	81	05/02 → 07/06	●	Maxi; 1800 kg payload	P23092MM	[+]	19,1	BRE					
	81	05/02 → 07/06	●		P23093MM	[-]	20,1	BRE					
2.0 Bipower	81	11/02 →	●	11 + 15	P23091MM	[+]	19,1	BRE					
	81	11/02 →	●	Maxi; 1800 kg payload	P23092MM	[+]	19,1	BRE					
	81	11/02 →	●		P23093MM	[-]	20,1	BRE					
2.0 JTD	62	04/02 →	●	11 + 15	P23091MM	[+]	19,1	BRE					
	62	04/02 →	●	Maxi; 1800 kg payload	P23092MM	[+]	19,1	BRE					
	62	04/02 →	●		P23093MM	[-]	20,1	BRE					
2.3 JTD	81	04/02 →	●	11 + 15	P23091MM	[+]	19,1	BRE					
	81	04/02 →	●	Maxi; 1800 kg payload	P23092MM	[+]	19,1	BRE					
	81	04/02 →	●		P23093MM	[-]	20,1	BRE					
2.8 JTD	94	04/02 →	●	11 + 15	P23091MM	[+]	19,1	BRE					
	94	04/02 →	●	Maxi; 1800 kg payload	P23092MM	[+]	19,1	BRE					
	94	04/02 →	●		P23093MM	[-]	20,1	BRE					
2.8 JTD 4x4	94	07/02 →	●	11 + 15	P23091MM	[+]	19,1	BRE					
	94	07/02 →	●	Maxi; 1800 kg payload	P23092MM	[+]	19,1	BRE					
	94	07/02 →	●		P23093MM	[-]	20,1	BRE					

DUCATO Bus (250_, 290_) 07/06 →

100 Multijet 2,2 D	74	07/06 →	●	2000 kg payload	P23136MM	[+]	19	BRE					
	74	07/06 →	●	1700 kg payload; +high payload	P61118MM	[+]	19	BRE					
	74	07/06 →	●	1700 kg payload; 2000 kg payload; +high payload	P23161MM	[+]	20,8	BRE					
	74	07/06 →	●	1100 kg payload; 1500 kg payload	P23143MM	[+]	19	BRE					
	74	07/06 →	●	1700 kg payload; -high payload	P23144MM	[+]	19	BRE					
	74	07/06 →	●		P61091MM	[-]	18,8	BSH					
	74	07/06 →	●		P61125MM	[+]	18,8	BSH					
110 Multijet 2,3 D	83	10/11 →	●	2000 kg payload	P23136MM	[+]	19	BRE					
	83	10/11 →	●	1700 kg payload; +high payload	P61118MM	[+]	19	BRE					
	83	10/11 →	●	2000 kg payload; 1700 kg payload; +high payload	P23161MM	[+]	20,8	BRE					
	83	10/11 →	●	1100 kg payload; 1500 kg payload	P23143MM	[+]	19	BRE					
	83	10/11 →	●	1700 kg payload; -high payload	P23144MM	[+]	19	BRE					
	83	10/11 →	●		P61091MM	[-]	18,8	BSH					
	83	10/11 →	●		P61125MM	[+]	18,8	BSH					
115 Multijet 2,0 D	85	06/11 →	●	2000 kg payload	P23136MM	[+]	19	BRE					
	85	06/11 →	●	1700 kg payload; +high payload	P61118MM	[+]	19	BRE					
	85	06/11 →	●	1700 kg payload; 2000 kg payload; +high payload	P23161MM	[+]	20,8	BRE					
	85	06/11 →	●	1100 kg payload; 1500 kg payload	P23143MM	[+]	19	BRE					
	85	06/11 →	●	1700 kg payload; -high payload	P23144MM	[+]	19	BRE					
	85	06/11 →	●		P61091MM	[-]	18,8	BSH					
	85	06/11 →	●		P61125MM	[+]	18,8	BSH					
120 Multijet 2,3 D	88	07/06 →	●	2000 kg payload	P23136MM	[+]	19	BRE					
	88	07/06 →	●	1700 kg payload; +high payload	P61118MM	[+]	19	BRE					
	88	07/06 →	●	1700 kg payload; 2000 kg payload; +high payload	P23161MM	[+]	20,8	BRE					

		kw						wi	Th [mm]	SYS	WI			FK	
												LENGHT			

FIAT

DUCATO Bus (250_, 290_) 07/06 →

120 Multijet 2,3 D	88	07/06 →	●	1100 kg payload; 1500 kg payload	P23143MM	[+]	19	BRE							
	88	07/06 →	●	1700 kg payload; -high payload	P23144MM	[+]	19	BRE							
	88	07/06 →	●		P61091MM	[-]	18,8	BSH							
	88	07/06 →	●		P61125MM	[+]	18,8	BSH							
130 Multijet 2,3 D	96	01/11 →	●	2000 kg payload	P23136MM	[+]	19	BRE							
	96	01/11 →	●	1700 kg payload; +high payload	P61118MM	[+]	19	BRE							
	96	01/11 →	●	1700 kg payload; 2000 kg payload; +high payload	P23161MM	[+]	20,8	BRE							
	96	01/11 →	●	1100 kg payload; 1500 kg payload	P23143MM	[+]	19	BRE							
	96	01/11 →	●	1700 kg payload; -high payload	P23144MM	[+]	19	BRE							
	96	01/11 →	●		P61091MM	[-]	18,8	BSH							
	96	01/11 →	●		P61125MM	[+]	18,8	BSH							
	93	01/10 →	●	2000 kg payload	P23136MM	[+]	19	BRE							
	93	01/10 →	●	03/11 →	P23143MM	[+]	19	BRE							
	93	01/10 →	●	03/11 →; 1700 kg payload; -high payload	P23144MM	[+]	19	BRE							
	93	01/10 →	●	1700 kg payload; +high payload	P61118MM	[+]	19	BRE							
	93	01/10 →	●	2000 kg payload; 1700 kg payload; +high payload	P23161MM	[+]	20,8	BRE							
	93	01/10 →	●	-MY 2014	P61091MM	[-]	18,8	BSH							
93	01/10 →	●		P61125MM	[+]	18,8	BSH								
140 Natural Power	100	04/09 →	●	2000 kg payload	P23136MM	[+]	19	BRE							
	100	04/09 →	●	1700 kg payload; +high payload	P61118MM	[+]	19	BRE							
	100	04/09 →	●	1700 kg payload; 2000 kg payload; +high payload	P23161MM	[+]	20,8	BRE							
	100	04/09 →	●	1100 kg payload; 1500 kg payload	P23143MM	[+]	19	BRE							
	100	04/09 →	●	1700 kg payload; -high payload	P23144MM	[+]	19	BRE							
	100	04/09 →	●		P61091MM	[-]	18,8	BSH							
	100	04/09 →	●		P61125MM	[+]	18,8	BSH							
150 Multijet 2,3 D	109	06/11 →	●	2000 kg payload	P23136MM	[+]	19	BRE							
	109	06/11 →	●	1700 kg payload; +high payload	P61118MM	[+]	19	BRE							
	109	06/11 →	●	1700 kg payload; 2000 kg payload; +high payload	P23161MM	[+]	20,8	BRE							
	109	06/11 →	●	1100 kg payload; 1500 kg payload	P23143MM	[+]	19	BRE							
	109	06/11 →	●	1700 kg payload	P23144MM	[+]	19	BRE							
	109	06/11 →	●		P61091MM	[-]	18,8	BSH							
	109	06/11 →	●		P61125MM	[+]	18,8	BSH							
	110	04/15 →	●	2000 kg payload	P23136MM	[+]	19	BRE							
	110	04/15 →	●		P23143MM	[+]	19	BRE							
	110	04/15 →	●	1000 kg payload; 1500 kg payload	P23144MM	[+]	19	BRE							
	110	04/15 →	●	1700 kg payload; +high payload	P61118MM	[+]	19	BRE							
	110	04/15 →	●	2000 kg payload; 1700 kg payload; +high payload	P23161MM	[+]	20,8	BRE							
	110	04/15 →	●	-MY 2014	P61091MM	[-]	18,8	BSH							
110	04/15 →	●		P61125MM	[+]	18,8	BSH								
150 Multijet 3,0 D	107	04/10 →	●	2000 kg payload	P23136MM	[+]	19	BRE							
	107	04/10 →	●	1700 kg payload; +high payload	P61118MM	[+]	19	BRE							
	107	04/10 →	●	1700 kg payload; 2000 kg payload; +high payload	P23161MM	[+]	20,8	BRE							
	107	04/10 →	●	1100 kg payload; 1500 kg payload	P23143MM	[+]	19	BRE							
	107	04/10 →	●	1700 kg payload; -high payload	P23144MM	[+]	19	BRE							

								WI			FK	

FIAT

DUCATO Bus (250_, 290_) 07/06 →

150 Multijet 3,0 D	107	04/10 →	•		P61091MM	[-]	18,8	BSH				
	107	04/10 →	•		P61125MM	[+]	18,8	BSH				
160 Multijet 3,0 D	116	07/06 →	•	2000 kg payload	P23136MM	[+]	19	BRE				
	116	07/06 →	•	1700 kg payload; +high payload	P61118MM	[+]	19	BRE				
	116	07/06 →	•	1700 kg payload; 2000 kg payload; +high payload	P23161MM	[+]	20,8	BRE				
	116	07/06 →	•	1100 kg payload; 1500 kg payload	P23143MM	[+]	19	BRE				
	116	07/06 →	•	1700 kg payload; -high payload	P23144MM	[+]	19	BRE				
	116	07/06 →	•		P61091MM	[-]	18,8	BSH				
	116	07/06 →	•		P61125MM	[+]	18,8	BSH				
	115	10/06 →	•	2000 kg payload	P23136MM	[+]	19	BRE				
	115	10/06 →	•	1700 kg payload; +high payload	P61118MM	[+]	19	BRE				
	115	10/06 →	•	1100 kg payload; 1500 kg payload	P23143MM	[+]	19	BRE				
	115	10/06 →	•	2000 kg payload; 1700 kg payload; +high payload	P23161MM	[+]	20,8	BRE				
	115	10/06 →	•	1700 kg payload; -high payload	P23144MM	[+]	19	BRE				
	115	10/06 →	•	MY → 2014	P61091MM	[-]	18,8	BSH				
	115	10/06 →	•		P61125MM	[+]	18,8	BSH				
180 Multijet 2,3 D	130	12/15 →	•	Maxi 40	P23136MM	[+]	19	BRE				
	130	12/15 →	•	35	P23144MM	[+]	19	BRE				
	130	12/15 →	•	30 + 33	P23143MM	[+]	19	BRE				
	130	12/15 →	•	Maxi 35	P61118MM	[+]	19	BRE				
	130	12/15 →	•	Maxi 40; MY 2014 →	P23161MM	[+]	20,8	BRE				
	130	12/15 →	•		P61125MM	[+]	18,8	BSH				
180 Multijet 3,0 D	130	06/11 →	•	2000 kg payload	P23136MM	[+]	19	BRE				
	130	06/11 →	•	1700 kg payload; +high payload	P61118MM	[+]	19	BRE				
	130	06/11 →	•	1700 kg payload; 2000 kg payload; +high payload	P23161MM	[+]	20,8	BRE				
	130	06/11 →	•	1100 kg payload; 1500 kg payload	P23143MM	[+]	19	BRE				
	130	06/11 →	•	1700 kg payload; -high payload	P23144MM	[+]	19	BRE				
	130	06/11 →	•		P61091MM	[-]	18,8	BSH				
	130	06/11 →	•		P61125MM	[+]	18,8	BSH				

DUCATO Platform/Chassis (230_) 03/94 → 04/02

1.9 D	51	03/94 → 04/02	•	10 + 14; → 08/01	P23068MM	[+]	19,7	TRW					
	51	03/94 → 04/02	•	10 + 14; → 08/01	P23083MM	[+]	19,7	TRW					
	51	03/94 → 04/02	•	10 + 14; 09/01 →	P23091MM	[+]	19,1	BRE					
	51	03/94 → 04/02	•	→ 08/01; 1800 kg payload	P23069MM	[+]	19,7	TRW					
	51	03/94 → 04/02	•	→ 08/01; 1800 kg payload	P23084MM	[+]	19,7	TRW					
	51	03/94 → 04/02	•	09/01 →; 1800 kg payload	P23092MM	[+]	19,1	BRE					
	51	03/94 → 04/02	•	09/01 →	P23093MM	[-]	20,1	BRE					
	50	04/98 → 04/02	•	10 + 14; → 08/01	P23068MM	[+]	19,7	TRW					
	50	04/98 → 04/02	•	10 + 14; → 08/01	P23083MM	[+]	19,7	TRW					
	50	04/98 → 04/02	•	10 + 14; 09/01 →	P23091MM	[+]	19,1	BRE					
	50	04/98 → 04/02	•	→ 08/01; 1800 kg payload	P23069MM	[+]	19,7	TRW					
	50	04/98 → 04/02	•	→ 08/01; 1800 kg payload	P23084MM	[+]	19,7	TRW					
	50	04/98 → 04/02	•	09/01 →; 1800 kg payload	P23092MM	[+]	19,1	BRE					
	50	04/98 → 04/02	•	09/01 →	P23093MM	[-]	20,1	BRE					
	1.9 TD	60	03/94 → 04/02	•	10 + 14; → 08/01	P23068MM	[+]	19,7	TRW				
		60	03/94 → 04/02	•	10 + 14; → 08/01	P23083MM	[+]	19,7	TRW				
60		03/94 → 04/02	•	10 + 14; 09/01 →	P23091MM	[+]	19,1	BRE					
60		03/94 → 04/02	•	→ 08/01; 1800 kg payload	P23069MM	[+]	19,7	TRW					
60		03/94 → 04/02	•	→ 08/01; 1800 kg payload	P23084MM	[+]	19,7	TRW					

FIAT

DUCATO Platform/Chassis (230_) 03/94 → 04/02

1.9 TD	60	03/94 → 04/02	●	09/01 → ; 1800 kg payload	P23092MM	[+]	19,1	BRE						
	60	03/94 → 04/02	●	09/01 →	P23093MM	[-]	20,1	BRE						
	66	04/98 → 04/02	●	10 + 14; → 08/01	P23068MM	[+]	19,7	TRW						
	66	04/98 → 04/02	●	10 + 14; → 08/01	P23083MM	[+]	19,7	TRW						
	66	04/98 → 04/02	●	10 + 14; 09/01 →	P23091MM	[+]	19,1	BRE						
	66	04/98 → 04/02	●	→ 08/01; 1800 kg payload	P23069MM	[+]	19,7	TRW						
	66	04/98 → 04/02	●	→ 08/01; 1800 kg payload	P23084MM	[+]	19,7	TRW						
	66	04/98 → 04/02	●	09/01 → ; 1800 kg payload	P23092MM	[+]	19,1	BRE						
	66	04/98 → 04/02	●	09/01 →	P23093MM	[-]	20,1	BRE						
1.9 TD CAT	59	08/94 → 04/02	●	10 + 14; → 08/01	P23068MM	[+]	19,7	TRW						
	59	08/94 → 04/02	●	10 + 14; → 08/01	P23083MM	[+]	19,7	TRW						
	59	08/94 → 04/02	●	10 + 14; 09/01 →	P23091MM	[+]	19,1	BRE						
	59	08/94 → 04/02	●	→ 08/01; 1800 kg payload	P23069MM	[+]	19,7	TRW						
	59	08/94 → 04/02	●	→ 08/01; 1800 kg payload	P23084MM	[+]	19,7	TRW						
	59	08/94 → 04/02	●	09/01 → ; 1800 kg payload	P23092MM	[+]	19,1	BRE						
	59	08/94 → 04/02	●	09/01 →	P23093MM	[-]	20,1	BRE						
2.0	80	03/94 → 04/02	●	10 + 14; → 08/01	P23068MM	[+]	19,7	TRW						
	80	03/94 → 04/02	●	10 + 14; → 08/01	P23083MM	[+]	19,7	TRW						
	80	03/94 → 04/02	●	10 + 14; 09/01 →	P23091MM	[+]	19,1	BRE						
	80	03/94 → 04/02	●	→ 08/01; 1800 kg payload	P23069MM	[+]	19,7	TRW						
	80	03/94 → 04/02	●	→ 08/01; 1800 kg payload	P23084MM	[+]	19,7	TRW						
	80	03/94 → 04/02	●	09/01 → ; 1800 kg payload	P23092MM	[+]	19,1	BRE						
2.0 JTD	62	07/01 → 04/02	●	10 + 14; → 08/01	P23068MM	[+]	19,7	TRW						
	62	07/01 → 04/02	●	10 + 14; → 08/01	P23083MM	[+]	19,7	TRW						
	62	07/01 → 04/02	●	10 + 14; 09/01 →	P23091MM	[+]	19,1	BRE						
	62	07/01 → 04/02	●	→ 08/01; 1800 kg payload	P23069MM	[+]	19,7	TRW						
	62	07/01 → 04/02	●	→ 08/01; 1800 kg payload	P23084MM	[+]	19,7	TRW						
	62	07/01 → 04/02	●	09/01 → ; 1800 kg payload	P23092MM	[+]	19,1	BRE						
	62	07/01 → 04/02	●	09/01 →	P23093MM	[-]	20,1	BRE						
	62	07/01 → 04/02	●	09/01 →	P23093MM	[-]	20,1	BRE						
2.5 D	62	03/94 → 04/02	●	10 + 14; → 08/01	P23068MM	[+]	19,7	TRW						
	62	03/94 → 04/02	●	10 + 14; → 08/01	P23083MM	[+]	19,7	TRW						
	62	03/94 → 04/02	●	10 + 14; 09/01 →	P23091MM	[+]	19,1	BRE						
	62	03/94 → 04/02	●	→ 08/01; 1800 kg payload	P23069MM	[+]	19,7	TRW						
	62	03/94 → 04/02	●	→ 08/01; 1800 kg payload	P23084MM	[+]	19,7	TRW						
	62	03/94 → 04/02	●	09/01 → ; 1800 kg payload	P23092MM	[+]	19,1	BRE						
	62	03/94 → 04/02	●	09/01 →	P23093MM	[-]	20,1	BRE						
	62	03/94 → 04/02	●	09/01 →	P23093MM	[-]	20,1	BRE						
2.5 D 4x4	62	03/94 → 04/02	●	10 + 14; → 08/01	P23068MM	[+]	19,7	TRW						
	62	03/94 → 04/02	●	10 + 14; → 08/01	P23083MM	[+]	19,7	TRW						
	62	03/94 → 04/02	●	10 + 14; 09/01 →	P23091MM	[+]	19,1	BRE						
	62	03/94 → 04/02	●	→ 08/01; 1800 kg payload	P23069MM	[+]	19,7	TRW						
	62	03/94 → 04/02	●	→ 08/01; 1800 kg payload	P23084MM	[+]	19,7	TRW						
	62	03/94 → 04/02	●	09/01 → ; 1800 kg payload	P23092MM	[+]	19,1	BRE						
	62	03/94 → 04/02	●	09/01 →	P23093MM	[-]	20,1	BRE						
2.5 TD	85	06/94 → 04/98	●	10 + 14	P23068MM	[+]	19,7	TRW						
	85	06/94 → 04/98	●	10 + 14	P23083MM	[+]	19,7	TRW						
	85	06/94 → 04/98	●	1800 kg payload	P23069MM	[+]	19,7	TRW						
	85	06/94 → 04/98	●	1800 kg payload	P23084MM	[+]	19,7	TRW						
2.5 TD 4x4	85	11/94 → 04/98	●	10 + 14	P23068MM	[+]	19,7	TRW						
	85	11/94 → 04/98	●	10 + 14	P23083MM	[+]	19,7	TRW						
	85	11/94 → 04/98	●	1800 kg payload	P23069MM	[+]	19,7	TRW						
	85	11/94 → 04/98	●	1800 kg payload	P23084MM	[+]	19,7	TRW						

FIAT

DUCATO Platform/Chassis (230_) 03/94 → 04/02

2.8 TD 4x4	64	05/98 → 11/01	●	10 + 14; → 08/01	P23068MM	[+]	19,7	TRW					
	64	05/98 → 11/01	●	10 + 14; → 08/01	P23083MM	[+]	19,7	TRW					
	64	05/98 → 11/01	●	10 + 14; 09/01 →	P23091MM	[+]	19,1	BRE					
	64	05/98 → 11/01	●	→ 08/01; 1800 kg payload	P23069MM	[+]	19,7	TRW					
	64	05/98 → 11/01	●	→ 08/01; 1800 kg payload	P23084MM	[+]	19,7	TRW					
	64	05/98 → 11/01	●	09/01 →; 1800 kg payload	P23092MM	[+]	19,1	BRE					
	64	05/98 → 11/01	●	09/01 →	P23093MM	[-]	20,1	BRE					
2.8 TDI	90	12/98 → 04/02	●	10 + 14; → 08/01	P23068MM	[+]	19,7	TRW					
	90	12/98 → 04/02	●	10 + 14; → 08/01	P23083MM	[+]	19,7	TRW					
	90	12/98 → 04/02	●	10 + 14; 09/01 →	P23091MM	[+]	19,1	BRE					
	90	12/98 → 04/02	●	→ 08/01; 1800 kg payload	P23069MM	[+]	19,7	TRW					
	90	12/98 → 04/02	●	→ 08/01; 1800 kg payload	P23084MM	[+]	19,7	TRW					
	90	12/98 → 04/02	●	09/01 →; 1800 kg payload	P23092MM	[+]	19,1	BRE					
	90	12/98 → 04/02	●	09/01 →	P23093MM	[-]	20,1	BRE					

DUCATO Platform/Chassis (244_) 04/02 →

2.0	81	04/02 → 07/06	●	Maxi; 1800 kg payload	P23092MM	[+]	19,1	BRE					
	81	04/02 → 07/06	●	11 + 15	P23091MM	[+]	19,1	BRE					
	81	04/02 → 07/06	●		P23093MM	[-]	20,1	BRE					
2.0 JTD	62	04/02 → 07/06	●	11 + 15	P23091MM	[+]	19,1	BRE					
	62	04/02 → 07/06	●	Maxi; 1800 kg payload	P23092MM	[+]	19,1	BRE					
2.3 JTD	81	04/02 → 07/06	●	11 + 15	P23091MM	[+]	19,1	BRE					
	81	04/02 → 07/06	●	Maxi; 1800 kg payload	P23092MM	[+]	19,1	BRE					
	81	04/02 → 07/06	●		P23093MM	[-]	20,1	BRE					
2.8 JTD	94	04/02 → 07/06	●	11 + 15	P23091MM	[+]	19,1	BRE					
	94	04/02 → 07/06	●	Maxi; 1800 kg payload	P23092MM	[+]	19,1	BRE					
	94	04/02 → 07/06	●		P23093MM	[-]	20,1	BRE					
2.8 JTD 4x4	94	10/02 → 07/06	●	11 + 15	P23091MM	[+]	19,1	BRE					
	94	10/02 → 07/06	●	Maxi; 1800 kg payload	P23092MM	[+]	19,1	BRE					
	94	10/02 → 07/06	●		P23093MM	[-]	20,1	BRE					
2.8 JTD Power	107	05/04 → 07/06	●	11 + 15	P23091MM	[+]	19,1	BRE					
	107	05/04 → 07/06	●	Maxi; 1800 kg payload	P23092MM	[+]	19,1	BRE					
	107	05/04 → 07/06	●		P23093MM	[-]	20,1	BRE					

DUCATO Platform/Chassis (250_, 290_) 07/06 →

100 Multijet 2,2 D	74	07/06 →	●	2000 kg payload	P23136MM	[+]	19	BRE					
	74	07/06 →	●	1700 kg payload; +high payload	P61118MM	[+]	19	BRE					
	74	07/06 →	●	2000 kg payload; 1700 kg payload; +high payload	P23161MM	[+]	20,8	BRE					
	74	07/06 →	●	1100 kg payload; 1500 kg payload	P23143MM	[+]	19	BRE					
	74	07/06 →	●	1700 kg payload; -high payload	P23144MM	[+]	19	BRE					
	74	07/06 →	●		P61091MM	[-]	18,8	BSH					
	74	07/06 →	●		P61125MM	[+]	18,8	BSH					
110 Multijet 2,3 D	83	10/11 →	●	2000 kg payload	P23136MM	[+]	19	BRE					
	83	10/11 →	●	1700 kg payload; +high payload	P61118MM	[+]	19	BRE					
	83	10/11 →	●	1700 kg payload; 2000 kg payload; +high payload	P23161MM	[+]	20,8	BRE					
	83	10/11 →	●	1500 kg payload; 1100 kg payload	P23143MM	[+]	19	BRE					
	83	10/11 →	●	1700 kg payload; -high payload	P23144MM	[+]	19	BRE					
	83	10/11 →	●		P61091MM	[-]	18,8	BSH					
	83	10/11 →	●		P61125MM	[+]	18,8	BSH					
115 Multijet 2,0 D	85	06/11 →	●	2000 kg payload	P23136MM	[+]	19	BRE					
	85	06/11 →	●	1700 kg payload; +high payload	P61118MM	[+]	19	BRE					

									WI			FK	
	kw						Th [mm]		MAGNETI MARELLI	LENGHT		MAGNETI MARELLI	

FIAT

DUCATO Platform/Chassis (250_, 290_) 07/06 →

115 Multijet 2,0 D	85	06/11 →	●	2000 kg payload; 1700 kg payload; +high payload	P23161MM	[+]	20,8	BRE					
	85	06/11 →	●	1100 kg payload; 1500 kg payload	P23143MM	[+]	19	BRE					
	85	06/11 →	●	1700 kg payload; -high payload	P23144MM	[+]	19	BRE					
	85	06/11 →	●		P61091MM	[-]	18,8	BSH					
	85	06/11 →	●		P61125MM	[+]	18,8	BSH					
120 Multijet 2,3 D	88	07/06 →	●	2000 kg payload	P23136MM	[+]	19	BRE					
	88	07/06 →	●	1700 kg payload; +high payload	P61118MM	[+]	19	BRE					
	88	07/06 →	●	1700 kg payload; 2000 kg payload; +high payload	P23161MM	[+]	20,8	BRE					
	88	07/06 →	●	1100 kg payload; 1500 kg payload	P23143MM	[+]	19	BRE					
	88	07/06 →	●	1700 kg payload; -high payload	P23144MM	[+]	19	BRE					
	88	07/06 →	●		P61091MM	[-]	18,8	BSH					
	88	07/06 →	●		P61125MM	[+]	18,8	BSH					
120 Multijet 2,3 D 4x4	88	03/10 →	●	2000 kg payload	P23136MM	[+]	19	BRE					
	88	03/10 →	●	1700 kg payload; +high payload	P61118MM	[+]	19	BRE					
	88	03/10 →	●	1700 kg payload; 2000 kg payload; +high payload	P23161MM	[+]	20,8	BRE					
	88	03/10 →	●	1100 kg payload; 1500 kg payload	P23143MM	[+]	19	BRE					
	88	03/10 →	●	1700 kg payload; -high payload	P23144MM	[+]	19	BRE					
	88	03/10 →	●		P61091MM	[-]	18,8	BSH					
	88	03/10 →	●		P61125MM	[+]	18,8	BSH					
130 Multijet 2,3 D	96	07/06 →	●	2000 kg payload	P23136MM	[+]	19	BRE					
	96	07/06 →	●	1700 kg payload; +high payload	P61118MM	[+]	19	BRE					
	96	07/06 →	●	1700 kg payload; 2000 kg payload; +high payload	P23161MM	[+]	20,8	BRE					
	96	07/06 →	●	1100 kg payload; 1500 kg payload	P23143MM	[+]	19	BRE					
	96	07/06 →	●	1700 kg payload; -high payload	P23144MM	[+]	19	BRE					
	96	07/06 →	●		P61091MM	[-]	18,8	BSH					
	96	07/06 →	●		P61125MM	[+]	18,8	BSH					
	93	08/06 →	●	2000 kg payload	P23136MM	[+]	19	BRE					
	93	08/06 →	●	03/11 →	P23143MM	[+]	19	BRE					
	93	08/06 →	●	03/11 →; 1700 kg payload; -high payload	P23144MM	[+]	19	BRE					
	93	08/06 →	●	1700 kg payload; +high payload	P61118MM	[+]	19	BRE					
	93	08/06 →	●	2000 kg payload; +high payload; 1700 kg payload	P23161MM	[+]	20,8	BRE					
	93	08/06 →	●	-MY 2014	P61091MM	[-]	18,8	BSH					
	93	08/06 →	●		P61125MM	[+]	18,8	BSH					
140 Natural Power	100	04/09 →	●	2000 kg payload	P23136MM	[+]	19	BRE					
	100	04/09 →	●	1700 kg payload; +high payload	P61118MM	[+]	19	BRE					
	100	04/09 →	●	1700 kg payload; 2000 kg payload; +high payload	P23161MM	[+]	20,8	BRE					
	100	04/09 →	●	1100 kg payload; 1500 kg payload	P23143MM	[+]	19	BRE					
	100	04/09 →	●	1700 kg payload; -high payload	P23144MM	[+]	19	BRE					
	100	04/09 →	●		P61091MM	[-]	18,8	BSH					
	100	04/09 →	●		P61125MM	[+]	18,8	BSH					
	109	06/11 →	●	2000 kg payload	P23136MM	[+]	19	BRE					
150 Multijet 2,3 D	109	06/11 →	●	1700 kg payload; +high payload	P61118MM	[+]	19	BRE					
	109	06/11 →	●	1500 kg payload; 1100 kg payload	P23143MM	[+]	19	BRE					

		kw						wi	Th [mm]	SYS	wi			FK	
												LEIGHT			

FIAT

DUCATO Platform/Chassis (250_, 290_) 07/06 →

150 Multijet 2,3 D	109	06/11 →	●	1700 kg payload; 2000 kg payload; +high payload	P23161MM	[+]	20,8	BRE							
	109	06/11 →	●	1700 kg payload; -high payload	P23144MM	[+]	19	BRE							
	109	06/11 →		●		P61091MM	[-]	18,8	BSH						
	109	06/11 →		●		P61125MM	[+]	18,8	BSH						
	110	12/15 →	●	30 + 33	P23143MM	[+]	19	BRE							
	110	12/15 →	●	35	P23144MM	[+]	19	BRE							
	110	12/15 →	●	Maxi 35	P61118MM	[+]	19	BRE							
	110	12/15 →	●	Maxi 40	P23136MM	[+]	19	BRE							
	110	12/15 →	●	Maxi 40; MY 2014 →	P23161MM	[+]	20,8	BRE							
	110	12/15 →		●		P61125MM	[+]	18,8	BSH						
150 Multijet 3,0 D	107	04/10 →	●	2000 kg payload	P23136MM	[+]	19	BRE							
	107	04/10 →	●	1700 kg payload; +high payload	P61118MM	[+]	19	BRE							
	107	04/10 →	●	1700 kg payload; +high payload	P23161MM	[+]	20,8	BRE							
	107	04/10 →	●	1100 kg payload; 1500 kg payload	P23143MM	[+]	19	BRE							
	107	04/10 →	●	1700 kg payload; -high payload	P23144MM	[+]	19	BRE							
	107	04/10 →		●		P61091MM	[-]	18,8	BSH						
	107	04/10 →		●		P61125MM	[+]	18,8	BSH						
160 Multijet 3,0 D	116	07/06 →	●	2000 kg payload	P23136MM	[+]	19	BRE							
	116	07/06 →	●	1700 kg payload; +high payload	P61118MM	[+]	19	BRE							
	116	07/06 →	●	1700 kg payload; +high payload	P23161MM	[+]	20,8	BRE							
	116	07/06 →	●	1100 kg payload; 1500 kg payload	P23143MM	[+]	19	BRE							
	116	07/06 →	●	1700 kg payload; -high payload	P23144MM	[+]	19	BRE							
	116	07/06 →		●		P61091MM	[-]	18,8	BSH						
	116	07/06 →		●		P61125MM	[+]	18,8	BSH						
	115	07/06 → 12/11	●	2000 kg payload	P23136MM	[+]	19	BRE							
	115	07/06 → 12/11	●	1700 kg payload; +high payload	P61118MM	[+]	19	BRE							
	115	07/06 → 12/11	●	1700 kg payload; +high payload	P23161MM	[+]	20,8	BRE							
	115	07/06 → 12/11	●	1100 kg payload; 1500 kg payload	P23143MM	[+]	19	BRE							
	115	07/06 → 12/11	●	1700 kg payload; -high payload	P23144MM	[+]	19	BRE							
	115	07/06 → 12/11		●		P61091MM	[-]	18,8	BSH						
	115	07/06 → 12/11		●		P61125MM	[+]	18,8	BSH						
180 Multijet 2,3 D	130	12/15 →	●	30 + 33	P23143MM	[+]	19	BRE							
	130	12/15 →	●	35	P23144MM	[+]	19	BRE							
	130	12/15 →	●	Maxi 35	P61118MM	[+]	19	BRE							
	130	12/15 →	●	Maxi 40	P23136MM	[+]	19	BRE							
	130	12/15 →	●	Maxi 40; MY 2014 →	P23161MM	[+]	20,8	BRE							
	130	12/15 →		●		P61125MM	[+]	18,8	BSH						
180 Multijet 3,0 D	130	06/11 →	●	2000 kg payload	P23136MM	[+]	19	BRE							
	130	06/11 →	●	1700 kg payload; +high payload	P61118MM	[+]	19	BRE							
	130	06/11 →	●	1700 kg payload; 2000 kg payload; +high payload	P23161MM	[+]	20,8	BRE							
	130	06/11 →	●	1100 kg payload; 1500 kg payload	P23143MM	[+]	19	BRE							
	130	06/11 →	●	1700 kg payload; -high payload	P23144MM	[+]	19	BRE							
	130	06/11 →		●		P61091MM	[-]	18,8	BSH						
	130	06/11 →		●		P61125MM	[+]	18,8	BSH						

FIORINO Box (146_) 01/88 →

60 1.1	40	05/88 → 12/93	●	→ 08/88	P23003MM	[-]	17,3	BDX					A02203	→ 08/88
	40	05/88 → 12/93	●	09/88 → 08/93	P23039MM	[+]	18	ATE					A02203	→ 08/88



kw



MAGNETI MARELLI

wi

Th [mm]

SYS

WI

FK

MAGNETI MARELLI

LENGHT



MAGNETI MARELLI



FIAT

FIORINO Box (146_) 01/88 →

60 1.1	40	05/88 → 12/93	●	09/88 → 08/93	P23040MM	[-]	18	ATE				A02203	→ 08/88
	40	05/88 → 12/93	●	09/93 →	P23055MM	[-]	18	ATE				A02203	→ 08/88
60 1.7 D	44	05/88 → 05/00	●	→ 08/88	P23003MM	[-]	17,3	BDX				A02203	→ 08/88
	44	05/88 → 05/00	●	09/88 → 08/93	P23039MM	[+]	18	ATE				A02203	→ 08/88
	44	05/88 → 05/00	●	09/88 → 08/93	P23040MM	[-]	18	ATE				A02203	→ 08/88
	44	05/88 → 05/00	●	09/93 →	P23055MM	[-]	18	ATE				A02203	→ 08/88
	42	05/88 → 10/96	●	→ 08/88	P23003MM	[-]	17,3	BDX				A02203	→ 08/88
	42	05/88 → 10/96	●	09/88 → 08/93	P23039MM	[+]	18	ATE				A02203	→ 08/88
	42	05/88 → 10/96	●	09/88 → 08/93	P23040MM	[-]	18	ATE				A02203	→ 08/88
	42	05/88 → 10/96	●	09/93 →	P23055MM	[-]	18	ATE				A02203	→ 08/88
65 1.7 TD	46	01/97 → 05/01	●		P23055MM	[-]	18	ATE				A02245	
70 1.3	49	01/88 → 12/94	●	→ 08/88	P23003MM	[-]	17,3	BDX				A02203	→ 08/88
	49	01/88 → 12/94	●	09/88 → 08/93	P23039MM	[+]	18	ATE				A02203	→ 08/88
	49	01/88 → 12/94	●	09/88 → 08/93	P23040MM	[-]	18	ATE				A02203	→ 08/88
	49	01/88 → 12/94	●	09/93 →	P23055MM	[-]	18	ATE				A02203	→ 08/88
70 i.e. 1.4	49	05/94 → 05/01	●		P23055MM	[-]	18	ATE				A02245	
75 i.e. 1.5	55	05/88 → 12/93	●	→ 08/88	P23003MM	[-]	17,3	BDX				A02203	→ 08/88
	55	05/88 → 12/93	●	09/88 → 08/93	P23039MM	[+]	18	ATE				A02203	→ 08/88
	55	05/88 → 12/93	●	09/88 → 08/93	P23040MM	[-]	18	ATE				A02203	→ 08/88
	55	05/88 → 12/93	●	09/93 →	P23055MM	[-]	18	ATE				A02203	→ 08/88
75 i.e. 1.6	55	10/93 → 05/01	●		P23055MM	[-]	18	ATE				A02245	

FIORINO Box Body / Estate (225_) 01/07 →

1.3 D Multijet	70	07/09 →	●		P23137MM	[+]	19	BSH					
	55	11/07 →	●		P23140MM	[+]	17,8	BSH					
	59	03/15 →	●		P23108MM	[+]	17,8	BSH					
1.4	54	11/07 →	●		P23140MM	[+]	17,8	BSH					
	57	10/09 →	●		P23108MM	[+]	17,8	BSH					
1.4 Natural Power	57	06/08 →	●		P23108MM	[+]	17,8	BSH					

FIORINO Pick up (146_) 01/88 → 05/01

1.3	49	01/88 → 12/94	●	→ 08/88	P23003MM	[-]	17,3	BDX				A02203	→ 08/88
	49	01/88 → 12/94	●	09/88 → 08/93	P23039MM	[+]	18	ATE				A02203	→ 08/88
	49	01/88 → 12/94	●	09/88 → 08/93	P23040MM	[-]	18	ATE				A02203	→ 08/88
	49	01/88 → 12/94	●	09/93 →	P23055MM	[-]	18	ATE				A02203	→ 08/88
1.4	49	05/94 → 05/01	●		P23055MM	[-]	18	ATE				A02245	
1.6	55	01/94 → 05/01	●		P23055MM	[-]	18	ATE				A02245	
1.7 D	44	05/88 → 10/99	●	→ 08/88	P23003MM	[-]	17,3	BDX				A02203	→ 08/88
	44	05/88 → 10/99	●	09/88 → 08/93	P23039MM	[+]	18	ATE				A02203	→ 08/88
	44	05/88 → 10/99	●	09/88 → 08/93	P23040MM	[-]	18	ATE				A02203	→ 08/88
	44	05/88 → 10/99	●	09/93 →	P23055MM	[-]	18	ATE				A02203	→ 08/88
	42	10/93 → 10/99	●		P23055MM	[-]	18	ATE				A02245	
1.7 TD	46	01/97 → 05/01	●		P23055MM	[-]	18	ATE				A02245	

FREEMONT (345_) 08/11 →

2.0 JTD	120	08/11 →	●	BRF	P11025MM	[+]	18,5	BSH					
	120	08/11 →	●	BRE	P11035MM	[+]	18,1	AKE					
	120	08/11 →	●	BRF	P11021MM	[+]	17	TRW					
	120	08/11 →	●	BRE	P11032MM	[+]	17,6	TRW					
	103	08/11 →	●	BRF	P11025MM	[+]	18,5	BSH					
	103	08/11 →	●	BRE	P11035MM	[+]	18,1	AKE					
	103	08/11 →	●	BRF	P11021MM	[+]	17	TRW					
	103	08/11 →	●	BRE	P11032MM	[+]	17,6	TRW					
	125	08/11 →	●	BRF	P11025MM	[+]	18,5	BSH					
	125	08/11 →	●	BRE	P11035MM	[+]	18,1	AKE					
	125	08/11 →	●	BRF	P11021MM	[+]	17	TRW					

--	--	--	--	--	--	--	--	--	--	--	--	--	--	--	--

FIAT

FREEMONT (345_) 08/11 →

2.0 JTD	125	08/11 →	•	BRE	P11032MM	[+]	17,6	TRW							
	100	08/11 →	•	BRF	P11025MM	[+]	18,5	BSH							
	100	08/11 →	•	BRE	P11035MM	[+]	18,1	AKE							
	100	08/11 →	•	BRF	P11021MM	[+]	17	TRW							
	100	08/11 →	•	BRE	P11032MM	[+]	17,6	TRW							
2.0 JTD 4x4	120	08/11 →	•	BRF	P11025MM	[+]	18,5	BSH							
	120	08/11 →	•	BRE	P11035MM	[+]	18,1	AKE							
	120	08/11 →	•	BRF	P11021MM	[+]	17	TRW							
	120	08/11 →	•	BRE	P11032MM	[+]	17,6	TRW							
	125	08/11 →	•	BRF	P11025MM	[+]	18,5	BSH							
	125	08/11 →	•	BRE	P11035MM	[+]	18,1	AKE							
	125	08/11 →	•	BRF	P11021MM	[+]	17	TRW							
	125	08/11 →	•	BRE	P11032MM	[+]	17,6	TRW							
2.4	125	08/11 →	•	BRF	P11025MM	[+]	18,5	BSH							
	125	08/11 →	•	BRE	P11035MM	[+]	18,1	AKE							
	125	08/11 →	•	BRF	P11021MM	[+]	17	TRW							
	125	08/11 →	•	BRE	P11032MM	[+]	17,6	TRW							
3.6	206	08/11 →	•	BRF	P11025MM	[+]	18,5	BSH							
	206	08/11 →	•	BRE	P11035MM	[+]	18,1	AKE							
	206	08/11 →	•	BRF	P11021MM	[+]	17	TRW							
	206	08/11 →	•	BRE	P11032MM	[+]	17,6	TRW							
3.6 4x4	206	08/11 →	•	BRF	P11025MM	[+]	18,5	BSH							
	206	08/11 →	•	BRE	P11035MM	[+]	18,1	AKE							
	206	08/11 →	•	BRF	P11021MM	[+]	17	TRW							
	206	08/11 →	•	BRE	P11032MM	[+]	17,6	TRW							

FULLBACK Pickup (502_, 503_) 01/16 →

2.4 D	113	01/16 →	•		P54038MM	[+]	16	TOK							
	113	01/16 →	•	(EU)	P54055MM	[+]	16	TOK							
	110	01/16 →	•		P54038MM	[+]	16	TOK							
	110	01/16 →	•	(I); (EU)	P54055MM	[+]	16	TOK							
2.4 D 4x4	113	01/16 →	•		P54038MM	[+]	16	TOK							
	113	01/16 →	•		P54055MM	[+]	16	TOK							
	133	01/16 →	•		P54038MM	[+]	16	TOK							
	133	01/16 →	•		P54055MM	[+]	16	TOK							
2.5 D	79	01/16 →	•		P54038MM	[+]	16	TOK							
	79	01/16 →	•	(EU)	P54055MM	[+]	16	TOK							

GRANDE PUNTO (199_) 10/05 →

1.2	51	09/10 →	•	199BX	P23108MM	[+]	17,8	BSH							
	51	09/10 →	•		P23104MM	[-]	17,5	BSH							
	48	10/05 →	•		P23141MM	[+]	17,8	BSH							
1.2 LPG	51	07/08 →	•		P23108MM	[+]	17,8	BSH							
1.3 D Multijet	51	07/08 →	•		P23108MM	[+]	17,8	BSH							
	51	07/08 →	•		P23087MM	[+]	19	BSH							
	51	07/08 →	•	light alloy wheel	P23104MM	[-]	17,5	BSH							
	62	04/10 →	•		P23137MM	[+]	19	BSH							
	62	04/10 →	•	light alloy wheel	P23104MM	[-]	17,5	BSH							
	56	06/09 →	•		P23108MM	[+]	17,8	BSH							
	56	06/09 →	•		P23087MM	[+]	19	BSH							
	56	06/09 →	•	light alloy wheel	P23104MM	[-]	17,5	BSH							
	55	10/05 →	•		P23141MM	[+]	17,8	BSH							
	66	10/05 →	•		P23137MM	[+]	19	BSH							
66	10/05 →	•	light alloy wheel	P23104MM	[-]	17,5	BSH								
1.4	55	06/06 →	•		P23108MM	[+]	17,8	BSH							
	55	06/06 →	•		P23104MM	[-]	17,5	BSH							

										WI			FK	
	kw										LENGHT			

FIAT

GRANDE PUNTO (199_) 10/05 →

1.4	57	10/05 →	●			P23141MM	[+]	17,8	BSH					
1.4 16V	112	09/07 → 07/12	●			P23117MM	[+]	15,3	BRE					
	112	09/07 → 07/12	●			P23104MM	[-]	17,5	BSH					
	70	10/05 →	●			P23108MM	[+]	17,8	BSH					
	70	10/05 →	●		+sport pack	P23104MM	[-]	17,5	BSH					
1.4 LPG	57	12/08 →	●			P23141MM	[+]	17,8	BSH					
1.4 Natural Power	57	07/08 →	●			P23108MM	[+]	17,8	BSH					
1.4 T-Jet	88	09/07 →	●			P23137MM	[+]	19	BSH					
	88	09/07 →	●			P23104MM	[-]	17,5	BSH					
1.6 D Multijet	88	07/08 →	●			P23137MM	[+]	19	BSH					
	88	07/08 →	●			P23104MM	[-]	17,5	BSH					
1.9 D Multijet	85	06/06 → 12/09	●			P23137MM	[+]	19	BSH					
	85	06/06 → 12/09	●			P23104MM	[-]	17,5	BSH					
	88	10/05 →	●			P23137MM	[+]	19	BSH					
	88	10/05 →	●			P23104MM	[-]	17,5	BSH					
	96	10/05 →	●			P23137MM	[+]	19	BSH					
	96	10/05 →	●			P23104MM	[-]	17,5	BSH					

IDEA (350_) 12/03 →

1.2 16V	59	01/04 →	●			P23099MM	[-]	17,8	BSH					
	59	01/04 →	●			P23085MM	[+]	17,8	BSH					
1.3 D Multijet	70	05/08 → 12/12	●			P23085MM	[+]	17,8	BSH					
	70	05/08 → 12/12	●			P23119MM	[-]	19	BSH					
	70	05/08 → 12/12	●			P23087MM	[+]	19	BSH					
	51	01/04 →	●			P23099MM	[-]	17,8	BSH					
	51	01/04 →	●			P23085MM	[+]	17,8	BSH					
	66	10/05 →	●			P23119MM	[-]	19	BSH					
1.4	66	10/05 →	●			P23087MM	[+]	19	BSH					
	57	10/05 →	●			P23099MM	[-]	17,8	BSH					
	57	10/05 →	●			P23085MM	[+]	17,8	BSH					
1.4 16V	70	01/04 →	●			P23099MM	[-]	17,8	BSH					
	70	01/04 →	●			P23085MM	[+]	17,8	BSH					
1.4 LPG	57	03/09 →	●			P23085MM	[+]	17,8	BSH					
1.6 D Multijet	88	05/08 →	●			P23119MM	[-]	19	BSH					
	88	05/08 →	●			P23087MM	[+]	19	BSH					
	88	05/08 →	●		+rear disc	P23064MM	[-]	13,7	TRW					
	85	11/08 → 12/10	●			P23119MM	[-]	19	BSH					
	85	11/08 → 12/10	●			P23087MM	[+]	19	BSH					
	85	11/08 → 12/10	●		+rear disc	P23064MM	[-]	13,7	TRW					
1.8	81	01/08 → 07/10	●			P23119MM	[-]	19	BSH					
	81	01/08 → 07/10	●			P23087MM	[+]	19	BSH					
1.9 JTD	74	01/04 →	●			P23119MM	[-]	19	BSH					
	74	01/04 →	●			P23087MM	[+]	19	BSH					

LINEA (323_) 06/07 →

1.3 D Multijet	66	06/07 →	●			P23085MM	[+]	17,8	BSH					
	66	06/07 →	●			P23141MM	[+]	17,8	BSH					
1.4	57	06/07 →	●			P23085MM	[+]	17,8	BSH					
	57	06/07 →	●			P23141MM	[+]	17,8	BSH					
1.4 T-Jet	88	09/07 →	●			P23087MM	[+]	19	BSH					
	88	09/07 →	●			P23065MM	[-]	16,5	TRW					
1.6	80	07/08 →	●			P23137MM	[+]	19	BSH					
	80	07/08 →	●			P23065MM	[-]	16,5	TRW					

--	--	--	--	--	--	--	--	--	--	--	--	--	--	--

FIAT

LINEA (323_) 06/07 →

1.6 D Multijet	77	06/09 →	●			P23087MM	[+]	19	BSH					
	77	06/09 →		●		P23065MM	[-]	16,5	TRW					
1.9 16V	94	07/08 →	●			P23119MM	[-]	19	BSH					
	94	07/08 →		●		P23065MM	[-]	16,5	TRW					

MAREA (185_) 09/96 → 12/07

1.2 16V	60	10/98 → 05/02	●			P23057MM	[+]	17,9	ATE				A02237	
1.4 80 12V	59	09/96 → 05/02	●			P23057MM	[+]	17,9	ATE				A02237	
1.6	76	09/00 → 08/02	●		Man.	P23057MM	[+]	17,9	ATE					
	76	09/00 → 08/02	●		Aut.	P23070MM	[+]	17,9	ATE					
1.6 100 16V	76	09/96 → 05/02	●		Man.	P23057MM	[+]	17,9	ATE				A02237	
	76	09/96 → 05/02	●		Aut.	P23070MM	[+]	17,9	ATE				A02237	
1.6 100 16V Bipower	76	04/99 → 05/02	●			P23070MM	[+]	17,9	ATE				A02237	
1.6 16V	75	04/97 → 02/99	●		Man.	P23057MM	[+]	17,9	ATE					
	75	04/97 → 02/99	●		Aut.	P23070MM	[+]	17,9	ATE					
1.8 115 16V	83	09/96 → 05/02	●			P23070MM	[+]	17,9	ATE				A02237	
1.9 JTD	79	01/01 → 12/07	●			P23070MM	[+]	17,9	ATE					
1.9 JTD 105	77	04/99 → 01/01	●			P23070MM	[+]	17,9	ATE				A02237	
1.9 JTD 110	81	01/01 → 05/02	●			P23070MM	[+]	17,9	ATE				A02237	
1.9 TD 100	74	09/96 → 05/02	●			P23070MM	[+]	17,9	ATE				A02237	
1.9 TD 75	55	09/96 → 05/02	●			P23057MM	[+]	17,9	ATE				A02237	
2.0 150 20V	108	09/96 → 04/99	●			P23077MM	[+]	19	ATE				A02202	
	108	09/96 → 04/99		●		P23026MM	[-]	14,4	TRW				A02205	
	110	01/01 → 05/02	●			P23112MM	[+]	19	ATE				A02202	
	110	01/01 → 05/02		●		P23026MM	[-]	14,4	TRW				A02205	
2.0 155 20V	113	04/99 → 01/01	●		→ 03/00	P23077MM	[+]	19	ATE				A02202	
	113	04/99 → 01/01	●		04/00 →	P23112MM	[+]	19	ATE				A02202	
	113	04/99 → 01/01		●		P23026MM	[-]	14,4	TRW				A02205	
2.4 JTD 130	96	04/99 → 05/02	●		→ 03/00	P23077MM	[+]	19	ATE				A02202	
	96	04/99 → 05/02	●		04/00 →	P23112MM	[+]	19	ATE				A02202	
	96	04/99 → 05/02		●		P23026MM	[-]	14,4	TRW				A02205	
2.4 TD 125	91	09/96 → 04/99	●			P23077MM	[+]	19	ATE					
	91	09/96 → 04/99		●		P23026MM	[-]	14,4	TRW					

MAREA Weekend (185_) 09/96 → 12/07

1.2 16V	60	10/98 → 05/02	●			P23070MM	[+]	17,9	ATE				A02237	
1.4 80 12V	59	09/96 → 05/02	●			P23070MM	[+]	17,9	ATE				A02237	
1.6 100 16V	76	09/96 → 05/02	●		Man.	P23057MM	[+]	17,9	ATE				A02237	
	76	09/96 → 05/02	●		Aut.	P23070MM	[+]	17,9	ATE				A02237	
1.8 115 16V	83	09/96 → 05/02	●			P23070MM	[+]	17,9	ATE				A02237	
1.9 JTD	79	01/01 → 12/07	●			P23070MM	[+]	17,9	ATE					
1.9 JTD 105	77	04/99 → 05/02	●			P23070MM	[+]	17,9	ATE				A02237	
1.9 JTD 110	81	01/01 → 05/02	●			P23070MM	[+]	17,9	ATE				A02237	
1.9 TD 100	74	09/96 → 05/02	●			P23070MM	[+]	17,9	ATE				A02237	
1.9 TD 75	55	09/96 → 05/02	●			P23070MM	[+]	17,9	ATE				A02237	
2.0 150 20V	108	09/96 → 04/99	●			P23077MM	[+]	19	ATE				A02202	
	108	09/96 → 04/99		●		P23026MM	[-]	14,4	TRW				A02205	
	110	01/01 → 05/02	●			P23112MM	[+]	19	ATE				A02202	
	110	01/01 → 05/02		●		P23026MM	[-]	14,4	TRW				A02205	
2.0 155 20V	113	04/99 → 02/03	●		→ 03/00	P23077MM	[+]	19	ATE				A02202	
	113	04/99 → 02/03	●		04/00 →	P23112MM	[+]	19	ATE				A02202	
	113	04/99 → 02/03		●		P23026MM	[-]	14,4	TRW				A02205	
2.4 JTD 130	96	04/99 → 05/02	●		→ 03/00	P23077MM	[+]	19	ATE				A02202	
	96	04/99 → 05/02	●		04/00 →	P23112MM	[+]	19	ATE				A02202	
	96	04/99 → 05/02		●		P23026MM	[-]	14,4	TRW				A02205	

FIAT

MAREA Weekend (185_) 09/96 → 12/07

2.4 TD 125	91	09/96 → 04/99	●		P23077MM	[+]	19	ATE						A02202	
	91	09/96 → 04/99		●	P23026MM	[-]	14,4	TRW						A02205	

MULTIPLA (186_) 04/99 → 06/10

1.6	76	09/00 → 06/10	●		P23077MM	[+]	19	ATE							
	76	09/00 → 06/10	●		P23087MM	[+]	19	BSH							
	76	09/00 → 06/10		●	+rear disc	P23080MM	[-]	15,5	BSH						
1.6 100 16V (186AXA1A)	76	04/99 → 06/10	●		P23077MM	[+]	19	ATE						A02202	
	76	04/99 → 06/10	●		P23087MM	[+]	19	BSH						A02202	
	76	04/99 → 06/10		●	+rear disc	P23080MM	[-]	15,5	BSH						
1.6 16V (186AGB1A)	70	04/02 → 06/10	●		P23077MM	[+]	19	ATE							
	70	04/02 → 06/10	●		P23087MM	[+]	19	BSH							
	70	04/02 → 06/10		●	+rear disc	P23080MM	[-]	15,5	BSH						
1.6 16V Bipower (186AMB1A)	76	04/99 → 06/10	●		P23077MM	[+]	19	ATE						A02202	
	76	04/99 → 06/10	●		P23087MM	[+]	19	BSH						A02202	
	76	04/99 → 06/10		●	+rear disc	P23080MM	[-]	15,5	BSH						
1.6 16V Bipower (186AXC1A)	76	10/01 → 06/10	●		P23077MM	[+]	19	ATE						A02202	
	76	10/01 → 06/10	●		P23087MM	[+]	19	BSH						A02202	
	76	10/01 → 06/10		●	+rear disc	P23080MM	[-]	15,5	BSH						
1.6 16V Blupower (186AMA1A)	70	04/99 → 06/10	●		P23077MM	[+]	19	ATE						A02202	
	70	04/99 → 06/10	●		P23087MM	[+]	19	BSH						A02202	
	70	04/99 → 06/10		●	+rear disc	P23080MM	[-]	15,5	BSH						
1.9 JTD (186AXE1A)	88	04/02 → 06/10	●		P23077MM	[+]	19	ATE							
	88	04/02 → 06/10	●		P23087MM	[+]	19	BSH							
	88	04/02 → 06/10		●	+rear disc	P23080MM	[-]	15,5	BSH						
1.9 JTD 105 (186AXB1A)	77	04/99 → 06/10	●		P23077MM	[+]	19	ATE						A02202	
	77	04/99 → 06/10	●		P23087MM	[+]	19	BSH						A02202	
	77	04/99 → 06/10		●	+rear disc	P23080MM	[-]	15,5	BSH						
1.9 JTD 110	81	03/01 → 07/02	●		P23077MM	[+]	19	ATE						A02202	
	81	03/01 → 07/02	●		P23087MM	[+]	19	BSH						A02202	
	81	03/01 → 07/02		●	+rear disc	P23080MM	[-]	15,5	BSH						
1.9 JTD 115	85	07/02 → 06/10	●		P23077MM	[+]	19	ATE						A02202	
	85	07/02 → 06/10	●		P23087MM	[+]	19	BSH						A02202	
	85	07/02 → 06/10		●	+rear disc	P23080MM	[-]	15,5	BSH						

PALIO (178BX) 04/96 →

1.0	45	04/96 → 10/03	●	→ 03/98	P23056MM	[+]	18	ATE						A02245	
	45	04/96 → 10/03	●	→ 03/98	P23124MM	[-]	18	ATE						A02245	
	45	04/96 → 10/03	●	04/98 → 09/00	P23122MM	[+]	18	ATE						A02245	
	45	04/96 → 10/03	●	04/98 → 09/00	P23123MM	[-]	18	ATE						A02245	
	45	04/96 → 10/03	●	10/00 →	P23079MM	[-]	18	ATE						A02245	
1.2	54	06/98 →	●	→ 09/00	P23122MM	[+]	18	ATE						A02245	
	54	06/98 →	●	→ 09/00	P23123MM	[-]	18	ATE						A02245	
	54	06/98 →	●	10/00 →	P23079MM	[-]	18	ATE						A02245	
	44	07/97 → 08/02	●	→ 03/98	P23056MM	[+]	18	ATE						A02245	
	44	07/97 → 08/02	●	→ 03/98	P23124MM	[-]	18	ATE						A02245	
	44	07/97 → 08/02	●	04/98 → 09/00	P23122MM	[+]	18	ATE						A02245	
	44	07/97 → 08/02	●	04/98 → 09/00	P23123MM	[-]	18	ATE						A02245	
	44	07/97 → 08/02	●	10/00 →	P23079MM	[-]	18	ATE						A02245	
	50	06/99 → 10/00	●	→ 09/00	P23122MM	[+]	18	ATE							
	50	06/99 → 10/00	●	→ 09/00	P23123MM	[-]	18	ATE							
1.3 JTD Multijet	51	06/03 →	●		P23079MM	[-]	18	ATE							
1.4	51	04/96 → 10/02	●	→ 03/98	P23056MM	[+]	18	ATE						A02245	
	51	04/96 → 10/02	●	→ 03/98	P23124MM	[-]	18	ATE						A02245	

--	--	--	--	--	--	--	--	--	--	--	--	--	--	--

FIAT

PALIO (178BX) 04/96 →

1.4	51	04/96 → 10/02	●	04/98 → 09/00	P23122MM	[+]	18	ATE					A02245	
	51	04/96 → 10/02	●	04/98 → 09/00	P23123MM	[-]	18	ATE					A02245	
	51	04/96 → 10/02	●	10/00 →	P23079MM	[-]	18	ATE					A02245	
1.4 Cat	51	04/96 → 08/01	●	→ 03/98	P23056MM	[+]	18	ATE					A02245	
	51	04/96 → 08/01	●	→ 03/98	P23124MM	[-]	18	ATE					A02245	
	51	04/96 → 08/01	●	04/98 → 09/00	P23122MM	[+]	18	ATE					A02245	
	51	04/96 → 08/01	●	04/98 → 09/00	P23123MM	[-]	18	ATE					A02245	
	51	04/96 → 08/01	●	10/00 →	P23079MM	[-]	18	ATE					A02245	
1.6 16V	74	04/96 → 10/02	●	→ 09/00	P23121MM	[+]	18	ATE					A02245	
	74	04/96 → 10/02	●	10/00 →	P23079MM	[-]	18	ATE					A02245	
1.7 TD	53	09/01 →	●		P23079MM	[-]	18	ATE						

PALIO Weekend (178_) 04/96 →

1.2	59	09/01 →	●		P23079MM	[-]	18	ATE						
1.2 (178DX.G1A)	54	04/96 → 02/01	●	→ 03/98	P23056MM	[+]	18	ATE					A02245	
	54	04/96 → 02/01	●	→ 03/98	P23124MM	[-]	18	ATE					A02245	
	54	04/96 → 02/01	●	04/98 → 09/00	P23122MM	[+]	18	ATE					A02245	
	54	04/96 → 02/01	●	04/98 → 09/00	P23123MM	[-]	18	ATE					A02245	
	54	04/96 → 02/01	●	10/00 →	P23079MM	[-]	18	ATE					A02245	
1.2 (178DYA1A)	44	02/01 →	●		P23079MM	[-]	18	ATE					A02245	
1.2 Flex	44	07/97 → 08/02	●		P23079MM	[-]	18	ATE						
1.2 LPG	44	07/97 → 08/02	●		P23079MM	[-]	18	ATE						
1.5	62	02/02 →	●	CLASSIC LINE; +taxi	P23123MM	[-]	18	ATE						
	62	02/02 →	●		P23079MM	[-]	18	ATE						
1.6 16V	68	07/97 → 10/03	●		P23079MM	[-]	18	ATE						
1.6 16V (178DX.D1A)	74	04/96 → 02/01	●	→ 09/00	P23121MM	[+]	18	ATE					A02245	
	74	04/96 → 02/01	●	10/00 →	P23079MM	[-]	18	ATE					A02245	
1.6 16V (178DYC1A06)	76	02/01 →	●		P23079MM	[-]	18	ATE					A02245	
1.7 TD (178DX.H1A)	51	04/96 → 03/01	●	→ 03/98	P23056MM	[+]	18	ATE					A02245	
	51	04/96 → 03/01	●	→ 03/98	P23124MM	[-]	18	ATE					A02245	
	51	04/96 → 03/01	●	04/98 → 09/00	P23122MM	[+]	18	ATE					A02245	
	51	04/96 → 03/01	●	04/98 → 09/00	P23123MM	[-]	18	ATE					A02245	
	51	04/96 → 03/01	●	10/00 →	P23079MM	[-]	18	ATE					A02245	
1.9 D (178DYD1A07)	46	03/01 →	●		P23079MM	[-]	18	ATE					A02245	
1.9 JTD	59	09/01 →	●		P23079MM	[-]	18	ATE						

PANDA (141_) 03/80 → 07/04

1000	32	01/86 → 04/92	●		P23013MM	[+]	18	BDX					A02203	
	32	01/86 → 04/92	●		P23021MM	[-]	18	BDX					A02203	
	32	01/86 → 04/92	●	Aut.	P23017MM	[+]	17,1	TRW					A02203	
	37	01/85 → 12/92	●		P23013MM	[+]	18	BDX					A02203	
	37	01/85 → 12/92	●		P23021MM	[-]	18	BDX					A02203	
	37	01/85 → 12/92	●	Aut.	P23017MM	[+]	17,1	TRW					A02203	
1000 4x4	32	01/86 → 07/89	●		P23013MM	[+]	18	BDX					A02203	
	32	01/86 → 07/89	●		P23021MM	[-]	18	BDX					A02203	
	32	01/86 → 07/89	●	Aut.	P23017MM	[+]	17,1	TRW					A02203	
	37	01/86 → 12/92	●		P23013MM	[+]	18	BDX					A02203	
	37	01/86 → 12/92	●		P23021MM	[-]	18	BDX					A02203	
	37	01/86 → 12/92	●	Aut.	P23017MM	[+]	17,1	TRW					A02203	
	33	05/86 → 12/94	●		P23013MM	[+]	18	BDX					A02203	
	33	05/86 → 12/94	●		P23021MM	[-]	18	BDX					A02203	
	33	05/86 → 12/94	●	Aut.	P23017MM	[+]	17,1	TRW					A02203	

FIAT

PANDA (141_) 03/80 → 07/04

1000 i.e. Cat	33	10/87 → 08/98	●				P23013MM	[+]	18	BDX					A02203	
	33	10/87 → 08/98	●				P23021MM	[-]	18	BDX					A02203	
	33	10/87 → 08/98	●		Aut.		P23017MM	[+]	17,1	TRW					A02203	
1100	37	05/91 → 12/99	●				P23013MM	[+]	18	BDX					A02203	
	37	05/91 → 12/99	●				P23021MM	[-]	18	BDX					A02203	
	37	05/91 → 12/99	●		Aut.		P23017MM	[+]	17,1	TRW					A02203	
	40	02/95 → 09/03	●				P23013MM	[+]	18	BDX					A02203	
	40	02/95 → 09/03	●				P23021MM	[-]	18	BDX					A02203	
	40	02/95 → 09/03	●		Aut.		P23017MM	[+]	17,1	TRW					A02203	
1100 4x4	40	02/95 → 07/04	●				P23013MM	[+]	18	BDX					A02203	
	40	02/95 → 07/04	●				P23021MM	[-]	18	BDX					A02203	
	40	02/95 → 07/04	●		Aut.		P23017MM	[+]	17,1	TRW					A02203	
1100 Trekking 4x4	37	10/91 → 07/04	●				P23013MM	[+]	18	BDX					A02203	
	37	10/91 → 07/04	●				P23021MM	[-]	18	BDX					A02203	
	37	10/91 → 07/04	●		Aut.		P23017MM	[+]	17,1	TRW					A02203	
1300 D	27	04/86 → 12/92	●				P23013MM	[+]	18	BDX					A02203	
	27	04/86 → 12/92	●				P23021MM	[-]	18	BDX					A02203	
	27	04/86 → 12/92	●		Aut.		P23017MM	[+]	17,1	TRW					A02203	
650	22	01/82 → 07/04	●		09/82 →		P23013MM	[+]	18	BDX					A02203	
	22	01/82 → 07/04	●		09/82 →		P23021MM	[-]	18	BDX					A02203	
	22	01/82 → 07/04	●		Aut.		P23017MM	[+]	17,1	TRW					A02203	
750	25	01/86 → 10/03	●				P23013MM	[+]	18	BDX					A02203	
	25	01/86 → 10/03	●				P23021MM	[-]	18	BDX					A02203	
	25	01/86 → 10/03	●		Aut.		P23017MM	[+]	17,1	TRW					A02203	
800	25	02/81 → 12/85	●				P23013MM	[+]	18	BDX					A02203	
	25	02/81 → 12/85	●				P23021MM	[-]	18	BDX					A02203	
	25	02/81 → 12/85	●		Aut.		P23017MM	[+]	17,1	TRW					A02203	
900	33	10/80 → 06/94	●				P23013MM	[+]	18	BDX					A02203	
	33	10/80 → 06/94	●				P23021MM	[-]	18	BDX					A02203	
	33	10/80 → 06/94	●		Aut.		P23017MM	[+]	17,1	TRW					A02203	
	29	04/92 → 12/96	●				P23013MM	[+]	18	BDX					A02203	
	29	04/92 → 12/96	●				P23021MM	[-]	18	BDX					A02203	
	29	04/92 → 12/96	●		Aut.		P23017MM	[+]	17,1	TRW					A02203	
950	35	09/82 → 08/83	●				P23013MM	[+]	18	BDX					A02203	
	35	09/82 → 08/83	●				P23021MM	[-]	18	BDX					A02203	
	35	09/82 → 08/83	●		Aut.		P23017MM	[+]	17,1	TRW					A02203	
950 4x4	35	09/83 → 12/86	●				P23013MM	[+]	18	BDX					A02203	
	35	09/83 → 12/86	●				P23021MM	[-]	18	BDX					A02203	
	35	09/83 → 12/86	●		Aut.		P23017MM	[+]	17,1	TRW					A02203	

PANDA (169_) 09/03 →

1.1	40	09/03 →	●				P23096MM	[-]	17	BDX					A02244	
	51	03/10 →	●				P23096MM	[-]	17	BDX					A02244	
1.2	51	03/10 →	●	●			P23064MM	[-]	13,7	TRW						
	44	09/03 →	●				P23096MM	[-]	17	BDX					A02244	
1.2 4x4	51	11/09 →	●				P23097MM	[-]	17,7	BSH						
	51	11/09 →	●	●			P23064MM	[-]	13,7	TRW						
	44	10/04 →	●				P23097MM	[-]	17,7	BSH						
1.2 LPG	44	10/04 →	●	●			P23064MM	[-]	13,7	TRW						
	51	11/10 →	●				P23096MM	[-]	17	BDX					A02244	
1.2 Natural Power	44	04/09 →	●				P23096MM	[-]	17	BDX						
	44	01/07 → 12/11	●				P23097MM	[-]	17,7	BSH						
1.3 D Multijet	51	09/03 →	●				P23097MM	[-]	17,7	BSH						
	51	09/03 →	●	●			P23064MM	[-]	13,7	TRW						

Car Type	kw	S	M	i	MAGNETI MARELLI	wi	Th [mm]	SYS	WI			FK	
									MAGNETI MARELLI	LENGHT	i	MAGNETI MARELLI	i

FIAT

PANDA (169_) 09/03 →

1.3 D Multijet	55	06/06 →	●				P23097MM	[-]	17,7	BSH				
	55	09/10 →	●				P23085MM	[+]	17,8	BSH				
1.3 D Multijet 4x4	55	09/10 →		●			P23064MM	[-]	13,7	TRW				
	51	10/04 →	●				P23085MM	[+]	17,8	BSH				
	51	10/04 →		●			P23064MM	[-]	13,7	TRW				
1.4	74	10/06 →	●				P23085MM	[+]	17,8	BSH				
	74	10/06 →		●			P23064MM	[-]	13,7	TRW				
1.4 Natural Power	57	09/10 →	●				P23085MM	[+]	17,8	BSH				
	57	09/10 →		●			P23064MM	[-]	13,7	TRW				
	51	01/10 →	●				P23096MM	[-]	17	BDX			A02244	

PANDA (312_, 319_) 02/12 →

0.9	63	02/12 →	●				P11031MM	[+]	17,3	ATE			A02227	
	48	02/12 →	●				P11031MM	[+]	17,3	ATE				
	57	02/12 →	●				P11031MM	[+]	17,3	ATE				
	44	12/13 →	●				P11031MM	[+]	17,3	ATE				
	59	12/13 →	●				P11031MM	[+]	17,3	ATE				
0.9 4x4	63	09/12 →	●				P11031MM	[+]	17,3	ATE				
	63	09/12 →		●			P23151MM	[+]	14,4	TRW				
	66	06/14 →	●				P11031MM	[+]	17,3	ATE				
	66	06/14 →		●			P23151MM	[+]	14,4	TRW				
0.9 Natural Power	63	07/12 →	●				P11031MM	[+]	17,3	ATE				
	59	01/15 →	●				P11031MM	[+]	17,3	ATE				
	59	01/15 →		●			P23151MM	[+]	14,4	TRW				
1.2	51	02/12 →	●			P11031MM	[+]	17,3	ATE			A02227		
1.2 LPG	51	06/12 →	●			P11031MM	[+]	17,3	ATE					
1.3 D Multijet	55	02/12 →	●				P11031MM	[+]	17,3	ATE			A02227	
	70	04/15 →	●				P11031MM	[+]	17,3	ATE				
	59	12/15 →	●				P11031MM	[+]	17,3	ATE				
1.3 D Multijet 4x4	55	06/12 →	●				P11031MM	[+]	17,3	ATE				
	55	06/12 →		●			P23151MM	[+]	14,4	TRW				
	59	06/14 →	●				P11031MM	[+]	17,3	ATE				
	59	06/14 →		●			P23151MM	[+]	14,4	TRW				
	70	04/15 →	●				P11031MM	[+]	17,3	ATE				
	70	04/15 →		●			P23151MM	[+]	14,4	TRW				

PANDA Van (141_) 01/86 → 02/04

1.1	40	09/00 → 02/04	●				P23013MM	[+]	18	BDX				
	40	09/00 → 02/04	●				P23021MM	[-]	18	BDX				
	40	09/00 → 02/04	●		Aut.		P23017MM	[+]	17,1	TRW				
	37	05/91 → 03/95	●				P23013MM	[+]	18	BDX				
	37	05/91 → 03/95	●				P23021MM	[-]	18	BDX				
	37	05/91 → 03/95	●		Aut.		P23017MM	[+]	17,1	TRW				
	1000	32	01/86 → 02/92	●				P23013MM	[+]	18	BDX			A02203
32		01/86 → 02/92	●				P23021MM	[-]	18	BDX			A02203	
32		01/86 → 02/92	●		Aut.		P23017MM	[+]	17,1	TRW			A02203	
1000 i.e	33	08/92 → 02/04	●				P23013MM	[+]	18	BDX			A02203	
	33	08/92 → 02/04	●				P23021MM	[-]	18	BDX			A02203	
	33	08/92 → 02/04	●		Aut.		P23017MM	[+]	17,1	TRW			A02203	
750	25	01/86 → 07/92	●				P23013MM	[+]	18	BDX			A02203	
	25	01/86 → 07/92	●				P23021MM	[-]	18	BDX			A02203	
	25	01/86 → 07/92	●		Aut.		P23017MM	[+]	17,1	TRW			A02203	

PANDA Van (169_) 03/04 →

1.1	40	09/04 →	●				P23096MM	[-]	17	BDX				
1.2	51	09/10 →	●				P23096MM	[-]	17	BDX			A02244	
	44	09/04 →	●				P23096MM	[-]	17	BDX				

FIAT

PANDA Van (169_) 03/04 →

1.2 4x4	51	09/10 →	●			P23097MM	[-]	17,7	BSH						
	51	09/10 →		●		P23064MM	[-]	13,7	TRW						
	44	09/04 →	●			P23097MM	[-]	17,7	BSH						
	44	09/04 →		●		P23064MM	[-]	13,7	TRW						
1.2 LPG	51	09/10 →	●			P23096MM	[-]	17	BDX					A02244	
	44	04/09 →	●			P23096MM	[-]	17	BDX						
1.2 Natural Power	44	01/07 → 11/09	●			P23096MM	[-]	17	BDX						
1.3 D Multijet	55	01/06 →	●			P23097MM	[-]	17,7	BSH						
	51	03/04 →	●			P23097MM	[-]	17,7	BSH						
1.3 D Multijet 4x4	55	01/06 →	●			P23085MM	[+]	17,8	BSH						
	55	01/06 →		●		P23064MM	[-]	13,7	TRW						
	51	10/04 → 12/06	●			P23085MM	[+]	17,8	BSH						
	51	10/04 → 12/06		●	+rear disc	P23064MM	[-]	13,7	TRW						
1.4 Natural Power	57	10/09 →	●			P23085MM	[+]	17,8	BSH						
	57	10/09 →		●		P23064MM	[-]	13,7	TRW						

PANDA VAN (312_, 519_) 02/12 →

0.9	48	02/12 →	●			P11031MM	[+]	17,3	ATE						
	63	02/12 →	●			P11031MM	[+]	17,3	ATE						
	59	12/13 →	●			P11031MM	[+]	17,3	ATE						
0.9 4x4	63	09/12 →	●			P11031MM	[+]	17,3	ATE						
	63	09/12 →		●		P23151MM	[+]	14,4	TRW						
0.9 Natural Power	59	01/15 →	●			P11031MM	[+]	17,3	ATE						
	63	07/12 →	●			P11031MM	[+]	17,3	ATE						
1.2	51	02/12 →	●			P11031MM	[+]	17,3	ATE						
1.2 LPG	51	06/12 →	●			P11031MM	[+]	17,3	ATE						
1.3 D Multijet	55	02/12 →	●			P11031MM	[+]	17,3	ATE						
	59	12/15 →	●			P11031MM	[+]	17,3	ATE						
1.3 D Multijet 4x4	55	06/12 →	●			P11031MM	[+]	17,3	ATE						
	55	06/12 →		●		P23151MM	[+]	14,4	TRW						
	59	06/14 →	●			P11031MM	[+]	17,3	ATE						
	59	06/14 →		●		P23151MM	[+]	14,4	TRW						

PUNTO (176_) 09/93 → 09/99

1.2 16V	63	04/97 → 09/99	●		→ 04/97	P23017MM	[+]	17,1	TRW				A02202	05/97 →
	63	04/97 → 09/99	●		05/97 →	P23125MM	[-]	17,9	ATE				A02202	05/97 →
1.4 GT Turbo	98	01/94 → 09/96	●			P23017MM	[+]	17,1	TRW					
	98	01/94 → 09/96		●		P23026MM	[-]	14,4	TRW				A02205	
	96	09/96 → 09/99	●		→ 04/97	P23017MM	[+]	17,1	TRW				A02237	05/97 →
	96	09/96 → 09/99	●		05/97 →	P23081MM	[-]	17,9	ATE				A02237	05/97 →
	96	09/96 → 09/99		●		P23026MM	[-]	14,4	TRW				A02205	
1.6	65	01/94 → 04/97	●			P23017MM	[+]	17,1	TRW					
1.7 D	42	04/94 → 09/97	●			P23060MM	[+]	17	BDX				A02244	
	42	04/94 → 09/97	●			P23160MM	[+]	17	BDX				A02244	
	42	04/94 → 09/97	●			P23096MM	[-]	17	BDX				A02244	
	42	04/94 → 09/97	●		+ABS	P23017MM	[+]	17,1	TRW				A02244	
1.7 TD	52	01/94 → 09/99	●		→ 04/97	P23017MM	[+]	17,1	TRW				A02202	05/97 →
	52	01/94 → 09/99	●		05/97 →	P23125MM	[-]	17,9	ATE				A02202	05/97 →
	51	01/94 → 09/99	●		→ 04/97	P23017MM	[+]	17,1	TRW				A02202	05/97 →
	51	01/94 → 09/99	●		05/97 →	P23125MM	[-]	17,9	ATE				A02202	05/97 →
	46	09/96 → 09/99	●		→ 04/97	P23017MM	[+]	17,1	TRW				A02202	05/97 →
	46	09/96 → 09/99	●		05/97 →	P23125MM	[-]	17,9	ATE				A02202	05/97 →
55 1.1	40	09/93 → 09/99	●			P23060MM	[+]	17	BDX				A02244	
	40	09/93 → 09/99	●			P23160MM	[+]	17	BDX				A02244	

FIAT

PUNTO (176_) 09/93 → 09/99

55 1.1	40	09/93 → 09/99	●			P23096MM	[-]	17	BDX				A02244
	40	09/93 → 09/99	●		+ABS	P23017MM	[+]	17,1	TRW				A02244
60 1.2	43	01/94 → 09/99	●			P23060MM	[+]	17	BDX				A02244
	43	01/94 → 09/99	●			P23160MM	[+]	17	BDX				A02244
	43	01/94 → 09/99	●			P23096MM	[-]	17	BDX				A02244
	43	01/94 → 09/99	●		+ABS	P23017MM	[+]	17,1	TRW				A02244
	44	09/93 → 09/99	●			P23060MM	[+]	17	BDX				A02244
	44	09/93 → 09/99	●			P23160MM	[+]	17	BDX				A02244
	44	09/93 → 09/99	●			P23096MM	[-]	17	BDX				A02244
	44	09/93 → 09/99	●		+ABS	P23017MM	[+]	17,1	TRW				A02244
75 1.2	54	10/93 → 09/99	●			P23060MM	[+]	17	BDX				A02244
	54	10/93 → 09/99	●			P23160MM	[+]	17	BDX				A02244
	54	10/93 → 09/99	●			P23096MM	[-]	17	BDX				A02244
	54	10/93 → 09/99	●		+ABS	P23017MM	[+]	17,1	TRW				A02244

PUNTO (188_) 09/99 → 07/12

1.2 16V 80 (188.233, .235, .253, .255, .333, .353, .639,...)	59	09/99 → 12/06	●			P23125MM	[-]	17,9	ATE				A02202
1.2 60 (188.030, .050, .130, .150, .230, .250)	44	09/99 → 12/10	●			P23060MM	[+]	17	BDX				A02244
	44	09/99 → 12/10	●			P23160MM	[+]	17	BDX				A02244
	44	09/99 → 12/10	●			P23096MM	[-]	17	BDX				A02244
1.2 Bifuel	44	08/07 → 03/12	●			P23060MM	[+]	17	BDX				
	44	08/07 → 03/12	●			P23160MM	[+]	17	BDX				
	44	08/07 → 03/12	●			P23096MM	[-]	17	BDX				
1.2 Natural Power	44	09/03 → 03/12	●			P23060MM	[+]	17	BDX				A02244
	44	09/03 → 03/12	●			P23160MM	[+]	17	BDX				A02244
	44	09/03 → 03/12	●			P23096MM	[-]	17	BDX				A02244
1.3 JTD 16V	51	06/03 → 03/12	●			P23081MM	[-]	17,9	ATE				A02237
1.4	70	09/03 → 03/12	●			P23081MM	[-]	17,9	ATE				A02237
	71	11/05 → 03/12	●			P23108MM	[+]	17,8	BSH				
1.8 130 HGT (188.738, .718)	96	09/99 → 03/12	●			P23079MM	[-]	18	ATE				A02245
	96	09/99 → 03/12	●			P23064MM	[-]	13,7	TRW				
1.9 DS 60 (188.031, .051, .231, .251)	44	09/99 → 03/12	●			P23073MM	[-]	17,9	ATE				A02245
1.9 JTD	63	10/01 → 03/12	●			P23081MM	[-]	17,9	ATE				A02237
	74	06/03 → 03/12	●			P23081MM	[-]	17,9	ATE				A02237
	74	06/03 → 03/12	●			P23064MM	[-]	13,7	TRW				
1.9 JTD 80 (188.237, .257, .337, .357)	59	09/99 → 03/12	●			P23081MM	[-]	17,9	ATE				A02237

PUNTO (199_) 03/12 →

0.9	77	07/13 →	●			P23138MM	[+]	16,7	ATE				
	74	12/13 →	●			P23138MM	[+]	16,7	ATE				
0.9 Bifuel	63	03/12 →	●			P23108MM	[+]	17,8	BSH				
	63	03/12 →	●			P23138MM	[+]	16,7	ATE				
	63	03/12 →	●			P23142MM	[+]	17,3	BSH				
0.9 Twinair Turbo	63	03/12 →	●			P23138MM	[+]	16,7	ATE				
	63	03/12 →	●			P23142MM	[+]	17,3	BSH				

									WI			FK	
	kw						[mm]		MAGNETI MARELLI	LENGHT		MAGNETI MARELLI	

FIAT

PUNTO (199_) 03/12 →

1.2	51	03/12 →	●	pop	P23108MM	[+]	17,8	BSH					
	51	03/12 →	●	easy/lounge	P23138MM	[+]	16,7	ATE					
	49	02/14 →	●		P23138MM	[+]	16,7	ATE					
1.3 D Multijet	55	03/12 →	●	pop	P23108MM	[+]	17,8	BSH					
	55	03/12 →	●	easy/lounge	P23138MM	[+]	16,7	ATE					
	62	03/12 →	●	Bosch	P23137MM	[+]	19	BSH					
	62	03/12 →	●	ATE	P23138MM	[+]	16,7	ATE					
	70	03/12 →	●		P23137MM	[+]	19	BSH					
	59	12/13 →	●	pop	P23108MM	[+]	17,8	BSH					
	59	12/13 →	●	easy/lounge	P23138MM	[+]	16,7	ATE					
1.4	66	05/16 →	●		P23137MM	[+]	19	BSH					
	57	03/12 →	●		P23137MM	[+]	19	BSH					
	57	03/12 →	●	pop	P23108MM	[+]	17,8	BSH					
	57	03/12 →	●	easy/lounge	P23138MM	[+]	16,7	ATE					
	57	03/12 →	●	+rear disc	P23142MM	[+]	17,3	BSH					
	55	03/12 →	●	pop	P23108MM	[+]	17,8	BSH					
1.4 Bifuel	55	03/12 →	●	easy/lounge	P23138MM	[+]	16,7	ATE					
	57	03/12 →	●		P23137MM	[+]	19	BSH					
	57	03/12 →	●	pop	P23108MM	[+]	17,8	BSH					
	57	03/12 →	●	easy/lounge	P23138MM	[+]	16,7	ATE					
1.4 Multi Air	57	03/12 →	●	+rear disc	P23142MM	[+]	17,3	BSH					
	77	03/12 →	●		P23137MM	[+]	19	BSH					
	77	03/12 →	●	pop	P23108MM	[+]	17,8	BSH					
	77	03/12 →	●	easy/lounge	P23138MM	[+]	16,7	ATE					
1.4 Natural Power	57	03/12 →	●	pop	P23108MM	[+]	17,8	BSH					
	57	03/12 →	●	easy/lounge	P23138MM	[+]	16,7	ATE					
	57	03/12 →	●		P23137MM	[+]	19	BSH					
	57	03/12 →	●	+rear disc	P23142MM	[+]	17,3	BSH					
1.4 Turbo Multi Air	99	03/12 →	●		P23137MM	[+]	19	BSH					
	99	03/12 →	●		P23142MM	[+]	17,3	BSH					

PUNTO Convertible (176_) 04/94 → 06/00

60 1.2	43	04/94 → 06/00	●		P23060MM	[+]	17	BDX				A02244	
	43	04/94 → 06/00	●		P23160MM	[+]	17	BDX				A02244	
	43	04/94 → 06/00	●		P23096MM	[-]	17	BDX				A02244	
	43	04/94 → 06/00	●	+ABS	P23017MM	[+]	17,1	TRW				A02244	
	44	05/95 → 06/00	●		P23060MM	[+]	17	BDX				A02244	
	44	05/95 → 06/00	●		P23160MM	[+]	17	BDX				A02244	
	44	05/95 → 06/00	●		P23096MM	[-]	17	BDX				A02244	
	44	05/95 → 06/00	●	+ABS	P23017MM	[+]	17,1	TRW				A02244	
85 16V 1.2	63	04/97 → 06/00	●	→ 04/97	P23017MM	[+]	17,1	TRW				A02202	05/97 →
	63	04/97 → 06/00	●	05/97 →	P23125MM	[-]	17,9	ATE				A02202	05/97 →
	63	04/97 → 06/00	●		P23026MM	[-]	14,4	TRW				A02205	
90 1.6	65	04/94 → 04/97	●		P23017MM	[+]	17,1	TRW					
	65	04/94 → 04/97	●		P23026MM	[-]	14,4	TRW				A02205	

PUNTO EVO (199_) 07/08 →

1.2	51	10/09 → 02/12	●		P23138MM	[+]	16,7	ATE					
	51	10/09 → 02/12	●		P23108MM	[+]	17,8	BSH					
	51	10/09 → 02/12	●		P23104MM	[-]	17,5	BSH					
	48	10/09 → 02/12	●		P23141MM	[+]	17,8	BSH					
	48	10/09 → 02/12	●		P23138MM	[+]	16,7	ATE					
	48	10/09 → 02/12	●		P23104MM	[-]	17,5	BSH					
1.3 D Multijet	62	10/09 → 02/12	●		P23137MM	[+]	19	BSH					
	62	10/09 → 02/12	●		P23104MM	[-]	17,5	BSH					

Car Type	KW	S	T	i	MAGNETI MARELLI	WI	Th [mm]	SYS	WI			FK	
									MAGNETI MARELLI	LENGHT	i	MAGNETI MARELLI	i

FIAT

PUNTO EVO (199_) 07/08 →

1.3 D Multijet	51	07/08 → 02/12	●			P23108MM	[+]	17,8	BSH					
	51	07/08 → 02/12		●		P23104MM	[-]	17,5	BSH					
	55	10/09 → 02/12	●			P23138MM	[+]	16,7	ATE					
	55	10/09 → 02/12	●			P23141MM	[+]	17,8	BSH					
	55	10/09 → 02/12		●		P23104MM	[-]	17,5	BSH					
	70	10/09 → 02/12	●			P23137MM	[+]	19	BSH					
	70	10/09 → 02/12		●		P23104MM	[-]	17,5	BSH					
	66	10/09 →	●			P23137MM	[+]	19	BSH					
	66	10/09 →		●		P23104MM	[-]	17,5	BSH					
	68	10/14 →	●			P23137MM	[+]	19	BSH					
	56	10/09 →	●		Teves		P23138MM	[+]	16,7	ATE				
	56	10/09 →	●		Bosch		P23141MM	[+]	17,8	BSH				
	56	10/09 →		●	+rear disc		P23104MM	[-]	17,5	BSH				
	1.4	55	07/09 → 02/12	●			P23137MM	[+]	19	BSH			A02227	
55		07/09 → 02/12	●			P23138MM	[+]	16,7	ATE			A02227		
55		07/09 → 02/12		●		P23104MM	[-]	17,5	BSH					
57		10/09 → 02/12	●			P23138MM	[+]	16,7	ATE					
57		10/09 → 02/12	●			P23141MM	[+]	17,8	BSH					
57		10/09 → 02/12		●		P23104MM	[-]	17,5	BSH					
1.4 16V	77	10/09 → 02/12	●		+sport pack	P23108MM	[+]	17,8	BSH					
	77	10/09 → 02/12	●			P23138MM	[+]	16,7	ATE					
	77	10/09 → 02/12		●		P23104MM	[-]	17,5	BSH					
	99	10/09 → 02/12	●			P23137MM	[+]	19	BSH					
	99	10/09 → 02/12		●		P23104MM	[-]	17,5	BSH					
1.4 LPG	57	06/09 → 02/12	●			P23137MM	[+]	19	BSH			A02227		
	57	06/09 → 02/12	●			P23138MM	[+]	16,7	ATE			A02227		
	57	06/09 → 02/12		●		P23104MM	[-]	17,5	BSH					
1.4 Natural Power	57	10/09 → 02/12	●			P23138MM	[+]	16,7	ATE					
	57	10/09 → 02/12	●			P23137MM	[+]	19	BSH					
	57	10/09 → 02/12		●		P23104MM	[-]	17,5	BSH					
1.6 D Multijet	88	10/09 → 02/12	●			P23137MM	[+]	19	BSH					
	88	10/09 → 02/12		●		P23104MM	[-]	17,5	BSH					
	88	10/09 → 02/12		●		P23142MM	[+]	17,3	BSH					

PUNTO Van (176_) 04/96 → 02/00

1.1	40	04/96 → 02/00	●			P23060MM	[+]	17	BDX			A02244	
	40	04/96 → 02/00	●			P23160MM	[+]	17	BDX			A02244	
	40	04/96 → 02/00	●			P23096MM	[-]	17	BDX			A02244	
	40	04/96 → 02/00	●		+ABS		P23017MM	[+]	17,1	TRW			A02244
1.7 D	42	04/96 → 02/00	●			P23060MM	[+]	17	BDX			A02244	
	42	04/96 → 02/00	●			P23160MM	[+]	17	BDX			A02244	
	42	04/96 → 02/00	●			P23096MM	[-]	17	BDX			A02244	
	42	04/96 → 02/00	●		+ABS		P23017MM	[+]	17,1	TRW			A02244
1.7 TD	52	04/96 → 02/00	●		→ 04/97	P23017MM	[+]	17,1	TRW			A02202	05/97 →
	52	04/96 → 02/00	●		05/97 →	P23125MM	[-]	17,9	ATE			A02202	05/97 →
	46	09/96 → 09/99	●		→ 04/97	P23017MM	[+]	17,1	TRW				
	46	09/96 → 09/99	●		05/97 →	P23125MM	[-]	17,9	ATE				

PUNTO Van (188_) 02/00 → 10/09

1.2 60	44	02/00 → 10/09	●			P23096MM	[-]	17	BDX			A02244	
1.3 D Multijet	55	02/05 → 10/09	●			P23070MM	[+]	17,9	ATE				
1.3 JTD	51	06/03 → 10/05	●			P23081MM	[-]	17,9	ATE				
1.9 D 60	44	02/00 → 10/09	●			P23081MM	[-]	17,9	ATE			A02237	
1.9 JTD	63	02/00 → 10/09	●			P23081MM	[-]	17,9	ATE			A02237	

								WI			FK	

FIAT

PUNTO Van (199_) 02/06 →

0.9 Twinair Turbo	63	03/12 →	●		P23138MM	[+]	16,7	ATE				
	63	03/12 →		● +rear disc	P23142MM	[+]	17,3	BSH				
1.3 D Multijet	55	04/08 →	●		P23141MM	[+]	17,8	BSH				
	55	04/08 →	●		P23108MM	[+]	17,8	BSH				
	70	03/09 →	●		P23137MM	[+]	19	BSH				
	70	03/09 →		●	P23104MM	[-]	17,5	BSH				
	62	03/12 →	●		P23137MM	[+]	19	BSH				
	62	03/12 →		●	P23104MM	[-]	17,5	BSH				
	66	01/10 → 02/12	●		P23137MM	[+]	19	BSH				
1.4 (199XB1A)	57	02/06 →	●		P23141MM	[+]	17,8	BSH				
	57	02/06 →	●		P23108MM	[+]	17,8	BSH				
1.4 LPG (199AXB1A)	57	03/09 →	●		P23141MM	[+]	17,8	BSH				
	57	03/09 →	●		P23108MM	[+]	17,8	BSH				
1.4 Natural Power	57	03/09 →	●		P23108MM	[+]	17,8	BSH				
	57	03/09 →	●		P23141MM	[+]	17,8	BSH				

QUBO (225_) 02/08 →

1.3 D Multijet	55	02/08 →	●		P23140MM	[+]	17,8	BSH				
	70	07/10 →	●		P23137MM	[+]	19	BSH				
	59	03/15 →	●		P23108MM	[+]	17,8	BSH				
1.4	54	02/08 →	●		P23140MM	[+]	17,8	BSH				
	57	10/09 →	●		P23108MM	[+]	17,8	BSH				
1.4 Natural Power	57	10/09 →	●		P23108MM	[+]	17,8	BSH				

SCUDO (270_, 272_) 01/07 →

1.6 D Multijet	66	01/07 →	●		P61096MM	[+]	18,3	TRW				
	66	01/07 →		●	P61095MM	[-]	16,6	TRW				
	66	02/11 →	●		P61096MM	[+]	18,3	TRW				
	66	02/11 →		●	P61095MM	[-]	16,6	TRW				
2.0 D Multijet	120	07/10 →	●		P61096MM	[+]	18,3	TRW				
	120	07/10 →		●	P61095MM	[-]	16,6	TRW				
	94	04/11 →	●		P61096MM	[+]	18,3	TRW				
	94	04/11 →		●	P61095MM	[-]	16,6	TRW				
	88	01/07 →	●		P61096MM	[+]	18,3	TRW				
	88	01/07 →		●	P61095MM	[-]	16,6	TRW				
	100	01/07 →	●		P61096MM	[+]	18,3	TRW				
	100	01/07 →		●	P61095MM	[-]	16,6	TRW				
2.0 D Multijet 4x4	88	01/07 →	●		P61096MM	[+]	18,3	TRW				
	88	01/07 →		●	P61095MM	[-]	16,6	TRW				
	94	04/11 →	●		P61096MM	[+]	18,3	TRW				
	94	04/11 →		●	P61095MM	[-]	16,6	TRW				

SCUDO Box (220_) 02/96 → 12/06

1.6	58	02/96 → 12/06	●	→ 10/03; 815 kg payload	P23072MM	[+]	19	BDX				A02231
	58	02/96 → 12/06	●	→ 10/03; 900 kg payload	P23061MM	[+]	19,3	GIR				A02231
	58	02/96 → 12/06	●	10/03 →	P23090MM	[+]	19,3	TRW				A02231
1.9 D	51	02/96 → 12/06	●	→ 10/03; 815 kg payload	P23072MM	[+]	19	BDX				A02231
	51	02/96 → 12/06	●	→ 10/03; 900 kg payload	P23061MM	[+]	19,3	GIR				A02231
	51	02/96 → 12/06	●	10/03 →	P23090MM	[+]	19,3	TRW				A02231
	51	04/98 → 12/06	●	→ 10/03; 815 kg payload	P23072MM	[+]	19	BDX				A02231
	51	04/98 → 12/06	●	→ 10/03; 900 kg payload	P23061MM	[+]	19,3	GIR				A02231
	51	04/98 → 12/06	●	10/03 →	P23090MM	[+]	19,3	TRW				A02231
1.9 TD	68	02/98 → 12/06	●	→ 10/03; 815 kg payload	P23072MM	[+]	19	BDX				A02231
	68	02/98 → 12/06	●	→ 10/03; 900 kg payload	P23061MM	[+]	19,3	GIR				A02231
	68	02/98 → 12/06	●	10/03 →	P23090MM	[+]	19,3	TRW				A02231
	66	02/96 → 12/06	●	→ 10/03; 815 kg payload	P23072MM	[+]	19	BDX				A02231

FIAT

SCUDO Box (220_) 02/96 → 12/06

1.9 TD	66	02/96 → 12/06	●	→ 10/03; 900 kg payload	P23061MM	[+]	19,3	GIR					A02231	
	66	02/96 → 12/06	●	10/03 →	P23090MM	[+]	19,3	TRW					A02231	
2.0	100	05/00 → 12/06	●	→ 10/03; 815 kg payload	P23072MM	[+]	19	BDX					A02231	
	100	05/00 → 12/06	●	→ 10/03; 900 kg payload	P23061MM	[+]	19,3	GIR					A02231	
2.0 JTD	69	10/99 → 12/06	●	→ 10/03; 815 kg payload	P23072MM	[+]	19	BDX					A02231	
	69	10/99 → 12/06	●	→ 10/03; 900 kg payload	P23061MM	[+]	19,3	GIR					A02231	
	69	10/99 → 12/06	●	10/03 →	P23090MM	[+]	19,3	TRW					A02231	
	80	12/02 → 12/06	●	→ 10/03; 815 kg payload	P23072MM	[+]	19	BDX					A02231	
	80	12/02 → 12/06	●	→ 10/03; 900 kg payload	P23061MM	[+]	19,3	GIR					A02231	
	80	12/02 → 12/06	●	10/03 →	P23090MM	[+]	19,3	TRW					A02231	
2.0 JTD 16V	80	05/99 → 12/06	●	→ 10/03; 815 kg payload	P23072MM	[+]	19	BDX					A02231	
	80	05/99 → 12/06	●	10/03 →	P23090MM	[+]	19,3	TRW					A02231	
	80	05/99 → 12/06	●	→ 10/03; 900 kg payload	P23061MM	[+]	19,3	GIR					A02231	

SCUDO Box (270_, 272_) 01/07 →

1.6 D Multijet	66	01/07 →	●		P61096MM	[+]	18,3	TRW						
	66	01/07 →		●	P61095MM	[-]	16,6	TRW						
	66	02/11 →	●		P61096MM	[+]	18,3	TRW						
	66	02/11 →		●	P61095MM	[-]	16,6	TRW						
2.0 D Multijet	120	07/10 →	●		P61096MM	[+]	18,3	TRW						
	120	07/10 →		●	P61095MM	[-]	16,6	TRW						
	94	05/11 →	●		P61096MM	[+]	18,3	TRW						
	94	05/11 →		●	P61095MM	[-]	16,6	TRW						
	88	01/07 →	●		P61096MM	[+]	18,3	TRW						
	88	01/07 →		●	P61095MM	[-]	16,6	TRW						
2.0 D Multijet 4x4	100	01/07 →	●		P61096MM	[+]	18,3	TRW						
	100	01/07 →		●	P61095MM	[-]	16,6	TRW						
2.0 D Multijet 4x4	88	01/07 →	●		P61096MM	[+]	18,3	TRW						
	88	01/07 →		●	P61095MM	[-]	16,6	TRW						

SCUDO Combinato (220_) 02/96 → 12/06

1.6	58	02/96 → 12/06	●	→ 10/03; 815 kg payload	P23072MM	[+]	19	BDX					A02231	
	58	02/96 → 12/06	●	→ 10/03; 900 kg payload	P23061MM	[+]	19,3	GIR					A02231	
	58	02/96 → 12/06	●	10/03 →	P23090MM	[+]	19,3	TRW					A02231	
1.9 D	51	02/96 → 04/98	●	815 kg payload	P23072MM	[+]	19	BDX					A02231	
	51	02/96 → 04/98	●	900 kg payload	P23061MM	[+]	19,3	GIR					A02231	
	51	04/98 → 12/06	●	→ 10/03; 815 kg payload	P23072MM	[+]	19	BDX					A02231	
	51	04/98 → 12/06	●	→ 10/03; 900 kg payload	P23061MM	[+]	19,3	GIR					A02231	
1.9 TD	68	02/96 → 12/06	●	→ 10/03; 815 kg payload	P23072MM	[+]	19	BDX					A02231	
	68	02/96 → 12/06	●	→ 10/03; 900 kg payload	P23061MM	[+]	19,3	GIR					A02231	
	68	02/96 → 12/06	●	10/03 →	P23090MM	[+]	19,3	TRW					A02231	
1.9 TD Eco	66	02/96 → 12/06	●	→ 10/03; 815 kg payload	P23072MM	[+]	19	BDX					A02231	
	66	02/96 → 12/06	●	→ 10/03; 900 kg payload	P23061MM	[+]	19,3	GIR					A02231	
2.0 16V	66	02/96 → 12/06	●	10/03 →	P23090MM	[+]	19,3	TRW					A02231	
	100	06/00 → 12/06	●	→ 10/03; 815 kg payload	P23072MM	[+]	19	BDX					A02231	
	100	06/00 → 12/06	●	→ 10/03; 900 kg payload	P23061MM	[+]	19,3	GIR					A02231	
2.0 JTD	100	06/00 → 12/06	●	10/03 →	P23090MM	[+]	19,3	TRW					A02231	
	80	12/99 → 12/06	●	→ 10/03; 815 kg payload	P23072MM	[+]	19	BDX					A02231	
	80	12/99 → 12/06	●	→ 10/03; 900 kg payload	P23061MM	[+]	19,3	GIR					A02231	
	80	12/99 → 12/06	●	10/03 →	P23090MM	[+]	19,3	TRW					A02231	
	69	01/04 → 12/06	●		P23090MM	[+]	19,3	TRW					A02231	
	69	01/04 → 12/06	●	815 kg payload	P23072MM	[+]	19	BDX					A02231	

								WI			FK	

FIAT

SCUDO Combinato (220_) 02/96 → 12/06

2.0 JTD 16V	80	05/99 → 12/06	●	→ 10/03; 815 kg payload	P23072MM	[+]	19	BDX				A02231
	80	05/99 → 12/06	●	10/03 →	P23090MM	[+]	19,3	TRW				A02231
	80	05/99 → 12/06	●	→ 10/03; 900 kg payload	P23061MM	[+]	19,3	GIR				A02231

SCUDO Platform/Chassis (270_, 272_) 01/07 →

1.6 D Multijet	66	01/07 →	●		P61096MM	[+]	18,3	TRW				
	66	01/07 →	●		P61095MM	[-]	16,6	TRW				
2.0 D Multijet	120	07/10 →	●		P61096MM	[+]	18,3	TRW				
	120	07/10 →	●		P61095MM	[-]	16,6	TRW				
	88	01/07 →	●		P61096MM	[+]	18,3	TRW				
	88	01/07 →	●		P61095MM	[-]	16,6	TRW				
	100	01/07 →	●		P61096MM	[+]	18,3	TRW				
	100	01/07 →	●		P61095MM	[-]	16,6	TRW				
	94	05/11 →	●		P61096MM	[+]	18,3	TRW				
	94	05/11 →	●		P61095MM	[-]	16,6	TRW				

SEDICI (FY_) 06/06 → 10/14

1.6 16V	88	06/06 → 10/14	●		P23105MM	[+]	16	TRW				
	88	06/06 → 10/14	●		P79027MM	[+]	14,6	AKE				
	79	06/06 → 10/14	●		P23105MM	[+]	16	TRW				
	79	06/06 → 10/14	●	Made in (J)	P23126MM	[+]	16	HIT				
	79	06/06 → 10/14	●		P79027MM	[+]	14,6	AKE				
1.6 16V 4x4	88	06/06 → 10/14	●		P23105MM	[+]	16	TRW				
	88	06/06 → 10/14	●		P79027MM	[+]	14,6	AKE				
	79	06/06 → 10/14	●		P23105MM	[+]	16	TRW				
	79	06/06 → 10/14	●	Made in (J)	P23126MM	[+]	16	HIT				
	79	06/06 → 10/14	●		P79027MM	[+]	14,6	AKE				
1.9 D Multijet	88	06/06 → 10/14	●		P23105MM	[+]	16	TRW				
	88	06/06 → 10/14	●	Made in (J)	P23126MM	[+]	16	HIT				
	88	06/06 → 10/14	●		P79027MM	[+]	14,6	AKE				
1.9 D Multijet 4x4	88	06/06 → 10/14	●		P23105MM	[+]	16	TRW				
	88	06/06 → 10/14	●	Made in (J)	P23126MM	[+]	16	HIT				
	88	06/06 → 10/14	●		P79027MM	[+]	14,6	AKE				
2.0 D Multijet	99	06/06 → 10/14	●		P23105MM	[+]	16	TRW				
	99	06/06 → 10/14	●		P79027MM	[+]	14,6	AKE				
2.0 D Multijet 4x4	99	06/06 → 10/14	●		P23105MM	[+]	16	TRW				
	99	06/06 → 10/14	●		P79027MM	[+]	14,6	AKE				

SEICENTO / 600 (187_) 01/98 → 01/10

0.9 (187AXA, 187AXA1A)	29	01/98 → 01/10	●		P23096MM	[-]	17	BDX				A02244
1.1 (187AXB, 187AXB1A, 187AXC1A02)	40	01/98 → 01/10	●		P23096MM	[-]	17	BDX				A02244
Elektra (187AEA1A, 187BEA1A)	30	01/99 → 01/05	●		P23017MM	[+]	17,1	TRW				
Elettrica	22	03/00 → 04/04	●		P23017MM	[+]	17,1	TRW				
	21	06/98 → 02/00	●		P23017MM	[+]	17,1	TRW				

SEICENTO / 600 Van (287_) 01/98 → 01/10

0.9 (187AXA)	29	01/98 → 01/10	●		P23096MM	[-]	17	BDX				A02244
1.1 (187CXB/C)	40	01/98 → 01/10	●		P23096MM	[-]	17	BDX				A02244

SIENA (172_) 09/07 →

1.3 JTD	51	11/07 →	●		P23079MM	[-]	18	ATE				
1.4	57	11/07 →	●		P23122MM	[+]	18	ATE				
	57	11/07 →	●		P23123MM	[-]	18	ATE				

FIAT

SIENA (178_) 04/96 → 12/12

1.2	54	09/98 → 12/09	●			P23122MM	[+]	18	ATE					
	54	09/98 → 12/09	●			P23123MM	[-]	18	ATE					
	44	09/01 → 12/09	●			P23122MM	[+]	18	ATE				A02245	
	44	09/01 → 12/09	●			P23123MM	[-]	18	ATE				A02245	
	59	09/01 → 12/09	●			P23122MM	[+]	18	ATE					
	59	09/01 → 12/09	●			P23123MM	[-]	18	ATE					
1.3 JTD	51	09/03 → 12/09	●			P23079MM	[-]	18	ATE					
1.4	51	04/96 → 12/09	●		→ 03/98	P23056MM	[+]	18	ATE				A02245	
	51	04/96 → 12/09	●		→ 03/98	P23124MM	[-]	18	ATE				A02245	
	51	04/96 → 12/09	●		04/98 →	P23122MM	[+]	18	ATE				A02245	
	51	04/96 → 12/09	●		04/98 →	P23123MM	[-]	18	ATE				A02245	
	57	01/07 → 12/09	●			P23122MM	[+]	18	ATE					
	57	01/07 → 12/09	●			P23123MM	[-]	18	ATE					
1.4 Cat	51	04/96 → 12/09	●		→ 03/98	P23056MM	[+]	18	ATE				A02245	
	51	04/96 → 12/09	●		→ 03/98	P23124MM	[-]	18	ATE				A02245	
	51	04/96 → 12/09	●		04/98 →	P23122MM	[+]	18	ATE				A02245	
	51	04/96 → 12/09	●		04/98 →	P23123MM	[-]	18	ATE				A02245	
1.6	76	11/00 → 12/09	●			P23122MM	[+]	18	ATE				A02245	
	76	11/00 → 12/09	●			P23123MM	[-]	18	ATE				A02245	
1.6 16V	78	09/98 → 12/09	●			P23122MM	[+]	18	ATE				A02245	
	78	09/98 → 12/09	●			P23123MM	[-]	18	ATE				A02245	
1.7 TD	51	02/06 → 12/09	●			P23122MM	[+]	18	ATE				A02245	
	51	02/06 → 12/09	●			P23123MM	[-]	18	ATE				A02245	

STILO (192_) 10/01 → 11/10

1.2 16V (192_XA1B)	59	02/02 → 11/06	●			P23085MM	[+]	17,8	BSH					
	59	02/02 → 11/06	●			P23080MM	[-]	15,5	BSH					
1.4 16V	70	01/04 → 11/06	●			P23085MM	[+]	17,8	BSH					
	70	01/04 → 11/06	●			P23080MM	[-]	15,5	BSH					
	66	03/05 → 11/06	●			P23085MM	[+]	17,8	BSH					
	66	03/05 → 11/06	●			P23080MM	[-]	15,5	BSH					
1.6 16V	77	05/05 → 11/06	●			P23085MM	[+]	17,8	BSH					
	77	05/05 → 11/06	●			P23080MM	[-]	15,5	BSH					
1.6 16V (192_XB1A)	76	10/01 → 11/06	●			P23085MM	[+]	17,8	BSH					
	76	10/01 → 11/06	●			P23080MM	[-]	15,5	BSH					
1.8 16V (192_XC1A)	98	10/01 → 11/06	●			P23087MM	[+]	19	BSH					
	98	10/01 → 11/06	●			P23080MM	[-]	15,5	BSH					
1.9 D Multijet	88	09/05 → 11/06	●			P23087MM	[+]	19	BSH					
	88	09/05 → 11/06	●			P23080MM	[-]	15,5	BSH					
	110	09/05 → 11/06	●			P23145MM	[+]	19,4	BSH					
	110	09/05 → 11/06	●			P23080MM	[-]	15,5	BSH					
	74	09/05 → 11/06	●			P23087MM	[+]	19	BSH					
	74	09/05 → 11/06	●			P23080MM	[-]	15,5	BSH					
1.9 JTD	103	01/04 → 11/06	●			P23145MM	[+]	19,4	BSH					
	103	01/04 → 11/06	●			P23080MM	[-]	15,5	BSH					
	93	09/03 → 11/06	●			P23145MM	[+]	19,4	BSH					
	93	09/03 → 11/06	●			P23080MM	[-]	15,5	BSH					
	100	04/04 → 11/06	●			P23145MM	[+]	19,4	BSH					
	100	04/04 → 11/06	●			P23080MM	[-]	15,5	BSH					
1.9 JTD (192_XE1A)	85	10/01 → 11/06	●			P23087MM	[+]	19	BSH					
	85	10/01 → 11/06	●			P23080MM	[-]	15,5	BSH					
	59	02/02 → 11/06	●			P23087MM	[+]	19	BSH					
	59	02/02 → 11/06	●			P23080MM	[-]	15,5	BSH					

								WI			FK		
	kw					wi	Th [mm]	SYS		LENGHT			

FIAT

STILO (192_) 10/01 → 11/10

1.9 JTD (192AXS1B, 192BXS1B)	66	09/04 → 11/06	●			P23085MM	[+]	17,8	BSH				
	66	09/04 → 11/06		●		P23080MM	[-]	15,5	BSH				
2.4 20V (192_XD1A)	125	10/01 → 11/06	●			P23145MM	[+]	19,4	BSH				
	125	10/01 → 11/06		●		P23080MM	[-]	15,5	BSH				

STILO Multi Wagon (192_) 01/03 → 08/08

1.4 16V	70	01/04 → 08/08	●			P23085MM	[+]	17,8	BSH				
	70	01/04 → 08/08		●		P23087MM	[+]	19	BSH				
	70	01/04 → 08/08			●	P23080MM	[-]	15,5	BSH				
	66	03/05 → 08/08	●			P23085MM	[+]	17,8	BSH				
	66	03/05 → 08/08		●		P23080MM	[-]	15,5	BSH				
1.6 16V	76	01/03 → 08/08	●			P23085MM	[+]	17,8	BSH				
	76	01/03 → 08/08		●		P23087MM	[+]	19	BSH				
	76	01/03 → 08/08			●	P23080MM	[-]	15,5	BSH				
	77	03/05 → 12/07	●			P23085MM	[+]	17,8	BSH				
	77	03/05 → 12/07		●		P23087MM	[+]	19	BSH				
1.8 16V	98	01/03 → 08/08	●			P23080MM	[-]	15,5	BSH				
	98	01/03 → 08/08		●		P23087MM	[+]	19	BSH				
	98	01/03 → 08/08			●	P23085MM	[+]	17,8	BSH				
1.9 D	66	09/04 → 08/08	●			P23087MM	[+]	19	BSH				
	66	09/04 → 08/08		●		P23080MM	[-]	15,5	BSH				
1.9 D Multijet	88	09/05 → 08/08	●			P23087MM	[+]	19	BSH				
	88	09/05 → 08/08		●		P23080MM	[-]	15,5	BSH				
	74	09/05 → 08/08	●			P23087MM	[+]	19	BSH				
	74	09/05 → 08/08		●		P23080MM	[-]	15,5	BSH				
1.9 D Multijet (192DXT1B)	110	09/05 → 08/08	●			P23087MM	[+]	19	BSH				
	110	09/05 → 08/08		●		P23080MM	[-]	15,5	BSH				
1.9 JTD	59	01/03 → 08/08	●			P23087MM	[+]	19	BSH				
	59	01/03 → 08/08		●		P23080MM	[-]	15,5	BSH				
	85	01/03 → 08/08	●			P23087MM	[+]	19	BSH				
	85	01/03 → 08/08		●		P23080MM	[-]	15,5	BSH				
	103	01/04 → 08/08	●			P23145MM	[+]	19,4	BSH				
	103	01/04 → 08/08		●		P23080MM	[-]	15,5	BSH				
	93	09/03 → 08/08	●			P23087MM	[+]	19	BSH				
	93	09/03 → 08/08		●		P23080MM	[-]	15,5	BSH				
	100	04/04 → 08/08	●			P23087MM	[+]	19	BSH				
	100	04/04 → 08/08		●		P23080MM	[-]	15,5	BSH				

STRADA Pickup (178_) 02/98 →

1.2	54	06/99 → 12/06	●			P23079MM	[-]	18	ATE			A02245	
	44	04/03 →	●			P23079MM	[-]	18	ATE			A02245	
1.3 D Multijet	62	05/06 →	●			P23079MM	[-]	18	ATE			A02245	
1.7 TD	51	06/99 → 12/06	●			P23079MM	[-]	18	ATE			A02245	
1.9 D	46	12/00 →	●			P23079MM	[-]	18	ATE			A02245	
1.9 JTD	59	04/03 →	●			P23079MM	[-]	18	ATE			A02245	

STRADA Pickup (278_) 01/09 →

1.3 D Multijet	70	10/10 →	●			P23079MM	[-]	18	ATE				
----------------	----	---------	---	--	--	----------	-----	----	-----	--	--	--	--

TALENTO Box (296_) 06/16 →

1.6 D	85	06/16 →	●			P59082MM	[-]	18,2	TRW				
	85	06/16 →		●		P59041MM	[-]	17	TRW				
	70	06/16 →	●			P59082MM	[-]	18,2	TRW				
	70	06/16 →		●		P59041MM	[-]	17	TRW				
	88	06/16 →	●			P59082MM	[-]	18,2	TRW				
	88	06/16 →		●		P59041MM	[-]	17	TRW				

 	kw						wi	Th [mm]	SYS	WI			FK	
											LENGHT			

FIAT

TALENTO Box (296_) 06/16 →

1.6 D	92	06/16 →	●			P59082MM	[-]	18,2	TRW					
	92	06/16 →		●		P59041MM	[-]	17	TRW					
	107	06/16 →	●			P59082MM	[-]	18,2	TRW					
	107	06/16 →		●		P59041MM	[-]	17	TRW					
	66	06/16 →	●			P59082MM	[-]	18,2	TRW					
	66	06/16 →		●		P59041MM	[-]	17	TRW					

TALENTO Box Body / Estate (296_) 06/16 →

1.6 D	70	06/16 →	●			P59082MM	[-]	18,2	TRW					
	70	06/16 →		●		P59041MM	[-]	17	TRW					
	88	06/16 →	●			P59082MM	[-]	18,2	TRW					
	88	06/16 →		●		P59041MM	[-]	17	TRW					
	92	06/16 →	●			P59082MM	[-]	18,2	TRW					
	92	06/16 →		●		P59041MM	[-]	17	TRW					
	107	06/16 →	●			P59082MM	[-]	18,2	TRW					
	107	06/16 →		●		P59041MM	[-]	17	TRW					
	85	06/16 →	●			P59082MM	[-]	18,2	TRW					
	85	06/16 →		●		P59041MM	[-]	17	TRW					
	66	06/16 →	●			P59082MM	[-]	18,2	TRW					
	66	06/16 →		●		P59041MM	[-]	17	TRW					

TALENTO Bus (296_) 06/16 →

1.6 D	70	06/16 →	●			P59082MM	[-]	18,2	TRW					
	70	06/16 →		●		P59041MM	[-]	17	TRW					
	92	06/16 →	●			P59082MM	[-]	18,2	TRW					
	92	06/16 →		●		P59041MM	[-]	17	TRW					
	107	06/16 →	●			P59082MM	[-]	18,2	TRW					
	107	06/16 →		●		P59041MM	[-]	17	TRW					
	88	06/16 →	●			P59082MM	[-]	18,2	TRW					
	88	06/16 →		●		P59041MM	[-]	17	TRW					

TALENTO Platform/Chassis (296_) 06/16 →

1.6 D	92	06/16 →	●			P59082MM	[-]	18,2	TRW					
	92	06/16 →		●		P59041MM	[-]	17	TRW					
	107	06/16 →	●			P59082MM	[-]	18,2	TRW					
	107	06/16 →		●		P59041MM	[-]	17	TRW					

ULYSSE (179_) 08/02 → 06/11

2.0	100	08/02 → 06/11	●			P23090MM	[+]	19,3	TRW					
	100	08/02 → 06/11		●		P61088MM	[-]	17,4	TRW					
2.0 D Multijet	88	05/06 → 06/11	●			P23090MM	[+]	19,3	TRW					
	88	05/06 → 06/11		●		P61088MM	[-]	17,4	TRW					
	100	05/06 → 06/11	●			P23090MM	[+]	19,3	TRW					
	100	05/06 → 06/11		●		P61088MM	[-]	17,4	TRW					
2.0 JTD	80	08/02 → 08/06	●			P23090MM	[+]	19,3	TRW					
	80	08/02 → 08/06		●		P61088MM	[-]	17,4	TRW					
	79	05/03 → 08/06	●			P23090MM	[+]	19,3	TRW					
	79	05/03 → 08/06		●		P61088MM	[-]	17,4	TRW					
2.2 D Multijet	125	03/08 → 06/11	●			P61104MM	[+]	19,4	TRW					
	125	03/08 → 06/11		●		P61088MM	[-]	17,4	TRW					
2.2 JTD	120	03/08 → 06/11	●			P61104MM	[+]	19,4	TRW					
	120	03/08 → 06/11		●		P61088MM	[-]	17,4	TRW					
	94	08/02 → 08/06	●			P23090MM	[+]	19,3	TRW					
	94	08/02 → 08/06		●		P61088MM	[-]	17,4	TRW					
3.0	150	08/02 → 06/11	●			P23082MM	[+]	16	BRE					
	150	08/02 → 06/11		●		P61088MM	[-]	17,4	TRW					

									WI			FK	

FIAT

ULYSSE (220_) 06/94 → 08/02

1.8 (220.BB5)	73	05/97 → 08/02	●		P23072MM	[+]	19	BDX				A02231	
	73	05/97 → 08/02	●		P23061MM	[+]	19,3	GIR				A02231	
	73	05/97 → 08/02	●		P23062MM	[+]	16,9	ATE				A02237	
1.9 TD (220AH5)	66	02/95 → 08/02	●		P23072MM	[+]	19	BDX				A02231	
	66	02/95 → 08/02	●		P23061MM	[+]	19,3	GIR				A02231	
	66	02/95 → 08/02	●		P23062MM	[+]	16,9	ATE				A02237	
2.0 (220.AC5)	89	06/94 → 08/02	●		P23061MM	[+]	19,3	GIR				A02231	
	89	06/94 → 08/02	●		P23072MM	[+]	19	BDX				A02231	
	89	06/94 → 08/02	●		P23062MM	[+]	16,9	ATE				A02237	
2.0 16V	97	05/98 → 09/00	●		P23072MM	[+]	19	BDX				A02231	
	97	05/98 → 09/00	●		P23061MM	[+]	19,3	GIR				A02231	
	97	05/98 → 09/00	●		P23062MM	[+]	16,9	ATE				A02237	
	100	09/00 → 08/02	●		P23061MM	[+]	19,3	GIR					
2.0 JTD	80	10/99 → 08/02	●		P23061MM	[+]	19,3	GIR					
	80	10/99 → 08/02	●		P23062MM	[+]	16,9	ATE				A02237	
2.0 JTD 16V	80	05/99 → 08/02	●		P23061MM	[+]	19,3	GIR					
	80	05/99 → 08/02	●		P23062MM	[+]	16,9	ATE				A02237	
2.0 Turbo (220.AD5)	108	06/94 → 08/02	●		P23061MM	[+]	19,3	GIR					
	108	06/94 → 08/02	●		P23062MM	[+]	16,9	ATE				A02237	
2.1 TD	80	03/96 → 10/99	●		P23061MM	[+]	19,3	GIR					
	80	03/96 → 10/99	●		P23062MM	[+]	16,9	ATE				A02237	

UNO (146_) 01/83 → 06/06

1.0 IE	34	05/98 → 08/00	●		P23021MM	[-]	18	BDX				A02203	
	34	05/98 → 08/00	●		P23013MM	[+]	18	BDX				A02203	
1.1	43	10/88 → 06/06	●		P23021MM	[-]	18	BDX					
	43	10/88 → 06/06	●		P23013MM	[+]	18	BDX					
	41	04/86 → 06/06	●		P23021MM	[-]	18	BDX					
	41	04/86 → 06/06	●		P23013MM	[+]	18	BDX					
1.3 Super Diesel	33	06/83 → 03/92	●		P23013MM	[+]	18	BDX					
	33	06/83 → 03/92	●		P23021MM	[-]	18	BDX					
	33	06/83 → 03/92	●		P23017MM	[+]	17,1	TRW					
1.3 Turbo i.e.	73	01/87 → 12/87	●		P23017MM	[+]	17,1	TRW					
	73	01/87 → 12/87	●		P23026MM	[-]	14,4	TRW					
	77	04/85 → 08/89	●		P23017MM	[+]	17,1	TRW					
	77	04/85 → 08/89	●		P23026MM	[-]	14,4	TRW					
	74	09/89 → 03/91	●		P23017MM	[+]	17,1	TRW					
	74	09/89 → 03/91	●		P23026MM	[-]	14,4	TRW					
1.4 Turbo i.e.	82	09/89 → 09/93	●		P23017MM	[+]	17,1	TRW					
	82	09/89 → 09/93	●		P23026MM	[-]	14,4	TRW					
	87	12/89 → 12/96	●		P23017MM	[+]	17,1	TRW					
1.6	65	12/89 → 04/93	●		P23026MM	[-]	14,4	TRW					
	65	12/89 → 04/93	●		P23017MM	[+]	17,1	TRW					
1.6 R	66	12/92 → 12/95	●		P23017MM	[+]	17,1	TRW					
	66	12/92 → 12/95	●		P23026MM	[-]	14,4	TRW					
1.7 D	43	11/94 → 08/00	●		P23017MM	[+]	17,1	TRW					
	43	11/94 → 08/00	●		P23021MM	[-]	18	BDX					
	43	11/94 → 08/00	●		P23013MM	[+]	18	BDX					
1.9 D	44	09/89 → 03/94	●		P23013MM	[+]	18	BDX				A02203	
	44	09/89 → 03/94	●		P23021MM	[-]	18	BDX				A02203	
	44	09/89 → 03/94	●		P23017MM	[+]	17,1	TRW				A02203	
45 0.9	33	03/83 → 09/92	●		P23013MM	[+]	18	BDX					
	33	03/83 → 09/92	●		P23021MM	[-]	18	BDX					

							WI	Th [mm]	SYS		LEIGHT			

FIAT

UNO (146_) 01/83 → 06/06

45 0.9	34	02/84 → 12/88	●			P23021MM [-]	18	BDX						
	34	02/84 → 12/88	●			P23013MM [+]	18	BDX						
45 1.0 (146A.ED)	32	06/86 → 12/93	●			P23013MM [+]	18	BDX						
	32	06/86 → 12/93	●			P23021MM [-]	18	BDX						
45 i.e. 1.0	33	04/84 → 10/95	●			P23013MM [+]	18	BDX					A02203	
	33	04/84 → 10/95	●			P23021MM [-]	18	BDX					A02203	
50 1.1	37	01/86 → 12/89	●			P23013MM [+]	18	BDX						
	37	01/86 → 12/89	●			P23021MM [-]	18	BDX						
	37	01/90 → 12/93	●			P23013MM [+]	18	BDX					A02203	
	37	01/90 → 12/93	●			P23021MM [-]	18	BDX					A02203	
50 i.e. 1.1	36	06/92 → 12/93	●			P23013MM [+]	18	BDX						
	36	06/92 → 12/93	●			P23021MM [-]	18	BDX						
55 1.1	40	01/83 → 08/89	●			P23013MM [+]	18	BDX						
	40	01/83 → 08/89	●			P23021MM [-]	18	BDX						
60 1.1	42	04/89 → 12/92	●			P23013MM [+]	18	BDX					A02203	
	42	04/89 → 12/92	●			P23021MM [-]	18	BDX					A02203	
60 1.1 (146A.EG)	43	05/85 → 08/89	●			P23013MM [+]	18	BDX						
	43	05/85 → 08/89	●			P23021MM [-]	18	BDX						
60 Diesel 1.7	44	07/86 → 08/89	●			P23013MM [+]	18	BDX						
	44	07/86 → 08/89	●			P23021MM [-]	18	BDX						
	44	07/86 → 08/89	●			P23017MM [+]	17,1	TRW						
	42	09/89 → 12/93	●			P23013MM [+]	18	BDX						
	42	09/89 → 12/93	●			P23021MM [-]	18	BDX						
	42	09/89 → 12/93	●			P23017MM [+]	17,1	TRW						
70 1.3	48	05/85 → 08/89	●			P23013MM [+]	18	BDX						
	48	05/85 → 08/89	●			P23021MM [-]	18	BDX						
	50	01/83 → 04/85	●			P23013MM [+]	18	BDX						
	50	01/83 → 04/85	●			P23021MM [-]	18	BDX						
70 i.e. 1.4	51	09/89 → 07/96	●			P23013MM [+]	18	BDX						
	51	09/89 → 07/96	●			P23021MM [-]	18	BDX						
	53	09/89 → 12/93	●			P23013MM [+]	18	BDX					A02203	
	53	09/89 → 12/93	●			P23021MM [-]	18	BDX					A02203	
70 S 1.4	52	09/89 → 10/92	●			P23013MM [+]	18	BDX					A02203	
	52	09/89 → 10/92	●			P23021MM [-]	18	BDX					A02203	
70 TD 1.4	52	10/86 → 10/90	●			P23013MM [+]	18	BDX					A02203	
	52	10/86 → 10/90	●			P23021MM [-]	18	BDX					A02203	
	52	10/86 → 10/90	●			P23017MM [+]	17,1	TRW					A02203	
75 i.e. 1.5	55	10/85 → 12/93	●			P23013MM [+]	18	BDX						
	55	10/85 → 12/93	●			P23021MM [-]	18	BDX						

FORD

B-MAX (JK) 10/12 →

1.0 EcoBoost	103	02/16 →	●			P24151MM [-]	16,7	TRW						
	63	08/13 →	●			P24151MM [-]	16,7	TRW						
1.4 LPG	66	08/13 →	●			P24151MM [-]	16,7	TRW						
	70	04/15 →	●			P24151MM [-]	16,7	TRW						

B-MAX Van 10/12 →

1.0 EcoBoost	74	10/12 →	●			P24151MM [-]	16,7	TRW						
	92	10/12 →	●			P24151MM [-]	16,7	TRW						
1.4	66	10/12 →	●			P24151MM [-]	16,7	TRW						
	55	10/12 →	●			P24151MM [-]	16,7	TRW						
1.5 TDCi	70	04/15 →	●			P24151MM [-]	16,7	TRW						
	70	10/12 →	●			P24151MM [-]	16,7	TRW						

FORD

B-MAX Van 10/12 →

1.6 Ti	77	10/12 →	●				P24151MM	[-]	16,7	TRW					
--------	----	---------	---	--	--	--	----------	-----	------	-----	--	--	--	--	--

C-MAX (DM2) 02/07 → 09/10

1.6	74	02/07 → 09/10	●				P24061MM	[-]	18,2	ATE				A02202	
	74	02/07 → 09/10	●				P59042MM	[o]	16,7	ATE					
	85	04/07 → 09/10	●				P24061MM	[-]	18,2	ATE					
1.6 TDCi	74	02/07 → 09/10	●				P24061MM	[-]	18,2	ATE				A02202	
	74	02/07 → 09/10	●				P59042MM	[o]	16,7	ATE					
	66	02/07 → 09/10	●				P24061MM	[-]	18,2	ATE				A02202	
	66	02/07 → 09/10	●				P59042MM	[o]	16,7	ATE					
	80	02/07 → 09/10	●				P24061MM	[-]	18,2	ATE				A02202	
1.8	80	02/07 → 09/10	●				P59042MM	[o]	16,7	ATE					
	90	02/07 → 09/10	●				P24061MM	[-]	18,2	ATE				A02202	
	90	02/07 → 09/10	●				P59042MM	[o]	16,7	ATE					
	92	02/07 → 09/10	●				P24061MM	[-]	18,2	ATE				A02202	
1.8 Flexifuel	92	02/07 → 09/10	●				P59042MM	[o]	16,7	ATE					
	92	02/07 → 09/10	●				P24061MM	[-]	18,2	ATE				A02202	
1.8 TDCi	85	02/07 → 09/10	●				P24061MM	[-]	18,2	ATE					
	85	02/07 → 09/10	●				P59042MM	[o]	16,7	ATE					
2.0	107	02/07 → 09/10	●				P24061MM	[-]	18,2	ATE				A02202	
	107	02/07 → 09/10	●				P59042MM	[o]	16,7	ATE					
2.0 CNG	107	04/09 → 09/10	●				P24061MM	[-]	18,2	ATE					
	107	04/09 → 09/10	●				P59042MM	[o]	16,7	ATE					
2.0 LPG	107	06/08 → 09/10	●				P24061MM	[-]	18,2	ATE					
	107	06/08 → 09/10	●				P59042MM	[o]	16,7	ATE					
2.0 TDCi	98	02/07 → 09/10	●				P24061MM	[-]	18,2	ATE				A02202	
	98	02/07 → 09/10	●				P59042MM	[o]	16,7	ATE					
	100	02/07 → 09/10	●				P24061MM	[-]	18,2	ATE				A02202	
	100	02/07 → 09/10	●				P59042MM	[o]	16,7	ATE					
	81	02/08 → 09/10	●				P24061MM	[-]	18,2	ATE					
	81	02/08 → 09/10	●				P59042MM	[o]	16,7	ATE					

C-MAX II (DXA/CB7, DXA/CEU) 12/10 →

1.0 EcoBoost	74	10/12 →	●				P24061MM	[-]	18,2	ATE					
	74	10/12 →	●				P24148MM	[-]	16,1	ATE					
	92	10/12 →	●				P24061MM	[-]	18,2	ATE					
	92	10/12 →	●				P24148MM	[-]	16,1	ATE					
1.5 EcoBoost	110	03/15 →	●				P24061MM	[-]	18,2	ATE					
	110	03/15 →	●				P24148MM	[-]	16,1	ATE					
	134	03/15 →	●				P24061MM	[-]	18,2	ATE					
1.5 TDCi	134	03/15 →	●				P24148MM	[-]	16,1	ATE					
	70	03/15 →	●				P24061MM	[-]	18,2	ATE					
	70	03/15 →	●				P24148MM	[-]	16,1	ATE					
	88	03/15 →	●				P24061MM	[-]	18,2	ATE					
1.5 TDCi ECOnetic	88	03/15 →	●				P24148MM	[-]	16,1	ATE					
	77	03/15 →	●				P24061MM	[-]	18,2	ATE					
1.6 CNG	77	03/15 →	●				P24148MM	[-]	16,1	ATE					
	86	01/13 →	●				P24061MM	[-]	18,2	ATE					
1.6 EcoBoost	86	01/13 →	●				P24148MM	[-]	16,1	ATE					
	110	12/10 →	●				P24061MM	[-]	18,2	ATE				A02202	
	110	12/10 →	●				P24148MM	[-]	16,1	ATE					
	134	12/10 →	●				P24061MM	[-]	18,2	ATE				A02202	
1.6 Flexifuel	134	12/10 →	●				P24148MM	[-]	16,1	ATE					
	88	02/11 →	●				P24061MM	[-]	18,2	ATE				A02202	
	88	02/11 →	●				P24148MM	[-]	16,1	ATE					

FORD

C-MAX II (DXA/CB7, DXA/CEU) 12/10 →

1.6 LPG	88	02/12 →	●		P24061MM [-]	18,2	ATE						
	88	02/12 →		●	P24148MM [-]	16,1	ATE						
	86	02/12 →	●		P24061MM [-]	18,2	ATE						
	86	02/12 →		●	P24148MM [-]	16,1	ATE						
1.6 TDCi	70	12/10 →	●		P24061MM [-]	18,2	ATE					A02202	
	70	12/10 →		●	P24148MM [-]	16,1	ATE						
	85	12/10 →	●		P24061MM [-]	18,2	ATE					A02202	
	85	12/10 →		●	P24148MM [-]	16,1	ATE						
1.6 Ti	92	12/10 →	●		P24061MM [-]	18,2	ATE					A02202	
	92	12/10 →		●	P24148MM [-]	16,1	ATE						
	77	12/10 →	●		P24061MM [-]	18,2	ATE					A02202	
	77	12/10 →		●	P24148MM [-]	16,1	ATE						
	63	12/10 →	●		P24061MM [-]	18,2	ATE					A02202	
	63	12/10 →		●	P24148MM [-]	16,1	ATE						
	88	02/12 →	●		P24061MM [-]	18,2	ATE						
	88	02/12 →		●	P24148MM [-]	16,1	ATE						
2.0 Energi	136	01/15 →	●		P24061MM [-]	18,2	ATE						
	136	01/15 →		●	P24148MM [-]	16,1	ATE						
2.0 TDCi	120	12/10 →	●		P24061MM [-]	18,2	ATE						
	120	12/10 →		●	P24148MM [-]	16,1	ATE						
	85	02/11 →	●		P24061MM [-]	18,2	ATE					A02202	
	85	02/11 →		●	P24148MM [-]	16,1	ATE						
	103	02/11 →	●		P24061MM [-]	18,2	ATE						
	103	02/11 →		●	P24148MM [-]	16,1	ATE						
	100	02/11 →	●		P24061MM [-]	18,2	ATE						
	100	02/11 →		●	P24148MM [-]	16,1	ATE						
	110	03/15 →	●		P24061MM [-]	18,2	ATE						
	110	03/15 →		●	P24148MM [-]	16,1	ATE						
	125	03/15 →	●		P24061MM [-]	18,2	ATE						
	125	03/15 →		●	P24148MM [-]	16,1	ATE						

C-MAX II Van 12/10 →

1.0 EcoBoost	74	10/12 →	●		P24061MM [-]	18,2	ATE						
	74	10/12 →		●	P24148MM [-]	16,1	ATE						
	92	10/12 →	●		P24061MM [-]	18,2	ATE						
	92	10/12 →		●	P24148MM [-]	16,1	ATE						
1.5 EcoBoost	110	03/15 →	●		P24061MM [-]	18,2	ATE						
	110	03/15 →		●	P24148MM [-]	16,1	ATE						
	134	03/15 →	●		P24061MM [-]	18,2	ATE						
1.5 TDCi	88	03/15 →	●		P24061MM [-]	18,2	ATE						
	88	03/15 →		●	P24148MM [-]	16,1	ATE						
1.5 TDCi ECOnetic	77	03/15 →	●		P24061MM [-]	18,2	ATE						
	77	03/15 →		●	P24148MM [-]	16,1	ATE						
1.6 EcoBoost	110	12/10 →	●		P24061MM [-]	18,2	ATE						
	110	12/10 →		●	P24148MM [-]	16,1	ATE						
1.6 TDCi	70	12/10 →	●		P24061MM [-]	18,2	ATE						
	70	12/10 →		●	P24148MM [-]	16,1	ATE						
	85	12/10 →	●		P24061MM [-]	18,2	ATE						
	85	12/10 →		●	P24148MM [-]	16,1	ATE						
2.0 TDCi	85	02/11 →	●		P24061MM [-]	18,2	ATE						
	85	02/11 →		●	P24148MM [-]	16,1	ATE						
	103	02/11 →	●		P24061MM [-]	18,2	ATE						
	103	02/11 →		●	P24148MM [-]	16,1	ATE						
	120	12/10 →	●		P24061MM [-]	18,2	ATE						

									WI			FK	
										LENGHT			

FORD

C-MAX II Van 12/10 →

2.0 TDCi	120	12/10 →	•		P24148MM	[-]	16,1	ATE					
	110	03/15 →	•		P24061MM	[-]	18,2	ATE					
	110	03/15 →		•	P24148MM	[-]	16,1	ATE					
	125	03/15 →	•		P24061MM	[-]	18,2	ATE					
	125	03/15 →		•	P24148MM	[-]	16,1	ATE					

COUGAR (EC_) 08/98 → 12/01

2.0 16V	96	08/98 → 12/01	•		P24034MM	[+]	18,5	ATE				A02228
	96	08/98 → 12/01	•		P24037MM	[-]	18,5	ATE				A02228
	96	08/98 → 12/01		•	P24038MM	[+]	15,7	BSH				A02253
	96	08/98 → 12/01		•	P24070MM	[-]	15,7	BSH				A02253
2.5 ST 200	151	01/00 → 12/01	•		P24034MM	[+]	18,5	ATE				A02228
	151	01/00 → 12/01	•		P24037MM	[-]	18,5	ATE				A02228
	151	01/00 → 12/01		•	P24038MM	[+]	15,7	BSH				A02253
	151	01/00 → 12/01		•	P24070MM	[-]	15,7	BSH				A02253
2.5 V6 24V	125	08/98 → 12/01	•		P24034MM	[+]	18,5	ATE				A02228
	125	08/98 → 12/01	•		P24037MM	[-]	18,5	ATE				A02228
	125	08/98 → 12/01		•	P24038MM	[+]	15,7	BSH				A02253
	125	08/98 → 12/01		•	P24070MM	[-]	15,7	BSH				A02253
	125	06/00 → 12/01	•		P24034MM	[+]	18,5	ATE				A02228
	125	06/00 → 12/01	•		P24037MM	[-]	18,5	ATE				A02228
	125	06/00 → 12/01		•	P24038MM	[+]	15,7	BSH				A02253
	125	06/00 → 12/01		•	P24070MM	[-]	15,7	BSH				A02253

ECOSPORT 09/11 →

1.0 EcoBoost	92	10/13 →	•		P24061MM	[-]	18,2	ATE				
	103	03/16 →	•		P24061MM	[-]	18,2	ATE				
1.5 TDCi	66	10/13 →	•		P24061MM	[-]	18,2	ATE				
	70	05/15 →	•		P24061MM	[-]	18,2	ATE				
1.5 Ti	82	10/13 →	•		P24061MM	[-]	18,2	ATE				
1.6 Ti-VCT	90	08/12 →	•		P24061MM	[-]	18,2	ATE				
2.0 4x4	103	08/12 →	•		P24061MM	[-]	18,2	ATE				

ESCORT '95 Box (AVL) 01/95 → 06/01

1.4	54	01/95 → 08/00	•	→ 06/97	P24029MM	[-]	18	BDX				
	54	01/95 → 08/00	•	06/97 →	P24045MM	[-]	18	BDX				
1.8 D	44	01/95 → 08/00	•	→ 06/97	P24029MM	[-]	18	BDX				
	44	01/95 → 08/00	•	06/97 →	P24045MM	[-]	18	BDX				
1.8 TD	66	01/95 → 08/00	•	→ 06/97	P24029MM	[-]	18	BDX				A02231
	66	01/95 → 08/00	•	06/97 →	P24045MM	[-]	18	BDX				A02231
1.8 Turbo D	51	12/95 → 06/01	•	→ 06/97	P24029MM	[-]	18	BDX				A02231
	51	12/95 → 06/01	•	06/97 →	P24045MM	[-]	18	BDX				A02231

ESCORT CLASSIC (AAL, ABL) 10/98 → 07/00

1.6 16V	66	10/98 → 07/00	•		P24045MM	[-]	18	BDX				A02231
	66	10/98 → 07/00		• +rear disc	P24030MM	[-]	15	ATE				
1.8 TD	66	10/98 → 07/00	•		P24045MM	[-]	18	BDX				A02231
	66	10/98 → 07/00		• +rear disc	P24030MM	[-]	15	ATE				

ESCORT CLASSIC Turnier (ANL) 02/99 → 07/00

1.6 16V	66	02/99 → 07/00	•		P24045MM	[-]	18	BDX				A02231
	66	02/99 → 07/00		• +rear disc	P24030MM	[-]	15	ATE				
1.8 TD	66	02/99 → 07/00	•		P24045MM	[-]	18	BDX				A02231
	66	02/99 → 07/00		• +rear disc	P24030MM	[-]	15	ATE				

ESCORT VII (GAL, AAL, ABL) 01/95 → 10/02

1.3	44	01/95 → 10/98	•	→ 06/97	P24029MM	[-]	18	BDX				A02231
	44	01/95 → 10/98	•	06/97 →	P24045MM	[-]	18	BDX				A02231

		kw					MAGNETI MARELLI	wi	Th [mm]	SYS	MAGNETI MARELLI	LENGHT		MAGNETI MARELLI	
											WI		FK		

FORD

ESCORT VII (GAL, AAL, ABL) 01/95 → 10/02

1.4	55	01/95 → 10/98	●	→ 06/97	P24029MM [-]	18	BDX							A02231	
	55	01/95 → 10/98	●	06/97 →	P24045MM [-]	18	BDX							A02231	
1.6 16V	66	01/95 → 10/98	●	→ 06/97	P24029MM [-]	18	BDX							A02231	
	66	01/95 → 10/98	●	06/97 →	P24045MM [-]	18	BDX							A02231	
1.6 16V 4x4	66	01/95 → 10/98	●	→ 06/97	P24029MM [-]	18	BDX							A02231	
	66	01/95 → 10/98	●	06/97 →	P24045MM [-]	18	BDX							A02231	
	66	01/95 → 10/98	●		P24030MM [-]	15	ATE								
1.6 i 16V	65	01/95 → 08/95	●		P24029MM [-]	18	BDX							A02231	
	65	01/95 → 08/95	●		P24030MM [-]	15	ATE								
1.8 16V	85	01/95 → 10/98	●	→ 06/97	P24029MM [-]	18	BDX								
	85	01/95 → 10/98	●	06/97 →	P24045MM [-]	18	BDX								
	85	01/95 → 10/98	●		P24030MM [-]	15	ATE								
	77	01/95 → 08/95	●		P24029MM [-]	18	BDX							A02231	
1.8 D	77	01/95 → 08/95	●		P24030MM [-]	15	ATE								
	44	01/95 → 12/96	●		P24029MM [-]	18	BDX							A02231	
1.8 TD	44	01/95 → 12/96	●		P24030MM [-]	15	ATE								
	66	01/95 → 10/98	●	→ 06/97	P24029MM [-]	18	BDX							A02231	
	66	01/95 → 10/98	●	06/97 →	P24045MM [-]	18	BDX							A02231	
1.8 Turbo D	66	01/95 → 10/98	●		P24030MM [-]	15	ATE								
	51	12/95 → 10/98	●	→ 06/97	P24029MM [-]	18	BDX							A02231	
	51	12/95 → 10/98	●	06/97 →	P24045MM [-]	18	BDX							A02231	
RS 2000	51	12/95 → 10/98	●		P24030MM [-]	15	ATE								
	110	02/95 → 02/98	●		P24007MM [+]	18	ATE								
	110	02/95 → 02/98	●		P24019MM [-]	18	ATE								
RS 2000 4x4	110	02/95 → 02/98	●		P24030MM [-]	15	ATE								
	110	02/95 → 10/98	●		P24007MM [+]	18	ATE								
	110	02/95 → 10/98	●		P24019MM [-]	18	ATE								
RS Cosworth 4x4	110	02/95 → 10/98	●		P24030MM [-]	15	ATE								
	162	02/95 → 10/98	●		P24069MM [-]	19,8	ATE								
	162	02/95 → 10/98	●		P24018MM [-]	13,7	TRW							A02250	

ESCORT VII Convertible (ALL) 02/95 → 08/00

1.4	55	02/95 → 08/98	●	→ 06/97	P24029MM [-]	18	BDX							A02231	
	55	02/95 → 08/98	●	06/97 →	P24045MM [-]	18	BDX							A02231	
1.6 16V XR3i	65	02/95 → 12/96	●		P24029MM [-]	18	BDX							A02231	
	65	02/95 → 12/96	●		P24030MM [-]	15	ATE								
	66	02/95 → 09/99	●	→ 06/97	P24029MM [-]	18	BDX							A02231	
	66	02/95 → 09/99	●	06/97 →	P24045MM [-]	18	BDX							A02231	
1.8 16V XR3i	66	02/95 → 09/99	●		P24030MM [-]	15	ATE								
	85	10/95 → 08/98	●	→ 06/97	P24029MM [-]	18	BDX							A02231	
	85	10/95 → 08/98	●	06/97 →	P24045MM [-]	18	BDX							A02231	
	85	10/95 → 08/98	●		P24030MM [-]	15	ATE								
	96	02/95 → 08/00	●		P24007MM [+]	18	ATE								
	96	02/95 → 08/00	●		P24019MM [-]	18	ATE								
	96	02/95 → 08/00	●		P24030MM [-]	15	ATE								
	77	02/95 → 08/98	●	→ 06/97	P24029MM [-]	18	BDX							A02231	
1.8 TD	77	02/95 → 08/98	●	06/97 →	P24045MM [-]	18	BDX							A02231	
	77	02/95 → 08/98	●		P24030MM [-]	15	ATE								
	66	09/95 → 08/98	●	→ 06/97	P24029MM [-]	18	BDX							A02231	
1.8 Turbo D	66	09/95 → 08/98	●	06/97 →	P24045MM [-]	18	BDX							A02231	
	66	09/95 → 08/98	●		P24030MM [-]	15	ATE								
	51	10/96 → 08/99	●	→ 06/97	P24029MM [-]	18	BDX							A02231	
1.8 Turbo D	51	10/96 → 08/99	●	06/97 →	P24045MM [-]	18	BDX							A02231	
	51	10/96 → 08/99	●		P24030MM [-]	15	ATE								



kw



WI

Th [mm]

SYS

WI

FK



LENGHT



FORD

ESCORT VII Saloon (GAL, AFL) 01/95 → 08/02

1.3	44	01/95 → 02/99	●	→ 06/97	P24029MM [-]	18	BDX					A02231	
	44	01/95 → 02/99	●	06/97 →	P24045MM [-]	18	BDX					A02231	
1.4	55	01/95 → 02/99	●	→ 06/97	P24029MM [-]	18	BDX					A02231	
	55	01/95 → 02/99	●	06/97 →	P24045MM [-]	18	BDX					A02231	
1.6 i 16V	66	01/95 → 02/99	●	→ 06/97	P24029MM [-]	18	BDX					A02231	→ 06/97
	66	01/95 → 02/99	●	06/97 →	P24045MM [-]	18	BDX					A02231	→ 06/97
	66	01/95 → 02/99	●		P24030MM [-]	15	ATE						
	65	01/95 → 08/95	●		P24029MM [-]	18	BDX					A02231	
	65	01/95 → 08/95	●		P24030MM [-]	15	ATE						
1.8 16V	85	01/95 → 02/99	●	→ 06/97	P24029MM [-]	18	BDX					A02231	→ 06/97
	85	01/95 → 02/99	●	06/97 →	P24045MM [-]	18	BDX					A02231	→ 06/97
	85	01/95 → 02/99	●		P24030MM [-]	15	ATE						
	77	01/95 → 08/95	●		P24029MM [-]	18	BDX					A02231	
	77	01/95 → 08/95	●		P24030MM [-]	15	ATE						
1.8 D	44	01/95 → 12/96	●		P24029MM [-]	18	BDX					A02231	
	44	01/95 → 12/96	●		P24030MM [-]	15	ATE						
1.8 TD	66	01/95 → 02/99	●	→ 06/97	P24029MM [-]	18	BDX					A02231	→ 06/97
	66	01/95 → 02/99	●	06/97 →	P24045MM [-]	18	BDX					A02231	→ 06/97
	66	01/95 → 02/99	●		P24030MM [-]	15	ATE						
1.8 Turbo D	51	12/95 → 02/99	●	→ 06/97	P24029MM [-]	18	BDX					A02231	→ 06/97
	51	12/95 → 02/99	●	06/97 →	P24045MM [-]	18	BDX					A02231	→ 06/97
	51	12/95 → 02/99	●		P24030MM [-]	15	ATE						

ESCORT VII Turnier (GAL, ANL) 01/95 → 10/02

1.3	44	01/95 → 01/99	●	→ 06/97	P24029MM [-]	18	BDX					A02231	
	44	01/95 → 01/99	●	06/97 →	P24045MM [-]	18	BDX					A02231	
1.4	55	01/95 → 02/99	●	→ 06/97	P24029MM [-]	18	BDX					A02231	
	55	01/95 → 02/99	●	06/97 →	P24045MM [-]	18	BDX					A02231	
1.6 16V	66	01/95 → 02/99	●	→ 06/97	P24029MM [-]	18	BDX					A02231	
	66	01/95 → 02/99	●	06/97 →	P24045MM [-]	18	BDX					A02231	
	66	01/95 → 02/99	●		P24030MM [-]	15	ATE						
1.6 i 16V	65	01/95 → 08/95	●		P24029MM [-]	18	BDX					A02231	
	65	01/95 → 08/95	●		P24030MM [-]	15	ATE						
1.8 16V	85	01/95 → 02/99	●	→ 06/97	P24029MM [-]	18	BDX					A02231	
	85	01/95 → 02/99	●	06/97 →	P24045MM [-]	18	BDX					A02231	
	85	01/95 → 02/99	●		P24030MM [-]	15	ATE						
	77	01/95 → 08/95	●		P24029MM [-]	18	BDX					A02231	
	77	01/95 → 08/95	●		P24030MM [-]	15	ATE						
1.8 D	44	01/95 → 02/99	●	→ 06/97	P24029MM [-]	18	BDX					A02231	
	44	01/95 → 02/99	●	06/97 →	P24045MM [-]	18	BDX					A02231	
	44	01/95 → 02/99	●		P24030MM [-]	15	ATE						
1.8 TD	66	01/95 → 02/99	●	→ 06/97	P24029MM [-]	18	BDX					A02231	
	66	01/95 → 02/99	●	06/97 →	P24045MM [-]	18	BDX					A02231	
	66	01/95 → 02/99	●		P24030MM [-]	15	ATE						
1.8 Turbo D	51	12/95 → 02/99	●	→ 06/97	P24029MM [-]	18	BDX					A02231	
	51	12/95 → 02/99	●	06/97 →	P24045MM [-]	18	BDX					A02231	
	51	12/95 → 02/99	●		P24030MM [-]	15	ATE						

FIESTA Box (J5, J3) 02/96 →

1.3	44	02/96 → 08/03	●	→ 02/00	P24043MM [-]	17,5	ATE					A02227	
	44	02/96 → 08/03	●	02/00 →; -ABS	P24054MM [-]	18,8	ATE					A02227	
	44	02/96 → 08/03	●	02/00 →; +ABS	P24055MM [-]	18,8	ATE					A02227	
	44	02/96 → 08/03	●	→ 02/00; solid	P24028MM [-]	17,8	ATE					A02227	
1.4 i	66	04/96 → 10/99	●		P24043MM [-]	17,5	ATE					A02227	
1.8 D	44	02/96 → 04/02	●	→ 02/00	P24043MM [-]	17,5	ATE					A02227	
	44	02/96 → 04/02	●	02/00 →; -ABS	P24054MM [-]	18,8	ATE					A02227	

FORD

FIESTA Box (J5_, J3_) 02/96 →

1.8 D	44	02/96 → 04/02	●	→ 02/00; solid	P24028MM [-]	17,8	ATE					A02227
	44	02/96 → 04/02	●	02/00 →; +ABS	P24055MM [-]	18,8	ATE					A02227
1.8 Di	55	09/00 → 08/03	●	-ABS	P24054MM [-]	18,8	ATE					A02227
	55	09/00 → 08/03	●	+ABS	P24055MM [-]	18,8	ATE					A02227

FIESTA Box (JV_) 05/98 → 08/03

D 1.8	44	05/98 → 04/02	●	→ 02/00	P24043MM [-]	17,5	ATE					A02227
	44	05/98 → 04/02	●	02/00 →; -ABS	P24054MM [-]	18,8	ATE					A02227
	44	05/98 → 04/02	●	02/00 →; +ABS	P24055MM [-]	18,8	ATE					A02227
TD 1.8	55	03/00 → 08/03	●	-ABS	P24054MM [-]	18,8	ATE					A02227
	55	03/00 → 08/03	●	+ABS	P24055MM [-]	18,8	ATE					A02227

FIESTA IV (JA_, JB_) 08/95 → 09/02

1.0 i	38	02/97 → 09/99	●		P24044MM [-]	17,5	ATE					A02227
	48	09/99 → 01/02	●	→ 02/00	P24044MM [-]	17,5	ATE					A02227
	48	09/99 → 01/02	●	→ 02/00; Aut.	P24043MM [-]	17,5	ATE					A02227
	48	09/99 → 01/02	●	02/00 →; -ABS	P24054MM [-]	18,8	ATE					A02227
	48	09/99 → 01/02	●	02/00 →; +ABS	P24055MM [-]	18,8	ATE					A02227
1.1	37	09/95 → 12/96	●		P24044MM [-]	17,5	ATE					
1.25 i 16V	55	08/95 → 01/02	●	→ 02/00; Man.	P24044MM [-]	17,5	ATE					A02227
	55	08/95 → 01/02	●	→ 02/00; Aut.	P24043MM [-]	17,5	ATE					A02227
	55	08/95 → 01/02	●	02/00 →; -ABS	P24054MM [-]	18,8	ATE					A02227
	55	08/95 → 01/02	●	02/00 →; +ABS	P24055MM [-]	18,8	ATE					A02227
1.3	42	04/96 → 08/99	●		P24044MM [-]	17,5	ATE					
1.3 i	37	08/95 → 01/02	●	→ 02/00	P24044MM [-]	17,5	ATE					A02227
	37	08/95 → 01/02	●	02/00 →; -ABS	P24054MM [-]	18,8	ATE					A02227
	37	08/95 → 01/02	●	02/00 →; +ABS	P24055MM [-]	18,8	ATE					A02227
	44	08/95 → 01/02	●	→ 02/00	P24044MM [-]	17,5	ATE					A02227
	44	08/95 → 01/02	●	02/00 →; -ABS	P24054MM [-]	18,8	ATE					A02227
	44	08/95 → 01/02	●	02/00 →; +ABS	P24055MM [-]	18,8	ATE					A02227
	44	04/96 → 08/99	●		P24044MM [-]	17,5	ATE					
1.4 i 16V	66	04/96 → 01/02	●	→ 02/00	P24043MM [-]	17,5	ATE					A02227
	66	04/96 → 01/02	●	02/00 →; -ABS	P24054MM [-]	18,8	ATE					A02227
	66	04/96 → 01/02	●	02/00 →; +ABS	P24055MM [-]	18,8	ATE					A02227
1.6	65	02/00 → 01/02	●	-ABS	P24054MM [-]	18,8	ATE					
	65	02/00 → 01/02	●	+ABS	P24055MM [-]	18,8	ATE					
1.6 16V Sport	76	02/00 → 01/02	●	-ABS	P24054MM [-]	18,8	ATE					A02227
	76	02/00 → 01/02	●	+ABS	P24055MM [-]	18,8	ATE					A02227
1.8 D	44	08/95 → 04/00	●	→ 02/00	P24044MM [-]	17,5	ATE					A02227
	44	08/95 → 04/00	●	02/00 →; -ABS	P24054MM [-]	18,8	ATE					A02227
	44	08/95 → 04/00	●	02/00 →; +ABS	P24055MM [-]	18,8	ATE					A02227
1.8 Di	55	04/00 → 01/02	●	-ABS	P24054MM [-]	18,8	ATE					A02227
	55	04/00 → 01/02	●	+ABS	P24055MM [-]	18,8	ATE					A02227

FIESTA Saloon 04/10 →

1.25	44	10/12 →	●	→ 07/14	P24072MM [-]	17,6	TRW					
	44	10/12 →	●	01/13 →; +rear disc	P24047MM [-]	14	TRW					

FIESTA V (JH_, JD_) 11/01 → 03/10

1.25 16V	51	03/03 → 06/08	●		P24055MM [-]	18,8	ATE					A02227
	55	05/02 → 06/08	●		P24055MM [-]	18,8	ATE					A02227
1.3	44	11/01 → 06/08	●		P24055MM [-]	18,8	ATE					A02227
	51	11/01 → 06/08	●		P24055MM [-]	18,8	ATE					A02227
1.4 16V	59	11/01 → 06/08	●		P24055MM [-]	18,8	ATE					A02227
1.4 TDCi	50	11/01 → 06/08	●		P24055MM [-]	18,8	ATE					A02227
1.6 16V	74	11/01 → 06/08	●		P24055MM [-]	18,8	ATE					A02227
1.6 TDCi	66	11/04 → 06/08	●		P24055MM [-]	18,8	ATE					A02227

										WI			FK	
	kw										LENGHT			

FORD

FIESTA V (JH_, JD_) 11/01 → 03/10

ST150	110	03/05 → 06/08	●			P24071MM	[-]	17,1	ATE					A02227
	110	03/05 → 06/08		●		P24047MM	[-]	14	TRW					

FIESTA V Van 10/03 → 12/10

1.3	51	10/03 → 07/05	●			P24055MM	[-]	18,8	ATE					
1.4 TDCi	50	10/03 → 12/10	●			P24055MM	[-]	18,8	ATE					
1.6 TDCi	66	04/07 → 09/09	●			P24055MM	[-]	18,8	ATE					

FIESTA VI 06/08 →

1.0	48	01/13 →	●		+rear drum	P24072MM	[-]	17,6	TRW					
	48	01/13 →	●		+rear disc	P24151MM	[-]	16,7	TRW					
	48	01/13 →		●	+rear disc	P24047MM	[-]	14	TRW					
	59	10/12 →	●		+rear drum	P24072MM	[-]	17,6	TRW					
	59	10/12 →	●		+rear disc	P24151MM	[-]	16,7	TRW					
	59	10/12 →		●	+rear disc	P24047MM	[-]	14	TRW					
1.0 EcoBoost	74	01/13 →	●		+rear drum	P24072MM	[-]	17,6	TRW					
	74	01/13 →	●		+rear disc	P24151MM	[-]	16,7	TRW					
	74	01/13 →		●	+rear disc	P24047MM	[-]	14	TRW					
	92	09/12 →	●		+rear drum	P24072MM	[-]	17,6	TRW					
	92	09/12 →	●		+rear disc	P24151MM	[-]	16,7	TRW					
1.0 Sport	103	05/14 →	●		+rear drum	P24072MM	[-]	17,6	TRW					
	103	05/14 →	●		+rear disc	P24151MM	[-]	16,7	TRW					
	103	05/14 →		●	+rear disc	P24047MM	[-]	14	TRW					
1.25	44	06/08 →	●		+rear drum	P24072MM	[-]	17,6	TRW					
	44	06/08 →	●		+rear disc	P24151MM	[-]	16,7	TRW					
	44	06/08 →		●	+rear disc	P24047MM	[-]	14	TRW					
	60	06/08 →	●		+rear drum	P24072MM	[-]	17,6	TRW					
	60	06/08 →	●		+rear disc	P24151MM	[-]	16,7	TRW					
1.4	71	06/08 →	●		+rear drum	P24072MM	[-]	17,6	TRW					
	71	06/08 →	●		+rear disc	P24151MM	[-]	16,7	TRW					
	71	06/08 →		●	+rear disc	P24047MM	[-]	14	TRW					
1.4 LPG	71	01/09 →	●		+rear drum	P24072MM	[-]	17,6	TRW					
	71	01/09 →	●		+rear disc	P24151MM	[-]	16,7	TRW					
	71	01/09 →		●	+rear disc	P24047MM	[-]	14	TRW					
	68	01/09 →	●		+rear drum	P24072MM	[-]	17,6	TRW					
	68	01/09 →	●		+rear disc	P24151MM	[-]	16,7	TRW					
1.4 TDCi	51	07/10 →	●		+rear drum	P24072MM	[-]	17,6	TRW					
	51	07/10 →	●		+rear disc	P24151MM	[-]	16,7	TRW					
	51	07/10 →		●	+rear disc	P24047MM	[-]	14	TRW					
	50	01/09 →	●		+rear drum	P24072MM	[-]	17,6	TRW					
	50	01/09 →	●		+rear disc	P24151MM	[-]	16,7	TRW					
1.5 TDCi	55	09/12 →	●		+rear drum	P24072MM	[-]	17,6	TRW					
	55	09/12 →	●		+rear disc	P24151MM	[-]	16,7	TRW					
	55	09/12 →		●	+rear disc	P24047MM	[-]	14	TRW					
	70	05/15 →	●		+rear drum	P24072MM	[-]	17,6	TRW					
	70	05/15 →	●		+rear disc	P24151MM	[-]	16,7	TRW					
1.6 ST	134	03/13 →	●			P24151MM	[-]	16,7	TRW					
	134	03/13 →	●		+rear drum	P24072MM	[-]	17,6	TRW					
	134	03/13 →		●		P24047MM	[-]	14	TRW					
1.6 ST200	147	04/16 →	●		+rear drum	P24072MM	[-]	17,6	TRW					
	147	04/16 →	●		+rear disc	P24151MM	[-]	16,7	TRW					

 	kw						wi	Th [mm]	SYS	WI			FK	
											LENGHT			

FORD

FIESTA VI 06/08 →

1.6 ST200	147	04/16 →		●	+rear disc	P24047MM [-]	14	TRW						
1.6 TDCi	66	06/08 →	●		+rear drum	P24072MM [-]	17,6	TRW						
	66	06/08 →	●		+rear disc	P24151MM [-]	16,7	TRW						
	66	06/08 →		●	+rear disc	P24047MM [-]	14	TRW						
	55	06/08 →	●		+rear drum	P24072MM [-]	17,6	TRW						
	55	06/08 →	●		+rear disc	P24151MM [-]	16,7	TRW						
	55	06/08 →		●	+rear disc	P24047MM [-]	14	TRW						
	70	02/10 →	●		+rear drum	P24072MM [-]	17,6	TRW						
	70	02/10 →	●		+rear disc	P24151MM [-]	16,7	TRW						
	70	02/10 →		●	+rear disc	P24047MM [-]	14	TRW						
1.6 Ti	99	12/10 →	●		+rear drum	P24072MM [-]	17,6	TRW						
	99	12/10 →	●		+rear disc	P24151MM [-]	16,7	TRW						
	99	12/10 →		●	+rear disc	P24047MM [-]	14	TRW						
	88	06/08 →	●		+rear drum	P24072MM [-]	17,6	TRW						
	88	06/08 →	●		+rear disc	P24151MM [-]	16,7	TRW						
	88	06/08 →		●	+rear disc	P24047MM [-]	14	TRW						
	77	09/12 →	●		+rear drum	P24072MM [-]	17,6	TRW						
	77	09/12 →	●		+rear disc	P24151MM [-]	16,7	TRW						
	77	09/12 →		●	+rear disc	P24047MM [-]	14	TRW						

FIESTA VI Van 01/09 →

1.0	48	01/13 →	●			P24072MM [-]	17,6	TRW						
	48	01/13 →	●		+rear disc	P24151MM [-]	16,7	TRW						
	48	01/13 →		●		P24047MM [-]	14	TRW						
	59	10/12 →	●		+rear drum	P24072MM [-]	17,6	TRW						
	59	10/12 →	●		+rear disc	P24151MM [-]	16,7	TRW						
	59	10/12 →		●		P24047MM [-]	14	TRW						
1.0 EcoBoost	92	09/12 →	●			P24072MM [-]	17,6	TRW						
	92	09/12 →	●		+rear disc	P24151MM [-]	16,7	TRW						
	92	09/12 →		●		P24047MM [-]	14	TRW						
	103	05/14 →	●		+rear disc	P24151MM [-]	16,7	TRW						
	103	05/14 →	●			P24072MM [-]	17,6	TRW						
	103	05/14 →		●	+rear disc	P24047MM [-]	14	TRW						
	74	01/13 →	●			P24072MM [-]	17,6	TRW						
	74	01/13 →	●		+rear disc	P24151MM [-]	16,7	TRW						
1.25	60	01/09 →	●			P24047MM [-]	14	TRW						
1.4 TDCi	51	07/10 →	●			P24072MM [-]	17,6	TRW						
	50	01/09 →	●			P24072MM [-]	17,6	TRW						
1.5 TDCi	55	10/12 →	●		+rear drum	P24072MM [-]	17,6	TRW						
	55	10/12 →	●		+rear disc	P24151MM [-]	16,7	TRW						
	55	10/12 →		●	+rear disc	P24047MM [-]	14	TRW						
	70	05/15 →	●		+rear drum	P24072MM [-]	17,6	TRW						
	70	05/15 →	●		+rear disc	P24151MM [-]	16,7	TRW						
	70	05/15 →		●	+rear disc	P24047MM [-]	14	TRW						
1.6 ST	134	03/13 →	●		+rear drum	P24072MM [-]	17,6	TRW						
	134	03/13 →	●		+rear disc	P24151MM [-]	16,7	TRW						
	134	03/13 →		●	+rear disc	P24047MM [-]	14	TRW						
1.6 TDCi	70	02/10 →	●			P24072MM [-]	17,6	TRW						
	66	01/09 →	●			P24072MM [-]	17,6	TRW						

FOCUS (DAW, DBW) 10/98 → 12/07

1.4 16V	55	10/98 → 11/04	●			P24046MM [-]	19,3	ATE						
	55	10/98 → 11/04		●		P24047MM [-]	14	TRW						
1.6 16V	74	10/98 → 11/04	●			P24046MM [-]	19,3	ATE						
	74	10/98 → 11/04		●		P24047MM [-]	14	TRW						

									WI			FK	

FORD

FOCUS (DAW, DBW) 10/98 → 12/07

1.6 16V Flexifuel	75	01/02 → 11/04	●					P24046MM [-]	19,3	ATE				
	75	01/02 → 11/04		●				P24047MM [-]	14	TRW				
1.8 16V	85	10/98 → 11/04	●					P24046MM [-]	19,3	ATE				
	85	10/98 → 11/04		●				P24047MM [-]	14	TRW				
1.8 DI / TDDi	55	08/99 → 11/04	●					P24046MM [-]	19,3	ATE				
	55	08/99 → 11/04		●				P24047MM [-]	14	TRW				
1.8 TDCi	85	03/01 → 11/04	●					P24046MM [-]	19,3	ATE				
	85	03/01 → 11/04		●				P24047MM [-]	14	TRW				
	74	08/02 → 11/04	●					P24046MM [-]	19,3	ATE				
	74	08/02 → 11/04		●				P24047MM [-]	14	TRW				
1.8 Turbo DI / TDDi	66	10/98 → 11/04	●					P24046MM [-]	19,3	ATE				
	66	10/98 → 11/04		●				P24047MM [-]	14	TRW				
2.0 16V	96	10/98 → 11/04	●					P24046MM [-]	19,3	ATE				
	96	10/98 → 11/04		●				P24047MM [-]	14	TRW				
RS	158	10/02 → 11/04	●					P24058MM [-]	17,6	ATE			A02228	
	158	10/02 → 11/04		●				P24073MM [-]	14	BRE			A02228	
	158	10/02 → 11/04		●				P24047MM [-]	14	TRW				
ST170	127	03/02 → 11/04	●					P24058MM [-]	17,6	ATE			A02228	
	127	03/02 → 11/04		●				P24047MM [-]	14	TRW				

FOCUS C-MAX 10/03 → 03/07

1.6	74	10/03 → 03/07	●					P24061MM [-]	18,2	ATE			A02202	
	74	10/03 → 03/07		●				P59042MM [o]	16,7	ATE				
1.6 TDCi	80	10/03 → 03/07	●					P24061MM [-]	18,2	ATE			A02202	
	80	10/03 → 03/07		●				P59042MM [o]	16,7	ATE				
	66	02/05 → 03/07	●					P24061MM [-]	18,2	ATE			A02202	
	66	02/05 → 03/07		●				P59042MM [o]	16,7	ATE				
1.6 Ti	85	08/04 → 03/07	●					P24061MM [-]	18,2	ATE			A02202	
	85	08/04 → 03/07		●				P59042MM [o]	16,7	ATE				
1.8	88	10/03 → 03/07	●					P24061MM [-]	18,2	ATE			A02202	
	88	10/03 → 03/07		●				P59042MM [o]	16,7	ATE				
	92	04/04 → 03/07	●					P24061MM [-]	18,2	ATE			A02202	
	92	04/04 → 03/07		●				P59042MM [o]	16,7	ATE				
	90	09/05 → 03/07	●					P24061MM [-]	18,2	ATE				
	90	09/05 → 03/07		●				P59042MM [o]	16,7	ATE				
1.8 Flexifuel	92	01/06 → 03/07	●					P24061MM [-]	18,2	ATE			A02202	
	92	01/06 → 03/07		●				P59042MM [o]	16,7	ATE				
1.8 TDCi	85	01/05 → 03/07	●					P24061MM [-]	18,2	ATE			A02202	
	85	01/05 → 03/07		●				P59042MM [o]	16,7	ATE				
2.0	107	03/04 → 03/07	●					P24061MM [-]	18,2	ATE			A02202	
	107	03/04 → 03/07		●				P59042MM [o]	16,7	ATE				
2.0 TDCi	98	10/03 → 03/07	●					P24061MM [-]	18,2	ATE			A02202	
	98	10/03 → 03/07		●				P59042MM [o]	16,7	ATE				
	100	10/03 → 03/07	●					P24061MM [-]	18,2	ATE			A02202	
	100	10/03 → 03/07		●				P59042MM [o]	16,7	ATE				

FOCUS II (DA_, HCP) 07/04 → 09/12

1.4	59	07/04 → 09/12	●					P24061MM [-]	18,2	ATE			A02202	
	59	07/04 → 09/12		●				P59042MM [o]	16,7	ATE				
1.6	74	07/04 → 09/12	●					P24061MM [-]	18,2	ATE			A02202	
	74	07/04 → 09/12		●				P59042MM [o]	16,7	ATE				
1.6 LPG	85	10/09 → 07/11	●					P24061MM [-]	18,2	ATE				
	85	10/09 → 07/11		●				P59042MM [o]	16,7	ATE				
1.6 TDCi	74	07/04 → 09/12	●					P24061MM [-]	18,2	ATE			A02202	
	74	07/04 → 09/12		●				P59042MM [o]	16,7	ATE				

		kw					MAGNETI MARELLI	wi	Th [mm]	SYS	WI			FK	
											MAGNETI MARELLI	LEIGHT		MAGNETI MARELLI	

FORD

FOCUS II (DA_, HCP) 07/04 → 09/12

1.6 TDCi	80	07/04 → 09/12	●				P24061MM	[-]	18,2	ATE					A02202	
	80	07/04 → 09/12		●			P59042MM	[O]	16,7	ATE						
1.6 Ti	66	01/05 → 09/12	●				P24061MM	[-]	18,2	ATE					A02202	
	66	01/05 → 09/12		●			P59042MM	[O]	16,7	ATE						
1.8	85	07/04 → 09/12	●				P24061MM	[-]	18,2	ATE					A02202	
	85	07/04 → 09/12		●			P59042MM	[O]	16,7	ATE						
1.8 Flexifuel	92	03/06 → 09/12	●				P24061MM	[-]	18,2	ATE						
	92	03/06 → 09/12		●			P59042MM	[O]	16,7	ATE						
	92	01/06 → 09/12	●				P24061MM	[-]	18,2	ATE					A02202	
	92	01/06 → 09/12		●			P59042MM	[O]	16,7	ATE						
1.8 TDCi	96	12/05 → 01/08	●				P24061MM	[-]	18,2	ATE					A02202	
	96	12/05 → 01/08		●			P59042MM	[O]	16,7	ATE						
2.0	85	01/05 → 09/12	●				P24061MM	[-]	18,2	ATE					A02202	
	85	01/05 → 09/12		●			P59042MM	[O]	16,7	ATE						
2.0 CNG	105	04/10 → 09/12	●				P24061MM	[-]	18,2	ATE						
	105	04/10 → 09/12		●			P59042MM	[O]	16,7	ATE						
	107	07/04 → 09/12	●				P24061MM	[-]	18,2	ATE					A02202	
	107	07/04 → 09/12		●			P59042MM	[O]	16,7	ATE						
2.0 LPG	104	06/05 → 09/08	●				P24061MM	[-]	18,2	ATE						
	104	06/05 → 09/08		●			P59042MM	[O]	16,7	ATE						
2.0 TDCi	107	04/09 → 07/11	●				P24061MM	[-]	18,2	ATE						
	107	04/09 → 07/11		●			P59042MM	[O]	16,7	ATE						
	107	06/08 → 07/11	●				P24061MM	[-]	18,2	ATE						
	107	06/08 → 07/11		●			P59042MM	[O]	16,7	ATE						
	98	07/04 → 01/08	●				P24061MM	[-]	18,2	ATE					A02202	
	98	07/04 → 01/08		●			P59042MM	[O]	16,7	ATE						
2.5 RS	100	07/04 → 09/12	●				P24061MM	[-]	18,2	ATE					A02202	
	100	07/04 → 09/12		●			P59042MM	[O]	16,7	ATE						
	81	02/08 → 07/11	●				P24061MM	[-]	18,2	ATE						
	81	02/08 → 07/11		●			P59042MM	[O]	16,7	ATE						
2.5 RS 500	224	01/09 → 07/11	●				P24074MM	[O]	18,7	TRW						
	224	01/09 → 07/11		●			P24075MM	[-]	15,7	TRW						
	257	05/10 → 07/11	●				P24074MM	[O]	18,7	TRW						
2.5 ST	257	05/10 → 07/11		●			P24161MM	[-]	18	TRW						
	257	05/10 → 07/11	●				P24075MM	[-]	15,7	TRW						
2.5 ST	166	10/05 → 09/12	●				P24057MM	[-]	18,5	ATE						
	166	10/05 → 09/12		●			P59042MM	[O]	16,7	ATE						

FOCUS II Convertible 10/06 → 09/10

1.6	74	10/06 → 09/10	●				P24061MM	[-]	18,2	ATE					A02202	
	74	10/06 → 09/10		●			P59042MM	[O]	16,7	ATE						
2.0	107	10/06 → 09/10	●				P24061MM	[-]	18,2	ATE					A02202	
	107	10/06 → 09/10		●			P59042MM	[O]	16,7	ATE						
2.0 TDCi	100	10/06 → 09/10	●				P24061MM	[-]	18,2	ATE					A02202	
	100	10/06 → 09/10		●			P59042MM	[O]	16,7	ATE						

FOCUS II Saloon (DB_) 04/05 →

1.4	59	04/05 → 09/12	●				P24061MM	[-]	18,2	ATE					A02202	
	59	04/05 → 09/12		●			P59042MM	[O]	16,7	ATE						
1.6	74	04/05 → 09/12	●				P24061MM	[-]	18,2	ATE					A02202	
	74	04/05 → 09/12		●			P59042MM	[O]	16,7	ATE						
1.6 TDCi	74	04/05 → 09/12	●				P24061MM	[-]	18,2	ATE					A02202	
	74	04/05 → 09/12		●			P59042MM	[O]	16,7	ATE						
	66	04/05 → 09/12	●				P24061MM	[-]	18,2	ATE					A02202	
	66	04/05 → 09/12		●			P59042MM	[O]	16,7	ATE						

FORD

FOCUS II Saloon (DB_) 04/05 →

1.6 TDCi	80	04/05 → 09/12	●		P24061MM	[-]	18,2	ATE					A02202
	80	04/05 → 09/12	●		P59042MM	[o]	16,7	ATE					
1.6 Ti	85	04/05 → 09/12	●		P24061MM	[-]	18,2	ATE					A02202
	85	04/05 → 09/12	●		P59042MM	[o]	16,7	ATE					
1.8	92	03/06 → 09/12	●		P24061MM	[-]	18,2	ATE					
	92	03/06 → 09/12	●		P59042MM	[o]	16,7	ATE					
1.8 Flexifuel	92	06/06 → 07/11	●		P24061MM	[-]	18,2	ATE					
	92	06/06 → 07/11	●		P59042MM	[o]	16,7	ATE					
	96	12/05 → 01/08	●		P24061MM	[-]	18,2	ATE					A02202
	96	12/05 → 01/08	●		P59042MM	[o]	16,7	ATE					
1.8 TDCi	85	04/05 → 09/12	●		P24061MM	[-]	18,2	ATE					A02202
	85	04/05 → 09/12	●		P59042MM	[o]	16,7	ATE					
2.0	107	04/05 → 07/11	●		P24061MM	[-]	18,2	ATE					A02202
	107	04/05 → 07/11	●		P59042MM	[o]	16,7	ATE					
	104	02/08 →	●		P24061MM	[-]	18,2	ATE					
	104	02/08 →	●		P59042MM	[o]	16,7	ATE					
2.0 TDCi	100	04/05 → 09/12	●		P24061MM	[-]	18,2	ATE					A02202
	100	04/05 → 09/12	●		P59042MM	[o]	16,7	ATE					
	81	02/08 → 07/11	●		P24061MM	[-]	18,2	ATE					
	81	02/08 → 07/11	●		P59042MM	[o]	16,7	ATE					

FOCUS II Turnier (DA_) 07/04 → 09/12

1.4	59	07/04 → 09/12	●		P24061MM	[-]	18,2	ATE					A02202
	59	07/04 → 09/12	●		P59042MM	[o]	16,7	ATE					
1.6	74	07/04 → 07/11	●		P24061MM	[-]	18,2	ATE					A02202
	74	07/04 → 07/11	●		P59042MM	[o]	16,7	ATE					
1.6 LPG	85	10/09 → 09/12	●		P24061MM	[-]	18,2	ATE					
	85	10/09 → 09/12	●		P59042MM	[o]	16,7	ATE					
1.6 TDCi	74	07/04 → 09/12	●		P24061MM	[-]	18,2	ATE					A02202
	74	07/04 → 09/12	●		P59042MM	[o]	16,7	ATE					
	81	12/07 → 09/12	●		P24061MM	[-]	18,2	ATE					A02202
	81	12/07 → 09/12	●		P59042MM	[o]	16,7	ATE					
	80	07/04 → 09/12	●		P24061MM	[-]	18,2	ATE					A02202
	80	07/04 → 09/12	●		P59042MM	[o]	16,7	ATE					
	66	07/04 → 09/12	●		P24061MM	[-]	18,2	ATE					A02202
	66	07/04 → 09/12	●		P59042MM	[o]	16,7	ATE					
1.6 Ti	85	07/04 → 09/12	●		P24061MM	[-]	18,2	ATE					A02202
	85	07/04 → 09/12	●		P59042MM	[o]	16,7	ATE					
1.8	92	03/06 → 09/12	●		P24061MM	[-]	18,2	ATE					
	92	03/06 → 09/12	●		P59042MM	[o]	16,7	ATE					
1.8 Flexifuel	92	01/06 → 09/12	●		P24061MM	[-]	18,2	ATE					A02202
	92	01/06 → 09/12	●		P59042MM	[o]	16,7	ATE					
	97	12/05 → 01/08	●		P24061MM	[-]	18,2	ATE					A02202
	97	12/05 → 01/08	●		P59042MM	[o]	16,7	ATE					
1.8 TDCi	85	07/04 → 09/12	●		P24061MM	[-]	18,2	ATE					A02202
	85	07/04 → 09/12	●		P59042MM	[o]	16,7	ATE					
2.0	107	07/04 → 09/12	●		P24061MM	[-]	18,2	ATE					A02202
	107	07/04 → 09/12	●		P59042MM	[o]	16,7	ATE					
2.0 LPG	107	06/08 → 07/11	●		P24061MM	[-]	18,2	ATE					
	107	06/08 → 07/11	●		P59042MM	[o]	16,7	ATE					
2.0 TDCi	98	07/04 → 01/08	●		P24061MM	[-]	18,2	ATE					A02202
	98	07/04 → 01/08	●		P59042MM	[o]	16,7	ATE					
	100	07/04 → 09/12	●		P24061MM	[-]	18,2	ATE					A02202
	100	07/04 → 09/12	●		P59042MM	[o]	16,7	ATE					
	81	02/08 → 07/11	●		P24061MM	[-]	18,2	ATE					

		kw					wi	Th [mm]	SYS	WI			FK	
											LEIGHT			

FORD

FOCUS II Turnier (DA_) 07/04 → 09/12

2.0 TDCi	81	02/08 → 07/11	•			P59042MM	○	16,7	ATE					
----------	----	---------------	---	--	--	----------	---	------	-----	--	--	--	--	--

FOCUS III 07/10 →

1.0 EcoBoost	92	02/12 →	•			P24061MM	[-]	18,2	ATE					
	92	02/12 →		•		P24148MM	[-]	16,1	ATE					
	74	02/12 →	•			P24061MM	[-]	18,2	ATE					
	74	02/12 →		•		P24148MM	[-]	16,1	ATE					
1.5 EcoBoost	110	09/14 →	•			P24061MM	[-]	18,2	ATE					
	110	09/14 →		•		P24148MM	[-]	16,1	ATE					
	134	09/14 →	•			P24061MM	[-]	18,2	ATE					
	134	09/14 →		•		P24148MM	[-]	16,1	ATE					
1.5 TDCi	70	09/14 →	•			P24061MM	[-]	18,2	ATE					
	70	09/14 →		•		P24148MM	[-]	16,1	ATE					
	88	09/14 →	•			P24061MM	[-]	18,2	ATE					
	88	09/14 →		•		P24148MM	[-]	16,1	ATE					
1.5 TDCi ECOnetic	77	09/14 →	•			P24061MM	[-]	18,2	ATE					
	77	09/14 →		•		P24148MM	[-]	16,1	ATE					
1.6 EcoBoost	110	07/10 →	•			P24061MM	[-]	18,2	ATE				A02202	
	110	07/10 →		•		P24148MM	[-]	16,1	ATE					
	134	07/10 →	•			P24061MM	[-]	18,2	ATE				A02202	
	134	07/10 →		•		P24148MM	[-]	16,1	ATE					
1.6 Flexifuel	88	07/10 →	•			P24061MM	[-]	18,2	ATE				A02202	
	88	07/10 →		•		P24148MM	[-]	16,1	ATE					
	110	07/13 →	•			P24061MM	[-]	18,2	ATE					
	110	07/13 →		•		P24148MM	[-]	16,1	ATE					
1.6 LPG	88	02/12 →	•			P24061MM	[-]	18,2	ATE					
	88	02/12 →		•		P24148MM	[-]	16,1	ATE					
	86	02/12 →	•			P24061MM	[-]	18,2	ATE					
	86	02/12 →		•		P24148MM	[-]	16,1	ATE					
1.6 TDCi	70	07/10 →	•			P24061MM	[-]	18,2	ATE				A02202	
	70	07/10 →		•		P24148MM	[-]	16,1	ATE					
	85	07/10 →	•			P24061MM	[-]	18,2	ATE				A02202	
	85	07/10 →		•		P24148MM	[-]	16,1	ATE					
1.6 TDCi ECOnetic	77	05/12 →	•			P24061MM	[-]	18,2	ATE					
	77	05/12 →		•		P24148MM	[-]	16,1	ATE					
1.6 Ti	77	07/10 →	•			P24061MM	[-]	18,2	ATE				A02202	
	77	07/10 →		•		P24148MM	[-]	16,1	ATE					
	92	07/10 →	•			P24061MM	[-]	18,2	ATE				A02202	
	92	07/10 →		•		P24148MM	[-]	16,1	ATE					
	63	08/11 →	•			P24061MM	[-]	18,2	ATE				A02202	
	63	08/11 →		•		P24148MM	[-]	16,1	ATE					
	88	02/12 →	•			P24061MM	[-]	18,2	ATE					
	88	02/12 →		•		P24148MM	[-]	16,1	ATE					
2.0	110	10/13 →	•			P24061MM	[-]	18,2	ATE					
	110	10/13 →		•	+rear disc	P24148MM	[-]	16,1	ATE					
	110	10/13 →		•		P59042MM	○	16,7	ATE					
2.0 ST	184	07/12 →	•			P24157MM	[-]	17,9	ATE					
	184	07/12 →		•		P24148MM	[-]	16,1	ATE					
2.0 TDCi	85	07/10 →	•			P24061MM	[-]	18,2	ATE				A02202	
	85	07/10 →		•		P24148MM	[-]	16,1	ATE					
	103	07/10 →	•			P24061MM	[-]	18,2	ATE				A02202	
	103	07/10 →		•		P24148MM	[-]	16,1	ATE					
	120	07/10 →	•			P24061MM	[-]	18,2	ATE				A02202	
	120	07/10 →		•		P24148MM	[-]	16,1	ATE					
	100	07/10 →	•			P24061MM	[-]	18,2	ATE				A02202	

 	kw						wi	Th [mm]	SYS	WI			FK	
											LEIGHT			

FORD

FOCUS III Saloon 07/10 →

1.5 EcoBoost	110	11/14 →	•			P24061MM [-]	18,2	ATE						
	110	11/14 →		•		P24148MM [-]	16,1	ATE						
	134	11/14 →	•			P24061MM [-]	18,2	ATE						
	134	11/14 →		•		P24148MM [-]	16,1	ATE						
1.5 TDCi	70	11/14 →	•			P24061MM [-]	18,2	ATE						
	70	11/14 →		•		P24148MM [-]	16,1	ATE						
	88	11/14 →	•			P24061MM [-]	18,2	ATE						
	88	11/14 →		•		P24148MM [-]	16,1	ATE						
1.5 TDCi ECONetic	77	11/14 →	•			P24061MM [-]	18,2	ATE						
	77	11/14 →		•		P24148MM [-]	16,1	ATE						
1.6 EcoBoost	110	07/10 →	•			P24061MM [-]	18,2	ATE					A02202	
	110	07/10 →		•		P24148MM [-]	16,1	ATE						
	134	07/10 →	•			P24061MM [-]	18,2	ATE					A02202	
	134	07/10 →		•		P24148MM [-]	16,1	ATE						
1.6 Flexifuel	88	07/10 →	•			P24061MM [-]	18,2	ATE					A02202	
	88	07/10 →		•		P24148MM [-]	16,1	ATE						
	110	07/13 →	•			P24061MM [-]	18,2	ATE						
	110	07/13 →		•	+rear disc	P24148MM [-]	16,1	ATE						
1.6 TDCi	70	07/10 →	•			P24061MM [-]	18,2	ATE					A02202	
	70	07/10 →		•		P24148MM [-]	16,1	ATE						
	85	07/10 →	•			P24061MM [-]	18,2	ATE					A02202	
	85	07/10 →		•		P24148MM [-]	16,1	ATE						
	77	05/12 →	•			P24061MM [-]	18,2	ATE						
	77	05/12 →		•		P24148MM [-]	16,1	ATE						
1.6 Ti	77	07/10 →	•			P24061MM [-]	18,2	ATE					A02202	
	77	07/10 →		•		P24148MM [-]	16,1	ATE						
	92	07/10 →	•			P24061MM [-]	18,2	ATE					A02202	
	92	07/10 →		•		P24148MM [-]	16,1	ATE						
	63	08/11 →	•			P24061MM [-]	18,2	ATE						
	63	08/11 →		•		P24148MM [-]	16,1	ATE						
2.0	110	10/13 →	•			P24061MM [-]	18,2	ATE						
	110	10/13 →		•	+rear disc	P24148MM [-]	16,1	ATE						
	110	10/13 →		•		P59042MM [O]	16,7	ATE						
2.0 GDI	125	08/11 →	•			P24061MM [-]	18,2	ATE						
	125	08/11 →		•	+rear disc	P24148MM [-]	16,1	ATE						
2.0 TDCi	85	07/10 →	•			P24061MM [-]	18,2	ATE					A02202	
	85	07/10 →		•		P24148MM [-]	16,1	ATE						
	103	07/10 →	•			P24061MM [-]	18,2	ATE					A02202	
	103	07/10 →		•		P24148MM [-]	16,1	ATE						
	120	07/10 →	•			P24061MM [-]	18,2	ATE					A02202	
	120	07/10 →		•		P24148MM [-]	16,1	ATE						
	100	07/10 →	•			P24061MM [-]	18,2	ATE						
	100	07/10 →		•		P24148MM [-]	16,1	ATE						
	110	11/14 →	•			P24061MM [-]	18,2	ATE						
	110	11/14 →		•		P24148MM [-]	16,1	ATE						

FOCUS III Turnier 07/10 →

1.0 EcoBoost	74	02/12 →	•			P24061MM [-]	18,2	ATE						
	74	02/12 →		•		P24148MM [-]	16,1	ATE						
	92	02/12 →	•			P24061MM [-]	18,2	ATE						
	92	02/12 →		•		P24148MM [-]	16,1	ATE						
1.5 EcoBoost	110	09/14 →	•			P24061MM [-]	18,2	ATE						
	110	09/14 →		•		P24148MM [-]	16,1	ATE						
	134	09/14 →	•			P24061MM [-]	18,2	ATE						
	134	09/14 →		•		P24148MM [-]	16,1	ATE						

FORD

FOCUS III Turnier 07/10→

1.5 TDCi	70 09/14→	●		P24061MM [-]	18,2	ATE								
	70 09/14→		●	P24148MM [-]	16,1	ATE								
	88 09/14→	●		P24061MM [-]	18,2	ATE								
	88 09/14→		●	P24148MM [-]	16,1	ATE								
1.5 TDCi ECONetic	77 09/14→	●		P24061MM [-]	18,2	ATE								
	77 09/14→		●	P24148MM [-]	16,1	ATE								
1.6 EcoBoost	110 07/10→	●		P24061MM [-]	18,2	ATE						A02202		
	110 07/10→		●	P24148MM [-]	16,1	ATE								
	134 07/10→	●		P24061MM [-]	18,2	ATE						A02202		
	134 07/10→		●	P24148MM [-]	16,1	ATE								
1.6 Flexifuel	88 07/10→	●		P24061MM [-]	18,2	ATE						A02202		
	88 07/10→		●	P24148MM [-]	16,1	ATE								
	110 07/13→	●		P24061MM [-]	18,2	ATE								
	110 07/13→		●	+rear disc P24148MM [-]	16,1	ATE								
1.6 LPG	88 02/12→	●		P24061MM [-]	18,2	ATE								
	88 02/12→		●	P24148MM [-]	16,1	ATE								
	86 02/12→	●		P24061MM [-]	18,2	ATE								
	86 02/12→		●	P24148MM [-]	16,1	ATE								
1.6 TDCi	70 07/10→	●		P24061MM [-]	18,2	ATE						A02202		
	70 07/10→		●	P24148MM [-]	16,1	ATE								
	85 07/10→	●		P24061MM [-]	18,2	ATE						A02202		
1.6 TDCi ECONetic	77 05/12→	●		P24061MM [-]	18,2	ATE								
	77 05/12→		●	P24148MM [-]	16,1	ATE								
1.6 Ti	77 07/10→	●		P24061MM [-]	18,2	ATE						A02202		
	77 07/10→		●	P24148MM [-]	16,1	ATE								
	92 07/10→	●		P24061MM [-]	18,2	ATE						A02202		
	92 07/10→		●	P24148MM [-]	16,1	ATE								
	63 08/11→	●		P24061MM [-]	18,2	ATE								
	63 08/11→		●	P24148MM [-]	16,1	ATE								
	88 02/12→	●		P24061MM [-]	18,2	ATE								
	88 02/12→		●	P24148MM [-]	16,1	ATE								
2.0	110 10/13→	●		P24061MM [-]	18,2	ATE								
	110 10/13→		●	P59042MM [o]	16,7	ATE								
	110 10/13→		●	+rear disc P24148MM [-]	16,1	ATE								
2.0 ST	184 07/12→	●		P24157MM [-]	17,9	ATE								
	184 07/12→		●	P24148MM [-]	16,1	ATE								
2.0 TDCi	85 07/10→	●		P24061MM [-]	18,2	ATE						A02202		
	85 07/10→		●	P24148MM [-]	16,1	ATE								
	103 07/10→	●		P24061MM [-]	18,2	ATE						A02202		
	103 07/10→		●	P24148MM [-]	16,1	ATE								
	120 07/10→	●		P24061MM [-]	18,2	ATE						A02202		
	120 07/10→		●	P24148MM [-]	16,1	ATE								
	100 07/10→	●		P24061MM [-]	18,2	ATE								
	100 07/10→		●	P24148MM [-]	16,1	ATE								
2.0 TDCi ST	110 11/14→	●		P24061MM [-]	18,2	ATE								
	110 11/14→		●	P24148MM [-]	16,1	ATE								
2.0 TDCi ST	136 11/14→	●		P24157MM [-]	17,9	ATE								
	136 11/14→		●	P24148MM [-]	16,1	ATE								
2.0 Ti-GDi	125 07/10→	●		P24061MM [-]	18,2	ATE								
	125 07/10→		●	P24148MM [-]	16,1	ATE								

FOCUS Saloon (DFW) 02/99→ 12/07

1.4 16V	55 02/99→ 11/04	●		P24046MM [-]	19,3	ATE								
	55 02/99→ 11/04		●	+rear disc P24047MM [-]	14	TRW								

	kw					MAGNETI MARELLI	wi	Th [mm]	SYS	MAGNETI MARELLI	LENGHT		MAGNETI MARELLI	

FORD

FOCUS Saloon (DFW) 02/99 → 12/07

1.6 16V	74	02/99 → 11/04	●			P24046MM [-]	19,3	ATE					
	74	02/99 → 11/04		●	+rear disc	P24047MM [-]	14	TRW					
1.8 16V	85	02/99 → 11/04	●			P24046MM [-]	19,3	ATE					
	85	02/99 → 11/04		●	+rear disc	P24047MM [-]	14	TRW					
1.8 TDCi	85	03/01 → 11/04	●			P24046MM [-]	19,3	ATE					
	85	03/01 → 11/04		●	+rear disc	P24047MM [-]	14	TRW					
	74	08/02 → 11/04	●			P24046MM [-]	19,3	ATE					
	74	08/02 → 11/04		●	+rear disc	P24047MM [-]	14	TRW					
1.8 Turbo DI / TDDi	66	02/99 → 11/04	●			P24046MM [-]	19,3	ATE					
	66	02/99 → 11/04		●	+rear disc	P24047MM [-]	14	TRW					
	55	08/01 → 03/05	●			P24046MM [-]	19,3	ATE					
	55	08/01 → 03/05		●	+rear disc	P24047MM [-]	14	TRW					
2.0 16V	96	02/99 → 11/04	●			P24046MM [-]	19,3	ATE					
	96	02/99 → 11/04		●	+rear disc	P24047MM [-]	14	TRW					

FOCUS Turnier (DNW) 02/99 → 12/07

1.4 16V	55	02/99 → 11/04	●			P24046MM [-]	19,3	ATE					
	55	02/99 → 11/04		●		P24047MM [-]	14	TRW					
1.6 16V	74	02/99 → 11/04	●			P24046MM [-]	19,3	ATE					
	74	02/99 → 11/04		●		P24047MM [-]	14	TRW					
1.6 16V Flexifuel	75	01/02 → 11/04	●			P24046MM [-]	19,3	ATE					
	75	01/02 → 11/04		●		P24047MM [-]	14	TRW					
1.8 16V	85	02/99 → 11/04	●			P24046MM [-]	19,3	ATE					
	85	02/99 → 11/04		●		P24047MM [-]	14	TRW					
1.8 BiFuel	82	02/03 → 01/05	●			P24046MM [-]	19,3	ATE					
	82	02/03 → 01/05		●		P24047MM [-]	14	TRW					
1.8 DI / TDDi	55	08/99 → 11/04	●			P24046MM [-]	19,3	ATE					
	55	08/99 → 11/04		●		P24047MM [-]	14	TRW					
1.8 TDCi	85	03/01 → 11/04	●			P24046MM [-]	19,3	ATE					
	85	03/01 → 11/04		●		P24047MM [-]	14	TRW					
	74	08/02 → 11/04	●			P24046MM [-]	19,3	ATE					
	74	08/02 → 11/04		●		P24047MM [-]	14	TRW					
1.8 Turbo DI / TDDi	66	02/99 → 11/04	●			P24046MM [-]	19,3	ATE					
	66	02/99 → 11/04		●		P24047MM [-]	14	TRW					
2.0 16V	96	02/99 → 11/04	●			P24046MM [-]	19,3	ATE					
	96	02/99 → 11/04		●		P24047MM [-]	14	TRW					
ST170	127	08/02 → 11/04	●			P24058MM [-]	17,6	ATE				A02228	
	127	08/02 → 11/04		●		P24047MM [-]	14	TRW					

FUSION (JU_) 08/02 → 12/12

1.25	55	08/04 → 12/12	●			P24055MM [-]	18,8	ATE				A02227	
1.4	59	08/02 → 12/12	●			P24055MM [-]	18,8	ATE				A02227	
1.4 LPG	59	01/10 → 12/12	●			P24055MM [-]	18,8	ATE					
1.4 TDCi	50	08/02 → 12/12	●			P24055MM [-]	18,8	ATE				A02227	
1.6	74	08/02 → 11/08	●			P24055MM [-]	18,8	ATE				A02227	
1.6 TDCi	66	11/04 → 12/12	●			P24055MM [-]	18,8	ATE				A02227	

GALAXY 01/15 →

1.5 EcoBoost	118	01/15 →	●		16" wheel	P24173MM [+]	20,2	ATE					
2.0 EcoBoost	176	01/15 →	●		16" wheel	P24173MM [+]	20,2	ATE					
2.0 TDCi	88	01/15 →	●		16" wheel	P24173MM [+]	20,2	ATE					
	110	01/15 →	●		16" wheel	P24173MM [+]	20,2	ATE					
	132	01/15 →	●		16" wheel	P24173MM [+]	20,2	ATE					
2.0 TDCi 4x4	110	05/15 →	●		16" wheel	P24173MM [+]	20,2	ATE					
	132	05/15 →	●		16" wheel	P24173MM [+]	20,2	ATE					
2.0 TDCi Bi-Turbo	154	01/15 →	●		16" wheel	P24173MM [+]	20,2	ATE					

									WI			FK	
	kw								MAGNETI MARELLI	LENGHT		MAGNETI MARELLI	

FORD

GALAXY (WA6) 05/06 → 06/15

1.6 EcoBoost	118	11/10 → 06/15	●			P24076MM	[-]	20,3	ATE				A02224
	118	11/10 → 06/15	●	+elect.handbrake		P24078MM	[-]	16,9	TRW				
	118	11/10 → 06/15	●	-elect.handbrake		P24075MM	[-]	15,7	TRW				
1.6 TDCi	85	02/11 → 06/15	●			P24076MM	[-]	20,3	ATE				A02224
	85	02/11 → 06/15	●	+elect.handbrake		P24078MM	[-]	16,9	TRW				
	85	02/11 → 06/15	●	-elect.handbrake		P24075MM	[-]	15,7	TRW				
1.8 TDCi	74	05/06 → 06/15	●			P24076MM	[-]	20,3	ATE				
	74	05/06 → 06/15	●	-elect.handbrake		P24075MM	[-]	15,7	TRW				
	74	05/06 → 06/15	●	+elect.handbrake		P24078MM	[-]	16,9	TRW				
	92	05/06 → 06/15	●			P24076MM	[-]	20,3	ATE				A02224
	92	05/06 → 06/15	●	-elect.handbrake		P24075MM	[-]	15,7	TRW				
2.0	107	05/06 → 06/15	●			P24076MM	[-]	20,3	ATE				
	107	05/06 → 06/15	●	-elect.handbrake		P24075MM	[-]	15,7	TRW				
	107	05/06 → 06/15	●	+elect.handbrake		P24078MM	[-]	16,9	TRW				
2.0 EcoBoost	149	03/10 → 06/15	●	05/11 →		P24076MM	[-]	20,3	ATE				
	149	03/10 → 06/15	●	→ 05/11		P24077MM	[-]	18,5/ 20	ATE				
	149	03/10 → 06/15	●	+elect.handbrake		P24078MM	[-]	16,9	TRW				
	149	03/10 → 06/15	●	-elect.handbrake		P24075MM	[-]	15,7	TRW				
	146	07/10 → 06/15	●			P24077MM	[-]	18,5/ 20	ATE				
	146	07/10 → 06/15	●	+elect.handbrake		P24078MM	[-]	16,9	TRW				
	146	07/10 → 06/15	●	-elect.handbrake		P24075MM	[-]	15,7	TRW				
2.0 Flexifuel	107	05/06 → 06/15	●			P24076MM	[-]	20,3	ATE				
	107	05/06 → 06/15	●	-elect.handbrake		P24075MM	[-]	15,7	TRW				
	107	05/06 → 06/15	●	+elect.handbrake		P24078MM	[-]	16,9	TRW				
2.0 TDCi	100	05/06 → 06/15	●			P24076MM	[-]	20,3	ATE				A02224
	100	05/06 → 06/15	●	+elect.handbrake		P24078MM	[-]	16,9	TRW				
	100	05/06 → 06/15	●	-elect.handbrake		P24075MM	[-]	15,7	TRW				
	96	05/06 → 06/15	●			P24076MM	[-]	20,3	ATE				
	96	05/06 → 06/15	●	-elect.handbrake		P24075MM	[-]	15,7	TRW				
	96	05/06 → 06/15	●	+elect.handbrake		P24078MM	[-]	16,9	TRW				
	103	05/06 → 06/15	●			P24076MM	[-]	20,3	ATE				
	103	05/06 → 06/15	●	-elect.handbrake		P24075MM	[-]	15,7	TRW				
	103	05/06 → 06/15	●	+elect.handbrake		P24078MM	[-]	16,9	TRW				
	85	11/07 → 06/15	●			P24076MM	[-]	20,3	ATE				
	85	11/07 → 06/15	●	-elect.handbrake		P24075MM	[-]	15,7	TRW				
	85	11/07 → 06/15	●	+elect.handbrake		P24078MM	[-]	16,9	TRW				
	2.2 TDCi	120	03/10 → 06/15	●			P24076MM	[-]	20,3	ATE			
120		03/10 → 06/15	●	+elect.handbrake		P24078MM	[-]	16,9	TRW				
120		03/10 → 06/15	●	-elect.handbrake		P24075MM	[-]	15,7	TRW				
147		11/10 → 06/15	●			P24076MM	[-]	20,3	ATE				
147		11/10 → 06/15	●	+elect.handbrake		P24078MM	[-]	16,9	TRW				
147		11/10 → 06/15	●	-elect.handbrake		P24075MM	[-]	15,7	TRW				
129		03/08 → 12/12	●	10/08 →		P24076MM	[-]	20,3	ATE				
2.3	129	03/08 → 12/12	●			P24077MM	[-]	18,5/ 20	ATE				
	129	03/08 → 12/12	●	-elect.handbrake		P24075MM	[-]	15,7	TRW				
	129	03/08 → 12/12	●	+elect.handbrake		P24078MM	[-]	16,9	TRW				
	118	09/07 → 06/15	●			P24076MM	[-]	20,3	ATE				
2.3	118	09/07 → 06/15	●	-elect.handbrake		P24075MM	[-]	15,7	TRW				
	118	09/07 → 06/15	●	+elect.handbrake		P24078MM	[-]	16,9	TRW				

kw										WI		FK		

FORD

GALAXY (WGR) 03/95 → 05/06

1.9 TDI	66	03/95 → 05/06	●	→ 04/00; 15" wheel	P85039MM [-]	19,7	ATE						A02217	05/01 →
	66	03/95 → 05/06	●	05/00 → 05/01; 15" wheel	P85060MM [+]	20,6	ATE						A02217	05/01 →
	66	03/95 → 05/06	●	05/01 →; 16" wheel	P85062MM [+]	19,6	ATE						A02217	05/01 →
	66	03/95 → 05/06	●	→ 04/00	P85020MM [-]	17,2	TRW						A02205	
	66	03/95 → 05/06	●	05/00 →	P85058MM [+]	17,2	TRW						A02205	
	81	08/97 → 04/00	●		P85039MM [-]	19,7	ATE						A02217	
	81	08/97 → 04/00	●		P85020MM [-]	17,2	TRW						A02205	
	85	04/00 → 05/06	●	→ 05/01; 15" wheel	P85060MM [+]	20,6	ATE						A02217	→ 05/01
	85	04/00 → 05/06	●	05/01 →; 16" wheel	P85062MM [+]	19,6	ATE						A02217	→ 05/01
	85	04/00 → 05/06	●		P85058MM [+]	17,2	TRW						A02205	
	96	02/03 → 05/06	●		P85062MM [+]	19,6	ATE							
96	02/03 → 05/06	●		P85058MM [+]	17,2	TRW						A02205		
96	02/03 → 05/06	●	16" wheel	P85059MM [+]	16,5	TRW						A02205		
110	05/05 → 05/06	●		P85062MM [+]	19,6	ATE								
110	05/05 → 05/06	●		P85061MM [+]	20,1	ATE								
110	05/05 → 05/06	●		P85059MM [+]	16,5	TRW						A02205		
2.0 i	85	11/95 → 05/06	●	→ 04/00; 15" wheel	P85039MM [-]	19,7	ATE						A02217	→ 05/01
	85	11/95 → 05/06	●	05/00 → 05/01; 15" wheel	P85060MM [+]	20,6	ATE						A02217	→ 05/01
	85	11/95 → 05/06	●	05/01 →; 16" wheel	P85062MM [+]	19,6	ATE						A02217	→ 05/01
	85	11/95 → 05/06	●	→ 04/00	P85020MM [-]	17,2	TRW						A02205	
	85	11/95 → 05/06	●	05/00 →	P85058MM [+]	17,2	TRW						A02205	
2.3 16V	107	01/97 → 05/06	●	→ 04/00; 15" wheel	P85039MM [-]	19,7	ATE						A02217	→ 05/01
	107	01/97 → 05/06	●	05/00 → 05/01; 15" wheel	P85060MM [+]	20,6	ATE						A02217	→ 05/01
	107	01/97 → 05/06	●	05/01 →; 16" wheel	P85062MM [+]	19,6	ATE						A02217	→ 05/01
	107	01/97 → 05/06	●	→ 04/00	P85020MM [-]	17,2	TRW						A02205	
	107	01/97 → 05/06	●	05/00 →	P85058MM [+]	17,2	TRW						A02205	
	103	09/01 → 05/06	●		P85062MM [+]	19,6	ATE							
103	09/01 → 05/06	●		P85058MM [+]	17,2	TRW						A02205		
2.8 i V6	128	11/95 → 04/00	●		P85039MM [-]	19,7	ATE						A02217	
	128	11/95 → 04/00	●		P85020MM [-]	17,2	TRW						A02205	
2.8 i V6 4x4	128	04/96 → 04/00	●		P85039MM [-]	19,7	ATE						A02217	
	128	04/96 → 04/00	●		P85020MM [-]	17,2	TRW						A02205	
2.8 V6	150	04/00 → 05/06	●		P85061MM [+]	20,1	ATE						A02217	
	150	04/00 → 05/06	●		P85059MM [+]	16,5	TRW							

GRAND C-MAX (DXA/CB7, DXA/CEU) 12/10 →

1.0 EcoBoost	74	10/12 →	●		P24061MM [-]	18,2	ATE							
	74	10/12 →	●		P24148MM [-]	16,1	ATE							
	92	10/12 →	●		P24061MM [-]	18,2	ATE							
	92	10/12 →	●		P24148MM [-]	16,1	ATE							
1.5 EcoBoost	110	03/15 →	●		P24061MM [-]	18,2	ATE							
	110	03/15 →	●		P24148MM [-]	16,1	ATE							
	134	03/15 →	●		P24061MM [-]	18,2	ATE							
	134	03/15 →	●		P24148MM [-]	16,1	ATE							
1.5 TDCi	70	03/15 →	●		P24061MM [-]	18,2	ATE							
	70	03/15 →	●		P24148MM [-]	16,1	ATE							
	88	03/15 →	●		P24061MM [-]	18,2	ATE							
	88	03/15 →	●		P24148MM [-]	16,1	ATE							
1.6 EcoBoost	110	12/10 →	●		P24061MM [-]	18,2	ATE						A02202	
	110	12/10 →	●		P24148MM [-]	16,1	ATE							
	134	12/10 →	●		P24061MM [-]	18,2	ATE						A02202	
	134	12/10 →	●		P24148MM [-]	16,1	ATE							
1.6 TDCi	70	12/10 →	●		P24061MM [-]	18,2	ATE						A02202	
	70	12/10 →	●		P24148MM [-]	16,1	ATE							
	85	12/10 →	●		P24061MM [-]	18,2	ATE						A02202	

									WI			FK	
	kw						Th [mm]		MAGNETI MARELLI	LENGHT		MAGNETI MARELLI	

FORD

GRAND C-MAX (DXA/CB7, DXA/CEU) 12/10 →

1.6 TDCi	85	12/10 →		•		P24148MM	[-]	16,1	ATE				
1.6 Ti	77	12/10 →	•			P24061MM	[-]	18,2	ATE			A02202	
	77	12/10 →		•		P24148MM	[-]	16,1	ATE				
	92	12/10 →	•			P24061MM	[-]	18,2	ATE			A02202	
	92	12/10 →		•		P24148MM	[-]	16,1	ATE				
2.0 TDCi	120	12/10 →	•			P24061MM	[-]	18,2	ATE				
	120	12/10 →		•		P24148MM	[-]	16,1	ATE				
	85	02/11 →	•			P24061MM	[-]	18,2	ATE				
	85	02/11 →		•		P24148MM	[-]	16,1	ATE				
	103	02/11 →	•			P24061MM	[-]	18,2	ATE				
	103	02/11 →		•		P24148MM	[-]	16,1	ATE				
	100	02/11 →	•			P24061MM	[-]	18,2	ATE			A02202	
	100	02/11 →		•		P24148MM	[-]	16,1	ATE				
	110	03/15 →	•			P24061MM	[-]	18,2	ATE				
	110	03/15 →		•		P24148MM	[-]	16,1	ATE				
	125	03/15 →	•			P24061MM	[-]	18,2	ATE				
	125	03/15 →		•		P24148MM	[-]	16,1	ATE				

GRAND C-MAX Van 12/10 →

1.0 EcoBoost	74	10/12 →	•			P24061MM	[-]	18,2	ATE				
	74	10/12 →		•		P24148MM	[-]	16,1	ATE				
	92	10/12 →	•			P24061MM	[-]	18,2	ATE				
	92	10/12 →		•		P24148MM	[-]	16,1	ATE				
1.5 EcoBoost	110	03/15 →	•			P24061MM	[-]	18,2	ATE				
	110	03/15 →		•		P24148MM	[-]	16,1	ATE				
1.5 TDCi	88	03/15 →	•			P24061MM	[-]	18,2	ATE				
	88	03/15 →		•		P24148MM	[-]	16,1	ATE				
1.6 EcoBoost	110	12/10 →	•			P24061MM	[-]	18,2	ATE				
	110	12/10 →		•		P24148MM	[-]	16,1	ATE				
1.6 TDCi	70	12/10 →	•			P24061MM	[-]	18,2	ATE				
	70	12/10 →		•		P24148MM	[-]	16,1	ATE				
	85	12/10 →	•			P24061MM	[-]	18,2	ATE				
	85	12/10 →		•		P24148MM	[-]	16,1	ATE				
2.0 TDCi	103	12/10 →	•			P24061MM	[-]	18,2	ATE				
	103	12/10 →		•		P24148MM	[-]	16,1	ATE				
	85	02/11 →	•			P24061MM	[-]	18,2	ATE				
	85	02/11 →		•		P24148MM	[-]	16,1	ATE				
	120	12/10 →	•			P24061MM	[-]	18,2	ATE				
	120	12/10 →		•		P24148MM	[-]	16,1	ATE				
	110	03/15 →	•			P24061MM	[-]	18,2	ATE				
	110	03/15 →		•		P24148MM	[-]	16,1	ATE				
	125	03/15 →	•			P24061MM	[-]	18,2	ATE				
	125	03/15 →		•		P24148MM	[-]	16,1	ATE				

GT 06/03 →

5.4	368	06/03 →	•			P09004MM	[+]	15	BRE				
	368	06/03 →		•		P09004MM	[+]	15	BRE				

KA (RB_) 09/96 → 11/08

1.0 i	38	07/97 → 09/99	•			P24044MM	[-]	17,5	ATE			A02227	
	48	09/99 → 11/08	•		→ 02/00	P24044MM	[-]	17,5	ATE			A02227	
	48	09/99 → 11/08	•		02/00 →	P24054MM	[-]	18,8	ATE			A02227	
1.3 i	37	09/96 → 10/02	•		→ 02/00	P24044MM	[-]	17,5	ATE			A02227	
	37	09/96 → 10/02	•		02/00 →	P24054MM	[-]	18,8	ATE			A02227	
	44	09/96 → 11/08	•		→ 02/00	P24044MM	[-]	17,5	ATE			A02227	
	44	09/96 → 11/08	•		02/00 →	P24054MM	[-]	18,8	ATE			A02227	

--	--	--	--	--	--	--	--	--	--	--	--	--	--	--

FORD

KA (RB_) 09/96 → 11/08

1.3 i	36	06/98 → 11/08	●	→ 02/00	P24044MM [-]	17,5	ATE						A02227	
	36	06/98 → 11/08	●	02/00 →	P24054MM [-]	18,8	ATE						A02227	
	51	08/02 → 11/08	●		P24054MM [-]	18,8	ATE						A02227	
1.6	68	10/06 → 12/07	●		P24055MM [-]	18,8	ATE						A02227	
	70	09/00 → 11/08	●		P24055MM [-]	18,8	ATE							
1.6 i	70	07/03 → 11/08	●		P24055MM [-]	18,8	ATE						A02227	
	71	11/05 → 09/08	●		P24055MM [-]	18,8	ATE							

KA (RU8) 10/08 →

1.2	51	10/08 →	●	MY → 2012	P23060MM [+]	17	BDX							
	51	10/08 →	●	MY → 2012	P23160MM [+]	17	BDX							
	51	10/08 →	●	MY 2013 →	P24147MM [+]	17	BDX							
1.3 TDCi	55	10/08 →	●	MY → 2012	P23107MM [+]	17,7	BSH							
	55	10/08 →	●	MY 2013 →	P24150MM [+]	17,7	BSH							

1.3 i	44	05/02 → 05/05	●		P24054MM [-]	18,8	ATE						A02227	
-------	----	---------------	---	--	--------------	------	-----	--	--	--	--	--	--------	--

KUGA I 03/08 →

2.0 TDCi	100	03/08 → 11/12	●		P24061MM [-]	18,2	ATE							
	100	03/08 → 11/12	●		P24075MM [-]	15,7	TRW							
	103	03/10 → 11/12	●		P24061MM [-]	18,2	ATE							
	103	03/10 → 11/12	●		P24075MM [-]	15,7	TRW							
2.0 TDCi 4x4	100	03/08 → 11/12	●		P24061MM [-]	18,2	ATE							
	100	03/08 → 11/12	●		P24075MM [-]	15,7	TRW							
	103	03/10 → 11/12	●		P24061MM [-]	18,2	ATE							
	103	03/10 → 11/12	●		P24075MM [-]	15,7	TRW							
2.5	120	03/10 → 11/12	●		P24061MM [-]	18,2	ATE							
	120	03/10 → 11/12	●		P24075MM [-]	15,7	TRW							
2.5	147	03/09 → 11/12	●		P24061MM [-]	18,2	ATE						A02202	
	147	03/09 → 11/12	●		P24075MM [-]	15,7	TRW							
2.5 4x4	147	03/09 →	●		P24061MM [-]	18,2	ATE							
	147	03/09 →	●		P24075MM [-]	15,7	TRW							

KUGA II (DM2) 05/12 →

1.5 EcoBoost	110	09/14 →	●		P24158MM [-]	18,2	ATE							
	110	09/14 →	●		P24148MM [-]	16,1	ATE							
	88	01/16 →	●		P24158MM [-]	18,2	ATE							
	88	01/16 →	●		P24148MM [-]	16,1	ATE							
1.5 EcoBoost 4x4	134	09/14 →	●		P24157MM [-]	17,9	ATE							
	134	09/14 →	●		P24148MM [-]	16,1	ATE							
1.5 TDCi	88	07/16 →	●		P24157MM [-]	17,9	ATE							
	88	07/16 →	●	→ 09/16	P24148MM [-]	16,1	ATE							
1.6 EcoBoost	110	03/13 →	●		P24158MM [-]	18,2	ATE							
	110	03/13 →	●		P24148MM [-]	16,1	ATE							
	134	03/13 →	●		P24157MM [-]	17,9	ATE							
1.6 EcoBoost 4x4	134	03/13 →	●		P24148MM [-]	16,1	ATE							
	110	03/13 →	●		P24157MM [-]	17,9	ATE							
	110	03/13 →	●		P24148MM [-]	16,1	ATE							
2.0 TDCi	103	03/13 →	●		P24157MM [-]	17,9	ATE							
	103	03/13 →	●		P24148MM [-]	16,1	ATE							
	100	03/13 →	●		P24157MM [-]	17,9	ATE							
	100	03/13 →	●		P24148MM [-]	16,1	ATE							
	88	09/14 →	●		P24157MM [-]	17,9	ATE							
	88	09/14 →	●		P24148MM [-]	16,1	ATE							
	110	09/14 →	●		P24157MM [-]	17,9	ATE							
	110	09/14 →	●		P24148MM [-]	16,1	ATE							

								WI			FK		
	kw					WI	Th [mm]	SYS		LENGHT			

FORD

KUGA II (DM2) 05/12 →

2.0 TDCi	85	03/13 →	●		P24157MM	[-]	17,9	ATE					
	85	03/13 →		●	P24148MM	[-]	16,1	ATE					
2.0 TDCi 4x4	103	03/13 →	●		P24157MM	[-]	17,9	ATE					
	103	03/13 →		●	P24148MM	[-]	16,1	ATE					
	120	03/13 →	●		P24157MM	[-]	17,9	ATE					
	120	03/13 →		●	P24148MM	[-]	16,1	ATE					
	100	03/13 →	●		P24157MM	[-]	17,9	ATE					
	100	03/13 →		●	P24148MM	[-]	16,1	ATE					
	110	09/14 →	●		P24157MM	[-]	17,9	ATE					
	110	09/14 →		●	P24148MM	[-]	16,1	ATE					
	132	09/14 →	●		P24157MM	[-]	17,9	ATE					
	132	09/14 →		●	P24148MM	[-]	16,1	ATE					
2.5	110	01/14 →	●		P24158MM	[-]	18,2	ATE					
	110	01/14 →		●	P24148MM	[-]	16,1	ATE					

KUGA II Van 05/12 →

1.5 EcoBoost	110	09/14 →	●		P24158MM	[-]	18,2	ATE					
	110	09/14 →		●	P24148MM	[-]	16,1	ATE					
1.5 EcoBoost 4x4	134	09/14 →	●		P24061MM	[-]	18,2	ATE					
	134	09/14 →		●	P24148MM	[-]	16,1	ATE					
2.0 TDCi	110	09/14 →	●		P24157MM	[-]	17,9	ATE					
	110	09/14 →		●	P24148MM	[-]	16,1	ATE					
2.0 TDCi 4x4	110	09/14 →	●		P24157MM	[-]	17,9	ATE					
	110	09/14 →		●	P24148MM	[-]	16,1	ATE					
	132	09/14 →	●		P24157MM	[-]	17,9	ATE					
	132	09/14 →		●	P24148MM	[-]	16,1	ATE					

MAVERICK 02/01 →

2.0 16V	91	02/01 →	●	+rear drum	P24056MM	[-]	18,3	ATE				A02217	
	91	02/01 →	●	12/03 →; +rear disc	P24159MM	[-]	15	ATE				A02217	
	91	02/01 →		●	P24085MM	[-]	17,1	ATE					
2.3 16V	110	03/04 →	●	+rear drum	P24056MM	[-]	18,3	ATE				A02217	
	110	03/04 →	●	+rear disc	P24159MM	[-]	15	ATE				A02217	
	110	03/04 →		●	P24085MM	[-]	17,1	ATE					
3.0 V6 24V	145	02/01 →	●	+rear drum	P24056MM	[-]	18,3	ATE				A02217	
	145	02/01 →	●	12/03 →; +rear disc	P24159MM	[-]	15	ATE				A02217	
	145	02/01 →		●	P24085MM	[-]	17,1	ATE					
	149	03/04 →	●	+rear drum	P24056MM	[-]	18,3	ATE				A02217	
	149	03/04 →	●	+rear disc	P24159MM	[-]	15	ATE				A02217	
	149	03/04 →		●	P24085MM	[-]	17,1	ATE					

MONDEO II (BAP) 08/96 → 09/00

1.6 i	66	08/96 → 09/00	●		P24034MM	[+]	18,5	ATE				A02228	
	66	08/96 → 09/00	●		P24037MM	[-]	18,5	ATE				A02228	
	66	08/96 → 09/00		●	P24038MM	[+]	15,7	BSH				A02253	+rear disc
	66	08/96 → 09/00		●	P24070MM	[-]	15,7	BSH				A02253	+rear disc
1.6 i 16V	70	05/98 → 09/00	●		P24034MM	[+]	18,5	ATE				A02228	
	70	05/98 → 09/00	●		P24037MM	[-]	18,5	ATE				A02228	
	70	05/98 → 09/00		●	P24038MM	[+]	15,7	BSH				A02253	+rear disc
	70	05/98 → 09/00		●	P24070MM	[-]	15,7	BSH				A02253	+rear disc
1.8 i	85	08/96 → 09/00	●		P24034MM	[+]	18,5	ATE				A02228	
	85	08/96 → 09/00	●		P24037MM	[-]	18,5	ATE				A02228	
	85	08/96 → 09/00		●	P24038MM	[+]	15,7	BSH				A02253	+rear disc
	85	08/96 → 09/00		●	P24070MM	[-]	15,7	BSH				A02253	+rear disc
1.8 TD	66	08/96 → 09/00	●		P24034MM	[+]	18,5	ATE				A02228	
	66	08/96 → 09/00	●		P24037MM	[-]	18,5	ATE				A02228	

--	--	--	--	--	--	--	--	--	--	--	--	--	--	--	--

FORD

MONDEO II (BAP) 08/96 → 09/00

1.8 TD	66	08/96 → 09/00	•		P24038MM	[+]	15,7	BSH						A02253	+rear disc
	66	08/96 → 09/00	•		P24070MM	[-]	15,7	BSH						A02253	+rear disc
2.0 i	96	08/96 → 09/00	•		P24034MM	[+]	18,5	ATE						A02228	
	96	08/96 → 09/00	•		P24037MM	[-]	18,5	ATE						A02228	
	96	08/96 → 09/00	•		P24038MM	[+]	15,7	BSH						A02253	+rear disc
	96	08/96 → 09/00	•		P24070MM	[-]	15,7	BSH						A02253	+rear disc
	96	08/96 → 09/00	•		P24035MM	[+]	19,8	ATE						A02228	
2.5 24V	125	08/96 → 09/00	•	→ 12/97	P24069MM	[-]	19,8	ATE						A02228	
	125	08/96 → 09/00	•	→ 12/97	P24034MM	[+]	18,5	ATE						A02228	
	125	08/96 → 09/00	•	12/97 →	P24037MM	[-]	18,5	ATE						A02228	
	125	08/96 → 09/00	•	12/97 →	P24038MM	[+]	15,7	BSH						A02253	
	125	08/96 → 09/00	•		P24070MM	[-]	15,7	BSH						A02253	
	125	08/96 → 09/00	•		P24034MM	[+]	18,5	ATE						A02228	
	125	06/00 → 09/00	•		P24037MM	[-]	18,5	ATE						A02228	
	125	06/00 → 09/00	•		P24038MM	[+]	15,7	BSH						A02253	
	125	06/00 → 09/00	•		P24070MM	[-]	15,7	BSH						A02253	
	125	06/00 → 09/00	•		P24034MM	[+]	18,5	ATE						A02228	
2.5 ST 200	151	05/99 → 09/00	•		P24037MM	[-]	18,5	ATE						A02228	
	151	05/99 → 09/00	•		P24038MM	[+]	15,7	BSH						A02253	
	151	05/99 → 09/00	•		P24070MM	[-]	15,7	BSH						A02253	
	151	05/99 → 09/00	•		P24034MM	[+]	18,5	ATE						A02228	

MONDEO II Saloon (BFP) 08/96 → 09/00

1.6 i	66	08/96 → 09/00	•		P24034MM	[+]	18,5	ATE						A02228	
	66	08/96 → 09/00	•		P24037MM	[-]	18,5	ATE						A02228	
	66	08/96 → 09/00	•		P24038MM	[+]	15,7	BSH						A02253	+rear disc
	66	08/96 → 09/00	•		P24070MM	[-]	15,7	BSH						A02253	+rear disc
1.6 i 16V	70	05/98 → 09/00	•		P24034MM	[+]	18,5	ATE						A02228	
	70	05/98 → 09/00	•		P24037MM	[-]	18,5	ATE						A02228	
	70	05/98 → 09/00	•		P24038MM	[+]	15,7	BSH						A02253	+rear disc
1.8 i	85	08/96 → 09/00	•		P24070MM	[-]	15,7	BSH						A02253	+rear disc
	85	08/96 → 09/00	•		P24034MM	[+]	18,5	ATE						A02228	
	85	08/96 → 09/00	•		P24037MM	[-]	18,5	ATE						A02228	
	85	08/96 → 09/00	•		P24038MM	[+]	15,7	BSH						A02253	+rear disc
1.8 TD	66	08/96 → 09/00	•		P24070MM	[-]	15,7	BSH						A02253	+rear disc
	66	08/96 → 09/00	•		P24034MM	[+]	18,5	ATE						A02228	
	66	08/96 → 09/00	•		P24037MM	[-]	18,5	ATE						A02228	
2.0 i	96	08/96 → 09/00	•		P24070MM	[-]	15,7	BSH						A02253	+rear disc
	96	08/96 → 09/00	•		P24038MM	[+]	15,7	BSH						A02253	+rear disc
	96	08/96 → 09/00	•		P24034MM	[+]	18,5	ATE						A02228	
	96	08/96 → 09/00	•		P24037MM	[-]	18,5	ATE						A02228	
2.5 24V	125	08/96 → 09/00	•	→ 12/97	P24035MM	[+]	19,8	ATE						A02228	
	125	08/96 → 09/00	•	→ 12/97	P24069MM	[-]	19,8	ATE						A02228	
	125	08/96 → 09/00	•	12/97 →	P24034MM	[+]	18,5	ATE						A02228	
	125	08/96 → 09/00	•	12/97 →	P24037MM	[-]	18,5	ATE						A02228	
	125	08/96 → 09/00	•		P24038MM	[+]	15,7	BSH						A02253	
	125	08/96 → 09/00	•		P24070MM	[-]	15,7	BSH						A02253	
	125	06/00 → 09/00	•		P24034MM	[+]	18,5	ATE						A02228	
	125	06/00 → 09/00	•		P24037MM	[-]	18,5	ATE						A02228	
	125	06/00 → 09/00	•		P24038MM	[+]	15,7	BSH						A02253	
	125	06/00 → 09/00	•		P24070MM	[-]	15,7	BSH						A02253	
2.5 ST 200	151	05/99 → 09/00	•		P24034MM	[+]	18,5	ATE						A02228	
	151	05/99 → 09/00	•		P24037MM	[-]	18,5	ATE						A02228	

FORD

MONDEO II Saloon (BFP) 08/96 → 09/00

2.5 ST 200	151	05/99 → 09/00	●		P24038MM	[+]	15,7	BSH						A02253	
	151	05/99 → 09/00	●		P24070MM	[-]	15,7	BSH						A02253	

MONDEO II Turnier (BNP) 08/96 → 09/00

1.6 i	66	08/96 → 09/00	●		P24034MM	[+]	18,5	ATE						A02228	
	66	08/96 → 09/00	●		P24037MM	[-]	18,5	ATE						A02228	
	66	08/96 → 09/00	●		P24038MM	[+]	15,7	BSH						A02253	+rear disc
	66	08/96 → 09/00	●		P24070MM	[-]	15,7	BSH						A02253	+rear disc
1.6 i 16V	70	05/98 → 09/00	●		P24034MM	[+]	18,5	ATE							
	70	05/98 → 09/00	●		P24037MM	[-]	18,5	ATE							
	70	05/98 → 09/00	●		P24038MM	[+]	15,7	BSH							
	70	05/98 → 09/00	●		P24070MM	[-]	15,7	BSH							
1.8 i	85	08/96 → 09/00	●		P24034MM	[+]	18,5	ATE						A02228	
	85	08/96 → 09/00	●		P24037MM	[-]	18,5	ATE						A02228	
	85	08/96 → 09/00	●		P24038MM	[+]	15,7	BSH						A02253	+rear disc
	85	08/96 → 09/00	●		P24070MM	[-]	15,7	BSH						A02253	+rear disc
1.8 TD	66	08/96 → 09/00	●		P24034MM	[+]	18,5	ATE						A02228	
	66	08/96 → 09/00	●		P24037MM	[-]	18,5	ATE						A02228	
	66	08/96 → 09/00	●		P24038MM	[+]	15,7	BSH						A02253	+rear disc
	66	08/96 → 09/00	●		P24070MM	[-]	15,7	BSH						A02253	+rear disc
2.0 i	96	08/96 → 09/00	●		P24034MM	[+]	18,5	ATE						A02228	
	96	08/96 → 09/00	●		P24037MM	[-]	18,5	ATE						A02228	
	96	08/96 → 09/00	●		P24038MM	[+]	15,7	BSH						A02253	+rear disc
	96	08/96 → 09/00	●		P24070MM	[-]	15,7	BSH						A02253	+rear disc
2.5 24V	125	08/96 → 09/00	●	→ 12/97	P24035MM	[+]	19,8	ATE						A02228	
	125	08/96 → 09/00	●	→ 12/97	P24069MM	[-]	19,8	ATE						A02228	
	125	08/96 → 09/00	●	12/97 →	P24034MM	[+]	18,5	ATE						A02228	
	125	08/96 → 09/00	●	12/97 →	P24037MM	[-]	18,5	ATE						A02228	
	125	08/96 → 09/00	●		P24038MM	[+]	15,7	BSH						A02253	
	125	08/96 → 09/00	●		P24070MM	[-]	15,7	BSH						A02253	
	125	10/99 → 09/00	●		P24034MM	[+]	18,5	ATE						A02228	
	125	10/99 → 09/00	●		P24037MM	[-]	18,5	ATE						A02228	
2.5 ST 200	151	05/99 → 09/00	●		P24034MM	[+]	18,5	ATE						A02228	
	151	05/99 → 09/00	●		P24037MM	[-]	18,5	ATE						A02228	
	151	05/99 → 09/00	●		P24038MM	[+]	15,7	BSH						A02253	
	151	05/99 → 09/00	●		P24070MM	[-]	15,7	BSH						A02253	

MONDEO III (B5Y) 10/00 → 03/07

1.8 16V	81	10/00 → 03/07	●		P24060MM	[-]	18,4	BSH							
	81	10/00 → 03/07	●	→ 08/04	P24059MM	[-]	17,2	BSH							
	81	10/00 → 03/07	●	09/04 →	P24063MM	[-]	16,3	BSH							
	92	10/00 → 03/07	●		P24060MM	[-]	18,4	BSH							
	92	10/00 → 03/07	●	→ 08/04	P24059MM	[-]	17,2	BSH							
	92	10/00 → 03/07	●	09/04 →	P24063MM	[-]	16,3	BSH							
1.8 SCi	96	06/03 → 03/07	●		P24060MM	[-]	18,4	BSH							
	96	06/03 → 03/07	●	→ 08/04	P24059MM	[-]	17,2	BSH							
	96	06/03 → 03/07	●	09/04 →	P24063MM	[-]	16,3	BSH							
2.0 16V	107	10/00 → 03/07	●		P24060MM	[-]	18,4	BSH							
	107	10/00 → 03/07	●	→ 08/04	P24059MM	[-]	17,2	BSH							
	107	10/00 → 03/07	●	09/04 →	P24063MM	[-]	16,3	BSH							
2.0 16V DI / TDDi / TDCi	66	10/00 → 03/07	●		P24060MM	[-]	18,4	BSH							
	66	10/00 → 03/07	●	→ 08/04	P24059MM	[-]	17,2	BSH							
	66	10/00 → 03/07	●	09/04 →	P24063MM	[-]	16,3	BSH							

FORD

MONDEO III (B5Y) 10/00 → 03/07

2.0 16V TDDi / TDCi	85	10/00 → 03/07	●			P24060MM [-]	18,4	BSH					
	85	10/00 → 03/07		●	→ 08/04	P24059MM [-]	17,2	BSH					
	85	10/00 → 03/07		●	09/04 →	P24063MM [-]	16,3	BSH					
2.0 TDCi	96	10/01 → 03/07	●			P24060MM [-]	18,4	BSH					
	96	10/01 → 03/07		●	→ 08/04	P24059MM [-]	17,2	BSH					
	96	10/01 → 03/07		●	09/04 →	P24063MM [-]	16,3	BSH					
2.2 TDCi	114	09/04 → 03/07	●			P24060MM [-]	18,4	BSH					
	114	09/04 → 03/07		●	→ 08/04	P24059MM [-]	17,2	BSH					
	114	09/04 → 03/07		●	09/04 →	P24063MM [-]	16,3	BSH					
	110	09/04 → 03/07	●			P24060MM [-]	18,4	BSH					
2.5 V6 24V	125	10/00 → 03/07	●			P24060MM [-]	18,4	BSH					
	125	10/00 → 03/07		●	→ 08/04	P24059MM [-]	17,2	BSH					
	125	10/00 → 03/07		●	09/04 →	P24063MM [-]	16,3	BSH					
3.0 V6 24V	150	09/04 → 03/07	●			P24060MM [-]	18,4	BSH					
	150	09/04 → 03/07		●		P24063MM [-]	16,3	BSH					
ST220	166	04/02 → 03/07	●			P24060MM [-]	18,4	BSH					
	166	04/02 → 03/07		●	→ 08/04	P24059MM [-]	17,2	BSH					
	166	04/02 → 03/07		●	09/04 →	P24063MM [-]	16,3	BSH					

MONDEO III Saloon (B4Y) 10/00 → 03/07

1.8 16V	81	10/00 → 03/07	●			P24060MM [-]	18,4	BSH					
	81	10/00 → 03/07		●	→ 08/04	P24059MM [-]	17,2	BSH					
	81	10/00 → 03/07		●	09/04 →	P24063MM [-]	16,3	BSH					
	92	10/00 → 03/07	●			P24060MM [-]	18,4	BSH					
	92	10/00 → 03/07		●	→ 08/04	P24059MM [-]	17,2	BSH					
	92	10/00 → 03/07		●	09/04 →	P24063MM [-]	16,3	BSH					
1.8 Sci	96	06/03 → 03/07	●			P24060MM [-]	18,4	BSH					
	96	06/03 → 03/07		●	→ 08/04	P24059MM [-]	17,2	BSH					
	96	06/03 → 03/07		●	09/04 →	P24063MM [-]	16,3	BSH					
2.0 16V	107	10/00 → 03/07	●			P24060MM [-]	18,4	BSH					
	107	10/00 → 03/07		●	→ 08/04	P24059MM [-]	17,2	BSH					
	107	10/00 → 03/07		●	09/04 →	P24063MM [-]	16,3	BSH					
2.0 16V DI / TDDi / TDCi	66	10/00 → 03/07	●			P24060MM [-]	18,4	BSH					
	66	10/00 → 03/07		●	→ 08/04	P24059MM [-]	17,2	BSH					
	66	10/00 → 03/07		●	09/04 →	P24063MM [-]	16,3	BSH					
2.0 16V TDDi / TDCi	85	10/00 → 03/07	●			P24060MM [-]	18,4	BSH					
	85	10/00 → 03/07		●	→ 08/04	P24059MM [-]	17,2	BSH					
	85	10/00 → 03/07		●	09/04 →	P24063MM [-]	16,3	BSH					
2.0 TDCi	96	10/01 → 03/07	●			P24060MM [-]	18,4	BSH					
	96	10/01 → 03/07		●	→ 08/04	P24059MM [-]	17,2	BSH					
	96	10/01 → 03/07		●	09/04 →	P24063MM [-]	16,3	BSH					
	92	10/00 → 03/07	●			P24060MM [-]	18,4	BSH					
	92	10/00 → 03/07		●	→ 08/04	P24059MM [-]	17,2	BSH					
	92	10/00 → 03/07		●	09/04 →	P24063MM [-]	16,3	BSH					
	114	09/04 → 03/07	●			P24060MM [-]	18,4	BSH					
	114	09/04 → 03/07		●		P24063MM [-]	16,3	BSH					
2.5 V6 24V	110	09/04 → 03/07	●			P24060MM [-]	18,4	BSH					
	110	09/04 → 03/07		●		P24063MM [-]	16,3	BSH					
	125	10/00 → 03/07	●			P24060MM [-]	18,4	BSH					
	125	10/00 → 03/07		●	→ 08/04	P24059MM [-]	17,2	BSH					
	125	10/00 → 03/07		●	09/04 →	P24063MM [-]	16,3	BSH					
	150	09/04 → 03/07	●			P24060MM [-]	18,4	BSH					
150	09/04 → 03/07		●		P24063MM [-]	16,3	BSH						

									WI			FK	

FORD

MONDEO III Saloon (B4Y) 10/00 → 03/07

ST220	166	04/02 → 03/07	●		P24060MM	[-]	18,4	BSH					
	166	04/02 → 03/07	●	→ 08/04	P24059MM	[-]	17,2	BSH					
	166	04/02 → 03/07	●	09/04 →	P24063MM	[-]	16,3	BSH					

MONDEO III Turnier (BWY) 10/00 → 03/07

1.8 16V	81	10/00 → 03/07	●		P24060MM	[-]	18,4	BSH					
	81	10/00 → 03/07	●	→ 08/04	P24059MM	[-]	17,2	BSH					
	81	10/00 → 03/07	●	09/04 →	P24063MM	[-]	16,3	BSH					
	92	10/00 → 03/07	●		P24060MM	[-]	18,4	BSH					
	92	10/00 → 03/07	●	→ 08/04	P24059MM	[-]	17,2	BSH					
	92	10/00 → 03/07	●	09/04 →	P24063MM	[-]	16,3	BSH					
1.8 SCi	96	06/03 → 03/07	●		P24060MM	[-]	18,4	BSH					
	96	06/03 → 03/07	●	→ 08/04	P24059MM	[-]	17,2	BSH					
	96	06/03 → 03/07	●	09/04 →	P24063MM	[-]	16,3	BSH					
2.0 16V	107	10/00 → 03/07	●		P24060MM	[-]	18,4	BSH					
	107	10/00 → 03/07	●	→ 08/04	P24059MM	[-]	17,2	BSH					
	107	10/00 → 03/07	●	09/04 →	P24063MM	[-]	16,3	BSH					
2.0 16V DI / TDDi / TDCi	66	10/00 → 03/07	●		P24060MM	[-]	18,4	BSH					
	66	10/00 → 03/07	●	→ 08/04	P24059MM	[-]	17,2	BSH					
	66	10/00 → 03/07	●	09/04 →	P24063MM	[-]	16,3	BSH					
2.0 16V TDDi / TDCi	85	10/00 → 03/07	●		P24060MM	[-]	18,4	BSH					
	85	10/00 → 03/07	●	→ 08/04	P24059MM	[-]	17,2	BSH					
	85	10/00 → 03/07	●	09/04 →	P24063MM	[-]	16,3	BSH					
2.0 TDCi	96	10/01 → 03/07	●		P24060MM	[-]	18,4	BSH					
	96	10/01 → 03/07	●	→ 08/04	P24059MM	[-]	17,2	BSH					
	96	10/01 → 03/07	●	09/04 →	P24063MM	[-]	16,3	BSH					
2.2 TDCi	110	09/04 → 03/07	●		P24060MM	[-]	18,4	BSH					
	110	09/04 → 03/07	●		P24063MM	[-]	16,3	BSH					
	114	09/04 → 03/07	●		P24060MM	[-]	18,4	BSH					
	114	09/04 → 03/07	●		P24063MM	[-]	16,3	BSH					
2.5 V6 24V	125	10/00 → 03/07	●		P24060MM	[-]	18,4	BSH					
	125	10/00 → 03/07	●	→ 08/04	P24059MM	[-]	17,2	BSH					
	125	10/00 → 03/07	●	09/04 →	P24063MM	[-]	16,3	BSH					
3.0 V6 24V	150	09/04 → 03/07	●		P24060MM	[-]	18,4	BSH					
	150	09/04 → 03/07	●		P24063MM	[-]	16,3	BSH					
ST220	166	04/02 → 03/07	●		P24060MM	[-]	18,4	BSH					
	166	04/02 → 03/07	●	→ 08/04	P24059MM	[-]	17,2	BSH					
	166	04/02 → 03/07	●	09/04 →	P24063MM	[-]	16,3	BSH					

MONDEO IV (BA7) 03/07 → 01/15

1.6 EcoBoost	118	02/11 → 01/15	●		P24076MM	[-]	20,3	ATE				A02224	
	118	02/11 → 01/15	●		P24075MM	[-]	15,7	TRW					
1.6 TDCi	85	02/11 → 01/15	●		P24076MM	[-]	20,3	ATE					
	85	02/11 → 01/15	●		P24075MM	[-]	15,7	TRW					
1.6 Ti	88	07/10 → 01/15	●		P24076MM	[-]	20,3	ATE				A02224	
	88	07/10 → 01/15	●		P24075MM	[-]	15,7	TRW					
	81	03/07 → 01/15	●		P24076MM	[-]	20,3	ATE				A02224	
	81	03/07 → 01/15	●		P24075MM	[-]	15,7	TRW					
	92	03/07 → 01/15	●		P24076MM	[-]	20,3	ATE				A02224	
	92	03/07 → 01/15	●		P24075MM	[-]	15,7	TRW					
1.8 TDCi	74	03/07 → 01/15	●		P24076MM	[-]	20,3	ATE				A02224	
	74	03/07 → 01/15	●		P24075MM	[-]	15,7	TRW					
	92	06/07 → 01/15	●		P24076MM	[-]	20,3	ATE					
	92	06/07 → 01/15	●		P24075MM	[-]	15,7	TRW					
2.0	107	03/07 → 01/15	●		P24076MM	[-]	20,3	ATE				A02224	
	107	03/07 → 01/15	●		P24075MM	[-]	15,7	TRW					

		kw						wi	Th [mm]	SYS	wi			FK	
												LENGHT			

FORD

MONDEO IV (BA7) 03/07 → 01/15

2.0 EcoBoost	176	07/10 → 01/15	●				P24076MM [-]	20,3	ATE						A02224	
	176	07/10 → 01/15		●			P24075MM [-]	15,7	TRW							
2.0 Flexifuel	107	03/09 → 01/15	●				P24076MM [-]	20,3	ATE							
	107	03/09 → 01/15		●			P24075MM [-]	15,7	TRW							
2.0 LPG	107	07/09 → 01/15	●				P24076MM [-]	20,3	ATE						A02224	
	107	07/09 → 01/15		●			P24075MM [-]	15,7	TRW							
2.0 SCTi	149	03/10 → 01/15	●				P24076MM [-]	20,3	ATE							
	149	03/10 → 01/15		●			P24075MM [-]	15,7	TRW							
2.0 TDCi	100	03/07 → 01/15	●				P24076MM [-]	20,3	ATE						A02224	
	100	03/07 → 01/15		●			P24075MM [-]	15,7	TRW							
	96	03/07 → 01/15	●				P24076MM [-]	20,3	ATE						A02224	
	96	03/07 → 01/15		●			P24075MM [-]	15,7	TRW							
	103	03/07 → 01/15	●				P24076MM [-]	20,3	ATE						A02224	
	103	03/07 → 01/15		●			P24075MM [-]	15,7	TRW							
	85	11/07 → 01/15	●				P24076MM [-]	20,3	ATE							
	85	11/07 → 01/15		●			P24075MM [-]	15,7	TRW							
	120	03/10 → 01/15	●				P24076MM [-]	20,3	ATE							
	120	03/10 → 01/15		●			P24075MM [-]	15,7	TRW							
2.2 TDCi	147	07/10 → 01/15	●				P24076MM [-]	20,3	ATE							
	147	07/10 → 01/15		●			P24075MM [-]	15,7	TRW							
	129	03/08 → 10/10	●				P24076MM [-]	20,3	ATE							
2.3	118	07/07 → 01/15	●				P24076MM [-]	20,3	ATE							
	118	07/07 → 01/15		●			P24075MM [-]	15,7	TRW							
2.5	162	03/07 → 01/15	●				P24076MM [-]	20,3	ATE						A02224	
	162	03/07 → 01/15		●			P24075MM [-]	15,7	TRW							

MONDEO IV Saloon (BA7) 03/07 → 01/15

1.6 EcoBoost	118	11/10 → 01/15	●				P24076MM [-]	20,3	ATE							
	118	11/10 → 01/15		●			P24075MM [-]	15,7	TRW							
1.6 TDCi	85	12/10 → 01/15	●				P24076MM [-]	20,3	ATE							
	85	12/10 → 01/15		●			P24075MM [-]	15,7	TRW							
1.6 Ti	92	03/07 → 01/15	●				P24076MM [-]	20,3	ATE						A02224	
	92	03/07 → 01/15		●			P24075MM [-]	15,7	TRW							
	81	03/07 → 01/15	●				P24076MM [-]	20,3	ATE							
1.8 TDCi	81	03/07 → 01/15		●			P24075MM [-]	15,7	TRW							
	92	06/07 → 01/15	●				P24076MM [-]	20,3	ATE							
	92	06/07 → 01/15		●			P24075MM [-]	15,7	TRW							
2.0	74	03/07 → 01/15	●				P24076MM [-]	20,3	ATE							
	74	03/07 → 01/15		●			P24075MM [-]	15,7	TRW							
	107	03/07 → 01/15	●				P24076MM [-]	20,3	ATE						A02224	
2.0 Flexifuel	107	03/07 → 01/15		●			P24075MM [-]	15,7	TRW							
	107	03/09 → 01/15	●				P24076MM [-]	20,3	ATE							
2.0 LPG	107	03/09 → 01/15		●			P24075MM [-]	15,7	TRW							
	107	07/09 → 01/15	●				P24076MM [-]	20,3	ATE						A02224	
2.0 TDCi	107	07/09 → 01/15		●			P24075MM [-]	15,7	TRW							
	96	03/07 → 01/15	●				P24076MM [-]	20,3	ATE						A02224	
	96	03/07 → 01/15		●			P24075MM [-]	15,7	TRW							
	103	03/07 → 01/15	●				P24076MM [-]	20,3	ATE						A02224	
	103	03/07 → 01/15		●			P24075MM [-]	15,7	TRW							
	85	11/07 → 01/15	●				P24076MM [-]	20,3	ATE							
	85	11/07 → 01/15		●			P24075MM [-]	15,7	TRW							
120	03/10 → 01/15	●				P24076MM [-]	20,3	ATE								
120	03/10 → 01/15		●			P24075MM [-]	15,7	TRW								

FORD

MONDEO IV Saloon (BA7) 03/07 → 01/15

2.2 TDCi	129	03/08 → 10/10	●						P24076MM	[-]	20,3	ATE				
	129	03/08 → 10/10		●					P24075MM	[-]	15,7	TRW				
2.3	118	07/07 → 01/15	●						P24076MM	[-]	20,3	ATE				
	118	07/07 → 01/15		●					P24075MM	[-]	15,7	TRW				
2.5	162	03/07 → 01/15	●						P24076MM	[-]	20,3	ATE			A02224	
	162	03/07 → 01/15		●					P24075MM	[-]	15,7	TRW				

MONDEO IV Turnier (BA7) 03/07 → 01/15

1.6 EcoBoost	118	02/11 → 01/15	●						P24076MM	[-]	20,3	ATE			A02224	
	118	02/11 → 01/15		●					P24075MM	[-]	15,7	TRW				
1.6 TDCi	85	02/11 → 01/15	●						P24076MM	[-]	20,3	ATE			A02224	
	85	02/11 → 01/15		●					P24075MM	[-]	15,7	TRW				
1.6 Ti	88	07/10 → 01/15	●						P24076MM	[-]	20,3	ATE			A02224	
	88	07/10 → 01/15		●					P24075MM	[-]	15,7	TRW				
	81	03/07 → 12/12	●						P24076MM	[-]	20,3	ATE			A02224	
	81	03/07 → 12/12		●					P24075MM	[-]	15,7	TRW				
	92	03/07 → 12/10	●						P24076MM	[-]	20,3	ATE			A02224	
	92	03/07 → 12/10		●					P24075MM	[-]	15,7	TRW				
1.8 TDCi	74	03/07 → 12/12	●						P24076MM	[-]	20,3	ATE			A02224	
	74	03/07 → 12/12		●					P24075MM	[-]	15,7	TRW				
	92	06/07 → 12/12	●						P24076MM	[-]	20,3	ATE				
2.0	107	03/07 → 01/15	●						P24076MM	[-]	20,3	ATE			A02224	
	107	03/07 → 01/15		●					P24075MM	[-]	15,7	TRW				
2.0 EcoBoost	176	07/10 → 01/15	●						P24076MM	[-]	20,3	ATE			A02224	
	176	07/10 → 01/15		●					P24075MM	[-]	15,7	TRW				
2.0 Flexifuel	107	03/09 → 01/15	●						P24076MM	[-]	20,3	ATE				
	107	03/09 → 01/15		●					P24075MM	[-]	15,7	TRW				
2.0 LPG	107	07/09 → 01/15	●						P24076MM	[-]	20,3	ATE			A02224	
	107	07/09 → 01/15		●					P24075MM	[-]	15,7	TRW				
2.0 SCTi	149	03/10 → 01/15	●						P24076MM	[-]	20,3	ATE				
	149	03/10 → 01/15		●					P24075MM	[-]	15,7	TRW				
2.0 TDCi	100	03/07 → 01/15	●						P24076MM	[-]	20,3	ATE			A02224	
	100	03/07 → 01/15		●					P24075MM	[-]	15,7	TRW				
	96	03/07 → 12/12	●						P24076MM	[-]	20,3	ATE			A02224	
	96	03/07 → 12/12		●					P24075MM	[-]	15,7	TRW				
	103	03/07 → 01/15	●						P24076MM	[-]	20,3	ATE			A02224	
	103	03/07 → 01/15		●					P24075MM	[-]	15,7	TRW				
	85	11/07 → 01/15	●						P24076MM	[-]	20,3	ATE				
	85	11/07 → 01/15		●					P24075MM	[-]	15,7	TRW				
2.2 TDCi	120	03/10 → 01/15	●						P24076MM	[-]	20,3	ATE				
	120	03/10 → 01/15		●					P24075MM	[-]	15,7	TRW				
	147	07/10 → 01/15	●						P24076MM	[-]	20,3	ATE			A02224	
	147	07/10 → 01/15		●					P24075MM	[-]	15,7	TRW				
2.3	129	03/08 → 10/10	●						P24076MM	[-]	20,3	ATE				
	129	03/08 → 10/10		●					P24075MM	[-]	15,7	TRW				
	118	07/07 → 01/15	●						P24076MM	[-]	20,3	ATE				
2.5	118	07/07 → 01/15		●					P24075MM	[-]	15,7	TRW				
	162	03/07 → 12/12	●						P24076MM	[-]	20,3	ATE			A02224	
	162	03/07 → 12/12		●					P24075MM	[-]	15,7	TRW				

MONDEO V Hatchback 09/14 →

1.0 EcoBoost	92	02/15 →	●						P24173MM	[+]	20,2	ATE				
1.5 EcoBoost	118	09/14 →	●						P24173MM	[+]	20,2	ATE				
1.6 TDCi	85	09/14 →	●						P24173MM	[+]	20,2	ATE				

FORD

MONDEO V Hatchback 09/14 →

2.0 EcoBoost	149	09/14 →	●	→ 02/15	P24173MM	[+]	20,2	ATE						
	176	09/14 →	●	→ 02/15	P24173MM	[+]	20,2	ATE						
2.0 TDCi	110	09/14 →	●	→ 02/15	P24173MM	[+]	20,2	ATE						
	132	09/14 →	●	→ 02/15	P24173MM	[+]	20,2	ATE						
2.0 TDCi 4x4	110	02/15 →	●	→ 02/15	P24173MM	[+]	20,2	ATE						
	132	02/15 →	●	→ 02/15	P24173MM	[+]	20,2	ATE						

MONDEO V Saloon 09/12 →

2.0 Hybrid	130	09/14 →	●	→ 02/15	P24173MM	[+]	20,2	ATE						
	140	09/14 →	●	→ 02/15	P24173MM	[+]	20,2	ATE						
	103	10/14 →	●	→ 02/15	P24173MM	[+]	20,2	ATE						

MONDEO V Turnier 09/14 →

1.0 EcoBoost	92	02/15 →	●	→ 02/15	P24173MM	[+]	20,2	ATE						
1.5 EcoBoost	118	09/14 →	●	→ 02/15	P24173MM	[+]	20,2	ATE						
1.6 TDCi	85	09/14 →	●	→ 02/15	P24173MM	[+]	20,2	ATE						
2.0 EcoBoost	149	09/14 →	●	→ 02/15	P24173MM	[+]	20,2	ATE						
	176	09/14 →	●	→ 02/15	P24173MM	[+]	20,2	ATE						
2.0 TDCi	110	09/14 →	●	→ 02/15	P24173MM	[+]	20,2	ATE						
	132	09/14 →	●	→ 02/15	P24173MM	[+]	20,2	ATE						
2.0 TDCi 4x4	110	02/15 →	●	→ 02/15	P24173MM	[+]	20,2	ATE						
	132	02/15 →	●	→ 02/15	P24173MM	[+]	20,2	ATE						

PUMA (EC_) 03/97 → 06/02

1.4 16V	66	11/97 → 10/00	●	→ 02/00	P24043MM	[-]	17,5	ATE					A02227
	66	11/97 → 10/00	●	02/00 →	P24055MM	[-]	18,8	ATE					A02227
1.6 16V	76	08/00 → 06/02	●		P24055MM	[-]	18,8	ATE					A02227
1.7 16V	92	03/97 → 06/02	●	→ 02/00	P24043MM	[-]	17,5	ATE					A02227
	92	03/97 → 06/02	●	02/00 →	P24055MM	[-]	18,8	ATE					A02227
ST 160	118	06/99 → 06/02	●	→ 02/00	P24043MM	[-]	17,5	ATE					A02227
	118	06/99 → 06/02	●	02/00 →	P24055MM	[-]	18,8	ATE					A02227

RANGER (ER, EQ) 04/97 → 06/06

2.5 D	57	10/99 → 04/02	●		P24051MM	[+]	16,5	KH						
2.5 D 4x4	57	10/99 → 04/02	●		P24051MM	[+]	16,5	KH						
2.5 TD	62	04/02 → 06/06	●		P24051MM	[+]	16,5	KH						
2.5 TD 4x4	80	10/99 → 06/06	●	→ 08/02	P24051MM	[+]	16,5	KH						
	80	10/99 → 06/06	●	08/02 →	P24086MM	[+]	16,9	TOK						
	62	04/02 → 06/06	●	→ 08/02	P24051MM	[+]	16,5	KH						
	62	04/02 → 06/06	●	08/02 →	P24086MM	[+]	16,9	TOK						

RANGER (ET) 01/05 → 07/12

2.5 TDCi 4x4	105	05/06 → 07/12	●		P24086MM	[+]	16,9	TOK						
2.5 TDdi	105	05/06 → 07/12	●		P24051MM	[+]	16,5	KH						
3.0 TDCi	115	05/06 → 07/12	●		P24051MM	[+]	16,5	KH						
3.0 TDCi 4x4	115	05/06 → 07/12	●		P24086MM	[+]	16,9	TOK						

RANGER (TKE) 04/11 →

2.2 TDCi	92	04/11 →	●		P24153MM	[+]	16,4	-						
	88	04/11 →	●		P24153MM	[+]	16,4	-						
	110	11/11 →	●		P24153MM	[+]	16,4	-						
	118	05/15 →	●		P24153MM	[+]	16,4	-						
	96	05/15 →	●		P24153MM	[+]	16,4	-						
2.2 TDCi 4x4	92	04/11 →	●		P24153MM	[+]	16,4	-						
	110	04/11 →	●		P24153MM	[+]	16,4	-						
	118	05/15 →	●		P24153MM	[+]	16,4	-						
2.5 i 4x4	122	11/11 →	●		P24153MM	[+]	16,4	-						
3.2 TDCi 4x4	147	04/11 →	●		P24153MM	[+]	16,4	-						

										WI			FK	

FORD

S-MAX 01/15 →

1.5 EcoBoost	118	01/15 →	●	16" wheel	P24173MM	[+]	20,2	ATE						
2.0 EcoBoost	176	01/15 →	●	16" wheel	P24173MM	[+]	20,2	ATE						
2.0 TDCi	88	01/15 →	●	16" wheel	P24173MM	[+]	20,2	ATE						
	110	01/15 →	●	16" wheel	P24173MM	[+]	20,2	ATE						
	132	01/15 →	●	16" wheel	P24173MM	[+]	20,2	ATE						
2.0 TDCi 4x4	110	01/15 →	●	16" wheel	P24173MM	[+]	20,2	ATE						
	132	01/15 →	●	16" wheel	P24173MM	[+]	20,2	ATE						
2.0 TDCi Bi-Turbo	154	01/15 →	●	16" wheel	P24173MM	[+]	20,2	ATE						

S-MAX (WA6) 05/06 → 12/14

1.6 EcoBoost	118	02/11 → 12/14	●		P24076MM	[-]	20,3	ATE					A02224	
	118	02/11 → 12/14	●	+elect.handbrake	P24078MM	[-]	16,9	TRW						
	118	02/11 → 12/14	●	-elect.handbrake	P24075MM	[-]	15,7	TRW						
1.6 TDCi	85	02/11 → 12/14	●		P24076MM	[-]	20,3	ATE						
	85	02/11 → 12/14	●	+elect.handbrake	P24078MM	[-]	16,9	TRW						
	85	02/11 → 12/14	●	-elect.handbrake	P24075MM	[-]	15,7	TRW						
1.8 TDCi	92	05/06 → 12/14	●		P24076MM	[-]	20,3	ATE					A02224	
	92	05/06 → 12/14	●	-elect.handbrake	P24075MM	[-]	15,7	TRW						
	92	05/06 → 12/14	●	+elect.handbrake	P24078MM	[-]	16,9	TRW						
	74	01/07 → 12/10	●		P24076MM	[-]	20,3	ATE						
	74	01/07 → 12/10	●	-elect.handbrake	P24075MM	[-]	15,7	TRW						
2.0	107	05/06 → 12/14	●		P24076MM	[-]	20,3	ATE						
	107	05/06 → 12/14	●	-elect.handbrake	P24075MM	[-]	15,7	TRW						
	107	05/06 → 12/14	●	+elect.handbrake	P24078MM	[-]	16,9	TRW						
2.0 EcoBoost	176	07/10 → 12/14	●	→ 05/11	P24077MM	[-]	18,5/ 20	ATE						
	176	07/10 → 12/14	●	05/11 →	P24076MM	[-]	20,3	ATE						
	176	07/10 → 12/14	●	+elect.handbrake	P24078MM	[-]	16,9	TRW						
	176	07/10 → 12/14	●	-elect.handbrake	P24075MM	[-]	15,7	TRW						
	149	03/10 → 12/14	●	05/11 →	P24076MM	[-]	20,3	ATE						
	149	03/10 → 12/14	●	→ 05/11	P24077MM	[-]	18,5/ 20	ATE						
	149	03/10 → 12/14	●	+elect.handbrake	P24078MM	[-]	16,9	TRW						
	149	03/10 → 12/14	●	-elect.handbrake	P24075MM	[-]	15,7	TRW						
	146	07/10 → 12/14	●	→ 05/11	P24077MM	[-]	18,5/ 20	ATE						
	146	07/10 → 12/14	●	05/11 →	P24076MM	[-]	20,3	ATE						
2.0 Flexifuel	107	05/06 → 12/14	●		P24076MM	[-]	20,3	ATE						
	107	05/06 → 12/14	●	-elect.handbrake	P24075MM	[-]	15,7	TRW						
	107	05/06 → 12/14	●	+elect.handbrake	P24078MM	[-]	16,9	TRW						
2.0 TDCi	100	05/06 → 12/14	●		P24076MM	[-]	20,3	ATE					A02224	
	100	05/06 → 12/14	●	+elect.handbrake	P24078MM	[-]	16,9	TRW						
	100	05/06 → 12/14	●	-elect.handbrake	P24075MM	[-]	15,7	TRW						
	96	05/06 → 12/14	●		P24076MM	[-]	20,3	ATE						
	96	05/06 → 12/14	●	-elect.handbrake	P24075MM	[-]	15,7	TRW						
	96	05/06 → 12/14	●	+elect.handbrake	P24078MM	[-]	16,9	TRW						
	103	05/06 → 12/14	●		P24076MM	[-]	20,3	ATE						
	103	05/06 → 12/14	●	-elect.handbrake	P24075MM	[-]	15,7	TRW						
	103	05/06 → 12/14	●	+elect.handbrake	P24078MM	[-]	16,9	TRW						
	85	11/07 → 12/14	●		P24076MM	[-]	20,3	ATE						
85	11/07 → 12/14	●	-elect.handbrake	P24075MM	[-]	15,7	TRW							

		kw					wi	Th [mm]	SYS	WI			FK	
											LENGHT			

FORD

S-MAX (WA6) 05/06 → 12/14

2.0 TDCi	85	11/07 → 12/14	•	+elect.handbrake	P24078MM [-]	16,9	TRW							
	120	03/10 → 12/14	•		P24076MM [-]	20,3	ATE							
	120	03/10 → 12/14	•	+elect.handbrake	P24078MM [-]	16,9	TRW							
	120	03/10 → 12/14	•	-elect.handbrake	P24075MM [-]	15,7	TRW							
2.2 TDCi	147	07/10 → 12/14	•		P24076MM [-]	20,3	ATE							
	147	07/10 → 12/14	•	+elect.handbrake	P24078MM [-]	16,9	TRW							
	147	07/10 → 12/14	•	-elect.handbrake	P24075MM [-]	15,7	TRW							
	129	03/08 → 12/12	•	10/08 →	P24076MM [-]	20,3	ATE							
	129	03/08 → 12/12	•	→ 10/08	P24077MM [-]	18,5/ 20	ATE							
	129	03/08 → 12/12	•	-elect.handbrake	P24075MM [-]	15,7	TRW							
2.3	118	07/07 → 12/14	•		P24076MM [-]	20,3	ATE							
	118	07/07 → 12/14	•	-elect.handbrake	P24075MM [-]	15,7	TRW							
	118	07/07 → 12/14	•	+elect.handbrake	P24078MM [-]	16,9	TRW							
	2.5 ST	162	05/06 → 12/14	•		P24077MM [-]	18,5/ 20	ATE						
162		05/06 → 12/14	•	-elect.handbrake	P24075MM [-]	15,7	TRW							
162		05/06 → 12/14	•	+elect.handbrake	P24078MM [-]	16,9	TRW							

STREET KA (RL2) 03/03 → 07/05

1.6	70	05/03 → 07/05	•		P24055MM [-]	18,8	ATE						A02227	
-----	----	---------------	---	--	--------------	------	-----	--	--	--	--	--	--------	--

TOURNEO CONNECT 06/02 → 12/13

1.8 16V	85	06/02 → 12/13	•		P24058MM [-]	17,6	ATE							
	85	06/02 → 12/13	•	+ABS	P59042MM [O]	16,7	ATE							
1.8 TDCi	66	06/02 → 12/13	•		P24058MM [-]	17,6	ATE							
	66	06/02 → 12/13	•	+ABS	P59042MM [O]	16,7	ATE							
	81	08/06 → 12/13	•		P24058MM [-]	17,6	ATE							
	81	08/06 → 12/13	•	+ABS	P59042MM [O]	16,7	ATE							
1.8 TDCi / TDDi / DI	55	06/02 → 12/13	•		P24058MM [-]	17,6	ATE							
	55	06/02 → 12/13	•	+ABS	P59042MM [O]	16,7	ATE							
ELECTRIC	58	09/11 → 12/13	•		P24058MM [-]	17,6	ATE							

TOURNEO CONNECT / GRAND TOURNEO CONNECT Kombi 09/13 →

1.0 EcoBoost	74	11/13 →	•	+high payload	P24157MM [-]	17,9	ATE							
	74	11/13 →	•	-high payload	P24158MM [-]	18,2	ATE							
	74	11/13 →	•		P24148MM [-]	16,1	ATE							
1.5 TDCi	74	05/15 →	•	+high payload	P24157MM [-]	17,9	ATE							
	74	05/15 →	•	-high payload	P24158MM [-]	18,2	ATE							
	74	05/15 →	•		P24148MM [-]	16,1	ATE							
	55	05/15 →	•	+high payload	P24157MM [-]	17,9	ATE							
	55	05/15 →	•	-high payload	P24158MM [-]	18,2	ATE							
	55	05/15 →	•		P24148MM [-]	16,1	ATE							
	88	05/15 →	•	+high payload	P24157MM [-]	17,9	ATE							
	88	05/15 →	•	-high payload	P24158MM [-]	18,2	ATE							
	88	05/15 →	•		P24148MM [-]	16,1	ATE							
1.6 EcoBoost	110	11/13 →	•	+high payload	P24157MM [-]	17,9	ATE							
	110	11/13 →	•	-high payload	P24158MM [-]	18,2	ATE							
	110	11/13 →	•		P24148MM [-]	16,1	ATE							
1.6 TDCi	70	09/13 →	•	+high payload	P24157MM [-]	17,9	ATE							
	70	09/13 →	•	-high payload	P24158MM [-]	18,2	ATE							
	70	09/13 →	•		P24148MM [-]	16,1	ATE							
	85	09/13 →	•	+high payload	P24157MM [-]	17,9	ATE							
	85	09/13 →	•	-high payload	P24158MM [-]	18,2	ATE							
	85	09/13 →	•		P24148MM [-]	16,1	ATE							
	55	09/13 →	•	+high payload	P24157MM [-]	17,9	ATE							

									WI		FK		
	kw						Th [mm]		MAGNETI MARELLI	LENGHT		MAGNETI MARELLI	

FORD

TOURNEO CONNECT / GRAND TOURNEO CONNECT Kombi 09/13 →

1.6 TDCi	55	09/13 →	●	-high payload	P24158MM	[-]	18,2	ATE				
	55	09/13 →		●	P24148MM	[-]	16,1	ATE				

TOURNEO COURIER Kombi 02/14 →

1.0 EcoBoost	74	02/14 →	●		P24151MM	[-]	16,7	TRW				
1.5 TDCi	55	02/14 →	●		P24151MM	[-]	16,7	TRW				
	70	05/15 →	●		P24151MM	[-]	16,7	TRW				
1.6 TDCi	70	02/14 →	●		P24151MM	[-]	16,7	TRW				

TOURNEO CUSTOM Bus 04/12 →

2.0 TDCi	77	12/15 →	●		P24152MM	[+]	17	TRW	A00503	313		
	77	12/15 →		●	P24160MM	[o]	17,8	TRW	A00505	480	→ 02/16	
	96	12/15 →	●		P24152MM	[+]	17	TRW	A00503	313		
	96	12/15 →		●	P24160MM	[o]	17,8	TRW	A00505	480	→ 02/16	
	125	12/15 →	●		P24152MM	[+]	17	TRW	A00503	313		
	125	12/15 →		●	P24160MM	[o]	17,8	TRW	A00505	480	→ 02/16	
2.2 TDCi	74	04/12 →	●		P24152MM	[+]	17	TRW	A00503	313		
	74	04/12 →		●	P24160MM	[o]	17,8	TRW	A00505	480	→ 02/16	
	92	04/12 →	●		P24152MM	[+]	17	TRW	A00503	313		
	92	04/12 →		●	P24160MM	[o]	17,8	TRW	A00505	480	→ 02/16	
	114	04/12 →	●		P24152MM	[+]	17	TRW	A00503	313		
	114	04/12 →		●	P24160MM	[o]	17,8	TRW	A00505	480	→ 02/16	

TRANSIT Box 08/13 →

2.0 TDCi	96	03/16 →	●	twin tyres	P24171MM	[+]	17	BSH	A00503	313		
	96	03/16 →	●	single tyres	P24152MM	[+]	17	TRW	A00503	313		
	96	03/16 →		●	P24160MM	[o]	17,8	TRW	A00481	530		
	77	03/16 →	●	twin tyres	P24171MM	[+]	17	BSH	A00503	313		
	77	03/16 →	●	single tyres	P24152MM	[+]	17	TRW	A00503	313		
	77	03/16 →		●	P24160MM	[o]	17,8	TRW	A00481	530		
	125	03/16 →	●	twin tyres	P24171MM	[+]	17	BSH	A00503	313		
	125	03/16 →	●	single tyres	P24152MM	[+]	17	TRW	A00503	313		
	125	03/16 →		●	P24160MM	[o]	17,8	TRW	A00481	530		
2.0 TDCi [RWD]	77	03/16 →	●	twin tyres	P24171MM	[+]	17	BSH	A00503	313		
	77	03/16 →	●	single tyres	P24152MM	[+]	17	TRW	A00503	313		
	77	03/16 →		●	P24160MM	[o]	17,8	TRW	A00481	530		
	96	03/16 →	●	twin tyres	P24171MM	[+]	17	BSH	A00503	313		
	96	03/16 →	●	single tyres	P24152MM	[+]	17	TRW	A00503	313		
	96	03/16 →		●	P24160MM	[o]	17,8	TRW	A00481	530		
	125	03/16 →	●	twin tyres	P24171MM	[+]	17	BSH	A00503	313		
	125	03/16 →	●	single tyres	P24152MM	[+]	17	TRW	A00503	313		
	125	03/16 →		●	P24160MM	[o]	17,8	TRW	A00481	530		
2.0 TDCi 4x4	96	01/17 →	●	single tyres	P24152MM	[+]	17	TRW	A00503	313		
	96	01/17 →		●	P24160MM	[o]	17,8	TRW				
	125	01/17 →	●	single tyres	P24152MM	[+]	17	TRW	A00503	313		
	125	01/17 →		●	P24160MM	[o]	17,8	TRW				
2.2 TDCi	114	08/13 →	●	twin tyres	P24171MM	[+]	17	BSH	A00503	313		
	114	08/13 →	●	single tyres	P24152MM	[+]	17	TRW	A00503	313		
	114	08/13 →		●	P24160MM	[o]	17,8	TRW	A00481	530		
	92	08/13 →	●	twin tyres	P24171MM	[+]	17	BSH	A00503	313		
	92	08/13 →	●	single tyres	P24152MM	[+]	17	TRW	A00503	313		
	92	08/13 →		●	P24160MM	[o]	17,8	TRW	A00481	530		
	74	08/13 →	●	twin tyres	P24171MM	[+]	17	BSH	A00503	313		
	74	08/13 →	●	single tyres	P24152MM	[+]	17	TRW	A00503	313		
	74	08/13 →		●	P24160MM	[o]	17,8	TRW	A00481	530		

FORD

TRANSIT Box 08/13 →

2.2 TDCi [RWD]	114	08/13 →	●	twin tyres	P24171MM	[+]	17	BSH	A00503	313		
	114	08/13 →	●	single tyres	P24152MM	[+]	17	TRW	A00503	313		
	114	08/13 →		●		P24160MM	[O]	17,8	TRW	A00481	530	
	92	08/13 →	●	twin tyres	P24171MM	[+]	17	BSH	A00503	313		
	92	08/13 →	●	single tyres	P24152MM	[+]	17	TRW	A00503	313		
	92	08/13 →		●		P24160MM	[O]	17,8	TRW	A00481	530	
	74	08/13 →	●	twin tyres	P24171MM	[+]	17	BSH	A00503	313		
	74	08/13 →	●	single tyres	P24152MM	[+]	17	TRW	A00503	313		
	74	08/13 →		●		P24160MM	[O]	17,8	TRW	A00481	530	
	99	08/13 →	●	single tyres	P24152MM	[+]	17	TRW				
	99	08/13 →	●	twin tyres	P24171MM	[+]	17	BSH				
	99	08/13 →		●		P24160MM	[O]	17,8	TRW			
2.2 TDCi 4x4	114	08/13 →	●	twin tyres	P24171MM	[+]	17	BSH	A00503	313		
	114	08/13 →	●	single tyres	P24152MM	[+]	17	TRW	A00503	313		
	114	08/13 →		●		P24160MM	[O]	17,8	TRW	A00481	530	
	92	08/13 →	●	twin tyres	P24171MM	[+]	17	BSH	A00503	313		
	92	08/13 →	●	single tyres	P24152MM	[+]	17	TRW	A00503	313		
	92	08/13 →		●		P24160MM	[O]	17,8	TRW	A00481	530	

TRANSIT Box 04/06 →

2.2 TDCi	74	10/11 → 08/14	●	Max Load 2600, 2800 e 3000 kg	P24065MM	[+]	18,9	BSH					
	74	10/11 → 08/14	●	Max Load 3300 e 3500 kg	P24064MM	[+]	18,9	BSH					
	74	10/11 → 08/14	●	Max gross 3500 kg	P24066MM	[+]	17,3	BSH					
	74	10/11 → 08/14	●	Max gross >3500 kg	P24084MM	[+]	20,3	BRE					
	92	10/11 → 08/14	●	Max Load 2600, 2800 e 3000 kg	P24065MM	[+]	18,9	BSH					
	92	10/11 → 08/14	●	Max Load 3300 e 3500 kg	P24064MM	[+]	18,9	BSH					
	92	10/11 → 08/14	●	Max gross 3500 kg	P24066MM	[+]	17,3	BSH					
	92	10/11 → 08/14	●	Max gross >3500 kg	P24084MM	[+]	20,3	BRE					
	81	04/06 → 08/14	●	Max Load 2600, 2800 e 3000 kg	P24065MM	[+]	18,9	BSH					
	81	04/06 → 08/14	●	Max Load 3300 e 3500 kg	P24064MM	[+]	18,9	BSH					
	81	04/06 → 08/14	●	Max gross 3500 kg	P24066MM	[+]	17,3	BSH					
	81	04/06 → 08/14	●	Max gross >3500 kg	P24084MM	[+]	20,3	BRE					
	96	04/06 → 08/14	●	Max Load 2600, 2800 e 3000 kg	P24065MM	[+]	18,9	BSH					
	96	04/06 → 08/14	●	Max Load 3300 e 3500 kg	P24064MM	[+]	18,9	BSH					
	96	04/06 → 08/14	●	Max gross 3500 kg	P24066MM	[+]	17,3	BSH					
	96	04/06 → 08/14	●	Max gross >3500 kg	P24084MM	[+]	20,3	BRE					
	63	04/06 → 08/14	●	Max Load 2600, 2800 e 3000 kg	P24065MM	[+]	18,9	BSH					
	63	04/06 → 08/14	●	Max Load 3300 e 3500 kg	P24064MM	[+]	18,9	BSH					
	63	04/06 → 08/14	●	Max gross 3500 kg	P24066MM	[+]	17,3	BSH					
	63	04/06 → 08/14	●	Max gross >3500 kg	P24084MM	[+]	20,3	BRE					
	103	10/07 → 08/14	●	Max Load 2600, 2800 e 3000 kg	P24065MM	[+]	18,9	BSH					
	103	10/07 → 08/14	●	Max Load 3300 e 3500 kg	P24064MM	[+]	18,9	BSH					
	103	10/07 → 08/14	●	Max gross 3500 kg	P24066MM	[+]	17,3	BSH					
	103	10/07 → 08/14	●	Max gross >3500 kg	P24084MM	[+]	20,3	BRE					
	85	10/08 → 08/14	●	Max Load 2600, 2800 e 3000 kg	P24065MM	[+]	18,9	BSH					
	85	10/08 → 08/14	●	Max Load 3300 e 3500 kg	P24064MM	[+]	18,9	BSH					
	85	10/08 → 08/14	●	Max gross 3500 kg	P24066MM	[+]	17,3	BSH					
	85	10/08 → 08/14	●	Max gross >3500 kg	P24084MM	[+]	20,3	BRE					
	2.2 TDCi [RWD]	74	10/11 → 08/14	●	Max Load 3300 e 3500 kg	P24064MM	[+]	18,9	BSH				
		74	10/11 → 08/14	●	Max gross 3500 kg	P24066MM	[+]	17,3	BSH				
		74	10/11 → 08/14	●	Max gross >3500 kg	P24084MM	[+]	20,3	BRE				
		92	10/11 → 08/14	●	Max Load 3300 e 3500 kg	P24064MM	[+]	18,9	BSH				
		92	10/11 → 08/14	●	Max gross 3500 kg	P24066MM	[+]	17,3	BSH				

FORD

TRANSIT Box 04/06 →

2.2 TDCi [RWD]	114	10/11 →	●	Max Load 3300 e 3500 kg	P24064MM	[+]	18,9	BSH							
	114	10/11 →	●	Max gross 3500 kg	P24066MM	[+]	17,3	BSH							
	114	10/11 →	●	Max gross >3500 kg	P24084MM	[+]	20,3	BRE							
	100	10/11 → 08/14	●	Max Load 3300 e 3500 kg	P24064MM	[+]	18,9	BSH							
	100	10/11 → 08/14	●		P24066MM	[+]	17,3	BSH							
	100	10/11 → 08/14	●		P24084MM	[+]	20,3	BRE							
2.2 TDCi 4x4	92	10/11 → 08/14	●	Max Load 3300 e 3500 kg	P24064MM	[+]	18,9	BSH							
	92	10/11 → 08/14	●	Max gross 3500 kg	P24066MM	[+]	17,3	BSH							
	92	10/11 → 08/14	●	Max gross >3500 kg	P24084MM	[+]	20,3	BRE							
2.3 16V [RWD]	107	04/06 → 08/14	●		P24064MM	[+]	18,9	BSH							
	107	04/06 → 08/14	●	Max gross 3500 kg	P24066MM	[+]	17,3	BSH							
	107	04/06 → 08/14	●	Max gross >3500 kg	P24084MM	[+]	20,3	BRE							
2.3 16V CNG [RWD]	100	04/06 → 08/14	●	Max Load 3300 e 3500 kg	P24064MM	[+]	18,9	BSH							
	100	04/06 → 08/14	●		P24066MM	[+]	17,3	BSH							
	100	04/06 → 08/14	●		P24084MM	[+]	20,3	BRE							
2.3 16V LPG [RWD]	107	04/06 → 08/14	●	Max Load 3300 e 3500 kg	P24064MM	[+]	18,9	BSH							
	107	04/06 → 08/14	●		P24066MM	[+]	17,3	BSH							
	107	04/06 → 08/14	●		P24084MM	[+]	20,3	BRE							
2.4 TDCi [RWD]	85	04/06 → 08/14	●		P24064MM	[+]	18,9	BSH							
	85	04/06 → 08/14	●	Max gross 3500 kg	P24066MM	[+]	17,3	BSH							
	85	04/06 → 08/14	●	Max gross >3500 kg	P24084MM	[+]	20,3	BRE							
	103	04/06 → 08/14	●		P24064MM	[+]	18,9	BSH							
	103	04/06 → 08/14	●	Max gross 3500 kg	P24066MM	[+]	17,3	BSH							
	103	04/06 → 08/14	●	Max gross >3500 kg	P24084MM	[+]	20,3	BRE							
	74	04/06 → 08/14	●		P24064MM	[+]	18,9	BSH							
74	04/06 → 08/14	●	Max gross 3500 kg	P24066MM	[+]	17,3	BSH								
74	04/06 → 08/14	●	Max gross >3500 kg	P24084MM	[+]	20,3	BRE								
2.4 TDCi 4x4	103	11/06 → 08/14	●		P24064MM	[+]	18,9	BSH							
	103	11/06 → 08/14	●	Max gross 3500 kg	P24066MM	[+]	17,3	BSH							
	103	11/06 → 08/14	●	Max gross >3500 kg	P24084MM	[+]	20,3	BRE							
3.2 TDCi [RWD]	147	09/07 → 08/14	●		P24064MM	[+]	18,9	BSH							
	147	09/07 → 08/14	●	Max gross 3500 kg	P24066MM	[+]	17,3	BSH							
	147	09/07 → 08/14	●	Max gross >3500 kg	P24084MM	[+]	20,3	BRE							

TRANSIT Box (E_) 06/94 → 07/00

2.0 (EAL, EAS)	84	06/94 → 03/00	●	→ 08/98; 14" wheel	P24032MM	[-]	19	BDX							
	84	06/94 → 03/00	●	09/98 →; 14" wheel	P24049MM	[+]	19	BDX							
	84	06/94 → 03/00	●	→ 08/98; 15" wheel	P24033MM	[-]	19	BDX							
	84	06/94 → 03/00	●	09/98 →; 15" wheel	P24050MM	[+]	19	BDX							
2.5 DI (EAL, EAS)	56	06/94 → 03/00	●	→ 08/98; 14" wheel	P24032MM	[-]	19	BDX							
	56	06/94 → 03/00	●	09/98 →; 14" wheel	P24049MM	[+]	19	BDX							
	56	06/94 → 03/00	●	→ 08/98; 15" wheel	P24033MM	[-]	19	BDX							
	56	06/94 → 03/00	●	09/98 →; 15" wheel	P24050MM	[+]	19	BDX							
	51	06/94 → 03/00	●	→ 08/98; 14" wheel	P24032MM	[-]	19	BDX							
	51	06/94 → 03/00	●	09/98 →; 14" wheel	P24049MM	[+]	19	BDX							
	51	06/94 → 03/00	●	→ 08/98; 15" wheel	P24033MM	[-]	19	BDX							
	51	06/94 → 03/00	●	09/98 →; 15" wheel	P24050MM	[+]	19	BDX							
2.5 TD (EAL, EAS)	85	05/99 → 03/00	●	14" wheel	P24049MM	[+]	19	BDX							
	85	05/99 → 03/00	●	15" wheel	P24050MM	[+]	19	BDX							
	63	06/94 → 03/00	●	→ 08/98; 14" wheel	P24032MM	[-]	19	BDX							
	63	06/94 → 03/00	●	09/98 →; 14" wheel	P24049MM	[+]	19	BDX							
2.5 TD (EAS)	63	06/94 → 03/00	●	→ 08/98; 15" wheel	P24033MM	[-]	19	BDX							
	63	06/94 → 03/00	●	09/98 →; 15" wheel	P24050MM	[+]	19	BDX							
	55	10/98 → 03/00	●	14" wheel	P24049MM	[+]	19	BDX							
	55	10/98 → 03/00	●	15" wheel	P24050MM	[+]	19	BDX							

FORD

TRANSIT Box (E_ _) 06/94 → 07/00

2.5 TDI (EAL, EAS)	74	06/94 → 03/00	●	→ 08/98; 14" wheel	P24032MM [-]	19	BDX						
	74	06/94 → 03/00	●	09/98 →; 14" wheel	P24049MM [+]	19	BDX						
	74	06/94 → 03/00	●	→ 08/98; 15" wheel	P24033MM [-]	19	BDX						
	74	06/94 → 03/00	●	09/98 →; 15" wheel	P24050MM [+]	19	BDX						

TRANSIT Box (FA_ _) 01/00 → 05/06

2.0 DI (FAE_ , FAC_ , FAG_)	55	08/00 → 05/06	●	260; 300; 280; FWD	P24053MM [+]	17,7	BSH						
	55	08/00 → 05/06	●	330; 350; FWD	P24052MM [+]	18,5	BSH						
	74	08/00 → 05/06	●	260; 280; 300; FWD	P24053MM [+]	17,7	BSH						
	74	08/00 → 05/06	●	350; 330; FWD	P24052MM [+]	18,5	BSH						
	63	08/00 → 05/06	●	260; 280; 300; FWD	P24053MM [+]	17,7	BSH						
	63	08/00 → 05/06	●	350; 330; FWD	P24052MM [+]	18,5	BSH						
2.0 TDCi	92	08/02 → 05/06	●	260; 300; 280; FWD	P24053MM [+]	17,7	BSH						
	92	08/02 → 05/06	●	350; 330; FWD	P24052MM [+]	18,5	BSH						
2.3	107	03/01 → 03/06	●	260; 300; 280; FWD	P24053MM [+]	17,7	BSH						
	107	03/01 → 03/06	●	330; 350; FWD	P24052MM [+]	18,5	BSH						
	105	03/01 → 03/06	●	260; 300; 280; FWD	P24053MM [+]	17,7	BSH						
	105	03/01 → 03/06	●	350; 330; FWD	P24052MM [+]	18,5	BSH						
2.3 16V [RWD] (FAA_ , FAB_ , FAC_)	107	04/01 → 05/06	●	RWD	P24052MM [+]	18,5	BSH						
2.4 DI (FAA_ , FAB_ , FAC_ , FAD_)	66	01/00 → 05/06	●	RWD	P24052MM [+]	18,5	BSH						
2.4 DI [RWD] (FAA_ , FAB_ , FAC_ , FAD_)	88	01/00 → 05/06	●	RWD	P24052MM [+]	18,5	BSH						
	55	01/00 → 05/06	●	RWD	P24052MM [+]	18,5	BSH						
2.4 TDCi	101	03/04 → 05/06	●	RWD	P24052MM [+]	18,5	BSH						
2.4 TDE	92	07/01 → 05/06	●	RWD	P24052MM [+]	18,5	BSH						
	85	03/04 → 05/06	●	RWD	P24052MM [+]	18,5	BSH						

TRANSIT Bus 08/13 →

2.0 TDCi	77	03/16 →	●	twin tyres	P24171MM [+]	17	BSH	A00503	313				
	77	03/16 →	●	single tyres	P24152MM [+]	17	TRW	A00503	313				
	77	03/16 →	●		P24160MM [O]	17,8	TRW	A00481	530				
	96	03/16 →	●	twin tyres	P24171MM [+]	17	BSH	A00503	313				
	96	03/16 →	●	single tyres	P24152MM [+]	17	TRW	A00503	313				
	96	03/16 →	●		P24160MM [O]	17,8	TRW	A00481	530				
	125	03/16 →	●	twin tyres	P24171MM [+]	17	BSH	A00503	313				
	125	03/16 →	●	single tyres	P24152MM [+]	17	TRW	A00503	313				
	125	03/16 →	●		P24160MM [O]	17,8	TRW	A00481	530				
2.2 TDCi	74	08/13 →	●	twin tyres	P24171MM [+]	17	BSH	A00503	313				
	74	08/13 →	●	single tyres	P24152MM [+]	17	TRW	A00503	313				
	74	08/13 →	●		P24160MM [O]	17,8	TRW	A00481	530				
	92	08/13 →	●	twin tyres	P24171MM [+]	17	BSH	A00503	313				
	92	08/13 →	●	single tyres	P24152MM [+]	17	TRW	A00503	313				
	92	08/13 →	●		P24160MM [O]	17,8	TRW	A00481	530				
	114	12/14 →	●	twin tyres	P24171MM [+]	17	BSH	A00503	313				
	114	12/14 →	●	single tyres	P24152MM [+]	17	TRW	A00503	313				
	114	12/14 →	●		P24160MM [O]	17,8	TRW	A00481	530				
2.2 TDCi [RWD]	92	08/13 →	●	twin tyres	P24171MM [+]	17	BSH	A00503	313				
	92	08/13 →	●	single tyres	P24152MM [+]	17	TRW	A00503	313				
	92	08/13 →	●		P24160MM [O]	17,8	TRW	A00481	530				
	114	08/13 →	●	twin tyres	P24171MM [+]	17	BSH	A00503	313				
	114	08/13 →	●	single tyres	P24152MM [+]	17	TRW	A00503	313				
114	08/13 →	●		P24160MM [O]	17,8	TRW	A00481	530					

								WI		FK		

FORD

TRANSIT Bus 08/13 →

2.2 TDCi [RWD]	74 08/13 →	●	twin tyres	P24171MM	[+]	17	BSH	A00503	313		
	74 08/13 →	●	single tyres	P24152MM	[+]	17	TRW	A00503	313		
	74 08/13 →	●		P24160MM	[o]	17,8	TRW	A00481	530		
2.2 TDCi 4x4	92 08/13 →	●	twin tyres	P24171MM	[+]	17	BSH	A00503	313		
	92 08/13 →	●	single tyres	P24152MM	[+]	17	TRW	A00503	313		
	92 08/13 →	●		P24160MM	[o]	17,8	TRW	A00481	530		

TRANSIT Bus 04/06 →

2.2 TDCi	74 10/11 → 08/14	●	Max Load 2600, 2800 e 3000 kg	P24065MM	[+]	18,9	BSH				
	74 10/11 → 08/14	●	Max Load 3300 e 3500 kg	P24064MM	[+]	18,9	BSH				
	74 10/11 → 08/14	●		P24066MM	[+]	17,3	BSH				
	74 10/11 → 08/14	●	460; +rear disc	P24084MM	[+]	20,3	BRE				
	92 10/11 → 08/14	●	Max Load 2600, 2800 e 3000 kg	P24065MM	[+]	18,9	BSH				
	92 10/11 → 08/14	●	Max Load 3300 e 3500 kg	P24064MM	[+]	18,9	BSH				
	92 10/11 → 08/14	●		P24066MM	[+]	17,3	BSH				
	92 10/11 → 08/14	●	460; +rear disc	P24084MM	[+]	20,3	BRE				
	63 04/06 → 08/14	●	Max Load 2600, 2800 e 3000 kg	P24065MM	[+]	18,9	BSH				
	63 04/06 → 08/14	●	Max Load 3300 e 3500 kg	P24064MM	[+]	18,9	BSH				
	63 04/06 → 08/14	●	Max gross 3500 kg	P24066MM	[+]	17,3	BSH				
	63 04/06 → 08/14	●	Max gross >3500 kg	P24084MM	[+]	20,3	BRE				
	81 04/06 → 08/14	●	Max Load 2600, 2800 e 3000 kg	P24065MM	[+]	18,9	BSH				
	81 04/06 → 08/14	●	Max Load 3300 e 3500 kg	P24064MM	[+]	18,9	BSH				
	81 04/06 → 08/14	●	Max gross 3500 kg	P24066MM	[+]	17,3	BSH				
	81 04/06 → 08/14	●	Max gross >3500 kg	P24084MM	[+]	20,3	BRE				
	96 04/06 → 08/14	●	Max Load 2600, 2800 e 3000 kg	P24065MM	[+]	18,9	BSH				
	96 04/06 → 08/14	●	Max Load 3300 e 3500 kg	P24064MM	[+]	18,9	BSH				
	96 04/06 → 08/14	●	Max gross 3500 kg	P24066MM	[+]	17,3	BSH				
	96 04/06 → 08/14	●	Max gross >3500 kg	P24084MM	[+]	20,3	BRE				
	103 10/07 → 08/14	●	Max Load 2600, 2800 e 3000 kg	P24065MM	[+]	18,9	BSH				
	103 10/07 → 08/14	●	Max Load 3300 e 3500 kg	P24064MM	[+]	18,9	BSH				
	103 10/07 → 08/14	●	Max gross 3500 kg	P24066MM	[+]	17,3	BSH				
	103 10/07 → 08/14	●	Max gross >3500 kg	P24084MM	[+]	20,3	BRE				
	85 10/08 → 08/14	●	Max Load 2600, 2800 e 3000 kg	P24065MM	[+]	18,9	BSH				
	85 10/08 → 08/14	●	Max Load 3300 e 3500 kg	P24064MM	[+]	18,9	BSH				
	85 10/08 → 08/14	●	Max gross 3500 kg	P24066MM	[+]	17,3	BSH				
	85 10/08 → 08/14	●	Max gross >3500 kg	P24084MM	[+]	20,3	BRE				
2.2 TDCi [RWD]	74 10/11 → 08/14	●	Max Load 3300 e 3500 kg	P24064MM	[+]	18,9	BSH				
	74 10/11 → 08/14	●	Max gross 3500 kg	P24066MM	[+]	17,3	BSH				
	74 10/11 → 08/14	●	Max gross >3500 kg	P24084MM	[+]	20,3	BRE				
	92 10/11 → 08/14	●	Max Load 3300 e 3500 kg	P24064MM	[+]	18,9	BSH				
	92 10/11 → 08/14	●	Max gross 3500 kg	P24066MM	[+]	17,3	BSH				
	92 10/11 → 08/14	●	Max gross >3500 kg	P24084MM	[+]	20,3	BRE				
	100 09/11 → 08/14	●	Max Load 3300 e 3500 kg	P24064MM	[+]	18,9	BSH				
	100 09/11 → 08/14	●	Max gross 3500 kg	P24066MM	[+]	17,3	BSH				
	100 09/11 → 08/14	●	Max gross >3500 kg	P24084MM	[+]	20,3	BRE				
	100 09/11 → 08/14	●		P24064MM	[+]	18,9	BSH				
2.4 TDCi	85 04/06 → 08/14	●	Max Load 3300 e 3500 kg	P24064MM	[+]	18,9	BSH				
	85 04/06 → 08/14	●	Max gross 3500 kg	P24066MM	[+]	17,3	BSH				
	85 04/06 → 08/14	●	Max gross >3500 kg	P24084MM	[+]	20,3	BRE				
	103 04/06 →	●	Max Load 3300 e 3500 kg	P24064MM	[+]	18,9	BSH				
	103 04/06 →	●	Max gross 3500 kg	P24066MM	[+]	17,3	BSH				
	103 04/06 →	●	Max gross >3500 kg	P24084MM	[+]	20,3	BRE				
	74 04/06 → 08/14	●	Max Load 3300 e 3500 kg	P24064MM	[+]	18,9	BSH				
	74 04/06 → 08/14	●	Max gross 3500 kg	P24066MM	[+]	17,3	BSH				
	74 04/06 → 08/14	●	Max gross >3500 kg	P24084MM	[+]	20,3	BRE				
	74 04/06 → 08/14	●		P24064MM	[+]	18,9	BSH				

--	--	--	--	--	--	--	--	--	--	--	--	--	--	--	--

FORD

TRANSIT Bus 04/06 →

2.4 TDCi 4x4	103	11/06 → 08/14	●	Max Load 3300 e 3500 kg	P24064MM	[+]	18,9	BSH							
	103	11/06 → 08/14	●	Max gross 3500 kg	P24066MM	[+]	17,3	BSH							
	103	11/06 → 08/14	●	Max gross >3500 kg	P24084MM	[+]	20,3	BRE							
3.2 TDCi	147	02/08 → 08/14	●	Max Load 3300 e 3500 kg	P24064MM	[+]	18,9	BSH							
	147	02/08 → 08/14	●	Max gross 3500 kg	P24066MM	[+]	17,3	BSH							
	147	02/08 → 08/14	●	Max gross >3500 kg	P24084MM	[+]	20,3	BRE							

TRANSIT Bus (E_) 06/94 → 07/00

2.0 (EBL, EBS, ECL, EDS, EDL, EGL, ESS, ESL, EUS)	84	09/95 → 03/00	●	→ 08/98; 14" wheel	P24032MM	[-]	19	BDX							
	84	09/95 → 03/00	●	09/98 →; 14" wheel	P24049MM	[+]	19	BDX							
	84	09/95 → 03/00	●	→ 08/98; 15" wheel	P24033MM	[-]	19	BDX							
	84	09/95 → 03/00	●	09/98 →; 15" wheel	P24050MM	[+]	19	BDX							
2.0 CNG	84	06/94 → 03/00	●	→ 08/98; 14" wheel	P24032MM	[-]	19	BDX							
	84	06/94 → 03/00	●	09/98 →; 14" wheel	P24049MM	[+]	19	BDX							
	84	06/94 → 03/00	●	→ 08/98; 15" wheel	P24033MM	[-]	19	BDX							
	84	06/94 → 03/00	●	09/98 →; 15" wheel	P24050MM	[+]	19	BDX							
2.5 DI (EBL, ECL, EDS, EDL)	56	07/94 → 03/00	●	→ 08/98; 14" wheel	P24032MM	[-]	19	BDX							
	56	07/94 → 03/00	●	09/98 →; 14" wheel	P24049MM	[+]	19	BDX							
	56	07/94 → 03/00	●	→ 08/98; 15" wheel	P24033MM	[-]	19	BDX							
	56	07/94 → 03/00	●	09/98 →; 15" wheel	P24050MM	[+]	19	BDX							
2.5 DI (EBL, EDL, EDS, ESL, ESS)	85	08/97 → 03/00	●	→ 08/98; 14" wheel	P24032MM	[-]	19	BDX							
	85	08/97 → 03/00	●	09/98 →; 14" wheel	P24049MM	[+]	19	BDX							
	85	08/97 → 03/00	●	→ 08/98; 15" wheel	P24033MM	[-]	19	BDX							
	85	08/97 → 03/00	●	09/98 →; 15" wheel	P24050MM	[+]	19	BDX							
2.5 DI (EBL, EDS, ESL, ESS, EUS)	51	08/94 → 03/00	●	→ 08/98; 14" wheel	P24032MM	[-]	19	BDX							
	51	08/94 → 03/00	●	09/98 →; 14" wheel	P24049MM	[+]	19	BDX							
	51	08/94 → 03/00	●	→ 08/98; 15" wheel	P24033MM	[-]	19	BDX							
	51	08/94 → 03/00	●	09/98 →; 15" wheel	P24050MM	[+]	19	BDX							
2.5 TD (EB_ , ED_ , ES_)	55	08/94 → 06/00	●	→ 08/98; 14" wheel	P24032MM	[-]	19	BDX							
	55	08/94 → 06/00	●	09/98 →; 14" wheel	P24049MM	[+]	19	BDX							
	55	08/94 → 06/00	●	→ 08/98; 15" wheel	P24033MM	[-]	19	BDX							
	55	08/94 → 06/00	●	09/98 →; 15" wheel	P24050MM	[+]	19	BDX							
2.5 TD (EBL, EDL, EDS, EGL, ESL, ESS, EUS)	63	01/95 → 03/00	●	→ 08/98; 14" wheel	P24032MM	[-]	19	BDX							
	63	01/95 → 03/00	●	09/98 →; 14" wheel	P24049MM	[+]	19	BDX							
	63	01/95 → 03/00	●	→ 08/98; 15" wheel	P24033MM	[-]	19	BDX							
	63	01/95 → 03/00	●	09/98 →; 15" wheel	P24050MM	[+]	19	BDX							
2.5 TD (ECL, EDL, EDS, ESL, ESS, EUS)	74	07/94 → 03/00	●	→ 08/98; 14" wheel	P24032MM	[-]	19	BDX							
	74	07/94 → 03/00	●	09/98 →; 14" wheel	P24049MM	[+]	19	BDX							
	74	07/94 → 03/00	●	→ 08/98; 15" wheel	P24033MM	[-]	19	BDX							
	74	07/94 → 03/00	●	09/98 →; 15" wheel	P24050MM	[+]	19	BDX							

TRANSIT Bus (FD_ , FB_ , FS_ , FZ_ , FC_) 01/00 → 05/06

2.0 DI (F_E_ , F_F_ , F_G_)	55	08/00 → 05/06	●	300; 280; 260; FWD	P24053MM	[+]	17,7	BSH							
	55	08/00 → 05/06	●	330; 350; FWD	P24052MM	[+]	18,5	BSH							
	74	08/00 → 05/06	●	300; 260; 280; FWD	P24053MM	[+]	17,7	BSH							
	74	08/00 → 05/06	●	350; 330; FWD	P24052MM	[+]	18,5	BSH							
	63	08/00 → 05/06	●	300; 260; 280; FWD	P24053MM	[+]	17,7	BSH							
	63	08/00 → 05/06	●	330; 350; FWD	P24052MM	[+]	18,5	BSH							
2.0 TDCi (F_F_ , F_E_ , F_G_)	92	08/02 → 05/06	●	300; 280; 260; FWD	P24053MM	[+]	17,7	BSH							
	92	08/02 → 05/06	●	330; 350; FWD	P24052MM	[+]	18,5	BSH							
2.3 16V [RWD] (F_B_ , F_C_ , F_A_)	107	08/00 → 05/06	●	RWD	P24052MM	[+]	18,5	BSH							
2.4 DI (F_B_ , F_C_ , F_A_)	66	01/00 → 05/06	●	RWD	P24052MM	[+]	18,5	BSH							

								WI			FK	

FORD

TRANSIT Bus (E_) 06/94 → 07/00

2.4 DI [RWD] (F_B_, F_C_)	55	01/00 → 05/06	●	RWD	P24052MM	[+]	18,5	BSH				
2.4 DI [RWD] (F_B_, F_C_, F_A_)	88	01/00 → 05/06	●	RWD	P24052MM	[+]	18,5	BSH				
2.4 TDCi	101	03/04 → 05/06	●	RWD	P24052MM	[+]	18,5	BSH				
2.4 TDE	85	03/04 → 05/06	●	RWD	P24052MM	[+]	18,5	BSH				
2.4 TDE (F_C_, F_B_, F_A_)	92	07/01 → 05/06	●	RWD	P24052MM	[+]	18,5	BSH				

TRANSIT CONNECT (P65_, P70_, P80_) 06/02 →

1.8 16V	85	06/02 → 12/13	●		P24058MM	[-]	17,6	ATE				
	85	06/02 → 12/13	●	+ABS	P59042MM	[o]	16,7	ATE				
1.8 16V LPG	85	06/02 → 12/13	●		P24058MM	[-]	17,6	ATE				
	85	06/02 → 12/13	●	+ABS	P59042MM	[o]	16,7	ATE				
1.8 Di	55	06/02 → 12/13	●		P24058MM	[-]	17,6	ATE				
	55	06/02 → 12/13	●	+ABS	P59042MM	[o]	16,7	ATE				
1.8 TDCi	66	06/02 → 12/13	●		P24058MM	[-]	17,6	ATE				
	66	06/02 → 12/13	●	+ABS	P59042MM	[o]	16,7	ATE				
	81	08/06 → 12/13	●		P24058MM	[-]	17,6	ATE				
	81	08/06 → 12/13	●	+ABS	P59042MM	[o]	16,7	ATE				

TRANSIT CONNECT Box 02/13 →

1.0 EcoBoost	74	02/13 →	●	+high payload	P24157MM	[-]	17,9	ATE				
	74	02/13 →	●	-high payload	P24158MM	[-]	18,2	ATE				
	74	02/13 →	●		P24148MM	[-]	16,1	ATE				
1.5 TDCi	74	05/15 →	●	+high payload	P24157MM	[-]	17,9	ATE				
	74	05/15 →	●	-high payload	P24158MM	[-]	18,2	ATE				
	74	05/15 →	●		P24148MM	[-]	16,1	ATE				
	88	05/15 →	●	+high payload	P24157MM	[-]	17,9	ATE				
	88	05/15 →	●	-high payload	P24158MM	[-]	18,2	ATE				
	88	05/15 →	●		P24148MM	[-]	16,1	ATE				
	55	08/15 →	●	+high payload	P24157MM	[-]	17,9	ATE				
	55	08/15 →	●	-high payload	P24158MM	[-]	18,2	ATE				
	55	08/15 →	●		P24148MM	[-]	16,1	ATE				
1.6 EcoBoost	110	11/13 →	●	+high payload	P24157MM	[-]	17,9	ATE				
	110	11/13 →	●	-high payload	P24158MM	[-]	18,2	ATE				
	110	11/13 →	●		P24148MM	[-]	16,1	ATE				
1.6 TDCi	85	02/13 →	●	+high payload	P24157MM	[-]	17,9	ATE				
	85	02/13 →	●	-high payload	P24158MM	[-]	18,2	ATE				
	85	02/13 →	●		P24148MM	[-]	16,1	ATE				
	70	02/13 →	●	+high payload	P24157MM	[-]	17,9	ATE				
	70	02/13 →	●	-high payload	P24158MM	[-]	18,2	ATE				
	70	02/13 →	●		P24148MM	[-]	16,1	ATE				
	55	02/13 →	●	+high payload	P24157MM	[-]	17,9	ATE				
	55	02/13 →	●	-high payload	P24158MM	[-]	18,2	ATE				
	55	02/13 →	●		P24148MM	[-]	16,1	ATE				

TRANSIT CONNECT Kombi 02/13 →

1.5 TDCi	74	05/15 →	●		P24158MM	[-]	18,2	ATE				
	74	05/15 →	●	+increased axle load	P24157MM	[-]	17,9	ATE				
	74	05/15 →	●		P24148MM	[-]	16,1	ATE				
	88	05/15 →	●		P24158MM	[-]	18,2	ATE				
	88	05/15 →	●	+increased axle load	P24157MM	[-]	17,9	ATE				
	88	05/15 →	●		P24148MM	[-]	16,1	ATE				
	55	08/15 →	●	+high payload	P24157MM	[-]	17,9	ATE				

FORD

TRANSIT CONNECT (P65_, P70_, P80_) 06/02 →

1.5 TDCi	55	08/15 →	●	-high payload	P24158MM [-]	18,2	ATE					
	55	08/15 →	●		P24148MM [-]	16,1	ATE					
1.6 EcoBoost	110	02/13 →	●	+high payload	P24157MM [-]	17,9	ATE					
	110	02/13 →	●	-high payload	P24158MM [-]	18,2	ATE					
1.6 TDCi	55	02/13 →	●	+high payload	P24157MM [-]	17,9	ATE					
	55	02/13 →	●	-high payload	P24158MM [-]	18,2	ATE					
	55	02/13 →	●		P24148MM [-]	16,1	ATE					
	70	02/13 →	●	+high payload	P24157MM [-]	17,9	ATE					
	70	02/13 →	●	-high payload	P24158MM [-]	18,2	ATE					
	70	02/13 →	●		P24148MM [-]	16,1	ATE					
	85	02/13 →	●	+high payload	P24157MM [-]	17,9	ATE					
	85	02/13 →	●	-high payload	P24158MM [-]	18,2	ATE					
	85	02/13 →	●		P24148MM [-]	16,1	ATE					

TRANSIT COURIER Box 02/14 →

1.0 EcoBoost	74	02/14 →	●		P24151MM [-]	16,7	TRW					
1.5 TDCi	55	02/14 →	●		P24151MM [-]	16,7	TRW					
	70	05/15 →	●		P24151MM [-]	16,7	TRW					
1.6 TDCi	70	02/14 →	●		P24151MM [-]	16,7	TRW					

TRANSIT COURIER Kombi 02/14 →

1.0 EcoBoost	74	02/14 →	●		P24151MM [-]	16,7	TRW					
1.5 TDCi	55	02/14 →	●		P24151MM [-]	16,7	TRW					
	70	05/15 →	●		P24151MM [-]	16,7	TRW					
1.6 TDCi	70	02/14 →	●		P24151MM [-]	16,7	TRW					

TRANSIT CUSTOM Box 04/12 →

2.0 TDCi	77	12/15 →	●		P24152MM [+]	17	TRW	A00503	313			
	77	12/15 →	●		P24160MM [O]	17,8	TRW	A00505	480	→ 02/16		
	96	12/15 →	●		P24152MM [+]	17	TRW	A00503	313			
	96	12/15 →	●		P24160MM [O]	17,8	TRW	A00505	480	→ 02/16		
	125	12/15 →	●		P24152MM [+]	17	TRW	A00503	313			
	125	12/15 →	●		P24160MM [O]	17,8	TRW	A00505	480	→ 02/16		
2.2 TDCi	74	04/12 →	●		P24152MM [+]	17	TRW	A00503	313			
	74	04/12 →	●		P24160MM [O]	17,8	TRW	A00505	480	→ 02/16		
	92	04/12 →	●		P24152MM [+]	17	TRW	A00503	313			
	92	04/12 →	●		P24160MM [O]	17,8	TRW	A00505	480	→ 02/16		
	114	04/12 →	●		P24152MM [+]	17	TRW	A00503	313			
	114	04/12 →	●		P24160MM [O]	17,8	TRW	A00505	480	→ 02/16		

TRANSIT CUSTOM Bus 04/12 →

2.0 TDCi	77	12/15 →	●		P24152MM [+]	17	TRW	A00503	313			
	77	12/15 →	●		P24160MM [O]	17,8	TRW	A00505	480	→ 02/16		
	96	12/15 →	●		P24152MM [+]	17	TRW	A00503	313			
	96	12/15 →	●		P24160MM [O]	17,8	TRW	A00505	480	→ 02/16		
	125	12/15 →	●		P24152MM [+]	17	TRW	A00503	313			
	125	12/15 →	●		P24160MM [O]	17,8	TRW	A00505	480	→ 02/16		
2.2 TDCi	74	04/12 →	●		P24152MM [+]	17	TRW	A00503	313			
	74	04/12 →	●		P24160MM [O]	17,8	TRW	A00505	480	→ 02/16		
	92	04/12 →	●		P24152MM [+]	17	TRW	A00503	313			
	92	04/12 →	●		P24160MM [O]	17,8	TRW	A00505	480	→ 02/16		
	114	04/12 →	●		P24152MM [+]	17	TRW	A00503	313			
	114	04/12 →	●		P24160MM [O]	17,8	TRW	A00505	480	→ 02/16		

TRANSIT Platform/Chassis 08/13 →

2.0 TDCi	77	03/16 →	●	twin tyres	P24171MM [+]	17	BSH	A00503	313			
	77	03/16 →	●	single tyres	P24152MM [+]	17	TRW	A00503	313			



kw



MAGNETI MARELLI

wi

Th [mm]

SYS

MAGNETI MARELLI

LEIGHT

WI

MAGNETI MARELLI

FK

MAGNETI MARELLI

MAGNETI MARELLI

MAGNETI MARELLI

FORD

TRANSIT Platform/Chassis 08/13 →

Model	Power (kw)	Configuration	Tyre	Part No.	Offset	Th [mm]	SYS	Part No.	Weight	WI	Part No.	FK
2.0 TDCi	77	03/16 →	•	P24160MM	[O]	17,8	TRW	A00481	530			
	96	03/16 →	•	twin tyres	P24171MM	[+]	17	BSH	A00503	313		
	96	03/16 →	•	single tyres	P24152MM	[+]	17	TRW	A00503	313		
	96	03/16 →	•		P24160MM	[O]	17,8	TRW	A00481	530		
	125	03/16 →	•	twin tyres	P24171MM	[+]	17	BSH	A00503	313		
	125	03/16 →	•	single tyres	P24152MM	[+]	17	TRW	A00503	313		
	125	03/16 →	•		P24160MM	[O]	17,8	TRW	A00481	530		
2.0 TDCi [RWD]	77	03/16 →	•	twin tyres	P24171MM	[+]	17	BSH	A00503	313		
	77	03/16 →	•	single tyres	P24152MM	[+]	17	TRW	A00503	313		
	77	03/16 →	•		P24160MM	[O]	17,8	TRW	A00481	530		
	96	03/16 →	•	twin tyres	P24171MM	[+]	17	BSH	A00503	313		
	96	03/16 →	•	single tyres	P24152MM	[+]	17	TRW	A00503	313		
	96	03/16 →	•		P24160MM	[O]	17,8	TRW	A00481	530		
	125	03/16 →	•	twin tyres	P24171MM	[+]	17	BSH	A00503	313		
2.0 TDCi 4x4	96	01/17 →	•	single tyres	P24152MM	[+]	17	TRW	A00503	313		
	96	01/17 →	•		P24160MM	[O]	17,8	TRW				
	125	01/17 →	•	single tyres	P24152MM	[+]	17	TRW	A00503	313		
	125	01/17 →	•		P24160MM	[O]	17,8	TRW				
2.2 TDCi	74	08/13 →	•	twin tyres	P24171MM	[+]	17	BSH	A00503	313		
	74	08/13 →	•	single tyres	P24152MM	[+]	17	TRW	A00503	313		
	74	08/13 →	•		P24160MM	[O]	17,8	TRW	A00481	530		
	92	08/13 →	•	twin tyres	P24171MM	[+]	17	BSH	A00503	313		
	92	08/13 →	•	single tyres	P24152MM	[+]	17	TRW	A00503	313		
	92	08/13 →	•		P24160MM	[O]	17,8	TRW	A00481	530		
	114	08/13 →	•	twin tyres	P24171MM	[+]	17	BSH	A00503	313		
	114	08/13 →	•	single tyres	P24152MM	[+]	17	TRW	A00503	313		
2.2 TDCi [RWD]	74	08/13 →	•	twin tyres	P24171MM	[+]	17	BSH	A00503	313		
	74	08/13 →	•	single tyres	P24152MM	[+]	17	TRW	A00503	313		
	74	08/13 →	•		P24160MM	[O]	17,8	TRW	A00481	530		
	92	08/13 →	•	twin tyres	P24171MM	[+]	17	BSH	A00503	313		
	92	08/13 →	•	single tyres	P24152MM	[+]	17	TRW	A00503	313		
	92	08/13 →	•		P24160MM	[O]	17,8	TRW	A00481	530		
	114	08/13 →	•	twin tyres	P24171MM	[+]	17	BSH	A00503	313		
	114	08/13 →	•	single tyres	P24152MM	[+]	17	TRW	A00503	313		
	114	08/13 →	•		P24160MM	[O]	17,8	TRW	A00481	530		
	99	08/13 →	•	twin tyres	P24171MM	[+]	17	BSH	A00503	313		
2.2 TDCi 4x4	92	08/13 →	•	single tyres	P24152MM	[+]	17	TRW	A00503	313		
	92	08/13 →	•		P24160MM	[O]	17,8	TRW	A00481	530		
	114	08/13 →	•	twin tyres	P24171MM	[+]	17	BSH	A00503	313		
	114	08/13 →	•	single tyres	P24152MM	[+]	17	TRW	A00503	313		
	114	08/13 →	•		P24160MM	[O]	17,8	TRW	A00481	530		
	114	08/13 →	•		P24160MM	[O]	17,8	TRW	A00481	530		

TRANSIT Platform/Chassis 04/06 → 08/14

2.2 TDCi	74	10/11 → 08/14	•	Max Load 2600, 2800 e 3000 kg	P24065MM	[+]	18,9	BSH				
	74	10/11 → 08/14	•	Max Load 3300 e 3500 kg	P24064MM	[+]	18,9	BSH				
	74	10/11 → 08/14	•		P24066MM	[+]	17,3	BSH				
	74	10/11 → 08/14	•		P24084MM	[+]	20,3	BRE				
	92	10/11 → 08/14	•	Max Load 2600, 2800 e 3000 kg	P24065MM	[+]	18,9	BSH				
	92	10/11 → 08/14	•	Max Load 3300 e 3500 kg	P24064MM	[+]	18,9	BSH				

FORD

TRANSIT Platform/Chassis 04/06 → 08/14

2.2 TDCi	92	10/11 → 08/14	●		P24066MM	[+]	17,3	BSH						
	92	10/11 → 08/14	●		P24084MM	[+]	20,3	BRE						
	81	04/06 → 08/14	●	Max Load 2600, 2800 e 3000 kg	P24065MM	[+]	18,9	BSH						
	81	04/06 → 08/14	●	Max Load 3300 e 3500 kg	P24064MM	[+]	18,9	BSH						
	81	04/06 → 08/14	●	Max gross 3500 kg	P24066MM	[+]	17,3	BSH						
	81	04/06 → 08/14	●	Max gross >3500 kg	P24084MM	[+]	20,3	BRE						
	63	04/06 → 08/14	●	Max Load 2600, 2800 e 3000 kg	P24065MM	[+]	18,9	BSH						
	63	04/06 → 08/14	●	Max Load 3300 e 3500 kg	P24064MM	[+]	18,9	BSH						
	63	04/06 → 08/14	●	Max gross 3500 kg	P24066MM	[+]	17,3	BSH						
	63	04/06 → 08/14	●	Max gross >3500 kg	P24084MM	[+]	20,3	BRE						
	96	04/06 → 08/14	●	Max Load 2600, 2800 e 3000 kg	P24065MM	[+]	18,9	BSH						
	96	04/06 → 08/14	●	Max Load 3300 e 3500 kg	P24064MM	[+]	18,9	BSH						
	96	04/06 → 08/14	●	Max gross 3500 kg	P24066MM	[+]	17,3	BSH						
	96	04/06 → 08/14	●	Max gross >3500 kg	P24084MM	[+]	20,3	BRE						
	103	10/07 → 09/11	●	Max Load 2600, 2800 e 3000 kg	P24065MM	[+]	18,9	BSH						
	103	10/07 → 09/11	●	Max Load 3300 e 3500 kg	P24064MM	[+]	18,9	BSH						
	103	10/07 → 09/11	●	Max gross 3500 kg	P24066MM	[+]	17,3	BSH						
	103	10/07 → 09/11	●	Max gross >3500 kg	P24084MM	[+]	20,3	BRE						
	85	10/08 → 08/14	●	Max Load 2600, 2800 e 3000 kg	P24065MM	[+]	18,9	BSH						
	85	10/08 → 08/14	●	Max Load 3300 e 3500 kg	P24064MM	[+]	18,9	BSH						
85	10/08 → 08/14	●	Max gross 3500 kg	P24066MM	[+]	17,3	BSH							
85	10/08 → 08/14	●	Max gross >3500 kg	P24084MM	[+]	20,3	BRE							
2.2 TDCi [RWD]	74	10/11 → 08/14	●	Max Load 3300 e 3500 kg	P24064MM	[+]	18,9	BSH						
	74	10/11 → 08/14	●		P24066MM	[+]	17,3	BSH						
	74	10/11 → 08/14	●		P24084MM	[+]	20,3	BRE						
	92	10/11 → 08/14	●	Max Load 3300 e 3500 kg	P24064MM	[+]	18,9	BSH						
	92	10/11 → 08/14	●		P24066MM	[+]	17,3	BSH						
	92	10/11 → 08/14	●		P24084MM	[+]	20,3	BRE						
	114	10/11 → 08/14	●	Max Load 3300 e 3500 kg	P24064MM	[+]	18,9	BSH						
2.2 TDCi 4x4	92	10/11 → 08/14	●	Max Load 3300 e 3500 kg	P24064MM	[+]	18,9	BSH						
	92	10/11 → 08/14	●		P24066MM	[+]	17,3	BSH						
	92	10/11 → 08/14	●		P24084MM	[+]	20,3	BRE						
2.3 16V [RWD]	107	04/06 → 08/14	●	Max Load 3300 e 3500 kg	P24064MM	[+]	18,9	BSH						
	107	04/06 → 08/14	●	Max gross 3500 kg	P24066MM	[+]	17,3	BSH						
	107	04/06 → 08/14	●	Max gross >3500 kg	P24084MM	[+]	20,3	BRE						
2.3 16V CNG [RWD]	100	04/06 → 08/14	●	Max Load 3300 e 3500 kg	P24064MM	[+]	18,9	BSH						
	100	04/06 → 08/14	●		P24084MM	[+]	20,3	BRE						
2.3 16V LPG [RWD]	107	04/06 → 08/14	●	Max Load 3300 e 3500 kg	P24064MM	[+]	18,9	BSH						
	107	04/06 → 08/14	●		P24084MM	[+]	20,3	BRE						
2.4 TDCi [RWD]	74	04/06 → 08/14	●	Max Load 3300 e 3500 kg	P24064MM	[+]	18,9	BSH						
	74	04/06 → 08/14	●	Max gross 3500 kg	P24066MM	[+]	17,3	BSH						
	74	04/06 → 08/14	●	Max gross >3500 kg	P24084MM	[+]	20,3	BRE						
	85	04/06 → 08/14	●	Max Load 3300 e 3500 kg	P24064MM	[+]	18,9	BSH						
	85	04/06 → 08/14	●	Max gross 3500 kg	P24066MM	[+]	17,3	BSH						
	85	04/06 → 08/14	●	Max gross >3500 kg	P24084MM	[+]	20,3	BRE						
	103	04/06 → 08/14	●	Max Load 3300 e 3500 kg	P24064MM	[+]	18,9	BSH						
	103	04/06 → 08/14	●	Max gross 3500 kg	P24066MM	[+]	17,3	BSH						
	103	04/06 → 08/14	●	Max gross >3500 kg	P24084MM	[+]	20,3	BRE						
2.4 TDCi 4x4	103	11/06 → 08/14	●	Max Load 3300 e 3500 kg	P24064MM	[+]	18,9	BSH						
	103	11/06 → 08/14	●	Max gross 3500 kg	P24066MM	[+]	17,3	BSH						
	103	11/06 → 08/14	●	Max gross >3500 kg	P24084MM	[+]	20,3	BRE						

								WI			FK		
	kw									LENGHT			

FORD

TRANSIT Platform/Chassis 04/06 → 08/14

3.2 TDCi [RWD]	147	09/07 → 08/14	●	Max Load 3300 e 3500 kg	P24064MM	[+]	18,9	BSH				
	147	09/07 → 08/14	●	Max gross 3500 kg	P24066MM	[+]	17,3	BSH				
	147	09/07 → 08/14	●	Max gross >3500 kg	P24084MM	[+]	20,3	BRE				

TRANSIT Platform/Chassis (E_ _) 08/94 → 07/00

2.0 (EME/L/S, ENE/L/S)	84	08/94 → 03/00	●	→ 08/98; 14" wheel	P24032MM	[-]	19	BDX				
	84	08/94 → 03/00	●	09/98 →; 14" wheel	P24049MM	[+]	19	BDX				
	84	08/94 → 03/00	●	→ 08/98; 15" wheel	P24033MM	[-]	19	BDX				
	84	08/94 → 03/00	●	09/98 →; 15" wheel	P24050MM	[+]	19	BDX				
2.5 DI (EME/L/S, ENE/L/S)	56	08/94 → 03/00	●	→ 08/98; 14" wheel	P24032MM	[-]	19	BDX				
	56	08/94 → 03/00	●	09/98 →; 14" wheel	P24049MM	[+]	19	BDX				
	56	08/94 → 03/00	●	→ 08/98; 15" wheel	P24033MM	[-]	19	BDX				
	56	08/94 → 03/00	●	09/98 →; 15" wheel	P24050MM	[+]	19	BDX				
2.5 DI (EML, ENE/L)	85	05/99 → 03/00	●	14" wheel	P24049MM	[+]	19	BDX				
	85	05/99 → 03/00	●	15" wheel	P24050MM	[+]	19	BDX				
2.5 DI (EML/S, ENL/S)	51	08/94 → 03/00	●	→ 08/98; 14" wheel	P24032MM	[-]	19	BDX				
	51	08/94 → 03/00	●	09/98 →; 14" wheel	P24049MM	[+]	19	BDX				
	51	08/94 → 03/00	●	→ 08/98; 15" wheel	P24033MM	[-]	19	BDX				
	51	08/94 → 03/00	●	09/98 →; 15" wheel	P24050MM	[+]	19	BDX				
2.5 TD (EME/L/S, ENE/L/S)	63	08/94 → 03/00	●	→ 08/98; 14" wheel	P24032MM	[-]	19	BDX				
	63	08/94 → 03/00	●	09/98 →; 14" wheel	P24049MM	[+]	19	BDX				
	63	08/94 → 03/00	●	→ 08/98; 15" wheel	P24033MM	[-]	19	BDX				
	63	08/94 → 03/00	●	09/98 →; 15" wheel	P24050MM	[+]	19	BDX				
	74	08/94 → 03/00	●	→ 08/98; 14" wheel	P24032MM	[-]	19	BDX				
	74	08/94 → 03/00	●	09/98 →; 14" wheel	P24049MM	[+]	19	BDX				
	74	08/94 → 03/00	●	→ 08/98; 15" wheel	P24033MM	[-]	19	BDX				
	74	08/94 → 03/00	●	09/98 →; 15" wheel	P24050MM	[+]	19	BDX				
55	10/98 → 07/00	●	14" wheel	P24049MM	[+]	19	BDX					
	10/98 → 07/00	●	15" wheel	P24050MM	[+]	19	BDX					

TRANSIT Platform/Chassis (FM_ _, FN_ _) 01/00 → 05/06

2.0 DI (F_E_, F_F_)	55	08/00 → 05/06	●	300; 260; 280; FWD	P24053MM	[+]	17,7	BSH				
	55	08/00 → 05/06	●	330; 350; FWD	P24052MM	[+]	18,5	BSH				
	74	08/00 → 05/06	●	280; 260; 300; FWD	P24053MM	[+]	17,7	BSH				
	74	08/00 → 05/06	●	330; 350; FWD	P24052MM	[+]	18,5	BSH				
	63	08/00 → 05/06	●	280; 300; 260; FWD	P24053MM	[+]	17,7	BSH				
	63	08/00 → 05/06	●	330; 350; FWD	P24052MM	[+]	18,5	BSH				
2.0 TDCi (F_E_, F_F_)	92	08/02 → 05/06	●	260; 300; 280; FWD	P24053MM	[+]	17,7	BSH				
	92	08/02 → 05/06	●	330; 350; FWD	P24052MM	[+]	18,5	BSH				
2.3 16V (F_A_, F_B_, F_C_, F_D_)	107	04/01 → 05/06	●	RWD	P24052MM	[+]	18,5	BSH				
2.3 BiFuel	105	03/01 → 03/06	●		P24052MM	[+]	18,5	BSH				
2.4 DI (F_A_, F_B_, F_C_, F_D_)	66	01/00 → 05/06	●	RWD	P24052MM	[+]	18,5	BSH				
	88	01/00 → 05/06	●	RWD	P24052MM	[+]	18,5	BSH				
	55	01/00 → 05/06	●	RWD	P24052MM	[+]	18,5	BSH				
2.4 TDCi	101	03/04 → 05/06	●	RWD	P24052MM	[+]	18,5	BSH				
2.4 TDE	92	07/01 → 05/06	●	RWD	P24052MM	[+]	18,5	BSH				
	85	03/04 → 05/06	●	RWD	P24052MM	[+]	18,5	BSH				

TRANSIT TOURNEO 08/94 → 12/00

2.0	84	11/94 → 12/00	●	→ 08/98; 14" wheel	P24032MM	[-]	19	BDX				
	84	11/94 → 12/00	●	09/98 →; 14" wheel	P24049MM	[+]	19	BDX				
	84	11/94 → 12/00	●	→ 08/98; 15" wheel	P24033MM	[-]	19	BDX				
	84	11/94 → 12/00	●	09/98 →; 15" wheel	P24050MM	[+]	19	BDX				

--	--	--	--	--	--	--	--	--	--	--	--	--	--

FORD

TRANSIT Platform/Chassis 04/06 → 08/14

2.4 D	55	08/94 → 06/00	●	→ 08/98; 14" wheel	P24032MM [-]	19	BDX						
	55	08/94 → 06/00	●	09/98 →; 14" wheel	P24049MM [+]	19	BDX						
	55	08/94 → 06/00	●	→ 08/98; 15" wheel	P24033MM [-]	19	BDX						
	55	08/94 → 06/00	●	09/98 →; 15" wheel	P24050MM [+]	19	BDX						
2.5 DI	51	11/94 → 12/00	●	→ 08/98; 14" wheel	P24032MM [-]	19	BDX						
	51	11/94 → 12/00	●	09/98 →; 14" wheel	P24049MM [+]	19	BDX						
	51	11/94 → 12/00	●	→ 08/98; 15" wheel	P24033MM [-]	19	BDX						
	51	11/94 → 12/00	●	09/98 →; 15" wheel	P24050MM [+]	19	BDX						
	56	11/94 → 12/00	●	→ 08/98; 14" wheel	P24032MM [-]	19	BDX						
	56	11/94 → 12/00	●	09/98 →; 14" wheel	P24049MM [+]	19	BDX						
	56	11/94 → 12/00	●	→ 08/98; 15" wheel	P24033MM [-]	19	BDX						
	56	11/94 → 12/00	●	09/98 →; 15" wheel	P24050MM [+]	19	BDX						
2.5 TD	63	11/94 → 12/00	●	→ 08/98; 14" wheel	P24032MM [-]	19	BDX						
	63	11/94 → 12/00	●	09/98 →; 14" wheel	P24049MM [+]	19	BDX						
	63	11/94 → 12/00	●	→ 08/98; 15" wheel	P24033MM [-]	19	BDX						
	63	11/94 → 12/00	●	09/98 →; 15" wheel	P24050MM [+]	19	BDX						
	74	04/98 → 12/00	●	→ 08/98; 14" wheel	P24032MM [-]	19	BDX						
	74	04/98 → 12/00	●	09/98 →; 14" wheel	P24049MM [+]	19	BDX						
	74	04/98 → 12/00	●	→ 08/98; 15" wheel	P24033MM [-]	19	BDX						
	74	04/98 → 12/00	●	09/98 →; 15" wheel	P24050MM [+]	19	BDX						

TRANSIT TOURNEO 07/06 → 08/14

2.2 TDCi	81	07/06 → 08/14	●	Max Load 2600, 2800 e 3000 kg	P24065MM [+]	18,9	BSH						
	81	07/06 → 08/14	●	Max Load 3300 e 3500 kg	P24064MM [+]	18,9	BSH						
	81	07/06 → 08/14	●	Max gross 3500 kg; +rear disc	P24066MM [+]	17,3	BSH						
	81	07/06 → 08/14	●	Max gross >3500 kg; +rear disc	P24084MM [+]	20,3	BRE						
	96	07/06 → 08/14	●	Max Load 2600, 2800 e 3000 kg	P24065MM [+]	18,9	BSH						
	96	07/06 → 08/14	●	Max Load 3300 e 3500 kg	P24064MM [+]	18,9	BSH						
	96	07/06 → 08/14	●	Max gross 3500 kg; +rear disc	P24066MM [+]	17,3	BSH						
	96	07/06 → 08/14	●	Max gross >3500 kg; +rear disc	P24084MM [+]	20,3	BRE						
	103	10/07 → 08/14	●	Max Load 2600, 2800 e 3000 kg	P24065MM [+]	18,9	BSH						
	103	10/07 → 08/14	●	Max Load 3300 e 3500 kg	P24064MM [+]	18,9	BSH						
	103	10/07 → 08/14	●	Max gross 3500 kg; +rear disc	P24066MM [+]	17,3	BSH						
	103	10/07 → 08/14	●	Max gross >3500 kg; +rear disc	P24084MM [+]	20,3	BRE						
	85	10/08 → 08/14	●	Max Load 2600, 2800 e 3000 kg	P24065MM [+]	18,9	BSH						
	85	10/08 → 08/14	●	Max Load 3300 e 3500 kg	P24064MM [+]	18,9	BSH						
	85	10/08 → 08/14	●	Max gross 3500 kg; +rear disc	P24066MM [+]	17,3	BSH						
	85	10/08 → 08/14	●	Max gross >3500 kg; +rear disc	P24084MM [+]	20,3	BRE						

FSO

LANOS Hatchback 05/04 → 10/08

1.4	55	05/04 → 10/08	●		P59011MM [O]	16,8	ATE						
1.5	63	05/04 → 10/08	●		P59011MM [O]	16,8	ATE						
1.6 16V	78	05/04 → 10/08	●		P59017MM [O]	18,3	ATE						

LANOS Saloon 05/04 → 10/08

1.4	55	05/04 → 10/08	●		P59011MM [O]	16,8	ATE						
1.5	63	05/04 → 10/08	●		P59011MM [O]	16,8	ATE						
1.6 16V	78	05/04 → 10/08	●		P59017MM [O]	18,3	ATE						

POLONEZ III 09/92 → 01/05

1.4 i 16V	76	09/92 → 03/02	●		P23003MM [-]	17,3	BDX					A02203	
	76	09/92 → 03/02	●		P23002MM [-]	10	BDX						
1.5	55	05/94 → 12/97	●		P23003MM [-]	17,3	BDX						
1.6 i	57	09/92 → 03/02	●		P23003MM [-]	17,3	BDX					A02203	
	57	09/92 → 03/02	●		P23002MM [-]	10	BDX						

									WI			FK		
	kw													

FSO

POLONEZ III 09/92 → 01/05

1.9 D	51	09/92 → 03/02	•		P23003MM	[-]	17,3	BDX					A02203	
	51	09/92 → 03/02		•	P23002MM	[-]	10	BDX						

POLONEZ III Saloon 09/92 → 03/02

1.6 GLi	59	03/96 → 03/02	•		P23003MM	[-]	17,3	BDX						
	59	03/96 → 03/02		•	P23002MM	[-]	10	BDX						
1.6 i	57	09/92 → 03/02	•		P23003MM	[-]	17,3	BDX					A02203	
	57	09/92 → 03/02		•	P23002MM	[-]	10	BDX						

HONDA

ACCORD VI (CK, CG, CH, CF8) 03/97 → 12/03

1.6 i (CG7)	85	10/98 → 12/02	•		P28031MM	[+]	17,2	GIR						
1.6 LS (CG7)	79	10/98 → 12/02	•		P28031MM	[+]	17,2	GIR						
1.8 i (CG8)	100	10/98 → 12/02	•		P28029MM	[+]	17	TRW						
	100	10/98 → 12/02		•	P28030MM	[+]	15	TRW						
2.0 i (CG9)	108	10/98 → 01/01	•		P28029MM	[+]	17	TRW						
	108	10/98 → 01/01		•	P28030MM	[+]	15	TRW						
2.0 Turbo DI (CH2)	77	02/99 → 12/02	•		P28029MM	[+]	17	TRW						
	77	02/99 → 12/02		•	P28030MM	[+]	15	TRW						
2.2 Type-R (CH1)	156	02/99 → 12/02	•		P28026MM	[+]	17,3	AKE						
	156	02/99 → 12/02		•	P28030MM	[+]	15	TRW						
2.3 (CL3)	113	01/01 → 06/03	•		P28029MM	[+]	17	TRW						
	113	01/01 → 06/03		•	P28030MM	[+]	15	TRW						

ACCORD VI Coupé (CG) 12/97 → 06/03

2.0 i 16V	108	02/98 → 06/03	•		P28026MM	[+]	17,3	AKE						
	108	02/98 → 06/03		•	P28022MM	[+]	14,6	AKE						
3.0 V6 24V (CG2)	147	02/98 → 06/03	•		P28026MM	[+]	17,3	AKE						
	147	02/98 → 06/03		•	P28022MM	[+]	14,6	AKE						

ACCORD VI Hatchback (CH, CL) 12/99 → 12/02

1.6 (CH5)	85	12/99 → 12/02	•		P28029MM	[+]	17	TRW						
	85	12/99 → 12/02	•		P28031MM	[+]	17,2	GIR						
	85	12/99 → 12/02		•	P28030MM	[+]	15	TRW						
1.8 i (CH6)	100	12/99 → 12/02	•		P28029MM	[+]	17	TRW						
	100	12/99 → 12/02		•	P28030MM	[+]	15	TRW						
2.0 (CH7)	108	12/99 → 12/02	•		P28029MM	[+]	17	TRW						
	108	12/99 → 12/02		•	P28030MM	[+]	15	TRW						
2.0 TDi (CH8)	77	12/99 → 10/00	•		P28029MM	[+]	17	TRW						
	77	12/99 → 10/00		•	P28030MM	[+]	15	TRW						
2.3 (CL4)	113	11/00 → 12/02	•		P28029MM	[+]	17	TRW						
	113	11/00 → 12/02		•	P28030MM	[+]	15	TRW						

ACCORD VII (CL, CN) 01/03 → 09/12

2.0 (CL7)	114	02/03 → 05/08	•		P28036MM	[+]	17	ATE					A02202	
	114	02/03 → 05/08	•		P28035MM	[+]	16,9	AKE					A02202	
	114	02/03 → 05/08		•	P28030MM	[+]	15	TRW						
	114	02/03 → 05/08		•	P28039MM	[+]	14,8	NSN						
	114	02/03 → 05/08		•	P28022MM	[+]	14,6	AKE						
2.0 All-wheel Drive (CL8)	114	02/03 → 05/08	•		P28036MM	[+]	17	ATE					A02202	
	114	02/03 → 05/08	•		P28035MM	[+]	16,9	AKE					A02202	
	114	02/03 → 05/08		•	P28030MM	[+]	15	TRW						
	114	02/03 → 05/08		•	P28039MM	[+]	14,8	NSN						
2.2 i-CTDi (CN1)	103	01/04 → 05/08	•		P28036MM	[+]	17	ATE					A02202	
	103	01/04 → 05/08		•	P28030MM	[+]	15	TRW						
	103	01/04 → 05/08		•	P28051MM	[+]	14,9	AKE						

		kw						wi	Th [mm]	SYS	WI		FK		
												LENGHT			

HONDA

ACCORD VII (CL, CN) 01/03 → 09/12

2.4	113	09/06 → 05/08	●			P28035MM	[+]	16,9	AKE					
	113	09/06 → 05/08	●			P28036MM	[+]	17	ATE					
	113	09/06 → 05/08		●		P28022MM	[+]	14,6	AKE					
	113	09/06 → 05/08		●		P28030MM	[+]	15	TRW					
	113	09/06 → 05/08		●		P28039MM	[+]	14,8	NSN					
2.4 (CL9)	140	02/03 → 05/08	●			P28036MM	[+]	17	ATE				A02202	
	140	02/03 → 05/08	●			P28035MM	[+]	16,9	AKE				A02202	
	140	02/03 → 05/08		●		P28039MM	[+]	14,8	NSN					
	140	02/03 → 05/08		●		P28030MM	[+]	15	TRW					
	140	02/03 → 05/08		●		P28022MM	[+]	14,6	AKE					

ACCORD VII (CM) 09/02 → 05/08

2.4 Vtec E (CM5)	118	09/02 → 12/05	●			P28036MM	[+]	17	ATE				A02202	
	118	09/02 → 12/05	●			P28035MM	[+]	16,9	AKE				A02202	
	118	09/02 → 12/05		●		P28022MM	[+]	14,6	AKE					
	118	09/02 → 12/05		●		P28039MM	[+]	14,8	NSN					
	118	09/02 → 12/05		●		P28030MM	[+]	15	TRW					
3.0 (CM6)	177	05/03 → 12/05		●		P28039MM	[+]	14,8	NSN					

ACCORD VII Tourer (CM, CN) 04/03 → 05/08

2.0 (CM1)	114	04/03 → 05/08	●			P28036MM	[+]	17	ATE				A02202	
	114	04/03 → 05/08	●			P28035MM	[+]	16,9	AKE				A02202	
	114	04/03 → 05/08		●		P28039MM	[+]	14,8	NSN					
	114	04/03 → 05/08		●		P28030MM	[+]	15	TRW					
	114	04/03 → 05/08		●		P28022MM	[+]	14,6	AKE					
2.2 i-CTDi (CN2)	103	01/04 → 05/08	●			P28036MM	[+]	17	ATE				A02202	
	103	01/04 → 05/08		●		P28051MM	[+]	14,9	AKE					
	103	01/04 → 05/08		●		P28030MM	[+]	15	TRW					
2.4 (CM2)	140	04/03 → 05/08	●			P28036MM	[+]	17	ATE				A02202	
	140	04/03 → 05/08	●			P28035MM	[+]	16,9	AKE				A02202	
	140	04/03 → 05/08		●		P28030MM	[+]	15	TRW					
	140	04/03 → 05/08		●		P28039MM	[+]	14,8	NSN					
	140	04/03 → 05/08		●		P28022MM	[+]	14,6	AKE					
2.4 Vtec T	147	09/03 → 05/08	●			P28036MM	[+]	17	ATE					
	147	09/03 → 05/08		●		P28030MM	[+]	15	TRW					

ACCORD VIII (CU) 06/08 →

2.0 i (CU1)	115	06/08 → 06/15	●	Man.		P28044MM	[+]	17,5	ATE					
	115	06/08 → 06/15	●	Aut.		P28043MM	[+]	17,5	AKE					
	115	06/08 → 06/15		●	Man.		P28072MM	[+]	14,8	NSN				
	115	06/08 → 06/15		●	Aut.		P28061MM	[+]	15,6	NSN				
2.2 i-DTEC (CU3)	110	07/08 → 06/15	●	Man.		P28044MM	[+]	17,5	ATE					
	110	07/08 → 06/15	●	Aut.		P28043MM	[+]	17,5	AKE					
	110	07/08 → 06/15		●	Man.		P28072MM	[+]	14,8	NSN				
	110	07/08 → 06/15		●	Aut.		P28061MM	[+]	15,6	NSN				
	132	07/08 → 06/15	●	Man.		P28044MM	[+]	17,5	ATE					
	132	07/08 → 06/15	●	Aut.		P28043MM	[+]	17,5	AKE					
	132	07/08 → 06/15		●	Man.		P28072MM	[+]	14,8	NSN				
2.4 i (CU2)	148	07/08 → 06/15	●	Man.		P28044MM	[+]	17,5	ATE					
	148	07/08 → 06/15	●	Aut.		P28043MM	[+]	17,5	AKE					
	148	07/08 → 06/15		●	Man.		P28072MM	[+]	14,8	NSN				
	148	07/08 → 06/15		●	Aut.		P28061MM	[+]	15,6	NSN				

ACCORD VIII Estate (CW) 07/08 →

2.0 i	110	07/08 →	●	Man.		P28044MM	[+]	17,5	ATE					
	110	07/08 →	●	Aut.		P28043MM	[+]	17,5	AKE					

									WI			FK	
										LENGHT			

HONDA

ACCORD VIII Estate (CW) 07/08 →

2.0 i	110 07/08 →		• Man.	P28072MM	[+]	14,8	NSN					
	110 07/08 →		• Aut.	P28061MM	[+]	15,6	NSN					
2.0 i (CW1)	115 07/08 →	•	Man.	P28044MM	[+]	17,5	ATE					
	115 07/08 →	•	Aut.	P28043MM	[+]	17,5	AKE					
	115 07/08 →		• Man.	P28072MM	[+]	14,8	NSN					
	115 07/08 →		• Aut.	P28061MM	[+]	15,6	NSN					
2.2 i-DTEC (CW3)	110 07/08 →	•	Man.	P28044MM	[+]	17,5	ATE					
	110 07/08 →	•	Aut.	P28043MM	[+]	17,5	AKE					
	110 07/08 →		• Man.	P28072MM	[+]	14,8	NSN					
	110 07/08 →		• Aut.	P28061MM	[+]	15,6	NSN					
	132 07/08 →	•	Man.	P28044MM	[+]	17,5	ATE					
	132 07/08 →	•	Aut.	P28043MM	[+]	17,5	AKE					
	132 07/08 →		• Man.	P28072MM	[+]	14,8	NSN					
	132 07/08 →		• Aut.	P28061MM	[+]	15,6	NSN					
2.4 i (CW2)	148 07/08 →	•	Man.	P28044MM	[+]	17,5	ATE					
	148 07/08 →	•	Aut.	P28043MM	[+]	17,5	AKE					
	148 07/08 →		• Man.	P28072MM	[+]	14,8	NSN					
	148 07/08 →		• Aut.	P28061MM	[+]	15,6	NSN					

ACCORD IX Saloon (CR) 09/12 →

2.4	132 07/14 →	•		P28043MM	[+]	17,5	AKE					
	132 07/14 →		•	P28051MM	[+]	14,9	AKE					

CITY Saloon (GM2, GM3) 09/08 →

1.4 i-V TEC	73 09/08 →	•		P28024MM	[+]	15,8	AKE					
	73 09/08 →		•	P28025MM	[+]	13	AKE					

CIVIC IX (FK) 02/12 →

1.4 i-VTEC (FK1)	73 02/12 →	•		P28076MM	[+]	17	ATE					A02202
1.8 i-VTEC (FK2)	104 02/12 →	•		P28076MM	[+]	17	ATE					A02202
2.0 i-VTEC	228 08/15 →	•		P54039MM	[+]	15	BRE					
Type R (FK2)	228 08/15 →		•	P28070MM	[+]	14,6	ATE					
2.2 i-DTEC (FK3)	110 02/12 →	•		P28076MM	[+]	17	ATE					A02202

CIVIC IX Saloon (FB, FG) 09/11 →

1.8 (FB2)	104 02/12 →	•		P28034MM	[+]	17	NSN					
	104 02/12 →		•	P28022MM	[+]	14,6	AKE					

CIVIC IX Tourer (FK) 01/14 →

1.6 i-DTEC (FK3)	88 01/14 →	•		P28076MM	[+]	17	ATE					
	88 01/14 →		•	P28070MM	[+]	14,6	ATE					
1.8 i-VTEC (FK2)	104 01/14 →	•		P28076MM	[+]	17	ATE					
	104 01/14 →		•	P28070MM	[+]	14,6	ATE					

CIVIC VI Aerodeck (MB, MC) 04/98 → 02/01

1.4 16V (MB8)	55 04/98 → 02/01	•		P28020MM	[+]	18	TRW					
	55 04/98 → 02/01		•	P28022MM	[+]	14,6	AKE					
	55 04/98 → 02/01		•	P28017MM	[+]	13	AKE					
	66 04/98 → 02/01	•		P28020MM	[+]	18	TRW					
	66 04/98 → 02/01		•	P28017MM	[+]	13	AKE					
	66 04/98 → 02/01		•	P28022MM	[+]	14,6	AKE					
1.5 16V (MB9)	84 04/98 → 02/01	•		P28020MM	[+]	18	TRW					
	84 04/98 → 02/01		•	P28017MM	[+]	13	AKE					
	84 04/98 → 02/01		•	P28022MM	[+]	14,6	AKE					
1.6 16V (MC1)	85 04/98 → 02/01	•		P28020MM	[+]	18	TRW					
	85 04/98 → 02/01		•	P28022MM	[+]	14,6	AKE					
	85 04/98 → 02/01		•	P28017MM	[+]	13	AKE					

		kw						wi	Th [mm]	SYS	WI		FK		
												LENGHT			

HONDA

CIVIC VI Aerodeck (MB, MC) 04/98 → 02/01

1.6 16V (MC1)	92	04/98 → 02/01	●			P28020MM	[+]	18	TRW						
	92	04/98 → 02/01		●		P28017MM	[+]	13	AKE						
	92	04/98 → 02/01		●		P28022MM	[+]	14,6	AKE						
1.8 16V (MC2)	124	04/98 → 02/01	●			P28026MM	[+]	17,3	AKE						
	124	04/98 → 02/01		●		P28022MM	[+]	14,6	AKE						
2.0 i D (MC3)	77	04/98 → 02/01	●			P28020MM	[+]	18	TRW						
	77	04/98 → 02/01		●		P28017MM	[+]	13	AKE						
	74	04/98 → 02/01	●			P28020MM	[+]	18	TRW						
	74	04/98 → 02/01		●		P28017MM	[+]	13	AKE						

CIVIC VI Coupé (EJ, EM1) 03/96 → 12/00

1.6	79	05/96 → 04/99	●			P28023MM	[+]	17,3	AKE						
	79	05/96 → 04/99		●		P28025MM	[+]	13	AKE						
1.6 i	77	03/96 → 03/00	●			P28023MM	[+]	17,3	AKE						
	77	03/96 → 03/00		●		P28025MM	[+]	13	AKE						
1.6 i Vtec	118	04/99 → 12/00	●			P28023MM	[+]	17,3	AKE						
	118	04/99 → 12/00		●		P28025MM	[+]	13	AKE						
1.6 i Vtec (EM1)	92	03/96 → 03/00	●			P28023MM	[+]	17,3	AKE						
	92	03/96 → 03/00		●		P28025MM	[+]	13	AKE						

CIVIC VI Fastback (MA, MB) 09/94 → 02/01

1.4 i (MA8, MB2)	66	09/94 → 02/01	●			P28016MM	[+]	15	AKE						
	66	09/94 → 02/01		●		P28020MM	[+]	18	TRW						
	66	09/94 → 02/01		●		P28017MM	[+]	13	AKE						
	55	09/95 → 02/01	●			P28016MM	[+]	15	AKE						
	55	09/95 → 02/01		●		P28020MM	[+]	18	TRW						
	55	09/95 → 02/01		●		P28017MM	[+]	13	AKE						
1.5 16V (MB3)	84	01/97 → 02/01	●			P28020MM	[+]	18	TRW						
	84	01/97 → 02/01		●	→ 10/98	P28017MM	[+]	13	AKE						
	84	01/97 → 02/01		●	11/98 →	P28022MM	[+]	14,6	AKE						
1.5 i Vtec-E (MA9)	66	09/94 → 01/97	●			P28016MM	[+]	15	AKE						
	66	09/94 → 01/97		●		P28020MM	[+]	18	TRW						
	66	09/94 → 01/97		●		P28017MM	[+]	13	AKE						
1.6	92	11/98 → 10/00	●			P28026MM	[+]	17,3	AKE						
	92	11/98 → 10/00		●		P28022MM	[+]	14,6	AKE						
1.6 16V (MB4)	85	01/97 → 02/01	●			P28020MM	[+]	18	TRW						
	85	01/97 → 02/01		●	11/98 →	P28022MM	[+]	14,6	AKE						
	85	01/97 → 02/01		●	→ 10/98	P28017MM	[+]	13	AKE						
1.6 i (MB1)	83	09/94 → 01/97	●			P28016MM	[+]	15	AKE						
	83	09/94 → 01/97		●		P28020MM	[+]	18	TRW						
	83	09/94 → 01/97		●		P28017MM	[+]	13	AKE						
1.6 i Vtec (MB1)	93	09/94 → 01/97	●			P28016MM	[+]	15	AKE						
	93	09/94 → 01/97		●		P28020MM	[+]	18	TRW						
	93	09/94 → 01/97		●		P28017MM	[+]	13	AKE						
1.6 VTi	118	01/97 → 02/01	●			P28023MM	[+]	17,3	AKE						
	118	01/97 → 02/01		●	→ 10/98	P28017MM	[+]	13	AKE						
	118	01/97 → 02/01		●	11/98 →	P28022MM	[+]	14,6	AKE						
1.8 16V (MB6)	124	01/97 → 02/01	●			P28026MM	[+]	17,3	AKE						
	124	01/97 → 02/01		●	→ 10/98	P28017MM	[+]	13	AKE						
	124	01/97 → 02/01		●	11/98 →	P28022MM	[+]	14,6	AKE						
2.0 i TD (MB7)	63	01/97 → 02/01	●			P28020MM	[+]	18	TRW						
	63	01/97 → 02/01		●	11/98 →	P28022MM	[+]	14,6	AKE						
	63	01/97 → 02/01		●	→ 10/98	P28017MM	[+]	13	AKE						
2.0 TD iC (MB7)	77	11/98 → 10/00	●			P28020MM	[+]	18	TRW						
	77	11/98 → 10/00		●		P28017MM	[+]	13	AKE						



kW



Wi

Th
[mm]

SYS

WI

MAGNET
MARELLI

LENGHT

MAGNET
MARELLI

FK

HONDA

CIVIC VI Fastback (MA, MB) 09/94 → 02/01

2.0 TDiC (MB7)	74	11/98 → 10/00	●			P28020MM	[+]	18	TRW				
	74	11/98 → 10/00		●	AKEBONO	P28017MM	[+]	13	AKE				

CIVIC VI Hatchback (EJ, EK) 10/95 → 02/01

1.4 i (EJ9)	55	11/95 → 02/01	●		→ 12/97	P28024MM	[+]	15,8	AKE				
	55	11/95 → 02/01	●		01/98 →	P28023MM	[+]	17,3	AKE				
1.4 i S (EJ9)	66	11/95 → 02/01	●		→ 12/97	P28024MM	[+]	15,8	AKE				
	66	11/95 → 02/01	●		01/98 →	P28023MM	[+]	17,3	AKE				
1.4 LPG	66	01/97 → 02/01	●			P28020MM	[+]	18	TRW				
	66	01/97 → 02/01	●		→ 12/97	P28024MM	[+]	15,8	AKE				
	66	01/97 → 02/01	●		01/98 →	P28023MM	[+]	17,3	AKE				
	66	01/97 → 02/01	●		+rear disc	P28022MM	[+]	14,6	AKE				
1.5	66	11/95 → 12/96	●			P28024MM	[+]	15,8	AKE				
	66	11/95 → 12/96	●			P28017MM	[+]	13	AKE				
1.5 i (EK3)	84	11/95 → 02/01	●			P28023MM	[+]	17,3	AKE				
	84	11/95 → 02/01	●			P28025MM	[+]	13	AKE				
1.6	92	11/98 → 10/00	●			P28026MM	[+]	17,3	AKE				
	92	11/98 → 10/00	●			P28022MM	[+]	14,6	AKE				
	93	10/95 → 09/00	●			P28020MM	[+]	18	TRW				
	93	10/95 → 09/00	●			P28017MM	[+]	13	AKE				
1.6 i (EK1)	84	11/95 → 02/01	●			P28023MM	[+]	17,3	AKE				
	84	11/95 → 02/01	●			P28025MM	[+]	13	AKE				
1.6 VTi (EK4)	118	11/95 → 02/01	●			P28023MM	[+]	17,3	AKE				
	118	11/95 → 02/01	●			P28025MM	[+]	13	AKE				
2.0 TDiC	77	11/98 → 10/00	●			P28020MM	[+]	18	TRW				
	77	11/98 → 10/00	●			P28017MM	[+]	13	AKE				

CIVIC VI Saloon (EJ, EK) 06/95 → 03/01

1.4	55	11/95 → 10/98	●		→ 12/97	P28024MM	[+]	15,8	AKE				
	55	11/95 → 10/98	●		01/98 →	P28023MM	[+]	17,3	AKE				
1.4 i (EJ9)	66	11/95 → 02/01	●		→ 12/97	P28024MM	[+]	15,8	AKE				
	66	11/95 → 02/01	●		01/98 →	P28023MM	[+]	17,3	AKE				
1.5 i (EK3)	84	11/95 → 02/01	●			P28023MM	[+]	17,3	AKE				
	84	11/95 → 02/01	●			P28017MM	[+]	13	AKE				
1.6 i Vtec	92	11/95 → 02/01	●			P28023MM	[+]	17,3	AKE				
	92	11/95 → 02/01	●			P28017MM	[+]	13	AKE				
1.6 VTi (EK4)	118	11/95 → 02/01	●			P28023MM	[+]	17,3	AKE				
	118	11/95 → 02/01	●			P28017MM	[+]	13	AKE				

CIVIC VII Coupé (EM2) 02/01 → 12/05

1.6 i	81	02/01 → 12/05	●			P28023MM	[+]	17,3	AKE				
	81	02/01 → 12/05	●			P28020MM	[+]	18	TRW				
	81	02/01 → 12/05	●			P28039MM	[+]	14,8	NSN				
1.7 i	88	05/01 → 12/05	●			P28023MM	[+]	17,3	AKE				
	88	05/01 → 12/05	●			P28020MM	[+]	18	TRW				
	88	05/01 → 12/05	●			P28039MM	[+]	14,8	NSN				
1.7 i VTEC	92	05/01 → 12/05	●			P28023MM	[+]	17,3	AKE				
	92	05/01 → 12/05	●			P28020MM	[+]	18	TRW				
	92	05/01 → 12/05	●			P28039MM	[+]	14,8	NSN				

CIVIC VII Hatchback (EU, EP, EV) 03/99 → 02/06

1.4 i	55	02/01 → 09/05	●			P28023MM	[+]	17,3	AKE				
	55	02/01 → 09/05	●			P28020MM	[+]	18	TRW				
	55	02/01 → 09/05	●			P28039MM	[+]	14,8	NSN				
1.4 i S (EP1)	66	02/01 → 09/05	●			P28023MM	[+]	17,3	AKE				
	66	02/01 → 09/05	●			P28020MM	[+]	18	TRW				
	66	02/01 → 09/05	●			P28039MM	[+]	14,8	NSN				

	kw						wi	Th [mm]	SYS	WI		FK		
											LENGHT			

HONDA

CIVIC VII Hatchback (EU, EP, EV) 03/99 → 02/06

1.6 i	81	02/01 → 09/05	●			P28023MM	[+]	17,3	AKE				
	81	02/01 → 09/05	●			P28020MM	[+]	18	TRW				
	81	02/01 → 09/05		●		P28022MM	[+]	14,6	AKE				
	81	02/01 → 09/05		●		P28039MM	[+]	14,8	NSN				
1.7 CTDi	74	01/02 → 09/05	●			P28031MM	[+]	17,2	GIR				
	74	01/02 → 09/05		●		P28022MM	[+]	14,6	AKE				
2.0 i Sport	118	09/01 → 09/05	●			P28034MM	[+]	17	NSN				
	118	09/01 → 09/05		●		P28039MM	[+]	14,8	NSN				
2.0 Type-R	147	09/01 → 09/05	●			P28032MM	[+]	16	SUM				
	147	09/01 → 09/05		●		P28039MM	[+]	14,8	NSN				

CIVIC VII Saloon (ES, ET) 10/00 → 04/06

1.3 Hybrid (ES9)	69	09/02 → 12/05	●			P28023MM	[+]	17,3	AKE				
	69	09/02 → 12/05	●			P28020MM	[+]	18	TRW				
	69	09/02 → 12/05		●	+rear disc	P28039MM	[+]	14,8	NSN				
1.3 IMA (ES9, ED9)	61	10/03 → 09/05	●			P28023MM	[+]	17,3	AKE				
	61	10/03 → 09/05	●			P28020MM	[+]	18	TRW				
	61	10/03 → 09/05		●		P28039MM	[+]	14,8	NSN				
	61	10/03 → 09/05		●		P28022MM	[+]	14,6	AKE				
1.4 (ES4)	66	12/00 → 09/05	●			P28023MM	[+]	17,3	AKE				
	66	12/00 → 09/05	●			P28020MM	[+]	18	TRW				
1.4 (ES4)	66	12/00 → 09/05		●		P28039MM	[+]	14,8	NSN				
	66	12/00 → 09/05		●		P28023MM	[+]	17,3	AKE				
1.6	81	02/01 → 09/05	●			P28023MM	[+]	17,3	AKE				
	81	02/01 → 09/05	●			P28020MM	[+]	18	TRW				
	81	02/01 → 09/05		●		P28039MM	[+]	14,8	NSN				
1.7 (EU3)	85	02/01 → 09/05	●			P28023MM	[+]	17,3	AKE				
	85	02/01 → 09/05	●			P28020MM	[+]	18	TRW				
	85	02/01 → 09/05		●		P28039MM	[+]	14,8	NSN				

CIVIC VIII Hatchback (FN, FK) 09/05 →

1.4 (FK1)	61	09/05 →	●			P28037MM	[+]	17,5	TRW				
	61	09/05 →		●		P28038MM	[+]	15,7	TRW				
1.4 (FK1, FN4)	73	10/08 →	●			P28037MM	[+]	17,5	TRW				
	73	10/08 →		●		P28038MM	[+]	15,7	TRW				
1.6	84	09/05 →	●			P28037MM	[+]	17,5	TRW				
	84	09/05 →		●		P28038MM	[+]	15,7	TRW				
1.8 (FN1, FK2)	103	09/05 →	●			P28037MM	[+]	17,5	TRW				
	103	09/05 →		●		P28038MM	[+]	15,7	TRW				
2.2 CTDi (FK3)	103	09/05 →	●			P28037MM	[+]	17,5	TRW				
	103	09/05 →		●		P28038MM	[+]	15,7	TRW				
Type R (FN2)	148	09/06 →	●			P28032MM	[+]	16	SUM				
	148	09/06 →		●		P28038MM	[+]	15,7	TRW				

CIVIC VIII Saloon (FD, FA) 09/05 →

1.3 Hybrid (FA3, FD3)	70	01/06 →	●			P28023MM	[+]	17,3	AKE				
	70	01/06 →	●			P28050MM	[+]	16,5	AKE				
	70	01/06 →		●		P28039MM	[+]	14,8	NSN				
	70	01/06 →		●		P28022MM	[+]	14,6	AKE				
1.3 Hybrid (FD3)	85	01/10 → 02/12	●			P28050MM	[+]	16,5	AKE				
	85	01/10 → 02/12		●		P28022MM	[+]	14,6	AKE				
1.6	84	09/05 →	●			P28034MM	[+]	17	NSN				
	84	09/05 →	●			P28042MM	[+]	18	AKE				
	84	09/05 →		●		P28039MM	[+]	14,8	NSN				
	84	09/05 →		●		P28022MM	[+]	14,6	AKE				
	92	01/12 →	●			P28042MM	[+]	18	AKE				
	92	01/12 →	●			P28034MM	[+]	17	NSN				
	92	01/12 →		●		P28022MM	[+]	14,6	AKE				



kW


**MAGNETI
MARELLI**

WI

 Th
[mm]

SYS

WI

FK

**MAGNETI
MARELLI**

LENGTH


**MAGNETI
MARELLI**

HONDA
CIVIC VIII Saloon (FD, FA) 09/05 →

1.8 (FD1, FD7)	103	09/05 → 02/12	●			P28034MM	[+]	17	NSN				
	103	09/05 → 02/12	●			P28042MM	[+]	18	AKE				
	103	09/05 → 02/12	●			P85050MM	[+]	19,2	TRW				
	103	09/05 → 02/12		●		P28039MM	[+]	14,8	NSN				
	103	09/05 → 02/12		●		P28022MM	[+]	14,6	AKE				
1.8 EXS Flex	103	11/06 →	●			P28050MM	[+]	16,5	AKE				
	103	11/06 →		●		P28022MM	[+]	14,6	AKE				
2.0 i-VTEC Type R	165	08/07 → 09/10	●			P28034MM	[+]	17	NSN				
	165	08/07 → 09/10		●		P79027MM	[+]	14,6	AKE				
	165	08/07 → 09/10		●		P28022MM	[+]	14,6	AKE				

CROSSTOUR 09/09 →

2.4	143	09/12 →	●			P28068MM	[+]	17,8	AKE				
	143	09/12 →		●		P28051MM	[+]	14,9	AKE				
3.5 4WD	202	01/12 →	●			P28068MM	[+]	17,8	AKE				
	202	01/12 →		●		P28051MM	[+]	14,9	AKE				
	207	09/12 →	●			P28068MM	[+]	17,8	AKE				
	207	09/12 →		●		P28061MM	[+]	15,6	NSN				

CR-V I (RD) 10/95 → 02/02

2.0 (RD1)	98	04/99 → 02/02	●			P28026MM	[+]	17,3	AKE				
2.0 16V 4WD (RD1, RD3)	94	10/95 → 12/01	●			P28026MM	[+]	17,3	AKE				
	108	01/99 → 02/02	●			P28026MM	[+]	17,3	AKE				

CR-V II (RD_) 09/01 → 12/06

2.0 (RD4)	110	09/01 → 09/06	●			P28035MM	[+]	16,9	AKE				
	110	09/01 → 09/06		●	01/05 →	P28051MM	[+]	14,9	AKE				
	110	09/01 → 09/06		●	→ 12/04	P28039MM	[+]	14,8	NSN				
2.2 CTDi (RD9)	103	02/05 → 09/06	●			P28035MM	[+]	16,9	AKE				
	103	02/05 → 09/06		●		P28051MM	[+]	14,9	AKE				
2.4 Vtec 4WD (RD7)	118	09/01 → 09/06	●			P28035MM	[+]	16,9	AKE				
	118	09/01 → 09/06		●	01/05 →	P28051MM	[+]	14,9	AKE				
	118	09/01 → 09/06		●	→ 12/04	P28039MM	[+]	14,8	NSN				

CR-V III (RE_) 06/06 →

2.0 i	110	01/07 →	●			P28045MM	[+]	19	BSH				
	110	01/07 →		●		P28046MM	[+]	16,5	BSH				
2.0 i 4WD (RE5)	110	01/07 →	●			P28045MM	[+]	19	BSH				
	110	01/07 →		●		P28046MM	[+]	16,5	BSH				
2.2 i-CTDi 4WD (RE6)	103	01/07 →	●			P28045MM	[+]	19	BSH				
	103	01/07 →		●		P28046MM	[+]	16,5	BSH				
2.2 i-DTEC 4WD (RE6)	110	01/07 →	●			P28045MM	[+]	19	BSH				
	110	01/07 →		●		P28046MM	[+]	16,5	BSH				
2.4	125	04/07 →	●			P28045MM	[+]	19	BSH				
	125	04/07 →		●		P28046MM	[+]	16,5	BSH				
2.4 4WD (RE4)	124	09/06 →	●			P28045MM	[+]	19	BSH				
	124	09/06 →		●		P28046MM	[+]	16,5	BSH				
2.4 i-Vtec 4WD	125	04/07 →	●			P28045MM	[+]	19	BSH				
	125	04/07 →		●		P28046MM	[+]	16,5	BSH				
2.4 i-VTEC 4WD (RE4)	118	10/06 →	●			P28045MM	[+]	19	BSH				
	118	10/06 →		●		P28046MM	[+]	16,5	BSH				
2.4 i-VTEC 4WD (RE7)	122	09/09 →	●			P28045MM	[+]	19	BSH				
	122	09/09 →		●		P28046MM	[+]	16,5	BSH				

CR-V IV (RM_) 01/12 →

1.6 i-DTEC (RE6)	88	10/13 →	●			P28045MM	[+]	19	BSH				
	88	10/13 →		●		P28046MM	[+]	16,5	BSH				

	kw									WI			FK	

HONDA

CR-V IV (RM_) 01/12 →

1.6 i-DTEC 4WD	118	02/15 →	•	1 piston cal.	P28045MM	[+]	19	BSH						
	118	02/15 →	•	2 piston cal.	P28068MM	[+]	17,8	AKE						
	118	02/15 →	•		P28046MM	[+]	16,5	BSH						
2.0	110	01/12 →	•		P28045MM	[+]	19	BSH						
	110	01/12 →	•		P28046MM	[+]	16,5	BSH						
2.0 (RE5)	114	10/12 →	•		P28045MM	[+]	19	BSH						
	114	10/12 →	•		P28046MM	[+]	16,5	BSH						
2.0 AWD (RE5)	114	10/12 →	•		P28045MM	[+]	19	BSH						
	114	10/12 →	•		P28046MM	[+]	16,5	BSH						
2.2 i-DTEC AWD (RE6)	110	10/12 →	•		P28068MM	[+]	17,8	AKE						
	110	10/12 →	•		P28046MM	[+]	16,5	BSH						
2.4 AWD	132	01/12 →	•		P28068MM	[+]	17,8	AKE						
	132	01/12 →	•		P28046MM	[+]	16,5	BSH						

CR-Z (ZF) 06/10 →

1.5 Hybrid	89	11/12 →	•		P28050MM	[+]	16,5	AKE						
	91	09/10 → 12/13	•		P28050MM	[+]	16,5	AKE						
	97	09/13 →	•		P28050MM	[+]	16,5	AKE						
1.5 Hybrid (ZF1)	84	06/10 →	•		P28050MM	[+]	16,5	AKE						

ELEMENT (YH) 07/02 → 12/11

2.4 Vtec	118	07/02 → 12/11	•		P28035MM	[+]	16,9	AKE						
	118	07/02 → 12/11	•		P28022MM	[+]	14,6	AKE						
2.4 Vtec 4x4	118	07/02 → 12/11	•		P28035MM	[+]	16,9	AKE						
	118	07/02 → 12/11	•		P28022MM	[+]	14,6	AKE						

ELYSION 05/04 →

2.4 i-VTEC	118	05/04 →	•		P56040MM	[+]	16,5	NSN						
------------	-----	---------	---	--	----------	-----	------	-----	--	--	--	--	--	--

FR-V (BE) 08/04 →

1.7 (BE1)	92	08/04 →	•		P28047MM	[+]	16,9	SUM						
	92	08/04 →	•		P28039MM	[+]	14,8	NSN						
1.8 (BE1)	103	01/07 →	•		P28047MM	[+]	16,9	SUM						
	103	01/07 →	•		P28039MM	[+]	14,8	NSN						
2.0 (BE3)	110	02/05 →	•		P28047MM	[+]	16,9	SUM						
	110	02/05 →	•		P28039MM	[+]	14,8	NSN						
2.2 i CTDi (BE5)	103	07/05 →	•		P28047MM	[+]	16,9	SUM						
	103	07/05 →	•		P28039MM	[+]	14,8	NSN						

HR-V (GH) 03/99 →

1.6 16V (GH1, GH3)	77	03/99 →	•		P28026MM	[+]	17,3	AKE						
1.6 16V 4WD (GH2, GH4)	77	03/99 →	•		P28026MM	[+]	17,3	AKE						
	91	10/99 →	•		P28026MM	[+]	17,3	AKE						

HR-V (RU) 11/14 →

1.5 (RU1)	96	08/15 →	•		P28077MM	[+]	16,8	-						
1.6 i-DTEC (RU8)	88	08/15 →	•		P28077MM	[+]	16,8	-						

INSIGHT (ZE) 04/00 → 12/06

1.0 Hybrid (ZE1, ZE18)	56	04/00 → 12/06	•		P28033MM	[+]	13,3	AKE						
1.3 Hybrid (ZE2)	73	04/09 →	•		P28050MM	[+]	16,5	AKE						
	73	04/09 →	•		P28022MM	[+]	14,6	AKE						
1.3 Hybrid (ZE28, ZE2)	65	04/09 →	•		P28050MM	[+]	16,5	AKE						
	65	04/09 →	•		P28022MM	[+]	14,6	AKE						

INTEGRA Coupé (DC2, DC4) 07/93 → 11/01

1.6	88	09/93 → 08/01	•		P28010MM	[+]	15	AKE						
-----	----	---------------	---	--	----------	-----	----	-----	--	--	--	--	--	--

												
kw				WI	Th [mm]	SYS	MAGNETI MARELLI	LENGHT	WI	FK	MAGNETI MARELLI	

HONDA
INTEGRA Coupé (DC2, DC4) 07/93 → 11/01

1.8	107	07/93 → 11/01	●	→ 01/98	P28048MM	[+]	17,2	AKE				
	107	07/93 → 11/01	●	→ 10/00	P28026MM	[+]	17,3	AKE				
	107	07/93 → 11/01	●		P28022MM	[+]	14,6	AKE				
1.8 Type-R	140	11/97 → 10/01	●	→ 01/98	P28048MM	[+]	17,2	AKE				
	140	11/97 → 10/01	●	→ 10/00	P28026MM	[+]	17,3	AKE				
	140	11/97 → 10/01	●		P28022MM	[+]	14,6	AKE				
1.8 Type-R (DC2)	147	09/93 → 08/01	●	→ 10/00	P28026MM	[+]	17,3	AKE				
	147	09/93 → 08/01	●	→ 01/98	P28048MM	[+]	17,2	AKE				
	147	09/93 → 08/01	●		P28022MM	[+]	14,6	AKE				

INTEGRA Coupé (DC5) 08/01 →

2.0	118	02/02 →	●		P28026MM	[+]	17,3	AKE				
2.0 16V Type-R	162	02/02 →	●		P28026MM	[+]	17,3	AKE				
	162	02/02 →	●		P06018MM	[O]	18	BRE				
	162	02/02 →	●		P28022MM	[+]	14,6	AKE				

JAZZ II (GD_, GE3, GE2) 06/01 → 12/08

1.2 i-DSI (GD5, GE2)	57	03/02 → 07/08	●		P28024MM	[+]	15,8	AKE				
	57	03/02 → 07/08	●		P28025MM	[+]	13	AKE				
1.3 (GD1)	61	03/02 → 07/08	●		P28024MM	[+]	15,8	AKE				
	61	03/02 → 07/08	●		P28025MM	[+]	13	AKE				
1.4	59	12/06 → 10/08	●		P28024MM	[+]	15,8	AKE				
	59	12/06 → 10/08	●	+ABS	P28025MM	[+]	13	AKE				

JAZZ III (GE_, GG_, GP_) 10/07 →

1.2	66	07/08 →	●		P28050MM	[+]	16,5	AKE				
	66	07/08 →	●		P28025MM	[+]	13	AKE				
1.3 HYBRID (GP1)	65	04/11 →	●		P28050MM	[+]	16,5	AKE				
	65	04/11 →	●		P28025MM	[+]	13	AKE				
1.3 i	73	07/08 →	●		P28050MM	[+]	16,5	AKE				
	73	07/08 →	●		P28025MM	[+]	13	AKE				
1.4	74	11/08 →	●		P28050MM	[+]	16,5	AKE				
	74	11/08 →	●		P28025MM	[+]	13	AKE				
1.5 i-VTEC	88	07/08 →	●		P28050MM	[+]	16,5	AKE				
	88	07/08 →	●		P28025MM	[+]	13	AKE				

JAZZ IV (GK_) 09/13 →

1.3	75	09/15 →	●		P28050MM	[+]	16,5	AKE				
	75	09/15 →	●		P28025MM	[+]	13	AKE				

JAZZ Saloon (GD_) 05/03 →

1.3 (GD6)	63	05/03 → 07/08	●		P28024MM	[+]	15,8	AKE				
	63	05/03 → 07/08	●		P28025MM	[+]	13	AKE				
1.5 (GD8)	66	05/03 → 06/06	●		P28024MM	[+]	15,8	AKE				
	66	05/03 → 06/06	●		P28025MM	[+]	13	AKE				

LEGEND III (KA) 02/96 →

3.5 i 24V (KA9)	151	02/96 → 10/97	●		P28026MM	[+]	17,3	AKE				
	151	02/96 → 10/97	●		P28022MM	[+]	14,6	AKE				
	153	11/97 → 09/04	●		P28026MM	[+]	17,3	AKE				
	153	11/97 → 09/04	●		P28022MM	[+]	14,6	AKE				

LEGEND IV (KB_) 10/04 →

3.5 V6 4WD (KB1)	217	05/06 → 12/12	●		P28079MM	[+]	16	AKE				
	217	05/06 → 12/12	●		P28078MM	[+]	15,9	-				
3.7 VTEC V6 4WD (KB2)	217	07/08 → 12/12	●		P28079MM	[+]	16	AKE				
	217	07/08 → 12/12	●	01/09 →	P28022MM	[+]	14,6	AKE				
	217	07/08 → 12/12	●		P28078MM	[+]	15,9	-				

LOGO (GA) 03/99 → 03/02

1.3 (GA3)	48	03/99 → 03/02	●		P28024MM	[+]	15,8	AKE				
-----------	----	---------------	---	--	----------	-----	------	-----	--	--	--	--

									WI			FK	

HONDA

MOBILIO (GB_) 12/01 → 10/08

1.5	66	12/01 → 10/08	●		P28023MM	[+]	17,3	AKE					
1.5 4WD	66	12/01 → 10/08	●		P28023MM	[+]	17,3	AKE					

NSX Convertible (NA) 03/95 → 09/05

3.0 24V Vtec	201	03/95 → 09/05	●		P28026MM	[+]	17,3	AKE					
	201	03/95 → 09/05		●	P28040MM	[+]	15	AKE					
3.0 24V Vtec Automatic	188	03/95 → 09/05	●		P28026MM	[+]	17,3	AKE					
	188	03/95 → 09/05		●	P28040MM	[+]	15	AKE					
3.2 24V Vtec	206	01/97 → 09/05	●		P28026MM	[+]	17,3	AKE					
	206	01/97 → 09/05		●	P28040MM	[+]	15	AKE					

NSX Coupé (NA) 06/90 → 09/05

3.0 24V Vtec (NA1)	201	06/90 → 09/05	●		P28026MM	[+]	17,3	AKE					
	201	06/90 → 09/05		●	P28040MM	[+]	15	AKE					
3.0 24V Vtec Automatik (NA1)	188	06/90 → 09/05	●		P28026MM	[+]	17,3	AKE					
	188	06/90 → 09/05		●	P28040MM	[+]	15	AKE					
3.2 24V Vtec (NA2)	206	01/97 → 09/05	●		P28026MM	[+]	17,3	AKE					
	206	01/97 → 09/05		●	P28040MM	[+]	15	AKE					

ODYSSEY (RB_) 09/98 →

2.3	110	07/02 → 09/03	●		P28026MM	[+]	17,3	AKE					
	110	07/02 → 09/03		●	P28022MM	[+]	14,6	AKE					

ORTHIA / PARTNER (EL_, EY_) 10/95 → 09/02

1.8	103	10/95 → 09/01	●		P28048MM	[+]	17,2	AKE					
2.0	110	10/95 → 09/01	●		P28048MM	[+]	17,2	AKE					

PRELUDE V (BB_) 10/96 → 04/01

2.0 16V (BB9)	98	10/96 → 10/00	●		P28021MM	[+]	18,5	AKE					
	98	10/96 → 10/00		●	P28022MM	[+]	14,6	AKE					
2.2 16V (BB6)	147	10/96 → 10/00	●		P28026MM	[+]	17,3	AKE					
	147	10/96 → 10/00		●	P28039MM	[+]	14,8	NSN					
	147	10/96 → 10/00		●	P28022MM	[+]	14,6	AKE					
2.2 16V (BB6, BB8)	136	10/96 → 10/00	●		P28026MM	[+]	17,3	AKE					
	136	10/96 → 10/00		●	P28022MM	[+]	14,6	AKE					

S2000 (AP) 03/99 →

2.0 (AP1)	177	06/99 →	●		P28032MM	[+]	16	SUM					
	177	06/99 →		●	P28039MM	[+]	14,8	NSN					
2.0 Vtec (AP1)	184	10/03 →	●		P28032MM	[+]	16	SUM					
	184	10/03 →		●	P28039MM	[+]	14,8	NSN					
2.2 Vtec	176	10/03 →	●		P28032MM	[+]	16	SUM					
	176	10/03 →		●	P28039MM	[+]	14,8	NSN					

SHUTTLE (RA) 06/94 → 06/04

2.2 16V (RA1)	110	10/94 → 02/98	●		P28026MM	[+]	17,3	AKE					
	110	10/94 → 02/98		●	P28039MM	[+]	14,8	NSN					
2.3 16V (RA3, RA6)	110	10/97 → 06/04	●		P28026MM	[+]	17,3	AKE					
	110	10/97 → 06/04		●	P28039MM	[+]	14,8	NSN					
3.0 (RA8)	154	10/97 → 06/04	●		P28034MM	[+]	17	NSN					
	154	10/97 → 06/04		●	P28039MM	[+]	14,8	NSN					
3.0 4x4	154	10/97 → 06/02	●		P28034MM	[+]	17	NSN					
	154	10/97 → 06/02		●	P28039MM	[+]	14,8	NSN					

SMX 01/96 → 09/02

2.0 Lowdown	103	10/99 → 09/02	●		P28026MM	[+]	17,3	AKE					
-------------	-----	---------------	---	--	----------	-----	------	-----	--	--	--	--	--

STREAM (RN) 05/01 →

1.7 16V (RN1)	92	05/01 →	●		P28034MM	[+]	17	NSN					
	92	05/01 →		●	P28039MM	[+]	14,8	NSN					
2.0 16V (RN3)	115	05/01 →	●		P28034MM	[+]	17	NSN					
	115	05/01 →		●	P28039MM	[+]	14,8	NSN					

	kw				Th [mm]		WI			FK	

HUMMER

HUMMER H1 01/92 → 03/11

6.5 D	125	01/92 → 09/97	●	10/92 → 09/96	P37001MM [-]	15,5	KH				
6.5 Turbo D	143	01/92 → 12/04	●	10/92 → 09/96	P37001MM [-]	15,5	KH				

HYUNDAI

ACCENT I (X-3) / SOLARIS I (X-3) 05/94 → 01/00

1.3	44	10/94 → 01/00	●		P30024MM [+]	14,8	AKE				
	55	10/94 → 01/00	●		P30024MM [+]	14,8	AKE				
	40	09/95 → 05/98	●		P30024MM [+]	14,8	AKE				
1.3 i 12V	62	10/94 → 01/00	●		P30024MM [+]	14,8	AKE				
1.5 16V	76	10/94 → 01/00	●		P30024MM [+]	14,8	AKE				
1.5 i 12V	65	10/94 → 01/00	●		P30024MM [+]	14,8	AKE				
1.5 i 16V	73	12/95 → 01/00	●		P30024MM [+]	14,8	AKE				

ACCENT II (LC) / SOLARIS II (LC) 09/99 → 11/05

1.3	55	01/00 → 11/05	●		P30024MM [+]	14,8	AKE				
	61	01/00 → 11/05	●		P30024MM [+]	14,8	AKE				
	63	01/00 → 11/05	●		P30024MM [+]	14,8	AKE				
	62	08/02 → 11/05	●		P30024MM [+]	14,8	AKE				
1.5	75	09/00 → 11/05	●		P30024MM [+]	14,8	AKE				
	66	01/00 → 11/05	●		P30024MM [+]	14,8	AKE				
	65	09/99 → 10/02	●		P30024MM [+]	14,8	AKE				
1.5 CRDi	60	04/02 → 11/05	●		P30024MM [+]	14,8	AKE				
1.6	77	12/02 → 11/05	●		P30024MM [+]	14,8	AKE				

ACCENT II Saloon (LC) / SOLARIS II Saloon (LC) 09/99 → 12/06

1.3	55	01/00 → 11/05	●		P30024MM [+]	14,8	AKE				
	63	01/00 → 11/05	●		P30024MM [+]	14,8	AKE				
1.5	69	01/00 → 12/06	●		P30024MM [+]	14,8	AKE				
	66	01/00 → 11/05	●		P30024MM [+]	14,8	AKE				
	75	09/99 → 10/02	●		P30024MM [+]	14,8	AKE				
1.5 CRDi	60	01/02 → 11/05	●		P30024MM [+]	14,8	AKE				
1.6	77	12/02 → 11/05	●		P30024MM [+]	14,8	AKE				

ACCENT III (MC) / SOLARIS III (MC) 11/05 → 11/10

1.4 GL	71	11/05 → 11/10	●		P30026MM [+]	17,5	MN				
	71	11/05 → 11/10	●		P30025MM [+]	15,9	MN				
1.5 CRDi	81	11/05 → 11/10	●		P30026MM [+]	17,5	MN				
	GLS	81	11/05 → 11/10	●	P30025MM [+]	15,9	MN				
1.6 GLS	82	11/05 → 11/10	●		P30026MM [+]	17,5	MN				
	82	11/05 → 11/10	●		P30025MM [+]	15,9	MN				

ACCENT III Saloon (MC) / SOLARIS III Saloon (MC) 11/05 → 11/10

1.4 GL	71	11/05 → 11/10	●		P30026MM [+]	17,5	MN				
	71	11/05 → 11/10	●		P30025MM [+]	15,9	MN				
1.5 CRDi	81	11/05 → 11/10	●		P30026MM [+]	17,5	MN				
	GLS	81	11/05 → 11/10	●	P30025MM [+]	15,9	MN				
1.6 GLS	82	11/05 → 11/10	●		P30026MM [+]	17,5	MN				
	82	11/05 → 11/10	●		P30025MM [+]	15,9	MN				

ACCENT IV (RB) / SOLARIS IV (RB) 11/10 →

1.4	79	11/10 →	●		P18025MM [+]	17,8	-				
	79	11/10 →	●		P30067MM [+]	15,7	AKE				
1.6	91	11/10 →	●		P18025MM [+]	17,8	-				
	91	11/10 →	●		P30067MM [+]	15,7	AKE				

ACCENT IV Saloon (RB) / SOLARIS IV Saloon (RB) 08/10 →

1.4	80	11/10 → 12/14	●		P18025MM [+]	17,8	-				
	80	11/10 → 12/14	●		P30067MM [+]	15,7	AKE				
	74	11/10 → 12/16	●	→ 02/12	P30026MM [+]	17,5	MN				

		kw						wi	Th [mm]	SYS		LENGHT				WI	FK
--	--	----	--	--	--	--	--	----	---------	-----	--	--------	--	--	--	----	----

HYUNDAI

ACCENT IV Saloon (RB) / SOLARIS IV Saloon (RB) 08/10 →

1.4	74	11/10 → 12/16	●			P18025MM	[+]	17,8	-								
	74	11/10 → 12/16		●	→ 02/12; +rear disc	P30025MM	[+]	15,9	MN								
	74	11/10 → 12/16	●			P30067MM	[+]	15,7	AKE								
1.6	90	11/10 →	●			P18025MM	[+]	17,8	-								
	90	11/10 →		●		P30067MM	[+]	15,7	AKE								
	91	11/10 →	●			P18025MM	[+]	17,8	-								
	91	11/10 →		●		P30067MM	[+]	15,7	AKE								
1.6 CRDi	94	11/10 → 12/15	●			P18025MM	[+]	17,8	-								
	94	11/10 → 12/15		●		P30067MM	[+]	15,7	AKE								
	100	04/11 →	●			P18025MM	[+]	17,8	-								
	100	04/11 →		●		P30067MM	[+]	15,7	AKE								

ACCENT Saloon (X-3) / SOLARIS Saloon (X-3) 05/94 → 01/00

1.3	44	10/94 → 01/00	●			P30024MM	[+]	14,8	AKE								
	55	10/94 → 01/00	●			P30024MM	[+]	14,8	AKE								
1.3 i 12V	62	10/94 → 01/00	●			P30024MM	[+]	14,8	AKE								
1.5	63	10/94 → 07/99	●			P30024MM	[+]	14,8	AKE								
1.5 i 12V	65	10/94 → 01/00	●			P30024MM	[+]	14,8	AKE								
1.5 i 16V	73	10/95 → 01/00	●			P30024MM	[+]	14,8	AKE								

ATOS (MX) 01/97 →

0.8	38	04/99 → 07/03	●		→ 07/01	P30011MM	[+]	16	MN								
	38	04/99 → 07/03		●	08/01 →	P30027MM	[+]	16,5	MN								
1.0 i	40	02/98 → 12/00	●		→ 07/01	P30011MM	[+]	16	MN								
	40	02/98 → 12/00	●		08/01 →	P30027MM	[+]	16,5	MN								
	43	03/01 → 07/03	●		→ 07/01	P30011MM	[+]	16	MN								
	43	03/01 → 07/03	●		08/01 →	P30027MM	[+]	16,5	MN								
	41	02/98 → 03/02	●		08/01 →	P30027MM	[+]	16,5	MN								
	41	02/98 → 03/02	●		→ 07/01	P30011MM	[+]	16	MN								
1.1	46	01/97 → 12/08	●			P30027MM	[+]	16,5	MN								
	43	08/03 → 05/05	●			P30027MM	[+]	16,5	MN								
	45	06/03 → 12/10	●			P30027MM	[+]	16,5	MN								

ATOS PRIME (MX) 08/99 →

1.0 i	40	08/99 →	●		→ 07/01	P30011MM	[+]	16	MN								
	40	08/99 →	●		08/01 →	P30027MM	[+]	16,5	MN								

COUPÉ (GK) 01/01 → 11/09

1.6 16V	77	03/02 → 08/09	●			P30018MM	[+]	16,9	MN								
	77	03/02 → 08/09		●		P30003MM	[+]	14	SUM								
	79	03/02 → 08/09	●			P30018MM	[+]	16,9	MN								
	79	03/02 → 08/09		●		P30003MM	[+]	14	SUM								
2.0	102	03/02 → 08/09	●			P30018MM	[+]	16,9	MN								
	102	03/02 → 08/09		●		P30003MM	[+]	14	SUM								
	100	08/01 → 08/09	●			P30018MM	[+]	16,9	MN								
	100	08/01 → 08/09		●		P30003MM	[+]	14	SUM								
2.0 GLS	105	02/03 → 08/09	●			P30018MM	[+]	16,9	MN								
	105	02/03 → 08/09		●		P30003MM	[+]	14	SUM								
2.7 V6	123	03/02 → 08/09	●			P30018MM	[+]	16,9	MN								
	123	03/02 → 08/09		●		P30003MM	[+]	14	SUM								
	121	01/01 → 08/09	●			P30018MM	[+]	16,9	MN								
	121	01/01 → 08/09		●		P30003MM	[+]	14	SUM								

COUPÉ (RD) 06/96 → 04/02

1.6 16V	85	03/98 → 04/02	●			P30022MM	[+]	17	SUM								
	85	03/98 → 04/02		●		P30003MM	[+]	14	SUM								
1.6 i 16V	84	12/96 → 04/02	●			P30022MM	[+]	17	SUM								
	84	12/96 → 04/02		●		P30003MM	[+]	14	SUM								

									WI			FK	
										LENGHT			

HYUNDAI

COUPÉ (RD) 06/96 → 04/02

1.6 i 16V	79	08/00 → 01/02	●		P30022MM	[+]	17	SUM					
	79	08/00 → 01/02	●	+ABS	P30003MM	[+]	14	SUM					
1.8 SX	94	07/96 → 04/02	●		P30022MM	[+]	17	SUM					
	94	07/96 → 04/02	●		P30003MM	[+]	14	SUM					
2.0	101	08/99 → 01/02	●		P30022MM	[+]	17	SUM					
	101	08/99 → 01/02	●		P30003MM	[+]	14	SUM					
2.0 16V	102	08/96 → 04/02	●		P30022MM	[+]	17	SUM					
	102	08/96 → 04/02	●		P30003MM	[+]	14	SUM					
	99	03/01 → 04/02	●		P30022MM	[+]	17	SUM					
	99	03/01 → 04/02	●		P30003MM	[+]	14	SUM					
F2 Evolution	115	01/99 → 05/99	●		P30022MM	[+]	17	SUM					
	115	01/99 → 05/99	●		P30003MM	[+]	14	SUM					

CRETA 01/16 →

2.0 4WD	110	01/16 →	●		P30068MM	[+]	15,9	MN					
---------	-----	---------	---	--	----------	-----	------	----	--	--	--	--	--

ELANTRA (XD) 03/00 → 07/06

1.6	79	06/00 → 07/06	●	→ 08/03	P30020MM	[+]	16,8	AKE					
	79	06/00 → 07/06	●	08/03 →	P30029MM	[+]	17	MN					
	79	06/00 → 07/06	●		P30003MM	[+]	14	SUM					
	77	05/03 → 07/06	●	→ 08/03	P30020MM	[+]	16,8	AKE					
	77	05/03 → 07/06	●	08/03 →	P30029MM	[+]	17	MN					
	77	05/03 → 07/06	●		P30003MM	[+]	14	SUM					
	82	09/03 → 07/06	●		P30029MM	[+]	17	MN					
	82	09/03 → 07/06	●		P30003MM	[+]	14	SUM					
	66	06/00 → 07/06	●	08/03 →	P30029MM	[+]	17	MN					
	66	06/00 → 07/06	●	→ 08/03	P30020MM	[+]	16,8	AKE					
1.8	97	06/00 → 07/06	●	→ 08/03	P30020MM	[+]	16,8	AKE					
	97	06/00 → 07/06	●	08/03 →	P30029MM	[+]	17	MN					
	97	06/00 → 07/06	●		P30003MM	[+]	14	SUM					
	98	11/02 → 07/06	●	→ 08/03	P30020MM	[+]	16,8	AKE					
	98	11/02 → 07/06	●	08/03 →	P30029MM	[+]	17	MN					
	98	11/02 → 07/06	●		P30003MM	[+]	14	SUM					
	79	06/00 → 07/03	●		P30020MM	[+]	16,8	AKE					
79	06/00 → 07/03	●		P30003MM	[+]	14	SUM						
2.0	104	06/00 → 07/06	●	→ 08/03	P30020MM	[+]	16,8	AKE					
	104	06/00 → 07/06	●	08/03 →	P30029MM	[+]	17	MN					
	104	06/00 → 07/06	●		P30003MM	[+]	14	SUM					
	102	06/00 → 07/06	●	→ 08/03	P30020MM	[+]	16,8	AKE					
	102	06/00 → 07/06	●	08/03 →	P30029MM	[+]	17	MN					
	102	06/00 → 07/06	●		P30003MM	[+]	14	SUM					
	105	10/03 → 07/06	●		P30029MM	[+]	17	MN					
105	10/03 → 07/06	●		P30003MM	[+]	14	SUM						
2.0 CRDi	83	04/01 → 07/06	●	→ 08/03	P30020MM	[+]	16,8	AKE					
	83	04/01 → 07/06	●	08/03 →	P30029MM	[+]	17	MN					
	83	04/01 → 07/06	●		P30003MM	[+]	14	SUM					

ELANTRA Saloon (HD) 11/05 → 12/11

1.6 CRDi	85	11/05 → 12/11	●		P30018MM	[+]	16,9	MN					
	85	11/05 → 12/11	●	→ 03/10; +rear disc	P30014MM	[+]	15	MN					
	85	11/05 → 12/11	●	03/10 →; +rear disc	P30047MM	[+]	15,5	AKE					
1.6 CVVT	90	06/06 → 06/11	●		P30018MM	[+]	16,9	MN					
	90	06/06 → 06/11	●		P30014MM	[+]	15	MN					
2.0 CVVT	103	06/06 → 05/10	●	+rear disc	P30014MM	[+]	15	MN					

		kw					MAGNETI MARELLI	wi	Th [mm]	SYS	WI		FK		
											MAGNETI MARELLI	LEIGHT		MAGNETI MARELLI	

HYUNDAI

ELANTRA Saloon (MD, UD) 09/10 →

1.6	94	06/11 →	●	+rear disc	P30067MM	[+]	15,7	AKE					
	97	06/11 → 12/15	●	+rear disc	P30067MM	[+]	15,7	AKE					
1.6 CRDi	94	02/11 → 12/15	●	+rear disc	P30067MM	[+]	15,7	AKE					
	100	10/15 →	●		P30047MM	[+]	15,5	AKE					
2.0 GDI	112	10/15 →	●	+rear disc	P30047MM	[+]	15,5	AKE					

ELANTRA Saloon (XD) 03/00 → 07/06

1.5 16V	75	09/00 → 07/06	●	→ 08/03	P30020MM	[+]	16,8	AKE					
	75	09/00 → 07/06	●	08/03 →	P30029MM	[+]	17	MN					
	75	09/00 → 07/06	●	+ABS	P30003MM	[+]	14	SUM					
1.5 D	82	06/00 → 07/06	●	08/03 →	P30029MM	[+]	17	MN					
	82	06/00 → 07/06	●	→ 08/03	P30020MM	[+]	16,8	AKE					
	82	06/00 → 07/06	●	+ABS	P30003MM	[+]	14	SUM					
1.6	79	06/00 → 07/06	●	→ 08/03	P30020MM	[+]	16,8	AKE					
	79	06/00 → 07/06	●	08/03 →	P30029MM	[+]	17	MN					
	79	06/00 → 07/06	●		P30003MM	[+]	14	SUM					
	77	05/03 → 07/06	●	→ 08/03	P30020MM	[+]	16,8	AKE					
	77	05/03 → 07/06	●	08/03 →	P30029MM	[+]	17	MN					
	77	05/03 → 07/06	●		P30003MM	[+]	14	SUM					
	66	06/00 → 07/06	●	08/03 →	P30029MM	[+]	17	MN					
	66	06/00 → 07/06	●	→ 08/03	P30020MM	[+]	16,8	AKE					
	66	06/00 → 07/06	●		P30003MM	[+]	14	SUM					
1.8	97	06/00 → 07/06	●	→ 08/03	P30020MM	[+]	16,8	AKE					
	97	06/00 → 07/06	●	08/03 →	P30029MM	[+]	17	MN					
	97	06/00 → 07/06	●		P30003MM	[+]	14	SUM					
	79	06/00 → 07/03	●		P30020MM	[+]	16,8	AKE					
	79	06/00 → 07/03	●		P30003MM	[+]	14	SUM					
2.0	104	06/00 → 07/06	●	→ 08/03	P30020MM	[+]	16,8	AKE					
	104	06/00 → 07/06	●	08/03 →	P30029MM	[+]	17	MN					
	104	06/00 → 07/06	●		P30003MM	[+]	14	SUM					
	102	06/00 → 07/06	●	→ 08/03	P30020MM	[+]	16,8	AKE					
	102	06/00 → 07/06	●	08/03 →	P30029MM	[+]	17	MN					
	102	06/00 → 07/06	●		P30003MM	[+]	14	SUM					
	105	10/03 → 07/06	●		P30029MM	[+]	17	MN					
105	10/03 → 07/06	●		P30003MM	[+]	14	SUM						
2.0 CRDi	83	04/01 → 07/06	●	→ 08/03	P30020MM	[+]	16,8	AKE					
	83	04/01 → 07/06	●	08/03 →	P30029MM	[+]	17	MN					
	83	04/01 → 07/06	●		P30003MM	[+]	14	SUM					

EQUUS / CENTENNIAL 03/09 →

3.8	213	03/09 →	●		P30052MM	[+]	17,9	AKE					
	213	03/09 →	●		P30073MM	[+]	17,8/ 18,4	-					
3.8 GDI	246	03/09 →	●		P30052MM	[+]	17,9	AKE					
4.6 V8	274	03/09 →	●		P30052MM	[+]	17,9	AKE					
	269	03/09 →	●		P30052MM	[+]	17,9	AKE					
5.0 GDI	316	03/09 →	●		P30073MM	[+]	17,8/ 18,4	-					
	316	03/09 →	●		P30081MM	[+]	15,5	-					

EQUUS / CENTENNIAL (JS) 10/99 → 03/09

3.0 24V	134	10/99 → 03/09	●		P30028MM	[+]	16,5	MN					
3.5	155	10/99 → 03/09	●		P30028MM	[+]	16,5	MN					
4.5	195	10/99 → 09/03	●		P30028MM	[+]	16,5	MN					

GALLOPER II (JK-01) 02/97 → 12/03

2.5 TCi D	77	08/98 → 12/03	●		P54027MM	[+]	17	SUM					
2.5 TD	65	08/98 → 12/03	●		P54027MM	[+]	17	SUM					

									WI			FK	
	kw									LENGHT			

HYUNDAI

GALLOPER II (JK-01) 02/97 → 12/03

2.5 TD intercooler	73	08/98 → 12/03	●			P54027MM	[+]	17	SUM				
3.0 V6	104	08/98 → 12/03	●			P54027MM	[+]	17	SUM				

GENESIS (DH) 06/14 →

3.0 GDI	183	06/14 →	●			P30070MM	[+]	17,8	-				
	183	06/14 →		●		P30081MM	[+]	15,5	-				
3.0 GDI 4WD	183	06/14 →		●		P30081MM	[+]	15,5	-				
3.8 GDI	232	06/14 →		●		P30081MM	[+]	15,5	-				
3.8 GDI 4WD	232	06/14 →		●		P30081MM	[+]	15,5	-				

GENESIS (HI) 09/16 →

3.3	272	10/16 →	●			P30070MM	[+]	17,8	-				
3.3 GDI 4WD	272	10/16 →	●			P30070MM	[+]	17,8	-				

GENESIS Coupé 01/08 →

2.0	191	01/13 → 12/15	●			P30081MM	[+]	15,5	-				
2.0 CVVT	184	02/13 → 02/14	●			P30081MM	[+]	15,5	-				
2.0 T	157	01/08 → 12/12	●	16" wheel		P30081MM	[+]	15,5	-				
	157	01/08 → 12/12	●	01/12 →; 17" wheel		P30074MM	[+]	14,7	BRE				
	204	04/12 → 02/14	●	16" wheel		P30081MM	[+]	15,5	-				
	204	04/12 → 02/14	●	17" wheel		P30074MM	[+]	14,7	BRE				
	202	11/11 → 12/14	●	16" wheel		P30081MM	[+]	15,5	-				
	202	11/11 → 12/14	●	01/12 →; 17" wheel		P30074MM	[+]	14,7	BRE				
3.8 V6	223	01/08 → 02/14	●	16" wheel		P30081MM	[+]	15,5	-				
	223	01/08 → 02/14	●	01/12 →; 17" wheel		P30074MM	[+]	14,7	BRE				
	260	04/12 →	●	16" wheel		P30081MM	[+]	15,5	-				
	260	04/12 →	●	17" wheel		P30074MM	[+]	14,7	BRE				
	255	11/11 → 12/14	●	16" wheel		P30081MM	[+]	15,5	-				
	255	11/11 → 12/14	●	01/12 →; 17" wheel		P30074MM	[+]	14,7	BRE				

GETZ (TB) 08/02 → 12/10

1.1	46	09/02 → 09/05	●			P30001MM	[-]	14,8	AKE				
	46	09/02 → 09/05	●			P30024MM	[+]	14,8	AKE				
	46	09/02 → 09/05	●	+rear disc		P30014MM	[+]	15	MN				
	49	09/05 → 06/09	●			P30001MM	[-]	14,8	AKE				
	49	09/05 → 06/09	●			P30024MM	[+]	14,8	AKE				
	49	09/05 → 06/09	●	+rear disc		P30014MM	[+]	15	MN				
1.3	61	09/04 → 06/09	●			P30001MM	[-]	14,8	AKE				
	61	09/04 → 06/09	●	+rear disc		P30014MM	[+]	15	MN				
	63	09/03 → 09/05	●			P30001MM	[-]	14,8	AKE				
	63	09/03 → 09/05	●			P30024MM	[+]	14,8	AKE				
	63	09/03 → 09/05	●	+rear disc		P30014MM	[+]	15	MN				
1.3 i	60	09/02 → 03/04	●			P30001MM	[-]	14,8	AKE				
	60	09/02 → 03/04	●			P30024MM	[+]	14,8	AKE				
	60	09/02 → 03/04	●	+rear disc		P30014MM	[+]	15	MN				
1.4 i	71	08/05 → 12/10	●			P30001MM	[-]	14,8	AKE				
	71	08/05 → 12/10	●			P30024MM	[+]	14,8	AKE				
	71	08/05 → 12/10	●	+ABS		P30014MM	[+]	15	MN				
1.5 CRDi	60	03/03 → 09/05	●			P30001MM	[-]	14,8	AKE				
	60	03/03 → 09/05	●			P30024MM	[+]	14,8	AKE				
	60	03/03 → 09/05	●	+ABS		P30014MM	[+]	15	MN				
	65	08/05 → 06/09	●			P30001MM	[-]	14,8	AKE				
	65	08/05 → 06/09	●			P30024MM	[+]	14,8	AKE				
	65	08/05 → 06/09	●	+ABS		P30014MM	[+]	15	MN				

		kw					wi	Th [mm]	SYS	WI		FK	
											LENGHT		

HYUNDAI

GETZ (TB) 08/02 → 12/10

1.5 CRDi GLS	75	07/04 → 08/05	●			P30001MM [-]	14,8	AKE					
	75	07/04 → 08/05	●			P30024MM [+]	14,8	AKE					
	75	07/04 → 08/05		●	+ABS	P30014MM [+]	15	MN					
	81	08/05 → 06/09	●			P30001MM [-]	14,8	AKE					
	81	08/05 → 06/09	●			P30024MM [+]	14,8	AKE					
	81	08/05 → 06/09		●	+ABS	P30014MM [+]	15	MN					
1.6	77	09/02 → 09/05	●			P30001MM [-]	14,8	AKE					
	77	09/02 → 09/05	●			P30024MM [+]	14,8	AKE					
	77	09/02 → 09/05		●	+ABS	P30014MM [+]	15	MN					
	78	06/05 → 12/06	●			P30001MM [-]	14,8	AKE					
	78	06/05 → 12/06	●			P30024MM [+]	14,8	AKE					
	78	06/05 → 12/06		●	+ABS	P30014MM [+]	15	MN					

GRACE Box 07/93 → 12/04

2.4	84	10/97 → 12/04	●			P30005MM [+]	19	TRW					
-----	----	---------------	---	--	--	--------------	----	-----	--	--	--	--	--

GRAND SANTA FÉ 01/13 →

2.2 CRDi All-wheel Drive	145	06/13 →	●			P30036MM [+]	17,6	MN					
	145	06/13 →		●		P30063MM [+]	15,5	MN					
	147	10/15 →	●			P30036MM [+]	17,6	MN					
	147	10/15 →		●		P30063MM [+]	15,5	MN					
3.3 All-wheel Drive	199	02/14 →	●			P30036MM [+]	17,6	MN					
	199	02/14 →		●		P30063MM [+]	15,5	MN					

GRANDEUR (HG) 01/11 →

2.4	132	07/11 →	●		+elect.handbrake; → 12/11	P30065MM [+]	17,3	SUM					
	132	07/11 →	●		-elect.handbrake	P30066MM [+]	17,7	-					
	132	07/11 →	●		+elect.handbrake; 12/11 →	P30070MM [+]	17,8	-					
2.4 16V	148	01/11 →	●		+elect.handbrake; → 12/11	P30065MM [+]	17,3	SUM					
	148	01/11 →	●		-elect.handbrake	P30066MM [+]	17,7	-					
	148	01/11 →	●		+elect.handbrake; 01/12 →	P30070MM [+]	17,8	-					
	148	01/11 →		●	-elect.handbrake	P30054MM [+]	15,7	AKE					
3.0	184	07/11 →	●		+elect.handbrake; → 12/11	P30065MM [+]	17,3	SUM					
	184	07/11 →	●		-elect.handbrake	P30066MM [+]	17,7	-					
	184	07/11 →	●		+elect.handbrake; 12/11 →	P30070MM [+]	17,8	-					
	199	02/11 →	●		+elect.handbrake; → 12/11	P30065MM [+]	17,3	SUM					
	199	02/11 →	●		-elect.handbrake	P30066MM [+]	17,7	-					
	199	02/11 →	●		+elect.handbrake; 12/11 →	P30070MM [+]	17,8	-					
	199	02/11 →		●	-elect.handbrake	P30054MM [+]	15,7	AKE					

GRANDEUR (TG) 06/03 →

2.2 CRDi	110	06/06 → 12/11	●		→ 06/10	P30038MM [+]	18	MN					
	110	06/06 → 12/11	●		06/10 →	P30031MM [+]	17,8	MN					
	110	06/06 → 12/11		●	→ 06/10	P30014MM [+]	15	MN					
	110	06/06 → 12/11	●		06/10 →; (EU)	P30067MM [+]	15,7	AKE					
	110	06/06 → 12/11	●		06/10 →; (AUS)	P30054MM [+]	15,7	AKE					
	114	06/06 → 10/10	●		→ 06/10	P30038MM [+]	18	MN					
	114	06/06 → 10/10	●		06/10 →	P30031MM [+]	17,8	MN					
	114	06/06 → 10/10		●	→ 06/10	P30014MM [+]	15	MN					
	114	06/06 → 10/10	●		06/10 →; (EU)	P30067MM [+]	15,7	AKE					
	114	06/06 → 10/10	●		06/10 →; (AUS)	P30054MM [+]	15,7	AKE					
2.7	141	05/06 → 10/10	●		→ 06/10	P30038MM [+]	18	MN					
	141	05/06 → 10/10	●		06/10 →	P30031MM [+]	17,8	MN					
	141	05/06 → 10/10		●	→ 06/10	P30014MM [+]	15	MN					
	141	05/06 → 10/10	●		06/10 →; (EU)	P30067MM [+]	15,7	AKE					
	141	05/06 → 10/10	●		06/10 →; (AUS)	P30054MM [+]	15,7	AKE					



kw



wi

Th [mm]

SYS

WI

FK



LENGHT



HYUNDAI

GRANDEUR (TG) 06/03 →

3.3	191	11/10 → 12/11	●			P30031MM	[+]	17,8	MN						
	191	11/10 → 12/11	●	-(EU)		P30054MM	[+]	15,7	AKE						
	191	11/10 → 12/11	●	(EU)		P30067MM	[+]	15,7	AKE						
	173	04/05 → 12/10	●		→ 06/10	P30038MM	[+]	18	MN						
	173	04/05 → 12/10	●		06/10 →	P30031MM	[+]	17,8	MN						
	173	04/05 → 12/10	●		→ 06/10	P30014MM	[+]	15	MN						
	173	04/05 → 12/10	●		06/10 →; (EU)	P30067MM	[+]	15,7	AKE						
	173	04/05 → 12/10	●		06/10 →; (AUS)	P30054MM	[+]	15,7	AKE						

H-1 / STAREX 06/97 → 12/07

2.4	82	06/97 → 04/04	●		→ 12/01	P30010MM	[+]	15,5	MN						
	82	06/97 → 04/04	●		01/02 →	P30013MM	[+]	17	MN						
	101	02/03 → 04/04	●			P30013MM	[+]	17	MN						
	107	11/01 → 04/04	●			P30013MM	[+]	17	MN						
	107	11/01 → 04/04	●			P30010MM	[+]	15,5	MN						
2.4 4WD	82	02/98 → 04/04	●		→ 12/01	P30010MM	[+]	15,5	MN						
	82	02/98 → 04/04	●		01/02 →	P30013MM	[+]	17	MN						
	99	06/01 → 04/04	●		→ 12/01	P30010MM	[+]	15,5	MN						
	99	06/01 → 04/04	●		01/02 →	P30013MM	[+]	17	MN						
2.5 CRDi	85	06/97 → 04/04	●			P30041MM	[+]	17,6	MN						
	81	06/06 → 12/07	●			P30010MM	[+]	15,5	MN						
	81	06/06 → 12/07	●			P30013MM	[+]	17	MN						
120	12/02 → 04/04	●			P30013MM	[+]	17	MN							
2.5 CRDi 4WD	103	12/02 → 04/04	●			P30013MM	[+]	17	MN						
2.5 D	57	10/97 → 04/04	●		→ 12/01	P30010MM	[+]	15,5	MN						
	57	10/97 → 04/04	●		01/02 →	P30013MM	[+]	17	MN						
	57	10/97 → 04/04	●	+ABS		P30037MM	[+]	16,2	MN						
2.5 TCi	73	10/97 → 12/07	●		→ 12/01	P30010MM	[+]	15,5	MN						
	73	10/97 → 12/07	●		01/02 →	P30013MM	[+]	17	MN						
	74	05/04 → 12/07	●			P30013MM	[+]	17	MN						
2.5 TD	59	06/97 → 04/04	●		→ 12/01	P30010MM	[+]	15,5	MN						
	59	06/97 → 04/04	●		01/02 →	P30013MM	[+]	17	MN						
2.5 TD 4WD	59	02/98 → 04/04	●		→ 12/01	P30010MM	[+]	15,5	MN						
	59	02/98 → 04/04	●		01/02 →	P30013MM	[+]	17	MN						
	73	03/01 → 04/04	●		→ 12/01	P30010MM	[+]	15,5	MN						
	73	03/01 → 04/04	●		01/02 →	P30013MM	[+]	17	MN						
	74	11/01 → 04/04	●		→ 12/01	P30010MM	[+]	15,5	MN						
	74	11/01 → 04/04	●		01/02 →	P30013MM	[+]	17	MN						
2.6 TDiC	63	10/97 → 04/04	●		→ 12/01	P30010MM	[+]	15,5	MN						
	63	10/97 → 04/04	●		01/02 →	P30013MM	[+]	17	MN						

H-1 Box 10/97 → 04/08

2.4	82	03/00 → 04/04	●		→ 12/01	P30010MM	[+]	15,5	MN						
	82	03/00 → 04/04	●		01/02 →	P30013MM	[+]	17	MN						
2.5 CRDi	103	08/03 → 12/07	●			P30013MM	[+]	17	MN						
	81	07/01 → 04/04	●			P30013MM	[+]	17	MN						
2.5 TD	81	07/01 → 04/04	●			P30037MM	[+]	16,2	MN						
	59	03/00 → 09/00	●			P30010MM	[+]	15,5	MN						
	59	03/00 → 09/00	●			P30037MM	[+]	16,2	MN						
	73	03/00 → 04/04	●		→ 12/01	P30010MM	[+]	15,5	MN						
	73	03/00 → 04/04	●		01/02 →	P30013MM	[+]	17	MN						
	74	10/01 → 08/07	●		→ 12/01	P30010MM	[+]	15,5	MN						
74	10/01 → 08/07	●		01/02 →	P30013MM	[+]	17	MN							

HYUNDAI

H-1 Cargo (TQ) 02/08 →

2.4	128	01/10 →	●		P30041MM	[+]	17,6	MN				
	128	01/10 →		● +ABS	P30035MM	[+]	15,5	MN				
2.5 CRDi	125	02/08 →	●		P30041MM	[+]	17,6	MN				
	125	02/08 →		●	P30035MM	[+]	15,5	MN				
	81	02/08 →	●		P30041MM	[+]	17,6	MN				
	81	02/08 →		●	P30035MM	[+]	15,5	MN				
	120	02/08 →	●		P30041MM	[+]	17,6	MN				
	120	02/08 →		● +ABS	P30035MM	[+]	15,5	MN				
	85	08/11 →	●		P30041MM	[+]	17,6	MN				
	85	08/11 →		● +ABS	P30035MM	[+]	15,5	MN				
	100	08/09 →	●		P30041MM	[+]	17,6	MN				
	100	08/09 →		● +ABS	P30035MM	[+]	15,5	MN				

H-1 Platform/Chassis 06/00 → 10/05

2.5 D	73	06/00 → 10/05	●	→ 12/01	P30010MM	[+]	15,5	MN				
	73	06/00 → 10/05	●	01/02 →	P30013MM	[+]	17	MN				

H-1 Travel (TQ) 02/08 →

2.4	101	02/08 →	●		P30041MM	[+]	17,6	MN				
	101	02/08 →		●	P30035MM	[+]	15,5	MN				
2.4 i	129	02/08 →	●		P30041MM	[+]	17,6	MN				
	129	02/08 →		●	P30035MM	[+]	15,5	MN				
	126	02/08 →	●		P30041MM	[+]	17,6	MN				
	126	02/08 →		●	P30035MM	[+]	15,5	MN				
2.5 CRDi	100	07/08 →	●		P30041MM	[+]	17,6	MN				
	100	07/08 →		●	P30035MM	[+]	15,5	MN				
	125	05/08 →	●		P30041MM	[+]	17,6	MN				
	125	05/08 →		●	P30035MM	[+]	15,5	MN				
	120	05/08 →	●		P30041MM	[+]	17,6	MN				
	120	05/08 →		●	P30035MM	[+]	15,5	MN				
	85	08/11 →	●		P30041MM	[+]	17,6	MN				
	85	08/11 →		●	P30035MM	[+]	15,5	MN				
	94	02/08 →	●		P30041MM	[+]	17,6	MN				
	94	02/08 →		●	P30035MM	[+]	15,5	MN				
81	07/10 →	●		P30041MM	[+]	17,6	MN					
81	07/10 →		●	P30035MM	[+]	15,5	MN					

H100 Box 07/93 → 12/04

2.4	82	10/97 → 12/04	●		P30005MM	[+]	19	TRW				
	84	08/97 → 10/03	●		P30010MM	[+]	15,5	MN				
2.4 TD	90	07/93 → 07/97	●		P30005MM	[+]	19	TRW				
2.5 D	57	12/94 → 03/00	●		P30005MM	[+]	19	TRW				
	55	07/93 → 12/94	●		P30005MM	[+]	19	TRW				
2.5 TDiC	59	06/98 → 10/03	●		P30005MM	[+]	19	TRW				
2.6 D	57	10/99 → 12/04	●		P30005MM	[+]	19	TRW				

H100 Bus (P) 07/93 → 10/04

2.4	84	01/97 → 03/00	●		P30005MM	[+]	19	TRW				
	90	07/93 → 03/00	●		P30005MM	[+]	19	TRW				
2.5 D	57	12/94 → 03/00	●		P30005MM	[+]	19	TRW				
	55	07/93 → 12/94	●		P30005MM	[+]	19	TRW				
2.5 TD	59	07/93 → 03/00	●		P30005MM	[+]	19	TRW				
2.6 D	57	10/99 → 10/04	●		P30005MM	[+]	19	TRW				

H100 Pickup 05/96 → 10/01

2.5 D	57	05/96 → 10/01	●		P30005MM	[+]	19	TRW				
-------	----	---------------	---	--	----------	-----	----	-----	--	--	--	--

HYUNDAI

H100 Platform/Chassis 01/04 →

2.5 TD	74	11/06 →	●		P30010MM	[+]	15,5	MN				
	92	01/10 →	●		P30010MM	[+]	15,5	MN				

HIGHWAY VAN 03/00 → 03/04

2.0 16V	100	03/00 → 03/04	●		P30013MM	[+]	17	MN				
	100	03/00 → 03/04	●		P30014MM	[+]	15	MN				
2.0 CRDi	83	03/01 → 03/04	●		P30013MM	[+]	17	MN				
	83	03/01 → 03/04	●		P30014MM	[+]	15	MN				
2.0 CVVT	104	11/03 → 03/04	●		P30013MM	[+]	17	MN				
	104	11/03 → 03/04	●		P30014MM	[+]	15	MN				
2.7 V6 24V	125	03/00 → 03/04	●		P30013MM	[+]	17	MN				
	125	03/00 → 03/04	●		P30014MM	[+]	15	MN				

i10 (BA, IA) 08/13 →

1.0 LPG	49	02/14 →	●		P30076MM	[+]	16,7	MN				
	49	02/14 →	●	+rear disc	P30033MM	[+]	14,8	MN				
1.0	49	08/13 →	●		P30076MM	[+]	16,7	MN				
	49	08/13 →	●	+rear disc	P30033MM	[+]	14,8	MN				
1.2	64	12/13 →	●		P30076MM	[+]	16,7	MN				
	64	12/13 →	●	+rear disc	P30033MM	[+]	14,8	MN				

i10 (PA) 10/07 → 12/13

1.0	51	01/11 → 12/13	●		P30032MM	[+]	16,8	MN				
	51	01/11 → 12/13	●	+rear disc	P30033MM	[+]	14,8	MN				
1.1	51	04/11 → 12/13	●		P30032MM	[+]	16,8	MN				
	51	04/11 → 12/13	●	+ABS	P30033MM	[+]	14,8	MN				
	49	01/08 → 12/13	●		P30032MM	[+]	16,8	MN				
	49	01/08 → 12/13	●	+ABS	P30033MM	[+]	14,8	MN				
	48	12/07 → 12/13	●		P30032MM	[+]	16,8	MN				
	48	12/07 → 12/13	●	+ABS	P30033MM	[+]	14,8	MN				
	50	11/08 → 12/13	●		P30032MM	[+]	16,8	MN				
	50	11/08 → 12/13	●	+rear disc	P30033MM	[+]	14,8	MN				
1.1 CRDi	55	01/08 → 12/11	●		P30032MM	[+]	16,8	MN				
	55	01/08 → 12/11	●	+ABS	P30033MM	[+]	14,8	MN				
1.1 LPG	51	04/11 → 12/13	●		P30032MM	[+]	16,8	MN				
	51	04/11 → 12/13	●	+rear disc	P30033MM	[+]	14,8	MN				
1.2	63	04/11 → 12/13	●		P30032MM	[+]	16,8	MN				
	63	04/11 → 12/13	●	+ABS	P30033MM	[+]	14,8	MN				
	57	11/08 → 12/11	●		P30032MM	[+]	16,8	MN				
	57	11/08 → 12/11	●	+ABS	P30033MM	[+]	14,8	MN				

i10 Saloon 12/13 →

1.2	64	08/15 →	●		P30032MM	[+]	16,8	MN				
	64	08/15 →	●	+rear disc	P30033MM	[+]	14,8	MN				

i20 (GB) 11/14 →

1.0 T-GDI	88	01/16 →	●		P18025MM	[+]	17,8	-				
	88	01/16 →	●	+rear disc	P30067MM	[+]	15,7	AKE				
	74	01/16 →	●		P18025MM	[+]	17,8	-				
	74	01/16 →	●	+rear disc	P30067MM	[+]	15,7	AKE				
1.1 CRDi	55	11/14 →	●		P30069MM	[+]	17,5	MN				
	55	11/14 →	●	+rear disc	P30046MM	[+]	16,5	MN				
1.2	55	11/14 →	●	-ESP	P30045MM	[+]	16,7	MN				
	55	11/14 →	●	+ESP	P30069MM	[+]	17,5	MN				
	55	11/14 →	●	+ESP	P30046MM	[+]	16,5	MN				
	62	11/14 →	●	-ESP	P30045MM	[+]	16,7	MN				
	62	11/14 →	●	+ESP	P30069MM	[+]	17,5	MN				
	62	11/14 →	●	+ESP	P30046MM	[+]	16,5	MN				

		kw				MAGNETI MARELLI	wi	Th [mm]	SYS	WI			FK	
											LENGHT			

HYUNDAI

i20 (GB) 11/14 →

1.2 LPGI	61	11/14 →	●		→ 10/15; 14" wheel; 15" wheel	P18025MM	[+]	17,8	-					
	61	11/14 →		●	+rear disc	P30067MM	[+]	15,7	AKE					
1.4	74	11/14 →	●			P30069MM	[+]	17,5	MN					
	74	11/14 →		●	+rear disc	P30046MM	[+]	16,5	MN					
1.4 CRDi	66	11/14 →	●			P30069MM	[+]	17,5	MN					
	66	11/14 →		●	+rear disc	P30046MM	[+]	16,5	MN					

i20 (PB, PBT) 08/08 →

1.1 CRDi	55	03/12 → 12/15	●		-ESP	P30045MM	[+]	16,7	MN					
	55	03/12 → 12/15	●		+ESP	P30069MM	[+]	17,5	MN					
	55	03/12 → 12/15	●		+ESP	P30046MM	[+]	16,5	MN					
1.2	57	09/08 → 12/12	●		-ESP	P30045MM	[+]	16,7	MN					
	57	09/08 → 12/12	●		+ESP	P30069MM	[+]	17,5	MN					
	57	09/08 → 12/12	●		+ESP	P30046MM	[+]	16,5	MN					
	63	03/12 → 12/15	●		-ESP	P30045MM	[+]	16,7	MN					
	63	03/12 → 12/15	●		+ESP	P30069MM	[+]	17,5	MN					
	63	03/12 → 12/15	●		+ESP	P30046MM	[+]	16,5	MN					
1.4	74	09/08 → 12/15	●		-ESP	P30045MM	[+]	16,7	MN					
	74	09/08 → 12/15	●		+ESP	P30069MM	[+]	17,5	MN					
	74	09/08 → 12/15	●		+ESP	P30046MM	[+]	16,5	MN					
1.4 CRDi	55	09/08 → 12/12	●		-ESP	P30045MM	[+]	16,7	MN					
	55	09/08 → 12/12	●		+ESP	P30069MM	[+]	17,5	MN					
	55	09/08 → 12/12	●		+ESP	P30046MM	[+]	16,5	MN					
	66	08/08 → 12/15	●		-ESP	P30045MM	[+]	16,7	MN					
	66	08/08 → 12/15	●		+ESP	P30069MM	[+]	17,5	MN					
	66	08/08 → 12/15	●		+ESP	P30046MM	[+]	16,5	MN					
1.6	93	09/08 → 12/12	●		-ESP	P30045MM	[+]	16,7	MN					
	93	09/08 → 12/12	●		+ESP	P30069MM	[+]	17,5	MN					
	93	09/08 → 12/12	●		+ESP	P30046MM	[+]	16,5	MN					
1.6 CRDi	85	09/08 → 12/12	●		-ESP	P30045MM	[+]	16,7	MN					
	85	09/08 → 12/12	●		+ESP	P30069MM	[+]	17,5	MN					
	85	09/08 → 12/12	●		+ESP	P30046MM	[+]	16,5	MN					
	94	01/09 → 12/12	●		-ESP	P30045MM	[+]	16,7	MN					
	94	01/09 → 12/12	●		+ESP	P30069MM	[+]	17,5	MN					
	94	01/09 → 12/12	●		+ESP	P30046MM	[+]	16,5	MN					

i20 ACTIVE (GB) 09/15 →

1.0 T-GDI	74	09/15 →	●			P18025MM	[+]	17,8	-					
	74	09/15 →		●		P30067MM	[+]	15,7	AKE					
	88	09/15 →	●			P18025MM	[+]	17,8	-					
	88	09/15 →		●	+rear disc	P30067MM	[+]	15,7	AKE					
1.4	74	09/15 →		●		P30067MM	[+]	15,7	AKE					
1.4 CRDi	66	09/15 →	●			P18025MM	[+]	17,8	-					
	66	09/15 →		●		P30067MM	[+]	15,7	AKE					

i20 Coupé (GB) 05/15 →

1.0 T-GDI	74	01/16 →	●			P18025MM	[+]	17,8	-					
	74	01/16 →		●	+rear disc	P30067MM	[+]	15,7	AKE					
	88	01/16 →	●			P18025MM	[+]	17,8	-					
	88	01/16 →		●	+rear disc	P30067MM	[+]	15,7	AKE					
1.1 CRDi	55	05/15 →	●		→ 10/15; 14" wheel; 15" wheel	P18025MM	[+]	17,8	-					
	55	05/15 →		●	+rear disc	P30067MM	[+]	15,7	AKE					
1.2	62	05/15 →	●			P18025MM	[+]	17,8	-					
	62	05/15 →		●	+rear disc	P30067MM	[+]	15,7	AKE					
1.4	74	05/15 →	●		→ 10/15	P18025MM	[+]	17,8	-					
	74	05/15 →	●			P30069MM	[+]	17,5	MN					
	74	05/15 →		●	+rear disc	P30067MM	[+]	15,7	AKE					

									WI			FK	
										LENGHT			

HYUNDAI

i20 Coupé (GB) 05/15 →

1.4 CRDi	66	05/15 →	●		P18025MM	[+]	17,8	-					
	66	05/15 →	●		P30069MM	[+]	17,5	MN					
	66	05/15 →		●	+rear disc	P30067MM	[+]	15,7	AKE				

i30 (FD) 10/07 → 11/11

1.4	80	10/07 → 11/11	●		P30034MM	[+]	16,4	MN					
	80	10/07 → 11/11		●	P30051MM	[+]	15,9	MN					
	77	10/07 → 11/11	●		P30034MM	[+]	16,4	MN					
	77	10/07 → 11/11		●	P30051MM	[+]	15,9	MN					
1.6	90	10/07 → 11/11	●		P30034MM	[+]	16,4	MN					
	90	10/07 → 11/11		●	P30051MM	[+]	15,9	MN					
	85	10/07 → 11/11	●		P30034MM	[+]	16,4	MN					
	85	10/07 → 11/11		●	P30051MM	[+]	15,9	MN					
	93	02/08 → 11/11	●		P30034MM	[+]	16,4	MN					
1.6 CRDi	93	02/08 → 11/11		●	P30051MM	[+]	15,9	MN					
	94	01/10 → 11/11	●		P30034MM	[+]	16,4	MN					
	94	01/10 → 11/11		●	P30051MM	[+]	15,9	MN					
	85	10/07 → 11/11	●		P30034MM	[+]	16,4	MN					
	85	10/07 → 11/11		●	P30051MM	[+]	15,9	MN					
	66	10/07 → 11/11	●		P30034MM	[+]	16,4	MN					
2.0	66	10/07 → 11/11		●	P30051MM	[+]	15,9	MN					
	105	10/07 → 11/11	●		P30034MM	[+]	16,4	MN					
2.0 CRDi	105	10/07 → 11/11		●	P30051MM	[+]	15,9	MN					
	103	10/07 → 11/11	●		P30034MM	[+]	16,4	MN					
	103	10/07 → 11/11		●	P30051MM	[+]	15,9	MN					
	100	10/07 → 11/11	●		P30034MM	[+]	16,4	MN					
	100	10/07 → 11/11		●	P30051MM	[+]	15,9	MN					

i30 (GD) 06/11 →

1.4	73	12/11 → 12/15	●		P30073MM	[+]	17,8/ 18,4	-					
	73	12/11 → 12/15		●	P30067MM	[+]	15,7	AKE					
	74	12/14 → 12/16	●		P30073MM	[+]	17,8/ 18,4	-					
	74	12/14 → 12/16		●	disc Ø 284 mm	P30067MM	[+]	15,7	AKE				
1.4 CRDi	66	12/11 → 12/16	●		16" wheel	P30065MM	[+]	17,3	SUM				
	66	12/11 → 12/16	●		15" wheel	P30073MM	[+]	17,8/ 18,4	-				
	66	12/11 → 12/16		●		P30067MM	[+]	15,7	AKE				
1.6	88	01/12 → 12/16	●		15" wheel	P30034MM	[+]	16,4	MN				
	88	01/12 → 12/16	●		16" wheel	P30065MM	[+]	17,3	SUM				
	88	01/12 → 12/16		●		P30067MM	[+]	15,7	AKE				
	95	12/11 → 12/15	●		15" wheel	P30034MM	[+]	16,4	MN				
	95	12/11 → 12/15	●		16" wheel	P30065MM	[+]	17,3	SUM				
	95	12/11 → 12/15		●		P30067MM	[+]	15,7	AKE				
1.6 CRDi	94	12/11 → 12/15	●		16" wheel	P30065MM	[+]	17,3	SUM				
	94	12/11 → 12/15	●		15" wheel	P30073MM	[+]	17,8/ 18,4	-				
	94	12/11 → 12/15		●		P30067MM	[+]	15,7	AKE				
	81	12/11 → 12/16	●		04/13 →; 15" wheel	P30073MM	[+]	17,8/ 18,4	-				
	81	12/11 → 12/16	●		15" wheel	P30034MM	[+]	16,4	MN				
	81	12/11 → 12/16	●		16" wheel	P30065MM	[+]	17,3	SUM				
	81	12/11 → 12/16		●		P30067MM	[+]	15,7	AKE				
	100	11/11 → 12/16	●		15" wheel	P30073MM	[+]	17,8/ 18,4	-				

Car Model	kw	S	E	i	MAGNETI MARELLI	wi	Th [mm]	SYS	WI			FK	
									MAGNETI MARELLI	LENGHT	i	MAGNETI MARELLI	i

HYUNDAI

i30 (GD) 06/11 →

1.6 CRDi	100	11/11 → 12/16	●	16" wheel	P30065MM	[+]	17,3	SUM					
	100	11/11 → 12/16	●		P30067MM	[+]	15,7	AKE					
1.6 GDI	99	12/11 → 12/16	●	15" wheel	P30034MM	[+]	16,4	MN					
	99	12/11 → 12/16	●	16" wheel	P30065MM	[+]	17,3	SUM					
	99	12/11 → 12/16	●		P30067MM	[+]	15,7	AKE					
1.6 T-GDI	137	01/15 →	●	15" wheel	P30073MM	[+]	17,8/ 18,4	-					
	137	01/15 →	●	16" wheel	P30065MM	[+]	17,3	SUM					
	137	01/15 →	●		P30067MM	[+]	15,7	AKE					

i30 Coupé 05/13 →

1.4	73	05/13 →	●	15" wheel	P30073MM	[+]	17,8/ 18,4	-					
	73	05/13 →	●	16" wheel	P30065MM	[+]	17,3	SUM					
	73	05/13 →	●		P30067MM	[+]	15,7	AKE					
	74	12/14 →	●	15" wheel	P30073MM	[+]	17,8/ 18,4	-					
	74	12/14 →	●	16" wheel	P30065MM	[+]	17,3	SUM					
	74	12/14 →	●		P30067MM	[+]	15,7	AKE					
1.4 CRDi	66	05/13 →	●	15" wheel	P30073MM	[+]	17,8/ 18,4	-					
	66	05/13 →	●	16" wheel	P30065MM	[+]	17,3	SUM					
	66	05/13 →	●		P30067MM	[+]	15,7	AKE					
1.6 CRDi	94	05/13 →	●	15" wheel	P30073MM	[+]	17,8/ 18,4	-					
	94	05/13 →	●	16" wheel	P30065MM	[+]	17,3	SUM					
	94	05/13 →	●		P30067MM	[+]	15,7	AKE					
	81	11/15 →	●	15" wheel	P30073MM	[+]	17,8/ 18,4	-					
	81	11/15 →	●	16" wheel	P30065MM	[+]	17,3	SUM					
	81	11/15 →	●		P30067MM	[+]	15,7	AKE					
	100	12/14 →	●	15" wheel	P30073MM	[+]	17,8/ 18,4	-					
	100	12/14 →	●	16" wheel	P30065MM	[+]	17,3	SUM					
	100	12/14 →	●		P30067MM	[+]	15,7	AKE					
1.6 GDI	99	05/13 →	●	15" wheel	P30073MM	[+]	17,8/ 18,4	-					
	99	05/13 →	●	16" wheel	P30065MM	[+]	17,3	SUM					
	99	05/13 →	●		P30067MM	[+]	15,7	AKE					
1.6 MPI	88	11/16 →	●	16" wheel	P30065MM	[+]	17,3	SUM					
	88	11/16 →	●	15" wheel	P30073MM	[+]	17,8/ 18,4	-					
1.6 T-GDI	137	01/15 →	●	15" wheel	P30073MM	[+]	17,8/ 18,4	-					
	137	01/15 →	●	16" wheel	P30065MM	[+]	17,3	SUM					
	137	01/15 →	●		P30067MM	[+]	15,7	AKE					

i30 Estate (FD) 10/07 → 06/12

1.4	77	10/07 → 06/12	●		P30034MM	[+]	16,4	MN					
	77	10/07 → 06/12	●		P30051MM	[+]	15,9	MN					
	80	11/09 → 06/12	●		P30034MM	[+]	16,4	MN					
	80	11/09 → 06/12	●		P30051MM	[+]	15,9	MN					
1.6	90	02/08 → 06/12	●		P30034MM	[+]	16,4	MN					
	90	02/08 → 06/12	●		P30051MM	[+]	15,9	MN					
	85	02/08 → 06/12	●		P30034MM	[+]	16,4	MN					
	85	02/08 → 06/12	●		P30051MM	[+]	15,9	MN					

HYUNDAI

i30 Estate (FD) 10/07 → 06/12

1.6	93	02/08 → 06/12	●		P30034MM	[+]	16,4	MN						
	93	02/08 → 06/12		●	P30051MM	[+]	15,9	MN						
1.6 CRDi	94	01/10 → 06/12	●		P30034MM	[+]	16,4	MN						
	94	01/10 → 06/12		●	P30051MM	[+]	15,9	MN						
	85	02/08 → 06/12	●		P30034MM	[+]	16,4	MN						
	85	02/08 → 06/12		●	P30051MM	[+]	15,9	MN						
	66	02/08 → 06/12	●		P30034MM	[+]	16,4	MN						
	66	02/08 → 06/12		●	P30051MM	[+]	15,9	MN						
2.0	105	02/08 → 06/12	●		P30034MM	[+]	16,4	MN						
	105	02/08 → 06/12		●	P30051MM	[+]	15,9	MN						
2.0 CRDi	103	02/08 → 06/12	●		P30034MM	[+]	16,4	MN						
	103	02/08 → 06/12		●	P30051MM	[+]	15,9	MN						
	100	10/08 → 06/12	●		P30034MM	[+]	16,4	MN						
	100	10/08 → 06/12		●	P30051MM	[+]	15,9	MN						

i30 Estate (GD) 06/12 →

1.4	73	06/12 → 12/15	●	15" wheel	P30073MM	[+]	17,8/ 18,4	-						
	73	06/12 → 12/15	●	16" wheel	P30065MM	[+]	17,3	SUM						
	73	06/12 → 12/15		●	P30067MM	[+]	15,7	AKE						
	74	01/15 →	●	15" wheel	P30073MM	[+]	17,8/ 18,4	-						
	74	01/15 →		●	P30065MM	[+]	17,3	SUM						
	74	01/15 →		●	P30067MM	[+]	15,7	AKE						
1.4 CRDi	66	06/12 →	●	15" wheel	P30073MM	[+]	17,8/ 18,4	-						
	66	06/12 →	●	16" wheel	P30065MM	[+]	17,3	SUM						
	66	06/12 →		●	P30067MM	[+]	15,7	AKE						
1.6	88	06/12 →	●	15" wheel	P30073MM	[+]	17,8/ 18,4	-						
	88	06/12 →	●	16" wheel	P30065MM	[+]	17,3	SUM						
	88	06/12 →		●	P30067MM	[+]	15,7	AKE						
	95	06/12 → 12/15	●	15" wheel	P30073MM	[+]	17,8/ 18,4	-						
	95	06/12 → 12/15	●	16" wheel	P30065MM	[+]	17,3	SUM						
	95	06/12 → 12/15		●	P30067MM	[+]	15,7	AKE						
1.6 CRDi	94	06/12 → 12/15	●	16" wheel	P30065MM	[+]	17,3	SUM						
	94	06/12 → 12/15	●	15" wheel	P30073MM	[+]	17,8/ 18,4	-						
	94	06/12 → 12/15		●	P30067MM	[+]	15,7	AKE						
	81	06/12 →	●	15" wheel	P30073MM	[+]	17,8/ 18,4	-						
	81	06/12 →	●	16" wheel	P30065MM	[+]	17,3	SUM						
	81	06/12 →		●	P30067MM	[+]	15,7	AKE						
	100	01/15 →	●	15" wheel	P30073MM	[+]	17,8/ 18,4	-						
	100	01/15 →	●	16" wheel	P30065MM	[+]	17,3	SUM						
1.6 GDI	99	06/12 →	●	15" wheel	P30073MM	[+]	17,8/ 18,4	-						
	99	06/12 →	●	16" wheel	P30065MM	[+]	17,3	SUM						
	99	06/12 →		●	P30067MM	[+]	15,7	AKE						

i40 (VF) 03/12 →

1.6 GDI	99	03/12 →	●		P30056MM	[+]	17,5	MN						
	99	03/12 →		●	P30067MM	[+]	15,7	AKE						

Car Model	kw	S	E	i	MAGNETI MARELLI	wi	Th [mm]	SYS	WI			FK	
									MAGNETI MARELLI	LENGHT	i	MAGNETI MARELLI	i

HYUNDAI

i40 (VF) 03/12 →

1.7 CRDi	85	03/12 →	•		P30056MM	[+]	17,5	MN					
	85	03/12 →		•	P30067MM	[+]	15,7	AKE					
	100	03/12 →	•		P30056MM	[+]	17,5	MN					
	100	03/12 →		•	P30067MM	[+]	15,7	AKE					
	104	01/15 →	•		P30056MM	[+]	17,5	MN					
	104	01/15 →		•	P30067MM	[+]	15,7	AKE					
2.0 CVT	110	10/12 →	•		P30056MM	[+]	17,5	MN					
	110	10/12 →		•	P30067MM	[+]	15,7	AKE					
2.0 GDI	131	03/12 →	•		P30056MM	[+]	17,5	MN					
	131	03/12 →		•	P30067MM	[+]	15,7	AKE					
	121	12/14 →	•		P30056MM	[+]	17,5	MN					
	121	12/14 →		•	P30067MM	[+]	15,7	AKE					

i40 CW (VF) 07/11 →

1.6 GDI	99	07/11 →	•		P30056MM	[+]	17,5	MN					
	99	07/11 →		•	P30067MM	[+]	15,7	AKE					
1.7 CRDi	85	07/11 →	•		P30056MM	[+]	17,5	MN					
	85	07/11 →		•	P30067MM	[+]	15,7	AKE					
	100	07/11 →	•		P30056MM	[+]	17,5	MN					
	100	07/11 →		•	P30067MM	[+]	15,7	AKE					
	104	01/15 →	•		P30056MM	[+]	17,5	MN					
	104	01/15 →		•	P30067MM	[+]	15,7	AKE					
2.0 CVT	110	10/12 →	•	15" wheel; 18" wheel; 17" wheel; 16" wheel	P30056MM	[+]	17,5	MN					
	110	10/12 →	•	17" wheel; 18" wheel; 16" wheel; 15" wheel	P30067MM	[+]	15,7	AKE					
2.0 GDI	130	07/11 →	•		P30056MM	[+]	17,5	MN					
	130	07/11 →		•	P30067MM	[+]	15,7	AKE					
	121	12/14 →	•		P30056MM	[+]	17,5	MN					
	121	12/14 →		•	P30067MM	[+]	15,7	AKE					

ix20 (JC) 11/10 →

1.4	66	11/10 →	•		P30018MM	[+]	16,9	MN					
	66	11/10 →	•		P30055MM	[+]	17,7	-					
	66	11/10 →		•	P30046MM	[+]	16,5	MN					
1.4 CRDi	66	11/10 →	•		P30018MM	[+]	16,9	MN					
	66	11/10 →	•		P30055MM	[+]	17,7	-					
	66	11/10 →		•	P30046MM	[+]	16,5	MN					
	57	06/11 →	•		P30018MM	[+]	16,9	MN					
	57	06/11 →	•		P30055MM	[+]	17,7	-					
	57	06/11 →		•	P30046MM	[+]	16,5	MN					
1.6	92	11/10 →	•		P30018MM	[+]	16,9	MN					
	92	11/10 →	•		P30055MM	[+]	17,7	-					
	92	11/10 →		•	P30046MM	[+]	16,5	MN					
1.6 CRDi	85	06/11 →	•		P30018MM	[+]	16,9	MN					
	85	06/11 →	•		P30055MM	[+]	17,7	-					
	85	06/11 →		•	P30046MM	[+]	16,5	MN					
	94	06/11 →	•		P30018MM	[+]	16,9	MN					
	94	06/11 →	•		P30055MM	[+]	17,7	-					
	94	06/11 →		•	P30046MM	[+]	16,5	MN					

ix35 (LM, EL, ELH) 08/09 →

1.6	99	11/10 →	•		P30056MM	[+]	17,5	MN					
	99	11/10 →		•	P30051MM	[+]	15,9	MN					
1.7 CRDi	85	11/10 →	•		P30056MM	[+]	17,5	MN					
	85	11/10 →		•	P30051MM	[+]	15,9	MN					



kw



wi

Th [mm]

SYS

WI

FK



LENGHT



HYUNDAI

ix35 (LM, EL, ELH) 08/09 →

Model	Power	Period	Feature 1	Feature 2	Part	Code	Th [mm]	SYS	WI	FK
2.0	120	01/10 →	•		P30056MM	[+]	17,5	MN		
	120	01/10 →		•	P30051MM	[+]	15,9	MN		
2.0 4WD	120	01/10 →	•		P30056MM	[+]	17,5	MN		
	120	01/10 →		•	P30051MM	[+]	15,9	MN		
	114	11/13 →	•		P30056MM	[+]	17,5	MN		
	114	11/13 →		•	P30051MM	[+]	15,9	MN		
2.0 CRDi	135	01/12 →	•		P30056MM	[+]	17,5	MN		
	135	01/12 →		•	P30051MM	[+]	15,9	MN		
	100	01/10 →	•		P30056MM	[+]	17,5	MN		
	100	01/10 →		•	P30051MM	[+]	15,9	MN		
	130	01/12 →	•		P30056MM	[+]	17,5	MN		
	130	01/12 →		•	P30051MM	[+]	15,9	MN		
2.0 CRDi 4WD	100	01/10 →	•		P30056MM	[+]	17,5	MN		
	100	01/10 →		•	P30051MM	[+]	15,9	MN		
	135	01/10 →	•		P30056MM	[+]	17,5	MN		
2.0 CVVT	110	08/09 →	•		P30056MM	[+]	17,5	MN		
	110	08/09 →		•	P30051MM	[+]	15,9	MN		
2.0 CVVT 4WD	122	08/09 →	•		P30056MM	[+]	17,5	MN		
	122	08/09 →		•	P30051MM	[+]	15,9	MN		
	110	08/09 →	•		P30056MM	[+]	17,5	MN		
	110	08/09 →		•	P30051MM	[+]	15,9	MN		
2.0 GDi	122	08/13 →	•		P30056MM	[+]	17,5	MN		
	122	08/13 →		•	P30051MM	[+]	15,9	MN		
2.0 GDi 4WD	122	08/13 →	•		P30056MM	[+]	17,5	MN		
	122	08/13 →		•	P30051MM	[+]	15,9	MN		
2.4 DCVVT-I 4WD	128	07/10 → 12/13	•		P30056MM	[+]	17,5	MN		
	128	07/10 → 12/13		•	P30051MM	[+]	15,9	MN		
FCEV	53	10/12 →	•		P30056MM	[+]	17,5	MN		
	53	10/12 →		•	P30051MM	[+]	15,9	MN		
Fuel Cell	100	09/14 →	•		P30056MM	[+]	17,5	MN		
	100	09/14 →		•	P30051MM	[+]	15,9	MN		

ix55 09/06 →

3.0 V6 CRDi 4WD	184	09/11 → 12/12	•		P30071MM	[+]	17,3	AKE		
	184	09/11 → 12/12		•	P30035MM	[+]	15,5	MN		
	176	09/08 → 12/11	•		P30071MM	[+]	17,3	AKE		
	176	09/08 → 12/11		•	P30035MM	[+]	15,5	MN		
3.8 V6	194	01/11 →	•		P30071MM	[+]	17,3	AKE		
	194	01/11 →		•	P30035MM	[+]	15,5	MN		
3.8 V6 4WD	194	01/11 →	•		P30071MM	[+]	17,3	AKE		
	194	01/11 →		•	P30035MM	[+]	15,5	MN		
	191	01/07 →	•		P30071MM	[+]	17,3	AKE		
	191	01/07 →		•	P30035MM	[+]	15,5	MN		

LANTRA II (J-2) 06/95 → 10/00

1.5 12V	65	12/96 → 09/00	•		P30022MM	[+]	17	SUM		
	65	12/96 → 09/00		•	P30003MM	[+]	14	SUM		
1.5 16V	76	11/95 → 10/00	•	RHD	P30022MM	[+]	17	SUM		
	76	11/95 → 10/00	•		P30024MM	[+]	14,8	AKE		
	76	11/95 → 10/00	•	+rear disc	P30003MM	[+]	14	SUM		
1.6 16V	84	11/95 → 09/00	•		P30022MM	[+]	17	SUM		
	84	11/95 → 09/00		•	P30003MM	[+]	14	SUM		
	76	11/95 → 10/00	•		P30022MM	[+]	17	SUM		
	76	11/95 → 10/00	•	+rear disc	P30003MM	[+]	14	SUM		

										WI		FK	
											LENGHT		

HYUNDAI

LANTRA II (J-2) 06/95 → 10/00

1.6 i	66	11/95 → 09/00	●		P30022MM	[+]	17	SUM					
	66	11/95 → 09/00		●	P30003MM	[+]	14	SUM					
1.8 16V	94	11/95 → 09/00	●		P30022MM	[+]	17	SUM					
	94	11/95 → 09/00		●	P30003MM	[+]	14	SUM					
1.9 D	50	03/98 → 09/00	●		P30022MM	[+]	17	SUM					
	50	03/98 → 09/00		●	P30003MM	[+]	14	SUM					
2.0	100	04/97 → 05/00	●		P30022MM	[+]	17	SUM					
	100	04/97 → 05/00		●	P30003MM	[+]	14	SUM					
2.0 16V	102	08/96 → 09/00	●		P30022MM	[+]	17	SUM					
	102	08/96 → 09/00		●	P30003MM	[+]	14	SUM					

LANTRA II Wagon (J-2) 02/96 → 10/00

1.5 12V	65	04/97 → 10/00	●		P30022MM	[+]	17	SUM					
	65	04/97 → 10/00		●	P30003MM	[+]	14	SUM					
1.6 16V	84	02/96 → 10/00	●		P30022MM	[+]	17	SUM					
	84	02/96 → 10/00		●	P30003MM	[+]	14	SUM					
1.6 i	66	02/96 → 10/00	●		P30022MM	[+]	17	SUM					
	66	02/96 → 10/00		●	P30003MM	[+]	14	SUM					
1.8 16V	94	02/96 → 10/00	●		P30022MM	[+]	17	SUM					
	94	02/96 → 10/00		●	P30003MM	[+]	14	SUM					
1.9 D	50	03/98 → 10/00	●		P30022MM	[+]	17	SUM					
	50	03/98 → 10/00		●	P30003MM	[+]	14	SUM					
2.0	100	04/97 → 05/00	●		P30022MM	[+]	17	SUM					
	100	04/97 → 05/00		●	P30003MM	[+]	14	SUM					
2.0 16V	102	12/96 → 10/00	●		P30022MM	[+]	17	SUM					
	102	12/96 → 10/00		●	P30003MM	[+]	14	SUM					

MATRIX (FC) 06/01 → 08/10

1.5	75	06/01 → 08/10	●	→ 03/02	P30022MM	[+]	17	SUM					
	75	06/01 → 08/10	●	04/02 →	P30020MM	[+]	16,8	AKE					
	75	06/01 → 08/10		● +ABS	P30014MM	[+]	15	MN					
1.5 CRDi	60	10/01 → 08/10	●	→ 03/02	P30022MM	[+]	17	SUM					
	60	10/01 → 08/10	●	04/02 →	P30020MM	[+]	16,8	AKE					
	60	10/01 → 08/10		● +ABS	P30014MM	[+]	15	MN					
	75	12/04 → 08/10	●		P30020MM	[+]	16,8	AKE					
	75	12/04 → 08/10		● +ABS	P30014MM	[+]	15	MN					
1.5 CRDi VGT	81	08/05 → 08/10	●		P30020MM	[+]	16,8	AKE					
1.6	76	06/01 → 08/10	●	→ 03/02	P30022MM	[+]	17	SUM					
	76	06/01 → 08/10	●	04/02 →	P30020MM	[+]	16,8	AKE					
	76	06/01 → 08/10		● +ABS	P30014MM	[+]	15	MN					
	66	01/02 → 12/05	●		P30020MM	[+]	16,8	AKE					
	66	01/02 → 12/05		● +ABS	P30014MM	[+]	15	MN					
1.8	90	06/01 → 08/10	●	→ 03/02	P30022MM	[+]	17	SUM					
	90	06/01 → 08/10	●	04/02 →	P30020MM	[+]	16,8	AKE					
	90	06/01 → 08/10		● +ABS	P30014MM	[+]	15	MN					

PORTER Box 07/94 → 04/04

2.5 CRDi	103	02/03 → 04/04	●		P30005MM	[+]	19	TRW					
2.5 TD	57	07/94 → 04/04	●		P30005MM	[+]	19	TRW					
	73	07/94 → 04/04	●		P30005MM	[+]	19	TRW					

PORTER Bus 07/94 → 04/04

2.4	82	03/96 → 04/04	●		P30005MM	[+]	19	TRW					
2.5 TD	57	07/94 → 04/04	●		P30005MM	[+]	19	TRW					

									WI			FK	
										LENGHT			

HYUNDAI

PORTER Pickup 07/94 → 12/04

2.4	82	03/96 → 04/04	●		P30005MM	[+]	19	TRW					
2.5 CRDi	103	02/03 → 04/04	●		P30005MM	[+]	19	TRW					
2.5 TD	73	07/94 → 04/04	●		P30005MM	[+]	19	TRW					
	57	07/94 → 04/04	●		P30005MM	[+]	19	TRW					

SANTA FÉ I (SM) 11/00 → 03/06

2.0	99	08/01 → 03/06	●		P30013MM	[+]	17	MN					
	99	08/01 → 03/06	●		P30014MM	[+]	15	MN					
2.0 CRDi	83	08/01 → 03/06	●		P30013MM	[+]	17	MN					
	83	08/01 → 03/06	●		P30014MM	[+]	15	MN					
2.0 CRDi 4x4	83	04/01 → 03/06	●		P30013MM	[+]	17	MN					
	83	04/01 → 03/06	●		P30014MM	[+]	15	MN					
	92	08/03 → 03/06	●		P30013MM	[+]	17	MN					
2.0 CRDi All-wheel Drive	107	11/03 → 02/06	●		P30013MM	[+]	17	MN					
	107	11/03 → 02/06	●		P30014MM	[+]	15	MN					
2.4 16V	100	02/01 → 03/06	●		P30013MM	[+]	17	MN					
	100	02/01 → 03/06	●		P30014MM	[+]	15	MN					
	107	02/01 → 03/06	●		P30013MM	[+]	17	MN					
	107	02/01 → 03/06	●		P30014MM	[+]	15	MN					
2.4 16V 4x4	100	02/01 → 03/06	●		P30013MM	[+]	17	MN					
	100	02/01 → 03/06	●		P30014MM	[+]	15	MN					
	107	02/01 → 03/06	●		P30013MM	[+]	17	MN					
	107	02/01 → 03/06	●		P30014MM	[+]	15	MN					
2.7	129	08/04 → 03/06	●	→ 02/09; (EU); -(USA); -(CDN)	P30036MM	[+]	17,6	MN					
	129	08/04 → 03/06	●	-(USA)	P30063MM	[+]	15,5	MN					
	129	08/04 → 03/06	●	→ 09/09	P30037MM	[+]	16,2	MN					
2.7 4x4	132	11/00 → 03/06	●		P30013MM	[+]	17	MN					
	132	11/00 → 03/06	●	+ABS	P30014MM	[+]	15	MN					
	129	09/02 → 12/04	●		P30013MM	[+]	17	MN					
	129	09/02 → 12/04	●	+ABS	P30014MM	[+]	15	MN					
2.7 V6 4x4	127	02/01 → 03/06	●		P30013MM	[+]	17	MN					
	127	02/01 → 03/06	●		P30014MM	[+]	15	MN					

SANTA FÉ II (CM) 10/05 → 12/12

2.0 CRDi	110	12/10 → 12/12	●		P30036MM	[+]	17,6	MN					
	110	12/10 → 12/12	●		P30063MM	[+]	15,5	MN					
2.0 CRDi 4x4	110	12/10 → 12/12	●		P30036MM	[+]	17,6	MN					
	110	12/10 → 12/12	●		P30063MM	[+]	15,5	MN					
	135	03/06 → 12/12	●	→ 02/09; (EU); -(USA); -(CDN)	P30036MM	[+]	17,6	MN					
	135	03/06 → 12/12	●	09/09 →; -(USA)	P30063MM	[+]	15,5	MN					
	135	03/06 → 12/12	●	→ 09/09	P30037MM	[+]	16,2	MN					
	85	03/06 → 12/12	●	→ 02/09; (EU); -(USA); -(CDN)	P30036MM	[+]	17,6	MN					
	85	03/06 → 12/12	●	09/09 →; -(USA)	P30063MM	[+]	15,5	MN					
	85	03/06 → 12/12	●	→ 09/09	P30037MM	[+]	16,2	MN					
2.2 CRDi	102	03/06 → 12/12	●	→ 02/09; (EU); -(CDN); -(USA)	P30036MM	[+]	17,6	MN					
	102	03/06 → 12/12	●	09/09 →; -(USA)	P30063MM	[+]	15,5	MN					
	102	03/06 → 12/12	●	→ 09/09	P30037MM	[+]	16,2	MN					
	114	03/06 → 12/09	●	→ 02/09; (EU); -(CDN); -(USA)	P30036MM	[+]	17,6	MN					
	114	03/06 → 12/09	●	09/09 →; -(USA)	P30063MM	[+]	15,5	MN					
	114	03/06 → 12/09	●	→ 09/09	P30037MM	[+]	16,2	MN					
	145	01/09 → 12/12	●	→ 02/09; (EU); -(USA); -(CDN)	P30036MM	[+]	17,6	MN					
	145	01/09 → 12/12	●	→ 09/09	P30037MM	[+]	16,2	MN					
145	01/09 → 12/12	●	09/09 →; -(USA)	P30063MM	[+]	15,5	MN						

--	--	--	--	--	--	--	--	--	--	--	--	--	--	--	--

HYUNDAI

SANTA FÉ II (CM) 10/05 → 12/12

2.2 CRDi 4x4	102	03/06 → 12/12	●	→ 02/09; (EU); -(CDN); -(USA)	P30036MM	[+]	17,6	MN							
	102	03/06 → 12/12	●	09/09 →; -(USA)	P30063MM	[+]	15,5	MN							
	102	03/06 → 12/12	●	→ 09/09	P30037MM	[+]	16,2	MN							
	114	03/06 → 12/09	●	→ 02/09; (EU); -(CDN); -(USA)	P30036MM	[+]	17,6	MN							
	114	03/06 → 12/09	●	09/09 →; -(USA)	P30063MM	[+]	15,5	MN							
	114	03/06 → 12/09	●	→ 09/09	P30037MM	[+]	16,2	MN							
	145	01/09 → 12/12	●	→ 02/09; (EU); -(USA); -(CDN)	P30036MM	[+]	17,6	MN							
	145	01/09 → 12/12	●	→ 09/09	P30037MM	[+]	16,2	MN							
	145	01/09 → 12/12	●	09/09 →; -(USA)	P30063MM	[+]	15,5	MN							
2.2 CRDi GLS	110	03/06 → 12/09	●	→ 02/09; (EU); -(CDN); -(USA)	P30036MM	[+]	17,6	MN							
	110	03/06 → 12/09	●	09/09 →; -(USA)	P30063MM	[+]	15,5	MN							
	110	03/06 → 12/09	●	→ 09/09	P30037MM	[+]	16,2	MN							
2.2 CRDi GLS 4x4	110	03/06 → 12/09	●	→ 02/09; (EU); -(CDN); -(USA)	P30036MM	[+]	17,6	MN							
	110	03/06 → 12/09	●	09/09 →; -(USA)	P30063MM	[+]	15,5	MN							
	110	03/06 → 12/09	●	→ 09/09	P30037MM	[+]	16,2	MN							
2.4	128	11/10 → 12/12	●		P30036MM	[+]	17,6	MN							
	128	11/10 → 12/12	●		P30063MM	[+]	15,5	MN							
2.4 4x4	128	07/10 → 12/12	●		P30036MM	[+]	17,6	MN							
	128	07/10 → 12/12	●		P30063MM	[+]	15,5	MN							
2.7	125	03/06 → 12/12	●	→ 02/09; (EU); -(CDN); -(USA)	P30036MM	[+]	17,6	MN							
	125	03/06 → 12/12	●	09/09 →; -(USA)	P30063MM	[+]	15,5	MN							
	125	03/06 → 12/12	●	→ 09/09	P30037MM	[+]	16,2	MN							
2.7 4x4	125	03/06 → 12/12	●	→ 02/09; (EU); -(CDN); -(USA)	P30036MM	[+]	17,6	MN							
	125	03/06 → 12/12	●	09/09 →; -(USA)	P30063MM	[+]	15,5	MN							
	125	03/06 → 12/12	●	→ 09/09	P30037MM	[+]	16,2	MN							
	147	01/07 → 12/12	●	(EU); → 02/09; -(USA); -(CDN)	P30036MM	[+]	17,6	MN							
	147	01/07 → 12/12	●	→ 09/09	P30037MM	[+]	16,2	MN							
	147	01/07 → 12/12	●	09/09 →; -(USA)	P30063MM	[+]	15,5	MN							
2.7 V6 GLS	139	03/06 → 12/09	●	→ 02/09; (EU); -(USA); -(CDN)	P30036MM	[+]	17,6	MN							
	139	03/06 → 12/09	●	09/09 →; -(USA)	P30063MM	[+]	15,5	MN							
	139	03/06 → 12/09	●	→ 09/09	P30037MM	[+]	16,2	MN							
2.7 V6 GLS 4x4	139	03/06 → 12/09	●	→ 02/09; (EU); -(CDN); -(USA)	P30036MM	[+]	17,6	MN							
	139	03/06 → 12/09	●	09/09 →; -(USA)	P30063MM	[+]	15,5	MN							
	139	03/06 → 12/09	●	→ 09/09	P30037MM	[+]	16,2	MN							
3.5 4x4	204	08/11 → 12/12	●	-(EU)	P30036MM	[+]	17,6	MN							
	204	08/11 → 12/12	●	-(USA)	P30063MM	[+]	15,5	MN							

SANTA FÉ III (DM) 09/12 →

2.0 CRDi	110	09/12 →	●	(EU)	P30036MM	[+]	17,6	MN							
	110	09/12 →	●		P30070MM	[+]	17,8	-							
	110	09/12 →	●	(EU)	P30063MM	[+]	15,5	MN							
	136	05/15 →	●		P30036MM	[+]	17,6	MN							
	136	05/15 →	●		P30081MM	[+]	15,5	-							
2.0 CRDi 4WD	110	09/12 →	●	(EU)	P30036MM	[+]	17,6	MN							
	110	09/12 →	●		P30070MM	[+]	17,8	-							
	110	09/12 →	●	(EU)	P30063MM	[+]	15,5	MN							
2.2 CRDi	145	09/12 → 12/15	●	(EU)	P30036MM	[+]	17,6	MN							
	145	09/12 → 12/15	●		P30070MM	[+]	17,8	-							
	145	09/12 → 12/15	●	(EU)	P30063MM	[+]	15,5	MN							
	147	10/15 →	●		P30036MM	[+]	17,6	MN							
	147	10/15 →	●		P30081MM	[+]	15,5	-							

								WI			FK		
	kw					wi	Th [mm]	SYS		LENGHT			

HYUNDAI

SANTA FÉ III (DM) 09/12 →

2.2 CRDi 4WD	145	09/12 → 12/15	●	(EU)	P30036MM	[+]	17,6	MN				
	145	09/12 → 12/15	●		P30070MM	[+]	17,8	-				
	145	09/12 → 12/15	●	(EU)	P30063MM	[+]	15,5	MN				
	147	10/15 →	●		P30036MM	[+]	17,6	MN				
	147	10/15 →	●		P30081MM	[+]	15,5	-				
2.4	141	09/12 → 12/15	●	(EU)	P30036MM	[+]	17,6	MN				
	141	09/12 → 12/15	●		P30070MM	[+]	17,8	-				
	141	09/12 → 12/15	●	(EU)	P30063MM	[+]	15,5	MN				
2.4 4WD	141	09/12 → 12/15	●	(EU)	P30036MM	[+]	17,6	MN				
	141	09/12 → 12/15	●		P30070MM	[+]	17,8	-				
	141	09/12 → 12/15	●	(EU)	P30063MM	[+]	15,5	MN				
2.4 CCVT	129	09/12 →	●		P30036MM	[+]	17,6	MN				
	129	09/12 →	●		P30063MM	[+]	15,5	MN				
2.4 CCVT AWD	129	09/12 →	●		P30036MM	[+]	17,6	MN				
	129	09/12 →	●		P30063MM	[+]	15,5	MN				
2.4 GDI	138	05/15 →	●		P30036MM	[+]	17,6	MN				
	138	05/15 →	●		P30081MM	[+]	15,5	-				
2.4 GDI 4WD	138	05/15 →	●		P30036MM	[+]	17,6	MN				
	138	05/15 →	●		P30081MM	[+]	15,5	-				

SANTAMO 10/98 → 12/02

2.0	77	10/98 → 10/02	●		P54014MM	[+]	16	SUM				
	77	10/98 → 10/02	●	+ABS	P30030MM	[+]	15	MN				
	77	10/98 → 10/02	●	+ABS	P54012MM	[+]	15,5	AKE				
2.0 16V	102	05/99 → 12/02	●		P54014MM	[+]	16	SUM				
	102	05/99 → 12/02	●	+ABS	P54012MM	[+]	15,5	AKE		A02262	+ABS	
	102	05/99 → 12/02	●	+ABS	P30030MM	[+]	15	MN		A02262	+ABS	
2.0 16V 4x4	102	05/99 → 12/02	●		P54014MM	[+]	16	SUM				
	102	05/99 → 12/02	●	+ABS	P54012MM	[+]	15,5	AKE		A02262	+ABS	
	102	05/99 → 12/02	●	+ABS	P30030MM	[+]	15	MN		A02262	+ABS	

SONATA IV (EF) 03/98 → 12/05

2.0	100	04/01 → 11/04	●		P30018MM	[+]	16,9	MN				
	100	04/01 → 11/04	●	+rear disc	P30014MM	[+]	15	MN				
2.0 16V	100	06/98 → 10/01	●		P30022MM	[+]	17	SUM				
	100	06/98 → 10/01	●		P30014MM	[+]	15	MN				
	96	10/01 → 11/04	●		P30018MM	[+]	16,9	MN				
	96	10/01 → 11/04	●		P30014MM	[+]	15	MN				
2.4 16V	105	03/98 → 10/01	●		P30022MM	[+]	17	SUM				
	105	03/98 → 10/01	●		P30014MM	[+]	15	MN				
2.5 V6 24V	118	06/98 → 10/01	●		P30022MM	[+]	17	SUM				
	118	06/98 → 10/01	●		P30014MM	[+]	15	MN				
2.7 i V6	132	10/01 → 05/05	●		P30018MM	[+]	16,9	MN				
	132	10/01 → 05/05	●		P30014MM	[+]	15	MN				
2.7 V6	127	10/01 → 11/04	●		P30018MM	[+]	16,9	MN				
	127	10/01 → 11/04	●		P30014MM	[+]	15	MN				
	129	11/02 → 11/04	●		P30018MM	[+]	16,9	MN				
	129	11/02 → 11/04	●		P30014MM	[+]	15	MN				

SONATA V (NF) 01/05 → 12/10

2.0 CRDi	103	02/06 → 12/10	●	disc Ø 280 mm	P30043MM	[+]	17,8	MN				
	103	02/06 → 12/10	●	disc Ø 300 mm	P30038MM	[+]	18	MN				
	103	02/06 → 12/10	●	11/07 →	P30047MM	[+]	15,5	AKE				
	103	02/06 → 12/10	●	06/10 →; 15" wheel; (EU)	P30067MM	[+]	15,7	AKE				
	103	02/06 → 12/10	●	→ 11/07	P30014MM	[+]	15	MN				
	100	02/06 → 12/10	●	disc Ø 280 mm	P30043MM	[+]	17,8	MN				
	100	02/06 → 12/10	●	disc Ø 300 mm	P30038MM	[+]	18	MN				

		kw						wi	Th [mm]	SYS		LENGHT				FK
--	--	-----------	--	--	--	--	--	-----------	----------------	------------	--	---------------	--	--	--	-----------

HYUNDAI

SONATA V (NF) 01/05 → 12/10

2.0 CRDi	100	02/06 → 12/10	•	11/07 →	P30047MM	[+]	15,5	AKE								
	100	02/06 → 12/10	•	06/10 → ; 15" wheel; (EU)	P30067MM	[+]	15,7	AKE								
	100	02/06 → 12/10	•	→ 11/07	P30014MM	[+]	15	MN								
	110	03/09 → 12/10	•	disc Ø 280 mm	P30043MM	[+]	17,8	MN								
	110	03/09 → 12/10	•	disc Ø 300 mm	P30038MM	[+]	18	MN								
	110	03/09 → 12/10	•		P30047MM	[+]	15,5	AKE								
	110	03/09 → 12/10	•	06/10 → ; 15" wheel; (EU)	P30067MM	[+]	15,7	AKE								
2.0 GLSi	119	07/08 → 12/10	•	disc Ø 280 mm	P30043MM	[+]	17,8	MN								
	119	07/08 → 12/10	•	disc Ø 300 mm	P30038MM	[+]	18	MN								
	119	07/08 → 12/10	•	11/07 →	P30047MM	[+]	15,5	AKE								
	119	07/08 → 12/10	•	06/10 → ; 15" wheel; (EU)	P30067MM	[+]	15,7	AKE								
2.0 VVTi GLS	106	05/05 → 12/10	•	disc Ø 280 mm	P30043MM	[+]	17,8	MN								
	106	05/05 → 12/10	•	disc Ø 300 mm	P30038MM	[+]	18	MN								
	106	05/05 → 12/10	•	11/07 →	P30047MM	[+]	15,5	AKE								
	106	05/05 → 12/10	•	06/10 → ; 15" wheel; (EU)	P30067MM	[+]	15,7	AKE								
	106	05/05 → 12/10	•	→ 11/07	P30014MM	[+]	15	MN								
	121	01/08 → 12/10	•	disc Ø 280 mm	P30043MM	[+]	17,8	MN								
	121	01/08 → 12/10	•	disc Ø 300 mm	P30038MM	[+]	18	MN								
	121	01/08 → 12/10	•		P30047MM	[+]	15,5	AKE								
	121	01/08 → 12/10	•	06/10 → ; 15" wheel; (EU)	P30067MM	[+]	15,7	AKE								
2.4	128	06/08 → 12/10	•	disc Ø 280 mm	P30043MM	[+]	17,8	MN								
	128	06/08 → 12/10	•	disc Ø 300 mm	P30038MM	[+]	18	MN								
	128	06/08 → 12/10	•		P30047MM	[+]	15,5	AKE								
	128	06/08 → 12/10	•	06/10 → ; 15" wheel; (EU)	P30067MM	[+]	15,7	AKE								
	119	01/05 → 12/10	•	disc Ø 280 mm	P30043MM	[+]	17,8	MN								
	119	01/05 → 12/10	•	disc Ø 300 mm	P30038MM	[+]	18	MN								
	119	01/05 → 12/10	•	11/07 →	P30047MM	[+]	15,5	AKE								
	119	01/05 → 12/10	•	06/10 → ; 15" wheel; (EU)	P30067MM	[+]	15,7	AKE								
	119	01/05 → 12/10	•	→ 11/07	P30014MM	[+]	15	MN								
	125	06/08 → 12/09	•		P30038MM	[+]	18	MN								
125	06/08 → 12/09	•		P30047MM	[+]	15,5	AKE									
3.3	171	01/05 → 12/10	•	disc Ø 280 mm	P30043MM	[+]	17,8	MN								
	171	01/05 → 12/10	•	disc Ø 300 mm	P30038MM	[+]	18	MN								
	171	01/05 → 12/10	•	11/07 →	P30047MM	[+]	15,5	AKE								
	171	01/05 → 12/10	•	06/10 → ; 15" wheel; (EU)	P30067MM	[+]	15,7	AKE								
	171	01/05 → 12/10	•	→ 11/07	P30014MM	[+]	15	MN								
	184	01/08 → 12/10	•	disc Ø 280 mm	P30043MM	[+]	17,8	MN								
	184	01/08 → 12/10	•	disc Ø 300 mm	P30038MM	[+]	18	MN								
	184	01/08 → 12/10	•		P30047MM	[+]	15,5	AKE								
	184	01/08 → 12/10	•	06/10 → ; 15" wheel; (EU)	P30067MM	[+]	15,7	AKE								
	173	06/05 → 12/10	•	disc Ø 280 mm	P30043MM	[+]	17,8	MN								
173	06/05 → 12/10	•	disc Ø 300 mm	P30038MM	[+]	18	MN									
173	06/05 → 12/10	•	11/07 →	P30047MM	[+]	15,5	AKE									
173	06/05 → 12/10	•	06/10 → ; 15" wheel; (EU)	P30067MM	[+]	15,7	AKE									
173	06/05 → 12/10	•	→ 11/07	P30014MM	[+]	15	MN									
186	09/07 → 12/08	•		P30038MM	[+]	18	MN									
186	09/07 → 12/08	•	→ 06/10	P30047MM	[+]	15,5	AKE									
186	09/07 → 12/08	•	06/10 →	P30067MM	[+]	15,7	AKE									

TERRACAN (HP) 06/01 → 03/08

2.5 D	74	06/01 → 10/03	•		P30017MM	[+]	16,6	MN								
	74	06/01 → 10/03	•		P30021MM	[+]	15,8	MN								
	59	06/01 → 10/03	•		P30017MM	[+]	16,6	MN								
	59	06/01 → 10/03	•		P30021MM	[+]	15,8	MN								

										WI			FK	
	kw						wi	Th [mm]	SYS		LENGHT			

HYUNDAI

TERRACAN (HP) 06/01 → 03/08

2.5 TD	74	12/01 → 12/06	●			P30017MM	[+]	16,6	MN					
	74	12/01 → 12/06		●		P30021MM	[+]	15,8	MN					
2.9 CRDi	110	11/01 → 07/03	●			P30017MM	[+]	16,6	MN					
	110	11/01 → 07/03		●		P30021MM	[+]	15,8	MN					
2.9 CRDi 4WD	110	12/01 → 12/06	●			P30017MM	[+]	16,6	MN					
	110	12/01 → 12/06		●		P30021MM	[+]	15,8	MN					
	120	11/03 → 12/06	●		01/04 →	P30028MM	[+]	16,5	MN					
	120	11/03 → 12/06		●		P30017MM	[+]	16,6	MN					
3.5 i V6 4WD	147	12/01 → 12/06	●			P30017MM	[+]	16,6	MN					
	147	12/01 → 12/06		●		P30021MM	[+]	15,8	MN					
	143	12/01 → 12/06	●		01/04 →	P30028MM	[+]	16,5	MN					
	143	12/01 → 12/06		●		P30017MM	[+]	16,6	MN					
	143	12/01 → 12/06		●		P30021MM	[+]	15,8	MN					

TIBURON Coupé 01/01 → 12/08

2.0 CVVT	105	10/06 → 12/08	●			P30018MM	[+]	16,9	MN					
	105	10/06 → 12/08		●		P30003MM	[+]	14	SUM					

TRAJET (FO) 03/00 → 07/08

2.0	100	03/00 → 07/08	●			P30013MM	[+]	17	MN					
	100	03/00 → 07/08		●	+ABS	P30014MM	[+]	15	MN					
	100	03/00 → 07/08		●		P15009MM	[+]	15,2	AKE					
	103	01/04 → 07/08	●			P30013MM	[+]	17	MN					
	103	01/04 → 07/08		●	+ABS	P30014MM	[+]	15	MN					
	103	01/04 → 07/08		●		P15009MM	[+]	15,2	AKE					
	104	11/03 → 07/08	●			P30013MM	[+]	17	MN					
	104	11/03 → 07/08		●		P15009MM	[+]	15,2	AKE					
2.0 CRDi	83	04/01 → 07/08	●			P30013MM	[+]	17	MN					
	83	04/01 → 07/08		●		P30014MM	[+]	15	MN					
	83	04/01 → 07/08		●		P15009MM	[+]	15,2	AKE					
	92	08/05 → 07/08	●			P30013MM	[+]	17	MN					
	92	08/05 → 07/08		●		P30014MM	[+]	15	MN					
2.7 V6	127	09/00 → 07/08	●			P30013MM	[+]	17	MN					
	127	09/00 → 07/08		●		P15009MM	[+]	15,2	AKE					
	127	09/00 → 07/08		●		P30014MM	[+]	15	MN					

TUCSON (JM) 08/04 → 11/10

2.0	105	01/10 → 03/10	●			P30018MM	[+]	16,9	MN					
	105	01/10 → 03/10		●		P30047MM	[+]	15,5	AKE					
	105	01/10 → 03/10		●		P30014MM	[+]	15	MN					
	104	08/04 → 03/10	●			P30018MM	[+]	16,9	MN					
	104	08/04 → 03/10		●		P30047MM	[+]	15,5	AKE					
	104	08/04 → 03/10		●		P30014MM	[+]	15	MN					
2.0 All-wheel Drive	104	08/04 → 03/10	●			P30018MM	[+]	16,9	MN					
	104	08/04 → 03/10		●		P30047MM	[+]	15,5	AKE					
	104	08/04 → 03/10		●		P30014MM	[+]	15	MN					
2.0 CRDi	83	08/04 → 03/10	●			P30018MM	[+]	16,9	MN					
	83	08/04 → 03/10		●		P30047MM	[+]	15,5	AKE					
	83	08/04 → 03/10		●		P30014MM	[+]	15	MN					
	103	01/06 → 03/10	●			P30018MM	[+]	16,9	MN					
	103	01/06 → 03/10		●		P30047MM	[+]	15,5	AKE					
	103	01/06 → 03/10		●		P30014MM	[+]	15	MN					

Car Type	kw	S	E	i	MAGNETI MARELLI	wi	Th [mm]	SYS	WI			FK	
									MAGNETI MARELLI	LENGHT	i	MAGNETI MARELLI	i

HYUNDAI

TUCSON (JM) 08/04 → 11/10

2.0 CRDi	100	01/06 → 03/10	•		P30047MM	[+]	15,5	AKE					
	100	01/06 → 03/10	•		P30014MM	[+]	15	MN					
	88	01/07 → 03/10	•		P30018MM	[+]	16,9	MN					
	88	01/07 → 03/10	•		P30047MM	[+]	15,5	AKE					
	88	01/07 → 03/10	•		P30014MM	[+]	15	MN					
	110	01/09 → 03/10	•		P30018MM	[+]	16,9	MN					
	110	01/09 → 03/10	•		P30047MM	[+]	15,5	AKE					
	110	01/09 → 03/10	•		P30014MM	[+]	15	MN					
2.0 CRDi All-wheel Drive	83	08/04 → 03/10	•		P30018MM	[+]	16,9	MN					
	83	08/04 → 03/10	•		P30047MM	[+]	15,5	AKE					
	83	08/04 → 03/10	•		P30014MM	[+]	15	MN					
	103	01/06 → 03/10	•		P30018MM	[+]	16,9	MN					
	103	01/06 → 03/10	•		P30047MM	[+]	15,5	AKE					
	103	01/06 → 03/10	•		P30014MM	[+]	15	MN					
	100	01/06 → 03/10	•		P30018MM	[+]	16,9	MN					
	100	01/06 → 03/10	•		P30047MM	[+]	15,5	AKE					
	100	01/06 → 03/10	•		P30014MM	[+]	15	MN					
	88	01/07 → 03/10	•		P30018MM	[+]	16,9	MN					
	88	01/07 → 03/10	•		P30047MM	[+]	15,5	AKE					
	88	01/07 → 03/10	•		P30014MM	[+]	15	MN					
	110	01/09 → 03/10	•		P30018MM	[+]	16,9	MN					
	110	01/09 → 03/10	•		P30047MM	[+]	15,5	AKE					
110	01/09 → 03/10	•		P30014MM	[+]	15	MN						
2.7	129	08/04 → 12/09	•	→ 08/08	P30018MM	[+]	16,9	MN					
	129	08/04 → 12/09	•		P30014MM	[+]	15	MN					
	129	08/04 → 12/09	•		P30047MM	[+]	15,5	AKE					
2.7 All-wheel Drive	129	08/04 → 03/10	•		P30018MM	[+]	16,9	MN					
	129	08/04 → 03/10	•		P30047MM	[+]	15,5	AKE					
	129	08/04 → 03/10	•		P30014MM	[+]	15	MN					

TUCSON (TL) 05/15 →

1.6 GDi	97	06/15 →	•		P30056MM	[+]	17,5	MN					
	97	06/15 →	•		P30051MM	[+]	15,9	MN					
	97	06/15 →	•	+elect.handbrake	P30067MM	[+]	15,7	AKE					
1.6 T-GDi	130	06/15 →	•		P30056MM	[+]	17,5	MN					
	130	06/15 →	•		P30051MM	[+]	15,9	MN					
	130	06/15 →	•	+elect.handbrake	P30067MM	[+]	15,7	AKE					
1.6 T-GDi All-wheel Drive	130	06/15 →	•		P30056MM	[+]	17,5	MN					
	130	06/15 →	•		P30051MM	[+]	15,9	MN					
1.7 CRDi	85	06/15 →	•		P30056MM	[+]	17,5	MN					
	85	06/15 →	•		P30051MM	[+]	15,9	MN					
	85	06/15 →	•	+elect.handbrake	P30067MM	[+]	15,7	AKE					
	104	06/15 →	•		P30056MM	[+]	17,5	MN					
	104	06/15 →	•	+elect.handbrake	P30067MM	[+]	15,7	AKE					
	104	06/15 →	•	-elect.handbrake	P30051MM	[+]	15,9	MN					
2.0	114	05/15 →	•		P30056MM	[+]	17,5	MN					
	114	05/15 →	•		P30051MM	[+]	15,9	MN					
2.0 All-wheel Drive	114	05/15 →	•		P30056MM	[+]	17,5	MN					
	114	05/15 →	•		P30051MM	[+]	15,9	MN					
2.0 CRDi	100	06/15 →	•		P30056MM	[+]	17,5	MN					
	100	06/15 →	•		P30051MM	[+]	15,9	MN					
	136	06/15 →	•		P30056MM	[+]	17,5	MN					
	136	06/15 →	•		P30051MM	[+]	15,9	MN					

Car Icon	kW	Hourglass	Truck	Car	i	MAGNETI MARELLI	wi	Th [mm]	SYS	WI			FK	
										MAGNETI MARELLI	LENGHT	i	MAGNETI MARELLI	i

HYUNDAI

TUCSON (TL) 05/15 →

2.0 CRDi All-wheel Drive	100	06/15 →	•			P30056MM	[+]	17,5	MN					
	100	06/15 →		•		P30051MM	[+]	15,9	MN					
	136	06/15 →	•			P30056MM	[+]	17,5	MN					
	136	06/15 →		•		P30051MM	[+]	15,9	MN					

VELOSTER (FS) 03/11 →

1.6 GDI	103	03/11 →	•		06/12 →	P30073MM	[+]	17,8/ 18,4	-					
1.6 MPI	97	04/11 →	•		06/12 →	P30073MM	[+]	17,8/ 18,4	-					
1.6 T-GDI	137	10/12 →	•			P30065MM	[+]	17,3	SUM					

XG (XG) 12/98 → 12/05

250	120	12/98 → 12/05	•			P30013MM	[+]	17	MN					
	120	12/98 → 12/05		•		P30014MM	[+]	15	MN					
30	138	12/98 → 12/05	•			P30013MM	[+]	17	MN					
	138	12/98 → 12/05		•		P30014MM	[+]	15	MN					
300	145	09/99 → 09/03	•			P30013MM	[+]	17	MN					
	145	09/99 → 09/03		•		P30014MM	[+]	15	MN					
350	145	10/02 → 12/05	•			P30028MM	[+]	16,5	MN					
	145	10/02 → 12/05		•		P30014MM	[+]	15	MN					

XG Saloon 09/00 → 12/05

300	143	09/00 → 12/01	•			P30013MM	[+]	17	MN					
	143	09/00 → 12/01		•		P30014MM	[+]	15	MN					

INFINITI

EX 09/07 →

25	175	04/10 →	•			P56094MM	[+]	17	SUM					
	175	04/10 →		•		P56087MM	[+]	13,8	AKE					
25 AWD	163	09/07 →	•			P56094MM	[+]	17	SUM					
	163	09/07 →		•		P56087MM	[+]	13,8	AKE					
30d	175	04/10 →	•			P56058MM	[+]	16	SUM					
	175	04/10 →		•		P56087MM	[+]	13,8	AKE					
35	221	10/08 →	•			P56080MM	[+]	16,4	ATE					
	221	10/08 →		•		P56087MM	[+]	13,8	AKE					
37	228	10/08 →	•		02/11 →	P56058MM	[+]	16	SUM					
	228	10/08 →	•			P56080MM	[+]	16,4	ATE					
	228	10/08 →		•		P56087MM	[+]	13,8	AKE					
	235	09/10 →	•		02/11 →	P56058MM	[+]	16	SUM					
	235	09/10 →	•			P56080MM	[+]	16,4	ATE					
	235	09/10 →		•		P56087MM	[+]	13,8	AKE					

FX 10/08 →

30d AWD	175	04/10 →	•			P56089MM	[+]	15,9	AKE					
	175	04/10 →		•		P56095MM	[+]	13,8	AKE					
35	226	10/08 → 12/11	•		→ 01/10	P56051MM	[+]	15,5	TOK					
	226	10/08 → 12/11	•		→ 08/09	P56046MM	[+]	13,8	AKE					
	226	10/08 → 12/11	•		08/09 → 01/10	P56087MM	[+]	13,8	AKE					
35 AWD	223	01/12 →	•			P56051MM	[+]	15,5	TOK					
	223	01/12 →		•		P56046MM	[+]	13,8	AKE					
	235	10/08 →	•		06/09 →	P56089MM	[+]	15,9	AKE					
	235	10/08 →	•		→ 06/09	P56084MM	[+]	15,6	AKE					
37 AWD	235	10/08 →		•	→ 06/09	P56085MM	[+]	13,5	AKE					
	235	10/08 →	•		06/09 →	P56095MM	[+]	13,8	AKE					
	242	09/12 →	•			P56089MM	[+]	15,9	AKE					
	242	09/12 →		•		P56085MM	[+]	13,5	AKE					

INFINITI

FX 10/08 →

45 AWD	241	10/08 →	●			P56051MM	[+]	15,5	TOK					
	241	10/08 →		●		P56046MM	[+]	13,8	AKE					
50 AWD	287	10/08 →	●		06/09 →	P56089MM	[+]	15,9	AKE					
	287	10/08 →	●		→ 06/09	P56084MM	[+]	15,6	AKE					
	287	10/08 →		●	06/09 →	P56095MM	[+]	13,8	AKE					
	287	10/08 →		●	→ 06/09	P56085MM	[+]	13,5	AKE					
	309	06/13 →	●			P56089MM	[+]	15,9	AKE					
	309	06/13 →		●		P56095MM	[+]	13,8	AKE					

FX 09/02 → 12/08

35	206	02/03 → 12/08	●			P56058MM	[+]	16	SUM					
	206	02/03 → 12/08	●		→ 06/09	P56051MM	[+]	15,5	TOK					
	206	02/03 → 12/08		●		P56046MM	[+]	13,8	AKE					
35 All-wheel Drive	206	01/03 → 12/08	●			P56058MM	[+]	16	SUM					
	206	01/03 → 12/08	●		→ 06/09	P56051MM	[+]	15,5	TOK					
	206	01/03 → 12/08		●		P56046MM	[+]	13,8	AKE					
45	232	02/03 → 12/08	●			P56058MM	[+]	16	SUM					
	232	02/03 → 12/08	●		→ 06/09	P56051MM	[+]	15,5	TOK					
	232	02/03 → 12/08		●		P56046MM	[+]	13,8	AKE					
45 All-wheel Drive	232	01/03 → 12/08	●			P56058MM	[+]	16	SUM					
	232	01/03 → 12/08	●		→ 06/09	P56051MM	[+]	15,5	TOK					
	232	01/03 → 12/08		●		P56046MM	[+]	13,8	AKE					

G Convertible 09/10 →

37	235	09/10 →	●			P56089MM	[+]	15,9	AKE					
	235	09/10 →	●		-19" wheel	P56094MM	[+]	17	SUM					
	235	09/10 →		●		P56095MM	[+]	13,8	AKE					
	235	09/10 →		●	-19" wheel	P56087MM	[+]	13,8	AKE					
	245	09/10 →	●			P56089MM	[+]	15,9	AKE					
	245	09/10 →		●		P56085MM	[+]	13,5	AKE					

G Coupé 09/07 →

37	243	09/07 →	●			P56089MM	[+]	15,9	AKE					
	243	09/07 →	●			P56080MM	[+]	16,4	ATE					
	243	09/07 →		●		P56095MM	[+]	13,8	AKE					
	235	09/10 →	●		4WS	P56089MM	[+]	15,9	AKE					
	235	09/10 →	●		-4WS	P56058MM	[+]	16	SUM					
	235	09/10 →	●		-4WS	P56094MM	[+]	17	SUM					
	235	09/10 →	●			P56080MM	[+]	16,4	ATE					
	235	09/10 →		●	4WS	P56085MM	[+]	13,5	AKE					
	235	09/10 →		●	-4WS	P56087MM	[+]	13,8	AKE					
	245	09/08 → 12/12	●		-Premium Package	P56089MM	[+]	15,9	AKE					
	245	09/08 → 12/12	●		Premium Package	P56080MM	[+]	16,4	ATE					
	245	09/08 → 12/12		●	-sport pack	P56046MM	[+]	13,8	AKE					
	245	09/08 → 12/12		●	+sport pack	P56095MM	[+]	13,8	AKE					

G Saloon 01/07 →

25	163	01/11 →	●			P56058MM	[+]	16	SUM					
	163	01/11 →		●		P56087MM	[+]	13,8	AKE					
35	191	10/02 →	●			P56058MM	[+]	16	SUM					
	191	10/02 →		●		P56046MM	[+]	13,8	AKE					
35 X	228	01/07 → 12/08	●			P56058MM	[+]	16	SUM					
	228	01/07 → 12/08		●		P56046MM	[+]	13,8	AKE					
37	243	10/08 →	●			P56089MM	[+]	15,9	AKE					
	243	10/08 →	●			P56080MM	[+]	16,4	ATE					
	243	10/08 →		●		P56095MM	[+]	13,8	AKE					
	235	10/08 →	●			P56080MM	[+]	16,4	ATE					
	235	10/08 →		●		P56095MM	[+]	13,8	AKE					

								WI			FK	
	kw				wi	Th [mm]	SYS		LENGHT			

INFINITI

G Saloon 01/07 →

37 X	235 10/08 →	●		P56080MM	[+]	16,4	ATE					
	235 10/08 →		●	P56095MM	[+]	13,8	AKE					
	245 09/08 → 12/13	●		P56094MM	[+]	17	SUM					
	245 09/08 → 12/13		●	P56087MM	[+]	13,8	AKE					

I30 01/97 →

3.0	142 01/97 →	●		P56021MM	[+]	17	SUM					
	142 01/97 →		●	P56029MM	[+]	16,4	AKE					

JX Closed Off-Road Vehicle 09/12 →

3.5 AWD	198 09/12 →	●		P56103MM	[+]	17	-					
	198 09/12 →		●	P56068MM	[+]	13,8	AKE					

M (Y51) 03/10 →

25	163 07/10 →	●		P56094MM	[+]	17	SUM					
	163 07/10 →		●	P56087MM	[+]	13,8	AKE					
30d	175 03/10 →	●	06/10 →	P56058MM	[+]	16	SUM					
	175 03/10 →	●	→ 06/10	P56094MM	[+]	17	SUM					
	175 03/10 →		●	P56087MM	[+]	13,8	AKE					
35h	225 04/11 →	●		P56058MM	[+]	16	SUM					
	225 04/11 →		●	P56087MM	[+]	13,8	AKE					
37	235 03/10 →	●	06/10 →	P56058MM	[+]	16	SUM					
	235 03/10 →	●	→ 06/10	P56094MM	[+]	17	SUM					
	235 03/10 →		●	P56087MM	[+]	13,8	AKE					
37 X	246 09/10 →	●		P56058MM	[+]	16	SUM					
	246 09/10 →		●	P56087MM	[+]	13,8	AKE					
56	300 03/10 →	●		P56094MM	[+]	17	SUM					
	300 03/10 →		●	P56087MM	[+]	13,8	AKE					
56 X	300 03/10 →	●		P56089MM	[+]	15,9	AKE					
	300 03/10 →		●	P56095MM	[+]	13,8	AKE					

M35 01/05 →

3.5	206 01/05 →	●	10/06 →	P56058MM	[+]	16	SUM					
	206 01/05 →	●	→ 10/06	P56051MM	[+]	15,5	TOK					
	206 01/05 →		●	P56046MM	[+]	13,8	AKE					
	226 09/08 → 12/10	●	→ 10/09	P56058MM	[+]	16	SUM					
	226 09/08 → 12/10	●	10/09 →	P56094MM	[+]	17	SUM					
	226 09/08 → 12/10	●	→ 08/09	P56046MM	[+]	13,8	AKE					
	226 09/08 → 12/10	●	08/09 →	P56087MM	[+]	13,8	AKE					
3.5 h	268 01/10 →	●		P56094MM	[+]	17	SUM					
	268 01/10 →		●	P56087MM	[+]	13,8	AKE					
3.5 X	206 01/05 →	●	10/06 →	P56058MM	[+]	16	SUM					
	206 01/05 →	●	→ 10/06	P56051MM	[+]	15,5	TOK					
	206 01/05 →		●	→ 01/08	P56046MM	[+]	13,8	AKE				
	226 09/08 → 12/10	●	→ 10/09	P56058MM	[+]	16	SUM					
	226 09/08 → 12/10	●	10/09 →	P56094MM	[+]	17	SUM					
	226 09/08 → 12/10	●	→ 08/09	P56046MM	[+]	13,8	AKE					
	226 09/08 → 12/10	●	08/09 →	P56087MM	[+]	13,8	AKE					

M37 01/10 →

3.7	243 01/10 →	●	4WS	P56089MM	[+]	15,9	AKE					
	243 01/10 →	●	-4WS	P56094MM	[+]	17	SUM					
	243 01/10 →		●	4WS	P56095MM	[+]	13,8	AKE				
	243 01/10 →		●	-4WS	P56087MM	[+]	13,8	AKE				
3.7 Allrad	243 01/10 →	●	4WS	P56089MM	[+]	15,9	AKE					
	243 01/10 →	●	-4WS	P56094MM	[+]	17	SUM					
	243 01/10 →		●	4WS	P56095MM	[+]	13,8	AKE				
	243 01/10 →		●	-4WS	P56087MM	[+]	13,8	AKE				

		kw						wi	Th [mm]	SYS	wi		FK		
												LENGHT			

INFINITI

M45 01/05 →

4.5	250	01/05 →	●	→ 10/06	P56051MM	[+]	15,5	TOK						
	250	01/05 →		●	P56046MM	[+]	13,8	AKE						
	250	01/05 →		●	11/06 →	P56058MM	[+]	16	SUM					

Q45 II (FY33) 01/97 → 01/01

4.1	205	01/97 → 01/01	●	→ 08/99	P56040MM	[+]	16,5	NSN						
-----	-----	---------------	---	---------	----------	-----	------	-----	--	--	--	--	--	--

Q50 04/13 →

2.0 T	155	04/14 →	●		P56106MM	[+]	15,8	-						
	155	04/14 →		●	P56087MM	[+]	13,8	AKE						
50 D	125	04/13 →	●		P56106MM	[+]	15,8	-						
	125	04/13 →		●	P56087MM	[+]	13,8	AKE						
50 Hybrid	268	04/13 →	●		P56106MM	[+]	15,8	-						
	268	04/13 →		●	P56087MM	[+]	13,8	AKE						
	225	04/13 →	●	+sport pack	P56089MM	[+]	15,9	AKE						
	225	04/13 →	●	Premium package	P56106MM	[+]	15,8	-						
	225	04/13 →		●	+sport pack	P56095MM	[+]	13,8	AKE					
	225	04/13 →		●	Premium package	P56087MM	[+]	13,8	AKE					
50 Hybrid AWD	268	04/13 →	●		P56106MM	[+]	15,8	-						
	268	04/13 →		●	P56087MM	[+]	13,8	AKE						
	225	04/13 →	●	+sport pack	P56089MM	[+]	15,9	AKE						
	225	04/13 →	●	Premium package	P56106MM	[+]	15,8	-						
	225	04/13 →		●	+sport pack	P56095MM	[+]	13,8	AKE					
	225	04/13 →		●	Premium package	P56087MM	[+]	13,8	AKE					
50 Red	298	09/15 →	●		P56089MM	[+]	15,9	AKE						
	298	09/15 →		●	P56095MM	[+]	13,8	AKE						

Q60 Convertible 10/13 →

3.7	235	10/13 →	●		P56058MM	[+]	16	SUM						
	235	10/13 →		●	P56094MM	[+]	17	SUM						
	235	10/13 →		●	P56087MM	[+]	13,8	AKE						

Q60 Coupé 09/16 →

2.0 T	155	09/16 →	●	+sport pack	P56089MM	[+]	15,9	AKE						
	155	09/16 →	●	-sport pack	P56106MM	[+]	15,8	-						
	155	09/16 →		●	+sport pack	P56095MM	[+]	13,8	AKE					
	155	09/16 →		●	-sport pack	P56087MM	[+]	13,8	AKE					
2.0 T AWD	155	09/16 →	●		P56089MM	[+]	15,9	AKE						
	155	09/16 →		●	P56095MM	[+]	13,8	AKE						
3.0 T AWD	298	09/16 →	●		P56089MM	[+]	15,9	AKE						
	298	09/16 →		●	P56095MM	[+]	13,8	AKE						

Q60 Coupé 10/13 →

3.7	235	10/13 →	●	+sport pack	P56089MM	[+]	15,9	AKE						
	235	10/13 →	●	-sport pack	P56094MM	[+]	17	SUM						
	235	10/13 →		●	+sport pack	P56085MM	[+]	13,5	AKE					
	235	10/13 →		●	-sport pack	P56087MM	[+]	13,8	AKE					
	246	10/13 →	●		P56089MM	[+]	15,9	AKE						
	246	10/13 →		●	Sport	P56095MM	[+]	13,8	AKE					
	246	10/13 →		●		P56087MM	[+]	13,8	AKE					

Q70 (Y51) 03/13 →

2.2 D	125	10/14 →	●	Sport	P56089MM	[+]	15,9	AKE						
	125	10/14 →	●	Base	P56058MM	[+]	16	SUM						
	125	10/14 →		●	Sport	P56095MM	[+]	13,8	AKE					
	125	10/14 →		●	Base	P56087MM	[+]	13,8	AKE					
3.0	175	03/13 →	●		P56089MM	[+]	15,9	AKE						
	175	03/13 →		●	P56087MM	[+]	13,8	AKE						
3.5 Hybrid	225	03/13 →		●	P56087MM	[+]	13,8	AKE						



kw



Wi

Th [mm]

SYS

WI

FK



LENGHT



INFINITI

Q70 (Y51) 03/13 →

3.7	235	03/13 →	•		P56089MM	[+]	15,9	AKE					
	235	03/13 →		•	P56087MM	[+]	13,8	AKE					
	246	10/13 →	•	Base	P56058MM	[+]	16	SUM					
	246	10/13 →	•	Sport	P56089MM	[+]	15,9	AKE					
	246	10/13 →		•	Sport	P56095MM	[+]	13,8	AKE				
	246	10/13 →		•	Base	P56087MM	[+]	13,8	AKE				
3.7 AWD	246	10/13 →	•	Sport	P56089MM	[+]	15,9	AKE					
	246	10/13 →	•	Base	P56058MM	[+]	16	SUM					
	246	10/13 →		•	Sport	P56095MM	[+]	13,8	AKE				
	246	10/13 →		•	Base	P56087MM	[+]	13,8	AKE				
5.6 AWD	300	01/15 →	•	+sport pack	P56089MM	[+]	15,9	AKE					
	300	01/15 →	•	-sport pack	P56094MM	[+]	17	SUM					
	300	01/15 →		•	+sport pack	P56085MM	[+]	13,5	AKE				
	300	01/15 →		•	-sport pack	P56087MM	[+]	13,8	AKE				

QX4 01/97 →

3.3	125	01/97 →	•	→ 10/02	P56040MM	[+]	16,5	NSN				
-----	-----	---------	---	---------	----------	-----	------	-----	--	--	--	--

QX50 08/13 →

2.5 AWD	163	02/14 →	•		P56094MM	[+]	17	SUM				
	163	02/14 →		•	P56087MM	[+]	13,8	AKE				
30d AWD	175	08/13 →	•		P56094MM	[+]	17	SUM				
	175	08/13 →		•	P56087MM	[+]	13,8	AKE				
37	242	08/13 →	•		P56094MM	[+]	17	SUM				
	242	08/13 →		•	P56087MM	[+]	13,8	AKE				
37 AWD	235	08/13 →	•		P56094MM	[+]	17	SUM				
	235	08/13 →		•	P56087MM	[+]	13,8	AKE				
	242	08/13 →	•		P56094MM	[+]	17	SUM				
	242	08/13 →		•	P56087MM	[+]	13,8	AKE				

QX56 01/10 →

56	294	01/12 →		•	P56082MM	[+]	15	-				
56 AWD	298	03/10 →		•	P56082MM	[+]	15	-				

QX60 04/12 →

3.5 AWD	195	04/12 →	•		P56103MM	[+]	17	-				
	195	04/12 →		•	P56068MM	[+]	13,8	AKE				

QX70 08/13 →

3.7 AWD	235	08/13 →	•		P56089MM	[+]	15,9	AKE				
	235	08/13 →		•	P56095MM	[+]	13,8	AKE				
30d AWD	175	08/13 →	•		P56089MM	[+]	15,9	AKE				
	175	08/13 →		•	P56095MM	[+]	13,8	AKE				
37 AWD	245	02/14 →	•		P56089MM	[+]	15,9	AKE				
	245	02/14 →		•	P56085MM	[+]	13,5	AKE				
50 AWD	287	08/13 →	•		P56084MM	[+]	15,6	AKE				
	287	08/13 →		•	P56095MM	[+]	13,8	AKE				
	294	08/13 →	•		P56089MM	[+]	15,9	AKE				
	294	08/13 →		•	P56085MM	[+]	13,5	AKE				

QX80 09/13 →

5.6 AWD	298	09/13 →		•	P56082MM	[+]	15	-				
---------	-----	---------	--	---	----------	-----	----	---	--	--	--	--

ISUZU

D-MAX I (TFR, TFS) 05/02 → 06/12

2.5 D1TD (TFR86_)	74	10/02 → 06/12	•	→ 05/03	P59015MM	[+]	16,5	AKE				
	74	10/02 → 06/12	•	06/03 →	P34005MM	[+]	16,1	AKE				
	100	10/06 → 06/12	•	07/08 →	P34007MM	[+]	16,8	AKE				
	100	10/06 → 06/12	•	→ 06/08	P34005MM	[+]	16,1	AKE				

--	--	--	--	--	--	--	--	--	--	--	--	--	--	--

ISUZU

D-MAX I (TFR, TFS) 05/02 → 06/12

2.5 DiTD 4x4 (TFS86_)	74	05/02 → 06/12	●			P34005MM	[+]	16,1	AKE					
	100	01/07 → 06/12	●		07/08 →	P34007MM	[+]	16,8	AKE					
3.0 DiTD (TFR85_)	100	01/07 → 06/12	●		→ 06/08	P34005MM	[+]	16,1	AKE					
	120	01/07 → 06/12	●		→ 06/08	P34005MM	[+]	16,1	AKE					
3.0 DiTD 4x4 (TFS85_)	120	01/07 → 06/12	●		07/08 →	P34007MM	[+]	16,8	AKE					
	96	05/02 → 06/12	●		→ 05/03	P59015MM	[+]	16,5	AKE					
3.0 DiTD 4x4 (TFS85_)	96	05/02 → 06/12	●		06/03 →	P34005MM	[+]	16,1	AKE					
	120	01/07 → 06/12	●		07/08 →	P34007MM	[+]	16,8	AKE					
	120	01/07 → 06/12	●		→ 06/08	P34005MM	[+]	16,1	AKE					

D-MAX I Platform/Chassis (TFR, TFS) 01/07 → 06/12

3.0 D 4x4	120	01/07 → 06/12	●		→ 06/08	P34005MM	[+]	16,1	AKE					
	120	01/07 → 06/12	●		07/08 →	P34007MM	[+]	16,8	AKE					

D-MAX II (TFR, TFS) 06/12 →

2.5 CRDi (TFR86_)	120	06/12 →	●			P34007MM	[+]	16,8	AKE					
2.5 CRDi 4x4 (TFS86_)	120	06/12 →	●			P34007MM	[+]	16,8	AKE					

D-MAX II Platform/Chassis (TFR, TFS) 06/12 →

2.5 CRDi	120	06/12 →	●			P34007MM	[+]	16,8	AKE					
2.5 CRDi 4WD	120	06/12 →	●			P34007MM	[+]	16,8	AKE					

ELF Platform/Chassis (NKR8_, NKQ8_) 10/03 →

3.0 Di	96	10/03 →	●			P34005MM	[+]	16,1	AKE					
--------	----	---------	---	--	--	----------	-----	------	-----	--	--	--	--	--

MU (_U_) 02/89 → 08/02

2.6 4x4 (UCS17)	89	02/89 → 07/94	●			P59020MM	[+]	16,5	AKE					
	89	02/89 → 07/94	●			P59021MM	[+]	15,8	SUM					

RODEO Pickup 08/06 → 04/07

2.5 D	94	08/06 → 04/07	●			P34005MM	[+]	16,1	AKE					
-------	----	---------------	---	--	--	----------	-----	------	-----	--	--	--	--	--

TFR/TFS Pickup (TF_) 09/88 → 12/02

2.3	110	09/94 → 08/99	●			P59015MM	[+]	16,5	AKE					
2.5 TD 4WD	86	09/88 → 08/91	●			P59015MM	[+]	16,5	AKE					
3.0 TDi 4WD (TFS)	117	09/99 → 12/02	●			P59015MM	[+]	16,5	AKE					
3.5 4WD (TFS)	158	09/95 → 12/02	●			P59015MM	[+]	16,5	AKE					

TROOPER II (UB) 08/91 → 04/00

3.1 TD	84	08/91 → 07/98	●			P59020MM	[+]	16,5	AKE					
	84	08/91 → 07/98	●			P59021MM	[+]	15,8	SUM					
3.2	130	08/91 → 07/98	●			P59020MM	[+]	16,5	AKE					
	130	08/91 → 07/98	●			P59021MM	[+]	15,8	SUM					

TROOPER III 05/98 → 08/04

3.0 DTI	117	05/98 → 08/04	●			P59020MM	[+]	16,5	AKE					
	117	05/98 → 08/04	●			P59021MM	[+]	15,8	SUM					
3.5 V6 24V	158	04/00 → 08/04	●			P59020MM	[+]	16,5	AKE					
	158	04/00 → 08/04	●			P59021MM	[+]	15,8	SUM					

TROOPER III Open Off-Road Vehicle 04/00 → 08/04

3.0 DTI	118	04/00 → 08/04	●			P59020MM	[+]	16,5	AKE					
	118	04/00 → 08/04	●			P59021MM	[+]	15,8	SUM					
3.5 V6 24V	158	04/00 → 08/04	●			P59020MM	[+]	16,5	AKE					
	158	04/00 → 08/04	●			P59021MM	[+]	15,8	SUM					

VEHICROSS (_U_) 04/97 → 12/01

3.2 4x4 (UGS25)	158	04/97 → 12/00	●			P59020MM	[+]	16,5	AKE					
	158	04/97 → 12/00	●			P59021MM	[+]	15,8	SUM					



kw



wi

Th [mm]

SYS

WI

FK



LENGHT



ISUZU

WIZARD (_ U _) 09/97 → 12/04

3.0 TD 4x4 (UES73)	107	06/98 → 08/02	●			P59020MM	[+]	16,5	AKE				
	107	06/98 → 08/02		●		P59021MM	[+]	15,8	SUM				
3.2 4x4 (UES25)	158	06/98 → 08/02	●			P59020MM	[+]	16,5	AKE				
	158	06/98 → 08/02		●		P59021MM	[+]	15,8	SUM				

IVECO

DAILY CITYS Bus 06/14 → 10/16

50C/E	80	10/15 → 10/16	●			PA6026MM	[o]	21,4	BRE				
	80	10/15 → 10/16		●	S-Model	PA6023MM	[o]	20,3	BRE	A00409	300	C-Model	
	80	10/15 → 10/16		●	C-Model	PA6027MM	[o]	21	BRE	A00409	300	C-Model	
50C14G Natural Power	100	10/15 → 10/16	●			PA6026MM	[o]	21,4	BRE				
	100	10/15 → 10/16		●	C-Model	PA6027MM	[o]	21	BRE	A00409	300	C-Model	
	100	10/15 → 10/16		●	S-Model	PA6023MM	[o]	20,3	BRE	A00409	300	C-Model	
50C15	107	06/14 → 10/16	●			PA6026MM	[o]	21,4	BRE				
	107	06/14 → 10/16		●	C-Model	PA6027MM	[o]	21	BRE	A00409	300	C-Model	
	107	06/14 → 10/16		●	S-Model	PA6023MM	[o]	20,3	BRE	A00409	300	C-Model	
50C17	125	06/14 → 10/16	●			PA6026MM	[o]	21,4	BRE				
	125	06/14 → 10/16		●	C-Model	PA6027MM	[o]	21	BRE	A00409	300	C-Model	
	125	06/14 → 10/16		●	S-Model	PA6023MM	[o]	20,3	BRE	A00409	300	C-Model	

DAILY I Platform/Chassis 01/78 → 05/99

30-8 (10011131, 10011132, 10011231, 10011232, 10011237,...)	53	01/78 → 12/89	●		→ 05/81	PA6001MM	[-]	18	LKD				
35-10 (10310311, 10311111, 10311112, 10311117, 10311211,...)	68	01/85 → 12/89	●		→ 08/86	PA6003MM	[+]	18,3	BRE				
	68	01/85 → 12/89	●		09/86 →	PA6009MM	[+]	18,3	BRE				
	68	01/85 → 12/89	●		01/87 →	PA6005MM	[+]	18	PER				
35-8 (10031131, 10031132, 10031137, 10031224, 10031231,...)	53	01/78 → 12/89	●		→ 05/81	PA6001MM	[-]	18	LKD				
	53	01/78 → 12/89	●		→ 08/86	PA6003MM	[+]	18,3	BRE				
	53	01/78 → 12/89	●		09/86 →	PA6009MM	[+]	18,3	BRE				
40-10	68	01/85 → 12/89	●		→ 08/86	PA6003MM	[+]	18,3	BRE				
	68	01/85 → 12/89	●		09/86 →	PA6009MM	[+]	18,3	BRE				
	68	01/85 → 12/89	●			PA6013MM	[+]	18	PER				
40-8	53	01/83 → 06/89	●		→ 08/86	PA6003MM	[+]	18,3	BRE				
	53	01/83 → 06/89	●		09/86 →	PA6009MM	[+]	18,3	BRE				
	53	01/83 → 06/89	●		01/87 →	PA6005MM	[+]	18	PER				
45-10 (10331211, 10331212, 10331217, 10331304, 10331311,...)	68	01/85 → 12/89	●		01/87 →	PA6005MM	[+]	18	PER				
49-10 (10350211, 10350304, 10350311, 10350404, 10350411,...)	68	01/85 → 12/89	●		01/87 →	PA6005MM	[+]	18	PER				

		kw						wi	Th [mm]	SYS	WI			FK	
												LENGHT			

IVECO

DAILY II Box Body / Estate 01/89 → 05/99

30-10	76	01/97 → 05/99	●				PA6019MM	[+]	18,3	BRE					
30-10 C	76	01/97 → 05/99	●				PA6019MM	[+]	18,3	BRE					
30-8 (12914111, 12914112, 12914117, 12914131, 12914137,...)	55	01/89 → 08/98	●		→ 12/95		PA6006MM	[+]	18	LKD					
	55	01/89 → 08/98	●		→ 12/95		PA6014MM	[+]	18,3	BRE					
	55	01/89 → 08/98	●		01/96 →		PA6019MM	[+]	18,3	BRE					
	60	01/89 → 08/98	●		→ 12/95		PA6006MM	[+]	18	LKD					
	60	01/89 → 08/98	●		→ 12/95		PA6014MM	[+]	18,3	BRE					
	60	01/89 → 08/98	●		01/96 →		PA6019MM	[+]	18,3	BRE					
30-8 (14914111, 14914117, 14914211, 14914217, 14915111,...)	60	01/89 → 08/98	●				PA6019MM	[+]	18,3	BRE					
	62	09/98 → 05/99	●				PA6019MM	[+]	18,3	BRE					
30-8 V (14914111, 14914117, 14914211, 14914217, 14915111,...)	62	09/98 → 05/99	●				PA6019MM	[+]	18,3	BRE					
35-10 (12974212, 12974217, 12974417)	68	09/96 → 08/98	●				PA6017MM	[o]	20,3	BRE	A00351	300			
	68	09/96 → 08/98	●				PA6017MM	[o]	20,3	BRE	A00351	300			
35-10 (12974212, 12974217, 13014111, 13014131, 13014204,...)	76	01/89 → 08/98	●		→ 12/95		PA6006MM	[+]	18	LKD					
	76	01/89 → 08/98	●		→ 12/95		PA6012MM	[+]	18,3	BRE					
	76	01/89 → 08/98	●		01/96 →		PA6020MM	[+]	18,3	BRE					
	76	01/89 → 08/98	●				PA6017MM	[o]	20,3	BRE					
	80	01/89 → 08/98	●		→ 12/95		PA6006MM	[+]	18	LKD					
	80	01/89 → 08/98	●		→ 12/95		PA6012MM	[+]	18,3	BRE					
	80	01/89 → 08/98	●		01/96 →		PA6020MM	[+]	18,3	BRE					
35-10 (15034111, 15034204, 15034211, 15034215, 15034217,...)	76	01/96 → 05/99	●				PA6017MM	[o]	20,3	BRE	A00351	300			
	76	01/96 → 05/99	●				PA6017MM	[o]	20,3	BRE	A00351	300			
35-12	90	02/95 → 05/99	●		→ 12/95		PA6013MM	[+]	18	PER	A00351	300	→ 5912327		
	90	02/95 → 05/99	●		01/96 →		PA6016MM	[+]	18	PER	A00351	300	→ 5912327		
35-12 (13114131, 13114204, 13114211, 13114212, 13114217,...)	85	01/90 → 04/96	●		→ 12/95		PA6013MM	[+]	18	PER					
	85	01/90 → 04/96	●		01/96 →		PA6016MM	[+]	18	PER					
35-8 (12934104, 12934111, 12934112, 12934117, 12934124,...)	55	01/91 → 08/98	●		→ 12/95		PA6006MM	[+]	18	LKD					
	55	01/91 → 08/98	●		→ 12/95		PA6012MM	[+]	18,3	BRE					
	55	01/91 → 08/98	●		01/96 →		PA6020MM	[+]	18,3	BRE					
	55	01/91 → 08/98	●				PA6017MM	[o]	20,3	BRE					
	60	01/91 → 08/98	●		→ 12/95		PA6006MM	[+]	18	LKD					
	60	01/91 → 08/98	●		→ 12/95		PA6012MM	[+]	18,3	BRE					
	60	01/91 → 08/98	●		01/96 →		PA6020MM	[+]	18,3	BRE					
60	01/91 → 08/98	●				PA6017MM	[o]	20,3	BRE						

								WI			FK	
	kw					Th [mm]	SYS		LENGHT			

IVECO

DAILY II Box Body / Estate 01/89 → 05/99

35-8 (14934104, 14934111, 14934204, 14934205, 14934211, ...)	62	09/98 → 05/99	●			PA6017MM	[o]	20,3	BRE	A00351	300		
	62	09/98 → 05/99	●			PA6017MM	[o]	20,3	BRE	A00351	300		
40-10 4x4 (15214104, 15214111, 15214117, 15215111)	76	01/97 → 05/99	●			PA6016MM	[+]	18	PER				
	76	01/97 → 05/99	●			P56069MM	[+]	20,3	BRE	A00351	300		
40-10 V	76	01/90 → 04/96	●	→ 12/95		PA6006MM	[+]	18	LKD				
	76	01/90 → 04/96	●	→ 12/95		PA6012MM	[+]	18,3	BRE				
	76	01/90 → 04/96	●	01/96 →		PA6020MM	[+]	18,3	BRE				
45-10 V (13034204, 13034211, 13034212, 13034224, ...)	76	01/89 → 04/96	●	→ 12/95		PA6006MM	[+]	18	LKD				
	76	01/89 → 04/96	●	→ 12/95		PA6012MM	[+]	18,3	BRE				
	76	01/89 → 04/96	●	01/96 →		PA6020MM	[+]	18,3	BRE				
49-10 V (13054204, 13054211, 13054212, 13054215, ...)	76	01/89 → 04/96	●	→ 12/95		PA6013MM	[+]	18	PER				
	76	01/89 → 04/96	●	01/96 →		PA6016MM	[+]	18	PER				
49-12 V (13134124, 13134204, 13134211, 13134212, ...)	85	06/90 → 04/96	●	→ 12/95		PA6013MM	[+]	18	PER				
	85	06/90 → 04/96	●	01/96 →		PA6016MM	[+]	18	PER				
49-12 V (15154204, 15154211, 15154215, 15154217, ...)	90	05/96 → 05/99	●			PA6016MM	[+]	18	PER				
	90	05/96 → 05/99	●			P56069MM	[+]	20,3	BRE	A00351	300		
59-12 V (13154404, 13154411, 13154412, 13154417, ...)	85	05/91 → 04/96	●			PA6007MM	[+]	20	WAB				
59-12 V (15174404, 15174411, 15174415, 15174417)	90	05/96 → 05/99	●			PA6018MM	[+]	20	WAB				

DAILY II Bus 01/89 → 05/99

A 40-10 (94139111, 94139131, 94139311, 94139315, ...)	76	01/91 → 12/96	●	→ 12/95		PA6006MM	[+]	18	LKD				
	76	01/91 → 12/96	●	→ 12/95		PA6012MM	[+]	18,3	BRE				
	76	01/91 → 12/96	●	01/96 →		PA6020MM	[+]	18,3	BRE				
	76	09/96 → 05/99	●			PA6020MM	[+]	18,3	BRE				
	76	09/96 → 05/99	●			P56069MM	[+]	20,3	BRE	A00351	300		
A 40-12 (95819311, 95819315, 95819317, 95819331)	90	05/96 → 05/99	●			PA6016MM	[+]	18	PER				
	90	05/96 → 05/99	●			P56069MM	[+]	20,3	BRE	A00351	300		

IVECO

DAILY II Bus 01/89 → 05/99

A 45-10 (94159111, 94159131, 94159211, 94159311,...)	76	01/91 → 04/96	●	→ 12/95	PA6006MM	[+]	18	LKD						
	76	01/91 → 04/96	●	→ 12/95	PA6012MM	[+]	18,3	BRE						
	76	01/91 → 04/96	●	01/96 →	PA6020MM	[+]	18,3	BRE						
A 45-10 (95739111, 95739131, 95739311, 95739317,...)	76	05/96 → 05/99	●		PA6020MM	[+]	18,3	BRE						
	76	05/96 → 05/99	●		P56069MM	[+]	20,3	BRE	A00351	300				
	85	06/90 → 04/96	●	→ 12/95	PA6013MM	[+]	18	PER						
	85	06/90 → 04/96	●	01/96 →	PA6016MM	[+]	18	PER						
A 45-12 (95839211, 95839231, 95839311, 95839317,...)	90	05/96 → 05/99	●		PA6016MM	[+]	18	PER						
	90	05/96 → 05/99	●		P56069MM	[+]	20,3	BRE	A00351	300				

DAILY II Dumptruck 01/89 → 05/99

35-10 K (15030111, 15030211, 15030311, 15031111,...)	76	01/97 → 05/99	●		PA6017MM	[○]	20,3	BRE	A00351	300				
	76	01/97 → 05/99	●		PA6017MM	[○]	20,3	BRE	A00351	300				
35-12 K (15130311, 15130411, 15131111, 15131204,...)	90	09/96 → 08/98	●		PA6017MM	[○]	20,3	BRE	A00351	300				
	90	09/96 → 08/98	●		PA6017MM	[○]	20,3	BRE	A00351	300				
35-8 K (14930304, 14931104, 14931111, 14931115, 14931204,...)	62	09/98 → 05/99	●		PA6017MM	[○]	20,3	BRE	A00351	300				
	62	09/98 → 05/99	●		PA6017MM	[○]	20,3	BRE	A00351	300				
45-10 (13031204, 13031211, 13031212, 13031224, 13031231,...)	76	01/92 → 04/96	●	→ 12/95	PA6006MM	[+]	18	LKD						
	76	01/92 → 04/96	●	→ 12/95	PA6012MM	[+]	18,3	BRE						
	76	01/92 → 04/96	●	01/96 →	PA6020MM	[+]	18,3	BRE						
49-10 K (13056212, 13056224, 13056231, 13056237,...)	76	01/89 → 04/96	●	→ 12/95	PA6013MM	[+]	18	PER						
	76	01/89 → 04/96	●	01/96 →	PA6016MM	[+]	18	PER						
49-10 K (15056204, 15056211, 15056304, 15056311)	76	05/96 → 05/99	●		PA6020MM	[+]	18,3	BRE						
	76	05/96 → 05/99	●		P56069MM	[+]	20,3	BRE	A00351	300				
49-12 K	90	05/96 → 05/99	●		PA6016MM	[+]	18	PER						
	90	05/96 → 05/99	●		P56069MM	[+]	20,3	BRE						
49-12 K (13136204, 13136211, 13136212, 13136224,...)	85	06/90 → 04/96	●	→ 12/95	PA6013MM	[+]	18	PER						
	85	06/90 → 04/96	●	01/96 →	PA6016MM	[+]	18	PER						
59-12 K (13156211, 13156212, 13156231, 13156311,...)	85	05/91 → 04/96	●		PA6007MM	[+]	20	WAB						

							WI			FK		
	kw			MAGNETI MARELLI	wi	Th [mm]	SYS	MAGNETI MARELLI	LENGHT		MAGNETI MARELLI	

IVECO

DAILY II Dumptruck 01/89 → 05/99

59-12 K (15176211, 15176304, 15176311, 15176315, ...)	90	05/96 → 05/99	●					PA6018MM	[+]	20	WAB							
---	----	---------------	---	--	--	--	--	----------	-----	----	-----	--	--	--	--	--	--	--

DAILY II Platform/Chassis 01/89 → 05/99

30-10	76	01/98 → 05/99	●					PA6019MM	[+]	18,3	BRE							
30-8 (10011131, 10011132, 10011231, 10011232, 10011237, ...)	60	01/92 → 08/98	●					PA6019MM	[+]	18,3	BRE							
	62	09/98 → 05/99	●					PA6019MM	[+]	18,3	BRE							
30-8 (12910211, 12911111, 12911112, 12911117, 12911131, ...)	55	01/92 → 08/98	●	→ 12/95				PA6006MM	[+]	18	LKD							
	55	01/92 → 08/98	●	→ 12/95				PA6014MM	[+]	18,3	BRE							
	55	01/92 → 08/98	●	01/96 →				PA6019MM	[+]	18,3	BRE							
	60	01/92 → 08/98	●	→ 12/95				PA6006MM	[+]	18	LKD							
	60	01/92 → 08/98	●	→ 12/95				PA6014MM	[+]	18,3	BRE							
	60	01/92 → 08/98	●	01/96 →				PA6019MM	[+]	18,3	BRE							
30-8 (14911111, 14911117, 14911211, 14911215, 14911217, ...)	62	09/98 → 05/99	●					PA6019MM	[+]	18,3	BRE							
35-10	80	01/89 → 12/96	●	→ 12/95				PA6006MM	[+]	18	LKD							
	80	01/89 → 12/96	●	→ 12/95				PA6012MM	[+]	18,3	BRE							
	80	01/89 → 12/96	●	01/96 →				PA6020MM	[+]	18,3	BRE							
	80	01/89 → 12/96	●					PA6017MM	[o]	20,3	BRE							
35-10 (12971112, 12971212, 12971312, 12971317, 12976112, ...)	68	01/89 → 12/96	●	→ 12/95				PA6006MM	[+]	18	LKD							
	68	01/89 → 12/96	●	→ 12/95				PA6012MM	[+]	18,3	BRE							
	68	01/89 → 12/96	●	01/96 →				PA6020MM	[+]	18,3	BRE							
	68	01/89 → 12/96	●					PA6017MM	[o]	20,3	BRE							
	76	01/89 → 12/96	●	→ 12/95				PA6006MM	[+]	18	LKD							
	76	01/89 → 12/96	●	→ 12/95				PA6012MM	[+]	18,3	BRE							
35-10 (15030111, 15030211, 15030311, 15031111, 15031117, ...)	76	01/96 → 05/99	●					PA6017MM	[o]	20,3	BRE	A00351	300					
	76	01/96 → 05/99	●					PA6017MM	[o]	20,3	BRE	A00351	300					
35-12 (13110131, 13110211, 13110231, 13110311, 13110312, ...)	85	01/90 → 04/96	●	→ 12/95				PA6013MM	[+]	18	PER							
	85	01/90 → 04/96	●	01/96 →				PA6016MM	[+]	18	PER							
35-12 (15130311, 15130411, 15131111, 15131204, 15131211, ...)	90	05/96 → 05/99	●					PA6017MM	[o]	20,3	BRE	A00351	300					
	90	05/96 → 05/99	●					PA6017MM	[o]	20,3	BRE	A00351	300					

IVECO

DAILY II Platform/Chassis 01/89 → 05/99

35-8 (12931102, 12931104, 12931111, 12931112, 12931117, ...)	55	01/89 → 08/98	●	→ 12/95	PA6006MM	[+]	18	LKD						
	55	01/89 → 08/98	●	→ 12/95	PA6012MM	[+]	18,3	BRE						
	55	01/89 → 08/98	●	01/96 →	PA6020MM	[+]	18,3	BRE						
	55	01/89 → 08/98	●		PA6017MM	[O]	20,3	BRE						
	60	01/89 → 08/98	●	→ 12/95	PA6006MM	[+]	18	LKD						
	60	01/89 → 08/98	●	→ 12/95	PA6012MM	[+]	18,3	BRE						
	60	01/89 → 08/98	●	01/96 →	PA6020MM	[+]	18,3	BRE						
	60	01/89 → 08/98	●		PA6017MM	[O]	20,3	BRE						
35-8 (14930304, 14931104, 14931111, 14931115, 14931204, ...)	62	09/98 → 05/99	●		PA6017MM	[O]	20,3	BRE	A00351	300				
	62	09/98 → 05/99	●		PA6017MM	[O]	20,3	BRE	A00351	300				
40-10 W 4x4	76	01/97 → 05/99	●		PA6016MM	[+]	18	PER						
	76	01/97 → 05/99	●		P56069MM	[+]	20,3	BRE	A00351	300				
45-10 (13031204, 13031211, 13031212, 13031224, 13031231, ...)	76	01/89 → 04/96	●	→ 12/95	PA6006MM	[+]	18	LKD						
	76	01/89 → 04/96	●	→ 12/95	PA6012MM	[+]	18,3	BRE						
	76	01/89 → 04/96	●	01/96 →	PA6020MM	[+]	18,3	BRE						
49-10 (13050211, 13050231, 13050304, 13050311, 13050331, ...)	76	01/89 → 04/96	●	→ 12/95	PA6013MM	[+]	18	PER						
	76	01/89 → 04/96	●	01/96 →	PA6016MM	[+]	18	PER						
49-10 (15050304, 15050404, 15050411, 15051204, 15051211, ...)	76	05/96 → 05/99	●		PA6020MM	[+]	18,3	BRE						
	76	05/96 → 05/99	●		P56069MM	[+]	20,3	BRE	A00351	300				
49-12 (13130211, 13130231, 13130304, 13130311, 13130312, ...)	85	06/90 → 04/96	●	→ 12/95	PA6013MM	[+]	18	PER						
	85	06/90 → 04/96	●	01/96 →	PA6016MM	[+]	18	PER						
49-12 (15150211, 15150311, 15150404, 15150411, 15151204, ...)	90	05/96 → 05/99	●		PA6016MM	[+]	18	PER						
	90	05/96 → 05/99	●		P56069MM	[+]	20,3	BRE	A00351	300				
59-12 (13150204, 13150211, 13150231, 13150311, 13150312, ...)	85	05/91 → 04/96	●		PA6007MM	[+]	20	WAB						
59-12 (15170211, 15170304, 15170311, 15170504, 15170511, ...)	90	05/96 → 05/99	●		PA6018MM	[+]	20	WAB						

VEHICLE	kW	S	E	i	MAGNETI MARELLI	wi	Th [mm]	SYS	WI			FK	
									MAGNETI MARELLI	LENGHT	i	MAGNETI MARELLI	i

IVECO

DAILY III Box Body / Estate 11/97 → 10/09

2.8 CNG	78 05/99 → 07/07	●			PA6017MM	[o]	20,3	BRE						
	78 05/99 → 07/07	●			PA6017MM	[o]	20,3	BRE						
2.8 D	76 11/97 → 07/07	●			PA6019MM	[+]	18,3	BRE						
29 L 10 V (ALJA43A2, ALJA42A2, ALJA41A2)	70 09/02 → 07/07	●		C-Model; C-Model	PA6017MM	[o]	20,3	BRE	A00351	300				
	70 09/02 → 07/07	●		L+S-Model	PA6021MM	[o]	17	BRE	A00351	300				
	70 09/02 → 07/07	●		C-Model; C-Model	PA6017MM	[o]	20,3	BRE						
	70 09/02 → 07/07	●		L+S-Model	PA6023MM	[o]	20,3	BRE						
29 L 11 V	78 05/99 → 07/07	●		C-Model; C-Model	PA6017MM	[o]	20,3	BRE	A00351	300				
	78 05/99 → 07/07	●		L+S-Model	PA6021MM	[o]	17	BRE	A00351	300				
	78 05/99 → 07/07	●		C-Model; C-Model	PA6017MM	[o]	20,3	BRE						
	78 05/99 → 07/07	●		L+S-Model	PA6023MM	[o]	20,3	BRE						
29 L 12 V (ALKA41A2, ALLA52A2, ALKA42A2)	85 09/02 → 07/07	●		C-Model; C-Model	PA6017MM	[o]	20,3	BRE	A00351	300				
	85 09/02 → 07/07	●		L+S-Model	PA6021MM	[o]	17	BRE	A00351	300				
	85 09/02 → 07/07	●		C-Model; C-Model	PA6017MM	[o]	20,3	BRE						
	85 09/02 → 07/07	●		L+S-Model	PA6023MM	[o]	20,3	BRE						
29 L 13	92 05/01 → 07/07	●		C-Model; C-Model	PA6017MM	[o]	20,3	BRE	A00351	300				
	92 05/01 → 07/07	●		L+S-Model	PA6021MM	[o]	17	BRE	A00351	300				
	92 05/01 → 07/07	●		C-Model; C-Model	PA6017MM	[o]	20,3	BRE						
	92 05/01 → 07/07	●		L+S-Model	PA6023MM	[o]	20,3	BRE						
29 L 14	100 01/05 → 04/06	●			PA6021MM	[o]	17	BRE	A00351	300				
	100 01/05 → 04/06	●			PA6023MM	[o]	20,3	BRE						
29 L 9 V	62 05/99 → 07/07	●		C-Model; C-Model	PA6017MM	[o]	20,3	BRE	A00351	300				
	62 05/99 → 07/07	●		L+S-Model	PA6021MM	[o]	17	BRE	A00351	300				
	62 05/99 → 07/07	●		C-Model; C-Model	PA6017MM	[o]	20,3	BRE						
	62 05/99 → 07/07	●		L+S-Model	PA6023MM	[o]	20,3	BRE						
	66 11/01 → 04/06	●			PA6021MM	[o]	17	BRE	A00351	300				
	66 11/01 → 04/06	●			PA6023MM	[o]	20,3	BRE						
35 C 12 V, 35 S 12 V (AGKA43A2, AGKB43A2, AGKB46A2, ...)	85 09/02 → 07/07	●		C-Model; C-Model	PA6017MM	[o]	20,3	BRE	A00351	300				
	85 09/02 → 07/07	●		L+S-Model	PA6021MM	[o]	17	BRE	A00351	300				
	85 09/02 → 07/07	●		C-Model; C-Model	PA6017MM	[o]	20,3	BRE	A00351	300				
	85 09/02 → 07/07	●		L+S-Model	PA6023MM	[o]	20,3	BRE	A00351	300				
35 C 14	100 09/04 → 04/06	●		C-Model; C-Model	PA6017MM	[o]	20,3	BRE	A00351	300				
	100 09/04 → 04/06	●		L+S-Model	PA6021MM	[o]	17	BRE	A00351	300				
	100 09/04 → 04/06	●		C-Model; C-Model	PA6017MM	[o]	20,3	BRE	A00351	300				
	100 09/04 → 04/06	●		L+S-Model	PA6023MM	[o]	20,3	BRE	A00351	300				
35 C 14, 35 S 14	100 01/05 → 04/06	●		C-Model; C-Model	PA6017MM	[o]	20,3	BRE	A00351	300				
	100 01/05 → 04/06	●		L+S-Model	PA6021MM	[o]	17	BRE	A00351	300				
	100 01/05 → 04/06	●		C-Model; C-Model	PA6017MM	[o]	20,3	BRE	A00351	300				
35 C 17, 35 S 17	122 01/05 → 04/06	●		C-Model; C-Model	PA6017MM	[o]	20,3	BRE	A00351	300				
	122 01/05 → 04/06	●		L+S-Model	PA6021MM	[o]	17	BRE	A00351	300				
	122 01/05 → 04/06	●		C-Model; C-Model	PA6017MM	[o]	20,3	BRE	A00351	300				
	122 01/05 → 04/06	●		L+S-Model	PA6023MM	[o]	20,3	BRE	A00351	300				
35 S 10 (ANJA41A1, ANJA42A2, ANJA42AB, ANJA43A, ANJAV1A, ...)	70 09/02 → 07/07	●		C-Model; C-Model	PA6017MM	[o]	20,3	BRE	A00351	300				
	70 09/02 → 07/07	●		L+S-Model	PA6021MM	[o]	17	BRE	A00351	300				
	70 09/02 → 07/07	●		C-Model; C-Model	PA6017MM	[o]	20,3	BRE						
	70 09/02 → 07/07	●		L+S-Model	PA6023MM	[o]	20,3	BRE						
35 S 11 V, 35 C 11 V	78 05/99 → 07/07	●		C-Model; C-Model	PA6017MM	[o]	20,3	BRE	A00351	300				
	78 05/99 → 07/07	●		L+S-Model	PA6021MM	[o]	17	BRE	A00351	300				
	78 05/99 → 07/07	●		C-Model; C-Model	PA6017MM	[o]	20,3	BRE	A00351	300				
	78 05/99 → 07/07	●		L+S-Model	PA6023MM	[o]	20,3	BRE	A00351	300				

--	--	--	--	--	--	--	--	--	--	--	--	--	--	--

IVECO

DAILY III Box Body / Estate 11/97 → 10/09

35 S 13 V, 35 C 13 V	92	05/99 → 07/07	●	C-Model; C-Model	PA6017MM	[O]	20,3	BRE	A00351	300				
	92	05/99 → 07/07	●	L+S-Model	PA6021MM	[O]	17	BRE	A00351	300				
	92	05/99 → 07/07	●	C-Model; C-Model	PA6017MM	[O]	20,3	BRE	A00351	300				
	92	05/99 → 07/07	●	L+S-Model	PA6023MM	[O]	20,3	BRE	A00351	300				
35 S 15 V, 35 C 15 V (A6HCV3B2, A6HBV4B2, A6HC41B2, ...)	107	11/02 → 07/07	●	C-Model; C-Model	PA6017MM	[O]	20,3	BRE	A00351	300				
	107	11/02 → 07/07	●	L+S-Model	PA6021MM	[O]	17	BRE	A00351	300				
	107	11/02 → 07/07	●	C-Model; C-Model	PA6017MM	[O]	20,3	BRE	A00351	300				
	107	11/02 → 07/07	●	L+S-Model	PA6023MM	[O]	20,3	BRE	A00351	300				
35 S 9 V	66	11/01 → 04/06	●	C-Model; C-Model	PA6017MM	[O]	20,3	BRE	A00351	300				
	66	11/01 → 04/06	●	L+S-Model	PA6021MM	[O]	17	BRE	A00351	300				
	66	11/01 → 04/06	●	C-Model; C-Model	PA6017MM	[O]	20,3	BRE						
	66	11/01 → 04/06	●	L+S-Model	PA6023MM	[O]	20,3	BRE						
35 S 9 V, 35 C 9 V	62	05/99 → 07/07	●	C-Model; C-Model	PA6017MM	[O]	20,3	BRE	A00351	300				
	62	05/99 → 07/07	●	L+S-Model	PA6021MM	[O]	17	BRE	A00351	300				
	62	05/99 → 07/07	●	C-Model; C-Model	PA6017MM	[O]	20,3	BRE	A00351	300				
	62	05/99 → 07/07	●	L+S-Model	PA6023MM	[O]	20,3	BRE	A00351	300				
40 C 13	92	05/99 → 04/06	●	C-Model; C-Model	PA6017MM	[O]	20,3	BRE	A00351	300				
	92	05/99 → 04/06	●	L+S-Model	PA6021MM	[O]	17	BRE	A00351	300				
	92	05/99 → 04/06	●	C-Model; C-Model	PA6017MM	[O]	20,3	BRE	A00351	300				
	92	05/99 → 04/06	●	L+S-Model	PA6023MM	[O]	20,3	BRE	A00351	300				
40 C 14	100	01/05 → 04/06	●	C-Model; C-Model	PA6017MM	[O]	20,3	BRE	A00351	300				
	100	01/05 → 04/06	●	L+S-Model	PA6021MM	[O]	17	BRE	A00351	300				
	100	01/05 → 04/06	●	C-Model; C-Model	PA6017MM	[O]	20,3	BRE	A00351	300				
	100	01/05 → 04/06	●	L+S-Model	PA6023MM	[O]	20,3	BRE	A00351	300				
	100	09/04 → 04/06	●	C-Model; C-Model	PA6017MM	[O]	20,3	BRE	A00351	300				
	100	09/04 → 04/06	●	L+S-Model	PA6021MM	[O]	17	BRE	A00351	300				
	100	09/04 → 04/06	●	C-Model; C-Model	PA6017MM	[O]	20,3	BRE	A00351	300				
	100	09/04 → 04/06	●	L+S-Model	PA6023MM	[O]	20,3	BRE	A00351	300				
40 C 15	107	11/01 → 04/06	●	C-Model; C-Model	PA6017MM	[O]	20,3	BRE	A00351	300				
	107	11/01 → 04/06	●	L+S-Model	PA6021MM	[O]	17	BRE	A00351	300				
	107	11/01 → 04/06	●	C-Model; C-Model	PA6017MM	[O]	20,3	BRE	A00351	300				
	107	11/01 → 04/06	●	L+S-Model	PA6023MM	[O]	20,3	BRE	A00351	300				
40 C 17, 40 S 17	122	01/05 → 04/06	●	C-Model; C-Model	PA6017MM	[O]	20,3	BRE	A00351	300				
	122	01/05 → 04/06	●	L+S-Model	PA6021MM	[O]	17	BRE	A00351	300				
	122	01/05 → 04/06	●	C-Model; C-Model	PA6017MM	[O]	20,3	BRE	A00351	300				
	122	01/05 → 04/06	●	L+S-Model	PA6023MM	[O]	20,3	BRE	A00351	300				
45 C 14	100	07/99 → 04/06	●		PA6017MM	[O]	20,3	BRE	A00351	300	→ 5912327			
	100	07/99 → 04/06	●		PA6017MM	[O]	20,3	BRE	A00351	300	→ 5912327			
50 C 11	78	05/99 → 07/07	●	C-Model; C-Model	PA6017MM	[O]	20,3	BRE	A00351	300				
	78	05/99 → 07/07	●	L+S-Model	PA6021MM	[O]	17	BRE	A00351	300				
	78	05/99 → 07/07	●	C-Model; C-Model	PA6017MM	[O]	20,3	BRE	A00351	300				
	78	05/99 → 07/07	●	L+S-Model	PA6023MM	[O]	20,3	BRE	A00351	300				
50 C 13	92	05/99 → 07/07	●	C-Model; C-Model	PA6017MM	[O]	20,3	BRE	A00351	300				
	92	05/99 → 07/07	●	L+S-Model	PA6021MM	[O]	17	BRE	A00351	300				
	92	05/99 → 07/07	●	C-Model; C-Model	PA6017MM	[O]	20,3	BRE	A00351	300				
	92	05/99 → 07/07	●	L+S-Model	PA6023MM	[O]	20,3	BRE	A00351	300				
50 C 14	100	09/04 → 04/06	●	C-Model; C-Model	PA6017MM	[O]	20,3	BRE	A00351	300				
	100	09/04 → 04/06	●	L+S-Model	PA6021MM	[O]	17	BRE	A00351	300				
	100	09/04 → 04/06	●	C-Model; C-Model	PA6017MM	[O]	20,3	BRE	A00351	300				
	100	09/04 → 04/06	●	L+S-Model	PA6023MM	[O]	20,3	BRE	A00351	300				
50 C 15	107	01/01 → 04/06	●	C-Model; C-Model	PA6017MM	[O]	20,3	BRE	A00351	300				
	107	01/01 → 04/06	●	L+S-Model	PA6021MM	[O]	17	BRE	A00351	300				

										WI		FK		
		kW						Th [mm]		MAGNETI MARELLI	LENGHT		MAGNETI MARELLI	

IVECO

DAILY III Box Body / Estate 11/97 → 10/09

50 C 15	107	01/01 → 04/06	●	C-Model; C-Model	PA6017MM	[o]	20,3	BRE	A00351	300			
	107	01/01 → 04/06	●	L+S-Model	PA6023MM	[o]	20,3	BRE	A00351	300			
50 C 17	122	09/04 → 04/06	●	C-Model; C-Model	PA6017MM	[o]	20,3	BRE	A00351	300			
	122	09/04 → 04/06	●	L+S-Model	PA6021MM	[o]	17	BRE	A00351	300			
	122	09/04 → 04/06	●	C-Model; C-Model	PA6017MM	[o]	20,3	BRE	A00351	300			
	122	09/04 → 04/06	●	L+S-Model	PA6023MM	[o]	20,3	BRE	A00351	300			
65 C 14	100	09/04 → 04/06	●		PA6022MM	[o]	19,9	BRE	A00351	300			
	100	09/04 → 04/06	●		PA6017MM	[o]	20,3	BRE	A00351	300			
65 C 15	107	11/01 → 04/06	●		PA6022MM	[o]	19,9	BRE	A00351	300			
	107	11/01 → 04/06	●		PA6017MM	[o]	20,3	BRE	A00351	300			
65 C 17	122	09/04 → 04/06	●		PA6022MM	[o]	19,9	BRE	A00351	300			
	122	09/04 → 04/06	●		PA6017MM	[o]	20,3	BRE	A00351	300			

DAILY III Platform/Chassis 03/98 → 10/09

29 L 10 (ALJAV1A1, ALJA41AA, ALJA41A1, AHJA64A1, ...)	70	09/02 → 04/06	●	C-Model; C-Model	PA6017MM	[o]	20,3	BRE	A00351	300			
	70	09/02 → 04/06	●	L+S-Model	PA6021MM	[o]	17	BRE	A00351	300			
	70	09/02 → 04/06	●	C-Model; C-Model	PA6017MM	[o]	20,3	BRE					
	70	09/02 → 04/06	●	L+S-Model	PA6023MM	[o]	20,3	BRE					
29 L 11	78	05/99 → 04/06	●	C-Model; C-Model	PA6017MM	[o]	20,3	BRE	A00351	300			
	78	05/99 → 04/06	●	L+S-Model	PA6021MM	[o]	17	BRE	A00351	300			
	78	05/99 → 04/06	●	C-Model; C-Model	PA6017MM	[o]	20,3	BRE					
	78	05/99 → 04/06	●	L+S-Model	PA6023MM	[o]	20,3	BRE					
29 L 12 (ALKA41A1, AHKA64A1, ALLA51A1)	85	09/02 → 04/06	●	C-Model; C-Model	PA6017MM	[o]	20,3	BRE	A00351	300			
	85	09/02 → 04/06	●	L+S-Model	PA6021MM	[o]	17	BRE	A00351	300			
	85	09/02 → 04/06	●	C-Model; C-Model	PA6017MM	[o]	20,3	BRE					
	85	09/02 → 04/06	●	L+S-Model	PA6023MM	[o]	20,3	BRE					
29 L 13	92	11/01 → 04/06	●	C-Model; C-Model	PA6017MM	[o]	20,3	BRE	A00351	300			
	92	11/01 → 04/06	●	L+S-Model	PA6021MM	[o]	17	BRE	A00351	300			
	92	11/01 → 04/06	●	C-Model; C-Model	PA6017MM	[o]	20,3	BRE					
	92	11/01 → 04/06	●	L+S-Model	PA6023MM	[o]	20,3	BRE					
29 L 14 (AHRA11C1B1, AHRA14C1B1, AHRA64C1B1)	100	11/05 → 04/06	●	C-Model; C-Model	PA6017MM	[o]	20,3	BRE	A00351	300			
	100	11/05 → 04/06	●	L+S-Model	PA6021MM	[o]	17	BRE	A00351	300			
	100	11/05 → 04/06	●	C-Model; C-Model	PA6017MM	[o]	20,3	BRE					
	100	11/05 → 04/06	●	L+S-Model	PA6023MM	[o]	20,3	BRE					
29 L 9	62	05/99 → 04/06	●	C-Model; C-Model	PA6017MM	[o]	20,3	BRE	A00351	300			
	62	05/99 → 04/06	●	L+S-Model	PA6021MM	[o]	17	BRE	A00351	300			
	62	05/99 → 04/06	●	C-Model; C-Model	PA6017MM	[o]	20,3	BRE					
	62	05/99 → 04/06	●	L+S-Model	PA6023MM	[o]	20,3	BRE					
	66	11/01 → 04/06	●		PA6021MM	[o]	17	BRE	A00351	300			
	66	11/01 → 04/06	●		PA6023MM	[o]	20,3	BRE					
35 C 10 V, 35 S 10 V (AMJA14A1, AMJA64A1, AMJA65A1, ...)	70	09/02 → 04/06	●	C-Model; C-Model	PA6017MM	[o]	20,3	BRE	A00351	300			
	70	09/02 → 04/06	●	L+S-Model	PA6021MM	[o]	17	BRE	A00351	300			
	70	09/02 → 04/06	●	C-Model; C-Model	PA6017MM	[o]	20,3	BRE	A00351	300			
	70	09/02 → 04/06	●	L+S-Model	PA6023MM	[o]	20,3	BRE	A00351	300			
35 C 12, 35 S 12 (AEKA14A1, AEKA14AA, AEKA64A1, ...)	85	09/02 → 04/06	●	C-Model; C-Model	PA6017MM	[o]	20,3	BRE	A00351	300			
	85	09/02 → 04/06	●	L+S-Model	PA6021MM	[o]	17	BRE	A00351	300			
	85	09/02 → 04/06	●	C-Model; C-Model	PA6017MM	[o]	20,3	BRE	A00351	300			
	85	09/02 → 04/06	●	L+S-Model	PA6023MM	[o]	20,3	BRE	A00351	300			

	kw						wi	Th [mm]	SYS	WI			FK	
											LENGHT			

IVECO

DAILY III Platform/Chassis 03/98 → 10/09

35 C 14	100	09/04 → 04/06	●	C-Model; C-Model	PA6017MM	[O]	20,3	BRE	A00351	300				
	100	09/04 → 04/06	●	L+S-Model	PA6021MM	[O]	17	BRE	A00351	300				
	100	09/04 → 04/06	●	C-Model; C-Model	PA6017MM	[O]	20,3	BRE	A00351	300				
	100	09/04 → 04/06	●	L+S-Model	PA6023MM	[O]	20,3	BRE	A00351	300				
35 C 14, 35 S 14	100	01/05 → 04/06	●	C-Model; C-Model	PA6017MM	[O]	20,3	BRE	A00351	300				
	100	01/05 → 04/06	●	L+S-Model	PA6021MM	[O]	17	BRE	A00351	300				
	100	01/05 → 04/06	●	L+S-Model	PA6023MM	[O]	20,3	BRE	A00351	300				
	100	01/05 → 04/06	●	C-Model; C-Model	PA6017MM	[O]	20,3	BRE	A00351	300				
35 C 15	107	11/01 → 04/06	●	C-Model; C-Model	PA6017MM	[O]	20,3	BRE	A00351	300				
	107	11/01 → 04/06	●	L+S-Model	PA6021MM	[O]	17	BRE	A00351	300				
	107	11/01 → 04/06	●	C-Model; C-Model	PA6017MM	[O]	20,3	BRE	A00351	300				
	107	11/01 → 04/06	●	L+S-Model	PA6023MM	[O]	20,3	BRE	A00351	300				
35 C 17, 35 S 17	122	01/05 → 04/06	●	C-Model; C-Model	PA6017MM	[O]	20,3	BRE	A00351	300				
	122	01/05 → 04/06	●	L+S-Model	PA6021MM	[O]	17	BRE	A00351	300				
	122	01/05 → 04/06	●	C-Model; C-Model	PA6017MM	[O]	20,3	BRE	A00351	300				
	122	01/05 → 04/06	●	L+S-Model	PA6023MM	[O]	20,3	BRE	A00351	300				
35 C 9, 35 S 9	66	11/01 → 04/06	●	C-Model; C-Model	PA6017MM	[O]	20,3	BRE	A00351	300				
	66	11/01 → 04/06	●	L+S-Model	PA6021MM	[O]	17	BRE	A00351	300				
	66	11/01 → 04/06	●	C-Model; C-Model	PA6017MM	[O]	20,3	BRE	A00351	300				
	66	11/01 → 04/06	●	L+S-Model	PA6023MM	[O]	20,3	BRE	A00351	300				
35 S 11, 35 C 11 (A2FC13AA, A6FBU4AB, A2NB14A1, A2ND13A1, ...)	78	05/99 → 04/06	●	C-Model; C-Model	PA6017MM	[O]	20,3	BRE	A00351	300				
	78	05/99 → 04/06	●	L+S-Model	PA6021MM	[O]	17	BRE	A00351	300				
	78	05/99 → 04/06	●	C-Model; C-Model	PA6017MM	[O]	20,3	BRE	A00351	300				
	78	05/99 → 04/06	●	L+S-Model	PA6023MM	[O]	20,3	BRE	A00351	300				
35 S 13, 35 C 13	92	05/99 → 04/06	●	C-Model; C-Model	PA6017MM	[O]	20,3	BRE	A00351	300				
	92	05/99 → 04/06	●	L+S-Model	PA6021MM	[O]	17	BRE	A00351	300				
	92	05/99 → 04/06	●	C-Model; C-Model	PA6017MM	[O]	20,3	BRE	A00351	300				
	92	05/99 → 04/06	●	L+S-Model	PA6023MM	[O]	20,3	BRE	A00351	300				
35 S 9, 35 C 9	62	05/99 → 04/06	●	C-Model; C-Model	PA6017MM	[O]	20,3	BRE	A00351	300				
	62	05/99 → 04/06	●	L+S-Model	PA6021MM	[O]	17	BRE	A00351	300				
	62	05/99 → 04/06	●	C-Model; C-Model	PA6017MM	[O]	20,3	BRE	A00351	300				
	62	05/99 → 04/06	●	L+S-Model	PA6023MM	[O]	20,3	BRE	A00351	300				
40 C 13	92	05/99 → 04/06	●	C-Model; C-Model	PA6017MM	[O]	20,3	BRE	A00351	300				
	92	05/99 → 04/06	●	L+S-Model	PA6021MM	[O]	17	BRE	A00351	300				
	92	05/99 → 04/06	●	L+S-Model	PA6023MM	[O]	20,3	BRE	A00351	300				
	92	05/99 → 04/06	●	C-Model; C-Model	PA6017MM	[O]	20,3	BRE	A00351	300				
40 C 14	100	01/05 → 04/06	●	C-Model; C-Model	PA6017MM	[O]	20,3	BRE	A00351	300				
	100	01/05 → 04/06	●	L+S-Model	PA6021MM	[O]	17	BRE	A00351	300				
	100	01/05 → 04/06	●	L+S-Model	PA6023MM	[O]	20,3	BRE	A00351	300				
	100	01/05 → 04/06	●	C-Model; C-Model	PA6017MM	[O]	20,3	BRE	A00351	300				
	100	09/04 → 04/06	●	L+S-Model	PA6021MM	[O]	17	BRE	A00351	300				
	100	09/04 → 04/06	●	C-Model; C-Model	PA6017MM	[O]	20,3	BRE	A00351	300				
	100	09/04 → 04/06	●	L+S-Model	PA6023MM	[O]	20,3	BRE	A00351	300				
40 C 15	107	11/01 → 04/06	●	C-Model; C-Model	PA6017MM	[O]	20,3	BRE	A00351	300				
	107	11/01 → 04/06	●	L+S-Model	PA6021MM	[O]	17	BRE	A00351	300				
	107	11/01 → 04/06	●	C-Model; C-Model	PA6017MM	[O]	20,3	BRE	A00351	300				
	107	11/01 → 04/06	●	L+S-Model	PA6023MM	[O]	20,3	BRE	A00351	300				
40 C 17, 40 S 17	122	01/05 → 04/06	●	L+S-Model	PA6021MM	[O]	17	BRE	A00351	300				
	122	01/05 → 04/06	●	C-Model; C-Model	PA6017MM	[O]	20,3	BRE	A00351	300				
	122	01/05 → 04/06	●	C-Model; C-Model	PA6017MM	[O]	20,3	BRE	A00351	300				
	122	01/05 → 04/06	●	L+S-Model	PA6023MM	[O]	20,3	BRE	A00351	300				

										WI			FK	
		kw				MAGNETI MARELLI	MAGNETI MARELLI	Th [mm]	SYS	MAGNETI MARELLI	LENGHT		MAGNETI MARELLI	

IVECO

DAILY III Platform/Chassis 03/98 → 10/09

50 C 11	78 05/99 → 04/06	●	L+S-Model	PA6021MM	[o]	17	BRE	A00351	300				
	78 05/99 → 04/06	●	C-Model; C-Model	PA6017MM	[o]	20,3	BRE	A00351	300				
	78 05/99 → 04/06	●	L+S-Model	PA6023MM	[o]	20,3	BRE	A00351	300				
	78 05/99 → 04/06	●	C-Model; C-Model	PA6017MM	[o]	20,3	BRE	A00351	300				
50 C 13	92 05/99 → 04/06	●	C-Model; C-Model	PA6017MM	[o]	20,3	BRE	A00351	300				
	92 05/99 → 04/06	●	L+S-Model	PA6021MM	[o]	17	BRE	A00351	300				
	92 05/99 → 04/06	●	L+S-Model	PA6023MM	[o]	20,3	BRE	A00351	300				
	92 05/99 → 04/06	●	C-Model; C-Model	PA6017MM	[o]	20,3	BRE	A00351	300				
50 C 14	100 09/04 → 04/06	●	C-Model; C-Model	PA6017MM	[o]	20,3	BRE	A00351	300				
	100 09/04 → 04/06	●	L+S-Model	PA6021MM	[o]	17	BRE	A00351	300				
	100 09/04 → 04/06	●	C-Model; C-Model	PA6017MM	[o]	20,3	BRE	A00351	300				
	100 09/04 → 04/06	●	L+S-Model	PA6023MM	[o]	20,3	BRE	A00351	300				
50 C 15	107 01/01 → 04/06	●	C-Model; C-Model	PA6017MM	[o]	20,3	BRE	A00351	300				
	107 01/01 → 04/06	●	L+S-Model	PA6021MM	[o]	17	BRE	A00351	300				
	107 01/01 → 04/06	●	C-Model; C-Model	PA6017MM	[o]	20,3	BRE	A00351	300				
	107 01/01 → 04/06	●	L+S-Model	PA6023MM	[o]	20,3	BRE	A00351	300				
50 C 17	122 09/04 → 04/06	●	C-Model; C-Model	PA6017MM	[o]	20,3	BRE	A00351	300				
	122 09/04 → 04/06	●	L+S-Model	PA6021MM	[o]	17	BRE	A00351	300				
	122 09/04 → 04/06	●	C-Model; C-Model	PA6017MM	[o]	20,3	BRE	A00351	300				
	122 09/04 → 04/06	●	L+S-Model	PA6023MM	[o]	20,3	BRE	A00351	300				
65 C 14	100 09/04 → 04/06	●		PA6022MM	[o]	19,9	BRE	A00351	300				
	100 09/04 → 04/06	●		PA6017MM	[o]	20,3	BRE	A00351	300				
65 C 15	107 11/01 → 04/06	●		PA6022MM	[o]	19,9	BRE	A00351	300				
	107 11/01 → 04/06	●		PA6017MM	[o]	20,3	BRE	A00351	300				
65 C 17	122 09/04 → 04/06	●		PA6022MM	[o]	19,9	BRE	A00351	300				
	122 09/04 → 04/06	●		PA6017MM	[o]	20,3	BRE	A00351	300				

DAILY IV Box Body / Estate 05/06 → 03/12

29L10 V	70 05/06 → 08/11	●		PA6026MM	[o]	21,4	BRE	A00408	130				
	70 05/06 → 08/11	●	C-Model	PA6027MM	[o]	21	BRE						
	70 05/06 → 08/11	●	L+S-Model	PA6023MM	[o]	20,3	BRE						
29L12 V, 29L12 V/P	85 05/06 → 08/11	●		PA6026MM	[o]	21,4	BRE	A00408	130				
	85 05/06 → 08/11	●	C-Model	PA6027MM	[o]	21	BRE						
	85 05/06 → 08/11	●	L+S-Model	PA6023MM	[o]	20,3	BRE						
29L14 C, 29L14 C/P, 29L14 V, 29L14 V/P	100 05/06 → 08/11	●		PA6026MM	[o]	21,4	BRE	A00408	130				
	100 05/06 → 08/11	●	C-Model	PA6027MM	[o]	21	BRE	A00410	250	C-Model			
	100 05/06 → 08/11	●	L+S-Model	PA6023MM	[o]	20,3	BRE	A00410	250	C-Model			
35C10, 35S10	70 05/06 → 08/11	●		PA6026MM	[o]	21,4	BRE	A00408	130				
	70 05/06 → 08/11	●	C-Model	PA6027MM	[o]	21	BRE	A00410	250				
	70 05/06 → 08/11	●	L+S-Model	PA6023MM	[o]	20,3	BRE	A00410	250				
35C11 V, 35S11 V	78 07/07 → 08/11	●		PA6026MM	[o]	21,4	BRE	A00408	130				
	78 07/07 → 08/11	●	C-Model	PA6027MM	[o]	21	BRE	A00410	250	C-Model			
	78 07/07 → 08/11	●	L+S-Model	PA6023MM	[o]	20,3	BRE	A00410	250	C-Model			
35C12 V, 35C12 V/P, 35S12 V, 35S12 V/P	85 05/06 → 08/11	●		PA6026MM	[o]	21,4	BRE	A00408	130				
	85 05/06 → 08/11	●	C-Model	PA6027MM	[o]	21	BRE	A00410	250				
	85 05/06 → 08/11	●	L+S-Model	PA6023MM	[o]	20,3	BRE	A00410	250				
35C13 V, 35C13 V/P, 35S13 V, 35S13 V/P	93 07/07 → 08/11	●		PA6026MM	[o]	21,4	BRE	A00408	130				
	93 07/07 → 08/11	●	C-Model	PA6027MM	[o]	21	BRE	A00410	250	C-Model			
	93 07/07 → 08/11	●	L+S-Model	PA6023MM	[o]	20,3	BRE	A00410	250	C-Model			
35C14 GV, 35C14 GV/P, 35S14 GV, 35S14 GV/P	100 07/07 → 08/11	●		PA6026MM	[o]	21,4	BRE	A00408	130				
	100 07/07 → 08/11	●	C-Model	PA6027MM	[o]	21	BRE	A00410	250	C-Model			
	100 07/07 → 08/11	●	L+S-Model	PA6023MM	[o]	20,3	BRE	A00410	250	C-Model			

IVECO

DAILY IV Box Body / Estate 05/06 → 03/12

35C14 V, 35C14 V/P, 35S14 V, 35S14 V/P	103	07/07 → 08/11	●		PA6026MM	[O]	21,4	BRE	A00408	130		
	103	07/07 → 08/11		● C-Model	PA6027MM	[O]	21	BRE	A00410	250	C-Model	
	103	07/07 → 08/11		● L+S-Model	PA6023MM	[O]	20,3	BRE	A00410	250	C-Model	
35C15 V, 35C15 V/P	107	05/06 → 08/11	●		PA6026MM	[O]	21,4	BRE	A00408	130		
	107	05/06 → 08/11		● C-Model	PA6027MM	[O]	21	BRE	A00410	250		
	107	05/06 → 08/11		● L+S-Model	PA6023MM	[O]	20,3	BRE	A00410	250		
35C17 V, 35C17 V/P, 35S17 V, 35S17 V/P	125	07/07 → 08/11	●		PA6026MM	[O]	21,4	BRE	A00408	130		
	125	07/07 → 08/11		● C-Model	PA6027MM	[O]	21	BRE	A00410	250	C-Model	
	125	07/07 → 08/11		● L+S-Model	PA6023MM	[O]	20,3	BRE	A00410	250	C-Model	
35C18 V, 35C18 V/P, 35S18 V, 35S18 V/P	130	05/06 → 08/11	●		PA6026MM	[O]	21,4	BRE	A00408	130		
	130	05/06 → 08/11		● C-Model	PA6027MM	[O]	21	BRE	A00410	250		
	130	05/06 → 08/11		● L+S-Model	PA6023MM	[O]	20,3	BRE	A00410	250		
35S14 C, 35S14 C/P, 35S14 V, 35S14 V/P, 35C14 V, ...	100	05/06 → 08/11	●		PA6026MM	[O]	21,4	BRE	A00408	130		
	100	05/06 → 08/11		● C-Model	PA6027MM	[O]	21	BRE	A00410	250		
	100	05/06 → 08/11		● L+S-Model	PA6023MM	[O]	20,3	BRE	A00410	250		
35S15	110	06/06 → 08/11	●		PA6026MM	[O]	21,4	BRE	A00408	130		
	110	06/06 → 08/11		●	PA6023MM	[O]	20,3	BRE				
40C10 V	70	05/06 → 08/11	●		PA6026MM	[O]	21,4	BRE	A00408	130		
	70	05/06 → 08/11		●	PA6027MM	[O]	21	BRE	A00410	250		
40C11 V	78	07/07 → 08/11	●		PA6026MM	[O]	21,4	BRE	A00408	130		
	78	07/07 → 08/11		●	PA6027MM	[O]	21	BRE	A00410	250		
40C12 V, 40C14 V/P	85	05/06 → 08/11	●		PA6026MM	[O]	21,4	BRE	A00408	130		
	85	05/06 → 08/11		●	PA6027MM	[O]	21	BRE	A00410	250		
40C13 V, 40C13 V/P	93	07/07 → 08/11	●		PA6026MM	[O]	21,4	BRE	A00408	130		
	93	07/07 → 08/11		●	PA6027MM	[O]	21	BRE	A00410	250		
40C14 GV, 40C14 GV/P	100	07/07 → 08/11	●		PA6026MM	[O]	21,4	BRE	A00408	130		
	100	07/07 → 08/11		●	PA6027MM	[O]	21	BRE	A00410	250		
40C14 V, 40C14 V/P	103	07/07 → 08/11	●		PA6026MM	[O]	21,4	BRE	A00408	130		
	103	07/07 → 08/11		●	PA6027MM	[O]	21	BRE	A00410	250		
40C15 V, 40C15 V/P	107	05/06 → 08/11	●		PA6026MM	[O]	21,4	BRE	A00408	130		
	107	05/06 → 08/11		●	PA6027MM	[O]	21	BRE	A00410	250		
40C17 V, 40C17 V/P	125	07/07 → 08/11	●		PA6026MM	[O]	21,4	BRE	A00408	130		
	125	07/07 → 08/11		●	PA6027MM	[O]	21	BRE	A00410	250		
40C18 V, 40C18 V/P	130	05/06 → 08/11	●		PA6026MM	[O]	21,4	BRE	A00408	130		
	130	05/06 → 08/11		●	PA6027MM	[O]	21	BRE	A00410	250		
45C15 V	107	05/06 → 08/11	●		PA6026MM	[O]	21,4	BRE	A00408	130		
	107	05/06 → 08/11		●	PA6027MM	[O]	21	BRE	A00410	250		
45C17 V, 45C17 V/P	125	07/07 → 08/11	●		PA6026MM	[O]	21,4	BRE	A00408	130		
	125	07/07 → 08/11		●	PA6027MM	[O]	21	BRE	A00410	250		
45C18	130	05/06 → 08/11	●		PA6026MM	[O]	21,4	BRE	A00408	130		
	130	05/06 → 08/11		●	PA6027MM	[O]	21	BRE	A00410	250		
50C14 GV, 50C14 GV/P	100	07/07 → 08/11	●		PA6026MM	[O]	21,4	BRE	A00408	130		
	100	07/07 → 08/11		●	PA6027MM	[O]	21	BRE	A00410	250		
50C14 V, 50C14 V/P	103	07/07 → 08/11	●		PA6026MM	[O]	21,4	BRE	A00408	130		
	103	07/07 → 08/11		●	PA6027MM	[O]	21	BRE	A00410	250		
50C15 V, 50C15 V/P	107	05/06 → 08/11	●		PA6026MM	[O]	21,4	BRE	A00408	130		
	107	05/06 → 08/11		●	PA6027MM	[O]	21	BRE	A00410	250		
50C17 V, 50C17 V/P	125	07/07 → 08/11	●		PA6026MM	[O]	21,4	BRE	A00408	130		
	125	07/07 → 08/11		●	PA6027MM	[O]	21	BRE	A00410	250		

	kw									LENGHT			

IVECO

DAILY IV Box Body / Estate 05/06 → 03/12

50C18 V, 50C18 V/P	130	05/06 → 08/11	●		PA6026MM	[o]	21,4	BRE	A00408	130		
	130	05/06 → 08/11	●		PA6017MM	[o]	20,3	BRE				
	130	05/06 → 08/11	●		PA6027MM	[o]	21	BRE				
55C17	125	08/07 → 03/12	●		PA6026MM	[o]	21,4	BRE				
	125	08/07 → 03/12	●		P56069MM	[+]	20,3	BRE				
	125	08/07 → 03/12	●		PA6017MM	[o]	20,3	BRE				
	125	08/07 → 03/12	●		PA6027MM	[o]	21	BRE				
60C15 V	107	05/06 → 08/11	●		PA6025MM	[o]	22	BRE	A00408	130		
	107	05/06 → 08/11	●		PA6027MM	[o]	21	BRE	A00410	250		
60C17 V, 60C17 V/P	125	07/07 → 08/11	●		PA6026MM	[o]	21,4	BRE	A00408	130		
	125	07/07 → 08/11	●		PA6027MM	[o]	21	BRE	A00410	250		
60C18	130	05/06 → 08/11	●		PA6025MM	[o]	22	BRE	A00408	130		
	130	05/06 → 08/11	●		PA6027MM	[o]	21	BRE	A00410	250		
65C14 V, 65C14 V/P	103	07/07 → 08/11	●		PA6026MM	[o]	21,4	BRE	A00408	130		
	103	07/07 → 08/11	●		PA6027MM	[o]	21	BRE	A00410	250		
65C15	107	05/06 → 08/11	●		PA6026MM	[o]	21,4	BRE	A00408	130		
	107	05/06 → 08/11	●		PA6027MM	[o]	21	BRE	A00410	250		
65C17 V, 65C17 V/P	125	07/07 → 08/11	●		PA6026MM	[o]	21,4	BRE	A00408	130		
	125	07/07 → 08/11	●		PA6027MM	[o]	21	BRE	A00410	250		
65C18	130	05/06 → 08/11	●		PA6025MM	[o]	22	BRE	A00408	130		
	130	05/06 → 08/11	●		PA6027MM	[o]	21	BRE	A00410	250		
70C14 V, 70C14 V/P	103	07/07 → 08/11	●		PA6026MM	[o]	21,4	BRE	A00408	130		
	103	07/07 → 08/11	●		PA6027MM	[o]	21	BRE	A00410	250		
70C17V, 70C17 V/P	125	07/07 → 08/11	●		PA6026MM	[o]	21,4	BRE	A00408	130		
	125	07/07 → 08/11	●		PA6027MM	[o]	21	BRE	A00410	250		

DAILY IV Bus 05/06 → 08/11

35S14 G	100	07/09 → 08/11	●		PA6026MM	[o]	21,4	BRE	A00408	130		
	100	07/09 → 08/11	●		PA6023MM	[o]	20,3	BRE				
35S14, 35S14 /P	100	05/06 → 08/11	●		PA6026MM	[o]	21,4	BRE	A00408	130		
	100	05/06 → 08/11	●		PA6023MM	[o]	20,3	BRE				

DAILY IV Dumptruck 05/06 → 08/11

35C10 K	70	05/06 → 08/11	●		PA6026MM	[o]	21,4	BRE	A00408	130		
	70	05/06 → 08/11	●		PA6027MM	[o]	21	BRE	A00410	250		
35C11 K, 35C11 DK, 35S11 K, 35S11 DK	78	07/07 → 08/11	●		PA6026MM	[o]	21,4	BRE	A00408	130		
	78	07/07 → 08/11	●	C-Model	PA6027MM	[o]	21	BRE	A00410	250	C-Model	
	78	07/07 → 08/11	●	L+S-Model	PA6023MM	[o]	20,3	BRE	A00410	250	C-Model	
35C12	85	05/06 → 08/11	●		PA6026MM	[o]	21,4	BRE	A00408	130		
	85	05/06 → 08/11	●		PA6027MM	[o]	21	BRE	A00410	250		
35C13 K, 35C13 DK, 35S13 K, 35S13 DK	93	07/07 → 08/11	●		PA6026MM	[o]	21,4	BRE	A00408	130		
	93	07/07 → 08/11	●	C-Model	PA6027MM	[o]	21	BRE	A00410	250	C-Model	
	93	07/07 → 08/11	●	L+S-Model	PA6023MM	[o]	20,3	BRE	A00410	250	C-Model	
35C14 K, 35C14 DK, 35S14 K, 35S14 DK	103	07/07 → 08/11	●		PA6026MM	[o]	21,4	BRE	A00408	130		
	103	07/07 → 08/11	●	C-Model	PA6027MM	[o]	21	BRE	A00410	250	C-Model	
	103	07/07 → 08/11	●	L+S-Model	PA6023MM	[o]	20,3	BRE	A00410	250	C-Model	
35C15	107	05/06 → 08/11	●		PA6026MM	[o]	21,4	BRE	A00408	130		
	107	05/06 → 08/11	●		PA6027MM	[o]	21	BRE	A00410	250		
35C17 K, 35C17 DK, 35S17 K, 35S17 DK	125	07/07 → 08/11	●		PA6026MM	[o]	21,4	BRE	A00408	130		
	125	07/07 → 08/11	●	C-Model	PA6027MM	[o]	21	BRE	A00410	250	C-Model	
	125	07/07 → 08/11	●	L+S-Model	PA6023MM	[o]	20,3	BRE	A00410	250	C-Model	
35C18	130	05/06 → 08/11	●		PA6026MM	[o]	21,4	BRE	A00408	130		
	130	05/06 → 08/11	●		PA6027MM	[o]	21	BRE	A00410	250		

IVECO

DAILY IV Dumptruck 05/06 → 08/11

35S14 K, 35S14 DK	100	07/07 → 08/11	●			PA6026MM	[O]	21,4	BRE	A00408	130			
40C14 K, 40C14 DK	103	07/07 → 08/11	●			PA6026MM	[O]	21,4	BRE	A00408	130			
40C17 K, 40C17 DK	125	07/07 → 08/11	●			PA6026MM	[O]	21,4	BRE	A00408	130			
50C14 K, 50C14 DK	103	07/07 → 08/11	●			PA6026MM	[O]	21,4	BRE	A00408	130			
50C15	107	05/06 → 08/11	●			PA6026MM	[O]	21,4	BRE	A00408	130			
50C17 K, 50C17 DK	125	07/07 → 08/11	●			PA6026MM	[O]	21,4	BRE	A00408	130			
50C18	130	05/06 → 08/11	●			PA6026MM	[O]	21,4	BRE	A00408	130			
60C14 K, 60C14 DK	103	07/07 → 08/11	●			PA6026MM	[O]	21,4	BRE	A00408	130			
60C15	107	05/06 → 08/11	●			PA6026MM	[O]	21,4	BRE	A00408	130			
60C17 K, 60C17 DK	125	07/07 → 08/11	●			PA6026MM	[O]	21,4	BRE	A00408	130			
60C18	130	05/06 → 08/11	●			PA6025MM	[O]	22	BRE	A00408	130			
65C14 K, 65C14 DK	103	07/07 → 08/11	●			PA6026MM	[O]	21,4	BRE	A00408	130			
65C17 K, 65C17 DK, 65C17KK	125	07/07 → 08/11	●			PA6026MM	[O]	21,4	BRE	A00408	130			
70C14 K, 70C14 DK, 70C14 KK	103	07/07 → 08/11	●			PA6026MM	[O]	21,4	BRE	A00408	130			
70C17 K, 70C17 DK, 70C17 KK	125	07/07 → 08/11	●			PA6026MM	[O]	21,4	BRE	A00408	130			

DAILY IV Platform/Chassis 05/06 → 09/11

29L10	70	05/06 → 08/11	●			PA6026MM	[O]	21,4	BRE	A00408	130			
29L12	85	05/06 → 08/11	●			PA6026MM	[O]	21,4	BRE	A00408	130			
29L14	100	05/06 → 08/11	●			PA6026MM	[O]	21,4	BRE	A00408	130			
35C10, 35S10	70	05/06 → 08/11	●			PA6026MM	[O]	21,4	BRE	A00408	130			
	70	05/06 → 08/11	●		C-Model	PA6027MM	[O]	21	BRE	A00410	250		C-Model	
	70	05/06 → 08/11	●		L+S-Model	PA6023MM	[O]	20,3	BRE	A00410	250		C-Model	
35C11, 35S11, 35S11 D, 35S11 /P	78	07/07 → 08/11	●			PA6026MM	[O]	21,4	BRE	A00408	130			
	78	07/07 → 08/11	●		C-Model	PA6027MM	[O]	21	BRE	A00410	250		C-Model	
	78	07/07 → 08/11	●		L+S-Model	PA6023MM	[O]	20,3	BRE	A00410	250		C-Model	
35C12, 35S12	85	05/06 → 08/11	●			PA6026MM	[O]	21,4	BRE	A00408	130			
	85	05/06 → 08/11	●		C-Model	PA6027MM	[O]	21	BRE	A00410	250		C-Model	
	85	05/06 → 08/11	●		L+S-Model	PA6023MM	[O]	20,3	BRE	A00410	250		C-Model	



IVECO
DAILY IV Platform/Chassis 05/06 → 09/11

	kW				MAGNETI MARELLI	Wi	Th [mm]	SYS	WI			FK	
									MAGNETI MARELLI	LENGHT		MAGNETI MARELLI	
35C13, 35C13 /P, 35S13 D, 35S13, 35S13 /P	93	07/07 → 08/11	●		PA6026MM	[o]	21,4	BRE	A00408	130			
	93	07/07 → 08/11	●	C-Model	PA6027MM	[o]	21	BRE	A00410	250	C-Model		
	93	07/07 → 08/11	●	L+S-Model	PA6023MM	[o]	20,3	BRE	A00410	250	C-Model		
35C14 G, 35C14 G/P, 35S14 G, 35S14 G/P, 35C14 GD, ...	100	07/07 → 08/11	●		PA6026MM	[o]	21,4	BRE	A00408	130			
	100	07/07 → 08/11	●	C-Model	PA6027MM	[o]	21	BRE	A00410	250	C-Model		
	100	07/07 → 08/11	●	L+S-Model	PA6023MM	[o]	20,3	BRE	A00410	250	C-Model		
35C14, 35C14 /P, 35S14, 35S14 /P, 35S14 D, 35S14 D/P	103	07/07 → 08/11	●		PA6026MM	[o]	21,4	BRE	A00408	130			
	103	07/07 → 08/11	●	C-Model	PA6027MM	[o]	21	BRE	A00410	250	C-Model		
	103	07/07 → 08/11	●	L+S-Model	PA6023MM	[o]	20,3	BRE	A00410	250	C-Model		
35C14, 35S14, 35S14 /P	100	05/06 → 08/11	●		PA6026MM	[o]	21,4	BRE	A00408	130			
	100	05/06 → 08/11	●	C-Model	PA6027MM	[o]	21	BRE	A00410	250	C-Model		
	100	05/06 → 08/11	●	L+S-Model	PA6023MM	[o]	20,3	BRE	A00410	250	C-Model		
35C15	107	05/06 → 08/11	●		PA6026MM	[o]	21,4	BRE	A00408	130			
	107	05/06 → 08/11	●		PA6027MM	[o]	21	BRE	A00410	250			
35C17, 35C17 /P, 35S17, 35S17 /P, 35S17 D	125	07/07 → 08/11	●		PA6026MM	[o]	21,4	BRE	A00408	130			
	125	07/07 → 08/11	●	C-Model	PA6027MM	[o]	21	BRE	A00410	250	C-Model		
	125	07/07 → 08/11	●	L+S-Model	PA6023MM	[o]	20,3	BRE	A00410	250	C-Model		
35C18, 35S18	130	05/06 → 08/11	●		PA6026MM	[o]	21,4	BRE	A00408	130			
	130	05/06 → 08/11	●	C-Model	PA6027MM	[o]	21	BRE	A00410	250	C-Model		
	130	05/06 → 08/11	●	L+S-Model	PA6023MM	[o]	20,3	BRE	A00410	250	C-Model		
35S17 W, 35S17 WD	125	07/07 → 08/11	●		PA6026MM	[o]	21,4	BRE	A00408	130			
	125	07/07 → 08/11	●		PA6023MM	[o]	20,3	BRE					
40C10	70	05/06 → 08/11	●		PA6026MM	[o]	21,4	BRE	A00408	130			
	70	05/06 → 08/11	●		PA6027MM	[o]	21	BRE	A00410	250			
40C11, 40C11 D	78	07/07 → 08/11	●		PA6026MM	[o]	21,4	BRE	A00408	130			
	78	07/07 → 08/11	●		PA6027MM	[o]	21	BRE	A00410	250			
40C12	85	05/06 → 08/11	●		PA6026MM	[o]	21,4	BRE	A00408	130			
	85	05/06 → 08/11	●		PA6027MM	[o]	21	BRE	A00410	250			
40C13, 40C13 /P	93	07/07 → 08/11	●		PA6026MM	[o]	21,4	BRE	A00408	130			
	93	07/07 → 08/11	●		PA6027MM	[o]	21	BRE	A00410	250			
40C14 G, 40C14 G/P	100	07/07 → 08/11	●		PA6026MM	[o]	21,4	BRE	A00408	130			
	100	07/07 → 08/11	●		PA6027MM	[o]	21	BRE	A00410	250			
40C14, 40C14 /P	103	07/07 → 08/11	●		PA6026MM	[o]	21,4	BRE	A00408	130			
	103	07/07 → 08/11	●		PA6027MM	[o]	21	BRE	A00410	250			
40C15	107	05/06 → 08/11	●		PA6026MM	[o]	21,4	BRE	A00408	130			
	107	05/06 → 08/11	●		PA6027MM	[o]	21	BRE	A00410	250			
40C17, 40C17 /P	125	07/07 → 08/11	●		PA6026MM	[o]	21,4	BRE	A00408	130			
	125	07/07 → 08/11	●		PA6027MM	[o]	21	BRE	A00410	250			
40C18	130	05/06 → 08/11	●		PA6026MM	[o]	21,4	BRE	A00408	130			
	130	05/06 → 08/11	●		PA6027MM	[o]	21	BRE	A00410	250			
45C14, 45C14 /P	103	07/07 → 08/11	●		PA6026MM	[o]	21,4	BRE	A00408	130			
	103	07/07 → 08/11	●		PA6027MM	[o]	21	BRE	A00410	250			
45C15	107	05/06 → 08/11	●		PA6026MM	[o]	21,4	BRE	A00408	130			
	107	05/06 → 08/11	●		PA6027MM	[o]	21	BRE	A00410	250			
45C17, 45C17 /P	125	07/07 → 08/11	●		PA6026MM	[o]	21,4	BRE	A00408	130			
	125	07/07 → 08/11	●		PA6027MM	[o]	21	BRE	A00410	250			

IVECO
DAILY IV Platform/Chassis 05/06 → 09/11

45C18, 45C18 /P, 45C18 D, 45C18 D/P	130	05/06 → 08/11	•						PA6026MM	[O]	21,4	BRE	A00408	130			
	130	05/06 → 08/11		•					PA6027MM	[O]	21	BRE	A00410	250			
50C14 G, 50C14 G/P, 50C14 GD, 50C14 GD/P	100	07/07 → 08/11	•						PA6026MM	[O]	21,4	BRE	A00408	130			
	100	07/07 → 08/11		•					PA6027MM	[O]	21	BRE	A00410	250			
50C14, 50C14 /P	103	07/07 → 08/11	•						PA6026MM	[O]	21,4	BRE	A00408	130			
	103	07/07 → 08/11		•					PA6027MM	[O]	21	BRE	A00410	250			
50C15	107	05/06 → 08/11	•						PA6026MM	[O]	21,4	BRE	A00408	130			
	107	05/06 → 08/11		•					PA6027MM	[O]	21	BRE	A00410	250			
50C17, 50C17 /P	125	07/07 → 08/11	•						PA6026MM	[O]	21,4	BRE	A00408	130			
	125	07/07 → 08/11		•					PA6027MM	[O]	21	BRE	A00410	250			
50C18	130	05/06 → 08/11	•						PA6026MM	[O]	21,4	BRE	A00408	130			
	130	05/06 → 08/11		•					PA6017MM	[O]	20,3	BRE					
55S17 W, 55S17 WD	125	07/07 → 08/11	•						PA6026MM	[O]	21,4	BRE	A00408	130			
	125	07/07 → 08/11		•					PA6023MM	[O]	20,3	BRE					
60C14, 60C14 /P	103	07/07 → 08/11	•						PA6026MM	[O]	21,4	BRE	A00408	130			
	103	07/07 → 08/11		•					PA6027MM	[O]	21	BRE	A00410	250			
60C15, 60C15 /P, 60C15 D, 60C15 D/P	107	05/06 → 08/11	•						PA6026MM	[O]	21,4	BRE	A00408	130			
	107	05/06 → 08/11		•					PA6027MM	[O]	21	BRE	A00410	250			
60C17, 60C17 /P	125	07/07 → 08/11	•						PA6026MM	[O]	21,4	BRE	A00408	130			
	125	07/07 → 08/11		•					PA6027MM	[O]	21	BRE	A00410	250			
60C18	130	05/06 → 08/11	•						PA6025MM	[O]	22	BRE	A00408	130			
	130	05/06 → 08/11		•					PA6027MM	[O]	21	BRE	A00410	250			
65C14 G, 65C14 G/P, 65C14 GD, 65C14 GD/P	100	07/07 → 08/11	•						PA6026MM	[O]	21,4	BRE	A00408	130			
	100	07/07 → 08/11		•					PA6027MM	[O]	21	BRE	A00410	250			
65C14, 65C14 /P	103	07/07 → 08/11	•						PA6026MM	[O]	21,4	BRE	A00408	130			
	103	07/07 → 08/11		•					PA6027MM	[O]	21	BRE	A00410	250			
65C15, 65C15 /P, 65C15 D, 65C15 D/P	107	05/06 → 08/11	•						PA6026MM	[O]	21,4	BRE	A00408	130			
	107	05/06 → 08/11		•					PA6027MM	[O]	21	BRE	A00410	250			
65C17, 65C17 /P	125	07/07 → 08/11	•						PA6026MM	[O]	21,4	BRE	A00408	130			
	125	07/07 → 08/11		•					PA6027MM	[O]	21	BRE	A00410	250			
65C18	130	05/06 → 08/11	•						PA6025MM	[O]	22	BRE	A00408	130			
	130	05/06 → 08/11		•					PA6027MM	[O]	21	BRE	A00410	250			
70C14, 70C14 /P	103	07/07 → 08/11	•						PA6026MM	[O]	21,4	BRE	A00408	130			
	103	07/07 → 08/11		•					PA6027MM	[O]	21	BRE	A00410	250			
70C15	107	07/08 → 08/11	•						PA6026MM	[O]	21,4	BRE	A00408	130			
	107	07/08 → 08/11		•					PA6027MM	[O]	21	BRE	A00410	250			
70C17, 70C17 /P	125	07/07 → 08/11	•						PA6026MM	[O]	21,4	BRE	A00408	130			
	125	07/07 → 08/11		•					PA6027MM	[O]	21	BRE	A00410	250			

DAILY LINE Bus 06/14 →

40C15, 50C15, 60C15	107	06/14 → 10/16	•						PA6026MM	[O]	21,4	BRE					
	107	06/14 → 10/16		•	C-Model				PA6027MM	[O]	21	BRE	A00409	300	C-Model		
	107	06/14 → 10/16		•	S-Model				PA6023MM	[O]	20,3	BRE	A00409	300	C-Model		
40C17, 50C17, 60C17	125	06/14 → 10/16	•						PA6026MM	[O]	21,4	BRE					
	125	06/14 → 10/16		•	S-Model				PA6023MM	[O]	20,3	BRE	A00409	300	C-Model		
	125	06/14 → 10/16		•	C-Model				PA6027MM	[O]	21	BRE	A00409	300	C-Model		



WI

FK



LENGTH



IVECO

DAILY LINE Bus 06/14 →

50C/E	80	10/15 →	●		PA6026MM	[o]	21,4	BRE					
	80	10/15 →		● C-Model	PA6027MM	[o]	21	BRE	A00409	300	C-Model		
	80	10/15 →		● S-Model	PA6023MM	[o]	20,3	BRE	A00409	300	C-Model		
50C14 Natural Power	100	06/14 →	●		PA6026MM	[o]	21,4	BRE					
	100	06/14 →		● S-Model	PA6023MM	[o]	20,3	BRE	A00409	300	C-Model		
	100	06/14 →		● C-Model	PA6027MM	[o]	21	BRE	A00409	300	C-Model		

DAILY TOURYS Bus 06/14 →

50C17, 65C17	125	06/14 → 10/16	●		PA6026MM	[o]	21,4	BRE					
	125	06/14 → 10/16		● C-Model	PA6027MM	[o]	21	BRE	A00409	300	C-Model		
	125	06/14 → 10/16		● S-Model	PA6023MM	[o]	20,3	BRE	A00409	300	C-Model		

DAILY V Box Body / Estate 09/11 → 02/14

29L11 V, 35C11 V, 35S11 V, 40C11 V	78	09/11 → 02/14	●		PA6026MM	[o]	21,4	BRE	A00408	130			
	78	09/11 → 02/14		● C-Model	PA6027MM	[o]	21	BRE	A00410	250	C-Model		
	78	09/11 → 02/14		● L+S-Model	PA6023MM	[o]	20,3	BRE	A00410	250	C-Model		
29L13 V, 35C13 V, 35S13 V, 40C13 V, 40S13 V	93	09/11 → 02/14	●		PA6026MM	[o]	21,4	BRE	A00408	130			
	93	09/11 → 02/14		● C-Model	PA6027MM	[o]	21	BRE	A00410	250	C-Model		
	93	09/11 → 02/14		● L+S-Model	PA6023MM	[o]	20,3	BRE	A00410	250	C-Model		
29L15 V, 35C15 V, 40C15 V, 50C15 V	107	09/11 → 02/14	●		PA6026MM	[o]	21,4	BRE	A00408	130			
	107	09/11 → 02/14		● C-Model	PA6027MM	[o]	21	BRE	A00410	250	C-Model		
	107	09/11 → 02/14		● L+S-Model	PA6023MM	[o]	20,3	BRE	A00410	250	C-Model		
35 S 14	110	04/12 → 02/14	●		PA6026MM	[o]	21,4	BRE	A00408	130			
	110	04/12 → 02/14		●	PA6023MM	[o]	20,3	BRE	A00410	250			
35C15 V, 40C15 V	107	09/11 → 02/14	●		PA6026MM	[o]	21,4	BRE	A00408	130			
	107	09/11 → 02/14		● C-Model	PA6027MM	[o]	21	BRE	A00410	250			
35C17 V, 35S17 V, 40C17 V, 45C17 V, 50C17 V, 60C17 V	125	09/11 → 02/14	●		PA6026MM	[o]	21,4	BRE	A00408	130			
	125	09/11 → 02/14		● S-Model	PA6023MM	[o]	20,3	BRE	A00409	300			
	125	09/11 → 02/14		● C-Model	PA6027MM	[o]	21	BRE	A00409	300			
35C21 V, 35S21 V, 40C21 V, 45C21 V, 50C21 V	150	09/11 → 02/14	●		PA6026MM	[o]	21,4	BRE	A00408	130			
	150	09/11 → 02/14		● C-Model	PA6027MM	[o]	21	BRE	A00409	300	C-Model		
	150	09/11 → 02/14		● L+S-Model	PA6023MM	[o]	20,3	BRE	A00409	300	C-Model		
35S, 35C Electric	60	09/11 → 02/14	●		PA6026MM	[o]	21,4	BRE	A00408	130			
	60	09/11 → 02/14		●	PA6023MM	[o]	20,3	BRE					
	60	09/11 → 02/14		● C-Model	PA6027MM	[o]	21	BRE					
50 C Electric	80	09/11 → 02/14	●		PA6026MM	[o]	21,4	BRE					
	80	09/11 → 02/14		●	PA6017MM	[o]	20,3	BRE					

DAILY V Dumpttruck 09/11 → 02/14

35C11K, 35S11DKP	78	09/11 → 02/14	●		PA6026MM	[o]	21,4	BRE	A00408	130			
	78	09/11 → 02/14		● C-Model	PA6027MM	[o]	21	BRE	A00409	300	C-Model		
	78	09/11 → 02/14		● L+S-Model	PA6023MM	[o]	20,3	BRE	A00409	300	C-Model		
35C13K, 35C13DKP	93	09/11 → 02/14	●		PA6026MM	[o]	21,4	BRE	A00408	130			
	93	09/11 → 02/14		● C-Model	PA6027MM	[o]	21	BRE	A00409	300			
35C15K, 35S15DKP, 50C15K, 60C15K, 65C15DK, 70C15K	107	09/11 → 02/14	●		PA6026MM	[o]	21,4	BRE	A00408	130			
	107	09/11 → 02/14		● C-Model	PA6027MM	[o]	21	BRE	A00409	300	C-Model		
	107	09/11 → 02/14		● L+S-Model	PA6023MM	[o]	20,3	BRE	A00409	300	C-Model		

IVECO

DAILY V Dumptruck 09/11 → 02/14

35C17K, 35S17DKP, 50C17K, 65C17DK 70C17K	125	09/11 → 02/14	●			PA6026MM	[O]	21,4	BRE	A00408	130		
	125	09/11 → 02/14		●	C-Model	PA6027MM	[O]	21	BRE	A00409	300	C-Model	
	125	09/11 → 02/14		●	L+S-Model	PA6023MM	[O]	20,3	BRE	A00409	300	C-Model	
	150	09/11 → 02/14	●			PA6026MM	[O]	21,4	BRE	A00408	130		
35S21DKP	150	09/11 → 02/14		●	L+S-Model	PA6023MM	[O]	20,3	BRE	A00410	250		
	150	09/11 → 02/14		●	C-Model	PA6027MM	[O]	21	BRE	A00410	250		

DAILY V Platform/Chassis 09/11 → 02/14

26L11, 26L11D, 35C11D, 35S11, 40C11	78	09/11 → 02/14	●			PA6026MM	[O]	21,4	BRE	A00408	130		
	78	09/11 → 02/14		●	C-Model	PA6027MM	[O]	21	BRE	A00409	300	C-Model	
	78	09/11 → 02/14		●	L+S-Model	PA6023MM	[O]	20,3	BRE	A00409	300	C-Model	
29L13, 29L13D, 35C13D, 40C13	93	09/11 → 02/14	●			PA6026MM	[O]	21,4	BRE	A00408	130		
	93	09/11 → 02/14		●	C-Model	PA6027MM	[O]	21	BRE	A00409	300	C-Model	
	93	09/11 → 02/14		●	L+S-Model	PA6023MM	[O]	20,3	BRE	A00409	300	C-Model	
29L15 V, 35C15L V, 40C15L V, 50C15L V	107	09/11 → 02/14	●			PA6026MM	[O]	21,4	BRE				
	107	09/11 → 02/14		●	C-Model	PA6027MM	[O]	21	BRE				
	107	09/11 → 02/14		●	L+S-Model	PA6023MM	[O]	20,3	BRE				
35C15, 35C15D, 35S15, 40C15, 45C15, 50C15, 60C15, 70C15	107	09/11 → 02/14	●			PA6026MM	[O]	21,4	BRE	A00408	130		
	107	09/11 → 02/14		●	C-Model	PA6027MM	[O]	21	BRE	A00409	300	C-Model	
	107	09/11 → 02/14		●	L+S-Model	PA6023MM	[O]	20,3	BRE	A00409	300	C-Model	
35C17, 35C17D, 35S17, 40C17, 45C17, 50C17, 60C17, 70C17	125	09/11 → 02/14	●			PA6026MM	[O]	21,4	BRE	A00408	130		
	125	09/11 → 02/14		●	C-Model	PA6027MM	[O]	21	BRE	A00409	300	C-Model	
	125	09/11 → 02/14		●	L+S-Model	PA6023MM	[O]	20,3	BRE	A00409	300	C-Model	
35C21, 35S21, 40C21, 45C21, 50C21, 60C21, 70C21	150	09/11 → 02/14	●			PA6026MM	[O]	21,4	BRE	A00408	130		
	150	09/11 → 02/14		●	C-Model	PA6027MM	[O]	21	BRE	A00409	300	C-Model	
	150	09/11 → 02/14		●	L+S-Model	PA6023MM	[O]	20,3	BRE	A00409	300	C-Model	

DAILY VI Box 03/14 →

33-210, 35-210	150	04/16 →	●			PA6026MM	[O]	21,4	BRE				
	150	04/16 →		●	C-Model	PA6023MM	[O]	20,3	BRE				
	150	04/16 →		●	S-Model	PA6027MM	[O]	21	BRE				
33S11, 35S11, 35C11	78	03/14 → 04/16	●			PA6026MM	[O]	21,4	BRE				
	78	03/14 → 04/16		●	C-Model	PA6027MM	[O]	21	BRE				
	78	03/14 → 04/16		●		PA6023MM	[O]	20,3	BRE				
33S13, 35S13, 35C13	93	03/14 → 04/16	●			PA6026MM	[O]	21,4	BRE	A00408	130		
	93	03/14 → 04/16		●	C-Model	PA6027MM	[O]	21	BRE	A00410	250		
	93	03/14 → 04/16		●		PA6023MM	[O]	20,3	BRE	A00410	250		
33S14, 35S14, 35C14	100	04/16 →	●			PA6025MM	[O]	22	BRE				
33S15, 35S15, 35C15	107	03/14 → 04/16	●			PA6026MM	[O]	21,4	BRE				
	107	03/14 → 04/16		●	C-Model	PA6027MM	[O]	21	BRE				
	107	03/14 → 04/16		●		PA6023MM	[O]	20,3	BRE				
35S15, 35C15, 40C15, 50C15, 65C15, 70C15	107	03/14 → 04/16	●			PA6026MM	[O]	21,4	BRE				
	107	03/14 → 04/16		●	S-Model	PA6023MM	[O]	20,3	BRE				
	107	03/14 → 04/16		●		PA6027MM	[O]	21	BRE				

IVECO

DAILY VI Box 03/14 →

35S17, 35C17, 40C17, 50C17, 55C17, 65C17, 70C17	125	03/14 → 04/16	●		PA6026MM	[o]	21,4	BRE				
	125	03/14 → 04/16	●	S-Model	PA6023MM	[o]	20,3	BRE	A00409	300	C-Model	
	125	03/14 → 04/16	●	C-Model	PA6027MM	[o]	21	BRE	A00409	300	C-Model	
35S21, 35C21, 40C21, 50C21, 65C21, 70C21	150	03/14 →	●		PA6026MM	[o]	21,4	BRE				
	150	03/14 →	●	S-Model	PA6023MM	[o]	20,3	BRE				
	150	03/14 →	●		PA6027MM	[o]	21	BRE				
Natural Power 35S14, 35C14, 40C14, 50C14, 65C14, 70C14	100	03/14 →	●		PA6026MM	[o]	21,4	BRE				
	100	03/14 →	●	C-Model	PA6027MM	[o]	21	BRE				
	100	03/14 →	●		PA6023MM	[o]	20,3	BRE				
	100	04/16 →	●		PA6026MM	[o]	21,4	BRE				
Natural Power 52-140, 70-140	100	04/16 →	●		PA6023MM	[o]	20,3	BRE				
	100	04/16 →	●	C-Model	PA6027MM	[o]	21	BRE				

DAILY VI Box Body / Estate 03/14 →

35S15, 35C15, 40C15, 50C15	110	04/16 →	●		PA6025MM	[o]	22	BRE				
40C15, 50C15, 65C15	107	03/14 → 04/16	●		PA6026MM	[o]	21,4	BRE				
	107	03/14 → 04/16	●		PA6017MM	[o]	20,3	BRE				
40C17, 50C17, 65C17	125	03/14 → 04/16	●		PA6026MM	[o]	21,4	BRE				
	125	03/14 → 04/16	●		PA6017MM	[o]	20,3	BRE				
Natural Power 35S14, 35C14, 40C14, 50C14	100	04/16 →	●		PA6025MM	[o]	22	BRE				

DAILY VI Platform/Chassis 03/14 →

33S11, 35S11, 35C11	78	03/14 → 04/16	●		PA6026MM	[o]	21,4	BRE				
	78	03/14 → 04/16	●		PA6023MM	[o]	20,3	BRE	A00410	250		
	78	03/14 → 04/16	●	C-Model	PA6027MM	[o]	21	BRE	A00410	250		
33S13, 35S13, 35C13	93	03/14 → 04/16	●		PA6026MM	[o]	21,4	BRE				
	93	03/14 → 04/16	●		PA6023MM	[o]	20,3	BRE	A00410	250		
	93	03/14 → 04/16	●	C-Model	PA6027MM	[o]	21	BRE	A00410	250		
33S14, 35S14, 35C14	100	04/16 →	●		PA6025MM	[o]	22	BRE				
33S15, 35S15, 35C15	107	03/14 → 04/16	●		PA6026MM	[o]	21,4	BRE				
	107	03/14 → 04/16	●		PA6023MM	[o]	20,3	BRE	A00410	250		
	107	03/14 → 04/16	●	C-Model	PA6027MM	[o]	21	BRE	A00410	250		
35-210, 40-210, 50-210, 65-210, 70-210, 72-210	150	04/16 →	●		PA6026MM	[o]	21,4	BRE				
	150	04/16 →	●	Brembo	PA6025MM	[o]	22	BRE				
35S15, 35C15, 40C15, 50C15, 65C15, 70C15	107	03/14 → 04/16	●		PA6026MM	[o]	21,4	BRE				
	107	03/14 → 04/16	●		PA6023MM	[o]	20,3	BRE	A00410	250		
	107	03/14 → 04/16	●	C-Model	PA6027MM	[o]	21	BRE	A00410	250		
35S17, 35C17, 40C17, 45C17, 50C17, 55C17, 65C17, 70C17	125	03/14 → 04/16	●		PA6026MM	[o]	21,4	BRE				
	125	03/14 → 04/16	●		PA6023MM	[o]	20,3	BRE	A00410	250		
	125	03/14 → 04/16	●	C-Model	PA6027MM	[o]	21	BRE	A00410	250		
35S17, 55S17 4x4	125	08/15 → 04/16	●		PA6026MM	[o]	21,4	BRE				
	125	08/15 → 04/16	●		PA6023MM	[o]	20,3	BRE	A00410	250		
35S21, 35C21, 40C21, 50C21, 65C21, 70C21	150	03/14 →	●		PA6026MM	[o]	21,4	BRE				
	150	03/14 →	●	C-Model	PA6027MM	[o]	21	BRE	A00410	250		
	150	03/14 →	●		PA6023MM	[o]	20,3	BRE	A00410	250		
Natural Power 52-140, 60-140, 70-140, 72-140	100	04/16 →	●		PA6025MM	[o]	22	BRE				

		kw					wi	Th [mm]	SYS	WI			FK	
											LEIGHT			

IVECO

DAILY VI Platform/Chassis 03/14 →

Natural Power 35S14, 35C14, 40C14, 50C14, 65C14, 70C14, ...	100	03/14 →	●			PA6026MM	[O]	21,4	BRE					
	100	03/14 →		●		PA6023MM	[O]	20,3	BRE	A00410	250			
	100	03/14 →		●	C-Model	PA6027MM	[O]	21	BRE	A00410	250			

MASSIF Pickup 10/08 → 02/11

3.0 HPI	107	10/08 → 02/11	●			PA6024MM	[-]	15	TRW					
	107	10/08 → 02/11		●		P79007MM	[-]	14	TRW					
3.0 HPT	130	10/08 → 02/11	●			PA6024MM	[-]	15	TRW					
	130	10/08 → 02/11		●		P79007MM	[-]	14	TRW					

MASSIF Single Cab 10/08 → 02/11

3.0 HPI	107	10/08 → 02/11	●			PA6024MM	[-]	15	TRW					
	107	10/08 → 02/11		●		P79007MM	[-]	14	TRW					
3.0 HPT	130	10/08 → 02/11	●			PA6024MM	[-]	15	TRW					
	130	10/08 → 02/11		●		P79007MM	[-]	14	TRW					

MASSIF Station Wagon 10/08 → 02/11

3.0 HPI	107	10/08 → 02/11	●			PA6024MM	[-]	15	TRW					
	107	10/08 → 02/11		●		P79007MM	[-]	14	TRW					
3.0 HPT	130	10/08 → 02/11	●			PA6024MM	[-]	15	TRW					
	130	10/08 → 02/11		●		P79007MM	[-]	14	TRW					

JAGUAR

F-TYPE Convertible (X152) 10/12 →

3.0	250	10/12 →	●			P36028MM	[O]	18,7/20	ATE	A00460	588			
3.0 S	280	10/12 →	●			P36028MM	[O]	18,7/20	ATE	A00460	588			
3.0 S AWD	280	12/14 →	●		19" wheel	P36029MM	[O]	18,2/19,2	ATE					
400	294	11/16 →	●		18" wheel; -ceramic brake disc	P36028MM	[O]	18,7/20	ATE					
	294	11/16 →	●		19" wheel; -ceramic brake disc	P36029MM	[O]	18,2/19,2	ATE					
400 AWD	294	11/16 →	●		18" wheel; -ceramic brake disc	P36028MM	[O]	18,7/20	ATE					
	294	11/16 →	●		19" wheel; -ceramic brake disc	P36029MM	[O]	18,2/19,2	ATE					
5.0 R	405	10/13 →	●		19" wheel	P36029MM	[O]	18,2/19,2	ATE					
5.0 RAWD	405	12/14 →	●		19" wheel	P36029MM	[O]	18,2/19,2	ATE					
5.0 S	364	10/12 →	●			P36029MM	[O]	18,2/19,2	ATE	A00462	551			
5.0 SVR	423	12/15 →	●		19" wheel	P36029MM	[O]	18,2/19,2	ATE					

F-TYPE Coupé (X152) 10/13 →

3.0	250	10/13 →	●		19" wheel	P36029MM	[O]	18,2/19,2	ATE					
3.0 S	280	10/13 →	●		19" wheel	P36029MM	[O]	18,2/19,2	ATE					
3.0 S AWD	280	12/14 →	●		19" wheel	P36029MM	[O]	18,2/19,2	ATE					
400	294	11/16 →	●		18" wheel; -ceramic brake disc	P36028MM	[O]	18,7/20	ATE					
	294	11/16 →	●		19" wheel; -ceramic brake disc	P36029MM	[O]	18,2/19,2	ATE					

									WI			FK	
	kw						Th [mm]		MAGNETI MARELLI	LENGHT		MAGNETI MARELLI	

JAGUAR

F-TYPE Coupé (X152) 10/13 →

400 AWD	294	11/16 →	●	18" wheel; -ceramic brake disc	P36028MM	[o]	18,7/20	ATE					
	294	11/16 →	●	19" wheel; -ceramic brake disc	P36029MM	[o]	18,2/19,2	ATE					
5.0 R	405	10/13 →	●	19" wheel	P36029MM	[o]	18,2/19,2	ATE					
5.0 RAWD	405	12/14 →	●	19" wheel	P36029MM	[o]	18,2/19,2	ATE					
5.0 SVR	423	12/15 →	●	19" wheel	P36029MM	[o]	18,2/19,2	ATE					

S-TYPE (X200) 01/99 → 12/08

2.5 V6	147	04/02 → 10/07	●	02/06 →	P36022MM	[o]	19	ATE					
	147	04/02 → 10/07	●		P36014MM	[-]	16,3	BRE					
	147	04/02 → 10/07	●	→ M45254	P36012MM	[-]	17,8	TRW					
	147	04/02 → 10/07	●	M45255 →	P36021MM	[o]	17,8	TRW					
	147	04/02 → 10/07	●		P36020MM	[-]	15	BRE					
	147	04/02 → 10/07	●	→ M45254	P36013MM	[-]	17,8	TRW					
	147	04/02 → 10/07	●	M45255 →	P36015MM	[-]	16,5	TRW					
	147	04/02 → 10/07	●	02/06 →	P59042MM	[o]	16,7	ATE					
2.7 D	152	06/04 → 10/07	●	02/06 →	P36022MM	[o]	19	ATE					
	152	06/04 → 10/07	●		P36014MM	[-]	16,3	BRE					
	152	06/04 → 10/07	●	→ M45254	P36012MM	[-]	17,8	TRW					
	152	06/04 → 10/07	●	M45255 →	P36021MM	[o]	17,8	TRW					
	152	06/04 → 10/07	●		P36020MM	[-]	15	BRE					
	152	06/04 → 10/07	●	→ M45254	P36013MM	[-]	17,8	TRW					
	152	06/04 → 10/07	●	M45255 →	P36015MM	[-]	16,5	TRW					
	152	06/04 → 10/07	●	02/06 →	P59042MM	[o]	16,7	ATE					
3.0 V6	175	01/99 → 10/07	●	M45255 →; → N52047	P36021MM	[o]	17,8	TRW					
	175	01/99 → 10/07	●	N52048 →	P36022MM	[o]	19	ATE					
	175	01/99 → 10/07	●	→ M45254	P36012MM	[-]	17,8	TRW					
	175	01/99 → 10/07	●	N52048 →	P59042MM	[o]	16,7	ATE					
	175	01/99 → 10/07	●	→ N52047	P36013MM	[-]	17,8	TRW					
4.0 V8	203	01/99 → 04/02	●	M45255 →; → N52047	P36021MM	[o]	17,8	TRW					
	203	01/99 → 04/02	●	N52048 →	P36022MM	[o]	19	ATE					
	203	01/99 → 04/02	●	→ M45254	P36012MM	[-]	17,8	TRW					
	203	01/99 → 04/02	●	N52048 →	P59042MM	[o]	16,7	ATE					
	203	01/99 → 04/02	●	→ N52047	P36013MM	[-]	17,8	TRW					
	209	09/99 → 12/02	●	→ M45254	P36012MM	[-]	17,8	TRW					
	209	09/99 → 12/02	●	M45255 →; → N52047	P36021MM	[o]	17,8	TRW					
	209	09/99 → 12/02	●	N52048 →	P36022MM	[o]	19	ATE					
4.2 Supercharged	298	11/01 → 12/08	●	N52048 →	P36019MM	[o]	18,7	ATE					
	298	11/01 → 12/08	●	→ N52047	P36014MM	[-]	16,3	BRE					
	298	11/01 → 12/08	●	→ N52047	P36020MM	[-]	15	BRE					
	298	11/01 → 12/08	●	N52048 →	P59042MM	[o]	16,7	ATE					
	219	04/02 → 10/07	●	02/06 →	P36022MM	[o]	19	ATE					
4.2 V8	219	04/02 → 10/07	●		P36014MM	[-]	16,3	BRE					
	219	04/02 → 10/07	●	→ M45254	P36012MM	[-]	17,8	TRW					
	219	04/02 → 10/07	●	M45255 →	P36021MM	[o]	17,8	TRW					
	219	04/02 → 10/07	●		P36020MM	[-]	15	BRE					
	219	04/02 → 10/07	●	→ M45254	P36013MM	[-]	17,8	TRW					

JAGUAR

S-TYPE (X200) 01/99 → 12/08

4.2 V8	219	04/02 → 10/07	●	M45255 →	P36015MM [-]	16,5	TRW					
	219	04/02 → 10/07	●	02/06 →	P59042MM [O]	16,7	ATE					
	219	04/02 → 10/07	●	H/B	P02001MM [-]	9	BRE					
R 4,2 V8	291	04/02 → 10/07	●		P36019MM [O]	18,7	ATE					
	291	04/02 → 10/07	●		P36014MM [-]	16,3	BRE					
	291	04/02 → 10/07	●		P59042MM [O]	16,7	ATE					
	291	04/02 → 10/07	●		P36020MM [-]	15	BRE					
	291	04/02 → 10/07	●	H/B	P02001MM [-]	9	BRE					

XE (X760) 03/15 →

2.0	147	03/15 →	●	17" wheel	P36030MM [O]	19,9	ATE					
	177	03/15 →	●	17" wheel	P36030MM [O]	19,9	ATE					
2.0 D	120	03/15 →	●	17" wheel	P36030MM [O]	19,9	ATE					
	132	03/15 →	●	17" wheel	P36030MM [O]	19,9	ATE					
2.0 D AWD	132	10/15 →	●	→ 942527; 17" wheel	P36030MM [O]	19,9	ATE					

XF (X250) 03/08 → 04/15

2.0	177	06/12 → 04/15	●		P36022MM [O]	19	ATE	A00469	610			
	177	06/12 → 04/15	●		P59042MM [O]	16,7	ATE					
2.2 D	140	05/11 → 04/15	●		P36022MM [O]	19	ATE	A00469	610			
	140	05/11 → 04/15	●		P59042MM [O]	16,7	ATE					
	120	04/11 → 04/15	●		P36022MM [O]	19	ATE	A00469	610			
	120	04/11 → 04/15	●		P59042MM [O]	16,7	ATE					
	147	03/12 → 04/15	●		P36022MM [O]	19	ATE	A00469	610			
	147	03/12 → 04/15	●		P59042MM [O]	16,7	ATE					
2.7 D	152	03/08 → 04/15	●		P36022MM [O]	19	ATE	A00469	610			
	152	03/08 → 04/15	●		P59042MM [O]	16,7	ATE					
3.0	179	03/08 → 04/15	●		P36022MM [O]	19	ATE	A00469	610			
	179	03/08 → 04/15	●		P59042MM [O]	16,7	ATE					
	175	03/08 → 04/15	●		P36022MM [O]	19	ATE	A00469	610			
	175	03/08 → 04/15	●		P59042MM [O]	16,7	ATE					
	250	03/12 → 04/15	●		P36019MM [O]	18,7	ATE					
	250	03/12 → 04/15	●		P59042MM [O]	16,7	ATE					
3.0 AWD	250	10/12 → 04/15	●		P36019MM [O]	18,7	ATE					
	250	10/12 → 04/15	●		P59042MM [O]	16,7	ATE					
3.0 D	155	03/09 → 04/15	●	disc Ø 326 mm	P36022MM [O]	19	ATE	A00469	610			
	155	03/09 → 04/15	●	disc Ø 355 mm	P36019MM [O]	18,7	ATE	A00469	610			
	155	03/09 → 04/15	●		P59042MM [O]	16,7	ATE					
	177	03/09 → 04/15	●	disc Ø 326 mm	P36022MM [O]	19	ATE	A00469	610			
	177	03/09 → 04/15	●	disc Ø 355 mm	P36019MM [O]	18,7	ATE	A00469	610			
	177	03/09 → 04/15	●		P59042MM [O]	16,7	ATE					
	202	03/09 → 04/15	●	disc Ø 326 mm	P36022MM [O]	19	ATE	A00460	588			
	202	03/09 → 04/15	●	disc Ø 355 mm	P36019MM [O]	18,7	ATE	A00460	588			
4.2	219	03/08 → 04/15	●		P36022MM [O]	19	ATE	A00469	610			
	219	03/08 → 04/15	●		P59042MM [O]	16,7	ATE					
4.2 Kompressor	306	03/08 → 04/15	●		P36027MM [O]	18,7/ 20,2	ATE	A00460	588			
	306	03/08 → 04/15	●		P59042MM [O]	16,7	ATE					
5.0	283	03/09 → 04/15	●		P36019MM [O]	18,7	ATE	A00460	588			
	283	03/09 → 04/15	●		P59042MM [O]	16,7	ATE					
5.0 Kompressor	346	01/09 → 04/15	●		P36025MM [O]	17,8/ 19,9	ATE	A00462	551			
	346	01/09 → 04/15	●		P36026MM [-]	16,2	ATE					

							WI			FK	

JAGUAR

XF (X250) 03/08 → 04/15

5.0 Kompressor	375	03/09 → 04/15	●		P36025MM	[o]	17,8/ 19,9	ATE	A00462	551		
	375	03/09 → 04/15	●		P36026MM	[-]	16,2	ATE				
5.0 XFR-S	405	10/12 → 04/15	●		P36025MM	[o]	17,8/ 19,9	ATE	A00462	551		
	405	10/12 → 04/15	●		P36026MM	[-]	16,2	ATE				

XF SPORTBRAKE (X250) 09/12 → 04/14

2.2 D	147	09/12 → 04/14	●	-(USA); -(CDN)	P36022MM	[o]	19	ATE	A00469	610		
	147	09/12 → 04/14	●		P59042MM	[o]	16,7	ATE				
	120	09/12 → 04/14	●	-(CDN); -(USA)	P36022MM	[o]	19	ATE	A00469	610		
	120	09/12 → 04/14	●		P59042MM	[o]	16,7	ATE				
3.0 D	177	09/12 → 04/14	●	-(CDN); -(USA)	P36022MM	[o]	19	ATE	A00469	610		
	177	09/12 → 04/14	●		P59042MM	[o]	16,7	ATE				
	202	09/12 → 04/14	●		P36019MM	[o]	18,7	ATE	A00460	588		
	202	09/12 → 04/14	●		P59042MM	[o]	16,7	ATE				
5.0 XFR-S	405	02/13 → 04/14	●		P36025MM	[o]	17,8/ 19,9	ATE	A00462	551		
	405	02/13 → 04/14	●		P36026MM	[-]	16,2	ATE				

XJ (X308) 09/96 → 05/03

3.2	174	07/97 → 05/03	●	-sport pack	P36007MM	[o]	17,5	ATE			A02217	
	174	07/97 → 05/03	●		P36017MM	[o]	16	ATE				
4.0	209	07/97 → 05/03	●	-sport pack	P36007MM	[o]	17,5	ATE			A02217	
	209	07/97 → 05/03	●		P36017MM	[o]	16	ATE				
	267	07/97 → 05/03	●		P36018MM	[-]	18,2	BRE				
	267	07/97 → 05/03	●		P36008MM	[o]	16,9	ATE				
	216	10/97 → 04/03	●		P36007MM	[o]	17,5	ATE				
	216	10/97 → 04/03	●		P36008MM	[o]	16,9	ATE				

XJ (X350) 05/03 → 03/09

2.7 D	152	10/05 → 03/09	●	→ G49700	P36021MM	[o]	17,8	TRW				
	152	10/05 → 03/09	●	G79701 →	P36022MM	[o]	19	ATE				
	152	10/05 → 03/09	●	G79701 →	P59042MM	[o]	16,7	ATE				
	152	10/05 → 03/09	●	→ G49700	P36013MM	[-]	17,8	TRW				
3.0	175	05/03 → 03/09	●	→ G49700	P36021MM	[o]	17,8	TRW				
	175	05/03 → 03/09	●	G79701 →	P36022MM	[o]	19	ATE				
	175	05/03 → 03/09	●	G79701 →	P59042MM	[o]	16,7	ATE				
	175	05/03 → 03/09	●	→ G49700	P36013MM	[-]	17,8	TRW				
	179	04/04 → 01/07	●	G49701 →	P36022MM	[o]	19	ATE				
	179	04/04 → 01/07	●	→ G49700	P36021MM	[o]	17,8	TRW				
	179	04/04 → 01/07	●	→ G49700	P36013MM	[-]	17,8	TRW				
	179	04/04 → 01/07	●	G49701 →	P59042MM	[o]	16,7	ATE				
3.6	190	05/03 → 03/09	●	G79701 →	P36022MM	[o]	19	ATE				
	190	05/03 → 03/09	●	→ G49700	P36021MM	[o]	17,8	TRW				
	190	05/03 → 03/09	●	G79701 →	P59042MM	[o]	16,7	ATE				
	190	05/03 → 03/09	●	→ G49700	P36013MM	[-]	17,8	TRW				
4.2	219	05/03 → 03/09	●	G79701 →	P36022MM	[o]	19	ATE				
	219	05/03 → 03/09	●	→ G49700	P36021MM	[o]	17,8	TRW				
	219	05/03 → 03/09	●	→ G49700	P36013MM	[-]	17,8	TRW				
	219	05/03 → 03/09	●	G79701 →	P59042MM	[o]	16,7	ATE				
R 4.2	291	05/03 → 03/09	●	→ G49700	P36014MM	[-]	16,3	BRE				
	291	05/03 → 03/09	●	G79701 →	P36019MM	[o]	18,7	ATE				
	291	05/03 → 03/09	●	→ G49700	P36020MM	[-]	15	BRE				
	291	05/03 → 03/09	●	G79701 →	P59042MM	[o]	16,7	ATE				
			●	H/B	P02001MM	[-]	9	BRE				

		kw					MAGNETI MARELLI	wi	Th [mm]	SYS	WI			FK	
											MAGNETI MARELLI	LENGHT		MAGNETI MARELLI	

JAGUAR

XJ (X351) 10/09 →

2.0	177	05/12 →	●	-(USA)	P36019MM	[O]	18,7	ATE	A00460	588		
	177	05/12 →	●	(USA)	P36028MM	[O]	18,7/20	ATE	A00460	588		
	177	05/12 →		●	P59042MM	[O]	16,7	ATE				
3.0	250	03/12 →	●	-(USA)	P36019MM	[O]	18,7	ATE	A00460	588		
	250	03/12 →	●	(USA)	P36028MM	[O]	18,7/20	ATE	A00460	588		
	250	03/12 →		●	P59042MM	[O]	16,7	ATE				
	175	01/11 →	●		P36019MM	[O]	18,7	ATE				
	175	01/11 →		●	P59042MM	[O]	16,7	ATE				
3.0 AWD	250	10/12 →	●		P36028MM	[O]	18,7/20	ATE				
	250	10/12 →		●	P59042MM	[O]	16,7	ATE				
3.0 D	202	10/09 → 12/15	●	-(USA)	P36019MM	[O]	18,7	ATE	A00460	588		
	202	10/09 → 12/15	●	(USA)	P36028MM	[O]	18,7/20	ATE	A00460	588		
	202	10/09 → 12/15		●	P59042MM	[O]	16,7	ATE				
	221	04/15 →	●		P36019MM	[O]	18,7	ATE	A00460	588		
	221	04/15 →		●	P59042MM	[O]	16,7	ATE				
5.0	287	08/12 →	●		P36028MM	[O]	18,7/20	ATE				
	287	08/12 →		●	P59042MM	[O]	16,7	ATE				
5.0 V 8	283	10/09 →	●	-(USA)	P36019MM	[O]	18,7	ATE	A00460	588		
	283	10/09 →	●	(USA)	P36028MM	[O]	18,7/20	ATE	A00460	588		
	283	10/09 →		●	P59042MM	[O]	16,7	ATE				
	346	10/09 →	●		P36025MM	[O]	17,8/19,9	ATE	A00462	551		
	346	10/09 →		●	P36026MM	[-]	16,2	ATE				
	405	06/13 →	●		P36025MM	[O]	17,8/19,9	ATE	A00462	551		
	405	06/13 →		●	P36026MM	[-]	16,2	ATE				
	375	10/09 →	●		P36025MM	[O]	17,8/19,9	ATE	A00462	551		
	375	10/09 →		●	P36026MM	[-]	16,2	ATE				

XK 8 Convertible (X100) 03/96 → 07/05

4.0	209	03/96 → 07/05	●		P36007MM	[O]	17,5	ATE	A00257	300		A02217
	209	03/96 → 07/05	●		P36018MM	[-]	18,2	BRE	A00257	300		A02217
	209	03/96 → 07/05		●	P36017MM	[O]	16	ATE	A00258	455		
	209	03/96 → 07/05		●	P36020MM	[-]	15	BRE	A00258	455		
	267	02/98 → 07/05	●		P36007MM	[O]	17,5	ATE	A00257	300		A02217
	267	02/98 → 07/05	●		P36018MM	[-]	18,2	BRE	A00257	300		A02217
	267	02/98 → 07/05		●	P36017MM	[O]	16	ATE	A00258	455		
	267	02/98 → 07/05		●	P36020MM	[-]	15	BRE	A00258	455		
	216	05/96 → 07/99	●		P36007MM	[O]	17,5	ATE	A00257	300		
	216	05/96 → 07/99	●		P36018MM	[-]	18,2	BRE	A00257	300		
	216	05/96 → 07/99		●	P36017MM	[O]	16	ATE	A00258	455		
	216	05/96 → 07/99		●	P36020MM	[-]	15	BRE	A00258	455		
4.0 XKR	276	05/98 → 07/05	●		P36007MM	[O]	17,5	ATE	A00257	300		A02217
	276	05/98 → 07/05	●		P36018MM	[-]	18,2	BRE	A00257	300		A02217
	276	05/98 → 07/05		●	P36017MM	[O]	16	ATE	A00258	455		
	276	05/98 → 07/05		●	P36020MM	[-]	15	BRE	A00258	455		
4.2	219	08/02 → 07/05	●		P36007MM	[O]	17,5	ATE	A00257	300		A02217
	219	08/02 → 07/05	●		P36018MM	[-]	18,2	BRE	A00257	300		A02217
	219	08/02 → 07/05		●	P36017MM	[O]	16	ATE	A00258	455		



kW



MAGNETI
MARELLI

Wi

Th
[mm]

SYS

MAGNETI
MARELLI

LENGHT

WI

i

FK

MAGNETI
MARELLI

i

JAGUAR

XK 8 Convertible (X100) 03/96 → 07/05

Model	kW	Th [mm]	SYS	LENGHT	MAGNETI MARELLI	FK
4.2	219 08/02 → 07/05	•		P36020MM [-]	15 BRE A00258 455	
R 4.2	291 08/02 → 07/05	•		P36007MM [O]	17,5 ATE A00257 300	A02217
	291 08/02 → 07/05	•		P36018MM [-]	18,2 BRE A00257 300	A02217
	291 08/02 → 07/05	•		P36017MM [O]	16 ATE A00258 455	
	291 08/02 → 07/05	•		P36020MM [-]	15 BRE A00258 455	

XK 8 Coupé (X100) 03/96 → 07/05

4.0	209 03/96 → 07/05	•		P36007MM [O]	17,5 ATE A00257 300	A02217
	209 03/96 → 07/05	•		P36018MM [-]	18,2 BRE A00257 300	A02217
	209 03/96 → 07/05	•		P36017MM [O]	16 ATE A00258 455	
	209 03/96 → 07/05	•		P36020MM [-]	15 BRE A00258 455	
	267 02/98 → 07/05	•		P36007MM [O]	17,5 ATE A00257 300	A02217
	267 02/98 → 07/05	•		P36018MM [-]	18,2 BRE A00257 300	A02217
	267 02/98 → 07/05	•		P36017MM [O]	16 ATE A00258 455	
	267 02/98 → 07/05	•		P36020MM [-]	15 BRE A00258 455	
	216 05/96 → 07/05	•		P36007MM [O]	17,5 ATE A00257 300	
	216 05/96 → 07/05	•		P36018MM [-]	18,2 BRE A00257 300	
	216 05/96 → 07/05	•		P36017MM [O]	16 ATE A00258 455	
	216 05/96 → 07/05	•		P36020MM [-]	15 BRE A00258 455	
4.0 XKR	276 05/98 → 07/05	•		P36007MM [O]	17,5 ATE A00257 300	A02217
	276 05/98 → 07/05	•		P36018MM [-]	18,2 BRE A00257 300	A02217
	276 05/98 → 07/05	•		P36017MM [O]	16 ATE A00258 455	
	276 05/98 → 07/05	•		P36020MM [-]	15 BRE A00258 455	
4.2	219 08/02 → 07/05	•		P36007MM [O]	17,5 ATE A00257 300	A02217
	219 08/02 → 07/05	•		P36018MM [-]	18,2 BRE A00257 300	A02217
	219 08/02 → 07/05	•		P36017MM [O]	16 ATE A00258 455	
	219 08/02 → 07/05	•		P36020MM [-]	15 BRE A00258 455	
R 4.2	291 08/02 → 07/05	•		P36007MM [O]	17,5 ATE A00257 300	A02217
	291 08/02 → 07/05	•		P36018MM [-]	18,2 BRE A00257 300	A02217
	291 08/02 → 07/05	•		P36017MM [O]	16 ATE A00258 455	
	291 08/02 → 07/05	•		P36020MM [-]	15 BRE A00258 455	

XK Convertible (X150) 03/06 → 07/14

3.6	190 10/07 → 07/14	•	-sport pack	P36022MM [O]	19 ATE A00460 588	-performance brake	
	190 10/07 → 07/14	•	+sport pack	P36023MM [-]	16,6 ALC A00460 588	-performance brake	
	190 10/07 → 07/14	•	H/B	P02001MM [-]	9 BRE A00497 630	-sport pack	
	190 10/07 → 07/14	•	-sport pack	P59042MM [O]	16,7 ATE A00497 630	-sport pack	
	190 10/07 → 07/14	•	+sport pack	P36024MM [-]	15,6 ALC A00497 630	-sport pack	
4.2	291 09/07 → 12/09	•	-performance brake	P36022MM [O]	19 ATE		
	291 09/07 → 12/09	•	+performance brake	P36023MM [-]	16,6 ALC		
	291 09/07 → 12/09	•	+performance brake	P36024MM [-]	15,6 ALC A00497 630	-sport pack	
4.2 XK8	219 03/06 → 07/14	•	-sport pack	P36022MM [O]	19 ATE A00460 588	-performance brake	
	219 03/06 → 07/14	•	+sport pack	P36023MM [-]	16,6 ALC A00460 588	-performance brake	
	219 03/06 → 07/14	•	H/B	P02001MM [-]	9 BRE A00497 630	-sport pack	
	219 03/06 → 07/14	•	-sport pack	P59042MM [O]	16,7 ATE A00497 630	-sport pack	
	219 03/06 → 07/14	•	+sport pack	P36024MM [-]	15,6 ALC A00497 630	-sport pack	
4.2 XKR	313 08/06 → 07/14	•	-sport pack	P36019MM [O]	18,7 ATE		
	313 08/06 → 07/14	•	+sport pack	P36023MM [-]	16,6 ALC		
	313 08/06 → 07/14	•	-sport pack	P59042MM [O]	16,7 ATE A00497 630	-sport pack	
	313 08/06 → 07/14	•	+sport pack	P36024MM [-]	15,6 ALC A00497 630	-sport pack	
	306 03/06 → 07/14	•	-sport pack	P36019MM [O]	18,7 ATE A00460 588	-performance brake	
	306 03/06 → 07/14	•	+sport pack	P36023MM [-]	16,6 ALC A00460 588	-performance brake	
	306 03/06 → 07/14	•	H/B	P02001MM [-]	9 BRE A00497 630	-sport pack	
	306 03/06 → 07/14	•	-sport pack	P59042MM [O]	16,7 ATE A00497 630	-sport pack	
	306 03/06 → 07/14	•	+sport pack	P36024MM [-]	15,6 ALC A00497 630	-sport pack	

		kw				MAGNETI MARELLI	WI	Th [mm]	SYS	WI		FK	
										MAGNETI MARELLI	LENGHT		

JAGUAR

XK Convertible (X150) 03/06 → 07/14

5.0 V8	283	01/09 → 07/14	●	-sport pack	P36019MM	[O]	18,7	ATE	A00460	588	-performance brake		
	283	01/09 → 07/14	●	+sport pack	P36023MM	[-]	16,6	ALC	A00460	588	-performance brake		
	283	01/09 → 07/14	●	H/B	P02001MM	[-]	9	BRE	A00497	630	-sport pack		
	283	01/09 → 07/14	●	-sport pack	P59042MM	[O]	16,7	ATE	A00497	630	-sport pack		
	283	01/09 → 07/14	●	+sport pack	P36024MM	[-]	15,6	ALC	A00497	630	-sport pack		
5.0 XKR	375	01/09 → 07/14	●	-sport pack	P36025MM	[O]	17,8/ 19,9	ATE	A00462	551	-performance brake		
	375	01/09 → 07/14	●	+sport pack	P36023MM	[-]	16,6	ALC	A00462	551	-performance brake		
	375	01/09 → 07/14	●	H/B	P02001MM	[-]	9	BRE	A00497	630	-sport pack		
	375	01/09 → 07/14	●	B32753 →	P36034MM	[+]	16,2	ATE	A00497	630	-sport pack		
	375	01/09 → 07/14	●	-sport pack	P36026MM	[-]	16,2	ATE	A00497	630	-sport pack		
	375	01/09 → 07/14	●	+sport pack	P36024MM	[-]	15,6	ALC	A00497	630	-sport pack		
5.0 XKR-S	405	01/11 → 07/14	●	-sport pack	P36025MM	[O]	17,8/ 19,9	ATE	A00462	551	-performance brake		
	405	01/11 → 07/14	●	+sport pack	P36023MM	[-]	16,6	ALC	A00462	551	-performance brake		
	405	01/11 → 07/14	●	B32753 →	P36034MM	[+]	16,2	ATE	A00497	630	-sport pack		
	405	01/11 → 07/14	●	-sport pack	P36026MM	[-]	16,2	ATE	A00497	630	-sport pack		
	405	01/11 → 07/14	●	+sport pack	P36024MM	[-]	15,6	ALC	A00497	630	-sport pack		

XK Coupé (X150) 03/06 → 07/14

3.6	190	07/07 → 07/14	●	-sport pack	P36022MM	[O]	19	ATE	A00460	588	-performance brake		
	190	07/07 → 07/14	●	+sport pack	P36023MM	[-]	16,6	ALC	A00460	588	-performance brake		
	190	07/07 → 07/14	●	H/B	P02001MM	[-]	9	BRE	A00497	630	-sport pack		
	190	07/07 → 07/14	●	-sport pack	P59042MM	[O]	16,7	ATE	A00497	630	-sport pack		
	190	07/07 → 07/14	●	+sport pack	P36024MM	[-]	15,6	ALC	A00497	630	-sport pack		
4.2 XK8	219	03/06 → 07/14	●	-sport pack	P36022MM	[O]	19	ATE	A00460	588	-performance brake		
	219	03/06 → 07/14	●	+sport pack	P36023MM	[-]	16,6	ALC	A00460	588	-performance brake		
	219	03/06 → 07/14	●	H/B	P02001MM	[-]	9	BRE	A00497	630	-sport pack		
	219	03/06 → 07/14	●	-sport pack	P59042MM	[O]	16,7	ATE	A00497	630	-sport pack		
	219	03/06 → 07/14	●	+sport pack	P36024MM	[-]	15,6	ALC	A00497	630	-sport pack		
4.2 XKR	313	08/06 → 07/14	●	-sport pack	P36019MM	[O]	18,7	ATE					
	313	08/06 → 07/14	●	+sport pack	P36023MM	[-]	16,6	ALC					
	313	08/06 → 07/14	●	-sport pack	P59042MM	[O]	16,7	ATE	A00497	630	-sport pack		
	313	08/06 → 07/14	●	+sport pack	P36024MM	[-]	15,6	ALC	A00497	630	-sport pack		
	291	03/06 → 07/14	●	-sport pack	P36022MM	[O]	19	ATE	A00460	588	-performance brake		
	291	03/06 → 07/14	●	+sport pack	P36023MM	[-]	16,6	ALC	A00460	588	-performance brake		
	291	03/06 → 07/14	●	H/B	P02001MM	[-]	9	BRE	A00497	630	-sport pack		
	291	03/06 → 07/14	●	-sport pack	P59042MM	[O]	16,7	ATE	A00497	630	-sport pack		
	291	03/06 → 07/14	●	+sport pack	P36024MM	[-]	15,6	ALC	A00497	630	-sport pack		
	306	03/06 → 07/14	●	-sport pack	P36019MM	[O]	18,7	ATE	A00460	588	-performance brake		
	306	03/06 → 07/14	●	+sport pack	P36023MM	[-]	16,6	ALC	A00460	588	-performance brake		
	306	03/06 → 07/14	●	H/B	P02001MM	[-]	9	BRE	A00497	630	-sport pack		
	306	03/06 → 07/14	●	-sport pack	P59042MM	[O]	16,7	ATE	A00497	630	-sport pack		
	306	03/06 → 07/14	●	+sport pack	P36024MM	[-]	15,6	ALC	A00497	630	-sport pack		
	5.0 V8	283	01/09 → 07/14	●	-sport pack; 01/10 →	P36019MM	[O]	18,7	ATE	A00460	588	-performance brake	
283		01/09 → 07/14	●	-sport pack; → 12/09	P36022MM	[O]	19	ATE	A00460	588	-performance brake		
283		01/09 → 07/14	●	+sport pack	P36023MM	[-]	16,6	ALC	A00460	588	-performance brake		
283		01/09 → 07/14	●	H/B	P02001MM	[-]	9	BRE	A00497	630	-sport pack		
283		01/09 → 07/14	●	-sport pack	P59042MM	[O]	16,7	ATE	A00497	630	-sport pack		
283		01/09 → 07/14	●	+sport pack	P36024MM	[-]	15,6	ALC	A00497	630	-sport pack		
5.0 XKR	390	09/10 → 07/14	●		P06066MM	[O]	20,8	ATE					
	390	09/10 → 07/14	●	-sport pack	P36025MM	[O]	17,8/ 19,9	ATE					
	390	09/10 → 07/14	●	+sport pack	P36023MM	[-]	16,6	ALC					
	390	09/10 → 07/14	●	B32753 →	P36034MM	[+]	16,2	ATE	A00497	630	-sport pack		

		kw					MAGNETI MARELLI	wi	Th [mm]	SYs	WI			FK	
											MAGNETI MARELLI	LENGHT		MAGNETI MARELLI	

JAGUAR

XK Coupé (X150) 03/06 → 07/14

5.0 XKR	390	09/10 → 07/14	●	→ B32752	P59042MM	[O]	16,7	ATE	A00497	630	-sport pack		
	390	09/10 → 07/14	●	B32753 →	P36026MM	[-]	16,2	ATE	A00497	630	-sport pack		
	390	09/10 → 07/14	●	+sport pack	P36024MM	[-]	15,6	ALC	A00497	630	-sport pack		
	375	01/09 → 07/14	●	-sport pack	P36025MM	[O]	17,8/ 19,9	ATE	A00462	551	-performance brake		
	375	01/09 → 07/14	●	+sport pack	P36023MM	[-]	16,6	ALC	A00462	551	-performance brake		
	375	01/09 → 07/14	●	H/B	P02001MM	[-]	9	BRE	A00497	630	-sport pack		
	375	01/09 → 07/14	●	B32753 →	P36034MM	[+]	16,2	ATE	A00497	630	-sport pack		
	375	01/09 → 07/14	●	-sport pack	P36026MM	[-]	16,2	ATE	A00497	630	-sport pack		
	375	01/09 → 07/14	●	+sport pack	P36024MM	[-]	15,6	ALC	A00497	630	-sport pack		
5.0 XKR-S	405	01/11 → 07/14	●	-sport pack	P36025MM	[O]	17,8/ 19,9	ATE	A00462	551	-performance brake		
	405	01/11 → 07/14	●	+sport pack	P36023MM	[-]	16,6	ALC	A00462	551	-performance brake		
	405	01/11 → 07/14	●	B32753 →	P36034MM	[+]	16,2	ATE	A00497	630	-sport pack		
	405	01/11 → 07/14	●	-sport pack	P36026MM	[-]	16,2	ATE	A00497	630	-sport pack		
	405	01/11 → 07/14	●	+sport pack	P36024MM	[-]	15,6	ALC	A00497	630	-sport pack		

X-TYPE (X400) 06/01 → 11/09

2.0 D	96	07/03 → 11/09	●		P24060MM	[-]	18,4	BSH					
	96	07/03 → 11/09	●	→ E73993	P24059MM	[-]	17,2	BSH					
	96	07/03 → 11/09	●	E73994 →	P24063MM	[-]	16,3	BSH					
2.1 V6	115	03/02 → 11/09	●		P24060MM	[-]	18,4	BSH					
	115	03/02 → 11/09	●	→ E73993	P24059MM	[-]	17,2	BSH					
	115	03/02 → 11/09	●	E73994 →	P24063MM	[-]	16,3	BSH					
2.2 D	110	10/05 → 11/09	●		P24060MM	[-]	18,4	BSH					
	110	10/05 → 11/09	●	→ E73993	P24059MM	[-]	17,2	BSH					
	110	10/05 → 11/09	●	E73994 →	P24063MM	[-]	16,3	BSH					
	114	10/05 → 11/09	●		P24060MM	[-]	18,4	BSH					
	114	10/05 → 11/09	●	→ E73993	P24059MM	[-]	17,2	BSH					
	114	10/05 → 11/09	●	E73994 →	P24063MM	[-]	16,3	BSH					
	107	01/07 → 11/09	●		P24060MM	[-]	18,4	BSH					
	107	01/07 → 11/09	●	→ E73993	P24059MM	[-]	17,2	BSH					
	107	01/07 → 11/09	●	E73994 →	P24063MM	[-]	16,3	BSH					
2.5 V6 All-wheel Drive	144	06/01 → 11/09	●		P24060MM	[-]	18,4	BSH					
	144	06/01 → 11/09	●	→ E73993	P24059MM	[-]	17,2	BSH					
	144	06/01 → 11/09	●	E73994 →	P24063MM	[-]	16,3	BSH					
3.0 All-wheel Drive	169	09/02 → 12/08	●		P24060MM	[-]	18,4	BSH					
	169	09/02 → 12/08	●	→ E73993	P24059MM	[-]	17,2	BSH					
	169	09/02 → 12/08	●	E73994 →	P24063MM	[-]	16,3	BSH					
3.0 V6 All-wheel Drive	169	06/01 → 11/07	●		P24060MM	[-]	18,4	BSH					
	169	06/01 → 11/07	●	→ E73993	P24059MM	[-]	17,2	BSH					
	169	06/01 → 11/07	●	E73994 →	P24063MM	[-]	16,3	BSH					

X-TYPE Estate (X400) 11/03 → 12/09

2.0 D	96	02/04 → 12/09	●		P24060MM	[-]	18,4	BSH					
	96	02/04 → 12/09	●	→ E73993	P24059MM	[-]	17,2	BSH					
	96	02/04 → 12/09	●	E73994 →	P24063MM	[-]	16,3	BSH					
2.1 V6	115	11/03 → 03/09	●		P24060MM	[-]	18,4	BSH					
	115	11/03 → 03/09	●	→ E73993	P24059MM	[-]	17,2	BSH					
	115	11/03 → 03/09	●	E73994 →	P24063MM	[-]	16,3	BSH					
2.2 D	110	10/05 → 12/09	●		P24060MM	[-]	18,4	BSH					
	110	10/05 → 12/09	●	→ E73993	P24059MM	[-]	17,2	BSH					
	110	10/05 → 12/09	●	E73994 →	P24063MM	[-]	16,3	BSH					
	114	10/05 → 12/09	●		P24060MM	[-]	18,4	BSH					
	114	10/05 → 12/09	●	→ E73993	P24059MM	[-]	17,2	BSH					

	kw					MAGNETI MARELLI	wi	Th [mm]	SYS	MAGNETI MARELLI	LENGHT		MAGNETI MARELLI	

JAGUAR

X-TYPE Estate (X400) 11/03 → 12/09

2.2 D	107	01/07 → 12/09	•		P24060MM [-]	18,4	BSH						
	107	01/07 → 12/09	•	→ E73993	P24059MM [-]	17,2	BSH						
	107	01/07 → 12/09	•	E73994 →	P24063MM [-]	16,3	BSH						
2.5	144	02/04 → 12/09	•		P24060MM [-]	18,4	BSH						
	144	02/04 → 12/09	•	→ E73993	P24059MM [-]	17,2	BSH						
	144	02/04 → 12/09	•	E73994 →	P24063MM [-]	16,3	BSH						
3.0	169	02/04 → 12/09	•		P24060MM [-]	18,4	BSH						
	169	02/04 → 12/09	•	→ E73993	P24059MM [-]	17,2	BSH						
	169	02/04 → 12/09	•	E73994 →	P24063MM [-]	16,3	BSH						

JEEP

CHEROKEE (XJ) 09/83 → 09/01

2.1 D 4x4	59	10/86 → 09/92	•	→ 12/89	P37001MM [-]	15,5	KH						
	59	10/86 → 09/92	•	01/90 →	P37004MM [-]	17,2	KH						
2.1 TD	64	10/84 → 09/01	•	→ 12/89	P37001MM [-]	15,5	KH						
	64	10/84 → 09/01	•	01/90 →	P37004MM [-]	17,2	KH						
	59	06/89 → 03/92	•	→ 12/89	P37001MM [-]	15,5	KH						
	59	06/89 → 03/92	•	01/90 →	P37004MM [-]	17,2	KH						
2.5	89	10/95 → 09/01	•	→ 12/96	P37004MM [-]	17,2	KH						
	89	10/95 → 09/01	•		P37006MM [-]	17,1	ATE						
	89	10/90 → 09/96	•	→ 01/92	P37001MM [-]	15,5	KH						
	89	10/90 → 09/96	•	02/92 →	P37004MM [-]	17,2	KH						
	90	10/86 → 09/90	•	→ 12/89	P37001MM [-]	15,5	KH						
	90	10/86 → 09/90	•	01/90 →	P37004MM [-]	17,2	KH						
2.5 4x4	90	10/86 → 09/90	•	→ 12/89	P37001MM [-]	15,5	KH						
	90	10/86 → 09/90	•	01/90 →	P37004MM [-]	17,2	KH						
	87	10/84 → 09/86	•		P37001MM [-]	15,5	KH						
2.5 i 4x4	90	12/91 → 09/01	•	→ 12/96	P37004MM [-]	17,2	KH						
	87	10/84 → 09/01	•	→ 12/96	P37004MM [-]	17,2	KH						
2.5 SE	87	10/96 → 09/99	•	→ 12/96	P37004MM [-]	17,2	KH						
2.5 TD 4x4	85	01/88 → 09/01	•	→ 12/89	P37001MM [-]	15,5	KH						
	85	01/88 → 09/01	•	01/90 → 12/96	P37004MM [-]	17,2	KH						
	85	01/88 → 09/01	•		P37006MM [-]	17,1	ATE						
2.5 Tdi 4x4	85	10/96 → 09/01	•	→ 12/96	P37004MM [-]	17,2	KH						
4.0	131	10/86 → 09/90	•	→ 12/89	P37001MM [-]	15,5	KH						
	131	10/86 → 09/90	•	01/90 →	P37004MM [-]	17,2	KH						
4.0 4x4	131	10/86 → 09/90	•	→ 12/89	P37001MM [-]	15,5	KH						
	131	10/86 → 09/90	•	01/90 →	P37004MM [-]	17,2	KH						
4.0 i	135	12/91 → 09/01	•	→ 12/96	P37004MM [-]	17,2	KH						
	136	01/88 → 09/01	•	→ 12/89	P37001MM [-]	15,5	KH						
	136	01/88 → 09/01	•	01/90 → 12/96	P37004MM [-]	17,2	KH						
	127	07/98 → 09/01	•		P37005MM [+]	17,8	ATE						
	127	07/98 → 09/01	•		P37006MM [-]	17,1	ATE						
	135	02/99 → 09/01	•	→ 08/01	P37005MM [+]	17,8	ATE						
4.0 i 4x4	131	01/95 → 09/01	•	→ 12/96	P37004MM [-]	17,2	KH						

CHEROKEE (KJ) 09/01 → 01/08

2.4 4x4	108	09/01 → 01/08	•		P37007MM [+]	17,5	TRW						
	108	09/01 → 01/08	•	01/03 →	P37009MM [-]	14	KH						
2.4 Laredo	108	10/01 → 09/04	•		P37007MM [+]	17,5	TRW						
	108	10/01 → 09/04	•	01/03 →	P37009MM [-]	14	KH						
2.5 CRD 4x4	105	09/01 → 01/08	•		P37007MM [+]	17,5	TRW						
	105	09/01 → 01/08	•		P37009MM [-]	14	KH						



kw



MAGNETI MARELLI

wi

Th [mm]

SYS

WI

FK

MAGNETI MARELLI

LENGHT



MAGNETI MARELLI



JEEP

CHEROKEE (KJ) 09/01 → 01/08

2.8 CRD 4x4	110	11/02 → 01/08	●		P37007MM	[+]	17,5	TRW				
	110	11/02 → 01/08	●		P37009MM	[-]	14	KH				
	120	11/04 → 01/08	●		P37007MM	[+]	17,5	TRW				
	120	11/04 → 01/08	●		P37009MM	[-]	14	KH				
3.7 4x4	155	09/01 → 01/08	●		P37007MM	[+]	17,5	TRW				
	155	09/01 → 01/08	●	01/03 →	P37009MM	[-]	14	KH				
	150	08/03 → 01/08	●		P37007MM	[+]	17,5	TRW				
	150	08/03 → 01/08	●		P37009MM	[-]	14	KH				
3.7 Laredo	150	10/01 → 09/04	●		P37007MM	[+]	17,5	TRW				
	150	10/01 → 09/04	●	01/03 →	P37009MM	[-]	14	KH				

CHEROKEE (KK) 01/08 →

2.8 CRD 4x4	130	05/08 →	●	+reinf. susp.	P11025MM	[+]	18,5	BSH				
	130	05/08 →	●	-reinf. susp.	P11022MM	[+]	17,5	BSH				
	130	05/08 →	●		P18024MM	[+]	16	TRW				
	147	01/10 →	●	+reinf. susp.	P11025MM	[+]	18,5	BSH				
	147	01/10 →	●	-reinf. susp.	P11022MM	[+]	17,5	BSH				
	147	01/10 →	●		P18024MM	[+]	16	TRW				
3.7 V6	157	01/08 →	●	+reinf. susp.	P11025MM	[+]	18,5	BSH				
	157	01/08 →	●	-reinf. susp.	P11022MM	[+]	17,5	BSH				
	157	01/08 →	●		P18024MM	[+]	16	TRW				
3.7 V6 4x4	157	01/08 →	●	+reinf. susp.	P11025MM	[+]	18,5	BSH				
	157	01/08 →	●	-reinf. susp.	P11022MM	[+]	17,5	BSH				
	157	01/08 →	●		P18024MM	[+]	16	TRW				
	151	01/08 →	●	-reinf. susp.	P11022MM	[+]	17,5	BSH				
	151	01/08 →	●	+reinf. susp.	P11025MM	[+]	18,5	BSH				
	151	01/08 →	●		P18024MM	[+]	16	TRW				

CHEROKEE (KL) 11/13 →

2.0 CRD	103	04/14 →	●	BRF	P37019MM	[+]	21	AKE				
	103	04/14 →	●		P37020MM	[+]	16,9	TRW				
2.0 CRD 4x4	125	04/14 →	●	BRF	P37019MM	[+]	21	AKE				
	125	04/14 →	●		P37020MM	[+]	16,9	TRW				
	103	04/14 →	●	BRF	P37019MM	[+]	21	AKE				
	103	04/14 →	●		P37020MM	[+]	16,9	TRW				
2.2 CRD 4x4	136	08/15 →	●	BR1/BRF; X8X	P37019MM	[+]	21	AKE				
	136	08/15 →	●		P37020MM	[+]	16,9	TRW				
	147	08/15 →	●	BR1/BRF; X8X	P37019MM	[+]	21	AKE				
	147	08/15 →	●		P37020MM	[+]	16,9	TRW				
2.4	130	11/13 →	●		P37019MM	[+]	21	AKE				
	130	11/13 →	●		P37020MM	[+]	16,9	TRW				
2.4 4x4	130	11/13 →	●	BRF	P37019MM	[+]	21	AKE				
	130	11/13 →	●		P37020MM	[+]	16,9	TRW				
3.2 V6	200	11/13 →	●	BRF	P37019MM	[+]	21	AKE				
	200	11/13 →	●		P37020MM	[+]	16,9	TRW				
3.2 V6 4x4	200	11/13 →	●	BRF	P37019MM	[+]	21	AKE				
	200	11/13 →	●		P37020MM	[+]	16,9	TRW				

COMMANDER (XK, XH) 09/05 → 12/10

3.0 CRD 4x4	160	04/06 → 12/10	●		P37010MM	[+]	18,6	AKE				
	160	04/06 → 12/10	●		P37011MM	[+]	17,9	KH				
3.7 V6 4x4	157	09/05 → 12/10	●		P37010MM	[+]	18,6	AKE				
	157	09/05 → 12/10	●		P37011MM	[+]	17,9	KH				
4.7 V8 4x4	170	09/05 → 12/10	●		P37010MM	[+]	18,6	AKE				
	170	09/05 → 12/10	●		P37011MM	[+]	17,9	KH				
5.7 V8 4x4	240	09/05 → 12/10	●		P37010MM	[+]	18,6	AKE				
	240	09/05 → 12/10	●		P37011MM	[+]	17,9	KH				

										WI		FK		

JEEP

COMPASS (MK49) 08/06 →

2.0	115 05/11 →	•		P18001MM	[+]	17	AKE					
	115 05/11 →		• 17" wheel	P54034MM	[+]	15,4	AKE					
	115 05/11 →		• 18" wheel	P54031MM	[+]	15,5	AKE					
2.0 CRD	103 08/06 →	•	17" wheel	P11026MM	[+]	16	AKE					
	103 08/06 →	•	18" wheel	P18001MM	[+]	17	AKE					
	103 08/06 →		• 17" wheel	P54034MM	[+]	15,4	AKE					
	103 08/06 →		• 18" wheel	P54031MM	[+]	15,5	AKE					
	103 08/06 →											
2.0 CRD 4x4	103 09/06 →	•	17" wheel	P11026MM	[+]	16	AKE					
	103 09/06 →	•	18" wheel	P18001MM	[+]	17	AKE					
	103 09/06 →		• 17" wheel	P54034MM	[+]	15,4	AKE					
	103 09/06 →		• 18" wheel	P54031MM	[+]	15,5	AKE					
2.2 CRD	100 05/11 →	•		P18001MM	[+]	17	AKE					
	100 05/11 →		• 17" wheel	P54034MM	[+]	15,4	AKE					
	100 05/11 →		• 18" wheel	P54031MM	[+]	15,5	AKE					
2.2 CRD 4x4	120 12/10 →	•		P18001MM	[+]	17	AKE					
	120 12/10 →		• 17" wheel	P54034MM	[+]	15,4	AKE					
	120 12/10 →		• 18" wheel	P54031MM	[+]	15,5	AKE					
	100 05/11 →	•		P18001MM	[+]	17	AKE					
	100 05/11 →		• 17" wheel	P54034MM	[+]	15,4	AKE					
	100 05/11 →		• 18" wheel	P54031MM	[+]	15,5	AKE					
2.4	125 08/06 →	•	17" wheel	P11026MM	[+]	16	AKE					
	125 08/06 →	•	18" wheel	P18001MM	[+]	17	AKE					
	125 08/06 →		•	P54034MM	[+]	15,4	AKE					
	125 08/06 →		•	P18024MM	[+]	16	TRW					
2.4 4x4	125 09/06 →	•	17" wheel	P11026MM	[+]	16	AKE					
	125 09/06 →	•	18" wheel	P18001MM	[+]	17	AKE					
	125 09/06 →		•	P54034MM	[+]	15,4	AKE					

GRAND CHEROKEE I (ZJ) 09/91 → 04/99

2.5 TD 4x4 (Z)	85 10/95 → 04/99	•	→ 09/98	P37004MM	[-]	17,2	KH					
	85 10/95 → 04/99	•		P37012MM	[+]	14,8	KH					
2.5 TD Laredo	85 10/96 → 09/98	•		P37004MM	[-]	17,2	KH					
	85 10/96 → 09/98	•		P37012MM	[+]	14,8	KH					
4.0 i 4x4 (Z)	130 10/95 → 04/99	•	→ 09/98	P37004MM	[-]	17,2	KH					
	130 10/95 → 04/99	•		P37012MM	[+]	14,8	KH					
4.0 i 4x4 (ZJ)	132 09/91 → 04/99	•	→ 09/98	P37004MM	[-]	17,2	KH					
	132 09/91 → 04/99	•		P37012MM	[+]	14,8	KH					
	135 09/91 → 04/99	•	→ 09/98	P37004MM	[-]	17,2	KH					
	135 09/91 → 04/99	•		P37012MM	[+]	14,8	KH					
4.0 Laredo	131 10/96 → 09/98	•		P37004MM	[-]	17,2	KH					
	131 10/96 → 09/98	•		P37012MM	[+]	14,8	KH					
5.2	164 10/96 → 09/98	•		P37004MM	[-]	17,2	KH					
	164 10/96 → 09/98	•		P37012MM	[+]	14,8	KH					
5.2 4x4	164 10/96 → 09/98	•		P37004MM	[-]	17,2	KH					
	164 10/96 → 09/98	•		P37012MM	[+]	14,8	KH					
5.2 4x4 (Z)	156 10/95 → 04/99	•	→ 09/98	P37004MM	[-]	17,2	KH					
	156 10/95 → 04/99	•		P37012MM	[+]	14,8	KH					
5.2 i 4x4 (ZJ)	155 01/92 → 04/99	•	→ 09/98	P37004MM	[-]	17,2	KH					
	155 01/92 → 04/99	•		P37012MM	[+]	14,8	KH					
	158 09/92 → 04/99	•	→ 09/98	P37004MM	[-]	17,2	KH					
	158 09/92 → 04/99	•		P37012MM	[+]	14,8	KH					
5.2 Limited 4x4	136 10/96 → 09/98	•		P37004MM	[-]	17,2	KH					
	136 10/96 → 09/98	•		P37012MM	[+]	14,8	KH					
5.9 i 4x4	177 08/97 → 04/99	•	→ 09/98	P37004MM	[-]	17,2	KH					
	177 08/97 → 04/99	•		P37012MM	[+]	14,8	KH					

								WI			FK	
	kw								LEIGHT			

JEEP

GRAND CHEROKEE II (WJ, WG) 09/98 → 09/05

2.7 CRD 4x4	120	10/01 → 09/05	●	→ 09/02	P37005MM	[+]	17,8	ATE				
	120	10/01 → 09/05	●	10/02 →	P37008MM	[+]	19,2	AKE				
	120	10/01 → 09/05	●		P37006MM	[-]	17,1	ATE				
	120	10/04 → 09/05	●		P37008MM	[+]	19,2	AKE				
	120	10/04 → 09/05	●		P37006MM	[-]	17,1	ATE				
2.7 CRD Laredo	120	10/04 → 09/05	●		P37008MM	[+]	19,2	AKE				
	120	10/04 → 09/05	●		P37006MM	[-]	17,1	ATE				
3.1 TD 4x4	103	04/99 → 12/01	●	→ 09/02	P37005MM	[+]	17,8	ATE				
	103	04/99 → 12/01	●	10/02 →	P37008MM	[+]	19,2	AKE				
	103	04/99 → 12/01	●		P37006MM	[-]	17,1	ATE				
4.0	140	10/98 → 09/04	●	→ 09/02	P37005MM	[+]	17,8	ATE				
	140	10/98 → 09/04	●	10/02 →	P37008MM	[+]	19,2	AKE				
	140	10/98 → 09/04	●		P37006MM	[-]	17,1	ATE				
4.0 4x4	140	04/99 → 09/05	●	→ 09/02	P37005MM	[+]	17,8	ATE				
	140	04/99 → 09/05	●	10/02 →	P37008MM	[+]	19,2	AKE				
	140	04/99 → 09/05	●		P37006MM	[-]	17,1	ATE				
4.7 V8 4x4	162	04/99 → 08/00	●	→ 09/02	P37005MM	[+]	17,8	ATE				
	162	04/99 → 08/00	●	10/02 →	P37008MM	[+]	19,2	AKE				
	162	04/99 → 08/00	●		P37006MM	[-]	17,1	ATE				
	164	04/99 → 09/05	●	→ 09/02	P37005MM	[+]	17,8	ATE				
	164	04/99 → 09/05	●	10/02 →	P37008MM	[+]	19,2	AKE				
	164	04/99 → 09/05	●		P37006MM	[-]	17,1	ATE				
	190	10/01 → 09/05	●	→ 09/02	P37005MM	[+]	17,8	ATE				
	190	10/01 → 09/05	●	10/02 →	P37008MM	[+]	19,2	AKE				
	190	10/01 → 09/05	●		P37006MM	[-]	17,1	ATE				
4.7 V8 4x4	167	06/03 → 09/05	●		P37008MM	[+]	19,2	AKE				
	167	06/03 → 09/05	●		P37006MM	[-]	17,1	ATE				

GRAND CHEROKEE III (WH, WK) 06/05 → 05/11

3.0 CRD	160	06/05 → 12/10	●		P37010MM	[+]	18,6	AKE				
	160	06/05 → 12/10	●		P37011MM	[+]	17,9	KH				
3.0 CRD 4x4	155	05/06 → 12/10	●		P37010MM	[+]	18,6	AKE				
	155	05/06 → 12/10	●		P37011MM	[+]	17,9	KH				
	160	06/05 → 12/10	●		P37010MM	[+]	18,6	AKE				
3.7 V6	157	06/05 → 12/10	●		P37010MM	[+]	18,6	AKE				
	157	06/05 → 12/10	●		P37011MM	[+]	17,9	KH				
3.7 V6 4x4	157	06/05 → 12/10	●		P37010MM	[+]	18,6	AKE				
	157	06/05 → 12/10	●		P37011MM	[+]	17,9	KH				
	148	01/08 → 12/10	●	+sport pack	P11023MM	[+]	17	BRE				
	148	01/08 → 12/10	●	-sport pack	P37010MM	[+]	18,6	AKE				
	148	01/08 → 12/10	●	-sport pack	P37011MM	[+]	17,9	KH				
	148	01/08 → 12/10	●	+sport pack	P11024MM	[+]	14,8	BRE				
4.7 V8 4x4	170	06/05 → 12/10	●		P37010MM	[+]	18,6	AKE				
	170	06/05 → 12/10	●		P37011MM	[+]	17,9	KH				
	223	09/07 → 02/10	●		P37010MM	[+]	18,6	AKE				
	223	09/07 → 02/10	●		P11024MM	[+]	14,8	BRE				
	164	06/05 → 12/10	●		P37010MM	[+]	18,6	AKE				
	164	06/05 → 12/10	●		P37011MM	[+]	17,9	KH				
	167	10/07 → 05/10	●		P37010MM	[+]	18,6	AKE				
167	10/07 → 05/10	●		P37011MM	[+]	17,9	KH					
5.7	240	06/05 → 12/08	●		P37010MM	[+]	18,6	AKE				
	240	06/05 → 12/08	●		P37011MM	[+]	17,9	KH				

JEEP

GRAND CHEROKEE III (WH, WK) 06/05 → 05/11

5.7 V8 4x4	240	06/05 → 12/10	●		P37010MM	[+]	18,6	AKE					
	240	06/05 → 12/10		●	P37011MM	[+]	17,9	KH					
	259	01/09 → 12/10	●		P37010MM	[+]	18,6	AKE					
	259	01/09 → 12/10		●	P37011MM	[+]	17,9	KH					
6.1 SRT8 4x4	313	03/06 → 12/10	●		P11023MM	[+]	17	BRE					
	313	03/06 → 12/10		●	P11024MM	[+]	14,8	BRE					

GRAND CHEROKEE IV (WK, WK2) 06/10 →

3.0 CRD	179	09/13 →	●	BRY; BR6	P37017MM	[+]	19	ATE					
	179	09/13 →	●	BR1	P37015MM	[+]	21,3	ATE					
	179	09/13 →		● BR4	P30074MM	[+]	14,7	BRE					
	179	09/13 →		● BRY; BR1; BR6	P37016MM	[+]	18	ATE					
3.0 CRD V6 4x4	140	02/11 →	●	17" wheel	P37015MM	[+]	21,3	ATE					
	140	02/11 →	●	18" wheel	P37017MM	[+]	19	ATE					
	140	02/11 →		● 18" wheel	P37016MM	[+]	18	ATE					
	140	02/11 →		● 17" wheel	P30074MM	[+]	14,7	BRE					
	177	02/11 →	●	17" wheel	P37015MM	[+]	21,3	ATE					
	177	02/11 →	●	18" wheel	P37017MM	[+]	19	ATE					
	177	02/11 →		● 18" wheel	P37016MM	[+]	18	ATE					
	177	02/11 →		● 17" wheel	P30074MM	[+]	14,7	BRE					
	184	07/13 →	●	BRY; BR6	P37017MM	[+]	19	ATE					
	184	07/13 →	●	BR1; → 12/15	P37015MM	[+]	21,3	ATE					
	184	07/13 →		● BR4	P30074MM	[+]	14,7	BRE					
	184	07/13 →		● BRY; BR1; BR6	P37016MM	[+]	18	ATE					
3.6 V6 4x4	210	11/10 →	●	17" wheel	P37015MM	[+]	21,3	ATE					
	210	11/10 →	●	18" wheel	P37017MM	[+]	19	ATE					
	210	11/10 →		● 18" wheel	P37016MM	[+]	18	ATE					
	210	11/10 →		● 17" wheel	P30074MM	[+]	14,7	BRE					
3.6 V6 FlexFuel 4x4	210	11/10 →	●	17" wheel	P37015MM	[+]	21,3	ATE					
	210	11/10 →	●	18" wheel	P37017MM	[+]	19	ATE					
	210	11/10 →		● 18" wheel	P37016MM	[+]	18	ATE					
	210	11/10 →		● 17" wheel	P30074MM	[+]	14,7	BRE					
3.6 VVT 4x4	213	04/16 →		●	P37016MM	[+]	18	ATE					
5.7 V8 4x4	259	11/10 →	●	17" wheel	P37015MM	[+]	21,3	ATE					
	259	11/10 →	●	18" wheel	P37017MM	[+]	19	ATE					
	259	11/10 →		● 18" wheel	P37016MM	[+]	18	ATE					
	259	11/10 →		● 17" wheel	P30074MM	[+]	14,7	BRE					
6.4 SRT8 4x4	344	03/11 →	●	-reinf. susp.; vented	P37017MM	[+]	19	ATE					
	344	03/11 →	●	+reinf. susp.; vented	P37015MM	[+]	21,3	ATE					
	344	03/11 →		●	P37016MM	[+]	18	ATE					

PATRIOT (MK74) 02/07 →

2.0	115	01/11 →	●	18" wheel	P18001MM	[+]	17	AKE					
	115	01/11 →	●	17" wheel	P11026MM	[+]	16	AKE					
	115	01/11 →		● -ABS	P54034MM	[+]	15,4	AKE					
	115	01/11 →		● +ABS	P54031MM	[+]	15,5	AKE					
2.0 CRD	103	02/07 →	●	17" wheel	P11026MM	[+]	16	AKE					
	103	02/07 →	●	18" wheel	P18001MM	[+]	17	AKE					
	103	02/07 →		● -ABS	P54034MM	[+]	15,4	AKE					
	103	02/07 →		● +ABS	P54031MM	[+]	15,5	AKE					
2.0 CRD 4x4	103	02/07 →	●	18" wheel	P18001MM	[+]	17	AKE					
	103	02/07 →	●	17" wheel	P11026MM	[+]	16	AKE					
	103	02/07 →		● +ABS	P54031MM	[+]	15,5	AKE					
	103	02/07 →		● -ABS	P54034MM	[+]	15,4	AKE					



JEEP

PATRIOT (MK74) 02/07 →

2.2 CRD 4x4	120	01/11 →	•	18" wheel	P18001MM	[+]	17	AKE				
	120	01/11 →	•	17" wheel	P11026MM	[+]	16	AKE				
	120	01/11 →		• -ABS	P54034MM	[+]	15,4	AKE				
	120	01/11 →		• +ABS	P54031MM	[+]	15,5	AKE				
	100	01/11 →	•	18" wheel	P18001MM	[+]	17	AKE				
	100	01/11 →	•	17" wheel	P11026MM	[+]	16	AKE				
	100	01/11 →		• -ABS	P54034MM	[+]	15,4	AKE				
	100	01/11 →		• +ABS	P54031MM	[+]	15,5	AKE				
2.4	125	06/09 →	•	17" wheel	P11026MM	[+]	16	AKE				
	125	06/09 →	•	18" wheel	P18001MM	[+]	17	AKE				
	125	06/09 →		• +ABS	P54031MM	[+]	15,5	AKE				
	125	06/09 →		• -ABS	P54034MM	[+]	15,4	AKE				
2.4 4x4	125	01/08 →	•	18" wheel	P18001MM	[+]	17	AKE				
	125	01/08 →	•	17" wheel	P11026MM	[+]	16	AKE				
	125	01/08 →		• +ABS	P54031MM	[+]	15,5	AKE				
	125	01/08 →		• -ABS	P54034MM	[+]	15,4	AKE				
2.4 Eco + 4x4	125	07/08 →	•	17" wheel	P11026MM	[+]	16	AKE				
	125	07/08 →	•	18" wheel	P18001MM	[+]	17	AKE				
	125	07/08 →		• +ABS	P54031MM	[+]	15,5	AKE				
	125	07/08 →		• -ABS	P54034MM	[+]	15,4	AKE				

RENEGADE Closed Off-Road Vehicle (BU) 07/14 →

1.4	103	07/14 →	•		P23165MM	[+]	19,2	ATE				
	103	07/14 →		• 03/15 →	P23177MM	[+]	17,2	TRW				
1.4 4x4	125	07/14 →	•		P23165MM	[+]	19,2	ATE				
	125	07/14 →		• 03/15 →	P23177MM	[+]	17,2	TRW				
1.6	81	07/14 →	•		P23165MM	[+]	19,2	ATE				
	81	07/14 →		• 03/15 →	P23177MM	[+]	17,2	TRW				
1.6 CRD	88	07/14 →	•		P23165MM	[+]	19,2	ATE				
	88	07/14 →		• 03/15 →	P23177MM	[+]	17,2	TRW				
2.0 CRD 4x4	103	07/14 →	•		P23164MM	[+]	20,5	MN				
	103	07/14 →		• 03/15 →	P23177MM	[+]	17,2	TRW				
	125	07/14 →	•		P23164MM	[+]	20,5	MN				
	125	07/14 →		• 03/15 →	P23177MM	[+]	17,2	TRW				
	88	07/14 →	•		P23164MM	[+]	20,5	MN				
	88	07/14 →		• 03/15 →	P23177MM	[+]	17,2	TRW				

WRANGLER II (TJ) 08/96 → 12/08

2.4	105	11/02 → 04/07	•		P37004MM	[-]	17,2	KH				
	105	11/02 → 04/07		•	P37009MM	[-]	14	KH				
2.5	87	08/96 → 04/07	•		P37004MM	[-]	17,2	KH				
	130	08/96 → 04/07	•		P37004MM	[-]	17,2	KH				
4.0	130	08/96 → 04/07		•	P37009MM	[-]	14	KH				
	124	06/98 → 04/07	•		P37004MM	[-]	17,2	KH				
	128	08/03 → 04/07	•		P37004MM	[-]	17,2	KH				
4.0 Rubicon	128	08/03 → 04/07		•	P37009MM	[-]	14	KH				

WRANGLER III (JK) 04/07 →

2.8 CRD	147	11/10 →	•	-reinf. susp.	P11022MM	[+]	17,5	BSH				
	147	11/10 →		•	P18024MM	[+]	16	TRW				
	130	04/07 →	•	-reinf. susp.	P11022MM	[+]	17,5	BSH				
	130	04/07 →		•	P18024MM	[+]	16	TRW				
2.8 CRD [RWD]	130	04/07 → 02/10		•	P18024MM	[+]	16	TRW				
3.6 V6	209	10/11 →	•	-reinf. susp.	P11022MM	[+]	17,5	BSH				
	209	10/11 →		•	P18024MM	[+]	16	TRW				

												WI		FK	
kw															
						MAGNETI MARELLI		wi		Th [mm]		SYS		MAGNETI MARELLI	
												LEIGHT			

JEEP

WRANGLER III (JK) 04/07 →

3.8	153	04/07 → 12/11	●	-reinf. susp.	P11022MM	[+]	17,5	BSH							
	153	04/07 → 12/11		●	P18024MM	[+]	16	TRW							
	146	04/07 →	●	-reinf. susp.	P11022MM	[+]	17,5	BSH							
	146	04/07 →		●	P18024MM	[+]	16	TRW							
3.8 [RWD]	146	10/07 → 09/10	●	-reinf. susp.	P11022MM	[+]	17,5	BSH							
	146	10/07 → 09/10	●	+reinf. susp.	P11025MM	[+]	18,5	BSH							
	146	10/07 → 09/10		●	P18024MM	[+]	16	TRW							

KIA

AVELLA 11/95 → 12/01

1.3	55	11/95 → 12/01	●		P49016MM	[+]	15	SUM							
1.5	55	02/97 → 12/01	●		P49016MM	[+]	15	SUM							

AVELLA Hatchback 11/95 → 12/01

1.3	55	11/95 → 12/01	●		P49016MM	[+]	15	SUM							
1.5	55	02/97 → 12/01	●		P49016MM	[+]	15	SUM							

BESTA Bus 07/92 → 12/03

2.2 D	48	07/92 → 10/97	●		P99003MM	[+]	15,5	SUM							
-------	----	---------------	---	--	----------	-----	------	-----	--	--	--	--	--	--	--

BORREGO 11/07 →

3.0 CRDi 4WD	184	11/07 →	●		P30036MM	[+]	17,6	MN							
	184	11/07 →		●	P30063MM	[+]	15,5	MN							
3.8 4WD	202	06/08 →	●		P30036MM	[+]	17,6	MN							
	202	06/08 →		●	P30063MM	[+]	15,5	MN							
	201	12/14 →	●		P30036MM	[+]	17,6	MN							
	201	12/14 →		●	P30063MM	[+]	15,5	MN							
	250	09/08 → 12/11	●		P30036MM	[+]	17,6	MN							
4.6	250	09/08 → 12/11		●	P30063MM	[+]	15,5	MN							

CARENS I (FC) 06/99 → 10/02

1.8 i	81	11/00 → 07/02	●		P30016MM	[+]	15	SUM							
	81	11/00 → 07/02		●	P30008MM	[+]	13	SUM							

CARENS II (FJ) 07/02 →

1.6	77	07/02 →	●		P30034MM	[+]	16,4	MN							
	77	07/02 →		●	P30008MM	[+]	13	SUM							
1.8	93	07/02 →	●		P30034MM	[+]	16,4	MN							
	93	07/02 →		●	P30008MM	[+]	13	SUM							
2.0 CRDi	83	07/02 →	●		P30034MM	[+]	16,4	MN							
	83	07/02 →		●	P30008MM	[+]	13	SUM							
	103	11/05 →	●		P30034MM	[+]	16,4	MN							
	103	11/05 →		●	P30008MM	[+]	13	SUM							
	102	08/04 →	●		P30034MM	[+]	16,4	MN							
2.0 CVT	102	08/04 →		●	P30008MM	[+]	13	SUM							

CARENS III (UN) 09/06 →

1.6 CRDi 110	85	10/10 →	●		P30039MM	[+]	16,6	SUM							
	85	10/10 →		●	P30040MM	[+]	16	MN							
1.6 CRDi 128	94	10/10 →	●		P30039MM	[+]	16,6	SUM							
	94	10/10 →		●	P30040MM	[+]	16	MN							
1.6 CVT	93	10/10 →	●		P30039MM	[+]	16,6	SUM							
	93	10/10 →		●	P30040MM	[+]	16	MN							
	97	08/09 →	●		P30039MM	[+]	16,6	SUM							
	97	08/09 →		●	P30040MM	[+]	16	MN							
	85	05/07 →	●		P30039MM	[+]	16,6	SUM							
2.0 CRDi 115	85	05/07 →		●	P30040MM	[+]	16	MN							
	100	08/09 →	●		P30039MM	[+]	16,6	SUM							
2.0 CRDi 135	100	08/09 →		●	P30040MM	[+]	16	MN							

									WI			FK	
	kw									LENGHT			

KIA

CARENS III (UN) 09/06 →

2.0 CRDi 140	103 09/06 →	●						P30039MM	[+]	16,6	SUM		
	103 09/06 →		●					P30040MM	[+]	16	MN		
2.0 CVVT	106 09/06 →	●						P30039MM	[+]	16,6	SUM		
	106 09/06 →		●					P30040MM	[+]	16	MN		

CARENS IV 03/13 →

1.6 GDi	99 03/13 →	●						P30070MM	[+]	17,8	-		
	99 03/13 →		●					P30067MM	[+]	15,7	AKE		
1.7 CRDi	85 03/13 →	●						P30070MM	[+]	17,8	-		
	85 03/13 →		●					P30067MM	[+]	15,7	AKE		
	100 03/13 →	●						P30070MM	[+]	17,8	-		
	100 03/13 →		●					P30067MM	[+]	15,7	AKE		
	104 07/15 →	●						P30070MM	[+]	17,8	-		
	104 07/15 →		●					P30067MM	[+]	15,7	AKE		
2.0 GDi	130 03/13 →	●						P30070MM	[+]	17,8	-		
	130 03/13 →		●					P30067MM	[+]	15,7	AKE		
	122 03/13 →	●						P30070MM	[+]	17,8	-		
	122 03/13 →		●					P30067MM	[+]	15,7	AKE		
2.0 MPI	112 01/14 →	●						P30070MM	[+]	17,8	-		
	112 01/14 →		●					P30067MM	[+]	15,7	AKE		

CARNIVAL / GRAND CARNIVAL III (VQ) 09/05 →

2.2 CRDi	110 01/10 →	●						P30041MM	[+]	17,6	MN		
	110 01/10 →		●					P30035MM	[+]	15,5	MN		
	143 01/10 →	●						P30041MM	[+]	17,6	MN		
	143 01/10 →		●					P30035MM	[+]	15,5	MN		
2.7 V6	139 06/06 →	●						P30041MM	[+]	17,6	MN		
	139 06/06 →		●					P30035MM	[+]	15,5	MN		
2.9 CRDi	136 06/06 →	●						P30041MM	[+]	17,6	MN		
	136 06/06 →		●					P30035MM	[+]	15,5	MN		
2.9 CRDi LX	141 09/06 →	●						P30041MM	[+]	17,6	MN		
	141 09/06 →		●					P30035MM	[+]	15,5	MN		

CARNIVAL I (UP) 06/98 → 10/01

2.5 V6	121 08/99 → 10/01	●		→ 11/99				P37004MM	[-]	17,2	KH		
	121 08/99 → 10/01	●		11/99 →				P30012MM	[+]	16,2	SUM		
2.9 TD	93 08/99 → 10/01	●		→ 11/99				P37004MM	[-]	17,2	KH		
	93 08/99 → 10/01	●		11/99 →				P30012MM	[+]	16,2	SUM		

CARNIVAL II (GQ) 01/99 → 09/07

2.4	109 12/01 → 10/06	●		→ 11/03				P30012MM	[+]	16,2	SUM		
	109 12/01 → 10/06	●		12/03 →				P30058MM	[+]	16,2	SUM		
	109 12/01 → 10/06		●	+rear disc				P30035MM	[+]	15,5	MN		
2.5 V6	110 10/01 → 06/06	●		→ 11/03				P30012MM	[+]	16,2	SUM		
	110 10/01 → 06/06	●		12/03 →				P30058MM	[+]	16,2	SUM		
	110 10/01 → 06/06		●	+rear disc				P30035MM	[+]	15,5	MN		
2.7	124 07/04 → 10/06	●						P30058MM	[+]	16,2	SUM		
	124 07/04 → 10/06		●	+rear disc				P30035MM	[+]	15,5	MN		
2.9 CRDi	106 10/01 → 06/06	●		→ 11/03				P30012MM	[+]	16,2	SUM		
	106 10/01 → 06/06	●		12/03 →				P30058MM	[+]	16,2	SUM		
	106 10/01 → 06/06		●	+rear disc				P30035MM	[+]	15,5	MN		
2.9 TD	93 01/99 → 09/07	●		→ 11/03				P30012MM	[+]	16,2	SUM		
	93 01/99 → 09/07	●		12/03 →				P30058MM	[+]	16,2	SUM		
	93 01/99 → 09/07		●	+rear disc				P30035MM	[+]	15,5	MN		
3.5	143 07/02 → 04/06	●		→ 11/03				P30012MM	[+]	16,2	SUM		
	143 07/02 → 04/06	●		12/03 →				P30058MM	[+]	16,2	SUM		
	143 07/02 → 04/06		●	+rear disc				P30035MM	[+]	15,5	MN		

	kW						Th [mm]			WI			FK

KIA
CEE'D Sportswagon (JD) 09/12 →

1.0 T-GDI	74	07/15 →	●	disc Ø 280 mm	P30073MM	[+]	17,8/ 18,4	-					
	74	07/15 →	●	disc Ø 300 mm	P30065MM	[+]	17,3	SUM					
	74	07/15 →	●	+elect.handbrake	P30067MM	[+]	15,7	AKE					
	74	07/15 →	●	-elect.handbrake	P59038MM	[+]	15,2	TRW					
	88	07/15 →	●	disc Ø 280 mm	P30073MM	[+]	17,8/ 18,4	-					
	88	07/15 →	●	disc Ø 300 mm	P30065MM	[+]	17,3	SUM					
	88	07/15 →	●	+elect.handbrake	P30067MM	[+]	15,7	AKE					
	88	07/15 →	●	-elect.handbrake	P59038MM	[+]	15,2	TRW					
1.4 CRDi 90	66	09/12 →	●	disc Ø 280 mm	P30073MM	[+]	17,8/ 18,4	-					
	66	09/12 →	●	disc Ø 300 mm	P30065MM	[+]	17,3	SUM					
	66	09/12 →	●	+elect.handbrake	P30067MM	[+]	15,7	AKE					
	66	09/12 →	●	-elect.handbrake	P59038MM	[+]	15,2	TRW					
1.4 CVT	73	09/12 →	●	disc Ø 280 mm	P30073MM	[+]	17,8/ 18,4	-					
	73	09/12 →	●	disc Ø 300 mm	P30065MM	[+]	17,3	SUM					
	73	09/12 →	●	+elect.handbrake	P30067MM	[+]	15,7	AKE					
	73	09/12 →	●	-elect.handbrake	P59038MM	[+]	15,2	TRW					
1.4 MPI	74	04/15 →	●	disc Ø 280 mm	P30073MM	[+]	17,8/ 18,4	-					
	74	04/15 →	●	disc Ø 300 mm	P30065MM	[+]	17,3	SUM					
	74	04/15 →	●	+elect.handbrake	P30067MM	[+]	15,7	AKE					
	74	04/15 →	●	-elect.handbrake	P59038MM	[+]	15,2	TRW					
1.6 CRDi 110	81	03/13 →	●	disc Ø 280 mm	P30073MM	[+]	17,8/ 18,4	-					
	81	03/13 →	●	disc Ø 300 mm	P30065MM	[+]	17,3	SUM					
	81	03/13 →	●	+elect.handbrake	P30067MM	[+]	15,7	AKE					
	81	03/13 →	●	-elect.handbrake	P59038MM	[+]	15,2	TRW					
1.6 CRDi 128	94	09/12 →	●	disc Ø 280 mm	P30073MM	[+]	17,8/ 18,4	-					
	94	09/12 →	●	disc Ø 300 mm	P30065MM	[+]	17,3	SUM					
	94	09/12 →	●	+elect.handbrake	P30067MM	[+]	15,7	AKE					
	94	09/12 →	●	-elect.handbrake	P59038MM	[+]	15,2	TRW					
1.6 CRDi 136	100	07/15 →	●	disc Ø 280 mm	P30073MM	[+]	17,8/ 18,4	-					
	100	07/15 →	●	disc Ø 300 mm	P30065MM	[+]	17,3	SUM					
	100	07/15 →	●	+elect.handbrake	P30067MM	[+]	15,7	AKE					
	100	07/15 →	●	-elect.handbrake	P59038MM	[+]	15,2	TRW					
1.6 CVT	95	11/14 →	●	15" wheel; disc Ø 280 mm	P30073MM	[+]	17,8/ 18,4	-					
	95	11/14 →	●	16" wheel; disc Ø 300 mm	P30065MM	[+]	17,3	SUM					
	95	11/14 →	●	+elect.handbrake	P30067MM	[+]	15,7	AKE					
	95	11/14 →	●	-elect.handbrake	P59038MM	[+]	15,2	TRW					
1.6 GDI	99	09/12 →	●	disc Ø 280 mm	P30073MM	[+]	17,8/ 18,4	-					
	99	09/12 →	●	disc Ø 300 mm	P30065MM	[+]	17,3	SUM					
	99	09/12 →	●	+elect.handbrake	P30067MM	[+]	15,7	AKE					
	99	09/12 →	●	-elect.handbrake	P59038MM	[+]	15,2	TRW					
CEE'D (JD) 05/12 →													
1.0 T-GDI	74	07/15 →	●	disc Ø 280 mm	P30073MM	[+]	17,8/ 18,4	-					
	74	07/15 →	●	disc Ø 300 mm	P30065MM	[+]	17,3	SUM					
	74	07/15 →	●	+elect.handbrake	P30067MM	[+]	15,7	AKE					

									WI			FK	
	kw									LENGHT			

KIA

CEE'D (JD) 05/12 →

Model	Power (kw)	Year	Options	Part No.	Change	Th [mm]	System	WI	FK
1.0 T-GDI	74	07/15 →	• -elect.handbrake	P59038MM	[+]	15,2	TRW		
	88	07/15 →	• disc Ø 280 mm	P30073MM	[+]	17,8/ 18,4	-		
	88	07/15 →	• disc Ø 300 mm	P30065MM	[+]	17,3	SUM		
	88	07/15 →	• +elect.handbrake	P30067MM	[+]	15,7	AKE		
	88	07/15 →	• -elect.handbrake	P59038MM	[+]	15,2	TRW		
1.4 CRDi 90	66	05/12 →	• disc Ø 280 mm	P30073MM	[+]	17,8/ 18,4	-		
	66	05/12 →	• disc Ø 300 mm	P30065MM	[+]	17,3	SUM		
	66	05/12 →	• +elect.handbrake	P30067MM	[+]	15,7	AKE		
	66	05/12 →	• -elect.handbrake	P59038MM	[+]	15,2	TRW		
1.4 CVT	66	05/12 →	• disc Ø 280 mm	P30073MM	[+]	17,8/ 18,4	-		
	66	05/12 →	• disc Ø 300 mm	P30065MM	[+]	17,3	SUM		
	66	05/12 →	• +elect.handbrake	P30067MM	[+]	15,7	AKE		
	66	05/12 →	• -elect.handbrake	P59038MM	[+]	15,2	TRW		
	73	05/12 →	• disc Ø 280 mm	P30073MM	[+]	17,8/ 18,4	-		
	73	05/12 →	• disc Ø 300 mm	P30065MM	[+]	17,3	SUM		
	73	05/12 →	• +elect.handbrake	P30067MM	[+]	15,7	AKE		
	73	05/12 →	• -elect.handbrake	P59038MM	[+]	15,2	TRW		
1.4 MPI	74	04/15 →	• disc Ø 280 mm	P30073MM	[+]	17,8/ 18,4	-		
	74	04/15 →	• disc Ø 300 mm	P30065MM	[+]	17,3	SUM		
	74	04/15 →	• +elect.handbrake	P30067MM	[+]	15,7	AKE		
	74	04/15 →	• -elect.handbrake	P59038MM	[+]	15,2	TRW		
1.6 CRDi 110	81	05/12 →	• disc Ø 280 mm	P30073MM	[+]	17,8/ 18,4	-		
	81	05/12 →	• disc Ø 300 mm	P30065MM	[+]	17,3	SUM		
	81	05/12 →	• -elect.handbrake	P59038MM	[+]	15,2	TRW		
	81	05/12 →	• +elect.handbrake	P30067MM	[+]	15,7	AKE		
1.6 CRDi 115	85	05/12 →	• disc Ø 280 mm	P30073MM	[+]	17,8/ 18,4	-		
	85	05/12 →	• disc Ø 300 mm	P30065MM	[+]	17,3	SUM		
	85	05/12 →	• +elect.handbrake	P30067MM	[+]	15,7	AKE		
	85	05/12 →	• -elect.handbrake	P59038MM	[+]	15,2	TRW		
1.6 CRDi 128	94	05/12 →	• disc Ø 280 mm	P30073MM	[+]	17,8/ 18,4	-		
	94	05/12 →	• disc Ø 300 mm	P30065MM	[+]	17,3	SUM		
	94	05/12 →	• +elect.handbrake	P30067MM	[+]	15,7	AKE		
	94	05/12 →	• -elect.handbrake	P59038MM	[+]	15,2	TRW		
1.6 CRDi 136	100	07/15 →	• disc Ø 280 mm	P30073MM	[+]	17,8/ 18,4	-		
	100	07/15 →	• disc Ø 300 mm	P30065MM	[+]	17,3	SUM		
	100	07/15 →	• +elect.handbrake	P30067MM	[+]	15,7	AKE		
	100	07/15 →	• -elect.handbrake	P59038MM	[+]	15,2	TRW		
1.6 CRDi 90	66	05/12 →	• disc Ø 280 mm	P30073MM	[+]	17,8/ 18,4	-		
	66	05/12 →	• disc Ø 300 mm	P30065MM	[+]	17,3	SUM		
	66	05/12 →	• +elect.handbrake	P30067MM	[+]	15,7	AKE		
	66	05/12 →	• -elect.handbrake	P59038MM	[+]	15,2	TRW		
1.6 CVT	92	05/12 →	• disc Ø 280 mm	P30073MM	[+]	17,8/ 18,4	-		
	92	05/12 →	• disc Ø 300 mm	P30065MM	[+]	17,3	SUM		
	92	05/12 →	• +elect.handbrake	P30067MM	[+]	15,7	AKE		

KW	i	MAGNETI MARELLI	wi	Th [mm]	SYS	WI			FK	
						MAGNETI MARELLI	LENGHT	i	MAGNETI MARELLI	i

KIA

CEE'D (JD) 05/12 →

1.6 CVT	92	05/12 →	●	-elect.handbrake	P59038MM	[+]	15,2	TRW					
	96	11/14 →	●	disc Ø 280 mm	P30073MM	[+]	17,8/ 18,4	-					
	96	11/14 →	●	disc Ø 300 mm	P30065MM	[+]	17,3	SUM					
	96	11/14 →	●	-elect.handbrake	P59038MM	[+]	15,2	TRW					
	96	11/14 →	●	+elect.handbrake	P30067MM	[+]	15,7	AKE					
	95	01/13 →	●	disc Ø 280 mm	P30073MM	[+]	17,8/ 18,4	-					
	95	01/13 →	●	disc Ø 300 mm	P30065MM	[+]	17,3	SUM					
	95	01/13 →	●	-elect.handbrake	P59038MM	[+]	15,2	TRW					
	95	01/13 →	●	+elect.handbrake	P30067MM	[+]	15,7	AKE					
1.6 GDI	99	05/12 →	●	disc Ø 280 mm	P30073MM	[+]	17,8/ 18,4	-					
	99	05/12 →	●	disc Ø 300 mm	P30065MM	[+]	17,3	SUM					
	99	05/12 →	●	+elect.handbrake	P30067MM	[+]	15,7	AKE					
	99	05/12 →	●	-elect.handbrake	P59038MM	[+]	15,2	TRW					
1.6 GT	150	06/13 →	●	disc Ø 300 mm	P30065MM	[+]	17,3	SUM					
	150	06/13 →	●	disc Ø 280 mm	P30073MM	[+]	17,8/ 18,4	-					
	150	06/13 →	●	+elect.handbrake	P30067MM	[+]	15,7	AKE					
	150	06/13 →	●	-elect.handbrake	P59038MM	[+]	15,2	TRW					

CEE'D Hatchback (ED) 12/06 → 12/12

1.4	77	12/06 → 12/12	●		P30034MM	[+]	16,4	MN					
	77	12/06 → 12/12	●		P30051MM	[+]	15,9	MN					
	80	12/06 → 12/12	●		P30034MM	[+]	16,4	MN					
	80	12/06 → 12/12	●		P30051MM	[+]	15,9	MN					
1.4 CVT	66	06/10 → 12/12	●		P30034MM	[+]	16,4	MN					
	66	06/10 → 12/12	●		P30051MM	[+]	15,9	MN					
1.6	85	09/07 → 12/12	●		P30034MM	[+]	16,4	MN					
	85	09/07 → 12/12	●		P30051MM	[+]	15,9	MN					
	90	12/06 → 12/12	●		P30034MM	[+]	16,4	MN					
	90	12/06 → 12/12	●		P30051MM	[+]	15,9	MN					
	93	02/08 → 12/12	●		P30034MM	[+]	16,4	MN					
	93	02/08 → 12/12	●		P30051MM	[+]	15,9	MN					
1.6 CRDi 115	85	12/06 → 12/12	●		P30034MM	[+]	16,4	MN					
	85	12/06 → 12/12	●		P30051MM	[+]	15,9	MN					
1.6 CRDi 128	94	10/10 → 12/12	●		P30034MM	[+]	16,4	MN					
	94	10/10 → 12/12	●		P30051MM	[+]	15,9	MN					
1.6 CRDi 90	66	12/06 → 12/12	●		P30034MM	[+]	16,4	MN					
	66	12/06 → 12/12	●		P30051MM	[+]	15,9	MN					
1.6 CVT	92	10/10 → 12/12	●		P30034MM	[+]	16,4	MN					
	92	10/10 → 12/12	●		P30051MM	[+]	15,9	MN					
2.0	105	12/06 → 12/12	●		P30034MM	[+]	16,4	MN					
	105	12/06 → 12/12	●		P30051MM	[+]	15,9	MN					
2.0 CRDi	100	06/07 → 12/12	●		P30034MM	[+]	16,4	MN					
	100	06/07 → 12/12	●		P30051MM	[+]	15,9	MN					
2.0 CRDi 140	103	09/07 → 12/12	●		P30034MM	[+]	16,4	MN					
	103	09/07 → 12/12	●		P30051MM	[+]	15,9	MN					

CEE'D SW (ED) 09/07 → 12/12

1.4	77	10/10 → 12/12	●		P30034MM	[+]	16,4	MN					
	77	10/10 → 12/12	●		P30051MM	[+]	15,9	MN					
	80	09/07 → 12/12	●		P30034MM	[+]	16,4	MN					
	80	09/07 → 12/12	●		P30051MM	[+]	15,9	MN					

	kw				<i>i</i>	MAGNETI MARELLI	wi	Th [mm]	SYS	WI			FK	
										MAGNETI MARELLI	LENGHT	<i>i</i>	MAGNETI MARELLI	<i>i</i>

KIA

CEE'D SW (ED) 09/07 → 12/12

1.4 CVVT	66	07/09 → 12/12	●			P30034MM	[+]	16,4	MN					
	66	07/09 → 12/12		●		P30051MM	[+]	15,9	MN					
1.6	85	09/07 → 11/12	●			P30034MM	[+]	16,4	MN					
	85	09/07 → 11/12		●		P30051MM	[+]	15,9	MN					
	90	09/07 → 12/12	●			P30034MM	[+]	16,4	MN					
	90	09/07 → 12/12		●		P30051MM	[+]	15,9	MN					
	93	09/07 → 12/12	●			P30034MM	[+]	16,4	MN					
	93	09/07 → 12/12		●		P30051MM	[+]	15,9	MN					
1.6 CRDi 115	85	09/07 → 12/12	●			P30034MM	[+]	16,4	MN					
	85	09/07 → 12/12		●		P30051MM	[+]	15,9	MN					
1.6 CRDi 128	94	10/10 → 12/12	●			P30034MM	[+]	16,4	MN					
	94	10/10 → 12/12		●		P30051MM	[+]	15,9	MN					
1.6 CRDi 90	66	09/07 → 12/12	●			P30034MM	[+]	16,4	MN					
	66	09/07 → 12/12		●		P30051MM	[+]	15,9	MN					
1.6 CVVT	92	06/09 → 12/12	●			P30034MM	[+]	16,4	MN					
	92	06/09 → 12/12		●		P30051MM	[+]	15,9	MN					
1.6 LPG	91	01/08 → 09/12	●			P30034MM	[+]	16,4	MN					
	91	01/08 → 09/12		●		P30051MM	[+]	15,9	MN					
2.0	105	09/07 → 12/12	●			P30034MM	[+]	16,4	MN					
	105	09/07 → 12/12		●		P30051MM	[+]	15,9	MN					
2.0 CRDi 140	103	09/07 → 12/12	●			P30034MM	[+]	16,4	MN					
	103	09/07 → 12/12		●		P30051MM	[+]	15,9	MN					

CERATO (LD) 03/04 →

1.5 CRDi	75	07/05 →	●			P30042MM	[+]	17,2	MN					
	75	07/05 →		●		P30003MM	[+]	14	SUM					
1.6	77	07/04 →	●			P30042MM	[+]	17,2	MN					
	77	07/04 →		●		P30003MM	[+]	14	SUM					
	90	05/06 →	●			P30042MM	[+]	17,2	MN					
	90	05/06 →		●		P30003MM	[+]	14	SUM					
1.6 CRDi	85	06/05 →	●			P30042MM	[+]	17,2	MN					
	85	06/05 →		●		P30003MM	[+]	14	SUM					
1.8	93	08/05 →	●			P30042MM	[+]	17,2	MN					
	93	08/05 →		●		P30003MM	[+]	14	SUM					
2.0	105	04/04 →	●			P30042MM	[+]	17,2	MN					
	105	04/04 →		●		P30003MM	[+]	14	SUM					
2.0 CRDi	83	04/04 →	●			P30042MM	[+]	17,2	MN					
	83	04/04 →		●		P30003MM	[+]	14	SUM					

CERATO II Saloon (TD) 01/09 →

1.6	90	01/10 →	●			P30077MM	[+]	18	MN					
	90	01/10 →		●	08/10 →; +rear disc	P30051MM	[+]	15,9	MN					
	93	01/10 →	●			P30077MM	[+]	18	MN					
	93	01/10 →		●	08/10 →; +rear disc	P30051MM	[+]	15,9	MN					
1.6 CVVT	91	02/09 →	●			P30077MM	[+]	18	MN					
	91	02/09 →		●	08/10 →; +rear disc	P30051MM	[+]	15,9	MN					
2.0	115	01/09 →	●			P30077MM	[+]	18	MN					
	115	01/09 →		●	09/10 →; +rear disc	P30051MM	[+]	15,9	MN					

CERATO KOUP 12/13 →

2.0 MPi	110	12/13 →	●			P30077MM	[+]	18	MN					
	110	12/13 →	●		15" wheel	P30073MM	[+]	17,8/ 18,4	-					
	110	12/13 →	●		16" wheel	P30065MM	[+]	17,3	SUM					
	110	12/13 →		●	+ABS; +rear disc	P30051MM	[+]	15,9	MN					

		kw					MAGNETI MARELLI	wi	Th [mm]	SYS	MAGNETI MARELLI	LENGHT		MAGNETI MARELLI		FK
--	--	----	--	--	--	--	-----------------	----	---------	-----	-----------------	--------	--	-----------------	--	----

KIA
CERATO KOUP (TD) 01/09 →

1.6 CVT	91	10/09 →	●		P30077MM	[+]	18	MN								
	91	10/09 →		●	08/10 →	P30051MM	[+]	15,9	MN							
	150	09/13 →	●		16" wheel	P30065MM	[+]	17,3	SUM							
	150	09/13 →	●		15" wheel	P30073MM	[+]	17,8/ 18,4	-							
	93	01/10 → 06/13	●			P30077MM	[+]	18	MN							
	93	01/10 → 06/13		●	08/10 →;	+rear disc	P30051MM	[+]	15,9	MN						
2.0	115	01/09 →	●			P30077MM	[+]	18	MN							
	115	01/09 →		●	+ABS;	+rear disc	P30051MM	[+]	15,9	MN						

CERATO Saloon 09/12 →

1.6 16V Flex	94	06/13 →	●		15" wheel	P30073MM	[+]	17,8/ 18,4	-							
	94	06/13 →	●		16" wheel	P30065MM	[+]	17,3	SUM							
1.6 MPI	96	06/13 →	●		15" wheel	P30073MM	[+]	17,8/ 18,4	-							
	96	06/13 →	●		16" wheel	P30065MM	[+]	17,3	SUM							
2.0 MPI	110	06/13 →	●		15" wheel	P30073MM	[+]	17,8/ 18,4	-							
	110	06/13 →	●		16" wheel	P30065MM	[+]	17,3	SUM							

CERATO Saloon 01/01 → 12/04

1.8	85	10/01 → 07/04	●			P30016MM	[+]	15	SUM							
	85	10/01 → 07/04		●	+ABS	P30008MM	[+]	13	SUM							

CERATO Saloon (LD) 04/04 → 12/09

1.5 CRDi	75	07/05 →	●			P30042MM	[+]	17,2	MN							
	75	07/05 →		●		P30003MM	[+]	14	SUM							
	66	07/05 → 12/09	●			P30042MM	[+]	17,2	MN							
	66	07/05 → 12/09		●		P30003MM	[+]	14	SUM							
1.6	77	04/04 →	●			P30042MM	[+]	17,2	MN							
	77	04/04 →		●		P30003MM	[+]	14	SUM							
	90	05/06 →	●			P30042MM	[+]	17,2	MN							
	90	05/06 →		●		P30003MM	[+]	14	SUM							
	75	04/04 → 12/09	●			P30042MM	[+]	17,2	MN							
	75	04/04 → 12/09		●		P30003MM	[+]	14	SUM							
1.6 CRDi	85	06/05 →	●			P30042MM	[+]	17,2	MN							
	85	06/05 →		●		P30003MM	[+]	14	SUM							
2.0	105	04/04 →	●			P30042MM	[+]	17,2	MN							
	105	04/04 →		●		P30003MM	[+]	14	SUM							
2.0 CRDi	83	04/04 →	●			P30042MM	[+]	17,2	MN							
	83	04/04 →		●		P30003MM	[+]	14	SUM							

CLARUS (K9A) 07/96 → 11/01

1.8 i 16V	85	07/96 → 08/01	●			P30007MM	[+]	18,3	ATE					A02238	
	85	07/96 → 08/01	●			P30016MM	[+]	15	SUM					A02238	
	85	07/96 → 08/01		●		P30008MM	[+]	13	SUM						
2.0 i 16V	98	07/96 → 11/01	●			P30007MM	[+]	18,3	ATE					A02238	
	98	07/96 → 11/01	●			P30016MM	[+]	15	SUM					A02238	
	98	07/96 → 11/01		●		P30008MM	[+]	13	SUM						

CLARUS Estate (GC) 05/98 →

1.8 i 16V	85	05/98 →	●			P30007MM	[+]	18,3	ATE					A02238	
	85	05/98 →	●			P30016MM	[+]	15	SUM					A02238	
	85	05/98 →		●		P30008MM	[+]	13	SUM						
2.0 i 16V	98	05/98 →	●			P30007MM	[+]	18,3	ATE					A02238	
	98	05/98 →	●			P30016MM	[+]	15	SUM					A02238	
	98	05/98 →		●		P30008MM	[+]	13	SUM						

								WI			FK	
	kw			MAGNETI MARELLI	wi	Th [mm]		MAGNETI MARELLI	LENGHT		MAGNETI MARELLI	

KIA

JOICE 02/00 →

2.0	102	02/00 →	•		P30022MM	[+]	17	SUM				
	102	02/00 →		•	P30030MM	[+]	15	MN				
	88	09/01 →	•		P30022MM	[+]	17	SUM				
	88	09/01 →		•	P30030MM	[+]	15	MN				

K2500 (SD) 01/03 →

2.5 CRDi	96	01/10 →	•	→ 12/11	P99003MM	[+]	15,5	SUM				
2.5 D	69	01/03 →	•		P99003MM	[+]	15,5	SUM				

K2700 (SD) 10/99 →

2.7 D	59	10/99 →	•		P99003MM	[+]	15,5	SUM				
-------	----	---------	---	--	----------	-----	------	-----	--	--	--	--

K2900 01/08 →

2.9 D	92	01/08 →	•		P99003MM	[+]	15,5	SUM				
-------	----	---------	---	--	----------	-----	------	-----	--	--	--	--

MAGENTIS (GD, MS) 05/01 →

2.0	100	05/01 → 09/05	•	09/02 →	P30018MM	[+]	16,9	MN				
	100	05/01 → 09/05		•	P30014MM	[+]	15	MN				
2.5 V6	124	05/01 →	•	09/02 →	P30018MM	[+]	16,9	MN				
	124	05/01 →		•	P30014MM	[+]	15	MN				

MAGENTIS (MG) 10/05 →

2.0	106	11/05 →	•		P30043MM	[+]	17,8	MN				
	106	11/05 →		•	P30014MM	[+]	15	MN				
	121	07/09 →	•		P30043MM	[+]	17,8	MN				
	121	07/09 →		•	P30014MM	[+]	15	MN				
2.0 CRDi	100	11/05 → 12/08	•		P30043MM	[+]	17,8	MN				
	100	11/05 → 12/08		•	P30014MM	[+]	15	MN				
	103	04/06 →	•		P30043MM	[+]	17,8	MN				
	103	04/06 →		•	P30014MM	[+]	15	MN				
2.0 CRDi	110	04/06 →	•		P30043MM	[+]	17,8	MN				
	110	04/06 →		•	P30014MM	[+]	15	MN				
2.7	138	11/05 →	•		P30043MM	[+]	17,8	MN				
	138	11/05 →		•	P30014MM	[+]	15	MN				
2.7 V6	142	07/09 →	•		P30043MM	[+]	17,8	MN				
	142	07/09 →		•	P30014MM	[+]	15	MN				

NIRO 09/16 →

1.6 GDI Hybrid	77	09/16 →		•	P30067MM	[+]	15,7	AKE				
----------------	----	---------	--	---	----------	-----	------	-----	--	--	--	--

OPIRUS (GH) 09/03 →

3.0 GH300	138	09/03 →	•		P30028MM	[+]	16,5	MN				
	149	09/03 →		•	P30028MM	[+]	16,5	MN				
3.5	149	09/03 →		•	P30047MM	[+]	15,5	AKE				
	149	09/03 →		•	P30014MM	[+]	15	MN				
3.8 V6	196	10/06 →	•		P30028MM	[+]	16,5	MN				
	196	10/06 →		•	P30047MM	[+]	15,5	AKE				
	196	10/06 →		•	P30014MM	[+]	15	MN				

OPTIMA 01/10 →

1.7 CRDi	100	03/12 →	•	disc Ø 300 mm	P30066MM	[+]	17,7	-				
	100	03/12 →	•	disc Ø 320 mm	P30065MM	[+]	17,3	SUM				
	100	03/12 →		•	-elect.handbrake	P30054MM	[+]	15,7	AKE			
	100	03/12 →		•	+elect.handbrake	P30067MM	[+]	15,7	AKE			
	104	11/15 →	•			P30056MM	[+]	17,5	MN			
	104	11/15 →		•		P30067MM	[+]	15,7	AKE			
2.0	125	03/12 →	•	disc Ø 300 mm	P30066MM	[+]	17,7	-				
	125	03/12 →	•	disc Ø 320 mm	P30065MM	[+]	17,3	SUM				
	125	03/12 →		•	-elect.handbrake	P30054MM	[+]	15,7	AKE			
	125	03/12 →		•	+elect.handbrake	P30067MM	[+]	15,7	AKE			

		kw					wi	Th [mm]	SYS	WI			FK	
											LENGHT			

KIA

OPTIMA 01/10 →

2.0	204	09/10 →	●		disc Ø 300 mm	P30066MM	[+]	17,7	-					
	204	09/10 →	●		disc Ø 320 mm	P30065MM	[+]	17,3	SUM					
	204	09/10 →		●	-elect.handbrake	P30054MM	[+]	15,7	AKE					
	204	09/10 →		●	+elect.handbrake	P30067MM	[+]	15,7	AKE					
2.0 CVVL	121	03/12 →	●		disc Ø 300 mm	P30066MM	[+]	17,7	-					
	121	03/12 →	●		disc Ø 320 mm	P30065MM	[+]	17,3	SUM					
	121	03/12 →		●	-elect.handbrake	P30054MM	[+]	15,7	AKE					
	121	03/12 →		●	+elect.handbrake	P30067MM	[+]	15,7	AKE					
	120	09/15 →		●		P30056MM	[+]	17,5	MN					
	120	09/15 →		●		P30067MM	[+]	15,7	AKE					
2.0 CVVT Hybrid	140	12/12 →	●		disc Ø 300 mm	P30066MM	[+]	17,7	-					
	140	12/12 →	●		disc Ø 320 mm	P30065MM	[+]	17,3	SUM					
	140	12/12 →		●	-elect.handbrake	P30054MM	[+]	15,7	AKE					
	140	12/12 →		●	+elect.handbrake	P30067MM	[+]	15,7	AKE					
	110	03/12 →	●		disc Ø 300 mm	P30066MM	[+]	17,7	-					
	110	03/12 →	●		disc Ø 320 mm	P30065MM	[+]	17,3	SUM					
	110	03/12 →		●	-elect.handbrake	P30054MM	[+]	15,7	AKE					
	110	03/12 →		●	+elect.handbrake	P30067MM	[+]	15,7	AKE					
2.0 T-GDi	180	09/15 →		●		P30067MM	[+]	15,7	AKE					
2.4	149	09/10 →	●		disc Ø 300 mm	P30066MM	[+]	17,7	-					
	149	09/10 →	●		disc Ø 320 mm	P30065MM	[+]	17,3	SUM					
	149	09/10 →		●	-elect.handbrake	P30054MM	[+]	15,7	AKE					
	149	09/10 →		●	+elect.handbrake	P30067MM	[+]	15,7	AKE					
	132	03/12 →	●		disc Ø 300 mm	P30066MM	[+]	17,7	-					
	132	03/12 →	●		disc Ø 320 mm	P30065MM	[+]	17,3	SUM					
	132	03/12 →		●	-elect.handbrake	P30054MM	[+]	15,7	AKE					
	132	03/12 →		●	+elect.handbrake	P30067MM	[+]	15,7	AKE					
	129	06/10 → 12/15	●		light alloy wheel	P30065MM	[+]	17,3	SUM					
	129	06/10 → 12/15	●		steel wheel	P30066MM	[+]	17,7	-					
	129	06/10 → 12/15		●	-elect.handbrake	P30054MM	[+]	15,7	AKE					
	129	06/10 → 12/15		●	+elect.handbrake	P30067MM	[+]	15,7	AKE					
2.4 Hybrid	154	09/11 →	●		disc Ø 300 mm	P30066MM	[+]	17,7	-					
	154	09/11 →	●		disc Ø 320 mm	P30065MM	[+]	17,3	SUM					
	154	09/11 →		●	-elect.handbrake	P30054MM	[+]	15,7	AKE					
	154	09/11 →		●	+elect.handbrake	P30067MM	[+]	15,7	AKE					

OPTIMA 09/15 →

2.4 GDi	138	09/15 →	●			P30056MM	[+]	17,5	MN					
	138	09/15 →		●		P30067MM	[+]	15,7	AKE					

OPTIMA Sportswagon 09/16 →

1.7 CRDi	104	09/16 →	●			P30056MM	[+]	17,5	MN					
	104	09/16 →		●		P30067MM	[+]	15,7	AKE					
2.0 CVVL	120	09/16 →	●			P30056MM	[+]	17,5	MN					
	120	09/16 →		●		P30067MM	[+]	15,7	AKE					
2.0 T-GDi	180	09/16 →		●		P30067MM	[+]	15,7	AKE					

PICANTO (BA) 04/04 →

1.0	45	04/04 →	●			P30053MM	[+]	16,6	MN					
	45	04/04 →	●			P30032MM	[+]	16,8	MN					
	45	04/04 →		●	+ABS	P30033MM	[+]	14,8	MN					
	46	09/07 →	●			P30032MM	[+]	16,8	MN					
	46	09/07 →	●			P30053MM	[+]	16,6	MN					
	46	09/07 →		●	+ABS	P30033MM	[+]	14,8	MN					
	53	04/04 → 04/11	●			P30032MM	[+]	16,8	MN					
	53	04/04 → 04/11		●	+ABS	P30033MM	[+]	14,8	MN					

Car Model	kW	Hourglass	Truck	Car	i	MAGNETI MARELLI	wi	Th [mm]	SYS	WI			FK	
										MAGNETI MARELLI	LENGHT	i	MAGNETI MARELLI	i

KIA
PICANTO (BA) 04/04 →

1.1	48	04/04 →	●			P30053MM	[+]	16,6	MN					
	48	04/04 →	●			P30032MM	[+]	16,8	MN					
	48	04/04 →		●	+ABS	P30033MM	[+]	14,8	MN					
1.1 CRDi	55	11/05 →	●			P30053MM	[+]	16,6	MN					
	55	11/05 →	●			P30032MM	[+]	16,8	MN					
	55	11/05 →		●	+ABS	P30033MM	[+]	14,8	MN					

PICANTO (TA) 05/11 →

1.0	51	05/11 →	●			P30032MM	[+]	16,8	MN					
	51	05/11 →	●			P30053MM	[+]	16,6	MN					
	51	05/11 →		●	-(EU)	P30033MM	[+]	14,8	MN					
	51	05/11 →		●	(EU)	P30068MM	[+]	15,9	MN					
	49	04/15 →	●			P30053MM	[+]	16,6	MN					
	49	04/15 →		●	-(EU); +rear disc	P30033MM	[+]	14,8	MN					
	49	04/15 →		●	(EU); +rear disc	P30068MM	[+]	15,9	MN					
1.0 Bi-Fuel	60	05/11 →	●			P30032MM	[+]	16,8	MN					
	60	05/11 →	●			P30053MM	[+]	16,6	MN					
	60	05/11 →		●	-(EU)	P30033MM	[+]	14,8	MN					
	60	05/11 →		●	(EU)	P30068MM	[+]	15,9	MN					
1.0 LPG	49	08/13 →	●			P30053MM	[+]	16,6	MN					
	49	08/13 →		●	-(EU)	P30033MM	[+]	14,8	MN					
	49	08/13 →		●	(EU)	P30068MM	[+]	15,9	MN					
1.2	63	09/11 →	●			P30032MM	[+]	16,8	MN					
	63	09/11 →	●			P30053MM	[+]	16,6	MN					
	63	09/11 →		●	-(EU)	P30033MM	[+]	14,8	MN					
	63	09/11 →		●	(EU)	P30068MM	[+]	15,9	MN					

PREGIO Box (TB) 10/97 →

2.5 TCi D	69	09/02 →	●			P30012MM	[+]	16,2	SUM					
2.7 D	60	10/97 →	●		→ 01/99	P30044MM	[+]	17	SUM					
	60	10/97 →	●		02/99 →	P30012MM	[+]	16,2	SUM					

PREGIO Bus 08/95 → 09/04

2.5 D	69	08/95 → 09/04	●		→ 01/99	P30044MM	[+]	17	SUM					
	69	08/95 → 09/04	●		02/99 →	P30012MM	[+]	16,2	SUM					

PRIDE (DA) 01/90 → 12/11

1.1 i	38	01/91 → 10/00	●			P49013MM	[+]	14,5	SUM					
1.3	54	05/94 → 05/97	●			P49013MM	[+]	14,5	SUM					
1.3 16V	44	01/90 → 10/00	●			P49013MM	[+]	14,5	SUM					
	53	01/90 → 09/01	●			P49013MM	[+]	14,5	SUM					
	47	10/96 → 05/01	●			P49013MM	[+]	14,5	SUM					
1.3 i	51	01/90 → 05/97	●			P49013MM	[+]	14,5	SUM					

PRIDE Estate 08/99 → 05/01

1.3	47	08/99 → 05/01	●			P49013MM	[+]	14,5	SUM					
-----	----	---------------	---	--	--	----------	-----	------	-----	--	--	--	--	--

PRIDE Van (DA) 04/92 → 06/99

1.3 16V	44	04/92 → 10/96	●			P49013MM	[+]	14,5	SUM					
	47	10/96 → 06/99	●			P49013MM	[+]	14,5	SUM					

PRO CEE'D (JD) 03/13 →

1.0 T-GDI	74	07/15 →	●		disc Ø 300 mm	P30065MM	[+]	17,3	SUM					
	74	07/15 →	●		disc Ø 280 mm	P30073MM	[+]	17,8/ 18,4	-					
	74	07/15 →		●	+elect.handbrake	P30067MM	[+]	15,7	AKE					
	74	07/15 →		●	-elect.handbrake	P59038MM	[+]	15,2	TRW					
	88	07/15 →	●			P30065MM	[+]	17,3	SUM					
	88	07/15 →	●			P30073MM	[+]	17,8/ 18,4	-					

Car Model	kW	Icon 1	Icon 2	Icon 3	MAGNETI MARELLI	wi	Th [mm]	SYS	WI			FK	
									MAGNETI MARELLI	LENGHT	Icon 4	MAGNETI MARELLI	Icon 5

KIA

PRO CEE'D (JD) 03/13 →

1.0 T-GDI	88	07/15 →		●	+elect.handbrake	P30067MM	[+]	15,7	AKE					
	88	07/15 →		●	-elect.handbrake	P59038MM	[+]	15,2	TRW					
1.4 CRDi 90	66	03/13 →		●	disc Ø 280 mm	P30073MM	[+]	17,8/18,4	-					
	66	03/13 →		●	disc Ø 300 mm	P30065MM	[+]	17,3	SUM					
	66	03/13 →		●	+elect.handbrake	P30067MM	[+]	15,7	AKE					
	66	03/13 →		●	-elect.handbrake	P59038MM	[+]	15,2	TRW					
1.4 CVVT	73	03/13 →		●	disc Ø 280 mm	P30073MM	[+]	17,8/18,4	-					
	73	03/13 →		●	disc Ø 300 mm	P30065MM	[+]	17,3	SUM					
	73	03/13 →		●	+elect.handbrake	P30067MM	[+]	15,7	AKE					
	73	03/13 →		●	-elect.handbrake	P59038MM	[+]	15,2	TRW					
1.4 MPI	74	04/15 →		●	disc Ø 300 mm	P30065MM	[+]	17,3	SUM					
	74	04/15 →		●	disc Ø 280 mm	P30073MM	[+]	17,8/18,4	-					
	74	04/15 →		●	+elect.handbrake	P30067MM	[+]	15,7	AKE					
	74	04/15 →		●	-elect.handbrake	P59038MM	[+]	15,2	TRW					
	73	07/13 →		●	disc Ø 280 mm	P30073MM	[+]	17,8/18,4	-					
	73	07/13 →		●	disc Ø 300 mm	P30065MM	[+]	17,3	SUM					
	73	07/13 →		●	+elect.handbrake	P30067MM	[+]	15,7	AKE					
	73	07/13 →		●	-elect.handbrake	P59038MM	[+]	15,2	TRW					
1.6 CRDi 110	81	03/13 →		●	disc Ø 280 mm	P30073MM	[+]	17,8/18,4	-					
	81	03/13 →		●	disc Ø 300 mm	P30065MM	[+]	17,3	SUM					
	81	03/13 →		●	+elect.handbrake	P30067MM	[+]	15,7	AKE					
	81	03/13 →		●	-elect.handbrake	P59038MM	[+]	15,2	TRW					
1.6 CRDi 128	94	03/13 →		●	disc Ø 280 mm	P30073MM	[+]	17,8/18,4	-					
	94	03/13 →		●	disc Ø 300 mm	P30065MM	[+]	17,3	SUM					
	94	03/13 →		●	+elect.handbrake	P30067MM	[+]	15,7	AKE					
	94	03/13 →		●	-elect.handbrake	P59038MM	[+]	15,2	TRW					
1.6 CRDi 136	100	07/15 →		●	disc Ø 300 mm	P30065MM	[+]	17,3	SUM					
	100	07/15 →		●	disc Ø 280 mm	P30073MM	[+]	17,8/18,4	-					
	100	07/15 →		●	+elect.handbrake	P30067MM	[+]	15,7	AKE					
	100	07/15 →		●	-elect.handbrake	P59038MM	[+]	15,2	TRW					
1.6 CVVT	95	03/13 →		●	disc Ø 280 mm	P30073MM	[+]	17,8/18,4	-					
	95	03/13 →		●	disc Ø 300 mm	P30065MM	[+]	17,3	SUM					
	95	03/13 →		●	+elect.handbrake	P30067MM	[+]	15,7	AKE					
	95	03/13 →		●	-elect.handbrake	P59038MM	[+]	15,2	TRW					
1.6 GDI	99	03/13 →		●	disc Ø 280 mm	P30073MM	[+]	17,8/18,4	-					
	99	03/13 →		●	disc Ø 300 mm	P30065MM	[+]	17,3	SUM					
	99	03/13 →		●	+elect.handbrake	P30067MM	[+]	15,7	AKE					
	99	03/13 →		●	-elect.handbrake	P59038MM	[+]	15,2	TRW					
1.6 GT	150	06/13 →		●	disc Ø 280 mm	P30073MM	[+]	17,8/18,4	-					
	150	06/13 →		●	disc Ø 300 mm	P30065MM	[+]	17,3	SUM					
	150	06/13 →		●	+elect.handbrake	P30067MM	[+]	15,7	AKE					
	150	06/13 →		●	-elect.handbrake	P59038MM	[+]	15,2	TRW					

PRO CEE'D (ED) 02/08 → 02/13

1.4	77	02/08 → 09/12		●		P30034MM	[+]	16,4	MN					
	77	02/08 → 09/12		●		P30051MM	[+]	15,9	MN					

	kw				MAGNETI MARELLI	wi	Th [mm]	SYS	WI			FK	
									MAGNETI MARELLI	LENGHT		MAGNETI MARELLI	

KIA
PRO CEE'D (ED) 02/08 → 02/13

1.4	80	02/08 → 09/12	•		P30034MM	[+]	16,4	MN					
	80	02/08 → 09/12		•	P30051MM	[+]	15,9	MN					
1.4 CVVT	66	06/10 → 09/12	•		P30034MM	[+]	16,4	MN					
	66	06/10 → 09/12		•	P30051MM	[+]	15,9	MN					
1.6	90	02/08 → 09/12	•		P30034MM	[+]	16,4	MN					
	90	02/08 → 09/12		•	P30051MM	[+]	15,9	MN					
	93	02/08 → 09/12	•		P30034MM	[+]	16,4	MN					
	93	02/08 → 09/12		•	P30051MM	[+]	15,9	MN					
1.6 CRDi 115	85	02/08 → 09/12	•		P30034MM	[+]	16,4	MN					
	85	02/08 → 09/12		•	P30051MM	[+]	15,9	MN					
1.6 CRDi 128	94	10/10 → 09/12	•		P30034MM	[+]	16,4	MN					
	94	10/10 → 09/12		•	P30051MM	[+]	15,9	MN					
1.6 CRDi 90	66	02/08 → 09/12	•		P30034MM	[+]	16,4	MN					
	66	02/08 → 09/12		•	P30051MM	[+]	15,9	MN					
1.6 CVVT	92	10/10 → 02/13	•		P30034MM	[+]	16,4	MN					
	92	10/10 → 02/13		•	P30051MM	[+]	15,9	MN					
	92	10/10 → 02/13		•	P30025MM	[+]	15,9	MN					
2.0	105	02/08 → 09/12	•		P30034MM	[+]	16,4	MN					
	105	02/08 → 09/12		•	P30051MM	[+]	15,9	MN					
2.0 CRDi 140	103	02/08 → 09/12	•		P30034MM	[+]	16,4	MN					
	103	02/08 → 09/12		•	P30051MM	[+]	15,9	MN					
2.0 LPG	105	01/09 → 12/09	•		P30034MM	[+]	16,4	MN					
	105	01/09 → 12/09		•	P30051MM	[+]	15,9	MN					

RETONA (CE) 06/99 →

2.0 16V	94	05/00 →	•		P30015MM	[+]	16	SUM					
2.0 TD	61	06/99 →	•		P30015MM	[+]	16	SUM					

RIO Estate (DC) 08/00 → 02/05

1.3	60	08/00 → 02/05	•	08/02 →	P30016MM	[+]	15	SUM					
	60	08/00 → 02/05	•	→ 07/02	P49016MM	[+]	15	SUM					
	55	08/00 → 02/05	•	→ 07/02	P49016MM	[+]	15	SUM					
	55	08/00 → 02/05	•	08/02 →	P30016MM	[+]	15	SUM					
1.5 16V	72	08/00 → 02/05	•	→ 07/02	P49016MM	[+]	15	SUM					
	72	08/00 → 02/05	•	08/02 →	P30016MM	[+]	15	SUM					
	71	09/02 → 02/05	•		P30016MM	[+]	15	SUM					

RIO II (JB) 03/05 →

1.4 16V	71	03/05 →	•		P30026MM	[+]	17,5	MN					
	71	03/05 →		•	P30025MM	[+]	15,9	MN					
1.5 CRDi	81	03/05 →	•		P30026MM	[+]	17,5	MN					
	81	03/05 →		•	P30025MM	[+]	15,9	MN					
	65	06/08 →	•		P30026MM	[+]	17,5	MN					
	65	06/08 →		•	P30025MM	[+]	15,9	MN					
1.6 CVVT	82	03/05 →	•		P30026MM	[+]	17,5	MN					
	82	03/05 →		•	P30025MM	[+]	15,9	MN					

RIO II Saloon (JB) 03/05 →

1.4 16V	71	03/05 →	•		P30026MM	[+]	17,5	MN					
	71	03/05 →		•	P30025MM	[+]	15,9	MN					
1.5 CRDi	81	03/05 →	•		P30026MM	[+]	17,5	MN					
	81	03/05 →		•	P30025MM	[+]	15,9	MN					
	65	06/08 →	•		P30026MM	[+]	17,5	MN					
	65	06/08 →		•	P30025MM	[+]	15,9	MN					
1.6 16V	82	03/05 →	•		P30026MM	[+]	17,5	MN					
	82	03/05 →		•	P30025MM	[+]	15,9	MN					

KIA

RIO III (UB) 09/11 →

1.1 CRDi	55	09/11 →	•		P18025MM	[+]	17,8	-					
	55	09/11 →		•	P30067MM	[+]	15,7	AKE					
1.2	51	09/11 →	•	14" wheel; 15" wheel	P18025MM	[+]	17,8	-					
	51	09/11 →		•	+rear disc	P30067MM	[+]	15,7	AKE				
1.2 CVT	62	11/14 →	•		P18025MM	[+]	17,8	-					
	62	11/14 →		•	P30067MM	[+]	15,7	AKE					
1.25 CVT	63	09/11 →	•		P18025MM	[+]	17,8	-					
	63	09/11 →		•	P30067MM	[+]	15,7	AKE					
	65	09/11 →	•		P18025MM	[+]	17,8	-					
	65	09/11 →		•	P30067MM	[+]	15,7	AKE					
1.25 LPG	63	09/11 →	•		P18025MM	[+]	17,8	-					
	63	09/11 →		•	P30067MM	[+]	15,7	AKE					
1.4 CRDi	66	09/11 →	•		P18025MM	[+]	17,8	-					
	66	09/11 →		•	P30067MM	[+]	15,7	AKE					
1.4 CVT	80	09/11 →	•		P18025MM	[+]	17,8	-					
	80	09/11 →		•	P30067MM	[+]	15,7	AKE					
	79	09/11 →	•		P18025MM	[+]	17,8	-					
	79	09/11 →		•	P30067MM	[+]	15,7	AKE					
1.6 CVT	90	06/12 →	•		P18025MM	[+]	17,8	-					
	90	06/12 →		•	P30067MM	[+]	15,7	AKE					

RIO III Saloon (UB) 09/10 →

1.2 CVT	62	11/14 →	•		P18025MM	[+]	17,8	-					
	62	11/14 →		•	P30067MM	[+]	15,7	AKE					
1.25 CVT	63	10/11 →	•		P18025MM	[+]	17,8	-					
	63	10/11 →		•	P30067MM	[+]	15,7	AKE					
1.4 CVT	79	06/11 →	•		P18025MM	[+]	17,8	-					
	79	06/11 →		•	+rear disc	P30067MM	[+]	15,7	AKE				
	80	10/11 →	•		P18025MM	[+]	17,8	-					
	80	10/11 →		•	P30067MM	[+]	15,7	AKE					
1.6 CVT	90	06/12 →	•		P18025MM	[+]	17,8	-					
	90	06/12 →		•	P30067MM	[+]	15,7	AKE					

RIO Saloon (DC_) 09/00 → 02/05

1.3	55	09/00 → 02/05	•	→ 07/02	P49016MM	[+]	15	SUM					
	55	09/00 → 02/05	•	08/02 →	P30016MM	[+]	15	SUM					
	60	08/02 → 02/05	•		P30016MM	[+]	15	SUM					
1.5	70	09/02 → 02/05	•		P30016MM	[+]	15	SUM					
1.5 16V	72	09/00 → 02/05	•	→ 07/02	P49016MM	[+]	15	SUM					
	72	09/00 → 02/05	•	08/02 →	P30016MM	[+]	15	SUM					
	71	09/02 → 02/05	•		P30016MM	[+]	15	SUM					

SEPHIA Saloon (FA) 01/92 → 09/01

1.5 i	59	02/96 → 10/97	•		P24043MM	[-]	17,5	ATE				A02227	
	59	02/96 → 10/97	•		P30009MM	[+]	18	ATE				A02227	
	59	02/96 → 10/97	•		P30016MM	[+]	15	SUM				A02227	
	59	02/96 → 10/97		•	P24030MM	[-]	15	ATE					
1.6 i	59	09/93 → 10/97	•		P24043MM	[-]	17,5	ATE					
	59	09/93 → 10/97	•		P30009MM	[+]	18	ATE					
	59	09/93 → 10/97	•		P30016MM	[+]	15	SUM					
1.8 i 16V	82	01/95 → 10/97	•		P24043MM	[-]	17,5	ATE				A02227	
	82	01/95 → 10/97	•		P30009MM	[+]	18	ATE				A02227	
	82	01/95 → 10/97	•		P30016MM	[+]	15	SUM				A02227	
	82	01/95 → 10/97		•	P24030MM	[-]	15	ATE					

										WI		FK			
	kw						MAGNETI MARELLI	wi	Th [mm]	SYS	MAGNETI MARELLI	LENGHT		MAGNETI MARELLI	

KIA

SORENTO II (XM) 11/09 →

2.2 CRDi 4WD	145	11/09 →	●				P30036MM	[+]	17,6	MN					
	145	11/09 →		●			P30063MM	[+]	15,5	MN					
2.4 CVT	128	11/09 →	●				P30036MM	[+]	17,6	MN					
	128	11/09 →		●			P30063MM	[+]	15,5	MN					
	141	10/12 →	●				P30036MM	[+]	17,6	MN					
	141	10/12 →		●			P30063MM	[+]	15,5	MN					
2.4 CVT 4WD	128	11/09 →	●				P30036MM	[+]	17,6	MN					
	128	11/09 →		●			P30063MM	[+]	15,5	MN					
	141	10/12 →	●				P30036MM	[+]	17,6	MN					
	141	10/12 →		●			P30063MM	[+]	15,5	MN					
2.4 GDI	141	10/12 →	●				P30036MM	[+]	17,6	MN					
	141	10/12 →		●			P30063MM	[+]	15,5	MN					
2.4 GDI 4WD	141	10/12 →	●				P30036MM	[+]	17,6	MN					
	141	10/12 →		●			P30063MM	[+]	15,5	MN					
3.5	204	05/13 →	●				P30036MM	[+]	17,6	MN					
	204	05/13 →		●			P30063MM	[+]	15,5	MN					
3.5 4WD	204	05/13 →	●				P30036MM	[+]	17,6	MN					
	204	05/13 →		●			P30063MM	[+]	15,5	MN					

SORENTO III (UM) 01/15 →

2.0 GDI 4WD	136	07/15 →		●	+sport pack		P30035MM	[+]	15,5	MN					
	136	07/15 →		●	-sport pack		P30080MM	[+]	15,5	SNG					
2.2 CRDi	147	01/15 →	●		+sport pack		P30035MM	[+]	15,5	MN					
	147	01/15 →	●		-sport pack		P30080MM	[+]	15,5	SNG					
2.2 CRDi 4WD	147	01/15 →	●		+sport pack		P30035MM	[+]	15,5	MN					
	147	01/15 →	●		-sport pack		P30080MM	[+]	15,5	SNG					
	145	11/16 →	●		+sport pack		P30035MM	[+]	15,5	MN					
	145	11/16 →	●		-sport pack		P30080MM	[+]	15,5	SNG					
2.4	129	01/15 →	●		+sport pack		P30035MM	[+]	15,5	MN					
	129	01/15 →	●		-sport pack		P30080MM	[+]	15,5	SNG					
2.4 4WD	129	01/15 →	●		+sport pack		P30035MM	[+]	15,5	MN					
	129	01/15 →	●		-sport pack		P30080MM	[+]	15,5	SNG					
2.4 GDI	138	01/15 →	●		+sport pack		P30035MM	[+]	15,5	MN					
	138	01/15 →	●		-sport pack		P30080MM	[+]	15,5	SNG					
2.4 GDI 4WD	138	01/15 →	●		+sport pack		P30035MM	[+]	15,5	MN					
	138	01/15 →	●		-sport pack		P30080MM	[+]	15,5	SNG					

SOUL (AM) 02/09 →

1.6	91	09/09 → 12/14	●				P30018MM	[+]	16,9	MN					
	91	09/09 → 12/14		●			P30047MM	[+]	15,5	AKE					
1.6 CRDi 115	85	02/09 →	●				P30018MM	[+]	16,9	MN					
	85	02/09 →		●			P30047MM	[+]	15,5	AKE					
1.6 CRDi 128	94	02/09 →	●				P30018MM	[+]	16,9	MN					
	94	02/09 →		●			P30047MM	[+]	15,5	AKE					
1.6 CVT	77	02/09 →	●				P30018MM	[+]	16,9	MN					
	77	02/09 →		●			P30047MM	[+]	15,5	AKE					
	93	02/09 →	●				P30018MM	[+]	16,9	MN					
	93	02/09 →		●			P30047MM	[+]	15,5	AKE					
	95	03/12 →	●				P30018MM	[+]	16,9	MN					
	95	03/12 →		●			P30047MM	[+]	15,5	AKE					
1.6 GDI	103	06/11 →	●				P30018MM	[+]	16,9	MN					
	103	06/11 →		●			P30047MM	[+]	15,5	AKE					
1.6 LPG	92	02/09 → 12/14	●				P30018MM	[+]	16,9	MN					
	92	02/09 → 12/14		●	+ESP		P30047MM	[+]	15,5	AKE					



kw



MAGNETI MARELLI

WI

Th [mm]

SYS

MAGNETI MARELLI

LENGHT

WI

FK

MAGNETI MARELLI

LENGHT

WI

FK

MAGNETI MARELLI

LENGHT

WI

FK

MAGNETI MARELLI

LENGHT

KIA

SOUL (AM) 02/09 →

2.0	106	09/09 → 12/11	●			P30018MM	[+]	16,9	MN				
	106	09/09 → 12/11	●	+ESP		P30047MM	[+]	15,5	AKE				

SOUL II (PS) 02/14 →

1.6 CRDi 128	94	02/14 →	●		15" wheel	P30055MM	[+]	17,7	-				
	94	02/14 →	●		16" wheel	P30056MM	[+]	17,5	MN				
	94	02/14 →		●		P30067MM	[+]	15,7	AKE				
1.6 CRDi 136	100	04/15 →	●		16" wheel	P30056MM	[+]	17,5	MN				
	100	04/15 →	●		15" wheel	P30055MM	[+]	17,7	-				
	100	04/15 →		●		P30067MM	[+]	15,7	AKE				
1.6 CVVT	91	02/14 →	●		15" wheel	P30055MM	[+]	17,7	-				
	91	02/14 →	●		16" wheel	P30056MM	[+]	17,5	MN				
	91	02/14 →		●		P30067MM	[+]	15,7	AKE				
1.6 GDI	97	02/14 →	●		15" wheel	P30055MM	[+]	17,7	-				
	97	02/14 →	●		16" wheel	P30056MM	[+]	17,5	MN				
	97	02/14 →		●		P30067MM	[+]	15,7	AKE				
1.6 TGD	150	11/16 →	●			P30056MM	[+]	17,5	MN				
	150	11/16 →		●		P30067MM	[+]	15,7	AKE				
2.0 CVVT	113	02/14 →	●		15" wheel	P30055MM	[+]	17,7	-				
	113	02/14 →	●		16" wheel	P30056MM	[+]	17,5	MN				
	113	02/14 →		●		P30067MM	[+]	15,7	AKE				
EV Electric	81	09/14 →	●			P30056MM	[+]	17,5	MN				
	81	09/14 →		●		P30067MM	[+]	15,7	AKE				
	25	09/14 →	●			P30056MM	[+]	17,5	MN				
	25	09/14 →		●		P30067MM	[+]	15,7	AKE				

SPORTAGE (JE_, KM_) 09/04 →

2.0 16V 4WD	104	09/04 →	●		04/07 →	P30039MM	[+]	16,6	SUM				
	104	09/04 →	●		→ 04/07	P30018MM	[+]	16,9	MN				
	104	09/04 →		●	→ 04/07	P30014MM	[+]	15	MN				
	104	09/04 →		●	04/07 →	P30025MM	[+]	15,9	MN				
2.0 CRDi	100	01/06 →	●		→ 04/07	P30018MM	[+]	16,9	MN				
	100	01/06 →	●		04/07 →	P30039MM	[+]	16,6	SUM				
	100	01/06 →		●	→ 04/07	P30014MM	[+]	15	MN				
	100	01/06 →		●	04/07 →	P30025MM	[+]	15,9	MN				
	103	01/06 →	●		04/07 →	P30039MM	[+]	16,6	SUM				
	103	01/06 →	●		→ 04/07	P30018MM	[+]	16,9	MN				
	103	01/06 →		●	→ 04/07	P30014MM	[+]	15	MN				
	103	01/06 →		●	04/07 →	P30025MM	[+]	15,9	MN				
	83	02/05 →	●		04/07 →	P30039MM	[+]	16,6	SUM				
	83	02/05 →	●		→ 04/07	P30018MM	[+]	16,9	MN				
	83	02/05 →		●	→ 04/07	P30014MM	[+]	15	MN				
	83	02/05 →		●	04/07 →	P30025MM	[+]	15,9	MN				
	110	09/08 →	●			P30039MM	[+]	16,6	SUM				
	110	09/08 →		●		P30025MM	[+]	15,9	MN				
2.0 CRDi 4WD	100	01/06 →	●		04/07 →	P30039MM	[+]	16,6	SUM				
	100	01/06 →	●		→ 04/07	P30018MM	[+]	16,9	MN				
	100	01/06 →		●	→ 04/07	P30014MM	[+]	15	MN				
	100	01/06 →		●	04/07 →	P30025MM	[+]	15,9	MN				
	83	09/04 →	●		04/07 →	P30039MM	[+]	16,6	SUM				
	83	09/04 →	●		→ 04/07	P30018MM	[+]	16,9	MN				
	83	09/04 →		●	→ 04/07	P30014MM	[+]	15	MN				
	83	09/04 →		●	04/07 →	P30025MM	[+]	15,9	MN				
	103	01/06 →	●		04/07 →	P30039MM	[+]	16,6	SUM				
	103	01/06 →	●		→ 04/07	P30018MM	[+]	16,9	MN				

							[mm]						

KIA
SPORTAGE (JE_ , KM_) 09/04 →

2.0 CRDi 4WD	103	01/06 →	●	→ 04/07	P30014MM	[+]	15	MN					
	103	01/06 →		● 04/07 →	P30025MM	[+]	15,9	MN					
	110	09/08 →	●		P30039MM	[+]	16,6	SUM					
	110	09/08 →		●	P30025MM	[+]	15,9	MN					
2.0 i 16V	104	09/04 →	●	→ 04/07	P30018MM	[+]	16,9	MN					
	104	09/04 →	●	04/07 →	P30039MM	[+]	16,6	SUM					
	104	09/04 →		● → 04/07	P30014MM	[+]	15	MN					
	104	09/04 →		● 04/07 →	P30025MM	[+]	15,9	MN					
2.7 V6 4WD	129	09/04 →	●	04/07 →	P30039MM	[+]	16,6	SUM					
	129	09/04 →	●	→ 04/07	P30018MM	[+]	16,9	MN					
	129	09/04 →		● → 04/07	P30014MM	[+]	15	MN					
	129	09/04 →		● 04/07 →	P30025MM	[+]	15,9	MN					

SPORTAGE (K00) 04/94 → 08/04

2.0	87	10/00 → 08/03	●		P30015MM	[+]	16	SUM					
2.0 4WD	87	10/00 → 08/03	●		P30015MM	[+]	16	SUM					
2.0 i 16V	94	10/99 → 08/03	●		P30015MM	[+]	16	SUM					
2.0 i 16V 4WD	94	04/94 → 08/03	●	→ 08/97	P30006MM	[+]	18,4	SAN					
	94	04/94 → 08/03	●	09/97 →	P30062MM	[+]	18,3	ATE					
	95	11/98 → 08/04	●		P30015MM	[+]	16	SUM					
2.0 i 4WD	70	04/94 → 08/99	●	→ 08/97	P30006MM	[+]	18,4	SAN					
	70	04/94 → 08/99	●	09/97 →	P30062MM	[+]	18,3	ATE					
2.0 TD 4WD	61	10/97 → 08/03	●		P30062MM	[+]	18,3	ATE				A02227	
2.2 D 4WD	52	08/94 → 04/99	●		P30006MM	[+]	18,4	SAN					

SPORTAGE (QL) 09/15 →

1.6 GDI	130	09/15 →	●		P30056MM	[+]	17,5	MN					
	130	09/15 →		● +elect.handbrake	P30067MM	[+]	15,7	AKE					
	130	09/15 →		● -elect.handbrake	P30051MM	[+]	15,9	MN					
	97	09/15 →	●		P30056MM	[+]	17,5	MN					
	97	09/15 →		● +elect.handbrake	P30067MM	[+]	15,7	AKE					
	97	09/15 →		● -elect.handbrake	P30051MM	[+]	15,9	MN					
1.6 GDI AWD	130	09/15 →	●		P30056MM	[+]	17,5	MN					
	130	09/15 →		● +elect.handbrake	P30067MM	[+]	15,7	AKE					
	130	09/15 →		● -elect.handbrake	P30051MM	[+]	15,9	MN					
1.7 CRDi	85	09/15 →	●		P30056MM	[+]	17,5	MN					
	85	09/15 →		● +elect.handbrake	P30067MM	[+]	15,7	AKE					
	85	09/15 →		● -elect.handbrake	P30051MM	[+]	15,9	MN					
	104	11/16 →	●		P30056MM	[+]	17,5	MN					
2.0 CRDi	100	09/15 →	●		P30056MM	[+]	17,5	MN					
	100	09/15 →		● +elect.handbrake	P30067MM	[+]	15,7	AKE					
	100	09/15 →		● -elect.handbrake	P30051MM	[+]	15,9	MN					
	100	09/15 →	●		P30056MM	[+]	17,5	MN					
2.0 CRDi AWD	100	09/15 →		● +elect.handbrake	P30067MM	[+]	15,7	AKE					
	100	09/15 →		● -elect.handbrake	P30051MM	[+]	15,9	MN					
	136	09/15 →	●		P30056MM	[+]	17,5	MN					
	136	09/15 →		● +elect.handbrake	P30067MM	[+]	15,7	AKE					
	136	09/15 →		● -elect.handbrake	P30051MM	[+]	15,9	MN					

SPORTAGE (SL) 09/09 →

1.6 GDI	99	02/11 →	●		P30056MM	[+]	17,5	MN					
	99	02/11 →		●	P30051MM	[+]	15,9	MN					
1.7 CRDi	85	12/10 →	●		P30056MM	[+]	17,5	MN					
	85	12/10 →		●	P30051MM	[+]	15,9	MN					

	kW				<i>i</i>	MAGNET MARELLI	wi	Th [mm]	SYS	WI			FK	
										MAGNET MARELLI	LENGHT	<i>i</i>	MAGNET MARELLI	<i>i</i>

KIA

SPORTAGE (SL) 09/09 →

2.0 CRDi	135 08/10 →	•			P30056MM	[+]	17,5	MN					
	135 08/10 →		•		P30051MM	[+]	15,9	MN					
	100 07/10 →	•			P30056MM	[+]	17,5	MN					
	100 07/10 →		•		P30051MM	[+]	15,9	MN					
2.0 CRDi AWD	135 08/10 →	•			P30056MM	[+]	17,5	MN					
	135 08/10 →		•		P30051MM	[+]	15,9	MN					
	100 07/10 →	•			P30056MM	[+]	17,5	MN					
	100 07/10 →		•		P30051MM	[+]	15,9	MN					
2.0 CVVT	120 07/10 →	•			P30056MM	[+]	17,5	MN					
	120 07/10 →		•		P30051MM	[+]	15,9	MN					
	122 07/10 →	•			P30056MM	[+]	17,5	MN					
	122 07/10 →		•		P30051MM	[+]	15,9	MN					
	110 06/10 → 12/13	•			P30056MM	[+]	17,5	MN					
	110 06/10 → 12/13		•		P30051MM	[+]	15,9	MN					
2.0 CVVT AWD	120 07/10 →	•			P30056MM	[+]	17,5	MN					
	120 07/10 →		•		P30051MM	[+]	15,9	MN					
	122 07/10 →	•		→ 07/11	P30056MM	[+]	17,5	MN					
	122 07/10 →		•		P30051MM	[+]	15,9	MN					
2.0 GDI	122 02/14 →	•			P30056MM	[+]	17,5	MN					
	122 02/14 →		•		P30051MM	[+]	15,9	MN					
2.0 GDI AWD	122 02/14 →	•			P30056MM	[+]	17,5	MN					
	122 02/14 →		•		P30051MM	[+]	15,9	MN					

VENGA (YN) 02/10 →

1.4 CRDi 75	57 02/10 →	•			P30018MM	[+]	16,9	MN					
	57 02/10 →	•			P30064MM	[+]	19,4	TRW					
	57 02/10 →		•		P59038MM	[+]	15,2	TRW					
	55 02/10 →	•			P30064MM	[+]	19,4	TRW					
	55 02/10 →	•			P30018MM	[+]	16,9	MN					
	55 02/10 →		•		P59038MM	[+]	15,2	TRW					
1.4 CRDi 90	66 02/10 →	•			P30064MM	[+]	19,4	TRW					
	66 02/10 →	•			P30018MM	[+]	16,9	MN					
	66 02/10 →		•		P59038MM	[+]	15,2	TRW					
1.4 CVVT	66 02/10 →	•			P30064MM	[+]	19,4	TRW					
	66 02/10 →	•			P30018MM	[+]	16,9	MN					
	66 02/10 →		•		P59038MM	[+]	15,2	TRW					
1.4 LPG	66 02/10 →	•		TRW	P30064MM	[+]	19,4	TRW					
	66 02/10 →	•		Mando	P30018MM	[+]	16,9	MN					
	66 02/10 →		•		P59038MM	[+]	15,2	TRW					
1.6 CRDi 115	85 02/10 →	•			P30064MM	[+]	19,4	TRW					
	85 02/10 →	•			P30018MM	[+]	16,9	MN					
	85 02/10 →		•		P59038MM	[+]	15,2	TRW					
1.6 CRDi 128	94 02/10 →	•			P30064MM	[+]	19,4	TRW					
	94 02/10 →	•			P30018MM	[+]	16,9	MN					
	94 02/10 →		•		P59038MM	[+]	15,2	TRW					
1.6 CVVT	92 02/10 →	•			P30064MM	[+]	19,4	TRW					
	92 02/10 →	•			P30018MM	[+]	16,9	MN					

		kw					MAGNETI MARELLI	wi	Th [mm]	SYS	WI			FK	
											MAGNETI MARELLI	LEIGHT		MAGNETI MARELLI	

LADA

110 (2110) 01/95 → 12/12

1.5	52	01/95 → 12/05	●	→ 05/95	P41003MM [-]	17	TRW								
	52	01/95 → 12/05	●	06/95 →	P41004MM [+]	17	TRW								
	57	01/95 → 12/05	●	→ 05/95	P41003MM [-]	17	TRW								
	57	01/95 → 12/05	●	06/95 →	P41004MM [+]	17	TRW								
	56	10/00 → 12/05	●		P41004MM [+]	17	TRW								
1.5 16V	70	01/95 → 12/05	●	→ 05/95	P41003MM [-]	17	TRW								
	70	01/95 → 12/05	●	06/95 →	P41004MM [+]	17	TRW								
	67	10/00 → 12/10	●		P41004MM [+]	17	TRW								
1.6	60	01/00 → 12/12	●		P41004MM [+]	17	TRW								
	66	01/00 → 04/07	●		P41004MM [+]	17	TRW								
	72	01/95 → 12/07	●		P41004MM [+]	17	TRW								
1.6 16V	67	10/04 → 12/10	●		P41004MM [+]	17	TRW								
1.6 LPG	60	10/04 → 03/07	●		P41004MM [+]	17	TRW								
2.0 i	110	08/96 → 07/00	●		P41004MM [+]	17	TRW								
Wankel	88	06/97 → 09/04	●		P41004MM [+]	17	TRW								

111 (2111) 01/95 →

1.5	58	10/00 → 09/04	●		P41004MM [+]	17	TRW								
	57	01/96 → 12/05	●		P41004MM [+]	17	TRW								
	56	10/00 → 12/05	●		P41004MM [+]	17	TRW								
	52	01/97 → 12/03	●		P41004MM [+]	17	TRW								
1.5 16V	70	01/95 → 08/02	●	→ 05/95	P41003MM [-]	17	TRW								
	70	01/95 → 08/02	●	06/95 →	P41004MM [+]	17	TRW								
	67	10/00 → 12/05	●		P41004MM [+]	17	TRW								
1.6	60	09/04 → 12/13	●		P41004MM [+]	17	TRW								
	66	09/04 →	●		P41004MM [+]	17	TRW								

112 (2112) 01/95 → 12/11

1.5	54	01/95 → 10/00	●	→ 05/95	P41003MM [-]	17	TRW								
	54	01/95 → 10/00	●	06/95 →	P41004MM [+]	17	TRW								
	57	01/95 → 09/04	●	→ 05/95	P41003MM [-]	17	TRW								
	57	01/95 → 09/04	●	06/95 →	P41004MM [+]	17	TRW								
	56	10/00 → 12/05	●		P41004MM [+]	17	TRW								
1.5 16V	70	01/95 → 09/00	●	→ 05/95	P41003MM [-]	17	TRW								
	70	01/95 → 09/00	●	06/95 →	P41004MM [+]	17	TRW								
	67	10/00 → 12/05	●		P41004MM [+]	17	TRW								
1.6	66	03/06 → 12/08	●		P41004MM [+]	17	TRW								
	60	01/05 → 12/11	●		P41004MM [+]	17	TRW								

KALINA Estate (1117) 10/04 →

1.4 16V	66	11/08 → 12/13	●		P41003MM [-]	17	TRW								
1.4 16V LPG	65	11/08 →	●		P41003MM [-]	17	TRW								
1.6	62	01/10 →	●		P41003MM [-]	17	TRW								
	60	10/04 → 12/13	●		P41003MM [-]	17	TRW								
	72	10/04 →	●		P41003MM [-]	17	TRW								

KALINA Estate (2194) 11/13 →

1.6	64	11/13 →	●		P41003MM [-]	17	TRW								
	72	11/13 →	●		P41003MM [-]	17	TRW								
	78	11/13 →	●		P41003MM [-]	17	TRW								

KALINA Hatchback (1119) 10/04 → 12/13

1.4 16V	66	11/08 → 12/13	●		P41003MM [-]	17	TRW								
1.4 16V LPG	65	11/08 → 12/13	●		P41003MM [-]	17	TRW								
1.6	62	01/10 → 12/13	●		P41003MM [-]	17	TRW								
	60	10/04 → 12/13	●		P41003MM [-]	17	TRW								
	66	10/04 → 12/13	●		P41003MM [-]	17	TRW								
	72	09/06 → 06/13	●		P41003MM [-]	17	TRW								



kw



wi

Th
[mm]

SYS

WI

FK



LENGHT



LADA

KALINA Hatchback (2192) 06/13 →

1.6	64	06/13 →	●					P41003MM	[-]	17	TRW						
	72	06/13 →	●					P41003MM	[-]	17	TRW						
	78	06/13 →	●					P41003MM	[-]	17	TRW						

KALINA Saloon (1118) 10/04 →

1.4 16V	66	11/08 → 12/09	●					P41003MM	[-]	17	TRW						
1.4 16V LPG	65	11/08 → 12/13	●					P41003MM	[-]	17	TRW						
1.6	62	01/10 →	●					P41003MM	[-]	17	TRW						
	60	10/04 → 12/09	●					P41003MM	[-]	17	TRW						
	66	10/04 →	●					P41003MM	[-]	17	TRW						
	72	10/04 →	●					P41003MM	[-]	17	TRW						

LARGUS Box 03/12 →

1.6	62	03/12 →	●					P68038MM	[-]	18,2	TRW						
	62	03/12 →	●					P68033MM	[-]	17,3	TRW						
	62	03/12 →	●					P68008MM	[+]	18,2	TRW						
	77	03/12 →	●					P68038MM	[-]	18,2	TRW						
	77	03/12 →	●					P68008MM	[+]	18,2	TRW						
	77	03/12 →	●					P68033MM	[-]	17,3	TRW						

LARGUS Estate 03/12 →

1.6	62	03/12 →	●	-ABS				P68008MM	[+]	18,2	TRW						
	62	03/12 →	●	+ABS				P68039MM	[-]	18	ATE						
	77	03/12 →	●	+ABS				P68039MM	[-]	18	ATE						
	77	03/12 →	●	-ABS				P68008MM	[+]	18,2	TRW						

NADESCHDA (2120) 12/97 → 12/06

1.7	60	12/97 → 12/06	●					P41002MM	[-]	15,6	BDX						
1.7 i	59	12/97 → 12/06	●					P41002MM	[-]	15,6	BDX						
1.8	60	12/97 → 12/06	●					P41002MM	[-]	15,6	BDX						
1.8 i	67	12/97 → 12/06	●					P41002MM	[-]	15,6	BDX						

NIVA Closed Off-Road Vehicle (2121) 12/76 →

1600	56	04/80 → 12/87	●					P41002MM	[-]	15,6	BDX						
	56	12/76 → 12/93	●					P41002MM	[-]	15,6	BDX						
1600 4x4	54	01/87 → 03/95	●					P41002MM	[-]	15,6	BDX						
	63	10/86 → 12/91	●					P41002MM	[-]	15,6	BDX						
1700 i	59	06/96 → 12/06	●					P41002MM	[-]	15,6	BDX						
1700 i 4x4	61	09/10 →	●					P41002MM	[-]	15,6	BDX						
	60	10/00 → 12/10	●					P41002MM	[-]	15,6	BDX						
1900 Diesel	47	01/93 → 08/99	●					P41002MM	[-]	15,6	BDX						
	55	01/99 → 12/06	●					P41002MM	[-]	15,6	BDX						

NIVA II (2123) 09/02 →

1.7	61	08/04 →	●					P41005MM	[-]	16	GM						
	59	09/02 →	●					P41005MM	[-]	16	GM						
1.7 LPG	57	09/02 →	●					P41005MM	[-]	16	GM						

NOVA (2105) 05/81 → 04/12

1200 Junior/L (VAZ, WAS2105)	44	09/81 → 04/12	●					P41001MM	[-]	16	BDX						
1300 Spezial/L (VAZ, WAS2105)	48	05/81 → 04/12	●					P41001MM	[-]	16	BDX						
1500	49	05/93 → 04/04	●					P41001MM	[-]	16	BDX						
1500 S (WAS21093)	52	06/89 → 04/12	●					P41001MM	[-]	16	BDX						
1500 Special (VAZ2105, WAS21053)	55	03/85 → 04/12	●					P41001MM	[-]	16	BDX						

								Th [mm]	SYS		LEIGHT			

LADA

NOVA (2105) 05/81 → 04/12

1600 (WAS21074)	56	01/88 → 10/01	●					P41001MM [-]	16	BDX				
1700 i Classic (VAZ2107)	62	06/96 → 04/12	●					P41001MM [-]	16	BDX				

NOVA Estate (2104) 09/81 → 04/12

1.5 1500	55	10/86 → 04/98	●					P41001MM [-]	16	BDX				
1300	48	09/85 → 12/91	●					P41001MM [-]	16	BDX				
1500	55	09/85 → 02/93	●					P41001MM [-]	16	BDX				
	49	08/94 → 04/12	●					P41001MM [-]	16	BDX				
1700	62	08/94 → 04/12	●					P41001MM [-]	16	BDX				

PRIORA Estate (2171) 10/09 →

1.6	72	10/09 →	●					P41003MM [-]	17	TRW				
	60	10/09 →	●					P41003MM [-]	17	TRW				
	78	02/14 →	●					P41004MM [+]	17	TRW				

PRIORA Hatchback (2172) 12/08 →

1.6	60	12/08 → 12/13	●					P41003MM [-]	17	TRW				
	72	12/08 →	●					P41003MM [-]	17	TRW				
	78	02/14 →	●					P41004MM [+]	17	TRW				
	66	01/11 → 12/13	●					P41004MM [+]	17	TRW				
1.6 LPG	71	12/08 →	●					P41003MM [-]	17	TRW				

PRIORA Saloon (2170) 12/08 →

1.6	60	12/08 → 12/13	●					P41003MM [-]	17	TRW				
	72	12/08 →	●					P41003MM [-]	17	TRW				
	78	02/14 →	●					P41004MM [+]	17	TRW				
	66	01/11 → 12/13	●					P41004MM [+]	17	TRW				
1.6 LPG	71	03/09 →	●					P41003MM [-]	17	TRW				

SAMARA (2108, 2109, 2115, 2113, 2114) 01/86 → 12/13

1.5	56	04/96 → 12/06	●					P41004MM [+]	17	TRW					
1100	39	02/88 → 12/94	●					P41003MM [-]	17	TRW					
	43	02/96 → 08/99	●					P41004MM [+]	17	TRW					
1300	46	06/87 → 12/96	●		→ 05/95			P41003MM [-]	17	TRW					
	46	06/87 → 12/96	●		06/95 →			P41004MM [+]	17	TRW					
	48	01/86 → 12/94	●					P41003MM [-]	17	TRW					
	45	09/91 → 08/99	●		→ 05/95			P41003MM [-]	17	TRW					
	45	09/91 → 08/99	●		06/95 →			P41004MM [+]	17	TRW					
	50	02/96 → 12/96	●					P41004MM [+]	17	TRW					
	53	09/87 → 12/96	●		→ 05/95			P41003MM [-]	17	TRW					
1500	53	09/87 → 12/96	●		06/95 →			P41004MM [+]	17	TRW					
	50	09/91 → 12/96	●		→ 05/95			P41003MM [-]	17	TRW					
	50	09/91 → 12/96	●		06/95 →			P41004MM [+]	17	TRW					
	52	02/95 → 12/06	●		→ 05/95			P41003MM [-]	17	TRW					
	52	02/95 → 12/06	●		06/95 →			P41004MM [+]	17	TRW					
	55	01/86 → 12/96	●		→ 05/95			P41003MM [-]	17	TRW					
	55	01/86 → 12/96	●		06/95 →			P41004MM [+]	17	TRW					

SAMARA Saloon (21099, 2115) 09/87 → 12/12

1.5	59	08/03 → 12/06	●					P41004MM [+]	17	TRW				
	57	01/00 → 12/06	●					P41004MM [+]	17	TRW				
1100	39	07/91 → 08/99	●		→ 05/95			P41003MM [-]	17	TRW				
	39	07/91 → 08/99	●		06/95 →			P41004MM [+]	17	TRW				
1300	48	05/89 → 07/97	●		→ 05/95			P41003MM [-]	17	TRW				
	48	05/89 → 07/97	●		06/95 →			P41004MM [+]	17	TRW				
	46	05/90 → 08/99	●		→ 05/95			P41003MM [-]	17	TRW				
	46	05/90 → 08/99	●		06/95 →			P41004MM [+]	17	TRW				
	45	07/91 → 08/99	●		→ 05/95			P41003MM [-]	17	TRW				



kW


**MAGNETI
MARELLI**

WI

 Th
[mm]

SYS

WI

**MAGNETI
MARELLI**

LENGTH



FK

**MAGNETI
MARELLI**

LADA
SAMARA Saloon (21099, 2115) 09/87 → 12/12

1300	45	07/91 → 08/99	●	06/95 →	P41004MM	[+]	17	TRW				
	50	02/96 → 12/06	●		P41004MM	[+]	17	TRW				
1500	53	09/91 → 12/96	●	→ 05/95	P41003MM	[-]	17	TRW				
	53	09/91 → 12/96	●	06/95 →	P41004MM	[+]	17	TRW				
	52	11/94 → 12/06	●	→ 05/95	P41003MM	[-]	17	TRW				
	52	11/94 → 12/06	●	06/95 →	P41004MM	[+]	17	TRW				
	50	07/91 → 12/96	●	→ 05/95	P41003MM	[-]	17	TRW				
	50	07/91 → 12/96	●	06/95 →	P41004MM	[+]	17	TRW				

TOSCANA (2107) 05/82 → 05/12

1300	48	12/85 → 05/12	●		P41001MM	[-]	16	BDX				
1500	55	09/83 → 02/93	●		P41001MM	[-]	16	BDX				

LANCIA
DEDRA (835_) 01/89 → 07/99

1.6 16V (835EI)	76	01/96 → 07/99	●		P23017MM	[+]	17,1	TRW				
	76	01/96 → 07/99	●		P23032MM	[O]	12	BDX			A02205	
	76	01/96 → 07/99	●		P23026MM	[-]	14,4	TRW			A02205	
1.6 i.e. (835AA)	66	08/89 → 06/94	●	→ 4014223	P23044MM	[+]	17	TRW				
	66	08/89 → 06/94	●	+ABS; → 4014223; 4014224 →	P23017MM	[+]	17,1	TRW				
	66	08/89 → 06/94	●	+ABS	P23026MM	[-]	14,4	TRW			A02205	+ABS
1.6 i.e. (835AB)	57	08/89 → 03/93	●	→ 4014223	P23044MM	[+]	17	TRW				
	57	08/89 → 03/93	●	+ABS; → 4014223; 4014224 →	P23017MM	[+]	17,1	TRW				
	57	08/89 → 03/93	●	+ABS	P23026MM	[-]	14,4	TRW				
1.6 i.e. (835AN)	55	04/93 → 07/99	●	→ 4014223	P23044MM	[+]	17	TRW				
	55	04/93 → 07/99	●	+ABS; → 4014223; 4014224 →	P23017MM	[+]	17,1	TRW				
	55	04/93 → 07/99	●	+ABS	P23026MM	[-]	14,4	TRW				
1.6 LE Cat (835EB)	66	07/94 → 07/99	●	→ 4014223	P23044MM	[+]	17	TRW				
	66	07/94 → 07/99	●	+ABS; → 4014223; 4014224 →	P23017MM	[+]	17,1	TRW				
	66	07/94 → 07/99	●	+ABS	P23026MM	[-]	14,4	TRW			A02205	+ABS
1.8 16V LE (835FG)	83	03/96 → 07/99	●		P23070MM	[+]	17,9	ATE				
	83	03/96 → 07/99	●		P23017MM	[+]	17,1	TRW				
	83	03/96 → 07/99	●		P23032MM	[O]	12	BDX				
	83	03/96 → 07/99	●		P23026MM	[-]	14,4	TRW				
1.8 GT 16V (835EH)	96	03/96 → 07/99	●		P23063MM	[+]	18	ATE				
	96	03/96 → 07/99	●		P23017MM	[+]	17,1	TRW				
	96	03/96 → 07/99	●		P23026MM	[-]	14,4	TRW				
1.8 i.e. (835AC, 835BC)	80	09/89 → 06/94	●		P23017MM	[+]	17,1	TRW				
	80	09/89 → 06/94	●		P23032MM	[O]	12	BDX			A02205	
	80	09/89 → 06/94	●		P23026MM	[-]	14,4	TRW			A02205	
1.8 i.e. (835AT)	66	08/93 → 07/99	●		P23017MM	[+]	17,1	TRW				
	66	08/93 → 07/99	●		P23032MM	[O]	12	BDX			A02205	
	66	08/93 → 07/99	●		P23026MM	[-]	14,4	TRW			A02205	
1.8 i.e. (835BD, 835AD)	77	09/89 → 07/99	●		P23017MM	[+]	17,1	TRW				
	77	09/89 → 07/99	●		P23032MM	[O]	12	BDX				
	77	09/89 → 07/99	●		P23026MM	[-]	14,4	TRW				
1.8 i.e. (835FA)	74	07/94 → 07/99	●		P23017MM	[+]	17,1	TRW				
	74	07/94 → 07/99	●		P23032MM	[O]	12	BDX			A02205	
	74	07/94 → 07/99	●		P23026MM	[-]	14,4	TRW			A02205	

--	--	--	--	--	--	--	--	--	--	--	--	--	--	--	--

LANCIA

DEDRA (835_) 01/89 → 07/99

1.9 TDS (835EE, 835EF)	66	04/89 → 07/99	●		P23017MM	[+]	17,1	TRW							
	66	04/89 → 07/99		●	P23032MM	[O]	12	BDX							
	66	04/89 → 07/99		●	P23026MM	[-]	14,4	TRW							
2.0 16V (835ED)	102	07/94 → 07/99	●		P23017MM	[+]	17,1	TRW					A02237	-ABS	
	102	07/94 → 07/99	●		P23063MM	[+]	18	ATE					A02237	-ABS	
	102	07/94 → 07/99		●	P23026MM	[-]	14,4	TRW					A02205		
2.0 HF Integrale (835AP)	124	11/90 → 07/94	●		P23077MM	[+]	19	ATE							
	124	11/90 → 07/94	●		P23066MM	[+]	19,3	TRW							
	124	11/90 → 07/94		●	P23026MM	[-]	14,4	TRW							
2.0 i.e. (835AI)	86	09/89 → 07/92	●		P23070MM	[+]	17,9	ATE					A02202		
	86	09/89 → 07/92	●		P23017MM	[+]	17,1	TRW					A02202		
	86	09/89 → 07/92		●	P23032MM	[O]	12	BDX					A02205		
	86	09/89 → 07/92		●	P23026MM	[-]	14,4	TRW					A02205		
2.0 i.e. (835AL)	83	09/89 → 07/99	●		P23070MM	[+]	17,9	ATE							
	83	09/89 → 07/99	●		P23017MM	[+]	17,1	TRW							
	83	09/89 → 07/99		●	P23032MM	[O]	12	BDX							
2.0 i.e. Turbo (835AR)	83	09/89 → 07/99		●	P23026MM	[-]	14,4	TRW							
	119	04/91 → 07/99	●		P23077MM	[+]	19	ATE							
	119	04/91 → 07/99	●		P23066MM	[+]	19,3	TRW							
2.0 i.e. Turbo Integrale (835AO)	119	04/91 → 07/99		●	P23026MM	[-]	14,4	TRW							
	121	05/90 → 07/94	●		P23077MM	[+]	19	ATE					A02202		
	121	05/90 → 07/94	●		P23066MM	[+]	19,3	TRW					A02202		
2.0 Turbo (835AQ)	121	05/90 → 07/94		●	P23026MM	[-]	14,4	TRW					A02205		
	130	11/90 → 06/94	●		P23077MM	[+]	19	ATE					A02202		
	130	11/90 → 06/94	●		P23066MM	[+]	19,3	TRW					A02202		
2.0 Turbo (835AQ)	130	11/90 → 06/94		●	P23026MM	[-]	14,4	TRW					A02205		

DEDRA SW (835_) 07/94 → 07/99

1.6 (835EB)	66	10/94 → 07/99	●		P23017MM	[+]	17,1	TRW							
	66	10/94 → 07/99		●	P23026MM	[-]	14,4	TRW					A02205		
1.6 16V (835EI)	76	01/96 → 07/99	●		P23017MM	[+]	17,1	TRW							
	76	01/96 → 07/99		●	P23026MM	[-]	14,4	TRW					A02205		
1.8 16V LE (835FG)	83	03/96 → 07/99	●		P23070MM	[+]	17,9	ATE					A02202		
	83	03/96 → 07/99	●		P23017MM	[+]	17,1	TRW					A02202		
	83	03/96 → 07/99		●	P23026MM	[-]	14,4	TRW					A02205		
1.8 GT 16V (835EH)	96	03/96 → 07/99	●		P23063MM	[+]	18	ATE					A02237	-ABS	
	96	03/96 → 07/99	●		P23017MM	[+]	17,1	TRW					A02237	-ABS	
1.8 GT 16V (835EH)	96	03/96 → 07/99		●	P23026MM	[-]	14,4	TRW					A02205		
1.8 i.e. (835FA)	74	07/94 → 07/99	●		P23017MM	[+]	17,1	TRW							
	74	07/94 → 07/99		●	P23026MM	[-]	14,4	TRW							
1.9 TDS (835EE, 835EF)	66	07/94 → 07/99	●		P23017MM	[+]	17,1	TRW							
	66	07/94 → 07/99		●	P23026MM	[-]	14,4	TRW							
2.0 16V (835ED)	102	07/94 → 07/99	●		P23063MM	[+]	18	ATE							
	102	07/94 → 07/99	●		P23017MM	[+]	17,1	TRW							
	102	07/94 → 07/99		●	P23026MM	[-]	14,4	TRW							
2.0 Integrale (835ED)	102	07/94 → 07/99	●		P23077MM	[+]	19	ATE							
	102	07/94 → 07/99	●		P23066MM	[+]	19,3	TRW							
	102	07/94 → 07/99		●	P23026MM	[-]	14,4	TRW							

DELTA II (836_) 06/93 → 09/99

1.4 i.e. (836AF, 836AH)	51	10/94 → 08/99	●		P23017MM	[+]	17,1	TRW							
-------------------------------	----	---------------	---	--	----------	-----	------	-----	--	--	--	--	--	--	--

								WI			FK	
	kw					Th [mm]	SYS		LENGHT			

LANCIA

DELTA II (836_) 06/93 → 09/99

1.6 i.e. (836AD)	55	06/93 → 08/99	●		P23057MM	[+]	17,9	ATE				
	55	06/93 → 08/99	●		P23017MM	[+]	17,1	TRW				
	55	06/93 → 08/99	●		P23026MM	[-]	14,4	TRW				
1.6 i.e. (836AP)	66	03/96 → 08/99	●		P23057MM	[+]	17,9	ATE				A02237
	66	03/96 → 08/99	●		P23017MM	[+]	17,1	TRW				A02237
	66	03/96 → 08/99	●		P23026MM	[-]	14,4	TRW				A02205
1.6 i.e. 16V (836AO)	76	01/96 → 08/99	●		P23057MM	[+]	17,9	ATE				A02237
	76	01/96 → 08/99	●		P23017MM	[+]	17,1	TRW				A02237
	76	01/96 → 08/99	●		P23026MM	[-]	14,4	TRW				A02205
1.8 i.e. (836AE)	76	06/93 → 08/99	●		P23070MM	[+]	17,9	ATE				
	76	06/93 → 08/99	●		P23017MM	[+]	17,1	TRW				
	76	06/93 → 08/99	●		P23026MM	[-]	14,4	TRW				
1.8 i.e. (836AG, 836AL)	66	07/94 → 08/99	●		P23070MM	[+]	17,9	ATE				A02237
	66	07/94 → 08/99	●		P23017MM	[+]	17,1	TRW				A02237
	66	07/94 → 08/99	●		P23026MM	[-]	14,4	TRW				A02205
1.8 i.e. 16V (836AQ)	83	03/96 → 08/99	●		P23070MM	[+]	17,9	ATE				A02237
	83	03/96 → 08/99	●		P23017MM	[+]	17,1	TRW				A02237
	83	03/96 → 08/99	●		P23026MM	[-]	14,4	TRW				A02205
1.8 i.e. 16V GT (836AR)	96	03/96 → 08/99	●		P23077MM	[+]	19	ATE				
	96	03/96 → 08/99	●		P23066MM	[+]	19,3	TRW				
	96	03/96 → 08/99	●		P23026MM	[-]	14,4	TRW				
1.9 TD (836AM, 836AN)	66	10/94 → 08/99	●		P23017MM	[+]	17,1	TRW				A02237
	66	10/94 → 08/99	●	10/95 → 10/96	P23057MM	[+]	17,9	ATE				A02237
	66	10/94 → 08/99	●	11/96 →	P23070MM	[+]	17,9	ATE				A02237
	66	10/94 → 08/99	●		P23026MM	[-]	14,4	TRW				A02205
2.0 16V (836AA, 836CA)	102	06/93 → 08/99	●		P23077MM	[+]	19	ATE				
	102	06/93 → 08/99	●		P23066MM	[+]	19,3	TRW				
	102	06/93 → 08/99	●		P23026MM	[-]	14,4	TRW				
2.0 16V Turbo (836AB)	137	06/93 → 08/99	●		P23077MM	[+]	19	ATE				A02202
	137	06/93 → 08/99	●		P23066MM	[+]	19,3	TRW				A02202
	137	06/93 → 08/99	●		P23026MM	[-]	14,4	TRW				A02205
2.0 16V Turbo (836AS)	142	07/96 → 08/99	●		P23077MM	[+]	19	ATE				A02202
	142	07/96 → 08/99	●		P23066MM	[+]	19,3	TRW				A02202
	142	07/96 → 08/99	●		P23026MM	[-]	14,4	TRW				A02205

DELTA III (844_) 08/08 → 08/14

1.4	88	09/08 → 08/14	●	11/09 →	P23145MM	[+]	19,4	BSH				
	88	09/08 → 08/14	●	→ 10/09	P23087MM	[+]	19	BSH				
	88	09/08 → 08/14	●	01/10 →	P23135MM	[+]	17,2	BSH				
	88	09/08 → 08/14	●	→ 12/09	P23080MM	[-]	15,5	BSH				
	110	09/08 → 08/14	●		P23145MM	[+]	19,4	BSH				
	110	09/08 → 08/14	●	01/10 →	P23135MM	[+]	17,2	BSH				
1.4 16V	103	07/10 → 08/14	●		P23145MM	[+]	19,4	BSH				
	103	07/10 → 08/14	●		P23080MM	[-]	15,5	BSH				
	88	07/11 → 08/14	●		P23145MM	[+]	19,4	BSH				
1.4 Bifuel	88	07/11 → 08/14	●		P23135MM	[+]	17,2	BSH				
	88	07/11 → 08/14	●		P23145MM	[+]	19,4	BSH				
1.6 D Multijet	85	08/08 → 08/14	●	→ 10/09	P23087MM	[+]	19	BSH				
	85	08/08 → 08/14	●	11/09 →	P23145MM	[+]	19,4	BSH				
	85	08/08 → 08/14	●	→ 12/09	P23080MM	[-]	15,5	BSH				
	85	08/08 → 08/14	●	01/10 →	P23135MM	[+]	17,2	BSH				
	77	04/11 → 08/14	●		P23087MM	[+]	19	BSH				
	77	04/11 → 08/14	●		P23080MM	[-]	15,5	BSH				
	77	04/11 → 08/14	●		P23135MM	[+]	17,2	BSH				
88	09/08 → 08/14	●	11/09 →	P23145MM	[+]	19,4	BSH					

	kw				MAGNETI MARELLI	wi	Th [mm]	SYS	wi		FK		
									MAGNETI MARELLI	LEIGHT		MAGNETI MARELLI	

LANCIA

DELTA III (844_) 08/08 → 08/14

1.6 D Multijet	88	09/08 → 08/14	●	→ 10/09	P23087MM	[+]	19	BSH				
	88	09/08 → 08/14	●	01/10 →	P23135MM	[+]	17,2	BSH				
	88	09/08 → 08/14	●	→ 12/09	P23080MM	[-]	15,5	BSH				
1.8	147	01/09 → 08/14	●	→ 07/10; 1068629 →	P23130MM	[+]	20	ATE				
	147	01/09 → 08/14	●	→ 1068628	P23115MM	[+]	16	BRE				
	147	01/09 → 08/14	●	07/10 →; 1068629 →	P23163MM	[+]	20	ATE				
	147	01/09 → 08/14	●	01/10 →	P23080MM	[-]	15,5	BSH				
	147	01/09 → 08/14	●	→ 10/09	P23109MM	[-]	17,8	TRW				
1.9 D Multijet	140	01/09 → 08/14	●	→ 07/10	P23130MM	[+]	20	ATE				
	140	01/09 → 08/14	●	07/10 →	P23163MM	[+]	20	ATE				
	140	01/09 → 08/14	●	01/10 →	P23135MM	[+]	17,2	BSH				
2.0 D Multijet	140	01/09 → 08/14	●	→ 12/09	P23080MM	[-]	15,5	BSH				
	120	09/08 → 08/14	●	→ 07/10	P23130MM	[+]	20	ATE				
	120	09/08 → 08/14	●	07/10 →	P23163MM	[+]	20	ATE				
	120	09/08 → 08/14	●	→ 12/09	P23080MM	[-]	15,5	BSH				
	120	09/08 → 08/14	●	01/10 →	P23135MM	[+]	17,2	BSH				
	121	09/08 → 08/14	●	→ 07/10	P23130MM	[+]	20	ATE				
	121	09/08 → 08/14	●	07/10 →	P23163MM	[+]	20	ATE				
	121	09/08 → 08/14	●	01/10 →	P23135MM	[+]	17,2	BSH				
121	09/08 → 08/14	●	→ 12/09	P23080MM	[-]	15,5	BSH					

FLAVIA Convertible (JS_) 03/12 → 12/14

2.42.4	125	03/12 → 12/14	●		P11026MM	[+]	16	AKE				
	125	03/12 → 12/14	●		P23149MM	[+]	18,1	BSH				
	125	03/12 → 12/14	●		P54031MM	[+]	15,5	AKE				
	129	03/12 → 12/14	●		P11026MM	[+]	16	AKE				
	129	03/12 → 12/14	●		P23149MM	[+]	18,1	BSH				
	129	03/12 → 12/14	●		P54031MM	[+]	15,5	AKE				

KAPPA (838_) 08/94 → 10/01

2.0 16V Turbo (838AB1AA)	151	02/95 → 10/01	●		P23077MM	[+]	19	ATE				A02202
	151	02/95 → 10/01	●		P23066MM	[+]	19,3	TRW				A02202
	151	02/95 → 10/01	●		P23067MM	[-]	16,6	TRW				
2.0 20V (838AA1AA)	107	10/94 → 10/01	●		P23077MM	[+]	19	ATE				
	107	10/94 → 10/01	●		P23066MM	[+]	19,3	TRW				
	107	10/94 → 10/01	●		P23067MM	[-]	16,6	TRW				
2.0 20V (838AG1AA, 838AG11A)	114	07/96 → 10/01	●		P23077MM	[+]	19	ATE				A02202
	114	07/96 → 10/01	●		P23066MM	[+]	19,3	TRW				A02202
	114	07/96 → 10/01	●		P23067MM	[-]	16,6	TRW				
2.0 20V Turbo (838AM1AA)	162	06/98 → 10/01	●		P23078MM	[+]	16	BRE				
	162	06/98 → 10/01	●		P23066MM	[+]	19,3	TRW				
	162	06/98 → 10/01	●		P23067MM	[-]	16,6	TRW				
2.4 20V (838AC1AA, 838AC11A)	129	08/94 → 10/01	●		P23077MM	[+]	19	ATE				
	129	08/94 → 10/01	●		P23066MM	[+]	19,3	TRW				
	129	08/94 → 10/01	●		P23067MM	[-]	16,6	TRW				
2.4 JTD (838AL1AA)	100	06/98 → 10/01	●		P23077MM	[+]	19	ATE				A02202
	100	06/98 → 10/01	●		P23066MM	[+]	19,3	TRW				A02202
	100	06/98 → 10/01	●		P23067MM	[-]	16,6	TRW				
2.4 T.DS (838AE1AA, 838AH1AA)	91	08/94 → 10/01	●		P23077MM	[+]	19	ATE				
	91	08/94 → 10/01	●		P23066MM	[+]	19,3	TRW				
	91	08/94 → 10/01	●		P23067MM	[-]	16,6	TRW				
3.0 24V (838AD1AA, 838AD11A, 838XD1AA, 838ZD1AA)	150	08/94 → 10/01	●		P23078MM	[+]	16	BRE				
	150	08/94 → 10/01	●		P23066MM	[+]	19,3	TRW				
	150	08/94 → 10/01	●		P23067MM	[-]	16,6	TRW				



kW

MAGNETI
MARELLI

Wi

Th
[mm]

SYS

WI

MAGNETI
MARELLI

LENGHT



FK

MAGNETI
MARELLI

LANCIA

KAPPA Coupé (838_) 07/96 → 03/01

2.0 16V Turbo (838CB)	151	11/96 → 03/01	●			P23077MM	[+]	19	ATE					A02202
	151	11/96 → 03/01	●			P23066MM	[+]	19,3	TRW					A02202
	151	11/96 → 03/01		●		P23067MM	[-]	16,6	TRW					
2.0 20V	114	07/96 → 03/01	●			P23077MM	[+]	19	ATE					A02202
	114	07/96 → 03/01	●			P23066MM	[+]	19,3	TRW					A02202
	114	07/96 → 03/01		●		P23067MM	[-]	16,6	TRW					
2.0 20V Turbo (838CM)	162	06/98 → 03/01	●			P23078MM	[+]	16	BRE					
	162	06/98 → 03/01	●			P23066MM	[+]	19,3	TRW					
	162	06/98 → 03/01		●		P23067MM	[-]	16,6	TRW					
2.4 20V (838CC)	129	11/96 → 03/01	●			P23077MM	[+]	19	ATE					A02202
	129	11/96 → 03/01	●			P23066MM	[+]	19,3	TRW					A02202
	129	11/96 → 03/01		●		P23067MM	[-]	16,6	TRW					
3.0 24V (838CD, 838CD11A)	150	11/96 → 03/01	●			P23078MM	[+]	16	BRE					
	150	11/96 → 03/01	●			P23066MM	[+]	19,3	TRW					
	150	11/96 → 03/01		●		P23067MM	[-]	16,6	TRW					

KAPPA SW (838_) 07/96 → 10/01

2.0 16V Turbo (838BB1AA)	151	07/96 → 10/01	●			P23077MM	[+]	19	ATE					A02202
	151	07/96 → 10/01	●			P23066MM	[+]	19,3	TRW					A02202
	151	07/96 → 10/01		●		P23067MM	[-]	16,6	TRW					
2.0 20V (838BG1AA)	114	07/96 → 10/01	●			P23077MM	[+]	19	ATE					A02202
	114	07/96 → 10/01	●			P23066MM	[+]	19,3	TRW					A02202
	114	07/96 → 10/01		●		P23067MM	[-]	16,6	TRW					
2.0 20V Turbo (838BM1AA)	162	06/98 → 10/01	●			P23078MM	[+]	16	BRE					
	162	06/98 → 10/01	●			P23066MM	[+]	19,3	TRW					
	162	06/98 → 10/01		●		P23067MM	[-]	16,6	TRW					
2.4 20V (838BC1AA, 838BC11A)	129	07/96 → 10/01	●			P23077MM	[+]	19	ATE					A02202
	129	07/96 → 10/01	●			P23066MM	[+]	19,3	TRW					A02202
	129	07/96 → 10/01		●		P23067MM	[-]	16,6	TRW					
2.4 JTD (838BL1AA)	100	06/98 → 10/01	●			P23077MM	[+]	19	ATE					A02202
	100	06/98 → 10/01	●			P23066MM	[+]	19,3	TRW					A02202
	100	06/98 → 10/01		●		P23067MM	[-]	16,6	TRW					
2.4 T.DS (838BH1AA)	91	07/96 → 10/01	●			P23077MM	[+]	19	ATE					A02202
	91	07/96 → 10/01	●			P23066MM	[+]	19,3	TRW					A02202
	91	07/96 → 10/01		●		P23067MM	[-]	16,6	TRW					
3.0 24V (838BD11A)	150	07/96 → 10/01	●			P23078MM	[+]	16	BRE					
	150	07/96 → 10/01	●			P23066MM	[+]	19,3	TRW					
	150	07/96 → 10/01		●		P23067MM	[-]	16,6	TRW					

LYBRA (839_) 07/99 → 10/05

1.6	76	10/00 → 10/05	●			P23114MM	[+]	19,3	ATE					
	76	10/00 → 10/05		●		P23065MM	[-]	16,5	TRW					
1.6 16V (839AXA1A)	76	07/99 → 10/05	●		→ 02/00	P23075MM	[+]	19,3	ATE					A02202
	76	07/99 → 10/05	●		03/00 →	P23114MM	[+]	19,3	ATE					A02202
	76	07/99 → 10/05		●		P23065MM	[-]	16,5	TRW					
1.8 16V (839AXB1A, 839AXG1A)	96	07/99 → 10/05	●			P23077MM	[+]	19	ATE					A02202
	96	07/99 → 10/05		●		P23065MM	[-]	16,5	TRW					
1.9 JTD	85	05/01 → 10/05	●			P23077MM	[+]	19	ATE					A02202
	85	05/01 → 10/05		●		P23065MM	[-]	16,5	TRW					
1.9 JTD (839AXD1A)	77	07/99 → 09/00	●			P23077MM	[+]	19	ATE					A02202
	77	07/99 → 09/00		●		P23065MM	[-]	16,5	TRW					
1.9 JTD (839AXI1A)	81	09/00 → 05/01	●			P23077MM	[+]	19	ATE					A02202
	81	09/00 → 05/01		●		P23065MM	[-]	16,5	TRW					

	kw				MAGNETI MARELLI	wi	Th [mm]	SYS	WI			FK	
									MAGNETI MARELLI	LENGHT		MAGNETI MARELLI	

LANCIA

LYBRA (839_) 07/99 → 10/05

2.0 20V (839AXC11, 839AXC1A)	113	07/99 → 09/00	●		P23077MM	[+]	19	ATE				A02202	
	113	07/99 → 09/00		●	P23065MM	[-]	16,5	TRW					
2.0 20V (839AXH1A)	110	09/00 → 10/05	●		P23077MM	[+]	19	ATE				A02202	
	110	09/00 → 10/05		●	P23065MM	[-]	16,5	TRW					
2.4 20V	125	10/01 → 10/05		●	P23065MM	[-]	16,5	TRW					
2.4 JTD	110	05/02 → 10/05	●		P23077MM	[+]	19	ATE				A02202	
	110	05/02 → 10/05		●	P23065MM	[-]	16,5	TRW					
2.4 JTD (839AXE1A)	99	07/99 → 02/01	●		P23077MM	[+]	19	ATE				A02202	
	99	07/99 → 02/01		●	P23065MM	[-]	16,5	TRW					
2.4 JTD (839AXL1A)	103	09/00 → 05/02	●		P23077MM	[+]	19	ATE				A02202	
	103	09/00 → 05/02		●	P23065MM	[-]	16,5	TRW					

LYBRA SW (839_) 07/99 → 10/05

1.6	76	10/00 → 10/05	●		P23114MM	[+]	19,3	ATE					
	76	10/00 → 10/05		●	P23065MM	[-]	16,5	TRW					
1.6 16V (839BXA1A)	76	07/99 → 10/05	●	→ 02/00	P23075MM	[+]	19,3	ATE				A02202	
	76	07/99 → 10/05	●	03/00 →	P23114MM	[+]	19,3	ATE				A02202	
	76	07/99 → 10/05		●	P23065MM	[-]	16,5	TRW					
1.8 16V (839BxB1A, 839BxG1A)	96	07/99 → 10/05	●		P23077MM	[+]	19	ATE				A02202	
	96	07/99 → 10/05		●	P23065MM	[-]	16,5	TRW					
1.9 JTD	85	05/01 → 10/05	●		P23077MM	[+]	19	ATE				A02202	
	85	05/01 → 10/05		●	P23065MM	[-]	16,5	TRW					
1.9 JTD (839BXD1A)	77	07/99 → 09/00	●		P23077MM	[+]	19	ATE				A02202	
	77	07/99 → 09/00		●	P23065MM	[-]	16,5	TRW					
1.9 JTD (839BXI1A)	81	09/00 → 05/01	●		P23077MM	[+]	19	ATE				A02202	
	81	09/00 → 05/01		●	P23065MM	[-]	16,5	TRW					
2.0 20V (839BXC11, 839BXC1A)	113	07/99 → 09/00	●		P23077MM	[+]	19	ATE				A02202	
	113	07/99 → 09/00		●	P23065MM	[-]	16,5	TRW					
2.0 20V (839BXH1A)	110	09/00 → 10/05	●		P23077MM	[+]	19	ATE				A02202	
	110	09/00 → 10/05		●	P23065MM	[-]	16,5	TRW					
2.4 JTD	110	05/02 → 10/05	●		P23077MM	[+]	19	ATE				A02202	
	110	05/02 → 10/05		●	P23065MM	[-]	16,5	TRW					
2.4 JTD (839BXE1A)	99	10/99 → 09/00	●		P23077MM	[+]	19	ATE				A02202	
	99	10/99 → 09/00		●	P23065MM	[-]	16,5	TRW					
2.4 JTD (839BXL1A)	103	09/00 → 10/05	●		P23077MM	[+]	19	ATE				A02202	
	103	09/00 → 10/05		●	P23065MM	[-]	16,5	TRW					

MUSA (350_) 10/04 → 09/12

1.3 D Multijet	51	10/04 → 09/12	●		P23099MM	[-]	17,8	BSH					
	51	10/04 → 09/12		●	P23085MM	[+]	17,8	BSH					
	66	09/06 → 09/12	●		P23087MM	[+]	19	BSH					
	70	03/09 → 09/12	●		P23085MM	[+]	17,8	BSH					
	70	03/09 → 09/12		●	P23064MM	[-]	13,7	TRW					
1.4	66	10/07 → 09/12	●		P23099MM	[-]	17,8	BSH					
	66	10/07 → 09/12		●	P23085MM	[+]	17,8	BSH					
	70	10/04 → 09/12	●		P23099MM	[-]	17,8	BSH					
	70	10/04 → 09/12		●	P23085MM	[+]	17,8	BSH					
	57	09/05 → 09/12	●		P23099MM	[-]	17,8	BSH					
	57	09/05 → 09/12		●	P23085MM	[+]	17,8	BSH					
1.4 LPG	57	11/10 → 09/12	●		P23085MM	[+]	17,8	BSH					
	57	11/10 → 09/12		●	P23099MM	[-]	17,8	BSH					

	kw					wi	Th [mm]	SYS	WI			FK	
										LENGHT			

LANCIA
MUSA (350_) 10/04 → 09/12

1.6 D Multijet	85	07/08 → 09/12	●					P23087MM	[+]	19	BSH			
	85	07/08 → 09/12		●				P23064MM	[-]	13,7	TRW			
	88	07/08 → 09/12	●					P23087MM	[+]	19	BSH			
	88	07/08 → 09/12		●				P23064MM	[-]	13,7	TRW			
1.9 D Multijet	74	10/04 → 09/12	●					P23119MM	[-]	19	BSH			
	74	10/04 → 09/12	●				→ 12/05	P23087MM	[+]	19	BSH			

PHEDRA (179_) 09/02 → 11/10

2.0 (179AXA11)	100	09/02 → 11/10	●					P23090MM	[+]	19,3	TRW			
	100	09/02 → 11/10		●				P61088MM	[-]	17,4	TRW			
2.0 D Multijet	100	07/06 → 11/10	●					P23090MM	[+]	19,3	TRW			
	100	07/06 → 11/10		●				P61088MM	[-]	17,4	TRW			
2.0 JTD	79	07/03 → 11/10	●					P23090MM	[+]	19,3	TRW			
	79	07/03 → 11/10		●				P61088MM	[-]	17,4	TRW			
	88	06/06 → 11/10	●					P23090MM	[+]	19,3	TRW			
	88	06/06 → 11/10		●				P61088MM	[-]	17,4	TRW			
2.0 JTD (179AXB1A)	80	09/02 → 11/10	●					P23090MM	[+]	19,3	TRW			
	80	09/02 → 11/10		●				P61088MM	[-]	17,4	TRW			
2.2 D Multijet	125	03/08 → 11/10	●					P61104MM	[+]	19,4	TRW			
	125	03/08 → 11/10		●				P61088MM	[-]	17,4	TRW			
2.2 JTD	120	04/06 → 11/10	●					P61104MM	[+]	19,4	TRW			
	120	04/06 → 11/10		●				P61088MM	[-]	17,4	TRW			
2.2 JTD (179AXC1A)	94	09/02 → 11/10	●					P23090MM	[+]	19,3	TRW			
	94	09/02 → 11/10		●				P61088MM	[-]	17,4	TRW			
3.0 V6	150	09/02 → 11/10	●					P23082MM	[+]	16	BRE			
	150	09/02 → 11/10		●				P61088MM	[-]	17,4	TRW			

THEMA (LX_) 09/11 →

3.0 D	140	09/11 →	●				+sport pack	P23149MM	[+]	18,1	BSH			
	140	09/11 →	●				-sport pack	P11019MM	[+]	18,8	BSH			
	140	09/11 →	●				-sport pack	P11017MM	[+]	17,8	BSH			
	176	09/11 →	●				+sport pack	P23149MM	[+]	18,1	BSH			
	176	09/11 →	●				-sport pack	P11019MM	[+]	18,8	BSH			
	176	09/11 →	●				-sport pack	P11017MM	[+]	17,8	BSH			
3.6	210	09/11 →	●				+sport pack	P23149MM	[+]	18,1	BSH			
	210	09/11 →	●				-sport pack	P11019MM	[+]	18,8	BSH			
	210	09/11 →	●				-sport pack	P11017MM	[+]	17,8	BSH			
3.6 4WD	210	09/11 →	●				+sport pack	P23149MM	[+]	18,1	BSH			
	210	09/11 →	●				-sport pack	P11019MM	[+]	18,8	BSH			
	210	09/11 →	●				+sport pack	P11017MM	[+]	17,8	BSH			

THEESIS (841_) 07/02 → 07/09

2.0 Turbo (841AXA1B03)	136	07/02 → 07/09	●					P23088MM	[+]	18,8	TRW			
	136	07/02 → 07/09		●				P23089MM	[-]	17,8	TRW			
2.4 (841AXB1B00)	125	07/02 → 07/09	●					P23088MM	[+]	18,8	TRW			
	125	07/02 → 07/09		●				P23089MM	[-]	17,8	TRW			
2.4 D Multijet	136	04/06 → 07/09	●					P23088MM	[+]	18,8	TRW			
	136	04/06 → 07/09		●				P23089MM	[-]	17,8	TRW			
2.4 JTD	129	05/03 → 07/09	●					P23088MM	[+]	18,8	TRW			
	129	05/03 → 07/09		●				P23089MM	[-]	17,8	TRW			
	120	09/03 → 07/09	●					P23088MM	[+]	18,8	TRW			
	120	09/03 → 07/09		●				P23089MM	[-]	17,8	TRW			
2.4 JTD (841AXD1B02)	110	07/02 → 07/09	●					P23088MM	[+]	18,8	TRW			
	110	07/02 → 07/09		●				P23089MM	[-]	17,8	TRW			
3.0 V6 (841AXC1101)	158	07/02 → 07/09	●					P23088MM	[+]	18,8	TRW			
	158	07/02 → 07/09		●				P23089MM	[-]	17,8	TRW			

 	kw						wi	Th [mm]	SYS	WI			FK	
											LENGHT			

LANCIA

THEISIS (841_) 07/02 → 07/09

3.2 V6	169	05/03 → 07/09	●			P23088MM	[+]	18,8	TRW					
	169	05/03 → 07/09		●		P23089MM	[-]	17,8	TRW					

VOYAGER MPV (404_) 09/11 → 12/14

2.8 CRD	120	09/11 → 12/14	●			P11022MM	[+]	17,5	BSH					
	120	09/11 → 12/14	●			P11035MM	[+]	18,1	AKE					
	120	09/11 → 12/14		●		P11021MM	[+]	17	TRW					
	120	09/11 → 12/14		●		P11032MM	[+]	17,6	TRW					
	130	08/13 → 12/14	●			P11035MM	[+]	18,1	AKE					
	130	08/13 → 12/14		●		P11032MM	[+]	17,6	TRW					
	131	07/12 → 12/14	●			P11035MM	[+]	18,1	AKE					
	131	07/12 → 12/14		●		P11032MM	[+]	17,6	TRW					
3.6 V6	208	09/11 → 12/14	●			P11022MM	[+]	17,5	BSH					
	208	09/11 → 12/14	●			P11035MM	[+]	18,1	AKE					
	208	09/11 → 12/14		●		P11021MM	[+]	17	TRW					
	208	09/11 → 12/14		●		P11032MM	[+]	17,6	TRW					

Y (840_) 11/95 → 09/03

1.1 (840AE)	40	11/95 → 09/03	●			P23060MM	[+]	17	BDX				A02244	
	40	11/95 → 09/03	●			P23160MM	[+]	17	BDX				A02244	
	40	11/95 → 09/03	●			P23096MM	[-]	17	BDX				A02244	
	40	11/95 → 09/03		●	+ABS	P23125MM	[-]	17,9	ATE				A02244	
1.2 (840AA, 840AF1A)	44	03/96 → 09/03	●			P23060MM	[+]	17	BDX				A02244	
	44	03/96 → 09/03	●			P23160MM	[+]	17	BDX				A02244	
	44	03/96 → 09/03	●			P23096MM	[-]	17	BDX				A02244	
	44	03/96 → 09/03	●		+ABS	P23125MM	[-]	17,9	ATE				A02244	
1.2 16V (840AD)	63	04/97 → 09/03	●			P23125MM	[-]	17,9	ATE				A02202	
1.2 16V (840AG1A)	59	10/00 → 09/03	●			P23125MM	[-]	17,9	ATE				A02202	
1.4 12V (840AB)	59	10/96 → 09/03	●			P23125MM	[-]	17,9	ATE				A02202	
	59	10/96 → 09/03	●			P23017MM	[+]	17,1	TRW				A02202	
1.4 12V (840AC)	55	03/96 → 09/03	●			P23125MM	[-]	17,9	ATE				A02202	
	55	03/96 → 09/03	●			P23017MM	[+]	17,1	TRW				A02202	

YPSILON (843_) 10/03 → 12/11

1.2	51	08/10 → 12/11	●		→ 08/11	P23094MM	[-]	16,4	TRW					
	51	08/10 → 12/11	●		08/11 →	P23127MM	[+]	16,4	TRW					
	51	08/10 → 12/11		●	+rear disc	P23064MM	[-]	13,7	TRW					
	44	10/03 → 12/11	●		→ 08/11	P23094MM	[-]	16,4	TRW					
	44	10/03 → 12/11	●		08/11 →	P23127MM	[+]	16,4	TRW					
	44	10/03 → 12/11		●	+rear disc	P23064MM	[-]	13,7	TRW					
	59	10/03 → 12/11	●		→ 12/06; solid	P23095MM	[-]	16,4	TRW					
	59	10/03 → 12/11	●		12/06 →; vented	P23128MM	[+]	16,4	TRW					
	59	10/03 → 12/11		●	+rear disc	P23064MM	[-]	13,7	TRW					
	1.3 D Multijet	55	09/06 → 12/11	●		→ 12/06; solid	P23095MM	[-]	16,4	TRW				
55		09/06 → 12/11	●		12/06 →; vented	P23128MM	[+]	16,4	TRW					
55		09/06 → 12/11		●	+rear disc	P23064MM	[-]	13,7	TRW					
66		09/06 → 12/11	●		→ 12/06; solid	P23095MM	[-]	16,4	TRW					
66		09/06 → 12/11	●		12/06 →; vented	P23128MM	[+]	16,4	TRW					
66		09/06 → 12/11		●	+rear disc	P23064MM	[-]	13,7	TRW					
77		05/07 → 12/11	●			P23128MM	[+]	16,4	TRW					
77		05/07 → 12/11		●		P23064MM	[-]	13,7	TRW					
1.3 JTD	51	10/03 → 12/11	●		→ 12/06; solid	P23095MM	[-]	16,4	TRW					
	51	10/03 → 12/11	●		12/06 →; vented	P23128MM	[+]	16,4	TRW					
	51	10/03 → 12/11		●	+rear disc	P23064MM	[-]	13,7	TRW					

	kw												

LANCIA

YPSILON (843_) 10/03 → 12/11

1.4	57	02/06 → 12/11	●	→ 12/06; solid	P23095MM	[-]	16,4	TRW					
	57	02/06 → 12/11	●	12/06 →; vented	P23128MM	[+]	16,4	TRW					
	57	02/06 → 12/11	●	+rear disc	P23064MM	[-]	13,7	TRW					
1.4 16V	70	10/03 → 12/11	●	→ 12/06; solid	P23095MM	[-]	16,4	TRW					
	70	10/03 → 12/11	●	12/06 →; vented	P23128MM	[+]	16,4	TRW					
	70	10/03 → 12/11	●	+rear disc	P23064MM	[-]	13,7	TRW					
1.4 LPG	57	11/10 → 12/11	●	vented	P23128MM	[+]	16,4	TRW					
	57	11/10 → 12/11	●		P23064MM	[-]	13,7	TRW					

YPSILON (312_) 05/11 →

0.9 CNG	63	05/11 →	●		P11031MM	[+]	17,3	ATE					
0.9 TwinAir	63	05/11 →	●		P11031MM	[+]	17,3	ATE				A02227	
	59	12/13 →	●		P11031MM	[+]	17,3	ATE					
1.2	51	05/11 →	●		P11031MM	[+]	17,3	ATE				A02227	
1.2 Bifuel	49	05/11 →	●		P11031MM	[+]	17,3	ATE				A02227	
	51	05/11 →	●		P11031MM	[+]	17,3	ATE					
1.3 D Multijet	70	05/11 →	●		P11031MM	[+]	17,3	ATE				A02227	

ZETA (22_) 05/95 → 09/02

2.0 16V (220AL5)	97	05/98 → 07/00	●		P23061MM	[+]	19,3	GIR					
	97	05/98 → 07/00	●		P23062MM	[+]	16,9	ATE				A02237	
2.0 16V (220AQ5)	100	07/00 → 09/02	●		P23061MM	[+]	19,3	GIR					
	100	07/00 → 09/02	●		P23062MM	[+]	16,9	ATE				A02237	
2.0 JTD	80	04/00 → 09/02	●		P23061MM	[+]	19,3	GIR					
	80	04/00 → 09/02	●		P23062MM	[+]	16,9	ATE					
2.0 JTD 16V (220AN5)	80	09/99 → 09/02	●		P23061MM	[+]	19,3	GIR					
	80	09/99 → 09/02	●		P23062MM	[+]	16,9	ATE				A02237	
2.0 Turbo (220AD5, 220CD5)	108	05/95 → 09/02	●		P23061MM	[+]	19,3	GIR					
	108	05/95 → 09/02	●		P23062MM	[+]	16,9	ATE				A02237	
2.1 TD (220AJ5)	80	05/96 → 09/99	●		P23061MM	[+]	19,3	GIR					
	80	05/96 → 09/99	●		P23062MM	[+]	16,9	ATE				A02237	

LAND ROVER

DEFENDER Cabrio (L316) 09/90 → 02/16

2.2 Td4 4x4 (L317)	90	08/11 → 02/16	●	VLA930456 →	P44005MM	[-]	18	LKD				A02257	
	90	08/11 → 02/16	●	90; wheel base 2300 mm	P44001MM	[-]	15	LKD					
	90	08/11 → 02/16	●	130; 110; → V1A614447; wheel base 2800 e 3300 mm	P44007MM	[-]	15	LKD					
	90	08/11 → 02/16	●	110; 130; V1A614448 →; wheel base 2800 e 3300 mm	P44006MM	[-]	17,9	LKD					
	90	05/07 → 02/16	●	VLA930456 →	P44005MM	[-]	18	LKD					
	90	05/07 → 02/16	●		P44015MM	[-]	17	LKD					
	90	05/07 → 02/16	●	90; wheel base 2300 mm	P44001MM	[-]	15	LKD					
	90	05/07 → 02/16	●	130; 110; → V1A614447; wheel base 2800 e 3300 mm	P44007MM	[-]	15	LKD					
2.5 D 4x4 (L316)	51	09/90 → 09/01	●	VLA930456 →	P44005MM	[-]	18	LKD					
	51	09/90 → 09/01	●		P44015MM	[-]	17	LKD					
	51	09/90 → 09/01	●	90; wheel base 2300 mm	P44001MM	[-]	15	LKD					
	51	09/90 → 09/01	●	130; 110; → V1A614447; wheel base 2800 e 3300 mm	P44007MM	[-]	15	LKD					
	51	09/90 → 09/01	●	130; 110; V1A614448 →; wheel base 2800 e 3300 mm	P44006MM	[-]	17,9	LKD					
2.5 Td5 4x4 (L316)	90	06/98 → 02/16	●	VLA930456 →	P44005MM	[-]	18	LKD				A02257	
	90	06/98 → 02/16	●		P44015MM	[-]	17	LKD				A02257	
	90	06/98 → 02/16	●	90; wheel base 2300 mm	P44001MM	[-]	15	LKD					

LAND ROVER

DEFENDER Cabrio (L316) 09/90 → 02/16

2.5 Td5 4x4 (L316)	90	06/98 → 02/16	●	130; 110; → V1A614447; wheel base 2800 e 3300 mm	P44007MM [-]	15	LKD					
	90	06/98 → 02/16	●	130; 110; V1A614448 →; wheel base 2800 e 3300 mm	P44006MM [-]	17,9	LKD					
	83	09/90 → 12/01	●	VLA930456 →	P44005MM [-]	18	LKD				A02257	
	83	09/90 → 12/01	●		P44015MM [-]	17	LKD				A02257	
	83	09/90 → 12/01	●	90; wheel base 2300 mm	P44001MM [-]	15	LKD					
	83	09/90 → 12/01	●	130; 110; → V1A614447; wheel base 2800 e 3300 mm	P44007MM [-]	15	LKD					
3.5 4x4	83	09/90 → 12/01	●	130; 110; V1A614448 →; wheel base 2800 e 3300 mm	P44006MM [-]	17,9	LKD					
	100	09/90 → 12/98	●	VLA930456 →	P44005MM [-]	18	LKD					
	100	09/90 → 12/98	●		P44015MM [-]	17	LKD					
	100	09/90 → 12/98	●	90; wheel base 2300 mm	P44001MM [-]	15	LKD					
	100	09/90 → 12/98	●	130; 110; → V1A614447; wheel base 2800 e 3300 mm	P44007MM [-]	15	LKD					
3.9 4x4	100	09/90 → 12/98	●	130; 110; V1A614448 →; wheel base 2800 e 3300 mm	P44006MM [-]	17,9	LKD					
	134	04/98 → 09/00	●	VLA930456 →	P44005MM [-]	18	LKD					
	134	04/98 → 09/00	●		P44015MM [-]	17	LKD					
	134	04/98 → 09/00	●	130; 110; V1A614448 →; wheel base 2800 e 3300 mm	P44006MM [-]	17,9	LKD					
	134	04/98 → 09/00	●	90; wheel base 2300 mm	P44001MM [-]	15	LKD					

DEFENDER Pickup (L316) 10/95 → 02/16

2.2 Td4 4x4 (L317)	90	08/11 → 02/16	●	VLA930456 →	P44005MM [-]	18	LKD				A02257	
	90	08/11 → 02/16	●	90; wheel base 2300 mm	P44001MM [-]	15	LKD					
	90	08/11 → 02/16	●	110; 130; → V1A614447; wheel base 2800 e 3300 mm	P44007MM [-]	15	LKD					
	90	08/11 → 02/16	●	130; 110; V1A614448 →; wheel base 2800 e 3300 mm	P44006MM [-]	17,9	LKD					
2.4 Td4 4x4 (L317)	90	05/07 → 02/16	●	VLA930456 →	P44005MM [-]	18	LKD					
	90	05/07 → 02/16	●		P44015MM [-]	17	LKD					
	90	05/07 → 02/16	●	90; wheel base 2300 mm	P44001MM [-]	15	LKD					
	90	05/07 → 02/16	●	110; 130; → V1A614447; wheel base 2800 e 3300 mm	P44007MM [-]	15	LKD					
	90	05/07 → 02/16	●	130; 110; V1A614448 →; wheel base 2800 e 3300 mm	P44006MM [-]	17,9	LKD					
2.5 Td5 4x4 (L316)	90	06/98 → 02/16	●	VLA930456 →	P44005MM [-]	18	LKD				A02257	
	90	06/98 → 02/16	●		P44015MM [-]	17	LKD				A02257	
	90	06/98 → 02/16	●	90; wheel base 2300 mm	P44001MM [-]	15	LKD					
	90	06/98 → 02/16	●	110; 130; → V1A614447; wheel base 2800 e 3300 mm	P44007MM [-]	15	LKD					
	90	06/98 → 02/16	●	130; 110; V1A614448 →; wheel base 2800 e 3300 mm	P44006MM [-]	17,9	LKD					
2.8 4x4	140	11/98 → 09/03	●	VLA930456 →	P44005MM [-]	18	LKD					
	140	11/98 → 09/03	●		P44015MM [-]	17	LKD					
	140	11/98 → 09/03	●	90; wheel base 2300 mm	P44001MM [-]	15	LKD					
	140	11/98 → 09/03	●	110; 130; → V1A614447; wheel base 2800 e 3300 mm	P44007MM [-]	15	LKD					
	140	11/98 → 09/03	●	110; 130; V1A614448 →; wheel base 2800 e 3300 mm	P44006MM [-]	17,9	LKD					
4.0 4x4.0 4x4	134	04/98 → 09/00	●	VLA930456 →	P44005MM [-]	18	LKD					
	134	04/98 → 09/00	●		P44015MM [-]	17	LKD					
	134	04/98 → 09/00	●	90; wheel base 2300 mm	P44001MM [-]	15	LKD					
	134	04/98 → 09/00	●	130; 110; → V1A614447; wheel base 2800 e 3300 mm	P44007MM [-]	15	LKD					
	134	04/98 → 09/00	●	110; 130; V1A614448 →; wheel base 2800 e 3300 mm	P44006MM [-]	17,9	LKD					

											WI			FK	

LAND ROVER

DEFENDER Platform/Chassis (L316) 09/90 → 02/16

2.2 Td4 4x4 (L317)	90	08/11 → 02/16	●	VLA930456 →	P44005MM [-]	18	LKD								
	90	08/11 → 02/16	●	90; wheel base 2300 mm; +rear disc	P44001MM [-]	15	LKD								
	90	08/11 → 02/16	●	110; 130; → V1A614447; wheel base 2800 e 3300 mm; +rear disc	P44007MM [-]	15	LKD								
	90	08/11 → 02/16	●	110; 130; V1A614448 →; wheel base 2800 e 3300 mm; +rear disc	P44006MM [-]	17,9	LKD								

DEFENDER Station Wagon (L316) 09/90 → 02/16

2.2 Td4 4x4 (L317)	90	08/11 → 02/16	●	VLA930456 →	P44005MM [-]	18	LKD							A02257	
	90	08/11 → 02/16	●	90; wheel base 2300 mm	P44001MM [-]	15	LKD								
	90	08/11 → 02/16	●	110; 130; → V1A614447; wheel base 2800 e 3300 mm	P44007MM [-]	15	LKD								
	90	08/11 → 02/16	●	110; 130; V1A614448 →; wheel base 2800 e 3300 mm	P44006MM [-]	17,9	LKD								
	110	02/15 → 02/16	●		P44005MM [-]	18	LKD								
	110	02/15 → 02/16	●	90	P44001MM [-]	15	LKD								
2.4 Td4 4x4 (L317)	110	02/15 → 02/16	●	110; 130	P44006MM [-]	17,9	LKD								
	90	05/07 → 02/16	●	VLA930456 →	P44005MM [-]	18	LKD								
	90	05/07 → 02/16	●		P44015MM [-]	17	LKD								
	90	05/07 → 02/16	●	90; wheel base 2300 mm	P44001MM [-]	15	LKD								
2.5 4x4	90	05/07 → 02/16	●	130; 110; → V1A614447; wheel base 2800 e 3300 mm	P44007MM [-]	15	LKD								
	90	05/07 → 02/16	●	130; 110; V1A614448 →; wheel base 2800 e 3300 mm	P44006MM [-]	17,9	LKD								
	61	09/90 → 12/94	●	VLA930456 →	P44005MM [-]	18	LKD							A02257	
	61	09/90 → 12/94	●		P44015MM [-]	17	LKD							A02257	
2.5 D 4x4 (L316)	61	09/90 → 12/94	●	90; wheel base 2300 mm	P44001MM [-]	15	LKD								
	61	09/90 → 12/94	●	110; 130; → V1A614447; wheel base 2800 e 3300 mm	P44007MM [-]	15	LKD								
	61	09/90 → 12/94	●	110; 130; V1A614448 →; wheel base 2800 e 3300 mm	P44006MM [-]	17,9	LKD								
	51	09/90 → 09/01	●	VLA930456 →	P44005MM [-]	18	LKD								
2.5 Td5 4x4 (L316)	51	09/90 → 09/01	●		P44015MM [-]	17	LKD								
	51	09/90 → 09/01	●	90; wheel base 2300 mm	P44001MM [-]	15	LKD								
	51	09/90 → 09/01	●	110; 130; → V1A614447; wheel base 2800 e 3300 mm	P44007MM [-]	15	LKD								
	51	09/90 → 09/01	●	110; 130; V1A614448 →; wheel base 2800 e 3300 mm	P44006MM [-]	17,9	LKD								
2.5 TDI 4x4 (L316)	90	06/98 → 02/16	●	VLA930456 →	P44005MM [-]	18	LKD							A02257	
	90	06/98 → 02/16	●		P44015MM [-]	17	LKD							A02257	
	90	06/98 → 02/16	●	90; wheel base 2300 mm	P44001MM [-]	15	LKD								
	90	06/98 → 02/16	●	130; 110; → V1A614447; wheel base 2800 e 3300 mm	P44007MM [-]	15	LKD								
	90	06/98 → 02/16	●	130; 110; V1A614448 →; wheel base 2800 e 3300 mm	P44006MM [-]	17,9	LKD								
3.5 4x4	83	09/90 → 12/98	●	VLA930456 →	P44005MM [-]	18	LKD							A02257	
	83	09/90 → 12/98	●		P44015MM [-]	17	LKD							A02257	
	83	09/90 → 12/98	●	90; wheel base 2300 mm	P44001MM [-]	15	LKD								
	83	09/90 → 12/98	●	110; 130; → V1A614447; wheel base 2800 e 3300 mm	P44007MM [-]	15	LKD								
	83	09/90 → 12/98	●	110; 130; V1A614448 →; wheel base 2800 e 3300 mm	P44006MM [-]	17,9	LKD								

--	--	--	--	--	--	--	--	--	--	--	--	--	--	--

LAND ROVER

DEFENDER Station Wagon (L316) 09/90 → 02/16

3.5 4x4	86	09/90 → 08/93	●	130; 110; V1A614448 →; wheel base 2800 e 3300 mm	P44006MM [-]	17,9	LKD						
	100	09/90 → 12/98	●	VLA930456 →	P44005MM [-]	18	LKD						
	100	09/90 → 12/98	●		P44015MM [-]	17	LKD						
	100	09/90 → 12/98	●	90; wheel base 2300 mm	P44001MM [-]	15	LKD						
	100	09/90 → 12/98	●	110; 130; → V1A614447; wheel base 2800 e 3300 mm	P44007MM [-]	15	LKD						
	100	09/90 → 12/98	●	130; 110; V1A614448 →; wheel base 2800 e 3300 mm	P44006MM [-]	17,9	LKD						
3.9 4x4 (L316)	134	01/93 → 09/00	●	VLA930456 →	P44005MM [-]	18	LKD						
	134	01/93 → 09/00	●		P44015MM [-]	17	LKD						
	134	01/93 → 09/00	●	90; wheel base 2300 mm	P44001MM [-]	15	LKD						
	134	01/93 → 09/00	●	130; 110; → V1A614447; wheel base 2800 e 3300 mm	P44007MM [-]	15	LKD						
	134	01/93 → 09/00	●	130; 110; V1A614448 →; wheel base 2800 e 3300 mm	P44006MM [-]	17,9	LKD						
3.9 V8 4x4 (L316)	136	11/98 → 02/16	●	VLA930456 →	P44005MM [-]	18	LKD					A02257	
	136	11/98 → 02/16	●		P44015MM [-]	17	LKD					A02257	
	136	11/98 → 02/16	●	90; wheel base 2300 mm	P44001MM [-]	15	LKD						
	136	11/98 → 02/16	●	130; 110; → V1A614447; wheel base 2800 e 3300 mm	P44007MM [-]	15	LKD						
	136	11/98 → 02/16	●	130; 110; V1A614448 →; wheel base 2800 e 3300 mm	P44006MM [-]	17,9	LKD						

DISCOVERY II (L318) 11/98 → 06/04

2.5 Td5 4x4	102	01/99 → 06/04	●		P44008MM [-]	19	TRW						
	102	01/99 → 06/04	●		P44009MM [-]	15	TRW						
4.0 V8 4x4	136	11/98 → 06/04	●		P44008MM [-]	19	TRW						
	136	11/98 → 06/04	●		P44009MM [-]	15	TRW						

DISCOVERY III (L319) 07/04 → 09/09

2.7 TD 4x4	140	07/04 → 09/09	●		P44014MM [O]	18,1	TRW	A00267	1184	→ 6A414975			
	140	07/04 → 09/09	●		P44013MM [O]	17,3	TRW	A00265	1178				
4.0 4x4	160	02/05 → 09/09	●		P44014MM [O]	18,1	TRW	A00267	1184	→ 6A414975			
	160	02/05 → 09/09	●		P44013MM [O]	17,3	TRW	A00265	1178				
	161	02/05 → 09/09	●		P44014MM [O]	18,1	TRW	A00267	1184	→ 6A414975			
	161	02/05 → 09/09	●		P44013MM [O]	17,3	TRW	A00265	1178				
4.0 V6 4x4	160	10/04 → 09/09	●	-arm.veh.	P44014MM [O]	18,1	TRW	A00267	1184	→ 6A414975			
	160	10/04 → 09/09	●	-arm.veh.	P44013MM [O]	17,3	TRW	A00265	1178				
4.4 4x4	220	07/04 → 09/09	●		P44014MM [O]	18,1	TRW	A00267	1184	→ 6A414976			
	220	07/04 → 09/09	●		P44013MM [O]	17,3	TRW	A00265	1178				

DISCOVERY IV (L319) 09/09 →

2.7 TD 4x4	140	09/09 →	●		P44014MM [O]	18,1	TRW	A00267	1184				
	140	09/09 →	●	AA547441 →	P44013MM [O]	17,3	TRW	A00265	1178				
3.0 4x4	250	08/13 →	●		P44022MM [O]	18,6	TRW	A00267	1184				
	250	08/13 →	●	→ AA547440; +pneumatic susp.	P44019MM [O]	17,3	TRW	A00265	1178				
	250	08/13 →	●	AA547441 →	P44013MM [O]	17,3	TRW	A00265	1178				
3.0 SDV6 4x4	188	11/09 →	●		P44014MM [O]	18,1	TRW	A00267	1184				
	188	11/09 →	●		P44022MM [O]	18,6	TRW	A00267	1184				
	188	11/09 →	●	→ AA547440	P44019MM [O]	17,3	TRW	A00265	1178				
	188	11/09 →	●	AA547441 →	P44013MM [O]	17,3	TRW	A00265	1178				
3.0 TD 4x4	155	05/10 →	●		P44022MM [O]	18,6	TRW	A00267	1184				
	155	05/10 →	●	→ AA547440	P44019MM [O]	17,3	TRW	A00265	1178				
	155	05/10 →	●	AA547441 →	P44013MM [O]	17,3	TRW	A00265	1178				
	200	09/09 →	●		P44022MM [O]	18,6	TRW	A00267	1184				
	200	09/09 →	●	→ AA547440	P44019MM [O]	17,3	TRW	A00265	1178				
200	09/09 →	●	AA547441 →	P44013MM [O]	17,3	TRW	A00265	1178					

	kW				MAGNETI MARELLI	WI	Th [mm]	SYS	WI			FK	
									MAGNETI MARELLI	LENGHT		MAGNETI MARELLI	

LAND ROVER

DISCOVERY IV (L319) 09/09 →

3.0 TD 4x4	180 09/09 →	●			P44022MM	[o]	18,6	TRW	A00267	1184			
	180 09/09 →	●	→ AA547440		P44019MM	[o]	17,3	TRW	A00265	1178			
	180 09/09 →	●	AA547441 →		P44013MM	[o]	17,3	TRW	A00265	1178			
	183 07/12 →	●			P44022MM	[o]	18,6	TRW	A00267	1184			
	183 07/12 →	●	→ AA547440		P44019MM	[o]	17,3	TRW	A00265	1178			
	183 07/12 →	●	AA547441 →		P44013MM	[o]	17,3	TRW	A00265	1178			
4.0 4x4	160 09/09 →	●			P44014MM	[o]	18,1	TRW	A00267	1184			
	160 09/09 →	●	+pneumatic susp.		P44022MM	[o]	18,6	TRW	A00267	1184			
	160 09/09 →	●	→ AA547440		P44019MM	[o]	17,3	TRW	A00265	1178			
	160 09/09 →	●	AA547441 →		P44013MM	[o]	17,3	TRW	A00265	1178			
5.0 V8 4x4	276 09/09 →	●	-arm.veh.		P44022MM	[o]	18,6	TRW	A00267	1184			
	276 09/09 →	●	-arm.veh.; → AA547440		P44019MM	[o]	17,3	TRW	A00265	1178			
	276 09/09 →	●	AA547441 →		P44013MM	[o]	17,3	TRW	A00265	1178			

DISCOVERY SPORT (L550) 12/14 →

2.0 D	110 08/15 →	●			P44020MM	[-]	20,3	ATE					
2.0 D 4x4	110 12/14 →	●			P44020MM	[-]	20,3	ATE					
	132 06/15 →	●			P44020MM	[-]	20,3	ATE					

DISCOVERY V (L462) 09/16 →

2.0 D 4x4	132 09/16 →	●			P44022MM	[o]	18,6	TRW					
	132 09/16 →	●			P44021MM	[o]	17,3	TRW					
	177 09/16 →	●			P44022MM	[o]	18,6	TRW					
	177 09/16 →	●			P44021MM	[o]	17,3	TRW					
3.0 4x4	250 09/16 →	●			P44022MM	[o]	18,6	TRW					
	250 09/16 →	●			P44021MM	[o]	17,3	TRW					
3.0 D 4x4	190 09/16 →	●			P44022MM	[o]	18,6	TRW					
	190 09/16 →	●			P44021MM	[o]	17,3	TRW					
	183 09/16 →	●			P44022MM	[o]	18,6	TRW					
	183 09/16 →	●			P44021MM	[o]	17,3	TRW					
	155 09/16 →	●			P44022MM	[o]	18,6	TRW					
	155 09/16 →	●			P44021MM	[o]	17,3	TRW					

FREELANDER (L314) 02/98 → 10/06

1.8 16V 4x4	86 11/00 → 10/06	●	→ YA999999		P44010MM	[-]	18	TRW					
	86 11/00 → 10/06	●	1A000001 →		P44011MM	[-]	17,5	TRW					
1.8 i 16V 4x4	88 02/98 → 11/00	●	→ YA999999		P44010MM	[-]	18	TRW					
	88 02/98 → 11/00	●	1A000001 →		P44011MM	[-]	17,5	TRW					
2.0 DI 4x4	72 02/98 → 11/00	●	→ YA999999		P44010MM	[-]	18	TRW					
	72 02/98 → 11/00	●	1A000001 →		P44011MM	[-]	17,5	TRW					
2.0 Td4 4x4	82 11/00 → 10/06	●	→ YA999999		P44010MM	[-]	18	TRW					
	82 11/00 → 10/06	●	1A000001 →		P44011MM	[-]	17,5	TRW					
	80 03/01 → 10/06	●	→ YA999999		P44010MM	[-]	18	TRW					
	80 03/01 → 10/06	●	1A000001 →		P44011MM	[-]	17,5	TRW					
2.5 V6 4x4	130 11/00 → 10/06	●	→ YA999999		P44010MM	[-]	18	TRW					
	130 11/00 → 10/06	●	1A000001 →		P44011MM	[-]	17,5	TRW					

FREELANDER 2 (L359) 10/06 → 10/14

2.0 Si4 4x4	177 10/11 → 10/14	●			P24076MM	[-]	20,3	ATE			A02224		
	177 10/11 → 10/14	●	→ CH999999		P44016MM	[-]	15,7	TRW					
	177 10/11 → 10/14	●	DH000001 →		P24078MM	[-]	16,9	TRW					
2.2 eD4	110 08/10 → 10/14	●			P24076MM	[-]	20,3	ATE					
	110 08/10 → 10/14	●			P44017MM	[-]	15,7	TRW					
2.2 SD4 4x4	140 08/10 → 10/14	●			P24076MM	[-]	20,3	ATE					
	140 08/10 → 10/14	●	→ CH999999		P44017MM	[-]	15,7	TRW					
	140 08/10 → 10/14	●	DH000001 →		P24078MM	[-]	16,9	TRW					

LAND ROVER

FREELANDER 2 (L359) 10/06 → 10/14

2.2 TD4 4x4	110	10/06 → 10/14	●		P24076MM [-]	20,3	ATE						
	110	10/06 → 10/14	●	→ CH999999	P44017MM [-]	15,7	TRW						
	110	10/06 → 10/14	●	DH000001 →	P24078MM [-]	16,9	TRW						
	118	10/06 → 10/14	●		P24076MM [-]	20,3	ATE					A02224	
	118	10/06 → 10/14	●	→ CH999999	P44017MM [-]	15,7	TRW						
	118	10/06 → 10/14	●	DH000001 →	P24078MM [-]	16,9	TRW						
	112	01/07 → 10/14	●		P24076MM [-]	20,3	ATE						
	112	01/07 → 10/14	●	→ CH999999	P44017MM [-]	15,7	TRW						
	112	01/07 → 10/14	●	DH000001 →	P24078MM [-]	16,9	TRW						
	115	10/06 → 10/14	●		P24076MM [-]	20,3	ATE						
	115	10/06 → 10/14	●	→ CH999999	P44017MM [-]	15,7	TRW						
	115	10/06 → 10/14	●		P44016MM [-]	15,7	TRW						
	115	10/06 → 10/14	●	DH000001 →	P24078MM [-]	16,9	TRW						
	3.2 4x4	171	10/06 → 10/14	●		P24076MM [-]	20,3	ATE					A02224
171		10/06 → 10/14	●		P44016MM [-]	15,7	TRW						

FREELANDER Soft Top (L359) 02/98 → 10/06

1.8 i 16V 4x4	88	02/98 → 10/06	●	→ YA999999	P44010MM [-]	18	TRW						
	88	02/98 → 10/06	●	1A000001 →	P44011MM [-]	17,5	TRW						
2.0 DI 4x4	72	02/98 → 10/06	●	→ YA999999	P44010MM [-]	18	TRW						
	72	02/98 → 10/06	●	1A000001 →	P44011MM [-]	17,5	TRW						

RANGE ROVER EVOQUE (L538) 06/11 →

2.0 4x4	177	06/11 →	●		P44020MM [-]	20,3	ATE					A02224	
	177	06/11 →	●		P86021MM [-]	16,9	TRW						
2.0 D	110	06/15 →	●	16" wheel	P44020MM [-]	20,3	ATE						
	110	06/15 →	●	→ (V)FH999999	P86021MM [-]	16,9	TRW						
2.0 D 4x4	110	06/15 →	●	16" wheel	P44020MM [-]	20,3	ATE						
	110	06/15 →	●	→ (V)FH999999	P86021MM [-]	16,9	TRW						
	132	05/15 →	●	16" wheel	P44020MM [-]	20,3	ATE						
	132	05/15 →	●	→ (V)FH999999	P86021MM [-]	16,9	TRW						
2.2 D	110	06/11 →	●		P44020MM [-]	20,3	ATE					A02224	
	110	06/11 →	●		P86021MM [-]	16,9	TRW						
2.2 D 4x4	110	06/11 →	●		P44020MM [-]	20,3	ATE					A02224	
	110	06/11 →	●		P86021MM [-]	16,9	TRW						
	140	06/11 →	●		P44020MM [-]	20,3	ATE					A02224	
	140	06/11 →	●		P86021MM [-]	16,9	TRW						

RANGE ROVER EVOQUE Convertible (L538) 02/16 →

2.0 4x4	177	02/16 →	●	16" wheel; disc Ø 300 mm	P44020MM [-]	20,3	ATE						
	177	02/16 →	●		P86021MM [-]	16,9	TRW						
2.0 D 4x4	110	02/16 →	●	16" wheel; disc Ø 300 mm	P44020MM [-]	20,3	ATE						
	132	02/16 →	●	16" wheel; disc Ø 300 mm	P44020MM [-]	20,3	ATE						

RANGE ROVER II (P38A) 07/94 → 03/02

2.5 D 4x4	83	08/94 → 03/02	●		P44008MM [-]	19	TRW						
	83	08/94 → 03/02	●		P44009MM [-]	15	TRW						
	100	07/94 → 03/02	●		P44008MM [-]	19	TRW						
	100	07/94 → 03/02	●		P44009MM [-]	15	TRW						
3.9 4x4	140	07/94 → 03/02	●		P44008MM [-]	19	TRW						
	140	07/94 → 03/02	●		P44009MM [-]	15	TRW						
4.0 4x4	136	06/98 → 03/02	●		P44008MM [-]	19	TRW						
	136	06/98 → 03/02	●		P44009MM [-]	15	TRW						
4.6 4x4	165	07/94 → 03/02	●		P44008MM [-]	19	TRW						
	165	07/94 → 03/02	●		P44009MM [-]	15	TRW						
	160	06/98 → 03/02	●		P44008MM [-]	19	TRW						
	160	06/98 → 03/02	●		P44009MM [-]	15	TRW						



kW

MAGNETI
MARELLI

Wi

Th
[mm]

SYS

MAGNETI
MARELLI

LENGHT

Wi

LENGHT

MAGNETI
MARELLI

FK

LAND ROVER

RANGE ROVER II (P38A) 07/94 → 03/02

4.6 4x4	168	09/95 → 03/02	●		P44008MM	[-]	19	TRW				
	168	09/95 → 03/02	●		P44009MM	[-]	15	TRW				

RANGE ROVER III (L322) 03/02 → 08/12

3.0 D 4x4	130	03/02 → 08/12	●	→ 5A999999	P44012MM	[o]	19,4	ATE	A00268	780		
	130	03/02 → 08/12	●	6A000001 →	P44014MM	[o]	18,1	TRW	A00268	780		
	130	03/02 → 08/12	●	-arm.veh.; → 5A999999	P06020MM	[o]	17,2	ATE	A00269	1220	+arm.veh.	
	130	03/02 → 08/12	●		P44013MM	[o]	17,3	TRW	A00271	1270		
3.6 D 4x4	200	04/06 → 08/12	●		P44018MM	[o]	17,3	BRE	A00268	780		
	200	04/06 → 08/12	●	MY 2010 →; -arm.veh.	P44024MM	[o]	18,6	TRW	A00268	780		
	200	04/06 → 08/12	●	-arm.veh.; → 9A999999	P06044MM	[o]	17,2	ATE	A00269	1220	→ 5A999999	
	200	04/06 → 08/12	●	+arm.veh.; → 9A999999	P44013MM	[o]	17,3	TRW	A00269	1220	→ 5A999999	
4.2 4x4	200	04/06 → 08/12	●	AA000001 →	P44019MM	[o]	17,3	TRW	A00269	1220	→ 5A999999	
	291	05/05 → 08/12	●		P44018MM	[o]	17,3	BRE	A00270	845		
4.4 4x4	291	05/05 → 08/12	●		P44013MM	[o]	17,3	TRW	A00271	1270		
	220	08/04 → 08/12	●		P44014MM	[o]	18,1	TRW	A00268	780		
	220	08/04 → 08/12	●	→ V5A999999	P06044MM	[o]	17,2	ATE	A00269	1220	→ 5A999999	
	220	08/04 → 08/12	●	V6A000001 →	P44013MM	[o]	17,3	TRW	A00269	1220	→ 5A999999	
	210	03/02 → 08/05	●		P44012MM	[o]	19,4	ATE	A00268	780		
	210	03/02 → 08/05	●	-arm.veh.; → 5A999999	P06044MM	[o]	17,2	ATE	A00269	1220	→ 5A999999	
	210	03/02 → 08/05	●		P44013MM	[o]	17,3	TRW	A00269	1220	→ 5A999999	
	225	05/05 → 08/12	●		P44014MM	[o]	18,1	TRW	A00268	780		
4.4 D 4x4	225	05/05 → 08/12	●	→ V5A999999	P06044MM	[o]	17,2	ATE	A00269	1220	→ 5A999999	
	225	05/05 → 08/12	●	V6A000001 →	P44013MM	[o]	17,3	TRW	A00269	1220	→ 5A999999	
5.0 4x4	230	07/10 → 08/12	●	-arm.veh.	P44023MM	[o]	16,9	BRE	A00268	780		
	230	07/10 → 08/12	●	-arm.veh.	P44025MM	[o]	17,1	TRW	A00269	1220	→ 5A999999	
5.0 4x4	276	09/09 → 08/12	●	-arm.veh.	P44023MM	[o]	16,9	BRE	A00268	780	+arm.veh.	
	276	09/09 → 08/12	●	-arm.veh.	P44025MM	[o]	17,1	TRW	A00269	1220	+arm.veh.	
	375	09/09 → 08/12	●	-arm.veh.	P44023MM	[o]	16,9	BRE	A00268	780	+arm.veh.	
	375	09/09 → 08/12	●	-arm.veh.	P44025MM	[o]	17,1	TRW	A00269	1220	+arm.veh.	
RANGE ROVER IV (L322) 08/12 →												
3.0 4x4	250	10/13 →	●	19" wheel	P44022MM	[o]	18,6	TRW				
	250	10/13 →	●	20" wheel	P44023MM	[o]	16,9	BRE				
	250	10/13 →	●	EA000001 →; → DA999999	P44021MM	[o]	17,3	TRW				
	280	06/15 →	●	-arm.veh.; 19" wheel	P44022MM	[o]	18,6	TRW				
	280	06/15 →	●	-arm.veh.; 20" wheel	P44023MM	[o]	16,9	BRE				
	280	06/15 →	●	19" wheel; 20" wheel	P44021MM	[o]	17,3	TRW				
3.0 D 4x4	183	08/12 →	●		P44023MM	[o]	16,9	BRE	A00478	1424		
	183	08/12 →	●		P44021MM	[o]	17,3	TRW	A00479	951		
	190	08/12 →	●		P44023MM	[o]	16,9	BRE	A00478	1424		
	190	08/12 →	●		P44021MM	[o]	17,3	TRW	A00479	951		
	155	10/13 →	●	19" wheel	P44022MM	[o]	18,6	TRW				
	155	10/13 →	●	20" wheel	P44023MM	[o]	16,9	BRE				
	155	10/13 →	●	EA000001 →; → DA999999	P44021MM	[o]	17,3	TRW				
3.0 D Hybrid 4x4	250	10/13 →	●	-arm.veh.	P44023MM	[o]	16,9	BRE				
	250	10/13 →	●	EA000001 →; → DA999999	P44021MM	[o]	17,3	TRW				
	215	06/15 →	●	-arm.veh.	P44023MM	[o]	16,9	BRE				
	215	06/15 →	●		P44021MM	[o]	17,3	TRW				
	225	06/15 →	●	-arm.veh.	P44023MM	[o]	16,9	BRE				
4.4 D V8 4x4	225	06/15 →	●		P44021MM	[o]	17,3	TRW				
	250	08/12 →	●		P44023MM	[o]	16,9	BRE	A00478	1424		
5.0 4x4	250	08/12 →	●		P44021MM	[o]	17,3	TRW	A00479	951		
	375	08/12 →	●		P44023MM	[o]	16,9	BRE	A00478	1424		
	375	08/12 →	●		P44021MM	[o]	17,3	TRW	A00479	951		
	276	12/13 →	●	19" wheel	P44022MM	[o]	18,6	TRW				



kw



wi

Th [mm]

SYS

wi

WI

FK



LENGHT



LAND ROVER

RANGE ROVER IV (L322) 08/12 →

5.0 4x4	276	12/13 →	•	20" wheel	P44023MM	[O]	16,9	BRE					
	276	12/13 →		EA000001 →; → DA999999	P44021MM	[O]	17,3	TRW					
	405	06/15 →	•	-arm.veh.	P44023MM	[O]	16,9	BRE					
	405	06/15 →			P44021MM	[O]	17,3	TRW					

RANGE ROVER SPORT (L320) 02/05 → 03/13

2.7 D 4x4	140	02/05 → 03/13	•	17" wheel	P44014MM	[O]	18,1	TRW	A00272	1209	→ 6A999999; 18" wheel		
	140	02/05 → 03/13	•	18" wheel; 19" wheel	P44018MM	[O]	17,3	BRE	A00272	1209	→ 6A999999; 18" wheel		
	140	02/05 → 03/13	•		P44013MM	[O]	17,3	TRW	A00265	1178			
3.0 D 4x4	155	05/10 → 03/13	•		P44022MM	[O]	18,6	TRW	A00273	1230			
	155	05/10 → 03/13	•	→ AA257940	P44019MM	[O]	17,3	TRW	A00265	1178			
	155	05/10 → 03/13	•	AA257941 →; → BA716231	P44013MM	[O]	17,3	TRW	A00265	1178			
	188	06/11 → 03/13	•		P44022MM	[O]	18,6	TRW	A00273	1230			
	188	06/11 → 03/13	•	→ AA257940	P44019MM	[O]	17,3	TRW	A00265	1178			
	188	06/11 → 03/13	•	AA254941 →; → BA716231	P44013MM	[O]	17,3	TRW	A00265	1178			
	180	09/09 → 03/13	•		P44022MM	[O]	18,6	TRW	A00273	1230			
	180	09/09 → 03/13	•	→ AA257940	P44019MM	[O]	17,3	TRW	A00265	1178			
	180	09/09 → 03/13	•	AA257941 →; → BA716231	P44013MM	[O]	17,3	TRW	A00265	1178			
	183	08/12 → 03/13	•		P44022MM	[O]	18,6	TRW	A00273	1230			
	183	08/12 → 03/13	•	→ AA257940	P44019MM	[O]	17,3	TRW	A00265	1178			
3.6 D 4x4	200	04/06 → 03/13	•	→ AA000000	P44018MM	[O]	17,3	BRE	A00272	1209	→ 6A999999		
	200	04/06 → 03/13	•	AA000001 →	P44022MM	[O]	18,6	TRW	A00272	1209	→ 6A999999		
	200	04/06 → 03/13	•	MY 2010 →; → AA257940	P44019MM	[O]	17,3	TRW	A00265	1178			
	200	04/06 → 03/13	•	AA257941 →; → BA716231	P44013MM	[O]	17,3	TRW	A00265	1178			
4.2 4x4	287	02/05 → 03/13	•	19" wheel; 18" wheel	P44018MM	[O]	17,3	BRE	A00272	1209	→ 6A999999		
	287	02/05 → 03/13	•		P44013MM	[O]	17,3	TRW	A00265	1178			
	298	09/05 → 02/10	•	18" wheel; 19" wheel	P44018MM	[O]	17,3	BRE					
4.4 4x4	220	02/05 → 03/13	•	17" wheel	P44014MM	[O]	18,1	TRW	A00272	1209	→ 6A999999		
	220	02/05 → 03/13	•	18" wheel; 19" wheel	P44018MM	[O]	17,3	BRE	A00272	1209	→ 6A999999		
	220	02/05 → 03/13	•		P44013MM	[O]	17,3	TRW	A00265	1178			
5.0 4x4	276	07/09 → 03/13	•		P44022MM	[O]	18,6	TRW	A00273	1230			
	276	07/09 → 03/13	•	→ AA257940	P44019MM	[O]	17,3	TRW	A00265	1178			
	276	07/09 → 03/13	•	AA257941 →; → BA716231	P44013MM	[O]	17,3	TRW	A00265	1178			
	372	04/09 → 03/13	•		P44023MM	[O]	16,9	BRE	A00459	1213			
	372	04/09 → 03/13	•		P44025MM	[O]	17,1	TRW	A00265	1178			

RANGE ROVER SPORT (L494) 04/13 →

2.0 D 4x4	177	08/16 →	•		P44022MM	[O]	18,6	TRW	A00498	1380			
	177	08/16 →			P44021MM	[O]	17,3	TRW	A00479	951			
3.0 4x4	250	04/13 →	•		P44022MM	[O]	18,6	TRW	A00498	1380			
	250	04/13 →			P44021MM	[O]	17,3	TRW	A00479	951			
	280	06/15 →	•		P44023MM	[O]	16,9	BRE					
3.0 D 4x4	280	06/15 →			P44021MM	[O]	17,3	TRW					
	215	04/13 →	•		P44022MM	[O]	18,6	TRW	A00498	1380			
	215	04/13 →			P44021MM	[O]	17,3	TRW	A00479	951			
	190	04/13 →	•		P44022MM	[O]	18,6	TRW	A00498	1380			
	190	04/13 →			P44021MM	[O]	17,3	TRW	A00479	951			
	155	04/13 →	•		P44022MM	[O]	18,6	TRW	A00498	1380			
	155	04/13 →			P44021MM	[O]	17,3	TRW	A00479	951			
	183	04/13 →	•		P44022MM	[O]	18,6	TRW	A00498	1380			
	183	04/13 →			P44021MM	[O]	17,3	TRW	A00479	951			
225	09/14 →	•	19" wheel	P44022MM	[O]	18,6	TRW						

								WI		FK		

LAND ROVER

RANGE ROVER SPORT (L494) 04/13 →

3.0 D 4x4	225 09/14 →	●	20" wheel	P44023MM [o]	16,9	BRE					
	225 09/14 →	●		P44021MM [o]	17,3	TRW					
3.0 D Hybrid 4x4	250 10/13 →	●		P44023MM [o]	16,9	BRE	A00478	1424			
	250 10/13 →	●		P44021MM [o]	17,3	TRW	A00479	951			
	215 02/15 →	●		P44023MM [o]	16,9	BRE	A00478	1424			
	215 02/15 →	●		P44021MM [o]	17,3	TRW	A00479	951			
	225 06/15 →	●		P44023MM [o]	16,9	BRE					
	225 06/15 →	●		P44021MM [o]	17,3	TRW					
4.4 D 4x4	250 10/13 →	●		P44023MM [o]	16,9	BRE	A00478	1424			
	250 10/13 →	●		P44021MM [o]	17,3	TRW	A00479	951			
5.0 4x4	375 04/13 →	●		P44023MM [o]	16,9	BRE	A00478	1424			
	375 04/13 →	●		P44021MM [o]	17,3	TRW	A00479	951			
	405 09/14 →	●		P44023MM [o]	16,9	BRE					
	405 09/14 →	●		P44021MM [o]	17,3	TRW					

LDV

CONVOY Box 04/96 → 04/09

2.4 D	66 03/02 → 04/09	●	Ø 41 mm piston	PA6001MM [-]	18	LKD					
	55 03/02 → 04/09	●	Ø 41 mm piston	PA6001MM [-]	18	LKD					
2.5 D	53 04/96 → 09/97	●	Ø 41 mm piston	PA6001MM [-]	18	LKD					
	71 04/96 → 06/05	●	Ø 41 mm piston	PA6001MM [-]	18	LKD					
2.5 DI	56 10/98 → 04/09	●	Ø 41 mm piston	PA6001MM [-]	18	LKD					
2.5 TDI	74 10/98 → 04/09	●	Ø 41 mm piston	PA6001MM [-]	18	LKD					

CONVOY Bus 04/96 → 04/09

2.5 D	71 04/96 → 02/02	●	Ø 41 mm piston	PA6001MM [-]	18	LKD					
	74 10/97 → 04/09	●	Ø 41 mm piston	PA6001MM [-]	18	LKD					
	55 10/97 → 04/09	●	Ø 41 mm piston	PA6001MM [-]	18	LKD					
	53 04/96 → 02/02	●	Ø 41 mm piston	PA6001MM [-]	18	LKD					

CONVOY Platform/Chassis 04/96 → 04/09

2.5 D	71 04/96 → 06/06	●	Ø 41 mm piston	PA6001MM [-]	18	LKD					
	53 04/96 → 09/97	●	Ø 41 mm piston	PA6001MM [-]	18	LKD					
2.5 DI	56 10/98 → 04/09	●	Ø 41 mm piston	PA6001MM [-]	18	LKD					
2.5 TDI	74 10/98 → 04/09	●	Ø 41 mm piston	PA6001MM [-]	18	LKD					

CUB 08/98 → 09/01

2.3 D	53 08/98 → 09/01	●		P24039MM [-]	15,7	TRW					
	53 08/98 → 09/01	●		PB1001MM [-]	15	SUM					

MAXUS Box 02/05 → 12/09

2.5 D	70 02/05 → 12/08	●		PB1002MM [+]	18,4	BSH					
	88 10/05 → 12/09	●		PB1002MM [+]	18,4	BSH					
	99 02/06 → 12/09	●		PB1002MM [+]	18,4	BSH					
	78 04/07 → 12/09	●		PB1002MM [+]	18,4	BSH					

MAXUS Bus 02/05 → 12/09

2.5 D	70 02/05 → 12/08	●		PB1002MM [+]	18,4	BSH					
	88 02/05 → 12/09	●		PB1002MM [+]	18,4	BSH					
	99 02/06 → 12/09	●		PB1002MM [+]	18,4	BSH					

MAXUS Platform/Chassis 02/05 → 12/09

2.5 D	70 02/05 → 12/08	●		PB1002MM [+]	18,4	BSH					
	88 10/05 → 12/09	●		PB1002MM [+]	18,4	BSH					
	99 02/06 → 12/09	●		PB1002MM [+]	18,4	BSH					

PILOT Box 04/96 → 10/05

1.9 D	52 04/96 → 02/02	●	Ø 41 mm piston	PA6001MM [-]	18	LKD					
	51 03/02 → 10/05	●	Ø 41 mm piston	PA6001MM [-]	18	LKD					

LDV

PILOT Bus 04/96 → 10/05

1.9 D	52	04/96 → 10/05	●	Ø 41 mm piston	PA6001MM [-]	18	LKD						
	51	06/01 → 10/05	●	Ø 41 mm piston	PA6001MM [-]	18	LKD						

PILOT Platform/Chassis 04/96 → 10/05

1.9 D	51	06/01 → 10/05	●	Ø 41 mm piston	PA6001MM [-]	18	LKD						
	52	04/96 → 02/02	●	Ø 41 mm piston	PA6001MM [-]	18	LKD						

LEXUS

CT (ZWA10_) 12/10 →

200h (ZWA10_)	73	12/10 →	●		P83106MM [-]	15,6	AKE						
	73	12/10 →	●		P83133MM [+]	14,3	AKE						

ES (_V4_) 03/06 → 06/12

3.5 (GSV40_)	204	05/06 → 06/12	●		P83117MM [-]	17,6	AKE						
	204	05/06 → 06/12	●		P83089MM [-]	15,4	AKE						

ES (_V6_) 06/12 →

250 (AVV60_ ASV60_)	135	06/12 →	●		P83117MM [-]	17,6	AKE						
	135	06/12 →	●		P83089MM [-]	15,4	AKE						
300h (ASV60_ AVV60_)	118	06/12 →	●		P83117MM [-]	17,6	AKE						
	118	06/12 →	●		P83089MM [-]	15,4	AKE						
350 (GSV60_)	204	06/12 →	●	CHI	P83117MM [-]	17,6	AKE						
	204	06/12 →	●	GCC	P83145MM [-]	17,5	ADV						
	204	06/12 →	●		P83089MM [-]	15,4	AKE						
	183	06/12 →	●		P83117MM [-]	17,6	AKE						
	183	06/12 →	●		P83089MM [-]	15,4	AKE						

ES (MCV_, VZV_) 10/96 → 06/08

3.0 (MCV20_ MCV30_)	157	08/01 → 10/06	●		P83105MM [-]	16	AKE						
	157	08/01 → 10/06	●		P83088MM [-]	15,8	AKE						
3.0 (MCV30_ MCV20_)	140	10/96 → 07/01	●		P83040MM [+]	17	AKE						
	140	10/96 → 07/01	●		P83027MM [+]	17	SUM						
	140	10/96 → 07/01	●		P83063MM [-]	15	AKE						
	140	10/96 → 07/01	●		P83015MM [+]	15,5	AKE						
3.3 (MCV31_)	168	06/03 → 10/06	●		P83105MM [-]	16	AKE						
	168	06/03 → 10/06	●		P83088MM [-]	15,8	AKE						

GS (_L1_) 09/11 →

200t	180	09/15 →	●	+sport pack	P83131MM [+]	17,5	ADV						
	180	09/15 →	●	-sport pack	P83072MM [+]	17,5	ADV						
	180	09/15 →	●		P83132MM [-]	16,8	AKE						
250 (GRL11_)	158	01/12 →	●	+sport pack	P83131MM [+]	17,5	ADV						
	158	01/12 →	●	-sport pack	P83072MM [+]	17,5	ADV						
	158	01/12 →	●		P83132MM [-]	16,8	AKE						
	154	01/12 →	●	+sport pack	P83131MM [+]	17,5	ADV						
	154	01/12 →	●	-sport pack	P83072MM [+]	17,5	ADV						
	154	01/12 →	●		P83132MM [-]	16,8	AKE						
	154	01/12 →	●										
300h (AWL10_ GRL11_)	133	10/13 →	●	+sport pack	P83131MM [+]	17,5	ADV						
	133	10/13 →	●	-sport pack	P83072MM [+]	17,5	ADV						
	133	10/13 →	●		P83132MM [-]	16,8	AKE						
350 (GRL10_ GRL15_ GWL10_)	234	01/12 →	●	+sport pack	P83131MM [+]	17,5	ADV						
	234	01/12 →	●	-sport pack	P83072MM [+]	17,5	ADV						
	234	01/12 →	●		P83132MM [-]	16,8	AKE						
350 AWD (GRL10_)	234	01/12 →	●	+sport pack	P83131MM [+]	17,5	ADV						
	234	01/12 →	●	-sport pack	P83072MM [+]	17,5	ADV						
	234	01/12 →	●		P83132MM [-]	16,8	AKE						

									WI			FK	
	kw						Th [mm]		MAGNETI MARELLI	LENGHT		MAGNETI MARELLI	

LEXUS

GS (L1_) 09/11 →

450h (GRL10_ GRL15_ GWL10_)	217	01/12 →	•	+sport pack	P83131MM	[+]	17,5	ADV					
	217	01/12 →	•	-sport pack	P83072MM	[+]	17,5	ADV					
	217	01/12 →			P83132MM	[-]	16,8	AKE					
	215	06/12 →	•	+sport pack	P83131MM	[+]	17,5	ADV					
	215	06/12 →	•	-sport pack	P83072MM	[+]	17,5	ADV					
	215	06/12 →			P83132MM	[-]	16,8	AKE					

GS (GRS19_, UZS19_, URS19_) 01/05 → 11/11

300 (GRS195_ GRS190_)	183	04/05 → 11/11	•		P83072MM	[+]	17,5	ADV					
	183	04/05 → 11/11	•		P83073MM	[+]	15,5	NBK					
350 AWD (GRS196_)	226	04/05 → 11/11	•		P83072MM	[+]	17,5	ADV					
	226	04/05 → 11/11	•		P83073MM	[+]	15,5	NBK					
430 (UZS190_)	208	04/05 → 11/11	•		P83072MM	[+]	17,5	ADV					
	208	04/05 → 11/11	•		P83073MM	[+]	15,5	NBK					
450h (GRS196_ GRS191_ GWS191_)	218	02/06 → 11/11	•		P83072MM	[+]	17,5	ADV					
	218	02/06 → 11/11	•		P83073MM	[+]	15,5	NBK					
450h (GWS191_ GRS196_ GRS191_)	254	02/06 → 11/11	•		P83072MM	[+]	17,5	ADV					
	254	02/06 → 11/11	•		P83073MM	[+]	15,5	NBK					
460 (UZS190_ URS190_)	255	01/05 → 11/11	•		P83072MM	[+]	17,5	ADV					
	255	01/05 → 11/11	•		P83073MM	[+]	15,5	NBK					

GS (JZS160_, UZS161_, UZS160_) 08/97 → 12/04

300 (JZS160_)	163	08/97 → 10/00	•		P83037MM	[+]	17,1	SUM					
	163	08/97 → 10/00	•		P83045MM	[+]	15	SUM					
	161	10/00 → 12/04	•		P83037MM	[+]	17,1	SUM					
	161	10/00 → 12/04	•		P83045MM	[+]	15	SUM					
400 (UZS160_)	216	12/97 → 11/00	•		P83037MM	[+]	17,1	SUM					
	216	12/97 → 11/00	•		P83045MM	[+]	15	SUM					
430 (UZS161_)	208	11/00 → 12/04	•		P83037MM	[+]	17,1	SUM					
	208	11/00 → 12/04	•		P83045MM	[+]	15	SUM					

GX (J12_) 11/01 → 11/09

470	199	11/01 → 11/09	•		P83066MM	[+]	17,8	SUM					
	199	11/01 → 11/09	•		P83024MM	[-]	15	SUM					
	175	11/01 → 11/09	•		P83066MM	[+]	17,8	SUM					
	175	11/01 → 11/09	•		P83024MM	[-]	15	SUM					

GX (URJ15_) 11/09 →

460 4WD	218	11/09 →	•		P83102MM	[+]	17	SUM					
	218	11/09 →	•		P83024MM	[-]	15	SUM					

IS C (GSE2_) 04/09 →

250 (GSE20)	153	04/09 →	•		P83074MM	[-]	17,8	ADV					
	153	04/09 →	•		P83073MM	[+]	15,5	NBK					

IS I (JCE1_, GXE1_) 04/99 → 07/05

200 (GXE10)	114	04/99 → 07/05	•		P83037MM	[+]	17,1	SUM					
	114	04/99 → 07/05	•		P83045MM	[+]	15	SUM					
300 (JCE10)	157	09/01 → 07/05	•		P83037MM	[+]	17,1	SUM					
	157	09/01 → 07/05	•		P83045MM	[+]	15	SUM					

IS II (GSE2_, ALE2_, USE2_) 10/05 → 03/13

200d	110	07/10 → 03/13	•		P83074MM	[-]	17,8	ADV					
	110	07/10 → 03/13	•		P83073MM	[+]	15,5	NBK					

		kw				MAGNETI MARELLI	wi	Th [mm]	SYS	WI			FK	
										MAGNETI MARELLI	LENGHT		MAGNETI MARELLI	

LEXUS**IS II (GSE2_, ALE2_, USE2_) 10/05 → 03/13**

220d (ALE20)	130	10/05 → 03/13	●			P83074MM [-]	17,8	ADV						
	130	10/05 → 03/13		●		P83073MM [+]	15,5	NBK						
250 (GSE20)	153	10/05 → 03/13	●			P83074MM [-]	17,8	ADV						
	153	10/05 → 03/13		●		P83073MM [+]	15,5	NBK						
IS F (USE20)	311	11/07 → 03/13	●			P83146MM [+]	16,3	BRE						
	311	11/07 → 03/13		●		P83134MM [+]	17,5	BRE						

IS III (_E3_) 04/13 →

200t (ASE30)	180	06/15 →	●			P83072MM [+]	17,5	ADV						
	180	06/15 →		●		P83132MM [-]	16,8	AKE						
250 (GSE30_)	153	04/13 →	●			P83074MM [-]	17,8	ADV						
	153	04/13 →		●		P83132MM [-]	16,8	AKE						
300h (AVE30_)	133	04/13 →	●			P83074MM [-]	17,8	ADV						
	133	04/13 →		●		P83132MM [-]	16,8	AKE						

IS SportCross 10/01 → 10/05

200	114	10/02 → 10/05	●			P83037MM [+]	17,1	SUM						
	114	10/02 → 10/05		●		P83045MM [+]	15	SUM						
300	157	10/01 → 10/05	●			P83037MM [+]	17,1	SUM						
	157	10/01 → 10/05		●		P83045MM [+]	15	SUM						

LS (_F2_) 10/94 → 10/00

400	194	12/94 → 08/97	●			P83039MM [O]	17	ADV						
	194	12/94 → 08/97		●		P83036MM [O]	15,5	SUM						
	209	09/97 → 10/00	●		→ 07/00	P83039MM [O]	17	ADV						
	209	09/97 → 10/00		●		P83036MM [O]	15,5	SUM						
	203	09/98 → 10/00	●		→ 07/00	P83039MM [O]	17	ADV						
	203	09/98 → 10/00		●		P83036MM [O]	15,5	SUM						
	216	10/97 → 07/00	●			P83039MM [O]	17	ADV						
	216	10/97 → 07/00		●		P83036MM [O]	15,5	SUM						

LS (_F3_) 10/00 → 08/06

430	207	10/00 → 08/06	●			P83058MM [O]	16	ADV						
	207	10/00 → 08/06		●		P83059MM [O]	15	AKE						
	208	10/00 → 08/06	●			P83058MM [O]	16	ADV						
	208	10/00 → 08/06		●		P83059MM [O]	15	AKE						

LS (_F4_) 04/06 →

460	255	05/08 →	●		→ 09/09; (USA); (ASIA); - (EU)	P83075MM [O]	18,5	ADV						
	255	05/08 →		●		P83076MM [O]	18,5	ADV						
460 (USF40)	280	04/06 →	●		(USA); (ASIA); - (EU)	P83075MM [O]	18,5	ADV						
	280	04/06 →		●		P83076MM [O]	18,5	ADV						
	285	09/12 →	●			P83075MM [O]	18,5	ADV						
	285	09/12 →		●		P83076MM [O]	18,5	ADV						
460 AWD	270	12/08 →	●		(ASIA); (USA); - (EU)	P83075MM [O]	18,5	ADV						
	270	12/08 →		●		P83076MM [O]	18,5	ADV						
	272	09/12 →	●			P83075MM [O]	18,5	ADV						
	272	09/12 →		●		P83076MM [O]	18,5	ADV						
600h (UVF45)	290	08/07 →	●		(ASIA); (USA); - (EU)	P83075MM [O]	18,5	ADV						
	290	08/07 →		●		P83076MM [O]	18,5	ADV						

LX (_J2_) 08/07 →

570 (URJ201_)	270	11/07 →	●			P83102MM [+]	17	SUM						
	270	11/07 →		●		P83098MM [-]	17,4	ADV						

LX (UZJ100) 09/97 → 03/08

470	170	05/98 → 03/08	●			P83048MM [+]	17,7	SUM						
	170	05/98 → 03/08		●		P83049MM [-]	17,5	SUM						
	173	09/01 → 03/08	●			P83048MM [+]	17,7	SUM						
	173	09/01 → 03/08		●		P83049MM [-]	17,5	SUM						

									WI			FK	

LEXUS

LX (UZJ100) 09/97 → 03/08

470	202	08/02 → 03/08	●		P83048MM	[+]	17,7	SUM					
	202	08/02 → 03/08		●	P83049MM	[-]	17,5	SUM					
	197	05/98 → 10/02	●		P83048MM	[+]	17,7	SUM					
	197	05/98 → 10/02		●	P83049MM	[-]	17,5	SUM					

NX (L1) 07/14 →

200 (ZGZ10)	110	11/14 →	●		P83145MM	[-]	17,5	ADV					
200t (AGZ10)	175	07/14 →		●	P83145MM	[-]	17,5	ADV					
200t AWD (AGZ15)	175	07/14 →		●	P83145MM	[-]	17,5	ADV					
300h (AYZ10)	114	07/14 →		●	P83145MM	[-]	17,5	ADV					
300h AWD (AYZ15)	114	07/14 →		●	P83145MM	[-]	17,5	ADV					

RC (C1) 08/14 →

200t	180	08/15 →	●		P83072MM	[+]	17,5	ADV					
	180	08/15 →		●	18" wheel	P83131MM	[+]	17,5	ADV				
	180	08/15 →		●		P83132MM	[-]	16,8	AKE				
300h (AVC10)	133	09/14 →		●	+sport pack	P83072MM	[+]	17,5	ADV				
	133	09/14 →		●	-sport pack	P83131MM	[+]	17,5	ADV				
	133	09/14 →		●		P83132MM	[-]	16,8	AKE				

RX (L1) 12/08 → 10/15

270 (AGL10)	138	12/08 → 10/15	●		P83145MM	[-]	17,5	ADV					
	138	12/08 → 10/15		●		P83152MM	[-]	15	-				
350 (GYL10)	206	12/08 → 10/15		●		P83145MM	[-]	17,5	ADV				
	206	12/08 → 10/15		●		P83152MM	[-]	15	-				
350 AWD (GGL15)	206	03/09 → 02/12		●		P83145MM	[-]	17,5	ADV				
	206	03/09 → 02/12		●		P83152MM	[-]	15	-				
350 AWD (GGL15, GRL10)	204	12/08 → 02/12		●		P83145MM	[-]	17,5	ADV				
	204	12/08 → 02/12		●		P83152MM	[-]	15	-				
450h (GYL10)	220	12/08 → 10/15		●		P83145MM	[-]	17,5	ADV				
	220	12/08 → 10/15		●		P83152MM	[-]	15	-				
	183	12/08 → 10/15		●		P83145MM	[-]	17,5	ADV				
	183	12/08 → 10/15		●		P83152MM	[-]	15	-				
450h AWD (GYL15)	220	12/08 → 10/15		●		P83145MM	[-]	17,5	ADV				
	220	12/08 → 10/15		●		P83152MM	[-]	15	-				
	183	12/08 → 10/15		●		P83145MM	[-]	17,5	ADV				
183	12/08 → 10/15		●		P83152MM	[-]	15	-					

RX (L2) 10/15 →

200t (AGL20)	175	10/15 →		●		P83145MM	[-]	17,5	ADV				
200t AWD	175	10/15 →		●		P83145MM	[-]	17,5	ADV				
450h AWD	230	11/15 →		●		P83145MM	[-]	17,5	ADV				
450h AWD (GYL25)	193	11/15 →		●		P83145MM	[-]	17,5	ADV				

RX (U3) 02/03 → 12/08

300	150	05/03 → 12/08		●		P83067MM	[-]	17	AKE				
	150	05/03 → 12/08		●		P83068MM	[-]	15,2	SUM				
330	171	04/03 → 01/06		●		P83067MM	[-]	17	AKE				
	171	04/03 → 01/06		●		P83068MM	[-]	15,2	SUM				
330 AWD (MCU38)	171	04/03 → 12/08		●		P83067MM	[-]	17	AKE				
	171	04/03 → 12/08		●		P83068MM	[-]	15,2	SUM				
350	203	01/06 → 12/08		●		P83067MM	[-]	17	AKE				
	203	01/06 → 12/08		●		P83068MM	[-]	15,2	SUM				

--	--	--	--	--	--	--	--	--	--	--	--	--	--	--

LEXUS

RX (_U3_) 02/03 → 12/08

350 AWD (GGL15)	203	02/06 → 12/08	●			P83067MM	[-]	17	AKE					
	203	02/06 → 12/08		●		P83068MM	[-]	15,2	SUM					
400h	155	09/05 → 12/08	●			P83067MM	[-]	17	AKE					
	155	09/05 → 12/08		●		P83068MM	[-]	15,2	SUM					
400h AWD (MHU38)	155	09/04 → 12/08	●			P83067MM	[-]	17	AKE					
	155	09/04 → 12/08		●		P83068MM	[-]	15,2	SUM					

RX (MCU15) 07/00 → 05/03

300	148	07/00 → 03/03	●		→ 07/01	P83078MM	[+]	18,5	SUM					
	148	07/00 → 03/03	●		08/01 →	P56050MM	[-]	17	AKE					
	148	07/00 → 03/03		●		P83015MM	[+]	15,5	AKE					
300 AWD	148	10/00 → 05/03	●		→ 07/01	P83078MM	[+]	18,5	SUM					
	148	10/00 → 05/03	●		08/01 →	P56050MM	[-]	17	AKE					
	148	10/00 → 05/03		●		P83015MM	[+]	15,5	AKE					
	164	07/00 → 05/03	●		→ 07/01	P83078MM	[+]	18,5	SUM					
	164	07/00 → 05/03	●		08/01 →	P56050MM	[-]	17	AKE					
	164	07/00 → 05/03		●		P83015MM	[+]	15,5	AKE					

SC Convertible (UZZ40_) 01/01 → 07/10

430 (UZZ40_)	215	05/01 → 07/10	●			P83037MM	[+]	17,1	SUM					
	215	05/01 → 07/10		●		P83045MM	[+]	15	SUM					
	244	05/01 → 07/10	●			P83037MM	[+]	17,1	SUM					
	244	05/01 → 07/10		●		P83045MM	[+]	15	SUM					
	210	05/01 → 07/10	●			P83037MM	[+]	17,1	SUM					
	210	05/01 → 07/10		●		P83045MM	[+]	15	SUM					

SC Coupé (_ZZ3_) 08/91 → 06/00

300	162	08/91 → 06/00	●			P83027MM	[+]	17	SUM					
	162	08/91 → 06/00	●			P83104MM	[+]	18	AKE					
	162	08/91 → 06/00		●		P83038MM	[+]	15,5	SUM					
400	194	08/91 → 06/00	●			P83027MM	[+]	17	SUM					
	194	08/91 → 06/00	●			P83104MM	[+]	18	AKE					
	194	08/91 → 06/00		●		P83038MM	[+]	15,5	SUM					
	187	09/91 → 12/95	●			P83027MM	[+]	17	SUM					
	187	09/91 → 12/95	●			P83104MM	[+]	18	AKE					
	187	09/91 → 12/95		●		P83038MM	[+]	15,5	SUM					

LOTUS

2 ELEVEN 04/07 → 07/11

1.8	142	04/07 → 07/11	●			P59025MM	[-]	14,5	ATE					
	142	04/07 → 07/11		●		P59026MM	[-]	12,9	BRE					

ELISE 11/00 →

1.6	100	06/07 →	●			P59025MM	[-]	14,5	ATE					
	100	06/07 →		●		P59026MM	[-]	12,9	BRE					

ELISE 08/95 → 01/01

1.8	88	08/95 → 11/00	●			P59025MM	[-]	14,5	ATE					
	88	08/95 → 11/00		●		P59026MM	[-]	12,9	BRE					

ELISE 11/00 →

1.8	90	11/00 → 08/05	●			P59025MM	[-]	14,5	ATE					
	90	11/00 → 08/05		●		P59026MM	[-]	12,9	BRE					
	118	05/02 →	●			P59025MM	[-]	14,5	ATE					
	118	05/02 →		●		P59026MM	[-]	12,9	BRE					

								WI			FK	

LOTUS

ELISE 11/00 →

1.8	141	01/04 →	•		P59025MM	[-]	14,5	ATE				
	141	01/04 →		•	P59026MM	[-]	12,9	BRE				
	140	11/02 →	•		P59025MM	[-]	14,5	ATE				
	140	11/02 →		•	P59026MM	[-]	12,9	BRE				
	99	10/03 →	•		P59025MM	[-]	14,5	ATE				
	99	10/03 →		•	P59026MM	[-]	12,9	BRE				
	162	06/07 →	•		P59025MM	[-]	14,5	ATE				
	162	06/07 →		•	P59026MM	[-]	12,9	BRE				

ELISE 08/95 → 01/01

111 S	107	03/99 → 11/00	•		P59025MM	[-]	14,5	ATE				
	107	03/99 → 11/00		•	P59026MM	[-]	12,9	BRE				

ELISE 340 R 02/00 → 02/01

1.8	132	03/00 → 02/01	•	09/00 → 10/02	P59025MM	[-]	14,5	ATE				
	132	03/00 → 02/01		•	P59026MM	[-]	12,9	BRE				

ESPRIT S4 (082) 05/89 → 06/03

2.0 GT3	179	09/96 → 06/00	•		P68017MM	[-]	15	BRE				
2.2	168	09/90 → 10/91	•		P68017MM	[-]	15	BRE				
	158	09/90 → 01/92	•		P68017MM	[-]	15	BRE				
	221	05/93 → 07/96	•		P68017MM	[-]	15	BRE				
	222	11/94 → 07/96	•		P68017MM	[-]	15	BRE				
2.2 16V Turbo SE	197	05/89 → 09/96	•		P68017MM	[-]	15	BRE				
3.5 V8 32V Turbo	260	02/96 → 06/03	•		P68017MM	[-]	15	BRE				

EUROPA S 07/06 →

2.0 Turbo	147	07/06 →	•		P59025MM	[-]	14,5	ATE				
	147	07/06 →		•	P59026MM	[-]	12,9	BRE				
	165	09/08 →	•		P59025MM	[-]	14,5	ATE				
	165	09/08 →		•	P59026MM	[-]	12,9	BRE				

EVORA 05/09 →

3.5	206	05/09 →	•		P47001MM	[-]	15,7	LKD				
	206	05/09 →		•	P47002MM	[-]	15,9	LKD				
3.5 400	298	09/15 →		•	P47001MM	[-]	15,7	LKD				
3.5 S	257	12/10 →	•		P47001MM	[-]	15,7	LKD				
	257	12/10 →		•	P47002MM	[-]	15,9	LKD				

EXIGE (SCC_) 05/00 → 06/12

1.8 16V	132	05/00 → 07/08	•		P59025MM	[-]	14,5	ATE				
	132	05/00 → 07/08		•	P59026MM	[-]	12,9	BRE				
	141	09/01 → 07/08	•		P59025MM	[-]	14,5	ATE				
	141	09/01 → 07/08		•	P59026MM	[-]	12,9	BRE				
	163	04/06 → 06/12	•		P59025MM	[-]	14,5	ATE				
	163	04/06 → 06/12		•	P59026MM	[-]	12,9	BRE				
1.8 265 E	197	08/06 → 06/12	•		P59025MM	[-]	14,5	ATE				
	197	08/06 → 06/12		•	P59026MM	[-]	12,9	BRE				
1.8 Cup 240	181	04/06 → 06/12	•		P59025MM	[-]	14,5	ATE				
	181	04/06 → 06/12		•	P59026MM	[-]	12,9	BRE				
1.8 Cup 260	191	04/06 → 06/12	•		P59025MM	[-]	14,5	ATE				
	191	04/06 → 06/12		•	P59026MM	[-]	12,9	BRE				

LTI

TX 01/97 →

2.4 TDi	66	10/02 →	•		PA6006MM	[+]	18	LKD				
2.7 TD	60	01/97 →	•	→ 09/02	PA6006MM	[+]	18	LKD				

--	--	--	--	--	--	--	--	--	--	--	--	--	--	--

MASERATI

GHIBLI (M157) 08/13 →

3.0	243	08/13 →	●		P23115MM	[+]	16	BRE						
-----	-----	---------	---	--	----------	-----	----	-----	--	--	--	--	--	--

QUATTROPORTE IV 03/94 → 05/01

2.0 Biturbo	211	03/94 → 09/98	●		P06016MM	[O]	17,3	ATE						
2.8 Biturbo	209	03/94 → 09/98	●		P06016MM	[O]	17,3	ATE						
3.2 V8 32V	247	12/95 → 05/01	●		P06016MM	[O]	17,3	ATE						

QUATTROPORTE V 03/04 →

4.2	295	03/04 →	●	H/B	P02001MM	[-]	9	BRE						
	295	03/04 →	●		P50043MM	[O]	16	ATE						

MAZDA

121 III (JASM, JBSM) 03/96 → 04/03

1.25	55	03/96 → 04/03	●	03/00 →; Man.	P24054MM	[-]	18,8	ATE					A02227	
	55	03/96 → 04/03	●	03/00 →; Aut.	P24055MM	[-]	18,8	ATE					A02227	
	55	03/96 → 04/03	●	Man.	P24044MM	[-]	17,5	ATE					A02227	
	55	03/96 → 04/03	●	Aut.	P24043MM	[-]	17,5	ATE					A02227	
1.3	37	03/96 → 04/03	●	03/00 →; -ABS	P24054MM	[-]	18,8	ATE					A02227	
	37	03/96 → 04/03	●	03/00 →; +ABS	P24055MM	[-]	18,8	ATE					A02227	
	37	03/96 → 04/03	●	+ABS	P24043MM	[-]	17,5	ATE					A02227	
	37	03/96 → 04/03	●	-ABS	P24044MM	[-]	17,5	ATE					A02227	
	44	03/96 → 04/03	●	+ABS	P24043MM	[-]	17,5	ATE					A02227	
	44	03/96 → 04/03	●	03/00 →; +ABS	P24055MM	[-]	18,8	ATE					A02227	
	44	03/96 → 04/03	●	03/00 →; -ABS	P24054MM	[-]	18,8	ATE					A02227	
	44	03/96 → 04/03	●	-ABS	P24044MM	[-]	17,5	ATE					A02227	
1.8 D	44	03/96 → 04/03	●	03/00 →; +ABS	P24055MM	[-]	18,8	ATE					A02227	
	44	03/96 → 04/03	●	03/00 →; -ABS	P24054MM	[-]	18,8	ATE					A02227	
	44	03/96 → 04/03	●	-ABS	P24044MM	[-]	17,5	ATE					A02227	
	44	03/96 → 04/03	●	+ABS	P24043MM	[-]	17,5	ATE					A02227	

2 (DE) 07/07 → 06/15

1.3	55	10/07 → 06/15	●	(EU)	P16013MM	[+]	16,5	TRW						
	63	10/07 → 06/15	●	(EU)	P16013MM	[+]	16,5	TRW						
1.3 BiFuel	55	05/11 → 11/14	●		P16013MM	[+]	16,5	TRW						
	62	05/11 → 11/14	●		P16013MM	[+]	16,5	TRW						
1.3 MZR	62	01/10 → 06/15	●	(EU)	P16013MM	[+]	16,5	TRW						
1.4 MZR-CD	50	01/08 → 06/15	●	(EU)	P16013MM	[+]	16,5	TRW						
1.5	76	10/07 → 06/15	●	(EU)	P16013MM	[+]	16,5	TRW						
1.5 MZR	75	06/11 → 06/15	●	(EU)	P16013MM	[+]	16,5	TRW						
1.6 MZ-CD	66	10/08 → 06/15	●	(EU)	P16013MM	[+]	16,5	TRW						
	70	06/11 → 06/15	●	(EU)	P16013MM	[+]	16,5	TRW						

2 (DL, DJ) 11/14 →

1.5	85	11/14 →	●		P49055MM	[+]	15,3	-						
	55	11/14 →	●		P49055MM	[+]	15,3	-						
	66	11/14 →	●		P49055MM	[+]	15,3	-						
1.5 D	77	11/14 →	●		P49055MM	[+]	15,3	-						

2 (DY) 02/03 → 06/07

1.2	55	02/03 → 06/07	●		P24055MM	[-]	18,8	ATE						
1.25	55	04/03 → 06/07	●		P24055MM	[-]	18,8	ATE					A02227	
1.3 L	67	04/03 → 06/07	●		P24055MM	[-]	18,8	ATE						
1.4	59	04/03 → 06/07	●		P24055MM	[-]	18,8	ATE					A02227	
	59	02/03 → 06/07	●		P24055MM	[-]	18,8	ATE						
1.4 CD	50	04/03 → 06/07	●		P24055MM	[-]	18,8	ATE					A02227	
1.5	82	04/03 → 06/07	●		P24055MM	[-]	18,8	ATE						
1.6	74	04/03 → 06/07	●		P24055MM	[-]	18,8	ATE					A02227	
	74	02/03 → 06/07	●		P24055MM	[-]	18,8	ATE						



kw



wi

Th [mm]

SYS

WI

FK



LENGHT



MAZDA

3 (BK) 10/03 → 12/09	
1.4	59 02/04 → 06/09 • P24061MM [-] 18,2 ATE A02202
	59 02/04 → 06/09 • P59042MM [o] 16,7 ATE
	62 10/03 → 06/09 • P24061MM [-] 18,2 ATE A02202
	62 10/03 → 06/09 • P59042MM [o] 16,7 ATE
1.6	77 10/03 → 06/09 • P24061MM [-] 18,2 ATE A02202
	77 10/03 → 06/09 • P59042MM [o] 16,7 ATE
1.6 DI Turbo	80 06/04 → 06/09 • P24061MM [-] 18,2 ATE A02202
	80 06/04 → 06/09 • P59042MM [o] 16,7 ATE
1.6 MZ-CD	66 06/06 → 12/09 • P24061MM [-] 18,2 ATE
	66 06/06 → 12/09 • P59042MM [o] 16,7 ATE
2.0	110 10/03 → 06/09 • 04/06 → P24057MM [-] 18,5 ATE A02202
	110 10/03 → 06/09 • P24061MM [-] 18,2 ATE A02202
	110 10/03 → 06/09 • P59042MM [o] 16,7 ATE
	108 10/03 → 06/06 • → 04/06 P24061MM [-] 18,2 ATE
	108 10/03 → 06/06 • 04/06 → P24057MM [-] 18,5 ATE
	108 10/03 → 06/06 • P59042MM [o] 16,7 ATE
2.0 MZR-CD	105 12/06 → 06/09 • P24057MM [-] 18,5 ATE
	105 12/06 → 06/09 • P24061MM [-] 18,2 ATE
	105 12/06 → 06/09 • P59042MM [o] 16,7 ATE
2.3 DiSi Turbo MPS	184 06/06 → 06/09 • P24057MM [-] 18,5 ATE A02202
	184 06/06 → 06/09 • P24061MM [-] 18,2 ATE A02202
	184 06/06 → 06/09 • P59042MM [o] 16,7 ATE
2.3 MPS Turbo	191 12/06 → 06/09 • P24057MM [-] 18,5 ATE
	191 12/06 → 06/09 • P24061MM [-] 18,2 ATE
	191 12/06 → 06/09 • P59042MM [o] 16,7 ATE
2.3 MZR	115 03/04 → 03/09 • 04/06 → P24057MM [-] 18,5 ATE A02202
	115 03/04 → 03/09 • P24061MM [-] 18,2 ATE A02202
	115 03/04 → 03/09 • P59042MM [o] 16,7 ATE
3 (BL) 12/08 → 09/14	
1.6 MZR	77 12/08 → 09/14 • P24061MM [-] 18,2 ATE
	77 12/08 → 09/14 • P59042MM [o] 16,7 ATE
	79 01/10 → 12/13 • P24061MM [-] 18,2 ATE
	79 01/10 → 12/13 • P59042MM [o] 16,7 ATE
1.6 MZR CD	85 09/10 → 05/13 • P24061MM [-] 18,2 ATE A02202
	85 09/10 → 05/13 • P59042MM [o] 16,7 ATE
	80 12/08 → 05/13 • P24061MM [-] 18,2 ATE
	80 12/08 → 05/13 • P59042MM [o] 16,7 ATE
2.0 (BLEFP)	110 05/09 → 02/12 • P24061MM [-] 18,2 ATE
2.0 MZR	110 01/09 → 09/14 • P24061MM [-] 18,2 ATE
	110 01/09 → 09/14 • P59042MM [o] 16,7 ATE
	108 06/10 → 09/14 • P24061MM [-] 18,2 ATE
	108 06/10 → 09/14 • P59042MM [o] 16,7 ATE
2.0 MZR DISI	111 12/08 → 05/13 • P24061MM [-] 18,2 ATE
	111 12/08 → 05/13 • P59042MM [o] 16,7 ATE
2.2 MZR CD	110 01/09 → 05/13 • P24061MM [-] 18,2 ATE
	110 01/09 → 05/13 • P59042MM [o] 16,7 ATE
	136 01/09 → 05/13 • P24061MM [-] 18,2 ATE
2.3 MPS Turbo	191 06/09 → 09/14 • P24057MM [-] 18,5 ATE
	191 06/09 → 09/14 • P59042MM [o] 16,7 ATE
3 (BM) 09/13 →	
1.5	74 09/13 → • P49050MM [+] 15,8 AKE
	74 09/13 → • P49049MM [+] 13,8 -

Car Model	kw	S	E	i	MAGNETI MARELLI	wi	Th [mm]	SYS	WI			FK	
									MAGNETI MARELLI	LENGHT	i	MAGNETI MARELLI	i

MAZDA

3 (BM) 09/13 →

1.5	88	10/13 →	●		P49050MM	[+]	15,8	AKE					
	88	10/13 →		●	P49049MM	[+]	13,8	-					
1.5 D	77	02/16 →	●		P49050MM	[+]	15,8	AKE					
	77	02/16 →		●	P49049MM	[+]	13,8	-					
1.6	77	09/13 →	●		P49050MM	[+]	15,8	AKE					
	77	09/13 →		●	P49049MM	[+]	13,8	-					
2.0	88	09/13 →	●		P49050MM	[+]	15,8	AKE					
	88	09/13 →		●	P49049MM	[+]	13,8	-					
	121	09/13 →	●		P49050MM	[+]	15,8	AKE					
	121	09/13 →		●	P49049MM	[+]	13,8	-					
	110	11/13 →	●		P49050MM	[+]	15,8	AKE					
2.2 D	110	09/13 →	●		P49050MM	[+]	15,8	AKE					
	110	09/13 →		●	P49049MM	[+]	13,8	-					

3 Saloon (BK) 09/99 → 06/09

1.6	77	02/04 → 06/09	●		P24061MM	[-]	18,2	ATE				A02202	
	77	02/04 → 06/09		●	P59042MM	[O]	16,7	ATE					
1.6 DI Turbo	80	06/04 → 06/09	●		P24061MM	[-]	18,2	ATE				A02202	
	80	06/04 → 06/09		●	P59042MM	[O]	16,7	ATE					
2.0	110	02/04 → 06/09	●	04/06 →	P24057MM	[-]	18,5	ATE				A02202	
	110	02/04 → 06/09	●		P24061MM	[-]	18,2	ATE				A02202	
	110	02/04 → 06/09	●		P59042MM	[O]	16,7	ATE					
	104	04/04 → 06/06	●	04/06 →	P24057MM	[-]	18,5	ATE					
	104	04/04 → 06/06	●		P24061MM	[-]	18,2	ATE					
	104	04/04 → 06/06	●		P59042MM	[O]	16,7	ATE					
	108	09/03 → 06/06	●	04/06 →	P24057MM	[-]	18,5	ATE					
	108	09/03 → 06/06	●	→ 04/06	P24061MM	[-]	18,2	ATE					
	108	09/03 → 06/06	●		P59042MM	[O]	16,7	ATE					
2.0 MZR-CD	105	12/06 → 06/09	●		P24057MM	[-]	18,5	ATE					
	105	12/06 → 06/09	●		P24061MM	[-]	18,2	ATE					
	105	12/06 → 06/09	●		P59042MM	[O]	16,7	ATE					
2.3	118	03/04 → 03/09	●	04/06 →	P24057MM	[-]	18,5	ATE					
	118	03/04 → 03/09	●		P24061MM	[-]	18,2	ATE					
	118	03/04 → 03/09	●		P59042MM	[O]	16,7	ATE					

3 Saloon (BL) 12/08 →

1.6 MZR	77	02/09 → 09/14	●		P24061MM	[-]	18,2	ATE					
	77	02/09 → 09/14		●	P59042MM	[O]	16,7	ATE					
1.6 MZR CD	85	09/10 → 05/13	●		P24061MM	[-]	18,2	ATE				A02202	
	85	09/10 → 05/13		●	P59042MM	[O]	16,7	ATE					
	80	12/08 → 05/13	●		P24061MM	[-]	18,2	ATE					
	80	12/08 → 05/13		●	P59042MM	[O]	16,7	ATE					
2.0	113	09/11 → 09/14	●		P24061MM	[-]	18,2	ATE					
2.0 MZR	110	03/09 → 09/14	●		P24061MM	[-]	18,2	ATE					
	110	03/09 → 09/14	●		P59042MM	[O]	16,7	ATE					
2.0 MZR DISI	111	02/09 → 05/13	●		P24061MM	[-]	18,2	ATE					
	111	02/09 → 05/13	●		P59042MM	[O]	16,7	ATE					
2.2 MZR CD	110	01/09 → 09/14	●		P24061MM	[-]	18,2	ATE					
	110	01/09 → 09/14	●		P59042MM	[O]	16,7	ATE					
	136	06/09 → 05/13	●		P24061MM	[-]	18,2	ATE					
	136	06/09 → 05/13	●		P59042MM	[O]	16,7	ATE					

3 Saloon (BM) 09/13 →

1.5	74	10/14 →	●		P49050MM	[+]	15,8	AKE					
	74	10/14 →		●	P49049MM	[+]	13,8	-					

									WI			FK	
										LENGHT			

MAZDA

3 Saloon (BM) 09/13 →

1.5	88	10/13 →	●		P49050MM	[+]	15,8	AKE					
	88	10/13 →		●	P49049MM	[+]	13,8	-					
1.5 D	77	02/16 →	●		P49050MM	[+]	15,8	AKE					
	77	02/16 →		●	P49049MM	[+]	13,8	-					
1.6	77	09/13 →	●		P49050MM	[+]	15,8	AKE					
	77	09/13 →		●	P49049MM	[+]	13,8	-					
2.0	88	09/13 →	●		P49050MM	[+]	15,8	AKE					
	88	09/13 →		●	P49049MM	[+]	13,8	-					
	121	11/14 →	●		P49050MM	[+]	15,8	AKE					
	121	11/14 →		●	P49049MM	[+]	13,8	-					
	110	11/13 →	●		P49050MM	[+]	15,8	AKE					
	110	11/13 →		●	P49049MM	[+]	13,8	-					
2.2 D	110	09/13 →	●		P49050MM	[+]	15,8	AKE					
	110	09/13 →		●	P49049MM	[+]	13,8	-					

323 C IV (BG) 06/89 → 09/00

1.3	49	09/89 → 07/94	●		P49016MM	[+]	15	SUM				A02263	Aut.
	49	09/89 → 07/94		●	+rear disc	P49015MM	[-]	12,5	AKE				
1.3 16V	54	09/89 → 07/94	●		P49016MM	[+]	15	SUM				A02263	Aut.
	54	09/89 → 07/94		●	+rear disc	P49015MM	[-]	12,5	AKE				
1.6	62	09/89 → 06/91	●		P49016MM	[+]	15	SUM				A02263	Aut.
	62	09/89 → 06/91		●	P49015MM	[-]	12,5	AKE					
	66	09/93 → 09/00	●		P49016MM	[+]	15	SUM					
	66	09/93 → 09/00		●	P49015MM	[-]	12,5	AKE					
1.6 16V	65	03/91 → 10/94	●		P49016MM	[+]	15	SUM				A02263	Aut.
	65	03/91 → 10/94		●	P49015MM	[-]	12,5	AKE					
1.7 D	41	08/89 → 07/94	●		P49016MM	[+]	15	SUM					
	41	08/89 → 07/94		●	+rear disc	P49015MM	[-]	12,5	AKE				
1.8	96	09/89 → 06/93	●		P49011MM	[+]	15	SUM					
	96	09/89 → 06/93		●	P49016MM	[+]	15	SUM					
	96	09/89 → 06/93		●	P49015MM	[-]	12,5	AKE					
1.8 16V	103	09/89 → 03/93	●		P49011MM	[+]	15	SUM				A02263	
	103	09/89 → 03/93		●	P49015MM	[-]	12,5	AKE					
1.8 16V 4WD	76	11/91 → 12/93	●		P49011MM	[+]	15	SUM				A02263	
	76	11/91 → 12/93		●	P49015MM	[-]	12,5	AKE					
1.8 16V GT	94	09/89 → 03/93	●		P49016MM	[+]	15	SUM					
	94	09/89 → 03/93		●	P49015MM	[-]	12,5	AKE					
1.8 16V Turbo 4WD	136	01/93 → 07/94	●		P49011MM	[+]	15	SUM					
	136	01/93 → 07/94		●	P49015MM	[-]	12,5	AKE					
	120	09/90 → 12/92	●		P49011MM	[+]	15	SUM				A02263	
	120	09/90 → 12/92		●	P49015MM	[-]	12,5	AKE					

323 C V (BA) 08/94 → 01/01

1.3 16V	54	08/94 → 09/98	●		P49016MM	[+]	15	SUM					
1.5 16V	65	08/94 → 09/98	●		P49016MM	[+]	15	SUM					
1.8 16V	84	08/94 → 09/98	●		P49011MM	[+]	15	SUM					

323 F VI (BJ) 09/98 → 05/04

1.4	53	01/01 → 05/04	●		P49027MM	[+]	15	SUM					
1.4 16V	54	09/98 → 01/01	●		P49027MM	[+]	15	SUM					
1.5 16V	65	09/98 → 01/01	●		P49027MM	[+]	15	SUM					
1.6	72	01/01 → 05/04	●		P49023MM	[+]	16,5	SUM					
	72	01/01 → 05/04		●	P49036MM	[-]	13	AKE					
	70	01/01 → 05/04	●		P49023MM	[+]	16,5	SUM					
	70	01/01 → 05/04		●	P49036MM	[-]	13	AKE					
1.9 16V	84	09/98 → 01/01	●		P49023MM	[+]	16,5	SUM					
	84	09/98 → 01/01		●	P49037MM	[-]	13	AKE					

MAZDA

323 F VI (BJ) 09/98 → 05/04

2.0	96	01/01 → 05/04	●			P49023MM	[+]	16,5	SUM					
	96	01/01 → 05/04		●		P49036MM	[-]	13	AKE					
2.0 D	52	09/98 → 05/04	●			P49023MM	[+]	16,5	SUM					
	52	09/98 → 05/04		●		P49036MM	[-]	13	AKE					
2.0 TD	66	09/98 → 12/01	●			P49023MM	[+]	16,5	SUM					
	66	09/98 → 12/01		●		P49036MM	[-]	13	AKE					
	74	01/01 → 05/04	●			P49023MM	[+]	16,5	SUM					
	74	01/01 → 05/04		●		P49036MM	[-]	13	AKE					

323 S V (BA) 09/92 → 12/03

1.3 16V	54	08/94 → 09/98	●			P49016MM	[+]	15	SUM					
1.5 16V	65	08/94 → 09/98	●			P49016MM	[+]	15	SUM					
1.6 TD	60	05/94 → 09/98	●			P49011MM	[+]	15	SUM					
1.8 16V	84	08/94 → 09/98	●			P49011MM	[+]	15	SUM					
2.0 D	52	10/96 → 09/98	●			P49011MM	[+]	15	SUM					

323 S VI (BJ) 05/98 → 05/04

1.4	53	01/01 → 05/04	●			P49027MM	[+]	15	SUM					
1.4 16V	54	09/98 → 01/01	●			P49027MM	[+]	15	SUM					
1.5 16V	65	09/98 → 01/01	●			P49027MM	[+]	15	SUM					
1.6	70	01/01 → 05/04	●			P49023MM	[+]	16,5	SUM					
	70	01/01 → 05/04		●		P49036MM	[-]	13	AKE					
	72	01/01 → 05/04	●			P49023MM	[+]	16,5	SUM					
	72	01/01 → 05/04		●		P49036MM	[-]	13	AKE					
1.9 16V	84	09/98 → 05/04	●			P49023MM	[+]	16,5	SUM					
	84	09/98 → 05/04		●		P49037MM	[-]	13	AKE					
2.0	96	01/01 → 05/04	●			P49023MM	[+]	16,5	SUM					
	96	01/01 → 05/04		●		P49036MM	[-]	13	AKE					
2.0 D	52	09/98 → 05/04	●			P49023MM	[+]	16,5	SUM					
	52	09/98 → 05/04		●		P49036MM	[-]	13	AKE					
2.0 DiTD	74	10/00 → 10/02	●			P49023MM	[+]	16,5	SUM					
	74	10/00 → 10/02		●		P49037MM	[-]	13	AKE					
	74	10/00 → 10/02		●		P49036MM	[-]	13	AKE					
2.0 TD	66	09/98 → 05/04	●			P49023MM	[+]	16,5	SUM					
	66	09/98 → 05/04		●		P49036MM	[-]	13	AKE					

5 (CR19) 02/05 → 12/10

1.8	85	02/05 → 05/10	●			P24061MM	[-]	18,2	ATE				A02202	
	85	02/05 → 05/10		●		P59042MM	[O]	16,7	ATE					
2.0	107	02/05 → 05/10	●			P24061MM	[-]	18,2	ATE				A02202	
	107	02/05 → 05/10		●		P59042MM	[O]	16,7	ATE					
2.0 CD	81	02/05 → 05/10	●			P24061MM	[-]	18,2	ATE				A02202	
	81	02/05 → 05/10		●		P59042MM	[O]	16,7	ATE					
	105	02/05 → 05/10	●			P24061MM	[-]	18,2	ATE				A02202	
	105	02/05 → 05/10		●		P59042MM	[O]	16,7	ATE					
2.3	122	02/05 → 09/08	●			P24061MM	[-]	18,2	ATE					
	122	02/05 → 09/08		●		P59042MM	[O]	16,7	ATE					

5 (CW) 09/10 →

1.6 CD	85	09/10 →	●			P24061MM	[-]	18,2	ATE				A02202	
	85	09/10 →		●		P59042MM	[O]	16,7	ATE					
1.8 MZR	85	09/10 →	●			P24061MM	[-]	18,2	ATE					
	85	09/10 →		●		P59042MM	[O]	16,7	ATE					
2.0	110	09/10 →	●			P24061MM	[-]	18,2	ATE				A02202	
	110	09/10 →		●		P59042MM	[O]	16,7	ATE					
	106	01/11 →	●			P24061MM	[-]	18,2	ATE				A02202	
	106	01/11 →		●		P59042MM	[O]	16,7	ATE					

									WI			FK	
										LENGHT			

MAZDA

5 (CW) 09/10 →

2.0	111	08/14 →	●		P24061MM	[-]	18,2	ATE					
	111	08/14 →		●	P59042MM	[O]	16,7	ATE					
	108	01/11 →	●		P24061MM	[-]	18,2	ATE					
	108	01/11 →		●	P59042MM	[O]	16,7	ATE					

6 Estate (GH) 12/07 → 07/13

1.8 MZR	88	02/08 → 07/13	●		P49039MM	[+]	18,4	AKE					
	88	02/08 → 07/13		●	P49036MM	[-]	13	AKE					
2.0 MZR	114	01/10 → 07/13	●		P49039MM	[+]	18,4	AKE					
	114	01/10 → 07/13		●	P49036MM	[-]	13	AKE					
	108	12/07 → 07/13	●		P49039MM	[+]	18,4	AKE					
	108	12/07 → 07/13		●	P49036MM	[-]	13	AKE					
2.0 MZR-CD	103	12/07 → 12/10	●		P49039MM	[+]	18,4	AKE					
	103	12/07 → 12/10		●	P49036MM	[-]	13	AKE					
2.2 D	95	01/10 → 07/13	●		P49039MM	[+]	18,4	AKE					
	95	01/10 → 07/13		●	P49036MM	[-]	13	AKE					
2.2 MZR-CD	132	01/10 → 07/13	●		P49039MM	[+]	18,4	AKE					
	132	01/10 → 07/13		●	P49036MM	[-]	13	AKE					
	92	01/09 → 12/10	●		P49039MM	[+]	18,4	AKE					
	92	01/09 → 12/10		●	P49036MM	[-]	13	AKE					
	120	08/08 → 07/13	●		P49039MM	[+]	18,4	AKE					
	120	08/08 → 07/13		●	P49036MM	[-]	13	AKE					
	136	08/08 → 12/11	●		P49039MM	[+]	18,4	AKE					
	136	08/08 → 12/11		●	P49036MM	[-]	13	AKE					
2.5 MZR	125	02/08 → 07/13	●		P49039MM	[+]	18,4	AKE					
	125	02/08 → 07/13		●	P49036MM	[-]	13	AKE					

6 Estate (GJ, GL) 12/12 →

2.0	107	01/13 →	●		P49048MM	[-]	15,5	AKE					
	107	01/13 →		●	P61111MM	[+]	14,3	AKE					
	121	01/13 →	●		P49048MM	[-]	15,5	AKE					
	121	01/13 →		●	P61111MM	[+]	14,3	AKE					
2.2 D	129	12/12 →	●		P49048MM	[-]	15,5	AKE					
	129	12/12 →		●	P61111MM	[+]	14,3	AKE					
	110	12/12 →	●		P49048MM	[-]	15,5	AKE					
	110	12/12 →		●	P61111MM	[+]	14,3	AKE					
2.2 D AWD	129	02/15 →	●		P49048MM	[-]	15,5	AKE					
	129	02/15 →		●	P61111MM	[+]	14,3	AKE					
	110	02/15 →	●		P49048MM	[-]	15,5	AKE					
2.5	141	12/12 →	●		P49048MM	[-]	15,5	AKE					
	141	12/12 →		●	P61111MM	[+]	14,3	AKE					

6 Hatchback (GG) 08/02 → 12/08

1.8	88	08/02 → 08/07	●		P49033MM	[+]	17	SUM					
	88	08/02 → 08/07		●	P49036MM	[-]	13	AKE					
2.0	104	08/02 → 08/07	●		P49032MM	[+]	18,2	AKE					
	104	08/02 → 08/07		●	P49036MM	[-]	13	AKE					
	108	03/05 → 08/07	●		P49032MM	[+]	18,2	AKE					
	108	03/05 → 08/07		●	P49036MM	[-]	13	AKE					
2.0 DI	100	08/02 → 08/07	●		P49032MM	[+]	18,2	AKE					
	100	08/02 → 08/07		●	P49036MM	[-]	13	AKE					
	89	08/02 → 08/07	●		P49032MM	[+]	18,2	AKE					
	89	08/02 → 08/07		●	P49036MM	[-]	13	AKE					
	105	06/05 → 08/07	●		P49032MM	[+]	18,2	AKE					
	105	06/05 → 08/07		●	P49036MM	[-]	13	AKE					

--	--	--	--	--	--	--	--	--	--	--	--	--	--	--

MAZDA

6 Hatchback (GG) 08/02 → 12/08

2.3	122	08/02 → 08/07	●		P49032MM	[+]	18,2	AKE					A02202	18" wheel
	122	08/02 → 08/07	●	18" wheel	P49038MM	[+]	18,8	ATE					A02202	18" wheel
	122	08/02 → 08/07		●	P49036MM	[-]	13	AKE						
3.0	164	01/05 → 12/07	●		P49032MM	[+]	18,2	AKE						

6 Hatchback (GH) 08/07 → 07/13

1.8 MZR	88	08/07 → 07/13	●		P49039MM	[+]	18,4	AKE						
	88	08/07 → 07/13		●	P49036MM	[-]	13	AKE						
2.0 MZR	114	01/10 → 12/12	●		P49039MM	[+]	18,4	AKE						
	114	01/10 → 12/12		●	P49036MM	[-]	13	AKE						
	108	08/07 → 07/13	●		P49039MM	[+]	18,4	AKE						
2.0 MZR-CD	108	08/07 → 07/13		●	P49036MM	[-]	13	AKE						
	103	08/07 → 10/09	●		P49039MM	[+]	18,4	AKE						
2.2 D	103	08/07 → 10/09		●	P49036MM	[-]	13	AKE						
	95	01/10 → 12/12	●		P49039MM	[+]	18,4	AKE						
2.2 MZR-CD	95	01/10 → 12/12		●	P49036MM	[-]	13	AKE						
	132	01/10 → 12/12	●		P49039MM	[+]	18,4	AKE						
	132	01/10 → 12/12		●	P49036MM	[-]	13	AKE						
	136	01/09 → 12/12	●		P49039MM	[+]	18,4	AKE						
	136	01/09 → 12/12		●	P49036MM	[-]	13	AKE						
	120	01/09 → 12/12	●		P49039MM	[+]	18,4	AKE						
	120	01/09 → 12/12		●	P49036MM	[-]	13	AKE						
	92	01/09 → 12/12	●		P49039MM	[+]	18,4	AKE						
2.5 MZR	92	01/09 → 12/12		●	P49036MM	[-]	13	AKE						
	125	08/07 → 03/13	●		P49039MM	[+]	18,4	AKE						
	125	08/07 → 03/13		●	P49036MM	[-]	13	AKE						

6 Saloon (GG) 06/02 → 12/08

1.8	88	08/02 → 08/07	●		P49033MM	[+]	17	SUM						
	88	08/02 → 08/07		●	P49036MM	[-]	13	AKE						
2.0	104	06/02 → 08/07	●		P49032MM	[+]	18,2	AKE						
	104	06/02 → 08/07		●	P49036MM	[-]	13	AKE						
	108	03/05 → 08/07	●		P49032MM	[+]	18,2	AKE						
	108	03/05 → 08/07		●	P49036MM	[-]	13	AKE						
2.0 DI	100	06/02 → 08/07	●		P49032MM	[+]	18,2	AKE						
	100	06/02 → 08/07		●	P49036MM	[-]	13	AKE						
	89	08/02 → 08/07	●		P49032MM	[+]	18,2	AKE						
	89	08/02 → 08/07		●	P49036MM	[-]	13	AKE						
	105	06/05 → 08/07	●		P49032MM	[+]	18,2	AKE						
	105	06/05 → 08/07		●	P49036MM	[-]	13	AKE						
2.3	122	06/02 → 08/07	●		P49032MM	[+]	18,2	AKE						
	122	06/02 → 08/07		●	P49036MM	[-]	13	AKE						
	120	03/05 → 07/07	●		P49032MM	[+]	18,2	AKE						
	120	03/05 → 07/07	●	18" wheel	P49038MM	[+]	18,8	ATE						
	120	03/05 → 07/07		●	P49036MM	[-]	13	AKE						
2.3 MPS Turbo	191	12/05 → 08/07	●		P49038MM	[+]	18,8	ATE					A02202	
	191	12/05 → 08/07		●	P49051MM	[-]	14,3	AKE						

6 Saloon (GH) 08/07 → 12/13

1.8 MZR	88	08/07 → 07/13	●		P49039MM	[+]	18,4	AKE						
	88	08/07 → 07/13		●	P49036MM	[-]	13	AKE						
2.0 MZR	108	08/07 → 12/12	●		P49039MM	[+]	18,4	AKE						
	108	08/07 → 12/12		●	P49036MM	[-]	13	AKE						
	114	01/10 → 12/12	●		P49039MM	[+]	18,4	AKE						
	114	01/10 → 12/12		●	P49036MM	[-]	13	AKE						

									WI			FK	
	kw								MAGNETI MARELLI	LENGHT		MAGNETI MARELLI	

MAZDA

6 Saloon (GH) 08/07 → 12/13

2.0 MZR-CD	103	08/07 → 10/10	●			P49039MM	[+]	18,4	AKE				
	103	08/07 → 10/10		●		P49036MM	[-]	13	AKE				
2.2 D	95	01/10 → 12/12	●			P49039MM	[+]	18,4	AKE				
	95	01/10 → 12/12		●		P49036MM	[-]	13	AKE				
	132	01/10 → 07/13	●			P49039MM	[+]	18,4	AKE				
	132	01/10 → 07/13		●		P49036MM	[-]	13	AKE				
2.2 MZR-CD	92	01/09 → 12/12	●			P49039MM	[+]	18,4	AKE				
	92	01/09 → 12/12		●		P49036MM	[-]	13	AKE				
	120	01/09 → 12/12	●			P49039MM	[+]	18,4	AKE				
	120	01/09 → 12/12		●		P49036MM	[-]	13	AKE				
	136	01/09 → 12/12	●			P49039MM	[+]	18,4	AKE				
	136	01/09 → 12/12		●		P49036MM	[-]	13	AKE				
2.5 MZR	125	08/07 → 07/13	●			P49039MM	[+]	18,4	AKE				
	125	08/07 → 07/13		●		P49036MM	[-]	13	AKE				

6 Saloon (GJ, GL) 12/12 →

2.0	114	12/12 →	●			P49048MM	[-]	15,5	AKE				
	114	12/12 →		●		P61111MM	[+]	14,3	AKE				
	107	01/13 →	●			P49048MM	[-]	15,5	AKE				
	107	01/13 →		●		P61111MM	[+]	14,3	AKE				
	121	01/13 →	●			P49048MM	[-]	15,5	AKE				
	121	01/13 →		●		P61111MM	[+]	14,3	AKE				
	110	12/12 →	●			P49048MM	[-]	15,5	AKE				
	110	12/12 →		●		P61111MM	[+]	14,3	AKE				
2.2 D	129	12/12 →	●			P49048MM	[-]	15,5	AKE				
	129	12/12 →		●		P61111MM	[+]	14,3	AKE				
	110	01/13 →	●			P49048MM	[-]	15,5	AKE				
	110	01/13 →		●		P61111MM	[+]	14,3	AKE				
2.2 D 4WD	129	07/14 →	●			P49048MM	[-]	15,5	AKE				
	129	07/14 →		●		P61111MM	[+]	14,3	AKE				
2.5	141	01/13 →	●			P49048MM	[-]	15,5	AKE				
	141	01/13 →		●		P61111MM	[+]	14,3	AKE				

6 Station Wagon (GY) 08/02 → 12/07

1.8	88	08/02 → 08/07	●			P49032MM	[+]	18,2	AKE				
	88	08/02 → 08/07		●		P49036MM	[-]	13	AKE				
2.0	104	08/02 → 08/07	●			P49032MM	[+]	18,2	AKE				
	104	08/02 → 08/07		●		P49036MM	[-]	13	AKE				
	108	03/05 → 08/07	●			P49032MM	[+]	18,2	AKE				
	108	03/05 → 08/07		●		P49036MM	[-]	13	AKE				
2.0 DI	100	08/02 → 02/05	●			P49032MM	[+]	18,2	AKE				
	100	08/02 → 02/05		●		P49036MM	[-]	13	AKE				
	89	08/02 → 08/07	●			P49032MM	[+]	18,2	AKE				
	89	08/02 → 08/07		●		P49036MM	[-]	13	AKE				
	105	06/05 → 08/07	●			P49032MM	[+]	18,2	AKE				
	105	06/05 → 08/07		●		P49036MM	[-]	13	AKE				
2.3	122	08/02 → 08/07	●			P49032MM	[+]	18,2	AKE			A02202	18" wheel
	122	08/02 → 08/07	●		18" wheel	P49038MM	[+]	18,8	ATE			A02202	18" wheel
	122	08/02 → 08/07	●		18" wheel	P49051MM	[-]	14,3	AKE				
	122	08/02 → 08/07	●		15" wheel; 17" wheel; 16" wheel	P49036MM	[-]	13	AKE				
2.3 AWD	119	11/02 → 08/07	●			P49032MM	[+]	18,2	AKE				
	119	11/02 → 08/07		●		P49036MM	[-]	13	AKE				

626 V (GF) 05/97 → 12/02

1.6	79	07/97 → 07/99	●			P49023MM	[+]	16,5	SUM				
	79	07/97 → 07/99		●		P49036MM	[-]	13	AKE				

MAZDA

626 V (GF) 05/97 → 12/02

1.8	66	05/97 → 12/99	●			P49023MM	[+]	16,5	SUM				
	66	05/97 → 12/99		●		P49036MM	[-]	13	AKE				
	74	12/99 → 10/02	●			P49023MM	[+]	16,5	SUM				
	74	12/99 → 10/02		●		P49036MM	[-]	13	AKE				
2.0	85	05/97 → 10/02	●		10/99 →	P49026MM	[+]	15	SUM				
	85	05/97 → 10/02	●		→ 09/99	P49023MM	[+]	16,5	SUM				
	85	05/97 → 10/02		●		P49036MM	[-]	13	AKE				
	100	04/98 → 10/02	●		10/99 →	P49026MM	[+]	15	SUM				
	100	04/98 → 10/02	●		→ 09/99	P49023MM	[+]	16,5	SUM				
2.0 DI TD	100	04/98 → 10/02		●		P49036MM	[-]	13	AKE				
	66	04/98 → 10/02	●			P49023MM	[+]	16,5	SUM				
2.0 TD	66	04/98 → 10/02		●		P49036MM	[-]	13	AKE				
	81	10/00 → 10/02	●			P49023MM	[+]	16,5	SUM				
2.0 Turbo DI	81	10/00 → 10/02		●		P49036MM	[-]	13	AKE				
	74	04/98 → 10/02	●			P49023MM	[+]	16,5	SUM				
	74	04/98 → 10/02		●		P49036MM	[-]	13	AKE				

626 V Hatchback (GF) 05/97 → 12/02

1.8	66	05/97 → 12/99	●			P49023MM	[+]	16,5	SUM				
	66	05/97 → 12/99		●		P49036MM	[-]	13	AKE				
	74	12/99 → 10/02	●			P49023MM	[+]	16,5	SUM				
	74	12/99 → 10/02		●		P49036MM	[-]	13	AKE				
2.0	85	05/97 → 10/02	●		10/99 →	P49026MM	[+]	15	SUM				
	85	05/97 → 10/02	●		→ 09/99	P49023MM	[+]	16,5	SUM				
	85	05/97 → 10/02		●		P49036MM	[-]	13	AKE				
2.0 DITD	66	04/98 → 10/02	●			P49023MM	[+]	16,5	SUM				
	66	04/98 → 10/02		●		P49036MM	[-]	13	AKE				
2.0 H.P.	100	02/98 → 10/02	●		10/99 →	P49026MM	[+]	15	SUM				
	100	02/98 → 10/02	●		→ 09/99	P49023MM	[+]	16,5	SUM				
	100	02/98 → 10/02		●		P49036MM	[-]	13	AKE				
2.0 TD	81	10/00 → 10/02	●			P49023MM	[+]	16,5	SUM				
	81	10/00 → 10/02		●		P49036MM	[-]	13	AKE				
2.0 Turbo DI	74	04/98 → 10/02	●			P49023MM	[+]	16,5	SUM				
	74	04/98 → 10/02		●		P49036MM	[-]	13	AKE				

626 V Station Wagon (GW) 01/98 → 12/02

1.8	66	02/98 → 01/00	●			P49023MM	[+]	16,5	SUM				
	66	02/98 → 01/00		●		P49036MM	[-]	13	AKE				
	74	01/00 → 10/02	●			P49026MM	[+]	15	SUM				
	74	01/00 → 10/02	●			P49023MM	[+]	16,5	SUM				
	74	01/00 → 10/02		●		P49036MM	[-]	13	AKE				
2.0	85	02/98 → 10/02	●		→ 09/99	P49023MM	[+]	16,5	SUM				
	85	02/98 → 10/02	●		10/99 →	P49026MM	[+]	15	SUM				
	85	02/98 → 10/02		●		P49036MM	[-]	13	AKE				
2.0 DITD	66	09/99 → 10/02	●			P49026MM	[+]	15	SUM				
	66	09/99 → 10/02		●		P49036MM	[-]	13	AKE				
2.0 H.P.	100	02/98 → 10/02	●		→ 09/99	P49023MM	[+]	16,5	SUM				
	100	02/98 → 10/02	●		10/99 →	P49026MM	[+]	15	SUM				
	100	02/98 → 10/02		●		P49036MM	[-]	13	AKE				
2.0 TD	81	10/00 → 10/02	●			P49026MM	[+]	15	SUM				
	81	10/00 → 10/02		●		P49036MM	[-]	13	AKE				
2.0 Turbo DI	74	04/98 → 10/02	●		→ 09/99	P49023MM	[+]	16,5	SUM				
	74	04/98 → 10/02	●		10/99 →	P49026MM	[+]	15	SUM				
	74	04/98 → 10/02		●		P49036MM	[-]	13	AKE				

MAZDA

AZ OFFROAD 10/98 →

0.7 All-wheel Drive	47	10/98 →	●			P79001MM	[-]	15,5	SUM					
---------------------	----	---------	---	--	--	----------	-----	------	-----	--	--	--	--	--

B-SERIE (UF) 01/85 → 12/99

2.0	62	01/85 → 12/91	●			P49014MM	[+]	15,2	SUM					
	65	01/85 → 03/96	●			P49014MM	[+]	15,2	SUM					
2.2	68	08/91 → 12/96	●			P49014MM	[+]	15,2	SUM					
2.2 D	47	01/85 → 03/96	●			P49014MM	[+]	15,2	SUM					
	46	01/85 → 11/89	●			P49014MM	[+]	15,2	SUM					
2.5 D	63	02/96 → 06/99	●		02/99 →	P24051MM	[+]	16,5	KH					
	57	09/98 → 06/99	●			P24041MM	[+]	17	WAG					
2.5 D 4WD	63	02/96 → 06/99	●		02/99 →	P24051MM	[+]	16,5	KH					
	63	02/96 → 06/99	●			P49019MM	[+]	17,1	AKE					
	63	02/96 → 06/99	●			P24149MM	[+]	16	AKE					
	63	02/96 → 06/99	●			P24041MM	[+]	17	WAG					
	63	02/96 → 06/99	●			P24041MM	[+]	17	WAG					
2.6 12V 4WD	90	01/90 → 06/99	●			P24041MM	[+]	17	WAG					
2.6 4WD	73	01/87 → 10/90	●			P49014MM	[+]	15,2	SUM					

B-SERIE (UN) 11/98 → 11/06

2.2	68	11/99 → 08/02	●			P24051MM	[+]	16,5	KH					
2.2 4WD	60	02/99 → 11/06	●			P24051MM	[+]	16,5	KH					
2.2 8V 4WD	68	06/99 → 11/06	●			P24051MM	[+]	16,5	KH					
2.5 D	57	06/99 → 11/06	●			P24051MM	[+]	16,5	KH					
	62	12/02 → 11/06	●			P24051MM	[+]	16,5	KH					
	61	11/99 → 12/01	●			P24051MM	[+]	16,5	KH					
2.5 D 4WD	57	06/99 → 11/06	●			P24051MM	[+]	16,5	KH					
	62	12/02 → 11/06	●			P24051MM	[+]	16,5	KH					
	61	11/99 → 12/01	●			P24051MM	[+]	16,5	KH					
	65	11/99 → 07/02	●			P24051MM	[+]	16,5	KH					
2.5 TD 4WD	80	06/99 → 07/06	●			P24051MM	[+]	16,5	KH					
2.6 12V 4WD	90	06/99 → 11/06	●			P24051MM	[+]	16,5	KH					
2.6 i	92	02/99 → 11/06	●			P24051MM	[+]	16,5	KH					

B-SERIE Platform/Chassis (UF) 05/85 → 10/01

2.2 D	47	01/88 → 03/96	●			P49014MM	[+]	15,2	SUM					
-------	----	---------------	---	--	--	----------	-----	------	-----	--	--	--	--	--

BT-50 Pickup (CD, UN) 08/06 → 12/15

2.5 MRZ-CD	105	08/06 → 06/13	●			P24051MM	[+]	16,5	KH					
2.5 MRZ-CD 4x4	105	12/06 → 12/15	●			P24086MM	[+]	16,9	TOK					
3.0 CDVi	115	12/06 → 12/15	●			P24051MM	[+]	16,5	KH					
3.0 CDVi 4x4	115	10/06 → 12/15	●			P24086MM	[+]	16,9	TOK					

BT-50 Platform/Chassis (CD, UN) 08/06 →

2.5 CDVi	105	12/06 →	●			P24051MM	[+]	16,5	KH					
3.0 CDVi 4x4	115	12/06 →	●			P24086MM	[+]	16,9	TOK					

CX-3 (DK) 01/15 →

1.5 D	77	05/15 →	●			P49050MM	[+]	15,8	AKE					
	77	05/15 →		●		P49047MM	[+]	14,4	AKE					
1.5 D AWD	77	05/15 →	●			P49050MM	[+]	15,8	AKE					
	77	05/15 →		●		P49047MM	[+]	14,4	AKE					
2.0	88	05/15 →	●			P49050MM	[+]	15,8	AKE					
	88	05/15 →		●		P49047MM	[+]	14,4	AKE					
2.0 AWD	110	05/15 →	●			P49050MM	[+]	15,8	AKE					
	110	05/15 →		●		P49047MM	[+]	14,4	AKE					
	109	07/15 →	●			P49050MM	[+]	15,8	AKE					
	109	07/15 →		●		P49047MM	[+]	14,4	AKE					

Car Model	kw	Icon 1	Icon 2	Icon 3	MAGNETI MARELLI	wi	Th [mm]	SYS	WI			FK	
									MAGNETI MARELLI	LENGHT	Icon 4	MAGNETI MARELLI	Icon 5

MAZDA

CX-5 (KE, GH) 11/11 →

2.0	121	11/11 →	●			P49045MM	[+]	15,8	AKE				
	121	11/11 →		●		P49047MM	[+]	14,4	AKE				
2.0 AWD	118	11/11 →	●			P49045MM	[+]	15,8	AKE				
	118	11/11 →		●		P49047MM	[+]	14,4	AKE				
2.2 D	110	04/12 →	●			P49045MM	[+]	15,8	AKE				
	110	04/12 →		●		P49047MM	[+]	14,4	AKE				
2.2 D AWD	110	04/12 →	●			P49045MM	[+]	15,8	AKE				
	110	04/12 →		●		P49047MM	[+]	14,4	AKE				
	129	04/12 →	●			P49045MM	[+]	15,8	AKE				
	129	04/12 →		●		P49047MM	[+]	14,4	AKE				
2.5 AWD	141	02/15 →	●			P49045MM	[+]	15,8	AKE				
	141	02/15 →		●		P49047MM	[+]	14,4	AKE				

CX-7 (ER) 06/06 → 12/14

2.2 MZR-CD AWD	120	01/12 → 03/13	●			P49040MM	[+]	17,5	SUM				
	120	01/12 → 03/13		●		P49041MM	[-]	17,9	AKE				
	127	07/09 → 03/13	●			P49040MM	[+]	17,5	SUM				
	127	07/09 → 03/13		●		P49041MM	[-]	17,9	AKE				
2.3 AWD	182	06/06 → 12/12	●			P49040MM	[+]	17,5	SUM				
	182	06/06 → 12/12		●		P49041MM	[-]	17,9	AKE				
2.3 DISI	182	01/12 → 12/14	●			P49040MM	[+]	17,5	SUM				
	182	01/12 → 12/14		●		P49041MM	[-]	17,9	AKE				
2.3 MZR DISI Turbo	190	10/07 → 08/09	●			P49040MM	[+]	17,5	SUM				
	190	10/07 → 08/09		●		P49041MM	[-]	17,9	AKE				
	191	06/09 → 03/13	●			P49040MM	[+]	17,5	SUM				
	191	06/09 → 03/13		●		P49041MM	[-]	17,9	AKE				
2.5 MZR	120	07/09 → 03/13	●			P49040MM	[+]	17,5	SUM				
	120	07/09 → 03/13		●		P49041MM	[-]	17,9	AKE				

CX-9 (TB) 01/07 →

3.5	193	01/07 →	●			P49040MM	[+]	17,5	SUM				
	193	01/07 →		●		P49041MM	[-]	17,9	AKE				
3.5 AWD	193	01/07 →	●			P49040MM	[+]	17,5	SUM				
	193	01/07 →		●		P49041MM	[-]	17,9	AKE				
3.7	204	01/07 →	●			P49040MM	[+]	17,5	SUM				
	204	01/07 →		●		P49041MM	[-]	17,9	AKE				
3.7 AWD	204	01/07 →	●			P49040MM	[+]	17,5	SUM				
	204	01/07 →		●		P49041MM	[-]	17,9	AKE				

DEMIO (DW) 01/96 → 07/03

1.3 16V	46	08/98 → 07/03	●			P49016MM	[+]	15	SUM			A02264	
1.3 i 16V	53	08/98 → 04/00	●			P49016MM	[+]	15	SUM			A02264	
1.5 16V	55	04/00 → 07/03	●			P49016MM	[+]	15	SUM			A02264	

E-SERIE Box (SR2) 10/83 → 07/04

2200 D 4WD	47	03/91 → 05/03	●	12/99 →		P49028MM	[+]	16	SUM				
	47	03/91 → 05/03	●	→ 12/99		P49010MM	[+]	15	AKE				
E2000	60	03/91 → 05/94	●			P49010MM	[+]	15	AKE				
	70	06/94 → 05/03	●	12/99 →		P49028MM	[+]	16	SUM				
	70	06/94 → 05/03	●	→ 12/99		P49010MM	[+]	15	AKE				
	63	05/85 → 04/89	●			P49010MM	[+]	15	AKE				
	65	01/84 → 12/90	●			P49010MM	[+]	15	AKE				
E2000 4WD	71	04/97 → 08/99	●			P49010MM	[+]	15	AKE				
	65	01/88 → 07/91	●			P49010MM	[+]	15	AKE				
E2200 D	46	05/85 → 02/88	●			P49010MM	[+]	15	AKE				
	47	03/91 → 05/03	●			P49010MM	[+]	15	AKE				
	52	02/97 → 08/02	●	12/99 →		P49028MM	[+]	16	SUM				
	52	02/97 → 08/02	●	→ 12/99		P49010MM	[+]	15	AKE				

								WI			FK		
	kw									LENGHT			

MAZDA

E-SERIE Box (SR2) 10/83 → 07/04

E2200 D	52	02/97 → 05/03	●	12/99 →	P49028MM	[+]	16	SUM					
4WD	52	02/97 → 05/03	●	→ 12/99	P49010MM	[+]	15	AKE					

E-SERIE Bus 03/91 → 07/04

E2200 D	47	03/91 → 05/03	●	08/99 →	P54029MM	[+]	16	SUM					
	47	03/91 → 05/03	●	→ 08/99	P49010MM	[+]	15	AKE					

E-SERIE MPV (SG) 02/99 → 10/01

2.5 TD (SGL35, SGLW)	92	09/99 → 10/01	●		P49028MM	[+]	16	SUM					
	92	09/99 → 10/01	●		P49025MM	[+]	13	AKE					
2.5 TD 4x4 (SGL5, SGLR)	92	09/99 → 10/01	●		P49028MM	[+]	16	SUM					
	92	09/99 → 10/01	●		P49025MM	[+]	13	AKE					

E-SERIE MPV (SG) 06/95 → 09/99

2.5 i (SG5)	117	06/95 → 02/99	●		P49028MM	[+]	16	SUM					
	117	06/95 → 02/99	●		P49025MM	[+]	13	AKE					
2.5 TD (SGLW, SGL35)	92	06/95 → 09/99	●		P49028MM	[+]	16	SUM					
	92	06/95 → 09/99	●		P49025MM	[+]	13	AKE					
2.5 TD 4x4 (SGL5, SGLR)	92	06/95 → 09/99	●		P49028MM	[+]	16	SUM					
	92	06/95 → 09/99	●		P49025MM	[+]	13	AKE					

MPV I (LV) 09/88 → 09/99

2.5 TD	85	05/96 → 09/99	●		P49028MM	[+]	16	SUM					
	85	05/96 → 09/99	●		P49025MM	[+]	13	AKE					
3.0 i V6	109	11/89 → 09/99	●		P49028MM	[+]	16	SUM					
	109	11/89 → 09/99	●		P49025MM	[+]	13	AKE					
3.0 i V6 (LV10)	113	03/95 → 09/99	●		P49028MM	[+]	16	SUM					
	113	03/95 → 09/99	●		P49025MM	[+]	13	AKE					

MPV II (LW) 08/99 → 02/06

2.0	90	09/99 → 08/00	●		P49028MM	[+]	16	SUM					
	88	08/00 → 07/02	●		P49028MM	[+]	16	SUM					
2.0 DI	100	07/02 → 02/06	●		P49028MM	[+]	16	SUM					
	100	07/02 → 02/06	●		P49042MM	[+]	16	SUM					
2.3	104	07/02 → 02/06	●		P49028MM	[+]	16	SUM					
	104	07/02 → 02/06	●		P49042MM	[+]	16	SUM					
2.5 V6	125	09/99 → 03/02	●		P49028MM	[+]	16	SUM					
3.0 i V6	147	03/02 → 02/06	●		P49028MM	[+]	16	SUM					
	147	03/02 → 02/06	●		P49042MM	[+]	16	SUM					

MX-5 II (NB) 01/98 → 10/05

1.6 16V	81	05/98 → 10/05	●	+sport pack	P49029MM	[-]	15	SUM					
	81	05/98 → 10/05	●	-sport pack	P49020MM	[+]	14	SUM					
	81	05/98 → 10/05	●	→ 07/03	P49021MM	[+]	13,3	AKE					
	81	05/98 → 10/05	●	+sport pack; 08/03 →	P49031MM	[+]	12,6	AKE					
1.8	103	01/98 → 07/02	●	→ 07/00	P49020MM	[+]	14	SUM					
	103	01/98 → 07/02	●	08/00 →	P49029MM	[-]	15	SUM					
	103	01/98 → 07/02	●	→ 07/00	P49021MM	[+]	13,3	AKE					
	103	01/98 → 07/02	●	08/00 →	P49030MM	[+]	12	AKE					
1.8 16V	103	05/98 → 10/05	●	→ 07/00	P49020MM	[+]	14	SUM					
	103	05/98 → 10/05	●	08/00 →	P49029MM	[-]	15	SUM					
	103	05/98 → 10/05	●	→ 07/03	P49021MM	[+]	13,3	AKE					
	103	05/98 → 10/05	●	08/03 →	P49031MM	[+]	12,6	AKE					
	107	11/00 → 10/05	●		P49029MM	[-]	15	SUM					
	107	11/00 → 10/05	●		P49030MM	[+]	12	AKE					
	107	11/00 → 10/05	●	08/03 →	P49031MM	[+]	12,6	AKE					

		kw						WI	Th [mm]	SYS		WI			FK	

MAZDA

MX-5 II (NB) 01/98 → 10/05

1.8 16V	102	11/00 → 10/05	●			P49029MM [-]	15	SUM								
	102	11/00 → 10/05		●		P49030MM [+]	12	AKE								
	102	11/00 → 10/05		●	08/03 →	P49031MM [+]	12,6	AKE								

MX-5 III (NC) 03/05 → 12/14

1.8	93	03/05 → 12/14	●			P49043MM [-]	15	ADV								
	93	03/05 → 12/14		●		P49044MM [+]	14	SUM								
2.0	118	07/05 → 12/14	●			P49043MM [-]	15	ADV								
	118	07/05 → 12/14		●		P49044MM [+]	14	SUM								

MX-5 IV (ND) 04/15 →

1.5	96	06/15 →		●		P49044MM [+]	14	SUM								
2.0	118	06/15 →		●		P49044MM [+]	14	SUM								

PREMACY (CP) 07/99 → 03/05

1.9	74	07/99 → 03/05	●			P49023MM [+]	16,5	SUM								
	74	07/99 → 03/05		●		P49036MM [-]	13	AKE								
	84	07/99 → 03/05	●			P49023MM [+]	16,5	SUM								
	84	07/99 → 03/05		●		P49036MM [-]	13	AKE								
2.0	96	11/01 → 03/05	●		5 seats	P49023MM [+]	16,5	SUM								
	96	11/01 → 03/05	●		7 seats	P49026MM [+]	15	SUM								
	96	11/01 → 03/05		●		P49036MM [-]	13	AKE								
	107	02/05 → 03/05	●			P24061MM [-]	18,2	ATE								
	107	02/05 → 03/05		●		P49023MM [+]	16,5	SUM								
	107	02/05 → 03/05		●		P59042MM [O]	16,7	ATE								
2.0 TD	107	02/05 → 03/05		●		P49036MM [-]	13	AKE								
	66	10/99 → 07/00	●			P49023MM [+]	16,5	SUM								
	66	10/99 → 07/00		●		P49036MM [-]	13	AKE								
	74	07/00 → 03/05	●		5 seats	P49023MM [+]	16,5	SUM								
	74	07/00 → 03/05	●		7 seats	P49026MM [+]	15	SUM								
	74	07/00 → 03/05		●		P49036MM [-]	13	AKE								

RX 7 III (FD) 07/92 → 08/02

1.3 Twin Turbo	176	07/92 → 08/02		●		P49036MM [-]	13	AKE								
----------------	-----	---------------	--	---	--	--------------	----	-----	--	--	--	--	--	--	--	--

RX-8 (SE, FE) 10/03 → 06/12

1.3	170	10/03 → 06/12	●			P49034MM [-]	16,3	SUM								
	170	10/03 → 06/12		●		P49035MM [+]	14,4	NBK								
	141	10/03 → 06/12	●			P49034MM [-]	16,3	SUM								
	141	10/03 → 06/12		●		P49035MM [+]	14,4	NBK								

TRIBUTE (EP) 03/00 → 05/08

2.0	91	03/00 → 05/08	●		+rear drum	P24056MM [-]	18,3	ATE						A02217	
	91	03/00 → 05/08	●		+rear disc	P24159MM [-]	15	ATE						A02217	
	91	03/00 → 05/08		●	+ABS	P24085MM [-]	17,1	ATE							
2.0 4WD	91	03/00 → 05/08	●		+rear drum	P24056MM [-]	18,3	ATE						A02217	
	91	03/00 → 05/08	●		+rear disc	P24159MM [-]	15	ATE						A02217	
	91	03/00 → 05/08		●	+ABS	P24085MM [-]	17,1	ATE							
2.3 AWD	110	04/04 → 05/08	●		+rear drum	P24056MM [-]	18,3	ATE						A02217	
	110	04/04 → 05/08	●		+rear disc	P24159MM [-]	15	ATE						A02217	
	110	04/04 → 05/08		●	+ABS	P24085MM [-]	17,1	ATE							
2.3 GX	110	12/03 → 10/04	●		+rear drum	P24056MM [-]	18,3	ATE						A02217	
	110	12/03 → 10/04	●		+rear disc	P24159MM [-]	15	ATE						A02217	
	110	12/03 → 10/04		●	+ABS	P24085MM [-]	17,1	ATE							
3.0 V6 24V 4WD	145	03/00 → 05/08	●		+rear drum	P24056MM [-]	18,3	ATE						A02217	
	145	03/00 → 05/08	●		+rear disc	P24159MM [-]	15	ATE						A02217	
	145	03/00 → 05/08		●	+ABS	P24085MM [-]	17,1	ATE							

									WI			FK	

MAZDA

TRIBUTE (EP) 03/00 → 05/08

3.0 V6 AWD	149	04/04 → 05/08	●	+rear drum	P24056MM	[-]	18,3	ATE					A02217
	149	04/04 → 05/08	●	+rear disc	P24159MM	[-]	15	ATE					A02217
	149	04/04 → 05/08	●	+ABS	P24085MM	[-]	17,1	ATE					

XEDOS 6 (CA) 01/92 → 10/99

1.6 16V	79	06/94 → 10/99	●		P49023MM	[+]	16,5	SUM					
	79	06/94 → 10/99	●		P24036MM	[-]	14,8	SUM					
	83	08/92 → 05/94	●		P49023MM	[+]	16,5	SUM					
	83	08/92 → 05/94	●		P24036MM	[-]	14,8	SUM					
1.8	85	04/94 → 10/99	●		P49023MM	[+]	16,5	SUM					
	85	04/94 → 10/99	●		P24036MM	[-]	14,8	SUM					
2.0 V6	106	01/92 → 05/94	●		P49023MM	[+]	16,5	SUM					
	106	01/92 → 05/94	●		P24036MM	[-]	14,8	SUM					A02243
	103	06/94 → 10/99	●		P49023MM	[+]	16,5	SUM					
	103	06/94 → 10/99	●		P24036MM	[-]	14,8	SUM					

XEDOS 9 (TA) 07/93 → 09/02

2.0	118	08/98 → 08/00	●		P49019MM	[+]	17,1	AKE					
	118	08/98 → 08/00	●		P49025MM	[+]	13	AKE					
2.0 24V	105	08/93 → 01/00	●		P49019MM	[+]	17,1	AKE					
	105	08/93 → 01/00	●		P49025MM	[+]	13	AKE					A02243
2.3 24V	155	02/95 → 01/00	●		P49019MM	[+]	17,1	AKE					
	155	02/95 → 01/00	●		P49025MM	[+]	13	AKE					
2.5	147	09/00 → 09/02	●		P49019MM	[+]	17,1	AKE					
	147	09/00 → 09/02	●		P49025MM	[+]	13	AKE					
2.5 24V	123	07/93 → 07/00	●		P49019MM	[+]	17,1	AKE					
	123	07/93 → 07/00	●		P49025MM	[+]	13	AKE					A02243
2.5 V6	120	07/00 → 09/02	●		P49019MM	[+]	17,1	AKE					
	120	07/00 → 09/02	●		P49025MM	[+]	13	AKE					A02243

MERCEDES-BENZ

A-CLASS (W168) 07/97 → 08/04

A 140 (168.031, 168.131)	60	07/97 → 08/04	●	168.131; vented	P50036MM	[o]	16,5	TRW	A00350	90			
	60	07/97 → 08/04	●	168.031; solid	P50035MM	[o]	16,5	TRW	A00350	90			
	60	01/01 → 08/04	●	168.131; vented	P50036MM	[o]	16,5	TRW	A00350	90			
	60	01/01 → 08/04	●	168.031; solid	P50035MM	[o]	16,5	TRW	A00350	90			
A 160 (168.033, 168.133)	75	07/97 → 08/04	●		P50035MM	[o]	16,5	TRW	A00350	90			
	75	07/97 → 08/04	●		P50058MM	[-]	14,6	TRW					
A 160 CDI (168.006)	55	02/01 → 08/04	●		P50035MM	[o]	16,5	TRW	A00350	90			
A 160 CDI (168.007)	44	07/98 → 02/01	●		P50035MM	[o]	16,5	TRW	A00350	90			
A 170 CDI (168.008)	66	07/98 → 02/01	●		P50035MM	[o]	16,5	TRW	A00350	90			
A 170 CDI (168.009, 168.109)	70	02/01 → 08/04	●		P50035MM	[o]	16,5	TRW	A00350	90			
	70	02/01 → 08/04	●		P50058MM	[-]	14,6	TRW					
A 190 (168.032, 168.132)	92	03/99 → 08/04	●		P50035MM	[o]	16,5	TRW	A00350	90			
	92	03/99 → 08/04	●		P50058MM	[-]	14,6	TRW					
A 210 (168.035, 168.135)	103	03/02 → 08/04	●		P50035MM	[o]	16,5	TRW	A00350	90			
	103	03/02 → 08/04	●		P50058MM	[-]	14,6	TRW					

MERCEDES-BENZ

A-CLASS (W169) 09/04 → 06/12

A 150 (169.031, 169.331)	70	09/04 → 06/12	●			P50054MM	[O]	19	TRW	A00377	95				
	70	09/04 → 06/12		●		P50090MM	[-]	14,6	TRW						
A 160 (169.031, 169.331)	70	04/09 → 06/12	●			P50054MM	[O]	19	TRW	A00377	95				
	70	04/09 → 06/12		●		P50090MM	[-]	14,6	TRW						
A 160 CDI (169.006, 169.306)	60	09/04 → 06/12	●		solid	P50054MM	[O]	19	TRW	A00377	95				
	60	09/04 → 06/12	●		vented	P50056MM	[O]	19	TRW	A00377	95				
	60	09/04 → 06/12		●		P50090MM	[-]	14,6	TRW						
A 170 (169.032, 169.332)	85	09/04 → 06/12	●			P50056MM	[O]	19	TRW	A00377	95				
	85	09/04 → 06/12		●		P50090MM	[-]	14,6	TRW						
A 180 (169.032, 169.332)	85	04/09 → 06/12	●			P50056MM	[O]	19	TRW	A00377	95				
	85	04/09 → 06/12		●		P50090MM	[-]	14,6	TRW						
A 180 CDI (169.007, 169.307)	80	09/04 → 06/12	●			P50056MM	[O]	19	TRW	A00377	95				
	80	09/04 → 06/12		●		P50090MM	[-]	14,6	TRW						
A 200 (169.033, 169.333)	100	09/04 → 06/12	●			P50056MM	[O]	19	TRW	A00377	95				
	100	09/04 → 06/12		●		P50090MM	[-]	14,6	TRW						
A 200 CDI (169.008, 169.308)	103	09/04 → 06/12	●			P50057MM	[O]	20,1	TRW	A00377	95				
	103	09/04 → 06/12		●		P50090MM	[-]	14,6	TRW						
A 200 CDI (169.308)	100	09/04 → 06/12	●			P50057MM	[O]	20,1	TRW	A00377	95				
	100	09/04 → 06/12		●		P50090MM	[-]	14,6	TRW						
A 200 TURBO (169.034, 169.334)	142	09/05 → 06/12	●			P50057MM	[O]	20,1	TRW	A00377	95				
	142	09/05 → 06/12		●		P50090MM	[-]	14,6	TRW						
E-CELL (169.090)	50	12/10 → 06/12	●			P50057MM	[O]	20,1	TRW	A00377	95				
	50	12/10 → 06/12		●		P50090MM	[-]	14,6	TRW						

A-CLASS (W176) 06/12 →

A 160 (176.041)	75	07/15 →	●		+sport pack	P50093MM	[O]	19	TRW	A00353	93				
	75	07/15 →	●		-sport pack	P50094MM	[O]	19,2	TRW	A00353	93				
	75	07/15 →		●		P50091MM	[O]	18,4	TRW						
A 160 CDI / d (176.011)	66	06/13 →	●		-sport pack	P50094MM	[O]	19,2	TRW	A00353	93				
	66	06/13 →	●		+sport pack	P50093MM	[O]	19	TRW	A00353	93				
	66	06/13 →		●		P50091MM	[O]	18,4	TRW						
A 180 (176.042)	90	06/12 →	●		-sport pack	P50094MM	[O]	19,2	TRW	A00353	93				
	90	06/12 →	●		+sport pack	P50093MM	[O]	19	TRW	A00353	93				
	90	06/12 →		●		P50091MM	[O]	18,4	TRW						
A 180 CDI (176.000)	80	06/12 →	●		-sport pack	P50094MM	[O]	19,2	TRW	A00353	93				
	80	06/12 →	●		+sport pack	P50093MM	[O]	19	TRW	A00353	93				
	80	06/12 →		●		P50091MM	[O]	18,4	TRW						
A 180 CDI / d (176.012)	80	06/12 →	●		-sport pack	P50094MM	[O]	19,2	TRW	A00353	93				
	80	06/12 →	●		+sport pack	P50093MM	[O]	19	TRW	A00353	93				
	80	06/12 →		●		P50091MM	[O]	18,4	TRW						
A 200 (176.043)	115	06/12 →	●			P50093MM	[O]	19	TRW	A00353	93				
	115	06/12 →		●		P50091MM	[O]	18,4	TRW						
A 200 CDI (176.001)	100	06/12 →	●			P50093MM	[O]	19	TRW	A00353	93				
	100	06/12 →		●		P50091MM	[O]	18,4	TRW						
A 200 CDI / d (176.008)	100	02/14 →	●			P50093MM	[O]	19	TRW	A00353	93				
	100	02/14 →		●		P50091MM	[O]	18,4	TRW						
A 200 CDI / d 4-matic (176.002)	100	02/14 →	●			P50093MM	[O]	19	TRW	A00353	93				
	100	02/14 →		●		P50091MM	[O]	18,4	TRW						



kw



MAGNETI MARELLI

wi

Th [mm]

SYS

WI

FK

MAGNETI MARELLI

LENGHT



MAGNETI MARELLI



MERCEDES-BENZ

A-CLASS (W176) 06/12 →

A 220 4-matic (176.047)	135	05/14 →	●		P50093MM	[o]	19	TRW	A00353	93		
	135	05/14 →		●	P50091MM	[o]	18,4	TRW				
A 220 CDI (176.003)	125	09/12 →	●		P50093MM	[o]	19	TRW	A00353	93		
	125	09/12 →		●	P50091MM	[o]	18,4	TRW				
	120	01/14 →	●		P50093MM	[o]	19	TRW	A00353	93		
	120	01/14 →		●	P50091MM	[o]	18,4	TRW				
A 220 CDI 4-matic (176.005)	125	09/12 →	●		P50093MM	[o]	19	TRW	A00353	93		
	125	09/12 →		●	P50091MM	[o]	18,4	TRW				
A 220 d (176.003)	130	07/15 →	●		P50093MM	[o]	19	TRW	A00353	93		
	130	07/15 →		●	P50091MM	[o]	18,4	TRW				
A 220 d 4-matic (176.005)	130	07/15 →	●		P50093MM	[o]	19	TRW	A00353	93		
	130	07/15 →		●	P50091MM	[o]	18,4	TRW				
A 250 (176.044)	155	06/12 → 06/15	●		P50093MM	[o]	19	TRW	A00353	93		
	155	06/12 → 06/15		●	P50091MM	[o]	18,4	TRW				
A 250 (176.050)	160	07/15 →	●		P50093MM	[o]	19	TRW	A00353	93		
	160	07/15 →		●	P50091MM	[o]	18,4	TRW				
A 250 4-matic (176.046)	155	06/12 → 06/15	●		P50093MM	[o]	19	TRW	A00353	93		
	155	06/12 → 06/15		●	P50091MM	[o]	18,4	TRW				
A 250 4-matic (176.051)	160	07/15 →	●		P50093MM	[o]	19	TRW	A00353	93		
	160	07/15 →		●	P50091MM	[o]	18,4	TRW				
A 45 AMG 4-matic (176.052)	265	06/13 → 06/15	●		P50121MM	[o]	16,7	BRE	A00353	93		
	265	06/13 → 06/15		●	P50099MM	[o]	18,7	TRW				
AMG A 45 4-matic (176.052)	280	07/15 →	●		P50121MM	[o]	16,7	BRE	A00353	93		
	280	07/15 →		●	P50099MM	[o]	18,7	TRW				

AMG GT (C190) 10/14 →

GT (190.377)	340	08/15 →	●	-ceramic brake disc	P50125MM	[o]	18,8	TRW	A00377	95		
GTR (190.379)	430	11/16 →	●	-ceramic brake disc	P50125MM	[o]	18,8	TRW	A00377	95	Left	
GTS (190.378)	375	10/14 →	●	-ceramic brake disc	P50125MM	[o]	18,8	TRW	A00377	95		

AMG GT Roadster (R190) 11/16 →

GT (190.477)	350	11/16 →	●	-ceramic brake disc	P50125MM	[o]	18,8	TRW	A00377	95	Left	
GTC (190.480)	410	11/16 →	●	-ceramic brake disc	P50125MM	[o]	18,8	TRW	A00377	95	Left	

B-CLASS (W245) 03/05 → 11/11

B 150 (245.231)	70	03/05 → 11/11	●		P50056MM	[o]	19	TRW	A00377	95		
	70	03/05 → 11/11		●	P50090MM	[-]	14,6	TRW				
B 160 (245.231)	70	04/09 → 11/11	●		P50056MM	[o]	19	TRW	A00377	95		
	70	04/09 → 11/11		●	P50090MM	[-]	14,6	TRW				
B 170 (245.232)	85	03/05 → 11/11	●		P50056MM	[o]	19	TRW	A00377	95		
	85	03/05 → 11/11		●	P50090MM	[-]	14,6	TRW				
B 170 NGT (245.233)	85	04/08 → 11/11	●		P50057MM	[o]	20,1	TRW	A00377	95		
	85	04/08 → 11/11		●	P50090MM	[-]	14,6	TRW				
B 180 (245.232)	85	04/09 → 11/11	●		P50056MM	[o]	19	TRW	A00377	95		
	85	04/09 → 11/11		●	P50090MM	[-]	14,6	TRW				
B 180 CDI (245.207)	80	03/05 → 11/11	●		P50057MM	[o]	20,1	TRW	A00377	95		
	80	03/05 → 11/11		●	P50090MM	[-]	14,6	TRW				
B 180 NGT (245.233)	85	04/08 → 11/11	●		P50057MM	[o]	20,1	TRW	A00377	95		
	85	04/08 → 11/11		●	P50090MM	[-]	14,6	TRW				
B 200 (245.233)	100	03/05 → 11/11	●		P50057MM	[o]	20,1	TRW	A00377	95		
	100	03/05 → 11/11		●	P50090MM	[-]	14,6	TRW				
B 200 CDI (245.208)	103	03/05 → 11/11	●		P50057MM	[o]	20,1	TRW	A00377	95		
	103	03/05 → 11/11		●	P50090MM	[-]	14,6	TRW				

MERCEDES-BENZ

B-CLASS (W245) 03/05 → 11/11

B 200 CDI (245.208)	100	03/05 → 11/11	●		P50057MM	[O]	20,1	TRW	A00377	95				
	100	03/05 → 11/11		●	P50090MM	[-]	14,6	TRW						
B 200 TURBO (245.234)	142	03/05 → 11/11	●		P50057MM	[O]	20,1	TRW	A00377	95				
	142	03/05 → 11/11		●	P50090MM	[-]	14,6	TRW						
F-CELL (242.890)	77	01/10 → 11/11	●		P50056MM	[O]	19	TRW	A00377	95				
	77	01/10 → 11/11		●	P50090MM	[-]	14,6	TRW						

B-CLASS (W246, W242) 10/11 →

B 160 (246.241)	75	07/15 →	●	+sport pack	P50093MM	[O]	19	TRW	A00353	93				
	75	07/15 →	●	-sport pack	P50094MM	[O]	19,2	TRW	A00353	93				
	75	07/15 →		●	P50091MM	[O]	18,4	TRW						
B 160 CDI / d (246.211)	66	05/13 →	●	-sport pack	P50094MM	[O]	19,2	TRW	A00353	93				
	66	05/13 →	●	+sport pack	P50093MM	[O]	19	TRW	A00353	93				
	66	05/13 →		●	P50091MM	[O]	18,4	TRW						
B 180 (246.242)	90	11/11 →	●	-sport pack	P50094MM	[O]	19,2	TRW	A00353	93				
	90	11/11 →	●	+sport pack	P50093MM	[O]	19	TRW	A00353	93				
	90	11/11 →		●	P50091MM	[O]	18,4	TRW						
B 180 CDI (246.200)	80	11/11 →	●	-sport pack	P50094MM	[O]	19,2	TRW	A00353	93				
	80	11/11 →	●	+sport pack	P50093MM	[O]	19	TRW	A00353	93				
	80	11/11 →		●	P50091MM	[O]	18,4	TRW						
B 180 CDI / d (246.212)	80	02/13 →	●	-sport pack	P50094MM	[O]	19,2	TRW	A00353	93				
	80	02/13 →	●	+sport pack	P50093MM	[O]	19	TRW	A00353	93				
	80	02/13 →		●	P50091MM	[O]	18,4	TRW						
B 200 (246.243)	115	11/11 →	●	-sport pack	P50094MM	[O]	19,2	TRW	A00353	93				
	115	11/11 →	●	+sport pack	P50093MM	[O]	19	TRW	A00353	93				
	115	11/11 →		●	P50091MM	[O]	18,4	TRW						
B 200 CDI (246.201)	100	11/11 →	●		P24153MM	[+]	16,4	-	A00353	93				
	100	11/11 →	●	-sport pack	P50094MM	[O]	19,2	TRW	A00353	93				
	100	11/11 →	●	+sport pack	P50093MM	[O]	19	TRW	A00353	93				
	100	11/11 →		●	P50091MM	[O]	18,4	TRW						
B 200 CDI / d (246.208)	100	08/14 →	●		P50093MM	[O]	19	TRW	A00353	93				
	100	08/14 →		●	P50091MM	[O]	18,4	TRW						
B 200 CDI / d 4-matic (246.202)	100	08/14 →	●		P50093MM	[O]	19	TRW	A00353	93				
	100	08/14 →		●	P50091MM	[O]	18,4	TRW						
B 200 Natural Gas Drive / B 200 c (242.848)	115	11/12 →	●		P50093MM	[O]	19	TRW	A00353	93				
	115	11/12 →		●	P50091MM	[O]	18,4	TRW						
B 220 4-matic (246.247)	135	05/13 →	●		P50093MM	[O]	19	TRW	A00353	93				
	135	05/13 →		●	P50091MM	[O]	18,4	TRW						
B 220 CDI (246.203)	125	11/11 →	●		P50093MM	[O]	19	TRW	A00353	93				
	125	11/11 →		●	P50091MM	[O]	18,4	TRW						
B 220 CDI / d (246.203)	120	06/13 →	●		P50093MM	[O]	19	TRW	A00353	93				
	120	06/13 →		●	P50091MM	[O]	18,4	TRW						
	130	09/14 →	●		P50093MM	[O]	19	TRW	A00353	93				
	130	09/14 →		●	P50091MM	[O]	18,4	TRW						
B 220 CDI / d 4-matic (246.205)	130	09/14 →	●		P50093MM	[O]	19	TRW	A00353	93				
	130	09/14 →		●	P50091MM	[O]	18,4	TRW						
B 250 (246.244)	155	05/12 →	●		P50093MM	[O]	19	TRW	A00353	93				
	155	05/12 →		●	P50091MM	[O]	18,4	TRW						
B 250 4-matic (246.246)	155	08/14 →	●		P50093MM	[O]	19	TRW	A00353	93				
	155	08/14 →		●	P50091MM	[O]	18,4	TRW						

									WI		FK	

MERCEDES-BENZ

B-CLASS (W246, W242) 10/11 →

Electric Drive / B 250 e (242.890)	132	11/14 →	●		P50093MM	[O]	19	TRW	A00353	93		
	132	11/14 →		●	P50091MM	[O]	18,4	TRW				
	65	11/14 →	●		P50093MM	[O]	19	TRW	A00353	93		
	65	11/14 →		●	P50091MM	[O]	18,4	TRW				

C-CLASS (W202) 03/93 → 05/00

C 180 (202.018)	90	03/93 → 05/00	●		P06017MM	[O]	20,3	TRW	A00349	90			
	90	03/93 → 05/00		●	→ A419828/F443892; cal.+2 holding pins	P50013MM	[-]	15,5	ATE			A02270	A419829 →; F443893 →; cal.+2 holding pins
	90	03/93 → 05/00		●	A419829/F443893 →; cal.+1 holding pin	P50024MM	[-]	15,8	ATE			A02270	A419829 →; F443893 →; cal.+2 holding pins
	89	11/94 → 05/00	●			P06017MM	[O]	20,3	TRW	A00349	90		
	89	11/94 → 05/00		●	→ A419828/F443892; cal.+2 holding pins	P50013MM	[-]	15,5	ATE				
	89	11/94 → 05/00		●	A419829/F443893 →; cal.+1 holding pin	P50024MM	[-]	15,8	ATE				
C 200 (202.020)	100	01/94 → 05/00	●		P06017MM	[O]	20,3	TRW	A00349	90			
	100	01/94 → 05/00		●	→ A419828/F443892; cal.+2 holding pins	P50013MM	[-]	15,5	ATE			A02270	A419829 →; F443893 →; cal.+2 holding pins
	100	01/94 → 05/00		●	A419829/F443893 →; cal.+1 holding pin	P50024MM	[-]	15,8	ATE			A02270	A419829 →; F443893 →; cal.+2 holding pins
C 200 CDI (202.134)	75	03/98 → 05/00	●		P06017MM	[O]	20,3	TRW	A00349	90			
	75	03/98 → 05/00		●		P50024MM	[-]	15,8	ATE			A02270	
C 200 D (202.120)	55	03/93 → 05/00	●		P06017MM	[O]	20,3	TRW	A00349	90			
	55	03/93 → 05/00		●	→ A419828/F443892; cal.+2 holding pins	P50013MM	[-]	15,5	ATE				
	55	03/93 → 05/00		●	A419829/F443893 →; cal.+1 holding pin	P50024MM	[-]	15,8	ATE				
	65	10/96 → 05/00	●			P06017MM	[O]	20,3	TRW	A00349	90		
	65	10/96 → 05/00		●	→ A419828/F443892; cal.+2 holding pins	P50013MM	[-]	15,5	ATE			A02269	→ A419828; → F443892; cal.+2 holding pins
	65	10/96 → 05/00		●	A419829/F443893 →; cal.+1 holding pin	P50024MM	[-]	15,8	ATE			A02269	→ A419828; → F443892; cal.+2 holding pins
C 200 Kompressor (202.025)	132	10/95 → 05/00	●		P50023MM	[O]	19,8	ATE	A00349	90		A02202	
	132	10/95 → 05/00		●	→ A487047/F576240; cal.+2 holding pins	P50009MM	[O]	15	ATE			A02269	→ A487047; → F576240; cal.+2 holding pins
	132	10/95 → 05/00		●	A487048/F576241 →; cal.+1 holding pin	P50025MM	[-]	15,7	ATE			A02269	→ A487047; → F576240; cal.+2 holding pins
	141	11/96 → 05/00	●			P50023MM	[O]	19,8	ATE	A00349	90		A02202
	141	11/96 → 05/00		●	→ A487047/F576240; cal.+2 holding pins	P50009MM	[O]	15	ATE			A02269	→ A487047; → F576240; cal.+2 holding pins
	141	11/96 → 05/00		●	A487048/F576241 →; cal.+1 holding pin	P50025MM	[-]	15,7	ATE			A02269	→ A487047; → F576240; cal.+2 holding pins
C 220 (202.022)	110	03/93 → 05/00	●		P06017MM	[O]	20,3	TRW	A00349	90			
	110	03/93 → 05/00		●	→ A419828/F443892; cal.+2 holding pins	P50013MM	[-]	15,5	ATE			A02269	→ A419828; → F443892; cal.+2 holding pins
	110	03/93 → 05/00		●	A419829/F443893 →; cal.+1 holding pin	P50024MM	[-]	15,8	ATE			A02269	→ A419828; → F443892; cal.+2 holding pins
C 220 CDI (202.133)	92	09/97 → 05/00	●		P06017MM	[O]	20,3	TRW	A00349	90			
	92	09/97 → 05/00		●		P50024MM	[-]	15,8	ATE			A02270	
C 220 D (202.021)	55	07/96 → 05/00	●		P06017MM	[O]	20,3	TRW	A00349	90			
	55	07/96 → 05/00		●	→ A419828/F443892; cal.+2 holding pins	P50013MM	[-]	15,5	ATE			A02269	→ A419828; → F443892; cal.+2 holding pins
	55	07/96 → 05/00		●	A419829/F443893 →; cal.+1 holding pin	P50024MM	[-]	15,8	ATE			A02269	→ A419828; → F443892; cal.+2 holding pins
	70	08/93 → 05/00	●			P06017MM	[O]	20,3	TRW	A00349	90		
	70	08/93 → 05/00		●	→ A419828/F443892; cal.+2 holding pins	P50013MM	[-]	15,5	ATE				
	70	08/93 → 05/00		●	A419829/F443893 →; cal.+1 holding pin	P50024MM	[-]	15,8	ATE				

		kw						wi	Th [mm]	SYS	wi			FK	
												LENGHT			

MERCEDES-BENZ

C-CLASS (W202) 03/93 → 05/00

C 230 (202.023)	110	06/96 → 06/97	●			P06017MM	[O]	20,3	TRW	A00349	90				
	110	06/96 → 06/97	●	→ A419828/F443892; cal.+2 holding pins		P50013MM	[-]	15,5	ATE				A02270	A419829 →; F443893 →; cal.+2 holding pins	
	110	06/96 → 06/97	●	A419829/F443893 →; cal.+1 holding pin		P50024MM	[-]	15,8	ATE				A02270	A419829 →; F443893 →; cal.+2 holding pins	
C 230 Kompressor (202.024)	142	10/95 → 05/00	●			P50023MM	[O]	19,8	ATE	A00349	90		A02202		
	142	10/95 → 05/00	●	→ A487047/F576240; cal.+2 holding pins		P50009MM	[O]	15	ATE				A02269	→ A487047; → F576240; cal.+2 holding pins; A487048 →; F576241 →; cal.+1 holding pin	
	142	10/95 → 05/00	●	A487048/F576241 →; cal.+1 holding pin		P50025MM	[-]	15,7	ATE				A02269	→ A487047; → F576240; cal.+2 holding pins; A487048 →; F576241 →; cal.+1 holding pin	
C 240 (202.026)	125	06/97 → 05/00	●			P50023MM	[O]	19,8	ATE	A00349	90		A02202		
	125	06/97 → 05/00	●	→ A487047/F576240; cal.+2 holding pins		P50009MM	[O]	15	ATE				A02269	→ A487047; → F576240; cal.+2 holding pins; A487048 →; F576241 →; cal.+1 holding pin	
	125	06/97 → 05/00	●	A487048/F576241 →; cal.+1 holding pin		P50025MM	[-]	15,7	ATE				A02269	→ A487047; → F576240; cal.+2 holding pins; A487048 →; F576241 →; cal.+1 holding pin	
C 250 D (202.125)	83	05/93 → 05/00	●			P06017MM	[O]	20,3	TRW	A00349	90				
	83	05/93 → 05/00	●	→ A419828/F443892; cal.+2 holding pins		P50013MM	[-]	15,5	ATE						
	83	05/93 → 05/00	●	A419829/F443893 →; cal.+1 holding pin		P50024MM	[-]	15,8	ATE						
C 250 Turbo-D (202.128)	110	10/95 → 05/00	●			P50023MM	[O]	19,8	ATE	A00349	90		A02202		
	110	10/95 → 05/00	●	→ A487047/F576240; cal.+2 holding pins		P50009MM	[O]	15	ATE				A02269	→ A487047; → F576240; cal.+2 holding pins; A487048 →; F576241 →; cal.+1 holding pin	
	110	10/95 → 05/00	●	A487048/F576241 →; cal.+1 holding pin		P50025MM	[-]	15,7	ATE				A02269	→ A487047; → F576240; cal.+2 holding pins; A487048 →; F576241 →; cal.+1 holding pin	
C 280 (202.028)	142	05/93 → 05/00	●	→ A344660/F331440		P06017MM	[O]	20,3	TRW	A00349	90		A02202	A344661 →; F331441 →	
	142	05/93 → 05/00	●	A344661/F331441 →		P50023MM	[O]	19,8	ATE	A00349	90		A02202	A344661 →; F331441 →	
	142	05/93 → 05/00	●	→ A344660/F331440; cal.+2 holding pins		P50013MM	[-]	15,5	ATE				A02269	+ASR; cal.+2 holding pins; → A344660; → F331440; cal.+2 holding pins; A344661 →; F331441 →; cal.+2 holding pins	
	142	05/93 → 05/00	●	A344661/F331441 →; cal.+2 holding pins		P50009MM	[O]	15	ATE				A02269	+ASR; cal.+2 holding pins; → A344660; → F331440; cal.+2 holding pins; A344661 →; F331441 →; cal.+2 holding pins	
	142	05/93 → 05/00	●	+ASR		P50012MM	[O]	15,5	ATE				A02269	+ASR; cal.+2 holding pins; → A344660; → F331440; cal.+2 holding pins; A344661 →; F331441 →; cal.+2 holding pins	
C 280 (202.029)	145	06/97 → 05/00	●			P50023MM	[O]	19,8	ATE	A00349	90		A02202		
	145	06/97 → 05/00	●	→ A487047/F576240; cal.+2 holding pins		P50009MM	[O]	15	ATE				A02269	→ A487047; → F576240; cal.+2 holding pins; A487048 →; F576241 →; cal.+1 holding pin	
	145	06/97 → 05/00	●	A487048/F576241 →; cal.+1 holding pin		P50025MM	[-]	15,7	ATE				A02269	→ A487047; → F576240; cal.+2 holding pins; A487048 →; F576241 →; cal.+1 holding pin	

									WI		FK		
	kw								MAGNETI MARELLI	LENGHT		MAGNETI MARELLI	

MERCEDES-BENZ

C-CLASS (W202) 03/93 → 05/00

C 36 AMG (202.028)	206	05/94 → 05/00	●		P50010MM	[o]	17,5	ATE				
	206	05/94 → 05/00	●	→ A344660/F331440; cal.+2 holding pins	P50009MM	[o]	15	ATE				
	206	05/94 → 05/00	●	A344661/F331441 →	P50017MM	[o]	15,5	ATE				
C 43 AMG (202.033)	225	08/97 → 05/00	●		P06019MM	[o]	20,8	ATE				
	225	08/97 → 05/00	●		P50017MM	[o]	15,5	ATE	A00349	90		

C-CLASS (W203) 05/00 → 08/07

C 180 (203.035)	95	10/00 → 05/02	●		P50045MM	[o]	19,8	TRW				
	95	10/00 → 05/02	●		P50072MM	[-]	15,3	ATE	A00377	95		
C 180 Kompressor (203.046))	105	05/02 → 02/07	●	-sport pack	P50045MM	[o]	19,8	TRW				
	105	05/02 → 02/07	●	+sport pack; -(J)	P50053MM	[o]	17,7	BRE				
	105	05/02 → 02/07	●	+sport pack; -(J)	P50073MM	[o]	16,5	BRE				
	105	05/02 → 02/07	●	-sport pack	P50072MM	[-]	15,3	ATE	A00377	95		
	105	05/02 → 02/07	●	+sport pack	P50033MM	[o]	15,7	ATE	A00377	95		
C 200 CDI (203.004)	85	09/00 → 02/07	●	-sport pack	P50045MM	[o]	19,8	TRW				
	85	09/00 → 02/07	●	+sport pack	P50053MM	[o]	17,7	BRE				
	85	09/00 → 02/07	●	-sport pack	P50072MM	[-]	15,3	ATE	A00377	95		
	85	09/00 → 02/07	●	+sport pack	P50033MM	[o]	15,7	ATE	A00377	95		
	75	02/01 → 02/07	●	-sport pack	P50045MM	[o]	19,8	TRW				
	75	02/01 → 02/07	●	+sport pack	P50053MM	[o]	17,7	BRE				
	75	02/01 → 02/07	●	-sport pack	P50072MM	[-]	15,3	ATE	A00377	95		
C 200 CDI (203.007)	90	04/03 → 02/07	●	-sport pack	P50045MM	[o]	19,8	TRW				
	90	04/03 → 02/07	●	+sport pack	P50053MM	[o]	17,7	BRE				
	90	04/03 → 02/07	●	+sport pack	P50073MM	[o]	16,5	BRE				
	90	04/03 → 02/07	●	-sport pack	P50072MM	[-]	15,3	ATE	A00377	95		
	90	04/03 → 02/07	●	+sport pack	P50033MM	[o]	15,7	ATE	A00377	95		
C 200 CGI Kompressor (203.043)	125	07/03 → 02/07	●	-sport pack	P50045MM	[o]	19,8	TRW				
	125	07/03 → 02/07	●	+sport pack	P50053MM	[o]	17,7	BRE				
	125	07/03 → 02/07	●	+sport pack	P50073MM	[o]	16,5	BRE				
	125	07/03 → 02/07	●	-sport pack	P50072MM	[-]	15,3	ATE	A00377	95		
	125	07/03 → 02/07	●	+sport pack	P50033MM	[o]	15,7	ATE	A00377	95		
C 200 Kompressor (203.042)	120	05/02 → 02/07	●	-sport pack	P50045MM	[o]	19,8	TRW				
	120	05/02 → 02/07	●	+sport pack; -(J)	P50053MM	[o]	17,7	BRE				
	120	05/02 → 02/07	●	+sport pack; -(J)	P50073MM	[o]	16,5	BRE				
	120	05/02 → 02/07	●	-sport pack	P50072MM	[-]	15,3	ATE	A00377	95		
	120	05/02 → 02/07	●	+sport pack	P50033MM	[o]	15,7	ATE	A00377	95		
C 200 Kompressor (203.045)	120	05/00 → 06/02	●		P50045MM	[o]	19,8	TRW				
C 220 CDI (203.006)	105	05/00 → 02/07	●	-sport pack	P50045MM	[o]	19,8	TRW	A00377	95		
	105	05/00 → 02/07	●	+sport pack	P50053MM	[o]	17,7	BRE	A00377	95		
	105	05/00 → 02/07	●	-sport pack	P50072MM	[-]	15,3	ATE	A00377	95		
	105	05/00 → 02/07	●	+sport pack	P50033MM	[o]	15,7	ATE	A00377	95		
	100	05/00 → 02/07	●	-sport pack	P50045MM	[o]	19,8	TRW	A00377	95		
	100	05/00 → 02/07	●	+sport pack	P50053MM	[o]	17,7	BRE	A00377	95		
	100	05/00 → 02/07	●	-sport pack	P50072MM	[-]	15,3	ATE	A00377	95		
	100	05/00 → 02/07	●	+sport pack	P50033MM	[o]	15,7	ATE	A00377	95		
C 220 CDI (203.008)	110	02/03 → 02/07	●	-sport pack	P50045MM	[o]	19,8	TRW				
	110	02/03 → 02/07	●	+sport pack	P50053MM	[o]	17,7	BRE				
	110	02/03 → 02/07	●	+sport pack	P50073MM	[o]	16,5	BRE				
	110	02/03 → 02/07	●	-sport pack	P50072MM	[-]	15,3	ATE	A00377	95		
	110	02/03 → 02/07	●	+sport pack	P50033MM	[o]	15,7	ATE	A00377	95		

MERCEDES-BENZ

C-CLASS (W203) 05/00 → 08/07

C 230 (203.052)	150	01/05 → 02/07	●	-sport pack	P50046MM	[O]	19,8	TRW							
	150	01/05 → 02/07	●	-sport pack; (USA); (J); (AUS)	P50045MM	[O]	19,8	TRW							
	150	01/05 → 02/07	●	+sport pack	P50073MM	[O]	16,5	BRE							
	150	01/05 → 02/07	●		P50033MM	[O]	15,7	ATE	A00377	95					
C 230 Kompressor (203.040)	141	02/04 → 02/07	●	-sport pack	P50045MM	[O]	19,8	TRW							
	141	02/04 → 02/07	●	+sport pack	P50053MM	[O]	17,7	BRE							
	141	02/04 → 02/07	●	+sport pack	P50073MM	[O]	16,5	BRE							
	141	02/04 → 02/07	●	-sport pack	P50072MM	[-]	15,3	ATE	A00377	95					
	141	02/04 → 02/07	●	+sport pack	P50033MM	[O]	15,7	ATE	A00377	95					
C 240 (203.061)	125	05/00 → 02/07	●	-sport pack	P50046MM	[O]	19,8	TRW							
	125	05/00 → 02/07	●	-sport pack; (AUS); (J); (USA)	P50045MM	[O]	19,8	TRW							
	125	05/00 → 02/07	●	+sport pack; → F565688	P50053MM	[O]	17,7	BRE							
	125	05/00 → 02/07	●	+sport pack; F565689 →	P50073MM	[O]	16,5	BRE							
	125	05/00 → 02/07	●	-sport pack	P50072MM	[-]	15,3	ATE	A00377	95					
	125	05/00 → 02/07	●	+sport pack	P50033MM	[O]	15,7	ATE	A00377	95					
C 240 4-matic (203.081)	125	07/02 → 02/07	●		P50046MM	[O]	19,8	TRW							
	125	07/02 → 02/07	●		P50033MM	[O]	15,7	ATE	A00377	95					
C 270 CDI (203.016)	125	12/00 → 02/07	●	-sport pack	P50046MM	[O]	19,8	TRW							
	125	12/00 → 02/07	●	+sport pack	P50053MM	[O]	17,7	BRE							
	125	12/00 → 02/07	●	+sport pack	P50073MM	[O]	16,5	BRE							
	125	12/00 → 02/07	●		P50033MM	[O]	15,7	ATE	A00377	95					
	120	12/00 → 02/07	●	-sport pack	P50046MM	[O]	19,8	TRW	A00377	95					
	120	12/00 → 02/07	●	+sport pack; → A660226; → F565688; → R138317; -(J); +sport pack; → F150814; → F583910; (J)	P50053MM	[O]	17,7	BRE	A00377	95					
	120	12/00 → 02/07	●	+sport pack; A660227 →; F565689 →; R138318 →; -(J); +sport pack; F583911 →; R150815 →; (J)	P50073MM	[O]	16,5	BRE	A00377	95					
C 280 (203.054)	170	01/05 → 02/07	●	-sport pack	P50046MM	[O]	19,8	TRW							
	170	01/05 → 02/07	●	+sport pack	P50073MM	[O]	16,5	BRE							
	170	01/05 → 02/07	●		P50033MM	[O]	15,7	ATE	A00377	95					
C 280 4-matic (203.092)	170	01/05 → 02/07	●	-sport pack	P50046MM	[O]	19,8	TRW							
	170	01/05 → 02/07	●	+sport pack	P50073MM	[O]	16,5	BRE							
	170	01/05 → 02/07	●		P50033MM	[O]	15,7	ATE	A00377	95					
C 30 CDI AMG (203.018)	170	01/03 → 02/07	●		P50053MM	[O]	17,7	BRE							
	170	01/03 → 02/07	●		P50017MM	[O]	15,5	ATE	A00377	95					
C 32 AMG Kompressor (203.065)	260	02/01 → 02/07	●		P50053MM	[O]	17,7	BRE							
	260	02/01 → 02/07	●		P50017MM	[O]	15,5	ATE	A00377	95					
C 320 (203.064)	160	05/00 → 02/07	●	-sport pack	P50046MM	[O]	19,8	TRW							
	160	05/00 → 02/07	●	+sport pack	P50053MM	[O]	17,7	BRE							
	160	05/00 → 02/07	●	+sport pack	P50073MM	[O]	16,5	BRE							
	160	05/00 → 02/07	●		P50033MM	[O]	15,7	ATE	A00377	95					
C 320 4-matic (203.084)	160	07/02 → 02/07	●		P50046MM	[O]	19,8	TRW							
	160	07/02 → 02/07	●		P50033MM	[O]	15,7	ATE	A00377	95					
C 320 CDI (203.020)	165	01/05 → 02/07	●	-sport pack	P50073MM	[O]	16,5	BRE							
	165	01/05 → 02/07	●	+sport pack	P50053MM	[O]	17,7	BRE							
	165	01/05 → 02/07	●		P50033MM	[O]	15,7	ATE	A00377	95					
C 350 (203.056)	200	01/05 → 02/07	●	-sport pack; -(J); -(USA); -(AUS)	P50073MM	[O]	16,5	BRE							
	200	01/05 → 02/07	●	-sport pack; (J); (USA); (AUS)	P50046MM	[O]	19,8	TRW							
	200	01/05 → 02/07	●	+sport pack	P50053MM	[O]	17,7	BRE							
	200	01/05 → 02/07	●		P50033MM	[O]	15,7	ATE	A00377	95					

MERCEDES-BENZ

C-CLASS (W203) 05/00 → 08/07

C 350 4-matic (203.087)	200	01/05 → 02/07	●	-sport pack; (USA)	P50046MM	[o]	19,8	TRW							
	200	01/05 → 02/07	●		P50053MM	[o]	17,7	BRE							
	200	01/05 → 02/07	●		P50033MM	[o]	15,7	ATE	A00377	95					
C 55 AMG (203.076)	270	02/04 → 02/07	●		P50053MM	[o]	17,7	BRE							
	270	02/04 → 02/07	●		P50017MM	[o]	15,5	ATE	A00377	95					

C-CLASS (W204) 01/07 → 01/14

C 180 CDI (204.000)	88	01/11 → 01/14	●	-sport pack; (CN)	P50067MM	[o]	20,6	TRW	A00377	95					
	88	01/11 → 01/14	●	-sport pack	P50070MM	[o]	20,6	TRW	A00377	95					
	88	01/11 → 01/14	●	+sport pack	P50071MM	[o]	20,6	TRW	A00377	95					
	88	01/11 → 01/14	●		P50068MM	[o]	17,9	ATE							
C 180 CGI (204.031)	115	01/08 → 01/14	●	-sport pack; (CN)	P50067MM	[o]	20,6	TRW	A00377	95					
	115	01/08 → 01/14	●	-sport pack	P50070MM	[o]	20,6	TRW	A00377	95					
	115	01/08 → 01/14	●	+sport pack	P50071MM	[o]	20,6	TRW	A00377	95					
C 180 CGI (204.049)	115	01/08 → 01/14	●		P50068MM	[o]	17,9	ATE							
	115	01/07 → 01/14	●	-sport pack; (CN)	P50067MM	[o]	20,6	TRW	A00377	95					
	115	01/07 → 01/14	●	-sport pack	P50070MM	[o]	20,6	TRW	A00377	95					
	115	01/07 → 01/14	●	+sport pack	P50071MM	[o]	20,6	TRW	A00377	95					
C 180 Kompressor (204.044, 204.045)	115	01/08 → 01/14	●		P50068MM	[o]	17,9	ATE							
	115	01/08 → 01/14	●	-sport pack	P50067MM	[o]	20,6	TRW	A00377	95					
	115	01/08 → 01/14	●	-sport pack	P50070MM	[o]	20,6	TRW	A00377	95					
	115	01/08 → 01/14	●	+sport pack	P50071MM	[o]	20,6	TRW	A00377	95					
C 180 Kompressor (204.046)	115	01/08 → 01/14	●		P50068MM	[o]	17,9	ATE	A00377	95					
	115	01/07 → 01/14	●	-sport pack	P50067MM	[o]	20,6	TRW	A00377	95					
	115	01/07 → 01/14	●	-sport pack	P50070MM	[o]	20,6	TRW	A00377	95					
	115	01/07 → 01/14	●	+sport pack	P50071MM	[o]	20,6	TRW	A00377	95					
C 200 CDI (204.001)	100	01/11 → 01/14	●	-sport pack; (CN)	P50067MM	[o]	20,6	TRW	A00377	95					
	100	01/11 → 01/14	●	-sport pack	P50070MM	[o]	20,6	TRW	A00377	95					
	100	01/11 → 01/14	●	+sport pack	P50071MM	[o]	20,6	TRW	A00377	95					
	100	01/11 → 01/14	●		P50068MM	[o]	17,9	ATE							
C 200 CDI (204.007, 204.006)	100	01/07 → 12/10	●	-sport pack	P50070MM	[o]	20,6	TRW	A00377	95					
	100	01/07 → 12/10	●	+sport pack	P50071MM	[o]	20,6	TRW	A00377	95					
	100	01/07 → 12/10	●		P50068MM	[o]	17,9	ATE	A00377	95					
C 200 CGI (204.048)	135	01/07 → 01/14	●	-sport pack	P50067MM	[o]	20,6	TRW	A00377	95					
	135	01/07 → 01/14	●	+sport pack	P50071MM	[o]	20,6	TRW	A00377	95					
	135	01/07 → 01/14	●		P50068MM	[o]	17,9	ATE	A00377	95					
C 200 Kompressor (204.041)	135	01/07 → 01/14	●	-sport pack	P50067MM	[o]	20,6	TRW	A00377	95					
	135	01/07 → 01/14	●	+sport pack	P50071MM	[o]	20,6	TRW	A00377	95					
	135	01/07 → 01/14	●		P50068MM	[o]	17,9	ATE	A00377	95					
C 220 CDI (204.002)	125	12/08 → 01/14	●	-sport pack	P50067MM	[o]	20,6	TRW	A00377	95					
	125	12/08 → 01/14	●	+sport pack	P50071MM	[o]	20,6	TRW	A00377	95					
	125	12/08 → 01/14	●		P50068MM	[o]	17,9	ATE	A00377	95					
	120	10/08 → 01/14	●	-sport pack	P50067MM	[o]	20,6	TRW	A00377	95					
	120	10/08 → 01/14	●	+sport pack	P50071MM	[o]	20,6	TRW	A00377	95					
C 220 CDI (204.008)	120	10/08 → 01/14	●		P50068MM	[o]	17,9	ATE	A00377	95					
	125	01/07 → 11/08	●	-sport pack	P50067MM	[o]	20,6	TRW	A00377	95					
	125	01/07 → 11/08	●	+sport pack	P50071MM	[o]	20,6	TRW	A00377	95					
	125	01/07 → 11/08	●		P50068MM	[o]	17,9	ATE	A00377	95					
	120	01/07 → 11/08	●	-sport pack	P50067MM	[o]	20,6	TRW	A00377	95					
	120	01/07 → 11/08	●	+sport pack	P50071MM	[o]	20,6	TRW	A00377	95					
C 220 CDI 4-matic (204.084)	125	02/13 → 01/14	●	-sport pack	P50067MM	[o]	20,6	TRW	A00377	95					
	125	02/13 → 01/14	●	+sport pack	P50071MM	[o]	20,6	TRW	A00377	95					
	125	02/13 → 01/14	●		P50068MM	[o]	17,9	ATE	A00377	95					

MERCEDES-BENZ

C-CLASS (W204) 01/07 → 01/14

Model	Power (kw)	Period	Options	Part No.	Th [mm]	SYS	WI	FK
C 230 (204.052)	150	01/07 → 01/14	● -sport pack	P50067MM	20,6	TRW	A00377	95
	150	01/07 → 01/14	● +sport pack	P50071MM	20,6	TRW	A00377	95
	150	01/07 → 01/14	●	P50068MM	17,9	ATE	A00377	95
C 230 4-matic (204.085)	150	07/07 → 01/14	● -sport pack	P50067MM	20,6	TRW	A00377	95
	150	07/07 → 01/14	● +sport pack	P50071MM	20,6	TRW	A00377	95
	150	07/07 → 01/14	●	P50068MM	17,9	ATE	A00377	95
C 250 CDI (204.003)	150	08/08 → 01/14	● -sport pack	P50067MM	20,6	TRW	A00377	95
	150	08/08 → 01/14	● +sport pack	P50071MM	20,6	TRW	A00377	95
	150	08/08 → 01/14	● Alluminium caliper	P50068MM	17,9	ATE	A00377	95
	150	08/08 → 01/14	● Cast iron caliper	P50104MM	17,9	ATE	A00377	95
C 250 CDI 4-matic (204.082)	150	01/11 → 01/14	● -sport pack	P50067MM	20,6	TRW	A00377	95
	150	01/11 → 01/14	● +sport pack	P50069MM	19,4	TRW	A00377	95
	150	01/11 → 01/14	● Alluminium caliper	P50068MM	17,9	ATE	A00377	95
	150	01/11 → 01/14	● Cast iron caliper	P50104MM	17,9	ATE	A00377	95
C 250 CGI (204.047)	150	07/09 → 01/14	● -sport pack	P50067MM	20,6	TRW	A00377	95
	150	07/09 → 01/14	● +sport pack	P50071MM	20,6	TRW	A00377	95
	150	07/09 → 01/14	●	P50068MM	17,9	ATE	A00377	95
C 280 (204.054)	170	01/07 → 01/14	● -sport pack	P50067MM	20,6	TRW	A00377	95
	170	01/07 → 01/14	● +sport pack	P50069MM	19,4	TRW	A00377	95
	170	01/07 → 01/14	●	P50068MM	17,9	ATE	A00377	95
C 280 4-matic (204.081)	170	07/07 → 01/14	● -sport pack	P50067MM	20,6	TRW	A00377	95
	170	07/07 → 01/14	● +sport pack	P50069MM	19,4	TRW	A00377	95
	170	07/07 → 01/14	●	P50068MM	17,9	ATE	A00377	95
C 300 (204.054)	170	07/09 → 01/14	● -sport pack	P50067MM	20,6	TRW	A00377	95
	170	07/09 → 01/14	● +sport pack	P50069MM	19,4	TRW	A00377	95
	170	07/09 → 01/14	●	P50068MM	17,9	ATE	A00377	95
	185	02/11 → 01/14	●	P50069MM	19,4	TRW	A00377	95
C 300 4-matic (204.080)	185	02/11 → 01/14	● (USA)	P50068MM	17,9	ATE	A00377	95
	185	02/11 → 01/14	●	P50069MM	19,4	TRW	A00377	95
	185	02/11 → 01/14	● (USA)	P50068MM	17,9	ATE	A00377	95
C 300 4-matic (204.081)	170	07/07 → 01/14	● -sport pack	P50067MM	20,6	TRW	A00377	95
	170	07/07 → 01/14	● +sport pack	P50069MM	19,4	TRW	A00377	95
	170	07/07 → 01/14	●	P50068MM	17,9	ATE	A00377	95
C 300 CDI 4-matic (204.092)	170	01/11 → 01/14	●	P50069MM	19,4	TRW	A00377	95
	170	01/11 → 01/14	● Alluminium caliper	P50068MM	17,9	ATE	A00377	95
	170	01/11 → 01/14	● Cast iron caliper	P50104MM	17,9	ATE	A00377	95
C 320 CDI (204.022)	165	01/07 → 01/14	●	P50069MM	19,4	TRW	A00377	95
	165	01/07 → 01/14	● Alluminium caliper	P50068MM	17,9	ATE	A00377	95
	165	01/07 → 01/14	● Cast iron caliper	P50104MM	17,9	ATE	A00377	95
C 320 CDI 4-matic (204.089)	165	07/07 → 01/14	●	P50069MM	19,4	TRW	A00377	95
	165	07/07 → 01/14	● Alluminium caliper	P50068MM	17,9	ATE	A00377	95
	165	07/07 → 01/14	● Cast iron caliper	P50104MM	17,9	ATE	A00377	95
C 350 (204.056)	200	01/07 → 01/14	●	P50069MM	19,4	TRW	A00377	95
	200	01/07 → 01/14	● Alluminium caliper	P50068MM	17,9	ATE	A00377	95
	200	01/07 → 01/14	● Cast iron caliper	P50104MM	17,9	ATE	A00377	95
C 350 (204.057)	225	01/11 → 01/14	●	P50069MM	19,4	TRW	A00377	95
	225	01/11 → 01/14	● Alluminium caliper	P50068MM	17,9	ATE	A00377	95
	225	01/11 → 01/14	● Cast iron caliper	P50104MM	17,9	ATE	A00377	95
C 350 4-matic (204.087)	200	07/07 → 01/14	●	P50069MM	19,4	TRW	A00377	95
	200	07/07 → 01/14	● Alluminium caliper	P50068MM	17,9	ATE	A00377	95
	200	07/07 → 01/14	● Cast iron caliper	P50104MM	17,9	ATE	A00377	95
C 350 4-matic (204.088)	225	01/11 → 01/14	●	P50069MM	19,4	TRW	A00377	95
	225	01/11 → 01/14	● Alluminium caliper	P50068MM	17,9	ATE	A00377	95
	225	01/11 → 01/14	● Cast iron caliper	P50104MM	17,9	ATE	A00377	95

												LENGHT			

MERCEDES-BENZ

C-CLASS (W204) 01/07 → 01/14

C 350 CDI (204.022)	165 07/09 → 01/14	●		P50069MM	[o]	19,4	TRW	A00377	95				
	165 07/09 → 01/14	●	Alluminium caliper	P50068MM	[o]	17,9	ATE	A00377	95				
	165 07/09 → 01/14	●	Cast iron caliper	P50104MM	[o]	17,9	ATE	A00377	95				
C 350 CDI (204.023)	195 06/11 → 01/14	●		P50069MM	[o]	19,4	TRW	A00377	95				
	195 06/11 → 01/14	●	Alluminium caliper	P50068MM	[o]	17,9	ATE	A00377	95				
	195 06/11 → 01/14	●	Cast iron caliper	P50104MM	[o]	17,9	ATE	A00377	95				
C 350 CDI (204.025)	170 10/09 → 01/14	●		P50069MM	[o]	19,4	TRW	A00377	95				
	170 10/09 → 01/14	●	Alluminium caliper	P50068MM	[o]	17,9	ATE	A00377	95				
	170 10/09 → 01/14	●	Cast iron caliper	P50104MM	[o]	17,9	ATE	A00377	95				
C 350 CDI 4-matic (204.089)	165 07/09 → 01/14	●		P50069MM	[o]	19,4	TRW	A00377	95				
	165 07/09 → 01/14	●	Alluminium caliper	P50068MM	[o]	17,9	ATE	A00377	95				
	165 07/09 → 01/14	●	Cast iron caliper	P50104MM	[o]	17,9	ATE	A00377	95				
C 350 CDI 4-matic (204.092)	170 10/09 → 01/14	●		P50069MM	[o]	19,4	TRW	A00377	95				
	170 10/09 → 01/14	●	Alluminium caliper	P50068MM	[o]	17,9	ATE	A00377	95				
	170 10/09 → 01/14	●	Cast iron caliper	P50104MM	[o]	17,9	ATE	A00377	95				
C 350 CGI (204.065)	215 09/08 → 01/14	●		P50069MM	[o]	19,4	TRW	A00377	95				
	215 09/08 → 01/14	●	Alluminium caliper	P50068MM	[o]	17,9	ATE	A00377	95				
	215 09/08 → 01/14	●	Cast iron caliper	P50104MM	[o]	17,9	ATE	A00377	95				
C 63 AMG (204.077)	382 07/10 → 01/14	●		P50110MM	[o]	15,3	BRE	A00470	120				
	358 02/08 → 01/14	●		P50110MM	[o]	15,3	BRE	A00470	120				
	336 02/08 → 01/14	●		P50110MM	[o]	15,3	BRE	A00470	120				
	336 02/08 → 01/14	●		P50113MM	[-]	14,8	BRE	A00470	120				
	373 02/08 → 01/14	●		P50110MM	[o]	15,3	BRE	A00470	120				

C-CLASS (W205) 07/13 →

C 160 (205.044)	95 04/15 →	●	+sport pack	P50123MM	[o]	18,7	BRE	A00353	93				
	95 04/15 →	●	-sport pack	P50119MM	[o]	19,3	TRW	A00353	93				
	95 04/15 →	●	-sport pack	P50122MM	[o]	16,1	ATE	A00353	93				
C 180 (205.040)	115 03/14 →	●	+sport pack	P50123MM	[o]	18,7	BRE	A00353	93				
	115 03/14 →	●	-sport pack	P50119MM	[o]	19,3	TRW	A00353	93				
	115 03/14 →	●	-(USA)	P50122MM	[o]	16,1	ATE						
C 180 BlueTEC / d (205.036)	85 05/14 →	●	+sport pack	P50123MM	[o]	18,7	BRE	A00353	93				
	85 05/14 →	●	-sport pack	P50119MM	[o]	19,3	TRW	A00353	93				
	85 05/14 →	●		P50122MM	[o]	16,1	ATE						
C 200 (205.042)	135 12/13 →	●	+sport pack	P50123MM	[o]	18,7	BRE	A00353	93				
	135 12/13 →	●	-sport pack	P50118MM	[o]	19,3	TRW	A00353	93				
	135 12/13 →	●	-(USA)	P50122MM	[o]	16,1	ATE						
C 200 4-matic (205.043)	135 04/15 →	●	+sport pack	P50123MM	[o]	18,7	BRE	A00353	93				
	135 04/15 →	●	-sport pack	P50118MM	[o]	19,3	TRW	A00353	93				
	135 04/15 →	●	-sport pack	P50122MM	[o]	16,1	ATE	A00353	93				
C 200 BlueTEC / d (205.037)	100 05/14 →	●	+sport pack	P50123MM	[o]	18,7	BRE	A00353	93				
	100 05/14 →	●	-sport pack	P50119MM	[o]	19,3	TRW	A00353	93				
	100 05/14 →	●		P50122MM	[o]	16,1	ATE						
C 200 d (205.007)	100 10/15 →	●	-sport pack	P50118MM	[o]	19,3	TRW	A00353	93				
	100 10/15 →	●	+taxi	P50123MM	[o]	18,7	BRE	A00353	93				
	100 10/15 →	●		P50122MM	[o]	16,1	ATE	A00353	93				
C 220 BlueTEC / d (205.003)	120 03/14 →	●	16" wheel	P50119MM	[o]	19,3	TRW	A00353	93				
	120 03/14 →	●	-sport pack	P50118MM	[o]	19,3	TRW	A00353	93				
	120 03/14 →	●	+sport pack	P50123MM	[o]	18,7	BRE	A00353	93				
	120 03/14 →	●		P50122MM	[o]	16,1	ATE						
C 220 BlueTEC / d (205.004)	125 12/13 →	●	+sport pack	P50123MM	[o]	18,7	BRE	A00353	93				
	125 12/13 →	●	-sport pack	P50118MM	[o]	19,3	TRW	A00353	93				
	125 12/13 →	●		P50122MM	[o]	16,1	ATE						

 	kw					wi	Th [mm]	SYS	WI		FK	
										LENGHT		

MERCEDES-BENZ

C-CLASS (W205) 07/13 →

C 220 d 4-matic (205.005)	125	04/15 →	●	+sport pack	P50123MM	[O]	18,7	BRE	A00353	93		
	125	04/15 →	●	-sport pack	P50118MM	[O]	19,3	TRW	A00353	93		
	125	04/15 →	●	-sport pack	P50122MM	[O]	16,1	ATE	A00353	93		
C 250 (205.045)	155	03/14 →	●	+sport pack; (USA)	P50120MM	[O]	18,9	BRE	A00353	93		
	155	03/14 →	●	-sport pack; (USA)	P50124MM	[O]	19,4	TRW	A00353	93		
	155	03/14 →	●		P50123MM	[O]	18,7	BRE	A00353	93		
	155	03/14 →	●	-(USA)	P50122MM	[O]	16,1	ATE				
C 250 BlueTEC / d (205.008)	150	02/14 →	●	+sport pack	P50120MM	[O]	18,9	BRE	A00353	93		
	150	02/14 →	●	(USA)	P50124MM	[O]	19,4	TRW	A00353	93		
	150	02/14 →	●	-sport pack	P50123MM	[O]	18,7	BRE	A00353	93		
	150	02/14 →	●		P50122MM	[O]	16,1	ATE				
C 250 BlueTEC / d 4-matic (205.009)	150	02/14 →	●	+sport pack	P50120MM	[O]	18,9	BRE	A00353	93		
	150	02/14 →	●	-sport pack	P50124MM	[O]	19,4	TRW	A00353	93		
	150	02/14 →	●		P50122MM	[O]	16,1	ATE				
C 300 (205.048)	180	09/15 →	●	+sport pack	P50120MM	[O]	18,9	BRE	A00353	93		
	180	09/15 →	●	-sport pack; -(USA)	P50124MM	[O]	19,4	TRW	A00353	93		
	180	09/15 →	●	-(USA)	P50122MM	[O]	16,1	ATE	A00353	93		
C 300 BlueTEC Hybrid / h (205.012)	150	05/14 →	●	+sport pack	P50120MM	[O]	18,9	BRE	A00353	93		
	150	05/14 →	●	-sport pack	P50123MM	[O]	18,7	BRE	A00353	93		
	150	05/14 →	●	+taxi	P50124MM	[O]	19,4	TRW	A00353	93		
	150	05/14 →	●		P50122MM	[O]	16,1	ATE				
C 350 e (205.047)	155	02/15 →	●		P50120MM	[O]	18,9	BRE	A00353	93		
	155	02/15 →	●		P50122MM	[O]	16,1	ATE	A00353	93		
	205	02/15 →	●		P50120MM	[O]	18,9	BRE	A00353	93		
	205	02/15 →	●		P50122MM	[O]	16,1	ATE	A00353	93		
C 400 4-matic (205.066)	245	10/14 →	●		P50120MM	[O]	18,9	BRE	A00353	93		
	245	10/14 →	●	-(USA)	P50122MM	[O]	16,1	ATE				
C 450 AMG 4-matic (205.064)	270	04/15 → 04/16	●	+sport pack	P50120MM	[O]	18,9	BRE	A00353	93		
	270	04/15 → 04/16	●	+sport pack	P50122MM	[O]	16,1	ATE	A00353	93		

C-CLASS Convertible (A205) 06/16 →

C 180 (205.440)	115	06/16 →	●	+sport pack	P50123MM	[O]	18,7	BRE	A00353	93		
	115	06/16 →	●	-sport pack	P50119MM	[O]	19,3	TRW	A00353	93		
	115	06/16 →	●		P50122MM	[O]	16,1	ATE	A00353	93		
C 200 (205.442)	135	06/16 →	●	-sport pack	P50118MM	[O]	19,3	TRW	A00353	93		
	135	06/16 →	●	+sport pack	P50123MM	[O]	18,7	BRE	A00353	93		
	135	06/16 →	●		P50122MM	[O]	16,1	ATE	A00353	93		
C 200 4-matic (205.443)	135	06/16 →	●	-sport pack	P50118MM	[O]	19,3	TRW	A00353	93		
	135	06/16 →	●	+sport pack	P50123MM	[O]	18,7	BRE	A00353	93		
	135	06/16 →	●		P50122MM	[O]	16,1	ATE	A00353	93		
C 220 d (205.404)	125	06/16 →	●	-sport pack	P50118MM	[O]	19,3	TRW	A00353	93		
	125	06/16 →	●	+sport pack	P50123MM	[O]	18,7	BRE	A00353	93		
	125	06/16 →	●		P50122MM	[O]	16,1	ATE	A00353	93		
	120	06/16 →	●	-sport pack	P50118MM	[O]	19,3	TRW				
	120	06/16 →	●	+sport pack	P50123MM	[O]	18,7	BRE				
C 220 d 4-matic (205.405)	120	06/16 →	●		P50122MM	[O]	16,1	ATE				
	125	06/16 →	●	-sport pack	P50118MM	[O]	19,3	TRW	A00353	93		
	125	06/16 →	●	+sport pack	P50123MM	[O]	18,7	BRE	A00353	93		
C 250 (205.445)	155	06/16 →	●	+sport pack	P50120MM	[O]	18,9	BRE	A00353	93		
	155	06/16 →	●	-sport pack	P50124MM	[O]	19,4	TRW	A00353	93		
	155	06/16 →	●		P50122MM	[O]	16,1	ATE	A00353	93		

Car Icon	kW	Hourglass	Gear	i	MAGNETI MARELLI	wi	Th [mm]	SYS	WI			FK	
									MAGNETI MARELLI	LENGHT	i	MAGNETI MARELLI	i

MERCEDES-BENZ

C-CLASS Convertible (A205) 06/16 →

C 250 d (205.408)	150 06/16 →	●	+sport pack	P50120MM	[o]	18,9	BRE	A00353	93			
	150 06/16 →	●	-sport pack	P50124MM	[o]	19,4	TRW	A00353	93			
	150 06/16 →		●		P50122MM	[o]	16,1	ATE	A00353	93		
C 300 (205.448)	180 06/16 →	●	+sport pack	P50120MM	[o]	18,9	BRE	A00353	93			
	180 06/16 →	●	-sport pack	P50124MM	[o]	19,4	TRW	A00353	93			
	180 06/16 →		●		P50122MM	[o]	16,1	ATE	A00353	93		
C 400 4-matic (205.466)	245 06/16 →	●		P50120MM	[o]	18,9	BRE	A00353	93			
	245 06/16 →		●		P50122MM	[o]	16,1	ATE	A00353	93		

C-CLASS Coupé (C204) 01/11 →

C 180 (204.331)	115 01/13 →	●	+sport pack	P50071MM	[o]	20,6	TRW	A00377	95			
	115 01/13 →	●	-sport pack	P50070MM	[o]	20,6	TRW	A00377	95			
	115 01/13 →		●		P50067MM	[o]	20,6	TRW	A00377	95		
	115 01/13 →		●		P50068MM	[o]	17,9	ATE				
	115 01/13 →		●		P50050MM	[+]	20,2	BSH				
C 180 (204.349)	115 06/11 →	●	-sport pack; (USA)	P50067MM	[o]	20,6	TRW	A00377	95			
	115 06/11 →	●	-sport pack	P50070MM	[o]	20,6	TRW	A00377	95			
	115 06/11 →	●	+sport pack	P50071MM	[o]	20,6	TRW	A00377	95			
	115 06/11 →	●	+sport pack; (USA)	P50069MM	[o]	19,4	TRW	A00377	95			
	115 06/11 →		●		P50068MM	[o]	17,9	ATE	A00377	95		
C 200 CGI (204.348)	135 06/11 →	●	-sport pack; (USA)	P50069MM	[o]	19,4	TRW	A00377	95			
	135 06/11 →	●	-sport pack	P50067MM	[o]	20,6	TRW	A00377	95			
	135 06/11 →	●	+sport pack	P50071MM	[o]	20,6	TRW	A00377	95			
	135 06/11 →		● (USA)		P50068MM	[o]	17,9	ATE	A00377	95		
C 220 CDI (204.302)	125 06/11 →	●	-sport pack	P50067MM	[o]	20,6	TRW	A00377	95			
	125 06/11 →	●	+sport pack	P50071MM	[o]	20,6	TRW	A00377	95			
	125 06/11 →		●		P50068MM	[o]	17,9	ATE	A00377	95		
	120 06/11 →	●	-sport pack	P50067MM	[o]	20,6	TRW	A00377	95			
	120 06/11 →	●	+sport pack	P50071MM	[o]	20,6	TRW	A00377	95			
C 250 (204.347)	150 06/11 →	●	Sport Edition; (USA)	P50069MM	[o]	19,4	TRW	A00377	95			
	150 06/11 →	●	-sport pack	P50067MM	[o]	20,6	TRW	A00377	95			
	150 06/11 →	●	+sport pack	P50071MM	[o]	20,6	TRW	A00377	95			
	150 06/11 →		●		P50068MM	[o]	17,9	ATE	A00377	95		
C 250 CDI (204.303)	150 06/11 →	●	Sport Edition	P50069MM	[o]	19,4	TRW	A00377	95			
	150 06/11 →	●	-sport pack	P50067MM	[o]	20,6	TRW	A00377	95			
	150 06/11 →	●	+sport pack	P50071MM	[o]	20,6	TRW	A00377	95			
C 350 (204.357)	225 06/11 →	●		P50069MM	[o]	19,4	TRW	A00377	95			
	225 06/11 →		●		P50068MM	[o]	17,9	ATE	A00377	95		
C 350 4-matic	225 09/13 →	●		P50069MM	[o]	19,4	TRW	A00377	95			
	225 09/13 →		●		P50068MM	[o]	17,9	ATE	A00377	95		
C 63 AMG (204.377)	358 01/12 →	●		P50110MM	[o]	15,3	BRE	A00470	120			
	380 01/12 →	●		P50110MM	[o]	15,3	BRE	A00470	120			
	336 06/11 →	●		P50110MM	[o]	15,3	BRE	A00470	120			
	373 11/12 →	●		P50110MM	[o]	15,3	BRE	A00470	120			

C-CLASS Coupé (C205) 10/15 →

C 180 (205.340)	115 10/15 →	●		P50119MM	[o]	19,3	TRW	A00353	93			
	115 10/15 →	●	+sport pack	P50123MM	[o]	18,7	BRE	A00353	93			
	115 10/15 →		●		P50122MM	[o]	16,1	ATE	A00353	93		
C 200 (205.342)	135 10/15 →	●	+sport pack	P50118MM	[o]	19,3	TRW	A00353	93			
	135 10/15 →	●	-sport pack	P50123MM	[o]	18,7	BRE	A00353	93			
	135 10/15 →		●		P50122MM	[o]	16,1	ATE	A00353	93		

	kw						wi	Th [mm]	SYS	wi		FK	
											LENGHT		

MERCEDES-BENZ

C-CLASS Coupé (C205) 10/15 →

C 200 4-matic (205.343)	135	04/16 →	●	+sport pack	P50123MM	[O]	18,7	BRE	A00353	93		
	135	04/16 →	●	-sport pack	P50118MM	[O]	19,3	TRW	A00353	93		
	135	04/16 →		●		P50122MM	[O]	16,1	ATE	A00353	93	
C 220 d (205.304)	125	10/15 →	●	-sport pack	P50118MM	[O]	19,3	TRW	A00353	93		
	125	10/15 →	●	+sport pack	P50123MM	[O]	18,7	BRE	A00353	93		
	125	10/15 →		●		P50122MM	[O]	16,1	ATE	A00353	93	
	120	10/15 →	●	-sport pack	P50118MM	[O]	19,3	TRW	A00353	93		
	120	10/15 →	●	+sport pack	P50123MM	[O]	18,7	BRE	A00353	93		
	120	10/15 →		●		P50122MM	[O]	16,1	ATE	A00353	93	
C 220 d 4-matic (205.305)	125	04/16 →	●	+sport pack	P50123MM	[O]	18,7	BRE	A00353	93		
	125	04/16 →	●	-sport pack	P50118MM	[O]	19,3	TRW	A00353	93		
	125	04/16 →		●		P50122MM	[O]	16,1	ATE	A00353	93	
C 250 (205.345)	155	10/15 →	●	+sport pack	P50120MM	[O]	18,9	BRE	A00353	93		
	155	10/15 →	●	-sport pack	P50124MM	[O]	19,4	TRW	A00353	93		
	155	10/15 →		●		P50122MM	[O]	16,1	ATE	A00353	93	
C 250 d (205.308)	150	10/15 →	●	+sport pack	P50120MM	[O]	18,9	BRE	A00353	93		
	150	10/15 →	●		P50124MM	[O]	19,4	TRW	A00353	93		
	150	10/15 →		●		P50122MM	[O]	16,1	ATE	A00353	93	
C 250 d 4-matic (205.309)	150	04/16 →	●	+sport pack	P50120MM	[O]	18,9	BRE	A00353	93		
	150	04/16 →	●	-sport pack	P50124MM	[O]	19,4	TRW	A00353	93		
	150	04/16 →		●		P50122MM	[O]	16,1	ATE	A00353	93	
C 300 (205.348)	180	10/15 →	●	+sport pack	P50120MM	[O]	18,9	BRE	A00353	93		
	180	10/15 →	●	-sport pack	P50124MM	[O]	19,4	TRW	A00353	93		
	180	10/15 →		●		P50122MM	[O]	16,1	ATE	A00353	93	
C 400 4-matic (205.366)	245	04/16 →	●		P50120MM	[O]	18,9	BRE	A00353	93		
	245	04/16 →		●		P50122MM	[O]	16,1	ATE	A00353	93	

C-CLASS Coupé (CL203) 03/01 → 06/11

C 160 Kompressor (203.730)	90	05/02 → 05/08	●		P50045MM	[O]	19,8	TRW				
	90	05/02 → 05/08		●		P50072MM	[-]	15,3	ATE	A00377	95	
C 180 (203.735)	95	03/01 → 05/02	●		P50045MM	[O]	19,8	TRW				
	95	03/01 → 05/02		●		P50072MM	[-]	15,3	ATE	A00377	95	
C 180 Kompressor (203.746)	105	05/02 → 05/08	●		P50045MM	[O]	19,8	TRW				
	105	05/02 → 05/08		●		P50072MM	[-]	15,3	ATE	A00377	95	
C 200 CDI (203.707)	90	03/03 → 05/08	●		P50045MM	[O]	19,8	TRW				
	90	03/03 → 05/08		●		P50072MM	[-]	15,3	ATE	A00377	95	
C 200 CGI Kompressor (203.743)	125	03/03 → 05/08	●		P50045MM	[O]	19,8	TRW				
	125	03/03 → 05/08		●		P50072MM	[-]	15,3	ATE	A00377	95	
C 200 Kompressor (203.742)	120	05/02 → 05/08	●		P50045MM	[O]	19,8	TRW				
	120	05/02 → 05/08		●		P50072MM	[-]	15,3	ATE	A00377	95	
C 200 Kompressor (203.745)	120	03/01 → 05/02	●		P50045MM	[O]	19,8	TRW				
	120	03/01 → 05/02		●		P50072MM	[-]	15,3	ATE	A00377	95	
C 220	120	05/02 → 05/08	●		P50045MM	[O]	19,8	TRW				
	120	05/02 → 05/08		●		P50072MM	[-]	15,3	ATE	A00377	95	
C 220 CDI	100	03/01 → 01/04	●		P50045MM	[O]	19,8	TRW	A00377	95		
	100	03/01 → 01/04		●		P50072MM	[-]	15,3	ATE	A00377	95	
C 220 CDI (203.706)	105	03/01 → 01/04	●		P50045MM	[O]	19,8	TRW				
	105	03/01 → 01/04		●		P50072MM	[-]	15,3	ATE	A00377	95	
C 220 CDI (203.708)	110	02/04 → 05/08	●		P50045MM	[O]	19,8	TRW				
	110	02/04 → 05/08		●		P50072MM	[-]	15,3	ATE	A00377	95	



kw



wi

Th [mm]

SYS

WI

FK



LENGHT



MERCEDES-BENZ

C-CLASS Coupé (CL203) 03/01 → 06/11

C 230 (203.752)	150	01/05 → 05/08	●		P50046MM	[o]	19,8	TRW					
	150	01/05 → 05/08	●		P50033MM	[o]	15,7	ATE	A00377	95			
C 230 Kompressor (203.740)	141	05/02 → 05/08	●	(J); (USA); (AUS)	P50045MM	[o]	19,8	TRW					
	141	05/02 → 05/08	●	-(J); -(AUS); -(USA)	P50046MM	[o]	19,8	TRW					
	141	05/02 → 05/08	●	(J); (USA); (AUS)	P50072MM	[-]	15,3	ATE	A00377	95			
	141	05/02 → 05/08	●	-(J); -(AUS); -(USA)	P50033MM	[o]	15,7	ATE	A00377	95			
C 230 Kompressor (203.747)	145	03/01 → 05/02	●	(AUS); (USA); (J)	P50045MM	[o]	19,8	TRW					
	145	03/01 → 05/02	●	-(USA); -(AUS); -(J)	P50046MM	[o]	19,8	TRW					
	145	03/01 → 05/02	●	(J); (USA); (AUS)	P50072MM	[-]	15,3	ATE	A00377	95			
	145	03/01 → 05/02	●	-(J); -(AUS); -(USA)	P50033MM	[o]	15,7	ATE	A00377	95			
C 30 CDI AMG (203.718)	170	09/02 → 05/08	●		P50053MM	[o]	17,7	BRE					
	170	09/02 → 05/08	●		P50017MM	[o]	15,5	ATE	A00377	95			
C 32 AMG Kompressor (203.765)	260	05/02 → 05/08	●		P50053MM	[o]	17,7	BRE					
	260	05/02 → 05/08	●		P50017MM	[o]	15,5	ATE	A00377	95			
C 320 (203.764)	160	09/02 → 05/08	●		P50046MM	[o]	19,8	TRW					
	160	09/02 → 05/08	●		P50033MM	[o]	15,7	ATE	A00377	95			
C 350 (203.756)	200	01/05 → 05/08	●		P50073MM	[o]	16,5	BRE					
	200	01/05 → 05/08	●		P50033MM	[o]	15,7	ATE	A00377	95			

C-CLASS T-Model (S202) 06/96 → 03/01

C 180 T (202.078)	90	06/96 → 09/00	●		P06017MM	[o]	20,3	TRW	A00349	90			
	90	06/96 → 09/00	●	→ A379346/F576240; cal.+2 holding pins	P50009MM	[o]	15	ATE	A00350	90	A379346 →; F576240 →	A02269	→ A379346; → F576240; cal.+2 holding pins; A379347 →; F576241 →; cal.+1 holding pin
	90	06/96 → 09/00	●	A379347/F576241 →; cal.+1 holding pin	P50025MM	[-]	15,7	ATE	A00350	90	A379346 →; F576240 →	A02269	→ A379346; → F576240; cal.+2 holding pins; A379347 →; F576241 →; cal.+1 holding pin
C 180 T (202.081)	95	09/00 → 03/01	●		P06017MM	[o]	20,3	TRW	A00349	90			
	95	09/00 → 03/01	●	→ A379346/F576240; cal.+2 holding pins	P50009MM	[o]	15	ATE	A00350	90	A379346 →; F576240 →	A02269	→ A379346; → F576240; cal.+2 holding pins; A379347 →; F576241 →; cal.+1 holding pin
	95	09/00 → 03/01	●	A379347/F576241 →; cal.+1 holding pin	P50025MM	[-]	15,7	ATE	A00350	90	A379346 →; F576240 →	A02269	→ A379346; → F576240; cal.+2 holding pins; A379347 →; F576241 →; cal.+1 holding pin
C 200 T (202.080)	100	06/96 → 03/01	●		P06017MM	[o]	20,3	TRW	A00349	90			
	100	06/96 → 03/01	●	→ A379346/F576240; cal.+2 holding pins	P50009MM	[o]	15	ATE	A00350	90	A379346 →; F576240 →	A02269	→ A379346; → F576240; cal.+2 holding pins; A379347 →; F576241 →; cal.+1 holding pin
	100	06/96 → 03/01	●	A379347/F576241 →; cal.+1 holding pin	P50025MM	[-]	15,7	ATE	A00350	90	A379346 →; F576240 →	A02269	→ A379346; → F576240; cal.+2 holding pins; A379347 →; F576241 →; cal.+1 holding pin
C 200 T CDI (202.194)	75	03/98 → 03/01	●		P06017MM	[o]	20,3	TRW	A00349	90			
	75	03/98 → 03/01	●	→ A379346/F576240; cal.+2 holding pins	P50009MM	[o]	15	ATE	A00350	90	A379346 →; F576240 →		
	75	03/98 → 03/01	●	A379347/F576241 →; cal.+1 holding pin	P50025MM	[-]	15,7	ATE	A00350	90	A379346 →; F576240 →		
C 200 T D (202.180)	65	10/96 → 03/01	●		P06017MM	[o]	20,3	TRW	A00349	90			
	65	10/96 → 03/01	●	→ A379346/F576240; cal.+2 holding pins	P50009MM	[o]	15	ATE	A00350	90	A379346 →; F576240 →		
	65	10/96 → 03/01	●	A379347/F576241 →; cal.+1 holding pin	P50025MM	[-]	15,7	ATE	A00350	90	A379346 →; F576240 →		
C 200 T Kompressor (202.082)	141	11/96 → 03/01	●		P50023MM	[o]	19,8	ATE	A00349	90		A02202	
	141	11/96 → 03/01	●	→ F576240; cal.+2 holding pins	P50009MM	[o]	15	ATE	A00350	90		A02269	→ F576240; cal.+2 holding pins; F576241 →; cal.+1 holding pin

--	--	--	--	--	--	--	--	--	--	--	--	--	--	--	--

MERCEDES-BENZ

C-CLASS T-Model (S202) 06/96 → 03/01

C 200 T Kompressor (202.082)	141	11/96 → 03/01	•	F576241 →; cal.+1 holding pin	P50025MM	[-]	15,7	ATE	A00350	90			A02269	→ F576240; cal.+2 holding pins; F576241 →; cal.+1 holding pin
C 200 T Kompressor (202.087)	120	09/00 → 03/01	•		P50023MM	[O]	19,8	ATE	A00349	90			A02202	
	120	09/00 → 03/01	•	→ F576240; cal.+2 holding pins	P50009MM	[O]	15	ATE	A00350	90			A02269	→ F576240; cal.+2 holding pins; F576241 →; cal.+1 holding pin
	120	09/00 → 03/01	•	F576241 →; cal.+1 holding pin	P50025MM	[-]	15,7	ATE	A00350	90			A02269	→ F576240; cal.+2 holding pins; F576241 →; cal.+1 holding pin
C 220 T CDI (202.193)	92	09/97 → 03/01	•		P06017MM	[O]	20,3	TRW	A00349	90				
	92	09/97 → 03/01	•	→ A379346/F576240; cal.+2 holding pins	P50009MM	[O]	15	ATE	A00350	90	A379346 →; F576240 →		A02269	→ A379346; → F576240; cal.+2 holding pins; A379347 →; F576241 →; cal.+1 holding pin
	92	09/97 → 03/01	•	A379347/F576241 →; cal.+1 holding pin	P50025MM	[-]	15,7	ATE	A00350	90	A379346 →; F576240 →		A02269	→ A379346; → F576240; cal.+2 holding pins; A379347 →; F576241 →; cal.+1 holding pin
C 220 T D (202.182)	70	06/96 → 09/98	•		P06017MM	[O]	20,3	TRW	A00349	90				
	70	06/96 → 09/98	•	→ A379346/F576240; cal.+2 holding pins	P50009MM	[O]	15	ATE	A00350	90	A379346 →; F576240 →		A02269	→ A379346; → F576240; cal.+2 holding pins; A379347 →; F576241 →; cal.+1 holding pin
	70	06/96 → 09/98	•	A379347/F576241 →; cal.+1 holding pin	P50025MM	[-]	15,7	ATE	A00350	90	A379346 →; F576240 →		A02269	→ A379346; → F576240; cal.+2 holding pins; A379347 →; F576241 →; cal.+1 holding pin
	55	06/96 → 03/01	•		P06017MM	[O]	20,3	TRW	A00349	90				
	55	06/96 → 03/01	•	→ A379346/F576240; cal.+2 holding pins	P50009MM	[O]	15	ATE	A00350	90	A379346 →; F576240 →		A02269	→ A379346; → F576240; cal.+2 holding pins; A379347 →; F576241 →; cal.+1 holding pin
	55	06/96 → 03/01	•	A379347/F576241 →; cal.+1 holding pin	P50025MM	[-]	15,7	ATE	A00350	90	A379346 →; F576240 →		A02269	→ A379346; → F576240; cal.+2 holding pins; A379347 →; F576241 →; cal.+1 holding pin
C 230 T (202.083)	110	06/96 → 06/98	•		P06017MM	[O]	20,3	TRW	A00349	90				
	110	06/96 → 06/98	•	→ A379346/F576240; cal.+2 holding pins	P50009MM	[O]	15	ATE	A00350	90	A379346 →; F576240 →		A02269	→ A379346; → F576240; cal.+2 holding pins; A379347 →; F576241 →; cal.+1 holding pin
	110	06/96 → 06/98	•	A379347/F576241 →; cal.+1 holding pin	P50025MM	[-]	15,7	ATE	A00350	90	A379346 →; F576240 →		A02269	→ A379346; → F576240; cal.+2 holding pins; A379347 →; F576241 →; cal.+1 holding pin
C 230 T Kompressor (202.085)	142	06/97 → 09/00	•		P50023MM	[O]	19,8	ATE	A00349	90			A02202	
	142	06/97 → 09/00	•	→ F576240; cal.+2 holding pins	P50009MM	[O]	15	ATE	A00350	90			A02269	→ F576240; cal.+2 holding pins; F576241 →; cal.+1 holding pin
	142	06/97 → 09/00	•	F576241 →; cal.+1 holding pin	P50025MM	[-]	15,7	ATE	A00350	90			A02269	→ F576240; cal.+2 holding pins; F576241 →; cal.+1 holding pin
C 240 T (202.086)	125	06/97 → 09/00	•		P50023MM	[O]	19,8	ATE	A00349	90			A02202	
	125	06/97 → 09/00	•	→ F576240; cal.+2 holding pins	P50009MM	[O]	15	ATE	A00350	90			A02269	→ F576240; cal.+2 holding pins; F576241 →; cal.+1 holding pin
	125	06/97 → 09/00	•	F576241 →; cal.+1 holding pin	P50025MM	[-]	15,7	ATE	A00350	90			A02269	→ F576240; cal.+2 holding pins; F576241 →; cal.+1 holding pin
C 240 T (202.088)	125	09/00 → 03/01	•		P50023MM	[O]	19,8	ATE	A00349	90			A02202	
	125	09/00 → 03/01	•	→ F576240; cal.+2 holding pins	P50009MM	[O]	15	ATE	A00350	90			A02269	→ F576240; cal.+2 holding pins; F576241 →; cal.+1 holding pin



kw



Wi

Th [mm]

SYS

WI

FK



LENGHT



MERCEDES-BENZ

C-CLASS T-Model (S202) 06/96 → 03/01

C 240 T (202.088)	125	09/00 → 03/01	●	F576241 →; cal.+1 holding pin	P50025MM	[-]	15,7	ATE	A00350	90		A02269	→ F576240; cal.+2 holding pins; F576241 →; cal.+1 holding pin
C 250 T Turbo-D (202.188)	110	06/96 → 03/01	●		P50023MM	[O]	19,8	ATE	A00349	90		A02202	
	110	06/96 → 03/01	●	→ F576240; cal.+2 holding pins	P50009MM	[O]	15	ATE	A00350	90		A02269	→ F576240; cal.+2 holding pins; F576241 →; cal.+1 holding pin
C 280 T (202.089)	110	06/96 → 03/01	●	F576241 →; cal.+1 holding pin	P50025MM	[-]	15,7	ATE	A00350	90		A02269	→ F576240; cal.+2 holding pins; F576241 →; cal.+1 holding pin
	145	06/97 → 03/01	●		P50023MM	[O]	19,8	ATE	A00349	90		A02202	
	145	06/97 → 03/01	●	→ F576240; cal.+2 holding pins	P50009MM	[O]	15	ATE	A00350	90		A02269	→ F576240; cal.+2 holding pins; F576241 →; cal.+1 holding pin
C 43 AMG (202.093)	145	06/97 → 03/01	●	F576241 →; cal.+1 holding pin	P50025MM	[-]	15,7	ATE	A00350	90		A02269	→ F576240; cal.+2 holding pins; F576241 →; cal.+1 holding pin
	225	08/97 → 03/01	●		P06019MM	[O]	20,8	ATE	A00278	74			
	225	08/97 → 03/01	●		P50017MM	[O]	15,5	ATE	A00350	90			

C-CLASS T-Model (S203) 03/01 → 08/07

C 180 (203.235)	95	03/01 → 05/02	●		P50045MM	[O]	19,8	TRW					
C 180 Kompressor (203.246)	95	03/01 → 05/02	●		P50033MM	[O]	15,7	ATE	A00377	95			
	105	05/02 → 08/07	●	-sport pack	P50045MM	[O]	19,8	TRW					
	105	05/02 → 08/07	●	+sport pack; → F565688	P50053MM	[O]	17,7	BRE					
	105	05/02 → 08/07	●	+sport pack; F565689 →	P50073MM	[O]	16,5	BRE					
C 200 CDI (203.204)	105	05/02 → 08/07	●		P50033MM	[O]	15,7	ATE	A00377	95			
	85	03/01 → 08/07	●	-sport pack	P50045MM	[O]	19,8	TRW					
	85	03/01 → 08/07	●	+sport pack	P50053MM	[O]	17,7	BRE					
C 200 CDI (203.204, 203.207)	85	03/01 → 08/07	●		P50033MM	[O]	15,7	ATE	A00377	95			
	75	03/01 → 08/07	●	-sport pack	P50045MM	[O]	19,8	TRW					
	75	03/01 → 08/07	●	+sport pack	P50053MM	[O]	17,7	BRE					
C 200 CDI (203.207)	75	03/01 → 08/07	●		P50033MM	[O]	15,7	ATE	A00377	95			
	90	04/03 → 08/07	●	-sport pack	P50045MM	[O]	19,8	TRW					
	90	04/03 → 08/07	●	+sport pack; → F565688	P50053MM	[O]	17,7	BRE					
	90	04/03 → 08/07	●	+sport pack; F565689 →	P50073MM	[O]	16,5	BRE					
C 200 CGI Kompressor (203.243)	90	04/03 → 08/07	●		P50033MM	[O]	15,7	ATE	A00377	95			
	125	07/03 → 08/07	●	-sport pack	P50045MM	[O]	19,8	TRW					
	125	07/03 → 08/07	●	+sport pack; → F565688	P50053MM	[O]	17,7	BRE					
	125	07/03 → 08/07	●	+sport pack; F565689 →	P50073MM	[O]	16,5	BRE					
C 200 Kompressor (203.242)	125	07/03 → 08/07	●		P50033MM	[O]	15,7	ATE	A00377	95			
	120	05/02 → 08/07	●	-sport pack	P50045MM	[O]	19,8	TRW					
	120	05/02 → 08/07	●	+sport pack; → F565688	P50053MM	[O]	17,7	BRE					
	120	05/02 → 08/07	●	+sport pack; F565689 →	P50073MM	[O]	16,5	BRE					
C 200 Kompressor (203.245)	120	05/02 → 08/07	●		P50033MM	[O]	15,7	ATE	A00377	95			
	120	03/01 → 05/02	●	-sport pack	P50045MM	[O]	19,8	TRW					
	120	03/01 → 05/02	●	+sport pack	P50053MM	[O]	17,7	BRE					
C 220 CDI (203.206)	120	03/01 → 05/02	●		P50033MM	[O]	15,7	ATE	A00377	95			
	105	03/01 → 08/07	●	-sport pack	P50045MM	[O]	19,8	TRW					
	105	03/01 → 08/07	●	+sport pack	P50053MM	[O]	17,7	BRE					
C 220 CDI (203.208)	105	03/01 → 08/07	●		P50033MM	[O]	15,7	ATE	A00377	95			
	100	08/06 → 08/07	●	-sport pack	P50045MM	[O]	19,8	TRW					
	100	08/06 → 08/07	●	+sport pack	P50053MM	[O]	17,7	BRE					
	100	08/06 → 08/07	●		P50033MM	[O]	15,7	ATE	A00377	95			
	110	02/04 → 08/07	●	-sport pack	P50045MM	[O]	19,8	TRW					
	110	02/04 → 08/07	●	+sport pack; → F565688	P50053MM	[O]	17,7	BRE					
	110	02/04 → 08/07	●	+sport pack; F565689 →	P50073MM	[O]	16,5	BRE					
	110	02/04 → 08/07	●		P50033MM	[O]	15,7	ATE	A00377	95			

MERCEDES-BENZ

C-CLASS T-Model (S203) 03/01 → 08/07

C 230 (203.252)	150	01/05 → 08/07	●	-sport pack	P50046MM	[O]	19,8	TRW						
	150	01/05 → 08/07	●	-sport pack; (J); (USA); (AUS)	P50045MM	[O]	19,8	TRW						
	150	01/05 → 08/07	●	+sport pack	P50073MM	[O]	16,5	BRE						
	150	01/05 → 08/07	●		P50033MM	[O]	15,7	ATE	A00377	95				
C 230 Kompressor (203.240)	141	02/04 → 08/07	●	-sport pack	P50045MM	[O]	19,8	TRW						
	141	02/04 → 08/07	●	+sport pack; → F565688	P50053MM	[O]	17,7	BRE						
	141	02/04 → 08/07	●	+sport pack; F565689 →	P50073MM	[O]	16,5	BRE						
	141	02/04 → 08/07	●		P50033MM	[O]	15,7	ATE	A00377	95				
C 240 (203.261)	125	03/01 → 08/07	●	-sport pack	P50046MM	[O]	19,8	TRW						
	125	03/01 → 08/07	●	-sport pack; (J); (USA)	P50045MM	[O]	19,8	TRW						
	125	03/01 → 08/07	●	+sport pack; → F565688	P50053MM	[O]	17,7	BRE						
	125	03/01 → 08/07	●	+sport pack; F565689 →	P50073MM	[O]	16,5	BRE						
C 240 4-matic (203.281)	125	07/02 → 08/07	●		P50046MM	[O]	19,8	TRW						
	125	07/02 → 08/07	●		P50033MM	[O]	15,7	ATE	A00377	95				
C 270 CDI (203.216)	125	03/01 → 08/07	●	-sport pack	P50046MM	[O]	19,8	TRW						
	125	03/01 → 08/07	●	+sport pack; -(J)	P50053MM	[O]	17,7	BRE						
	125	03/01 → 08/07	●	+sport pack; -(J)	P50073MM	[O]	16,5	BRE						
	125	03/01 → 08/07	●		P50033MM	[O]	15,7	ATE	A00377	95				
	120	03/01 → 08/07	●	-sport pack	P50046MM	[O]	19,8	TRW	A00377	95				
	120	03/01 → 08/07	●	+sport pack; → F565688; → R138317; → A660226; -(J); +sport pack; → F583910; → F150814; (J)	P50053MM	[O]	17,7	BRE	A00377	95				
C 280 (203.254)	170	01/05 → 08/07	●	-sport pack	P50046MM	[O]	19,8	TRW						
	170	01/05 → 08/07	●	+sport pack	P50073MM	[O]	16,5	BRE						
C 280 4-matic (203.292)	170	01/05 → 08/07	●		P50033MM	[O]	15,7	ATE	A00377	95				
	170	01/05 → 08/07	●	-sport pack	P50046MM	[O]	19,8	TRW						
	170	01/05 → 08/07	●	+sport pack	P50073MM	[O]	16,5	BRE						
C 30 CDI AMG (203.218)	170	01/03 → 08/07	●		P50053MM	[O]	17,7	BRE						
	170	01/03 → 08/07	●		P50017MM	[O]	15,5	ATE	A00377	95				
C 32 AMG Kompressor (203.265)	260	03/01 → 08/07	●		P50053MM	[O]	17,7	BRE						
	260	03/01 → 08/07	●		P50017MM	[O]	15,5	ATE	A00377	95				
C 320 (203.264)	160	03/01 → 08/07	●	-sport pack	P50046MM	[O]	19,8	TRW						
	160	03/01 → 08/07	●	+sport pack	P50053MM	[O]	17,7	BRE						
	160	03/01 → 08/07	●	+sport pack	P50073MM	[O]	16,5	BRE						
	160	03/01 → 08/07	●		P50033MM	[O]	15,7	ATE	A00377	95				
C 320 4-matic (203.284)	160	07/02 → 08/07	●		P50046MM	[O]	19,8	TRW						
	160	07/02 → 08/07	●		P50033MM	[O]	15,7	ATE	A00377	95				
C 320 CDI (203.220)	165	06/05 → 08/07	●	-sport pack	P50073MM	[O]	16,5	BRE						
	165	06/05 → 08/07	●	+sport pack	P50053MM	[O]	17,7	BRE						
	165	06/05 → 08/07	●		P50033MM	[O]	15,7	ATE	A00377	95				
C 350 (203.256)	200	01/05 → 08/07	●	-sport pack; -(J); -(AUS); -(USA)	P50073MM	[O]	16,5	BRE						
	200	01/05 → 08/07	●	-sport pack; (J); (USA); (AUS)	P50046MM	[O]	19,8	TRW						
	200	01/05 → 08/07	●	+sport pack	P50053MM	[O]	17,7	BRE						
	200	01/05 → 08/07	●		P50033MM	[O]	15,7	ATE	A00377	95				
C 350 4-matic (203.287)	200	01/05 → 08/07	●		P50053MM	[O]	17,7	BRE						
	200	01/05 → 08/07	●	solid	P50033MM	[O]	15,7	ATE	A00377	95				
	200	01/05 → 08/07	●	vented	P50017MM	[O]	15,5	ATE	A00377	95				

								WI		FK		
	kw				wi	Th [mm]	SYS		LENGHT			

MERCEDES-BENZ

C-CLASS T-Model (S203) 03/01 → 08/07

C 55 AMG (203.276)	270	02/04 → 08/07	●		P50053MM	[o]	17,7	BRE				
	270	02/04 → 08/07	●		P50017MM	[o]	15,5	ATE	A00377	95		

C-CLASS T-Model (S204) 08/07 → 08/14

C 180 (204.231)	115	02/12 → 08/14	●	-sport pack; (CN); Made in (CN)	P50067MM	[o]	20,6	TRW	A00377	95		
	115	02/12 → 08/14	●	-sport pack	P50070MM	[o]	20,6	TRW	A00377	95		
	115	02/12 → 08/14	●	+sport pack	P50071MM	[o]	20,6	TRW	A00377	95		
	115	02/12 → 08/14	●		P50068MM	[o]	17,9	ATE				
C 180 CDI (204.200)	88	01/11 → 08/14	●	-sport pack	P50070MM	[o]	20,6	TRW	A00377	95		
	88	01/11 → 08/14	●	+sport pack	P50071MM	[o]	20,6	TRW	A00377	95		
	88	01/11 → 08/14	●		P50068MM	[o]	17,9	ATE	A00377	95		
C 180 CGI (204.249)	115	11/09 → 08/14	●	-sport pack	P50070MM	[o]	20,6	TRW	A00377	95		
	115	11/09 → 08/14	●	+sport pack	P50071MM	[o]	20,6	TRW	A00377	95		
	115	11/09 → 08/14	●	(USA)	P50067MM	[o]	20,6	TRW	A00377	95		
	115	11/09 → 08/14	●		P50068MM	[o]	17,9	ATE	A00377	95		
C 180 Kompressor (204.245)	115	01/08 → 08/14	●	-sport pack	P50067MM	[o]	20,6	TRW	A00377	95		
	115	01/08 → 08/14	●	-sport pack	P50070MM	[o]	20,6	TRW	A00377	95		
	115	01/08 → 08/14	●	+sport pack	P50071MM	[o]	20,6	TRW	A00377	95		
	115	01/08 → 08/14	●		P50068MM	[o]	17,9	ATE	A00377	95		
C 180 Kompressor (204.246)	115	08/07 → 08/14	●	-sport pack	P50070MM	[o]	20,6	TRW	A00377	95		
	115	08/07 → 08/14	●	+sport pack	P50071MM	[o]	20,6	TRW	A00377	95		
	115	08/07 → 08/14	●		P50068MM	[o]	17,9	ATE	A00377	95		
C 200 CDI (204.201)	100	08/10 → 08/14	●	-sport pack	P50070MM	[o]	20,6	TRW	A00377	95		
	100	08/10 → 08/14	●	+sport pack	P50071MM	[o]	20,6	TRW	A00377	95		
	100	08/10 → 08/14	●		P50068MM	[o]	17,9	ATE	A00377	95		
C 200 CDI (204.207)	100	08/07 → 12/11	●	-sport pack	P50070MM	[o]	20,6	TRW	A00377	95		
	100	08/07 → 12/11	●	+sport pack	P50071MM	[o]	20,6	TRW	A00377	95		
	100	08/07 → 12/11	●		P50068MM	[o]	17,9	ATE	A00377	95		
C 200 CGI (204.248)	135	08/07 → 08/14	●	-sport pack	P50067MM	[o]	20,6	TRW	A00377	95		
	135	08/07 → 08/14	●	+sport pack	P50071MM	[o]	20,6	TRW	A00377	95		
	135	08/07 → 08/14	●		P50068MM	[o]	17,9	ATE	A00377	95		
C 200 Kompressor (204.241)	135	08/07 → 08/14	●	-sport pack	P50067MM	[o]	20,6	TRW	A00377	95		
	135	08/07 → 08/14	●	+sport pack	P50071MM	[o]	20,6	TRW	A00377	95		
	135	08/07 → 08/14	●		P50068MM	[o]	17,9	ATE	A00377	95		
C 220 CDI (204.202)	125	12/08 → 08/14	●	-sport pack	P50067MM	[o]	20,6	TRW	A00377	95		
	125	12/08 → 08/14	●	+sport pack	P50071MM	[o]	20,6	TRW	A00377	95		
	125	12/08 → 08/14	●		P50068MM	[o]	17,9	ATE	A00377	95		
	120	12/08 → 08/14	●	-sport pack	P50067MM	[o]	20,6	TRW	A00377	95		
	120	12/08 → 08/14	●	+sport pack	P50071MM	[o]	20,6	TRW	A00377	95		
C 220 CDI (204.208)	125	08/07 → 11/08	●	-sport pack	P50067MM	[o]	20,6	TRW	A00377	95		
	125	08/07 → 11/08	●	+sport pack	P50071MM	[o]	20,6	TRW	A00377	95		
	125	08/07 → 11/08	●		P50068MM	[o]	17,9	ATE	A00377	95		
	120	08/07 → 11/08	●	-sport pack	P50067MM	[o]	20,6	TRW	A00377	95		
	120	08/07 → 11/08	●	+sport pack	P50071MM	[o]	20,6	TRW	A00377	95		
	120	08/07 → 11/08	●		P50068MM	[o]	17,9	ATE	A00377	95		
C 220 CDI 4-matic (204.284)	125	02/13 → 08/14	●	-sport pack	P50067MM	[o]	20,6	TRW	A00377	95		
	125	02/13 → 08/14	●	+sport pack	P50071MM	[o]	20,6	TRW	A00377	95		
	125	02/13 → 08/14	●		P50068MM	[o]	17,9	ATE	A00377	95		
C 230 (204.252)	150	08/07 → 08/14	●	-sport pack	P50067MM	[o]	20,6	TRW	A00377	95		
	150	08/07 → 08/14	●	+sport pack	P50071MM	[o]	20,6	TRW	A00377	95		
	150	08/07 → 08/14	●		P50068MM	[o]	17,9	ATE	A00377	95		
C 250 CDI (204.203)	150	01/09 → 08/14	●	-sport pack	P50067MM	[o]	20,6	TRW	A00377	95		
	150	01/09 → 08/14	●	+sport pack	P50071MM	[o]	20,6	TRW	A00377	95		
	150	01/09 → 08/14	●		P50068MM	[o]	17,9	ATE	A00377	95		

	kw					wi	Th [mm]	SYS	MAGNETI MARELLI	LENGHT	wi		MAGNETI MARELLI		FK	
--	----	--	--	--	--	----	---------	-----	-----------------	--------	----	--	-----------------	--	----	--

MERCEDES-BENZ

C-CLASS T-Model (S204) 08/07 → 08/14

C 250 CDI 4-matic (204.282)	150	04/10 → 08/14	●	-sport pack	P50067MM	○	20,6	TRW	A00377	95					
	150	04/10 → 08/14	●	+sport pack	P50069MM	○	19,4	TRW	A00377	95					
	150	04/10 → 08/14		Alluminium caliper	P50068MM	○	17,9	ATE	A00377	95					
	150	04/10 → 08/14		Cast iron caliper	P50104MM	○	17,9	ATE	A00377	95					
C 250 CGI (204.247)	150	07/09 → 08/14	●	-sport pack	P50067MM	○	20,6	TRW	A00377	95					
	150	07/09 → 08/14	●	+sport pack	P50071MM	○	20,6	TRW	A00377	95					
	150	07/09 → 08/14	●		P50068MM	○	17,9	ATE	A00377	95					
C 280 (204.254)	170	08/07 → 08/14	●	-sport pack	P50067MM	○	20,6	TRW	A00377	95					
	170	08/07 → 08/14	●	+sport pack	P50069MM	○	19,4	TRW	A00377	95					
	170	08/07 → 08/14	●		P50068MM	○	17,9	ATE	A00377	95					
C 300 (204.254)	170	08/07 → 08/14	●	-sport pack	P50067MM	○	20,6	TRW	A00377	95					
	170	08/07 → 08/14	●	+sport pack	P50069MM	○	19,4	TRW	A00377	95					
	170	08/07 → 08/14	●		P50068MM	○	17,9	ATE	A00377	95					
	170	08/07 → 08/14	●		P50104MM	○	17,9	ATE	A00377	95					
C 320 CDI (204.222)	165	08/07 → 08/14	●		P50069MM	○	19,4	TRW	A00377	95					
	165	08/07 → 08/14	●	Alluminium caliper	P50068MM	○	17,9	ATE	A00377	95					
	165	08/07 → 08/14	●	Cast iron caliper	P50104MM	○	17,9	ATE	A00377	95					
C 320 CDI 4-matic (204.289)	165	08/07 → 08/14	●		P50069MM	○	19,4	TRW	A00377	95					
	165	08/07 → 08/14	●	Alluminium caliper	P50068MM	○	17,9	ATE	A00377	95					
	165	08/07 → 08/14	●	Cast iron caliper	P50104MM	○	17,9	ATE	A00377	95					
C 350 (204.256)	200	08/07 → 08/14	●		P50069MM	○	19,4	TRW	A00377	95					
	200	08/07 → 08/14	●	Alluminium caliper	P50068MM	○	17,9	ATE	A00377	95					
	200	08/07 → 08/14	●	Cast iron caliper	P50104MM	○	17,9	ATE	A00377	95					
C 350 CDI	165	08/07 → 08/14	●		P50069MM	○	19,4	TRW	A00377	95					
	165	08/07 → 08/14	●	Alluminium caliper	P50068MM	○	17,9	ATE	A00377	95					
	165	08/07 → 08/14	●	Cast iron caliper	P50104MM	○	17,9	ATE	A00377	95					
C 350 CDI (204.223)	195	06/11 → 08/14	●		P50069MM	○	19,4	TRW	A00377	95					
	195	06/11 → 08/14	●	Cast iron caliper	P50104MM	○	17,9	ATE	A00377	95					
	195	06/11 → 08/14	●		P50068MM	○	17,9	ATE	A00377	95					
C 350 CDI (204.225)	170	10/09 → 08/14	●		P50069MM	○	19,4	TRW	A00377	95					
	170	10/09 → 08/14	●	Alluminium caliper	P50068MM	○	17,9	ATE	A00377	95					
	170	10/09 → 08/14	●	Cast iron caliper	P50104MM	○	17,9	ATE	A00377	95					
C 350 CDI 4-matic (204.292)	170	10/09 → 08/14	●		P50069MM	○	19,4	TRW	A00377	95					
	170	10/09 → 08/14	●	Alluminium caliper	P50068MM	○	17,9	ATE	A00377	95					
	170	10/09 → 08/14	●	Cast iron caliper	P50104MM	○	17,9	ATE	A00377	95					
C 350 CGI (204.257)	225	06/11 → 08/14	●		P50069MM	○	19,4	TRW	A00377	95					
	225	06/11 → 08/14	●		P50068MM	○	17,9	ATE	A00377	95					
C 63 AMG	373	06/13 → 08/14	●		P50110MM	○	15,3	BRE	A00470	120					
	382	07/10 → 08/14	●		P50110MM	○	15,3	BRE	A00470	120					
C 63 AMG	358	01/12 → 08/14	●		P50110MM	○	15,3	BRE	A00470	120					
	336	02/08 → 08/14	●		P50110MM	○	15,3	BRE	A00470	120					

C-CLASS T-Model (S205) 09/14 →

C 160 (205.244)	95	04/15 →	●	+sport pack	P50123MM	○	18,7	BRE	A00353	93					
	95	04/15 →	●	-sport pack	P50119MM	○	19,3	TRW	A00353	93					
	95	04/15 →	●	-sport pack	P50122MM	○	16,1	ATE	A00353	93					
C 180 (205.240)	115	09/14 →	●	+sport pack	P50123MM	○	18,7	BRE	A00353	93					
	115	09/14 →	●	-sport pack	P50119MM	○	19,3	TRW	A00353	93					
	115	09/14 →	●		P50122MM	○	16,1	ATE							
C 180 BlueTEC / d (205.236)	85	09/14 →	●	+sport pack	P50123MM	○	18,7	BRE	A00353	93					
	85	09/14 →	●	-sport pack	P50119MM	○	19,3	TRW	A00353	93					
	85	09/14 →	●		P50122MM	○	16,1	ATE							
C 200 (205.242)	135	09/14 →	●	+sport pack	P50123MM	○	18,7	BRE	A00353	93					
	135	09/14 →	●	-sport pack	P50118MM	○	19,3	TRW	A00353	93					
	135	09/14 →	●		P50122MM	○	16,1	ATE							

									WI			FK	
										LENGHT			

MERCEDES-BENZ

C-CLASS T-Model (S205) 09/14 →

C 200 4-matic (205.243)	135	04/15 →	●	+sport pack	P50123MM	[o]	18,7	BRE	A00353	93			
	135	04/15 →	●	-sport pack	P50118MM	[o]	19,3	TRW	A00353	93			
	135	04/15 →		●		P50122MM	[o]	16,1	ATE	A00353	93		
C 200 BlueTEC / d (205.237)	100	09/14 →	●	+sport pack	P50123MM	[o]	18,7	BRE	A00353	93			
	100	09/14 →	●	-sport pack	P50119MM	[o]	19,3	TRW	A00353	93			
	100	09/14 →		●		P50122MM	[o]	16,1	ATE				
C 200 d (205.207)	100	10/15 →	●	-sport pack	P50118MM	[o]	19,3	TRW	A00353	93			
	100	10/15 →	●	-sport pack; +taxi	P50123MM	[o]	18,7	BRE	A00353	93			
	100	10/15 →		●		P50122MM	[o]	16,1	ATE	A00353	93		
C 220 BlueTEC / d (205.204)	125	09/14 →	●	+sport pack	P50123MM	[o]	18,7	BRE	A00353	93			
	125	09/14 →	●	-sport pack	P50118MM	[o]	19,3	TRW	A00353	93			
	125	09/14 →		●	-sport pack	P50122MM	[o]	16,1	ATE				
	120	09/14 →	●	-sport pack	P50118MM	[o]	19,3	TRW	A00353	93			
	120	09/14 →	●	+sport pack	P50123MM	[o]	18,7	BRE	A00353	93			
C 220 d 4-matic (205.205)	125	04/15 →	●	+sport pack	P50123MM	[o]	18,7	BRE	A00353	93			
	125	04/15 →	●	-sport pack	P50118MM	[o]	19,3	TRW	A00353	93			
	125	04/15 →		●		P50122MM	[o]	16,1	ATE	A00353	93		
C 250 (205.245)	155	09/14 →	●	+sport pack	P50120MM	[o]	18,9	BRE	A00353	93			
	155	09/14 →	●	-sport pack	P50123MM	[o]	18,7	BRE	A00353	93			
	155	09/14 →		●		P50122MM	[o]	16,1	ATE				
C 250 BlueTEC / d (205.208)	150	09/14 →	●	+sport pack	P50120MM	[o]	18,9	BRE	A00353	93			
	150	09/14 →	●	-sport pack	P50123MM	[o]	18,7	BRE	A00353	93			
	150	09/14 →		●		P50122MM	[o]	16,1	ATE				
C 250 BlueTEC / d 4-matic (205.209)	150	10/14 →	●	+sport pack; -(USA)	P50120MM	[o]	18,9	BRE	A00353	93			
	150	10/14 →	●	-sport pack; -(USA)	P50124MM	[o]	19,4	TRW	A00353	93			
	150	10/14 →		●	-(USA)	P50122MM	[o]	16,1	ATE				
C 300 (205.248)	180	09/15 →	●	+sport pack	P50120MM	[o]	18,9	BRE	A00353	93			
	180	09/15 →	●	-sport pack	P50124MM	[o]	19,4	TRW	A00353	93			
	180	09/15 →		●		P50122MM	[o]	16,1	ATE	A00353	93		
C 300 BlueTEC Hybrid / h (205.212)	150	10/14 →	●	+sport pack; -(USA)	P50120MM	[o]	18,9	BRE	A00353	93			
	150	10/14 →	●	Avantgarde Package; -sport pack	P50124MM	[o]	19,4	TRW	A00353	93			
	150	10/14 →	●	-sport pack; -(USA)	P50123MM	[o]	18,7	BRE	A00353	93			
	150	10/14 →		●		P50122MM	[o]	16,1	ATE				
C 350 e (205.247)	155	02/15 →	●		P50120MM	[o]	18,9	BRE	A00353	93			
	155	02/15 →		●		P50122MM	[o]	16,1	ATE	A00353	93		
	205	02/15 →	●		P50120MM	[o]	18,9	BRE	A00353	93			
	205	02/15 →		●		P50122MM	[o]	16,1	ATE	A00353	93		
C 400 4-matic (205.266)	245	10/14 →	●	-(USA)	P50120MM	[o]	18,9	BRE	A00353	93			
	245	10/14 →		●	-(USA)	P50122MM	[o]	16,1	ATE				
C 450 AMG 4-matic (205.264)	270	04/15 → 04/16	●	+sport pack	P50120MM	[o]	18,9	BRE	A00353	93			
	270	04/15 → 04/16		●	+sport pack	P50122MM	[o]	16,1	ATE	A00353	93		

CITAN Box (415) 11/12 →

108 CDI (415.601, 415.603)	55	11/12 →	●	steel wheel; 14" wheel	P68033MM	[-]	17,3	TRW					
	55	11/12 →	●	16" wheel; 15" wheel	P68044MM	[-]	18,7	BSH					
	55	11/12 →		●		P50107MM	[-]	16	TRW				
109 CDI (415.601, 415.603, 415.605)	66	11/12 →	●	16" wheel; 15" wheel	P68044MM	[-]	18,7	BSH					
	66	11/12 →	●	steel wheel; 14" wheel	P68033MM	[-]	17,3	TRW					
	66	11/12 →		●		P50107MM	[-]	16	TRW				

MERCEDES-BENZ

CITAN Box (415) 11/12 →

111 CDI (415.603, 415.605)	81	06/13 →	●	steel wheel; 14" wheel	P68033MM [-]	17,3	TRW						
	81	06/13 →	●	16" wheel; 15" wheel	P68044MM [-]	18,7	BSH						
	81	06/13 →		●	P50107MM [-]	16	TRW						
	84	06/13 →	●	15" wheel; 16" wheel	P68044MM [-]	18,7	BSH						
112 (415.603)	84	06/13 →	●	steel wheel; 14" wheel	P68033MM [-]	17,3	TRW						
	84	06/13 →		●	P50107MM [-]	16	TRW						

CITAN Combi (415) 11/12 →

108 CDI (415.703)	55	11/12 →	●	16" wheel; 15" wheel	P68044MM [-]	18,7	BSH						
	55	11/12 →	●	steel wheel; 14" wheel	P68033MM [-]	17,3	TRW						
	55	11/12 →		●	P50107MM [-]	16	TRW						
109 CDI (415.703)	66	11/12 →	●	15" wheel; 16" wheel	P68044MM [-]	18,7	BSH						
	66	11/12 →	●	steel wheel; 14" wheel	P68033MM [-]	17,3	TRW						
	66	11/12 →		●	P50107MM [-]	16	TRW						
111 CDI (415.703)	81	06/13 →	●	steel wheel; 14" wheel	P68033MM [-]	17,3	TRW						
	81	06/13 →	●	16" wheel; 15" wheel	P68044MM [-]	18,7	BSH						
	81	06/13 →		●	P50107MM [-]	16	TRW						
	84	06/13 →	●	16" wheel; 15" wheel	P68044MM [-]	18,7	BSH						
112 (415.703)	84	06/13 →	●	steel wheel; 14" wheel	P68033MM [-]	17,3	TRW						
	84	06/13 →		●	P50107MM [-]	16	TRW						

CITAN Mixto (415) 11/12 →

109 CDI	66	11/12 →	●	steel wheel; 14" wheel	P68033MM [-]	17,3	TRW						
	66	11/12 →	●	15" wheel; 16" wheel	P68044MM [-]	18,7	BSH						
	66	11/12 →		●	P50107MM [-]	16	TRW						
111 CDI (415.601, 415.603, 415.605)	81	06/13 →	●	steel wheel; 14" wheel	P68033MM [-]	17,3	TRW						
	81	06/13 →	●	15" wheel; 16" wheel	P68044MM [-]	18,7	BSH						
	81	06/13 →		●	P50107MM [-]	16	TRW						

CLA Coupé (C117) 01/13 →

AMG CLA 45 4-matic (117.352)	280	07/15 →	●	sport brake retrofit	P50093MM [O]	19	TRW	A00353	93				
	280	07/15 →	●	-sport brake retrofit	P50121MM [O]	16,7	BRE	A00353	93				
	280	07/15 →		●	P50099MM [O]	18,7	TRW						
CLA 180 (117.342)	90	01/13 →	●	+sport pack	P50093MM [O]	19	TRW	A00353	93				
	90	01/13 →	●	-sport pack	P50094MM [O]	19,2	TRW	A00353	93				
	90	01/13 →		●	P50091MM [O]	18,4	TRW						
CLA 180 CDI / d (117.312)	80	10/13 →	●	+sport pack	P50093MM [O]	19	TRW	A00353	93				
	80	10/13 →	●	-sport pack	P50094MM [O]	19,2	TRW	A00353	93				
	80	10/13 →		●	P50091MM [O]	18,4	TRW						
CLA 200 (117.343)	115	01/13 →	●		P50093MM [O]	19	TRW	A00353	93				
	115	01/13 →		●	P50091MM [O]	18,4	TRW						
CLA 200 CDI (117.301)	100	06/13 →	●		P50093MM [O]	19	TRW	A00353	93				
	100	06/13 →		●	P50091MM [O]	18,4	TRW						
CLA 200 CDI / d (117.308)	100	07/14 →	●		P50093MM [O]	19	TRW	A00353	93				
	100	07/14 →		●	P50091MM [O]	18,4	TRW						
CLA 200 CDI / d 4-matic (117.302)	100	07/14 →	●		P50093MM [O]	19	TRW	A00353	93				
	100	07/14 →		●	P50091MM [O]	18,4	TRW						
CLA 220 4-matic (117.347)	135	04/16 →	●		P50093MM [O]	19	TRW	A00353	93				
	135	04/16 →		● -sport pack	P50091MM [O]	18,4	TRW						
CLA 220 CDI (117.303)	125	01/13 →	●		P50093MM [O]	19	TRW	A00353	93				
	125	01/13 →		●	P50091MM [O]	18,4	TRW						
CLA 220 CDI / d (117.303)	120	01/13 →	●		P50093MM [O]	19	TRW	A00353	93				
	120	01/13 →		●	P50091MM [O]	18,4	TRW						



kw



MAGNETI MARELLI

WI

Th [mm]

SYS

WI

FK

MAGNETI MARELLI

LENGHT



MAGNETI MARELLI



MERCEDES-BENZ

CLA Coupé (C117) 01/13 →

CLA 220 CDI / d (117.303)	130	09/14 →	●		P50093MM	[o]	19	TRW	A00353	93		
	130	09/14 →		●	P50091MM	[o]	18,4	TRW				
CLA 220 CDI / d 4-matic (117.305)	120	08/14 →	●		P50093MM	[o]	19	TRW	A00353	93		
	120	08/14 →		●	P50091MM	[o]	18,4	TRW				
	130	09/14 →	●		P50093MM	[o]	19	TRW	A00353	93		
	130	09/14 →		●	P50091MM	[o]	18,4	TRW				
CLA 220 CDI 4-matic (117.305)	125	07/14 →	●		P50093MM	[o]	19	TRW	A00353	93		
	125	07/14 →		●	P50091MM	[o]	18,4	TRW				
CLA 250 (117.344)	155	01/13 →	●		P50093MM	[o]	19	TRW	A00353	93		
	155	01/13 →		●	P50091MM	[o]	18,4	TRW				
CLA 250 (117.350)	160	07/15 →	●		P50093MM	[o]	19	TRW	A00353	93		
	160	07/15 →		●	P50091MM	[o]	18,4	TRW				
CLA 250 4-matic (117.346)	155	07/13 →	●		P50093MM	[o]	19	TRW	A00353	93		
	155	07/13 →		●	P50091MM	[o]	18,4	TRW				
				●								-sport pack; -(USA)
CLA 250 4-matic (117.351)	160	07/15 →	●		P50093MM	[o]	19	TRW	A00353	93		
	160	07/15 →		●	P50091MM	[o]	18,4	TRW				
				●								-sport pack
CLA 45 (117.352)	265	07/13 →	●		P50093MM	[o]	19	TRW	A00353	93		Sport Brake Retrofit
AMG 4-matic (117.352)	265	07/13 →	●		P50121MM	[o]	16,7	BRE	A00353	93		
	265	07/13 →		●	P50099MM	[o]	18,7	TRW				

CLA Shooting Brake (X117) 01/15 →

AMG CLA 45 4-matic (117.952)	280	07/15 →	●		P50121MM	[o]	16,7	BRE	A00353	93		
	280	07/15 →		●	P50099MM	[o]	18,7	TRW				
CLA 180 (117.942)	90	01/15 →	●		P50093MM	[o]	19	TRW	A00353	93		
	90	01/15 →		●	P50091MM	[o]	18,4	TRW				
CLA 180 d (117.912)	80	07/15 →	●		P50093MM	[o]	19	TRW	A00353	93		
	80	07/15 →		●	P50091MM	[o]	18,4	TRW				
CLA 200 (117.943)	115	01/15 →	●		P50093MM	[o]	19	TRW	A00353	93		
	115	01/15 →		●	P50091MM	[o]	18,4	TRW				
CLA 200 CDI / d (117.908)	100	01/15 →	●		P50093MM	[o]	19	TRW	A00353	93		
	100	01/15 →		●	P50091MM	[o]	18,4	TRW				
CLA 200 CDI / d 4-matic (117.902)	100	01/15 →	●		P50093MM	[o]	19	TRW	A00353	93		
	100	01/15 →		●	P50091MM	[o]	18,4	TRW				
CLA 220 CDI / d (117.903)	130	01/15 →	●		P50093MM	[o]	19	TRW	A00353	93		
	130	01/15 →		●	P50091MM	[o]	18,4	TRW				
	120	01/15 →	●		P50093MM	[o]	19	TRW	A00353	93		
	120	01/15 →		●	P50091MM	[o]	18,4	TRW				
CLA 220 CDI / d 4-matic (117.905)	130	01/15 →	●		P50093MM	[o]	19	TRW	A00353	93		
	130	01/15 →		●	P50091MM	[o]	18,4	TRW				
	120	09/15 →	●		P50093MM	[o]	19	TRW	A00353	93		
	120	09/15 →		●	P50091MM	[o]	18,4	TRW				
CLA 250 (117.944)	155	01/15 →	●		P50093MM	[o]	19	TRW	A00353	93		
	155	01/15 →		●	P50091MM	[o]	18,4	TRW				
CLA 250 4-matic (117.946)	155	01/15 →	●		P50093MM	[o]	19	TRW	A00353	93		
	155	01/15 →		●	P50091MM	[o]	18,4	TRW				
CLA 250 4-matic (117.951)	160	07/15 →	●		P50093MM	[o]	19	TRW	A00353	93		
	160	07/15 →		●	P50091MM	[o]	18,4	TRW				
CLA 45 (117.952)	265	01/15 → 06/15	●		P50121MM	[o]	16,7	BRE	A00353	93		
AMG 4-matic (117.952)	265	01/15 → 06/15	●		P50099MM	[o]	18,7	TRW				

	kw					wi	Th [mm]	SYS		WI		FK	
										LENTH			

MERCEDES-BENZ

CLC-CLASS (CL203) 05/08 → 06/11

CLC 160 (203.731)	95	02/09 → 06/11	●			P50045MM	[O]	19,8	TRW				
	95	02/09 → 06/11	●			P50072MM	[-]	15,3	ATE	A00377	95		
CLC 180 Kompressor (203.746)	105	05/08 → 06/11	●			P50045MM	[O]	19,8	TRW				
	105	05/08 → 06/11	●			P50072MM	[-]	15,3	ATE	A00377	95		
CLC 200 CDI (203.707)	90	05/08 → 06/11	●			P50045MM	[O]	19,8	TRW				
	90	05/08 → 06/11	●			P50072MM	[-]	15,3	ATE	A00377	95		
CLC 200 Kompressor (203.741)	135	05/08 → 06/11	●			P50045MM	[O]	19,8	TRW				
	135	05/08 → 06/11	●			P50072MM	[-]	15,3	ATE	A00377	95		
CLC 220 CDI (203.708)	110	05/08 → 06/11	●			P50045MM	[O]	19,8	TRW				
	110	05/08 → 06/11	●			P50072MM	[-]	15,3	ATE	A00377	95		
CLC 230 (203.752)	150	05/08 → 06/11	●			P50046MM	[O]	19,8	TRW				
	150	05/08 → 06/11	●			P50033MM	[O]	15,7	ATE	A00377	95		
CLC 350 (203.756)	200	05/08 → 06/11	●			P50073MM	[O]	16,5	BRE				
	200	05/08 → 06/11	●			P50033MM	[O]	15,7	ATE	A00377	95		

CLK (C208) 06/97 → 09/02

200 (208.335)	100	06/97 → 06/02	●			P50023MM	[O]	19,8	ATE	A00349	90		A02202
	100	06/97 → 06/02	●			P50025MM	[-]	15,7	ATE				
200 Kompressor (208.344)	120	06/00 → 06/02	●			P50023MM	[O]	19,8	ATE	A00349	90		A02202
	120	06/00 → 06/02	●			P50025MM	[-]	15,7	ATE				
200 Kompressor (208.345)	141	06/97 → 06/00	●			P50023MM	[O]	19,8	ATE	A00349	90		A02202
	141	06/97 → 06/00	●			P50025MM	[-]	15,7	ATE				
230 Kompressor (208.347)	142	06/97 → 06/00	●			P50023MM	[O]	19,8	ATE	A00349	90		A02202
	142	06/97 → 06/00	●			P50025MM	[-]	15,7	ATE				
230 Kompressor (208.348)	145	06/00 → 06/02	●			P50023MM	[O]	19,8	ATE	A00349	90		A02202
	145	06/00 → 06/02	●			P50025MM	[-]	15,7	ATE				
320 (208.365)	160	06/97 → 06/02	●			P50026MM	[O]	20,3	ATE	A00349	90		A02202
	160	06/97 → 06/02	●		→ F196683	P50017MM	[O]	15,5	ATE				
	160	06/97 → 06/02	●		F196684 →	P50033MM	[O]	15,7	ATE				
430 (208.370)	205	07/98 → 06/02	●		→ 07/99; fist-type cal.	P50026MM	[O]	20,3	ATE	A00278	74	F129679 →	A02202 → 07/99
	205	07/98 → 06/02	●		→ 07/99; fix cal.	P50010MM	[O]	17,5	ATE	A00278	74	F129679 →	A02202 → 07/99
	205	07/98 → 06/02	●		08/99 →; fist-type cal.	P06019MM	[O]	20,8	ATE	A00278	74	F129679 →	A02202 → 07/99
	205	07/98 → 06/02	●			P50017MM	[O]	15,5	ATE				
55 AMG (208.374)	255	08/99 → 06/02	●			P06019MM	[O]	20,8	ATE	A00278	74		
	255	08/99 → 06/02	●			P50017MM	[O]	15,5	ATE				

CLK (C209) 06/02 → 05/09

200 CGI (209.343)	125	07/03 → 05/09	●		-sport pack	P50045MM	[O]	19,8	TRW	A00377	95		
	125	07/03 → 05/09	●		+sport pack	P50073MM	[O]	16,5	BRE	A00377	95		
	125	07/03 → 05/09	●		-sport pack	P50072MM	[-]	15,3	ATE	A00377	95		
	125	07/03 → 05/09	●		+sport pack	P50033MM	[O]	15,7	ATE	A00377	95		
200 Kompressor (209.341)	135	10/06 → 05/09	●		-sport pack	P50046MM	[O]	19,8	TRW	A00377	95		
	135	10/06 → 05/09	●		+sport pack	P50073MM	[O]	16,5	BRE	A00377	95		
	135	10/06 → 05/09	●			P50033MM	[O]	15,7	ATE	A00377	95		
200 Kompressor (209.342)	120	09/02 → 05/09	●		-sport pack	P50045MM	[O]	19,8	TRW	A00377	95		
	120	09/02 → 05/09	●		+sport pack	P50073MM	[O]	16,5	BRE	A00377	95		
	120	09/02 → 05/09	●		-sport pack	P50072MM	[-]	15,3	ATE	A00377	95		
	120	09/02 → 05/09	●		+sport pack	P50033MM	[O]	15,7	ATE	A00377	95		
220 CDI (209.308)	110	01/05 → 05/09	●		-sport pack	P50045MM	[O]	19,8	TRW	A00377	95		
	110	01/05 → 05/09	●		+sport pack	P50073MM	[O]	16,5	BRE	A00377	95		
	110	01/05 → 05/09	●		-sport pack	P50072MM	[-]	15,3	ATE	A00377	95		



kw



Wi

Th [mm]

SYS

WI

FK



LENGHT



MERCEDES-BENZ

CLK (C209) 06/02 → 05/09

220 CDI (209.308)	110	01/05 → 05/09	●	+sport pack	P50033MM	[o]	15,7	ATE	A00377	95			
	100	01/05 → 05/09	●	-sport pack	P50045MM	[o]	19,8	TRW	A00377	95			
	100	01/05 → 05/09	●	+sport pack	P50073MM	[o]	16,5	BRE	A00377	95			
	100	01/05 → 05/09	●	-sport pack	P50072MM	[-]	15,3	ATE	A00377	95			
	100	01/05 → 05/09	●	+sport pack	P50033MM	[o]	15,7	ATE	A00377	95			
240 (209.361)	125	06/02 → 05/09	●		P50046MM	[o]	19,8	TRW					
	125	06/02 → 05/09	●		P50033MM	[o]	15,7	ATE	A00377	95			
	120	06/02 → 05/09	●		P50046MM	[o]	19,8	TRW					
	120	06/02 → 05/09	●		P50033MM	[o]	15,7	ATE	A00377	95			
270 CDI (209.316)	125	10/02 → 05/09	●	-sport pack	P50046MM	[o]	19,8	TRW	A00377	95			
	125	10/02 → 05/09	●	+sport pack	P50073MM	[o]	16,5	BRE	A00377	95			
	125	10/02 → 05/09	●		P50033MM	[o]	15,7	ATE	A00377	95			
	120	02/03 → 06/05	●	-sport pack	P50046MM	[o]	19,8	TRW	A00377	95			
	120	02/03 → 06/05	●	+sport pack	P50073MM	[o]	16,5	BRE	A00377	95			
	120	02/03 → 06/05	●		P50033MM	[o]	15,7	ATE	A00377	95			
280 (209.354)	170	01/05 → 05/09	●	-sport pack	P50046MM	[o]	19,8	TRW	A00377	95			
	170	01/05 → 05/09	●	+sport pack	P50073MM	[o]	16,5	BRE	A00377	95			
	170	01/05 → 05/09	●		P50033MM	[o]	15,7	ATE	A00377	95			
320 (209.365)	160	06/02 → 05/09	●		P50046MM	[o]	19,8	TRW	A00377	95			
	160	06/02 → 05/09	●		P50033MM	[o]	15,7	ATE	A00377	95			
320 CDI (209.320)	165	01/05 → 05/09	●	-sport pack	P50073MM	[o]	16,5	BRE	A00377	95			
	165	01/05 → 05/09	●	+sport pack	P50053MM	[o]	17,7	BRE	A00377	95			
	165	01/05 → 05/09	●		P50033MM	[o]	15,7	ATE	A00377	95			
350 (209.356)	200	01/05 → 05/09	●	-sport pack	P50073MM	[o]	16,5	BRE	A00377	95			
	200	01/05 → 05/09	●	+sport pack	P50053MM	[o]	17,7	BRE	A00377	95			
	200	01/05 → 05/09	●	-sport pack; (AUS); (J)	P50046MM	[o]	19,8	TRW	A00377	95			
	200	01/05 → 05/09	●		P50033MM	[o]	15,7	ATE	A00377	95			
500 (209.372)	285	06/06 → 05/09	●		P50053MM	[o]	17,7	BRE	A00377	95			
	285	06/06 → 05/09	●		P50017MM	[o]	15,5	ATE	A00377	95			
500 (209.375)	225	06/02 → 05/09	●		P50053MM	[o]	17,7	BRE	A00377	95			
	225	06/02 → 05/09	●		P50017MM	[o]	15,5	ATE	A00377	95			
55 AMG (209.376)	270	09/02 → 05/09	●	→ F123374	P50053MM	[o]	17,7	BRE	A00277	98			
	270	09/02 → 05/09	●	F123375 →	P50092MM	[o]	17,5	BRE	A00277	98			
	270	09/02 → 05/09	●		P50017MM	[o]	15,5	ATE					
63 AMG (209.377)	354	04/06 → 05/09	●		P50092MM	[o]	17,5	BRE	A00277	98			
	354	04/06 → 05/09	●		P50113MM	[-]	14,8	BRE					
	373	05/07 → 05/09	●		P50092MM	[o]	17,5	BRE	A00277	98			
	373	05/07 → 05/09	●		P50077MM	[o]	14,8	BRE					
DTM AMG	428	06/04 → 05/09	●		P50092MM	[o]	17,5	BRE					
	428	06/04 → 05/09	●		P50017MM	[o]	15,5	ATE					

CLK Convertible (A208) 03/98 → 03/02

200 (208.435)	100	03/98 → 03/02	●		P50023MM	[o]	19,8	ATE	A00349	90		A02202
	100	03/98 → 03/02	●		P50025MM	[-]	15,7	ATE				
200 Kompressor (208.444)	120	06/00 → 03/02	●		P50026MM	[o]	20,3	ATE	A00349	90		A02202
	120	06/00 → 03/02	●		P50017MM	[o]	15,5	ATE				
200 Kompressor (208.445)	141	03/98 → 06/00	●		P50026MM	[o]	20,3	ATE	A00349	90		A02202
	141	03/98 → 06/00	●		P50017MM	[o]	15,5	ATE				
230 Kompressor (208.447)	142	03/98 → 06/00	●		P50026MM	[o]	20,3	ATE	A00349	90		A02202
	142	03/98 → 06/00	●		P50017MM	[o]	15,5	ATE				
230 Kompressor (208.448)	145	06/00 → 03/02	●		P50026MM	[o]	20,3	ATE	A00349	90		A02202
	145	06/00 → 03/02	●		P50017MM	[o]	15,5	ATE				

MERCEDES-BENZ

CLK Convertible (A208) 03/98 → 03/02

320 (208.465)	160	03/98 → 03/02	●		P50026MM	[O]	20,3	ATE	A00349	90				A02202	
	160	03/98 → 03/02		●	P50033MM	[O]	15,7	ATE							
	160	03/98 → 03/02		●	P50017MM	[O]	15,5	ATE							
430 (208.470)	205	09/98 → 03/02	●		P50026MM	[O]	20,3	ATE	A00278	74	07/99 →			A02202	→ 07/99
	205	09/98 → 03/02	●		P50010MM	[O]	17,5	ATE	A00278	74	07/99 →			A02202	→ 07/99
	205	09/98 → 03/02	●		P06019MM	[O]	20,8	ATE	A00278	74	07/99 →			A02202	→ 07/99
	205	09/98 → 03/02		●	P50017MM	[O]	15,5	ATE							
55 AMG (208.474)	255	01/00 → 03/02	●		P06019MM	[O]	20,8	ATE	A00278	74					
	255	01/00 → 03/02		●	P50017MM	[O]	15,5	ATE							

CLK Convertible (A209) 02/03 → 03/10

CLK 200 CGI (209.443, 209.343)	125	07/03 → 03/10	●		P50046MM	[O]	19,8	TRW	A00377	95					
	125	07/03 → 03/10	●		P50045MM	[O]	19,8	TRW	A00377	95					
	125	07/03 → 03/10	●		P50073MM	[O]	16,5	BRE	A00377	95					
	125	07/03 → 03/10		●	P50072MM	[-]	15,3	ATE	A00377	95					
	125	07/03 → 03/10		●	P50033MM	[O]	15,7	ATE	A00377	95					
CLK 200 Kompressor (209.441)	135	10/06 → 03/10	●		P50046MM	[O]	19,8	TRW	A00377	95					
	135	10/06 → 03/10	●		P50073MM	[O]	16,5	BRE	A00377	95					
	135	10/06 → 03/10		●	P50033MM	[O]	15,7	ATE	A00377	95					
CLK 200 Kompressor (209.442)	120	02/03 → 03/10	●		P50046MM	[O]	19,8	TRW	A00377	95					
	120	02/03 → 03/10	●		P50073MM	[O]	16,5	BRE	A00377	95					
CLK 240 (209.461)	125	02/03 → 03/10	●		P50046MM	[O]	19,8	TRW							
	125	02/03 → 03/10		●	P50033MM	[O]	15,7	ATE	A00377	95					
CLK 280 (209.454)	170	01/05 → 03/10	●		P50046MM	[O]	19,8	TRW	A00377	95					
	170	01/05 → 03/10	●		P50073MM	[O]	16,5	BRE	A00377	95					
	170	01/05 → 03/10		●	P50033MM	[O]	15,7	ATE	A00377	95					
CLK 320 (209.465)	160	02/03 → 03/10	●		P50046MM	[O]	19,8	TRW	A00377	95					
	160	02/03 → 03/10		●	P50033MM	[O]	15,7	ATE	A00377	95					
CLK 320 CDI (209.420)	165	03/05 → 03/10	●		P50073MM	[O]	16,5	BRE	A00377	95					
	165	03/05 → 03/10	●		P50053MM	[O]	17,7	BRE	A00377	95					
	165	03/05 → 03/10		●	P50033MM	[O]	15,7	ATE	A00377	95					
CLK 350 (209.456)	200	01/05 → 03/10	●		P50073MM	[O]	16,5	BRE	A00377	95					
	200	01/05 → 03/10	●		P50053MM	[O]	17,7	BRE	A00377	95					
	200	01/05 → 03/10	●		P50046MM	[O]	19,8	TRW	A00377	95					
	200	01/05 → 03/10		●	P50033MM	[O]	15,7	ATE	A00377	95					
CLK 500 (209.472)	285	06/06 → 03/10	●		P50053MM	[O]	17,7	BRE	A00377	95					
	285	06/06 → 03/10		●	P50017MM	[O]	15,5	ATE	A00377	95					
CLK 500 (209.475)	225	02/03 → 03/10	●		P50053MM	[O]	17,7	BRE	A00377	95					
	225	02/03 → 03/10		●	P50017MM	[O]	15,5	ATE	A00377	95					
CLK 55 AMG (209.476)	270	02/03 → 03/10	●		P50053MM	[O]	17,7	BRE	A00277	98					
	270	02/03 → 03/10	●		P50092MM	[O]	17,5	BRE	A00277	98					
	270	02/03 → 03/10		●	P50017MM	[O]	15,5	ATE							
CLK 63 AMG (209.477)	354	04/06 → 03/10	●		P50092MM	[O]	17,5	BRE	A00277	98					
	354	04/06 → 03/10		●	P50113MM	[-]	14,8	BRE							
CLK AMG DTM	428	06/04 → 03/10	●		P50092MM	[O]	17,5	BRE							
	428	06/04 → 03/10		●	P50017MM	[O]	15,5	ATE							

CLS (C218) 01/11 →

CLS 220 BlueTEC (218.301)	130	05/14 →	●		P50069MM	[O]	19,4	TRW	A00377	95					
	130	05/14 →		●	P50052MM	[O]	16,8	ATE	A00377	95					

						wi	Th [mm]	SYS	WI			FK	
										LENGHT			

MERCEDES-BENZ

CLS (C218) 01/11 →

CLS 220 BlueTEC / d (218.301)	120	05/14 →	●		P50069MM	[o]	19,4	TRW	A00377	95			
	120	05/14 →		●	P50052MM	[o]	16,8	ATE	A00377	95			
	125	05/14 →	●		P50069MM	[o]	19,4	TRW	A00377	95			
	125	05/14 →		●	P50052MM	[o]	16,8	ATE	A00377	95			
CLS 250 BlueTEC / d 4-matic (218.397)	150	05/14 →	●		P50069MM	[o]	19,4	TRW	A00377	95			
	150	05/14 →		●	P50052MM	[o]	16,8	ATE	A00377	95			
CLS 250 CDI / BlueTEC / d (218.303, 218.304)	150	04/11 →	●		P50069MM	[o]	19,4	TRW	A00377	95			
	150	04/11 →		●	P50052MM	[o]	16,8	ATE	A00377	95			
CLS 350 (218.359)	225	01/11 →	●	-sport pack	P50069MM	[o]	19,4	TRW	A00377	95			
	225	01/11 →	●	+sport pack	P50087MM	[o]	17,5	BRE	A00377	95			
	225	01/11 →		●	P50052MM	[o]	16,8	ATE	A00377	95			
CLS 350 BlueTEC (218.326)	185	11/12 →	●	-sport pack	P50069MM	[o]	19,4	TRW	A00377	95			
	185	11/12 →	●	+sport pack	P50087MM	[o]	17,5	BRE	A00377	95			
	185	11/12 →		●	P50052MM	[o]	16,8	ATE	A00377	95			
CLS 350 BlueTEC / d (218.326)	190	06/14 →	●	-sport pack	P50069MM	[o]	19,4	TRW					
	190	06/14 →	●	+sport pack	P50087MM	[o]	17,5	BRE					
	190	06/14 →		●	P50052MM	[o]	16,8	ATE	A00377	95			
CLS 350 BlueTEC 4-matic (218.394)	185	11/12 →	●	-sport pack	P50069MM	[o]	19,4	TRW	A00377	95			
	185	11/12 →	●	+sport pack	P50087MM	[o]	17,5	BRE	A00377	95			
	185	11/12 →		●	P50052MM	[o]	16,8	ATE	A00377	95			
CLS 350 CDI (218.323)	195	01/11 →	●	-sport pack	P50069MM	[o]	19,4	TRW	A00377	95			
	195	01/11 →	●	+sport pack	P50087MM	[o]	17,5	BRE	A00377	95			
	195	01/11 →		●	P50052MM	[o]	16,8	ATE	A00377	95			
CLS 350 CDI 4-matic (218.393)	195	09/11 →	●	-sport pack	P50069MM	[o]	19,4	TRW	A00377	95			
	195	09/11 →	●	+sport pack	P50087MM	[o]	17,5	BRE	A00377	95			
	195	09/11 →		●	P50052MM	[o]	16,8	ATE	A00377	95			
CLS 350 d 4-matic (218.394)	190	04/15 →	●	-sport pack	P50069MM	[o]	19,4	TRW	A00377	95			
	190	04/15 →	●	+sport pack	P50087MM	[o]	17,5	BRE	A00377	95			
	190	04/15 →		●	P50052MM	[o]	16,8	ATE	A00377	95			
CLS 400 (218.361)	245	07/14 →	●	-sport pack	P50069MM	[o]	19,4	TRW	A00377	95			
	245	07/14 →	●	+sport pack	P50087MM	[o]	17,5	BRE	A00377	95			
	245	07/14 →		●	P50052MM	[o]	16,8	ATE	A00377	95			
CLS 400 (218.365)	245	05/14 →	●	-sport pack	P50069MM	[o]	19,4	TRW	A00377	95			
	245	05/14 →	●	+sport pack	P50087MM	[o]	17,5	BRE	A00377	95			
	245	05/14 →		●	P50052MM	[o]	16,8	ATE	A00377	95			
CLS 400 4-matic (218.367)	245	05/14 →	●	-sport pack	P50069MM	[o]	19,4	TRW	A00377	95			
	245	05/14 →	●	+sport pack	P50087MM	[o]	17,5	BRE	A00377	95			
	245	05/14 →		●	P50052MM	[o]	16,8	ATE	A00377	95			
CLS 400 4-matic (218.368)	245	07/14 →	●	-sport pack	P50069MM	[o]	19,4	TRW	A00377	95			
	245	07/14 →	●	+sport pack	P50087MM	[o]	17,5	BRE	A00377	95			
	245	07/14 →		●	P50052MM	[o]	16,8	ATE	A00377	95			
CLS 500 (218.373)	300	02/11 →	●		P50097MM	[o]	17,8	BRE	A00377	95			
	300	02/11 →	●	(USA)	P50098MM	[o]	17,8	BRE	A00377	95			
	300	02/11 →		●	P50052MM	[o]	16,8	ATE	A00377	95			
CLS 500 4-matic (218.391)	300	09/11 →	●		P50097MM	[o]	17,8	BRE	A00377	95			
	300	09/11 →	●	(USA)	P50098MM	[o]	17,8	BRE	A00377	95			
	300	09/11 →		●	P50052MM	[o]	16,8	ATE	A00377	95			
CLS 63 AMG (218.374)	386	02/11 →	●	-ceramic brake disc	P50110MM	[o]	15,3	BRE	A00470	120			
	410	01/11 →	●	-ceramic brake disc	P50110MM	[o]	15,3	BRE	A00470	120			

		kw					wi	Th [mm]	SYS	WI		FK	
											LENGHT		

MERCEDES-BENZ

CLS (C218) 01/11 →

CLS 63 AMG (218.375)	430	02/13 →	•		P50110MM	[O]	15,3	BRE	A00470	120	-ceramic brake disc		
CLS 63 AMG 4-matic (218.376)	430	02/13 →	•		P50110MM	[O]	15,3	BRE	A00470	120	-ceramic brake disc		
CLS 63 AMG 4-matic (218.392)	410	05/13 →	•		P50110MM	[O]	15,3	BRE	A00470	120	-ceramic brake disc		

CLS (C219) 10/04 → 02/11

CLS 280 (219.354)	170	07/08 → 12/10	•		P50053MM	[O]	17,7	BRE	A00377	95			
	170	07/08 → 12/10	•		P50052MM	[O]	16,8	ATE					
CLS 300 (219.354)	170	04/09 → 12/10	•		P50053MM	[O]	17,7	BRE	A00377	95			
	170	04/09 → 12/10	•		P50052MM	[O]	16,8	ATE					
CLS 320 CDI	155	01/05 → 12/10	•		P50053MM	[O]	17,7	BRE	A00279	101/94			
	155	01/05 → 12/10	•		P50052MM	[O]	16,8	ATE	A00377	95			
CLS 320 CDI (219.322)	165	01/05 → 12/10	•		P50053MM	[O]	17,7	BRE	A00279	101/94			
	165	01/05 → 12/10	•		P50052MM	[O]	16,8	ATE	A00377	95			
CLS 350 (219.356)	200	10/04 → 12/10	•		P50053MM	[O]	17,7	BRE	A00279	101/94			
	200	10/04 → 12/10	•		P50052MM	[O]	16,8	ATE	A00377	95			
CLS 350 (219.357)	215	04/06 → 12/10	•		P50053MM	[O]	17,7	BRE	A00279	101/94			
	215	04/06 → 12/10	•		P50052MM	[O]	16,8	ATE	A00377	95			
CLS 350 CDI	200	04/09 → 12/10	•		P50053MM	[O]	17,7	BRE	A00377	95			
	200	04/09 → 12/10	•		P50052MM	[O]	16,8	ATE	A00377	95			
CLS 350 CDI (219.322)	165	04/09 → 12/10	•		P50053MM	[O]	17,7	BRE	A00279	101/94			
	165	04/09 → 12/10	•		P50052MM	[O]	16,8	ATE	A00377	95			
CLS 350 CGI (219.357)	215	04/09 → 12/10	•		P50053MM	[O]	17,7	BRE	A00279	101/94			
	215	04/09 → 12/10	•		P50052MM	[O]	16,8	ATE	A00377	95			
CLS 500 (219.372)	285	04/06 → 12/10	•	-(AUS); -(USA); -(J)	P50074MM	[O]	17,8	BRE	A00277	98	(AUS); (J); (USA)		
	285	04/06 → 12/10	•	(USA); (AUS); (J)	P50053MM	[O]	17,7	BRE	A00277	98	(AUS); (J); (USA)		
	285	04/06 → 12/10	•		P50052MM	[O]	16,8	ATE	A00377	95			
CLS 500 (219.375)	225	10/04 → 12/10	•		P50053MM	[O]	17,7	BRE	A00279	101/94			
	225	10/04 → 12/10	•		P50052MM	[O]	16,8	ATE	A00377	95			
CLS 55 AMG (219.376)	350	01/05 → 12/10	•		P50062MM	[O]	17,5	BRE	A00377	95			
	350	01/05 → 12/10	•		P50061MM	[O]	16,5	BRE	A00377	95			
CLS 63 AMG (219.377)	378	04/06 → 12/10	•		P50113MM	[-]	14,8	BRE	A00470	120	Right; Right		

CLS Shooting Brake (X218) 10/12 →

CLS 220 BlueTEC (218.901)	130	05/14 →	•		P50069MM	[O]	19,4	TRW	A00377	95			
	130	05/14 →	•		P50052MM	[O]	16,8	ATE	A00377	95			
CLS 220 BlueTEC / d (218.901)	120	05/14 →	•		P50069MM	[O]	19,4	TRW	A00377	95			
	120	05/14 →	•		P50052MM	[O]	16,8	ATE	A00377	95			
	125	05/14 →	•		P50069MM	[O]	19,4	TRW	A00377	95			
	125	05/14 →	•		P50052MM	[O]	16,8	ATE	A00377	95			
CLS 250 BlueTEC / d 4-matic (218.997)	150	05/14 →	•		P50069MM	[O]	19,4	TRW	A00377	95			
	150	05/14 →	•		P50052MM	[O]	16,8	ATE	A00377	95			

--	--	--	--	--	--	--	--	--	--	--	--	--	--	--	--

MERCEDES-BENZ

CLS Shooting Brake (X218) 10/12 →

CLS 250 CDI / BlueTEC / d (218.903, 218.904)	150	10/12 →	●				P50069MM	[o]	19,4	TRW	A00377	95			
	150	10/12 →		●			P50052MM	[o]	16,8	ATE	A00377	95			
CLS 350 (218.959)	225	10/12 →	●		-sport pack		P50069MM	[o]	19,4	TRW	A00377	95			
	225	10/12 →	●		+sport pack		P50087MM	[o]	17,5	BRE	A00377	95			
	225	10/12 →		●			P50052MM	[o]	16,8	ATE	A00377	95			
CLS 350 BlueTEC / d (218.926)	190	05/14 →	●		+sport pack		P50087MM	[o]	17,5	BRE	A00377	95			
	190	05/14 →	●		-sport pack		P50069MM	[o]	19,4	TRW	A00377	95			
	190	05/14 →		●			P50052MM	[o]	16,8	ATE	A00377	95			
CLS 350 BlueTEC 4-matic (218.994)	185	05/14 →	●		-sport pack		P50069MM	[o]	19,4	TRW	A00377	95			
	185	05/14 →	●		+sport pack		P50087MM	[o]	17,5	BRE	A00377	95			
	185	05/14 →		●			P50052MM	[o]	16,8	ATE	A00377	95			
CLS 350 CDI (218.923)	195	10/12 →	●		+sport pack		P50087MM	[o]	17,5	BRE	A00377	95			
	195	10/12 →	●		-sport pack		P50069MM	[o]	19,4	TRW	A00377	95			
	195	10/12 →		●			P50052MM	[o]	16,8	ATE	A00377	95			
CLS 350 CDI 4-matic (218.993)	195	10/12 →	●		+sport pack		P50087MM	[o]	17,5	BRE	A00377	95			
	195	10/12 →	●		-sport pack		P50069MM	[o]	19,4	TRW	A00377	95			
	195	10/12 →		●			P50052MM	[o]	16,8	ATE	A00377	95			
CLS 350 d 4-matic (218.994)	190	04/15 →	●		-sport pack		P50069MM	[o]	19,4	TRW	A00377	95			
	190	04/15 →	●		+sport pack		P50087MM	[o]	17,5	BRE	A00377	95			
	190	04/15 →		●			P50052MM	[o]	16,8	ATE	A00377	95			
CLS 400 (218.961)	245	07/14 →	●		+sport pack		P50087MM	[o]	17,5	BRE	A00377	95			
	245	07/14 →		●			P50052MM	[o]	16,8	ATE	A00377	95			
CLS 400 (218.965)	245	05/14 →	●		+sport pack		P50087MM	[o]	17,5	BRE	A00377	95			
	245	05/14 →		●			P50052MM	[o]	16,8	ATE	A00377	95			
CLS 400 4-matic (218.967)	245	05/14 →	●		+sport pack		P50087MM	[o]	17,5	BRE	A00377	95			
	245	05/14 →		●			P50052MM	[o]	16,8	ATE	A00377	95			
CLS 400 4-matic (218.968)	245	07/14 →	●		+sport pack		P50087MM	[o]	17,5	BRE	A00377	95			
	245	07/14 →		●			P50052MM	[o]	16,8	ATE	A00377	95			
CLS 500 (218.973)	300	10/12 →	●				P50097MM	[o]	17,8	BRE	A00377	95			
	300	10/12 →		●			P50052MM	[o]	16,8	ATE	A00377	95			
CLS 500 4-matic (218.991)	300	10/12 →	●				P50097MM	[o]	17,8	BRE	A00377	95			
	300	10/12 →		●			P50052MM	[o]	16,8	ATE	A00377	95			
CLS 63 AMG (218.974)	386	10/12 →	●				P50110MM	[o]	15,3	BRE	A00470	120	-ceramic brake disc		
	410	05/13 →	●				P50110MM	[o]	15,3	BRE	A00470	120	-ceramic brake disc		
CLS 63 AMG (218.975)	430	02/13 →	●				P50110MM	[o]	15,3	BRE	A00470	120	-ceramic brake disc		
CLS 63 AMG 4-matic (218.976)	430	02/13 →	●				P50110MM	[o]	15,3	BRE	A00470	120	-ceramic brake disc		
CLS 63 AMG 4-matic (218.992)	410	05/13 →	●				P50110MM	[o]	15,3	BRE	A00470	120	-ceramic brake disc		

E-CLASS (W210) 06/95 → 08/03

E 200 (210.035)	100	06/95 → 08/00	●				P50023MM	[o]	19,8	ATE	A00349	90		A02202	
	100	06/95 → 08/00	●		→ A379346; cal.+2 holding pins		P50009MM	[o]	15	ATE	A00349	90			
	100	06/95 → 08/00	●		A379347 →; cal.+1 holding pin		P50025MM	[-]	15,7	ATE	A00349	90			
E 200 CDI (210.007)	75	06/98 → 03/02	●				P50023MM	[o]	19,8	ATE	A00349	90		A02202	
	75	06/98 → 03/02	●		→ A379346; cal.+2 holding pins		P50009MM	[o]	15	ATE	A00349	90			
	75	06/98 → 03/02	●		A379347 →; cal.+1 holding pin		P50025MM	[-]	15,7	ATE	A00349	90			
	85	07/99 → 03/02	●				P50023MM	[o]	19,8	ATE	A00349	90			

--	--	--	--	--	--	--	--	--	--	--	--	--	--

MERCEDES-BENZ

E-CLASS (W210) 06/95 → 08/03

Model	Power (kW)	Year Range	ESP	Notes	Part No.	Th [mm]	SYS	WI	LENGHT	FK
E 200 CDI (210.007)	85	07/99 → 03/02	•	→ A379346; cal.+2 holding pins	P50009MM	15	ATE	A00349	90	
	85	07/99 → 03/02	•	A379347 →; cal.+1 holding pin	P50025MM	15,7	ATE	A00349	90	
E 200 D (210.003)	65	01/96 → 03/02	•		P50023MM	19,8	ATE	A00349	90	A02202
	65	01/96 → 03/02	•	→ A379346; cal.+2 holding pins	P50009MM	15	ATE	A00349	90	
	65	01/96 → 03/02	•	A379347 →; cal.+1 holding pin	P50025MM	15,7	ATE	A00349	90	
E 200 Kompressor (210.045)	137	06/97 → 03/02	•		P50026MM	20,3	ATE	A00349	90	A02202
	137	06/97 → 03/02	•	→ A379346; cal.+2 holding pins	P50017MM	15,5	ATE	A00349	90	
	137	06/97 → 03/02	•	A379347 →; cal.+1 holding pin	P50033MM	15,7	ATE	A00349	90	
E 200 Kompressor (210.048)	120	08/00 → 03/02	•		P50023MM	19,8	ATE	A00349	90	A02202
	120	08/00 → 03/02	•	→ A379346; cal.+2 holding pins	P50009MM	15	ATE	A00349	90	
	120	08/00 → 03/02	•	A379347 →; cal.+1 holding pin	P50025MM	15,7	ATE	A00349	90	
E 220 CDI (210.006)	92	06/98 → 07/99	•		P50023MM	19,8	ATE	A00349	90	A02202
	92	06/98 → 07/99	•	→ A379346; cal.+2 holding pins	P50009MM	15	ATE	A00349	90	
	92	06/98 → 07/99	•	A379347 →; cal.+1 holding pin	P50025MM	15,7	ATE	A00349	90	
	105	07/99 → 03/02	•		P50023MM	19,8	ATE	A00349	90	A02202
	105	07/99 → 03/02	•	→ A379346; cal.+2 holding pins	P50009MM	15	ATE	A00349	90	
	105	07/99 → 03/02	•	A379347 →; cal.+1 holding pin	P50025MM	15,7	ATE	A00349	90	
	100	07/99 → 03/02	•		P50023MM	19,8	ATE	A00349	90	
	100	07/99 → 03/02	•	→ A379346; cal.+2 holding pins	P50009MM	15	ATE	A00349	90	
E 220 D	55	05/96 → 03/02	•		P50023MM	19,8	ATE	A00349	90	A02202
	55	05/96 → 03/02	•	→ A379346; cal.+2 holding pins	P50009MM	15	ATE	A00349	90	
	55	05/96 → 03/02	•	A379347 →; cal.+1 holding pin	P50025MM	15,7	ATE	A00349	90	
E 220 D (210.004)	70	06/95 → 07/99	•		P50023MM	19,8	ATE	A00349	90	
	70	06/95 → 07/99	•	→ A379346; cal.+2 holding pins	P50009MM	15	ATE	A00349	90	
	70	06/95 → 07/99	•	A379347 →; cal.+1 holding pin	P50025MM	15,7	ATE	A00349	90	
E 230 (210.037)	110	06/95 → 06/97	•		P50023MM	19,8	ATE	A00349	90	A02202
	110	06/95 → 06/97	•	→ A379346; cal.+2 holding pins	P50009MM	15	ATE	A00349	90	
	110	06/95 → 06/97	•	A379347 →; cal.+1 holding pin	P50025MM	15,7	ATE	A00349	90	
E 240 (210.061)	125	06/97 → 08/00	•	-ESP	P50023MM	19,8	ATE	A00349	90	A02202
	125	06/97 → 08/00	•	+ESP	P50026MM	20,3	ATE	A00349	90	A02202
	125	06/97 → 08/00	•	-ESP	P50025MM	15,7	ATE	A00349	90	
	125	06/97 → 08/00	•	+ESP	P50033MM	15,7	ATE	A00349	90	
E 240 (210.062)	125	08/00 → 03/02	•	-ESP	P50023MM	19,8	ATE	A00349	90	A02202
	125	08/00 → 03/02	•	+ESP	P50026MM	20,3	ATE	A00349	90	A02202
	125	08/00 → 03/02	•	-ESP	P50025MM	15,7	ATE	A00349	90	
	125	08/00 → 03/02	•	+ESP	P50033MM	15,7	ATE	A00349	90	
E 250 D (210.010)	83	06/95 → 07/99	•		P50023MM	19,8	ATE	A00349	90	
	83	06/95 → 07/99	•	→ A379346; cal.+2 holding pins	P50009MM	15	ATE	A00349	90	
	83	06/95 → 07/99	•	A379347 →; cal.+1 holding pin	P50025MM	15,7	ATE	A00349	90	
E 250 Turbo-D (210.015)	110	06/97 → 07/99	•		P50023MM	19,8	ATE	A00349	90	A02202
	110	06/97 → 07/99	•	→ A379346; cal.+2 holding pins	P50009MM	15	ATE	A00349	90	
	110	06/97 → 07/99	•	A379347 →; cal.+1 holding pin	P50025MM	15,7	ATE	A00349	90	
E 270 CDI (210.016))	120	07/99 → 03/02	•		P50026MM	20,3	ATE	A00349	90	A02202
	125	07/99 → 03/02	•		P50033MM	15,7	ATE	A00349	90	A02202
	125	07/99 → 03/02	•		P50033MM	15,7	ATE	A00349	90	
E 280 (210.053)	142	01/96 → 06/97	•		P50026MM	20,3	ATE	A00349	90	A02202
	142	01/96 → 06/97	•	→ A379346; cal.+2 holding pins	P50017MM	15,5	ATE	A00349	90	
	142	01/96 → 06/97	•	A379347 →; cal.+1 holding pin	P50033MM	15,7	ATE	A00349	90	
	150	12/96 → 03/02	•		P50026MM	20,3	ATE	A00349	90	A02202
	150	12/96 → 03/02	•	→ A379346; cal.+2 holding pins	P50017MM	15,5	ATE	A00349	90	
150	12/96 → 03/02	•	A379347 →; cal.+1 holding pin	P50033MM	15,7	ATE	A00349	90		

									WI		FK		

MERCEDES-BENZ

E-CLASS (W210) 06/95 → 08/03

E 280 4-matic (210.081)	150	12/96 → 03/02	●		P50026MM	[o]	20,3	ATE	A00349	90		A02202	
	150	12/96 → 03/02	●	→ A379346; cal.+2 holding pins	P50017MM	[o]	15,5	ATE	A00349	90			
	150	12/96 → 03/02	●	A379347 →; cal.+1 holding pin	P50033MM	[o]	15,7	ATE	A00349	90			
E 290 Turbo-D (210.017)	95	03/96 → 07/99	●		P50023MM	[o]	19,8	ATE	A00349	90		A02202	
	95	03/96 → 07/99	●	→ A379346; cal.+2 holding pins	P50009MM	[o]	15	ATE	A00349	90			
	95	03/96 → 07/99	●	A379347 →; cal.+1 holding pin	P50025MM	[-]	15,7	ATE	A00349	90			
E 300 D (210.020)	100	06/95 → 06/97	●		P50023MM	[o]	19,8	ATE	A00349	90		A02202	
	100	06/95 → 06/97	●	→ A379346; cal.+2 holding pins	P50009MM	[o]	15	ATE	A00349	90			
	100	06/95 → 06/97	●	A379347 →; cal.+1 holding pin	P50025MM	[-]	15,7	ATE	A00349	90			
E 300 Turbo-D (210.025)	130	12/96 → 07/99	●		P50026MM	[o]	20,3	ATE	A00349	90		A02202	
	130	12/96 → 07/99	●	→ A379346; cal.+2 holding pins	P50017MM	[o]	15,5	ATE	A00349	90			
	130	12/96 → 07/99	●	A379347 →; cal.+1 holding pin	P50033MM	[o]	15,7	ATE	A00349	90			
E 320 (210.055)	162	06/95 → 06/97	●		P50026MM	[o]	20,3	ATE	A00349	90		A02202	
	162	06/95 → 06/97	●	→ A379346; cal.+2 holding pins	P50017MM	[o]	15,5	ATE	A00349	90			
	162	06/95 → 06/97	●	A379347 →; cal.+1 holding pin	P50033MM	[o]	15,7	ATE	A00349	90			
E 320 (210.065)	165	06/97 → 03/02	●		P50026MM	[o]	20,3	ATE	A00349	90		A02202	
	165	06/97 → 03/02	●	→ A379346; cal.+2 holding pins	P50017MM	[o]	15,5	ATE	A00349	90			
	165	06/97 → 03/02	●	A379347 →; cal.+1 holding pin	P50033MM	[o]	15,7	ATE	A00349	90			
E 320 4-matic (210.082)	165	06/97 → 03/02	●		P50026MM	[o]	20,3	ATE	A00349	90			
	165	06/97 → 03/02	●	→ A379346; cal.+2 holding pins	P50017MM	[o]	15,5	ATE	A00349	90			
	165	06/97 → 03/02	●	A379347 →; cal.+1 holding pin	P50033MM	[o]	15,7	ATE	A00349	90			
E 320 CDI (210.026)	145	07/99 → 03/02	●		P50026MM	[o]	20,3	ATE	A00349	90		A02202	
	145	07/99 → 03/02	●	→ A379346; cal.+2 holding pins	P50017MM	[o]	15,5	ATE	A00349	90			
	145	07/99 → 03/02	●	A379347 →; cal.+1 holding pin	P50033MM	[o]	15,7	ATE	A00349	90			
E 420 (210.072)	205	01/96 → 06/97	●	→ 07/99	P50010MM	[o]	17,5	ATE	A00349	90		A02202	-arm.veh.
	205	01/96 → 06/97	●	08/99 →	P06019MM	[o]	20,8	ATE	A00349	90		A02202	-arm.veh.
	205	01/96 → 06/97	●	(USA)	P50026MM	[o]	20,3	ATE	A00349	90		A02202	-arm.veh.
	205	01/96 → 06/97	●	cal.+2 holding pins	P50017MM	[o]	15,5	ATE	A00349	90			
	205	01/96 → 06/97	●	cal.+1 holding pin	P50033MM	[o]	15,7	ATE	A00349	90			
E 430 (210.070)	205	06/97 → 03/02	●	→ 07/99	P50010MM	[o]	17,5	ATE	A00349	90	→ 07/99	A02202	-arm.veh.
	205	06/97 → 03/02	●	08/99 →	P06019MM	[o]	20,8	ATE	A00349	90	→ 07/99	A02202	-arm.veh.
	205	06/97 → 03/02	●	-arm.veh.	P50026MM	[o]	20,3	ATE	A00349	90	→ 07/99	A02202	-arm.veh.
	205	06/97 → 03/02	●	cal.+1 holding pin	P50033MM	[o]	15,7	ATE	A00349	90	→ 07/99		
	205	06/97 → 03/02	●	cal.+2 holding pins	P50017MM	[o]	15,5	ATE	A00349	90	→ 07/99		
E 430 4-matic (210.083)	205	05/99 → 03/02	●		P06019MM	[o]	20,8	ATE					
	205	05/99 → 03/02	●	cal.+1 holding pin	P50017MM	[o]	15,5	ATE	A00350	90			
	205	05/99 → 03/02	●	cal.+2 holding pins	P50033MM	[o]	15,7	ATE	A00350	90			
E 50 AMG (210.072)	255	02/96 → 08/97	●	-sport pack	P50010MM	[o]	17,5	ATE	A00349	90			
	255	02/96 → 08/97	●	+sport pack	P06019MM	[o]	20,8	ATE	A00349	90			
	255	02/96 → 08/97	●		P50017MM	[o]	15,5	ATE	A00350	90			
E 55 AMG (210.074)	260	08/97 → 03/02	●		P06019MM	[o]	20,8	ATE	A00278	74			
	260	08/97 → 03/02	●		P50017MM	[o]	15,5	ATE	A00350	90			
E 55 AMG 4-matic (210.074)	260	03/01 → 03/02	●		P06019MM	[o]	20,8	ATE	A00278	74			
	260	03/01 → 03/02	●		P50017MM	[o]	15,5	ATE	A00350	90			

E-CLASS (W211) 03/02 → 03/09

E 200 CDI (211.004)	75	07/02 → 12/08	●		P50049MM	[+]	20,5	BSH	A00377	95			
	75	07/02 → 12/08	●		P50052MM	[o]	16,8	ATE	A00377	95			
	90	07/02 → 12/08	●		P50049MM	[+]	20,5	BSH	A00377	95			
	90	07/02 → 12/08	●		P50052MM	[o]	16,8	ATE	A00377	95			
E 200 CDI (211.007)	100	04/06 → 12/08	●		P50049MM	[+]	20,5	BSH	A00377	95			
	100	04/06 → 12/08	●		P50052MM	[o]	16,8	ATE	A00377	95			

--	--	--	--	--	--	--	--	--	--	--	--	--	--	--	--

MERCEDES-BENZ

E-CLASS (W211) 03/02 → 03/09

E 200 Kompressor (211.041)	135	04/06 → 12/08	●	-sport pack	P50049MM	[+]	20,5	BSH	A00377	95	+sport pack		
	135	04/06 → 12/08	●	+sport pack	P50053MM	[O]	17,7	BRE	A00377	95	+sport pack		
	135	04/06 → 12/08	●		P50052MM	[O]	16,8	ATE					
E 200 Kompressor (211.042)	120	11/02 → 12/08	●	-sport pack	P50049MM	[+]	20,5	BSH	A00377	95	+sport pack		
	120	11/02 → 12/08	●	+sport pack	P50053MM	[O]	17,7	BRE	A00377	95	+sport pack		
	120	11/02 → 12/08	●		P50052MM	[O]	16,8	ATE					
E 200 NGT (211.041)	120	03/04 → 12/08	●		P50049MM	[+]	20,5	BSH	A00377	95			
	120	03/04 → 12/08	●		P50052MM	[O]	16,8	ATE	A00377	95			
E 220 CDI	120	03/03 → 12/08	●		P50049MM	[+]	20,5	BSH	A00377	95			
	120	03/03 → 12/08	●		P50052MM	[O]	16,8	ATE	A00377	95			
E 220 CDI (211.006)	110	03/02 → 12/08	●		P50049MM	[+]	20,5	BSH	A00377	95			
	110	03/02 → 12/08	●		P50052MM	[O]	16,8	ATE	A00377	95			
	100	03/02 → 12/08	●		P50049MM	[+]	20,5	BSH	A00377	95			
	100	03/02 → 12/08	●		P50052MM	[O]	16,8	ATE	A00377	95			
E 220 CDI (211.008)	125	04/06 → 12/08	●		P50049MM	[+]	20,5	BSH	A00377	95			
	125	04/06 → 12/08	●		P50052MM	[O]	16,8	ATE	A00377	95			
E 230 (211.052)	150	09/07 → 12/08	●	-sport pack	P50049MM	[+]	20,5	BSH	A00377	95	+sport pack		
	150	09/07 → 12/08	●	+sport pack	P50053MM	[O]	17,7	BRE	A00377	95	+sport pack		
	150	09/07 → 12/08	●		P50052MM	[O]	16,8	ATE					
E 240 (211.061)	130	03/02 → 12/08	●		P50049MM	[+]	20,5	BSH	A00377	95			
	130	03/02 → 12/08	●		P50052MM	[O]	16,8	ATE	A00377	95			
E 240 4-matic (211.080)	130	03/03 → 12/08	●	-sport pack	P50075MM	[O]	19	ATE	A00377	95	-sport pack		
	130	03/03 → 12/08	●	+sport pack; → 10/05; → X 196564	P06019MM	[O]	20,8	ATE	A00377	95	-sport pack		
	130	03/03 → 12/08	●	+sport pack; 11/05 →; X 196565 →	P50063MM	[O]	21	ATE	A00377	95	-sport pack		
	130	03/03 → 12/08	●		P50052MM	[O]	16,8	ATE	A00377	95	-sport pack		
E 270 CDI (211.016)	130	03/02 → 12/08	●		P50049MM	[+]	20,5	BSH	A00377	95			
	120	03/02 → 12/08	●		P50052MM	[O]	16,8	ATE	A00377	95			
	120	03/02 → 12/08	●		P50049MM	[+]	20,5	BSH	A00377	95			
E 280 (211.054)	170	03/05 → 12/08	●	-sport pack	P50049MM	[+]	20,5	BSH	A00279	101/94			
	170	03/05 → 12/08	●	+sport pack	P50053MM	[O]	17,7	BRE	A00279	101/94			
	170	03/05 → 12/08	●		P50052MM	[O]	16,8	ATE					
E 280 4-matic (211.092)	170	01/06 → 12/08	●	-sport pack	P50075MM	[O]	19	ATE	A00286	95	+sport pack		
	170	01/06 → 12/08	●	+sport pack	P50063MM	[O]	21	ATE	A00286	95	+sport pack		
	170	01/06 → 12/08	●		P50052MM	[O]	16,8	ATE	A00377	95	-sport pack		
E 280 CDI (211.020)	140	03/05 → 12/08	●	-sport pack	P50049MM	[+]	20,5	BSH	A00377	95	+sport pack		
	140	03/05 → 12/08	●	+sport pack	P50053MM	[O]	17,7	BRE	A00377	95	+sport pack		
	140	03/05 → 12/08	●		P50052MM	[O]	16,8	ATE					
E 280 CDI (211.023)	130	05/04 → 12/08	●	-sport pack	P50049MM	[+]	20,5	BSH	A00377	95			
	130	05/04 → 12/08	●	+sport pack	P50053MM	[O]	17,7	BRE	A00377	95			
	130	05/04 → 12/08	●		P50052MM	[O]	16,8	ATE					
E 280 CDI 4-matic (211.084)	140	03/05 → 12/08	●	-sport pack	P50075MM	[O]	19	ATE	A00286	95	+sport pack		
	140	03/05 → 12/08	●	+sport pack; → 10/05; → X 196564	P06019MM	[O]	20,8	ATE	A00286	95	+sport pack		
	140	03/05 → 12/08	●	+sport pack; 11/05 →; X 196565 →	P50063MM	[O]	21	ATE	A00286	95	+sport pack		
	140	03/05 → 12/08	●		P50052MM	[O]	16,8	ATE	A00377	95	-sport pack		
E 300 BlueTEC (211.024)	155	09/07 → 12/08	●	-sport pack	P50049MM	[+]	20,5	BSH	A00377	95	+sport pack		
	155	09/07 → 12/08	●	+sport pack	P50053MM	[O]	17,7	BRE	A00377	95	+sport pack		
	155	09/07 → 12/08	●		P50052MM	[O]	16,8	ATE					

									WI			FK	
	kw						Th [mm]		MAGNETI MARELLI	LENGHT		MAGNETI MARELLI	

MERCEDES-BENZ

E-CLASS (W211) 03/02 → 03/09

E 320 (211.065)	165	03/02 → 12/08	●	→ X112804; → A400547	P50053MM	[o]	17,7	BRE	A00279	101/ 94		
	165	03/02 → 12/08	●	A400548 →; X112805 →	P50049MM	[+]	20,5	BSH	A00279	101/ 94		
	165	03/02 → 12/08	●		P50052MM	[o]	16,8	ATE				
E 320 4-matic (211.082)	165	03/03 → 12/08	●	-sport pack	P50075MM	[o]	19	ATE	A00377	95	-sport pack	
	165	03/03 → 12/08	●	+sport pack; → 10/05; → X 196564	P06019MM	[o]	20,8	ATE	A00377	95	-sport pack	
	165	03/03 → 12/08	●	+sport pack; 11/05 →; X 196565 →	P50063MM	[o]	21	ATE	A00377	95	-sport pack	
E 320 CDI (211.022)	165	03/05 → 12/08	●	+sport pack	P50053MM	[o]	17,7	BRE	A00279	101/ 94		
	165	03/05 → 12/08	●	-sport pack	P50049MM	[+]	20,5	BSH	A00279	101/ 94		
	165	03/05 → 12/08	●		P50052MM	[o]	16,8	ATE				
E 320 CDI (211.026)	150	11/02 → 12/08	●	→ A400547; → X112804	P50053MM	[o]	17,7	BRE	A00279	101/ 94		
	150	11/02 → 12/08	●	A400548 →; X112805 →	P50049MM	[+]	20,5	BSH	A00279	101/ 94		
	150	11/02 → 12/08	●		P50052MM	[o]	16,8	ATE				
E 320 CDI 4-matic (211.089)	165	03/05 → 12/08	●	-sport pack	P50075MM	[o]	19	ATE	A00377	95	-sport pack	
	165	03/05 → 12/08	●	+sport pack; → 10/05; → X 196564	P06019MM	[o]	20,8	ATE	A00377	95	-sport pack	
	165	03/05 → 12/08	●	+sport pack; 11/05 →; X 196565 →	P50063MM	[o]	21	ATE	A00377	95	-sport pack	
	165	03/05 → 12/08	●		P50052MM	[o]	16,8	ATE	A00377	95	-sport pack	
E 350 (211.056)	200	03/05 → 12/08	●		P50049MM	[+]	20,5	BSH	A00279	101/ 94		
	200	03/05 → 12/08	●		P50053MM	[o]	17,7	BRE	A00279	101/ 94		
	200	03/05 → 12/08	●		P50052MM	[o]	16,8	ATE				
E 350 4-matic (211.087)	200	03/05 → 12/08	●	-sport pack	P50075MM	[o]	19	ATE	A00286	95	+sport pack	
	200	03/05 → 12/08	●	+sport pack; → 10/05; → X 196564	P06019MM	[o]	20,8	ATE	A00286	95	+sport pack	
	200	03/05 → 12/08	●	+sport pack; 11/05 →; X 196565 →	P50063MM	[o]	21	ATE	A00286	95	+sport pack	
	200	03/05 → 12/08	●		P50052MM	[o]	16,8	ATE	A00377	95	-sport pack	
E 350 CGI (211.057)	215	09/07 → 12/08	●	-sport pack	P50049MM	[+]	20,5	BSH	A00279	101/ 94		
	215	09/07 → 12/08	●	+sport pack	P50053MM	[o]	17,7	BRE	A00279	101/ 94		
	215	09/07 → 12/08	●		P50052MM	[o]	16,8	ATE				
E 400 CDI (211.028)	191	02/03 → 12/08	●		P50053MM	[o]	17,7	BRE	A00279	101/ 94		
	191	02/03 → 12/08	●		P50052MM	[o]	16,8	ATE				
E 420 CDI (211.029)	231	01/06 → 12/08	●		P50074MM	[o]	17,8	BRE	A00470	120		
	231	01/06 → 12/08	●		P50052MM	[o]	16,8	ATE	A00377	95		
E 500 (211.070)	225	03/02 → 12/08	●		P50053MM	[o]	17,7	BRE	A00279	101/ 94		
	225	03/02 → 12/08	●		P50052MM	[o]	16,8	ATE				
E 500 (211.072)	285	04/06 → 12/08	●	-(USA); -(J); -(AUS)	P50074MM	[o]	17,8	BRE	A00377	95	(AUS); (J); (USA)	
	285	04/06 → 12/08	●	(USA); (J); (AUS)	P50053MM	[o]	17,7	BRE	A00377	95	(AUS); (J); (USA)	
	285	04/06 → 12/08	●		P50052MM	[o]	16,8	ATE				

--	--	--	--	--	--	--	--	--	--	--	--	--	--	--	--

MERCEDES-BENZ

E-CLASS (W211) 03/02 → 03/09

E 500 4-matic (211.083)	225	10/03 → 12/08	●	+sport pack; → 10/05; → X 196564	P06019MM	[O]	20,8	ATE	A00286	95				
	225	10/03 → 12/08	●	+sport pack; 11/05 →; X 196565 →	P50063MM	[O]	21	ATE	A00286	95				
	225	10/03 → 12/08	●		P50052MM	[O]	16,8	ATE	A00377	95				
E 500 4-matic (211.090)	285	04/06 → 12/08	●	+sport pack	P50063MM	[O]	21	ATE	A00286	95				
	285	04/06 → 12/08	●		P50052MM	[O]	16,8	ATE	A00377	95				
E 55 AMG Kompressor (211.076)	350	10/02 → 12/08	●		P50062MM	[O]	17,5	BRE	A00377	95				
	350	10/02 → 12/08	●		P50061MM	[O]	16,5	BRE	A00377	95				
E 63 AMG (211.077, 211.177)	378	03/06 → 12/08	●		P50113MM	[-]	14,8	BRE	A00470	120				

E-CLASS (W212) 01/09 →

E 200 (212.034)	135	01/13 →	●	-sport pack	P50071MM	[O]	20,6	TRW	A00377	95				
	135	01/13 →	●	+sport pack	P50069MM	[O]	19,4	TRW	A00377	95				
	135	01/13 →	●	-sport pack	P50067MM	[O]	20,6	TRW	A00377	95				
	135	01/13 →	●		P50052MM	[O]	16,8	ATE	A00377	95				
E 200 CDI / BlueTEC (212.005, 212.006)	100	01/09 →	●	-sport pack; -special veh.	P50071MM	[O]	20,6	TRW	A00377	95				
	100	01/09 →	●	-sport pack; +special veh.	P50067MM	[O]	20,6	TRW	A00377	95				
	100	01/09 →	●	+sport pack	P50069MM	[O]	19,4	TRW	A00377	95				
	100	01/09 →	●		P50052MM	[O]	16,8	ATE	A00377	95				
E 200 CGI (212.048, 212.148)	135	08/09 →	●	-sport pack	P50071MM	[O]	20,6	TRW	A00377	95				
	135	08/09 →	●	+sport pack	P50069MM	[O]	19,4	TRW	A00377	95				
	135	08/09 →	●		P50052MM	[O]	16,8	ATE	A00377	95				
E 200 NGT (212.035)	115	07/13 →	●	-sport pack	P50067MM	[O]	20,6	TRW	A00377	95				
	115	07/13 →	●	-sport pack	P50071MM	[O]	20,6	TRW	A00377	95				
	115	07/13 →	●	+sport pack	P50069MM	[O]	19,4	TRW	A00377	95				
	115	07/13 →	●		P50052MM	[O]	16,8	ATE	A00377	95				
E 200 NGT (212.041)	120	03/11 →	●	+sport pack	P50069MM	[O]	19,4	TRW	A00377	95				
	120	03/11 →	●	-sport pack	P50071MM	[O]	20,6	TRW	A00377	95				
	120	03/11 →	●		P50052MM	[O]	16,8	ATE	A00377	95				
E 220 BlueTEC (212.001)	130	05/14 →	●	-sport pack; -special veh.	P50071MM	[O]	20,6	TRW	A00377	95				
	130	05/14 →	●	-sport pack; +special veh.	P50067MM	[O]	20,6	TRW	A00377	95				
	130	05/14 →	●	+sport pack	P50069MM	[O]	19,4	TRW	A00377	95				
	130	05/14 →	●		P50052MM	[O]	16,8	ATE	A00377	95				
E 220 BlueTEC 4-matic (212.011)	125	01/15 →	●		P50069MM	[O]	19,4	TRW	A00377	95				
	125	01/15 →	●		P50052MM	[O]	16,8	ATE	A00377	95				
E 220 CDI	120	01/09 →	●	-sport pack	P50071MM	[O]	20,6	TRW	A00377	95				
	120	01/09 →	●	+sport pack	P50069MM	[O]	19,4	TRW	A00377	95				
	120	01/09 →	●	-sport pack; +taxi	P50067MM	[O]	20,6	TRW	A00377	95				
	120	01/09 →	●		P50052MM	[O]	16,8	ATE	A00377	95				
E 220 CDI / BlueTEC (212.001, 212.002)	125	01/09 →	●	-sport pack	P50071MM	[O]	20,6	TRW	A00377	95				
	125	01/09 →	●	+sport pack	P50069MM	[O]	19,4	TRW	A00377	95				
	125	01/09 →	●	-sport pack; +taxi	P50067MM	[O]	20,6	TRW	A00377	95				
	125	01/09 →	●		P50052MM	[O]	16,8	ATE	A00377	95				
E 250 (212.036)	155	01/13 →	●		P50069MM	[O]	19,4	TRW	A00377	95				
	155	01/13 →	●		P50052MM	[O]	16,8	ATE	A00377	95				
E 250 CDI / BlueTEC (212.003, 212.004)	150	01/09 →	●	-sport pack; → A001272	P50071MM	[O]	20,6	TRW	A00377	95				
	150	01/09 →	●	-sport pack; A001273 →; +sport pack	P50069MM	[O]	19,4	TRW	A00377	95				
	150	01/09 →	●		P50052MM	[O]	16,8	ATE	A00377	95				



kw



wi

Th [mm]

SYS

WI

FK



LENGHT



MERCEDES-BENZ

E-CLASS (W212) 01/09 →

E 250 CDI / BlueTEC 4-matic (212.082, 212.097)	150	01/09 →	●	-Load Stage Design	P50071MM	[o]	20,6	TRW	A00377	95		
	150	01/09 →	●		P50069MM	[o]	19,4	TRW	A00377	95		
	150	01/09 →	●		P50052MM	[o]	16,8	ATE	A00377	95		
E 250 CGI (212.047, 212.147)	150	01/09 →	●		P50069MM	[o]	19,4	TRW	A00377	95		
	150	01/09 →	●		P50052MM	[o]	16,8	ATE	A00377	95		
E 300 (212.054)	170	01/09 →	●		P50069MM	[o]	19,4	TRW	A00377	95		
	170	01/09 →	●		P50052MM	[o]	16,8	ATE	A00377	95		
E 300 (212.055)	185	07/11 →	●		P50069MM	[o]	19,4	TRW	A00377	95		
	185	07/11 →	●		P50052MM	[o]	16,8	ATE	A00377	95		
E 300 4-matic (212.080)	185	07/11 →	●		P50069MM	[o]	19,4	TRW	A00377	95		
	185	07/11 →	●		P50052MM	[o]	16,8	ATE	A00377	95		
E 300 CDI (212.020)	150	12/09 → 12/10	●		P50069MM	[o]	19,4	TRW	A00377	95		
	150	12/09 → 12/10	●		P50052MM	[o]	16,8	ATE	A00377	95		
E 300 CDI / BlueTEC (212.020, 212.021, 212.027)	170	03/11 →	●		P50069MM	[o]	19,4	TRW	A00377	95		
	170	03/11 →	●		P50052MM	[o]	16,8	ATE	A00377	95		
E 300 Hybrid / BlueTEC Hybrid (212.098)	150	12/11 →	●		P50069MM	[o]	19,4	TRW	A00377	95		
	150	12/11 →	●		P50052MM	[o]	16,8	ATE	A00377	95		
E 350 (212.056)	200	01/09 →	●		P50069MM	[o]	19,4	TRW	A00377	95		
	200	01/09 →	●		P50052MM	[o]	16,8	ATE	A00377	95		
E 350 (212.059)	225	09/11 →	●	+sport pack; (CDN)	P50087MM	[o]	17,5	BRE	A00377	95		
	225	09/11 →	●		P50069MM	[o]	19,4	TRW	A00377	95		
	225	09/11 →	●		P50052MM	[o]	16,8	ATE	A00377	95		
E 350 4-matic (212.087)	200	01/09 → 08/11	●		P50069MM	[o]	19,4	TRW	A00377	95		
	200	01/09 → 08/11	●		P50052MM	[o]	16,8	ATE	A00377	95		
E 350 4-matic (212.088)	225	09/11 →	●	+sport pack; (CDN)	P50087MM	[o]	17,5	BRE	A00377	95		
	225	09/11 →	●		P50069MM	[o]	19,4	TRW	A00377	95		
	225	09/11 →	●		P50052MM	[o]	16,8	ATE	A00377	95		
E 350 BlueTEC	185	11/12 →	●	-sport pack; disc Ø 322 mm	P50069MM	[o]	19,4	TRW	A00377	95		
	185	11/12 →	●	+sport pack; disc Ø 344 mm	P50087MM	[o]	17,5	BRE	A00377	95		
	185	11/12 →	●		P50052MM	[o]	16,8	ATE	A00377	95		
E 350 BlueTEC (212.024)	155	01/09 →	●		P50069MM	[o]	19,4	TRW	A00377	95		
	155	01/09 →	●		P50052MM	[o]	16,8	ATE	A00377	95		
E 350 BlueTEC (212.026)	190	05/14 →	●	-sport pack; disc Ø 322 mm	P50069MM	[o]	19,4	TRW	A00377	95		
	190	05/14 →	●	+sport pack; disc Ø 344 mm	P50087MM	[o]	17,5	BRE	A00377	95		
	190	05/14 →	●		P50052MM	[o]	16,8	ATE	A00377	95		
E 350 BlueTEC 4-matic (212.094)	185	11/12 →	●	-sport pack; disc Ø 322 mm	P50069MM	[o]	19,4	TRW	A00377	95		
	185	11/12 →	●	+sport pack; disc Ø 344 mm	P50087MM	[o]	17,5	BRE	A00377	95		
	185	11/12 →	●		P50052MM	[o]	16,8	ATE	A00377	95		
	190	05/14 →	●	-sport pack; disc Ø 322 mm	P50069MM	[o]	19,4	TRW	A00377	95		
	190	05/14 →	●	+sport pack; disc Ø 344 mm	P50087MM	[o]	17,5	BRE	A00377	95		
	190	05/14 →	●		P50052MM	[o]	16,8	ATE	A00377	95		
E 350 CDI (212.023)	195	03/11 →	●	-sport pack; disc Ø 322 mm	P50069MM	[o]	19,4	TRW	A00377	95		
	195	03/11 →	●	+sport pack; disc Ø 344 mm	P50087MM	[o]	17,5	BRE	A00377	95		
	195	03/11 →	●		P50052MM	[o]	16,8	ATE	A00377	95		
E 350 CDI (212.025)	170	01/09 →	●		P50069MM	[o]	19,4	TRW	A00377	95		
	170	01/09 →	●		P50052MM	[o]	16,8	ATE	A00377	95		

MERCEDES-BENZ

E-CLASS (W212) 01/09 →

E 350 CDI 4-matic (212.089)	170	09/09 →	•			P50069MM	[O]	19,4	TRW	A00377	95				
E 350 CDI 4-matic (212.093)	170	09/09 →		•		P50052MM	[O]	16,8	ATE	A00377	95				
E 350 CDI 4-matic (212.093)	195	03/11 →	•		-sport pack; disc Ø 322 mm	P50069MM	[O]	19,4	TRW	A00377	95				
E 350 CDI 4-matic (212.093)	195	03/11 →	•		+sport pack; disc Ø 344 mm	P50087MM	[O]	17,5	BRE	A00377	95				
E 350 CDI 4-matic (212.093)	195	03/11 →		•		P50052MM	[O]	16,8	ATE	A00377	95				
E 350 CGI (212.057)	215	01/09 → 08/11	•			P50069MM	[O]	19,4	TRW	A00377	95				
E 350 CGI (212.057)	215	01/09 → 08/11		•		P50052MM	[O]	16,8	ATE	A00377	95				
E 400 (212.061)	245	07/14 →	•			P50087MM	[O]	17,5	BRE	A00377	95				
E 400 (212.061)	245	07/14 →		•		P50052MM	[O]	16,8	ATE	A00377	95				
E 400 (212.065)	245	01/13 →	•		-sport pack; (CDN); (USA)	P50069MM	[O]	19,4	TRW	A00377	95				
E 400 (212.065)	245	01/13 →	•		+sport pack	P50087MM	[O]	17,5	BRE	A00377	95				
E 400 (212.065)	245	01/13 →		•		P50052MM	[O]	16,8	ATE	A00377	95				
E 400 4-matic (212.067)	245	01/13 →	•		-sport pack; (CDN); (USA)	P50069MM	[O]	19,4	TRW	A00377	95				
E 400 4-matic (212.067)	245	01/13 →	•		+sport pack	P50087MM	[O]	17,5	BRE	A00377	95				
E 400 4-matic (212.067)	245	01/13 →		•		P50052MM	[O]	16,8	ATE	A00377	95				
E 400 4-matic (212.099)	245	07/14 →	•		+sport pack; (CDN)	P50069MM	[O]	19,4	TRW	A00377	95				
E 400 4-matic (212.099)	245	07/14 →		•		P50087MM	[O]	17,5	BRE	A00377	95				
E 400 4-matic (212.099)	245	07/14 →		•		P50052MM	[O]	16,8	ATE	A00377	95				
E 500 (212.072)	285	01/09 →	•			P50087MM	[O]	17,5	BRE	A00377	95				
E 500 (212.072)	285	01/09 →		•		P50052MM	[O]	16,8	ATE	A00377	95				
E 500 (212.073)	300	09/11 →	•		-(USA)	P50097MM	[O]	17,8	BRE	A00377	95				
E 500 (212.073)	300	09/11 →	•		(USA)	P50098MM	[O]	17,8	BRE	A00377	95				
E 500 (212.073)	300	09/11 →		•		P50052MM	[O]	16,8	ATE	A00377	95				
E 500 4-matic (212.090)	285	01/09 →	•			P50087MM	[O]	17,5	BRE	A00377	95				
E 500 4-matic (212.090)	285	01/09 →		•		P50052MM	[O]	16,8	ATE	A00377	95				
E 500 4-matic (212.091)	300	09/11 →	•		-(USA)	P50097MM	[O]	17,8	BRE	A00377	95				
E 500 4-matic (212.091)	300	09/11 →	•		(USA)	P50098MM	[O]	17,8	BRE	A00377	95				
E 500 4-matic (212.091)	300	09/11 →		•		P50052MM	[O]	16,8	ATE	A00377	95				
E 63 AMG (212.074)	386	02/11 →		•	-ceramic brake disc	P50110MM	[O]	15,3	BRE	A00470	120				
E 63 AMG (212.074)	410	02/11 →		•	-ceramic brake disc	P50110MM	[O]	15,3	BRE	A00470	120				
E 63 AMG (212.075)	430	02/13 →		•		P50110MM	[O]	15,3	BRE	A00470	120				
E 63 AMG (212.077)	386	12/09 →		•	-ceramic brake disc	P50110MM	[O]	15,3	BRE	A00470	120				
E 63 AMG 4-matic (212.076)	430	02/13 →		•	-ceramic brake disc	P50110MM	[O]	15,3	BRE	A00470	120				
E 63 AMG 4-matic (212.092)	410	02/11 →		•		P50110MM	[O]	15,3	BRE	A00470	120				

E-CLASS (W213) 01/16 →

E 180 (213.040)	115	01/17 →	•		-sport pack	P50118MM	[O]	19,3	TRW						
E 180 (213.040)	115	01/17 →	•		+sport pack	P50120MM	[O]	18,9	BRE						
E 200 (213.042)	135	01/16 →	•		-sport pack	P50118MM	[O]	19,3	TRW	A00353	93				
E 200 (213.042)	135	01/16 →	•		+sport pack	P50120MM	[O]	18,9	BRE	A00353	93				
E 200 4-matic (213.043)	135	07/16 →	•		+sport pack	P50120MM	[O]	18,9	BRE	A00353	93				
E 200 4-matic (213.043)	135	07/16 →	•		-sport pack	P50124MM	[O]	19,4	TRW	A00353	93				
E 200 d (213.013)	110	07/16 →	•		-sport pack	P50118MM	[O]	19,3	TRW	A00353	93				
E 200 d (213.013)	110	07/16 →	•		-sport pack; 18" wheel	P50124MM	[O]	19,4	TRW	A00353	93				
E 200 d (213.013)	110	07/16 →	•		+sport pack	P50120MM	[O]	18,9	BRE	A00353	93				
E 220 d (213.004)	143	01/16 →	•			P50118MM	[O]	19,3	TRW	A00353	93				
E 220 d (213.004)	143	01/16 →	•		+sport pack	P50120MM	[O]	18,9	BRE	A00353	93				
E 220 d (213.004)	120	01/16 →	•		-sport pack	P50118MM	[O]	19,3	TRW	A00353	93				
E 220 d (213.004)	120	01/16 →	•		+sport pack	P50120MM	[O]	18,9	BRE	A00353	93				

	kw										LENGHT			

MERCEDES-BENZ

E-CLASS (W213) 01/16 →

E 220 d 4-matic (213.005)	143	10/16 →	●	+sport pack	P50120MM	[o]	18,9	BRE	A00353	93			
	143	10/16 →	●	-sport pack	P50124MM	[o]	19,4	TRW	A00353	93			
E 250 (213.045)	120	10/16 →	●	+sport pack	P50120MM	[o]	18,9	BRE					
	120	10/16 →	●	-sport pack	P50124MM	[o]	19,4	TRW					
E 300 (213.048)	155	07/16 →	●	+sport pack	P50120MM	[o]	18,9	BRE	A00353	93			
	155	07/16 →	●	-sport pack	P50124MM	[o]	19,4	TRW	A00353	93			
E 350 d (213.033)	180	07/16 →	●	-sport pack	P50120MM	[o]	18,9	BRE	A00353	93			
E 350 e (213.050)	190	01/16 →	●	-sport pack	P50120MM	[o]	18,9	BRE	A00353	93			
	155	07/16 →	●	-sport pack	P50120MM	[o]	18,9	BRE	A00353	93			
	210	07/16 →	●	-sport pack	P50120MM	[o]	18,9	BRE	A00353	93			

E-CLASS All-Terrain (S213) 01/17 →

E 220 d 4-matic (213.217)	143	01/17 →	●	+sport pack	P50120MM	[o]	18,9	BRE	A00353	93			
	143	01/17 →	●	-sport pack	P50124MM	[o]	19,4	TRW	A00353	93			

E-CLASS Convertible (A207) 01/10 →

E 200 (207.434)	135	03/13 →	●	-sport pack	P50067MM	[o]	20,6	TRW	A00377	95			
	135	03/13 →	●	+sport pack	P50069MM	[o]	19,4	TRW	A00377	95			
	135	03/13 →	●		P50068MM	[o]	17,9	ATE	A00377	95			
E 200 CGI (207.448)	135	01/10 →	●	-sport pack	P50067MM	[o]	20,6	TRW	A00377	95			
	135	01/10 →	●	+sport pack	P50069MM	[o]	19,4	TRW	A00377	95			
	135	01/10 →	●		P50068MM	[o]	17,9	ATE	A00377	95			
E 220 BlueTEC (207.401)	130	05/14 →	●	-sport pack	P50067MM	[o]	20,6	TRW	A00377	95			
	130	05/14 →	●	+sport pack	P50069MM	[o]	19,4	TRW	A00377	95			
	130	05/14 →	●		P50068MM	[o]	17,9	ATE	A00377	95			
E 220 CDI (207.402)	120	02/10 →	●	-sport pack	P50067MM	[o]	20,6	TRW	A00377	95			
	120	02/10 →	●	+sport pack	P50069MM	[o]	19,4	TRW	A00377	95			
	120	02/10 →	●		P50068MM	[o]	17,9	ATE	A00377	95			
E 220 CDI / BlueTEC / d (207.402, 207.401)	125	01/10 →	●	-sport pack	P50067MM	[o]	20,6	TRW	A00377	95			
	125	01/10 →	●	+sport pack	P50069MM	[o]	19,4	TRW	A00377	95			
	125	01/10 →	●		P50068MM	[o]	17,9	ATE	A00377	95			
E 250 (207.436)	155	06/13 →	●		P50069MM	[o]	19,4	TRW	A00377	95			
	155	06/13 →	●		P50068MM	[o]	17,9	ATE	A00377	95			
E 250 CDI / BlueTEC / d (207.403, 207.404)	150	01/10 →	●		P50069MM	[o]	19,4	TRW	A00377	95			
	150	01/10 →	●		P50068MM	[o]	17,9	ATE	A00377	95			
E 250 CGI (207.447)	150	01/10 →	●	-sport pack	P50067MM	[o]	20,6	TRW	A00377	95			
	150	01/10 →	●	+sport pack	P50069MM	[o]	19,4	TRW	A00377	95			
	150	01/10 →	●		P50068MM	[o]	17,9	ATE	A00377	95			
E 300 (207.455)	185	04/11 →	●		P50069MM	[o]	19,4	TRW	A00377	95			
	185	04/11 →	●	Cast iron caliper	P50104MM	[o]	17,9	ATE	A00377	95			
	185	04/11 →	●	Alluminium caliper	P50068MM	[o]	17,9	ATE	A00377	95			
E 320 (207.462)	200	07/14 →	●		P50069MM	[o]	19,4	TRW	A00377	95			
	200	07/14 →	●		P50068MM	[o]	17,9	ATE	A00377	95			
E 350 (207.459)	225	04/11 →	●		P50069MM	[o]	19,4	TRW	A00377	95			
	225	04/11 →	●	Cast iron caliper	P50104MM	[o]	17,9	ATE	A00377	95			
	225	04/11 →	●	Alluminium caliper	P50068MM	[o]	17,9	ATE	A00377	95			
E 350 BlueTEC (207.426)	185	06/13 →	●		P50069MM	[o]	19,4	TRW	A00377	95			
	185	06/13 →	●	Cast iron caliper	P50104MM	[o]	17,9	ATE	A00377	95			
	185	06/13 →	●	Alluminium caliper	P50068MM	[o]	17,9	ATE	A00377	95			

MERCEDES-BENZ

E-CLASS Convertible (A207) 01/10 →

E 350	190	05/14 →	●		P50069MM	○	19,4	TRW	A00377	95			
BlueTEC / d (207.426)	190	05/14 →		●	Cast iron caliper	P50104MM	○	17,9	ATE	A00377	95		
	190	05/14 →		●		P50068MM	○	17,9	ATE	A00377	95		
E 350 CDI	195	04/11 →	●			P50069MM	○	19,4	TRW	A00377	95		
	195	04/11 →		●	Cast iron caliper	P50104MM	○	17,9	ATE	A00377	95		
	195	04/11 →		●	Alluminium caliper	P50068MM	○	17,9	ATE	A00377	95		
E 350 CDI (207.422)	170	01/10 →	●			P50069MM	○	19,4	TRW	A00377	95		
	170	01/10 →		●	Cast iron caliper	P50104MM	○	17,9	ATE	A00377	95		
	170	01/10 →		●	Alluminium caliper	P50068MM	○	17,9	ATE	A00377	95		
E 350 CGI (207.457)	215	01/10 →	●			P50069MM	○	19,4	TRW	A00377	95		
	215	01/10 →		●	Cast iron caliper	P50104MM	○	17,9	ATE	A00377	95		
	215	01/10 →		●	Alluminium caliper	P50068MM	○	17,9	ATE	A00377	95		
E 400 (207.461)	245	07/14 →	●			P50069MM	○	19,4	TRW	A00377	95		
	245	07/14 →		●		P50068MM	○	17,9	ATE	A00377	95		
E 400 (207.465)	245	06/13 →	●			P50069MM	○	19,4	TRW	A00377	95		
	245	06/13 →		●		P50068MM	○	17,9	ATE	A00377	95		
E 500 (207.472)	285	01/10 →	●			P50069MM	○	19,4	TRW	A00377	95		
	285	01/10 →		●	Cast iron caliper	P50104MM	○	17,9	ATE	A00377	95		
	285	01/10 →		●	Alluminium caliper	P50068MM	○	17,9	ATE	A00377	95		
E 500 (207.473)	300	09/11 →	●			P50069MM	○	19,4	TRW	A00377	95		
	300	09/11 →		●	Cast iron caliper	P50104MM	○	17,9	ATE	A00377	95		
	300	09/11 →		●	Alluminium caliper	P50068MM	○	17,9	ATE	A00377	95		
E 550	299	09/11 →	●			P50069MM	○	19,4	TRW	A00377	95		
	299	09/11 →		●		P50068MM	○	17,9	ATE	A00377	95		

E-CLASS Coupé (C207) 01/09 →

E 200 (207.334)	135	06/13 →	●		-sport pack	P50067MM	○	20,6	TRW	A00377	95		
	135	06/13 →	●		+sport pack	P50069MM	○	19,4	TRW	A00377	95		
	135	06/13 →		●		P50068MM	○	17,9	ATE	A00377	95		
E 200 CGI (207.348)	135	01/10 →	●		-sport pack	P50067MM	○	20,6	TRW	A00377	95		
	135	01/10 →	●		+sport pack	P50069MM	○	19,4	TRW	A00377	95		
	135	01/10 →		●		P50068MM	○	17,9	ATE	A00377	95		
E 220 BlueTEC (207.301)	120	07/14 →	●		-sport pack	P50067MM	○	20,6	TRW	A00377	95		
	120	07/14 →	●		+sport pack	P50069MM	○	19,4	TRW	A00377	95		
	120	07/14 →		●		P50068MM	○	17,9	ATE	A00377	95		
E 220 CDI / d (207.302)	125	01/10 →	●		-sport pack	P50067MM	○	20,6	TRW	A00377	95		
	125	01/10 →	●		+sport pack	P50069MM	○	19,4	TRW	A00377	95		
	125	01/10 →		●		P50068MM	○	17,9	ATE	A00377	95		
E 250 (207.336)	155	06/13 →	●			P50069MM	○	19,4	TRW	A00377	95		
	155	06/13 →		●		P50068MM	○	17,9	ATE	A00377	95		
E 250 CDI / BlueTEC / d (207.303)	150	01/09 →	●			P50069MM	○	19,4	TRW	A00377	95		
	150	01/09 →		●		P50068MM	○	17,9	ATE	A00377	95		
E 250 CGI (207.347)	150	01/09 →	●		-sport pack	P50067MM	○	20,6	TRW	A00377	95		
	150	01/09 →	●		+sport pack	P50069MM	○	19,4	TRW	A00377	95		
	150	01/09 →		●		P50068MM	○	17,9	ATE	A00377	95		
E 300 (207.355)	185	04/11 →	●			P50069MM	○	19,4	TRW	A00377	95		
	185	04/11 →		●		P50068MM	○	17,9	ATE	A00377	95		
E 320 (207.362)	200	07/14 →	●			P50069MM	○	19,4	TRW	A00377	95		
	200	07/14 →		●		P50068MM	○	17,9	ATE	A00377	95		

MERCEDES-BENZ

E-CLASS Coupé (C207) 01/09 →

E 350 (207.356)	200 05/11 →	●		P50069MM	[o]	19,4	TRW	A00377	95				
	200 05/11 →		● Cast iron caliper	P50104MM	[o]	17,9	ATE	A00377	95				
	200 05/11 →		● Alluminium caliper	P50068MM	[o]	17,9	ATE	A00377	95				
E 350 (207.359)	225 04/11 →	●		P50069MM	[o]	19,4	TRW	A00377	95				
	225 04/11 →		● Cast iron caliper	P50104MM	[o]	17,9	ATE	A00377	95				
	225 04/11 →		● Alluminium caliper	P50068MM	[o]	17,9	ATE	A00377	95				
E 350 4-matic (207.388)	225 02/13 →	●		P50069MM	[o]	19,4	TRW	A00377	95				
	225 02/13 →		●	P50068MM	[o]	17,9	ATE	A00377	95				
E 350 BlueTEC	185 03/13 →	●		P50069MM	[o]	19,4	TRW	A00377	95				
	185 03/13 →		● Cast iron caliper	P50104MM	[o]	17,9	ATE	A00377	95				
	185 03/13 →		● Alluminium caliper	P50068MM	[o]	17,9	ATE	A00377	95				
E 350 BlueTEC / d (207.326)	190 05/14 →	●		P50069MM	[o]	19,4	TRW	A00377	95				
	190 05/14 →		●	P50068MM	[o]	17,9	ATE	A00377	95				
E 350 CDI	195 04/11 →	●		P50069MM	[o]	19,4	TRW	A00377	95				
	195 04/11 →		● Cast iron caliper	P50104MM	[o]	17,9	ATE	A00377	95				
	195 04/11 →		● Alluminium caliper	P50068MM	[o]	17,9	ATE	A00377	95				
E 350 CDI (207.322)	170 01/09 →	●		P50069MM	[o]	19,4	TRW	A00377	95				
	170 01/09 →		● Cast iron caliper	P50104MM	[o]	17,9	ATE	A00377	95				
	170 01/09 →		● Alluminium caliper	P50068MM	[o]	17,9	ATE	A00377	95				
E 350 CGI (207.357)	215 01/09 →	●		P50069MM	[o]	19,4	TRW	A00377	95				
	215 01/09 →		● Cast iron caliper	P50104MM	[o]	17,9	ATE	A00377	95				
	215 01/09 →		● Alluminium caliper	P50068MM	[o]	17,9	ATE	A00377	95				
E 400	245 06/13 →	●		P50069MM	[o]	19,4	TRW	A00377	95				
	245 06/13 →		●	P50068MM	[o]	17,9	ATE	A00377	95				
E 400 (207.361)	245 07/14 →	●		P50069MM	[o]	19,4	TRW	A00377	95				
	245 07/14 →		●	P50068MM	[o]	17,9	ATE	A00377	95				
E 500 (207.372)	285 01/09 →	●		P50069MM	[o]	19,4	TRW	A00377	95				
	285 01/09 →		● Cast iron caliper	P50104MM	[o]	17,9	ATE	A00377	95				
	285 01/09 →		● Alluminium caliper	P50068MM	[o]	17,9	ATE	A00377	95				
E 500 (207.373)	300 09/11 →	●		P50069MM	[o]	19,4	TRW	A00377	95				
	300 09/11 →		● Cast iron caliper	P50104MM	[o]	17,9	ATE	A00377	95				
	300 09/11 →		● Alluminium caliper	P50068MM	[o]	17,9	ATE	A00377	95				

E-CLASS Coupé (C238) 12/16 →

E 200 (238.342)	135 12/16 →	●	-sport pack	P50118MM	[o]	19,3	TRW	A00353	93				
	135 12/16 →	●	+sport pack	P50120MM	[o]	18,9	BRE	A00353	93				
	135 12/16 →	●	-sport pack; 18" wheel	P50124MM	[o]	19,4	TRW	A00353	93				
E 220 d (238.314)	143 12/16 →	●	-sport pack	P50118MM	[o]	19,3	TRW	A00353	93				
	143 12/16 →	●	+sport pack	P50120MM	[o]	18,9	BRE	A00353	93				
	143 12/16 →	●	-sport pack; 18" wheel	P50124MM	[o]	19,4	TRW	A00353	93				
E 300 (238.348)	180 12/16 →	●	-sport pack	P50118MM	[o]	19,3	TRW	A00353	93				
	180 12/16 →	●	+sport pack	P50120MM	[o]	18,9	BRE	A00353	93				
	180 12/16 →	●	-sport pack; 18" wheel	P50124MM	[o]	19,4	TRW	A00353	93				

E-CLASS T-Model (S210) 06/96 → 03/03

E 200 T (210.235)	100 06/96 → 08/00	●		P50023MM	[o]	19,8	ATE	A00349	90				
	100 06/96 → 08/00	●		P50017MM	[o]	15,5	ATE	A00349	90				
E 200 T Kompressor (210.245)	137 06/97 → 03/03	●		P50026MM	[o]	20,3	ATE	A00349	90			A02202	
	137 06/97 → 03/03	●		P50017MM	[o]	15,5	ATE	A00349	90				
E 200 T Kompressor (210.248)	120 08/00 → 03/03	●		P50023MM	[o]	19,8	ATE	A00349	90			A02202	
	120 08/00 → 03/03	●		P50017MM	[o]	15,5	ATE	A00349	90				
E 220 T CDI (210.206)	92 06/98 → 07/99	●		P50023MM	[o]	19,8	ATE	A00349	90			A02202	
	92 06/98 → 07/99	●	long wheelbase	P50026MM	[o]	20,3	ATE	A00349	90			A02202	

--	--	--	--	--	--	--	--	--	--	--	--	--	--	--	--

MERCEDES-BENZ

E-CLASS T-Model (S210) 06/96 → 03/03

Model	Year	Options	Wheelbase	Part No.	Code	Th [mm]	ATE	A00349	90	A02202	Notes
E 220 T CDI (210.206)	92 06/96 → 07/99	•		P50017MM	[O]	15,5	ATE	A00349	90		
	105 07/99 → 03/03	•		P50023MM	[O]	19,8	ATE	A00349	90	A02202	
	105 07/99 → 03/03	•	long wheelbase	P50026MM	[O]	20,3	ATE	A00349	90	A02202	
	105 07/99 → 03/03	•		P50017MM	[O]	15,5	ATE	A00349	90		
	100 05/99 → 03/03	•		P50023MM	[O]	19,8	ATE	A00349	90		
	100 05/99 → 03/03	•	long wheelbase	P50026MM	[O]	20,3	ATE	A00349	90		
E 230 T (210.237)	100 05/99 → 03/03	•		P50017MM	[O]	15,5	ATE	A00349	90		
	110 06/96 → 06/97	•		P50023MM	[O]	19,8	ATE	A00349	90		
E 240 T (210.261)	110 06/96 → 06/97	•		P50017MM	[O]	15,5	ATE	A00349	90		
	125 06/97 → 03/03	•	-ESP	P50023MM	[O]	19,8	ATE	A00349	90	A02202	
	125 06/97 → 03/03	•	+ESP	P50026MM	[O]	20,3	ATE	A00349	90	A02202	
E 240 T (210.262)	125 06/97 → 03/03	•		P50017MM	[O]	15,5	ATE	A00349	90		
	125 08/00 → 03/03	•	-ESP	P50023MM	[O]	19,8	ATE	A00349	90	A02202	
	125 08/00 → 03/03	•	+ESP	P50026MM	[O]	20,3	ATE	A00349	90	A02202	
E 250 T D (210.210)	125 08/00 → 03/03	•		P50017MM	[O]	15,5	ATE	A00349	90		
	83 06/96 → 07/99	•		P50023MM	[O]	19,8	ATE	A00349	90	A02202	
	83 06/96 → 07/99	•	long wheelbase	P50026MM	[O]	20,3	ATE	A00349	90	A02202	
E 250 T Turbo-D (210.215)	83 06/96 → 07/99	•		P50017MM	[O]	15,5	ATE	A00349	90		
	110 06/96 → 07/99	•		P50023MM	[O]	19,8	ATE	A00349	90	A02202	
	110 06/97 → 07/99	•		P50017MM	[O]	15,5	ATE	A00349	90		
E 270 T CDI	120 02/00 → 03/03	•		P50026MM	[O]	20,3	ATE	A00349	90	A02202	
	120 02/00 → 03/03	•	cal.+2 holding pins	P50017MM	[O]	15,5	ATE	A00349	90		
	120 02/00 → 03/03	•	cal.+1 holding pin	P50033MM	[O]	15,7	ATE	A00349	90		
E 270 T CDI (210.216)	125 07/99 → 03/03	•		P50026MM	[O]	20,3	ATE	A00349	90	A02202	
	125 07/99 → 03/03	•	cal.+1 holding pin	P50033MM	[O]	15,7	ATE	A00349	90		
	125 07/99 → 03/03	•	cal.+2 holding pins	P50017MM	[O]	15,5	ATE	A00349	90		
E 280 T (210.263)	150 12/96 → 03/03	•		P50026MM	[O]	20,3	ATE	A00349	90	A02202	
	150 12/96 → 03/03	•		P50017MM	[O]	15,5	ATE	A00349	90		
E 280 T 4-matic (210.281)	150 12/96 → 03/03	•		P50026MM	[O]	20,3	ATE	A00349	90	A02202	
	150 12/96 → 03/03	•		P50017MM	[O]	15,5	ATE	A00349	90		
E 290 T Turbo-D (210.217)	95 06/96 → 07/99	•		P50023MM	[O]	19,8	ATE	A00349	90	A02202	
	95 06/96 → 07/99	•	long wheelbase	P50026MM	[O]	20,3	ATE	A00349	90	A02202	
	95 06/96 → 07/99	•		P50017MM	[O]	15,5	ATE	A00349	90		
E 300 T Turbo-D (210.225)	130 12/96 → 07/99	•		P50026MM	[O]	20,3	ATE	A00349	90		
	130 12/96 → 07/99	•	→ A379346; cal.+2 holding pins	P50017MM	[O]	15,5	ATE	A00349	90		
	130 12/96 → 07/99	•	A379347 →; cal.+1 holding pin	P50033MM	[O]	15,7	ATE	A00349	90		
E 320 T (210.265)	165 12/96 → 03/03	•		P50026MM	[O]	20,3	ATE	A00349	90	A02202	
	165 12/96 → 03/03	•		P50017MM	[O]	15,5	ATE	A00349	90		
E 320 T 4-matic (210.282)	165 12/96 → 03/03	•		P50026MM	[O]	20,3	ATE	A00349	90		
	165 12/96 → 03/03	•		P50017MM	[O]	15,5	ATE	A00349	90		
E 320 T CDI (210.226)	145 07/99 → 03/03	•		P50026MM	[O]	20,3	ATE	A00349	90	A02202	
	145 07/99 → 03/03	•	cal.+1 holding pin	P50033MM	[O]	15,7	ATE	A00349	90		
	145 07/99 → 03/03	•	cal.+2 holding pins	P50017MM	[O]	15,5	ATE	A00349	90		
E 420 T (210.272)	205 06/96 → 06/97	•	→ 07/99	P50010MM	[O]	17,5	ATE	A00349	90	A02202	-arm.veh.; (USA)
	205 06/96 → 06/97	•	08/99 →	P06019MM	[O]	20,8	ATE	A00349	90	A02202	-arm.veh.; (USA)
	205 06/96 → 06/97	•	(USA)	P50026MM	[O]	20,3	ATE	A00349	90	A02202	-arm.veh.; (USA)
	205 06/96 → 06/97	•		P50017MM	[O]	15,5	ATE	A00349	90		
E 430 T (210.270)	205 06/97 → 03/03	•	→ 07/99	P50010MM	[O]	17,5	ATE	A00349	90	A02202	-arm.veh.
	205 06/97 → 03/03	•	08/99 →	P06019MM	[O]	20,8	ATE	A00349	90	A02202	-arm.veh.
	205 06/97 → 03/03	•	-armoured vehicles; (USA)	P50026MM	[O]	20,3	ATE	A00349	90	A02202	-arm.veh.
	205 06/97 → 03/03	•		P50017MM	[O]	15,5	ATE	A00349	90		

									WI			FK	
										LENGHT			

MERCEDES-BENZ

E-CLASS T-Model (S210) 06/96 → 03/03

E 430 T 4-matic (210.283)	205	05/99 → 03/03	●		P06019MM	[o]	20,8	ATE					
	205	05/99 → 03/03	●		P50017MM	[o]	15,5	ATE	A00350	90			
E 55 T AMG (210.274)	260	08/97 → 03/03	●		P06019MM	[o]	20,8	ATE					
	260	08/97 → 03/03	●		P50017MM	[o]	15,5	ATE	A00350	90			
E 55 T AMG 4-matic (210.274)	260	03/01 → 03/03	●		P06019MM	[o]	20,8	ATE					
	260	03/01 → 03/03	●		P50017MM	[o]	15,5	ATE	A00350	90			

E-CLASS T-Model (S211) 03/03 → 07/09

350 CGI (211.257)	215	05/06 → 07/09	●	-sport pack	P50049MM	[+]	20,5	BSH	A00279	101/ 94			
	215	05/06 → 07/09	●	+sport pack	P50053MM	[o]	17,7	BRE	A00279	101/ 94			
	215	05/06 → 07/09	●		P50052MM	[o]	16,8	ATE					
E 200 CDI (211.207)	100	04/06 → 07/09	●	+sport pack	P50053MM	[o]	17,7	BRE	A00377	95	+sport pack		
	100	04/06 → 07/09	●	-sport pack	P50049MM	[+]	20,5	BSH	A00377	95	+sport pack		
	100	04/06 → 07/09	●		P50052MM	[o]	16,8	ATE					
E 200 Kompressor (211.241)	135	04/06 → 07/09	●	-sport pack	P50049MM	[+]	20,5	BSH	A00377	95	+sport pack		
	135	04/06 → 07/09	●	+sport pack	P50053MM	[o]	17,7	BRE	A00377	95	+sport pack		
	135	04/06 → 07/09	●		P50052MM	[o]	16,8	ATE					
E 200 T Kompressor (211.242)	120	03/03 → 07/09	●	-sport pack	P50049MM	[+]	20,5	BSH	A00377	95	+sport pack		
	120	03/03 → 07/09	●	+sport pack	P50053MM	[o]	17,7	BRE	A00377	95	+sport pack		
	120	03/03 → 07/09	●		P50052MM	[o]	16,8	ATE					
E 220 CDI (211.206)	100	03/03 → 07/09	●	-sport pack	P50049MM	[+]	20,5	BSH	A00377	95			
	100	03/03 → 07/09	●	+sport pack	P50053MM	[o]	17,7	BRE	A00377	95			
	100	03/03 → 07/09	●		P50052MM	[o]	16,8	ATE	A00377	95			
E 220 T CDI	120	03/03 → 07/09	●		P50049MM	[+]	20,5	BSH	A00377	95			
	120	03/03 → 07/09	●		P50052MM	[o]	16,8	ATE	A00377	95			
E 220 T CDI (211.206)	110	03/03 → 07/09	●		P50049MM	[+]	20,5	BSH	A00377	95			
	110	03/03 → 07/09	●		P50052MM	[o]	16,8	ATE	A00377	95			
E 220 T CDI (211.208)	125	04/06 → 07/09	●	+sport pack	P50053MM	[o]	17,7	BRE	A00377	95			
	125	04/06 → 07/09	●	-sport pack	P50049MM	[+]	20,5	BSH	A00377	95			
	125	04/06 → 07/09	●		P50052MM	[o]	16,8	ATE	A00377	95			
E 230 T (211.252)	150	05/07 → 07/09	●	-sport pack	P50049MM	[+]	20,5	BSH	A00377	95	+sport pack		
	150	05/07 → 07/09	●	+sport pack	P50053MM	[o]	17,7	BRE	A00377	95	+sport pack		
	150	05/07 → 07/09	●		P50052MM	[o]	16,8	ATE					
E 240 T (211.261)	130	03/03 → 07/09	●		P50049MM	[+]	20,5	BSH	A00377	95			
	130	03/03 → 07/09	●		P50052MM	[o]	16,8	ATE	A00377	95			
E 240 T 4-matic (211.280)	130	07/03 → 07/09	●	-sport pack	P50075MM	[o]	19	ATE	A00377	95	-sport pack		
	130	07/03 → 07/09	●	+sport pack; → 10/05; → X 196564	P06019MM	[o]	20,8	ATE	A00377	95	-sport pack		
	130	07/03 → 07/09	●	+sport pack; 11/05 →; X 196565 →	P50063MM	[o]	21	ATE	A00377	95	-sport pack		
	130	07/03 → 07/09	●		P50052MM	[o]	16,8	ATE	A00377	95	-sport pack		
E 270 T CDI (211.216)	130	03/03 → 07/09	●		P50049MM	[+]	20,5	BSH	A00377	95			
	130	03/03 → 07/09	●		P50052MM	[o]	16,8	ATE	A00377	95			
	120	03/03 → 07/09	●		P50049MM	[+]	20,5	BSH	A00377	95			
	120	03/03 → 07/09	●		P50052MM	[o]	16,8	ATE	A00377	95			
E 280 T (211.254)	170	03/05 → 07/09	●		P50053MM	[o]	17,7	BRE	A00279	101/ 94			
	170	03/05 → 07/09	●		P50052MM	[o]	16,8	ATE					
E 280 T 4-matic (211.292)	170	03/05 → 07/09	●	-sport pack	P50075MM	[o]	19	ATE	A00286	95	+sport pack		
	170	03/05 → 07/09	●	+sport pack; 11/05 →; X 196565 →	P50063MM	[o]	21	ATE	A00286	95	+sport pack		
	170	03/05 → 07/09	●		P50052MM	[o]	16,8	ATE	A00377	95	-sport pack		

--	--	--	--	--	--	--	--	--	--	--	--	--	--	--	--

MERCEDES-BENZ

E-CLASS T-Model (S211) 03/03 → 07/09

E 280 T CDI (211.220)	140	03/05 → 07/09	●	-sport pack	P50049MM	[+]	20,5	BSH	A00377	95	+sport pack		
	140	03/05 → 07/09	●	+sport pack	P50053MM	[O]	17,7	BRE	A00377	95	+sport pack		
	140	03/05 → 07/09	●		P50052MM	[O]	16,8	ATE					
E 280 T CDI (211.223)	130	05/04 → 07/09	●	-(J); -(AUS); -(USA)	P50053MM	[O]	17,7	BRE	A00377	95	-(AUS); -(J); -(USA)		
	130	05/04 → 07/09	●	(J); (USA); (AUS)	P50049MM	[+]	20,5	BSH	A00377	95	-(AUS); -(J); -(USA)		
	130	05/04 → 07/09	●		P50052MM	[O]	16,8	ATE					
E 280 T CDI 4-matic (211.284)	140	03/05 → 07/09	●	-sport pack	P50075MM	[O]	19	ATE	A00274	95	+sport pack		
	140	03/05 → 07/09	●	+sport pack; → 10/05; → X 196564	P06019MM	[O]	20,8	ATE	A00274	95	+sport pack		
	140	03/05 → 07/09	●	+sport pack; 11/05 →; X 196565 →	P50063MM	[O]	21	ATE	A00274	95	+sport pack		
E 320 T (211.265)	165	03/03 → 07/09	●	-(J); -(USA); -(AUS)	P50053MM	[O]	17,7	BRE	A00279	101/ 94			
	165	03/03 → 07/09	●	(AUS); (USA); (J)	P50049MM	[+]	20,5	BSH	A00279	101/ 94			
	165	03/03 → 07/09	●		P50052MM	[O]	16,8	ATE					
E 320 T 4-matic (211.282)	165	07/03 → 07/09	●	-sport pack	P50075MM	[O]	19	ATE	A00377	95	-sport pack		
	165	07/03 → 07/09	●	+sport pack; → 10/05; → X 196564	P06019MM	[O]	20,8	ATE	A00377	95	-sport pack		
	165	07/03 → 07/09	●	+sport pack; 11/05 →; X 196565 →	P50063MM	[O]	21	ATE	A00377	95	-sport pack		
E 320 T CDI (211.222)	165	03/05 → 07/09	●	-(AUS); -(J)	P50053MM	[O]	17,7	BRE	A00279	101/ 94			
	165	03/05 → 07/09	●	(J); (AUS)	P50049MM	[+]	20,5	BSH	A00279	101/ 94			
	165	03/05 → 07/09	●		P50052MM	[O]	16,8	ATE					
E 320 T CDI (211.226)	150	03/03 → 07/09	●	-(USA); -(J); -(AUS)	P50053MM	[O]	17,7	BRE	A00279	101/ 94			
	150	03/03 → 07/09	●	(J); (USA); (AUS)	P50049MM	[+]	20,5	BSH	A00279	101/ 94			
	150	03/03 → 07/09	●		P50052MM	[O]	16,8	ATE					
E 320 T CDI 4-matic (211.289)	165	03/05 → 07/09	●	-sport pack	P50075MM	[O]	19	ATE	A00274	95	+sport pack		
	165	03/05 → 07/09	●	+sport pack; → 10/05; → X 196564	P06019MM	[O]	20,8	ATE	A00274	95	+sport pack		
	165	03/05 → 07/09	●	+sport pack; 11/05 →; X 196565 →	P50063MM	[O]	21	ATE	A00274	95	+sport pack		
E 350 T (211.256)	200	03/05 → 07/09	●	+sport pack	P50053MM	[O]	17,7	BRE	A00279	101/ 94			
	200	03/05 → 07/09	●	-sport pack	P50049MM	[+]	20,5	BSH	A00279	101/ 94			
	200	03/05 → 07/09	●		P50052MM	[O]	16,8	ATE					
E 350 T 4-matic (211.287)	200	03/05 → 07/09	●	-sport pack	P50075MM	[O]	19	ATE	A00274	95	-sport pack		
	200	03/05 → 07/09	●	+sport pack; → 10/05; → X 196564	P06019MM	[O]	20,8	ATE	A00274	95	-sport pack		
	200	03/05 → 07/09	●	+sport pack; 11/05 →; X 196565 →	P50063MM	[O]	21	ATE	A00274	95	-sport pack		
E 500 T (211.270)	225	10/03 → 07/09	●		P50053MM	[O]	17,7	BRE	A00279	101/ 94			
	225	10/03 → 07/09	●		P50052MM	[O]	16,8	ATE					
	285	04/06 → 07/09	●	-(USA); -(J); -(AUS)	P50074MM	[O]	17,8	BRE	A00377	95	(J)		
E 500 T (211.272)	285	04/06 → 07/09	●	(USA); (J); (AUS)	P50053MM	[O]	17,7	BRE	A00377	95	(J)		
	285	04/06 → 07/09	●		P50052MM	[O]	16,8	ATE	A00377	95	(J)		

									WI			FK	
	kw								MAGNETI MARELLI	LENGHT		MAGNETI MARELLI	

MERCEDES-BENZ

E-CLASS T-Model (S211) 03/03 → 07/09

E 500 T 4-matic (211.283)	225	10/03 → 07/09	●	+sport pack; → 10/05; → X 196564	P06019MM	[o]	20,8	ATE	A00286	95	X187928 →		
	225	10/03 → 07/09	●	+sport pack; 11/05 →; X 196565 →	P50063MM	[o]	21	ATE	A00286	95	X187928 →		
	225	10/03 → 07/09	●		P50052MM	[o]	16,8	ATE	A00377	95			
E 500 T 4-matic (211.290)	285	04/06 → 07/09	●	+sport pack	P50063MM	[o]	21	ATE	A00286	95			
	285	04/06 → 07/09	●		P50052MM	[o]	16,8	ATE	A00377	95			
E 55 T AMG Kompressor (211.276)	350	07/03 → 07/09	●		P50062MM	[o]	17,5	BRE	A00377	95			
	350	07/03 → 07/09	●		P50061MM	[o]	16,5	BRE	A00377	95			
E 63 AMG (211.277)	378	03/06 → 07/09	●		P50113MM	[-]	14,8	BRE	A00470	120			

E-CLASS T-Model (S212) 08/09 →

E 200 (212.234)	135	11/12 →	●	+taxi	P50067MM	[o]	20,6	TRW	A00377	95			
	135	11/12 →	●	-sport pack	P50071MM	[o]	20,6	TRW	A00377	95			
	135	11/12 →	●	+sport pack	P50069MM	[o]	19,4	TRW	A00377	95			
	135	11/12 →	●		P50052MM	[o]	16,8	ATE	A00377	95			
E 200 CDI / BlueTEC (212.205, 212.206)	100	11/09 →	●	-sport pack; -special veh.	P50071MM	[o]	20,6	TRW	A00377	95			
	100	11/09 →	●	-sport pack; +special veh.	P50067MM	[o]	20,6	TRW	A00377	95			
	100	11/09 →	●	+sport pack	P50069MM	[o]	19,4	TRW	A00377	95			
	100	11/09 →	●		P50052MM	[o]	16,8	ATE	A00377	95			
E 200 CGI (212.248)	135	11/09 →	●	-sport pack	P50071MM	[o]	20,6	TRW	A00377	95			
	135	11/09 →	●	+sport pack	P50069MM	[o]	19,4	TRW	A00377	95			
	135	11/09 →	●		P50052MM	[o]	16,8	ATE	A00377	95			
E 220 BlueTEC	130	05/15 →	●	-sport pack; -ambulance; -driving school veh.; -special veh.; -taxi	P50071MM	[o]	20,6	TRW					
	130	05/15 →	●	-sport pack; +ambulance; +special veh.; +police veh.; +taxi; +sport pack	P50069MM	[o]	19,4	TRW					
	130	05/15 →	●		P50052MM	[o]	16,8	ATE					
E 220 BlueTEC 4-matic (212.211)	125	12/14 →	●		P50069MM	[o]	19,4	TRW	A00377	95			
	125	12/14 →	●		P50052MM	[o]	16,8	ATE	A00377	95			
E 220 CDI (212.202)	120	08/09 →	●	+taxi	P50067MM	[o]	20,6	TRW	A00377	95			
	120	08/09 →	●	-sport pack	P50071MM	[o]	20,6	TRW	A00377	95			
	120	08/09 →	●	+sport pack	P50069MM	[o]	19,4	TRW	A00377	95			
	120	08/09 →	●		P50052MM	[o]	16,8	ATE	A00377	95			
E 220 CDI / BlueTEC (212.202, 212.201)	125	11/09 →	●	+taxi	P50067MM	[o]	20,6	TRW	A00377	95			
	125	11/09 →	●	-sport pack	P50071MM	[o]	20,6	TRW	A00377	95			
	125	11/09 →	●	+sport pack	P50069MM	[o]	19,4	TRW	A00377	95			
	125	11/09 →	●		P50052MM	[o]	16,8	ATE	A00377	95			
E 250 (212.236)	155	11/12 →	●		P50069MM	[o]	19,4	TRW	A00377	95			
	155	11/12 →	●		P50052MM	[o]	16,8	ATE	A00377	95			
E 250 CDI / BlueTEC (212.203, 212.204)	150	11/09 →	●		P50069MM	[o]	19,4	TRW	A00377	95			
	150	11/09 →	●		P50052MM	[o]	16,8	ATE	A00377	95			
E 250 CDI / BlueTEC 4-matic (212.282, 212.297)	150	07/10 →	●		P50069MM	[o]	19,4	TRW	A00377	95			
	150	07/10 →	●		P50052MM	[o]	16,8	ATE	A00377	95			
E 250 CGI (212.247)	150	11/09 →	●		P50069MM	[o]	19,4	TRW	A00377	95			
	150	11/09 →	●		P50052MM	[o]	16,8	ATE	A00377	95			

		kw					wi	Th [mm]	SYS	WI		FK	
											LENGHT		

MERCEDES-BENZ

E-CLASS T-Model (S212) 08/09 →

E 300 (212.254)	170	11/09 →	•			P50069MM	[O]	19,4	TRW	A00377	95		
E 300 (212.255)	185	07/11 →	•			P50069MM	[O]	19,4	TRW	A00377	95		
E 300 4-matic (212.280)	185	07/11 →	•			P50052MM	[O]	16,8	ATE	A00377	95		
E 300 CDI (212.220)	150	12/09 → 12/10	•			P50069MM	[O]	19,4	TRW	A00377	95		
E 300 CDI / BlueTEC (212.227, 212.221)	170	11/09 →	•			P50052MM	[O]	16,8	ATE	A00377	95		
E 300 Hybrid / BlueTEC Hybrid (212.298)	150	12/11 →	•			P50069MM	[O]	19,4	TRW	A00377	95		
E 350 (212.256)	200	08/09 →	•			P50052MM	[O]	16,8	ATE	A00377	95		
E 350 (212.259)	225	09/11 →	•			P50069MM	[O]	19,4	TRW				
E 350 4-matic (212.287)	200	11/09 →	•			P50052MM	[O]	16,8	ATE	A00377	95		
E 350 4-matic (212.288, 212.287)	225	09/11 →	•			P50069MM	[O]	19,4	TRW	A00377	95		
E 350 BlueTEC	185	11/12 →	•		-sport pack; disc Ø 322 mm	P50069MM	[O]	19,4	TRW	A00377	95		
E 350 BlueTEC	185	11/12 →	•		+sport pack; disc Ø 344 mm	P50087MM	[O]	17,5	BRE	A00377	95		
E 350 BlueTEC (212.224)	155	11/09 →	•			P50052MM	[O]	16,8	ATE	A00377	95		
E 350 BlueTEC (212.226)	190	07/14 →	•		-sport pack; disc Ø 322 mm	P50069MM	[O]	19,4	TRW	A00377	95		
E 350 BlueTEC 4-matic	185	11/12 →	•		+sport pack; disc Ø 344 mm	P50087MM	[O]	17,5	BRE	A00377	95		
E 350 BlueTEC 4-matic (212.294)	190	07/14 →	•			P50052MM	[O]	16,8	ATE	A00377	95		
E 350 CDI (212.223)	195	07/11 →	•			P50069MM	[O]	19,4	TRW	A00377	95		
E 350 CDI (212.225)	170	11/09 →	•			P50052MM	[O]	16,8	ATE	A00377	95		
E 350 CDI 4-matic (212.289)	170	11/09 →	•			P50069MM	[O]	19,4	TRW	A00377	95		
E 350 CDI 4-matic (212.293)	195	07/11 →	•			P50052MM	[O]	16,8	ATE	A00377	95		
E 350 CGI (212.257)	215	11/09 →	•			P50069MM	[O]	19,4	TRW	A00377	95		
E 400	245	01/13 →	•		(USA)	P50087MM	[O]	17,5	BRE	A00377	95		
E 400	245	01/13 →	•			P50052MM	[O]	16,8	ATE	A00377	95		

									WI			FK	
	kw				MAGNETI MARELLI	WI	Th [mm]	SYS	MAGNETI MARELLI	LENGHT		MAGNETI MARELLI	

MERCEDES-BENZ

E-CLASS T-Model (S212) 08/09 →

E 400 (212.261)	245	07/14 →	●		P50087MM	[o]	17,5	BRE	A00377	95			
E 400 4-matic	245	01/13 →	●	(USA)	P50087MM	[o]	17,5	BRE	A00377	95			
E 400 4-matic (212.299)	245	07/14 →	●		P50087MM	[o]	17,5	BRE	A00377	95			
E 500 (212.272)	285	11/09 →	●		P50087MM	[o]	17,5	BRE	A00377	95			
E 500 (212.273)	300	09/11 →	●	-(USA)	P50097MM	[o]	17,8	BRE	A00377	95			
E 500 4-matic (212.291)	300	09/11 →	●	(USA)	P50098MM	[o]	17,8	BRE	A00377	95			
E 63 AMG (212.274)	386	02/11 →	●	-ceramic brake disc	P50110MM	[o]	15,3	BRE	A00470	120			
E 63 AMG (212.275)	430	02/13 →	●		P50110MM	[o]	15,3	BRE	A00470	120			
E 63 AMG (212.277)	386	08/09 →	●		P50110MM	[o]	15,3	BRE	A00470	120			
E 63 AMG 4-matic (212.276)	430	02/13 →	●	-ceramic brake disc	P50110MM	[o]	15,3	BRE	A00470	120			
E 63 AMG 4-matic (212.292)	410	02/11 →	●		P50110MM	[o]	15,3	BRE	A00470	120			

E-CLASS T-Model (S213) 07/16 →

E 200 (213.242)	135	07/16 →	●	-sport pack	P50118MM	[o]	19,3	TRW	A00353	93			
E 200 4-matic (213.243)	135	01/17 →	●	+sport pack	P50120MM	[o]	18,9	BRE	A00353	93			
E 200 d (213.213)	110	10/16 →	●	-sport pack	P50118MM	[o]	19,3	TRW	A00353	93			
E 220 d (213.204)	143	07/16 →	●	-sport pack	P50118MM	[o]	19,3	TRW	A00353	93			
E 250 (213.245)	155	07/16 →	●	-sport pack	P50124MM	[o]	19,4	TRW	A00353	93			
E 350 d (213.233)	190	10/16 →	●	-sport pack	P50120MM	[o]	18,9	BRE	A00353	93			

G-CLASS (W461) 09/89 →

230 GE (461)	92	06/93 → 07/00	●		P50003MM	[o]	18	PER	A00256	90	+1 plug; → H000247	A02271	
230 GE (461.238, 461.239)	90	09/89 → 07/96	●		P50003MM	[o]	18	PER	A00256	90	+1 plug; → H000247	A02271	
250 GD (461)	68	02/90 → 05/93	●		P50003MM	[o]	18	PER	A00256	90	+1 plug; → H000247	A02271	

Car	kw	Date	•	•	i	MAGNETI MARELLI	wi	Th [mm]	SYS	WI			FK	
										MAGNETI MARELLI	LENGHT	i	MAGNETI MARELLI	i

MERCEDES-BENZ

G-CLASS (W461) 09/89 →

290 GD/G 290 D (461.337, 461.338)	70	06/93 → 07/00	•			P50003MM	[O]	18	PER	A00256	90	+1 plug; → H000247	A02271	
G 270 CDI	115	01/03 →	•			P50003MM	[O]	18	PER	A00281	265			
	115	01/03 →		•	+rear disc	P50020MM	[O]	18,9	BSH	A00282	210			
G 280 CDI (461.304, 461.346, 461.370, 461.334, 461.339, ...)	135	04/09 →	•			P50003MM	[O]	18	PER	A00256	90	→ H000247	A02271	
	135	04/09 →		•	+rear disc	P50020MM	[O]	18,9	BSH	A00282	210			
G 290 TD (461.335, 461.336)	88	07/97 →	•			P50003MM	[O]	18	PER	A00256	90	+1 plug; → H000247	A02271	
	88	07/97 →		•	+rear disc	P50020MM	[O]	18,9	BSH	A00282	210			
G 300 CDI	135	04/10 →	•			P50003MM	[O]	18	PER	A00256	90	→ H000247		
	135	04/10 →		•	+rear disc	P50020MM	[O]	18,9	BSH	A00282	210			

G-CLASS (W463) 09/89 →

200 GE (463.220)	85	01/90 → 07/93	•			P50003MM	[O]	18	PER	A00281	265			
230 GE (463.224, 463.225)	93	06/90 → 06/93	•			P50003MM	[O]	18	PER	A00281	265	H000248 →	A02271	
	93	06/90 → 06/93		•	+rear disc	P50020MM	[O]	18,9	BSH					
	69	06/90 → 10/92	•			P50003MM	[O]	18	PER	A00281	265	H000248 →	A02271	
	69	06/90 → 10/92		•	+rear disc	P50020MM	[O]	18,9	BSH					
300 GD (463.327, 463.328)	83	09/89 → 06/93	•			P50003MM	[O]	18	PER	A00256	90	+1 plug; → H000247	A02271	
	83	09/89 → 06/93		•	+rear disc	P50020MM	[O]	18,9	BSH					
	128	06/90 → 08/97	•			P50003MM	[O]	18	PER	A00281	265	H000248 →	A02271	
	128	06/90 → 08/97		•	+rear disc	P50020MM	[O]	18,9	BSH					
300 GE (463.227, 463.228)	125	09/89 → 08/93		•	+rear disc	P50020MM	[O]	18,9	BSH					
	125	09/89 → 08/93				P50003MM	[O]	18	PER	A00281	265	H000248 →	A02271	
350 Turbo GD (463.320, 463.321)	100	09/91 → 08/96	•			P50003MM	[O]	18	PER	A00256	90	+1 plug; → H000247	A02271	
	100	09/91 → 08/96		•	+rear disc	P50020MM	[O]	18,9	BSH	A00282	210			
AMG G 63 (463.272)	420	06/15 →	•			P50003MM	[O]	18	PER	A00277	98			
	420	06/15 →		•		P50064MM	[O]	18	ATE	A00286	95			
AMG G 65 (463.274)	463	06/15 →	•			P50003MM	[O]	18	PER	A00277	98			
	463	06/15 →		•		P50064MM	[O]	18	ATE	A00286	95			
G 270 CDI (463.322, 463.323)	115	10/01 →	•			P50003MM	[O]	18	PER	A00256	90	+1 plug; → H000247	A02271	
	115	10/01 →		•	+rear disc	P50020MM	[O]	18,9	BSH	A00282	210			
G 300 TD (463.330, 463.331)	130	08/96 → 07/00	•			P50003MM	[O]	18	PER	A00256	90	+1 plug; → H000247	A02271	
	130	08/96 → 07/00		•	+rear disc	P50020MM	[O]	18,9	BSH	A00282	210			
G 320 (463.230, 463.231)	155	09/94 → 12/97	•			P50003MM	[O]	18	PER	A00256	90	+1 plug; → H000247		
	155	09/94 → 12/97		•	+rear disc	P50020MM	[O]	18,9	BSH					
G 320 (463.232, 463.233, 463.244, 463.245)	158	07/97 →	•			P50003MM	[O]	18	PER	A00256	90	+1 plug; → H000247	A02271	
	158	07/97 →		•	+rear disc	P50020MM	[O]	18,9	BSH	A00282	210			
G 320 CDI (463.340, 463.341, 463.343)	165	09/06 →	•			P50003MM	[O]	18	PER	A00256	90	+1 plug; → H000247		
	165	09/06 →		•		P50020MM	[O]	18,9	BSH	A00282	210			

									WI			FK	
	kW						Th [mm]		MAGNETI MARELLI	LENGHT		MAGNETI MARELLI	

MERCEDES-BENZ

G-CLASS (W463) 09/89 →

G 350 CDI	155	07/11 →	●		P50003MM	[o]	18	PER					A02271	
	155	07/11 →		●	P50020MM	[o]	18,9	BSH	A00282	210				
G 350 d (463.348)	180	06/15 →	●		P50003MM	[o]	18	PER						
	180	06/15 →		●	P50020MM	[o]	18,9	BSH	A00282	210				
G 36 AMG (463.230)	200	01/95 → 07/98	●		P50003MM	[o]	18	PER					A02271	
	200	01/95 → 07/98		●	P50020MM	[o]	18,9	BSH	A00282	210				
G 400 CDI (463.332, 463.333)	184	12/00 →	●		P50003MM	[o]	18	PER					A02271	
	184	12/00 →		●	P50020MM	[o]	18,9	BSH	A00282	210				
G 500 (463.202)	285	05/08 →	●		P50003MM	[o]	18	PER						
	285	05/08 →		●	P50020MM	[o]	18,9	BSH	A00282	210				
G 500 (463.234)	310	06/15 →	●		P50003MM	[o]	18	PER	A00281	265				
	310	06/15 →		●	P50020MM	[o]	18,9	BSH	A00387	147				
G 500 (463.247, 463.248, 463.249, 463.240, 463.241)	218	04/98 →	●		P50003MM	[o]	18	PER					A02271	
	218	04/98 →		●	P50020MM	[o]	18,9	BSH	A00282	210				
G 500 E (463.228)	177	09/93 → 12/94	●		P50003MM	[o]	18	PER					A02271	
	177	09/93 → 12/94		●	P50020MM	[o]	18,9	BSH	A00282	210				
G 55 AMG (463.243, 463.246)	260	04/99 →	●		P50003MM	[o]	18	PER					A02271	
	260	04/99 →		●	P50020MM	[o]	18,9	BSH	A00282	210				
G 55 AMG (463.270, 463.271)	373	08/08 →	●	→ 144225	P50003MM	[o]	18	PER						
	373	08/08 →	●	144226 →	P50063MM	[o]	21	ATE						
	373	08/08 →		● → 144225	P50020MM	[o]	18,9	BSH	A00282	210	→ 144225			
	373	08/08 →		● 144226 →	P50064MM	[o]	18	ATE	A00282	210	→ 144225			
	350	06/04 →	●	→ 144225	P50003MM	[o]	18	PER					A02271	→ 144225
	350	06/04 →	●	144226 →	P50063MM	[o]	21	ATE					A02271	→ 144225
	350	06/04 →		● → 144225	P50020MM	[o]	18,9	BSH	A00282	210	→ 144225			
	350	06/04 →		● 144226 →	P50064MM	[o]	18	ATE	A00282	210	→ 144225			
	368	08/06 →	●	→ 144225	P50003MM	[o]	18	PER						
	368	08/06 →	●	144226 →	P50063MM	[o]	21	ATE						
G 63 AMG (463.273)	400	05/12 →	●	→ 144225	P50003MM	[o]	18	PER						
	400	05/12 →	●	144226 →	P50063MM	[o]	21	ATE						
	400	05/12 →		● → 144225	P50020MM	[o]	18,9	BSH	A00282	210	→ 144225			
	400	05/12 →		● 144226 →	P50064MM	[o]	18	ATE	A00282	210	→ 144225			
G 63 AMG 6x6	400	12/14 →	●		P50003MM	[o]	18	PER	A00277	98				
	400	12/14 →		●	P50064MM	[o]	18	ATE	A00286	95				
G 65 AMG	450	05/12 →	●		P50003MM	[o]	18	PER	A00277	98				
	450	05/12 →		●	P50064MM	[o]	18	ATE	A00286	95				

G-CLASS Cabrio (W463) 09/89 →

200 GE (463.200)	80	01/90 → 07/93	●		P50003MM	[o]	18	PER	A00281	265	H000248 →		
	80	01/90 → 07/93		● +rear disc	P50020MM	[o]	18,9	BSH					
	85	01/90 → 07/93	●		P50003MM	[o]	18	PER	A00281	265			
230 GE (463.204)	93	06/90 → 02/93	●		P50003MM	[o]	18	PER	A00281	265	H000248 →		A02271
	93	06/90 → 02/93		● +rear disc	P50020MM	[o]	18,9	BSH					
300 GD (463.307)	83	12/90 → 09/97	●		P50003MM	[o]	18	PER	A00256	90	+1 plug; → H000247		A02271
	83	12/90 → 09/97		● +rear disc	P50020MM	[o]	18,9	BSH	A00282	210			
300 GE (463.207)	125	09/89 → 09/97	●		P50003MM	[o]	18	PER	A00281	265	H000248 →		A02271
	125	09/89 → 09/97		● +rear disc	P50020MM	[o]	18,9	BSH					

MERCEDES-BENZ

G-CLASS Cabrio (W463) 09/89 →

320 GE (463.208)	155	09/94 → 11/97	●			P50003MM	[O]	18	PER	A00256	90	+1 plug; → H000247	A02271	
	155	09/94 → 11/97		●	+rear disc	P50020MM	[O]	18,9	BSH					
350 G Turbo-D (463.300)	100	09/91 → 09/97	●			P50003MM	[O]	18	PER	A00256	90	+1 plug; → H000247	A02271	
	100	09/91 → 09/97		●	+rear disc	P50020MM	[O]	18,9	BSH	A00282	210			
G 300 TD (463.308)	130	09/96 → 07/00	●			P50003MM	[O]	18	PER	A00256	90	+1 plug; → H000247	A02271	
	130	09/96 → 07/00		●	+rear disc	P50020MM	[O]	18,9	BSH	A00282	210			
G 320 (463.209)	158	11/97 →	●			P50003MM	[O]	18	PER	A00256	90	+1 plug; → H000247	A02271	
	158	11/97 →		●	+rear disc	P50020MM	[O]	18,9	BSH	A00282	210			
G 320 CDI (463.303)	165	09/06 →	●			P50003MM	[O]	18	PER	A00256	90	+1 plug; → H000247		
	165	09/06 →		●	+rear disc	P50020MM	[O]	18,9	BSH	A00282	210			
G 350 CDI	155	07/11 →	●			P50003MM	[O]	18	PER				A02271	
	155	07/11 →		●		P50020MM	[O]	18,9	BSH	A00282	210			
G 400 CDI (463.309)	184	12/00 →	●			P50003MM	[O]	18	PER				A02271	
	184	12/00 →		●		P50020MM	[O]	18,9	BSH	A00282	210			
G 500	285	12/09 →	●			P50003MM	[O]	18	PER					
	285	12/09 →		●		P50020MM	[O]	18,9	BSH	A00282	210			
G 500 (463)	218	04/98 →	●			P50003MM	[O]	18	PER				A02271	
	218	04/98 →		●		P50020MM	[O]	18,9	BSH	A00282	210			

GLA-CLASS (X156) 12/13 →

AMG GLA 45 4-matic (156.952)	280	07/15 →	●			P50121MM	[O]	16,7	BRE	A00353	93			
	280	07/15 →		●		P50099MM	[O]	18,7	TRW					
GLA 180 (156.942)	90	02/15 →	●			P50093MM	[O]	19	TRW	A00353	93			
	90	02/15 →		●		P50091MM	[O]	18,4	TRW					
GLA 180 CDI / d (156.912)	80	07/14 →	●			P50093MM	[O]	19	TRW	A00353	93			
	80	07/14 →		●		P50091MM	[O]	18,4	TRW					
GLA 200 (156.943)	115	12/13 →	●			P50093MM	[O]	19	TRW	A00353	93			
	115	12/13 →		●		P50091MM	[O]	18,4	TRW					
GLA 200 CDI / d (156.908)	100	12/13 →	●			P50093MM	[O]	19	TRW	A00353	93			
	100	12/13 →		●		P50091MM	[O]	18,4	TRW					
GLA 200 CDI 4-matic (156.902)	100	12/13 →	●			P50093MM	[O]	19	TRW	A00353	93			
	100	12/13 →		●		P50091MM	[O]	18,4	TRW					
GLA 220 CDI (156.903)	125	12/13 →	●			P50093MM	[O]	19	TRW	A00353	93			
	125	12/13 →		●		P50091MM	[O]	18,4	TRW					
GLA 220 CDI / d (156.903)	120	12/13 →	●			P50093MM	[O]	19	TRW	A00353	93			
	120	12/13 →		●		P50091MM	[O]	18,4	TRW					
GLA 220 CDI / d 4-matic (156.905)	120	12/13 →	●			P50093MM	[O]	19	TRW	A00353	93			
	120	12/13 →		●		P50091MM	[O]	18,4	TRW					
GLA 220 CDI 4-matic (156.905)	125	12/13 →	●			P50093MM	[O]	19	TRW	A00353	93			
	125	12/13 →		●		P50091MM	[O]	18,4	TRW					
GLA 220 d (156.903)	130	07/15 →	●			P50093MM	[O]	19	TRW	A00353	93			
	130	07/15 →		●		P50091MM	[O]	18,4	TRW					
GLA 220 d 4-matic (156.905)	130	07/15 →	●			P50093MM	[O]	19	TRW	A00353	93			
	130	07/15 →		●		P50091MM	[O]	18,4	TRW					
GLA 250 (156.944)	155	12/13 →	●			P50093MM	[O]	19	TRW	A00353	93			
	155	12/13 →		●		P50091MM	[O]	18,4	TRW					
GLA 250 4-matic (156.946)	155	12/13 →	●			P50093MM	[O]	19	TRW	A00353	93			
	155	12/13 →		●		P50091MM	[O]	18,4	TRW					

										WI		FK		
	kw										LENGHT			

MERCEDES-BENZ

GLA-CLASS (X156) 12/13 →

GLA 45	265	05/14 →	●		P50121MM	[o]	16,7	BRE	A00353	93			
AMG 4-matic (156.952)	265	05/14 →		●	P50099MM	[o]	18,7	TRW					

GLC (X253) 06/15 →

220 d 4-matic (253.905)	125	06/15 →	●	-sport pack	P50120MM	[o]	18,9	BRE	A00353	93			
	120	06/15 →	●	-sport pack	P50120MM	[o]	18,9	BRE					
250 4-matic (253.946)	155	06/15 →	●	-sport pack	P50120MM	[o]	18,9	BRE	A00353	93			
250 d 4-matic (253.909)	150	06/15 →	●	-sport pack	P50120MM	[o]	18,9	BRE	A00353	93			
300 4-matic (253.949)	180	07/15 →	●	-sport pack	P50120MM	[o]	18,9	BRE					
350 d 4-matic (253.925)	190	10/16 →	●	-sport pack	P50120MM	[o]	18,9	BRE	A00353	93			

GLC Coupé (C253) 06/16 →

220 d 4-matic (253.303, 253.305)	125	06/16 →	●	-sport pack	P50120MM	[o]	18,9	BRE	A00353	93			
	120	06/16 →	●	-sport pack	P50120MM	[o]	18,9	BRE					
250 4-matic (253.346)	155	06/16 →	●	-sport pack	P50120MM	[o]	18,9	BRE	A00353	93			
250 d 4-matic (253.309)	150	06/16 →	●	-sport pack	P50120MM	[o]	18,9	BRE	A00353	93			
300 4-matic (253.349)	180	10/16 →	●	-sport pack	P50120MM	[o]	18,9	BRE	A00353	93			
350 d 4-matic (253.325)	190	10/16 →	●	-sport pack	P50120MM	[o]	18,9	BRE	A00353	93			

GL-CLASS (X164) 09/06 →

GL 320 CDI / 350 BlueTEC 4-matic (164.824, 164.825)	155	12/09 →	●	-reinf.brakes	P50063MM	[o]	21	ATE	A00286	95	→ A 409082		
	155	12/09 →	●	+reinf.brakes	P50115MM	[o]	20,3	ATE	A00286	95	→ A 409082		
GL 320 CDI 4-matic (164.822)	165	09/06 → 05/09	●	-reinf.brakes	P50063MM	[o]	21	ATE	A00286	95	→ A 409082		
	165	09/06 → 05/09	●	+reinf.brakes	P50115MM	[o]	20,3	ATE	A00286	95	→ A 409082		
	165	05/09 →	●	-reinf.brakes	P50063MM	[o]	21	ATE	A00286	95	→ A 409082		
	165	05/09 →	●	+reinf.brakes	P50115MM	[o]	20,3	ATE	A00286	95	→ A 409082		
GL 350 CDI 4-matic (164.823)	195	10/10 →	●	-reinf.brakes	P50063MM	[o]	21	ATE	A00286	95	→ A 409082		
	195	10/10 →	●	+reinf.brakes	P50115MM	[o]	20,3	ATE	A00286	95	→ A 409082		
GL 420 CDI 4-matic (164.828)	225	09/06 → 05/09	●		P50115MM	[o]	20,3	ATE	A00286	95	→ A 409082		
GL 450 4-matic (164.871)	250	09/06 →	●	(J); (USA); (AUS)	P50063MM	[o]	21	ATE	A00286	95	→ A 409082		
	250	09/06 →	●		P50115MM	[o]	20,3	ATE	A00286	95	→ A 409082		
GL 450 CDI 4-matic (164.828)	225	05/09 →	●		P50115MM	[o]	20,3	ATE	A00286	95	→ A 409082		
GL 500 4-matic (164.886)	285	09/06 →	●	(J); (USA); (AUS)	P50063MM	[o]	21	ATE	A00286	95	→ A 409082		
	285	09/06 →	●		P50115MM	[o]	20,3	ATE	A00286	95	→ A 409082		

--	--	--	--	--	--	--	--	--	--	--	--	--	--	--

MERCEDES-BENZ

GL-CLASS (X166) 07/12 →

GL 350 CDI / BlueTec 4-matic (166.823, 166.824)	190	07/12 →	●	-sport pack; -(USA)	P50109MM	[O]	21,3	ATE	A00286	95				
	190	07/12 →	●	-sport pack; (USA)	P50108MM	[O]	19	ATE	A00286	95				
	190	07/12 →	●	+sport pack; -(USA)	P50102MM	[O]	19,2	ATE	A00286	95				
	190	07/12 →	●	+sport pack; (USA)	P50112MM	[O]	17,2	ATE	A00286	95				
	190	07/12 →		●	-(USA)	P50099MM	[O]	18,7	TRW	A00377	95			
	190	07/12 →		●	(USA)	P50100MM	[O]	18,7	TRW	A00377	95			
GL 400 4-matic (166.856)	245	08/13 →	●	-sport pack; -(USA); -reinf.brakes	P50109MM	[O]	21,3	ATE	A00286	95				
	245	08/13 →	●	-sport pack; (USA); -reinf.brakes	P50108MM	[O]	19	ATE	A00286	95				
	245	08/13 →	●	-(USA)	P50102MM	[O]	19,2	ATE	A00286	95				
	245	08/13 →	●	(USA)	P50112MM	[O]	17,2	ATE	A00286	95				
	245	08/13 →		●	(USA)	P50100MM	[O]	18,7	TRW	A00377	95			
	245	08/13 →		●	-(USA)	P50099MM	[O]	18,7	TRW	A00377	95			
GL 500 4-matic (166.873)	320	07/12 →	●		P50102MM	[O]	19,2	ATE	A00286	95				
	320	07/12 →		●		P50099MM	[O]	18,7	TRW	A00377	95			
GL 63 AMG 4-matic (166.874)	410	07/12 →		●		P50101MM	[O]	16,5	TRW					

GLE (W166) 04/15 →

250 d (166.006)	150	04/15 →	●	special protection B4 e B5	P50102MM	[O]	19,2	ATE	A00286	95				
	150	04/15 →	●	(USA)	P50108MM	[O]	19	ATE	A00286	95				
	150	04/15 →	●	+sport pack; -(USA)	P50109MM	[O]	21,3	ATE	A00286	95				
	150	04/15 →		●	-(USA)	P50099MM	[O]	18,7	TRW	A00377	95			
	150	04/15 →		●	+sport pack	P50100MM	[O]	18,7	TRW	A00377	95			
250 d 4-matic (166.004)	150	04/15 →	●	special protection B4 e B5	P50102MM	[O]	19,2	ATE	A00286	95				
	150	04/15 →	●	+sport pack; -(USA)	P50109MM	[O]	21,3	ATE	A00286	95				
	150	04/15 →	●	(USA)	P50108MM	[O]	19	ATE	A00286	95				
	150	04/15 →		●	-(USA)	P50099MM	[O]	18,7	TRW	A00377	95			
	150	04/15 →		●	+sport pack	P50100MM	[O]	18,7	TRW	A00377	95			
320 4-matic (166.062)	200	10/15 →	●	+sport pack; special protection B4 e B5	P50102MM	[O]	19,2	ATE	A00286	95				
	200	10/15 →	●	(USA)	P50108MM	[O]	19	ATE	A00286	95				
	200	10/15 →	●	+sport pack; (CN)	P50109MM	[O]	21,3	ATE	A00286	95				
	200	10/15 →		●	-AMG sport pack	P50100MM	[O]	18,7	TRW	A00377	95			
	200	10/15 →		●		P50099MM	[O]	18,7	TRW	A00377	95			
350 d 4-matic (166.024)	190	04/15 →	●	special protection B4 e B5	P50102MM	[O]	19,2	ATE	A00286	95				
	190	04/15 →	●	(USA)	P50108MM	[O]	19	ATE	A00286	95				
	190	04/15 →	●	+sport pack; -(USA)	P50109MM	[O]	21,3	ATE	A00286	95				
	190	04/15 →		●	-(USA)	P50099MM	[O]	18,7	TRW	A00377	95			
	190	04/15 →		●	+sport pack	P50100MM	[O]	18,7	TRW	A00377	95			
400 4-matic (166.056)	245	04/15 →	●	+sport pack; -(USA)	P50102MM	[O]	19,2	ATE	A00286	95				
	245	04/15 →	●	+sport pack; (USA)	P50108MM	[O]	19	ATE	A00286	95				
	245	04/15 →	●	-sport pack; -(USA)	P50109MM	[O]	21,3	ATE	A00286	95				
	245	04/15 →		●		P50099MM	[O]	18,7	TRW	A00377	95			
450 AMG 4-matic (166.064)	270	10/15 → 04/16	●	-sport pack	P50102MM	[O]	19,2	ATE	A00286	95			-sport pack	
	270	10/15 → 04/16		●	+sport pack	P50101MM	[O]	16,5	TRW	A00377	95			
	270	10/15 → 04/16		●	-sport pack	P50099MM	[O]	18,7	TRW	A00377	95			
500 4-matic (166.073)	320	04/15 →	●	+sport pack; -(USA)	P50102MM	[O]	19,2	ATE	A00286	95				
	320	04/15 →	●	-sport pack; (USA)	P50112MM	[O]	17,2	ATE	A00286	95				
	320	04/15 →		●		P50099MM	[O]	18,7	TRW	A00377	95			
	335	10/15 →	●		P50102MM	[O]	19,2	ATE	A00286	95				
	335	10/15 →		●		P50099MM	[O]	18,7	TRW	A00377	95			
500 e 4-matic (166.063)	325	04/15 →	●		P50102MM	[O]	19,2	ATE	A00286	95				
	325	04/15 →		●		P50099MM	[O]	18,7	TRW	A00286	95			

MERCEDES-BENZ

GL-CLASS (X166) 07/12 →

500 e 4-matic (166.063)	245	04/15 →	●				P50102MM	[o]	19,2	ATE	A00286	95			
	245	04/15 →		●			P50099MM	[o]	18,7	TRW	A00286	95			
AMG 43 4-matic (166.064)	270	05/16 →	●		-sport pack		P50102MM	[o]	19,2	ATE	A00286	95	Right;	-sport pack	
	270	05/16 →		●	+sport pack		P50101MM	[o]	16,5	TRW	A00377	95			
	270	05/16 →		●	-sport pack		P50099MM	[o]	18,7	TRW	A00377	95			
AMG 63 4-matic (166.074)	410	04/15 →	●		+sport pack		P50102MM	[o]	19,2	ATE	A00470	120			
	410	04/15 →		●			P50099MM	[o]	18,7	TRW	A00377	95			
	410	04/15 →		●			P50101MM	[o]	16,5	TRW	A00377	95			
	386	04/15 → 05/17	●		+sport pack		P50102MM	[o]	19,2	ATE	A00470	120			
	386	04/15 → 05/17		●			P50099MM	[o]	18,7	TRW	A00377	95			
AMG 63 S 4-matic (166.075)	430	04/15 →	●		+sport pack		P50102MM	[o]	19,2	ATE	A00470	120			
	430	04/15 →		●			P50099MM	[o]	18,7	TRW	A00377	95			
	430	04/15 →		●			P50101MM	[o]	16,5	TRW	A00377	95			

GLE Coupé (C292) 03/15 →

350 d 4-matic (292.323, 292.324)	190	03/15 →	●		+sport pack; -(USA)		P50109MM	[o]	21,3	ATE	A00286	95			
	190	03/15 →	●		+sport pack; (USA)		P50108MM	[o]	19	ATE	A00286	95			
	190	03/15 →		●	-sport pack		P50100MM	[o]	18,7	TRW	A00377	95			
	190	03/15 →		●	+sport pack		P50099MM	[o]	18,7	TRW	A00377	95			
400 4-matic (292.356)	245	03/15 →	●		+sport pack; -(USA)		P50102MM	[o]	19,2	ATE	A00286	95			
	245	03/15 →	●		-sport pack; -(USA)		P50109MM	[o]	21,3	ATE	A00286	95			
	245	03/15 →		●			P50099MM	[o]	18,7	TRW	A00377	95			
450 AMG 4-matic (292.364)	270	03/15 →	●				P50102MM	[o]	19,2	ATE	A00286	95			
	270	03/15 →		●	-sport pack		P50099MM	[o]	18,7	TRW	A00377	95			
	270	03/15 →		●	+sport pack		P50101MM	[o]	16,5	TRW	A00377	95			
500 4-matic (292.373)	335	10/15 →	●				P50102MM	[o]	19,2	ATE	A00286	95	-sport pack		
	335	10/15 →		●	-sport pack		P50099MM	[o]	18,7	TRW	A00377	95			
	335	10/15 →		●	+sport pack		P50101MM	[o]	16,5	TRW	A00377	95			
AMG 43 4-matic (292.364)	270	05/16 →	●		-sport pack		P50102MM	[o]	19,2	ATE	A00286	95	Right;	-sport pack	
	270	05/16 →		●	+sport pack		P50101MM	[o]	16,5	TRW	A00377	95			
	270	05/16 →		●	-sport pack		P50099MM	[o]	18,7	TRW	A00377	95			
AMG 63 4-matic (292.374)	410	03/15 →		●			P50101MM	[o]	16,5	TRW	A00377	95			
AMG 63 S 4-matic (292.375)	430	03/15 →		●			P50101MM	[o]	16,5	TRW	A00377	95			

GLK-CLASS (X204) 06/08 →

200 (204.934)	135	08/13 → 06/15	●				P50086MM	[o]	20,2	BSH	A00377	95			
	135	08/13 → 06/15		●			P50104MM	[o]	17,9	ATE	A00377	95			
200 CDI (204.901)	105	07/10 → 06/15	●				P50086MM	[o]	20,2	BSH	A00377	95			
	105	07/10 → 06/15		●			P50104MM	[o]	17,9	ATE	A00377	95			
	100	12/13 → 06/15	●				P50086MM	[o]	20,2	BSH	A00377	95			
	100	12/13 → 06/15		●			P50104MM	[o]	17,9	ATE	A00377	95			
220 CDI (204.902)	125	12/08 → 06/15	●				P50086MM	[o]	20,2	BSH	A00377	95			
	125	12/08 → 06/15		●			P50104MM	[o]	17,9	ATE	A00377	95			
	120	12/08 → 06/15	●				P50086MM	[o]	20,2	BSH	A00377	95			
	120	12/08 → 06/15		●			P50104MM	[o]	17,9	ATE	A00377	95			
220 CDI 4-matic (204.984)	120	12/08 → 06/15	●				P50086MM	[o]	20,2	BSH	A00377	95			
	120	12/08 → 06/15		●			P50104MM	[o]	17,9	ATE	A00377	95			
220 CDI 4-matic (204.984, 204.997)	125	12/08 → 06/15	●				P50086MM	[o]	20,2	BSH	A00377	95			
	125	12/08 → 06/15		●			P50104MM	[o]	17,9	ATE	A00377	95			

--	--	--	--	--	--	--	--	--	--	--	--	--	--	--

MERCEDES-BENZ

GLK-CLASS (X204) 06/08 →

250 (204.936)	155	08/13 → 06/15	●		P50086MM	[O]	20,2	BSH	A00377	95				
	155	08/13 → 06/15	●		P50104MM	[O]	17,9	ATE	A00377	95				
250 4-matic (204.937)	155	08/13 → 06/15	●		P50086MM	[O]	20,2	BSH	A00377	95				
	155	08/13 → 06/15	●		P50104MM	[O]	17,9	ATE	A00377	95				
250 CDI 4-matic (204.982, 204.904)	150	09/09 → 06/15	●		P50086MM	[O]	20,2	BSH	A00377	95				
	150	09/09 → 06/15	●		P50104MM	[O]	17,9	ATE	A00377	95				
280 4-matic (204.981)	170	06/08 → 06/09	●		P50086MM	[O]	20,2	BSH	A00377	95				
	170	06/08 → 06/09	●		P50104MM	[O]	17,9	ATE	A00377	95				
300 4-matic	185	09/09 → 06/15	●		P50086MM	[O]	20,2	BSH						
	185	09/09 → 06/15	●		P50104MM	[O]	17,9	ATE						
300 4-matic (204.981)	170	07/09 → 04/11	●		P50086MM	[O]	20,2	BSH	A00377	95				
	170	07/09 → 04/11	●		P50104MM	[O]	17,9	ATE	A00377	95				
320 CDI 4-matic (204.983)	165	06/08 → 06/15	●		P50086MM	[O]	20,2	BSH	A00377	95				
	165	06/08 → 06/15	●		P50104MM	[O]	17,9	ATE	A00377	95				
350 (204.956)	200	04/09 → 06/15	●		P50086MM	[O]	20,2	BSH	A00377	95				
	200	04/09 → 06/15	●		P50104MM	[O]	17,9	ATE	A00377	95				
350 4-matic (204.987)	200	06/08 → 04/11	●		P50086MM	[O]	20,2	BSH	A00377	95				
	200	06/08 → 04/11	●		P50104MM	[O]	17,9	ATE	A00377	95				
350 4-matic (204.988)	225	06/08 → 06/15	●		P50086MM	[O]	20,2	BSH	A00377	95				
	225	06/08 → 06/15	●		P50104MM	[O]	17,9	ATE	A00377	95				
350 CDI 4-matic (204.992)	170	02/10 → 05/10	●		P50086MM	[O]	20,2	BSH	A00377	95				
	170	02/10 → 05/10	●		P50104MM	[O]	17,9	ATE	A00377	95				
	165	07/09 → 01/10	●		P50086MM	[O]	20,2	BSH	A00377	95				
	165	07/09 → 01/10	●		P50104MM	[O]	17,9	ATE	A00377	95				
350 CDI 4-matic (204.993)	195	07/12 → 06/15	●		P50086MM	[O]	20,2	BSH	A00377	95				
	195	07/12 → 06/15	●		P50104MM	[O]	17,9	ATE	A00377	95				

GLS (X166) 11/15 →

350 d 4-matic (166.824)	190	11/15 →	●	-sport pack	P50109MM	[O]	21,3	ATE	A00286	95				
	190	11/15 →	●	+sport pack	P50102MM	[O]	19,2	ATE	A00286	95				
	190	11/15 →	●	-sport pack; (USA)	P50108MM	[O]	19	ATE	A00286	95				
	190	11/15 →	●	-sport pack	P50110MM	[O]	15,3	BRE	A00377	95				
	190	11/15 →	●	+sport pack	P50099MM	[O]	18,7	TRW	A00377	95				
400 4-matic (166.856)	245	11/15 →	●	-sport pack	P50109MM	[O]	21,3	ATE	A00286	95				
	245	11/15 →	●	+sport pack	P50102MM	[O]	19,2	ATE	A00286	95				
	245	11/15 →	●	-sport pack	P50110MM	[O]	15,3	BRE	A00377	95				
	245	11/15 →	●	+sport pack	P50099MM	[O]	18,7	TRW	A00377	95				
500 4-matic (166.873)	335	11/15 →	●		P50102MM	[O]	19,2	ATE	A00286	95				
	335	11/15 →	●	-sport pack	P50110MM	[O]	15,3	BRE	A00377	95				
	335	11/15 →	●	+sport pack	P50099MM	[O]	18,7	TRW	A00377	95				
AMG 63 4-matic (166.875, 166.874)	430	11/15 →	●		P50101MM	[O]	16,5	TRW	A00377	95				

M-CLASS (W163) 02/98 → 06/05

ML 230 (163.136)	110	02/98 → 06/05	●	→ A289558/X754619	P50039MM	[+]	16,3	BSH						
	110	02/98 → 06/05	●	A289559/X754620 →	P50041MM	[O]	17,7	BRE						
	110	02/98 → 06/05	●	→ 11/98	P50040MM	[+]	16,7	BSH	A00283	320		→ A289558/X754619; 12/98 →		
	110	02/98 → 06/05	●	12/98 → 09/00; → A289558/X754619	P50044MM	[O]	16,7	BSH	A00283	320		→ A289558/X754619; 12/98 →		
	110	02/98 → 06/05	●	09/00 → ; A289559/X754620 →	P50043MM	[O]	16	ATE	A00283	320		→ A289558/X754619; 12/98 →		



kw



wi

Th [mm]

SYS



LENGHT

WI



FK

MERCEDES-BENZ

M-CLASS (W163) 02/98 → 06/05

ML 270 CDI (163.113)	120	12/99 → 06/05	●	→ A289558/X754619	P50039MM	[+]	16,3	BSH	A00285	114	A289560/X754620 →		
	120	12/99 → 06/05	●	A289559/X754620 →	P50041MM	[o]	17,7	BRE	A00285	114	A289560/X754620 →		
	120	12/99 → 06/05	●	→ 09/00; → A289558/X754619	P50044MM	[o]	16,7	BSH	A00283	320	→ A289558/X754619		
	120	12/99 → 06/05	●	09/00 →; A289559/X754620 →	P50043MM	[o]	16	ATE	A00283	320	→ A289558/X754619		
ML 320 (163.154)	160	02/98 → 08/02	●	→ A289558/X754619; (USA)	P50039MM	[+]	16,3	BSH	A00355	184			
	160	02/98 → 08/02	●	A289559/X754620 →	P50041MM	[o]	17,7	BRE	A00355	184			
	160	02/98 → 08/02	●	→ 11/98	P50040MM	[+]	16,7	BSH	A00283	320	→ A289558/X754619; 12/98 →		
	160	02/98 → 08/02	●	12/98 →; → A289558/X754619	P50044MM	[o]	16,7	BSH	A00283	320	→ A289558/X754619; 12/98 →		
	160	02/98 → 08/02	●	A289559/X754620 →	P50043MM	[o]	16	ATE	A00283	320	→ A289558/X754619; 12/98 →		
ML 350	173	02/03 → 06/05	●	→ A289558/X754619; (USA)	P50039MM	[+]	16,3	BSH	A00285	114	A289560 →; X754620 →; -(USA)		
	173	02/03 → 06/05	●	A289559/X754620 →	P50041MM	[o]	17,7	BRE	A00285	114	A289560 →; X754620 →; -(USA)		
	173	02/03 → 06/05	●	→ A289558/X754619	P50044MM	[o]	16,7	BSH	A00283	320	→ A289558; → X754619		
	173	02/03 → 06/05	●	A289559/X754620 →	P50043MM	[o]	16	ATE	A00283	320	→ A289558; → X754619		
ML 350 (163.157)	180	08/02 → 06/05	●		P50041MM	[o]	17,7	BRE	A00285	114			
	180	08/02 → 06/05	●		P50043MM	[o]	16	ATE	A00285	114			
ML 400 CDI (163.128)	184	09/01 → 06/05	●		P50041MM	[o]	17,7	BRE	A00285	114			
	184	09/01 → 06/05	●		P50043MM	[o]	16	ATE	A00285	114			
ML 430 (163.172)	200	02/98 → 06/05	●	→ X707755; → A145272	P50039MM	[+]	16,3	BSH	A00284	147	A145273 →; X707756 →		
	200	02/98 → 06/05	●	A145273 →; X707756 →	P50041MM	[o]	17,7	BRE	A00284	147	A145273 →; X707756 →		
	200	02/98 → 06/05	●	→ X707755; → A145272	P50044MM	[o]	16,7	BSH	A00283	320	→ A145272; → X707755		
	200	02/98 → 06/05	●	A145273 →; 707756 →	P50043MM	[o]	16	ATE	A00283	320	→ A145272; → X707755		
ML 500 (163.175)	215	09/01 → 06/05	●		P50041MM	[o]	17,7	BRE	A00285	114			
	215	09/01 → 06/05	●		P50043MM	[o]	16	ATE	A00285	114			
ML 55 AMG (163.174)	255	02/00 → 06/05	●		P50041MM	[o]	17,7	BRE	A00285	114			
	255	02/00 → 06/05	●		P50043MM	[o]	16	ATE	A00285	114			

M-CLASS (W164) 07/05 → 12/11

ML 280 CDI 4-matic (164.120)	140	07/05 → 07/09	●		P50063MM	[o]	21	ATE	A00286	95			
	140	07/05 → 07/09	●	-(USA)	P50064MM	[o]	18	ATE	A00286	95			
	140	07/09 → 12/11	●		P50063MM	[o]	21	ATE	A00286	95			
	140	07/09 → 12/11	●	-(USA)	P50064MM	[o]	18	ATE	A00286	95			
ML 300 CDI 4-matic (164.121)	150	02/10 → 12/11	●		P50063MM	[o]	21	ATE	A00286	95			
	150	02/10 → 12/11	●	-(USA)	P50064MM	[o]	18	ATE	A00286	95			
ML 320 CDI 4-matic (164.122)	165	07/05 → 07/09	●		P50063MM	[o]	21	ATE	A00286	95			
	165	07/05 → 07/09	●	-(USA)	P50064MM	[o]	18	ATE	A00286	95			
ML 350 4-matic (164.186)	200	07/05 → 12/11	●		P50063MM	[o]	21	ATE	A00286	95			
	200	07/05 → 12/11	●	-(USA)	P50064MM	[o]	18	ATE	A00286	95			
ML 350 CDI 4-matic (164.122)	165	07/09 → 12/11	●		P50063MM	[o]	21	ATE	A00286	95			
	165	07/09 → 12/11	●	-(USA)	P50064MM	[o]	18	ATE	A00286	95			
ML 350 CDI 4-matic (164.125)	155	09/09 → 12/11	●		P50063MM	[o]	21	ATE	A00286	95			
	155	09/09 → 12/11	●	-(USA)	P50064MM	[o]	18	ATE	A00286	95			
	170	02/10 → 12/11	●		P50063MM	[o]	21	ATE	A00286	95			
	170	02/10 → 12/11	●	-(USA)	P50064MM	[o]	18	ATE	A00286	95			
ML 420 CDI 4-matic (164.128)	225	02/06 → 09/09	●		P50063MM	[o]	21	ATE	A00286	95			
	225	02/06 → 09/09	●	-(USA)	P50064MM	[o]	18	ATE	A00286	95			
	225	09/09 → 12/11	●		P50063MM	[o]	21	ATE	A00286	95			
	225	09/09 → 12/11	●	-(USA)	P50064MM	[o]	18	ATE	A00286	95			

--	--	--	--	--	--	--	--	--	--	--	--	--	--	--	--

MERCEDES-BENZ

M-CLASS (W164) 07/05 → 12/11

ML 500 4-matic (164.172)	285	12/07 → 12/11	●		-(J); -(AUS); -(USA)	P50115MM	[O]	20,3	ATE	A00286	95				
	285	12/07 → 12/11	●		(AUS); (USA); (J)	P50063MM	[O]	21	ATE	A00286	95				
	285	12/07 → 12/11		●	-(USA)	P50064MM	[O]	18	ATE	A00286	95				
ML 500 4-matic (164.175)	225	07/05 → 12/11	●			P50063MM	[O]	21	ATE	A00286	95				
	225	07/05 → 12/11		●	-(USA)	P50064MM	[O]	18	ATE	A00286	95				
ML 63 AMG 4-matic (164.177)	375	01/06 → 12/11	●			P50105MM	[O]	20,8	ATE	A00286	95				
	375	01/06 → 12/11		●		P50116MM	[O]	16,9	ATE						

M-CLASS (W166) 06/11 →

ML 250 CDI / BlueTEC 4-matic (166.004, 166.003)	150	06/11 →	●		-sport pack	P50109MM	[O]	21,3	ATE	A00286	95				
	150	06/11 →	●		+sport pack; (USA)	P50108MM	[O]	19	ATE	A00286	95				
	150	06/11 →	●		+arm.veh.	P50102MM	[O]	19,2	ATE	A00286	95				
	150	06/11 →		●	-sport pack	P50100MM	[O]	18,7	TRW	A00377	95				
	150	06/11 →		●	+sport pack	P50099MM	[O]	18,7	TRW	A00377	95				
ML 300 4-matic (166.055)	185	04/14 →	●		-sport pack; (USA)	P50109MM	[O]	21,3	ATE	A00286	95				
	185	04/14 →	●		+arm.veh.; -(USA)	P50102MM	[O]	19,2	ATE	A00286	95				
	185	04/14 →		●	-sport pack; -(USA)	P50100MM	[O]	18,7	TRW	A00377	95				
	185	04/14 →		●	+sport pack	P50099MM	[O]	18,7	TRW	A00377	95				
ML 350 4-matic (166.057)	225	06/11 →	●		disc Ø 330 mm	P50109MM	[O]	21,3	ATE	A00286	95				
	225	06/11 →	●		+sport pack; (USA); disc Ø 350 mm	P50108MM	[O]	19	ATE	A00286	95				
	225	06/11 →		●	+sport pack	P50102MM	[O]	19,2	ATE	A00286	95				
	225	06/11 →		●	-sport pack	P50100MM	[O]	18,7	TRW	A00377	95				
	225	06/11 →		●	+sport pack	P50099MM	[O]	18,7	TRW	A00377	95				
ML 350 BlueTEC 4-matic (166.024)	190	06/11 →	●		-sport pack	P50109MM	[O]	21,3	ATE	A00286	95				
	190	06/11 →	●		+sport pack; (USA)	P50108MM	[O]	19	ATE	A00286	95				
	190	06/11 →	●		+arm.veh.	P50102MM	[O]	19,2	ATE	A00286	95				
	190	06/11 →		●	-sport pack	P50100MM	[O]	18,7	TRW	A00377	95				
	190	06/11 →		●	+sport pack	P50099MM	[O]	18,7	TRW	A00377	95				
ML 400 4-matic (166.056)	245	08/13 →	●		(USA)	P50108MM	[O]	19	ATE	A00286	95				
	245	08/13 →	●		-sport pack	P50109MM	[O]	21,3	ATE	A00286	95				
	245	08/13 →	●			P50102MM	[O]	19,2	ATE	A00286	95				
	245	08/13 →		●		P50099MM	[O]	18,7	TRW	A00377	95				
	300	02/12 →	●			P50102MM	[O]	19,2	ATE	A00286	95				
	300	02/12 →		●		P50099MM	[O]	18,7	TRW	A00377	95				
ML 63 AMG 4-matic (166.074)	410	11/11 →	●		+sport pack	P50102MM	[O]	19,2	ATE	A00277	98				
	410	11/11 →		●	+sport pack	P50099MM	[O]	18,7	TRW	A00377	95				
	410	11/11 →		●		P50101MM	[O]	16,5	TRW	A00377	95				
	386	11/11 →	●		+sport pack	P50102MM	[O]	19,2	ATE	A00277	98				
	386	11/11 →		●	+sport pack	P50099MM	[O]	18,7	TRW	A00377	95				
	386	11/11 →		●		P50101MM	[O]	16,5	TRW	A00377	95				

R-CLASS (W251, V251) 01/05 →

R 280 (251.054, 251.154)	170	01/07 →	●			P50063MM	[O]	21	ATE	A00286	95				
	170	01/07 →		●		P50064MM	[O]	18	ATE	A00286	95				
R 280 4-matic (251.062)	170	05/07 →	●			P50063MM	[O]	21	ATE	A00286	95				
	170	05/07 →		●		P50064MM	[O]	18	ATE	A00286	95				
R 280 CDI (251.121, 251.026, 251.126)	140	05/06 →	●			P50063MM	[O]	21	ATE	A00286	95				
	140	05/06 →		●		P50064MM	[O]	18	ATE	A00286	95				
R 280 CDI 4-matic (251.020)	140	05/06 →	●			P50063MM	[O]	21	ATE	A00286	95				
	140	05/06 →		●		P50064MM	[O]	18	ATE	A00286	95				

MERCEDES-BENZ

R-CLASS (W251, V251) 01/05 →

R 300 (251.054, 251.154)	170	07/09 →	•			P50063MM	[o]	21	ATE	A00286	95			
	170	07/09 →		•		P50064MM	[o]	18	ATE	A00286	95			
R 300 CDI (251.021, 251.121, 251.026, 251.126)	140	07/09 →	•			P50063MM	[o]	21	ATE	A00286	95			
	140	07/09 →		•		P50064MM	[o]	18	ATE	A00286	95			
R 300 CDI 4-matic (251.020)	140	07/09 →	•			P50063MM	[o]	21	ATE	A00286	95			
	140	07/09 →		•		P50064MM	[o]	18	ATE	A00286	95			
R 320 CDI 4-matic (251.022, 251.122)	165	01/06 →	•			P50063MM	[o]	21	ATE	A00286	95			
	165	01/06 →		•		P50064MM	[o]	18	ATE	A00286	95			
R 320 CDI 4-matic (251.125)	155	01/06 →	•			P50063MM	[o]	21	ATE	A00286	95			
	155	01/06 →		•		P50064MM	[o]	18	ATE	A00286	95			
R 350 (251.056, 251.156)	200	01/07 →	•			P50063MM	[o]	21	ATE	A00286	95			
	200	01/07 →		•		P50064MM	[o]	18	ATE	A00286	95			
R 350 4-matic (251.065, 251.165)	200	01/06 →	•			P50063MM	[o]	21	ATE	A00286	95			
	200	01/06 →		•		P50064MM	[o]	18	ATE	A00286	95			
R 350 CDI 4-matic (251.022, 251.122)	165	07/09 →	•			P50063MM	[o]	21	ATE	A00286	95			
	165	07/09 →		•		P50064MM	[o]	18	ATE	A00286	95			
R 350 CDI 4-matic (251.023, 251.123)	195	08/10 →	•			P50063MM	[o]	21	ATE	A00286	95			
	195	08/10 →		•		P50064MM	[o]	18	ATE	A00286	95			
R 350 CDI 4-matic (251.124, 251.125)	155	01/06 →	•			P50063MM	[o]	21	ATE	A00286	95			
	155	01/06 →		•		P50064MM	[o]	18	ATE	A00286	95			
R 350 CGI 4-matic (251.057, 251.157)	225	01/06 →	•			P50063MM	[o]	21	ATE	A00286	95			
	225	01/06 →		•		P50064MM	[o]	18	ATE	A00286	95			
R 500 4-matic (251.072, 251.172)	285	01/07 →	•		wheel base 2980 mm; (USA); (AUS); wheel base 3215 mm; (AUS); (J)	P50063MM	[o]	21	ATE	A00286	95		→ A 083542	
	285	01/07 →		•	-(USA)	P50064MM	[o]	18	ATE	A00286	95		→ A 083542	
R 500 4-matic (251.075, 251.175)	225	01/06 →	•			P50063MM	[o]	21	ATE	A00286	95			
	225	01/06 →		•		P50064MM	[o]	18	ATE	A00286	95			
R 63 AMG 4-matic (251.077, 251.177)	375	02/06 →	•			P50105MM	[o]	20,8	ATE	A00286	95			
	375	02/06 →		•		P50116MM	[o]	16,9	ATE	A00286	95			

S-CLASS (W220) 10/98 → 08/05

S 280 (220.063, 220.163)	150	10/98 → 08/05	•			P50041MM	[o]	17,7	BRE					
	150	10/98 → 08/05		•	→ 12/02	P50042MM	[o]	15,9	ATE	A00377	95			
	150	10/98 → 08/05		•	01/02 →	P50052MM	[o]	16,8	ATE	A00377	95			

MERCEDES-BENZ

S-CLASS (W220) 10/98 → 08/05

S 320 (220.065, 220.165)	165	10/98 → 08/05	●			P50041MM	[O]	17,7	BRE				
	165	10/98 → 08/05	●	→ 12/02		P50042MM	[O]	15,9	ATE	A00377	95		
	165	10/98 → 08/05	●	01/02 →		P50052MM	[O]	16,8	ATE	A00377	95		
S 320 CDI (220.025, 220.125)	150	09/02 → 08/05	●			P50041MM	[O]	17,7	BRE				
	150	09/02 → 08/05	●			P50052MM	[O]	16,8	ATE	A00377	95		
S 320 CDI (220.026, 220.126)	145	08/99 → 09/02	●			P50041MM	[O]	17,7	BRE				
	145	08/99 → 09/02	●			P50042MM	[O]	15,9	ATE	A00377	95		
S 350 (220.067, 220.167)	180	09/02 → 08/05	●			P50041MM	[O]	17,7	BRE	A00377	95		
	180	09/02 → 08/05	●			P50052MM	[O]	16,8	ATE	A00377	95		
S 350 4-matic (220.087, 220.187)	180	06/03 → 08/05	●	→ A411232		P50026MM	[O]	20,3	ATE				A02202
	180	06/03 → 08/05	●	A411233 →		P50075MM	[O]	19	ATE				A02202
	180	06/03 → 08/05	●			P50052MM	[O]	16,8	ATE	A00377	95		
S 400 CDI (220.028, 220.128)	184	06/00 → 08/05	●			P50041MM	[O]	17,7	BRE				
	184	06/00 → 08/05	●	→ 12/02		P50042MM	[O]	15,9	ATE	A00377	95		
	184	06/00 → 08/05	●	01/02 →		P50052MM	[O]	16,8	ATE	A00377	95		
	191	06/03 → 08/05	●			P50041MM	[O]	17,7	BRE				
	191	06/03 → 08/05	●			P50052MM	[O]	16,8	ATE	A00377	95		
S 430 (220.070, 220.170)	205	10/98 → 08/05	●			P50041MM	[O]	17,7	BRE				
	205	10/98 → 08/05	●	→ 12/02		P50042MM	[O]	15,9	ATE	A00377	95		
	205	10/98 → 08/05	●	01/02 →		P50052MM	[O]	16,8	ATE	A00377	95		
S 430 4-matic (220.083, 220.183)	205	09/02 → 08/05	●			P50041MM	[O]	17,7	BRE	A00286	95		
	205	09/02 → 08/05	●			P50052MM	[O]	16,8	ATE	A00377	95		
S 500 (220.075, 220.175, 220.875)	225	10/98 → 08/05	●			P50041MM	[O]	17,7	BRE				
	225	10/98 → 08/05	●	special protection B7		P50048MM	[O]	17,3	BRE				
	225	10/98 → 08/05	●	special protection B4; -MY 2003		P50017MM	[O]	15,5	ATE	A00377	95		
	225	10/98 → 08/05	●	→ 09/02; -MY 2003; → A369359		P50042MM	[O]	15,9	ATE	A00377	95		
	225	10/98 → 08/05	●	10/02 →; A265054 →		P50052MM	[O]	16,8	ATE	A00377	95		
S 500 4-matic (220.084, 220.184)	225	10/98 → 08/05	●	special protection B7; 10/02 →; -MY 2002; A265054 →		P50077MM	[O]	14,8	BRE	A00377	95		
	225	09/02 → 08/05	●			P06019MM	[O]	20,8	ATE	A00286	95		
S 55 AMG (220.073, 220.173)	265	04/99 → 08/05	●			P50062MM	[O]	17,5	BRE				
	265	04/99 → 08/05	●			P50061MM	[O]	16,5	BRE	A00377	95		
S 55 AMG Kompressor (220.074, 220.174)	368	06/02 → 08/05	●			P50062MM	[O]	17,5	BRE				
	368	06/02 → 08/05	●			P50061MM	[O]	16,5	BRE	A00377	95		
S 600 (220.176)	368	09/02 → 08/05	●			P50041MM	[O]	17,7	BRE				
	368	09/02 → 08/05	●			P50061MM	[O]	16,5	BRE	A00377	95		
	368	09/02 → 08/05	●	special protection B7		P50077MM	[O]	14,8	BRE	A00377	95		
S 600 (220.878, 220.178)	270	01/00 → 08/05	●			P50048MM	[O]	17,3	BRE				
	270	01/00 → 08/05	●			P50017MM	[O]	15,5	ATE	A00377	95		
S 63 AMG	326	09/01 → 08/05	●			P50062MM	[O]	17,5	BRE				
	326	09/01 → 08/05	●			P50061MM	[O]	16,5	BRE	A00377	95		
S 65 AMG (220.179)	450	03/04 → 08/05	●	-arm.veh.		P50062MM	[O]	17,5	BRE				
	450	03/04 → 08/05	●	+arm.veh.		P50048MM	[O]	17,3	BRE				
	450	03/04 → 08/05	●			P50077MM	[O]	14,8	BRE	A00377	95		

	kW					MAGNETI MARELLI	wi	Th [mm]	SYS	WI			FK	
										MAGNETI MARELLI	LENGHT		MAGNETI MARELLI	

MERCEDES-BENZ

S-CLASS (W221) 09/05 → 12/13

S 250 CDI (221.003, 221.103)	150	01/11 → 12/13	●			P50074MM	[o]	17,8	BRE	A00470	120			
	150	01/11 → 12/13	●			P50052MM	[o]	16,8	ATE	A00377	95			
S 280 (221.054)	170	08/06 → 12/13	●			P50074MM	[o]	17,8	BRE	A00470	120			
	170	08/06 → 12/13	●			P50052MM	[o]	16,8	ATE	A00377	95			
S 300 (221.054)	170	08/06 → 12/13	●			P50074MM	[o]	17,8	BRE	A00470	120			
	170	08/06 → 12/13	●			P50052MM	[o]	16,8	ATE	A00377	95			
S 320 CDI	155	10/05 → 12/13	●			P50074MM	[o]	17,8	BRE	A00470	120			
	155	10/05 → 12/13	●	→ A289058		P50052MM	[o]	16,8	ATE	A00377	95			
S 320 CDI (221.022, 221.122)	173	12/05 → 06/09	●			P50074MM	[o]	17,8	BRE	A00470	120			
	173	12/05 → 06/09	●	→ A289058		P50052MM	[o]	16,8	ATE	A00377	95			
S 320 CDI 4-matic (221.080, 221.180)	173	10/06 → 12/13	●			P50074MM	[o]	17,8	BRE	A00470	120			
	173	10/06 → 12/13	●	→ A289058		P50052MM	[o]	16,8	ATE	A00377	95			
	155	10/05 → 12/13	●			P50074MM	[o]	17,8	BRE	A00470	120			
	155	10/05 → 12/13	●			P50052MM	[o]	16,8	ATE	A00377	95			
S 350 (221.056, 221.156)	200	10/05 → 12/13	●			P50074MM	[o]	17,8	BRE	A00470	120			
	200	10/05 → 12/13	●			P50052MM	[o]	16,8	ATE	A00377	95			
S 350 4-matic (221.087, 221.187)	200	02/08 → 12/13	●			P50074MM	[o]	17,8	BRE	A00470	120			
	200	02/08 → 12/13	●			P50052MM	[o]	16,8	ATE	A00377	95			
S 350 BlueTec (221.026, 221.126)	190	04/11 → 12/13	●			P50074MM	[o]	17,8	BRE	A00470	120			
	190	04/11 → 12/13	●			P50052MM	[o]	16,8	ATE	A00377	95			
S 350 BlueTEC 4-matic (221.083, 221.183)	190	04/11 → 12/13	●			P50074MM	[o]	17,8	BRE	A00470	120			
	190	04/11 → 12/13	●			P50052MM	[o]	16,8	ATE	A00377	95			
S 350 CDI	173	06/09 → 12/13	●			P50074MM	[o]	17,8	BRE	A00470	120			
	173	06/09 → 12/13	●			P50052MM	[o]	16,8	ATE	A00377	95			
S 350 CGI (221.057, 221.157)	225	04/11 → 12/13	●			P50074MM	[o]	17,8	BRE	A00470	120			
	225	04/11 → 12/13	●			P50052MM	[o]	16,8	ATE	A00377	95			
S 350 CGI 4-matic (221.082, 221.182)	225	04/11 → 12/13	●			P50074MM	[o]	17,8	BRE	A00470	120			
	225	04/11 → 12/13	●			P50052MM	[o]	16,8	ATE	A00377	95			
S 400 Hybrid (221.095, 221.195)	205	01/09 → 12/13	●			P50074MM	[o]	17,8	BRE	A00470	120			
	205	01/09 → 12/13	●			P50052MM	[o]	16,8	ATE	A00377	95			
S 420 CDI / S 450 CDI (221.028, 221.128)	235	10/06 → 12/13	●			P50074MM	[o]	17,8	BRE	A00470	120			
	235	10/06 → 12/13	●			P50052MM	[o]	16,8	ATE	A00377	95			
S 450 (221.070, 221.170)	250	12/05 → 12/13	●			P50074MM	[o]	17,8	BRE	A00470	120			
	250	12/05 → 12/13	●			P50052MM	[o]	16,8	ATE	A00377	95			
S 450 4-matic (221.084, 221.184)	250	12/05 → 12/13	●			P50074MM	[o]	17,8	BRE	A00470	120			
	250	12/05 → 12/13	●			P50052MM	[o]	16,8	ATE	A00377	95			
S 500 (221.071, 221.171)	285	10/05 → 12/13	●			P50074MM	[o]	17,8	BRE	A00470	120			
	285	10/05 → 12/13	●			P50052MM	[o]	16,8	ATE	A00377	95			
S 500 4-matic (221.086, 221.186)	285	10/05 → 12/13	●			P50074MM	[o]	17,8	BRE	A00470	120			
	285	10/05 → 12/13	●			P50052MM	[o]	16,8	ATE	A00377	95			

--	--	--	--	--	--	--	--	--	--	--	--	--	--	--

MERCEDES-BENZ

S-CLASS (W221) 09/05 → 12/13

S 500 CGI (221.073, 221.173)	320	04/11 → 12/13	●	disc Ø 350 mm	P50074MM	[O]	17,8	BRE	A00470	120				
	320	04/11 → 12/13	●	disc Ø 360 mm	P50097MM	[O]	17,8	BRE	A00470	120				
	320	04/11 → 12/13	●		P50052MM	[O]	16,8	ATE	A00377	95				
S 500 CGI 4-matic (221.094, 221.194)	320	03/11 → 12/13	●	disc Ø 350 mm	P50074MM	[O]	17,8	BRE	A00470	120				
	320	03/11 → 12/13	●	disc Ø 360 mm	P50097MM	[O]	17,8	BRE	A00470	120				
	320	03/11 → 12/13	●		P50052MM	[O]	16,8	ATE	A00377	95				
S 600 (221.176)	380	12/05 → 12/13	●	-(J); -(USA); -(AUS)	P50062MM	[O]	17,5	BRE	A00470	120				
	380	12/05 → 12/13	●	-arm.veh.; (AUS); (USA); (J)	P50074MM	[O]	17,8	BRE	A00470	120				
	380	12/05 → 12/13	●	-(USA); -(J); -(AUS)	P50061MM	[O]	16,5	BRE	A00377	95				
	380	12/05 → 12/13	●		P50052MM	[O]	16,8	ATE	A00377	95				
S 63 AMG (221.074, 221.174)	420	02/12 → 12/13	●		P50116MM	[O]	16,9	ATE	A00470	120				
	400	03/11 → 12/13	●		P50116MM	[O]	16,9	ATE	A00470	120				
S 63 AMG (221.077, 221.177)	386	10/06 → 12/13	●		P50116MM	[O]	16,9	ATE	A00470	120				
S 65 AMG (221.179)	463	04/11 → 12/13	●		P50116MM	[O]	16,9	ATE	A00470	120				
	450	12/05 → 12/13	●		P50116MM	[O]	16,9	ATE	A00470	120				

S-CLASS (W222, V222, X222) 05/13 →

S 300 BlueTEC Hybrid / h (222.004, 222.104)	150	02/14 →	●	+sport pack	P50114MM	[O]	17,5	BRE	A00483	100				
	150	02/14 →	●	-sport pack	P50128MM	[O]	17,7	BRE	A00483	100				
	150	02/14 →	●		P50117MM	[O]	18,8	TRW	A00377	95				
S 300 BlueTEC Hybrid / h (222.104)	170	02/14 →	●	+sport pack	P50114MM	[O]	17,5	BRE	A00483	100				
	170	02/14 →	●	-sport pack	P50128MM	[O]	17,7	BRE	A00483	100				
	170	02/14 →	●		P50117MM	[O]	18,8	TRW	A00377	95				
S 320 (222.162)	200	05/14 →	●	-sport pack	P50111MM	[O]	17,8	BRE	A00483	100				
	200	05/14 →	●	+sport pack	P50114MM	[O]	17,5	BRE	A00483	100				
	200	05/14 →	●		P50117MM	[O]	18,8	TRW	A00377	95				
S 350 BlueTEC / d (222.132, 222.032, 222.123)	190	05/13 →	●	-sport pack	P50111MM	[O]	17,8	BRE	A00483	100				
	190	05/13 →	●	+sport pack	P50114MM	[O]	17,5	BRE	A00483	100				
	190	05/13 →	●		P50117MM	[O]	18,8	TRW	A00377	95				
S 350 BlueTEC / d 4-matic (222.033, 222.133)	190	02/14 →	●	-sport pack	P50111MM	[O]	17,8	BRE	A00483	100				
	190	02/14 →	●	+sport pack	P50114MM	[O]	17,5	BRE	A00483	100				
	190	02/14 →	●		P50117MM	[O]	18,8	TRW	A00377	95				
S 350 BlueTEC 4-matic (222.133)	185	02/14 →	●	-sport pack	P50111MM	[O]	17,8	BRE	A00483	100				
	185	02/14 →	●	+sport pack	P50114MM	[O]	17,5	BRE	A00483	100				
	185	02/14 →	●		P50117MM	[O]	18,8	TRW	A00377	95				
S 400 (222.165)	245	03/14 →	●		P50114MM	[O]	17,5	BRE						
	245	03/14 →	●		P50117MM	[O]	18,8	TRW						
S 400 4-matic (222.067)	245	11/14 →	●		P50114MM	[O]	17,5	BRE	A00483	100				
	245	11/14 →	●		P50117MM	[O]	18,8	TRW	A00377	95				
S 400 Hybrid / h (222.057, 222.157)	225	05/13 →	●	-sport pack	P50111MM	[O]	17,8	BRE	A00483	100				
	225	05/13 →	●	+sport pack; (USA)	P50114MM	[O]	17,5	BRE	A00483	100				
	225	05/13 →	●		P50117MM	[O]	18,8	TRW	A00377	95				
S 500 (222.082, 222.182)	335	05/13 →	●	-reinf.brakes	P50114MM	[O]	17,5	BRE	A00483	100				
	335	05/13 →	●	+sport pack; (USA)	P50117MM	[O]	18,8	TRW	A00377	95				
	335	05/13 →	●	+reinf.brakes	P50125MM	[O]	18,8	TRW	A00377	95				



kw



wi

Th [mm]

SYS

WI

FK



LENGHT



MERCEDES-BENZ

S-CLASS (W222, V222, X222) 05/13 →

S 500 4-matic (222.085, 222.185)	335	05/13 →	●		P50114MM	[o]	17,5	BRE	A00483	100				
	335	05/13 →	●	-sport pack	P50117MM	[o]	18,8	TRW	A00377	95				
	335	05/13 →	●	HD	P50125MM	[o]	18,8	TRW	A00377	95				
S 500 Hybrid / e (222.163)	245	07/14 →	●		P50114MM	[o]	17,5	BRE	A00483	100				
	245	07/14 →	●		P50117MM	[o]	18,8	TRW	A00377	95				
S 500 Maybach (222.982)	335	12/14 →	●	-reinf.brakes	P50114MM	[o]	17,5	BRE	A00483	100				
	335	12/14 →	●	-reinf.brakes	P50117MM	[o]	18,8	TRW	A00377	95				
	335	12/14 →	●	+reinf.brakes	P50125MM	[o]	18,8	TRW	A00377	95				
S 500 Maybach 4-matic (222.985)	335	04/15 →	●	-reinf.brakes	P50114MM	[o]	17,5	BRE	A00483	100				
	335	04/15 →	●	-reinf.brakes	P50117MM	[o]	18,8	TRW	A00377	95				
	335	04/15 →	●	HD Brakes	P50125MM	[o]	18,8	TRW	A00377	95				
S 600 (222.176)	390	02/14 →	●	+sport pack	P50125MM	[o]	18,8	TRW	A00377	95				
S 600 Maybach (222.976)	390	12/14 →	●	-reinf.brakes	P50125MM	[o]	18,8	TRW	A00377	95				

S-CLASS Convertible (A217) 12/15 →

S 500 (217.482)	335	12/15 →	●	-reinf.brakes	P50114MM	[o]	17,5	BRE	A00483	100				
	335	12/15 →	●	-reinf.brakes	P50117MM	[o]	18,8	TRW	A00377	95				
	335	12/15 →	●	HD Brakes	P50125MM	[o]	18,8	TRW	A00377	95				

S-CLASS Coupé (C140) 07/92 → 02/99

SEC/CL 420 (140.063)	205	10/94 → 02/99	●		P50018MM	[o]	18,8	GIR						
	205	10/94 → 02/99	●		P50017MM	[o]	15,5	ATE						
SEC/CL 500 (140.070)	235	10/92 → 02/99	●		P50018MM	[o]	18,8	GIR	A00256	90		→ 06/94		
	235	10/92 → 02/99	●		P50017MM	[o]	15,5	ATE						
SEC/CL 600 (140.076)	290	09/92 → 02/99	●		P50018MM	[o]	18,8	GIR	A00256	90		→ 06/94		
	290	09/92 → 02/99	●		P50017MM	[o]	15,5	ATE						

S-CLASS Coupé (C215) 03/99 → 08/06

CL 500 (215.375)	225	03/99 → 03/06	●		P50041MM	[o]	17,7	BRE	A00274	95				
	225	03/99 → 03/06	●	→ 12/01	P50042MM	[o]	15,9	ATE	A00377	95				
	225	03/99 → 03/06	●	01/02 →	P50052MM	[o]	16,8	ATE	A00377	95				
CL 55 AMG (215.373)	265	10/99 → 03/06	●	→ A024509	P50041MM	[o]	17,7	BRE	A00377	95				
	265	10/99 → 03/06	●	A024510 →	P50053MM	[o]	17,7	BRE	A00377	95				
	265	10/99 → 03/06	●		P50042MM	[o]	15,9	ATE	A00377	95				
CL 55 AMG Kompressor (215.374)	368	06/02 → 03/06	●		P50062MM	[o]	17,5	BRE	A00377	95				
	368	06/02 → 03/06	●		P50042MM	[o]	15,9	ATE						
CL 600 (215.376)	368	09/02 → 03/06	●		P50041MM	[o]	17,7	BRE	A00377	95				
	368	09/02 → 03/06	●		P50042MM	[o]	15,9	ATE	A00377	95				
CL 600 (215.378)	270	03/99 → 03/06	●		P50041MM	[o]	17,7	BRE	A00274	95				
	270	03/99 → 03/06	●		P50042MM	[o]	15,9	ATE	A00377	95				
	326	09/01 → 03/06	●	→ A024509	P50041MM	[o]	17,7	BRE	A00274	95				
CL 63 AMG	326	09/01 → 03/06	●	A024510 →	P50053MM	[o]	17,7	BRE	A00274	95				
	326	09/01 → 03/06	●		P50042MM	[o]	15,9	ATE	A00377	95				
CL 65 AMG (215.379)	450	09/03 → 03/06	●		P50062MM	[o]	17,5	BRE	A00377	95				
	450	09/03 → 03/06	●		P50077MM	[o]	14,8	BRE	A00377	95				

S-CLASS Coupé (C216) 05/06 → 12/13

CL 500 (216.371)	285	06/06 → 12/13	●		P50074MM	[o]	17,8	BRE	A00277	98				
	285	06/06 → 12/13	●		P50052MM	[o]	16,8	ATE						
CL 500 (216.373)	320	02/11 → 12/13	●	disc Ø 350 mm	P50074MM	[o]	17,8	BRE	A00277	98		+sport pack		
	320	02/11 → 12/13	●	disc Ø 360 mm	P50097MM	[o]	17,8	BRE	A00277	98		+sport pack		
	320	02/11 → 12/13	●		P50052MM	[o]	16,8	ATE						

MERCEDES-BENZ

S-CLASS Coupé (C216) 05/06 → 12/13

CL 500 4-matic (216.386)	285	02/08 → 12/13	•		P50074MM	[O]	17,8	BRE	A00277	98		
	285	02/08 → 12/13		•	P50052MM	[O]	16,8	ATE				
CL 500 4-matic (216.394)	320	02/11 → 12/13	•	disc Ø 350 mm	P50074MM	[O]	17,8	BRE	A00277	98	+sport pack	
	320	02/11 → 12/13	•	disc Ø 360 mm	P50097MM	[O]	17,8	BRE	A00277	98	+sport pack	
	320	02/11 → 12/13		•	P50052MM	[O]	16,8	ATE				
CL 600 (216.376)	380	05/06 → 12/13	•	(AUS); (J)	P50074MM	[O]	17,8	BRE	A00277	98		
	380	05/06 → 12/13	•	(USA); (J); (AUS)	P50052MM	[O]	16,8	ATE				
	380	05/06 → 12/13	•	-(J); -(USA); -(AUS)	P50061MM	[O]	16,5	BRE				
CL 63 AMG (216.374)	400	02/11 → 12/13	•		P50116MM	[O]	16,9	ATE				
	420	01/10 → 12/13	•		P50116MM	[O]	16,9	ATE				
CL 63 AMG (216.377)	386	10/06 → 12/13	•		P50116MM	[O]	16,9	ATE				
CL 65 AMG (216.379)	463	02/11 → 12/13	•		P50116MM	[O]	16,9	ATE				
	450	10/06 → 12/10	•		P50116MM	[O]	16,9	ATE				

S-CLASS Coupé (C217) 04/14 →

S 400 4-matic (217.364)	270	10/15 →	•		P50114MM	[O]	17,5	BRE	A00483	100		
	270	10/15 →		•	P50117MM	[O]	18,8	TRW	A00377	95		
S 500 (217.382)	335	11/14 →	•		P50114MM	[O]	17,5	BRE	A00483	100		
	335	11/14 →		•	+sport pack	P50117MM	[O]	18,8	TRW	A00377	95	
	335	11/14 →		•	+reinf.brakes	P50125MM	[O]	18,8	TRW	A00377	95	
S 500 4-matic (217.385)	335	04/14 →	•		+sport pack	P50114MM	[O]	17,5	BRE	A00483	100	
	335	04/14 →		•	+sport pack	P50117MM	[O]	18,8	TRW	A00377	95	
	335	04/14 →		•	HD	P50125MM	[O]	18,8	TRW	A00377	95	

SL (R129) 03/89 → 12/01

280 (129.058)	142	08/93 → 10/01	•	-ESP	P50010MM	[O]	17,5	ATE			A02202	-ESP
	142	08/93 → 10/01	•	+ESP	P50041MM	[O]	17,7	BRE			A02202	-ESP
	142	08/93 → 10/01	•	→ F125157	P50009MM	[O]	15	ATE				
	142	08/93 → 10/01	•	F125158 →	P50017MM	[O]	15,5	ATE				
280 (129.059)	150	05/98 → 10/01	•	-ESP	P50010MM	[O]	17,5	ATE			A02202	-ESP
	150	05/98 → 10/01	•	+ESP	P50041MM	[O]	17,7	BRE			A02202	-ESP
	150	05/98 → 10/01	•	→ F125157	P50009MM	[O]	15	ATE				
	150	05/98 → 10/01	•	F125158 →	P50017MM	[O]	15,5	ATE				
300 SL (129.060)	140	03/89 → 08/93	•	-ESP	P50010MM	[O]	17,5	ATE			A02202	-ESP
	140	03/89 → 08/93	•	+ESP	P50041MM	[O]	17,7	BRE			A02202	-ESP
	140	03/89 → 08/93	•	→ F125157	P50009MM	[O]	15	ATE				
	140	03/89 → 08/93	•	F125158 →	P50017MM	[O]	15,5	ATE				
300 SL-24 (129.061)	170	03/89 → 07/93	•	-ESP	P50010MM	[O]	17,5	ATE			A02202	-ESP
	170	03/89 → 07/93	•	+ESP	P50041MM	[O]	17,7	BRE			A02202	-ESP
	170	03/89 → 07/93	•	→ F125157	P50009MM	[O]	15	ATE				
	170	03/89 → 07/93	•	F125158 →	P50017MM	[O]	15,5	ATE				
320 (129.063)	170	09/93 → 10/01	•	-ESP	P50010MM	[O]	17,5	ATE			A02202	-ESP
	170	09/93 → 10/01	•	+ESP	P50041MM	[O]	17,7	BRE			A02202	-ESP
	170	09/93 → 10/01	•	→ F125157	P50009MM	[O]	15	ATE				
	170	09/93 → 10/01	•	F125158 →	P50017MM	[O]	15,5	ATE				
320 (129.064)	165	05/98 → 10/01	•	-ESP	P50010MM	[O]	17,5	ATE			A02202	-ESP
	165	05/98 → 10/01	•	+ESP	P50041MM	[O]	17,7	BRE			A02202	-ESP
	165	05/98 → 10/01	•	→ F125157	P50009MM	[O]	15	ATE				
	165	05/98 → 10/01	•	F125158 →	P50017MM	[O]	15,5	ATE				
500 (129.067)	235	09/92 → 10/01	•	-ESP	P50010MM	[O]	17,5	ATE			A02202	-ESP
	235	09/92 → 10/01	•	+ESP	P50041MM	[O]	17,7	BRE			A02202	-ESP
	235	09/92 → 10/01	•	→ F125157	P50009MM	[O]	15	ATE				
	235	09/92 → 10/01	•	F125158 →	P50017MM	[O]	15,5	ATE				

									WI			FK	

MERCEDES-BENZ

SL (R129) 03/89 → 12/01

500 (129.068)	225 05/98 → 10/01	●	-ESP	P50010MM	[o]	17,5	ATE					A02202	-ESP
	225 05/98 → 10/01	●	+ESP	P50041MM	[o]	17,7	BRE					A02202	-ESP
	225 05/98 → 10/01	●	→ F103936	P50009MM	[o]	15	ATE						
	225 05/98 → 10/01	●	F125158 →	P50017MM	[o]	15,5	ATE						
500 SL (129.066)	240 09/89 → 08/92	●	-ESP	P50010MM	[o]	17,5	ATE					A02202	-ESP
	240 09/89 → 08/92	●	+ESP	P50041MM	[o]	17,7	BRE					A02202	-ESP
	240 09/89 → 08/92	●	→ F125157	P50009MM	[o]	15	ATE						
	240 09/89 → 08/92	●	F125158 →	P50017MM	[o]	15,5	ATE						
55 AMG	260 03/00 → 10/01	●		P50010MM	[o]	17,5	ATE					A02202	
	260 03/00 → 10/01	●		P50017MM	[o]	15,5	ATE						
60 AMG (129.067)	280 05/97 → 10/01	●		P50010MM	[o]	17,5	ATE					A02202	
	280 05/97 → 10/01	●		P50017MM	[o]	15,5	ATE						
600 (129.076)	290 07/92 → 10/01	●		P50010MM	[o]	17,5	ATE					A02202	
	290 07/92 → 10/01	●		P50017MM	[o]	15,5	ATE						
SL 73 AMG (129.076)	385 01/99 → 12/01	●		P50041MM	[o]	17,7	BRE						
	385 01/99 → 12/01	●		P50017MM	[o]	15,5	ATE						

SL (R230) 10/01 → 01/12

280 (230.454)	170 03/08 → 01/12	●	+sport pack	P50074MM	[o]	17,8	BRE	A00377	95	-sport pack			
	170 03/08 → 01/12	●	-sport pack	P50053MM	[o]	17,7	BRE	A00377	95	-sport pack			
	170 03/08 → 01/12	●		P50052MM	[o]	16,8	ATE	A00377	95	-sport pack			
300 (230.454)	170 04/09 → 01/12	●	-sport pack	P50053MM	[o]	17,7	BRE	A00377	95	-sport pack			
	170 04/09 → 01/12	●	+sport pack	P50074MM	[o]	17,8	BRE	A00377	95	-sport pack			
350 (230.456)	170 04/09 → 01/12	●		P50052MM	[o]	16,8	ATE	A00377	95	-sport pack			
	200 03/06 → 01/12	●	-sport pack	P50053MM	[o]	17,7	BRE	A00377	95	-sport pack			
	200 03/06 → 01/12	●	+sport pack; F132182 →	P50074MM	[o]	17,8	BRE	A00377	95	-sport pack			
	200 03/06 → 01/12	●		P50041MM	[o]	17,7	BRE	A00377	95	-sport pack			
350 (230.458)	232 04/08 → 01/12	●	+sport pack	P50074MM	[o]	17,8	BRE	A00377	95	-sport pack			
	232 04/08 → 01/12	●	-sport pack	P50053MM	[o]	17,7	BRE	A00377	95	-sport pack			
	232 04/08 → 01/12	●		P50052MM	[o]	16,8	ATE	A00377	95	-sport pack			
350 (230.467)	180 03/03 → 01/12	●		P50041MM	[o]	17,7	BRE	A00470	120	+sport pack			
	180 03/03 → 01/12	●		P50052MM	[o]	16,8	ATE	A00470	120	+sport pack			
500 (230.471)	285 03/06 → 01/12	●	-sport pack	P50053MM	[o]	17,7	BRE	A00470	120	+sport pack			
	285 03/06 → 01/12	●	+sport pack	P50074MM	[o]	17,8	BRE	A00470	120	+sport pack			
	285 03/06 → 01/12	●	(USA)	P50041MM	[o]	17,7	BRE	A00470	120	+sport pack			
	285 03/06 → 01/12	●		P50052MM	[o]	16,8	ATE	A00470	120	+sport pack			
500 (230.475)	225 10/01 → 01/12	●		P50041MM	[o]	17,7	BRE	A00470	120	+sport pack			
	225 10/01 → 01/12	●		P50052MM	[o]	16,8	ATE	A00470	120	+sport pack			
55 AMG (230.472)	380 03/06 → 01/12	●		P50062MM	[o]	17,5	BRE	A00470	120	+sport pack			
	380 03/06 → 01/12	●		P50113MM	[-]	14,8	BRE	A00470	120	+sport pack			
55 AMG (230.474)	350 10/01 → 06/02	●		P50062MM	[o]	17,5	BRE	A00470	120	+sport pack			
	350 10/01 → 06/02	●		P50061MM	[o]	16,5	BRE	A00470	120	+sport pack			
55 AMG Kompressor (230.474)	368 06/02 → 01/12	●		P50062MM	[o]	17,5	BRE	A00470	120	+sport pack			
	368 06/02 → 01/12	●		P50061MM	[o]	16,5	BRE	A00470	120	+sport pack			
600 (230.476)	368 04/03 → 01/12	●		P50062MM	[o]	17,5	BRE	A00470	120	+sport pack			
	368 04/03 → 01/12	●		P50061MM	[o]	16,5	BRE	A00470	120	+sport pack			
600 (230.477)	380 03/06 → 01/12	●		P50062MM	[o]	17,5	BRE	A00470	120	+sport pack			
	380 03/06 → 01/12	●		P50061MM	[o]	16,5	BRE	A00470	120	+sport pack			
63 AMG (230.470)	386 03/08 → 01/12	●		P50062MM	[o]	17,5	BRE	A00470	120	+sport pack			
	386 03/08 → 01/12	●		P50113MM	[-]	14,8	BRE	A00470	120	+sport pack			
65 AMG (230.479)	450 03/04 → 01/12	●		P50062MM	[o]	17,5	BRE	A00470	120	+sport pack			
	450 03/04 → 01/12	●	-sport pack	P50077MM	[o]	14,8	BRE	A00470	120	+sport pack			

--	--	--	--	--	--	--	--	--	--	--	--	--	--	--	--

MERCEDES-BENZ

SL (R230) 10/01 → 01/12

65 AMG (230.479)	450	03/04 → 01/12	●	+sport pack	P50113MM [-]	14,8	BRE	A00470	120	+sport pack				
	450	03/04 → 01/12	●	+sport pack	P50061MM [O]	16,5	BRE	A00470	120	+sport pack				
65 AMG Black Series (230.479)	493	07/08 → 01/12	●		P50062MM [O]	17,5	BRE	A00470	120					
	493	07/08 → 01/12	●		P50061MM [O]	16,5	BRE	A00470	120					

SL (R231) 01/12 →

350 (231.457)	225	02/12 →	●	-sport pack	P50111MM [O]	17,8	BRE	A00483	100				
	225	02/12 →	●	+sport pack	P50095MM [O]	17,8	BRE	A00483	100				
	225	02/12 →	●		P50103MM [O]	18,8	TRW						
400 (231.465)	245	04/14 →	●		P50111MM [O]	17,8	BRE	A00483	100				
	245	04/14 →	●	Launch Edition; +sport pack	P50095MM [O]	17,8	BRE	A00483	100				
	245	04/14 →	●		P50103MM [O]	18,8	TRW	A00377	95				
400 (231.466)	270	01/16 →	●	Launch Edition; +sport pack; +reinf.brakes	P50095MM [O]	17,8	BRE	A00483	100				
	270	01/16 →	●	-sport pack; -Launch Edition	P50111MM [O]	17,8	BRE	A00483	100				
	270	01/16 →	●		P50103MM [O]	18,8	TRW	A00377	95				
500 (231.473)	320	01/12 →	●	-sport pack	P50111MM [O]	17,8	BRE	A00483	100				
	320	01/12 →	●	+sport pack	P50095MM [O]	17,8	BRE	A00483	100				
	320	01/12 →	●		P50103MM [O]	18,8	TRW						
	335	04/15 →	●	-sport pack	P50111MM [O]	17,8	BRE	A00483	100				
	335	04/15 →	●	+sport pack; +reinf.brakes	P50095MM [O]	17,8	BRE	A00483	100				
	335	04/15 →	●		P50103MM [O]	18,8	TRW	A00377	95				

SLC (R172) 01/16 →

180 (172.431)	115	01/16 →	●	+sport pack	P50069MM [O]	19,4	TRW	A00377	95				
	115	01/16 →	●	-sport pack	P50071MM [O]	20,6	TRW	A00377	95				
	115	01/16 →	●		P50091MM [O]	18,4	TRW						
200 (172.434)	135	01/16 →	●		P50069MM [O]	19,4	TRW	A00377	95				
	135	01/16 →	●		P50091MM [O]	18,4	TRW						
250 d (172.404)	150	01/16 →	●		P50069MM [O]	19,4	TRW	A00377	95				
	150	01/16 →	●		P50091MM [O]	18,4	TRW	A00377	95				
300 (172.438)	180	01/16 →	●		P50069MM [O]	19,4	TRW	A00377	95				
	180	01/16 →	●		P50091MM [O]	18,4	TRW						
AMG SLC 43 (172.466)	270	01/16 →	●		P50097MM [O]	17,8	BRE	A00377	95				
	270	01/16 →	●		P50099MM [O]	18,7	TRW	A00377	95				

SLK (R170) 04/96 → 04/04

200 (170.435)	100	09/96 → 03/00	●		P50023MM [O]	19,8	ATE	A00349	90				
	100	09/96 → 03/00	●	→ F017687; cal.+2 holding pins	P50009MM [O]	15	ATE	A00349	90				
	100	09/96 → 03/00	●	F017688 →; cal.+1 holding pin	P50025MM [-]	15,7	ATE	A00349	90				
200 Kompressor (170.444)	120	03/00 → 04/04	●		P50023MM [O]	19,8	ATE	A00349	90			A02202	
	120	03/00 → 04/04	●		P50025MM [-]	15,7	ATE	A00349	90				
200 Kompressor (170.445)	141	10/96 → 03/00	●		P50023MM [O]	19,8	ATE	A00349	90				
	141	10/96 → 03/00	●	→ F017687; cal.+2 holding pins	P50009MM [O]	15	ATE	A00349	90				
	141	10/96 → 03/00	●	F017688 →; cal.+1 holding pin	P50025MM [-]	15,7	ATE	A00349	90				
230 Kompressor (170.447)	142	09/96 → 03/00	●		P50023MM [O]	19,8	ATE	A00349	90				
	142	09/96 → 03/00	●	→ F017687; cal.+2 holding pins	P50009MM [O]	15	ATE	A00349	90				
	142	09/96 → 03/00	●	F017688 →; cal.+1 holding pin	P50025MM [-]	15,7	ATE	A00349	90				
230 Kompressor (170.449)	145	03/00 → 04/04	●		P50023MM [O]	19,8	ATE	A00349	90			A02202	
	145	03/00 → 04/04	●		P50025MM [-]	15,7	ATE	A00349	90				
32 AMG Kompressor (170.466)	260	03/01 → 04/04	●		P06019MM [O]	20,8	ATE	A00349	90				
	260	03/01 → 04/04	●		P50017MM [O]	15,5	ATE	A00349	90			A02270	
320 (170.465)	160	03/00 → 04/04	●		P50026MM [O]	20,3	ATE	A00349	90			A02202	
	160	03/00 → 04/04	●		P50025MM [-]	15,7	ATE	A00349	90				

									WI		FK		
	kw								MAGNETI MARELLI	LENGHT		MAGNETI MARELLI	

MERCEDES-BENZ

SLK (R171) 03/04 → 02/11

200 Kompressor (171.442)	120	03/04 → 02/11	●	-sport pack	P50045MM	[o]	19,8	TRW	A00377	95		
	120	03/04 → 02/11	●	+sport pack	P50073MM	[o]	16,5	BRE	A00377	95		
	120	03/04 → 02/11	●	+sport pack	P50033MM	[o]	15,7	ATE				
	120	03/04 → 02/11	●	-sport pack	P50072MM	[-]	15,3	ATE				
200 Kompressor (171.445)	135	01/08 → 02/11	●	-sport pack	P50045MM	[o]	19,8	TRW	A00377	95		
	135	01/08 → 02/11	●	+sport pack	P50073MM	[o]	16,5	BRE	A00377	95		
	135	01/08 → 02/11	●	-sport pack	P50072MM	[-]	15,3	ATE				
	135	01/08 → 02/11	●	+sport pack	P50033MM	[o]	15,7	ATE				
280 (171.454)	170	01/05 → 02/11	●	-sport pack	P50046MM	[o]	19,8	TRW	A00377	95		
	170	01/05 → 02/11	●	+sport pack	P50073MM	[o]	16,5	BRE	A00377	95		
	170	01/05 → 02/11	●	-sport pack	P50072MM	[-]	15,3	ATE				
	170	01/05 → 02/11	●	+sport pack	P50033MM	[o]	15,7	ATE				
300 (171.454)	170	04/09 → 02/11	●	-sport pack	P50046MM	[o]	19,8	TRW	A00377	95		
	170	04/09 → 02/11	●	+sport pack	P50073MM	[o]	16,5	BRE	A00377	95		
	170	04/09 → 02/11	●	-sport pack	P50072MM	[-]	15,3	ATE				
	170	04/09 → 02/11	●	+sport pack	P50033MM	[o]	15,7	ATE				
350 (171.456)	200	06/04 → 02/11	●	-sport pack; → F117328	P50053MM	[o]	17,7	BRE	A00377	95		
	200	06/04 → 02/11	●	+sport pack; F117329 →	P50073MM	[o]	16,5	BRE	A00377	95		
	200	06/04 → 02/11	●		P50033MM	[o]	15,7	ATE				
	200	06/04 → 02/11	●	(J); (AUS)	P50072MM	[-]	15,3	ATE				
350 (171.458)	224	01/08 → 02/11	●		P50073MM	[o]	16,5	BRE	A00377	95		
	224	01/08 → 02/11	●		P50033MM	[o]	15,7	ATE	A00377	95		
55 AMG (171.473)	265	06/04 → 02/11	●	Silver Arrow Edition; 09/07 →; F177100 →; -(USA); 01/07 →; F153992 →; (USA)	P50053MM	[o]	17,7	BRE	A00377	95	F177230 →	
	265	06/04 → 02/11	●	→ 03/08; → F197201; -(USA); → 05/07; → F172580; (USA)	P50113MM	[-]	14,8	BRE	A00470	120	→ F197201; 09/07 →; AMG BLACK SERIES; → 03/08; F177100 →; SILVER ARROW EDITION	
	265	06/04 → 02/11	●	-Silver Arrow Edition; 09/07 →; F177100 →; -(USA); 01/07 →; F153992 →; (USA)	P50017MM	[o]	15,5	ATE	A00470	120	→ F197201; 09/07 →; AMG BLACK SERIES; → 03/08; F177100 →; SILVER ARROW EDITION	
	265	06/04 → 02/11	●	→ 03/08; → F197201; -(USA); → 05/07; → F172580; (USA)	P50052MM	[o]	16,8	ATE	A00470	120	→ F197201; 09/07 →; AMG BLACK SERIES; → 03/08; F177100 →; SILVER ARROW EDITION	
	294	06/06 → 02/11	●	Silver Arrow Edition; 09/07 →; F177100 →; -(USA); F153992 →; (USA)	P50053MM	[o]	17,7	BRE	A00377	95	F177100 →	
	294	06/06 → 02/11	●	→ 03/08; → F197201; -(USA); → 05/07; → F172580; (USA)	P50113MM	[-]	14,8	BRE	A00377	95	F177100 →	
	294	06/06 → 02/11	●	-Silver Arrow Edition; 09/07 →; F177100 →; -(USA); 01/07 →; F153992 →; (USA)	P50017MM	[o]	15,5	ATE	A00377	95	F177100 →	
	294	06/06 → 02/11	●	→ 03/08; → F197201; -(USA); → 05/07; → F172580; (USA)	P50052MM	[o]	16,8	ATE	A00377	95	F177100 →	

SLK (R172) 02/11 →

200 (172.434)	135	04/15 →	●		P50069MM	[o]	19,4	TRW	A00377	95		
	135	04/15 →	●		P50091MM	[o]	18,4	TRW				
200 (172.448)	135	02/11 →	●	-sport pack	P50071MM	[o]	20,6	TRW				
	135	02/11 →	●	+sport pack	P50069MM	[o]	19,4	TRW				
250 (172.447)	150	02/11 →	●	-sport pack	P50071MM	[o]	20,6	TRW				
	150	02/11 →	●	+sport pack	P50069MM	[o]	19,4	TRW				
	150	02/11 →	●		P50091MM	[o]	18,4	TRW				
250 CDI / d (172.403)	150	01/12 →	●	-sport pack	P50071MM	[o]	20,6	TRW				
	150	01/12 →	●	+sport pack	P50069MM	[o]	19,4	TRW				
	150	01/12 →	●		P50091MM	[o]	18,4	TRW				

MERCEDES-BENZ

MERCEDES-BENZ												
SLK (R172) 02/11 →												
300 (172.438)	180	07/15 →	•		P50069MM	[O]	19,4	TRW	A00377	95		
	180	07/15 →		•	P50091MM	[O]	18,4	TRW				
350 (172.457)	225	02/11 →	•		P50069MM	[O]	19,4	TRW				
	225	02/11 →		•	P50091MM	[O]	18,4	TRW				
55 AMG (172.475)	310	01/12 →	•	-sport pack	P50098MM	[O]	17,8	BRE				
	310	01/12 →	•	+sport pack	P50097MM	[O]	17,8	BRE				
	310	01/12 →		•	P50099MM	[O]	18,7	TRW				
5.4 (199.376)	460	04/04 →	•	18" wheel	P50079MM	[O]	17,6	BRE	A00274	95	18" wheel	
	460	04/04 →	•	19" wheel	P50078MM	[O]	17,1	BRE	A00274	95	18" wheel	
	460	04/04 →		•	P50061MM	[O]	16,5	BRE				
5.4 722 Edition	478	10/06 →	•	18" wheel	P50079MM	[O]	17,6	BRE	A00274	95	18" wheel	
	478	10/06 →	•	19" wheel	P50078MM	[O]	17,1	BRE	A00274	95	18" wheel	
	478	10/06 →		•	P50061MM	[O]	16,5	BRE				
SLR Roadster (R199) 10/06 →												
5.4	460	04/07 →	•	18" wheel	P50079MM	[O]	17,6	BRE	A00274	95	18" wheel	
	460	04/07 →	•	19" wheel	P50078MM	[O]	17,1	BRE	A00274	95	18" wheel	
	460	04/07 →		•	P50061MM	[O]	16,5	BRE				
	478	10/06 →	•	18" wheel	P50079MM	[O]	17,6	BRE	A00274	95	18" wheel	
	478	10/06 →	•	19" wheel	P50078MM	[O]	17,1	BRE	A00274	95	18" wheel	
	478	10/06 →		•	P50061MM	[O]	16,5	BRE				
SPRINTER 2-t Box (901, 902) 01/95 → 05/06												
208 CDI	60	04/00 → 05/06	•		P50080MM	[+]	20,7	ATE	A00292	189		
	60	04/00 → 05/06		• 901	P50081MM	[+]	17,3	ATE	A00282	210		
	60	04/00 → 05/06		• 902	P50082MM	[+]	18,8	ATE	A00282	210		
	60	04/00 → 05/06		• 902	P50020MM	[O]	18,9	BSH	A00282	210		
208 D	58	02/95 → 04/00	•		P50080MM	[+]	20,7	ATE	A00292	189		
	58	02/95 → 04/00		• 901	P50081MM	[+]	17,3	ATE	A00282	210		
	58	02/95 → 04/00		• 902	P50082MM	[+]	18,8	ATE	A00282	210		
	58	02/95 → 04/00		• 902	P50020MM	[O]	18,9	BSH	A00282	210		
	60	10/96 → 04/00	•		P50080MM	[+]	20,7	ATE	A00292	189		
	60	10/96 → 04/00		• 901	P50081MM	[+]	17,3	ATE	A00282	210		
	60	10/96 → 04/00		• 902	P50082MM	[+]	18,8	ATE	A00282	210		
	60	10/96 → 04/00		• 902	P50020MM	[O]	18,9	BSH	A00282	210		
210 D	75	01/97 → 04/00	•		P50080MM	[+]	20,7	ATE	A00292	189		
	75	01/97 → 04/00		• 901	P50081MM	[+]	17,3	ATE	A00282	210		
	75	01/97 → 04/00		• 902	P50082MM	[+]	18,8	ATE	A00282	210		
	75	01/97 → 04/00		• 902	P50020MM	[O]	18,9	BSH	A00282	210		
211 CDI	80	04/00 → 05/06	•		P50080MM	[+]	20,7	ATE	A00292	189		
	80	04/00 → 05/06		• 901	P50081MM	[+]	17,3	ATE	A00282	210		
	80	04/00 → 05/06		• 902	P50082MM	[+]	18,8	ATE	A00282	210		
	80	04/00 → 05/06		• 902	P50020MM	[O]	18,9	BSH	A00282	210		
212 D	90	02/95 → 04/00	•		P50080MM	[+]	20,7	ATE	A00292	189		
	90	02/95 → 04/00		• 901	P50081MM	[+]	17,3	ATE	A00282	210		
	90	02/95 → 04/00		• 902	P50082MM	[+]	18,8	ATE	A00282	210		
	90	02/95 → 04/00		• 902	P50020MM	[O]	18,9	BSH	A00282	210		
213 CDI	95	04/00 → 05/06	•		P50080MM	[+]	20,7	ATE	A00292	189		
	95	04/00 → 05/06		• 901	P50081MM	[+]	17,3	ATE	A00282	210		
	95	04/00 → 05/06		• 902	P50082MM	[+]	18,8	ATE	A00282	210		
	95	04/00 → 05/06		• 902	P50020MM	[O]	18,9	BSH	A00282	210		
214	105	02/95 → 05/06	•		P50080MM	[+]	20,7	ATE	A00292	189		
	105	02/95 → 05/06		• 901	P50081MM	[+]	17,3	ATE	A00282	210		
	105	02/95 → 05/06		• 902	P50082MM	[+]	18,8	ATE	A00282	210		
	105	02/95 → 05/06		• 902	P50020MM	[O]	18,9	BSH	A00282	210		

										WI		FK		
	kw										LENGHT			

MERCEDES-BENZ

SPRINTER 2-t Box (901, 902) 01/95 → 05/06

214 NGT	92	04/00 → 05/06	●			P50080MM	[+]	20,7	ATE	A00292	189			
	92	04/00 → 05/06		●	901	P50081MM	[+]	17,3	ATE	A00282	210			
	92	04/00 → 05/06		●	902	P50082MM	[+]	18,8	ATE	A00282	210			
	92	04/00 → 05/06		●	902	P50020MM	[o]	18,9	BSH	A00282	210			
216 CDI	115	04/00 → 05/06	●			P50080MM	[+]	20,7	ATE	A00292	189			
	115	04/00 → 05/06		●	901	P50081MM	[+]	17,3	ATE	A00282	210			
	115	04/00 → 05/06		●	902	P50082MM	[+]	18,8	ATE	A00282	210			
	115	04/00 → 05/06		●	902	P50020MM	[o]	18,9	BSH	A00282	210			

SPRINTER 2-t Bus (901, 902) 01/95 → 05/06

208 CDI	60	04/00 → 05/06	●			P50080MM	[+]	20,7	ATE	A00292	189			
	60	04/00 → 05/06		●	901	P50081MM	[+]	17,3	ATE	A00282	210			
	60	04/00 → 05/06		●	902	P50082MM	[+]	18,8	ATE	A00282	210			
	60	04/00 → 05/06		●	902	P50020MM	[o]	18,9	BSH	A00282	210			
208 D	58	02/95 → 04/00	●			P50080MM	[+]	20,7	ATE	A00292	189			
	58	02/95 → 04/00		●	901	P50081MM	[+]	17,3	ATE	A00282	210			
	58	02/95 → 04/00		●	902	P50082MM	[+]	18,8	ATE	A00282	210			
	58	02/95 → 04/00		●	902	P50020MM	[o]	18,9	BSH	A00282	210			
210 D	75	03/97 → 04/00	●			P50080MM	[+]	20,7	ATE	A00292	189			
	75	03/97 → 04/00		●	901	P50081MM	[+]	17,3	ATE	A00282	210			
	75	03/97 → 04/00		●	902	P50082MM	[+]	18,8	ATE	A00282	210			
	75	03/97 → 04/00		●	902	P50020MM	[o]	18,9	BSH	A00282	210			
211 CDI	80	04/00 → 05/06	●			P50080MM	[+]	20,7	ATE	A00292	189			
	80	04/00 → 05/06		●	901	P50081MM	[+]	17,3	ATE	A00282	210			
	80	04/00 → 05/06		●	902	P50082MM	[+]	18,8	ATE	A00282	210			
	80	04/00 → 05/06		●	902	P50020MM	[o]	18,9	BSH	A00282	210			
212 D	90	02/95 → 04/00	●			P50080MM	[+]	20,7	ATE	A00292	189			
	90	02/95 → 04/00		●	901	P50081MM	[+]	17,3	ATE	A00282	210			
	90	02/95 → 04/00		●	902	P50082MM	[+]	18,8	ATE	A00282	210			
	90	02/95 → 04/00		●	902	P50020MM	[o]	18,9	BSH	A00282	210			
213 CDI	95	04/00 → 05/06	●			P50080MM	[+]	20,7	ATE	A00292	189			
	95	04/00 → 05/06		●	901	P50081MM	[+]	17,3	ATE	A00282	210			
	95	04/00 → 05/06		●	902	P50082MM	[+]	18,8	ATE	A00282	210			
	95	04/00 → 05/06		●	902	P50020MM	[o]	18,9	BSH	A00282	210			
214 (902.071, 902.072, 902.671, 902.672)	105	02/95 → 05/06	●			P50080MM	[+]	20,7	ATE	A00292	189			
	105	02/95 → 05/06		●	901	P50081MM	[+]	17,3	ATE	A00282	210			
	105	02/95 → 05/06		●	902	P50082MM	[+]	18,8	ATE	A00282	210			
	105	02/95 → 05/06		●	902	P50020MM	[o]	18,9	BSH	A00282	210			
214 NGT	92	04/00 → 05/06	●			P50080MM	[+]	20,7	ATE	A00292	189			
	92	04/00 → 05/06		●	901	P50081MM	[+]	17,3	ATE	A00282	210			
	92	04/00 → 05/06		●	902	P50082MM	[+]	18,8	ATE	A00282	210			
	92	04/00 → 05/06		●	902	P50020MM	[o]	18,9	BSH	A00282	210			
216 CDI	115	04/00 → 05/06	●			P50080MM	[+]	20,7	ATE	A00292	189			
	115	04/00 → 05/06		●	901	P50081MM	[+]	17,3	ATE	A00282	210			
	115	04/00 → 05/06		●	902	P50082MM	[+]	18,8	ATE	A00282	210			
	115	04/00 → 05/06		●	902	P50020MM	[o]	18,9	BSH	A00282	210			

SPRINTER 2-t Platform/Chassis (901, 902) 01/95 → 05/06

208 CDI	60	04/00 → 05/06	●			P50080MM	[+]	20,7	ATE	A00292	189			
	60	04/00 → 05/06		●	901	P50081MM	[+]	17,3	ATE	A00282	210			
	60	04/00 → 05/06		●	902	P50082MM	[+]	18,8	ATE	A00282	210			
	60	04/00 → 05/06		●	902	P50020MM	[o]	18,9	BSH	A00282	210			
208 D	58	01/95 → 04/00	●			P50080MM	[+]	20,7	ATE	A00292	189			
	58	01/95 → 04/00		●	901	P50081MM	[+]	17,3	ATE	A00282	210			
	58	01/95 → 04/00		●	902	P50082MM	[+]	18,8	ATE	A00282	210			

MERCEDES-BENZ

SPRINTER 2-t Platform/Chassis (901, 902) 01/95 → 05/06

208 D	58	01/95 → 04/00	●	902	P50020MM	[O]	18,9	BSH	A00282	210			
	60	09/96 → 04/00	●		P50080MM	[+]	20,7	ATE	A00292	189			
	60	09/96 → 04/00	●	901	P50081MM	[+]	17,3	ATE	A00282	210			
	60	09/96 → 04/00	●	902	P50082MM	[+]	18,8	ATE	A00282	210			
	60	09/96 → 04/00	●	902	P50020MM	[O]	18,9	BSH	A00282	210			
210 D	75	01/97 → 04/00	●		P50080MM	[+]	20,7	ATE	A00292	189			
	75	01/97 → 04/00	●	901	P50081MM	[+]	17,3	ATE	A00282	210			
	75	01/97 → 04/00	●	902	P50082MM	[+]	18,8	ATE	A00282	210			
	75	01/97 → 04/00	●	902	P50020MM	[O]	18,9	BSH	A00282	210			
211 CDI	80	04/00 → 05/06	●		P50080MM	[+]	20,7	ATE	A00292	189			
	80	04/00 → 05/06	●	901	P50081MM	[+]	17,3	ATE	A00282	210			
	80	04/00 → 05/06	●	902	P50082MM	[+]	18,8	ATE	A00282	210			
	80	04/00 → 05/06	●	902	P50020MM	[O]	18,9	BSH	A00282	210			
212 D	90	02/95 → 04/00	●		P50080MM	[+]	20,7	ATE	A00292	189			
	90	02/95 → 04/00	●	901	P50081MM	[+]	17,3	ATE	A00282	210			
	90	02/95 → 04/00	●	902	P50082MM	[+]	18,8	ATE	A00282	210			
	90	02/95 → 04/00	●	902	P50020MM	[O]	18,9	BSH	A00282	210			
213 CDI	95	04/00 → 05/06	●		P50080MM	[+]	20,7	ATE	A00292	189			
	95	04/00 → 05/06	●	901	P50081MM	[+]	17,3	ATE	A00282	210			
	95	04/00 → 05/06	●	902	P50082MM	[+]	18,8	ATE	A00282	210			
	95	04/00 → 05/06	●	902	P50020MM	[O]	18,9	BSH	A00282	210			
214 (902.011, 902.012, 902.611, 902.612)	105	02/95 → 05/06	●		P50080MM	[+]	20,7	ATE	A00292	189			
	105	02/95 → 05/06	●	901	P50081MM	[+]	17,3	ATE	A00282	210			
	105	02/95 → 05/06	●	902	P50082MM	[+]	18,8	ATE	A00282	210			
	105	02/95 → 05/06	●	902	P50020MM	[O]	18,9	BSH	A00282	210			
214 NGT	92	04/00 → 05/06	●		P50080MM	[+]	20,7	ATE	A00292	189			
	92	04/00 → 05/06	●	901	P50081MM	[+]	17,3	ATE	A00282	210			
	92	04/00 → 05/06	●	902	P50082MM	[+]	18,8	ATE	A00282	210			
	92	04/00 → 05/06	●	902	P50020MM	[O]	18,9	BSH	A00282	210			
216 CDI	115	04/00 → 05/06	●		P50080MM	[+]	20,7	ATE	A00292	189			
	115	04/00 → 05/06	●	901	P50081MM	[+]	17,3	ATE	A00282	210			
	115	04/00 → 05/06	●	902	P50082MM	[+]	18,8	ATE	A00282	210			
	115	04/00 → 05/06	●	902	P50020MM	[O]	18,9	BSH	A00282	210			

SPRINTER 3,5-t Box (906) 06/06 →

309 CDI (906.631, 906.633, 906.635, 906.637)	65	06/06 → 12/09	●		P50085MM	[+]	20,9	BRE	A00287	103			
	65	06/06 → 12/09	●		P50084MM	[+]	19	BSH	A00291	95			
310 CDI (906.631, 906.633, 906.635, 906.637)	70	03/09 →	●		P50085MM	[+]	20,9	BRE	A00287	103			
	70	03/09 →	●		P50084MM	[+]	19	BSH	A00291	95			
311 CDI (906.631, 906.633, 906.635, 906.637)	80	06/06 → 12/09	●		P50085MM	[+]	20,9	BRE	A00287	103			
	80	06/06 → 12/09	●		P50084MM	[+]	19	BSH	A00291	95			
	84	05/16 →	●		P50059MM	[O]	20,9	BRE	A00287	103			
	84	05/16 →	●	(USA)	P50085MM	[+]	20,9	BRE	A00287	103			
311 CDI 4x4 (906.631, 906.633, 906.635, 906.637)	80	02/08 → 12/09	●		P50085MM	[+]	20,9	BRE	A00287	103			
	80	02/08 → 12/09	●		P50084MM	[+]	19	BSH	A00291	95			

								WI			FK	

MERCEDES-BENZ

SPRINTER 3,5-t Box (906) 06/06 →

313 CDI (906.631, 906.633, 906.635, 906.637)	95 05/09 →	●		P50085MM	[+]	20,9	BRE	A00287	103			
	95 05/09 →		●	P50084MM	[+]	19	BSH	A00291	95			
	95 06/06 →	●		P50085MM	[+]	20,9	BRE	A00287	103			
	95 06/06 →		●	P50084MM	[+]	19	BSH	A00291	95			
313 CDI 4x4 (906.631, 906.633, 906.635, 906.637)	95 05/09 →	●		P50085MM	[+]	20,9	BRE	A00287	103			
	95 05/09 →		●	P50084MM	[+]	19	BSH	A00291	95			
314 CDI (906.631, 906.633, 906.635, 906.637)	105 05/16 →	●		P50059MM	[o]	20,9	BRE	A00287	103			
	105 05/16 →	●	(USA)	P50085MM	[+]	20,9	BRE	A00287	103			
	105 05/16 →		●	P50084MM	[+]	19	BSH	A00291	95			
314 CDI 4x4 (906.631, 906.633, 906.635, 906.637)	105 05/16 →	●		P50059MM	[o]	20,9	BRE	A00287	103			
	105 05/16 →	●	(USA)	P50085MM	[+]	20,9	BRE	A00287	103			
	105 05/16 →		●	P50084MM	[+]	19	BSH	A00291	95			
315 CDI (906.631, 906.633, 906.635, 906.637)	110 06/06 → 12/09	●		P50085MM	[+]	20,9	BRE	A00287	103			
	110 06/06 → 12/09		●	P50084MM	[+]	19	BSH	A00291	95			
315 CDI 4x4 (906.631, 906.633, 906.635, 906.637)	110 02/08 → 12/09	●		P50085MM	[+]	20,9	BRE	A00287	103			
	110 02/08 → 12/09		●	P50084MM	[+]	19	BSH	A00291	95			
316 (906.635, 906.633)	115 09/08 →	●		P50085MM	[+]	20,9	BRE	A00287	103			
	115 09/08 →		●	P50084MM	[+]	19	BSH	A00291	95			
316 CDI (906.631, 906.633, 906.635, 906.637)	120 03/09 →	●		P50085MM	[+]	20,9	BRE	A00287	103			
	120 03/09 →		●	P50084MM	[+]	19	BSH	A00291	95			
316 CDI 4x4 (906.631, 906.633, 906.635, 906.637)	120 03/09 →	●		P50085MM	[+]	20,9	BRE	A00287	103			
	120 03/09 →		●	P50084MM	[+]	19	BSH	A00291	95			
316 LGT (906.633, 906.635)	115 09/08 →	●		P50085MM	[+]	20,9	BRE	A00287	103			
	115 09/08 →		●	P50084MM	[+]	19	BSH	A00291	95			
316 NGT (906.633, 906.635)	115 09/08 →	●		P50085MM	[+]	20,9	BRE	A00287	103			
	115 09/08 →		●	P50084MM	[+]	19	BSH	A00291	95			
318 CDI (906.631, 906.633, 906.635, 906.637)	135 06/06 → 12/09	●		P50085MM	[+]	20,9	BRE	A00287	103			
	135 06/06 → 12/09		●	P50084MM	[+]	19	BSH	A00291	95			
318 CDI 4x4 (906.631, 906.633, 906.635, 906.637)	135 02/08 → 12/09	●		P50085MM	[+]	20,9	BRE	A00287	103			
	135 02/08 → 12/09		●	P50084MM	[+]	19	BSH	A00291	95			

 	kw					wi	Th [mm]	SYS	WI		FK	
										LENGHT		

MERCEDES-BENZ

SPRINTER 3,5-t Box (906) 06/06 →

319 CDI / BlueTEC (906.631, 906.633, 906.635, 906.637)	140	03/09 →	•			P50085MM	[+]	20,9	BRE	A00287	103		
	140	03/09 →		•		P50084MM	[+]	19	BSH	A00291	95		
319 CDI / BlueTEC 4x4 (906.631, 906.633, 906.635, ...)	140	03/09 →	•			P50085MM	[+]	20,9	BRE	A00287	103		
	140	03/09 →		•		P50084MM	[+]	19	BSH	A00291	95		
324 (906.633, 906.635, 906.637)	190	06/06 → 12/13	•			P50085MM	[+]	20,9	BRE	A00287	103		
	190	06/06 → 12/13		•		P50084MM	[+]	19	BSH	A00291	95		

SPRINTER 3,5-t Bus (906) 06/06 →

310 CDI (906.731, 906.733, 906.735)	70	03/09 → 12/13	•			P50085MM	[+]	20,9	BRE	A00287	103		
	70	03/09 → 12/13		•		P50084MM	[+]	19	BSH	A00291	95		
311 CDI (906.731, 906.733, 906.735)	80	06/06 → 12/09	•			P50085MM	[+]	20,9	BRE	A00287	103		
	80	06/06 → 12/09		•		P50084MM	[+]	19	BSH	A00291	95		
	84	05/16 →	•			P50059MM	[O]	20,9	BRE	A00287	103		
	84	05/16 →	•		(USA)	P50085MM	[+]	20,9	BRE	A00287	103		
	84	05/16 →		•		P50084MM	[+]	19	BSH	A00291	95		
311 CDI 4x4 (906.731, 906.733, 906.735)	80	02/08 → 12/09	•			P50085MM	[+]	20,9	BRE	A00287	103		
	80	02/08 → 12/09		•		P50084MM	[+]	19	BSH	A00291	95		
313 CDI (906.731, 906.733, 906.735)	95	08/11 → 05/16	•			P50085MM	[+]	20,9	BRE	A00287	103		
	95	08/11 → 05/16		•		P50084MM	[+]	19	BSH	A00291	95		
313 CDI 4x4 (906.731, 906.733, 906.735)	95	08/11 → 05/16	•			P50085MM	[+]	20,9	BRE	A00287	103		
	95	08/11 → 05/16		•		P50084MM	[+]	19	BSH	A00291	95		
314 CDI (906.731, 906.733, 906.735)	105	05/16 →	•			P50059MM	[O]	20,9	BRE	A00287	103		
	105	05/16 →	•		(USA)	P50085MM	[+]	20,9	BRE	A00287	103		
	105	05/16 →		•		P50084MM	[+]	19	BSH	A00291	95		
314 CDI 4x4 (906.731, 906.733, 906.735)	105	05/16 →	•			P50059MM	[O]	20,9	BRE	A00287	103		
	105	05/16 →	•		(USA)	P50085MM	[+]	20,9	BRE	A00287	103		
	105	05/16 →		•		P50084MM	[+]	19	BSH	A00291	95		
315 CDI (906.731, 906.733, 906.735)	110	06/06 → 12/09	•			P50085MM	[+]	20,9	BRE	A00287	103		
	110	06/06 → 12/09		•		P50084MM	[+]	19	BSH	A00291	95		
315 CDI 4x4 (906.731, 906.733, 906.735)	110	02/08 → 12/09	•			P50085MM	[+]	20,9	BRE	A00287	103		
	110	02/08 → 12/09		•		P50084MM	[+]	19	BSH	A00291	95		
316 (906.733, 906.735)	115	09/08 →	•			P50085MM	[+]	20,9	BRE	A00287	103		
	115	09/08 →		•		P50084MM	[+]	19	BSH	A00291	95		

								WI			FK		
	kw						Th [mm]			LENGHT			

MERCEDES-BENZ

SPRINTER 3,5-t Bus (906) 06/06 →

316 CDI (906.731, 906.733, 906.735)	120	08/11 →	•		P50085MM	[+]	20,9	BRE	A00287	103		
	120	08/11 →		•	P50084MM	[+]	19	BSH	A00291	95		
316 CDI 4x4 (906.731, 906.733, 906.735)	120	08/11 →	•		P50085MM	[+]	20,9	BRE	A00287	103		
	120	08/11 →		•	P50084MM	[+]	19	BSH	A00291	95		
316 LGT	115	09/08 →	•		P50085MM	[+]	20,9	BRE	A00287	103		
	115	09/08 →		•	P50084MM	[+]	19	BSH	A00291	95		
316 NGT (906.733, 906.735)	115	09/08 →	•		P50085MM	[+]	20,9	BRE	A00287	103		
	115	09/08 →		•	P50084MM	[+]	19	BSH	A00291	95		
318 CDI (906.731, 906.733, 906.735)	135	02/08 → 12/09	•		P50085MM	[+]	20,9	BRE	A00287	103		
	135	02/08 → 12/09		•	P50084MM	[+]	19	BSH	A00291	95		
318 CDI 4x4 (906.731, 906.733, 906.735)	135	02/08 → 12/09	•		P50085MM	[+]	20,9	BRE	A00287	103		
	135	02/08 → 12/09		•	P50084MM	[+]	19	BSH	A00291	95		
319 CDI / BlueTEC (906.731, 906.733, 906.735)	140	03/09 →	•		P50085MM	[+]	20,9	BRE	A00287	103		
	140	03/09 →		•	P50084MM	[+]	19	BSH	A00291	95		
319 CDI / BlueTEC 4x4 (906.731, 906.733, 906.735)	140	03/09 →	•		P50085MM	[+]	20,9	BRE	A00287	103		
	140	03/09 →		•	P50084MM	[+]	19	BSH	A00291	95		
324 (906.733, 906.735)	190	06/06 → 12/13	•		P50085MM	[+]	20,9	BRE	A00287	103		
	190	06/06 → 12/13		•	P50084MM	[+]	19	BSH	A00291	95		

SPRINTER 3,5-t Platform/Chassis (906) 06/06 →

309 CDI (906.131, 906.133, 906.135, 906.231, 906.233, ...)	65	06/06 → 12/09	•		P50085MM	[+]	20,9	BRE	A00287	103		
	65	06/06 → 12/09		•	P50084MM	[+]	19	BSH	A00291	95		
310 CDI (906.131, 906.133, 906.135, 906.231, 906.233, ...)	70	03/09 → 05/16	•		P50085MM	[+]	20,9	BRE	A00287	103		
	70	03/09 → 05/16		•	P50084MM	[+]	19	BSH	A00291	95		
311 CDI (906.131, 906.133, 906.135, 906.231, 906.233, ...)	80	06/06 → 12/09	•		P50085MM	[+]	20,9	BRE	A00287	103		
	80	06/06 → 12/09		•	P50084MM	[+]	19	BSH	A00291	95		
	84	05/16 →	•		P50059MM	[o]	20,9	BRE	A00287	103		
	84	05/16 →	•	(USA)	P50085MM	[+]	20,9	BRE	A00287	103		
	84	05/16 →		•	P50084MM	[+]	19	BSH	A00291	95		
311 CDI 4x4 (906.131, 906.133, 906.135, 906.231, 906.233...)	80	02/08 → 12/09	•		P50085MM	[+]	20,9	BRE	A00287	103		
	80	02/08 → 12/09		•	P50084MM	[+]	19	BSH	A00291	95		

 	kw					wi	Th [mm]	SYS	WI			FK	
										LENGHT			

MERCEDES-BENZ

SPRINTER 3,5-t Platform/Chassis (906) 06/06 →

313 CDI (906.131, 906.133, 906.135, 906.231, 906.233, ...)	95	06/06 → 05/16	•			P50085MM	[+]	20,9	BRE	A00287	103		
	95	06/06 → 05/16		•		P50084MM	[+]	19	BSH	A00291	95		
313 CDI 4x4 (906.131, 906.133, 906.135, 906.231, 906.233...)	95	06/06 → 05/16	•			P50085MM	[+]	20,9	BRE	A00287	103		
	95	06/06 → 05/16		•		P50084MM	[+]	19	BSH	A00291	95		
314 CDI (906.131, 906.133, 906.135, 906.231, 906.233, ...)	105	05/16 →	•			P50059MM	[O]	20,9	BRE	A00287	103		
	105	05/16 →	•	(USA)		P50085MM	[+]	20,9	BRE	A00287	103		
	105	05/16 →		•		P50084MM	[+]	19	BSH	A00291	95		
314 CDI 4x4 (906.131, 906.133, 906.135, 906.231, 906.233...)	105	05/16 →	•			P50059MM	[O]	20,9	BRE	A00287	103		
	105	05/16 →	•	(USA)		P50085MM	[+]	20,9	BRE	A00287	103		
	105	05/16 →		•		P50084MM	[+]	19	BSH	A00291	95		
315 CDI (906.131, 906.133, 906.135, 906.231, 906.233, ...)	110	06/06 → 12/09	•			P50085MM	[+]	20,9	BRE	A00287	103		
	110	06/06 → 12/09		•		P50084MM	[+]	19	BSH	A00291	95		
315 CDI 4x4 (906.131, 906.133, 906.135, 906.231, 906.233...)	110	02/08 → 12/09	•			P50085MM	[+]	20,9	BRE	A00287	103		
	110	02/08 → 12/09		•		P50084MM	[+]	19	BSH	A00291	95		
316 (906.133, 906.135, 906.233, 906.235)	115	09/08 →	•			P50085MM	[+]	20,9	BRE	A00287	103		
	115	09/08 →		•		P50084MM	[+]	19	BSH	A00291	95		
316 CDI (906.131, 906.133, 906.135, 906.231, 906.233, ...)	120	03/09 →	•			P50085MM	[+]	20,9	BRE	A00287	103		
	120	03/09 →		•		P50084MM	[+]	19	BSH	A00291	95		
316 CDI 4x4 (906.131, 906.133, 906.135, 906.231, 906.233...)	120	03/09 →	•			P50085MM	[+]	20,9	BRE	A00287	103		
	120	03/09 →		•		P50084MM	[+]	19	BSH	A00291	95		
316 LGT (906.133, 906.135, 906.233, 906.235)	115	09/08 →	•			P50085MM	[+]	20,9	BRE	A00287	103		
	115	09/08 →		•		P50084MM	[+]	19	BSH	A00291	95		

							WI			FK		
	kw				WI	Th [mm]	SYS		LENGHT			

MERCEDES-BENZ

SPRINTER 3,5-t Platform/Chassis (906) 06/06 →

316 NGT (906.133, 906.135, 906.233, 906.235)	115	09/08 →	•		P50085MM	[+]	20,9	BRE	A00287	103		
	115	09/08 →		•	P50084MM	[+]	19	BSH	A00291	95		
318 CDI (906.131, 906.133, 906.135, 906.231, 906.233, ...)	135	06/06 → 12/09	•		P50085MM	[+]	20,9	BRE	A00287	103		
	135	06/06 → 12/09		•	P50084MM	[+]	19	BSH	A00291	95		
318 CDI 4x4 (906.131, 906.133, 906.135, 906.231, 906.233...)	135	02/08 → 12/09	•		P50085MM	[+]	20,9	BRE	A00287	103		
	135	02/08 → 12/09		•	P50084MM	[+]	19	BSH	A00291	95		
319 CDI / BlueTEC (906.131, 906.133, 906.135, 906.231, ...)	140	03/09 →	•		P50085MM	[+]	20,9	BRE	A00287	103		
	140	03/09 →		•	P50084MM	[+]	19	BSH	A00291	95		
319 CDI / BlueTEC 4x4 (906.131, 906.133, 906.135, ...)	140	05/11 →	•		P50085MM	[+]	20,9	BRE	A00287	103		
	140	05/11 →		•	P50084MM	[+]	19	BSH	A00291	95		
324 (906.133, 906.135, 906.233, 906.235)	190	06/06 → 12/13	•		P50085MM	[+]	20,9	BRE	A00287	103		
	190	06/06 → 12/13		•	P50084MM	[+]	19	BSH	A00291	95		

SPRINTER 3-t Box (903) 01/95 → 05/06

308 CDI	60	04/00 → 05/06	•		P50080MM	[+]	20,7	ATE	A00292	189		
	60	04/00 → 05/06		•	P50082MM	[+]	18,8	ATE	A00282	210		
	60	04/00 → 05/06		•	P50020MM	[O]	18,9	BSH	A00282	210		
308 D 2.3	58	02/95 → 04/00	•		P50080MM	[+]	20,7	ATE	A00292	189		
	58	02/95 → 04/00		•	P50082MM	[+]	18,8	ATE	A00282	210		
	58	02/95 → 04/00		•	P50020MM	[O]	18,9	BSH	A00282	210		
	60	02/95 → 04/00	•		P50080MM	[+]	20,7	ATE	A00292	189		
	60	02/95 → 04/00		•	P50082MM	[+]	18,8	ATE	A00282	210		
	60	02/95 → 04/00		•	P50020MM	[O]	18,9	BSH	A00282	210		
310 D 2.9	75	02/95 → 04/00	•		P50080MM	[+]	20,7	ATE	A00292	189		
	75	02/95 → 04/00		•	P50082MM	[+]	18,8	ATE	A00282	210		
	75	02/95 → 04/00		•	P50020MM	[O]	18,9	BSH	A00282	210		
311 CDI	80	04/00 → 05/06	•		P50080MM	[+]	20,7	ATE	A00292	189		
	80	04/00 → 05/06		•	P50082MM	[+]	18,8	ATE	A00282	210		
	80	04/00 → 05/06		•	P50020MM	[O]	18,9	BSH	A00282	210		
311 CDI 4x4	80	08/02 → 05/06	•		P50080MM	[+]	20,7	ATE	A00292	189		
	80	08/02 → 05/06		•	P50082MM	[+]	18,8	ATE	A00282	210		
	80	08/02 → 05/06		•	P50020MM	[O]	18,9	BSH	A00282	210		
312 D 2.9	90	02/95 → 04/00	•		P50080MM	[+]	20,7	ATE	A00292	189		
	90	02/95 → 04/00		•	P50082MM	[+]	18,8	ATE	A00282	210		
	90	02/95 → 04/00		•	P50020MM	[O]	18,9	BSH	A00282	210		

							WI	Th [mm]	SYS	WI		FK	
											LENGHT		

MERCEDES-BENZ

SPRINTER 3-t Box (903) 01/95 → 05/06

312 D 2.9 4x4	90	05/97 → 08/02	●			P50080MM	[+]	20,7	ATE	A00292	189		
	90	05/97 → 08/02		●		P50082MM	[+]	18,8	ATE	A00282	210		
	90	05/97 → 08/02		●		P50020MM	[O]	18,9	BSH	A00282	210		
313 CDI	95	04/00 → 05/06	●			P50080MM	[+]	20,7	ATE	A00292	189		
	95	04/00 → 05/06		●		P50082MM	[+]	18,8	ATE	A00282	210		
	95	04/00 → 05/06		●		P50020MM	[O]	18,9	BSH	A00282	210		
313 CDI 4x4	95	08/02 → 05/06	●			P50080MM	[+]	20,7	ATE	A00292	189		
	95	08/02 → 05/06		●		P50082MM	[+]	18,8	ATE	A00282	210		
	95	08/02 → 05/06		●		P50020MM	[O]	18,9	BSH	A00282	210		
314	105	02/95 → 05/06	●			P50080MM	[+]	20,7	ATE	A00292	189		
	105	02/95 → 05/06		●		P50082MM	[+]	18,8	ATE	A00282	210		
	105	02/95 → 05/06		●		P50020MM	[O]	18,9	BSH	A00282	210		
314 4x4	105	08/02 → 05/06	●			P50080MM	[+]	20,7	ATE	A00292	189		
	105	08/02 → 05/06		●		P50082MM	[+]	18,8	ATE	A00282	210		
	105	08/02 → 05/06		●		P50020MM	[O]	18,9	BSH	A00282	210		
314 NGT (903.661)	92	04/00 → 05/06	●			P50080MM	[+]	20,7	ATE	A00292	189		
	92	04/00 → 05/06		●		P50082MM	[+]	18,8	ATE	A00282	210		
	92	04/00 → 05/06		●		P50020MM	[O]	18,9	BSH	A00282	210		
316 CDI	115	04/00 → 05/06	●			P50080MM	[+]	20,7	ATE	A00292	189		
	115	04/00 → 05/06		●		P50082MM	[+]	18,8	ATE	A00282	210		
	115	04/00 → 05/06		●		P50020MM	[O]	18,9	BSH	A00282	210		
316 CDI 4x4	115	08/02 → 05/06	●			P50080MM	[+]	20,7	ATE	A00292	189		
	115	08/02 → 05/06		●		P50082MM	[+]	18,8	ATE	A00282	210		
	115	08/02 → 05/06		●		P50020MM	[O]	18,9	BSH	A00282	210		

SPRINTER 3-t Box (906) 06/06 →

209 CDI (906.611, 906.613)	65	06/06 → 12/09	●			P50085MM	[+]	20,9	BRE	A00287	103		
	65	06/06 → 12/09		●		P50084MM	[+]	19	BSH	A00291	95		
210 CDI (906.611, 906.613)	70	03/09 →	●			P50085MM	[+]	20,9	BRE	A00287	103		
	70	03/09 →		●		P50084MM	[+]	19	BSH	A00291	95		
211 CDI (906.611, 906.613)	80	06/06 → 12/09	●			P50085MM	[+]	20,9	BRE	A00287	103		
	80	06/06 → 12/09		●		P50084MM	[+]	19	BSH	A00291	95		
	84	04/16 →	●			P50085MM	[+]	20,9	BRE	A00287	103		
	84	04/16 →		●		P50084MM	[+]	19	BSH	A00291	95		
213 CDI (906.611, 906.613)	95	06/06 → 12/09	●			P50085MM	[+]	20,9	BRE	A00287	103		
	95	06/06 → 12/09		●		P50084MM	[+]	19	BSH	A00291	95		
	95	06/06 →	●			P50085MM	[+]	20,9	BRE	A00287	103		
	95	06/06 →		●		P50084MM	[+]	19	BSH	A00291	95		
214 CDI (906.611, 906.613)	105	04/16 →	●			P50085MM	[+]	20,9	BRE	A00287	103		
	105	04/16 →		●		P50084MM	[+]	19	BSH	A00291	95		
215 CDI (906.611, 906.613)	110	06/06 → 12/09	●			P50085MM	[+]	20,9	BRE	A00287	103		
	110	06/06 → 12/09		●		P50084MM	[+]	19	BSH	A00291	95		
216 (906.613)	115	09/08 →	●			P50085MM	[+]	20,9	BRE	A00287	103		
	115	09/08 →		●		P50084MM	[+]	19	BSH	A00291	95		
216 CDI (906.611, 906.613)	120	03/09 →	●			P50085MM	[+]	20,9	BRE	A00287	103		
	120	03/09 →		●		P50084MM	[+]	19	BSH	A00291	95		
218 CDI (906.611, 906.613)	135	06/06 → 12/09	●			P50085MM	[+]	20,9	BRE	A00287	103		
	135	06/06 → 12/09		●		P50084MM	[+]	19	BSH	A00291	95		

								WI			FK		
	kw					wi	Th [mm]	SYS		LENGHT			

MERCEDES-BENZ

SPRINTER 3-t Box (906) 06/06 →

219 CDI / BlueTEC (906.611, 906.613)	140	03/09 →	•		P50085MM	[+]	20,9	BRE	A00287	103		
	140	03/09 →		•	P50084MM	[+]	19	BSH	A00291	95		
224 (906.613)	190	06/06 →	•		P50085MM	[+]	20,9	BRE	A00287	103		
	190	06/06 →		•	P50084MM	[+]	19	BSH	A00291	95		

SPRINTER 3-t Bus (903) 01/95 → 05/06

308 CDI	60	04/00 → 05/06	•		P50080MM	[+]	20,7	ATE	A00292	189		
	60	04/00 → 05/06		•	P50082MM	[+]	18,8	ATE	A00282	210		
	60	04/00 → 05/06		•	P50020MM	[o]	18,9	BSH	A00282	210		
308 D	58	02/95 → 04/00	•		P50080MM	[+]	20,7	ATE	A00292	189		
	58	02/95 → 04/00		•	P50082MM	[+]	18,8	ATE	A00282	210		
	58	02/95 → 04/00		•	P50020MM	[o]	18,9	BSH	A00282	210		
308 D (903.371, 903.372, 903.373)	60	03/97 → 04/00	•		P50080MM	[+]	20,7	ATE	A00292	189		
	60	03/97 → 04/00		•	P50082MM	[+]	18,8	ATE	A00282	210		
	60	03/97 → 04/00		•	P50020MM	[o]	18,9	BSH	A00282	210		
308 E	40	04/00 → 05/06	•		P50080MM	[+]	20,7	ATE	A00292	189		
	40	04/00 → 05/06		•	P50082MM	[+]	18,8	ATE	A00282	210		
	40	04/00 → 05/06		•	P50020MM	[o]	18,9	BSH	A00282	210		
310 D 4x4	75	05/97 → 08/02	•		P50080MM	[+]	20,7	ATE	A00292	189		
	75	05/97 → 08/02		•	P50082MM	[+]	18,8	ATE	A00282	210		
	75	05/97 → 08/02		•	P50020MM	[o]	18,9	BSH	A00282	210		
311 CDI	80	04/00 → 05/06	•		P50080MM	[+]	20,7	ATE	A00292	189		
	80	04/00 → 05/06		•	P50082MM	[+]	18,8	ATE	A00282	210		
	80	04/00 → 05/06		•	P50020MM	[o]	18,9	BSH	A00282	210		
311 CDI 4x4	80	08/02 → 05/06	•		P50080MM	[+]	20,7	ATE	A00292	189		
	80	08/02 → 05/06		•	P50082MM	[+]	18,8	ATE	A00282	210		
	80	08/02 → 05/06		•	P50020MM	[o]	18,9	BSH	A00282	210		
312 D 2.9	90	02/95 → 04/00	•		P50080MM	[+]	20,7	ATE	A00292	189		
	90	02/95 → 04/00		•	P50082MM	[+]	18,8	ATE	A00282	210		
	90	02/95 → 04/00		•	P50020MM	[o]	18,9	BSH	A00282	210		
312 D 2.9 4x4	90	05/97 → 08/02	•		P50080MM	[+]	20,7	ATE	A00292	189		
	90	05/97 → 08/02		•	P50082MM	[+]	18,8	ATE	A00282	210		
	90	05/97 → 08/02		•	P50020MM	[o]	18,9	BSH	A00282	210		
313 CDI	95	04/00 → 05/06	•		P50080MM	[+]	20,7	ATE	A00292	189		
	95	04/00 → 05/06		•	P50082MM	[+]	18,8	ATE	A00282	210		
	95	04/00 → 05/06		•	P50020MM	[o]	18,9	BSH	A00282	210		
313 CDI 4x4	95	08/02 → 05/06	•		P50080MM	[+]	20,7	ATE	A00292	189		
	95	08/02 → 05/06		•	P50082MM	[+]	18,8	ATE	A00282	210		
	95	08/02 → 05/06		•	P50020MM	[o]	18,9	BSH	A00282	210		
314 (903.071, 903.072, 903.073, 903.671, 903.672, ...)	105	02/95 → 05/06	•		P50080MM	[+]	20,7	ATE	A00292	189		
	105	02/95 → 05/06		•	P50082MM	[+]	18,8	ATE	A00282	210		
	105	02/95 → 05/06		•	P50020MM	[o]	18,9	BSH	A00282	210		
314 4x4	105	08/02 → 05/06	•		P50080MM	[+]	20,7	ATE	A00292	189		
	105	08/02 → 05/06		•	P50082MM	[+]	18,8	ATE	A00282	210		
	105	08/02 → 05/06		•	P50020MM	[o]	18,9	BSH	A00282	210		
314 NGT	92	04/00 → 05/06	•		P50080MM	[+]	20,7	ATE	A00292	189		
	92	04/00 → 05/06		•	P50082MM	[+]	18,8	ATE	A00282	210		
	92	04/00 → 05/06		•	P50020MM	[o]	18,9	BSH	A00282	210		
316 CDI	115	04/00 → 05/06	•		P50080MM	[+]	20,7	ATE	A00292	189		
	115	04/00 → 05/06		•	P50082MM	[+]	18,8	ATE	A00282	210		

 	kw	 				wi	Th [mm]	SYS	WI			FK	
										LENGHT			

MERCEDES-BENZ

SPRINTER 3-t Bus (903) 01/95 → 05/06

316 CDI	115	04/00 → 05/06	•		P50020MM	[O]	18,9	BSH	A00282	210			
	115	08/02 → 05/06	•		P50080MM	[+]	20,7	ATE	A00292	189			
316 CDI 4x4	115	08/02 → 05/06	•		P50082MM	[+]	18,8	ATE	A00282	210			
	115	08/02 → 05/06	•		P50020MM	[O]	18,9	BSH	A00282	210			

SPRINTER 3-t Bus (906) 06/06 →

210 CDI (906.711, 906.713)	70	03/09 → 12/13	•		P50085MM	[+]	20,9	BRE	A00287	103			
	70	03/09 → 12/13	•		P50084MM	[+]	19	BSH	A00291	95			
211 CDI (906.711, 906.713)	80	06/06 → 12/09	•		P50085MM	[+]	20,9	BRE	A00287	103			
	80	06/06 → 12/09	•		P50084MM	[+]	19	BSH	A00291	95			
213 CDI (906.711, 906.713)	84	04/16 →	•		P50085MM	[+]	20,9	BRE	A00287	103			
	84	04/16 →	•		P50084MM	[+]	19	BSH	A00291	95			
214 CDI (906.711, 906.713)	95	06/06 → 05/16	•		P50085MM	[+]	20,9	BRE	A00287	103			
	95	06/06 → 05/16	•		P50084MM	[+]	19	BSH	A00291	95			
215 CDI (906.711, 906.713)	105	04/16 →	•		P50085MM	[+]	20,9	BRE	A00287	103			
	105	04/16 →	•		P50084MM	[+]	19	BSH	A00291	95			
216 (906.713)	110	06/06 → 12/09	•		P50085MM	[+]	20,9	BRE	A00287	103			
	110	06/06 → 12/09	•		P50084MM	[+]	19	BSH	A00291	95			
216 CDI (906.711, 906.713)	115	09/08 →	•		P50085MM	[+]	20,9	BRE	A00287	103			
	115	09/08 →	•		P50084MM	[+]	19	BSH	A00291	95			
216 CDI (906.711, 906.713)	120	06/06 →	•		P50085MM	[+]	20,9	BRE	A00287	103			
	120	06/06 →	•		P50084MM	[+]	19	BSH	A00291	95			
224 (906.713)	190	06/06 → 12/13	•		P50085MM	[+]	20,9	BRE	A00287	103			
	190	06/06 → 12/13	•		P50084MM	[+]	19	BSH	A00291	95			

SPRINTER 3-t Platform/Chassis (903) 01/95 → 05/06

308 CDI	60	04/00 → 05/06	•		P50080MM	[+]	20,7	ATE	A00292	189			
	60	04/00 → 05/06	•		P50082MM	[+]	18,8	ATE	A00282	210			
	60	04/00 → 05/06	•		P50020MM	[O]	18,9	BSH	A00282	210			
308 D 2.3	58	02/95 → 04/00	•		P50080MM	[+]	20,7	ATE	A00292	189			
	58	02/95 → 04/00	•		P50082MM	[+]	18,8	ATE	A00282	210			
	58	02/95 → 04/00	•		P50020MM	[O]	18,9	BSH	A00282	210			
	60	11/96 → 04/00	•		P50080MM	[+]	20,7	ATE	A00292	189			
	60	11/96 → 04/00	•		P50082MM	[+]	18,8	ATE	A00282	210			
	60	11/96 → 04/00	•		P50020MM	[O]	18,9	BSH	A00282	210			
310 D 2.9	75	01/97 → 04/00	•		P50080MM	[+]	20,7	ATE	A00292	189			
	75	01/97 → 04/00	•		P50082MM	[+]	18,8	ATE	A00282	210			
311 CDI	80	04/00 → 05/06	•		P50080MM	[+]	20,7	ATE	A00292	189			
	80	04/00 → 05/06	•		P50082MM	[+]	18,8	ATE	A00282	210			
	80	04/00 → 05/06	•		P50020MM	[O]	18,9	BSH	A00282	210			
311 CDI 4x4	80	08/02 → 05/06	•		P50080MM	[+]	20,7	ATE	A00292	189			
	80	08/02 → 05/06	•		P50082MM	[+]	18,8	ATE	A00282	210			
	80	08/02 → 05/06	•		P50020MM	[O]	18,9	BSH	A00282	210			
312 D 2.9	90	02/95 → 04/00	•		P50080MM	[+]	20,7	ATE	A00292	189			
	90	02/95 → 04/00	•		P50082MM	[+]	18,8	ATE	A00282	210			
	90	02/95 → 04/00	•		P50020MM	[O]	18,9	BSH	A00282	210			
312 D 2.9 (903.411, 903.412, 903.413, 903.421, 903.422, ...)	85	12/98 → 09/01	•		P50080MM	[+]	20,7	ATE	A00292	189			
	85	12/98 → 09/01	•		P50082MM	[+]	18,8	ATE	A00282	210			
	85	12/98 → 09/01	•		P50020MM	[O]	18,9	BSH	A00282	210			

								WI			FK		
	kw					wi	Th [mm]	SYS		LENGHT			

MERCEDES-BENZ

SPRINTER 3-t Platform/Chassis (903) 01/95 → 05/06

313 CDI	95	04/00 → 05/06	●		P50080MM	[+]	20,7	ATE	A00292	189			
	95	04/00 → 05/06	●		P50082MM	[+]	18,8	ATE	A00282	210			
	95	04/00 → 05/06	●		P50020MM	[o]	18,9	BSH	A00282	210			
313 CDI 4x4	95	08/02 → 05/06	●		P50080MM	[+]	20,7	ATE	A00292	189			
	95	08/02 → 05/06	●		P50082MM	[+]	18,8	ATE	A00282	210			
	95	08/02 → 05/06	●		P50020MM	[o]	18,9	BSH	A00282	210			
314 (903.011, 903.012, 903.013, 903.022, 903.611, ...)	105	02/95 → 05/06	●		P50080MM	[+]	20,7	ATE	A00292	189			
	105	02/95 → 05/06	●		P50082MM	[+]	18,8	ATE	A00282	210			
	105	02/95 → 05/06	●		P50020MM	[o]	18,9	BSH	A00282	210			
314 4x4	105	08/02 → 05/06	●		P50080MM	[+]	20,7	ATE	A00292	189			
	105	08/02 → 05/06	●		P50082MM	[+]	18,8	ATE	A00282	210			
	105	08/02 → 05/06	●		P50020MM	[o]	18,9	BSH	A00282	210			
314 NGT (903.611, 903.612)	92	04/00 → 05/06	●		P50080MM	[+]	20,7	ATE	A00292	189			
	92	04/00 → 05/06	●		P50082MM	[+]	18,8	ATE	A00282	210			
	92	04/00 → 05/06	●		P50020MM	[o]	18,9	BSH	A00282	210			
316 CDI	115	04/00 → 05/06	●		P50080MM	[+]	20,7	ATE	A00292	189			
	115	04/00 → 05/06	●		P50082MM	[+]	18,8	ATE	A00282	210			
	115	04/00 → 05/06	●		P50020MM	[o]	18,9	BSH	A00282	210			
316 CDI 4x4	115	08/02 → 05/06	●		P50080MM	[+]	20,7	ATE	A00292	189			
	115	08/02 → 05/06	●		P50082MM	[+]	18,8	ATE	A00282	210			
	115	08/02 → 05/06	●		P50020MM	[o]	18,9	BSH	A00282	210			

SPRINTER 3-t Platform/Chassis (906) 06/06 →

209 CDI (906.111, 906.113, 906.211, 906.213)	65	06/06 → 12/09	●		P50085MM	[+]	20,9	BRE	A00287	103			
	65	06/06 → 12/09	●		P50084MM	[+]	19	BSH	A00291	95			
210 CDI (906.111, 906.113, 906.211, 906.213)	70	03/09 → 05/16	●		P50085MM	[+]	20,9	BRE	A00287	103			
	70	03/09 → 05/16	●		P50084MM	[+]	19	BSH	A00291	95			
211 CDI (906.111, 906.113, 906.211, 906.213)	80	06/06 → 12/09	●		P50085MM	[+]	20,9	BRE	A00287	103			
	80	06/06 → 12/09	●		P50084MM	[+]	19	BSH	A00291	95			
	84	04/16 →	●		P50085MM	[+]	20,9	BRE	A00287	103			
	84	04/16 →	●		P50084MM	[+]	19	BSH	A00291	95			
213 CDI (906.111, 906.113, 906.211, 906.213)	95	06/06 → 12/09	●		P50085MM	[+]	20,9	BRE	A00287	103			
	95	06/06 → 12/09	●		P50084MM	[+]	19	BSH	A00291	95			
	95	03/09 → 05/16	●		P50085MM	[+]	20,9	BRE	A00287	103			
	95	03/09 → 05/16	●		P50084MM	[+]	19	BSH	A00291	95			
214 CDI (906.111, 906.113, 906.211, 906.213)	105	04/16 →	●		P50085MM	[+]	20,9	BRE	A00287	103			
	105	04/16 →	●		P50084MM	[+]	19	BSH	A00291	95			
215 CDI (906.111, 906.113, 906.211, 906.213)	110	06/06 → 12/09	●		P50085MM	[+]	20,9	BRE	A00287	103			
	110	06/06 → 12/09	●		P50084MM	[+]	19	BSH	A00291	95			
216 (906.113, 906.213)	115	09/08 → 05/16	●		P50085MM	[+]	20,9	BRE	A00287	103			
	115	09/08 → 05/16	●		P50084MM	[+]	19	BSH	A00291	95			

 	kw						wi	Th [mm]	SYS	WI			FK	
											LENGHT			

MERCEDES-BENZ

SPRINTER 3-t Platform/Chassis (906) 06/06 →

216 CDI (906.111, 906.113, 906.211, 906.213)	120	03/09 →	•			P50085MM	[+]	20,9	BRE	A00287	103			
	120	03/09 →		•		P50084MM	[+]	19	BSH	A00291	95			
218 CDI (906.111, 906.113, 906.211, 906.213)	135	06/06 → 12/09	•			P50085MM	[+]	20,9	BRE	A00287	103			
	135	06/06 → 12/09		•		P50084MM	[+]	19	BSH	A00291	95			
219 CDI / BlueTEC (906.111, 906.113, 906.211, 906.213)	140	03/09 → 05/16	•			P50085MM	[+]	20,9	BRE	A00287	103			
	140	03/09 → 05/16		•		P50084MM	[+]	19	BSH	A00291	95			
224 (906.113, 906.213)	190	06/06 → 12/13	•			P50085MM	[+]	20,9	BRE	A00287	103			
	190	06/06 → 12/13		•		P50084MM	[+]	19	BSH	A00291	95			

SPRINTER 4,6-t Box (906) 06/06 →

411 CDI (906.653, 906.655, 906.657)	80	06/09 → 12/09	•			P50059MM	[O]	20,9	BRE	A00287	103			
	80	06/09 → 12/09		•	741.412 axle; solid	P50084MM	[+]	19	BSH	A00288	85	vented		
	80	06/09 → 12/09		•	-741.412 axle; vented	P50060MM	[O]	20,6	BSH	A00288	85	vented		
413 CDI (906.653, 906.655, 906.657)	95	06/06 → 05/16	•			P50059MM	[O]	20,9	BRE	A00287	103			
	95	06/06 → 05/16		•	741.412 axle; solid	P50084MM	[+]	19	BSH	A00288	85	741.412 axle; vented		
	95	06/06 → 05/16		•	-741.412 axle; vented	P50060MM	[O]	20,6	BSH	A00288	85	741.412 axle; vented		
414 CDI	105	05/16 →	•			P50059MM	[O]	20,9	BRE	A00287	103			
	105	05/16 →		•	741.412 axle; solid	P50084MM	[+]	19	BSH	A00288	85	741.412 axle; vented		
	105	05/16 →		•	-741.412 axle; vented	P50060MM	[O]	20,6	BSH	A00288	85	741.412 axle; vented		
415 CDI (906.653, 906.655, 906.657)	110	06/09 → 12/09	•			P50059MM	[O]	20,9	BRE	A00287	103			
	110	06/09 → 12/09		•	741.412 axle; solid	P50084MM	[+]	19	BSH	A00288	85	vented		
	110	06/09 → 12/09		•	-741.412 axle; vented	P50060MM	[O]	20,6	BSH	A00288	85	vented		
416 CDI (906.653, 906.655, 906.657)	120	03/09 →	•			P50059MM	[O]	20,9	BRE	A00287	103			
	120	03/09 →		•	741.412 axle; solid	P50084MM	[+]	19	BSH	A00288	85	741.412 axle; vented		
	120	03/09 →		•	-741.412 axle; vented	P50060MM	[O]	20,6	BSH	A00288	85	741.412 axle; vented		
418 CDI (906.653, 906.655, 906.657)	135	06/09 → 05/16	•			P50059MM	[O]	20,9	BRE	A00287	103			
	135	06/09 → 05/16		•	741.412 axle; solid	P50084MM	[+]	19	BSH	A00288	85	vented		
	135	06/09 → 05/16		•	-741.412 axle; vented	P50060MM	[O]	20,6	BSH	A00288	85	vented		
419 CDI (906.653, 906.655, 906.657)	140	03/09 →	•			P50059MM	[O]	20,9	BRE	A00287	103			
	140	03/09 →		•	741.412 axle; solid	P50084MM	[+]	19	BSH	A00288	85	741.412 axle; vented		
	140	03/09 →		•	-741.412 axle; vented	P50060MM	[O]	20,6	BSH	A00288	85	741.412 axle; vented		
424 (906.655, 906.657, 906.653)	190	06/06 → 12/13	•			P50059MM	[O]	20,9	BRE	A00287	103			
	190	06/06 → 12/13		•	741.412 axle; solid	P50084MM	[+]	19	BSH	A00288	85	741.412 axle; vented		
	190	06/06 → 12/13		•	-741.412 axle; vented	P50060MM	[O]	20,6	BSH	A00288	85	741.412 axle; vented		

SPRINTER 4,6-t Platform/Chassis (906) 06/06 →

411 CDI (906.153, 906.155, 906.253, 906.255)	80	06/09 → 12/09	•			P50059MM	[O]	20,9	BRE	A00287	103			
	80	06/09 → 12/09		•	741.412 axle; solid	P50084MM	[+]	19	BSH	A00288	85	vented		
	80	06/09 → 12/09		•	-741.412 axle; vented	P50060MM	[O]	20,6	BSH	A00288	85	vented		

									WI			FK	

MERCEDES-BENZ

SPRINTER 4,6-t Platform/Chassis (906) 06/06 →

413 CDI (906.153, 906.155, 906.253, 906.255)	95	06/06 → 05/16	●		P50059MM	[o]	20,9	BRE	A00287	103		
	95	06/06 → 05/16	●	741.412 axle; solid	P50084MM	[+]	19	BSH	A00288	85	741.412 axle; vented	
	95	06/06 → 05/16	●	-741.412 axle; vented	P50060MM	[o]	20,6	BSH	A00288	85	741.412 axle; vented	
414 CDI	105	05/16 →	●	SA: ZM1	P50059MM	[o]	20,9	BRE				
	105	05/16 →	●	-SA: ZM1; (USA)	P50085MM	[+]	20,9	BRE				
	105	05/16 →	●		P50084MM	[+]	19	BSH				
415 CDI (906.153, 906.155, 906.253, 906.255)	110	06/06 → 12/09	●		P50059MM	[o]	20,9	BRE	A00287	103		
	110	06/06 → 12/09	●	741.412 axle; solid	P50084MM	[+]	19	BSH	A00288	85	741.412 axle; vented	
	110	06/06 → 12/09	●	-741.412 axle; vented	P50060MM	[o]	20,6	BSH	A00288	85	741.412 axle; vented	
416 CDI (906.153, 906.155, 906.253, 906.255)	120	03/09 →	●		P50059MM	[o]	20,9	BRE	A00287	103		
	120	03/09 →	●	741.412 axle; solid	P50084MM	[+]	19	BSH	A00288	85	741.412 axle; vented	
	120	03/09 →	●	-741.412 axle; vented	P50060MM	[o]	20,6	BSH	A00288	85	741.412 axle; vented	
418 CDI (906.153, 906.155, 906.253, 906.255)	135	06/06 → 12/09	●		P50059MM	[o]	20,9	BRE	A00287	103		
	135	06/06 → 12/09	●	741.412 axle; solid	P50084MM	[+]	19	BSH	A00288	85	741.412 axle; vented	
	135	06/06 → 12/09	●	-741.412 axle; vented	P50060MM	[o]	20,6	BSH	A00288	85	741.412 axle; vented	
419 CDI (906.153, 906.155, 906.253, 906.255)	140	03/09 →	●		P50059MM	[o]	20,9	BRE	A00287	103		
	140	03/09 →	●	741.412 axle; solid	P50084MM	[+]	19	BSH	A00288	85	741.412 axle; vented	
	140	03/09 →	●	-741.412 axle; vented	P50060MM	[o]	20,6	BSH	A00288	85	741.412 axle; vented	
424 (906.153, 906.155, 906.253, 906.255)	190	06/06 → 12/13	●		P50059MM	[o]	20,9	BRE	A00287	103		
	190	06/06 → 12/13	●	741.412 axle; solid	P50084MM	[+]	19	BSH	A00288	85	741.412 axle; vented	
	190	06/06 → 12/13	●	-741.412 axle; vented	P50060MM	[o]	20,6	BSH	A00288	85	741.412 axle; vented	

SPRINTER 4-t Box (904) 02/96 → 05/06

408 CDI	60	04/00 → 05/06	●		P50028MM	[o]	20	PER	A00292	189		
	60	04/00 → 05/06	●		P50028MM	[o]	20	PER	A00292	189		
408 D	58	02/96 → 05/06	●		P50028MM	[o]	20	PER	A00292	189		
	58	02/96 → 05/06	●		P50028MM	[o]	20	PER	A00292	189		
410 D	75	02/96 → 05/06	●		P50028MM	[o]	20	PER	A00292	189		
	75	02/96 → 05/06	●		P50028MM	[o]	20	PER	A00292	189		
410 D 4x4	75	05/97 → 05/06	●		P50028MM	[o]	20	PER	A00292	189		
	75	05/97 → 05/06	●		P50028MM	[o]	20	PER	A00292	189		
411 CDI	80	04/00 → 05/06	●		P50028MM	[o]	20	PER	A00292	189		
	80	04/00 → 05/06	●		P50028MM	[o]	20	PER	A00292	189		
411 CDI 4x4	80	04/00 → 05/06	●		P50028MM	[o]	20	PER	A00292	189		
	80	04/00 → 05/06	●		P50028MM	[o]	20	PER	A00292	189		
412 D	85	02/96 → 05/06	●		P50028MM	[o]	20	PER	A00292	189		
	85	02/96 → 05/06	●		P50028MM	[o]	20	PER	A00292	189		
	90	02/96 → 05/06	●		P50028MM	[o]	20	PER	A00292	189		
	90	02/96 → 05/06	●		P50028MM	[o]	20	PER	A00292	189		
412 D 4x4	85	05/97 → 05/06	●		P50028MM	[o]	20	PER	A00292	189		
	85	05/97 → 05/06	●		P50028MM	[o]	20	PER	A00292	189		
	90	05/97 → 05/06	●		P50028MM	[o]	20	PER	A00292	189		
	90	05/97 → 05/06	●		P50028MM	[o]	20	PER	A00292	189		
413 CDI	95	04/00 → 05/06	●		P50028MM	[o]	20	PER	A00292	189		
	95	04/00 → 05/06	●		P50028MM	[o]	20	PER	A00292	189		

MERCEDES-BENZ

SPRINTER 4-t Box (904) 02/96 → 05/06

413 CDI 4x4	95	04/00 → 05/06	●		P50028MM	[o]	20	PER	A00292	189			
	95	04/00 → 05/06		●	P50028MM	[o]	20	PER	A00292	189			
414 (904.062, 904.063, 904.662, 904.663)	105	02/96 → 05/06	●		P50028MM	[o]	20	PER	A00292	189			
	105	02/96 → 05/06		●	P50028MM	[o]	20	PER	A00292	189			
414 4x4 (904.062, 904.063, 904.662, 904.663)	105	05/97 → 05/06	●		P50028MM	[o]	20	PER	A00292	189			
	105	05/97 → 05/06		●	P50028MM	[o]	20	PER	A00292	189			
416 CDI	115	04/00 → 05/06	●		P50028MM	[o]	20	PER	A00292	189			
	115	04/00 → 05/06		●	P50028MM	[o]	20	PER	A00292	189			
416 CDI 4x4	115	04/00 → 05/06	●		P50028MM	[o]	20	PER	A00292	189			
	115	04/00 → 05/06		●	P50028MM	[o]	20	PER	A00292	189			

SPRINTER 4-t Bus (904) 02/96 → 05/06

408 CDI	60	04/00 → 05/06	●		P50028MM	[o]	20	PER	A00292	189			
	60	04/00 → 05/06		●	P50028MM	[o]	20	PER	A00292	189			
411 CDI	80	04/00 → 05/06	●		P50028MM	[o]	20	PER	A00292	189			
	80	04/00 → 05/06		●	P50028MM	[o]	20	PER	A00292	189			
413 CDI	95	04/00 → 05/06	●		P50028MM	[o]	20	PER	A00292	189			
	95	04/00 → 05/06		●	P50028MM	[o]	20	PER	A00292	189			
414	105	02/96 → 05/06	●		P50028MM	[o]	20	PER	A00292	189			
	105	02/96 → 05/06		●	P50028MM	[o]	20	PER	A00292	189			
416 CDI	115	04/00 → 05/06	●		P50028MM	[o]	20	PER	A00292	189			
	115	04/00 → 05/06		●	P50028MM	[o]	20	PER	A00292	189			

SPRINTER 4-t Platform/Chassis (904) 02/96 → 05/06

408 CDI	60	04/00 → 05/06	●		P50028MM	[o]	20	PER	A00292	189			
	60	04/00 → 05/06		●	P50028MM	[o]	20	PER	A00292	189			
408 D	58	02/96 → 05/06	●		P50028MM	[o]	20	PER	A00292	189			
	58	02/96 → 05/06		●	P50028MM	[o]	20	PER	A00292	189			
410 D	75	02/96 → 05/06	●		P50028MM	[o]	20	PER	A00292	189			
	75	02/96 → 05/06		●	P50028MM	[o]	20	PER	A00292	189			
410 D 4x4	75	05/97 → 05/06	●		P50028MM	[o]	20	PER	A00292	189			
	75	05/97 → 05/06		●	P50028MM	[o]	20	PER	A00292	189			
411 CDI	80	04/00 → 05/06	●		P50028MM	[o]	20	PER	A00292	189			
	80	04/00 → 05/06		●	P50028MM	[o]	20	PER	A00292	189			
411 CDI 4x4	80	04/00 → 05/06	●		P50028MM	[o]	20	PER	A00292	189			
	80	04/00 → 05/06		●	P50028MM	[o]	20	PER	A00292	189			
	80	04/00 → 05/06		●	P50028MM	[o]	20	PER	A00292	189			
412 D	85	02/96 → 05/06	●		P50028MM	[o]	20	PER	A00292	189			
	85	02/96 → 05/06		●	P50028MM	[o]	20	PER	A00292	189			
	90	02/96 → 05/06	●		P50028MM	[o]	20	PER	A00292	189			
	90	02/96 → 05/06		●	P50028MM	[o]	20	PER	A00292	189			
412 D 4x4	85	05/97 → 05/06	●		P50028MM	[o]	20	PER	A00292	189			
	85	05/97 → 05/06		●	P50028MM	[o]	20	PER	A00292	189			
	90	05/97 → 05/06	●		P50028MM	[o]	20	PER	A00292	189			
413 CDI	95	04/00 → 05/06	●		P50028MM	[o]	20	PER	A00292	189			
	95	04/00 → 05/06		●	P50028MM	[o]	20	PER	A00292	189			
	95	04/00 → 05/06	●		P50028MM	[o]	20	PER	A00292	189			
413 CDI 4x4	95	04/00 → 05/06	●		P50028MM	[o]	20	PER	A00292	189			
	95	04/00 → 05/06		●	P50028MM	[o]	20	PER	A00292	189			

		kW					MAGNETI MARELLI	Wi	Th [mm]	SYS	WI			FK	
											MAGNETI MARELLI	LENGHT		MAGNETI MARELLI	

MERCEDES-BENZ

SPRINTER 4-t Platform/Chassis (904) 02/96 → 05/06

414 (904.012, 904.013, 904.612, 904.613)	105	02/96 → 05/06	●			P50028MM	[o]	20	PER	A00292	189			
	105	02/96 → 05/06		●		P50028MM	[o]	20	PER	A00292	189			
414 4x4 (904.012, 904.013, 904.612, 904.613)	105	05/97 → 05/06	●			P50028MM	[o]	20	PER	A00292	189			
	105	05/97 → 05/06		●		P50028MM	[o]	20	PER	A00292	189			
416 CDI	115	04/00 → 05/06	●			P50028MM	[o]	20	PER	A00292	189			
	115	04/00 → 05/06		●		P50028MM	[o]	20	PER	A00292	189			
416 CDI 4x4	115	04/00 → 05/06	●			P50028MM	[o]	20	PER	A00292	189			
	115	04/00 → 05/06		●		P50028MM	[o]	20	PER	A00292	189			

SPRINTER 5-t Box (906) 06/06 →

509 CDI (906.653, 906.655, 906.657)	65	06/06 → 12/09	●			P50059MM	[o]	20,9	BRE	A00287	103			
	65	06/06 → 12/09		●	741.412 axle; solid	P50084MM	[+]	19	BSH	A00288	85	741.412 axle; vented		
	65	06/06 → 12/09		●	-741.412 axle; vented	P50060MM	[o]	20,6	BSH	A00288	85	741.412 axle; vented		
510 CDI (906.653, 906.655, 906.657)	70	03/09 → 05/16	●			P50059MM	[o]	20,9	BRE	A00287	103			
	70	03/09 → 05/16		●	741.412 axle; solid	P50084MM	[+]	19	BSH	A00288	85	741.412 axle; vented		
	70	03/09 → 05/16		●	-741.412 axle; vented	P50060MM	[o]	20,6	BSH	A00288	85	741.412 axle; vented		
511 CDI (906.653, 906.655, 906.657)	80	06/06 → 12/09	●			P50059MM	[o]	20,9	BRE	A00287	103			
	80	06/06 → 12/09		●	741.412 axle; solid	P50084MM	[+]	19	BSH	A00288	85	741.412 axle; vented		
	80	06/06 → 12/09		●	-741.412 axle; vented	P50060MM	[o]	20,6	BSH	A00288	85	741.412 axle; vented		
	84	05/16 →	●			P50059MM	[o]	20,9	BRE	A00287	103			
	84	05/16 →		●		P50060MM	[o]	20,6	BSH	A00288	85			
511 CDI 4x4 (906.653, 906.655, 906.657)	80	06/06 → 12/09	●			P50059MM	[o]	20,9	BRE	A00287	103			
	80	06/06 → 12/09		●	741.412 axle; solid	P50084MM	[+]	19	BSH	A00288	85			
	80	06/06 → 12/09		●	-741.412 axle; vented	P50060MM	[o]	20,6	BSH	A00288	85			
513 CDI (906.653, 906.655, 906.657)	95	06/06 →	●			P50059MM	[o]	20,9	BRE	A00287	103			
	95	06/06 →		●	741.412 axle; solid	P50084MM	[+]	19	BSH	A00288	85			
	95	06/06 →		●	-741.412 axle; vented	P50060MM	[o]	20,6	BSH	A00288	85			
513 CDI 4x4 (906.653, 906.655, 906.657)	95	06/06 →	●			P50059MM	[o]	20,9	BRE	A00287	103			
	95	06/06 →		●	741.412 axle; solid	P50084MM	[+]	19	BSH	A00288	85			
	95	06/06 →		●	-741.412 axle; vented	P50060MM	[o]	20,6	BSH	A00288	85			
514 CDI (906.653, 906.655, 906.657)	105	05/16 →	●			P50059MM	[o]	20,9	BRE	A00287	103			
	105	05/16 →		●		P50060MM	[o]	20,6	BSH	A00288	85			
514 CDI 4x4 (906.653, 906.655, 906.657)	105	05/16 →	●			P50059MM	[o]	20,9	BRE	A00287	103			
	105	05/16 →		●		P50060MM	[o]	20,6	BSH	A00288	85			
515 CDI (906.653, 906.655, 906.657)	110	06/06 → 12/09	●			P50059MM	[o]	20,9	BRE	A00287	103			
	110	06/06 → 12/09		●	741.412 axle; solid	P50084MM	[+]	19	BSH	A00288	85	741.412 axle; vented		
	110	06/06 → 12/09		●	-741.412 axle; vented	P50060MM	[o]	20,6	BSH	A00288	85	741.412 axle; vented		
515 CDI 4x4 (906.653, 906.655, 906.657)	110	06/06 → 12/09	●			P50059MM	[o]	20,9	BRE	A00287	103			
	110	06/06 → 12/09		●	741.412 axle; solid	P50084MM	[+]	19	BSH	A00288	85			
	110	06/06 → 12/09		●	-741.412 axle; vented	P50060MM	[o]	20,6	BSH	A00288	85			

MERCEDES-BENZ

SPRINTER 5-t Box (906) 06/06 →

516 CDI (906.653, 906.655, 906.657)	120	03/09 →	●		P50059MM	[O]	20,9	BRE	A00287	103			
	120	03/09 →		●	741.412 axle; solid	P50084MM	[+]	19	BSH	A00288	85	741.412 axle; vented	
	120	03/09 →		●	-741.412 axle; vented	P50060MM	[O]	20,6	BSH	A00288	85	741.412 axle; vented	
516 CDI 4x4 (906.653, 906.655, 906.657)	120	06/06 →	●		P50059MM	[O]	20,9	BRE	A00287	103			
	120	06/06 →		●	741.412 axle; solid	P50084MM	[+]	19	BSH	A00288	85	741.412 axle; vented	
	120	06/06 →		●	-741.412 axle; vented	P50060MM	[O]	20,6	BSH	A00288	85	741.412 axle; vented	
518 CDI (906.653, 906.655, 906.657)	135	06/06 → 12/09	●		P50059MM	[O]	20,9	BRE	A00287	103			
	135	06/06 → 12/09		●	741.412 axle; solid	P50084MM	[+]	19	BSH	A00288	85	741.412 axle; vented	
	135	06/06 → 12/09		●	-741.412 axle; vented	P50060MM	[O]	20,6	BSH	A00288	85	741.412 axle; vented	
518 CDI 4x4 (906.653, 906.655, 906.657)	135	06/06 → 12/09	●		P50059MM	[O]	20,9	BRE	A00287	103			
	135	06/06 → 12/09		●	741.412 axle; solid	P50084MM	[+]	19	BSH	A00288	85	741.412 axle; vented	
	135	06/06 → 12/09		●	-741.412 axle; vented	P50060MM	[O]	20,6	BSH	A00288	85	741.412 axle; vented	
519 CDI / BlueTEC (906.653, 906.655, 906.657)	140	03/09 →	●		P50059MM	[O]	20,9	BRE	A00287	103			
	140	03/09 →		●	741.412 axle; solid	P50084MM	[+]	19	BSH	A00288	85	741.412 axle; vented	
	140	03/09 →		●	-741.412 axle; vented	P50060MM	[O]	20,6	BSH	A00288	85	741.412 axle; vented	
519 CDI / BlueTEC 4x4 (906.653, 906.655, 906.657)	140	03/09 →	●		P50059MM	[O]	20,9	BRE	A00287	103			
	140	03/09 →		●	741.412 axle; solid	P50084MM	[+]	19	BSH	A00288	85	741.412 axle; vented	
	140	03/09 →		●	-741.412 axle; vented	P50060MM	[O]	20,6	BSH	A00288	85	741.412 axle; vented	
524 (906.653, 906.655, 906.657)	190	06/06 → 12/13	●		P50059MM	[O]	20,9	BRE	A00287	103			
	190	06/06 → 12/13		●	741.412 axle; solid	P50084MM	[+]	19	BSH	A00288	85	741.412 axle; vented	
	190	06/06 → 12/13		●	-741.412 axle; vented	P50060MM	[O]	20,6	BSH	A00288	85	741.412 axle; vented	

SPRINTER 5-t Bus 06/06 →

513 CDI (906.653, 906.655, 906.657)	95	06/06 →	●		P50059MM	[O]	20,9	BRE	A00287	103			
	95	06/06 →		●	741.412 axle; solid	P50084MM	[+]	19	BSH	A00288	85	741.412 axle; vented	
516 CDI	120	03/09 →	●		P50059MM	[O]	20,9	BRE	A00287	103			
	120	03/09 →		●	741.412 axle; solid	P50084MM	[+]	19	BSH	A00288	85	741.412 axle; vented	
519 CDI / BlueTEC	140	03/09 →	●		P50059MM	[O]	20,9	BRE	A00287	103			
	140	03/09 →		●	741.412 axle; solid	P50084MM	[+]	19	BSH	A00288	85	741.412 axle; vented	

SPRINTER 5-t Platform/Chassis (905) 04/01 → 05/06

616 CDI (905.612, 905.613, 905.622, 905.623)	115	04/01 → 05/06	●		P50083MM	[O]	19,9	BRE	A00363	214/ 238			
	115	04/01 → 05/06		●		P50065MM	[O]	22	ATE	A00385	185/ 199		

SPRINTER 5-t Platform/Chassis (906) 06/06 →

509 CDI (906.153, 906.155, 906.253, 906.255)	65	06/06 → 12/09	●		P50059MM	[O]	20,9	BRE	A00287	103			
	65	06/06 → 12/09		●	741.412 axle; solid	P50084MM	[+]	19	BSH	A00288	85	741.412 axle; vented	
	65	06/06 → 12/09		●	-741.412 axle; vented	P50060MM	[O]	20,6	BSH	A00288	85	741.412 axle; vented	
510 CDI (906.153, 906.155, 906.253, 906.255)	70	03/09 →	●		P50059MM	[O]	20,9	BRE	A00287	103			
	70	03/09 →		●	741.412 axle; solid	P50084MM	[+]	19	BSH	A00288	85	741.412 axle; vented	
	70	03/09 →		●	-741.412 axle; vented	P50060MM	[O]	20,6	BSH	A00288	85	741.412 axle; vented	

	kw										LENGHT			

MERCEDES-BENZ

SPRINTER 5-t Platform/Chassis (906) 06/06 →

511 CDI (906.153, 906.155, 906.253, 906.255)	80	06/06 → 12/09	●			P50059MM	[O]	20,9	BRE	A00287	103			
	80	06/06 → 12/09	●	741.412 axle; solid		P50084MM	[+]	19	BSH	A00288	85	741.412 axle; vented		
	80	06/06 → 12/09	●	-741.412 axle; vented		P50060MM	[O]	20,6	BSH	A00288	85	741.412 axle; vented		
	84	05/16 →	●			P50059MM	[O]	20,9	BRE	A00287	103			
	84	05/16 →	●			P50084MM	[+]	19	BSH	A00291	95			
511 CDI 4x4 (906.155, 906.253, 906.255)	80	06/06 → 12/09	●			P50059MM	[O]	20,9	BRE	A00287	103			
	80	06/06 → 12/09	●	741.412 axle; solid		P50084MM	[+]	19	BSH	A00288	85			
	80	06/06 → 12/09	●	-741.412 axle; vented		P50060MM	[O]	20,6	BSH	A00288	85			
513 CDI (906.155, 906.253, 906.255)	95	06/06 → 05/16	●			P50059MM	[O]	20,9	BRE	A00287	103			
	95	06/06 → 05/16	●	741.412 axle; solid		P50084MM	[+]	19	BSH	A00288	85	741.412 axle; vented		
	95	06/06 → 05/16	●	-741.412 axle; vented		P50060MM	[O]	20,6	BSH	A00288	85	741.412 axle; vented		
513 CDI 4x4 (906.155, 906.253, 906.255)	95	05/11 → 05/16	●			P50059MM	[O]	20,9	BRE	A00287	103			
	95	05/11 → 05/16	●	741.412 axle; solid		P50084MM	[+]	19	BSH	A00288	85	741.412 axle; vented		
	95	05/11 → 05/16	●	-741.412 axle; vented		P50060MM	[O]	20,6	BSH	A00288	85	741.412 axle; vented		
514 CDI (906.153, 906.155, 906.253, 906.255)	105	05/16 →	●			P50059MM	[O]	20,9	BRE	A00287	103			
	105	05/16 →	●			P50084MM	[+]	19	BSH	A00291	95			
514 CDI 4x4 (906.153, 906.155, 906.253, 906.255)	105	05/16 →	●			P50059MM	[O]	20,9	BRE	A00287	103			
	105	05/16 →	●			P50084MM	[+]	19	BSH	A00291	95			
515 CDI (906.153, 906.155, 906.253, 906.255)	110	06/06 → 12/09	●			P50059MM	[O]	20,9	BRE	A00287	103			
	110	06/06 → 12/09	●	741.412 axle; solid		P50084MM	[+]	19	BSH	A00288	85	741.412 axle; vented		
	110	06/06 → 12/09	●	-741.412 axle; vented		P50060MM	[O]	20,6	BSH	A00288	85	741.412 axle; vented		
515 CDI 4x4 (906.153, 906.155, 906.253, 906.255)	110	06/06 → 12/09	●			P50059MM	[O]	20,9	BRE	A00287	103			
	110	06/06 → 12/09	●	741.412 axle; solid		P50084MM	[+]	19	BSH	A00288	85			
	110	06/06 → 12/09	●	-741.412 axle; vented		P50060MM	[O]	20,6	BSH	A00288	85			
516 (906.153, 906.155, 906.253, 906.255)	115	09/08 →	●			P50059MM	[O]	20,9	BRE	A00287	103			
	115	09/08 →	●	741.412 axle; solid		P50084MM	[+]	19	BSH	A00288	85	741.412 axle; vented		
	115	09/08 →	●	-741.412 axle; vented		P50060MM	[O]	20,6	BSH	A00288	85	741.412 axle; vented		
516 CDI (906.153, 906.155, 906.253, 906.255)	120	03/09 →	●			P50059MM	[O]	20,9	BRE	A00287	103			
	120	03/09 →	●	741.412 axle; solid		P50084MM	[+]	19	BSH	A00288	85	741.412 axle; vented		
	120	03/09 →	●	-741.412 axle; vented		P50060MM	[O]	20,6	BSH	A00288	85	741.412 axle; vented		
516 CDI 4x4 (906.153, 906.155, 906.255)	120	05/11 →	●			P50059MM	[O]	20,9	BRE	A00287	103			
	120	05/11 →	●	741.412 axle; solid		P50084MM	[+]	19	BSH	A00288	85	741.412 axle; vented		
	120	05/11 →	●	-741.412 axle; vented		P50060MM	[O]	20,6	BSH	A00288	85	741.412 axle; vented		
516 NGT (906.153, 906.155, 906.253, 906.255)	115	09/08 →	●			P50059MM	[O]	20,9	BRE	A00287	103			
	115	09/08 →	●	741.412 axle; solid		P50084MM	[+]	19	BSH	A00288	85	741.412 axle; vented		
	115	09/08 →	●	-741.412 axle; vented		P50060MM	[O]	20,6	BSH	A00288	85	741.412 axle; vented		

MERCEDES-BENZ

SPRINTER 5-t Platform/Chassis (906) 06/06 →

518 CDI (906.153, 906.155, 906.253, 906.255)	135	06/06 → 12/09	●		P50059MM	[O]	20,9	BRE	A00287	103		
	135	06/06 → 12/09		●	741.412 axle; solid	P50084MM	[+]	19	BSH	A00288	85	741.412 axle; vented
	135	06/06 → 12/09		●	-741.412 axle; vented	P50060MM	[O]	20,6	BSH	A00288	85	741.412 axle; vented
518 CDI 4x4 (906.153, 906.155, 906.253, 906.255)	135	06/06 → 12/09	●		P50059MM	[O]	20,9	BRE	A00287	103		
	135	06/06 → 12/09		●	741.412 axle; solid	P50084MM	[+]	19	BSH	A00288	85	
	135	06/06 → 12/09		●	-741.412 axle; vented	P50060MM	[O]	20,6	BSH	A00288	85	
519 CDI / BlueTEC (906.153, 906.155, 906.253, 906.255)	140	03/09 →	●		P50059MM	[O]	20,9	BRE	A00287	103		
	140	03/09 →		●	741.412 axle; solid	P50084MM	[+]	19	BSH	A00288	85	741.412 axle; vented
	140	03/09 →		●	-741.412 axle; vented	P50060MM	[O]	20,6	BSH	A00288	85	741.412 axle; vented
519 CDI / BlueTEC 4x4 (906.153, 906.155, 906.253, ...)	140	03/09 →	●		P50059MM	[O]	20,9	BRE	A00287	103		
	140	03/09 →		●	741.412 axle; solid	P50084MM	[+]	19	BSH	A00288	85	
	140	03/09 →		●	-741.412 axle; vented	P50060MM	[O]	20,6	BSH	A00288	85	
524 (906.153, 906.155, 906.253, 906.255)	190	06/06 → 12/13	●		P50059MM	[O]	20,9	BRE	A00287	103		
	190	06/06 → 12/13		●	741.412 axle; solid	P50084MM	[+]	19	BSH	A00288	85	741.412 axle; vented
	190	06/06 → 12/13		●	-741.412 axle; vented	P50060MM	[O]	20,6	BSH	A00288	85	741.412 axle; vented

SPRINTER CLASSIC 3,5-t Box (909) 09/13 →

311 CDI (909.632, 909.633)	80	09/13 →	●		P50080MM	[+]	20,7	ATE	A00292	189		
	80	09/13 →		●	P50028MM	[O]	20	PER	A00292	189		
	80	09/13 →		●	P50020MM	[O]	18,9	BSH	A00282	210		
	80	09/13 →		●	P50082MM	[+]	18,8	ATE	A00282	210		

SPRINTER CLASSIC 4,6-t Bus (909) 09/13 →

411 CDI (909.843)	80	09/13 →	●		P50028MM	[O]	20	PER	A00292	189		
	80	09/13 →		●	P50082MM	[+]	18,8	ATE	A00282	210		
	80	09/13 →		●	P50020MM	[O]	18,9	BSH	A00282	210		

SPRINTER Dumptruck (905) 04/01 →

616 CDI (905.612, 905.622, 905.623)	115	04/01 →	●		P50083MM	[O]	19,9	BRE	A00363	214/ 238		
	115	04/01 →		●	P50065MM	[O]	22	ATE	A00385	185/ 199		

VANEO (414) 02/02 → 07/05

1.6 (414.700)	75	02/02 → 07/05	●		P50047MM	[+]	19	TRW				
	75	02/02 → 07/05		●	P50058MM	[-]	14,6	TRW				
	60	02/02 → 07/05	●		P50047MM	[+]	19	TRW				
	60	02/02 → 07/05		●	P50058MM	[-]	14,6	TRW				
1.7 CDI (414.700)	55	02/02 → 07/05	●		P50047MM	[+]	19	TRW				
	55	02/02 → 07/05		●	P50058MM	[-]	14,6	TRW				
	67	02/02 → 07/05	●		P50047MM	[+]	19	TRW				
1.9 (414.700)	92	02/02 → 07/05	●		P50058MM	[-]	14,6	TRW				
	92	02/02 → 07/05		●	P50047MM	[+]	19	TRW				
	92	02/02 → 07/05		●	P50058MM	[-]	14,6	TRW				

VARIO Box Body / Estate 09/96 →

512 D (667.351, 667.352, 667.353)	90	09/96 → 12/10	●		P50028MM	[O]	20	PER	A00292	189		
	90	09/96 → 12/10		●	P50028MM	[O]	20	PER	A00292	189		

										WI			FK	
	kw										LENGHT			

MERCEDES-BENZ

VARIO Box Body / Estate 09/96 →

612 D (668.351, 668.352, 668.353)	90	09/96 → 12/10	●			P50065MM	[o]	22	ATE	A00363	214/ 238			
	90	09/96 → 12/10	●			P50065MM	[o]	22	ATE	A00385	185/ 199			
613 D, 614 D (668.351, 668.352, 668.353)	95	09/96 → 12/13	●			P50065MM	[o]	22	ATE	A00363	214/ 238			
	95	09/96 → 12/13	●			P50065MM	[o]	22	ATE	A00385	185/ 199			
	100	09/96 → 12/11	●			P50065MM	[o]	22	ATE	A00363	214/ 238			
	100	09/96 → 12/11	●			P50065MM	[o]	22	ATE	A00385	185/ 199			
615 D, 616 D (668.351, 668.352, 668.353)	115	09/98 →	●			P50065MM	[o]	22	ATE	A00363	214/ 238			
	115	09/98 →	●			P50065MM	[o]	22	ATE	A00385	185/ 199			
618 D	130	09/06 →	●			P50065MM	[o]	22	ATE	A00363	214/ 238			
	130	09/06 →	●			P50065MM	[o]	22	ATE					
812 D (670.351, 670.352, 670.353)	90	09/96 → 12/10	●			P50065MM	[o]	22	ATE	A00363	214/ 238			
	90	09/96 → 12/10	●			P50065MM	[o]	22	ATE	A00385	185/ 199			
813 D, 814 D (670.351, 670.352, 670.353)	95	09/96 → 12/13	●			P50065MM	[o]	22	ATE	A00363	214/ 238			
	95	09/96 → 12/13	●			P50065MM	[o]	22	ATE	A00385	185/ 199			
	100	09/96 → 12/13	●			P50065MM	[o]	22	ATE	A00363	214/ 238			
	100	09/96 → 12/13	●			P50065MM	[o]	22	ATE	A00385	185/ 199			

VARIO Bus 09/96 →

O 813 (670.373, 670.374)	95	01/06 →	●			P50065MM	[o]	22	ATE					
	95	01/06 →	●			P50065MM	[o]	22	ATE					
O 816 D (670.373, 670.374)	115	01/06 →	●			P50065MM	[o]	22	ATE					
	115	01/06 →	●			P50065MM	[o]	22	ATE					
O 818 D (670.373, 670.374)	130	09/06 →	●			P50065MM	[o]	22	ATE					
	130	09/06 →	●			P50065MM	[o]	22	ATE					

VARIO Cab with engine 09/96 →

812 DT	90	09/96 → 12/10	●			P50065MM	[o]	22	ATE					
--------	----	---------------	---	--	--	----------	-----	----	-----	--	--	--	--	--

VARIO Dumptruck 09/96 →

612 D (668.331, 668.332)	90	09/96 → 12/10	●			P50065MM	[o]	22	ATE	A00363	214/ 238			
	90	09/96 → 12/10	●			P50065MM	[o]	22	ATE	A00385	185/ 199			
613 D, 614 D (668.331, 668.332)	95	09/96 → 12/13	●			P50065MM	[o]	22	ATE	A00363	214/ 238			
	95	09/96 → 12/13	●			P50065MM	[o]	22	ATE	A00385	185/ 199			
	100	09/96 → 11/12	●			P50065MM	[o]	22	ATE	A00363	214/ 238			
	100	09/96 → 11/12	●			P50065MM	[o]	22	ATE	A00385	185/ 199			

 	kw					wi	Th [mm]	SYS	WI			FK	
										LENGHT			

MERCEDES-BENZ

VARIO Dumptruck 09/96 →

615 D, 616 D (668.331, 668.332)	115	09/98 →	•		P50065MM	[O]	22	ATE	A00363	214/238		
	115	09/98 →		•	P50065MM	[O]	22	ATE	A00385	185/199		
618 D	130	09/06 →	•		P50065MM	[O]	22	ATE	A00363	214/238		
	130	09/06 →		•	P50065MM	[O]	22	ATE				
812 D (670.331, 670.332)	90	09/96 → 12/10	•		P50065MM	[O]	22	ATE	A00363	214/238		
	90	09/96 → 12/10		•	P50065MM	[O]	22	ATE	A00385	185/199		
813 D, 814 D (670.331, 670.332)	95	09/96 → 12/13	•		P50065MM	[O]	22	ATE	A00363	214/238		
	95	09/96 → 12/13		•	P50065MM	[O]	22	ATE	A00385	185/199		
	100	09/96 → 12/13	•		P50065MM	[O]	22	ATE	A00363	214/238		
	100	09/96 → 12/13		•	P50065MM	[O]	22	ATE	A00385	185/199		

VARIO Platform/Chassis 09/96 →

512 D (667.321, 667.322, 667.323)	90	09/96 → 12/10	•		P50028MM	[O]	20	PER	A00292	189		
	90	09/96 → 12/10		•	P50028MM	[O]	20	PER	A00292	189		
612 D (668.321, 668.322, 668.323)	90	09/96 → 12/10	•		P50065MM	[O]	22	ATE	A00363	214/238		
	90	09/96 → 12/10		•	P50065MM	[O]	22	ATE	A00385	185/199		
613 D, 614 D (668.321, 668.322, 668.323)	95	09/96 →	•		P50065MM	[O]	22	ATE	A00363	214/238		
	95	09/96 →		•	P50065MM	[O]	22	ATE	A00385	185/199		
	100	09/96 → 12/11	•		P50065MM	[O]	22	ATE	A00363	214/238		
	100	09/96 → 12/11		•	P50065MM	[O]	22	ATE	A00385	185/199		
615 D, 616 D (668.321, 668.322, 668.323)	115	09/98 →	•		P50065MM	[O]	22	ATE	A00363	214/238		
	115	09/98 →		•	P50065MM	[O]	22	ATE	A00385	185/199		
618 D (668.321, 668.322, 668.323)	130	09/06 →	•		P50065MM	[O]	22	ATE	A00363	214/238		
	130	09/06 →		•	P50065MM	[O]	22	ATE				
812 D (670.321, 670.322, 670.323, 670.324)	90	09/96 → 12/10	•		P50065MM	[O]	22	ATE	A00363	214/238		
	90	09/96 → 12/10		•	P50065MM	[O]	22	ATE	A00385	185/199		
813 D, 814 D (670.321, 670.322, 670.323, 670.324)	95	09/96 → 12/13	•		P50065MM	[O]	22	ATE	A00363	214/238		
	95	09/96 → 12/13		•	P50065MM	[O]	22	ATE	A00385	185/199		
	100	09/96 → 12/13	•		P50065MM	[O]	22	ATE	A00363	214/238		
	100	09/96 → 12/13		•	P50065MM	[O]	22	ATE	A00385	185/199		



kw



wi

Th [mm]

SYS

WI

FK



LENGHT



MERCEDES-BENZ

V-CLASS (638/2) 02/96 → 07/03

V 200 (638.214, 638.294)	95	02/97 → 07/03	●		P50080MM	[+]	20,7	ATE	A00282	210			
	95	02/97 → 07/03	●		P50031MM	[o]	20,9	BSH	A00282	210			
	95	02/97 → 07/03	●		P50030MM	[+]	16,9	ATE	A00293	152		A02281	
	95	02/97 → 07/03	●		P50032MM	[o]	17,9	BSH	A00293	152		A02281	
V 200 CDI (638.294)	75	03/99 → 07/03	●		P50080MM	[+]	20,7	ATE	A00282	210			
	75	03/99 → 07/03	●		P50031MM	[o]	20,9	BSH	A00282	210			
	75	03/99 → 07/03	●		P50030MM	[+]	16,9	ATE	A00293	152		A02281	
	75	03/99 → 07/03	●		P50032MM	[o]	17,9	BSH	A00293	152		A02281	
V 220 CDI (638.294)	90	03/99 → 07/03	●		P50080MM	[+]	20,7	ATE	A00282	210			
	90	03/99 → 07/03	●		P50031MM	[o]	20,9	BSH	A00282	210			
	90	03/99 → 07/03	●		P50030MM	[+]	16,9	ATE	A00293	152		A02281	
V 230 (638.234, 638.294)	105	10/96 → 07/03	●		P50080MM	[+]	20,7	ATE	A00282	210			
	105	10/96 → 07/03	●		P50031MM	[o]	20,9	BSH	A00282	210			
	105	10/96 → 07/03	●		P50030MM	[+]	16,9	ATE	A00293	152		A02281	
	105	10/96 → 07/03	●		P50032MM	[o]	17,9	BSH	A00293	152		A02281	
V 230 TD (638.274)	72	09/96 → 07/03	●		P50080MM	[+]	20,7	ATE	A00282	210			
	72	09/96 → 07/03	●		P50031MM	[o]	20,9	BSH	A00282	210			
	72	09/96 → 07/03	●		P50030MM	[+]	16,9	ATE	A00293	152		A02281	
	72	09/96 → 07/03	●		P50032MM	[o]	17,9	BSH	A00293	152		A02281	
V 280 (638.244, 638.294)	128	08/97 → 07/03	●		P50080MM	[+]	20,7	ATE	A00282	210			
	128	08/97 → 07/03	●		P50031MM	[o]	20,9	BSH	A00282	210			
	128	08/97 → 07/03	●		P50030MM	[+]	16,9	ATE	A00293	152		A02281	
	128	08/97 → 07/03	●		P50032MM	[o]	17,9	BSH	A00293	152		A02281	

V-CLASS (W447) 03/14 →

V 200 CDI / d (447.811, 447.813, 447.815)	100	03/14 →	●		P50129MM	[o]	20,8	BRE	A00287	103			
	100	03/14 →	●		P50126MM	[o]	18,4	BRE					
V 200 CDI / d 4-matic	100	04/15 →	●		P50129MM	[o]	20,8	BRE	A00287	103			
	100	04/15 →	●		P50126MM	[o]	18,4	BRE	A00287	103			
V 220 CDI / d (447.811, 447.813, 447.815)	120	03/14 →	●		P50129MM	[o]	20,8	BRE	A00287	103			
	120	03/14 →	●		P50126MM	[o]	18,4	BRE					
V 220 CDI / d 4-matic	120	04/15 →	●		P50129MM	[o]	20,8	BRE	A00287	103			
	120	04/15 →	●		P50126MM	[o]	18,4	BRE	A00287	103			
V 250 BlueTEC / d (447.811, 447.813, 447.815)	140	03/14 →	●		P50129MM	[o]	20,8	BRE	A00287	103			
	140	03/14 →	●		P50126MM	[o]	18,4	BRE					
V 250 BlueTEC / d 4-matic	140	12/14 →	●		P50129MM	[o]	20,8	BRE	A00287	103			
	140	12/14 →	●		P50126MM	[o]	18,4	BRE	A00287	103			

VIANO (W639) 09/03 →

3.0	140	09/03 →	●	→ 342257	P50050MM	[+]	20,2	BSH	A00287	103	342258 →		
	140	09/03 →	●	342258 →	P50085MM	[+]	20,9	BRE	A00287	103	342258 →		
	140	09/03 →	●		P50051MM	[+]	17,7	BSH	A00291	95	→ 342257		
3.2	160	09/03 →	●	→ 342257	P50050MM	[+]	20,2	BSH	A00287	103	342258 →		
	160	09/03 →	●	342258 →	P50085MM	[+]	20,9	BRE	A00287	103	342258 →		
	160	09/03 →	●		P50051MM	[+]	17,7	BSH	A00291	95	→ 342257		
3.5	190	09/07 →	●	→ 342257	P50050MM	[+]	20,2	BSH	A00287	103	342258 →		
	190	09/07 →	●	342258 →	P50085MM	[+]	20,9	BRE	A00287	103	342258 →		
	190	09/07 →	●		P50051MM	[+]	17,7	BSH	A00291	95	→ 342257		

--	--	--	--	--	--	--	--	--	--	--	--	--	--	--

MERCEDES-BENZ

VIANO (W639) 09/03 →

3.7	170 06/04 →	●	→ 342257	P50050MM	[+]	20,2	BSH	A00287	103	342258 →			
	170 06/04 →	●	342258 →	P50085MM	[+]	20,9	BRE	A00287	103	342258 →			
	170 06/04 →		●		P50051MM	[+]	17,7	BSH	A00291	95	→ 342257		
CDI 2.0	100 07/10 →	●		P50085MM	[+]	20,9	BRE	A00287	103				
	100 07/10 →		●		P50051MM	[+]	17,7	BSH	A00291	95			
	80 09/03 →	●	→ 342257	P50050MM	[+]	20,2	BSH	A00287	103	342258 →			
	80 09/03 →	●	342258 →	P50085MM	[+]	20,9	BRE	A00287	103	342258 →			
	80 09/03 →		●		P50051MM	[+]	17,7	BSH	A00291	95	→ 342257		
	85 08/05 →	●	→ 342257	P50050MM	[+]	20,2	BSH	A00287	103	342258 →			
	85 08/05 →	●	342258 →	P50085MM	[+]	20,9	BRE	A00287	103	342258 →			
CDI 2.0 4-matic	100 07/10 →	●		P50085MM	[+]	20,9	BRE	A00287	103				
	100 07/10 →		●		P50051MM	[+]	17,7	BSH	A00291	95			
	80 07/05 →	●	→ 407625	P50050MM	[+]	20,2	BSH	A00287	103	407626 →			
	80 07/05 →	●	407626 →	P50085MM	[+]	20,9	BRE	A00287	103	407626 →			
	80 07/05 →		●		P50051MM	[+]	17,7	BSH	A00291	95	→ 407625		
	85 03/06 →	●		P50085MM	[+]	20,9	BRE						
	85 03/06 →		●		P50051MM	[+]	17,7	BSH					
CDI 2.2	120 07/10 →	●		P50085MM	[+]	20,9	BRE	A00287	103				
	120 07/10 →		●		P50051MM	[+]	17,7	BSH	A00291	95			
	110 09/03 →	●	→ 342257	P50050MM	[+]	20,2	BSH	A00287	103	342258 →			
	110 09/03 →	●	342258 →	P50085MM	[+]	20,9	BRE	A00287	103	342258 →			
CDI 2.2 4-matic	120 07/10 →	●		P50085MM	[+]	20,9	BRE	A00287	103				
	120 07/10 →		●		P50051MM	[+]	17,7	BSH	A00291	95			
	110 07/05 →	●	→ 407625	P50050MM	[+]	20,2	BSH	A00287	103	407626 →			
	110 07/05 →	●	407626 →	P50085MM	[+]	20,9	BRE	A00287	103	407626 →			
	110 07/05 →		●		P50051MM	[+]	17,7	BSH	A00291	95	→ 407625		
CDI 3.0	165 07/10 →	●		P50085MM	[+]	20,9	BRE	A00287	103				
	165 07/10 →		●		P50051MM	[+]	17,7	BSH	A00291	95			
	150 03/06 →	●	→ 342257	P50050MM	[+]	20,2	BSH	A00287	103	342258 →			
	150 03/06 →	●	342258 →	P50085MM	[+]	20,9	BRE	A00287	103	342258 →			
	150 03/06 →		●		P50051MM	[+]	17,7	BSH	A00291	95	→ 342257		

VITO / MIXTO Box (W639) 09/03 →

109 CDI	65 09/03 →	●	→ 342257	P50050MM	[+]	20,2	BSH	A00287	103	342258 →			
	65 09/03 →	●	342258 →	P50085MM	[+]	20,9	BRE	A00287	103	342258 →			
	65 09/03 →		●		P50051MM	[+]	17,7	BSH	A00291	95	→ 342257		
	70 08/06 →	●	→ 342257	P50050MM	[+]	20,2	BSH	A00287	103	342258 →			
	70 08/06 →	●	342258 →	P50085MM	[+]	20,9	BRE	A00287	103	342258 →			
	70 08/06 →		●		P50051MM	[+]	17,7	BSH	A00291	95	→ 342257		
110 CDI	70 09/10 →	●		P50085MM	[+]	20,9	BRE	A00287	103				
	70 09/10 →		●		P50051MM	[+]	17,7	BSH	A00291	95			
111 CDI	80 09/03 →	●	→ 342257	P50050MM	[+]	20,2	BSH	A00287	103	342258 →			
	80 09/03 →	●	342258 →	P50085MM	[+]	20,9	BRE	A00287	103	342258 →			
	80 09/03 →		●		P50051MM	[+]	17,7	BSH	A00291	95	→ 342257		
	85 09/07 →	●	→ 342257	P50050MM	[+]	20,2	BSH	A00287	103	342258 →			
	85 09/07 →	●	342258 →	P50085MM	[+]	20,9	BRE	A00287	103	342258 →			
111 CDI 4x4	85 09/07 →		●		P50051MM	[+]	17,7	BSH	A00291	95	→ 342257		
	80 09/07 →	●	→ 407625	P50050MM	[+]	20,2	BSH	A00287	103	407626 →			
	80 09/07 →	●	407626 →	P50085MM	[+]	20,9	BRE	A00287	103	407626 →			
113 CDI	80 09/07 →		●		P50051MM	[+]	17,7	BSH	A00291	95	→ 407625		
	100 09/10 →	●		P50085MM	[+]	20,9	BRE	A00287	103				
	100 09/10 →		●		P50051MM	[+]	17,7	BSH	A00291	95			



kw



wi

Th [mm]

SYS

WI

FK



LENGHT



MERCEDES-BENZ

VITO / MIXTO Box (W639) 09/03 →

113 CDI 4x4	100 09/10 →	●		P50050MM	[+]	20,2	BSH	A00287	103			
	100 09/10 →	●		P50085MM	[+]	20,9	BRE	A00287	103			
	100 09/10 →		●	P50051MM	[+]	17,7	BSH	A00291	95			
115 CDI	110 09/03 →	●	→ 342257	P50050MM	[+]	20,2	BSH	A00287	103	342258 →		
	110 09/03 →	●	342258 →	P50085MM	[+]	20,9	BRE	A00287	103	342258 →		
	110 09/03 →		●	P50051MM	[+]	17,7	BSH	A00291	95	→ 342257		
115 CDI 4x4	110 07/06 →	●	→ 407625	P50050MM	[+]	20,2	BSH	A00287	103	407626 →		
	110 07/06 →	●	407626 →	P50085MM	[+]	20,9	BRE	A00287	103	407626 →		
	110 07/06 →		●	P50051MM	[+]	17,7	BSH	A00291	95	→ 407625		
116 CDI	120 09/10 →	●		P50085MM	[+]	20,9	BRE	A00287	103			
	120 09/10 →		●	P50051MM	[+]	17,7	BSH	A00291	95			
116 CDI 4x4	120 09/10 →	●		P50050MM	[+]	20,2	BSH	A00287	103			
	120 09/10 →	●		P50085MM	[+]	20,9	BRE	A00287	103			
	120 09/10 →		●	P50051MM	[+]	17,7	BSH	A00291	95			
119	140 09/03 →	●	→ 342257	P50050MM	[+]	20,2	BSH	A00287	103	342258 →		
	140 09/03 →	●	342258 →	P50085MM	[+]	20,9	BRE	A00287	103	342258 →		
	140 09/03 →		●	P50051MM	[+]	17,7	BSH	A00291	95	→ 342257		
120 CDI	150 07/06 →	●	→ 342257	P50050MM	[+]	20,2	BSH	A00287	103	342258 →		
	150 07/06 →	●	342258 →	P50085MM	[+]	20,9	BRE	A00287	103	342258 →		
	150 07/06 →		●	P50051MM	[+]	17,7	BSH	A00291	95	→ 342257		
122	160 09/03 →	●	→ 342257	P50050MM	[+]	20,2	BSH	A00287	103	342258 →		
	160 09/03 →	●	342258 →	P50085MM	[+]	20,9	BRE	A00287	103	342258 →		
	160 09/03 →		●	P50051MM	[+]	17,7	BSH	A00291	95	→ 342257		
122 CDI	165 09/10 →	●		P50085MM	[+]	20,9	BRE	A00287	103			
	165 09/10 →		●	P50051MM	[+]	17,7	BSH	A00291	95			
123	165 06/04 → 07/08	●	→ 342257	P50050MM	[+]	20,2	BSH	A00287	103	342258 →		
	165 06/04 → 07/08	●	342258 →	P50085MM	[+]	20,9	BRE	A00287	103	342258 →		
	165 06/04 → 07/08		●	P50051MM	[+]	17,7	BSH	A00291	95	→ 342257		
123 (639.603)	170 06/04 → 07/08	●	→ 342257	P50050MM	[+]	20,2	BSH	A00287	103	342258 →		
	170 06/04 → 07/08	●	342258 →	P50085MM	[+]	20,9	BRE	A00287	103	342258 →		
	170 06/04 → 07/08		●	P50051MM	[+]	17,7	BSH	A00291	95	→ 342257		
126	190 09/07 →	●	→ 342257	P50050MM	[+]	20,2	BSH	A00287	103	342258 →		
	190 09/07 →	●	342258 →	P50085MM	[+]	20,9	BRE	A00287	103	342258 →		
	190 09/07 →		●	P50051MM	[+]	17,7	BSH	A00291	95	→ 342257		
E-CELL	60 03/12 →	●		P50085MM	[+]	20,9	BRE	A00287	103			
	60 03/12 →		●	P50051MM	[+]	17,7	BSH	A00291	95			

VITO Box (638) 03/97 → 07/03

108 CDI 2.2 (638.094)	60 03/99 → 07/03	●		P50080MM	[+]	20,7	ATE	A00282	210			
	60 03/99 → 07/03	●		P50031MM	[o]	20,9	BSH	A00282	210			
	60 03/99 → 07/03		●	P50030MM	[+]	16,9	ATE	A00293	152		A02281	
	60 03/99 → 07/03		●	P50032MM	[o]	17,9	BSH	A00293	152		A02281	
108 D 2.3 (638.064, 638.068)	58 03/97 → 07/03	●		P50080MM	[+]	20,7	ATE	A00282	210			
	58 03/97 → 07/03	●		P50031MM	[o]	20,9	BSH	A00282	210			
	58 03/97 → 07/03		●	P50030MM	[+]	16,9	ATE	A00293	152		A02281	
110 CDI 2.2 (638.094)	75 03/99 → 07/03	●		P50080MM	[+]	20,7	ATE	A00282	210			
	75 03/99 → 07/03	●		P50031MM	[o]	20,9	BSH	A00282	210			
	75 03/99 → 07/03		●	P50030MM	[+]	16,9	ATE	A00293	152		A02281	
110 D 2.3 (638.074, 638.078)	72 03/97 → 07/03	●		P50080MM	[+]	20,7	ATE	A00282	210			
	72 03/97 → 07/03	●		P50031MM	[o]	20,9	BSH	A00282	210			
	72 03/97 → 07/03		●	P50030MM	[+]	16,9	ATE	A00293	152		A02281	
	72 03/97 → 07/03		●	P50032MM	[o]	17,9	BSH	A00293	152		A02281	

							WI	Th [mm]	SYS		LENGHT			
--	--	--	--	--	--	--	----	---------	-----	--	--------	--	--	--

MERCEDES-BENZ

VITO Box (638) 03/97 → 07/03

112 CDI 2.2 (638.094)	90	03/99 → 07/03	●		P50080MM	[+]	20,7	ATE	A00282	210			
	90	03/99 → 07/03	●		P50031MM	[O]	20,9	BSH	A00282	210			
	90	03/99 → 07/03	●		P50030MM	[+]	16,9	ATE	A00293	152			A02281
	90	03/99 → 07/03	●		P50032MM	[O]	17,9	BSH	A00293	152			A02281
113 2.0 (638.014, 638.094)	95	03/97 → 07/03	●		P50080MM	[+]	20,7	ATE	A00282	210			
	95	03/97 → 07/03	●		P50031MM	[O]	20,9	BSH	A00282	210			
	95	03/97 → 07/03	●		P50030MM	[+]	16,9	ATE	A00293	152			A02281
	95	03/97 → 07/03	●		P50032MM	[O]	17,9	BSH	A00293	152			A02281
114 2.3 (638.034, 638.094)	105	03/97 → 07/03	●		P50080MM	[+]	20,7	ATE	A00282	210			
	105	03/97 → 07/03	●		P50031MM	[O]	20,9	BSH	A00282	210			
	105	03/97 → 07/03	●		P50030MM	[+]	16,9	ATE	A00293	152			A02281
	105	03/97 → 07/03	●		P50032MM	[O]	17,9	BSH	A00293	152			A02281

VITO Box (W447) 10/14 →

109 CDI (447.601, 447.603, 447.605)	65	10/14 →	●	SA: ME0/MX1; MX2; Max Load 2800 kg	P50085MM	[+]	20,9	BRE	A00287	103			
	65	10/14 →	●	Max Load 3200 kg	P50129MM	[O]	20,8	BRE	A00287	103			
	65	10/14 →	●		P50126MM	[O]	18,4	BRE	A00287	103			
111 CDI (447.601, 447.603, 447.605)	84	10/14 →	●	MX2; SA: ME0/MX1; Max Load 2800 kg	P50085MM	[+]	20,9	BRE	A00287	103			
	84	10/14 →	●	Max Load 3200 kg	P50129MM	[O]	20,8	BRE	A00287	103			
	84	10/14 →	●		P50126MM	[O]	18,4	BRE	A00287	103			
114 CDI (447.601, 447.603, 447.605)	100	10/14 →	●	MX2; SA: ME0/MX1; Max Load 2800 kg	P50085MM	[+]	20,9	BRE	A00287	103			
	100	10/14 →	●	Max Load 3200 kg	P50129MM	[O]	20,8	BRE	A00287	103			
	100	10/14 →	●		P50126MM	[O]	18,4	BRE	A00287	103			
114 CDI 4x4 (447.601, 447.603, 447.605)	100	07/15 →	●	MX2; SA: ME0/MX1; Max Load 2800 kg	P50085MM	[+]	20,9	BRE	A00287	103			
	100	07/15 →	●	Max Load 3200 kg	P50129MM	[O]	20,8	BRE	A00287	103			
	100	07/15 →	●		P50126MM	[O]	18,4	BRE	A00287	103			
116 CDI (447.601, 447.603, 447.605)	120	10/14 →	●	SA: ME0/MX1; MX2; Max Load 2800 kg	P50085MM	[+]	20,9	BRE	A00287	103			
	120	10/14 →	●	Max Load 3200 kg	P50129MM	[O]	20,8	BRE	A00287	103			
	120	10/14 →	●		P50126MM	[O]	18,4	BRE	A00287	103			
116 CDI 4x4 (447.601, 447.603, 447.605)	120	07/15 →	●	SA: ME0/MX1; MX2; Max Load 2800 kg	P50085MM	[+]	20,9	BRE	A00287	103			
	120	07/15 →	●	Max Load 3200 kg	P50129MM	[O]	20,8	BRE	A00287	103			
	120	07/15 →	●		P50126MM	[O]	18,4	BRE	A00287	103			
119 CDI / BlueTEC (447.601, 447.603, 447.605)	140	10/14 →	●	MX2; SA: ME0/MX1; Max Load 2800 kg	P50085MM	[+]	20,9	BRE	A00287	103			
	140	10/14 →	●	Max Load 3200 kg	P50129MM	[O]	20,8	BRE	A00287	103			
	140	10/14 →	●		P50126MM	[O]	18,4	BRE	A00287	103			
119 CDI / BlueTEC 4x4 (447.601, 447.603, 447.605)	140	07/15 →	●	SA: ME0/MX1; MX2; Max Load 2800 kg	P50085MM	[+]	20,9	BRE	A00287	103			
	140	07/15 →	●	Max Load 3200 kg	P50129MM	[O]	20,8	BRE	A00287	103			
	140	07/15 →	●		P50126MM	[O]	18,4	BRE	A00287	103			

VITO Bus (638) 02/96 → 07/03

108 CDI 2.2 (638.194)	60	03/99 → 07/03	●		P50080MM	[+]	20,7	ATE	A00282	210			
	60	03/99 → 07/03	●		P50031MM	[O]	20,9	BSH	A00282	210			
	60	03/99 → 07/03	●		P50030MM	[+]	16,9	ATE	A00293	152			A02281
	60	03/99 → 07/03	●		P50032MM	[O]	17,9	BSH	A00293	152			A02281
108 D 2.3 (638.164)	58	02/96 → 07/03	●		P50080MM	[+]	20,7	ATE	A00282	210			
	58	02/96 → 07/03	●		P50031MM	[O]	20,9	BSH	A00282	210			
	58	02/96 → 07/03	●		P50030MM	[+]	16,9	ATE	A00293	152			A02281
	58	02/96 → 07/03	●		P50032MM	[O]	17,9	BSH	A00293	152			A02281



kw



wi

Th [mm]

SYS



LENGHT

WI



FK



MERCEDES-BENZ

VITO Bus (638) 02/96 → 07/03

110 CDI 2.2 (638.194)	75	03/99 → 07/03	●		P50080MM	[+]	20,7	ATE	A00282	210			
	75	03/99 → 07/03	●		P50031MM	[o]	20,9	BSH	A00282	210			
	75	03/99 → 07/03	●		P50030MM	[+]	16,9	ATE	A00293	152		A02281	
	75	03/99 → 07/03	●		P50032MM	[o]	17,9	BSH	A00293	152		A02281	
110 TD 2.3 (638.174)	72	02/96 → 07/03	●		P50080MM	[+]	20,7	ATE	A00282	210			
	72	02/96 → 07/03	●		P50031MM	[o]	20,9	BSH	A00282	210			
	72	02/96 → 07/03	●		P50030MM	[+]	16,9	ATE	A00293	152		A02281	
112 CDI 2.2 (638.194)	90	03/99 → 07/03	●		P50080MM	[+]	20,7	ATE	A00282	210			
	90	03/99 → 07/03	●		P50031MM	[o]	20,9	BSH	A00282	210			
	90	03/99 → 07/03	●		P50030MM	[+]	16,9	ATE	A00293	152		A02281	
113 2.0 (638.114, 638.194)	90	03/99 → 07/03	●		P50032MM	[o]	17,9	BSH	A00293	152		A02281	
	95	02/96 → 07/03	●		P50080MM	[+]	20,7	ATE	A00282	210			
	95	02/96 → 07/03	●		P50031MM	[o]	20,9	BSH	A00282	210			
	95	02/96 → 07/03	●		P50030MM	[+]	16,9	ATE	A00293	152		A02281	
114 2.3 (638.134, 638.194)	95	02/96 → 07/03	●		P50032MM	[o]	17,9	BSH	A00293	152		A02281	
	105	12/96 → 07/03	●		P50080MM	[+]	20,7	ATE	A00282	210			
	105	12/96 → 07/03	●		P50031MM	[o]	20,9	BSH	A00282	210			
	105	12/96 → 07/03	●		P50030MM	[+]	16,9	ATE	A00293	152			
	105	12/96 → 07/03	●		P50032MM	[o]	17,9	BSH	A00293	152			

VITO Bus (W639) 09/03 →

109 CDI	65	09/03 →	●	→ 342257	P50050MM	[+]	20,2	BSH	A00287	103	342258 →		
	65	09/03 →	●	342258 →	P50085MM	[+]	20,9	BRE	A00287	103	342258 →		
	65	09/03 →	●		P50051MM	[+]	17,7	BSH	A00291	95	→ 342257		
	70	09/06 →	●	→ 342257	P50050MM	[+]	20,2	BSH	A00287	103	342258 →		
	70	09/06 →	●	342258 →	P50085MM	[+]	20,9	BRE	A00287	103	342258 →		
	70	09/06 →	●		P50051MM	[+]	17,7	BSH	A00291	95	→ 342257		
109 CDI 4x4	70	09/07 →	●	→ 407625	P50050MM	[+]	20,2	BSH	A00287	103	407626 →		
	70	09/07 →	●	407626 →	P50085MM	[+]	20,9	BRE	A00287	103	407626 →		
	70	09/07 →	●		P50051MM	[+]	17,7	BSH	A00291	95	→ 407625		
110 CDI	70	09/10 →	●		P50085MM	[+]	20,9	BRE	A00287	103			
	70	09/10 →	●		P50051MM	[+]	17,7	BSH	A00291	95			
111 CDI	80	09/03 →	●	→ 342257	P50050MM	[+]	20,2	BSH	A00287	103	342258 →		
	80	09/03 →	●	342258 →	P50085MM	[+]	20,9	BRE	A00287	103	342258 →		
	80	09/03 →	●		P50051MM	[+]	17,7	BSH	A00291	95	→ 342257		
111 CDI (639.701)	85	09/07 →	●	→ 342257	P50050MM	[+]	20,2	BSH	A00287	103	342258 →		
	85	09/07 →	●	342258 →	P50085MM	[+]	20,9	BRE	A00287	103	342258 →		
	85	09/07 →	●		P50051MM	[+]	17,7	BSH	A00291	95	→ 342257		
111 CDI 4x4	80	09/07 →	●	→ 407625	P50050MM	[+]	20,2	BSH	A00287	103	407626 →		
	80	09/07 →	●	407626 →	P50085MM	[+]	20,9	BRE	A00287	103	407626 →		
	80	09/07 →	●		P50051MM	[+]	17,7	BSH	A00291	95	→ 407625		
113 CDI	100	09/10 →	●		P50085MM	[+]	20,9	BRE	A00287	103			
	100	09/10 →	●		P50051MM	[+]	17,7	BSH	A00291	95			
113 CDI 4x4	100	09/10 →	●		P50085MM	[+]	20,9	BRE	A00287	103			
	100	09/10 →	●		P50051MM	[+]	17,7	BSH	A00291	95			
115 CDI	110	09/03 →	●	→ 342257	P50050MM	[+]	20,2	BSH	A00287	103	342258 →		
	110	09/03 →	●	342258 →	P50085MM	[+]	20,9	BRE	A00287	103	342258 →		
	110	09/03 →	●		P50051MM	[+]	17,7	BSH	A00291	95	→ 342257		
115 CDI 4x4	110	09/07 →	●	→ 407625	P50050MM	[+]	20,2	BSH	A00287	103	407626 →		
	110	09/07 →	●	407626 →	P50085MM	[+]	20,9	BRE	A00287	103	407626 →		
	110	09/07 →	●		P50051MM	[+]	17,7	BSH	A00291	95	→ 407625		
116 CDI	120	09/10 →	●		P50085MM	[+]	20,9	BRE	A00287	103			
	120	09/10 →	●		P50051MM	[+]	17,7	BSH	A00291	95			

MERCEDES-BENZ

VITO Bus (W639) 09/03 →

116 CDI 4x4	120	09/10 →	●		P50085MM	[+]	20,9	BRE	A00287	103			
	120	09/10 →		●		P50051MM	[+]	17,7	BSH	A00291	95		
119	140	09/03 →	●	→ 342257	P50050MM	[+]	20,2	BSH	A00287	103	342258 →		
	140	09/03 →	●	342258 →	P50085MM	[+]	20,9	BRE	A00287	103	342258 →		
	140	09/03 →		●		P50051MM	[+]	17,7	BSH	A00291	95	→ 342257	
120 CDI	150	07/06 →	●	→ 342257	P50050MM	[+]	20,2	BSH	A00287	103	342258 →		
	150	07/06 →	●	342258 →	P50085MM	[+]	20,9	BRE	A00287	103	342258 →		
	150	07/06 →		●		P50051MM	[+]	17,7	BSH	A00291	95	→ 342257	
122	160	09/03 →	●	→ 342257	P50050MM	[+]	20,2	BSH	A00287	103	342258 →		
	160	09/03 →	●	342258 →	P50085MM	[+]	20,9	BRE	A00287	103	342258 →		
	160	09/03 →		●		P50051MM	[+]	17,7	BSH	A00291	95	→ 342257	
122 CDI	165	09/10 →	●		P50085MM	[+]	20,9	BRE	A00287	103			
	165	09/10 →		●		P50051MM	[+]	17,7	BSH	A00291	95		
123	170	06/04 →	●	→ 342257	P50050MM	[+]	20,2	BSH	A00287	103	342258 →		
	170	06/04 →	●	342258 →	P50085MM	[+]	20,9	BRE	A00287	103	342258 →		
	170	06/04 →		●		P50051MM	[+]	17,7	BSH	A00291	95	→ 342257	
	165	06/04 → 07/08	●	→ 342257	P50050MM	[+]	20,2	BSH					
	165	06/04 → 07/08	●	342258 →	P50085MM	[+]	20,9	BRE					
	165	06/04 → 07/08		●		P50051MM	[+]	17,7	BSH				
126	190	09/07 →	●	→ 342257	P50050MM	[+]	20,2	BSH	A00287	103	342258 →		
	190	09/07 →	●	342258 →	P50085MM	[+]	20,9	BRE	A00287	103	342258 →		
	190	09/07 →		●		P50051MM	[+]	17,7	BSH	A00291	95	→ 342257	
E-CELL	60	03/12 →	●		P50050MM	[+]	20,2	BSH					
	60	03/12 →	●		P50085MM	[+]	20,9	BRE					
	60	03/12 →		●		P50051MM	[+]	17,7	BSH				

VITO Mixto (W447) 10/14 →

109 CDI (447.701, 447.703, 447.705)	65	10/14 →	●	SA: ME0/MX1; MX2; Max Load 2800 kg	P50085MM	[+]	20,9	BRE	A00287	103		
	65	10/14 →	●	Max Load 3200 kg	P50129MM	[o]	20,8	BRE	A00287	103		
	65	10/14 →		●		P50126MM	[o]	18,4	BRE	A00287	103	
111 CDI (447.701, 447.703, 447.705)	84	10/14 →	●	SA: ME0/MX1; MX2; Max Load 2800 kg	P50085MM	[+]	20,9	BRE	A00287	103		
	84	10/14 →	●	Max Load 3200 kg	P50129MM	[o]	20,8	BRE	A00287	103		
	84	10/14 →		●		P50126MM	[o]	18,4	BRE	A00287	103	
114 CDI (447.701, 447.703, 447.705)	100	10/14 →	●	SA: ME0/MX1; MX2; Max Load 2800 kg	P50085MM	[+]	20,9	BRE	A00287	103		
	100	10/14 →	●	Max Load 3200 kg	P50129MM	[o]	20,8	BRE	A00287	103		
	100	10/14 →		●		P50126MM	[o]	18,4	BRE	A00287	103	
114 CDI 4x4 (447.701, 447.703, 447.705)	100	07/15 →	●	MX2; SA: ME0/MX1; Max Load 2800 kg	P50085MM	[+]	20,9	BRE	A00287	103		
	100	07/15 →	●	Max Load 3200 kg	P50129MM	[o]	20,8	BRE	A00287	103		
	100	07/15 →		●		P50126MM	[o]	18,4	BRE	A00287	103	
116 CDI (447.701, 447.703, 447.705)	120	10/14 →	●	SA: ME0/MX1; MX2; Max Load 2800 kg	P50085MM	[+]	20,9	BRE	A00287	103		
	120	10/14 →	●	Max Load 3200 kg	P50129MM	[o]	20,8	BRE	A00287	103		
	120	10/14 →		●		P50126MM	[o]	18,4	BRE	A00287	103	
116 CDI 4x4 (447.701, 447.703, 447.705)	120	07/15 →	●	SA: ME0/MX1; MX2; Max Load 2800 kg	P50085MM	[+]	20,9	BRE	A00287	103		
	120	07/15 →	●	Max Load 3200 kg	P50129MM	[o]	20,8	BRE	A00287	103		
	120	07/15 →		●		P50126MM	[o]	18,4	BRE	A00287	103	
119 BlueTEC (447.701, 447.703, 447.705)	140	10/14 →	●	MX2; SA: ME0/MX1; Max Load 2800 kg	P50085MM	[+]	20,9	BRE	A00287	103		
	140	10/14 →	●	Max Load 3200 kg	P50129MM	[o]	20,8	BRE	A00287	103		
	140	10/14 →		●		P50126MM	[o]	18,4	BRE	A00287	103	

									WI			FK	
	kw								MAGNETI MARELLI	LENGHT		MAGNETI MARELLI	

MERCEDES-BENZ

VITO Mixto (W447) 10/14 →

119 BlueTEC 4x4 (447.701, 447.703, 447.705)	140	12/14 →	●	MX2; SA: ME0/MX1; Max Load 2800 kg	P50085MM	[+]	20,9	BRE	A00287	103		
	140	12/14 →	●	Max Load 3200 kg	P50129MM	[o]	20,8	BRE	A00287	103		
	140	12/14 →	●		P50126MM	[o]	18,4	BRE	A00287	103		

VITO Tourer (W447) 10/14 →

109 CDI / 109 BlueTEC (447.701, 447.703, 447.705)	65	10/14 →	●	SA: ME0/MX1; MX2; Max Load 2800 kg	P50085MM	[+]	20,9	BRE	A00287	103		
	65	10/14 →	●	Max Load 3200 kg	P50129MM	[o]	20,8	BRE	A00287	103		
	65	10/14 →	●		P50126MM	[o]	18,4	BRE	A00287	103		
111 CDI / 111 BlueTEC (447.701, 447.703, 447.705)	84	10/14 →	●	SA: ME0/MX1; MX2; Max Load 2800 kg	P50085MM	[+]	20,9	BRE	A00287	103		
	84	10/14 →	●	Max Load 3200 kg	P50129MM	[o]	20,8	BRE	A00287	103		
	84	10/14 →	●		P50126MM	[o]	18,4	BRE	A00287	103		
114 CDI / 114 BlueTEC (447.701, 447.703, 447.705)	100	10/14 →	●	SA: ME0/MX1; MX2; Max Load 2800 kg	P50085MM	[+]	20,9	BRE	A00287	103		
	100	10/14 →	●	Max Load 3200 kg	P50129MM	[o]	20,8	BRE	A00287	103		
	100	10/14 →	●		P50126MM	[o]	18,4	BRE	A00287	103		
114 CDI / 114 BlueTEC 4x4 (447.701, 447.703, 447.705)	100	07/15 →	●	MX2; SA: ME0/MX1; Max Load 2800 kg	P50085MM	[+]	20,9	BRE	A00287	103		
	100	07/15 →	●	Max Load 3200 kg	P50129MM	[o]	20,8	BRE	A00287	103		
	100	07/15 →	●		P50126MM	[o]	18,4	BRE	A00287	103		
116 CDI / 116 BlueTEC (447.701, 447.703, 447.705)	120	10/14 →	●	MX2; SA: ME0/MX1; Max Load 2800 kg	P50085MM	[+]	20,9	BRE	A00287	103		
	120	10/14 →	●	Max Load 3200 kg	P50129MM	[o]	20,8	BRE	A00287	103		
	120	10/14 →	●		P50126MM	[o]	18,4	BRE	A00287	103		
116 CDI / 116 BlueTEC 4x4 (447.701, 447.703, 447.705)	120	07/15 →	●	MX2; SA: ME0/MX1; Max Load 2800 kg	P50085MM	[+]	20,9	BRE	A00287	103		
	120	07/15 →	●	Max Load 3200 kg	P50129MM	[o]	20,8	BRE	A00287	103		
	120	07/15 →	●		P50126MM	[o]	18,4	BRE	A00287	103		
119 BlueTEC (447.701, 447.703, 447.705)	140	10/14 →	●	MX2; SA: ME0/MX1; Max Load 2800 kg	P50085MM	[+]	20,9	BRE	A00287	103		
	140	10/14 →	●	Max Load 3200 kg	P50129MM	[o]	20,8	BRE	A00287	103		
	140	10/14 →	●		P50126MM	[o]	18,4	BRE	A00287	103		
119 CDI / 119 BlueTEC 4x4 (447.701, 447.703, 447.705)	140	12/14 →	●	SA: ME0/MX1; MX2; Max Load 2800 kg	P50085MM	[+]	20,9	BRE	A00287	103		
	140	12/14 →	●	Max Load 3200 kg	P50129MM	[o]	20,8	BRE	A00287	103		
	140	12/14 →	●		P50126MM	[o]	18,4	BRE	A00287	103		

MG

EXPRESS Box 03/03 → 05/05

1.4	76	03/03 → 05/05	●		P28020MM	[+]	18	TRW				
	76	03/03 → 05/05	●		P28017MM	[+]	13	AKE				
1.8	86	03/03 → 05/05	●		P28020MM	[+]	18	TRW				
	86	03/03 → 05/05	●		P28017MM	[+]	13	AKE				
160	118	03/03 → 05/05	●		P28029MM	[+]	17	TRW				
	118	03/03 → 05/05	●	+rear disc	P28022MM	[+]	14,6	AKE				
2.0 TD	74	03/03 → 05/05	●		P28020MM	[+]	18	TRW				
	74	03/03 → 05/05	●		P28017MM	[+]	13	AKE				
	83	03/03 → 05/05	●		P28020MM	[+]	18	TRW				
	83	03/03 → 05/05	●	+rear disc	P28017MM	[+]	13	AKE				

		kw					WI	Th [mm]	SYS	WI		FK		
											LENGHT			

MG

MG 6 Hatchback 11/10 →

1.8	98	11/10 →		•		P06025MM	[O]	17,3	ATE					
1.8 T	118	11/10 →		•		P06025MM	[O]	17,3	ATE					
1.9 DTi	110	08/12 →		•		P06025MM	[O]	17,3	ATE					

MG 6 Saloon 11/10 →

1.8	98	11/10 →		•		P06025MM	[O]	17,3	ATE					
1.8 T	118	11/10 →		•		P06025MM	[O]	17,3	ATE					
1.9 DTi	110	08/12 →		•		P06025MM	[O]	17,3	ATE					

MG TF 03/02 → 12/09

115	85	03/02 → 12/09	•			P52015MM	[-]	17	TRW					
	85	03/02 → 12/09		•		P28027MM	[+]	14,5	TRW					
120	88	03/02 → 12/09	•			P52015MM	[-]	17	TRW					
	88	03/02 → 12/09		•		P28027MM	[+]	14,5	TRW					
135	100	03/02 → 12/09	•		disc Ø 304 mm	P52018MM	[-]	16,1	LKD					
	100	03/02 → 12/09	•			P52015MM	[-]	17	TRW					
	100	03/02 → 12/09		•		P28027MM	[+]	14,5	TRW					
160	118	03/02 → 12/09	•			P52018MM	[-]	16,1	LKD					
	118	03/02 → 12/09		•		P28027MM	[+]	14,5	TRW					

MG X-POWER 01/03 → 04/08

4.6 SV	230	01/03 → 04/08	•			P06043MM	[O]	20,3	ATE					
	230	01/03 → 04/08		•		P06025MM	[O]	17,3	ATE					
5.0 SV-R	294	01/05 → 04/08	•			P06043MM	[O]	20,3	ATE					
	294	01/05 → 04/08		•		P06025MM	[O]	17,3	ATE					

MG ZR 06/01 → 04/05

105	76	06/01 → 04/05	•			P28020MM	[+]	18	TRW					
	76	06/01 → 04/05		•		P28017MM	[+]	13	AKE					
120	86	06/01 → 04/05	•			P28020MM	[+]	18	TRW					
	86	06/01 → 04/05		•		P28017MM	[+]	13	AKE					
160	118	06/01 → 04/05	•			P28029MM	[+]	17	TRW					
	118	06/01 → 04/05		•		P28022MM	[+]	14,6	AKE					
2.0 TD	74	06/01 → 04/05	•			P28020MM	[+]	18	TRW					
	74	06/01 → 04/05		•		P28017MM	[+]	13	AKE					
	83	12/02 → 04/05	•			P28020MM	[+]	18	TRW					
	83	12/02 → 04/05		•		P28017MM	[+]	13	AKE					

MG ZS 07/01 → 04/05

1.6	79	07/03 → 04/05	•			P28020MM	[+]	18	TRW					
	79	07/03 → 04/05		•		P28017MM	[+]	13	AKE					
120	86	07/01 → 04/05	•			P28020MM	[+]	18	TRW					
	86	07/01 → 04/05		•		P28017MM	[+]	13	AKE					
180	130	07/01 → 04/05	•			P28029MM	[+]	17	TRW					
	130	07/01 → 04/05		•		P28022MM	[+]	14,6	AKE					
	130	07/01 → 04/05		•		P28017MM	[+]	13	AKE					
2.0 TD	74	01/04 → 04/05	•			P28020MM	[+]	18	TRW					
	74	01/04 → 04/05		•		P28017MM	[+]	13	AKE					
	83	01/04 → 04/05	•			P28020MM	[+]	18	TRW					
	83	01/04 → 04/05		•		P28017MM	[+]	13	AKE					

MG ZS Hatchback 07/01 → 10/05

1.6	82	11/01 → 10/05	•			P28020MM	[+]	18	TRW					
	82	11/01 → 10/05		•		P28017MM	[+]	13	AKE					
120	86	07/01 → 10/05	•			P28020MM	[+]	18	TRW					
	86	07/01 → 10/05		•		P28017MM	[+]	13	AKE					
180	130	07/01 → 10/05	•			P28029MM	[+]	17	TRW					
	130	07/01 → 10/05		•		P28022MM	[+]	14,6	AKE					
	130	07/01 → 10/05		•		P28017MM	[+]	13	AKE					

									WI			FK	
										LENGHT			

MG

MG ZS Hatchback 07/01 → 10/05

2.0 TD	74	01/04 → 10/05	●			P28020MM	[+]	18	TRW				
	74	01/04 → 10/05		●		P28017MM	[+]	13	AKE				
	83	01/04 → 10/05	●			P28020MM	[+]	18	TRW				
	83	01/04 → 10/05		●		P28017MM	[+]	13	AKE				

MG ZT 06/01 → 07/05

1.8 16V	88	01/03 → 07/05	●			P52017MM	[o]	19,1	ATE	A00294	1120		A02202
	88	01/03 → 07/05		●		P06025MM	[o]	17,3	ATE	A00295	850		A02222
1.8 T 16V	118	01/03 → 07/05	●			P52017MM	[o]	19,1	ATE	A00294	1120		A02202
	118	01/03 → 07/05		●		P06025MM	[o]	17,3	ATE	A00295	850		A02222
160	118	06/01 → 07/05	●			P52017MM	[o]	19,1	ATE	A00294	1120		A02202
	118	06/01 → 07/05		●		P06025MM	[o]	17,3	ATE	A00295	850		A02222
180	130	01/03 → 07/05	●			P52017MM	[o]	19,1	ATE	A00294	1120		A02202
	130	01/03 → 07/05		●		P06025MM	[o]	17,3	ATE	A00295	850		A02222
190	140	06/01 → 07/05	●			P52017MM	[o]	19,1	ATE	A00294	1120		A02202
	140	06/01 → 07/05		●		P06025MM	[o]	17,3	ATE	A00295	850		A02222
2.0 CDTi	96	11/02 → 07/05	●			P52017MM	[o]	19,1	ATE	A00294	1120		A02202
	96	11/02 → 07/05		●		P06025MM	[o]	17,3	ATE	A00295	850		A02222
	85	06/02 → 09/03	●			P52017MM	[o]	19,1	ATE	A00294	1120		A02202
	85	06/02 → 09/03		●		P06025MM	[o]	17,3	ATE	A00295	850		A02222
260	191	10/03 → 07/05	●			P06043MM	[o]	20,3	ATE				A02223
	191	10/03 → 07/05		●		P06025MM	[o]	17,3	ATE				A02222

MG ZT- T 10/01 → 07/05

1.8 16V	88	01/03 → 07/05	●			P52017MM	[o]	19,1	ATE	A00294	1120		A02202
	88	01/03 → 07/05		●		P06025MM	[o]	17,3	ATE	A00295	850		A02222
1.8 T 16V	118	01/03 → 07/05	●			P52017MM	[o]	19,1	ATE	A00294	1120		A02202
	118	01/03 → 07/05		●		P06025MM	[o]	17,3	ATE	A00295	850		A02222
160	118	10/01 → 07/05	●			P52017MM	[o]	19,1	ATE	A00294	1120		A02202
	118	10/01 → 07/05		●		P06025MM	[o]	17,3	ATE	A00295	850		A02222
180	130	01/03 → 07/05	●			P52017MM	[o]	19,1	ATE	A00294	1120		A02202
	130	01/03 → 07/05		●		P06025MM	[o]	17,3	ATE	A00295	850		A02222
190	140	10/01 → 07/05	●			P52017MM	[o]	19,1	ATE	A00294	1120		A02202
	140	10/01 → 07/05		●		P06025MM	[o]	17,3	ATE	A00295	850		A02222
2.0 CDTi	96	11/02 → 07/05	●			P52017MM	[o]	19,1	ATE	A00294	1120		A02202
	96	11/02 → 07/05		●		P06025MM	[o]	17,3	ATE	A00295	850		A02222
	85	06/02 → 07/05	●			P52017MM	[o]	19,1	ATE	A00294	1120		A02202
	85	06/02 → 07/05		●		P06025MM	[o]	17,3	ATE	A00295	850		A02222
260	191	10/03 → 07/05	●			P06043MM	[o]	20,3	ATE				A02223
	191	10/03 → 07/05		●		P06025MM	[o]	17,3	ATE				A02222

MGF (RD) 03/95 → 03/02

1.6	82	02/00 → 03/02	●			P52015MM	[-]	17	TRW				
	82	02/00 → 03/02		●		P28027MM	[+]	14,5	TRW				
1.8 i 16V	88	03/95 → 03/02	●			P52015MM	[-]	17	TRW				
	88	03/95 → 03/02		●		P28027MM	[+]	14,5	TRW				
1.8 i VVC	107	03/95 → 03/02	●			P52015MM	[-]	17	TRW				
	107	03/95 → 03/02		●		P28027MM	[+]	14,5	TRW				
	118	10/01 → 03/02	●			P52018MM	[-]	16,1	LKD				
	118	10/01 → 03/02		●		P28027MM	[+]	14,5	TRW				

MINI

MINI (F55) 09/13 →

Cooper	100	09/13 →	●			P06034MM	[o]	17,8	TRW	A00509	235/ 430		
	100	09/13 →		●		P06090MM	[o]	16,6	TRW	A00507	642		

		kw						wi	Th [mm]	SYS		LENGHT	wi			FK			
--	--	----	--	--	--	--	--	----	---------	-----	--	--------	----	--	--	----	--	--	--

MINI

MG ZT 06/01 → 07/05

Cooper D	85	10/13 →	•			P06034MM	[O]	17,8	TRW	A00509	235/430								
	85	10/13 →		•		P06090MM	[O]	16,6	TRW	A00507	642								
Cooper S	141	09/13 →	•			P06092MM	[O]	18,3	TRW	A00509	235/430								
	141	09/13 →		•		P06090MM	[O]	16,6	TRW	A00507	642								
	120	09/13 →	•			P06092MM	[O]	18,3	TRW										
	120	09/13 →		•		P06090MM	[O]	16,6	TRW										
Cooper SD	125	09/13 →	•			P06092MM	[O]	18,3	TRW	A00509	235/430								
	125	09/13 →		•		P06090MM	[O]	16,6	TRW	A00507	642								
	120	09/13 →	•			P06092MM	[O]	18,3	TRW										
	120	09/13 →		•		P06090MM	[O]	16,6	TRW										
One	75	02/14 →	•			P06034MM	[O]	17,8	TRW	A00509	235/430								
	75	02/14 →		•		P06090MM	[O]	16,6	TRW	A00507	642								
One D	70	02/14 →	•			P06034MM	[O]	17,8	TRW	A00509	235/430								
	70	02/14 →		•		P06090MM	[O]	16,6	TRW	A00507	642								
One First	55	06/14 →	•			P06034MM	[O]	17,8	TRW	A00509	235/430								
	55	06/14 →		•		P06090MM	[O]	16,6	TRW	A00507	642								

MINI (F56) 04/13 →

Cooper	100	04/13 →	•			P06034MM	[O]	17,8	TRW	A00509	235/430								
	100	04/13 →		•		P06090MM	[O]	16,6	TRW	A00507	642								
Cooper D	85	12/13 →	•			P06034MM	[O]	17,8	TRW	A00509	235/430								
	85	12/13 →		•		P06090MM	[O]	16,6	TRW	A00507	642								
Cooper S	141	04/13 →	•			P06092MM	[O]	18,3	TRW	A00509	235/430								
	141	04/13 →		•		P06090MM	[O]	16,6	TRW	A00507	642								
	120	04/13 →	•			P06092MM	[O]	18,3	TRW										
	120	04/13 →		•		P06090MM	[O]	16,6	TRW										
Cooper SD	125	10/13 →	•			P06092MM	[O]	18,3	TRW	A00509	235/430								
	125	10/13 →		•		P06090MM	[O]	16,6	TRW	A00507	642								
	120	10/13 →	•			P06092MM	[O]	18,3	TRW										
	120	10/13 →		•		P06090MM	[O]	16,6	TRW										
John Cooper Works	170	06/14 →		•		P06090MM	[O]	16,6	TRW	A00507	642								
One	75	06/13 →	•			P06034MM	[O]	17,8	TRW	A00509	235/430		→ 07/14						
	75	06/13 →		•		P06090MM	[O]	16,6	TRW	A00507	642								
One D	70	07/13 →	•			P06034MM	[O]	17,8	TRW	A00509	235/430		→ 07/14						
	70	07/13 →		•		P06090MM	[O]	16,6	TRW	A00507	642								
One First	55	11/13 →	•			P06034MM	[O]	17,8	TRW	A00509	235/430								
	55	11/13 →		•		P06090MM	[O]	16,6	TRW	A00507	642								

MINI (R50, R53) 06/01 → 09/06

Cooper	85	06/01 → 09/06	•			P06030MM	[O]	18,3	ATE	A00296	885					A02202			
	85	06/01 → 09/06		•		P06032MM	[O]	16,3	ATE	A00297	1095								
Cooper S	120	03/02 → 09/06	•			P06030MM	[O]	18,3	ATE	A00296	885					A02202			
	120	03/02 → 09/06		•		P06032MM	[O]	16,3	ATE	A00297	1095								
	125	07/04 → 09/06	•		-sport pack	P06030MM	[O]	18,3	ATE	A00296	885					A02202			

									WI			FK	
	kw									LENGHT			

MINI

MINI (R50, R53) 06/01 → 09/06

Cooper S	125	07/04 → 09/06	●	+sport pack	P06051MM	[o]	18	TRW	A00296	885		A02202	
	125	07/04 → 09/06	●		P06032MM	[o]	16,3	ATE	A00297	1095			
John Cooper Works	160	03/06 → 09/06	●		P06051MM	[o]	18	TRW					
	160	03/06 → 09/06	●		P06032MM	[o]	16,3	ATE					
One	66	06/01 → 09/06	●		P06030MM	[o]	18,3	ATE	A00296	885		A02202	
	66	06/01 → 09/06	●		P06032MM	[o]	16,3	ATE	A00297	1095			
	55	04/03 → 09/06	●		P06030MM	[o]	18,3	ATE	A00296	885			
	55	04/03 → 09/06	●		P06032MM	[o]	16,3	ATE	A00297	1095			
One D	55	06/03 → 09/06	●		P06030MM	[o]	18,3	ATE	A00296	885		A02202	
	55	06/03 → 09/06	●		P06032MM	[o]	16,3	ATE	A00297	1095			
	65	06/03 → 09/06	●		P06030MM	[o]	18,3	ATE	A00296	885		A02202	
S Works	149	11/03 → 06/05	●		P06051MM	[o]	18	TRW					
	149	11/03 → 06/05	●		P06032MM	[o]	16,3	ATE					
Works	155	11/03 → 09/06	●		P06051MM	[o]	18	TRW				A02202	
	155	11/03 → 09/06	●		P06032MM	[o]	16,3	ATE					

MINI (R56) 11/05 → 11/13

Cooper	85	03/10 → 11/13	●		P06034MM	[o]	17,8	TRW	A00299	807	→ 08/10		
	85	03/10 → 11/13	●		P06052MM	[o]	17	TRW	A00298	1127	→ 08/10		
	88	10/06 → 02/12	●		P06034MM	[o]	17,8	TRW	A00299	807	→ 08/10		
	88	10/06 → 02/12	●		P06052MM	[o]	17	TRW	A00298	1127	→ 08/10		
	90	09/09 → 11/13	●		P06034MM	[o]	17,8	TRW	A00299	807	→ 08/10		
	90	09/09 → 11/13	●		P06052MM	[o]	17	TRW	A00298	1127	→ 08/10		
Cooper D	82	02/11 → 11/13	●		P06034MM	[o]	17,8	TRW	A00446	815			
	82	02/11 → 11/13	●		P06052MM	[o]	17	TRW	A00447	1140			
	80	11/06 → 09/10	●		P06034MM	[o]	17,8	TRW	A00299	807	→ 08/10		
	80	11/06 → 09/10	●		P06052MM	[o]	17	TRW	A00298	1127	→ 08/10		
	82	06/10 → 11/13	●		P06034MM	[o]	17,8	TRW	A00299	807	→ 08/10		
Cooper S	82	06/10 → 11/13	●		P06052MM	[o]	17	TRW	A00298	1127	→ 08/10		
	120	03/10 → 11/13	●		P06051MM	[o]	18	TRW	A00299	807	→ 08/10		
	120	03/10 → 11/13	●		P06052MM	[o]	17	TRW	A00298	1127	→ 08/10		
	147	01/12 → 11/13	●		P06051MM	[o]	18	TRW	A00446	815			
	147	01/12 → 11/13	●		P06052MM	[o]	17	TRW	A00447	1140			
	128	10/06 → 02/10	●		P06051MM	[o]	18	TRW	A00299	807	→ 08/10		
	128	10/06 → 02/10	●		P06052MM	[o]	17	TRW	A00298	1127	→ 08/10		
	135	03/10 → 11/13	●		P06051MM	[o]	18	TRW	A00299	807	→ 08/10		
135	03/10 → 11/13	●		P06052MM	[o]	17	TRW	A00298	1127	→ 08/10			
Cooper S John Cooper Works	141	11/06 → 02/10	●		P06068MM	[o]	14,8	BRE	A00446	815			
	141	11/06 → 02/10	●		P06052MM	[o]	17	TRW	A00298	1127			
Cooper SD	100	02/11 → 11/13	●	disc Ø 280 mm	P06034MM	[o]	17,8	TRW	A00446	815			
	100	02/11 → 11/13	●	disc Ø 294 mm	P06086MM	[o]	18	TRW	A00446	815			
	100	02/11 → 11/13	●		P06052MM	[o]	17	TRW	A00447	1140			
	105	02/11 → 11/13	●		P06034MM	[o]	17,8	TRW	A00446	815			
	105	02/11 → 11/13	●		P06052MM	[o]	17	TRW	A00447	1140			
John Cooper Works	155	11/07 → 11/13	●		P06068MM	[o]	14,8	BRE	A00299	807	→ 08/10		
	155	11/07 → 11/13	●		P06052MM	[o]	17	TRW	A00298	1127	→ 08/10		
John Cooper Works GP	160	09/12 → 11/13	●		P06041MM	[o]	17	BRE					
	160	09/12 → 11/13	●		P06051MM	[o]	18	TRW					
	160	09/12 → 11/13	●		P06032MM	[o]	16,3	ATE					
One	70	11/06 → 03/10	●		P06034MM	[o]	17,8	TRW	A00299	807	→ 08/10		
	70	11/06 → 03/10	●		P06052MM	[o]	17	TRW	A00298	1127	→ 08/10		
	55	03/09 → 03/10	●		P06034MM	[o]	17,8	TRW	A00299	807	→ 08/10		
	55	03/09 → 03/10	●		P06052MM	[o]	17	TRW	A00298	1127	→ 08/10		

		kw						wi	Th [mm]	SYS	WI		FK		
												LENGHT			

MINI

MINI (R50, R53) 06/01 → 09/06

One	55	03/10 → 11/13	●				P06034MM	[O]	17,8	TRW	A00299	807	→ 08/10		
	55	03/10 → 11/13		●			P06052MM	[O]	17	TRW	A00298	1127	→ 08/10		
	72	03/10 → 11/13	●				P06034MM	[O]	17,8	TRW	A00299	807	→ 08/10		
	72	03/10 → 11/13		●			P06052MM	[O]	17	TRW	A00298	1127	→ 08/10		
One D	66	07/10 → 11/13	●				P06034MM	[O]	17,8	TRW	A00299	807	→ 08/10		
	66	07/10 → 11/13		●			P06052MM	[O]	17	TRW	A00298	1127	→ 08/10		
	66	06/09 → 07/10	●				P06034MM	[O]	17,8	TRW	A00299	807			
	66	06/09 → 07/10		●			P06052MM	[O]	17	TRW	A00298	1127			

MINI CLUBMAN (F54) 11/14 →

Cooper	100	12/14 →	●				P06092MM	[O]	18,3	TRW	A00506	200/475			
	100	12/14 →		●			P06094MM	[O]	16,2	ATE	A00507	642			
Cooper D	110	12/14 →	●				P06092MM	[O]	18,3	TRW	A00506	200/475			
	110	12/14 →		●			P06094MM	[O]	16,2	ATE	A00507	642			
	100	12/14 →	●				P06092MM	[O]	18,3	TRW					
	100	12/14 →		●			P06094MM	[O]	16,2	ATE					
Cooper S	141	11/14 →	●				P06093MM	[O]	18,6	TRW	A00506	200/475			
	141	11/14 →		●			P06094MM	[O]	16,2	ATE	A00507	642			
	120	11/14 →	●				P06093MM	[O]	18,6	TRW					
	120	11/14 →		●			P06094MM	[O]	16,2	ATE					
Cooper S ALL4	141	04/15 →	●				P06093MM	[O]	18,6	TRW	A00506	200/475			
	141	04/15 →		●			P06094MM	[O]	16,2	ATE	A00507	642			
	120	04/15 →	●				P06093MM	[O]	18,6	TRW					
	120	04/15 →		●			P06094MM	[O]	16,2	ATE					
Cooper SD	140	02/15 →	●				P06093MM	[O]	18,6	TRW	A00506	200/475			
	140	02/15 →		●			P06094MM	[O]	16,2	ATE	A00507	642			
	120	02/15 →	●				P06093MM	[O]	18,6	TRW					
	120	02/15 →		●			P06094MM	[O]	16,2	ATE					
Cooper SD ALL4	140	04/15 →	●				P06093MM	[O]	18,6	TRW	A00506	200/475			
	140	04/15 →		●			P06094MM	[O]	16,2	ATE	A00507	642			
	120	04/15 →	●				P06093MM	[O]	18,6	TRW					
	120	04/15 →		●			P06094MM	[O]	16,2	ATE					
John Cooper Works	170	11/15 →		●		P06094MM	[O]	16,2	ATE	A00507	642				
One	75	02/15 →	●				P06034MM	[O]	17,8	TRW	A00506	200/475			
	75	02/15 →		●			P06094MM	[O]	16,2	ATE	A00507	642			
One D	85	02/15 →	●				P06034MM	[O]	17,8	TRW	A00506	200/475			
	85	02/15 →		●			P06094MM	[O]	16,2	ATE	A00507	642			

MINI CLUBMAN (R55) 10/06 → 06/14

Cooper	85	03/10 → 06/14	●				P06034MM	[O]	17,8	TRW	A00299	807	→ 08/10		
	85	03/10 → 06/14		●			P06052MM	[O]	17	TRW	A00298	1127	→ 08/10		
	88	10/07 → 12/13	●				P06034MM	[O]	17,8	TRW	A00299	807	→ 08/10		
	88	10/07 → 12/13		●			P06052MM	[O]	17	TRW	A00298	1127	→ 08/10		
	90	03/10 → 06/14	●				P06034MM	[O]	17,8	TRW	A00299	807	→ 08/10		
	90	03/10 → 06/14		●			P06052MM	[O]	17	TRW	A00298	1127	→ 08/10		
Cooper D	82	02/11 → 06/14	●				P06034MM	[O]	17,8	TRW	A00446	815			
	82	02/11 → 06/14		●			P06052MM	[O]	17	TRW	A00447	1140			
	80	10/07 → 02/10	●				P06034MM	[O]	17,8	TRW	A00299	807	→ 08/10		



kw



wi

Th [mm]

SYS

WI

FK



LENGHT



MINI

MINI CLUBMAN (R55) 10/06 → 06/14

Cooper D	80	10/07 → 02/10	●		P06052MM	[o]	17	TRW	A00298	1127	→ 08/10		
	82	03/10 → 06/14	●		P06034MM	[o]	17,8	TRW	A00299	807	→ 08/10		
	82	03/10 → 06/14	●		P06052MM	[o]	17	TRW	A00298	1127	→ 08/10		
Cooper S	147	03/10 → 06/14	●		P06051MM	[o]	18	TRW	A00299	807	→ 08/10		
	147	03/10 → 06/14	●		P06052MM	[o]	17	TRW	A00298	1127	→ 08/10		
	120	10/07 → 02/10	●		P06051MM	[o]	18	TRW	A00299	807	→ 08/10		
	120	10/07 → 02/10	●		P06052MM	[o]	17	TRW	A00298	1127	→ 08/10		
	128	10/07 → 02/10	●		P06051MM	[o]	18	TRW	A00299	807	→ 08/10		
	128	10/07 → 02/10	●		P06052MM	[o]	17	TRW	A00298	1127	→ 08/10		
	135	03/10 → 06/14	●		P06051MM	[o]	18	TRW	A00299	807	→ 08/10		
	135	03/10 → 06/14	●		P06052MM	[o]	17	TRW	A00298	1127	→ 08/10		
Cooper S John Cooper Works	141	10/08 → 02/10	●		P06068MM	[o]	14,8	BRE	A00299	807			
	141	10/08 → 02/10	●		P06052MM	[o]	17	TRW	A00298	1127	→ 08/10		
Cooper SD	105	02/11 → 06/14	●		P06034MM	[o]	17,8	TRW	A00446	815			
	105	02/11 → 06/14	●		P06052MM	[o]	17	TRW	A00447	1140			
	100	02/11 → 06/14	●		P06034MM	[o]	17,8	TRW	A00446	815			
	100	02/11 → 06/14	●		P06052MM	[o]	17	TRW	A00447	1140			
John Cooper Works	155	11/07 → 06/14	●		P06068MM	[o]	14,8	BRE	A00299	807	→ 08/10		
	155	11/07 → 06/14	●		P06052MM	[o]	17	TRW	A00298	1127	→ 08/10		
One	72	03/10 → 06/14	●	+sport pack	P06068MM	[o]	14,8	BRE	A00299	807	→ 08/10		
	72	03/10 → 06/14	●	-sport pack	P06034MM	[o]	17,8	TRW	A00299	807	→ 08/10		
	72	03/10 → 06/14	●		P06052MM	[o]	17	TRW	A00298	1127	→ 08/10		
	70	03/09 → 02/10	●		P06034MM	[o]	17,8	TRW	A00299	807			
	70	03/09 → 02/10	●		P06052MM	[o]	17	TRW	A00298	1127			
One D	66	03/10 → 06/14	●		P06034MM	[o]	17,8	TRW	A00299	807	→ 08/10		
	66	03/10 → 06/14	●		P06052MM	[o]	17	TRW	A00298	1127	→ 08/10		

MINI CLUBVAN (R55) 12/12 → 06/14

Cooper	90	12/12 → 06/14	●		P06034MM	[o]	17,8	TRW	A00446	815			
	90	12/12 → 06/14	●		P06052MM	[o]	17	TRW	A00447	1140			
Cooper D	82	12/12 → 06/14	●	-sport pack	P06034MM	[o]	17,8	TRW	A00299	807	+sport pack		
	82	12/12 → 06/14	●		P06052MM	[o]	17	TRW	A00298	1127	+sport pack		
	82	12/12 → 06/14	●	-John Cooper Works	P06086MM	[o]	18	TRW	A00299	807	+sport pack		
	82	12/12 → 06/14	●	+sport pack	P06068MM	[o]	14,8	BRE	A00299	807	+sport pack		
	72	12/12 → 06/14	●	-sport pack	P06034MM	[o]	17,8	TRW	A00446	815			
One	72	12/12 → 06/14	●	+sport pack	P06068MM	[o]	14,8	BRE	A00446	815			
	72	12/12 → 06/14	●		P06052MM	[o]	17	TRW	A00447	1140			

MINI Convertible (F57) 11/14 →

Cooper	100	11/14 →	●		P06034MM	[o]	17,8	TRW	A00506	200/475			
	100	11/14 →	●		P06090MM	[o]	16,6	TRW	A00507	642			
Cooper D	85	12/14 →	●		P06034MM	[o]	17,8	TRW	A00506	200/475			
	85	12/14 →	●		P06090MM	[o]	16,6	TRW	A00507	642			
Cooper S	141	11/14 →	●		P06092MM	[o]	18,3	TRW	A00506	200/475			
	141	11/14 →	●		P06090MM	[o]	16,6	TRW	A00507	642			
	120	11/14 →	●		P06092MM	[o]	18,3	TRW					
	120	11/14 →	●		P06090MM	[o]	16,6	TRW					
Cooper SD	125	05/15 →	●		P06092MM	[o]	18,3	TRW	A00506	200/475			
	125	05/15 →	●		P06090MM	[o]	16,6	TRW	A00507	642			
	120	05/15 →	●		P06092MM	[o]	18,3	TRW					
	120	05/15 →	●		P06090MM	[o]	16,6	TRW					

		kw						wi	Th [mm]	SYS		LENGHT				FK
--	--	----	--	--	--	--	--	----	---------	-----	--	--------	--	--	--	----

MINI

MINI Convertible (F57) 11/14 →

John Cooper Works	170	05/15 →		•			P06090MM	[O]	16,6	TRW	A00507	642				
One	75	06/15 →		•			P06034MM	[O]	17,8	TRW	A00506	200/475				
	75	06/15 →		•			P06090MM	[O]	16,6	TRW	A00507	642				

MINI Convertible (R52) 07/04 → 11/07

Cooper	85	07/04 → 11/07		•			P06030MM	[O]	18,3	ATE	A00296	885			A02202	
	85	07/04 → 11/07		•			P06032MM	[O]	16,3	ATE	A00297	1095				
Cooper S	125	07/04 → 11/07		•			P06030MM	[O]	18,3	ATE	A00296	885			A02202	
	125	07/04 → 11/07		•			P06032MM	[O]	16,3	ATE	A00297	1095				
	120	07/04 → 11/07		•			P06030MM	[O]	18,3	ATE	A00296	885				
	120	07/04 → 11/07		•			P06032MM	[O]	16,3	ATE	A00297	1095				
John Cooper Works	155	07/04 → 11/07		•			P06051MM	[O]	18	TRW					A02202	
	155	07/04 → 11/07		•			P06032MM	[O]	16,3	ATE						
One	66	07/04 → 11/07		•			P06030MM	[O]	18,3	ATE	A00296	885			A02202	
	66	07/04 → 11/07		•			P06032MM	[O]	16,3	ATE	A00297	1095				

MINI Convertible (R57) 10/07 → 06/15

Cooper	85	10/07 → 06/10		•			P06034MM	[O]	17,8	TRW	A00299	807	→ 08/10			
	85	10/07 → 06/10		•			P06051MM	[O]	18	TRW	A00299	807	→ 08/10			
	85	10/07 → 06/10		•			P06052MM	[O]	17	TRW	A00298	1127	→ 08/10			
	88	10/07 → 06/15		•			P06051MM	[O]	18	TRW	A00299	807	→ 08/10			
	88	10/07 → 06/15		•			P06034MM	[O]	17,8	TRW	A00299	807	→ 08/10			
	88	10/07 → 06/15		•			P06052MM	[O]	17	TRW	A00298	1127	→ 08/10			
	90	09/09 → 06/15		•			P06034MM	[O]	17,8	TRW	A00299	807	→ 08/10			
	90	09/09 → 06/15		•			P06052MM	[O]	17	TRW	A00298	1127	→ 08/10			
Cooper D	82	02/11 → 05/15		•			P06034MM	[O]	17,8	TRW	A00446	815				
	82	02/11 → 05/15		•			P06052MM	[O]	17	TRW	A00447	1140				
	82	05/09 → 11/13		•			P06034MM	[O]	17,8	TRW	A00299	807	→ 08/10; disc Ø 316 mm			
	82	05/09 → 11/13		•			P06052MM	[O]	17	TRW	A00298	1127	→ 08/10			
Cooper S	147	06/09 → 06/15		•			P06051MM	[O]	18	TRW	A00299	807	→ 08/10			
	147	06/09 → 06/15		•			P06052MM	[O]	17	TRW	A00298	1127	→ 08/10			
	128	11/07 → 07/10		•			P06051MM	[O]	18	TRW	A00299	807	→ 08/10			
	128	11/07 → 07/10		•			P06052MM	[O]	17	TRW	A00298	1127	→ 08/10			
	135	06/09 → 06/15		•			P06051MM	[O]	18	TRW	A00299	807	→ 08/10			
	135	06/09 → 06/15		•			P06052MM	[O]	17	TRW	A00298	1127	→ 08/10			
Cooper SD	105	06/09 → 05/15		•			P06034MM	[O]	17,8	TRW	A00446	815				
	105	06/09 → 05/15		•			P06052MM	[O]	17	TRW	A00447	1140				
John Cooper Works	155	08/08 → 05/15		•			P06068MM	[O]	14,8	BRE	A00299	807	→ 08/10			
	155	08/08 → 05/15		•			P06052MM	[O]	17	TRW	A00298	1127	→ 08/10			
One	72	09/09 → 06/15		•			P06034MM	[O]	17,8	TRW	A00299	807	→ 08/10			
	72	09/09 → 06/15		•			P06052MM	[O]	17	TRW	A00298	1127	→ 08/10			

MINI COUNTRYMAN (F60) 10/16 →

Cooper	100	10/16 →		•			P06093MM	[O]	18,6	TRW	A00506	200/475				
	100	10/16 →		•			P06094MM	[O]	16,2	ATE	A00507	642				
Cooper ALL4	100	10/16 →		•			P06093MM	[O]	18,6	TRW	A00506	200/475				
	100	10/16 →		•			P06094MM	[O]	16,2	ATE	A00507	642				
Cooper D	110	10/16 →		•			P06093MM	[O]	18,6	TRW	A00506	200/475				
	110	10/16 →		•			P06094MM	[O]	16,2	ATE	A00507	642				
	100	10/16 →		•			P06093MM	[O]	18,6	TRW						
	100	10/16 →		•			P06094MM	[O]	16,2	ATE						

										WI		FK		
	kw										LENGHT			

MINI

MINI COUNTRYMAN (F60) 10/16 →

Cooper D ALL4	110	10/16 →	●		P06093MM	[o]	18,6	TRW	A00506	200/475		
	110	10/16 →		●	P06094MM	[o]	16,2	ATE	A00507	642		
	100	10/16 →	●		P06093MM	[o]	18,6	TRW				
	100	10/16 →		●	P06094MM	[o]	16,2	ATE				
Cooper S	141	10/16 →	●		P06093MM	[o]	18,6	TRW	A00506	200/475		
	141	10/16 →		●	P06094MM	[o]	16,2	ATE	A00507	642		
	120	10/16 →	●		P06093MM	[o]	18,6	TRW				
	120	10/16 →		●	P06094MM	[o]	16,2	ATE				
Cooper S ALL4	141	10/16 →	●		P06093MM	[o]	18,6	TRW	A00506	200/475		
	141	10/16 →		●	P06094MM	[o]	16,2	ATE	A00507	642		
	120	10/16 →	●		P06093MM	[o]	18,6	TRW				
	120	10/16 →		●	P06094MM	[o]	16,2	ATE				
Cooper SD	140	10/16 →	●		P06093MM	[o]	18,6	TRW	A00506	200/475		
	140	10/16 →		●	P06094MM	[o]	16,2	ATE	A00507	642		
	120	10/16 →	●		P06093MM	[o]	18,6	TRW				
	120	10/16 →		●	P06094MM	[o]	16,2	ATE				
Cooper SD ALL4	140	10/16 →	●		P06093MM	[o]	18,6	TRW	A00506	200/475		
	140	10/16 →		●	P06094MM	[o]	16,2	ATE	A00507	642		
	120	10/16 →	●		P06093MM	[o]	18,6	TRW				
	120	10/16 →		●	P06094MM	[o]	16,2	ATE				
Cooper SE ALL4	100	01/17 →	●		P06093MM	[o]	18,6	TRW	A00506	200/475	Left	
	100	01/17 →		●	P06094MM	[o]	16,2	ATE	A00507	642		
	165	01/17 →	●		P06093MM	[o]	18,6	TRW	A00506	200/475	Left	
	165	01/17 →		●	P06094MM	[o]	16,2	ATE	A00507	642		
John Cooper Works ALL4	170	01/17 →		●	P06094MM	[o]	16,2	ATE	A00507	642		

MINI COUNTRYMAN (R60) 01/10 → 10/16

Cooper	85	01/10 → 10/16	●	(USA)	P06086MM	[o]	18	TRW	A00444	910		
	85	01/10 → 10/16		●	P06080MM	[o]	16,8	TRW	A00445	960		
	90	01/10 → 10/16	●	(USA)	P06086MM	[o]	18	TRW	A00444	910		
	90	01/10 → 10/16		●	P06080MM	[o]	16,8	TRW	A00445	960		
	88	01/10 → 10/16	●		P06086MM	[o]	18	TRW	A00444	910		
	88	01/10 → 10/16		●	P06080MM	[o]	16,8	TRW	A00445	960		
Cooper ALL4	90	11/12 → 10/16	●		P06086MM	[o]	18	TRW	A00444	910		
	90	11/12 → 10/16		●	P06080MM	[o]	16,8	TRW	A00445	960		
	90	11/12 → 09/16	●		P06086MM	[o]	18	TRW	A00444	910		
	90	11/12 → 09/16		●	P06080MM	[o]	16,8	TRW	A00445	960		
Cooper D	82	01/10 → 10/16	●		P06086MM	[o]	18	TRW	A00444	910		
	82	01/10 → 10/16		●	P06080MM	[o]	16,8	TRW	A00445	960		
Cooper D ALL4	82	07/10 → 09/16	●		P06086MM	[o]	18	TRW	A00444	910		
	82	07/10 → 09/16		●	P06080MM	[o]	16,8	TRW	A00445	960		
	82	01/10 → 09/16	●		P06086MM	[o]	18	TRW	A00444	910		
	82	01/10 → 09/16		●	P06080MM	[o]	16,8	TRW	A00445	960		
Cooper S	147	01/10 → 10/16	●		P06086MM	[o]	18	TRW	A00444	910		
	147	01/10 → 10/16		●	P06080MM	[o]	16,8	TRW	A00445	960		
	135	01/10 → 10/16	●	(USA)	P06086MM	[o]	18	TRW	A00444	910		
	135	01/10 → 10/16		●	P06080MM	[o]	16,8	TRW	A00445	960		
	140	01/10 → 10/16	●		P06086MM	[o]	18	TRW	A00444	910		

		kw						wi	Th [mm]	SYS	WI		FK		
												LENGHT			

MINI

MINI COUNTRYMAN (R60) 01/10 → 10/16

Cooper S	140	01/10 → 10/16	●				P06080MM	○	16,8	TRW	A00445	960			
Cooper S ALL4	120	01/10 → 10/16	●	(USA)			P06086MM	○	18	TRW	A00444	910			
	120	01/10 → 10/16	●				P06080MM	○	16,8	TRW	A00445	960			
	135	01/10 → 10/16	●	(USA)			P06086MM	○	18	TRW	A00444	910			
	135	01/10 → 10/16	●				P06080MM	○	16,8	TRW	A00445	960			
	140	01/10 → 10/16	●				P06086MM	○	18	TRW	A00444	910			
	140	01/10 → 10/16	●				P06080MM	○	16,8	TRW	A00445	960			
Cooper SD	105	01/10 → 10/16	●				P06086MM	○	18	TRW	A00444	910			
	105	01/10 → 10/16	●				P06080MM	○	16,8	TRW	A00445	960			
Cooper SD ALL4	100	01/10 → 09/16	●				P06086MM	○	18	TRW	A00444	910			
	100	01/10 → 09/16	●				P06080MM	○	16,8	TRW	A00445	960			
	105	01/10 → 09/16	●				P06086MM	○	18	TRW	A00444	910			
	105	01/10 → 09/16	●				P06080MM	○	16,8	TRW	A00445	960			
John Cooper Works ALL4	160	04/11 → 10/16	●				P06086MM	○	18	TRW	A00444	910			
	160	04/11 → 10/16	●				P06080MM	○	16,8	TRW	A00445	960			
One	72	01/10 → 09/16	●				P06086MM	○	18	TRW	A00444	910			
	72	01/10 → 09/16	●				P06080MM	○	16,8	TRW	A00445	960			
One D	66	01/10 → 10/16	●				P06086MM	○	18	TRW	A00444	910			
	66	01/10 → 10/16	●				P06080MM	○	16,8	TRW	A00445	960			

MINI Coupé (R58) 12/10 → 05/15

Cooper	90	12/10 → 04/15	●				P06034MM	○	17,8	TRW	A00446	815			
	90	12/10 → 04/15	●				P06052MM	○	17	TRW	A00447	1140			
	85	12/10 → 04/15	●				P06034MM	○	17,8	TRW	A00446	815			
	85	12/10 → 04/15	●				P06052MM	○	17	TRW	A00447	1140			
Cooper S	147	12/10 → 04/15	●				P06051MM	○	18	TRW	A00446	815			
	147	12/10 → 04/15	●				P06052MM	○	17	TRW	A00447	1140			
	135	12/10 → 04/15	●				P06051MM	○	18	TRW	A00446	815			
	135	12/10 → 04/15	●				P06052MM	○	17	TRW	A00447	1140			
	120	12/10 → 04/15	●				P06051MM	○	18	TRW	A00446	815			
	120	12/10 → 04/15	●				P06052MM	○	17	TRW	A00447	1140			
Cooper SD	105	12/10 → 05/15	●				P06034MM	○	17,8	TRW	A00446	815			
	105	12/10 → 05/15	●				P06052MM	○	17	TRW	A00447	1140			
	100	12/10 → 05/15	●				P06034MM	○	17,8	TRW	A00446	815			
	100	12/10 → 05/15	●				P06052MM	○	17	TRW	A00447	1140			
John Cooper Works	155	12/10 → 05/15	●				P06068MM	○	14,8	BRE	A00446	815			
	155	12/10 → 05/15	●				P06052MM	○	17	TRW	A00447	1140			

MINI PACEMAN (R61) 03/12 → 09/16

Cooper	90	04/12 → 09/16	●				P06086MM	○	18	TRW	A00444	910			
	90	04/12 → 09/16	●				P06080MM	○	16,8	TRW	A00445	960			
	88	04/12 → 09/16	●				P06086MM	○	18	TRW	A00444	910			
	88	04/12 → 09/16	●				P06080MM	○	16,8	TRW	A00445	960			
Cooper ALL	90	02/13 → 09/16	●				P06086MM	○	18	TRW	A00444	910			
	90	02/13 → 09/16	●				P06080MM	○	16,8	TRW	A00445	960			
	90	11/12 → 09/16	●				P06086MM	○	18	TRW	A00444	910			
Cooper D	90	11/12 → 09/16	●				P06080MM	○	16,8	TRW	A00445	960			
	82	04/12 → 09/16	●				P06086MM	○	18	TRW	A00444	910			
	82	04/12 → 09/16	●				P06080MM	○	16,8	TRW	A00445	960			
Cooper D ALL4	82	07/12 → 09/16	●				P06086MM	○	18	TRW	A00444	910			
	82	07/12 → 09/16	●				P06080MM	○	16,8	TRW	A00445	960			
	82	03/12 → 09/16	●				P06086MM	○	18	TRW	A00444	910			
	82	03/12 → 09/16	●				P06080MM	○	16,8	TRW	A00445	960			
Cooper D ALL4	82	04/12 → 09/16	●				P06086MM	○	18	TRW	A00444	910			
	82	04/12 → 09/16	●				P06080MM	○	16,8	TRW	A00445	960			
	82	04/12 → 09/16	●				P06080MM	○	16,8	TRW	A00445	960			

										WI		FK	
										MAGNETI MARELLI	LENGHT		MAGNETI MARELLI

MINI

MINI PACEMAN (R61) 03/12 → 09/16

Cooper S	135	04/12 → 09/16	●			P06086MM	[o]	18	TRW	A00444	910		
	135	04/12 → 09/16		●		P06080MM	[o]	16,8	TRW	A00445	960		
	140	04/12 → 09/16	●			P06086MM	[o]	18	TRW	A00444	910		
	140	04/12 → 09/16		●		P06080MM	[o]	16,8	TRW	A00445	960		
Cooper S ALL4	135	03/12 → 09/16	●			P06086MM	[o]	18	TRW	A00444	910		
	135	03/12 → 09/16		●		P06080MM	[o]	16,8	TRW	A00445	960		
	140	03/12 → 09/16	●			P06086MM	[o]	18	TRW	A00444	910		
	140	03/12 → 09/16		●		P06080MM	[o]	16,8	TRW	A00445	960		
	120	03/12 → 09/16	●			P06086MM	[o]	18	TRW				
Cooper SD	120	03/12 → 09/16		●		P06080MM	[o]	16,8	TRW				
	105	03/12 → 09/16	●			P06086MM	[o]	18	TRW	A00444	910		
Cooper SD ALL4	105	03/12 → 09/16		●		P06080MM	[o]	16,8	TRW	A00445	960		
	105	04/12 → 09/16	●			P06086MM	[o]	18	TRW	A00444	910		
Cooper SD ALL4	105	04/12 → 09/16		●		P06080MM	[o]	16,8	TRW	A00445	960		
	100	04/12 → 09/16	●			P06086MM	[o]	18	TRW				
	100	04/12 → 09/16		●		P06080MM	[o]	16,8	TRW				
John Cooper Works	160	09/12 → 09/16	●			P06086MM	[o]	18	TRW	A00444	910		
	160	09/12 → 09/16		●		P06080MM	[o]	16,8	TRW	A00445	960		

MINI Roadster (R59) 01/11 → 04/15

Cooper	90	01/11 → 04/15	●			P06034MM	[o]	17,8	TRW	A00446	815		
	90	01/11 → 04/15		●		P06052MM	[o]	17	TRW	A00447	1140		
	85	01/11 → 04/15	●			P06034MM	[o]	17,8	TRW	A00446	815		
	85	01/11 → 04/15		●		P06052MM	[o]	17	TRW	A00447	1140		
Cooper S	147	01/11 → 04/15	●			P06051MM	[o]	18	TRW	A00446	815		
	147	01/11 → 04/15		●		P06052MM	[o]	17	TRW	A00447	1140		
	120	01/11 → 04/15	●			P06051MM	[o]	18	TRW	A00446	815		
	120	01/11 → 04/15		●		P06052MM	[o]	17	TRW	A00447	1140		
	135	01/11 → 04/15	●			P06051MM	[o]	18	TRW	A00446	815		
	135	01/11 → 04/15		●		P06052MM	[o]	17	TRW	A00447	1140		
Cooper SD	105	01/11 → 04/15	●			P06034MM	[o]	17,8	TRW	A00446	815		
	105	01/11 → 04/15		●		P06052MM	[o]	17	TRW	A00447	1140		
	100	01/11 → 04/15	●			P06034MM	[o]	17,8	TRW	A00446	815		
	100	01/11 → 04/15		●		P06052MM	[o]	17	TRW	A00447	1140		
John Cooper Works	155	05/11 → 04/15	●			P06068MM	[o]	14,8	BRE	A00446	815		
	155	05/11 → 04/15		●		P06052MM	[o]	17	TRW	A00447	1140		

MITSUBISHI

3000 GT Coupé (Z1_A) 06/89 → 08/00

3.0 i 24V	210	06/92 → 08/99	●		→ 06/99	P54019MM	[+]	14,7	AKE				
4WD (Z16A)	210	06/92 → 08/99		●	→ 06/99	P54048MM	[+]	16,5	SUM				

ASX (GA_W_) 01/10 →

1.6 DI-D	84	07/15 →	●			P54030MM	[+]	16	AKE				
	84	07/15 →		●		P54031MM	[+]	15,5	AKE				
1.6 DI-D 4WD	84	07/15 →	●			P54030MM	[+]	16	AKE				
	84	07/15 →		●		P54031MM	[+]	15,5	AKE				
1.6 MIVEC	85	05/10 →	●			P54030MM	[+]	16	AKE				
	85	05/10 →		●	→ 08/12	P54031MM	[+]	15,5	AKE				
	85	05/10 →		●	08/12 →	P61111MM	[+]	14,3	AKE				
	86	06/10 →	●			P54030MM	[+]	16	AKE				
	86	06/10 →		●	→ 08/12	P54031MM	[+]	15,5	AKE				
	86	06/10 →		●	08/12 →	P61111MM	[+]	14,3	AKE				
1.8	102	02/10 →	●			P54030MM	[+]	16	AKE				
	102	02/10 →		●	→ 08/12	P54031MM	[+]	15,5	AKE				

MITSUBISHI

ASX (GA_W_) 01/10 →

1.8	102	02/10 →		●	08/12 →	P61111MM	[+]	14,3	AKE				
1.8 Di-D	85	06/10 →	●			P54030MM	[+]	16	AKE				
	85	06/10 →		●	→ 08/12	P54031MM	[+]	15,5	AKE				
	85	06/10 →		●	08/12 →	P61111MM	[+]	14,3	AKE				
	110	06/10 →	●			P54030MM	[+]	16	AKE				
	110	06/10 →		●	→ 08/12	P54031MM	[+]	15,5	AKE				
	110	06/10 →		●	08/12 →	P61111MM	[+]	14,3	AKE				
1.8 Di-D 4WD	85	06/10 →	●			P54030MM	[+]	16	AKE				
	85	06/10 →		●	→ 08/12	P54031MM	[+]	15,5	AKE				
	85	06/10 →		●	08/12 →	P61111MM	[+]	14,3	AKE				
	110	06/10 →	●			P54030MM	[+]	16	AKE				
	110	06/10 →		●	→ 08/12	P54031MM	[+]	15,5	AKE				
2.0 i	110	06/10 →		●	→ 08/12	P54031MM	[+]	15,5	AKE				
	110	06/10 →		●	08/12 →	P61111MM	[+]	14,3	AKE				
	110	06/10 →	●			P54030MM	[+]	16	AKE				
	110	06/10 →		●	→ 08/12	P54031MM	[+]	15,5	AKE				
2.0 i 4WD	110	06/10 →		●	→ 08/12	P54031MM	[+]	15,5	AKE				
	110	06/10 →		●	08/12 →	P61111MM	[+]	14,3	AKE				
	110	06/10 →	●			P54030MM	[+]	16	AKE				
2.2 Di-D 4WD	110	04/13 →	●			P54030MM	[+]	16	AKE				
	110	04/13 →		●		P61111MM	[+]	14,3	AKE				

ASX Van (GA_W_) 06/10 →

1.8 Di-D 4WD	110	06/10 →	●			P54030MM	[+]	16	AKE				
	110	06/10 →		●	→ 08/12	P54031MM	[+]	15,5	AKE				
	110	06/10 →		●	08/12 →	P61111MM	[+]	14,3	AKE				

CARISMA (DA_) 07/95 → 06/06

1.6 (DA1A)	66	07/95 → 06/06	●		→ 02/99; 13" wheel	P54021MM	[+]	15,1	TRW					
	66	07/95 → 06/06	●		03/99 → 06/00; 14" wheel	P54022MM	[+]	15,1	TRW					
	66	07/95 → 06/06	●		07/00 →; 15" wheel	P86017MM	[+]	17,3	TRW					
	66	07/95 → 06/06	●			P54016MM	[+]	14,5	AKE					
	66	07/95 → 06/06	●			P54023MM	[+]	16,8	TRW					
	73	05/97 → 06/06	●		→ 02/99; 13" wheel	P54021MM	[+]	15,1	TRW					
	73	05/97 → 06/06	●		03/99 → 06/00; 14" wheel	P54022MM	[+]	15,1	TRW					
	73	05/97 → 06/06	●		07/00 →; 15" wheel	P86017MM	[+]	17,3	TRW					
	73	05/97 → 06/06	●			P54016MM	[+]	14,5	AKE					
	73	05/97 → 06/06	●			P54023MM	[+]	16,8	TRW					
	70	12/98 → 06/06	●		→ 02/99; 13" wheel	P54021MM	[+]	15,1	TRW					
	70	12/98 → 06/06	●		03/99 → 06/00; 14" wheel	P54022MM	[+]	15,1	TRW					
	70	12/98 → 06/06	●		07/00 →; 15" wheel	P86017MM	[+]	17,3	TRW					
	70	12/98 → 06/06	●			P54016MM	[+]	14,5	AKE					
	70	12/98 → 06/06	●			P54023MM	[+]	16,8	TRW					
	76	09/00 → 06/06	●			P86017MM	[+]	17,3	TRW					
	76	09/00 → 06/06	●			P54016MM	[+]	14,5	AKE					
	76	09/00 → 06/06	●			P54023MM	[+]	16,8	TRW					
	1.8 (DA2A)	85	07/95 → 07/97	●		→ 06/00; 14" wheel	P54022MM	[+]	15,1	TRW				
		85	07/95 → 07/97	●		03/99 →; 15" wheel	P86017MM	[+]	17,3	TRW				
85		07/95 → 07/97	●			P54016MM	[+]	14,5	AKE					
85		07/95 → 07/97	●			P54023MM	[+]	16,8	TRW					
1.8 16V GDI (DA2A)	92	09/97 → 06/06	●		→ 06/00; 14" wheel	P54022MM	[+]	15,1	TRW					
	92	09/97 → 06/06	●		03/99 →; 15" wheel	P86017MM	[+]	17,3	TRW					
	92	09/97 → 06/06	●			P54016MM	[+]	14,5	AKE					
	92	09/97 → 06/06	●			P54023MM	[+]	16,8	TRW					

									WI			FK	
	kw						Th [mm]		MAGNETI MARELLI	LENGHT		MAGNETI MARELLI	

MITSUBISHI

CARISMA (DA_) 07/95 → 06/06

1.8 GDI (DA2A)	90	10/00 → 06/06	●		P86017MM	[+]	17,3	TRW					
	90	10/00 → 06/06	●		P54016MM	[+]	14,5	AKE					
	90	10/00 → 06/06	●		P54023MM	[+]	16,8	TRW					
1.8 MSX - 16V (DA2A)	103	07/95 → 07/97	●	→ 06/00; 14" wheel	P54022MM	[+]	15,1	TRW					
	103	07/95 → 07/97	●	03/99 →; 15" wheel	P86017MM	[+]	17,3	TRW					
	103	07/95 → 07/97	●		P54016MM	[+]	14,5	AKE					
	103	07/95 → 07/97	●		P54023MM	[+]	16,8	TRW					
1.9 DI-D	85	09/00 → 06/06	●		P86017MM	[+]	17,3	TRW					
	85	09/00 → 06/06	●		P54016MM	[+]	14,5	AKE					
	85	09/00 → 06/06	●		P54023MM	[+]	16,8	TRW					
1.9 DI-D (DA5A)	75	09/00 → 06/06	●		P86017MM	[+]	17,3	TRW					
	75	09/00 → 06/06	●		P54016MM	[+]	14,5	AKE					
	75	09/00 → 06/06	●		P54023MM	[+]	16,8	TRW					
1.9 TD (DA4A)	66	10/96 → 09/00	●	→ 02/99; 13" wheel	P54021MM	[+]	15,1	TRW					
	66	10/96 → 09/00	●	03/99 →; 14" wheel	P54022MM	[+]	15,1	TRW					
	66	10/96 → 09/00	●		P54016MM	[+]	14,5	AKE					
	66	10/96 → 09/00	●		P54023MM	[+]	16,8	TRW					

CARISMA Saloon (DA_) 09/96 → 06/06

1.3 16V	60	09/00 → 10/04	●		P86017MM	[+]	17,3	TRW					
	60	09/00 → 10/04	●	Akebono; +rear disc	P54016MM	[+]	14,5	AKE					
	60	09/00 → 10/04	●	Lucas; +rear disc	P54023MM	[+]	16,8	TRW					
1.6 (DA1A)	66	09/96 → 06/06	●	→ 02/99; 13" wheel	P54021MM	[+]	15,1	TRW					
	66	09/96 → 06/06	●	03/99 → 06/00; 14" wheel	P54022MM	[+]	15,1	TRW					
	66	09/96 → 06/06	●	07/00 →; 15" wheel	P86017MM	[+]	17,3	TRW					
	66	09/96 → 06/06	●		P54016MM	[+]	14,5	AKE					
	66	09/96 → 06/06	●		P54023MM	[+]	16,8	TRW					
	73	05/97 → 06/06	●	→ 02/99; 13" wheel	P54021MM	[+]	15,1	TRW					
	73	05/97 → 06/06	●	03/99 → 06/00; 14" wheel	P54022MM	[+]	15,1	TRW					
	73	05/97 → 06/06	●	07/00 →; 15" wheel	P86017MM	[+]	17,3	TRW					
	73	05/97 → 06/06	●		P54016MM	[+]	14,5	AKE					
	73	05/97 → 06/06	●		P54023MM	[+]	16,8	TRW					
	70	12/98 → 06/06	●	→ 02/99; 13" wheel	P54021MM	[+]	15,1	TRW					
	70	12/98 → 06/06	●	03/99 → 06/00; 14" wheel	P54022MM	[+]	15,1	TRW					
	70	12/98 → 06/06	●	07/00 →; 15" wheel	P86017MM	[+]	17,3	TRW					
	70	12/98 → 06/06	●		P54016MM	[+]	14,5	AKE					
	70	12/98 → 06/06	●		P54023MM	[+]	16,8	TRW					
76	09/00 → 06/06	●		P86017MM	[+]	17,3	TRW						
76	09/00 → 06/06	●		P54016MM	[+]	14,5	AKE						
76	09/00 → 06/06	●		P54023MM	[+]	16,8	TRW						
1.8 (DA2A)	85	09/96 → 09/97	●	→ 06/00; 14" wheel	P54022MM	[+]	15,1	TRW					
	85	09/96 → 09/97	●	03/99 →; 15" wheel	P86017MM	[+]	17,3	TRW					
	85	09/96 → 09/97	●		P54016MM	[+]	14,5	AKE					
	85	09/96 → 09/97	●		P54023MM	[+]	16,8	TRW					
1.8 16V GDI (DA2A)	92	09/97 → 06/06	●	→ 06/00; 14" wheel	P54022MM	[+]	15,1	TRW					
	92	09/97 → 06/06	●	03/99 →; 15" wheel	P86017MM	[+]	17,3	TRW					
	92	09/97 → 06/06	●		P54016MM	[+]	14,5	AKE					
92	09/97 → 06/06	●		P54023MM	[+]	16,8	TRW						
1.8 GDI (DA2A)	90	10/00 → 06/06	●		P86017MM	[+]	17,3	TRW					
	90	10/00 → 06/06	●		P54016MM	[+]	14,5	AKE					
	90	10/00 → 06/06	●		P54023MM	[+]	16,8	TRW					
1.9 DI-D	85	09/00 → 06/06	●		P86017MM	[+]	17,3	TRW					
	85	09/00 → 06/06	●		P54016MM	[+]	14,5	AKE					
	85	09/00 → 06/06	●		P54023MM	[+]	16,8	TRW					

MITSUBISHI

CARISMA Saloon (DA_) 09/96 → 06/06

1.9 DI-D (DA5A)	75	09/00 → 06/06	●			P86017MM	[+]	17,3	TRW						
	75	09/00 → 06/06		●		P54016MM	[+]	14,5	AKE						
	75	09/00 → 06/06		●		P54023MM	[+]	16,8	TRW						
1.9 TD (DA4A)	66	10/96 → 09/00	●		→ 02/99; 13" wheel	P54021MM	[+]	15,1	TRW						
	66	10/96 → 09/00	●		03/99 →; 14" wheel	P54022MM	[+]	15,1	TRW						
	66	10/96 → 09/00		●		P54016MM	[+]	14,5	AKE						
	66	10/96 → 09/00		●		P54023MM	[+]	16,8	TRW						
2.0 16V GT EVO VI/VII	206	11/99 → 06/06	●			P86017MM	[+]	17,3	TRW						
	206	11/99 → 06/06		●		P54016MM	[+]	14,5	AKE						

COLT CZC Convertible (RG) 05/06 → 07/09

1.5 (Z23)	80	05/06 → 07/09	●			P50055MM	[+]	17,4	TRW						
	80	05/06 → 07/09		●		P54023MM	[+]	16,8	TRW						
1.5 Turbo (Z23)	110	05/06 → 07/09	●			P54036MM	[+]	16,5	TRW						
	110	05/06 → 07/09		●		P54023MM	[+]	16,8	TRW						

COLT V (CJ_, CP_) 09/95 → 09/03

1.5 16V (CJ2A)	69	10/99 → 09/03	●			P54015MM	[+]	15	SUM					A02242	
1300 (CJ1A)	60	06/00 → 09/03	●			P54015MM	[+]	15	SUM					A02242	
1300 GL, GLX (CJ1A)	55	05/96 → 06/00	●			P54015MM	[+]	15	SUM					A02242	
1600	76	09/00 → 09/03	●			P54015MM	[+]	15	SUM					A02242	
1600 GLX (CJ4A)	66	05/96 → 09/00	●			P54015MM	[+]	15	SUM					A02242	

COLT VI (Z3_A, Z2_A) 10/02 → 12/12

1.1	55	10/04 → 06/12	●			P50055MM	[+]	17,4	TRW						
	55	10/04 → 06/12		●		P54023MM	[+]	16,8	TRW						
1.1 LPG	55	10/04 → 06/12	●			P50055MM	[+]	17,4	TRW						
	55	10/04 → 06/12		●		P54023MM	[+]	16,8	TRW						
1.3	68	10/04 → 06/12	●			P50055MM	[+]	17,4	TRW						
	68	10/04 → 06/12		●		P54023MM	[+]	16,8	TRW						
	70	06/04 → 06/12	●			P50055MM	[+]	17,4	TRW						
	70	06/04 → 06/12		●		P54023MM	[+]	16,8	TRW						
1.3 LPG	70	06/04 → 06/12	●			P50055MM	[+]	17,4	TRW						
	70	06/04 → 06/12		●		P54023MM	[+]	16,8	TRW						
1.5	80	06/04 → 06/12	●			P50055MM	[+]	17,4	TRW						
	80	06/04 → 06/12		●		P54023MM	[+]	16,8	TRW						
1.5 (Z23)	77	07/06 → 06/12	●			P50055MM	[+]	17,4	TRW						
	77	07/06 → 06/12		●		P54023MM	[+]	16,8	TRW						
1.5 (Z27)	72	09/04 → 02/06	●			P50055MM	[+]	17,4	TRW						
	72	09/04 → 02/06		●		P54023MM	[+]	16,8	TRW						
1.5 CZT	110	03/05 → 06/12	●			P54036MM	[+]	16,5	TRW						
	110	03/05 → 06/12		●		P54023MM	[+]	16,8	TRW						
1.5 DI-D	50	08/04 → 06/12	●			P50055MM	[+]	17,4	TRW						
	50	08/04 → 06/12		●		P54023MM	[+]	16,8	TRW						
	70	08/04 → 06/12	●			P50055MM	[+]	17,4	TRW						
	70	08/04 → 06/12		●		P54023MM	[+]	16,8	TRW						
1.5 Ralliart R	120	02/10 → 06/12	●			P54036MM	[+]	16,5	TRW						
	120	02/10 → 06/12		●		P54023MM	[+]	16,8	TRW						
1.5 Turbo (Z23)	113	09/06 → 06/12	●			P54036MM	[+]	16,5	TRW						
	113	09/06 → 06/12		●		P54023MM	[+]	16,8	TRW						

DELICA / SPACE GEAR 01/94 → 01/07

2.0	83	09/95 → 10/02	●			P54020MM	[+]	15,5	AKE						
2.4	97	05/95 → 05/00	●			P54020MM	[+]	15,5	AKE						

									WI			FK	
	kw						[mm]			LENGHT			

MITSUBISHI

ECLIPSE II (D3_A) 04/94 → 04/99

2000 GS 16V (D32A)	107	12/95 → 04/99	●			P54014MM	[+]	16	SUM				
	107	12/95 → 04/99		●		P54012MM	[+]	15,5	AKE			A02262	
2000 GT 16V	157	12/95 → 04/99	●			P54014MM	[+]	16	SUM				
	157	12/95 → 04/99		●		P54012MM	[+]	15,5	AKE			A02262	
2400 GS 16V	105	09/98 → 04/99	●			P54014MM	[+]	16	SUM				
	105	09/98 → 04/99		●		P54012MM	[+]	15,5	AKE			A02262	

ECLIPSE IV (DK_A) 04/05 → 12/12

3.8	196	09/05 → 12/08	●			P18001MM	[+]	17	AKE				
	196	09/05 → 12/08		●		P54012MM	[+]	15,5	AKE				

FTO Coupé (DE_A) 09/94 → 07/01

1.8 (DE2A)	92	09/94 → 07/01	●			P54014MM	[+]	16	SUM				
	92	09/94 → 07/01		●		P54016MM	[+]	14,5	AKE				
2.0 (DE3A)	127	09/94 → 07/01	●			P54014MM	[+]	16	SUM				
	127	09/94 → 07/01		●		P54016MM	[+]	14,5	AKE				
	132	08/97 → 07/01	●			P54014MM	[+]	16	SUM				
	132	08/97 → 07/01		●		P54016MM	[+]	14,5	AKE				
	147	09/94 → 07/01	●			P54017MM	[+]	15,7	AKE				
	147	09/94 → 07/01		●		P54016MM	[+]	14,5	AKE				

GALANT Saloon (DJ_, ED_, EF_) 10/03 →

2.4	116	10/03 →	●			P54030MM	[+]	16	AKE				
	116	10/03 →		●		P54012MM	[+]	15,5	AKE				

GALANT VI (EA_) 09/96 → 10/04

2.0 (EA2A)	100	09/96 → 09/00	●	→ 11/97		P54014MM	[+]	16	SUM				
	100	09/96 → 09/00	●	12/97 → 03/00		P54017MM	[+]	15,7	AKE				
	100	09/96 → 09/00	●	04/00 →		P54030MM	[+]	16	AKE				
	100	09/96 → 09/00	●			P54012MM	[+]	15,5	AKE				
	98	09/00 → 10/04	●			P54030MM	[+]	16	AKE				
	98	09/00 → 10/04	●			P54012MM	[+]	15,5	AKE			A02262	
2.0 GDI	107	10/99 → 10/04	●			P54014MM	[+]	16	SUM				
	107	10/99 → 10/04	●	+rear disc		P54012MM	[+]	15,5	AKE				
2.0 TDI (EA6A)	66	09/96 → 10/04	●	→ 11/97		P54014MM	[+]	16	SUM				
	66	09/96 → 10/04	●	12/97 → 03/00		P54017MM	[+]	15,7	AKE				
	66	09/96 → 10/04	●	04/00 →		P54030MM	[+]	16	AKE				
	66	09/96 → 10/04	●			P54012MM	[+]	15,5	AKE				
2.4 GDI (EA3A)	110	02/99 → 09/00	●			P54030MM	[+]	16	AKE				
	110	02/99 → 09/00	●			P54014MM	[+]	16	SUM				
	110	02/99 → 09/00	●			P54012MM	[+]	15,5	AKE			A02262	
	106	09/00 → 10/04	●			P54030MM	[+]	16	AKE				
	106	09/00 → 10/04	●			P54014MM	[+]	16	SUM				
2.5 Type S	151	10/99 → 10/04	●	→ 03/00		P54017MM	[+]	15,7	AKE				
	151	10/99 → 10/04	●	→ 10/03		P54030MM	[+]	16	AKE				
	151	10/99 → 10/04	●			P54012MM	[+]	15,5	AKE				
2.5 V6 24V	206	09/96 → 10/02	●			P54017MM	[+]	15,7	AKE			A02236	
	206	09/96 → 10/02	●			P54025MM	[+]	15	AKE			A02201	
2.5 V6 24V (EA5A)	120	09/96 → 09/00	●	→ 11/97		P54014MM	[+]	16	SUM				
	120	09/96 → 09/00	●	12/97 → 03/00		P54017MM	[+]	15,7	AKE				
	120	09/96 → 09/00	●	04/00 →		P54030MM	[+]	16	AKE				
	120	09/96 → 09/00	●			P54012MM	[+]	15,5	AKE				
	118	09/00 → 10/04	●	→ 10/03		P54030MM	[+]	16	AKE				
	118	09/00 → 10/04	●			P54014MM	[+]	16	SUM				
118	09/00 → 10/04	●			P54012MM	[+]	15,5	AKE			A02262		

--	--	--	--	--	--	--	--	--	--	--	--	--	--	--	--

MITSUBISHI

GALANT VI Estate (EA_) 09/96 → 10/03

2.0 (EA2W)	100	09/96 → 09/00	●	→ 11/97	P54014MM	[+]	16	SUM						A02262	12/97 → 03/00	
	100	09/96 → 09/00	●	12/97 → 03/00	P54017MM	[+]	15,7	AKE						A02262	12/97 → 03/00	
	100	09/96 → 09/00	●	04/00 →	P54030MM	[+]	16	AKE						A02262	12/97 → 03/00	
	100	09/96 → 09/00	●		P54012MM	[+]	15,5	AKE						A02262	12/97 → 03/00	
	98	09/00 → 10/03	●		P54030MM	[+]	16	AKE								
	98	09/00 → 10/03	●		P54012MM	[+]	15,5	AKE						A02262		
2.0 TDI (EA6W)	66	09/96 → 10/03	●	→ 11/97	P54014MM	[+]	16	SUM						A02262	12/97 → 03/00	
	66	09/96 → 10/03	●	12/97 → 03/00	P54017MM	[+]	15,7	AKE						A02262	12/97 → 03/00	
	66	09/96 → 10/03	●	04/00 →	P54030MM	[+]	16	AKE						A02262	12/97 → 03/00	
	66	09/96 → 10/03	●		P54012MM	[+]	15,5	AKE						A02262	12/97 → 03/00	
2.4 GDI (EA3W)	110	02/99 → 10/03	●		P54017MM	[+]	15,7	AKE								
	110	02/99 → 10/03	●		P54012MM	[+]	15,5	AKE						A02262		
	106	09/00 → 10/03	●		P54030MM	[+]	16	AKE								
	106	09/00 → 10/03	●		P54012MM	[+]	15,5	AKE						A02262		
2.5 V6 24V	206	09/96 → 10/02	●		P54017MM	[+]	15,7	AKE						A02236		
	206	09/96 → 10/02	●		P54025MM	[+]	15	AKE						A02201		
2.5 V6 24V (EA5W)	120	09/96 → 09/00	●	03/00 →	P54030MM	[+]	16	AKE						A02262	12/97 → 02/00	
	120	09/96 → 09/00	●	→ 02/00; 15" wheel	P54017MM	[+]	15,7	AKE						A02262	12/97 → 02/00	
	120	09/96 → 09/00	●		P54012MM	[+]	15,5	AKE						A02262	12/97 → 02/00	
	118	09/00 → 10/03	●		P54030MM	[+]	16	AKE								
	118	09/00 → 10/03	●		P54012MM	[+]	15,5	AKE						A02262		

GALLOPER (JK-01) 09/98 → 12/03

2.5 TD	65	09/98 → 12/03	●		P54027MM	[+]	17	SUM							
	65	09/98 → 12/03	●		P54026MM	[+]	15	SUM							
2.5 TD intercooler	73	09/98 → 12/03	●		P54027MM	[+]	17	SUM							
	73	09/98 → 12/03	●		P54026MM	[+]	15	SUM							
3.0 V6	104	09/98 → 12/03	●		P54027MM	[+]	17	SUM							

GRANDIS (NA_W) 03/03 → 12/11

2.0 DI-D (NA8W)	100	09/05 → 03/10	●		P54029MM	[+]	16	SUM							
	100	09/05 → 03/10	●		P54031MM	[+]	15,5	AKE							
	103	02/07 → 03/10	●		P54029MM	[+]	16	SUM							
	103	02/07 → 03/10	●		P54031MM	[+]	15,5	AKE							
2.4 MIVEC (NA4W)	121	04/04 → 12/11	●		P54029MM	[+]	16	SUM							
	121	04/04 → 12/11	●		P54031MM	[+]	15,5	AKE							
	130	04/04 → 12/11	●		P54029MM	[+]	16	SUM							
	130	04/04 → 12/11	●		P54031MM	[+]	15,5	AKE							

GTO Coupé (Z1_A) 06/89 → 09/00

3.0 AWD	163	05/96 → 08/00	●		P54019MM	[+]	14,7	AKE							
	163	05/96 → 08/00	●		P54048MM	[+]	16,5	SUM							
	165	06/89 → 04/96	●		P54019MM	[+]	14,7	AKE							
	165	06/89 → 04/96	●		P54048MM	[+]	16,5	SUM							
	210	06/92 → 04/96	●		P54019MM	[+]	14,7	AKE							
	210	06/92 → 04/96	●		P54048MM	[+]	16,5	SUM							
	206	05/96 → 09/00	●		P54019MM	[+]	14,7	AKE							
	206	05/96 → 09/00	●		P54048MM	[+]	16,5	SUM							

i (HA_) 01/06 →

0.7	38	01/10 →	●	→ 09/10	P54049MM	[-]	14,7	SUM							
	42	01/06 →	●	→ 09/10	P54049MM	[-]	14,7	SUM							
MiEV (HA4W)	49	02/11 →	●	-(EU)	P54049MM	[-]	14,7	SUM							
	49	02/11 →	●	(EU)	P61108MM	[+]	14,7	SUM							
	47	07/09 →	●	10/10 →; (EU)	P61108MM	[+]	14,7	SUM							
	47	07/09 →	●	→ 09/10	P54049MM	[-]	14,7	SUM							
	35	07/09 →	●	10/10 →	P61108MM	[+]	14,7	SUM							
	35	07/09 →	●	→ 09/10	P54049MM	[-]	14,7	SUM							

								WI			FK		
	kw					wi	Th [mm]	SYS		LENGHT			

MITSUBISHI

L 200 (K7_T, K6_T) 01/96 → 12/07

2.0 (K62T)	90	06/96 → 12/07	●						P54033MM	[+]	15,5	SUM				
	90	06/96 → 12/07	●	→ 05/00					P54020MM	[+]	15,5	AKE				
	90	06/96 → 12/07	●	06/00 →					P54037MM	[+]	16	SUM				
2.4 4WD (K75T)	97	06/96 → 12/07	●						P54017MM	[+]	15,7	AKE				
	97	06/96 → 12/07	●						P54020MM	[+]	15,5	AKE				
	97	06/96 → 12/07	●						P54033MM	[+]	15,5	SUM				
	97	06/96 → 12/07	●						P54037MM	[+]	16	SUM				
2.5 D (K64T)	55	06/96 → 12/07	●						P54033MM	[+]	15,5	SUM				
	55	06/96 → 12/07	●	→ 05/00					P54020MM	[+]	15,5	AKE				
	55	06/96 → 12/07	●	06/00 →					P54037MM	[+]	16	SUM				
2.5 TD (K64T)	66	08/01 → 11/05	●						P54020MM	[+]	15,5	AKE				
	66	08/01 → 11/05	●						P54033MM	[+]	15,5	SUM				
	66	08/01 → 11/05	●						P54037MM	[+]	16	SUM				
2.5 TD 4WD (K74T)	73	06/96 → 12/07	●						P54033MM	[+]	15,5	SUM				
	73	06/96 → 12/07	●						P54037MM	[+]	16	SUM				
	73	06/96 → 12/07	●						P54020MM	[+]	15,5	AKE				
	85	09/01 → 12/07	●						P54033MM	[+]	15,5	SUM			A02236	
	85	09/01 → 12/07	●						P54020MM	[+]	15,5	AKE			A02236	
	85	09/01 → 12/07	●						P54037MM	[+]	16	SUM			A02236	
	98	08/01 → 12/07	●						P54033MM	[+]	15,5	SUM			A02236	
	98	08/01 → 12/07	●						P54020MM	[+]	15,5	AKE			A02236	
2.8 TD 4WD	92	04/03 → 06/06	●						P54020MM	[+]	15,5	AKE				
3.0 4WD	133	10/96 → 10/06	●						P54020MM	[+]	15,5	AKE				

L 200 / TRITON (KA_T, KB_T) 01/04 → 12/15

2.5 DI-D (16V) 4WD	98	04/07 → 12/15	●						P54038MM	[+]	16	TOK				
	98	04/07 → 12/15	●						P54055MM	[+]	16	TOK				
2.5 DI-D (KA4T)	100	11/05 → 12/15	●						P54038MM	[+]	16	TOK				
	123	08/07 → 12/15	●	→ 09/13					P54055MM	[+]	16	TOK				
	123	08/07 → 12/15	●	09/13 →					P54038MM	[+]	16	TOK				
	94	04/10 → 12/15	●						P54038MM	[+]	16	TOK				
2.5 DI-D 4WD (KB4T)	100	11/05 → 12/15	●						P54038MM	[+]	16	TOK				
	123	10/07 → 12/15	●						P54038MM	[+]	16	TOK				
	131	04/10 → 12/15	●						P54038MM	[+]	16	TOK				
2.4 DI-D (KJ0T)	113	09/15 →	●						P54038MM	[+]	16	TOK				
	113	09/15 →	●						P54055MM	[+]	16	TOK				
2.4 DI-D 4WD	133	11/14 →	●						P54038MM	[+]	16	TOK				
2.4 DI-D 4WD (KJ0T)	113	09/15 →	●						P54038MM	[+]	16	TOK				
	113	09/15 →	●						P54055MM	[+]	16	TOK				
2.5 DI-D 4WD	131	11/14 →	●						P54038MM	[+]	16	TOK				
	100	11/14 →	●						P54038MM	[+]	16	TOK				
	100	11/14 →	●						P54055MM	[+]	16	TOK				

L 300 III Box (P0_V, P1_V, P_2V) 11/86 → 09/13

1.6 (P12V, P02V)	51	11/86 → 05/94	●						P54008MM	[+]	16,5	SUM				
2.0 (P03V, P13V)	64	11/86 → 05/96	●						P54008MM	[+]	16,5	SUM				
2.0 (P23W, P23V)	82	06/94 → 05/02	●						P54008MM	[+]	16,5	SUM				
	83	11/03 → 02/06	●						P54008MM	[+]	16,5	SUM				
2.0 4WD (P23W, P23V)	63	08/88 → 05/94	●						P54008MM	[+]	16,5	SUM				
2.4 4WD (P24V, P24W)	82	11/86 → 08/97	●						P54008MM	[+]	16,5	SUM				

Car Model	kw	Date	Status	MAGNETI MARELLI	WI	Th [mm]	SYS	WI			FK	
								MAGNETI MARELLI	LENGHT	<i>i</i>	MAGNETI MARELLI	<i>i</i>

MITSUBISHI

L 300 III Box (P0_V, P1_V, P_2V) 11/86 → 09/13

2.5 D (P05V, P05W, P15V)	51	11/86 → 02/06	●		P54008MM	[+]	16,5	SUM				
2.5 TD 4WD	64	11/91 → 05/03	●		P54008MM	[+]	16,5	SUM				

L 300 III Bus (P0_W, P1_W, P2_W) 11/86 → 12/06

1.6 (P02W, P12W)	51	11/86 → 05/04	●		P54008MM	[+]	16,5	SUM				
2.0 (P03W, P13W)	64	11/86 → 05/04	●		P54008MM	[+]	16,5	SUM				
	66	11/86 → 05/04	●		P54008MM	[+]	16,5	SUM				
2.0 4WD (P23W, P03W, P13W)	65	12/86 → 05/04	●		P54008MM	[+]	16,5	SUM				
	66	11/86 → 05/04	●		P54008MM	[+]	16,5	SUM				
2.0 i (P00W, P03W, P13W)	83	06/94 → 10/98	●		P54008MM	[+]	16,5	SUM				
2.4 (P04W, P14W)	82	11/90 → 05/04	●		P54008MM	[+]	16,5	SUM				
2.4 4WD (P24W)	80	11/86 → 12/90	●		P54008MM	[+]	16,5	SUM				
	82	11/90 → 05/04	●		P54008MM	[+]	16,5	SUM				
2.4 i	97	09/94 → 05/04	●		P54008MM	[+]	16,5	SUM				
2.5 D (P05W, P15W)	55	09/91 → 09/03	●		P54008MM	[+]	16,5	SUM				
2.5 D (P05W, P15W, P25W)	51	11/86 → 05/04	●		P54008MM	[+]	16,5	SUM				
2.5 TD (P05W)	64	02/87 → 05/03	●		P54008MM	[+]	16,5	SUM				
2.5 TD 4WD (P25W)	64	11/88 → 05/04	●		P54008MM	[+]	16,5	SUM				

L 300 III Platform/Chassis (P1_T) 04/94 → 04/00

2.0 (P13T)	85	07/94 → 04/00	●	→ 12/95	P54008MM	[+]	16,5	SUM			A02236	01/96 →
	85	07/94 → 04/00	●	01/96 →	P54020MM	[+]	15,5	AKE			A02236	01/96 →
2.5 TD (P15T)	64	11/94 → 04/00	●	→ 12/95	P54008MM	[+]	16,5	SUM			A02236	01/96 →
	64	11/94 → 04/00	●	01/96 →	P54020MM	[+]	15,5	AKE			A02236	01/96 →

L 400 Box (PD_W, PC_W, PB_V, PA_W, PA_V) 12/94 → 04/07

1.6	51	06/96 → 10/02	●		P54017MM	[+]	15,7	AKE			A02236	
	51	06/96 → 10/02	●		P54020MM	[+]	15,5	AKE			A02236	
2.0	85	06/96 → 03/01	●		P54017MM	[+]	15,7	AKE			A02236	
	85	06/96 → 03/01	●		P54020MM	[+]	15,5	AKE			A02236	
2.0 (PA3W)	83	12/94 → 10/02	●		P54017MM	[+]	15,7	AKE			A02236	
	83	12/94 → 10/02	●		P54020MM	[+]	15,5	AKE			A02236	
2.4	97	06/96 → 10/02	●		P54017MM	[+]	15,7	AKE			A02236	
	97	06/96 → 10/02	●		P54020MM	[+]	15,5	AKE			A02236	
2500 TD (PD5W, PD5V, PA5W, PA5V)	64	09/96 → 06/05	●		P54017MM	[+]	15,7	AKE			A02236	
	64	09/96 → 06/05	●		P54020MM	[+]	15,5	AKE			A02236	
	64	09/96 → 06/05	●	●	P54018MM	[+]	14	AKE				
2500 TD 4WD (PD5W, PD5V, PA5W, PA5V)	64	09/96 → 06/05	●		P54017MM	[+]	15,7	AKE			A02236	
	64	09/96 → 06/05	●		P54020MM	[+]	15,5	AKE			A02236	

L 400 Bus (PD_W, PC_W, PA_V, PB_V, PA_W) 06/94 → 04/07

2.0 (PA3W)	83	09/95 → 10/02	●		P54017MM	[+]	15,7	AKE			A02236	
	83	09/95 → 10/02	●		P54020MM	[+]	15,5	AKE			A02236	
2.0 16V (PA3V/W, PB3V, PA3W)	85	05/95 → 05/00	●		P54017MM	[+]	15,7	AKE			A02236	
	85	05/95 → 05/00	●		P54020MM	[+]	15,5	AKE			A02236	
	85	05/95 → 05/00	●	●	P54018MM	[+]	14	AKE				
2.4	97	05/95 → 10/02	●		P54017MM	[+]	15,7	AKE			A02236	
	97	05/95 → 10/02	●		P54020MM	[+]	15,5	AKE			A02236	
	94	09/96 → 06/05	●		P54020MM	[+]	15,5	AKE				

MITSUBISHI

L 400 Bus (PD_W, PC_W, PA_V, PB_V, PA_W) 06/94 → 04/07

2.4	94	09/96 → 06/05	●				P54017MM	[+]	15,7	AKE					
2.4 4WD	94	09/96 → 06/05	●			-special.veh.	P54017MM	[+]	15,7	AKE					
	94	09/96 → 06/05	●			+special.veh.	P54020MM	[+]	15,5	AKE					
	94	09/96 → 06/05	●				P54018MM	[+]	14	AKE					
2.4 i 4WD (PD4V/W)	97	05/95 → 05/00	●			-special.veh.	P54017MM	[+]	15,7	AKE				A02236	
	97	05/95 → 05/00	●			+special.veh.	P54020MM	[+]	15,5	AKE				A02236	
	97	05/95 → 05/00	●				P54018MM	[+]	14	AKE					
2.5 TD (PA5V/W, PB5V)	73	05/95 → 05/00	●				P54017MM	[+]	15,7	AKE				A02236	
	73	05/95 → 05/00	●				P54020MM	[+]	15,5	AKE				A02236	
	73	05/95 → 05/00	●				P54018MM	[+]	14	AKE					
2.5 TD 4WD (PD5V/W)	73	05/95 → 05/00	●			-special.veh.	P54017MM	[+]	15,7	AKE				A02236	
	73	05/95 → 05/00	●			+special.veh.	P54020MM	[+]	15,5	AKE				A02236	
	73	05/95 → 05/00	●				P54018MM	[+]	14	AKE					
2500 TD	64	05/95 → 06/05	●				P54017MM	[+]	15,7	AKE				A02236	
	64	05/95 → 06/05	●				P54020MM	[+]	15,5	AKE				A02236	
	64	05/95 → 06/05	●				P54018MM	[+]	14	AKE					

LANCER V Station Wagon (CB_W, CD_W) 09/92 → 10/03

1.6 16V (CB4W)	83	12/92 → 10/03	●				P54015MM	[+]	15	SUM				A02242	
	83	12/92 → 10/03	●			+rear disc	P54016MM	[+]	14,5	AKE					
1.6 16V 4WD (CD4W)	83	12/92 → 10/03	●				P54014MM	[+]	16	SUM				A02242	
2.0 D	65	03/95 → 10/03	●			06/95 →	P54015MM	[+]	15	SUM					
	65	03/95 → 10/03	●			06/95 →	P54016MM	[+]	14,5	AKE					
2.0 D (CB8W)	50	12/92 → 10/03	●				P54015MM	[+]	15	SUM					
	50	12/92 → 10/03	●			+rear disc	P54016MM	[+]	14,5	AKE					

LANCER VI (CJ-CP_) 09/95 → 08/03

1.3 12V (CK1A)	55	12/95 → 08/03	●				P54015MM	[+]	15	SUM				A02242	
1.5 16V (CK2A)	69	10/99 → 08/03	●				P54015MM	[+]	15	SUM				A02242	
1.6 16V (CK4A)	66	12/95 → 08/03	●				P54015MM	[+]	15	SUM				A02242	
1.8 16V	151	09/95 → 08/03	●			05/01 →	P54017MM	[+]	15,7	AKE				A02236	05/01 →
	151	09/95 → 08/03	●			06/02 → 06/03	P54041MM	[-]	16	SUM				A02236	05/01 →
	151	09/95 → 08/03	●			05/01 →	P54025MM	[+]	15	AKE				A02201	05/01 →
EVO V (CP9A, CT9A)	206	01/98 → 12/98	●				P54039MM	[+]	15	BRE					
	206	01/98 → 12/98	●				P56048MM	[+]	14,3	BRE					
EVO VI (CP9A)	207	01/99 → 02/01	●				P54017MM	[+]	15,7	AKE					
	207	01/99 → 02/01	●			AKEBONO	P54025MM	[+]	15	AKE					

LANCER VII (CS_A, CT_A) 03/00 → 08/13

1.3	60	09/03 →	●				P54030MM	[+]	16	AKE					
	60	09/03 →	●				P54034MM	[+]	15,4	AKE					
1.6 (CS3A)	72	09/03 →	●				P54030MM	[+]	16	AKE					
	72	09/03 →	●				P54034MM	[+]	15,4	AKE					
2.0 (CS9A)	99	12/03 →	●				P54030MM	[+]	16	AKE					
	99	12/03 →	●				P54034MM	[+]	15,4	AKE					
2.0 i	113	10/07 →	●				P54017MM	[+]	15,7	AKE					
	113	10/07 →	●				P54034MM	[+]	15,4	AKE					
EVO IX (CT9A)	206	01/05 → 09/07	●				P54039MM	[+]	15	BRE					
	206	01/05 → 09/07	●				P54040MM	[-]	16	BRE					
	206	01/05 → 09/07	●				P54034MM	[+]	15,4	AKE					
	213	08/05 → 09/06	●				P54039MM	[+]	15	BRE					
	213	08/05 → 09/06	●				P54040MM	[-]	16	BRE					
	213	08/05 → 09/06	●				P54034MM	[+]	15,4	AKE					

--	--	--	--	--	--	--	--	--	--	--	--	--	--	--	--

MITSUBISHI

LANCER VII (CS_A, CT_A) 03/00 → 08/13

EVO VIII - 260 (CT9A)	195	03/04 → 07/05	•				P54039MM	[+]	15	BRE					
-----------------------	-----	---------------	---	--	--	--	----------	-----	----	-----	--	--	--	--	--

LANCER VII Estate (CS_W, CT_W) 09/03 → 10/08

1.6	72	09/03 → 10/08	•				P54030MM	[+]	16	AKE					
	72	09/03 → 10/08		•			P54034MM	[+]	15,4	AKE					
2.0	99	09/03 → 12/07	•				P54030MM	[+]	16	AKE					
	99	09/03 → 12/07		•			P54034MM	[+]	15,4	AKE					

LANCER VIII (CY_A, CZ_A) 03/07 →

1.5	80	06/08 →	•				P54030MM	[+]	16	AKE					
	80	06/08 →		•			P54034MM	[+]	15,4	AKE					
1.5 Bifuel	80	02/10 →	•				P54030MM	[+]	16	AKE					
	80	02/10 →		•			P54034MM	[+]	15,4	AKE					
1.6 MIVEC	86	05/10 →	•				P54030MM	[+]	16	AKE					
	86	05/10 →		•			P54034MM	[+]	15,4	AKE					
1.8	103	05/10 →	•				P54030MM	[+]	16	AKE					
	103	05/10 →		•			P54034MM	[+]	15,4	AKE					
	105	02/08 →	•				P54030MM	[+]	16	AKE					
	105	02/08 →		•			P54034MM	[+]	15,4	AKE					
1.8 Bifuel	105	01/10 →	•				P54030MM	[+]	16	AKE					
	105	01/10 →		•			P54034MM	[+]	15,4	AKE					
1.8 DI-D	85	05/10 →	•				P54030MM	[+]	16	AKE					
	85	05/10 →		•			P54034MM	[+]	15,4	AKE					
1.8 DI-D (CY9A)	110	06/10 →	•				P54030MM	[+]	16	AKE					
	110	06/10 →		•			P54034MM	[+]	15,4	AKE					
1.8 Flexfuel	103	03/09 →	•				P54030MM	[+]	16	AKE					
	103	03/09 →		•			P54034MM	[+]	15,4	AKE					
2.0	108	01/09 →	•				P54030MM	[+]	16	AKE					
	108	01/09 →		•			P54034MM	[+]	15,4	AKE					
2.0 DI-D	103	01/08 →	•				P54030MM	[+]	16	AKE					
	103	01/08 →		•			P54034MM	[+]	15,4	AKE					
2.0 i Ralliart 4WD (CY4A)	177	10/08 →	•		→ 09/11; -(EU)		P54017MM	[+]	15,7	AKE					
	177	10/08 →	•				P54030MM	[+]	16	AKE					
	177	10/08 →	•		→ 09/11; (EU)		P61089MM	[+]	15,7	AKE					
	177	10/08 →		•			P54031MM	[+]	15,5	AKE					
	177	10/08 →		•			P54034MM	[+]	15,4	AKE					
EVO X - FQ330 (CZ4A)	242	03/08 → 06/15	•				P54039MM	[+]	15	BRE					
	242	03/08 → 06/15		•			P54052MM	[+]	14,1	BRE					
EVO X - FQ360 (CZ4A)	264	03/08 → 06/15	•				P54039MM	[+]	15	BRE					
	264	03/08 → 06/15		•			P54052MM	[+]	14,1	BRE					
EVO X (CZ4A)	221	06/08 → 03/15	•				P54039MM	[+]	15	BRE					
	221	06/08 → 03/15		•			P54052MM	[+]	14,1	BRE					
	217	06/08 → 06/15	•				P54039MM	[+]	15	BRE					
	217	06/08 → 06/15		•			P54052MM	[+]	14,1	BRE					

LANCER VIII Sportback (CX_A) 10/07 →

1.5	80	06/08 →	•				P54030MM	[+]	16	AKE					
	80	06/08 →		•			P54034MM	[+]	15,4	AKE					
1.5 Bifuel	80	03/10 →	•				P54030MM	[+]	16	AKE					
	80	03/10 →		•			P54034MM	[+]	15,4	AKE					
1.6 MIVEC	86	05/10 →	•				P54030MM	[+]	16	AKE					
	86	05/10 →		•			P54034MM	[+]	15,4	AKE					
1.8 (CX3A)	105	06/08 →	•				P54030MM	[+]	16	AKE					
	105	06/08 →		•			P54034MM	[+]	15,4	AKE					
1.8 Bifuel	105	02/10 →	•				P54030MM	[+]	16	AKE					
	105	02/10 →		•			P54034MM	[+]	15,4	AKE					

									WI			FK	

MITSUBISHI

LANCER VIII Sportback (CX_A) 10/07 →

1.8 DI-D	85	05/10 →	●		P54030MM	[+]	16	AKE					
	85	05/10 →		●	P54034MM	[+]	15,4	AKE					
1.8 DI-D (CX9A)	110	06/10 →	●		P54030MM	[+]	16	AKE					
	110	06/10 →		●	P54034MM	[+]	15,4	AKE					
1.8 Flex	103	03/09 →	●		P54030MM	[+]	16	AKE					
	103	03/09 →		●	P54034MM	[+]	15,4	AKE					
1.8 MIVEC	103	03/09 →	●		P54030MM	[+]	16	AKE					
	103	03/09 →		●	P54034MM	[+]	15,4	AKE					
2.0 DI-D	103	06/08 →	●		P54030MM	[+]	16	AKE					
	103	06/08 →		●	P54034MM	[+]	15,4	AKE					
2.0 Ralliart 4WD (CX4A)	177	10/08 →	●		P54017MM	[+]	15,7	AKE					
	177	10/08 →		●	P54031MM	[+]	15,5	AKE					

MIRAGE / SPACE STAR Hatchback (A0_A) 01/12 →

1.0 (A05A)	52	05/12 →	●		P16011MM	[+]	15,3	AKE					
1.2 (A03A)	59	10/12 →	●		P16011MM	[+]	15,3	AKE					
	57	01/12 →	●		P16011MM	[+]	15,3	AKE					

MIRAGE Hatchback (CJ_A) 09/95 → 07/03

1.3	55	09/95 → 07/03	●		P54015MM	[+]	15	SUM					
1.5 (CJ2A)	81	09/95 → 08/99	●		P54015MM	[+]	15	SUM					
	81	09/95 → 08/99		●	P54016MM	[+]	14,5	AKE					
1.6	84	09/99 → 07/03	●		P54015MM	[+]	15	SUM					
	84	09/99 → 07/03		●	P54016MM	[+]	14,5	AKE					
	128	09/95 → 08/99	●		P54015MM	[+]	15	SUM					

MIRAGE Saloon (A1_A) 07/13 →

1.2 (A13A)	59	10/13 →	●		P16011MM	[+]	15,3	AKE					
------------	----	---------	---	--	----------	-----	------	-----	--	--	--	--	--

MIRAGE V Coupé (CJ - CM) 09/95 → 08/02

1.5 (CJ2A)	81	09/95 → 08/99	●		P54015MM	[+]	15	SUM					
	81	09/95 → 08/99		●	P54016MM	[+]	14,5	AKE					

OUTLANDER I (CU_W) 03/01 → 12/06

2.0 (CU2W)	100	05/03 → 10/06	●		P54017MM	[+]	15,7	AKE					
	100	05/03 → 10/06	●		P61089MM	[+]	15,7	AKE					
	100	05/03 → 10/06		●	P54034MM	[+]	15,4	AKE					
2.0 4WD (CU2W)	100	05/03 → 10/06	●		P54017MM	[+]	15,7	AKE				A02236	
	100	05/03 → 10/06	●		P61089MM	[+]	15,7	AKE				A02236	
	100	05/03 → 10/06		●	P54034MM	[+]	15,4	AKE					
	93	05/03 → 10/06	●		P54017MM	[+]	15,7	AKE				A02236	
	93	05/03 → 10/06	●		P61089MM	[+]	15,7	AKE				A02236	
	93	05/03 → 10/06		●	P54034MM	[+]	15,4	AKE					
2.0 Turbo 4WD (CU2W)	148	04/04 → 10/06	●		P54017MM	[+]	15,7	AKE					
	148	04/04 → 10/06	●		P61089MM	[+]	15,7	AKE					
	148	04/04 → 10/06		●	P54034MM	[+]	15,4	AKE					
2.0 Turbo-R 4WD	177	01/02 → 10/06	●		P54017MM	[+]	15,7	AKE				A02236	
	177	01/02 → 10/06	●		P61089MM	[+]	15,7	AKE				A02236	
	177	01/02 → 10/06		●	P54034MM	[+]	15,4	AKE					
2.4 4WD	102	05/03 → 10/06	●		P54017MM	[+]	15,7	AKE				A02236	
	102	05/03 → 10/06	●		P61089MM	[+]	15,7	AKE				A02236	
	102	05/03 → 10/06		●	P54034MM	[+]	15,4	AKE					
2.4 4WD (CU5W)	118	11/03 → 10/06	●		P54017MM	[+]	15,7	AKE				A02236	
	118	11/03 → 10/06	●		P61089MM	[+]	15,7	AKE				A02236	
	118	11/03 → 10/06		●	P54034MM	[+]	15,4	AKE					
	119	05/03 → 10/06	●		P54017MM	[+]	15,7	AKE				A02236	
	119	05/03 → 10/06	●		P61089MM	[+]	15,7	AKE				A02236	

MITSUBISHI

OUTLANDER I (CU_W) 03/01 → 12/06

2.4 HDD	118	03/01 → 12/06	●			P54017MM	[+]	15,7	AKE					
Mivec	118	03/01 → 12/06	●			P61089MM	[+]	15,7	AKE					
(CU5W)	118	03/01 → 12/06		●		P54034MM	[+]	15,4	AKE					

OUTLANDER II (CW_W) 11/06 → 12/12

2.0	108	11/06 → 11/12	●			P61089MM	[+]	15,7	AKE				A02236	
	108	11/06 → 11/12	●			P54017MM	[+]	15,7	AKE				A02236	
	108	11/06 → 11/12		●		P54031MM	[+]	15,5	AKE					
2.0 4WD	108	11/06 → 11/12	●			P54017MM	[+]	15,7	AKE				A02236	
	108	11/06 → 11/12	●			P61089MM	[+]	15,7	AKE				A02236	
	108	11/06 → 11/12		●		P54031MM	[+]	15,5	AKE					
2.0 DI-D	103	02/07 → 11/12	●			P54017MM	[+]	15,7	AKE				A02236	
	103	02/07 → 11/12	●			P61089MM	[+]	15,7	AKE				A02236	
	103	02/07 → 11/12		●		P54031MM	[+]	15,5	AKE					
2.2 DI-D	130	11/06 → 11/12	●			P54017MM	[+]	15,7	AKE				A02236	
	130	11/06 → 11/12	●			P61089MM	[+]	15,7	AKE				A02236	
	130	11/06 → 11/12		●		P54031MM	[+]	15,5	AKE					
2.2 DI-D 4WD	130	11/06 → 11/12	●			P61089MM	[+]	15,7	AKE				A02236	
	130	11/06 → 11/12	●			P54017MM	[+]	15,7	AKE				A02236	
	130	11/06 → 11/12		●		P54031MM	[+]	15,5	AKE					
	103	09/10 → 11/12	●			P54017MM	[+]	15,7	AKE					
	103	09/10 → 11/12	●			P61089MM	[+]	15,7	AKE					
	103	09/10 → 11/12		●		P54031MM	[+]	15,5	AKE					
	115	08/07 → 11/12	●			P54017MM	[+]	15,7	AKE					
	115	08/07 → 11/12	●			P61089MM	[+]	15,7	AKE					
	115	08/07 → 11/12		●		P54031MM	[+]	15,5	AKE					
2.4 (CW5W)	125	11/06 → 11/12	●			P54017MM	[+]	15,7	AKE					
	125	11/06 → 11/12	●			P61089MM	[+]	15,7	AKE					
	125	11/06 → 11/12		●		P54031MM	[+]	15,5	AKE					
2.4 4WD (CW5W)	125	09/07 → 11/12	●			P54017MM	[+]	15,7	AKE				A02236	
	125	09/07 → 11/12	●			P61089MM	[+]	15,7	AKE				A02236	
	125	09/07 → 11/12		●		P54031MM	[+]	15,5	AKE					
2.4 Flex 4WD	125	09/07 → 11/12	●			P54017MM	[+]	15,7	AKE				A02236	
	125	09/07 → 11/12	●			P61089MM	[+]	15,7	AKE				A02236	
	125	09/07 → 11/12		●		P54031MM	[+]	15,5	AKE					
3.0 AWD	164	11/06 → 12/10	●			P61089MM	[+]	15,7	AKE					
	164	11/06 → 12/10	●			P54017MM	[+]	15,7	AKE					
	164	11/06 → 12/10		●		P54031MM	[+]	15,5	AKE					

OUTLANDER III (GG_W, GF_W, ZJ) 08/12 →

2.0 (GF2W)	107	10/12 →	●		(-EU)	P61089MM	[+]	15,7	AKE					
	107	10/12 →	●		(EU)	P54030MM	[+]	16	AKE					
	107	10/12 →	●		(EU)	P54017MM	[+]	15,7	AKE					
	107	10/12 →		●	(EU)	P61111MM	[+]	14,3	AKE					
2.0 (GF7W)	110	08/12 →	●		(EU)	P54030MM	[+]	16	AKE					
	110	08/12 →	●		(EU)	P54017MM	[+]	15,7	AKE					
	110	08/12 →	●		(-EU)	P61089MM	[+]	15,7	AKE					
	110	08/12 →		●	(EU)	P61111MM	[+]	14,3	AKE					
2.0 4WD (GF2W)	107	10/12 →	●		(-EU)	P61089MM	[+]	15,7	AKE					
	107	10/12 →	●		(EU)	P54017MM	[+]	15,7	AKE					
	107	10/12 →		●	(EU)	P61111MM	[+]	14,3	AKE					
2.0 4WD (GF7W)	110	08/12 →	●		(EU)	P54017MM	[+]	15,7	AKE					
	110	08/12 →	●		(EU)	P54030MM	[+]	16	AKE					
	110	08/12 →	●		(-EU)	P61089MM	[+]	15,7	AKE					
	110	08/12 →		●	(EU)	P61111MM	[+]	14,3	AKE					



kw



MAGNETI MARELLI

wi

Th [mm]

SYS

WI

FK

MAGNETI MARELLI

LENGHT



MAGNETI MARELLI



mitsubishi

OUTLANDER III (GG_W, GF_W, ZJ) 08/12 →

2.0 Hybrid 4WD (GG2W)	89	12/12 →	●		-(EU)	P61089MM	[+]	15,7	AKE				
	89	12/12 →	●		(EU)	P54017MM	[+]	15,7	AKE				
	89	12/12 →		●	(EU)	P61111MM	[+]	14,3	AKE				
	87	01/14 →	●		-(EU)	P61089MM	[+]	15,7	AKE				
	87	01/14 →	●		(EU)	P54017MM	[+]	15,7	AKE				
	87	01/14 →		●	(EU)	P61111MM	[+]	14,3	AKE				
	139	12/12 →	●		-(EU)	P61089MM	[+]	15,7	AKE				
	139	12/12 →	●		(EU)	P54017MM	[+]	15,7	AKE				
	139	12/12 →		●	(EU)	P61111MM	[+]	14,3	AKE				
2.2 Di-D (GF6W)	110	08/12 →	●		-(EU)	P61089MM	[+]	15,7	AKE				
	110	08/12 →	●		(EU)	P54017MM	[+]	15,7	AKE				
	110	08/12 →		●	(EU)	P61111MM	[+]	14,3	AKE				
2.2 Di-D 4WD (GF6W)	110	08/12 →	●		-(EU)	P61089MM	[+]	15,7	AKE				
	110	08/12 →	●		(EU)	P54017MM	[+]	15,7	AKE				
	110	08/12 →		●	(EU)	P61111MM	[+]	14,3	AKE				

PAJERO CLASSIC (V2_W) 06/02 →

2.5 TD	85	07/02 →	●			P54017MM	[+]	15,7	AKE				A02236
	85	07/02 →		●		P54018MM	[+]	14	AKE				A02201
3.2 DiD	125	09/06 →	●			P54017MM	[+]	15,7	AKE				
	125	09/06 →		●		P54018MM	[+]	14	AKE				

PAJERO II (V3_W, V2_W, V4_W) 12/90 → 10/99

2.4 (V21W, V21C)	82	04/91 → 10/99	●			P54017MM	[+]	15,7	AKE				A02236
	82	04/91 → 10/99		●	→ 08/99	P54018MM	[+]	14	AKE				A02201
	82	04/91 → 10/99		●	11/98 →	P54026MM	[+]	15	SUM				A02201
	82	04/91 → 10/99		●	09/99 →	P54031MM	[+]	15,5	AKE				A02201
2.5 TD 4WD (V24C, V24W)	73	12/90 → 10/99	●			P54017MM	[+]	15,7	AKE				A02236
	73	12/90 → 10/99		●	→ 08/99	P54018MM	[+]	14	AKE				A02201
	73	12/90 → 10/99		●	11/98 →	P54026MM	[+]	15	SUM				A02201
	73	12/90 → 10/99		●	09/99 →	P54031MM	[+]	15,5	AKE				A02201
2.5 TDiC (V44W, V24W)	73	03/91 → 08/99	●			P54017MM	[+]	15,7	AKE				
	73	03/91 → 08/99		●		P54018MM	[+]	14	AKE				
2.6 4WD	76	03/91 → 10/97	●			P54017MM	[+]	15,7	AKE				
	76	03/91 → 10/97		●	+rear disc	P54018MM	[+]	14	AKE				
2.8 TD (V46W, V26W)	92	06/94 → 10/99	●			P54017MM	[+]	15,7	AKE				
	92	06/94 → 10/99		●	→ 08/99	P54018MM	[+]	14	AKE				
	92	06/94 → 10/99		●	11/98 →	P54026MM	[+]	15	SUM				
	92	06/94 → 10/99		●	09/99 →	P54031MM	[+]	15,5	AKE				
3.0 V6 24V (V43W, V23W)	133	06/94 → 05/97	●			P54017MM	[+]	15,7	AKE				
	133	06/94 → 05/97		●		P54018MM	[+]	14	AKE				
	130	06/97 → 10/99	●			P54017MM	[+]	15,7	AKE				A02236
	130	06/97 → 10/99		●	→ 08/99	P54018MM	[+]	14	AKE				A02201
	130	06/97 → 10/99		●	11/98 →	P54026MM	[+]	15	SUM				A02201
3.0 V6 4WD (V23W, V43W, V23C)	130	06/97 → 10/99		●	09/99 →	P54031MM	[+]	15,5	AKE				A02201
	110	12/90 → 12/95	●			P54017MM	[+]	15,7	AKE				
	110	12/90 → 12/95		●		P54018MM	[+]	14	AKE				
3.5 V6 24V (V25W, V45W)	153	06/94 → 10/99	●			P54017MM	[+]	15,7	AKE				
	153	06/94 → 10/99		●		P54018MM	[+]	14	AKE				
3.5 V6 24V (V45W, V25W)	143	07/97 → 10/99	●			P54017MM	[+]	15,7	AKE				A02236
	143	07/97 → 10/99		●		P54018MM	[+]	14	AKE				A02201

PAJERO II Canvas Top (V2_W, V4_W) 12/90 → 04/00

1.8 GDI	96	06/98 → 04/00	●			P54017MM	[+]	15,7	AKE				A02236
	96	06/98 → 04/00		●	→ 08/99; +rear disc	P54018MM	[+]	14	AKE				A02201
	96	06/98 → 04/00		●	11/98 →	P54026MM	[+]	15	SUM				A02201

--	--	--	--	--	--	--	--	--	--	--	--	--	--	--	--

MITSUBISHI

PAJERO II Canvas Top (V2_W, V4_W) 12/90 → 04/00

1.8 GDI	96	06/98 → 04/00	●	09/99 →	P54031MM	[+]	15,5	AKE							A02201
2.4 (V41W, V21W, V21C)	82	04/91 → 04/00	●		P54017MM	[+]	15,7	AKE							A02236
	82	04/91 → 04/00	●	→ 08/99; +rear disc	P54018MM	[+]	14	AKE							A02201
	82	04/91 → 04/00	●	11/98 →	P54026MM	[+]	15	SUM							A02201
	82	04/91 → 04/00	●	09/99 →	P54031MM	[+]	15,5	AKE							A02201
2.5 TD 4WD (V24C, V24W)	73	12/90 → 04/00	●		P54017MM	[+]	15,7	AKE							A02236
	73	12/90 → 04/00	●	→ 08/99; +rear disc	P54018MM	[+]	14	AKE							A02201
	73	12/90 → 04/00	●	11/98 →	P54026MM	[+]	15	SUM							A02201
3.0 V6 (V23W, V43W, V23C)	73	12/90 → 04/00	●	09/99 →	P54031MM	[+]	15,5	AKE							A02201
	110	12/90 → 12/95	●		P54017MM	[+]	15,7	AKE							
	110	12/90 → 12/95	●	+rear disc	P54018MM	[+]	14	AKE							
3.0 V6 24V (V23W, V23C)	133	06/94 → 04/00	●		P54017MM	[+]	15,7	AKE							
	133	06/94 → 04/00	●	→ 08/99; +rear disc	P54018MM	[+]	14	AKE							
	133	06/94 → 04/00	●	11/98 →	P54026MM	[+]	15	SUM							
	133	06/94 → 04/00	●	09/99 →	P54031MM	[+]	15,5	AKE							

PAJERO III (V7_W, V6_W) 01/99 → 01/07

2.5 TDi	73	04/00 → 12/06	●		P54029MM	[+]	16	SUM							
	73	04/00 → 12/06	●		P54031MM	[+]	15,5	AKE							
	85	09/01 → 12/06	●		P54029MM	[+]	16	SUM							
	85	09/01 → 12/06	●		P54031MM	[+]	15,5	AKE							
3.2 Di-D	121	04/00 → 10/01	●		P54029MM	[+]	16	SUM							
	121	04/00 → 10/01	●		P54031MM	[+]	15,5	AKE							
3.2 Di-D (V68W)	118	04/00 → 12/06	●		P54029MM	[+]	16	SUM							
	118	04/00 → 12/06	●		P54031MM	[+]	15,5	AKE							
3.5	149	04/00 → 01/07	●		P54029MM	[+]	16	SUM							
	149	04/00 → 01/07	●		P54031MM	[+]	15,5	AKE							
3.8 (V67W)	184	03/03 → 01/07	●		P54029MM	[+]	16	SUM							
	184	03/03 → 01/07	●		P54031MM	[+]	15,5	AKE							

PAJERO III Canvas Top (V6_W, V7_W) 04/00 → 12/06

2.5 TDi (V64W, V74W)	73	04/00 → 12/06	●		P54029MM	[+]	16	SUM							
	73	04/00 → 12/06	●		P54031MM	[+]	15,5	AKE							
	85	09/01 → 12/06	●		P54029MM	[+]	16	SUM							
	85	09/01 → 12/06	●		P54031MM	[+]	15,5	AKE							
3.2 DI-D (V68W, V78W)	121	04/00 → 12/06	●		P54029MM	[+]	16	SUM							
	121	04/00 → 12/06	●		P54031MM	[+]	15,5	AKE							
	118	10/01 → 12/06	●		P54029MM	[+]	16	SUM							
	118	10/01 → 12/06	●		P54031MM	[+]	15,5	AKE							

PAJERO IV (V8_W, V9_W) 11/06 →

3.0 4WD	131	02/07 →	●	short wheelbase	P54029MM	[+]	16	SUM							
	131	02/07 →	●	long wheelbase	P83066MM	[+]	17,8	SUM							
	131	02/07 →	●	short wheelbase	P54031MM	[+]	15,5	AKE							
	131	02/07 →	●	long wheelbase	P83024MM	[-]	15	SUM							
3.2 DI-D	123	02/07 →	●	short wheelbase	P54029MM	[+]	16	SUM							
	123	02/07 →	●	long wheelbase	P83066MM	[+]	17,8	SUM							
	123	02/07 →	●	short wheelbase	P54031MM	[+]	15,5	AKE							
	123	02/07 →	●	long wheelbase	P83024MM	[-]	15	SUM							
3.2 DI-D (V88W, V98W)	118	02/07 →	●	short wheelbase	P54029MM	[+]	16	SUM							
	118	02/07 →	●	long wheelbase	P83066MM	[+]	17,8	SUM							
	118	02/07 →	●	short wheelbase	P54031MM	[+]	15,5	AKE							
	118	02/07 →	●	long wheelbase	P83024MM	[-]	15	SUM							
	125	02/07 →	●	short wheelbase	P54029MM	[+]	16	SUM							
	125	02/07 →	●	long wheelbase	P83066MM	[+]	17,8	SUM							
	125	02/07 →	●	short wheelbase	P54031MM	[+]	15,5	AKE							
	125	02/07 →	●	long wheelbase	P83024MM	[-]	15	SUM							

						WI	Th [mm]	SYS	WI			FK	
										LENGHT			

MITSUBISHI

PAJERO IV (V8_W, V9_W) 11/06 →

3.2 DI-D 4WD (V98W)	140	02/07 →	●	short wheelbase	P54029MM	[+]	16	SUM					
	140	02/07 →	●	long wheelbase	P83066MM	[+]	17,8	SUM					
	140	02/07 →	●	short wheelbase	P54031MM	[+]	15,5	AKE					
	140	02/07 →	●	long wheelbase	P83024MM	[-]	15	SUM					
3.2 DI-D 4WD (V98W, V88W)	147	01/09 →	●	short wheelbase	P54029MM	[+]	16	SUM					
	147	01/09 →	●	long wheelbase	P83066MM	[+]	17,8	SUM					
	147	01/09 →	●	short wheelbase	P54031MM	[+]	15,5	AKE					
	147	01/09 →	●	long wheelbase	P83024MM	[-]	15	SUM					
3.2 DI-D GLS	124	02/07 →	●	short wheelbase	P54029MM	[+]	16	SUM					
	124	02/07 →	●	long wheelbase	P83066MM	[+]	17,8	SUM					
	124	02/07 →	●	short wheelbase	P54031MM	[+]	15,5	AKE					
	124	02/07 →	●	long wheelbase	P83024MM	[-]	15	SUM					
3.8 V6	182	02/10 →	●	short wheelbase	P54029MM	[+]	16	SUM					
	182	02/10 →	●	long wheelbase	P83066MM	[+]	17,8	SUM					
	182	02/10 →	●	short wheelbase	P54031MM	[+]	15,5	AKE					
	182	02/10 →	●	long wheelbase	P83024MM	[-]	15	SUM					
3.8 V6 (V87W, V97W)	184	02/07 →	●	short wheelbase	P54029MM	[+]	16	SUM					
	184	02/07 →	●	long wheelbase	P83066MM	[+]	17,8	SUM					
	184	02/07 →	●	short wheelbase	P54031MM	[+]	15,5	AKE					
	184	02/07 →	●	long wheelbase	P83024MM	[-]	15	SUM					

PAJERO IV Van (V90, V80, V8_V) 11/06 →

3.2 DI-D	118	11/06 →	●	short wheelbase	P54029MM	[+]	16	SUM					
	118	11/06 →	●	long wheelbase	P83066MM	[+]	17,8	SUM					
	118	11/06 →	●	short wheelbase	P54031MM	[+]	15,5	AKE					
	118	11/06 →	●	long wheelbase	P83024MM	[-]	15	SUM					
3.2 DI-D 4WD	140	02/07 →	●	short wheelbase	P54029MM	[+]	16	SUM					
	140	02/07 →	●	long wheelbase	P83066MM	[+]	17,8	SUM					
	140	02/07 →	●	short wheelbase	P54031MM	[+]	15,5	AKE					
	140	02/07 →	●	long wheelbase	P83024MM	[-]	15	SUM					
3.2 TD 4WD	147	01/10 →	●	short wheelbase	P54029MM	[+]	16	SUM					
	147	01/10 →	●	long wheelbase	P83066MM	[+]	17,8	SUM					
	147	01/10 →	●	short wheelbase	P54031MM	[+]	15,5	AKE					
	147	01/10 →	●	long wheelbase	P83024MM	[-]	15	SUM					

PAJERO PININ (H6_W, H7_W) 03/99 → 06/07

1.8 (H76W, H66W)	84	11/01 → 06/07	●		P54028MM	[-]	15,5	SUM					
	84	11/01 → 06/07	●		P54012MM	[+]	15,5	AKE					
1.8 GDI (H66W, H76W)	88	10/99 → 10/01	●		P54028MM	[-]	15,5	SUM					
	88	10/99 → 10/01	●		P54012MM	[+]	15,5	AKE					
2.0 GDI (H67W, H77W)	95	10/00 → 06/07	●		P54028MM	[-]	15,5	SUM					
	95	10/00 → 06/07	●		P54012MM	[+]	15,5	AKE					

PAJERO SPORT I (K7_, K9_) 07/96 →

1.8 4WD	84	03/01 → 02/05	●		P54017MM	[+]	15,7	AKE					
	84	03/01 → 02/05	●		P54026MM	[+]	15	SUM					
2.5 TD (K94W)	73	11/98 →	●		P54017MM	[+]	15,7	AKE				A02236	
	73	11/98 →	●		P54026MM	[+]	15	SUM				A02201	
	98	08/03 →	●		P54017MM	[+]	15,7	AKE				A02236	
	98	08/03 →	●		P54026MM	[+]	15	SUM				A02201	
2.5 TD (K94W, K74T)	85	07/02 →	●		P54017MM	[+]	15,7	AKE				A02236	
	85	07/02 →	●		P54026MM	[+]	15	SUM				A02201	
2.5 TD 4WD (K94W)	83	11/97 → 10/98	●		P54017MM	[+]	15,7	AKE					
	83	11/97 → 10/98	●		P54026MM	[+]	15	SUM					
2.8 TDi (K77T)	92	11/98 → 10/03	●		P54017MM	[+]	15,7	AKE				A02236	
	92	11/98 → 10/03	●		P54026MM	[+]	15	SUM					

--	--	--	--	--	--	--	--	--	--	--	--	--	--	--

MITSUBISHI

PAJERO SPORT I (K7_, K9_) 07/96 →

3.0 V6 (K96W)	130	11/98 →	•		P54017MM	[+]	15,7	AKE					A02236	
	130	11/98 →		•	P54026MM	[+]	15	SUM					A02201	
	125	06/00 →	•		P54017MM	[+]	15,7	AKE					A02236	
	125	06/00 →		•	P54026MM	[+]	15	SUM					A02201	
	123	03/03 →	•		P54017MM	[+]	15,7	AKE					A02236	
	123	03/03 →		•	P54026MM	[+]	15	SUM					A02201	

PAJERO SPORT II (KH_, KG_) 07/08 →

2.5 DI-D	131	07/08 →	•		P54038MM	[+]	16	TOK						
	131	07/08 →		•	P54026MM	[+]	15	SUM						
2.5 DI-D 4WD (KH4W)	131	07/08 →	•		P54038MM	[+]	16	TOK						
	131	07/08 →		•	P54026MM	[+]	15	SUM						
2.5 TD	98	09/08 →	•		P54038MM	[+]	16	TOK						
	98	09/08 →		•	P54026MM	[+]	15	SUM						
3.0 4WD	162	09/08 →	•		P54038MM	[+]	16	TOK						
	162	09/08 →		•	P54026MM	[+]	15	SUM						
3.2 DI-D 4WD	118	07/08 →	•		P54038MM	[+]	16	TOK						
3.5 V6 24V	153	09/08 →	•		P54038MM	[+]	16	TOK						

PAJERO SPORT III (KS_) 08/15 →

2.4 DI-D	133	08/15 →		•	P54026MM	[+]	15	SUM						
2.4 DI-D 4x4	133	08/15 →		•	P54026MM	[+]	15	SUM						
2.5 DI-D	100	08/15 →		•	P54026MM	[+]	15	SUM						
2.5 DI-D 4x4	100	08/15 →		•	P54026MM	[+]	15	SUM						

PAJERO SPORT VAN I (K90) 12/99 → 01/08

2.5 TD	85	12/99 → 01/08	•		P54017MM	[+]	15,7	AKE					A02236	
	85	12/99 → 01/08		•	P54026MM	[+]	15	SUM					A02201	
3.0 V6	125	12/99 → 01/08	•		P54017MM	[+]	15,7	AKE					A02236	
	125	12/99 → 01/08		•	P54026MM	[+]	15	SUM					A02201	

SANTAMO 03/99 → 12/04

2.0 16V	102	05/99 → 12/04	•		P54014MM	[+]	16	SUM						
	102	05/99 → 12/04	•		P30022MM	[+]	17	SUM						
	102	05/99 → 12/04		•	P54012MM	[+]	15,5	AKE					A02262	
	102	05/99 → 12/04		•	P30030MM	[+]	15	MN					A02262	
2.0 16V 4WD	102	05/99 → 12/04	•		P54014MM	[+]	16	SUM						
	102	05/99 → 12/04	•		P30022MM	[+]	17	SUM						
	102	05/99 → 12/04		•	P54012MM	[+]	15,5	AKE					A02262	
	102	05/99 → 12/04		•	P30030MM	[+]	15	MN					A02262	

SPACE RUNNER (N1_W, N2_W) 10/91 → 08/99

1.8 (N11W)	90	10/91 → 08/99	•		P54014MM	[+]	16	SUM						
	90	10/91 → 08/99		•	+ABS	P54012MM	[+]	15,5	AKE					
	85	06/96 → 08/99	•		P54014MM	[+]	16	SUM						
	85	06/96 → 08/99		•	+ABS	P54012MM	[+]	15,5	AKE				A02262	+ABS
1.8 4WD (N21W)	90	10/91 → 08/99	•		P54014MM	[+]	16	SUM						
	90	10/91 → 08/99		•	+ABS	P54012MM	[+]	15,5	AKE					
	85	06/96 → 08/99	•		P54014MM	[+]	16	SUM						
2.0 16V	85	06/96 → 08/99		•	+ABS	P54012MM	[+]	15,5	AKE				A02262	+ABS
	98	06/97 → 08/99	•		P54014MM	[+]	16	SUM						
2.0 TD (N18W)	98	06/97 → 08/99		•	+ABS	P54012MM	[+]	15,5	AKE				A02262	+ABS
	60	10/92 → 08/99	•		P54014MM	[+]	16	SUM						
	60	10/92 → 08/99		•	+ABS	P54012MM	[+]	15,5	AKE				A02262	+ABS

SPACE RUNNER (N6_W) 08/99 → 01/03

2.0	98	05/00 → 08/02	•		P54030MM	[+]	16	AKE						
	98	05/00 → 08/02		•	P54012MM	[+]	15,5	AKE						

									WI			FK	

MITSUBISHI

SPACE RUNNER (N6_W) 08/99 → 01/03

2.0 (N63W)	100	08/99 → 08/02	●	05/00 →	P54030MM	[+]	16	AKE				A02236	
	100	08/99 → 08/02	●		P54017MM	[+]	15,7	AKE				A02236	
	100	08/99 → 08/02	●		P54012MM	[+]	15,5	AKE				A02262	
2.4 GDI	110	08/99 → 01/03	●	05/00 →	P54030MM	[+]	16	AKE				A02236	
	110	08/99 → 01/03	●		P54017MM	[+]	15,7	AKE				A02236	
	110	08/99 → 01/03	●		P54012MM	[+]	15,5	AKE				A02262	
	108	08/99 → 08/02	●	→ 04/00	P54017MM	[+]	15,7	AKE					
	108	08/99 → 08/02	●		P54030MM	[+]	16	AKE					
	108	08/99 → 08/02	●		P54012MM	[+]	15,5	AKE					

SPACE STAR MPV (DG_A) 06/98 → 12/04

1.3 16V (DG1A)	63	06/98 → 12/04	●		P54022MM	[+]	15,1	TRW					
	63	06/98 → 12/04	●	+ABS	P54023MM	[+]	16,8	TRW					
	61	12/98 → 12/04	●		P54022MM	[+]	15,1	TRW					
	61	12/98 → 12/04	●	+ABS	P54023MM	[+]	16,8	TRW					
	60	09/00 → 12/04	●		P54022MM	[+]	15,1	TRW					
	60	09/00 → 12/04	●	+ABS	P54023MM	[+]	16,8	TRW					
1.6 16V (DG3A)	72	01/01 → 12/04	●		P54022MM	[+]	15,1	TRW					
	72	01/01 → 12/04	●	+ABS	P54023MM	[+]	16,8	TRW					
1.8 GDI (DG5A)	90	06/98 → 12/04	●		P54022MM	[+]	15,1	TRW					
	90	06/98 → 12/04	●	+ABS	P54023MM	[+]	16,8	TRW					
	87	06/98 → 12/04	●		P54022MM	[+]	15,1	TRW					
1.8 MPI	82	10/02 → 12/04	●		P54022MM	[+]	15,1	TRW					
	82	10/02 → 12/04	●	+ABS	P54023MM	[+]	16,8	TRW					
1.9 DI-D	85	10/02 → 12/04	●		P54022MM	[+]	15,1	TRW					
	85	10/02 → 12/04	●	+ABS	P54023MM	[+]	16,8	TRW					
1.9 DI-D (DG4A)	75	02/01 → 12/04	●		P54022MM	[+]	15,1	TRW					
	75	02/01 → 12/04	●	+ABS	P54023MM	[+]	16,8	TRW					

SPACE WAGON (N9_W, N8_W) 10/98 → 12/04

2.0	98	10/98 → 12/04	●		P54017MM	[+]	15,7	AKE				A02236	
	98	10/98 → 12/04	●		P61089MM	[+]	15,7	AKE				A02236	
	98	10/98 → 12/04	●		P54025MM	[+]	15	AKE					
2.4 GDI	110	10/98 → 12/04	●		P54017MM	[+]	15,7	AKE				A02236	
	110	10/98 → 12/04	●		P61089MM	[+]	15,7	AKE				A02236	
	110	10/98 → 12/04	●		P54025MM	[+]	15	AKE					
	108	09/00 → 12/04	●		P54017MM	[+]	15,7	AKE				A02236	
	108	09/00 → 12/04	●		P61089MM	[+]	15,7	AKE				A02236	
	108	09/00 → 12/04	●		P54025MM	[+]	15	AKE					
2.4 GDI 4WD	110	10/98 → 12/04	●		P54017MM	[+]	15,7	AKE				A02236	
	110	10/98 → 12/04	●		P61089MM	[+]	15,7	AKE				A02236	
	110	10/98 → 12/04	●		P54025MM	[+]	15	AKE					
	108	09/00 → 12/04	●		P54017MM	[+]	15,7	AKE				A02236	
	108	09/00 → 12/04	●		P61089MM	[+]	15,7	AKE				A02236	
	108	09/00 → 12/04	●		P54025MM	[+]	15	AKE					

VERADA Saloon (KL) 06/03 → 10/04

3.5	163	06/03 → 10/04	●		P54017MM	[+]	15,7	AKE					
	163	06/03 → 10/04	●		P15005MM	[-]	14,5	TRW					

NISSAN

200 SX (S14) 10/93 → 12/99

2.0 i 16V	118	10/93 → 12/99	●		P56034MM	[+]	15	SUM					
	118	10/93 → 12/99	●		P56010MM	[+]	14	AKE					

--	--	--	--	--	--	--	--	--	--	--	--	--	--	--

NISSAN

200 SX (S14) 10/93 → 12/99

2.0 i 16V	147	10/93 → 12/99	●		P56034MM	[+]	15	SUM						
Turbo	147	10/93 → 12/99		●	P56010MM	[+]	14	AKE						
2.0 Turbo	162	04/94 → 09/99	●		P56034MM	[+]	15	SUM						
	162	04/94 → 09/99		●	P56010MM	[+]	14	AKE						

300 ZX (Z32) 09/89 → 12/00

3.0 Twin Turbo	208	05/90 → 09/95	●		P56025MM	[+]	14,5	SUM						
	208	05/90 → 09/95		●	P56054MM	[+]	15,5	AKE						
	197	05/90 → 09/95	●		P56025MM	[+]	14,5	SUM						
	197	05/90 → 09/95		●	P56054MM	[+]	15,5	AKE						

350 Z Coupé (Z33) 09/02 →

3.5	206	10/03 →	●		P56047MM	[+]	14,3	BRE						
	206	10/03 →		●	P56048MM	[+]	14,3	BRE						
	221	09/02 →	●		P56047MM	[+]	14,3	BRE						
	221	09/02 →		●	P56048MM	[+]	14,3	BRE						
	214	11/04 → 01/07	●		P56047MM	[+]	14,3	BRE						
	214	11/04 → 01/07		●	P56048MM	[+]	14,3	BRE						
	230	09/05 →	●		P56047MM	[+]	14,3	BRE						
	230	09/05 →		●	P56048MM	[+]	14,3	BRE						

350 Z Roadster (Z33) 10/03 →

3.5	206	03/05 →	●		P56047MM	[+]	14,3	BRE						
	206	03/05 →		●	P56048MM	[+]	14,3	BRE						
	221	04/06 →	●		P56047MM	[+]	14,3	BRE						
	221	04/06 →		●	P56048MM	[+]	14,3	BRE						
	230	09/05 →	●		P56047MM	[+]	14,3	BRE						
	230	09/05 →		●	P56048MM	[+]	14,3	BRE						

370 Z Coupé (Z34) 04/09 →

3.7	243	06/09 →	●		P56089MM	[+]	15,9	AKE						
	243	06/09 →		●	P56095MM	[+]	13,8	AKE						
	241	06/09 →	●		P56089MM	[+]	15,9	AKE						
	241	06/09 →		●	P56095MM	[+]	13,8	AKE						
	248	04/09 →	●		P56089MM	[+]	15,9	AKE						
	248	04/09 →		●	P56095MM	[+]	13,8	AKE						
NISMO 3.7	253	06/13 →	●		P56089MM	[+]	15,9	AKE						
	253	06/13 →		●	P56095MM	[+]	13,8	AKE						

370 Z Roadster (Z34) 01/09 →

3.7	243	12/09 →	●		P56089MM	[+]	15,9	AKE						
	243	12/09 →		●	P56095MM	[+]	13,8	AKE						
	241	01/10 →	●		P56089MM	[+]	15,9	AKE						
	241	01/10 →		●	P56095MM	[+]	13,8	AKE						

ALMERA Classic (B10) 03/06 →

1.6 16V	79	03/06 →	●		P56083MM	[+]	15,4	AKE						
---------	----	---------	---	--	----------	-----	------	-----	--	--	--	--	--	--

ALMERA I (N15) 07/95 → 07/00

1.4	64	09/95 → 07/00	●	→ 12/97; -ABS	P56033MM	[+]	15,5	AKE						
	64	09/95 → 07/00	●	→ 12/97; +ABS	P56039MM	[+]	16	SUM						
	64	09/95 → 07/00	●	01/98 →; -ABS	P56026MM	[+]	15,5	AKE						
	64	09/95 → 07/00	●	→ 12/97	P56035MM	[+]	15	AKE						
	64	09/95 → 07/00	●	01/98 →	P56029MM	[+]	16,4	AKE						
1.4 GX, LX	55	09/95 → 07/00	●	→ 12/97; -ABS	P56033MM	[+]	15,5	AKE						
	55	09/95 → 07/00	●	→ 12/97; +ABS	P56039MM	[+]	16	SUM						
	55	09/95 → 07/00	●	01/98 →; -ABS	P56026MM	[+]	15,5	AKE						
	55	09/95 → 07/00	●	→ 12/97	P56035MM	[+]	15	AKE						
	55	09/95 → 07/00	●	01/98 →	P56029MM	[+]	16,4	AKE						

NISSAN

ALMERA I (N15) 07/95 → 07/00

1.5	77	07/95 → 05/00	●	→ 12/97; -ABS	P56033MM	[+]	15,5	AKE							
	77	07/95 → 05/00	●	→ 12/97; +ABS	P56039MM	[+]	16	SUM							
	77	07/95 → 05/00	●	01/98 →; -ABS	P56026MM	[+]	15,5	AKE							
	77	07/95 → 05/00	●	→ 12/97	P56035MM	[+]	15	AKE							
	77	07/95 → 05/00	●	01/98 →	P56029MM	[+]	16,4	AKE							
1.6	73	09/95 → 07/00	●	→ 12/97; -ABS	P56033MM	[+]	15,5	AKE							
	73	09/95 → 07/00	●	→ 12/97; +ABS	P56039MM	[+]	16	SUM							
	73	09/95 → 07/00	●	01/98 →; -ABS	P56026MM	[+]	15,5	AKE							
	73	09/95 → 07/00	●	→ 12/97	P56035MM	[+]	15	AKE							
	73	09/95 → 07/00	●	01/98 →	P56029MM	[+]	16,4	AKE							
	75	07/95 → 03/00	●	→ 12/97; -ABS	P56033MM	[+]	15,5	AKE							
	75	07/95 → 03/00	●	→ 12/97; +ABS	P56039MM	[+]	16	SUM							
	75	07/95 → 03/00	●	01/98 →; -ABS	P56026MM	[+]	15,5	AKE							
	75	07/95 → 03/00	●	→ 12/97	P56035MM	[+]	15	AKE							
	75	07/95 → 03/00	●	01/98 →	P56029MM	[+]	16,4	AKE							
1.6 SLX	66	09/95 → 07/00	●	→ 12/97; -ABS	P56033MM	[+]	15,5	AKE							
	66	09/95 → 07/00	●	→ 12/97; +ABS	P56039MM	[+]	16	SUM							
	66	09/95 → 07/00	●	01/98 →; -ABS	P56026MM	[+]	15,5	AKE							
	66	09/95 → 07/00	●	→ 12/97	P56035MM	[+]	15	AKE							
	66	09/95 → 07/00	●	01/98 →	P56029MM	[+]	16,4	AKE							
1.8	84	07/95 → 05/00	●	→ 12/97; -ABS	P56033MM	[+]	15,5	AKE							
	84	07/95 → 05/00	●	→ 12/97; +ABS	P56039MM	[+]	16	SUM							
	84	07/95 → 05/00	●	01/98 →; -ABS	P56026MM	[+]	15,5	AKE							
	84	07/95 → 05/00	●	→ 12/97	P56035MM	[+]	15	AKE							
	84	07/95 → 05/00	●	01/98 →	P56029MM	[+]	16,4	AKE							
2.0 D	55	11/95 → 07/00	●	→ 12/97; -ABS	P56033MM	[+]	15,5	AKE							
	55	11/95 → 07/00	●	→ 12/97; +ABS	P56039MM	[+]	16	SUM							
	55	11/95 → 07/00	●	01/98 →; -ABS	P56026MM	[+]	15,5	AKE							
	55	11/95 → 07/00	●	→ 12/97	P56035MM	[+]	15	AKE							
	55	11/95 → 07/00	●	01/98 →	P56029MM	[+]	16,4	AKE							

ALMERA I Hatchback (N15) 07/95 → 07/00

1.4	64	09/95 → 03/00	●	→ 12/97; -ABS	P56033MM	[+]	15,5	AKE							
	64	09/95 → 03/00	●	→ 12/97; +ABS	P56039MM	[+]	16	SUM							
	64	09/95 → 03/00	●	01/98 →; -ABS	P56026MM	[+]	15,5	AKE							
	64	09/95 → 03/00	●	→ 12/97	P56035MM	[+]	15	AKE							
	64	09/95 → 03/00	●	01/98 →	P56029MM	[+]	16,4	AKE							
1.4 S, GX, LX	55	09/95 → 03/00	●	→ 12/97; -ABS	P56033MM	[+]	15,5	AKE							
	55	09/95 → 03/00	●	→ 12/97; +ABS	P56039MM	[+]	16	SUM							
	55	09/95 → 03/00	●	01/98 →; -ABS	P56026MM	[+]	15,5	AKE							
	55	09/95 → 03/00	●	→ 12/97	P56035MM	[+]	15	AKE							
	55	09/95 → 03/00	●	01/98 →	P56029MM	[+]	16,4	AKE							
1.5	77	07/95 → 03/00	●	→ 12/97; -ABS	P56033MM	[+]	15,5	AKE							
	77	07/95 → 03/00	●	→ 12/97; +ABS	P56039MM	[+]	16	SUM							
	77	07/95 → 03/00	●	01/98 →; -ABS	P56026MM	[+]	15,5	AKE							
	77	07/95 → 03/00	●	→ 12/97	P56035MM	[+]	15	AKE							
	77	07/95 → 03/00	●	01/98 →	P56029MM	[+]	16,4	AKE							
1.6	73	09/95 → 03/00	●	→ 12/97; -ABS	P56033MM	[+]	15,5	AKE							
	73	09/95 → 03/00	●	→ 12/97; +ABS	P56039MM	[+]	16	SUM							
	73	09/95 → 03/00	●	01/98 →; -ABS	P56026MM	[+]	15,5	AKE							
	73	09/95 → 03/00	●	→ 12/97	P56035MM	[+]	15	AKE							
	73	09/95 → 03/00	●	01/98 →	P56029MM	[+]	16,4	AKE							
	75	07/95 → 03/00	●	→ 12/97; -ABS	P56033MM	[+]	15,5	AKE							
	75	07/95 → 03/00	●	→ 12/97; +ABS	P56039MM	[+]	16	SUM							
	75	07/95 → 03/00	●	01/98 →; -ABS	P56026MM	[+]	15,5	AKE							
	75	07/95 → 03/00	●	→ 12/97	P56035MM	[+]	15	AKE							

--	--	--	--	--	--	--	--	--	--	--	--	--	--	--	--

NISSAN

ALMERA I Hatchback (N15) 07/95 → 07/00

1.6	75	07/95 → 03/00	●	→ 12/97	P56035MM	[+]	15	AKE							
	75	07/95 → 03/00	●	01/98 →	P56029MM	[+]	16,4	AKE							
1.6 SR, SLX	66	09/95 → 03/00	●	→ 12/97; -ABS	P56033MM	[+]	15,5	AKE							
	66	09/95 → 03/00	●	→ 12/97; +ABS	P56039MM	[+]	16	SUM							
	66	09/95 → 03/00	●	01/98 →; -ABS	P56026MM	[+]	15,5	AKE							
	66	09/95 → 03/00	●	→ 12/97	P56035MM	[+]	15	AKE							
	66	09/95 → 03/00	●	01/98 →	P56029MM	[+]	16,4	AKE							
	66	09/95 → 03/00	●												
2.0 D	55	11/95 → 03/00	●	→ 12/97; -ABS	P56033MM	[+]	15,5	AKE							
	55	11/95 → 03/00	●	→ 12/97; +ABS	P56039MM	[+]	16	SUM							
	55	11/95 → 03/00	●	01/98 →; -ABS	P56026MM	[+]	15,5	AKE							
	55	11/95 → 03/00	●	→ 12/97	P56035MM	[+]	15	AKE							
	55	11/95 → 03/00	●	01/98 →	P56029MM	[+]	16,4	AKE							
2.0 GTI	105	07/96 → 03/00	●		P56028MM	[-]	15	SUM							
	105	07/96 → 03/00	●		P56055MM	[+]	15	SUM							
	105	07/96 → 03/00	●		P56029MM	[+]	16,4	AKE							

ALMERA II (N16) 06/00 →

1.5	66	07/00 →	●	-ABS	P56022MM	[-]	17,5	TRW							
	66	07/00 →	●	+ABS	P56036MM	[-]	16,6	TRW							
	66	07/00 →	●		P56024MM	[-]	15,6	TRW							
	66	07/00 →	●	Made in (J)	P56029MM	[+]	16,4	AKE							
	72	10/02 →	●	-ABS	P56022MM	[-]	17,5	TRW							
	72	10/02 →	●	+ABS	P56036MM	[-]	16,6	TRW							
	72	10/02 →	●		P56024MM	[-]	15,6	TRW							
	72	10/02 →	●	Made in (J)	P56029MM	[+]	16,4	AKE							
1.5 dCi	60	01/03 →	●	-ABS	P56022MM	[-]	17,5	TRW							
	60	01/03 →	●	+ABS	P56036MM	[-]	16,6	TRW							
	60	01/03 →	●		P56024MM	[-]	15,6	TRW							
1.8	84	07/00 →	●		P56036MM	[-]	16,6	TRW							
	84	07/00 →	●		P56024MM	[-]	15,6	TRW							
	84	07/00 →	●	Made in (J)	P56029MM	[+]	16,4	AKE							
	85	10/02 →	●		P56036MM	[-]	16,6	TRW							
	85	10/02 →	●		P56024MM	[-]	15,6	TRW							
	85	10/02 →	●	Made in (J)	P56029MM	[+]	16,4	AKE							
2.2 dCi	82	09/03 →	●		P56036MM	[-]	16,6	TRW							
	82	09/03 →	●		P56024MM	[-]	15,6	TRW							
	82	09/03 →	●	Made in (J)	P56029MM	[+]	16,4	AKE							
	100	09/03 →	●		P56036MM	[-]	16,6	TRW							
	100	09/03 →	●		P56024MM	[-]	15,6	TRW							
2.2 Di	81	07/00 →	●		P56036MM	[-]	16,6	TRW							
	81	07/00 →	●		P56024MM	[-]	15,6	TRW							
	81	07/00 →	●	Made in (J)	P56029MM	[+]	16,4	AKE							
	81	07/00 →	●												

ALMERA II Hatchback (N16) 01/00 →

1.5	66	03/00 →	●	-ABS	P56022MM	[-]	17,5	TRW							
	66	03/00 →	●	+ABS	P56036MM	[-]	16,6	TRW							
	66	03/00 →	●		P56024MM	[-]	15,6	TRW							
	66	03/00 →	●	Made in (J)	P56029MM	[+]	16,4	AKE							
	72	10/02 →	●	-ABS	P56022MM	[-]	17,5	TRW							
	72	10/02 →	●	+ABS	P56036MM	[-]	16,6	TRW							
	72	10/02 →	●		P56024MM	[-]	15,6	TRW							
1.5 dCi	60	01/03 →	●	-ABS	P56022MM	[-]	17,5	TRW							
	60	01/03 →	●	+ABS	P56036MM	[-]	16,6	TRW							
	60	01/03 →	●		P56024MM	[-]	15,6	TRW							

									WI			FK	
	kw						[mm]		MAGNETI MARELLI	LENGHT		MAGNETI MARELLI	

NISSAN

ALMERA II Hatchback (N16) 01/00 →

1.8	84	01/00 →	●		P56036MM	[-]	16,6	TRW					
	84	01/00 →		●	P56024MM	[-]	15,6	TRW					
	84	01/00 →		●	Made in (J)	P56029MM	[+]	16,4	AKE				
	85	10/02 →	●		P56036MM	[-]	16,6	TRW					
	85	10/02 →		●	P56024MM	[-]	15,6	TRW					
	85	10/02 →		●	Made in (J)	P56029MM	[+]	16,4	AKE				
2.2 dCi	82	09/03 →	●		P56036MM	[-]	16,6	TRW					
	82	09/03 →		●	P56024MM	[-]	15,6	TRW					
	82	09/03 →		●	Made in (J)	P56029MM	[+]	16,4	AKE				
	100	09/03 →	●		P56036MM	[-]	16,6	TRW					
	100	09/03 →		●	→ 05/07	P56024MM	[-]	15,6	TRW				
	100	09/03 →		●	Made in (J)	P56029MM	[+]	16,4	AKE				
2.2 Di	81	03/00 →	●		P56036MM	[-]	16,6	TRW					
	81	03/00 →		●	P56024MM	[-]	15,6	TRW					
	81	03/00 →		●	Made in (J)	P56029MM	[+]	16,4	AKE				

ALMERA TINO (V10) 12/98 → 02/06

1.8	84	08/00 → 02/06	●		P28029MM	[+]	17	TRW					
	84	08/00 → 02/06	●		P56044MM	[-]	17	TRW					
	84	08/00 → 02/06		●	P56024MM	[-]	15,6	TRW					
	85	12/02 → 02/06	●		P28029MM	[+]	17	TRW					
	85	12/02 → 02/06	●		P56044MM	[-]	17	TRW					
	85	12/02 → 02/06		●	P56024MM	[-]	15,6	TRW					
2.0	100	08/00 → 01/03	●		P28029MM	[+]	17	TRW					
	100	08/00 → 01/03	●		P56044MM	[-]	17	TRW					
	100	08/00 → 01/03		●	P56024MM	[-]	15,6	TRW					
2.2 dCi	84	08/00 → 02/06	●		P28029MM	[+]	17	TRW					
	84	08/00 → 02/06	●		P56044MM	[-]	17	TRW					
	84	08/00 → 02/06		●	P56024MM	[-]	15,6	TRW					
	82	09/03 → 02/06	●		P28029MM	[+]	17	TRW					
	82	09/03 → 02/06	●		P56044MM	[-]	17	TRW					
	82	09/03 → 02/06		●	P56024MM	[-]	15,6	TRW					
	100	09/03 → 02/06	●		P28029MM	[+]	17	TRW					
	100	09/03 → 02/06	●		P56044MM	[-]	17	TRW					
	100	09/03 → 02/06		●	P56024MM	[-]	15,6	TRW					

ALTIMA (L30) 06/97 → 08/01

2.4	112	06/97 → 08/01	●		P56021MM	[+]	17	SUM					
	112	06/97 → 08/01		●	P56029MM	[+]	16,4	AKE					

ALTIMA (L31) 08/01 → 04/07

2.5	121	08/01 → 09/06	●		P56021MM	[+]	17	SUM					
	121	08/01 → 09/06		●	P56046MM	[+]	13,8	AKE					
3.5	180	08/01 → 09/06	●		P56021MM	[+]	17	SUM					
	180	08/01 → 09/06		●	P56046MM	[+]	13,8	AKE					

ALTIMA (L32) 10/06 → 07/13

2.5	128	10/06 → 07/13	●		P56021MM	[+]	17	SUM					
	128	10/06 → 07/13		●	P56046MM	[+]	13,8	AKE					
3.5	201	10/06 → 07/13	●		P56021MM	[+]	17	SUM					
	201	10/06 → 07/13		●	P56046MM	[+]	13,8	AKE					

BLUEBIRD SYLPHY II (G11) 09/05 →

1.6 (G15)	75	12/12 →	●		P68033MM	[-]	17,3	TRW					
-----------	----	---------	---	--	----------	-----	------	-----	--	--	--	--	--

CABSTAR (F23, H41, H42) 07/92 → 09/11

2.5 dCi	96	10/06 → 09/11	●	Max Load 3500 kg	P56066MM	[+]	21,4	BRE					
	96	10/06 → 09/11	●	Max Load 3500 kg	P56042MM	[+]	17,7	BSH					
	96	10/06 → 09/11	●	Max Load 4500 kg	P56069MM	[+]	20,3	BRE					

Car Model	kw	Icon 1	Icon 2	Icon 3	MAGNETI MARELLI	wi	Th [mm]	SYS	WI			FK	
									MAGNETI MARELLI	LENGHT	Icon 4	MAGNETI MARELLI	Icon 5

NISSAN

CABSTAR (F23, H41, H42) 07/92 → 09/11

2.7 D	66	10/00 → 04/04	●	09/01 → 12/03	P56042MM	[+]	17,7	BSH					
35 DI 3.0	92	01/04 → 12/06	●	Max Load 3500 kg	P56042MM	[+]	17,7	BSH					
	92	01/04 → 12/06	●	Max Load 3500 kg	P56066MM	[+]	21,4	BRE					
	92	01/04 → 12/06	●	Max Load 4500 kg	P56069MM	[+]	20,3	BRE					

CABSTAR (F24M, F24W) 09/06 → 12/13

28.11 DCI, 32.11 DCI, 35.11 DCI 2.5 (F24M)	81	09/06 → 12/13	●	Max Load 3500 kg	P56066MM	[+]	21,4	BRE					
28.12 DCI, 32.12 DCI, 34.12 DCI, 35.12 DCI 2.5 (F24M)	90	09/06 → 12/13	●		P56066MM	[+]	21,4	BRE					
35.13 DCI, 45.13 DCI 2.5 (F24M)	96	09/06 → 12/12	●	Max Load 3500 kg	P56066MM	[+]	21,4	BRE					
35.14 DCI 3.0 (F24M)	101	09/06 → 12/13	●	Max Load 3500 kg	P56066MM	[+]	21,4	BRE					
35.14 DCI, 45.14 DCI 2.5 (F24M)	100	09/06 → 12/13	●	Max Load 3500 kg	P56066MM	[+]	21,4	BRE					
35.15 DCI, 45.15 DCI 3.0 (F24M)	110	09/06 → 12/13	●	Max Load 3500 kg	P56066MM	[+]	21,4	BRE					

CABSTAR E (TL_, VL_) 07/92 → 10/06

105.35, 110.35, 110.45 (TL0)	78	10/98 → 10/06	●	09/01 → 12/03	P56042MM	[+]	17,7	BSH					
120.35, 120.45 (TL0)	88	10/98 → 10/06	●	09/01 → 12/03	P56042MM	[+]	17,7	BSH					
3.0 110.35 (TL0)	81	10/00 → 04/04	●		P56042MM	[+]	17,7	BSH					
75.28 (TL0)	55	10/98 → 10/06	●	09/01 → 12/03	P56042MM	[+]	17,7	BSH					
90.32 (TL0)	66	10/98 → 10/06	●	09/01 → 12/03	P56042MM	[+]	17,7	BSH					

CEDRIC X (Y34) 05/99 → 08/04

2.5	147	05/00 → 08/04	●		P56058MM	[+]	16	SUM					
	147	05/00 → 08/04	●		P56045MM	[+]	14,5	TOK					
	147	05/00 → 08/04	●		P56053MM	[+]	16	SUM					
2.5 Turbo 4WD	188	05/99 → 08/04	●		P56045MM	[+]	14,5	TOK					
	188	05/99 → 08/04	●		P56058MM	[+]	16	SUM					
	188	05/99 → 08/04	●		P56053MM	[+]	16	SUM					
3.0 Ultima	206	08/00 → 08/04	●		P56058MM	[+]	16	SUM					
	206	08/00 → 08/04	●		P56045MM	[+]	14,5	TOK					
	206	08/00 → 08/04	●		P56053MM	[+]	16	SUM					

CEFIRO II Saloon (A32) 10/94 → 12/99

2.0	103	10/94 → 12/99	●		P56021MM	[+]	17	SUM					
	103	10/94 → 12/99	●		P56029MM	[+]	16,4	AKE					
3.0	142	10/94 → 12/99	●		P54032MM	[+]	17	SUM					
	142	10/94 → 12/99	●		P56029MM	[+]	16,4	AKE					

CEFIRO III Saloon (A33) 01/00 → 09/03

2.0	103	01/00 → 09/03	●		P56045MM	[+]	14,5	TOK					
	103	01/00 → 09/03	●		P56029MM	[+]	16,4	AKE					
3.0	147	01/00 → 09/03	●		P56045MM	[+]	14,5	TOK					
	147	01/00 → 09/03	●		P56029MM	[+]	16,4	AKE					

NISSAN

CUBE (Z11) 01/03 → 09/05

1.4	72	01/03 → 09/05	●			P56088MM	[+]	14,2	SUM					
1.5	80	01/03 → 09/05	●			P56088MM	[+]	14,2	SUM					

CUBE (Z12) 09/07 →

1.5 dCi	81	03/10 →	●			P23126MM	[+]	16	HIT					
	81	03/10 →		●		P56046MM	[+]	13,8	AKE					
	78	03/10 →	●			P23126MM	[+]	16	HIT					
	78	03/10 →		●		P56046MM	[+]	13,8	AKE					
1.6 16V	81	03/10 →	●			P23126MM	[+]	16	HIT					
	81	03/10 →		●		P56046MM	[+]	13,8	AKE					

ELGRAND (E50) 10/95 → 04/02

3.0 D	125	08/99 → 04/02	●			P56040MM	[+]	16,5	NSN					
3.0 D AWD	125	08/99 → 04/02	●			P56040MM	[+]	16,5	NSN					
3.0 D AWD (ATE50)	113	08/99 → 08/00	●			P56040MM	[+]	16,5	NSN					
3.2 D (AVE50)	110	10/95 → 08/01	●			P56040MM	[+]	16,5	NSN					
3.3 (ALE50)	125	04/96 → 04/02	●			P56040MM	[+]	16,5	NSN					
3.3 4x4 (ALWE50)	125	04/96 → 08/01	●			P56040MM	[+]	16,5	NSN					
3.5 AWD (APE50)	177	08/00 → 04/02	●			P56040MM	[+]	16,5	NSN					

ELGRAND (E51) 08/00 → 12/10

2.5 (ME51)	137	12/04 → 12/10	●			P56040MM	[+]	16,5	NSN					
	137	12/04 → 12/10		●		P56046MM	[+]	13,8	AKE					
2.5 AWD (MNE51)	137	12/04 → 12/10	●			P56040MM	[+]	16,5	NSN					
	137	12/04 → 12/10		●		P56046MM	[+]	13,8	AKE					
3.5 AWD (NE51)	177	05/02 → 12/10	●			P56040MM	[+]	16,5	NSN					
	177	05/02 → 12/10		●		P56046MM	[+]	13,8	AKE					

INTERSTAR Box (X70) 04/02 →

dCi 100	73	11/03 →	●			P59039MM	[-]	17,8	BSH					
	73	11/03 →		●		P59040MM	[-]	16,8	BSH					
	74	04/06 →	●			P59039MM	[-]	17,8	BSH					
	74	04/06 →		●		P59040MM	[-]	16,8	BSH					
dCi 120	84	07/02 →	●			P59039MM	[-]	17,8	BSH					
	84	07/02 →		●		P59040MM	[-]	16,8	BSH					
	88	09/06 →	●			P59039MM	[-]	17,8	BSH					
	88	09/06 →		●		P59040MM	[-]	16,8	BSH					
dCi 140	100	11/03 →	●			P59039MM	[-]	17,8	BSH					
	100	11/03 →		●		P59040MM	[-]	16,8	BSH					
dCi 150	107	09/06 →	●			P59039MM	[-]	17,8	BSH					
	107	09/06 →		●		P59040MM	[-]	16,8	BSH					
dCi 80	60	04/02 → 08/06	●			P59039MM	[-]	17,8	BSH					
	60	04/02 → 08/06		●		P59040MM	[-]	16,8	BSH					
dCi 90	66	07/02 →	●			P59039MM	[-]	17,8	BSH					
	66	07/02 →		●		P59040MM	[-]	16,8	BSH					

INTERSTAR Bus (X70) 04/02 →

dCi 100	73	11/03 →	●			P59039MM	[-]	17,8	BSH					
	73	11/03 →		●		P59040MM	[-]	16,8	BSH					
	74	04/06 →	●			P59039MM	[-]	17,8	BSH					
	74	04/06 →		●		P59040MM	[-]	16,8	BSH					
dCi 120	84	07/02 → 08/06	●			P59039MM	[-]	17,8	BSH					
	84	07/02 → 08/06		●		P59040MM	[-]	16,8	BSH					
	88	09/06 →	●			P59039MM	[-]	17,8	BSH					
	88	09/06 →		●		P59040MM	[-]	16,8	BSH					

--	--	--	--	--	--	--	--	--	--	--	--	--	--	--

NISSAN

INTERSTAR Bus (X70) 04/02 →

dCi 140	100	11/03 →	●			P59039MM	[-]	17,8	BSH					
	100	11/03 →		●		P59040MM	[-]	16,8	BSH					
dCi 150	107	09/06 →	●			P59039MM	[-]	17,8	BSH					
	107	09/06 →		●		P59040MM	[-]	16,8	BSH					
dCi 80	60	04/02 → 08/06	●			P59039MM	[-]	17,8	BSH					
	60	04/02 → 08/06		●		P59040MM	[-]	16,8	BSH					
dCi 90	66	07/02 →	●			P59039MM	[-]	17,8	BSH					
	66	07/02 →		●		P59040MM	[-]	16,8	BSH					

INTERSTAR Platform/Chassis 08/03 →

dCi 100	73	02/04 →	●			P59039MM	[-]	17,8	BSH					
	73	02/04 →		●		P59040MM	[-]	16,8	BSH					
dCi 120	84	08/03 →	●			P59039MM	[-]	17,8	BSH					
	84	08/03 →		●		P59040MM	[-]	16,8	BSH					
	88	08/06 →	●			P59039MM	[-]	17,8	BSH					
	88	08/06 →		●		P59040MM	[-]	16,8	BSH					
dCi 140	100	11/03 →	●			P59039MM	[-]	17,8	BSH					
	100	11/03 →		●		P59040MM	[-]	16,8	BSH					
dCi 150	107	08/06 →	●			P59039MM	[-]	17,8	BSH					
	107	08/06 →		●		P59040MM	[-]	16,8	BSH					

JUKE (F15) 06/10 →

1.2 DIG-T	85	05/14 →	●			P56065MM	[+]	17	SUM					
	85	05/14 →		●		P56068MM	[+]	13,8	AKE					
1.5 dCi	81	06/10 →	●			P56065MM	[+]	17	SUM					
	81	06/10 →		●		P56087MM	[+]	13,8	AKE					
1.6	86	06/10 →	●			P56065MM	[+]	17	SUM					
	86	06/10 →		●		P56087MM	[+]	13,8	AKE					
	69	01/13 →	●			P56065MM	[+]	17	SUM					
	69	01/13 →		●	+rear disc	P56068MM	[+]	13,8	AKE					
1.6 DIG-T	140	06/10 →	●			P56065MM	[+]	17	SUM					
	140	06/10 →		●		P56087MM	[+]	13,8	AKE					
1.6 DIG-T 4x4	140	06/10 →	●			P56065MM	[+]	17	SUM					
	140	06/10 →		●		P56087MM	[+]	13,8	AKE					
1.6 DIG-T NISMO	147	03/13 → 07/14	●			P56065MM	[+]	17	SUM					
	147	03/13 → 07/14		●		P56087MM	[+]	13,8	AKE					
1.6 DIG-T NISMO 4x4	147	02/13 → 07/14	●			P56065MM	[+]	17	SUM					
	147	02/13 → 07/14		●		P56087MM	[+]	13,8	AKE					
1.6 DIG-T NISMO RS	160	08/14 →	●			P79028MM	[+]	16,8	AKE					
	160	08/14 →		●		P56068MM	[+]	13,8	AKE					
1.6 DIG-T NISMO RS 4x4	157	08/14 →	●			P79028MM	[+]	16,8	AKE					
	157	08/14 →		●		P56087MM	[+]	13,8	AKE					

KUBISTAR (X76) 08/03 → 10/09

1.2	44	08/03 → 10/09	●			P56038MM	[+]	18	BSH					
1.2 16V	55	04/06 → 10/09	●			P56038MM	[+]	18	BSH					
1.4	55	08/03 → 10/09	●			P56038MM	[+]	18	BSH					
1.5 dCi	60	08/03 → 10/09	●			P56038MM	[+]	18	BSH					
	48	08/03 → 10/09	●			P56038MM	[+]	18	BSH					
	42	08/03 → 10/09	●			P56038MM	[+]	18	BSH					
	45	08/05 → 10/09	●			P56038MM	[+]	18	BSH					
1.5 dCi 70	50	04/06 → 10/09	●			P56038MM	[+]	18	BSH					
1.5 dCi 85	62	04/06 → 10/09	●			P56038MM	[+]	18	BSH					
1.6 16V	70	08/03 → 10/09	●			P56038MM	[+]	18	BSH					

									WI			FK	
										LENGHT			

NISSAN

KUBISTAR Box (X80) 08/03 →

1.2	44	08/03 →	●		P56038MM	[+]	18	BSH					
1.2 16V	55	04/06 →	●		P56038MM	[+]	18	BSH					
1.5 dCi	45	08/05 →	●		P56038MM	[+]	18	BSH					
	48	08/03 →	●		P56038MM	[+]	18	BSH					
	60	08/03 →	●		P56038MM	[+]	18	BSH					
1.5 dCi 70	50	04/06 → 03/10	●		P56038MM	[+]	18	BSH					
1.6 16V	70	08/03 →	●		P56038MM	[+]	18	BSH					

LEAF (ZE0) 11/10 →

Electric	80	11/10 →	●		P56096MM	[+]	15,4	TOK					
	80	11/10 →		●	P56087MM	[+]	13,8	AKE					

MAXIMA / MAXIMA QX IV (A32) 03/94 → 08/00

2.0	103	02/95 → 08/00	●	→ 08/97	P56021MM	[+]	17	SUM					
	103	02/95 → 08/00	●	08/97 →	P54032MM	[+]	17	SUM					
	103	02/95 → 08/00	●		P56029MM	[+]	16,4	AKE					
2.5 V6 24V	140	02/95 → 08/00	●		P54032MM	[+]	17	SUM					
	140	02/95 → 08/00	●		P56029MM	[+]	16,4	AKE					
3.0	142	01/95 → 08/00	●		P54032MM	[+]	17	SUM					
	142	01/95 → 08/00	●	→ 12/98	P56067MM	[O]	15	AKE					
	142	01/95 → 08/00	●		P56029MM	[+]	16,4	AKE					
	142	03/94 → 03/99	●		P54032MM	[+]	17	SUM					
	142	03/94 → 03/99	●	→ 12/98	P56067MM	[O]	15	AKE					
	142	03/94 → 03/99	●		P56029MM	[+]	16,4	AKE					

MAXIMA / MAXIMA QX IV Station Wagon (A32) 10/97 → 12/00

2.0 QX	103	10/97 → 12/00	●		P54032MM	[+]	17	SUM					
	103	10/97 → 12/00	●		P56029MM	[+]	16,4	AKE					
2.5 V6 24V	140	10/97 → 12/00	●		P54032MM	[+]	17	SUM					
	140	10/97 → 12/00	●		P56029MM	[+]	16,4	AKE					
3.0 QX	142	10/97 → 12/00	●		P54032MM	[+]	17	SUM					
	142	10/97 → 12/00	●	→ 12/98	P56067MM	[O]	15	AKE					
	142	10/97 → 12/00	●		P56029MM	[+]	16,4	AKE					

MAXIMA / MAXIMA QX V (A33) 04/99 → 11/03

2.0 V6 24V	103	03/00 → 11/03	●		P56045MM	[+]	14,5	TOK					
	103	03/00 → 11/03	●		P56029MM	[+]	16,4	AKE					
2.5 V6 24V	154	03/00 → 11/03	●		P56045MM	[+]	14,5	TOK					
	154	03/00 → 11/03	●		P56029MM	[+]	16,4	AKE					
3.0 V6 24V	147	03/00 → 11/03	●		P56045MM	[+]	14,5	TOK					
	147	03/00 → 11/03	●		P56029MM	[+]	16,4	AKE					

MICRA C+C III (K12) 08/05 →

1.4 16V	65	08/05 →	●		P68033MM	[-]	17,3	TRW					
1.6 160 SR	81	08/05 →	●		P68033MM	[-]	17,3	TRW					

MICRA II (K11) 01/92 → 12/07

1.0	40	01/92 → 04/93	●		P56031MM	[-]	15,8	AKE					
	40	01/92 → 04/93	●	+ABS	P56032MM	[-]	15	SUM					
1.0 i 16V	40	08/92 → 09/00	●		P56031MM	[-]	15,8	AKE					
	40	08/92 → 09/00	●	+ABS	P56032MM	[-]	15	SUM					
	44	09/00 → 02/03	●		P56031MM	[-]	15,8	AKE					
	44	09/00 → 02/03	●	+ABS	P56032MM	[-]	15	SUM					
1.3 i 16V	55	08/92 → 09/00	●		P56031MM	[-]	15,8	AKE					
	55	08/92 → 09/00	●	+ABS	P56032MM	[-]	15	SUM					
1.4 i 16V	60	09/00 → 02/03	●		P56031MM	[-]	15,8	AKE					
	60	09/00 → 02/03	●	+ABS	P56032MM	[-]	15	SUM					
1.5 D	42	02/98 → 02/03	●		P56031MM	[-]	15,8	AKE					
	42	02/98 → 02/03	●	+ABS	P56032MM	[-]	15	SUM					

--	--	--	--	--	--	--	--	--	--	--	--	--	--	--	--

NISSAN

MICRA III (K12) 03/02 → 06/10

1.0 16V	48	01/03 → 06/10	●	Made in (J)	P56088MM	[+]	14,2	SUM							
	48	01/03 → 06/10	●	Made in (UK)	P68033MM	[-]	17,3	TRW							
1.2 16V	59	01/03 → 06/10	●	Made in (J)	P56088MM	[+]	14,2	SUM							
	59	01/03 → 06/10	●	Made in (UK)	P68033MM	[-]	17,3	TRW							
	48	01/03 → 06/10	●	Made in (J)	P56088MM	[+]	14,2	SUM							
	48	01/03 → 06/10	●	Made in (UK)	P68033MM	[-]	17,3	TRW							
1.2 LPG	59	06/05 → 06/10	●		P68033MM	[-]	17,3	TRW							
1.4 16V	65	01/03 → 06/10	●	Made in (J)	P56088MM	[+]	14,2	SUM							
	65	01/03 → 06/10	●	Made in (UK)	P68033MM	[-]	17,3	TRW							
1.5 dCi	48	01/03 → 06/10	●	Made in (J)	P56088MM	[+]	14,2	SUM							
	48	01/03 → 06/10	●	Made in (UK)	P68033MM	[-]	17,3	TRW							
	60	09/03 → 06/10	●	Made in (J)	P56088MM	[+]	14,2	SUM							
	60	09/03 → 06/10	●	Made in (UK)	P68033MM	[-]	17,3	TRW							
	50	06/05 → 06/10	●	Made in (J)	P56088MM	[+]	14,2	SUM							
	50	06/05 → 06/10	●	Made in (UK)	P68033MM	[-]	17,3	TRW							
	63	06/05 → 06/10	●	Made in (J)	P56088MM	[+]	14,2	SUM							
	63	06/05 → 06/10	●	Made in (UK)	P68033MM	[-]	17,3	TRW							
160 SR	81	05/05 → 06/10	●	Made in (J)	P56088MM	[+]	14,2	SUM							
	81	05/05 → 06/10	●	Made in (UK)	P68033MM	[-]	17,3	TRW							

MICRA IV (K13) 05/10 →

1.2	59	05/10 →	●		P56086MM	[+]	17,3	TRW							
	56	05/10 →	●		P56086MM	[+]	17,3	TRW							
	58	05/10 →	●		P56086MM	[+]	17,3	TRW							
1.2 DIG-S	72	04/11 →	●		P56086MM	[+]	17,3	TRW							

MICRA V (K14) 12/16 →

0.9 IG-T	66	12/16 →	●		P56086MM	[+]	17,3	TRW							
1.0	54	12/16 →	●		P56086MM	[+]	17,3	TRW							
1.5 DCI	66	12/16 →	●		P56086MM	[+]	17,3	TRW							

MURANO I (Z50) 08/03 → 09/08

3.5 4x4	172	08/03 → 09/08	●		P56051MM	[+]	15,5	TOK							
	172	08/03 → 09/08	●		P56058MM	[+]	16	SUM							
	172	08/03 → 09/08	●		P56046MM	[+]	13,8	AKE							
	170	01/06 → 09/08	●		P56058MM	[+]	16	SUM							
	170	01/06 → 09/08	●		P56046MM	[+]	13,8	AKE							

MURANO II (Z51) 10/07 → 09/14

2.5 dCi 4x4	140	01/10 → 09/14	●		P56058MM	[+]	16	SUM							
	140	01/10 → 09/14	●		P56068MM	[+]	13,8	AKE							
3.5 4x4	188	10/08 → 09/14	●		P56058MM	[+]	16	SUM							
	188	10/08 → 09/14	●		P56068MM	[+]	13,8	AKE							
	191	12/09 → 09/14	●		P56058MM	[+]	16	SUM							
	191	12/09 → 09/14	●		P56068MM	[+]	13,8	AKE							
	183	12/10 → 09/14	●		P56058MM	[+]	16	SUM							
	183	12/10 → 09/14	●		P56068MM	[+]	13,8	AKE							

MURANO III (Z52_) 10/14 →

2.5 dCi ALL MODE 4x4-i	140	10/14 →	●		P56103MM	[+]	17	-							
	140	10/14 →	●		P56068MM	[+]	13,8	AKE							
2.5 HEV ALL MODE 4x4-i	172	01/16 →	●		P56103MM	[+]	17	-							
	172	01/16 →	●		P56068MM	[+]	13,8	AKE							
3.5 V6	183	01/16 →	●		P56103MM	[+]	17	-							
	183	01/16 →	●		P56068MM	[+]	13,8	AKE							
3.5 V6 ALL MODE 4x4-i	188	10/14 →	●		P56103MM	[+]	17	-							
	188	10/14 →	●		P56068MM	[+]	13,8	AKE							

									WI			FK	
	kw								MAGNETI MARELLI	LENGHT		MAGNETI MARELLI	

NISSAN

MURANO III (Z52_) 10/14 →

3.5 V6 ALL MODE 4x4-i (Z52R)	183	01/16 →	●			P56103MM	[+]	17	-				
	183	01/16 →		●		P56068MM	[+]	13,8	AKE				

NAVARA (D21) 11/85 → 03/08

2.5 D 4x4	55	01/86 → 08/87	●			P56056MM	[+]	17	AKE				
	59	01/86 → 03/08	●			P56056MM	[+]	17	AKE				

NAVARA (D22_) 01/97 →

2.5 D 4x4	98	11/01 →	●			P56049MM	[+]	17	AKE				
2.5 TDiC 4x4	76	05/98 → 10/01	●			P56049MM	[+]	17	AKE				
3.0 4x4	120	05/00 →	●			P56049MM	[+]	17	AKE				

NAVARA Platform/Chassis (D22) 03/97 →

2.5 Di	98	02/02 →	●			P24026MM	[+]	17	AKE				
2.5 Di 4WD	98	02/02 →	●			P56014MM	[-]	17	AKE				

NOTE (E11, NE11) 01/05 → 06/12

1.4	65	03/06 → 06/12	●	Made in (J)		P56088MM	[+]	14,2	SUM				
	65	03/06 → 06/12	●	Made in (UK)		P68033MM	[-]	17,3	TRW				
	65	03/06 → 06/12	●			P68024MM	[-]	16,2	TRW			A02205	
1.5 dCi	66	09/10 → 06/12	●	Made in (UK)		P68033MM	[-]	17,3	TRW				
	66	09/10 → 06/12	●	Made in (J)		P56088MM	[+]	14,2	SUM				
	66	09/10 → 06/12	●			P68024MM	[-]	16,2	TRW			A02205	
	50	03/06 → 06/12	●	Made in (J)		P56088MM	[+]	14,2	SUM				
	50	03/06 → 06/12	●	Made in (UK)		P68033MM	[-]	17,3	TRW				
	50	03/06 → 06/12	●			P68024MM	[-]	16,2	TRW			A02205	
	63	03/06 → 06/12	●	Made in (J)		P56088MM	[+]	14,2	SUM				
	63	03/06 → 06/12	●	Made in (UK)		P68033MM	[-]	17,3	TRW				
	63	03/06 → 06/12	●			P68024MM	[-]	16,2	TRW			A02205	
	76	07/08 → 06/12	●	Made in (J)		P56088MM	[+]	14,2	SUM				
	76	07/08 → 06/12	●	Made in (UK)		P68033MM	[-]	17,3	TRW				
	76	07/08 → 06/12	●			P68024MM	[-]	16,2	TRW				
1.6	81	03/06 → 06/12	●	Made in (J)		P56088MM	[+]	14,2	SUM				
	81	03/06 → 06/12	●	Made in (UK)		P68033MM	[-]	17,3	TRW				
	81	03/06 → 06/12	●			P68024MM	[-]	16,2	TRW			A02205	

NOTE (E12) 06/13 →

1.2	59	06/13 →	●			P56086MM	[+]	17,3	TRW				
	58	06/13 →	●			P56086MM	[+]	17,3	TRW				
1.2 DIG-S	72	06/13 →	●			P56086MM	[+]	17,3	TRW				
1.2 LPG	56	03/15 →	●			P56086MM	[+]	17,3	TRW				
1.5 dCi	66	06/13 →	●			P56086MM	[+]	17,3	TRW				

NP300 NAVARA (D40) 10/04 →

2.5 dCi	106	07/05 →	●	16" wheel		P56059MM	[+]	16,5	TOK				
	106	07/05 →	●	17" wheel		P56058MM	[+]	16	SUM				
	106	07/05 →	●	(ASIA)		P56096MM	[+]	15,4	TOK				
	106	07/05 →	●			P56060MM	[+]	16	TOK				
	128	12/05 →	●	(ASIA)		P56096MM	[+]	15,4	TOK				
	120	10/06 →	●			P56059MM	[+]	16,5	TOK				
	120	10/06 →	●	11/13 →; 16" wheel		P56096MM	[+]	15,4	TOK				
2.5 dCi 4WD	140	12/09 →	●	16" wheel		P56059MM	[+]	16,5	TOK				
	140	12/09 →	●	17" wheel		P56058MM	[+]	16	SUM				
	140	12/09 →	●			P56060MM	[+]	16	TOK				
	128	07/05 →	●	16" wheel		P56059MM	[+]	16,5	TOK				
	128	07/05 →	●	17" wheel		P56058MM	[+]	16	SUM				
	128	07/05 →	●	(ASIA)		P56096MM	[+]	15,4	TOK				
	128	07/05 →	●			P56060MM	[+]	16	TOK				

NISSAN

NP300 NAVARA (D40) 10/04 →

2.5 dCi 4WD	126	10/06 →	●	16" wheel	P56059MM	[+]	16,5	TOK				
	126	10/06 →	●	17" wheel	P56058MM	[+]	16	SUM				
	126	10/06 →	●	(ASIA)	P56096MM	[+]	15,4	TOK				
	126	10/06 →		●	P56060MM	[+]	16	TOK				
	106	10/08 →	●	11/13 →	P56096MM	[+]	15,4	TOK				
	106	10/08 →	●	→ 10/13; 16" wheel	P56059MM	[+]	16,5	TOK				
	106	10/08 →	●	17" wheel	P56058MM	[+]	16	SUM				
3.0 dCi 4WD	170	02/10 →	●	16" wheel	P56059MM	[+]	16,5	TOK				
	170	02/10 →	●	17" wheel	P56058MM	[+]	16	SUM				
	170	02/10 →		●	P56060MM	[+]	16	TOK				

NP300 NAVARA Platform/Chassis (D40) 08/08 →

2.5 dCi	140	03/10 →	●	16" wheel; disc Ø 296 mm	P56059MM	[+]	16,5	TOK				
	140	03/10 →	●	17" wheel; disc Ø 320 mm	P56058MM	[+]	16	SUM				
	140	03/10 →		●	P56060MM	[+]	16	TOK				
2.5 dCi 4WD	126	08/08 →	●	16" wheel; disc Ø 296 mm	P56059MM	[+]	16,5	TOK				
	126	08/08 →	●	17" wheel; disc Ø 320 mm	P56058MM	[+]	16	SUM				
	106	08/08 →	●	11/13 →; 16" wheel	P56096MM	[+]	15,4	TOK				
	106	08/08 →	●	16" wheel; disc Ø 296 mm	P56059MM	[+]	16,5	TOK				
	106	08/08 →	●	17" wheel; disc Ø 320 mm	P56058MM	[+]	16	SUM				
3.0 dCi	170	03/10 →	●		P56058MM	[+]	16	SUM				

NP300 PICKUP (D22) 04/08 →

2.5 dCi	98	04/08 →	●		P56049MM	[+]	17	AKE				
	98	04/08 →	●		P24026MM	[+]	17	AKE				
2.5 dCi 4x4	98	04/08 →	●		P24026MM	[+]	17	AKE				
	98	04/08 →	●		P56049MM	[+]	17	AKE				

NT400 CABSTAR (F24F) 08/09 →

28.12, 32.12, 35.12 (F91AN)	90	01/14 →	●		P56066MM	[+]	21,4	BRE				
35.14, 45.14	100	01/14 →	●	Max Load 3500 kg	P56066MM	[+]	21,4	BRE				
	100	01/14 →		● Max Load 4500 kg	P56069MM	[+]	20,3	BRE				
35.15, 45.15	107	01/14 →	●	Max Load 3500 kg	P56066MM	[+]	21,4	BRE				
	107	01/14 →		● Max Load 4500 kg	P56069MM	[+]	20,3	BRE				

NV200 / EVALIA Bus 07/10 →

1.5 dci (M20, M20M)	66	04/11 →	●		P56102MM	[+]	16,8	TOK				
	81	04/11 →	●		P56102MM	[+]	16,8	TOK				
	63	07/10 →	●		P56102MM	[+]	16,8	TOK				
1.6 16V (M20, M20M)	81	07/10 →	●		P56102MM	[+]	16,8	TOK				
e- (ME0)	80	07/14 →	●		P56102MM	[+]	16,8	TOK				

NV200 Box Body / Estate 02/10 →

1.5 dci (M20, M20M)	66	04/11 →	●		P56102MM	[+]	16,8	TOK				
	81	04/11 →	●		P56102MM	[+]	16,8	TOK				
	63	02/10 →	●		P56102MM	[+]	16,8	TOK				
1.6 16V (M20, M20M)	81	02/10 →	●		P56102MM	[+]	16,8	TOK				
e-NV (ME0)	80	05/14 →	●		P56102MM	[+]	16,8	TOK				

NV300 Box (X82) 09/16 →

1.6 dci 120	89	09/16 →	●		P59082MM	[-]	18,2	TRW				
	89	09/16 →		●	P59041MM	[-]	17	TRW				
1.6 dci 125	92	09/16 →	●		P59082MM	[-]	18,2	TRW				
	92	09/16 →		●	P59041MM	[-]	17	TRW				
1.6 dci 145	107	09/16 →	●		P59082MM	[-]	18,2	TRW				
	107	09/16 →		●	P59041MM	[-]	17	TRW				

NISSAN

NV300 Box (X82) 09/16 →

1.6 dci 95	70	09/16 →	●			P59082MM	[-]	18,2	TRW					
	70	09/16 →		●		P59041MM	[-]	17	TRW					

NV300 Kombi (X82) 09/16 →

1.6 dCi 125	92	09/16 →	●			P59082MM	[-]	18,2	TRW					
	92	09/16 →		●		P59041MM	[-]	17	TRW					
1.6 dCi 145	107	09/16 →	●			P59082MM	[-]	18,2	TRW					
	107	09/16 →		●		P59041MM	[-]	17	TRW					
1.6 dci 95	70	09/16 →	●			P59082MM	[-]	18,2	TRW					
	70	09/16 →		●		P59041MM	[-]	17	TRW					

NV400 Box 11/11 →

2.3 dCi 145 [RWD]	107	11/11 → 02/14	●			P68062MM	[+]	18	BRE					
	107	11/11 → 02/14		●	single tyres	P68063MM	[+]	18,1	BRE					
	107	11/11 → 02/14		●	twin tyres	P68061MM	[+]	18	BRE					
2.3 dCi 150	110	02/14 → 09/16	●			P68062MM	[+]	18	BRE					
	110	02/14 → 09/16		●	twin tyres	P68061MM	[+]	18	BRE					
	110	02/14 → 09/16		●	single tyres	P68063MM	[+]	18,1	BRE					
2.3 dCi 165	120	06/14 → 09/16	●			P68062MM	[+]	18	BRE					
	120	06/14 → 09/16		●	single tyres	P68063MM	[+]	18,1	BRE					
	120	06/14 → 09/16		●	twin tyres	P68061MM	[+]	18	BRE					
dCi 100	74	11/11 → 05/14	●			P68062MM	[+]	18	BRE					
	74	11/11 → 05/14		●	twin tyres	P68061MM	[+]	18	BRE					
	74	11/11 → 05/14		●	single tyres	P68063MM	[+]	18,1	BRE					
dCi 110	81	06/14 →	●			P68062MM	[+]	18	BRE					
	81	06/14 →		●	single tyres	P68063MM	[+]	18,1	BRE					
	81	06/14 →		●	twin tyres	P68061MM	[+]	18	BRE					
dCi 125	92	11/11 → 09/16	●			P68062MM	[+]	18	BRE					
	92	11/11 → 09/16		●	twin tyres	P68061MM	[+]	18	BRE					
	92	11/11 → 09/16		●	single tyres	P68063MM	[+]	18,1	BRE					
dCi 125 [RWD]	92	11/11 → 09/16	●			P68062MM	[+]	18	BRE					
	92	11/11 → 09/16		●	single tyres	P68063MM	[+]	18,1	BRE					
	92	11/11 → 09/16		●	twin tyres	P68061MM	[+]	18	BRE					
dCi 130	96	09/16 →	●			P68062MM	[+]	18	BRE					
	96	09/16 →		●	single tyres	P68063MM	[+]	18,1	BRE					
	96	09/16 →		●	twin tyres	P68061MM	[+]	18	BRE					
dCi 130 [RWD]	96	09/16 →	●			P68062MM	[+]	18	BRE					
	96	09/16 →		●	single tyres	P68063MM	[+]	18,1	BRE					
	96	09/16 →		●	twin tyres	P68061MM	[+]	18	BRE					
dCi 140	100	06/14 → 09/16	●			P68062MM	[+]	18	BRE					
	100	06/14 → 09/16		●	twin tyres	P68061MM	[+]	18	BRE					
	100	06/14 → 09/16		●	single tyres	P68063MM	[+]	18,1	BRE					
dCi 140 [RWD]	100	06/14 → 09/16	●			P68062MM	[+]	18	BRE					
	100	06/14 → 09/16		●	single tyres	P68063MM	[+]	18,1	BRE					
	100	06/14 → 09/16		●	twin tyres	P68061MM	[+]	18	BRE					
dCi 145	107	11/11 → 02/14	●			P68062MM	[+]	18	BRE					
	107	11/11 → 02/14		●	twin tyres	P68061MM	[+]	18	BRE					
	107	11/11 → 02/14		●	single tyres	P68063MM	[+]	18,1	BRE					
dCi 150 [RWD]	110	02/14 → 09/16	●			P68062MM	[+]	18	BRE					
	110	02/14 → 09/16		●	single tyres	P68063MM	[+]	18,1	BRE					
	110	02/14 → 09/16		●	twin tyres	P68061MM	[+]	18	BRE					
dCi 165 [RWD]	120	06/14 → 09/16	●			P68062MM	[+]	18	BRE					
	120	06/14 → 09/16		●	single tyres	P68063MM	[+]	18,1	BRE					
	120	06/14 → 09/16		●	twin tyres	P68061MM	[+]	18	BRE					

NISSAN

NV400 Box 11/11 →

dCi 170	125	09/16 →	●		P68062MM	[+]	18	BRE				
	125	09/16 →		●	twin tyres	P68061MM	[+]	18	BRE			
	125	09/16 →		●	single tyres	P68063MM	[+]	18,1	BRE			

NV400 Bus 11/11 →

dCi 100	74	11/11 → 06/14	●		P68062MM	[+]	18	BRE				
	74	11/11 → 06/14		●	single tyres	P68063MM	[+]	18,1	BRE			
	74	11/11 → 06/14		●	twin tyres	P68061MM	[+]	18	BRE			
dCi 110	81	06/14 → 09/16	●		P68062MM	[+]	18	BRE				
	81	06/14 → 09/16		●	twin tyres	P68061MM	[+]	18	BRE			
	81	06/14 → 09/16		●	single tyres	P68063MM	[+]	18,1	BRE			
dCi 125	92	11/11 → 09/16	●		P68062MM	[+]	18	BRE				
	92	11/11 → 09/16		●	twin tyres	P68061MM	[+]	18	BRE			
	92	11/11 → 09/16		●	single tyres	P68063MM	[+]	18,1	BRE			
dCi 140	100	06/14 → 09/16	●		P68062MM	[+]	18	BRE				
	100	06/14 → 09/16		●	single tyres	P68063MM	[+]	18,1	BRE			
	100	06/14 → 09/16		●	twin tyres	P68061MM	[+]	18	BRE			
dCi 145	107	11/11 → 02/14	●		P68062MM	[+]	18	BRE				
	107	11/11 → 02/14		●	twin tyres	P68061MM	[+]	18	BRE			
	107	11/11 → 02/14		●	single tyres	P68063MM	[+]	18,1	BRE			
dCi 150	110	02/14 → 09/16	●		P68062MM	[+]	18	BRE				
	110	02/14 → 09/16		●	single tyres	P68063MM	[+]	18,1	BRE			
	110	02/14 → 09/16		●	twin tyres	P68061MM	[+]	18	BRE			
dCi 160	120	06/14 → 09/16	●		P68062MM	[+]	18	BRE				
	120	06/14 → 09/16		●	single tyres	P68063MM	[+]	18,1	BRE			
	120	06/14 → 09/16		●	twin tyres	P68061MM	[+]	18	BRE			
dCi 170	125	07/15 →	●		P68062MM	[+]	18	BRE				
	125	07/15 →		●	single tyres	P68063MM	[+]	18,1	BRE			
	125	07/15 →		●	twin tyres	P68061MM	[+]	18	BRE			

NV400 Platform/Chassis 11/11 →

dCi 100	74	11/11 → 06/14	●		P68062MM	[+]	18	BRE				
	74	11/11 → 06/14		●	single tyres	P68063MM	[+]	18,1	BRE			
	74	11/11 → 06/14		●	twin tyres	P68061MM	[+]	18	BRE			
dCi 110	81	06/14 → 06/16	●		P68062MM	[+]	18	BRE				
	81	06/14 → 06/16		●	twin tyres	P68061MM	[+]	18	BRE			
	81	06/14 → 06/16		●	single tyres	P68063MM	[+]	18,1	BRE			
dCi 125	92	11/11 → 06/16	●		P68062MM	[+]	18	BRE				
	92	11/11 → 06/16		●	twin tyres	P68061MM	[+]	18	BRE			
	92	11/11 → 06/16		●	single tyres	P68063MM	[+]	18,1	BRE			
dCi 125 [RWD]	92	11/11 → 06/16	●		P68062MM	[+]	18	BRE				
	92	11/11 → 06/16		●	single tyres	P68063MM	[+]	18,1	BRE			
	92	11/11 → 06/16		●	twin tyres	P68061MM	[+]	18	BRE			
dCi 130	96	06/16 →	●		P68062MM	[+]	18	BRE				
	96	06/16 →		●	single tyres	P68063MM	[+]	18,1	BRE			
	96	06/16 →		●	twin tyres	P68061MM	[+]	18	BRE			
dCi 130 [RWD]	96	06/16 →	●		P68062MM	[+]	18	BRE				
	96	06/16 →		●	single tyres	P68063MM	[+]	18,1	BRE			
	96	06/16 →		●	twin tyres	P68061MM	[+]	18	BRE			
dCi 140	100	06/14 → 06/16	●		P68062MM	[+]	18	BRE				
	100	06/14 → 06/16		●	single tyres	P68063MM	[+]	18,1	BRE			
	100	06/14 → 06/16		●	twin tyres	P68061MM	[+]	18	BRE			
dCi 140 [RWD]	100	06/14 → 06/16	●		P68062MM	[+]	18	BRE				
	100	06/14 → 06/16		●	single tyres	P68063MM	[+]	18,1	BRE			
	100	06/14 → 06/16		●	twin tyres	P68061MM	[+]	18	BRE			

								WI			FK	

NISSAN

NV400 Platform/Chassis 11/11 →

dCi 145	107	11/11 → 06/16	●		P68062MM	[+]	18	BRE				
	107	11/11 → 06/16	●	single tyres	P68063MM	[+]	18,1	BRE				
	107	11/11 → 06/16	●	twin tyres	P68061MM	[+]	18	BRE				
dCi 145 [RWD]	107	11/11 → 06/16	●		P68062MM	[+]	18	BRE				
	107	11/11 → 06/16	●	single tyres	P68063MM	[+]	18,1	BRE				
	107	11/11 → 06/16	●	twin tyres	P68061MM	[+]	18	BRE				
dCi 150	110	08/14 → 06/16	●		P68062MM	[+]	18	BRE				
	110	08/14 → 06/16	●	single tyres	P68063MM	[+]	18,1	BRE				
	110	08/14 → 06/16	●	twin tyres	P68061MM	[+]	18	BRE				
dCi 150 [RWD]	110	08/14 → 06/16	●		P68062MM	[+]	18	BRE				
	110	08/14 → 06/16	●	single tyres	P68063MM	[+]	18,1	BRE				
	110	08/14 → 06/16	●	twin tyres	P68061MM	[+]	18	BRE				
dCi 165	120	06/14 → 06/16	●		P68062MM	[+]	18	BRE				
	120	06/14 → 06/16	●	single tyres	P68063MM	[+]	18,1	BRE				
	120	06/14 → 06/16	●	twin tyres	P68061MM	[+]	18	BRE				
dCi 165 [RWD]	120	06/14 →	●		P68062MM	[+]	18	BRE				
	120	06/14 →	●	single tyres	P68063MM	[+]	18,1	BRE				
	120	06/14 →	●	twin tyres	P68061MM	[+]	18	BRE				
dCi 170	125	06/16 →	●		P68062MM	[+]	18	BRE				
	125	06/16 →	●	twin tyres	P68061MM	[+]	18	BRE				
	125	06/16 →	●	single tyres	P68063MM	[+]	18,1	BRE				

PATHFINDER II (R50) 09/95 → 12/04

2.7 TD 4WD	96	09/97 → 12/04	●		P56040MM	[+]	16,5	NSN				
3.2 TD 4WD	110	09/97 → 12/04	●		P56040MM	[+]	16,5	NSN				
3.3 V6 4WD	125	09/97 → 12/04	●		P56040MM	[+]	16,5	NSN				
	110	03/98 → 10/00	●		P56040MM	[+]	16,5	NSN				
3.5 V6 4WD	162	11/00 → 12/04	●		P56040MM	[+]	16,5	NSN				

PATHFINDER III (R51) 01/05 →

2.5 dCi	128	01/05 →	●	16" wheel	P56059MM	[+]	16,5	TOK				
	128	01/05 →	●	17" wheel	P56058MM	[+]	16	SUM				
	128	01/05 →	●		P56060MM	[+]	16	TOK				
2.5 dCi 4WD	128	03/05 →	●	16" wheel	P56059MM	[+]	16,5	TOK				
	128	03/05 →	●	17" wheel	P56058MM	[+]	16	SUM				
	128	03/05 →	●		P56060MM	[+]	16	TOK				
	126	10/06 →	●	16" wheel	P56059MM	[+]	16,5	TOK				
	126	10/06 →	●	17" wheel	P56058MM	[+]	16	SUM				
	126	10/06 →	●		P56060MM	[+]	16	TOK				
	140	08/10 →	●	16" wheel	P56059MM	[+]	16,5	TOK				
	140	08/10 →	●	17" wheel	P56058MM	[+]	16	SUM				
	140	08/10 →	●		P56060MM	[+]	16	TOK				
	120	01/05 →	●	16" wheel	P56059MM	[+]	16,5	TOK				
	120	01/05 →	●	17" wheel	P56058MM	[+]	16	SUM				
	120	01/05 →	●		P56060MM	[+]	16	TOK				
3.0 dCi	170	08/10 →	●		P56058MM	[+]	16	SUM				
	170	08/10 →	●		P56060MM	[+]	16	TOK				
4.0 4WD	198	09/05 →	●		P56058MM	[+]	16	SUM				
	198	09/05 →	●		P56060MM	[+]	16	TOK				

PATHFINDER IV (R52) 09/12 →

2.5 dCi 4WD	140	09/12 →	●		P56068MM	[+]	13,8	AKE				
3.0 dCi 4WD	170	09/12 →	●		P56058MM	[+]	16	SUM				
	170	09/12 →	●		P56060MM	[+]	16	TOK				
3.5 4WD	183	08/14 →	●		P56103MM	[+]	17	-				
	183	08/14 →	●		P56068MM	[+]	13,8	AKE				

NISSAN

PATROL GR V Platform/Chassis (Y61) 05/98 →

3.0 D 4x4 (Y61)	118	09/07 →	•			P56041MM	[+]	19	AKE					
	118	09/07 →		•		P56039MM	[+]	16	SUM					

PATROL GR V Wagon (Y61) 06/97 →

2.7 TD	73	05/98 → 06/01	•			P56041MM	[+]	19	AKE					
	73	05/98 → 06/01		•		P56039MM	[+]	16	SUM					
2.8 TD	95	06/97 → 05/00	•			P56041MM	[+]	19	AKE					
	95	06/97 → 05/00		•		P56039MM	[+]	16	SUM					
2.8 TDiC (Y61)	96	10/97 → 02/00	•			P56041MM	[+]	19	AKE					
	96	10/97 → 02/00		•		P56039MM	[+]	16	SUM					
3.0 DTi	116	05/00 →	•			P56041MM	[+]	19	AKE					
	116	05/00 →		•		P56039MM	[+]	16	SUM					
	118	05/00 →	•			P56041MM	[+]	19	AKE					
	118	05/00 →		•		P56039MM	[+]	16	SUM					
3.2 D	70	05/98 → 06/01	•			P56041MM	[+]	19	AKE					
	70	05/98 → 06/01		•		P56039MM	[+]	16	SUM					
4.2	125	03/00 → 08/02	•			P56041MM	[+]	19	AKE					
	125	03/00 → 08/02		•		P56039MM	[+]	16	SUM					
4.2 D 4x4 (Y61)	91	05/98 → 03/03	•			P56041MM	[+]	19	AKE					
	91	05/98 → 03/03		•		P56039MM	[+]	16	SUM					
4.2 TD	107	06/97 →	•			P56041MM	[+]	19	AKE					
	107	06/97 →		•		P56039MM	[+]	16	SUM					
4.8	180	03/00 →	•			P56041MM	[+]	19	AKE					
	180	03/00 →		•		P56039MM	[+]	16	SUM					

PICK UP (D22) 01/97 →

2.4 4WD	110	11/01 → 04/05	•			P56014MM	[-]	17	AKE					
	110	11/01 → 04/05	•			P24026MM	[+]	17	AKE					
2.4 i	88	02/98 → 04/05	•		→ 10/01	P24026MM	[+]	17	AKE					
	88	02/98 → 04/05	•		11/01 →	P56049MM	[+]	17	AKE					
2.4 i 4WD	88	02/98 → 04/05	•		-(EU)	P56014MM	[-]	17	AKE					
	88	02/98 → 04/05	•		→ 10/01	P24026MM	[+]	17	AKE					
	88	02/98 → 04/05	•		11/01 →	P56049MM	[+]	17	AKE					
	98	03/02 → 04/05	•		-(EU)	P24026MM	[+]	17	AKE					
	98	03/02 → 04/05	•			P56049MM	[+]	17	AKE					
	98	03/02 → 04/05	•			P56049MM	[+]	17	AKE					
2.5 D	61	02/98 → 04/05	•		→ 10/01	P24026MM	[+]	17	AKE					
	61	02/98 → 04/05	•		11/01 →	P56049MM	[+]	17	AKE					
2.5 D 4WD	61	02/98 → 04/05	•		→ 10/01	P24026MM	[+]	17	AKE					
	61	02/98 → 04/05	•		11/01 →	P56049MM	[+]	17	AKE					
	96	01/97 → 04/05	•			P56049MM	[+]	17	AKE					
2.5 Di	98	03/02 → 04/05	•			P24026MM	[+]	17	AKE					
	98	03/02 → 04/05	•			P56049MM	[+]	17	AKE					
2.5 Di 4WD	98	03/02 → 04/05	•			P56049MM	[+]	17	AKE					
2.5 TD 4WD	76	05/98 → 04/05	•		→ 10/01	P24026MM	[+]	17	AKE					
	76	05/98 → 04/05	•		11/01 →	P56049MM	[+]	17	AKE					
3.2 D 4WD	76	12/98 → 04/05	•		→ 10/01	P24026MM	[+]	17	AKE					
	76	12/98 → 04/05	•		11/01 →	P56049MM	[+]	17	AKE					

PIXO (UA0) 03/09 →

1.0	50	06/09 →	•			P79020MM	[+]	17	SUM					
-----	----	---------	---	--	--	----------	-----	----	-----	--	--	--	--	--

PRESAGE (U30) 03/98 → 12/03

2.4 (U30)	110	08/98 → 08/02	•			P56040MM	[+]	16,5	NSN					
-----------	-----	---------------	---	--	--	----------	-----	------	-----	--	--	--	--	--

PRIMASTAR Box (X83) 09/02 →

1.9 dCi 100	74	09/02 →	•			P56061MM	[+]	18,4	TRW					
	74	09/02 →		•		P59041MM	[-]	17	TRW				A02205	
1.9 dCi 80	60	09/02 →	•			P56061MM	[+]	18,4	TRW					
	60	09/02 →		•		P59041MM	[-]	17	TRW				A02205	

								WI			FK	

NISSAN

PRIMASTAR Box (X83) 09/02 →

2.0	88 02/03 →	●			P56061MM	[+]	18,4	TRW				
	88 02/03 →		●		P59041MM	[-]	17	TRW			A02205	
2.0 dCi 115	84 09/06 →	●			P56061MM	[+]	18,4	TRW				
	84 09/06 →		●		P59041MM	[-]	17	TRW			A02205	
2.0 dCi 90	66 09/06 →	●			P56061MM	[+]	18,4	TRW				
	66 09/06 →		●		P59041MM	[-]	17	TRW			A02205	
2.5 dCi 115	84 09/08 →	●			P56061MM	[+]	18,4	TRW				
	84 09/08 →		●		P59041MM	[-]	17	TRW				
2.5 dCi 140	99 07/03 →	●			P56061MM	[+]	18,4	TRW				
	99 07/03 →		●		P59041MM	[-]	17	TRW			A02205	
2.5 dCi 150	107 09/06 →	●			P56061MM	[+]	18,4	TRW				
	107 09/06 →		●		P59041MM	[-]	17	TRW			A02205	

PRIMASTAR Bus (X83) 03/01 →

2.0	88 03/01 →	●			P56061MM	[+]	18,4	TRW				
	88 03/01 →		●		P59041MM	[-]	17	TRW			A02205	
dCi 100	74 03/01 →	●			P56061MM	[+]	18,4	TRW				
	74 03/01 →		●		P59041MM	[-]	17	TRW			A02205	
dCi 115	84 09/08 →	●			P56061MM	[+]	18,4	TRW				
	84 09/08 →		●		P59041MM	[-]	17	TRW				
dCi 120	84 09/06 →	●			P56061MM	[+]	18,4	TRW				
	84 09/06 →		●		P59041MM	[-]	17	TRW			A02205	
dCi 140	99 07/03 →	●			P56061MM	[+]	18,4	TRW				
	99 07/03 →		●		P59041MM	[-]	17	TRW			A02205	
dCi 150	107 09/06 →	●			P56061MM	[+]	18,4	TRW				
	107 09/06 →		●		P59041MM	[-]	17	TRW			A02205	
dCi 80	60 03/01 →	●			P56061MM	[+]	18,4	TRW				
	60 03/01 →		●		P59041MM	[-]	17	TRW			A02205	
dCi 90	66 09/06 →	●			P56061MM	[+]	18,4	TRW				
	66 09/06 →		●		P59041MM	[-]	17	TRW			A02205	

PRIMASTAR Platform/Chassis (X83) 07/02 → 08/06

1.9 dCi 100	74 07/02 → 08/06	●			P56061MM	[+]	18,4	TRW				
	74 07/02 → 08/06		●		P59041MM	[-]	17	TRW				
1.9 dCi 80	60 07/02 → 08/06	●			P56061MM	[+]	18,4	TRW				
	60 07/02 → 08/06		●		P59041MM	[-]	17	TRW				
2.5 dCi 140	99 07/02 → 08/06	●			P56061MM	[+]	18,4	TRW				
	99 07/02 → 08/06		●		P59041MM	[-]	17	TRW				

PRIMERA (P11) 06/96 → 12/01

1.6 16V	73 09/96 → 10/00	●		→ 03/99	P56022MM	[-]	17,5	TRW				
	73 09/96 → 10/00	●		04/99 →	P56036MM	[-]	16,6	TRW				
	73 09/96 → 10/00		●	04/99 →	P56024MM	[-]	15,6	TRW				
	66 09/96 → 12/01	●		→ 03/99	P56022MM	[-]	17,5	TRW				
	66 09/96 → 12/01	●		04/99 →	P56036MM	[-]	16,6	TRW				
	66 09/96 → 12/01		●	04/99 →	P56024MM	[-]	15,6	TRW				
	78 06/96 → 12/01	●		→ 03/99	P56022MM	[-]	17,5	TRW				
	78 06/96 → 12/01	●		04/99 →	P56036MM	[-]	16,6	TRW				
1.8 16V	84 08/99 → 12/01	●			P56036MM	[-]	16,6	TRW				
	84 08/99 → 12/01		●		P56024MM	[-]	15,6	TRW				
2.0 16V	96 09/96 → 12/01	●		→ 03/99	P56022MM	[-]	17,5	TRW				
	96 09/96 → 12/01	●		04/99 →	P56036MM	[-]	16,6	TRW				
	96 09/96 → 12/01		●		P56024MM	[-]	15,6	TRW				
	85 09/96 → 12/01	●		→ 03/99	P56022MM	[-]	17,5	TRW				
	85 09/96 → 12/01	●		04/99 →	P56036MM	[-]	16,6	TRW				

NISSAN

PRIMERA (P11) 06/96 → 12/01

2.0 16V	85	09/96 → 12/01	•			P56024MM [-]	15,6	TRW							
	110	09/96 → 12/01	•		→ 05/99	P56036MM [-]	16,6	TRW					A02202	06/99 →	
	110	09/96 → 12/01	•		06/99 →	P56037MM [-]	17,3	ATE					A02202	06/99 →	
	110	09/96 → 12/01	•			P56024MM [-]	15,6	TRW							
	103	08/99 → 12/01	•		Man.	P56037MM [-]	17,3	ATE					A02202	Man.	
	103	08/99 → 12/01	•		Aut.	P56036MM [-]	16,6	TRW					A02202	Man.	
	103	08/99 → 12/01	•			P56024MM [-]	15,6	TRW							
2.0 TD	66	09/96 → 12/01	•		→ 03/99	P56022MM [-]	17,5	TRW							
	66	09/96 → 12/01	•		04/99 →	P56036MM [-]	16,6	TRW							
	66	09/96 → 12/01	•		04/99 →	P56024MM [-]	15,6	TRW							

PRIMERA (P12) 01/02 →

1.6	78	03/02 →	•			P28029MM [+]	17	TRW							
	78	03/02 →	•			P56044MM [-]	17	TRW							
	78	03/02 →	•			P59044MM [-]	16,8	ATE							
	80	01/02 →	•			P28029MM [+]	17	TRW							
	80	01/02 →	•			P56044MM [-]	17	TRW							
	80	01/02 →	•			P59044MM [-]	16,8	ATE							
1.8	85	03/02 →	•			P28029MM [+]	17	TRW							
	85	03/02 →	•			P56044MM [-]	17	TRW							
	85	03/02 →	•			P59044MM [-]	16,8	ATE							
1.9 dCi	88	04/03 →	•			P28029MM [+]	17	TRW							
	88	04/03 →	•			P56044MM [-]	17	TRW							
	88	04/03 →	•			P59044MM [-]	16,8	ATE							
	85	08/02 →	•			P28029MM [+]	17	TRW							
	85	08/02 →	•			P56044MM [-]	17	TRW							
	85	08/02 →	•			P59044MM [-]	16,8	ATE							
2.0	103	03/02 →	•			P28029MM [+]	17	TRW							
	103	03/02 →	•			P56044MM [-]	17	TRW							
	103	03/02 →	•			P59044MM [-]	16,8	ATE							
2.2 dCi	102	04/03 →	•			P28029MM [+]	17	TRW							
	102	04/03 →	•			P56044MM [-]	17	TRW							
	102	04/03 →	•			P59044MM [-]	16,8	ATE							
2.2 Di	93	03/02 →	•			P28029MM [+]	17	TRW							
	93	03/02 →	•			P56044MM [-]	17	TRW							
	93	03/02 →	•			P59044MM [-]	16,8	ATE							
2.5	125	01/02 →	•			P28029MM [+]	17	TRW							
	125	01/02 →	•			P56044MM [-]	17	TRW							
	125	01/02 →	•			P59044MM [-]	16,8	ATE							

PRIMERA Estate (WP12) 01/02 →

1.6 Visia	80	01/02 →	•			P28029MM [+]	17	TRW							
	80	01/02 →	•			P56044MM [-]	17	TRW							
	80	01/02 →	•			P59044MM [-]	16,8	ATE							
1.8	85	03/02 →	•			P28029MM [+]	17	TRW							
	85	03/02 →	•			P56044MM [-]	17	TRW							
	85	03/02 →	•			P59044MM [-]	16,8	ATE							
1.9 dCi	88	04/03 →	•			P28029MM [+]	17	TRW							
	88	04/03 →	•			P56044MM [-]	17	TRW							
	88	04/03 →	•			P59044MM [-]	16,8	ATE							
	85	08/02 →	•			P28029MM [+]	17	TRW							
	85	08/02 →	•			P56044MM [-]	17	TRW							
	85	08/02 →	•			P59044MM [-]	16,8	ATE							
2.0	103	03/02 →	•			P28029MM [+]	17	TRW							
	103	03/02 →	•			P56044MM [-]	17	TRW							
	103	03/02 →	•			P59044MM [-]	16,8	ATE							



kw



MAGNETI MARELLI

wi

Th [mm]

SYS

WI

FK

MAGNETI MARELLI

LENGHT



MAGNETI MARELLI



NISSAN

PRIMERA Estate (WP12) 01/02 →

2.2 dCi	102 04/03 →	●		P28029MM	[+]	17	TRW				
	102 04/03 →	●		P56044MM	[-]	17	TRW				
	102 04/03 →		●	P59044MM	[-]	16,8	ATE				
2.2 Di	93 03/02 →	●		P28029MM	[+]	17	TRW				
	93 03/02 →	●		P56044MM	[-]	17	TRW				
	93 03/02 →		●	P59044MM	[-]	16,8	ATE				
2.5	125 01/02 →	●		P28029MM	[+]	17	TRW				
	125 01/02 →	●		P56044MM	[-]	17	TRW				
	125 01/02 →		●	P59044MM	[-]	16,8	ATE				

PRIMERA Hatchback (P11) 06/96 → 07/02

1.6 16V	73 09/96 → 07/02	●	→ 03/99	P56022MM	[-]	17,5	TRW				
	73 09/96 → 07/02	●	04/99 →	P56036MM	[-]	16,6	TRW				
	73 09/96 → 07/02		● 04/99 →	P56024MM	[-]	15,6	TRW				
	66 09/96 → 07/02	●	→ 03/99	P56022MM	[-]	17,5	TRW				
	66 09/96 → 07/02	●	04/99 →	P56036MM	[-]	16,6	TRW				
	66 09/96 → 07/02		● 04/99 →	P56024MM	[-]	15,6	TRW				
	78 09/00 → 07/02	●		P56036MM	[-]	16,6	TRW				
	78 09/00 → 07/02		●	P56024MM	[-]	15,6	TRW				
1.8 16V	84 08/99 → 07/02	●		P56036MM	[-]	16,6	TRW				
	84 08/99 → 07/02		●	P56024MM	[-]	15,6	TRW				
2.0 16V	96 09/96 → 07/02	●		P56022MM	[-]	17,5	TRW				
	96 09/96 → 07/02	●		P56036MM	[-]	16,6	TRW				
	96 09/96 → 07/02		●	P56024MM	[-]	15,6	TRW				
	85 09/96 → 07/02	●	→ 03/98	P56022MM	[-]	17,5	TRW				
	85 09/96 → 07/02	●	04/98 →	P56036MM	[-]	16,6	TRW				
	85 09/96 → 07/02		●	P56024MM	[-]	15,6	TRW				
	110 09/96 → 07/02	●	→ 05/99	P56036MM	[-]	16,6	TRW		A02202	06/99 →	
	110 09/96 → 07/02	●	06/99 →	P56037MM	[-]	17,3	ATE		A02202	06/99 →	
	110 09/96 → 07/02		●	P56024MM	[-]	15,6	TRW				
	103 08/99 → 07/02	●	Man.	P56037MM	[-]	17,3	ATE		A02202	Man.	
103 08/99 → 07/02	●	Aut.	P56036MM	[-]	16,6	TRW		A02202	Man.		
103 08/99 → 07/02		●	P56024MM	[-]	15,6	TRW					
2.0 TD	66 09/96 → 07/02	●	→ 03/99	P56022MM	[-]	17,5	TRW				
	66 09/96 → 07/02	●	04/99 →	P56036MM	[-]	16,6	TRW				
	66 09/96 → 07/02		●	P56024MM	[-]	15,6	TRW				

PRIMERA Hatchback (P12) 01/02 →

1.6	78 07/02 →	●		P28029MM	[+]	17	TRW				
	78 07/02 →	●		P56044MM	[-]	17	TRW				
	78 07/02 →		●	P59044MM	[-]	16,8	ATE				
	80 07/02 →	●		P28029MM	[+]	17	TRW				
	80 07/02 →	●		P56044MM	[-]	17	TRW				
	80 07/02 →		●	P59044MM	[-]	16,8	ATE				
1.8	85 07/02 →	●		P28029MM	[+]	17	TRW				
	85 07/02 →	●		P56044MM	[-]	17	TRW				
	85 07/02 →		●	P59044MM	[-]	16,8	ATE				
1.9 dCi	88 04/03 →	●		P28029MM	[+]	17	TRW				
	88 04/03 →	●		P56044MM	[-]	17	TRW				
	88 04/03 →		●	P59044MM	[-]	16,8	ATE				
	85 08/02 →	●		P28029MM	[+]	17	TRW				
	85 08/02 →	●		P56044MM	[-]	17	TRW				
	85 08/02 →		●	P59044MM	[-]	16,8	ATE				
2.0	103 07/02 →	●		P28029MM	[+]	17	TRW				
	103 07/02 →	●		P56044MM	[-]	17	TRW				
	103 07/02 →		●	P59044MM	[-]	16,8	ATE				

		kw					wi	Th [mm]	SYS	WI			FK	
											LENGHT			

NISSAN

PRIMERA Hatchback (P12) 01/02 →

2.2 dCi	102	04/03 →	●			P28029MM	[+]	17	TRW					
	102	04/03 →	●			P56044MM	[-]	17	TRW					
	102	04/03 →		●		P59044MM	[-]	16,8	ATE					
2.2 Di	93	07/02 →	●			P28029MM	[+]	17	TRW					
	93	07/02 →	●			P56044MM	[-]	17	TRW					
	93	07/02 →		●		P59044MM	[-]	16,8	ATE					

PRIMERA Traveller (WP11) 06/96 → 01/02

1.6 16V	66	04/98 → 12/01	●			P56036MM	[-]	16,6	TRW					
	66	04/98 → 12/01		●		P56024MM	[-]	15,6	TRW					
	73	04/98 → 12/01	●			P56036MM	[-]	16,6	TRW					
	73	04/98 → 12/01		●		P56024MM	[-]	15,6	TRW					
	81	04/98 → 01/02	●		04/99 →	P56036MM	[-]	16,6	TRW					
	81	04/98 → 01/02	●		→ 03/99	P56022MM	[-]	17,5	TRW					
	81	04/98 → 01/02		●	04/99 →	P56024MM	[-]	15,6	TRW					
1.8 16V	84	08/99 → 12/01	●			P56036MM	[-]	16,6	TRW					
	84	08/99 → 12/01		●		P56024MM	[-]	15,6	TRW					
2.0 16V	85	06/96 → 12/01	●			P56036MM	[-]	16,6	TRW					
	85	06/96 → 12/01		●		P56024MM	[-]	15,6	TRW					
	96	04/98 → 12/01	●		→ 06/99	P56036MM	[-]	16,6	TRW			A02202	07/99 →	
	96	04/98 → 12/01	●		07/99 →	P56037MM	[-]	17,3	ATE			A02202	07/99 →	
	96	04/98 → 12/01		●		P56024MM	[-]	15,6	TRW					
	103	08/99 → 12/01	●		Man.	P56037MM	[-]	17,3	ATE			A02202	Man.	
	103	08/99 → 12/01	●		Aut.	P56036MM	[-]	16,6	TRW			A02202	Man.	
2.0 TD	103	08/99 → 12/01		●		P56024MM	[-]	15,6	TRW					
	66	04/98 → 12/01	●			P56036MM	[-]	16,6	TRW					
	66	04/98 → 12/01		●		P56024MM	[-]	15,6	TRW					

PULSAR Hatchback (C13) 08/12 →

1.2 DIG-T	85	10/14 →	●			P56065MM	[+]	17	SUM					
	85	10/14 →		●		P56068MM	[+]	13,8	AKE					
1.5 dCi	81	10/14 →	●			P56065MM	[+]	17	SUM					
	81	10/14 →		●		P56068MM	[+]	13,8	AKE					
1.6 DIG-T	140	02/15 →	●			P56065MM	[+]	17	SUM					
	140	02/15 →		●		P56068MM	[+]	13,8	AKE					

QASHQAI / QASHQAI +2 I (J10, JJ10) 12/06 → 12/13

1.5 dCi	81	01/10 → 12/13	●			P56062MM	[O]	17	AKE					
	81	01/10 → 12/13		●		P56046MM	[+]	13,8	AKE					
	78	02/07 → 12/13	●			P56062MM	[O]	17	AKE					
	78	02/07 → 12/13		●		P56046MM	[+]	13,8	AKE					
	76	07/08 → 12/13	●			P56062MM	[O]	17	AKE					
	76	07/08 → 12/13		●		P56046MM	[+]	13,8	AKE					
	1.6	86	11/10 → 12/13	●			P56062MM	[O]	17	AKE				
86		11/10 → 12/13		●		P56046MM	[+]	13,8	AKE					
84		02/07 → 12/13	●			P56062MM	[O]	17	AKE					
1.6 dCi	84	02/07 → 12/13		●		P56046MM	[+]	13,8	AKE					
	96	10/11 → 12/13	●		7 seats; long wheelbase	P56094MM	[+]	17	SUM					
	96	10/11 → 12/13	●			P56062MM	[O]	17	AKE					
1.6 dCi All-wheel Drive	96	10/11 → 12/13	●			P56046MM	[+]	13,8	AKE					
	96	10/11 → 12/13	●		5 seats; short wheelbase	P56062MM	[O]	17	AKE					
	96	10/11 → 12/13	●		7 seats; long wheelbase	P56058MM	[+]	16	SUM					
2.0	96	10/11 → 12/13		●		P56046MM	[+]	13,8	AKE					
	104	02/07 → 12/13	●			P56062MM	[O]	17	AKE					
	104	02/07 → 12/13		●		P56046MM	[+]	13,8	AKE					
	102	02/07 → 12/13	●		09/13 →	P79028MM	[+]	16,8	AKE					
	102	02/07 → 12/13		●		P56062MM	[O]	17	AKE					

									WI			FK	
	kw				MAGNETI MARELLI	WI	Th [mm]	SYS	MAGNETI MARELLI	LENGHT		MAGNETI MARELLI	

NISSAN

QASHQAI / QASHQAI +2 I (J10, JJ10) 12/06 → 12/13

2.0	102	02/07 → 12/13	●		P56046MM	[+]	13,8	AKE					
2.0 All-wheel Drive	104	02/07 → 12/13	●	5 seats; short wheelbase	P56062MM	[O]	17	AKE					
	104	02/07 → 12/13	●	7 seats; long wheelbase	P56058MM	[+]	16	SUM					
	104	02/07 → 12/13	●		P56046MM	[+]	13,8	AKE					
	102	02/07 → 12/13	●	→ 09/13	P56062MM	[O]	17	AKE					
	102	02/07 → 12/13	●	09/13 →	P79028MM	[+]	16,8	AKE					
	102	02/07 → 12/13	●		P56046MM	[+]	13,8	AKE					
2.0 dCi	110	02/07 → 12/13	●	5 seats; short wheelbase	P56062MM	[O]	17	AKE					
	110	02/07 → 12/13	●	7 seats; long wheelbase	P56058MM	[+]	16	SUM					
	110	02/07 → 12/13	●		P56046MM	[+]	13,8	AKE					
2.0 dCi All-wheel Drive	110	02/07 → 12/13	●	5 seats; short wheelbase	P56062MM	[O]	17	AKE					
	110	02/07 → 12/13	●	7 seats; long wheelbase	P56058MM	[+]	16	SUM					
	110	02/07 → 12/13	●		P56046MM	[+]	13,8	AKE					

QASHQAI II (J11, J11_) 11/13 →

1.2 DIG-T	85	11/13 →	●		P56100MM	[+]	17,9	AKE					
	85	11/13 →	●		P56098MM	[+]	15,1	TRW					
1.5 dCi	81	11/13 →	●		P56100MM	[+]	17,9	AKE					
	81	11/13 →	●		P56098MM	[+]	15,1	TRW					
1.6 dCi	96	11/13 →	●		P56100MM	[+]	17,9	AKE					
	96	11/13 →	●		P56098MM	[+]	15,1	TRW					
1.6 dCi ALL MODE 4x4-i	96	11/13 →	●		P56100MM	[+]	17,9	AKE					
	96	11/13 →	●		P56098MM	[+]	15,1	TRW					
1.6 DIG-T	120	10/14 →	●		P56100MM	[+]	17,9	AKE					
	120	10/14 →	●		P56098MM	[+]	15,1	TRW					
2.0 (J11E)	106	06/14 →	●		P56100MM	[+]	17,9	AKE					
	106	06/14 →	●		P56098MM	[+]	15,1	TRW					
2.0 ALL MODE 4x4-i (J11R)	106	10/15 →	●		P56100MM	[+]	17,9	AKE					
	106	10/15 →	●		P56098MM	[+]	15,1	TRW					

QUEST (V42) 05/03 →

3.5	176	05/03 →	●		P56040MM	[+]	16,5	NSN					
	176	05/03 →	●		P56068MM	[+]	13,8	AKE					

SENTRA V (B15) 07/98 → 12/06

1.8	93	01/00 → 08/06	●		P30002MM	[+]	17	AKE					
	88	01/00 → 08/06	●		P30002MM	[+]	17	AKE					
2.0	107	01/00 → 12/06	●		P56021MM	[+]	17	SUM					
	107	01/00 → 12/06	●	→ 06/01	P56029MM	[+]	16,4	AKE					

SENTRA VII (B17) 08/12 →

1.6	86	08/14 →	●		P56065MM	[+]	17	SUM					
	86	08/14 →	●		P56087MM	[+]	13,8	AKE					
1.8	96	08/12 →	●		P56065MM	[+]	17	SUM					
	96	08/12 →	●		P56087MM	[+]	13,8	AKE					

SERENA (C23) 06/91 → 09/01

1.6	71	02/93 → 09/01	●	disc Ø 250 mm; 1 piston cal.	P56056MM	[+]	17	AKE					
	71	02/93 → 09/01	●	disc Ø 257 mm; 2 piston cal.	P24039MM	[-]	15,7	TRW					
	75	10/94 → 08/00	●	disc Ø 250 mm; 1 piston cal.	P56056MM	[+]	17	AKE					
	75	10/94 → 08/00	●	disc Ø 257 mm; 2 piston cal.	P24039MM	[-]	15,7	TRW					
2.0	93	11/92 → 09/01	●	disc Ø 250 mm; 1 piston cal.	P56056MM	[+]	17	AKE					
	93	11/92 → 09/01	●	disc Ø 257 mm; 2 piston cal.	P24039MM	[-]	15,7	TRW					
2.0 D	49	11/92 → 09/01	●	disc Ø 250 mm; 1 piston cal.	P56056MM	[+]	17	AKE					
	49	11/92 → 09/01	●	disc Ø 257 mm; 2 piston cal.	P24039MM	[-]	15,7	TRW					
2.3 D	55	01/95 → 09/01	●	disc Ø 250 mm; 1 piston cal.	P56056MM	[+]	17	AKE					
	55	01/95 → 09/01	●	disc Ø 257 mm; 2 piston cal.	P24039MM	[-]	15,7	TRW					

NISSAN

SERENA (C23) 06/91 → 09/01

2.4	93	07/94 → 08/00	●	disc Ø 250 mm; 1 piston cal.	P56056MM	[+]	17	AKE				
	93	07/94 → 08/00	●	disc Ø 257 mm; 2 piston cal.	P24039MM	[-]	15,7	TRW				

SERENA (C24) 06/99 → 09/05

2.0 SGX	107	09/00 → 09/05	●		P56040MM	[+]	16,5	NSN				
2.0 SGX 4x4	107	09/00 → 09/05	●		P56040MM	[+]	16,5	NSN				
2.5 DCi SGX	110	06/99 → 09/05	●		P56040MM	[+]	16,5	NSN				
2.5 DCi SGX 4x4	110	06/99 → 09/05	●		P56040MM	[+]	16,5	NSN				

SKYLINE (R34) 01/98 → 08/02

2.0	114	06/98 → 07/00	●		P56010MM	[+]	14	AKE				
-----	-----	---------------	---	--	----------	-----	----	-----	--	--	--	--

SKYLINE Coupé (R33) 07/93 → 07/00

2.5	140	07/93 → 05/98	●		P56034MM	[+]	15	SUM				
	184	01/94 → 07/00	●		P56034MM	[+]	15	SUM				
2.5 4x4	140	07/93 → 05/98	●		P56034MM	[+]	15	SUM				
2.6 Twin Turbo 4x4	206	07/94 → 09/99	●		P56048MM	[+]	14,3	BRE				

SKYLINE Coupé (R34) 01/98 → 02/08

2.0	114	06/98 → 07/00	●		P56010MM	[+]	14	AKE				
2.5	147	06/98 → 07/00	●		P56034MM	[+]	15	SUM				
	147	06/98 → 07/00	●		P56010MM	[+]	14	AKE				
2.5 4x4	147	06/98 → 07/00	●		P56010MM	[+]	14	AKE				
2.5 Turbo	206	05/98 → 01/06	●		P56010MM	[+]	14	AKE				
2.6 Turbo 4x4	244	01/99 → 02/08	●		P56010MM	[+]	14	AKE				

SUNNY III Box (Y10) 11/90 → 03/00

1.6 i 16V	66	10/92 → 03/00	●		P56064MM	[+]	15,9	AKE				
1.6 L	75	11/92 → 04/96	●		P56064MM	[+]	15,9	AKE				
1.7 D	40	11/90 → 03/00	●		P56064MM	[+]	15,9	AKE				

SUNNY III Traveller (Y10) 11/90 → 03/00

1.6	75	07/95 → 03/00	●		P56064MM	[+]	15,9	AKE				
1.6 16V 4x4	66	11/90 → 05/95	●		P56064MM	[+]	15,9	AKE				
1.6 i	66	06/91 → 03/00	●		P56064MM	[+]	15,9	AKE				
1.6 i 16V 4x4	75	10/92 → 03/00	●		P56064MM	[+]	15,9	AKE				
2.0 D	55	06/91 → 03/00	●		P56064MM	[+]	15,9	AKE				

TEANA I (J31) 02/03 → 09/08

2.0	103	10/03 → 06/08	●		P56065MM	[+]	17	SUM				
	103	10/03 → 06/08	●		P56046MM	[+]	13,8	AKE				
2.3	127	10/03 → 06/08	●		P56065MM	[+]	17	SUM				
	127	10/03 → 06/08	●		P56046MM	[+]	13,8	AKE				
3.5	170	10/03 → 06/08	●		P56065MM	[+]	17	SUM				
	170	10/03 → 06/08	●		P56046MM	[+]	13,8	AKE				

TEANA II (J32) 06/08 → 12/13

2.3	127	07/08 → 09/13	●		P28034MM	[+]	17	NSN				
	127	07/08 → 09/13	●		P56065MM	[+]	17	SUM				
	127	07/08 → 09/13	●	→ 06/10	P56046MM	[+]	13,8	AKE				
	127	07/08 → 09/13	●	07/10 →	P56068MM	[+]	13,8	AKE				
2.5	134	07/08 → 09/13	●		P28034MM	[+]	17	NSN				
	134	07/08 → 09/13	●		P56065MM	[+]	17	SUM				
	134	07/08 → 09/13	●	→ 06/10	P56046MM	[+]	13,8	AKE				
	134	07/08 → 09/13	●	07/10 →	P56068MM	[+]	13,8	AKE				
3.5	183	07/08 → 09/13	●		P56065MM	[+]	17	SUM				
	183	07/08 → 09/13	●		P28034MM	[+]	17	NSN				
	183	07/08 → 09/13	●	07/10 →	P56068MM	[+]	13,8	AKE				
	183	07/08 → 09/13	●	→ 06/10	P56046MM	[+]	13,8	AKE				

NISSAN

TEANA III (J33, L33) 09/13 →

2.5 (L33L, L33R, L33T)	127	09/13 →	●		P56065MM	[+]	17	SUM						
	127	09/13 →		●	P56087MM	[+]	13,8	AKE						

TERRANO (D10) 09/13 →

1.6	76	03/14 →	●		P68033MM	[-]	17,3	TRW						
-----	----	---------	---	--	----------	-----	------	-----	--	--	--	--	--	--

TERRANO II (R20) 10/92 → 09/07

2.4 4WD	85	05/96 → 01/02	●		P24039MM	[-]	15,7	TRW						
	87	05/96 → 09/07	●		P24039MM	[-]	15,7	TRW						
2.4 i 12V 4WD	91	02/93 → 12/97	●		P24039MM	[-]	15,7	TRW						
2.7 TD 4WD	74	02/93 → 01/02	●		P24039MM	[-]	15,7	TRW						
2.7 TDi 4WD	92	05/96 → 09/07	●		P24039MM	[-]	15,7	TRW						
3.0 Di 4WD	113	05/02 → 09/07	●		P24039MM	[-]	15,7	TRW						

TERRANO II Van (R20) 06/98 → 09/07

2.7 TDi 4WD	92	06/98 → 09/07	●		P24039MM	[-]	15,7	TRW						
3.0 Di 4WD	113	04/03 → 09/07	●		P24039MM	[-]	15,7	TRW						

TIIDA Hatchback (C11) 05/04 → 06/13

1.5 dCi	78	09/07 → 12/11	●	Made in (EU)	P56065MM	[+]	17	SUM						
	78	09/07 → 12/11	●	Made in (J)	P56088MM	[+]	14,2	SUM						
	78	09/07 → 12/11		●	P56046MM	[+]	13,8	AKE						
1.6	81	09/07 → 12/11	●	Made in (EU)	P56065MM	[+]	17	SUM						
	81	09/07 → 12/11	●	Made in (J)	P56088MM	[+]	14,2	SUM						
	81	09/07 → 12/11		●	P56046MM	[+]	13,8	AKE						
1.8	93	09/07 → 12/11	●	Made in (EU)	P56065MM	[+]	17	SUM						
	93	09/07 → 12/11	●	Made in (J)	P56088MM	[+]	14,2	SUM						
	93	09/07 → 12/11		●	P56046MM	[+]	13,8	AKE						

TIIDA Hatchback (C12) 08/12 →

1.6	85	08/12 →	●		P28034MM	[+]	17	NSN						
	85	08/12 →	●		P56065MM	[+]	17	SUM						
	85	08/12 →		●	P56087MM	[+]	13,8	AKE						
1.8	96	08/12 →	●		P56065MM	[+]	17	SUM						
	96	08/12 →		●	P56087MM	[+]	13,8	AKE						

TIIDA Saloon (SC11) 05/04 → 06/13

1.5 dCi	78	09/07 → 12/12	●	Made in (EU)	P56065MM	[+]	17	SUM						
	78	09/07 → 12/12	●	Made in (J)	P56088MM	[+]	14,2	SUM						
	78	09/07 → 12/12		●	P56046MM	[+]	13,8	AKE						
	76	01/07 → 12/12	●	Made in (EU)	P56065MM	[+]	17	SUM						
	76	01/07 → 12/12	●	Made in (J)	P56088MM	[+]	14,2	SUM						
	76	01/07 → 12/12		●	P56046MM	[+]	13,8	AKE						
1.6	81	09/07 → 12/12	●	Made in (EU)	P56065MM	[+]	17	SUM						
	81	09/07 → 12/12	●	Made in (J)	P56088MM	[+]	14,2	SUM						
	81	09/07 → 12/12		●	P56046MM	[+]	13,8	AKE						
1.8	93	09/07 → 12/12	●	Made in (EU)	P56065MM	[+]	17	SUM						
	93	09/07 → 12/12	●	Made in (J)	P56088MM	[+]	14,2	SUM						
	93	09/07 → 12/12		●	P56046MM	[+]	13,8	AKE						

TRADE Box 06/96 → 10/01

3.0 TDiC	78	06/96 → 10/01	●		P56019MM	[+]	17	BDX						
----------	----	---------------	---	--	----------	-----	----	-----	--	--	--	--	--	--

TRADE Box Body / Estate 01/96 → 12/00

100	78	01/96 → 12/98	●		P68013MM	[-]	17	BDX						
	78	01/96 → 12/98		●	P56019MM	[+]	17	BDX						
75	55	05/97 → 12/00	●		P68013MM	[-]	17	BDX						
	55	05/97 → 12/00		●	P56019MM	[+]	17	BDX						

TRADE Bus 06/96 → 10/01

3.0 TDiC	78	06/96 → 10/01	●		P56019MM	[+]	17	BDX						
----------	----	---------------	---	--	----------	-----	----	-----	--	--	--	--	--	--

NISSAN

TRADE Platform/Chassis 06/96 → 10/01

2.3 D	55	06/96 → 10/01	●		P56019MM	[+]	17	BDX					
3.0 TDiC	78	06/96 → 10/01	●		P56019MM	[+]	17	BDX					

TRADE Platform/Chassis 11/98 → 09/04

2.3 D	55	11/98 → 04/01	●		P56019MM	[+]	17	BDX					
2.7 TD	73	11/98 → 09/04	●		P56019MM	[+]	17	BDX					
3.0 TD	81	11/98 → 09/04	●		P56019MM	[+]	17	BDX					

VANETTE CARGO Box (HC 23) 09/94 → 05/02

1.6	75	09/94 → 05/01	●	Lucas	P24039MM	[-]	15,7	TRW					
	75	09/94 → 05/01	●	Akebono	P56056MM	[+]	17	AKE					
1.6 i	71	09/94 → 05/01	●		P56056MM	[+]	17	AKE					
	71	09/94 → 05/01	●		P24039MM	[-]	15,7	TRW					
2.3 D	55	09/94 → 05/02	●		P56056MM	[+]	17	AKE					
	55	09/94 → 05/02	●		P24039MM	[-]	15,7	TRW					

VANETTE CARGO Bus (HC 23) 09/94 → 05/01

1.6	75	09/94 → 05/01	●	Akebono	P56056MM	[+]	17	AKE					
	75	09/94 → 05/01	●	Lucas	P24039MM	[-]	15,7	TRW					
	72	01/96 → 05/01	●		P56056MM	[+]	17	AKE					
	72	01/96 → 05/01	●		P24039MM	[-]	15,7	TRW					
2.0 D	49	01/96 → 05/01	●		P56056MM	[+]	17	AKE					
	49	01/96 → 05/01	●		P24039MM	[-]	15,7	TRW					
2.3 D	55	09/94 → 05/01	●		P56056MM	[+]	17	AKE					
	55	09/94 → 05/01	●		P24039MM	[-]	15,7	TRW					

X-TRAIL (T30) 06/01 → 01/13

2.0	103	07/01 → 01/13	●		P56040MM	[+]	16,5	NSN					
	103	07/01 → 01/13	●		P56046MM	[+]	13,8	AKE					
	110	09/01 → 01/13	●		P56040MM	[+]	16,5	NSN					
	110	09/01 → 01/13	●		P56046MM	[+]	13,8	AKE					
2.0 4x4	103	07/01 → 01/13	●		P56040MM	[+]	16,5	NSN					
	103	07/01 → 01/13	●		P56046MM	[+]	13,8	AKE					
	110	09/01 → 01/13	●		P56040MM	[+]	16,5	NSN					
	110	09/01 → 01/13	●		P56046MM	[+]	13,8	AKE					
	206	06/01 → 01/13	●		P56040MM	[+]	16,5	NSN					
	206	06/01 → 01/13	●		P56046MM	[+]	13,8	AKE					
2.2 dCi	100	12/03 → 01/13	●		P56040MM	[+]	16,5	NSN					
	100	12/03 → 01/13	●		P56046MM	[+]	13,8	AKE					
2.2 DCi	84	10/04 → 01/13	●		P56040MM	[+]	16,5	NSN					
	84	10/04 → 01/13	●		P56046MM	[+]	13,8	AKE					
2.2 dCi 4x4	100	12/03 → 01/13	●		P56040MM	[+]	16,5	NSN					
	100	12/03 → 01/13	●		P56046MM	[+]	13,8	AKE					
2.2 DCi FWD	84	06/01 → 09/03	●		P56040MM	[+]	16,5	NSN					
	84	06/01 → 09/03	●		P56046MM	[+]	13,8	AKE					
2.2 Di 4x4	84	07/01 → 10/05	●		P56040MM	[+]	16,5	NSN					
	84	07/01 → 10/05	●		P56046MM	[+]	13,8	AKE					
2.5 4x4	121	09/02 → 01/13	●		P56040MM	[+]	16,5	NSN					
	121	09/02 → 01/13	●		P56046MM	[+]	13,8	AKE					
	132	11/02 → 01/13	●		P56040MM	[+]	16,5	NSN					
	132	11/02 → 01/13	●		P56046MM	[+]	13,8	AKE					

X-TRAIL (T31) 03/07 → 07/14

2.0	104	06/07 → 11/13	●		P56062MM	[O]	17	AKE					
	104	06/07 → 11/13	●		P56046MM	[+]	13,8	AKE					
	103	06/08 → 11/13	●		P56062MM	[O]	17	AKE					
	103	06/08 → 11/13	●		P56046MM	[+]	13,8	AKE					
	101	06/07 → 11/13	●		P56062MM	[O]	17	AKE					

									WI			FK	
	kw									LENGHT			

NISSAN

X-TRAIL (T31) 03/07 → 07/14

2.0	101	06/07 → 11/13	●		P56046MM	[+]	13,8	AKE					
	102	06/08 → 02/14	●		P56062MM	[O]	17	AKE					
	102	06/08 → 02/14	●		P56046MM	[+]	13,8	AKE					
2.0 dCi	127	06/07 → 11/13	●		P56062MM	[O]	17	AKE					
	127	06/07 → 11/13	●		P56046MM	[+]	13,8	AKE					
	110	06/07 → 11/13	●		P56062MM	[O]	17	AKE					
	110	06/07 → 11/13	●		P56046MM	[+]	13,8	AKE					
2.0 dCi FWD	110	06/07 → 11/13	●		P56062MM	[O]	17	AKE					
	110	06/07 → 11/13	●		P56046MM	[+]	13,8	AKE					
2.0 FWD	104	03/07 → 11/13	●		P56062MM	[O]	17	AKE					
	104	03/07 → 11/13	●		P56046MM	[+]	13,8	AKE					
	103	06/08 → 11/13	●		P56062MM	[O]	17	AKE					
	103	06/08 → 11/13	●		P56046MM	[+]	13,8	AKE					
2.5	132	09/07 →	●		P56062MM	[O]	17	AKE					
	132	09/07 →	●		P56046MM	[+]	13,8	AKE					
2.5 4x4	124	06/07 → 11/13	●		P56062MM	[O]	17	AKE					
	124	06/07 → 11/13	●		P56046MM	[+]	13,8	AKE					

X-TRAIL (T32_) 10/13 →

1.6 dCi (T32)	96	12/13 →	●	-3rd seating row	P56099MM	[+]	16,7	AKE					
	96	12/13 →	●	+3rd seating row	P56106MM	[+]	15,8	-					
	96	12/13 →	●		P56098MM	[+]	15,1	TRW					
1.6 dCi ALL MODE 4x4-i (NT32)	96	12/13 →	●	-3rd seating row	P56099MM	[+]	16,7	AKE					
	96	12/13 →	●	+3rd seating row	P56106MM	[+]	15,8	-					
1.6 DIG-T (T32)	120	06/15 →	●	-3rd seating row	P56099MM	[+]	16,7	AKE					
	120	06/15 →	●	+3rd seating row	P56106MM	[+]	15,8	-					
	120	06/15 →	●		P56098MM	[+]	15,1	TRW					
2.0 (T32)	106	09/14 →	●		P56099MM	[+]	16,7	AKE					
	106	09/14 →	●		P56098MM	[+]	15,1	TRW					
2.0 ALL MODE 4x4-i (NT32)	106	09/14 →	●		P56099MM	[+]	16,7	AKE					
	106	09/14 →	●		P56098MM	[+]	15,1	TRW					
2.0 dCi (T32)	130	10/16 →	●		P56106MM	[+]	15,8	-					
	130	10/16 →	●		P56098MM	[+]	15,1	TRW					
2.0 dCi ALL MODE 4x4-i (NT32)	130	10/16 →	●		P56106MM	[+]	15,8	-					
	130	10/16 →	●		P56098MM	[+]	15,1	TRW					
2.5 ALL MODE 4x4-i (NT32)	126	12/13 →	●	03/10 →	P79028MM	[+]	16,8	AKE					
	126	12/13 →	●		P56046MM	[+]	13,8	AKE					

OLDSMOBILE

INTRIGUE Saloon 09/97 → 12/02

3.5	160	09/98 → 12/02	●		P59028MM	[+]	18	WAG					
	160	09/98 → 12/02	●		P59027MM	[+]	15	AKE					
3.8	145	09/97 → 12/99	●		P59028MM	[+]	18	WAG					
	145	09/97 → 12/99	●		P59027MM	[+]	15	AKE					

OPEL

ADAM 10/12 →

1.0	66	07/14 →	●	14" wheel	P59081MM	[+]	17	BSH					
	66	07/14 →	●	15" wheel	P59083MM	[+]	17,8	ATE					
	66	07/14 →	●	+rear disc	P59086MM	[+]	16,8	TRW					

Car Model	kw	S	D	i	MAGNETI MARELLI	wi	Th [mm]	SYS	WI			FK	
									MAGNETI MARELLI	LENGHT	i	MAGNETI MARELLI	i

OPEL

ADAM 10/12 →

1.0	85	07/14 →	●	14" wheel	P59081MM	[+]	17	BSH					
	85	07/14 →	●	15" wheel	P59083MM	[+]	17,8	ATE					
	85	07/14 →	●	+rear disc	P59086MM	[+]	16,8	TRW					
1.2	69	07/13 →	●		P59081MM	[+]	17	BSH					
	51	10/12 →	●		P59081MM	[+]	17	BSH					
1.4	64	10/12 →	●		P59081MM	[+]	17	BSH					
	74	10/12 →	●		P59081MM	[+]	17	BSH					
1.4 LPG	64	07/13 →	●		P59081MM	[+]	17	BSH					
1.4 S	110	11/14 →	●		P59045MM	[+]	19,6	ATE					
	110	11/14 →	●	+rear disc	P59086MM	[+]	16,8	TRW					

AGILA (A) (H00) 09/00 → 12/07

1.0	44	08/03 → 12/07	●	→ 3G062569	P59035MM	[+]	15,5	BSH					
	44	08/03 → 12/07	●	3G062570 →	P79015MM	[+]	15,5	BSH					
1.0 12V	43	09/00 → 12/07	●	→ 3G062569	P59035MM	[+]	15,5	BSH					
	43	09/00 → 12/07	●	3G062570 →	P79015MM	[+]	15,5	BSH					
1.2 16V	55	09/00 → 12/07	●	→ 3G062569	P59035MM	[+]	15,5	BSH					
	55	09/00 → 12/07	●	3G062570 →	P79015MM	[+]	15,5	BSH					
1.2 16V Twinport	59	07/04 → 12/07	●	→ 3G062569	P59035MM	[+]	15,5	BSH					
	59	07/04 → 12/07	●	3G062570 →	P79015MM	[+]	15,5	BSH					
1.3 CDTI	51	08/03 → 12/07	●	→ 3G062569	P59035MM	[+]	15,5	BSH					
	51	08/03 → 12/07	●	3G062570 →	P79015MM	[+]	15,5	BSH					

AGILA (B) (H08) 04/08 →

1.0	50	07/11 →	●		P59050MM	[+]	17,3	TRW					
	48	04/08 →	●		P59050MM	[+]	17,3	TRW					
1.0 LPG	48	01/10 →	●		P59050MM	[+]	17,3	TRW					
1.2	69	11/10 →	●		P59050MM	[+]	17,3	TRW					
	63	04/08 →	●		P59050MM	[+]	17,3	TRW					
1.2 LPG	63	04/08 →	●		P59050MM	[+]	17,3	TRW					
1.3 CDTI	55	04/08 →	●		P59050MM	[+]	17,3	TRW					

AMPERA 11/11 →

EV 150	111	11/11 →	●		P59077MM	[+]	18,8	BSH					
	111	11/11 →	●		P59080MM	[+]	16,2	TRW					

ANTARA 05/06 →

2.0 CDTI	93	03/07 →	●		P10003MM	[+]	16,9	MN					
	93	03/07 →	●		P10004MM	[+]	15,4	MN					
	93	09/08 →	●		P10003MM	[+]	16,9	MN					
	93	09/08 →	●		P10004MM	[+]	15,4	MN					
	110	05/06 →	●		P10003MM	[+]	16,9	MN					
	110	05/06 →	●		P10004MM	[+]	15,4	MN					
	125	01/16 →	●		P10003MM	[+]	16,9	MN					
	125	01/16 →	●		P10004MM	[+]	15,4	MN					
2.0 CDTI 4x4	110	05/06 →	●		P10003MM	[+]	16,9	MN					
	110	05/06 →	●		P10004MM	[+]	15,4	MN					
	125	01/16 →	●		P10003MM	[+]	16,9	MN					
2.2 CDTI	120	12/10 →	●		P10003MM	[+]	16,9	MN					
	120	12/10 →	●		P10004MM	[+]	15,4	MN					
	120	12/10 →	●		P10003MM	[+]	16,9	MN					
2.2 CDTI 4x4	120	12/10 →	●		P10004MM	[+]	15,4	MN					
	135	12/10 →	●		P10003MM	[+]	16,9	MN					
	135	12/10 →	●		P10004MM	[+]	15,4	MN					
	135	12/10 →	●		P10003MM	[+]	16,9	MN					
2.4	123	12/10 →	●		P10003MM	[+]	16,9	MN					
	123	12/10 →	●		P10004MM	[+]	15,4	MN					

									WI			FK	
	kw								MAGNETI MARELLI	LENGHT		MAGNETI MARELLI	

OPEL

ANTARA 05/06 →													
2.4	104	05/06 →	•			P10003MM	[+]	16,9	MN				
	104	05/06 →		•		P10004MM	[+]	15,4	MN				
	103	09/08 →	•			P10003MM	[+]	16,9	MN				
	103	09/08 →		•		P10004MM	[+]	15,4	MN				
2.4 4x4	123	12/10 →	•			P10003MM	[+]	16,9	MN				
	123	12/10 →		•		P10004MM	[+]	15,4	MN				
	103	01/07 →	•			P10003MM	[+]	16,9	MN				
	103	01/07 →		•		P10004MM	[+]	15,4	MN				
2.4 LPG	103	10/08 →	•			P10003MM	[+]	16,9	MN				
	103	10/08 →		•		P10004MM	[+]	15,4	MN				
2.4 LPG 4x4	103	10/08 →	•			P10003MM	[+]	16,9	MN				
	103	10/08 →		•		P10004MM	[+]	15,4	MN				
3.0	190	11/10 →	•			P10003MM	[+]	16,9	MN				
	190	11/10 →		•		P10004MM	[+]	15,4	MN				
3.2 V6	167	03/07 →	•			P10003MM	[+]	16,9	MN				
	167	03/07 →		•		P10004MM	[+]	15,4	MN				

ARENA Box 01/97 → 12/01													
1.9 D	44	01/97 → 12/01	•			P68006MM	[+]	18,5	BDX				
2.5 D	55	01/97 → 12/01	•			P68006MM	[+]	18,5	BDX				

ARENA Box (TB, TF) 03/98 → 08/01													
1.9 D	44	03/98 → 08/01	•			P68006MM	[+]	18,5	BDX				
2.5 D	55	03/98 → 08/01	•			P68006MM	[+]	18,5	BDX				

ARENA Bus 01/97 → 12/01													
1.9 D	44	01/97 → 12/01	•			P68006MM	[+]	18,5	BDX				
2.5 D	55	01/97 → 12/01	•			P68006MM	[+]	18,5	BDX				

ARENA Combi (THB) 03/98 → 08/01													
1.9 D	44	03/98 → 08/01	•			P68006MM	[+]	18,5	BDX				
2.5 D	55	03/98 → 08/01	•			P68006MM	[+]	18,5	BDX				

ASTRA CLASSIC (L48) 01/09 →													
1.3 CDTi	66	01/09 →	•			P59045MM	[+]	19,6	ATE				
	66	01/09 →		•	+rear disc	P59038MM	[+]	15,2	TRW				
1.6	85	01/09 →	•			P59045MM	[+]	19,6	ATE				
	85	01/09 →		•	+rear disc	P59038MM	[+]	15,2	TRW				
1.7 CDTi	92	01/09 →	•		17" wheel	P59055MM	[+]	19,1	MN				
	92	01/09 →	•		16" wheel	P59077MM	[+]	18,8	BSH				
	92	01/09 →	•		15" wheel	P59076MM	[+]	18,8	BSH				
	92	01/09 →		•	16" wheel	P59080MM	[+]	16,2	TRW				
	92	01/09 →		•	18" wheel	P59087MM	[+]	16,2	TRW				
	81	01/09 →	•			P59045MM	[+]	19,6	ATE				
81	01/09 →		•		P59038MM	[+]	15,2	TRW					

ASTRA CLASSIC Estate 01/09 →													
1.6	85	01/09 →	•			P59045MM	[+]	19,6	ATE				
	85	01/09 →		•		P59038MM	[+]	15,2	TRW				
1.7 CDTi	81	01/09 →	•			P59045MM	[+]	19,6	ATE				
	81	01/09 →		•		P59038MM	[+]	15,2	TRW				
	92	01/09 →	•			P59077MM	[+]	18,8	BSH				
	92	01/09 →		•		P59080MM	[+]	16,2	TRW				

ASTRA CLASSIC Saloon 01/09 →													
1.6	85	01/09 →	•			P59045MM	[+]	19,6	ATE				
	85	01/09 →		•		P59038MM	[+]	15,2	TRW				
1.7 CDTi	81	01/09 →	•			P59045MM	[+]	19,6	ATE				
	81	01/09 →		•		P59038MM	[+]	15,2	TRW				
	92	01/09 →	•			P59045MM	[+]	19,6	ATE				

--	--	--	--	--	--	--	--	--	--	--	--	--	--	--

OPEL

ASTRA CLASSIC Saloon 01/09 →

1.7 CDTi	92	01/09 →	●			P59038MM	[+]	15,2	TRW					
----------	----	---------	---	--	--	----------	-----	------	-----	--	--	--	--	--

ASTRA F CLASSIC Estate 01/98 → 01/05

1.4 i	44	01/98 → 01/05	●			P59011MM	[O]	16,8	ATE				A02238	
1.6 i	55	01/98 → 01/05	●			P59011MM	[O]	16,8	ATE				A02238	
1.6 i 16V	74	01/98 → 01/05	●			P59017MM	[O]	18,3	ATE				A02238	
	74	01/98 → 01/05	●			P59018MM	[-]	15,7	ATE					

ASTRA F CLASSIC Hatchback 01/98 → 08/02

1.4 i	44	01/98 → 08/02	●			P59011MM	[O]	16,8	ATE				A02238	
1.6 i	55	01/98 → 08/02	●			P59011MM	[O]	16,8	ATE				A02238	
1.6 i 16V	74	01/98 → 08/02	●			P59017MM	[O]	18,3	ATE				A02238	

ASTRA F CLASSIC Saloon 01/98 → 08/02

1.4 i	44	01/98 → 08/02	●			P59011MM	[O]	16,8	ATE				A02238	
1.6 i	55	01/98 → 08/02	●			P59011MM	[O]	16,8	ATE				A02238	
1.6 i 16V	74	01/98 → 08/02	●			P59017MM	[O]	18,3	ATE				A02238	

ASTRA F Convertible (53_B) 03/93 → 03/01

1.4 i 16V	66	01/96 → 03/01	●			P59011MM	[O]	16,8	ATE	A00261	685			
1.4 Si	60	05/93 → 03/01	●			P59011MM	[O]	16,8	ATE	A00261	685		A02238	
1.6 i	52	03/93 → 08/96	●			P59011MM	[O]	16,8	ATE	A00261	685		A02238	
	55	01/96 → 03/01	●			P59011MM	[O]	16,8	ATE	A00261	685			
1.8 i 16V	85	11/94 → 03/01	●			P59017MM	[O]	18,3	ATE					
	85	11/94 → 03/01	●		●	P59018MM	[-]	15,7	ATE					
2.0 i	85	03/93 → 10/94	●			P59017MM	[O]	18,3	ATE					
	85	03/93 → 10/94	●		●	P59018MM	[-]	15,7	ATE					

ASTRA F Van (55_) 10/91 → 01/99

1.4 i	44	10/91 → 01/99	●			P59011MM	[O]	16,8	ATE				A02238	
1.6 i	55	10/91 → 04/93	●			P59011MM	[O]	16,8	ATE				A02238	
	52	02/93 → 07/96	●			P59011MM	[O]	16,8	ATE				A02238	
1.6 i 16V	74	08/94 → 03/98	●		-reinf.brakes	P59011MM	[O]	16,8	ATE					
	74	08/94 → 03/98	●		+reinf.brakes	P59017MM	[O]	18,3	ATE					
1.7 D	44	07/92 → 01/99	●		-reinf.brakes	P59011MM	[O]	16,8	ATE				A02238	
	44	07/92 → 01/99	●		+reinf.brakes	P59017MM	[O]	18,3	ATE				A02238	
	42	12/91 → 09/92	●		-reinf.brakes	P59011MM	[O]	16,8	ATE				A02238	
	42	12/91 → 09/92	●		+reinf.brakes	P59017MM	[O]	18,3	ATE				A02238	
1.7 TD	50	08/94 → 01/99	●		-reinf.brakes	P59011MM	[O]	16,8	ATE				A02238	
	50	08/94 → 01/99	●		+reinf.brakes	P59017MM	[O]	18,3	ATE				A02238	
	60	03/95 → 02/98	●		-reinf.brakes	P59011MM	[O]	16,8	ATE					
	60	03/95 → 02/98	●		+reinf.brakes	P59017MM	[O]	18,3	ATE					

ASTRA G Box (F70) 01/99 → 04/05

1.6	55	01/99 → 09/00	●			P59030MM	[+]	17,3	ATE	A00259	720	+on board comp.		
	55	01/99 → 09/00	●		+rear disc	P59031MM	[+]	16,9	BSH					
	55	01/99 → 09/00	●		+rear disc	P59038MM	[+]	15,2	TRW					
	62	09/00 → 04/05	●			P59030MM	[+]	17,3	ATE	A00259	720	+on board comp.		
	62	09/00 → 04/05	●		+rear disc	P59031MM	[+]	16,9	BSH					
	62	09/00 → 04/05	●		+rear disc	P59038MM	[+]	15,2	TRW					
	76	10/04 → 04/05	●			P59030MM	[+]	17,3	ATE					
	76	10/04 → 04/05	●		+rear disc	P10013MM	[-]	15,2	TRW					
1.7 DTI 16V	76	10/04 → 04/05	●		+rear disc	P59038MM	[+]	15,2	TRW					
	55	02/00 → 04/05	●			P59030MM	[+]	17,3	ATE					
	55	02/00 → 04/05	●		+rear disc	P10013MM	[-]	15,2	TRW					
1.7 TD	55	02/00 → 04/05	●		+rear disc	P59038MM	[+]	15,2	TRW					
	50	01/99 → 04/05	●			P59030MM	[+]	17,3	ATE	A00259	720	+on board comp.		
	50	01/99 → 04/05	●		+rear disc	P59031MM	[+]	16,9	BSH					
	50	01/99 → 04/05	●		+rear disc	P59038MM	[+]	15,2	TRW					

									WI			FK	
	kw						Th [mm]		MAGNETI MARELLI	LENGHT		MAGNETI MARELLI	

OPEL

ASTRA G Box (F70) 01/99 → 04/05

2.0 DI	60	01/99 → 04/05	●	→ 09/01	P59030MM	[+]	17,3	ATE	A00254	750	-elec.damp.susp.	A02202	→ 09/01
	60	01/99 → 04/05	●	→ 09/01; +ABS; 09/01 →	P59045MM	[+]	19,6	ATE	A00254	750	-elec.damp.susp.	A02202	→ 09/01
	60	01/99 → 04/05	●	+rear disc	P59031MM	[+]	16,9	BSH					
	60	01/99 → 04/05	●	+rear disc	P59038MM	[+]	15,2	TRW					

ASTRA G Convertible (F67) 03/01 → 10/05

1.6	76	01/03 → 10/05	●		P59030MM	[+]	17,3	ATE	A00259	720	+on board comp.		
	76	01/03 → 10/05	●		P59031MM	[+]	16,9	BSH					
	76	01/03 → 10/05	●		P59038MM	[+]	15,2	TRW					
1.6 16V	74	03/01 → 10/05	●		P59030MM	[+]	17,3	ATE	A00259	720	+on board comp.		
	74	03/01 → 10/05	●		P59031MM	[+]	16,9	BSH					
	74	03/01 → 10/05	●		P59038MM	[+]	15,2	TRW					
1.8 16V	92	03/01 → 10/05	●	-ABS	P59030MM	[+]	17,3	ATE	A00254	750	-elec.damp.susp.	A02202	
	92	03/01 → 10/05	●	+ABS	P59045MM	[+]	19,6	ATE	A00254	750	-elec.damp.susp.	A02202	
	92	03/01 → 10/05	●		P59031MM	[+]	16,9	BSH					
	92	03/01 → 10/05	●		P59038MM	[+]	15,2	TRW					
2.0 16V Turbo	147	11/02 → 10/05	●		P59048MM	[+]	20,2	ATE				A02202	
	147	11/02 → 10/05	●		P59038MM	[+]	15,2	TRW					
2.0 OPC	141	03/02 → 10/05	●		P59048MM	[+]	20,2	ATE				A02202	
	141	03/02 → 10/05	●		P59031MM	[+]	16,9	BSH					
	141	03/02 → 10/05	●		P59038MM	[+]	15,2	TRW					
2.2 16V	108	03/01 → 10/05	●		P59045MM	[+]	19,6	ATE	A00254	750	-elec.damp.susp.		
	108	03/01 → 10/05	●		P59031MM	[+]	16,9	BSH					
	108	03/01 → 10/05	●		P59038MM	[+]	15,2	TRW					
2.2 DTI	92	09/02 → 10/05	●		P59045MM	[+]	19,6	ATE	A00254	750	-elec.damp.susp.	A02202	
	92	09/02 → 10/05	●		P59031MM	[+]	16,9	BSH					
	92	09/02 → 10/05	●		P59038MM	[+]	15,2	TRW					

ASTRA G Coupé (F07_) 03/00 → 05/05

1.6 16V	74	03/00 → 05/05	●		P59045MM	[+]	19,6	ATE	A00254	750	-elec.damp.susp.	A02202	
	74	03/00 → 05/05	●		P59038MM	[+]	15,2	TRW					
	74	03/00 → 05/05	●		P59031MM	[+]	16,9	BSH					
	76	03/00 → 05/05	●		P59045MM	[+]	19,6	ATE	A00254	750	-elec.damp.susp.	A02202	
	76	03/00 → 05/05	●		P59030MM	[+]	17,3	ATE	A00254	750	-elec.damp.susp.	A02202	
	76	03/00 → 05/05	●		P59031MM	[+]	16,9	BSH					
	76	03/00 → 05/05	●		P59038MM	[+]	15,2	TRW					
1.8 16V	85	03/00 → 10/00	●	-ABS	P59030MM	[+]	17,3	ATE	A00254	750	-elec.damp.susp.	A02202	
	85	03/00 → 10/00	●	+ABS	P59045MM	[+]	19,6	ATE	A00254	750	-elec.damp.susp.	A02202	
	85	03/00 → 10/00	●		P59031MM	[+]	16,9	BSH					
	85	03/00 → 10/00	●		P59038MM	[+]	15,2	TRW					
	92	09/00 → 05/05	●	-ABS	P59030MM	[+]	17,3	ATE	A00254	750	-elec.damp.susp.	A02202	
	92	09/00 → 05/05	●	+ABS	P59045MM	[+]	19,6	ATE	A00254	750	-elec.damp.susp.	A02202	
	92	09/00 → 05/05	●		P59031MM	[+]	16,9	BSH					
2.0 16V Turbo	140	09/00 → 08/01	●		P59048MM	[+]	20,2	ATE				A02202	
	140	09/00 → 08/01	●		P59031MM	[+]	16,9	BSH					
	140	09/00 → 08/01	●		P59038MM	[+]	15,2	TRW					
	141	08/01 → 05/05	●		P59048MM	[+]	20,2	ATE				A02202	
	141	08/01 → 05/05	●		P59031MM	[+]	16,9	BSH					
	141	08/01 → 05/05	●		P59038MM	[+]	15,2	TRW					
	147	11/02 → 05/05	●		P59048MM	[+]	20,2	ATE				A02202	
	147	11/02 → 05/05	●		P59031MM	[+]	16,9	BSH					
	147	11/02 → 05/05	●		P59038MM	[+]	15,2	TRW					
2.2 16V	108	09/00 → 05/05	●		P59045MM	[+]	19,6	ATE	A00254	750	-elec.damp.susp.	A02202	
	108	09/00 → 05/05	●		P59031MM	[+]	16,9	BSH					
	108	09/00 → 05/05	●		P59038MM	[+]	15,2	TRW					

Car Model	kw	S	E	i	MAGNETI MARELLI	wi	Th [mm]	SYS	WI			FK	
									MAGNETI MARELLI	LENGHT	i	MAGNETI MARELLI	i

OPEL

ASTRA G Coupé (F07_) 03/00 → 05/05

2.2 DTI	92	09/02 → 05/05	●		P59045MM	[+]	19,6	ATE	A00254	750	-elec.damp.susp.	A02202	
	92	09/02 → 05/05		●	P59031MM	[+]	16,9	BSH					
	92	09/02 → 05/05		●	P59038MM	[+]	15,2	TRW					

ASTRA G Estate (F35_) 02/98 → 12/09

1.2 16V	48	02/98 → 09/00	●		P59030MM	[+]	17,3	ATE	A00259	720	+on board comp.			
	48	02/98 → 09/00		●	+rear disc	P59031MM	[+]	16,9	BSH					
	48	02/98 → 09/00		●	+rear disc	P59038MM	[+]	15,2	TRW					
	55	09/00 → 07/04	●		P59030MM	[+]	17,3	ATE	A00259	720	+on board comp.			
	55	09/00 → 07/04		●	+rear disc	P59031MM	[+]	16,9	BSH					
	55	09/00 → 07/04		●	+rear disc	P59038MM	[+]	15,2	TRW					
1.4	66	10/04 → 12/09	●		P59030MM	[+]	17,3	ATE	A00259	720	+on board comp.			
	66	10/04 → 12/09		●	+rear disc	P59031MM	[+]	16,9	BSH					
	66	10/04 → 12/09		●	+rear disc	P59038MM	[+]	15,2	TRW					
1.4 16V	66	06/98 → 07/04	●		P59030MM	[+]	17,3	ATE	A00259	720	+on board comp.			
	66	06/98 → 07/04		●	+rear disc	P59031MM	[+]	16,9	BSH					
	66	06/98 → 07/04		●	+rear disc	P59038MM	[+]	15,2	TRW					
1.6	55	02/98 → 09/00	●		P59030MM	[+]	17,3	ATE	A00259	720	+on board comp.			
	55	02/98 → 09/00		●	+rear disc	P59031MM	[+]	16,9	BSH					
	55	02/98 → 09/00		●	+rear disc	P59038MM	[+]	15,2	TRW					
	62	09/00 → 07/04	●		P59030MM	[+]	17,3	ATE	A00259	720	+on board comp.			
	62	09/00 → 07/04		●	+rear disc	P59031MM	[+]	16,9	BSH					
	62	09/00 → 07/04		●	+rear disc	P59038MM	[+]	15,2	TRW					
	76	12/02 → 07/09	●		P59030MM	[+]	17,3	ATE	A00259	720	+on board comp.			
1.6 16V	74	02/98 → 07/04	●		P59030MM	[+]	17,3	ATE	A00259	720	+on board comp.			
	74	02/98 → 07/04		●	+rear disc	P59031MM	[+]	16,9	BSH					
	74	02/98 → 07/04		●	+rear disc	P59038MM	[+]	15,2	TRW					
1.6 CNG	71	03/03 → 07/04	●		P59045MM	[+]	19,6	ATE	A00259	720	+on board comp.			
	71	03/03 → 07/04		●	P59031MM	[+]	16,9	BSH						
	71	03/03 → 07/04		●	P59038MM	[+]	15,2	TRW						
1.7 CDTI	59	04/03 → 07/09	●		P59030MM	[+]	17,3	ATE	A00259	720	+on board comp.			
	59	04/03 → 07/09		●	+rear disc	P59031MM	[+]	16,9	BSH					
	59	04/03 → 07/09		●	+rear disc	P59038MM	[+]	15,2	TRW					
1.7 DTI 16V	55	02/00 → 07/04	●		P59030MM	[+]	17,3	ATE	A00259	720	+on board comp.			
	55	02/00 → 07/04		●	+rear disc	P59031MM	[+]	16,9	BSH					
	55	02/00 → 07/04		●	+rear disc	P59038MM	[+]	15,2	TRW					
1.7 TD	50	02/98 → 08/00	●		P59030MM	[+]	17,3	ATE	A00259	720	+on board comp.			
	50	02/98 → 08/00		●	+rear disc	P59031MM	[+]	16,9	BSH					
	50	02/98 → 08/00		●	+rear disc	P59038MM	[+]	15,2	TRW					
1.8 16V	85	02/98 → 09/00	●		P59030MM	[+]	17,3	ATE	A00254	750	-elec.damp.susp.	A02202	-ABS	
	85	02/98 → 09/00		●	+ABS	P59045MM	[+]	19,6	ATE	A00254	750	-elec.damp.susp.	A02202	-ABS
	85	02/98 → 09/00		●		P59031MM	[+]	16,9	BSH					
	85	02/98 → 09/00		●		P59038MM	[+]	15,2	TRW					
	92	09/00 → 07/04	●		P59030MM	[+]	17,3	ATE	A00254	750	-elec.damp.susp.	A02202	-ABS	
	92	09/00 → 07/04		●	+ABS	P59045MM	[+]	19,6	ATE	A00254	750	-elec.damp.susp.	A02202	-ABS
	92	09/00 → 07/04		●		P59031MM	[+]	16,9	BSH					
2.0 16V	100	02/98 → 07/04	●		P59045MM	[+]	19,6	ATE	A00254	750	-elec.damp.susp.	A02202		
	100	02/98 → 07/04		●		P59031MM	[+]	16,9	BSH					
	100	02/98 → 07/04		●		P59038MM	[+]	15,2	TRW					
2.0 DI	60	02/98 → 07/04	●		P59030MM	[+]	17,3	ATE	A00254	750	-elec.damp.susp.	A02202	-ABS	
	60	02/98 → 07/04		●	+ABS	P59045MM	[+]	19,6	ATE	A00254	750	-elec.damp.susp.	A02202	-ABS

OPEL

ASTRA G Estate (F35_) 02/98 → 12/09

2.0 DI	60	02/98 → 07/04	●			P59031MM	[+]	16,9	BSH						
	60	02/98 → 07/04	●			P59038MM	[+]	15,2	TRW						
2.0 DTI 16V	74	08/99 → 07/04	●		→ 09/01	P59030MM	[+]	17,3	ATE	A00254	750	-elec.damp.susp.	A02202	-ABS	
	74	08/99 → 07/04	●		10/01 →	P59045MM	[+]	19,6	ATE	A00254	750	-elec.damp.susp.	A02202	-ABS	
	74	08/99 → 07/04	●			P59031MM	[+]	16,9	BSH						
	74	08/99 → 07/04	●			P59038MM	[+]	15,2	TRW						
2.0 OPC	141	09/02 → 07/04	●			P59048MM	[+]	20,2	ATE				A02202		
	141	09/02 → 07/04	●			P59031MM	[+]	16,9	BSH						
	141	09/02 → 07/04	●			P59038MM	[+]	15,2	TRW						
	147	11/02 → 07/04	●			P59048MM	[+]	20,2	ATE				A02202		
	147	11/02 → 07/04	●			P59031MM	[+]	16,9	BSH						
2.2 16V	108	03/01 → 07/04	●			P59045MM	[+]	19,6	ATE	A00254	750	-elec.damp.susp.	A02202		
	108	03/01 → 07/04	●			P59031MM	[+]	16,9	BSH						
	108	03/01 → 07/04	●			P59038MM	[+]	15,2	TRW						
2.2 DTI	86	09/02 → 07/04	●			P59045MM	[+]	19,6	ATE				A02202		
	86	09/02 → 07/04	●			P59038MM	[+]	15,2	TRW						
	92	09/02 → 07/04	●			P59045MM	[+]	19,6	ATE	A00254	750	-elec.damp.susp.	A02202		
	92	09/02 → 07/04	●			P59031MM	[+]	16,9	BSH						
92	09/02 → 07/04	●			P59038MM	[+]	15,2	TRW							

ASTRA G Hatchback (F48_, F08_) 02/98 → 12/09

1.2 16V	48	02/98 → 09/00	●			P59030MM	[+]	17,3	ATE	A00259	720	+on board comp.		
	48	02/98 → 09/00	●	+rear disc		P59031MM	[+]	16,9	BSH					
	48	02/98 → 09/00	●	+rear disc		P59038MM	[+]	15,2	TRW					
	55	09/00 → 01/05	●			P59030MM	[+]	17,3	ATE	A00259	720	+on board comp.		
	55	09/00 → 01/05	●	+rear disc		P59031MM	[+]	16,9	BSH					
	55	09/00 → 01/05	●	+rear disc		P59038MM	[+]	15,2	TRW					
1.4	66	09/07 → 12/09	●			P59030MM	[+]	17,3	ATE	A00259	720	+on board comp.		
	66	09/07 → 12/09	●	+rear disc		P59031MM	[+]	16,9	BSH					
	66	09/07 → 12/09	●	+rear disc		P59038MM	[+]	15,2	TRW					
1.4 16V	66	02/98 → 01/05	●			P59030MM	[+]	17,3	ATE	A00259	720	+on board comp.		
	66	02/98 → 01/05	●	+rear disc		P59031MM	[+]	16,9	BSH					
	66	02/98 → 01/05	●	+rear disc		P59038MM	[+]	15,2	TRW					
1.6	55	02/98 → 09/00	●			P59030MM	[+]	17,3	ATE	A00259	720	+on board comp.		
	55	02/98 → 09/00	●	+rear disc		P59031MM	[+]	16,9	BSH					
	55	02/98 → 09/00	●	+rear disc		P59038MM	[+]	15,2	TRW					
	62	09/00 → 01/05	●			P59030MM	[+]	17,3	ATE	A00259	720	+on board comp.		
	62	09/00 → 01/05	●	+rear disc		P59031MM	[+]	16,9	BSH					
	62	09/00 → 01/05	●	+rear disc		P59038MM	[+]	15,2	TRW					
	76	12/02 → 12/09	●			P59030MM	[+]	17,3	ATE	A00259	720	+on board comp.		
76	12/02 → 12/09	●	+rear disc		P59031MM	[+]	16,9	BSH						
1.6 16V	74	02/98 → 01/05	●			P59030MM	[+]	17,3	ATE	A00259	720	+on board comp.		
	74	02/98 → 01/05	●	+rear disc		P59031MM	[+]	16,9	BSH					
	74	02/98 → 01/05	●	+rear disc		P59038MM	[+]	15,2	TRW					
1.6 LPG	74	06/02 → 01/05	●			P59030MM	[+]	17,3	ATE					
	74	06/02 → 01/05	●	+rear disc		P59038MM	[+]	15,2	TRW					
1.7 CDTI	59	04/03 → 12/09	●			P59030MM	[+]	17,3	ATE	A00259	720	+on board comp.		
	59	04/03 → 12/09	●	+rear disc		P59031MM	[+]	16,9	BSH					
	59	04/03 → 12/09	●	+rear disc		P59038MM	[+]	15,2	TRW					
1.7 DTI 16V	55	02/00 → 01/05	●			P59030MM	[+]	17,3	ATE	A00259	720	+on board comp.		
	55	02/00 → 01/05	●	+rear disc		P59031MM	[+]	16,9	BSH					
	55	02/00 → 01/05	●	+rear disc		P59038MM	[+]	15,2	TRW					

OPEL

ASTRA G Hatchback (F48_, F08_) 02/98 → 12/09

1.7 TD	50	02/98 → 08/00	●		P59030MM	[+]	17,3	ATE	A00259	720	+on board comp.		
	50	02/98 → 08/00	●	+rear disc	P59031MM	[+]	16,9	BSH					
	50	02/98 → 08/00	●	+rear disc	P59038MM	[+]	15,2	TRW					
1.8 16V	85	02/98 → 09/00	●	-ABS	P59030MM	[+]	17,3	ATE	A00254	750	-elec.damp.susp.	A02202	-ABS
	85	02/98 → 09/00	●	+ABS	P59045MM	[+]	19,6	ATE	A00254	750	-elec.damp.susp.	A02202	-ABS
	85	02/98 → 09/00	●		P59031MM	[+]	16,9	BSH					
	85	02/98 → 09/00	●		P59038MM	[+]	15,2	TRW					
	92	09/00 → 01/05	●	-ABS	P59030MM	[+]	17,3	ATE	A00254	750	-elec.damp.susp.	A02202	-ABS
	92	09/00 → 01/05	●	+ABS	P59045MM	[+]	19,6	ATE	A00254	750	-elec.damp.susp.	A02202	-ABS
	92	09/00 → 01/05	●		P59031MM	[+]	16,9	BSH					
	92	09/00 → 01/05	●		P59038MM	[+]	15,2	TRW					
2.0 16V	100	02/98 → 01/05	●		P59045MM	[+]	19,6	ATE	A00254	750	-elec.damp.susp.	A02202	
	100	02/98 → 01/05	●		P59031MM	[+]	16,9	BSH					
	100	02/98 → 01/05	●		P59038MM	[+]	15,2	TRW					
2.0 16V OPC	118	11/99 → 09/02	●		P59048MM	[+]	20,2	ATE				A02202	
	118	11/99 → 09/02	●		P59031MM	[+]	16,9	BSH					
	118	11/99 → 09/02	●		P59038MM	[+]	15,2	TRW					
2.0 DI	60	02/98 → 01/05	●	-ABS	P59030MM	[+]	17,3	ATE	A00254	750	-elec.damp.susp.	A02202	-ABS
	60	02/98 → 01/05	●	+ABS	P59045MM	[+]	19,6	ATE	A00254	750	-elec.damp.susp.	A02202	-ABS
	60	02/98 → 01/05	●		P59031MM	[+]	16,9	BSH					
	60	02/98 → 01/05	●		P59038MM	[+]	15,2	TRW					
2.0 DTI 16V	74	08/99 → 01/05	●	→ 09/01	P59030MM	[+]	17,3	ATE	A00254	750	-elec.damp.susp.	A02202	
	74	08/99 → 01/05	●	10/01 →	P59045MM	[+]	19,6	ATE	A00254	750	-elec.damp.susp.	A02202	
	74	08/99 → 01/05	●		P59031MM	[+]	16,9	BSH					
	74	08/99 → 01/05	●		P59038MM	[+]	15,2	TRW					
2.0 OPC	141	09/02 → 01/05	●		P59048MM	[+]	20,2	ATE				A02202	
	141	09/02 → 01/05	●		P59031MM	[+]	16,9	BSH					
	141	09/02 → 01/05	●		P59038MM	[+]	15,2	TRW					
	147	11/02 → 01/05	●		P59048MM	[+]	20,2	ATE				A02202	
	147	11/02 → 01/05	●		P59031MM	[+]	16,9	BSH					
	147	11/02 → 01/05	●		P59038MM	[+]	15,2	TRW					
2.2 16V	108	06/00 → 01/05	●		P59045MM	[+]	19,6	ATE	A00254	750	-elec.damp.susp.	A02202	
	108	06/00 → 01/05	●		P59031MM	[+]	16,9	BSH					
	108	06/00 → 01/05	●		P59038MM	[+]	15,2	TRW					
2.2 DTI	86	09/02 → 01/05	●		P59045MM	[+]	19,6	ATE				A02202	
	86	09/02 → 01/05	●		P59038MM	[+]	15,2	TRW					
	92	09/02 → 01/05	●		P59045MM	[+]	19,6	ATE	A00254	750	-elec.damp.susp.	A02202	
	92	09/02 → 01/05	●		P59031MM	[+]	16,9	BSH					
	92	09/02 → 01/05	●		P59038MM	[+]	15,2	TRW					

ASTRA G Saloon (F69_) 09/98 → 12/09

1.2 16V	48	09/98 → 09/00	●		P59030MM	[+]	17,3	ATE	A00259	720	+on board comp.		
	48	09/98 → 09/00	●	+rear disc	P59031MM	[+]	16,9	BSH					
	48	09/98 → 09/00	●	+rear disc	P59038MM	[+]	15,2	TRW					
	55	09/00 → 01/05	●		P59030MM	[+]	17,3	ATE	A00259	720	+on board comp.		
	55	09/00 → 01/05	●	+rear disc	P59031MM	[+]	16,9	BSH					
	55	09/00 → 01/05	●	+rear disc	P59038MM	[+]	15,2	TRW					
1.4	66	09/07 → 12/09	●		P59030MM	[+]	17,3	ATE	A00259	720	+on board comp.		
	66	09/07 → 12/09	●	+rear disc	P59031MM	[+]	16,9	BSH					
	66	09/07 → 12/09	●	+rear disc	P59038MM	[+]	15,2	TRW					
1.4 16V	66	09/98 → 01/05	●		P59030MM	[+]	17,3	ATE	A00259	720	+on board comp.		
	66	09/98 → 01/05	●	+rear disc	P59031MM	[+]	16,9	BSH					
	66	09/98 → 01/05	●	+rear disc	P59038MM	[+]	15,2	TRW					
1.6	55	09/98 → 09/00	●		P59030MM	[+]	17,3	ATE	A00259	720	+on board comp.		
	55	09/98 → 09/00	●	+rear disc	P59031MM	[+]	16,9	BSH					



kw



wi

Th [mm]

SYS

WI

FK



LENGHT



OPEL

ASTRA G Saloon (F69_) 09/98 → 12/09

Engine	Year Range	ABS	Disc	Code	Th [mm]	SYS	WI	LENGHT	FK	
1.6	55 09/98 → 09/00	●	+rear disc	P59038MM	[+]	15,2	TRW			
	62 09/00 → 01/05	●		P59030MM	[+]	17,3	ATE	A00259	720 +on board comp.	
	62 09/00 → 01/05	●	+rear disc	P59031MM	[+]	16,9	BSH			
	62 09/00 → 01/05	●	+rear disc	P59038MM	[+]	15,2	TRW			
	76 12/02 → 12/09	●		P59030MM	[+]	17,3	ATE	A00259	720 +on board comp.	
	76 12/02 → 12/09	●	+rear disc	P59031MM	[+]	16,9	BSH			
	76 12/02 → 12/09	●	+rear disc	P59038MM	[+]	15,2	TRW			
1.6 16V	74 09/98 → 01/05	●		P59030MM	[+]	17,3	ATE	A00259	720 +on board comp.	
	74 09/98 → 01/05	●	+rear disc	P59031MM	[+]	16,9	BSH			
	74 09/98 → 01/05	●	+rear disc	P59038MM	[+]	15,2	TRW			
1.6 LPG	74 06/02 → 01/05	●		P59030MM	[+]	17,3	ATE			
	74 06/02 → 01/05	●	+rear disc	P59031MM	[+]	16,9	BSH			
	74 06/02 → 01/05	●	+rear disc	P59038MM	[+]	15,2	TRW			
1.7 CDTI	59 04/03 → 12/09	●		P59030MM	[+]	17,3	ATE	A00259	720 +on board comp.	
	59 04/03 → 12/09	●	+rear disc	P59031MM	[+]	16,9	BSH			
	59 04/03 → 12/09	●	+rear disc	P59038MM	[+]	15,2	TRW			
1.7 DTI 16V	55 02/00 → 01/05	●		P59030MM	[+]	17,3	ATE	A00259	720 +on board comp.	
	55 02/00 → 01/05	●	+rear disc	P59031MM	[+]	16,9	BSH			
	55 02/00 → 01/05	●	+rear disc	P59038MM	[+]	15,2	TRW			
1.7 TD	50 09/98 → 08/00	●		P59030MM	[+]	17,3	ATE	A00259	720 +on board comp.	
	50 09/98 → 08/00	●	+rear disc	P59031MM	[+]	16,9	BSH			
	50 09/98 → 08/00	●	+rear disc	P59038MM	[+]	15,2	TRW			
1.8 16V	85 09/98 → 09/00	●	-ABS	P59030MM	[+]	17,3	ATE	A00254	750 -elec.damp.susp. A02202	
	85 09/98 → 09/00	●	+ABS	P59045MM	[+]	19,6	ATE	A00254	750 -elec.damp.susp. A02202	
	85 09/98 → 09/00	●		P59031MM	[+]	16,9	BSH			
	85 09/98 → 09/00	●		P59038MM	[+]	15,2	TRW			
	92 06/00 → 01/05	●	-ABS	P59030MM	[+]	17,3	ATE	A00254	750 -elec.damp.susp. A02202	
	92 06/00 → 01/05	●	+ABS	P59045MM	[+]	19,6	ATE	A00254	750 -elec.damp.susp. A02202	
	92 06/00 → 01/05	●		P59031MM	[+]	16,9	BSH			
2.0 16V	100 09/98 → 01/05	●		P59045MM	[+]	19,6	ATE	A00254	750 -elec.damp.susp. A02202	
	100 09/98 → 01/05	●		P59031MM	[+]	16,9	BSH			
	100 09/98 → 01/05	●		P59038MM	[+]	15,2	TRW			
2.0 DI	60 09/98 → 01/05	●	-ABS	P59030MM	[+]	17,3	ATE	A00254	750 -elec.damp.susp. A02202	
	60 09/98 → 01/05	●	+ABS	P59045MM	[+]	19,6	ATE	A00254	750 -elec.damp.susp. A02202	
	60 09/98 → 01/05	●		P59031MM	[+]	16,9	BSH			
	60 09/98 → 01/05	●		P59038MM	[+]	15,2	TRW			
2.0 DTI 16V	74 08/99 → 01/05	●	→ 09/01	P59030MM	[+]	17,3	ATE	A00254	750 -elec.damp.susp. A02202	
	74 08/99 → 01/05	●	10/01 →	P59045MM	[+]	19,6	ATE	A00254	750 -elec.damp.susp. A02202	
	74 08/99 → 01/05	●		P59031MM	[+]	16,9	BSH			
	74 08/99 → 01/05	●		P59038MM	[+]	15,2	TRW			
2.2 16V	108 03/01 → 01/05	●		P59045MM	[+]	19,6	ATE	A00254	750 -elec.damp.susp. A02202	
	108 03/01 → 01/05	●		P59031MM	[+]	16,9	BSH			
	108 03/01 → 01/05	●		P59038MM	[+]	15,2	TRW			
2.2 DTI	86 09/02 → 01/05	●		P59045MM	[+]	19,6	ATE		A02202	
	86 09/02 → 01/05	●		P59038MM	[+]	15,2	TRW			
	92 09/02 → 01/05	●		P59045MM	[+]	19,6	ATE	A00254	750 -elec.damp.susp. A02202	
	92 09/02 → 01/05	●		P59031MM	[+]	16,9	BSH			
	92 09/02 → 01/05	●		P59038MM	[+]	15,2	TRW			
ASTRA H (L48) 01/04 → 05/14										
1.2	59 08/05 → 10/10	●		P59045MM	[+]	19,6	ATE	A00255	287	
	59 08/05 → 10/10	●	4 holes	P10013MM	[-]	15,2	TRW			
	59 08/05 → 10/10	●	5 holes	P59038MM	[+]	15,2	TRW			

										WI		FK		

OPEL

ASTRA H (L48) 01/04 → 05/14

1.3 CDTI	66	08/05 → 10/10	●			P59045MM	[+]	19,6	ATE	A00255	287			A02202
	66	08/05 → 10/10		●	4 holes	P10013MM	[-]	15,2	TRW					
	66	08/05 → 10/10		●	5 holes	P59038MM	[+]	15,2	TRW					
1.4	55	04/04 → 10/04	●			P59045MM	[+]	19,6	ATE	A00255	287			A02202
	55	04/04 → 10/04		●	4 holes	P10013MM	[-]	15,2	TRW					
	55	04/04 → 10/04		●	5 holes	P59038MM	[+]	15,2	TRW					
	66	03/04 → 10/10	●			P59045MM	[+]	19,6	ATE	A00255	287			A02202
	66	03/04 → 10/10		●	4 holes	P10013MM	[-]	15,2	TRW					
	66	03/04 → 10/10		●	5 holes	P59038MM	[+]	15,2	TRW					
	59	04/04 → 10/04	●			P59045MM	[+]	19,6	ATE	A00255	287			A02202
1.4 LPG	66	08/09 → 10/10	●			P59045MM	[+]	19,6	ATE	A00255	287			A02202
	66	08/09 → 10/10		●	4 holes	P10013MM	[-]	15,2	TRW					
	66	08/09 → 10/10		●	5 holes	P59038MM	[+]	15,2	TRW					
1.6	77	03/04 → 10/10	●			P59045MM	[+]	19,6	ATE	A00255	287			A02202
	77	03/04 → 10/10		●	4 holes	P10013MM	[-]	15,2	TRW					
	77	03/04 → 10/10		●	5 holes	P59038MM	[+]	15,2	TRW					
	85	12/06 → 05/14	●			P59045MM	[+]	19,6	ATE	A00255	287			A02202
	85	12/06 → 05/14		●	4 holes	P10013MM	[-]	15,2	TRW					
1.6 Turbo	132	02/07 → 10/10	●			P59045MM	[+]	19,6	ATE	A00255	287			A02202
	132	02/07 → 10/10		●	4 holes; +rear disc	P10013MM	[-]	15,2	TRW					
	132	02/07 → 10/10		●	5 holes; +rear disc	P59038MM	[+]	15,2	TRW					
1.7 CDTI	59	03/04 → 10/10	●			P59045MM	[+]	19,6	ATE	A00255	287			A02202
	59	03/04 → 10/10		●	4 holes	P10013MM	[-]	15,2	TRW					
	59	03/04 → 10/10		●	5 holes	P59038MM	[+]	15,2	TRW					
	74	03/04 → 10/10	●			P59045MM	[+]	19,6	ATE	A00255	287			A02202
	74	03/04 → 10/10		●	4 holes	P10013MM	[-]	15,2	TRW					
	74	03/04 → 10/10		●	5 holes	P59038MM	[+]	15,2	TRW					
	81	02/07 → 05/14	●			P59045MM	[+]	19,6	ATE	A00255	287			A02202
	81	02/07 → 05/14		●	4 holes	P10013MM	[-]	15,2	TRW					
	81	02/07 → 05/14		●	5 holes	P59038MM	[+]	15,2	TRW					
1.8	92	02/07 → 05/14	●			P59045MM	[+]	19,6	ATE	A00255	287			A02202
	92	02/07 → 05/14		●	4 holes; +rear disc	P10013MM	[-]	15,2	TRW					
	92	02/07 → 05/14		●	5 holes; +rear disc	P59038MM	[+]	15,2	TRW					
	92	01/04 → 10/10	●			P59045MM	[+]	19,6	ATE	A00255	287			A02202
	92	01/04 → 10/10		●	4 holes	P10013MM	[-]	15,2	TRW					
	92	01/04 → 10/10		●	5 holes	P59038MM	[+]	15,2	TRW					
1.9 CDTI	103	01/06 → 10/10	●			P59045MM	[+]	19,6	ATE	A00255	287			A02202
	103	01/06 → 10/10		●	4 holes	P10013MM	[-]	15,2	TRW					
	103	01/06 → 10/10		●	5 holes	P59038MM	[+]	15,2	TRW					
	110	09/04 → 10/10	●			P59045MM	[+]	19,6	ATE	A00255	287			A02202
	110	09/04 → 10/10		●	4 holes; +rear disc	P10013MM	[-]	15,2	TRW					
	110	09/04 → 10/10		●	5 holes; +rear disc	P59038MM	[+]	15,2	TRW					
	88	06/04 → 10/10	●			P59045MM	[+]	19,6	ATE	A00255	287			A02202
1.9 CDTI 16V	88	06/04 → 10/10		●	4 holes; +rear disc	P10013MM	[-]	15,2	TRW					
	88	06/04 → 10/10		●	5 holes; +rear disc	P59038MM	[+]	15,2	TRW					
	74	09/05 → 10/10	●			P59045MM	[+]	19,6	ATE	A00255	287			A02202
	74	09/05 → 10/10		●	4 holes	P10013MM	[-]	15,2	TRW					

									WI			FK	

OPEL

ASTRA H (L48) 01/04 → 05/14

2.0 Turbo	125	03/04 → 10/10	●		P59045MM	[+]	19,6	ATE	A00255	287		A02202
	125	03/04 → 10/10	●	4 holes; +rear disc	P10013MM	[-]	15,2	TRW				
	125	03/04 → 10/10	●	5 holes; +rear disc	P59038MM	[+]	15,2	TRW				
	147	09/04 → 10/10	●		P59045MM	[+]	19,6	ATE	A00255	287		A02202
	147	09/04 → 10/10	●	4 holes	P10013MM	[-]	15,2	TRW				
	147	09/04 → 10/10	●	5 holes	P59038MM	[+]	15,2	TRW				
	177	03/05 → 10/10	●		P59043MM	[O]	20,6	ATE	A00255	287		
	177	03/05 → 10/10	●	4 holes	P10013MM	[-]	15,2	TRW				
177	03/05 → 10/10	●	5 holes	P59038MM	[+]	15,2	TRW					

ASTRA H Box (L70) 02/04 → 12/13

1.3 CDTI	66	08/05 → 10/10	●		P59045MM	[+]	19,6	ATE				A02202
	66	08/05 → 10/10	●	4 holes	P10013MM	[-]	15,2	TRW				
	66	08/05 → 10/10	●	5 holes	P59038MM	[+]	15,2	TRW				
1.6	76	02/04 → 11/04	●		P59045MM	[+]	19,6	ATE	A00255	287		
	76	02/04 → 11/04	●	4 holes; +rear disc	P10013MM	[-]	15,2	TRW				
	76	02/04 → 11/04	●		P59038MM	[+]	15,2	TRW				
1.7 CDTI	74	03/04 → 10/10	●		P59045MM	[+]	19,6	ATE				A02202
	74	03/04 → 10/10	●	4 holes	P10013MM	[-]	15,2	TRW				
	74	03/04 → 10/10	●	5 holes	P59038MM	[+]	15,2	TRW				
	81	02/07 → 10/10	●		P59045MM	[+]	19,6	ATE				A02202
	81	02/07 → 10/10	●	4 holes	P10013MM	[-]	15,2	TRW				
	81	02/07 → 10/10	●	5 holes	P59038MM	[+]	15,2	TRW				
	92	02/07 → 10/10	●		P59045MM	[+]	19,6	ATE				A02202
1.9 CDTI	110	09/04 → 10/10	●		P59045MM	[+]	19,6	ATE				A02202
	110	09/04 → 10/10	●	4 holes	P10013MM	[-]	15,2	TRW				
	110	09/04 → 10/10	●	5 holes	P59038MM	[+]	15,2	TRW				
	88	09/05 → 10/10	●		P59045MM	[+]	19,6	ATE				A02202
	88	09/05 → 10/10	●	4 holes	P10013MM	[-]	15,2	TRW				
	88	09/05 → 10/10	●	5 holes	P59038MM	[+]	15,2	TRW				
1.9 CDTI 16V	88	08/04 → 10/10	●		P59045MM	[+]	19,6	ATE				A02202
	88	08/04 → 10/10	●	4 holes	P10013MM	[-]	15,2	TRW				
88	08/04 → 10/10	●	5 holes	P59038MM	[+]	15,2	TRW					

ASTRA H Estate (L35) 08/04 → 05/14

1.3 CDTI	66	08/05 → 10/10	●		P59045MM	[+]	19,6	ATE	A00255	287		A02202
	66	08/05 → 10/10	●	4 holes	P10013MM	[-]	15,2	TRW				
	66	08/05 → 10/10	●	5 holes	P59038MM	[+]	15,2	TRW				
1.4	55	08/04 → 10/10	●		P59045MM	[+]	19,6	ATE	A00255	287		A02202
	55	08/04 → 10/10	●	4 holes	P10013MM	[-]	15,2	TRW				
	55	08/04 → 10/10	●	5 holes	P59038MM	[+]	15,2	TRW				
	66	08/04 → 10/10	●		P59045MM	[+]	19,6	ATE	A00255	287		A02202
	66	08/04 → 10/10	●	4 holes	P10013MM	[-]	15,2	TRW				
	66	08/04 → 10/10	●	5 holes	P59038MM	[+]	15,2	TRW				
1.4 LPG	66	08/09 → 10/10	●		P59045MM	[+]	19,6	ATE	A00255	287		
	66	08/09 → 10/10	●	4 holes	P10013MM	[-]	15,2	TRW				
	66	08/09 → 10/10	●	5 holes	P59038MM	[+]	15,2	TRW				
1.6	77	08/04 → 10/10	●		P59045MM	[+]	19,6	ATE	A00255	287		A02202
	77	08/04 → 10/10	●	4 holes	P10013MM	[-]	15,2	TRW				
	77	08/04 → 10/10	●	5 holes	P59038MM	[+]	15,2	TRW				
	85	12/06 → 05/14	●		P59045MM	[+]	19,6	ATE	A00255	287		A02202
	85	12/06 → 05/14	●	4 holes	P10013MM	[-]	15,2	TRW				
85	12/06 → 05/14	●	5 holes	P59038MM	[+]	15,2	TRW					

OPEL

ASTRA H Estate (L35) 08/04 → 05/14

1.6 LPG	85	08/09 → 10/10	●		P59045MM	[+]	19,6	ATE	A00255	287			A02202
	85	08/09 → 10/10		● 4 holes	P10013MM	[-]	15,2	TRW					
	85	08/09 → 10/10		● 5 holes	P59038MM	[+]	15,2	TRW					
1.6 Turbo	132	02/07 → 10/10	●		P59045MM	[+]	19,6	ATE	A00255	287			A02202
	132	02/07 → 10/10		● 5 holes	P59038MM	[+]	15,2	TRW					
	132	02/07 → 10/10		● 4 holes; +rear disc	P10013MM	[-]	15,2	TRW					
1.7 CDTI	59	08/04 → 10/10	●		P59045MM	[+]	19,6	ATE	A00255	287			A02202
	59	08/04 → 10/10		● 4 holes	P10013MM	[-]	15,2	TRW					
	59	08/04 → 10/10		● 5 holes	P59038MM	[+]	15,2	TRW					
	74	08/04 → 10/10	●		P59045MM	[+]	19,6	ATE	A00255	287			A02202
	74	08/04 → 10/10		● 4 holes	P10013MM	[-]	15,2	TRW					
	74	08/04 → 10/10		● 5 holes	P59038MM	[+]	15,2	TRW					
	81	02/07 → 05/14	●		P59045MM	[+]	19,6	ATE	A00255	287			A02202
	81	02/07 → 05/14		● 4 holes	P10013MM	[-]	15,2	TRW					
	81	02/07 → 05/14		● 5 holes	P59038MM	[+]	15,2	TRW					
	92	02/07 → 05/14	●		P59045MM	[+]	19,6	ATE	A00255	287			A02202
	92	02/07 → 05/14		● 4 holes; +rear disc	P10013MM	[-]	15,2	TRW					
	92	02/07 → 05/14		● 5 holes	P59038MM	[+]	15,2	TRW					
1.8	92	08/04 → 10/10	●		P59045MM	[+]	19,6	ATE	A00255	287			A02202
	92	08/04 → 10/10		● 4 holes	P10013MM	[-]	15,2	TRW					
	92	08/04 → 10/10		● 5 holes	P59038MM	[+]	15,2	TRW					
	103	08/05 → 10/10	●		P59045MM	[+]	19,6	ATE	A00255	287			
	103	08/05 → 10/10		● 4 holes	P10013MM	[-]	15,2	TRW					
1.9 CDTI	110	09/04 → 10/10	●		P59045MM	[+]	19,6	ATE	A00255	287			A02202
	110	09/04 → 10/10		● 4 holes; +rear disc	P10013MM	[-]	15,2	TRW					
	110	09/04 → 10/10		● 5 holes	P59038MM	[+]	15,2	TRW					
	88	09/05 → 10/10	●		P59045MM	[+]	19,6	ATE	A00255	287			A02202
	88	09/05 → 10/10		● 4 holes; +rear disc	P10013MM	[-]	15,2	TRW					
	88	09/05 → 10/10		● 5 holes	P59038MM	[+]	15,2	TRW					
	74	09/05 → 10/10	●		P59045MM	[+]	19,6	ATE	A00255	287			A02202
	74	09/05 → 10/10		● 4 holes	P10013MM	[-]	15,2	TRW					
	74	09/05 → 10/10		● 5 holes	P59038MM	[+]	15,2	TRW					
1.9 CDTI 16V	88	08/04 → 10/10	●		P59045MM	[+]	19,6	ATE	A00255	287			A02202
	88	08/04 → 10/10		● 4 holes; +rear disc	P10013MM	[-]	15,2	TRW					
	88	08/04 → 10/10		● 5 holes	P59038MM	[+]	15,2	TRW					
2.0 Turbo	125	08/04 → 10/10	●		P59045MM	[+]	19,6	ATE	A00255	287			A02202
	125	08/04 → 10/10		● 4 holes	P10013MM	[-]	15,2	TRW					
	125	08/04 → 10/10		● 5 holes	P59038MM	[+]	15,2	TRW					
	147	09/04 → 10/10	●		P59045MM	[+]	19,6	ATE	A00255	287			A02202
	147	09/04 → 10/10		● 4 holes	P10013MM	[-]	15,2	TRW					
147	09/04 → 10/10		● 5 holes	P59038MM	[+]	15,2	TRW						

ASTRA H GTC (L08) 03/05 → 10/10

1.2	59	08/05 → 10/10	●		P59045MM	[+]	19,6	ATE	A00255	287			
	59	08/05 → 10/10		● 4 holes	P10013MM	[-]	15,2	TRW					
	59	08/05 → 10/10		● 5 holes	P59038MM	[+]	15,2	TRW					
1.3 CDTI	66	04/05 → 10/10	●		P59045MM	[+]	19,6	ATE	A00255	287			A02202
	66	04/05 → 10/10		● 4 holes	P10013MM	[-]	15,2	TRW					
	66	04/05 → 10/10		● 5 holes	P59038MM	[+]	15,2	TRW					
1.4	55	03/05 → 10/10	●		P59045MM	[+]	19,6	ATE					A02202
	55	03/05 → 10/10		● 4 holes	P10013MM	[-]	15,2	TRW					
	55	03/05 → 10/10		● 5 holes	P59038MM	[+]	15,2	TRW					
	66	03/05 → 10/10	●		P59045MM	[+]	19,6	ATE	A00255	287			A02202

								WI		FK		
	kw				WI	Th [mm]	SYS		LENGHT			

OPEL

ASTRA H GTC (L08) 03/05 → 10/10

1.4	66	03/05 → 10/10	●	4 holes	P10013MM	[-]	15,2	TRW				
	66	03/05 → 10/10	●	5 holes	P59038MM	[+]	15,2	TRW				
1.6	77	03/05 → 10/10	●		P59045MM	[+]	19,6	ATE	A00255	287		A02202
	77	03/05 → 10/10	●	4 holes	P10013MM	[-]	15,2	TRW				
	77	03/05 → 10/10	●	5 holes	P59038MM	[+]	15,2	TRW				
	85	12/06 → 10/10	●		P59045MM	[+]	19,6	ATE	A00255	287		A02202
	85	12/06 → 10/10	●	4 holes	P10013MM	[-]	15,2	TRW				
	85	12/06 → 10/10	●	5 holes	P59038MM	[+]	15,2	TRW				
1.6 Turbo	132	02/07 → 10/10	●		P59045MM	[+]	19,6	ATE	A00255	287		A02202
	132	02/07 → 10/10	●	4 holes; +rear disc	P10013MM	[-]	15,2	TRW				
	132	02/07 → 10/10	●	5 holes	P59038MM	[+]	15,2	TRW				
1.7 CDTi	74	03/05 → 10/10	●		P59045MM	[+]	19,6	ATE	A00255	287		A02202
	74	03/05 → 10/10	●	4 holes	P10013MM	[-]	15,2	TRW				
	74	03/05 → 10/10	●	5 holes	P59038MM	[+]	15,2	TRW				
	81	02/07 → 10/10	●		P59045MM	[+]	19,6	ATE	A00255	287		A02202
	81	02/07 → 10/10	●	5 holes	P59038MM	[+]	15,2	TRW				
	81	02/07 → 10/10	●	4 holes	P10013MM	[-]	15,2	TRW				
	92	02/07 → 10/10	●		P59045MM	[+]	19,6	ATE	A00255	287		A02202
	92	02/07 → 10/10	●	4 holes; +rear disc	P10013MM	[-]	15,2	TRW				
	92	02/07 → 10/10	●	5 holes	P59038MM	[+]	15,2	TRW				
	59	03/05 → 10/10	●		P59045MM	[+]	19,6	ATE	A00255	287		
1.8	92	03/05 → 10/10	●		P59045MM	[+]	19,6	ATE	A00255	287		A02202
	92	03/05 → 10/10	●	4 holes	P10013MM	[-]	15,2	TRW				
	92	03/05 → 10/10	●	5 holes	P59038MM	[+]	15,2	TRW				
	103	01/06 → 10/10	●		P59045MM	[+]	19,6	ATE	A00255	287		A02202
	103	01/06 → 10/10	●	4 holes; +rear disc	P10013MM	[-]	15,2	TRW				
	103	01/06 → 10/10	●	5 holes	P59038MM	[+]	15,2	TRW				
1.9 CDTi	110	03/05 → 10/10	●		P59045MM	[+]	19,6	ATE	A00255	287		A02202
	110	03/05 → 10/10	●	4 holes; +rear disc	P10013MM	[-]	15,2	TRW				
	110	03/05 → 10/10	●	5 holes	P59038MM	[+]	15,2	TRW				
	74	01/06 → 10/10	●		P59045MM	[+]	19,6	ATE	A00255	287		A02202
	74	01/06 → 10/10	●	4 holes	P10013MM	[-]	15,2	TRW				
	74	01/06 → 10/10	●	5 holes	P59038MM	[+]	15,2	TRW				
	88	09/05 → 10/10	●		P59045MM	[+]	19,6	ATE	A00255	287		A02202
	88	09/05 → 10/10	●	4 holes; +rear disc	P10013MM	[-]	15,2	TRW				
1.9 CDTi 16V	88	03/05 → 10/10	●		P59045MM	[+]	19,6	ATE	A00255	287		A02202
	88	03/05 → 10/10	●	4 holes; +rear disc	P10013MM	[-]	15,2	TRW				
	88	03/05 → 10/10	●	5 holes	P59038MM	[+]	15,2	TRW				
2.0 Turbo	147	03/05 → 10/10	●		P59045MM	[+]	19,6	ATE	A00255	287		A02202
	147	03/05 → 10/10	●	4 holes; +rear disc	P10013MM	[-]	15,2	TRW				
	147	03/05 → 10/10	●	5 holes	P59038MM	[+]	15,2	TRW				
	125	03/05 → 10/10	●		P59045MM	[+]	19,6	ATE	A00255	287		A02202
	125	03/05 → 10/10	●	4 holes	P10013MM	[-]	15,2	TRW				
	125	03/05 → 10/10	●	5 holes	P59038MM	[+]	15,2	TRW				
	177	08/05 → 10/10	●		P59043MM	[O]	20,6	ATE	A00255	287		
177	08/05 → 10/10	●	4 holes	P10013MM	[-]	15,2	TRW					
177	08/05 → 10/10	●	5 holes	P59038MM	[+]	15,2	TRW					

ASTRA H Saloon (L69) 02/07 → 05/14

1.3 CDTi	66	02/07 → 10/10	●		P59045MM	[+]	19,6	ATE				
	66	02/07 → 10/10	●	4 holes	P10013MM	[-]	15,2	TRW				
	66	02/07 → 10/10	●	5 holes	P59038MM	[+]	15,2	TRW				

--	--	--	--	--	--	--	--	--	--	--	--	--	--	--	--

OPEL

ASTRA H Saloon (L69) 02/07 → 05/14

1.6	85	02/07 → 05/14	●		P59045MM	[+]	19,6	ATE							
	85	02/07 → 05/14	●	4 holes	P10013MM	[-]	15,2	TRW							
	85	02/07 → 05/14	●	5 holes	P59038MM	[+]	15,2	TRW							
1.7 CDTi	74	02/07 → 10/10	●		P59045MM	[+]	19,6	ATE							
	74	02/07 → 10/10	●	4 holes	P10013MM	[-]	15,2	TRW							
	74	02/07 → 10/10	●	5 holes	P59038MM	[+]	15,2	TRW							
	81	02/07 → 05/14	●		P59045MM	[+]	19,6	ATE							
	81	02/07 → 05/14	●	4 holes	P10013MM	[-]	15,2	TRW							
	81	02/07 → 05/14	●	5 holes	P59038MM	[+]	15,2	TRW							
1.8	92	02/07 → 05/14	●		P59045MM	[+]	19,6	ATE							
	92	02/07 → 05/14	●	4 holes	P10013MM	[-]	15,2	TRW							
	92	02/07 → 05/14	●	5 holes	P59038MM	[+]	15,2	TRW							
	103	02/07 → 10/10	●		P59045MM	[+]	19,6	ATE							
	103	02/07 → 10/10	●	4 holes	P10013MM	[-]	15,2	TRW							
	103	02/07 → 10/10	●	5 holes	P59038MM	[+]	15,2	TRW							

ASTRA H TwinTop (L67) 09/05 → 10/10

1.6	77	09/05 → 10/10	●		P59045MM	[+]	19,6	ATE	A00255	287			A02202	
	77	09/05 → 10/10	●	4 holes	P10013MM	[-]	15,2	TRW						
	77	09/05 → 10/10	●	5 holes	P59038MM	[+]	15,2	TRW						
	85	12/06 → 10/10	●		P59045MM	[+]	19,6	ATE	A00255	287			A02202	
	85	12/06 → 10/10	●	4 holes	P10013MM	[-]	15,2	TRW						
	85	12/06 → 10/10	●	5 holes	P59038MM	[+]	15,2	TRW						
1.6 Turbo	132	02/07 → 10/10	●		P59045MM	[+]	19,6	ATE	A00255	287			A02202	
	132	02/07 → 10/10	●	4 holes; +rear disc	P10013MM	[-]	15,2	TRW						
	132	02/07 → 10/10	●	5 holes; +rear disc	P59038MM	[+]	15,2	TRW						
1.8	92	09/05 → 10/10	●		P59045MM	[+]	19,6	ATE	A00255	287			A02202	
	92	09/05 → 10/10	●	4 holes	P10013MM	[-]	15,2	TRW						
	92	09/05 → 10/10	●	5 holes	P59038MM	[+]	15,2	TRW						
	103	09/05 → 10/10	●		P59045MM	[+]	19,6	ATE	A00255	287			A02202	
	103	09/05 → 10/10	●	4 holes	P10013MM	[-]	15,2	TRW						
	103	09/05 → 10/10	●	5 holes	P59038MM	[+]	15,2	TRW						
1.9 CDTi	110	09/05 → 10/10	●		P59045MM	[+]	19,6	ATE	A00255	287			A02202	
	110	09/05 → 10/10	●	4 holes	P10013MM	[-]	15,2	TRW						
	110	09/05 → 10/10	●	5 holes	P59038MM	[+]	15,2	TRW						
2.0 Turbo	125	09/05 → 10/10	●		P59045MM	[+]	19,6	ATE	A00255	287				
	125	09/05 → 10/10	●	4 holes	P10013MM	[-]	15,2	TRW						
	125	09/05 → 10/10	●	5 holes	P59038MM	[+]	15,2	TRW						
	147	09/05 → 10/10	●		P59043MM	[O]	20,6	ATE	A00255	287				
	147	09/05 → 10/10	●	4 holes	P10013MM	[-]	15,2	TRW						
	147	09/05 → 10/10	●	5 holes	P59038MM	[+]	15,2	TRW						

ASTRA J 12/09 →

1.3 CDTi	70	12/09 →	●	15" wheel	P59076MM	[+]	18,8	BSH						
	70	12/09 →	●	16" wheel	P59077MM	[+]	18,8	BSH						
	70	12/09 →	●	17" wheel	P59055MM	[+]	19,1	MN						
	70	12/09 →	●	15" wheel; 16" wheel	P59080MM	[+]	16,2	TRW						
	70	12/09 →	●	18" wheel	P59087MM	[+]	16,2	TRW						
1.4	64	12/09 →	●	15" wheel	P59076MM	[+]	18,8	BSH						
	64	12/09 →	●	16" wheel	P59077MM	[+]	18,8	BSH						
	64	12/09 →	●	17" wheel	P59055MM	[+]	19,1	MN						
	64	12/09 →	●	16" wheel; 15" wheel	P59080MM	[+]	16,2	TRW						
	64	12/09 →	●	18" wheel	P59087MM	[+]	16,2	TRW						
	74	12/09 →	●	15" wheel	P59076MM	[+]	18,8	BSH						
	74	12/09 →	●	16" wheel	P59077MM	[+]	18,8	BSH						

									WI			FK	

OPEL

ASTRA J 12/09 →

1.4	74	12/09 →	●	17" wheel	P59055MM	[+]	19,1	MN					
	74	12/09 →		●	15" wheel; 16" wheel	P59080MM	[+]	16,2	TRW				
	74	12/09 →		●	18" wheel	P59087MM	[+]	16,2	TRW				
1.4 LPG	103	01/12 →	●	15" wheel	P59076MM	[+]	18,8	BSH					
	103	01/12 →	●	16" wheel	P59077MM	[+]	18,8	BSH					
	103	01/12 →	●	17" wheel	P59055MM	[+]	19,1	MN					
	103	01/12 →		●	16" wheel; 15" wheel	P59080MM	[+]	16,2	TRW				
	103	01/12 →		●	18" wheel	P59087MM	[+]	16,2	TRW				
1.4 Turbo	88	10/10 →	●	15" wheel	P59076MM	[+]	18,8	BSH					
	88	10/10 →	●	16" wheel	P59077MM	[+]	18,8	BSH					
	88	10/10 →	●	17" wheel	P59055MM	[+]	19,1	MN					
	88	10/10 →		●	16" wheel; 15" wheel	P59080MM	[+]	16,2	TRW				
	88	10/10 →		●	18" wheel	P59087MM	[+]	16,2	TRW				
	103	12/09 →	●	15" wheel	P59076MM	[+]	18,8	BSH					
	103	12/09 →	●	16" wheel	P59077MM	[+]	18,8	BSH					
	103	12/09 →	●	17" wheel	P59055MM	[+]	19,1	MN					
	103	12/09 →		●	15" wheel; 16" wheel	P59080MM	[+]	16,2	TRW				
	103	12/09 →		●	18" wheel	P59087MM	[+]	16,2	TRW				
1.6	85	12/09 →	●	15" wheel	P59076MM	[+]	18,8	BSH					
	85	12/09 →	●	16" wheel	P59077MM	[+]	18,8	BSH					
	85	12/09 →	●	17" wheel	P59055MM	[+]	19,1	MN					
	85	12/09 →		●	16" wheel; 15" wheel	P59080MM	[+]	16,2	TRW				
	85	12/09 →		●	18" wheel	P59087MM	[+]	16,2	TRW				
1.6 CDTi	100	01/14 →	●	15" wheel	P59076MM	[+]	18,8	BSH					
	100	01/14 →	●	16" wheel	P59077MM	[+]	18,8	BSH					
	100	01/14 →	●	17" wheel	P59055MM	[+]	19,1	MN					
	100	01/14 →		●	16" wheel; 15" wheel	P59080MM	[+]	16,2	TRW				
	100	01/14 →		●	18" wheel	P59087MM	[+]	16,2	TRW				
	81	02/14 →	●	15" wheel	P59076MM	[+]	18,8	BSH					
	81	02/14 →	●	16" wheel	P59077MM	[+]	18,8	BSH					
	81	02/14 →	●	17" wheel	P59055MM	[+]	19,1	MN					
	81	02/14 →		●	16" wheel; 15" wheel	P59080MM	[+]	16,2	TRW				
	81	02/14 →		●	18" wheel	P59087MM	[+]	16,2	TRW				
1.6 SIDI	125	12/12 →	●	15" wheel	P59076MM	[+]	18,8	BSH					
	125	12/12 →	●	16" wheel	P59077MM	[+]	18,8	BSH					
	125	12/12 →	●	17" wheel	P59055MM	[+]	19,1	MN					
	125	12/12 →		●	16" wheel; 15" wheel	P59080MM	[+]	16,2	TRW				
	125	12/12 →		●	18" wheel	P59087MM	[+]	16,2	TRW				
1.6 Turbo	132	12/09 →	●	15" wheel	P59076MM	[+]	18,8	BSH					
	132	12/09 →	●	16" wheel	P59077MM	[+]	18,8	BSH					
	132	12/09 →	●	17" wheel	P59055MM	[+]	19,1	MN					
	132	12/09 →		●	16" wheel; 15" wheel	P59080MM	[+]	16,2	TRW				
	132	12/09 →		●	18" wheel	P59087MM	[+]	16,2	TRW				
1.7 CDTi	96	12/09 →	●	15" wheel	P59076MM	[+]	18,8	BSH					
	96	12/09 →	●	16" wheel	P59077MM	[+]	18,8	BSH					
	96	12/09 →	●	17" wheel	P59055MM	[+]	19,1	MN					
	96	12/09 →		●	15" wheel; 16" wheel	P59080MM	[+]	16,2	TRW				
	96	12/09 →		●	18" wheel	P59087MM	[+]	16,2	TRW				
	74	10/10 →	●	15" wheel	P59076MM	[+]	18,8	BSH					
	74	10/10 →	●	16" wheel	P59077MM	[+]	18,8	BSH					
	74	10/10 →	●	17" wheel	P59055MM	[+]	19,1	MN					
	74	10/10 →		●	16" wheel; 15" wheel	P59080MM	[+]	16,2	TRW				
	74	10/10 →		●	18" wheel	P59087MM	[+]	16,2	TRW				
81	12/09 →	●	15" wheel	P59076MM	[+]	18,8	BSH						

OPEL

ASTRA J 12/09 →

1.7 CDTI	81	12/09 →	●	16" wheel	P59077MM	[+]	18,8	BSH						
	81	12/09 →	●	17" wheel	P59055MM	[+]	19,1	MN						
	81	12/09 →		● 16" wheel; 15" wheel	P59080MM	[+]	16,2	TRW						
	81	12/09 →		● 18" wheel	P59087MM	[+]	16,2	TRW						
	92	12/09 →	●	15" wheel	P59076MM	[+]	18,8	BSH						
	92	12/09 →	●	16" wheel	P59077MM	[+]	18,8	BSH						
	92	12/09 →	●	17" wheel	P59055MM	[+]	19,1	MN						
	92	12/09 →		● 16" wheel; 15" wheel	P59080MM	[+]	16,2	TRW						
	92	12/09 →		● 18" wheel	P59087MM	[+]	16,2	TRW						
2.0 BiTurbo CDTI	143	12/12 →	●	15" wheel	P59076MM	[+]	18,8	BSH						
	143	12/12 →	●	16" wheel	P59077MM	[+]	18,8	BSH						
	143	12/12 →	●	17" wheel	P59055MM	[+]	19,1	MN						
	143	12/12 →		● 16" wheel; 15" wheel	P59080MM	[+]	16,2	TRW						
	143	12/12 →		● 18" wheel	P59087MM	[+]	16,2	TRW						
2.0 CDTI	121	06/11 →	●	15" wheel	P59076MM	[+]	18,8	BSH						
	121	06/11 →	●	16" wheel	P59077MM	[+]	18,8	BSH						
	121	06/11 →	●	17" wheel	P59055MM	[+]	19,1	MN						
	121	06/11 →		● 15" wheel; 16" wheel	P59080MM	[+]	16,2	TRW						
	121	06/11 →		● 18" wheel	P59087MM	[+]	16,2	TRW						
	118	12/09 →	●	15" wheel	P59076MM	[+]	18,8	BSH						
	118	12/09 →	●	16" wheel	P59077MM	[+]	18,8	BSH						
	118	12/09 →	●	17" wheel	P59055MM	[+]	19,1	MN						
	118	12/09 →		● 16" wheel; 15" wheel	P59080MM	[+]	16,2	TRW						
118	12/09 →		● 18" wheel	P59087MM	[+]	16,2	TRW							

ASTRA J GTC 10/11 →

1.4	74	10/11 →	●	15" wheel	P59076MM	[+]	18,8	BSH						
	74	10/11 →	●	16" wheel	P59077MM	[+]	18,8	BSH						
	74	10/11 →	●	17" wheel	P59055MM	[+]	19,1	MN						
	74	10/11 →		● 16" wheel; 15" wheel	P59080MM	[+]	16,2	TRW						
	74	10/11 →		● 18" wheel	P59087MM	[+]	16,2	TRW						
	88	10/11 →	●	15" wheel	P59076MM	[+]	18,8	BSH						
	88	10/11 →	●	16" wheel	P59077MM	[+]	18,8	BSH						
	88	10/11 →	●	17" wheel	P59055MM	[+]	19,1	MN						
	88	10/11 →		● 15" wheel; 16" wheel	P59080MM	[+]	16,2	TRW						
	88	10/11 →		● 18" wheel	P59087MM	[+]	16,2	TRW						
	103	10/11 →	●	15" wheel	P59076MM	[+]	18,8	BSH						
	103	10/11 →	●	16" wheel	P59077MM	[+]	18,8	BSH						
	103	10/11 →	●	17" wheel	P59055MM	[+]	19,1	MN						
	103	10/11 →		● 15" wheel; 16" wheel	P59080MM	[+]	16,2	TRW						
103	10/11 →		● 18" wheel	P59087MM	[+]	16,2	TRW							
1.6	132	10/11 →	●	15" wheel	P59076MM	[+]	18,8	BSH						
	132	10/11 →	●	16" wheel	P59077MM	[+]	18,8	BSH						
	132	10/11 →	●	17" wheel	P59055MM	[+]	19,1	MN						
	132	10/11 →		● 15" wheel; 16" wheel	P59080MM	[+]	16,2	TRW						
	132	10/11 →		● 18" wheel	P59087MM	[+]	16,2	TRW						
1.6 CDTI	81	07/14 →	●	J93/J94	P59076MM	[+]	18,8	BSH						
	81	07/14 →	●	JE5	P59077MM	[+]	18,8	BSH						
	81	07/14 →	●	J61	P59055MM	[+]	19,1	MN						
	81	07/14 →		● J60	P59080MM	[+]	16,2	TRW						
	81	07/14 →		● JQ5	P59087MM	[+]	16,2	TRW						
	100	07/14 →	●	J93/J94	P59076MM	[+]	18,8	BSH						
	100	07/14 →	●	JE5	P59077MM	[+]	18,8	BSH						
	100	07/14 →	●	J61	P59055MM	[+]	19,1	MN						
100	07/14 →		● J60	P59080MM	[+]	16,2	TRW							

									WI			FK	
	kw						Th [mm]		MAGNETI MARELLI	LENGHT		MAGNETI MARELLI	

OPEL

ASTRA J GTC 10/11 →

1.6 CDTI	100	07/14 →	●	JQ5	P59087MM	[+]	16,2	TRW					
	1.6 SIDI	147	07/13 →	●	J93/J94	P59076MM	[+]	18,8	BSH				
		147	07/13 →	●	JE5	P59077MM	[+]	18,8	BSH				
		147	07/13 →	●	J61	P59055MM	[+]	19,1	MN				
		147	07/13 →	●	J55	P59079MM	[+]	16	BRE				
		147	07/13 →	●	J60	P59080MM	[+]	16,2	TRW				
	1.7 CDTI	147	07/13 →	●	JQ5	P59087MM	[+]	16,2	TRW				
		125	12/12 →	●	15" wheel	P59076MM	[+]	18,8	BSH				
		125	12/12 →	●	16" wheel	P59077MM	[+]	18,8	BSH				
		125	12/12 →	●	17" wheel	P59055MM	[+]	19,1	MN				
		125	12/12 →	●	15" wheel; 16" wheel	P59080MM	[+]	16,2	TRW				
	1.8	125	12/12 →	●	18" wheel	P59087MM	[+]	16,2	TRW				
		81	10/11 →	●	15" wheel	P59076MM	[+]	18,8	BSH				
		81	10/11 →	●	16" wheel	P59077MM	[+]	18,8	BSH				
		81	10/11 →	●	17" wheel	P59055MM	[+]	19,1	MN				
81		10/11 →	●	16" wheel; 15" wheel	P59080MM	[+]	16,2	TRW					
81		10/11 →	●	18" wheel	P59087MM	[+]	16,2	TRW					
96		10/11 →	●	15" wheel	P59076MM	[+]	18,8	BSH					
96		10/11 →	●	16" wheel	P59077MM	[+]	18,8	BSH					
96		10/11 →	●	17" wheel	P59055MM	[+]	19,1	MN					
96		10/11 →	●	15" wheel; 16" wheel	P59080MM	[+]	16,2	TRW					
2.0	96	10/11 →	●	18" wheel	P59087MM	[+]	16,2	TRW					
	103	10/11 →	●	15" wheel	P59076MM	[+]	18,8	BSH					
	103	10/11 →	●	16" wheel	P59077MM	[+]	18,8	BSH					
	103	10/11 →	●	17" wheel	P59055MM	[+]	19,1	MN					
	103	10/11 →	●	16" wheel; 15" wheel	P59080MM	[+]	16,2	TRW					
2.0 Biturbo CDTI	103	10/11 →	●	18" wheel	P59087MM	[+]	16,2	TRW					
	206	04/12 →	●	17" wheel	P59055MM	[+]	19,1	MN					
	206	04/12 →	●	16" wheel	P59077MM	[+]	18,8	BSH					
	206	04/12 →	●	15" wheel	P59076MM	[+]	18,8	BSH					
	206	04/12 →	●	18" wheel	P59079MM	[+]	16	BRE					
2.0 CDTI	206	04/12 →	●	16" wheel; 15" wheel	P59080MM	[+]	16,2	TRW					
	206	04/12 →	●	18" wheel	P59087MM	[+]	16,2	TRW					
	143	10/12 →	●	15" wheel	P59076MM	[+]	18,8	BSH					
	143	10/12 →	●	16" wheel	P59077MM	[+]	18,8	BSH					
	143	10/12 →	●	17" wheel	P59055MM	[+]	19,1	MN					
1.3 CDTI	143	10/12 →	●	15" wheel; 16" wheel	P59080MM	[+]	16,2	TRW					
	143	10/12 →	●	18" wheel	P59087MM	[+]	16,2	TRW					
	121	10/11 →	●	15" wheel	P59076MM	[+]	18,8	BSH					
	121	10/11 →	●	16" wheel	P59077MM	[+]	18,8	BSH					
	121	10/11 →	●	17" wheel	P59055MM	[+]	19,1	MN					
1.4	121	10/11 →	●	16" wheel; 15" wheel	P59080MM	[+]	16,2	TRW					
	121	10/11 →	●	18" wheel	P59087MM	[+]	16,2	TRW					
	70	06/12 →	●	15" wheel	P59076MM	[+]	18,8	BSH					
	70	06/12 →	●	16" wheel	P59077MM	[+]	18,8	BSH					
	70	06/12 →	●	17" wheel	P59055MM	[+]	19,1	MN					
1.4	70	06/12 →	●	15" wheel; 16" wheel	P59080MM	[+]	16,2	TRW					
	70	06/12 →	●	18" wheel	P59087MM	[+]	16,2	TRW					
	74	06/12 →	●	15" wheel	P59076MM	[+]	18,8	BSH					
	74	06/12 →	●	16" wheel	P59077MM	[+]	18,8	BSH					
	74	06/12 →	●	17" wheel	P59055MM	[+]	19,1	MN					
1.4	74	06/12 →	●	16" wheel; 15" wheel	P59080MM	[+]	16,2	TRW					
	74	06/12 →	●	18" wheel	P59087MM	[+]	16,2	TRW					

ASTRA J Saloon 06/12 →

1.3 CDTI	70	06/12 →	●	15" wheel	P59076MM	[+]	18,8	BSH				
	70	06/12 →	●	16" wheel	P59077MM	[+]	18,8	BSH				
	70	06/12 →	●	17" wheel	P59055MM	[+]	19,1	MN				
	70	06/12 →	●	15" wheel; 16" wheel	P59080MM	[+]	16,2	TRW				
	70	06/12 →	●	18" wheel	P59087MM	[+]	16,2	TRW				
1.4	74	06/12 →	●	15" wheel	P59076MM	[+]	18,8	BSH				
	74	06/12 →	●	16" wheel	P59077MM	[+]	18,8	BSH				
	74	06/12 →	●	17" wheel	P59055MM	[+]	19,1	MN				
	74	06/12 →	●	16" wheel; 15" wheel	P59080MM	[+]	16,2	TRW				
	74	06/12 →	●	18" wheel	P59087MM	[+]	16,2	TRW				

OPEL

ASTRA J Saloon 06/12 →

1.4 LPG	103	07/14 →	●	15" wheel	P59076MM	[+]	18,8	BSH							
	103	07/14 →	●	16" wheel	P59077MM	[+]	18,8	BSH							
	103	07/14 →	●	17" wheel	P59055MM	[+]	19,1	MN							
	103	07/14 →		● 15" wheel; 16" wheel	P59080MM	[+]	16,2	TRW							
	103	07/14 →		● 18" wheel	P59087MM	[+]	16,2	TRW							
1.4 Turbo	103	06/12 →	●	15" wheel	P59076MM	[+]	18,8	BSH							
	103	06/12 →	●	16" wheel	P59077MM	[+]	18,8	BSH							
	103	06/12 →	●	17" wheel	P59055MM	[+]	19,1	MN							
	103	06/12 →		● 15" wheel; 16" wheel	P59080MM	[+]	16,2	TRW							
	103	06/12 →		● 18" wheel	P59087MM	[+]	16,2	TRW							
	88	06/12 →	●	15" wheel	P59076MM	[+]	18,8	BSH							
	88	06/12 →	●	16" wheel	P59077MM	[+]	18,8	BSH							
	88	06/12 →	●	17" wheel	P59055MM	[+]	19,1	MN							
1.6	85	06/12 →	●	15" wheel	P59076MM	[+]	18,8	BSH							
	85	06/12 →	●	16" wheel	P59077MM	[+]	18,8	BSH							
	85	06/12 →	●	17" wheel	P59055MM	[+]	19,1	MN							
	85	06/12 →		● 16" wheel; 15" wheel	P59080MM	[+]	16,2	TRW							
	85	06/12 →		● 18" wheel	P59087MM	[+]	16,2	TRW							
1.6 CDTI	100	01/14 →	●	15" wheel	P59076MM	[+]	18,8	BSH							
	100	01/14 →	●	16" wheel	P59077MM	[+]	18,8	BSH							
	100	01/14 →	●	17" wheel	P59055MM	[+]	19,1	MN							
	100	01/14 →		● 16" wheel; 15" wheel	P59080MM	[+]	16,2	TRW							
	100	01/14 →		● 18" wheel	P59087MM	[+]	16,2	TRW							
	81	04/14 →	●	15" wheel	P59076MM	[+]	18,8	BSH							
	81	04/14 →	●	16" wheel	P59077MM	[+]	18,8	BSH							
	81	04/14 →	●	17" wheel	P59055MM	[+]	19,1	MN							
	81	04/14 →		● 16" wheel; 15" wheel	P59080MM	[+]	16,2	TRW							
1.6 SIDI	125	12/12 →	●	15" wheel	P59076MM	[+]	18,8	BSH							
	125	12/12 →	●	16" wheel	P59077MM	[+]	18,8	BSH							
	125	12/12 →	●	17" wheel	P59055MM	[+]	19,1	MN							
	125	12/12 →		● 15" wheel; 16" wheel	P59080MM	[+]	16,2	TRW							
	125	12/12 →		● 18" wheel	P59087MM	[+]	16,2	TRW							
1.6 Turbo	132	06/12 →	●	15" wheel	P59076MM	[+]	18,8	BSH							
	132	06/12 →	●	16" wheel	P59077MM	[+]	18,8	BSH							
	132	06/12 →	●	17" wheel	P59055MM	[+]	19,1	MN							
	132	06/12 →		● 16" wheel; 15" wheel	P59080MM	[+]	16,2	TRW							
	132	06/12 →		● 18" wheel	P59087MM	[+]	16,2	TRW							
1.7 CDTI	81	06/12 →	●	15" wheel	P59076MM	[+]	18,8	BSH							
	81	06/12 →	●	16" wheel	P59077MM	[+]	18,8	BSH							
	81	06/12 →	●	17" wheel	P59055MM	[+]	19,1	MN							
	81	06/12 →		● 15" wheel; 16" wheel	P59080MM	[+]	16,2	TRW							
	81	06/12 →		● 18" wheel	P59087MM	[+]	16,2	TRW							
	96	06/12 →	●	15" wheel	P59076MM	[+]	18,8	BSH							
	96	06/12 →	●	16" wheel	P59077MM	[+]	18,8	BSH							
	96	06/12 →	●	17" wheel	P59055MM	[+]	19,1	MN							
	96	06/12 →		● 16" wheel; 15" wheel	P59080MM	[+]	16,2	TRW							

ASTRA J Sports Tourer 10/10 →

1.3 CDTI	70	10/10 →	●	15" wheel	P59076MM	[+]	18,8	BSH							
	70	10/10 →	●	16" wheel	P59077MM	[+]	18,8	BSH							
	70	10/10 →	●	17" wheel	P59055MM	[+]	19,1	MN							

									WI			FK	
	kw									LENGHT			

OPEL

ASTRA J Sports Tourer 10/10 →

Engine	Power (kw)	Year	Transmission	Wheel Size	Part Number	Offset	Width	System	WI	FK
1.3 CDTI	70	10/10 →		● 16" wheel; 15" wheel	P59080MM	[+]	16,2	TRW		
	70	10/10 →		● 18" wheel	P59087MM	[+]	16,2	TRW		
1.4	74	10/10 →	●	15" wheel	P59076MM	[+]	18,8	BSH		
	74	10/10 →	●	16" wheel	P59077MM	[+]	18,8	BSH		
	74	10/10 →	●	17" wheel	P59055MM	[+]	19,1	MN		
	74	10/10 →		● 15" wheel; 16" wheel	P59080MM	[+]	16,2	TRW		
	74	10/10 →		● 18" wheel	P59087MM	[+]	16,2	TRW		
	1.4 LPG	103	01/12 →	●	15" wheel	P59076MM	[+]	18,8	BSH	
103		01/12 →	●	16" wheel	P59077MM	[+]	18,8	BSH		
103		01/12 →	●	17" wheel	P59055MM	[+]	19,1	MN		
103		01/12 →		● 15" wheel; 16" wheel	P59080MM	[+]	16,2	TRW		
103		01/12 →		● 18" wheel	P59087MM	[+]	16,2	TRW		
1.4 Turbo	88	10/10 →	●	15" wheel	P59076MM	[+]	18,8	BSH		
	88	10/10 →	●	16" wheel	P59077MM	[+]	18,8	BSH		
	88	10/10 →	●	17" wheel	P59055MM	[+]	19,1	MN		
	88	10/10 →		● 15" wheel; 16" wheel	P59080MM	[+]	16,2	TRW		
	88	10/10 →		● 18" wheel	P59087MM	[+]	16,2	TRW		
	103	10/10 →	●	15" wheel	P59076MM	[+]	18,8	BSH		
	103	10/10 →	●	16" wheel	P59077MM	[+]	18,8	BSH		
	103	10/10 →	●	17" wheel	P59055MM	[+]	19,1	MN		
	103	10/10 →		● 15" wheel; 16" wheel	P59080MM	[+]	16,2	TRW		
	103	10/10 →		● 18" wheel	P59087MM	[+]	16,2	TRW		
1.6	85	10/10 →	●	15" wheel	P59076MM	[+]	18,8	BSH		
	85	10/10 →	●	16" wheel	P59077MM	[+]	18,8	BSH		
	85	10/10 →	●	17" wheel	P59055MM	[+]	19,1	MN		
	85	10/10 →		● 15" wheel; 16" wheel	P59080MM	[+]	16,2	TRW		
	85	10/10 →		● 18" wheel	P59087MM	[+]	16,2	TRW		
1.6 CDTI	100	01/14 →	●	15" wheel	P59076MM	[+]	18,8	BSH		
	100	01/14 →	●	16" wheel	P59077MM	[+]	18,8	BSH		
	100	01/14 →	●	17" wheel	P59055MM	[+]	19,1	MN		
	100	01/14 →		● 16" wheel; 15" wheel	P59080MM	[+]	16,2	TRW		
	100	01/14 →		● 18" wheel	P59087MM	[+]	16,2	TRW		
	81	02/14 →	●	15" wheel	P59076MM	[+]	18,8	BSH		
	81	02/14 →	●	16" wheel	P59077MM	[+]	18,8	BSH		
	81	02/14 →	●	17" wheel	P59055MM	[+]	19,1	MN		
	81	02/14 →		● 16" wheel; 15" wheel	P59080MM	[+]	16,2	TRW		
	81	02/14 →		● 18" wheel	P59087MM	[+]	16,2	TRW		
1.6 LPG	84	10/12 →	●	15" wheel	P59076MM	[+]	18,8	BSH		
	84	10/12 →	●	16" wheel	P59077MM	[+]	18,8	BSH		
	84	10/12 →	●	17" wheel	P59055MM	[+]	19,1	MN		
	84	10/12 →		● 16" wheel; 15" wheel	P59080MM	[+]	16,2	TRW		
	84	10/12 →		● 18" wheel	P59087MM	[+]	16,2	TRW		
1.6 SIDI	125	12/12 →	●	15" wheel	P59076MM	[+]	18,8	BSH		
	125	12/12 →	●	16" wheel	P59077MM	[+]	18,8	BSH		
	125	12/12 →	●	17" wheel	P59055MM	[+]	19,1	MN		
	125	12/12 →		● 15" wheel; 16" wheel	P59080MM	[+]	16,2	TRW		
	125	12/12 →		● 18" wheel	P59087MM	[+]	16,2	TRW		
1.6 Turbo	132	10/10 →	●	15" wheel	P59076MM	[+]	18,8	BSH		
	132	10/10 →	●	16" wheel	P59077MM	[+]	18,8	BSH		
	132	10/10 →	●	17" wheel	P59055MM	[+]	19,1	MN		
	132	10/10 →		● 16" wheel; 15" wheel	P59080MM	[+]	16,2	TRW		
	132	10/10 →		● 18" wheel	P59087MM	[+]	16,2	TRW		

OPEL

ASTRA J Sports Tourer 10/10 →

1.7 CDTI	81	10/10 →	●	15" wheel	P59076MM	[+]	18,8	BSH							
	81	10/10 →	●	16" wheel	P59077MM	[+]	18,8	BSH							
	81	10/10 →	●	17" wheel	P59055MM	[+]	19,1	MN							
	81	10/10 →		● 15" wheel; 16" wheel	P59080MM	[+]	16,2	TRW							
	81	10/10 →		● 18" wheel	P59087MM	[+]	16,2	TRW							
	92	10/10 →	●	15" wheel	P59076MM	[+]	18,8	BSH							
	92	10/10 →	●	16" wheel	P59077MM	[+]	18,8	BSH							
	92	10/10 →	●	17" wheel	P59055MM	[+]	19,1	MN							
	92	10/10 →		● 15" wheel; 16" wheel	P59080MM	[+]	16,2	TRW							
	92	10/10 →		● 18" wheel	P59087MM	[+]	16,2	TRW							
	74	10/10 →	●	15" wheel	P59076MM	[+]	18,8	BSH							
	74	10/10 →	●	16" wheel	P59077MM	[+]	18,8	BSH							
	74	10/10 →	●	17" wheel	P59055MM	[+]	19,1	MN							
	74	10/10 →		● 16" wheel; 15" wheel	P59080MM	[+]	16,2	TRW							
	74	10/10 →		● 18" wheel	P59087MM	[+]	16,2	TRW							
	96	10/10 →	●	15" wheel	P59076MM	[+]	18,8	BSH							
	96	10/10 →	●	16" wheel	P59077MM	[+]	18,8	BSH							
	96	10/10 →	●	17" wheel	P59055MM	[+]	19,1	MN							
96	10/10 →		● 16" wheel; 15" wheel	P59080MM	[+]	16,2	TRW								
96	10/10 →		● 18" wheel	P59087MM	[+]	16,2	TRW								
2.0 BiTurbo CDTI	143	12/12 →	●	15" wheel	P59076MM	[+]	18,8	BSH							
	143	12/12 →	●	16" wheel	P59077MM	[+]	18,8	BSH							
	143	12/12 →	●	17" wheel	P59055MM	[+]	19,1	MN							
	143	12/12 →		● 15" wheel; 16" wheel	P59080MM	[+]	16,2	TRW							
	143	12/12 →		● 18" wheel	P59087MM	[+]	16,2	TRW							
2.0 CDTI	118	10/10 →	●	15" wheel	P59076MM	[+]	18,8	BSH							
	118	10/10 →	●	16" wheel	P59077MM	[+]	18,8	BSH							
	118	10/10 →	●	17" wheel	P59055MM	[+]	19,1	MN							
	118	10/10 →		● 16" wheel; 15" wheel	P59080MM	[+]	16,2	TRW							
	118	10/10 →		● 18" wheel	P59087MM	[+]	16,2	TRW							
	121	08/11 →	●	15" wheel	P59076MM	[+]	18,8	BSH							
	121	08/11 →	●	16" wheel	P59077MM	[+]	18,8	BSH							
	121	08/11 →	●	17" wheel	P59055MM	[+]	19,1	MN							
	121	08/11 →		● 15" wheel; 16" wheel	P59080MM	[+]	16,2	TRW							
	121	08/11 →		● 18" wheel	P59087MM	[+]	16,2	TRW							
	96	10/10 →	●	15" wheel	P59076MM	[+]	18,8	BSH							
	96	10/10 →	●	16" wheel	P59077MM	[+]	18,8	BSH							
	96	10/10 →	●	17" wheel	P59055MM	[+]	19,1	MN							
	96	10/10 →		● 16" wheel; 15" wheel	P59080MM	[+]	16,2	TRW							
96	10/10 →		● 18" wheel	P59087MM	[+]	16,2	TRW								

ASTRA K 06/15 →

1.0	77	06/15 →	●	15" wheel	P59092MM	[+]	19,8	ATE						
	77	06/15 →	●	16" wheel	P59091MM	[+]	19,4	ATE						
1.4	74	06/15 →	●	15" wheel	P59092MM	[+]	19,8	ATE						
	74	06/15 →	●	16" wheel	P59091MM	[+]	19,4	ATE						
1.4 Turbo	92	06/15 →	●	15" wheel	P59092MM	[+]	19,8	ATE						
	92	06/15 →	●	16" wheel	P59091MM	[+]	19,4	ATE						
	110	06/15 →	●	15" wheel	P59092MM	[+]	19,8	ATE						
	110	06/15 →	●	16" wheel	P59091MM	[+]	19,4	ATE						
1.6 CDTI	81	06/15 →	●	15" wheel	P59092MM	[+]	19,8	ATE						
	81	06/15 →	●	16" wheel	P59091MM	[+]	19,4	ATE						
	100	06/15 →	●	15" wheel	P59092MM	[+]	19,8	ATE						
	100	06/15 →	●	16" wheel	P59091MM	[+]	19,4	ATE						
	70	06/15 →	●	15" wheel	P59092MM	[+]	19,8	ATE						

								WI			FK	

OPEL

ASTRA K 06/15 →

1.6 CDTi	70 06/15 →	●	16" wheel	P59091MM	[+]	19,4	ATE					
	118 11/15 →	●	15" wheel	P59092MM	[+]	19,8	ATE					
	118 11/15 →	●	16" wheel	P59091MM	[+]	19,4	ATE					
1.6 Turbo	147 11/15 →	●	15" wheel	P59092MM	[+]	19,8	ATE					
	147 11/15 →	●	16" wheel	P59091MM	[+]	19,4	ATE					

ASTRA K Sports Tourer 11/15 →

1.0	77 11/15 →	●	15" wheel	P59092MM	[+]	19,8	ATE					
	77 11/15 →	●	16" wheel	P59091MM	[+]	19,4	ATE					
1.4	74 11/15 →	●	15" wheel	P59092MM	[+]	19,8	ATE					
	74 11/15 →	●	16" wheel	P59091MM	[+]	19,4	ATE					
1.4 Turbo	92 11/15 →	●	15" wheel	P59092MM	[+]	19,8	ATE					
	92 11/15 →	●	16" wheel	P59091MM	[+]	19,4	ATE					
	110 11/15 →	●	15" wheel	P59092MM	[+]	19,8	ATE					
	110 11/15 →	●	16" wheel	P59091MM	[+]	19,4	ATE					
1.6 CDTi	70 11/15 →	●	15" wheel	P59092MM	[+]	19,8	ATE					
	70 11/15 →	●	16" wheel	P59091MM	[+]	19,4	ATE					
	81 11/15 →	●	15" wheel	P59092MM	[+]	19,8	ATE					
	81 11/15 →	●	16" wheel	P59091MM	[+]	19,4	ATE					
	100 11/15 →	●	15" wheel	P59092MM	[+]	19,8	ATE					
	100 11/15 →	●	16" wheel	P59091MM	[+]	19,4	ATE					
1.6 Turbo	118 11/15 →	●	15" wheel	P59092MM	[+]	19,8	ATE					
	118 11/15 →	●	16" wheel	P59091MM	[+]	19,4	ATE					
1.6 Turbo	147 11/15 →	●	15" wheel	P59092MM	[+]	19,8	ATE					
	147 11/15 →	●	16" wheel	P59091MM	[+]	19,4	ATE					

CAMPO (TF_) 08/87 → 06/02

2.2 D	45 09/90 → 08/92	●		P59015MM	[+]	16,5	AKE					
2.2 D (TFR52)	39 08/91 → 09/96	●		P59015MM	[+]	16,5	AKE					
	45 08/87 → 08/90	●		P59015MM	[+]	16,5	AKE					
2.2 D 4x4	45 09/90 → 08/92	●		P59015MM	[+]	16,5	AKE					
2.2 D 4x4 (TFS52)	39 08/91 → 09/96	●		P59015MM	[+]	16,5	AKE					
	45 08/87 → 08/90	●		P59015MM	[+]	16,5	AKE					
2.3 (TFR16)	69 08/91 → 08/94	●		P59015MM	[+]	16,5	AKE					
	72 08/94 → 09/96	●		P59015MM	[+]	16,5	AKE					
2.3 4x4 (TFS16)	69 08/91 → 08/94	●		P59015MM	[+]	16,5	AKE					
	72 08/94 → 09/96	●		P59015MM	[+]	16,5	AKE					
2.5 D (TFR54)	56 08/91 → 06/94	●		P59015MM	[+]	16,5	AKE					
2.5 D 4x4 (TFS54)	56 08/91 → 06/94	●		P59015MM	[+]	16,5	AKE					
2.5 DTI	74 07/01 → 12/01	●		P59015MM	[+]	16,5	AKE					
2.5 DTI 4x4	74 07/01 → 12/01	●		P59015MM	[+]	16,5	AKE					
2.5 TD (TFR54)	56 07/94 → 06/01	●		P59015MM	[+]	16,5	AKE					
2.5 TD 4x4 (TFS54)	56 07/94 → 06/01	●		P59015MM	[+]	16,5	AKE					
3.1 TD (TFR69)	80 12/92 → 06/01	●		P59015MM	[+]	16,5	AKE					
3.1 TD 4x4 (TFS69)	80 12/92 → 06/01	●		P59015MM	[+]	16,5	AKE					

CASCADA (W13) 03/13 →

1.4	88 03/13 →	●		P59055MM	[+]	19,1	MN					
	88 03/13 →		●	P59080MM	[+]	16,2	TRW					
1.4 Turbo	103 03/13 →	●		P59055MM	[+]	19,1	MN					
	103 03/13 →		●	P59080MM	[+]	16,2	TRW					

		kw						wi	Th [mm]	SYS		LEIGHT				FK
--	--	----	--	--	--	--	--	----	---------	-----	--	--------	--	--	--	----

OPEL

CASCADA (W13) 03/13 →

1.6	147	11/13 →	●		P59055MM	[+]	19,1	MN								
	147	11/13 →		●	P59080MM	[+]	16,2	TRW								
1.6 SIDI	125	03/13 →	●		P59055MM	[+]	19,1	MN								
	125	03/13 →		●	P59080MM	[+]	16,2	TRW								
2.0 CDTI	121	03/13 →	●		P59055MM	[+]	19,1	MN								
	121	03/13 →		●	P59080MM	[+]	16,2	TRW								
	143	03/13 →	●		P59055MM	[+]	19,1	MN								
	143	03/13 →		●	P59080MM	[+]	16,2	TRW								
	125	07/15 →	●		P59055MM	[+]	19,1	MN								
	125	07/15 →		●	P59080MM	[+]	16,2	TRW								

COMBO (71_) 07/94 → 10/01

1.2	33	07/94 → 10/01	●		P59011MM	[O]	16,8	ATE						A02238	
1.4	44	07/94 → 10/01	●		P59011MM	[O]	16,8	ATE						A02238	
	60	07/94 → 10/01	●		P59011MM	[O]	16,8	ATE						A02238	
1.4 16V	66	08/99 → 10/01	●		P59011MM	[O]	16,8	ATE						A02238	
1.7 D	44	07/94 → 10/01	●		P59011MM	[O]	16,8	ATE						A02238	

COMBO Box Body / Estate 10/01 →

1.3 CDTI 16V	51	08/05 →	●		P59036MM	[+]	17	TRW						A02202	53000001 →; +high payload
	51	08/05 →	●	53000001 →; +high payload	P59045MM	[+]	19,6	ATE						A02202	53000001 →; +high payload
	51	08/05 →		● +rear disc	P59038MM	[+]	15,2	TRW							
	55	10/05 →	●		P59036MM	[+]	17	TRW						A02202	53000001 →; +high payload
	55	10/05 →	●	53000001 →; +high payload	P59045MM	[+]	19,6	ATE						A02202	53000001 →; +high payload
	55	10/05 →		● +rear disc	P59038MM	[+]	15,2	TRW							
1.4 16V	66	08/05 →	●		P59036MM	[+]	17	TRW						A02202	53000001 →; +high payload
	66	08/05 →	●	53000001 →; +high payload	P59045MM	[+]	19,6	ATE						A02202	53000001 →; +high payload
	66	08/05 →		● +rear disc	P59038MM	[+]	15,2	TRW							
1.6	64	10/01 →	●		P59036MM	[+]	17	TRW							
	64	10/01 →	●	53000001 →; +high payload	P59045MM	[+]	19,6	ATE							
	64	10/01 →		● +rear disc	P59038MM	[+]	15,2	TRW							
1.6 CNG 16V	69	06/06 →	●		P59045MM	[+]	19,6	ATE						A02202	
	69	06/06 →		● +rear disc	P59038MM	[+]	15,2	TRW							
	71	04/05 →	●		P59045MM	[+]	19,6	ATE							
	71	04/05 →		● +rear disc	P59038MM	[+]	15,2	TRW							
1.7 CDTI 16V	74	12/04 →	●		P59045MM	[+]	19,6	ATE							
	74	12/04 →		● +rear disc	P59038MM	[+]	15,2	TRW							
1.7 DI 16V	48	10/01 →	●		P59036MM	[+]	17	TRW							
	48	10/01 →	●	53000001 →; +high payload	P59045MM	[+]	19,6	ATE							
	48	10/01 →		● +rear disc	P59038MM	[+]	15,2	TRW							
1.7 DTI 16V	55	10/01 →	●		P59036MM	[+]	17	TRW							
	55	10/01 →	●	53000001 →; +high payload	P59045MM	[+]	19,6	ATE							
	55	10/01 →		● +rear disc	P59038MM	[+]	15,2	TRW							

COMBO Box Body / Estate (X12) 02/12 →

1.3 CDTI	66	02/12 →	●	J42; → 12/13	P23087MM	[+]	19	BSH							
	66	02/12 →	●	J43; → 12/13	P23130MM	[+]	20	ATE							
	66	02/12 →	●	J42; 01/14 →; 02122013 →; disc Ø 284 mm	P23137MM	[+]	19	BSH							
	66	02/12 →	●	J43; 01/14 →	P23163MM	[+]	20	ATE							
	55	02/12 →	●	disc Ø 284 mm	P23137MM	[+]	19	BSH							
	55	02/12 →	●	disc Ø 305 mm	P23163MM	[+]	20	ATE							
	70	03/16 →	●	disc Ø 284 mm	P23137MM	[+]	19	BSH							
	70	03/16 →	●	disc Ø 305 mm	P23163MM	[+]	20	ATE							

OPEL

COMBO Box Body / Estate (X12) 02/12 →

1.4	70	02/12 →	●	J42; → 12/13	P23087MM	[+]	19	BSH								
	70	02/12 →	●	J43; → 12/13	P23130MM	[+]	20	ATE								
	70	02/12 →	●	J42; 01/14 →; 02122013 →; disc Ø 284 mm	P23137MM	[+]	19	BSH								
	70	02/12 →	●	J43; 01/14 →	P23163MM	[+]	20	ATE								
	88	02/12 →	●	J42; → 12/13	P23087MM	[+]	19	BSH								
	88	02/12 →	●	J43; → 12/13	P23130MM	[+]	20	ATE								
	88	02/12 →	●	J42; 01/14 →; 02122013 →; disc Ø 284 mm	P23137MM	[+]	19	BSH								
1.4 CNG	88	02/12 →	●	J42; → 12/13	P23087MM	[+]	19	BSH								
	88	02/12 →	●	J43; → 12/13	P23130MM	[+]	20	ATE								
	88	02/12 →	●	J42; 01/14 →; 02122013 →; disc Ø 284 mm	P23137MM	[+]	19	BSH								
	88	02/12 →	●	J43; 01/14 →	P23163MM	[+]	20	ATE								
1.6 CDTI	66	02/12 →	●	J42; → 12/13	P23087MM	[+]	19	BSH								
	66	02/12 →	●	J43; → 12/13	P23130MM	[+]	20	ATE								
	66	02/12 →	●	J42; 01/14 →; 02122013 →; disc Ø 284 mm	P23137MM	[+]	19	BSH								
	66	02/12 →	●	J43; 01/14 →	P23163MM	[+]	20	ATE								
	77	02/12 →	●	J42; → 12/13	P23087MM	[+]	19	BSH								
	77	02/12 →	●	J43; → 12/13	P23130MM	[+]	20	ATE								
	77	02/12 →	●	J42; 01/14 →; 02122013 →; disc Ø 284 mm	P23137MM	[+]	19	BSH								
	77	02/12 →	●	J43; 01/14 →	P23163MM	[+]	20	ATE								
	74	02/12 →	●	J42; → 12/13	P23087MM	[+]	19	BSH								
	74	02/12 →	●	J43; → 12/13	P23130MM	[+]	20	ATE								
	74	02/12 →	●	J42; 01/14 →; 02122013 →; disc Ø 284 mm	P23137MM	[+]	19	BSH								
	74	02/12 →	●	J43; 01/14 →	P23163MM	[+]	20	ATE								
	70	04/15 →	●	disc Ø 305 mm	P23163MM	[+]	20	ATE								
	70	04/15 →	●	disc Ø 284 mm	P23137MM	[+]	19	BSH								
	88	04/15 →	●	disc Ø 284 mm	P23137MM	[+]	19	BSH								
	88	04/15 →	●	disc Ø 305 mm	P23163MM	[+]	20	ATE								
	2.0 CDTI	99	02/12 →	●	J42; → 12/13	P23087MM	[+]	19	BSH							
		99	02/12 →	●	J43; → 12/13	P23130MM	[+]	20	ATE							
		99	02/12 →	●	J42; 01/14 →; 02122013 →; disc Ø 284 mm	P23137MM	[+]	19	BSH							
99		02/12 →	●	J43; 01/14 →	P23163MM	[+]	20	ATE								

COMBO Platform/Chassis (X12) 08/12 →

1.3 CDTI	55	08/12 →	●	disc Ø 284 mm	P23137MM	[+]	19	BSH							
	55	08/12 →	●	disc Ø 305 mm	P23163MM	[+]	20	ATE							
2.0 CDTI	99	08/12 →	●	J42; → 12/13	P23087MM	[+]	19	BSH							
	99	08/12 →	●	J42; 01/14 →	P23137MM	[+]	19	BSH							
	99	08/12 →	●	J43; → 12/13	P23130MM	[+]	20	ATE							
	99	08/12 →	●	J43; 01/14 →	P23163MM	[+]	20	ATE							

COMBO Tour 10/01 →

1.3 CDTI 16V	51	10/04 →	●		P59036MM	[+]	17	TRW				A02202	53000001 →; +high payload
	51	10/04 →	●	53000001 →; +high payload	P59045MM	[+]	19,6	ATE				A02202	53000001 →; +high payload
	51	10/04 →	●	+rear disc	P59038MM	[+]	15,2	TRW					
	55	10/05 →	●		P59036MM	[+]	17	TRW				A02202	53000001 →; +high payload
	55	10/05 →	●	53000001 →; +high payload	P59045MM	[+]	19,6	ATE				A02202	53000001 →; +high payload
	55	10/05 →	●	+rear disc	P59038MM	[+]	15,2	TRW					
1.4	66	10/04 →	●		P59036MM	[+]	17	TRW				A02202	53000001 →; +high payload
	66	10/04 →	●	53000001 →; +high payload	P59045MM	[+]	19,6	ATE				A02202	53000001 →; +high payload
	66	10/04 →	●	+rear disc	P59038MM	[+]	15,2	TRW					

OPEL

COMBO Tour 10/01 →

1.6	64	10/01 →	●		P59036MM	[+]	17	TRW				A02202	53000001 →; +high payload
	64	10/01 →	●	53000001 →; +high payload	P59045MM	[+]	19,6	ATE				A02202	53000001 →; +high payload
	64	10/01 →		● +rear disc	P59038MM	[+]	15,2	TRW					
1.6 CNG	69	06/06 →	●		P59045MM	[+]	19,6	ATE				A02202	
	69	06/06 →		● +rear disc	P59038MM	[+]	15,2	TRW					
	71	04/05 →	●		P59045MM	[+]	19,6	ATE					
	71	04/05 →		● +rear disc	P59038MM	[+]	15,2	TRW					
1.7 CDTI 16V	74	12/04 →	●		P59036MM	[+]	17	TRW					
	74	12/04 →	●	53000001 →; +high payload	P59045MM	[+]	19,6	ATE					
	74	12/04 →		● +rear disc	P59038MM	[+]	15,2	TRW					
1.7 DI 16V	48	10/01 →	●		P59036MM	[+]	17	TRW				A02202	53000001 →; +high payload
	48	10/01 →	●	53000001 →; +high payload	P59045MM	[+]	19,6	ATE				A02202	53000001 →; +high payload
	48	10/01 →		● +rear disc	P59038MM	[+]	15,2	TRW					
1.7 DTI 16V	55	10/01 →	●		P59036MM	[+]	17	TRW				A02202	53000001 →; +high payload
	55	10/01 →	●	53000001 →; +high payload	P59045MM	[+]	19,6	ATE				A02202	53000001 →; +high payload
	55	10/01 →		● +rear disc	P59038MM	[+]	15,2	TRW					

COMBO Tour (X12) 02/12 →

1.3 CDTI	66	02/12 →	●	J42; → 12/13	P23087MM	[+]	19	BSH					
	66	02/12 →	●	J43; → 12/13	P23130MM	[+]	20	ATE					
	66	02/12 →	●	J42; 01/14 →; 02122013 →; disc Ø 284 mm	P23137MM	[+]	19	BSH					
	66	02/12 →	●	J43; 01/14 →	P23163MM	[+]	20	ATE					
1.4	70	02/12 →	●	J42; → 12/13	P23087MM	[+]	19	BSH					
	70	02/12 →	●	J43; → 12/13	P23130MM	[+]	20	ATE					
	70	02/12 →	●	J42; 01/14 →; 02122013 →; disc Ø 284 mm	P23137MM	[+]	19	BSH					
	70	02/12 →	●	J43; 01/14 →	P23163MM	[+]	20	ATE					
	88	02/12 →	●	J42; → 12/13	P23087MM	[+]	19	BSH					
	88	02/12 →	●	J43; → 12/13	P23130MM	[+]	20	ATE					
	88	02/12 →	●	J42; 01/14 →; 02122013 →; disc Ø 284 mm	P23137MM	[+]	19	BSH					
	88	02/12 →	●	J43; 01/14 →	P23163MM	[+]	20	ATE					
1.4 CNG	88	02/12 →	●	J42; → 12/13	P23087MM	[+]	19	BSH					
	88	02/12 →	●	J43; → 12/13	P23130MM	[+]	20	ATE					
	88	02/12 →	●	J42; 01/14 →; 02122013 →; disc Ø 284 mm	P23137MM	[+]	19	BSH					
1.6 CDTI	66	02/12 →	●	J43; 01/14 →	P23163MM	[+]	20	ATE					
	66	02/12 →	●	J42; → 12/13	P23087MM	[+]	19	BSH					
	66	02/12 →	●	J43; → 12/13	P23130MM	[+]	20	ATE					
	66	02/12 →	●	J42; 01/14 →; 02122013 →; disc Ø 284 mm	P23137MM	[+]	19	BSH					
	66	02/12 →	●	J43; 01/14 →	P23163MM	[+]	20	ATE					
	74	02/12 →	●	J42; → 12/13	P23087MM	[+]	19	BSH					
	74	02/12 →	●	J43; → 12/13	P23130MM	[+]	20	ATE					
	74	02/12 →	●	J42; 01/14 →; 02122013 →; disc Ø 284 mm	P23137MM	[+]	19	BSH					
	74	02/12 →	●	J43; 01/14 →	P23163MM	[+]	20	ATE					
	77	02/12 →	●	J42; → 12/13	P23087MM	[+]	19	BSH					
	77	02/12 →	●	J43; → 12/13	P23130MM	[+]	20	ATE					
	77	02/12 →	●	J42; 01/14 →; 02122013 →; disc Ø 284 mm	P23137MM	[+]	19	BSH					
1.6 CDTI	77	02/12 →	●	J43; 01/14 →	P23163MM	[+]	20	ATE					
	70	03/15 →	●	disc Ø 284 mm	P23137MM	[+]	19	BSH					
	70	03/15 →	●	disc Ø 305 mm	P23163MM	[+]	20	ATE					
	88	03/15 →	●	disc Ø 284 mm	P23137MM	[+]	19	BSH					
	88	03/15 →	●	disc Ø 305 mm	P23163MM	[+]	20	ATE					

							WI			FK	

OPEL

COMBO Tour (X12) 02/12 →

2.0 CDTI	99	02/12 →	●	J42; → 12/13	P23087MM	[+]	19	BSH			
	99	02/12 →	●	J43; → 12/13	P23130MM	[+]	20	ATE			
	99	02/12 →	●	J42; 01/14 →; 02122013 →; disc Ø 284 mm	P23137MM	[+]	19	BSH			
	99	02/12 →	●	J43; 01/14 →	P23163MM	[+]	20	ATE			

CORSA B (73_, 78_, 79_) 03/93 → 12/02

1.0 i 12V	40	11/96 → 09/00	●		P59011MM	[o]	16,8	ATE			A02238
1.2 i	33	03/93 → 09/00	●		P59011MM	[o]	16,8	ATE			A02238
1.2 i 16V	48	03/98 → 09/00	●		P59011MM	[o]	16,8	ATE			A02238
1.4	54	04/93 → 08/94	●		P59011MM	[o]	16,8	ATE			A02238
1.4 i	44	03/93 → 09/00	●		P59011MM	[o]	16,8	ATE			A02238
	40	03/93 → 09/00	●		P59011MM	[o]	16,8	ATE			
1.4 i 16V	66	09/94 → 09/00	●		P59011MM	[o]	16,8	ATE			A02238
	67	09/94 → 09/00	●		P59011MM	[o]	16,8	ATE			A02238
	63	08/97 → 09/00	●		P59011MM	[o]	16,8	ATE			A02238
1.4 Si	60	03/93 → 09/00	●		P59011MM	[o]	16,8	ATE			A02238
1.5 D	37	03/93 → 09/00	●		P59011MM	[o]	16,8	ATE			A02238
1.5 TD	49	03/93 → 09/00	●		P59011MM	[o]	16,8	ATE			A02238
1.6 GSI 16V	80	03/93 → 09/00	●		P59011MM	[o]	16,8	ATE			A02238
1.6 i 16V	78	09/94 → 09/00	●		P59011MM	[o]	16,8	ATE			
	74	08/97 → 09/00	●		P59011MM	[o]	16,8	ATE			A02238
1.7 D	44	02/96 → 09/00	●		P59011MM	[o]	16,8	ATE			

CORSA B Box (73_) 08/99 → 09/00

1.4 i	44	08/99 → 09/00	●		P59011MM	[o]	16,8	ATE			A02238
1.7 D	44	08/99 → 09/00	●		P59011MM	[o]	16,8	ATE			A02238

CORSA B Estate (F35) 01/99 → 12/02

1.4 i 16V	66	01/99 → 12/02	●		P59011MM	[o]	16,8	ATE			
1.7 D	44	01/99 → 12/02	●		P59011MM	[o]	16,8	ATE			

CORSA C (F08, F68) 09/00 → 12/09

1.0	43	09/00 → 06/03	●		P59036MM	[+]	17	TRW			
	43	09/00 → 06/03	●		P59038MM	[+]	15,2	TRW			
	44	06/03 → 12/09	●		P59036MM	[+]	17	TRW			
	44	06/03 → 12/09	●		P59038MM	[+]	15,2	TRW			
1.2	55	09/00 → 12/09	●		P59036MM	[+]	17	TRW			
	55	09/00 → 12/09	●		P59038MM	[+]	15,2	TRW			
1.2 Twinport	59	07/04 → 12/09	●		P59036MM	[+]	17	TRW			
	59	07/04 → 12/09	●		P59038MM	[+]	15,2	TRW			
1.3 CDTI	51	06/03 → 12/09	●		P59036MM	[+]	17	TRW			
	51	06/03 → 12/09	●		P59038MM	[+]	15,2	TRW			
1.4	66	09/00 → 12/09	●		P59036MM	[+]	17	TRW			
	66	09/00 → 12/09	●		P59037MM	[+]	14	TRW			
1.4 Twinport	66	06/03 → 12/09	●		P59036MM	[+]	17	TRW			
	66	06/03 → 12/09	●		P59038MM	[+]	15,2	TRW			
1.7 CDTI	74	06/03 → 12/09	●		P59045MM	[+]	19,6	ATE			A02202
	74	06/03 → 12/09	●		P59038MM	[+]	15,2	TRW			
1.7 DI	48	09/00 → 12/09	●		P59036MM	[+]	17	TRW			
	48	09/00 → 12/09	●		P59038MM	[+]	15,2	TRW			
1.7 DTI	55	09/00 → 12/09	●		P59036MM	[+]	17	TRW			
	55	09/00 → 12/09	●		P59038MM	[+]	15,2	TRW			
1.8	92	09/00 → 12/09	●		P59036MM	[+]	17	TRW			
	92	09/00 → 12/09	●		P59037MM	[+]	14	TRW			

CORSA C Box (F08, W5L) 09/00 →

1.2	59	07/05 →	●		P59036MM	[+]	17	TRW			
1.2 16V	55	09/00 →	●		P59036MM	[+]	17	TRW			

		kw						wi	Th [mm]	SYS	WI		FK		
												LENGHT			

OPEL

CORSA C Box (F08, W5L) 09/00 →

1.3 CDTI 16V	51	08/05 →	●				P59036MM	[+]	17	TRW					
1.4	66	08/03 →	●				P59036MM	[+]	17	TRW					
1.7 CDTI	74	08/03 →	●				P59036MM	[+]	17	TRW					
1.7 DI 16V	48	09/00 →	●				P59036MM	[+]	17	TRW					
1.7 DTI 16V	55	09/00 →	●				P59036MM	[+]	17	TRW					

CORSA D 07/06 →

1.0	48	01/10 →	●				P59051MM	[+]	17,8	BSH					
	44	07/06 →	●				P59051MM	[+]	17,8	BSH					
1.2	59	07/06 →	●				P59051MM	[+]	17,8	BSH					
	51	06/10 →	●				P59051MM	[+]	17,8	BSH					
1.2 LPG	63	06/10 →	●				P59051MM	[+]	17,8	BSH					
	61	06/11 →	●				P59051MM	[+]	17,8	BSH					
	63	08/11 →	●				P59051MM	[+]	17,8	BSH					
	59	09/09 →	●				P59051MM	[+]	17,8	BSH					
1.3 CDTI	55	07/06 →	●		disc Ø 257 mm		P59051MM	[+]	17,8	BSH					
	55	07/06 →	●		disc Ø 284 mm		P59052MM	[+]	19,2	BSH					
	66	07/06 →	●		disc Ø 257 mm		P59051MM	[+]	17,8	BSH					
	66	07/06 →	●		disc Ø 284 mm		P59052MM	[+]	19,2	BSH					
	70	06/10 →	●		disc Ø 257 mm		P59051MM	[+]	17,8	BSH					
	70	06/10 →	●		disc Ø 284 mm		P59052MM	[+]	19,2	BSH					
1.4	66	07/06 →	●				P59051MM	[+]	17,8	BSH					
	64	09/09 →	●				P59051MM	[+]	17,8	BSH					
	74	06/10 →	●				P59051MM	[+]	17,8	BSH					
	88	07/12 →	●				P59053MM	[+]	20,2	BSH					
1.4 LPG	88	07/12 →	●	●			P59057MM	[-]	17,5	BSH					
	64	09/09 →	●				P59051MM	[+]	17,8	BSH					
1.4 LPG	66	07/06 →	●				P59051MM	[+]	17,8	BSH					
	155	06/11 →	●	●			P59057MM	[-]	17,5	BSH					
1.6 Turbo	141	02/07 →	●				P59045MM	[+]	19,6	ATE				A02202	
	141	02/07 →	●	●			P59057MM	[-]	17,5	BSH					
	110	02/07 →	●				P59045MM	[+]	19,6	ATE					
	110	02/07 →	●	●			P59057MM	[-]	17,5	BSH					
1.7 CDTI	92	07/06 →	●				P59053MM	[+]	20,2	BSH					
	92	07/06 →	●	●			P59057MM	[-]	17,5	BSH					
	96	06/10 →	●				P59053MM	[+]	20,2	BSH					
	96	06/10 →	●	●			P59057MM	[-]	17,5	BSH					

CORSA D Van 07/06 →

1.0	48	01/10 →	●				P59051MM	[+]	17,8	BSH					
	48	01/10 →	●		+rear disc		P59057MM	[-]	17,5	BSH					
	44	07/06 →	●				P59051MM	[+]	17,8	BSH					
	44	07/06 →	●		+rear disc		P59057MM	[-]	17,5	BSH					
1.2	51	06/10 →	●				P59051MM	[+]	17,8	BSH					
	51	06/10 →	●		+rear disc		P59057MM	[-]	17,5	BSH					
	59	07/09 →	●				P59051MM	[+]	17,8	BSH					
	59	07/09 →	●		+rear disc		P59057MM	[-]	17,5	BSH					
1.3 CDTI	63	06/10 →	●				P59051MM	[+]	17,8	BSH					
	63	06/10 →	●				P59057MM	[-]	17,5	BSH					
	55	07/06 →	●		disc Ø 257 mm		P59051MM	[+]	17,8	BSH					
	55	07/06 →	●		disc Ø 284 mm		P59052MM	[+]	19,2	BSH					
	55	07/06 →	●		+rear disc		P59057MM	[-]	17,5	BSH					
	66	07/06 →	●		disc Ø 257 mm		P59051MM	[+]	17,8	BSH					
66	07/06 →	●		disc Ø 284 mm		P59052MM	[+]	19,2	BSH						

Car Icon	kW	Hourglass	Truck	i	MAGNETI MARELLI	wi	Th [mm]	SYS	WI			FK	
									MAGNETI MARELLI	LENGHT	i	MAGNETI MARELLI	i

OPEL

CORSA D Van 07/06 →

1.3 CDTI	66 07/06 →		●	+rear disc	P59057MM	[-]	17,5	BSH					
	70 06/10 →	●		disc Ø 257 mm	P59051MM	[+]	17,8	BSH					
	70 06/10 →	●		disc Ø 284 mm	P59052MM	[+]	19,2	BSH					
	70 06/10 →		●	+rear disc	P59057MM	[-]	17,5	BSH					

CORSA E 09/14 →

1.0	66 09/14 →	●		14" wheel	P59084MM	[+]	17,4	ATE					
	66 09/14 →	●		15" wheel	P59083MM	[+]	17,8	ATE					
	66 09/14 →	●		16" wheel	P59045MM	[+]	19,6	ATE					
	66 09/14 →		●	15" wheel	P59086MM	[+]	16,8	TRW					
	85 09/14 →	●		14" wheel	P59084MM	[+]	17,4	ATE					
	85 09/14 →	●		15" wheel	P59083MM	[+]	17,8	ATE					
	85 09/14 →	●		16" wheel	P59045MM	[+]	19,6	ATE					
	85 09/14 →		●	15" wheel	P59086MM	[+]	16,8	TRW					
1.2	51 09/14 →	●		14" wheel	P59084MM	[+]	17,4	ATE					
	51 09/14 →	●		15" wheel	P59083MM	[+]	17,8	ATE					
	51 09/14 →	●		16" wheel	P59045MM	[+]	19,6	ATE					
	51 09/14 →		●	15" wheel	P59086MM	[+]	16,8	TRW					
1.3 CDTI	55 09/14 →	●		14" wheel	P59084MM	[+]	17,4	ATE					
	55 09/14 →	●		15" wheel	P59083MM	[+]	17,8	ATE					
	55 09/14 →	●		16" wheel	P59045MM	[+]	19,6	ATE					
	55 09/14 →		●	15" wheel	P59086MM	[+]	16,8	TRW					
	70 09/14 →	●		14" wheel	P59084MM	[+]	17,4	ATE					
	70 09/14 →	●		15" wheel	P59083MM	[+]	17,8	ATE					
	70 09/14 →	●		16" wheel	P59045MM	[+]	19,6	ATE					
	70 09/14 →		●	15" wheel	P59086MM	[+]	16,8	TRW					
1.4	66 09/14 →	●		14" wheel	P59084MM	[+]	17,4	ATE					
	66 09/14 →	●		15" wheel	P59083MM	[+]	17,8	ATE					
	66 09/14 →	●		16" wheel	P59045MM	[+]	19,6	ATE					
	66 09/14 →		●	15" wheel	P59086MM	[+]	16,8	TRW					
	55 09/14 →	●		14" wheel	P59084MM	[+]	17,4	ATE					
	55 09/14 →	●		15" wheel	P59083MM	[+]	17,8	ATE					
	55 09/14 →	●		16" wheel	P59045MM	[+]	19,6	ATE					
	55 09/14 →		●	15" wheel	P59086MM	[+]	16,8	TRW					
1.4 LPG	66 03/15 →	●		14" wheel	P59084MM	[+]	17,4	ATE					
	66 03/15 →	●		15" wheel	P59083MM	[+]	17,8	ATE					
	66 03/15 →		●	15" wheel	P59086MM	[+]	16,8	TRW					
	64 11/15 →	●		14" wheel	P59084MM	[+]	17,4	ATE					
	64 11/15 →	●		15" wheel	P59083MM	[+]	17,8	ATE					
	64 11/15 →		●	15" wheel	P59086MM	[+]	16,8	TRW					
1.4 Turbo	74 09/14 →	●		14" wheel	P59084MM	[+]	17,4	ATE					
	74 09/14 →	●		15" wheel	P59083MM	[+]	17,8	ATE					
	74 09/14 →	●		16" wheel	P59045MM	[+]	19,6	ATE					
	74 09/14 →		●	15" wheel	P59086MM	[+]	16,8	TRW					
	110 03/15 →	●		15" wheel	P59083MM	[+]	17,8	ATE					
	110 03/15 →	●		14" wheel	P59084MM	[+]	17,4	ATE					
	110 03/15 →		●	15" wheel; 16" wheel	P59086MM	[+]	16,8	TRW					
1.6 Turbo	152 03/15 →	●		OPC; J7A	P59094MM	[+]	15,1	BRE					
	152 03/15 →		●	15" wheel; 16" wheel	P59086MM	[+]	16,8	TRW					

CORSA E Van 09/14 →

1.2	51 01/15 →	●		14" wheel	P59084MM	[+]	17,4	ATE					
	51 01/15 →	●		15" wheel	P59083MM	[+]	17,8	ATE					
	51 01/15 →		●	15" wheel	P59086MM	[+]	16,8	TRW					

Car Model	kw	S	V	i	MAGNETI MARELLI	wi	Th [mm]	SYS	WI			FK	
									MAGNETI MARELLI	LENGHT	i	MAGNETI MARELLI	i

OPEL

CORSA E Van 09/14 →

1.3 CDTI	55	01/15 →	●	14" wheel	P59084MM	[+]	17,4	ATE					
	55	01/15 →	●	15" wheel	P59083MM	[+]	17,8	ATE					
	55	01/15 →		●	15" wheel	P59086MM	[+]	16,8	TRW				
	70	09/14 →	●	14" wheel	P59084MM	[+]	17,4	ATE					
	70	09/14 →	●	15" wheel	P59083MM	[+]	17,8	ATE					
	70	09/14 →	●	16" wheel	P59045MM	[+]	19,6	ATE					
	70	09/14 →		●	15" wheel	P59086MM	[+]	16,8	TRW				
1.4	66	09/14 →	●	14" wheel	P59084MM	[+]	17,4	ATE					
	66	09/14 →	●	15" wheel	P59083MM	[+]	17,8	ATE					
	66	09/14 →	●	16" wheel	P59045MM	[+]	19,6	ATE					
	66	09/14 →		●	15" wheel	P59086MM	[+]	16,8	TRW				
	55	09/14 →	●	14" wheel	P59084MM	[+]	17,4	ATE					
	55	09/14 →	●	15" wheel	P59083MM	[+]	17,8	ATE					
	55	09/14 →	●	16" wheel	P59045MM	[+]	19,6	ATE					
55	09/14 →		●	15" wheel	P59086MM	[+]	16,8	TRW					

FRONTERA B (6B_) 10/98 → 09/02

2.2 DTI	88	09/02 →	●	-on board comp.	P59020MM	[+]	16,5	AKE					
	88	09/02 →	●	+on board comp.	P59033MM	[O]	16,5	AKE					
	88	09/02 →		●	P59021MM	[+]	15,8	SUM					
2.2 DTI (6B_ZC, 6B_VF, 6B_66, 6B_76)	85	10/98 → 09/02	●	-on board comp.	P59020MM	[+]	16,5	AKE					
	85	10/98 → 09/02	●	+on board comp.	P59033MM	[O]	16,5	AKE					
	85	10/98 → 09/02		●	P59021MM	[+]	15,8	SUM					
3.2 i (6B1VF, 6B1_6)	100	10/98 →	●	-on board comp.	P59020MM	[+]	16,5	AKE					
	100	10/98 →	●	+on board comp.	P59033MM	[O]	16,5	AKE					
	100	10/98 →		●	P59021MM	[+]	15,8	SUM					
3.2 i (6B1VF, 6B1_6)	151	10/98 →	●	-on board comp.	P59020MM	[+]	16,5	AKE					
	151	10/98 →	●	+on board comp.	P59033MM	[O]	16,5	AKE					
	151	10/98 →		●	P59021MM	[+]	15,8	SUM					

GT Convertible 06/07 →

2.0	194	06/07 →	●		P10015MM	[+]	19,5	BSH					
	194	06/07 →		●	P59042MM	[O]	16,7	ATE					

INSIGNIA A (G09) 07/08 →

1.4 (68)	103	04/11 →	●	16" wheel	P59054MM	[+]	19,1	MN					
	103	04/11 →	●	17" wheel	P59055MM	[+]	19,1	MN					
	103	04/11 →	●	18" wheel	P59058MM	[+]	17,2	TRW					
	103	04/11 →		●	solid	P59059MM	[+]	16,7	TRW				
	103	04/11 →		●	vented	P59060MM	[+]	16,7	TRW				
1.4 LPG (68)	103	07/12 →	●	16" wheel	P59054MM	[+]	19,1	MN					
	103	07/12 →	●	17" wheel	P59055MM	[+]	19,1	MN					
	103	07/12 →	●	18" wheel	P59058MM	[+]	17,2	TRW					
	103	07/12 →		●	solid	P59059MM	[+]	16,7	TRW				
	103	07/12 →		●	vented	P59060MM	[+]	16,7	TRW				
1.6 (68)	85	07/08 →	●	16" wheel	P59054MM	[+]	19,1	MN					
	85	07/08 →	●	17" wheel	P59055MM	[+]	19,1	MN					
	85	07/08 →	●	18" wheel	P59058MM	[+]	17,2	TRW					
	85	07/08 →		●	solid	P59059MM	[+]	16,7	TRW				
	85	07/08 →		●	vented	P59060MM	[+]	16,7	TRW				
1.6 CDTI (68)	100	07/15 →	●	disc Ø 296 mm	P59054MM	[+]	19,1	MN					
	100	07/15 →	●	disc Ø 321 mm	P59055MM	[+]	19,1	MN					
	100	07/15 →	●	disc Ø 337 mm	P59058MM	[+]	17,2	TRW					
	100	07/15 →		●	solid	P59059MM	[+]	16,7	TRW				
	100	07/15 →		●	vented	P59060MM	[+]	16,7	TRW				
88	07/15 →	●	disc Ø 296 mm	P59054MM	[+]	19,1	MN						

OPEL

INSIGNIA A (G09) 07/08 →

1.6 CDTi (68)	88	07/15 →	●	disc Ø 321 mm	P59055MM	[+]	19,1	MN						
	88	07/15 →	●	disc Ø 337 mm	P59058MM	[+]	17,2	TRW						
	88	07/15 →		● solid	P59059MM	[+]	16,7	TRW						
	88	07/15 →		● vented	P59060MM	[+]	16,7	TRW						
1.6 SIDI (68)	125	03/13 →	●	16" wheel	P59054MM	[+]	19,1	MN						
	125	03/13 →	●	17" wheel	P59055MM	[+]	19,1	MN						
	125	03/13 →	●	18" wheel	P59058MM	[+]	17,2	TRW						
	125	03/13 →		● solid	P59059MM	[+]	16,7	TRW						
	125	03/13 →		● vented	P59060MM	[+]	16,7	TRW						
1.6 Turbo (68)	132	07/08 →	●	16" wheel	P59054MM	[+]	19,1	MN						
	132	07/08 →	●	17" wheel	P59055MM	[+]	19,1	MN						
	132	07/08 →	●	18" wheel	P59058MM	[+]	17,2	TRW						
	132	07/08 →		● solid	P59059MM	[+]	16,7	TRW						
	132	07/08 →		● vented	P59060MM	[+]	16,7	TRW						
1.8 (68)	103	07/08 →	●	16" wheel	P59054MM	[+]	19,1	MN						
	103	07/08 →	●	17" wheel	P59055MM	[+]	19,1	MN						
	103	07/08 →	●	18" wheel	P59058MM	[+]	17,2	TRW						
	103	07/08 →		● solid	P59059MM	[+]	16,7	TRW						
	103	07/08 →		● vented	P59060MM	[+]	16,7	TRW						
2.0 Biturbo CDTi (68)	143	01/12 →	●	17" wheel	P59055MM	[+]	19,1	MN						
	143	01/12 →	●	18" wheel	P59058MM	[+]	17,2	TRW						
	143	01/12 →		●	P59060MM	[+]	16,7	TRW						
	140	07/08 →	●	17" wheel	P59055MM	[+]	19,1	MN						
	140	07/08 →	●	18" wheel	P59058MM	[+]	17,2	TRW						
2.0 Biturbo CDTi 4x4 (68)	143	01/12 →	●	17" wheel	P59055MM	[+]	19,1	MN						
	143	01/12 →	●	18" wheel	P59058MM	[+]	17,2	TRW						
	143	01/12 →		●	P59060MM	[+]	16,7	TRW						
	140	05/09 →	●	17" wheel	P59055MM	[+]	19,1	MN						
	140	05/09 →	●	18" wheel	P59058MM	[+]	17,2	TRW						
2.0 CDTi (68)	103	07/13 →	●	16" wheel	P59054MM	[+]	19,1	MN						
	103	07/13 →	●	17" wheel	P59055MM	[+]	19,1	MN						
	103	07/13 →	●	18" wheel	P59058MM	[+]	17,2	TRW						
	103	07/13 →		● solid	P59059MM	[+]	16,7	TRW						
	103	07/13 →		● vented	P59060MM	[+]	16,7	TRW						
	120	07/13 →	●	16" wheel	P59054MM	[+]	19,1	MN						
	120	07/13 →	●	17" wheel	P59055MM	[+]	19,1	MN						
	120	07/13 →	●	18" wheel	P59058MM	[+]	17,2	TRW						
	120	07/13 →		● solid	P59059MM	[+]	16,7	TRW						
	120	07/13 →		● vented	P59060MM	[+]	16,7	TRW						
	81	07/08 →	●	16" wheel	P59054MM	[+]	19,1	MN						
	81	07/08 →	●	17" wheel	P59055MM	[+]	19,1	MN						
	81	07/08 →	●	18" wheel	P59058MM	[+]	17,2	TRW						
	81	07/08 →		● solid	P59059MM	[+]	16,7	TRW						
	81	07/08 →		● vented	P59060MM	[+]	16,7	TRW						
	96	07/08 →	●	16" wheel	P59054MM	[+]	19,1	MN						
	96	07/08 →	●	17" wheel	P59055MM	[+]	19,1	MN						
	96	07/08 →	●	18" wheel	P59058MM	[+]	17,2	TRW						
	96	07/08 →		● solid	P59059MM	[+]	16,7	TRW						
	96	07/08 →		● vented	P59060MM	[+]	16,7	TRW						
118	07/08 →	●	16" wheel	P59054MM	[+]	19,1	MN							
118	07/08 →	●	17" wheel	P59055MM	[+]	19,1	MN							
118	07/08 →	●	18" wheel	P59058MM	[+]	17,2	TRW							

Car Model	kw	Icon 1	Icon 2	Icon 3	MAGNETI MARELLI	wi	Th [mm]	SYS	WI			FK	
									MAGNETI MARELLI	LENGHT	Icon 4	MAGNETI MARELLI	Icon 5

OPEL

INSIGNIA A (G09) 07/08 →

2.0 CDTI (68)	118	07/08 →	●	solid	P59059MM	[+]	16,7	TRW					
	118	07/08 →	●	vented	P59060MM	[+]	16,7	TRW					
	88	03/12 →	●	16" wheel	P59054MM	[+]	19,1	MN					
	88	03/12 →	●	17" wheel	P59055MM	[+]	19,1	MN					
	88	03/12 →	●	18" wheel	P59058MM	[+]	17,2	TRW					
	88	03/12 →	●	solid	P59059MM	[+]	16,7	TRW					
	88	03/12 →	●	vented	P59060MM	[+]	16,7	TRW					
	125	11/14 →	●	16" wheel	P59054MM	[+]	19,1	MN					
	125	11/14 →	●	17" wheel	P59055MM	[+]	19,1	MN					
	125	11/14 →	●	18" wheel	P59058MM	[+]	17,2	TRW					
	125	11/14 →	●	solid	P59059MM	[+]	16,7	TRW					
	125	11/14 →	●	vented	P59060MM	[+]	16,7	TRW					
2.0 CDTI 4x4 (68)	120	07/13 →	●	16" wheel	P59054MM	[+]	19,1	MN					
	120	07/13 →	●	17" wheel	P59055MM	[+]	19,1	MN					
	120	07/13 →	●	18" wheel	P59058MM	[+]	17,2	TRW					
	120	07/13 →	●	solid	P59059MM	[+]	16,7	TRW					
	120	07/13 →	●	vented	P59060MM	[+]	16,7	TRW					
	118	06/10 →	●	16" wheel	P59054MM	[+]	19,1	MN					
	118	06/10 →	●	17" wheel	P59055MM	[+]	19,1	MN					
	118	06/10 →	●	18" wheel	P59058MM	[+]	17,2	TRW					
	118	06/10 →	●	solid	P59059MM	[+]	16,7	TRW					
	118	06/10 →	●	vented	P59060MM	[+]	16,7	TRW					
	125	11/14 →	●	16" wheel	P59054MM	[+]	19,1	MN					
	125	11/14 →	●	17" wheel	P59055MM	[+]	19,1	MN					
125	11/14 →	●	18" wheel	P59058MM	[+]	17,2	TRW						
125	11/14 →	●	solid	P59059MM	[+]	16,7	TRW						
125	11/14 →	●	vented	P59060MM	[+]	16,7	TRW						
2.0 E85 Turbo (68)	162	09/10 →	●	17" wheel	P59055MM	[+]	19,1	MN					
	162	09/10 →	●	18" wheel	P59058MM	[+]	17,2	TRW					
	162	09/10 →	●		P59060MM	[+]	16,7	TRW					
2.0 Turbo (68)	162	07/08 →	●	17" wheel	P59055MM	[+]	19,1	MN					
	162	07/08 →	●	18" wheel	P59058MM	[+]	17,2	TRW					
	162	07/08 →	●		P59060MM	[+]	16,7	TRW					
	184	04/14 →	●	17" wheel	P59055MM	[+]	19,1	MN					
	184	04/14 →	●	18" wheel	P59058MM	[+]	17,2	TRW					
	184	04/14 →	●	disc Ø 296 mm	P59054MM	[+]	19,1	MN					
	184	04/14 →	●	vented	P59060MM	[+]	16,7	TRW					
184	04/14 →	●	solid	P59059MM	[+]	16,7	TRW						
2.0 Turbo 4x4 (68)	184	09/11 →	●	17" wheel	P59055MM	[+]	19,1	MN					
	184	09/11 →	●	18" wheel	P59058MM	[+]	17,2	TRW					
	184	09/11 →	●		P59060MM	[+]	16,7	TRW					
	162	07/08 →	●	17" wheel	P59055MM	[+]	19,1	MN					
	162	07/08 →	●	18" wheel	P59058MM	[+]	17,2	TRW					
2.8 V6 Turbo 4x4 (68)	191	07/08 →	●		P59058MM	[+]	17,2	TRW					
	191	07/08 →	●		P59060MM	[+]	16,7	TRW					
2.8 V6 Turbo OPC 4x4 (68)	239	07/09 →	●		P59079MM	[+]	16	BRE					
	239	07/09 →	●		P59060MM	[+]	16,7	TRW					

INSIGNIA A Estate (G09) 07/08 →

1.4 (35)	103	09/11 →	●	16" wheel	P59054MM	[+]	19,1	MN					
	103	09/11 →	●	17" wheel	P59055MM	[+]	19,1	MN					
	103	09/11 →	●	18" wheel	P59058MM	[+]	17,2	TRW					
	103	09/11 →	●	solid	P59059MM	[+]	16,7	TRW					
	103	09/11 →	●	vented	P59060MM	[+]	16,7	TRW					



kw



wi

Th [mm]

SYS

WI

FK



LENGHT



OPEL

INSIGNIA A Estate (G09) 07/08 →

	kw	Hourglass	Car Wheel	Stylized 'i'	MAGNETI MARELLI	wi	Th [mm]	SYS	MAGNETI MARELLI	LENGHT	Stylized 'i'	MAGNETI MARELLI	Stylized 'i'
1.4 LPG (35)	103	07/12 →	●	16" wheel	P59054MM	[+]	19,1	MN					
	103	07/12 →	●	17" wheel	P59055MM	[+]	19,1	MN					
	103	07/12 →	●	18" wheel	P59058MM	[+]	17,2	TRW					
	103	07/12 →		● solid	P59059MM	[+]	16,7	TRW					
	103	07/12 →		● vented	P59060MM	[+]	16,7	TRW					
1.6 (35)	85	07/08 →	●	16" wheel	P59054MM	[+]	19,1	MN					
	85	07/08 →	●	17" wheel	P59055MM	[+]	19,1	MN					
	85	07/08 →	●	18" wheel	P59058MM	[+]	17,2	TRW					
	85	07/08 →		● solid	P59059MM	[+]	16,7	TRW					
	85	07/08 →		● vented	P59060MM	[+]	16,7	TRW					
1.6 CDTi (35)	88	07/15 →	●	disc Ø 296 mm	P59054MM	[+]	19,1	MN					
	88	07/15 →	●	disc Ø 321 mm	P59055MM	[+]	19,1	MN					
	88	07/15 →	●	disc Ø 337 mm	P59058MM	[+]	17,2	TRW					
	88	07/15 →		● solid	P59059MM	[+]	16,7	TRW					
	88	07/15 →		● vented	P59060MM	[+]	16,7	TRW					
	100	07/15 →	●	disc Ø 296 mm	P59054MM	[+]	19,1	MN					
	100	07/15 →	●	disc Ø 321 mm	P59055MM	[+]	19,1	MN					
	100	07/15 →	●	disc Ø 337 mm	P59058MM	[+]	17,2	TRW					
	100	07/15 →		● solid	P59059MM	[+]	16,7	TRW					
1.6 SIDI (35)	125	03/13 →	●	16" wheel	P59054MM	[+]	19,1	MN					
	125	03/13 →	●	17" wheel	P59055MM	[+]	19,1	MN					
	125	03/13 →	●	18" wheel	P59058MM	[+]	17,2	TRW					
	125	03/13 →		● solid	P59059MM	[+]	16,7	TRW					
	125	03/13 →		● vented	P59060MM	[+]	16,7	TRW					
1.6 Turbo (35)	132	01/09 →	●	16" wheel	P59054MM	[+]	19,1	MN					
	132	01/09 →	●	17" wheel	P59055MM	[+]	19,1	MN					
	132	01/09 →	●	18" wheel	P59058MM	[+]	17,2	TRW					
	132	01/09 →		● solid	P59059MM	[+]	16,7	TRW					
	132	01/09 →		● vented	P59060MM	[+]	16,7	TRW					
1.8 (35)	103	07/08 →	●	16" wheel	P59054MM	[+]	19,1	MN					
	103	07/08 →	●	17" wheel	P59055MM	[+]	19,1	MN					
	103	07/08 →	●	18" wheel	P59058MM	[+]	17,2	TRW					
	103	07/08 →		● solid	P59059MM	[+]	16,7	TRW					
	103	07/08 →		● vented	P59060MM	[+]	16,7	TRW					
2.0 Biturbo CDTi (35)	143	01/12 →	●	17" wheel	P59055MM	[+]	19,1	MN					
	143	01/12 →	●	18" wheel	P59058MM	[+]	17,2	TRW					
	143	01/12 →		●	P59060MM	[+]	16,7	TRW					
	140	07/08 →	●	17" wheel	P59055MM	[+]	19,1	MN					
	140	07/08 →	●	18" wheel	P59058MM	[+]	17,2	TRW					
2.0 Biturbo CDTi 4x4 (35)	140	07/08 →	●	17" wheel	P59055MM	[+]	19,1	MN					
	140	07/08 →	●	18" wheel	P59058MM	[+]	17,2	TRW					
	140	07/08 →		●	P59060MM	[+]	16,7	TRW					
	143	01/12 →	●	17" wheel	P59055MM	[+]	19,1	MN					
	143	01/12 →	●	18" wheel	P59058MM	[+]	17,2	TRW					
2.0 CDTi (35)	120	07/13 →	●	16" wheel	P59054MM	[+]	19,1	MN					
	120	07/13 →	●	17" wheel	P59055MM	[+]	19,1	MN					
	120	07/13 →	●	18" wheel	P59058MM	[+]	17,2	TRW					
	120	07/13 →		● solid	P59059MM	[+]	16,7	TRW					
	120	07/13 →		● vented	P59060MM	[+]	16,7	TRW					
	103	07/13 →	●	16" wheel	P59054MM	[+]	19,1	MN					
	103	07/13 →	●	17" wheel	P59055MM	[+]	19,1	MN					

OPEL

INSIGNIA A Estate (G09) 07/08 →

2.0 CDTI (35)	103	07/13 →	●	18" wheel	P59058MM	[+]	17,2	TRW							
	103	07/13 →		● solid	P59059MM	[+]	16,7	TRW							
	103	07/13 →		● vented	P59060MM	[+]	16,7	TRW							
	81	07/08 →	●	16" wheel	P59054MM	[+]	19,1	MN							
	81	07/08 →	●	17" wheel	P59055MM	[+]	19,1	MN							
	81	07/08 →	●	18" wheel	P59058MM	[+]	17,2	TRW							
	81	07/08 →		● solid	P59059MM	[+]	16,7	TRW							
	81	07/08 →		● vented	P59060MM	[+]	16,7	TRW							
	96	07/08 →	●	16" wheel	P59054MM	[+]	19,1	MN							
	96	07/08 →	●	17" wheel	P59055MM	[+]	19,1	MN							
	96	07/08 →	●	18" wheel	P59058MM	[+]	17,2	TRW							
	96	07/08 →		● solid	P59059MM	[+]	16,7	TRW							
	96	07/08 →		● vented	P59060MM	[+]	16,7	TRW							
	118	07/08 →	●	16" wheel	P59054MM	[+]	19,1	MN							
	118	07/08 →	●	17" wheel	P59055MM	[+]	19,1	MN							
	118	07/08 →	●	18" wheel	P59058MM	[+]	17,2	TRW							
	118	07/08 →		● solid	P59059MM	[+]	16,7	TRW							
	118	07/08 →		● vented	P59060MM	[+]	16,7	TRW							
	88	03/12 →	●	16" wheel	P59054MM	[+]	19,1	MN							
	88	03/12 →	●	17" wheel	P59055MM	[+]	19,1	MN							
88	03/12 →	●	18" wheel	P59058MM	[+]	17,2	TRW								
88	03/12 →		● solid	P59059MM	[+]	16,7	TRW								
88	03/12 →		● vented	P59060MM	[+]	16,7	TRW								
125	11/14 →	●	16" wheel	P59054MM	[+]	19,1	MN								
125	11/14 →	●	17" wheel	P59055MM	[+]	19,1	MN								
125	11/14 →	●	18" wheel	P59058MM	[+]	17,2	TRW								
125	11/14 →		● solid	P59059MM	[+]	16,7	TRW								
125	11/14 →		● vented	P59060MM	[+]	16,7	TRW								
2.0 CDTI 4x4 (35)	120	07/13 →	●	16" wheel	P59054MM	[+]	19,1	MN							
	120	07/13 →	●	17" wheel	P59055MM	[+]	19,1	MN							
	120	07/13 →	●	18" wheel	P59058MM	[+]	17,2	TRW							
	120	07/13 →		● solid	P59059MM	[+]	16,7	TRW							
	120	07/13 →		● vented	P59060MM	[+]	16,7	TRW							
	118	06/10 →	●	17" wheel	P59055MM	[+]	19,1	MN							
	118	06/10 →	●	16" wheel	P59054MM	[+]	19,1	MN							
	118	06/10 →	●	18" wheel	P59058MM	[+]	17,2	TRW							
	118	06/10 →		● solid	P59059MM	[+]	16,7	TRW							
	118	06/10 →		● vented	P59060MM	[+]	16,7	TRW							
	125	11/14 →	●	16" wheel	P59054MM	[+]	19,1	MN							
	125	11/14 →	●	17" wheel	P59055MM	[+]	19,1	MN							
	125	11/14 →	●	18" wheel	P59058MM	[+]	17,2	TRW							
	125	11/14 →		● solid	P59059MM	[+]	16,7	TRW							
	125	11/14 →		● vented	P59060MM	[+]	16,7	TRW							
2.0 E85 Turbo (35)	162	09/10 →	●	17" wheel	P59055MM	[+]	19,1	MN							
	162	09/10 →	●	18" wheel	P59058MM	[+]	17,2	TRW							
	162	09/10 →		●	P59060MM	[+]	16,7	TRW							
2.0 Turbo (35)	162	07/08 →	●	17" wheel	P59055MM	[+]	19,1	MN							
	162	07/08 →	●	18" wheel	P59058MM	[+]	17,2	TRW							
	162	07/08 →		●	P59060MM	[+]	16,7	TRW							
	184	04/14 →	●	17" wheel	P59055MM	[+]	19,1	MN							
	184	04/14 →	●	18" wheel	P59058MM	[+]	17,2	TRW							
	184	04/14 →	●	disc Ø 296 mm	P59054MM	[+]	19,1	MN							
	184	04/14 →		● solid	P59059MM	[+]	16,7	TRW							
184	04/14 →		● vented	P59060MM	[+]	16,7	TRW								

OPEL

INSIGNIA A Estate (G09) 07/08 →

2.0 Turbo 4x4 (35)	184	09/11 →	●	17" wheel	P59055MM	[+]	19,1	MN						
	184	09/11 →	●	18" wheel	P59058MM	[+]	17,2	TRW						
	184	09/11 →		●	P59060MM	[+]	16,7	TRW						
	162	07/08 →	●	17" wheel	P59055MM	[+]	19,1	MN						
	162	07/08 →	●	18" wheel	P59058MM	[+]	17,2	TRW						
	162	07/08 →		●	P59060MM	[+]	16,7	TRW						
2.8 V6 Turbo 4x4 (35)	191	10/08 →	●		P59058MM	[+]	17,2	TRW						
	191	10/08 →		●	P59060MM	[+]	16,7	TRW						
2.8 V6 Turbo OPC 4x4 (35)	239	07/09 →	●		P59079MM	[+]	16	BRE						
	239	07/09 →		●	P59060MM	[+]	16,7	TRW						

INSIGNIA A Saloon (G09) 07/08 →

1.4 (69)	103	04/11 →	●	16" wheel	P59054MM	[+]	19,1	MN						
	103	04/11 →	●	17" wheel	P59055MM	[+]	19,1	MN						
	103	04/11 →	●	18" wheel	P59058MM	[+]	17,2	TRW						
	103	04/11 →		●	solid	P59059MM	[+]	16,7	TRW					
	103	04/11 →		●	vented	P59060MM	[+]	16,7	TRW					
1.4 LPG (69)	103	07/12 →	●	16" wheel	P59054MM	[+]	19,1	MN						
	103	07/12 →	●	17" wheel	P59055MM	[+]	19,1	MN						
	103	07/12 →	●	18" wheel	P59058MM	[+]	17,2	TRW						
	103	07/12 →		●	solid	P59059MM	[+]	16,7	TRW					
	103	07/12 →		●	vented	P59060MM	[+]	16,7	TRW					
1.6 (69)	85	07/08 →	●	16" wheel	P59054MM	[+]	19,1	MN						
	85	07/08 →	●	17" wheel	P59055MM	[+]	19,1	MN						
	85	07/08 →	●	18" wheel	P59058MM	[+]	17,2	TRW						
	85	07/08 →		●	vented	P59060MM	[+]	16,7	TRW					
	85	07/08 →		●	solid	P59059MM	[+]	16,7	TRW					
1.6 CDTi (69)	88	07/15 →	●	disc Ø 296 mm	P59054MM	[+]	19,1	MN						
	88	07/15 →	●	disc Ø 321 mm	P59055MM	[+]	19,1	MN						
	88	07/15 →	●	disc Ø 337 mm	P59058MM	[+]	17,2	TRW						
	88	07/15 →		●	solid	P59059MM	[+]	16,7	TRW					
	88	07/15 →		●	vented	P59060MM	[+]	16,7	TRW					
	100	07/15 →	●	disc Ø 296 mm	P59054MM	[+]	19,1	MN						
	100	07/15 →	●	disc Ø 321 mm	P59055MM	[+]	19,1	MN						
	100	07/15 →	●	disc Ø 337 mm	P59058MM	[+]	17,2	TRW						
	100	07/15 →		●	solid	P59059MM	[+]	16,7	TRW					
	100	07/15 →		●	vented	P59060MM	[+]	16,7	TRW					
1.6 SIDI (69)	125	03/13 →	●	16" wheel	P59054MM	[+]	19,1	MN						
	125	03/13 →	●	17" wheel	P59055MM	[+]	19,1	MN						
	125	03/13 →	●	18" wheel	P59058MM	[+]	17,2	TRW						
	125	03/13 →		●	solid	P59059MM	[+]	16,7	TRW					
	125	03/13 →		●	vented	P59060MM	[+]	16,7	TRW					
1.6 Turbo (69)	132	01/09 →	●	16" wheel	P59054MM	[+]	19,1	MN						
	132	01/09 →	●	17" wheel	P59055MM	[+]	19,1	MN						
	132	01/09 →	●	18" wheel	P59058MM	[+]	17,2	TRW						
	132	01/09 →		●	solid	P59059MM	[+]	16,7	TRW					
	132	01/09 →		●	vented	P59060MM	[+]	16,7	TRW					
1.8 (69)	103	07/08 →	●	16" wheel	P59054MM	[+]	19,1	MN						
	103	07/08 →	●	17" wheel	P59055MM	[+]	19,1	MN						
	103	07/08 →	●	18" wheel	P59058MM	[+]	17,2	TRW						
	103	07/08 →		●	solid	P59059MM	[+]	16,7	TRW					
	103	07/08 →		●	vented	P59060MM	[+]	16,7	TRW					
2.0 Biturbo CDTi (69)	143	01/12 →	●	17" wheel	P59055MM	[+]	19,1	MN						
	143	01/12 →	●	18" wheel	P59058MM	[+]	17,2	TRW						
	143	01/12 →		●	P59060MM	[+]	16,7	TRW						

OPEL

INSIGNIA A Saloon (G09) 07/08 →

2.0 Biturbo CDTI (69)	140	07/08 →	●	17" wheel	P59055MM	[+]	19,1	MN							
	140	07/08 →	●	18" wheel	P59058MM	[+]	17,2	TRW							
	140	07/08 →		●	P59060MM	[+]	16,7	TRW							
2.0 Biturbo CDTI 4x4 (69)	143	01/12 →	●	17" wheel	P59055MM	[+]	19,1	MN							
	143	01/12 →	●	18" wheel	P59058MM	[+]	17,2	TRW							
	143	01/12 →		●	P59060MM	[+]	16,7	TRW							
	140	07/08 →	●	17" wheel	P59055MM	[+]	19,1	MN							
	140	07/08 →	●	18" wheel	P59058MM	[+]	17,2	TRW							
	140	07/08 →		●	P59060MM	[+]	16,7	TRW							
2.0 CDTI (69)	103	07/13 →	●	16" wheel	P59054MM	[+]	19,1	MN							
	103	07/13 →	●	17" wheel	P59055MM	[+]	19,1	MN							
	103	07/13 →	●	18" wheel	P59058MM	[+]	17,2	TRW							
	103	07/13 →		●	solid	P59059MM	[+]	16,7	TRW						
	103	07/13 →		●	vented	P59060MM	[+]	16,7	TRW						
	120	07/13 →	●	16" wheel	P59054MM	[+]	19,1	MN							
	120	07/13 →	●	17" wheel	P59055MM	[+]	19,1	MN							
	120	07/13 →	●	18" wheel	P59058MM	[+]	17,2	TRW							
	120	07/13 →		●	solid	P59059MM	[+]	16,7	TRW						
	120	07/13 →		●	vented	P59060MM	[+]	16,7	TRW						
	81	07/08 →	●	16" wheel	P59054MM	[+]	19,1	MN							
	81	07/08 →	●	17" wheel	P59055MM	[+]	19,1	MN							
	81	07/08 →	●	18" wheel	P59058MM	[+]	17,2	TRW							
	81	07/08 →		●	solid	P59059MM	[+]	16,7	TRW						
	81	07/08 →		●	vented	P59060MM	[+]	16,7	TRW						
	96	07/08 →	●	16" wheel	P59054MM	[+]	19,1	MN							
	96	07/08 →	●	17" wheel	P59055MM	[+]	19,1	MN							
	96	07/08 →	●	18" wheel	P59058MM	[+]	17,2	TRW							
	96	07/08 →		●	solid	P59059MM	[+]	16,7	TRW						
	96	07/08 →		●	vented	P59060MM	[+]	16,7	TRW						
	118	07/08 →	●	16" wheel	P59054MM	[+]	19,1	MN							
	118	07/08 →	●	17" wheel	P59055MM	[+]	19,1	MN							
	118	07/08 →	●	18" wheel	P59058MM	[+]	17,2	TRW							
	118	07/08 →		●	solid	P59059MM	[+]	16,7	TRW						
	118	07/08 →		●	vented	P59060MM	[+]	16,7	TRW						
	88	03/12 →	●	16" wheel	P59054MM	[+]	19,1	MN							
	88	03/12 →	●	17" wheel	P59055MM	[+]	19,1	MN							
	88	03/12 →	●	18" wheel	P59058MM	[+]	17,2	TRW							
	88	03/12 →		●	solid	P59059MM	[+]	16,7	TRW						
	88	03/12 →		●	vented	P59060MM	[+]	16,7	TRW						
	125	11/14 →	●	16" wheel	P59054MM	[+]	19,1	MN							
	125	11/14 →	●	17" wheel	P59055MM	[+]	19,1	MN							
125	11/14 →	●	18" wheel	P59058MM	[+]	17,2	TRW								
125	11/14 →		●	solid	P59059MM	[+]	16,7	TRW							
125	11/14 →		●	vented	P59060MM	[+]	16,7	TRW							
2.0 CDTI 4x4 (69)	120	07/13 →	●	16" wheel	P59054MM	[+]	19,1	MN							
	120	07/13 →	●	17" wheel	P59055MM	[+]	19,1	MN							
	120	07/13 →	●	18" wheel	P59058MM	[+]	17,2	TRW							
	120	07/13 →		●	solid	P59059MM	[+]	16,7	TRW						
	120	07/13 →		●	vented	P59060MM	[+]	16,7	TRW						
	118	06/10 →	●	16" wheel	P59054MM	[+]	19,1	MN							
	118	06/10 →	●	17" wheel	P59055MM	[+]	19,1	MN							
	118	06/10 →	●	18" wheel	P59058MM	[+]	17,2	TRW							
	118	06/10 →		●	solid	P59059MM	[+]	16,7	TRW						
	118	06/10 →		●	vented	P59060MM	[+]	16,7	TRW						

OPEL

INSIGNIA A Saloon (G09) 07/08 →

2.0 CDTI 4x4 (69)	125	11/14 →	●	16" wheel	P59054MM	[+]	19,1	MN						
	125	11/14 →	●	17" wheel	P59055MM	[+]	19,1	MN						
	125	11/14 →	●	18" wheel	P59058MM	[+]	17,2	TRW						
	125	11/14 →		● solid	P59059MM	[+]	16,7	TRW						
	125	11/14 →		● vented	P59060MM	[+]	16,7	TRW						
2.0 Turbo (69)	162	07/08 →	●	17" wheel	P59055MM	[+]	19,1	MN						
	162	07/08 →	●	18" wheel	P59058MM	[+]	17,2	TRW						
	162	07/08 →		●	P59060MM	[+]	16,7	TRW						
	184	04/14 →	●	17" wheel	P59055MM	[+]	19,1	MN						
	184	04/14 →	●	18" wheel	P59058MM	[+]	17,2	TRW						
	184	04/14 →	●	disc Ø 296 mm	P59054MM	[+]	19,1	MN						
	184	04/14 →		● solid	P59059MM	[+]	16,7	TRW						
	184	04/14 →		● vented	P59060MM	[+]	16,7	TRW						
2.0 Turbo 4x4 (69)	184	09/11 →	●	17" wheel	P59055MM	[+]	19,1	MN						
	184	09/11 →	●	18" wheel	P59058MM	[+]	17,2	TRW						
	184	09/11 →		●	P59060MM	[+]	16,7	TRW						
	162	07/08 →	●	17" wheel	P59055MM	[+]	19,1	MN						
2.0 Turbo E85 (69)	162	07/08 →	●	18" wheel	P59058MM	[+]	17,2	TRW						
	162	07/08 →		●	P59060MM	[+]	16,7	TRW						
	162	07/08 →	●	17" wheel	P59055MM	[+]	19,1	MN						
2.8 V6 Turbo 4x4 (69)	191	07/08 →	●		P59058MM	[+]	17,2	TRW						
	191	07/08 →		●	P59060MM	[+]	16,7	TRW						
2.8 V6 Turbo OPC 4x4 (69)	239	07/09 →	●		P59079MM	[+]	16	BRE						
	239	07/09 →		●	P59060MM	[+]	16,7	TRW						

MERIVA 05/03 → 05/10

1.3 CDTI	55	09/03 → 05/10	●		P59045MM	[+]	19,6	ATE					A02202	
	55	09/03 → 05/10		●	P59038MM	[+]	15,2	TRW						
	51	04/05 → 05/10	●		P59045MM	[+]	19,6	ATE					A02202	
	51	04/05 → 05/10		●	P59038MM	[+]	15,2	TRW						
1.4 16V Twinport	66	07/04 → 05/10	●	14" wheel	P59036MM	[+]	17	TRW					A02202	
	66	07/04 → 05/10	●	15" wheel	P59045MM	[+]	19,6	ATE					A02202	
	66	07/04 → 05/10		●	P59038MM	[+]	15,2	TRW						
1.4 16V Twinport LPG	66	07/04 → 05/10	●	14" wheel	P59036MM	[+]	17	TRW					A02202	
	66	07/04 → 05/10	●	15" wheel	P59045MM	[+]	19,6	ATE					A02202	
	66	07/04 → 05/10		●	P59038MM	[+]	15,2	TRW						
1.6	64	05/03 → 05/10	●	14" wheel	P59036MM	[+]	17	TRW					A02202	
	64	05/03 → 05/10	●	15" wheel	P59045MM	[+]	19,6	ATE					A02202	
	64	05/03 → 05/10		●	P59038MM	[+]	15,2	TRW						
	77	01/06 → 05/10	●		P59045MM	[+]	19,6	ATE					A02202	
	77	01/06 → 05/10		●	P59038MM	[+]	15,2	TRW						
1.6 16V	74	05/03 → 01/06	●		P59045MM	[+]	19,6	ATE					A02202	
	74	05/03 → 01/06		●	P59038MM	[+]	15,2	TRW						
1.6 Turbo	132	09/05 → 05/10	●		P59045MM	[+]	19,6	ATE					A02202	
	132	09/05 → 05/10		●	P59038MM	[+]	15,2	TRW						
1.7 CDTI	74	09/03 → 05/10	●		P59045MM	[+]	19,6	ATE					A02202	
	74	09/03 → 05/10		●	P59038MM	[+]	15,2	TRW						
	92	09/06 → 05/10	●		P59045MM	[+]	19,6	ATE					A02202	
	92	09/06 → 05/10		●	P59038MM	[+]	15,2	TRW						
1.7 DTI	55	09/03 → 05/10	●		P59045MM	[+]	19,6	ATE					A02202	
	55	09/03 → 05/10		●	P59038MM	[+]	15,2	TRW						
1.8	92	05/03 → 05/10	●		P59045MM	[+]	19,6	ATE					A02202	
	92	05/03 → 05/10		●	P59038MM	[+]	15,2	TRW						

		kw						wi	Th [mm]	SYS	wi			FK	
												LENGHT			

OPEL

MERIVA B 06/10 →

1.3 CDTI	55	06/10 →	●				P59045MM	[+]	19,6	ATE					
	55	06/10 →		●			P10013MM	[-]	15,2	TRW					
	70	06/10 →	●				P59045MM	[+]	19,6	ATE					
	70	06/10 →		●			P10013MM	[-]	15,2	TRW					
1.4	74	06/10 →	●				P59045MM	[+]	19,6	ATE					
	74	06/10 →		●			P10013MM	[-]	15,2	TRW					
	88	06/10 →	●				P59045MM	[+]	19,6	ATE					
	88	06/10 →		●			P10013MM	[-]	15,2	TRW					
	103	06/10 →	●				P59045MM	[+]	19,6	ATE					
1.4 LPG	88	06/11 →	●				P59045MM	[+]	19,6	ATE				A02202	
	88	06/11 →		●			P10013MM	[-]	15,2	TRW					
1.6 CDTI	81	03/14 →	●				P59045MM	[+]	19,6	ATE					
	81	03/14 →		●			P10013MM	[-]	15,2	TRW					
	100	08/13 →	●				P59045MM	[+]	19,6	ATE					
	100	08/13 →		●			P10013MM	[-]	15,2	TRW					
	70	01/14 →	●				P59045MM	[+]	19,6	ATE					
1.7 CDTI	74	06/10 →	●				P59045MM	[+]	19,6	ATE					
	74	06/10 →		●			P10013MM	[-]	15,2	TRW					
	81	06/10 →	●				P59045MM	[+]	19,6	ATE					
	81	06/10 →		●			P10013MM	[-]	15,2	TRW					
	96	06/10 →	●				P59045MM	[+]	19,6	ATE					

MOKKA / MOKKA X 06/12 →

1.4	103	04/13 →	●				P59077MM	[+]	18,8	BSH					
	103	04/13 →		●			P59080MM	[+]	16,2	TRW					
1.4 4x4	103	06/12 →	●				P59077MM	[+]	18,8	BSH					
	103	06/12 →		●			P59080MM	[+]	16,2	TRW					
	112	06/16 →	●				P59077MM	[+]	18,8	BSH					
1.4 LPG	103	04/13 →	●				P59077MM	[+]	18,8	BSH					
	103	04/13 →		●			P59080MM	[+]	16,2	TRW					
1.6	85	06/12 →	●				P59077MM	[+]	18,8	BSH					
	85	06/12 →		●			P59080MM	[+]	16,2	TRW					
1.6 CDTI	100	01/15 →	●				P59077MM	[+]	18,8	BSH					
	100	01/15 →		●			P59080MM	[+]	16,2	TRW					
	81	06/15 →	●				P59077MM	[+]	18,8	BSH					
	81	06/15 →		●			P59080MM	[+]	16,2	TRW					
1.6 CDTI 4x4	100	01/15 →	●				P59077MM	[+]	18,8	BSH					
	100	01/15 →		●			P59080MM	[+]	16,2	TRW					
1.7 CDTI	96	06/12 →	●				P59077MM	[+]	18,8	BSH					
	96	06/12 →		●			P59080MM	[+]	16,2	TRW					
1.7 CDTI 4x4	96	06/12 →	●				P59077MM	[+]	18,8	BSH					
	96	06/12 →		●			P59080MM	[+]	16,2	TRW					
1.8	103	01/13 →	●				P59077MM	[+]	18,8	BSH					
	103	01/13 →		●			P59080MM	[+]	16,2	TRW					
1.8 4x4	103	01/13 →	●				P59077MM	[+]	18,8	BSH					
	103	01/13 →		●			P59080MM	[+]	16,2	TRW					

MONTEREY B 07/98 → 08/99

3.0 DTI	117	07/98 → 08/99	●				P59020MM	[+]	16,5	AKE					
	117	07/98 → 08/99		●			P59021MM	[+]	15,8	SUM					
3.5 V6 24V	158	07/98 → 08/99	●				P59020MM	[+]	16,5	AKE					
	158	07/98 → 08/99		●			P59021MM	[+]	15,8	SUM					

	kw				MAGNETI MARELLI	WI	Th [mm]	SYS	MAGNETI MARELLI	LENGHT		MAGNETI MARELLI	

OPEL

MOVANO B Box 05/10 →

2.3 CDTI [RWD]	74	05/10 →	●		P68062MM	[+]	18	BRE					
	74	05/10 →		● single tyres	P68063MM	[+]	18,1	BRE					
	74	05/10 →		● twin tyres	P68061MM	[+]	18	BRE					
	92	05/10 →	●		P68062MM	[+]	18	BRE					
	92	05/10 →		● single tyres	P68063MM	[+]	18,1	BRE					
	92	05/10 →		● twin tyres	P68061MM	[+]	18	BRE					
	107	05/10 →	●		P68062MM	[+]	18	BRE					
	107	05/10 →		● single tyres	P68063MM	[+]	18,1	BRE					
	107	05/10 →		● twin tyres	P68061MM	[+]	18	BRE					
	110	01/13 →	●		P68062MM	[+]	18	BRE					
	110	01/13 →		● single tyres	P68063MM	[+]	18,1	BRE					
	110	01/13 →		● twin tyres	P68061MM	[+]	18	BRE					
	120	05/14 →	●		P68062MM	[+]	18	BRE					
	120	05/14 →		● single tyres	P68063MM	[+]	18,1	BRE					
	120	05/14 →		● twin tyres	P68061MM	[+]	18	BRE					
	100	05/14 →	●		P68062MM	[+]	18	BRE					
	100	05/14 →		● single tyres	P68063MM	[+]	18,1	BRE					
	100	05/14 →		● twin tyres	P68061MM	[+]	18	BRE					
96	11/16 →	●		P68062MM	[+]	18	BRE						
96	11/16 →		● twin tyres	P68061MM	[+]	18	BRE						
96	11/16 →		● single tyres	P68063MM	[+]	18,1	BRE						
2.3 CDTI FWD	74	05/10 →	●		P68062MM	[+]	18	BRE					
	74	05/10 →		● single tyres	P68063MM	[+]	18,1	BRE					
	74	05/10 →		● twin tyres	P68061MM	[+]	18	BRE					
	92	05/10 →	●		P68062MM	[+]	18	BRE					
	92	05/10 →		● twin tyres	P68061MM	[+]	18	BRE					
	92	05/10 →		● single tyres	P68063MM	[+]	18,1	BRE					
	107	05/10 →	●		P68062MM	[+]	18	BRE					
	107	05/10 →		● single tyres	P68063MM	[+]	18,1	BRE					
	107	05/10 →		● twin tyres	P68061MM	[+]	18	BRE					
	110	01/13 →	●		P68062MM	[+]	18	BRE					
	110	01/13 →		● single tyres	P68063MM	[+]	18,1	BRE					
	110	01/13 →		● twin tyres	P68061MM	[+]	18	BRE					
	120	05/14 →	●		P68062MM	[+]	18	BRE					
	120	05/14 →		● single tyres	P68063MM	[+]	18,1	BRE					
	120	05/14 →		● twin tyres	P68061MM	[+]	18	BRE					
	100	05/14 →	●		P68062MM	[+]	18	BRE					
	100	05/14 →		● single tyres	P68061MM	[+]	18	BRE					
	100	05/14 →		● twin tyres	P68063MM	[+]	18,1	BRE					
	81	02/12 →	●		P68062MM	[+]	18	BRE					
	81	02/12 →		● twin tyres	P68063MM	[+]	18,1	BRE					
	81	02/12 →		● single tyres	P68061MM	[+]	18	BRE					
	125	11/16 →	●		P68062MM	[+]	18	BRE					
	125	11/16 →		● twin tyres	P68061MM	[+]	18	BRE					
	125	11/16 →		● single tyres	P68063MM	[+]	18,1	BRE					
96	11/16 →	●		P68062MM	[+]	18	BRE						
96	11/16 →		● single tyres	P68063MM	[+]	18,1	BRE						
96	11/16 →		● twin tyres	P68061MM	[+]	18	BRE						

MOVANO B Bus 12/10 →

2.3 CDTI	74	12/10 →	●		P68062MM	[+]	18	BRE					
	74	12/10 →		● single tyres	P68063MM	[+]	18,1	BRE					
	74	12/10 →		● twin tyres	P68061MM	[+]	18	BRE					
	92	12/10 →	●		P68062MM	[+]	18	BRE					
	92	12/10 →		● single tyres	P68063MM	[+]	18,1	BRE					

OPEL

MOVANO B Bus 12/10 →

2.3 CDTI	92	12/10 →		●	twin tyres	P68061MM	[+]	18	BRE				
	107	12/10 →	●			P68062MM	[+]	18	BRE				
	107	12/10 →		●	twin tyres	P68061MM	[+]	18	BRE				
	107	12/10 →		●	single tyres	P68063MM	[+]	18,1	BRE				
	110	01/13 →	●			P68062MM	[+]	18	BRE				
	110	01/13 →		●	single tyres	P68063MM	[+]	18,1	BRE				
	110	01/13 →		●	twin tyres	P68061MM	[+]	18	BRE				
	81	05/14 →	●			P68062MM	[+]	18	BRE				
	81	05/14 →		●	single tyres	P68063MM	[+]	18,1	BRE				
	81	05/14 →		●	twin tyres	P68061MM	[+]	18	BRE				
	100	05/14 →	●			P68062MM	[+]	18	BRE				
	100	05/14 →		●	single tyres	P68063MM	[+]	18,1	BRE				
	100	05/14 →		●	twin tyres	P68061MM	[+]	18	BRE				
	120	05/14 →	●			P68062MM	[+]	18	BRE				
	120	05/14 →		●	single tyres	P68063MM	[+]	18,1	BRE				
	120	05/14 →		●	twin tyres	P68061MM	[+]	18	BRE				
	125	07/15 →	●			P68062MM	[+]	18	BRE				
	125	07/15 →		●	single tyres	P68061MM	[+]	18	BRE				
125	07/15 →		●	twin tyres	P68063MM	[+]	18,1	BRE					

MOVANO B Platform/Chassis 05/10 →

2.3 CDTI [RWD]	74	05/10 →	●			P68062MM	[+]	18	BRE				
	74	05/10 →		●	single tyres	P68063MM	[+]	18,1	BRE				
	74	05/10 →		●	twin tyres	P68061MM	[+]	18	BRE				
	92	05/10 →	●			P68062MM	[+]	18	BRE				
	92	05/10 →		●	single tyres	P68063MM	[+]	18,1	BRE				
	92	05/10 →		●	twin tyres	P68061MM	[+]	18	BRE				
	107	05/10 →	●			P68062MM	[+]	18	BRE				
	107	05/10 →		●	single tyres	P68063MM	[+]	18,1	BRE				
	107	05/10 →		●	twin tyres	P68061MM	[+]	18	BRE				
	110	01/13 →	●			P68062MM	[+]	18	BRE				
	110	01/13 →		●	single tyres	P68063MM	[+]	18,1	BRE				
	110	01/13 →		●	twin tyres	P68061MM	[+]	18	BRE				
	100	05/14 →	●			P68062MM	[+]	18	BRE				
	100	05/14 →		●	single tyres	P68063MM	[+]	18,1	BRE				
	100	05/14 →		●	twin tyres	P68061MM	[+]	18	BRE				
	120	05/14 →	●			P68062MM	[+]	18	BRE				
	120	05/14 →		●	single tyres	P68063MM	[+]	18,1	BRE				
	120	05/14 →		●	twin tyres	P68061MM	[+]	18	BRE				
96	11/16 →	●			P68062MM	[+]	18	BRE					
96	11/16 →		●	single tyres	P68063MM	[+]	18,1	BRE					
96	11/16 →		●	twin tyres	P68061MM	[+]	18	BRE					
2.3 CDTI FWD	74	05/10 →	●			P68062MM	[+]	18	BRE				
	74	05/10 →		●	single tyres	P68063MM	[+]	18,1	BRE				
	74	05/10 →		●	twin tyres	P68061MM	[+]	18	BRE				
	92	05/10 →	●			P68062MM	[+]	18	BRE				
	92	05/10 →		●	single tyres	P68063MM	[+]	18,1	BRE				
	92	05/10 →		●	twin tyres	P68061MM	[+]	18	BRE				
	107	05/10 →	●			P68062MM	[+]	18	BRE				
	107	05/10 →		●	single tyres	P68063MM	[+]	18,1	BRE				
	107	05/10 →		●	twin tyres	P68061MM	[+]	18	BRE				
	110	01/13 →	●			P68062MM	[+]	18	BRE				
	110	01/13 →		●	single tyres	P68063MM	[+]	18,1	BRE				
	110	01/13 →		●	twin tyres	P68061MM	[+]	18	BRE				
81	05/14 →	●			P68062MM	[+]	18	BRE					

									WI			FK	

OPEL

MOVANO B Platform/Chassis 05/10 →

2.3 CDTI FWD	81	05/14 →	●	single tyres	P68061MM	[+]	18	BRE					
	81	05/14 →	●	twin tyres	P68063MM	[+]	18,1	BRE					
	100	05/14 →	●		P68062MM	[+]	18	BRE					
	100	05/14 →	●	single tyres	P68061MM	[+]	18	BRE					
	100	05/14 →	●	twin tyres	P68063MM	[+]	18,1	BRE					
	120	05/14 →	●		P68062MM	[+]	18	BRE					
	120	05/14 →	●	single tyres	P68061MM	[+]	18	BRE					
	120	05/14 →	●	twin tyres	P68063MM	[+]	18,1	BRE					
	125	11/16 →	●		P68062MM	[+]	18	BRE					
	125	11/16 →	●	single tyres	P68063MM	[+]	18,1	BRE					
	125	11/16 →	●	twin tyres	P68061MM	[+]	18	BRE					
	96	11/16 →	●		P68062MM	[+]	18	BRE					
	96	11/16 →	●	single tyres	P68063MM	[+]	18,1	BRE					
	96	11/16 →	●	twin tyres	P68061MM	[+]	18	BRE					

MOVANO Box (F9) 01/99 →

1.9 DTI	59	09/00 → 10/01	●	15" wheel	P68025MM	[-]	17,5	BSH					
	59	09/00 → 10/01	●	16" wheel	P59039MM	[-]	17,8	BSH					
	59	09/00 → 10/01	●	+rear disc	P59040MM	[-]	16,8	BSH					
	60	10/01 →	●	15" wheel	P68025MM	[-]	17,5	BSH					
	60	10/01 →	●	16" wheel	P59039MM	[-]	17,8	BSH					
	60	10/01 →	●	+rear disc	P59040MM	[-]	16,8	BSH					
2.2 DTI	66	09/00 →	●	15" wheel	P68025MM	[-]	17,5	BSH					
	66	09/00 →	●	16" wheel	P59039MM	[-]	17,8	BSH					
	66	09/00 →	●	+rear disc	P59040MM	[-]	16,8	BSH					
2.5 CDTI	107	10/03 →	●	15" wheel	P68025MM	[-]	17,5	BSH					
	107	10/03 →	●	16" wheel	P59039MM	[-]	17,8	BSH					
	107	10/03 →	●	+rear disc	P59040MM	[-]	16,8	BSH					
	88	10/03 →	●	15" wheel	P68025MM	[-]	17,5	BSH					
	88	10/03 →	●	16" wheel	P59039MM	[-]	17,8	BSH					
	88	10/03 →	●	+rear disc	P59040MM	[-]	16,8	BSH					
	74	10/03 →	●	15" wheel	P68025MM	[-]	17,5	BSH					
	74	10/03 →	●	16" wheel	P59039MM	[-]	17,8	BSH					
	74	10/03 →	●	+rear disc	P59040MM	[-]	16,8	BSH					
2.5 D	59	01/99 → 09/00	●	15" wheel	P68025MM	[-]	17,5	BSH					
	59	01/99 → 09/00	●	16" wheel	P59039MM	[-]	17,8	BSH					
	59	01/99 → 09/00	●	+rear disc	P59040MM	[-]	16,8	BSH					
2.5 DTI	84	10/01 →	●	15" wheel	P68025MM	[-]	17,5	BSH					
	84	10/01 →	●	16" wheel	P59039MM	[-]	17,8	BSH					
	84	10/01 →	●	+rear disc	P59040MM	[-]	16,8	BSH					
	73	10/03 →	●	15" wheel	P68025MM	[-]	17,5	BSH					
	73	10/03 →	●	16" wheel	P59039MM	[-]	17,8	BSH					
	73	10/03 →	●	+rear disc	P59040MM	[-]	16,8	BSH					
2.8 DTI	84	01/99 → 10/01	●	15" wheel	P68025MM	[-]	17,5	BSH					
	84	01/99 → 10/01	●	16" wheel	P59039MM	[-]	17,8	BSH					
	84	01/99 → 10/01	●	+rear disc	P59040MM	[-]	16,8	BSH					
3.0 DTI	100	10/03 →	●	15" wheel	P68025MM	[-]	17,5	BSH					
	100	10/03 →	●	16" wheel	P59039MM	[-]	17,8	BSH					
	100	10/03 →	●	+rear disc	P59040MM	[-]	16,8	BSH					

MOVANO Combi (J9) 07/98 →

1.9 DTI	59	09/00 → 10/01	●	15" wheel	P68025MM	[-]	17,5	BSH					
	59	09/00 → 10/01	●	16" wheel	P59039MM	[-]	17,8	BSH					
	59	09/00 → 10/01	●	+rear disc	P59040MM	[-]	16,8	BSH					
	60	10/01 →	●	15" wheel	P68025MM	[-]	17,5	BSH					

OPEL

MOVANO Combi (J9) 07/98 →

1.9 DTI	60	10/01 →	●	16" wheel	P59039MM [-]	17,8	BSH							
	60	10/01 →		● +rear disc	P59040MM [-]	16,8	BSH							
2.2 DTI	66	09/00 →	●	15" wheel	P68025MM [-]	17,5	BSH							
	66	09/00 →	●	16" wheel	P59039MM [-]	17,8	BSH							
	66	09/00 →		● +rear disc	P59040MM [-]	16,8	BSH							
	2.5 CDTI	107	08/06 →	●	15" wheel	P68025MM [-]	17,5	BSH						
107		08/06 →	●	16" wheel	P59039MM [-]	17,8	BSH							
107		08/06 →		● +rear disc	P59040MM [-]	16,8	BSH							
88		08/06 →	●	15" wheel	P68025MM [-]	17,5	BSH							
88		08/06 →	●	16" wheel	P59039MM [-]	17,8	BSH							
88		08/06 →		● +rear disc	P59040MM [-]	16,8	BSH							
74		09/07 →	●	15" wheel	P68025MM [-]	17,5	BSH							
74		09/07 →	●	16" wheel	P59039MM [-]	17,8	BSH							
74		09/07 →		● +rear disc	P59040MM [-]	16,8	BSH							
73		10/03 → 12/06	●	16" wheel	P59039MM [-]	17,8	BSH							
2.5 D	59	07/98 → 09/00	●	15" wheel	P68025MM [-]	17,5	BSH							
	59	07/98 → 09/00	●	16" wheel	P59039MM [-]	17,8	BSH							
	59	07/98 → 09/00		● +rear disc	P59040MM [-]	16,8	BSH							
	2.5 DTI	84	10/01 →	●	15" wheel	P68025MM [-]	17,5	BSH						
		84	10/01 →	●	16" wheel	P59039MM [-]	17,8	BSH						
	84	10/01 →		● +rear disc	P59040MM [-]	16,8	BSH							
	2.8 DTI	84	07/98 → 10/01	●	15" wheel	P68025MM [-]	17,5	BSH						
		84	07/98 → 10/01	●	16" wheel	P59039MM [-]	17,8	BSH						
		84	07/98 → 10/01		● +rear disc	P59040MM [-]	16,8	BSH						
	3.0 DTI	100	10/03 →	●	15" wheel	P68025MM [-]	17,5	BSH						
100		10/03 →	●	16" wheel	P59039MM [-]	17,8	BSH							
100		10/03 →		● +rear disc	P59040MM [-]	16,8	BSH							

MOVANO Dumptruck (H9) 01/99 →

2.2 DTI	66	09/00 →	●	15" wheel	P68025MM [-]	17,5	BSH						
	66	09/00 →	●	16" wheel	P59039MM [-]	17,8	BSH						
	66	09/00 →		● +rear disc	P59040MM [-]	16,8	BSH						
2.5 CDTI	74	08/06 →	●	15" wheel	P68025MM [-]	17,5	BSH						
	74	08/06 →	●	16" wheel	P59039MM [-]	17,8	BSH						
	74	08/06 →		● +rear disc	P59040MM [-]	16,8	BSH						
	88	08/06 →	●	15" wheel	P68025MM [-]	17,5	BSH						
	88	08/06 →	●	16" wheel	P59039MM [-]	17,8	BSH						
	88	08/06 →		● +rear disc	P59040MM [-]	16,8	BSH						
	107	08/06 →	●	15" wheel	P68025MM [-]	17,5	BSH						
	107	08/06 →	●	16" wheel	P59039MM [-]	17,8	BSH						
	107	08/06 →		● +rear disc	P59040MM [-]	16,8	BSH						
	2.5 D	59	01/99 → 09/00	●	15" wheel	P68025MM [-]	17,5	BSH					
59		01/99 → 09/00	●	16" wheel	P59039MM [-]	17,8	BSH						
59		01/99 → 09/00		● +rear disc	P59040MM [-]	16,8	BSH						
2.5 DTI	84	10/01 →	●	15" wheel	P68025MM [-]	17,5	BSH						
	84	10/01 →	●	16" wheel	P59039MM [-]	17,8	BSH						
	84	10/01 →		● +rear disc	P59040MM [-]	16,8	BSH						
	73	10/03 →	●	15" wheel	P68025MM [-]	17,5	BSH						
	73	10/03 →	●	16" wheel	P59039MM [-]	17,8	BSH						
73	10/03 →		● +rear disc	P59040MM [-]	16,8	BSH							
2.8 DTI	84	01/99 → 10/01	●	15" wheel	P68025MM [-]	17,5	BSH						
	84	01/99 → 10/01	●	16" wheel	P59039MM [-]	17,8	BSH						
	84	01/99 → 10/01		● +rear disc	P59040MM [-]	16,8	BSH						

									WI			FK	
	kw					wi	Th [mm]	SYS		LENGHT			

OPEL

MOVANO Dumptruck (H9) 01/99 →

3.0 DTI	100	10/03 →	●	16" wheel	P59039MM	[-]	17,8	BSH					
	100	10/03 →	●	15" wheel	P68025MM	[-]	17,5	BSH					
	100	10/03 →	●	+rear disc	P59040MM	[-]	16,8	BSH					

MOVANO Platform/Chassis (U9, E9) 07/98 →

2.2 DTI	66	09/00 →	●	15" wheel	P68025MM	[-]	17,5	BSH					
	66	09/00 →	●	16" wheel	P59039MM	[-]	17,8	BSH					
	66	09/00 →	●	+rear disc	P59040MM	[-]	16,8	BSH					
2.5 CDTI	107	08/06 →	●	15" wheel	P68025MM	[-]	17,5	BSH					
	107	08/06 →	●	16" wheel	P59039MM	[-]	17,8	BSH					
	107	08/06 →	●	+rear disc	P59040MM	[-]	16,8	BSH					
	88	08/06 →	●	15" wheel	P68025MM	[-]	17,5	BSH					
	88	08/06 →	●	16" wheel	P59039MM	[-]	17,8	BSH					
	88	08/06 →	●	+rear disc	P59040MM	[-]	16,8	BSH					
	74	08/06 →	●	15" wheel	P68025MM	[-]	17,5	BSH					
	74	08/06 →	●	16" wheel	P59039MM	[-]	17,8	BSH					
	74	08/06 →	●	+rear disc	P59040MM	[-]	16,8	BSH					
2.5 D	59	07/98 → 09/00	●	15" wheel	P68025MM	[-]	17,5	BSH					
	59	07/98 → 09/00	●	16" wheel	P59039MM	[-]	17,8	BSH					
	59	07/98 → 09/00	●	+rear disc	P59040MM	[-]	16,8	BSH					
2.5 DTI	84	10/01 →	●	15" wheel	P68025MM	[-]	17,5	BSH					
	84	10/01 →	●	16" wheel	P59039MM	[-]	17,8	BSH					
	84	10/01 →	●	+rear disc	P59040MM	[-]	16,8	BSH					
	73	10/03 →	●	15" wheel	P68025MM	[-]	17,5	BSH					
	73	10/03 →	●	16" wheel	P59039MM	[-]	17,8	BSH					
	73	10/03 →	●	+rear disc	P59040MM	[-]	16,8	BSH					
2.8 DTI	84	07/98 → 10/01	●	15" wheel	P68025MM	[-]	17,5	BSH					
	84	07/98 → 10/01	●	16" wheel	P59039MM	[-]	17,8	BSH					
	84	07/98 → 10/01	●	+rear disc	P59040MM	[-]	16,8	BSH					
3.0 DTI	100	10/03 →	●	15" wheel	P68025MM	[-]	17,5	BSH					
	100	10/03 →	●	16" wheel	P59039MM	[-]	17,8	BSH					
	100	10/03 →	●	+rear disc	P59040MM	[-]	16,8	BSH					

OMEGA B (25_, 26_, 27_) 03/94 → 07/03

2.0	85	03/94 → 09/99	●	-arm.veh.; → V1999999	P59019MM	[o]	17,5	ATE	A00308	730	→ V1999999; -arm.veh.		
	85	03/94 → 09/99	●	+arm.veh.; W1000001 →	P59016MM	[o]	18,3	TRW	A00308	730	→ V1999999; -arm.veh.		
	85	03/94 → 09/99	●		P59014MM	[-]	15,2	ATE					
	85	03/94 → 12/00	●	-arm.veh.; → V1999999	P59019MM	[o]	17,5	ATE	A00308	730	→ V1999999; -arm.veh.	A02202	-arm.veh.; → V1999999
	85	03/94 → 12/00	●	+arm.veh.; W1000001 →	P59016MM	[o]	18,3	TRW	A00308	730	→ V1999999; -arm.veh.	A02202	-arm.veh.; → V1999999
	85	03/94 → 12/00	●		P59014MM	[-]	15,2	ATE				A02258	
2.0 16V	100	03/94 → 09/99	●	-arm.veh.; → V1999999	P59019MM	[o]	17,5	ATE	A00308	730	→ V1999999; -arm.veh.		
	100	03/94 → 09/99	●	+arm.veh.; W1000001 →	P59016MM	[o]	18,3	TRW	A00308	730	→ V1999999; -arm.veh.		
	100	03/94 → 09/99	●		P59014MM	[-]	15,2	ATE					
2.0 DTI 16V	74	09/97 → 09/00	●		P59016MM	[o]	18,3	TRW	A00309	735			
	74	09/97 → 09/00	●		P59014MM	[-]	15,2	ATE				A02296	solid
2.2 16V	106	09/99 → 07/03	●		P59016MM	[o]	18,3	TRW	A00309	735			
	106	09/99 → 07/03	●		P59014MM	[-]	15,2	ATE				A02296	solid
2.2 DTI 16V	88	09/00 → 07/03	●		P59016MM	[o]	18,3	TRW	A00309	735			
	88	09/00 → 07/03	●		P59014MM	[-]	15,2	ATE				A02296	solid
	81	09/00 → 07/03	●		P59016MM	[o]	18,3	TRW	A00309	735			
	81	09/00 → 07/03	●		P59014MM	[-]	15,2	ATE					
	86	01/01 → 07/03	●	W1000001 →	P59016MM	[o]	18,3	TRW	A00309	735			
	86	01/01 → 07/03	●		P59014MM	[-]	15,2	ATE					
2.5 D	96	05/94 → 05/99	●		P59016MM	[o]	18,3	TRW	A00309	735			
	96	05/94 → 05/99	●		P59014MM	[-]	15,2	ATE					

		kw					wi	Th [mm]	SYS	wi		FK		
											LENGHT			

OPEL

OMEGA B (25_, 26_, 27_) 03/94 → 07/03

2.5 DTI	110	09/01 → 07/03	•		P59016MM	[O]	18,3	TRW	A00309	735				
	110	09/01 → 07/03		•	P59014MM	[-]	15,2	ATE				A02296	solid	
2.5 TD	96	04/94 → 07/03	•		P59016MM	[O]	18,3	TRW	A00309	735				
	96	04/94 → 07/03		•	P59014MM	[-]	15,2	ATE						
2.5 V6	125	03/94 → 09/00	•		P59016MM	[O]	18,3	TRW	A00309	735				
	125	03/94 → 09/00		•	P59014MM	[-]	15,2	ATE						
2.6 V6	132	09/00 → 07/03	•		P59016MM	[O]	18,3	TRW	A00309	735				
	132	09/00 → 07/03		•	P59014MM	[-]	15,2	ATE				A02296	solid	
3.0 V6	155	04/94 → 02/01	•		P59016MM	[O]	18,3	TRW	A00309	735				
	155	04/94 → 02/01		•	P59014MM	[-]	15,2	ATE						
3.2 V6	160	02/01 → 07/03	•		P59016MM	[O]	18,3	TRW	A00309	735				
	160	02/01 → 07/03		•	P59014MM	[-]	15,2	ATE				A02296	solid	

OMEGA B Estate (21_, 22_, 23_) 03/94 → 07/03

2.0	85	03/94 → 09/99	•	-arm.veh.; → V1999999	P59019MM	[O]	17,5	ATE	A00308	730	→ V1999999; -arm.veh.			
	85	03/94 → 09/99	•	+arm.veh.; W1000001 →	P59016MM	[O]	18,3	TRW	A00308	730	→ V1999999; -arm.veh.			
	85	03/94 → 09/99		•	P59014MM	[-]	15,2	ATE						
2.0 16V	100	03/94 → 09/99	•	-arm.veh.; → V1999999	P59019MM	[O]	17,5	ATE	A00308	730	→ V1999999; -arm.veh.			
	100	03/94 → 09/99	•	+arm.veh.; W1000001 →	P59016MM	[O]	18,3	TRW	A00308	730	→ V1999999; -arm.veh.			
	100	03/94 → 09/99		•	P59014MM	[-]	15,2	ATE						
2.0 DTI 16V	74	09/97 → 09/00	•		P59016MM	[O]	18,3	TRW	A00309	735				
	74	09/97 → 09/00		•	P59014MM	[-]	15,2	ATE				A02296	solid	
2.2 16V	106	09/99 → 07/03	•		P59016MM	[O]	18,3	TRW	A00309	735				
	106	09/99 → 07/03		•	P59014MM	[-]	15,2	ATE				A02296	solid	
2.2 DTI 16V	88	09/00 → 07/03	•		P59016MM	[O]	18,3	TRW	A00309	735				
	88	09/00 → 07/03		•	P59014MM	[-]	15,2	ATE				A02296	solid	
	81	09/00 → 07/03	•		P59016MM	[O]	18,3	TRW	A00309	735				
	81	09/00 → 07/03		•	P59014MM	[-]	15,2	ATE						
2.5 DTI	110	09/01 → 07/03	•		P59016MM	[O]	18,3	TRW	A00309	735				
	110	09/01 → 07/03		•	P59014MM	[-]	15,2	ATE				A02296	solid	
2.5 TD	96	04/94 → 07/01	•		P59016MM	[O]	18,3	TRW	A00309	735				
	96	04/94 → 07/01		•	P59014MM	[-]	15,2	ATE				A02296	solid	
2.5 V6	125	03/94 → 09/00	•		P59016MM	[O]	18,3	TRW	A00309	735				
	125	03/94 → 09/00		•	P59014MM	[-]	15,2	ATE						
2.6 V6	132	09/00 → 07/03	•		P59016MM	[O]	18,3	TRW	A00309	735				
	132	09/00 → 07/03		•	P59014MM	[-]	15,2	ATE				A02296	solid	
3.0 V6	155	04/94 → 02/01	•		P59016MM	[O]	18,3	TRW	A00309	735				
	155	04/94 → 02/01		•	P59014MM	[-]	15,2	ATE				A02296	solid	
3.2 V6	160	02/01 → 07/03	•		P59016MM	[O]	18,3	TRW	A00309	735				
	160	02/01 → 07/03		•	P59014MM	[-]	15,2	ATE				A02296	solid	

SIGNUM 05/03 →

1.8	90	05/03 →	•	→ 51066206	P59043MM	[O]	20,6	ATE	A00251	685	→ 41048789; → 48045597	A02202	-sport pack; +special veh.; 51064147 →; 510662 →; +sport pack; +special veh.; 51066207 →
	90	05/03 →	•	61000001 →	P10011MM	[O]	20,6	ATE	A00251	685	→ 41048789; → 48045597	A02202	-sport pack; +special veh.; 51064147 →; 510662 →; +sport pack; +special veh.; 51066207 →
	90	05/03 →		•	P59042MM	[O]	16,7	ATE					
	103	09/05 →	•	→ 51066206	P59043MM	[O]	20,6	ATE	A00251	685	→ 41048789; → 48045597	A02202	
	103	09/05 →	•	61000001 →	P10011MM	[O]	20,6	ATE	A00251	685	→ 41048789; → 48045597	A02202	
	103	09/05 →		•	P59042MM	[O]	16,7	ATE					



kw



wi

Th [mm]

SYS

WI

FK



LENGHT



OPEL

SIGNUM 05/03 →

1.9 CDTI	88	04/04 →	●	→ 51999999	P59043MM	[o]	20,6	ATE	A00251	685	→ 41048789; → 48045597	A02202	+special veh.; 51064147 →
	88	04/04 →	●	61000001 →	P10011MM	[o]	20,6	ATE	A00251	685	→ 41048789; → 48045597	A02202	+special veh.; 51064147 →
	88	04/04 →	●		P59042MM	[o]	16,7	ATE					
	110	04/04 →	●	→ 51999999	P59043MM	[o]	20,6	ATE	A00251	685	→ 41048789; → 48045597	A02202	+special veh.; 51064147 →
	110	04/04 →	●	61000001 →	P10011MM	[o]	20,6	ATE	A00251	685	→ 41048789; → 48045597	A02202	+special veh.; 51064147 →
	110	04/04 →	●		P59042MM	[o]	16,7	ATE					
	74	08/05 →	●		P10011MM	[o]	20,6	ATE	A00251	685	→ 41048789; → 48045597		
	74	08/05 →	●		P59042MM	[o]	16,7	ATE					
2.0 DTI	74	05/03 →	●	61000001 →	P10011MM	[o]	20,6	ATE	A00251	685	→ 41048789; → 48045597	A02202	-sport pack; +special veh.; 51064147 →
	74	05/03 →	●		P59043MM	[o]	20,6	ATE	A00251	685	→ 41048789; → 48045597	A02202	-sport pack; +special veh.; 51064147 →
	74	05/03 →	●		P59042MM	[o]	16,7	ATE					
2.0 Turbo	129	05/03 →	●	→ 51066206	P59043MM	[o]	20,6	ATE	A00251	685	→ 41048789; → 48045597	A02202	51066207 →
	129	05/03 →	●	61000001 →	P10011MM	[o]	20,6	ATE	A00251	685	→ 41048789; → 48045597	A02202	51066207 →
	129	05/03 →	●		P59042MM	[o]	16,7	ATE					
2.2 direct	114	05/03 →	●	→ 51066206	P59043MM	[o]	20,6	ATE	A00251	685	→ 41048789; → 48045597	A02202	-sport pack; +special veh.; 51064147 →; 510662 →; +sport pack; +special veh.; 51066207 →
	114	05/03 →	●	61000001 →	P10011MM	[o]	20,6	ATE	A00251	685	→ 41048789; → 48045597	A02202	-sport pack; +special veh.; 51064147 →; 510662 →; +sport pack; +special veh.; 51066207 →
	114	05/03 →	●		P59042MM	[o]	16,7	ATE					
2.2 DTI	92	05/03 →	●	→ 51066206	P59043MM	[o]	20,6	ATE	A00251	685	→ 41048789; → 48045597	A02202	-sport pack; +special veh.; 51064147 →; 510662 →; +sport pack; +special veh.; 51066207 →
	92	05/03 →	●	61000001 →	P10011MM	[o]	20,6	ATE	A00251	685	→ 41048789; → 48045597	A02202	-sport pack; +special veh.; 51064147 →; 510662 →; +sport pack; +special veh.; 51066207 →
	92	05/03 →	●		P59042MM	[o]	16,7	ATE					
2.2 DTI 16V	86	05/03 → 06/08	●	→ 51066206	P59043MM	[o]	20,6	ATE	A00251	685	→ 41048790		
	86	05/03 → 06/08	●	61000001 →	P10011MM	[o]	20,6	ATE	A00251	685	→ 41048790		
	86	05/03 → 06/08	●		P59042MM	[o]	16,7	ATE					
2.8 V6 Turbo	169	09/05 →	●	OPC	P10012MM	[-]	20,4	ATE	A00251	685	→ 41048790		
	169	09/05 →	●	-OPC	P59046MM	[o]	20,4	ATE	A00251	685	→ 41048790		
	169	09/05 →	●		P59042MM	[o]	16,7	ATE					
	184	01/06 →	●	-OPC	P59046MM	[o]	20,4	ATE	A00251	685	→ 41048790		
	184	01/06 →	●	-OPC; 61000001 →	P59049MM	[o]	20,9	ATE	A00251	685	→ 41048790		
	184	01/06 →	●	OPC; 61000001 →	P10012MM	[-]	20,4	ATE	A00251	685	→ 41048790		
	184	01/06 →	●		P59042MM	[o]	16,7	ATE					
3.0 V6 CDTI	130	05/03 →	●	→ 31068238	P59043MM	[o]	20,6	ATE	A00251	685	→ 31068238		
	130	05/03 →	●	31068239 →; → 51999999	P59049MM	[o]	20,9	ATE	A00251	685	→ 31068238		
	130	05/03 →	●	+special veh.; (UK)	P59046MM	[o]	20,4	ATE	A00251	685	→ 31068238		
	130	05/03 →	●		P59042MM	[o]	16,7	ATE					
	135	09/05 →	●		P59046MM	[o]	20,4	ATE	A00251	685	→ 41048790		
	135	09/05 →	●	→ 31068238	P59043MM	[o]	20,6	ATE	A00251	685	→ 41048790		
	135	09/05 →	●	31068239 →	P59049MM	[o]	20,9	ATE	A00251	685	→ 41048790		
135	09/05 →	●		P59042MM	[o]	16,7	ATE						

		kw						WI	Th [mm]	SYS	WI		FK		
												LENGHT			

OPEL

SIGNUM 05/03 →

3.2 V6	155	05/03 →	●	→ 31068238	P59043MM	[O]	20,6	ATE	A00251	685	→ 31068238		
	155	05/03 →	●	31068239 →; → 51999999	P59049MM	[O]	20,9	ATE	A00251	685	→ 31068238		
	155	05/03 →	●	+special veh.; (UK)	P59046MM	[O]	20,4	ATE	A00251	685	→ 31068238		
	155	05/03 →	●		P59042MM	[O]	16,7	ATE					

SINTRA 11/96 → 04/99

2.2 DTI	85	07/97 → 04/99	●		P59028MM	[+]	18	WAG					
	85	07/97 → 04/99	●		P59027MM	[+]	15	AKE					
2.2 i 16V	104	11/96 → 04/99	●		P59028MM	[+]	18	WAG					
	104	11/96 → 04/99	●		P59027MM	[+]	15	AKE					
3.0 i 24V	148	11/96 → 04/99	●		P59028MM	[+]	18	WAG					
	148	11/96 → 04/99	●		P59027MM	[+]	15	AKE					

SPEEDSTER 09/00 →

2.0 Turbo	147	04/03 →	●		P59025MM	[-]	14,5	ATE					
	147	04/03 →	●		P59026MM	[-]	12,9	BRE					
2.2	108	09/00 →	●		P59025MM	[-]	14,5	ATE					
	108	09/00 →	●		P59026MM	[-]	12,9	BRE					

TIGRA (75_) 07/94 → 12/00

1.4 16V	66	07/94 → 12/00	●		P59011MM	[O]	16,8	ATE				A02238	
	63	08/97 → 12/00	●		P59011MM	[O]	16,8	ATE				A02238	
1.6 16V	78	07/94 → 08/98	●		P59011MM	[O]	16,8	ATE				A02238	
	74	08/97 → 08/98	●		P59011MM	[O]	16,8	ATE				A02238	

TIGRA TwinTop 06/04 →

1.3 CDTI	51	06/04 →	●		P59036MM	[+]	17	TRW					
	51	06/04 →	●	+rear disc	P59037MM	[+]	14	TRW					
1.4	66	06/04 →	●		P59036MM	[+]	17	TRW					
	66	06/04 →	●	+rear disc	P59037MM	[+]	14	TRW					
1.8	92	06/04 →	●		P59036MM	[+]	17	TRW					
	92	06/04 →	●	+rear disc	P59037MM	[+]	14	TRW					

VECTRA B (36_) 09/95 → 04/02

1.6 i	55	10/95 → 04/02	●	XL000001 → XL999999	P59017MM	[O]	18,3	ATE	A00263	660	XL000001 → XL999999	A02241	XL000001 → XL999999
	55	10/95 → 04/02	●		P59022MM	[O]	19,6	ATE	A00264	660		A02241	XL000001 → XL999999
1.6 i 16V	74	10/95 → 04/02	●	XL000001 → XL999999	P59017MM	[O]	18,3	ATE	A00263	660	XL000001 → XL999999	A02241	XL000001 → XL999999
	74	10/95 → 04/02	●		P59022MM	[O]	19,6	ATE	A00264	660		A02241	XL000001 → XL999999
	74	10/95 → 04/02	●		P59014MM	[-]	15,2	ATE				A02258	
1.7 TD	60	10/95 → 12/98	●		P59017MM	[O]	18,3	ATE	A00263	660		A02241	
	60	10/95 → 12/98	●		P59014MM	[-]	15,2	ATE				A02258	
1.8 i 16V	85	10/95 → 09/00	●	XL000001 → XL999999	P59017MM	[O]	18,3	ATE	A00263	660	XL000001 → XL999999	A02241	XL000001 → XL999999
	85	10/95 → 09/00	●		P59022MM	[O]	19,6	ATE	A00264	660		A02241	XL000001 → XL999999
	85	10/95 → 09/00	●		P59014MM	[-]	15,2	ATE				A02258	
	92	09/00 → 04/02	●	XL000001 → XL999999	P59017MM	[O]	18,3	ATE	A00263	660	XL000001 → XL999999	A02241	XL000001 → XL999999
	92	09/00 → 04/02	●		P59022MM	[O]	19,6	ATE	A00264	660		A02241	XL000001 → XL999999
2.0 DI 16V	60	11/96 → 04/02	●	XL000001 → XL999999	P59017MM	[O]	18,3	ATE	A00263	660	XL000001 → XL999999	A02241	XL000001 → XL999999
	60	11/96 → 04/02	●		P59022MM	[O]	19,6	ATE	A00264	660		A02241	XL000001 → XL999999
	74	06/97 → 04/02	●	XL000001 → XL999999	P59017MM	[O]	18,3	ATE	A00263	660	XL000001 → XL999999	A02241	XL000001 → XL999999
2.0 DTI 16V	74	06/97 → 04/02	●		P59022MM	[O]	19,6	ATE	A00264	660		A02241	XL000001 → XL999999
	74	06/97 → 04/02	●		P59014MM	[-]	15,2	ATE				A02258	
	82	10/95 → 04/02	●		P59022MM	[O]	19,6	ATE	A00264	660		A02202	
2.0 i	82	10/95 → 04/02	●		P59014MM	[-]	15,2	ATE				A02258	
	100	10/95 → 09/00	●		P59022MM	[O]	19,6	ATE	A00264	660		A02202	
2.0 i 16V	100	10/95 → 09/00	●		P59014MM	[-]	15,2	ATE				A02258	
	100	10/95 → 09/00	●		P59022MM	[O]	19,6	ATE	A00264	660		A02202	

OPEL

VECTRA B (36_) 09/95 → 04/02

2.2 DTI 16V	88	09/00 → 04/02	●		P59022MM	[O]	19,6	ATE	A00264	660			A02202	
	88	09/00 → 04/02		●	P59014MM	[-]	15,2	ATE					A02258	
	92	09/00 → 04/02	●		P59022MM	[O]	19,6	ATE	A00264	660			A02202	
	92	09/00 → 04/02		●	P59014MM	[-]	15,2	ATE					A02258	
2.2 i 16V	108	09/00 → 04/02	●		P59022MM	[O]	19,6	ATE	A00264	660			A02202	
	108	09/00 → 04/02		●	P59014MM	[-]	15,2	ATE					A02258	
2.5 i V6	125	10/95 → 09/00	●		P59022MM	[O]	19,6	ATE	A00264	660			A02202	
	125	10/95 → 09/00		●	P59014MM	[-]	15,2	ATE					A02258	
2.6 i V6	125	09/00 → 04/02	●		P59022MM	[O]	19,6	ATE	A00264	660			A02202	
	125	09/00 → 04/02		●	P59014MM	[-]	15,2	ATE					A02258	
i 500 2.5	143	05/98 → 09/00	●		P59022MM	[O]	19,6	ATE	A00264	660				
	143	05/98 → 09/00		●	P59014MM	[-]	15,2	ATE					A02258	

VECTRA B Estate (31_) 11/96 → 07/03

1.6 i	55	11/96 → 06/00	●	→ W-999999; XL000001 → XL999999	P59017MM	[O]	18,3	ATE	A00263	660	XL000001 → XL999999	A02241	XL000001 → XL999999
	55	11/96 → 06/00		●	P59022MM	[O]	19,6	ATE	A00264	660		A02241	XL000001 → XL999999
1.6 i 16V	74	11/96 → 07/02	●	→ W-999999; XL000001 → XL999999	P59017MM	[O]	18,3	ATE	A00263	660	XL000001 → XL999999	A02241	XL000001 → XL999999
	74	11/96 → 07/02		●	P59022MM	[O]	19,6	ATE	A00264	660		A02241	XL000001 → XL999999
	74	11/96 → 07/02		●	P59014MM	[-]	15,2	ATE				A02258	
1.7 TD	60	11/96 → 12/97	●		P59017MM	[O]	18,3	ATE	A00263	660			
	60	11/96 → 12/97		●	P59014MM	[-]	15,2	ATE					
1.8 i 16V	85	11/96 → 09/00	●	→ W-999999; XL000001 → XL999999	P59017MM	[O]	18,3	ATE	A00263	660	XL000001 → XL999999	A02241	XL000001 → XL999999
	85	11/96 → 09/00		●	P59022MM	[O]	19,6	ATE	A00264	660		A02241	XL000001 → XL999999
	85	11/96 → 09/00		●	P59014MM	[-]	15,2	ATE				A02258	
	85	11/96 → 09/00	●	XL000001 → XL999999; → W-999999	P59017MM	[O]	18,3	ATE	A00263	660	XL000001 → XL999999	A02241	XL000001 → XL999999
	92	09/00 → 07/03	●	→ W-999999; XL000001 → XL999999	P59017MM	[O]	18,3	ATE	A00263	660	XL000001 → XL999999	A02241	XL000001 → XL999999
	92	09/00 → 07/03		●	P59022MM	[O]	19,6	ATE	A00264	660		A02241	XL000001 → XL999999
	92	09/00 → 07/03		●	P59014MM	[-]	15,2	ATE				A02258	
2.0 DI 16V	60	11/96 → 06/00	●	→ W-999999; XL000001 → XL999999	P59017MM	[O]	18,3	ATE	A00263	660	XL000001 → XL999999	A02241	XL000001 → XL999999
	60	11/96 → 06/00		●	P59022MM	[O]	19,6	ATE	A00264	660		A02241	XL000001 → XL999999
	60	11/96 → 06/00		●	P59014MM	[-]	15,2	ATE				A02258	
2.0 DTI 16V	74	06/97 → 07/03	●	→ W-999999; XL000001 → XL999999	P59017MM	[O]	18,3	ATE	A00263	660	XL000001 → XL999999	A02241	XL000001 → XL999999
	74	06/97 → 07/03		●	P59022MM	[O]	19,6	ATE	A00264	660		A02241	XL000001 → XL999999
	74	06/97 → 07/03		●	P59014MM	[-]	15,2	ATE				A02258	
2.0 i	82	11/96 → 02/02	●		P59022MM	[O]	19,6	ATE	A00264	660			A02202
	82	11/96 → 02/02		●	P59014MM	[-]	15,2	ATE					A02258
2.0 i 16V	100	11/96 → 09/00	●		P59022MM	[O]	19,6	ATE	A00264	660			A02202
	100	11/96 → 09/00		●	P59014MM	[-]	15,2	ATE					A02258
2.2 DTI 16V	88	09/00 → 04/02	●		P59022MM	[O]	19,6	ATE	A00264	660			A02202
	88	09/00 → 04/02		●	P59014MM	[-]	15,2	ATE					A02258
	92	09/00 → 07/03	●		P59022MM	[O]	19,6	ATE	A00264	660			A02202
	92	09/00 → 07/03		●	P59014MM	[-]	15,2	ATE					A02258
2.2 i 16V	108	09/00 → 07/03	●		P59022MM	[O]	19,6	ATE	A00264	660			A02202
	108	09/00 → 07/03		●	P59014MM	[-]	15,2	ATE					A02258
2.5 i V6	125	11/96 → 09/00	●		P59022MM	[O]	19,6	ATE	A00264	660			A02202
	125	11/96 → 09/00		●	P59014MM	[-]	15,2	ATE					A02258
2.6 i V6	125	09/00 → 07/03	●		P59022MM	[O]	19,6	ATE	A00264	660			A02202
	125	09/00 → 07/03		●	P59014MM	[-]	15,2	ATE					A02258
i 500 2.5	143	05/98 → 09/00	●		P59022MM	[O]	19,6	ATE	A00264	660			A02202
	143	05/98 → 09/00		●	P59014MM	[-]	15,2	ATE					A02258

								Th [mm]	SYS		LENGHT			
										WI		FK		

OPEL

VECTRA B Hatchback (38_)		10/95 → 07/03													
1.6 i	55	10/95 → 07/03	●	XL000001 → XL999999	P59017MM	[O]	18,3	ATE	A00263	660	XL000001 → XL999999	A02241	XL000001 → XL999999		
	55	10/95 → 07/03	●		P59022MM	[O]	19,6	ATE	A00264	660		A02241	XL000001 → XL999999		
1.6 i 16V	74	10/95 → 07/02	●	XL000001 → XL999999	P59017MM	[O]	18,3	ATE	A00263	660	XL000001 → XL999999	A02241	XL000001 → XL999999		
	74	10/95 → 07/02	●		P59022MM	[O]	19,6	ATE	A00264	660		A02241	XL000001 → XL999999		
	74	10/95 → 07/02	●		P59014MM	[-]	15,2	ATE				A02258			
1.7 TD	60	10/95 → 12/98	●		P59017MM	[O]	18,3	ATE	A00263	660		A02241			
	60	10/95 → 12/98	●		P59014MM	[-]	15,2	ATE				A02258			
1.8 i 16V	85	10/95 → 09/00	●	XL000001 → XL999999	P59017MM	[O]	18,3	ATE	A00263	660	XL000001 → XL999999	A02241	XL000001 → XL999999		
	85	10/95 → 09/00	●		P59022MM	[O]	19,6	ATE	A00264	660		A02241	XL000001 → XL999999		
	85	10/95 → 09/00	●		P59014MM	[-]	15,2	ATE				A02258			
	92	09/00 → 07/03	●	XL000001 → XL999999	P59017MM	[O]	18,3	ATE	A00263	660	XL000001 → XL999999	A02241	XL000001 → XL999999		
2.0 DI 16V	92	09/00 → 07/03	●		P59022MM	[O]	19,6	ATE	A00264	660		A02241	XL000001 → XL999999		
	92	09/00 → 07/03	●		P59014MM	[-]	15,2	ATE				A02258			
	60	11/96 → 06/00	●	XL000001 → XL999999	P59017MM	[O]	18,3	ATE	A00263	660	XL000001 → XL999999	A02241	XL000001 → XL999999		
	60	11/96 → 06/00	●		P59022MM	[O]	19,6	ATE	A00264	660		A02241	XL000001 → XL999999		
2.0 DTI 16V	74	06/97 → 07/03	●	XL000001 → XL999999	P59017MM	[O]	18,3	ATE	A00263	660	XL000001 → XL999999	A02241	XL000001 → XL999999		
	74	06/97 → 07/03	●		P59022MM	[O]	19,6	ATE	A00264	660		A02241	XL000001 → XL999999		
	74	06/97 → 07/03	●		P59014MM	[-]	15,2	ATE				A02258			
2.0 i	82	10/95 → 02/02	●		P59022MM	[O]	19,6	ATE	A00264	660		A02202			
	82	10/95 → 02/02	●		P59014MM	[-]	15,2	ATE				A02258			
2.0 i 16V	100	10/95 → 09/00	●		P59022MM	[O]	19,6	ATE	A00264	660		A02202			
	100	10/95 → 09/00	●		P59014MM	[-]	15,2	ATE				A02258			
2.2 DTI 16V	88	09/00 → 04/02	●		P59022MM	[O]	19,6	ATE	A00264	660		A02202			
	88	09/00 → 04/02	●		P59014MM	[-]	15,2	ATE				A02258			
	92	09/00 → 07/03	●		P59022MM	[O]	19,6	ATE	A00264	660		A02202			
	92	09/00 → 07/03	●		P59014MM	[-]	15,2	ATE				A02258			
2.2 i 16V	108	09/00 → 07/03	●		P59022MM	[O]	19,6	ATE	A00264	660		A02202			
	108	09/00 → 07/03	●		P59014MM	[-]	15,2	ATE				A02258			
2.5	144	10/99 → 06/00	●		P59022MM	[O]	19,6	ATE	A00264	660					
	144	10/99 → 06/00	●		P59014MM	[-]	15,2	ATE							
2.5 i V6	125	10/95 → 09/00	●		P59022MM	[O]	19,6	ATE	A00264	660		A02202			
	125	10/95 → 09/00	●		P59014MM	[-]	15,2	ATE				A02258			
2.6 i V6	125	09/00 → 07/03	●		P59022MM	[O]	19,6	ATE	A00264	660		A02202			
	125	09/00 → 07/03	●		P59014MM	[-]	15,2	ATE				A02258			
VECTRA C		04/02 →													
1.6	77	01/06 →	●	→ 58999999; → 51999999	P59043MM	[O]	20,6	ATE	A00251	685	→ 41048789; → 48045597	A02202			
	77	01/06 →	●	61000001 →; 68 →	P10011MM	[O]	20,6	ATE	A00251	685	→ 41048789; → 48045597	A02202			
	77	01/06 →	●		P59042MM	[O]	16,7	ATE							
1.6 16V	74	06/04 →	●	→ 58999999; → 51999999	P59043MM	[O]	20,6	ATE	A00251	685	→ 41048789; → 48045597	A02202	51064147 →; 58 →; → 51064146; → 48999999		
	74	06/04 →	●	61000001 →; 68 →	P10011MM	[O]	20,6	ATE	A00251	685	→ 41048789; → 48045597	A02202	51064147 →; 58 →; → 51064146; → 48999999		
	74	06/04 →	●		P59042MM	[O]	16,7	ATE							
1.8	81	04/02 →	●		P59043MM	[O]	20,6	ATE	A00251	685	→ 41048789; → 48045597	A02202	51064147 →; 58 →; 51066207 →; → 51064146; → 48999999		
	81	04/02 →	●	61000001 →; 68 →	P10011MM	[O]	20,6	ATE	A00251	685	→ 41048789; → 48045597	A02202	51064147 →; 58 →; 51066207 →; → 51064146; → 48999999		
	81	04/02 →	●		P59042MM	[O]	16,7	ATE							
	103	01/06 →	●	→ 51999999; → 58999999	P59043MM	[O]	20,6	ATE	A00251	685	→ 41048789; → 48045597	A02202			
	103	01/06 →	●	68 →; 61000001 →	P10011MM	[O]	20,6	ATE	A00251	685	→ 41048789; → 48045597	A02202			
	103	01/06 →	●		P59042MM	[O]	16,7	ATE							



kW



WI

Th [mm]

SYS

WI

FK



LENGHT



OPEL

VECTRA C 04/02 →

Model	Power (kW)	Duration	Vehicle Type	Part Name	Material	Th [mm]	SYS	WI	LENGHT	FK		
1.8 16V	90	04/02 →	●	P59043MM	[O]	20,6	ATE	A00251	685	→ 41048789; → 48045597	A02202	→ 51064146; → 48999999
	90	04/02 →	●	P10011MM	[O]	20,6	ATE	A00251	685	→ 41048789; → 48045597	A02202	→ 51064146; → 48999999
	90	04/02 →	●	P59042MM	[O]	16,7	ATE					
1.9 CDTI	88	04/04 → 01/09	●	P10011MM	[O]	20,6	ATE	A00251	685	→ 48045597; → 41048789	A02202	54064147 →; 58 →
	88	04/04 → 01/09	●	P59042MM	[O]	16,7	ATE					
	110	04/04 →	●	P10011MM	[O]	20,6	ATE	A00251	685	→ 41048789; → 48045597	A02202	51064147 →; 58 →
	110	04/04 →	●	P59042MM	[O]	16,7	ATE					
	74	10/05 →	●	P10011MM	[O]	20,6	ATE	A00251	685	→ 41048789; → 48045597	A02202	54064147 →; 58 →
	74	10/05 →	●	P59042MM	[O]	16,7	ATE					
2.0 16V Turbo	129	03/03 →	●	P59043MM	[O]	20,6	ATE	A00251	685	→ 41048789; → 48045597	A02202	51066207 →; 58 →
	129	03/03 →	●	P10011MM	[O]	20,6	ATE	A00251	685	→ 41048789; → 48045597	A02202	51066207 →; 58 →
	129	03/03 →	●	P59042MM	[O]	16,7	ATE					
2.0 DTI 16V	74	04/02 →	●	P10011MM	[O]	20,6	ATE	A00251	685	→ 41048789; → 48045597	A02202	51064147 →; 58 →; → 51064146; → 48999999
	74	04/02 →	●	P59042MM	[O]	16,7	ATE					
2.2 16V	108	04/02 →	●	P59043MM	[O]	20,6	ATE	A00251	685	→ 41048789; → 48045597	A02202	→ 51064146; → 48999999
	108	04/02 →	●	P10011MM	[O]	20,6	ATE	A00251	685	→ 41048789; → 48045597	A02202	→ 51064146; → 48999999
	108	04/02 →	●	P59042MM	[O]	16,7	ATE					
2.2 direct	114	10/03 →	●	P59043MM	[O]	20,6	ATE	A00251	685	→ 41048789; → 48045597	A02202	→ 51064146; → 48999999
	114	10/03 →	●	P10011MM	[O]	20,6	ATE	A00251	685	→ 41048789; → 48045597	A02202	→ 51064146; → 48999999
	114	10/03 →	●	P59042MM	[O]	16,7	ATE					
2.2 DTI 16V	92	04/02 →	●	P59043MM	[O]	20,6	ATE	A00251	685	→ 41048789; → 48045597	A02202	51064147 →; 58 →; 51066207 →; → 51064146; → 48999999
	92	04/02 →	●	P10011MM	[O]	20,6	ATE	A00251	685	→ 41048789; → 48045597	A02202	51064147 →; 58 →; 51066207 →; → 51064146; → 48999999
	92	04/02 →	●	P59042MM	[O]	16,7	ATE					
	86	04/02 → 12/04	●	P59043MM	[O]	20,6	ATE	A00251	685	→ 41048789; → 48045597		
	86	04/02 → 12/04	●	P10011MM	[O]	20,6	ATE	A00251	685	→ 41048789; → 48045597		
	86	04/02 → 12/04	●	P59042MM	[O]	16,7	ATE					
2.8 V6 Turbo	169	08/05 →	●	P10012MM	[-]	20,4	ATE	A00251	685	→ 41048790; → 48045598		
	169	08/05 →	●	P59049MM	[O]	20,9	ATE	A00251	685	→ 41048790; → 48045598		
	169	08/05 →	●	P59042MM	[O]	16,7	ATE					
	188	08/05 →	●	P10012MM	[-]	20,4	ATE	A00251	685	→ 41048790; → 48045598		
	188	08/05 →	●	P59049MM	[O]	20,9	ATE	A00251	685	→ 41048790; → 48045598		
	188	08/05 →	●	P59042MM	[O]	16,7	ATE					
	184	08/06 →	●	P10012MM	[-]	20,4	ATE	A00251	685	→ 41048790; → 48045598		
	184	08/06 →	●	P59049MM	[O]	20,9	ATE	A00251	685	→ 41048790; → 48045598		
	184	08/06 →	●	P59042MM	[O]	16,7	ATE					
2.8 V6 Turbo OPC	206	09/06 → 09/08	●	P59043MM	[O]	20,6	ATE	A00251	685	→ 41048790; → 48045598		

OPEL
VECTRA C 04/02 →

2.8 V6 Turbo OPC	206	09/06 → 09/08	●	OPC; VXR; 61000001 →	P10012MM [-]	20,4	ATE	A00251	685	→ 41048790; → 48045598		
	206	09/06 → 09/08	●		P59042MM [O]	16,7	ATE					
3.0 CDTI	130	06/03 →	●	→ 31070293; → 38047797	P59043MM [O]	20,6	ATE	A00251	685	→ 31070293; → 38047797		
	130	06/03 →	●	31070294 →; 38047798 →; → 58999999; → 51999999	P59049MM [O]	20,9	ATE	A00251	685	→ 31070293; → 38047797		
	130	06/03 →	●	+special veh.; (UK)	P59046MM [O]	20,4	ATE	A00251	685	→ 31070293; → 38047797		
	130	06/03 →	●		P59042MM [O]	16,7	ATE					
	135	08/05 →	●	61000001 →; 68 →	P59049MM [O]	20,9	ATE	A00251	685	→ 41048790; → 48045598		
	135	08/05 →	●		P59042MM [O]	16,7	ATE					
3.2 V6	155	08/02 →	●	→ 38047797; → 31070293	P59043MM [O]	20,6	ATE	A00251	685	→ 31070293; → 38047797		
	155	08/02 →	●	31070294 →; 38047798 →; → 58999999; → 51999999	P59049MM [O]	20,9	ATE	A00251	685	→ 31070293; → 38047797		
	155	08/02 →	●	+special veh.; (UK)	P59046MM [O]	20,4	ATE	A00251	685	→ 31070293; → 38047797		
	155	08/02 →	●		P59042MM [O]	16,7	ATE					

VECTRA C Estate 10/03 →

1.6	77	01/06 →	●	→ 51999999; → 58999999	P59043MM [O]	20,6	ATE	A00251	685	→ 41048789; → 48045597		
	77	01/06 →	●	61000001 →	P10011MM [O]	20,6	ATE	A00251	685	→ 41048789; → 48045597		
	77	01/06 →	●		P59042MM [O]	16,7	ATE					
1.6 16V	74	06/04 →	●	→ 58999999; → 51999999	P59043MM [O]	20,6	ATE	A00251	685	→ 41048789; → 48045597	A02202	
	74	06/04 →	●	61000001 →	P10011MM [O]	20,6	ATE	A00251	685	→ 41048789; → 48045597	A02202	
	74	06/04 →	●		P59042MM [O]	16,7	ATE					
1.8	90	10/03 →	●	→ 10/08	P59043MM [O]	20,6	ATE	A00251	685	→ 41048789; → 48045597	A02202	
	90	10/03 →	●	→ 10/08	P10011MM [O]	20,6	ATE	A00251	685	→ 41048789; → 48045597	A02202	
	90	10/03 →	●		P59042MM [O]	16,7	ATE					
	103	01/06 →	●	→ 58999999; → 51999999	P59043MM [O]	20,6	ATE	A00251	685	→ 41048789; → 48045597	A02202	
	103	01/06 →	●	61000001 →	P10011MM [O]	20,6	ATE	A00251	685	→ 41048789; → 48045597	A02202	
	103	01/06 →	●		P59042MM [O]	16,7	ATE					
1.9 CDTI	88	04/04 → 01/09	●	61000001 →	P10011MM [O]	20,6	ATE	A00251	685	→ 48045597; → 41048789	A02202	
	88	04/04 → 01/09	●		P59042MM [O]	16,7	ATE					
	110	04/04 →	●	61000001 →	P10011MM [O]	20,6	ATE	A00251	685	→ 41048789; → 48045597	A02202	
	110	04/04 →	●		P59042MM [O]	16,7	ATE					
	74	10/05 →	●	61000001 →	P10011MM [O]	20,6	ATE	A00251	685	→ 41048789; → 48045597	A02202	
	74	10/05 →	●		P59042MM [O]	16,7	ATE					
2.0 DTI	74	10/03 →	●		P10011MM [O]	20,6	ATE	A00251	685	→ 41048789; → 48045597	A02202	
	74	10/03 →	●	→ 51999999; → 58999999	P59043MM [O]	20,6	ATE	A00251	685	→ 41048789; → 48045597	A02202	
	74	10/03 →	●		P59042MM [O]	16,7	ATE					
2.0 Turbo	129	10/03 →	●	→ 51999999; → 58999999	P59043MM [O]	20,6	ATE	A00251	685	→ 41048789; → 48045597	A02202	
	129	10/03 →	●	61000001 →	P10011MM [O]	20,6	ATE	A00251	685	→ 41048789; → 48045597	A02202	
	129	10/03 →	●		P59042MM [O]	16,7	ATE					



kw



MAGNETI MARELLI

WI

Th [mm]

SYS

WI

FK

MAGNETI MARELLI

LENGHT



MAGNETI MARELLI



OPEL

VECTRA C Estate 10/03 →

2.2 direct	114	10/03 →	●	→ 51999999; → 58999999	P59043MM	[o]	20,6	ATE	A00251	685	→ 41048789; → 48045597	A02202	
	114	10/03 →	●	61000001 →	P10011MM	[o]	20,6	ATE	A00251	685	→ 41048789; → 48045597	A02202	
	114	10/03 →	●		P59042MM	[o]	16,7	ATE					
2.2 DTI	92	10/03 →	●	51066207 →; → 51999999; → 58999999	P10011MM	[o]	20,6	ATE	A00251	685	→ 41048789; → 48045597	A02202	
	92	10/03 →	●	→ 51999999; → 58999999	P59043MM	[o]	20,6	ATE	A00251	685	→ 41048789; → 48045597	A02202	
	92	10/03 →	●		P59042MM	[o]	16,7	ATE					
	86	10/03 → 06/08	●	51066207 →; → 58999999; → 51999999	P10011MM	[o]	20,6	ATE	A00251	685			
	86	10/03 → 06/08	●	→ 58999999; → 51066206	P59043MM	[o]	20,6	ATE	A00251	685			
	86	10/03 → 06/08	●		P59042MM	[o]	16,7	ATE					
2.8 V6 Turbo	169	08/05 →	●		P10012MM	[-]	20,4	ATE	A00251	685	→ 41048790; → 48045598		
	169	08/05 →	●	31070294 →; 38047798 →	P59049MM	[o]	20,9	ATE	A00251	685	→ 41048790; → 48045598		
	169	08/05 →	●		P59042MM	[o]	16,7	ATE					
	188	08/05 →	●		P10012MM	[-]	20,4	ATE	A00251	685	→ 41048790; → 48045598		
	188	08/05 →	●		P59042MM	[o]	16,7	ATE					
	206	01/07 →	●		P10012MM	[-]	20,4	ATE	A00251	685	→ 41048790; → 48045598		
	206	01/07 →	●		P59042MM	[o]	16,7	ATE					
	184	01/07 →	●		P10012MM	[-]	20,4	ATE	A00251	685	→ 41048790; → 48045598		
3.0 V6 CDTI	130	10/03 →	●	→ 38047797; → 31070293	P59043MM	[o]	20,6	ATE	A00251	685	→ 31070293; → 38047797		
	130	10/03 →	●	→ 38047797; → 31070293	P59046MM	[o]	20,4	ATE	A00251	685	→ 31070293; → 38047797		
	130	10/03 →	●	31070294 →; 38047798 →	P59049MM	[o]	20,9	ATE	A00251	685	→ 31070293; → 38047797		
	130	10/03 →	●		P59042MM	[o]	16,7	ATE					
	135	08/05 →	●	31070294 →; 38047798 →	P59049MM	[o]	20,9	ATE	A00251	685	→ 41048790; → 48045598		
	135	08/05 →	●		P59042MM	[o]	16,7	ATE					
3.2 V6	155	10/03 →	●	→ 31070293; → 38047797	P59043MM	[o]	20,6	ATE	A00251	685	→ 31070293; → 38047797		
	155	10/03 →	●	→ 31070293; → 38047797	P59046MM	[o]	20,4	ATE	A00251	685	→ 31070293; → 38047797		
	155	10/03 →	●	31070294 →; 38047798 →	P59049MM	[o]	20,9	ATE	A00251	685	→ 31070293; → 38047797		
	155	10/03 →	●		P59042MM	[o]	16,7	ATE					

VECTRA C GTS 08/02 →

1.6	74	08/05 →	●	→ 58999999; → 51999999	P59043MM	[o]	20,6	ATE	A00251	685	→ 41048789; → 48045597	A02202	51064147 →; 58 →; → 51064146; → 48999999
	74	08/05 →	●	61000001 →; 68 →	P10011MM	[o]	20,6	ATE	A00251	685	→ 41048789; → 48045597	A02202	51064147 →; 58 →; → 51064146; → 48999999
	74	08/05 →	●		P59042MM	[o]	16,7	ATE					
	77	01/06 →	●	→ 58999999; → 51999999	P59043MM	[o]	20,6	ATE	A00251	685	→ 41048789; → 48045597	A02202	
	77	01/06 →	●	61000001 →; 68 →	P10011MM	[o]	20,6	ATE	A00251	685	→ 41048789; → 48045597	A02202	
	77	01/06 →	●		P59042MM	[o]	16,7	ATE					
1.8	103	01/06 →	●	→ 51999999; → 58999999	P59043MM	[o]	20,6	ATE	A00251	685	→ 41048789; → 48045597	A02202	
	103	01/06 →	●	61000001 →; 68 →	P10011MM	[o]	20,6	ATE	A00251	685	→ 41048789; → 48045597	A02202	
	103	01/06 →	●		P59042MM	[o]	16,7	ATE					

Car	kw	S	E	i	MAGNETI MARELLI	wi	Th [mm]	SYS	WI			FK	
									MAGNETI MARELLI	LENGHT	i	MAGNETI MARELLI	i

OPEL

VECTRA C GTS 08/02 →

1.8 16V	90	08/02 →	•		P59043MM	[O]	20,6	ATE	A00251	685	→ 41048789; → 48045597	A02202	51064147 →; 58 →; 51066207 →; → 51064146; → 48999999
	90	08/02 →	•	61000001 →; 68 →	P10011MM	[O]	20,6	ATE	A00251	685	→ 41048789; → 48045597	A02202	51064147 →; 58 →; 51066207 →; → 51064146; → 48999999
	90	08/02 →	•		P59042MM	[O]	16,7	ATE					
	81	08/02 → 12/06	•		P59043MM	[O]	20,6	ATE	A00251	685	→ 41048789; → 48045597		
	81	08/02 → 12/06	•	61000001 →; 68 →	P10011MM	[O]	20,6	ATE	A00251	685	→ 41048789; → 48045597		
	81	08/02 → 12/06	•		P59042MM	[O]	16,7	ATE					
1.9 CDTI	88	04/04 → 01/09	•	61000001 →; 68 →	P10011MM	[O]	20,6	ATE	A00251	685	→ 48045597; → 41048789	A02202	54064147 →; 58 →
	88	04/04 → 01/09	•		P59042MM	[O]	16,7	ATE					
	110	04/04 →	•	61000001 →; 68 →	P10011MM	[O]	20,6	ATE	A00251	685	→ 41048789; → 48045597	A02202	51064147 →; 58 →
	110	04/04 →	•		P59042MM	[O]	16,7	ATE					
	74	10/05 →	•	61000001 →; 68 →	P10011MM	[O]	20,6	ATE	A00251	685	→ 41048789; → 48045597		
	74	10/05 →	•		P59042MM	[O]	16,7	ATE					
2.0 16V Turbo	129	03/03 →	•	→ 51066206; → 48999999	P59043MM	[O]	20,6	ATE	A00251	685	→ 41048789; → 48045597	A02202	51066207 →; 58 →
	129	03/03 →	•	61000001 →; 68 →	P10011MM	[O]	20,6	ATE	A00251	685	→ 41048789; → 48045597	A02202	51066207 →; 58 →
	129	03/03 →	•		P59042MM	[O]	16,7	ATE					
2.0 DTI 16V	74	08/02 →	•	-sport pack; → 51999999; → 58999999	P59043MM	[O]	20,6	ATE	A00251	685	→ 41048789; → 48045597	A02202	51064147 →; 58 →; → 51064146; → 48999999
	74	08/02 →	•		P59042MM	[O]	16,7	ATE					
2.2 16V	108	08/02 →	•		P59043MM	[O]	20,6	ATE	A00251	685	→ 41048789; → 48045597	A02202	51064147 →; 58 →; 51066207 →; → 51064146; → 48999999
	108	08/02 →	•	61000001 →; 68 →	P10011MM	[O]	20,6	ATE	A00251	685	→ 41048789; → 48045597	A02202	51064147 →; 58 →; 51066207 →; → 51064146; → 48999999
	108	08/02 →	•		P59042MM	[O]	16,7	ATE					
2.2 direct	114	10/03 →	•		P59043MM	[O]	20,6	ATE	A00251	685	→ 41048789; → 48045597	A02202	51064147 →; 58 →; 51066207 →; → 51064146; → 48999999
	114	10/03 →	•	61000001 →; 68 →	P10011MM	[O]	20,6	ATE	A00251	685	→ 41048789; → 48045597	A02202	51064147 →; 58 →; 51066207 →; → 51064146; → 48999999
	114	10/03 →	•		P59042MM	[O]	16,7	ATE					
2.2 DTI 16V	92	08/02 →	•	51066207 →; → 58999999; → 51999999	P10011MM	[O]	20,6	ATE	A00251	685	→ 41048789; → 48045597	A02202	51064147 →; 58 →; 51066207 →; → 51064146; → 48999999
	92	08/02 →	•		P59043MM	[O]	20,6	ATE	A00251	685	→ 41048789; → 48045597	A02202	51064147 →; 58 →; 51066207 →; → 51064146; → 48999999
	92	08/02 →	•		P59042MM	[O]	16,7	ATE					
	86	08/02 → 06/08	•	51066207 →; → 51999999; → 58999999	P10011MM	[O]	20,6	ATE	A00251	685	→ 41048790; → 48045598		
	86	08/02 → 06/08	•	→ 58999999; → 51066206	P59043MM	[O]	20,6	ATE	A00251	685	→ 41048790; → 48045598		
	86	08/02 → 06/08	•		P59042MM	[O]	16,7	ATE					
	86	08/02 → 06/08	•		P59042MM	[O]	16,7	ATE					
2.8 V6 Turbo	169	08/05 →	•	61000001 →; 68 →	P10012MM	[-]	20,4	ATE	A00251	685	→ 41048790; → 48045598		
	169	08/05 →	•	61000001 →; 68 →	P59049MM	[O]	20,9	ATE	A00251	685	→ 41048790; → 48045598		
	169	08/05 →	•		P59042MM	[O]	16,7	ATE					
	188	08/05 →	•		P10012MM	[-]	20,4	ATE	A00251	685	→ 41048790; → 48045598		
	188	08/05 →	•		P59042MM	[O]	16,7	ATE					



kw



wi

Th [mm]

SYS

WI

FK



LENGHT



OPEL

VECTRA C GTS 08/02 →

2.8 V6 Turbo	184	08/06 →	●		P10012MM [-]	20,4	ATE	A00251	685	→ 41048790; → 48045598		
	184	08/06 →		●	P59042MM [o]	16,7	ATE					
	206	08/06 →	●		P10012MM [-]	20,4	ATE	A00251	685	→ 41048790; → 48045598		
	206	08/06 →		●	P59042MM [o]	16,7	ATE					
3.0 CDTI	130	06/03 →	●	→ 31070293; → 38047797	P59043MM [o]	20,6	ATE	A00251	685	→ 31070293; → 38047797		
	130	06/03 →	●	31070294 →; 38047798 →; → 51999999; → 58999999	P59049MM [o]	20,9	ATE	A00251	685	→ 31070293; → 38047797		
	130	06/03 →	●	+special veh.; (UK)	P59046MM [o]	20,4	ATE	A00251	685	→ 31070293; → 38047797		
	130	06/03 →		●	P59042MM [o]	16,7	ATE					
	135	08/05 →	●	68 →; 61000001 →	P59049MM [o]	20,9	ATE	A00251	685	→ 41048790; → 48045598		
	135	08/05 →		●	P59042MM [o]	16,7	ATE					
3.2 V6	155	08/02 →	●	→ 31070293; → 38047797	P59043MM [o]	20,6	ATE	A00251	685	→ 31070293; → 38047797		
	155	08/02 →	●	31070294 →; 38047798 →; → 51999999; → 58999999	P59049MM [o]	20,9	ATE	A00251	685	→ 31070293; → 38047797		
	155	08/02 →	●	+special veh.; (UK)	P59046MM [o]	20,4	ATE	A00251	685	→ 31070293; → 38047797		
	155	08/02 →		●	P59042MM [o]	16,7	ATE					

VIVARO Box 06/14 →

1.6 CDTI	103	06/14 →	●		P59082MM [-]	18,2	TRW					
	103	06/14 →		●	P59041MM [-]	17	TRW					
	66	06/14 →	●		P59082MM [-]	18,2	TRW					
	66	06/14 →		●	P59041MM [-]	17	TRW					
	85	06/14 →	●		P59082MM [-]	18,2	TRW					
	85	06/14 →		●	P59041MM [-]	17	TRW					
	88	06/14 →	●		P59082MM [-]	18,2	TRW					
	88	06/14 →		●	P59041MM [-]	17	TRW					
	70	08/16 →	●		P59082MM [-]	18,2	TRW					
	70	08/16 →		●	P59041MM [-]	17	TRW					
	92	03/16 →	●		P59082MM [-]	18,2	TRW					
	92	03/16 →		●	P59041MM [-]	17	TRW					
	107	03/16 →	●		P59082MM [-]	18,2	TRW					
	107	03/16 →		●	P59041MM [-]	17	TRW					

VIVARO Box (F7) 08/01 →

1.9 DI	60	08/01 →	●		P56061MM [+]	18,4	TRW					
	60	08/01 →		●	P59041MM [-]	17	TRW					
1.9 DTI	74	08/01 →	●		P56061MM [+]	18,4	TRW					
	74	08/01 →		●	P59041MM [-]	17	TRW					
2.0 16V	88	08/01 →	●		P56061MM [+]	18,4	TRW					
	88	08/01 →		●	P59041MM [-]	17	TRW					
2.0 CDTI	66	08/06 →	●		P56061MM [+]	18,4	TRW					
	66	08/06 →		●	P59041MM [-]	17	TRW					
	84	08/06 →	●		P56061MM [+]	18,4	TRW					
	84	08/06 →		●	P59041MM [-]	17	TRW					
2.0 ECOTEC	86	08/06 →	●		P56061MM [+]	18,4	TRW					
	86	08/06 →		●	P59041MM [-]	17	TRW					
2.5 CDTI	107	08/06 →	●		P56061MM [+]	18,4	TRW					
	107	08/06 →		●	P59041MM [-]	17	TRW					
	84	08/06 →	●		P56061MM [+]	18,4	TRW					
	84	08/06 →		●	P59041MM [-]	17	TRW					

Car Model	kw	Icon 1	Icon 2	Icon 3	MAGNETI MARELLI	wi	Th [mm]	SYS	WI			FK	
									MAGNETI MARELLI	LENGHT	Icon 4	MAGNETI MARELLI	Icon 5

OPEL

VIVARO Box (F7) 08/01 →

2.5 DTI	99	05/03 →	●		P56061MM	[+]	18,4	TRW					
	99	05/03 →		●	P59041MM	[-]	17	TRW					

VIVARO Combi 06/14 →

1.6 CDTI	85	06/14 →	●		P59082MM	[-]	18,2	TRW					
	85	06/14 →		●	P59041MM	[-]	17	TRW					
	66	06/14 →	●		P59082MM	[-]	18,2	TRW					
	66	06/14 →		●	P59041MM	[-]	17	TRW					
	88	06/14 →	●		P59082MM	[-]	18,2	TRW					
	88	06/14 →		●	P59041MM	[-]	17	TRW					
	103	06/14 →	●		P59082MM	[-]	18,2	TRW					
	103	06/14 →		●	P59041MM	[-]	17	TRW					
	70	04/15 →	●		P59082MM	[-]	18,2	TRW					
	70	04/15 →		●	P59041MM	[-]	17	TRW					
	92	04/15 →	●		P59082MM	[-]	18,2	TRW					
	92	04/15 →		●	P59041MM	[-]	17	TRW					
	107	04/15 →	●		P59082MM	[-]	18,2	TRW					
	107	04/15 →		●	P59041MM	[-]	17	TRW					

VIVARO Combi (J7) 08/01 →

1.9 DI	60	08/01 →	●		P56061MM	[+]	18,4	TRW					
	60	08/01 →		●	P59041MM	[-]	17	TRW					
1.9 DTI	74	08/01 →	●		P56061MM	[+]	18,4	TRW					
	74	08/01 →		●	P59041MM	[-]	17	TRW					
2.0 16V	88	08/01 →	●		P56061MM	[+]	18,4	TRW					
	88	08/01 →		●	P59041MM	[-]	17	TRW					
2.0 CDTI	66	08/06 →	●		P56061MM	[+]	18,4	TRW					
	66	08/06 →		●	P59041MM	[-]	17	TRW					
	84	08/06 →	●		P56061MM	[+]	18,4	TRW					
	84	08/06 →		●	P59041MM	[-]	17	TRW					
2.0 ECOTEC	86	08/06 →	●		P56061MM	[+]	18,4	TRW					
	86	08/06 →		●	P59041MM	[-]	17	TRW					
2.5 CDTI	107	08/06 →	●		P56061MM	[+]	18,4	TRW					
	107	08/06 →		●	P59041MM	[-]	17	TRW					
	84	08/06 →	●		P56061MM	[+]	18,4	TRW					
	84	08/06 →		●	P59041MM	[-]	17	TRW					
2.5 DTI	99	05/03 →	●		P56061MM	[+]	18,4	TRW					
	99	05/03 →		●	P59041MM	[-]	17	TRW					

VIVARO Platform/Chassis 06/14 →

1.6 CDTI	88	08/15 →	●		P59082MM	[-]	18,2	TRW					
	88	08/15 →		●	P59041MM	[-]	17	TRW					
	103	08/15 →	●		P59082MM	[-]	18,2	TRW					
	103	08/15 →		●	P59041MM	[-]	17	TRW					
	66	06/14 →	●		P59082MM	[-]	18,2	TRW					
	66	06/14 →		●	P59041MM	[-]	17	TRW					
	85	06/14 →	●		P59082MM	[-]	18,2	TRW					
	85	06/14 →		●	P59041MM	[-]	17	TRW					
	92	11/16 →	●		P59082MM	[-]	18,2	TRW					
	92	11/16 →		●	P59041MM	[-]	17	TRW					
	107	11/16 →	●		P59082MM	[-]	18,2	TRW					
	107	11/16 →		●	P59041MM	[-]	17	TRW					

VIVARO Platform/Chassis (E7) 08/01 →

1.9 Di	60	08/01 →	●		P56061MM	[+]	18,4	TRW					
	60	08/01 →		●	P59041MM	[-]	17	TRW					
1.9 DTI	74	08/06 →	●		P56061MM	[+]	18,4	TRW					
	74	08/06 →		●	P59041MM	[-]	17	TRW					



kw



wi

Th [mm]

SYS

WI

FK



LENGHT



OPEL

VIVARO Platform/Chassis (E7) 08/01 →

Model	kw	Th [mm]	SYS	MAGNETI MARELLI	LENGHT	WI	FK
2.0 16V	88 08/03 →	●		P56061MM	[+] 18,4	TRW	
	88 08/03 →	●		P59041MM	[-] 17	TRW	
2.0 CDTI	66 01/06 →	●		P56061MM	[+] 18,4	TRW	
	66 01/06 →	●		P59041MM	[-] 17	TRW	
	84 08/06 →	●		P56061MM	[+] 18,4	TRW	
	84 08/06 →	●		P59041MM	[-] 17	TRW	
2.0 ECOTEC	86 08/06 →	●		P56061MM	[+] 18,4	TRW	
	86 08/06 →	●		P59041MM	[-] 17	TRW	
2.5 CDTI	84 08/06 →	●		P56061MM	[+] 18,4	TRW	
	84 08/06 →	●		P59041MM	[-] 17	TRW	
	107 08/06 →	●		P56061MM	[+] 18,4	TRW	
	107 08/06 →	●		P59041MM	[-] 17	TRW	
2.5 DTi	99 08/03 →	●		P56061MM	[+] 18,4	TRW	
	99 08/03 →	●		P59041MM	[-] 17	TRW	

ZAFIRA A (F75_) 04/99 → 06/05

Model	kw	Th [mm]	SYS	MAGNETI MARELLI	LENGHT	WI	FK
1.6 16V	74 04/99 → 06/05	●		P59045MM	[+] 19,6	ATE A00254 750	-elec.damp.susp. A02202
	74 04/99 → 06/05	●		P59031MM	[+] 16,9	BSH	
	74 04/99 → 06/05	●		P59038MM	[+] 15,2	TRW	
1.6 CNG	71 09/01 → 06/05	●		P59045MM	[+] 19,6	ATE A00254 750	-elec.damp.susp. A02202
	71 09/01 → 06/05	●		P59031MM	[+] 16,9	BSH	
	71 09/01 → 06/05	●		P59038MM	[+] 15,2	TRW	
1.8 16V	85 04/99 → 09/00	●		P59045MM	[+] 19,6	ATE A00254 750	-elec.damp.susp. A02202
	85 04/99 → 09/00	●		P59031MM	[+] 16,9	BSH	
	85 04/99 → 09/00	●		P59038MM	[+] 15,2	TRW	
	92 09/00 → 06/05	●		P59045MM	[+] 19,6	ATE A00254 750	-elec.damp.susp. A02202
	92 09/00 → 06/05	●		P59031MM	[+] 16,9	BSH	
2.0 DI	63 07/99 → 06/00	●		P59045MM	[+] 19,6	ATE A00254 750	-elec.damp.susp.
	63 07/99 → 06/00	●		P59031MM	[+] 16,9	BSH	
	63 07/99 → 06/00	●		P59038MM	[+] 15,2	TRW	
2.0 DI 16V	60 07/99 → 06/05	●		P59045MM	[+] 19,6	ATE A00254 750	-elec.damp.susp. A02202
	60 07/99 → 06/05	●		P59031MM	[+] 16,9	BSH	
	60 07/99 → 06/05	●		P59038MM	[+] 15,2	TRW	
2.0 DTI 16V	74 09/00 → 06/05	●		P59045MM	[+] 19,6	ATE A00254 750	-elec.damp.susp. A02202
	74 09/00 → 06/05	●		P59031MM	[+] 16,9	BSH	
	74 09/00 → 06/05	●		P59038MM	[+] 15,2	TRW	
2.0 OPC	141 09/01 → 06/05	●		P59048MM	[+] 20,2	ATE	A02202
	141 09/01 → 06/05	●		P59038MM	[+] 15,2	TRW	
	147 11/02 → 06/05	●		P59048MM	[+] 20,2	ATE	A02202
	147 11/02 → 06/05	●		P59038MM	[+] 15,2	TRW	
2.2 16V	108 09/00 → 06/05	●		P59045MM	[+] 19,6	ATE A00254 750	-elec.damp.susp. A02202
	108 09/00 → 06/05	●		P59031MM	[+] 16,9	BSH	
	108 09/00 → 06/05	●		P59038MM	[+] 15,2	TRW	
2.2 DTI 16V	86 01/02 → 06/05	●		P59045MM	[+] 19,6	ATE A00254 750	-elec.damp.susp. A02202
	86 01/02 → 06/05	●		P59031MM	[+] 16,9	BSH	
	86 01/02 → 06/05	●		P59038MM	[+] 15,2	TRW	
	92 01/02 → 06/05	●		P59045MM	[+] 19,6	ATE A00254 750	-elec.damp.susp. A02202
	92 01/02 → 06/05	●		P59031MM	[+] 16,9	BSH	
	92 01/02 → 06/05	●		P59038MM	[+] 15,2	TRW	

ZAFIRA B (A05) 07/05 →

Model	kw	Th [mm]	SYS	MAGNETI MARELLI	LENGHT	WI	FK
1.6	77 07/05 →	●		P59045MM	[+] 19,6	ATE A00255 287	A02202
	77 07/05 →	●		P10013MM	[-] 15,2	TRW	
	85 01/08 →	●		P59045MM	[+] 19,6	ATE A00255 287	
	85 01/08 →	●		P10013MM	[-] 15,2	TRW	

		kw						wi	Th [mm]	SYS	WI		FK		
												LENGHT			

OPEL

ZAFIRA B (A05) 07/05 →

1.6 CNG	69	01/06 →	●		P59045MM	[+]	19,6	ATE	A00255	287			A02202
	69	01/06 →		●	P10013MM	[-]	15,2	TRW					
1.6 CNG Turbo	110	02/09 →	●		P59045MM	[+]	19,6	ATE	A00255	287			
	110	02/09 →		●	P10013MM	[-]	15,2	TRW					
1.7 CDTI	81	01/08 →	●		P59045MM	[+]	19,6	ATE	A00255	287			
	81	01/08 →		●	P10013MM	[-]	15,2	TRW					
	92	01/08 →	●		P59045MM	[+]	19,6	ATE	A00255	287			
	92	01/08 →		●	P10013MM	[-]	15,2	TRW					
1.8	103	07/05 →	●		P59045MM	[+]	19,6	ATE	A00255	287			A02202
	103	07/05 →		●	P10013MM	[-]	15,2	TRW					
	88	06/13 →	●		P59045MM	[+]	19,6	ATE					
	88	06/13 →		●	P10013MM	[-]	15,2	TRW					
1.9 CDTI	110	07/05 →	●		P59045MM	[+]	19,6	ATE	A00255	287			A02202
	110	07/05 →		●	P10013MM	[-]	15,2	TRW					
	74	07/05 →	●		P59045MM	[+]	19,6	ATE	A00255	287			A02202
	74	07/05 →		●	P10013MM	[-]	15,2	TRW					
	88	07/05 →	●		P59045MM	[+]	19,6	ATE	A00255	287			A02202
	88	07/05 →		●	P10013MM	[-]	15,2	TRW					
2.0	147	07/05 →	●		P59045MM	[+]	19,6	ATE	A00255	287			A02202
	147	07/05 →		●	P10013MM	[-]	15,2	TRW					
	177	01/06 →	●		P59043MM	[O]	20,6	ATE	A00255	287			A02202
	177	01/06 →		●	P10013MM	[-]	15,2	TRW					
2.2	110	07/05 →	●		P59045MM	[+]	19,6	ATE	A00255	287			A02202
	110	07/05 →		●	P10013MM	[-]	15,2	TRW					

ZAFIRA B Van 07/05 →

1.6 CNG Turbo	110	02/09 →	●		P59045MM	[+]	19,6	ATE	A00255	287			A02202
	110	02/09 →		●	P10013MM	[-]	15,2	TRW					
1.7 CDTI	81	01/08 →	●		P59045MM	[+]	19,6	ATE	A00255	287			A02202
	81	01/08 →		●	P10013MM	[-]	15,2	TRW					
	92	01/08 →	●		P59045MM	[+]	19,6	ATE	A00255	287			A02202
	92	01/08 →		●	P10013MM	[-]	15,2	TRW					
1.8	103	07/05 →	●		P59045MM	[+]	19,6	ATE	A00255	287			A02202
	103	07/05 →		●	P10013MM	[-]	15,2	TRW					

ZAFIRA TOURER C (P12) 10/11 →

1.4	88	10/11 →	●	16" wheel	P59077MM	[+]	18,8	BSH					
	88	10/11 →	●	17" wheel	P59055MM	[+]	19,1	MN					
	88	10/11 →		● 16" wheel	P59080MM	[+]	16,2	TRW					
	88	10/11 →		● 17" wheel	P59087MM	[+]	16,2	TRW					
	103	10/11 →	●	16" wheel	P59077MM	[+]	18,8	BSH					
	103	10/11 →	●	17" wheel	P59055MM	[+]	19,1	MN					
	103	10/11 →		● 16" wheel	P59080MM	[+]	16,2	TRW					
	103	10/11 →		● 17" wheel	P59087MM	[+]	16,2	TRW					
1.4 LPG	103	10/11 →	●	16" wheel	P59077MM	[+]	18,8	BSH					
	103	10/11 →	●	17" wheel	P59055MM	[+]	19,1	MN					
	103	10/11 →		● 16" wheel	P59080MM	[+]	16,2	TRW					
	103	10/11 →		● 17" wheel	P59087MM	[+]	16,2	TRW					
1.6 CDTI	100	02/13 →	●	16" wheel	P59077MM	[+]	18,8	BSH					
	100	02/13 →	●	17" wheel	P59055MM	[+]	19,1	MN					
	100	02/13 →		● 16" wheel	P59080MM	[+]	16,2	TRW					
	100	02/13 →		● 17" wheel	P59087MM	[+]	16,2	TRW					
	88	07/14 →	●	15" wheel	P59076MM	[+]	18,8	BSH					
	88	07/14 →	●	16" wheel	P59077MM	[+]	18,8	BSH					
	88	07/14 →	●	17" wheel	P59055MM	[+]	19,1	MN					
	88	07/14 →		● 16" wheel	P59080MM	[+]	16,2	TRW					

OPEL

ZAFIRA TOURER C (P12) 10/11 →

Engine	Year	Transmission	Drive	Wheel	Part	Th [mm]	SYS	WI	FK
1.6 CDTI	88	07/14 →	●	17" wheel	P59087MM	[+]	16,2	TRW	
	99	11/16 →	●	16" wheel; disc Ø 300 mm	P59077MM	[+]	18,8	BSH	
	99	11/16 →	●	17" wheel; disc Ø 321 mm	P59055MM	[+]	19,1	MN	
	99	11/16 →	●	16" wheel; disc Ø 292 mm	P59080MM	[+]	16,2	TRW	
	99	11/16 →	●	17" wheel; disc Ø 315 mm	P59087MM	[+]	16,2	TRW	
1.6 CNG	110	10/11 →	●	16" wheel	P59077MM	[+]	18,8	BSH	
	110	10/11 →	●	17" wheel	P59055MM	[+]	19,1	MN	
	110	10/11 →	●	16" wheel	P59080MM	[+]	16,2	TRW	
	110	10/11 →	●	17" wheel	P59087MM	[+]	16,2	TRW	
1.6 SIDI	147	07/13 →	●	16" wheel	P59077MM	[+]	18,8	BSH	
	147	07/13 →	●	17" wheel	P59055MM	[+]	19,1	MN	
	147	07/13 →	●	16" wheel	P59080MM	[+]	16,2	TRW	
	147	07/13 →	●	17" wheel	P59087MM	[+]	16,2	TRW	
	125	12/12 →	●	16" wheel	P59077MM	[+]	18,8	BSH	
	125	12/12 →	●	17" wheel	P59055MM	[+]	19,1	MN	
	125	12/12 →	●	16" wheel	P59080MM	[+]	16,2	TRW	
1.8	103	10/11 →	●	16" wheel	P59077MM	[+]	18,8	BSH	
	103	10/11 →	●	17" wheel	P59055MM	[+]	19,1	MN	
	103	10/11 →	●	16" wheel	P59080MM	[+]	16,2	TRW	
	103	10/11 →	●	17" wheel	P59087MM	[+]	16,2	TRW	
	85	10/11 →	●	16" wheel	P59077MM	[+]	18,8	BSH	
	85	10/11 →	●	17" wheel	P59055MM	[+]	19,1	MN	
	85	10/11 →	●	16" wheel	P59080MM	[+]	16,2	TRW	
1.8 LPG	101	10/11 →	●	16" wheel	P59077MM	[+]	18,8	BSH	
	101	10/11 →	●	17" wheel	P59055MM	[+]	19,1	MN	
	101	10/11 →	●	16" wheel	P59080MM	[+]	16,2	TRW	
	101	10/11 →	●	17" wheel	P59087MM	[+]	16,2	TRW	
2.0 BiTurbo CDTI	143	01/13 →	●	16" wheel	P59077MM	[+]	18,8	BSH	
	143	01/13 →	●	17" wheel	P59055MM	[+]	19,1	MN	
	143	01/13 →	●	16" wheel	P59080MM	[+]	16,2	TRW	
	143	01/13 →	●	17" wheel	P59087MM	[+]	16,2	TRW	
2.0 CDTI	118	10/11 →	●	16" wheel	P59077MM	[+]	18,8	BSH	
	118	10/11 →	●	17" wheel	P59055MM	[+]	19,1	MN	
	118	10/11 →	●	16" wheel	P59080MM	[+]	16,2	TRW	
	118	10/11 →	●	17" wheel	P59087MM	[+]	16,2	TRW	
	121	10/11 →	●	16" wheel	P59077MM	[+]	18,8	BSH	
	121	10/11 →	●	17" wheel	P59055MM	[+]	19,1	MN	
	121	10/11 →	●	16" wheel	P59080MM	[+]	16,2	TRW	
	121	10/11 →	●	17" wheel	P59087MM	[+]	16,2	TRW	
	96	10/11 →	●	16" wheel	P59077MM	[+]	18,8	BSH	
	96	10/11 →	●	17" wheel	P59055MM	[+]	19,1	MN	
	96	10/11 →	●	16" wheel	P59080MM	[+]	16,2	TRW	
	96	10/11 →	●	17" wheel	P59087MM	[+]	16,2	TRW	
	81	10/11 →	●	16" wheel	P59077MM	[+]	18,8	BSH	
	81	10/11 →	●	17" wheel	P59055MM	[+]	19,1	MN	
	81	10/11 →	●	16" wheel	P59080MM	[+]	16,2	TRW	
	81	10/11 →	●	17" wheel	P59087MM	[+]	16,2	TRW	
	2.0 CDTI	125	01/15 →	●	16" wheel	P59077MM	[+]	18,8	BSH
125		01/15 →	●	17" wheel	P59055MM	[+]	19,1	MN	
125		01/15 →	●	16" wheel	P59080MM	[+]	16,2	TRW	
125		01/15 →	●	17" wheel	P59087MM	[+]	16,2	TRW	

		kw					MAGNETI MARELLI	wi	Th [mm]	SYS	WI			FK	
											MAGNETI MARELLI	LEIGHT		MAGNETI MARELLI	

PERODUA

ALZA 03/09 →

1.5	76	03/09 →	●				P83141MM [-]	17,2	AKE						
-----	----	---------	---	--	--	--	--------------	------	-----	--	--	--	--	--	--

KANCIL 08/94 →

0.7	23	08/94 →	●				P16003MM [-]	13,4	SUM						
	33	10/98 →	●				P16003MM [-]	13,4	SUM						
0.8	30	08/94 → 01/02	●		→ 06/97		P16003MM [-]	13,4	SUM						

KELISA (L7_) 02/02 →

1.0	40	02/02 → 12/09	●				P16009MM [+]	14	SUM						
1.0 DWVT	43	02/02 →	●				P16009MM [+]	14	SUM						

KENARI (L9_) 10/00 →

1.0	41	10/00 →	●				P16008MM [+]	15,5	AKE						
-----	----	---------	---	--	--	--	--------------	------	-----	--	--	--	--	--	--

MYVI 01/06 → 06/11

1.3	63	01/06 → 06/11	●				P79012MM [+]	15	SUM						
-----	----	---------------	---	--	--	--	--------------	----	-----	--	--	--	--	--	--

VIVA 07/07 →

0.66	35	07/07 →	●	vented			P79012MM [+]	15	SUM						
	35	07/07 →	●	solid			P16011MM [+]	15,3	AKE						
0.8	39	07/07 →	●	solid			P16011MM [+]	15,3	AKE						
	39	07/07 →	●	vented			P79012MM [+]	15	SUM						
1.0	45	07/07 →	●	solid			P16011MM [+]	15,3	AKE						
	45	07/07 →	●	vented			P79012MM [+]	15	SUM						

PEUGEOT

106 II (1) 04/96 → 07/04

1.0 i	33	05/96 → 10/99	●				P61047MM [+]	17	ATE					A02229	
	33	05/96 → 10/99	●				P61044MM [+]	18	BDX					A02229	
	33	05/96 → 10/99	●				P61097MM [O]	18	BDX					A02229	
	37	01/97 → 03/01	●				P61047MM [+]	17	ATE					A02229	
	37	01/97 → 03/01	●				P61044MM [+]	18	BDX					A02229	
	37	01/97 → 03/01	●				P61097MM [O]	18	BDX					A02229	
1.1 i	44	05/96 → 07/04	●				P61047MM [+]	17	ATE					A02229	
	44	05/96 → 07/04	●				P61044MM [+]	18	BDX					A02229	
	44	05/96 → 07/04	●				P61097MM [O]	18	BDX					A02229	
	40	01/97 → 03/01	●				P61047MM [+]	17	ATE					A02229	
	40	01/97 → 03/01	●				P61044MM [+]	18	BDX					A02229	
	40	01/97 → 03/01	●				P61097MM [O]	18	BDX					A02229	
1.4 i	55	05/96 → 07/04	●				P61044MM [+]	18	BDX						
	55	05/96 → 07/04	●				P61097MM [O]	18	BDX						
1.5 D	40	05/96 → 03/01	●				P61044MM [+]	18	BDX						
	40	05/96 → 03/01	●				P61097MM [O]	18	BDX						
	42	04/98 → 04/07	●				P61044MM [+]	18	BDX						
1.6 i	42	04/98 → 04/07	●				P61097MM [O]	18	BDX						
	65	05/96 → 10/99	●	solid			P61044MM [+]	18	BDX					A02238	
	65	05/96 → 10/99	●	vented			P61051MM [-]	17,3	ATE					A02238	
	65	05/96 → 10/99	●	vented			P61054MM [+]	17,3	ATE					A02238	
	74	05/96 → 01/01	●				P61051MM [-]	17,3	ATE					A02238	
	74	05/96 → 01/01	●				P61054MM [+]	17,3	ATE					A02238	
1.6 S16	74	05/96 → 01/01	●	+rear disc			P61032MM [O]	11	BDX					A02215	
	87	05/96 → 07/04	●				P61051MM [-]	17,3	ATE					A02238	
	87	05/96 → 07/04	●				P61054MM [+]	17,3	ATE					A02238	
	87	05/96 → 07/04	●	+rear disc			P61032MM [O]	11	BDX					A02215	
Electric	20	04/96 → 07/04	●				P61044MM [+]	18	BDX						
	20	04/96 → 07/04	●				P61097MM [O]	18	BDX						

									WI			FK	

PEUGEOT

106 Van (1_) 08/91 → 03/01

1.0	33	09/91 → 03/01	●			P61047MM	[+]	17	ATE				A02229
	33	09/91 → 03/01	●			P61044MM	[+]	18	BDX				A02229
	33	09/91 → 03/01	●			P61097MM	[o]	18	BDX				A02229
1.5 D	40	05/96 → 03/01	●			P61051MM	[-]	17,3	ATE				A02233
	40	05/96 → 03/01	●			P61044MM	[+]	18	BDX				A02233
	40	05/96 → 03/01	●			P61097MM	[o]	18	BDX				A02233
	42	10/00 → 03/01	●			P61051MM	[-]	17,3	ATE				A02229
	42	10/00 → 03/01	●			P61044MM	[+]	18	BDX				A02229
	42	10/00 → 03/01	●			P61097MM	[o]	18	BDX				A02229
Electric	20	04/96 → 03/01	●			P61047MM	[+]	17	ATE				A02229
	20	04/96 → 03/01	●			P61044MM	[+]	18	BDX				A02229
	20	04/96 → 03/01	●			P61097MM	[o]	18	BDX				A02229

107 06/05 →

1.0	50	06/05 →	●			P61081MM	[-]	17,5	BSH				
1.4 HDi	40	06/05 →	●			P61081MM	[-]	17,5	BSH				

108 05/14 →

1.0 VTi	51	05/14 →	●			P61081MM	[-]	17,5	BSH				
1.2	60	05/14 →	●			P61081MM	[-]	17,5	BSH				

206 CC (2D) 09/00 →

1.6	81	09/01 → 12/08	●			P61066MM	[-]	19	BSH				
	81	09/01 → 12/08	●			P61032MM	[o]	11	BDX				
1.6 16V	80	09/00 →	●		→ 8777	P61065MM	[-]	18	BSH				
	80	09/00 →	●		8778 → 9078	P61067MM	[-]	18	BSH				
	80	09/00 →	●		9079 →	P61066MM	[-]	19	BSH				
	80	09/00 →	●		10950 →	P61069MM	[-]	19,3	TRW				
	80	09/00 →	●			P61032MM	[o]	11	BDX				A02215
1.6 HDi 110	80	04/05 →	●		9079 →	P61066MM	[-]	19	BSH				
	80	04/05 →	●			P61032MM	[o]	11	BDX				A02215
2.0 S16	100	09/00 →	●		→ 8777	P61102MM	[+]	18	BSH				
	100	09/00 →	●		8778 → 9078	P61067MM	[-]	18	BSH				
	100	09/00 →	●		9079 →	P61066MM	[-]	19	BSH				
	100	09/00 →	●		10/06 →; 10950 →	P61069MM	[-]	19,3	TRW				
	100	09/00 →	●		→ 11/08; → 8777	P61065MM	[-]	18	BSH				
	100	09/00 →	●			P61032MM	[o]	11	BDX				A02215

206 Hatchback (2A/C) 08/98 →

1.1 i	44	09/98 →	●		→ 8882	P61098MM	[-]	18	BSH				
	44	09/98 →	●		8883 →	P61063MM	[-]	18	BSH				
1.4 16V	65	10/03 →	●			P61066MM	[-]	19	BSH				
	65	10/03 →	●			P61032MM	[o]	11	BDX				
1.4 HDi	51	09/02 → 02/07	●			P61063MM	[-]	18	BSH				
	51	09/02 → 02/07	●			P61032MM	[o]	11	BDX				
1.4 HDi eco 70	50	09/01 →	●			P61063MM	[-]	18	BSH				
1.4 i	55	09/98 →	●			P61063MM	[-]	18	BSH				
1.4 LPG	55	05/06 → 09/07	●			P61063MM	[-]	18	BSH				
1.6	81	05/05 → 07/08	●			P61066MM	[-]	19	BSH				
	81	05/05 → 07/08	●			P61032MM	[o]	11	BDX				
1.6 16V	80	12/00 →	●		→ 8777	P61065MM	[-]	18	BSH				
	80	12/00 →	●		8778 → 9078	P61067MM	[-]	18	BSH				
	80	12/00 →	●		9079 → 10949	P61066MM	[-]	19	BSH				
	80	12/00 →	●		10950 →	P61069MM	[-]	19,3	TRW				
	80	12/00 →	●			P61032MM	[o]	11	BDX				A02215
1.6 HDi 110	80	05/04 →	●		9079 →	P61066MM	[-]	19	BSH				
	80	05/04 →	●			P61032MM	[o]	11	BDX				A02215

--	--	--	--	--	--	--	--	--	--	--	--	--	--	--	--

PEUGEOT

206 Hatchback (2A/C) 08/98 →

1.6 i	65	09/98 → 12/00	●			P61063MM [-]	18	BSH							
	65	09/98 → 12/00		●		P61032MM [O]	11	BDX							
1.9 D	51	09/98 → 11/01	●			P61063MM [-]	18	BSH							
	51	09/98 → 11/01		●		P61032MM [O]	11	BDX							
2.0 HDI 90	66	12/99 →	●		→ 8777	P61065MM [-]	18	BSH							
	66	12/99 →	●		8778 → 9078	P61067MM [-]	18	BSH							
	66	12/99 →	●		9079 → 10891	P61066MM [-]	19	BSH							
	66	12/99 →	●		10892 →	P61069MM [-]	19,3	TRW							
	66	12/99 →		●		P61032MM [O]	11	BDX							
2.0 RC	130	07/03 →	●			P61068MM [-]	19	BSH							
	130	07/03 →		●		P61032MM [O]	11	BDX						A02215	
2.0 S16	99	04/99 → 10/00	●		→ 8777	P61102MM [+]	18	BSH							
	99	04/99 → 10/00	●		8778 → 9078	P61067MM [-]	18	BSH							
	99	04/99 → 10/00	●		9079 →	P61066MM [-]	19	BSH							
	99	04/99 → 10/00		●		P61032MM [O]	11	BDX						A02215	
	100	06/99 →	●		→ 8777	P61102MM [+]	18	BSH							
	100	06/99 →	●		8778 → 9078	P61067MM [-]	18	BSH							
	100	06/99 →	●		9079 →	P61066MM [-]	19	BSH							
100	06/99 →		●		P61032MM [O]	11	BDX						A02215		

206 Saloon 03/07 →

1.4	55	03/07 →	●			P61063MM [-]	18	BSH							
1.4 HDi eco 70	50	09/08 →	●			P61063MM [-]	18	BSH							
1.6 16V	80	03/07 →	●		11/00 → 09/01; 8778 → 9078	P61067MM [-]	18	BSH							
	80	03/07 →	●		→ 11/00; → 8777	P61065MM [-]	18	BSH							
	80	03/07 →	●		9079 →	P61066MM [-]	19	BSH							
	80	03/07 →		●		P61032MM [O]	11	BDX						A02215	

206 SW (2E/K) 07/02 →

1.1	44	07/02 →	●			P61063MM [-]	18	BSH							
	44	07/02 →		●	+rear disc	P61032MM [O]	11	BDX							
1.4	55	07/02 →	●			P61063MM [-]	18	BSH							
	55	07/02 →		●	+rear disc	P61032MM [O]	11	BDX							
1.4 16V	65	10/03 →	●			P61066MM [-]	19	BSH							
	65	10/03 →		●		P61032MM [O]	11	BDX							
1.4 HDi	50	07/02 →	●			P61063MM [-]	18	BSH							
	50	07/02 →		●	+rear disc	P61032MM [O]	11	BDX							
1.6	81	05/05 → 07/08	●			P61066MM [-]	19	BSH							
	81	05/05 → 07/08		●		P61032MM [O]	11	BDX							
1.6 16V	80	07/02 →	●		→ 10808	P61066MM [-]	19	BSH							
	80	07/02 →	●		10809 →	P61069MM [-]	19,3	TRW							
	80	07/02 →		●		P61032MM [O]	11	BDX						A02215	
1.6 HDi 110	80	05/04 →	●		06/06 →; 10809 →	P61069MM [-]	19,3	TRW							
	80	05/04 →	●		9079 → 10891	P61066MM [-]	19	BSH							
	80	05/04 →		●		P61032MM [O]	11	BDX						A02215	
2.0 16V	100	07/02 →	●		06/06 →; 10809 →	P61069MM [-]	19,3	TRW							
	100	07/02 →	●		→ 10808	P61066MM [-]	19	BSH							
	100	07/02 →		●		P61032MM [O]	11	BDX						A02215	
2.0 HDi	66	07/02 →	●		9079 → 10891	P61066MM [-]	19	BSH							
	66	07/02 →	●		10892 →	P61069MM [-]	19,3	TRW							
	66	07/02 →		●		P61032MM [O]	11	BDX						A02215	

206 Van 04/99 → 03/09

1.4 HDi	50	09/01 → 03/09	●			P61063MM [-]	18	BSH							
	50	09/01 → 03/09		●	+rear disc	P61032MM [O]	11	BDX							

Car Icon	kW	Hourglass	Truck	i	MAGNETI MARELLI	wi	Th [mm]	SYS	WI			FK	
									MAGNETI MARELLI	LENGHT	i	MAGNETI MARELLI	i

PEUGEOT

206 Van 04/99 → 03/09

1.9 D	51	04/99 → 05/07	●				P61063MM	[-]	18	BSH				
	51	04/99 → 05/07		●	+rear disc		P61032MM	[O]	11	BDX				

206+ (T3E) 01/09 →

1.1	44	01/09 →	●				P61063MM	[-]	18	BSH				
1.4 HDi eco 70	50	01/09 →	●				P61063MM	[-]	18	BSH				
1.4 i	54	09/10 →	●				P61063MM	[-]	18	BSH				
	55	01/09 →	●				P61063MM	[-]	18	BSH				
1.6 16V	80	07/10 →	●				P61066MM	[-]	19	BSH				

207 (WA_, WC_) 02/06 →

1.4	55	08/08 →	●				P61066MM	[-]	19	BSH				
	53	02/06 →	●				P61066MM	[-]	19	BSH				
	53	02/06 →		●	→ 11627		P61100MM	[-]	18	BSH				
	53	02/06 →		●	11628 →		P85020MM	[-]	17,2	TRW				
	54	12/07 →	●				P61066MM	[-]	19	BSH				
1.4 16V	65	02/06 →	●				P61066MM	[-]	19	BSH				
	65	02/06 →		●	→ 11627		P61100MM	[-]	18	BSH				
	65	02/06 →		●	11628 →		P85020MM	[-]	17,2	TRW				
	70	06/07 →	●		-ESP		P61066MM	[-]	19	BSH				
	70	06/07 →	●		+ESP		P61068MM	[-]	19	BSH				
	70	06/07 →		●	→ 11627		P61100MM	[-]	18	BSH				
	70	06/07 →		●	11628 →		P85020MM	[-]	17,2	TRW				
	72	10/09 →	●		-ESP		P61066MM	[-]	19	BSH				
	72	10/09 →	●		+ESP		P61068MM	[-]	19	BSH				
	72	10/09 →		●	→ 11627		P61100MM	[-]	18	BSH				
1.4 HDi	72	10/09 →		●	11628 →		P85020MM	[-]	17,2	TRW				
	50	02/06 →	●				P61066MM	[-]	19	BSH				
	50	02/06 →		●	→ 11627		P61100MM	[-]	18	BSH				
	50	02/06 →		●	11628 →		P85020MM	[-]	17,2	TRW				
1.6	52	02/11 →	●				P61066MM	[-]	19	BSH				
	81	08/08 →	●				P61068MM	[-]	19	BSH				
	81	08/08 →		●	→ 09/08		P61100MM	[-]	18	BSH		A02205	09/08 →	
	81	08/08 →		●			P85020MM	[-]	17,2	TRW		A02205	09/08 →	
	90	09/07 → 12/13	●				P61068MM	[-]	19	BSH				
	90	09/07 → 12/13		●	→ 09/08		P61100MM	[-]	18	BSH				
1.6 16V	90	09/07 → 12/13		●			P85020MM	[-]	17,2	TRW				
	80	02/06 →	●				P61068MM	[-]	19	BSH				
	80	02/06 →		●	→ 11634; → 11627		P61100MM	[-]	18	BSH		A02205	09/08 →; 11628 →; 09/08 →; 11635 →	
1.6 16V RC	80	02/06 →		●	11628 →; 11635 →		P85020MM	[-]	17,2	TRW		A02205	09/08 →; 11628 →; 09/08 →; 11635 →	
	128	02/07 →	●				P61076MM	[-]	19	ATE				
	128	02/07 →		●	→ 11627		P61100MM	[-]	18	BSH		A02205	09/08 →; 11628 →	
1.6 16V Turbo	128	02/07 →		●	11628 →		P85020MM	[-]	17,2	TRW		A02205	09/08 →; 11628 →	
	110	02/06 →	●				P61068MM	[-]	19	BSH				
	110	02/06 →		●	→ 11627; → 11634		P61100MM	[-]	18	BSH		A02205	09/08 →; 11628 →; 09/08 →; 11635 →	
	110	02/06 →		●	11628 →; 11635 →		P85020MM	[-]	17,2	TRW		A02205	09/08 →; 11628 →; 09/08 →; 11635 →	
	115	10/09 →	●				P61068MM	[-]	19	BSH				
1.6 16V VTI	115	10/09 →		●			P85020MM	[-]	17,2	TRW				
	88	02/07 →	●				P61068MM	[-]	19	BSH				
1.6 16V VTI	88	02/07 →		●	11642 →; 11631 →; 11628 →		P85020MM	[-]	17,2	TRW		A02205	09/08 →; 11628 →; 09/08 →; 11631 →; 09/08 →; 11642 →	

PEUGEOT

207 (WA_, WC_) 02/06 →

1.6 16V VTi	88	02/07 →	●	→ 11627; → 11630; → 11641	P61100MM [-]	18	BSH					A02205	09/08 →; 11628 →; 09/08 →; 11631 →; 09/08 →; 11642 →
1.6 HDi	66	02/06 →	●	disc Ø 266 mm	P61066MM [-]	19	BSH						
	66	02/06 →	●	disc Ø 283 mm	P61068MM [-]	19	BSH						
	66	02/06 →	●	→ 11627; → 11630	P61100MM [-]	18	BSH					A02205	09/08 →; 11628 →; 09/08 →; 11631 →
	66	02/06 →	●	11628 →; 11631 →	P85020MM [-]	17,2	TRW					A02205	09/08 →; 11628 →; 09/08 →; 11631 →
	80	02/06 →	●		P61068MM [-]	19	BSH						
	80	02/06 →	●	→ 11627; → 11630; → 11634	P61100MM [-]	18	BSH					A02205	09/08 →; 11628 →; 09/08 →; 11631 →; 09/08 →; 11635 →
	80	02/06 →	●	11628 →; 11631 →; 11635 →	P85020MM [-]	17,2	TRW					A02205	09/08 →; 11628 →; 09/08 →; 11631 →; 09/08 →; 11635 →
1.6 HDi 110	68	11/09 →	●	disc Ø 266 mm	P61066MM [-]	19	BSH						
	68	11/09 →	●	disc Ø 283 mm	P61068MM [-]	19	BSH						
	68	11/09 →	●		P85020MM [-]	17,2	TRW						
1.6 HDi 110	82	08/09 →	●		P61068MM [-]	19	BSH						
	82	08/09 →	●		P85020MM [-]	17,2	TRW						

207 CC (WD_) 02/07 →

1.6	90	09/10 → 12/11	●		P61068MM [-]	19	BSH						
	90	09/10 → 12/11	●		P85020MM [-]	17,2	TRW						
1.6 16V	88	02/07 →	●		P61068MM [-]	19	BSH						
	88	02/07 →	●	→ 11627; → 11641; → 11630	P61100MM [-]	18	BSH						
1.6 16V Turbo	88	02/07 →	●	11631 →; 11642 →; 11628 →	P85020MM [-]	17,2	TRW						
	110	02/07 →	●		P61068MM [-]	19	BSH						
	110	02/07 →	●	→ 11634; → 11627	P61100MM [-]	18	BSH						
	110	02/07 →	●	11628 →; 11635 →	P85020MM [-]	17,2	TRW						
	115	10/09 →	●		P61068MM [-]	19	BSH						
1.6 HDi	115	10/09 →	●		P85020MM [-]	17,2	TRW						
	80	02/07 →	●		P61068MM [-]	19	BSH						
	80	02/07 →	●	→ 11634; → 11627; → 11630	P61100MM [-]	18	BSH						
	80	02/07 →	●	11635 →; 11631 →; 11628 →	P85020MM [-]	17,2	TRW						
	82	08/09 →	●		P61068MM [-]	19	BSH						
82	08/09 →	●		P85020MM [-]	17,2	TRW							

207 SW (WK_) 02/07 →

1.4	54	06/07 →	●		P61066MM [-]	19	BSH						
	54	06/07 →	●	→ 11630; → 11627; → 11641	P61100MM [-]	18	BSH						
	54	06/07 →	●	11631 →; 11642 →; 11628 →	P85020MM [-]	17,2	TRW						
1.4 16V	70	06/07 →	●		P61068MM [-]	19	BSH						
	70	06/07 →	●	→ 11630; → 11627; → 11641	P61100MM [-]	18	BSH						
	70	06/07 →	●	11631 →; 11642 →; 11628 →	P85020MM [-]	17,2	TRW						
	72	11/09 →	●		P61068MM [-]	19	BSH						
	72	11/09 →	●	→ 11627	P61100MM [-]	18	BSH						
1.6 16V	72	11/09 →	●	11628 →	P85020MM [-]	17,2	TRW						
	88	06/07 →	●		P61068MM [-]	19	BSH						
	88	06/07 →	●	→ 11641; → 11627; → 11630	P61100MM [-]	18	BSH						
1.6 16V RC	88	06/07 →	●	11642 →; 11631 →; 11628 →	P85020MM [-]	17,2	TRW						
	128	02/07 →	●		P61076MM [-]	19	ATE						
	128	02/07 →	●	→ 11627	P61100MM [-]	18	BSH						
1.6 16V Turbo	128	02/07 →	●	11628 →	P85020MM [-]	17,2	TRW						
	110	02/07 →	●		P61068MM [-]	19	BSH						
	110	02/07 →	●	11628 →	P85020MM [-]	17,2	TRW						
110	02/07 →	●	→ 11627	P61100MM [-]	18	BSH							

									WI			FK	
										LENGHT			

PEUGEOT

207 SW (WK_) 02/07 →

1.6 HDi	66	06/07 →	●		P61068MM [-]	19	BSH						
	66	06/07 →		● → 11627; → 11634	P61100MM [-]	18	BSH						
	66	06/07 →		● 11628 →; 11635 →	P85020MM [-]	17,2	TRW						
	80	06/07 →	●		P61068MM [-]	19	BSH						
	80	06/07 →		● → 11627; → 11630; → 11634	P61100MM [-]	18	BSH						
	80	06/07 →		● 11631 →; 11635 →; 11628 →	P85020MM [-]	17,2	TRW						
	82	08/09 →	●		P61068MM [-]	19	BSH						
	82	08/09 →		● → 11627	P61100MM [-]	18	BSH						
	82	08/09 →		● 11628 →	P85020MM [-]	17,2	TRW						
	68	11/09 →	●	disc Ø 266 mm	P61066MM [-]	19	BSH						
	68	11/09 →	●	disc Ø 283 mm	P61068MM [-]	19	BSH						
68	11/09 →		●	P85020MM [-]	17,2	TRW							

207 Van 04/07 →

1.4	54	06/07 → 10/08	●		P61066MM [-]	19	BSH						
1.4 HDi	50	04/07 →	●		P61066MM [-]	19	BSH						
1.6 HDi	66	04/07 →	●	disc Ø 266 mm	P61066MM [-]	19	BSH						
	66	04/07 →	●		P61068MM [-]	19	BSH						
	66	04/07 →		● → 11627; → 11630	P61100MM [-]	18	BSH						
	66	04/07 →		● 11628 →; 11631 →	P85020MM [-]	17,2	TRW						
	68	11/09 →	●	disc Ø 266 mm	P61066MM [-]	19	BSH						
	68	11/09 →	●	disc Ø 283 mm	P61068MM [-]	19	BSH						
68	11/09 →		● +rear disc	P85020MM [-]	17,2	TRW							

208 03/12 →

1.0	50	03/12 →	●		P61066MM [-]	19	BSH						
	50	03/12 →		●	P85020MM [-]	17,2	TRW						
1.2	60	03/12 →	●		P61066MM [-]	19	BSH						
	60	03/12 →		●	P85020MM [-]	17,2	TRW						
1.2 GPL	60	06/15 →	●	disc Ø 266 mm	P61066MM [-]	19	BSH						
	60	06/15 →	●	disc Ø 302 mm	P61076MM [-]	19	ATE						
	60	06/15 →		●	P85020MM [-]	17,2	TRW						
1.2 THP	81	01/13 →	●	disc Ø 266 mm	P61066MM [-]	19	BSH						
	81	01/13 →	●	disc Ø 302 mm	P61076MM [-]	19	ATE						
	81	01/13 →		●	P85020MM [-]	17,2	TRW						
1.4 GPL	70	10/13 →	●	disc Ø 266 mm	P61066MM [-]	19	BSH						
	70	10/13 →	●	disc Ø 323 mm	P36020MM [-]	15	BRE						
	70	10/13 →	●	disc Ø 302 mm	P61076MM [-]	19	ATE						
	70	10/13 →		● +rear disc	P85020MM [-]	17,2	TRW						
1.4 HDi	50	03/12 →	●		P61066MM [-]	19	BSH						
	50	03/12 →		●	P85020MM [-]	17,2	TRW				A02205	+rear disc	
1.4 VTi	70	03/12 →	●		P61066MM [-]	19	BSH						
	70	03/12 →		●	P85020MM [-]	17,2	TRW						
1.6	115	03/12 →	●	disc Ø 266 mm	P61066MM [-]	19	BSH				A02202		
	115	03/12 →	●	disc Ø 302 mm	P61076MM [-]	19	ATE				A02202		
	115	03/12 →	●	disc Ø 323 mm	P36020MM [-]	15	BRE				A02202		
	115	03/12 →		●	P85020MM [-]	17,2	TRW				A02205		
	88	03/12 →	●	disc Ø 266 mm	P61066MM [-]	19	BSH						
	88	03/12 →	●	disc Ø 323 mm	P36020MM [-]	15	BRE						
	88	03/12 →	●	disc Ø 302 mm	P61076MM [-]	19	ATE						
1.6 BlueHDi 100	73	01/15 →	●	disc Ø 323 mm	P36020MM [-]	15	BRE						
	73	01/15 →	●	disc Ø 266 mm	P61066MM [-]	19	BSH						
	73	01/15 →	●	disc Ø 302 mm	P61076MM [-]	19	ATE						
	73	01/15 →		●	P85020MM [-]	17,2	TRW						
	73	01/15 →		●	P85020MM [-]	17,2	TRW						

		kw						wi	Th [mm]	SYS	wi			FK	
												LENGHT			

PEUGEOT

208 03/12 →

1.6 BlueHDI 120	88	11/13 →	●			P61066MM [-]	19	BSH							
	88	11/13 →		●		P85020MM [-]	17,2	TRW							
1.6 GTi	147	08/12 →	●		disc Ø 266 mm	P61066MM [-]	19	BSH							
	147	08/12 →	●		disc Ø 302 mm	P61076MM [-]	19	ATE							
	147	08/12 →	●		disc Ø 323 mm	P36020MM [-]	15	BRE							
	147	08/12 →		●		P85020MM [-]	17,2	TRW							
	153	10/14 →	●		disc Ø 266 mm	P61066MM [-]	19	BSH							
	153	10/14 →	●		disc Ø 302 mm	P61076MM [-]	19	ATE							
	153	10/14 →	●		disc Ø 323 mm	P36020MM [-]	15	BRE							
	153	10/14 →		●		P85020MM [-]	17,2	TRW							
1.6 HDi	68	03/12 →	●			P61066MM [-]	19	BSH							
	68	03/12 →		●		P85020MM [-]	17,2	TRW						A02205	
	84	03/12 →	●			P61066MM [-]	19	BSH							
	84	03/12 →		●		P85020MM [-]	17,2	TRW						A02205	
	85	04/14 →	●		disc Ø 302 mm	P61076MM [-]	19	ATE							
	85	04/14 →	●		disc Ø 323 mm	P36020MM [-]	15	BRE							
	85	04/14 →	●		disc Ø 266 mm	P61066MM [-]	19	BSH							
	85	04/14 →		●	+rear disc	P85020MM [-]	17,2	TRW							
1.6 HDi / BlueHDI 75	55	01/13 →	●		disc Ø 266 mm	P61066MM [-]	19	BSH							
	55	01/13 →	●		disc Ø 302 mm	P61076MM [-]	19	ATE							
	55	01/13 →		●		P85020MM [-]	17,2	TRW							
1.6 THP 165	121	03/15 →	●		disc Ø 266 mm	P61066MM [-]	19	BSH							
	121	03/15 →	●		disc Ø 302 mm	P61076MM [-]	19	ATE							
	121	03/15 →	●		disc Ø 323 mm	P36020MM [-]	15	BRE							
	121	03/15 →		●		P85020MM [-]	17,2	TRW							

208 Box 10/12 →

1.4 HDi	50	10/12 →	●			P61066MM [-]	19	BSH							
1.6 BlueHDI 75	55	04/15 →	●		disc Ø 266 mm	P61066MM [-]	19	BSH							
	55	04/15 →	●		disc Ø 302 mm	P61076MM [-]	19	ATE							
	55	04/15 →		●		P85020MM [-]	17,2	TRW							
1.6 HDi	68	03/14 →	●			P61066MM [-]	19	BSH							
	68	03/14 →		●		P85020MM [-]	17,2	TRW							

301 11/12 →

1.2 VTi 72	53	11/12 →	●			P61066MM [-]	19	BSH							
	53	11/12 →	●			P61113MM [-]	18,7	MN							
1.2 VTi 82	60	12/14 →	●			P61066MM [-]	19	BSH							
	60	12/14 →	●			P61113MM [-]	18,7	MN							
1.6 BlueHDI 100	73	04/14 →	●			P61066MM [-]	19	BSH							
	73	04/14 →	●			P61113MM [-]	18,7	MN							
1.6 HDi 90	68	11/12 →	●			P61066MM [-]	19	BSH							
	68	11/12 →	●			P61113MM [-]	18,7	MN							
1.6 VTi 115	85	11/12 →	●			P61066MM [-]	19	BSH							
	85	11/12 →	●			P61113MM [-]	18,7	MN							

306 (7B, N3, N5) 04/93 → 10/03

1.1	44	06/94 → 05/01	●		-ABS; 32000001 →	P61098MM [-]	18	BSH						A02238	
	44	06/94 → 05/01	●		-ABS; → 32000000	P61097MM [O]	18	BDX						A02238	
	44	06/94 → 05/01	●		-ABS; → 32000000	P61099MM [+]	18	BDX						A02238	
	44	06/94 → 05/01	●		+ABS	P61054MM [+]	17,3	ATE						A02238	
1.4 SL	55	06/94 → 05/01	●		-ABS; → 32000000	P61097MM [O]	18	BDX						A02230	-ABS; → 32000000
	55	06/94 → 05/01	●		-ABS; → 32000000	P61099MM [+]	18	BDX						A02230	-ABS; → 32000000
	55	06/94 → 05/01	●		-ABS; 32000001 →	P61098MM [-]	18	BSH						A02230	-ABS; → 32000000
	55	06/94 → 05/01	●		+ABS	P61051MM [-]	17,3	ATE						A02230	-ABS; → 32000000
	55	06/94 → 05/01	●		+ABS	P61054MM [+]	17,3	ATE						A02230	-ABS; → 32000000



kw



wi

Th [mm]

SYS

WI

FK



LENGHT



PEUGEOT

306 (7B, N3, N5) 04/93 → 10/03

Model	kw	Th [mm]	SYS	WI	FK	
1.4 SL	55 06/94 → 05/01	●	+ABS; 08576 →	P61060MM [+]	19,3 GIR	A02230 -ABS; → 32000000
	55 06/94 → 05/01	●	+ABS; 08576 →	P61065MM [-]	18 BSH	A02230 -ABS; → 32000000
1.6	72 10/00 → 05/01	●		P61051MM [-]	17,3 ATE	A02238
	72 10/00 → 05/01	●		P61065MM [-]	18 BSH	A02238
	72 10/00 → 05/01	●	+ABS; 8576 →	P61060MM [+]	19,3 GIR	A02238
	66 07/00 → 05/01	●	-ABS	P61051MM [-]	17,3 ATE	
	66 07/00 → 05/01	●	+ABS	P61060MM [+]	19,3 GIR	
	66 07/00 → 05/01	●		P61065MM [-]	18 BSH	
1.6 SR	65 06/94 → 10/00	●		P61051MM [-]	17,3 ATE	A02238
	65 06/94 → 10/00	●		P61054MM [+]	17,3 ATE	A02238
	65 06/94 → 10/00	●		P61060MM [+]	19,3 GIR	A02238
	65 06/94 → 10/00	●		P61065MM [-]	18 BSH	A02238
1.8 16V	81 03/97 → 05/01	●		P61051MM [-]	17,3 ATE	A02238
	81 03/97 → 05/01	●		P61060MM [+]	19,3 GIR	A02238
	81 03/97 → 05/01	●		P61065MM [-]	18 BSH	A02238
	81 03/97 → 05/01	●	+rear disc	P61032MM [O]	11 BDX	A02215
1.8 ST	74 06/94 → 05/01	●		P61051MM [-]	17,3 ATE	A02238
	74 06/94 → 05/01	●		P61054MM [+]	17,3 ATE	A02238
	74 06/94 → 05/01	●	+rear disc	P61032MM [O]	11 BDX	A02215
1.9 D	55 03/98 → 05/01	●		P61051MM [-]	17,3 ATE	A02238
	55 03/98 → 05/01	●		P61054MM [+]	17,3 ATE	A02238
	51 09/98 → 05/01	●		P61051MM [-]	17,3 ATE	A02238
	51 09/98 → 05/01	●		P61054MM [+]	17,3 ATE	A02238
	51 09/98 → 05/01	●		P61065MM [-]	18 BSH	A02238
	51 09/98 → 05/01	●		P61060MM [+]	19,3 GIR	A02238
	69 02/94 → 04/97	●		P61051MM [-]	17,3 ATE	
69 02/94 → 04/97	●		P61054MM [+]	17,3 ATE		
1.9 SLD	47 06/94 → 05/01	●		P61051MM [-]	17,3 ATE	A02238
	47 06/94 → 05/01	●		P61054MM [+]	17,3 ATE	A02238
	50 06/94 → 05/01	●		P61051MM [-]	17,3 ATE	A02238
	50 06/94 → 05/01	●		P61054MM [+]	17,3 ATE	A02238
1.9 SRDT	66 06/94 → 05/01	●		P61051MM [-]	17,3 ATE	A02238
	66 06/94 → 05/01	●		P61054MM [+]	17,3 ATE	A02238
1.9 STD	51 02/94 → 10/95	●		P61051MM [-]	17,3 ATE	
	51 02/94 → 10/95	●		P61054MM [+]	17,3 ATE	
	51 02/94 → 10/95	●		P61065MM [-]	18 BSH	
	51 02/94 → 10/95	●		P61060MM [+]	19,3 GIR	
2.0	97 03/97 → 05/01	●		P61060MM [+]	19,3 GIR	
	97 03/97 → 05/01	●		P61065MM [-]	18 BSH	
	97 03/97 → 05/01	●	+rear disc	P61032MM [O]	11 BDX	A02215
2.0 HDI 90	66 06/99 → 05/01	●		P61065MM [-]	18 BSH	
	66 06/99 → 05/01	●		P61060MM [+]	19,3 GIR	
	66 06/99 → 05/01	●	+rear disc	P61032MM [O]	11 BDX	A02215
2.0 S16	112 06/94 → 05/01	●	→ 32000000	P61050MM [+]	19,4 TRW	
	112 06/94 → 05/01	●	32000001 →	P61060MM [+]	19,3 GIR	
	112 06/94 → 05/01	●		P61065MM [-]	18 BSH	
	112 06/94 → 05/01	●	+rear disc	P61032MM [O]	11 BDX	A02215
	110 06/94 → 05/01	●	→ 32000000	P61050MM [+]	19,4 TRW	
	110 06/94 → 05/01	●	32000001 →	P61060MM [+]	19,3 GIR	
	110 06/94 → 05/01	●		P61065MM [-]	18 BSH	
	110 06/94 → 05/01	●	+rear disc	P61032MM [O]	11 BDX	A02215
2.0 ST	89 07/94 → 05/01	●	→ 32000000	P61050MM [+]	19,4 TRW	
	89 07/94 → 05/01	●	32000001 →	P61060MM [+]	19,3 GIR	
	89 07/94 → 05/01	●	+rear disc	P61032MM [O]	11 BDX	A02215

Car Model	KW	S	E	i	MAGNETI MARELLI	WI	Th [mm]	SYS	WI			FK	
									MAGNETI MARELLI	LENGHT	i	MAGNETI MARELLI	i

PEUGEOT

306 Box Body / Estate (N_, 7_) 07/93 → 08/02

1.9 D	69	02/94 → 04/99	●			P61051MM	[-]	17,3	ATE				A02238	
	69	02/94 → 04/99	●			P61065MM	[-]	18	BSH				A02238	
	69	02/94 → 04/99	●			P61060MM	[+]	19,3	GIR				A02238	
	69	02/94 → 04/99	●			P61054MM	[+]	17,3	ATE				A02238	
1.9 STD	51	02/94 → 05/99	●			P61065MM	[-]	18	BSH				A02238	
	51	02/94 → 05/99	●			P61054MM	[+]	17,3	ATE				A02238	
	51	02/94 → 05/99	●			P61051MM	[-]	17,3	ATE				A02238	
	51	02/94 → 05/99	●			P61060MM	[+]	19,3	GIR				A02238	

306 Break (7E, N3, N5) 06/94 → 04/02

1.4	55	03/97 → 04/02	●			P61051MM	[-]	17,3	ATE				A02238	
	55	03/97 → 04/02	●			P61065MM	[-]	18	BSH				A02238	
1.6	65	03/97 → 10/00	●			P61051MM	[-]	17,3	ATE				A02238	
	65	03/97 → 10/00	●			P61065MM	[-]	18	BSH				A02238	
	65	03/97 → 10/00	●			P61060MM	[+]	19,3	GIR				A02238	
	72	10/00 → 04/02	●			P61051MM	[-]	17,3	ATE				A02238	
	72	10/00 → 04/02	●			P61065MM	[-]	18	BSH				A02238	
	72	10/00 → 04/02	●			P61060MM	[+]	19,3	GIR				A02238	
1.8	74	03/97 → 04/02	●			P61065MM	[-]	18	BSH					
	74	03/97 → 04/02	●			P61060MM	[+]	19,3	GIR					
1.8 16V	81	03/97 → 04/02	●			P61065MM	[-]	18	BSH					
	81	03/97 → 04/02	●			P61060MM	[+]	19,3	GIR					
	81	03/97 → 04/02	●	●	+rear disc	P61032MM	[O]	11	BDX				A02215	
1.9 D	50	03/97 → 04/02	●			P61065MM	[-]	18	BSH					
	50	03/97 → 04/02	●			P61060MM	[+]	19,3	GIR					
	50	03/97 → 04/02	●	●	+rear disc	P61032MM	[O]	11	BDX				A02215	
	55	03/98 → 04/02	●			P61051MM	[-]	17,3	ATE				A02238	
	55	03/98 → 04/02	●			P61065MM	[-]	18	BSH				A02238	
	55	03/98 → 04/02	●			P61060MM	[+]	19,3	GIR				A02238	
	55	03/98 → 04/02	●	●	+rear disc	P61032MM	[O]	11	BDX				A02215	
	51	09/98 → 04/02	●			P61051MM	[-]	17,3	ATE				A02238	
	51	09/98 → 04/02	●			P61065MM	[-]	18	BSH				A02238	
	51	09/98 → 04/02	●			P61060MM	[+]	19,3	GIR				A02238	
	51	09/98 → 04/02	●	●	+rear disc	P61032MM	[O]	11	BDX				A02215	
	51	05/97 → 05/99	●			P61065MM	[-]	18	BSH					
	51	05/97 → 05/99	●			P61060MM	[+]	19,3	GIR					
	51	05/97 → 05/99	●	●	+rear disc	P61032MM	[O]	11	BDX					
1.9 TD	66	02/97 → 04/02	●			P61051MM	[-]	17,3	ATE				A02238	
	66	02/97 → 04/02	●			P61065MM	[-]	18	BSH				A02238	
	66	02/97 → 04/02	●			P61060MM	[+]	19,3	GIR				A02238	
	66	02/97 → 04/02	●	●	+rear disc	P61032MM	[O]	11	BDX				A02215	
2.0	97	03/97 → 04/02	●			P61065MM	[-]	18	BSH					
	97	03/97 → 04/02	●			P61060MM	[+]	19,3	GIR					
	97	03/97 → 04/02	●	●	+rear disc	P61032MM	[O]	11	BDX				A02215	
2.0 HDI 90	66	06/99 → 04/02	●			P61065MM	[-]	18	BSH					
	66	06/99 → 04/02	●			P61060MM	[+]	19,3	GIR					
	66	06/99 → 04/02	●	●	+rear disc	P61032MM	[O]	11	BDX				A02215	

306 Convertible (7D, N3, N5) 03/94 → 04/02

1.6	65	04/96 → 10/00	●			P61051MM	[-]	17,3	ATE				A02238	
	65	04/96 → 10/00	●			P61054MM	[+]	17,3	ATE				A02238	
	65	04/96 → 10/00	●			P61065MM	[-]	18	BSH				A02238	
	65	04/96 → 10/00	●			P61060MM	[+]	19,3	GIR				A02238	
	72	10/00 → 04/02	●			P61051MM	[-]	17,3	ATE				A02238	

									WI			FK	
	kw						Th [mm]		MAGNETI MARELLI	LENGHT		MAGNETI MARELLI	

PEUGEOT

306 Convertible (7D, N3, N5) 03/94 → 04/02

1.6	72	10/00 → 04/02	●		P61065MM [-]	18	BSH					A02238	
	72	10/00 → 04/02	●	+ABS	P61060MM [+]	19,3	GIR					A02238	
1.8	74	03/94 → 04/02	●		P61051MM [-]	17,3	ATE					A02238	
	74	03/94 → 04/02	●		P61054MM [+]	17,3	ATE					A02238	
	74	03/94 → 04/02	●	+rear disc	P61032MM [O]	11	BDX					A02215	
1.8 16V	81	07/00 → 04/02	●		P61065MM [-]	18	BSH						
	81	07/00 → 04/02	●		P61060MM [+]	19,3	GIR						
	81	07/00 → 04/02	●	+rear disc	P61032MM [O]	11	BDX					A02215	
2.0	89	03/94 → 04/02	●	→ 32000000	P61050MM [+]	19,4	TRW						
	89	03/94 → 04/02	●	32000001 →	P61060MM [+]	19,3	GIR						
	89	03/94 → 04/02	●	+rear disc	P61032MM [O]	11	BDX					A02215	
2.0 16V	97	03/97 → 04/02	●		P61065MM [-]	18	BSH						
	97	03/97 → 04/02	●		P61060MM [+]	19,3	GIR						
	97	03/97 → 04/02	●	+rear disc	P61032MM [O]	11	BDX					A02215	
	99	03/97 → 04/02	●		P61065MM [-]	18	BSH						
	99	03/97 → 04/02	●		P61060MM [+]	19,3	GIR						
	99	03/97 → 04/02	●	+rear disc	P61032MM [O]	11	BDX						

306 Hatchback (7A, 7C, N3, N5) 01/93 → 10/03

1.1	44	05/93 → 05/01	●	-ABS; → 32000000	P61097MM [O]	18	BDX						
	44	05/93 → 05/01	●	-ABS; → 32000000	P61099MM [+]	18	BDX						
	44	05/93 → 05/01	●	-ABS; 32000001 →	P61098MM [-]	18	BSH						
	44	05/93 → 05/01	●	+ABS	P61051MM [-]	17,3	ATE						
	44	05/93 → 05/01	●	+ABS	P61054MM [+]	17,3	ATE						
1.4	55	05/93 → 05/01	●	-ABS; → 32000000	P61097MM [O]	18	BDX						
	55	05/93 → 05/01	●	-ABS; → 32000000	P61099MM [+]	18	BDX						
	55	05/93 → 05/01	●	-ABS; 32000001 →	P61098MM [-]	18	BSH						
	55	05/93 → 05/01	●	+ABS	P61051MM [-]	17,3	ATE						
	55	05/93 → 05/01	●	+ABS	P61054MM [+]	17,3	ATE						
	55	05/93 → 05/01	●	+ABS; 08576 →	P61060MM [+]	19,3	GIR						
	55	05/93 → 05/01	●	+ABS; 08576 →	P61065MM [-]	18	BSH						
1.6	65	05/93 → 10/00	●		P61051MM [-]	17,3	ATE						
	65	05/93 → 10/00	●		P61054MM [+]	17,3	ATE						
	65	05/93 → 10/00	●		P61065MM [-]	18	BSH						
	65	05/93 → 10/00	●		P61060MM [+]	19,3	GIR						
	72	10/00 → 05/01	●		P61051MM [-]	17,3	ATE					A02238	
	72	10/00 → 05/01	●		P61065MM [-]	18	BSH					A02238	
	72	10/00 → 05/01	●	+ABS	P61060MM [+]	19,3	GIR					A02238	
1.8	74	05/93 → 05/01	●		P61051MM [-]	17,3	ATE						
	74	05/93 → 05/01	●		P61054MM [+]	17,3	ATE						
	74	05/93 → 05/01	●	+rear disc	P61032MM [O]	11	BDX						
1.8 16V	81	03/97 → 05/01	●		P61051MM [-]	17,3	ATE					A02238	
	81	03/97 → 05/01	●		P61054MM [+]	17,3	ATE					A02238	
	81	03/97 → 05/01	●		P61065MM [-]	18	BSH					A02238	
	81	03/97 → 05/01	●		P61060MM [+]	19,3	GIR					A02238	
	81	03/97 → 05/01	●	+rear disc	P61032MM [O]	11	BDX					A02215	
1.8 D	43	05/93 → 05/01	●		P61051MM [-]	17,3	ATE					A02238	
	43	05/93 → 05/01	●		P61054MM [+]	17,3	ATE					A02238	
	43	05/93 → 05/01	●		P61065MM [-]	18	BSH					A02238	
	43	05/93 → 05/01	●		P61060MM [+]	19,3	GIR					A02238	
1.9 D	47	05/93 → 05/01	●		P61051MM [-]	17,3	ATE						
	47	05/93 → 05/01	●		P61054MM [+]	17,3	ATE						
	50	06/94 → 05/01	●		P61051MM [-]	17,3	ATE					A02238	
	50	06/94 → 05/01	●		P61054MM [+]	17,3	ATE					A02238	
	55	03/98 → 05/01	●		P61051MM [-]	17,3	ATE					A02238	

		kw						wi	Th [mm]	SYS	wi		FK		
												LENGHT			

PEUGEOT

306 Hatchback (7A, 7C, N3, N5) 01/93 → 10/03

1.9 D	55	03/98 → 05/01	●				P61065MM	[-]	18	BSH				A02238	
	55	03/98 → 05/01	●				P61060MM	[+]	19,3	GIR				A02238	
	51	09/98 → 05/01	●				P61051MM	[-]	17,3	ATE				A02238	
	51	09/98 → 05/01	●				P61065MM	[-]	18	BSH				A02238	
	51	09/98 → 05/01	●				P61060MM	[+]	19,3	GIR				A02238	
	51	04/93 → 05/99	●				P61051MM	[-]	17,3	ATE					
	51	04/93 → 05/99	●				P61054MM	[+]	17,3	ATE					
	51	04/93 → 05/99	●				P61065MM	[-]	18	BSH					
	51	04/93 → 05/99	●				P61060MM	[+]	19,3	GIR					
	69	04/93 → 04/97	●				P61051MM	[-]	17,3	ATE					
	69	04/93 → 04/97	●				P61054MM	[+]	17,3	ATE					
	69	04/93 → 04/97	●				P61065MM	[-]	18	BSH					
1.9 DT	66	05/93 → 05/01	●				P61051MM	[-]	17,3	ATE					
	66	05/93 → 05/01	●				P61054MM	[+]	17,3	ATE					
2.0 16V	97	03/97 → 05/01	●				P61051MM	[-]	17,3	ATE				A02238	
	97	03/97 → 05/01	●				P61054MM	[+]	17,3	ATE				A02238	
	97	03/97 → 05/01	●				P61065MM	[-]	18	BSH				A02238	
	97	03/97 → 05/01	●				P61060MM	[+]	19,3	GIR				A02238	
	97	03/97 → 05/01	●		● +rear disc		P61032MM	[O]	11	BDX				A02215	
	99	03/97 → 06/00	●				P61051MM	[-]	17,3	ATE					
	99	03/97 → 06/00	●				P61054MM	[+]	17,3	ATE					
	99	03/97 → 06/00	●				P61065MM	[-]	18	BSH					
	99	03/97 → 06/00	●				P61060MM	[+]	19,3	GIR					
99	03/97 → 06/00	●		● +rear disc		P61032MM	[O]	11	BDX				A02215		
2.0 HDi 90	66	06/99 → 05/01	●				P61065MM	[-]	18	BSH					
	66	06/99 → 05/01	●				P61060MM	[+]	19,3	GIR					
	66	06/99 → 05/01	●		● +rear disc		P61032MM	[O]	11	BDX				A02215	
2.0 S16	112	05/93 → 05/01	●		→ 32000000		P61050MM	[+]	19,4	TRW					
	112	05/93 → 05/01	●		32000001 →		P61060MM	[+]	19,3	GIR					
	112	05/93 → 05/01	●				P61065MM	[-]	18	BSH					
	112	05/93 → 05/01	●		● +rear disc		P61032MM	[O]	11	BDX				A02215	
	110	06/94 → 05/01	●		→ 32000000		P61050MM	[+]	19,4	TRW					
	110	06/94 → 05/01	●		32000001 →		P61060MM	[+]	19,3	GIR					
	110	06/94 → 05/01	●				P61065MM	[-]	18	BSH					
	110	06/94 → 05/01	●		● +rear disc		P61032MM	[O]	11	BDX				A02215	
	120	03/96 → 05/01	●				P61057MM	[+]	19,3	TRW					
120	03/96 → 05/01	●		● +rear disc		P61032MM	[O]	11	BDX				A02215		
2.0 XSi	89	05/93 → 05/01	●		→ 32000000		P61050MM	[+]	19,4	TRW					
	89	05/93 → 05/01	●		32000001 →		P61060MM	[+]	19,3	GIR					
	89	05/93 → 05/01	●		● +rear disc		P61032MM	[O]	11	BDX					

307 (3A/C) 08/00 →

1.4	55	08/00 →	●				P61066MM	[-]	19	BSH					
	55	08/00 →		●			P85020MM	[-]	17,2	TRW				A02205	
	55	08/00 →		●	09975 →		P61080MM	[-]	17,6	BSH				A02205	
1.4 16V	65	11/03 →	●		-ESP		P61066MM	[-]	19	BSH					
	65	11/03 →	●		+ESP		P61068MM	[-]	19	BSH					
	65	11/03 →		●			P85020MM	[-]	17,2	TRW				A02205	
	65	11/03 →		●	09975 →		P61080MM	[-]	17,6	BSH				A02205	
1.4 HDi	50	10/01 →	●				P61066MM	[-]	19	BSH					
	50	10/01 →		●			P85020MM	[-]	17,2	TRW				A02205	
	50	10/01 →		●	09975 →		P61080MM	[-]	17,6	BSH				A02205	

									WI			FK	
	kw								MAGNETI MARELLI	LENGHT		MAGNETI MARELLI	

PEUGEOT

307 (3A/C) 08/00 →

1.6	81	07/06 →	●	Man.; +ESP	P61068MM	[-]	19	BSH					
	81	07/06 →	●	-ESP	P61066MM	[-]	19	BSH					
	81	07/06 →		●		P85020MM	[-]	17,2	TRW			A02205	
	81	07/06 →		●	02/04 →; 9975 →	P61080MM	[-]	17,6	BSH			A02205	
1.6 16V	80	08/00 →	●	-ESP; 09520 →	P61066MM	[-]	19	BSH					
	80	08/00 →	●	→ 09519; Man.; +ESP; 09520 →; Aut.	P61068MM	[-]	19	BSH					
	80	08/00 →		●	09975 →	P61080MM	[-]	17,6	BSH			A02205	
1.6 BioFlex	80	09/07 →	●	-ESP; 09520 →	P61066MM	[-]	19	BSH					
	80	09/07 →	●	→ 09519; Man.; +ESP; 09520 →; Aut.	P61068MM	[-]	19	BSH					
	80	09/07 →		●	09975 →	P61080MM	[-]	17,6	BSH			A02205	
1.6 HDi	66	04/05 →	●	-ESP; 09520 →	P61066MM	[-]	19	BSH					
	66	04/05 →	●	→ 09519; Man.; +ESP; 09520 →; Aut.	P61068MM	[-]	19	BSH					
	66	04/05 →		●	09975 →	P61080MM	[-]	17,6	BSH			A02205	
1.6 HDi 110	80	02/04 →	●	→ 09519; Man.; +ESP; 09520 →; Aut.	P61068MM	[-]	19	BSH					
	80	02/04 →		●	09975 →	P61080MM	[-]	17,6	BSH			A02205	
	80	02/04 →		●	09975 →	P61080MM	[-]	17,6	BSH			A02205	
2.0	105	08/08 →	●	→ 11/09; → 12053	P23119MM	[-]	19	BSH					
	105	08/08 →		●		P85020MM	[-]	17,2	TRW				
	105	08/08 →		●	11/09 →; 12057 →	P61100MM	[-]	18	BSH				
2.0 16V	100	08/00 →	●		P61068MM	[-]	19	BSH					
	100	08/00 →		●		P85020MM	[-]	17,2	TRW			A02205	
	100	08/00 →		●	09975 →	P61080MM	[-]	17,6	BSH			A02205	
	103	03/05 →	●	→ 11/09; → 12053	P23119MM	[-]	19	BSH					
	103	03/05 →		●		P61068MM	[-]	19	BSH				
	103	03/05 →		●	11/09 →; 12057 →	P61100MM	[-]	18	BSH			A02205	
	103	03/05 →		●		P85020MM	[-]	17,2	TRW			A02205	
	103	03/05 →		●	09975 →	P61080MM	[-]	17,6	BSH			A02205	
	130	06/05 →	●			P61076MM	[-]	19	ATE				
	130	06/05 →		●		P85020MM	[-]	17,2	TRW			A02205	
2.0 HDi 110	79	08/00 →	●	-ESP; 09520 →	P61066MM	[-]	19	BSH					
	79	08/00 →	●	→ 09519; +ESP; 09520 →	P61068MM	[-]	19	BSH					
	79	08/00 →		●		P85020MM	[-]	17,2	TRW			A02205	
	79	08/00 →		●	09975 →	P61080MM	[-]	17,6	BSH			A02205	
2.0 HDi 135	100	10/03 →	●		P61076MM	[-]	19	ATE					
	100	10/03 →		●		P85020MM	[-]	17,2	TRW			A02205	
	100	10/03 →		●	09975 →	P61080MM	[-]	17,6	BSH			A02205	
2.0 HDi 90	66	08/00 →	●	-ESP; 09520 →	P61066MM	[-]	19	BSH					
	66	08/00 →	●	→ 09519; +ESP; 09520 →	P61068MM	[-]	19	BSH					
	66	08/00 →		●		P85020MM	[-]	17,2	TRW			A02205	
	66	08/00 →		●	09975 →	P61080MM	[-]	17,6	BSH			A02205	

307 Break (3E) 03/02 →

1.4	55	04/02 → 09/03	●	-ESP	P61066MM	[-]	19	BSH					
	55	04/02 → 09/03	●	+ESP	P61068MM	[-]	19	BSH					
	55	04/02 → 09/03		●		P85020MM	[-]	17,2	TRW			A02205	
	55	04/02 → 09/03		●	09975 →	P61080MM	[-]	17,6	BSH			A02205	

 	kw						wi	Th [mm]	SYS	WI			FK	
											LENGHT			

PEUGEOT

1.4 16V	65	11/03 →	●		-ESP	P61066MM [-]	19	BSH						
	65	11/03 →	●		+ESP	P61068MM [-]	19	BSH						
	65	11/03 →		●		P85020MM [-]	17,2	TRW					A02205	
	65	11/03 →		●	09975 →	P61080MM [-]	17,6	BSH					A02205	
1.4 HDi	50	03/02 →	●			P61066MM [-]	19	BSH						
	50	03/02 →		●		P85020MM [-]	17,2	TRW					A02205	
	50	03/02 →		●	09975 →	P61080MM [-]	17,6	BSH					A02205	
1.6 16V	80	03/02 →	●			P61068MM [-]	19	BSH						
	80	03/02 →		●		P85020MM [-]	17,2	TRW					A02205	
	80	03/02 →		●	09975 →	P61080MM [-]	17,6	BSH					A02205	
1.6 BioFlex	80	09/07 →	●			P61068MM [-]	19	BSH						
	80	09/07 →		●		P85020MM [-]	17,2	TRW					A02205	
	80	09/07 →		●	09975 →	P61080MM [-]	17,6	BSH					A02205	
1.6 HDi	66	04/05 →	●			P61068MM [-]	19	BSH						
	66	04/05 →		●		P85020MM [-]	17,2	TRW					A02205	
	66	04/05 →		●	09975 →	P61080MM [-]	17,6	BSH					A02205	
1.6 HDi 110	80	02/04 →	●			P61068MM [-]	19	BSH						
	80	02/04 →		●		P85020MM [-]	17,2	TRW					A02205	
	80	02/04 →		●	09975 →	P61080MM [-]	17,6	BSH					A02205	
2.0	100	03/02 →	●			P61068MM [-]	19	BSH						
	100	03/02 →		●		P85020MM [-]	17,2	TRW					A02205	
	100	03/02 →		●	09975 →	P61080MM [-]	17,6	BSH					A02205	
2.0 16V	103	03/05 →	●			P61068MM [-]	19	BSH						
	103	03/05 →		●		P85020MM [-]	17,2	TRW					A02205	
	103	03/05 →		●	09975 →	P61080MM [-]	17,6	BSH					A02205	
	130	06/05 →	●			P61076MM [-]	19	ATE						
	130	06/05 →		●		P85020MM [-]	17,2	TRW					A02205	
2.0 HDi 110	79	03/02 →	●			P61068MM [-]	19	BSH						
	79	03/02 →		●		P85020MM [-]	17,2	TRW					A02205	
	79	03/02 →		●	09975 →	P61080MM [-]	17,6	BSH					A02205	
	100	02/04 →	●			P61076MM [-]	19	ATE						
	100	02/04 →		●		P85020MM [-]	17,2	TRW					A02205	
2.0 HDi 135	100	02/04 →		●		P61080MM [-]	17,6	BSH					A02205	
	100	02/04 →		●	09975 →	P61080MM [-]	17,6	BSH					A02205	
	66	03/02 →	●			P61068MM [-]	19	BSH						
2.0 HDi 90	66	03/02 →		●		P85020MM [-]	17,2	TRW					A02205	
	66	03/02 →		●		P61068MM [-]	19	BSH						
	66	03/02 →		●	09975 →	P61080MM [-]	17,6	BSH					A02205	

307 CC (3B) 10/03 →

1.6 16V	80	02/05 →	●			P61068MM [-]	19	BSH						
	80	02/05 →		●		P85020MM [-]	17,2	TRW					A02205	
	80	02/05 →		●	09975 →	P61080MM [-]	17,6	BSH					A02205	
2.0 16V	100	10/03 →	●			P61068MM [-]	19	BSH						
	100	10/03 →		●		P85020MM [-]	17,2	TRW					A02205	
	100	10/03 →		●	09975 →	P61080MM [-]	17,6	BSH					A02205	
	130	10/03 →	●			P61076MM [-]	19	ATE						
	130	10/03 →		●		P85020MM [-]	17,2	TRW					A02205	
	130	10/03 →		●	09975 →	P61080MM [-]	17,6	BSH					A02205	
	103	03/05 →	●			P61068MM [-]	19	BSH						
2.0 16V	103	03/05 →		●		P85020MM [-]	17,2	TRW					A02205	
	103	03/05 →		●	09975 →	P61080MM [-]	17,6	BSH					A02205	
2.0 HDi 135	100	06/05 →	●			P61076MM [-]	19	ATE						
	100	06/05 →		●		P85020MM [-]	17,2	TRW					A02205	
	100	06/05 →		●	09975 →	P61080MM [-]	17,6	BSH					A02205	

	kw										LENGHT			

PEUGEOT

307 SW (3H) 03/02 →

1.4	55	04/02 → 09/03	●	-ESP	P61066MM	[-]	19	BSH						
	55	04/02 → 09/03	●	+ESP	P61068MM	[-]	19	BSH						
	55	04/02 → 09/03	●		P85020MM	[-]	17,2	TRW					A02205	
	55	04/02 → 09/03	●	09975 →	P61080MM	[-]	17,6	BSH					A02205	
1.4 16V	65	11/03 →	●	-ESP	P61066MM	[-]	19	BSH						
	65	11/03 →	●	+ESP	P61068MM	[-]	19	BSH						
	65	11/03 →	●		P85020MM	[-]	17,2	TRW					A02205	
	65	11/03 →	●	09975 →	P61080MM	[-]	17,6	BSH					A02205	
1.4 HDi 70	50	03/02 → 01/05	●		P61068MM	[-]	19	BSH						
	50	03/02 → 01/05	●		P61080MM	[-]	17,6	BSH						
	50	03/02 → 01/05	●		P85020MM	[-]	17,2	TRW						
1.6 16V	80	03/02 →	●		P61068MM	[-]	19	BSH						
	80	03/02 →	●		P85020MM	[-]	17,2	TRW					A02205	
	80	03/02 →	●	09975 →	P61080MM	[-]	17,6	BSH					A02205	
1.6 BioFlex	80	09/07 →	●		P61068MM	[-]	19	BSH						
	80	09/07 →	●		P85020MM	[-]	17,2	TRW						
	80	09/07 →	●	09975 →	P61080MM	[-]	17,6	BSH						
1.6 HDi 110	80	02/04 →	●		P61068MM	[-]	19	BSH						
	80	02/04 →	●		P85020MM	[-]	17,2	TRW					A02205	
	80	02/04 →	●	09975 →	P61080MM	[-]	17,6	BSH					A02205	
1.6 HDi 90	66	12/06 →	●		P61068MM	[-]	19	BSH						
	66	12/06 →	●		P85020MM	[-]	17,2	TRW						
	66	12/06 →	●	09975 →	P61080MM	[-]	17,6	BSH						
2.0 16V	100	03/02 →	●		P61068MM	[-]	19	BSH						
	100	03/02 →	●		P85020MM	[-]	17,2	TRW					A02205	
	100	03/02 →	●	09975 →	P61080MM	[-]	17,6	BSH					A02205	
	103	03/05 →	●		P61068MM	[-]	19	BSH						
	103	03/05 →	●		P85020MM	[-]	17,2	TRW					A02205	
	103	03/05 →	●	09975 →	P61080MM	[-]	17,6	BSH					A02205	
2.0 HDi 110	79	03/02 →	●		P61068MM	[-]	19	BSH						
	79	03/02 →	●		P85020MM	[-]	17,2	TRW					A02205	
	79	03/02 →	●	09975 →	P61080MM	[-]	17,6	BSH					A02205	
2.0 HDi 135	100	02/04 →	●		P61076MM	[-]	19	ATE						
	100	02/04 →	●		P85020MM	[-]	17,2	TRW					A02205	
	100	02/04 →	●	09975 →	P61080MM	[-]	17,6	BSH					A02205	
2.0 HDi 90	66	03/02 →	●		P61068MM	[-]	19	BSH						
	66	03/02 →	●		P85020MM	[-]	17,2	TRW					A02205	
	66	03/02 →	●	09975 →	P61080MM	[-]	17,6	BSH					A02205	

308 (4A_, 4C_) 09/07 →

1.4 16V	70	09/07 →	●		P61101MM	[-]	17,8	BSH						
	70	09/07 →	●		P85020MM	[-]	17,2	TRW						
	72	12/09 →	●		P61101MM	[-]	17,8	BSH						
	72	12/09 →	●		P85020MM	[-]	17,2	TRW						
1.6	120	01/12 →	●		P61076MM	[-]	19	ATE						
	120	01/12 →	●		P85020MM	[-]	17,2	TRW						
1.6 16V	88	09/07 →	●		P61101MM	[-]	17,8	BSH						
	88	09/07 →	●		P85020MM	[-]	17,2	TRW						
	110	09/07 →	●		P61101MM	[-]	17,8	BSH						
1.6 16V	110	09/07 →	●		P85020MM	[-]	17,2	TRW						
	128	03/08 →	●		P61076MM	[-]	19	ATE						
	128	03/08 →	●		P61101MM	[-]	17,8	BSH						
	128	03/08 →	●		P85020MM	[-]	17,2	TRW						
	103	09/07 →	●		P61101MM	[-]	17,8	BSH						
103	09/07 →	●		P85020MM	[-]	17,2	TRW							

Car Model	kw	Icon 1	Icon 2	Icon 3	MAGNETI MARELLI	wi	Th [mm]	SYS	WI			FK	
									MAGNETI MARELLI	LENGHT	Icon 4	MAGNETI MARELLI	Icon 5

PEUGEOT

308 (4A_, 4C_) 09/07 →

1.6 16V	115	10/09 →	●				P61076MM [-]	19	ATE				
	115	10/09 →		●			P85020MM [-]	17,2	TRW				
1.6 BioFlex	80	04/08 →	●				P61101MM [-]	17,8	BSH				
	80	04/08 →		●			P85020MM [-]	17,2	TRW				
1.6 GTi	147	07/10 →	●				P61107MM [+]	17	ATE				
	147	07/10 →		●			P61084MM [-]	16,6	TRW				
1.6 HDi	66	09/07 →	●				P61101MM [-]	17,8	BSH				
	66	09/07 →		●			P85020MM [-]	17,2	TRW				
	80	09/07 →	●				P61101MM [-]	17,8	BSH				
	80	09/07 →		●			P85020MM [-]	17,2	TRW				
	68	11/09 →	●				P61101MM [-]	17,8	BSH				
	68	11/09 →		●			P85020MM [-]	17,2	TRW				
	82	12/09 →	●				P61101MM [-]	17,8	BSH				
	82	12/09 →		●			P85020MM [-]	17,2	TRW				
	84	03/13 →	●				P61101MM [-]	17,8	BSH				
	84	03/13 →		●			P85020MM [-]	17,2	TRW				
2.0 Bioflex	103	01/08 → 01/12	●				P61101MM [-]	17,8	BSH				
	103	01/08 → 01/12		●			P85020MM [-]	17,2	TRW				
2.0 HDi	100	09/07 →	●		→ 11677		P61076MM [-]	19	ATE				
	100	09/07 →	●		11678 →		P61101MM [-]	17,8	BSH				
	100	09/07 →		●			P85020MM [-]	17,2	TRW				
	103	07/10 →	●				P61076MM [-]	19	ATE				
	103	07/10 →		●	disc Ø 268 mm		P61084MM [-]	16,6	TRW				
	103	07/10 →		●			P85020MM [-]	17,2	TRW				
	110	10/11 →	●				P61076MM [-]	19	ATE				
	110	10/11 →		●	disc Ø 268 mm		P61084MM [-]	16,6	TRW				
	110	10/11 →		●			P85020MM [-]	17,2	TRW				
	120	04/12 →	●				P61076MM [-]	19	ATE				
120	04/12 →		●			P85020MM [-]	17,2	TRW					

308 CC 04/09 →

1.6 16V	110	06/09 →	●				P61076MM [-]	19	ATE				
	110	06/09 →		●			P85020MM [-]	17,2	TRW				
	88	06/09 →	●				P61101MM [-]	17,8	BSH				
	88	06/09 →		●			P85020MM [-]	17,2	TRW				
	115	06/09 →	●				P61076MM [-]	19	ATE				
	115	06/09 →		●			P85020MM [-]	17,2	TRW				
	103	06/09 →	●				P61076MM [-]	19	ATE				
	103	06/09 →		●			P85020MM [-]	17,2	TRW				
1.6 HDi	82	06/09 →	●				P61101MM [-]	17,8	BSH				
	82	06/09 →		●			P85020MM [-]	17,2	TRW				
	84	03/13 →	●				P61101MM [-]	17,8	BSH				
1.6 THP	84	03/13 →		●			P85020MM [-]	17,2	TRW				
	147	10/10 →	●				P61115MM [O]	17	ATE				
2.0 CVVT	147	10/10 →		●			P61114MM [-]	17,3	TRW			A02205	
	103	07/09 → 11/14	●				P61076MM [-]	19	ATE				
2.0 HDi	103	07/09 → 11/14		●			P85020MM [-]	17,2	TRW				
	103	04/09 →	●				P61076MM [-]	19	ATE				
2.0 HDi	103	04/09 →		●			P85020MM [-]	17,2	TRW				
	100	04/09 →	●				P61076MM [-]	19	ATE				
	100	04/09 →		●			P85020MM [-]	17,2	TRW				
	120	06/09 →	●				P61076MM [-]	19	ATE				
120	06/09 →		●			P85020MM [-]	17,2	TRW					

									WI			FK	
	kw						Th [mm]		MAGNETI MARELLI	LENGHT		MAGNETI MARELLI	

PEUGEOT

308 II 09/13 →

1.2 THP 110	81 11/13 →	●	disc Ø 266 mm	P61113MM [-]	18,7	MN							
	81 11/13 →	●	disc Ø 283 mm	P61120MM [-]	18,5	BSH							
	81 11/13 →	●	→ 13732; disc Ø 304 mm	P61123MM [O]	17,1	ATE							
	81 11/13 →	●	13733 →; disc Ø 304 mm	P61127MM [O]	17,1	ATE							
	81 11/13 →	●	disc Ø 249 mm	P61121MM [-]	15,4	ATE							
	81 11/13 →	●	+elect.handbrake; disc Ø 268 mm	P61122MM [-]	17,5	BSH							
	81 11/13 →	●	-elect.handbrake; disc Ø 268 mm	P61126MM [-]	15,9	ATE							
1.2 THP 130	96 11/13 →	●	disc Ø 266 mm	P61113MM [-]	18,7	MN							
	96 11/13 →	●	disc Ø 283 mm	P61120MM [-]	18,5	BSH							
	96 11/13 →	●	→ 13732; disc Ø 304 mm	P61123MM [O]	17,1	ATE							
	96 11/13 →	●	13733 →; disc Ø 304 mm	P61127MM [O]	17,1	ATE							
	96 11/13 →	●	disc Ø 249 mm	P61121MM [-]	15,4	ATE							
	96 11/13 →	●	+elect.handbrake; disc Ø 268 mm	P61122MM [-]	17,5	BSH							
1.2 VTI 72	60 09/13 →	●	disc Ø 266 mm	P61113MM [-]	18,7	MN							
	60 09/13 →	●	disc Ø 283 mm	P61120MM [-]	18,5	BSH							
	60 09/13 →	●	disc Ø 304 mm	P61123MM [O]	17,1	ATE							
	60 09/13 →	●	disc Ø 249 mm	P61121MM [-]	15,4	ATE							
	60 09/13 →	●	disc Ø 268 mm	P61122MM [-]	17,5	BSH							
	60 09/13 →	●	-elect.handbrake; disc Ø 268 mm	P61126MM [-]	15,9	ATE							
1.6	115 09/13 →	●	disc Ø 266 mm	P61113MM [-]	18,7	MN							
	115 09/13 →	●	disc Ø 283 mm	P61120MM [-]	18,5	BSH							
	115 09/13 →	●	disc Ø 304 mm	P61123MM [O]	17,1	ATE							
	115 09/13 →	●	disc Ø 249 mm	P61121MM [-]	15,4	ATE							
	115 09/13 →	●	disc Ø 268 mm	P61122MM [-]	17,5	BSH							
1.6 BlueHDi 120	88 11/13 →	●	disc Ø 266 mm	P61113MM [-]	18,7	MN							
	88 11/13 →	●	disc Ø 283 mm	P61120MM [-]	18,5	BSH							
	88 11/13 →	●	→ 13732; disc Ø 304 mm	P61123MM [O]	17,1	ATE							
	88 11/13 →	●	13733 →; disc Ø 304 mm	P61127MM [O]	17,1	ATE							
	88 11/13 →	●	disc Ø 249 mm	P61121MM [-]	15,4	ATE							
	88 11/13 →	●	+elect.handbrake; disc Ø 268 mm	P61122MM [-]	17,5	BSH							
	88 11/13 →	●	-elect.handbrake; disc Ø 268 mm	P61126MM [-]	15,9	ATE							
1.6 GT 205	151 06/14 →	●	disc Ø 330 mm	P61128MM [-]	18,5	BSH							
	151 06/14 →	●	+elect.handbrake; disc Ø 268 mm	P61122MM [-]	17,5	BSH							
	151 06/14 →	●	-elect.handbrake; disc Ø 268 mm	P61126MM [-]	15,9	ATE							
1.6 GTi	200 06/15 →	●		P36024MM [-]	15,6	ALC							
	200 06/15 →	●		P61124MM [-]	17,3	BSH							
	184 08/15 →	●		P36024MM [-]	15,6	ALC							
184 08/15 →	●		P61124MM [-]	17,3	BSH								
1.6 HDi	68 09/13 →	●	disc Ø 266 mm	P61113MM [-]	18,7	MN							
	68 09/13 →	●	disc Ø 283 mm	P61120MM [-]	18,5	BSH							
	68 09/13 →	●	disc Ø 304 mm	P61123MM [O]	17,1	ATE							
	68 09/13 →	●	disc Ø 249 mm	P61121MM [-]	15,4	ATE							
	68 09/13 →	●	disc Ø 268 mm	P61122MM [-]	17,5	BSH							
1.6 HDi / BlueHDi 115	85 09/13 →	●	disc Ø 266 mm	P61113MM [-]	18,7	MN							
	85 09/13 →	●	disc Ø 283 mm	P61120MM [-]	18,5	BSH							
	85 09/13 →	●	disc Ø 304 mm	P61123MM [O]	17,1	ATE							
	85 09/13 →	●	disc Ø 249 mm	P61121MM [-]	15,4	ATE							
	85 09/13 →	●	disc Ø 268 mm	P61122MM [-]	17,5	BSH							
1.6 HDi 100	73 04/14 →	●	→ 13732; disc Ø 304 mm	P61123MM [O]	17,1	ATE							
	73 04/14 →	●	disc Ø 266 mm	P61113MM [-]	18,7	MN							
	73 04/14 →	●	disc Ø 283 mm	P61120MM [-]	18,5	BSH							
	73 04/14 →	●	13733 →; disc Ø 304 mm	P61127MM [O]	17,1	ATE							
	73 04/14 →	●	-elect.handbrake; disc Ø 249 mm	P61121MM [-]	15,4	ATE							

PEUGEOT

308 II 09/13 →

1.6 HDi 100	73	04/14 →		•	+elect.handbrake; disc Ø 268 mm	P61122MM [-]	17,5	BSH						
	73	04/14 →		•	-elect.handbrake; disc Ø 268 mm	P61126MM [-]	15,9	ATE						
1.6 THP 125	92	09/13 →		•	disc Ø 266 mm	P61113MM [-]	18,7	MN						
	92	09/13 →		•	disc Ø 283 mm	P61120MM [-]	18,5	BSH						
	92	09/13 →		•	disc Ø 304 mm	P61123MM [O]	17,1	ATE						
	92	09/13 →		•	disc Ø 249 mm	P61121MM [-]	15,4	ATE						
	92	09/13 →		•	disc Ø 268 mm	P61122MM [-]	17,5	BSH						
	92	09/13 →		•	disc Ø 268 mm	P61126MM [-]	15,9	ATE						
1.6 THP 150	110	03/14 →		•	→ 13732; disc Ø 304 mm	P61123MM [O]	17,1	ATE						
	110	03/14 →		•	disc Ø 266 mm	P61113MM [-]	18,7	MN						
	110	03/14 →		•	disc Ø 283 mm	P61120MM [-]	18,5	BSH						
	110	03/14 →		•	13733 →; disc Ø 304 mm	P61127MM [O]	17,1	ATE						
	110	03/14 →		•	disc Ø 330 mm	P61128MM [-]	18,5	BSH						
	110	03/14 →		•	disc Ø 249 mm	P61121MM [-]	15,4	ATE						
	110	03/14 →		•	+elect.handbrake; disc Ø 268 mm	P61122MM [-]	17,5	BSH						
	110	03/14 →		•	-elect.handbrake; disc Ø 268 mm	P61126MM [-]	15,9	ATE						
	110	03/14 →		•	→ 13732; disc Ø 304 mm	P61123MM [O]	17,1	ATE						
	110	03/14 →		•	disc Ø 266 mm	P61113MM [-]	18,7	MN						
1.6 THP 163	120	06/14 →		•	→ 13732; disc Ø 304 mm	P61123MM [O]	17,1	ATE						
	120	06/14 →		•	disc Ø 266 mm	P61113MM [-]	18,7	MN						
	120	06/14 →		•	disc Ø 283 mm	P61120MM [-]	18,5	BSH						
	120	06/14 →		•	13733 →; disc Ø 304 mm	P61127MM [O]	17,1	ATE						
	120	06/14 →		•	disc Ø 330 mm	P61128MM [-]	18,5	BSH						
	120	06/14 →		•	disc Ø 249 mm	P61121MM [-]	15,4	ATE						
	120	06/14 →		•	+elect.handbrake; disc Ø 268 mm	P61122MM [-]	17,5	BSH						
	120	06/14 →		•	-elect.handbrake; disc Ø 268 mm	P61126MM [-]	15,9	ATE						
1.6 VTi	85	03/14 →		•	→ 13732; disc Ø 304 mm	P61123MM [O]	17,1	ATE						
	85	03/14 →		•	disc Ø 266 mm	P61113MM [-]	18,7	MN						
	85	03/14 →		•	disc Ø 283 mm	P61120MM [-]	18,5	BSH						
	85	03/14 →		•	13733 →; disc Ø 304 mm	P61127MM [O]	17,1	ATE						
	85	03/14 →		•	disc Ø 249 mm	P61121MM [-]	15,4	ATE						
	85	03/14 →		•	+elect.handbrake; disc Ø 268 mm	P61122MM [-]	17,5	BSH						
	85	03/14 →		•	-elect.handbrake; disc Ø 268 mm	P61126MM [-]	15,9	ATE						
2.0 BlueHdi 150	110	11/13 →		•	disc Ø 266 mm	P61113MM [-]	18,7	MN						
	110	11/13 →		•	disc Ø 283 mm	P61120MM [-]	18,5	BSH						
	110	11/13 →		•	→ 13732; disc Ø 304 mm	P61123MM [O]	17,1	ATE						
	110	11/13 →		•	13733 →; disc Ø 304 mm	P61127MM [O]	17,1	ATE						
	110	11/13 →		•	disc Ø 249 mm	P61121MM [-]	15,4	ATE						
	110	11/13 →		•	+elect.handbrake; disc Ø 268 mm	P61122MM [-]	17,5	BSH						
	110	11/13 →		•	-elect.handbrake; disc Ø 268 mm	P61126MM [-]	15,9	ATE						
2.0 GT HDi 180	133	06/14 →		•	disc Ø 330 mm	P61128MM [-]	18,5	BSH						
	133	06/14 →		•	+elect.handbrake; disc Ø 268 mm	P61122MM [-]	17,5	BSH						
	133	06/14 →		•	-elect.handbrake; disc Ø 268 mm	P61126MM [-]	15,9	ATE						

308 SW 09/07 →

1.4 16V	70	09/07 →		•		P61101MM [-]	17,8	BSH						
	70	09/07 →		•	disc Ø 268 mm	P61084MM [-]	16,6	TRW						
	70	09/07 →		•	disc Ø 249 mm	P85020MM [-]	17,2	TRW						
	72	12/09 →		•		P61101MM [-]	17,8	BSH						
	72	12/09 →		•	disc Ø 268 mm	P61084MM [-]	16,6	TRW						
	72	12/09 →		•	disc Ø 249 mm	P85020MM [-]	17,2	TRW						
1.6 16V	88	09/07 →		•		P61101MM [-]	17,8	BSH						
	88	09/07 →		•	disc Ø 249 mm	P85020MM [-]	17,2	TRW						
	88	09/07 →		•	disc Ø 268 mm	P61084MM [-]	16,6	TRW						
	110	09/07 →		•		P61076MM [-]	19	ATE						
	110	09/07 →		•	disc Ø 249 mm	P85020MM [-]	17,2	TRW						
	110	09/07 →		•	disc Ø 268 mm	P61084MM [-]	16,6	TRW						
	128	03/08 →		•		P61101MM [-]	17,8	BSH						

									WI			FK	
									MAGNETI MARELLI	LENGHT		MAGNETI MARELLI	

PEUGEOT

308 SW 09/07 →

1.6 16V	128 03/08 →	●	disc Ø 249 mm	P85020MM [-]	17,2	TRW							
	128 03/08 →	●	disc Ø 268 mm	P61084MM [-]	16,6	TRW							
	103 09/07 →	●		P61101MM [-]	17,8	BSH							
	103 09/07 →	●		P61076MM [-]	19	ATE							
	103 09/07 →	●	disc Ø 249 mm	P85020MM [-]	17,2	TRW							
	103 09/07 →	●	disc Ø 268 mm	P61084MM [-]	16,6	TRW							
	115 10/09 →	●		P61101MM [-]	17,8	BSH							
	115 10/09 →	●	disc Ø 249 mm	P85020MM [-]	17,2	TRW							
	115 10/09 →	●	disc Ø 268 mm	P61084MM [-]	16,6	TRW							
1.6 Bioflex	82 03/09 →	●		P61101MM [-]	17,8	BSH							
	82 03/09 →	●	disc Ø 249 mm	P85020MM [-]	17,2	TRW							
	82 03/09 →	●	disc Ø 268 mm	P61084MM [-]	16,6	TRW							
1.6 HDi	68 11/09 →	●		P61101MM [-]	17,8	BSH							
	68 11/09 →	●	disc Ø 249 mm	P85020MM [-]	17,2	TRW					A02205	disc Ø 249 mm	
	68 11/09 →	●	disc Ø 268 mm	P61084MM [-]	16,6	TRW					A02205	disc Ø 249 mm	
	66 09/07 →	●		P61101MM [-]	17,8	BSH							
	66 09/07 →	●	disc Ø 249 mm	P85020MM [-]	17,2	TRW							
	66 09/07 →	●	disc Ø 268 mm	P61084MM [-]	16,6	TRW							
	80 09/07 →	●		P61101MM [-]	17,8	BSH							
	80 09/07 →	●	disc Ø 249 mm	P85020MM [-]	17,2	TRW							
	80 09/07 →	●	disc Ø 268 mm	P61084MM [-]	16,6	TRW							
	82 12/09 →	●		P61101MM [-]	17,8	BSH							
	82 12/09 →	●	disc Ø 249 mm	P85020MM [-]	17,2	TRW							
	82 12/09 →	●	disc Ø 268 mm	P61084MM [-]	16,6	TRW							
	84 03/13 →	●	disc Ø 266 mm	P61113MM [-]	18,7	MN							
	84 03/13 →	●	disc Ø 283 mm	P61120MM [-]	18,5	BSH							
	84 03/13 →	●	disc Ø 304 mm	P61123MM [O]	17,1	ATE							
84 03/13 →	●	disc Ø 249 mm	P61121MM [-]	15,4	ATE								
84 03/13 →	●	-elect.handbrake; disc Ø 268 mm	P61084MM [-]	16,6	TRW								
84 03/13 →	●	+elect.handbrake; disc Ø 268 mm	P61122MM [-]	17,5	BSH								
2.0 Bioflex	103 01/08 →	●		P61101MM [-]	17,8	BSH							
	103 01/08 →	●		P61076MM [-]	19	ATE							
	103 01/08 →	●	disc Ø 268 mm	P61084MM [-]	16,6	TRW							
	103 01/08 →	●	disc Ø 249 mm	P85020MM [-]	17,2	TRW							
2.0 HDi	100 09/07 →	●		P61076MM [-]	19	ATE							
	100 09/07 →	●	disc Ø 249 mm	P85020MM [-]	17,2	TRW							
	100 09/07 →	●	disc Ø 268 mm	P61084MM [-]	16,6	TRW							
	103 09/07 →	●		P61076MM [-]	19	ATE							
	103 09/07 →	●	disc Ø 268 mm	P61084MM [-]	16,6	TRW							
	103 09/07 →	●	disc Ø 249 mm	P85020MM [-]	17,2	TRW							
	120 06/09 →	●		P61076MM [-]	19	ATE							
	120 06/09 →	●	disc Ø 268 mm	P61084MM [-]	16,6	TRW							
	120 06/09 →	●	disc Ø 249 mm	P85020MM [-]	17,2	TRW							
	110 04/11 →	●		P61076MM [-]	19	ATE							
	110 04/11 →	●	disc Ø 268 mm	P61084MM [-]	16,6	TRW							
110 04/11 →	●	disc Ø 249 mm	P85020MM [-]	17,2	TRW								

308 SW II 03/14 →

1.2 THP 110	81 03/14 →	●	disc Ø 266 mm	P61113MM [-]	18,7	MN							
	81 03/14 →	●	disc Ø 283 mm	P61120MM [-]	18,5	BSH							
	81 03/14 →	●	→ 13732; disc Ø 304 mm	P61123MM [O]	17,1	ATE							
	81 03/14 →	●	13733 →; disc Ø 304 mm	P61127MM [O]	17,1	ATE							
	81 03/14 →	●	-elect.handbrake; disc Ø 249 mm	P61121MM [-]	15,4	ATE							
	81 03/14 →	●	+elect.handbrake; disc Ø 268 mm	P61122MM [-]	17,5	BSH							
	81 03/14 →	●	-elect.handbrake; disc Ø 268 mm	P61126MM [-]	15,9	ATE							

		kw					wi	Th [mm]	SYS	WI		FK	
											LENGHT		

PEUGEOT
308 SW II 03/14 →

1.2 THP 130	96 03/14 →	•	disc Ø 266 mm	P61113MM [-]	18,7	MN							
	96 03/14 →	•	disc Ø 283 mm	P61120MM [-]	18,5	BSH							
	96 03/14 →	•	disc Ø 304 mm	P61123MM [O]	17,1	ATE							
	96 03/14 →	•	-elect.handbrake; disc Ø 249 mm	P61121MM [-]	15,4	ATE							
	96 03/14 →	•	+elect.handbrake; disc Ø 268 mm	P61122MM [-]	17,5	BSH							
	96 03/14 →	•	-elect.handbrake; disc Ø 268 mm	P61126MM [-]	15,9	ATE							
1.6 BlueHdi 100	73 04/14 →	•	disc Ø 266 mm	P61113MM [-]	18,7	MN							
	73 04/14 →	•	disc Ø 283 mm	P61120MM [-]	18,5	BSH							
	73 04/14 →	•	→ 13732; disc Ø 304 mm	P61123MM [O]	17,1	ATE							
	73 04/14 →	•	13733 →; disc Ø 304 mm	P61127MM [O]	17,1	ATE							
	73 04/14 →	•	-elect.handbrake; disc Ø 249 mm	P61121MM [-]	15,4	ATE							
	73 04/14 →	•	+elect.handbrake; disc Ø 268 mm	P61122MM [-]	17,5	BSH							
1.6 BlueHdi 120	88 03/14 →	•	disc Ø 266 mm	P61113MM [-]	18,7	MN							
	88 03/14 →	•	disc Ø 283 mm	P61120MM [-]	18,5	BSH							
	88 03/14 →	•	disc Ø 304 mm	P61123MM [O]	17,1	ATE							
	88 03/14 →	•	13733 →; disc Ø 304 mm	P61127MM [O]	17,1	ATE							
	88 03/14 →	•	-elect.handbrake; disc Ø 249 mm	P61121MM [-]	15,4	ATE							
	88 03/14 →	•	+elect.handbrake; disc Ø 268 mm	P61122MM [-]	17,5	BSH							
1.6 GT 205	151 06/14 →	•	disc Ø 330 mm	P61128MM [-]	18,5	BSH							
	151 06/14 →	•	disc Ø 290 mm	P61124MM [-]	17,3	BSH							
	1.6 HDi / BlueHdi 115	85 03/14 →	•	disc Ø 266 mm	P61113MM [-]	18,7	MN						
		85 03/14 →	•	disc Ø 283 mm	P61120MM [-]	18,5	BSH						
		85 03/14 →	•	disc Ø 304 mm	P61123MM [O]	17,1	ATE						
	1.6 HDi / BlueHdi 115	85 03/14 →	•	-elect.handbrake; disc Ø 249 mm	P61121MM [-]	15,4	ATE						
85 03/14 →		•	+elect.handbrake; disc Ø 268 mm	P61122MM [-]	17,5	BSH							
85 03/14 →		•	-elect.handbrake; disc Ø 268 mm	P61126MM [-]	15,9	ATE							
1.6 HDi 92	68 03/14 →	•	disc Ø 266 mm	P61113MM [-]	18,7	MN							
	68 03/14 →	•	disc Ø 283 mm	P61120MM [-]	18,5	BSH							
	68 03/14 →	•	disc Ø 304 mm	P61123MM [O]	17,1	ATE							
	68 03/14 →	•	-elect.handbrake; disc Ø 249 mm	P61121MM [-]	15,4	ATE							
	68 03/14 →	•	+elect.handbrake; disc Ø 268 mm	P61122MM [-]	17,5	BSH							
	68 03/14 →	•	-elect.handbrake; disc Ø 268 mm	P61126MM [-]	15,9	ATE							
1.6 THP 125	92 03/14 →	•	disc Ø 266 mm	P61113MM [-]	18,7	MN							
	92 03/14 →	•	disc Ø 283 mm	P61120MM [-]	18,5	BSH							
	92 03/14 →	•	disc Ø 330 mm	P61128MM [-]	18,5	BSH							
	92 03/14 →	•	→ 13732; disc Ø 304 mm	P61123MM [O]	17,1	ATE							
	92 03/14 →	•	13733 →; disc Ø 304 mm	P61127MM [O]	17,1	ATE							
	92 03/14 →	•	-elect.handbrake; disc Ø 249 mm	P61121MM [-]	15,4	ATE							
	92 03/14 →	•	+elect.handbrake; disc Ø 268 mm	P61122MM [-]	17,5	BSH							
	92 03/14 →	•	-elect.handbrake; disc Ø 268 mm	P61126MM [-]	15,9	ATE							
1.6 THP 150	110 03/14 →	•	disc Ø 266 mm	P61113MM [-]	18,7	MN							
	110 03/14 →	•	disc Ø 283 mm	P61120MM [-]	18,5	BSH							
	110 03/14 →	•	disc Ø 330 mm	P61128MM [-]	18,5	BSH							
	110 03/14 →	•	→ 13732; disc Ø 304 mm	P61123MM [O]	17,1	ATE							
	110 03/14 →	•	13733 →; disc Ø 304 mm	P61127MM [O]	17,1	ATE							
	110 03/14 →	•	-elect.handbrake; disc Ø 249 mm	P61121MM [-]	15,4	ATE							
	110 03/14 →	•	+elect.handbrake; disc Ø 268 mm	P61122MM [-]	17,5	BSH							
	110 03/14 →	•	-elect.handbrake; disc Ø 268 mm	P61126MM [-]	15,9	ATE							
1.6 THP 155	115 03/14 →	•	disc Ø 266 mm	P61113MM [-]	18,7	MN							
	115 03/14 →	•	disc Ø 283 mm	P61120MM [-]	18,5	BSH							
	115 03/14 →	•	disc Ø 304 mm	P61123MM [O]	17,1	ATE							
	115 03/14 →	•	-elect.handbrake; disc Ø 249 mm	P61121MM [-]	15,4	ATE							

									WI			FK	
	kw						Th [mm]		MAGNETI MARELLI	LENGHT		MAGNETI MARELLI	

PEUGEOT

308 SW II 03/14 →

1.6 THP 155	115 03/14 →	●	+elect.handbrake; disc Ø 268 mm	P61122MM [-]	17,5	BSH							
	115 03/14 →	●	-elect.handbrake; disc Ø 268 mm	P61126MM [-]	15,9	ATE							
1.6 THP 163	120 06/14 →	●	disc Ø 266 mm	P61113MM [-]	18,7	MN							
	120 06/14 →	●	disc Ø 283 mm	P61120MM [-]	18,5	BSH							
	120 06/14 →	●	disc Ø 330 mm	P61128MM [-]	18,5	BSH							
	120 06/14 →	●	disc Ø 304 mm	P61123MM [O]	17,1	ATE							
	120 06/14 →	●	13733 →; disc Ø 304 mm	P61127MM [O]	17,1	ATE							
	120 06/14 →	●	-elect.handbrake; disc Ø 249 mm	P61121MM [-]	15,4	ATE							
	120 06/14 →	●	+elect.handbrake; disc Ø 268 mm	P61122MM [-]	17,5	BSH							
	120 06/14 →	●	-elect.handbrake; disc Ø 268 mm	P61126MM [-]	15,9	ATE							
1.6 VTi	85 03/14 →	●	disc Ø 266 mm	P61113MM [-]	18,7	MN							
	85 03/14 →	●	disc Ø 283 mm	P61120MM [-]	18,5	BSH							
	85 03/14 →	●	disc Ø 330 mm	P61128MM [-]	18,5	BSH							
	85 03/14 →	●	→ 13732; disc Ø 304 mm	P61123MM [O]	17,1	ATE							
	85 03/14 →	●	13733 →; disc Ø 304 mm	P61127MM [O]	17,1	ATE							
	85 03/14 →	●	-elect.handbrake; disc Ø 249 mm	P61121MM [-]	15,4	ATE							
	85 03/14 →	●	+elect.handbrake; disc Ø 268 mm	P61122MM [-]	17,5	BSH							
	85 03/14 →	●	-elect.handbrake; disc Ø 268 mm	P61126MM [-]	15,9	ATE							
2.0 BlueHDi 150	110 03/14 →	●	disc Ø 266 mm	P61113MM [-]	18,7	MN							
	110 03/14 →	●	disc Ø 283 mm	P61120MM [-]	18,5	BSH							
	110 03/14 →	●	disc Ø 304 mm	P61123MM [O]	17,1	ATE							
	110 03/14 →	●	-elect.handbrake; disc Ø 249 mm	P61121MM [-]	15,4	ATE							
	110 03/14 →	●	+elect.handbrake; disc Ø 268 mm	P61122MM [-]	17,5	BSH							
2.0 BlueHDi 180	132 06/14 →	●	disc Ø 266 mm	P61113MM [-]	18,7	MN							
	132 06/14 →	●	disc Ø 283 mm	P61120MM [-]	18,5	BSH							
	132 06/14 →	●	disc Ø 330 mm	P61128MM [-]	18,5	BSH							
	132 06/14 →	●	→ 13732; disc Ø 304 mm	P61123MM [O]	17,1	ATE							
	132 06/14 →	●	13733 →; disc Ø 304 mm	P61127MM [O]	17,1	ATE							
	132 06/14 →	●	-elect.handbrake; disc Ø 249 mm	P61121MM [-]	15,4	ATE							
	132 06/14 →	●	+elect.handbrake; disc Ø 268 mm	P61122MM [-]	17,5	BSH							
	132 06/14 →	●	-elect.handbrake; disc Ø 268 mm	P61126MM [-]	15,9	ATE							
	2.0 GT BlueHDi 180	133 06/14 →	●	disc Ø 330 mm	P61128MM [-]	18,5	BSH						
133 06/14 →		●	disc Ø 290 mm	P61124MM [-]	17,3	BSH							

405 II (4B) 01/92 → 11/99

1.4	55 08/92 → 10/95	●		P68010MM [+]	18	BDX							
	55 08/92 → 10/95	●		P61035MM [+]	19,4	TRW							
1.6	65 08/92 → 10/95	●		P68010MM [+]	18	BDX							
	65 08/92 → 10/95	●		P61035MM [+]	19,4	TRW							
1.8	74 08/92 → 10/95	●		P68010MM [+]	18	BDX							
	74 08/92 → 10/95	●		P61035MM [+]	19,4	TRW							
	74 08/92 → 10/95	●		P85017MM [-]	15,2	TRW							
1.9 D	47 08/92 → 10/95	●		P68010MM [+]	18	BDX							
	47 08/92 → 10/95	●		P61035MM [+]	19,4	TRW							
	50 06/94 → 10/95	●		P68010MM [+]	18	BDX						A02214	
1.9 TD	50 06/94 → 10/95	●		P61035MM [+]	19,4	TRW						A02214	
	66 08/92 → 10/95	●		P68010MM [+]	18	BDX							
	66 08/92 → 10/95	●		P61035MM [+]	19,4	TRW							
2.0	66 08/92 → 10/95	●		P85017MM [-]	15,2	TRW							
	89 08/92 → 10/95	●		P61035MM [+]	19,4	TRW							
2.0 16V	89 08/92 → 10/95	●		P85017MM [-]	15,2	TRW							
	110 06/94 → 10/95	●		P61035MM [+]	19,4	TRW							
	110 06/94 → 10/95	●		P85017MM [-]	15,2	TRW							

		kw						WI	Th [mm]	SYS		LEIGHT			
--	--	----	--	--	--	--	--	----	---------	-----	--	--------	--	--	--

PEUGEOT

405 II (4B) 01/92 → 11/99

2.0 MI-16	112	08/92 → 10/95	●				P61035MM	[+]	19,4	TRW					
	112	08/92 → 10/95		●			P85017MM	[-]	15,2	TRW					
2.0 T 16 X4	144	08/92 → 10/95		●			P85017MM	[-]	15,2	TRW					
2.0 X4	89	08/92 → 10/95	●				P61035MM	[+]	19,4	TRW					
	89	08/92 → 10/95		●			P85017MM	[-]	15,2	TRW					

406 (8B) 10/95 → 01/05

1.6	65	11/95 → 05/04	●				P61056MM	[+]	19,3	TRW					
1.8	66	05/97 → 05/04	●				P61056MM	[+]	19,3	TRW					
	66	05/97 → 05/04		●			P61058MM	[-]	17	ATE					
1.8 16V	81	11/95 → 10/00	●				P61056MM	[+]	19,3	TRW					
	81	11/95 → 10/00		●			P61058MM	[-]	17	ATE				A02281	
	85	10/00 → 05/04	●				P61056MM	[+]	19,3	TRW					
	85	10/00 → 05/04		●			P61058MM	[-]	17	ATE				A02281	
1.9 D	55	10/96 → 05/04	●			P61056MM	[+]	19,3	TRW						
1.9 TD	66	01/96 → 05/04	●				P61057MM	[+]	19,3	TRW					
	68	01/96 → 05/04	●				P61057MM	[+]	19,3	TRW					
2.0 16V	97	11/95 → 05/04	●				P61057MM	[+]	19,3	TRW					
	97	11/95 → 05/04		●			P61058MM	[-]	17	ATE				A02281	
	99	01/99 → 08/00	●				P61057MM	[+]	19,3	TRW					
	99	01/99 → 08/00		●			P61058MM	[-]	17	ATE				A02281	
	100	08/00 → 06/04	●				P61057MM	[+]	19,3	TRW					
2.0 16V HPI	103	05/01 → 05/04	●				P61057MM	[+]	19,3	TRW					
	103	05/01 → 05/04		●			P61058MM	[-]	17	ATE				A02281	
2.0 HDi 110	80	06/98 → 08/01	●				P61057MM	[+]	19,3	TRW					
	80	06/98 → 08/01		●			P61058MM	[-]	17	ATE				A02281	
	79	08/01 → 05/04	●				P61057MM	[+]	19,3	TRW					
	79	08/01 → 05/04		●			P61058MM	[-]	17	ATE				A02281	
2.0 HDi 90	66	02/99 → 05/04	●				P61057MM	[+]	19,3	TRW					
	66	02/99 → 05/04		●			P61058MM	[-]	17	ATE				A02281	
2.0 Turbo	108	04/96 → 05/04	●				P61057MM	[+]	19,3	TRW					
	108	04/96 → 05/04		●			P61058MM	[-]	17	ATE				A02281	
2.1 TD 12V	80	01/96 → 05/04	●				P61057MM	[+]	19,3	TRW					
	80	01/96 → 05/04		●			P61058MM	[-]	17	ATE				A02281	
2.2	116	07/00 → 05/04	●				P61057MM	[+]	19,3	TRW					
	116	07/00 → 05/04		●			P61058MM	[-]	17	ATE				A02281	
2.2 HDi	98	03/00 → 05/04	●				P61057MM	[+]	19,3	TRW					
	98	03/00 → 05/04		●			P61058MM	[-]	17	ATE				A02281	
3.0 24V	140	10/96 → 05/04	●				P61057MM	[+]	19,3	TRW					
	140	10/96 → 05/04		●			P61058MM	[-]	17	ATE				A02281	
3.0 V6	152	03/00 → 05/04	●				P61057MM	[+]	19,3	TRW					
	152	03/00 → 05/04		●			P61058MM	[-]	17	ATE				A02281	

406 Break (8E/F) 10/96 → 10/04

1.8	66	05/97 → 10/04	●				P61056MM	[+]	19,3	TRW					
	66	05/97 → 10/04		●			P61058MM	[-]	17	ATE					
1.8 16V	81	10/96 → 10/00	●				P61056MM	[+]	19,3	TRW					
	81	10/96 → 10/00		●			P61058MM	[-]	17	ATE				A02281	
	85	10/00 → 10/04	●				P61056MM	[+]	19,3	TRW					
	85	10/00 → 10/04		●			P61058MM	[-]	17	ATE				A02281	
1.9 D	55	10/96 → 10/04	●				P61056MM	[+]	19,3	TRW					
	55	10/96 → 10/04		●			P61058MM	[-]	17	ATE				A02281	
1.9 TD	66	10/96 → 10/04	●				P61057MM	[+]	19,3	TRW					
	66	10/96 → 10/04		●			P61058MM	[-]	17	ATE				A02281	

									WI			FK	
	kw				MAGNETI MARELLI	WI	Th [mm]	SYS	MAGNETI MARELLI	LENGHT		MAGNETI MARELLI	

PEUGEOT

406 Break (8E/F) 10/96 → 10/04

2.0 16V	97	10/96 → 10/04	●			P61057MM	[+]	19,3	TRW				
	97	10/96 → 10/04		●		P61058MM	[-]	17	ATE			A02281	
	99	01/99 → 10/00	●			P61057MM	[+]	19,3	TRW				
	99	01/99 → 10/00		●		P61058MM	[-]	17	ATE			A02281	
	100	10/00 → 10/04	●			P61057MM	[+]	19,3	TRW				
	100	10/00 → 10/04		●		P61058MM	[-]	17	ATE			A02281	
2.0 16V HPi	103	05/01 → 10/04	●			P61057MM	[+]	19,3	TRW				
	103	05/01 → 10/04		●		P61058MM	[-]	17	ATE			A02281	
2.0 HDI 110	80	02/99 → 04/04	●			P61057MM	[+]	19,3	TRW				
	80	02/99 → 04/04		●		P61058MM	[-]	17	ATE			A02281	
	79	08/01 → 10/04	●			P61057MM	[+]	19,3	TRW				
	79	08/01 → 10/04		●		P61058MM	[-]	17	ATE			A02281	
2.0 HDI 90	66	02/99 → 10/04	●			P61057MM	[+]	19,3	TRW				
	66	02/99 → 10/04		●		P61058MM	[-]	17	ATE			A02281	
2.0 Turbo	108	10/96 → 10/04	●			P61057MM	[+]	19,3	TRW				
	108	10/96 → 10/04		●		P61058MM	[-]	17	ATE			A02281	
2.1 TD 12V	80	10/96 → 10/04	●			P61057MM	[+]	19,3	TRW				
	80	10/96 → 10/04		●		P61058MM	[-]	17	ATE			A02281	
2.2	116	07/00 → 10/04	●			P61057MM	[+]	19,3	TRW				
	116	07/00 → 10/04		●		P61058MM	[-]	17	ATE			A02281	
2.2 HDI	98	03/00 → 10/04	●			P61057MM	[+]	19,3	TRW				
	98	03/00 → 10/04		●		P61058MM	[-]	17	ATE			A02281	
3.0 24V	140	10/96 → 10/04	●			P61057MM	[+]	19,3	TRW				
	140	10/96 → 10/04		●		P61058MM	[-]	17	ATE			A02281	
3.0 V6	152	03/00 → 10/04	●			P61057MM	[+]	19,3	TRW				
	152	03/00 → 10/04		●		P61058MM	[-]	17	ATE			A02281	

406 Coupé (8C) 03/97 → 12/04

2.0 16V	97	03/97 → 12/04	●			P61057MM	[+]	19,3	TRW				
	97	03/97 → 12/04		●		P61058MM	[-]	17	ATE			A02281	
	99	01/99 → 10/00	●			P61057MM	[+]	19,3	TRW				
	99	01/99 → 10/00		●		P61058MM	[-]	17	ATE			A02281	
	100	10/00 → 12/04	●			P61057MM	[+]	19,3	TRW				
	100	10/00 → 12/04		●		P61058MM	[-]	17	ATE			A02281	
	99	04/99 → 09/04	●			P61057MM	[+]	19,3	TRW				
	99	04/99 → 09/04		●		P61038MM	[+]	17	ATE				
	99	04/99 → 09/04		●		P61058MM	[-]	17	ATE				
2.2	116	03/02 → 12/04	●			P61057MM	[+]	19,3	TRW				
	116	03/02 → 12/04		●		P61058MM	[-]	17	ATE			A02281	
2.2 HDI	98	03/00 → 12/04	●		S 80 800 001 →; → 09337	P61064MM	[+]	18	BRE				
	98	03/00 → 12/04	●		→ S 80 800 000; 09338 →	P61057MM	[+]	19,3	TRW				
	98	03/00 → 12/04		●		P61058MM	[-]	17	ATE			A02281	
3.0 V6	152	03/00 → 12/04	●		→ 09638	P61064MM	[+]	18	BRE				
	152	03/00 → 12/04	●		09639 →	P61057MM	[+]	19,3	TRW				
	152	03/00 → 12/04		●		P61058MM	[-]	17	ATE			A02281	
3.0 V6 24V	140	03/97 → 12/04	●		→ 09638	P61064MM	[+]	18	BRE				
	140	03/97 → 12/04	●		09639 →	P61057MM	[+]	19,3	TRW				
	140	03/97 → 12/04		●		P61058MM	[-]	17	ATE			A02281	

407 (6D_) 05/04 →

1.6 HDi 110	80	05/04 →	●			P61109MM	[+]	18,7	TRW				
	80	05/04 →		●		P61079MM	[-]	17,8	TRW				
1.8	85	05/04 →	●			P61109MM	[+]	18,7	TRW				
	85	05/04 →		●		P61079MM	[-]	17,8	TRW				
1.8 16V	92	09/05 →	●			P61109MM	[+]	18,7	TRW				
	92	09/05 →		●		P61079MM	[-]	17,8	TRW				

Car Model	kw	Icon 1	Icon 2	Icon 3	MAGNETI MARELLI	wi	Th [mm]	SYS	WI			FK	
									MAGNETI MARELLI	LENGHT	Icon 4	MAGNETI MARELLI	Icon 5

PEUGEOT

407 (6D_) 05/04 →

2.0	100	05/04 →	•		P61109MM	[+]	18,7	TRW					
	100	05/04 →		•	P61079MM	[-]	17,8	TRW					
2.0 16V	103	09/05 →	•		P61109MM	[+]	18,7	TRW					
	103	09/05 →		•	P61079MM	[-]	17,8	TRW					
	105	08/08 → 12/09		•	P61079MM	[-]	17,8	TRW					
2.0 Bioflex	103	09/07 →	•		P61109MM	[+]	18,7	TRW					
	103	09/07 →		•	P61079MM	[-]	17,8	TRW					
2.0 HDi	103	08/08 →	•	-(D)	P61109MM	[+]	18,7	TRW					
	103	08/08 →	•	11683 →; (D)	P61106MM	[+]	17,9/ 18,8	ATE					
	103	08/08 →		•	P61079MM	[-]	17,8	TRW					
	120	07/09 →	•		P61106MM	[+]	17,9/ 18,8	ATE					
	120	07/09 →		•	P61079MM	[-]	17,8	TRW					
	110	02/10 →	•		P61106MM	[+]	17,9/ 18,8	ATE					
2.0 HDi 135	100	05/04 →	•	-(D)	P61109MM	[+]	18,7	TRW				A02202	11683 →; (D)
	100	05/04 →	•	11683 →; (D)	P61106MM	[+]	17,9/ 18,8	ATE				A02202	11683 →; (D)
	100	05/04 →		•	P61079MM	[-]	17,8	TRW					
2.2	116	05/04 →	•	11921 →	P61119MM	[+]	18,3	TRW					
	116	05/04 →	•	→ 11920	P61078MM	[+]	17,7	TRW					
	116	05/04 →		•	P61079MM	[-]	17,8	TRW					
2.2 16V	120	09/05 →	•	11921 →	P61119MM	[+]	18,3	TRW					
	120	09/05 →	•	→ 11920	P61078MM	[+]	17,7	TRW					
	120	09/05 →		•	P61079MM	[-]	17,8	TRW					
2.2 HDi	120	06/08 →	•		P61119MM	[+]	18,3	TRW					
	120	06/08 →	•	→ 06/09; → 11920	P61078MM	[+]	17,7	TRW					
2.2 HDi 170	125	05/06 →	•	11921 →	P61119MM	[+]	18,3	TRW					
	125	05/06 →	•	→ 11920	P61078MM	[+]	17,7	TRW					
	125	05/06 →		•	P61079MM	[-]	17,8	TRW					
2.7 HDi	150	10/05 →	•	11921 → 12410	P61119MM	[+]	18,3	TRW					
	150	10/05 →	•	→ 11920	P61078MM	[+]	17,7	TRW					
	150	10/05 →	•	12411 →	P61107MM	[+]	17	ATE					
	150	10/05 →		•	P61079MM	[-]	17,8	TRW					
3.0	155	05/04 →	•	11921 → 12410	P61119MM	[+]	18,3	TRW					
	155	05/04 →	•	→ 11920	P61078MM	[+]	17,7	TRW					
	155	05/04 →	•	12411 →	P61107MM	[+]	17	ATE					
	155	05/04 →		•	P61079MM	[-]	17,8	TRW					

407 Coupé (6C_) 10/05 →

2.0 HDi	100	10/05 →	•	11921 →	P61119MM	[+]	18,3	TRW					
	100	10/05 →	•	→ 11920	P61078MM	[+]	17,7	TRW					
	100	10/05 →		•	P61079MM	[-]	17,8	TRW					
	120	06/09 →	•		P61106MM	[+]	17,9/ 18,8	ATE					
	120	06/09 →		•	P61079MM	[-]	17,8	TRW					
	110	02/10 →	•		P61106MM	[+]	17,9/ 18,8	ATE					
	110	02/10 →		•	P61079MM	[-]	17,8	TRW					
	103	09/08 → 12/09	•		P61078MM	[+]	17,7	TRW					
	103	09/08 → 12/09	•		P61119MM	[+]	18,3	TRW					
103	09/08 → 12/09		•	P61079MM	[-]	17,8	TRW						

										WI			FK	

PEUGEOT

407 Coupé (6C_) 10/05 →

2.2 16V	120	10/05 →	●	11921 →	P61119MM	[+]	18,3	TRW						
	120	10/05 →	●	→ 11920	P61078MM	[+]	17,7	TRW						
	120	10/05 →		●		P61079MM	[-]	17,8	TRW					
2.7 HDi	150	10/05 →	●	→ 11920	P61078MM	[+]	17,7	TRW						
	150	10/05 →	●	11921 → 12410	P61119MM	[+]	18,3	TRW						
2.7 HDi	150	10/05 →	●	12411 →	P61107MM	[+]	17	ATE						
	150	10/05 →		●		P61079MM	[-]	17,8	TRW					
3.0 HDi	177	06/09 →	●	→ 11920	P61078MM	[+]	17,7	TRW						
	177	06/09 →	●	11921 → 12410	P61119MM	[+]	18,3	TRW						
	177	06/09 →	●	12411 →	P61107MM	[+]	17	ATE						
	177	06/09 →		●		P61079MM	[-]	17,8	TRW					
3.0 V6	155	10/05 →	●	→ 11920	P61078MM	[+]	17,7	TRW						
	155	10/05 →	●	11921 → 12410	P61119MM	[+]	18,3	TRW						
	155	10/05 →	●	12411 →	P61107MM	[+]	17	ATE						
	155	10/05 →		●		P61079MM	[-]	17,8	TRW					

407 SW (6E_) 05/04 →

1.6 HDi 110	80	05/04 →	●		P61109MM	[+]	18,7	TRW						
	80	05/04 →		●		P61079MM	[-]	17,8	TRW					
1.8	85	05/04 →	●		P61109MM	[+]	18,7	TRW						
	85	05/04 →		●		P61079MM	[-]	17,8	TRW					
1.8 16V	92	09/05 →	●		P61109MM	[+]	18,7	TRW						
	92	09/05 →		●		P61079MM	[-]	17,8	TRW					
2.0	100	05/04 →	●		P61109MM	[+]	18,7	TRW						
	100	05/04 →		●		P61079MM	[-]	17,8	TRW					
2.0 16V	103	09/05 →	●		P61109MM	[+]	18,7	TRW						
	103	09/05 →		●		P61079MM	[-]	17,8	TRW					
2.0 Bioflex	103	01/08 →	●		P61109MM	[+]	18,7	TRW						
	103	01/08 →		●		P61079MM	[-]	17,8	TRW					
2.0 HDi	103	08/08 →	●	-(D)	P61109MM	[+]	18,7	TRW						
	103	08/08 →	●	11/08 →; 11683 →; (D)	P61106MM	[+]	17,9/ 18,8	ATE						
	103	08/08 →		●		P61079MM	[-]	17,8	TRW					
	120	07/09 →	●		P61106MM	[+]	17,9/ 18,8	ATE						
	120	07/09 →	●		P61078MM	[+]	17,7	TRW						
	120	07/09 →		●		P61079MM	[-]	17,8	TRW					
	110	02/10 →	●		P61106MM	[+]	17,9/ 18,8	ATE						
110	02/10 →		●		P61079MM	[-]	17,8	TRW						
2.0 HDi 135	100	05/04 →	●	-(D)	P61109MM	[+]	18,7	TRW				A02202	11683 →; (D)	
	100	05/04 →	●	11/08 →; 11683 →; (D)	P61106MM	[+]	17,9/ 18,8	ATE				A02202	11683 →; (D)	
	100	05/04 →		●		P61079MM	[-]	17,8	TRW					
2.2	116	05/04 →	●	11921 →	P61119MM	[+]	18,3	TRW						
	116	05/04 →	●	→ 11920	P61078MM	[+]	17,7	TRW						
	116	05/04 →		●		P61079MM	[-]	17,8	TRW					
2.2 16V	120	09/05 →	●	11921 →	P61119MM	[+]	18,3	TRW						
	120	09/05 →	●	→ 11920	P61078MM	[+]	17,7	TRW						
	120	09/05 →		●		P61079MM	[-]	17,8	TRW					
2.2 HDi	120	06/08 →	●		P61119MM	[+]	18,3	TRW						
	120	06/08 →	●	→ 06/09; → 11920	P61078MM	[+]	17,7	TRW						
	120	06/08 →		●		P61079MM	[-]	17,8	TRW					

Car	kw	S	D	i	MAGNETI MARELLI	wi	Th [mm]	SYS	WI			FK	
									MAGNETI MARELLI	LEIGHT	i	MAGNETI MARELLI	i

PEUGEOT

407 SW (6E_) 05/04 →

2.2 HDi 170	125	05/06 →	●	11921 →	P61119MM	[+]	18,3	TRW					
	125	05/06 →	●	→ 11920	P61078MM	[+]	17,7	TRW					
	125	05/06 →	●		P61079MM	[-]	17,8	TRW					
2.7 HDi	150	10/05 →	●	11921 → 12410	P61119MM	[+]	18,3	TRW					
	150	10/05 →	●	→ 11920	P61078MM	[+]	17,7	TRW					
	150	10/05 →	●	12411 →	P61107MM	[+]	17	ATE					
	150	10/05 →	●		P61079MM	[-]	17,8	TRW					
3.0	155	05/04 →	●	11921 → 12410	P61119MM	[+]	18,3	TRW					
	155	05/04 →	●	→ 11920	P61078MM	[+]	17,7	TRW					
	155	05/04 →	●	12411 →	P61107MM	[+]	17	ATE					
	155	05/04 →	●		P61079MM	[-]	17,8	TRW					

408 02/10 →

1.6	85	01/12 →	●		P61101MM	[-]	17,8	BSH					
	85	01/12 →	●		P61085MM	[-]	16,4	BSH					
1.6 HDi	85	11/10 →	●		P61101MM	[-]	17,8	BSH					
	85	11/10 →	●		P61085MM	[-]	16,4	BSH					

508 11/10 →

1.6	120	01/12 →	●	disc Ø 283 mm	P61112MM	[+]	17	ATE						
	120	01/12 →	●	disc Ø 304 mm	P61106MM	[+]	17,9/ 18,8	ATE						
	120	01/12 →	●	→ 12774; disc Ø 340 mm	P61107MM	[+]	17	ATE						
	120	01/12 →	●	12775 →; disc Ø 340 mm	P61115MM	[O]	17	ATE						
	120	01/12 →	●		P61110MM	[-]	16,3	ATE						
	121	09/11 →	●	disc Ø 283 mm	P61112MM	[+]	17	ATE						
	121	09/11 →	●	disc Ø 304 mm	P61106MM	[+]	17,9/ 18,8	ATE						
	121	09/11 →	●	disc Ø 340 mm	P61107MM	[+]	17	ATE						
	121	09/11 →	●	12775 →; disc Ø 340 mm	P61115MM	[O]	17	ATE						
	121	09/11 →	●		P61110MM	[-]	16,3	ATE						
	1.6 BlueHDi 120	88	03/14 →	●	disc Ø 283 mm; disc Ø 304 mm	P61112MM	[+]	17	ATE					
		88	03/14 →	●	disc Ø 340 mm	P61115MM	[O]	17	ATE					
88		03/14 →	●	disc Ø 392 mm	P61114MM	[-]	17,3	TRW						
88		03/14 →	●	disc Ø 393 mm	P61110MM	[-]	16,3	ATE						
1.6 HDi	82	11/10 →	●	disc Ø 283 mm	P61112MM	[+]	17	ATE					A02202	
	82	11/10 →	●	disc Ø 304 mm	P61106MM	[+]	17,9/ 18,8	ATE					A02202	
	82	11/10 →	●	disc Ø 340 mm	P61107MM	[+]	17	ATE					A02202	
	82	11/10 →	●	12775 →; disc Ø 340 mm	P61115MM	[O]	17	ATE					A02202	
	82	11/10 →	●		P61110MM	[-]	16,3	ATE						
	84	02/12 →	●	disc Ø 283 mm	P61112MM	[+]	17	ATE					A02202	
	84	02/12 →	●	disc Ø 304 mm	P61106MM	[+]	17,9/ 18,8	ATE					A02202	
	84	02/12 →	●	disc Ø 340 mm	P61107MM	[+]	17	ATE					A02202	
	84	02/12 →	●	12775 →; disc Ø 340 mm	P61115MM	[O]	17	ATE					A02202	
	84	02/12 →	●		P61110MM	[-]	16,3	ATE						
	85	09/14 →	●	disc Ø 283 mm	P61112MM	[+]	17	ATE						
	85	09/14 →	●	disc Ø 304 mm	P61106MM	[+]	17,9/ 18,8	ATE						
	85	09/14 →	●	disc Ø 340 mm	P61115MM	[O]	17	ATE						
	85	09/14 →	●	disc Ø 392 mm	P61114MM	[-]	17,3	TRW						
	85	09/14 →	●	disc Ø 393 mm	P61110MM	[-]	16,3	ATE						
	1.6 THP	115	11/10 →	●	disc Ø 283 mm	P61112MM	[+]	17	ATE					A02202
115		11/10 →	●	disc Ø 304 mm	P61106MM	[+]	17,9/ 18,8	ATE					A02202	
115		11/10 →	●	disc Ø 340 mm	P61107MM	[+]	17	ATE					A02202	

	kw										LENGHT			

PEUGEOT

508 11/10 →

1.6 THP	115	11/10 →	●	12775 →; disc Ø 340 mm	P61115MM	[O]	17	ATE						A02202	
	115	11/10 →		●		P61110MM	[-]	16,3	ATE						
	110	11/10 →	●		disc Ø 283 mm	P61112MM	[+]	17	ATE					A02202	
	110	11/10 →	●		disc Ø 304 mm	P61106MM	[+]	17,9/ 18,8	ATE					A02202	
	110	11/10 →	●		disc Ø 340 mm	P61107MM	[+]	17	ATE					A02202	
1.6 THP	110	11/10 →	●		12775 →; disc Ø 340 mm	P61115MM	[O]	17	ATE					A02202	
	110	11/10 →		●		P61110MM	[-]	16,3	ATE						
1.6 VTi	88	11/10 →	●		disc Ø 283 mm	P61112MM	[+]	17	ATE					A02202	
	88	11/10 →	●		disc Ø 304 mm	P61106MM	[+]	17,9/ 18,8	ATE					A02202	
	88	11/10 →	●		disc Ø 340 mm	P61107MM	[+]	17	ATE					A02202	
	88	11/10 →	●		12775 →; disc Ø 340 mm	P61115MM	[O]	17	ATE					A02202	
	88	11/10 →		●		P61110MM	[-]	16,3	ATE						
	85	11/10 →	●		disc Ø 283 mm	P61112MM	[+]	17	ATE					A02202	
	85	11/10 →	●		disc Ø 304 mm	P61106MM	[+]	17,9/ 18,8	ATE					A02202	
	85	11/10 →	●		disc Ø 340 mm	P61107MM	[+]	17	ATE					A02202	
	85	11/10 →	●		12775 →; disc Ø 340 mm	P61115MM	[O]	17	ATE					A02202	
2.0 BlueHDi 150	110	04/14 →	●		disc Ø 283 mm	P61112MM	[+]	17	ATE						
	110	04/14 →	●		disc Ø 304 mm	P61106MM	[+]	17,9/ 18,8	ATE						
	110	04/14 →	●		→ 12774; disc Ø 340 mm	P61107MM	[+]	17	ATE						
	110	04/14 →	●		12775 →; disc Ø 340 mm	P61115MM	[O]	17	ATE						
	110	04/14 →		●		P61110MM	[-]	16,3	ATE						
2.0 BlueHDi 180	133	04/14 →	●		disc Ø 283 mm	P61112MM	[+]	17	ATE						
	133	04/14 →	●		disc Ø 304 mm	P61106MM	[+]	17,9/ 18,8	ATE						
	133	04/14 →	●		→ 12774; disc Ø 340 mm	P61107MM	[+]	17	ATE						
	133	04/14 →	●		12775 →; disc Ø 340 mm	P61115MM	[O]	17	ATE						
2.0 HDi	103	11/10 →	●		disc Ø 283 mm	P61112MM	[+]	17	ATE					A02202	
	103	11/10 →	●		disc Ø 304 mm	P61106MM	[+]	17,9/ 18,8	ATE					A02202	
	103	11/10 →	●		disc Ø 340 mm	P61107MM	[+]	17	ATE					A02202	
	103	11/10 →	●		12775 →; disc Ø 340 mm	P61115MM	[O]	17	ATE					A02202	
	103	11/10 →		●		P61110MM	[-]	16,3	ATE						
	120	11/10 →	●		disc Ø 283 mm	P61112MM	[+]	17	ATE					A02202	
	120	11/10 →	●		disc Ø 304 mm	P61106MM	[+]	17,9/ 18,8	ATE					A02202	
	120	11/10 →	●		disc Ø 340 mm	P61107MM	[+]	17	ATE					A02202	
	120	11/10 →	●		12775 →; disc Ø 340 mm	P61115MM	[O]	17	ATE					A02202	
	120	11/10 →		●		P61110MM	[-]	16,3	ATE						
	100	11/10 →	●		disc Ø 283 mm	P61112MM	[+]	17	ATE					A02202	
	100	11/10 →	●		disc Ø 304 mm	P61106MM	[+]	17,9/ 18,8	ATE					A02202	
	100	11/10 →	●		disc Ø 340 mm	P61107MM	[+]	17	ATE					A02202	
	100	11/10 →	●		12775 →; disc Ø 340 mm	P61115MM	[O]	17	ATE					A02202	
100	11/10 →		●		P61110MM	[-]	16,3	ATE							
2.0 HDi Hybrid4 AWC	120	11/10 →	●		disc Ø 283 mm	P61112MM	[+]	17	ATE						
	120	11/10 →	●		disc Ø 304 mm	P61106MM	[+]	17,9/ 18,8	ATE						
	120	11/10 →	●		→ 12774; disc Ø 340 mm	P61107MM	[+]	17	ATE						
120	11/10 →	●		12775 →; disc Ø 340 mm	P61115MM	[O]	17	ATE							

		kw						wi	Th [mm]	SYS	WI		FK		
												LENGHT			

PEUGEOT

508 11/10 →

2.0 HDi Hybrid4 AWC	120	11/10 →	●		P61114MM [-]	17,3	TRW						
	147	11/10 →	●	disc Ø 283 mm	P61112MM [+]	17	ATE						
	147	11/10 →	●	disc Ø 304 mm	P61106MM [+]	17,9/18,8	ATE						
	147	11/10 →	●	→ 12774; disc Ø 340 mm	P61107MM [+]	17	ATE						
	147	11/10 →	●	12775 →; disc Ø 340 mm	P61115MM [O]	17	ATE						

2.0 HDi Hybrid4 AWC	147	11/10 →	●		P61114MM [-]	17,3	TRW						
---------------------	-----	---------	---	--	--------------	------	-----	--	--	--	--	--	--

2.2 HDi	150	11/10 →	●	disc Ø 283 mm	P61112MM [+]	17	ATE					A02202	
	150	11/10 →	●	disc Ø 304 mm	P61106MM [+]	17,9/18,8	ATE					A02202	
	150	11/10 →	●	→ 12774; disc Ø 340 mm	P61107MM [+]	17	ATE					A02202	
	150	11/10 →	●	12775 →; disc Ø 340 mm	P61115MM [O]	17	ATE					A02202	
	150	11/10 →	●		P61110MM [-]	16,3	ATE						

508 SW 11/10 →

1.6	121	02/12 →	●	→ 12774; disc Ø 340 mm	P61107MM [+]	17	ATE						
	121	02/12 →	●	disc Ø 283 mm	P61112MM [+]	17	ATE						
	121	02/12 →	●	disc Ø 304 mm	P61106MM [+]	17,9/18,8	ATE						
	121	02/12 →	●	12775 →; disc Ø 340 mm	P61115MM [O]	17	ATE						
	121	02/12 →	●		P61110MM [-]	16,3	ATE						

1.6 BlueHDi 120	88	03/14 →	●	disc Ø 283 mm; disc Ø 304 mm	P61112MM [+]	17	ATE						
	88	03/14 →	●	disc Ø 340 mm	P61115MM [O]	17	ATE						
	88	03/14 →	●	disc Ø 392 mm	P61114MM [-]	17,3	TRW						
	88	03/14 →	●	disc Ø 393 mm	P61110MM [-]	16,3	ATE						

1.6 HDi	82	11/10 →	●	disc Ø 304 mm	P61106MM [+]	17,9/18,8	ATE					A02202	
	82	11/10 →	●	12775 →; disc Ø 340 mm	P61115MM [O]	17	ATE					A02202	
	82	11/10 →	●	disc Ø 283 mm	P61112MM [+]	17	ATE					A02202	
	82	11/10 →	●	disc Ø 340 mm	P61107MM [+]	17	ATE					A02202	
	82	11/10 →	●		P61110MM [-]	16,3	ATE						

1.6 HDi	84	02/12 →	●	disc Ø 304 mm	P61106MM [+]	17,9/18,8	ATE					A02202	
	84	02/12 →	●	12775 →; disc Ø 340 mm	P61115MM [O]	17	ATE					A02202	
	84	02/12 →	●	disc Ø 283 mm	P61112MM [+]	17	ATE					A02202	
	84	02/12 →	●	→ 12774; disc Ø 340 mm	P61107MM [+]	17	ATE					A02202	
	84	02/12 →	●		P61110MM [-]	16,3	ATE						

1.6 HDi	85	09/14 →	●	disc Ø 283 mm	P61112MM [+]	17	ATE						
	85	09/14 →	●	disc Ø 304 mm	P61106MM [+]	17,9/18,8	ATE						
	85	09/14 →	●	disc Ø 340 mm	P61115MM [O]	17	ATE						
	85	09/14 →	●	disc Ø 392 mm	P61114MM [-]	17,3	TRW						
	85	09/14 →	●	disc Ø 393 mm	P61110MM [-]	16,3	ATE						

1.6 THP	115	11/10 →	●	disc Ø 304 mm	P61106MM [+]	17,9/18,8	ATE					A02202	
	115	11/10 →	●	12775 →; disc Ø 340 mm	P61115MM [O]	17	ATE					A02202	
	115	11/10 →	●	disc Ø 283 mm	P61112MM [+]	17	ATE					A02202	
	115	11/10 →	●	disc Ø 340 mm	P61107MM [+]	17	ATE					A02202	
	115	11/10 →	●		P61110MM [-]	16,3	ATE						

1.6 THP	110	11/10 →	●	disc Ø 304 mm	P61106MM [+]	17,9/18,8	ATE					A02202	
	110	11/10 →	●	12775 →; disc Ø 340 mm	P61115MM [O]	17	ATE					A02202	
	110	11/10 →	●	disc Ø 283 mm	P61112MM [+]	17	ATE					A02202	
	110	11/10 →	●	disc Ø 340 mm	P61107MM [+]	17	ATE					A02202	
	110	11/10 →	●		P61110MM [-]	16,3	ATE						



kw



wi

Th [mm]

SYS

WI

FK



LENGHT



PEUGEOT

508 SW 11/10 →

1.6 VTi	88	11/10 →	●	disc Ø 304 mm	P61106MM	[+]	17,9/ 18,8	ATE					A02202	
	88	11/10 →	●	12775 →; disc Ø 340 mm	P61115MM	[O]	17	ATE					A02202	
	88	11/10 →	●	disc Ø 283 mm	P61112MM	[+]	17	ATE					A02202	
	88	11/10 →	●	disc Ø 340 mm	P61107MM	[+]	17	ATE					A02202	
1.6 VTi	88	11/10 →	●		P61110MM	[-]	16,3	ATE						
	85	11/10 →	●	disc Ø 304 mm	P61106MM	[+]	17,9/ 18,8	ATE					A02202	
	85	11/10 →	●	12775 →; disc Ø 340 mm	P61115MM	[O]	17	ATE					A02202	
	85	11/10 →	●	disc Ø 283 mm	P61112MM	[+]	17	ATE					A02202	
	85	11/10 →	●	disc Ø 340 mm	P61107MM	[+]	17	ATE					A02202	
2.0 BlueHDi 150	110	04/14 →	●	disc Ø 283 mm	P61112MM	[+]	17	ATE						
	110	04/14 →	●	disc Ø 304 mm	P61106MM	[+]	17,9/ 18,8	ATE						
	110	04/14 →	●	→ 12774; disc Ø 340 mm	P61107MM	[+]	17	ATE						
	110	04/14 →	●	12775 →; disc Ø 340 mm	P61115MM	[O]	17	ATE						
2.0 BlueHDi 180	133	04/14 →	●	disc Ø 283 mm	P61112MM	[+]	17	ATE						
	133	04/14 →	●	disc Ø 304 mm	P61106MM	[+]	17,9/ 18,8	ATE						
	133	04/14 →	●	→ 12774; disc Ø 340 mm	P61107MM	[+]	17	ATE						
	133	04/14 →	●	12775 →; disc Ø 340 mm	P61115MM	[O]	17	ATE						
	133	04/14 →	●		P61110MM	[-]	16,3	ATE						
2.0 HDi	103	11/10 →	●	disc Ø 304 mm	P61106MM	[+]	17,9/ 18,8	ATE					A02202	
	103	11/10 →	●	12775 →; disc Ø 340 mm	P61115MM	[O]	17	ATE					A02202	
	103	11/10 →	●	disc Ø 283 mm	P61112MM	[+]	17	ATE					A02202	
	103	11/10 →	●	disc Ø 340 mm	P61107MM	[+]	17	ATE					A02202	
	103	11/10 →	●		P61110MM	[-]	16,3	ATE						
	120	11/10 →	●	disc Ø 304 mm	P61106MM	[+]	17,9/ 18,8	ATE					A02202	
	120	11/10 →	●	12775 →; disc Ø 340 mm	P61115MM	[O]	17	ATE					A02202	
	120	11/10 →	●	disc Ø 283 mm	P61112MM	[+]	17	ATE					A02202	
	120	11/10 →	●	disc Ø 340 mm	P61107MM	[+]	17	ATE					A02202	
	120	11/10 →	●		P61110MM	[-]	16,3	ATE						
2.0 HDi 180 RXH	100	11/10 →	●	disc Ø 304 mm	P61106MM	[+]	17,9/ 18,8	ATE					A02202	
	100	11/10 →	●	12775 →; disc Ø 340 mm	P61115MM	[O]	17	ATE					A02202	
	100	11/10 →	●	disc Ø 283 mm	P61112MM	[+]	17	ATE					A02202	
	100	11/10 →	●	→ 12774; disc Ø 340 mm	P61107MM	[+]	17	ATE					A02202	
	100	11/10 →	●		P61110MM	[-]	16,3	ATE						
	133	10/14 →	●	disc Ø 283 mm	P61112MM	[+]	17	ATE						
2.0 HDi 180 RXH	133	10/14 →	●	disc Ø 304 mm	P61106MM	[+]	17,9/ 18,8	ATE						
	133	10/14 →	●	→ 12774; disc Ø 340 mm	P61107MM	[+]	17	ATE						
	133	10/14 →	●	12775 →; disc Ø 340 mm	P61115MM	[O]	17	ATE						
	133	10/14 →	●		P61114MM	[-]	17,3	TRW						
2.0 HDi RXH Hybrid4	120	11/10 →	●	→ 12774	P61107MM	[+]	17	ATE						
	120	11/10 →	●	disc Ø 283 mm	P61112MM	[+]	17	ATE						
	120	11/10 →	●	disc Ø 304 mm	P61106MM	[+]	17,9/ 18,8	ATE						
	120	11/10 →	●	12775 →	P61115MM	[O]	17	ATE						
120	11/10 →	●		P61114MM	[-]	17,3	TRW							

--	--	--	--	--	--	--	--	--	--	--	--	--	--	--	--

PEUGEOT

508 SW 11/10 →

2.2 HdI	150	11/10 →	●	disc Ø 283 mm	P61112MM	[+]	17	ATE						A02202	
	150	11/10 →	●	disc Ø 304 mm	P61106MM	[+]	17,9/18,8	ATE						A02202	
	150	11/10 →	●	→ 12774; disc Ø 340 mm	P61107MM	[+]	17	ATE						A02202	
	150	11/10 →	●	12775 →; disc Ø 340 mm	P61115MM	[O]	17	ATE						A02202	
	150	11/10 →	●		P61110MM	[-]	16,3	ATE							

605 (6B) 06/89 → 09/99

2.0	89	06/89 → 09/99	●	→ 02/91; → 90807683	P61039MM	[+]	17	BDX						A02240	→ 02/91; → 90807683
	89	06/89 → 09/99	●	03/91 →; 90807684 →	P61048MM	[+]	17	BDX						A02240	→ 02/91; → 90807683
	89	06/89 → 09/99	●		P61038MM	[+]	17	ATE						A02281	
	84	06/89 → 09/99	●	→ 02/91; → 90807683	P61039MM	[+]	17	BDX						A02240	→ 02/91; → 90807683
	84	06/89 → 09/99	●	03/91 →; 90807684 →	P61048MM	[+]	17	BDX						A02240	→ 02/91; → 90807683
	84	06/89 → 09/99	●		P61038MM	[+]	17	ATE						A02281	
	79	02/90 → 09/99	●	→ 02/91; → 90807683	P61039MM	[+]	17	BDX						A02240	→ 02/91; → 90807683
	79	02/90 → 09/99	●	03/91 →; 90807684 →	P61048MM	[+]	17	BDX						A02240	→ 02/91; → 90807683
	79	02/90 → 09/99	●		P61038MM	[+]	17	ATE						A02281	
2.0 16V	97	07/94 → 09/99	●	90807684 →	P61048MM	[+]	17	BDX							
	97	07/94 → 09/99	●		P61038MM	[+]	17	ATE							
2.0 Turbo	104	07/92 → 09/99	●	90807684 →	P61048MM	[+]	17	BDX							
	104	07/92 → 09/99	●		P61038MM	[+]	17	ATE						A02281	
	108	07/91 → 09/99	●	90807684 →	P61048MM	[+]	17	BDX							
	108	07/91 → 09/99	●		P61038MM	[+]	17	ATE							
2.1 D	60	06/89 → 07/95	●	→ 02/91; → 90807683	P61039MM	[+]	17	BDX						A02240	→ 02/91; → 90807683
	60	06/89 → 07/95	●	03/91 →; 90807684 →	P61048MM	[+]	17	BDX						A02240	→ 02/91; → 90807683
	60	06/89 → 07/95	●		P61038MM	[+]	17	ATE						A02281	
2.1 TD 12V	80	08/94 → 09/99	●	90807684 →	P61048MM	[+]	17	BDX							
	80	08/94 → 09/99	●		P61038MM	[+]	17	ATE						A02281	
2.1 Turbo Diesel	80	06/89 → 09/99	●	→ 02/91; → 90807683	P61039MM	[+]	17	BDX						A02240	→ 02/91; → 90807683
	80	06/89 → 09/99	●	03/91 →; 90807684 →	P61048MM	[+]	17	BDX						A02240	→ 02/91; → 90807683
	80	06/89 → 09/99	●		P61038MM	[+]	17	ATE						A02281	
2.5 Turbo Diesel	95	07/94 → 09/99	●	90807684 →	P61048MM	[+]	17	BDX							
	95	07/94 → 09/99	●		P61038MM	[+]	17	ATE							
3.0	123	10/89 → 09/99	●	90807684 →	P61048MM	[+]	17	BDX						A02240	→ 02/91; → 90807683
	123	10/89 → 09/99	●		P61038MM	[+]	17	ATE						A02281	
	123	08/89 → 06/94	●	90807684 →	P61048MM	[+]	17	BDX						A02240	→ 02/91; → 90807683
	123	08/89 → 06/94	●		P61038MM	[+]	17	ATE						A02281	
	147	08/89 → 06/94	●		P61049MM	[O]	18,7	ATE	A00311	250				A02217	
	147	08/89 → 06/94	●		P61038MM	[+]	17	ATE						A02281	
3.0 SV 24	147	08/89 → 09/99	●		P61049MM	[O]	18,7	ATE	A00311	250				A02217	
	147	08/89 → 09/99	●		P61038MM	[+]	17	ATE						A02281	
3.0 V6	140	04/97 → 09/99	●		P61049MM	[O]	18,7	ATE	A00311	250				A02217	
	140	04/97 → 09/99	●		P61038MM	[+]	17	ATE						A02281	

607 (9D, 9U) 01/00 →

2.0	100	02/00 →	●	→ 12/04	P61057MM	[+]	19,3	TRW							
	100	02/00 →	●	01/05 →	P61078MM	[+]	17,7	TRW							
	100	02/00 →	●	→ 12/04	P61058MM	[-]	17	ATE						A02281	→ 12/04
	100	02/00 →	●	01/05 →	P61079MM	[-]	17,8	TRW						A02281	→ 12/04
2.0 HdI	80	05/00 →	●	→ 12/04	P61057MM	[+]	19,3	TRW							
	80	05/00 →	●	01/05 →	P61078MM	[+]	17,7	TRW							
	80	05/00 →	●	→ 12/04	P61058MM	[-]	17	ATE						A02281	→ 12/04
	80	05/00 →	●	01/05 →	P61079MM	[-]	17,8	TRW						A02281	→ 12/04
	100	09/05 →	●		P61078MM	[+]	17,7	TRW							
	100	09/05 →	●		P61079MM	[-]	17,8	TRW							

									WI			FK	
	kw								MAGNETI MARELLI	LENGHT		MAGNETI MARELLI	

PEUGEOT

607 (9D, 9U) 01/00 →

2.0 HDi	79	03/01 → 07/04	●			P61057MM	[+]	19,3	TRW				
	79	03/01 → 07/04		●		P61058MM	[-]	17	ATE			A02281	
2.2 16V	116	02/00 →	●		→ 12/04	P61057MM	[+]	19,3	TRW				
	116	02/00 →		●	01/05 →	P61078MM	[+]	17,7	TRW				
	116	02/00 →		●	→ 12/04	P61058MM	[-]	17	ATE			A02281	→ 12/04
	116	02/00 →		●	01/05 →	P61079MM	[-]	17,8	TRW			A02281	→ 12/04
	120	09/05 →		●		P61078MM	[+]	17,7	TRW				
	120	09/05 →		●		P61079MM	[-]	17,8	TRW				
2.2 HDI	98	02/00 →	●		→ 12/04	P61057MM	[+]	19,3	TRW				
	98	02/00 →		●	01/05 →	P61078MM	[+]	17,7	TRW				
	98	02/00 →		●	→ 12/04	P61058MM	[-]	17	ATE			A02281	→ 12/04
	98	02/00 →		●	01/05 →	P61079MM	[-]	17,8	TRW			A02281	→ 12/04
	125	05/06 →		●		P61078MM	[+]	17,7	TRW				
	125	05/06 →		●		P61079MM	[-]	17,8	TRW				
2.7 HDi 24V	150	12/04 →		●		P61078MM	[+]	17,7	TRW				
	150	12/04 →		●		P61079MM	[-]	17,8	TRW				
3.0 V6 24V	152	02/00 →		●	→ 12/04	P23082MM	[+]	16	BRE				
	152	02/00 →		●	01/05 →	P61078MM	[+]	17,7	TRW				
	152	02/00 →		●	→ 12/04	P61058MM	[-]	17	ATE			A02281	→ 12/04
	152	02/00 →		●	01/05 →	P61079MM	[-]	17,8	TRW			A02281	→ 12/04
	155	03/04 →		●	→ 12/04	P23082MM	[+]	16	BRE				
	155	03/04 →		●	01/05 →	P61078MM	[+]	17,7	TRW				
	155	03/04 →		●	→ 12/04	P61058MM	[-]	17	ATE			A02281	→ 12/04
	155	03/04 →		●	01/05 →	P61079MM	[-]	17,8	TRW			A02281	→ 12/04

806 (221) 06/94 → 08/02

1.8	73	07/95 → 08/02	●			P23072MM	[+]	19	BDX			A02231	
	73	07/95 → 08/02		●		P23062MM	[+]	16,9	ATE			A02237	
1.9 TD	66	07/95 → 08/02	●			P23061MM	[+]	19,3	GIR				
	66	07/95 → 08/02		●		P23062MM	[+]	16,9	ATE			A02237	
	68	05/97 → 08/02		●		P23061MM	[+]	19,3	GIR				
	68	05/97 → 08/02		●		P23062MM	[+]	16,9	ATE				
2.0	89	06/94 → 08/02	●			P23061MM	[+]	19,3	GIR				
	89	06/94 → 08/02		●		P23062MM	[+]	16,9	ATE			A02237	
2.0 16V	97	05/98 → 09/00	●			P23061MM	[+]	19,3	GIR				
	97	05/98 → 09/00		●		P23062MM	[+]	16,9	ATE			A02237	
	100	09/00 → 08/02	●			P23061MM	[+]	19,3	GIR				
	100	09/00 → 08/02		●		P23062MM	[+]	16,9	ATE			A02237	
2.0 HDI	80	08/99 → 08/02	●			P23061MM	[+]	19,3	GIR				
	80	08/99 → 08/02		●		P23062MM	[+]	16,9	ATE			A02237	
2.0 HDI 16V	80	08/99 → 08/02	●			P23061MM	[+]	19,3	GIR				
	80	08/99 → 08/02		●		P23062MM	[+]	16,9	ATE			A02237	
2.0 Turbo	108	06/94 → 08/02	●			P23061MM	[+]	19,3	GIR				
	108	06/94 → 08/02		●		P23062MM	[+]	16,9	ATE			A02237	
2.1 td 12V	80	06/96 → 08/99	●			P23061MM	[+]	19,3	GIR				
	80	06/96 → 08/99		●		P23062MM	[+]	16,9	ATE			A02237	

807 (E) 06/02 →

2.0	100	06/02 →	●			P23090MM	[+]	19,3	TRW				
	100	06/02 →		●		P61088MM	[-]	17,4	TRW				
2.0 16V	103	09/05 →	●			P23090MM	[+]	19,3	TRW				
	103	09/05 →		●		P61088MM	[-]	17,4	TRW				
2.0 HDi	120	06/09 →	●			P61104MM	[+]	19,4	TRW				
	120	06/09 →		●		P23090MM	[+]	19,3	TRW				
	120	06/09 →		●		P61088MM	[-]	17,4	TRW				

Car Model	kw	Icon 1	Icon 2	Icon 3	MAGNETI MARELLI	wi	Th [mm]	SYS	WI			FK	
									MAGNETI MARELLI	LENGHT	Icon 4	MAGNETI MARELLI	Icon 5

PEUGEOT

807 (E) 06/02 →

2.0 HDi	79	06/02 →	●		P23090MM	[+]	19,3	TRW					
	79	06/02 →		●	P61088MM	[-]	17,4	TRW					
	100	06/06 →	●		P23090MM	[+]	19,3	TRW					
	100	06/06 →		●	P61088MM	[-]	17,4	TRW					
	88	02/06 →	●		P23090MM	[+]	19,3	TRW					
	88	02/06 →		●	P61088MM	[-]	17,4	TRW					
	80	04/04 →	●		P23090MM	[+]	19,3	TRW					
	80	04/04 →		●	P61088MM	[-]	17,4	TRW					
2.2	116	06/02 →	●		P23090MM	[+]	19,3	TRW					
	116	06/02 →		●	P61088MM	[-]	17,4	TRW					
2.2 HDi	94	06/02 →	●		P23090MM	[+]	19,3	TRW					
	94	06/02 →		●	P61088MM	[-]	17,4	TRW					
	125	06/06 →	●		P61104MM	[+]	19,4	TRW					
	125	06/06 →		●	P61088MM	[-]	17,4	TRW					
	120	06/06 →	●		P61104MM	[+]	19,4	TRW					
	120	06/06 →		●	P61088MM	[-]	17,4	TRW					
	100	04/04 →	●		P23090MM	[+]	19,3	TRW					
	100	04/04 →		●	P61088MM	[-]	17,4	TRW					
3.0 V6	150	06/02 →	●		P23082MM	[+]	16	BRE					
	150	06/02 →		●	P61088MM	[-]	17,4	TRW					

1007 (KM_) 04/05 →

1.4	54	04/05 →	●		P61082MM	[-]	19	BSH					
1.4 16V	65	10/05 →	●		P61082MM	[-]	19	BSH					
1.4 HDi	50	04/05 →	●		P61082MM	[-]	19	BSH					
1.6 16V	80	04/05 →	●		P61082MM	[-]	19	BSH					
	80	04/05 →		●	P85020MM	[-]	17,2	TRW				A02205	
1.6 HDi	80	06/07 →	●		P61068MM	[-]	19	BSH					
	80	06/07 →		●	P85020MM	[-]	17,2	TRW					

2008 03/13 →

1.2 THP 110	81	01/15 →	●	disc Ø 283 mm	P61103MM	[-]	18	BSH					
	81	01/15 →	●	disc Ø 266 mm	P61066MM	[-]	19	BSH					
	81	01/15 →		●	P85020MM	[-]	17,2	TRW					
1.2 THP 130	96	01/15 →	●	disc Ø 266 mm	P61066MM	[-]	19	BSH					
	96	01/15 →	●	disc Ø 283 mm	P61103MM	[-]	18	BSH					
	96	01/15 →		●	P85020MM	[-]	17,2	TRW					
1.2 VTi	60	03/13 →	●	disc Ø 266 mm	P61066MM	[-]	19	BSH					
	60	03/13 →	●	disc Ø 283 mm	P61103MM	[-]	18	BSH					
	60	03/13 →		●	P85020MM	[-]	17,2	TRW					
1.4 HDi	50	06/13 →	●	disc Ø 266 mm	P61066MM	[-]	19	BSH					
	50	06/13 →	●	disc Ø 283 mm	P61103MM	[-]	18	BSH					
	50	06/13 →		●	P85020MM	[-]	17,2	TRW					
1.6 BlueHDi 100	73	01/15 →	●	disc Ø 266 mm	P61066MM	[-]	19	BSH					
	73	01/15 →	●	disc Ø 283 mm	P61103MM	[-]	18	BSH					
	73	01/15 →		●	P85020MM	[-]	17,2	TRW					
1.6 BlueHDi 120	88	07/14 →	●	disc Ø 266 mm	P61066MM	[-]	19	BSH					
	88	07/14 →	●	disc Ø 283 mm	P61103MM	[-]	18	BSH					
	88	07/14 →		●	P85020MM	[-]	17,2	TRW					
1.6 BlueHDi 75	55	01/15 →	●	disc Ø 266 mm	P61066MM	[-]	19	BSH					
	55	01/15 →	●	disc Ø 283 mm	P61103MM	[-]	18	BSH					
	55	01/15 →		●	P85020MM	[-]	17,2	TRW					
1.6 HDi	68	03/13 →	●	disc Ø 266 mm	P61066MM	[-]	19	BSH					
	68	03/13 →	●	disc Ø 283 mm	P61103MM	[-]	18	BSH					
	68	03/13 →		●	P85020MM	[-]	17,2	TRW					
	84	03/13 →	●	disc Ø 266 mm	P61066MM	[-]	19	BSH					

									WI			FK	
										LENGHT			

PEUGEOT

2008 03/13 →

1.6 HDi	84	03/13 →	●	disc Ø 283 mm	P61103MM [-]	18	BSH						
	84	03/13 →			P85020MM [-]	17,2	TRW						
	85	07/14 →	●	disc Ø 266 mm	P61066MM [-]	19	BSH						
	85	07/14 →	●	disc Ø 283 mm	P61103MM [-]	18	BSH						
	85	07/14 →			P85020MM [-]	17,2	TRW						
1.6 VTi	88	03/13 →	●	disc Ø 266 mm	P61066MM [-]	19	BSH						
	88	03/13 →	●	disc Ø 283 mm	P61103MM [-]	18	BSH						
	88	03/13 →			P85020MM [-]	17,2	TRW						

3008 06/09 →

1.2	96	01/15 →	●		P61101MM [-]	17,8	BSH						
	96	01/15 →			P61114MM [-]	17,3	TRW						
1.6 BlueHDi 120	88	05/14 →	●		P61101MM [-]	17,8	BSH						
	88	05/14 →			P61114MM [-]	17,3	TRW						
1.6 HDi	80	06/09 →	●		P61101MM [-]	17,8	BSH						
	80	06/09 →			P61114MM [-]	17,3	TRW						
	82	08/10 →	●		P61101MM [-]	17,8	BSH						
	82	08/10 →			P61114MM [-]	17,3	TRW						
	84	03/13 →	●		P61101MM [-]	17,8	BSH						
	84	03/13 →			P61114MM [-]	17,3	TRW						
1.6 HDi 115 / BlueHDi 115	85	02/13 →	●		P61101MM [-]	17,8	BSH						
	85	02/13 →			P61114MM [-]	17,3	TRW						
1.6 THP	110	06/09 →	●		P61076MM [-]	19	ATE						
	110	06/09 →			P61114MM [-]	17,3	TRW						
	115	06/09 →	●		P61076MM [-]	19	ATE						
1.6 Turbo	121	05/14 →	●	→ 12396	P61117MM [-]	18 / 18,9	ATE						
	121	05/14 →	●	12397 →	P61076MM [-]	19	ATE						
	121	05/14 →			P61101MM [-]	17,8	BSH						
	121	05/14 →	●		P61114MM [-]	17,3	TRW						
1.6 VTi	88	06/09 →	●		P61101MM [-]	17,8	BSH						
	88	06/09 →			P61114MM [-]	17,3	TRW						
2.0 HDi	120	06/09 →	●		P61076MM [-]	19	ATE						
	120	06/09 →			P61114MM [-]	17,3	TRW						
	100	09/11 →	●		P23082MM [+]	16	BRE						
	100	09/11 →	●		P61076MM [-]	19	ATE						
2.0 HDi 150 / BlueHDi 150	100	09/11 →			P61114MM [-]	17,3	TRW						
	110	06/09 →	●		P61076MM [-]	19	ATE						
2.0 HDi 150 / BlueHDi 150	110	06/09 →			P61114MM [-]	17,3	TRW						
	120	02/11 →	●	→ 12396	P61117MM [-]	18 / 18,9	ATE						
2.0 HDi Hybrid4	120	02/11 →	●	12397 →	P61076MM [-]	19	ATE						
	120	02/11 →			P61114MM [-]	17,3	TRW						
	147	11/11 →	●	→ 12396	P61117MM [-]	18 / 18,9	ATE						
	147	11/11 →	●	12397 →	P61076MM [-]	19	ATE						
	147	11/11 →			P61114MM [-]	17,3	TRW						

3008 SUV 05/16 →

1.6 BlueHDi 100	73	11/16 →	●	disc Ø 268 mm	P61122MM [-]	17,5	BSH						
	73	11/16 →	●	disc Ø 290 mm	P61124MM [-]	17,3	BSH						
1.6 BlueHDi 115	85	11/16 →	●	disc Ø 268 mm	P61122MM [-]	17,5	BSH						
	85	11/16 →	●	disc Ø 290 mm	P61124MM [-]	17,3	BSH						
2.0 BlueHDi 136	100	11/16 →	●	disc Ø 268 mm	P61122MM [-]	17,5	BSH						
	100	11/16 →	●	disc Ø 290 mm	P61124MM [-]	17,3	BSH						

Car Icon	kw	Hourglass	Car Icon	i	MAGNETI MARELLI	wi	Th [mm]	SYS	WI			FK	
									MAGNETI MARELLI	LENGHT	i	MAGNETI MARELLI	i

PEUGEOT

4007 (GP_) 02/07 →

2.0	108	11/10 →	•		P54017MM	[+]	15,7	AKE					A02236	
	108	11/10 →	•		P61089MM	[+]	15,7	AKE					A02236	
	108	11/10 →		•	P54031MM	[+]	15,5	AKE						
2.0 4x4	108	11/10 →	•		P54017MM	[+]	15,7	AKE					A02236	
	108	11/10 →	•		P61089MM	[+]	15,7	AKE					A02236	
	108	11/10 →		•	P54031MM	[+]	15,5	AKE						
2.2 HDi	115	02/07 →	•		P54017MM	[+]	15,7	AKE					A02236	
	115	02/07 →	•		P61089MM	[+]	15,7	AKE					A02236	
	115	02/07 →		•	P54031MM	[+]	15,5	AKE						
2.4 16V	125	01/08 →	•		P54017MM	[+]	15,7	AKE						
	125	01/08 →	•		P61089MM	[+]	15,7	AKE						
	125	01/08 →		•	P54031MM	[+]	15,5	AKE						

4008 05/12 →

1.6	86	05/12 →	•		P54030MM	[+]	16	AKE						
	86	05/12 →		• → 10/12; → 13114	P54031MM	[+]	15,5	AKE						
	86	05/12 →		• 10/12 →; 13115 →	P61111MM	[+]	14,3	AKE						
1.6 HDi	84	05/12 →	•		P54030MM	[+]	16	AKE						
	84	05/12 →		• → 10/12; → 13114	P54031MM	[+]	15,5	AKE						
	84	05/12 →		• 10/12 →; 13115 →	P61111MM	[+]	14,3	AKE						
1.6 HDi AWC	84	05/12 →	•		P54030MM	[+]	16	AKE						
	84	05/12 →		• → 10/12; → 13114	P54031MM	[+]	15,5	AKE						
	84	05/12 →		• 10/12 →; 13115 →	P61111MM	[+]	14,3	AKE						
1.8 HDi	110	05/12 →	•		P54030MM	[+]	16	AKE						
	110	05/12 →		• → 10/12; → 13114	P54031MM	[+]	15,5	AKE						
	110	05/12 →		• 10/12 →; 13115 →	P61111MM	[+]	14,3	AKE						
1.8 HDi AWC	110	05/12 →	•		P54030MM	[+]	16	AKE						
	110	05/12 →		• → 10/12; → 13114	P54031MM	[+]	15,5	AKE						
	110	05/12 →		• 10/12 →; 13115 →	P61111MM	[+]	14,3	AKE						

5008 06/09 →

1.2	96	01/15 →	•		P61117MM	[-]	18/ 18,9	ATE						
	96	01/15 →		•	P61114MM	[-]	17,3	TRW						
1.6 16V	88	09/09 →	•		P61083MM	[-]	18,3/ 18,8	ATE						
	88	09/09 →		•	P61114MM	[-]	17,3	TRW						
	115	09/09 →	•		P61117MM	[-]	18/ 18,9	ATE						
	115	09/09 →		•	P61114MM	[-]	17,3	TRW						
1.6 BlueHDi 120	88	05/14 →	•		P61117MM	[-]	18/ 18,9	ATE						
	88	05/14 →		•	P61114MM	[-]	17,3	TRW						
1.6 HDi	82	08/10 →	•		P61083MM	[-]	18,3/ 18,8	ATE					A02202	
	82	08/10 →		•	P61114MM	[-]	17,3	TRW						
	80	09/09 →	•		P61083MM	[-]	18,3/ 18,8	ATE						
	80	09/09 →		•	P61114MM	[-]	17,3	TRW						
	84	03/13 →	•		P61083MM	[-]	18,3/ 18,8	ATE						
	84	03/13 →		•	P61114MM	[-]	17,3	TRW						
1.6 THP 150	110	02/12 →	•		P61117MM	[-]	18/ 18,9	ATE						
	110	02/12 →		•	P61114MM	[-]	17,3	TRW						

									WI			FK	
	kw						Th [mm]		MAGNETI MARELLI	LENGHT		MAGNETI MARELLI	

PEUGEOT

5008 06/09 →

1.6 THP 163	120	02/12 →	•			P61117MM	[-]	18/18,9	ATE				
	120	02/12 →		•		P61114MM	[-]	17,3	TRW				
1.6 THP 165	121	02/12 →	•			P61117MM	[-]	18/18,9	ATE				
	121	02/12 →		•		P61114MM	[-]	17,3	TRW				
2.0 HDi	120	09/09 →	•			P61117MM	[-]	18/18,9	ATE				
	120	09/09 →		•		P61114MM	[-]	17,3	TRW				
2.0 HDi 136 / BlueHDi 136	100	02/12 →	•			P61117MM	[-]	18/18,9	ATE			A02202	
	100	02/12 →		•		P61114MM	[-]	17,3	TRW				
2.0 HDi 150 / BlueHDi 150	110	06/09 →	•			P61117MM	[-]	18/18,9	ATE				
	110	06/09 →		•		P61114MM	[-]	17,3	TRW				

BIPPER (AA_) 02/08 →

1.3 HDi 75	55	10/10 →	•			P23141MM	[+]	17,8	BSH				
1.4	54	02/08 →	•			P23140MM	[+]	17,8	BSH				
1.4 HDi	50	02/08 →	•			P23140MM	[+]	17,8	BSH				

BIPPER Tepee 04/08 →

1.3 HDi 75	55	10/10 →	•			P23141MM	[+]	17,8	BSH				
1.3 HDi 80	59	12/15 →	•			P23141MM	[+]	17,8	BSH				
1.4	54	04/08 →	•			P23140MM	[+]	17,8	BSH				
1.4 HDi	50	04/08 →	•			P23140MM	[+]	17,8	BSH				

BOXER Box 04/06 →

2.0 BlueHDi 110	81	07/15 →	•	2000 kg payload; +high payload	P23136MM	[+]	19	BRE				
	81	07/15 →	•	1600 kg payload; +high payload	P61118MM	[+]	19	BRE				
	81	07/15 →	•	1200 kg payload; 1400 kg payload; -high payload	P23143MM	[+]	19	BRE				
	81	07/15 →	•	1600 kg payload; -high payload	P23144MM	[+]	19	BRE				
	81	07/15 →	•	-high payload; -2000 kg payload	P61125MM	[+]	18,8	BSH				
2.0 BlueHDi 130	96	07/15 →	•	2000 kg payload; +high payload	P23136MM	[+]	19	BRE				
	96	07/15 →	•	1600 kg payload; +high payload	P61118MM	[+]	19	BRE				
	96	07/15 →	•	1200 kg payload; 1400 kg payload; -high payload	P23143MM	[+]	19	BRE				
	96	07/15 →	•	1600 kg payload; -high payload	P23144MM	[+]	19	BRE				
	96	07/15 →	•	-high payload; -2000 kg payload	P61125MM	[+]	18,8	BSH				
2.0 BlueHDi 160	120	07/15 →	•	2000 kg payload; +high payload	P23136MM	[+]	19	BRE				
	120	07/15 →	•	1600 kg payload; +high payload	P61118MM	[+]	19	BRE				
	120	07/15 →	•	1200 kg payload; 1400 kg payload; -high payload	P23143MM	[+]	19	BRE				
	120	07/15 →	•	1600 kg payload; -high payload	P23144MM	[+]	19	BRE				
	120	07/15 →	•	-high payload; -2000 kg payload	P61125MM	[+]	18,8	BSH				
2.2 HDi 100	74	04/06 →	•	1200 kg payload; 1400 kg payload; -high payload	P23143MM	[+]	19	BRE				
	74	04/06 →	•	1600 kg payload; -high payload	P23144MM	[+]	19	BRE				
	74	04/06 →	•	1600 kg payload; +high payload	P61118MM	[+]	19	BRE				
	74	04/06 →	•	2000 kg payload; +high payload	P23136MM	[+]	19	BRE				
	74	04/06 →	•	12/13 →	P61125MM	[+]	18,8	BSH				
	74	04/06 →	•	→ 12/13	P61091MM	[-]	18,8	BSH				
2.2 HDi 110	81	03/11 →	•	1200 kg payload; 1400 kg payload; -high payload	P23143MM	[+]	19	BRE				
	81	03/11 →	•	1600 kg payload; -high payload	P23144MM	[+]	19	BRE				
	81	03/11 →	•	1600 kg payload; +high payload	P61118MM	[+]	19	BRE				
	81	03/11 →	•	2000 kg payload; +high payload	P23136MM	[+]	19	BRE				

PEUGEOT

BOXER Box 04/06 →

2.2 HDi 110	81	03/11 →	●	12/13 →	P61125MM	[+]	18,8	BSH				
	81	03/11 →	●	→ 12/13	P61091MM	[-]	18,8	BSH				
2.2 HDi 120	88	04/06 →	●	1200 kg payload; 1400 kg payload; -high payload	P23143MM	[+]	19	BRE				
	88	04/06 →	●	1600 kg payload; -high payload	P23144MM	[+]	19	BRE				
	88	04/06 →	●	1600 kg payload; +high payload	P61118MM	[+]	19	BRE				
	88	04/06 →	●	2000 kg payload; +high payload	P23136MM	[+]	19	BRE				
	88	04/06 →	●	12/13 →	P61125MM	[+]	18,8	BSH				
	88	04/06 →	●	→ 12/13	P61091MM	[-]	18,8	BSH				
2.2 HDi 130	96	03/11 →	●	1200 kg payload; 1400 kg payload; -high payload	P23143MM	[+]	19	BRE				
	96	03/11 →	●	1600 kg payload; -high payload	P23144MM	[+]	19	BRE				
	96	03/11 →	●	1600 kg payload; +high payload	P61118MM	[+]	19	BRE				
	96	03/11 →	●	2000 kg payload; +high payload	P23136MM	[+]	19	BRE				
	96	03/11 →	●	12/13 →	P61125MM	[+]	18,8	BSH				
	96	03/11 →	●	→ 12/13	P61091MM	[-]	18,8	BSH				
2.2 HDi 150	110	03/11 →	●	1200 kg payload; 1400 kg payload; -high payload	P23143MM	[+]	19	BRE				
	110	03/11 →	●	1600 kg payload; -high payload	P23144MM	[+]	19	BRE				
	110	03/11 →	●	1600 kg payload; +high payload	P61118MM	[+]	19	BRE				
	110	03/11 →	●	2000 kg payload; +high payload	P23136MM	[+]	19	BRE				
	110	03/11 →	●	12/13 →	P61125MM	[+]	18,8	BSH				
	110	03/11 →	●	→ 12/13	P61091MM	[-]	18,8	BSH				
3.0 D	116	09/08 → 12/09	●	1200 kg payload; 1400 kg payload	P23143MM	[+]	19	BRE				
	116	09/08 → 12/09	●	1600 kg payload; -high payload	P23144MM	[+]	19	BRE				
	116	09/08 → 12/09	●	1600 kg payload; +high payload	P61118MM	[+]	19	BRE				
	116	09/08 → 12/09	●	2000 kg payload; +high payload	P23136MM	[+]	19	BRE				
	116	09/08 → 12/09	●		P61091MM	[-]	18,8	BSH				
3.0 HDi	115	07/06 →	●	1200 kg payload; 1400 kg payload; -high payload	P23143MM	[+]	19	BRE				
	115	07/06 →	●	1600 kg payload; +high payload	P61118MM	[+]	19	BRE				
	115	07/06 →	●	1600 kg payload; -high payload	P23144MM	[+]	19	BRE				
	115	07/06 →	●	2000 kg payload; +high payload	P23136MM	[+]	19	BRE				
	115	07/06 →	●	→ 12/13	P61091MM	[-]	18,8	BSH				
	115	07/06 →	●	12/13 →	P61125MM	[+]	18,8	BSH				
3.0 HDi 145	107	04/10 →	●	1200 kg payload; 1400 kg payload; -high payload	P23143MM	[+]	19	BRE				
	107	04/10 →	●	1600 kg payload; -high payload	P23144MM	[+]	19	BRE				
	107	04/10 →	●	1600 kg payload; +high payload	P61118MM	[+]	19	BRE				
	107	04/10 →	●	2000 kg payload; +high payload	P23136MM	[+]	19	BRE				
	107	04/10 →	●	→ 12/13	P61091MM	[-]	18,8	BSH				
	107	04/10 →	●	12/13 →	P61125MM	[+]	18,8	BSH				
3.0 HDi 160	116	04/06 →	●	1200 kg payload; 1400 kg payload; -high payload	P23143MM	[+]	19	BRE				
	116	04/06 →	●	1600 kg payload; -high payload	P23144MM	[+]	19	BRE				
	116	04/06 →	●	1600 kg payload; +high payload	P61118MM	[+]	19	BRE				
	116	04/06 →	●	2000 kg payload; +high payload	P23136MM	[+]	19	BRE				
	116	04/06 →	●	12/13 →	P61125MM	[+]	18,8	BSH				
	116	04/06 →	●	→ 12/13	P61091MM	[-]	18,8	BSH				
3.0 HDi 175	130	03/11 →	●	1200 kg payload; 1400 kg payload; -high payload	P23143MM	[+]	19	BRE				
	130	03/11 →	●	1600 kg payload; -high payload	P23144MM	[+]	19	BRE				
	130	03/11 →	●	1600 kg payload; +high payload	P61118MM	[+]	19	BRE				
	130	03/11 →	●	2000 kg payload; +high payload	P23136MM	[+]	19	BRE				
	130	03/11 →	●	12/13 →	P61125MM	[+]	18,8	BSH				
	130	03/11 →	●	→ 12/13	P61091MM	[-]	18,8	BSH				

PEUGEOT

BOXER Box (230L) 03/94 → 06/03

2.0 HDI	62	08/01 → 04/02	●	1800 kg payload	P23084MM	[+]	19,7	TRW				
	62	08/01 → 04/02	●	1800 kg payload	P23092MM	[+]	19,1	BRE				
	62	08/01 → 04/02	●	+rear disc	P23093MM	[-]	20,1	BRE				
2.0 i	80	06/94 → 04/02	●	→ 08/01; 1000 kg payload; 1400 kg payload	P23068MM	[+]	19,7	TRW				
	80	06/94 → 04/02	●	→ 08/01; 1000 kg payload; 1400 kg payload	P23083MM	[+]	19,7	TRW				
	80	06/94 → 04/02	●	→ 08/01; 1800 kg payload	P23069MM	[+]	19,7	TRW				
	80	06/94 → 04/02	●	→ 08/01; 1800 kg payload	P23084MM	[+]	19,7	TRW				
	80	06/94 → 04/02	●	09/01 →; 1000 kg payload; 1400 kg payload	P23091MM	[+]	19,1	BRE				
	80	06/94 → 04/02	●	09/01 →; 1800 kg payload	P23092MM	[+]	19,1	BRE				
	80	06/94 → 04/02	●	09/01 →; +rear disc	P23093MM	[-]	20,1	BRE				
2.5 D	63	03/94 → 04/02	●	→ 08/01; 1400 kg payload; 1000 kg payload	P23068MM	[+]	19,7	TRW				
	63	03/94 → 04/02	●	→ 08/01; 1000 kg payload; 1400 kg payload	P23083MM	[+]	19,7	TRW				
	63	03/94 → 04/02	●	→ 08/01; 1800 kg payload	P23069MM	[+]	19,7	TRW				
	63	03/94 → 04/02	●	→ 08/01; 1800 kg payload	P23084MM	[+]	19,7	TRW				
	63	03/94 → 04/02	●	09/01 →; 1000 kg payload; 1400 kg payload	P23091MM	[+]	19,1	BRE				
	63	03/94 → 04/02	●	09/01 →; 1800 kg payload	P23092MM	[+]	19,1	BRE				
	63	03/94 → 04/02	●	09/01 →; +rear disc	P23093MM	[-]	20,1	BRE				
2.5 D 4x4	63	07/99 → 04/02	●	→ 08/01; 1000 kg payload; 1400 kg payload	P23068MM	[+]	19,7	TRW				
	63	07/99 → 04/02	●	→ 08/01; 1000 kg payload; 1400 kg payload	P23083MM	[+]	19,7	TRW				
	63	07/99 → 04/02	●	→ 08/01; 1800 kg payload	P23069MM	[+]	19,7	TRW				
	63	07/99 → 04/02	●	→ 08/01; 1800 kg payload	P23084MM	[+]	19,7	TRW				
	63	07/99 → 04/02	●	09/01 →; 1000 kg payload; 1400 kg payload	P23091MM	[+]	19,1	BRE				
	63	07/99 → 04/02	●	09/01 →; 1800 kg payload	P23092MM	[+]	19,1	BRE				
	63	07/99 → 04/02	●	09/01 →; +rear disc	P23093MM	[-]	20,1	BRE				
2.5 DT	62	10/97 → 11/01	●	→ 08/01; 1000 kg payload; 1400 kg payload	P23068MM	[+]	19,7	TRW				
	62	10/97 → 11/01	●	→ 08/01; 1000 kg payload; 1400 kg payload	P23083MM	[+]	19,7	TRW				
	62	10/97 → 11/01	●	→ 08/01; 1800 kg payload	P23069MM	[+]	19,7	TRW				
	62	10/97 → 11/01	●	→ 08/01; 1800 kg payload	P23084MM	[+]	19,7	TRW				
	62	10/97 → 11/01	●	09/01 →; 1000 kg payload; 1400 kg payload	P23091MM	[+]	19,1	BRE				
	62	10/97 → 11/01	●	09/01 →; 1800 kg payload	P23092MM	[+]	19,1	BRE				
	62	10/97 → 11/01	●	09/01 →; +rear disc	P23093MM	[-]	20,1	BRE				
2.5 TD	76	03/94 → 04/02	●	→ 08/01; 1000 kg payload; 1400 kg payload	P23068MM	[+]	19,7	TRW				
	76	03/94 → 04/02	●	→ 08/01; 1000 kg payload; 1400 kg payload	P23083MM	[+]	19,7	TRW				
	76	03/94 → 04/02	●	→ 08/01; 1800 kg payload	P23069MM	[+]	19,7	TRW				
	76	03/94 → 04/02	●	→ 08/01; 1800 kg payload	P23084MM	[+]	19,7	TRW				
	76	03/94 → 04/02	●	09/01 →; 1000 kg payload; 1400 kg payload	P23091MM	[+]	19,1	BRE				
	76	03/94 → 04/02	●	09/01 →; 1800 kg payload	P23092MM	[+]	19,1	BRE				
	76	03/94 → 04/02	●	09/01 →; +rear disc	P23093MM	[-]	20,1	BRE				
2.5 TDI	79	01/97 → 04/02	●	→ 08/01; 1000 kg payload; 1400 kg payload	P23068MM	[+]	19,7	TRW				
	79	01/97 → 04/02	●	→ 08/01; 1000 kg payload; 1400 kg payload	P23083MM	[+]	19,7	TRW				
	79	01/97 → 04/02	●	→ 08/01; 1800 kg payload	P23069MM	[+]	19,7	TRW				
	79	01/97 → 04/02	●	→ 08/01; 1800 kg payload	P23084MM	[+]	19,7	TRW				

PEUGEOT

BOXER Box (230L) 03/94 → 06/03

Engine	Year	Option	Notes	Part No.	Delta	Th [mm]	SYS	WI	FK
2.5 TDI	79	01/97 → 04/02	● 09/01 →; 1000 kg payload; 1400 kg payload	P23091MM	[+]	19,1	BRE		
	79	01/97 → 04/02	● 09/01 →; 1800 kg payload	P23092MM	[+]	19,1	BRE		
	79	01/97 → 04/02	● 09/01 →; +rear disc	P23093MM	[-]	20,1	BRE		
2.5 TDI 4x4	79	07/99 → 04/02	● → 08/01; 1000 kg payload; 1400 kg payload	P23068MM	[+]	19,7	TRW		
	79	07/99 → 04/02	● → 08/01; 1000 kg payload; 1400 kg payload	P23083MM	[+]	19,7	TRW		
	79	07/99 → 04/02	● → 08/01; 1800 kg payload	P23069MM	[+]	19,7	TRW		
	79	07/99 → 04/02	● → 08/01; 1800 kg payload	P23084MM	[+]	19,7	TRW		
	79	07/99 → 04/02	● 09/01 →; 1000 kg payload; 1400 kg payload	P23091MM	[+]	19,1	BRE		
	79	07/99 → 04/02	● 09/01 →; 1800 kg payload	P23092MM	[+]	19,1	BRE		
	79	07/99 → 04/02	● 09/01 →; +rear disc	P23093MM	[-]	20,1	BRE		
2.8 D	64	01/99 → 02/02	● → 08/01; 1000 kg payload; 1400 kg payload	P23068MM	[+]	19,7	TRW		
	64	01/99 → 02/02	● → 08/01; 1000 kg payload; 1400 kg payload	P23083MM	[+]	19,7	TRW		
	64	01/99 → 02/02	● → 08/01; 1800 kg payload	P23069MM	[+]	19,7	TRW		
	64	01/99 → 02/02	● → 08/01; 1800 kg payload	P23084MM	[+]	19,7	TRW		
	64	01/99 → 02/02	● 09/01 →; 1400 kg payload; 1000 kg payload	P23091MM	[+]	19,1	BRE		
	64	01/99 → 02/02	● 09/01 →; 1800 kg payload	P23092MM	[+]	19,1	BRE		
	64	01/99 → 02/02	● 09/01 →; +rear disc	P23093MM	[-]	20,1	BRE		
2.8 HDi	94	11/00 → 04/02	● → 08/01; 1000 kg payload; 1400 kg payload	P23068MM	[+]	19,7	TRW		
	94	11/00 → 04/02	● → 08/01; 1000 kg payload; 1400 kg payload	P23083MM	[+]	19,7	TRW		
	94	11/00 → 04/02	● → 08/01; 1800 kg payload	P23069MM	[+]	19,7	TRW		
	94	11/00 → 04/02	● → 08/01; 1800 kg payload	P23084MM	[+]	19,7	TRW		
	94	11/00 → 04/02	● 09/01 →; 1000 kg payload; 1400 kg payload	P23091MM	[+]	19,1	BRE		
	94	11/00 → 04/02	● 09/01 →; 1800 kg payload	P23092MM	[+]	19,1	BRE		
	94	11/00 → 04/02	● 09/01 →; +rear disc	P23093MM	[-]	20,1	BRE		
	93	10/00 → 11/01	● → 08/01; 1000 kg payload; 1400 kg payload	P23068MM	[+]	19,7	TRW		
	93	10/00 → 11/01	● → 08/01; 1000 kg payload; 1400 kg payload	P23083MM	[+]	19,7	TRW		
	93	10/00 → 11/01	● → 08/01; 1800 kg payload	P23069MM	[+]	19,7	TRW		
	93	10/00 → 11/01	● → 08/01; 1800 kg payload	P23084MM	[+]	19,7	TRW		
	93	10/00 → 11/01	● 09/01 →; 1000 kg payload; 1400 kg payload	P23091MM	[+]	19,1	BRE		
	93	10/00 → 11/01	● 09/01 →; 1800 kg payload	P23092MM	[+]	19,1	BRE		
93	10/00 → 11/01	● 09/01 →; +rear disc	P23093MM	[-]	20,1	BRE			
2.8 HDi 4x4	93	10/00 → 11/01	● → 08/01; 1000 kg payload; 1400 kg payload	P23068MM	[+]	19,7	TRW		
	93	10/00 → 11/01	● → 08/01; 1000 kg payload; 1400 kg payload	P23083MM	[+]	19,7	TRW		
	93	10/00 → 11/01	● → 08/01; 1800 kg payload	P23069MM	[+]	19,7	TRW		
	93	10/00 → 11/01	● → 08/01; 1800 kg payload	P23084MM	[+]	19,7	TRW		
	93	10/00 → 11/01	● 09/01 →; 1000 kg payload; 1400 kg payload	P23091MM	[+]	19,1	BRE		
	93	10/00 → 11/01	● 09/01 →; 1800 kg payload	P23092MM	[+]	19,1	BRE		
	93	10/00 → 11/01	● 09/01 →; +rear disc	P23093MM	[-]	20,1	BRE		
	94	10/00 → 04/02	● → 08/01; 1000 kg payload; 1400 kg payload	P23068MM	[+]	19,7	TRW		
	94	10/00 → 04/02	● → 08/01; 1400 kg payload; 1000 kg payload	P23083MM	[+]	19,7	TRW		
	94	10/00 → 04/02	● → 08/01; 1800 kg payload	P23069MM	[+]	19,7	TRW		
94	10/00 → 04/02	● → 08/01; 1800 kg payload	P23084MM	[+]	19,7	TRW			

						WI	Th [mm]	SYS	WI		FK	
										LENGHT		

PEUGEOT

BOXER Box (230L) 03/94 → 06/03

2.8 HDi 4x4	94	10/00 → 04/02	●	09/01 →; 1000 kg payload; 1400 kg payload	P23091MM	[+]	19,1	BRE				
	94	10/00 → 04/02	●	09/01 →; 1800 kg payload	P23092MM	[+]	19,1	BRE				
	94	10/00 → 04/02	●	09/01 →; +rear disc	P23093MM	[-]	20,1	BRE				

BOXER Box (244) 12/01 →

2.0	81	04/02 →	●	290 + 330; 1000 kg payload; 1400 kg payload	P23091MM	[+]	19,1	BRE				
	81	04/02 →	●	350; 1800 kg payload	P23092MM	[+]	19,1	BRE				
	81	04/02 →	●	+rear disc	P23093MM	[-]	20,1	BRE				
2.0 BiFuel	81	12/01 → 06/06	●	290 + 330	P23091MM	[+]	19,1	BRE				
	81	12/01 → 06/06	●	350; 1800 kg payload	P23092MM	[+]	19,1	BRE				
	81	12/01 → 06/06	●	+rear disc	P23093MM	[-]	20,1	BRE				
2.0 HDi	62	04/02 →	●	290 + 330; 1000 kg payload; 1400 kg payload	P23091MM	[+]	19,1	BRE				
	62	04/02 →	●	350; 1800 kg payload	P23092MM	[+]	19,1	BRE				
	62	04/02 →	●	+rear disc	P23093MM	[-]	20,1	BRE				
2.2 HDi	74	04/02 →	●	290 + 330; 1000 kg payload; 1400 kg payload	P23091MM	[+]	19,1	BRE				
	74	04/02 →	●	350; 1800 kg payload	P23092MM	[+]	19,1	BRE				
	74	04/02 →	●	+rear disc	P23093MM	[-]	20,1	BRE				
2.8 HDi	94	04/02 →	●	290 + 330; 1000 kg payload; 1400 kg payload	P23091MM	[+]	19,1	BRE				
	94	04/02 →	●	350; 1800 kg payload	P23092MM	[+]	19,1	BRE				
	94	04/02 →	●	+rear disc	P23093MM	[-]	20,1	BRE				
	107	04/04 →	●	290 + 330; 1000 kg payload; 1400 kg payload	P23091MM	[+]	19,1	BRE				
	107	04/04 →	●	350; 1800 kg payload	P23092MM	[+]	19,1	BRE				
	107	04/04 →	●	+rear disc	P23093MM	[-]	20,1	BRE				
	93	09/05 → 09/09	●	290 + 330; 1000 kg payload; 1400 kg payload	P23091MM	[+]	19,1	BRE				
	93	09/05 → 09/09	●	350; 1800 kg payload	P23092MM	[+]	19,1	BRE				
	93	09/05 → 09/09	●	+rear disc	P23093MM	[-]	20,1	BRE				
2.8 HDi 4x4	94	04/02 →	●	290 + 330; 1000 kg payload; 1400 kg payload	P23091MM	[+]	19,1	BRE				
	94	04/02 →	●	350; 1800 kg payload	P23092MM	[+]	19,1	BRE				
	94	04/02 →	●	+rear disc	P23093MM	[-]	20,1	BRE				

BOXER Bus 04/06 →

2.0 BlueHDi 110	81	07/15 →	●	2000 kg payload; +high payload	P23136MM	[+]	19	BRE				
	81	07/15 →	●	1600 kg payload; +high payload	P61118MM	[+]	19	BRE				
	81	07/15 →	●	1200 kg payload; 1400 kg payload; -high payload	P23143MM	[+]	19	BRE				
	81	07/15 →	●	1600 kg payload; -high payload	P23144MM	[+]	19	BRE				
	81	07/15 →	●	-high payload; -2000 kg payload	P61125MM	[+]	18,8	BSH				
2.0 BlueHDi 130	96	07/15 →	●	2000 kg payload; +high payload	P23136MM	[+]	19	BRE				
	96	07/15 →	●	1600 kg payload; +high payload	P61118MM	[+]	19	BRE				
	96	07/15 →	●	1200 kg payload; 1400 kg payload; -high payload	P23143MM	[+]	19	BRE				
	96	07/15 →	●	1600 kg payload; -high payload	P23144MM	[+]	19	BRE				
	96	07/15 →	●	-high payload; -2000 kg payload	P61125MM	[+]	18,8	BSH				
2.0 BlueHDi 160	120	07/15 →	●	2000 kg payload; +high payload	P23136MM	[+]	19	BRE				
	120	07/15 →	●	1600 kg payload; +high payload	P61118MM	[+]	19	BRE				
	120	07/15 →	●	1200 kg payload; 1400 kg payload; -high payload	P23143MM	[+]	19	BRE				
	120	07/15 →	●	1600 kg payload; -high payload	P23144MM	[+]	19	BRE				
	120	07/15 →	●	-high payload; -2000 kg payload	P61125MM	[+]	18,8	BSH				

PEUGEOT

BOXER Bus 04/06 →

2.2 HDi 100	74	04/06 →	●	1200 kg payload; 1400 kg payload; -high payload	P23143MM	[+]	19	BRE						
	74	04/06 →	●	1600 kg payload; -high payload	P23144MM	[+]	19	BRE						
	74	04/06 →	●	1600 kg payload; +high payload	P61118MM	[+]	19	BRE						
	74	04/06 →	●	2000 kg payload; +high payload	P23136MM	[+]	19	BRE						
	74	04/06 →		● → 12/13	P61091MM	[-]	18,8	BSH						
	74	04/06 →		● 12/13 →	P61125MM	[+]	18,8	BSH						
2.2 HDi 110	81	03/11 →	●	1200 kg payload; 1400 kg payload; -high payload	P23143MM	[+]	19	BRE						
	81	03/11 →	●	1600 kg payload; -high payload	P23144MM	[+]	19	BRE						
	81	03/11 →	●	1600 kg payload; +high payload	P61118MM	[+]	19	BRE						
	81	03/11 →	●	2000 kg payload; +high payload	P23136MM	[+]	19	BRE						
	81	03/11 →		● → 12/13	P61091MM	[-]	18,8	BSH						
	81	03/11 →		● 12/13 →	P61125MM	[+]	18,8	BSH						
2.2 HDi 120	88	04/06 →	●	1200 kg payload; 1400 kg payload; -high payload	P23143MM	[+]	19	BRE						
	88	04/06 →	●	1600 kg payload; -high payload	P23144MM	[+]	19	BRE						
	88	04/06 →	●	1600 kg payload; +high payload	P61118MM	[+]	19	BRE						
	88	04/06 →	●	2000 kg payload; +high payload	P23136MM	[+]	19	BRE						
	88	04/06 →		● → 12/13	P61091MM	[-]	18,8	BSH						
	88	04/06 →		● 12/13 →	P61125MM	[+]	18,8	BSH						
2.2 HDi 130	96	03/11 →	●	1200 kg payload; 1400 kg payload; -high payload	P23143MM	[+]	19	BRE						
	96	03/11 →	●	1600 kg payload; -high payload	P23144MM	[+]	19	BRE						
	96	03/11 →	●	1600 kg payload; +high payload	P61118MM	[+]	19	BRE						
	96	03/11 →	●	2000 kg payload; +high payload	P23136MM	[+]	19	BRE						
	96	03/11 →		● → 12/13	P61091MM	[-]	18,8	BSH						
	96	03/11 →		● 12/13 →	P61125MM	[+]	18,8	BSH						
2.2 HDi 150	110	03/11 →	●	1200 kg payload; 1400 kg payload; -high payload	P23143MM	[+]	19	BRE						
	110	03/11 →	●	1600 kg payload; -high payload	P23144MM	[+]	19	BRE						
	110	03/11 →	●	1600 kg payload; +high payload	P61118MM	[+]	19	BRE						
	110	03/11 →	●	2000 kg payload; +high payload	P23136MM	[+]	19	BRE						
	110	03/11 →		● → 12/13	P61091MM	[-]	18,8	BSH						
	110	03/11 →		● 12/13 →	P61125MM	[+]	18,8	BSH						
3.0 HDi 145	107	04/10 →	●	1400 kg payload; 1200 kg payload; -high payload	P23143MM	[+]	19	BRE						
	107	04/10 →	●	1600 kg payload; -high payload	P23144MM	[+]	19	BRE						
	107	04/10 →	●	1600 kg payload; +high payload	P61118MM	[+]	19	BRE						
	107	04/10 →	●	2000 kg payload; +high payload	P23136MM	[+]	19	BRE						
	107	04/10 →		● → 12/13	P61091MM	[-]	18,8	BSH						
	107	04/10 →		● 12/13 →	P61125MM	[+]	18,8	BSH						
3.0 HDi 160	116	04/06 →	●	1200 kg payload; 1400 kg payload; -high payload	P23143MM	[+]	19	BRE						
	116	04/06 →	●	1600 kg payload; -high payload	P23144MM	[+]	19	BRE						
	116	04/06 →	●	1600 kg payload; +high payload	P61118MM	[+]	19	BRE						
	116	04/06 →	●	2000 kg payload; +high payload	P23136MM	[+]	19	BRE						
	116	04/06 →		● → 12/13	P61091MM	[-]	18,8	BSH						
	116	04/06 →		● 12/13 →	P61125MM	[+]	18,8	BSH						
3.0 HDi 175	130	03/11 →	●	1200 kg payload; 1400 kg payload; -high payload	P23143MM	[+]	19	BRE						
	130	03/11 →	●	1600 kg payload; -high payload	P23144MM	[+]	19	BRE						
	130	03/11 →	●	1600 kg payload; +high payload	P61118MM	[+]	19	BRE						
	130	03/11 →	●	2000 kg payload; +high payload	P23136MM	[+]	19	BRE						
	130	03/11 →		● → 12/13	P61091MM	[-]	18,8	BSH						
	130	03/11 →		● 12/13 →	P61125MM	[+]	18,8	BSH						

	kw					MAGNETI MARELLI	wi	Th [mm]	SYS	MAGNETI MARELLI	LENGHT		MAGNETI MARELLI	

PEUGEOT

BOXER Bus (230P) 03/94 → 04/02

1.9 D	51	03/94 → 04/02	●	→ 08/01; 1000 kg payload; 1400 kg payload	P23068MM	[+]	19,7	TRW						
	51	03/94 → 04/02	●	→ 08/01; 1000 kg payload; 1400 kg payload	P23083MM	[+]	19,7	TRW						
	51	03/94 → 04/02	●	→ 08/01; 1800 kg payload	P23069MM	[+]	19,7	TRW						
	51	03/94 → 04/02	●	→ 08/01; 1800 kg payload	P23084MM	[+]	19,7	TRW						
	51	03/94 → 04/02	●	09/01 →; 1000 kg payload; 1400 kg payload	P23091MM	[+]	19,1	BRE						
	51	03/94 → 04/02	●	09/01 →; 1800 kg payload	P23092MM	[+]	19,1	BRE						
	51	03/94 → 04/02	●	09/01 →; +rear disc	P23093MM	[-]	20,1	BRE						
1.9 TD	66	08/94 → 04/02	●	→ 08/01; 1400 kg payload; 1000 kg payload	P23068MM	[+]	19,7	TRW						
	66	08/94 → 04/02	●	→ 08/01; 1000 kg payload; 1400 kg payload	P23083MM	[+]	19,7	TRW						
	66	08/94 → 04/02	●	→ 08/01; 1800 kg payload	P23069MM	[+]	19,7	TRW						
	66	08/94 → 04/02	●	→ 08/01; 1800 kg payload	P23084MM	[+]	19,7	TRW						
	66	08/94 → 04/02	●	09/01 →; 1000 kg payload; 1400 kg payload	P23091MM	[+]	19,1	BRE						
	66	08/94 → 04/02	●	09/01 →; 1800 kg payload	P23092MM	[+]	19,1	BRE						
	66	08/94 → 04/02	●	09/01 →; +rear disc	P23093MM	[-]	20,1	BRE						
	68	03/94 → 04/02	●	→ 08/01; 1000 kg payload; 1400 kg payload	P23068MM	[+]	19,7	TRW						
	68	03/94 → 04/02	●	→ 08/01; 1000 kg payload; 1400 kg payload	P23083MM	[+]	19,7	TRW						
	68	03/94 → 04/02	●	→ 08/01; 1800 kg payload	P23069MM	[+]	19,7	TRW						
	68	03/94 → 04/02	●	→ 08/01; 1800 kg payload	P23084MM	[+]	19,7	TRW						
	68	03/94 → 04/02	●	09/01 →; 1000 kg payload; 1400 kg payload	P23091MM	[+]	19,1	BRE						
	68	03/94 → 04/02	●	09/01 →; 1800 kg payload	P23092MM	[+]	19,1	BRE						
	68	03/94 → 04/02	●	09/01 →; +rear disc	P23093MM	[-]	20,1	BRE						
1.9 TD 4x4	68	07/96 → 04/02	●	→ 08/01; 1000 kg payload; 1400 kg payload	P23068MM	[+]	19,7	TRW						
	68	07/96 → 04/02	●	→ 08/01; 1000 kg payload; 1400 kg payload	P23083MM	[+]	19,7	TRW						
	68	07/96 → 04/02	●	→ 08/01; 1800 kg payload	P23069MM	[+]	19,7	TRW						
	68	07/96 → 04/02	●	→ 08/01; 1800 kg payload	P23084MM	[+]	19,7	TRW						
	68	07/96 → 04/02	●	09/01 →; 1000 kg payload; 1400 kg payload	P23091MM	[+]	19,1	BRE						
	68	07/96 → 04/02	●	09/01 →; 1800 kg payload	P23092MM	[+]	19,1	BRE						
	68	07/96 → 04/02	●	09/01 →; +rear disc	P23093MM	[-]	20,1	BRE						
2.0 i	80	03/94 → 04/02	●	→ 08/01; 1000 kg payload; 1400 kg payload	P23068MM	[+]	19,7	TRW						
	80	03/94 → 04/02	●	→ 08/01; 1000 kg payload; 1400 kg payload	P23083MM	[+]	19,7	TRW						
	80	03/94 → 04/02	●	→ 08/01; 1800 kg payload	P23069MM	[+]	19,7	TRW						
	80	03/94 → 04/02	●	→ 08/01; 1800 kg payload	P23084MM	[+]	19,7	TRW						
	80	03/94 → 04/02	●	09/01 →; 1000 kg payload; 1400 kg payload	P23091MM	[+]	19,1	BRE						
	80	03/94 → 04/02	●	09/01 →; 1800 kg payload	P23092MM	[+]	19,1	BRE						
	80	03/94 → 04/02	●	09/01 →; +rear disc	P23093MM	[-]	20,1	BRE						
2.0 i 4x4	80	08/96 → 04/02	●	→ 08/01; 1400 kg payload; 1000 kg payload	P23068MM	[+]	19,7	TRW						
	80	08/96 → 04/02	●	→ 08/01; 1000 kg payload; 1400 kg payload	P23083MM	[+]	19,7	TRW						
	80	08/96 → 04/02	●	→ 08/01; 1800 kg payload	P23069MM	[+]	19,7	TRW						
	80	08/96 → 04/02	●	→ 08/01; 1800 kg payload	P23084MM	[+]	19,7	TRW						
	80	08/96 → 04/02	●	09/01 →; 1000 kg payload; 1400 kg payload	P23091MM	[+]	19,1	BRE						
	80	08/96 → 04/02	●	09/01 →; 1800 kg payload	P23092MM	[+]	19,1	BRE						
	80	08/96 → 04/02	●	09/01 →; +rear disc	P23093MM	[-]	20,1	BRE						

								WI			FK		
	kw									LENGHT			

PEUGEOT

BOXER Bus (230P) 03/94 → 04/02

Model	Year Range	Options	Max Payload	Part No.	Warranty	Th [mm]	SYS	WI	FK
2.5 D	63 08/94 → 04/02	•	→ 08/01; 1000 kg payload; 1400 kg payload	P23068MM	[+]	19,7	TRW		
	63 08/94 → 04/02	•	→ 08/01; 1400 kg payload; 1000 kg payload	P23083MM	[+]	19,7	TRW		
	63 08/94 → 04/02	•	→ 08/01; 1800 kg payload	P23069MM	[+]	19,7	TRW		
	63 08/94 → 04/02	•	→ 08/01; 1800 kg payload	P23084MM	[+]	19,7	TRW		
	63 08/94 → 04/02	•	09/01 →; 1000 kg payload; 1400 kg payload	P23091MM	[+]	19,1	BRE		
	63 08/94 → 04/02	•	09/01 →; 1800 kg payload	P23092MM	[+]	19,1	BRE		
	63 08/94 → 04/02	•	09/01 →; +rear disc	P23093MM	[-]	20,1	BRE		
2.5 D 4x4	63 07/96 → 04/02	•	→ 08/01; 1000 kg payload; 1400 kg payload	P23068MM	[+]	19,7	TRW		
	63 07/96 → 04/02	•	→ 08/01; 1000 kg payload; 1400 kg payload	P23083MM	[+]	19,7	TRW		
	63 07/96 → 04/02	•	→ 08/01; 1800 kg payload	P23069MM	[+]	19,7	TRW		
	63 07/96 → 04/02	•	→ 08/01; 1800 kg payload	P23084MM	[+]	19,7	TRW		
	63 07/96 → 04/02	•	09/01 →; 1000 kg payload; 1400 kg payload	P23091MM	[+]	19,1	BRE		
	63 07/96 → 04/02	•	09/01 →; 1800 kg payload	P23092MM	[+]	19,1	BRE		
	63 07/96 → 04/02	•	09/01 →; +rear disc	P23093MM	[-]	20,1	BRE		
2.5 DT	62 10/97 → 11/01	•	→ 08/01; 1000 kg payload; 1400 kg payload	P23068MM	[+]	19,7	TRW		
	62 10/97 → 11/01	•	→ 08/01; 1000 kg payload; 1400 kg payload	P23083MM	[+]	19,7	TRW		
	62 10/97 → 11/01	•	→ 08/01; 1800 kg payload	P23069MM	[+]	19,7	TRW		
	62 10/97 → 11/01	•	→ 08/01; 1800 kg payload	P23084MM	[+]	19,7	TRW		
	62 10/97 → 11/01	•	09/01 →; 1000 kg payload; 1400 kg payload	P23091MM	[+]	19,1	BRE		
	62 10/97 → 11/01	•	09/01 →; 1800 kg payload	P23092MM	[+]	19,1	BRE		
	62 10/97 → 11/01	•	09/01 →; +rear disc	P23093MM	[-]	20,1	BRE		
2.5 TD	76 07/94 → 04/02	•	→ 08/01; 1000 kg payload; 1400 kg payload	P23068MM	[+]	19,7	TRW		
	76 07/94 → 04/02	•	→ 08/01; 1000 kg payload; 1400 kg payload	P23083MM	[+]	19,7	TRW		
	76 07/94 → 04/02	•	→ 08/01; 1800 kg payload	P23069MM	[+]	19,7	TRW		
	76 07/94 → 04/02	•	→ 08/01; 1800 kg payload	P23084MM	[+]	19,7	TRW		
	76 07/94 → 04/02	•	09/01 →; 1000 kg payload; 1400 kg payload	P23091MM	[+]	19,1	BRE		
	76 07/94 → 04/02	•	09/01 →; 1800 kg payload	P23092MM	[+]	19,1	BRE		
	76 07/94 → 04/02	•	09/01 →; +rear disc	P23093MM	[-]	20,1	BRE		
2.5 TD 4x4	76 07/96 → 04/02	•	→ 08/01; 1000 kg payload; 1400 kg payload	P23068MM	[+]	19,7	TRW		
	76 07/96 → 04/02	•	→ 08/01; 1000 kg payload; 1400 kg payload	P23083MM	[+]	19,7	TRW		
	76 07/96 → 04/02	•	→ 08/01; 1800 kg payload	P23069MM	[+]	19,7	TRW		
	76 07/96 → 04/02	•	→ 08/01; 1800 kg payload	P23084MM	[+]	19,7	TRW		
	76 07/96 → 04/02	•	09/01 →; 1000 kg payload; 1400 kg payload	P23091MM	[+]	19,1	BRE		
	76 07/96 → 04/02	•	09/01 →; 1800 kg payload	P23092MM	[+]	19,1	BRE		
	76 07/96 → 04/02	•	09/01 →; +rear disc	P23093MM	[-]	20,1	BRE		
2.5 TDI	79 01/97 → 04/02	•	→ 08/01; 1000 kg payload; 1400 kg payload	P23068MM	[+]	19,7	TRW		
	79 01/97 → 04/02	•	→ 08/01; 1000 kg payload; 1400 kg payload	P23083MM	[+]	19,7	TRW		
	79 01/97 → 04/02	•	→ 08/01; 1800 kg payload	P23069MM	[+]	19,7	TRW		
	79 01/97 → 04/02	•	→ 08/01; 1800 kg payload	P23084MM	[+]	19,7	TRW		
	79 01/97 → 04/02	•	09/01 →; 1000 kg payload; 1400 kg payload	P23091MM	[+]	19,1	BRE		
	79 01/97 → 04/02	•	09/01 →; 1800 kg payload	P23092MM	[+]	19,1	BRE		
	79 01/97 → 04/02	•	09/01 →; +rear disc	P23093MM	[-]	20,1	BRE		

							WI	Th [mm]	SYS	WI			FK	
											LENGHT			

PEUGEOT

BOXER Bus (230P) 03/94 → 04/02

2.5 TDI 4x4	79	01/97 → 04/02	●	→ 08/01; 1000 kg payload; 1400 kg payload	P23068MM	[+]	19,7	TRW						
	79	01/97 → 04/02	●	→ 08/01; 1000 kg payload; 1400 kg payload	P23083MM	[+]	19,7	TRW						
	79	01/97 → 04/02	●	→ 08/01; 1800 kg payload	P23069MM	[+]	19,7	TRW						
	79	01/97 → 04/02	●	→ 08/01; 1800 kg payload	P23084MM	[+]	19,7	TRW						
	79	01/97 → 04/02	●	09/01 →; 1000 kg payload; 1400 kg payload	P23091MM	[+]	19,1	BRE						
	79	01/97 → 04/02	●	09/01 →; 1800 kg payload	P23092MM	[+]	19,1	BRE						
	79	01/97 → 04/02	●	09/01 →; +rear disc	P23093MM	[-]	20,1	BRE						
2.8 D	64	01/99 → 02/02	●	→ 08/01; 1000 kg payload; 1400 kg payload	P23068MM	[+]	19,7	TRW						
	64	01/99 → 02/02	●	→ 08/01; 1000 kg payload; 1400 kg payload	P23083MM	[+]	19,7	TRW						
	64	01/99 → 02/02	●	→ 08/01; 1800 kg payload	P23069MM	[+]	19,7	TRW						
	64	01/99 → 02/02	●	→ 08/01; 1800 kg payload	P23084MM	[+]	19,7	TRW						
	64	01/99 → 02/02	●	09/01 →; 1000 kg payload; 1400 kg payload	P23091MM	[+]	19,1	BRE						
	64	01/99 → 02/02	●	09/01 →; 1800 kg payload	P23092MM	[+]	19,1	BRE						
	64	01/99 → 02/02	●	09/01 →; +rear disc	P23093MM	[-]	20,1	BRE						
2.8 HDi	94	11/00 → 04/02	●	→ 08/01; 1000 kg payload; 1400 kg payload	P23068MM	[+]	19,7	TRW						
	94	11/00 → 04/02	●	→ 08/01; 1000 kg payload; 1400 kg payload	P23083MM	[+]	19,7	TRW						
	94	11/00 → 04/02	●	→ 08/01; 1800 kg payload	P23069MM	[+]	19,7	TRW						
	94	11/00 → 04/02	●	→ 08/01; 1800 kg payload	P23084MM	[+]	19,7	TRW						
	94	11/00 → 04/02	●	09/01 →; 1000 kg payload; 1400 kg payload	P23091MM	[+]	19,1	BRE						
	94	11/00 → 04/02	●	09/01 →; 1800 kg payload	P23092MM	[+]	19,1	BRE						
	94	11/00 → 04/02	●	09/01 →; +rear disc	P23093MM	[-]	20,1	BRE						
2.8 HDi	93	10/00 → 11/01	●	→ 08/01; 1000 kg payload; 1400 kg payload	P23068MM	[+]	19,7	TRW						
	93	10/00 → 11/01	●	→ 08/01; 1000 kg payload; 1400 kg payload	P23083MM	[+]	19,7	TRW						
	93	10/00 → 11/01	●	→ 08/01; 1800 kg payload	P23069MM	[+]	19,7	TRW						
	93	10/00 → 11/01	●	→ 08/01; 1800 kg payload	P23084MM	[+]	19,7	TRW						
	93	10/00 → 11/01	●	09/01 →; 1000 kg payload; 1400 kg payload	P23091MM	[+]	19,1	BRE						
	93	10/00 → 11/01	●	09/01 →; 1800 kg payload	P23092MM	[+]	19,1	BRE						
	93	10/00 → 11/01	●	09/01 →; +rear disc	P23093MM	[-]	20,1	BRE						
2.8 HDi 4x4	94	10/00 → 04/02	●	→ 08/01; 1000 kg payload; 1400 kg payload	P23068MM	[+]	19,7	TRW						
	94	10/00 → 04/02	●	→ 08/01; 1000 kg payload; 1400 kg payload	P23083MM	[+]	19,7	TRW						
	94	10/00 → 04/02	●	→ 08/01; 1800 kg payload	P23069MM	[+]	19,7	TRW						
	94	10/00 → 04/02	●	→ 08/01; 1800 kg payload	P23084MM	[+]	19,7	TRW						
	94	10/00 → 04/02	●	09/01 →; 1000 kg payload; 1400 kg payload	P23091MM	[+]	19,1	BRE						
	94	10/00 → 04/02	●	09/01 →; 1800 kg payload	P23092MM	[+]	19,1	BRE						
	94	10/00 → 04/02	●	09/01 →; +rear disc	P23093MM	[-]	20,1	BRE						
BOXER Bus (244, Z_) 12/01 →														
2.0	81	04/02 →	●	290 + 330; 1000 kg payload; 1400 kg payload	P23091MM	[+]	19,1	BRE						
	81	04/02 →	●	350; 1800 kg payload	P23092MM	[+]	19,1	BRE						
	81	04/02 →	●	+rear disc	P23093MM	[-]	20,1	BRE						
2.0 BiFuel	81	12/01 → 06/06	●	290 + 330	P23091MM	[+]	19,1	BRE						
	81	12/01 → 06/06	●	350; 1800 kg payload	P23092MM	[+]	19,1	BRE						
	81	12/01 → 06/06	●	+rear disc	P23093MM	[-]	20,1	BRE						



kW



WI

 Th
[mm]

SYS

WI

FK



LENGHT


PEUGEOT
BOXER Bus (244, Z_) 12/01 →

2.0 HDi	62	04/02 →	●	290 + 330; 1000 kg payload; 1400 kg payload	P23091MM	[+]	19,1	BRE					
	62	04/02 →	●	350; 1800 kg payload	P23092MM	[+]	19,1	BRE					
	62	04/02 →	●	+rear disc	P23093MM	[-]	20,1	BRE					
2.2 HDi	74	04/02 →	●	290 + 330; 1000 kg payload; 1400 kg payload	P23091MM	[+]	19,1	BRE					
	74	04/02 →	●	350; 1800 kg payload	P23092MM	[+]	19,1	BRE					
	74	04/02 →	●	+rear disc	P23093MM	[-]	20,1	BRE					
2.8 HDi	94	04/02 →	●	290 + 330; 1000 kg payload; 1400 kg payload	P23091MM	[+]	19,1	BRE					
	94	04/02 →	●	350; 1800 kg payload	P23092MM	[+]	19,1	BRE					
	94	04/02 →	●	+rear disc	P23093MM	[-]	20,1	BRE					
	107	04/04 →	●	290 + 330; 1000 kg payload; 1400 kg payload	P23091MM	[+]	19,1	BRE					
	107	04/04 →	●	350; 1800 kg payload	P23092MM	[+]	19,1	BRE					
	107	04/04 →	●	+rear disc	P23093MM	[-]	20,1	BRE					
2.8 HDi 4x4	94	04/02 →	●	290 + 330; 1000 kg payload; 1400 kg payload	P23091MM	[+]	19,1	BRE					
	94	04/02 →	●	350; 1800 kg payload	P23092MM	[+]	19,1	BRE					
	94	04/02 →	●	+rear disc	P23093MM	[-]	20,1	BRE					

BOXER Platform/Chassis 04/06 →

2.0 BlueHDi 110	81	07/15 →	●	2000 kg payload; +high payload	P23136MM	[+]	19	BRE					
	81	07/15 →	●	1600 kg payload; +high payload	P61118MM	[+]	19	BRE					
	81	07/15 →	●	1200 kg payload; 1400 kg payload; -high payload	P23143MM	[+]	19	BRE					
	81	07/15 →	●	1600 kg payload; -high payload	P23144MM	[+]	19	BRE					
	81	07/15 →	●	-high payload; -2000 kg payload	P61125MM	[+]	18,8	BSH					
2.0 BlueHDi 130	96	07/15 →	●	2000 kg payload; +high payload	P23136MM	[+]	19	BRE					
	96	07/15 →	●	1600 kg payload; +high payload	P61118MM	[+]	19	BRE					
	96	07/15 →	●	1200 kg payload; 1400 kg payload; -high payload	P23143MM	[+]	19	BRE					
	96	07/15 →	●	1600 kg payload; -high payload	P23144MM	[+]	19	BRE					
	96	07/15 →	●	-high payload; -2000 kg payload	P61125MM	[+]	18,8	BSH					
2.0 BlueHDi 160	120	07/15 →	●	2000 kg payload; +high payload	P23136MM	[+]	19	BRE					
	120	07/15 →	●	1600 kg payload; +high payload	P61118MM	[+]	19	BRE					
	120	07/15 →	●	1200 kg payload; 1400 kg payload; -high payload	P23143MM	[+]	19	BRE					
	120	07/15 →	●	1600 kg payload; -high payload	P23144MM	[+]	19	BRE					
	120	07/15 →	●	-high payload; -2000 kg payload	P61125MM	[+]	18,8	BSH					
2.2 HDi 100	74	04/06 →	●	1200 kg payload; 1400 kg payload; -high payload	P23143MM	[+]	19	BRE					
	74	04/06 →	●	1600 kg payload; -high payload	P23144MM	[+]	19	BRE					
	74	04/06 →	●	1600 kg payload; +high payload	P61118MM	[+]	19	BRE					
	74	04/06 →	●	2000 kg payload; +high payload	P23136MM	[+]	19	BRE					
	74	04/06 →	●	12/13 →	P61125MM	[+]	18,8	BSH					
	74	04/06 →	●	→ 12/13	P61091MM	[-]	18,8	BSH					
2.2 HDi 110	81	03/11 →	●	1200 kg payload; 1400 kg payload; -high payload	P23143MM	[+]	19	BRE					
	81	03/11 →	●	1600 kg payload; -high payload	P23144MM	[+]	19	BRE					
	81	03/11 →	●	1600 kg payload; +high payload	P61118MM	[+]	19	BRE					
	81	03/11 →	●	2000 kg payload; +high payload	P23136MM	[+]	19	BRE					
	81	03/11 →	●	12/13 →	P61125MM	[+]	18,8	BSH					
	81	03/11 →	●	→ 12/13	P61091MM	[-]	18,8	BSH					
2.2 HDi 120	88	04/06 →	●	1200 kg payload; 1400 kg payload; -high payload	P23143MM	[+]	19	BRE					
	88	04/06 →	●	1600 kg payload; -high payload	P23144MM	[+]	19	BRE					
	88	04/06 →	●	1600 kg payload; +high payload	P61118MM	[+]	19	BRE					

PEUGEOT

BOXER Platform/Chassis 04/06 →

2.2 HDi 120	88	04/06 →	●	2000 kg payload; +high payload	P23136MM	[+]	19	BRE					
	88	04/06 →	●	12/13 →	P61125MM	[+]	18,8	BSH					
	88	04/06 →	●	→ 12/13	P61091MM	[-]	18,8	BSH					
2.2 HDi 130	96	03/11 →	●	1200 kg payload; 1400 kg payload; -high payload	P23143MM	[+]	19	BRE					
	96	03/11 →	●	1600 kg payload; -high payload	P23144MM	[+]	19	BRE					
	96	03/11 →	●	1600 kg payload; +high payload	P61118MM	[+]	19	BRE					
	96	03/11 →	●	2000 kg payload; +high payload	P23136MM	[+]	19	BRE					
	96	03/11 →	●	12/13 →	P61125MM	[+]	18,8	BSH					
	96	03/11 →	●	→ 12/13	P61091MM	[-]	18,8	BSH					
2.2 HDi 150	110	03/11 →	●	1200 kg payload; 1400 kg payload; -high payload	P23143MM	[+]	19	BRE					
	110	03/11 →	●	1600 kg payload; -high payload	P23144MM	[+]	19	BRE					
	110	03/11 →	●	1600 kg payload; +high payload	P61118MM	[+]	19	BRE					
	110	03/11 →	●	2000 kg payload; +high payload	P23136MM	[+]	19	BRE					
	110	03/11 →	●	12/13 →	P61125MM	[+]	18,8	BSH					
	110	03/11 →	●	→ 12/13	P61091MM	[-]	18,8	BSH					
3.0 HDi	115	02/07 →	●	2000 kg payload; +high payload	P23136MM	[+]	19	BRE					
	115	02/07 →	●	1200 kg payload; 1400 kg payload; -high payload	P23143MM	[+]	19	BRE					
	115	02/07 →	●	1600 kg payload; -high payload	P23144MM	[+]	19	BRE					
	115	02/07 →	●	1600 kg payload; +high payload	P61118MM	[+]	19	BRE					
	115	02/07 →	●	12/13 →	P61125MM	[+]	18,8	BSH					
3.0 HDi 145	107	04/10 →	●	1200 kg payload; 1400 kg payload; -high payload	P23143MM	[+]	19	BRE					
	107	04/10 →	●	1600 kg payload; -high payload	P23144MM	[+]	19	BRE					
	107	04/10 →	●	1600 kg payload; +high payload	P61118MM	[+]	19	BRE					
	107	04/10 →	●	2000 kg payload; +high payload	P23136MM	[+]	19	BRE					
	107	04/10 →	●	12/13 →	P61125MM	[+]	18,8	BSH					
	107	04/10 →	●	→ 12/13	P61091MM	[-]	18,8	BSH					
3.0 HDi 160	116	04/06 →	●	1200 kg payload; 1400 kg payload; -high payload	P23143MM	[+]	19	BRE					
	116	04/06 →	●	1600 kg payload; -high payload	P23144MM	[+]	19	BRE					
	116	04/06 →	●	1600 kg payload; +high payload	P61118MM	[+]	19	BRE					
	116	04/06 →	●	2000 kg payload; +high payload	P23136MM	[+]	19	BRE					
	116	04/06 →	●	12/13 →	P61125MM	[+]	18,8	BSH					
	116	04/06 →	●	→ 12/13	P61091MM	[-]	18,8	BSH					
3.0 HDi 175	130	03/11 →	●	1200 kg payload; 1400 kg payload; -high payload	P23143MM	[+]	19	BRE					
	130	03/11 →	●	1600 kg payload; -high payload	P23144MM	[+]	19	BRE					
	130	03/11 →	●	1600 kg payload; +high payload	P61118MM	[+]	19	BRE					
	130	03/11 →	●	2000 kg payload; +high payload	P23136MM	[+]	19	BRE					
	130	03/11 →	●	12/13 →	P61125MM	[+]	18,8	BSH					
	130	03/11 →	●	→ 12/13	P61091MM	[-]	18,8	BSH					

BOXER Platform/Chassis (244) 12/01 →

2.0 BiFuel	81	12/01 → 06/06	●	290 + 330	P23091MM	[+]	19,1	BRE					
	81	12/01 → 06/06	●	350; 1800 kg payload	P23092MM	[+]	19,1	BRE					
	81	12/01 → 06/06	●	+rear disc	P23093MM	[-]	20,1	BRE					
2.0 HDi	62	04/02 →	●	290 + 330; 1000 kg payload; 1400 kg payload	P23091MM	[+]	19,1	BRE					
	62	04/02 →	●	350; 1800 kg payload	P23092MM	[+]	19,1	BRE					
	62	04/02 →	●	+rear disc	P23093MM	[-]	20,1	BRE					

									WI			FK	
	kw						Th [mm]		MAGNETI MARELLI	LENGHT		MAGNETI MARELLI	

PEUGEOT

BOXER Platform/Chassis (244) 12/01 →

2.2 HDi	74	04/02 →	●	290 + 330; 1000 kg payload; 1400 kg payload	P23091MM	[+]	19,1	BRE					
	74	04/02 →	●	350; 1800 kg payload	P23092MM	[+]	19,1	BRE					
	74	04/02 →	●	+rear disc	P23093MM	[-]	20,1	BRE					
2.8 HDi	94	04/02 →	●	290 + 330; 1000 kg payload; 1400 kg payload	P23091MM	[+]	19,1	BRE					
	94	04/02 →	●	350; 1800 kg payload	P23092MM	[+]	19,1	BRE					
	94	04/02 →	●	+rear disc	P23093MM	[-]	20,1	BRE					
	107	04/04 →	●	290 + 330; 1000 kg payload; 1400 kg payload	P23091MM	[+]	19,1	BRE					
	107	04/04 →	●	350; 1800 kg payload	P23092MM	[+]	19,1	BRE					
2.8 HDi 4x4	94	04/02 →	●	290 + 330; 1000 kg payload; 1400 kg payload	P23091MM	[+]	19,1	BRE					
	94	04/02 →	●	350; 1800 kg payload	P23092MM	[+]	19,1	BRE					
	94	04/02 →	●	+rear disc	P23093MM	[-]	20,1	BRE					

BOXER Platform/Chassis (ZCT_) 03/94 → 04/02

1.9 TD	68	07/94 → 04/02	●	→ 08/01; 1000 kg payload; 1400 kg payload	P23068MM	[+]	19,7	TRW					
	68	07/94 → 04/02	●	→ 08/01; 1400 kg payload; 1000 kg payload	P23083MM	[+]	19,7	TRW					
	68	07/94 → 04/02	●	→ 08/01; 1800 kg payload	P23069MM	[+]	19,7	TRW					
1.9 TD	68	07/94 → 04/02	●	→ 08/01; 1800 kg payload	P23084MM	[+]	19,7	TRW					
	68	07/94 → 04/02	●	09/01 →; 1000 kg payload; 1400 kg payload	P23091MM	[+]	19,1	BRE					
	68	07/94 → 04/02	●	09/01 →; 1800 kg payload	P23092MM	[+]	19,1	BRE					
	68	07/94 → 04/02	●	09/01 →; +rear disc	P23093MM	[-]	20,1	BRE					
	66	06/94 → 04/02	●	→ 08/01; 1000 kg payload; 1400 kg payload	P23068MM	[+]	19,7	TRW					
	66	06/94 → 04/02	●	→ 08/01; 1000 kg payload; 1400 kg payload	P23083MM	[+]	19,7	TRW					
	66	06/94 → 04/02	●	→ 08/01; 1800 kg payload	P23069MM	[+]	19,7	TRW					
1.9 TD	66	06/94 → 04/02	●	→ 08/01; 1800 kg payload	P23084MM	[+]	19,7	TRW					
	66	06/94 → 04/02	●	09/01 →; 1000 kg payload; 1400 kg payload	P23091MM	[+]	19,1	BRE					
	66	06/94 → 04/02	●	09/01 →; 1800 kg payload	P23092MM	[+]	19,1	BRE					
	66	06/94 → 04/02	●	09/01 →; +rear disc	P23093MM	[-]	20,1	BRE					
	80	06/94 → 04/02	●	→ 08/01; 1400 kg payload; 1000 kg payload	P23068MM	[+]	19,7	TRW					
	80	06/94 → 04/02	●	→ 08/01; 1000 kg payload; 1400 kg payload	P23083MM	[+]	19,7	TRW					
	80	06/94 → 04/02	●	→ 08/01; 1800 kg payload	P23069MM	[+]	19,7	TRW					
2.0 i	80	06/94 → 04/02	●	→ 08/01; 1800 kg payload	P23084MM	[+]	19,7	TRW					
	80	06/94 → 04/02	●	09/01 →; 1000 kg payload; 1400 kg payload	P23091MM	[+]	19,1	BRE					
	80	06/94 → 04/02	●	09/01 →; 1800 kg payload	P23092MM	[+]	19,1	BRE					
	80	06/94 → 04/02	●	09/01 →; +rear disc	P23093MM	[-]	20,1	BRE					
	63	03/94 → 04/02	●	→ 08/01; 1000 kg payload; 1400 kg payload	P23068MM	[+]	19,7	TRW					
	63	03/94 → 04/02	●	→ 08/01; 1000 kg payload; 1400 kg payload	P23083MM	[+]	19,7	TRW					
2.5 D	63	03/94 → 04/02	●	→ 08/01; 1800 kg payload	P23069MM	[+]	19,7	TRW					
	63	03/94 → 04/02	●	→ 08/01; 1800 kg payload	P23084MM	[+]	19,7	TRW					
	63	03/94 → 04/02	●	09/01 →; 1000 kg payload; 1400 kg payload	P23091MM	[+]	19,1	BRE					
	63	03/94 → 04/02	●	09/01 →; 1800 kg payload	P23092MM	[+]	19,1	BRE					
	63	03/94 → 04/02	●	09/01 →; +rear disc	P23093MM	[-]	20,1	BRE					

PEUGEOT

BOXER Platform/Chassis (ZCT_) 03/94 → 04/02

2.5 D 4x4	63	07/99 → 04/02	●	→ 08/01; 1000 kg payload; 1400 kg payload	P23068MM	[+]	19,7	TRW							
	63	07/99 → 04/02	●	→ 08/01; 1000 kg payload; 1400 kg payload	P23083MM	[+]	19,7	TRW							
	63	07/99 → 04/02	●	→ 08/01; 1800 kg payload	P23069MM	[+]	19,7	TRW							
	63	07/99 → 04/02	●	→ 08/01; 1800 kg payload	P23084MM	[+]	19,7	TRW							
	63	07/99 → 04/02	●	09/01 →; 1000 kg payload; 1400 kg payload	P23091MM	[+]	19,1	BRE							
	63	07/99 → 04/02	●	09/01 →; 1800 kg payload	P23092MM	[+]	19,1	BRE							
	63	07/99 → 04/02	●	09/01 →; +rear disc	P23093MM	[-]	20,1	BRE							
2.5 TD	76	03/94 → 04/02	●	→ 08/01; 1000 kg payload; 1400 kg payload	P23068MM	[+]	19,7	TRW							
	76	03/94 → 04/02	●	→ 08/01; 1000 kg payload; 1400 kg payload	P23083MM	[+]	19,7	TRW							
	76	03/94 → 04/02	●	→ 08/01; 1800 kg payload	P23069MM	[+]	19,7	TRW							
	76	03/94 → 04/02	●	→ 08/01; 1800 kg payload	P23084MM	[+]	19,7	TRW							
	76	03/94 → 04/02	●	09/01 →; 1000 kg payload; 1400 kg payload	P23091MM	[+]	19,1	BRE							
	76	03/94 → 04/02	●	09/01 →; 1800 kg payload	P23092MM	[+]	19,1	BRE							
	76	03/94 → 04/02	●	09/01 →; +rear disc	P23093MM	[-]	20,1	BRE							
2.5 TDI	79	01/97 → 04/02	●	→ 08/01; 1000 kg payload; 1400 kg payload	P23068MM	[+]	19,7	TRW							
	79	01/97 → 04/02	●	→ 08/01; 1400 kg payload; 1000 kg payload	P23083MM	[+]	19,7	TRW							
	79	01/97 → 04/02	●	→ 08/01; 1800 kg payload	P23069MM	[+]	19,7	TRW							
	79	01/97 → 04/02	●	→ 08/01; 1800 kg payload	P23084MM	[+]	19,7	TRW							
	79	01/97 → 04/02	●	09/01 →; 1000 kg payload; 1400 kg payload	P23091MM	[+]	19,1	BRE							
	79	01/97 → 04/02	●	09/01 →; 1800 kg payload	P23092MM	[+]	19,1	BRE							
	79	01/97 → 04/02	●	09/01 →; +rear disc	P23093MM	[-]	20,1	BRE							
2.5 TDI 4x4	79	07/99 → 04/02	●	→ 08/01; 1000 kg payload; 1400 kg payload	P23068MM	[+]	19,7	TRW							
	79	07/99 → 04/02	●	→ 08/01; 1000 kg payload; 1400 kg payload	P23083MM	[+]	19,7	TRW							
	79	07/99 → 04/02	●	→ 08/01; 1800 kg payload	P23069MM	[+]	19,7	TRW							
	79	07/99 → 04/02	●	→ 08/01; 1800 kg payload	P23084MM	[+]	19,7	TRW							
	79	07/99 → 04/02	●	09/01 →; 1400 kg payload; 1000 kg payload	P23091MM	[+]	19,1	BRE							
	79	07/99 → 04/02	●	09/01 →; 1800 kg payload	P23092MM	[+]	19,1	BRE							
	79	07/99 → 04/02	●	09/01 →; +rear disc	P23093MM	[-]	20,1	BRE							
2.8 D	64	01/99 → 02/02	●	→ 08/01; 1000 kg payload; 1400 kg payload	P23068MM	[+]	19,7	TRW							
	64	01/99 → 02/02	●	→ 08/01; 1000 kg payload; 1400 kg payload	P23083MM	[+]	19,7	TRW							
	64	01/99 → 02/02	●	→ 08/01; 1800 kg payload	P23069MM	[+]	19,7	TRW							
	64	01/99 → 02/02	●	→ 08/01; 1800 kg payload	P23084MM	[+]	19,7	TRW							
	64	01/99 → 02/02	●	09/01 →; 1000 kg payload; 1400 kg payload	P23091MM	[+]	19,1	BRE							
	64	01/99 → 02/02	●	09/01 →; 1800 kg payload	P23092MM	[+]	19,1	BRE							
	64	01/99 → 02/02	●	09/01 →; +rear disc	P23093MM	[-]	20,1	BRE							
2.8 HDi	94	11/00 → 04/02	●	27 + 31; → 16206253; 1000 kg payload; 1400 kg payload	P23083MM	[+]	19,7	TRW							
	94	11/00 → 04/02	●	27 + 31; → 16206253; 1000 kg payload; 1400 kg payload	P23068MM	[+]	19,7	TRW							
	94	11/00 → 04/02	●	35; → 16205352; 1800 kg payload	P23084MM	[+]	19,7	TRW							
	94	11/00 → 04/02	●	35; → 16205352; 1800 kg payload	P23069MM	[+]	19,7	TRW							
	94	11/00 → 04/02	●	1400 kg payload; 1000 kg payload	P23091MM	[+]	19,1	BRE							

PEUGEOT

BOXER Platform/Chassis (ZCT_) 03/94 → 04/02

2.8 HDi	94	11/00 → 04/02	●	1800 kg payload	P23092MM	[+]	19,1	BRE							
	94	11/00 → 04/02	●	+rear disc	P23093MM	[-]	20,1	BRE							
	93	10/00 → 11/01	●	35; → 16205352; 1800 kg payload	P23069MM	[+]	19,7	TRW							
	93	10/00 → 11/01	●	27 + 31; → 16206253; 1000 kg payload; 1400 kg payload	P23083MM	[+]	19,7	TRW							
	93	10/00 → 11/01	●	35; → 16205352; 1800 kg payload	P23084MM	[+]	19,7	TRW							
	93	10/00 → 11/01	●	27 + 31; → 16206253; 1000 kg payload; 1400 kg payload	P23068MM	[+]	19,7	TRW							
	93	10/00 → 11/01	●	1000 kg payload; 1400 kg payload	P23091MM	[+]	19,1	BRE							
	93	10/00 → 11/01	●	1800 kg payload	P23092MM	[+]	19,1	BRE							
	93	10/00 → 11/01	●	+rear disc	P23093MM	[-]	20,1	BRE							

EXPERT (224) 10/95 → 12/06

1.6	58	02/96 → 09/00	●	→ 09155; 815 kg payload	P23072MM	[+]	19	BDX					A02231	→ 09155; 815 kg payload
	58	02/96 → 09/00	●	09156 →; → 9792; 815 kg payload; → 9792; 900 kg payload	P23061MM	[+]	19,3	GIR					A02231	→ 09155; 815 kg payload
	58	02/96 → 09/00	●	9793 →	P23090MM	[+]	19,3	TRW					A02231	→ 09155; 815 kg payload
1.8	74	10/96 → 09/00	●	→ 09155; 815 kg payload	P23072MM	[+]	19	BDX						
	74	10/96 → 09/00	●	09156 →; → 9792; 815 kg payload; → 9792; 900 kg payload	P23061MM	[+]	19,3	GIR						
	74	10/96 → 09/00	●	9793 →	P23090MM	[+]	19,3	TRW						
1.9 D	51	02/96 → 12/98	●	→ 09155; 815 kg payload	P23072MM	[+]	19	BDX					A02231	→ 09155; 815 kg payload
	51	02/96 → 12/98	●	09156 →; → 9792; 815 kg payload; → 9792; 900 kg payload	P23061MM	[+]	19,3	GIR					A02231	→ 09155; 815 kg payload
	51	02/96 → 12/98	●	9793 →	P23090MM	[+]	19,3	TRW					A02231	→ 09155; 815 kg payload
	51	12/03 → 12/06	●	→ 09155; 815 kg payload	P23072MM	[+]	19	BDX						
	51	12/03 → 12/06	●	09156 →; → 9792; 815 kg payload; → 9792; 900 kg payload	P23061MM	[+]	19,3	GIR						
	51	12/03 → 12/06	●	9793 →	P23090MM	[+]	19,3	TRW						
1.9 TD	68	02/96 → 05/98	●	→ 09155; 815 kg payload	P23072MM	[+]	19	BDX					A02231	→ 09155; 815 kg payload
	68	02/96 → 05/98	●	09156 →; → 9792; 815 kg payload; → 9792; 900 kg payload	P23061MM	[+]	19,3	GIR					A02231	→ 09155; 815 kg payload
	68	02/96 → 05/98	●	9793 →	P23090MM	[+]	19,3	TRW					A02231	→ 09155; 815 kg payload
	66	02/96 → 09/00	●	→ 09155; 815 kg payload	P23072MM	[+]	19	BDX					A02231	→ 09155; 815 kg payload
	66	02/96 → 09/00	●	09156 →; → 9792; 815 kg payload; → 9792; 900 kg payload	P23061MM	[+]	19,3	GIR					A02231	→ 09155; 815 kg payload
	66	02/96 → 09/00	●	9793 →	P23090MM	[+]	19,3	TRW					A02231	→ 09155; 815 kg payload
2.0	100	07/00 → 12/06	●	→ 09155; 815 kg payload	P23072MM	[+]	19	BDX					A02231	→ 09155; 815 kg payload
	100	07/00 → 12/06	●	09156 →; → 9792; 815 kg payload; → 9792; 900 kg payload	P23061MM	[+]	19,3	GIR					A02231	→ 09155; 815 kg payload
	100	07/00 → 12/06	●	9793 →	P23090MM	[+]	19,3	TRW					A02231	→ 09155; 815 kg payload
2.0 HDi	80	07/00 → 12/06	●	→ 09155; 815 kg payload	P23072MM	[+]	19	BDX					A02231	→ 09155; 815 kg payload
	80	07/00 → 12/06	●	09156 →; → 9792; 815 kg payload; → 9792; 900 kg payload	P23061MM	[+]	19,3	GIR					A02231	→ 09155; 815 kg payload
	80	07/00 → 12/06	●	9793 →	P23090MM	[+]	19,3	TRW					A02231	→ 09155; 815 kg payload
	69	10/00 → 10/06	●	→ 09155; 815 kg payload	P23072MM	[+]	19	BDX					A02231	→ 09155; 815 kg payload
	69	10/00 → 10/06	●	09156 →; → 9792; 815 kg payload; → 9792; 900 kg payload	P23061MM	[+]	19,3	GIR					A02231	→ 09155; 815 kg payload
	69	10/00 → 10/06	●	9793 →	P23090MM	[+]	19,3	TRW					A02231	→ 09155; 815 kg payload

								Th [mm]	SYS		WI			FK	
--	--	--	--	--	--	--	--	---------	-----	--	----	--	--	----	--

PEUGEOT

EXPERT (224) 10/95 → 12/06

2.0 HDI 16V	80	07/00 → 12/06	●	→ 09155; 815 kg payload	P23072MM	[+]	19	BDX					A02231	→ 09155; 815 kg payload
	80	07/00 → 12/06	●	→ 9792; 900 kg payload; 09156 →; → 9792; 815 kg payload	P23061MM	[+]	19,3	GIR					A02231	→ 09155; 815 kg payload
	80	07/00 → 12/06	●	9793 →	P23090MM	[+]	19,3	TRW					A02231	→ 09155; 815 kg payload

EXPERT Box (222) 07/95 → 12/06

1.6	58	02/96 → 09/00	●	→ 09155; 815 kg payload	P23072MM	[+]	19	BDX					A02231	→ 09155; 815 kg payload
	58	02/96 → 09/00	●	09156 →; → 9792; 815 kg payload; → 9792; 900 kg payload	P23061MM	[+]	19,3	GIR					A02231	→ 09155; 815 kg payload
	58	02/96 → 09/00	●	9793 →	P23090MM	[+]	19,3	TRW					A02231	→ 09155; 815 kg payload
1.8	74	10/96 → 09/00	●	→ 09155; 815 kg payload	P23072MM	[+]	19	BDX						
	74	10/96 → 09/00	●	09156 →; → 9792; 815 kg payload; → 9792; 900 kg payload	P23061MM	[+]	19,3	GIR						
1.9 D	51	02/96 → 12/98	●	→ 09155; 815 kg payload	P23072MM	[+]	19	BDX					A02231	→ 09155; 815 kg payload
	51	02/96 → 12/98	●	09156 →; → 9792; 815 kg payload; → 9792; 900 kg payload	P23061MM	[+]	19,3	GIR					A02231	→ 09155; 815 kg payload
	51	02/96 → 12/98	●	9793 →	P23090MM	[+]	19,3	TRW					A02231	→ 09155; 815 kg payload
1.9 D 70	51	12/98 → 12/06	●	→ 09155; 815 kg payload	P23072MM	[+]	19	BDX					A02231	→ 09155; 815 kg payload
	51	12/98 → 12/06	●	09156 →; → 9792; 815 kg payload; → 9792; 900 kg payload	P23061MM	[+]	19,3	GIR					A02231	→ 09155; 815 kg payload
	51	12/98 → 12/06	●	9793 →	P23090MM	[+]	19,3	TRW					A02231	→ 09155; 815 kg payload
1.9 TD	66	02/96 → 09/00	●	→ 09155; 815 kg payload	P23072MM	[+]	19	BDX					A02231	→ 09155; 815 kg payload
	66	02/96 → 09/00	●	09156 →; → 9792; 815 kg payload; → 9792; 900 kg payload	P23061MM	[+]	19,3	GIR					A02231	→ 09155; 815 kg payload
	66	02/96 → 09/00	●	9793 →	P23090MM	[+]	19,3	TRW					A02231	→ 09155; 815 kg payload
	68	02/96 → 05/98	●	→ 09155; 815 kg payload	P23072MM	[+]	19	BDX					A02231	→ 09155; 815 kg payload
	68	02/96 → 05/98	●	09156 →; → 9792; 815 kg payload; → 9792; 900 kg payload	P23061MM	[+]	19,3	GIR					A02231	→ 09155; 815 kg payload
2.0	68	02/96 → 05/98	●	9793 →	P23090MM	[+]	19,3	TRW					A02231	→ 09155; 815 kg payload
	100	09/02 → 12/06	●	→ 09155; 815 kg payload	P23072MM	[+]	19	BDX					A02231	→ 09155; 815 kg payload
	100	09/02 → 12/06	●	09156 →; → 9792; 815 kg payload; → 9792; 900 kg payload	P23061MM	[+]	19,3	GIR					A02231	→ 09155; 815 kg payload
	100	09/02 → 12/06	●	9793 →	P23090MM	[+]	19,3	TRW					A02231	→ 09155; 815 kg payload
	69	07/00 → 12/06	●	→ 09155; 815 kg payload	P23072MM	[+]	19	BDX						
2.0 HDI	69	07/00 → 12/06	●	09156 →; → 9792; 815 kg payload; → 9792; 900 kg payload	P23061MM	[+]	19,3	GIR						
	69	07/00 → 12/06	●	9793 →	P23090MM	[+]	19,3	TRW						
	80	07/00 → 12/06	●	→ 09155; 815 kg payload	P23072MM	[+]	19	BDX					A02231	→ 09155; 815 kg payload
	80	07/00 → 12/06	●	09156 →; → 9792; 815 kg payload; → 9792; 900 kg payload	P23061MM	[+]	19,3	GIR					A02231	→ 09155; 815 kg payload
	80	07/00 → 12/06	●	9793 →	P23090MM	[+]	19,3	TRW					A02231	→ 09155; 815 kg payload

EXPERT Box (VF3A_, VF3U_, VF3X_) 01/07 →

1.6 HDi 90 16V	66	01/07 →	●		P61096MM	[+]	18,3	TRW						
	66	01/07 →	●		P61095MM	[-]	16,6	TRW						
1.6 HDi 90 8V	66	01/07 →	●		P61096MM	[+]	18,3	TRW						
	66	01/07 →	●		P61095MM	[-]	16,6	TRW						
2.0 16V	103	01/07 →	●		P61096MM	[+]	18,3	TRW						
	103	01/07 →	●		P61095MM	[-]	16,6	TRW						
2.0 HDi 100	72	03/11 →	●		P61096MM	[+]	18,3	TRW						
	72	03/11 →	●		P61095MM	[-]	16,6	TRW						

										WI			FK	

PEUGEOT

EXPERT Box (VF3A_, VF3U_, VF3X_) 01/07 →

2.0 HDi 120	88	01/07 →	●		P61096MM	[+]	18,3	TRW						
	88	01/07 →		●	P61095MM	[-]	16,6	TRW						
2.0 HDi 120 4x4	88	01/10 →	●		P61096MM	[+]	18,3	TRW						
	88	01/10 →		●	P61095MM	[-]	16,6	TRW						
2.0 HDi 130	94	03/11 →	●		P61096MM	[+]	18,3	TRW						
	94	03/11 →		●	P61095MM	[-]	16,6	TRW						
2.0 HDi 130 4x4	94	01/12 →	●		P61096MM	[+]	18,3	TRW						
	94	01/12 →		●	P61095MM	[-]	16,6	TRW						
2.0 HDi 140	100	01/07 →	●		P61096MM	[+]	18,3	TRW						
	100	01/07 →		●	P61095MM	[-]	16,6	TRW						
2.0 HDi 165	120	09/09 →	●		P61096MM	[+]	18,3	TRW						
	120	09/09 →		●	P61095MM	[-]	16,6	TRW						

EXPERT Platform/Chassis 01/07 →

1.6 HDi 90 16V	66	01/07 →	●		P61096MM	[+]	18,3	TRW						
	66	01/07 →		●	+rear disc	P61095MM	[-]	16,6	TRW					
1.6 HDi 90 8V	66	01/07 →	●		P61096MM	[+]	18,3	TRW						
	66	01/07 →		●	+rear disc	P61095MM	[-]	16,6	TRW					
2.0 HDi 120	88	01/07 →	●		P61096MM	[+]	18,3	TRW						
	88	01/07 →		●		P61095MM	[-]	16,6	TRW					
2.0 HDi 130	94	03/11 →	●		P61096MM	[+]	18,3	TRW						
	94	03/11 →		●		P61095MM	[-]	16,6	TRW					
2.0 HDi 140	100	01/07 →	●		P61096MM	[+]	18,3	TRW						
	100	01/07 →		●		P61095MM	[-]	16,6	TRW					
2.0 HDi 165	120	09/09 →	●		P61096MM	[+]	18,3	TRW						
	120	09/09 →		●		P61095MM	[-]	16,6	TRW					

EXPERT Platform/Chassis (223) 12/95 → 12/06

1.6	58	02/96 → 09/00	●	→ 9792	P23061MM	[+]	19,3	GIR						
	58	02/96 → 09/00	●	9793 →	P23090MM	[+]	19,3	TRW						
1.9 D	51	02/96 → 12/98	●	→ 9792	P23061MM	[+]	19,3	GIR						
	51	02/96 → 12/98	●	9793 →	P23090MM	[+]	19,3	TRW						
	51	06/98 → 09/01	●	→ 9792	P23061MM	[+]	19,3	GIR						
	51	06/98 → 09/01	●	9793 →	P23090MM	[+]	19,3	TRW						
1.9 TD	66	02/96 → 09/00	●	→ 9792	P23061MM	[+]	19,3	GIR						
	66	02/96 → 09/00	●	9793 →	P23090MM	[+]	19,3	TRW						
	68	02/96 → 05/98	●	→ 9792	P23061MM	[+]	19,3	GIR						
	68	02/96 → 05/98	●	9793 →	P23090MM	[+]	19,3	TRW						
2.0 HDi	80	10/00 → 10/06	●	→ 9792	P23061MM	[+]	19,3	GIR						
	80	10/00 → 10/06	●	9793 →	P23090MM	[+]	19,3	TRW						

EXPERT Tepee (VF3V_) 01/07 →

1.6 HDi 90 16V	66	01/07 →	●		P61096MM	[+]	18,3	TRW						
	66	01/07 →		●		P61095MM	[-]	16,6	TRW					
1.6 HDi 90 8V	66	01/07 →	●		P61096MM	[+]	18,3	TRW						
	66	01/07 →		●		P61095MM	[-]	16,6	TRW					
2.0 16V	103	01/07 →	●		P61096MM	[+]	18,3	TRW						
	103	01/07 →		●		P61095MM	[-]	16,6	TRW					
2.0 HDi 100	72	03/11 →	●		P61096MM	[+]	18,3	TRW						
	72	03/11 →		●		P61095MM	[-]	16,6	TRW					
2.0 HDi 120	88	01/07 →	●		P61096MM	[+]	18,3	TRW						
	88	01/07 →		●		P61095MM	[-]	16,6	TRW					
2.0 HDi 120 4x4	88	01/07 →	●		P61096MM	[+]	18,3	TRW						
	88	01/07 →		●		P61095MM	[-]	16,6	TRW					
2.0 HDi 130	94	03/11 →	●		P61096MM	[+]	18,3	TRW						
	94	03/11 →		●		P61095MM	[-]	16,6	TRW					

		kw					wi	Th [mm]	SYS	WI			FK	
											LENGHT			

PEUGEOT

EXPERT Tepee (VF3V_) 01/07 →

2.0 HDi 130 4x4	94	03/11 →	•		P61096MM	[+]	18,3	TRW						
	94	03/11 →		•	P61095MM	[-]	16,6	TRW						
2.0 HDi 140	100	01/07 →	•		P61096MM	[+]	18,3	TRW						
	100	01/07 →		•	P61095MM	[-]	16,6	TRW						
2.0 HDi 165	120	09/09 →	•		P61096MM	[+]	18,3	TRW						
	120	09/09 →		•	P61095MM	[-]	16,6	TRW						

ION 11/10 →

Electric	47	11/10 →	•		P61108MM	[+]	14,7	SUM						
	35	11/10 →	•		P61108MM	[+]	14,7	SUM						
	49	10/14 →	•		P61108MM	[+]	14,7	SUM						

PARTNER Box / RANCH Box 04/08 →

1.6	72	11/10 →	•		P61083MM	[-]	18,3/ 18,8	ATE					A02202	
	72	11/10 →		•	P61084MM	[-]	16,6	TRW						
	88	04/10 →	•		P61083MM	[-]	18,3/ 18,8	ATE					A02202	
	88	04/10 →		•	P61084MM	[-]	16,6	TRW						
	66	04/08 →	•		P61083MM	[-]	18,3/ 18,8	ATE						
	66	04/08 →		•	P61084MM	[-]	16,6	TRW						
	80	04/08 →	•		P61083MM	[-]	18,3/ 18,8	ATE						
	80	04/08 →		•	P61084MM	[-]	16,6	TRW						
1.6 BlueHDi 100	73	04/15 →	•		P61083MM	[-]	18,3/ 18,8	ATE						
	73	04/15 →		•	P61084MM	[-]	16,6	TRW						
1.6 BlueHDi 120	88	04/15 →	•		P61083MM	[-]	18,3/ 18,8	ATE						
	88	04/15 →		•	P61084MM	[-]	16,6	TRW						
1.6 HDi	82	08/10 →	•		P61083MM	[-]	18,3/ 18,8	ATE					A02202	
	82	08/10 →		•	P61084MM	[-]	16,6	TRW						
	55	04/08 →	•		P61083MM	[-]	18,3/ 18,8	ATE						
	55	04/08 →		•	P61084MM	[-]	16,6	TRW						
	80	04/08 →	•		P61083MM	[-]	18,3/ 18,8	ATE						
	80	04/08 →		•	P61084MM	[-]	16,6	TRW						
	67	09/09 →	•		P61083MM	[-]	18,3/ 18,8	ATE						
	67	09/09 →		•	P61084MM	[-]	16,6	TRW						
	84	03/13 →	•		P61083MM	[-]	18,3/ 18,8	ATE						
	84	03/13 →		•	P61084MM	[-]	16,6	TRW						
	66	03/13 →	•		P61083MM	[-]	18,3/ 18,8	ATE						
	66	03/13 →		•	P61084MM	[-]	16,6	TRW						
1.6 HDi / BlueHDi 75	55	01/14 →	•		P61083MM	[-]	18,3/ 18,8	ATE						
	55	01/14 →		•	P61084MM	[-]	16,6	TRW						
1.6 HDi 16V	66	04/08 →	•		P61083MM	[-]	18,3/ 18,8	ATE						
	66	04/08 →		•	P61084MM	[-]	16,6	TRW						
1.6 HDi 16V 4x4	66	04/12 →	•		P61083MM	[-]	18,3/ 18,8	ATE						
	66	04/12 →		•	P61084MM	[-]	16,6	TRW						

									WI			FK	
	kw						Th [mm]		MAGNETI MARELLI	LENGHT		MAGNETI MARELLI	

PEUGEOT

PARTNER Box / RANCH Box 04/08 →

1.6 HDi 90	68	04/10 →	•		P61083MM	[-]	18,3/18,8	ATE				A02202	
	68	04/10 →		•	P61084MM	[-]	16,6	TRW					
Électrique	49	06/13 →	•		P61083MM	[-]	18,3/18,8	ATE					
	49	06/13 →		•	P61084MM	[-]	16,6	TRW					

PARTNER Box (5) / RANCH Box (5) 04/96 → 12/15

1.1	44	06/96 → 09/05	•	vented; solid	P61060MM	[+]	19,3	GIR					
	44	06/96 → 09/05	•	vented	P61082MM	[-]	19	BSH					
	44	06/96 → 09/05	•	vented	P61069MM	[-]	19,3	TRW					
1.4	55	06/96 → 12/15	•	solid; vented	P61060MM	[+]	19,3	GIR					
	55	06/96 → 12/15	•	vented	P61082MM	[-]	19	BSH					
	55	06/96 → 12/15	•	vented	P61069MM	[-]	19,3	TRW					
	54	11/02 → 10/06	•		P61082MM	[-]	19	BSH					
1.4 BiFuel	55	04/03 → 10/06	•		P61082MM	[-]	19	BSH					
	55	04/03 → 10/06	•		P61069MM	[-]	19,3	TRW					
1.6	80	09/00 → 10/02	•		P61060MM	[+]	19,3	GIR					
	80	09/00 → 10/02	•		P61082MM	[-]	19	BSH					
	80	09/00 → 10/02	•		P61069MM	[-]	19,3	TRW					
1.6 HDi 75	55	02/06 → 07/08	•		P61082MM	[-]	19	BSH					
	55	02/06 → 07/08	•		P61069MM	[-]	19,3	TRW					
	55	02/06 → 07/08	•	+ESP	P85020MM	[-]	17,2	TRW				A02205	
1.6 HDi 90	66	02/06 → 12/15	•		P61082MM	[-]	19	BSH					
	66	02/06 → 12/15	•		P61069MM	[-]	19,3	TRW					
	66	02/06 → 12/15	•	+ESP	P85020MM	[-]	17,2	TRW				A02205	
1.8	66	03/97 → 08/00	•	solid	P61060MM	[+]	19,3	GIR					
	66	03/97 → 08/00	•	vented	P61082MM	[-]	19	BSH					
	66	03/97 → 08/00	•	vented	P61069MM	[-]	19,3	TRW					
1.8 D	43	06/96 → 12/02	•		P61060MM	[+]	19,3	GIR					
	43	06/96 → 12/02	•		P61082MM	[-]	19	BSH					
	43	06/96 → 12/02	•		P61069MM	[-]	19,3	TRW					
	44	11/96 → 02/98	•		P61060MM	[+]	19,3	GIR					
	44	11/96 → 02/98	•		P61069MM	[-]	19,3	TRW					
1.9 D	51	06/96 → 12/02	•		P61060MM	[+]	19,3	GIR					
	51	06/96 → 12/02	•		P61082MM	[-]	19	BSH					
	51	06/96 → 12/02	•		P61069MM	[-]	19,3	TRW					
	51	06/96 → 12/15	•		P61060MM	[+]	19,3	GIR					
	51	06/96 → 12/15	•		P61082MM	[-]	19	BSH					
	51	06/96 → 12/15	•		P61069MM	[-]	19,3	TRW					
	50	05/96 → 12/98	•		P61060MM	[+]	19,3	GIR					
	50	05/96 → 12/98	•		P61069MM	[-]	19,3	TRW					
1.9 D 4x4	51	04/04 → 11/07	•		P61082MM	[-]	19	BSH					
	51	04/04 → 11/07	•		P61069MM	[-]	19,3	TRW					
2.0 HDi	66	04/00 → 07/08	•		P61060MM	[+]	19,3	GIR					
	66	04/00 → 07/08	•		P61082MM	[-]	19	BSH					
	66	04/00 → 07/08	•		P61069MM	[-]	19,3	TRW					
	66	04/00 → 07/08	•	+ESP	P85020MM	[-]	17,2	TRW				A02205	
2.0 HDi 4x4	66	04/04 → 08/05	•		P61082MM	[-]	19	BSH					
	66	04/04 → 08/05	•		P61069MM	[-]	19,3	TRW					
	66	04/04 → 08/05	•	+ESP	P85020MM	[-]	17,2	TRW				A02205	
Electric	25	04/96 → 12/02	•		P61060MM	[+]	19,3	GIR					
	25	04/96 → 12/02	•		P61082MM	[-]	19	BSH					
	25	04/96 → 12/02	•		P61069MM	[-]	19,3	TRW					

PEUGEOT

PARTNER Combispace (5F) / RANCH Combispace (5F) 05/96 → 12/15

1.1	44	06/96 → 10/02	●	solid; vented	P61060MM	[+]	19,3	GIR						
	44	06/96 → 10/02	●	vented	P61082MM	[-]	19	BSH						
	44	06/96 → 10/02	●	vented	P61069MM	[-]	19,3	TRW						
1.4	55	06/96 → 12/15	●	solid; vented	P61060MM	[+]	19,3	GIR						
	55	06/96 → 12/15	●	vented	P61082MM	[-]	19	BSH						
	55	06/96 → 12/15	●	vented	P61069MM	[-]	19,3	TRW						
	54	11/02 → 10/06	●		P61082MM	[-]	19	BSH						
	54	11/02 → 10/06	●		P61069MM	[-]	19,3	TRW						
1.6 16V	80	07/01 → 03/08	●		P61060MM	[+]	19,3	GIR						
	80	07/01 → 03/08	●		P61082MM	[-]	19	BSH						
	80	07/01 → 03/08	●		P61069MM	[-]	19,3	TRW						
	80	07/01 → 03/08	●	+ESP	P85020MM	[-]	17,2	TRW					A02205	
1.6 HDi 75	55	02/06 → 12/13	●		P61082MM	[-]	19	BSH						
	55	02/06 → 12/13	●		P61069MM	[-]	19,3	TRW						
	55	02/06 → 12/13	●	+ESP	P85020MM	[-]	17,2	TRW					A02205	
1.6 HDi 90	66	10/05 → 12/15	●		P61082MM	[-]	19	BSH						
	66	10/05 → 12/15	●		P61069MM	[-]	19,3	TRW						
	66	10/05 → 12/15	●	+ESP	P85020MM	[-]	17,2	TRW					A02205	
1.8	66	05/97 → 12/03	●		P61060MM	[+]	19,3	GIR						
	66	05/97 → 12/03	●		P61082MM	[-]	19	BSH						
	66	05/97 → 12/03	●		P61069MM	[-]	19,3	TRW						
1.9 D	50	06/96 → 12/02	●		P61060MM	[+]	19,3	GIR						
	50	06/96 → 12/02	●		P61082MM	[-]	19	BSH						
	50	06/96 → 12/02	●		P61069MM	[-]	19,3	TRW						
	51	12/98 → 07/08	●		P61060MM	[+]	19,3	GIR						
	51	12/98 → 07/08	●		P61082MM	[-]	19	BSH						
	51	12/98 → 07/08	●		P61069MM	[-]	19,3	TRW						
1.9 D 4x4	51	05/96 → 12/98	●		P61060MM	[+]	19,3	GIR						
	51	04/04 → 08/05	●		P61082MM	[-]	19	BSH						
	51	04/04 → 08/05	●		P61069MM	[-]	19,3	TRW						
2.0 HDi	66	02/00 → 07/08	●		P61060MM	[+]	19,3	GIR						
	66	02/00 → 07/08	●		P61082MM	[-]	19	BSH						
	66	02/00 → 07/08	●		P61069MM	[-]	19,3	TRW						
	66	02/00 → 07/08	●	+ESP	P85020MM	[-]	17,2	TRW					A02205	
2.0 HDi 4x4	66	04/04 → 08/05	●		P61082MM	[-]	19	BSH						
	66	04/04 → 08/05	●		P61069MM	[-]	19,3	TRW						
	66	04/04 → 08/05	●	+ESP	P85020MM	[-]	17,2	TRW						
Electric	28	01/98 → 12/01	●	vented; solid	P61060MM	[+]	19,3	GIR						
	28	01/98 → 12/01	●	vented	P61082MM	[-]	19	BSH						
	28	01/98 → 12/01	●	vented	P61069MM	[-]	19,3	TRW						

PARTNER Platform/Chassis / RANCH Platform/Chassis 01/09 →

1.6 HDi	55	01/09 →	●		P61083MM	[-]	18,3/ 18,8	ATE					A02202	
	55	01/09 →	●		P61084MM	[-]	16,6	TRW						
	66	03/13 →	●		P61083MM	[-]	18,3/ 18,8	ATE						
	66	03/13 →	●		P61084MM	[-]	16,6	TRW						
1.6 HDi 16V	66	01/09 →	●		P61083MM	[-]	18,3/ 18,8	ATE					A02202	
	66	01/09 →	●		P61084MM	[-]	16,6	TRW						

PARTNER Tepee / RANCH Tepee 04/08 →

1.2 THP	81	02/16 →	●		P61083MM	[-]	18,3/ 18,8	ATE						
	81	02/16 →	●		P61084MM	[-]	16,6	TRW						

									WI			FK	
										LENGHT			

PEUGEOT

PARTNER Tepee / RANCH Tepee 04/08 →

1.6	66	04/08 →	•		P61083MM	[-]	18,3/ 18,8	ATE					
	66	04/08 →		•	P61084MM	[-]	16,6	TRW					
	80	04/08 →	•		P61083MM	[-]	18,3/ 18,8	ATE					
	80	04/08 →		•	P61084MM	[-]	16,6	TRW					
	88	04/10 →	•		P61083MM	[-]	18,3/ 18,8	ATE					
	88	04/10 →		•	P61084MM	[-]	16,6	TRW					
	72	08/10 →	•		P61083MM	[-]	18,3/ 18,8	ATE					
	72	08/10 →		•	P61084MM	[-]	16,6	TRW					
	81	09/08 →	•		P61083MM	[-]	18,3/ 18,8	ATE					
	81	09/08 →		•	P61084MM	[-]	16,6	TRW					
1.6 BlueHdi 100	73	12/14 →	•		P61083MM	[-]	18,3/ 18,8	ATE					
	73	12/14 →		•	P61084MM	[-]	16,6	TRW					
1.6 BlueHdi 100 4x4	73	04/15 →	•		P61083MM	[-]	18,3/ 18,8	ATE					
	73	04/15 →		•	P61084MM	[-]	16,6	TRW					
1.6 BlueHdi 120	88	12/14 →	•		P61083MM	[-]	18,3/ 18,8	ATE					
	88	12/14 →		•	P61084MM	[-]	16,6	TRW					
1.6 BlueHdi 75	55	01/15 →	•		P61083MM	[-]	18,3/ 18,8	ATE					
	55	01/15 →		•	P61084MM	[-]	16,6	TRW					
1.6 HDi	55	04/08 →	•		P61083MM	[-]	18,3/ 18,8	ATE					
	55	04/08 →		•	P61084MM	[-]	16,6	TRW					
	80	04/08 →	•		P61083MM	[-]	18,3/ 18,8	ATE					
	80	04/08 →		•	P61084MM	[-]	16,6	TRW					
	82	08/10 →	•		P61083MM	[-]	18,3/ 18,8	ATE					
	82	08/10 →		•	P61084MM	[-]	16,6	TRW					
	84	03/13 →	•		P61083MM	[-]	18,3/ 18,8	ATE					
	84	03/13 →		•	P61084MM	[-]	16,6	TRW					
	66	03/13 →	•		P61083MM	[-]	18,3/ 18,8	ATE					
	66	03/13 →		•	P61084MM	[-]	16,6	TRW					
1.6 HDi 16V	66	04/08 →	•		P61083MM	[-]	18,3/ 18,8	ATE					
	66	04/08 →		•	P61084MM	[-]	16,6	TRW					
1.6 HDi 90	68	04/10 →	•		P61083MM	[-]	18,3/ 18,8	ATE				A02202	
	68	04/10 →		•	P61084MM	[-]	16,6	TRW					
RCZ 03/10 →													
1.6 16V	115	03/10 →	•		P61076MM	[-]	19	ATE					
	115	03/10 →		•	P61114MM	[-]	17,3	TRW					
	147	06/10 →	•		P61076MM	[-]	19	ATE					
	147	06/10 →		•	P61114MM	[-]	17,3	TRW					
1.6 THP 150	110	03/11 →	•		P61076MM	[-]	19	ATE					
	110	03/11 →		•	P61114MM	[-]	17,3	TRW					

 	kw						wi	Th [mm]	SYS	WI			FK	
											LENGHT			

PEUGEOT

RCZ 03/10 →

1.6 THP 270	199	06/13 →	•			P36024MM [-]	15,6	ALC					
	199	06/13 →		•		P61114MM [-]	17,3	TRW					
2.0 HDi	120	03/10 →	•		disc Ø 302 mm	P61076MM [-]	19	ATE					
	120	03/10 →	•		disc Ø 340 mm	P61107MM [+]	17	ATE					
	120	03/10 →		•		P61114MM [-]	17,3	TRW					

PIAGGIO

PORTER Box 12/92 →

1.0	33	02/93 → 05/98	•			P16003MM [-]	13,4	SUM					
	35	07/94 → 07/02	•			P16003MM [-]	13,4	SUM					
1.2 D	47	01/11 →	•			P16003MM [-]	13,4	SUM					
	26	05/95 →	•			P16003MM [-]	13,4	SUM					
1.3	52	01/11 →	•			P16003MM [-]	13,4	SUM					
	53	01/11 →	•			P16003MM [-]	13,4	SUM					
1.3 16V	48	06/98 →	•			P16003MM [-]	13,4	SUM					
1.3 16V 4x4	48	06/98 →	•			P16003MM [-]	13,4	SUM					
1.3 i 16V	48	05/98 →	•			P16003MM [-]	13,4	SUM					
1.3 i 16V 4x4	48	05/98 →	•			P16003MM [-]	13,4	SUM					
1.3 LPG	48	06/98 →	•			P16003MM [-]	13,4	SUM					
	52	01/11 →	•			P16003MM [-]	13,4	SUM					
	53	01/11 →	•			P16003MM [-]	13,4	SUM					
1.4 D	28	04/98 →	•			P16003MM [-]	13,4	SUM					
ELECTRO	11	06/98 →	•			P16003MM [-]	13,4	SUM					
Elektro	18	01/11 →	•			P16003MM [-]	13,4	SUM					

PORTER Bus 01/95 →

1.2 D	47	01/11 →	•			P16003MM [-]	13,4	SUM					
1.3	52	01/11 →	•			P16003MM [-]	13,4	SUM					
	53	01/11 →	•			P16003MM [-]	13,4	SUM					
1.3 LPG	52	01/11 →	•			P16003MM [-]	13,4	SUM					
	53	01/11 →	•			P16003MM [-]	13,4	SUM					
Elektro	18	01/11 →	•			P16003MM [-]	13,4	SUM					
	11	01/95 →	•			P16003MM [-]	13,4	SUM					

PORTER Dumptruck 01/95 →

1.2 D	47	01/11 →	•			P16003MM [-]	13,4	SUM					
1.3	53	01/11 →	•			P16003MM [-]	13,4	SUM					
	52	01/11 →	•			P16003MM [-]	13,4	SUM					
1.3 LPG	53	01/11 →	•			P16003MM [-]	13,4	SUM					
	52	01/11 →	•			P16003MM [-]	13,4	SUM					
Elektro	18	01/11 →	•			P16003MM [-]	13,4	SUM					

PORTER Platform/Chassis 12/92 →

1.0	33	02/93 → 06/94	•			P16003MM [-]	13,4	SUM					
	35	07/94 →	•			P16003MM [-]	13,4	SUM					
1.2 D	47	01/11 →	•			P16003MM [-]	13,4	SUM					
	26	05/95 →	•			P16003MM [-]	13,4	SUM					
1.3	52	01/11 →	•			P16003MM [-]	13,4	SUM					
	53	01/11 →	•			P16003MM [-]	13,4	SUM					
1.3 16V	48	06/98 →	•			P16003MM [-]	13,4	SUM					
1.3 16V 4x4	48	06/98 →	•			P16003MM [-]	13,4	SUM					
1.3 CNG	52	01/11 →	•			P16003MM [-]	13,4	SUM					
1.3 i 16V	48	05/98 →	•			P16003MM [-]	13,4	SUM					
1.3 i 16V 4x4	48	05/98 →	•			P16003MM [-]	13,4	SUM					

PIAGGIO

PORTER Platform/Chassis 12/92 →

1.3 LPG	48	06/98 →	●		P16003MM	[-]	13,4	SUM						
	52	01/11 →	●		P16003MM	[-]	13,4	SUM						
	53	01/11 →	●		P16003MM	[-]	13,4	SUM						
1.4 D	28	04/98 →	●		P16003MM	[-]	13,4	SUM						
ELECTRIC	11	06/98 →	●		P16003MM	[-]	13,4	SUM						
Elektro	18	01/11 →	●		P16003MM	[-]	13,4	SUM						

PLYMOUTH

PROWLER Convertible 09/96 → 12/01

3.5	189	09/98 → 12/01	●		P11008MM	[-]	18,6	KH						
-----	-----	---------------	---	--	----------	-----	------	----	--	--	--	--	--	--

PONTIAC

FIREBIRD 10/92 → 12/02

3.4	119	11/92 → 12/95	●	01/94 →	P07002MM	[+]	15,9	DE						
3.8	149	10/94 → 12/97	●		P07002MM	[+]	15,9	DE						

GRAND PRIX VI Coupé 07/96 → 12/03

3.1	119	09/96 → 12/97	●	01/97 →	P59028MM	[+]	18	WAG						
	119	09/96 → 12/97	●	→ 12/96	P07003MM	[+]	17,3	WAG						
	119	09/96 → 12/97	●		P59027MM	[+]	15	AKE						
3.8 GT	149	08/99 → 12/03	●		P59028MM	[+]	18	WAG						
	149	08/99 → 12/03	●		P59027MM	[+]	15	AKE						

TORRENT 08/04 → 12/09

3.4	138	08/04 → 12/09	●		P10003MM	[+]	16,9	MN						
	138	08/04 → 12/09	●		P10004MM	[+]	15,4	MN						

PORSCHE

718 BOXSTER (982) 04/16 →

2.0	220	04/16 →	●	-ceramic brake disc	P65018MM	[o]	18,5	BRE	A00502	350				
	220	04/16 →	●	-ceramic brake disc	P65028MM	[o]	15,5	BRE	A00477	275				
S 2.5	257	04/16 →	●	-ceramic brake disc	P65028MM	[o]	15,5	BRE	A00477	275				

718 CAYMAN (982) 04/16 →

2.0	220	04/16 →	●	-ceramic brake disc	P65018MM	[o]	18,5	BRE	A00502	350				
	220	04/16 →	●	-ceramic brake disc	P65028MM	[o]	15,5	BRE	A00477	275				
S 2.5	257	04/16 →	●	-ceramic brake disc	P65028MM	[o]	15,5	BRE	A00477	275				

911 (991) 12/11 →

3.0 Carrera 4 GTS	331	03/17 →	●	-ceramic brake disc	P65031MM	[o]	16,2	BRE						
3.0 Carrera 4S	309	11/15 →	●	-ceramic brake disc	P65031MM	[o]	16,2	BRE						
3.0 Carrera GTS	331	03/17 →	●	-ceramic brake disc	P65031MM	[o]	16,2	BRE						
3.0 Carrera S	309	11/15 →	●	-ceramic brake disc	P65025MM	[o]	17,3	BRE	A00502	350				
	309	11/15 →	●		P65031MM	[o]	16,2	BRE						
3.4 Carrera	257	12/11 →	●		P65025MM	[o]	17,3	BRE	A00209	270				
	257	12/11 →	●		P65031MM	[o]	16,2	BRE	A00456	180				
3.4 Carrera 4	257	11/12 →	●		P65025MM	[o]	17,3	BRE	A00209	270				
	257	11/12 →	●		P65031MM	[o]	16,2	BRE	A00456	180				
3.8 Carrera 4S	294	11/12 →	●		P65025MM	[o]	17,3	BRE	A00209	270				
	294	11/12 →	●		P65031MM	[o]	16,2	BRE	A00456	180				
3.8 Carrera 4S / 4 GTS	316	11/12 →	●		P65025MM	[o]	17,3	BRE	A00209	270				
	316	11/12 →	●		P65031MM	[o]	16,2	BRE	A00456	180				
3.8 Carrera S	294	12/11 →	●		P65025MM	[o]	17,3	BRE	A00209	270				
	294	12/11 →	●		P65031MM	[o]	16,2	BRE	A00456	180				

--	--	--	--	--	--	--	--	--	--	--	--	--	--	--

PORSCHE

911 (991) 12/11 →

3.8 Carrera S / GTS	316	07/12 →	●			P65025MM	[O]	17,3	BRE	A00209	270			
	316	07/12 →		●		P65031MM	[O]	16,2	BRE	A00456	180			

911 (996) 09/97 → 08/05

3.4 Carrera	221	09/97 → 09/01	●		disc Ø 330 mm	P65009MM	[O]	17	BRE	A00333	505			
	221	09/97 → 09/01		●		P65009MM	[O]	17	BRE	A00333	505			
	221	09/97 → 09/01		●		disc Ø 299 mm	P65008MM	[O]	15,5	BRE	A00333	505		
	235	05/01 → 08/05	●			disc Ø 330 mm	P65009MM	[O]	17	BRE	A00333	505		
	235	05/01 → 08/05		●		disc Ø 299 mm	P65008MM	[O]	15,5	BRE	A00333	505		
3.4 Carrera 4	221	09/97 → 09/01	●			disc Ø 330 mm	P65009MM	[O]	17	BRE	A00333	505		
	221	09/97 → 09/01		●		disc Ø 330 mm	P65009MM	[O]	17	BRE	A00333	505		
	221	09/97 → 09/01		●		disc Ø 299 mm	P65008MM	[O]	15,5	BRE	A00333	505		
	235	05/01 → 08/05	●			disc Ø 330 mm	P65009MM	[O]	17	BRE	A00333	505		
3.6 Carrera	235	05/01 → 08/05		●		disc Ø 299 mm	P65008MM	[O]	15,5	BRE	A00333	505		
	235	10/01 → 08/05	●			disc Ø 330 mm	P65009MM	[O]	17	BRE	A00333	505		
	235	10/01 → 08/05		●		disc Ø 330 mm	P65009MM	[O]	17	BRE	A00333	505		
3.6 Carrera 4	235	10/01 → 08/05	●			disc Ø 299 mm	P65008MM	[O]	15,5	BRE	A00333	505		
	235	10/01 → 08/05		●		disc Ø 330 mm	P65009MM	[O]	17	BRE	A00333	505		
	235	10/01 → 08/05		●		disc Ø 299 mm	P65008MM	[O]	15,5	BRE	A00333	505		
3.6 Carrera 4S	254	02/03 → 08/05	●				P65011MM	[O]	17	BRE	A00333	505		
	254	02/03 → 08/05		●		disc Ø 330 mm	P65009MM	[O]	17	BRE	A00333	505		
	254	02/03 → 08/05		●		disc Ø 299 mm	P65008MM	[O]	15,5	BRE	A00333	505		
3.6 Carrera S	254	02/03 → 08/05	●			disc Ø 330 mm	P65009MM	[O]	17	BRE	A00333	505		
	254	02/03 → 08/05		●		disc Ø 330 mm	P65009MM	[O]	17	BRE	A00333	505		
	254	02/03 → 08/05		●		disc Ø 299 mm	P65008MM	[O]	15,5	BRE	A00333	505		
3.6 GT2	340	04/01 → 08/05	●		→ 12/02; -ceramic brake disc	P65011MM	[O]	17	BRE					
	340	04/01 → 08/05		●		-ceramic brake disc	P65009MM	[O]	17	BRE	A00416	500		
	355	10/03 → 08/05		●		-ceramic brake disc	P65009MM	[O]	17	BRE	A00416	500		
3.6 GT3	265	03/99 → 08/05	●		MY → 2002; -ceramic brake disc	P65011MM	[O]	17	BRE	A00333	505	-ceramic brake disc; MY → 2002		
	265	03/99 → 08/05		●		-ceramic brake disc	P65009MM	[O]	17	BRE	A00333	505	-ceramic brake disc; MY → 2002	
	280	03/03 → 08/05	●				P65011MM	[O]	17	BRE	A00336	560		
3.6 S	280	03/03 → 08/05		●		-ceramic brake disc	P65009MM	[O]	17	BRE				
	331	08/04 → 08/05	●				P65011MM	[O]	17	BRE	A00333	505	-ceramic brake disc	
3.6 Turbo 4	331	08/04 → 08/05		●			P65009MM	[O]	17	BRE	A00416	500		
	309	06/00 → 08/05	●		MY → 2002; -ceramic brake disc	P65011MM	[O]	17	BRE	A00333	505	-ceramic brake disc		
3.6 Turbo 4S	309	06/00 → 08/05		●			P65009MM	[O]	17	BRE	A00416	500		
	331	02/03 → 08/05	●				P65011MM	[O]	17	BRE	A00333	505	-ceramic brake disc	
	331	02/03 → 08/05		●			P65009MM	[O]	17	BRE	A00416	500		

911 (997) 07/04 → 12/12

3.6 Carrera	239	07/04 → 12/08	●			P65014MM	[O]	17	BRE	A00406	358/ 378			
	239	07/04 → 12/08		●		P65008MM	[O]	15,5	BRE	A00333	505			
	254	06/08 → 12/11	●		(CDN); (USA)	P65019MM	[O]	18,5	BRE	A00393	365	-ceramic brake disc		
	254	06/08 → 12/11	●		-(CDN); -(USA)	P65018MM	[O]	18,5	BRE	A00393	365	-ceramic brake disc		
	254	06/08 → 12/11		●		P65013MM	[O]	17,5	BRE	A00415	490	-ceramic brake disc		
	242	07/04 → 12/08	●			-ceramic brake disc	P65015MM	[O]	17	BRE	A00336	560		
	242	07/04 → 12/08		●		-ceramic brake disc	P65014MM	[O]	17	BRE	A00336	560		
	242	07/04 → 12/08		●			P65009MM	[O]	17	BRE	A00336	560		
	242	07/04 → 12/08		●		-ceramic brake disc	P65015MM	[O]	17	BRE	A00333	505	-ceramic brake disc	
	242	07/04 → 12/08		●		-ceramic brake disc	P65008MM	[O]	15,5	BRE	A00333	505	-ceramic brake disc	

									WI		FK		
	kW				MAGNETI MARELLI		Th [mm]	SYS	MAGNETI MARELLI	LENGHT			

PORSCHE

911 (997) 07/04 → 12/12

3.6 Carrera 4	239	07/04 → 12/08	●		P65015MM	[o]	17	BRE	A00336	560	01/07 →		
	239	07/04 → 12/08	●		P65008MM	[o]	15,5	BRE	A00333	505			
	254	06/08 → 12/12	●	(USA); (CDN)	P65019MM	[o]	18,5	BRE	A00450	520			
	254	06/08 → 12/12	●	-(CDN); -(USA)	P65018MM	[o]	18,5	BRE	A00450	520			
	254	06/08 → 12/12	●		P65013MM	[o]	17,5	BRE	A00415	490			
3.6 Turbo	353	03/06 → 12/09	●	-ceramic brake disc	P65022MM	[o]	17	BRE	A00415	490			
3.8 Carrera 4 GTS	300	06/09 → 12/12	●	-ceramic brake disc	P65014MM	[o]	17	BRE	A00337	365	-ceramic brake disc		
	300	06/09 → 12/12	●	-ceramic brake disc	P65011MM	[o]	17	BRE	A00337	365	-ceramic brake disc		
	300	06/09 → 12/12	●	-ceramic brake disc	P65014MM	[o]	17	BRE	A00339	515	-ceramic brake disc		
	300	06/09 → 12/12	●	-ceramic brake disc	P65013MM	[o]	17,5	BRE	A00339	515	-ceramic brake disc		
3.8 Carrera 4S	261	07/04 → 12/08	●		P65011MM	[o]	17	BRE	A00340	550			
	261	07/04 → 12/08	●	-ceramic brake disc	P65014MM	[o]	17	BRE	A00339	515			
	280	08/05 → 12/08	●		P65011MM	[o]	17	BRE	A00340	550			
	280	08/05 → 12/08	●		P65014MM	[o]	17	BRE	A00339	515			
	280	08/05 → 12/08	●		P65009MM	[o]	17	BRE	A00339	515			
	283	06/08 → 12/12	●		P65011MM	[o]	17	BRE	A00340	550			
	283	06/08 → 12/12	●		P65014MM	[o]	17	BRE	A00339	515			
	283	06/08 → 12/12	●		P65013MM	[o]	17,5	BRE	A00339	515			
	264	09/05 → 12/08	●	-ceramic brake disc	P65011MM	[o]	17	BRE	A00336	560			
	264	09/05 → 12/08	●	-ceramic brake disc	P65009MM	[o]	17	BRE	A00336	560			
3.8 Carrera GTS	300	06/09 → 12/11	●	-ceramic brake disc	P65014MM	[o]	17	BRE	A00337	365	-ceramic brake disc		
	300	06/09 → 12/11	●	-ceramic brake disc	P65011MM	[o]	17	BRE	A00337	365	-ceramic brake disc		
	300	06/09 → 12/11	●	-ceramic brake disc	P65014MM	[o]	17	BRE	A00339	515	-ceramic brake disc		
	300	06/09 → 12/11	●	-ceramic brake disc	P65013MM	[o]	17,5	BRE	A00339	515	-ceramic brake disc		
3.8 Carrera S	261	07/04 → 12/08	●		P65011MM	[o]	17	BRE	A00340	550			
	261	07/04 → 12/08	●	-ceramic brake disc	P65014MM	[o]	17	BRE	A00339	515			
	280	08/05 → 12/08	●		P65011MM	[o]	17	BRE	A00417	460			
	280	08/05 → 12/08	●	-ceramic brake disc	P65014MM	[o]	17	BRE	A00339	515			
	283	06/08 → 12/11	●		P65011MM	[o]	17	BRE	A00417	460			
	283	06/08 → 12/11	●		P65014MM	[o]	17	BRE	A00339	515	-ceramic brake disc		
	264	07/04 → 12/08	●	-ceramic brake disc	P65011MM	[o]	17	BRE	A00336	560			
	264	07/04 → 12/08	●		P65009MM	[o]	17	BRE	A00336	560			
	264	07/04 → 12/08	●	-ceramic brake disc	P65014MM	[o]	17	BRE	A00339	515			
3.8 Turbo	368	09/09 → 12/12	●	-ceramic brake disc	P65022MM	[o]	17	BRE	A00415	490			
3.8 Turbo S	390	02/10 → 12/12	●	-ceramic brake disc	P65022MM	[o]	17	BRE	A00415	490			

911 Convertible (991) 03/12 →

3.0 Carrera 4 GTS	331	03/17 →	●	-ceramic brake disc	P65031MM	[o]	16,2	BRE					
3.0 Carrera 4S	309	11/15 →	●	-ceramic brake disc	P65025MM	[o]	17,3	BRE	A00502	350			
	309	11/15 →	●		P65031MM	[o]	16,2	BRE					
3.0 Carrera GTS	331	03/17 →	●	-ceramic brake disc	P65031MM	[o]	16,2	BRE					
3.0 Carrera S	309	11/15 →	●	-ceramic brake disc	P65025MM	[o]	17,3	BRE	A00502	350			
	309	11/15 →	●		P65031MM	[o]	16,2	BRE					
3.4 Carrera	257	03/12 →	●		P65025MM	[o]	17,3	BRE	A00209	270			
	257	03/12 →	●		P65031MM	[o]	16,2	BRE	A00456	180			
3.4 Carrera 4	257	11/12 →	●		P65025MM	[o]	17,3	BRE	A00209	270			
	257	11/12 →	●		P65031MM	[o]	16,2	BRE	A00456	180			
3.8 Carrera 4S	294	11/12 →	●		P65025MM	[o]	17,3	BRE	A00209	270			
3.8 Carrera 4S / 4 GTS	316	11/12 →	●		P65025MM	[o]	17,3	BRE	A00209	270			

--	--	--	--	--	--	--	--	--	--	--	--	--	--	--

PORSCHE

911 Convertible (991) 03/12 →

3.8 Carrera S	294	03/12 →	●			P65025MM	[O]	17,3	BRE	A00209	270			
3.8 Carrera S / GTS	316	07/12 →	●			P65025MM	[O]	17,3	BRE	A00209	270			

911 Convertible (996) 02/98 → 08/05

3.4 Carrera	221	02/98 → 09/01	●		disc Ø 330 mm	P65009MM	[O]	17	BRE	A00333	505			
	221	02/98 → 09/01	●		disc Ø 330 mm	P65009MM	[O]	17	BRE	A00333	505			
	221	02/98 → 09/01	●		disc Ø 299 mm	P65008MM	[O]	15,5	BRE	A00333	505			
	235	05/01 → 08/05	●		disc Ø 330 mm	P65009MM	[O]	17	BRE	A00333	505			
	235	05/01 → 08/05	●		disc Ø 330 mm	P65009MM	[O]	17	BRE	A00333	505			
	235	05/01 → 08/05	●		disc Ø 299 mm	P65008MM	[O]	15,5	BRE	A00333	505			
3.4 Carrera 4	235	05/01 → 08/05	●		disc Ø 330 mm	P65009MM	[O]	17	BRE	A00333	505			
	235	05/01 → 08/05	●		disc Ø 330 mm	P65009MM	[O]	17	BRE	A00333	505			
	235	05/01 → 08/05	●		disc Ø 299 mm	P65008MM	[O]	15,5	BRE	A00333	505			
	221	02/98 → 09/01	●		disc Ø 330 mm	P65009MM	[O]	17	BRE	A00333	505			
	221	02/98 → 09/01	●		disc Ø 330 mm	P65009MM	[O]	17	BRE	A00333	505			
	221	02/98 → 09/01	●		disc Ø 299 mm	P65008MM	[O]	15,5	BRE	A00333	505			
3.6 Carrera	235	10/01 → 08/05	●		disc Ø 330 mm	P65009MM	[O]	17	BRE	A00333	505			
	235	10/01 → 08/05	●		disc Ø 330 mm	P65009MM	[O]	17	BRE	A00333	505			
	235	10/01 → 08/05	●		disc Ø 299 mm	P65008MM	[O]	15,5	BRE	A00333	505			
3.6 Carrera 4	235	10/01 → 08/05	●		disc Ø 330 mm	P65009MM	[O]	17	BRE	A00333	505			
	235	10/01 → 08/05	●		disc Ø 330 mm	P65009MM	[O]	17	BRE	A00333	505			
	235	10/01 → 08/05	●		disc Ø 299 mm	P65008MM	[O]	15,5	BRE	A00333	505			
3.6 Carrera 4S	254	06/02 → 08/05	●			P65011MM	[O]	17	BRE	A00333	505			
	254	06/02 → 08/05	●		disc Ø 330 mm	P65009MM	[O]	17	BRE	A00333	505			
	254	06/02 → 08/05	●		disc Ø 330 mm	P65009MM	[O]	17	BRE	A00333	505			
	254	06/02 → 08/05	●		disc Ø 299 mm	P65008MM	[O]	15,5	BRE	A00333	505			
3.6 Carrera S	254	06/02 → 08/05	●		disc Ø 330 mm	P65009MM	[O]	17	BRE	A00333	505			
	254	06/02 → 08/05	●		disc Ø 330 mm	P65009MM	[O]	17	BRE	A00333	505			
	254	06/02 → 08/05	●		disc Ø 299 mm	P65008MM	[O]	15,5	BRE	A00333	505			
3.6 S	331	08/04 → 08/05	●			P65011MM	[O]	17	BRE	A00333	505	-ceramic brake disc		
	331	08/04 → 08/05	●			P65009MM	[O]	17	BRE	A00416	500			
3.6 Turbo 4	309	10/03 → 08/05	●		disc Ø 330 mm	P65009MM	[O]	17	BRE	A00333	505	-ceramic brake disc		
	309	10/03 → 08/05	●			P65011MM	[O]	17	BRE	A00333	505	-ceramic brake disc		
	309	10/03 → 08/05	●		disc Ø 330 mm	P65009MM	[O]	17	BRE	A00416	500			
	309	10/03 → 08/05	●		disc Ø 299 mm	P65008MM	[O]	15,5	BRE	A00416	500			
3.6 Turbo 4S	331	10/03 → 08/05	●			P65011MM	[O]	17	BRE	A00333	505	-ceramic brake disc		
	331	10/03 → 08/05	●			P65009MM	[O]	17	BRE	A00416	500			

911 Convertible (997) 04/05 → 12/12

3.6 Carrera	239	04/05 → 12/08	●			P65014MM	[O]	17	BRE	A00406	358/378			
	239	04/05 → 12/08	●			P65008MM	[O]	15,5	BRE	A00333	505			
	254	06/08 → 12/11	●		(USA); (CDN)	P65019MM	[O]	18,5	BRE	A00393	365	-ceramic brake disc		
	254	06/08 → 12/11	●		disc th 023 mm; disc th 035 mm	P65018MM	[O]	18,5	BRE	A00393	365	-ceramic brake disc		
	254	06/08 → 12/11	●			P65013MM	[O]	17,5	BRE	A00415	490	-ceramic brake disc		
	242	04/05 → 12/08	●		-ceramic brake disc	P65014MM	[O]	17	BRE	A00336	560			
	242	04/05 → 12/08	●			P65009MM	[O]	17	BRE	A00336	560			
	242	04/05 → 12/08	●		-ceramic brake disc	P65008MM	[O]	15,5	BRE	A00333	505	-ceramic brake disc		
3.6 Carrera 4	239	04/05 → 12/08	●			P65015MM	[O]	17	BRE	A00336	560			
	239	04/05 → 12/08	●			P65008MM	[O]	15,5	BRE	A00333	505			
	254	06/08 → 12/12	●		(USA); (CDN)	P65019MM	[O]	18,5	BRE	A00450	520			
	254	06/08 → 12/12	●		disc th 023 mm; disc th 035 mm	P65018MM	[O]	18,5	BRE	A00450	520			
	254	06/08 → 12/12	●			P65013MM	[O]	17,5	BRE	A00415	490			
	242	04/05 → 12/08	●		-ceramic brake disc	P65015MM	[O]	17	BRE	A00336	560			

									WI		FK		
	kw						Th [mm]		MAGNETI MARELLI	LENGHT		MAGNETI MARELLI	

PORSCHE

911 Convertible (997) 04/05 → 12/12

3.6 Carrera 4	242	04/05 → 12/08	●		P65009MM	[o]	17	BRE	A00336	560		
	242	04/05 → 12/08	●	-ceramic brake disc	P65008MM	[o]	15,5	BRE	A00333	505	-ceramic brake disc	
3.6 Turbo	353	09/07 → 12/09	●	-ceramic brake disc	P65022MM	[o]	17	BRE	A00415	490		
3.8 Carrera 4 GTS	300	06/09 → 12/12	●	-ceramic brake disc	P65011MM	[o]	17	BRE	A00337	365	-ceramic brake disc	
	300	06/09 → 12/12	●	-ceramic brake disc	P65014MM	[o]	17	BRE	A00339	515	-ceramic brake disc	
3.8 Carrera 4S	261	04/05 → 12/08	●		P65011MM	[o]	17	BRE	A00340	550		
	261	04/05 → 12/08	●	-ceramic brake disc	P65014MM	[o]	17	BRE	A00339	515		
	280	08/05 → 12/08	●		P65011MM	[o]	17	BRE	A00340	550		
	280	08/05 → 12/08	●		P65014MM	[o]	17	BRE	A00339	515		
	283	06/08 → 12/12	●		P65011MM	[o]	17	BRE	A00340	550		
	283	06/08 → 12/12	●		P65014MM	[o]	17	BRE	A00339	515		
	264	04/05 → 12/10	●		P65009MM	[o]	17	BRE	A00336	560		
	264	04/05 → 12/10	●	-ceramic brake disc	P65011MM	[o]	17	BRE	A00336	560		
3.8 Carrera GTS	300	06/09 → 12/11	●	-ceramic brake disc	P65011MM	[o]	17	BRE	A00337	365	-ceramic brake disc	
	300	06/09 → 12/11	●	-ceramic brake disc	P65014MM	[o]	17	BRE	A00339	515	-ceramic brake disc	
3.8 Carrera S	261	04/05 → 12/08	●		P65011MM	[o]	17	BRE	A00340	550		
	261	04/05 → 12/08	●	-ceramic brake disc	P65014MM	[o]	17	BRE				
	280	08/05 → 12/08	●		P65011MM	[o]	17	BRE	A00417	460		
	280	08/05 → 12/08	●	-ceramic brake disc	P65014MM	[o]	17	BRE				
	283	06/08 → 12/11	●		P65011MM	[o]	17	BRE	A00417	460		
	283	06/08 → 12/11	●		P65014MM	[o]	17	BRE	A00339	515	-ceramic brake disc	
	264	04/05 → 12/08	●	-ceramic brake disc	P65011MM	[o]	17	BRE	A00336	560		
264	04/05 → 12/08	●	-ceramic brake disc	P65009MM	[o]	17	BRE	A00336	560			
264	04/05 → 12/08	●	-ceramic brake disc	P65014MM	[o]	17	BRE	A00339	515			
3.8 Turbo	368	09/09 → 12/12	●	-ceramic brake disc	P65022MM	[o]	17	BRE	A00415	490		
3.8 Turbo S	390	02/10 → 12/12	●	-ceramic brake disc	P65022MM	[o]	17	BRE	A00415	490		

911 Targa (991) 05/14 →

3.0 Carrera 4 GTS	331	03/17 →	●	-ceramic brake disc	P65031MM	[o]	16,2	BRE				
3.0 Carrera 4S	309	11/15 →	●	-ceramic brake disc	P65025MM	[o]	17,3	BRE	A00502	350		
	309	11/15 →	●		P65031MM	[o]	16,2	BRE				
3.4 Carrera 4	257	05/14 →	●		P65025MM	[o]	17,3	BRE	A00209	270		
	257	05/14 →	●		P65031MM	[o]	16,2	BRE	A00456	180		
3.8 Carrera 4S	294	05/14 →	●	-ceramic brake disc	P65025MM	[o]	17,3	BRE	A00209	270	-ceramic brake disc	
3.8 Carrera 4S / 4 GTS	316	05/14 →	●	-ceramic brake disc	P65025MM	[o]	17,3	BRE				

911 Targa (996) 12/01 → 08/05

3.6	235	12/01 → 08/05	●	disc Ø 330 mm	P65009MM	[o]	17	BRE	A00333	505		
	235	12/01 → 08/05	●	disc Ø 330 mm	P65009MM	[o]	17	BRE	A00333	505		
	235	12/01 → 08/05	●	disc Ø 299 mm	P65008MM	[o]	15,5	BRE	A00333	505		

911 Targa (997) 07/06 → 12/12

3.6 Carrera 4	254	10/08 → 12/12	●	(USA); (CDN)	P65019MM	[o]	18,5	BRE	A00450	520		
	254	10/08 → 12/12	●	-(USA); -(CDN)	P65018MM	[o]	18,5	BRE	A00450	520		
	254	10/08 → 12/12	●		P65013MM	[o]	17,5	BRE				
	239	07/06 → 12/08	●		P65015MM	[o]	17	BRE	A00406	358/ 378		
	239	07/06 → 12/08	●		P65008MM	[o]	15,5	BRE	A00333	505		
3.8 Carrera 4S	283	10/08 → 12/12	●		P65011MM	[o]	17	BRE	A00340	550		
	283	10/08 → 12/12	●		P65014MM	[o]	17	BRE	A00339	515		
	261	07/06 → 12/08	●		P65011MM	[o]	17	BRE	A00340	550		
	261	07/06 → 12/08	●	-ceramic brake disc	P65014MM	[o]	17	BRE	A00339	515		

Car Model	kw	S	i	MAGNETI MARELLI	wi	Th [mm]	SYS	WI		FK	
								MAGNETI MARELLI	LENGHT	i	MAGNETI MARELLI

PORSCHE

BOXSTER (981) 04/12 →

2.7	195	04/12 →	●		P65018MM	[O]	18,5	BRE	A00480	250		
	195	04/12 →		●	P65028MM	[O]	15,5	BRE	A00477	275		
GTS 3.4	243	02/14 →	●	-ceramic brake disc	P65018MM	[O]	18,5	BRE	A00480	250	-ceramic brake disc	
	243	02/14 →		●	P65028MM	[O]	15,5	BRE	A00477	275		
S 3.4	232	04/12 →	●		P65018MM	[O]	18,5	BRE	A00480	250		
	232	04/12 →		●	P65028MM	[O]	15,5	BRE	A00477	275		

BOXSTER (986) 09/96 → 12/04

2.5	150	09/96 → 08/99	●		P65007MM	[O]	15,5	BRE	A00333	505		
	150	09/96 → 08/99		●	P65008MM	[O]	15,5	BRE	A00341	505		
2.7	162	08/99 → 07/02	●		P65007MM	[O]	15,5	BRE	A00333	505		
	162	08/99 → 07/02		●	P65008MM	[O]	15,5	BRE	A00341	505		
	168	07/02 → 12/04	●		P65007MM	[O]	15,5	BRE	A00333	505		
	168	07/02 → 12/04		●	P65008MM	[O]	15,5	BRE	A00341	505		
	155	06/99 → 12/02	●		P65007MM	[O]	15,5	BRE	A00333	505		
	155	06/99 → 12/02		●	P65008MM	[O]	15,5	BRE	A00341	505		
S 3.2	191	07/02 → 12/04	●		P65009MM	[O]	17	BRE	A00333	505		
	191	07/02 → 12/04		●	P65008MM	[O]	15,5	BRE	A00341	505		
	185	08/99 → 07/02	●		P65009MM	[O]	17	BRE	A00333	505		
	185	08/99 → 07/02		●	P65008MM	[O]	15,5	BRE	A00341	505		
	196	01/04 → 12/04	●		P65009MM	[O]	17	BRE	A00333	505		
	196	01/04 → 12/04		●	P65008MM	[O]	15,5	BRE	A00341	505		

BOXSTER (987) 11/04 → 12/11

2.7	176	11/04 → 12/06	●		P65007MM	[O]	15,5	BRE	A00337	365		
	176	11/04 → 12/06		●	P65028MM	[O]	15,5	BRE	A00342	505		
	180	07/06 → 12/09	●		P65007MM	[O]	15,5	BRE	A00337	365		
	180	07/06 → 12/09		●	P65028MM	[O]	15,5	BRE	A00342	505		
	179	09/06 → 12/08	●		P65007MM	[O]	15,5	BRE	A00337	365		
	179	09/06 → 12/08		●	P65028MM	[O]	15,5	BRE	A00342	505		
2.9	188	06/09 → 12/11	●		P65007MM	[O]	15,5	BRE	A00337	365		
	188	06/09 → 12/11		●	P65028MM	[O]	15,5	BRE	A00342	505		
S 3.2	206	11/04 → 12/06	●	-ceramic brake disc	P65014MM	[O]	17	BRE	A00406	358/378		
	206	11/04 → 12/06		●	P65008MM	[O]	15,5	BRE	A00341	505		
S 3.4	217	07/06 → 12/09	●	-ceramic brake disc	P65014MM	[O]	17	BRE	A00406	358/378		
	217	07/06 → 12/09		●	P65008MM	[O]	15,5	BRE	A00341	505		
	223	08/08 → 12/09	●	-ceramic brake disc	P65014MM	[O]	17	BRE	A00406	358/378		
	223	08/08 → 12/09		●	P65028MM	[O]	15,5	BRE	A00342	505		
	228	06/09 → 12/11	●	-ceramic brake disc	P65014MM	[O]	17	BRE	A00406	358/378		
	228	06/09 → 12/11		●	MY 2010 →; -ceramic brake disc	P65008MM	[O]	15,5	BRE	A00341	505	-ceramic brake disc; MY 2010 →
228	06/09 → 12/11		●	-ceramic brake disc	P65028MM	[O]	15,5	BRE	A00341	505	-ceramic brake disc; MY 2010 →	

BOXSTER Spyder (981) 07/15 →

3.8	276	07/15 →	●		P65018MM	[O]	18,5	BRE	A00502	350		
-----	-----	---------	---	--	----------	-----	------	-----	--------	-----	--	--

BOXSTER Spyder (987) 09/07 → 12/11

3.4	235	06/10 → 12/11	●	-ceramic brake disc	P65015MM	[O]	17	BRE	A00406	358/378		
	235	06/10 → 12/11		●	P65028MM	[O]	15,5	BRE	A00342	505		
	231	09/09 → 12/11	●	-ceramic brake disc	P65015MM	[O]	17	BRE	A00406	358/378	-ceramic brake disc	
	231	09/09 → 12/11		●	-ceramic brake disc	P65028MM	[O]	15,5	BRE	A00341	505	-ceramic brake disc

									WI		FK		
										LENGHT			

PORSCHE

BOXSTER Spyder (987) 09/07 → 12/11

3.4 RS 60	223	09/07 → 12/08	●	-ceramic brake disc	P65014MM	[o]	17	BRE	A00406	358/ 378	-ceramic brake disc		
	223	09/07 → 12/08	●		P65009MM	[o]	17	BRE	A00417	460			
	223	09/07 → 12/08	●	-ceramic brake disc	P65008MM	[o]	15,5	BRE	A00341	505	-ceramic brake disc		

CAYENNE (92A) 06/10 →

3.0 Diesel	176	06/10 →	●	PR:1LN	P65026MM	[o]	17,1	BRE	A00451	295			
	176	06/10 →	●	PR:1ZA; PR:1LU; PR:1LH	P65021MM	[o]	17,1	BRE	A00451	295			
	176	06/10 →	●	PR:1KS; PR:2EE; PR:1KZ	P65027MM	[o]	17,2	BRE	A00452	140			
	176	06/10 →	●	PR:1KP	P65030MM	[o]	17,4	BRE	A00452	140			
	180	06/11 →	●	PR:1LN	P65026MM	[o]	17,1	BRE	A00451	295			
	180	06/11 →	●	PR:1LH; PR:1ZA; PR:1LU	P65021MM	[o]	17,1	BRE	A00451	295			
	180	06/11 →	●	PR:1KS; PR:1KZ; PR:2EE	P65027MM	[o]	17,2	BRE	A00452	140			
	180	06/11 →	●	PR:1KP	P65030MM	[o]	17,4	BRE	A00452	140			
	155	06/10 →	●	PR:1LN	P65026MM	[o]	17,1	BRE	A00451	295			
	155	06/10 →	●	PR:1LH; PR:1ZA; PR:1LU	P65021MM	[o]	17,1	BRE	A00451	295			
	155	06/10 →	●	PR:1KS; PR:1KZ; PR:2EE	P65027MM	[o]	17,2	BRE	A00452	140			
	155	06/10 →	●	PR:1KP	P65030MM	[o]	17,4	BRE	A00452	140			
	193	10/14 →	●	PR:1LN	P65026MM	[o]	17,1	BRE	A00451	295			
	193	10/14 →	●	PR:1KS; PR:2EE; PR:1KZ	P65027MM	[o]	17,2	BRE	A00452	140			
	184	08/14 →	●	PR:1LH; PR:1LU; PR:1ZA	P65021MM	[o]	17,1	BRE	A00451	295			
	184	08/14 →	●	PR:1LN	P65026MM	[o]	17,1	BRE	A00451	295			
184	08/14 →	●	PR:1KS; PR:1KZ; PR:2EE	P65027MM	[o]	17,2	BRE	A00452	140				
184	08/14 →	●	PR:1KP	P65030MM	[o]	17,4	BRE	A00452	140				
3.0 S E-Hybrid	245	06/10 →	●	PR:1LN	P65026MM	[o]	17,1	BRE	A00451	295			
	245	06/10 →	●	PR:1ZA; PR:1LU; PR:1LH	P65021MM	[o]	17,1	BRE	A00451	295			
	245	06/10 →	●	PR:1KS; PR:1KZ; PR:2EE	P65027MM	[o]	17,2	BRE	A00452	140			
	245	06/10 →	●	PR:1KP	P65030MM	[o]	17,4	BRE	A00452	140			
	306	10/14 →	●	PR:1LH; PR:1LU; PR:1ZA	P65021MM	[o]	17,1	BRE	A00451	295			
	306	10/14 →	●	PR:1LN	P65026MM	[o]	17,1	BRE	A00451	295			
	306	10/14 →	●	PR:1KS; PR:1KZ; PR:2EE	P65027MM	[o]	17,2	BRE	A00452	140			
	306	10/14 →	●	PR:1KP	P65030MM	[o]	17,4	BRE	A00452	140			
3.6	220	06/10 →	●	PR:1LN	P65026MM	[o]	17,1	BRE	A00451	295			
	220	06/10 →	●	PR:1LU; PR:1ZA; PR:1LH	P65021MM	[o]	17,1	BRE	A00451	295			
	220	06/10 →	●	PR:1KS; PR:2EE; PR:1KZ	P65027MM	[o]	17,2	BRE	A00452	140			
	220	06/10 →	●	PR:1KP	P65030MM	[o]	17,4	BRE	A00452	140			
3.6 GTS	324	02/15 →	●	PR:1LU; PR:1ZA; PR:1LH	P65021MM	[o]	17,1	BRE	A00451	295			
	324	02/15 →	●	PR:1LN	P65026MM	[o]	17,1	BRE	A00451	295			
	324	02/15 →	●	PR:1KS; PR:2EE; PR:1KZ	P65027MM	[o]	17,2	BRE	A00452	140			
	324	02/15 →	●	PR:1KP	P65030MM	[o]	17,4	BRE	A00452	140			
3.6 S	309	10/14 →	●	PR:1LH; PR:1LU; PR:1ZA	P65021MM	[o]	17,1	BRE	A00451	295			
	309	10/14 →	●	PR:1LN	P65026MM	[o]	17,1	BRE	A00451	295			
	309	10/14 →	●	PR:1KS; PR:1KZ; PR:2EE	P65027MM	[o]	17,2	BRE	A00452	140			
	309	10/14 →	●	PR:1KP	P65030MM	[o]	17,4	BRE	A00452	140			
4.2 S Diesel	281	10/12 →	●	PR:1ZA; PR:1LU; PR:1LH	P65021MM	[o]	17,1	BRE	A00451	295			
	281	10/12 →	●	PR:1LN	P65026MM	[o]	17,1	BRE	A00451	295			
	281	10/12 →	●	PR:1KS; PR:1KZ; PR:2EE	P65027MM	[o]	17,2	BRE	A00452	140			
	281	10/12 →	●	PR:1KP	P65030MM	[o]	17,4	BRE	A00452	140			
	283	10/14 →	●	PR:1LU; PR:1ZA; PR:1LH	P65021MM	[o]	17,1	BRE	A00433	955			
	283	10/14 →	●	PR:1LN	P65026MM	[o]	17,1	BRE	A00433	955			
	283	10/14 →	●	PR:1KS; PR:1KZ; PR:2EE	P65027MM	[o]	17,2	BRE	A00452	140			
	283	10/14 →	●	PR:1KP	P65030MM	[o]	17,4	BRE	A00452	140			
4.8 GTS	309	06/12 →	●	PR:1LH; PR:1LU; PR:1ZA	P65021MM	[o]	17,1	BRE	A00451	295			
	309	06/12 →	●	PR:1LN	P65026MM	[o]	17,1	BRE	A00451	295			

PORSCHE

CAYENNE (92A) 06/10 →

4.8 GTS	309	06/12 →	●	PR:1KS; PR:2EE; PR:1KZ	P65027MM	[O]	17,2	BRE	A00452	140		
	309	06/12 →	●	PR:1KP	P65030MM	[O]	17,4	BRE	A00452	140		
4.8 S	294	06/10 →	●	PR:1LN	P65026MM	[O]	17,1	BRE	A00451	295		
	294	06/10 →	●	PR:1LH; PR:1LU; PR:1ZA	P65021MM	[O]	17,1	BRE	A00451	295		
	294	06/10 →	●	PR:1KS; PR:1KZ; PR:2EE	P65027MM	[O]	17,2	BRE	A00452	140		
	294	06/10 →	●	PR:1KP	P65030MM	[O]	17,4	BRE	A00452	140		
4.8 Turbo	368	06/10 →	●	PR:1LN	P65026MM	[O]	17,1	BRE	A00451	295		
	368	06/10 →	●	PR:1LH; PR:1LU; PR:1ZA	P65021MM	[O]	17,1	BRE	A00451	295		
	368	06/10 →	●	PR:1KS; PR:1KZ; PR:2EE	P65027MM	[O]	17,2	BRE	A00452	140		
	368	06/10 →	●	PR:1KP	P65030MM	[O]	17,4	BRE	A00452	140		
	397	06/10 →	●	PR:1LN	P65026MM	[O]	17,1	BRE	A00451	295		
	397	06/10 →	●	PR:1LU; PR:1ZA; PR:1LH	P65021MM	[O]	17,1	BRE	A00451	295		
	397	06/10 →	●	PR:1KS; PR:2EE; PR:1KZ	P65027MM	[O]	17,2	BRE	A00452	140		
	397	06/10 →	●	PR:1KP	P65030MM	[O]	17,4	BRE	A00452	140		
	382	10/14 →	●	PR:1ZA; PR:1LU; PR:1LH	P65021MM	[O]	17,1	BRE	A00451	295		
	382	10/14 →	●	PR:1LN	P65026MM	[O]	17,1	BRE	A00451	295		
	382	10/14 →	●	PR:1KS; PR:2EE; PR:1KZ	P65027MM	[O]	17,2	BRE	A00452	140		
	382	10/14 →	●	PR:1KP	P65030MM	[O]	17,4	BRE	A00452	140		
4.8 Turbo S	405	10/12 →	●	PR:1LH; PR:1LU; PR:1ZA	P65021MM	[O]	17,1	BRE	A00451	295		
	405	10/12 →	●	PR:1LN	P65026MM	[O]	17,1	BRE	A00451	295		
	405	10/12 →	●	PR:1KS; PR:1KZ; PR:2EE	P65027MM	[O]	17,2	BRE	A00452	140		
	405	10/12 →	●	PR:1KP	P65030MM	[O]	17,4	BRE	A00452	140		
	419	01/15 →	●		P65021MM	[O]	17,1	BRE	A00451	295		
	419	01/15 →	●		P65030MM	[O]	17,4	BRE	A00452	140		

CAYENNE (9PA) 09/02 → 09/10

3.0 TDI	176	02/09 → 09/10	●	17" wheel; disc Ø 330 mm	P85069MM	[O]	16,7	BRE	A00206	420		
	176	02/09 → 09/10	●	18" wheel; disc Ø 350 mm	P85065MM	[O]	16,7	BRE	A00206	420		
	176	02/09 → 09/10	●	17" wheel	P85070MM	[O]	16,7	BRE	A00207	255		
3.2	184	10/03 → 09/07	●	17" wheel; disc Ø 330 mm	P85069MM	[O]	16,7	BRE	A00206	420		
	184	10/03 → 09/07	●	18" wheel; disc Ø 350 mm	P85065MM	[O]	16,7	BRE	A00206	420		
	184	10/03 → 09/07	●	17" wheel	P85070MM	[O]	16,7	BRE	A00207	255		
3.6	213	02/07 → 09/10	●	17" wheel; disc Ø 330 mm	P85069MM	[O]	16,7	BRE	A00206	420		
	213	02/07 → 09/10	●	18" wheel; disc Ø 350 mm	P85065MM	[O]	16,7	BRE	A00206	420		
	213	02/07 → 09/10	●	17" wheel	P85070MM	[O]	16,7	BRE	A00207	255		
GTS 4.8	298	10/07 → 09/10	●	18" wheel; disc Ø 350 mm	P85065MM	[O]	16,7	BRE	A00345	370		
	298	10/07 → 09/10	●		P85070MM	[O]	16,7	BRE	A00346	240		
S 4.5	250	09/02 → 09/07	●	17" wheel; disc Ø 330 mm	P85069MM	[O]	16,7	BRE	A00206	420		
	250	09/02 → 09/07	●	18" wheel; disc Ø 350 mm	P85065MM	[O]	16,7	BRE	A00206	420		
	250	09/02 → 09/07	●	17" wheel	P85070MM	[O]	16,7	BRE	A00207	255		
S 4.8	283	02/07 → 09/10	●	18" wheel; disc Ø 350 mm	P85065MM	[O]	16,7	BRE	A00206	420		
	283	02/07 → 09/10	●		P85070MM	[O]	16,7	BRE	A00207	255		
Turbo 4.5	331	09/02 → 09/07	●	17" wheel; disc Ø 330 mm	P85069MM	[O]	16,7	BRE	A00206	420		
	331	09/02 → 09/07	●	18" wheel; disc Ø 350 mm	P85065MM	[O]	16,7	BRE	A00206	420		
	331	09/02 → 09/07	●	18" wheel; disc Ø 368 mm	P65017MM	[O]	16,1	BRE	A00206	420		
	331	09/02 → 09/07	●	19" wheel; disc Ø 380 mm	P65016MM	[O]	17	BRE	A00206	420		
	331	09/02 → 09/07	●		P85070MM	[O]	16,7	BRE	A00207	255		
	331	09/02 → 09/07	●	18" wheel	P85103MM	[O]	16,6	BRE	A00207	255		
	331	09/02 → 09/07	●	19" wheel	P85088MM	[O]	16,7	BRE	A00207	255		
Turbo S 4.5	368	01/04 → 09/07	●	18" wheel; disc Ø 368 mm	P65017MM	[O]	16,1	BRE	A00344	405		
	368	01/04 → 09/07	●	19" wheel; disc Ø 380 mm	P65016MM	[O]	17	BRE	A00344	405		
	368	01/04 → 09/07	●	18" wheel; disc Ø 358 mm	P85103MM	[O]	16,6	BRE	A00207	255		
	368	01/04 → 09/07	●	19" wheel; disc Ø 358 mm	P85088MM	[O]	16,7	BRE	A00207	255		
	383	03/06 → 09/07	●	18" wheel; disc Ø 368 mm	P65017MM	[O]	16,1	BRE	A00344	405		

									WI		FK		

PORSCHE

CAYENNE (9PA) 09/02 → 09/10

Turbo S 4.5	383	03/06 → 09/07	●	19" wheel; disc Ø 380 mm	P65016MM	[o]	17	BRE	A00344	405		
	383	03/06 → 09/07	●	18" wheel; disc Ø 358 mm	P85103MM	[o]	16,6	BRE	A00207	255		
	383	03/06 → 09/07	●	19" wheel; disc Ø 358 mm	P85088MM	[o]	16,7	BRE	A00207	255		
Turbo S 4.8	368	02/07 → 09/10	●	18" wheel; disc Ø 368 mm	P65017MM	[o]	16,1	BRE	A00344	405		
	368	02/07 → 09/10	●	19" wheel; disc Ø 380 mm	P65016MM	[o]	17	BRE	A00344	405		
	368	02/07 → 09/10	●	18" wheel; disc Ø 358 mm	P85103MM	[o]	16,6	BRE	A00207	255		
	368	02/07 → 09/10	●	19" wheel; disc Ø 358 mm	P85088MM	[o]	16,7	BRE	A00207	255		
	404	08/08 → 09/10	●	18" wheel; disc Ø 368 mm	P65017MM	[o]	16,1	BRE	A00344	405		
	404	08/08 → 09/10	●	19" wheel; disc Ø 380 mm	P65016MM	[o]	17	BRE	A00344	405		
	404	08/08 → 09/10	●	18" wheel; disc Ø 358 mm	P85103MM	[o]	16,6	BRE	A00207	255		
	404	08/08 → 09/10	●	19" wheel; disc Ø 358 mm	P85088MM	[o]	16,7	BRE	A00207	255		
	397	02/07 → 09/10	●	18" wheel; disc Ø 368 mm	P65017MM	[o]	16,1	BRE	A00344	405		
	397	02/07 → 09/10	●	19" wheel; disc Ø 380 mm	P65016MM	[o]	17	BRE	A00344	405		
	397	02/07 → 09/10	●	18" wheel; disc Ø 358 mm	P85103MM	[o]	16,6	BRE	A00207	255		
397	02/07 → 09/10	●	19" wheel; disc Ø 358 mm	P85088MM	[o]	16,7	BRE	A00207	255			

CAYMAN (981) 03/13 →

2.7	202	03/13 →	●		P65018MM	[o]	18,5	BRE	A00480	250		
	202	03/13 →	●		P65028MM	[o]	15,5	BRE	A00477	275		
GTS 3.4	250	02/14 →	●	-ceramic brake disc	P65018MM	[o]	18,5	BRE	A00480	250		
S 3.4	239	03/13 →	●		P65018MM	[o]	18,5	BRE	A00480	250		
	239	03/13 →	●		P65028MM	[o]	15,5	BRE	A00477	275		

CAYMAN (987) 11/05 → 12/13

2.7	180	07/06 → 12/09	●		P65007MM	[o]	15,5	BRE	A00337	365		
	180	07/06 → 12/09	●		P65028MM	[o]	15,5	BRE	A00295	850		
2.9	195	02/09 → 12/12	●		P65014MM	[o]	17	BRE	A00337	365		
	195	02/09 → 12/12	●		P65028MM	[o]	15,5	BRE	A00342	505		
R 3.4	243	11/10 → 12/12	●	-ceramic brake disc	P65015MM	[o]	17	BRE	A00406	358/ 378	-ceramic brake disc	
	243	11/10 → 12/12	●	MY → 2009; -ceramic brake disc	P65028MM	[o]	15,5	BRE	A00341	505	-ceramic brake disc; MY 2010 →	
	243	11/10 → 12/12	●	MY 2010 →; -ceramic brake disc	P65008MM	[o]	15,5	BRE	A00341	505	-ceramic brake disc; MY 2010 →	
S 3.4 Sport	223	08/08 → 12/12	●	-ceramic brake disc	P65015MM	[o]	17	BRE	A00406	358/ 378		
	223	08/08 → 12/12	●	01/10 →; MY 2010 →; -ceramic brake disc	P65008MM	[o]	15,5	BRE	A00341	505	-ceramic brake disc; MY 2010 →	
	223	08/08 → 12/12	●	→ 12/09; -ceramic brake disc	P65028MM	[o]	15,5	BRE	A00341	505	-ceramic brake disc; MY 2010 →	
S 3.4	217	11/05 → 12/09	●	-ceramic brake disc	P65014MM	[o]	17	BRE	A00406	358/ 378		
	217	11/05 → 12/09	●	-ceramic brake disc	P65008MM	[o]	15,5	BRE	A00295	850		
	235	02/09 → 06/13	●	MY → 2009; -ceramic brake disc	P65015MM	[o]	17	BRE	A00406	358/ 378	-ceramic brake disc	
	235	02/09 → 06/13	●	MY 2010 →; -ceramic brake disc	P65014MM	[o]	17	BRE	A00406	358/ 378	-ceramic brake disc	
	235	02/09 → 06/13	●	MY → 2009; -ceramic brake disc	P65028MM	[o]	15,5	BRE	A00341	505	-ceramic brake disc; MY 2010 →	
	235	02/09 → 06/13	●	MY 2010 →; -ceramic brake disc	P65008MM	[o]	15,5	BRE	A00341	505	-ceramic brake disc; MY 2010 →	

MACAN (95B) 02/14 →

2.0	174	07/14 →	●	-ceramic brake disc	P85123MM	[o]	16,7	BRE	A00499	355	-ceramic brake disc	
	174	07/14 →	●	-ceramic brake disc	P85150MM	[+]	17,5	TRW	A00486	215	-ceramic brake disc	
	185	10/15 →	●	-ceramic brake disc	P85123MM	[o]	16,7	BRE	A00499	355	17" wheel; 18" wheel	
	185	10/15 →	●	-ceramic brake disc	P85150MM	[+]	17,5	TRW	A00486	215		
	185	10/15 →	●	-ceramic brake disc	P85119MM	[+]	17,5	TRW	A00486	215		
3.0 GTS	265	10/15 →	●	-ceramic brake disc	P65021MM	[o]	17,1	BRE	A00499	355	17" wheel; 18" wheel	

--	--	--	--	--	--	--	--	--	--	--	--	--	--

PORSCHE

CAYMAN (987) 11/05 → 12/13

3.0 S	250	02/14 →	●	-ceramic brake disc	P65033MM	[O]	16,9	BRE	A00499	355	-ceramic brake disc		
	250	02/14 →	●	11/16 →; -ceramic brake disc	P85150MM	[+]	17,5	TRW	A00486	215	-ceramic brake disc		
3.0 S Diesel	190	02/14 →	●	-ceramic brake disc	P65033MM	[O]	16,9	BRE	A00499	355	-ceramic brake disc		
	190	02/14 →	●	11/16 →; -ceramic brake disc	P85150MM	[+]	17,5	TRW	A00486	215	-ceramic brake disc		
	155	02/14 →	●	-ceramic brake disc	P65033MM	[O]	16,9	BRE	A00499	355	-ceramic brake disc		
	155	02/14 →	●	11/16 →; -ceramic brake disc	P85150MM	[+]	17,5	TRW	A00486	215	-ceramic brake disc		
	184	02/14 →	●	-ceramic brake disc	P65033MM	[O]	16,9	BRE	A00499	355	-ceramic brake disc		
	184	02/14 →	●	11/16 →; -ceramic brake disc	P85150MM	[+]	17,5	TRW	A00486	215	-ceramic brake disc		
3.6 Turbo	294	02/14 →	●	-ceramic brake disc	P65021MM	[O]	17,1	BRE	A00499	355	-ceramic brake disc		

PANAMERA (970) 09/09 → 10/16

3.0 4S	309	07/13 → 10/16	●	-ceramic brake disc	P65021MM	[O]	17,1	BRE	A00345	370			
	309	07/13 → 10/16	●	-ceramic brake disc	P65020MM	[O]	16	BRE	A00448	230			
3.0 D	184	08/11 → 07/13	●	-ceramic brake disc	P65021MM	[O]	17,1	BRE	A00345	370			
	184	08/11 → 07/13	●	-ceramic brake disc	P65020MM	[O]	16	BRE	A00448	230	-ceramic brake disc		
	155	08/11 → 07/13	●	-ceramic brake disc	P65021MM	[O]	17,1	BRE	A00345	370			
	155	08/11 → 07/13	●	-ceramic brake disc	P65020MM	[O]	16	BRE	A00448	230	-ceramic brake disc		
	221	07/13 → 10/16	●	-ceramic brake disc	P65021MM	[O]	17,1	BRE	A00345	370			
	221	07/13 → 10/16	●	-ceramic brake disc	P65020MM	[O]	16	BRE	A00448	230			
3.0 S	309	07/13 → 10/16	●	-ceramic brake disc	P65021MM	[O]	17,1	BRE	A00345	370			
	309	07/13 → 10/16	●	-ceramic brake disc	P65020MM	[O]	16	BRE	A00448	230			
3.0 S E-Hybrid	245	03/11 → 07/13	●	→ A7AL061415; → 97AL042783; -ceramic brake disc	P65017MM	[O]	16,1	BRE	A00345	370			
	245	03/11 → 07/13	●	97AL042784 →; A7AL090417 →; -ceramic brake disc	P65021MM	[O]	17,1	BRE	A00345	370			
	245	03/11 → 07/13	●	-ceramic brake disc	P65020MM	[O]	16	BRE	A00448	230			
	279	03/11 → 07/13	●	→ A7AL061415; → 97AL042783; -ceramic brake disc	P65017MM	[O]	16,1	BRE	A00345	370			
	279	03/11 → 07/13	●	97AL042784 →; A7AL090417 →; -ceramic brake disc	P65021MM	[O]	17,1	BRE	A00345	370			
	279	03/11 → 07/13	●	-ceramic brake disc	P65020MM	[O]	16	BRE	A00448	230			
	306	07/13 → 10/16	●	→ A7AL061415; → 97AL042783; -ceramic brake disc	P65017MM	[O]	16,1	BRE	A00345	370			
	306	07/13 → 10/16	●	97AL042784 →; A7AL090417 →; -ceramic brake disc	P65021MM	[O]	17,1	BRE	A00345	370			
3.6	220	05/10 → 07/13	●	-ceramic brake disc	P65021MM	[O]	17,1	BRE	A00345	370			
	220	05/10 → 07/13	●	-ceramic brake disc	P65020MM	[O]	16	BRE	A00448	230	-ceramic brake disc		
	228	07/13 → 10/16	●	-ceramic brake disc	P65021MM	[O]	17,1	BRE	A00345	370			
	228	07/13 → 10/16	●	-ceramic brake disc	P65020MM	[O]	16	BRE	A00448	230			
3.6 4	220	05/10 → 07/13	●	-ceramic brake disc	P65021MM	[O]	17,1	BRE	A00345	370			
	220	05/10 → 07/13	●	-ceramic brake disc	P65020MM	[O]	16	BRE	A00448	230	-ceramic brake disc		
	228	07/13 → 10/16	●	-ceramic brake disc	P65021MM	[O]	17,1	BRE	A00345	370			
4.8 4S	294	09/09 → 07/13	●	-ceramic brake disc	P65021MM	[O]	17,1	BRE	A00345	370	-PR I750; MY → 2010		
	294	09/09 → 07/13	●	-ceramic brake disc	P65017MM	[O]	16,1	BRE	A00345	370	-PR I750; MY → 2010		
	294	09/09 → 07/13	●	-ceramic brake disc	P65020MM	[O]	16	BRE	A00448	230			
4.8 GTS	316	01/12 → 07/13	●	-ceramic brake disc	P65017MM	[O]	16,1	BRE	A00345	370	-PR I750; MY → 2010		
	316	01/12 → 07/13	●	-ceramic brake disc	P65021MM	[O]	17,1	BRE	A00345	370	-PR I750; MY → 2010		
	316	01/12 → 07/13	●	-ceramic brake disc	P65020MM	[O]	16	BRE	A00448	230			
	324	07/13 → 10/16	●	-ceramic brake disc	P65021MM	[O]	17,1	BRE	A00345	370			
	324	07/13 → 10/16	●	-ceramic brake disc	P65020MM	[O]	16	BRE	A00448	230			

									WI		FK		
	kw				MAGNETI MARELLI	Wi	Th [mm]	SYS	MAGNETI MARELLI	LENGHT		MAGNETI MARELLI	

PORSCHE

PANAMERA (970) 09/09 → 10/16

4.8 S	294	09/09 → 07/13	●	-ceramic brake disc	P65021MM	[O]	17,1	BRE	A00345	370	-PR 1750; MY → 2010		
	294	09/09 → 07/13	●	-ceramic brake disc	P65017MM	[O]	16,1	BRE	A00345	370	-PR 1750; MY → 2010		
	294	09/09 → 07/13	●	-ceramic brake disc	P65020MM	[O]	16	BRE	A00448	230			
4.8 Turbo	397	08/10 → 07/13	●	-ceramic brake disc	P65021MM	[O]	17,1	BRE	A00345	370	-PR 1750; MY → 2010		
	397	08/10 → 07/13	●	-ceramic brake disc	P65017MM	[O]	16,1	BRE	A00345	370	-PR 1750; MY → 2010		
	397	08/10 → 07/13	●	-ceramic brake disc	P65029MM	[O]	16	BRE	A00448	230			
	368	09/09 → 07/13	●	-ceramic brake disc	P65021MM	[O]	17,1	BRE	A00345	370	-PR 1750; MY → 2010		
	368	09/09 → 07/13	●	-ceramic brake disc	P65017MM	[O]	16,1	BRE	A00345	370	-PR 1750; MY → 2010		
	368	09/09 → 07/13	●	-ceramic brake disc	P65029MM	[O]	16	BRE	A00448	230			
	382	07/13 → 10/16	●	-ceramic brake disc	P65021MM	[O]	17,1	BRE	A00345	370			
382	07/13 → 10/16	●	-ceramic brake disc	P65020MM	[O]	16	BRE	A00448	230				
4.8 Turbo S	404	05/11 → 07/13	●	→ 97AL090414; → A7AL090416; -ceramic brake disc	P65017MM	[O]	16,1	BRE	A00345	370			
	404	05/11 → 07/13	●	97AL090415 →; A7AL090417 →; -ceramic brake disc	P65021MM	[O]	17,1	BRE	A00345	370			
	404	05/11 → 07/13	●	-ceramic brake disc	P65029MM	[O]	16	BRE	A00448	230			
	419	07/13 → 10/16	●	-ceramic brake disc	P65021MM	[O]	17,1	BRE	A00345	370			
	419	07/13 → 10/16	●	-ceramic brake disc	P65020MM	[O]	16	BRE	A00448	230			

PANAMERA (971) 11/16 →

2.9 4	243	11/16 →	●	PR:1LN; -ceramic brake disc	P65033MM	[O]	16,9	BRE					
E-Hybrid	340	11/16 →	●	PR:1LN; -ceramic brake disc	P65033MM	[O]	16,9	BRE					

PROTON

AEROBACK Hatchback (C2_A, C9_L) 10/88 → 12/02

1.3	55	10/88 → 12/02	●		P54015MM	[+]	15	SUM					
	55	10/88 → 12/02	●	+ABS	P54016MM	[+]	14,5	AKE					
	50	10/88 → 06/91	●		P54015MM	[+]	15	SUM					
	50	10/88 → 06/91	●	+ABS	P54016MM	[+]	14,5	AKE					
	50	01/91 → 09/93	●		P54015MM	[+]	15	SUM					
1.5	50	01/91 → 09/93	●	+ABS	P54016MM	[+]	14,5	AKE					
	66	01/91 → 11/96	●		P54015MM	[+]	15	SUM					
	66	01/91 → 11/96	●	+ABS	P54016MM	[+]	14,5	AKE					
	55	01/91 → 09/93	●		P54015MM	[+]	15	SUM					
	55	01/91 → 09/93	●	+ABS	P54016MM	[+]	14,5	AKE					
	55	10/88 → 06/91	●		P54015MM	[+]	15	SUM					
	55	10/88 → 06/91	●	+ABS	P54016MM	[+]	14,5	AKE					

GEN 2 (CM_) 06/04 →

1.3	70	06/04 →	●		P66001MM	[+]	17	BSH					
	70	06/04 →	●		P54015MM	[+]	15	SUM					
	70	06/04 →	●	+rear disc	P66002MM	[+]	16,3	BSH					
1.6	82	06/04 →	●		P66001MM	[+]	17	BSH					
	82	06/04 →	●		P54015MM	[+]	15	SUM					
	82	06/04 →	●	+rear disc	P66002MM	[+]	16,3	BSH					

IMPIAN 09/01 →

1.6	76	09/01 →	●		P54022MM	[+]	15,1	TRW					
	76	09/01 →	●		P54015MM	[+]	15	SUM					
	76	09/01 →	●		P54023MM	[+]	16,8	TRW					

JUMBUCK Pickup 02/02 →

1.5	64	05/02 →	●		P54022MM	[+]	15,1	TRW					
	64	05/02 →	●		P54015MM	[+]	15	SUM					

--	--	--	--	--	--	--	--	--	--	--	--	--	--	--	--

PROTON

PERSONA 300 (C9_M) 03/96 → 07/04

1.3	55	08/00 → 07/04	●				P54015MM	[+]	15	SUM					
313i	55	03/96 → 01/00	●				P54015MM	[+]	15	SUM					
315 GLi/GLSi	66	03/96 → 07/00	●				P54015MM	[+]	15	SUM					
315 GLSi	64	09/96 → 07/00	●				P54015MM	[+]	15	SUM					
316	70	03/96 → 07/04	●				P54014MM	[+]	16	SUM					
	70	03/96 → 07/04	●	●			P54016MM	[+]	14,5	AKE					
316 GLXi	83	03/96 → 07/00	●				P54014MM	[+]	16	SUM					
	83	03/96 → 07/00	●	●			P54016MM	[+]	14,5	AKE					
318 16V GTi	99	03/96 → 07/00	●				P54014MM	[+]	16	SUM					
	99	03/96 → 07/00	●	●			P54016MM	[+]	14,5	AKE					

PERSONA 400 (C9_S) 01/94 → 02/08

413	55	01/94 → 06/03	●				P54015MM	[+]	15	SUM					
415 GLi/GLSi	66	01/94 → 07/00	●				P54015MM	[+]	15	SUM					
416 GLXi	83	01/94 → 07/00	●				P54014MM	[+]	16	SUM					
	83	01/94 → 07/00	●	●			P54016MM	[+]	14,5	AKE					
418	85	05/96 → 07/00	●				P54014MM	[+]	16	SUM					
	85	05/96 → 07/00	●	●			P54016MM	[+]	14,5	AKE					
420 GLS D	48	05/96 → 04/99	●				P54015MM	[+]	15	SUM					
420 TD	60	09/96 → 07/00	●				P54015MM	[+]	15	SUM					

PERSONA 400 Hatchback (C9_C, C9_S) 01/94 → 02/08

1.8	99	08/00 → 12/01	●				P54014MM	[+]	16	SUM					
	99	08/00 → 12/01	●	●			P54016MM	[+]	14,5	AKE					
413 GLSi	55	01/94 → 01/00	●				P54015MM	[+]	15	SUM					
415 GLi/GLSi	66	01/94 → 07/00	●				P54015MM	[+]	15	SUM					
416 GLXi	83	01/94 → 07/00	●				P54014MM	[+]	16	SUM					
	83	01/94 → 07/00	●	●			P54016MM	[+]	14,5	AKE					
416 i	70	12/95 → 07/00	●				P54022MM	[+]	15,1	TRW					
	70	12/95 → 07/00	●	●			P54016MM	[+]	14,5	AKE					
418 GLXi	85	05/96 → 07/00	●				P54014MM	[+]	16	SUM					
	85	05/96 → 07/00	●	●			P54016MM	[+]	14,5	AKE					
420 D	60	09/96 → 07/00	●				P54015MM	[+]	15	SUM					
420 GLS D	48	05/96 → 04/99	●				P54015MM	[+]	15	SUM					

PERSONA Saloon 01/07 → 07/16

1.6	82	03/08 → 07/16	●				P66001MM	[+]	17	BSH					
	82	03/08 → 07/16	●	●			P66002MM	[+]	16,3	BSH					

SATRIA (C9_M) 04/96 → 05/06

1.3	55	08/00 → 05/06	●				P54015MM	[+]	15	SUM					
	55	07/96 → 05/06	●				P54015MM	[+]	15	SUM					
1.5	64	07/00 → 05/06	●				P54015MM	[+]	15	SUM					
	66	04/96 → 12/99	●				P54015MM	[+]	15	SUM					
1.6	70	07/97 → 07/00	●				P54014MM	[+]	16	SUM					
	70	07/97 → 07/00	●	●			P54016MM	[+]	14,5	AKE					
	83	07/97 → 05/06	●				P54014MM	[+]	16	SUM					
	83	07/97 → 05/06	●	●			P54016MM	[+]	14,5	AKE					
1.8 GTi	103	08/00 → 05/06	●				P54014MM	[+]	16	SUM					
	103	08/00 → 05/06	●	●			P54016MM	[+]	14,5	AKE					

SATRIA NEO 02/07 →

1.3	70	02/07 → 09/08	●				P66001MM	[+]	17	BSH					
	70	02/07 → 09/08	●	●			P66002MM	[+]	16,3	BSH					
1.6	83	02/07 →	●				P66001MM	[+]	17	BSH					
	83	02/07 →	●	●			P66002MM	[+]	16,3	BSH					
	81	02/07 →	●				P66001MM	[+]	17	BSH					
	81	02/07 →	●	●			P66002MM	[+]	16,3	BSH					

									WI			FK	
	kw								MAGNETI MARELLI	LENGHT		MAGNETI MARELLI	

PROTON

SAVVY 10/05 →													
1.2	55	10/05 →	●			P24048MM	[-]	17,8	AKE				
	55	10/05 →	●			P10057MM	[+]	17,8	AKE				
WIRA 05/95 →													
1.3	55	08/00 →	●			P54015MM	[+]	15	SUM				
	1.5	64	08/00 →	●		P54015MM	[+]	15	SUM				
		64	08/00 →		●	+ABS	P54016MM	[+]	14,5	AKE			
1.6	70	08/00 → 02/02	●			P54014MM	[+]	16	SUM				
		70	08/00 → 02/02		●		P54016MM	[+]	14,5	AKE			
2.0 D	48	01/00 →	●			P54015MM	[+]	15	SUM				
		48	01/00 →		●	+ABS; +rear disc	P54016MM	[+]	14,5	AKE			
WIRA Hatchback 01/00 →													
1.3	55	08/00 →	●			P54015MM	[+]	15	SUM				
		55	08/00 →		●		P54016MM	[+]	14,5	AKE			
1.5	64	08/00 →	●			P54015MM	[+]	15	SUM				
		64	08/00 →		●	+ABS	P54016MM	[+]	14,5	AKE			
2.0 D	48	01/00 →	●			P54015MM	[+]	15	SUM				
		48	01/00 →		●	+ABS; +rear disc	P54016MM	[+]	14,5	AKE			

PUCH

G-MODELL (W 461) 04/92 → 07/00													
230 GE	92	06/93 → 07/00	●			P50003MM	[o]	18	PER	A00256	90	+1 plug; → H000247	A02271
		92	06/93 → 07/00		●	+rear disc	P50082MM	[+]	18,8	ATE			
		92	06/93 → 07/00		●	+rear disc	P50020MM	[o]	18,9	BSH			
290 GD/G 290 D	70	04/92 → 08/97	●			P50003MM	[o]	18	PER	A00256	90	+1 plug; → H000247	A02271
		70	04/92 → 08/97		●	+rear disc	P50082MM	[+]	18,8	ATE			
		70	04/92 → 08/97		●	+rear disc	P50020MM	[o]	18,9	BSH			
G 290 TD	88	07/97 → 12/99	●			P50003MM	[o]	18	PER	A00256	90	+1 plug; → H000247	A02271
		88	07/97 → 12/99		●	+rear disc	P50082MM	[+]	18,8	ATE			
		88	07/97 → 12/99		●	+rear disc	P50020MM	[o]	18,9	BSH			
G-MODELL (W 463) 09/89 → 12/99													
230 GE	93	06/90 → 06/93	●			P50003MM	[o]	18	PER	A00256	90	+1 plug; → H000247	A02271
		93	06/90 → 06/93		●	+rear disc	P50082MM	[+]	18,8	ATE			
		93	06/90 → 06/93		●	+rear disc	P50020MM	[o]	18,9	BSH			
300 GD	83	09/89 → 08/93	●			P50003MM	[o]	18	PER	A00256	90	+1 plug; → H000247	A02271
		83	09/89 → 08/93		●	+rear disc	P50082MM	[+]	18,8	ATE			
		83	09/89 → 08/93		●	+rear disc	P50020MM	[o]	18,9	BSH			
300 GE	125	06/90 → 08/93	●			P50003MM	[o]	18	PER	A00256	90	+1 plug; → H000247	A02271
		125	06/90 → 08/93		●	+rear disc	P50082MM	[+]	18,8	ATE			
		125	06/90 → 08/93		●	+rear disc	P50020MM	[o]	18,9	BSH			
350 G Turbo D	100	09/91 → 08/96	●			P50003MM	[o]	18	PER	A00256	90	+1 plug; → H000247	A02271
		100	09/91 → 08/96		●	+rear disc	P50082MM	[+]	18,8	ATE			
		100	09/91 → 08/96		●	+rear disc	P50020MM	[o]	18,9	BSH			
G 300 TD	130	08/96 → 12/99	●			P50003MM	[o]	18	PER	A00256	90	+1 plug; → H000247	A02271
		130	08/96 → 12/99		●	+rear disc	P50082MM	[+]	18,8	ATE			
		130	08/96 → 12/99		●	+rear disc	P50020MM	[o]	18,9	BSH			
G 320	155	09/94 → 12/97	●			P50003MM	[o]	18	PER	A00256	90	+1 plug; → H000247	A02271
		155	09/94 → 12/97		●	+rear disc	P50082MM	[+]	18,8	ATE			
		155	09/94 → 12/97		●	+rear disc	P50020MM	[o]	18,9	BSH			
G 36 AMG	200	01/95 → 04/98	●			P50003MM	[o]	18	PER				A02271
		200	01/95 → 04/98		●		P50082MM	[+]	18,8	ATE			
		200	01/95 → 04/98		●		P50020MM	[o]	18,9	BSH			

 	kw						wi	Th [mm]	SYS	WI			FK	
											LENGHT			

PUCH

G-MODELL (W 463) 09/89 → 12/99

G 500	218	04/98 → 12/99	●			P50003MM	[O]	18	PER				A02271	
	218	04/98 → 12/99		●		P50082MM	[+]	18,8	ATE					
	218	04/98 → 12/99		●		P50020MM	[O]	18,9	BSH					
G 55 AMG	260	04/99 → 12/99	●			P50003MM	[O]	18	PER				A02271	
	260	04/99 → 12/99		●		P50082MM	[+]	18,8	ATE					
	260	04/99 → 12/99		●		P50020MM	[O]	18,9	BSH					

RENAULT

19 II (B/C53_) 01/91 → 06/01

1.2	40	04/92 → 12/95	●			P68010MM	[+]	18	BDX				A02218	
	40	04/92 → 12/95	●			P68008MM	[+]	18,2	TRW				A02218	
	40	04/92 → 12/95	●			P68038MM	[-]	18,2	TRW				A02218	
	40	04/92 → 12/95	●		+ABS	P61032MM	[O]	11	BDX				A02215	
	44	05/92 → 09/94	●			P68010MM	[+]	18	BDX				A02218	
	44	05/92 → 09/94	●			P68008MM	[+]	18,2	TRW				A02218	
	44	05/92 → 09/94	●			P68038MM	[-]	18,2	TRW				A02218	
	44	05/92 → 09/94	●		+ABS	P61032MM	[O]	11	BDX				A02215	
1.4	59	01/92 → 12/95	●			P68010MM	[+]	18	BDX				A02218	
	59	01/92 → 12/95	●			P68008MM	[+]	18,2	TRW				A02218	
	59	01/92 → 12/95	●			P68038MM	[-]	18,2	TRW				A02218	
	59	01/92 → 12/95	●		+ABS	P61032MM	[O]	11	BDX				A02215	
	60	10/96 → 06/01	●			P68010MM	[+]	18	BDX					
	60	10/96 → 06/01	●			P68008MM	[+]	18,2	TRW					
	60	10/96 → 06/01	●			P68038MM	[-]	18,2	TRW					
	60	10/96 → 06/01	●		+ABS	P61032MM	[O]	11	BDX					
1.4 (B/C532)	43	04/92 → 12/95	●			P68010MM	[+]	18	BDX				A02218	
	43	04/92 → 12/95	●			P68008MM	[+]	18,2	TRW				A02218	
	43	04/92 → 12/95	●			P68038MM	[-]	18,2	TRW				A02218	
	43	04/92 → 12/95	●		+ABS	P61032MM	[O]	11	BDX				A02215	
	55	01/92 → 12/95	●			P68010MM	[+]	18	BDX					
	55	01/92 → 12/95	●			P68008MM	[+]	18,2	TRW					
	55	01/92 → 12/95	●			P68038MM	[-]	18,2	TRW					
	55	01/92 → 12/95	●		+ABS	P61032MM	[O]	11	BDX					
1.7	79	05/92 → 09/94	●			P68010MM	[+]	18	BDX					
	79	05/92 → 09/94	●			P68008MM	[+]	18,2	TRW					
	79	05/92 → 09/94	●			P68038MM	[-]	18,2	TRW					
	79	05/92 → 09/94	●		+ABS	P61032MM	[O]	11	BDX					
	69	10/96 → 06/01	●			P68010MM	[+]	18	BDX					
	69	10/96 → 06/01	●			P68008MM	[+]	18,2	TRW					
	69	10/96 → 06/01	●			P68038MM	[-]	18,2	TRW					
	69	10/96 → 06/01	●		+rear disc	P61032MM	[O]	11	BDX					
1.7 (B/C53B)	54	04/92 → 12/95	●			P68010MM	[+]	18	BDX				A02218	
	54	04/92 → 12/95	●			P68008MM	[+]	18,2	TRW				A02218	
	54	04/92 → 12/95	●			P68038MM	[-]	18,2	TRW				A02218	
	54	04/92 → 12/95	●		+ABS	P61032MM	[O]	11	BDX				A02215	
1.7 (B/C53C)	66	04/92 → 12/95	●			P68010MM	[+]	18	BDX				A02218	
	66	04/92 → 12/95	●			P68008MM	[+]	18,2	TRW				A02218	
	66	04/92 → 12/95	●			P68038MM	[-]	18,2	TRW				A02218	
	66	04/92 → 12/95	●		+ABS	P61032MM	[O]	11	BDX				A02215	
1.8 (5/353A)	66	04/92 → 12/95	●			P68010MM	[+]	18	BDX				A02218	
	66	04/92 → 12/95	●			P68008MM	[+]	18,2	TRW				A02218	
	66	04/92 → 12/95	●			P68038MM	[-]	18,2	TRW				A02218	
	66	04/92 → 12/95	●		+ABS	P61032MM	[O]	11	BDX				A02215	

RENAULT

19 II (B/C53_) 01/91 → 06/01

1.8 (5/353F, B/C538)	79	05/94 → 12/95	●			P68010MM	[+]	18	BDX						
	79	05/94 → 12/95	●			P68008MM	[+]	18,2	TRW						
	79	05/94 → 12/95	●			P68038MM	[-]	18,2	TRW						
	79	05/94 → 12/95	●	●	+ABS	P61032MM	[O]	11	BDX						
1.8 (B/C538)	81	04/92 → 05/94	●			P68010MM	[+]	18	BDX					A02218	
	81	04/92 → 05/94	●			P68008MM	[+]	18,2	TRW					A02218	
	81	04/92 → 05/94	●			P68038MM	[-]	18,2	TRW					A02218	
	81	04/92 → 05/94	●	●	+ABS	P61032MM	[O]	11	BDX					A02215	
1.8 (B/C53Y)	65	04/92 → 12/95	●			P68010MM	[+]	18	BDX						
	65	04/92 → 12/95	●			P68008MM	[+]	18,2	TRW						
	65	04/92 → 12/95	●			P68038MM	[-]	18,2	TRW						
	65	04/92 → 12/95	●	●	+ABS	P61032MM	[O]	11	BDX						
1.8 16V (B/C53D)	99	04/92 → 12/95	●			P68010MM	[+]	18	BDX					A02218	
	99	04/92 → 12/95	●			P68008MM	[+]	18,2	TRW					A02218	
	99	04/92 → 12/95	●			P68038MM	[-]	18,2	TRW					A02218	
	99	04/92 → 12/95	●	●		P68018MM	[O]	11	BDX					A02215	
1.9 D (B/C53J)	47	04/92 → 12/95	●			P68010MM	[+]	18	BDX					A02218	
	47	04/92 → 12/95	●			P68008MM	[+]	18,2	TRW					A02218	
	47	04/92 → 12/95	●			P68038MM	[-]	18,2	TRW					A02218	
	47	04/92 → 12/95	●	●	+ABS	P61032MM	[O]	11	BDX					A02215	
1.9 dT (B/C53T)	66	04/92 → 12/95	●			P68010MM	[+]	18	BDX					A02218	
	66	04/92 → 12/95	●			P68008MM	[+]	18,2	TRW					A02218	
	66	04/92 → 12/95	●			P68038MM	[-]	18,2	TRW					A02218	
	66	04/92 → 12/95	●	●	+ABS	P61032MM	[O]	11	BDX					A02215	

19 II Cabriolet (D53_, 853_) 04/92 → 06/01

1.7 (D53C)	66	04/92 → 09/93	●			P68010MM	[+]	18	BDX						
	66	04/92 → 09/93	●			P68008MM	[+]	18,2	TRW						
	66	04/92 → 09/93	●			P68038MM	[-]	18,2	TRW						
	66	04/92 → 09/93	●	●	+rear disc	P61032MM	[O]	11	BDX						
1.8 (853A)	66	09/93 → 06/96	●			P68010MM	[+]	18	BDX					A02218	
	66	09/93 → 06/96	●			P68008MM	[+]	18,2	TRW					A02218	
	66	09/93 → 06/96	●			P68038MM	[-]	18,2	TRW					A02218	
	66	09/93 → 06/96	●	●	+rear disc	P61032MM	[O]	11	BDX					A02215	
1.8 (D53V, 853F, D53C)	79	07/94 → 06/96	●			P68010MM	[+]	18	BDX					A02218	
	79	07/94 → 06/96	●			P68008MM	[+]	18,2	TRW					A02218	
	79	07/94 → 06/96	●			P68038MM	[-]	18,2	TRW					A02218	
	79	07/94 → 06/96	●	●		P68018MM	[O]	11	BDX					A02215	
1.8 (D53Y)	65	04/92 → 06/96	●			P68010MM	[+]	18	BDX					A02218	
	65	04/92 → 06/96	●			P68008MM	[+]	18,2	TRW					A02218	
	65	04/92 → 06/96	●			P68038MM	[-]	18,2	TRW					A02218	
	65	04/92 → 06/96	●	●	+rear disc	P61032MM	[O]	11	BDX					A02215	
1.8 16V (D53D)	99	04/92 → 06/96	●			P68010MM	[+]	18	BDX					A02218	
	99	04/92 → 06/96	●			P68008MM	[+]	18,2	TRW					A02218	
	99	04/92 → 06/96	●			P68038MM	[-]	18,2	TRW					A02218	
	99	04/92 → 06/96	●	●		P68018MM	[O]	11	BDX					A02215	

19 II Chamade (L53_) 04/92 → 08/03

1.4	57	10/94 → 11/95	●			P68010MM	[+]	18	BDX						
	57	10/94 → 11/95	●			P68008MM	[+]	18,2	TRW						
	57	10/94 → 11/95	●			P68038MM	[-]	18,2	TRW						
	57	10/94 → 11/95	●	●	+ABS	P61032MM	[O]	11	BDX						
	44	05/92 → 09/94	●			P68010MM	[+]	18	BDX						
	44	05/92 → 09/94	●			P68008MM	[+]	18,2	TRW						
	44	05/92 → 09/94	●			P68038MM	[-]	18,2	TRW						
	44	05/92 → 09/94	●	●	+ABS	P61032MM	[O]	11	BDX						

Car Model	kw	S	E	i	MAGNETI MARELLI	wi	Th [mm]	SYS	WI			FK	
									MAGNETI MARELLI	LENGHT	i	MAGNETI MARELLI	i

RENAULT

19 II Chamade (L53_) 04/92 → 08/03

1.4 (532)	43	04/92 → 12/95	●					P68010MM	[+]	18	BDX			
	43	04/92 → 12/95	●					P68008MM	[+]	18,2	TRW			
	43	04/92 → 12/95	●					P68038MM	[-]	18,2	TRW			
	43	04/92 → 12/95	●	●	+ABS			P61032MM	[O]	11	BDX			
1.4 (L535)	55	11/93 → 12/95	●					P68010MM	[+]	18	BDX			
	55	11/93 → 12/95	●					P68008MM	[+]	18,2	TRW			
	55	11/93 → 12/95	●					P68038MM	[-]	18,2	TRW			
	55	11/93 → 12/95	●	●	+ABS			P61032MM	[O]	11	BDX			
1.7	55	05/92 → 11/95	●					P68010MM	[+]	18	BDX			
	55	05/92 → 11/95	●					P68008MM	[+]	18,2	TRW			
	55	05/92 → 11/95	●					P68038MM	[-]	18,2	TRW			
	55	05/92 → 11/95	●	●	+ABS			P61032MM	[O]	11	BDX			
1.7 (L533)	68	01/93 → 08/95	●					P68010MM	[+]	18	BDX			
	68	01/93 → 08/95	●					P68008MM	[+]	18,2	TRW			
	68	01/93 → 08/95	●					P68038MM	[-]	18,2	TRW			
	68	01/93 → 08/95	●	●	+ABS			P61032MM	[O]	11	BDX			
1.7 (L53B)	54	04/92 → 12/95	●					P68010MM	[+]	18	BDX			A02218
	54	04/92 → 12/95	●					P68008MM	[+]	18,2	TRW			A02218
	54	04/92 → 12/95	●					P68038MM	[-]	18,2	TRW			A02218
	54	04/92 → 12/95	●	●	+ABS			P61032MM	[O]	11	BDX			A02215
1.7 (L53C)	66	04/92 → 12/95	●					P68010MM	[+]	18	BDX			
	66	04/92 → 12/95	●					P68008MM	[+]	18,2	TRW			
	66	04/92 → 12/95	●					P68038MM	[-]	18,2	TRW			
	66	04/92 → 12/95	●	●	+ABS			P61032MM	[O]	11	BDX			
1.8	79	05/92 → 11/95	●					P68010MM	[+]	18	BDX			
	79	05/92 → 11/95	●					P68008MM	[+]	18,2	TRW			
	79	05/92 → 11/95	●					P68038MM	[-]	18,2	TRW			
	79	05/92 → 11/95	●	●	+ABS			P61032MM	[O]	11	BDX			
	67	05/92 → 09/94	●					P68010MM	[+]	18	BDX			
	67	05/92 → 09/94	●					P68008MM	[+]	18,2	TRW			
	67	05/92 → 09/94	●					P68038MM	[-]	18,2	TRW			
	67	05/92 → 09/94	●	●	+ABS			P61032MM	[O]	11	BDX			
1.8 (453A/F)	66	04/92 → 12/95	●					P68010MM	[+]	18	BDX			A02218
	66	04/92 → 12/95	●					P68008MM	[+]	18,2	TRW			A02218
	66	04/92 → 12/95	●					P68038MM	[-]	18,2	TRW			A02218
	66	04/92 → 12/95	●	●	+ABS			P61032MM	[O]	11	BDX			A02215
1.8 (L538)	81	04/92 → 05/94	●					P68010MM	[+]	18	BDX			A02218
	81	04/92 → 05/94	●					P68008MM	[+]	18,2	TRW			A02218
	81	04/92 → 05/94	●					P68038MM	[-]	18,2	TRW			A02218
	81	04/92 → 05/94	●	●	+ABS			P61032MM	[O]	11	BDX			A02215
1.8 (L53V, L538)	79	05/94 → 12/95	●					P68010MM	[+]	18	BDX			
	79	05/94 → 12/95	●					P68008MM	[+]	18,2	TRW			
	79	05/94 → 12/95	●					P68038MM	[-]	18,2	TRW			
	79	05/94 → 12/95	●	●	+ABS			P61032MM	[O]	11	BDX			
1.8 (L53Y)	65	04/92 → 12/95	●					P68010MM	[+]	18	BDX			A02218
	65	04/92 → 12/95	●					P68008MM	[+]	18,2	TRW			A02218
	65	04/92 → 12/95	●					P68038MM	[-]	18,2	TRW			A02218
	65	04/92 → 12/95	●	●	+ABS			P61032MM	[O]	11	BDX			A02215
1.8 16V (L53D)	99	04/92 → 12/95	●					P68010MM	[+]	18	BDX			A02218
	99	04/92 → 12/95	●					P68008MM	[+]	18,2	TRW			A02218
	99	04/92 → 12/95	●					P68038MM	[-]	18,2	TRW			A02218
	99	04/92 → 12/95	●	●	+ABS			P68018MM	[O]	11	BDX			A02215

									WI			FK	

RENAULT

19 II Chamade (L53_) 04/92 → 08/03

1.9 D	68	05/92 → 11/95	●		P68010MM	[+]	18	BDX					
	68	05/92 → 11/95	●		P68008MM	[+]	18,2	TRW					
	68	05/92 → 11/95	●		P68038MM	[-]	18,2	TRW					
	68	05/92 → 11/95	●	+ABS	P61032MM	[o]	11	BDX					
1.9 D (L53J)	47	04/92 → 12/95	●		P68010MM	[+]	18	BDX				A02218	
	47	04/92 → 12/95	●		P68008MM	[+]	18,2	TRW				A02218	
	47	04/92 → 12/95	●		P68038MM	[-]	18,2	TRW				A02218	
	47	04/92 → 12/95	●	+ABS	P61032MM	[o]	11	BDX				A02215	
1.9 dT (L53T)	66	04/92 → 12/95	●		P68010MM	[+]	18	BDX				A02218	
	66	04/92 → 12/95	●		P68008MM	[+]	18,2	TRW				A02218	
	66	04/92 → 12/95	●		P68038MM	[-]	18,2	TRW				A02218	
	66	04/92 → 12/95	●	+ABS	P61032MM	[o]	11	BDX				A02215	

AVANTIME (DE0_) 09/01 → 05/03

2.0 16V Turbo (DE0U, DE0V)	120	11/01 → 05/03	●		P68055MM	[-]	18,4	TRW					
	120	11/01 → 05/03	●		P68026MM	[+]	18,4	TRW					
	120	11/01 → 05/03	●		P68024MM	[-]	16,2	TRW					
	120	11/01 → 05/03	●		P85017MM	[-]	15,2	TRW					
2.2 dCi (DE01)	110	05/02 → 05/03	●		P68055MM	[-]	18,4	TRW					
	110	05/02 → 05/03	●		P68026MM	[+]	18,4	TRW					
	110	05/02 → 05/03	●		P68024MM	[-]	16,2	TRW					
3.0 V6 (DE04, DE0T)	110	05/02 → 05/03	●		P85017MM	[-]	15,2	TRW					
	152	09/01 → 05/03	●		P68055MM	[-]	18,4	TRW					
	152	09/01 → 05/03	●		P68026MM	[+]	18,4	TRW					
	152	09/01 → 05/03	●		P68024MM	[-]	16,2	TRW					
	152	09/01 → 05/03	●		P85017MM	[-]	15,2	TRW					

CAPTUR (J5_) 06/13 →

0.9 TCe 90	66	06/13 →	●		P68033MM	[-]	17,3	TRW					
1.2 TCe 120	88	06/13 →	●		P68050MM	[-]	18	ATE					
	87	01/16 →	●		P68050MM	[-]	18	ATE					
1.5 dCi 110	81	01/15 →	●		P68050MM	[-]	18	ATE					
1.5 dCi 90	66	06/13 →	●		P68050MM	[-]	18	ATE					

CLIO Grandtour (KR0/1_) 02/08 →

1.2 16V	76	09/10 →	●		P68033MM	[-]	17,3	TRW					
	76	09/10 →	●	+ESP	P68024MM	[-]	16,2	TRW					
1.2 16V (KR02, KR0J)	55	02/08 →	●	+ESP	P68024MM	[-]	16,2	TRW					
1.2 16V (KR0E)	58	02/08 →	●		P68033MM	[-]	17,3	TRW					
	58	02/08 →	●	+ESP	P68024MM	[-]	16,2	TRW					
1.2 16V (KR0P)	74	02/08 →	●		P68033MM	[-]	17,3	TRW					
	74	02/08 →	●	+ESP	P68024MM	[-]	16,2	TRW					
1.2 16V Hi-Flex (KR0S)	55	07/08 →	●		P68033MM	[-]	17,3	TRW					
	55	07/08 →	●	+ESP	P68024MM	[-]	16,2	TRW					
1.4 16V	72	02/10 →	●		P68033MM	[-]	17,3	TRW					
	72	02/10 →	●	+ESP	P68024MM	[-]	16,2	TRW					
1.5 dCi	55	08/10 →	●		P68033MM	[-]	17,3	TRW					
	55	08/10 →	●	+ESP	P68024MM	[-]	16,2	TRW					
	65	08/10 →	●		P68033MM	[-]	17,3	TRW					
	65	08/10 →	●	+ESP	P68024MM	[-]	16,2	TRW					
	48	02/10 →	●		P68033MM	[-]	17,3	TRW					
	48	02/10 →	●	+ESP	P68024MM	[-]	16,2	TRW					
1.5 dCi (KR0F)	63	02/08 →	●		P68033MM	[-]	17,3	TRW					
	63	02/08 →	●	+ESP	P68024MM	[-]	16,2	TRW					
1.5 dCi (KR0G)	50	02/08 →	●		P68033MM	[-]	17,3	TRW					
	50	02/08 →	●	+ESP	P68024MM	[-]	16,2	TRW					

RENAULT

CLIO Grandtour (KR0/1_) 02/08 →

1.5 dCi (KR0H)	78	02/08 →	•		P68033MM [-]	17,3	TRW						
	78	02/08 →		•	+ESP	P68024MM [-]	16,2	TRW					
1.5 dCi (KR1C, KR1N)	76	02/08 →	•		P68033MM [-]	17,3	TRW						
	76	02/08 →		•	+ESP	P68024MM [-]	16,2	TRW					
1.6 16V (KR0B)	82	02/08 →	•		P68033MM [-]	17,3	TRW						
	82	02/08 →		•	+ESP	P68024MM [-]	16,2	TRW					
1.6 16V (KR10)	94	11/08 →	•		P68033MM [-]	17,3	TRW						
	94	11/08 →		•	+ESP	P68024MM [-]	16,2	TRW					

CLIO II (BB0/1/2_, CB0/1/2_) 09/98 →

1.0	40	02/00 → 05/01	•		P68008MM [+]	18,2	TRW						
	40	02/00 → 05/01	•		P68038MM [-]	18,2	TRW						
1.2 (BB0A, BB0F, BB10, BB1K, BB28, BB2D, BB2H, CB0A, ...)	43	09/98 →	•		P68008MM [+]	18,2	TRW						
	43	09/98 →	•		P68038MM [-]	18,2	TRW						
	43	09/98 →		•	P61032MM [O]	11	BDX						
1.2 (BB0A, CB0A)	44	03/99 → 05/01	•		P68008MM [+]	18,2	TRW						
	44	03/99 → 05/01	•		P68038MM [-]	18,2	TRW						
	44	03/99 → 05/01		•	P61032MM [O]	11	BDX						
1.2 16V (BB05, BB0W, BB11, BB27, BB2T, BB2U, BB2V, CB05, ...)	55	06/01 →	•		P68008MM [+]	18,2	TRW						
	55	06/01 →	•		P68038MM [-]	18,2	TRW						
	55	06/01 →		•	P61032MM [O]	11	BDX					A02215	
1.2 LPG	43	09/98 → 06/09	•		P68038MM [-]	18,2	TRW						
	43	09/98 → 06/09	•		P68008MM [+]	18,2	TRW						
	43	09/98 → 06/09		•	P61032MM [O]	11	BDX						
1.4 (B/CB0C)	55	09/98 → 05/05	•		P68008MM [+]	18,2	TRW						
	55	09/98 → 05/05	•		P68038MM [-]	18,2	TRW						
	55	09/98 → 05/05		•	P61032MM [O]	11	BDX						
1.4 16V (B/CB0L)	70	10/99 → 09/04	•		P68008MM [+]	18,2	TRW						
	70	10/99 → 09/04	•		P68038MM [-]	18,2	TRW						
	70	10/99 → 09/04		•	P61032MM [O]	11	BDX						
1.4 16V (B/CB0P)	72	08/00 →	•		P68008MM [+]	18,2	TRW						
	72	08/00 →	•		P68038MM [-]	18,2	TRW						
	72	08/00 →		•	P61032MM [O]	11	BDX						
1.5 dCi	74	01/04 →	•		P68008MM [+]	18,2	TRW						
	74	01/04 →	•		P68038MM [-]	18,2	TRW						
	74	01/04 →		•	P61032MM [O]	11	BDX					A02215	
	42	06/01 → 12/06	•		P68038MM [-]	18,2	TRW						
	42	06/01 → 12/06	•		P68008MM [+]	18,2	TRW						
1.5 dCi (B/C2J)	50	08/04 →	•		P68008MM [+]	18,2	TRW						
	50	08/04 →	•		P68038MM [-]	18,2	TRW						
	50	08/04 →		•	P61032MM [O]	11	BDX						
1.5 dCi (B/CB03)	59	06/01 → 10/03	•		P68008MM [+]	18,2	TRW						
	59	06/01 → 10/03	•		P68038MM [-]	18,2	TRW						
	59	06/01 → 10/03		•	+ESP	P61032MM [O]	11	BDX					
1.5 dCi (B/CB07)	48	06/01 →	•		P68008MM [+]	18,2	TRW						
	48	06/01 →	•		P68038MM [-]	18,2	TRW						
	48	06/01 →		•	P61032MM [O]	11	BDX						
1.5 dCi (B/CB08)	60	06/01 →	•		P68008MM [+]	18,2	TRW						
	60	06/01 →	•		P68038MM [-]	18,2	TRW						
	60	06/01 →		•	+ESP	P61032MM [O]	11	BDX				A02215	

									WI			FK	
										LENGHT			

RENAULT

CLIO II (BB0/1/2_, CB0/1/2_) 09/98 →

1.5 dCi (B/CB3M)	47 06/05 →	●		P68008MM	[+]	18,2	TRW					
	47 06/05 →	●		P68038MM	[-]	18,2	TRW					
	47 06/05 →		●	P61032MM	[o]	11	BDX					
1.5 dCi (B/CB3N)	62 02/07 →	●		P68008MM	[+]	18,2	TRW					
	62 02/07 →	●		P68038MM	[-]	18,2	TRW					
	62 02/07 →		●	P61032MM	[o]	11	BDX					
1.6	81 11/04 → 02/09	●		P68008MM	[+]	18,2	TRW					
	81 11/04 → 02/09	●		P68038MM	[-]	18,2	TRW					
	81 11/04 → 02/09		●	P61032MM	[o]	11	BDX				A02215	
1.6 (B/CB0D)	66 09/98 → 05/05	●		P68008MM	[+]	18,2	TRW					
	66 09/98 → 05/05	●		P68038MM	[-]	18,2	TRW					
	66 09/98 → 05/05		●	P61032MM	[o]	11	BDX					
1.6 16V (BB01, BB0H, BB0T, BB14, BB1D, BB1R, BB2KL, BB3G...)	79 09/98 →	●		P68008MM	[+]	18,2	TRW					
	79 09/98 →	●		P68038MM	[-]	18,2	TRW					
	79 09/98 →		●	P61032MM	[o]	11	BDX					
1.9 D (B/CB0E)	47 09/98 → 05/05	●		P68008MM	[+]	18,2	TRW					
	47 09/98 → 05/05	●		P68038MM	[-]	18,2	TRW					
	47 09/98 → 05/05		●	P61032MM	[o]	11	BDX					
1.9 D (B/CB0J)	48 02/00 → 05/01	●		P68008MM	[+]	18,2	TRW					
	48 02/00 → 05/01	●		P68038MM	[-]	18,2	TRW					
	48 02/00 → 05/01		●	P61032MM	[o]	11	BDX					
1.9 dTi (B/CB0U)	59 12/99 → 05/05	●		P68008MM	[+]	18,2	TRW					
	59 12/99 → 05/05	●		P68038MM	[-]	18,2	TRW					
	59 12/99 → 05/05		●	P61032MM	[o]	11	BDX					
2.0 16V Sport	132 01/04 →	●		P68027MM	[-]	18,3	TRW					
	132 01/04 →		●	P61032MM	[o]	11	BDX				A02215	
2.0 16V Sport (CB0M)	124 02/00 →	●		P68027MM	[-]	18,3	TRW					
	124 02/00 →		●	P61032MM	[o]	11	BDX				A02215	
3.0 V6 Sport (CB1A)	166 11/00 → 12/02	●	06/01 →	P68051MM	[-]	16,9	LKD					
	166 11/00 → 12/02		●	P61046MM	[+]	17	BDX				A02215	
3.0 V6 Sport (CB1H, CB1U, CB2S)	187 12/02 →	●		P68051MM	[-]	16,9	LKD					
	187 12/02 →		●	P61046MM	[+]	17	BDX				A02215	

CLIO II Box (SB0/1/2_) 09/98 →

1.2 (SB0A, SB0F, SB10)	44 03/99 → 10/03	●		P68008MM	[+]	18,2	TRW					
	44 03/99 → 10/03	●		P68038MM	[-]	18,2	TRW					
1.2 (SB0A, SB0F, SB1K, SB2D)	43 09/98 →	●		P68008MM	[+]	18,2	TRW					
	43 09/98 →	●		P68038MM	[-]	18,2	TRW					
1.5 dCi	50 04/04 →	●		P68038MM	[-]	18,2	TRW					
	50 04/04 →	●		P68008MM	[+]	18,2	TRW					
	60 11/03 →	●		P68008MM	[+]	18,2	TRW					
	60 11/03 →	●		P68038MM	[-]	18,2	TRW					
	59 06/01 → 10/04	●		P68008MM	[+]	18,2	TRW					
	59 06/01 → 10/04	●		P68038MM	[-]	18,2	TRW					
1.5 dCi (SB07)	48 06/01 →	●		P68008MM	[+]	18,2	TRW					
	48 06/01 →	●		P68038MM	[-]	18,2	TRW					
1.9 D (SB0E)	47 09/98 →	●		P68008MM	[+]	18,2	TRW					
	47 09/98 →	●		P68038MM	[-]	18,2	TRW					
1.9 D (SB0J)	48 02/00 → 05/01	●		P68008MM	[+]	18,2	TRW					
	48 02/00 → 05/01	●		P68038MM	[-]	18,2	TRW					

RENAULT

CLIO II Box (SB0/1/2_) 09/98 →

1.9 DTI (SB0U)	59	02/00 → 05/01	●			P68008MM	[+]	18,2	TRW					
	59	02/00 → 05/01	●			P68038MM	[-]	18,2	TRW					

CLIO III (BR0/1, CR0/1) 01/05 →

1.2 16V	76	09/10 →	●			P68033MM	[-]	17,3	TRW					
	76	09/10 →		●	+ESP	P68024MM	[-]	16,2	TRW					
	58	06/05 →	●			P68033MM	[-]	17,3	TRW					
	58	06/05 →		●	+ESP	P68024MM	[-]	16,2	TRW					
	43	06/06 → 08/10	●			P68033MM	[-]	17,3	TRW					
	43	06/06 → 08/10		●	+ESP	P68024MM	[-]	16,2	TRW					
1.2 16V (BR02, BR0J, BR11, CR02, CR0J, CR11)	55	06/05 →	●			P68033MM	[-]	17,3	TRW					
	55	06/05 →		●	+ESP	P68024MM	[-]	16,2	TRW					
1.2 16V (BR0P, CR0P)	74	05/07 →	●			P68033MM	[-]	17,3	TRW					
	74	05/07 →		●	+ESP	P68024MM	[-]	16,2	TRW					
1.2 16V (BR0R, BR1D, BR1L, CR0R)	48	06/05 →	●			P68033MM	[-]	17,3	TRW					
	48	06/05 →		●	+ESP	P68024MM	[-]	16,2	TRW					
1.2 16V Hi-Flex (BR1U, CR1U)	55	07/08 →	●			P68033MM	[-]	17,3	TRW					
	55	07/08 →		●	+ESP	P68024MM	[-]	16,2	TRW					
1.2 Ethanol	55	07/08 →	●			P68033MM	[-]	17,3	TRW					
	55	07/08 →		●	+ESP	P68024MM	[-]	16,2	TRW					
1.4 16V	72	06/05 →	●			P68033MM	[-]	17,3	TRW					
	72	06/05 →		●	+ESP	P68024MM	[-]	16,2	TRW					
1.5 dCi	47	06/05 →	●			P68033MM	[-]	17,3	TRW					
	47	06/05 →		●	+ESP	P68024MM	[-]	16,2	TRW					
	60	11/07 →	●			P68033MM	[-]	17,3	TRW					
	60	11/07 →		●	+ESP	P68024MM	[-]	16,2	TRW					
	48	05/05 →	●			P68033MM	[-]	17,3	TRW					
	48	05/05 →		●	+ESP	P68024MM	[-]	16,2	TRW					
	55	08/10 →	●			P68033MM	[-]	17,3	TRW					
	55	08/10 →		●	+ESP	P68024MM	[-]	16,2	TRW					
	65	08/10 →	●			P68033MM	[-]	17,3	TRW					
	65	08/10 →		●	+ESP	P68024MM	[-]	16,2	TRW					
1.5 dCi (BR0H, CR0H)	78	06/05 →	●			P68033MM	[-]	17,3	TRW					
	78	06/05 →		●	+ESP	P68024MM	[-]	16,2	TRW					
1.5 dCi (BR17, CR17)	63	06/05 →	●			P68033MM	[-]	17,3	TRW					
	63	06/05 →		●	+ESP	P68024MM	[-]	16,2	TRW					
1.5 dCi (BR1C, CR1C)	76	06/05 →	●			P68033MM	[-]	17,3	TRW					
	76	06/05 →		●	+ESP	P68024MM	[-]	16,2	TRW					
1.5 dCi (C/BR0G, C/BR1G)	50	06/05 →	●			P68033MM	[-]	17,3	TRW					
	50	06/05 →		●	+ESP	P68024MM	[-]	16,2	TRW					
1.6 16V (BR05, BR0B, BR0Y, BR15, BR1J, BR1M, BR1Y, CR0B, ...)	82	06/05 →	●			P68033MM	[-]	17,3	TRW					
	82	06/05 →		●	+ESP	P68024MM	[-]	16,2	TRW					
1.6 16V (BR09, BR0T, CR09, CR0T)	65	06/05 →	●			P68033MM	[-]	17,3	TRW					
	65	06/05 →		●	+ESP	P68024MM	[-]	16,2	TRW					
1.6 16V GT (BR10, CR10)	94	06/09 →	●			P68033MM	[-]	17,3	TRW					
	94	06/09 →		●	+ESP	P68024MM	[-]	16,2	TRW					

									WI			FK	

RENAULT

CLIO III (BR0/1, CR0/1) 01/05 →

2.0 16V	102 09/06 →	●			P68048MM [-]	18,3	ATE						
(BR0C, BR0K, CR0C, CR0K)	102 09/06 →	●			P68033MM [-]	17,3	TRW						
	102 09/06 →		●	+ESP	P68024MM [-]	16,2	TRW						
2.0 16V Sport	145 02/06 →	●			P68036MM [-]	15,3	BRE						
	145 02/06 →		●	+ESP	P68024MM [-]	16,2	TRW						
	148 09/08 →	●			P68036MM [-]	15,3	BRE						
	148 09/08 →		●		P68024MM [-]	16,2	TRW						

CLIO III Box (SB_, SR_) 06/05 →

1.2 (SR0J)	55 11/05 → 12/14	●			P68033MM [-]	17,3	TRW						
	55 11/05 → 12/14		●	+ESP	P68024MM [-]	16,2	TRW						
	74 11/07 → 12/11	●			P68033MM [-]	17,3	TRW						
	74 11/07 → 12/11		●	+ESP	P68024MM [-]	16,2	TRW						
1.5 dCi	50 10/05 → 07/10	●			P68033MM [-]	17,3	TRW						
	50 10/05 → 07/10		●	+ESP	P68024MM [-]	16,2	TRW						
	78 10/05 → 10/07	●			P68033MM [-]	17,3	TRW						
	78 10/05 → 10/07		●	+ESP	P68024MM [-]	16,2	TRW						
	63 06/05 → 07/10	●			P68033MM [-]	17,3	TRW						
	63 06/05 → 07/10		●	+ESP	P68024MM [-]	16,2	TRW						
1.5 dCi (SR1H)	65 08/10 → 12/14	●			P68033MM [-]	17,3	TRW						
	65 08/10 → 12/14		●	+ESP	P68024MM [-]	16,2	TRW						

CLIO IV (BH_) 11/12 →

0.9 TCe 90	66 11/12 →	●		→ 04/15; 15" wheel; 16" wheel	P68059MM [-]	18	ATE						
	66 11/12 →	●		17" wheel	P68033MM [-]	17,3	TRW						
1.2 16V	54 11/12 →	●		→ 04/15; 15" wheel; 16" wheel	P68059MM [-]	18	ATE						
	54 11/12 →	●		17" wheel	P68033MM [-]	17,3	TRW						
1.2 TCe 120	88 03/13 →	●		→ 04/15; 15" wheel; 16" wheel	P68059MM [-]	18	ATE						
	88 03/13 →	●		17" wheel	P68033MM [-]	17,3	TRW						
	87 01/16 →	●		17" wheel	P68033MM [-]	17,3	TRW						
1.5 dCi 110	81 06/16 →	●		17" wheel	P68033MM [-]	17,3	TRW						
1.5 dCi 75	55 11/12 →	●		→ 04/15; 15" wheel; 16" wheel	P68059MM [-]	18	ATE						
	55 11/12 →	●		17" wheel	P68033MM [-]	17,3	TRW						
1.5 dCi 90	66 11/12 →	●		→ 04/15; 15" wheel; 16" wheel	P68059MM [-]	18	ATE						
	66 11/12 →	●		17" wheel	P68033MM [-]	17,3	TRW						
1.6 RS	147 03/13 →	●			P68047MM [-]	18	ATE						
	147 03/13 →		●		P68024MM [-]	16,2	TRW						
1.6 RS Trophy	162 03/15 →	●			P68047MM [-]	18	ATE						
	162 03/15 →		●		P68024MM [-]	16,2	TRW						

CLIO IV Box 01/14 →

1.5 dCi 75	55 01/14 →	●		→ 04/15; 15" wheel; 16" wheel	P68059MM [-]	18	ATE						
	55 01/14 →	●		17" wheel	P68033MM [-]	17,3	TRW						
1.5 dCi 90	66 01/14 →	●		→ 04/15; 15" wheel; 16" wheel	P68059MM [-]	18	ATE						
	66 01/14 →	●		17" wheel	P68033MM [-]	17,3	TRW						

CLIO IV Grandtour (KH_) 01/13 →

0.9 TCe 90	66 01/13 →	●		→ 04/15; 15" wheel; 16" wheel	P68059MM [-]	18	ATE						
	66 01/13 →	●		17" wheel	P68033MM [-]	17,3	TRW						
1.2 16V	54 01/13 →	●		→ 04/15; 15" wheel; 16" wheel	P68059MM [-]	18	ATE						
	54 01/13 →	●		17" wheel	P68033MM [-]	17,3	TRW						
1.2 TCe 120	88 03/13 →	●		→ 04/15; 15" wheel; 16" wheel	P68059MM [-]	18	ATE						
	88 03/13 →	●		17" wheel	P68033MM [-]	17,3	TRW						
	87 01/16 →	●		17" wheel	P68033MM [-]	17,3	TRW						
1.5 dCi 110	81 06/16 →	●		17" wheel	P68033MM [-]	17,3	TRW						
1.5 dCi 75	55 01/13 →	●		→ 04/15; 15" wheel; 16" wheel	P68059MM [-]	18	ATE						
	55 01/13 →	●		17" wheel	P68033MM [-]	17,3	TRW						

		kw						wi	Th [mm]	SYS	WI			FK	

RENAULT

CLIO IV Grandtour (KH_) 01/13 →

1.5 dCi 90	66	01/13 →	●	→ 04/15; 15" wheel; 16" wheel	P68059MM [-]	18	ATE								
	66	01/13 →	●	17" wheel	P68033MM [-]	17,3	TRW								

DUSTER (HS_) 01/11 →

1.5 dCi	66	06/11 →	●	-ESP	P68033MM [-]	17,3	TRW								
	66	06/11 →	●	+ESP	P68050MM [-]	18	ATE								
1.5 dCi 4x4	66	06/11 →	●		P68050MM [-]	18	ATE								
1.6 16V (HSAT)	75	02/12 →	●	+ESP	P68050MM [-]	18	ATE								
	75	02/12 →	●	-ESP	P68033MM [-]	17,3	TRW								
2.0	98	02/12 →	●	-ESP	P68033MM [-]	17,3	TRW								
	98	02/12 →	●	+ESP	P68050MM [-]	18	ATE								
2.0 4x4	99	02/12 →	●	+ESP	P68050MM [-]	18	ATE								
	99	02/12 →	●	-ESP	P68033MM [-]	17,3	TRW								

ESPACE III (JE_) 11/96 → 10/02

1.9 dTi (JE0M)	72	02/99 → 10/02	●		P68023MM [+]	18,4	TRW								
	72	02/99 → 10/02	●	→ 07/00	P68017MM [-]	15	BRE					A02301	→ 07/00		
	72	02/99 → 10/02	●	07/00 →	P85017MM [-]	15,2	TRW					A02301	→ 07/00		
2.0	102	09/01 → 10/02	●		P68023MM [+]	18,4	TRW								
	102	09/01 → 10/02	●		P85017MM [-]	15,2	TRW								
2.0 (JE0A)	84	11/96 → 10/00	●		P68023MM [+]	18,4	TRW								
	84	11/96 → 10/00	●	→ 07/00	P68017MM [-]	15	BRE					A02301	→ 07/00		
	84	11/96 → 10/00	●	07/00 →	P85017MM [-]	15,2	TRW					A02301	→ 07/00		
2.0 16V (JE0N, JE0L, JE02)	103	10/98 → 10/02	●		P68023MM [+]	18,4	TRW								
	103	10/98 → 10/02	●	07/00 →	P68024MM [-]	16,2	TRW					A02301	→ 07/00		
	103	10/98 → 10/02	●	→ 07/00	P68017MM [-]	15	BRE					A02301	→ 07/00		
	103	10/98 → 10/02	●	07/00 →	P85017MM [-]	15,2	TRW					A02301	→ 07/00		
2.2 12V TD (JE0E, JE0H, JE0P)	83	11/96 → 10/00	●		P68023MM [+]	18,4	TRW								
	83	11/96 → 10/00	●	→ 07/00	P68017MM [-]	15	BRE					A02301	→ 07/00		
	83	11/96 → 10/00	●	07/00 →	P85017MM [-]	15,2	TRW					A02301	→ 07/00		
2.2 D	84	11/97 → 01/00	●		P68023MM [+]	18,4	TRW								
	84	11/97 → 01/00	●		P68017MM [-]	15	BRE								
2.2 dCi (JE0K)	95	10/00 → 10/02	●	→ 06/01	P56061MM [+]	18,4	TRW								
	95	10/00 → 10/02	●	06/01 →	P68055MM [-]	18,4	TRW								
	95	10/00 → 10/02	●		P68026MM [+]	18,4	TRW								
	95	10/00 → 10/02	●		P68024MM [-]	16,2	TRW								
	95	10/00 → 10/02	●		P85017MM [-]	15,2	TRW								
2.2 dCi (JE0S)	85	07/00 → 10/02	●	→ 06/01	P56061MM [+]	18,4	TRW								
	85	07/00 → 10/02	●	06/01 →	P68055MM [-]	18,4	TRW								
	85	07/00 → 10/02	●		P68026MM [+]	18,4	TRW								
	85	07/00 → 10/02	●		P68024MM [-]	16,2	TRW								
	85	07/00 → 10/02	●		P85017MM [-]	15,2	TRW								
3.0 (JE0D)	123	11/96 → 10/98	●		P68023MM [+]	18,4	TRW								
	123	11/96 → 10/98	●		P68017MM [-]	15	BRE					A02301			
3.0 V6 24V (JE0G, JE0R)	140	10/98 → 10/02	●	→ 06/01	P56061MM [+]	18,4	TRW								
	140	10/98 → 10/02	●	06/01 →	P68055MM [-]	18,4	TRW								
	140	10/98 → 10/02	●		P68026MM [+]	18,4	TRW								
	140	10/98 → 10/02	●	07/00 →	P68024MM [-]	16,2	TRW					A02301	→ 07/00		
	140	10/98 → 10/02	●	→ 07/00	P68017MM [-]	15	BRE					A02301	→ 07/00		
	140	10/98 → 10/02	●	07/00 →	P85017MM [-]	15,2	TRW					A02301	→ 07/00		

ESPACE IV (JK0/1_) 11/02 →

1.9 dCi (JK0U)	85	04/03 → 02/05	●		P68032MM [-]	18,3	ATE								
	85	04/03 → 02/05	●		P59044MM [-]	16,8	ATE					A02228			
1.9 dCi (JK0U, JK0G)	88	11/02 →	●		P68032MM [-]	18,3	ATE								
	88	11/02 →	●		P59044MM [-]	16,8	ATE					A02228			

									WI			FK	
	kw								MAGNETI MARELLI	LENGHT		MAGNETI MARELLI	

RENAULT

ESPACE IV (JK0/1_) 11/02 →

2.0 (JK09)	100	11/02 →	●			P68032MM	[-]	18,3	ATE				
	100	11/02 →		●		P59044MM	[-]	16,8	ATE			A02228	
2.0 (JK0A, JK1D, JK0N)	125	04/05 →	●			P68032MM	[-]	18,3	ATE				
	125	04/05 →		●		P59044MM	[-]	16,8	ATE			A02228	
2.0 (JK0K)	98	11/02 → 02/05	●			P68032MM	[-]	18,3	ATE				
	98	11/02 → 02/05		●		P59044MM	[-]	16,8	ATE				
2.0 dCi (JK01, JK02, JK1J, JK1K)	110	01/06 →	●			P68032MM	[-]	18,3	ATE				
	110	01/06 →		●		P59044MM	[-]	16,8	ATE			A02228	
2.0 dCi (JK02, JK03)	96	01/06 →	●			P68032MM	[-]	18,3	ATE				
	96	01/06 →		●		P59044MM	[-]	16,8	ATE			A02228	
2.0 dCi (JK03, JK04)	127	01/06 →	●			P68032MM	[-]	18,3	ATE				
	127	01/06 →		●		P59044MM	[-]	16,8	ATE			A02228	
2.0 Turbo (JK0A, JK0B, JK0N)	120	11/02 →	●			P68032MM	[-]	18,3	ATE				
	120	11/02 →		●		P59044MM	[-]	16,8	ATE			A02228	
2.2 dCi (JK07)	102	02/06 →	●			P68032MM	[-]	18,3	ATE				
	102	02/06 →		●		P59044MM	[-]	16,8	ATE			A02228	
2.2 dCi (JK0H)	110	11/02 →	●			P68032MM	[-]	18,3	ATE				
	110	11/02 →		●		P59044MM	[-]	16,8	ATE			A02228	
3.0 dCi	120	09/05 →	●			P68032MM	[-]	18,3	ATE				
	120	09/05 →		●		P59044MM	[-]	16,8	ATE				
3.0 dCi (JK0E, JK0Y)	133	01/06 →	●			P68032MM	[-]	18,3	ATE				
	133	01/06 →		●		P59044MM	[-]	16,8	ATE			A02228	
3.0 dCi (JK0J, JK0V)	130	11/02 →	●			P68032MM	[-]	18,3	ATE				
	130	11/02 →		●		P59044MM	[-]	16,8	ATE			A02228	
3.5 V6 (JK00, JK0F, JK0P, JK0S, JK0W)	177	11/02 →	●			P68032MM	[-]	18,3	ATE				
	177	11/02 →		●		P59044MM	[-]	16,8	ATE			A02228	

ESPACE V (JR_) 02/15 →

1.6 dCi 130	96	06/15 →		●		P68064MM	[-]	15,9	TRW				
1.6 dCi 160	118	06/15 →		●		P68064MM	[-]	15,9	TRW				
1.6 TCe 200	147	02/15 →		●		P68064MM	[-]	15,9	TRW				

FLUENCE (L30_) 02/10 →

1.5 dCi	70	07/14 →	●			P68050MM	[-]	18	ATE				
	70	07/14 →		●		P68024MM	[-]	16,2	TRW				
1.5 dCi (L30A)	63	02/10 →	●			P68050MM	[-]	18	ATE				
	63	02/10 →		●	+elect.handbrake	P68024MM	[-]	16,2	TRW				
	63	02/10 →		●	-elect.handbrake	P68041MM	[-]	15,7	BSH				
	63	02/10 →		●		P68054MM	[-]	15,7	BSH				
1.5 dCi (L30B)	78	02/10 →	●			P68050MM	[-]	18	ATE				
	78	02/10 →		●	+elect.handbrake	P68024MM	[-]	16,2	TRW				
	78	02/10 →		●	-elect.handbrake	P68041MM	[-]	15,7	BSH				
	78	02/10 →		●		P68054MM	[-]	15,7	BSH				
1.5 dCi (L30D, L30L)	81	02/10 →	●			P68050MM	[-]	18	ATE				
	81	02/10 →		●	+elect.handbrake	P68041MM	[-]	15,7	BSH				
	81	02/10 →		●	-elect.handbrake	P68024MM	[-]	16,2	TRW				
1.5 dCi (L30S)	81	02/10 →		●		P68054MM	[-]	15,7	BSH				
	66	02/10 →	●			P68050MM	[-]	18	ATE				
	66	02/10 →		●	+elect.handbrake	P68041MM	[-]	15,7	BSH				
	66	02/10 →		●	-elect.handbrake	P68024MM	[-]	16,2	TRW				
1.6	86	01/13 →	●			P68054MM	[-]	15,7	BSH				
	86	01/13 →		●	-elect.handbrake	P68024MM	[-]	16,2	TRW				
	86	01/13 →		●	+elect.handbrake	P68041MM	[-]	15,7	BSH				

RENAULT

FLUENCE (L30_) 02/10 →

1.6 16V (L301, L30F, L30P, L30R)	81	02/10 →	●		P68050MM [-]	18	ATE							
	81	02/10 →		●	+elect.handbrake	P68041MM [-]	15,7	BSH						
	81	02/10 →		●	-elect.handbrake	P68024MM [-]	16,2	TRW						
	81	02/10 →		●		P68054MM [-]	15,7	BSH						
1.6 16V (L304, L305, L30H)	82	02/10 →	●		P68050MM [-]	18	ATE							
	82	02/10 →		●	-elect.handbrake	P68024MM [-]	16,2	TRW						
	82	02/10 →		●	+elect.handbrake	P68041MM [-]	15,7	BSH						
1.6 dCi	96	07/14 →	●		P68050MM [-]	18	ATE							
	96	07/14 →		●		P68024MM [-]	16,2	TRW						
2.0 16V (L30C, L30G, L30T, L30V)	103	02/10 →	●		P68050MM [-]	18	ATE							
	103	02/10 →		●	+elect.handbrake	P68041MM [-]	15,7	BSH						
	103	02/10 →		●	-elect.handbrake	P68024MM [-]	16,2	TRW						
	103	02/10 →		●		P68054MM [-]	15,7	BSH						
Z.E.	70	02/12 →	●		P68050MM [-]	18	ATE						A02202	
	70	02/12 →		●	-elect.handbrake	P68024MM [-]	16,2	TRW						
	70	02/12 →		●	+elect.handbrake	P68041MM [-]	15,7	BSH						

GRAND SCÉNIC II (JM0/1_) 04/04 →

1.5 dCi	60	04/04 →	●		P68034MM [-]	18,1	BSH							
	60	04/04 →		●		P68024MM [-]	16,2	TRW						
	76	06/06 → 11/08	●			P68040MM [-]	18,3	ATE						
	76	06/06 → 11/08		●		P68024MM [-]	16,2	TRW						
1.5 dCi (JM02, JM13)	74	04/04 →	●	→ 10/05	P68034MM [-]	18,1	BSH					A02228	10/05 →	
	74	04/04 →	●	10/05 →	P68040MM [-]	18,3	ATE					A02228	10/05 →	
	74	04/04 →		●		P68024MM [-]	16,2	TRW						
1.5 dCi (JM1E)	78	05/05 →	●	→ 10/05	P68034MM [-]	18,1	BSH							
	78	05/05 →	●	10/05 →	P68040MM [-]	18,3	ATE							
	78	05/05 →		●		P68024MM [-]	16,2	TRW						
1.6	83	04/04 →	●	→ 10/05	P68034MM [-]	18,1	BSH					A02228	10/05 →	
	83	04/04 →	●	10/05 →	P68040MM [-]	18,3	ATE					A02228	10/05 →	
	83	04/04 →		●		P68024MM [-]	16,2	TRW						
	77	06/06 →		●		P68024MM [-]	16,2	TRW						
	82	06/06 → 11/08	●			P68040MM [-]	18,3	ATE						
	82	06/06 → 11/08		●		P68024MM [-]	16,2	TRW						
1.6 Flex	82	06/06 → 11/08	●		P68040MM [-]	18,3	ATE							
	82	06/06 → 11/08		●		P68024MM [-]	16,2	TRW						
1.9 dCi	85	05/05 → 01/09	●	→ 10/05	P68034MM [-]	18,1	BSH							
	85	05/05 → 01/09	●	10/05 →	P68040MM [-]	18,3	ATE							
	85	05/05 → 01/09		●		P68024MM [-]	16,2	TRW						
1.9 dCi (JM0G, JM12, JM1G, JM2C)	88	04/04 →	●	→ 10/05	P68034MM [-]	18,1	BSH					A02228	10/05 →	
	88	04/04 →	●	10/05 →	P68040MM [-]	18,3	ATE					A02228	10/05 →	
	88	04/04 →		●		P68024MM [-]	16,2	TRW						
1.9 dCi (JM14)	96	05/05 →	●	→ 10/05	P68034MM [-]	18,1	BSH					A02228	10/05 →	
	96	05/05 →	●	10/05 →	P68040MM [-]	18,3	ATE					A02228	10/05 →	
	96	05/05 →		●		P68024MM [-]	16,2	TRW						
1.9 dCi (JM15)	81	05/05 →	●	10/05 →	P68040MM [-]	18,3	ATE					A02228	10/05 →	
	81	05/05 →		●		P68024MM [-]	16,2	TRW						
2.0	99	04/04 →	●	→ 10/05	P68034MM [-]	18,1	BSH					A02228	10/05 →	
	99	04/04 →	●		P68040MM [-]	18,3	ATE					A02228	10/05 →	
	99	04/04 →		●		P68024MM [-]	16,2	TRW						
	120	04/04 →	●	→ 10/05	P68034MM [-]	18,1	BSH					A02228	10/05 →	
	120	04/04 →	●	10/05 →	P68040MM [-]	18,3	ATE					A02228	10/05 →	
	120	04/04 →		●		P68024MM [-]	16,2	TRW						

									WI			FK	
										LENGHT			

RENAULT

GRAND SCÉNIC II (JM0/1_) 04/04 →

2.0 dCi (JM1K)	110 09/05 →	●	→ 10/05	P68034MM [-]	18,1	BSH						
	110 09/05 →	●	10/05 →	P68040MM [-]	18,3	ATE						
	110 09/05 →		●		P68024MM [-]	16,2	TRW					

GRAND SCÉNIC III (JZ0/1_) 02/09 →

1.2 TCe	85 04/12 →	●		P68047MM [-]	18	ATE						
	85 04/12 →		● -elect.handbrake	P68024MM [-]	16,2	TRW						
	85 04/12 →		● +elect.handbrake	P68064MM [-]	15,9	TRW						
1.2 TCe (JZ16)	97 01/13 →	●		P68047MM [-]	18	ATE						
	97 01/13 →		● -elect.handbrake	P68024MM [-]	16,2	TRW						
	97 01/13 →		● +elect.handbrake	P68064MM [-]	15,9	TRW						
1.4 16V (JZ0F)	96 02/09 →	●		P68047MM [-]	18	ATE						
	96 02/09 →		● -elect.handbrake	P68024MM [-]	16,2	TRW						
	96 02/09 →		● +elect.handbrake	P68064MM [-]	15,9	TRW						
1.5 dCi	81 04/09 →	●		P68047MM [-]	18	ATE						
	81 04/09 →		● -elect.handbrake	P68024MM [-]	16,2	TRW						
	81 04/09 →		● +elect.handbrake	P68064MM [-]	15,9	TRW						
	63 04/09 →	●		P68047MM [-]	18	ATE						
	63 04/09 →		● -elect.handbrake	P68024MM [-]	16,2	TRW						
	63 04/09 →		● +elect.handbrake	P68064MM [-]	15,9	TRW						
	70 11/10 →	●		P68047MM [-]	18	ATE						
	70 11/10 →		● -elect.handbrake	P68024MM [-]	16,2	TRW						
	70 11/10 →		● +elect.handbrake	P68064MM [-]	15,9	TRW						
1.6 16V (JZ0U)	78 02/09 →	●		P68047MM [-]	18	ATE						
	78 02/09 →		● -elect.handbrake	P68024MM [-]	16,2	TRW						
	78 02/09 →		● +elect.handbrake	P68064MM [-]	15,9	TRW						
1.6 16V Bifuel	81 02/09 →	●		P68047MM [-]	18	ATE						
	81 02/09 →		● -elect.handbrake	P68024MM [-]	16,2	TRW						
	81 02/09 →		● +elect.handbrake	P68064MM [-]	15,9	TRW						
1.6 dCi (JZ00, JZ12)	81 02/09 →	●	15" wheel	P68050MM [-]	18	ATE						A02202
	81 02/09 →	●	16" wheel; 17" wheel	P68047MM [-]	18	ATE						A02202
	81 02/09 →		● -elect.handbrake	P68024MM [-]	16,2	TRW						
1.6 E85	81 02/09 →		● +elect.handbrake	P68064MM [-]	15,9	TRW						
	96 02/09 →	●		P68047MM [-]	18	ATE						
	81 02/09 →		● -elect.handbrake	P68024MM [-]	16,2	TRW						
1.9 dCi	81 02/09 →		● +elect.handbrake	P68054MM [-]	15,7	BSH						
	96 02/09 →	●		P68047MM [-]	18	ATE						
	96 02/09 →		● -elect.handbrake	P68024MM [-]	16,2	TRW						
2.0 16V (JZ0G)	96 02/09 →		● +elect.handbrake	P68064MM [-]	15,9	TRW						
	103 02/09 →	●		P68047MM [-]	18	ATE						
	103 02/09 →		● -elect.handbrake	P68024MM [-]	16,2	TRW						
2.0 dCi (JZ0L)	103 02/09 →		● +elect.handbrake	P68064MM [-]	15,9	TRW						
	118 04/09 →	●		P68052MM [-]	18	ATE						
	118 04/09 →		● +elect.handbrake	P68041MM [-]	15,7	BSH						
2.0 dCi (JZ0Y)	118 04/09 →		● -elect.handbrake	P68024MM [-]	16,2	TRW						
	118 04/09 →		● +elect.handbrake	P68054MM [-]	15,7	BSH						
	110 02/09 →	●		P68052MM [-]	18	ATE						
2.0 dCi (JZ0Y)	110 02/09 →		● +elect.handbrake	P68041MM [-]	15,7	BSH						
	110 02/09 →		● -elect.handbrake	P68024MM [-]	16,2	TRW						
	110 02/09 →		● +elect.handbrake	P68054MM [-]	15,7	BSH						

RENAULT

KADJAR (HA_, HL_) 06/15 →

1.2 TCe 130	96	06/15 →	●			P56100MM	[+]	17,9	AKE				
	96	06/15 →		●		P56098MM	[+]	15,1	TRW				
1.5 dCi 110	81	06/15 →	●			P56100MM	[+]	17,9	AKE				
	81	06/15 →		●		P56098MM	[+]	15,1	TRW				
1.6 dCi 130	96	06/15 →	●			P56100MM	[+]	17,9	AKE				
	96	06/15 →		●		P56098MM	[+]	15,1	TRW				
1.6 dCi 130 4x4	96	06/15 →	●			P56100MM	[+]	17,9	AKE				
	96	06/15 →		●		P56098MM	[+]	15,1	TRW				

KANGOO (KC0/1_) 08/97 →

1.2 (KC0A, KC0K, KC0F, KC01)	43	08/97 →	●		-special.veh.	P56038MM	[+]	18	BSH				
	43	08/97 →	●		+post veh.	P68042MM	[+]	18	BSH				
1.2 16V (KC05, KC06, KC03, KC0T, KC0W, KC1D)	55	06/01 →	●		-special.veh.	P56038MM	[+]	18	BSH				
	55	06/01 →	●		+post veh.	P68042MM	[+]	18	BSH				
1.4 (KC0C, KC0H, KC0B, KC0M)	55	08/97 →	●		-special.veh.	P56038MM	[+]	18	BSH				
	55	08/97 →	●		+post veh.	P68042MM	[+]	18	BSH				
1.5 dCi	42	07/03 →	●		-special.veh.	P56038MM	[+]	18	BSH				
	42	07/03 →	●		+post veh.	P68042MM	[+]	18	BSH				
	50	06/05 →	●		-special.veh.	P56038MM	[+]	18	BSH				
	50	06/05 →	●		+post veh.	P68042MM	[+]	18	BSH				
	62	06/05 →	●		-special.veh.	P56038MM	[+]	18	BSH				
	62	06/05 →	●		+post veh.	P68042MM	[+]	18	BSH				
	45	04/05 → 06/10	●		-special.veh.	P56038MM	[+]	18	BSH				
	45	04/05 → 06/10	●		+post veh.	P68042MM	[+]	18	BSH				
1.5 dCi (KC07)	48	12/01 →	●		-special.veh.	P56038MM	[+]	18	BSH				
	48	12/01 →	●		+post veh.	P68042MM	[+]	18	BSH				
1.5 dCi (KC08, KC09)	60	07/02 →	●		-special.veh.	P56038MM	[+]	18	BSH				
	60	07/02 →	●		+post veh.	P68042MM	[+]	18	BSH				
1.6	66	09/99 → 06/01	●		-special.veh.	P56038MM	[+]	18	BSH				
	66	09/99 → 06/01	●		+post veh.	P68042MM	[+]	18	BSH				
1.6 16V	70	06/01 →	●		-special.veh.	P56038MM	[+]	18	BSH				
	70	06/01 →	●		+post veh.	P68042MM	[+]	18	BSH				
1.6 16V 4x4 (KC0P, KC0S, KC0L)	70	10/01 →	●			P68034MM	[-]	18,1	BSH				
	70	10/01 →		●		P68028MM	[-]	16,9	BSH				
1.6 16V bivalent	60	06/05 →	●		-special.veh.	P56038MM	[+]	18	BSH				
	60	06/05 →	●		+post veh.	P68042MM	[+]	18	BSH				
1.9 dCi 4x4	62	10/03 →	●			P68034MM	[-]	18,1	BSH				
	62	10/03 →		●		P68028MM	[-]	16,9	BSH				
1.9 dCi 4x4 (KC0V)	59	10/01 →	●			P68034MM	[-]	18,1	BSH				
	59	10/01 →		●		P68028MM	[-]	16,9	BSH				
1.9 dTi (KC0U)	59	02/00 →	●		-special.veh.	P56038MM	[+]	18	BSH				
	59	02/00 →	●		+post veh.	P68042MM	[+]	18	BSH				
1.9 RXED	48	09/99 → 06/01	●		+post veh.	P68042MM	[+]	18	BSH				
	48	09/99 → 06/01	●		-special.veh.	P56038MM	[+]	18	BSH				
D 55 1.9 (KC0D)	40	08/97 →	●		-special.veh.	P56038MM	[+]	18	BSH				
	40	08/97 →	●		+post veh.	P68042MM	[+]	18	BSH				
D 65 1.9 (KC0E, KC02, KC0J, KC0N)	47	08/97 →	●		-special.veh.	P56038MM	[+]	18	BSH				
	47	08/97 →	●		+post veh.	P68042MM	[+]	18	BSH				
Electroad RE	22	01/02 → 12/04	●		-special.veh.	P56038MM	[+]	18	BSH				
	22	01/02 → 12/04	●		+post veh.	P68042MM	[+]	18	BSH				

									WI			FK	

RENAULT

KANGOO / GRAND KANGOO (KW0/1_) 02/08 →

1.2 TCe 115	84	07/13 →	●	14" wheel; +rear drum	P68033MM	[-]	17,3	TRW					
	84	07/13 →	●	15" wheel; 16" wheel; +rear disc	P68044MM	[-]	18,7	BSH					
	84	07/13 →	●	15" wheel; 16" wheel; +rear disc	P68058MM	[+]	17,6	BSH					
	84	07/13 →		● +rear disc	P68043MM	[-]	15	TRW					
1.5 dCi	78	02/08 →	●	14" wheel; +rear drum	P68033MM	[-]	17,3	TRW					
	78	02/08 →	●	15" wheel; 16" wheel; +rear disc	P68044MM	[-]	18,7	BSH					
	78	02/08 →	●	15" wheel; 16" wheel; +rear disc	P68058MM	[+]	17,6	BSH					
	78	02/08 →		● +rear disc	P68043MM	[-]	15	TRW					
	55	11/12 →	●	14" wheel; +rear drum	P68033MM	[-]	17,3	TRW					
	55	11/12 →	●	16" wheel; 15" wheel; +rear disc	P68044MM	[-]	18,7	BSH					
	55	11/12 →	●	16" wheel; 15" wheel; +rear disc	P68058MM	[+]	17,6	BSH					
	55	11/12 →		● +rear disc	P68043MM	[-]	15	TRW					
	66	11/12 →	●	14" wheel; +rear drum	P68033MM	[-]	17,3	TRW					
	66	11/12 →	●	16" wheel; 15" wheel; +rear disc	P68044MM	[-]	18,7	BSH					
	66	11/12 →	●	16" wheel; 15" wheel; +rear disc	P68058MM	[+]	17,6	BSH					
	66	11/12 →		● +rear disc	P68043MM	[-]	15	TRW					
1.5 dCi (KW0A)	50	02/08 →	●	14" wheel; +rear drum	P68033MM	[-]	17,3	TRW					
	50	02/08 →	●	16" wheel; 15" wheel; +rear disc	P68044MM	[-]	18,7	BSH					
	50	02/08 →	●	16" wheel; 15" wheel; +rear disc	P68058MM	[+]	17,6	BSH					
	50	02/08 →		● +rear disc	P68043MM	[-]	15	TRW					
1.5 dCi (KW0B)	63	02/08 →	●	14" wheel; +rear drum	P68033MM	[-]	17,3	TRW					
	63	02/08 →	●	16" wheel; 15" wheel; +rear disc	P68044MM	[-]	18,7	BSH					
	63	02/08 →	●	16" wheel; 15" wheel; +rear disc	P68058MM	[+]	17,6	BSH					
	63	02/08 →		● +rear disc	P68043MM	[-]	15	TRW					
1.5 dCi (KW0C, KW0F)	76	02/08 →	●	14" wheel; +rear drum	P68033MM	[-]	17,3	TRW					
	76	02/08 →	●	16" wheel; 15" wheel; +rear disc	P68044MM	[-]	18,7	BSH					
	76	02/08 →	●	16" wheel; 15" wheel; +rear disc	P68058MM	[+]	17,6	BSH					
	76	02/08 →		● +rear disc	P68043MM	[-]	15	TRW					
1.5 dCi 110	80	09/10 →	●	14" wheel; +rear drum	P68033MM	[-]	17,3	TRW					
	80	09/10 →	●	16" wheel; 15" wheel; +rear disc	P68044MM	[-]	18,7	BSH					
	80	09/10 →	●	15" wheel; 16" wheel; +rear disc	P68058MM	[+]	17,6	BSH					
	80	09/10 →		● +rear disc	P68043MM	[-]	15	TRW					
	81	03/13 →	●	14" wheel; +rear drum	P68033MM	[-]	17,3	TRW					
	81	03/13 →	●	16" wheel; 15" wheel; +rear disc	P68044MM	[-]	18,7	BSH					
	81	03/13 →	●	15" wheel; 16" wheel; +rear disc	P68058MM	[+]	17,6	BSH					
	81	03/13 →		● +rear disc	P68043MM	[-]	15	TRW					
1.6 (KW00, KW0Y)	64	02/08 →	●	14" wheel; +rear drum	P68033MM	[-]	17,3	TRW					
	64	02/08 →	●	15" wheel; 16" wheel; +rear disc	P68044MM	[-]	18,7	BSH					
	64	02/08 →	●	15" wheel; 16" wheel; +rear disc	P68058MM	[+]	17,6	BSH					
	64	02/08 →		● +rear disc	P68043MM	[-]	15	TRW					
1.6 16V (KW0D)	78	02/08 →	●	14" wheel; +rear drum	P68033MM	[-]	17,3	TRW					
	78	02/08 →	●	15" wheel; 16" wheel; +rear disc	P68044MM	[-]	18,7	BSH					
	78	02/08 →	●	16" wheel; 15" wheel; +rear disc	P68058MM	[+]	17,6	BSH					
	78	02/08 →		● +rear disc	P68043MM	[-]	15	TRW					
1.6 16V Hi-Flex	78	02/08 →	●	14" wheel; +rear drum	P68033MM	[-]	17,3	TRW					
	78	02/08 →	●	15" wheel; 16" wheel; +rear disc	P68044MM	[-]	18,7	BSH					
	78	02/08 →	●	15" wheel; 16" wheel; +rear disc	P68058MM	[+]	17,6	BSH					
	78	02/08 →		● +rear disc	P68043MM	[-]	15	TRW					
Z.E.	44	10/11 →	●	+rear disc	P68058MM	[+]	17,6	BSH					
	44	10/11 →	●	+rear disc	P68044MM	[-]	18,7	BSH					
	44	10/11 →	●	+rear drum	P68033MM	[-]	17,3	TRW					
	44	10/11 →		● +rear disc	P68043MM	[-]	15	TRW					

RENAULT

KANGOO BE BOP (KW0/1_) 02/09 →

1.5 dCi	80	06/09 →	●	14" wheel; +rear drum	P68033MM [-]	17,3	TRW						
	80	06/09 →	●	16" wheel; 15" wheel; +rear disc	P68044MM [-]	18,7	BSH						
	80	06/09 →	●	15" wheel; 16" wheel; +rear disc	P68058MM [+]	17,6	BSH						
	80	06/09 →	●	+rear disc	P68043MM [-]	15	TRW						
1.5 dCi (KW0F)	76	02/09 →	●	14" wheel; +rear drum	P68033MM [-]	17,3	TRW						
	76	02/09 →	●	15" wheel; 16" wheel; +rear disc	P68044MM [-]	18,7	BSH						
	76	02/09 →	●	16" wheel; 15" wheel; +rear disc	P68058MM [+]	17,6	BSH						
	76	02/09 →	●	+rear disc	P68043MM [-]	15	TRW						
1.5 dCi (KW0G)	66	06/09 →	●	14" wheel; +rear drum	P68033MM [-]	17,3	TRW						
	66	06/09 →	●	16" wheel; 15" wheel; +rear disc	P68044MM [-]	18,7	BSH						
	66	06/09 →	●	15" wheel; 16" wheel; +rear disc	P68058MM [+]	17,6	BSH						
	66	06/09 →	●	+rear disc	P68043MM [-]	15	TRW						
1.5 dCi 75	55	09/10 →	●	14" wheel; +rear drum	P68033MM [-]	17,3	TRW						
	55	09/10 →	●	15" wheel; 16" wheel; +rear disc	P68044MM [-]	18,7	BSH						
	55	09/10 →	●	16" wheel; 15" wheel; +rear disc	P68058MM [+]	17,6	BSH						
	55	09/10 →	●	+rear disc	P68043MM [-]	15	TRW						
1.6 (KW0D)	78	02/09 →	●	14" wheel; +rear drum	P68033MM [-]	17,3	TRW						
	78	02/09 →	●	16" wheel; 15" wheel; +rear disc	P68044MM [-]	18,7	BSH						
	78	02/09 →	●	16" wheel; 15" wheel; +rear disc	P68058MM [+]	17,6	BSH						
	78	02/09 →	●	+rear disc	P68043MM [-]	15	TRW						

KANGOO Express (FC0/1_) 08/97 →

1.2 (FC01, FC0A, FC0F)	43	08/97 →	●	-special.veh.	P56038MM [+]	18	BSH						
	43	08/97 →	●	+post.veh.	P68042MM [+]	18	BSH						
1.2 (FC1A)	44	07/98 → 07/01	●	-special.veh.	P56038MM [+]	18	BSH						
	44	07/98 → 07/01	●	+post.veh.	P68042MM [+]	18	BSH						
1.2 16V (FC05)	55	10/01 →	●	-special.veh.	P56038MM [+]	18	BSH						
	55	10/01 →	●	+post.veh.	P68042MM [+]	18	BSH						
1.2 BiFuel	43	07/98 → 07/01	●	-special.veh.	P56038MM [+]	18	BSH						
	43	07/98 → 07/01	●	+post.veh.	P68042MM [+]	18	BSH						
1.4 (FC0C, FC0B, FC0H, FC0M)	55	08/97 →	●	-special.veh.	P56038MM [+]	18	BSH						
	55	08/97 →	●	+post.veh.	P68042MM [+]	18	BSH						
1.5 dCi	45	10/05 →	●	-special.veh.	P56038MM [+]	18	BSH						
	45	10/05 →	●	+post.veh.	P68042MM [+]	18	BSH						
1.5 dCi (FC07, FC1R)	48	12/01 →	●	-special.veh.	P56038MM [+]	18	BSH						
	48	12/01 →	●	+post.veh.	P68042MM [+]	18	BSH						
1.5 dCi (FC08, FC09)	60	04/03 →	●	-special.veh.	P56038MM [+]	18	BSH						
	60	04/03 →	●	+post.veh.	P68042MM [+]	18	BSH						
1.5 dCi (FC1E)	50	06/05 →	●	-special.veh.	P56038MM [+]	18	BSH						
	50	06/05 →	●	+post.veh.	P68042MM [+]	18	BSH						
1.5 dCi (FC1G)	62	06/05 →	●	-special.veh.	P56038MM [+]	18	BSH						
	62	06/05 →	●	+post.veh.	P68042MM [+]	18	BSH						
1.5 dCi (FC1R)	42	12/02 →	●	-special.veh.	P56038MM [+]	18	BSH						
	42	12/02 →	●	+post.veh.	P68042MM [+]	18	BSH						
1.6 16V	70	10/01 →	●	-special.veh.	P56038MM [+]	18	BSH						
	70	10/01 →	●	+post.veh.	P68042MM [+]	18	BSH						
1.6 16V 4x4 (FC0L, FC0P, FC0S)	70	10/01 →	●		P68034MM [-]	18,1	BSH						
	70	10/01 →	●		P68028MM [-]	16,9	BSH						
1.6 16V bivalent	60	06/05 →	●	-special.veh.	P56038MM [+]	18	BSH						
	60	06/05 →	●	+post.veh.	P68042MM [+]	18	BSH						
1.9 D (FC0J)	48	09/99 → 06/03	●	-special.veh.	P56038MM [+]	18	BSH						
	48	09/99 → 06/03	●	+post.veh.	P68042MM [+]	18	BSH						

										WI			FK	
											LENGHT			

RENAULT

KANGOO Express (FC0/1_) 08/97 →

1.9 dCi (FC0V)	62	07/03 →	●	-special.veh.	P56038MM	[+]	18	BSH						
	62	07/03 →	●	+post veh.	P68042MM	[+]	18	BSH						
1.9 dCi 4x4 (FC0V)	59	10/01 →	●		P68034MM	[-]	18,1	BSH						
	59	10/01 →	●		P68028MM	[-]	16,9	BSH						
	62	07/03 →	●		P68034MM	[-]	18,1	BSH						
	62	07/03 →	●		P68028MM	[-]	16,9	BSH						
1.9 dTi (FC0U)	59	02/00 →	●	-special.veh.	P56038MM	[+]	18	BSH						
	59	02/00 →	●	+post veh.	P68042MM	[+]	18	BSH						
D 55 1.9 (FC0D)	40	08/97 →	●	-special.veh.	P56038MM	[+]	18	BSH						
	40	08/97 →	●	+post veh.	P68042MM	[+]	18	BSH						
D 65 1.9 (FC0E, FC02, FC0J, FCON)	47	08/97 →	●	-special.veh.	P56038MM	[+]	18	BSH						
	47	08/97 →	●	+post veh.	P68042MM	[+]	18	BSH						

KANGOO Express (FW0/1_) 02/08 →

1.2 TCe 115	84	07/13 →	●	14" wheel; +rear drum	P68033MM	[-]	17,3	TRW						
	84	07/13 →	●	15" wheel; 16" wheel; +rear disc	P68044MM	[-]	18,7	BSH						
	84	07/13 →	●	16" wheel; 15" wheel; +rear disc	P68058MM	[+]	17,6	BSH						
	84	07/13 →	●	+rear disc	P68043MM	[-]	15	TRW						
1.5 dCi	50	02/08 →	●	14" wheel; +rear drum	P68033MM	[-]	17,3	TRW						
	50	02/08 →	●	16" wheel; 15" wheel; +rear disc	P68044MM	[-]	18,7	BSH						
	50	02/08 →	●	16" wheel; 15" wheel; +rear disc	P68058MM	[+]	17,6	BSH						
	50	02/08 →	●	+rear disc	P68043MM	[-]	15	TRW						
1.5 dCi (FW0F)	76	02/08 →	●	14" wheel; +rear drum	P68033MM	[-]	17,3	TRW						
	76	02/08 →	●	15" wheel; 16" wheel; +rear disc	P68044MM	[-]	18,7	BSH						
	76	02/08 →	●	15" wheel; 16" wheel; +rear disc	P68058MM	[+]	17,6	BSH						
	76	02/08 →	●	+rear disc	P68043MM	[-]	15	TRW						
1.5 dCi 110	80	09/10 →	●	14" wheel; +rear drum	P68033MM	[-]	17,3	TRW						
	80	09/10 →	●	16" wheel; 15" wheel; +rear disc	P68044MM	[-]	18,7	BSH						
	80	09/10 →	●	15" wheel; 16" wheel; +rear disc	P68058MM	[+]	17,6	BSH						
	80	09/10 →	●	+rear disc	P68043MM	[-]	15	TRW						
	81	09/13 →	●	14" wheel; +rear drum	P68033MM	[-]	17,3	TRW						
	81	09/13 →	●	16" wheel; 15" wheel; +rear disc	P68044MM	[-]	18,7	BSH						
	81	09/13 →	●	16" wheel; 15" wheel; +rear disc	P68058MM	[+]	17,6	BSH						
	81	09/13 →	●	+rear disc	P68043MM	[-]	15	TRW						
1.5 dCi 75	55	09/10 →	●	14" wheel; +rear drum	P68033MM	[-]	17,3	TRW						
	55	09/10 →	●	15" wheel; 16" wheel; +rear disc	P68044MM	[-]	18,7	BSH						
	55	09/10 →	●	15" wheel; 16" wheel; +rear disc	P68058MM	[+]	17,6	BSH						
	55	09/10 →	●	+rear disc	P68043MM	[-]	15	TRW						
	63	02/08 →	●	14" wheel; +rear drum	P68033MM	[-]	17,3	TRW						
1.5 dCi 85 (FW0A, FW0B)	63	02/08 →	●	15" wheel; 16" wheel; +rear disc	P68044MM	[-]	18,7	BSH						
	63	02/08 →	●	15" wheel; 16" wheel; +rear disc	P68058MM	[+]	17,6	BSH						
	63	02/08 →	●	+rear disc	P68043MM	[-]	15	TRW						
	66	06/09 →	●	14" wheel; +rear drum	P68033MM	[-]	17,3	TRW						
1.5 dCi 90 (FW0G)	66	06/09 →	●	16" wheel; 15" wheel; +rear disc	P68044MM	[-]	18,7	BSH						
	66	06/09 →	●	16" wheel; 15" wheel; +rear disc	P68058MM	[+]	17,6	BSH						
	66	06/09 →	●	+rear disc	P68043MM	[-]	15	TRW						
	64	02/08 →	●	14" wheel; +rear drum	P68033MM	[-]	17,3	TRW						
1.6	64	02/08 →	●	16" wheel; 15" wheel; +rear disc	P68044MM	[-]	18,7	BSH						
	64	02/08 →	●	16" wheel; 15" wheel; +rear disc	P68058MM	[+]	17,6	BSH						
	64	02/08 →	●	+rear disc	P68043MM	[-]	15	TRW						
	78	02/08 →	●	14" wheel; +rear drum	P68033MM	[-]	17,3	TRW						
1.6 16V	78	02/08 →	●	16" wheel; 15" wheel; +rear disc	P68044MM	[-]	18,7	BSH						
	78	02/08 →	●	16" wheel; 15" wheel; +rear disc	P68058MM	[+]	17,6	BSH						
	78	02/08 →	●	+rear disc	P68043MM	[-]	15	TRW						
	78	02/08 →	●	+rear disc	P68043MM	[-]	15	TRW						

--	--	--	--	--	--	--	--	--	--	--	--	--	--	--

RENAULT

KANGOO Express (FW0/1_) 02/08 →

1.6 16V LPG	72	02/08 →	●	14" wheel; +rear drum	P68033MM [-]	17,3	TRW							
	72	02/08 →	●	16" wheel; 15" wheel; +rear disc	P68044MM [-]	18,7	BSH							
	72	02/08 →	●	15" wheel; 16" wheel; +rear disc	P68058MM [+]	17,6	BSH							
	72	02/08 →		● +rear disc	P68043MM [-]	15	TRW							
Z.E.	44	10/11 →	●	14" wheel; +rear drum	P68033MM [-]	17,3	TRW							
	44	10/11 →	●	15" wheel; 16" wheel; +rear disc	P68044MM [-]	18,7	BSH							
	44	10/11 →	●	16" wheel; 15" wheel; +rear disc	P68058MM [+]	17,6	BSH							
	44	10/11 →		● +rear disc	P68043MM [-]	15	TRW							

KOLEOS I (HY_) 09/08 →

2.0 dCi (HYOK)	110	09/08 →	●		P56058MM [+]	16	SUM							
	110	09/08 →		●	P56046MM [+]	13,8	AKE							
2.0 dCi 4x4 (HYOB)	127	09/08 →	●		P56058MM [+]	16	SUM							
	127	09/08 →		●	P56046MM [+]	13,8	AKE							
2.0 dCi 4x4 (HYOK)	110	09/08 →	●		P56058MM [+]	16	SUM							
	110	09/08 →		●	P56046MM [+]	13,8	AKE							
2.5 (HYOC, HYON)	126	09/08 →	●		P56058MM [+]	16	SUM							
	126	09/08 →		●	P56046MM [+]	13,8	AKE							
2.5 4x4 (HYOC, HYON)	126	09/08 →	●		P56058MM [+]	16	SUM							
	126	09/08 →		●	P56046MM [+]	13,8	AKE							

LAGUNA Coupé (DT0/1) 09/08 →

1.5 dCi	81	03/12 →	●		P68029MM [-]	18,3	ATE							
	81	03/12 →		●	P59042MM [O]	16,7	ATE							
2.0 16V Turbo	125	09/08 →	●		P68046MM [-]	18	ATE							
	125	09/08 →		●	P59042MM [O]	16,7	ATE							
2.0 dCi	127	09/08 →	●	2WS	P68046MM [-]	18	ATE							
	127	09/08 →	●	4WS	P68045MM [-]	18	ATE							
	127	09/08 →		●	P59042MM [O]	16,7	ATE							
2.0 dCi (DT01, DT09, DT12, DT1D)	110	09/08 →	●	2WS	P68046MM [-]	18	ATE							
	110	09/08 →	●	4WS	P68045MM [-]	18	ATE							
	110	09/08 →		●	P59042MM [O]	16,7	ATE							
2.0 dCi GT (DT11, DT1E, DT1N)	131	09/08 →	●	2WS	P68046MM [-]	18	ATE							
	131	09/08 →	●	4WS	P68045MM [-]	18	ATE							
	131	09/08 →		●	P59042MM [O]	16,7	ATE							
2.0 GT	150	09/08 →	●		P68045MM [-]	18	ATE							
	150	09/08 →		●	P59042MM [O]	16,7	ATE							
3.0 dCi	177	01/12 →	●	disc Ø 296 mm	P68046MM [-]	18	ATE							
	177	01/12 →	●	disc Ø 320 mm	P68045MM [-]	18	ATE							
	177	01/12 →		●	P59042MM [O]	16,7	ATE							
3.0 dCi (DT03)	173	09/08 →	●	disc Ø 296 mm	P68046MM [-]	18	ATE							
	173	09/08 →	●	disc Ø 320 mm	P68045MM [-]	18	ATE							
	173	09/08 →		●	P59042MM [O]	16,7	ATE							
3.5 V6 (DTOP)	175	09/08 →	●	disc Ø 296 mm	P68046MM [-]	18	ATE							
	175	09/08 →	●	disc Ø 320 mm	P68045MM [-]	18	ATE							
	175	09/08 →		●	P59042MM [O]	16,7	ATE							

LAGUNA I (B56_, 556_) 11/93 → 08/02

1.6 16V (B568, B561)	79	11/97 → 03/01	●	→ 04/99	P68014MM [+]	18,3	GIR							
	79	11/97 → 03/01	●	04/99 →	P68027MM [-]	18,3	TRW							
	79	11/97 → 03/01		●	P68021MM [-]	15	BRE							
1.8	70	06/95 → 06/98	●		P68014MM [+]	18,3	GIR							
	70	06/95 → 06/98		● → 08/97; +rear disc	P68017MM [-]	15	BRE							
	70	06/95 → 06/98		● 08/97 →; +rear disc	P68021MM [-]	15	BRE							
	69	06/95 → 02/01	●		→ 04/99	P68014MM [+]	18,3	GIR						
	69	06/95 → 02/01		●	04/99 →	P68027MM [-]	18,3	TRW						



kw



wi

Th [mm]

SYS

WI

FK



LENGHT



RENAULT

LAGUNA I (B56_, 556_) 11/93 → 08/02

Model	Year	Power (kw)	Transmission	Drive	Disc	Code	Th [mm]	SYS	WI	FK
1.8	69 06/95 → 02/01				• → 08/97; +rear disc	P68017MM [-]	15	BRE		
	69 06/95 → 02/01				• 08/97 →; +rear disc	P68021MM [-]	15	BRE		
1.8 (B56A/B)	66 11/93 → 03/01				•	P68014MM [+]	18,3	GIR		
	66 11/93 → 03/01				•	P68022MM [+]	18,3	TRW		
	66 11/93 → 03/01				• +rear disc	P68017MM [-]	15	BRE		
1.8 (B56S/T/0)	66 08/95 → 03/01				•	P68022MM [+]	18,3	TRW		
	66 08/95 → 03/01				•	P68014MM [+]	18,3	GIR		
	66 08/95 → 03/01				• +rear disc	P68017MM [-]	15	BRE		
1.8 (B56Z)	69 08/95 → 03/01				•	P68022MM [+]	18,3	TRW		
	69 08/95 → 03/01				•	P68014MM [+]	18,3	GIR		
	69 08/95 → 03/01				• +rear disc	P68017MM [-]	15	BRE		
1.8 16V (B563, B564)	88 04/98 → 03/01				• → 04/99	P68014MM [+]	18,3	GIR		
	88 04/98 → 03/01				• 04/99 →	P68027MM [-]	18,3	TRW		
	88 04/98 → 03/01				•	P68021MM [-]	15	BRE		
1.9 dCi (B56W)	79 09/99 → 03/01				•	P68027MM [-]	18,3	TRW		
	79 09/99 → 03/01				•	P68021MM [-]	15	BRE		
1.9 dTi (B56J)	72 10/97 → 03/01				• → 04/99	P68014MM [+]	18,3	GIR		
	72 10/97 → 03/01				• 04/99 →	P68027MM [-]	18,3	TRW		
	72 10/97 → 03/01				•	P68021MM [-]	15	BRE		
2.0	70 11/93 → 03/01				• → 04/99	P68014MM [+]	18,3	GIR		
	70 11/93 → 03/01				• 04/99 →	P68027MM [-]	18,3	TRW		
	70 11/93 → 03/01				• → 09/94; -ABS	P68022MM [+]	18,3	TRW		
	70 11/93 → 03/01				• → 08/97	P68017MM [-]	15	BRE		A02301
	70 11/93 → 03/01				• 08/97 →	P68021MM [-]	15	BRE		A02301
	80 03/99 → 03/01				• → 04/99	P68014MM [+]	18,3	GIR		
	80 03/99 → 03/01				• 04/99 →	P68027MM [-]	18,3	TRW		
	80 03/99 → 03/01				•	P68021MM [-]	15	BRE		
	103 06/95 → 02/01				•	P68014MM [+]	18,3	GIR		
	103 06/95 → 02/01				• 02/97 →	P68021MM [-]	15	BRE		
	103 06/95 → 02/01				• → 02/97	P68017MM [-]	15	BRE		
	84 06/95 → 02/01				• → 04/99	P68014MM [+]	18,3	GIR		
	84 06/95 → 02/01				• 04/99 →	P68027MM [-]	18,3	TRW		
84 06/95 → 02/01				•	P68017MM [-]	15	BRE			
2.0 (556A)	102 09/99 → 02/01				•	P68027MM [-]	18,3	TRW		
	102 09/99 → 02/01				•	P68021MM [-]	15	BRE		
2.0 (B56C/H/N)	83 11/93 → 03/01				•	P68014MM [+]	18,3	GIR		
	83 11/93 → 03/01				•	P68017MM [-]	15	BRE		
2.0 16V (556A/B)	103 09/99 → 03/01				•	P68027MM [-]	18,3	TRW		
	103 09/99 → 03/01				•	P68021MM [-]	15	BRE		
2.0 16V (B56D/M)	102 06/95 → 03/01				•	P68014MM [+]	18,3	GIR		
	102 06/95 → 03/01				• → 02/97	P68017MM [-]	15	BRE		
	102 06/95 → 03/01				• 02/97 →	P68021MM [-]	15	BRE		
2.2 D (B56F/2)	61 11/93 → 03/01				•	P68022MM [+]	18,3	TRW		
	61 11/93 → 03/01				•	P68014MM [+]	18,3	GIR		
	61 11/93 → 03/01				• +rear disc	P68017MM [-]	15	BRE		
2.2 dT (B569)	83 03/96 → 03/01				• → 04/99	P68014MM [+]	18,3	GIR		
	83 03/96 → 03/01				• 04/99 →	P68027MM [-]	18,3	TRW		
	83 03/96 → 03/01				• → 02/97	P68017MM [-]	15	BRE		
	83 03/96 → 03/01				• 02/97 →	P68021MM [-]	15	BRE		
3.0 (B56E/R, B565)	123 11/93 → 03/01				•	P68014MM [+]	18,3	GIR		
	123 11/93 → 03/01				• → 02/97	P68017MM [-]	15	BRE		
	123 11/93 → 03/01				• 02/97 →	P68021MM [-]	15	BRE		

		kw				MAGNETI MARELLI	wi	Th [mm]	SYS		WI			FK	
--	--	-----------	--	--	--	------------------------	-----------	----------------	------------	--	-----------	--	--	-----------	--

RENAULT

LAGUNA I (B56_, 556_) 11/93 → 08/02

3.0 24V (B56V)	140	03/97 → 03/01	●		→ 04/99	P68014MM	[+]	18,3	GIR				
	140	03/97 → 03/01	●		04/99 →	P68027MM	[-]	18,3	TRW				
	140	03/97 → 03/01		●		P68021MM	[-]	15	BRE				

LAGUNA I Grandtour (K56_) 09/95 → 08/02

1.6 16V (K568)	79	11/97 → 03/01	●		→ 04/99	P68014MM	[+]	18,3	GIR				
	79	11/97 → 03/01	●		04/99 →	P68027MM	[-]	18,3	TRW				
	79	11/97 → 03/01		●	+rear disc	P68021MM	[-]	15	BRE			A02301	
1.8 (K56S/T/O)	66	09/95 → 03/01	●		→ 04/99	P68014MM	[+]	18,3	GIR				
	66	09/95 → 03/01	●		04/99 →	P68027MM	[-]	18,3	TRW				
	66	09/95 → 03/01		●	→ 08/97; +rear disc	P68017MM	[-]	15	BRE			A02301	
	66	09/95 → 03/01		●	08/97 →; +rear disc	P68021MM	[-]	15	BRE			A02301	
1.8 (K56Z)	69	09/95 → 03/01	●		→ 04/99	P68014MM	[+]	18,3	GIR				
	69	09/95 → 03/01	●		04/99 →	P68027MM	[-]	18,3	TRW				
	69	09/95 → 03/01		●	→ 08/97; +rear disc	P68017MM	[-]	15	BRE			A02301	
	69	09/95 → 03/01		●	08/97 →; +rear disc	P68021MM	[-]	15	BRE			A02301	
1.8 16V (K563, K564)	88	04/98 → 03/01	●		→ 04/99	P68014MM	[+]	18,3	GIR				
	88	04/98 → 03/01	●		04/99 →	P68027MM	[-]	18,3	TRW				
	88	04/98 → 03/01		●	+rear disc	P68021MM	[-]	15	BRE			A02301	
1.9 dCi (K56W)	79	09/99 → 03/01	●			P68027MM	[-]	18,3	TRW				
	79	09/99 → 03/01		●		P68021MM	[-]	15	BRE			A02301	
1.9 dTi (K56J)	72	10/97 → 03/01	●		→ 04/99	P68014MM	[+]	18,3	GIR				
	72	10/97 → 03/01	●		04/99 →	P68027MM	[-]	18,3	TRW				
	72	10/97 → 03/01		●		P68021MM	[-]	15	BRE			A02301	
2.0	84	10/98 → 01/01	●		→ 04/99	P68014MM	[+]	18,3	GIR				
	84	10/98 → 01/01	●		04/99 →	P68027MM	[-]	18,3	TRW				
	84	10/98 → 01/01		●	+rear disc	P68021MM	[-]	15	BRE				
2.0 (K56C/H)	83	09/95 → 03/01	●		→ 04/99	P68014MM	[+]	18,3	GIR				
	83	09/95 → 03/01	●		04/99 →	P68027MM	[-]	18,3	TRW				
	83	09/95 → 03/01		●	→ 08/97; +rear disc	P68017MM	[-]	15	BRE			A02301	
	83	09/95 → 03/01		●	08/97 →; +rear disc	P68021MM	[-]	15	BRE			A02301	
2.0 16V (A56A/B)	103	09/99 → 03/01	●			P68027MM	[-]	18,3	TRW				
	103	09/99 → 03/01		●		P68021MM	[-]	15	BRE			A02301	
2.0 16V (K56D/M)	102	09/95 → 03/01	●		→ 04/99	P68014MM	[+]	18,3	GIR				
	102	09/95 → 03/01	●		04/99 →	P68027MM	[-]	18,3	TRW				
	102	09/95 → 03/01		●	→ 08/97	P68017MM	[-]	15	BRE			A02301	
	102	09/95 → 03/01		●	08/97 →	P68021MM	[-]	15	BRE			A02301	
2.2 D (K56F/2, S56F)	61	09/95 → 03/01	●		→ 04/99	P68014MM	[+]	18,3	GIR				
	61	09/95 → 03/01	●		04/99 →	P68027MM	[-]	18,3	TRW				
	61	09/95 → 03/01		●	→ 08/97; +rear disc	P68017MM	[-]	15	BRE			A02301	
	61	09/95 → 03/01		●	08/97 →; +rear disc	P68021MM	[-]	15	BRE			A02301	
2.2 dT (K569)	83	03/96 → 03/01	●		→ 04/99	P68014MM	[+]	18,3	GIR				
	83	03/96 → 03/01	●		04/99 →	P68027MM	[-]	18,3	TRW				
	83	03/96 → 03/01		●	→ 08/97	P68017MM	[-]	15	BRE			A02301	
	83	03/96 → 03/01		●	08/97 →	P68021MM	[-]	15	BRE			A02301	
3.0 (K56R, K56S)	123	02/96 → 03/01	●		→ 04/99	P68014MM	[+]	18,3	GIR				
	123	02/96 → 03/01	●		04/99 →	P68027MM	[-]	18,3	TRW				
	123	02/96 → 03/01		●	→ 08/97	P68017MM	[-]	15	BRE			A02301	
3.0 24V (K56V)	140	03/97 → 03/01	●		→ 04/99	P68014MM	[+]	18,3	GIR				
	140	03/97 → 03/01	●		04/99 →	P68027MM	[-]	18,3	TRW				
	140	03/97 → 03/01		●	→ 08/97	P68017MM	[-]	15	BRE			A02301	
	140	03/97 → 03/01		●	08/97 →	P68021MM	[-]	15	BRE			A02301	



kw



MAGNETI MARELLI

wi

Th [mm]

SYS

WI

FK

MAGNETI MARELLI

LENGHT



MAGNETI MARELLI



RENAULT

LAGUNA II (BG0/1_) 03/01 →

Model	kw	Th [mm]	SYS	MAGNETI MARELLI	LENGHT	FK
1.6 16V (BG0A, BG0L)	79 03/01 →	● disc Ø 280 mm	P68029MM [-] 18,3 ATE			A02228 disc Ø 280 mm
	79 03/01 →	● disc Ø 300 mm	P68030MM [-] 18,3 ATE			A02228 disc Ø 280 mm
	79 03/01 →	●	P59044MM [-] 16,8 ATE			
1.6 16V (BG1G, BG1H)	82 02/05 →	● disc Ø 280 mm	P68029MM [-] 18,3 ATE			A02228 disc Ø 280 mm
	82 02/05 →	● disc Ø 300 mm	P68030MM [-] 18,3 ATE			A02228 disc Ø 280 mm
	82 02/05 →	●	P59044MM [-] 16,8 ATE			
1.8 16V (BG04, BG0B, BG0C, BG0V)	86 03/01 →	● disc Ø 280 mm	P68029MM [-] 18,3 ATE			
	86 03/01 →	● disc Ø 300 mm	P68030MM [-] 18,3 ATE			
	86 03/01 →	●	P59044MM [-] 16,8 ATE			
1.8 16V (BG06, BG0J, BG0M)	85 03/01 →	● disc Ø 280 mm	P68029MM [-] 18,3 ATE			A02228 disc Ø 280 mm
	85 03/01 →	● disc Ø 300 mm	P68030MM [-] 18,3 ATE			A02228 disc Ø 280 mm
	85 03/01 →	●	P59044MM [-] 16,8 ATE			
1.8 16V (BG0B, BG0C, BG0J, BG0M, BG0V)	89 03/01 →	● disc Ø 280 mm	P68029MM [-] 18,3 ATE			A02228 disc Ø 280 mm
	89 03/01 →	● disc Ø 300 mm	P68030MM [-] 18,3 ATE			A02228 disc Ø 280 mm
	89 03/01 →	●	P59044MM [-] 16,8 ATE			
1.8 16V (BG0B, BG0M)	88 03/01 →	● disc Ø 280 mm	P68029MM [-] 18,3 ATE			A02228 disc Ø 280 mm
	88 03/01 →	● disc Ø 300 mm	P68030MM [-] 18,3 ATE			A02228 disc Ø 280 mm
	88 03/01 →	●	P59044MM [-] 16,8 ATE			
1.9 dCi	79 03/01 →	● disc Ø 280 mm	P68029MM [-] 18,3 ATE			
	79 03/01 →	● disc Ø 300 mm	P68030MM [-] 18,3 ATE			
	79 03/01 →	●	P59044MM [-] 16,8 ATE			
	92 09/05 →	● disc Ø 280 mm	P68029MM [-] 18,3 ATE			
	92 09/05 →	● disc Ø 300 mm	P68030MM [-] 18,3 ATE			
	92 09/05 →	●	P59044MM [-] 16,8 ATE			
	85 09/05 →	● disc Ø 280 mm	P68029MM [-] 18,3 ATE			
	85 09/05 →	● disc Ø 300 mm	P68030MM [-] 18,3 ATE			
1.9 dCi (BG05)	68 03/04 →	● disc Ø 280 mm	P68029MM [-] 18,3 ATE			A02228 disc Ø 280 mm
	68 03/04 →	● disc Ø 300 mm	P68030MM [-] 18,3 ATE			A02228 disc Ø 280 mm
	68 03/04 →	●	P59044MM [-] 16,8 ATE			
1.9 dCi (BG08, BG0G)	88 03/01 →	● disc Ø 280 mm	P68029MM [-] 18,3 ATE			
	88 03/01 →	● disc Ø 300 mm	P68030MM [-] 18,3 ATE			
	88 03/01 →	●	P59044MM [-] 16,8 ATE			
1.9 dCi (BG0E)	77 06/01 →	● disc Ø 280 mm	P68029MM [-] 18,3 ATE			A02228 disc Ø 280 mm
	77 06/01 →	● disc Ø 300 mm	P68030MM [-] 18,3 ATE			A02228 disc Ø 280 mm
	77 06/01 →	●	P59044MM [-] 16,8 ATE			
1.9 dCi (BG0R)	74 10/01 →	● disc Ø 280 mm	P68029MM [-] 18,3 ATE			A02228 disc Ø 280 mm
	74 10/01 →	● disc Ø 300 mm	P68030MM [-] 18,3 ATE			A02228 disc Ø 280 mm
	74 10/01 →	●	P59044MM [-] 16,8 ATE			
1.9 dCi (BG1A, BG1V)	96 05/05 →	●	P68030MM [-] 18,3 ATE			
	96 05/05 →	●	P59044MM [-] 16,8 ATE			
1.9 dCi (BG1A, BG1W)	81 01/05 →	● disc Ø 280 mm	P68029MM [-] 18,3 ATE			
	81 01/05 →	● disc Ø 300 mm	P68030MM [-] 18,3 ATE			
	81 01/05 →	●	P59044MM [-] 16,8 ATE			
2.0 16V	125 01/05 →	● disc Ø 300 mm	P68030MM [-] 18,3 ATE			
	125 01/05 →	● disc Ø 308 mm	P68032MM [-] 18,3 ATE			
	125 01/05 →	●	P59044MM [-] 16,8 ATE			
	150 01/05 →	● disc Ø 300 mm	P68030MM [-] 18,3 ATE			
	150 01/05 →	● disc Ø 308 mm	P68032MM [-] 18,3 ATE			
	150 01/05 →	●	P59044MM [-] 16,8 ATE			
	98 08/02 →	● disc Ø 280 mm	P68029MM [-] 18,3 ATE			
	98 08/02 →	● disc Ø 300 mm	P68030MM [-] 18,3 ATE			
98 08/02 →	●	P59044MM [-] 16,8 ATE				

							WI	Th [mm]	SYS		LENGHT			
--	--	--	--	--	--	--	----	---------	-----	--	--------	--	--	--

RENAULT

LAGUNA II (BG0/1_) 03/01 →

2.0 16V	99	08/02 →	●	disc Ø 280 mm	P68029MM [-]	18,3	ATE						A02228	disc Ø 280 mm
(BG00, BG0K, BG0P, BG0W)	99	08/02 →	●	disc Ø 300 mm	P68030MM [-]	18,3	ATE						A02228	disc Ø 280 mm
	99	08/02 →		●	P59044MM [-]	16,8	ATE							
2.0 16V IDE (BG0N)	103	04/01 →	●	disc Ø 280 mm	P68029MM [-]	18,3	ATE							
	103	04/01 →	●	disc Ø 300 mm	P68030MM [-]	18,3	ATE							
	103	04/01 →		●	P59044MM [-]	16,8	ATE							
2.0 16V Turbo (BG0S, BG0Z, BG1L, BG1M)	120	01/03 →	●	disc Ø 300 mm	P68030MM [-]	18,3	ATE							
	120	01/03 →	●	disc Ø 308 mm	P68032MM [-]	18,3	ATE							
	120	01/03 →		●	P59044MM [-]	16,8	ATE							
2.0 dCi (BG14, BG1S)	127	01/06 →	●	disc Ø 300 mm	P68030MM [-]	18,3	ATE							
	127	01/06 →	●	disc Ø 308 mm	P68032MM [-]	18,3	ATE							
	127	01/06 →		●	P59044MM [-]	16,8	ATE							
2.0 dCi (BG1T)	110	08/05 →	●		P68030MM [-]	18,3	ATE							
	110	08/05 →		●	P59044MM [-]	16,8	ATE							
2.2 dCi	102	05/05 →	●	disc Ø 308 mm	P68032MM [-]	18,3	ATE							
	102	05/05 →	●	disc Ø 300 mm	P68030MM [-]	18,3	ATE							
	102	05/05 →		●	P59044MM [-]	16,8	ATE							
2.2 dCi (BG09)	85	04/04 → 10/05	●		P68030MM [-]	18,3	ATE							
	85	04/04 → 10/05		●	P59044MM [-]	16,8	ATE							
2.2 dCi (BG0F)	110	10/01 →	●	disc Ø 300 mm	P68030MM [-]	18,3	ATE							
	110	10/01 →	●	disc Ø 308 mm	P68032MM [-]	18,3	ATE							
	110	10/01 →		●	P59044MM [-]	16,8	ATE							
2.9 V6 24V	155	03/01 → 08/07	●		P68032MM [-]	18,3	ATE							
	155	03/01 → 08/07		●	P59044MM [-]	16,8	ATE							
3.0 V6 24V (BG01, BG02, BG0D, BG0Y)	152	03/01 →	●	disc Ø 300 mm	P68030MM [-]	18,3	ATE							
	152	03/01 →	●	disc Ø 308 mm	P68032MM [-]	18,3	ATE							
	152	03/01 →		●	P59044MM [-]	16,8	ATE							

LAGUNA II Grandtour (KG0/1_) 03/01 →

1.6 16V	82	02/05 →	●	disc Ø 280 mm	P68029MM [-]	18,3	ATE						A02228	disc Ø 280 mm
	82	02/05 →	●	disc Ø 300 mm	P68030MM [-]	18,3	ATE						A02228	disc Ø 280 mm
	82	02/05 →		●	P59044MM [-]	16,8	ATE							
1.6 16V (KG0A, KG0L)	79	03/01 →	●	disc Ø 280 mm	P68029MM [-]	18,3	ATE						A02228	disc Ø 280 mm
	79	03/01 →	●	disc Ø 300 mm	P68030MM [-]	18,3	ATE						A02228	disc Ø 280 mm
	79	03/01 →		●	P59044MM [-]	16,8	ATE							
1.6 FlexFuel	76	06/01 → 10/03	●	disc Ø 280 mm	P68029MM [-]	18,3	ATE							
	76	06/01 → 10/03	●	disc Ø 300 mm	P68030MM [-]	18,3	ATE							
	76	06/01 → 10/03		●	P59044MM [-]	16,8	ATE							
1.8 16V	89	03/01 →	●	disc Ø 280 mm	P68029MM [-]	18,3	ATE						A02228	disc Ø 280 mm
	89	03/01 →	●	disc Ø 300 mm	P68030MM [-]	18,3	ATE						A02228	disc Ø 280 mm
	89	03/01 →		●	P59044MM [-]	16,8	ATE							
	86	03/01 →	●	disc Ø 280 mm	P68029MM [-]	18,3	ATE							
	86	03/01 →	●	disc Ø 300 mm	P68030MM [-]	18,3	ATE							
	86	03/01 →		●	P59044MM [-]	16,8	ATE							
1.8 16V (KG0B, KG0M)	88	03/01 →	●	disc Ø 280 mm	P68029MM [-]	18,3	ATE						A02228	disc Ø 280 mm
	88	03/01 →	●	disc Ø 300 mm	P68030MM [-]	18,3	ATE						A02228	disc Ø 280 mm
	88	03/01 →		●	P59044MM [-]	16,8	ATE							
1.8 16V (KG0J)	85	03/01 →	●	disc Ø 300 mm	P68030MM [-]	18,3	ATE						A02228	disc Ø 280 mm
	85	03/01 →	●	disc Ø 280 mm	P68029MM [-]	18,3	ATE						A02228	disc Ø 280 mm
	85	03/01 →		●	P59044MM [-]	16,8	ATE							
1.9 dCi	79	03/01 →	●	disc Ø 280 mm	P68029MM [-]	18,3	ATE							
	79	03/01 →	●	disc Ø 300 mm	P68030MM [-]	18,3	ATE							
	79	03/01 →		●	P59044MM [-]	16,8	ATE							
	92	09/05 →	●		P68030MM [-]	18,3	ATE							
	92	09/05 →		●	P59044MM [-]	16,8	ATE							

										WI			FK	

RENAULT

LAGUNA II Grandtour (KG0/1_) 03/01 →

1.9 dCi	66	08/03 → 09/07	●	disc Ø 280 mm	P68029MM	[-]	18,3	ATE						
	66	08/03 → 09/07	●	disc Ø 300 mm	P68030MM	[-]	18,3	ATE						
	66	08/03 → 09/07	●		P59044MM	[-]	16,8	ATE						
1.9 dCi (KG05)	68	03/04 →	●	disc Ø 280 mm	P68029MM	[-]	18,3	ATE				A02228	disc Ø 280 mm	
	68	03/04 →	●	disc Ø 300 mm	P68030MM	[-]	18,3	ATE				A02228	disc Ø 280 mm	
	68	03/04 →	●		P59044MM	[-]	16,8	ATE						
	77	06/01 →	●	disc Ø 280 mm	P68029MM	[-]	18,3	ATE				A02228	disc Ø 280 mm	
	77	06/01 →	●	disc Ø 300 mm	P68030MM	[-]	18,3	ATE				A02228	disc Ø 280 mm	
1.9 dCi (KG0E, KG0R)	74	10/01 →	●	disc Ø 280 mm	P68029MM	[-]	18,3	ATE				A02228	disc Ø 280 mm	
	74	10/01 →	●	disc Ø 300 mm	P68030MM	[-]	18,3	ATE				A02228	disc Ø 280 mm	
	74	10/01 →	●		P59044MM	[-]	16,8	ATE						
1.9 dCi (KG0G)	88	03/01 →	●	disc Ø 280 mm	P68029MM	[-]	18,3	ATE						
	88	03/01 →	●	disc Ø 300 mm	P68030MM	[-]	18,3	ATE						
	88	03/01 →	●		P59044MM	[-]	16,8	ATE						
1.9 dCi (KG12)	85	08/05 → 09/07	●		P68030MM	[-]	18,3	ATE						
	85	08/05 → 09/07	●		P59044MM	[-]	16,8	ATE						
1.9 dCi (KG1A, KG1W)	81	01/05 →	●	disc Ø 280 mm	P68029MM	[-]	18,3	ATE				A02228	disc Ø 280 mm	
	81	01/05 →	●	disc Ø 300 mm	P68030MM	[-]	18,3	ATE				A02228	disc Ø 280 mm	
	81	01/05 →	●		P59044MM	[-]	16,8	ATE						
1.9 dCi (KG1V)	96	05/05 →	●	disc Ø 280 mm	P68029MM	[-]	18,3	ATE						
	96	05/05 →	●	disc Ø 300 mm	P68030MM	[-]	18,3	ATE						
	96	05/05 →	●		P59044MM	[-]	16,8	ATE						
2.0 16V	125	01/05 →	●	disc Ø 300 mm	P68030MM	[-]	18,3	ATE						
	125	01/05 →	●	disc Ø 308 mm	P68032MM	[-]	18,3	ATE						
	125	01/05 →	●		P59044MM	[-]	16,8	ATE						
	150	01/05 →	●	disc Ø 300 mm	P68030MM	[-]	18,3	ATE						
	150	01/05 →	●	disc Ø 308 mm	P68032MM	[-]	18,3	ATE						
	150	01/05 →	●		P59044MM	[-]	16,8	ATE						
	98	10/04 → 09/07	●	disc Ø 280 mm	P68029MM	[-]	18,3	ATE						
	98	10/04 → 09/07	●	disc Ø 300 mm	P68030MM	[-]	18,3	ATE						
2.0 16V (KG00, KG0K, KG0W)	99	08/02 →	●	disc Ø 280 mm	P68029MM	[-]	18,3	ATE				A02228	disc Ø 280 mm	
	99	08/02 →	●	disc Ø 300 mm	P68030MM	[-]	18,3	ATE				A02228	disc Ø 280 mm	
	99	08/02 →	●		P59044MM	[-]	16,8	ATE						
2.0 16V IDE (KG0N)	103	04/01 →	●		P68030MM	[-]	18,3	ATE						
	103	04/01 →	●		P59044MM	[-]	16,8	ATE						
2.0 16V Turbo (KG0S, KG0Z, KG1L, KG1M)	120	01/03 →	●	disc Ø 308 mm	P68032MM	[-]	18,3	ATE						
	120	01/03 →	●	disc Ø 300 mm	P68030MM	[-]	18,3	ATE						
	120	01/03 →	●		P59044MM	[-]	16,8	ATE						
2.0 dCi (KG1S)	127	01/06 →	●	disc Ø 300 mm	P68030MM	[-]	18,3	ATE						
	127	01/06 →	●	disc Ø 308 mm	P68032MM	[-]	18,3	ATE						
	127	01/06 →	●		P59044MM	[-]	16,8	ATE						
2.0 dCi (KG1T)	110	08/05 →	●		P68030MM	[-]	18,3	ATE						
	110	08/05 →	●		P59044MM	[-]	16,8	ATE						
2.0 Flex	95	09/02 → 05/05	●	disc Ø 280 mm	P68029MM	[-]	18,3	ATE						
	95	09/02 → 05/05	●	disc Ø 300 mm	P68030MM	[-]	18,3	ATE						
	95	09/02 → 05/05	●		P59044MM	[-]	16,8	ATE						
2.2 dCi	102	05/05 →	●	disc Ø 308 mm	P68032MM	[-]	18,3	ATE						
	102	05/05 →	●	disc Ø 300 mm	P68030MM	[-]	18,3	ATE						
	102	05/05 →	●		P59044MM	[-]	16,8	ATE						
2.2 dCi (KG09)	85	04/04 → 10/05	●		P68030MM	[-]	18,3	ATE						
	85	04/04 → 10/05	●		P59044MM	[-]	16,8	ATE						

Car	kw	S	D	i	MAGNETI MARELLI	wi	Th [mm]	SYS	WI			FK	
									MAGNETI MARELLI	LENGHT	i	MAGNETI MARELLI	i

RENAULT

LAGUNA II Grandtour (KG0/1_) 03/01 →

2.2 dCi (KG0F)	110	10/01 →	•	disc Ø 300 mm	P68030MM [-]	18,3	ATE					
	110	10/01 →	•	disc Ø 308 mm	P68032MM [-]	18,3	ATE					
	110	10/01 →	•		P59044MM [-]	16,8	ATE					
3.0 V6 24V (KG0D)	152	03/01 →	•		P68032MM [-]	18,3	ATE					
	152	03/01 →	•		P59044MM [-]	16,8	ATE					

LAGUNA III (BT0/1) 10/07 →

1.5 dCi (BT00, BT0A, BT0T, BT1J)	81	10/07 →	•		P68029MM [-]	18,3	ATE					
	81	10/07 →	•		P59042MM [O]	16,7	ATE					
1.6 16V (BT04, BT0D, BT0U)	81	10/07 →	•		P68029MM [-]	18,3	ATE					
	81	10/07 →	•		P59042MM [O]	16,7	ATE					
2.0 16V (BT05, BT0F, BT0W)	103	10/07 →	•		P68046MM [-]	18	ATE					
	103	10/07 →	•		P59042MM [O]	16,7	ATE					
2.0 16V Hi-Flex (BT1H)	103	10/07 →	•		P68046MM [-]	18	ATE					
	103	10/07 →	•		P59042MM [O]	16,7	ATE					
2.0 16V Turbo	125	10/07 →	•		P68046MM [-]	18	ATE					
	125	10/07 →	•		P59042MM [O]	16,7	ATE					
2.0 dCi (BT01, BT09, BT12, BT1S)	110	10/07 →	•	2WS	P68046MM [-]	18	ATE					
	110	10/07 →	•	4WS	P68045MM [-]	18	ATE					
	110	10/07 →	•		P59042MM [O]	16,7	ATE					
2.0 dCi (BT08, BT0K, BT0J, BT14, BT1A, BT1D)	96	10/07 →	•	eng.BT1A	P68029MM [-]	18,3	ATE					
	96	10/07 →	•	2WS	P68046MM [-]	18	ATE					
	96	10/07 →	•	4WS	P68045MM [-]	18	ATE					
	96	10/07 →	•		P59042MM [O]	16,7	ATE					
2.0 dCi (BT0M, BT0N, BT19)	127	01/08 →	•	2WS	P68046MM [-]	18	ATE					
	127	01/08 →	•	4WS	P68045MM [-]	18	ATE					
	127	01/08 →	•		P59042MM [O]	16,7	ATE					
2.0 dCi GT (BT1E, BT1N)	131	03/08 →	•	2WS	P68046MM [-]	18	ATE					
	131	03/08 →	•	4WS	P68045MM [-]	18	ATE					
	131	03/08 →	•		P59042MM [O]	16,7	ATE					
2.0 GT	150	03/08 →	•		P68045MM [-]	18	ATE					
	150	03/08 →	•		P59042MM [O]	16,7	ATE					
3.0 dCi (BT03, BT13)	173	09/08 →	•		P68045MM [-]	18	ATE					
	173	09/08 →	•		P59042MM [O]	16,7	ATE					
3.5 V6 (BT0C, BT0P)	175	04/08 →	•		P68045MM [-]	18	ATE				A02228	
	175	04/08 →	•		P59042MM [O]	16,7	ATE					

LAGUNA III Grandtour (KT0/1) 10/07 →

1.5 dCi (KT0A)	81	10/07 →	•		P68029MM [-]	18,3	ATE					
	81	10/07 →	•		P59042MM [O]	16,7	ATE					
1.6 16V (KT0D)	81	10/07 →	•		P68029MM [-]	18,3	ATE					
	81	10/07 →	•		P59042MM [O]	16,7	ATE					
2.0 16V (KT0F, KT0W)	103	10/07 →	•		P68046MM [-]	18	ATE					
	103	10/07 →	•		P59042MM [O]	16,7	ATE					
2.0 16V Hi-Flex (KT1H)	103	10/07 →	•		P68046MM [-]	18	ATE					
	103	10/07 →	•		P59042MM [O]	16,7	ATE					
2.0 16V Turbo	125	10/07 →	•		P68046MM [-]	18	ATE					
	125	10/07 →	•		P59042MM [O]	16,7	ATE					
2.0 dCi (KT01, KT08, KT0K, KT0J, KT1A, KT1D)	96	10/07 →	•	2WS	P68046MM [-]	18	ATE					
	96	10/07 →	•	4WS	P68045MM [-]	18	ATE					
	96	10/07 →	•		P59042MM [O]	16,7	ATE					

RENAULT

LAGUNA III Grandtour (KT0/1) 10/07 →

2.0 dCi	110	10/07 →	●	2WS	P68046MM	[-]	18	ATE						
(KT01, KT09, KT12, KT1S)	110	10/07 →	●	4WS	P68045MM	[-]	18	ATE						
	110	10/07 →		●	P59042MM	[o]	16,7	ATE						
2.0 dCi	127	01/08 →	●	2WS	P68046MM	[-]	18	ATE						
(KT0M, KT0N, KT19)	127	01/08 →	●	4WS	P68045MM	[-]	18	ATE						
	127	01/08 →		●	P59042MM	[o]	16,7	ATE						
2.0 dCi GT	131	03/08 →	●	2WS	P68046MM	[-]	18	ATE						
(KT11, KT1E, KT1N)	131	03/08 →	●	4WS	P68045MM	[-]	18	ATE						
	131	03/08 →		●	P59042MM	[o]	16,7	ATE						
2.0 GT	150	03/08 →	●		P68045MM	[-]	18	ATE						
	150	03/08 →		●	P59042MM	[o]	16,7	ATE						
3.0 dCi	173	09/08 →	●		P68045MM	[-]	18	ATE						
(KT03, KT13)	173	09/08 →		●	P59042MM	[o]	16,7	ATE						
3.5 V6	175	04/08 →	●		P68045MM	[-]	18	ATE						
(KT0C, KT0P)	175	04/08 →		●	P59042MM	[o]	16,7	ATE						

LATITUDE (L70_) 07/10 →

1.5 dCi	81	07/10 →	●		P68046MM	[-]	18	ATE						
(L70R)	81	07/10 →		●	P68057MM	[-]	16,2	ATE						
2.0 16V	103	02/11 →	●		P68046MM	[-]	18	ATE						
(L70B)	103	02/11 →		●	P68057MM	[-]	16,2	ATE						
2.0 16V eco2 Flexfuel	103	02/11 →	●		P68046MM	[-]	18	ATE						
(L70B)	103	02/11 →		●	P68057MM	[-]	16,2	ATE						
2.0 dCi	130	02/11 →	●		P68046MM	[-]	18	ATE						
	130	02/11 →		●	P68057MM	[-]	16,2	ATE						
2.0 dCi 150	110	02/11 →	●		P68046MM	[-]	18	ATE						
(L70H)	110	02/11 →		●	P68057MM	[-]	16,2	ATE						
2.0 dCi 175	127	05/11 →	●		P68046MM	[-]	18	ATE						
(L70Y)	127	05/11 →		●	P68057MM	[-]	16,2	ATE						
2.5 V6	130	05/11 →	●		P68046MM	[-]	18	ATE						
(L702, L703, L704, L707)	130	05/11 →		●	P68057MM	[-]	16,2	ATE						
3.0 dCi 240	177	02/11 →	●		P68045MM	[-]	18	ATE						
(L70G)	177	02/11 →		●	P68057MM	[-]	16,2	ATE						

LOGAN EXPRESS (US_) 04/07 →

1.5 dCi	50	04/07 →	●	-ABS; disc Ø 259 mm	P68039MM	[-]	18	ATE						
	50	04/07 →	●	+ABS; disc Ø 260 mm	P68033MM	[-]	17,3	TRW						
1.6	64	04/07 →	●	-ABS; disc Ø 259 mm	P68039MM	[-]	18	ATE						
	64	04/07 →	●	+ABS; disc Ø 260 mm	P68033MM	[-]	17,3	TRW						

LOGAN I (LS_) 09/04 →

1.4	55	09/04 →	●	-ABS	P68008MM	[+]	18,2	TRW						
	55	09/04 →	●	+ABS	P68038MM	[-]	18,2	TRW						
1.5 dCi	63	02/08 →	●		P68008MM	[+]	18,2	TRW						
	63	02/08 →	●		P68038MM	[-]	18,2	TRW						
	50	04/07 →	●	-ABS	P68008MM	[+]	18,2	TRW						
	50	04/07 →	●	+ABS	P68038MM	[-]	18,2	TRW						
	48	06/11 →	●	-ABS	P68008MM	[+]	18,2	TRW						
	48	06/11 →	●	+ABS	P68038MM	[-]	18,2	TRW						
1.6	64	09/04 →	●	-ABS	P68008MM	[+]	18,2	TRW						
	64	09/04 →	●	+ABS	P68038MM	[-]	18,2	TRW						
	77	04/07 →	●		P68008MM	[+]	18,2	TRW						
	77	04/07 →	●		P68038MM	[-]	18,2	TRW						

RENAULT

LOGAN I Estate (KS_) 04/07 →

1.4	55	10/07 →	●	-ABS	P68008MM	[+]	18,2	TRW					
	55	10/07 →	●	+ABS	P68038MM	[-]	18,2	TRW					
1.5 dCi	63	02/08 →	●	-ABS	P68008MM	[+]	18,2	TRW					
	63	02/08 →	●	→ 11/08; +ABS	P68039MM	[-]	18	ATE					
	63	02/08 →	●	12/08 →; +ABS	P68033MM	[-]	17,3	TRW					
	50	04/07 →	●		P68008MM	[+]	18,2	TRW					
	50	04/07 →	●		P68038MM	[-]	18,2	TRW					
	48	06/11 →	●	-ABS	P68008MM	[+]	18,2	TRW					
	48	06/11 →	●	+ABS	P68038MM	[-]	18,2	TRW					
	66	06/11 →	●	-ABS	P68008MM	[+]	18,2	TRW					
	66	06/11 →	●	+ABS	P68038MM	[-]	18,2	TRW					
	64	04/07 →	●	-ABS	P68008MM	[+]	18,2	TRW					
1.6	64	04/07 →	●	+ABS	P68038MM	[-]	18,2	TRW					
	77	04/07 →	●		P68008MM	[+]	18,2	TRW					
	77	04/07 →	●		P68038MM	[-]	18,2	TRW					

LOGAN II (B8_) 10/13 →

1.2	55	11/13 →	●		P68060MM	[-]	18	ATE					
1.6	60	04/14 →	●		P68060MM	[-]	18	ATE					
	75	04/14 →	●		P68059MM	[-]	18	ATE					

LOGAN II Estate (K8_) 12/13 →

1.2 16V	54	12/13 →	●		P68059MM	[-]	18	ATE					
1.2 16V LPG	53	12/13 →	●		P68059MM	[-]	18	ATE					
1.5 dCi	62	12/13 →	●	disc Ø 259 mm	P68039MM	[-]	18	ATE					
	62	12/13 →	●	disc Ø 260 mm	P68033MM	[-]	17,3	TRW					
1.6	59	12/13 →	●	disc Ø 259 mm	P68039MM	[-]	18	ATE					
	59	12/13 →	●	disc Ø 260 mm	P68033MM	[-]	17,3	TRW					

MASTER II Box (FD) 07/98 →

1.9 dCi 80	60	11/01 →	●	15" wheel	P68025MM	[-]	17,5	BSH					
	60	11/01 →	●	16" wheel	P59039MM	[-]	17,8	BSH					
	60	11/01 →	●		P59040MM	[-]	16,8	BSH					
1.9 dTI	59	09/00 →	●	15" wheel	P68025MM	[-]	17,5	BSH					
	59	09/00 →	●	16" wheel	P59039MM	[-]	17,8	BSH					
	59	09/00 →	●		P59040MM	[-]	16,8	BSH					
2.2 dCi 90	66	09/00 →	●	15" wheel	P68025MM	[-]	17,5	BSH					
	66	09/00 →	●	16" wheel	P59039MM	[-]	17,8	BSH					
	66	09/00 →	●		P59040MM	[-]	16,8	BSH					
2.5 D	59	07/98 → 01/01	●	15" wheel	P68025MM	[-]	17,5	BSH					
	59	07/98 → 01/01	●	16" wheel	P59039MM	[-]	17,8	BSH					
	59	07/98 → 01/01	●		P59040MM	[-]	16,8	BSH					
2.5 dCi	74	08/06 →	●		P59039MM	[-]	17,8	BSH					
	74	08/06 →	●		P59040MM	[-]	16,8	BSH					
	88	08/06 →	●		P59039MM	[-]	17,8	BSH					
	88	08/06 →	●		P59040MM	[-]	16,8	BSH					
	107	08/06 →	●		P59039MM	[-]	17,8	BSH					
	107	08/06 →	●		P59040MM	[-]	16,8	BSH					
2.5 dCi 100 (FD0U, FD0V)	73	10/03 →	●		P59039MM	[-]	17,8	BSH					
	73	10/03 →	●		P59040MM	[-]	16,8	BSH					
2.5 dCi 120	84	10/01 →	●	15" wheel	P68025MM	[-]	17,5	BSH					
	84	10/01 →	●	16" wheel	P59039MM	[-]	17,8	BSH					
	84	10/01 →	●		P59040MM	[-]	16,8	BSH					
2.8 dTI	84	07/98 → 10/01	●	15" wheel	P68025MM	[-]	17,5	BSH					
	84	07/98 → 10/01	●	16" wheel	P59039MM	[-]	17,8	BSH					
	84	07/98 → 10/01	●		P59040MM	[-]	16,8	BSH					

									WI			FK	
	kw						Th [mm]			LENGHT			

RENAULT

MASTER II Box (FD) 07/98 →

3.0 dCi 120	85	06/05 →	●		P59039MM [-]	17,8	BSH					
	85	06/05 →		●	P59040MM [-]	16,8	BSH					
3.0 dCi 140 (HD0S, FD0S, HD1S)	100	10/03 →	●		P59039MM [-]	17,8	BSH					
	100	10/03 →		●	P59040MM [-]	16,8	BSH					
3.0 dCi 160	115	06/05 →	●		P59039MM [-]	17,8	BSH					
	115	06/05 →		●	P59040MM [-]	16,8	BSH					

MASTER II Bus (JD) 03/98 →

1.9 dCi 80	60	11/01 →	●	15" wheel	P68025MM [-]	17,5	BSH					
	60	11/01 →	●	16" wheel	P59039MM [-]	17,8	BSH					
	60	11/01 →		●	P59040MM [-]	16,8	BSH					
1.9 dTi	59	09/00 →	●	15" wheel	P68025MM [-]	17,5	BSH					
	59	09/00 →	●	16" wheel	P59039MM [-]	17,8	BSH					
	59	09/00 →		●	P59040MM [-]	16,8	BSH					
2.2 dCi 90	66	09/00 →	●	15" wheel	P68025MM [-]	17,5	BSH					
	66	09/00 →	●	16" wheel	P59039MM [-]	17,8	BSH					
	66	09/00 →		●	P59040MM [-]	16,8	BSH					
2.5 D	59	07/98 → 01/01	●	15" wheel	P68025MM [-]	17,5	BSH					
	59	07/98 → 01/01	●	16" wheel	P59039MM [-]	17,8	BSH					
	59	07/98 → 01/01		●	P59040MM [-]	16,8	BSH					
2.5 dCi	74	08/06 →	●		P59039MM [-]	17,8	BSH					
	74	08/06 →		●	P59040MM [-]	16,8	BSH					
	88	08/06 →	●		P59039MM [-]	17,8	BSH					
	88	08/06 →		●	P59040MM [-]	16,8	BSH					
	107	08/06 →	●		P59039MM [-]	17,8	BSH					
	107	08/06 →		●	P59040MM [-]	16,8	BSH					
2.5 dCi 100 (JDCV)	73	10/03 →	●		P59039MM [-]	17,8	BSH					
	73	10/03 →		●	P59040MM [-]	16,8	BSH					
2.5 dCi 120	84	10/01 →	●	15" wheel	P68025MM [-]	17,5	BSH					
	84	10/01 →	●	16" wheel	P59039MM [-]	17,8	BSH					
	84	10/01 →		●	P59040MM [-]	16,8	BSH					
2.8 dTi	84	07/98 → 10/01	●	15" wheel	P68025MM [-]	17,5	BSH					
	84	07/98 → 10/01	●	16" wheel	P59039MM [-]	17,8	BSH					
	84	07/98 → 10/01		●	P59040MM [-]	16,8	BSH					
3.0 dCi 140 (JD0T)	100	10/03 →	●		P59039MM [-]	17,8	BSH					
	100	10/03 →		●	P59040MM [-]	16,8	BSH					

MASTER II Platform/Chassis (ED/HD/UD) 07/98 →

2.2 dCi 90	66	09/00 →	●	15" wheel	P68025MM [-]	17,5	BSH					
	66	09/00 →	●	16" wheel	P59039MM [-]	17,8	BSH					
	66	09/00 →		●	P59040MM [-]	16,8	BSH					
2.5 D	59	07/98 → 01/01	●	15" wheel	P68025MM [-]	17,5	BSH					
	59	07/98 → 01/01	●	16" wheel	P59039MM [-]	17,8	BSH					
	59	07/98 → 01/01		●	P59040MM [-]	16,8	BSH					
2.5 dCi	74	08/06 →	●		P59039MM [-]	17,8	BSH					
	74	08/06 →		●	P59040MM [-]	16,8	BSH					
	88	08/06 →	●		P59039MM [-]	17,8	BSH					
	88	08/06 →		●	P59040MM [-]	16,8	BSH					
	107	08/06 →	●		P59039MM [-]	17,8	BSH					
	107	08/06 →		●	P59040MM [-]	16,8	BSH					
2.5 dCi 100 (ED4V, ED8V)	73	10/03 →	●		P59039MM [-]	17,8	BSH					
	73	10/03 →		●	P59040MM [-]	16,8	BSH					
2.5 dCi 120	84	10/01 →	●	15" wheel	P68025MM [-]	17,5	BSH					
	84	10/01 →	●	16" wheel	P59039MM [-]	17,8	BSH					
	84	10/01 →		●	P59040MM [-]	16,8	BSH					

RENAULT

MASTER II Platform/Chassis (ED/HD/UD) 07/98 →

2.8 dTi	84	07/98 → 10/01	●	15" wheel	P68025MM [-]	17,5	BSH					
	84	07/98 → 10/01	●	16" wheel	P59039MM [-]	17,8	BSH					
	84	07/98 → 10/01	●		P59040MM [-]	16,8	BSH					
3.0 dCi 120	85	06/05 →	●		P59039MM [-]	17,8	BSH					
	85	06/05 →	●		P59040MM [-]	16,8	BSH					
3.0 dCi 140 (ED0S, UD0S)	100	10/03 →	●		P59039MM [-]	17,8	BSH					
	100	10/03 →	●		P59040MM [-]	16,8	BSH					
3.0 dCi 160	115	06/05 →	●		P59039MM [-]	17,8	BSH					
	115	06/05 →	●		P59040MM [-]	16,8	BSH					

MASTER III Box (FV) 02/10 →

2.3 dCi 100 [RWD] (FV0B, FV0C, FV0D)	74	02/10 →	●		P68062MM [+]	18	BRE					
	74	02/10 →	●	single tyres	P68063MM [+]	18,1	BRE					
	74	02/10 →	●	twin tyres	P68061MM [+]	18	BRE					
2.3 dCi 100 FWD (FV0A, FV0B, FV0G, FV0K)	74	02/10 →	●		P68062MM [+]	18	BRE					
	74	02/10 →	●	single tyres	P68063MM [+]	18,1	BRE					
	74	02/10 →	●	twin tyres	P68061MM [+]	18	BRE					
2.3 dCi 110 FWD	81	09/14 →	●		P68062MM [+]	18	BRE					
	81	09/14 →	●	single tyres	P68063MM [+]	18,1	BRE					
	81	09/14 →	●	twin tyres	P68061MM [+]	18	BRE					
2.3 dCi 125 [RWD] (FV0C, FV0D, FV0H, FV0J)	92	02/10 →	●		P68062MM [+]	18	BRE					
	92	02/10 →	●	single tyres	P68063MM [+]	18,1	BRE					
	92	02/10 →	●	twin tyres	P68061MM [+]	18	BRE					
2.3 dCi 125 FWD (FV0C, FV0D)	92	02/10 →	●		P68062MM [+]	18	BRE					
	92	02/10 →	●	single tyres	P68063MM [+]	18,1	BRE					
	92	02/10 →	●	twin tyres	P68061MM [+]	18	BRE					
2.3 dCi 130 [RWD]	96	03/12 →	●		P68062MM [+]	18	BRE					
	96	03/12 →	●	single tyres	P68063MM [+]	18,1	BRE					
	96	03/12 →	●	twin tyres	P68061MM [+]	18	BRE					
2.3 dCi 130 FWD	96	06/16 →	●		P68062MM [+]	18	BRE					
	96	06/16 →	●	single tyres	P68063MM [+]	18,1	BRE					
	96	06/16 →	●	twin tyres	P68061MM [+]	18	BRE					
2.3 dCi 135 [RWD]	100	07/14 →	●		P68062MM [+]	18	BRE					
	100	07/14 →	●	single tyres	P68063MM [+]	18,1	BRE					
	100	07/14 →	●	twin tyres	P68061MM [+]	18	BRE					
2.3 dCi 135 FWD	100	07/14 →	●		P68062MM [+]	18	BRE					
	100	07/14 →	●	single tyres	P68063MM [+]	18,1	BRE					
	100	07/14 →	●	twin tyres	P68061MM [+]	18	BRE					
2.3 dCi 145 [RWD] (FV0E, FV0F, FV0J)	107	02/10 →	●		P68062MM [+]	18	BRE					
	107	02/10 →	●	single tyres	P68063MM [+]	18,1	BRE					
	107	02/10 →	●	twin tyres	P68061MM [+]	18	BRE					
2.3 dCi 145 FWD (FV0E, FV0F, FV0H, FV0J)	107	02/10 →	●		P68062MM [+]	18	BRE					
	107	02/10 →	●	single tyres	P68063MM [+]	18,1	BRE					
	107	02/10 →	●	twin tyres	P68061MM [+]	18	BRE					
2.3 dCi 150 [RWD]	110	03/13 →	●		P68062MM [+]	18	BRE					
	110	03/13 →	●	single tyres	P68063MM [+]	18,1	BRE					
	110	03/13 →	●	twin tyres	P68061MM [+]	18	BRE					
2.3 dCi 150 FWD	110	03/13 →	●		P68062MM [+]	18	BRE					
	110	03/13 →	●	single tyres	P68063MM [+]	18,1	BRE					
	110	03/13 →	●	twin tyres	P68061MM [+]	18	BRE					
2.3 dCi 165 [RWD]	120	07/14 →	●		P68062MM [+]	18	BRE					
	120	07/14 →	●	single tyres	P68063MM [+]	18,1	BRE					
	120	07/14 →	●	twin tyres	P68061MM [+]	18	BRE					

								WI			FK		
	kw									LENGHT			

RENAULT

MASTER III Box (FV) 02/10 →

2.3 dCi 165 FWD	120 07/14 →	●		P68062MM	[+]	18	BRE					
	120 07/14 →		● single tyres	P68063MM	[+]	18,1	BRE					
	120 07/14 →		● twin tyres	P68061MM	[+]	18	BRE					
2.3 dCi 170 FWD	125 07/15 →	●		P68062MM	[+]	18	BRE					
	125 07/15 →		● single tyres	P68063MM	[+]	18,1	BRE					
	125 07/15 →		● twin tyres	P68061MM	[+]	18	BRE					

MASTER III Bus (JV) 02/11 →

2.3 dCi 100 FWD (JV0A, JV0B)	74 02/11 →	●		P68062MM	[+]	18	BRE					
	74 02/11 →		● single tyres	P68063MM	[+]	18,1	BRE					
	74 02/11 →		● twin tyres	P68061MM	[+]	18	BRE					
2.3 dCi 110 FWD	81 09/14 →	●		P68062MM	[+]	18	BRE					
	81 09/14 →		● single tyres	P68063MM	[+]	18,1	BRE					
	81 09/14 →		● twin tyres	P68061MM	[+]	18	BRE					
2.3 dCi 125 FWD (JV0C, JV0D, JV0H)	92 02/11 →	●		P68062MM	[+]	18	BRE					
	92 02/11 →		● single tyres	P68063MM	[+]	18,1	BRE					
	92 02/11 →		● twin tyres	P68061MM	[+]	18	BRE					
2.3 dCi 135 FWD	100 07/14 →	●		P68062MM	[+]	18	BRE					
	100 07/14 →		● single tyres	P68063MM	[+]	18,1	BRE					
	100 07/14 →		● twin tyres	P68061MM	[+]	18	BRE					
2.3 dCi 145 FWD (JV0F, JV0H)	107 02/11 →	●		P68062MM	[+]	18	BRE					
	107 02/11 →		● single tyres	P68063MM	[+]	18,1	BRE					
	107 02/11 →		● twin tyres	P68061MM	[+]	18	BRE					
2.3 dCi 150 FWD	110 10/12 →	●		P68062MM	[+]	18	BRE					
	110 10/12 →		● single tyres	P68063MM	[+]	18,1	BRE					
	110 10/12 →		● twin tyres	P68061MM	[+]	18	BRE					
2.3 dCi 165 FWD	120 07/14 →	●		P68062MM	[+]	18	BRE					
	120 07/14 →		● single tyres	P68063MM	[+]	18,1	BRE					
	120 07/14 →		● twin tyres	P68061MM	[+]	18	BRE					
2.3 dCi 170 FWD	125 07/15 →	●		P68062MM	[+]	18	BRE					
	125 07/15 →		● single tyres	P68063MM	[+]	18,1	BRE					
	125 07/15 →		● twin tyres	P68061MM	[+]	18	BRE					

MASTER III Platform/Chassis (EV, HV, UV) 02/10 →

2.3 dCi 100 [RWD] (UV0C, UV0D, HV0C, HV0D)	74 02/10 →	●		P68062MM	[+]	18	BRE					
	74 02/10 →		● single tyres	P68063MM	[+]	18,1	BRE					
	74 02/10 →		● twin tyres	P68061MM	[+]	18	BRE					
2.3 dCi 100 FWD (EV0A, EV0B, HV0A, HV0B, HV0C, UV0A, ...)	74 02/10 →	●		P68062MM	[+]	18	BRE					
	74 02/10 →		● single tyres	P68063MM	[+]	18,1	BRE					
	74 02/10 →		● twin tyres	P68061MM	[+]	18	BRE					
2.3 dCi 110 FWD	81 09/14 →	●		P68062MM	[+]	18	BRE					
	81 09/14 →		● single tyres	P68063MM	[+]	18,1	BRE					
	81 09/14 →		● twin tyres	P68061MM	[+]	18	BRE					
2.3 dCi 125 [RWD] (HV0C, HV0D, UV0C, UV0D, UV0H, UV0J)	92 02/10 →	●		P68062MM	[+]	18	BRE					
	92 02/10 →		● single tyres	P68063MM	[+]	18,1	BRE					
	92 02/10 →		● twin tyres	P68061MM	[+]	18	BRE					
2.3 dCi 125 FWD (EV0C, EV0D, EV0J, HV0C, HV0D, HV0H, ...)	92 02/10 →	●		P68062MM	[+]	18	BRE					
	92 02/10 →		● single tyres	P68063MM	[+]	18,1	BRE					
	92 02/10 →		● twin tyres	P68061MM	[+]	18	BRE					

RENAULT

MASTER III Platform/Chassis (EV, HV, UV) 02/10 →

2.3 dCi 130 FWD	96	03/12 →	●		P68062MM	[+]	18	BRE					
	96	03/12 →		● single tyres	P68063MM	[+]	18,1	BRE					
	96	03/12 →		● twin tyres	P68061MM	[+]	18	BRE					
2.3 dCi 135 [RWD]	100	07/14 →	●		P68062MM	[+]	18	BRE					
	100	07/14 →		● single tyres	P68063MM	[+]	18,1	BRE					
	100	07/14 →		● twin tyres	P68061MM	[+]	18	BRE					
2.3 dCi 135 FWD	100	07/14 →	●		P68062MM	[+]	18	BRE					
	100	07/14 →		● single tyres	P68063MM	[+]	18,1	BRE					
	100	07/14 →		● twin tyres	P68061MM	[+]	18	BRE					
2.3 dCi 145 [RWD] (UV0F, UV0E)	107	02/10 →	●		P68062MM	[+]	18	BRE					
	107	02/10 →		● single tyres	P68063MM	[+]	18,1	BRE					
	107	02/10 →		● twin tyres	P68061MM	[+]	18	BRE					
2.3 dCi 145 FWD (EVOE, EV0F, HV0E, HV0F, UV0E, UV0F)	107	02/10 →	●		P68062MM	[+]	18	BRE					
	107	02/10 →		● single tyres	P68063MM	[+]	18,1	BRE					
	107	02/10 →		● twin tyres	P68061MM	[+]	18	BRE					
2.3 dCi 150 [RWD]	110	03/13 →	●		P68062MM	[+]	18	BRE					
	110	03/13 →		● single tyres	P68063MM	[+]	18,1	BRE					
	110	03/13 →		● twin tyres	P68061MM	[+]	18	BRE					
2.3 dCi 150 FWD	110	03/13 →	●		P68062MM	[+]	18	BRE					
	110	03/13 →		● single tyres	P68063MM	[+]	18,1	BRE					
	110	03/13 →		● twin tyres	P68061MM	[+]	18	BRE					
2.3 dCi 165 [RWD]	120	07/14 →	●		P68062MM	[+]	18	BRE					
	120	07/14 →		● single tyres	P68063MM	[+]	18,1	BRE					
	120	07/14 →		● twin tyres	P68061MM	[+]	18	BRE					
2.3 dCi 165 FWD	120	07/14 →	●		P68062MM	[+]	18	BRE					
	120	07/14 →		● single tyres	P68063MM	[+]	18,1	BRE					
	120	07/14 →		● twin tyres	P68061MM	[+]	18	BRE					
2.3 dCi 170 FWD	125	06/16 →	●		P68062MM	[+]	18	BRE					
	125	06/16 →		● single tyres	P68063MM	[+]	18,1	BRE					
	125	06/16 →		● twin tyres	P68061MM	[+]	18	BRE					

MEGANE CC (EZ0/1_) 06/10 →

1.2 TCe (EZ16)	97	01/13 →	●		P68050MM	[-]	18	ATE					
	97	01/13 →		● -elect.handbrake	P68024MM	[-]	16,2	TRW					
	97	01/13 →		● +elect.handbrake	P68041MM	[-]	15,7	BSH					
1.4 TCe (EZ0F, EZ1V)	96	06/10 →	●		P68050MM	[-]	18	ATE					
	96	06/10 →		● -elect.handbrake	P68024MM	[-]	16,2	TRW					
	96	06/10 →		● +elect.handbrake	P68041MM	[-]	15,7	BSH					
1.5 dCi (EZ09, EZ1G, EZ0D)	81	06/10 →	●		P68050MM	[-]	18	ATE					
	81	06/10 →		● -elect.handbrake	P68024MM	[-]	16,2	TRW					
	81	06/10 →		● +elect.handbrake	P68041MM	[-]	15,7	BSH					
1.6 16V (EZ0U, EZ1U)	81	06/10 →	●		P68050MM	[-]	18	ATE					
	81	06/10 →		● -elect.handbrake	P68024MM	[-]	16,2	TRW					
	81	06/10 →		● +elect.handbrake	P68041MM	[-]	15,7	BSH					
1.6 dCi (EZ00)	96	04/11 →	●		P68050MM	[-]	18	ATE					A02202
	96	04/11 →		● -elect.handbrake	P68024MM	[-]	16,2	TRW					
	96	04/11 →		● +elect.handbrake	P68041MM	[-]	15,7	BSH					
1.9 dCi (EZ0J, EZ1S)	96	06/10 →	●		P68050MM	[-]	18	ATE					
	96	06/10 →		● -elect.handbrake	P68024MM	[-]	16,2	TRW					
	96	06/10 →		● +elect.handbrake	P68041MM	[-]	15,7	BSH					
2.0 CVT (EZ0G, EZ1E, EZ1P)	103	06/10 →	●		P68050MM	[-]	18	ATE					A02202
	103	06/10 →		● -elect.handbrake	P68024MM	[-]	16,2	TRW					
	103	06/10 →		● +elect.handbrake	P68041MM	[-]	15,7	BSH					

									WI			FK	
										LENGHT			

RENAULT

MEGANE CC (EZ0/1_) 06/10 →

2.0 dCi (EZ0L)	118 06/10 →	●		P68047MM [-]	18	ATE						
	118 06/10 →		● -elect.handbrake	P68024MM [-]	16,2	TRW						
	118 06/10 →		● +elect.handbrake	P68041MM [-]	15,7	BSH						
2.0 TCe (EZ1T)	132 06/10 →	●		P68036MM [-]	15,3	BRE						
	132 06/10 →		● -elect.handbrake	P68024MM [-]	16,2	TRW						
	132 06/10 →		● +elect.handbrake	P68041MM [-]	15,7	BSH						
2.0 Turbo	195 10/11 →	●		P68047MM [-]	18	ATE						
	195 10/11 →		● +elect.handbrake	P68024MM [-]	16,2	TRW						
	195 10/11 →		● -elect.handbrake	P68041MM [-]	15,7	BSH						

MEGANE I (BA0/1_) 08/95 → 12/04

1.4 16V (BA0D, BA1H, BA0W, BA10)	70 03/99 → 08/03	●		P68008MM [+]	18,2	TRW						
	70 03/99 → 08/03	●		P68038MM [-]	18,2	TRW						
	70 03/99 → 08/03	●		P61032MM [o]	11	BDX					A02215	
1.4 e (BA0E, BA0V)	55 01/96 → 08/03	●		P68008MM [+]	18,2	TRW						
	55 01/96 → 08/03	●		P68038MM [-]	18,2	TRW						
1.4 Eco (BA0T)	52 01/96 → 03/99	●		P68008MM [+]	18,2	TRW						
	52 01/96 → 03/99	●		P68038MM [-]	18,2	TRW						
	52 01/96 → 03/99	●		P61032MM [o]	11	BDX					A02215	
1.6 16V (BA11, BA04, BA0B, BA1J)	79 03/99 → 08/03	●		P68027MM [-]	18,3	TRW						
	79 03/99 → 08/03	●		P61032MM [o]	11	BDX					A02215	
1.6 e (BA0F, BA0S)	66 01/96 → 03/99	●		P68008MM [+]	18,2	TRW						
	66 01/96 → 03/99	●		P68038MM [-]	18,2	TRW						
1.6 i (BA0L)	55 01/96 → 03/99	●		P68008MM [+]	18,2	TRW						
	55 01/96 → 03/99	●		P68038MM [-]	18,2	TRW						
1.6 LPG	80 10/00 → 08/02	●		P68027MM [-]	18,3	TRW						
	80 10/00 → 08/02	●		P61032MM [o]	11	BDX						
1.8 16V (BA06, BA12, BA1A, BA1M, BA1R)	85 01/01 → 08/03	●		P68027MM [-]	18,3	TRW						
	85 01/01 → 08/03	●		P61032MM [o]	11	BDX					A02215	
1.9 D Eco (B/SA0U, BA0A)	47 01/96 → 08/03	●		P68008MM [+]	18,2	TRW						
	47 01/96 → 08/03	●		P68038MM [-]	18,2	TRW						
1.9 dCi (BA05, BA1F)	75 02/01 → 08/03	●		P68027MM [-]	18,3	TRW						
	75 02/01 → 08/03	●		P61032MM [o]	11	BDX						
1.9 dT (B/SA0K, B/SA0Y)	66 01/96 → 08/03	●		P68008MM [+]	18,2	TRW						
	66 01/96 → 08/03	●		P68038MM [-]	18,2	TRW						
	66 01/96 → 08/03	●		P61032MM [o]	11	BDX						
1.9 DTi	60 02/00 → 09/00	●		P68038MM [-]	18,2	TRW						
	60 02/00 → 09/00	●		P68008MM [+]	18,2	TRW						
	60 02/00 → 09/00	●		P61032MM [o]	11	BDX						
1.9 dTi (BA08, BA0N)	72 03/97 → 02/01	●	disc Ø 259 mm	P68008MM [+]	18,2	TRW						
	72 03/97 → 02/01	●	disc Ø 259 mm	P68038MM [-]	18,2	TRW						
	72 03/97 → 02/01	●	disc Ø 280 mm	P68027MM [-]	18,3	TRW						
	72 03/97 → 02/01	●		P61032MM [o]	11	BDX					A02215	
1.9 dTi (BA1U)	59 02/01 → 08/03	●		P68027MM [-]	18,3	TRW						
	59 02/01 → 08/03	●		P61032MM [o]	11	BDX					A02215	
1.9 TDI	69 09/96 → 08/03	●		P68008MM [+]	18,2	TRW						
	69 09/96 → 08/03	●		P68038MM [-]	18,2	TRW						
	69 09/96 → 08/03	●		P61032MM [o]	11	BDX					A02215	
2.0	85 05/98 → 05/01	●		P68008MM [+]	18,2	TRW						
	85 05/98 → 05/01	●		P68038MM [-]	18,2	TRW						

		kw						wi	Th [mm]	SYS	WI			FK	
												LENGHT			

RENAULT

MEGANE I (BA0/1_) 08/95 → 12/04

2.0 16V (BA0H)	108	07/96 → 08/03	●	→ 02/99	P68014MM	[+]	18,3	GIR							
	108	07/96 → 08/03	●	03/99 →	P68027MM	[-]	18,3	TRW							
	108	07/96 → 08/03	●		P61032MM	[O]	11	BDX					A02215		
2.0 i	80	03/99 → 08/03	●		P68008MM	[+]	18,2	TRW							
	80	03/99 → 08/03	●		P68038MM	[-]	18,2	TRW							
2.0 i (BA0G)	84	01/96 → 08/03	●		P68008MM	[+]	18,2	TRW							
	84	01/96 → 08/03	●		P68038MM	[-]	18,2	TRW							

MEGANE I Cabriolet (EA0/1_) 10/96 → 08/03

1.4 16V (EA0D, EA1H, EA0W, EA10)	70	03/99 → 08/03	●	disc Ø 259 mm	P68008MM	[+]	18,2	TRW							
	70	03/99 → 08/03	●	disc Ø 259 mm	P68038MM	[-]	18,2	TRW							
	70	03/99 → 08/03	●	disc Ø 280 mm	P68027MM	[-]	18,3	TRW							
	70	03/99 → 08/03	●		P61032MM	[O]	11	BDX					A02215		
1.6 16V (EA0B, EA04, EA11)	79	03/99 → 08/03	●		P68027MM	[-]	18,3	TRW							
	79	03/99 → 08/03	●		P61032MM	[O]	11	BDX					A02215		
1.6 e (EA0F)	66	10/96 → 03/99	●		P68008MM	[+]	18,2	TRW							
	66	10/96 → 03/99	●		P68038MM	[-]	18,2	TRW							
2.0 (EA0G)	84	04/97 → 08/03	●		P68008MM	[+]	18,2	TRW							
	84	04/97 → 08/03	●		P68038MM	[-]	18,2	TRW							
2.0 16V	102	01/02 → 08/03	●		P68027MM	[-]	18,3	TRW							
	102	01/02 → 08/03	●		P61032MM	[O]	11	BDX					A02215		
2.0 16V (EA0H)	108	10/96 → 11/99	●	→ 02/99	P68014MM	[+]	18,3	GIR							
	108	10/96 → 11/99	●	03/99 →	P68027MM	[-]	18,3	TRW							
	108	10/96 → 11/99	●		P61032MM	[O]	11	BDX					A02215		
2.0 16V IDE (EA03, EA0P, EA14)	103	11/99 → 08/03	●		P68027MM	[-]	18,3	TRW							
	103	11/99 → 08/03	●		P61032MM	[O]	11	BDX					A02215		
2.0 i (EA0G)	80	03/99 → 08/03	●		P68008MM	[+]	18,2	TRW							
	80	03/99 → 08/03	●		P68038MM	[-]	18,2	TRW							

MEGANE I Classic (LA0/1_) 09/96 → 08/08

1.4 (LA0E, LA0V)	55	09/96 → 08/03	●		P68008MM	[+]	18,2	TRW							
	55	09/96 → 08/03	●		P68038MM	[-]	18,2	TRW							
1.4 16V (LA0D, LA1H, IA0W, LA10)	70	03/99 → 08/03	●		P68008MM	[+]	18,2	TRW							
	70	03/99 → 08/03	●		P68038MM	[-]	18,2	TRW							
	70	03/99 → 08/03	●		P61032MM	[O]	11	BDX					A02215		
1.6 16V (La04, LA11, LA0B, LA1C, LA1J)	79	03/99 → 08/03	●		P68027MM	[-]	18,3	TRW							
	79	03/99 → 08/03	●		P61032MM	[O]	11	BDX					A02215		
1.6 e (LA0F, LA0S)	66	09/96 → 03/99	●		P68008MM	[+]	18,2	TRW							
	66	09/96 → 03/99	●		P68038MM	[-]	18,2	TRW							
1.6 i (LA0L)	55	09/96 → 03/99	●		P68008MM	[+]	18,2	TRW							
	55	09/96 → 03/99	●		P68038MM	[-]	18,2	TRW							
1.8 16V (LA06, LA12, LA1A, LA1M, LA1R)	85	01/01 → 08/03	●		P68027MM	[-]	18,3	TRW							
	85	01/01 → 08/03	●		P61032MM	[O]	11	BDX					A02215		
1.9 D (LA0A, LA0U)	47	09/96 → 08/03	●		P68008MM	[+]	18,2	TRW							
	47	09/96 → 08/03	●		P68038MM	[-]	18,2	TRW							
1.9 dCi	77	03/99 → 09/00	●		P68027MM	[-]	18,3	TRW							
	77	03/99 → 09/00	●		P61032MM	[O]	11	BDX							
1.9 dCi (LA05, LA1F)	75	02/01 → 08/03	●		P68027MM	[-]	18,3	TRW							
	75	02/01 → 08/03	●		P61032MM	[O]	11	BDX					A02215		
1.9 dT (LA0K, LA0Y)	66	09/96 → 08/03	●		P68008MM	[+]	18,2	TRW							
	66	09/96 → 08/03	●		P68038MM	[-]	18,2	TRW							

									WI			FK	
										LENGHT			

RENAULT

MEGANE I Classic (LA0/1_) 09/96 → 08/08

1.9 dTi (LA08, LA0N)	72	03/97 → 02/01	●	disc Ø 259 mm	P68008MM	[+]	18,2	TRW					
	72	03/97 → 02/01	●	disc Ø 259 mm	P68038MM	[-]	18,2	TRW					
	72	03/97 → 02/01	●	disc Ø 280 mm	P68027MM	[-]	18,3	TRW					
	72	03/97 → 02/01	●		P61032MM	[o]	11	BDX				A02215	
1.9 dTi (LA1U)	59	02/01 → 08/03	●		P68027MM	[-]	18,3	TRW					
	59	02/01 → 08/03	●		P61032MM	[o]	11	BDX				A02215	
1.9 TDI	69	09/96 → 08/03	●		P68008MM	[+]	18,2	TRW					
	69	09/96 → 08/03	●		P68038MM	[-]	18,2	TRW					
	69	09/96 → 08/03	●		P61032MM	[o]	11	BDX				A02215	
2.0	85	05/98 → 05/01	●		P68038MM	[-]	18,2	TRW					
	85	05/98 → 05/01	●		P68008MM	[+]	18,2	TRW					
2.0 i (LA07, LA0G)	84	09/96 → 08/03	●		P68008MM	[+]	18,2	TRW					
	84	09/96 → 08/03	●		P68038MM	[-]	18,2	TRW					
2.0 i (LA0G)	80	03/99 → 08/03	●		P68008MM	[+]	18,2	TRW					
	80	03/99 → 08/03	●		P68038MM	[-]	18,2	TRW					

MEGANE I Coach (DA0/1_) 03/96 → 08/03

1.4 16V (DA0D, DA1H, DA0W, DA10)	70	03/99 → 08/03	●	→ 09/00	P68008MM	[+]	18,2	TRW					
	70	03/99 → 08/03	●	→ 09/00	P68038MM	[-]	18,2	TRW					
	70	03/99 → 08/03	●	09/00 →	P68027MM	[-]	18,3	TRW					
	70	03/99 → 08/03	●		P61032MM	[o]	11	BDX				A02215	
1.6 16V (DA0B, DA04, DA11)	79	03/99 → 08/03	●		P68027MM	[-]	18,3	TRW					
	79	03/99 → 08/03	●		P61032MM	[o]	11	BDX				A02215	
1.6 e (DA0F)	66	03/96 → 03/99	●		P68008MM	[+]	18,2	TRW					
	66	03/96 → 03/99	●		P68038MM	[-]	18,2	TRW					
1.9 dCi (DA05, DA1F)	75	02/01 → 08/03	●	→ 280399	P68014MM	[+]	18,3	GIR					
	75	02/01 → 08/03	●	280399 →	P68027MM	[-]	18,3	TRW					
	75	02/01 → 08/03	●		P61032MM	[o]	11	BDX				A02215	
1.9 dTi (DA0N)	72	03/97 → 02/01	●	→ 02/99	P68008MM	[+]	18,2	TRW					
	72	03/97 → 02/01	●	→ 02/99	P68038MM	[-]	18,2	TRW					
	72	03/97 → 02/01	●	03/99 →; → 280399	P68014MM	[+]	18,3	GIR					
	72	03/97 → 02/01	●	03/99 →; 280399 →	P68027MM	[-]	18,3	TRW					
2.0 16V	102	01/02 → 08/03	●		P68027MM	[-]	18,3	TRW					
	102	01/02 → 08/03	●		P61032MM	[o]	11	BDX				A02215	
2.0 16V (DA0H)	108	03/96 → 11/99	●	→ 02/99	P68014MM	[+]	18,3	GIR					
	108	03/96 → 11/99	●	03/99 →	P68027MM	[-]	18,3	TRW					
	108	03/96 → 11/99	●		P61032MM	[o]	11	BDX				A02215	
2.0 16V IDE (DA03, DA0P, DA14)	103	11/99 → 08/03	●		P68027MM	[-]	18,3	TRW					
	103	11/99 → 08/03	●		P61032MM	[o]	11	BDX				A02215	
2.0 i	80	03/99 → 08/03	●		P68008MM	[+]	18,2	TRW					
	80	03/99 → 08/03	●		P68038MM	[-]	18,2	TRW					
2.0 i (DA0G)	84	03/96 → 08/03	●		P68008MM	[+]	18,2	TRW					
	84	03/96 → 08/03	●		P68038MM	[-]	18,2	TRW					

MEGANE I Grandtour (KA0/1_) 03/99 → 08/03

1.4 16V (KA0D, KA1H, KA0W, KA10)	70	03/99 → 08/03	●		P68008MM	[+]	18,2	TRW					
	70	03/99 → 08/03	●		P68038MM	[-]	18,2	TRW					
	70	03/99 → 08/03	●		P85017MM	[-]	15,2	TRW				A02205	
1.4 e (KA0V)	55	03/99 → 08/03	●		P68008MM	[+]	18,2	TRW					
	55	03/99 → 08/03	●		P68038MM	[-]	18,2	TRW					
1.6 16V (KA0B, KA04, KA11)	79	03/99 → 08/03	●		P68027MM	[-]	18,3	TRW					
	79	03/99 → 08/03	●		P85017MM	[-]	15,2	TRW				A02205	

		kw						wi	Th [mm]	SYS	WI			FK	
												LENGHT			

RENAULT

MEGANE I Grandtour (KA0/1_) 03/99 → 08/03

1.6 e (KA0F)	66	03/99 → 08/03	●			P68008MM	[+]	18,2	TRW						
	66	03/99 → 08/03	●			P68038MM	[-]	18,2	TRW						
1.8 16V (KA0S, KA12, KA1A, KA1M, KA1R)	85	01/01 → 08/03	●			P68027MM	[-]	18,3	TRW						
	85	01/01 → 08/03		●		P85017MM	[-]	15,2	TRW					A02205	
1.9 D (KA0J, KA0R)	47	04/99 → 08/03	●			P68008MM	[+]	18,2	TRW						
	47	04/99 → 08/03	●			P68038MM	[-]	18,2	TRW						
1.9 dCi (KA05, KA1F)	75	02/01 → 08/03	●			P68027MM	[-]	18,3	TRW						
	75	02/01 → 08/03		●		P85017MM	[-]	15,2	TRW						
1.9 dTi (KA0N)	72	03/99 → 02/01	●			P68027MM	[-]	18,3	TRW						
	72	03/99 → 02/01		●		P85017MM	[-]	15,2	TRW					A02205	
1.9 dTi (KA1U)	59	02/01 → 08/03	●			P68027MM	[-]	18,3	TRW						
	59	02/01 → 08/03		●		P85017MM	[-]	15,2	TRW					A02205	

MEGANE II (BM0/1_, CM0/1_) 11/02 → 01/11

1.4 16V	60	10/03 → 02/08	●		→ 09/05	P68049MM	[-]	17,4	BSH						
	60	10/03 → 02/08	●		→ 09/05	P68031MM	[-]	18,1	BSH						
	60	10/03 → 02/08	●		10/05 →	P68048MM	[-]	18,3	ATE						
	60	10/03 → 02/08		●		P68024MM	[-]	16,2	TRW						
1.4 16V (BM0B, CM0B)	72	11/02 → 02/08	●		→ 09/05	P68031MM	[-]	18,1	BSH						
	72	11/02 → 02/08	●		10/05 →	P68048MM	[-]	18,3	ATE						
	72	11/02 → 02/08		●		P68024MM	[-]	16,2	TRW						
1.5 dCi	74	10/03 → 03/06	●		→ 09/05	P68034MM	[-]	18,1	BSH					A02228	
	74	10/03 → 03/06	●		10/05 →	P68048MM	[-]	18,3	ATE					A02228	
	74	10/03 → 03/06		●		P68024MM	[-]	16,2	TRW						
	63	05/05 → 02/08	●		→ 09/05	P68034MM	[-]	18,1	BSH					A02228	
	63	05/05 → 02/08	●		10/05 →	P68048MM	[-]	18,3	ATE					A02228	
	63	05/05 → 02/08		●		P68024MM	[-]	16,2	TRW						
	78	05/05 → 06/08	●		→ 09/05	P68034MM	[-]	18,1	BSH					A02228	
	78	05/05 → 06/08	●		10/05 →	P68048MM	[-]	18,3	ATE					A02228	
	78	05/05 → 06/08		●		P68024MM	[-]	16,2	TRW						
	76	01/07 → 02/08	●			P68048MM	[-]	18,3	ATE						
76	01/07 → 02/08		●		P68024MM	[-]	16,2	TRW							
1.5 dCi (BM0F, CM0F)	60	11/02 → 02/08	●		→ 09/05	P68034MM	[-]	18,1	BSH					A02228	
	60	11/02 → 02/08	●		10/05 →	P68048MM	[-]	18,3	ATE					A02228	
	60	11/02 → 02/08		●		P68024MM	[-]	16,2	TRW						
1.6	77	06/05 → 02/08	●		→ 09/05	P68034MM	[-]	18,1	BSH						
	77	06/05 → 02/08	●		10/05 →	P68048MM	[-]	18,3	ATE						
	77	06/05 → 02/08		●		P68024MM	[-]	16,2	TRW						
1.6 16V	82	01/06 → 06/08	●			P68048MM	[-]	18,3	ATE						
	82	01/06 → 06/08		●		P68024MM	[-]	16,2	TRW						
1.6 16V (BM0C, CM0C)	83	11/02 → 02/08	●		→ 09/05	P68034MM	[-]	18,1	BSH					A02228	
	83	11/02 → 02/08	●		10/05 →	P68048MM	[-]	18,3	ATE					A02228	
	83	11/02 → 02/08		●		P68024MM	[-]	16,2	TRW						
1.6 Bifuel	77	06/05 → 02/08	●			P68048MM	[-]	18,3	ATE						
	77	06/05 → 02/08		●		P68024MM	[-]	16,2	TRW						
1.6 Flex-Fuel	77	01/07 → 02/08	●			P68048MM	[-]	18,3	ATE						
	77	01/07 → 02/08		●		P68024MM	[-]	16,2	TRW						
1.9 dCi	68	03/04 → 08/06	●		→ 09/05	P68034MM	[-]	18,1	BSH					A02228	
	68	03/04 → 08/06	●		10/05 →	P68048MM	[-]	18,3	ATE					A02228	
	68	03/04 → 08/06		●		P68024MM	[-]	16,2	TRW						
	96	05/05 → 12/09	●		→ 09/05	P68034MM	[-]	18,1	BSH					A02228	
	96	05/05 → 12/09	●		10/05 →	P68048MM	[-]	18,3	ATE					A02228	
	96	05/05 → 12/09		●		P68024MM	[-]	16,2	TRW						

						WI	Th [mm]	SYS	WI		FK		
										LEIGHT			

RENAULT

MEGANE II Coupé-Cabriolet (EM0/1_) 09/03 → 12/09

1.9 dCi	85	09/03 → 03/09	●	10/05 →	P68048MM [-]	18,3	ATE					
	85	09/03 → 03/09	●		P68024MM [-]	16,2	TRW					
2.0	99	09/03 → 12/09	●	→ 09/05	P68034MM [-]	18,1	BSH				A02228	10/05 →
	99	09/03 → 12/09	●	10/05 →	P68048MM [-]	18,3	ATE				A02228	10/05 →
	99	09/03 → 12/09	●		P68024MM [-]	16,2	TRW					
	102	09/03 → 02/07	●	→ 09/05	P68034MM [-]	18,1	BSH					
	102	09/03 → 02/07	●	10/05 →	P68048MM [-]	18,3	ATE					
	102	09/03 → 02/07	●		P68024MM [-]	16,2	TRW					
2.0 16V Turbo	120	05/04 → 03/09	●	→ 09/05	P68034MM [-]	18,1	BSH				A02228	10/05 →
	120	05/04 → 03/09	●	10/05 →	P68048MM [-]	18,3	ATE				A02228	10/05 →
	120	05/04 → 03/09	●		P68024MM [-]	16,2	TRW					
2.0 dCi	110	09/05 → 03/09	●	→ 09/05	P68034MM [-]	18,1	BSH					
	110	09/05 → 03/09	●	10/05 →	P68048MM [-]	18,3	ATE					
	110	09/05 → 03/09	●		P68024MM [-]	16,2	TRW					

MEGANE II Estate (KM0/1_) 08/03 → 08/12

1.4	72	08/03 → 07/09	●	→ 09/05; disc Ø 260 mm	P68031MM [-]	18,1	BSH					
	72	08/03 → 07/09	●	→ 09/05; disc Ø 280 mm	P68034MM [-]	18,1	BSH					
	72	08/03 → 07/09	●	10/05 →	P68048MM [-]	18,3	ATE					
	72	08/03 → 07/09	●		P68024MM [-]	16,2	TRW					
1.5 dCi	60	08/03 → 05/06	●	→ 09/05	P68034MM [-]	18,1	BSH					
	60	08/03 → 05/06	●	10/05 →	P68048MM [-]	18,3	ATE					
	60	08/03 → 05/06	●		P68024MM [-]	16,2	TRW					
	74	02/04 → 03/06	●	→ 09/05	P68034MM [-]	18,1	BSH					
	74	02/04 → 03/06	●	10/05 →	P68048MM [-]	18,3	ATE					
	74	02/04 → 03/06	●		P68024MM [-]	16,2	TRW					
1.5 dCi (KM13)	63	05/05 → 07/09	●	→ 09/05	P68034MM [-]	18,1	BSH					
	63	05/05 → 07/09	●	10/05 →	P68048MM [-]	18,3	ATE					
	63	05/05 → 07/09	●		P68024MM [-]	16,2	TRW					
	76	01/07 → 07/09	●		P68048MM [-]	18,3	ATE					
1.5 dCi (KM16, KM1E)	76	01/07 → 07/09	●		P68024MM [-]	16,2	TRW					
	78	05/05 → 06/08	●	→ 09/05	P68034MM [-]	18,1	BSH					
	78	05/05 → 06/08	●	10/05 →	P68048MM [-]	18,3	ATE					
1.6	78	05/05 → 06/08	●		P68024MM [-]	16,2	TRW					
	83	08/03 → 07/09	●	→ 09/05	P68034MM [-]	18,1	BSH				A02228	
	83	08/03 → 07/09	●	10/05 →	P68048MM [-]	18,3	ATE				A02228	
	83	08/03 → 07/09	●		P68024MM [-]	16,2	TRW					
1.6 16V	82	01/06 → 08/09	●		P68048MM [-]	18,3	ATE					
	82	01/06 → 08/09	●		P68024MM [-]	16,2	TRW					
	77	05/05 → 07/09	●	→ 09/05	P68034MM [-]	18,1	BSH					
	77	05/05 → 07/09	●	10/05 →	P68048MM [-]	18,3	ATE					
1.6 16V Hi-Flex	77	05/05 → 07/09	●		P68024MM [-]	16,2	TRW					
	77	02/08 → 07/09	●		P68048MM [-]	18,3	ATE					
	77	02/08 → 07/09	●		P68024MM [-]	16,2	TRW					
1.9 dCi	85	05/05 → 07/09	●	→ 09/05	P68034MM [-]	18,1	BSH				A02228	
	85	05/05 → 07/09	●	10/05 →	P68048MM [-]	18,3	ATE				A02228	
	85	05/05 → 07/09	●		P68024MM [-]	16,2	TRW					
	88	08/03 → 07/09	●	→ 09/05	P68034MM [-]	18,1	BSH				A02228	
	88	08/03 → 07/09	●	10/05 →	P68048MM [-]	18,3	ATE				A02228	
	88	08/03 → 07/09	●		P68024MM [-]	16,2	TRW					
	68	03/04 → 02/07	●	→ 09/05	P68034MM [-]	18,1	BSH				A02228	
	68	03/04 → 02/07	●	10/05 →	P68048MM [-]	18,3	ATE				A02228	
	68	03/04 → 02/07	●		P68024MM [-]	16,2	TRW					
96	05/05 → 07/09	●	→ 09/05	P68034MM [-]	18,1	BSH				A02228		

									WI			FK	
	kw									LENGHT			

RENAULT

MEGANE II Estate (KM0/1_) 08/03 → 08/12

1.9 dCi	96	05/05 → 07/09	●	10/05 →	P68048MM	[-]	18,3	ATE				A02228	
	96	05/05 → 07/09	●		P68024MM	[-]	16,2	TRW					
	81	05/05 → 07/09	●	→ 09/05	P68034MM	[-]	18,1	BSH				A02228	
	81	05/05 → 07/09	●	10/05 →	P68048MM	[-]	18,3	ATE				A02228	
	81	05/05 → 07/09	●		P68024MM	[-]	16,2	TRW					
	66	04/04 → 12/05	●	→ 09/05	P68034MM	[-]	18,1	BSH					
	66	04/04 → 12/05	●	10/05 →	P68048MM	[-]	18,3	ATE					
	66	04/04 → 12/05	●		P68024MM	[-]	16,2	TRW					
2.0	99	08/03 → 07/09	●	→ 09/05	P68034MM	[-]	18,1	BSH					
	99	08/03 → 07/09	●	10/05 →	P68048MM	[-]	18,3	ATE					
	99	08/03 → 07/09	●		P68024MM	[-]	16,2	TRW					
2.0 dCi	110	09/05 → 07/09	●	→ 09/05	P68034MM	[-]	18,1	BSH					
	110	09/05 → 07/09	●	10/05 →	P68048MM	[-]	18,3	ATE					
	110	09/05 → 07/09	●		P68024MM	[-]	16,2	TRW					

MEGANE II Saloon (LM0/1_) 09/03 →

1.4	60	09/03 →	●	→ 09/05	P68049MM	[-]	17,4	BSH					
	60	09/03 →	●	→ 09/05	P68031MM	[-]	18,1	BSH					
	60	09/03 →	●	10/05 →	P68048MM	[-]	18,3	ATE					
	60	09/03 →	●		P68024MM	[-]	16,2	TRW					
	72	09/03 →	●	→ 09/05	P68049MM	[-]	17,4	BSH					
	72	09/03 →	●	→ 09/05	P68031MM	[-]	18,1	BSH					
	72	09/03 →	●	10/05 →	P68048MM	[-]	18,3	ATE					
	72	09/03 →	●		P68024MM	[-]	16,2	TRW					
1.5 dCi	60	09/03 →	●	→ 09/05	P68034MM	[-]	18,1	BSH					
	60	09/03 →	●	10/05 →	P68048MM	[-]	18,3	ATE					
	60	09/03 →	●		P68024MM	[-]	16,2	TRW					
	74	02/04 →	●	→ 09/05	P68034MM	[-]	18,1	BSH					
	74	02/04 →	●	10/05 →	P68048MM	[-]	18,3	ATE					
	74	02/04 →	●		P68024MM	[-]	16,2	TRW					
	63	05/05 →	●	→ 09/05	P68034MM	[-]	18,1	BSH					
	63	05/05 →	●	10/05 →	P68048MM	[-]	18,3	ATE					
	63	05/05 →	●		P68024MM	[-]	16,2	TRW					
	78	05/05 →	●	→ 09/05	P68034MM	[-]	18,1	BSH					
	78	05/05 →	●	10/05 →	P68048MM	[-]	18,3	ATE					
	78	05/05 →	●		P68024MM	[-]	16,2	TRW					
1.6	76	01/07 →	●		P68048MM	[-]	18,3	ATE					
	76	01/07 →	●		P68024MM	[-]	16,2	TRW					
	83	09/03 →	●	→ 09/05	P68034MM	[-]	18,1	BSH					
	83	09/03 →	●	10/05 →	P68048MM	[-]	18,3	ATE					
	83	09/03 →	●		P68024MM	[-]	16,2	TRW					
	75	09/03 →	●	→ 09/05	P68034MM	[-]	18,1	BSH					
	75	09/03 →	●	10/05 →	P68048MM	[-]	18,3	ATE					
	75	09/03 →	●		P68024MM	[-]	16,2	TRW					
	77	05/05 →	●	→ 09/05	P68034MM	[-]	18,1	BSH					
	77	05/05 →	●	10/05 →	P68048MM	[-]	18,3	ATE					
1.6 16V	81	09/03 → 11/08	●	→ 09/05	P68034MM	[-]	18,1	BSH					
	81	09/03 → 11/08	●	10/05 →	P68048MM	[-]	18,3	ATE					
	81	09/03 → 11/08	●		P68024MM	[-]	16,2	TRW					
1.9 dCi	82	01/06 →	●		P68048MM	[-]	18,3	ATE					
	82	01/06 →	●		P68024MM	[-]	16,2	TRW					
	68	03/04 →	●	→ 09/05	P68034MM	[-]	18,1	BSH					
1.9 dCi	68	03/04 →	●	10/05 →	P68048MM	[-]	18,3	ATE					
	68	03/04 →	●		P68024MM	[-]	16,2	TRW					

--	--	--	--	--	--	--	--	--	--	--	--	--	--	--	--

RENAULT

MEGANE II Saloon (LM0/1_) 09/03 →

1.9 dCi	96	05/05 →	●	→ 09/05	P68034MM [-]	18,1	BSH								
	96	05/05 →	●	10/05 →	P68048MM [-]	18,3	ATE								
	96	05/05 →		●	P68024MM [-]	16,2	TRW								
	66	09/03 → 12/05	●	→ 09/05	P68034MM [-]	18,1	BSH								
	66	09/03 → 12/05	●	10/05 →	P68048MM [-]	18,3	ATE								
	66	09/03 → 12/05		●	P68024MM [-]	16,2	TRW								
1.9 dCi (LM0G, LM1G, LM2C)	88	09/03 →	●	→ 09/05	P68034MM [-]	18,1	BSH								
	88	09/03 →	●	10/05 →	P68048MM [-]	18,3	ATE								
	88	09/03 →		●	P68024MM [-]	16,2	TRW								
1.9 dCi (LM14, LM1D)	81	05/05 →	●	→ 09/05	P68034MM [-]	18,1	BSH								
	81	05/05 →	●	10/05 →	P68048MM [-]	18,3	ATE								
	81	05/05 →		●	P68024MM [-]	16,2	TRW								
2.0	99	09/03 →	●	→ 09/05	P68034MM [-]	18,1	BSH							A02228	
	99	09/03 →	●	10/05 →	P68048MM [-]	18,3	ATE							A02228	
	99	09/03 →		●	P68024MM [-]	16,2	TRW								
	101	04/06 → 11/10	●		P68048MM [-]	18,3	ATE								
	101	04/06 → 11/10		●	P68024MM [-]	16,2	TRW								
2.0 dCi	110	09/05 →	●	→ 09/05	P68034MM [-]	18,1	BSH								
	110	09/05 →	●	10/05 →	P68048MM [-]	18,3	ATE								
	110	09/05 →		●	P68024MM [-]	16,2	TRW								

MEGANE III Coupé (DZ0/1_) 11/08 →

1.2 TCe	85	03/12 →	●		P68050MM [-]	18	ATE							A02202	
	85	03/12 →		● -elect.handbrake	P68024MM [-]	16,2	TRW								
	85	03/12 →		● +elect.handbrake	P68041MM [-]	15,7	BSH								
1.2 TCe (DZ16)	97	01/13 →	●		P68050MM [-]	18	ATE								
	97	01/13 →		● -elect.handbrake	P68024MM [-]	16,2	TRW								
	97	01/13 →		● +elect.handbrake	P68041MM [-]	15,7	BSH								
1.4 TCe (DZ0F, DZ1V)	96	04/09 →	●		P68050MM [-]	18	ATE								
	96	04/09 →		● -elect.handbrake	P68024MM [-]	16,2	TRW								
	96	04/09 →		● +elect.handbrake	P68041MM [-]	15,7	BSH								
1.5 dCi	70	07/14 →	●		P68050MM [-]	18	ATE								
	70	07/14 →		● -elect.handbrake	P68024MM [-]	16,2	TRW								
	70	07/14 →		● +elect.handbrake	P68041MM [-]	15,7	BSH								
1.5 dCi (DZ09, DZ0D, DZ1F, DZ1G)	81	02/09 →	●		P68050MM [-]	18	ATE								
	81	02/09 →		● -elect.handbrake	P68024MM [-]	16,2	TRW								
	81	02/09 →		● +elect.handbrake	P68041MM [-]	15,7	BSH								
1.5 dCi (DZ0A)	63	11/08 →	●		P68050MM [-]	18	ATE								
	63	11/08 →		● -elect.handbrake	P68024MM [-]	16,2	TRW								
	63	11/08 →		● +elect.handbrake	P68041MM [-]	15,7	BSH								
1.5 dCi (DZ0B)	78	02/09 →	●		P68050MM [-]	18	ATE								
	78	02/09 →		● -elect.handbrake	P68024MM [-]	16,2	TRW								
	78	02/09 →		● +elect.handbrake	P68041MM [-]	15,7	BSH								
1.5 dCi (DZ0C, DZ1A)	66	11/08 →	●		P68050MM [-]	18	ATE								
	66	11/08 →		● -elect.handbrake	P68024MM [-]	16,2	TRW								
	66	11/08 →		● +elect.handbrake	P68041MM [-]	15,7	BSH								
1.6 16V (DZ0H)	74	11/08 →	●		P68050MM [-]	18	ATE								
	74	11/08 →		● -elect.handbrake	P68024MM [-]	16,2	TRW								
	74	11/08 →		● +elect.handbrake	P68041MM [-]	15,7	BSH								
1.6 16V (DZ0U, DZ1B, DZ1H)	81	11/08 →	●		P68050MM [-]	18	ATE								
	81	11/08 →		● -elect.handbrake	P68024MM [-]	16,2	TRW								
	81	11/08 →		● +elect.handbrake	P68041MM [-]	15,7	BSH								
1.6 16V Bifuel (DZ03, DZ1Y)	81	11/08 →	●		P68050MM [-]	18	ATE								
	81	11/08 →		● -elect.handbrake	P68024MM [-]	16,2	TRW								
	81	11/08 →		● +elect.handbrake	P68041MM [-]	15,7	BSH								

RENAULT

MEGANE III Coupé (DZ0/1_) 11/08 →

1.6 dCi (DZ00)	96 04/11 →	●		P68050MM [-]	18	ATE						A02202
	96 04/11 →		● -elect.handbrake	P68024MM [-]	16,2	TRW						
	96 04/11 →		● +elect.handbrake	P68041MM [-]	15,7	BSH						
1.9 dCi (DZ0N, DZ0J, DZ1J, DZ1K)	96 11/08 →	●		P68050MM [-]	18	ATE						
	96 11/08 →		● -elect.handbrake	P68024MM [-]	16,2	TRW						
	96 11/08 →		● +elect.handbrake	P68041MM [-]	15,7	BSH						
2.0 CVT (DZ0G, DZ1E)	103 05/09 →	●		P68050MM [-]	18	ATE						
	103 05/09 →		● -elect.handbrake	P68024MM [-]	16,2	TRW						
	103 05/09 →		● +elect.handbrake	P68041MM [-]	15,7	BSH						
2.0 dCi	120 07/12 →	●		P68047MM [-]	18	ATE						
	120 07/12 →		● -elect.handbrake	P68024MM [-]	16,2	TRW						
	120 07/12 →		● +elect.handbrake	P68041MM [-]	15,7	BSH						
2.0 dCi (DZ0L)	118 04/09 →	●		P68047MM [-]	18	ATE						
	118 04/09 →		● -elect.handbrake	P68024MM [-]	16,2	TRW						
	118 04/09 →		● +elect.handbrake	P68041MM [-]	15,7	BSH						
2.0 dCi (DZ0Y)	110 04/09 →	●		P68047MM [-]	18	ATE						
	110 04/09 →		● -elect.handbrake	P68024MM [-]	16,2	TRW						
	110 04/09 →		● +elect.handbrake	P68041MM [-]	15,7	BSH						
2.0 R.S.	195 11/08 →	●		P54040MM [-]	16	BRE						
	195 11/08 →		● -elect.handbrake	P68024MM [-]	16,2	TRW						
	195 11/08 →		● +elect.handbrake	P68041MM [-]	15,7	BSH						
	201 07/14 →	●		P54040MM [-]	16	BRE						
	201 07/14 →		● -elect.handbrake	P68024MM [-]	16,2	TRW						
	201 07/14 →		● +elect.handbrake	P68041MM [-]	15,7	BSH						
2.0 TCe	140 06/12 →	●		P68047MM [-]	18	ATE						
	140 06/12 →		● -elect.handbrake	P68024MM [-]	16,2	TRW						
	140 06/12 →		● +elect.handbrake	P68041MM [-]	15,7	BSH						
2.0 TCe (DZ0K)	132 11/08 →	●		P68047MM [-]	18	ATE						
	132 11/08 →		● -elect.handbrake	P68024MM [-]	16,2	TRW						
	132 11/08 →		● +elect.handbrake	P68041MM [-]	15,7	BSH						
2.0 TCe (DZ1N)	184 05/09 →	●		P54040MM [-]	16	BRE						
	184 05/09 →		● -elect.handbrake	P68024MM [-]	16,2	TRW						
	184 05/09 →		● +elect.handbrake	P68041MM [-]	15,7	BSH						
2.0 TCe 220	162 11/13 →	●		P68036MM [-]	15,3	BRE						
	162 11/13 →		● -elect.handbrake	P68024MM [-]	16,2	TRW						
	162 11/13 →		● +elect.handbrake	P68041MM [-]	15,7	BSH						

MEGANE III Grandtour (KZ0/1) 11/08 →

1.2 TCe	85 03/12 →	●		P68050MM [-]	18	ATE						A02202
	85 03/12 →		● -elect.handbrake	P68024MM [-]	16,2	TRW						
	85 03/12 →		● +elect.handbrake	P68041MM [-]	15,7	BSH						
1.2 TCe (KZ16)	97 01/13 →	●		P68050MM [-]	18	ATE						
	97 01/13 →		● -elect.handbrake	P68024MM [-]	16,2	TRW						
	97 01/13 →		● +elect.handbrake	P68041MM [-]	15,7	BSH						
1.4 TCe (KZ0F, KZ1V)	96 05/09 →	●		P68050MM [-]	18	ATE						
	96 05/09 →		● -elect.handbrake	P68024MM [-]	16,2	TRW						
	96 05/09 →		● +elect.handbrake	P68041MM [-]	15,7	BSH						
1.5 dCi	63 03/09 →	●		P68050MM [-]	18	ATE						
	63 03/09 →		● -elect.handbrake	P68024MM [-]	16,2	TRW						
	63 03/09 →		● +elect.handbrake	P68041MM [-]	15,7	BSH						
	70 11/13 →	●		P68050MM [-]	18	ATE						
	70 11/13 →		● +elect.handbrake	P68041MM [-]	15,7	BSH						
	70 11/13 →		● -elect.handbrake	P68024MM [-]	16,2	TRW						

 	kw					wi	Th [mm]	SYS	WI			FK	
										LENGHT			

RENAULT

MEGANE III Grandtour (KZ0/1) 11/08 →

1.5 dCi (KZ09, KZ0D, KZ1G, KZ1M, KZ1W)	81	02/09 →	●					P68050MM [-]	18	ATE				
	81	02/09 →		●	-elect.handbrake			P68024MM [-]	16,2	TRW				
	81	02/09 →		●	+elect.handbrake			P68041MM [-]	15,7	BSH				
1.5 dCi (KZ0C, KZ1A)	66	05/09 →	●					P68050MM [-]	18	ATE				
	66	05/09 →		●	-elect.handbrake			P68024MM [-]	16,2	TRW				
	66	05/09 →		●	+elect.handbrake			P68041MM [-]	15,7	BSH				
1.5 dCi (KZ1M, KZ1W)	78	02/09 →	●					P68050MM [-]	18	ATE			A02202	
	78	02/09 →		●	-elect.handbrake			P68024MM [-]	16,2	TRW				
	78	02/09 →		●	+elect.handbrake			P68041MM [-]	15,7	BSH				
1.6 16V (KZ0H)	74	05/09 →	●					P68050MM [-]	18	ATE				
	74	05/09 →		●	-elect.handbrake			P68024MM [-]	16,2	TRW				
	74	05/09 →		●	+elect.handbrake			P68041MM [-]	15,7	BSH				
1.6 16V (KZ0U, KZ1B, KZ1U)	81	05/09 →	●					P68050MM [-]	18	ATE				
	81	05/09 →		●	-elect.handbrake			P68024MM [-]	16,2	TRW				
	81	05/09 →		●	+elect.handbrake			P68041MM [-]	15,7	BSH				
1.6 16V Bifuel (KZ03)	81	11/08 →	●					P68050MM [-]	18	ATE				
	81	11/08 →		●	-elect.handbrake			P68024MM [-]	16,2	TRW				
	81	11/08 →		●	+elect.handbrake			P68041MM [-]	15,7	BSH				
1.6 dCi (KZ00, KZ12)	96	04/11 →	●					P68050MM [-]	18	ATE			A02202	
	96	04/11 →		●	-elect.handbrake			P68024MM [-]	16,2	TRW				
	96	04/11 →		●	+elect.handbrake			P68041MM [-]	15,7	BSH				
1.9 dCi (KZ0J, KZ0N, KZ1S)	96	05/09 →	●					P68050MM [-]	18	ATE				
	96	05/09 →		●	-elect.handbrake			P68024MM [-]	16,2	TRW				
	96	05/09 →		●	+elect.handbrake			P68041MM [-]	15,7	BSH				
2.0 CVT (KZ0G, KZ1P)	103	05/09 →	●					P68050MM [-]	18	ATE				
	103	05/09 →		●	-elect.handbrake			P68024MM [-]	16,2	TRW				
	103	05/09 →		●	+elect.handbrake			P68041MM [-]	15,7	BSH				
2.0 dCi	120	07/12 →	●					P68047MM [-]	18	ATE				
	120	07/12 →		●	-elect.handbrake			P68024MM [-]	16,2	TRW				
	120	07/12 →		●	+elect.handbrake			P68041MM [-]	15,7	BSH				
2.0 dCi (KZ0L)	118	04/09 →	●					P68047MM [-]	18	ATE				
	118	04/09 →		●	-elect.handbrake			P68024MM [-]	16,2	TRW				
	118	04/09 →		●	+elect.handbrake			P68041MM [-]	15,7	BSH				
2.0 dCi (KZ0Y)	110	10/10 →	●					P68047MM [-]	18	ATE				
	110	10/10 →		●	-elect.handbrake			P68024MM [-]	16,2	TRW				
	110	10/10 →		●	+elect.handbrake			P68041MM [-]	15,7	BSH				
2.0 Tce	162	09/12 →	●					P68050MM [-]	18	ATE				
	162	09/12 →		●	-elect.handbrake			P68024MM [-]	16,2	TRW				
	162	09/12 →		●	+elect.handbrake; → 02/14			P68041MM [-]	15,7	BSH				
	140	09/12 →	●					P68047MM [-]	18	ATE				
	140	09/12 →		●	-elect.handbrake			P68041MM [-]	15,7	BSH				
2.0 Tce (KZ0K, KZ1T)	132	11/08 →	●					P68047MM [-]	18	ATE				
	132	11/08 →		●	-elect.handbrake			P68024MM [-]	16,2	TRW				
	132	11/08 →		●	+elect.handbrake			P68041MM [-]	15,7	BSH				

MEGANE III Hatchback (BZ0_) 11/08 →

1.2 Tce	85	03/12 →	●					P68050MM [-]	18	ATE			A02202	
	85	03/12 →		●	-elect.handbrake			P68024MM [-]	16,2	TRW				
	85	03/12 →		●	+elect.handbrake			P68041MM [-]	15,7	BSH				
1.2 Tce (BZ16)	97	01/13 →	●					P68050MM [-]	18	ATE				
	97	01/13 →		●	-elect.handbrake			P68024MM [-]	16,2	TRW				
	97	01/13 →		●	+elect.handbrake			P68041MM [-]	15,7	BSH				

										WI			FK	
											LENGHT			

RENAULT

MEGANE III Hatchback (BZ0_) 11/08 →

1.4 TCe (BZ0F, BZ1V)	96 04/09 →	●		P68050MM [-]	18	ATE								
	96 04/09 →		●	-elect.handbrake	P68024MM [-]	16,2	TRW							
	96 04/09 →		●	+elect.handbrake	P68041MM [-]	15,7	BSH							
1.5 dCi	78 02/09 →	●		P68050MM [-]	18	ATE							A02202	
	78 02/09 →		●	-elect.handbrake	P68024MM [-]	16,2	TRW							
	78 02/09 →		●	+elect.handbrake	P68041MM [-]	15,7	BSH							
	63 12/09 →	●		P68050MM [-]	18	ATE							A02202	
	63 12/09 →		●	-elect.handbrake	P68024MM [-]	16,2	TRW							
	63 12/09 →		●	+elect.handbrake	P68041MM [-]	15,7	BSH							
	70 11/13 →	●		P68050MM [-]	18	ATE								
70 11/13 →		●	-elect.handbrake	P68024MM [-]	16,2	TRW								
70 11/13 →		●	+elect.handbrake	P68041MM [-]	15,7	BSH								
1.5 dCi (BZ09, BZ0D)	81 02/09 →	●		P68050MM [-]	18	ATE								
	81 02/09 →		●	-elect.handbrake	P68024MM [-]	16,2	TRW							
	81 02/09 →		●	+elect.handbrake	P68041MM [-]	15,7	BSH							
1.5 dCi (BZ0C)	66 11/08 →	●		P68050MM [-]	18	ATE								
	66 11/08 →		●	-elect.handbrake	P68024MM [-]	16,2	TRW							
	66 11/08 →		●	+elect.handbrake	P68041MM [-]	15,7	BSH							
1.6 16V	82 11/08 →	●		P68050MM [-]	18	ATE							A02202	
	82 11/08 →		●	-elect.handbrake	P68024MM [-]	16,2	TRW							
	82 11/08 →		●	+elect.handbrake	P68041MM [-]	15,7	BSH							
1.6 16V (BZ0H)	74 11/08 →	●		P68050MM [-]	18	ATE								
	74 11/08 →		●	-elect.handbrake	P68024MM [-]	16,2	TRW							
	74 11/08 →		●	+elect.handbrake	P68041MM [-]	15,7	BSH							
1.6 16V (BZ1B, BZ1H)	81 11/08 →	●		P68050MM [-]	18	ATE								
	81 11/08 →		●	-elect.handbrake	P68024MM [-]	16,2	TRW							
	81 11/08 →		●	+elect.handbrake	P68041MM [-]	15,7	BSH							
1.6 16V Bifuel (BZ03)	81 11/08 →	●		P68050MM [-]	18	ATE								
	81 11/08 →		●	-elect.handbrake	P68024MM [-]	16,2	TRW							
	81 11/08 →		●	+elect.handbrake	P68041MM [-]	15,7	BSH							
1.6 dCi (BZ00, BZ12)	96 04/11 →	●		P68050MM [-]	18	ATE							A02202	
	96 04/11 →		●	-elect.handbrake	P68024MM [-]	16,2	TRW							
	96 04/11 →		●	+elect.handbrake	P68041MM [-]	15,7	BSH							
1.9 dCi (BZ0N, BZ0J)	96 11/08 →	●		P68050MM [-]	18	ATE								
	96 11/08 →		●	-elect.handbrake	P68024MM [-]	16,2	TRW							
	96 11/08 →		●	+elect.handbrake	P68041MM [-]	15,7	BSH							
2.0	105 01/11 →	●		P68050MM [-]	18	ATE								
	105 01/11 →		●	-elect.handbrake	P68024MM [-]	16,2	TRW							
	105 01/11 →		●	+elect.handbrake	P68041MM [-]	15,7	BSH							
2.0 CVT (BZ0G, BZ1P)	103 02/09 →	●		P68050MM [-]	18	ATE								
	103 02/09 →		●	-elect.handbrake	P68024MM [-]	16,2	TRW							
	103 02/09 →		●	+elect.handbrake	P68041MM [-]	15,7	BSH							
2.0 dCi	120 07/12 →	●		P68047MM [-]	18	ATE								
	120 07/12 →		●	-elect.handbrake	P68024MM [-]	16,2	TRW							
	120 07/12 →		●	+elect.handbrake	P68041MM [-]	15,7	BSH							
2.0 dCi (BZ0L)	118 04/09 →	●		P68047MM [-]	18	ATE								
	118 04/09 →		●	-elect.handbrake	P68024MM [-]	16,2	TRW							
	118 04/09 →		●	+elect.handbrake	P68041MM [-]	15,7	BSH							
2.0 dCi (BZ0Y)	110 10/10 →	●		P68047MM [-]	18	ATE								
	110 10/10 →		●	-elect.handbrake	P68024MM [-]	16,2	TRW							
	110 10/10 →		●	+elect.handbrake	P68041MM [-]	15,7	BSH							
2.0 TCe	140 06/12 →	●		P68047MM [-]	18	ATE								
	140 06/12 →		●	+elect.handbrake	P68024MM [-]	16,2	TRW							
	140 06/12 →		●	-elect.handbrake	P68041MM [-]	15,7	BSH							

--	--	--	--	--	--	--	--	--	--	--	--	--	--	--	--

RENAULT

MEGANE III Hatchback (BZ0_) 11/08 →

2.0 TCe (BZ0K)	132	11/08 →	●		P68047MM [-]	18	ATE								
	132	11/08 →		●	-elect.handbrake	P68024MM [-]	16,2	TRW							
	132	11/08 →		●	+elect.handbrake	P68041MM [-]	15,7	BSH							
2.0 TCe 220	162	11/13 →	●		P68050MM [-]	18	ATE								
	162	11/13 →		●	-elect.handbrake	P68024MM [-]	16,2	TRW							
	162	11/13 →		●	+elect.handbrake	P68041MM [-]	15,7	BSH							

MEGANE IV (B9A/M_) 11/15 →

1.2 TCe 100 (B9MS)	74	11/15 →	●		P68033MM [-]	17,3	TRW								
	74	11/15 →		●	-elect.handbrake	P68024MM [-]	16,2	TRW							
1.2 TCe 130 (B9MR)	97	11/15 →		●	-elect.handbrake	P68024MM [-]	16,2	TRW							
1.5 dCi 110 (B9A3)	81	11/15 →		●	-elect.handbrake	P68024MM [-]	16,2	TRW							
1.5 dCi 90 (B9A1)	66	11/15 →	●		P68033MM [-]	17,3	TRW								
	66	11/15 →		●	-elect.handbrake	P68024MM [-]	16,2	TRW							
1.6 dCi 130 (B9A4)	96	11/15 →		●	-elect.handbrake	P68024MM [-]	16,2	TRW							
1.6 dCi 165	120	11/15 →		●	-elect.handbrake	P68024MM [-]	16,2	TRW							
1.6 TCe 205 (B9MV)	151	11/15 →		●	+elect.handbrake	P68064MM [-]	15,9	TRW							
	151	11/15 →		●	-elect.handbrake	P68024MM [-]	16,2	TRW							

MEGANE IV Grandtour (K9A/M_) 04/16 →

1.2 TCe 100	74	04/16 →		●	-elect.handbrake	P68024MM [-]	16,2	TRW							
1.2 TCe 130	97	04/16 →		●	-elect.handbrake	P68024MM [-]	16,2	TRW							
1.5 dCi 110	81	04/16 →		●	-elect.handbrake	P68024MM [-]	16,2	TRW							
1.5 dCi 90	66	04/16 →		●	-elect.handbrake	P68024MM [-]	16,2	TRW							
1.6 dCi 130	96	04/16 →		●	-elect.handbrake	P68024MM [-]	16,2	TRW							
1.6 dCi 165	120	04/16 →		●	-elect.handbrake	P68024MM [-]	16,2	TRW							
1.6 TCe 205	151	04/16 →		●	+elect.handbrake	P68064MM [-]	15,9	TRW							
	151	04/16 →		●	-elect.handbrake	P68024MM [-]	16,2	TRW							

MEGANE Scenic (JA0/1_) 10/96 → 12/01

1.4 i (JA0E)	55	01/97 → 09/99	●		→ 09/98	P68008MM [+]	18,2	TRW							
	55	01/97 → 09/99	●		→ 09/98	P68038MM [-]	18,2	TRW							
	55	01/97 → 09/99	●		09/98 →	P68014MM [+]	18,3	GIR							
	55	01/97 → 09/99	●		09/98 →	P68027MM [-]	18,3	TRW							
1.6 16V (JA0B, JA04, JA11)	79	04/98 → 10/99	●			P68027MM [-]	18,3	TRW							
	79	04/98 → 10/99		●	+rear disc	P85017MM [-]	15,2	TRW					A02205		
1.6 e (JA0F)	66	10/96 → 10/99	●		→ 09/98	P68008MM [+]	18,2	TRW							
	66	10/96 → 10/99	●		→ 09/98	P68038MM [-]	18,2	TRW							
	66	10/96 → 10/99	●		09/98 →	P68027MM [-]	18,3	TRW							
	66	10/96 → 10/99	●		09/98 →	P68014MM [+]	18,3	GIR							
1.6 i (JA0L)	55	01/97 → 09/99	●		→ 09/98	P68008MM [+]	18,2	TRW							
	55	01/97 → 09/99	●		→ 09/98	P68038MM [-]	18,2	TRW							
	55	01/97 → 09/99	●		09/98 →	P68014MM [+]	18,3	GIR							
	55	01/97 → 09/99	●		09/98 →	P68027MM [-]	18,3	TRW							
1.9 D (JA0J)	47	03/97 → 09/99	●		→ 03/99	P68014MM [+]	18,3	GIR							
	47	03/97 → 09/99	●		04/99 →	P68027MM [-]	18,3	TRW							
	47	03/97 → 09/99		●		P85017MM [-]	15,2	TRW					A02205		
1.9 dT (JA0K, JA0Y)	66	01/97 → 09/99	●		→ 03/99	P68014MM [+]	18,3	GIR							
	66	01/97 → 09/99	●		04/99 →	P68027MM [-]	18,3	TRW							
	66	01/97 → 09/99		●		P85017MM [-]	15,2	TRW					A02205		
1.9 dTi (JA0N)	72	04/97 → 09/99	●		→ 03/99	P68014MM [+]	18,3	GIR							
	72	04/97 → 09/99	●		04/99 →	P68027MM [-]	18,3	TRW							
	72	04/97 → 09/99		●		P85017MM [-]	15,2	TRW					A02205		

									WI			FK	
	kw				MAGNETI MARELLI	wi	Th [mm]	SYS	MAGNETI MARELLI	LENGHT		MAGNETI MARELLI	

RENAULT

MEGANE Scenic (JA0/1_) 10/96 → 12/01

2.0 i (JA02, JA0G)	80	01/99 → 09/99	●	→ 03/99	P68014MM	[+]	18,3	GIR					
	80	01/99 → 09/99	●	04/99 →	P68027MM	[-]	18,3	TRW					
	80	01/99 → 09/99	●		P85017MM	[-]	15,2	TRW				A02205	
2.0 i (JA0G)	84	01/97 → 09/99	●	→ 03/99	P68014MM	[+]	18,3	GIR					
	84	01/97 → 09/99	●	04/99 →	P68027MM	[-]	18,3	TRW					
	84	01/97 → 09/99	●		P85017MM	[-]	15,2	TRW				A02205	

MODUS / GRAND MODUS (F/JP0_) 09/04 →

1.2	76	04/11 →	●		P68033MM	[-]	17,3	TRW					
	76	04/11 →	●		P68024MM	[-]	16,2	TRW					
1.2 (FP0C, FP0K, FP0P)	48	05/05 →	●		P68033MM	[-]	17,3	TRW					
	48	05/05 →	●	+rear disc	P68024MM	[-]	16,2	TRW					
1.2 (JP0C, JP0K, FP0C, FP0K, FP0P, JP0P, JP0T)	55	12/04 →	●		P68033MM	[-]	17,3	TRW					
	55	12/04 →	●	+rear disc	P68024MM	[-]	16,2	TRW					
1.2 (JP0S)	58	12/04 →	●		P68033MM	[-]	17,3	TRW					
	58	12/04 →	●	+rear disc	P68024MM	[-]	16,2	TRW					
1.2 16V (JP0W)	74	05/07 →	●		P68033MM	[-]	17,3	TRW					
	74	05/07 →	●	+rear disc	P68024MM	[-]	16,2	TRW					
1.2 16V Hi-Flex	55	10/08 →	●		P68033MM	[-]	17,3	TRW					
	55	10/08 →	●	+rear disc	P68024MM	[-]	16,2	TRW					
1.4 (JP01, JP0J)	72	12/04 →	●		P68033MM	[-]	17,3	TRW					
	72	12/04 →	●	+rear disc	P68024MM	[-]	16,2	TRW					
1.5 dCi (FP0D, JP0D)	60	09/04 →	●		P68033MM	[-]	17,3	TRW					
	60	09/04 →	●		P68024MM	[-]	16,2	TRW					
1.5 dCi (FP0E, JP0E)	48	12/04 →	●		P68033MM	[-]	17,3	TRW					
	48	12/04 →	●	+rear disc	P68024MM	[-]	16,2	TRW					
1.5 dCi (FP0F, JP0F)	63	12/04 →	●		P68033MM	[-]	17,3	TRW					
	63	12/04 →	●	+rear disc	P68024MM	[-]	16,2	TRW					
1.5 dCi (FP0G, JP0G)	50	12/04 →	●		P68033MM	[-]	17,3	TRW					
	50	12/04 →	●	+rear disc	P68024MM	[-]	16,2	TRW					
1.5 dCi (JP02)	76	05/07 →	●		P68033MM	[-]	17,3	TRW					
	76	05/07 →	●	+rear disc	P68024MM	[-]	16,2	TRW					
1.5 dCi (JP0G, JP0H)	78	05/05 →	●		P68033MM	[-]	17,3	TRW					
	78	05/05 →	●	+rear disc	P68024MM	[-]	16,2	TRW					
1.5 dCi 75	55	10/10 →	●		P68033MM	[-]	17,3	TRW					
	55	10/10 →	●		P68024MM	[-]	16,2	TRW					
1.5 dCi 90	65	10/10 →	●		P68033MM	[-]	17,3	TRW					
	65	10/10 →	●		P68024MM	[-]	16,2	TRW					
1.6 (JP03, JP0B, JP0U, JP0Y, JP1G)	82	12/04 →	●		P68033MM	[-]	17,3	TRW					
	82	12/04 →	●	+rear disc	P68024MM	[-]	16,2	TRW					
1.6 (JP0L, JP0V)	65	12/04 →	●		P68033MM	[-]	17,3	TRW					
	65	12/04 →	●	+rear disc	P68024MM	[-]	16,2	TRW					

RAPID Box (F40_, G40_) 07/85 → 11/01

1.0	27	02/86 → 05/92	●	→ 05/88	P68015MM	[+]	15	BDX				A02300	→ 05/88
	27	02/86 → 05/92	●	06/88 →	P68010MM	[+]	18	BDX				A02300	→ 05/88
	27	02/86 → 05/92	●	06/88 →	P68008MM	[+]	18,2	TRW				A02300	→ 05/88
	27	02/86 → 05/92	●	06/88 →	P68038MM	[-]	18,2	TRW				A02300	→ 05/88
	31	09/85 → 08/91	●	→ 05/88	P68015MM	[+]	15	BDX					
	31	09/85 → 08/91	●	06/88 →	P68010MM	[+]	18	BDX					
	31	09/85 → 08/91	●	06/88 →	P68008MM	[+]	18,2	TRW					
	31	09/85 → 08/91	●	06/88 →	P68038MM	[-]	18,2	TRW					

							WI	Th [mm]	SYS	WI			FK	
											LENGHT			

RENAULT

RAPID Box (F40_, G40_) 07/85 → 11/01

1.1	35	09/93 → 04/95	●			P68010MM	[+]	18	BDX					
	35	09/93 → 04/95	●			P68008MM	[+]	18,2	TRW					
	35	09/93 → 04/95	●			P68038MM	[-]	18,2	TRW					
	34	09/85 → 08/91	●		→ 05/88	P68015MM	[+]	15	BDX					
	34	09/85 → 08/91	●		06/88 →	P68010MM	[+]	18	BDX					
	34	09/85 → 08/91	●		06/88 →	P68008MM	[+]	18,2	TRW					
	34	09/85 → 08/91	●		06/88 →	P68038MM	[-]	18,2	TRW					
1.1 (F401)	33	07/85 → 04/95	●		→ 05/88	P68015MM	[+]	15	BDX					
	33	07/85 → 04/95	●		06/88 →	P68010MM	[+]	18	BDX					
	33	07/85 → 04/95	●		06/88 →	P68008MM	[+]	18,2	TRW					
	33	07/85 → 04/95	●		06/88 →	P68038MM	[-]	18,2	TRW					
1.1 (F40H)	33	06/87 → 09/91	●		→ 05/88	P68015MM	[+]	15	BDX					
	33	06/87 → 09/91	●		06/88 →	P68010MM	[+]	18	BDX					
	33	06/87 → 09/91	●		06/88 →	P68008MM	[+]	18,2	TRW					
	33	06/87 → 09/91	●		06/88 →	P68038MM	[-]	18,2	TRW					
1.2	40	09/91 → 08/93	●			P68008MM	[+]	18,2	TRW					
	40	09/91 → 08/93	●			P68038MM	[-]	18,2	TRW					
	40	09/91 → 08/93	●			P68010MM	[+]	18	BDX					
	48	05/95 → 11/98	●			P68008MM	[+]	18,2	TRW					
	48	05/95 → 11/98	●			P68038MM	[-]	18,2	TRW					
	48	05/95 → 11/98	●			P68010MM	[+]	18	BDX					
1.2 (F406, G40A)	40	09/91 → 03/98	●			P68008MM	[+]	18,2	TRW					
	40	09/91 → 03/98	●			P68038MM	[-]	18,2	TRW					
	40	09/91 → 03/98	●			P68010MM	[+]	18	BDX					
1.4	43	09/91 → 08/93	●			P68008MM	[+]	18,2	TRW					
	43	09/91 → 08/93	●			P68038MM	[-]	18,2	TRW					
	43	09/91 → 08/93	●			P68010MM	[+]	18	BDX					
	59	05/95 → 08/97	●			P68008MM	[+]	18,2	TRW					
	59	05/95 → 08/97	●			P68038MM	[-]	18,2	TRW					
	59	05/95 → 08/97	●			P68010MM	[+]	18	BDX					
	54	09/91 → 08/93	●			P68008MM	[+]	18,2	TRW					
	54	09/91 → 08/93	●			P68038MM	[-]	18,2	TRW					
	54	09/91 → 08/93	●			P68010MM	[+]	18	BDX					
1.4 (F402)	43	07/85 → 08/91	●			P68008MM	[+]	18,2	TRW					
	43	07/85 → 08/91	●			P68038MM	[-]	18,2	TRW					
	43	07/85 → 08/91	●			P68010MM	[+]	18	BDX					
1.4 (F40D)	58	01/94 → 03/98	●			P68008MM	[+]	18,2	TRW				A02300	
	58	01/94 → 03/98	●			P68038MM	[-]	18,2	TRW				A02300	
	58	01/94 → 03/98	●			P68010MM	[+]	18	BDX				A02300	
1.4 (F40M)	44	03/86 → 08/91	●			P68008MM	[+]	18,2	TRW					
	44	03/86 → 08/91	●			P68038MM	[-]	18,2	TRW					
	44	03/86 → 08/91	●			P68010MM	[+]	18	BDX					
1.4 (F40U, F40V)	55	09/91 → 03/98	●			P68008MM	[+]	18,2	TRW					
	55	09/91 → 03/98	●			P68038MM	[-]	18,2	TRW					
	55	09/91 → 03/98	●			P68010MM	[+]	18	BDX					
1.4 Cat (F407)	43	08/88 → 03/98	●			P68008MM	[+]	18,2	TRW					
	43	08/88 → 03/98	●			P68038MM	[-]	18,2	TRW					
	43	08/88 → 03/98	●			P68010MM	[+]	18	BDX					
1.6 D	40	09/93 → 04/95	●			P68010MM	[+]	18	BDX					
	40	09/93 → 04/95	●			P68008MM	[+]	18,2	TRW					
	40	09/93 → 04/95	●			P68038MM	[-]	18,2	TRW					
1.6 D (F404)	40	03/86 → 08/98	●			P68008MM	[+]	18,2	TRW					
	40	03/86 → 08/98	●			P68038MM	[-]	18,2	TRW					
	40	03/86 → 08/98	●			P68010MM	[+]	18	BDX					

Car	kw	Hourglass	Truck	i	MAGNETI MARELLI	wi	Th [mm]	SYS	WI			FK	
									MAGNETI MARELLI	LENGHT	i	MAGNETI MARELLI	i

RENAULT

RAPID Box (F40_, G40_) 07/85 → 11/01

1.9 D (F40P, F40N, F40E)	47	09/91 → 03/98	●		P68008MM	[+]	18,2	TRW					
	47	09/91 → 03/98	●		P68038MM	[-]	18,2	TRW					
	47	09/91 → 03/98	●		P68010MM	[+]	18	BDX					
1.9 D (F40R)	40	09/94 → 03/98	●		P68008MM	[+]	18,2	TRW				A02300	
	40	09/94 → 03/98	●		P68038MM	[-]	18,2	TRW				A02300	
	40	09/94 → 03/98	●		P68010MM	[+]	18	BDX				A02300	

SAFRANE II (B54_) 07/96 → 12/00

2.0 16V (B54L)	100	07/96 → 12/00	●	→ 04/99	P68014MM	[+]	18,3	GIR					
	100	07/96 → 12/00	●	04/99 →	P68027MM	[-]	18,3	TRW					
	100	07/96 → 12/00	●		P68017MM	[-]	15	BRE				A02301	
2.2 dT (B54G)	83	07/96 → 12/00	●	→ 04/99	P68014MM	[+]	18,3	GIR					
	83	07/96 → 12/00	●	04/99 →	P68027MM	[-]	18,3	TRW					
	83	07/96 → 12/00	●		P68017MM	[-]	15	BRE				A02301	
2.5 20V (B54F)	121	07/96 → 12/00	●	→ 04/99	P68014MM	[+]	18,3	GIR					
	121	07/96 → 12/00	●	04/99 →	P68027MM	[-]	18,3	TRW					
	121	07/96 → 12/00	●		P68017MM	[-]	15	BRE				A02301	
2.9 24V (B54N)	140	03/99 → 12/00	●	→ 04/99	P68014MM	[+]	18,3	GIR					
	140	03/99 → 12/00	●	04/99 →	P68027MM	[-]	18,3	TRW					
	140	03/99 → 12/00	●		P68017MM	[-]	15	BRE				A02301	
3.0 V6 (B54M)	123	07/96 → 12/00	●	→ 04/99	P68014MM	[+]	18,3	GIR					
	123	07/96 → 12/00	●	04/99 →	P68027MM	[-]	18,3	TRW					
	123	07/96 → 12/00	●		P68017MM	[-]	15	BRE				A02301	

SANDERO/STEPWAY I (BS_) 11/07 →

1.4	55	02/09 →	●		P68008MM	[+]	18,2	TRW					
1.6	75	12/07 →	●	→ 10/08; disc Ø 238 mm	P68038MM	[-]	18,2	TRW					
	75	12/07 →	●	disc Ø 259 mm	P68008MM	[+]	18,2	TRW					
	62	11/10 →	●		P68008MM	[+]	18,2	TRW					
	76	12/07 →	●	→ 10/08; disc Ø 238 mm	P68038MM	[-]	18,2	TRW					
	76	12/07 →	●	disc Ø 259 mm	P68008MM	[+]	18,2	TRW					
	64	02/09 →	●		P68008MM	[+]	18,2	TRW					

SANDERO/STEPWAY II (B8_) 11/13 →

1.2 16V	54	12/13 →	●	SUV	P68059MM	[-]	18	ATE					
	54	12/13 →	●	-SUV	P68060MM	[-]	18	ATE					
1.2 16V LPG	53	12/13 →	●	SUV	P68059MM	[-]	18	ATE					
	53	12/13 →	●	-SUV	P68060MM	[-]	18	ATE					
1.5 dCi	62	12/13 →	●		P68059MM	[-]	18	ATE					
1.6	59	11/13 →	●	SUV	P68059MM	[-]	18	ATE					
	59	11/13 →	●	-SUV	P68060MM	[-]	18	ATE					
	75	04/14 →	●	SUV	P68059MM	[-]	18	ATE					
	75	04/14 →	●	-SUV	P68060MM	[-]	18	ATE					

SCÉNIC I (JA0/1_) 09/99 → 09/03

1.4 16V (JA0D, JA1H, Ja0W, JA10)	70	09/99 → 08/03	●		P68027MM	[-]	18,3	TRW					
	70	09/99 → 08/03	●		P85017MM	[-]	15,2	TRW				A02205	
1.6	75	03/01 → 08/03	●		P68027MM	[-]	18,3	TRW					
	75	03/01 → 08/03	●		P85017MM	[-]	15,2	TRW				A02205	
	81	06/01 → 09/03	●		P68027MM	[-]	18,3	TRW					
	81	06/01 → 09/03	●		P85017MM	[-]	15,2	TRW					
	79	09/99 → 09/03	●		P68027MM	[-]	18,3	TRW					
	79	09/99 → 09/03	●		P85017MM	[-]	15,2	TRW					
1.6 16V	85	09/99 → 08/03	●		P68027MM	[-]	18,3	TRW					
	85	09/99 → 08/03	●		P85017MM	[-]	15,2	TRW				A02205	
1.6 BiFuel (JA04)	79	09/99 → 04/01	●		P68027MM	[-]	18,3	TRW					
	79	09/99 → 04/01	●		P85017MM	[-]	15,2	TRW					

RENAULT

SCÉNIC I (JA0/1_) 09/99 → 09/03

1.8 16V (JA12, JA1R, JA1M, JA1A)	85	01/01 → 08/03	●			P68027MM	[-]	18,3	TRW				
	85	01/01 → 08/03		●		P85017MM	[-]	15,2	TRW			A02205	
1.8 4x4	85	07/00 → 04/01	●			P68027MM	[-]	18,3	TRW				
	85	07/00 → 04/01		●		P85017MM	[-]	15,2	TRW				
1.9 D	47	09/99 → 03/01	●			P68027MM	[-]	18,3	TRW				
	47	09/99 → 03/01		●		P85017MM	[-]	15,2	TRW				
1.9 dCi (JA05, JA1F)	75	09/99 → 08/03	●			P68027MM	[-]	18,3	TRW				
	75	09/99 → 08/03		●		P85017MM	[-]	15,2	TRW			A02205	
1.9 dCi RX4	75	11/00 → 08/03	●		→ 02/03	P68027MM	[-]	18,3	TRW				
	75	11/00 → 08/03		●		P85017MM	[-]	15,2	TRW			A02205	
	74	12/02 → 08/03	●		→ 02/03	P68027MM	[-]	18,3	TRW				
	74	12/02 → 08/03		●		P85017MM	[-]	15,2	TRW				
1.9 dTi (JA0N)	72	09/99 → 08/03	●			P68027MM	[-]	18,3	TRW				
	72	09/99 → 08/03		●		P85017MM	[-]	15,2	TRW			A02205	
1.9 dTi (JA1U)	59	02/01 → 08/03	●			P68027MM	[-]	18,3	TRW				
	59	02/01 → 08/03		●		P85017MM	[-]	15,2	TRW			A02205	
2.0 16V	103	09/99 → 08/03	●			P68027MM	[-]	18,3	TRW				
	103	09/99 → 08/03		●		P85017MM	[-]	15,2	TRW			A02205	
2.0 16V (JA1B, JA1D)	102	07/00 → 08/03	●			P68027MM	[-]	18,3	TRW				
	102	07/00 → 08/03		●		P85017MM	[-]	15,2	TRW			A02205	
2.0 16V RX4	102	06/00 → 08/03	●		→ 02/03	P68027MM	[-]	18,3	TRW				
	102	06/00 → 08/03		●		P85017MM	[-]	15,2	TRW			A02205	

SCÉNIC II (JM0/1_) 06/03 →

1.4 (JM0B, JM0H, JM1A)	72	06/03 →	●		→ 10/05	P68034MM	[-]	18,1	BSH			A02228	10/05 →
	72	06/03 →	●		10/05 →	P68040MM	[-]	18,3	ATE			A02228	10/05 →
	72	06/03 →		●		P68024MM	[-]	16,2	TRW				
1.5 dCi (JM02, JM13)	74	11/03 →	●		→ 10/05	P68034MM	[-]	18,1	BSH			A02228	10/05 →
	74	11/03 →	●		10/05 →	P68040MM	[-]	18,3	ATE			A02228	10/05 →
	74	11/03 →		●		P68024MM	[-]	16,2	TRW				
1.5 dCi (JM0F)	60	06/03 →	●		→ 10/05	P68034MM	[-]	18,1	BSH			A02228	10/05 →
	60	06/03 →	●		10/05 →	P68040MM	[-]	18,3	ATE			A02228	10/05 →
	60	06/03 →		●		P68024MM	[-]	16,2	TRW				
1.5 dCi (JM16)	76	01/07 →	●			P68048MM	[-]	18,3	ATE				
	76	01/07 →		●		P68024MM	[-]	16,2	TRW				
1.5 dCi (JM1E)	78	05/05 →	●		→ 10/05	P68034MM	[-]	18,1	BSH			A02228	10/05 →
	78	05/05 →	●		10/05 →	P68040MM	[-]	18,3	ATE			A02228	10/05 →
	78	05/05 →		●		P68024MM	[-]	16,2	TRW				
1.5 dCi (JM1F)	63	05/05 →	●		10/05 →	P68048MM	[-]	18,3	ATE			A02228	10/05 →
	63	05/05 →	●		→ 10/05	P68034MM	[-]	18,1	BSH			A02228	10/05 →
	63	05/05 →		●		P68024MM	[-]	16,2	TRW				
1.6	77	06/06 →	●			P68040MM	[-]	18,3	ATE				
	77	06/06 →		●		P68024MM	[-]	16,2	TRW				
1.6 (JM0C, JM0J, JM1B)	83	06/03 →	●		→ 10/05	P68034MM	[-]	18,1	BSH			A02228	10/05 →
	83	06/03 →	●		10/05 →	P68040MM	[-]	18,3	ATE			A02228	10/05 →
	83	06/03 →		●		P68024MM	[-]	16,2	TRW				
1.6 16V (JM1R)	82	10/05 →	●			P68048MM	[-]	18,3	ATE				
	82	10/05 →		●		P68024MM	[-]	16,2	TRW				
1.6 Hi-Flex	81	03/05 → 07/10	●			P68040MM	[-]	18,3	ATE				
	81	03/05 → 07/10		●		P68024MM	[-]	16,2	TRW				
1.9 D	85	06/06 →	●			P68040MM	[-]	18,3	ATE				
	85	06/06 →		●		P68024MM	[-]	16,2	TRW				
1.9 dCi	92	06/03 →	●			P68040MM	[-]	18,3	ATE				
	92	06/03 →		●		P68024MM	[-]	16,2	TRW				



kw



wi

Th [mm]

SYS

WI

FK



LENGHT



RENAULT

SCÉNIC II (JM0/1_) 06/03 →

1.9 dCi	88	06/03 →	●	→ 10/05	P68034MM [-]	18,1	BSH					A02228	10/05 →
(JM0G, JM12, JM1G, JM2C)	88	06/03 →	●	10/05 →	P68040MM [-]	18,3	ATE					A02228	10/05 →
	88	06/03 →		●	P68024MM [-]	16,2	TRW						
1.9 dCi (JM14)	96	05/05 →	●	→ 10/05	P68034MM [-]	18,1	BSH					A02228	10/05 →
	96	05/05 →	●	10/05 →	P68040MM [-]	18,3	ATE					A02228	10/05 →
	96	05/05 →		●	P68024MM [-]	16,2	TRW						
1.9 dCi (JM15)	81	05/05 →	●		P68040MM [-]	18,3	ATE					A02228	
	81	05/05 →		●	P68024MM [-]	16,2	TRW						
1.9 dCi 130	97	10/05 → 12/09	●	→ 10/05	P68034MM [-]	18,1	BSH						
	97	10/05 → 12/09	●	10/05 →	P68040MM [-]	18,3	ATE						
	97	10/05 → 12/09		●	P68024MM [-]	16,2	TRW						
2.0	103	06/03 → 07/10	●	→ 10/05	P68034MM [-]	18,1	BSH						
	103	06/03 → 07/10	●	10/05 →	P68040MM [-]	18,3	ATE						
	103	06/03 → 07/10		●	P68024MM [-]	16,2	TRW						
	101	02/08 → 04/09	●		P68040MM [-]	18,3	ATE						
	101	02/08 → 04/09		●	P68024MM [-]	16,2	TRW						
2.0 (JM05, JM0U, JM1N, JM1U, JM2V)	99	06/03 →	●	→ 10/05	P68034MM [-]	18,1	BSH					A02228	10/05 →
	99	06/03 →	●	10/05 →	P68040MM [-]	18,3	ATE					A02228	10/05 →
	99	06/03 →		●	P68024MM [-]	16,2	TRW						
2.0 16V Turbo (JM0W)	120	05/04 →	●	→ 10/05	P68034MM [-]	18,1	BSH					A02228	10/05 →
	120	05/04 →	●	10/05 →	P68040MM [-]	18,3	ATE					A02228	10/05 →
	120	05/04 →		●	P68024MM [-]	16,2	TRW						
2.0 dCi (JM1K)	110	09/05 →	●	→ 10/05	P68034MM [-]	18,1	BSH						
	110	09/05 →	●	10/05 →	P68040MM [-]	18,3	ATE						
	110	09/05 →		●	P68024MM [-]	16,2	TRW						

SCÉNIC III (JZ0/1_) 02/09 →

1.2 TCe	85	04/12 →	●		P68047MM [-]	18	ATE						
	85	04/12 →		● -elect.handbrake	P68024MM [-]	16,2	TRW						
	85	04/12 →		● +elect.handbrake	P68041MM [-]	15,7	BSH						
1.2 TCe (JZ16)	97	01/13 →	●		P68047MM [-]	18	ATE						
	97	01/13 →		● -elect.handbrake	P68024MM [-]	16,2	TRW						
	97	01/13 →		● +elect.handbrake	P68041MM [-]	15,7	BSH						
1.4 16V (JZ0F, JZ1V)	96	02/09 →	●		P68047MM [-]	18	ATE						
	96	02/09 →		● -elect.handbrake	P68024MM [-]	16,2	TRW						
	96	02/09 →		● +elect.handbrake	P68041MM [-]	15,7	BSH						
1.5 dCi	81	04/09 →	●	15" wheel	P68050MM [-]	18	ATE					A02202	15" wheel
	81	04/09 →	●	16" wheel	P68047MM [-]	18	ATE					A02202	15" wheel
	81	04/09 →		● -elect.handbrake	P68024MM [-]	16,2	TRW						
	81	04/09 →		● +elect.handbrake	P68041MM [-]	15,7	BSH						
	63	04/09 →	●	15" wheel	P68050MM [-]	18	ATE					A02202	15" wheel
	63	04/09 →	●	16" wheel	P68047MM [-]	18	ATE					A02202	15" wheel
	63	04/09 →		● -elect.handbrake	P68024MM [-]	16,2	TRW						
	63	04/09 →		● +elect.handbrake	P68041MM [-]	15,7	BSH						
	78	02/09 →	●	15" wheel	P68050MM [-]	18	ATE						
	78	02/09 →	●	16" wheel	P68047MM [-]	18	ATE						
	78	02/09 →		● -elect.handbrake	P68024MM [-]	16,2	TRW						
	78	02/09 →		● +elect.handbrake	P68041MM [-]	15,7	BSH						
1.5 dCi (JZ02, JZ0R)	70	11/10 →	●	15" wheel	P68050MM [-]	18	ATE					A02202	15" wheel
	70	11/10 →	●	16" wheel	P68047MM [-]	18	ATE					A02202	15" wheel
	70	11/10 →		● -elect.handbrake	P68024MM [-]	16,2	TRW						
	70	11/10 →		● +elect.handbrake	P68041MM [-]	15,7	BSH						
1.6 16V (JZ0U, JZ1B)	81	02/09 →	●	15" wheel	P68050MM [-]	18	ATE						
	81	02/09 →	●	16" wheel	P68047MM [-]	18	ATE						

										WI		FK		

RENAULT

SCÉNIC III (JZ0/1_) 02/09 →

1.6 16V (JZ0U, JZ1B)	81	02/09 →		•	+elect.handbrake	P68041MM [-]	15,7	BSH						
	81	02/09 →		•	-elect.handbrake	P68024MM [-]	16,2	TRW						
	81	02/09 →	•		15" wheel	P68050MM [-]	18	ATE						
1.6 16V Bifuel	81	02/09 →	•		16" wheel; 17" wheel	P68047MM [-]	18	ATE						
	81	02/09 →		•	+elect.handbrake	P68041MM [-]	15,7	BSH						
	81	02/09 →		•	-elect.handbrake	P68024MM [-]	16,2	TRW						
1.6 dCi (JZ00, JZ12)	96	04/11 →	•			P68047MM [-]	18	ATE						
	96	04/11 →		•	-elect.handbrake	P68024MM [-]	16,2	TRW						
	96	04/11 →		•	+elect.handbrake	P68041MM [-]	15,7	BSH						
1.6 E85 (JZ03, JZ1Y)	81	02/09 →	•		15" wheel	P68050MM [-]	18	ATE				A02202	15" wheel	
	81	02/09 →	•		16" wheel	P68047MM [-]	18	ATE				A02202	15" wheel	
	81	02/09 →		•	-elect.handbrake	P68024MM [-]	16,2	TRW						
	81	02/09 →		•	+elect.handbrake	P68041MM [-]	15,7	BSH						
1.9 dCi (JZ0J, JZ1J, JZ1K, JZ1S)	96	02/09 →	•			P68047MM [-]	18	ATE						
	96	02/09 →		•	-elect.handbrake	P68024MM [-]	16,2	TRW						
	96	02/09 →		•	+elect.handbrake	P68041MM [-]	15,7	BSH						
2.0 16V (JZ0G, JZ0P, JZ1E, JZ1P)	103	02/09 →	•			P68047MM [-]	18	ATE						
	103	02/09 →		•	-elect.handbrake	P68024MM [-]	16,2	TRW						
	103	02/09 →		•	+elect.handbrake	P68041MM [-]	15,7	BSH						
2.0 dCi (JZ0L)	118	04/09 →	•			P68047MM [-]	18	ATE						
	118	04/09 →		•	-elect.handbrake	P68024MM [-]	16,2	TRW						
	118	04/09 →		•	+elect.handbrake	P68041MM [-]	15,7	BSH						
2.0 dCi (JZ0Y, JZ26)	110	02/09 →	•			P68047MM [-]	18	ATE						
	110	02/09 →		•	-elect.handbrake	P68024MM [-]	16,2	TRW						
	110	02/09 →		•	+elect.handbrake	P68041MM [-]	15,7	BSH						

SPORT SPIDER (EF0_) 03/95 → 10/99

2.0	108	12/95 → 08/96	•			P68014MM [+]	18,3	GIR					
	108	12/95 → 08/96		•		P61046MM [+]	17	BDX					
2.0 16V	110	03/95 → 10/99	•			P68014MM [+]	18,3	GIR					
	110	03/95 → 10/99		•		P61046MM [+]	17	BDX					

TALISMAN (L2M_) 07/13 →

1.5 dCi 110	81	11/15 →	•		EQPEXP	P68045MM [-]	18	ATE					
	81	11/15 →		•		P68057MM [-]	16,2	ATE					
1.6 dCi 130	96	11/15 →	•		EQPEXP	P68045MM [-]	18	ATE					
	96	11/15 →		•		P68057MM [-]	16,2	ATE					
1.6 dCi 160	118	06/15 →	•		EQPEXP	P68045MM [-]	18	ATE					
	118	06/15 →		•		P68057MM [-]	16,2	ATE					
1.6 TCe 150	110	11/15 →	•		EQPEXP	P68045MM [-]	18	ATE					
	110	11/15 →		•		P68057MM [-]	16,2	ATE					
1.6 TCe 200	147	11/15 →	•		EQPEXP	P68045MM [-]	18	ATE					
	147	11/15 →		•		P68057MM [-]	16,2	ATE					

TALISMAN Grandtour (KP_) 03/16 →

1.5 dCi 110	81	03/16 →	•		EQPEXP	P68045MM [-]	18	ATE					
	81	03/16 →		•		P68057MM [-]	16,2	ATE					
1.6 dCi 130	96	03/16 →	•		EQPEXP	P68045MM [-]	18	ATE					
	96	03/16 →		•		P68057MM [-]	16,2	ATE					
1.6 dCi 160	118	03/16 →	•		EQPEXP	P68045MM [-]	18	ATE					
	118	03/16 →		•		P68057MM [-]	16,2	ATE					
1.6 TCe 150	110	03/16 →	•		EQPEXP	P68045MM [-]	18	ATE					
	110	03/16 →		•		P68057MM [-]	16,2	ATE					
1.6 TCe 200	147	03/16 →	•		EQPEXP	P68045MM [-]	18	ATE					
	147	03/16 →		•		P68057MM [-]	16,2	ATE					

						WI	Th [mm]	SYS	WI		FK	
										LENGHT		

RENAULT

TRAFIC Box (TXX) 03/89 → 12/01

2.0	59	05/89 → 08/90	●	fist-type cal.	P68007MM	[+]	18,5	BDX				
	59	05/89 → 08/90	●	fist-type cal.(2 pist.); Ø 45 mm piston	P68006MM	[+]	18,5	BDX				
2.1 D	43	05/89 → 06/94	●	fist-type cal.	P68007MM	[+]	18,5	BDX				
	43	05/89 → 06/94	●	fist-type cal.(2 pist.); Ø 45 mm piston	P68006MM	[+]	18,5	BDX				
	47	06/94 → 10/97	●	fist-type cal.	P68007MM	[+]	18,5	BDX				
	47	06/94 → 10/97	●	fist-type cal.(2 pist.); Ø 45 mm piston	P68006MM	[+]	18,5	BDX				
2.2	70	05/89 → 06/94	●	fist-type cal.	P68007MM	[+]	18,5	BDX				
	70	05/89 → 06/94	●	fist-type cal.(2 pist.); Ø 45 mm piston	P68006MM	[+]	18,5	BDX				
	74	06/94 → 10/97	●	fist-type cal.	P68007MM	[+]	18,5	BDX				
	74	06/94 → 10/97	●	fist-type cal.(2 pist.); Ø 45 mm piston	P68006MM	[+]	18,5	BDX				
2.2 4x4	70	05/89 → 06/94	●	fist-type cal.	P68007MM	[+]	18,5	BDX				
	70	05/89 → 06/94	●	fist-type cal.(2 pist.); Ø 45 mm piston	P68006MM	[+]	18,5	BDX				
	74	06/94 → 10/97	●	fist-type cal.	P68007MM	[+]	18,5	BDX				
	74	06/94 → 10/97	●	fist-type cal.(2 pist.); Ø 45 mm piston	P68006MM	[+]	18,5	BDX				
2.5 D	55	05/89 → 03/01	●	fist-type cal.	P68007MM	[+]	18,5	BDX				
	55	05/89 → 03/01	●	fist-type cal.(2 pist.); Ø 45 mm piston	P68006MM	[+]	18,5	BDX				
	56	03/89 → 08/94	●	fist-type cal.	P68007MM	[+]	18,5	BDX				
	56	03/89 → 08/94	●	fist-type cal.(2 pist.); Ø 45 mm piston	P68006MM	[+]	18,5	BDX				
2.5 D 4x4	55	05/89 → 03/01	●	fist-type cal.	P68007MM	[+]	18,5	BDX				
	55	05/89 → 03/01	●	fist-type cal.(2 pist.); Ø 45 mm piston	P68006MM	[+]	18,5	BDX				

TRAFIC Bus (TXW) 03/89 → 03/01

1.7	50	08/92 → 08/94	●	fist-type cal.	P68007MM	[+]	18,5	BDX				
	50	08/92 → 08/94	●	fist-type cal.(2 pist.); Ø 45 mm piston	P68006MM	[+]	18,5	BDX				
1.9 D	44	06/97 → 03/01	●	fist-type cal.	P68007MM	[+]	18,5	BDX				
	44	06/97 → 03/01	●	fist-type cal.(2 pist.); Ø 45 mm piston	P68006MM	[+]	18,5	BDX				
2.0	59	05/89 → 08/90	●	fist-type cal.	P68007MM	[+]	18,5	BDX				
	59	05/89 → 08/90	●	fist-type cal.(2 pist.); Ø 45 mm piston	P68006MM	[+]	18,5	BDX				
2.1 D	43	05/89 → 06/94	●	fist-type cal.	P68007MM	[+]	18,5	BDX				
	43	05/89 → 06/94	●	fist-type cal.(2 pist.); Ø 45 mm piston	P68006MM	[+]	18,5	BDX				
	47	06/94 → 10/97	●	fist-type cal.	P68007MM	[+]	18,5	BDX				
	47	06/94 → 10/97	●	fist-type cal.(2 pist.); Ø 45 mm piston	P68006MM	[+]	18,5	BDX				
2.2	70	05/89 → 06/94	●	fist-type cal.	P68007MM	[+]	18,5	BDX				
	70	05/89 → 06/94	●	fist-type cal.(2 pist.); Ø 45 mm piston	P68006MM	[+]	18,5	BDX				
	74	06/94 → 10/97	●	fist-type cal.	P68007MM	[+]	18,5	BDX				
	74	06/94 → 10/97	●	fist-type cal.(2 pist.); Ø 45 mm piston	P68006MM	[+]	18,5	BDX				
2.2 4x4	70	05/89 → 06/94	●	fist-type cal.	P68007MM	[+]	18,5	BDX				
	70	05/89 → 06/94	●	fist-type cal.(2 pist.); Ø 45 mm piston	P68006MM	[+]	18,5	BDX				
	74	06/94 → 10/97	●	fist-type cal.	P68007MM	[+]	18,5	BDX				
	74	06/94 → 10/97	●	fist-type cal.(2 pist.); Ø 45 mm piston	P68006MM	[+]	18,5	BDX				

								WI			FK		
	kw					wi	Th [mm]	SYS		LENGHT			

RENAULT

TRAFIC Bus (TXW) 03/89 → 03/01

2.5 D	55	05/89 → 03/01	●	fist-type cal.	P68007MM	[+]	18,5	BDX				
	55	05/89 → 03/01	●	fist-type cal.(2 pist.); Ø 45 mm piston	P68006MM	[+]	18,5	BDX				
2.5 D 4x4	55	08/89 → 03/01	●	fist-type cal.	P68007MM	[+]	18,5	BDX				
	55	08/89 → 03/01	●	fist-type cal.(2 pist.); Ø 45 mm piston	P68006MM	[+]	18,5	BDX				

TRAFIC Platform/Chassis (PXX) 03/89 → 03/01

1.7	50	05/89 → 08/94	●	fist-type cal.	P68007MM	[+]	18,5	BDX				
	50	05/89 → 08/94	●	fist-type cal.(2 pist.); Ø 45 mm piston	P68006MM	[+]	18,5	BDX				
2.0	60	03/89 → 12/91	●	fist-type cal.	P68007MM	[+]	18,5	BDX				
	60	03/89 → 12/91	●	fist-type cal.(2 pist.); Ø 45 mm piston	P68006MM	[+]	18,5	BDX				
2.0 [RWD]	59	05/89 → 10/97	●	fist-type cal.	P68007MM	[+]	18,5	BDX				
	59	05/89 → 10/97	●	fist-type cal.(2 pist.); Ø 45 mm piston	P68006MM	[+]	18,5	BDX				
2.1 D	47	09/94 → 04/98	●	fist-type cal.	P68007MM	[+]	18,5	BDX				
	47	09/94 → 04/98	●	fist-type cal.(2 pist.); Ø 45 mm piston	P68006MM	[+]	18,5	BDX				
2.1 D [RWD]	43	05/89 → 06/94	●	fist-type cal.	P68007MM	[+]	18,5	BDX				
	43	05/89 → 06/94	●	fist-type cal.(2 pist.); Ø 45 mm piston	P68006MM	[+]	18,5	BDX				
	47	06/94 → 10/97	●	fist-type cal.	P68007MM	[+]	18,5	BDX				
2.22	47	06/94 → 10/97	●	fist-type cal.(2 pist.); Ø 45 mm piston	P68006MM	[+]	18,5	BDX				
	74	09/94 → 04/98	●	fist-type cal.	P68007MM	[+]	18,5	BDX				
	74	09/94 → 04/98	●	fist-type cal.(2 pist.); Ø 45 mm piston	P68006MM	[+]	18,5	BDX				
	70	05/89 → 06/94	●	fist-type cal.	P68007MM	[+]	18,5	BDX				
2.2 4x4	70	05/89 → 06/94	●	fist-type cal.(2 pist.); Ø 45 mm piston	P68006MM	[+]	18,5	BDX				
	74	09/94 → 04/98	●	fist-type cal.	P68007MM	[+]	18,5	BDX				
	74	09/94 → 04/98	●	fist-type cal.(2 pist.); Ø 45 mm piston	P68006MM	[+]	18,5	BDX				
2.5 D	51	05/89 → 03/01	●	fist-type cal.	P68007MM	[+]	18,5	BDX				
	51	05/89 → 03/01	●	fist-type cal.(2 pist.); Ø 45 mm piston	P68006MM	[+]	18,5	BDX				
	58	09/94 → 04/98	●	fist-type cal.	P68007MM	[+]	18,5	BDX				
	58	09/94 → 04/98	●	fist-type cal.(2 pist.); Ø 45 mm piston	P68006MM	[+]	18,5	BDX				
	56	03/89 → 08/94	●	fist-type cal.	P68007MM	[+]	18,5	BDX				
	56	03/89 → 08/94	●	fist-type cal.(2 pist.); Ø 45 mm piston	P68006MM	[+]	18,5	BDX				
	55	05/98 → 03/01	●	fist-type cal.	P68007MM	[+]	18,5	BDX				
	55	05/98 → 03/01	●	fist-type cal.(2 pist.); Ø 45 mm piston	P68006MM	[+]	18,5	BDX				
2.5 D 4x4	58	09/94 → 01/99	●	fist-type cal.	P68007MM	[+]	18,5	BDX				
	58	09/94 → 01/99	●	fist-type cal.(2 pist.); Ø 45 mm piston	P68006MM	[+]	18,5	BDX				
	56	03/89 → 08/94	●	fist-type cal.	P68007MM	[+]	18,5	BDX				
	56	03/89 → 08/94	●	fist-type cal.(2 pist.); Ø 45 mm piston	P68006MM	[+]	18,5	BDX				

TRAFIC II Box (FL) 03/01 →

1.9 dCi	59	04/01 → 07/03	●		P56061MM	[+]	18,4	TRW				
	59	04/01 → 07/03	●		P59041MM	[-]	17	TRW				
	75	03/01 →	●		P56061MM	[+]	18,4	TRW				
	75	03/01 →	●		P59041MM	[-]	17	TRW				
1.9 dCi 100 (FLOC)	74	03/01 →	●		P56061MM	[+]	18,4	TRW				
	74	03/01 →	●		P59041MM	[-]	17	TRW				

							WI	Th [mm]	SYS	WI			FK	
											LENGHT			

RENAULT

TRAFIC II Box (FL) 03/01 →

1.9 dCi 80 (FLOB)	60	03/01 →	●		P56061MM	[+]	18,4	TRW					
	60	03/01 →		●	P59041MM	[-]	17	TRW					
2.0 (FL0A)	88	03/01 →	●		P56061MM	[+]	18,4	TRW					
	88	03/01 →		●	P59041MM	[-]	17	TRW					
2.0 16V	86	08/06 →	●		P56061MM	[+]	18,4	TRW					
	86	08/06 →		●	P59041MM	[-]	17	TRW					
2.0 dCi 115 (FL01, FLOU)	84	08/06 →	●		P56061MM	[+]	18,4	TRW					
	84	08/06 →		●	P59041MM	[-]	17	TRW					
2.0 dCi 90 (FLOH)	66	08/06 →	●		P56061MM	[+]	18,4	TRW					
	66	08/06 →		●	P59041MM	[-]	17	TRW					
2.5 dCi	84	08/07 →	●		P56061MM	[+]	18,4	TRW					
	84	08/07 →		●	P59041MM	[-]	17	TRW					
2.5 dCi 135 (FLOD)	99	05/03 →	●		P56061MM	[+]	18,4	TRW					
	99	05/03 →		●	P59041MM	[-]	17	TRW					
2.5 dCi 145 (FLOJ)	107	08/06 →	●		P56061MM	[+]	18,4	TRW					
	107	08/06 →		●	P59041MM	[-]	17	TRW					
2.5 DTi	99	03/03 → 07/03	●		P56061MM	[+]	18,4	TRW					
	99	03/03 → 07/03		●	P59041MM	[-]	17	TRW					

TRAFIC II Bus (JL) 03/01 →

1.9 dCi	59	04/01 → 07/03	●		P56061MM	[+]	18,4	TRW					
	59	04/01 → 07/03		●	P59041MM	[-]	17	TRW					
1.9 dCi 100 (JLOC)	74	03/01 →	●		P56061MM	[+]	18,4	TRW					
	74	03/01 →		●	P59041MM	[-]	17	TRW					
1.9 dCi 80 (JLOB)	60	03/01 →	●		P56061MM	[+]	18,4	TRW					
	60	03/01 →		●	P59041MM	[-]	17	TRW					
2.0 (JLOA)	88	03/01 →	●		P56061MM	[+]	18,4	TRW					
	88	03/01 →		●	P59041MM	[-]	17	TRW					
2.0 16V	86	08/06 →	●		P56061MM	[+]	18,4	TRW					
	86	08/06 →		●	P59041MM	[-]	17	TRW					
2.0 dCi 115 (JLOH)	84	08/06 →	●		P56061MM	[+]	18,4	TRW					
	84	08/06 →		●	P59041MM	[-]	17	TRW					
2.0 dCi 90 (JLOH)	66	08/06 →	●		P56061MM	[+]	18,4	TRW					
	66	08/06 →		●	P59041MM	[-]	17	TRW					
2.5 dCi 115	84	02/08 →	●		P56061MM	[+]	18,4	TRW					
	84	02/08 →		●	P59041MM	[-]	17	TRW					
2.5 dCi 135 (JLOD)	99	05/03 →	●		P56061MM	[+]	18,4	TRW					
	99	05/03 →		●	P59041MM	[-]	17	TRW					
2.5 dCi 145 (JLOJ)	107	08/06 →	●		P56061MM	[+]	18,4	TRW					
	107	08/06 →		●	P59041MM	[-]	17	TRW					

TRAFIC II Platform/Chassis (EL) 03/01 →

1.9 dCi	59	09/01 → 07/03	●		P56061MM	[+]	18,4	TRW					
	59	09/01 → 07/03		●	P59041MM	[-]	17	TRW					
1.9 dCi 100 (ELOC)	74	03/01 →	●		P56061MM	[+]	18,4	TRW					
	74	03/01 →		●	P59041MM	[-]	17	TRW					
1.9 dCi 80 (ELOB)	60	03/01 →	●		P56061MM	[+]	18,4	TRW					
	60	03/01 →		●	P59041MM	[-]	17	TRW					
2.0 (ELOA)	88	03/01 →	●		P56061MM	[+]	18,4	TRW					
	88	03/01 →		●	P59041MM	[-]	17	TRW					
2.0 16V	86	08/06 →	●		P56061MM	[+]	18,4	TRW					
	86	08/06 →		●	P59041MM	[-]	17	TRW					
2.0 dCi 115 (ELOH)	84	08/06 →	●		P56061MM	[+]	18,4	TRW					
	84	08/06 →		●	P59041MM	[-]	17	TRW					
2.0 dCi 90 (ELOH)	66	08/06 →	●		P56061MM	[+]	18,4	TRW					
	66	08/06 →		●	P59041MM	[-]	17	TRW					



kw



wi

Th [mm]

SYS

WI

FK



LENGHT



RENAULT

TRAFIC II Platform/Chassis (EL) 03/01 →

2.5 dCi 135 (EL0D)	99	03/01 →	●		P56061MM	[+]	18,4	TRW					
	99	03/01 →		●	P59041MM	[-]	17	TRW					
2.5 dCi 145 (EL0J)	107	08/06 →	●		P56061MM	[+]	18,4	TRW					
	107	08/06 →		●	P59041MM	[-]	17	TRW					

TRAFIC III Box (FG_) 05/14 →

1.6 dCi 115	85	05/14 →	●		P59082MM	[-]	18,2	TRW					
	85	05/14 →		●	P59041MM	[-]	17	TRW					
1.6 dCi 120	88	05/14 →	●		P59082MM	[-]	18,2	TRW					
	88	05/14 →		●	P59041MM	[-]	17	TRW					
1.6 dCi 125	92	07/15 →	●		P59082MM	[-]	18,2	TRW					
	92	07/15 →		●	P59041MM	[-]	17	TRW					
1.6 dCi 140	103	05/14 →	●		P59082MM	[-]	18,2	TRW					
	103	05/14 →		●	P59041MM	[-]	17	TRW					
1.6 dCi 145	107	07/15 →	●		P59082MM	[-]	18,2	TRW					
	107	07/15 →		●	P59041MM	[-]	17	TRW					
1.6 dCi 90	66	05/14 →	●		P59082MM	[-]	18,2	TRW					
	66	05/14 →		●	P59041MM	[-]	17	TRW					
1.6 dCi 95	70	07/15 →	●		P59082MM	[-]	18,2	TRW					
	70	07/15 →		●	P59041MM	[-]	17	TRW					

TRAFIC III Bus (JG_) 05/14 →

1.6 dCi 115	85	05/14 →	●		P59082MM	[-]	18,2	TRW					
	85	05/14 →		●	P59041MM	[-]	17	TRW					
1.6 dCi 120	88	05/14 →	●		P59082MM	[-]	18,2	TRW					
	88	05/14 →		●	P59041MM	[-]	17	TRW					
1.6 dCi 125	92	07/15 →	●		P59082MM	[-]	18,2	TRW					
	92	07/15 →		●	P59041MM	[-]	17	TRW					
	103	05/14 →	●		P59082MM	[-]	18,2	TRW					
	103	05/14 →		●	P59041MM	[-]	17	TRW					
1.6 dCi 145	107	07/15 →	●		P59082MM	[-]	18,2	TRW					
	107	07/15 →		●	P59041MM	[-]	17	TRW					
1.6 dCi 90	66	05/14 →	●		P59082MM	[-]	18,2	TRW					
	66	05/14 →		●	P59041MM	[-]	17	TRW					
1.6 dCi 95	70	07/15 →	●		P59082MM	[-]	18,2	TRW					
	70	07/15 →		●	P59041MM	[-]	17	TRW					

TRAFIC III Platform/Chassis (EG_) 05/14 →

1.6 dCi 125	92	07/15 →	●		P59082MM	[-]	18,2	TRW					
	92	07/15 →		●	P59041MM	[-]	17	TRW					
1.6 dCi 145	107	07/15 →	●		P59082MM	[-]	18,2	TRW					
	107	07/15 →		●	P59041MM	[-]	17	TRW					
1.6 dCi 90	66	05/14 →	●		P59082MM	[-]	18,2	TRW					
	66	05/14 →		●	P59041MM	[-]	17	TRW					

TWINGO I (C06_) 03/93 → 10/12

1.2	44	09/98 → 08/00	●		P68008MM	[+]	18,2	TRW					
	44	09/98 → 08/00	●		P68038MM	[-]	18,2	TRW					
1.2 (C063, C064)	40	03/93 → 10/96	●		P68015MM	[+]	15	BDX					
	40	03/93 → 10/96	●		P68020MM	[-]	15	BDX					
1.2 (C066, C068)	43	05/96 → 06/07	●	→ 08/98; Man.	P68015MM	[+]	15	BDX					
	43	05/96 → 06/07	●	→ 08/98; Man.	P68020MM	[-]	15	BDX					
	43	05/96 → 06/07	●	09/98 →; Aut.	P68008MM	[+]	18,2	TRW					
	43	05/96 → 06/07	●	09/98 →; Aut.	P68038MM	[-]	18,2	TRW					
1.2 (C067)	40	05/96 → 03/07	●	→ 08/98; Man.	P68015MM	[+]	15	BDX					
	40	05/96 → 03/07	●	→ 08/98; Man.	P68020MM	[-]	15	BDX					
	40	05/96 → 03/07	●	09/98 →; Aut.	P68008MM	[+]	18,2	TRW					
	40	05/96 → 03/07	●	09/98 →; Aut.	P68038MM	[-]	18,2	TRW					

		kw					wi	Th [mm]	SYS	WI			FK	
											LENGHT			

RENAULT

TWINGO I (C06_) 03/93 → 10/12

1.2 16V (C060)	44	08/04 → 06/07	●			P68008MM	[+]	18,2	TRW					
	44	08/04 → 06/07	●			P68038MM	[-]	18,2	TRW					
1.2 16V (C06C, C06D, C06K)	55	01/01 → 06/07	●			P68008MM	[+]	18,2	TRW					
	55	01/01 → 06/07	●			P68038MM	[-]	18,2	TRW					
1.2 LPG	44	10/03 → 06/07	●			P68008MM	[+]	18,2	TRW					
	44	10/03 → 06/07	●			P68038MM	[-]	18,2	TRW					

TWINGO I Box (S06_) 03/93 → 08/04

1.2 (S063, S064)	40	03/93 → 05/96	●			P68015MM	[+]	15	BDX					
	40	03/93 → 05/96	●			P68020MM	[-]	15	BDX					
1.2 (S066, S068)	43	05/96 → 08/04	●		→ 08/98; Man.	P68015MM	[+]	15	BDX					
	43	05/96 → 08/04	●		→ 08/98; Man.	P68020MM	[-]	15	BDX					
	43	05/96 → 08/04	●		09/98 →; Aut.	P68008MM	[+]	18,2	TRW					
	43	05/96 → 08/04	●		09/98 →; Aut.	P68038MM	[-]	18,2	TRW					

TWINGO II (CN0_) 03/07 →

1.2 (CN0D)	43	03/07 →	●			P68008MM	[+]	18,2	TRW					
1.2 16V (CN04, CN0A, CN0B)	55	03/07 →	●			P68008MM	[+]	18,2	TRW					
	56	03/07 →	●			P68008MM	[+]	18,2	TRW					
1.2 TCe 100 (CN0P)	75	02/11 →	●			P68008MM	[+]	18,2	TRW					
1.2 Turbo (CN0C, CN0F)	74	03/07 →	●			P68008MM	[+]	18,2	TRW					
1.5 dCi (CN0E)	47	03/07 →	●			P68008MM	[+]	18,2	TRW					
1.5 dCi (CN0U)	62	04/08 →	●			P68008MM	[+]	18,2	TRW					
1.5 dCi 75	55	10/10 →	●			P68008MM	[+]	18,2	TRW					
1.5 dCi 90	63	10/10 →	●			P68008MM	[+]	18,2	TRW					
1.6 RS (CN0N, CN0R, CN0S)	98	05/08 →	●			P68029MM	[-]	18,3	ATE					
	98	05/08 →	●	●		P68024MM	[-]	16,2	TRW					

TWINGO III (BCM_) 09/14 →

0.9 TCe 90	66	09/14 →	●			P68059MM	[-]	18	ATE					
1.0 SCe 70	52	09/14 →	●			P68059MM	[-]	18	ATE					
	51	09/15 →	●			P68059MM	[-]	18	ATE					

VEL SATIS (BJ0_) 06/02 →

2.0 16 V Turbo	125	04/04 →	●			P68032MM	[-]	18,3	ATE					
	125	04/04 →	●	●		P59044MM	[-]	16,8	ATE				A02228	
2.0 16V Turbo (BJ0K)	120	06/02 →	●			P68032MM	[-]	18,3	ATE					
	120	06/02 →	●	●		P59044MM	[-]	16,8	ATE				A02228	
2.0 dCi (BJ03)	110	08/05 →	●			P68032MM	[-]	18,3	ATE					
	110	08/05 →	●	●		P59044MM	[-]	16,8	ATE				A02228	
2.0 dCi (BJ03, BJ0B)	127	01/06 →	●			P68032MM	[-]	18,3	ATE					
	127	01/06 →	●	●		P59044MM	[-]	16,8	ATE				A02228	
2.0 Turbo	108	04/05 →	●			P68032MM	[-]	18,3	ATE					
	108	04/05 →	●	●		P59044MM	[-]	16,8	ATE					
2.2 dCi (BJ0E, BJ0F)	110	06/02 →	●			P68032MM	[-]	18,3	ATE					
	110	06/02 →	●	●		P59044MM	[-]	16,8	ATE				A02228	
2.2 dCi (BJ0E, BJ0F, BJ0G, BJ0H)	102	09/04 →	●			P68032MM	[-]	18,3	ATE					
	102	09/04 →	●	●		P59044MM	[-]	16,8	ATE				A02228	

										WI			FK	

RENAULT

VEL SATIS (BJ0_) 06/02 →

2.2 dCi (BJ0H)	85	04/04 →	•			P68032MM [-]	18,3	ATE						
	85	04/04 →		•		P59044MM [-]	16,8	ATE					A02228	
2.2 dCi (BJ0M)	83	12/04 →	•			P68032MM [-]	18,3	ATE						
	83	12/04 →		•		P59044MM [-]	16,8	ATE					A02228	
3.0 dCi (BJ0J, BJ0N)	130	06/02 →	•			P68032MM [-]	18,3	ATE						
	130	06/02 →		•		P59044MM [-]	16,8	ATE					A02228	
3.0 dCi (BJ0S)	133	06/06 →	•			P68032MM [-]	18,3	ATE						
	133	06/06 →		•		P59044MM [-]	16,8	ATE					A02228	
3.5 (BJ01)	170	10/04 →	•			P68032MM [-]	18,3	ATE						
	170	10/04 →		•		P59044MM [-]	16,8	ATE						
3.5 V6 (BJ0R, BJ0V, BJ0U)	177	06/02 →	•			P68032MM [-]	18,3	ATE						
	177	06/02 →		•		P59044MM [-]	16,8	ATE					A02228	

WIND (E4M_) 07/10 →

1.2 (E4MF)	74	07/10 →	•			P68029MM [-]	18,3	ATE						
	74	07/10 →		•		P68024MM [-]	16,2	TRW						
1.2 TCe 100 (E4MA)	75	02/11 →	•			P68029MM [-]	18,3	ATE					A02228	
	75	02/11 →		•		P68024MM [-]	16,2	TRW						
1.6 (E4MB, E4MC)	98	07/10 →	•			P68029MM [-]	18,3	ATE						
	98	07/10 →		•		P68024MM [-]	16,2	TRW						

ZOE (BFM_) 06/12 →

ZOE	65	06/12 →	•			P68033MM [-]	17,3	TRW						
-----	----	---------	---	--	--	--------------	------	-----	--	--	--	--	--	--

RENAULT TRUCKS

MASCOTT Box Body / Estate 01/99 → 12/10

110.35	78	01/99 → 06/04	•			PA6017MM [o]	20,3	BRE	A00392	260				
	78	01/99 → 06/04		•		PA6017MM [o]	20,3	BRE	A00392	260				
110.50	78	01/99 → 06/04	•			PA6017MM [o]	20,3	BRE	A00392	260				
	78	01/99 → 06/04		•		PA6017MM [o]	20,3	BRE	A00392	260				
110.55	78	01/99 → 06/04	•			PA6022MM [o]	19,9	BRE	A00392	260				
	78	01/99 → 06/04		•		PA6017MM [o]	20,3	BRE	A00392	260				
120.35 (A02100003)	85	05/04 → 10/10	•			PA6017MM [o]	20,3	BRE	A00392	260				
	85	05/04 → 10/10		•		PA6017MM [o]	20,3	BRE	A00392	260				
120.55 (A02300005)	85	05/04 → 10/10	•			PA6022MM [o]	19,9	BRE	A00392	260				
	85	05/04 → 10/10		•		PA6017MM [o]	20,3	BRE	A00392	260				
130.35	92	01/99 → 06/04	•			PA6017MM [o]	20,3	BRE	A00392	260				
	92	01/99 → 06/04		•		PA6017MM [o]	20,3	BRE	A00392	260				
130.55	92	01/99 → 06/04	•			PA6022MM [o]	19,9	BRE	A00392	260				
	92	01/99 → 06/04		•		PA6017MM [o]	20,3	BRE	A00392	260				
140.35	103	01/01 → 06/04	•			PA6017MM [o]	20,3	BRE	A00392	260				
	103	01/01 → 06/04		•		PA6017MM [o]	20,3	BRE	A00392	260				
140.55	103	01/01 → 06/04	•			PA6022MM [o]	19,9	BRE	A00392	260				
	103	01/01 → 06/04		•		PA6017MM [o]	20,3	BRE	A00392	260				
150.35 (A02300161)	107	10/01 → 06/04	•			PA6017MM [o]	20,3	BRE	A00392	260				
	107	10/01 → 06/04		•		PA6017MM [o]	20,3	BRE	A00392	260				
150.55 (A02300164)	107	10/01 → 06/04	•			PA6022MM [o]	19,9	BRE	A00392	260				
	107	10/01 → 06/04		•		PA6017MM [o]	20,3	BRE	A00392	260				
150.65 (A00300166)	107	10/01 → 06/04	•			PA6022MM [o]	19,9	BRE	A00392	260				
	107	10/01 → 06/04		•		PA6017MM [o]	20,3	BRE	A00392	260				
160.35 (A02100013)	115	05/04 → 10/10	•			PA6017MM [o]	20,3	BRE	A00392	260				
	115	05/04 → 10/10		•		PA6017MM [o]	20,3	BRE	A00392	260				
160.55 (A02300015)	115	05/04 → 10/10	•			PA6022MM [o]	19,9	BRE	A00392	260				
	115	05/04 → 10/10		•		PA6017MM [o]	20,3	BRE	A00392	260				

Car Type	kw	S	E	i	MAGNETI MARELLI	wi	Th [mm]	SYS	WI		FK	
									MAGNETI MARELLI	LENGHT	i	MAGNETI MARELLI

RENAULT TRUCKS

MASCOTT Box Body / Estate 01/99 → 12/10

90.35	63	01/99 → 12/01	•		PA6017MM	[O]	20,3	BRE	A00392	260		
	63	01/99 → 12/01		•	PA6017MM	[O]	20,3	BRE	A00392	260		

MASCOTT Dumptruck 01/00 → 12/10

110	78	01/00 → 06/04	•		PA6017MM	[O]	20,3	BRE	A00392	260		
	78	01/00 → 06/04		•	PA6017MM	[O]	20,3	BRE	A00392	260		
90	78	01/00 → 06/04	•		PA6017MM	[O]	20,3	BRE	A00392	260		
	78	01/00 → 06/04		•	PA6017MM	[O]	20,3	BRE	A00392	260		

MASCOTT Platform/Chassis 01/99 → 12/13

110	78	01/99 → 06/04	•		PA6022MM	[O]	19,9	BRE	A00392	260		
	78	01/99 → 06/04		•	PA6017MM	[O]	20,3	BRE	A00392	260		
120.35 (A00100003, A01100003)	85	05/04 → 12/10	•		PA6017MM	[O]	20,3	BRE	A00392	260		
	85	05/04 → 12/10		•	PA6017MM	[O]	20,3	BRE	A00392	260		
120.55 (A00300005, A01300005)	85	05/04 → 12/10	•		PA6022MM	[O]	19,9	BRE	A00392	260		
	85	05/04 → 12/10		•	PA6017MM	[O]	20,3	BRE	A00392	260		
120.65 (A00500007)	85	05/04 → 12/10	•		PA6022MM	[O]	19,9	BRE	A00392	260		
	85	05/04 → 12/10		•	PA6017MM	[O]	20,3	BRE	A00392	260		
130	92	01/99 → 06/04	•		PA6022MM	[O]	19,9	BRE	A00392	260		
	92	01/99 → 06/04		•	PA6017MM	[O]	20,3	BRE	A00392	260		
140	103	01/01 → 06/04	•		PA6017MM	[O]	20,3	BRE	A00392	260		
	103	01/01 → 06/04		•	PA6017MM	[O]	20,3	BRE	A00392	260		
150.35 (A00300161)	107	10/01 → 06/04	•		PA6017MM	[O]	20,3	BRE	A00392	260		
	107	10/01 → 06/04		•	PA6017MM	[O]	20,3	BRE	A00392	260		
150.35 (A00300164)	107	10/01 → 06/04	•		PA6022MM	[O]	19,9	BRE	A00392	260		
	107	10/01 → 06/04		•	PA6017MM	[O]	20,3	BRE	A00392	260		
160.35 (A00100013, A01100013)	115	05/04 → 12/10	•		PA6017MM	[O]	20,3	BRE	A00392	260		
	115	05/04 → 12/10		•	PA6017MM	[O]	20,3	BRE	A00392	260		
160.55 (A00300015, A01300015)	115	05/04 → 12/10	•		PA6022MM	[O]	19,9	BRE	A00392	260		
	115	05/04 → 12/10		•	PA6017MM	[O]	20,3	BRE	A00392	260		
160.65 (A00500017, A01500017, B03200017)	115	05/04 → 12/10	•		PA6022MM	[O]	19,9	BRE	A00392	260		
	115	05/04 → 12/10		•	PA6017MM	[O]	20,3	BRE	A00392	260		
90	63	01/99 → 12/01	•		PA6017MM	[O]	20,3	BRE	A00392	260		
	63	01/99 → 12/01		•	PA6017MM	[O]	20,3	BRE	A00392	260		

ROLLS-ROYCE

PHANTOM (RR1) 08/02 →

6.75	338	08/02 →	•		P06047MM	[O]	20,8	ATE				
6.75	338	08/02 →		•	P06026MM	[O]	17,3	ATE				

PHANTOM Coupé (RR3) 01/07 →

6.75 V12	338	01/07 →	•		P06047MM	[O]	20,8	ATE				
6.75 V12	338	01/07 →		•	P06026MM	[O]	17,3	ATE				

PHANTOM Drophead Coupé (RR2) 03/06 →

6.75 V12	338	03/06 →	•		P06047MM	[O]	20,8	ATE				
6.75 V12	338	03/06 →		•	P06026MM	[O]	17,3	ATE				

SILVER SERAPH 03/98 → 09/02

5.4	240	03/98 → 09/02	•		P06019MM	[O]	20,8	ATE				
-----	-----	---------------	---	--	----------	-----	------	-----	--	--	--	--

WRAITH (RR5) 07/13 →

V12	465	07/13 →	•		P06077MM	[O]	19,4	BRE				
-----	-----	---------	---	--	----------	-----	------	-----	--	--	--	--



ROVER

200 Convertible (XW) 04/90 → 11/99

214 1.4	66	01/92 → 11/99	●	→ 12/95; -ABS	P28019MM	[+]	18	TRW				
	66	01/92 → 11/99	●	→ 12/95; +ABS; 01/96 →	P28020MM	[+]	18	TRW				
	66	01/92 → 11/99	●		P28017MM	[+]	13	AKE				
	70	04/90 → 09/92	●	-ABS	P28019MM	[+]	18	TRW				
	70	04/90 → 09/92	●	+ABS	P28020MM	[+]	18	TRW				
	70	04/90 → 09/92	●		P28017MM	[+]	13	AKE				
214 1.4i 16V	76	01/93 → 11/99	●	→ 12/95; -ABS	P28019MM	[+]	18	TRW				
	76	01/93 → 11/99	●	→ 12/95; +ABS; 01/96 →	P28020MM	[+]	18	TRW				
	76	01/93 → 11/99	●		P28017MM	[+]	13	AKE				
216 1.6	82	04/90 → 02/96	●		P28020MM	[+]	18	TRW				
	82	04/90 → 02/96	●		P28017MM	[+]	13	AKE				
216 1.6i	90	01/92 → 11/99	●		P28020MM	[+]	18	TRW				
	90	01/92 → 11/99	●		P28017MM	[+]	13	AKE				
216 1.6i 16V	82	01/96 → 11/99	●		P28020MM	[+]	18	TRW				
	82	01/96 → 11/99	●		P28017MM	[+]	13	AKE				

200 Coupé (XW) 10/92 → 06/99

216	90	10/92 → 06/99	●	→ 12/95	P28019MM	[+]	18	TRW				
	90	10/92 → 06/99	●	→ 12/95; +ABS; 01/96 →	P28020MM	[+]	18	TRW				
	90	10/92 → 06/99	●		P28017MM	[+]	13	AKE				
	82	01/96 → 12/97	●		P28020MM	[+]	18	TRW				
	82	01/96 → 12/97	●		P28017MM	[+]	13	AKE				
220 GSi	100	05/94 → 06/99	●		P28020MM	[+]	18	TRW				
	100	05/94 → 06/99	●		P28017MM	[+]	13	AKE				
220 Turbo	147	10/92 → 06/99	●		P28020MM	[+]	18	TRW				
	147	10/92 → 06/99	●		P28017MM	[+]	13	AKE				

200 Hatchback (RF) 11/95 → 11/00

211	44	01/98 → 03/00	●		P28020MM	[+]	18	TRW				
	44	01/98 → 03/00	●		P28017MM	[+]	13	AKE				
214 i	55	11/95 → 03/00	●		P28020MM	[+]	18	TRW				
	55	11/95 → 03/00	●		P28017MM	[+]	13	AKE				
214 Si	76	11/95 → 03/00	●		P28020MM	[+]	18	TRW				
	76	11/95 → 03/00	●		P28017MM	[+]	13	AKE				
216 Si	82	11/95 → 03/00	●		P28020MM	[+]	18	TRW				
	82	11/95 → 03/00	●		P28017MM	[+]	13	AKE				
218 K Vi	107	11/95 → 03/00	●		P28020MM	[+]	18	TRW				
	107	11/95 → 03/00	●		P28017MM	[+]	13	AKE				
218 Si	88	08/99 → 03/00	●		P28020MM	[+]	18	TRW				
	88	08/99 → 03/00	●		P28017MM	[+]	13	AKE				
220 D/SD	63	11/95 → 03/00	●		P28020MM	[+]	18	TRW				
	63	11/95 → 03/00	●		P28017MM	[+]	13	AKE				
220 SDi	77	11/95 → 03/00	●		P28020MM	[+]	18	TRW				
	77	11/95 → 03/00	●		P28017MM	[+]	13	AKE				

25 (RF) 09/99 → 06/06

1.1	55	09/99 → 06/01	●		P28020MM	[+]	18	TRW				
	55	09/99 → 06/01	●		P28017MM	[+]	13	AKE				
	44	11/99 → 05/05	●		P28020MM	[+]	18	TRW				
	44	11/99 → 05/05	●		P28017MM	[+]	13	AKE				
1.1 16V	55	01/04 → 05/05	●		P28020MM	[+]	18	TRW				
	55	01/04 → 05/05	●		P28017MM	[+]	13	AKE				
1.4 16V	62	10/99 → 05/05	●		P28020MM	[+]	18	TRW				
	62	10/99 → 05/05	●		P28017MM	[+]	13	AKE				
	76	10/99 → 05/05	●		P28020MM	[+]	18	TRW				
	76	10/99 → 05/05	●		P28017MM	[+]	13	AKE				

ROVER

25 (RF) 09/99 → 06/06

1.6 16V	80	10/99 → 05/05	●			P28020MM	[+]	18	TRW					
	80	10/99 → 05/05		●		P28017MM	[+]	13	AKE					
1.8 16V	85	10/99 → 05/05	●			P28020MM	[+]	18	TRW					
	85	10/99 → 05/05		●		P28017MM	[+]	13	AKE					
	107	02/00 → 05/05	●			P28020MM	[+]	18	TRW					
	107	02/00 → 05/05		●		P28017MM	[+]	13	AKE					
2.0 iDT	83	01/02 → 12/04	●			P28020MM	[+]	18	TRW					
	83	01/02 → 12/04		●		P28017MM	[+]	13	AKE					
	74	10/99 → 05/05	●			P28020MM	[+]	18	TRW					
	74	10/99 → 05/05		●		P28017MM	[+]	13	AKE					

400 (RT) 05/95 → 03/00

414	55	03/96 → 12/99	●			P28020MM	[+]	18	TRW					
	55	03/96 → 12/99		●		P28017MM	[+]	13	AKE					
414 Si	76	05/95 → 03/00	●			P28020MM	[+]	18	TRW					
	76	05/95 → 03/00		●		P28017MM	[+]	13	AKE					
	82	05/95 → 03/00	●			P28020MM	[+]	18	TRW					
	82	05/95 → 03/00		●		P28017MM	[+]	13	AKE					
	83	05/95 → 03/00	●			P28020MM	[+]	18	TRW					
	83	05/95 → 03/00		●		P28017MM	[+]	13	AKE					
	85	05/95 → 03/00	●			P28020MM	[+]	18	TRW					
	85	05/95 → 03/00		●	+rear disc	P28017MM	[+]	13	AKE					
420 D	63	11/95 → 03/00	●			P28020MM	[+]	18	TRW					
	63	11/95 → 03/00		●		P28017MM	[+]	13	AKE					
420 Di	77	05/95 → 03/00	●			P28020MM	[+]	18	TRW					
	77	05/95 → 03/00		●		P28017MM	[+]	13	AKE					
420 Si Lux	100	12/95 → 03/00	●			P28020MM	[+]	18	TRW					
	100	12/95 → 03/00		●		P28017MM	[+]	13	AKE					

400 Hatchback (RT) 05/95 → 03/00

414	55	03/96 → 12/97	●			P28020MM	[+]	18	TRW					
	55	03/96 → 12/97		●		P28017MM	[+]	13	AKE					
414 Si	76	05/95 → 03/00	●			P28020MM	[+]	18	TRW					
	76	05/95 → 03/00		●		P28017MM	[+]	13	AKE					
416 Si	82	05/95 → 03/00	●			P28020MM	[+]	18	TRW					
	82	05/95 → 03/00		●		P28017MM	[+]	13	AKE					
	83	06/95 → 03/00	●			P28020MM	[+]	18	TRW					
	83	06/95 → 03/00		●		P28017MM	[+]	13	AKE					
	85	06/95 → 03/00	●			P28020MM	[+]	18	TRW					
	85	06/95 → 03/00		●		P28017MM	[+]	13	AKE					
420 D	63	11/95 → 03/00	●			P28020MM	[+]	18	TRW					
	63	11/95 → 03/00		●		P28017MM	[+]	13	AKE					
420 Di	77	05/95 → 03/00	●			P28020MM	[+]	18	TRW					
	77	05/95 → 03/00		●		P28017MM	[+]	13	AKE					
420 Si Lux	100	12/95 → 03/00	●			P28020MM	[+]	18	TRW					
	100	12/95 → 03/00		●		P28017MM	[+]	13	AKE					

45 (RT) 02/00 → 05/05

1.4	76	02/00 → 05/05	●			P28020MM	[+]	18	TRW					
	76	02/00 → 05/05		●		P28017MM	[+]	13	AKE					
1.6	80	02/00 → 05/05	●			P28020MM	[+]	18	TRW					
	80	02/00 → 05/05		●		P28017MM	[+]	13	AKE					
1.8	86	02/00 → 05/05	●			P28020MM	[+]	18	TRW					
	86	02/00 → 05/05		●		P28017MM	[+]	13	AKE					
2.0 iDT	83	01/04 → 05/05	●			P28020MM	[+]	18	TRW					
	83	01/04 → 05/05		●		P28017MM	[+]	13	AKE					

ROVER

45 (RT) 02/00 → 05/05	
2.0 iDT	74 02/00 → 05/05 ● ● P28020MM [+] 18 TRW
	74 02/00 → 05/05 ● P28017MM [+] 13 AKE
2.0 V6	110 02/00 → 05/05 ● ● P28020MM [+] 18 TRW
	110 02/00 → 05/05 ● P28017MM [+] 13 AKE
45 Saloon (RT) 02/00 → 05/05	
1.4	76 02/00 → 05/05 ● ● P28020MM [+] 18 TRW
	76 02/00 → 05/05 ● P28017MM [+] 13 AKE
1.6	80 02/00 → 05/05 ● ● P28020MM [+] 18 TRW
	80 02/00 → 05/05 ● P28017MM [+] 13 AKE
1.8	86 02/00 → 05/05 ● ● P28020MM [+] 18 TRW
	86 02/00 → 05/05 ● P28017MM [+] 13 AKE
2.0 iDT	83 01/04 → 05/05 ● ● P28020MM [+] 18 TRW
	83 01/04 → 05/05 ● P28017MM [+] 13 AKE
	74 02/00 → 05/05 ● ● P28020MM [+] 18 TRW
	74 02/00 → 05/05 ● P28017MM [+] 13 AKE
2.0 V6	110 02/00 → 05/05 ● ● P28020MM [+] 18 TRW
	110 02/00 → 05/05 ● P28017MM [+] 13 AKE
600 (RH) 08/93 → 10/00	
618 i/Si	85 03/96 → 02/99 ● ● P28021MM [+] 18,5 AKE
	85 03/96 → 02/99 ● P28026MM [+] 17,3 AKE
	85 03/96 → 02/99 ● ● P28022MM [+] 14,6 AKE
620 i	85 08/93 → 06/96 ● ● P28021MM [+] 18,5 AKE
	85 08/93 → 06/96 ● P28026MM [+] 17,3 AKE
	85 08/93 → 06/96 ● ● P28022MM [+] 14,6 AKE
620 Sdi	77 12/94 → 02/99 ● ● P28021MM [+] 18,5 AKE
	77 12/94 → 02/99 ● P28026MM [+] 17,3 AKE
	77 12/94 → 02/99 ● ● P28022MM [+] 14,6 AKE
620 Si	96 08/93 → 02/99 ● ● P28021MM [+] 18,5 AKE
	96 08/93 → 02/99 ● P28026MM [+] 17,3 AKE
	96 08/93 → 02/99 ● ● P28022MM [+] 14,6 AKE
620 Ti Vitesse	147 07/94 → 02/99 ● ● P28021MM [+] 18,5 AKE
	147 07/94 → 02/99 ● P28026MM [+] 17,3 AKE
	147 07/94 → 02/99 ● ● P28022MM [+] 14,6 AKE
623 Si	116 08/93 → 02/99 ● ● P28021MM [+] 18,5 AKE
	116 08/93 → 02/99 ● P28026MM [+] 17,3 AKE
	116 08/93 → 02/99 ● ● P28022MM [+] 14,6 AKE
75 (RJ) 02/99 → 05/05	
1.8	88 02/99 → 05/05 ● ● P52017MM [o] 19,1 ATE A00294 1120 A02202
	88 02/99 → 05/05 ● P06025MM [o] 17,3 ATE A00295 850 A02222
1.8 Turbo	110 05/03 → 05/05 ● ● P52017MM [o] 19,1 ATE A00294 1120 A02202
	110 05/03 → 05/05 ● P06025MM [o] 17,3 ATE A00295 850 A02222
2.0 CDT	85 02/99 → 05/05 ● ● P52017MM [o] 19,1 ATE A00294 1120 A02202
	85 02/99 → 05/05 ● P06025MM [o] 17,3 ATE A00295 850 A02222
2.0 CDTi	96 02/03 → 05/05 ● ● P52017MM [o] 19,1 ATE A00294 1120 A02202
	96 02/03 → 05/05 ● P06025MM [o] 17,3 ATE A00295 850 A02222
2.0 V6	110 02/99 → 05/05 ● ● P52017MM [o] 19,1 ATE A00294 1120 A02202
	110 02/99 → 05/05 ● P06025MM [o] 17,3 ATE A00295 850 A02222
2.5 V6	129 02/99 → 10/01 ● ● P52017MM [o] 19,1 ATE A00294 1120 A02202
	129 02/99 → 10/01 ● P06025MM [o] 17,3 ATE A00295 850 A02222
	130 10/01 → 05/05 ● ● P52017MM [o] 19,1 ATE A00294 1120 A02202
	130 10/01 → 05/05 ● P06025MM [o] 17,3 ATE A00295 850 A02222
4.6 V8	191 10/04 → 05/05 ● ● P06043MM [o] 20,3 ATE A02223
	191 10/04 → 05/05 ● P06025MM [o] 17,3 ATE A02222

Car Icon	kW	Hourglass Icon	Gear Icon	i	MAGNETI MARELLI	wi	Th [mm]	SYS	WI			FK	
									MAGNETI MARELLI	LENGHT	i	MAGNETI MARELLI	i

ROVER

800 (XS) 10/86 → 02/99

825 Si/ Sterling Catalytic- Conv (XS)	110	10/86 → 12/91	●					P28020MM	[+]	18	TRW			
	110	10/86 → 12/91		●				P28015MM	[+]	14	TRW			
827 Si/ Sterling (XS)	130	02/88 → 12/91	●					P28020MM	[+]	18	TRW			
	130	02/88 → 12/91		●				P28015MM	[+]	14	TRW			
827 Si/ Sterling Catalytic- Conv (XS)	124	02/88 → 02/99	●		03/92 →			P28020MM	[+]	18	TRW			
	124	02/88 → 02/99		●	→ 02/92			P28015MM	[+]	14	TRW			
	124	02/88 → 02/99		●	03/92 →			P28027MM	[+]	14,5	TRW			

800 Coupé 08/92 → 02/99

825 SD	87	09/93 → 02/99	●					P28020MM	[+]	18	TRW			
	87	09/93 → 02/99		●				P28027MM	[+]	14,5	TRW			
825 Si (RS)	129	04/96 → 02/99	●					P28020MM	[+]	18	TRW			
	129	04/96 → 02/99		●				P28027MM	[+]	14,5	TRW			
827 24V (RS)	124	08/92 → 02/99	●					P28020MM	[+]	18	TRW			
	124	08/92 → 02/99		●				P28027MM	[+]	14,5	TRW			

800 Hatchback (XS) 10/86 → 02/99

2.5 Si	129	02/96 → 10/88	●					P28020MM	[+]	18	TRW			
	129	02/96 → 10/88		●				P28015MM	[+]	14	TRW			
820 16V Turbo (RS)	132	01/92 → 02/99	●		→ 12/92			P52020MM	[+]	17,4	TRW			
	132	01/92 → 02/99		●	01/93 →			P28020MM	[+]	18	TRW			
	132	01/92 → 02/99		●				P28027MM	[+]	14,5	TRW			
820 i/Si (XS)	103	10/88 → 12/91	●					P28013MM	[+]	17,5	AKE			
	103	10/88 → 12/91		●				P28014MM	[+]	17,4	TRW			
	103	10/88 → 12/91		●				P28015MM	[+]	14	TRW			
	100	01/93 → 02/99		●				P28020MM	[+]	18	TRW			
820 SE/SI	100	01/93 → 02/99		●				P28027MM	[+]	14,5	TRW			
	88	10/86 → 12/91	●					P28013MM	[+]	17,5	AKE			
820 SI (XS)	88	10/86 → 12/91	●					P28014MM	[+]	17,4	TRW			
	88	10/86 → 12/91		●				P28015MM	[+]	14	TRW			
	98	10/88 → 12/91	●					P28013MM	[+]	17,5	AKE			
820 Sport	98	10/88 → 12/91	●					P28014MM	[+]	17,4	TRW			
	98	10/88 → 12/91		●		11/91 →		P52020MM	[+]	17,4	TRW			
	98	10/88 → 12/91		●				P28015MM	[+]	14	TRW			
820 Sport	145	04/94 → 03/96	●					P28020MM	[+]	18	TRW			
	145	04/94 → 03/96		●				P28027MM	[+]	14,5	TRW			
825 D/SD (XS)	87	01/92 → 02/99	●		→ 02/92			P28014MM	[+]	17,4	TRW			
	87	01/92 → 02/99		●	03/92 →			P28020MM	[+]	18	TRW			
	87	01/92 → 02/99		●	→ 02/92			P28015MM	[+]	14	TRW			
	87	01/92 → 02/99		●	03/92 →			P28027MM	[+]	14,5	TRW			
827 24V I/SI Cat (RS)	124	01/92 → 02/99	●		→ 12/92			P52020MM	[+]	17,4	TRW			
	124	01/92 → 02/99		●	03/92 →			P28020MM	[+]	18	TRW			
	124	01/92 → 02/99		●	→ 02/92			P28015MM	[+]	14	TRW			
	124	01/92 → 02/99		●	03/92 →			P28027MM	[+]	14,5	TRW			
827 Vitesse Catalytic- Conv (XS)	124	10/88 → 12/91	●					P28020MM	[+]	18	TRW			
	124	10/88 → 12/91		●				P28015MM	[+]	14	TRW			
827 Vitesse/ SLI	130	10/88 → 12/91	●					P28020MM	[+]	18	TRW			
	130	10/88 → 12/91		●				P28015MM	[+]	14	TRW			

CITYROVER 09/03 → 12/05

1.4 Elegance	62	09/03 → 12/05	●					P52019MM	[-]	16	TRW			
--------------	----	---------------	---	--	--	--	--	----------	-----	----	-----	--	--	--

COUPÉ 03/96 → 11/99

1.6 16 V	82	03/96 → 11/99	●					P28020MM	[+]	18	TRW			
	82	03/96 → 11/99		●	+rear disc			P28017MM	[+]	13	AKE			

		kw						wi	Th [mm]	SYS	WI		FK		
												LENGHT			

ROVER

COUPÉ 03/96 → 11/99

1.8 16 V	107	03/96 → 11/99	●			P28020MM	[+]	18	TRW						
	107	03/96 → 11/99		●	+rear disc	P28017MM	[+]	13	AKE						

MINI 01/91 → 11/00

1.3 Cooper S	59	06/95 → 11/00	●		disc/drum	P52002MM	[-]	13,8	LKD						
1000	30	01/92 → 06/93	●		disc/drum	P52002MM	[-]	13,8	LKD						
1300	45	01/91 → 12/91	●		disc/drum	P52002MM	[-]	13,8	LKD						
	39	01/92 → 04/95	●		disc/drum	P52002MM	[-]	13,8	LKD						
	46	01/92 → 11/00	●		disc/drum	P52002MM	[-]	13,8	LKD						
	37	10/92 → 11/00	●		disc/drum	P52002MM	[-]	13,8	LKD						
	39	05/96 → 10/96	●		disc/drum	P52002MM	[-]	13,8	LKD						
	37	04/92 → 10/96	●		disc/drum	P52002MM	[-]	13,8	LKD						
1300 / Cooper	45	06/91 → 02/94	●		disc/drum	P52002MM	[-]	13,8	LKD						

MINI Convertible (XN) 09/92 → 05/01

1.3	63	11/96 → 05/01	●		disc/drum	P52002MM	[-]	13,8	LKD						
1.3 S	46	02/98 → 05/01	●		disc/drum	P52002MM	[-]	13,8	LKD						
1300	46	09/92 → 04/95	●		disc/drum	P52002MM	[-]	13,8	LKD						

STREETWISE 08/03 → 05/05

1.4	76	08/03 → 05/05	●			P28020MM	[+]	18	TRW						
	76	08/03 → 05/05		●	+rear disc	P28017MM	[+]	13	AKE						
	62	08/03 → 05/05	●			P28020MM	[+]	18	TRW						
	62	08/03 → 05/05		●	+rear disc	P28017MM	[+]	13	AKE						
1.6	80	01/04 → 05/05	●			P28020MM	[+]	18	TRW						
	80	01/04 → 05/05		●	+rear disc	P28017MM	[+]	13	AKE						
1.8	86	08/03 → 05/05	●			P28020MM	[+]	18	TRW						
	86	08/03 → 05/05		●	+rear disc	P28017MM	[+]	13	AKE						
2.0 TD	74	08/03 → 05/05	●			P28020MM	[+]	18	TRW						
	74	08/03 → 05/05		●	+rear disc	P28017MM	[+]	13	AKE						

SAAB

9-3 (YS3D) 02/98 → 08/03

2.0 i	96	02/98 → 09/02	●			P59048MM	[+]	20,2	ATE					A02202		
	96	02/98 → 09/02		●		P59014MM	[-]	15,2	ATE					A02258		
2.0 SE Turbo	147	02/98 → 09/02	●			P59048MM	[+]	20,2	ATE					A02202		
	147	02/98 → 09/02		●		P59014MM	[-]	15,2	ATE					A02258		
2.0 Turbo	136	02/98 → 09/02	●			P59048MM	[+]	20,2	ATE					A02202		
	136	02/98 → 09/02		●		P59014MM	[-]	15,2	ATE					A02258		
	113	10/98 → 09/02	●			P59048MM	[+]	20,2	ATE					A02202		
	113	10/98 → 09/02		●		P59014MM	[-]	15,2	ATE					A02258		
	151	10/99 → 09/02	●			P59048MM	[+]	20,2	ATE					A02202		
	151	10/99 → 09/02		●		P59014MM	[-]	15,2	ATE					A02258		
	110	01/01 → 09/02	●			P59048MM	[+]	20,2	ATE					A02202		
	110	01/01 → 09/02		●		P59014MM	[-]	15,2	ATE					A02258		
	2.2 TiD	85	02/98 → 11/00	●			P59048MM	[+]	20,2	ATE					A02202	
		85	02/98 → 11/00		●		P59014MM	[-]	15,2	ATE					A02258	
92		11/00 → 09/02	●			P59048MM	[+]	20,2	ATE					A02202		
92		11/00 → 09/02		●		P59014MM	[-]	15,2	ATE					A02258		
2.3	169	09/99 → 01/02	●			P59048MM	[+]	20,2	ATE					A02202		
	169	09/99 → 01/02		●		P59014MM	[-]	15,2	ATE					A02258		
2.3 i	110	02/98 → 09/02	●			P59048MM	[+]	20,2	ATE					A02202		
	110	02/98 → 09/02		●		P59014MM	[-]	15,2	ATE					A02258		
2.3 Turbo	165	10/98 → 09/02	●			P59048MM	[+]	20,2	ATE					A02202		
	165	10/98 → 09/02		●		P59014MM	[-]	15,2	ATE					A02258		

SAAB
9-3 (YS3F) 09/02 → 02/15

1.9 TTD	132	12/07 → 02/15	●	51046734 →; 16" wheel; 15" wheel	P10011MM	[O]	20,6	ATE						
	132	12/07 → 02/15	●	17" wheel	P24057MM	[-]	18,5	ATE						
	132	12/07 → 02/15	●		P59042MM	[O]	16,7	ATE						
2.0 t	162	01/11 → 02/15	●	15" wheel; 16" wheel	P59043MM	[O]	20,6	ATE				A02202	51046734 →; 56012432 →	
	162	01/11 → 02/15	●	16" wheel	P59049MM	[O]	20,9	ATE				A02202	51046734 →; 56012432 →	
	162	01/11 → 02/15	●	→ 41022027; 16" wheel	P59046MM	[O]	20,4	ATE				A02202	51046734 →; 56012432 →	
	162	01/11 → 02/15	●	51046734 →; 15" wheel; 16" wheel	P10011MM	[O]	20,6	ATE				A02202	51046734 →; 56012432 →	
	162	01/11 → 02/15	●	17" wheel	P24057MM	[-]	18,5	ATE				A02202	51046734 →; 56012432 →	
	162	01/11 → 02/15	●		P59042MM	[O]	16,7	ATE						
	120	01/07 → 02/15	●	16" wheel; 15" wheel	P59043MM	[O]	20,6	ATE					A02202	51046734 →; 56012432 →
	120	01/07 → 02/15	●	16" wheel	P59049MM	[O]	20,9	ATE					A02202	51046734 →; 56012432 →
	120	01/07 → 02/15	●	→ 41022027; 16" wheel	P59046MM	[O]	20,4	ATE					A02202	51046734 →; 56012432 →
	120	01/07 → 02/15	●	51046734 →; 15" wheel; 16" wheel	P10011MM	[O]	20,6	ATE					A02202	51046734 →; 56012432 →
	120	01/07 → 02/15	●	17" wheel	P24057MM	[-]	18,5	ATE					A02202	51046734 →; 56012432 →
	120	01/07 → 02/15	●		P59042MM	[O]	16,7	ATE						
	154	09/02 → 02/15	●	16" wheel; 15" wheel	P59043MM	[O]	20,6	ATE					A02202	51046734 →; 56012432 →
	154	09/02 → 02/15	●	16" wheel	P59049MM	[O]	20,9	ATE					A02202	51046734 →; 56012432 →
	154	09/02 → 02/15	●	→ 41022027; 16" wheel	P59046MM	[O]	20,4	ATE					A02202	51046734 →; 56012432 →
	154	09/02 → 02/15	●	51046734 →; 15" wheel; 16" wheel	P10011MM	[O]	20,6	ATE					A02202	51046734 →; 56012432 →
	154	09/02 → 02/15	●	17" wheel	P24057MM	[-]	18,5	ATE					A02202	51046734 →; 56012432 →
	154	09/02 → 02/15	●		P59042MM	[O]	16,7	ATE						
	129	09/02 → 02/15	●	16" wheel; 15" wheel	P59043MM	[O]	20,6	ATE					A02202	51046734 →; 56012432 →
	129	09/02 → 02/15	●	16" wheel	P59049MM	[O]	20,9	ATE					A02202	51046734 →; 56012432 →
	129	09/02 → 02/15	●	→ 41022027; 16" wheel	P59046MM	[O]	20,4	ATE					A02202	51046734 →; 56012432 →
	129	09/02 → 02/15	●	51046734 →; 16" wheel; 15" wheel	P10011MM	[O]	20,6	ATE					A02202	51046734 →; 56012432 →
	129	09/02 → 02/15	●	17" wheel	P24057MM	[-]	18,5	ATE					A02202	51046734 →; 56012432 →
	129	09/02 → 02/15	●		P59042MM	[O]	16,7	ATE						
	177	05/09 → 02/15	●	15" wheel; 16" wheel	P59043MM	[O]	20,6	ATE						
	177	05/09 → 02/15	●	16" wheel	P59049MM	[O]	20,9	ATE						
	177	05/09 → 02/15	●	→ 41022027; 16" wheel	P59046MM	[O]	20,4	ATE						
177	05/09 → 02/15	●	51046734 →; 15" wheel; 16" wheel	P10011MM	[O]	20,6	ATE							
177	05/09 → 02/15	●	17" wheel	P24057MM	[-]	18,5	ATE							
177	05/09 → 02/15	●		P59042MM	[O]	16,7	ATE							
2.0 t Bio Power	162	01/11 → 02/15	●	16" wheel; 15" wheel	P59043MM	[O]	20,6	ATE					A02202	51046734 →; 56012432 →
	162	01/11 → 02/15	●	16" wheel	P59049MM	[O]	20,9	ATE					A02202	51046734 →; 56012432 →
	162	01/11 → 02/15	●	→ 41022027; 16" wheel	P59046MM	[O]	20,4	ATE					A02202	51046734 →; 56012432 →
	162	01/11 → 02/15	●	51046734 →; 16" wheel; 15" wheel	P10011MM	[O]	20,6	ATE					A02202	51046734 →; 56012432 →
	162	01/11 → 02/15	●	17" wheel	P24057MM	[-]	18,5	ATE					A02202	51046734 →; 56012432 →
	162	01/11 → 02/15	●		P59042MM	[O]	16,7	ATE						
	120	01/07 → 02/15	●	16" wheel; 15" wheel	P59043MM	[O]	20,6	ATE					A02202	51046734 →; 56012432 →
	120	01/07 → 02/15	●	16" wheel	P59049MM	[O]	20,9	ATE					A02202	51046734 →; 56012432 →
	120	01/07 → 02/15	●	→ 41022027; 16" wheel	P59046MM	[O]	20,4	ATE					A02202	51046734 →; 56012432 →
	120	01/07 → 02/15	●	51046734 →; 16" wheel; 15" wheel	P10011MM	[O]	20,6	ATE					A02202	51046734 →; 56012432 →
	120	01/07 → 02/15	●	17" wheel	P24057MM	[-]	18,5	ATE					A02202	51046734 →; 56012432 →
	120	01/07 → 02/15	●		P59042MM	[O]	16,7	ATE						
	129	01/07 → 02/15	●	15" wheel; 16" wheel	P59043MM	[O]	20,6	ATE						
	129	01/07 → 02/15	●	16" wheel	P59049MM	[O]	20,9	ATE						
	129	01/07 → 02/15	●	→ 41022027; 16" wheel	P59046MM	[O]	20,4	ATE						

										WI			FK	
	kw										LENGHT			

SAAB

9-3 (YS3F) 09/02 → 02/15

2.0 t Bio Power	129	01/07 → 02/15	●	51046734 →; 15" wheel; 16" wheel	P10011MM	[O]	20,6	ATE						
	129	01/07 → 02/15	●	17" wheel	P24057MM	[-]	18,5	ATE						
	129	01/07 → 02/15	●		P59042MM	[O]	16,7	ATE						
	145	06/07 → 02/15	●		P59049MM	[O]	20,9	ATE						
	145	06/07 → 02/15	●		P59042MM	[O]	16,7	ATE						
	147	05/09 → 02/15	●	16" wheel; 15" wheel	P59043MM	[O]	20,6	ATE						
	147	05/09 → 02/15	●	16" wheel	P59049MM	[O]	20,9	ATE						
	147	05/09 → 02/15	●	→ 41022027; 16" wheel	P59046MM	[O]	20,4	ATE						
	147	05/09 → 02/15	●	51046734 →; 16" wheel; 15" wheel	P10011MM	[O]	20,6	ATE						
	147	05/09 → 02/15	●	17" wheel	P24057MM	[-]	18,5	ATE						
	147	05/09 → 02/15	●		P59042MM	[O]	16,7	ATE						
	154	09/02 → 02/15	●	15" wheel; 16" wheel	P59043MM	[O]	20,6	ATE						
	154	09/02 → 02/15	●	16" wheel	P59049MM	[O]	20,9	ATE						
	154	09/02 → 02/15	●	→ 41022027; 16" wheel	P59046MM	[O]	20,4	ATE						
	2.0 t BioPower XWD	154	09/02 → 02/15	●	51046734 →; 16" wheel; 15" wheel	P10011MM	[O]	20,6	ATE					
154		09/02 → 02/15	●	17" wheel	P24057MM	[-]	18,5	ATE						
154		09/02 → 02/15	●		P59042MM	[O]	16,7	ATE						
154		01/08 → 02/15	●	15" wheel; 16" wheel	P59043MM	[O]	20,6	ATE			A02202	51046734 →; 56012432 →		
154		01/08 → 02/15	●	16" wheel	P59049MM	[O]	20,9	ATE			A02202	51046734 →; 56012432 →		
154		01/08 → 02/15	●	→ 41022027; 16" wheel	P59046MM	[O]	20,4	ATE			A02202	51046734 →; 56012432 →		
154		01/08 → 02/15	●	51046734 →; 15" wheel; 16" wheel	P10011MM	[O]	20,6	ATE			A02202	51046734 →; 56012432 →		
154		01/08 → 02/15	●	17" wheel	P24057MM	[-]	18,5	ATE			A02202	51046734 →; 56012432 →		
154		01/08 → 02/15	●		P59042MM	[O]	16,7	ATE						
120		01/08 → 02/15	●	15" wheel; 16" wheel	P59043MM	[O]	20,6	ATE			A02202	51046734 →; 56012432 →		
120		01/08 → 02/15	●	16" wheel	P59049MM	[O]	20,9	ATE			A02202	51046734 →; 56012432 →		
120		01/08 → 02/15	●	→ 41022027; 16" wheel	P59046MM	[O]	20,4	ATE			A02202	51046734 →; 56012432 →		
120		01/08 → 02/15	●	51046734 →; 15" wheel; 16" wheel	P10011MM	[O]	20,6	ATE			A02202	51046734 →; 56012432 →		
120		01/08 → 02/15	●	17" wheel	P24057MM	[-]	18,5	ATE			A02202	51046734 →; 56012432 →		
120		01/08 → 02/15	●		P59042MM	[O]	16,7	ATE						
2.0 t XWD	162	01/08 → 02/15	●	16" wheel; 15" wheel	P59043MM	[O]	20,6	ATE			A02202	51046734 →; 56012432 →		
	162	01/08 → 02/15	●	16" wheel	P59049MM	[O]	20,9	ATE			A02202	51046734 →; 56012432 →		
	162	01/08 → 02/15	●	→ 41022027; 16" wheel	P59046MM	[O]	20,4	ATE			A02202	51046734 →; 56012432 →		
	162	01/08 → 02/15	●	51046734 →; 16" wheel; 15" wheel	P10011MM	[O]	20,6	ATE			A02202	51046734 →; 56012432 →		
	162	01/08 → 02/15	●	17" wheel	P24057MM	[-]	18,5	ATE			A02202	51046734 →; 56012432 →		
	162	01/08 → 02/15	●		P59042MM	[O]	16,7	ATE						
	120	01/07 → 02/15	●	15" wheel; 16" wheel	P59043MM	[O]	20,6	ATE			A02202	51046734 →; 56012432 →		
	120	01/07 → 02/15	●	16" wheel	P59049MM	[O]	20,9	ATE			A02202	51046734 →; 56012432 →		
	120	01/07 → 02/15	●	→ 41022027; 16" wheel	P59046MM	[O]	20,4	ATE			A02202	51046734 →; 56012432 →		
	120	01/07 → 02/15	●	51046734 →; 15" wheel; 16" wheel	P10011MM	[O]	20,6	ATE			A02202	51046734 →; 56012432 →		
	120	01/07 → 02/15	●	17" wheel	P24057MM	[-]	18,5	ATE			A02202	51046734 →; 56012432 →		
	120	01/07 → 02/15	●		P59042MM	[O]	16,7	ATE						
	162	01/08 → 02/15	●	15" wheel; 16" wheel	P59043MM	[O]	20,6	ATE			A02202	51046734 →; 56012432 →		
	162	01/08 → 02/15	●	16" wheel	P59049MM	[O]	20,9	ATE			A02202	51046734 →; 56012432 →		
	162	01/08 → 02/15	●	→ 41022027; 16" wheel	P59046MM	[O]	20,4	ATE			A02202	51046734 →; 56012432 →		
162	01/08 → 02/15	●	51046734 →; 16" wheel; 15" wheel	P10011MM	[O]	20,6	ATE			A02202	51046734 →; 56012432 →			
162	01/08 → 02/15	●	17" wheel	P24057MM	[-]	18,5	ATE			A02202	51046734 →; 56012432 →			
162	01/08 → 02/15	●		P59042MM	[O]	16,7	ATE							
177	05/09 → 02/15	●	15" wheel	P59043MM	[O]	20,6	ATE							

SAAB

9-3 (YS3F) 09/02 → 02/15

2.0 t XWD	177	05/09 → 02/15	●	16" wheel	P59046MM	[O]	20,4	ATE						
	177	05/09 → 02/15	●	17" wheel	P24057MM	[-]	18,5	ATE						
	177	05/09 → 02/15	●		P59042MM	[O]	16,7	ATE						
2.0 Turbo XWD	154	01/08 → 02/15	●	16" wheel; 15" wheel	P59043MM	[O]	20,6	ATE						
	154	01/08 → 02/15	●	16" wheel	P59049MM	[O]	20,9	ATE						
	154	01/08 → 02/15	●	→ 41022027; 16" wheel	P59046MM	[O]	20,4	ATE						
	154	01/08 → 02/15	●	51046734 →; 15" wheel; 16" wheel	P10011MM	[O]	20,6	ATE						
	154	01/08 → 02/15	●	17" wheel	P24057MM	[-]	18,5	ATE						
	154	01/08 → 02/15	●		P59042MM	[O]	16,7	ATE						
2.2 TID	92	09/02 → 02/15	●	16" wheel; 15" wheel	P59043MM	[O]	20,6	ATE				A02202	51046734 →; 56012432 →	
	92	09/02 → 02/15	●	16" wheel	P59049MM	[O]	20,9	ATE				A02202	51046734 →; 56012432 →	
	92	09/02 → 02/15	●	→ 41022027; 16" wheel	P59046MM	[O]	20,4	ATE				A02202	51046734 →; 56012432 →	
	92	09/02 → 02/15	●	51046734 →; 16" wheel; 15" wheel	P10011MM	[O]	20,6	ATE				A02202	51046734 →; 56012432 →	
	92	09/02 → 02/15	●	17" wheel	P24057MM	[-]	18,5	ATE				A02202	51046734 →; 56012432 →	
	92	09/02 → 02/15	●		P59042MM	[O]	16,7	ATE						
	92	09/02 → 02/15	●											
2.8 Turbo V6	169	03/05 → 02/15	●	16" wheel; 15" wheel	P59043MM	[O]	20,6	ATE				A02202	51046734 →; 56012432 →	
	169	03/05 → 02/15	●	16" wheel	P59049MM	[O]	20,9	ATE				A02202	51046734 →; 56012432 →	
	169	03/05 → 02/15	●	→ 41022027; 16" wheel	P59046MM	[O]	20,4	ATE				A02202	51046734 →; 56012432 →	
	169	03/05 → 02/15	●	51046734 →; 16" wheel; 15" wheel	P10011MM	[O]	20,6	ATE				A02202	51046734 →; 56012432 →	
	169	03/05 → 02/15	●	17" wheel	P24057MM	[-]	18,5	ATE				A02202	51046734 →; 56012432 →	
	169	03/05 → 02/15	●		P59042MM	[O]	16,7	ATE						
	184	03/05 → 02/15	●	16" wheel	P59049MM	[O]	20,9	ATE				A02202	51046734 →; 56012432 →	
	184	03/05 → 02/15	●	17" wheel	P24057MM	[-]	18,5	ATE				A02202	51046734 →; 56012432 →	
	184	03/05 → 02/15	●	51046734 →; 16" wheel; 15" wheel	P10011MM	[O]	20,6	ATE				A02202	51046734 →; 56012432 →	
	184	03/05 → 02/15	●	15" wheel; 16" wheel	P59043MM	[O]	20,6	ATE				A02202	51046734 →; 56012432 →	
	184	03/05 → 02/15	●	→ 41022027; 16" wheel	P59046MM	[O]	20,4	ATE				A02202	51046734 →; 56012432 →	
	184	03/05 → 02/15	●		P59042MM	[O]	16,7	ATE						
	188	12/07 → 02/15	●	16" wheel; 15" wheel	P59043MM	[O]	20,6	ATE						
	188	12/07 → 02/15	●	16" wheel	P59049MM	[O]	20,9	ATE						
	188	12/07 → 02/15	●	→ 41022027; 16" wheel	P59046MM	[O]	20,4	ATE						
	188	12/07 → 02/15	●	51046734 →; 16" wheel; 15" wheel	P10011MM	[O]	20,6	ATE						
	188	12/07 → 02/15	●	17" wheel	P24057MM	[-]	18,5	ATE						
	188	12/07 → 02/15	●		P59042MM	[O]	16,7	ATE						
203	04/08 → 02/15	●		P59049MM	[O]	20,9	ATE							
203	04/08 → 02/15	●		P59042MM	[O]	16,7	ATE							
2.8 Turbo V6 XWD	206	05/08 → 02/15	●	16" wheel; 15" wheel	P59043MM	[O]	20,6	ATE						
	206	05/08 → 02/15	●	16" wheel	P59049MM	[O]	20,9	ATE						
	206	05/08 → 02/15	●	→ 41022027; 16" wheel	P59046MM	[O]	20,4	ATE						
	206	05/08 → 02/15	●	51046734 →; 15" wheel; 16" wheel	P10011MM	[O]	20,6	ATE						
	206	05/08 → 02/15	●	17" wheel	P24057MM	[-]	18,5	ATE						
	206	05/08 → 02/15	●		P59042MM	[O]	16,7	ATE						

9-3 Cabriolet (YS3D) 02/98 → 08/03

2.0 i	96	02/98 → 08/03	●		P59048MM	[+]	20,2	ATE				A02202	
	96	02/98 → 08/03	●		P59014MM	[-]	15,2	ATE				A02258	
2.0 SE Turbo	147	02/98 → 08/03	●		P59048MM	[+]	20,2	ATE				A02202	
	147	02/98 → 08/03	●		P59014MM	[-]	15,2	ATE				A02258	
2.0 Turbo	136	02/98 → 08/03	●		P59048MM	[+]	20,2	ATE				A02202	
	136	02/98 → 08/03	●		P59014MM	[-]	15,2	ATE				A02258	
	113	10/98 → 08/03	●		P59048MM	[+]	20,2	ATE				A02202	

										WI			FK	
											LENGHT			

SAAB

9-3 Cabriolet (YS3D) 02/98 → 08/03

2.0 Turbo	113	10/98 → 08/03	●		P59014MM	[-]	15,2	ATE					A02258	
	151	10/99 → 08/03	●		P59048MM	[+]	20,2	ATE					A02202	
	151	10/99 → 08/03	●		P59014MM	[-]	15,2	ATE					A02258	
	110	01/01 → 08/03	●		P59048MM	[+]	20,2	ATE					A02202	
	110	01/01 → 08/03	●		P59014MM	[-]	15,2	ATE					A02258	
2.3	169	09/99 → 01/02	●		P59048MM	[+]	20,2	ATE					A02202	
	169	09/99 → 01/02	●		P59014MM	[-]	15,2	ATE					A02258	
2.3 i	110	02/98 → 08/03	●		P59048MM	[+]	20,2	ATE					A02202	
	110	02/98 → 08/03	●		P59014MM	[-]	15,2	ATE					A02258	
2.3 Turbo	165	10/99 → 08/03	●		P59048MM	[+]	20,2	ATE					A02202	
	165	10/99 → 08/03	●		P59014MM	[-]	15,2	ATE					A02258	

9-3 Convertible (YS3F) 08/03 → 02/15

1,8t	110	08/03 → 02/15	●	15" wheel; 16" wheel; (USA); (CDN)	P59043MM	[o]	20,6	ATE					A02202	51046734 →; 56012432 →
	110	08/03 → 02/15	●	16" wheel; -(USA); -(CDN)	P10011MM	[o]	20,6	ATE					A02202	51046734 →; 56012432 →
	110	08/03 → 02/15	●	17" wheel; -(USA); -(CDN)	P59049MM	[o]	20,9	ATE					A02202	51046734 →; 56012432 →
	110	08/03 → 02/15	●	17" wheel	P24057MM	[-]	18,5	ATE					A02202	51046734 →; 56012432 →
	110	08/03 → 02/15	●	(USA); (CDN)	P59042MM	[o]	16,7	ATE						
1,8t BioPower	110	01/07 → 02/15	●	15" wheel; 16" wheel; (USA); (CDN)	P59043MM	[o]	20,6	ATE						
	110	01/07 → 02/15	●	16" wheel; -(USA); -(CDN)	P10011MM	[o]	20,6	ATE						
	110	01/07 → 02/15	●	17" wheel; -(USA); -(CDN)	P59049MM	[o]	20,9	ATE						
	110	01/07 → 02/15	●	17" wheel	P24057MM	[-]	18,5	ATE						
	110	01/07 → 02/15	●	(USA); (CDN)	P59042MM	[o]	16,7	ATE						
	129	01/07 → 02/15	●	15" wheel; 16" wheel; (USA); (CDN)	P59043MM	[o]	20,6	ATE						
	129	01/07 → 02/15	●	16" wheel; -(USA); -(CDN)	P10011MM	[o]	20,6	ATE						
	129	01/07 → 02/15	●	17" wheel; -(USA); -(CDN)	P59049MM	[o]	20,9	ATE						
	129	01/07 → 02/15	●	17" wheel	P24057MM	[-]	18,5	ATE						
1.8 i	90	01/04 → 02/15	●	→ 51046733; 15" wheel	P59043MM	[o]	20,6	ATE						
	90	01/04 → 02/15	●	→ 41022027; 16" wheel	P59046MM	[o]	20,4	ATE						
	90	01/04 → 02/15	●		P59042MM	[o]	16,7	ATE						
1.9 TiD	110	01/06 → 02/15	●	15" wheel; 16" wheel; (USA); (CDN)	P59043MM	[o]	20,6	ATE						
	110	01/06 → 02/15	●	16" wheel; -(USA); -(CDN)	P10011MM	[o]	20,6	ATE						
	110	01/06 → 02/15	●	17" wheel; -(USA); -(CDN)	P59049MM	[o]	20,9	ATE						
	110	01/06 → 02/15	●	17" wheel	P24057MM	[-]	18,5	ATE						
	110	01/06 → 02/15	●	(USA); (CDN)	P59042MM	[o]	16,7	ATE						
	88	09/04 → 02/15	●	→ 51046733; 15" wheel	P59043MM	[o]	20,6	ATE						
	88	09/04 → 02/15	●	→ 41022027; 16" wheel	P59046MM	[o]	20,4	ATE						
88	09/04 → 02/15	●		P59042MM	[o]	16,7	ATE							
1.9 TTiD	118	12/07 → 02/15	●	15" wheel; 16" wheel; (USA); (CDN)	P59043MM	[o]	20,6	ATE					A02202	51046734 →; 56012432 →
	118	12/07 → 02/15	●	16" wheel; -(USA); -(CDN)	P10011MM	[o]	20,6	ATE					A02202	51046734 →; 56012432 →
	118	12/07 → 02/15	●	17" wheel; -(USA); -(CDN)	P59049MM	[o]	20,9	ATE					A02202	51046734 →; 56012432 →
	118	12/07 → 02/15	●	17" wheel	P24057MM	[-]	18,5	ATE					A02202	51046734 →; 56012432 →
	118	12/07 → 02/15	●	(USA); (CDN)	P59042MM	[o]	16,7	ATE						
	96	12/07 → 02/15	●	15" wheel; 16" wheel; (USA); (CDN)	P59043MM	[o]	20,6	ATE						
	96	12/07 → 02/15	●	16" wheel; -(USA); -(CDN)	P10011MM	[o]	20,6	ATE						
	96	12/07 → 02/15	●	17" wheel; -(USA); -(CDN)	P59049MM	[o]	20,9	ATE						
	96	12/07 → 02/15	●	17" wheel	P24057MM	[-]	18,5	ATE						
	96	12/07 → 02/15	●	(USA); (CDN)	P59042MM	[o]	16,7	ATE						
	132	12/07 → 02/15	●	15" wheel; 16" wheel; (USA); (CDN)	P59043MM	[o]	20,6	ATE						



kw



Wi

Th [mm]

SYS

WI

FK



LENGHT



SAAB

9-3 Convertible (YS3F) 08/03 → 02/15

2.8 Turbo V6	169	02/06 → 02/15	●	(USA); (CDN)	P59042MM	[o]	16,7	ATE						
	184	02/06 → 02/15	●	15" wheel; 16" wheel; (USA); (CDN)	P59043MM	[o]	20,6	ATE			A02202	51046734 →; 56012432 →		
	184	02/06 → 02/15	●	16" wheel; -(USA); -(CDN)	P10011MM	[o]	20,6	ATE			A02202	51046734 →; 56012432 →		
	184	02/06 → 02/15	●	17" wheel; -(USA); -(CDN)	P59049MM	[o]	20,9	ATE			A02202	51046734 →; 56012432 →		
	184	02/06 → 02/15	●	17" wheel	P24057MM	[-]	18,5	ATE			A02202	51046734 →; 56012432 →		
	184	02/06 → 02/15	●	(USA); (CDN)	P59042MM	[o]	16,7	ATE						
	188	12/07 → 02/15	●	15" wheel; 16" wheel; (USA); (CDN)	P59043MM	[o]	20,6	ATE						
	188	12/07 → 02/15	●	16" wheel; -(USA); -(CDN)	P10011MM	[o]	20,6	ATE						
	188	12/07 → 02/15	●	17" wheel; -(USA); -(CDN)	P59049MM	[o]	20,9	ATE						
	188	12/07 → 02/15	●	17" wheel	P24057MM	[-]	18,5	ATE						
	188	12/07 → 02/15	●	(USA); (CDN)	P59042MM	[o]	16,7	ATE						
	203	02/09 → 02/15	●	15" wheel; 16" wheel; (USA); (CDN)	P59043MM	[o]	20,6	ATE						
	203	02/09 → 02/15	●	16" wheel; -(USA); -(CDN)	P10011MM	[o]	20,6	ATE						
	203	02/09 → 02/15	●	17" wheel; -(USA); -(CDN)	P59049MM	[o]	20,9	ATE						
	203	02/09 → 02/15	●	17" wheel	P24057MM	[-]	18,5	ATE						
	203	02/09 → 02/15	●	(USA); (CDN)	P59042MM	[o]	16,7	ATE						
	206	02/09 → 02/15	●	15" wheel; 16" wheel; (USA); (CDN)	P59043MM	[o]	20,6	ATE						
	206	02/09 → 02/15	●	16" wheel; -(USA); -(CDN)	P10011MM	[o]	20,6	ATE						
	206	02/09 → 02/15	●	17" wheel; -(USA); -(CDN)	P59049MM	[o]	20,9	ATE						
	206	02/09 → 02/15	●	17" wheel	P24057MM	[-]	18,5	ATE						
206	02/09 → 02/15	●	(USA); (CDN)	P59042MM	[o]	16,7	ATE							

9-3 Estate (YS3F) 03/05 → 02/15

1.8 i	90	03/05 → 02/15	●	15" wheel	P59043MM	[o]	20,6	ATE			A02202	51046734 →; 56012432 →
	90	03/05 → 02/15	●	16" wheel	P10011MM	[o]	20,6	ATE			A02202	51046734 →; 56012432 →
	90	03/05 → 02/15	●	17" wheel	P59049MM	[o]	20,9	ATE			A02202	51046734 →; 56012432 →
	90	03/05 → 02/15	●	→ 41022027; 17" wheel	P59046MM	[o]	20,4	ATE			A02202	51046734 →; 56012432 →
	90	03/05 → 02/15	●	17" wheel	P24057MM	[-]	18,5	ATE			A02202	51046734 →; 56012432 →
	90	03/05 → 02/15	●		P59042MM	[o]	16,7	ATE				
1.8t 2.0	110	03/05 → 02/15	●	15" wheel	P59043MM	[o]	20,6	ATE				
	110	03/05 → 02/15	●	17" wheel	P59049MM	[o]	20,9	ATE				
	110	03/05 → 02/15	●	16" wheel	P10011MM	[o]	20,6	ATE				
	110	03/05 → 02/15	●	17" wheel	P24057MM	[-]	18,5	ATE				
	110	03/05 → 02/15	●		P59042MM	[o]	16,7	ATE				
1.9 TiD	88	03/05 → 02/15	●	15" wheel	P59043MM	[o]	20,6	ATE			A02202	51046734 →; 56012432 →
	88	03/05 → 02/15	●	17" wheel	P59049MM	[o]	20,9	ATE			A02202	51046734 →; 56012432 →
	88	03/05 → 02/15	●	16" wheel	P10011MM	[o]	20,6	ATE			A02202	51046734 →; 56012432 →
	88	03/05 → 02/15	●	17" wheel	P24057MM	[-]	18,5	ATE			A02202	51046734 →; 56012432 →
	88	03/05 → 02/15	●		P59042MM	[o]	16,7	ATE				
	110	03/05 → 02/15	●	15" wheel	P59043MM	[o]	20,6	ATE			A02202	51046734 →; 56012432 →
	110	03/05 → 02/15	●	17" wheel	P59049MM	[o]	20,9	ATE			A02202	51046734 →; 56012432 →
	110	03/05 → 02/15	●	16" wheel	P10011MM	[o]	20,6	ATE			A02202	51046734 →; 56012432 →
	110	03/05 → 02/15	●	17" wheel	P24057MM	[-]	18,5	ATE			A02202	51046734 →; 56012432 →
	110	03/05 → 02/15	●		P59042MM	[o]	16,7	ATE				
1.9 TTiD	96	12/07 → 02/15	●	15" wheel	P59043MM	[o]	20,6	ATE			A02202	51046734 →; 56012432 →
	96	12/07 → 02/15	●	16" wheel	P10011MM	[o]	20,6	ATE			A02202	51046734 →; 56012432 →
	96	12/07 → 02/15	●	17" wheel	P59049MM	[o]	20,9	ATE			A02202	51046734 →; 56012432 →
	96	12/07 → 02/15	●	17" wheel	P24057MM	[-]	18,5	ATE			A02202	51046734 →; 56012432 →
	96	12/07 → 02/15	●		P59042MM	[o]	16,7	ATE				
	118	12/07 → 02/15	●	15" wheel	P59043MM	[o]	20,6	ATE				
	118	12/07 → 02/15	●	16" wheel	P10011MM	[o]	20,6	ATE				
118	12/07 → 02/15	●	17" wheel	P59049MM	[o]	20,9	ATE					

--	--	--	--	--	--	--	--	--	--	--	--	--	--	--	--

SAAB

9-3 Estate (YS3F) 03/05 → 02/15

1.9 TTiD	118	12/07 → 02/15	●	17" wheel	P24057MM	[-]	18,5	ATE								
	118	12/07 → 02/15	●		P59042MM	[O]	16,7	ATE								
	132	12/07 → 02/15	●	15" wheel	P59043MM	[O]	20,6	ATE								
	132	12/07 → 02/15	●	17" wheel	P59049MM	[O]	20,9	ATE								
	132	12/07 → 02/15	●	16" wheel	P10011MM	[O]	20,6	ATE								
	132	12/07 → 02/15	●	17" wheel	P24057MM	[-]	18,5	ATE								
	132	12/07 → 02/15	●		P59042MM	[O]	16,7	ATE								
2.0 t	120	01/07 → 02/15	●	15" wheel	P59043MM	[O]	20,6	ATE					A02202	51046734 →; 56012432 →		
	120	01/07 → 02/15	●	16" wheel	P10011MM	[O]	20,6	ATE					A02202	51046734 →; 56012432 →		
	120	01/07 → 02/15	●	17" wheel	P59049MM	[O]	20,9	ATE					A02202	51046734 →; 56012432 →		
	120	01/07 → 02/15	●	17" wheel	P24057MM	[-]	18,5	ATE					A02202	51046734 →; 56012432 →		
	120	01/07 → 02/15	●		P59042MM	[O]	16,7	ATE								
	162	01/11 → 02/15	●	15" wheel	P59043MM	[O]	20,6	ATE					A02202	51046734 →; 56012432 →		
	162	01/11 → 02/15	●	16" wheel	P10011MM	[O]	20,6	ATE					A02202	51046734 →; 56012432 →		
	162	01/11 → 02/15	●	17" wheel	P59049MM	[O]	20,9	ATE					A02202	51046734 →; 56012432 →		
	162	01/11 → 02/15	●	17" wheel	P24057MM	[-]	18,5	ATE					A02202	51046734 →; 56012432 →		
	162	01/11 → 02/15	●		P59042MM	[O]	16,7	ATE								
	110	03/05 → 02/15	●	15" wheel	P59043MM	[O]	20,6	ATE					A02202	51046734 →; 56012432 →		
	110	03/05 → 02/15	●	16" wheel	P10011MM	[O]	20,6	ATE					A02202	51046734 →; 56012432 →		
	110	03/05 → 02/15	●	17" wheel	P59049MM	[O]	20,9	ATE					A02202	51046734 →; 56012432 →		
	110	03/05 → 02/15	●	→ 41022027; 17" wheel	P59046MM	[O]	20,4	ATE					A02202	51046734 →; 56012432 →		
	110	03/05 → 02/15	●	17" wheel	P24057MM	[-]	18,5	ATE					A02202	51046734 →; 56012432 →		
	110	03/05 → 02/15	●		P59042MM	[O]	16,7	ATE								
	129	03/05 → 02/15	●	15" wheel	P59043MM	[O]	20,6	ATE					A02202	51046734 →; 56012432 →		
	129	03/05 → 02/15	●	16" wheel	P10011MM	[O]	20,6	ATE					A02202	51046734 →; 56012432 →		
	129	03/05 → 02/15	●	17" wheel	P59049MM	[O]	20,9	ATE					A02202	51046734 →; 56012432 →		
	129	03/05 → 02/15	●	→ 41022027; 17" wheel	P59046MM	[O]	20,4	ATE					A02202	51046734 →; 56012432 →		
	129	03/05 → 02/15	●	17" wheel	P24057MM	[-]	18,5	ATE					A02202	51046734 →; 56012432 →		
	129	03/05 → 02/15	●		P59042MM	[O]	16,7	ATE								
	154	03/05 → 02/15	●	15" wheel	P59043MM	[O]	20,6	ATE					A02202	51046734 →; 56012432 →		
154	03/05 → 02/15	●	16" wheel	P10011MM	[O]	20,6	ATE					A02202	51046734 →; 56012432 →			
154	03/05 → 02/15	●	17" wheel	P59049MM	[O]	20,9	ATE					A02202	51046734 →; 56012432 →			
154	03/05 → 02/15	●	→ 41022027; 17" wheel	P59046MM	[O]	20,4	ATE					A02202	51046734 →; 56012432 →			
154	03/05 → 02/15	●	17" wheel	P24057MM	[-]	18,5	ATE					A02202	51046734 →; 56012432 →			
154	03/05 → 02/15	●		P59042MM	[O]	16,7	ATE									
147	02/09 → 02/15	●	15" wheel	P59043MM	[O]	20,6	ATE									
147	02/09 → 02/15	●	17" wheel	P59049MM	[O]	20,9	ATE									
147	02/09 → 02/15	●	16" wheel	P10011MM	[O]	20,6	ATE									
147	02/09 → 02/15	●	17" wheel	P24057MM	[-]	18,5	ATE									
147	02/09 → 02/15	●		P59042MM	[O]	16,7	ATE									
177	05/09 → 02/15	●	17" wheel	P24057MM	[-]	18,5	ATE									
177	05/09 → 02/15	●	81002995 →; 16" wheel	P59043MM	[O]	20,6	ATE									
177	05/09 → 02/15	●	81002995 →; 17" wheel	P59046MM	[O]	20,4	ATE									
177	05/09 → 02/15	●		P59042MM	[O]	16,7	ATE									
2.0 t Bio Power	147	02/09 → 02/15	●	15" wheel	P59043MM	[O]	20,6	ATE					A02202	51046734 →; 56012432 →		
	147	02/09 → 02/15	●	16" wheel	P10011MM	[O]	20,6	ATE					A02202	51046734 →; 56012432 →		
	147	02/09 → 02/15	●	17" wheel	P59049MM	[O]	20,9	ATE					A02202	51046734 →; 56012432 →		
	147	02/09 → 02/15	●	17" wheel	P24057MM	[-]	18,5	ATE					A02202	51046734 →; 56012432 →		
	147	02/09 → 02/15	●		P59042MM	[O]	16,7	ATE								
2.0 t Bio Power XWD	154	06/08 → 02/15	●	15" wheel	P59043MM	[O]	20,6	ATE					A02202	51046734 →; 56012432 →		
	154	06/08 → 02/15	●	16" wheel	P10011MM	[O]	20,6	ATE					A02202	51046734 →; 56012432 →		
	154	06/08 → 02/15	●	17" wheel	P59049MM	[O]	20,9	ATE					A02202	51046734 →; 56012432 →		
	154	06/08 → 02/15	●	→ 41022027; 17" wheel	P59046MM	[O]	20,4	ATE					A02202	51046734 →; 56012432 →		



kw



WI

Th [mm]

SYS

WI

FK



LENGHT



SAAB

9-3 Estate (YS3F) 03/05 → 02/15

2.0 t Bio Power XWD	154	06/08 → 02/15	●	17" wheel	P24057MM	[-]	18,5	ATE					A02202	51046734 →; 56012432 →
	154	06/08 → 02/15	●		P59042MM	[o]	16,7	ATE						
2.0 t BioPower	120	01/11 → 02/15	●	15" wheel	P59043MM	[o]	20,6	ATE					A02202	51046734 →; 56012432 →
	120	01/11 → 02/15	●	16" wheel	P10011MM	[o]	20,6	ATE					A02202	51046734 →; 56012432 →
	120	01/11 → 02/15	●	17" wheel	P59049MM	[o]	20,9	ATE					A02202	51046734 →; 56012432 →
	120	01/11 → 02/15	●	17" wheel	P24057MM	[-]	18,5	ATE					A02202	51046734 →; 56012432 →
	120	01/11 → 02/15	●		P59042MM	[o]	16,7	ATE						
	162	01/11 → 02/15	●	15" wheel	P59043MM	[o]	20,6	ATE					A02202	51046734 →; 56012432 →
	162	01/11 → 02/15	●	16" wheel	P10011MM	[o]	20,6	ATE					A02202	51046734 →; 56012432 →
	162	01/11 → 02/15	●	17" wheel	P59049MM	[o]	20,9	ATE					A02202	51046734 →; 56012432 →
	162	01/11 → 02/15	●	17" wheel	P24057MM	[-]	18,5	ATE					A02202	51046734 →; 56012432 →
	162	01/11 → 02/15	●		P59042MM	[o]	16,7	ATE						
	110	01/07 → 02/15	●	-sport pack	P59043MM	[o]	20,6	ATE						
	110	01/07 → 02/15	●	+sport pack; 17" wheel	P59049MM	[o]	20,9	ATE						
	110	01/07 → 02/15	●		P59042MM	[o]	16,7	ATE						
	129	01/07 → 02/15	●	15" wheel	P59043MM	[o]	20,6	ATE						
	129	01/07 → 02/15	●	16" wheel	P10011MM	[o]	20,6	ATE						
	129	01/07 → 02/15	●	17" wheel	P59049MM	[o]	20,9	ATE						
	129	01/07 → 02/15	●	→ 41022027; 17" wheel	P59046MM	[o]	20,4	ATE						
	129	01/07 → 02/15	●	17" wheel	P24057MM	[-]	18,5	ATE						
	129	01/07 → 02/15	●		P59042MM	[o]	16,7	ATE						
	145	06/07 → 02/15	●		P59049MM	[o]	20,9	ATE						
145	06/07 → 02/15	●		P59042MM	[o]	16,7	ATE							
2.0 t BioPower XWD	120	01/11 → 02/15	●	15" wheel	P59043MM	[o]	20,6	ATE					A02202	51046734 →; 56012432 →
	120	01/11 → 02/15	●	16" wheel	P10011MM	[o]	20,6	ATE					A02202	51046734 →; 56012432 →
	120	01/11 → 02/15	●	17" wheel	P59049MM	[o]	20,9	ATE					A02202	51046734 →; 56012432 →
	120	01/11 → 02/15	●	17" wheel	P24057MM	[-]	18,5	ATE					A02202	51046734 →; 56012432 →
	120	01/11 → 02/15	●		P59042MM	[o]	16,7	ATE						
	162	01/11 → 02/15	●	15" wheel	P59043MM	[o]	20,6	ATE						
	162	01/11 → 02/15	●	17" wheel	P59049MM	[o]	20,9	ATE						
	162	01/11 → 02/15	●	16" wheel	P10011MM	[o]	20,6	ATE						
	162	01/11 → 02/15	●	17" wheel	P24057MM	[-]	18,5	ATE						
	162	01/11 → 02/15	●		P59042MM	[o]	16,7	ATE						
2.0 t XWD	120	01/07 → 02/15	●	15" wheel	P59043MM	[o]	20,6	ATE					A02202	51046734 →; 56012432 →
	120	01/07 → 02/15	●	16" wheel	P10011MM	[o]	20,6	ATE					A02202	51046734 →; 56012432 →
	120	01/07 → 02/15	●	17" wheel	P59049MM	[o]	20,9	ATE					A02202	51046734 →; 56012432 →
	120	01/07 → 02/15	●	17" wheel	P24057MM	[-]	18,5	ATE					A02202	51046734 →; 56012432 →
	120	01/07 → 02/15	●		P59042MM	[o]	16,7	ATE						
	162	01/11 → 02/15	●	15" wheel	P59043MM	[o]	20,6	ATE					A02202	51046734 →; 56012432 →
	162	01/11 → 02/15	●	16" wheel	P10011MM	[o]	20,6	ATE					A02202	51046734 →; 56012432 →
	162	01/11 → 02/15	●	17" wheel	P59049MM	[o]	20,9	ATE					A02202	51046734 →; 56012432 →
	162	01/11 → 02/15	●	17" wheel	P24057MM	[-]	18,5	ATE					A02202	51046734 →; 56012432 →
	162	01/11 → 02/15	●		P59042MM	[o]	16,7	ATE						
	154	06/08 → 02/15	●	15" wheel	P59043MM	[o]	20,6	ATE						
	154	06/08 → 02/15	●	16" wheel	P10011MM	[o]	20,6	ATE						
	154	06/08 → 02/15	●	17" wheel	P59049MM	[o]	20,9	ATE						
	154	06/08 → 02/15	●	→ 41022027; 17" wheel	P59046MM	[o]	20,4	ATE						
	154	06/08 → 02/15	●	17" wheel	P24057MM	[-]	18,5	ATE						
	154	06/08 → 02/15	●		P59042MM	[o]	16,7	ATE						
	177	05/09 → 02/15	●	81002995 →; 17" wheel	P59046MM	[o]	20,4	ATE						
	177	05/09 → 02/15	●	81002995 →; 16" wheel	P59043MM	[o]	20,6	ATE						
	177	05/09 → 02/15	●	17" wheel	P24057MM	[-]	18,5	ATE						
	177	05/09 → 02/15	●		P59042MM	[o]	16,7	ATE						

--	--	--	--	--	--	--	--	--	--	--	--	--	--	--	--

SAAB

9-3 Estate (YS3F) 03/05 → 02/15

2.8 Turbo V6	169	03/05 → 02/15	●	15" wheel	P59043MM	[O]	20,6	ATE						A02202	51046734 →; 56012432 →
	169	03/05 → 02/15	●	16" wheel	P10011MM	[O]	20,6	ATE						A02202	51046734 →; 56012432 →
	169	03/05 → 02/15	●	17" wheel	P59049MM	[O]	20,9	ATE						A02202	51046734 →; 56012432 →
	169	03/05 → 02/15	●	17" wheel	P24057MM	[-]	18,5	ATE						A02202	51046734 →; 56012432 →
	169	03/05 → 02/15	●		P59042MM	[O]	16,7	ATE							
	184	03/05 → 02/15	●	15" wheel	P59043MM	[O]	20,6	ATE						A02202	51046734 →; 56012432 →
	184	03/05 → 02/15	●	17" wheel	P59049MM	[O]	20,9	ATE						A02202	51046734 →; 56012432 →
	184	03/05 → 02/15	●	16" wheel	P10011MM	[O]	20,6	ATE						A02202	51046734 →; 56012432 →
	184	03/05 → 02/15	●	17" wheel	P24057MM	[-]	18,5	ATE						A02202	51046734 →; 56012432 →
	184	03/05 → 02/15	●		P59042MM	[O]	16,7	ATE							
	188	12/07 → 02/15	●	15" wheel	P59043MM	[O]	20,6	ATE							
	188	12/07 → 02/15	●	17" wheel	P59049MM	[O]	20,9	ATE							
	188	12/07 → 02/15	●	16" wheel	P10011MM	[O]	20,6	ATE							
	188	12/07 → 02/15	●	17" wheel	P24057MM	[-]	18,5	ATE							
188	12/07 → 02/15	●		P59042MM	[O]	16,7	ATE								
203	05/08 → 02/15	●		P59049MM	[O]	20,9	ATE								
203	05/08 → 02/15	●		P59042MM	[O]	16,7	ATE								
2.8 Turbo V6 XWD	206	05/08 → 02/15	●	15" wheel	P59043MM	[O]	20,6	ATE							
	206	05/08 → 02/15	●	17" wheel	P59049MM	[O]	20,9	ATE							
	206	05/08 → 02/15	●	16" wheel	P10011MM	[O]	20,6	ATE							
	206	05/08 → 02/15	●	17" wheel	P24057MM	[-]	18,5	ATE							
	206	05/08 → 02/15	●		P59042MM	[O]	16,7	ATE							

9-3X 02/09 → 12/12

1.9 TTiD	132	02/09 → 12/12	●	15" wheel; 16" wheel; (USA); (CDN)	P59043MM	[O]	20,6	ATE							
	132	02/09 → 12/12	●	16" wheel; -(USA); -(CDN)	P10011MM	[O]	20,6	ATE							
	132	02/09 → 12/12	●	17" wheel	P59049MM	[O]	20,9	ATE							
	132	02/09 → 12/12	●	17" wheel	P24057MM	[-]	18,5	ATE							
	132	02/09 → 12/12	●		P59042MM	[O]	16,7	ATE							
2.0 t BioPower XWD	162	01/11 → 12/12	●	15" wheel; 16" wheel; (USA); (CDN)	P59043MM	[O]	20,6	ATE							
	162	01/11 → 12/12	●	16" wheel; -(USA); -(CDN)	P10011MM	[O]	20,6	ATE							
	162	01/11 → 12/12	●	17" wheel	P59049MM	[O]	20,9	ATE							
	162	01/11 → 12/12	●	17" wheel	P24057MM	[-]	18,5	ATE							
	162	01/11 → 12/12	●		P59042MM	[O]	16,7	ATE							
	154	02/09 → 12/12	●	15" wheel; 16" wheel; (USA); (CDN)	P59043MM	[O]	20,6	ATE							
	154	02/09 → 12/12	●	16" wheel; -(USA); -(CDN)	P10011MM	[O]	20,6	ATE							
	154	02/09 → 12/12	●	17" wheel	P59049MM	[O]	20,9	ATE							
	154	02/09 → 12/12	●	17" wheel	P24057MM	[-]	18,5	ATE							
154	02/09 → 12/12	●		P59042MM	[O]	16,7	ATE								
2.0 t XWD	154	02/09 → 12/12	●	15" wheel; 16" wheel; (USA); (CDN)	P59043MM	[O]	20,6	ATE							
	154	02/09 → 12/12	●	16" wheel; -(USA); -(CDN)	P10011MM	[O]	20,6	ATE							
	154	02/09 → 12/12	●	17" wheel	P59049MM	[O]	20,9	ATE							
	154	02/09 → 12/12	●	17" wheel	P24057MM	[-]	18,5	ATE							
	154	02/09 → 12/12	●		P59042MM	[O]	16,7	ATE							

9-4X 01/11 → 12/11

2.8 Turbo XWD	224	02/11 → 12/11	●	+sport pack	P09010MM	[+]	16,7	-							
	224	02/11 → 12/11	●	-sport pack	P09009MM	[+]	17,8	MN							
3.0 XWD	198	12/11 → 12/11	●	+sport pack	P09010MM	[+]	16,7	-							
	198	12/11 → 12/11	●	-sport pack	P09009MM	[+]	17,8	MN							



kw



wi

Th [mm]

SYS

WI

FK



LENGHT



SAAB

9-5 (YS3E) 09/97 → 12/09

	kw	Th [mm]	SYS	WI	FK	
1.9 TiD	110 01/06 → 12/09	●		P59048MM [+]	20,2 ATE	
	110 01/06 → 12/09	● → X3025751		P71008MM [-]	15,2 ATE	
	110 01/06 → 12/09	● X3025752 →		P71006MM [O]	16,3 ATE	
2.0 t	110 09/97 → 12/09	●		P59048MM [+]	20,2 ATE	A02202
	110 09/97 → 12/09	● → X3025751		P71008MM [-]	15,2 ATE	A02258 → X3025751
	110 09/97 → 12/09	● X3025752 →		P71006MM [O]	16,3 ATE	A02258 → X3025751
	136 07/00 → 12/09	●		P59048MM [+]	20,2 ATE	A02202
	136 07/00 → 12/09	● → X3025751		P71008MM [-]	15,2 ATE	A02258 → X3025751
	136 07/00 → 12/09	● X3025752 →		P71006MM [O]	16,3 ATE	A02258 → X3025751
2.0 t Biopower	132 09/05 → 12/09	●		P59048MM [+]	20,2 ATE	A02202
	132 09/05 → 12/09	● → X3025751		P71008MM [-]	15,2 ATE	A02258 → X3025751
	132 09/05 → 12/09	● X3025752 →		P71006MM [O]	16,3 ATE	A02258 → X3025751
	110 01/05 → 12/09	●		P59048MM [+]	20,2 ATE	
	110 01/05 → 12/09	● → X3025751		P71008MM [-]	15,2 ATE	
2.0 Turbo SE	141 10/98 → 07/00	●		P59048MM [+]	20,2 ATE	A02202
	141 10/98 → 07/00	● → X3025751		P71008MM [-]	15,2 ATE	A02258 → X3025751
	141 10/98 → 07/00	● X3025752 →		P71006MM [O]	16,3 ATE	A02258 → X3025751
2.2 TiD	88 03/02 → 12/09	●		P59048MM [+]	20,2 ATE	A02202
	88 03/02 → 12/09	● → X3025751		P71008MM [-]	15,2 ATE	A02258 → X3025751
	88 03/02 → 12/09	● X3025752 →		P71006MM [O]	16,3 ATE	A02258 → X3025751
2.3 t	125 09/97 → 12/09	●		P59048MM [+]	20,2 ATE	A02202
	125 09/97 → 12/09	● → X3025751		P71008MM [-]	15,2 ATE	A02258 → X3025751
	125 09/97 → 12/09	● X3025752 →		P71006MM [O]	16,3 ATE	A02258 → X3025751
	136 01/01 → 12/09	●		P59048MM [+]	20,2 ATE	A02202
	136 01/01 → 12/09	● → X3025751		P71008MM [-]	15,2 ATE	A02258 → X3025751
	136 01/01 → 12/09	● X3025752 →		P71006MM [O]	16,3 ATE	A02258 → X3025751
2.3 t BioPower	136 01/07 → 12/09	●		P59048MM [+]	20,2 ATE	
	136 01/07 → 12/09	● → X3025751		P71008MM [-]	15,2 ATE	
	136 01/07 → 12/09	● X3025752 →		P71006MM [O]	16,3 ATE	
	152 11/06 → 12/09	●		P59048MM [+]	20,2 ATE	
	152 11/06 → 12/09	● → X3025751		P71008MM [-]	15,2 ATE	
	152 11/06 → 12/09	● X3025752 →		P71006MM [O]	16,3 ATE	
2.3 Turbo	169 10/99 → 09/01	●		P59048MM [+]	20,2 ATE	A02202
	169 10/99 → 09/01	● → X3025751		P71008MM [-]	15,2 ATE	A02258 → X3025751
	169 10/99 → 09/01	● X3025752 →		P71006MM [O]	16,3 ATE	A02258 → X3025751
	184 09/01 → 12/09	●		P59048MM [+]	20,2 ATE	A02202
	184 09/01 → 12/09	● (USA); (CDN)		P59022MM [O]	19,6 ATE	A02202
	184 09/01 → 12/09	● → X3025751		P71008MM [-]	15,2 ATE	A02258 → X3025751
	184 09/01 → 12/09	● X3025752 →		P71006MM [O]	16,3 ATE	A02258 → X3025751
	162 07/03 → 12/09	●		P59048MM [+]	20,2 ATE	A02202
	162 07/03 → 12/09	● (CDN); (USA)		P59022MM [O]	19,6 ATE	A02202
	162 07/03 → 12/09	● → X3025751		P71008MM [-]	15,2 ATE	A02258 → X3025751
	162 07/03 → 12/09	● X3025752 →		P71006MM [O]	16,3 ATE	A02258 → X3025751
	191 11/05 → 12/09	●		P59048MM [+]	20,2 ATE	A02202
	191 11/05 → 12/09	● (USA); (CDN)		P59022MM [O]	19,6 ATE	A02202
	191 11/05 → 12/09	● → X3025751		P71008MM [-]	15,2 ATE	A02258 → X3025751
	191 11/05 → 12/09	● X3025752 →		P71006MM [O]	16,3 ATE	A02258 → X3025751
	224 06/03 → 08/05	●		P59048MM [+]	20,2 ATE	A02202
224 06/03 → 08/05	● → X3025751		P71008MM [-]	15,2 ATE	A02258 → X3025751	
224 06/03 → 08/05	● X3025752 →		P71006MM [O]	16,3 ATE	A02258 → X3025751	
188 04/08 → 12/09	●		P59048MM [+]	20,2 ATE		
188 04/08 → 12/09	● → X3025751		P71008MM [-]	15,2 ATE		
188 04/08 → 12/09	● X3025752 →		P71006MM [O]	16,3 ATE		

SAAB

9-5 (YS3E) 09/97 → 12/09

2.3 Turbo	134	04/08 → 12/09	●		P59048MM	[+]	20,2	ATE						
	134	04/08 → 12/09		● → X3025751	P71008MM	[-]	15,2	ATE						
	134	04/08 → 12/09		● X3025752 →	P71006MM	[O]	16,3	ATE						
3.0 TiD	130	07/01 → 12/09	●		P59048MM	[+]	20,2	ATE						
	130	07/01 → 12/09		● → X3025751	P71008MM	[-]	15,2	ATE						
	130	07/01 → 12/09		● X3025752 →	P71006MM	[O]	16,3	ATE						
3.0 V6t	147	01/98 → 12/09	●		P59048MM	[+]	20,2	ATE					A02202	
	147	01/98 → 12/09		● → X3025751	P71008MM	[-]	15,2	ATE					A02258	→ X3025751
	147	01/98 → 12/09		● X3025752 →	P71006MM	[O]	16,3	ATE					A02258	→ X3025751

9-5 (YS3G) 01/10 → 01/12

1.6 Turbo	132	05/10 → 01/12	●	16" wheel; 17" wheel; (USA); (CDN)	P59054MM	[+]	19,1	MN						
	132	05/10 → 01/12	●	17" wheel	P59055MM	[+]	19,1	MN						
	132	05/10 → 01/12	●	18" wheel	P59058MM	[+]	17,2	TRW						
	132	05/10 → 01/12	●	16" wheel; 17" wheel	P59060MM	[+]	16,7	TRW						
	132	05/10 → 01/12	●	17" wheel; (CDN); (SCR); (USA)	P59059MM	[+]	16,7	TRW						
2.0 t BioPower	162	05/10 → 01/12	●	16" wheel; 17" wheel; (USA); (CDN)	P59054MM	[+]	19,1	MN						
	162	05/10 → 01/12	●	17" wheel	P59055MM	[+]	19,1	MN						
	162	05/10 → 01/12	●	18" wheel	P59058MM	[+]	17,2	TRW						
	162	05/10 → 01/12	●	17" wheel; 16" wheel	P59060MM	[+]	16,7	TRW						
	162	05/10 → 01/12	●	17" wheel; (CDN); (SCR); (USA)	P59059MM	[+]	16,7	TRW						
2.0 t BioPower XWD	162	05/10 → 01/12	●	16" wheel; 17" wheel; (USA); (CDN)	P59054MM	[+]	19,1	MN						
	162	05/10 → 01/12	●	17" wheel	P59055MM	[+]	19,1	MN						
	162	05/10 → 01/12	●	18" wheel	P59058MM	[+]	17,2	TRW						
	162	05/10 → 01/12	●	16" wheel; 17" wheel	P59060MM	[+]	16,7	TRW						
	162	05/10 → 01/12	●	17" wheel; (CDN); (SCR); (USA)	P59059MM	[+]	16,7	TRW						
2.0 TiD	118	05/10 → 01/12	●	16" wheel; 17" wheel; (USA); (CDN)	P59054MM	[+]	19,1	MN						
	118	05/10 → 01/12	●	17" wheel	P59055MM	[+]	19,1	MN						
	118	05/10 → 01/12	●	18" wheel	P59058MM	[+]	17,2	TRW						
	118	05/10 → 01/12	●	17" wheel; 16" wheel	P59060MM	[+]	16,7	TRW						
	118	05/10 → 01/12	●	17" wheel; (CDN); (SCR); (USA)	P59059MM	[+]	16,7	TRW						
2.0 TTiD	140	05/10 → 01/12	●	17" wheel; (USA); (CDN); 16" wheel	P59054MM	[+]	19,1	MN						
	140	05/10 → 01/12	●	17" wheel	P59055MM	[+]	19,1	MN						
	140	05/10 → 01/12	●	18" wheel	P59058MM	[+]	17,2	TRW						
	140	05/10 → 01/12	●	16" wheel; 17" wheel	P59060MM	[+]	16,7	TRW						
	140	05/10 → 01/12	●	17" wheel; (CDN); (SCR); (USA)	P59059MM	[+]	16,7	TRW						
2.0 TTiD XWD	140	05/10 → 01/12	●	16" wheel; 17" wheel; (USA); (CDN)	P59054MM	[+]	19,1	MN						
	140	05/10 → 01/12	●	17" wheel	P59055MM	[+]	19,1	MN						
	140	05/10 → 01/12	●	18" wheel	P59058MM	[+]	17,2	TRW						
	140	05/10 → 01/12	●	16" wheel; 17" wheel	P59060MM	[+]	16,7	TRW						
	140	05/10 → 01/12	●	17" wheel; (CDN); (SCR); (USA)	P59059MM	[+]	16,7	TRW						
2.0 Turbo	162	05/10 → 01/12	●	16" wheel; 17" wheel; (USA); (CDN)	P59054MM	[+]	19,1	MN						
	162	05/10 → 01/12	●	17" wheel	P59055MM	[+]	19,1	MN						
	162	05/10 → 01/12	●	18" wheel	P59058MM	[+]	17,2	TRW						
	162	05/10 → 01/12	●	17" wheel; 16" wheel	P59060MM	[+]	16,7	TRW						
	162	05/10 → 01/12	●	17" wheel; (CDN); (SCR); (USA)	P59059MM	[+]	16,7	TRW						
2.0 Turbo XWD	162	05/10 → 01/12	●	16" wheel; 17" wheel; (USA); (CDN)	P59054MM	[+]	19,1	MN						
	162	05/10 → 01/12	●	17" wheel	P59055MM	[+]	19,1	MN						
	162	05/10 → 01/12	●	18" wheel	P59058MM	[+]	17,2	TRW						

									WI			FK	

SAAB

9-5 (YS3G) 01/10 → 01/12

2.0 Turbo XWD	162	05/10 → 01/12	●	17" wheel; 16" wheel	P59060MM	[+]	16,7	TRW					
	162	05/10 → 01/12	●	17" wheel; (CDN); (SCR); (USA)	P59059MM	[+]	16,7	TRW					
2.8 Turbo V6 XWD	221	05/10 → 01/12	●	16" wheel; 17" wheel; (USA); (CDN)	P59054MM	[+]	19,1	MN					
	221	05/10 → 01/12	●	17" wheel	P59055MM	[+]	19,1	MN					
	221	05/10 → 01/12	●	18" wheel	P59058MM	[+]	17,2	TRW					
	221	05/10 → 01/12	●	16" wheel; 17" wheel	P59060MM	[+]	16,7	TRW					
	221	05/10 → 01/12	●	17" wheel; (CDN); (SCR); (USA)	P59059MM	[+]	16,7	TRW					

9-5 Estate (YS3E) 10/98 → 12/09

1.9 TiD	110	01/06 → 12/09	●		P59048MM	[+]	20,2	ATE					
	110	01/06 → 12/09	●	→ X3025751	P71008MM	[-]	15,2	ATE					
	110	01/06 → 12/09	●	X3025752 →	P71006MM	[O]	16,3	ATE					
	129	01/07 → 12/09	●		P59048MM	[+]	20,2	ATE					
	129	01/07 → 12/09	●	→ X3025751	P71008MM	[-]	15,2	ATE					
	129	01/07 → 12/09	●	X3025752 →	P71006MM	[O]	16,3	ATE					
2.0 t	110	10/98 → 12/09	●		P59048MM	[+]	20,2	ATE				A02202	
	110	10/98 → 12/09	●	→ X3025751	P71008MM	[-]	15,2	ATE				A02258	→ X3025751
	110	10/98 → 12/09	●	X3025752 →	P71006MM	[O]	16,3	ATE				A02258	→ X3025751
	141	10/98 → 07/00	●		P59048MM	[+]	20,2	ATE				A02202	
	141	10/98 → 07/00	●	→ X3025751	P71008MM	[-]	15,2	ATE				A02258	→ X3025751
	141	10/98 → 07/00	●	X3025752 →	P71006MM	[O]	16,3	ATE				A02258	→ X3025751
	136	07/00 → 07/01	●		P59048MM	[+]	20,2	ATE				A02202	
	136	07/00 → 07/01	●	→ X3025751	P71008MM	[-]	15,2	ATE				A02258	→ X3025751
	136	07/00 → 07/01	●	X3025752 →	P71006MM	[O]	16,3	ATE				A02258	→ X3025751
2.0 t Biopower	132	09/05 → 12/09	●		P59048MM	[+]	20,2	ATE				A02202	
	132	09/05 → 12/09	●	→ X3025751	P71008MM	[-]	15,2	ATE				A02258	→ X3025751
	132	09/05 → 12/09	●	X3025752 →	P71006MM	[O]	16,3	ATE				A02258	→ X3025751
	110	01/06 → 12/09	●		P59048MM	[+]	20,2	ATE					
	110	01/06 → 12/09	●	→ X3025751	P71008MM	[-]	15,2	ATE					
	110	01/06 → 12/09	●	X3025752 →	P71006MM	[O]	16,3	ATE					
2.2 TiD	88	03/02 → 12/09	●		P59048MM	[+]	20,2	ATE				A02202	
	88	03/02 → 12/09	●	→ X3025751	P71008MM	[-]	15,2	ATE				A02258	→ X3025751
	88	03/02 → 12/09	●	X3025752 →	P71006MM	[O]	16,3	ATE				A02258	→ X3025751
2.3 t	125	10/98 → 12/09	●		P59048MM	[+]	20,2	ATE				A02202	
	125	10/98 → 12/09	●	→ X3025751	P71008MM	[-]	15,2	ATE				A02258	→ X3025751
	125	10/98 → 12/09	●	X3025752 →	P71006MM	[O]	16,3	ATE				A02258	→ X3025751
	136	01/01 → 12/09	●		P59048MM	[+]	20,2	ATE				A02202	
	136	01/01 → 12/09	●	→ X3025751	P71008MM	[-]	15,2	ATE				A02258	→ X3025751
	136	01/01 → 12/09	●	X3025752 →	P71006MM	[O]	16,3	ATE				A02258	→ X3025751
2.3 t BioPower	136	01/07 → 12/09	●		P59048MM	[+]	20,2	ATE					
	136	01/07 → 12/09	●	→ X3025751	P71008MM	[-]	15,2	ATE					
	136	01/07 → 12/09	●	X3025752 →	P71006MM	[O]	16,3	ATE					
	152	11/06 → 12/09	●		P59048MM	[+]	20,2	ATE					
	152	11/06 → 12/09	●	→ X3025751	P71008MM	[-]	15,2	ATE					
	152	11/06 → 12/09	●	X3025752 →	P71006MM	[O]	16,3	ATE					
	154	11/06 → 12/09	●		P59048MM	[+]	20,2	ATE					
	154	11/06 → 12/09	●	→ X3025751	P71008MM	[-]	15,2	ATE					
	154	11/06 → 12/09	●	X3025752 →	P71006MM	[O]	16,3	ATE					
2.3 Turbo	169	10/99 → 09/01	●		P59048MM	[+]	20,2	ATE				A02202	
	169	10/99 → 09/01	●	→ X3025751	P71008MM	[-]	15,2	ATE				A02258	→ X3025751
	169	10/99 → 09/01	●	X3025752 →	P71006MM	[O]	16,3	ATE				A02258	→ X3025751
	184	09/01 → 12/09	●		P59048MM	[+]	20,2	ATE				A02202	
	184	09/01 → 12/09	●	(USA); (CDN)	P59022MM	[O]	19,6	ATE				A02202	
	184	09/01 → 12/09	●	→ X3025751	P71008MM	[-]	15,2	ATE				A02258	→ X3025751

		kw						wi	Th [mm]	SYS	wi		FK	

SAAB

9-5 Estate (YS3E) 10/98 → 12/09

2.3 Turbo	184	09/01 → 12/09	●	X3025752 →	P71006MM [O]	16,3	ATE						A02258	→ X3025751	
	162	07/03 → 12/09	●		P59048MM [+]	20,2	ATE						A02202		
	162	07/03 → 12/09	●	(CDN); (USA)	P59022MM [O]	19,6	ATE						A02202		
	162	07/03 → 12/09	●	→ X3025751	P71008MM [-]	15,2	ATE						A02258	→ X3025751	
	162	07/03 → 12/09	●	X3025752 →	P71006MM [O]	16,3	ATE						A02258	→ X3025751	
	191	01/06 → 12/09	●		P59048MM [+]	20,2	ATE								
	191	01/06 → 12/09	●	(USA); (CDN)	P59022MM [O]	19,6	ATE								
	191	01/06 → 12/09	●	→ X3025751	P71008MM [-]	15,2	ATE								
	191	01/06 → 12/09	●	X3025752 →	P71006MM [O]	16,3	ATE								
	224	06/03 → 08/05	●		P59048MM [+]	20,2	ATE							A02202	
	224	06/03 → 08/05	●	→ X3025751	P71008MM [-]	15,2	ATE							A02258	→ X3025751
	224	06/03 → 08/05	●	X3025752 →	P71006MM [O]	16,3	ATE							A02258	→ X3025751
188	04/08 → 12/09	●		P59048MM [+]	20,2	ATE									
	04/08 → 12/09	●	→ X3025751	P71008MM [-]	15,2	ATE									
	04/08 → 12/09	●	X3025752 →	P71006MM [O]	16,3	ATE									
3.0 TiD	130	07/01 → 12/09	●		P59048MM [+]	20,2	ATE								
	130	07/01 → 12/09	●	→ X3025751	P71008MM [-]	15,2	ATE								
	130	07/01 → 12/09	●	X3025752 →	P71006MM [O]	16,3	ATE								
3.0 V6t	147	10/98 → 12/09	●		P59048MM [+]	20,2	ATE						A02202		
	147	10/98 → 12/09	●	→ X3025751	P71008MM [-]	15,2	ATE						A02258	→ X3025751	
	147	10/98 → 12/09	●	X3025752 →	P71006MM [O]	16,3	ATE						A02258	→ X3025751	

9-7X 12/05 → 07/12

4.2	213	12/05 → 07/12	●		P10009MM [+]	16,8	ATE							
	213	12/05 → 07/12	●		P10010MM [+]	17,5	-							
5.3	220	06/04 → 07/12	●		P10009MM [+]	16,8	ATE							
	220	06/04 → 07/12	●		P10010MM [+]	17,5	-							

900 II 07/93 → 04/99

2.0-16 Turbo	136	07/93 → 02/98	●	→ 08/96	P59019MM [O]	17,5	ATE							
	136	07/93 → 02/98	●	08/96 →	P59029MM [+]	19,6	ATE							
	136	07/93 → 02/98	●	→ 08/96	P59018MM [-]	15,7	ATE							
	136	07/93 → 02/98	●	08/96 →	P59014MM [-]	15,2	ATE							
2.0 i	96	08/94 → 02/98	●	→ 08/96	P59019MM [O]	17,5	ATE							
	96	08/94 → 02/98	●	08/96 →	P59029MM [+]	19,6	ATE							
	96	08/94 → 02/98	●	→ 08/96	P59018MM [-]	15,7	ATE							
	96	08/94 → 02/98	●	08/96 →	P59014MM [-]	15,2	ATE							
	98	07/93 → 07/94	●		P59019MM [O]	17,5	ATE						A02202	
2.3-16	110	07/93 → 02/98	●	→ 08/96	P59019MM [O]	17,5	ATE							
	110	07/93 → 02/98	●	08/96 →	P59029MM [+]	19,6	ATE							
	110	07/93 → 02/98	●	→ 08/96	P59018MM [-]	15,7	ATE							
	110	07/93 → 02/98	●	08/96 →	P59014MM [-]	15,2	ATE							
2.5-24 V6	125	07/93 → 02/98	●	→ 08/96	P59019MM [O]	17,5	ATE							
	125	07/93 → 02/98	●	08/96 →	P59029MM [+]	19,6	ATE							
	125	07/93 → 02/98	●	→ 08/96	P59018MM [-]	15,7	ATE							
	125	07/93 → 02/98	●	08/96 →	P59014MM [-]	15,2	ATE							

900 II Convertible 09/93 → 04/99

2.0-16 Turbo	136	12/93 → 02/98	●	→ 08/96	P59019MM [O]	17,5	ATE						A02202	
	136	12/93 → 02/98	●	08/96 →	P59029MM [+]	19,6	ATE						A02202	
	136	12/93 → 02/98	●	→ 08/96	P59018MM [-]	15,7	ATE						A02258	
	136	12/93 → 02/98	●	08/96 →	P59014MM [-]	15,2	ATE						A02258	
2.0 i	96	12/93 → 02/98	●	→ 08/96	P59019MM [O]	17,5	ATE						A02202	
	96	12/93 → 02/98	●	08/96 →	P59029MM [+]	19,6	ATE						A02202	
	96	12/93 → 02/98	●	→ 08/96	P59018MM [-]	15,7	ATE						A02258	
	96	12/93 → 02/98	●	08/96 →	P59014MM [-]	15,2	ATE						A02258	

									WI			FK	
	kw						Th [mm]		MAGNETI MARELLI	LENGHT		MAGNETI MARELLI	

SAAB

900 II Convertible 09/93 → 04/99

2.3 -16	110	12/93 → 02/98	●	→ 08/96	P59019MM	[O]	17,5	ATE					
	110	12/93 → 02/98	●	08/96 →	P59029MM	[+]	19,6	ATE					
	110	12/93 → 02/98	●	→ 08/96	P59018MM	[-]	15,7	ATE					
	110	12/93 → 02/98	●	08/96 →	P59014MM	[-]	15,2	ATE					
2.5 -24 V6	125	12/93 → 02/98	●	→ 08/96	P59019MM	[O]	17,5	ATE					
	125	12/93 → 02/98	●	08/96 →	P59029MM	[+]	19,6	ATE					
	125	12/93 → 02/98	●	→ 08/96	P59018MM	[-]	15,7	ATE					
	125	12/93 → 02/98	●	08/96 →	P59014MM	[-]	15,2	ATE					

900 II Coupé 12/93 → 04/99

2.0 -16 Turbo	136	12/93 → 02/98	●	→ 08/96	P59019MM	[O]	17,5	ATE				A02202	
	136	12/93 → 02/98	●	08/96 →	P59029MM	[+]	19,6	ATE				A02202	
	136	12/93 → 02/98	●	→ 08/96	P59018MM	[-]	15,7	ATE				A02258	
	136	12/93 → 02/98	●	08/96 →	P59014MM	[-]	15,2	ATE				A02258	
2.0 i	98	12/93 → 07/94	●		P59019MM	[O]	17,5	ATE					
	98	12/93 → 07/94	●		P59018MM	[-]	15,7	ATE					
	96	08/94 → 02/98	●	→ 08/96	P59019MM	[O]	17,5	ATE				A02202	
	96	08/94 → 02/98	●	08/96 →	P59029MM	[+]	19,6	ATE				A02202	
	96	08/94 → 02/98	●	→ 08/96	P59018MM	[-]	15,7	ATE				A02258	
2.3 -16	110	12/93 → 02/98	●	→ 08/96	P59019MM	[O]	17,5	ATE				A02202	
	110	12/93 → 02/98	●	08/96 →	P59029MM	[+]	19,6	ATE				A02202	
	110	12/93 → 02/98	●	→ 08/96	P59018MM	[-]	15,7	ATE				A02258	
	110	12/93 → 02/98	●	08/96 →	P59014MM	[-]	15,2	ATE				A02258	
2.5 -24 V6	125	12/93 → 02/98	●	→ 08/96	P59019MM	[O]	17,5	ATE				A02202	
	125	12/93 → 02/98	●	08/96 →	P59029MM	[+]	19,6	ATE				A02202	
	125	12/93 → 02/98	●	→ 08/96	P59018MM	[-]	15,7	ATE				A02258	
	125	12/93 → 02/98	●	08/96 →	P59014MM	[-]	15,2	ATE				A02258	

SANTANA

300/350 09/98 →

1.6 D	66	09/98 →	●		P72001MM	[-]	15,5	TRW					
1.6 HDi 4x4	66	07/06 → 02/11	●		P72001MM	[-]	15,5	TRW					
	81	07/06 → 02/11	●		P72001MM	[-]	15,5	TRW					

PS10/ANIBAL 12/02 →

2.8 D 4x4	78	03/03 →	●		PA6024MM	[-]	15	TRW					
	78	03/03 →	●	●	P79007MM	[-]	14	TRW					
	92	03/03 →	●		PA6024MM	[-]	15	TRW					
	92	03/03 →	●		P79007MM	[-]	14	TRW					
2.8 TD	92	12/02 →	●		PA6024MM	[-]	15	TRW					
	92	12/02 →	●		P79007MM	[-]	14	TRW					

PS10/ANIBAL Pickup 12/02 → 02/11

2.8 TD	78	12/02 → 02/11	●		PA6024MM	[-]	15	TRW					
	78	12/02 → 02/11	●		P79007MM	[-]	14	TRW					
	92	12/02 → 02/11	●		PA6024MM	[-]	15	TRW					
	92	12/02 → 02/11	●		P79007MM	[-]	14	TRW					
2.8 TD All-wheel Drive	92	09/04 → 12/08	●		PA6024MM	[-]	15	TRW					
	92	09/04 → 12/08	●		P79007MM	[-]	14	TRW					

		kw						wi	Th [mm]	SYS	WI			FK	
												LENGHT			

SEAT

ALHAMBRA (710, 711) 06/10 →

1.4 TSI	110	06/10 →	●	PR:1LJ	P85112MM	[+]	19,9/20,6	ATE						
	110	06/10 →	●	PR:1LX; PR:1LW	P85131MM	[+]	20	TRW						
	110	06/10 →		●	P85109MM	[-]	17,2	TRW						
	110	05/15 →	●	PR:1LW	P85131MM	[+]	20	TRW						
	110	05/15 →		●	P85140MM	[-]	17,5	TRW						
1.8 TSI	118	11/12 →	●	PR:1LJ	P85112MM	[+]	19,9/20,6	ATE						
	118	11/12 →	●	PR:1LX; PR:1LW	P85131MM	[+]	20	TRW						
	118	11/12 →		●	P85109MM	[-]	17,2	TRW						
2.0 TDI	103	06/10 →	●	PR:1LJ	P85112MM	[+]	19,9/20,6	ATE						
	103	06/10 →	●	PR:1LW; PR:1LX	P85131MM	[+]	20	TRW						
	103	06/10 →		●	P85109MM	[-]	17,2	TRW						
	125	06/10 →	●	PR:1LJ	P85112MM	[+]	19,9/20,6	ATE						
	125	06/10 →	●	PR:1LX; PR:1LW	P85131MM	[+]	20	TRW						
	125	06/10 →		●	P85109MM	[-]	17,2	TRW						
	85	05/11 →	●	PR:1LJ	P85112MM	[+]	19,9/20,6	ATE						
	85	05/11 →	●	PR:1LW; PR:1LX	P85131MM	[+]	20	TRW						
	85	05/11 →		●	P85109MM	[-]	17,2	TRW						
	100	06/10 → 05/11	●	PR:1LJ	P85112MM	[+]	19,9/20,6	ATE						
	100	06/10 → 05/11	●	PR:1LW; PR:1LX	P85131MM	[+]	20	TRW						
	100	06/10 → 05/11		●	P85109MM	[-]	17,2	TRW						
	130	11/12 →	●	PR:1LJ	P85112MM	[+]	19,9/20,6	ATE						
	130	11/12 →	●	PR:1LX; PR:1LW	P85131MM	[+]	20	TRW						
	130	11/12 →		●	P85109MM	[-]	17,2	TRW						
110	05/15 →	●	PR:1LW	P85131MM	[+]	20	TRW							
110	05/15 →		●	P85140MM	[-]	17,5	TRW							
135	05/15 →	●	PR:1LW	P85131MM	[+]	20	TRW							
135	05/15 →		●	P85140MM	[-]	17,5	TRW							
2.0 TDI 4Drive	103	05/11 →	●	PR:1LJ	P85112MM	[+]	19,9/20,6	ATE						
	103	05/11 →	●	PR:1LX; PR:1LW	P85131MM	[+]	20	TRW						
	103	05/11 →		●	P85109MM	[-]	17,2	TRW						
	110	05/15 →	●	PR:1LW	P85131MM	[+]	20	TRW						
	110	05/15 →		●	P85140MM	[-]	17,5	TRW						
	135	05/16 →	●	PR:1LW	P85131MM	[+]	20	TRW						
135	05/16 →		●	P85140MM	[-]	17,5	TRW							
2.0 TSI	147	11/10 →	●	PR:1LJ	P85112MM	[+]	19,9/20,6	ATE						
	147	11/10 →	●	PR:1LX; PR:1LW	P85131MM	[+]	20	TRW						
	147	11/10 →		●	P85109MM	[-]	17,2	TRW						
	162	05/15 →	●	PR:1LW	P85131MM	[+]	20	TRW						
	162	05/15 →		●	P85140MM	[-]	17,5	TRW						

ALHAMBRA (7V8, 7V9) 04/96 → 03/10

1.8 T 20V	110	10/97 → 03/10	●	→ 7M-W-070000	P85039MM	[-]	19,7	ATE				A02217	→ 7M-1-530756
	110	10/97 → 03/10	●	7M-X-000001 →; → 7M-1-530756	P85060MM	[+]	20,6	ATE				A02217	→ 7M-1-530756
	110	10/97 → 03/10	●	7M-2-500001 →; PR:MC0; PR:MG8	P85061MM	[+]	20,1	ATE				A02217	→ 7M-1-530756
	110	10/97 → 03/10	●	→ 7M-1-530756; PR:M3L; PR:ML1; PR:MF7; PR:D3E	P85058MM	[+]	17,2	TRW				A02205	PR:ML1; PR:MF7; PR:M3L; PR:D3E; → 7M-1-530756



kw



wi

Th [mm]

SYS

WI



LENGHT



FK



SEAT

ALHAMBRA (7V8, 7V9) 04/96 → 03/10

Engine	Power (kw)	Period	Options	Part No.	Delta	Th [mm]	SYS	WI	LENGHT	FK
1.8 T 20V	110	10/97 → 03/10	● 7M-2-500001 →; PR:MC0; PR:MG8	P85059MM	[+]	16,5	TRW			A02205 PR:ML1; PR:MF7; PR:M3L; PR:D3E; → 7M-1-530756
1.9 TDI	66	04/96 → 03/10	● → 7M-W-070000	P85039MM	[-]	19,7	ATE			A02217 → 7M-1-530756
	66	04/96 → 03/10	● 15" wheel; → 7M-1-530756	P85060MM	[+]	20,6	ATE			A02217 → 7M-1-530756
	66	04/96 → 03/10	● 16" wheel; 7M-2-500001 →; PR:M3L; PR:MF7; PR:ML1; PR:D3E	P85062MM	[+]	19,6	ATE			A02217 → 7M-1-530756
	66	04/96 → 03/10	● 15" wheel; PR:D3E; PR:ML1; PR:MF7; PR:M3L	P85058MM	[+]	17,2	TRW			A02205 PR:ML1; PR:MF7; PR:M3L; PR:D3E
	66	04/96 → 03/10	● 16" wheel; PR:MG8; PR:MC0	P85059MM	[+]	16,5	TRW			A02205 PR:ML1; PR:MF7; PR:M3L; PR:D3E
	81	08/96 → 06/00	● → 7M-W-070000	P85039MM	[-]	19,7	ATE			A02217 → 7M-1-530756
	81	08/96 → 06/00	● 15" wheel; → 7M-1-530756	P85060MM	[+]	20,6	ATE			A02217 → 7M-1-530756
	81	08/96 → 06/00	● 16" wheel; 7M-2-500001 →; PR:D3E; PR:M3L; PR:MF7; PR:ML1	P85062MM	[+]	19,6	ATE			A02217 → 7M-1-530756
	81	08/96 → 06/00	● 15" wheel; PR:ML1; PR:MF7; PR:M3L; PR:D3E	P85058MM	[+]	17,2	TRW			A02205 PR:ML1; PR:MF7; PR:M3L; PR:D3E
	81	08/96 → 06/00	● 16" wheel; PR:MC0; PR:MG8	P85059MM	[+]	16,5	TRW			A02205 PR:ML1; PR:MF7; PR:M3L; PR:D3E
	85	06/00 → 03/10	● → 7M-W-070000	P85039MM	[-]	19,7	ATE			A02217 → 7M-1-530756
	85	06/00 → 03/10	● 15" wheel; → 7M-1-530756	P85060MM	[+]	20,6	ATE			A02217 → 7M-1-530756
	85	06/00 → 03/10	● PR:D3E; PR:ML1; PR:M3L; PR:MF7; 7M-2-500001 →; 16" wheel	P85062MM	[+]	19,6	ATE			A02217 → 7M-1-530756
	85	06/00 → 03/10	● PR:M3L; PR:ML1; PR:MF7; PR:D3E; 15" wheel	P85058MM	[+]	17,2	TRW			A02205 PR:ML1; PR:MF7; PR:M3L; PR:D3E
	85	06/00 → 03/10	● PR:MC0; PR:MG8; 16" wheel	P85059MM	[+]	16,5	TRW			A02205 PR:ML1; PR:MF7; PR:M3L; PR:D3E
	96	11/02 → 11/08	● PR:M3L; PR:MF7; PR:ML1; PR:D3E; 16" wheel	P85062MM	[+]	19,6	ATE			
	96	11/02 → 11/08	● PR:MC0; PR:MG8; PR:M3L; 16" wheel	P85061MM	[+]	20,1	ATE			
	96	11/02 → 11/08	●	P85059MM	[+]	16,5	TRW			A02205 PR:ML1; PR:MF7; PR:M3L; PR:D3E
110	05/05 → 05/07	● PR:D3E; PR:ML1; PR:MF7; PR:M3L; 16" wheel	P85062MM	[+]	19,6	ATE				
110	05/05 → 05/07	● PR:M3L; PR:MG8; PR:MC0; 16" wheel	P85061MM	[+]	20,1	ATE				
110	05/05 → 05/07	●	P85059MM	[+]	16,5	TRW			A02205 PR:ML1; PR:MF7; PR:M3L; PR:D3E	
1.9 TDI 4motion	85	06/00 → 03/10	● PR:M3L; PR:MC0	P85061MM	[+]	20,1	ATE			A02217 PR:MC0; PR:M3L
85	06/00 → 03/10	● PR:MC0; PR:M3L	P85059MM	[+]	16,5	TRW				
2.0 i	85	04/96 → 03/10	● → 7M-W-070000	P85039MM	[-]	19,7	ATE			A02217 → 7M-1-530756
	85	04/96 → 03/10	● 15" wheel; → 7M-1-530756	P85060MM	[+]	20,6	ATE			A02217 → 7M-1-530756
	85	04/96 → 03/10	● 16" wheel; 7M-2-500001 →; PR:D3E; PR:M3L; PR:ML1; PR:MF7	P85062MM	[+]	19,6	ATE			A02217 → 7M-1-530756
	85	04/96 → 03/10	● 15" wheel; PR:ML1; PR:M3L; PR:MF7; PR:D3E	P85058MM	[+]	17,2	TRW			A02205 PR:ML1; PR:MF7; PR:M3L; PR:D3E
	85	04/96 → 03/10	● 16" wheel; PR:MC0; PR:MG8	P85059MM	[+]	16,5	TRW			A02205 PR:ML1; PR:MF7; PR:M3L; PR:D3E
2.0 TDI	103	11/05 → 03/10	● PR:M3L; PR:MF7; PR:ML1; PR:D3E; 16" wheel	P85062MM	[+]	19,6	ATE			
	103	11/05 → 03/10	● PR:MC0; PR:MG8; PR:M3L; 16" wheel	P85061MM	[+]	20,1	ATE			
	103	11/05 → 03/10	●	P85059MM	[+]	16,5	TRW			
2.8 V6	150	06/00 → 03/10	● PR:MG8; PR:M3L; PR:MC0; 7M-1-500001 →	P85061MM	[+]	20,1	ATE			A02217
	150	06/00 → 03/10	● PR:MG8; PR:M3L; PR:MC0; 7M-1-500001 →	P85059MM	[+]	16,5	TRW			

SEAT

ALHAMBRA (7V8, 7V9) 04/96 → 03/10

2.8 V6 4motion	150	06/00 → 03/10	●	PR:MC0; PR:M3L; PR:MG8; 7M-1-500001 →	P85061MM	[+]	20,1	ATE					A02217	
	150	06/00 → 03/10	●	PR:MG8; PR:M3L; PR:MC0; 7M-1-500001 →	P85059MM	[+]	16,5	TRW						

ALTEA (5P1) 03/04 →

1.2 TSI	77	04/10 →	●	PR:1ZE	P85075MM	[+]	20,3	ATE						
	77	04/10 →	●	PR:1ZF	P85072MM	[+]	19,7	ATE						
	77	04/10 →	●	PR:1KD; PR:1KQ; PR:1KZ; PR:1KJ; PR:1KF	P85020MM	[-]	17,2	TRW						
	77	04/10 →	●	PR:1KS	P85114MM	[-]	17,7	BSH						
1.4 16V	63	05/06 →	●	PR:1ZF	P85072MM	[+]	19,7	ATE						
	63	05/06 →	●	PR:1KD; PR:1KQ; PR:1KZ; PR:1KJ; PR:1KF	P85020MM	[-]	17,2	TRW						
	63	05/06 →	●	PR:1KS	P85114MM	[-]	17,7	BSH						
1.4 TSI	92	11/07 →	●	PR:1ZE; PR:1LJ	P85075MM	[+]	20,3	ATE						
	92	11/07 →	●	PR:1KJ; PR:1KZ; PR:1KQ; PR:1KF; PR:1KD	P85020MM	[-]	17,2	TRW						
	92	11/07 →	●	PR:1KS	P85114MM	[-]	17,7	BSH						
1.6	75	03/04 →	●	PR:1ZF	P85072MM	[+]	19,7	ATE						
	75	03/04 →	●	PR:1KD; PR:1KF; PR:1KJ; PR:1KZ; PR:1KQ	P85020MM	[-]	17,2	TRW					A02205	PR:1KD; PR:1KQ; PR:1KF; PR:1KJ; PR:1KZ
	75	03/04 →	●	PR:1KS	P85114MM	[-]	17,7	BSH					A02205	PR:1KD; PR:1KQ; PR:1KF; PR:1KJ; PR:1KZ
1.6 LPG	75	09/09 →	●	PR:1ZF	P85072MM	[+]	19,7	ATE						
	75	09/09 →	●	PR:1KD; PR:1KQ; PR:1KZ; PR:1KJ; PR:1KF	P85020MM	[-]	17,2	TRW						
	75	09/09 →	●	PR:1KS	P85114MM	[-]	17,7	BSH						
1.6 TDI	77	10/09 →	●	PR:1LJ; PR:1ZE	P85075MM	[+]	20,3	ATE						
	77	10/09 →	●	PR:1ZF	P85072MM	[+]	19,7	ATE						
	77	10/09 →	●	PR:1KD; PR:1KF; PR:1KJ; PR:1KZ; PR:1KQ	P85020MM	[-]	17,2	TRW						
	77	10/09 →	●	PR:1KS	P85114MM	[-]	17,7	BSH						
	66	11/10 →	●	PR:1ZE	P85075MM	[+]	20,3	ATE						
	66	11/10 →	●	PR:1ZF	P85072MM	[+]	19,7	ATE						
	66	11/10 →	●	PR:1KD; PR:1KF; PR:1KZ; PR:1KQ; PR:1KJ	P85020MM	[-]	17,2	TRW						
	66	11/10 →	●	PR:1KS	P85114MM	[-]	17,7	BSH						
1.8 TFSI	118	01/07 →	●	PR:1LJ; PR:1ZE	P85075MM	[+]	20,3	ATE						
	118	01/07 →	●	PR:1KD; PR:1KF; PR:1KQ; PR:1KZ; PR:1KJ	P85020MM	[-]	17,2	TRW						
	118	01/07 →	●	PR:1KS	P85114MM	[-]	17,7	BSH						
1.9 TDI	77	04/04 →	●	PR:1LJ; PR:1ZE	P85075MM	[+]	20,3	ATE						
	77	04/04 →	●	PR:1ZF	P85072MM	[+]	19,7	ATE						
	77	04/04 →	●	PR:1KD; PR:1KF; PR:1KJ; PR:1KZ; PR:1KQ	P85020MM	[-]	17,2	TRW					A02205	PR:1KD; PR:1KQ; PR:1KF; PR:1KJ; PR:1KZ
	77	04/04 →	●	PR:1KS	P85114MM	[-]	17,7	BSH					A02205	PR:1KD; PR:1KQ; PR:1KF; PR:1KJ; PR:1KZ
	66	08/09 →	●	PR:1ZE	P85075MM	[+]	20,3	ATE						
	66	08/09 →	●	PR:1ZF	P85072MM	[+]	19,7	ATE						
	66	08/09 →	●	PR:1KD; PR:1KF; PR:1KJ; PR:1KZ; PR:1KQ	P85020MM	[-]	17,2	TRW						
2.0 FSI	110	05/04 → 03/09	●	PR:1ZE; PR:1LJ	P85075MM	[+]	20,3	ATE						
	110	05/04 → 03/09	●	PR:1KQ; PR:1KZ; PR:1KJ; PR:1KF; PR:1KD	P85020MM	[-]	17,2	TRW					A02205	PR:1KD; PR:1KQ; PR:1KF; PR:1KJ; PR:1KZ
	110	05/04 → 03/09	●	PR:1KS	P85114MM	[-]	17,7	BSH					A02205	PR:1KD; PR:1KQ; PR:1KF; PR:1KJ; PR:1KZ



kw



MAGNETI MARELLI

wi

Th [mm]

SYS

WI

MAGNETI MARELLI

LENGHT



FK

MAGNETI MARELLI



SEAT

ALTEA (5P1) 03/04 →

2.0 TDI	100	03/04 → 05/09	●	PR:1ZF	P85072MM	[+]	19,7	ATE				
	100	03/04 → 05/09	●	PR:1LJ; PR:1ZE	P85075MM	[+]	20,3	ATE				
	100	03/04 → 05/09	●	PR:1KD; PR:1KF; PR:1KJ; PR:1KZ; PR:1KQ	P85020MM	[-]	17,2	TRW		A02205	PR:1KD; PR:1KQ; PR:1KF; PR:1KJ; PR:1KZ	
	100	03/04 → 05/09	●	PR:1KS	P85114MM	[-]	17,7	BSH		A02205	PR:1KD; PR:1KQ; PR:1KF; PR:1KJ; PR:1KZ	
	125	03/06 →	●	PR:1ZE; PR:1LJ	P85075MM	[+]	20,3	ATE				
	125	03/06 →	●	PR:1KQ; PR:1KZ; PR:1KJ; PR:1KF; PR:1KD	P85020MM	[-]	17,2	TRW		A02205	PR:1KD; PR:1KQ; PR:1KF; PR:1KJ; PR:1KZ	
	103	11/05 →	●	PR:1ZE; PR:1LJ	P85075MM	[+]	20,3	ATE				
	103	11/05 →	●	PR:1KQ; PR:1KZ; PR:1KJ; PR:1KF; PR:1KD	P85020MM	[-]	17,2	TRW		A02205	PR:1KD; PR:1KQ; PR:1KF; PR:1KJ; PR:1KZ	
2.0 TDI 16V	103	03/04 →	●	PR:1ZE; PR:1LJ	P85075MM	[+]	20,3	ATE				
	103	03/04 →	●	PR:1KQ; PR:1KZ; PR:1KJ; PR:1KF; PR:1KD	P85020MM	[-]	17,2	TRW		A02205	PR:1KD; PR:1KQ; PR:1KF; PR:1KJ; PR:1KZ	
	103	03/04 →	●	PR:1KS	P85114MM	[-]	17,7	BSH		A02205	PR:1KD; PR:1KQ; PR:1KF; PR:1KJ; PR:1KZ	
2.0 TFSI	147	04/06 → 05/09	●	PR:1LJ; PR:1ZE	P85075MM	[+]	20,3	ATE				
	147	04/06 → 05/09	●	PR:1KD; PR:1KF; PR:1KJ; PR:1KZ; PR:1KQ	P85020MM	[-]	17,2	TRW		A02205	PR:1KD; PR:1KQ; PR:1KF; PR:1KJ; PR:1KZ	

ALTEA XL (5P5, 5P8) 10/06 →

1.2 TSI	77	04/10 →	●	PR:1ZF	P85072MM	[+]	19,7	ATE				
	77	04/10 →	●	PR:1ZE	P85075MM	[+]	20,3	ATE				
	77	04/10 →	●	PR:1KD; PR:1KF; PR:1KJ; PR:1KQ; PR:1KZ	P85020MM	[-]	17,2	TRW				
	77	04/10 →	●	PR:1KS	P85114MM	[-]	17,7	BSH				
1.4 16V	63	10/06 →	●	PR:1ZF	P85072MM	[+]	19,7	ATE				
	63	10/06 →	●	PR:1ZE; PR:1LJ	P85075MM	[+]	20,3	ATE				
	63	10/06 →	●	PR:1KD; PR:1KZ; PR:1KQ; PR:1KJ; PR:1KF	P85020MM	[-]	17,2	TRW				
	63	10/06 →	●	PR:1KS	P85114MM	[-]	17,7	BSH				
1.4 TSI	92	11/07 →	●	PR:1LJ; PR:1ZE	P85075MM	[+]	20,3	ATE				
	92	11/07 →	●	PR:1KF; PR:1KJ; PR:1KQ; PR:1KZ; PR:1KD	P85020MM	[-]	17,2	TRW				
	92	11/07 →	●	PR:1KS	P85114MM	[-]	17,7	BSH				
1.6	75	10/06 →	●	PR:1ZF	P85072MM	[+]	19,7	ATE				
	75	10/06 →	●	PR:1KD; PR:1KQ; PR:1KZ; PR:1KJ; PR:1KF	P85020MM	[-]	17,2	TRW		A02205	PR:1KD; PR:1KQ; PR:1KF; PR:1KJ; PR:1KZ	
	75	10/06 →	●	PR:1KS	P85114MM	[-]	17,7	BSH		A02205	PR:1KD; PR:1KQ; PR:1KF; PR:1KJ; PR:1KZ	
1.6 LPG	75	09/09 →	●	PR:1ZF	P85072MM	[+]	19,7	ATE				
	75	09/09 →	●	PR:1KD; PR:1KF; PR:1KJ; PR:1KQ; PR:1KZ	P85020MM	[-]	17,2	TRW				
	75	09/09 →	●	PR:1KS	P85114MM	[-]	17,7	BSH				
1.6 Multifuel	75	10/06 →	●	PR:1LJ; PR:1ZE	P85075MM	[+]	20,3	ATE				
	75	10/06 →	●	PR:1ZF	P85072MM	[+]	19,7	ATE				
	75	10/06 →	●	PR:1KD; PR:1KF; PR:1KJ; PR:1KQ; PR:1KZ	P85020MM	[-]	17,2	TRW				
	75	10/06 →	●	PR:1KS	P85114MM	[-]	17,7	BSH				
1.6 TDI	77	10/09 →	●	PR:1ZF	P85072MM	[+]	19,7	ATE				
	77	10/09 →	●	PR:1ZE	P85075MM	[+]	20,3	ATE				
	77	10/09 →	●	PR:1KD; PR:1KZ; PR:1KQ; PR:1KJ; PR:1KF	P85020MM	[-]	17,2	TRW				
	77	10/09 →	●	PR:1KS	P85114MM	[-]	17,7	BSH				
	66	11/10 →	●	PR:1ZF	P85072MM	[+]	19,7	ATE				
	66	11/10 →	●	PR:1ZE	P85075MM	[+]	20,3	ATE				

		kw						wi	Th [mm]	SYS	wi			FK	
												LENGHT			

SEAT

ALTEA XL (5P5, 5P8) 10/06 →

1.6 TDI	66	11/10 →		●	PR:1KD; PR:1KF; PR:1KJ; PR:1KQ; PR:1KZ	P85020MM [-]	17,2	TRW							
	66	11/10 →		●	PR:1KS	P85114MM [-]	17,7	BSH							
1.8 TFSI	118	01/07 →		●	PR:1ZE; PR:1LJ	P85075MM [+]	20,3	ATE							
	118	01/07 →		●	PR:1KD; PR:1KQ; PR:1KZ; PR:1KJ; PR:1KF	P85020MM [-]	17,2	TRW					A02205	PR:1KD; PR:1KQ; PR:1KF; PR:1KJ; PR:1KZ	
	118	01/07 →		●	PR:1KS	P85114MM [-]	17,7	BSH					A02205	PR:1KD; PR:1KQ; PR:1KF; PR:1KJ; PR:1KZ	
1.9 TDI	77	10/06 →		●	PR:1ZF	P85072MM [+]	19,7	ATE							
	77	10/06 →		●	PR:1LJ; PR:1ZE	P85075MM [+]	20,3	ATE							
	77	10/06 →		●	PR:1KD; PR:1KQ; PR:1KZ; PR:1KJ; PR:1KF	P85020MM [-]	17,2	TRW					A02205	PR:1KD; PR:1KQ; PR:1KF; PR:1KJ; PR:1KZ	
	77	10/06 →		●	PR:1KS	P85114MM [-]	17,7	BSH					A02205	PR:1KD; PR:1KQ; PR:1KF; PR:1KJ; PR:1KZ	
	66	08/09 →		●	PR:1ZF	P85072MM [+]	19,7	ATE							
	66	08/09 →		●	PR:1ZE	P85075MM [+]	20,3	ATE							
	66	08/09 →		●	PR:1KD; PR:1KZ; PR:1KQ; PR:1KJ; PR:1KF	P85020MM [-]	17,2	TRW							
	66	08/09 →		●	PR:1KS	P85114MM [-]	17,7	BSH							
1.9 TDI 4x4	77	06/09 → 12/10		●	PR:1ZF	P85072MM [+]	19,7	ATE							
	77	06/09 → 12/10		●	PR:1ZE; PR:1LJ	P85075MM [+]	20,3	ATE							
	77	06/09 → 12/10		●	PR:1ZA	P85146MM [+]	20,3	ATE							
	77	06/09 → 12/10		●	PR:1KD	P85020MM [-]	17,2	TRW							
	77	06/09 → 12/10		●	PR:1KF; PR:1KZ; PR:1KJ	P85073MM [O]	17,2	TRW							
	77	06/09 → 12/10		●	PR:1KS	P85114MM [-]	17,7	BSH							
2.0 FSI	110	10/06 → 03/09		●	PR:1ZE; PR:1LJ	P85075MM [+]	20,3	ATE							
	110	10/06 → 03/09		●	PR:1KF; PR:1KJ; PR:1KZ; PR:1KQ; PR:1KD	P85020MM [-]	17,2	TRW					A02205	PR:1KD; PR:1KQ; PR:1KF; PR:1KJ; PR:1KZ	
	110	10/06 → 03/09		●	PR:1KS	P85114MM [-]	17,7	BSH					A02205	PR:1KD; PR:1KQ; PR:1KF; PR:1KJ; PR:1KZ	
2.0 TDI	103	10/06 →		●	PR:1LJ; PR:1ZE	P85075MM [+]	20,3	ATE							
	103	10/06 →		●	PR:1KD; PR:1KQ; PR:1KZ; PR:1KJ; PR:1KF	P85020MM [-]	17,2	TRW					A02205	PR:1KD; PR:1KQ; PR:1KF; PR:1KJ; PR:1KZ	
	103	10/06 →		●	PR:1KS	P85114MM [-]	17,7	BSH					A02205	PR:1KD; PR:1KQ; PR:1KF; PR:1KJ; PR:1KZ	
	125	06/07 →		●	PR:1ZA	P85146MM [+]	20,3	ATE							
	125	06/07 →		●	PR:1LJ	P85075MM [+]	20,3	ATE							
	125	06/07 →		●	PR:1KF; PR:1KJ; PR:1KZ; PR:1KQ; PR:1KD	P85020MM [-]	17,2	TRW					A02205	PR:1KD; PR:1KQ; PR:1KF; PR:1KJ; PR:1KZ	
	100	11/06 → 03/09		●	PR:1LJ; PR:1ZE	P85075MM [+]	20,3	ATE							
	100	11/06 → 03/09		●	PR:1KF; PR:1KJ; PR:1KZ; PR:1KQ; PR:1KD	P85020MM [-]	17,2	TRW							
	100	11/06 → 03/09		●	PR:1KS	P85114MM [-]	17,7	BSH							
2.0 TDI 16V	103	10/06 →		●	PR:1ZE; PR:1LJ	P85075MM [+]	20,3	ATE							
	103	10/06 →		●	PR:1KF; PR:1KJ; PR:1KZ; PR:1KQ; PR:1KD	P85020MM [-]	17,2	TRW					A02205	PR:1KD; PR:1KQ; PR:1KF; PR:1KJ; PR:1KZ	
	103	10/06 →		●	PR:1KS	P85114MM [-]	17,7	BSH					A02205	PR:1KD; PR:1KQ; PR:1KF; PR:1KJ; PR:1KZ	
2.0 TDI 16V 4x4	103	10/10 →		●	PR:1ZF	P85072MM [+]	19,7	ATE							
	103	10/10 →		●	PR:1ZE	P85075MM [+]	20,3	ATE							
	103	10/10 →		●	PR:1ZA	P85146MM [+]	20,3	ATE							
	103	10/10 →		●	PR:1KD	P85020MM [-]	17,2	TRW							
	103	10/10 →		●	PR:1KS	P85114MM [-]	17,7	BSH							
2.0 TDI 4x4	125	06/07 →		●	PR:1LJ; PR:1ZE	P85075MM [+]	20,3	ATE							
	125	06/07 →		●	PR:1ZF	P85072MM [+]	19,7	ATE							
	125	06/07 →		●	PR:1KD; PR:1KF; PR:1KJ; PR:1KQ; PR:1KZ	P85020MM [-]	17,2	TRW							
	125	06/07 →		●	PR:1KS	P85114MM [-]	17,7	BSH							

								WI			FK	

SEAT

ALTEA XL (5P5, 5P8) 10/06 →

2.0 TDI 4x4	103	06/07 →	●	PR:1ZE; PR:1LJ	P85075MM	[+]	20,3	ATE				
	103	06/07 →	●	PR:1ZF	P85072MM	[+]	19,7	ATE				
	103	06/07 →	●	PR:1KD; PR:1KZ; PR:1KQ; PR:1KJ; PR:1KF	P85020MM	[-]	17,2	TRW				
	103	06/07 →	●	PR:1KS	P85114MM	[-]	17,7	BSH				
2.0 TFSI	147	10/06 → 05/09	●	PR:1LJ; PR:1ZE	P85075MM	[+]	20,3	ATE				
	147	10/06 → 05/09	●	PR:1KS; disc Ø 272 mm	P85114MM	[-]	17,7	BSH				
	147	10/06 → 05/09	●	PR:1KD; PR:1KJ; PR:1KF; PR:1KZ; PR:1KQ	P85020MM	[-]	17,2	TRW				
2.0 TFSI 4x4	147	06/07 → 05/09	●	PR:1ZE; PR:1LJ	P85075MM	[+]	20,3	ATE				
	147	06/07 → 05/09	●	PR:1ZF	P85072MM	[+]	19,7	ATE				
	147	06/07 → 05/09	●	PR:1KD; PR:1KZ; PR:1KQ; PR:1KJ; PR:1KF	P85020MM	[-]	17,2	TRW				
	147	06/07 → 05/09	●	PR:1KS	P85114MM	[-]	17,7	BSH				
	155	05/09 →	●	PR:1ZE; PR:1LJ	P85075MM	[+]	20,3	ATE				
	155	05/09 →	●	PR:1ZF	P85072MM	[+]	19,7	ATE				
	155	05/09 →	●	PR:1KD; PR:1KZ; PR:1KQ; PR:1KJ; PR:1KF	P85020MM	[-]	17,2	TRW				
	155	05/09 →	●	PR:1KS	P85114MM	[-]	17,7	BSH				

AROSA (6H) 05/97 → 06/04

1.0	37	05/97 → 06/04	●		P85025MM	[-]	17,2	VW / VAG				
	37	10/98 → 01/01	●		P85025MM	[-]	17,2	VW / VAG				
1.4	44	05/97 → 06/04	●		P85025MM	[-]	17,2	VW / VAG				
1.4 16V	74	01/00 → 06/04	●	disc Ø 239 mm	P85025MM	[-]	17,2	VW / VAG				
	74	01/00 → 06/04	●	disc Ø 256 mm	P85032MM	[-]	16,2	TRW				
	74	01/00 → 06/04	●		P85020MM	[-]	17,2	TRW			A02205	
1.4 TDI	55	01/00 → 06/04	●	disc Ø 239 mm	P85025MM	[-]	17,2	VW / VAG				
	55	01/00 → 06/04	●	disc Ø 256 mm	P85032MM	[-]	16,2	TRW				
1.7 SDI	44	08/97 → 06/04	●		P85025MM	[-]	17,2	VW / VAG				

ATECA (KH7) 04/16 →

1.0 TSI	85	05/16 →	●	PR:1ZA	P85126MM	[+]	20,3	TRW	A00492	170	PR:1ZA	
	85	05/16 →	●	PR:1KE	P85125MM	[-]	16,4	ATE				
1.4 TSI	110	06/16 →	●	PR:1ZA	P85126MM	[+]	20,3	TRW	A00492	170	PR:1ZA	
	110	06/16 →	●	PR:1KE	P85125MM	[-]	16,4	ATE				
1.4 TSI 4Drive	110	06/16 →	●	PR:1ZA	P85126MM	[+]	20,3	TRW	A00492	170	PR:1ZA	
	110	06/16 →	●	PR:1KE	P85125MM	[-]	16,4	ATE				
1.6 TDI	85	04/16 →	●	PR:1ZA	P85126MM	[+]	20,3	TRW	A00492	170	PR:1ZA	
	85	04/16 →	●	PR:1KE	P85125MM	[-]	16,4	ATE				
2.0 TDI	110	04/16 →	●	PR:1ZA	P85126MM	[+]	20,3	TRW	A00492	170	PR:1ZA	
	110	04/16 →	●	PR:1KE	P85125MM	[-]	16,4	ATE				
	81	10/16 →	●	PR:1KE	P85125MM	[-]	16,4	ATE				
	105	10/16 →	●	PR:1KE	P85125MM	[-]	16,4	ATE				
2.0 TDI 4Drive	110	04/16 →	●	PR:1ZA	P85126MM	[+]	20,3	TRW	A00492	170	PR:1ZA	
	110	04/16 →	●	PR:1KE	P85125MM	[-]	16,4	ATE				
	140	06/16 →	●	PR:1ZA	P85126MM	[+]	20,3	TRW	A00492	170	PR:1ZA	
	140	06/16 →	●	PR:1KE	P85125MM	[-]	16,4	ATE				

CORDOBA (6K1, 6K2) 02/93 → 10/99

1.0 i	37	09/96 → 06/99	●	-ABS; → 6K-W-000500	P85024MM	[-]	17,3	KH				A02303
	37	09/96 → 06/99	●	+ABS; → 6K-W-000500	P85030MM	[-]	19,7	VW / VAG				A02303

Car	kw	S	D	i	MAGNETI MARELLI	wi	Th [mm]	SYS	WI			FK	
									MAGNETI MARELLI	LENGHT	i	MAGNETI MARELLI	i

SEAT

CORDOBA (6K2) 06/99 → 10/02

1.8 T 20V Cupra	115	07/00 → 10/02	●		PR:1LW; PR:1LV; → 08/02	P85011MM [-]	19,6	TRW					
	115	07/00 → 10/02	●			P85020MM [-]	17,2	TRW				A02304	
1.9 SDI	50	06/99 → 10/02	●		PR:1LG; → 08/02	P85031MM [-]	15,3	VW / VAG					
	50	06/99 → 10/02	●			P85020MM [-]	17,2	TRW				A02304	
1.9 TDI	66	06/99 → 10/02	●		PR:1LG; → 08/02	P85031MM [-]	15,3	VW / VAG					
	66	06/99 → 10/02	●		PR:1ZK; → 08/02	P85032MM [-]	16,2	TRW					
	66	06/99 → 10/02	●			P85020MM [-]	17,2	TRW				A02304	
	81	06/99 → 10/02	●		PR:1ZK; → 08/02	P85032MM [-]	16,2	TRW					
	81	06/99 → 10/02	●		PR:1LV; PR:1LW; → 08/02	P85011MM [-]	19,6	TRW					
	81	06/99 → 10/02	●			P85020MM [-]	17,2	TRW				A02304	

CORDOBA (6L2) 09/02 → 11/09

1.2	47	10/02 → 06/06	●		PR:1LQ; PR:1ZF	P85041MM [-]	19,7	ATE					
	47	10/02 → 06/06	●			P85020MM [-]	17,2	TRW				A02205	
1.2 12V	51	05/06 → 11/09	●		PR:1ZF; PR:1LQ	P85041MM [-]	19,7	ATE					
	51	05/06 → 11/09	●			P85020MM [-]	17,2	TRW					
1.4 16V	55	09/02 → 12/07	●		PR:1ZF; PR:1LQ	P85041MM [-]	19,7	ATE					
	55	09/02 → 12/07	●			P85020MM [-]	17,2	TRW				A02205	
	74	10/02 → 11/09	●		PR:1ZF; PR:1LQ	P85041MM [-]	19,7	ATE					
	74	10/02 → 11/09	●		PR:1LN; PR:1ZH	P85077MM [+]	19	TRW					
	74	10/02 → 11/09	●			P85020MM [-]	17,2	TRW				A02205	
	63	05/06 → 11/09	●		PR:1LQ; PR:1ZF	P85041MM [-]	19,7	ATE					
1.4 TDI	63	05/06 → 11/09	●			P85020MM [-]	17,2	TRW					
	55	10/02 → 12/05	●		PR:1LQ; PR:1ZF	P85041MM [-]	19,7	ATE					
	55	10/02 → 12/05	●			P85020MM [-]	17,2	TRW				A02205	
	51	05/05 → 11/09	●		PR:1ZF; PR:1LQ	P85041MM [-]	19,7	ATE					
	51	05/05 → 11/09	●			P85020MM [-]	17,2	TRW				A02205	
	59	06/05 → 11/09	●		PR:1LQ; PR:1ZF	P85041MM [-]	19,7	ATE					
1.6	59	06/05 → 11/09	●			P85020MM [-]	17,2	TRW				A02205	
	74	04/03 → 11/09	●		PR:1ZF; PR:1LQ	P85041MM [-]	19,7	ATE					
	74	04/03 → 11/09	●		PR:1ZH; PR:1LN	P85077MM [+]	19	TRW					
1.6 16V	74	04/03 → 11/09	●			P85020MM [-]	17,2	TRW				A02205	
	77	11/06 → 11/09	●		PR:1ZF; PR:1LQ	P85041MM [-]	19,7	ATE					
	77	11/06 → 11/09	●		PR:1ZH; PR:1LN	P85077MM [+]	19	TRW					
1.9 SDI	77	11/06 → 11/09	●			P85020MM [-]	17,2	TRW					
	47	09/02 → 11/09	●		PR:1LQ; PR:1ZF	P85041MM [-]	19,7	ATE					
	47	09/02 → 11/09	●			P85020MM [-]	17,2	TRW				A02205	
1.9 TDI	96	10/02 → 11/09	●		PR:1LQ; PR:1ZF	P85041MM [-]	19,7	ATE					
	96	10/02 → 11/09	●		PR:1LN; PR:1ZH	P85077MM [+]	19	TRW					
	96	10/02 → 11/09	●			P85020MM [-]	17,2	TRW				A02205	
	74	09/02 → 11/09	●		PR:1ZF; PR:1LQ	P85041MM [-]	19,7	ATE					
	74	09/02 → 11/09	●		PR:1ZH; PR:1LN	P85077MM [+]	19	TRW					
	74	09/02 → 11/09	●			P85020MM [-]	17,2	TRW				A02205	
2.0	85	09/02 → 11/09	●		PR:1LN; PR:1ZH	P85077MM [+]	19	TRW					
	85	09/02 → 11/09	●		PR:1LQ; PR:1ZF	P85041MM [-]	19,7	ATE					
	85	09/02 → 11/09	●			P85020MM [-]	17,2	TRW				A02205	

CORDOBA Vario (6K5) 06/99 → 12/02

1.4	44	06/99 → 12/02	●		PR:1LG; → 08/02	P85031MM [-]	15,3	VW / VAG					
	44	06/99 → 12/02	●		+rear disc	P85020MM [-]	17,2	TRW				A02304	
1.4 16V	55	06/99 → 12/02	●		PR:1LG; → 08/02	P85031MM [-]	15,3	VW / VAG					
	55	06/99 → 12/02	●		+rear disc	P85020MM [-]	17,2	TRW				A02304	

									WI			FK	
	kw									LENGHT			

SEAT

CORDOBA Vario (6K5) 06/99 → 12/02

1.4 i	44	09/96 → 06/99	●	-ABS; solid	P85024MM	[-]	17,3	KH					
	44	09/96 → 06/99	●	+ABS; solid	P85030MM	[-]	19,7	VW / VAG					
	44	09/96 → 06/99	●	vented	P85031MM	[-]	15,3	VW / VAG					
1.6	55	06/99 → 12/02	●	PR:1LG; → 08/02	P85031MM	[-]	15,3	VW / VAG					
	55	06/99 → 12/02	●	+rear disc	P85020MM	[-]	17,2	TRW				A02304	
	74	06/99 → 12/02	●	PR:1ZK; → 08/02	P85032MM	[-]	16,2	TRW					
1.6 i	74	06/99 → 12/02	●	+rear disc	P85020MM	[-]	17,2	TRW				A02304	
	74	09/96 → 06/99	●		P85032MM	[-]	16,2	TRW					
	55	09/96 → 06/99	●	solid	P85030MM	[-]	19,7	VW / VAG					
	55	09/96 → 06/99	●	vented	P85031MM	[-]	15,3	VW / VAG					
	55	05/97 → 06/99	●	solid	P85030MM	[-]	19,7	VW / VAG					
1.9 SDI	55	05/97 → 06/99	●	vented	P85031MM	[-]	15,3	VW / VAG					
	47	09/96 → 06/99	●	solid	P85030MM	[-]	19,7	VW / VAG					
	47	09/96 → 06/99	●	vented	P85031MM	[-]	15,3	VW / VAG					
	50	06/99 → 12/02	●	PR:1LG; → 08/02	P85031MM	[-]	15,3	VW / VAG					
1.9 TDI	50	06/99 → 12/02	●	+rear disc	P85020MM	[-]	17,2	TRW				A02304	
	66	08/96 → 06/99	●		P85032MM	[-]	16,2	TRW					
	66	08/96 → 06/99	●		P85017MM	[-]	15,2	TRW				A02304	
	81	07/97 → 06/99	●		P85032MM	[-]	16,2	TRW					
	81	07/97 → 06/99	●		P85017MM	[-]	15,2	TRW				A02304	
	66	06/99 → 12/02	●	PR:1LG; → 08/02	P85031MM	[-]	15,3	VW / VAG					
	66	06/99 → 12/02	●	PR:1ZK; → 08/02	P85032MM	[-]	16,2	TRW					
	66	06/99 → 12/02	●	+rear disc	P85020MM	[-]	17,2	TRW				A02304	
81	06/99 → 12/02	●	PR:1ZK; → 08/02	P85032MM	[-]	16,2	TRW						
81	06/99 → 12/02	●	+rear disc	P85020MM	[-]	17,2	TRW				A02304		

EXEO (3R2) 12/08 →

1.6	75	03/09 → 09/10	●	PR:1LB; PR:1LT	P85085MM	[+]	20,4	ATE					
	75	03/09 → 09/10	●	PR:1LZ	P85044MM	[+]	19,6	TRW					
	75	03/09 → 09/10	●	PR:1KD; PR:1KP	P85017MM	[-]	15,2	TRW					
1.8 T	110	12/08 → 05/10	●	PR:1LT; PR:1LB	P85085MM	[+]	20,4	ATE					
	110	12/08 → 05/10	●	PR:1KP; PR:1KD	P85017MM	[-]	15,2	TRW					
1.8 TSI	88	09/10 →	●	PR:1LB; PR:1LT	P85085MM	[+]	20,4	ATE					
	88	09/10 →	●	PR:1LZ	P85044MM	[+]	19,6	TRW					
	88	09/10 →	●	PR:1KP; PR:1KD	P85017MM	[-]	15,2	TRW					
	118	05/10 →	●	PR:1LT; PR:1LB	P85085MM	[+]	20,4	ATE					
	118	05/10 →	●	PR:1KD; PR:1KP	P85017MM	[-]	15,2	TRW					
2.0 TDI	105	12/08 →	●	PR:1LB; PR:1LT	P85085MM	[+]	20,4	ATE					
	105	12/08 →	●	PR:1LZ	P85044MM	[+]	19,6	TRW					
	105	12/08 →	●	PR:1KD; PR:1KP	P85017MM	[-]	15,2	TRW					
	125	02/09 →	●	PR:1LB; PR:1LT	P85085MM	[+]	20,4	ATE					
	125	02/09 →	●	PR:1KP; PR:1KD	P85017MM	[-]	15,2	TRW					
	88	12/08 →	●	PR:1LT; PR:1LB	P85085MM	[+]	20,4	ATE					
	88	12/08 →	●	PR:1LZ	P85044MM	[+]	19,6	TRW					
88	12/08 →	●	PR:1KD; PR:1KP	P85017MM	[-]	15,2	TRW						

		kw						wi	Th [mm]	SYS	wi			FK	
												LEIGHT			

SEAT

EXEO (3R2) 12/08 →

2.0 TFSI	147	03/09 →	●	PR:1LT	P85085MM	[+]	20,4	ATE							
	147	03/09 →		●	PR:1KP	P85017MM	[-]	15,2	TRW						
	155	05/10 →	●	PR:1LA	P85084MM	[+]	20,3	ATE							
	155	05/10 →		●	PR:1KW	P85073MM	[O]	17,2	TRW						

EXEO ST (3R5) 05/09 →

1.6	75	06/09 → 09/10	●	PR:1LB; PR:1LT	P85085MM	[+]	20,4	ATE							
	75	06/09 → 09/10	●	PR:1LZ	P85044MM	[+]	19,6	TRW							
	75	06/09 → 09/10		●	PR:1KP; PR:1KD	P85017MM	[-]	15,2	TRW						
1.8 T	110	06/09 → 05/10	●	PR:1LT; PR:1LB	P85085MM	[+]	20,4	ATE							
	110	06/09 → 05/10		●	PR:1KD; PR:1KP	P85017MM	[-]	15,2	TRW						
1.8 TSI	88	09/10 →	●	PR:1LT; PR:1LB	P85085MM	[+]	20,4	ATE							
	88	09/10 →		●	PR:1LZ	P85044MM	[+]	19,6	TRW						
	88	09/10 →		●	PR:1KD; PR:1KP	P85017MM	[-]	15,2	TRW						
	118	05/10 →	●	PR:1LB; PR:1LT	P85085MM	[+]	20,4	ATE							
	118	05/10 →		●	PR:1KP; PR:1KD	P85017MM	[-]	15,2	TRW						
2.0 TDI	105	05/09 →	●	PR:1LB; PR:1LT	P85085MM	[+]	20,4	ATE							
	105	05/09 →		●	PR:1LZ	P85044MM	[+]	19,6	TRW						
	105	05/09 →		●	PR:1KP; PR:1KD	P85017MM	[-]	15,2	TRW						
	125	05/09 →	●	PR:1LT; PR:1LB	P85085MM	[+]	20,4	ATE							
	125	05/09 →		●	PR:1KD; PR:1KP	P85017MM	[-]	15,2	TRW						
	88	07/09 →	●	PR:1LB; PR:1LT	P85085MM	[+]	20,4	ATE							
	88	07/09 →		●	PR:1LZ	P85044MM	[+]	19,6	TRW						
	88	07/09 →		●	PR:1KP; PR:1KD	P85017MM	[-]	15,2	TRW						
2.0 TFSI	147	06/09 →	●	PR:1LA	P85084MM	[+]	20,3	ATE							
	147	06/09 →		●	PR:1KW	P85073MM	[O]	17,2	TRW						
	155	05/10 →	●	PR:1LA	P85084MM	[+]	20,3	ATE							
	155	05/10 →		●	PR:1KW	P85073MM	[O]	17,2	TRW						

IBIZA II (6K1) 03/93 → 02/02

1.0	33	03/93 → 09/96	●	-ABS	P85024MM	[-]	17,3	KH						A02303	
	33	03/93 → 09/96	●	+ABS	P85030MM	[-]	19,7	VW / VAG							A02303
	33	03/93 → 09/96	●	vented	P85031MM	[-]	15,3	VW / VAG							A02303
1.0 16V	51	10/99 → 02/02	●	PR:1LG	P85031MM	[-]	15,3	VW / VAG							
	51	10/99 → 02/02		●		P85020MM	[-]	17,2	TRW						A02304
1.0 i	37	09/96 → 02/02	●	-ABS	P85024MM	[-]	17,3	KH							A02303
	37	09/96 → 02/02	●	+ABS	P85030MM	[-]	19,7	VW / VAG							A02303
	37	09/96 → 02/02	●	vented	P85031MM	[-]	15,3	VW / VAG							A02303
1.3 i	40	03/93 → 08/99	●	-ABS; → 6K-W-000500	P85024MM	[-]	17,3	KH							A02303 → 6K-W-000500
	40	03/93 → 08/99	●	+ABS; → 6K-W-000500	P85030MM	[-]	19,7	VW / VAG							A02303 → 6K-W-000500
	40	03/93 → 08/99	●	6K-W-000500 →; vented	P85031MM	[-]	15,3	VW / VAG							A02303 → 6K-W-000500
1.4	40	12/97 → 04/99	●	-ABS; → 6K-TR099020	P85019MM	[-]	17,3	KH							
	40	12/97 → 04/99	●	-ABS; 6K-TR099021 →; → 6K-V-241400	P85024MM	[-]	17,3	KH							
	40	12/97 → 04/99	●	→ 6K-TR046588; +reinf.brakes; +ABS; → 6K-TR046588	P85012MM	[-]	19,7	KH							
	40	12/97 → 04/99	●	6K-T-R046589 →; → 6K-V-241400; +reinf.brakes; +ABS; 6K-TR046589 →; → 6K-V-241400	P85030MM	[-]	19,7	VW / VAG							

									WI			FK	
	kw						Th [mm]		MAGNETI MARELLI	LENGHT		MAGNETI MARELLI	

SEAT

IBIZA II (6K1) 03/93 → 02/02

1.4	40	12/97 → 04/99	●	vented	P85031MM	[-]	15,3	VW / VAG					
1.4 16V	55	05/00 → 02/02	●	PR:1LG	P85031MM	[-]	15,3	VW / VAG					
	55	05/00 → 02/02	●		P85020MM	[-]	17,2	TRW				A02304	
1.4 i	44	09/93 → 02/02	●	-ABS; → 6K-TR099020	P85019MM	[-]	17,3	KH					
	44	09/93 → 02/02	●	-ABS; 6K-TR099021 →; → 6K-V-241400	P85024MM	[-]	17,3	KH					
	44	09/93 → 02/02	●	→ 6K-TR046588; +reinf.brakes; +ABS; → 6K-TR046588	P85012MM	[-]	19,7	KH					
	44	09/93 → 02/02	●	6K-T-R046589 →; → 6K-V-241400; +reinf.brakes; +ABS; 6K-TR046589 →; → 6K-V-241400	P85030MM	[-]	19,7	VW / VAG					
	44	09/93 → 02/02	●	vented	P85031MM	[-]	15,3	VW / VAG					
1.4 i 16V	74	06/97 → 02/02	●	→ 6K-W000500; solid	P85030MM	[-]	19,7	VW / VAG				A02303	→ 6K-W-000500
	74	06/97 → 02/02	●	6K-W000500 →; vented	P85031MM	[-]	15,3	VW / VAG				A02303	→ 6K-W-000500
1.6 i	55	03/93 → 02/02	●	vented	P85031MM	[-]	15,3	VW / VAG				A02303	
	55	03/93 → 02/02	●	→ 6K-TR046558	P85012MM	[-]	19,7	KH				A02303	
	55	03/93 → 02/02	●	6K-TR046559 →	P85030MM	[-]	19,7	VW / VAG				A02303	
	74	04/96 → 02/02	●	disc Ø 239 mm	P85031MM	[-]	15,3	VW / VAG					
	74	04/96 → 02/02	●	disc Ø 256 mm	P85032MM	[-]	16,2	TRW					
	55	09/94 → 06/99	●	solid	P85005MM	[-]	15,3	KH				A02303	
1.8 i	55	09/94 → 06/99	●	vented	P85031MM	[-]	15,3	VW / VAG				A02303	
	66	03/93 → 08/99	●	→ 6K-TR046558	P85012MM	[-]	19,7	KH				A02303	
	66	03/93 → 08/99	●	6K-ZR157805 →; → 6K-W-000500; 6K-TR046559 →; → 6K-ZR003513	P85030MM	[-]	19,7	VW / VAG				A02303	
	66	03/93 → 08/99	●	6K-ZR003514 →; → 6K-ZR157804	P85005MM	[-]	15,3	KH				A02303	
1.8 i 16V	66	03/93 → 08/99	●	6K-W-000500 →; vented	P85031MM	[-]	15,3	VW / VAG				A02303	
	95	11/93 → 08/96	●	→ 6K-TR184566	P85015MM	[-]	16,2	TRW					
	95	11/93 → 08/96	●	6K-TR184567 →	P85032MM	[-]	16,2	TRW					
1.8 T 20V Cupra	95	11/93 → 08/96	●		P85017MM	[-]	15,2	TRW					
	115	07/00 → 02/02	●	PR:1LW; PR:1LV	P85011MM	[-]	19,6	TRW				A02205	PR:1LV; PR:1LW; PR:1ZK
1.9 D	115	07/00 → 02/02	●		P85020MM	[-]	17,2	TRW				A02304	
	50	10/94 → 08/96	●	→ 6K-TR046558	P85012MM	[-]	19,7	KH					
	50	10/94 → 08/96	●	6K-ZR157805 →; → 6K-W-000500; 6K-TR046559 →; → 6K-ZR003513	P85030MM	[-]	19,7	VW / VAG					
	50	10/94 → 08/96	●	6K-ZR003514 →; → 6K-ZR157804	P85005MM	[-]	15,3	KH					
	50	10/94 → 08/96	●	6K-W-000500 →; vented	P85031MM	[-]	15,3	VW / VAG					
	47	04/93 → 08/96	●	solid	P85030MM	[-]	19,7	VW / VAG					
47	04/93 → 08/96	●	vented	P85031MM	[-]	15,3	VW / VAG						

		kw						wi	Th [mm]	SYS	wi			FK	
												LENGHT			

SEAT

IBIZA II (6K1) 03/93 → 02/02

1.9 SDI	47	08/96 → 08/99	●	solid	P85030MM [-]	19,7	VW / VAG								
	47	08/96 → 08/99	●	vented	P85031MM [-]	15,3	VW / VAG								
	50	08/99 → 02/02	●	PR:1LG	P85031MM [-]	15,3	VW / VAG								
	50	08/99 → 02/02	●		P85020MM [-]	17,2	TRW							A02304	
1.9 TD	55	03/93 → 08/96	●	→ 6K-TR046558	P85012MM [-]	19,7	KH							A02303	
	55	03/93 → 08/96	●	6K-ZR157805 →; → 6K-W-000500; 6K-TR046559 →; → 6K-ZR003513	P85030MM [-]	19,7	VW / VAG							A02303	
	55	03/93 → 08/96	●	6K-ZR003514 →; → 6K-ZR157804	P85005MM [-]	15,3	KH							A02303	
	55	03/93 → 08/96	●	vented	P85031MM [-]	15,3	VW / VAG							A02303	
1.9 TDI	66	08/96 → 02/02	●		P85032MM [-]	16,2	TRW								
	66	08/96 → 02/02	●		P85017MM [-]	15,2	TRW							A02304	
	81	02/97 → 02/02	●		P85032MM [-]	16,2	TRW								
	81	02/97 → 02/02	●		P85017MM [-]	15,2	TRW							A02304	
2.0 i	85	03/93 → 08/99	●	→ 6K-TR184566	P85015MM [-]	16,2	TRW								
	85	03/93 → 08/99	●	6K-TR184567 →	P85032MM [-]	16,2	TRW								
	85	03/93 → 08/99	●		P85017MM [-]	15,2	TRW							A02304	
2.0 i 16V	110	08/96 → 08/99	●		P85011MM [-]	19,6	TRW								
	110	08/96 → 08/99	●		P85020MM [-]	17,2	TRW							A02304	

IBIZA III (6L1) 02/02 → 11/09

1.2	47	02/02 → 06/06	●	PR:1LQ; PR:1ZF	P85041MM [-]	19,7	ATE									
	47	02/02 → 06/06	●	PR:1LQ; PR:1ZF	P85072MM [+]	19,7	ATE									
	47	02/02 → 06/06	●	PR:1KD	P85020MM [-]	17,2	TRW							A02205	PR:1KD; PR:1KS; PR:9U0; PR:9U1	
	47	02/02 → 06/06	●	PR:1KD; PR:9U1; PR:1KS	P85066MM [+]	17,2	TRW							A02205	PR:1KD; PR:1KS; PR:9U0; PR:9U1	
	44	06/07 → 05/08	●	PR:1LQ; PR:1ZF	P85041MM [-]	19,7	ATE									
	44	06/07 → 05/08	●	PR:1LQ; PR:1ZF	P85072MM [+]	19,7	ATE									
	44	06/07 → 05/08	●	PR:1KD	P85020MM [-]	17,2	TRW									
	44	06/07 → 05/08	●	PR:1KS; PR:9U1; PR:1KD	P85066MM [+]	17,2	TRW									
	1.2 12V	51	05/06 → 11/09	●	PR:1ZF; PR:1LQ	P85041MM [-]	19,7	ATE								
		51	05/06 → 11/09	●	PR:1KK; PR:1KT	P85072MM [+]	19,7	ATE								
51		05/06 → 11/09	●	PR:1KD	P85020MM [-]	17,2	TRW									
51		05/06 → 11/09	●	PR:1KS; PR:9U1; PR:1KD	P85066MM [+]	17,2	TRW									
1.4 16V	74	02/02 → 11/09	●	PR:1ZF; PR:1LQ	P85041MM [-]	19,7	ATE									
	74	02/02 → 11/09	●	PR:1LQ; PR:1ZF	P85072MM [+]	19,7	ATE									
	74	02/02 → 11/09	●	PR:1ZH; PR:1LN	P85057MM [-]	19	TRW									
	74	02/02 → 11/09	●	PR:1LN; PR:1ZH	P85077MM [+]	19	TRW									
	74	02/02 → 11/09	●	PR:1KD	P85020MM [-]	17,2	TRW							A02205	PR:1KD; PR:1KS; PR:9U0; PR:9U1	
	74	02/02 → 11/09	●	PR:1KS; PR:9U1; PR:1KD	P85066MM [+]	17,2	TRW							A02205	PR:1KD; PR:1KS; PR:9U0; PR:9U1	
	55	02/02 → 12/07	●	PR:1ZF; PR:1LQ	P85041MM [-]	19,7	ATE									
	55	02/02 → 12/07	●	PR:1LQ; PR:1ZF	P85072MM [+]	19,7	ATE									
	55	02/02 → 12/07	●	PR:1LN; PR:1ZH	P85057MM [-]	19	TRW									
	55	02/02 → 12/07	●	PR:1ZH; PR:1LN	P85077MM [+]	19	TRW									
	55	02/02 → 12/07	●	PR:1KD	P85020MM [-]	17,2	TRW							A02205	PR:1KD; PR:1KS; PR:9U0; PR:9U1	
	55	02/02 → 12/07	●	PR:1KD; PR:1KS; PR:9U1	P85066MM [+]	17,2	TRW							A02205	PR:1KD; PR:1KS; PR:9U0; PR:9U1	
	63	05/06 → 11/09	●	PR:1ZF; PR:1LQ	P85041MM [-]	19,7	ATE									



kw



MAGNETI MARELLI

wi

Th [mm]

SYS

WI

MAGNETI MARELLI

LENGHT



FK

MAGNETI MARELLI



SEAT

IBIZA III (6L1) 02/02 → 11/09

1.4 16V	63	05/06 → 11/09	●	PR:1LQ; PR:1ZF	P85072MM	[+]	19,7	ATE				
	63	05/06 → 11/09	●	PR:1KD	P85020MM	[-]	17,2	TRW				
	63	05/06 → 11/09	●	PR:1KD; PR:9U1; PR:1KS	P85066MM	[+]	17,2	TRW				
1.4 TDI	55	05/02 → 12/05	●	PR:1ZF; PR:1LQ	P85041MM	[-]	19,7	ATE				
	55	05/02 → 12/05	●	PR:1LQ; PR:1ZF	P85072MM	[+]	19,7	ATE				
	55	05/02 → 12/05	●	PR:1KD	P85020MM	[-]	17,2	TRW		A02205	PR:1KD; PR:1KS; PR:9U0; PR:9U1	
	55	05/02 → 12/05	●	PR:1KS; PR:1KD; PR:9U1	P85066MM	[+]	17,2	TRW		A02205	PR:1KD; PR:1KS; PR:9U0; PR:9U1	
	51	05/05 → 11/09	●	PR:1ZF; PR:1LQ	P85041MM	[-]	19,7	ATE				
	51	05/05 → 11/09	●	PR:1KT; PR:1KK	P85072MM	[+]	19,7	ATE				
	51	05/05 → 11/09	●	PR:1KD	P85020MM	[-]	17,2	TRW		A02205	PR:1KD; PR:1KS; PR:9U0; PR:9U1	
	51	05/05 → 11/09	●	PR:9U1; PR:1KS; PR:1KD	P85066MM	[+]	17,2	TRW		A02205	PR:1KD; PR:1KS; PR:9U0; PR:9U1	
	59	06/05 → 11/09	●	PR:1LQ; PR:1ZF	P85041MM	[-]	19,7	ATE				
	59	06/05 → 11/09	●	PR:1KK; PR:1KT	P85072MM	[+]	19,7	ATE				
	59	06/05 → 11/09	●	PR:1KD	P85020MM	[-]	17,2	TRW		A02205	PR:1KD; PR:1KS; PR:9U0; PR:9U1	
	59	06/05 → 11/09	●	PR:1KD; PR:9U1; PR:1KS	P85066MM	[+]	17,2	TRW		A02205	PR:1KD; PR:1KS; PR:9U0; PR:9U1	
1.6	74	02/03 → 11/09	●	PR:1LQ; PR:1ZF	P85041MM	[-]	19,7	ATE				
	74	02/03 → 11/09	●	PR:1LQ; PR:1ZF	P85072MM	[+]	19,7	ATE				
	74	02/03 → 11/09	●	PR:1KD	P85020MM	[-]	17,2	TRW		A02205	PR:1KD; PR:1KS; PR:9U0; PR:9U1	
	74	02/03 → 11/09	●	PR:9U1; PR:1KS; PR:1KD	P85066MM	[+]	17,2	TRW		A02205	PR:1KD; PR:1KS; PR:9U0; PR:9U1	
1.6 16V	77	11/06 → 11/09	●	PR:1LQ; PR:1ZF	P85041MM	[-]	19,7	ATE				
	77	11/06 → 11/09	●	PR:1KK; PR:1KT	P85072MM	[+]	19,7	ATE				
	77	11/06 → 11/09	●	PR:1KD	P85020MM	[-]	17,2	TRW				
	77	11/06 → 11/09	●	PR:1KD; PR:9U1; PR:1KS	P85066MM	[+]	17,2	TRW				
1.8 T Cupra R	132	01/04 → 02/08	●	PR:1LT	P85045MM	[+]	20,6	ATE		A02217	PR:1LT	
	132	01/04 → 02/08	●	PR:1LT; AP Racing system	P85134MM	[-]	16,7	LKD		A02217	PR:1LT	
	132	01/04 → 02/08	●	PR:1LT; Teves	P85035MM	[-]	20,6	ATE		A02217	PR:1LT	
	132	01/04 → 02/08	●	PR:1KD	P85020MM	[-]	17,2	TRW		A02205	PR:1KD; PR:1KS; PR:9U0; PR:9U1	
	132	01/04 → 02/08	●	PR:1KS; PR:9U1; PR:1KD	P85066MM	[+]	17,2	TRW		A02205	PR:1KD; PR:1KS; PR:9U0; PR:9U1	
1.8 T FR	110	12/03 → 05/08	●	PR:1LN; PR:1ZH	P85057MM	[-]	19	TRW				
	110	12/03 → 05/08	●	PR:1LN; PR:1ZH	P85077MM	[+]	19	TRW				
	110	12/03 → 05/08	●	PR:1KD	P85020MM	[-]	17,2	TRW		A02205	PR:1KD; PR:1KS; PR:9U0; PR:9U1	
	110	12/03 → 05/08	●	PR:1KD; PR:9U1; PR:1KS	P85066MM	[+]	17,2	TRW		A02205	PR:1KD; PR:1KS; PR:9U0; PR:9U1	
1.9 SDI	47	02/02 → 12/05	●	PR:1LQ; PR:1ZF	P85041MM	[-]	19,7	ATE				
	47	02/02 → 12/05	●	PR:1LQ; PR:1ZF	P85072MM	[+]	19,7	ATE				
	47	02/02 → 12/05	●	PR:1KD	P85020MM	[-]	17,2	TRW		A02205	PR:1KD; PR:1KS; PR:9U0; PR:9U1	
1.9 TDI	47	02/02 → 12/05	●	PR:9U1; PR:1KS; PR:1KD	P85066MM	[+]	17,2	TRW		A02205	PR:1KD; PR:1KS; PR:9U0; PR:9U1	
	74	02/02 → 11/09	●	PR:1LQ; PR:1ZF	P85041MM	[-]	19,7	ATE				
	74	02/02 → 11/09	●	PR:1LQ; PR:1ZF	P85072MM	[+]	19,7	ATE				
	74	02/02 → 11/09	●	PR:1KD	P85020MM	[-]	17,2	TRW		A02205	PR:1KD; PR:1KS; PR:9U0; PR:9U1	
	74	02/02 → 11/09	●	PR:1KD; PR:9U1; PR:1KS	P85066MM	[+]	17,2	TRW		A02205	PR:1KD; PR:1KS; PR:9U0; PR:9U1	
	96	02/02 → 11/09	●	PR:1LQ; PR:1ZF	P85041MM	[-]	19,7	ATE				
	96	02/02 → 11/09	●	PR:1LQ; PR:1ZF	P85072MM	[+]	19,7	ATE				
96	02/02 → 11/09	●	PR:1LN; PR:1ZH	P85057MM	[-]	19	TRW					

SEAT

IBIZA III (6L1) 02/02 → 11/09

1.9 TDI	96	02/02 → 11/09	●	PR:1LN; PR:1ZH	P85077MM	[+]	19	TRW							
	96	02/02 → 11/09	●	PR:1KD	P85020MM	[-]	17,2	TRW					A02205	PR:1KD; PR:1KS; PR:9U0; PR:9U1	
	96	02/02 → 11/09	●	PR:9U1; PR:1KS; PR:1KD	P85066MM	[+]	17,2	TRW					A02205	PR:1KD; PR:1KS; PR:9U0; PR:9U1	
1.9 TDI Cupra R	118	03/04 → 02/08	●	PR:1LT; AP Racing system	P85134MM	[-]	16,7	LKD					A02217	PR:1LT	
	118	03/04 → 02/08	●	PR:1LT; Teves	P85035MM	[-]	20,6	ATE					A02217	PR:1LT	
	118	03/04 → 02/08	●	PR:1KK; PR:1KP; PR:1KT	P85020MM	[-]	17,2	TRW					A02205		
	118	03/04 → 02/08	●	PR:1KD; PR:1KS; PR:9U1	P85066MM	[+]	17,2	TRW					A02205		
2.0	85	04/02 → 11/09	●	PR:1ZH; PR:1LN	P85057MM	[-]	19	TRW							
	85	04/02 → 11/09	●	PR:1LN; PR:1ZH	P85077MM	[+]	19	TRW							
	85	04/02 → 11/09	●	PR:1KD	P85020MM	[-]	17,2	TRW					A02205	PR:1KD; PR:1KS; PR:9U0; PR:9U1	
	85	04/02 → 11/09	●	PR:1KS; PR:9U1; PR:1KD	P85066MM	[+]	17,2	TRW					A02205	PR:1KD; PR:1KS; PR:9U0; PR:9U1	

IBIZA IV (6J5, 6P1) 03/08 →

1.0	55	05/15 →	●	PR:1ZG	P85041MM	[-]	19,7	ATE						
	55	05/15 →	●	PR:1ZC	P85075MM	[+]	20,3	ATE						
	55	05/15 →	●	PR:1ZR; PR:1ZS	P85148MM	[-]	20,3	ATE						
	55	05/15 →	●	PR:1KV; PR:1KT	P85020MM	[-]	17,2	TRW						
1.0 TSI	81	05/15 →	●	PR:1ZG	P85041MM	[-]	19,7	ATE						
	81	05/15 →	●	PR:1ZC	P85075MM	[+]	20,3	ATE						
	81	05/15 →	●	PR:1ZR; PR:1ZS	P85148MM	[-]	20,3	ATE						
	81	05/15 →	●	PR:1KV; PR:1KT	P85020MM	[-]	17,2	TRW						
	70	05/15 →	●	PR:1ZG	P85041MM	[-]	19,7	ATE						
	70	05/15 →	●	PR:1ZC	P85075MM	[+]	20,3	ATE						
	70	05/15 →	●	PR:1ZS; PR:1ZR	P85148MM	[-]	20,3	ATE						
	70	05/15 →	●	PR:1KT; PR:1KV	P85020MM	[-]	17,2	TRW						
1.2	44	07/09 →	●	PR:1ZF; PR:1LR; PR:1ZG; PR:1LQ	P85041MM	[-]	19,7	ATE						
	44	07/09 →	●	PR:1KK; PR:1KT	P85020MM	[-]	17,2	TRW					A02205	
	51	03/08 →	●	PR:1LR; PR:1ZF; PR:1ZG; PR:1LQ	P85041MM	[-]	19,7	ATE						
	51	03/08 →	●	PR:1KK; PR:1KT	P85020MM	[-]	17,2	TRW						
1.2 TDI	55	05/10 →	●	PR:1LQ; PR:1ZF; PR:1ZG; PR:1LR	P85041MM	[-]	19,7	ATE						
	55	05/10 →	●	PR:1KK; PR:1KT	P85020MM	[-]	17,2	TRW						
1.2 TSI	77	09/10 →	●	PR:1LR; PR:1ZG; PR:1ZF; PR:1LQ	P85041MM	[-]	19,7	ATE						
	77	09/10 →	●	PR:1KT; PR:1KK	P85020MM	[-]	17,2	TRW						
	63	08/12 →	●	PR:1LR; PR:1ZG; PR:1ZF; PR:1LQ	P85041MM	[-]	19,7	ATE						
	63	08/12 →	●	PR:1KT; PR:1KK	P85020MM	[-]	17,2	TRW						
	66	05/15 →	●	PR:1ZG	P85041MM	[-]	19,7	ATE						
	66	05/15 →	●	PR:1ZC	P85075MM	[+]	20,3	ATE						
	66	05/15 →	●	PR:1ZS; PR:1ZR	P85148MM	[-]	20,3	ATE						
	66	05/15 →	●	PR:1KT; PR:1KV	P85020MM	[-]	17,2	TRW						
	81	09/15 →	●	PR:1ZG	P85041MM	[-]	19,7	ATE						
	81	09/15 →	●	PR:1ZC	P85075MM	[+]	20,3	ATE						
	81	09/15 →	●	PR:1ZS; PR:1ZR	P85148MM	[-]	20,3	ATE						
1.4	63	03/08 →	●	PR:1LQ; PR:1ZG; PR:1ZF; PR:1LR	P85041MM	[-]	19,7	ATE						
	63	03/08 →	●	PR:1KT; PR:1KK	P85020MM	[-]	17,2	TRW						

									WI			FK	
										LENGHT			

SEAT

IBIZA IV (6J5, 6P1) 03/08 →

Model	Year	Options	Part	Code	Th [mm]	SYS	ATE	TRW	LKD	A02205
1.4 TDI	59	07/08 → 06/10	●	PR:1LR; PR:1ZF; PR:1ZG; PR:1LQ	P85041MM	[-]	19,7	ATE		
	59	07/08 → 06/10	●	PR:1KK; PR:1KT	P85020MM	[-]	17,2	TRW		
	55	05/15 →	●	PR:1ZG	P85041MM	[-]	19,7	ATE		
	55	05/15 →	●	PR:1ZC	P85075MM	[+]	20,3	ATE		
	55	05/15 →	●	PR:1ZR; PR:1ZS	P85148MM	[-]	20,3	ATE		
	55	05/15 →	●	PR:1KV; PR:1KT	P85020MM	[-]	17,2	TRW		
	66	05/15 →	●	PR:1ZG	P85041MM	[-]	19,7	ATE		
	66	05/15 →	●	PR:1ZC	P85075MM	[+]	20,3	ATE		
	66	05/15 →	●	PR:1ZS; PR:1ZR	P85148MM	[-]	20,3	ATE		
	66	05/15 →	●	PR:1KT; PR:1KV	P85020MM	[-]	17,2	TRW		
	77	05/15 →	●	PR:1ZG	P85041MM	[-]	19,7	ATE		
	77	05/15 →	●	PR:1ZC	P85075MM	[+]	20,3	ATE		
	77	05/15 →	●	PR:1ZR; PR:1ZS	P85148MM	[-]	20,3	ATE		
1.4 TSI	110	06/09 →	●	PR:1LN; PR:1ZH	P85057MM	[-]	19	TRW		
	110	06/09 →	●	PR:1ZC; PR:1LC	P85075MM	[+]	20,3	ATE		
	110	06/09 →	●	PR:1KT; PR:1KK	P85020MM	[-]	17,2	TRW		
	103	10/13 →	●	PR:1ZG	P85041MM	[-]	19,7	ATE		
	103	10/13 →	●	PR:1LV	P85134MM	[-]	16,7	LKD		
	103	10/13 →	●	PR:1KT; PR:1KV	P85020MM	[-]	17,2	TRW		
	110	11/15 →	●	PR:1ZG	P85041MM	[-]	19,7	ATE		
	110	11/15 →	●	PR:1ZC	P85075MM	[+]	20,3	ATE		
	110	11/15 →	●	PR:1ZR; PR:1ZS	P85148MM	[-]	20,3	ATE		
1.6	77	05/08 →	●	PR:1LQ; PR:1ZG; PR:1ZF; PR:1LR	P85041MM	[-]	19,7	ATE		
	77	05/08 →	●	PR:1KT; PR:1KK	P85020MM	[-]	17,2	TRW		
1.6 LPG	60	05/11 →	●	PR:1LQ; PR:1ZG; PR:1ZF; PR:1LR	P85041MM	[-]	19,7	ATE		
	60	05/11 →	●	PR:1KT; PR:1KK	P85020MM	[-]	17,2	TRW		A02205
1.6 TDI	66	05/09 →	●	PR:1LQ; PR:1ZG; PR:1ZF; PR:1LR	P85041MM	[-]	19,7	ATE		
	66	05/09 →	●	PR:1KK; PR:1KT	P85020MM	[-]	17,2	TRW		
	77	05/09 →	●	PR:1ZH; PR:1LN	P85057MM	[-]	19	TRW		
	77	05/09 →	●	PR:1LR; PR:1ZF; PR:1ZG; PR:1LQ	P85041MM	[-]	19,7	ATE		
1.9 TDI	77	05/09 →	●	PR:1KT; PR:1KK	P85020MM	[-]	17,2	TRW		
	66	07/08 → 06/10	●	PR:1LQ; PR:1ZG; PR:1ZF; PR:1LR	P85041MM	[-]	19,7	ATE		
	66	07/08 → 06/10	●	PR:1KT; PR:1KK	P85020MM	[-]	17,2	TRW		
	77	03/08 → 06/10	●	PR:1ZH; PR:1LN	P85057MM	[-]	19	TRW		
	77	03/08 → 06/10	●	PR:1LR; PR:1ZF; PR:1ZG; PR:1LQ	P85041MM	[-]	19,7	ATE		
	77	03/08 → 06/10	●	PR:1LC; PR:1ZC	P85075MM	[+]	20,3	ATE		
2.0	77	03/08 → 06/10	●	PR:1LV	P85134MM	[-]	16,7	LKD		
	77	03/08 → 06/10	●	PR:1KK; PR:1KT	P85020MM	[-]	17,2	TRW		
	85	10/08 →	●	PR:1LN; PR:1ZH	P85057MM	[-]	19	TRW		
	85	10/08 →	●	PR:1LR; PR:1ZF; PR:1ZG; PR:1LQ	P85041MM	[-]	19,7	ATE		
2.0 TDI	85	10/08 →	●	PR:1LC; PR:1ZC	P85075MM	[+]	20,3	ATE		
	85	10/08 →	●	PR:1KK; PR:1KT	P85020MM	[-]	17,2	TRW		
	105	01/10 →	●	PR:1ZH; PR:1LN	P85057MM	[-]	19	TRW		
2.0 TDI	105	01/10 →	●	PR:1LQ; PR:1ZG; PR:1ZF; PR:1LR	P85041MM	[-]	19,7	ATE		
	105	01/10 →	●	PR:1LC; PR:1ZC	P85075MM	[+]	20,3	ATE		
	105	01/10 →	●	PR:1KK; PR:1KT	P85020MM	[-]	17,2	TRW		

		kw						wi	Th [mm]	SYS	wi			FK	
												LENGHT			

SEAT

IBIZA IV SPORTCOUPÉ (6J1, 6P5) 07/08 →

1.0	55	05/15 →	●	PR:1ZG	P85041MM [-]	19,7	ATE									
	55	05/15 →	●	PR:1ZC	P85075MM [+]	20,3	ATE									
	55	05/15 →	●	PR:1ZR; PR:1ZS	P85148MM [-]	20,3	ATE									
	55	05/15 →	●	PR:1KV; PR:1KT	P85020MM [-]	17,2	TRW									
1.0 TSI	70	05/15 →	●	PR:1ZG	P85041MM [-]	19,7	ATE									
	70	05/15 →	●	PR:1ZC	P85075MM [+]	20,3	ATE									
	70	05/15 →	●	PR:1ZR; PR:1ZS	P85148MM [-]	20,3	ATE									
	70	05/15 →	●	PR:1KV; PR:1KT	P85020MM [-]	17,2	TRW									
	81	05/15 →	●	PR:1ZG	P85041MM [-]	19,7	ATE									
1.2	51	07/08 →	●	PR:1LQ; PR:1ZF; PR:1ZG; PR:1LR	P85041MM [-]	19,7	ATE									
	51	07/08 →	●	PR:1KK; PR:1KT	P85020MM [-]	17,2	TRW									
	44	07/09 →	●	PR:1LR; PR:1ZG; PR:1ZF; PR:1LQ	P85041MM [-]	19,7	ATE									
	44	07/09 →	●	PR:1KT; PR:1KK	P85020MM [-]	17,2	TRW									
	1.2 TDI	55	05/10 →	●	PR:1LQ; PR:1ZF; PR:1ZG; PR:1LR	P85041MM [-]	19,7	ATE								
55		05/10 →	●	PR:1KK; PR:1KT	P85020MM [-]	17,2	TRW							A02205		
1.2 TSI	77	09/10 →	●	PR:1LR; PR:1ZG; PR:1ZF; PR:1LQ	P85041MM [-]	19,7	ATE									
	77	09/10 →	●	PR:1KK; PR:1KT	P85020MM [-]	17,2	TRW									
	63	08/12 →	●	PR:1LV	P85134MM [-]	16,7	LKD									
	63	08/12 →	●	PR:1ZG	P85041MM [-]	19,7	ATE									
	63	08/12 →	●	PR:1LC; PR:1ZC	P85075MM [+]	20,3	ATE									
	63	08/12 →	●	PR:1KV; PR:1KT	P85020MM [-]	17,2	TRW									
	66	05/15 →	●	PR:1ZG	P85041MM [-]	19,7	ATE									
	66	05/15 →	●	PR:1ZC	P85075MM [+]	20,3	ATE									
	66	05/15 →	●	PR:1ZS; PR:1ZR	P85148MM [-]	20,3	ATE									
	66	05/15 →	●	PR:1KT; PR:1KV	P85020MM [-]	17,2	TRW									
	81	09/15 →	●	PR:1ZG	P85041MM [-]	19,7	ATE									
1.4	63	07/08 →	●	PR:1LR; PR:1ZG; PR:1ZF; PR:1LQ	P85041MM [-]	19,7	ATE									
	63	07/08 →	●	PR:1KT; PR:1KK	P85020MM [-]	17,2	TRW									
	1.4 TDI	59	07/08 → 06/10	●	PR:1LQ; PR:1ZF; PR:1ZG; PR:1LR	P85041MM [-]	19,7	ATE								
		59	07/08 → 06/10	●	PR:1KK; PR:1KT	P85020MM [-]	17,2	TRW								
		55	05/15 →	●	PR:1ZG	P85041MM [-]	19,7	ATE								
55		05/15 →	●	PR:1ZC	P85075MM [+]	20,3	ATE									
55		05/15 →	●	PR:1ZS; PR:1ZR	P85148MM [-]	20,3	ATE									
55		05/15 →	●	PR:1KV; PR:1KT	P85020MM [-]	17,2	TRW									
66		05/15 →	●	PR:1ZG	P85041MM [-]	19,7	ATE									
66		05/15 →	●	PR:1ZC	P85075MM [+]	20,3	ATE									
66		05/15 →	●	PR:1ZR; PR:1ZS	P85148MM [-]	20,3	ATE									
66		05/15 →	●	PR:1KT; PR:1KV	P85020MM [-]	17,2	TRW									
77		05/15 →	●	PR:1ZG	P85041MM [-]	19,7	ATE									
77	05/15 →	●	PR:1ZC	P85075MM [+]	20,3	ATE										
77	05/15 →	●	PR:1ZS; PR:1ZR	P85148MM [-]	20,3	ATE										
77	05/15 →	●	PR:1KV; PR:1KT	P85020MM [-]	17,2	TRW										



kw



MAGNETI MARELLI

wi

Th [mm]

SYS

WI

FK

MAGNETI MARELLI

LENGHT



MAGNETI MARELLI



SEAT

IBIZA IV SPORTCOUPÉ (6J1, 6P5) 07/08 →

1.4 TSI	110	06/09 →	●	PR:1LN	P85057MM	[-]	19	TRW								
	110	06/09 →	●	PR:1ZC; PR:1LC	P85075MM	[+]	20,3	ATE								
	110	06/09 →	●	PR:1KK; PR:1KT	P85020MM	[-]	17,2	TRW								
	103	10/13 →	●	PR:1ZG	P85041MM	[-]	19,7	ATE								
	103	10/13 →	●	PR:1LC; PR:1ZC	P85075MM	[+]	20,3	ATE								
	103	10/13 →	●	PR:1LV	P85134MM	[-]	16,7	LKD								
	103	10/13 →	●	PR:1KT; PR:1KV	P85020MM	[-]	17,2	TRW								
	110	11/15 →	●	PR:1ZG	P85041MM	[-]	19,7	ATE								
	110	11/15 →	●	PR:1ZC	P85075MM	[+]	20,3	ATE								
	110	11/15 →	●	PR:1ZS; PR:1ZR	P85148MM	[-]	20,3	ATE								
	110	11/15 →	●	PR:1KV; PR:1KT	P85020MM	[-]	17,2	TRW								
	1.4 TSI Cupra	132	06/09 →	●	PR:1LC; PR:1ZC	P85075MM	[+]	20,3	ATE							
132		06/09 →	●	PR:1LV	P85134MM	[-]	16,7	LKD								
132		06/09 →	●	PR:1KT; PR:1KK	P85020MM	[-]	17,2	TRW								
1.6	77	07/08 →	●	PR:1LR; PR:1ZG; PR:1ZF; PR:1LQ	P85041MM	[-]	19,7	ATE								
	77	07/08 →	●	PR:1KT; PR:1KK	P85020MM	[-]	17,2	TRW								
1.6 LPG	60	05/11 →	●	PR:1LR; PR:1ZG; PR:1ZF; PR:1LQ	P85041MM	[-]	19,7	ATE								
	60	05/11 →	●	PR:1KT; PR:1KK	P85020MM	[-]	17,2	TRW				A02205				
1.6 TDI	66	05/09 →	●	PR:1LQ; PR:1ZG; PR:1LR; PR:1ZF	P85041MM	[-]	19,7	ATE								
	66	05/09 →	●	PR:1KK; PR:1KT	P85020MM	[-]	17,2	TRW								
	77	05/09 →	●	PR:1LN	P85057MM	[-]	19	TRW								
	77	05/09 →	●	PR:1LR; PR:1ZG; PR:1ZF; PR:1LQ	P85041MM	[-]	19,7	ATE								
	77	05/09 →	●	PR:1ZC; PR:1LC	P85075MM	[+]	20,3	ATE								
	77	05/09 →	●	PR:1KK; PR:1KT	P85020MM	[-]	17,2	TRW								
1.8 TSI Cupra	141	11/15 →	●	PR:1ZG	P85041MM	[-]	19,7	ATE								
	141	11/15 →	●	PR:1ZC	P85075MM	[+]	20,3	ATE								
	141	11/15 →	●	PR:1ZR; PR:1ZS	P85148MM	[-]	20,3	ATE								
	141	11/15 →	●	PR:1KT; PR:1KV	P85020MM	[-]	17,2	TRW								
1.9 TDI	66	07/08 → 06/10	●	PR:1LR; PR:1ZF; PR:1ZG; PR:1LQ	P85041MM	[-]	19,7	ATE								
	66	07/08 → 06/10	●	PR:1KT; PR:1KK	P85020MM	[-]	17,2	TRW								
	77	07/08 → 06/10	●	PR:1LN	P85057MM	[-]	19	TRW								
	77	07/08 → 06/10	●	PR:1LQ; PR:1ZG; PR:1ZF; PR:1LR	P85041MM	[-]	19,7	ATE								
	77	07/08 → 06/10	●	PR:1LC; PR:1ZC	P85075MM	[+]	20,3	ATE								
	77	07/08 → 06/10	●	PR:1LV	P85134MM	[-]	16,7	LKD								
	77	07/08 → 06/10	●	PR:1KK; PR:1KT	P85020MM	[-]	17,2	TRW								
	77	07/08 → 06/10	●	PR:1LR; PR:1ZG; PR:1ZF; PR:1LQ	P85041MM	[-]	19,7	ATE								
2.0	85	10/08 →	●	PR:1LN	P85057MM	[-]	19	TRW								
	85	10/08 →	●	PR:1LQ; PR:1ZF; PR:1ZG; PR:1LR	P85041MM	[-]	19,7	ATE								
	85	10/08 →	●	PR:1LC; PR:1ZC	P85075MM	[+]	20,3	ATE								
	85	10/08 →	●	PR:1KK; PR:1KT	P85020MM	[-]	17,2	TRW								
2.0 TDI	105	01/10 →	●	PR:1LN	P85057MM	[-]	19	TRW								
	105	01/10 →	●	PR:1LQ; PR:1ZF; PR:1ZG; PR:1LR	P85041MM	[-]	19,7	ATE								
	105	01/10 →	●	PR:1LC; PR:1ZC	P85075MM	[+]	20,3	ATE								
	105	01/10 →	●	PR:1KT; PR:1KK	P85020MM	[-]	17,2	TRW								
IBIZA IV ST (6J8, 6P8) 03/10 →																
1.0	55	05/15 →	●	PR:1ZG	P85041MM	[-]	19,7	ATE								
	55	05/15 →	●	PR:1ZC	P85075MM	[+]	20,3	ATE								
	55	05/15 →	●	PR:1ZS; PR:1ZR	P85148MM	[-]	20,3	ATE								
	55	05/15 →	●	PR:1KV; PR:1KT	P85020MM	[-]	17,2	TRW								

									WI			FK	

SEAT

INCA (6K9) 11/95 → 06/03

1.4 16V	55	04/00 → 06/03	●		P85032MM [-]	16,2	TRW						
1.4 i	44	11/95 → 06/03	●	→ 9K-T-011100	P85011MM [-]	19,6	TRW						
	44	11/95 → 06/03	●	9K-T-011101 →	P85032MM [-]	16,2	TRW						
1.6 i	55	11/95 → 05/98	●	→ 9K-T-011100	P85011MM [-]	19,6	TRW						
	55	11/95 → 05/98	●	9K-T-011101 →	P85032MM [-]	16,2	TRW						
	55	06/97 → 09/00	●		P85032MM [-]	16,2	TRW						
1.7 D	42	09/96 → 06/03	●		P85032MM [-]	16,2	TRW						
1.9 D	47	11/95 → 06/03	●	→ 9K-T-011100	P85011MM [-]	19,6	TRW						
	47	11/95 → 06/03	●	9K-T-011101 →	P85032MM [-]	16,2	TRW						
1.9 SDI	47	11/95 → 06/03	●	→ 9K-T-011100	P85011MM [-]	19,6	TRW						
	47	11/95 → 06/03	●	9K-T-011101 →	P85032MM [-]	16,2	TRW						
1.9 TDI	66	09/96 → 06/03	●		P85032MM [-]	16,2	TRW						

LEON (1M1) 11/99 → 06/06

1.4 16V	55	11/99 → 06/06	●	PR:1LQ; PR:1LS; PR:1LR	P85041MM [-]	19,7	ATE						
	55	11/99 → 06/06	●	PR:1LR; PR:1LS; PR:1LQ	P85072MM [+]	19,7	ATE						
	55	11/99 → 06/06	●		P85020MM [-]	17,2	TRW					A02205	
1.6	74	11/99 → 06/06	●	PR:1LQ; PR:1LS; PR:1LR	P85041MM [-]	19,7	ATE						
	74	11/99 → 06/06	●	PR:1LR; PR:1LS; PR:1LQ	P85072MM [+]	19,7	ATE						
	74	11/99 → 06/06	●		P85020MM [-]	17,2	TRW					A02205	
	75	10/05 → 06/06	●	PR:1LQ; PR:1LS; PR:1LR	P85041MM [-]	19,7	ATE						
	75	10/05 → 06/06	●	PR:1LR; PR:1LS; PR:1LQ	P85072MM [+]	19,7	ATE						
	75	10/05 → 06/06	●		P85020MM [-]	17,2	TRW						
1.6 16 V	77	09/00 → 06/06	●	PR:1LQ; PR:1LS; PR:1LR	P85041MM [-]	19,7	ATE						
	77	09/00 → 06/06	●	PR:1LR; PR:1LS; PR:1LQ	P85072MM [+]	19,7	ATE						
	77	09/00 → 06/06	●		P85020MM [-]	17,2	TRW					A02205	
1.8 20V	92	11/99 → 06/06	●	PR:1LR; PR:1LS; PR:1LQ	P85041MM [-]	19,7	ATE						A02217
	92	11/99 → 06/06	●	PR:1LQ; PR:1LS; PR:1LR	P85072MM [+]	19,7	ATE						A02217
	92	11/99 → 06/06	●		P85020MM [-]	17,2	TRW						A02205
1.8 20V T	132	11/99 → 06/06	●	PR:1LE; PR:1LN; PR:1ZE; PR:1ZH; PR:1ZD	P85035MM [-]	20,6	ATE						A02217
	132	11/99 → 06/06	●		P85045MM [+]	20,6	ATE						A02217
	132	11/99 → 06/06	●		P85020MM [-]	17,2	TRW						A02205
1.8 20V T 4	132	11/99 → 06/06	●	PR:1ZH; PR:1ZD; PR:1ZE; PR:1LN; PR:1LE	P85035MM [-]	20,6	ATE						A02217
	132	11/99 → 06/06	●		P85045MM [+]	20,6	ATE						A02217
	132	11/99 → 06/06	●		P85020MM [-]	17,2	TRW						A02205
1.8 T Cupra R	154	02/02 → 06/06	●	disc Ø 312 mm	P85045MM [+]	20,6	ATE						A02217
	154	02/02 → 06/06	●		P85020MM [-]	17,2	TRW						
	165	07/03 → 06/06	●	disc Ø 323 mm	P85104MM [+]	15	BRE						
	165	07/03 → 06/06	●		P85020MM [-]	17,2	TRW						
1.9 SDI	50	11/99 → 06/06	●	PR:1LR; PR:1LS; PR:1LQ	P85041MM [-]	19,7	ATE						
	50	11/99 → 06/06	●	PR:1LQ; PR:1LS; PR:1LR	P85072MM [+]	19,7	ATE						
	50	11/99 → 06/06	●		P85020MM [-]	17,2	TRW						A02205
1.9 TDI	66	11/99 → 06/06	●	PR:1LQ; PR:1LS; PR:1LR	P85041MM [-]	19,7	ATE						
	66	11/99 → 06/06	●	PR:1LR; PR:1LS; PR:1LQ	P85072MM [+]	19,7	ATE						
	66	11/99 → 06/06	●		P85020MM [-]	17,2	TRW						A02205
	81	11/99 → 06/06	●	PR:1LR; PR:1LS; PR:1LQ	P85041MM [-]	19,7	ATE						
	81	11/99 → 06/06	●	PR:1LQ; PR:1LS; PR:1LR	P85072MM [+]	19,7	ATE						
	81	11/99 → 06/06	●		P85020MM [-]	17,2	TRW						A02205
	110	09/00 → 06/06	●	PR:1LE; PR:1ZE; PR:1LN; PR:1ZH; PR:1ZD	P85035MM [-]	20,6	ATE						A02217
	110	09/00 → 06/06	●		P85045MM [+]	20,6	ATE						A02217
	110	09/00 → 06/06	●		P85020MM [-]	17,2	TRW						A02205
	96	05/03 → 06/06	●	PR:1LE; PR:1LN; PR:1ZE; PR:1ZD; PR:1ZH	P85035MM [-]	20,6	ATE						A02217

--	--	--	--	--	--	--	--	--	--	--	--	--	--	--

SEAT

LEON (1M1) 11/99 → 06/06

1.9 TDI	96	05/03 → 06/06	●		P85045MM	[+]	20,6	ATE					A02217	
	96	05/03 → 06/06	●		P85020MM	[-]	17,2	TRW					A02205	
	74	10/05 → 06/06	●	PR:1LR; PR:1LS; PR:1LQ	P85041MM	[-]	19,7	ATE						
	74	10/05 → 06/06	●	PR:1LQ; PR:1LS; PR:1LR	P85072MM	[+]	19,7	ATE						
	74	10/05 → 06/06	●		P85020MM	[-]	17,2	TRW						A02205
1.9 TDI Syncro	110	05/02 → 06/06	●	PR:1ZD; PR:1ZH; PR:1ZE; PR:1LN; PR:1LE	P85035MM	[-]	20,6	ATE					A02217	
	110	05/02 → 06/06	●		P85045MM	[+]	20,6	ATE					A02217	
	110	05/02 → 06/06	●		P85020MM	[-]	17,2	TRW						
2.8	150	05/02 → 06/04	●		P85045MM	[+]	20,6	ATE						
	150	05/02 → 06/04	●		P85020MM	[-]	17,2	TRW						
2.8 Cupra 4	150	02/01 → 06/06	●		P85045MM	[+]	20,6	ATE					A02217	
	150	02/01 → 06/06	●		P85020MM	[-]	17,2	TRW						

LEON (1P1) 05/05 → 12/12

1.2 TSI	77	02/10 → 12/12	●	PR:1ZF; PR:1ZM	P85072MM	[+]	19,7	ATE						
	77	02/10 → 12/12	●	PR:1KD	P85020MM	[-]	17,2	TRW						
	77	02/10 → 12/12	●	PR:1KT; PR:1KS	P85114MM	[-]	17,7	BSH						
	77	02/10 → 12/12	●	PR:1KZ; PR:1KY	P85073MM	[O]	17,2	TRW						
1.4 16V	63	06/06 → 12/12	●	PR:1ZF; PR:1ZM	P85072MM	[+]	19,7	ATE						
	63	06/06 → 12/12	●	PR:1KT; PR:1KS	P85114MM	[-]	17,7	BSH						
	63	06/06 → 12/12	●	PR:1KD	P85020MM	[-]	17,2	TRW						
	63	06/06 → 12/12	●	PR:1KY; PR:1KZ	P85073MM	[O]	17,2	TRW						
1.4 TSI	92	11/07 → 12/12	●	PR:1ZE	P85075MM	[+]	20,3	ATE						
	92	11/07 → 12/12	●	PR:1LJ; PR:1ZA	P85146MM	[+]	20,3	ATE						
	92	11/07 → 12/12	●	PR:1KD	P85020MM	[-]	17,2	TRW						
	92	11/07 → 12/12	●	PR:1KT; PR:1KS	P85114MM	[-]	17,7	BSH						
	92	11/07 → 12/12	●	PR:1KY; PR:1KZ	P85073MM	[O]	17,2	TRW						
1.6	75	07/05 → 12/12	●	PR:1ZF; PR:1ZM	P85072MM	[+]	19,7	ATE						
	75	07/05 → 12/12	●	PR:1KD	P85020MM	[-]	17,2	TRW					A02205	PR:1KD
	75	07/05 → 12/12	●	PR:1KS; PR:1KT	P85114MM	[-]	17,7	BSH					A02205	PR:1KD
	75	07/05 → 12/12	●	PR:1KZ; PR:1KY	P85073MM	[O]	17,2	TRW					A02205	PR:1KD
1.6 LPG	75	12/09 → 12/12	●	PR:1ZF; PR:1ZM	P85072MM	[+]	19,7	ATE						
	75	12/09 → 12/12	●	PR:1ZE; PR:1LJ	P85075MM	[+]	20,3	ATE						
	75	12/09 → 12/12	●	PR:1KD	P85020MM	[-]	17,2	TRW						
	75	12/09 → 12/12	●	PR:1KS; PR:1KT	P85114MM	[-]	17,7	BSH						
1.6 MultiFuel	75	11/10 → 12/12	●	PR:1ZF; PR:1ZM	P85072MM	[+]	19,7	ATE						
	75	11/10 → 12/12	●	PR:1ZE; PR:1LJ	P85075MM	[+]	20,3	ATE						
	75	11/10 → 12/12	●	PR:1KD	P85020MM	[-]	17,2	TRW						
	75	11/10 → 12/12	●	PR:1KS; PR:1KT	P85114MM	[-]	17,7	BSH						
1.6 TDI	66	11/10 → 12/12	●	PR:1ZF; PR:1ZM	P85072MM	[+]	19,7	ATE						
	66	11/10 → 12/12	●	PR:1KD	P85020MM	[-]	17,2	TRW					A02205	PR:1KD
	77	02/10 → 12/12	●	PR:1ZF; PR:1ZM	P85072MM	[+]	19,7	ATE						
	77	02/10 → 12/12	●	PR:1ZE; PR:1LJ	P85075MM	[+]	20,3	ATE						
	77	02/10 → 12/12	●	PR:1KD	P85020MM	[-]	17,2	TRW					A02205	PR:1KD
	77	02/10 → 12/12	●	PR:1KT; PR:1KS	P85114MM	[-]	17,7	BSH					A02205	PR:1KD
1.8 TSI	118	06/07 → 12/12	●	PR:1ZE	P85075MM	[+]	20,3	ATE						
	118	06/07 → 12/12	●	PR:1ZA; PR:1LJ	P85146MM	[+]	20,3	ATE						
	118	06/07 → 12/12	●	PR:1KD	P85020MM	[-]	17,2	TRW						
	118	06/07 → 12/12	●	PR:1KS; PR:1KT	P85114MM	[-]	17,7	BSH						
	118	06/07 → 12/12	●	PR:1KZ; PR:1KY	P85073MM	[O]	17,2	TRW						
1.9 TDI	77	07/05 → 12/10	●	PR:1ZF; PR:1ZM	P85072MM	[+]	19,7	ATE						
	77	07/05 → 12/10	●	PR:1KD	P85020MM	[-]	17,2	TRW					A02205	PR:1KD
	77	07/05 → 12/10	●	PR:1KT; PR:1KS	P85114MM	[-]	17,7	BSH					A02205	PR:1KD
	77	07/05 → 12/10	●	PR:1KY; PR:1KZ	P85073MM	[O]	17,2	TRW					A02205	PR:1KD

									WI			FK	
	kw				MAGNETI MARELLI	Wi	Th [mm]	SYS	MAGNETI MARELLI	LENGHT		MAGNETI MARELLI	

SEAT

LEON (1P1) 05/05 → 12/12

1.9 TDI	66	06/07 → 12/10	●	PR:1ZF; PR:1ZM	P85072MM	[+]	19,7	ATE					
	66	06/07 → 12/10	●	PR:1KS; PR:1KT	P85114MM	[-]	17,7	BSH					
	66	06/07 → 12/10	●	PR:1KD	P85020MM	[-]	17,2	TRW					
	66	06/07 → 12/10	●	PR:1KZ; PR:1KY	P85073MM	[o]	17,2	TRW					
2.0 Cupra R	195	09/09 → 12/12	●	PR:1LB	P85129MM	[+]	20,3	ATE					
	195	09/09 → 12/12	●	PR:1LT; PR:1LU	P85079MM	[+]	20,3	ATE					
	195	09/09 → 12/12	●	PR:1KD	P85020MM	[-]	17,2	TRW					
	195	09/09 → 12/12	●	PR:1KT; PR:1KS	P85114MM	[-]	17,7	BSH					
	195	09/09 → 12/12	●	PR:1KY; PR:1KZ	P85073MM	[o]	17,2	TRW					
2.0 FSI	110	07/05 → 05/10	●	PR:1ZE	P85075MM	[+]	20,3	ATE					
	110	07/05 → 05/10	●	PR:1ZA; PR:1LJ	P85146MM	[+]	20,3	ATE					
	110	07/05 → 05/10	●	PR:1KD	P85020MM	[-]	17,2	TRW			A02205	PR:1KD	
	110	07/05 → 05/10	●	PR:1KT; PR:1KS	P85114MM	[-]	17,7	BSH			A02205	PR:1KD	
	110	07/05 → 05/10	●	PR:1KY; PR:1KZ	P85073MM	[o]	17,2	TRW			A02205	PR:1KD	
2.0 TDI	125	05/06 → 12/12	●	PR:1ZE	P85075MM	[+]	20,3	ATE					
	125	05/06 → 12/12	●	PR:1ZA; PR:1LJ	P85146MM	[+]	20,3	ATE					
	125	05/06 → 12/12	●	PR:1KD	P85020MM	[-]	17,2	TRW			A02205	PR:1KD	
	125	05/06 → 12/12	●	PR:1KT; PR:1KS	P85114MM	[-]	17,7	BSH			A02205	PR:1KD	
	125	05/06 → 12/12	●	PR:1KY; PR:1KZ	P85073MM	[o]	17,2	TRW			A02205	PR:1KD	
	103	10/05 → 10/10	●	PR:1ZE	P85075MM	[+]	20,3	ATE					
	103	10/05 → 10/10	●	PR:1LJ; PR:1ZA	P85146MM	[+]	20,3	ATE					
	103	10/05 → 10/10	●	PR:1KD	P85020MM	[-]	17,2	TRW					
	103	10/05 → 10/10	●	PR:1KS; PR:1KT	P85114MM	[-]	17,7	BSH					
	103	10/05 → 10/10	●	PR:1KZ; PR:1KY	P85073MM	[o]	17,2	TRW					
	100	07/05 → 05/10	●	PR:1ZE	P85075MM	[+]	20,3	ATE					
	100	07/05 → 05/10	●	PR:1LJ; PR:1ZA	P85146MM	[+]	20,3	ATE					
	100	07/05 → 05/10	●	PR:1KD	P85020MM	[-]	17,2	TRW					
	100	07/05 → 05/10	●	PR:1KT; PR:1KS	P85114MM	[-]	17,7	BSH					
100	07/05 → 05/10	●	PR:1KY; PR:1KZ	P85073MM	[o]	17,2	TRW						
2.0 TDI 16V	103	07/05 → 12/12	●	PR:1ZE	P85075MM	[+]	20,3	ATE					
	103	07/05 → 12/12	●	PR:1ZA; PR:1LJ	P85146MM	[+]	20,3	ATE					
	103	07/05 → 12/12	●	PR:1KD	P85020MM	[-]	17,2	TRW			A02205	PR:1KD	
	103	07/05 → 12/12	●	PR:1KS; PR:1KT	P85114MM	[-]	17,7	BSH			A02205	PR:1KD	
	103	07/05 → 12/12	●	PR:1KZ; PR:1KY	P85073MM	[o]	17,2	TRW			A02205	PR:1KD	
2.0 TFSI	136	09/05 → 05/06	●	PR:1ZE	P85075MM	[+]	20,3	ATE					
	136	09/05 → 05/06	●	PR:1LJ; PR:1ZA	P85146MM	[+]	20,3	ATE					
	136	09/05 → 05/06	●	PR:1KD	P85020MM	[-]	17,2	TRW			A02205	PR:1KD	
	136	09/05 → 05/06	●	PR:1KS; PR:1KT	P85114MM	[-]	17,7	BSH			A02205	PR:1KD	
	136	09/05 → 05/06	●	PR:1KZ; PR:1KY	P85073MM	[o]	17,2	TRW			A02205	PR:1KD	
	147	05/05 → 03/09	●	PR:1ZE	P85075MM	[+]	20,3	ATE					
	147	05/05 → 03/09	●	PR:1ZA; PR:1LJ	P85146MM	[+]	20,3	ATE					
	147	05/05 → 03/09	●	PR:1KD	P85020MM	[-]	17,2	TRW					
	147	05/05 → 03/09	●	PR:1KT; PR:1KS	P85114MM	[-]	17,7	BSH					
	147	05/05 → 03/09	●	PR:1KY; PR:1KZ	P85073MM	[o]	17,2	TRW					
	177	11/06 → 05/11	●	PR:1LT; PR:1LU	P85079MM	[+]	20,3	ATE					
	177	11/06 → 05/11	●	PR:1KZ; PR:1KY	P85073MM	[o]	17,2	TRW					
	155	06/09 → 12/12	●	PR:1ZE	P85075MM	[+]	20,3	ATE					
	155	06/09 → 12/12	●	PR:1ZA; PR:1LJ	P85146MM	[+]	20,3	ATE					
155	06/09 → 12/12	●	PR:1KS; PR:1KT	P85114MM	[-]	17,7	BSH						
155	06/09 → 12/12	●	PR:1KZ; PR:1KY	P85073MM	[o]	17,2	TRW						

LEON (5F1) 09/12 →

1.0 TSI	85	05/15 →	●	PR:1ZF	P85137MM	[+]	17,2	ATE	A00492	170	PR:1ZA; PR:1ZE		
	85	05/15 →	●	PR:1ZA; PR:1ZE	P85126MM	[+]	20,3	TRW	A00492	170	PR:1ZA; PR:1ZE		

		kw					wi	Th [mm]	SYS	WI			FK	
											LENGHT			

SEAT
LEON (5F1) 09/12 →

1.0 TSI	85	05/15 →		●	PR:1KD	P85020MM [-]	17,2	TRW						
	85	05/15 →		●	PR:1KS	P85135MM [-]	17,5	TRW						
1.2 TSI	63	12/12 →		●	PR:1ZF	P85137MM [+]	17,2	ATE	A00492	170	PR:1ZA; PR:1ZE			
	63	12/12 →		●	PR:1ZE; PR:1ZA	P85126MM [+]	20,3	TRW	A00492	170	PR:1ZA; PR:1ZE			
	63	12/12 →		●	PR:1KD	P85020MM [-]	17,2	TRW						
	63	12/12 →		●	PR:1KS	P85135MM [-]	17,5	TRW						
	77	01/13 →		●	PR:1ZF	P85137MM [+]	17,2	ATE	A00492	170	PR:1ZA; PR:1ZE			
	77	01/13 →		●	PR:1ZA; PR:1ZE	P85126MM [+]	20,3	TRW	A00492	170	PR:1ZA; PR:1ZE			
	77	01/13 →		●	PR:1KD	P85020MM [-]	17,2	TRW						
	77	01/13 →		●	PR:1KS	P85135MM [-]	17,5	TRW						
	81	04/14 →		●	PR:1ZF	P85137MM [+]	17,2	ATE	A00492	170	PR:1ZA; PR:1ZE			
	81	04/14 →		●	PR:1ZE; PR:1ZA	P85126MM [+]	20,3	TRW	A00492	170	PR:1ZA; PR:1ZE			
	81	04/14 →		●	PR:1KD	P85020MM [-]	17,2	TRW						
	1.4 TGI	81	02/13 →		●	PR:1KS	P85135MM [-]	17,5	TRW					
1.4 TGI	81	02/13 →		●	PR:1ZF	P85137MM [+]	17,2	ATE	A00492	170	PR:1ZE; PR:1ZA			
	81	02/13 →		●	PR:1ZA; PR:1ZE	P85126MM [+]	20,3	TRW	A00492	170	PR:1ZE; PR:1ZA			
	81	02/13 →		●	PR:1KD	P85020MM [-]	17,2	TRW						
	81	02/13 →		●	PR:1KS	P85135MM [-]	17,5	TRW						
1.4 TSI	90	11/12 →		●	PR:1ZA; PR:1ZE	P85126MM [+]	20,3	TRW						
	90	11/12 →		●	PR:1KD	P85020MM [-]	17,2	TRW						
	90	11/12 →		●	PR:1KS	P85135MM [-]	17,5	TRW						
	103	09/12 →		●	PR:1ZE; PR:1ZA	P85126MM [+]	20,3	TRW						
	103	09/12 →		●	PR:1KD	P85020MM [-]	17,2	TRW						
	103	09/12 →		●	PR:1KS	P85135MM [-]	17,5	TRW						
	92	05/14 →		●	PR:1ZA; PR:1ZE	P85126MM [+]	20,3	TRW	A00492	170	PR:1ZA; PR:1ZE			
	92	05/14 →		●	PR:1KD	P85020MM [-]	17,2	TRW						
	110	05/14 →		●	PR:1ZE; PR:1ZA	P85126MM [+]	20,3	TRW	A00492	170	PR:1ZA; PR:1ZE			
1.6 TDI	110	05/14 →		●	PR:1KD	P85020MM [-]	17,2	TRW						
	77	11/12 →		●	PR:1ZF	P85137MM [+]	17,2	ATE	A00492	170	PR:1ZE; PR:1ZA			
	77	11/12 →		●	PR:1ZA; PR:1ZE	P85126MM [+]	20,3	TRW	A00492	170	PR:1ZE; PR:1ZA			
	77	11/12 →		●	PR:1KD	P85020MM [-]	17,2	TRW						
	77	11/12 →		●	PR:1KS	P85135MM [-]	17,5	TRW						
	66	11/12 →		●	PR:1ZF	P85137MM [+]	17,2	ATE	A00492	170	PR:1ZE; PR:1ZA			
	66	11/12 →		●	PR:1ZE; PR:1ZA	P85126MM [+]	20,3	TRW	A00492	170	PR:1ZE; PR:1ZA			
	66	11/12 →		●	PR:1KD	P85020MM [-]	17,2	TRW						
	66	11/12 →		●	PR:1KS	P85135MM [-]	17,5	TRW						
	81	09/13 →		●	PR:1ZF	P85137MM [+]	17,2	ATE	A00492	170	PR:1ZE; PR:1ZA			
	81	09/13 →		●	PR:1ZE; PR:1ZA	P85126MM [+]	20,3	TRW	A00492	170	PR:1ZE; PR:1ZA			
	81	09/13 →		●	PR:1KD	P85020MM [-]	17,2	TRW						
	81	09/13 →		●	PR:1KS	P85135MM [-]	17,5	TRW						
	85	11/16 →		●	PR:1ZE	P85126MM [+]	20,3	TRW	A00492	170	PR:1ZE; PR:1ZA; PR:1LJ			
	85	11/16 →		●	PR:1ZF	P85137MM [+]	17,2	ATE	A00492	170	PR:1ZE; PR:1ZA; PR:1LJ			
85	11/16 →		●	PR:1LJ	P85144MM [+]	20	TRW	A00492	170	PR:1ZE; PR:1ZA; PR:1LJ				
85	11/16 →		●	PR:1KD	P85020MM [-]	17,2	TRW							
85	11/16 →		●	PR:1KJ; PR:1KY	P85124MM [-]	16,4	ATE							
85	11/16 →		●	PR:0N4; PR:1KE	P85125MM [-]	16,4	ATE							
1.8 TSI	132	02/13 →		●	PR:1ZA; PR:1ZE	P85126MM [+]	20,3	TRW						
	132	02/13 →		●	PR:1KD	P85020MM [-]	17,2	TRW						
	132	02/13 →		●	PR:1KS	P85135MM [-]	17,5	TRW						
2.0 Cupra	206	10/13 →		●	PR:05E+FC1	P85116MM [O]	16	BRE						
	206	10/13 →		●	PR:1KW; PR:1KF	P85095MM [O]	17,2	TRW						
	195	10/13 →		●	PR:05E+FC1	P85116MM [O]	16	BRE						
	195	10/13 →		●	PR:1KF; PR:1KW	P85095MM [O]	17,2	TRW						
	213	10/15 →		●	PR:05E+FC1	P85116MM [O]	16	BRE	A00492	170	PR:1LD; PR:1LG; PR:1LJ; PR:1ZA; PR:1ZE			

										WI			FK	
											LENGHT			

SEAT

LEON (5F1) 09/12 →

2.0 Cupra	213	10/15 →	●	PR:1KW; PR:1KF	P85095MM	[O]	17,2	TRW						
	221	01/17 →		●	PR:1KY; PR:1KJ	P85124MM	[-]	16,4	ATE					
2.0 TDI	110	10/12 →	●	PR:1ZE; PR:1ZA	P85126MM	[+]	20,3	TRW						
	110	10/12 →		●	PR:1KD	P85020MM	[-]	17,2	TRW					
	110	10/12 →		●	PR:1KS	P85135MM	[-]	17,5	TRW					
	135	09/12 →	●	PR:1ZA; PR:1ZE	P85126MM	[+]	20,3	TRW						
	135	09/12 →		●	PR:1KD	P85020MM	[-]	17,2	TRW					
	135	09/12 →		●	PR:1KS	P85135MM	[-]	17,5	TRW					
	105	05/13 →	●	PR:1ZA; PR:1ZE	P85126MM	[+]	20,3	TRW						
	105	05/13 →		●	PR:1KD	P85020MM	[-]	17,2	TRW					
	105	05/13 →		●	PR:1KS	P85135MM	[-]	17,5	TRW					
	81	05/13 →	●	PR:1ZE; PR:1ZA	P85126MM	[+]	20,3	TRW						
	81	05/13 →		●	PR:1KD	P85020MM	[-]	17,2	TRW					
	81	05/13 →		●	PR:1KS	P85135MM	[-]	17,5	TRW					

LEON SC (5F5) 01/13 →

1.0 TSI	85	05/15 →	●	PR:1ZF	P85137MM	[+]	17,2	ATE	A00492	170	PR:1ZA; PR:1ZE		
	85	05/15 →	●	PR:1ZE; PR:1ZA	P85126MM	[+]	20,3	TRW	A00492	170	PR:1ZA; PR:1ZE		
	85	05/15 →		●	PR:1KD	P85020MM	[-]	17,2	TRW				
	85	05/15 →		●	PR:1KS	P85135MM	[-]	17,5	TRW				
1.2 TSI	63	01/13 →	●	PR:1ZF	P85137MM	[+]	17,2	ATE	A00492	170	PR:1ZA; PR:1ZE		
	63	01/13 →	●	PR:1ZA; PR:1ZE	P85126MM	[+]	20,3	TRW	A00492	170	PR:1ZA; PR:1ZE		
	63	01/13 →		●	PR:1KD	P85020MM	[-]	17,2	TRW				
	63	01/13 →		●	PR:1KS	P85135MM	[-]	17,5	TRW				
	77	02/13 →	●	PR:1ZF	P85137MM	[+]	17,2	ATE	A00492	170	PR:1ZA; PR:1ZE		
	77	02/13 →	●	PR:1ZE; PR:1ZA	P85126MM	[+]	20,3	TRW	A00492	170	PR:1ZA; PR:1ZE		
	77	02/13 →		●	PR:1KD	P85020MM	[-]	17,2	TRW				
	77	02/13 →		●	PR:1KS	P85135MM	[-]	17,5	TRW				
1.4 TSI	81	05/14 →	●	PR:1ZE; PR:1ZA	P85126MM	[+]	20,3	TRW	A00492	170	PR:1ZE		
	81	05/14 →	●	PR:1ZF	P85137MM	[+]	17,2	ATE	A00492	170	PR:1ZE		
	81	05/14 →		●	PR:1KD	P85020MM	[-]	17,2	TRW				
	81	05/14 →		●	PR:1KS	P85135MM	[-]	17,5	TRW				
	90	02/13 →	●	PR:1ZA; PR:1ZE	P85126MM	[+]	20,3	TRW	A00492	170	PR:1ZA; PR:1ZE		
1.6 TDI	66	02/13 →	●	PR:1ZF	P85137MM	[+]	17,2	ATE	A00492	170	PR:1ZA; PR:1ZE		
	66	02/13 →	●	PR:1ZE; PR:1ZA	P85126MM	[+]	20,3	TRW	A00492	170	PR:1ZA; PR:1ZE		
	66	02/13 →		●	PR:1KD	P85020MM	[-]	17,2	TRW				
	66	02/13 →		●	PR:1KS	P85135MM	[-]	17,5	TRW				
	77	02/13 →	●	PR:1ZF	P85137MM	[+]	17,2	ATE	A00492	170	PR:1ZA; PR:1ZE		
	77	02/13 →	●	PR:1ZA; PR:1ZE	P85126MM	[+]	20,3	TRW	A00492	170	PR:1ZA; PR:1ZE		
	77	02/13 →		●	PR:1KD	P85020MM	[-]	17,2	TRW				
1.6 TDI	81	09/13 →	●	PR:1ZF	P85137MM	[+]	17,2	ATE	A00492	170	PR:1ZA; PR:1ZE		
	81	09/13 →	●	PR:1ZE; PR:1ZA	P85126MM	[+]	20,3	TRW	A00492	170	PR:1ZA; PR:1ZE		
	81	09/13 →		●	PR:1KD	P85020MM	[-]	17,2	TRW				
	81	09/13 →		●	PR:1KS	P85135MM	[-]	17,5	TRW				

		kw						wi	Th [mm]	SYS	wi		FK		
												LENGHT			

SEAT

LEON SC (5F5) 01/13 →

1.8 TSI	132	02/13 →	●	PR:1ZA; PR:1ZE	P85126MM	[+]	20,3	TRW	A00492	170	PR:1ZA; PR:1ZE		
	132	02/13 →		● PR:1KD	P85020MM	[-]	17,2	TRW					
	132	02/13 →		● PR:1KS	P85135MM	[-]	17,5	TRW					
	132	02/13 →		● PR:1KW	P85073MM	[O]	17,2	TRW					
2.0 Cupra	195	10/13 →	●	PR:05E+FC1	P85116MM	[O]	16	BRE	A00492	170	PR:1LJ; PR:1ZA; PR:1ZE		
	195	10/13 →		● PR:1KF; PR:1KW	P85095MM	[O]	17,2	TRW					
	206	10/13 →	●	PR:05E+FC1	P85116MM	[O]	16	BRE	A00492	170	PR:1LJ; PR:1ZA; PR:1ZE		
	206	10/13 →		● PR:1KW; PR:1KF	P85095MM	[O]	17,2	TRW					
	213	10/15 →	●	PR:05E+FC1	P85116MM	[O]	16	BRE	A00492	170	PR:1LD; PR:1LG; PR:1LJ; PR:1ZA; PR:1ZE		
	213	10/15 →		● PR:1KF; PR:1KW	P85095MM	[O]	17,2	TRW					
	221	01/17 →		● PR:1KJ; PR:1KY	P85124MM	[-]	16,4	ATE					
2.0 TDI	81	02/13 →	●	PR:1ZE; PR:1ZA	P85126MM	[+]	20,3	TRW	A00492	170	PR:1LJ; PR:1ZA; PR:1ZE		
	81	02/13 →		● PR:1KW	P85073MM	[O]	17,2	TRW					
	81	02/13 →		● PR:1KD	P85020MM	[-]	17,2	TRW					
	81	02/13 →		● PR:1KS	P85135MM	[-]	17,5	TRW					
	105	05/13 →	●	PR:1ZA; PR:1ZE	P85126MM	[+]	20,3	TRW	A00492	170	PR:1ZA; PR:1ZE		
	105	05/13 →		● PR:1KD	P85020MM	[-]	17,2	TRW					
	105	05/13 →		● PR:1KS	P85135MM	[-]	17,5	TRW					
	110	02/13 →	●	PR:1ZE; PR:1ZA	P85126MM	[+]	20,3	TRW	A00492	170	PR:1ZA; PR:1ZE		
	110	02/13 →		● PR:1KD	P85020MM	[-]	17,2	TRW					
	110	02/13 →		● PR:1KS	P85135MM	[-]	17,5	TRW					
	135	03/13 →	●	PR:1ZA; PR:1ZE	P85126MM	[+]	20,3	TRW	A00492	170	PR:1ZA; PR:1ZE		
	135	03/13 →		● PR:1KD	P85020MM	[-]	17,2	TRW					
	135	03/13 →		● PR:1KS	P85135MM	[-]	17,5	TRW					

LEON ST (5F8) 08/13 →

1.0 TSI	85	05/15 →	●	PR:1ZF	P85137MM	[+]	17,2	ATE	A00492	170	PR:1ZA; PR:1ZE		
	85	05/15 →	●	PR:1ZA; PR:1ZE	P85126MM	[+]	20,3	TRW	A00492	170	PR:1ZA; PR:1ZE		
	85	05/15 →		● PR:1KD	P85020MM	[-]	17,2	TRW					
	85	05/15 →		● PR:1KS	P85135MM	[-]	17,5	TRW					
1.2 TSI	77	08/13 →	●	PR:1ZA; PR:1ZE	P85126MM	[+]	20,3	TRW	A00492	170	PR:1LJ; PR:1ZA; PR:1ZE		
	77	08/13 →	●	PR:1ZF	P85137MM	[+]	17,2	ATE	A00492	170	PR:1LJ; PR:1ZA; PR:1ZE		
	77	08/13 →		● PR:1KD	P85020MM	[-]	17,2	TRW					
	77	08/13 →		● PR:1KS	P85135MM	[-]	17,5	TRW					
	63	11/13 →	●	PR:1ZE; PR:1ZA	P85126MM	[+]	20,3	TRW	A00492	170	PR:1LJ; PR:1ZA; PR:1ZE		
	63	11/13 →	●	PR:1ZF	P85137MM	[+]	17,2	ATE	A00492	170	PR:1LJ; PR:1ZA; PR:1ZE		
	63	11/13 →		● PR:1KD	P85020MM	[-]	17,2	TRW					
	63	11/13 →		● PR:1KS	P85135MM	[-]	17,5	TRW					
	81	05/14 →	●	PR:1ZA; PR:1ZE	P85126MM	[+]	20,3	TRW	A00492	170	PR:1ZE		
	81	05/14 →	●	PR:1ZF	P85137MM	[+]	17,2	ATE	A00492	170	PR:1ZE		
	81	05/14 →		● PR:1KD	P85020MM	[-]	17,2	TRW					
	81	05/14 →		● PR:1KS	P85135MM	[-]	17,5	TRW					
1.4 TGI	81	10/13 →	●	PR:1ZE; PR:1ZA	P85126MM	[+]	20,3	TRW	A00492	170	PR:1LJ; PR:1ZA; PR:1ZE		
	81	10/13 →	●	PR:1ZF	P85137MM	[+]	17,2	ATE	A00492	170	PR:1LJ; PR:1ZA; PR:1ZE		
	81	10/13 →		● PR:1KD	P85020MM	[-]	17,2	TRW					
	81	10/13 →		● PR:1KS	P85135MM	[-]	17,5	TRW					
1.4 TSI	103	10/13 →	●	PR:1ZE; PR:1ZA	P85126MM	[+]	20,3	TRW	A00492	170	PR:1LJ; PR:1ZA; PR:1ZE		
	103	10/13 →		● PR:1KD	P85020MM	[-]	17,2	TRW					
	103	10/13 →		● PR:1KS	P85135MM	[-]	17,5	TRW					
	103	10/13 →		● PR:1KW	P85073MM	[O]	17,2	TRW					
	90	10/13 →	●	PR:1ZA; PR:1ZE	P85126MM	[+]	20,3	TRW	A00492	170	PR:1LJ; PR:1ZA; PR:1ZE		
	90	10/13 →		● PR:1KD	P85020MM	[-]	17,2	TRW					
	90	10/13 →		● PR:1KS	P85135MM	[-]	17,5	TRW					
	90	10/13 →		● PR:1KW	P85073MM	[O]	17,2	TRW					

											WI		FK		
												LENGHT			

SEAT

LEON ST (5F8) 08/13 →

1.4 TSI	92	05/14 →	●	PR:1ZE; PR:1ZA	P85126MM	[+]	20,3	TRW	A00492	170	PR:1ZE		
	92	05/14 →		●	PR:1KD	P85020MM	[-]	17,2	TRW				
	110	05/14 →	●	PR:1ZE	P85126MM	[+]	20,3	TRW	A00492	170	PR:1ZE		
	110	05/14 →		●	PR:1KD	P85020MM	[-]	17,2	TRW				
1.6 TDI	66	11/13 →	●	PR:1ZE; PR:1ZA	P85126MM	[+]	20,3	TRW	A00492	170	PR:1LJ; PR:1ZA; PR:1ZE		
	66	11/13 →	●	PR:1ZF	P85137MM	[+]	17,2	ATE	A00492	170	PR:1LJ; PR:1ZA; PR:1ZE		
	66	11/13 →		●	PR:1KD	P85020MM	[-]	17,2	TRW				
	66	11/13 →		●	PR:1KS	P85135MM	[-]	17,5	TRW				
	77	10/13 →	●	PR:1ZA; PR:1ZE	P85126MM	[+]	20,3	TRW	A00492	170	PR:1LJ; PR:1ZA; PR:1ZE		
	77	10/13 →	●	PR:1ZF	P85137MM	[+]	17,2	ATE	A00492	170	PR:1LJ; PR:1ZA; PR:1ZE		
	77	10/13 →		●	PR:1KD	P85020MM	[-]	17,2	TRW				
	77	10/13 →		●	PR:1KS	P85135MM	[-]	17,5	TRW				
	81	09/13 →	●	PR:1ZA; PR:1ZE	P85126MM	[+]	20,3	TRW	A00492	170	PR:1LJ; PR:1ZA; PR:1ZE		
	81	09/13 →	●	PR:1ZF	P85137MM	[+]	17,2	ATE	A00492	170	PR:1LJ; PR:1ZA; PR:1ZE		
	81	09/13 →		●	PR:1KD	P85020MM	[-]	17,2	TRW				
	81	09/13 →		●	PR:1KS	P85135MM	[-]	17,5	TRW				
1.6 TDI	85	11/16 →	●	PR:1LJ	P85144MM	[+]	20	TRW	A00492	170	PR:1ZE; PR:1ZA; PR:1LJ		
	85	11/16 →	●	PR:1ZE	P85126MM	[+]	20,3	TRW	A00492	170	PR:1ZE; PR:1ZA; PR:1LJ		
	85	11/16 →	●	PR:1ZF	P85137MM	[+]	17,2	ATE	A00492	170	PR:1ZE; PR:1ZA; PR:1LJ		
	85	11/16 →		●	PR:1KD	P85020MM	[-]	17,2	TRW				
	85	11/16 →		●	PR:1KE; PR:0N4	P85125MM	[-]	16,4	ATE				
1.6 TDI 4Drive	77	04/14 →	●	PR:1ZA; PR:1ZE	P85126MM	[+]	20,3	TRW	A00492	170	PR:1LJ; PR:1ZA; PR:1ZE		
	77	04/14 →	●	PR:1ZF	P85137MM	[+]	17,2	ATE	A00492	170	PR:1LJ; PR:1ZA; PR:1ZE		
	77	04/14 →	●	PR:1LJ	P85131MM	[+]	20	TRW	A00492	170	PR:1LJ; PR:1ZA; PR:1ZE		
	77	04/14 →		●	PR:1KD	P85020MM	[-]	17,2	TRW				
	77	04/14 →		●	PR:1KS	P85135MM	[-]	17,5	TRW				
	77	04/14 →		●	PR:1KW	P85073MM	[o]	17,2	TRW				
	81	11/14 →	●	PR:1ZF	P85137MM	[+]	17,2	ATE	A00492	170	PR:1ZE		
	81	11/14 →	●	PR:1ZE; PR:1ZA	P85126MM	[+]	20,3	TRW	A00492	170	PR:1ZE		
	81	11/14 →		●	PR:1KD	P85020MM	[-]	17,2	TRW				
1.8 TSI	132	10/13 →	●	PR:1ZA; PR:1ZE	P85126MM	[+]	20,3	TRW	A00492	170	PR:1LJ; PR:1ZA; PR:1ZE		
	132	10/13 →		●	PR:1KD	P85020MM	[-]	17,2	TRW				
	132	10/13 →		●	PR:1KS	P85135MM	[-]	17,5	TRW				
	132	10/13 →		●	PR:1KW	P85073MM	[o]	17,2	TRW				
1.8 TSI 4Drive	132	11/14 →	●	PR:1ZE; PR:1ZA	P85126MM	[+]	20,3	TRW	A00492	170	PR:1ZA		
	132	11/14 →		●	PR:1KD	P85020MM	[-]	17,2	TRW				
	132	11/14 →		●	PR:1KS	P85135MM	[-]	17,5	TRW				
	132	11/14 →		●	PR:1KW	P85073MM	[o]	17,2	TRW				
2.0 Cupra	195	10/13 →	●	PR:1LJ; PR:1LG; PR:1LD	P85144MM	[+]	20	TRW	A00492	170	PR:1LD; PR:1LG; PR:1LJ		
	195	10/13 →	●	+sport pack	P85116MM	[o]	16	BRE	A00492	170	PR:1LD; PR:1LG; PR:1LJ		
	195	10/13 →		●	PR:1KW	P85073MM	[o]	17,2	TRW				
	206	10/13 →	●	PR:1LD; PR:1LG; PR:1LJ	P85144MM	[+]	20	TRW	A00492	170	PR:1LD; PR:1LG; PR:1LJ		
	206	10/13 →	●	+sport pack	P85116MM	[o]	16	BRE	A00492	170	PR:1LD; PR:1LG; PR:1LJ		
	206	10/13 →		●	PR:1KW	P85073MM	[o]	17,2	TRW				
	213	10/15 →	●	PR:1ZE; PR:1ZA	P85126MM	[+]	20,3	TRW	A00492	170	PR:1LD; PR:1LG; PR:1LJ; PR:1ZA; PR:1ZE		
	213	10/15 →	●	PR:1ZF	P85137MM	[+]	17,2	ATE	A00492	170	PR:1LD; PR:1LG; PR:1LJ; PR:1ZA; PR:1ZE		
	213	10/15 →	●	PR:05E+FC1	P85116MM	[o]	16	BRE	A00492	170	PR:1LD; PR:1LG; PR:1LJ; PR:1ZA; PR:1ZE		
	213	10/15 →	●	PR:1LJ; PR:1LD; PR:1LG	P85144MM	[+]	20	TRW	A00492	170	PR:1LD; PR:1LG; PR:1LJ; PR:1ZA; PR:1ZE		
213	10/15 →		●	PR:1KD	P85020MM	[-]	17,2	TRW					

SEAT

LEON ST (5F8) 08/13 →

2.0 Cupra	213	10/15 →	●	PR:1KW; PR:1KF	P85095MM	[O]	17,2	TRW								
	213	10/15 →	●	PR:1KS	P85135MM	[-]	17,5	TRW								
2.0 TDI	110	10/13 →	●	PR:1ZA; PR:1ZE	P85126MM	[+]	20,3	TRW	A00492	170	PR:1LJ; PR:1ZA; PR:1ZE					
	110	10/13 →	●	PR:1KD	P85020MM	[-]	17,2	TRW								
	110	10/13 →	●	PR:1KS	P85135MM	[-]	17,5	TRW								
	110	10/13 →	●	PR:1KW	P85073MM	[O]	17,2	TRW								
	105	10/13 →	●	PR:1ZE; PR:1ZA	P85126MM	[+]	20,3	TRW	A00492	170	PR:1LJ; PR:1ZA; PR:1ZE					
	105	10/13 →	●	PR:1KD	P85020MM	[-]	17,2	TRW								
	105	10/13 →	●	PR:1KS	P85135MM	[-]	17,5	TRW								
	105	10/13 →	●	PR:1KW	P85073MM	[O]	17,2	TRW								
	135	08/13 →	●	PR:1ZE; PR:1ZA	P85126MM	[+]	20,3	TRW	A00492	170	PR:1LJ; PR:1ZA; PR:1ZE					
	135	08/13 →	●	PR:1KD	P85020MM	[-]	17,2	TRW								
	135	08/13 →	●	PR:1KS	P85135MM	[-]	17,5	TRW								
	135	08/13 →	●	PR:1KW	P85073MM	[O]	17,2	TRW								
	81	11/13 →	●	PR:1ZE; PR:1ZA	P85126MM	[+]	20,3	TRW	A00492	170	PR:1LJ; PR:1ZA; PR:1ZE					
	81	11/13 →	●	PR:1KD	P85020MM	[-]	17,2	TRW								
	81	11/13 →	●	PR:1KS	P85135MM	[-]	17,5	TRW								
81	11/13 →	●	PR:1KW	P85073MM	[O]	17,2	TRW									
2.0 TDI 4Drive	110	04/14 →	●	PR:1ZE; PR:1ZA	P85126MM	[+]	20,3	TRW	A00492	170	PR:1ZE					
	110	04/14 →	●	PR:1KD	P85020MM	[-]	17,2	TRW								
	110	04/14 →	●	PR:1KS	P85135MM	[-]	17,5	TRW								
	135	11/14 →	●	PR:1ZA; PR:1ZE	P85126MM	[+]	20,3	TRW	A00492	170	PR:1ZA					
	135	11/14 →	●	PR:1KD	P85020MM	[-]	17,2	TRW								
	135	11/14 →	●	PR:1KS	P85135MM	[-]	17,5	TRW								

Mii (KF1) 10/11 →

1.0	44	10/11 →	●		P85041MM	[-]	19,7	ATE								
	55	10/11 →	●		P85041MM	[-]	19,7	ATE								
1.0 EcoFuel	50	11/12 →	●		P85041MM	[-]	19,7	ATE								

TOLEDO I (1L) 01/91 → 10/99

1.6 i	54	05/91 → 03/99	●	PR:1LV; PR:1LD	P85011MM	[-]	19,6	TRW					A02205	PR:1LD; PR:1LV
	54	05/91 → 03/99	●	→ 1L-TR002434	P85012MM	[-]	19,7	KH					A02205	PR:1LD; PR:1LV
	54	05/91 → 03/99	●	1L-TR002435 →; → 1L-W-012700	P85030MM	[-]	19,7	VW / VAG					A02205	PR:1LD; PR:1LV
	54	05/91 → 03/99	●	1L-W-012701 →	P85031MM	[-]	15,3	VW / VAG					A02205	PR:1LD; PR:1LV
	52	05/91 → 12/93	●	PR:1LD; PR:1LV	P85011MM	[-]	19,6	TRW					A02205	PR:1LD; PR:1LV
	52	05/91 → 12/93	●	→ 1L-TR002434	P85012MM	[-]	19,7	KH					A02205	PR:1LD; PR:1LV
	52	05/91 → 12/93	●	1L-TR002435 →; → 1L-W-012700	P85030MM	[-]	19,7	VW / VAG					A02205	PR:1LD; PR:1LV
	52	05/91 → 12/93	●	1L-W-012701 →	P85031MM	[-]	15,3	VW / VAG					A02205	PR:1LD; PR:1LV
	55	01/93 → 03/99	●	PR:1LV; PR:1LD	P85011MM	[-]	19,6	TRW						
	55	01/93 → 03/99	●	→ 1L-TR002434	P85012MM	[-]	19,7	KH						
	55	01/93 → 03/99	●	1L-TR002435 →; → 1L-W-012700	P85030MM	[-]	19,7	VW / VAG						
	55	01/93 → 03/99	●	1L-W-012701 →	P85031MM	[-]	15,3	VW / VAG						
	74	11/96 → 03/99	●	PR:1LD; PR:1LV	P85011MM	[-]	19,6	TRW					A02205	PR:1LD; PR:1LV
	74	11/96 → 03/99	●	→ 1L-TR002434	P85012MM	[-]	19,7	KH					A02205	PR:1LD; PR:1LV
	74	11/96 → 03/99	●	1L-TR002435 →; → 1L-W-012700	P85030MM	[-]	19,7	VW / VAG					A02205	PR:1LD; PR:1LV
74	11/96 → 03/99	●	1L-W-012701 →	P85031MM	[-]	15,3	VW / VAG					A02205	PR:1LD; PR:1LV	



kw



MAGNETI MARELLI

wi

Th [mm]

SYS

WI

MAGNETI MARELLI

LENGHT



FK

MAGNETI MARELLI



SEAT

TOLEDO I (1L) 01/91 → 10/99

1.8 16V	98	05/91 → 03/99	●	→ 1L-TR031348	P85015MM	[-]	16,2	TRW				A02205	
	98	05/91 → 03/99	●	1L-TR031349 →	P85032MM	[-]	16,2	TRW				A02205	
	98	05/91 → 03/99	●	→ 1L-ZD328000	P85017MM	[-]	15,2	TRW				A02304	
	98	05/91 → 03/99	●	1L-ZD328001 →	P85020MM	[-]	17,2	TRW				A02304	
	92	05/91 → 03/99	●	→ 1L-TR031348	P85015MM	[-]	16,2	TRW				A02205	
	92	05/91 → 03/99	●	1L-TR031349 →	P85032MM	[-]	16,2	TRW				A02205	
	92	05/91 → 03/99	●	→ 1L-ZD328000	P85017MM	[-]	15,2	TRW				A02304	
	92	05/91 → 03/99	●	1L-ZD328001 →	P85020MM	[-]	17,2	TRW				A02304	
1.8 i	65	05/91 → 12/96	●	→ 1L-TR002434	P85012MM	[-]	19,7	KH				A02303	1L-W-012701 →; → 1L-TR002434
	65	05/91 → 12/96	●	1L-TR002435 →; → 1L-W-012700	P85030MM	[-]	19,7	VW / VAG				A02303	1L-W-012701 →; → 1L-TR002434
	65	05/91 → 12/96	●	1L-W-012701 →	P85031MM	[-]	15,3	VW / VAG				A02303	1L-W-012701 →; → 1L-TR002434
	66	11/93 → 12/96	●	→ 1L-TR002434	P85012MM	[-]	19,7	KH					
	66	11/93 → 12/96	●	1L-TR002435 →; → 1L-W-012700	P85030MM	[-]	19,7	VW / VAG					
	66	11/93 → 12/96	●	1L-W-012701 →	P85031MM	[-]	15,3	VW / VAG					
1.9 D	50	05/91 → 03/99	●	→ 1L-TR002434	P85012MM	[-]	19,7	KH				A02303	1L-W-012701 →; → 1L-TR002434
	50	05/91 → 03/99	●	1L-TR002435 →; → 1L-W-012700	P85030MM	[-]	19,7	VW / VAG				A02303	1L-W-012701 →; → 1L-TR002434
	50	05/91 → 03/99	●	1L-W-012701 →	P85031MM	[-]	15,3	VW / VAG				A02303	1L-W-012701 →; → 1L-TR002434
	47	12/95 → 03/99	●	→ 1L-TR002434	P85012MM	[-]	19,7	KH				A02303	
	47	12/95 → 03/99	●	1L-TR002435 →; → 1L-W-012700	P85030MM	[-]	19,7	VW / VAG				A02303	
	47	12/95 → 03/99	●	1L-W-012701 →	P85031MM	[-]	15,3	VW / VAG				A02303	
1.9 TD	55	05/91 → 03/99	●	→ 1L-TR002434	P85012MM	[-]	19,7	KH				A02303	1L-W-012701 →; → 1L-TR002434
	55	05/91 → 03/99	●	1L-TR002435 →; → 1L-W-012700	P85030MM	[-]	19,7	VW / VAG				A02303	1L-W-012701 →; → 1L-TR002434
	55	05/91 → 03/99	●	1L-W-012701 →	P85031MM	[-]	15,3	VW / VAG				A02303	1L-W-012701 →; → 1L-TR002434
1.9 TDI	66	08/95 → 03/99	●	→ 1L-TR016999	P85011MM	[-]	19,6	TRW				A02205	
	66	08/95 → 03/99	●	1L-TR017000 →; → 1L-TR031348	P85015MM	[-]	16,2	TRW				A02205	
	66	08/95 → 03/99	●	1L-TR031349 →	P85032MM	[-]	16,2	TRW				A02205	
	81	11/96 → 03/99	●	→ 1L-TR016999	P85011MM	[-]	19,6	TRW				A02205	
	81	11/96 → 03/99	●	1L-TR017000 →; → 1L-TR031348	P85015MM	[-]	16,2	TRW				A02205	
	81	11/96 → 03/99	●	1L-TR031349 →	P85032MM	[-]	16,2	TRW				A02205	
2.0 i	85	05/91 → 03/99	●	→ 1L-TR031348	P85015MM	[-]	16,2	TRW				A02205	
	85	05/91 → 03/99	●	1L-TR031349 →	P85032MM	[-]	16,2	TRW				A02205	
	85	05/91 → 03/99	●	→ 1L-ZD328000	P85017MM	[-]	15,2	TRW				A02304	
	85	05/91 → 03/99	●	1L-ZD328001 →	P85020MM	[-]	17,2	TRW				A02304	
2.0 i 16V	110	11/93 → 03/99	●		P85011MM	[-]	19,6	TRW					
	110	11/93 → 03/99	●		P85020MM	[-]	17,2	TRW					

TOLEDO II (1M2) 10/98 → 05/06

1.4 16V	55	01/00 → 05/02	●	PR:1LQ; PR:1LR; PR:1LS	P85041MM	[-]	19,7	ATE					
	55	01/00 → 05/02	●	PR:1LQ; PR:1LR; PR:1LS	P85072MM	[+]	19,7	ATE					
	55	01/00 → 05/02	●		P85020MM	[-]	17,2	TRW				A02205	PR:1KK; PR:1KP
1.6	74	10/98 → 07/04	●	PR:1LQ; PR:1LR; PR:1LS	P85041MM	[-]	19,7	ATE					
	74	10/98 → 07/04	●	PR:1LQ; PR:1LR; PR:1LS	P85072MM	[+]	19,7	ATE					
	74	10/98 → 07/04	●		P85020MM	[-]	17,2	TRW				A02205	PR:1KK; PR:1KP

--	--	--	--	--	--	--	--	--	--	--	--	--	--	--

SEAT

TOLEDO II (1M2) 10/98 → 05/06

1.6	75	08/05 → 05/06	●		P85072MM	[+]	19,7	ATE						
	75	08/05 → 05/06	●		P85041MM	[-]	19,7	ATE						
	75	08/05 → 05/06	●		P85020MM	[-]	17,2	TRW						
1.6 16V	77	06/00 → 05/06	●	PR:1LS; PR:1LR; PR:1LQ	P85041MM	[-]	19,7	ATE						
	77	06/00 → 05/06	●	PR:1LR; PR:1LS; PR:1LQ	P85072MM	[+]	19,7	ATE						
	77	06/00 → 05/06	●		P85020MM	[-]	17,2	TRW				A02205	PR:1KK; PR:1KP	
1.8 20V	92	10/98 → 07/04	●	PR:1LS; PR:1LR; PR:1LQ	P85041MM	[-]	19,7	ATE						
	92	10/98 → 07/04	●	PR:1LS; PR:1LR; PR:1LQ	P85072MM	[+]	19,7	ATE						
	92	10/98 → 07/04	●		P85020MM	[-]	17,2	TRW				A02205	PR:1KK; PR:1KP	
1.8 20VT	132	09/00 → 07/04	●	PR:1ZE; PR:1ZN; PR:1ZH; PR:1LE	P85045MM	[+]	20,6	ATE				A02217		
	132	09/00 → 07/04	●		P85020MM	[-]	17,2	TRW				A02205	PR:1KK; PR:1KP	
1.9 TDI	66	03/99 → 07/04	●	PR:1LQ; PR:1LR; PR:1LS	P85041MM	[-]	19,7	ATE						
	66	03/99 → 07/04	●	PR:1LQ; PR:1LR; PR:1LS	P85072MM	[+]	19,7	ATE						
	66	03/99 → 07/04	●		P85020MM	[-]	17,2	TRW				A02205	PR:1KK; PR:1KP	
	81	10/98 → 07/04	●	PR:1LS; PR:1LR; PR:1LQ	P85041MM	[-]	19,7	ATE						
	81	10/98 → 07/04	●	PR:1LS; PR:1LR; PR:1LQ	P85072MM	[+]	19,7	ATE						
	81	10/98 → 07/04	●		P85020MM	[-]	17,2	TRW				A02205	PR:1KK; PR:1KP	
	110	10/00 → 07/04	●	PR:1ZN; PR:1ZE; PR:1ZH; PR:1LE	P85045MM	[+]	20,6	ATE				A02217		
	110	10/00 → 07/04	●		P85020MM	[-]	17,2	TRW				A02205	PR:1KK; PR:1KP	
	96	05/03 → 05/06	●	PR:1LE; PR:1ZH; PR:1ZE; PR:1ZN	P85045MM	[+]	20,6	ATE				A02217		
	96	05/03 → 05/06	●		P85020MM	[-]	17,2	TRW				A02205	PR:1KK; PR:1KP	
2.3 V5	110	10/98 → 11/00	●	PR:1LE; PR:1LN; PR:1ZE; PR:1ZH; →...-X-800000	P85035MM	[-]	20,6	ATE				A02217		
	110	10/98 → 11/00	●	PR:1LJ; PR:1ZQ; PR:1ZN; PR:1ZE; PR:1ZH; PR:1LE; ...-Y-000001 →	P85045MM	[+]	20,6	ATE				A02217		
	110	10/98 → 11/00	●		P85020MM	[-]	17,2	TRW				A02205	PR:1KK; PR:1KP	
2.3 V5 20V	125	09/00 → 11/03	●	PR:1LE; PR:1ZH; PR:1ZE; PR:1ZN	P85045MM	[+]	20,6	ATE				A02217		
	125	09/00 → 11/03	●		P85020MM	[-]	17,2	TRW				A02205	PR:1KK; PR:1KP	

TOLEDO III (5P2) 04/04 → 05/09

1.4 16V	63	05/06 → 05/09	●	PR:1ZF	P85072MM	[+]	19,7	ATE						
	63	05/06 → 05/09	●	PR:1ZE	P85075MM	[+]	20,3	ATE						
	63	05/06 → 05/09	●	PR:1KD	P85020MM	[-]	17,2	TRW						
	63	05/06 → 05/09	●	PR:1KZ; PR:1KJ; PR:1KF	P85073MM	[O]	17,2	TRW						
1.4 TSI	92	11/07 → 05/09	●	PR:1ZF	P85072MM	[+]	19,7	ATE						
	92	11/07 → 05/09	●	PR:1ZE	P85075MM	[+]	20,3	ATE						
	92	11/07 → 05/09	●	PR:1KD	P85020MM	[-]	17,2	TRW						
	92	11/07 → 05/09	●	PR:1KF; PR:1KJ; PR:1KZ	P85073MM	[O]	17,2	TRW						
1.6	75	10/04 → 05/09	●	PR:1ZF; PR:1ZM	P85072MM	[+]	19,7	ATE						
	75	10/04 → 05/09	●	PR:1KF; PR:1KJ; PR:1KZ; PR:1KD	P85020MM	[-]	17,2	TRW				A02205		
1.8 TFSI	118	01/07 → 05/09	●	PR:1ZE	P85075MM	[+]	20,3	ATE						
	118	01/07 → 05/09	●	PR:1KD; PR:1KJ; PR:1KF; PR:1KZ	P85020MM	[-]	17,2	TRW						
1.9 TDI	77	10/04 → 05/09	●	PR:1ZM; PR:1ZF	P85072MM	[+]	19,7	ATE						
	77	10/04 → 05/09	●	PR:1ZE	P85075MM	[+]	20,3	ATE						
	77	10/04 → 05/09	●	PR:1KD; PR:1KF; PR:1KJ; PR:1KZ	P85020MM	[-]	17,2	TRW				A02205		
2.0 FSI	110	10/04 → 05/09	●	PR:1ZE	P85075MM	[+]	20,3	ATE						
	110	10/04 → 05/09	●	PR:1KD; PR:1KZ; PR:1KJ; PR:1KF	P85020MM	[-]	17,2	TRW				A02205		

									WI			FK	
	kw								MAGNETI MARELLI	LENGHT		MAGNETI MARELLI	

SEAT

TOLEDO III (5P2) 04/04 → 05/09

2.0 TDI	125	01/06 → 05/09	●	PR:1ZE	P85075MM	[+]	20,3	ATE					
	125	01/06 → 05/09	●	PR:1KZ; PR:1KJ; PR:1KF; PR:1KD	P85020MM	[-]	17,2	TRW					
	103	11/05 → 05/09	●	PR:1ZE	P85075MM	[+]	20,3	ATE					
	103	11/05 → 05/09	●	PR:1KD; PR:1KF; PR:1KZ; PR:1KJ	P85020MM	[-]	17,2	TRW					
	100	09/04 → 05/09	●	PR:1ZE	P85075MM	[+]	20,3	ATE					
	100	09/04 → 05/09	●	PR:1KZ; PR:1KJ; PR:1KF; PR:1KD	P85020MM	[-]	17,2	TRW					
2.0 TDI 16V	103	04/04 → 05/09	●	PR:1ZE	P85075MM	[+]	20,3	ATE					
	103	04/04 → 05/09	●	PR:1KZ; PR:1KF; PR:1KJ; PR:1KD	P85020MM	[-]	17,2	TRW				A02205	
2.0 TFSI	147	11/05 → 05/09	●	PR:1ZE	P85075MM	[+]	20,3	ATE					
	147	11/05 → 05/09	●	PR:1KD; PR:1KF; PR:1KJ; PR:1KZ	P85020MM	[-]	17,2	TRW					

TOLEDO IV (KG3) 07/12 →

1.2	55	07/12 →	●	PR:1ZG	P85041MM	[-]	19,7	ATE					
	55	07/12 →	●	PR:1ZC	P85075MM	[+]	20,3	ATE					
	55	07/12 →	●	PR:1KT	P85020MM	[-]	17,2	TRW					
1.2 TSI	63	07/12 →	●	PR:1ZG	P85041MM	[-]	19,7	ATE					
	63	07/12 →	●	PR:1ZC	P85075MM	[+]	20,3	ATE					
	63	07/12 →	●	PR:1KT	P85020MM	[-]	17,2	TRW					
	77	07/12 →	●	PR:1ZG	P85041MM	[-]	19,7	ATE					
	77	07/12 →	●	PR:1ZC	P85075MM	[+]	20,3	ATE					
	77	07/12 →	●	PR:1KT	P85020MM	[-]	17,2	TRW					
	66	05/15 →	●	PR:1ZC	P85075MM	[+]	20,3	ATE					
	66	05/15 →	●	PR:1ZG	P85041MM	[-]	19,7	ATE					
	66	05/15 →	●	PR:1KT	P85020MM	[-]	17,2	TRW					
	81	05/15 →	●	PR:1ZG	P85041MM	[-]	19,7	ATE					
	81	05/15 →	●	PR:1ZC	P85075MM	[+]	20,3	ATE					
	81	05/15 →	●	PR:1KT	P85020MM	[-]	17,2	TRW					
1.4 TDI	66	05/15 →	●	PR:1ZC	P85075MM	[+]	20,3	ATE					
	66	05/15 →	●	PR:1ZG	P85041MM	[-]	19,7	ATE					
	66	05/15 →	●	PR:1KT	P85020MM	[-]	17,2	TRW					
1.4 TSI	90	07/12 →	●	PR:1ZG	P85041MM	[-]	19,7	ATE					
	90	07/12 →	●	PR:1ZC	P85075MM	[+]	20,3	ATE					
	90	07/12 →	●	PR:1KT	P85020MM	[-]	17,2	TRW					
	92	05/15 →	●	PR:1ZG	P85041MM	[-]	19,7	ATE					
	92	05/15 →	●	PR:1ZC	P85075MM	[+]	20,3	ATE					
	92	05/15 →	●	PR:1KT	P85020MM	[-]	17,2	TRW					
1.6	77	07/13 →	●	PR:1ZG	P85041MM	[-]	19,7	ATE					
	77	07/13 →	●	PR:1ZC	P85075MM	[+]	20,3	ATE					
	77	07/13 →	●	PR:1KT	P85020MM	[-]	17,2	TRW					
1.6 TDI	77	07/12 →	●	PR:1ZG	P85041MM	[-]	19,7	ATE					
	77	07/12 →	●	PR:1ZC	P85075MM	[+]	20,3	ATE					
	77	07/12 →	●	PR:1KT	P85020MM	[-]	17,2	TRW					
	66	06/13 →	●	PR:1ZG	P85041MM	[-]	19,7	ATE					
	66	06/13 →	●	PR:1ZC	P85075MM	[+]	20,3	ATE					
	66	06/13 →	●	PR:1KT	P85020MM	[-]	17,2	TRW					
	85	05/15 →	●	PR:1ZG	P85041MM	[-]	19,7	ATE					
	85	05/15 →	●	PR:1ZC	P85075MM	[+]	20,3	ATE					
	85	05/15 →	●	PR:1KT	P85020MM	[-]	17,2	TRW					

		kw						wi	Th [mm]	SYS	WI			FK	
												LEIGHT			

SKODA

CITIGO 10/11 →

1.0	44	10/11 →	●		P85041MM [-]	19,7	ATE								
	55	10/11 →	●		P85041MM [-]	19,7	ATE								
1.0 CNG	50	11/12 →	●	PR:1ZQ	P85072MM [+]	19,7	ATE								
	50	11/12 →	●	PR:1LA	P85041MM [-]	19,7	ATE								

FABIA I (6Y2) 08/99 → 03/08

1.0	37	12/99 → 08/02	●	PR:9U0; PR:1LM	P85025MM [-]	17,2	VW / VAG									
	37	12/99 → 08/02	●	PR:1LM; PR:9U1	P85071MM [+]	17,2	VW / VAG									
1.2	40	08/02 → 03/08	●	PR:9U0; PR:1LM	P85025MM [-]	17,2	VW / VAG									
	40	08/02 → 03/08	●	PR:1LM; PR:9U1	P85071MM [+]	17,2	VW / VAG									
	47	01/03 → 03/08	●	PR:1LR; PR:9U0; PR:1LQ	P85041MM [-]	19,7	ATE									
1.4	47	01/03 → 03/08	●	PR:9U1; PR:1LQ	P85072MM [+]	19,7	ATE									
	50	08/99 → 05/03	●	PR:1LR; PR:9U0; PR:1LQ	P85041MM [-]	19,7	ATE									
	50	08/99 → 05/03	●	PR:1LQ; PR:9U1	P85072MM [+]	19,7	ATE									
	44	08/00 → 08/02	●	PR:1LQ; PR:9U0; PR:1LR	P85041MM [-]	19,7	ATE									
1.4 16V	44	08/00 → 08/02	●	PR:1LQ; PR:9U1	P85072MM [+]	19,7	ATE									
	74	12/99 → 03/08	●	PR:1LQ; PR:9U0; PR:1LR	P85041MM [-]	19,7	ATE									
	74	12/99 → 03/08	●	PR:1LQ; PR:9U1	P85072MM [+]	19,7	ATE									
	74	12/99 → 03/08	●	PR:1KK	P85020MM [-]	17,2	TRW						A02205			
	55	12/99 → 03/08	●	PR:1LR; PR:9U0; PR:1LQ	P85041MM [-]	19,7	ATE									
1.4 TDI	55	12/99 → 03/08	●	PR:9U1; PR:1LQ	P85072MM [+]	19,7	ATE									
	55	12/99 → 03/08	●	PR:1KK	P85020MM [-]	17,2	TRW						A02205			
	55	04/03 → 03/08	●	PR:1LQ; PR:9U0; PR:1LR	P85041MM [-]	19,7	ATE									
	55	04/03 → 03/08	●	PR:1LQ; PR:9U1	P85072MM [+]	19,7	ATE									
	55	04/03 → 03/08	●	PR:1KK	P85020MM [-]	17,2	TRW						A02205			
	55	04/03 → 03/08	●	PR:9U1	P85066MM [+]	17,2	TRW						A02205			
	51	10/05 → 03/08	●	PR:1LR; PR:9U0; PR:1LQ	P85041MM [-]	19,7	ATE									
	51	10/05 → 03/08	●	PR:1LQ; PR:9U1	P85072MM [+]	19,7	ATE									
	51	10/05 → 03/08	●	PR:1KK	P85020MM [-]	17,2	TRW							A02205		
	51	10/05 → 03/08	●	PR:9U1	P85066MM [+]	17,2	TRW							A02205		
1.9 SDI	59	10/05 → 03/08	●	PR:1LQ; PR:9U0; PR:1LR	P85041MM [-]	19,7	ATE									
	59	10/05 → 03/08	●	PR:1LQ; PR:9U1	P85072MM [+]	19,7	ATE									
	59	10/05 → 03/08	●	PR:1KK	P85020MM [-]	17,2	TRW						A02205			
	59	10/05 → 03/08	●	PR:9U1	P85066MM [+]	17,2	TRW						A02205			
1.9 TDI	47	12/99 → 03/08	●	PR:1LQ; PR:9U0; PR:1LR	P85041MM [-]	19,7	ATE									
	47	12/99 → 03/08	●	PR:1LQ; PR:9U1	P85072MM [+]	19,7	ATE									
1.9 TDI	74	01/00 → 03/08	●	PR:1LR; PR:9U0; PR:1LQ	P85041MM [-]	19,7	ATE									
	74	01/00 → 03/08	●	PR:9U1; PR:1LQ	P85072MM [+]	19,7	ATE									
1.9 TDI RS	74	01/00 → 03/08	●	PR:1KK	P85020MM [-]	17,2	TRW						A02205			
	96	06/03 → 03/08	●		P85057MM [-]	19	TRW									
2.0	96	06/03 → 03/08	●		P85020MM [-]	17,2	TRW						A02205			
	85	12/99 → 03/08	●	PR:1LQ; PR:9U0; PR:1LR	P85041MM [-]	19,7	ATE									
	85	12/99 → 03/08	●	PR:1LN	P85057MM [-]	19	TRW									
	85	12/99 → 03/08	●	PR:1LQ; PR:9U1	P85072MM [+]	19,7	ATE									
	85	12/99 → 03/08	●		P85020MM [-]	17,2	TRW						A02205			

FABIA I Combi (6Y5) 04/00 → 12/07

1.2	47	01/03 → 12/07	●	PR:1LM; PR:9U1	P85071MM [+]	17,2	VW / VAG								
	47	01/03 → 12/07	●	PR:9U0; PR:1LM	P85025MM [-]	17,2	VW / VAG								
	47	01/03 → 12/07	●	PR:1LQ; PR:1LR; PR:9U0	P85041MM [-]	19,7	ATE								

								WI			FK	
	kw				wi	Th [mm]	SYS		LENGHT			

SKODA

FABIA I Combi (6Y5) 04/00 → 12/07

1.2	47	01/03 → 12/07	●	PR:1LQ; PR:9U1	P85072MM	[+]	19,7	ATE				
	47	01/03 → 12/07	●	PR:1KK; +rear disc	P85020MM	[-]	17,2	TRW		A02205	PR:1KK; +rear disc	
	40	07/01 → 12/07	●	PR:1LQ; PR:9U1	P85072MM	[+]	19,7	ATE				
	40	07/01 → 12/07	●	PR:1LQ; PR:1LR; PR:9U0	P85041MM	[-]	19,7	ATE				
	40	07/01 → 12/07	●	PR:1LM; PR:9U0	P85025MM	[-]	17,2	VW / VAG				
	40	07/01 → 12/07	●	PR:9U1; PR:1LM	P85071MM	[+]	17,2	VW / VAG				
	40	07/01 → 12/07	●	PR:1KK; +rear disc	P85020MM	[-]	17,2	TRW		A02205	PR:1KK; +rear disc	
1.4	50	04/00 → 05/03	●	PR:1LR; PR:9U0; PR:1LQ	P85041MM	[-]	19,7	ATE				
	50	04/00 → 05/03	●	PR:1LQ; PR:9U1	P85072MM	[+]	19,7	ATE				
	50	04/00 → 05/03	●	PR:1KK; +rear disc	P85020MM	[-]	17,2	TRW		A02205	PR:1KK; +rear disc	
	44	04/00 → 03/03	●	PR:9U0; PR:1LR; PR:1LQ	P85041MM	[-]	19,7	ATE				
	44	04/00 → 03/03	●	PR:1LQ; PR:9U1	P85072MM	[+]	19,7	ATE				
1.4 16V	44	04/00 → 03/03	●	PR:1KK; +rear disc	P85020MM	[-]	17,2	TRW		A02205	PR:1KK; +rear disc	
	55	05/00 → 12/07	●	PR:9U0; PR:1LR; PR:1LQ	P85041MM	[-]	19,7	ATE				
	55	05/00 → 12/07	●	PR:1LQ; PR:9U1	P85072MM	[+]	19,7	ATE				
	55	05/00 → 12/07	●	PR:1KK	P85020MM	[-]	17,2	TRW		A02205		
	55	05/00 → 12/07	●	PR:9U1	P85066MM	[+]	17,2	TRW		A02205		
	74	04/00 → 12/07	●	PR:1LQ; PR:1LR; PR:9U0	P85041MM	[-]	19,7	ATE				
	74	04/00 → 12/07	●	PR:1LQ; PR:9U1	P85072MM	[+]	19,7	ATE				
	74	04/00 → 12/07	●	PR:1KK	P85020MM	[-]	17,2	TRW		A02205		
	74	04/00 → 12/07	●	PR:9U1	P85066MM	[+]	17,2	TRW		A02205		
	59	04/06 → 12/07	●	PR:9U0; PR:1LR; PR:1LQ	P85041MM	[-]	19,7	ATE				
1.4 TDI	59	04/06 → 12/07	●	PR:1LQ; PR:9U1	P85072MM	[+]	19,7	ATE				
	59	04/06 → 12/07	●	PR:1KK	P85020MM	[-]	17,2	TRW				
	59	04/06 → 12/07	●	PR:9U1	P85066MM	[+]	17,2	TRW				
	55	04/03 → 12/07	●	PR:1LR; PR:9U0; PR:1LQ	P85041MM	[-]	19,7	ATE				
	55	04/03 → 12/07	●	PR:1LQ; PR:9U1	P85072MM	[+]	19,7	ATE				
	55	04/03 → 12/07	●	PR:1KK	P85020MM	[-]	17,2	TRW		A02205		
	55	04/03 → 12/07	●	PR:9U1	P85066MM	[+]	17,2	TRW		A02205		
	51	10/05 → 12/07	●	PR:1LQ; PR:9U0; PR:1LR	P85041MM	[-]	19,7	ATE				
	51	10/05 → 12/07	●	PR:1LQ; PR:9U1	P85072MM	[+]	19,7	ATE				
	51	10/05 → 12/07	●	PR:1KK	P85020MM	[-]	17,2	TRW		A02205		
1.9 SDI	51	10/05 → 12/07	●	PR:9U1	P85066MM	[+]	17,2	TRW		A02205		
	59	10/05 → 12/07	●	PR:9U0; PR:1LR; PR:1LQ	P85041MM	[-]	19,7	ATE				
	59	10/05 → 12/07	●	PR:1LQ; PR:9U1	P85072MM	[+]	19,7	ATE				
	59	10/05 → 12/07	●	PR:1KK	P85020MM	[-]	17,2	TRW		A02205		
	59	10/05 → 12/07	●	PR:9U1	P85066MM	[+]	17,2	TRW		A02205		
	47	04/00 → 12/07	●	PR:1LQ; PR:9U0; PR:1LR	P85041MM	[-]	19,7	ATE				
	47	04/00 → 12/07	●	PR:1LQ; PR:9U1	P85072MM	[+]	19,7	ATE				
1.9 TDI	47	04/00 → 12/07	●	PR:1KK; +rear disc	P85020MM	[-]	17,2	TRW		A02205	PR:1KK; +rear disc	
	74	04/00 → 12/07	●	PR:9U0; PR:1LR; PR:1LQ	P85041MM	[-]	19,7	ATE				
	74	04/00 → 12/07	●	PR:1LQ; PR:9U1	P85072MM	[+]	19,7	ATE				
	74	04/00 → 12/07	●	PR:1KK	P85020MM	[-]	17,2	TRW		A02205		
2.0	74	04/00 → 12/07	●	PR:9U1	P85066MM	[+]	17,2	TRW		A02205		
	85	04/00 → 12/07	●	PR:1LQ; PR:9U1	P85072MM	[+]	19,7	ATE				
	85	04/00 → 12/07	●	PR:1LQ; PR:1LR; PR:9U0	P85041MM	[-]	19,7	ATE				
	85	04/00 → 12/07	●	PR:1LN	P85057MM	[-]	19	TRW				
	85	04/00 → 12/07	●	PR:1LN; PR:1ZH; PR:9U1	P85077MM	[+]	19	TRW				
	85	04/00 → 12/07	●	PR:1KK	P85020MM	[-]	17,2	TRW		A02205		
	85	04/00 → 12/07	●	PR:9U1	P85066MM	[+]	17,2	TRW		A02205		

		kw						wi	Th [mm]	SYS	WI			FK	
												LEIGHT			

SKODA

FABIA I Praktik (6Y5) 07/01 → 12/07

1.2	47	01/03 → 12/07	●	PR:1LM; PR:9U1	P85071MM	[+]	17,2	VW / VAG						
	47	01/03 → 12/07	●	PR:9U0; PR:1LM	P85025MM	[-]	17,2	VW / VAG						
	47	01/03 → 12/07	●	PR:1LQ; PR:1LR; PR:9U0	P85041MM	[-]	19,7	ATE						
	47	01/03 → 12/07	●	PR:1LQ; PR:9U1	P85072MM	[+]	19,7	ATE						
	47	01/03 → 12/07	●	PR:1KK; +rear disc	P85020MM	[-]	17,2	TRW				A02205	PR:1KK; +rear disc	
	40	07/01 → 12/07	●	PR:1LQ; PR:9U1	P85072MM	[+]	19,7	ATE						
	40	07/01 → 12/07	●	PR:9U0; PR:1LR; PR:1LQ	P85041MM	[-]	19,7	ATE						
	40	07/01 → 12/07	●	PR:9U0; PR:1LM	P85025MM	[-]	17,2	VW / VAG						
	40	07/01 → 12/07	●	PR:1LM; PR:9U1	P85071MM	[+]	17,2	VW / VAG						
1.4	40	07/01 → 12/07	●	PR:1KK; +rear disc	P85020MM	[-]	17,2	TRW				A02205	PR:1KK; +rear disc	
	50	07/01 → 05/03	●	PR:1LQ; PR:1LR; PR:9U0	P85041MM	[-]	19,7	ATE						
	50	07/01 → 05/03	●	PR:1LQ; PR:9U1	P85072MM	[+]	19,7	ATE						
1.4 TDI	50	07/01 → 05/03	●	PR:1KK; +rear disc	P85020MM	[-]	17,2	TRW				A02205	PR:1KK; +rear disc	
	51	10/05 → 12/07	●	PR:1LQ; PR:1LR; PR:9U0	P85041MM	[-]	19,7	ATE						
	51	10/05 → 12/07	●	PR:1LQ; PR:9U1	P85072MM	[+]	19,7	ATE						
1.4 TDI	51	10/05 → 12/07	●	PR:1KK	P85020MM	[-]	17,2	TRW				A02205		
	51	10/05 → 12/07	●	PR:9U1	P85066MM	[+]	17,2	TRW				A02205		
	51	10/05 → 12/07	●	PR:9U1	P85066MM	[+]	17,2	TRW				A02205		
1.9 SDI	47	07/01 → 12/07	●	PR:1LR; PR:9U0; PR:1LQ	P85041MM	[-]	19,7	ATE						
	47	07/01 → 12/07	●	PR:1LQ; PR:9U1	P85072MM	[+]	19,7	ATE						
	47	07/01 → 12/07	●	PR:1KK; +rear disc	P85020MM	[-]	17,2	TRW				A02205	PR:1KK; +rear disc	

FABIA I Saloon (6Y3) 10/99 → 12/07

1.2	47	01/03 → 12/07	●	PR:1LQ; PR:1LR; PR:9U0	P85041MM	[-]	19,7	ATE					
	47	01/03 → 12/07	●	PR:1LQ; PR:9U1	P85072MM	[+]	19,7	ATE					
	40	07/01 → 12/07	●	PR:1LQ; PR:9U0; PR:1LR	P85025MM	[-]	17,2	VW / VAG					
	40	07/01 → 12/07	●	PR:9U1; PR:1LM	P85071MM	[+]	17,2	VW / VAG					
1.4	50	07/01 → 05/03	●	PR:1LQ; PR:1LR; PR:9U0	P85041MM	[-]	19,7	ATE					
	50	07/01 → 05/03	●	PR:9U1; PR:1LQ	P85072MM	[+]	19,7	ATE					
	44	04/00 → 08/02	●	PR:1LQ; PR:1LR; PR:9U0	P85041MM	[-]	19,7	ATE					
	44	04/00 → 08/02	●	PR:1LQ; PR:9U1	P85072MM	[+]	19,7	ATE					
1.4 16V	55	10/99 → 12/07	●	PR:1LQ; PR:1LR; PR:9U0	P85041MM	[-]	19,7	ATE					
	55	10/99 → 12/07	●	PR:1LQ; PR:9U1	P85072MM	[+]	19,7	ATE					
	55	10/99 → 12/07	●	PR:1KK	P85020MM	[-]	17,2	TRW				A02205	
	55	10/99 → 12/07	●	PR:9U1	P85066MM	[+]	17,2	TRW				A02205	
	74	12/99 → 12/07	●	PR:9U0; PR:1LR; PR:1LQ	P85041MM	[-]	19,7	ATE					
	74	12/99 → 12/07	●	PR:1LQ; PR:9U1	P85072MM	[+]	19,7	ATE					
	74	12/99 → 12/07	●	PR:1KK	P85020MM	[-]	17,2	TRW				A02205	
	74	12/99 → 12/07	●	PR:9U1	P85066MM	[+]	17,2	TRW				A02205	
	59	04/06 → 12/07	●	PR:1LR; PR:9U0; PR:1LQ	P85041MM	[-]	19,7	ATE					
	59	04/06 → 12/07	●	PR:1LQ; PR:9U1	P85072MM	[+]	19,7	ATE					
	59	04/06 → 12/07	●	PR:1KK	P85020MM	[-]	17,2	TRW					
	59	04/06 → 12/07	●	PR:9U1	P85066MM	[+]	17,2	TRW					
1.4 TDI	55	04/03 → 12/07	●	PR:1LR; PR:9U0; PR:1LQ	P85041MM	[-]	19,7	ATE					
	55	04/03 → 12/07	●	PR:9U1; PR:1LQ	P85072MM	[+]	19,7	ATE					
	55	04/03 → 12/07	●	PR:1KK	P85020MM	[-]	17,2	TRW				A02205	
	55	04/03 → 12/07	●	PR:9U1	P85066MM	[+]	17,2	TRW				A02205	
	51	10/05 → 12/07	●	PR:9U0; PR:1LR; PR:1LQ	P85041MM	[-]	19,7	ATE					
	51	10/05 → 12/07	●	PR:9U1; PR:1LQ	P85072MM	[+]	19,7	ATE					
	51	10/05 → 12/07	●	PR:1KK	P85020MM	[-]	17,2	TRW				A02205	

									WI			FK	

SKODA

FABIA I Saloon (6Y3) 10/99 → 12/07

1.4 TDI	51	10/05 → 12/07	●	PR:9U1	P85066MM	[+]	17,2	TRW					A02205
	59	10/05 → 12/07	●	PR:1LQ; PR:1LR; PR:9U0	P85041MM	[-]	19,7	ATE					
	59	10/05 → 12/07	●	PR:1LQ; PR:9U1	P85072MM	[+]	19,7	ATE					
	59	10/05 → 12/07	●	PR:1KK	P85020MM	[-]	17,2	TRW					A02205
	59	10/05 → 12/07	●	PR:9U1	P85066MM	[+]	17,2	TRW					A02205
1.9 SDI	47	11/99 → 12/07	●	PR:9U0; PR:1LR; PR:1LQ	P85041MM	[-]	19,7	ATE					
	47	11/99 → 12/07	●	PR:1LQ; PR:9U1	P85072MM	[+]	19,7	ATE					
1.9 TDI	74	01/00 → 12/07	●	PR:9U0; PR:1LR; PR:1LQ	P85041MM	[-]	19,7	ATE					
	74	01/00 → 12/07	●	PR:1LQ; PR:9U1	P85072MM	[+]	19,7	ATE					
	74	01/00 → 12/07	●	PR:1KK	P85020MM	[-]	17,2	TRW					A02205
2.0	74	01/00 → 12/07	●	PR:9U1	P85066MM	[+]	17,2	TRW					A02205
	85	12/99 → 12/07	●	PR:1LQ; PR:1LR; PR:9U0	P85041MM	[-]	19,7	ATE					
	85	12/99 → 12/07	●	PR:1LQ; PR:9U1	P85072MM	[+]	19,7	ATE					
	85	12/99 → 12/07	●	PR:1KK	P85020MM	[-]	17,2	TRW					A02205
	85	12/99 → 12/07	●	PR:9U1	P85066MM	[+]	17,2	TRW					A02205

FABIA II (542) 12/06 → 12/14

1.2	44	12/06 → 12/14	●	PR:1LB+9U0; PR:1LM+9U0	P85025MM	[-]	17,2	VW / VAG					
	44	12/06 → 12/14	●	PR:1LM+9U1; PR:1LB+9U1	P85071MM	[+]	17,2	VW / VAG					
	44	12/06 → 12/14	●	PR:1LQ+9U0; PR:1LR+9U0; PR:1ZG	P85041MM	[-]	19,7	ATE					
	44	12/06 → 12/14	●	PR:1LQ+9U1; PR:1LR+9U1	P85072MM	[+]	19,7	ATE					
	44	12/06 → 12/14	●	PR:1KT; PR:2EJ; PR:1KK	P85020MM	[-]	17,2	TRW					
	51	01/07 → 12/14	●	PR:1LM+9U0; PR:1LB+9U0	P85025MM	[-]	17,2	VW / VAG					
	51	01/07 → 12/14	●	PR:1LB+9U1; PR:1LM+9U1	P85071MM	[+]	17,2	VW / VAG					
	51	01/07 → 12/14	●	PR:1LR+9U0; PR:1ZG; PR:1LQ+9U0	P85041MM	[-]	19,7	ATE					
	51	01/07 → 12/14	●	PR:1LQ+9U1; PR:1LR+9U1	P85072MM	[+]	19,7	ATE					
1.2 12V	51	01/07 → 12/14	●	PR:1KT; PR:2EJ; PR:1KK	P85020MM	[-]	17,2	TRW					
	44	11/11 → 12/14	●	07/08 →	P85121MM	[-]	18	TRW					
	44	11/11 → 12/14	●		P85041MM	[-]	19,7	ATE					
1.2 TDI	55	05/10 → 12/14	●	PR:1LQ+9U0; PR:1LR+9U0; PR:1ZG	P85041MM	[-]	19,7	ATE					
	55	05/10 → 12/14	●	PR:1ZC; PR:1ZD	P85075MM	[+]	20,3	ATE					
	55	05/10 → 12/14	●	PR:1KT; PR:2EJ; PR:1KK	P85020MM	[-]	17,2	TRW					
1.2 TSI	77	03/10 → 12/14	●	PR:1ZC; PR:1ZD	P85075MM	[+]	20,3	ATE					
	77	03/10 → 12/14	●	PR:1LR+9U0; PR:1ZG; PR:1LQ+9U0	P85041MM	[-]	19,7	ATE					
	77	03/10 → 12/14	●	PR:1KK; PR:2EJ; PR:1KT	P85020MM	[-]	17,2	TRW					
	63	03/10 → 12/14	●	PR:1LQ+9U0; PR:1LR+9U0; PR:1ZG	P85041MM	[-]	19,7	ATE					
	63	03/10 → 12/14	●	PR:1LR+9U1; PR:1LQ+9U1	P85072MM	[+]	19,7	ATE					
	63	03/10 → 12/14	●	PR:1LN+9U0	P85057MM	[-]	19	TRW					
	63	03/10 → 12/14	●	PR:1LN+9U1	P85077MM	[+]	19	TRW					
	63	03/10 → 12/14	●	PR:1KK; PR:1KT; PR:2EJ	P85020MM	[-]	17,2	TRW					
1.4	63	01/07 → 12/14	●	PR:1LQ+9U0; PR:1ZG; PR:1LR+9U0	P85041MM	[-]	19,7	ATE					
	63	01/07 → 12/14	●	PR:1LQ+9U1; PR:1LR+9U1	P85072MM	[+]	19,7	ATE					
	63	01/07 → 12/14	●	PR:1LN+9U0	P85057MM	[-]	19	TRW					
	63	01/07 → 12/14	●	PR:1LN+9U1	P85077MM	[+]	19	TRW					
	63	01/07 → 12/14	●	PR:1KT; PR:2EJ; PR:1KK	P85020MM	[-]	17,2	TRW					

		kw						wi	Th [mm]	SYS	WI			FK	
												LEIGHT			

SKODA

FABIA II (542) 12/06 → 12/14

1.4 TDI	51	02/07 → 03/10	●	PR:1LB+9U0; PR:1LM+9U0	P85025MM [-]	17,2	VW / VAG								
	51	02/07 → 03/10	●	PR:1LM+9U1; PR:1LB+9U1	P85071MM [+]	17,2	VW / VAG								
	51	02/07 → 03/10	●	PR:1LQ+9U0; PR:1LR+9U0; PR:1ZG	P85041MM [-]	19,7	ATE								
	51	02/07 → 03/10	●	PR:1LQ+9U1; PR:1LR+9U1	P85072MM [+]	19,7	ATE								
	51	02/07 → 03/10	●	PR:1KT; PR:2EJ; PR:1KK	P85020MM [-]	17,2	TRW								
	59	01/07 → 03/10	●	PR:1ZG; PR:1LR+9U0; PR:1LQ+9U0	P85041MM [-]	19,7	ATE								
	59	01/07 → 03/10	●	PR:1LQ+9U1; PR:1LR+9U1	P85072MM [+]	19,7	ATE								
	59	01/07 → 03/10	●	PR:1LN+9U0	P85057MM [-]	19	TRW								
	59	01/07 → 03/10	●	PR:1LN+9U1	P85077MM [+]	19	TRW								
1.4 TSI RS	132	05/10 → 12/14	●	PR:1KT; PR:2EJ; PR:1KK	P85020MM [-]	17,2	TRW								
	132	05/10 → 12/14	●	PR:1ZD; PR:1ZC	P85075MM [+]	20,3	ATE								
1.6	77	04/07 → 12/14	●	PR:1LR+9U0; PR:1ZG; PR:1LQ+9U0	P85041MM [-]	19,7	ATE								
	77	04/07 → 12/14	●	PR:1LQ+9U1; PR:1LR+9U1	P85072MM [+]	19,7	ATE								
	77	04/07 → 12/14	●	PR:1LN+9U0	P85057MM [-]	19	TRW								
	77	04/07 → 12/14	●	PR:1LN+9U1	P85077MM [+]	19	TRW								
	77	04/07 → 12/14	●	PR:1KT; PR:2EJ; PR:1KK	P85020MM [-]	17,2	TRW								
1.6 TDI	66	03/10 → 12/14	●	PR:1ZG; PR:1LR+9U0; PR:1LQ+9U0	P85041MM [-]	19,7	ATE								
	66	03/10 → 12/14	●	PR:1LR+9U1; PR:1LQ+9U1	P85072MM [+]	19,7	ATE								
	66	03/10 → 12/14	●	PR:1LN+9U0	P85057MM [-]	19	TRW								
	66	03/10 → 12/14	●	PR:1LN+9U1	P85077MM [+]	19	TRW								
	66	03/10 → 12/14	●	PR:1KK; PR:1KT; PR:2EJ	P85020MM [-]	17,2	TRW								
	77	03/10 → 12/14	●	PR:1ZC	P85075MM [+]	20,3	ATE								
	77	03/10 → 12/14	●	PR:1LQ+9U0; PR:1LR+9U0; PR:1ZG	P85041MM [-]	19,7	ATE								
	77	03/10 → 12/14	●	PR:1LR+9U1; PR:1LQ+9U1	P85072MM [+]	19,7	ATE								
	77	03/10 → 12/14	●	PR:1LN+9U0	P85057MM [-]	19	TRW								
	77	03/10 → 12/14	●	PR:1LN+9U1	P85077MM [+]	19	TRW								
1.9 TDI	77	04/07 → 03/10	●	PR:1LQ+9U0; PR:1LR+9U0; PR:1ZG	P85041MM [-]	19,7	ATE								
	77	04/07 → 03/10	●	PR:1LQ+9U1; PR:1LR+9U1	P85072MM [+]	19,7	ATE								
	77	04/07 → 03/10	●	PR:1LN+9U0	P85057MM [-]	19	TRW								
	77	04/07 → 03/10	●	PR:1LN+9U1	P85077MM [+]	19	TRW								
	77	04/07 → 03/10	●	PR:1KT; PR:2EJ; PR:1KK	P85020MM [-]	17,2	TRW								

FABIA II Combi (545) 10/07 → 12/14

1.2	51	10/07 → 12/14	●	PR:1LB+9U0; PR:1LM+9U0	P85025MM [-]	17,2	VW / VAG								
	51	10/07 → 12/14	●	PR:1LM+9U1; PR:1LB+9U1	P85071MM [+]	17,2	VW / VAG								
	51	10/07 → 12/14	●	PR:1LQ; PR:1LR	P85041MM [-]	19,7	ATE								
	51	10/07 → 12/14	●	PR:1LQ; PR:1LR	P85072MM [+]	19,7	ATE								
	51	10/07 → 12/14	●	PR:1KV; PR:1KT	P85020MM [-]	17,2	TRW								
	44	10/07 → 11/14	●	PR:1LM+9U0; PR:1LB+9U0	P85025MM [-]	17,2	VW / VAG								
	44	10/07 → 11/14	●	PR:1LB+9U1; PR:1LM+9U1	P85071MM [+]	17,2	VW / VAG								

									WI			FK	
										LENGHT			

SKODA

FABIA II Combi (545) 10/07 → 12/14

1.2	44	10/07 → 11/14	●	PR:1LR; PR:1LQ	P85041MM	[-]	19,7	ATE					
	44	10/07 → 11/14	●	PR:1LQ; PR:1LR	P85072MM	[+]	19,7	ATE					
	44	10/07 → 11/14	●	PR:1KV; PR:1KT	P85020MM	[-]	17,2	TRW					
1.2 12V	44	11/11 → 12/14	●	PR:1ZE; 07/08 →	P85121MM	[-]	18	TRW					
	44	11/11 → 12/14	●	PR:1LR; PR:1LQ	P85041MM	[-]	19,7	ATE					
1.2 TDI	55	05/10 → 12/14	●	PR:1LR; PR:1LQ	P85041MM	[-]	19,7	ATE					
	55	05/10 → 12/14	●	PR:1LQ; PR:1LR	P85072MM	[+]	19,7	ATE					
	55	05/10 → 12/14	●	PR:1ZC	P85075MM	[+]	20,3	ATE					
	55	05/10 → 12/14	●	PR:1KV; PR:1KT	P85020MM	[-]	17,2	TRW					
1.2 TSI	77	03/10 → 12/14	●	PR:1LQ; PR:1LR	P85041MM	[-]	19,7	ATE					
	77	03/10 → 12/14	●	PR:1LQ; PR:1LR	P85072MM	[+]	19,7	ATE					
	77	03/10 → 12/14	●	PR:1ZC	P85075MM	[+]	20,3	ATE					
	77	03/10 → 12/14	●	PR:1KV; PR:1KT	P85020MM	[-]	17,2	TRW					
	63	03/10 → 12/14	●	PR:1LR; PR:1LQ	P85041MM	[-]	19,7	ATE					
	63	03/10 → 12/14	●	PR:1LQ; PR:1LR	P85072MM	[+]	19,7	ATE					
	63	03/10 → 12/14	●	PR:1ZC	P85075MM	[+]	20,3	ATE					
1.4	63	10/07 → 12/14	●	PR:1LR; PR:1LQ	P85041MM	[-]	19,7	ATE					
	63	10/07 → 12/14	●	PR:1LQ; PR:1LR	P85072MM	[+]	19,7	ATE					
	63	10/07 → 12/14	●	PR:1ZC	P85075MM	[+]	20,3	ATE					
	63	10/07 → 12/14	●	PR:1KV; PR:1KT	P85020MM	[-]	17,2	TRW					
1.4 TDI	51	10/07 → 03/10	●	PR:1LM+9U0; PR:1LB+9U0	P85025MM	[-]	17,2	VW / VAG					
	51	10/07 → 03/10	●	PR:1LB+9U1; PR:1LM+9U1	P85071MM	[+]	17,2	VW / VAG					
	51	10/07 → 03/10	●	PR:1LR; PR:1LQ	P85041MM	[-]	19,7	ATE					
	51	10/07 → 03/10	●	PR:1LQ; PR:1LR	P85072MM	[+]	19,7	ATE					
	51	10/07 → 03/10	●	PR:1KV; PR:1KT	P85020MM	[-]	17,2	TRW					
	59	10/07 → 03/10	●	PR:1LQ; PR:1LR	P85041MM	[-]	19,7	ATE					
	59	10/07 → 03/10	●	PR:1LQ; PR:1LR	P85072MM	[+]	19,7	ATE					
	59	10/07 → 03/10	●	PR:1ZC	P85075MM	[+]	20,3	ATE					
1.4 TSI RS	132	05/10 → 12/14	●	PR:1ZC	P85075MM	[+]	20,3	ATE					
	132	05/10 → 12/14	●	PR:1KV; PR:1KT	P85020MM	[-]	17,2	TRW					
1.6	77	10/07 → 12/14	●	PR:1LQ; PR:1LR	P85041MM	[-]	19,7	ATE					
	77	10/07 → 12/14	●	PR:1LQ; PR:1LR	P85072MM	[+]	19,7	ATE					
	77	10/07 → 12/14	●	PR:1ZC	P85075MM	[+]	20,3	ATE					
	77	10/07 → 12/14	●	PR:1KV; PR:1KT	P85020MM	[-]	17,2	TRW					
1.6 TDI	66	03/10 → 12/14	●	PR:1LQ; PR:1LR	P85041MM	[-]	19,7	ATE					
	66	03/10 → 12/14	●	PR:1LR; PR:1LQ	P85072MM	[+]	19,7	ATE					
	66	03/10 → 12/14	●	PR:1ZC	P85075MM	[+]	20,3	ATE					
	66	03/10 → 12/14	●	PR:1KT; PR:1KV	P85020MM	[-]	17,2	TRW					
	77	03/10 → 12/14	●	PR:1LR; PR:1LQ	P85041MM	[-]	19,7	ATE					
	77	03/10 → 12/14	●	PR:1LR; PR:1LQ	P85072MM	[+]	19,7	ATE					
	77	03/10 → 12/14	●	PR:1ZC	P85075MM	[+]	20,3	ATE					
	77	03/10 → 12/14	●	PR:1KT; PR:1KV	P85020MM	[-]	17,2	TRW					
	55	04/10 → 12/14	●	PR:1LQ; PR:1LR	P85041MM	[-]	19,7	ATE					
	55	04/10 → 12/14	●	PR:1LR; PR:1LQ	P85072MM	[+]	19,7	ATE					
	55	04/10 → 12/14	●	PR:1ZC	P85075MM	[+]	20,3	ATE					
1.9 TDI	77	10/07 → 03/10	●	PR:1KT; PR:1KV	P85020MM	[-]	17,2	TRW					
	77	10/07 → 03/10	●	PR:1LQ; PR:1LR	P85072MM	[+]	19,7	ATE					
	77	10/07 → 03/10	●	PR:1LN+9U0	P85057MM	[-]	19	TRW					
	77	10/07 → 03/10	●	PR:1LN+9U1	P85077MM	[+]	19	TRW					
	77	10/07 → 03/10	●	PR:1KV; PR:1KT	P85020MM	[-]	17,2	TRW					

Car Model	kW	Icon 1	Icon 2	Icon 3	MAGNETI MARELLI	wi	Th [mm]	SYS	WI			FK	
									MAGNETI MARELLI	LENGHT	<i>i</i>	MAGNETI MARELLI	<i>i</i>

SKODA

FABIA III Estate (NJ5) 10/14 →

1.4 TDI	77	10/14 →	●	PR:1KT; PR:1KV	P85020MM	[-]	17,2	TRW					
	55	05/15 →	●	PR:1ZG	P85041MM	[-]	19,7	ATE					
	55	05/15 →	●	PR:1ZC	P85075MM	[+]	20,3	ATE					
	55	05/15 →	●	PR:1KT; PR:1KK	P85020MM	[-]	17,2	TRW					
1.6	81	01/15 →	●	PR:1ZG	P85041MM	[-]	19,7	ATE					
	81	01/15 →	●	PR:1ZC	P85075MM	[+]	20,3	ATE					
	81	01/15 →	●	PR:1KK; PR:1KT	P85020MM	[-]	17,2	TRW					

FELICIA I Pickup (6UF, 6U7) 10/95 → 04/02

1.3	50	06/97 → 04/02	●		P85022MM	[-]	17,8	GIR					
	40	06/97 → 04/02	●		P85022MM	[-]	17,8	GIR					
1.6	55	06/97 → 04/02	●		P85022MM	[-]	17,8	GIR					
1.9 D	47	06/97 → 04/02	●		P85022MM	[-]	17,8	GIR					

FELICIA II (6U1) 01/98 → 06/01

1.3	40	01/98 → 06/01	●		P85022MM	[-]	17,8	GIR					
	50	01/98 → 06/01	●		P85022MM	[-]	17,8	GIR					
	43	01/98 → 06/01	●		P85022MM	[-]	17,8	GIR					
1.6	55	01/98 → 06/01	●		P85022MM	[-]	17,8	GIR					
1.9 D	47	01/98 → 06/01	●		P85022MM	[-]	17,8	GIR					

FELICIA II Estate (6U5) 01/98 → 06/01

1.3	50	01/98 → 06/01	●		P85022MM	[-]	17,8	GIR					
1.6	55	01/98 → 06/01	●		P85022MM	[-]	17,8	GIR					
1.9 D	47	01/98 → 06/01	●		P85022MM	[-]	17,8	GIR					

KODIAQ (NS7) 10/16 →

1.4 TSI	92	10/16 →	●	PR:1LA; PR:1LW	P85144MM	[+]	20	TRW	A00492	170	PR:1ZA; PR:1LW; PR:1LA		
	92	10/16 →	●	PR:1KU	P85124MM	[-]	16,4	ATE					
	110	10/16 →	●	PR:1LW; PR:1LA	P85144MM	[+]	20	TRW	A00492	170	PR:1ZA; PR:1LW; PR:1LA		
	110	10/16 →	●	PR:1KU	P85124MM	[-]	16,4	ATE					
1.4 TSI 4x4	110	10/16 →	●	PR:1LW; PR:1LA	P85144MM	[+]	20	TRW	A00492	170	PR:1ZA; PR:1LW; PR:1LA		
	110	10/16 →	●	PR:1KU	P85124MM	[-]	16,4	ATE					
2.0 TDI	110	10/16 →	●	PR:1LA; PR:1LW	P85144MM	[+]	20	TRW	A00492	170	PR:1ZA; PR:1LW; PR:1LA		
	110	10/16 →	●	PR:1KU	P85124MM	[-]	16,4	ATE					
2.0 TDI 4x4	110	10/16 →	●	PR:1LW; PR:1LA	P85144MM	[+]	20	TRW	A00492	170	PR:1ZA; PR:1LW; PR:1LA		
	110	10/16 →	●	PR:1KU	P85124MM	[-]	16,4	ATE					
	140	10/16 →	●	PR:1LA; PR:1LW	P85144MM	[+]	20	TRW	A00492	170	PR:1ZA; PR:1LW; PR:1LA		
2.0 TSI 4x4	140	10/16 →	●	PR:1KU	P85124MM	[-]	16,4	ATE					
	132	10/16 →	●	PR:1LA; PR:1LW	P85144MM	[+]	20	TRW	A00492	170	PR:1ZA; PR:1LW; PR:1LA		
	132	10/16 →	●	PR:1KU	P85124MM	[-]	16,4	ATE					

OCTAVIA I (1U2) 09/96 → 12/10

1.4	44	04/99 → 03/01	●		P85041MM	[-]	19,7	ATE					
	44	04/99 → 03/01	●		P85072MM	[+]	19,7	ATE					
1.4 16V	55	09/00 → 12/10	●		P85041MM	[-]	19,7	ATE					
	55	09/00 → 12/10	●		P85072MM	[+]	19,7	ATE					
	55	09/00 → 12/10	●		P85020MM	[-]	17,2	TRW				A02205	
1.6	55	09/96 → 09/04	●		P85041MM	[-]	19,7	ATE					
	55	09/96 → 09/04	●		P85072MM	[+]	19,7	ATE					
	55	09/96 → 09/04	●		P85020MM	[-]	17,2	TRW				A02205	
	74	02/97 → 12/07	●		P85041MM	[-]	19,7	ATE					
	74	02/97 → 12/07	●		P85072MM	[+]	19,7	ATE					
	74	02/97 → 12/07	●		P85020MM	[-]	17,2	TRW				A02205	
	75	11/00 → 12/10	●		P85041MM	[-]	19,7	ATE					
	75	11/00 → 12/10	●		P85072MM	[+]	19,7	ATE					
	75	11/00 → 12/10	●		P85020MM	[-]	17,2	TRW				A02205	

--	--	--	--	--	--	--	--	--	--	--	--	--	--	--	--

SKODA

OCTAVIA I (1U2) 09/96 → 12/10

1.8	92	09/96 → 07/00	●				P85041MM [-]	19,7	ATE						
	92	09/96 → 07/00	●				P85072MM [+]	19,7	ATE						
	92	09/96 → 07/00	●				P85020MM [-]	17,2	TRW				A02205		
1.8 T	110	08/97 → 12/10	●				P85035MM [-]	20,6	ATE					A02217	
	110	08/97 → 12/10	●				P85045MM [+]	20,6	ATE					A02217	
	110	08/97 → 12/10	●				P85020MM [-]	17,2	TRW				A02205		
1.8 T 4x4	110	05/01 → 05/06	●				P85035MM [-]	20,6	ATE					A02217	
	110	05/01 → 05/06	●				P85045MM [+]	20,6	ATE					A02217	
	110	05/01 → 05/06	●				P85020MM [-]	17,2	TRW				A02205		
1.9 SDI	50	06/97 → 12/03	●				P85041MM [-]	19,7	ATE						
	50	06/97 → 12/03	●				P85072MM [+]	19,7	ATE						
1.9 TDI	66	09/96 → 03/10	●				P85041MM [-]	19,7	ATE						
	66	09/96 → 03/10	●				P85072MM [+]	19,7	ATE						
	66	09/96 → 03/10	●				P85020MM [-]	17,2	TRW				A02205		
	81	08/97 → 01/06	●				P85041MM [-]	19,7	ATE						
	81	08/97 → 01/06	●				P85072MM [+]	19,7	ATE						
	81	08/97 → 01/06	●				P85020MM [-]	17,2	TRW				A02205		
	96	09/02 → 09/04	●			PR:1LS; PR:1ZM	P85041MM [-]	19,7	ATE					A02217	
	96	09/02 → 09/04	●			PR:1LS; PR:1ZM	P85072MM [+]	19,7	ATE					A02217	
	96	09/02 → 09/04	●			PR:1ZE; PR:1LE	P85035MM [-]	20,6	ATE					A02217	
	96	09/02 → 09/04	●			PR:1ZE; PR:1LE	P85045MM [+]	20,6	ATE					A02217	
	96	09/02 → 09/04	●			PR:1KP	P85020MM [-]	17,2	TRW				A02205		
	74	10/05 → 12/10	●				P85041MM [-]	19,7	ATE						
	74	10/05 → 12/10	●				P85072MM [+]	19,7	ATE						
74	10/05 → 12/10	●				P85020MM [-]	17,2	TRW							
2.0	85	04/99 → 05/07	●				P85041MM [-]	19,7	ATE						
	85	04/99 → 05/07	●				P85072MM [+]	19,7	ATE						
	85	04/99 → 05/07	●				P85020MM [-]	17,2	TRW				A02205		
RS 1.8 T	132	05/01 → 01/06	●				P85045MM [+]	20,6	ATE					A02217	
	132	05/01 → 01/06	●				P85020MM [-]	17,2	TRW						

OCTAVIA I Combi (1U5) 07/98 → 12/10

1.4 16V	55	08/00 → 12/10	●				P85041MM [-]	19,7	ATE						
	55	08/00 → 12/10	●				P85072MM [+]	19,7	ATE						
1.6	74	07/98 → 12/07	●				P85041MM [-]	19,7	ATE						
	74	07/98 → 12/07	●				P85072MM [+]	19,7	ATE						
	74	07/98 → 12/07	●				P85020MM [-]	17,2	TRW				A02205		
	55	07/98 → 09/04	●				P85041MM [-]	19,7	ATE						
	55	07/98 → 09/04	●				P85072MM [+]	19,7	ATE						
	55	07/98 → 09/04	●				P85020MM [-]	17,2	TRW				A02205		
	75	09/00 → 12/10	●				P85041MM [-]	19,7	ATE						
1.8 20V	92	07/98 → 07/00	●				P85041MM [-]	19,7	ATE						
	92	07/98 → 07/00	●				P85072MM [+]	19,7	ATE						
	92	07/98 → 07/00	●				P85020MM [-]	17,2	TRW				A02205		
1.8 T	110	07/98 → 12/10	●				P85035MM [-]	20,6	ATE					A02217	
	110	07/98 → 12/10	●				P85045MM [+]	20,6	ATE					A02217	
	110	07/98 → 12/10	●				P85020MM [-]	17,2	TRW				A02205		
1.8 T 4x4	110	05/01 → 05/06	●				P85035MM [-]	20,6	ATE					A02217	
	110	05/01 → 05/06	●				P85045MM [+]	20,6	ATE					A02217	
	110	05/01 → 05/06	●				P85020MM [-]	17,2	TRW				A02205		
1.9 SDI	50	07/98 → 12/03	●				P85041MM [-]	19,7	ATE						
	50	07/98 → 12/03	●				P85072MM [+]	19,7	ATE						

									WI			FK	

SKODA

OCTAVIA I Combi (1U5) 07/98 → 12/10

1.9 TDI	66	07/98 → 03/10	●		P85041MM	[-]	19,7	ATE					
	66	07/98 → 03/10	●		P85072MM	[+]	19,7	ATE					
	66	07/98 → 03/10	●		P85020MM	[-]	17,2	TRW				A02205	
	81	07/98 → 01/06	●		P85041MM	[-]	19,7	ATE					
	81	07/98 → 01/06	●		P85072MM	[+]	19,7	ATE					
	81	07/98 → 01/06	●		P85020MM	[-]	17,2	TRW				A02205	
	96	09/02 → 09/04	●	PR:1LS; PR:1ZM	P85041MM	[-]	19,7	ATE				A02217	
	96	09/02 → 09/04	●	PR:1LS; PR:1ZM	P85072MM	[+]	19,7	ATE				A02217	
	96	09/02 → 09/04	●	PR:1ZE; PR:1LE	P85035MM	[-]	20,6	ATE				A02217	
	96	09/02 → 09/04	●	PR:1ZE; PR:1LE	P85045MM	[+]	20,6	ATE				A02217	
	96	09/02 → 09/04	●	PR:1KP	P85020MM	[-]	17,2	TRW				A02205	
	74	08/00 → 12/10	●		P85041MM	[-]	19,7	ATE					
	74	08/00 → 12/10	●		P85072MM	[+]	19,7	ATE					
74	08/00 → 12/10	●		P85020MM	[-]	17,2	TRW						
1.9 TDI 4x4	66	11/99 → 02/06	●		P85041MM	[-]	19,7	ATE					
	66	11/99 → 02/06	●		P85072MM	[+]	19,7	ATE					
	66	11/99 → 02/06	●		P85020MM	[-]	17,2	TRW				A02205	
	74	09/00 → 01/06	●		P85041MM	[-]	19,7	ATE					
	74	09/00 → 01/06	●		P85072MM	[+]	19,7	ATE					
74	09/00 → 01/06	●		P85020MM	[-]	17,2	TRW				A02205		
2.0	85	04/99 → 05/07	●		P85041MM	[-]	19,7	ATE					
	85	04/99 → 05/07	●		P85072MM	[+]	19,7	ATE					
	85	04/99 → 05/07	●		P85020MM	[-]	17,2	TRW				A02205	
2.0 4x4	88	01/00 → 12/10	●		P85041MM	[-]	19,7	ATE					
	88	01/00 → 12/10	●		P85072MM	[+]	19,7	ATE					
	88	01/00 → 12/10	●		P85020MM	[-]	17,2	TRW				A02205	
	85	08/00 → 09/04	●		P85041MM	[-]	19,7	ATE					
	85	08/00 → 09/04	●		P85072MM	[+]	19,7	ATE					
	85	08/00 → 09/04	●		P85020MM	[-]	17,2	TRW				A02205	
RS 1.8 T	132	08/02 → 01/06	●		P85045MM	[+]	20,6	ATE				A02217	
	132	08/02 → 01/06	●		P85020MM	[-]	17,2	TRW					

OCTAVIA II (1Z3) 02/04 → 06/13

1.2 TSI	77	02/10 → 06/13	●	PR:1ZF; PR:1ZM	P85072MM	[+]	19,7	ATE					
	77	02/10 → 06/13	●	PR:1KD	P85020MM	[-]	17,2	TRW					
	77	02/10 → 06/13	●	PR:1KF; PR:1KP	P85073MM	[o]	17,2	TRW					
	77	02/10 → 06/13	●	PR:1KS; PR:1KT	P85114MM	[-]	17,7	BSH					
1.4	55	05/04 → 05/06	●	PR:1ZF; PR:1ZM	P85072MM	[+]	19,7	ATE					
	55	05/04 → 05/06	●	PR:1KD	P85020MM	[-]	17,2	TRW				A02205	PR:1KD
	55	05/04 → 05/06	●	PR:1KP; PR:1KF	P85073MM	[o]	17,2	TRW				A02205	PR:1KD
	55	05/04 → 05/06	●	PR:1KT; PR:1KS	P85114MM	[-]	17,7	BSH				A02205	PR:1KD
	59	06/04 → 04/13	●	PR:1ZF; PR:1ZM	P85072MM	[+]	19,7	ATE					
	59	06/04 → 04/13	●	PR:1KD	P85020MM	[-]	17,2	TRW					
	59	06/04 → 04/13	●	PR:1KF; PR:1KP	P85073MM	[o]	17,2	TRW					
59	06/04 → 04/13	●	PR:1KT; PR:1KS	P85114MM	[-]	17,7	BSH						
1.4 TSI	90	11/08 → 06/13	●	PR:1ZF; PR:1ZM	P85072MM	[+]	19,7	ATE					
	90	11/08 → 06/13	●	PR:1KD	P85020MM	[-]	17,2	TRW					
	90	11/08 → 06/13	●	PR:1KP; PR:1KF	P85073MM	[o]	17,2	TRW					
90	11/08 → 06/13	●	PR:1KT; PR:1KS	P85114MM	[-]	17,7	BSH						
1.6	75	06/04 → 06/13	●	PR:1ZF; PR:1ZM	P85072MM	[+]	19,7	ATE					
	75	06/04 → 06/13	●	PR:1KD	P85020MM	[-]	17,2	TRW				A02205	PR:1KD
	75	06/04 → 06/13	●	PR:1KF; PR:1KP	P85073MM	[o]	17,2	TRW				A02205	PR:1KD
	75	06/04 → 06/13	●	PR:1KS; PR:1KT	P85114MM	[-]	17,7	BSH				A02205	PR:1KD

							WI	Th [mm]	SYS	WI			FK	
											LEIGHT			

SKODA

OCTAVIA II (1Z3) 02/04 → 06/13

1.6 FSI	85	02/04 → 10/08	●	PR:1ZF; PR:1ZM	P85072MM	[+]	19,7	ATE						
	85	02/04 → 10/08	●	PR:1KD	P85020MM	[-]	17,2	TRW				A02205	PR:1KD	
	85	02/04 → 10/08	●	PR:1KP; PR:1KF	P85073MM	[O]	17,2	TRW				A02205	PR:1KD	
	85	02/04 → 10/08	●	PR:1KT; PR:1KS	P85114MM	[-]	17,7	BSH				A02205	PR:1KD	
1.6 LPG	75	08/09 → 11/12	●	PR:1ZF; PR:1ZM	P85072MM	[+]	19,7	ATE						
	75	08/09 → 11/12	●	PR:1KD	P85020MM	[-]	17,2	TRW				A02205	PR:1KD	
	75	08/09 → 11/12	●	PR:1KP; PR:1KF	P85073MM	[O]	17,2	TRW				A02205	PR:1KD	
	75	08/09 → 11/12	●	PR:1KS; PR:1KT	P85114MM	[-]	17,7	BSH				A02205	PR:1KD	
1.6 MultiFuel	75	01/08 → 06/13	●	PR:1ZF; PR:1ZM	P85072MM	[+]	19,7	ATE						
	75	01/08 → 06/13	●	PR:1KD	P85020MM	[-]	17,2	TRW						
	75	01/08 → 06/13	●	PR:1KP; PR:1KF	P85073MM	[O]	17,2	TRW						
	75	01/08 → 06/13	●	PR:1KT; PR:1KS	P85114MM	[-]	17,7	BSH						
1.6 TDI	77	06/09 → 04/13	●	PR:1ZF; PR:1ZM	P85072MM	[+]	19,7	ATE						
	77	06/09 → 04/13	●	PR:1KD	P85020MM	[-]	17,2	TRW						
	77	06/09 → 04/13	●	PR:1KF; PR:1KP	P85073MM	[O]	17,2	TRW						
	77	06/09 → 04/13	●	PR:1KS; PR:1KT	P85114MM	[-]	17,7	BSH						
1.8 TSI	118	06/07 → 04/13	●	PR:1LP; PR:1LL; PR:1ZE	P85075MM	[+]	20,3	ATE						
	118	06/07 → 04/13	●	PR:1KD	P85020MM	[-]	17,2	TRW						
	118	06/07 → 04/13	●	PR:1KP; PR:1KF	P85073MM	[O]	17,2	TRW						
	118	06/07 → 04/13	●	PR:1KT; PR:1KS	P85114MM	[-]	17,7	BSH						
1.9 TDI	77	06/04 → 12/10	●	PR:1ZF; PR:1ZM	P85072MM	[+]	19,7	ATE						
	77	06/04 → 12/10	●	PR:1ZE	P85075MM	[+]	20,3	ATE						
	77	06/04 → 12/10	●	PR:1KD	P85020MM	[-]	17,2	TRW				A02205	PR:1KD	
	77	06/04 → 12/10	●	PR:1KP; PR:1KF	P85073MM	[O]	17,2	TRW				A02205	PR:1KD	
2.0 FSI	110	11/04 → 10/08	●	PR:1LP; PR:1LL; PR:1ZE	P85075MM	[+]	20,3	ATE						
	110	11/04 → 10/08	●	PR:1KD	P85020MM	[-]	17,2	TRW				A02205	PR:1KD	
	110	11/04 → 10/08	●	PR:1KF; PR:1KP	P85073MM	[O]	17,2	TRW				A02205	PR:1KD	
	110	11/04 → 10/08	●	PR:1KS; PR:1KT	P85114MM	[-]	17,7	BSH				A02205	PR:1KD	
2.0 RS	147	10/05 → 02/13	●	PR:1ZB	P85146MM	[+]	20,3	ATE						
	147	10/05 → 02/13	●	PR:1ZE; PR:1LL; PR:1LP	P85075MM	[+]	20,3	ATE						
	147	10/05 → 02/13	●	PR:1KP; PR:1KF	P85073MM	[O]	17,2	TRW						
2.0 TDI	81	03/10 → 06/13	●	PR:1LP; PR:1LL; PR:1ZE	P85075MM	[+]	20,3	ATE						
	81	03/10 → 06/13	●	PR:1KS; PR:1KT	P85114MM	[-]	17,7	BSH						
	103	11/05 → 05/10	●	PR:1LP; PR:1LL; PR:1ZE	P85075MM	[+]	20,3	ATE						
	103	11/05 → 05/10	●	PR:1KD	P85020MM	[-]	17,2	TRW						
	103	11/05 → 05/10	●	PR:1KP; PR:1KF	P85073MM	[O]	17,2	TRW						
	103	11/05 → 05/10	●	PR:1KS; PR:1KT	P85114MM	[-]	17,7	BSH						
	100	02/04 → 05/10	●	PR:1ZE; PR:1LL; PR:1LP	P85075MM	[+]	20,3	ATE						
	100	02/04 → 05/10	●	PR:1KD	P85020MM	[-]	17,2	TRW						
	100	02/04 → 05/10	●	PR:1KF; PR:1KP	P85073MM	[O]	17,2	TRW						
	100	02/04 → 05/10	●	PR:1KS; PR:1KT	P85114MM	[-]	17,7	BSH						
2.0 TDI 16V	103	02/04 → 04/13	●	PR:1ZE; PR:1LL; PR:1LP	P85075MM	[+]	20,3	ATE						
	103	02/04 → 04/13	●	PR:1KD	P85020MM	[-]	17,2	TRW				A02205	PR:1KD	
	103	02/04 → 04/13	●	PR:1KF; PR:1KP	P85073MM	[O]	17,2	TRW				A02205	PR:1KD	
	103	02/04 → 04/13	●	PR:1KS; PR:1KT	P85114MM	[-]	17,7	BSH				A02205	PR:1KD	
2.0 TDI RS	125	04/06 → 02/13	●	PR:1ZE; PR:1LL; PR:1LP	P85075MM	[+]	20,3	ATE						
	125	04/06 → 02/13	●	PR:1ZB	P85146MM	[+]	20,3	ATE						
	125	04/06 → 02/13	●	PR:1KF; PR:1KP	P85073MM	[O]	17,2	TRW						

OCTAVIA II Combi (1Z5) 02/04 → 06/13

1.2 TSI	77	02/10 → 04/13	●	PR:1ZF; PR:1ZM	P85072MM	[+]	19,7	ATE					
	77	02/10 → 04/13	●	PR:1KD	P85020MM	[-]	17,2	TRW					
	77	02/10 → 04/13	●	PR:1KF; PR:1KP	P85073MM	[O]	17,2	TRW					
	77	02/10 → 04/13	●	PR:1KT; PR:1KS	P85114MM	[-]	17,7	BSH					

										WI			FK	
						MAGNETI MARELLI				MAGNETI MARELLI	LENGHT		MAGNETI MARELLI	

SKODA

OCTAVIA II Combi (1Z5) 02/04 → 06/13

1.4	55	05/04 → 05/06	●	PR:1ZF; PR:1ZM	P85072MM	[+]	19,7	ATE						
	55	05/04 → 05/06	●	PR:1KD	P85020MM	[-]	17,2	TRW				A02205	PR:1KD	
	55	05/04 → 05/06	●	PR:1KP; PR:1KF	P85073MM	[O]	17,2	TRW				A02205	PR:1KD	
	55	05/04 → 05/06	●	PR:1KT; PR:1KS	P85114MM	[-]	17,7	BSH				A02205	PR:1KD	
	59	05/06 → 06/13	●	PR:1ZF; PR:1ZM	P85072MM	[+]	19,7	ATE						
	59	05/06 → 06/13	●	PR:1KD	P85020MM	[-]	17,2	TRW						
	59	05/06 → 06/13	●	PR:1KF; PR:1KP	P85073MM	[O]	17,2	TRW						
	59	05/06 → 06/13	●	PR:1KS; PR:1KT	P85114MM	[-]	17,7	BSH						
1.4 TSI	90	11/08 → 06/13	●	PR:1ZF; PR:1ZM	P85072MM	[+]	19,7	ATE						
	90	11/08 → 06/13	●	PR:1KD	P85020MM	[-]	17,2	TRW						
	90	11/08 → 06/13	●	PR:1KF; PR:1KP	P85073MM	[O]	17,2	TRW						
	90	11/08 → 06/13	●	PR:1KT; PR:1KS	P85114MM	[-]	17,7	BSH						
1.6	75	09/04 → 06/13	●	PR:1ZF; PR:1ZM	P85072MM	[+]	19,7	ATE						
	75	09/04 → 06/13	●	PR:1KD	P85020MM	[-]	17,2	TRW				A02205	PR:1KD	
	75	09/04 → 06/13	●	PR:1KP; PR:1KF	P85073MM	[O]	17,2	TRW				A02205	PR:1KD	
	75	09/04 → 06/13	●	PR:1KT; PR:1KS	P85114MM	[-]	17,7	BSH				A02205	PR:1KD	
1.6 FSI	85	02/04 → 10/08	●	PR:1ZF; PR:1ZM	P85072MM	[+]	19,7	ATE						
	85	02/04 → 10/08	●	PR:1KD	P85020MM	[-]	17,2	TRW				A02205	PR:1KD	
	85	02/04 → 10/08	●	PR:1KF; PR:1KP	P85073MM	[O]	17,2	TRW				A02205	PR:1KD	
	85	02/04 → 10/08	●	PR:1KS; PR:1KT	P85114MM	[-]	17,7	BSH				A02205	PR:1KD	
1.6 LPG	75	08/09 → 11/12	●	PR:1ZF; PR:1ZM	P85072MM	[+]	19,7	ATE						
	75	08/09 → 11/12	●	PR:1KD	P85020MM	[-]	17,2	TRW				A02205	PR:1KD	
	75	08/09 → 11/12	●	PR:1KP; PR:1KF	P85073MM	[O]	17,2	TRW				A02205	PR:1KD	
	75	08/09 → 11/12	●	PR:1KT; PR:1KS	P85114MM	[-]	17,7	BSH				A02205	PR:1KD	
1.6 MultiFuel	75	01/08 → 06/13	●	PR:1ZF; PR:1ZM	P85072MM	[+]	19,7	ATE						
	75	01/08 → 06/13	●	PR:1KD	P85020MM	[-]	17,2	TRW						
	75	01/08 → 06/13	●	PR:1KF; PR:1KP	P85073MM	[O]	17,2	TRW						
	75	01/08 → 06/13	●	PR:1KT; PR:1KS	P85114MM	[-]	17,7	BSH						
1.6 TDI	77	06/09 → 04/13	●	PR:1ZF; PR:1ZM	P85072MM	[+]	19,7	ATE						
	77	06/09 → 04/13	●	PR:1KD	P85020MM	[-]	17,2	TRW						
	77	06/09 → 04/13	●	PR:1KP; PR:1KF	P85073MM	[O]	17,2	TRW						
	77	06/09 → 04/13	●	PR:1KS; PR:1KT	P85114MM	[-]	17,7	BSH						
1.6 TDI 4x4	77	06/09 → 02/13	●	PR:1ZF; PR:1ZM	P85072MM	[+]	19,7	ATE						
	77	06/09 → 02/13	●	PR:1ZE	P85075MM	[+]	20,3	ATE						
	77	06/09 → 02/13	●	PR:1KD	P85020MM	[-]	17,2	TRW				A02205	PR:1KD	
	77	06/09 → 02/13	●	PR:1KF; PR:1KP	P85073MM	[O]	17,2	TRW				A02205	PR:1KD	
	77	06/09 → 02/13	●	PR:1KS; PR:1KT	P85114MM	[-]	17,7	BSH				A02205	PR:1KD	
1.8 TSI	112	03/09 → 06/13	●	PR:1ZE	P85075MM	[+]	20,3	ATE						
	112	03/09 → 06/13	●	PR:1ZF; PR:1ZM	P85072MM	[+]	19,7	ATE						
	112	03/09 → 06/13	●	PR:1KD	P85020MM	[-]	17,2	TRW				A02205	PR:1KD	
	112	03/09 → 06/13	●	PR:1KP; PR:1KF	P85073MM	[O]	17,2	TRW				A02205	PR:1KD	
	112	03/09 → 06/13	●	PR:1KT; PR:1KS	P85114MM	[-]	17,7	BSH				A02205	PR:1KD	
	118	06/07 → 04/13	●	PR:1ZE; PR:1LP; PR:1LL	P85075MM	[+]	20,3	ATE						
	118	06/07 → 04/13	●	PR:1ZE	P85035MM	[-]	20,6	ATE						
	118	06/07 → 04/13	●	PR:1KD	P85020MM	[-]	17,2	TRW						
1.8 TSI 4x4	112	03/09 → 02/13	●	PR:1KF; PR:1KP	P85073MM	[O]	17,2	TRW						
	112	03/09 → 02/13	●	PR:1ZF; PR:1ZM; disc Ø 280 mm	P85072MM	[+]	19,7	ATE						
	112	03/09 → 02/13	●	PR:1KD	P85020MM	[-]	17,2	TRW				A02205	PR:1KD	
	112	03/09 → 02/13	●	PR:1KF; PR:1KP	P85073MM	[O]	17,2	TRW				A02205	PR:1KD	
	112	03/09 → 02/13	●	PR:1KS; PR:1KT	P85114MM	[-]	17,7	BSH				A02205	PR:1KD	
	118	11/08 → 02/13	●	PR:1ZE; PR:1LP; PR:1LL	P85075MM	[+]	20,3	ATE						

	kw					wi	Th [mm]	SYS		WI			FK

SKODA

OCTAVIA II Combi (1Z5) 02/04 → 06/13

Engine	Power (kw)	Period	Options	Part	Code	Th [mm]	SYS	WI	FK
1.8 TSI 4x4	118	11/08 → 02/13	●	PR:1ZF; PR:1ZM; disc Ø 280 mm	P85072MM	[+]	19,7	ATE	
	118	11/08 → 02/13	●	PR:1KD	P85020MM	[-]	17,2	TRW	
	118	11/08 → 02/13	●	PR:1KP; PR:1KF	P85073MM	[O]	17,2	TRW	
	118	11/08 → 02/13	●	PR:1KS; PR:1KT	P85114MM	[-]	17,7	BSH	
1.9 TDI	77	09/04 → 12/10	●	PR:1ZE	P85075MM	[+]	20,3	ATE	
	77	09/04 → 12/10	●	PR:1ZF; PR:1ZM	P85072MM	[+]	19,7	ATE	
	77	09/04 → 12/10	●	PR:1KD	P85020MM	[-]	17,2	TRW	A02205 PR:1KD
	77	09/04 → 12/10	●	PR:1KP; PR:1KF	P85073MM	[O]	17,2	TRW	A02205 PR:1KD
1.9 TDI 4x4	77	09/04 → 12/10	●	PR:1KT; PR:1KS	P85114MM	[-]	17,7	BSH	A02205 PR:1KD
	77	11/04 → 12/10	●	PR:1ZF; PR:1ZM	P85072MM	[+]	19,7	ATE	
	77	11/04 → 12/10	●	PR:1ZE	P85075MM	[+]	20,3	ATE	
	77	11/04 → 12/10	●	PR:1KD	P85020MM	[-]	17,2	TRW	A02205 PR:1KD
2.0 FSI	110	11/04 → 10/08	●	PR:1KP; PR:1KF	P85073MM	[O]	17,2	TRW	A02205 PR:1KD
	110	11/04 → 10/08	●	PR:1KT; PR:1KS	P85114MM	[-]	17,7	BSH	A02205 PR:1KD
	110	11/04 → 10/08	●	PR:1LL; PR:1LP; PR:1ZE	P85075MM	[+]	20,3	ATE	
	110	11/04 → 10/08	●	PR:1KD	P85020MM	[-]	17,2	TRW	A02205 PR:1KD
2.0 FSI 4x4	110	11/04 → 10/08	●	PR:1KF; PR:1KP	P85073MM	[O]	17,2	TRW	A02205 PR:1KD
	110	11/04 → 10/08	●	PR:1KS; PR:1KT	P85114MM	[-]	17,7	BSH	A02205 PR:1KD
	110	11/04 → 10/08	●	PR:1ZE; PR:1LP; PR:1LL	P85075MM	[+]	20,3	ATE	
	110	11/04 → 10/08	●	PR:1ZF; PR:1ZM	P85072MM	[+]	19,7	ATE	
2.0 RS	147	10/05 → 02/13	●	PR:1KP; PR:1KF	P85073MM	[O]	17,2	TRW	
	147	10/05 → 02/13	●	PR:1LL	P85075MM	[+]	20,3	ATE	
	147	10/05 → 02/13	●	PR:1LP	P85146MM	[+]	20,3	ATE	
2.0 TDI	81	03/10 → 06/13	●	PR:1KP; PR:1KF	P85073MM	[O]	17,2	TRW	A02205 PR:1KD
	81	03/10 → 06/13	●	PR:1KD	P85020MM	[-]	17,2	TRW	A02205 PR:1KD
	81	03/10 → 06/13	●	PR:1ZE; PR:1LL; PR:1LP	P85075MM	[+]	20,3	ATE	
	81	03/10 → 06/13	●	PR:1KF; PR:1KP	P85073MM	[O]	17,2	TRW	A02205 PR:1KD
	81	03/10 → 06/13	●	PR:1KS; PR:1KT	P85114MM	[-]	17,7	BSH	A02205 PR:1KD
	103	11/05 → 05/10	●	PR:1LP; PR:1LL; PR:1ZE	P85075MM	[+]	20,3	ATE	
	103	11/05 → 05/10	●	PR:1KD	P85020MM	[-]	17,2	TRW	
2.0 TDI 16V	103	11/05 → 05/10	●	PR:1KP; PR:1KF	P85073MM	[O]	17,2	TRW	
	103	11/05 → 05/10	●	PR:1KT; PR:1KS	P85114MM	[-]	17,7	BSH	
	103	02/04 → 05/13	●	PR:1ZE; PR:1LP; PR:1LL	P85075MM	[+]	20,3	ATE	
	103	02/04 → 05/13	●	PR:1KD	P85020MM	[-]	17,2	TRW	A02205 PR:1KD
	103	02/04 → 05/13	●	PR:1KF; PR:1KP	P85073MM	[O]	17,2	TRW	A02205 PR:1KD
	100	02/04 → 05/10	●	PR:1KS; PR:1KT	P85114MM	[-]	17,7	BSH	A02205 PR:1KD
	100	02/04 → 05/10	●	PR:1LL; PR:1LP; PR:1ZE	P85075MM	[+]	20,3	ATE	
2.0 TDI 16V 4x4	100	02/04 → 05/10	●	PR:1KD	P85020MM	[-]	17,2	TRW	
	100	02/04 → 05/10	●	PR:1KP; PR:1KF	P85073MM	[O]	17,2	TRW	
	100	02/04 → 05/10	●	PR:1KS; PR:1KT	P85114MM	[-]	17,7	BSH	
	103	05/10 → 02/13	●	PR:1ZE; PR:1LL; PR:1LP	P85075MM	[+]	20,3	ATE	
	103	05/10 → 02/13	●	PR:1ZF; PR:1ZM; disc Ø 280 mm	P85072MM	[+]	19,7	ATE	
2.0 TDI 4x4	81	05/11 → 02/13	●	PR:1KD	P85020MM	[-]	17,2	TRW	
	81	05/11 → 02/13	●	PR:1KF; PR:1KP	P85073MM	[O]	17,2	TRW	
	81	05/11 → 02/13	●	PR:1KS; PR:1KT	P85114MM	[-]	17,7	BSH	
	81	05/11 → 02/13	●	PR:1ZE; PR:1LP; PR:1LL	P85075MM	[+]	20,3	ATE	
2.0 TDI 4x4	81	05/11 → 02/13	●	PR:1ZF; PR:1ZM; disc Ø 280 mm	P85072MM	[+]	19,7	ATE	
	81	05/11 → 02/13	●	PR:1KD	P85020MM	[-]	17,2	TRW	
	81	05/11 → 02/13	●	PR:1KP; PR:1KF	P85073MM	[O]	17,2	TRW	
	81	05/11 → 02/13	●	PR:1KT; PR:1KS	P85114MM	[-]	17,7	BSH	

									WI			FK	

SKODA

OCTAVIA II Combi (1Z5) 02/04 → 06/13

2.0 TDI 4x4	103	07/06 → 05/10	●	PR:1ZE; PR:1LL; PR:1LP	P85075MM	[+]	20,3	ATE					
	103	07/06 → 05/10	●	PR:1ZF; PR:1ZM	P85072MM	[+]	19,7	ATE					
	103	07/06 → 05/10	●	PR:1KD	P85020MM	[-]	17,2	TRW					
	103	07/06 → 05/10	●	PR:1KF; PR:1KP	P85073MM	[O]	17,2	TRW					
	103	07/06 → 05/10	●	PR:1KS; PR:1KT	P85114MM	[-]	17,7	BSH					
2.0 TDI RS	125	04/06 → 02/13	●	PR:1LL	P85075MM	[+]	20,3	ATE					
	125	04/06 → 02/13	●	PR:1LP	P85146MM	[+]	20,3	ATE					
	125	04/06 → 02/13	●	PR:1KP; PR:1KF	P85073MM	[O]	17,2	TRW					

OCTAVIA III (5E3) 11/12 →

1.0 TSI	85	05/16 →	●	PR:1ZA; PR:1ZB; PR:1ZE	P85137MM	[+]	17,2	ATE	A00492	170	PR:1ZE; PR:1ZA; PR:1ZB		
	85	05/16 →	●	PR:1ZF	P85126MM	[+]	20,3	TRW	A00492	170	PR:1ZE; PR:1ZA; PR:1ZB		
	85	05/16 →	●	PR:1KD	P85020MM	[-]	17,2	TRW					
	85	05/16 →	●	PR:1KT; PR:1KS	P85135MM	[-]	17,5	TRW					
1.2 TSI	63	11/12 →	●	PR:1ZA; PR:1ZE	P85126MM	[+]	20,3	TRW					
	63	11/12 →	●	PR:1ZF	P85137MM	[+]	17,2	ATE					
	63	11/12 →	●	PR:1KD	P85020MM	[-]	17,2	TRW					
	63	11/12 →	●	PR:1KS; PR:1KT	P85135MM	[-]	17,5	TRW					
	77	11/12 →	●	PR:1ZE; PR:1ZA	P85126MM	[+]	20,3	TRW					
	77	11/12 →	●	PR:1ZF	P85137MM	[+]	17,2	ATE					
	77	11/12 →	●	PR:1KD	P85020MM	[-]	17,2	TRW					
	77	11/12 →	●	PR:1KT; PR:1KS	P85135MM	[-]	17,5	TRW					
	81	05/15 →	●	PR:1ZA; PR:1ZB; PR:1ZE	P85126MM	[+]	20,3	TRW	A00492	170	PR:1ZE; PR:1ZA; PR:1ZB; PR:1LG		
	81	05/15 →	●	PR:1ZF	P85137MM	[+]	17,2	ATE	A00492	170	PR:1ZE; PR:1ZA; PR:1ZB; PR:1LG		
1.4 TSI	103	11/12 →	●	PR:1ZE; PR:1ZA	P85126MM	[+]	20,3	TRW					
	103	11/12 →	●	PR:1ZF	P85137MM	[+]	17,2	ATE					
	103	11/12 →	●	PR:1KD	P85020MM	[-]	17,2	TRW					
	103	11/12 →	●	PR:1KT; PR:1KS	P85135MM	[-]	17,5	TRW					
	110	08/14 →	●	PR:1ZE; PR:1ZA; PR:1ZB	P85126MM	[+]	20,3	TRW	A00492	170	PR:1ZE; PR:1ZA; PR:1ZB; PR:1LG		
	110	08/14 →	●	PR:1ZF	P85137MM	[+]	17,2	ATE	A00492	170	PR:1ZE; PR:1ZA; PR:1ZB; PR:1LG		
	110	08/14 →	●	PR:1KD	P85020MM	[-]	17,2	TRW					
	110	08/14 →	●	PR:1KS; PR:1KT	P85135MM	[-]	17,5	TRW					
1.4 TSI G-TEC	81	11/13 →	●	PR:1ZA; PR:1ZB; PR:1ZE	P85126MM	[+]	20,3	TRW					
	81	11/13 →	●	PR:1ZF	P85137MM	[+]	17,2	ATE					
	81	11/13 →	●	PR:1KD	P85020MM	[-]	17,2	TRW					
	81	11/13 →	●	PR:1KT; PR:1KS	P85135MM	[-]	17,5	TRW					
1.6	81	01/14 →	●	PR:1ZE; PR:1ZA; PR:1ZB	P85126MM	[+]	20,3	TRW	A00492	170	PR:1ZE; PR:1ZA; PR:1ZB; PR:1LG		
	81	01/14 →	●	PR:1ZF	P85137MM	[+]	17,2	ATE	A00492	170	PR:1ZE; PR:1ZA; PR:1ZB; PR:1LG		
	81	01/14 →	●	PR:1KD	P85020MM	[-]	17,2	TRW					
	81	01/14 →	●	PR:1KS; PR:1KT	P85135MM	[-]	17,5	TRW					
1.6 TDI	77	11/12 →	●	PR:1ZE; PR:1ZA	P85126MM	[+]	20,3	TRW					
	77	11/12 →	●	PR:1ZF	P85137MM	[+]	17,2	ATE					
	77	11/12 →	●	PR:1KD	P85020MM	[-]	17,2	TRW					
	77	11/12 →	●	PR:1KT; PR:1KS	P85135MM	[-]	17,5	TRW					
	66	11/12 →	●	PR:1ZE; PR:1ZA	P85126MM	[+]	20,3	TRW					
	66	11/12 →	●	PR:1ZF	P85137MM	[+]	17,2	ATE					
	66	11/12 →	●	PR:1KD	P85020MM	[-]	17,2	TRW					
	66	11/12 →	●	PR:1KT; PR:1KS	P85135MM	[-]	17,5	TRW					

SKODA

OCTAVIA III (5E3) 11/12 →

1.6 TDI	81	05/13 →	●	PR:1ZF	P85137MM	[+]	17,2	ATE							
	81	05/13 →	●	PR:1ZE; PR:1ZA; PR:1ZB	P85126MM	[+]	20,3	TRW							
	81	05/13 →	●	PR:1ZE; PR:1LL; PR:1ZB	P85075MM	[+]	20,3	ATE							
	81	05/13 →		● PR:1KD	P85020MM	[-]	17,2	TRW							
	81	05/13 →		● PR:1KP; PR:1KF	P85073MM	[O]	17,2	TRW							
	81	05/13 →		● PR:1KS; PR:1KT	P85114MM	[-]	17,7	BSH							
1.6 TDI 4x4	77	09/14 →	●	PR:1ZA; PR:1ZB; PR:1ZE	P85126MM	[+]	20,3	TRW	A00492	170	PR:1ZE; PR:1ZA; PR:1ZB; PR:1LG				
	77	09/14 →	●	PR:1ZF	P85137MM	[+]	17,2	ATE	A00492	170	PR:1ZE; PR:1ZA; PR:1ZB; PR:1LG				
	77	09/14 →		● PR:1KD	P85020MM	[-]	17,2	TRW							
	77	09/14 →		● PR:1KT; PR:1KS	P85135MM	[-]	17,5	TRW							
	81	05/15 →	●	PR:1ZE; PR:1ZB; PR:1ZA	P85126MM	[+]	20,3	TRW	A00492	170	PR:1ZE; PR:1ZA; PR:1ZB; PR:1LG				
	81	05/15 →	●	PR:1ZF	P85137MM	[+]	17,2	ATE	A00492	170	PR:1ZE; PR:1ZA; PR:1ZB; PR:1LG				
	81	05/15 →		● PR:1KD	P85020MM	[-]	17,2	TRW							
	81	05/15 →		● PR:1KS; PR:1KT	P85135MM	[-]	17,5	TRW							
1.8 TSI	132	11/12 →	●	PR:1ZA; PR:1ZE	P85126MM	[+]	20,3	TRW							
	132	11/12 →		● PR:1KD	P85020MM	[-]	17,2	TRW							
	132	11/12 →		● PR:1KS; PR:1KT	P85135MM	[-]	17,5	TRW							
1.8 TSI 4x4	132	09/14 →	●	PR:1ZE; PR:1ZA; PR:1ZB	P85126MM	[+]	20,3	TRW	A00492	170	PR:1ZE; PR:1ZA; PR:1ZB; PR:1LG				
	132	09/14 →	●	PR:1ZF	P85137MM	[+]	17,2	ATE	A00492	170	PR:1ZE; PR:1ZA; PR:1ZB; PR:1LG				
	132	09/14 →		● PR:1KD	P85020MM	[-]	17,2	TRW							
	132	09/14 →		● PR:1KS; PR:1KT	P85135MM	[-]	17,5	TRW							
2.0 TDI	110	11/12 →	●	PR:1ZA; PR:1ZE	P85126MM	[+]	20,3	TRW							
	110	11/12 →	●	PR:1ZF	P85137MM	[+]	17,2	ATE							
	110	11/12 →		● PR:1KD	P85020MM	[-]	17,2	TRW							
	110	11/12 →		● PR:1KS; PR:1KT	P85135MM	[-]	17,5	TRW							
	105	11/12 →	●	PR:1ZA; PR:1ZE	P85126MM	[+]	20,3	TRW							
	105	11/12 →	●	PR:1ZF	P85137MM	[+]	17,2	ATE							
	105	11/12 →		● PR:1KD	P85020MM	[-]	17,2	TRW							
	105	11/12 →		● PR:1KS; PR:1KT	P85135MM	[-]	17,5	TRW							
2.0 TDI / TDI RS 4x4	135	09/14 →	●	PR:1ZE; PR:1ZA; PR:1ZB	P85126MM	[+]	20,3	TRW	A00492	170	PR:1ZE; PR:1ZA; PR:1ZB; PR:1LG				
	135	09/14 →	●	PR:1ZF	P85137MM	[+]	17,2	ATE	A00492	170	PR:1ZE; PR:1ZA; PR:1ZB; PR:1LG				
	135	09/14 →	●	PR:1LG	P85144MM	[+]	20	TRW	A00492	170	PR:1ZE; PR:1ZA; PR:1ZB; PR:1LG				
	135	09/14 →		● PR:1KD	P85020MM	[-]	17,2	TRW							
	135	09/14 →		● PR:1KS; PR:1KT	P85135MM	[-]	17,5	TRW							
2.0 TDI 4x4	110	09/14 →	●	PR:1ZB; PR:1ZA; PR:1ZE	P85126MM	[+]	20,3	TRW	A00492	170	PR:1ZE; PR:1ZA; PR:1ZB; PR:1LG				
	110	09/14 →	●	PR:1ZF	P85137MM	[+]	17,2	ATE	A00492	170	PR:1ZE; PR:1ZA; PR:1ZB; PR:1LG				
	110	09/14 →		● PR:1KD	P85020MM	[-]	17,2	TRW							
2.0 TDI RS	135	05/13 →	●	PR:1ZE; PR:1ZA	P85126MM	[+]	20,3	TRW							
	135	05/13 →	●	PR:1LG	P85144MM	[+]	20	TRW							
	135	05/13 →		● PR:1KD	P85020MM	[-]	17,2	TRW							
	135	05/13 →		● PR:1KT; PR:1KS	P85135MM	[-]	17,5	TRW							
	162	05/13 →	●	PR:1ZA; PR:1ZE	P85126MM	[+]	20,3	TRW							
	162	05/13 →	●	PR:1LG	P85144MM	[+]	20	TRW							
	162	05/13 →		● PR:1KD	P85020MM	[-]	17,2	TRW							

											WI		FK		
												LENGHT			

SKODA

OCTAVIA III (5E3) 11/12 →

2.0 TDI RS	162	05/13 →	●	PR:1KS; PR:1KT	P85135MM	[-]	17,5	TRW							
	169	05/15 →	●	PR:1ZA; PR:1ZB; PR:1ZE	P85126MM	[+]	20,3	TRW	A00492	170	PR:1ZE; PR:1ZA; PR:1ZB; PR:1LG				
	169	05/15 →	●	PR:1ZF	P85137MM	[+]	17,2	ATE	A00492	170	PR:1ZE; PR:1ZA; PR:1ZB; PR:1LG				
	169	05/15 →	●	PR:1LG	P85144MM	[+]	20	TRW	A00492	170	PR:1ZE; PR:1ZA; PR:1ZB; PR:1LG				
	169	05/15 →	●	PR:1KD	P85020MM	[-]	17,2	TRW							
	169	05/15 →	●	PR:1KT; PR:1KS	P85135MM	[-]	17,5	TRW							

OCTAVIA III Combi (5E5) 11/12 →

1.0 TSI	85	05/16 →	●	PR:1ZA; PR:1ZE; PR:1ZB	P85137MM	[+]	17,2	ATE	A00492	170	PR:1ZE; PR:1ZA; PR:1ZB				
	85	05/16 →	●	PR:1ZF	P85126MM	[+]	20,3	TRW	A00492	170	PR:1ZE; PR:1ZA; PR:1ZB				
	85	05/16 →	●	PR:1KD	P85020MM	[-]	17,2	TRW							
	85	05/16 →	●	PR:1KS; PR:1KT	P85135MM	[-]	17,5	TRW							
1.2 TSI	63	11/12 →	●	PR:1ZE; PR:1ZA	P85126MM	[+]	20,3	TRW	A00492	170	PR:1ZE; PR:1ZA; PR:1ZB				
	63	11/12 →	●	PR:1ZF	P85137MM	[+]	17,2	ATE	A00492	170	PR:1ZE; PR:1ZA; PR:1ZB				
	63	11/12 →	●	PR:1KD	P85020MM	[-]	17,2	TRW							
	63	11/12 →	●	PR:1KS; PR:1KT	P85135MM	[-]	17,5	TRW							
	77	11/12 →	●	PR:1ZA; PR:1ZE	P85126MM	[+]	20,3	TRW							
	77	11/12 →	●	PR:1ZF	P85137MM	[+]	17,2	ATE							
	77	11/12 →	●	PR:1KD	P85020MM	[-]	17,2	TRW							
	77	11/12 →	●	PR:1KT; PR:1KS	P85135MM	[-]	17,5	TRW							
	81	05/15 →	●	PR:1ZE; PR:1ZB; PR:1ZA	P85126MM	[+]	20,3	TRW	A00492	170	PR:1ZE; PR:1ZA; PR:1ZB; PR:1LG				
	81	05/15 →	●	PR:1ZF	P85137MM	[+]	17,2	ATE	A00492	170	PR:1ZE; PR:1ZA; PR:1ZB; PR:1LG				
1.4 TSI	81	05/15 →	●	PR:1KD	P85020MM	[-]	17,2	TRW							
	81	05/15 →	●	PR:1KS; PR:1KT	P85135MM	[-]	17,5	TRW							
	103	11/12 →	●	PR:1ZE; PR:1ZA	P85126MM	[+]	20,3	TRW							
	103	11/12 →	●	PR:1ZF	P85137MM	[+]	17,2	ATE							
	103	11/12 →	●	PR:1KD	P85020MM	[-]	17,2	TRW							
	103	11/12 →	●	PR:1KS; PR:1KT	P85135MM	[-]	17,5	TRW							
	110	08/14 →	●	PR:1ZA; PR:1ZB; PR:1ZE	P85126MM	[+]	20,3	TRW	A00492	170	PR:1ZE; PR:1ZA; PR:1ZB; PR:1LG				
	110	08/14 →	●	PR:1ZF	P85137MM	[+]	17,2	ATE	A00492	170	PR:1ZE; PR:1ZA; PR:1ZB; PR:1LG				
1.4 TSI G-TEC	110	08/14 →	●	PR:1KD	P85020MM	[-]	17,2	TRW							
	110	08/14 →	●	PR:1KT; PR:1KS	P85135MM	[-]	17,5	TRW							
	81	11/13 →	●	PR:1ZA; PR:1ZE	P85126MM	[+]	20,3	TRW	A00492	170	PR:1ZE; PR:1ZA; PR:1ZB				
	81	11/13 →	●	PR:1ZF	P85137MM	[+]	17,2	ATE	A00492	170	PR:1ZE; PR:1ZA; PR:1ZB				
1.6	81	11/13 →	●	PR:1KD	P85020MM	[-]	17,2	TRW							
	81	11/13 →	●	PR:1KT; PR:1KS	P85135MM	[-]	17,5	TRW							
	81	01/14 →	●	PR:1ZE; PR:1ZA	P85126MM	[+]	20,3	TRW	A00492	170	PR:1ZE; PR:1ZA; PR:1ZB; PR:1LG				
	81	01/14 →	●	PR:1ZF	P85137MM	[+]	17,2	ATE	A00492	170	PR:1ZE; PR:1ZA; PR:1ZB; PR:1LG				
1.6 TDI	81	01/14 →	●	PR:1KD	P85020MM	[-]	17,2	TRW							
	81	01/14 →	●	PR:1KS; PR:1KT	P85135MM	[-]	17,5	TRW							
	77	11/12 →	●	PR:1ZE; PR:1ZA	P85126MM	[+]	20,3	TRW	A00492	170	PR:1ZE; PR:1ZA; PR:1ZB; PR:1LG				
	77	11/12 →	●	PR:1ZF	P85137MM	[+]	17,2	ATE	A00492	170	PR:1ZE; PR:1ZA; PR:1ZB; PR:1LG				
	77	11/12 →	●	PR:1KD	P85020MM	[-]	17,2	TRW							
	77	11/12 →	●	PR:1KS; PR:1KT	P85135MM	[-]	17,5	TRW							
1.6 TDI	66	11/12 →	●	PR:1ZA; PR:1ZE	P85126MM	[+]	20,3	TRW	A00492	170	PR:1ZE; PR:1ZA; PR:1ZB				
	66	11/12 →	●	PR:1ZF	P85137MM	[+]	17,2	ATE	A00492	170	PR:1ZE; PR:1ZA; PR:1ZB				
	66	11/12 →	●	PR:1KD	P85020MM	[-]	17,2	TRW							
	66	11/12 →	●	PR:1KS; PR:1KT	P85135MM	[-]	17,5	TRW							

SKODA

OCTAVIA III Combi (5E5) 11/12 →

1.6 TDI	66	11/12 →	●	PR:1KS; PR:1KT	P85135MM [-]	17,5	TRW								
	81	05/13 →	●	PR:1ZF	P85072MM [+]	19,7	ATE								
	81	05/13 →	●	PR:1ZF	P85137MM [+]	17,2	ATE								
	81	05/13 →	●	PR:1KF; PR:1KP	P85073MM [O]	17,2	TRW								
	81	05/13 →	●	PR:1KT; PR:1KS	P85114MM [-]	17,7	BSH								
	81	05/13 →	●	PR:1KD	P85020MM [-]	17,2	TRW								
1.6 TDI 4x4	77	11/12 →	●	PR:1ZA; PR:1ZE	P85126MM [+]	20,3	TRW	A00492	170	PR:1ZE; PR:1ZA; PR:1ZB; PR:1LG					
	77	11/12 →	●	PR:1ZF	P85137MM [+]	17,2	ATE	A00492	170	PR:1ZE; PR:1ZA; PR:1ZB; PR:1LG					
	77	11/12 →	●	PR:1KD	P85020MM [-]	17,2	TRW								
	77	11/12 →	●	PR:1KS; PR:1KT	P85135MM [-]	17,5	TRW								
	81	05/15 →	●	PR:1ZB; PR:1ZE; PR:1ZA	P85126MM [+]	20,3	TRW	A00492	170	PR:1ZE; PR:1ZA; PR:1ZB; PR:1LG					
	81	05/15 →	●	PR:1ZF	P85137MM [+]	17,2	ATE	A00492	170	PR:1ZE; PR:1ZA; PR:1ZB; PR:1LG					
	81	05/15 →	●	PR:1KD	P85020MM [-]	17,2	TRW								
	81	05/15 →	●	PR:1KT; PR:1KS	P85135MM [-]	17,5	TRW								
1.8 TSI	132	11/12 →	●	PR:1ZA; PR:1ZE	P85126MM [+]	20,3	TRW								
	132	11/12 →	●	PR:1KD	P85020MM [-]	17,2	TRW								
	132	11/12 →	●	PR:1KT; PR:1KS	P85135MM [-]	17,5	TRW								
1.8 TSI 4x4	132	11/12 →	●	PR:1ZE; PR:1ZA	P85126MM [+]	20,3	TRW								
	132	11/12 →	●	PR:1KD	P85020MM [-]	17,2	TRW								
	132	11/12 →	●	PR:1KT; PR:1KS	P85135MM [-]	17,5	TRW								
2.0 TDI	110	11/12 →	●	PR:1ZE; PR:1ZA	P85126MM [+]	20,3	TRW								
	110	11/12 →	●	PR:1ZF	P85137MM [+]	17,2	ATE								
	110	11/12 →	●	PR:1KD	P85020MM [-]	17,2	TRW								
	110	11/12 →	●	PR:1KT; PR:1KS	P85135MM [-]	17,5	TRW								
	105	11/12 →	●	PR:1ZE; PR:1ZA	P85126MM [+]	20,3	TRW								
	105	11/12 →	●	PR:1ZF	P85137MM [+]	17,2	ATE								
	105	11/12 →	●	PR:1KD	P85020MM [-]	17,2	TRW								
2.0 TDI / TDI RS 4x4	135	09/14 →	●	PR:1ZA; PR:1ZE	P85126MM [+]	20,3	TRW	A00492	170	PR:1ZE; PR:1ZA; PR:1ZB; PR:1LG					
	135	09/14 →	●	PR:1ZF	P85137MM [+]	17,2	ATE	A00492	170	PR:1ZE; PR:1ZA; PR:1ZB; PR:1LG					
	135	09/14 →	●	PR:1LG	P85144MM [+]	20	TRW	A00492	170	PR:1ZE; PR:1ZA; PR:1ZB; PR:1LG					
	135	09/14 →	●	PR:1KD	P85020MM [-]	17,2	TRW								
	135	09/14 →	●	PR:1KT; PR:1KS	P85135MM [-]	17,5	TRW								
2.0 TDI 4x4	110	11/12 →	●	PR:1ZA; PR:1ZE	P85126MM [+]	20,3	TRW								
	110	11/12 →	●	PR:1ZF	P85137MM [+]	17,2	ATE								
	110	11/12 →	●	PR:1KD	P85020MM [-]	17,2	TRW								
	110	11/12 →	●	PR:1KS; PR:1KT	P85135MM [-]	17,5	TRW								
2.0 TDI RS	135	05/13 →	●	PR:1ZE; PR:1ZA	P85126MM [+]	20,3	TRW								
	135	05/13 →	●	PR:1LG	P85144MM [+]	20	TRW								
	135	05/13 →	●	PR:1KD	P85020MM [-]	17,2	TRW								
	135	05/13 →	●	PR:1KT; PR:1KS	P85135MM [-]	17,5	TRW								
	162	11/12 →	●	PR:1ZE; PR:1ZA	P85126MM [+]	20,3	TRW								
	162	11/12 →	●	PR:1LG	P85144MM [+]	20	TRW								
	162	11/12 →	●	PR:1KD	P85020MM [-]	17,2	TRW								
	162	11/12 →	●	PR:1KS; PR:1KT	P85135MM [-]	17,5	TRW								
	169	05/15 →	●	PR:1ZE; PR:1ZB; PR:1ZA	P85126MM [+]	20,3	TRW	A00492	170	PR:1ZE; PR:1ZA; PR:1ZB; PR:1LG					
169	05/15 →	●	PR:1ZF	P85137MM [+]	17,2	ATE	A00492	170	PR:1ZE; PR:1ZA; PR:1ZB; PR:1LG						

									WI			FK	

SKODA

OCTAVIA III Combi (5E5) 11/12 →

2.0 TDI RS	169	05/15 →	●	PR:1LG	P85144MM	[+]	20	TRW	A00492	170	PR:1ZE; PR:1ZA; PR:1ZB; PR:1LG		
	169	05/15 →		●	PR:1KD	P85020MM	[-]	17,2	TRW				
	169	05/15 →		●	PR:1KS; PR:1KT	P85135MM	[-]	17,5	TRW				

RAPID (NH3) 07/12 →

1.2	55	07/12 →	●	PR:1ZG	P85041MM	[-]	19,7	ATE					
	55	07/12 →	●	PR:1ZC	P85075MM	[+]	20,3	ATE					
	55	07/12 →		●	PR:1KT	P85020MM	[-]	17,2	TRW				
1.2 TSI	63	07/12 →	●	PR:1ZG	P85041MM	[-]	19,7	ATE					
	63	07/12 →	●	PR:1ZC	P85075MM	[+]	20,3	ATE					
	63	07/12 →		●	PR:1KT	P85020MM	[-]	17,2	TRW				
	77	07/12 →	●	PR:1ZG	P85041MM	[-]	19,7	ATE					
	77	07/12 →	●	PR:1ZC	P85075MM	[+]	20,3	ATE					
	77	07/12 →		●	PR:1KT	P85020MM	[-]	17,2	TRW				
	66	05/15 →	●	PR:1ZG	P85041MM	[-]	19,7	ATE					
	66	05/15 →		●	PR:1KT	P85020MM	[-]	17,2	TRW				
	81	05/15 →	●	PR:1ZG	P85041MM	[-]	19,7	ATE					
1.4 TDI	66	05/15 →	●	PR:1ZG	P85041MM	[-]	19,7	ATE					
	66	05/15 →		●	PR:1KT	P85020MM	[-]	17,2	TRW				
	90	07/12 →	●	PR:1ZC	P85075MM	[+]	20,3	ATE					
	90	07/12 →	●	PR:1ZG	P85041MM	[-]	19,7	ATE					
	90	07/12 →		●	PR:1KT	P85020MM	[-]	17,2	TRW				
	92	05/15 →	●	PR:1ZG	P85041MM	[-]	19,7	ATE					
1.6	77	07/12 →	●	PR:1ZG	P85041MM	[-]	19,7	ATE					
	77	07/12 →	●	PR:1ZC	P85075MM	[+]	20,3	ATE					
	77	07/12 →		●	PR:1KT	P85020MM	[-]	17,2	TRW				
	81	05/15 →	●	PR:1ZG; PR:0CA	P85041MM	[-]	19,7	ATE					
	81	05/15 →	●	PR:1ZC	P85075MM	[+]	20,3	ATE					
	81	05/15 →	●	PR:1ZE; PR:7ZY; PR:1ZG	P85121MM	[-]	18	TRW					
	81	05/15 →		●	PR:1KT	P85020MM	[-]	17,2	TRW				
1.6 TDI	77	07/12 →	●	PR:1ZG	P85041MM	[-]	19,7	ATE					
	77	07/12 →	●	PR:1ZC	P85075MM	[+]	20,3	ATE					
	77	07/12 →		●	PR:1KT	P85020MM	[-]	17,2	TRW				
	66	08/13 →	●	PR:1ZG	P85041MM	[-]	19,7	ATE					
	66	08/13 →	●	PR:1ZC	P85075MM	[+]	20,3	ATE					
	66	08/13 →		●	PR:1KT	P85020MM	[-]	17,2	TRW				
	85	05/15 →	●	PR:1ZG	P85041MM	[-]	19,7	ATE					
	85	05/15 →		●	PR:1KT	P85020MM	[-]	17,2	TRW				

RAPID Spaceback (NH1) 07/12 →

1.2	55	07/12 →	●	PR:1ZC	P85075MM	[+]	20,3	ATE					
	55	07/12 →	●	PR:1ZG	P85041MM	[-]	19,7	ATE					
	55	07/12 →		●	PR:1KT	P85020MM	[-]	17,2	TRW				
1.2 TSI	63	07/12 →	●	PR:1ZG	P85041MM	[-]	19,7	ATE					
	63	07/12 →	●	PR:1ZC	P85075MM	[+]	20,3	ATE					
	63	07/12 →		●	PR:1KT	P85020MM	[-]	17,2	TRW				
	77	07/12 →	●	PR:1ZC	P85075MM	[+]	20,3	ATE					
	77	07/12 →	●	PR:1ZG	P85041MM	[-]	19,7	ATE					
	77	07/12 →		●	PR:1KT	P85020MM	[-]	17,2	TRW				
	66	05/15 →	●	PR:1ZG	P85041MM	[-]	19,7	ATE					
	66	05/15 →		●	PR:1KT	P85020MM	[-]	17,2	TRW				
	81	05/15 →	●	PR:1ZG	P85041MM	[-]	19,7	ATE					

		kw					wi	Th [mm]	SYS	WI			FK	
											LEIGHT			

SKODA

RAPID Spaceback (NH1) 07/12 →

1.4 TDI	66	05/15 →	●	PR:1ZG	P85041MM [-]	19,7	ATE						
	66	05/15 →	●	PR:1KT	P85020MM [-]	17,2	TRW						
1.4 TSI	90	07/12 →	●	PR:1ZC	P85075MM [+]	20,3	ATE						
	90	07/12 →	●	PR:1ZG	P85041MM [-]	19,7	ATE						
	90	07/12 →	●	PR:1KT	P85020MM [-]	17,2	TRW						
	92	05/15 →	●	PR:1ZG	P85041MM [-]	19,7	ATE						
	92	05/15 →	●	PR:1KT	P85020MM [-]	17,2	TRW						
	77	07/12 →	●	PR:1ZC	P85075MM [+]	20,3	ATE						
1.6	77	07/12 →	●	PR:1ZG	P85041MM [-]	19,7	ATE						
	77	07/12 →	●	PR:1KT	P85020MM [-]	17,2	TRW						
	77	07/12 →	●	PR:1ZC	P85075MM [+]	20,3	ATE						
1.6 TDI	77	07/12 →	●	PR:1ZG	P85041MM [-]	19,7	ATE						
	77	07/12 →	●	PR:1KT	P85020MM [-]	17,2	TRW						
	66	08/13 →	●	PR:1ZC	P85075MM [+]	20,3	ATE						
	66	08/13 →	●	PR:1ZG	P85041MM [-]	19,7	ATE						
	66	08/13 →	●	PR:1KT	P85020MM [-]	17,2	TRW						
	85	05/15 →	●	PR:1ZG	P85041MM [-]	19,7	ATE						
	85	05/15 →	●	PR:1KT	P85020MM [-]	17,2	TRW						

ROOMSTER (5J) 03/06 → 05/15

1.2	47	05/06 → 01/07	●	PR:1LQ+9U0; PR:1LR+9U0; PR:1ZG	P85041MM [-]	19,7	ATE						
	47	05/06 → 01/07	●	PR:1LR+9U1	P85072MM [+]	19,7	ATE						
	47	05/06 → 01/07	●	PR:1LN+9U0	P85057MM [-]	19	TRW						
	47	05/06 → 01/07	●	PR:1LN+9U1	P85077MM [+]	19	TRW						
	47	05/06 → 01/07	●	PR:1KK; PR:1KT	P85020MM [-]	17,2	TRW					A02205	
	51	01/07 → 05/15	●	PR:1LQ+9U0; PR:1ZG; PR:1LR+9U0	P85041MM [-]	19,7	ATE						
	51	01/07 → 05/15	●	PR:1LR+9U1	P85072MM [+]	19,7	ATE						
	51	01/07 → 05/15	●	PR:1LN+9U0	P85057MM [-]	19	TRW						
	51	01/07 → 05/15	●	PR:1LN+9U1	P85077MM [+]	19	TRW						
1.2 TDI	55	03/10 → 05/15	●	PR:1LQ+9U0; PR:1LR+9U0; PR:1ZG	P85041MM [-]	19,7	ATE						
	55	03/10 → 05/15	●	PR:1ZC	P85075MM [+]	20,3	ATE						
	55	03/10 → 05/15	●	PR:1KK; PR:1KT	P85020MM [-]	17,2	TRW					A02205	
1.2 TSI	77	03/10 → 05/15	●	PR:1LR+9U0; PR:1ZG; PR:1LQ+9U0	P85041MM [-]	19,7	ATE						
	77	03/10 → 05/15	●	PR:1LN+9U0	P85075MM [+]	20,3	ATE						
	77	03/10 → 05/15	●	PR:1KT; PR:1KK	P85020MM [-]	17,2	TRW						
	63	03/10 → 05/15	●	PR:1LQ+9U0; PR:1LR+9U0; PR:1ZG	P85041MM [-]	19,7	ATE						
	63	03/10 → 05/15	●	PR:1LN+9U0	P85075MM [+]	20,3	ATE						
	63	03/10 → 05/15	●	PR:1KK; PR:1KT	P85020MM [-]	17,2	TRW						
1.4	63	09/06 → 05/15	●	PR:1LR+9U0; PR:1ZG; PR:1LQ+9U0	P85041MM [-]	19,7	ATE						
	63	09/06 → 05/15	●	PR:1LR+9U1	P85072MM [+]	19,7	ATE						
	63	09/06 → 05/15	●	PR:1LN+9U0	P85057MM [-]	19	TRW						
	63	09/06 → 05/15	●	PR:1LN+9U1	P85077MM [+]	19	TRW						
	63	09/06 → 05/15	●	PR:1KK; PR:1KT	P85020MM [-]	17,2	TRW					A02205	
1.4 TDI	51	07/06 → 03/10	●	PR:1LR+9U0; PR:1ZG; PR:1LQ+9U0	P85041MM [-]	19,7	ATE						
	51	07/06 → 03/10	●	PR:1LR+9U1	P85072MM [+]	19,7	ATE						
	51	07/06 → 03/10	●	PR:1LN+9U0	P85057MM [-]	19	TRW						
	51	07/06 → 03/10	●	PR:1LN+9U1	P85077MM [+]	19	TRW						
	51	07/06 → 03/10	●	PR:1KK; PR:1KT	P85020MM [-]	17,2	TRW					A02205	



kw



wi

Th [mm]

SYS

WI

FK



LENGHT



SKODA

ROOMSTER (5J) 03/06 → 05/15

1.4 TDI	59	09/06 → 03/10	●	PR:1LQ+9U0; PR:1ZG; PR:1LR+9U0	P85041MM [-]	19,7	ATE					
	59	09/06 → 03/10	●	PR:1LR+9U1	P85072MM [+]	19,7	ATE					
	59	09/06 → 03/10	●	PR:1LN+9U0	P85057MM [-]	19	TRW					
	59	09/06 → 03/10	●	PR:1LN+9U1	P85077MM [+]	19	TRW					
	59	09/06 → 03/10	●	PR:1KK; PR:1KT	P85020MM [-]	17,2	TRW				A02205	
1.6	77	09/06 → 05/15	●	PR:1LQ+9U0; PR:1ZG; PR:1LR+9U0	P85041MM [-]	19,7	ATE					
	77	09/06 → 05/15	●	PR:1LR+9U1	P85072MM [+]	19,7	ATE					
	77	09/06 → 05/15	●	PR:1LN+9U0	P85057MM [-]	19	TRW					
	77	09/06 → 05/15	●	PR:1LN+9U1	P85077MM [+]	19	TRW					
	77	09/06 → 05/15	●	PR:1KK; PR:1KT	P85020MM [-]	17,2	TRW				A02205	
1.6 TDI	66	03/10 → 05/15	●	PR:1LR+9U0; PR:1ZG; PR:1LQ+9U0	P85041MM [-]	19,7	ATE					
	66	03/10 → 05/15	●	PR:1LN+9U0	P85075MM [+]	20,3	ATE					
	66	03/10 → 05/15	●	PR:1KT; PR:1KK	P85020MM [-]	17,2	TRW					
	77	03/10 → 05/15	●	PR:1LQ+9U0; PR:1ZG; PR:1LR+9U0	P85041MM [-]	19,7	ATE					
	77	03/10 → 05/15	●	PR:1LN+9U0	P85075MM [+]	20,3	ATE					
	77	03/10 → 05/15	●	PR:1KK; PR:1KT	P85020MM [-]	17,2	TRW					
1.9 TDI	74	03/06 → 05/06	●	PR:1ZG; PR:1LR+9U0; PR:1LQ+9U0	P85041MM [-]	19,7	ATE					
	74	03/06 → 05/06	●	PR:1LR+9U1	P85072MM [+]	19,7	ATE					
	74	03/06 → 05/06	●	PR:1LN+9U0	P85057MM [-]	19	TRW					
	74	03/06 → 05/06	●	PR:1LN+9U1	P85077MM [+]	19	TRW					
	74	03/06 → 05/06	●	PR:1KK; PR:1KT	P85020MM [-]	17,2	TRW				A02205	
	77	09/06 → 03/10	●	PR:1LR+9U0; PR:1ZG; PR:1LQ+9U0	P85041MM [-]	19,7	ATE					
	77	09/06 → 03/10	●	PR:1LR+9U1	P85072MM [+]	19,7	ATE					
	77	09/06 → 03/10	●	PR:1LN+9U0	P85057MM [-]	19	TRW					
	77	09/06 → 03/10	●	PR:1LN+9U1	P85077MM [+]	19	TRW					
	77	09/06 → 03/10	●	PR:1KK; PR:1KT	P85020MM [-]	17,2	TRW				A02205	

ROOMSTER Praktik (5J) 03/07 → 05/15

1.2i.2	51	03/07 → 05/15	●	PR:1LQ+9U0; PR:1LR+9U0	P85041MM [-]	19,7	ATE					
	51	03/07 → 05/15	●	PR:1LQ+9U1; PR:1LR+9U1	P85072MM [+]	19,7	ATE					
	51	03/07 → 05/15	●	PR:1LN+9U0	P85057MM [-]	19	TRW					
	51	03/07 → 05/15	●	PR:1LN+9U1	P85077MM [+]	19	TRW					
	51	03/07 → 05/15	●	PR:1LM+9U0; PR:1LB+9U0	P85025MM [-]	17,2	VW / VAG					
	51	03/07 → 05/15	●	PR:1LB+9U1; PR:1LM+9U1	P85071MM [+]	17,2	VW / VAG					
	51	03/07 → 05/15	●		P85020MM [-]	17,2	TRW					
1.2 TDI	55	03/10 → 05/15	●	PR:1LN; PR:1ZH	P85077MM [+]	19	TRW					
	55	03/10 → 05/15	●	PR:1ZG	P85041MM [-]	19,7	ATE					
	55	03/10 → 05/15	●	PR:1ZC	P85075MM [+]	20,3	ATE					
	55	03/10 → 05/15	●		P85020MM [-]	17,2	TRW				A02205	
1.2 TSI	63	03/10 → 05/15	●	PR:1ZG	P85041MM [-]	19,7	ATE					
	63	03/10 → 05/15	●	PR:1ZC	P85075MM [+]	20,3	ATE					
	63	03/10 → 05/15	●		P85020MM [-]	17,2	TRW				A02205	
1.4	63	03/07 → 05/15	●	PR:1LR+9U0; PR:1LQ+9U0	P85041MM [-]	19,7	ATE					
	63	03/07 → 05/15	●	PR:1LR+9U1; PR:1LQ+9U1	P85072MM [+]	19,7	ATE					
	63	03/07 → 05/15	●	PR:1LN+9U0	P85057MM [-]	19	TRW					
	63	03/07 → 05/15	●	PR:1LN+9U1	P85077MM [+]	19	TRW					
	63	03/07 → 05/15	●	PR:1LB+9U0; PR:1LM+9U0	P85025MM [-]	17,2	VW / VAG					

		kw						wi	Th [mm]	SYS	WI			FK	
												LENGHT			

SKODA

ROOMSTER Praktik (5J) 03/07 → 05/15

1.4	63	03/07 → 05/15	●	PR:1LM+9U1; PR:1LB+9U1	P85071MM	[+]	17,2	VW / VAG							
	63	03/07 → 05/15	●		P85020MM	[-]	17,2	TRW							
1.4 TDI	59	03/07 → 03/10	●	PR:1LQ+9U0; PR:1LR+9U0	P85041MM	[-]	19,7	ATE							
	59	03/07 → 03/10	●	PR:1LQ+9U1; PR:1LR+9U1	P85072MM	[+]	19,7	ATE							
	59	03/07 → 03/10	●	PR:1LN+9U0	P85057MM	[-]	19	TRW							
	59	03/07 → 03/10	●	PR:1LN+9U1	P85077MM	[+]	19	TRW							
	59	03/07 → 03/10	●	PR:1LM+9U0; PR:1LB+9U0	P85025MM	[-]	17,2	VW / VAG							
	59	03/07 → 03/10	●	PR:1LB+9U1; PR:1LM+9U1	P85071MM	[+]	17,2	VW / VAG							
	59	03/07 → 03/10	●		P85020MM	[-]	17,2	TRW							
	51	03/07 → 03/10	●	PR:1LR+9U0; PR:1LQ+9U0	P85041MM	[-]	19,7	ATE							
	51	03/07 → 03/10	●	PR:1LR+9U1; PR:1LQ+9U1	P85072MM	[+]	19,7	ATE							
	51	03/07 → 03/10	●	PR:1LN+9U0	P85057MM	[-]	19	TRW							
	51	03/07 → 03/10	●	PR:1LN+9U1	P85077MM	[+]	19	TRW							
	51	03/07 → 03/10	●	PR:1LB+9U0; PR:1LM+9U0	P85025MM	[-]	17,2	VW / VAG							
	51	03/07 → 03/10	●	PR:1LM+9U1; PR:1LB+9U1	P85071MM	[+]	17,2	VW / VAG							
	51	03/07 → 03/10	●		P85020MM	[-]	17,2	TRW							
1.6 TDI	66	03/10 → 05/15	●	PR:1ZH; PR:1LN	P85077MM	[+]	19	TRW							
	66	03/10 → 05/15	●	PR:1ZG	P85041MM	[-]	19,7	ATE							
	66	03/10 → 05/15	●	PR:1ZC	P85075MM	[+]	20,3	ATE							
	66	03/10 → 05/15	●		P85020MM	[-]	17,2	TRW						A02205	

SUPERB I (3U4) 12/01 → 03/08

1.8 T	110	12/01 → 03/08	●		P85085MM	[+]	20,4	ATE						A02217	
	110	12/01 → 03/08	●		P85020MM	[-]	17,2	TRW						A02205	
1.9 TDI	96	12/01 → 03/08	●		P85085MM	[+]	20,4	ATE						A02217	
	96	12/01 → 03/08	●		P85020MM	[-]	17,2	TRW						A02205	
	74	08/02 → 10/05	●		P85085MM	[+]	20,4	ATE						A02217	
	74	08/02 → 10/05	●		P85020MM	[-]	17,2	TRW						A02205	
	85	01/07 → 03/08	●		P85085MM	[+]	20,4	ATE							
	85	01/07 → 03/08	●		P85020MM	[-]	17,2	TRW							
	77	10/05 → 05/07	●		P85085MM	[+]	20,4	ATE							
	77	10/05 → 05/07	●		P85020MM	[-]	17,2	TRW							
2.0	85	12/01 → 03/08	●		P85085MM	[+]	20,4	ATE						A02217	
	85	12/01 → 03/08	●		P85020MM	[-]	17,2	TRW						A02205	
2.0 TDI	103	10/05 → 03/08	●		P85085MM	[+]	20,4	ATE							
	103	10/05 → 03/08	●		P85020MM	[-]	17,2	TRW							
2.5 TDI	114	12/01 → 08/03	●		P85085MM	[+]	20,4	ATE						A02217	
	114	12/01 → 08/03	●		P85020MM	[-]	17,2	TRW						A02205	
	120	06/03 → 03/08	●		P85085MM	[+]	20,4	ATE						A02217	
	120	06/03 → 03/08	●		P85020MM	[-]	17,2	TRW						A02205	
2.8 V6	142	12/01 → 03/08	●		P85085MM	[+]	20,4	ATE						A02217	
	142	12/01 → 03/08	●		P85020MM	[-]	17,2	TRW						A02205	
	140	06/02 → 03/08	●		P85085MM	[+]	20,4	ATE							
	140	06/02 → 03/08	●		P85020MM	[-]	17,2	TRW							

SUPERB II (3T4) 03/08 → 05/15

1.4 TSI	92	07/08 → 05/15	●	PR:1ZE; PR:1LJ	P85075MM	[+]	20,3	ATE							
	92	07/08 → 05/15	●	PR:1ZA	P85146MM	[+]	20,3	ATE							
	92	07/08 → 05/15	●	PR:1KF; PR:1KJ	P85073MM	[O]	17,2	TRW							
	92	07/08 → 05/15	●	PR:1KS	P85114MM	[-]	17,7	BSH							

								WI			FK	
	kw				wi	Th [mm]	SYS		LENGHT			

SKODA

SUPERB II (3T4) 03/08 → 05/15

Engine	Power [kw]	Year Range	Configuration	Part Code	Value	Th [mm]	SYS	WI	FK
1.6 TDI	77	09/10 → 05/15	● PR:1ZE; PR:1LJ	P85075MM	[+]	20,3	ATE		
	77	09/10 → 05/15	● PR:1ZA	P85146MM	[+]	20,3	ATE		
	77	09/10 → 05/15	● PR:1KF; PR:1KJ	P85073MM	[o]	17,2	TRW		
	77	09/10 → 05/15	● PR:1KS	P85114MM	[-]	17,7	BSH		
1.8 TSI	112	03/09 → 05/15	● PR:1ZE; PR:1LJ	P85075MM	[+]	20,3	ATE		
	112	03/09 → 05/15	● PR:1ZA	P85146MM	[+]	20,3	ATE		
	112	03/09 → 05/15	● PR:1KF; PR:1KJ	P85073MM	[o]	17,2	TRW		
	112	03/09 → 05/15	● PR:1KS	P85114MM	[-]	17,7	BSH		
	118	03/08 → 05/15	● PR:1LJ; PR:1ZE	P85075MM	[+]	20,3	ATE		
	118	03/08 → 05/15	● PR:1ZA	P85146MM	[+]	20,3	ATE		
	118	03/08 → 05/15	● PR:1KJ; PR:1KF	P85073MM	[o]	17,2	TRW		
1.8 TSI 4x4	112	03/09 → 05/15	● PR:1LJ; PR:1ZA; PR:1ZE	P85075MM	[+]	20,3	ATE		
	112	03/09 → 05/15	● PR:1ZB	P85146MM	[+]	20,3	ATE		
	112	03/09 → 05/15	● PR:1KJ	P85073MM	[o]	17,2	TRW		
	112	03/09 → 05/15	● PR:1KS	P85114MM	[-]	17,7	BSH		
	112	03/09 → 05/15	● PR:2EA; PR:2EL	P85095MM	[o]	17,2	TRW		
	118	11/08 → 05/15	● PR:1ZE; PR:1LJ	P85075MM	[+]	20,3	ATE		
	118	11/08 → 05/15	● PR:1ZA	P85146MM	[+]	20,3	ATE		
	118	11/08 → 05/15	● PR:1KS	P85114MM	[-]	17,7	BSH		
	118	11/08 → 05/15	● PR:2EA; PR:2EL	P85095MM	[o]	17,2	TRW		
	118	11/08 → 05/15	● PR:1KJ	P85073MM	[o]	17,2	TRW		
1.9 TDI	77	03/08 → 11/10	● PR:1LJ; PR:1ZA; PR:1ZE	P85075MM	[+]	20,3	ATE		
	77	03/08 → 11/10	● PR:1KF; PR:1KJ	P85073MM	[o]	17,2	TRW		
	77	03/08 → 11/10	● PR:1KS	P85114MM	[-]	17,7	BSH		
2.0 TDI	103	03/08 → 05/10	● PR:1LJ; PR:1ZE	P85075MM	[+]	20,3	ATE		
	103	03/08 → 05/10	● PR:1ZA	P85146MM	[+]	20,3	ATE		
	103	03/08 → 05/10	● PR:1KJ; PR:1KF	P85073MM	[o]	17,2	TRW		
	103	03/08 → 05/10	● PR:1KS	P85114MM	[-]	17,7	BSH		
	125	07/08 → 05/15	● PR:1ZE; PR:1LJ	P85075MM	[+]	20,3	ATE		
	125	07/08 → 05/15	● PR:1ZA	P85146MM	[+]	20,3	ATE		
	125	07/08 → 05/15	● PR:1KF; PR:1KJ	P85073MM	[o]	17,2	TRW		
2.0 TDI 16V	103	01/09 → 05/15	● PR:1ZE; PR:1LJ	P85075MM	[+]	20,3	ATE		
	103	01/09 → 05/15	● PR:1ZA	P85146MM	[+]	20,3	ATE		
	103	01/09 → 05/15	● PR:1KF; PR:1KJ	P85073MM	[o]	17,2	TRW		
	103	01/09 → 05/15	● PR:1KS	P85114MM	[-]	17,7	BSH		
2.0 TDI 16V 4x4	103	11/10 → 05/15	● PR:1LJ; PR:1ZE	P85075MM	[+]	20,3	ATE		
	103	11/10 → 05/15	● PR:1ZA	P85146MM	[+]	20,3	ATE		
	103	11/10 → 05/15	● PR:1KS	P85114MM	[-]	17,7	BSH		
	103	11/10 → 05/15	● PR:2EA; PR:2EL	P85095MM	[o]	17,2	TRW		
	103	11/10 → 05/15	● PR:1KJ	P85073MM	[o]	17,2	TRW		
2.0 TDI 4x4	125	09/08 → 05/15	● PR:1LJ; PR:1ZE	P85075MM	[+]	20,3	ATE		
	125	09/08 → 05/15	● PR:1ZA	P85146MM	[+]	20,3	ATE		
	125	09/08 → 05/15	● PR:1KS	P85114MM	[-]	17,7	BSH		
	125	09/08 → 05/15	● PR:2EA; PR:2EL	P85095MM	[o]	17,2	TRW		
	125	09/08 → 05/15	● PR:1KJ	P85073MM	[o]	17,2	TRW		
2.0 TSI	147	05/10 → 05/15	● PR:1LK	P85079MM	[+]	20,3	ATE		
	147	05/10 → 05/15	● PR:1ZA	P85146MM	[+]	20,3	ATE		
	147	05/10 → 05/15	● PR:1LJ	P85075MM	[+]	20,3	ATE		
	147	05/10 → 05/15	● PR:1KJ	P85073MM	[o]	17,2	TRW		
3.6 FSI 4x4	191	11/08 → 05/15	● PR:1LK	P85079MM	[+]	20,3	ATE		
	191	11/08 → 05/15	● PR:2EA; PR:2EL	P85095MM	[o]	17,2	TRW		

kw							Th [mm]			WI			FK

SKODA

SUPERB II Estate (3T5) 10/09 → 05/15

Engine	Power (kw)	Period	Configuration	Part No.	Delta	Th [mm]	SYS	MAGNETI MARELLI	LEIGHT	i	MAGNETI MARELLI	i
1.4 TSI	92	10/09 → 05/15	● PR:1LJ; PR:1ZE	P85075MM	[+]	20,3	ATE					
	92	10/09 → 05/15	● PR:1ZA	P85146MM	[+]	20,3	ATE					
	92	10/09 → 05/15	● PR:1KJ; PR:1KF	P85073MM	[O]	17,2	TRW					
	92	10/09 → 05/15	● PR:1KS	P85114MM	[-]	17,7	BSH					
1.6 TDI	77	09/10 → 05/15	● PR:1ZE; PR:1LJ	P85075MM	[+]	20,3	ATE					
	77	09/10 → 05/15	● PR:1ZA	P85146MM	[+]	20,3	ATE					
	77	09/10 → 05/15	● PR:1KJ; PR:1KF	P85073MM	[O]	17,2	TRW					
	77	09/10 → 05/15	● PR:1KS	P85114MM	[-]	17,7	BSH					
1.8 TSI	112	10/09 → 05/15	● PR:1LJ; PR:1ZE	P85075MM	[+]	20,3	ATE					
	112	10/09 → 05/15	● PR:1ZA	P85146MM	[+]	20,3	ATE					
	112	10/09 → 05/15	● PR:1KJ; PR:1KF	P85073MM	[O]	17,2	TRW					
	112	10/09 → 05/15	● PR:1KS	P85114MM	[-]	17,7	BSH					
	118	10/09 → 05/15	● PR:1ZE; PR:1LJ	P85075MM	[+]	20,3	ATE					
	118	10/09 → 05/15	● PR:1ZA	P85146MM	[+]	20,3	ATE					
	118	10/09 → 05/15	● PR:1KF; PR:1KJ	P85073MM	[O]	17,2	TRW					
	118	10/09 → 05/15	● PR:1KS	P85114MM	[-]	17,7	BSH					
1.8 TSI 4x4	112	10/09 → 05/15	● PR:1LJ	P85075MM	[+]	20,3	ATE					
	112	10/09 → 05/15	● PR:1ZA	P85146MM	[+]	20,3	ATE					
	112	10/09 → 05/15	● PR:1KS	P85114MM	[-]	17,7	BSH					
	112	10/09 → 05/15	● PR:2EA	P85095MM	[O]	17,2	TRW					
	118	10/09 → 05/15	● PR:1LJ; PR:1ZE	P85075MM	[+]	20,3	ATE					
	118	10/09 → 05/15	● PR:1ZA	P85146MM	[+]	20,3	ATE					
	118	10/09 → 05/15	● PR:1KS	P85114MM	[-]	17,7	BSH					
	118	10/09 → 05/15	● PR:2EA	P85095MM	[O]	17,2	TRW					
1.9 TDI	77	10/09 → 11/10	● PR:1ZE; PR:1LJ; PR:1ZA	P85075MM	[+]	20,3	ATE					
	77	10/09 → 11/10	● PR:1KF; PR:1KJ	P85073MM	[O]	17,2	TRW					
	77	10/09 → 11/10	● PR:1KS	P85114MM	[-]	17,7	BSH					
2.0 TDI	125	10/09 → 05/15	● PR:1LJ; PR:1ZE	P85075MM	[+]	20,3	ATE					
	125	10/09 → 05/15	● PR:1ZA	P85146MM	[+]	20,3	ATE					
	125	10/09 → 05/15	● PR:1KF; PR:1KJ	P85073MM	[O]	17,2	TRW					
	125	10/09 → 05/15	● PR:1KS	P85114MM	[-]	17,7	BSH					
	103	10/09 → 03/10	● PR:1LJ; PR:1ZE	P85075MM	[+]	20,3	ATE					
	103	10/09 → 03/10	● PR:1ZA	P85146MM	[+]	20,3	ATE					
	103	10/09 → 03/10	● PR:1KJ; PR:1KF	P85073MM	[O]	17,2	TRW					
	103	10/09 → 03/10	● PR:1KS	P85114MM	[-]	17,7	BSH					
2.0 TDI 16V	103	10/09 → 05/15	● PR:1ZE; PR:1LJ	P85075MM	[+]	20,3	ATE					
	103	10/09 → 05/15	● PR:1ZA	P85146MM	[+]	20,3	ATE					
	103	10/09 → 05/15	● PR:1KJ; PR:1KF	P85073MM	[O]	17,2	TRW					
	103	10/09 → 05/15	● PR:1KS	P85114MM	[-]	17,7	BSH					
	103	11/10 → 05/15	● PR:1LJ; PR:1ZE	P85075MM	[+]	20,3	ATE					
2.0 TDI 16V 4x4	103	11/10 → 05/15	● PR:1ZA	P85146MM	[+]	20,3	ATE					
	103	11/10 → 05/15	● PR:1KS	P85114MM	[-]	17,7	BSH					
	103	11/10 → 05/15	● PR:2EA	P85095MM	[O]	17,2	TRW					
	125	10/09 → 05/15	● PR:1ZE; PR:1LJ	P85075MM	[+]	20,3	ATE					
2.0 TDI 4x4	125	10/09 → 05/15	● PR:1ZA	P85146MM	[+]	20,3	ATE					
	125	10/09 → 05/15	● PR:1KS	P85114MM	[-]	17,7	BSH					
	125	10/09 → 05/15	● PR:2EA	P85095MM	[O]	17,2	TRW					
	147	05/10 → 05/15	● PR:1LK	P85079MM	[+]	20,3	ATE					
2.0 TSI	147	05/10 → 05/15	● PR:1LJ	P85075MM	[+]	20,3	ATE					
	147	05/10 → 05/15	● PR:1ZA	P85146MM	[+]	20,3	ATE					
	147	05/10 → 05/15	● PR:1KF; PR:1KJ	P85073MM	[O]	17,2	TRW					
	147	05/10 → 05/15	● PR:1KS	P85114MM	[-]	17,7	BSH					
	191	10/09 → 05/15	● PR:1LK	P85079MM	[+]	20,3	ATE					
3.6 V6 4x4	191	10/09 → 05/15	● PR:2EA; PR:2EL	P85095MM	[O]	17,2	TRW					

									WI			FK	
									MAGNETI MARELLI	LENGHT		MAGNETI MARELLI	

SKODA

SUPERB III (3V3) 03/15 →

1.4 TSI	110	03/15 →	●	PR:1ZA	P85126MM	[+]	20,3	TRW	A00492	170	PR:1LA		
	110	03/15 →	●	PR:1LA	P85144MM	[+]	20	TRW	A00492	170	PR:1LA		
	110	03/15 →		●	PR:1KU; PR:1KZ	P85124MM	[-]	16,4	ATE				
	92	03/15 →	●	PR:1ZA	P85126MM	[+]	20,3	TRW	A00492	170	PR:1LA		
	92	03/15 →	●	PR:1LA	P85144MM	[+]	20	TRW	A00492	170	PR:1LA		
	92	03/15 →		●	PR:1KU; PR:1KZ	P85124MM	[-]	16,4	ATE				
1.4 TSI 4x4	110	03/15 →	●	PR:1ZA	P85126MM	[+]	20,3	TRW	A00492	170	PR:1ZA; PR:1LA		
	110	03/15 →	●	PR:1LA	P85144MM	[+]	20	TRW	A00492	170	PR:1ZA; PR:1LA		
	110	03/15 →		●	PR:1KU; PR:1KZ	P85124MM	[-]	16,4	ATE				
1.6 TDI	88	03/15 →	●	PR:1ZA	P85126MM	[+]	20,3	TRW	A00492	170	PR:1LA		
	88	03/15 →	●	PR:1LA	P85144MM	[+]	20	TRW	A00492	170	PR:1LA		
	88	03/15 →		●	PR:1KU; PR:1KZ	P85124MM	[-]	16,4	ATE				
1.8 TSI	132	03/15 →	●	PR:1ZA	P85126MM	[+]	20,3	TRW	A00492	170	PR:1ZA; PR:1LA		
	132	03/15 →	●	PR:1LA	P85144MM	[+]	20	TRW	A00492	170	PR:1ZA; PR:1LA		
	132	03/15 →		●	PR:1KU; PR:1KZ	P85124MM	[-]	16,4	ATE				
2.0 TDI	110	03/15 →	●	PR:1ZA	P85126MM	[+]	20,3	TRW	A00492	170	PR:1LA		
	110	03/15 →	●	PR:1LA	P85144MM	[+]	20	TRW	A00492	170	PR:1LA		
	110	03/15 →		●	PR:1KU; PR:1KZ	P85124MM	[-]	16,4	ATE				
	140	03/15 →	●	PR:1ZA	P85126MM	[+]	20,3	TRW	A00492	170	PR:1LA		
	140	03/15 →	●	PR:1LA	P85144MM	[+]	20	TRW	A00492	170	PR:1LA		
2.0 TDI 4x4	140	03/15 →	●	PR:1ZA	P85126MM	[+]	20,3	TRW	A00492	170	PR:1LA		
	140	03/15 →	●	PR:1LA	P85144MM	[+]	20	TRW	A00492	170	PR:1LA		
	140	03/15 →		●	PR:1KZ; PR:1KU	P85124MM	[-]	16,4	ATE				
	110	03/15 →	●	PR:1ZA	P85126MM	[+]	20,3	TRW	A00492	170	PR:1ZA; PR:1LA		
	110	03/15 →	●	PR:1LA	P85144MM	[+]	20	TRW	A00492	170	PR:1ZA; PR:1LA		
2.0 TSI	162	03/15 →	●	PR:1ZA	P85126MM	[+]	20,3	TRW	A00492	170	PR:1LA		
	162	03/15 →	●	PR:1LA	P85144MM	[+]	20	TRW	A00492	170	PR:1LA		
	162	03/15 →		●	PR:1KZ; PR:1KU	P85124MM	[-]	16,4	ATE				
2.0 TSI 4x4	206	03/15 →	●	PR:1ZA	P85126MM	[+]	20,3	TRW	A00492	170	PR:1LA		
	206	03/15 →	●	PR:1LA	P85144MM	[+]	20	TRW	A00492	170	PR:1LA		
	206	03/15 →		●	PR:1KZ; PR:1KU	P85124MM	[-]	16,4	ATE				

SUPERB III Estate (3V5) 03/15 →

1.4 TSI	92	03/15 →	●	PR:1ZA	P85126MM	[+]	20,3	TRW	A00492	170	PR:1LA; PR:1ZA		
	92	03/15 →	●	PR:1LA	P85144MM	[+]	20	TRW	A00492	170	PR:1LA; PR:1ZA		
	92	03/15 →		●	PR:1KU; PR:1KZ	P85124MM	[-]	16,4	ATE				
	110	03/15 →	●	PR:1ZA	P85126MM	[+]	20,3	TRW	A00492	170	PR:1LA; PR:1ZA		
	110	03/15 →	●	PR:1LA	P85144MM	[+]	20	TRW	A00492	170	PR:1LA; PR:1ZA		
	110	03/15 →		●	PR:1KZ; PR:1KU	P85124MM	[-]	16,4	ATE				
1.4 TSI 4x4	110	03/15 →	●	PR:1ZA	P85126MM	[+]	20,3	TRW	A00492	170	PR:1ZA; PR:1LA		
	110	03/15 →	●	PR:1LA	P85144MM	[+]	20	TRW	A00492	170	PR:1ZA; PR:1LA		
	110	03/15 →		●	PR:1KZ; PR:1KU	P85124MM	[-]	16,4	ATE				
1.6 TDI	88	03/15 →	●	PR:1ZA	P85126MM	[+]	20,3	TRW	A00492	170	PR:1LA; PR:1ZA		
	88	03/15 →	●	PR:1LA	P85144MM	[+]	20	TRW	A00492	170	PR:1LA; PR:1ZA		
	88	03/15 →		●	PR:1KZ; PR:1KU	P85124MM	[-]	16,4	ATE				
1.8 TSI	132	03/15 →	●	PR:1ZA	P85126MM	[+]	20,3	TRW	A00492	170	PR:1ZA; PR:1LA		
	132	03/15 →	●	PR:1LA	P85144MM	[+]	20	TRW	A00492	170	PR:1ZA; PR:1LA		
	132	03/15 →		●	PR:1KU; PR:1KZ	P85124MM	[-]	16,4	ATE				
2.0 TDI	110	03/15 →	●	PR:1ZA	P85126MM	[+]	20,3	TRW	A00492	170	PR:1LA; PR:1ZA		
	110	03/15 →	●	PR:1LA	P85144MM	[+]	20	TRW	A00492	170	PR:1LA; PR:1ZA		
	110	03/15 →		●	PR:1KU; PR:1KZ	P85124MM	[-]	16,4	ATE				
	140	03/15 →	●	PR:1ZA	P85126MM	[+]	20,3	TRW	A00492	170	PR:1LA; PR:1ZA		

SKODA

SUPERB III Estate (3V5) 03/15 →

2.0 TDI	140	03/15 →	●	PR:1LA	P85144MM	[+]	20	TRW	A00492	170	PR:1LA; PR:1ZA		
	140	03/15 →		●	PR:1KZ; PR:1KU	P85124MM	[-]	16,4	ATE				
2.0 TDI 4x4	140	03/15 →	●	PR:1ZA	P85126MM	[+]	20,3	TRW	A00492	170	PR:1LA; PR:1ZA		
	140	03/15 →	●	PR:1LA	P85144MM	[+]	20	TRW	A00492	170	PR:1LA; PR:1ZA		
	140	03/15 →		●	PR:1KU; PR:1KZ	P85124MM	[-]	16,4	ATE				
	110	03/15 →	●	PR:1ZA	P85126MM	[+]	20,3	TRW	A00492	170	PR:1ZA; PR:1LA		
	110	03/15 →	●	PR:1LA	P85144MM	[+]	20	TRW	A00492	170	PR:1ZA; PR:1LA		
	110	03/15 →		●	PR:1KZ; PR:1KU	P85124MM	[-]	16,4	ATE				
2.0 TSI	162	03/15 →	●	PR:1ZA	P85126MM	[+]	20,3	TRW	A00492	170	PR:1LA; PR:1ZA		
	162	03/15 →	●	PR:1LA	P85144MM	[+]	20	TRW	A00492	170	PR:1LA; PR:1ZA		
	162	03/15 →		●	PR:1KU; PR:1KZ	P85124MM	[-]	16,4	ATE				
2.0 TSI 4x4	206	03/15 →	●	PR:1ZA	P85126MM	[+]	20,3	TRW	A00492	170	PR:1ZA; PR:1LA		
	206	03/15 →	●	PR:1LA	P85144MM	[+]	20	TRW	A00492	170	PR:1ZA; PR:1LA		
	206	03/15 →		●	PR:1KU; PR:1KZ	P85124MM	[-]	16,4	ATE				

YETI (5L) 05/09 →

1.2 TSI	77	09/09 →	●	PR:1ZF	P85072MM	[+]	19,7	ATE					
	77	09/09 →	●	PR:1ZA; PR:1ZE	P85075MM	[+]	20,3	ATE					
	77	09/09 →		●	PR:1KD	P85020MM	[-]	17,2	TRW				
	81	05/15 →	●	PR:1ZA	P85146MM	[+]	20,3	ATE					
	81	05/15 →	●	PR:1ZF	P85072MM	[+]	19,7	ATE					
	81	05/15 →	●	PR:1ZE	P85075MM	[+]	20,3	ATE					
	81	05/15 →		●	PR:1KD	P85020MM	[-]	17,2	TRW				
	81	05/15 →		●	PR:1KS	P85114MM	[-]	17,7	BSH				
1.4 TSI	90	06/10 →	●	PR:1ZF	P85072MM	[+]	19,7	ATE					
	90	06/10 →	●	PR:1ZE; PR:1ZA	P85075MM	[+]	20,3	ATE					
	90	06/10 →		●	PR:1KD	P85020MM	[-]	17,2	TRW				
	92	05/15 →	●	PR:1ZA	P85146MM	[+]	20,3	ATE					
	92	05/15 →	●	PR:1ZF	P85072MM	[+]	19,7	ATE					
	92	05/15 →	●	PR:1ZE	P85075MM	[+]	20,3	ATE					
	92	05/15 →		●	PR:1KD	P85020MM	[-]	17,2	TRW				
	92	05/15 →		●	PR:1KS	P85114MM	[-]	17,7	BSH				
1.4 TSI 4x4	110	05/15 →	●	PR:1ZA	P85146MM	[+]	20,3	ATE					
	110	05/15 →	●	PR:1ZF	P85072MM	[+]	19,7	ATE					
	110	05/15 →	●	PR:1ZE	P85075MM	[+]	20,3	ATE					
	110	05/15 →		●	PR:1KD	P85020MM	[-]	17,2	TRW				
	110	05/15 →		●	PR:1KS	P85114MM	[-]	17,7	BSH				
1.6	81	04/14 →	●	PR:1ZF	P85072MM	[+]	19,7	ATE					
	81	04/14 →	●	PR:1ZE	P85075MM	[+]	20,3	ATE					
	81	04/14 →	●	PR:1ZA	P85146MM	[+]	20,3	ATE					
	81	04/14 →		●	PR:1KD	P85020MM	[-]	17,2	TRW				
	81	04/14 →		●	PR:1KS	P85114MM	[-]	17,7	BSH				
1.6 TDI	77	11/10 →	●	PR:1ZF	P85072MM	[+]	19,7	ATE					
	77	11/10 →	●	PR:1ZE; PR:1ZA	P85075MM	[+]	20,3	ATE					
	77	11/10 →		●	PR:1KS	P85114MM	[-]	17,7	BSH			A02205	PR:1KD
	77	11/10 →		●	PR:1KJ	P85073MM	[O]	17,2	TRW			A02205	PR:1KD
	77	11/10 →		●	PR:1KD	P85020MM	[-]	17,2	TRW			A02205	PR:1KD
1.8 TSI 4x4	112	11/09 →	●	PR:1ZA; PR:1ZE	P85075MM	[+]	20,3	ATE					
	112	11/09 →	●	PR:1ZF	P85072MM	[+]	19,7	ATE					
	112	11/09 →	●	PR:1ZA	P85146MM	[+]	20,3	ATE					
	112	11/09 →		●	PR:1KS	P85114MM	[-]	17,7	BSH				
	112	11/09 →		●	PR:1KJ	P85073MM	[O]	17,2	TRW				
	112	11/09 →		●	PR:1KD	P85020MM	[-]	17,2	TRW				
	118	05/09 →	●	PR:1ZE; PR:1ZA	P85075MM	[+]	20,3	ATE					

	kw									MAGNETI MARELLI	LENGHT		MAGNETI MARELLI	

SKODA

YETI (5L) 05/09 →

1.8 TSI 4x4	118 05/09 →		●	PR:1KS	P85114MM [-]	17,7	BSH							
	118 05/09 →			●	PR:1KJ	P85073MM [O]	17,2	TRW						
2.0 TDI	103 11/11 →		●	PR:1ZE; PR:1ZA	P85075MM [+]	20,3	ATE							
	103 11/11 →		●	PR:1ZF	P85072MM [+]	19,7	ATE							
	103 11/11 →		●	PR:1ZA	P85146MM [+]	20,3	ATE							
	103 11/11 →		●	PR:1KS	P85114MM [-]	17,7	BSH							
	103 11/11 →		●	PR:1KJ	P85073MM [O]	17,2	TRW							
	103 11/11 →		●	PR:1KD	P85020MM [-]	17,2	TRW							
	81 11/09 →		●	PR:1ZF	P85072MM [+]	19,7	ATE							
	81 11/09 →		●	PR:1ZA; PR:1ZE	P85075MM [+]	20,3	ATE							
	81 11/09 →		●	PR:1KS	P85114MM [-]	17,7	BSH							
	81 11/09 →		●	PR:1KJ	P85073MM [O]	17,2	TRW							
	81 11/09 →		●	PR:1KD	P85020MM [-]	17,2	TRW							
	110 05/15 →		●	PR:1ZF	P85072MM [+]	19,7	ATE							
	110 05/15 →		●	PR:1ZE	P85075MM [+]	20,3	ATE							
	110 05/15 →		●	PR:1ZA	P85146MM [+]	20,3	ATE							
	110 05/15 →		●	PR:1KD	P85020MM [-]	17,2	TRW							
	110 05/15 →		●	PR:1KS	P85114MM [-]	17,7	BSH							
	2.0 TDI 4x4	81 11/09 →		●	PR:1ZF	P85072MM [+]	19,7	ATE						
81 11/09 →			●	PR:1ZE	P85075MM [+]	20,3	ATE							
81 11/09 →			●	PR:1ZA	P85146MM [+]	20,3	ATE							
81 11/09 →			●	PR:1KD	P85020MM [-]	17,2	TRW							
81 11/09 →			●	PR:1KS	P85114MM [-]	17,7	BSH							
81 11/09 →			●	PR:1KJ	P85073MM [O]	17,2	TRW							
103 05/09 →			●	PR:1ZE; PR:1ZA	P85075MM [+]	20,3	ATE							
103 05/09 →			●	PR:1KS	P85114MM [-]	17,7	BSH							
103 05/09 →			●	PR:1KJ	P85073MM [O]	17,2	TRW							
125 11/09 →			●	PR:1ZF	P85072MM [+]	19,7	ATE							
125 11/09 →			●	PR:1ZE	P85075MM [+]	20,3	ATE							
125 11/09 →			●	PR:1ZA	P85146MM [+]	20,3	ATE							
125 11/09 →			●	PR:1KD	P85020MM [-]	17,2	TRW							
125 11/09 →			●	PR:1KS	P85114MM [-]	17,7	BSH							
125 11/09 →			●	PR:1KJ	P85073MM [O]	17,2	TRW							
110 05/15 →			●	PR:1ZA	P85146MM [+]	20,3	ATE							
110 05/15 →			●	PR:1ZF	P85072MM [+]	19,7	ATE							
110 05/15 →			●	PR:1ZE	P85075MM [+]	20,3	ATE							
110 05/15 →			●	PR:1KD	P85020MM [-]	17,2	TRW							
110 05/15 →			●	PR:1KS	P85114MM [-]	17,7	BSH							

SMART

CABRIO (450) 03/00 → 01/04

0.6 (450.432)	52	06/02 → 01/04	●		P50038MM [+]	15,8	BSH							
0.6 (S10LA1, 450.441, 450.442, 450.443)	40	03/00 → 01/04	●		P50038MM [+]	15,8	BSH							
0.6 (S10LD2, 450.452)	45	01/01 → 01/04	●		P50038MM [+]	15,8	BSH							
0.7 (450.433)	55	01/03 → 01/04	●		P50038MM [+]	15,8	BSH							
0.7 (450.452, 450.432)	45	01/03 → 01/04	●		P50038MM [+]	15,8	BSH							

	kw					wi	Th [mm]	SYS	WI			FK	
										LENGHT			

SMART

CABRIO (450) 03/00 → 01/04

0.8 CDI (S10LC1, 450.401, 450.402, 450.403, 450.400)	30	03/01 → 01/04	•				P50038MM	[+]	15,8	BSH				
--	----	---------------	---	--	--	--	----------	-----	------	-----	--	--	--	--

CITY-COUPÉ (450) 07/98 → 01/04

0.6 (450.330, 450.332)	52	06/02 → 01/04	•				P50038MM	[+]	15,8	BSH				
0.6 (450.352, 450.353)	45	01/01 → 01/04	•				P50038MM	[+]	15,8	BSH				
0.6 (S1CLA1, 450.341)	40	07/98 → 01/04	•				P50038MM	[+]	15,8	BSH				
0.6 (S1CLB1, 450.331, 450.336)	33	07/98 → 01/04	•				P50038MM	[+]	15,8	BSH				
0.7 (450.330)	37	01/03 → 01/04	•				P50038MM	[+]	15,8	BSH				
0.7 (450.333)	55	01/03 → 01/04	•				P50038MM	[+]	15,8	BSH				
0.7 (450.352, 450.353)	45	01/03 → 01/04	•				P50038MM	[+]	15,8	BSH				
0.8 CDI (S1CLC1, 450.300, 450.301, 450.302, 450.303, ...)	30	11/99 → 01/04	•				P50038MM	[+]	15,8	BSH				

CROSSBLADE (450) 06/02 → 12/03

0.6 (450.418)	52	06/02 → 12/03	•				P50038MM	[+]	15,8	BSH				
---------------	----	---------------	---	--	--	--	----------	-----	------	-----	--	--	--	--

FORFOUR (454) 01/04 → 06/06

1.1 (454.030)	55	01/04 → 06/06	•				P50055MM	[+]	17,4	TRW				
	55	01/04 → 06/06	•				P54023MM	[+]	16,8	TRW				
1.1 (454.033)	47	02/05 → 06/06	•				P50055MM	[+]	17,4	TRW				
	47	02/05 → 06/06	•				P54023MM	[+]	16,8	TRW				
1.3 (454.031)	70	01/04 → 06/06	•				P50055MM	[+]	17,4	TRW				
1.3 (454.031)	70	01/04 → 06/06	•				P54023MM	[+]	16,8	TRW				
	80	01/04 → 06/06	•				P50055MM	[+]	17,4	TRW				
1.5 (454.032)	80	01/04 → 06/06	•				P54023MM	[+]	16,8	TRW				
	90	01/04 → 06/06	•				P50055MM	[+]	17,4	TRW				
	90	01/04 → 06/06	•				P54023MM	[+]	16,8	TRW				
1.5 BRABUS (454.034)	130	05/05 → 06/06	•				P54036MM	[+]	16,5	TRW				
	130	05/05 → 06/06	•				P54023MM	[+]	16,8	TRW				
1.5 CDI (454.000)	50	09/04 → 06/06	•				P50055MM	[+]	17,4	TRW				
	50	09/04 → 06/06	•				P54023MM	[+]	16,8	TRW				
1.5 CDI (454.001)	70	09/04 → 06/06	•				P50055MM	[+]	17,4	TRW				
	70	09/04 → 06/06	•				P54023MM	[+]	16,8	TRW				

FORFOUR Hatchback (453) 07/14 →

0.9 (453.044, 453.053)	66	11/14 →	•				P68059MM	[-]	18	ATE				
0.9 Brabus (453.062)	80	07/16 →	•				P68059MM	[-]	18	ATE				
1.0 (453.041)	45	11/14 →	•				P68059MM	[-]	18	ATE				
1.0 (453.042)	52	07/14 →	•				P68059MM	[-]	18	ATE				

FORTWO Cabrio (450) 01/04 → 01/07

0.6 Brabus (450.433)	55	01/04 → 12/06	•				P50038MM	[+]	15,8	BSH				
0.7 (450.433)	55	01/04 → 01/07	•				P50038MM	[+]	15,8	BSH				

										WI			FK	

SMART

FORTWO Cabrio (450) 01/04 → 01/07

0.7 (450.452)	45	01/04 → 01/07	●			P50038MM	[+]	15,8	BSH					
0.8 CDI (450.401, 450.402, 450.403, 450.400)	30	01/04 → 01/07	●			P50038MM	[+]	15,8	BSH					

FORTWO Cabrio (451) 01/07 →

0.8 CDi (451.400)	33	01/07 →	●			P50038MM	[+]	15,8	BSH					
0.8 CDi (451.401)	40	08/09 →	●			P50038MM	[+]	15,8	BSH					
1.0 (451.431, 451.480)	52	01/07 →	●			P50038MM	[+]	15,8	BSH					
1.0 Brabus	88	04/12 →	●			P50038MM	[+]	15,8	BSH					
1.0 Brabus (451.433)	72	01/08 →	●			P50038MM	[+]	15,8	BSH					
1.0 Turbo (451.432)	62	01/07 →	●			P50038MM	[+]	15,8	BSH					
1.0 Turbo Brabus (451.433)	75	07/10 →	●			P50038MM	[+]	15,8	BSH					
electric drive (451.490)	35	12/11 → 12/12	●			P50038MM	[+]	15,8	BSH					
electric drive (451.490, 451.491)	20	12/10 → 12/12	●			P50038MM	[+]	15,8	BSH					
	55	01/13 →	●			P50038MM	[+]	15,8	BSH					
electric drive (451.491)	30	11/09 → 12/11	●			P50038MM	[+]	15,8	BSH					
electric drive Brabus (451.492)	60	01/13 →	●			P50038MM	[+]	15,8	BSH					

FORTWO Convertible (453) 09/15 →

0.9 (453.444, 453.453)	66	09/15 →	●			P68059MM	[-]	18	ATE					
0.9 Brabus (453.462)	80	07/16 →	●			P68059MM	[-]	18	ATE					
1.0 (453.442, 453.443)	52	09/15 →	●			P68059MM	[-]	18	ATE					

FORTWO Coupé (450) 01/04 → 02/07

0.6 (450.332)	45	01/04 → 02/07	●			P50038MM	[+]	15,8	BSH					
0.7 (450.330)	37	01/04 → 01/07	●			P50038MM	[+]	15,8	BSH					
0.7 (450.333)	55	01/04 → 01/07	●			P50038MM	[+]	15,8	BSH					
0.7 (450.335)	40	01/04 → 01/07	●			P50038MM	[+]	15,8	BSH					
0.7 (450.352, 450.332)	45	01/04 → 01/07	●			P50038MM	[+]	15,8	BSH					
0.8 CDI (450.300, 450.301, 450.302, 450.303, 450.306)	30	01/04 → 01/07	●			P50038MM	[+]	15,8	BSH					

FORTWO Coupé (451) 01/07 →

0.8 CDi (451.300)	33	01/07 →	●			P50038MM	[+]	15,8	BSH					
0.8 CDi (451.301)	40	08/09 →	●			P50038MM	[+]	15,8	BSH					
1.0 (451.330, 451.334)	45	01/07 →	●			P50038MM	[+]	15,8	BSH					

Car	kw	Icon 1	Icon 2	Icon 3	MAGNETI MARELLI	wi	Th [mm]	SYS	WI			FK	
									MAGNETI MARELLI	LENGHT	Icon 4	MAGNETI MARELLI	Icon 5

SMART

FORTWO Coupé (451) 01/07 →

1.0 (451.331, 451.380)	52	01/07 →	•			P50038MM	[+]	15,8	BSH				
1.0 Brabus (451.333)	72	01/08 →	•			P50038MM	[+]	15,8	BSH				
1.0 Turbo (451.332)	62	01/07 →	•			P50038MM	[+]	15,8	BSH				
1.0 Turbo Brabus (451.333)	75	07/10 →	•			P50038MM	[+]	15,8	BSH				
electric drive (451.390)	35	12/11 → 12/12	•			P50038MM	[+]	15,8	BSH				
electric drive (451.390, 451.391)	55	01/13 →	•			P50038MM	[+]	15,8	BSH				
electric drive (451.391)	30	11/09 → 12/11	•			P50038MM	[+]	15,8	BSH				
electric drive (451.391, 451.390)	20	12/10 → 12/12	•			P50038MM	[+]	15,8	BSH				
electric drive Brabus (451.392)	60	01/13 →	•			P50038MM	[+]	15,8	BSH				

FORTWO Coupé (453) 07/14 →

0.9 (453.344, 453.353)	66	09/14 →	•			P68059MM	[-]	18	ATE				
0.9 Brabus (453.362)	80	07/16 →	•			P68059MM	[-]	18	ATE				
1.0 (453.341)	45	11/14 →	•	SA 820+B91; (D)		P68059MM	[-]	18	ATE				
1.0 (453.342, 453.343)	52	07/14 →	•			P68059MM	[-]	18	ATE				

ROADSTER (452) 04/03 → 11/05

0.7 (452.432)	45	04/03 → 11/05	•			P50038MM	[+]	15,8	BSH				
0.7 (452.434)	60	04/03 → 11/05	•			P50038MM	[+]	15,8	BSH				
0.7 Brabus (452.437)	74	12/03 → 11/05	•			P50038MM	[+]	15,8	BSH				

ROADSTER Coupé (452) 04/03 → 11/05

0.7 (452.332)	45	06/03 → 11/05	•			P50038MM	[+]	15,8	BSH				
0.7 (452.334)	60	04/03 → 11/05	•			P50038MM	[+]	15,8	BSH				
0.7 Brabus (452.337)	74	12/03 → 11/05	•			P50038MM	[+]	15,8	BSH				

SSANGYONG

ACTYON I 11/05 →

2.0 Xdi	100	07/07 →	•			P30013MM	[+]	17	MN				
	100	07/07 →		•		P15010MM	[+]	15	SAN				
	104	11/05 →	•			P30013MM	[+]	17	MN				
	104	11/05 →		•		P15010MM	[+]	15	SAN				
2.3	110	11/06 →	•			P30013MM	[+]	17	MN				
	110	11/06 →		•		P15010MM	[+]	15	SAN				
2.3 4x4	110	11/06 →	•			P30013MM	[+]	17	MN				
	110	11/06 →		•		P15010MM	[+]	15	SAN				
200 Xdi 4WD	100	07/07 →	•			P30013MM	[+]	17	MN				
	100	07/07 →		•		P15010MM	[+]	15	SAN				
	104	10/06 →	•			P30013MM	[+]	17	MN				
	104	10/06 →		•		P15010MM	[+]	15	SAN				

									WI			FK	

SSANGYONG

ACTYON II 08/12 →

2.0	110 08/12 →	●			P30036MM	[+]	17,6	MN					
	110 08/12 →		●		P30047MM	[+]	15,5	AKE					
2.0 4x4	110 08/12 →	●			P30036MM	[+]	17,6	MN					
	110 08/12 →		●		P30047MM	[+]	15,5	AKE					
2.0 XDi	110 08/12 →	●			P30036MM	[+]	17,6	MN					
	110 08/12 →		●		P30047MM	[+]	15,5	AKE					
	129 08/12 →	●			P30036MM	[+]	17,6	MN					
	129 08/12 →		●		P30047MM	[+]	15,5	AKE					
2.0 XDi 4x4	110 08/12 →	●			P30036MM	[+]	17,6	MN					
	110 08/12 →		●		P30047MM	[+]	15,5	AKE					
	129 03/13 →	●			P30036MM	[+]	17,6	MN					
	129 03/13 →		●		P30047MM	[+]	15,5	AKE					

ACTYON SPORTS I (QJ) 11/05 →

2.0 Xdi	114 09/11 →	●			P30036MM	[+]	17,6	MN					
	114 09/11 →		●		P30047MM	[+]	15,5	AKE					
	104 04/07 →	●			P30013MM	[+]	17	MN					
	104 04/07 →		●		P15010MM	[+]	15	SAN					
2.0 Xdi 4WD	114 09/11 →	●			P30036MM	[+]	17,6	MN					
	114 09/11 →		●		P30047MM	[+]	15,5	AKE					
	104 04/07 →	●			P30013MM	[+]	17	MN					
	104 04/07 →		●		P15010MM	[+]	15	SAN					
2.3 4WD	110 09/11 →	●		Mando	P30013MM	[+]	17	MN					
	110 09/11 →		●	Mando	P15010MM	[+]	15	SAN					

ACTYON SPORTS II 10/12 →

2.0 Xdi	114 10/12 →	●		+rear disc	P15010MM	[+]	15	SAN					
2.0 Xdi 4WD	114 10/12 →	●		+rear disc	P15010MM	[+]	15	SAN					
2.2 Xdi	131 07/15 →	●		+rear disc	P15010MM	[+]	15	SAN					
2.2 Xdi 4WD	131 07/15 →	●		+rear disc	P15010MM	[+]	15	SAN					

KORANDO 07/10 →

2.0	110 02/12 →	●			P30036MM	[+]	17,6	MN					
	110 02/12 →		●		P30047MM	[+]	15,5	AKE					
2.0 4WD	110 02/12 →	●			P30036MM	[+]	17,6	MN					
	110 02/12 →		●		P30047MM	[+]	15,5	AKE					
2.0 e-XDi	129 11/10 →	●			P30036MM	[+]	17,6	MN					
	129 11/10 →		●		P30047MM	[+]	15,5	AKE					
	110 02/12 →	●			P30036MM	[+]	17,6	MN					
	110 02/12 →		●		P30047MM	[+]	15,5	AKE					
2.0 e-XDi 4WD	129 11/10 →	●			P30036MM	[+]	17,6	MN					
	129 11/10 →		●		P30047MM	[+]	15,5	AKE					
	110 02/12 →	●			P30036MM	[+]	17,6	MN					
	110 02/12 →		●		P30047MM	[+]	15,5	AKE					
2.0 GPL	110 05/15 →	●			P30036MM	[+]	17,6	MN					
	110 05/15 →		●		P30047MM	[+]	15,5	AKE					
2.0 GPL 4WD	110 09/15 →	●			P30036MM	[+]	17,6	MN					
	110 09/15 →		●		P30047MM	[+]	15,5	AKE					
2.2 Xdi	131 07/15 →	●			P30036MM	[+]	17,6	MN					
	131 07/15 →		●		P30047MM	[+]	15,5	AKE					
2.2 Xdi 4WD	131 07/15 →	●			P30036MM	[+]	17,6	MN					
	131 07/15 →		●		P30047MM	[+]	15,5	AKE					

KORANDO (KJ) 12/96 → 11/06

2.0	94 05/97 → 10/02	●		Type:EL	P15003MM	[+]	15,8	TRW					
	94 05/97 → 10/02	●		Type:ME; +W.I.	P15008MM	[+]	15,8	TRW					
	94 05/97 → 10/02	●			P15004MM	[+]	14,2	TRW					
	94 05/97 → 10/02	●			P15005MM	[-]	14,5	TRW					

		kw						wi	Th [mm]	SYS	wi		FK		
												LENGHT			

SSANGYONG

KORANDO (KJ) 12/96 → 11/06

2.3	103	05/97 → 02/00	●	Type:EL	P15003MM	[+]	15,8	TRW							
	103	05/97 → 02/00	●	Type:ME; +W.I.	P15008MM	[+]	15,8	TRW							
	103	05/97 → 02/00	●		P15004MM	[+]	14,2	TRW							
	103	05/97 → 02/00	●		P15005MM	[-]	14,5	TRW							
	110	01/02 → 06/06	●	Type:EL	P15003MM	[+]	15,8	TRW							
	110	01/02 → 06/06	●	Type:ME; +W.I.	P15008MM	[+]	15,8	TRW							
	110	01/02 → 06/06	●		P15004MM	[+]	14,2	TRW							
	110	01/02 → 06/06	●		P15005MM	[-]	14,5	TRW							
	105	01/99 → 11/06	●	Type:EL	P15003MM	[+]	15,8	TRW							
	105	01/99 → 11/06	●	Type:ME; +W.I.	P15008MM	[+]	15,8	TRW							
	105	01/99 → 11/06	●		P15004MM	[+]	14,2	TRW							
	105	01/99 → 11/06	●		P15005MM	[-]	14,5	TRW							
2.3 D (KJ)	58	12/96 → 06/98	●	Type:EL	P15003MM	[+]	15,8	TRW							
	58	12/96 → 06/98	●	Type:ME; +W.I.	P15008MM	[+]	15,8	TRW							
	58	12/96 → 06/98	●		P15004MM	[+]	14,2	TRW							
	58	12/96 → 06/98	●		P15005MM	[-]	14,5	TRW							
2.3 TDic 4x4	74	07/98 → 11/06	●	Type:EL	P15003MM	[+]	15,8	TRW							
	74	07/98 → 11/06	●	Type:ME; +W.I.	P15008MM	[+]	15,8	TRW							
	74	07/98 → 11/06	●		P15004MM	[+]	14,2	TRW							
	74	07/98 → 11/06	●		P15005MM	[-]	14,5	TRW							
2.9 D	73	06/97 → 10/00	●	Type:EL	P15003MM	[+]	15,8	TRW							
	73	06/97 → 10/00	●	Type:ME; +W.I.	P15008MM	[+]	15,8	TRW							
	73	06/97 → 10/00	●		P15004MM	[+]	14,2	TRW							
	73	06/97 → 10/00	●		P15005MM	[-]	14,5	TRW							
2.9 D (KJ)	72	12/96 → 10/00	●	Type:EL	P15003MM	[+]	15,8	TRW							
	72	12/96 → 10/00	●	Type:ME; +W.I.	P15008MM	[+]	15,8	TRW							
	72	12/96 → 10/00	●		P15004MM	[+]	14,2	TRW							
	72	12/96 → 10/00	●		P15005MM	[-]	14,5	TRW							
2.9 TD	88	04/98 → 11/06	●	Type:EL	P15003MM	[+]	15,8	TRW							
	88	04/98 → 11/06	●	Type:ME; +W.I.	P15008MM	[+]	15,8	TRW							
	88	04/98 → 11/06	●		P15004MM	[+]	14,2	TRW							
	88	04/98 → 11/06	●		P15005MM	[-]	14,5	TRW							
3.2	162	06/97 → 11/06	●	Type:EL	P15003MM	[+]	15,8	TRW							
	162	06/97 → 11/06	●	Type:ME; +W.I.	P15008MM	[+]	15,8	TRW							
	162	06/97 → 11/06	●		P15004MM	[+]	14,2	TRW							
	162	06/97 → 11/06	●		P15005MM	[-]	14,5	TRW							
	156	01/99 → 02/00	●	Type:EL	P15003MM	[+]	15,8	TRW							
	156	01/99 → 02/00	●	Type:ME; +W.I.	P15008MM	[+]	15,8	TRW							
	156	01/99 → 02/00	●		P15004MM	[+]	14,2	TRW							
	156	01/99 → 02/00	●		P15005MM	[-]	14,5	TRW							
3.2 (KJ)	154	12/96 → 11/02	●	Type:EL	P15003MM	[+]	15,8	TRW							
	154	12/96 → 11/02	●	Type:ME; +W.I.	P15008MM	[+]	15,8	TRW							
	154	12/96 → 11/02	●		P15004MM	[+]	14,2	TRW							
	154	12/96 → 11/02	●		P15005MM	[-]	14,5	TRW							

KORANDO Cabrio (KJ) 12/96 → 11/06

2.3	103	11/97 → 02/00	●	Type:EL	P15003MM	[+]	15,8	TRW						
	103	11/97 → 02/00	●	Type:ME; +W.I.	P15008MM	[+]	15,8	TRW						
	103	11/97 → 02/00	●		P15004MM	[+]	14,2	TRW						
	103	11/97 → 02/00	●		P15005MM	[-]	14,5	TRW						
	110	01/02 → 06/06	●	Type:ME; +W.I.	P15008MM	[+]	15,8	TRW						
	110	01/02 → 06/06	●	Type:EL	P15003MM	[+]	15,8	TRW						
	110	01/02 → 06/06	●		P15005MM	[-]	14,5	TRW						
	110	01/02 → 06/06	●		P15004MM	[+]	14,2	TRW						
	105	02/99 → 11/06	●	Type:EL	P15003MM	[+]	15,8	TRW						

	kw										LENGHT			

SSANGYONG

KORANDO Cabrio (KJ) 12/96 → 11/06

2.3	105	02/99 → 11/06	●	Type:ME; +W.I.	P15008MM	[+]	15,8	TRW						
	105	02/99 → 11/06	●		P15004MM	[+]	14,2	TRW						
	105	02/99 → 11/06	●		P15005MM	[-]	14,5	TRW						
2.9 D	72	11/97 → 10/00	●	Type:EL	P15003MM	[+]	15,8	TRW						
	72	11/97 → 10/00	●	Type:ME; +W.I.	P15008MM	[+]	15,8	TRW						
	72	11/97 → 10/00	●		P15004MM	[+]	14,2	TRW						
	72	11/97 → 10/00	●		P15005MM	[-]	14,5	TRW						
2.9 TD	88	04/98 → 02/00	●	Type:EL	P15003MM	[+]	15,8	TRW						
	88	04/98 → 02/00	●	Type:ME; +W.I.	P15008MM	[+]	15,8	TRW						
	88	04/98 → 02/00	●		P15004MM	[+]	14,2	TRW						
	88	04/98 → 02/00	●		P15005MM	[-]	14,5	TRW						
3.2	162	06/97 → 11/06	●	Type:EL	P15003MM	[+]	15,8	TRW						
	162	06/97 → 11/06	●	Type:ME; +W.I.	P15008MM	[+]	15,8	TRW						
	162	06/97 → 11/06	●		P15004MM	[+]	14,2	TRW						
	162	06/97 → 11/06	●		P15005MM	[-]	14,5	TRW						
	156	01/99 → 11/02	●	Type:EL	P15003MM	[+]	15,8	TRW						
	156	01/99 → 11/02	●	Type:ME; +W.I.	P15008MM	[+]	15,8	TRW						
	156	01/99 → 11/02	●		P15004MM	[+]	14,2	TRW						
	156	01/99 → 11/02	●		P15005MM	[-]	14,5	TRW						

KYRON 05/05 →

2.0 Xdi	100	01/10 →	●		P30013MM	[+]	17	MN						
	100	01/10 →	●	-multiink axle; +rear disc	P15010MM	[+]	15	SAN						
	100	01/10 →	●	multiink axle; +rear disc	P30057MM	[+]	15	MN						
	104	05/05 →	●		P30013MM	[+]	17	MN						
	104	05/05 →	●		P15010MM	[+]	15	SAN						
2.0 Xdi 4x4	100	01/10 →	●		P30013MM	[+]	17	MN						
	100	01/10 →	●	-multiink axle; +rear disc	P15010MM	[+]	15	SAN						
	100	01/10 →	●	multiink axle; +rear disc	P30057MM	[+]	15	MN						
	104	05/05 →	●		P30013MM	[+]	17	MN						
	104	05/05 →	●	multiink axle; +rear disc	P30057MM	[+]	15	MN						
	104	05/05 →	●		P15010MM	[+]	15	SAN						
	101	05/05 →	●		P30013MM	[+]	17	MN						
	101	05/05 →	●	-multiink axle; solid	P15010MM	[+]	15	SAN						
101	05/05 →	●	multiink axle; vented	P30057MM	[+]	15	MN							
2.3	110	01/10 →	●		P30013MM	[+]	17	MN						
	110	01/10 →	●	+rear disc	P15010MM	[+]	15	SAN						
2.7 Xdi	120	03/06 →	●		P30013MM	[+]	17	MN						
	120	03/06 →	●		P15010MM	[+]	15	SAN						
	120	03/06 →	●		P30057MM	[+]	15	MN						
	121	05/05 →	●		P30013MM	[+]	17	MN						
	121	05/05 →	●		P30057MM	[+]	15	MN						
	121	05/05 →	●		P15010MM	[+]	15	SAN						
3.2 M320 4x4	162	03/08 →	●		P30013MM	[+]	17	MN						
	162	03/08 →	●		P30057MM	[+]	15	MN						

MUSSO (FJ) 01/93 → 09/07

2.0	93	10/96 → 05/05	●		P15011MM	[+]	15,6	SUM						
	93	10/96 → 05/05	●	Type:EL	P15003MM	[+]	15,8	TRW						
	93	10/96 → 05/05	●	Type:ME; +W.I.	P15008MM	[+]	15,8	TRW						
	93	10/96 → 05/05	●		P15009MM	[+]	15,2	AKE						
	93	10/96 → 05/05	●		P15004MM	[+]	14,2	TRW						
	93	10/96 → 05/05	●		P15005MM	[-]	14,5	TRW						
2.3	103	10/96 → 11/02	●		P15011MM	[+]	15,6	SUM						
	103	10/96 → 11/02	●	Type:EL	P15003MM	[+]	15,8	TRW						

		kw						wi	Th [mm]	SYS	WI			FK	
												LENGHT			

SSANGYONG

MUSSO (FJ) 01/93 → 09/07

2.3	103	10/96 → 11/02	●	Type:ME; +W.I.	P15008MM	[+]	15,8	TRW							
	103	10/96 → 11/02	●		P15009MM	[+]	15,2	AKE							
	103	10/96 → 11/02	●		P15004MM	[+]	14,2	TRW							
	103	10/96 → 11/02	●		P15005MM	[-]	14,5	TRW							
	110	04/03 → 08/06	●		P15011MM	[+]	15,6	SUM							
	110	04/03 → 08/06	●	Type:EL	P15003MM	[+]	15,8	TRW							
	110	04/03 → 08/06	●	Type:ME; +W.I.	P15008MM	[+]	15,8	TRW							
	110	04/03 → 08/06	●		P15009MM	[+]	15,2	AKE							
	110	04/03 → 08/06	●		P15004MM	[+]	14,2	TRW							
	110	04/03 → 08/06	●		P15005MM	[-]	14,5	TRW							
2.3 D	59	10/95 → 04/99	●		P15011MM	[+]	15,6	SUM							
	59	10/95 → 04/99	●	Type:EL	P15003MM	[+]	15,8	TRW							
	59	10/95 → 04/99	●	Type:ME; +W.I.	P15008MM	[+]	15,8	TRW							
	59	10/95 → 04/99	●		P15009MM	[+]	15,2	AKE							
	59	10/95 → 04/99	●		P15004MM	[+]	14,2	TRW							
	59	10/95 → 04/99	●		P15005MM	[-]	14,5	TRW							
	58	03/93 → 04/97	●		P15011MM	[+]	15,6	SUM							
	58	03/93 → 04/97	●	Type:EL	P15003MM	[+]	15,8	TRW							
	58	03/93 → 04/97	●	Type:ME; +W.I.	P15008MM	[+]	15,8	TRW							
	58	03/93 → 04/97	●		P15009MM	[+]	15,2	AKE							
2.3 TDIC All-wheel Drive	74	05/97 → 10/03	●	Type:ME; +W.I.	P15008MM	[+]	15,8	TRW							
	74	05/97 → 10/03	●		P15011MM	[+]	15,6	SUM							
	74	05/97 → 10/03	●	Type:EL	P15003MM	[+]	15,8	TRW							
	74	05/97 → 10/03	●		P15004MM	[+]	14,2	TRW							
	74	05/97 → 10/03	●		P15005MM	[-]	14,5	TRW							
	74	05/97 → 10/03	●		P15009MM	[+]	15,2	AKE							
2.9 D	73	03/96 → 11/98	●		P15011MM	[+]	15,6	SUM							
	73	03/96 → 11/98	●	Type:EL	P15003MM	[+]	15,8	TRW							
	73	03/96 → 11/98	●	Type:ME; +W.I.	P15008MM	[+]	15,8	TRW							
	73	03/96 → 11/98	●		P15009MM	[+]	15,2	AKE							
	73	03/96 → 11/98	●		P15004MM	[+]	14,2	TRW							
	73	03/96 → 11/98	●		P15005MM	[-]	14,5	TRW							
2.9 TD	88	04/98 → 09/07	●		P15011MM	[+]	15,6	SUM							
	88	04/98 → 09/07	●	Type:EL	P15003MM	[+]	15,8	TRW							
	88	04/98 → 09/07	●	Type:ME; +W.I.	P15008MM	[+]	15,8	TRW							
	88	04/98 → 09/07	●		P15009MM	[+]	15,2	AKE							
	88	04/98 → 09/07	●		P15004MM	[+]	14,2	TRW							
	88	04/98 → 09/07	●		P15005MM	[-]	14,5	TRW							
	108	04/98 → 12/05	●	Type:EL	P15003MM	[+]	15,8	TRW							
	108	04/98 → 12/05	●	Type:ME; +W.I.	P15008MM	[+]	15,8	TRW							
	108	04/98 → 12/05	●	→ 02/04	P30022MM	[+]	17	SUM							
	108	04/98 → 12/05	●		P15004MM	[+]	14,2	TRW							
	108	04/98 → 12/05	●		P15005MM	[-]	14,5	TRW							
	108	04/98 → 12/05	●		P15009MM	[+]	15,2	AKE							
3.2	162	06/96 → 09/04	●		P15011MM	[+]	15,6	SUM							
	162	06/96 → 09/04	●	Type:EL	P15003MM	[+]	15,8	TRW							
	162	06/96 → 09/04	●	Type:ME; +W.I.	P15008MM	[+]	15,8	TRW							
	162	06/96 → 09/04	●		P15009MM	[+]	15,2	AKE							
	162	06/96 → 09/04	●		P15004MM	[+]	14,2	TRW							
	162	06/96 → 09/04	●		P15005MM	[-]	14,5	TRW							

SSANGYONG

MUSSO SPORTS 08/04 →

2.9 D	88	08/04 → 09/07	●	Type:ME; +W.I.	P15008MM	[+]	15,8	TRW						
	88	08/04 → 09/07	●	Type:EL; +W.I.	P15003MM	[+]	15,8	TRW						
	88	08/04 → 09/07	●		P15005MM	[-]	14,5	TRW						
	88	08/04 → 09/07	●		P15004MM	[+]	14,2	TRW						
2.9 D 4x4	88	08/04 →	●	Type:EL	P15003MM	[+]	15,8	TRW						
	88	08/04 →	●	Type:ME; +W.I.	P15008MM	[+]	15,8	TRW						
	88	08/04 →	●		P15004MM	[+]	14,2	TRW						
	88	08/04 →	●		P15005MM	[-]	14,5	TRW						

REXTON (GAB_) 04/02 →

2.3 RX230 4x4	110	05/02 →	●	1 piston cal.	P15011MM	[+]	15,6	SUM						
	110	05/02 →	●	2 piston cal.	P30013MM	[+]	17	MN						
	110	05/02 →	●		P15004MM	[+]	14,2	TRW						
	110	05/02 →	●		P15010MM	[+]	15	SAN						
2.7 D 4x4	137	05/06 →	●	1 piston cal.	P15011MM	[+]	15,6	SUM						
	137	05/06 →	●	2 piston cal.	P30013MM	[+]	17	MN						
	137	05/06 →	●		P15004MM	[+]	14,2	TRW						
	137	05/06 →	●		P15010MM	[+]	15	SAN						
2.7 Xdi	120	08/04 →	●	1 piston cal.	P15011MM	[+]	15,6	SUM						
	120	08/04 →	●	2 piston cal.	P30013MM	[+]	17	MN						
	120	08/04 →	●		P15004MM	[+]	14,2	TRW						
	120	08/04 →	●		P15010MM	[+]	15	SAN						
	121	03/05 → 08/06	●	1 piston cal.	P15011MM	[+]	15,6	SUM						
	121	03/05 → 08/06	●	2 piston cal.	P30013MM	[+]	17	MN						
2.7 Xdi 4x4	118	03/11 →	●	1 piston cal.	P15011MM	[+]	15,6	SUM						
	118	03/11 →	●	2 piston cal.	P30013MM	[+]	17	MN						
	118	03/11 →	●		P15004MM	[+]	14,2	TRW						
	118	03/11 →	●		P15010MM	[+]	15	SAN						
	121	03/06 → 05/12	●	-multiink axle	P15010MM	[+]	15	SAN						
	121	03/06 → 05/12	●	multiink axle	P30057MM	[+]	15	MN						
2.7 Xdi Turbo 4x4	132	03/11 →	●	1 piston cal.	P15011MM	[+]	15,6	SUM						
	132	03/11 →	●	2 piston cal.	P30013MM	[+]	17	MN						
	132	03/11 →	●		P15004MM	[+]	14,2	TRW						
	132	03/11 →	●		P15010MM	[+]	15	SAN						
2.9 TD	88	04/02 →	●	1 piston cal.	P15011MM	[+]	15,6	SUM						
	88	04/02 →	●	2 piston cal.	P30013MM	[+]	17	MN						
	88	04/02 →	●		P15004MM	[+]	14,2	TRW						
	88	04/02 →	●		P15010MM	[+]	15	SAN						
3.2	162	04/02 →	●	1 piston cal.	P15011MM	[+]	15,6	SUM						
	162	04/02 →	●	2 piston cal.	P30013MM	[+]	17	MN						
	162	04/02 →	●		P15004MM	[+]	14,2	TRW						
	162	04/02 →	●		P15010MM	[+]	15	SAN						

REXTON W 07/12 →

2.0 Xdi	114	07/12 →	●	-multiink axle	P15010MM	[+]	15	SAN						
	114	07/12 →	●	multiink axle	P30057MM	[+]	15	MN						
2.0 Xdi All-wheel Drive	114	07/12 →	●	-multiink axle	P15010MM	[+]	15	SAN						
	114	07/12 →	●	multiink axle	P30057MM	[+]	15	MN						
2.2 Xdi	131	07/15 →	●	-multiink axle	P15010MM	[+]	15	SAN						
	131	07/15 →	●	multiink axle	P30057MM	[+]	15	MN						
2.2 Xdi All-wheel Drive	131	07/15 →	●	-multiink axle	P15010MM	[+]	15	SAN						
	131	07/15 →	●	multiink axle	P30057MM	[+]	15	MN						
	121	07/12 →	●	-multiink axle	P15010MM	[+]	15	SAN						

Car Icon	kw	Hourglass	Truck	i	MAGNETI MARELLI	wi	Th [mm]	SYS	WI			FK	
									MAGNETI MARELLI	LENGHT	i	MAGNETI MARELLI	i

SSANGYONG

REXTON W 07/12 →

2.2 Xdi All-wheel Drive	121	07/12 →	•	multi-link axle	P30057MM	[+]	15	MN					
	137	10/12 →		-multi-link axle	P15010MM	[+]	15	SAN					
	137	10/12 →	•	multi-link axle	P30057MM	[+]	15	MN					

RODIUS 05/05 →

2.7 Xdi	121	05/05 →	•		P30028MM	[+]	16,5	MN					
	121	05/05 →			P30057MM	[+]	15	MN					
	120	05/05 →	•		P30028MM	[+]	16,5	MN					
	120	05/05 →			P30057MM	[+]	15	MN					
2.7 Xdi 4WD	121	05/05 →	•		P30028MM	[+]	16,5	MN					
	121	05/05 →			P30057MM	[+]	15	MN					
	120	05/05 →	•		P30028MM	[+]	16,5	MN					
3.2	162	05/05 →	•		P30028MM	[+]	16,5	MN					
	162	05/05 →			P30057MM	[+]	15	MN					
	162	05/05 →	•		P30028MM	[+]	16,5	MN					
3.2 4WD	162	07/07 →	•		P30028MM	[+]	16,5	MN					
	162	07/07 →			P30057MM	[+]	15	MN					

RODIUS II 07/13 →

2.0 Xdi	114	07/13 →	•		P30028MM	[+]	16,5	MN					
	114	07/13 →			P30057MM	[+]	15	MN					
2.0 Xdi 4WD	114	07/13 →	•		P30028MM	[+]	16,5	MN					
	114	07/13 →			P30057MM	[+]	15	MN					
2.2 Xdi	131	07/15 →	•		P30028MM	[+]	16,5	MN					
	131	07/15 →			P30057MM	[+]	15	MN					
2.2 Xdi 4WD	131	07/15 →	•		P30028MM	[+]	16,5	MN					
	131	07/15 →			P30057MM	[+]	15	MN					

STAVIC 02/05 →

3.2 4x4	162	02/05 →	•		P30028MM	[+]	16,5	MN					
	162	02/05 →			P30057MM	[+]	15	MN					

TIVOLI 01/15 →

1.6	94	04/15 →	•		P30067MM	[+]	15,7	AKE					
1.6 All-wheel Drive	94	03/15 →	•		P30054MM	[+]	15,7	AKE					
1.6 GPL	94	04/15 →	•		P30067MM	[+]	15,7	AKE					
1.6 GPL All-wheel Drive	94	03/15 →	•		P30054MM	[+]	15,7	AKE					
1.6 XDi 160	85	04/15 →	•		P30067MM	[+]	15,7	AKE					
1.6 XDi 160 All-wheel Drive	85	04/15 →	•		P30054MM	[+]	15,7	AKE					

XLV Closed Off-Road Vehicle 04/16 →

1.6 GPL	94	05/16 →	•		P30067MM	[+]	15,7	AKE					
1.6 GPL All-wheel Drive	94	05/16 →	•		P30054MM	[+]	15,7	AKE					
e-XDi 160	85	04/16 →	•		P30067MM	[+]	15,7	AKE					
e-XDi 160 All-wheel Drive	85	04/16 →	•		P30054MM	[+]	15,7	AKE					
e-XGi 160	94	04/16 →	•		P30067MM	[+]	15,7	AKE					
e-XGi 160 All-wheel Drive	94	04/16 →	•		P30054MM	[+]	15,7	AKE					

									WI			FK		
	kw						wi	Th [mm]	SYS		LENGHT			

SUBARU

BRZ 06/12 →

2.0	147	06/12 →	•		P78013MM	[+]	16,4	TOK					
	147	06/12 →	•		P78021MM	[+]	16,7	TOK					
	147	06/12 →		•	P78017MM	[+]	18	AKE					
	147	06/12 →		•	P78020MM	[+]	14,7	AKE					
	147	06/12 →		•	P78018MM	[+]	16	NBK					

FORESTER (SF_) 03/97 → 09/02

2.0 AWD (SF5)	90	08/97 → 09/02	•		P78010MM	[+]	17	AKE					
	90	08/97 → 09/02		•	P78011MM	[+]	13,8	AKE					
	92	06/98 → 09/02	•		P78010MM	[+]	17	AKE					
	92	06/98 → 09/02		•	P78011MM	[+]	13,8	AKE					
2.0 S Turbo AWD (SF5)	125	06/98 → 04/01	•		P78010MM	[+]	17	AKE					
	125	06/98 → 04/01		•	P78011MM	[+]	13,8	AKE					
	130	04/01 → 09/02	•		P78010MM	[+]	17	AKE					
2.5 AWD	123	07/97 → 05/02		•	P78010MM	[+]	17	AKE					
	123	07/97 → 05/02		•	P78011MM	[+]	13,8	AKE					
	130	04/01 → 09/02		•	P78011MM	[+]	13,8	AKE					

FORESTER (SG_) 06/02 → 10/12

2.0 AWD	92	06/02 → 05/05	•		P78013MM	[+]	16,4	TOK					
	92	06/02 → 05/05		•	P78011MM	[+]	13,8	AKE					
2.0 S Turbo AWD	130	09/02 → 05/05	•		P78013MM	[+]	16,4	TOK					
	130	09/02 → 05/05		•	P78014MM	[+]	14	AKE					
	130	09/02 → 05/05		•	P78011MM	[+]	13,8	AKE					
2.0 X AWD	116	06/05 → 05/08	•		P78013MM	[+]	16,4	TOK					
	116	06/05 → 05/08		•	P78011MM	[+]	13,8	AKE					
2.5 AWD	171	01/04 → 12/09	•		P78013MM	[+]	16,4	TOK					
	171	01/04 → 12/09		•	P78014MM	[+]	14	AKE					
	185	05/05 → 09/05	•		P78013MM	[+]	16,4	TOK					
	185	05/05 → 09/05		•	P78014MM	[+]	14	AKE					
2.5 AWD (SG9)	155	12/03 → 05/05	•		P78013MM	[+]	16,4	TOK					
	155	12/03 → 05/05		•	P78011MM	[+]	13,8	AKE					
	121	06/05 → 05/08	•		P78013MM	[+]	16,4	TOK					
	121	06/05 → 05/08		•	P78011MM	[+]	13,8	AKE					
2.5 RX Nato AWD (SG9)	115	11/02 → 08/05	•		P78013MM	[+]	16,4	TOK					
	115	11/02 → 08/05		•	P78011MM	[+]	13,8	AKE					
2.5 XT AWD (SG9)	169	06/05 → 05/08	•		P78013MM	[+]	16,4	TOK					
	169	06/05 → 05/08		•	P78014MM	[+]	14	AKE					

FORESTER (SH_) 01/08 →

2.0 AWD	110	01/10 →	•		P78013MM	[+]	16,4	TOK					
	110	01/10 →		•	P78020MM	[+]	14,7	AKE					
	110	01/08 → 09/13	•		P78013MM	[+]	16,4	TOK					
	110	01/08 → 09/13		•	P78020MM	[+]	14,7	AKE					
2.0 D AWD (SHH)	108	09/08 → 09/13	•		P78013MM	[+]	16,4	TOK					
	108	09/08 → 09/13		•	P78020MM	[+]	14,7	AKE					
2.5 AWD	126	03/11 → 09/13	•		P78013MM	[+]	16,4	TOK					
	126	03/11 → 09/13		•	P78020MM	[+]	14,7	AKE					
2.5 AWD (SH9)	126	01/09 → 09/13	•		P78013MM	[+]	16,4	TOK					
	126	01/09 → 09/13		•	P78020MM	[+]	14,7	AKE					
	169	06/08 → 09/13	•		P78013MM	[+]	16,4	TOK					
	169	06/08 → 09/13		•	P78020MM	[+]	14,7	AKE					

		kw						wi	Th [mm]	SYS	WI		FK		
												LENGHT			

SUBARU

FORESTER (SJ) 11/12 →

2.0 D AWD	108	03/13 →	•				P78013MM	[+]	16,4	TOK					
	108	03/13 →	•				P78017MM	[+]	18	AKE					
	108	03/13 →	•				P78021MM	[+]	16,7	TOK					
	108	03/13 →		•			P56048MM	[+]	14,3	BRE					
	108	03/13 →		•			P78020MM	[+]	14,7	AKE					
2.0 i AWD	110	03/13 →	•				P78013MM	[+]	16,4	TOK					
	110	03/13 →	•				P78021MM	[+]	16,7	TOK					
	110	03/13 →		•			P78020MM	[+]	14,7	AKE					
2.0 XT AWD (SJG)	177	03/13 →	•				P78017MM	[+]	18	AKE					
	177	03/13 →		•			P78018MM	[+]	16	NBK					
2.5 AWD (SJ9)	126	07/14 →	•				P78021MM	[+]	16,7	TOK					
	126	07/14 →		•			P78020MM	[+]	14,7	AKE					

IMPREZA Coupé (GFC) 01/93 → 12/00

1.6	66	12/96 → 12/00	•	-ABS			P78004MM	[+]	17	AKE					
	66	12/96 → 12/00	•	+ABS			P78009MM	[+]	17	AKE					
	66	12/96 → 12/00		•	+ABS		P78005MM	[+]	15	AKE					
1.6 AWD	66	12/96 → 12/00	•	-ABS			P78004MM	[+]	17	AKE					
	66	12/96 → 12/00	•	+ABS			P78009MM	[+]	17	AKE					
	66	12/96 → 12/00		•	+ABS		P78005MM	[+]	15	AKE					
1.8 AWD	76	01/93 → 10/95	•				P78004MM	[+]	17	AKE					
	76	01/93 → 10/95		•	+rear disc		P78005MM	[+]	15	AKE					
2.0 AWD	85	12/95 → 12/00	•		→ 12/98		P78004MM	[+]	17	AKE					
	85	12/95 → 12/00	•		01/99 →		P78009MM	[+]	17	AKE					
	85	12/95 → 12/00		•	→ 12/98; +ABS		P78005MM	[+]	15	AKE					
	85	12/95 → 12/00		•	01/99 →; +ABS		P78011MM	[+]	13,8	AKE					
	92	03/99 → 12/00	•				P78009MM	[+]	17	AKE					
2.0 Turbo AWD	155	12/96 → 12/00	•		→ 01/97		P78007MM	[+]	17	AKE					
	155	12/96 → 12/00	•		01/97 →		P78010MM	[+]	17	AKE					
	155	12/96 → 12/00		•			P78005MM	[+]	15	AKE					

IMPREZA Estate (GF) 08/92 → 12/00

1.5 L	66	09/98 → 09/00	•				P78009MM	[+]	17	AKE					
	66	09/98 → 09/00		•	+ABS		P78005MM	[+]	15	AKE					
	70	11/95 → 08/98	•		09/96 →		P78009MM	[+]	17	AKE					
	70	11/95 → 08/98	•		→ 08/96		P78004MM	[+]	17	AKE					
	70	11/95 → 08/98		•	+ABS		P78005MM	[+]	15	AKE					
1.6	66	01/93 → 08/98	•		→ 08/96		P78004MM	[+]	17	AKE					
	66	01/93 → 08/98	•		09/96 →		P78009MM	[+]	17	AKE					
	66	01/93 → 08/98		•	+ABS		P78005MM	[+]	15	AKE					
1.6 i (GF3)	70	06/98 → 12/00	•				P78009MM	[+]	17	AKE					
	70	06/98 → 12/00		•	+ABS		P78005MM	[+]	15	AKE					
1.6 i AWD	66	08/92 → 12/00	•		→ 08/96		P78004MM	[+]	17	AKE					
	66	08/92 → 12/00	•		09/96 →		P78009MM	[+]	17	AKE					
	66	08/92 → 12/00		•	+ABS		P78005MM	[+]	15	AKE					
	70	06/98 → 12/00	•				P78009MM	[+]	17	AKE					
	70	06/98 → 12/00		•	+ABS		P78005MM	[+]	15	AKE					
1.8 i (GF5)	76	11/95 → 06/96	•				P78004MM	[+]	17	AKE					
	76	11/95 → 06/96		•	+ABS		P78005MM	[+]	15	AKE					
1.8 i AWD (GF6)	76	08/92 → 12/00	•		→ 08/96		P78004MM	[+]	17	AKE					
	76	08/92 → 12/00	•		09/96 →		P78009MM	[+]	17	AKE					
	76	08/92 → 12/00		•	+ABS		P78005MM	[+]	15	AKE					
2.0	85	09/96 → 08/98	•				P78004MM	[+]	17	AKE					
	85	09/96 → 08/98		•	+ABS		P78005MM	[+]	15	AKE					

											WI			FK	
												LENGHT			

SUBARU

IMPREZA Estate (GF) 08/92 → 12/00

2.0 i	92 09/98 → 09/00	•		P78004MM	[+]	17	AKE								
	92 09/98 → 09/00	•	+ABS	P78005MM	[+]	15	AKE								
2.0 i 16V AWD	92 06/98 → 12/00	•	→ 12/98	P78004MM	[+]	17	AKE								
	92 06/98 → 12/00	•	01/99 →	P78009MM	[+]	17	AKE								
	92 06/98 → 12/00	•	→ 12/98; +ABS	P78005MM	[+]	15	AKE								
	92 06/98 → 12/00	•	01/99 →; +ABS	P78011MM	[+]	13,8	AKE								
2.0 i AWD (GF8)	85 12/95 → 12/00	•	→ 12/98	P78004MM	[+]	17	AKE								
	85 12/95 → 12/00	•	01/99 →	P78009MM	[+]	17	AKE								
	85 12/95 → 12/00	•	→ 12/98; +ABS	P78005MM	[+]	15	AKE								
	85 12/95 → 12/00	•	01/99 →; +ABS	P78011MM	[+]	13,8	AKE								
2.0 i Turbo AWD (GF8)	155 03/94 → 12/00	•	→ 01/97	P78007MM	[+]	17	AKE								
	155 03/94 → 12/00	•	01/97 →	P78010MM	[+]	17	AKE								
	155 03/94 → 12/00	•		P56034MM	[+]	15	SUM								
	155 03/94 → 12/00	•		P78011MM	[+]	13,8	AKE								
2.0 Turbo GT AWD (GF8)	160 06/98 → 12/00	•	→ 01/97	P78007MM	[+]	17	AKE								
	160 06/98 → 12/00	•	01/97 →	P78010MM	[+]	17	AKE								
	160 06/98 → 12/00	•		P56034MM	[+]	15	SUM								
	160 06/98 → 12/00	•		P78011MM	[+]	13,8	AKE								
2.2 GX AWD	97 11/95 → 08/98	•		P78009MM	[+]	17	AKE								

IMPREZA Estate (GG) 10/00 →

1.5	74 06/01 → 08/05	•		P78015MM	[+]	17,9	AKE								
	74 06/01 → 08/05	•		P78011MM	[+]	13,8	AKE								
	81 10/05 →	•		P78015MM	[+]	17,9	AKE								
	81 10/05 →	•		P78011MM	[+]	13,8	AKE								
1.5 AWD	77 05/06 →	•		P78015MM	[+]	17,9	AKE								
	77 05/06 →	•		P78013MM	[+]	16,4	TOK								
	77 05/06 →	•		P78011MM	[+]	13,8	AKE								
	81 10/05 →	•		P78015MM	[+]	17,9	AKE								
1.6 AWD	81 10/05 →	•		P78011MM	[+]	13,8	AKE								
	70 12/00 →	•	disc Ø 260 mm	P78009MM	[+]	17	AKE								
	70 12/00 →	•	11/02 →; disc Ø 277 mm	P78013MM	[+]	16,4	TOK								
	70 12/00 →	•	→ 10/02; disc Ø 277 mm	P78010MM	[+]	17	AKE								
2.0 AWD	70 12/00 →	•		P78011MM	[+]	13,8	AKE								
	92 12/00 →	•	disc Ø 260 mm	P78009MM	[+]	17	AKE								
	92 12/00 →	•	07/03 →	P78013MM	[+]	16,4	TOK								
	92 12/00 →	•	→ 09/06	P78010MM	[+]	17	AKE								
	92 12/00 →	•		P78011MM	[+]	13,8	AKE								
	184 10/05 →	•		P54039MM	[+]	15	BRE								
	184 10/05 →	•		P56048MM	[+]	14,3	BRE								
	184 10/05 →	•		P56054MM	[+]	15,5	AKE								
2.0 i R AWD (GG9)	118 09/05 → 06/07	•		P78013MM	[+]	16,4	TOK								
	118 09/05 → 06/07	•		P56034MM	[+]	15	SUM								
	118 09/05 → 06/07	•		P78014MM	[+]	14	AKE								
2.0 Turbo AWD (GGA)	160 12/00 →	•		P56025MM	[+]	14,5	SUM								
	160 12/00 →	•		P78016MM	[+]	17	AKE								
2.0 WRX STi AWD	206 10/05 →	•		P54039MM	[+]	15	BRE								
	206 10/05 →	•		P56048MM	[+]	14,3	BRE								
	206 10/05 →	•		P78016MM	[+]	17	AKE								
2.0 WRX Turbo AWD	165 12/02 →	•		P56025MM	[+]	14,5	SUM								
	165 12/02 →	•		P78016MM	[+]	17	AKE								
2.2	94 06/01 → 08/05	•		P78013MM	[+]	16,4	TOK								
	94 06/01 → 08/05	•	→ 11/02	P78011MM	[+]	13,8	AKE								
	94 06/01 → 08/05	•	11/02 →; +ABS	P78014MM	[+]	14	AKE								

SUBARU

IMPREZA Estate (GG) 10/00 →

2.5 AWD	221	10/05 →	•		P54039MM	[+]	15	BRE					
	221	10/05 →		•	P56048MM	[+]	14,3	BRE					
	221	10/05 →		•	P78016MM	[+]	17	AKE					
2.5 WRX AWD (GGG)	169	09/05 →	•		P54039MM	[+]	15	BRE					
	169	09/05 →	•		P56025MM	[+]	14,5	SUM					
	169	09/05 →		•	P78016MM	[+]	17	AKE					

IMPREZA Hatchback 10/00 → 12/07

2.0 i AWD	92	12/02 → 12/07	•		P78010MM	[+]	17	AKE					
	92	12/02 → 12/07		•	P78011MM	[+]	13,8	AKE					
	118	10/05 → 12/07	•		P78010MM	[+]	17	AKE					
	118	10/05 → 12/07		•	P78011MM	[+]	13,8	AKE					
2.5 WRX AWD	169	09/05 → 12/07	•		P56025MM	[+]	14,5	SUM					
	169	09/05 → 12/07		•	P78016MM	[+]	17	AKE					

IMPREZA Hatchback (GP) 10/11 →

1.6 i	84	06/12 →	•		P78013MM	[+]	16,4	TOK					
	84	06/12 →	•		P78015MM	[+]	17,9	AKE					
	84	06/12 →		•	P78020MM	[+]	14,7	AKE					
1.6 i AWD	84	06/12 →	•		P78013MM	[+]	16,4	TOK					
	84	06/12 →	•		P78015MM	[+]	17,9	AKE					
	84	06/12 →		•	P78020MM	[+]	14,7	AKE					
2.0 AWD (GP7)	110	01/12 →	•		P78021MM	[+]	16,7	TOK					
	110	01/12 →		•	P78020MM	[+]	14,7	AKE					

IMPREZA Hatchback (GR, GH, G3) 03/07 →

1.5 AWD	79	02/08 →	•		P78013MM	[+]	16,4	TOK					
	79	02/08 →		•	+rear disc	P78020MM	[+]	14,7	AKE				
1.5 F	79	02/08 →	•		P78013MM	[+]	16,4	TOK					
	79	02/08 →		•	+rear disc	P78020MM	[+]	14,7	AKE				
2.0 D AWD	80	01/11 →	•		P78013MM	[+]	16,4	TOK					
	80	01/11 →		•	P78020MM	[+]	14,7	AKE					
	110	01/09 →	•		P78013MM	[+]	16,4	TOK					
	110	01/09 →		•	P78020MM	[+]	14,7	AKE					
2.0 R AWD (GH7)	110	01/08 →	•		P78013MM	[+]	16,4	TOK					
	110	01/08 →		•	P78020MM	[+]	14,7	AKE					
2.5 AWD (GHE)	169	01/08 →	•		P78013MM	[+]	16,4	TOK					
	169	01/08 →		•	P78020MM	[+]	14,7	AKE					
2.5 STI CS400 AWD	294	04/10 →	•		P78017MM	[+]	18	AKE					
	294	04/10 →	•		P54039MM	[+]	15	BRE					
	294	04/10 →		•	P56048MM	[+]	14,3	BRE					
	294	04/10 →		•	P78018MM	[+]	16	NBK					
2.5 WRX S AWD	188	02/09 → 12/10	•		P78013MM	[+]	16,4	TOK					
	188	02/09 → 12/10		•	P78020MM	[+]	14,7	AKE					
2.5 WRX SE AWD	195	09/08 →	•		P78013MM	[+]	16,4	TOK					
	195	09/08 →		•	P78020MM	[+]	14,7	AKE					
2.5 WRX STI 330S AWD	243	05/09 → 12/10	•		P78013MM	[+]	16,4	TOK					
	243	05/09 → 12/10		•	P78020MM	[+]	14,7	AKE					
2.5 WRX STI AWD (GRF)	221	01/08 →	•		P78017MM	[+]	18	AKE					
	221	01/08 →	•		P54039MM	[+]	15	BRE					
	221	01/08 →		•	P56048MM	[+]	14,3	BRE					
	221	01/08 →		•	P78018MM	[+]	16	NBK					
	221	01/08 →		•	P78016MM	[+]	17	AKE					

IMPREZA Hatchback (GT_) 10/16 →

1.6 i AWD (GT3)	85	10/16 →	•		P78021MM	[+]	16,7	TOK					
-----------------	----	---------	---	--	----------	-----	------	-----	--	--	--	--	--

									WI			FK	
	kw						[mm]			LENGHT			

SUBARU

IMPREZA Saloon (GC) 08/92 → 09/01

1.6 i (GC3)	66	08/92 → 12/00	●	-ABS	P78004MM	[+]	17	AKE					
	66	08/92 → 12/00	●	+ABS	P78009MM	[+]	17	AKE					
	66	08/92 → 12/00	●	+ABS	P78005MM	[+]	15	AKE					
	70	06/98 → 12/00	●	-ABS	P78004MM	[+]	17	AKE					
	70	06/98 → 12/00	●	+ABS	P78009MM	[+]	17	AKE					
	70	06/98 → 12/00	●	+ABS	P78005MM	[+]	15	AKE					
1.6 i AWD	66	08/92 → 12/00	●	-ABS	P78004MM	[+]	17	AKE					
	66	08/92 → 12/00	●	+ABS	P78009MM	[+]	17	AKE					
	66	08/92 → 12/00	●	+ABS	P78005MM	[+]	15	AKE					
	70	06/98 → 12/00	●	-ABS	P78004MM	[+]	17	AKE					
	70	06/98 → 12/00	●	+ABS	P78009MM	[+]	17	AKE					
1.8 i AWD (GC6)	70	06/98 → 12/00	●	+ABS	P78005MM	[+]	15	AKE					
	76	08/92 → 12/00	●	-ABS	P78004MM	[+]	17	AKE					
	76	08/92 → 12/00	●	+ABS	P78009MM	[+]	17	AKE					
2.0 i AWD (GC7)	76	08/92 → 12/00	●	+ABS	P78005MM	[+]	15	AKE					
	85	10/95 → 12/00	●	→ 12/98	P78004MM	[+]	17	AKE					
	85	10/95 → 12/00	●	01/99 →	P78009MM	[+]	17	AKE					
	85	10/95 → 12/00	●	→ 12/98; +ABS	P78005MM	[+]	15	AKE					
2.0 i AWD (GC8)	85	10/95 → 12/00	●	01/99 →; +ABS	P78011MM	[+]	13,8	AKE					
	92	06/98 → 12/00	●	→ 12/98	P78004MM	[+]	17	AKE					
	92	06/98 → 12/00	●	01/99 →	P78009MM	[+]	17	AKE					
2.0 Turbo GT AWD (GC8)	92	06/98 → 12/00	●	→ 12/98; +ABS	P78005MM	[+]	15	AKE					
	92	06/98 → 12/00	●	01/99 →; +ABS	P78011MM	[+]	13,8	AKE					
	155	03/94 → 12/00	●	→ 01/97	P56034MM	[+]	15	SUM					
	155	03/94 → 12/00	●	01/97 →	P78010MM	[+]	17	AKE					
	155	03/94 → 12/00	●		P78011MM	[+]	13,8	AKE					
	155	03/94 → 12/00	●		P78005MM	[+]	15	AKE					
	160	06/98 → 12/00	●		P56034MM	[+]	15	SUM					
	160	06/98 → 12/00	●		P56025MM	[+]	14,5	SUM					
	160	06/98 → 12/00	●		P78005MM	[+]	15	AKE					
	160	06/98 → 12/00	●		P78011MM	[+]	13,8	AKE					

IMPREZA Saloon (GD) 09/99 →

1.5	74	06/01 → 09/05	●	→ 06/02	P78013MM	[+]	16,4	TOK					
	74	06/01 → 09/05	●	07/02 →	P78015MM	[+]	17,9	AKE					
	74	06/01 → 09/05	●		P78011MM	[+]	13,8	AKE					
	81	10/05 →	●		P78015MM	[+]	17,9	AKE					
	81	10/05 →	●		P78011MM	[+]	13,8	AKE					
1.5 AWD	77	05/06 →	●		P78015MM	[+]	17,9	AKE					
	77	05/06 →	●		P78011MM	[+]	13,8	AKE					
	81	10/05 →	●		P78015MM	[+]	17,9	AKE					
	81	10/05 →	●		P78011MM	[+]	13,8	AKE					
1.6 AWD	70	12/00 →	●	→ 06/02	P78013MM	[+]	16,4	TOK					
	70	12/00 →	●	07/02 →	P78015MM	[+]	17,9	AKE					
	70	12/00 →	●		P78011MM	[+]	13,8	AKE					
2.0 AWD	184	10/05 →	●		P56025MM	[+]	14,5	SUM					
	184	10/05 →	●		P78016MM	[+]	17	AKE					
2.0 AWD (GDB)	206	10/05 →	●		P56025MM	[+]	14,5	SUM					
	206	10/05 →	●		P54039MM	[+]	15	BRE					
	206	10/05 →	●		P78016MM	[+]	17	AKE					
	206	10/05 →	●		P56048MM	[+]	14,3	BRE					
2.0 i AWD (GD9)	92	12/00 →	●	→ 09/06	P78010MM	[+]	17	AKE					
	92	12/00 →	●	→ 11/02	P78011MM	[+]	13,8	AKE					
	92	12/00 →	●	11/02 → 09/05; +ABS	P78014MM	[+]	14	AKE					

 	kw						wi	Th [mm]	SYS	WI			FK	
											LENGHT			

SUBARU

IMPREZA Saloon (GD) 09/99 →

2.0 i R AWD (GD9)	118	09/05 →	•			P78013MM	[+]	16,4	TOK					
	118	09/05 →		•		P78014MM	[+]	14	AKE					
2.0 WRX STi AWD	235	02/04 →	•			P54039MM	[+]	15	BRE					
	235	02/04 →		•		P56048MM	[+]	14,3	BRE					
2.0 WRX STi AWD (GDB)	195	11/01 →	•			P54039MM	[+]	15	BRE					
	195	11/01 →		•		P56048MM	[+]	14,3	BRE					
2.0 WRX Turbo AWD	165	12/02 →	•			P56025MM	[+]	14,5	SUM					
	165	12/02 →		•		P78016MM	[+]	17	AKE					
2.0 WRX Turbo AWD (GDA)	160	12/00 →	•			P56025MM	[+]	14,5	SUM					
	160	12/00 →		•		P78016MM	[+]	17	AKE					
2.2	94	06/01 → 08/05	•			P78013MM	[+]	16,4	TOK					
	94	06/01 → 08/05		•	→ 11/02	P78011MM	[+]	13,8	AKE					
	94	06/01 → 08/05		•	11/02 →; +ABS	P78014MM	[+]	14	AKE					
2.5 AWD	221	10/05 →	•			P54039MM	[+]	15	BRE					
	221	10/05 →		•		P56048MM	[+]	14,3	BRE					
2.5 i WRX AWD (GDG)	169	09/05 →	•			P56025MM	[+]	14,5	SUM					
	169	09/05 →		•		P54039MM	[+]	15	BRE					
	169	09/05 →		•		P78016MM	[+]	17	AKE					
2.5 WRX STi AWD (GDF)	206	09/05 →	•			P56025MM	[+]	14,5	SUM					
	206	09/05 →		•		P54039MM	[+]	15	BRE					
	206	09/05 →		•		P78016MM	[+]	17	AKE					
	206	09/05 →		•		P56048MM	[+]	14,3	BRE					

IMPREZA Saloon (GJ) 07/11 →

1.6 AWD	85	01/15 →	•		14" wheel	P78015MM	[+]	17,9	AKE					
	85	01/15 →		•	15" wheel	P78021MM	[+]	16,7	TOK					
	85	01/15 →		•		P78020MM	[+]	14,7	AKE					

IMPREZA Saloon (GR) 03/07 →

2.5 AWD	199	07/07 →	•			P78013MM	[+]	16,4	TOK					
	199	07/07 →		•		P78020MM	[+]	14,7	AKE					
2.5 WRX SE AWD	195	01/11 →	•			P78013MM	[+]	16,4	TOK					
	195	01/11 →		•		P78020MM	[+]	14,7	AKE					
2.5 WRX STi AWD	221	01/11 →	•			P54039MM	[+]	15	BRE					
	221	01/11 →		•		P78017MM	[+]	18	AKE					
	221	01/11 →		•		P78018MM	[+]	16	NBK					
	221	01/11 →		•		P56048MM	[+]	14,3	BRE					

JUSTY II (JMA, MS) 10/95 → 11/03

1.3 4x4	63	04/01 → 11/03	•			P78012MM	[+]	15	BSH					
1.3 GX 4x4	50	10/95 → 11/03	•		05/96 → 06/98	P79005MM	[+]	15	SUM					
	50	10/95 → 11/03		•	07/98 → 09/00	P78012MM	[+]	15	BSH					

JUSTY III (G3X) 09/03 →

1.3 AWD	69	09/03 →	•			P79015MM	[+]	15,5	BSH					
	69	09/03 →		•		P78012MM	[+]	15	BSH					
1.5 AWD	73	09/03 →	•			P79015MM	[+]	15,5	BSH					
	73	09/03 →		•		P78012MM	[+]	15	BSH					

JUSTY IV 01/07 →

1.0	51	01/07 →	•			P16013MM	[+]	16,5	TRW					
	51	01/07 →		•		P79012MM	[+]	15	SUM					
1.3 AWD	67	03/08 →	•			P79012MM	[+]	15	SUM					

LEGACY II (BD) 03/94 → 10/99

1.8 AWD	76	05/96 → 09/98	•			P78004MM	[+]	17	AKE					
	76	05/96 → 09/98		•		P78009MM	[+]	17	AKE					
	76	05/96 → 09/98		•		P78005MM	[+]	15	AKE					

Car Model	kW	Hourglass	Truck	i	MAGNETI MARELLI	wi	Th [mm]	SYS	WI			FK	
									MAGNETI MARELLI	LENGHT	i	MAGNETI MARELLI	i

SUBARU

LEGACY II (BD) 03/94 → 10/99

2.0 i	85	09/94 → 03/99	●		P78004MM	[+]	17	AKE					
	85	09/94 → 03/99	●		P78009MM	[+]	17	AKE					
	85	09/94 → 03/99	●		P78005MM	[+]	15	AKE					
2.0 i 4WD	85	09/94 → 03/99	●		P78004MM	[+]	17	AKE					
	85	09/94 → 03/99	●		P78009MM	[+]	17	AKE					
	85	09/94 → 03/99	●		P78005MM	[+]	15	AKE					
2.2 (BD6)	94	07/94 → 11/98	●		P78004MM	[+]	17	AKE					
	94	07/94 → 11/98	●		P78009MM	[+]	17	AKE					
	94	07/94 → 11/98	●		P78005MM	[+]	15	AKE					
2.2 i 4WD	96	06/96 → 03/99	●		P78004MM	[+]	17	AKE					
	96	06/96 → 03/99	●		P78009MM	[+]	17	AKE					
	96	06/96 → 03/99	●		P78005MM	[+]	15	AKE					
2.2 i 4WD (BD7)	94	09/94 → 03/99	●		P78004MM	[+]	17	AKE					
	94	09/94 → 03/99	●		P78009MM	[+]	17	AKE					
	94	09/94 → 03/99	●		P78005MM	[+]	15	AKE					
2.5 i 4WD	110	06/96 → 03/99	●		P78010MM	[+]	17	AKE					
	110	06/96 → 03/99	●		P78005MM	[+]	15	AKE					

LEGACY II Estate (BG) 02/94 → 12/99

2.0 i	85	09/94 → 11/98	●	→ 04/96	P78004MM	[+]	17	AKE					
	85	09/94 → 11/98	●	05/96 →	P78009MM	[+]	17	AKE					
	85	09/94 → 11/98	●		P78005MM	[+]	15	AKE					
2.0 i 4WD	85	09/94 → 11/98	●	→ 04/96	P78004MM	[+]	17	AKE					
	85	09/94 → 11/98	●	05/96 →	P78009MM	[+]	17	AKE					
	85	09/94 → 11/98	●		P78005MM	[+]	15	AKE					
2.2 i 4WD (BG7)	94	02/94 → 12/98	●	→ 04/96	P78004MM	[+]	17	AKE					
	94	02/94 → 12/98	●	05/96 →	P78009MM	[+]	17	AKE					
	94	02/94 → 12/98	●		P78005MM	[+]	15	AKE					
2.5 i 4WD	110	06/96 → 11/98	●		P78010MM	[+]	17	AKE					
	110	06/96 → 11/98	●		P78005MM	[+]	15	AKE					

LEGACY III (BE) 10/98 → 08/03

2.0 AWD (BE5)	92	04/99 → 08/03	●	14" wheel	P78009MM	[+]	17	AKE					
	92	04/99 → 08/03	●	15" wheel	P78010MM	[+]	17	AKE					
	92	04/99 → 08/03	●	→ 07/00	P78005MM	[+]	15	AKE					
	92	04/99 → 08/03	●	08/00 →	P78011MM	[+]	13,8	AKE					
2.5 AWD (BE9)	115	10/98 → 08/03	●		P78010MM	[+]	17	AKE					
	115	10/98 → 08/03	●	→ 07/00	P78005MM	[+]	15	AKE					
	115	10/98 → 08/03	●	08/00 →	P78011MM	[+]	13,8	AKE					

LEGACY III Estate (BH) 10/98 → 08/03

2.0 AWD (BH5)	92	12/98 → 08/03	●	14" wheel	P78009MM	[+]	17	AKE					
	92	12/98 → 08/03	●	15" wheel	P78010MM	[+]	17	AKE					
	92	12/98 → 08/03	●	→ 07/00	P78005MM	[+]	15	AKE					
	92	12/98 → 08/03	●	08/00 →	P78011MM	[+]	13,8	AKE					
2.5 AWD (BH9)	115	12/98 → 08/03	●		P78010MM	[+]	17	AKE					
	115	12/98 → 08/03	●	→ 07/00	P78005MM	[+]	15	AKE					
	115	12/98 → 08/03	●	08/00 →	P78011MM	[+]	13,8	AKE					

LEGACY IV (BL) 09/03 → 12/15

2.0 AWD	121	06/05 → 04/09	●		P78013MM	[+]	16,4	TOK					
	121	06/05 → 04/09	●		P78020MM	[+]	14,7	AKE					
	132	06/05 → 04/09	●		P78013MM	[+]	16,4	TOK					
	132	06/05 → 04/09	●		P78020MM	[+]	14,7	AKE					
	140	06/05 → 04/09	●		P78013MM	[+]	16,4	TOK					
	140	06/05 → 04/09	●		P78020MM	[+]	14,7	AKE					

--	--	--	--	--	--	--	--	--	--	--	--	--	--	--	--

SUBARU

LEGACY IV (BL) 09/03 → 12/15

2.0 AWD (BL5)	101	09/03 → 10/05	●			P78013MM	[+]	16,4	TOK						
	101	09/03 → 10/05		●		P78020MM	[+]	14,7	AKE						
2.0 D AWD	110	02/08 → 12/09	●			P78013MM	[+]	16,4	TOK						
	110	02/08 → 12/09		●		P78020MM	[+]	14,7	AKE						
2.0 R AWD	110	09/07 → 12/09	●			P78013MM	[+]	16,4	TOK						
	110	09/07 → 12/09		●		P78020MM	[+]	14,7	AKE						
2.5 AWD (BL9)	121	09/03 → 04/09	●			P78013MM	[+]	16,4	TOK						
	121	09/03 → 04/09		●		P78020MM	[+]	14,7	AKE						
2.5 i AWD (BL9)	127	09/07 → 12/09	●			P78013MM	[+]	16,4	TOK						
	127	09/07 → 12/09		●		P78020MM	[+]	14,7	AKE						
3.0 R AWD (BLE)	180	09/03 → 06/09	●			P78017MM	[+]	18	AKE						
	180	09/03 → 06/09		●		P78011MM	[+]	13,8	AKE						

LEGACY IV Estate (BP) 09/03 → 12/09

2.0 AWD	132	06/05 → 04/09	●			P78013MM	[+]	16,4	TOK						
	132	06/05 → 04/09		●		P78020MM	[+]	14,7	AKE						
	140	06/05 → 04/09	●			P78013MM	[+]	16,4	TOK						
	140	06/05 → 04/09		●		P78020MM	[+]	14,7	AKE						
2.0 AWD (BP5)	101	09/03 → 10/05	●			P78013MM	[+]	16,4	TOK						
	101	09/03 → 10/05		●		P78020MM	[+]	14,7	AKE						
	121	06/05 → 04/09	●			P78013MM	[+]	16,4	TOK						
	121	06/05 → 04/09		●		P78020MM	[+]	14,7	AKE						
2.0 D AWD	110	02/08 → 12/09	●			P78013MM	[+]	16,4	TOK						
	110	02/08 → 12/09		●		P78020MM	[+]	14,7	AKE						
2.0 R AWD	110	09/07 → 12/09	●			P78013MM	[+]	16,4	TOK						
	110	09/07 → 12/09		●		P78020MM	[+]	14,7	AKE						
2.5 AWD (BP9)	121	09/03 → 04/09	●			P78013MM	[+]	16,4	TOK						
	121	09/03 → 04/09		●		P78020MM	[+]	14,7	AKE						
2.5 i AWD	127	01/08 → 12/09	●			P78013MM	[+]	16,4	TOK						
	127	01/08 → 12/09		●		P78020MM	[+]	14,7	AKE						
3.0 R AWD (BPE)	180	09/03 → 04/09	●			P78017MM	[+]	18	AKE						
	180	09/03 → 04/09		●		P78011MM	[+]	13,8	AKE						

LEGACY OUTBACK (BG) 01/96 → 12/99

2.5 (BG9)	110	01/96 → 12/99	●	06/96 →		P78010MM	[+]	17	AKE						
	110	01/96 → 12/99	●			P78007MM	[+]	17	AKE						
	110	01/96 → 12/99	●			P78005MM	[+]	15	AKE						

LEGACY V (BM) 05/09 →

2.0 D AWD	110	09/09 → 12/14	●			P78013MM	[+]	16,4	TOK						
	110	09/09 → 12/14		●		P78020MM	[+]	14,7	AKE						
2.0 i AWD	110	09/09 → 12/14	●			P78013MM	[+]	16,4	TOK						
	110	09/09 → 12/14		●		P78020MM	[+]	14,7	AKE						
2.0 i LPG AWD	108	09/09 → 12/11	●			P78013MM	[+]	16,4	TOK						
	108	09/09 → 12/11		●		P78020MM	[+]	14,7	AKE						
2.5 GT AWD (BM9)	195	07/10 → 12/14	●			P78017MM	[+]	18	AKE						
	195	07/10 → 12/14		●		P78018MM	[+]	16	NBK						
2.5 i AWD (BM9)	123	09/09 → 12/14	●			P78013MM	[+]	16,4	TOK						
	123	09/09 → 12/14		●		P78020MM	[+]	14,7	AKE						

LEGACY V Estate (BR) 06/08 → 12/14

2.0 D AWD	108	01/13 → 12/14	●			P78013MM	[+]	16,4	TOK						
	108	01/13 → 12/14		●		P78020MM	[+]	14,7	AKE						
	110	09/09 → 12/14	●			P78013MM	[+]	16,4	TOK						
	110	09/09 → 12/14		●		P78020MM	[+]	14,7	AKE						

SUBARU

LEGACY V Estate (BR) 06/08 → 12/14

2.0 i AWD	110	09/09 → 12/14	●		P78013MM	[+]	16,4	TOK						
	110	09/09 → 12/14		●	P78020MM	[+]	14,7	AKE						
	110	06/12 → 12/14	●		P78021MM	[+]	16,7	TOK						
	110	06/12 → 12/14		●	P78020MM	[+]	14,7	AKE						
2.0 i LPG AWD	108	09/09 → 12/11	●	→ 04/10	P78013MM	[+]	16,4	TOK						
	108	09/09 → 12/11	●	05/10 →	P78021MM	[+]	16,7	TOK						
	108	09/09 → 12/11		●	P78020MM	[+]	14,7	AKE						
2.5 GT AWD (BR9)	195	07/10 → 12/14	●		P78017MM	[+]	18	AKE						
	195	07/10 → 12/14		●	P78018MM	[+]	16	NBK						
2.5 i AWD (BR9)	123	09/09 → 12/14	●		P78013MM	[+]	16,4	TOK						
	123	09/09 → 12/14		●	P78020MM	[+]	14,7	AKE						
2.5 i AWD (BRM)	127	07/12 → 12/14	●		P78021MM	[+]	16,7	TOK						
	127	07/12 → 12/14		●	P78020MM	[+]	14,7	AKE						

LEVORG 03/15 →

1.6 AWD	125	09/15 →	●		P78017MM	[+]	18	AKE						
---------	-----	---------	---	--	----------	-----	----	-----	--	--	--	--	--	--

OUTBACK (BE, BH) 10/98 → 08/03

2.5 AWD (BH9)	115	10/00 → 08/03	●		P78010MM	[+]	17	AKE						
	115	10/00 → 08/03		●	P78011MM	[+]	13,8	AKE						
3.0 H6 AWD (BHE)	154	10/00 → 08/03	●		P78010MM	[+]	17	AKE						
	154	10/00 → 08/03		●	P78011MM	[+]	13,8	AKE						

OUTBACK (BL, BP) 09/03 → 06/10

2.0 AWD	101	09/03 → 10/05	●		P78013MM	[+]	16,4	TOK						
	101	09/03 → 10/05		●	P78011MM	[+]	13,8	AKE						
	101	09/03 → 10/05		●	P78020MM	[+]	14,7	AKE						
2.0 D AWD	110	09/08 → 09/09	●		P78013MM	[+]	16,4	TOK						
	110	09/08 → 09/09		●	P78011MM	[+]	13,8	AKE						
	110	09/08 → 09/09		●	P78020MM	[+]	14,7	AKE						
2.5 AWD	127	09/08 → 09/09	●		P78013MM	[+]	16,4	TOK						
	127	09/08 → 09/09		●	P78011MM	[+]	13,8	AKE						
	127	09/08 → 09/09		●	P78020MM	[+]	14,7	AKE						
2.5 AWD (BP9)	121	11/03 → 09/09	●		P78013MM	[+]	16,4	TOK						
	121	11/03 → 09/09		●	P78010MM	[+]	17	AKE						
	121	11/03 → 09/09		●	P78011MM	[+]	13,8	AKE						
	121	11/03 → 09/09		●	P78020MM	[+]	14,7	AKE						
3.0 AWD (BPE)	180	11/03 → 09/09	●	→ 12/04	P78013MM	[+]	16,4	TOK						
	180	11/03 → 09/09		●	P78017MM	[+]	18	AKE						
	180	11/03 → 09/09		●	P78020MM	[+]	14,7	AKE						
	180	11/03 → 09/09		●	P78011MM	[+]	13,8	AKE						

OUTBACK (BR) 09/09 →

2.0 D AWD	108	01/13 →	●	16" wheel	P78013MM	[+]	16,4	TOK						
	108	01/13 →	●	17" wheel	P78017MM	[+]	18	AKE						
	108	01/13 →		●	P78020MM	[+]	14,7	AKE						
2.0 D AWD (BRD)	110	09/09 →	●		P78013MM	[+]	16,4	TOK						
	110	09/09 →	●	04/10 →	P78021MM	[+]	16,7	TOK						
	110	09/09 →		●	P78020MM	[+]	14,7	AKE						
2.5 i AWD	127	01/13 →	●	(EU)	P78013MM	[+]	16,4	TOK						
	127	01/13 →	●	-(EU)	P78021MM	[+]	16,7	TOK						
	127	01/13 →		●	P78020MM	[+]	14,7	AKE						
2.5 i AWD (BR9)	123	09/09 →	●		P78013MM	[+]	16,4	TOK						
	123	09/09 →	●	04/10 →	P78021MM	[+]	16,7	TOK						
	123	09/09 →		●	P78020MM	[+]	14,7	AKE						
3.6 AWD	182	06/11 →	●		P78017MM	[+]	18	AKE						
	182	06/11 →		●	P78018MM	[+]	16	NBK						

Car Model	kw	Icon 1	Icon 2	Icon 3	MAGNETI MARELLI	wi	Th [mm]	SYS	WI			FK	
									MAGNETI MARELLI	LENGHT	Icon 4	MAGNETI MARELLI	Icon 5

SUBARU

OUTBACK (BR) 09/09 →

3.6 R AWD (BRF)	191	09/09 →	●		P78017MM	[+]	18	AKE					
	191	09/09 →		●	P78018MM	[+]	16	NBK					

OUTBACK (BS) 10/14 →

2.0 D AWD (BSD)	110	03/15 →	●		P78017MM	[+]	18	AKE					
2.5 AWD (BS9)	129	03/15 →	●		P78017MM	[+]	18	AKE					

TREZIA 11/10 →

1.3 (NSP120X)	73	03/11 →	●		P83082MM	[-]	17,5	AKE					
	73	03/11 →		●	P83083MM	[+]	14,3	AKE					
1.4 D	66	03/11 →	●		P83082MM	[-]	17,5	AKE					
	66	03/11 →		●	P83083MM	[+]	14,3	AKE					

TRIBECA (B9) 01/05 →

3.0	184	01/05 →	●		P78017MM	[+]	18	AKE					
	184	01/05 →		●	P78018MM	[+]	16	NBK					
	180	10/06 →	●		P78017MM	[+]	18	AKE					
3.6	180	10/06 →		●	P78018MM	[+]	16	NBK					
	190	09/07 →	●		P78017MM	[+]	18	AKE					
	190	09/07 →		●	P78018MM	[+]	16	NBK					
	188	09/09 →	●		P78017MM	[+]	18	AKE					
	188	09/09 →		●	P78018MM	[+]	16	NBK					

VIVIO 03/92 → 04/00

0.7	32	08/92 → 12/98	●		P78008MM	[-]	14	SUM					
660 4WD	32	03/92 → 10/95	●		P78008MM	[-]	14	SUM					

WRX Hatchback (GP) 10/11 → 12/12

STi 2.5 AWD	236	10/11 → 12/12	●		P78017MM	[+]	18	AKE					
	236	10/11 → 12/12	●		P54039MM	[+]	15	BRE					
	236	10/11 → 12/12		●	17" wheel	P56048MM	[+]	14,3	BRE				
	236	10/11 → 12/12		●	16" wheel	P78018MM	[+]	16	NBK				

WRX Saloon (GJ) 07/11 →

STi 2.5 AWD	221	06/14 →	●		P54039MM	[+]	15	BRE					
	221	06/14 →	●		P78017MM	[+]	18	AKE					
	221	06/14 →		●	P56048MM	[+]	14,3	BRE					

XV 12/11 →

1.6 i AWD	84	03/12 →	●		P78021MM	[+]	16,7	TOK					
	84	03/12 →		●	P78020MM	[+]	14,7	AKE					
2.0 D AWD	80	03/12 →	●		P78021MM	[+]	16,7	TOK					
	80	03/12 →		●	P78020MM	[+]	14,7	AKE					
	108	03/12 →	●		P78021MM	[+]	16,7	TOK					
	108	03/12 →		●	P78020MM	[+]	14,7	AKE					
2.0 i AWD	110	03/12 →	●		P78021MM	[+]	16,7	TOK					
	110	03/12 →		●	P78020MM	[+]	14,7	AKE					

SUZUKI

ALTO (FF) 09/04 → 12/09

1.1 (RF410)	46	09/04 → 12/08	●		P79012MM	[+]	15	SUM					
-------------	----	---------------	---	--	----------	-----	----	-----	--	--	--	--	--

ALTO (GF) 01/09 →

1.0 (AMF310)	50	01/09 →	●		P79020MM	[+]	17	SUM					
--------------	----	---------	---	--	----------	-----	----	-----	--	--	--	--	--

ALTO (HA12, HA23) 10/97 → 09/04

1.0	43	01/00 → 06/02	●		P79005MM	[+]	15	SUM					
-----	----	---------------	---	--	----------	-----	----	-----	--	--	--	--	--

									WI			FK	
	kw								MAGNETI MARELLI	LENGHT		MAGNETI MARELLI	

SUZUKI

BALENO (EG) 03/95 → 12/09

1.3 (SY413)	52	09/96 → 05/02	●	→ 01/97	P79010MM	[+]	16,5	SUM					
	52	09/96 → 05/02	●	02/97 →	P79013MM	[+]	15	AKE					
	52	09/96 → 05/02	●		P49015MM	[-]	12,5	AKE					
1.3 i 16V (SY413)	63	07/95 → 05/02	●	→ 01/97	P79010MM	[+]	16,5	SUM					
	63	07/95 → 05/02	●	02/97 →	P79013MM	[+]	15	AKE					
	63	07/95 → 05/02	●		P49015MM	[-]	12,5	AKE					
1.5 (SY413)	71	03/95 → 12/09	●	02/97 →	P79013MM	[+]	15	AKE					
	71	03/95 → 12/09	●	→ 01/97	P79010MM	[+]	16,5	SUM					
	71	03/95 → 12/09	●		P49015MM	[-]	12,5	AKE					
1.6 i 16V (SY416)	72	07/95 → 05/02	●	→ 01/97	P79010MM	[+]	16,5	SUM					
	72	07/95 → 05/02	●	02/97 →	P79013MM	[+]	15	AKE					
	72	07/95 → 05/02	●		P49015MM	[-]	12,5	AKE					
1.6 i 16V 4x4 (SY416)	72	07/95 → 05/02	●	→ 01/97	P79010MM	[+]	16,5	SUM					
	72	07/95 → 05/02	●	02/97 →	P79013MM	[+]	15	AKE					
	72	07/95 → 05/02	●		P49015MM	[-]	12,5	AKE					
1.8 GTX (SY418)	89	03/96 → 05/02	●	→ 01/97	P79010MM	[+]	16,5	SUM					
	89	03/96 → 05/02	●	02/97 →	P79013MM	[+]	15	AKE					
	89	03/96 → 05/02	●		P49015MM	[-]	12,5	AKE					
1.8 i 4x4 (SY418)	89	03/96 → 05/02	●	→ 01/97	P79010MM	[+]	16,5	SUM					
	89	03/96 → 05/02	●	02/97 →	P79013MM	[+]	15	AKE					
	89	03/96 → 05/02	●		P49015MM	[-]	12,5	AKE					
1.9 TD (SY419)	55	04/98 → 05/02	●		P79013MM	[+]	15	AKE					
	55	04/98 → 05/02	●		P49015MM	[-]	12,5	AKE					

BALENO (FW, EW) 02/16 →

1.0 (A1K310)	82	02/16 →	●		P16013MM	[+]	16,5	TRW					
	82	02/16 →	●	+rear disc	P79029MM	[+]	14,3	AKE					
1.2 (A1K412)	66	02/16 →	●		P16013MM	[+]	16,5	TRW					
	66	02/16 →	●	+rear disc	P79029MM	[+]	14,3	AKE					
1.2 Hybrid (A1K412)	66	02/16 →	●		P16013MM	[+]	16,5	TRW					
	66	02/16 →	●	+rear disc	P79029MM	[+]	14,3	AKE					

BALENO Estate (EG) 08/96 → 05/02

1.3 16V (SY413)	63	03/97 → 05/02	●	→ 01/99	P79010MM	[+]	16,5	SUM					
	63	03/97 → 05/02	●	02/99 →	P79013MM	[+]	15	AKE					
	63	03/97 → 05/02	●		P49015MM	[-]	12,5	AKE					
1.6 i 16V (SY416)	72	08/96 → 05/02	●	→ 01/97	P79010MM	[+]	16,5	SUM					
	72	08/96 → 05/02	●	02/97 →	P79013MM	[+]	15	AKE					
	72	08/96 → 05/02	●		P49015MM	[-]	12,5	AKE					
	73	08/96 → 05/02	●	→ 01/97	P79010MM	[+]	16,5	SUM					
	73	08/96 → 05/02	●	02/97 →	P79013MM	[+]	15	AKE					
	73	08/96 → 05/02	●		P49015MM	[-]	12,5	AKE					
1.6 i 16V 4x4 (SY416)	72	08/96 → 05/02	●	→ 01/97	P79010MM	[+]	16,5	SUM					
	72	08/96 → 05/02	●	02/97 →	P79013MM	[+]	15	AKE					
	72	08/96 → 05/02	●		P49015MM	[-]	12,5	AKE					
	73	08/96 → 05/02	●	→ 01/97	P79010MM	[+]	16,5	SUM					
	73	08/96 → 05/02	●	02/97 →	P79013MM	[+]	15	AKE					
1.8 i 16V (SY418)	89	08/96 → 05/02	●	→ 01/97	P79010MM	[+]	16,5	SUM					
	89	08/96 → 05/02	●	02/97 →	P79013MM	[+]	15	AKE					
	89	08/96 → 05/02	●		P49015MM	[-]	12,5	AKE					
1.8 i 16V 4x4 (SY418)	89	08/96 → 05/02	●	→ 01/97	P79010MM	[+]	16,5	SUM					
	89	08/96 → 05/02	●	02/97 →	P79013MM	[+]	15	AKE					
	89	08/96 → 05/02	●		P49015MM	[-]	12,5	AKE					

SUZUKI

BALENO Estate (EG) 08/96 → 05/02

1.9 TD (SY419)	55	04/98 → 05/02	●	→ 01/99	P79010MM	[+]	16,5	SUM					
	55	04/98 → 05/02	●	02/99 →	P79013MM	[+]	15	AKE					
	55	04/98 → 05/02	●		P49015MM	[-]	12,5	AKE					

BALENO Hatchback (EG) 03/95 → 05/02

1.3 (SY413)	52	09/96 → 05/02	●	→ 01/97	P79010MM	[+]	16,5	SUM					
	52	09/96 → 05/02	●	02/97 →	P79013MM	[+]	15	AKE					
	52	09/96 → 05/02	●		P49015MM	[-]	12,5	AKE					
1.3 i 16V (SY413)	63	07/95 → 05/02	●	→ 01/97	P79010MM	[+]	16,5	SUM					
	63	07/95 → 05/02	●	02/97 →	P79013MM	[+]	15	AKE					
	63	07/95 → 05/02	●		P49015MM	[-]	12,5	AKE					
1.6 i 16V (SY416)	72	07/95 → 05/02	●	→ 01/97	P79010MM	[+]	16,5	SUM					
	72	07/95 → 05/02	●	02/97 →	P79013MM	[+]	15	AKE					
	72	07/95 → 05/02	●		P49015MM	[-]	12,5	AKE					
1.6 i 16V 4x4 (SY416)	72	07/95 → 05/02	●	→ 01/97	P79010MM	[+]	16,5	SUM					
	72	07/95 → 05/02	●	02/97 →	P79013MM	[+]	15	AKE					
	72	07/95 → 05/02	●		P49015MM	[-]	12,5	AKE					
1.8 GTX (SY418)	89	03/96 → 05/02	●	→ 01/97	P79010MM	[+]	16,5	SUM					
	89	03/96 → 05/02	●	02/97 →	P79013MM	[+]	15	AKE					
	89	03/96 → 05/02	●		P49015MM	[-]	12,5	AKE					
1.8 i 4x4 (SY418)	89	03/96 → 05/02	●	→ 01/97	P79010MM	[+]	16,5	SUM					
	89	03/96 → 05/02	●	02/97 →	P79013MM	[+]	15	AKE					
	89	03/96 → 05/02	●		P49015MM	[-]	12,5	AKE					
1.9 TD (SY419)	55	04/98 → 05/02	●		P79013MM	[+]	15	AKE					
	55	04/98 → 05/02	●		P49015MM	[-]	12,5	AKE					

CARRY Box (FD) 02/99 →

1.3	58	03/99 →	●		P79012MM	[+]	15	SUM					
1.3 16 V (DA32V)	58	03/00 →	●		P79012MM	[+]	15	SUM					

CARRY Platform/Chassis (FD, DA5_T, DA6_T) 02/99 →

1.3	56	10/00 → 09/04	●		P79012MM	[+]	15	SUM					
1.3 4x4 (DA32T)	58	10/00 → 07/05	●		P79012MM	[+]	15	SUM					

CELERIO (LF) 02/14 →

1.0 (AVK310)	50	03/14 →	●		P79012MM	[+]	15	SUM					
--------------	----	---------	---	--	----------	-----	----	-----	--	--	--	--	--

GRAND VITARA I (FT, HT) 03/98 → 08/06

1.6 4x4 (SQ 416)	69	03/98 → 07/03	●		P79009MM	[+]	14,5	SUM					
	69	03/98 → 07/03	●		P79008MM	[+]	15,4	AKE					
	71	09/03 → 09/05	●		P79008MM	[+]	15,4	AKE					
2.0 4x4 (SQ 420)	97	08/98 → 12/00	●		P79008MM	[+]	15,4	AKE					
2.0 4x4 (TA52, TL52, SQ 420)	94	03/98 → 07/03	●		P79009MM	[+]	14,5	SUM					
	94	03/98 → 07/03	●		P79008MM	[+]	15,4	AKE					
2.0 HDI 110 16V 4x4 (SQ 420D)	80	07/01 → 09/05	●		P79019MM	[-]	16,4	AKE					
	80	07/01 → 09/05	●		P79009MM	[+]	14,5	SUM					
2.0 HDI 110 4x4 (SQ 420D)	80	07/01 → 09/05	●		P79009MM	[+]	14,5	SUM					
	80	07/01 → 09/05	●		P79008MM	[+]	15,4	AKE					
2.0 TD 4x4 (SQ 420D)	64	03/98 → 07/03	●		P79009MM	[+]	14,5	SUM					
	64	03/98 → 07/03	●		P79008MM	[+]	15,4	AKE					
	63	04/00 → 09/05	●		P79009MM	[+]	14,5	SUM					
	63	04/00 → 09/05	●		P79008MM	[+]	15,4	AKE					
2.5 V6 24V 4x4 (SQ 625)	116	04/01 → 07/03	●		P79009MM	[+]	14,5	SUM					
	116	04/01 → 07/03	●		P79008MM	[+]	15,4	AKE					

									WI			FK	
	kw						Th [mm]		MAGNETI MARELLI	LENGHT		MAGNETI MARELLI	

SUZUKI

GRAND VITARA I (FT, HT) 03/98 → 08/06

2.5 V6 24V 4x4 (TD62, SQ 625)	106	04/98 → 07/03	●			P79009MM	[+]	14,5	SUM				
	106	04/98 → 07/03	●			P79008MM	[+]	15,4	AKE				
2.7 (JA 627)	127	06/01 → 08/03	●			P79008MM	[+]	15,4	AKE				
	127	06/01 → 08/03	●			P79009MM	[+]	14,5	SUM				
	135	09/03 → 08/06	●			P79008MM	[+]	15,4	AKE				
	135	09/03 → 08/06	●			P79009MM	[+]	14,5	SUM				
	2.7 4x4 (JA 627)	127	09/01 → 07/03	●			P79009MM	[+]	14,5	SUM			
	127	09/01 → 07/03	●			P79008MM	[+]	15,4	AKE				
2.7 4x4 (TX92, JA 627)	135	04/03 → 07/03	●			P79009MM	[+]	14,5	SUM				
	135	04/03 → 07/03	●			P79008MM	[+]	15,4	AKE				

GRAND VITARA I Convertible (GT) 03/98 → 09/05

1.6 4x4 (SQ 416)	69	03/98 → 07/03	●			P79009MM	[+]	14,5	SUM				
2.0 4x4 (SQ 420)	94	03/98 → 07/03	●		2S2GTA52C00470001 →	P79018MM	[+]	17	TOK				
	94	03/98 → 07/03	●		→ 2S2GTA52C00470000	P79008MM	[+]	15,4	AKE				

GRAND VITARA II (JT, TE, TD) 04/05 →

1.6 (JB416)	78	10/05 →	●			P79018MM	[+]	17	TOK				
1.6 All-wheel Drive (JB416)	78	04/05 →	●			P79018MM	[+]	17	TOK				
1.9 DDiS (JB419WD)	95	03/06 → 08/08	●			P79018MM	[+]	17	TOK				
1.9 DDiS All-wheel Drive (TD44, JT419, JB419WD)	95	10/05 → 02/15	●			P79018MM	[+]	17	TOK				
	95	10/05 → 02/15	●		+rear disc	P56068MM	[+]	13,8	AKE				
2.0 (JB420)	103	10/05 → 02/15	●			P79018MM	[+]	17	TOK				
2.0 All-wheel Drive (TD54, JB420)	103	10/05 → 02/15	●			P79018MM	[+]	17	TOK				
2.0 HDi All-wheel Drive	80	01/06 → 02/15	●			P79018MM	[+]	17	TOK				
2.4 All-wheel Drive (JB424)	124	01/09 →	●			P79018MM	[+]	17	TOK				
	124	01/09 →	●			P56068MM	[+]	13,8	AKE				
	120	09/13 → 02/15	●			P79018MM	[+]	17	TOK				
	120	09/13 → 02/15	●			P56068MM	[+]	13,8	AKE				
2.4 All-wheel Drive (JT424, JB424)	122	01/09 →	●			P79018MM	[+]	17	TOK				
	122	01/09 →	●			P56068MM	[+]	13,8	AKE				
2.7 All-wheel Drive (JB627)	138	04/05 → 08/08	●			P79018MM	[+]	17	TOK				
	138	04/05 → 08/08	●			P56068MM	[+]	13,8	AKE				
3.2 All-wheel Drive (TDB4, JT632, JB632)	171	01/09 → 02/15	●			P79018MM	[+]	17	TOK				
	171	01/09 → 02/15	●			P56068MM	[+]	13,8	AKE				

IGNIS (FH) 10/00 → 12/05

1.3 (HV51, HX51, RG413)	61	10/00 → 09/03	●			P79012MM	[+]	15	SUM				
	61	10/00 → 09/03	●			P10005MM	[+]	14,4	NBK				
1.3 4WD (RG413)	61	10/00 → 09/03	●			P79012MM	[+]	15	SUM				
	61	10/00 → 09/03	●			P79015MM	[+]	15,5	BSH				
	61	10/00 → 09/03	●		+ABS	P10005MM	[+]	14,4	NBK				

IGNIS II (MH) 09/03 →

1.3 (RM413)	69	09/03 →	●			P79015MM	[+]	15,5	BSH				
	69	09/03 →	●			P79012MM	[+]	15	SUM				

 	kw						wi	Th [mm]	SYS	WI			FK	
											LENGHT			

SUZUKI

IGNIS II (MH) 09/03 →

1.3 4x4 (RM413)	69	09/03 →	●			P79015MM	[+]	15,5	BSH					
	69	09/03 →	●			P79012MM	[+]	15	SUM					
1.3 DDIS (RM413D)	51	09/03 →	●			P79015MM	[+]	15,5	BSH					
	51	09/03 →	●			P79012MM	[+]	15	SUM					
1.5 (RM415)	73	09/03 →	●			P79015MM	[+]	15,5	BSH					
	73	09/03 →	●			P79012MM	[+]	15	SUM					
1.5 4x4 (RM415)	73	09/03 →	●			P79015MM	[+]	15,5	BSH					
	73	09/03 →	●			P79012MM	[+]	15	SUM					
1.5 Sport (RM415)	80	12/03 →	●			P79012MM	[+]	15	SUM					
	80	12/03 →		●		P10005MM	[+]	14,4	NBK					

JIMNY (FJ) 07/98 →

1.3 (SN413)	63	08/04 →	●			P79001MM	[-]	15,5	SUM					
1.3 16V (SN413)	59	09/98 →	●			P79001MM	[-]	15,5	SUM					
	60	02/01 →	●			P79001MM	[-]	15,5	SUM					
1.3 16V 4WD (SN413)	59	09/98 →	●			P79001MM	[-]	15,5	SUM					
	60	02/01 →	●			P79001MM	[-]	15,5	SUM					
1.3 16V 4x4 (SN413)	63	08/05 →	●			P79001MM	[-]	15,5	SUM					
1.3 4WD (SN413)	62	05/14 →	●			P79001MM	[-]	15,5	SUM					
1.3 4x4 (SN413)	63	09/98 → 08/00	●			P79001MM	[-]	15,5	SUM					
1.5 DDIS 4WD (SN415D)	48	12/03 →	●	solid		P79001MM	[-]	15,5	SUM					
	48	12/03 →	●	vented		P79008MM	[+]	15,4	AKE					
1.5 DDIS 4x4	63	08/05 →	●	solid		P79001MM	[-]	15,5	SUM					
	63	08/05 →	●	vented		P79008MM	[+]	15,4	AKE					

KIZASHI (FR) 10/10 →

2.4 (A6B 424)	131	10/10 →	●			P79028MM	[+]	16,8	AKE					
	131	10/10 →		●		P28022MM	[+]	14,6	AKE					
2.4 4x4 (A6B 424)	131	10/10 →	●			P79028MM	[+]	16,8	AKE					
	131	10/10 →		●		P28022MM	[+]	14,6	AKE					

LIANA (ER, RH_) 10/01 →

1.3 (RH 413)	66	03/02 →	●			P79014MM	[+]	17	NBK					
1.4 DDIS (RH 414D)	66	04/04 →	●			P79014MM	[+]	17	NBK					
1.5 (RH415)	81	04/04 → 11/07	●			P79014MM	[+]	17	NBK					
1.6 (RH 416)	76	03/02 →	●			P79014MM	[+]	17	NBK					
	79	01/05 →	●			P79014MM	[+]	17	NBK					
1.6 4WD (RH 416)	76	03/02 →	●			P79014MM	[+]	17	NBK					
	78	04/02 →	●			P79014MM	[+]	17	NBK					
	79	01/05 → 12/07	●			P79014MM	[+]	17	NBK					
1.6 i (RH416)	78	04/02 →	●			P79014MM	[+]	17	NBK					

LIANA Estate (ER) 07/01 → 12/07

1.3	66	07/01 → 12/07	●			P79014MM	[+]	17	NBK					
1.4 DDIS	66	04/04 → 12/07	●			P79014MM	[+]	17	NBK					
1.6	76	07/01 → 12/07	●			P79014MM	[+]	17	NBK					
	79	01/05 → 12/07	●			P79014MM	[+]	17	NBK					
1.6 4WD	76	07/01 → 12/07	●			P79014MM	[+]	17	NBK					
	78	04/02 → 12/07	●			P79014MM	[+]	17	NBK					
	79	01/05 → 12/07	●			P79014MM	[+]	17	NBK					
1.6 i (RH416)	78	04/02 → 12/07	●			P79014MM	[+]	17	NBK					

SAMURAI (SJ) 11/88 → 12/04

1.0 All-wheel Drive (SJ 410)	33	11/88 → 12/04	●			P79001MM	[-]	15,5	SUM					
	33	11/88 → 12/04	●		Made in (ES)	P79007MM	[-]	14	TRW					

SUZUKI

SAMURAI (SJ) 11/88 → 12/04

1.3 (SJ 413)	49	08/89 → 07/92	●		P79001MM [-]	15,5	SUM								
	49	08/89 → 07/92	●	Made in (ES)	P79007MM [-]	14	TRW								
	52	11/88 → 03/98	●		P79001MM [-]	15,5	SUM								
	52	11/88 → 03/98	●	Made in (ES)	P79007MM [-]	14	TRW								
1.3 All-wheel Drive (SJ 413)	51	11/88 → 12/04	●		P79001MM [-]	15,5	SUM								
	51	11/88 → 12/04	●	Made in (ES)	P79007MM [-]	14	TRW								
	44	11/88 → 12/04	●		P79001MM [-]	15,5	SUM								
	44	11/88 → 12/04	●	Made in (ES)	P79007MM [-]	14	TRW								
	47	11/88 → 12/04	●		P79001MM [-]	15,5	SUM								
	47	11/88 → 12/04	●	Made in (ES)	P79007MM [-]	14	TRW								
1.9 D	59	01/00 → 12/04	●		P79001MM [-]	15,5	SUM								
	59	01/00 → 12/04	●	Made in (ES)	P79007MM [-]	14	TRW								
1.9 D All-wheel Drive	46	09/00 → 12/04	●	Made in (ES)	P79001MM [-]	15,5	SUM								
	46	09/00 → 12/04	●		P79007MM [-]	14	TRW								
1.9 TD All-wheel Drive (SJ 419TD)	47	11/98 → 12/04	●		P79001MM [-]	15,5	SUM								
	47	11/98 → 12/04	●	Made in (ES)	P79007MM [-]	14	TRW								
1.9 TD All-wheel Drive (SJ 419TD)	46	11/98 → 12/04	●		P79001MM [-]	15,5	SUM								
	46	11/98 → 12/04	●	Made in (ES)	P79007MM [-]	14	TRW								

SPLASH (EX) 01/08 →

1.0 (A5B 310)	50	06/11 →	●		P59050MM [+]	17,3	TRW								
	48	01/08 →	●		P59050MM [+]	17,3	TRW								
1.2 (A5B 412)	63	01/08 →	●		P59050MM [+]	17,3	TRW								
	69	09/10 →	●		P59050MM [+]	17,3	TRW								
1.2 VVT (A5B 412)	66	06/11 →	●		P59050MM [+]	17,3	TRW								
	67	08/12 →	●		P59050MM [+]	17,3	TRW								
1.3 CDTI (A5B 413D)	55	01/08 →	●		P59050MM [+]	17,3	TRW								

SUPER CARRY Bus (ED) 07/85 → 03/99

1.0 (SK410)	31	10/92 → 03/99	●	5 holes	P79001MM [-]	15,5	SUM								
	33	10/85 → 03/99	●	5 holes	P79001MM [-]	15,5	SUM								
	30	09/94 → 03/99	●	5 holes	P79001MM [-]	15,5	SUM								

SWIFT II Hatchback (EA, MA) 03/89 → 12/05

1.0 (SF310, AA44)	37	03/89 → 05/01	●	MA; → 12/97	P79005MM [+]	15	SUM								
	37	03/89 → 05/01	●	EA; → 12/97	P79004MM [o]	14	AKE								
	37	03/89 → 05/01	●	01/97 →	P78012MM [+]	15	BSH								
1.0 i (SF310, AA44)	39	01/95 → 12/05	●	MA; → 12/97	P79005MM [+]	15	SUM								
	39	01/95 → 12/05	●	EA; → 12/97	P79004MM [o]	14	AKE								
	39	01/95 → 12/05	●	01/97 →	P78012MM [+]	15	BSH								
	40	03/89 → 12/91	●		P79004MM [o]	14	AKE								
	40	03/89 → 12/91	●		P79005MM [+]	15	SUM								
1.3 (SF 413)	63	06/01 → 12/03	●	→ 320339	P79005MM [+]	15	SUM								
1.3 (SF413, AB35)	50	03/89 → 05/01	●	MA; → 12/97	P79005MM [+]	15	SUM								
	50	03/89 → 05/01	●	EA; → 12/97	P79004MM [o]	14	AKE								
	50	03/89 → 05/01	●	01/97 →	P78012MM [+]	15	BSH								
	50	03/89 → 05/01	●		P28007MM [+]	13	TOK								
	52	03/89 → 12/91	●	MA; 320340 →	P78012MM [+]	15	BSH								
	52	03/89 → 12/91	●	MA	P79005MM [+]	15	SUM								
	52	03/89 → 12/91	●	EA	P79004MM [o]	14	AKE								
	52	03/89 → 12/91	●		P28007MM [+]	13	TOK								

		kw					MAGNETI MARELLI	wi	Th [mm]	SYS	WI			FK	
											MAGNETI MARELLI	LEIGHT		MAGNETI MARELLI	

SUZUKI

SWIFT II Hatchback (EA, MA) 03/89 → 12/05

1.3 4WD (SF413, AA35)	50	03/89 → 05/01	●	MA; → 12/97	P79005MM	[+]	15	SUM							
	50	03/89 → 05/01	●	EA; → 12/97	P79004MM	[O]	14	AKE							
	50	03/89 → 05/01	●	01/97 →	P78012MM	[+]	15	BSH							
	50	03/89 → 05/01		●		P28007MM	[+]	13	TOK						
	52	10/89 → 12/91	●			P79005MM	[+]	15	SUM						
	52	10/89 → 12/91	●			P79004MM	[O]	14	AKE						
	52	10/89 → 12/91		●		P28007MM	[+]	13	TOK						
1.3 GTi (SF413, AA34)	74	03/89 → 05/01	●	EA	P79004MM	[O]	14	AKE							
	74	03/89 → 05/01	●	MA; → 320339	P79005MM	[+]	15	SUM							
	74	03/89 → 05/01	●	→ 12/97	P56018MM	[+]	16	AKE							
	74	03/89 → 05/01	●	01/97 →	P78012MM	[+]	15	BSH							
	74	03/89 → 05/01		●		P28007MM	[+]	13	TOK						

SWIFT II Saloon (AH, AJ) 03/89 → 05/01

1.0	39	01/94 → 05/01	●		P78012MM	[+]	15	BSH							
1.3 (SF413, AH35)	52	03/89 → 12/91	●	W 107	P79005MM	[+]	15	SUM							
	52	03/89 → 12/91	●	W 109.3	P79004MM	[O]	14	AKE							
	52	03/89 → 12/91		●		P28007MM	[+]	13	TOK						
1.3 (SF413, AH35, MA)	50	01/91 → 12/95	●	→ 12/97; W 107	P79005MM	[+]	15	SUM							
	50	01/91 → 12/95	●	→ 12/97; W 109.3	P79004MM	[O]	14	AKE							
	50	01/91 → 12/95	●	01/97 →	P78012MM	[+]	15	BSH							
	50	01/91 → 12/95		●		P28007MM	[+]	13	TOK						
1.6 (SF416, AH14)	70	11/89 → 12/91	●		P56018MM	[+]	16	AKE							
	70	11/89 → 12/91		●		P28007MM	[+]	13	TOK						
1.6 4WD (SF416, AJ14)	70	11/89 → 12/91	●		P56018MM	[+]	16	AKE							
	70	11/89 → 12/91		●		P28007MM	[+]	13	TOK						
1.6 i (SF416, AH14, SF406)	68	01/90 → 05/01	●	→ 12/97	P56018MM	[+]	16	AKE							
	68	01/90 → 05/01	●	01/97 →	P78012MM	[+]	15	BSH							
	68	01/90 → 05/01		●		P28007MM	[+]	13	TOK						
1.6 i 4WD (SF416, AJ14)	68	01/90 → 05/01	●	→ 12/97	P56018MM	[+]	16	AKE							
	68	01/90 → 05/01	●	01/97 →	P78012MM	[+]	15	BSH							
	68	01/90 → 05/01		●		P28007MM	[+]	13	TOK						

SWIFT III (MZ, EZ) 02/05 →

1.3 (RS 413)	68	02/05 →	●		P59050MM	[+]	17,3	TRW							
1.3 4x4 (RS 413)	66	01/06 →	●		P59050MM	[+]	17,3	TRW							
	68	02/05 →	●		P59050MM	[+]	17,3	TRW							
1.3 DDIS (RS 413D)	51	08/05 →	●		P59050MM	[+]	17,3	TRW							
	55	08/05 →	●		P59050MM	[+]	17,3	TRW							
1.5 (RS 415)	75	02/05 →	●		P59050MM	[+]	17,3	TRW							
1.5 4x4 (RS 415)	74	02/05 →	●		P59050MM	[+]	17,3	TRW							
1.6 (RS 416)	92	05/06 →	●		P79023MM	[+]	15,5	JWA							
	92	05/06 →	●		P59050MM	[+]	17,3	TRW							
	92	05/06 →		●		P28022MM	[+]	14,6	AKE						

SWIFT IV (FZ, NZ) 10/10 →

1.2 (AZG 412)	66	10/10 →	●		P16013MM	[+]	16,5	TRW							
	66	10/10 →		● +rear disc	P79029MM	[+]	14,3	AKE							
1.2 (AZH 412)	69	10/10 →	●		P16013MM	[+]	16,5	TRW							
	69	10/10 →		●		P79029MM	[+]	14,3	AKE						
1.2 (AZH 412, AZG 412)	67	08/12 →	●		P16013MM	[+]	16,5	TRW							
	67	08/12 →		● +rear disc	P79029MM	[+]	14,3	AKE							
1.2 4WD (AZH 412, AZG 412)	67	08/12 →	●		P16013MM	[+]	16,5	TRW							
	67	08/12 →		● +rear disc	P79029MM	[+]	14,3	AKE							

SUZUKI

SWIFT IV (FZ, NZ) 10/10 →

1.2 4x4 (AZG 412)	66	10/10 →	●			P16013MM	[+]	16,5	TRW						
	66	10/10 →		●	+rear disc	P79029MM	[+]	14,3	AKE						
1.2 4x4 (AZH 412)	69	10/10 →	●			P16013MM	[+]	16,5	TRW						
	69	10/10 →		●		P79029MM	[+]	14,3	AKE						
1.3 DDIS (AZG 413D)	55	10/10 →	●			P16013MM	[+]	16,5	TRW						
	55	10/10 →		●		P79029MM	[+]	14,3	AKE						
1.6 (AZG 416, AZH 416, RS416)	100	01/12 →	●		+sport pack	P16013MM	[+]	16,5	TRW						
	100	01/12 →	●		-sport pack	P79031MM	[+]	15,5	JWA						
	100	01/12 →		●		P79029MM	[+]	14,3	AKE						

SX4 (EY, GY) 06/06 →

	73	06/06 → 07/10	●			P23105MM	[+]	16	TRW						
1.5 (RW 415)	73	06/06 → 07/10	●		Made in (J)	P23126MM	[+]	16	HIT						
	73	06/06 → 07/10		●	+rear disc	P79027MM	[+]	14,6	AKE						
1.5 VVT (RW 415)	82	07/10 →	●			P23105MM	[+]	16	TRW						
	82	07/10 →		●	+rear disc	P79027MM	[+]	14,6	AKE						
1.5 VVT 4x4 (RW 415)	82	07/10 →	●			P23105MM	[+]	16	TRW						
	82	07/10 →		●		P79027MM	[+]	14,6	AKE						
1.6 DDIS (RW 416D)	66	04/07 →	●			P23105MM	[+]	16	TRW						
	66	04/07 →	●		Made in (J)	P23126MM	[+]	16	HIT						
	66	04/07 →		●	+rear disc	P79027MM	[+]	14,6	AKE						
1.6 VVT (RW 416)	79	06/06 →	●			P23105MM	[+]	16	TRW						
	79	06/06 →	●		Made in (J)	P23126MM	[+]	16	HIT						
	79	06/06 →		●	+rear disc	P79027MM	[+]	14,6	AKE						
	88	07/09 →	●			P23105MM	[+]	16	TRW						
	88	07/09 →	●		Made in (J)	P23126MM	[+]	16	HIT						
	88	07/09 →		●	+rear disc	P79027MM	[+]	14,6	AKE						
1.6 VVT 4x4 (RW 416)	82	07/09 →	●			P23105MM	[+]	16	TRW						
	82	07/09 →		●	+rear disc	P79027MM	[+]	14,6	AKE						
	79	06/06 →	●			P23105MM	[+]	16	TRW						
	79	06/06 →	●		Made in (J)	P23126MM	[+]	16	HIT						
	79	06/06 →		●	+rear disc	P79027MM	[+]	14,6	AKE						
	88	07/09 →	●			P23105MM	[+]	16	TRW						
	88	07/09 →	●		Made in (J)	P23126MM	[+]	16	HIT						
	88	07/09 →		●	+rear disc	P79027MM	[+]	14,6	AKE						
1.9 DDIS (RW 419D)	88	06/06 →	●			P23105MM	[+]	16	TRW						
	88	06/06 →	●		Made in (J)	P23126MM	[+]	16	HIT						
	88	06/06 →		●	+rear disc	P79027MM	[+]	14,6	AKE						
1.9 DDIS 4x4 (RW 419D)	88	06/06 →	●			P23105MM	[+]	16	TRW						
	88	06/06 →	●		Made in (J)	P23126MM	[+]	16	HIT						
	88	06/06 →		●	+rear disc	P79027MM	[+]	14,6	AKE						
2.0 DDIS (RW 420D)	99	07/09 →	●			P23105MM	[+]	16	TRW						
	99	07/09 →	●		Made in (J)	P79030MM	[+]	17	SUM						
	99	07/09 →		●	+rear disc	P79027MM	[+]	14,6	AKE						
2.0 DDIS 4x4 (RW 420D)	99	07/09 →	●			P23105MM	[+]	16	TRW						
	99	07/09 →	●		Made in (J)	P23126MM	[+]	16	HIT						
	99	07/09 →		●	+rear disc	P79027MM	[+]	14,6	AKE						

SX4 Saloon (GY) 10/07 →

	88	10/07 →	●			P23105MM	[+]	16	TRW						
1.6 (RW 416)	88	10/07 →	●		Made in (J)	P23126MM	[+]	16	HIT						
	88	10/07 →		●	+rear disc	P79027MM	[+]	14,6	AKE						
	79	10/07 →	●			P23105MM	[+]	16	TRW						
	79	10/07 →	●		Made in (J)	P23126MM	[+]	16	HIT						
	79	10/07 →		●	+rear disc	P79027MM	[+]	14,6	AKE						

		kw					MAGNETI MARELLI	wi	Th [mm]	SYS	WI		FK		
											MAGNETI MARELLI	LENGHT		MAGNETI MARELLI	

SUZUKI

SX4 Saloon (GY) 10/07 →

1.6 AWD (RW 416)	88	10/07 →	●		P23105MM	[+]	16	TRW						
	88	10/07 →	●	Made in (J)	P23126MM	[+]	16	HIT						
	88	10/07 →		● +rear disc	P79027MM	[+]	14,6	AKE						
	79	10/07 → 12/11	●		P23105MM	[+]	16	TRW						
	79	10/07 → 12/11	●	Made in (J)	P23126MM	[+]	16	HIT						
	79	10/07 → 12/11		● +rear disc	P79027MM	[+]	14,6	AKE						

SX4 S-Cross (JY) 08/13 →

1.0	82	08/16 →	●		P79032MM	[+]	15,7	SUM						
	82	08/16 →		●	P79029MM	[+]	14,3	AKE						
1.0 AllGrip	82	08/16 →	●		P79032MM	[+]	15,7	SUM						
	82	08/16 →		●	P79029MM	[+]	14,3	AKE						
1.4 T (AKK 414)	103	08/16 →	●		P79029MM	[+]	14,3	AKE						
	103	08/16 →		●	P79032MM	[+]	15,7	SUM						
1.4 T AllGrip (AKK 414)	103	08/16 →	●		P79029MM	[+]	14,3	AKE						
	103	08/16 →		●	P79032MM	[+]	15,7	SUM						
1.6 (AKK 416)	88	08/13 →	●		P79032MM	[+]	15,7	SUM						
	88	08/13 →		●	P79029MM	[+]	14,3	AKE						
	86	12/13 →	●		P79032MM	[+]	15,7	SUM						
	86	12/13 →		●	P79029MM	[+]	14,3	AKE						
1.6 AllGrip (AKK 416)	88	08/13 →	●		P79032MM	[+]	15,7	SUM						
	88	08/13 →		●	P79029MM	[+]	14,3	AKE						
	86	12/13 →	●		P79032MM	[+]	15,7	SUM						
1.6 DDIS (AKK 416D)	88	08/13 →	●		P79032MM	[+]	15,7	SUM						
	88	08/13 →		●	P79029MM	[+]	14,3	AKE						
1.6 DDIS AllGrip (AKK 416D)	88	08/13 →	●		P79032MM	[+]	15,7	SUM						
	88	08/13 →		●	P79029MM	[+]	14,3	AKE						

VITARA (ET) 12/03 → 12/05

HDI (SE 420HDI)	64	12/03 → 12/05	●		P79009MM	[+]	14,5	SUM						
-----------------	----	---------------	---	--	----------	-----	------	-----	--	--	--	--	--	--

VITARA (ET, TA) 07/88 → 08/99

1.6 (SE 416)	70	02/91 → 03/98	●	5 doors	P79009MM	[+]	14,5	SUM						
	70	02/91 → 03/98	●	3 doors	P79006MM	[+]	14,8	AKE						
1.6 All-wheel Drive (SE 416)	60	07/88 → 12/91	●	3 doors	P79006MM	[+]	14,8	AKE						
	60	07/88 → 12/91	●	5 doors	P79009MM	[+]	14,5	SUM						
	54	10/88 → 12/98	●	5 doors	P79009MM	[+]	14,5	SUM						
	54	10/88 → 12/98	●	3 doors	P79006MM	[+]	14,8	AKE						
1.6 All-wheel Drive (TA, TA01, SE416)	59	07/88 → 03/98	●	3 doors	P79006MM	[+]	14,8	AKE						
	59	07/88 → 03/98	●	5 doors	P79009MM	[+]	14,5	SUM						
1.6 i 16V All-wheel Drive (ET, TA02, SE416)	71	07/90 → 03/98	●	3 doors	P79006MM	[+]	14,8	AKE						
	71	07/90 → 03/98	●	5 doors	P79009MM	[+]	14,5	SUM						
1.9 D All-wheel Drive (SE 419TD)	50	01/95 → 03/98	●	3 doors	P79006MM	[+]	14,8	AKE						
	50	01/95 → 03/98	●	5 doors	P79007MM	[-]	14	TRW						
	55	08/96 → 03/98	●	3 doors	P79006MM	[+]	14,8	AKE						
	55	08/96 → 03/98	●	5 doors	P79007MM	[-]	14	TRW						
2.0 16V All-wheel Drive (SV420)	97	12/96 → 03/98	●		P79009MM	[+]	14,5	SUM						
2.0 TD All-wheel Drive (SV 420D)	52	12/94 → 03/98	●		P79009MM	[+]	14,5	SUM						

									WI			FK	
	kw						[mm]			LENGHT			

SUZUKI

VITARA (ET, TA) 07/88 → 08/99

2.0 TD Intercooler All-wheel Drive (SV 420D)	64	12/95 → 03/98	●						P79009MM	[+]	14,5	SUM					
2.0 V6 24V All-wheel Drive (SV620)	100	12/94 → 03/98	●						P79009MM	[+]	14,5	SUM					
2.5 V6 24V All-wheel Drive (FT)	118	12/95 → 03/98	●						P79009MM	[+]	14,5	SUM					

VITARA (LY) 02/15 →

1.4 T (APK 414)	103	09/15 →	●						P79032MM	[+]	15,7	SUM					
1.4 T AllGrip (APK 414)	103	09/15 →	●	●					P79029MM	[+]	14,3	AKE					
	103	09/15 →	●						P79032MM	[+]	15,7	SUM					
	103	09/15 →	●	●					P79029MM	[+]	14,3	AKE					
1.6 (APK 416)	88	02/15 →	●						P79032MM	[+]	15,7	SUM					
	88	02/15 →	●	●					P79029MM	[+]	14,3	AKE					
	86	05/15 →	●						P79032MM	[+]	15,7	SUM					
	86	05/15 →	●	●					P79029MM	[+]	14,3	AKE					
1.6 AllGrip (APK 416)	88	02/15 →	●						P79032MM	[+]	15,7	SUM					
	88	02/15 →	●	●					P79029MM	[+]	14,3	AKE					
	86	05/15 →	●						P79032MM	[+]	15,7	SUM					
	86	05/15 →	●	●					P79029MM	[+]	14,3	AKE					
1.6 DDiS (APK 416D)	88	02/15 →	●						P79032MM	[+]	15,7	SUM					
	88	02/15 →	●	●					P79029MM	[+]	14,3	AKE					
1.6 DDiS AllGrip (APK 416D)	88	02/15 →	●						P79032MM	[+]	15,7	SUM					
	88	02/15 →	●	●					P79029MM	[+]	14,3	AKE					

VITARA Cabrio (ET) 12/03 → 12/05

2.0 HDI (SE 420HDI)	64	12/03 → 12/05	●						P79009MM	[+]	14,5	SUM					
------------------------	----	---------------	---	--	--	--	--	--	----------	-----	------	-----	--	--	--	--	--

VITARA Cabrio (ET, TA) 07/88 → 10/02

1.6 (SE 416)	55	01/90 → 12/93	●		Made in (ES)				P79007MM	[-]	14	TRW					
	55	01/90 → 12/93	●		Made in (CDN)				P79006MM	[+]	14,8	AKE					
1.6 (TA01, SE416)	59	07/88 → 01/95	●						P79006MM	[+]	14,8	AKE					
1.6 i 16V (TA02, SE416)	71	07/90 → 03/99	●						P79006MM	[+]	14,8	AKE					
1.9 D (SE 419TD)	55	08/96 → 03/99	●						P79006MM	[+]	14,8	AKE					
	55	08/96 → 03/99	●						P79007MM	[-]	14	TRW					
	50	01/95 → 03/98	●						P79006MM	[+]	14,8	AKE					
	50	01/95 → 03/98	●						P79007MM	[-]	14	TRW					
2.0 16V (TA51, SV420)	97	12/96 → 03/99	●						P79009MM	[+]	14,5	SUM					

WAGON R 07/03 → 08/05

1.0	44	06/04 → 08/05	●						P79015MM	[+]	15,5	BSH					
	39	07/03 → 08/05	●						P79015MM	[+]	15,5	BSH					
1.2	59	06/04 → 08/05	●						P79015MM	[+]	15,5	BSH					

WAGON R+ (MM) 05/00 →

1.3 (RB 413)	56	05/00 → 12/04	●						P79015MM	[+]	15,5	BSH					
	69	09/03 →	●						P79015MM	[+]	15,5	BSH					
	65	08/01 →	●						P79015MM	[+]	15,5	BSH					
1.3 4WD (RB 413)	56	10/01 →	●						P79015MM	[+]	15,5	BSH					
	69	09/03 →	●						P79015MM	[+]	15,5	BSH					

--	--	--	--	--	--	--	--	--	--	--	--	--	--	--

SUZUKI

WAGON R+ (MM) 05/00 →

1.3 DDIS (RB 413D)	51	09/03 →	•		P79015MM	[+]	15,5	BSH						
--------------------	----	---------	---	--	----------	-----	------	-----	--	--	--	--	--	--

XL7 (DA, DB) 09/06 → 12/09

3.6 All-wheel Drive	185	01/07 → 12/09	•		P79018MM	[+]	17	TOK						
	185	01/07 → 12/09	•		P56068MM	[+]	13,8	AKE						

TATA

INDICA (40_V2) 06/98 →

1.4 D	39	10/98 →	•		P82001MM	[O]	17,4	TRW						
	39	10/98 →	•		P28014MM	[+]	17,4	TRW						
	37	07/03 → 02/08	•		P82001MM	[O]	17,4	TRW						
	37	07/03 → 02/08	•		P28014MM	[+]	17,4	TRW						
1.4 i	55	10/98 →	•		P82001MM	[O]	17,4	TRW						
	55	10/98 →	•		P28014MM	[+]	17,4	TRW						
1.4 L	44	06/98 → 09/02	•		P82001MM	[O]	17,4	TRW						
	44	06/98 → 09/02	•		P28014MM	[+]	17,4	TRW						

INDIGO (4_V2) 01/03 →

1.4	62	01/03 →	•		P79005MM	[+]	15	SUM						
1.4 D	46	01/03 →	•		P79005MM	[+]	15	SUM						

INDIGO MARINA (4_V2) 01/03 →

1.4	62	01/03 → 12/10	•		P79005MM	[+]	15	SUM						
1.4 D	46	01/03 → 12/10	•		P79005MM	[+]	15	SUM						

LOADBETA 08/94 → 12/06

1.9 D	66	11/95 → 12/06	•		P82001MM	[O]	17,4	TRW						
	50	08/94 → 12/06	•		P82001MM	[O]	17,4	TRW						
1.9 D All-wheel Drive	66	11/95 → 12/06	•		P82001MM	[O]	17,4	TRW						

SAFARI (42_FD) 04/98 →

1.9 D 4x4	66	04/98 →	•		P82001MM	[O]	17,4	TRW						
1.9 TDi 4x4	64	07/03 →	•		P82001MM	[O]	17,4	TRW						
2.0 16V	101	06/99 →	•		P82001MM	[O]	17,4	TRW						
2.1 EXi 4x4	99	08/03 →	•		P82001MM	[O]	17,4	TRW						
2.2 TDiC	103	07/06 →	•		P82001MM	[O]	17,4	TRW						
2.2 TDiC 4x4	103	07/06 →	•		P82001MM	[O]	17,4	TRW						

SIERRA 08/91 → 12/02

1.9 D	46	06/97 → 10/99	•		P82001MM	[O]	17,4	TRW						
	50	08/95 → 02/00	•		P82001MM	[O]	17,4	TRW						
1.9 TD	68	06/97 → 12/00	•		P82001MM	[O]	17,4	TRW						
	66	06/97 → 12/02	•		P82001MM	[O]	17,4	TRW						
1.9 TD 4x4	66	06/97 → 12/02	•		P82001MM	[O]	17,4	TRW						

TELCOLINE (40_FD) 02/99 → 12/11

1.9 TDiC	64	02/00 → 12/06	•		P82001MM	[O]	17,4	TRW						
3.0 207 DI	48	06/99 → 12/07	•		P82001MM	[O]	17,4	TRW						

TESLA

MODEL S 09/12 →

60	225	11/13 → 04/15	•		P09004MM	[+]	15	BRE						
	225	11/13 → 04/15	•		P30074MM	[+]	14,7	BRE						
	283	02/15 → 04/15	•		P09004MM	[+]	15	BRE						
	283	02/15 → 04/15	•		P30074MM	[+]	14,7	BRE						
	285	06/16 →	•		P09004MM	[+]	15	BRE						
	285	06/16 →	•		P30074MM	[+]	14,7	BRE						

Car Icon	kw	Hourglass	Brake Icon	i	MAGNETI MARELLI	wi	Th [mm]	SYS	WI			FK	
									MAGNETI MARELLI	LEIGHT	i	MAGNETI MARELLI	i

TOYOTA

4 RUNNER (_N18_) 11/95 → 11/02

2.7	112	11/95 → 07/02	●					P83009MM	[+]	15	SUM				
2.7 4WD	112	11/95 → 08/02	●					P83009MM	[+]	15	SUM				
3.0 Turbo-D	92	11/95 → 11/02	●					P83009MM	[+]	15	SUM				
3.4	136	11/95 → 07/02	●					P83009MM	[+]	15	SUM				
3.4 4WD	136	09/98 → 11/02	●		(-D)			P83009MM	[+]	15	SUM				

4 RUNNER (_N21_) 08/02 → 12/09

4.0	183	08/02 → 07/09	●					P83066MM	[+]	17,8	SUM				
	183	08/02 → 07/09	●					P83024MM	[-]	15	SUM				
4.0 4WD	183	11/02 → 07/09	●					P83066MM	[+]	17,8	SUM				
	183	11/02 → 07/09	●					P83024MM	[-]	15	SUM				
4.7	194	09/06 → 07/09	●					P83066MM	[+]	17,8	SUM				
	194	09/06 → 07/09	●					P83024MM	[-]	15	SUM				
4.7 (UZ210_)	175	11/02 → 12/06	●					P83066MM	[+]	17,8	SUM				
	175	11/02 → 12/06	●					P83024MM	[-]	15	SUM				
4.7 4WD	194	09/06 → 07/09	●					P83066MM	[+]	17,8	SUM				
	194	09/06 → 07/09	●					P83024MM	[-]	15	SUM				
4.7 4WD (UZ215_)	175	11/02 → 12/06	●					P83066MM	[+]	17,8	SUM				
	175	11/02 → 12/06	●					P83024MM	[-]	15	SUM				

ALPHARD / VELLFIRE (_H2_) 04/08 → 12/14

2.4	123	04/08 → 12/14	●					P83099MM	[O]	18	AKE				
	123	04/08 → 12/14	●					P83047MM	[+]	16,6	BSH				
3.5	206	04/08 → 12/14	●					P83099MM	[O]	18	AKE				
	206	04/08 → 12/14	●					P83047MM	[+]	16,6	BSH				
	202	04/08 → 12/14	●					P83099MM	[O]	18	AKE				
	202	04/08 → 12/14	●					P83047MM	[+]	16,6	BSH				

ALTEZZA GITA (_XE1_) 10/98 → 06/05

2.0 VVTi	147	02/99 → 06/05	●		17" wheel			P83037MM	[+]	17,1	SUM				
	147	02/99 → 06/05	●					P83027MM	[+]	17	SUM				
	147	02/99 → 06/05	●					P83045MM	[+]	15	SUM				

AURIS (_E15_) 10/06 → 09/12

1.33 Dual-VVTi (NRE150_)	74	05/09 → 09/12	●		Made in (J)			P83082MM	[-]	17,5	AKE				
	74	05/09 → 09/12	●		Made in (UK)			P83079MM	[+]	19,2	BSH				
	74	05/09 → 09/12	●		Made in (J)			P83083MM	[+]	14,3	AKE				
	74	05/09 → 09/12	●		Made in (UK)			P83080MM	[+]	16	BSH				
	73	01/10 → 09/12	●		Made in (J)			P83082MM	[-]	17,5	AKE				
	73	01/10 → 09/12	●		Made in (UK)			P83079MM	[+]	19,2	BSH				
	73	01/10 → 09/12	●		Made in (J)			P83083MM	[+]	14,3	AKE				
	73	01/10 → 09/12	●		Made in (UK)			P83080MM	[+]	16	BSH				
1.4 (ZZE150_)	71	03/07 → 09/12	●		Made in (J)			P83082MM	[-]	17,5	AKE				
	71	03/07 → 09/12	●		Made in (UK)			P83079MM	[+]	19,2	BSH				
	71	03/07 → 09/12	●		Made in (UK)			P83080MM	[+]	16	BSH				
1.4 D-4D (NDE150_)	66	03/07 → 09/12	●		Made in (J)			P83082MM	[-]	17,5	AKE				
	66	03/07 → 09/12	●		Made in (UK)			P83079MM	[+]	19,2	BSH				
	66	03/07 → 09/12	●		Made in (J)			P83083MM	[+]	14,3	AKE				
	66	03/07 → 09/12	●		Made in (UK)			P83080MM	[+]	16	BSH				
1.5 (NZE151_)	81	09/09 → 09/12	●					P83082MM	[-]	17,5	AKE				
	81	09/09 → 09/12	●					P83083MM	[+]	14,3	AKE				
1.5 4WD (NZE154_)	77	09/09 → 09/12	●					P83082MM	[-]	17,5	AKE				
	77	09/09 → 09/12	●					P83083MM	[+]	14,3	AKE				
1.6 (ZRE151_)	91	03/07 → 09/12	●		Made in (J)			P83082MM	[-]	17,5	AKE				
	91	03/07 → 09/12	●		Made in (UK)			P83079MM	[+]	19,2	BSH				
	91	03/07 → 09/12	●		Made in (J)			P83083MM	[+]	14,3	AKE				
	91	03/07 → 09/12	●		Made in (UK)			P83080MM	[+]	16	BSH				

--	--	--	--	--	--	--	--	--	--	--	--	--	--

TOYOTA

AURIS TOURING SPORTS (_E18_) 07/13 →

2.0 D-4D (ADE186_)	91	07/13 →	●		P83109MM	[+]	18,9	BSH					
	91	07/13 →		●	P83080MM	[+]	16	BSH					

AURIS VAN Box (_E18_) 03/13 →

1.4 D-4D (NDE180_)	66	03/13 →	●		P83150MM	[+]	18,7	BSH					
	66	03/13 →		●	P83080MM	[+]	16	BSH					

AVALON Saloon (_X1_) 09/94 → 03/06

3.0 (MCX10_)	150	09/95 → 07/99	●	+ABS; +ABS	P83111MM	[+]	17,9	SUM					
	150	09/95 → 07/99	●	-ABS	P83027MM	[+]	17	SUM					
	150	09/95 → 07/99	●	+ABS; +ABS	P83111MM	[+]	17,9	SUM					

AVALON Saloon (_X2_) 08/99 → 06/05

3.0	157	09/99 → 12/04	●		P83040MM	[+]	17	AKE					
	157	09/99 → 12/04		●	P83110MM	[+]	15,4	-					
	145	04/00 → 06/05	●		P83105MM	[-]	16	AKE					
	145	04/00 → 06/05		●	P83110MM	[+]	15,4	-					

AVALON Saloon (_X3_) 01/05 → 09/12

3.5 (GSX30_)	200	01/05 → 09/12	●		P83105MM	[-]	16	AKE					
	200	01/05 → 09/12		●	P83110MM	[+]	15,4	-					

AVALON Saloon (_X4_) 09/12 →

3.5 (GSX40_)	200	09/12 →	●		P83117MM	[-]	17,6	AKE					
	200	09/12 →		●	P83089MM	[-]	15,4	AKE					

AVENSIS (_T22_) 09/97 → 02/03

1.6 (AT220_)	74	09/97 → 10/00	●	+rear drum	P83041MM	[+]	18,2	ATE					
	74	09/97 → 10/00	●	01/00 →; +rear disc	P83028MM	[+]	15,5	AKE					
	74	09/97 → 10/00		●	P83015MM	[+]	15,5	AKE					
	81	09/97 → 10/00	●	+rear drum	P83041MM	[+]	18,2	ATE					
	81	09/97 → 10/00	●	01/00 →; +rear disc	P83028MM	[+]	15,5	AKE					
	81	09/97 → 10/00		●	P83015MM	[+]	15,5	AKE					
1.6 VVT-i (ZZT220_)	81	10/00 → 02/03	●	+rear drum	P83041MM	[+]	18,2	ATE			A02217	+rear disc	
	81	10/00 → 02/03	●	→ 07/01; +rear disc	P83028MM	[+]	15,5	AKE			A02217	+rear disc	
	81	10/00 → 02/03	●	07/01 →; +rear disc	P83043MM	[+]	18,3	ATE			A02217	+rear disc	
	81	10/00 → 02/03	●	→ 07/01	P83015MM	[+]	15,5	AKE					
	81	10/00 → 02/03	●	07/01 →	P83084MM	[+]	15	TRW					
1.8 (AT221_)	81	09/97 → 10/00	●	01/00 →; +rear disc	P83028MM	[+]	15,5	AKE					
	81	09/97 → 10/00	●	+rear drum	P83041MM	[+]	18,2	ATE					
	81	09/97 → 10/00		●	P83015MM	[+]	15,5	AKE					
1.8 VVT-i (ZZT221_)	95	10/00 → 02/03	●	+rear drum	P83041MM	[+]	18,2	ATE			A02217	+rear disc	
	95	10/00 → 02/03	●	→ 07/01; +rear disc	P83028MM	[+]	15,5	AKE			A02217	+rear disc	
	95	10/00 → 02/03	●	07/01 →; +rear disc	P83043MM	[+]	18,3	ATE			A02217	+rear disc	
	95	10/00 → 02/03	●	→ 07/01	P83015MM	[+]	15,5	AKE					
	95	10/00 → 02/03	●	07/01 →	P83084MM	[+]	15	TRW					
2.0 (ST220_)	94	09/97 → 10/00	●	+rear drum	P83041MM	[+]	18,2	ATE					
	94	09/97 → 10/00	●	01/00 →; +rear disc	P83028MM	[+]	15,5	AKE					
	94	09/97 → 10/00		●	P83015MM	[+]	15,5	AKE					
2.0 D (CT220_)	61	10/97 → 05/98	●	+rear drum	P83041MM	[+]	18,2	ATE					
	61	10/97 → 05/98	●	+rear disc	P83028MM	[+]	15,5	AKE					
	61	10/97 → 05/98		●	P83015MM	[+]	15,5	AKE					
2.0 D-4D (CDT220_)	81	10/99 → 02/03	●	+rear drum	P83041MM	[+]	18,2	ATE			A02217	+rear disc	
	81	10/99 → 02/03	●	01/00 → 07/01; +rear disc	P83028MM	[+]	15,5	AKE			A02217	+rear disc	
	81	10/99 → 02/03	●	07/01 →; +rear disc	P83043MM	[+]	18,3	ATE			A02217	+rear disc	
	81	10/99 → 02/03		●	→ 07/01	P83015MM	[+]	15,5	AKE				
	81	10/99 → 02/03		●	07/01 →	P83084MM	[+]	15	TRW				
2.0 TD (CT220_)	66	09/97 → 02/03	●	+rear drum	P83041MM	[+]	18,2	ATE			A02217	+rear disc	
	66	09/97 → 02/03	●	01/00 → 07/01; +rear disc	P83028MM	[+]	15,5	AKE			A02217	+rear disc	

								WI			FK	

TOYOTA

AVENSIS (T22) 09/97 → 02/03

2.0 TD (CT220_)	66	09/97 → 02/03	●	07/01 →; +rear disc	P83043MM	[+]	18,3	ATE				A02217	+rear disc
	66	09/97 → 02/03	●	→ 07/01	P83015MM	[+]	15,5	AKE					
	66	09/97 → 02/03	●	07/01 →	P83084MM	[+]	15	TRW					
2.0 VVT-i (AZT220_)	110	10/00 → 02/03	●	+rear drum	P83041MM	[+]	18,2	ATE				A02217	+rear disc
	110	10/00 → 02/03	●	→ 07/01; +rear disc	P83028MM	[+]	15,5	AKE				A02217	+rear disc
	110	10/00 → 02/03	●	07/01 →; +rear disc	P83043MM	[+]	18,3	ATE				A02217	+rear disc
	110	10/00 → 02/03	●	→ 07/01	P83015MM	[+]	15,5	AKE					
	110	10/00 → 02/03	●	07/01 →	P83084MM	[+]	15	TRW					

AVENSIS (T25) 04/03 → 11/08

1.6 VVT-i (ZZT250_)	81	04/03 → 11/08	●		P83046MM	[+]	19,2	BSH					
	81	04/03 → 11/08	●		P83047MM	[+]	16,6	BSH					
1.8 (ZZT251_)	95	04/03 → 11/08	●		P83046MM	[+]	19,2	BSH					
	95	04/03 → 11/08	●		P83047MM	[+]	16,6	BSH					
2.0 (AZT250_)	108	04/03 → 11/08	●		P83046MM	[+]	19,2	BSH					
	108	04/03 → 11/08	●		P83047MM	[+]	16,6	BSH					
2.0 D-4D (ADT250_)	93	03/06 → 11/08	●		P83046MM	[+]	19,2	BSH					
	93	03/06 → 11/08	●		P83047MM	[+]	16,6	BSH					
2.0 D-4D (CDT250_)	85	04/03 → 11/08	●		P83046MM	[+]	19,2	BSH					
	85	04/03 → 11/08	●		P83047MM	[+]	16,6	BSH					
2.2 D-4D (ADT251_)	110	10/05 → 11/08	●		P83046MM	[+]	19,2	BSH					
	110	10/05 → 11/08	●		P83047MM	[+]	16,6	BSH					
2.2 D-CAT (ADT251_)	130	07/05 → 11/08	●		P83046MM	[+]	19,2	BSH					
	130	07/05 → 11/08	●		P83047MM	[+]	16,6	BSH					
2.4 (AZT251_)	125	09/03 → 11/08	●		P83046MM	[+]	19,2	BSH					
	125	09/03 → 11/08	●		P83047MM	[+]	16,6	BSH					
	120	10/03 → 11/08	●		P83046MM	[+]	19,2	BSH					
	120	10/03 → 11/08	●		P83047MM	[+]	16,6	BSH					

AVENSIS Estate (T25) 04/03 → 11/08

1.6 VVT-i (ZZT250_)	81	04/03 → 11/08	●		P83046MM	[+]	19,2	BSH					
	81	04/03 → 11/08	●		P83047MM	[+]	16,6	BSH					
1.8 (ZZT251_)	95	04/03 → 11/08	●		P83046MM	[+]	19,2	BSH					
	95	04/03 → 11/08	●		P83047MM	[+]	16,6	BSH					
2.0 (AZT250_)	108	04/03 → 11/08	●		P83046MM	[+]	19,2	BSH					
	108	04/03 → 11/08	●		P83047MM	[+]	16,6	BSH					
2.0 D-4D (ADT250_)	93	03/06 → 11/08	●		P83046MM	[+]	19,2	BSH					
	93	03/06 → 11/08	●		P83047MM	[+]	16,6	BSH					
2.0 D-4D (CDT250_)	85	04/03 → 11/08	●		P83046MM	[+]	19,2	BSH					
	85	04/03 → 11/08	●		P83047MM	[+]	16,6	BSH					
2.0 VVTi (AZT250_)	114	04/03 → 11/08	●		P83046MM	[+]	19,2	BSH					
	114	04/03 → 11/08	●		P83047MM	[+]	16,6	BSH					
2.2 D-4D (ADT251_)	110	10/05 → 11/08	●		P83046MM	[+]	19,2	BSH					
	110	10/05 → 11/08	●		P83047MM	[+]	16,6	BSH					
2.2 D-CAT (ADT251_)	130	07/05 → 11/08	●		P83046MM	[+]	19,2	BSH					
	130	07/05 → 11/08	●		P83047MM	[+]	16,6	BSH					
2.4 (AZT251_)	125	09/03 → 11/08	●		P83046MM	[+]	19,2	BSH					
	125	09/03 → 11/08	●		P83047MM	[+]	16,6	BSH					
	120	10/03 → 11/08	●		P83046MM	[+]	19,2	BSH					
	120	10/03 → 11/08	●		P83047MM	[+]	16,6	BSH					

AVENSIS Estate (T27) 02/09 →

1.6 (ZRT270_)	97	02/09 →	●		P83109MM	[+]	18,9	BSH					
	97	02/09 →	●		P83112MM	[+]	16,5	BSH					
1.6 D4-D (WWT270_)	82	04/15 →	●		P83109MM	[+]	18,9	BSH					
	82	04/15 →	●		P83112MM	[+]	16,5	BSH					

--	--	--	--	--	--	--	--	--	--	--	--	--	--	--	--

TOYOTA

AVENSIS Estate (T27_) 02/09 →

1.8 (ZRT271_)	108	02/09 →	●		P83109MM	[+]	18,9	BSH							
	108	02/09 →		●	P83112MM	[+]	16,5	BSH							
2.0 (ZRT272_)	112	02/09 →	●		P83109MM	[+]	18,9	BSH							
	112	02/09 →		●	P83112MM	[+]	16,5	BSH							
2.0 D-4D (ADT270_)	91	11/11 →	●		P83109MM	[+]	18,9	BSH							
	91	11/11 →		●	P83112MM	[+]	16,5	BSH							
	93	02/09 →	●		P83109MM	[+]	18,9	BSH							
	93	02/09 →		●	P83112MM	[+]	16,5	BSH							
2.0 D-4D (WWT271_)	105	04/15 →	●		P83109MM	[+]	18,9	BSH							
	105	04/15 →		●	P83112MM	[+]	16,5	BSH							
2.2 D-4D (ADT271_)	110	02/09 →	●		P83148MM	[+]	19,3	BSH							
	110	02/09 →		●	P83112MM	[+]	16,5	BSH							
	130	02/09 →	●		P83148MM	[+]	19,3	BSH							
	130	02/09 →		●	P83112MM	[+]	16,5	BSH							

AVENSIS Liftback (T22_) 09/97 → 02/03

1.6 (AT220_)	74	09/97 → 10/00	●	+rear drum	P83041MM	[+]	18,2	ATE							
	74	09/97 → 10/00	●	01/00 →; +rear disc	P83028MM	[+]	15,5	AKE							
	74	09/97 → 10/00		●	P83015MM	[+]	15,5	AKE							
	81	09/97 → 10/00	●	+rear drum	P83041MM	[+]	18,2	ATE							
	81	09/97 → 10/00	●	01/00 →; +rear disc	P83028MM	[+]	15,5	AKE							
	81	09/97 → 10/00		●	P83015MM	[+]	15,5	AKE							
1.6 (ZZT220_)	81	10/00 → 02/03	●	+rear drum	P83041MM	[+]	18,2	ATE			A02217		07/01 →		
	81	10/00 → 02/03	●	→ 07/01; +rear disc	P83028MM	[+]	15,5	AKE			A02217		07/01 →		
	81	10/00 → 02/03	●	07/01 →; +rear disc	P83043MM	[+]	18,3	ATE			A02217		07/01 →		
	81	10/00 → 02/03		● → 07/01	P83015MM	[+]	15,5	AKE							
	81	10/00 → 02/03		● 07/01 →	P83084MM	[+]	15	TRW							
1.8 (AT221_)	81	09/97 → 10/00	●	+rear drum	P83041MM	[+]	18,2	ATE							
	81	09/97 → 10/00	●	01/00 →; +rear disc	P83028MM	[+]	15,5	AKE							
	81	09/97 → 10/00		●	P83015MM	[+]	15,5	AKE							
1.8 (ZZT221_)	95	10/00 → 02/03	●	+rear drum	P83041MM	[+]	18,2	ATE			A02217		07/01 →		
	95	10/00 → 02/03	●	→ 07/01; +rear disc	P83028MM	[+]	15,5	AKE			A02217		07/01 →		
	95	10/00 → 02/03	●	07/01 →; +rear disc	P83043MM	[+]	18,3	ATE			A02217		07/01 →		
	95	10/00 → 02/03		● → 07/01	P83015MM	[+]	15,5	AKE							
	95	10/00 → 02/03		● 07/01 →	P83084MM	[+]	15	TRW							
2.0 (AZT220_)	110	10/00 → 02/03	●	+rear drum	P83041MM	[+]	18,2	ATE			A02217		07/01 →		
	110	10/00 → 02/03	●	→ 07/01; +rear disc	P83028MM	[+]	15,5	AKE			A02217		07/01 →		
	110	10/00 → 02/03	●	07/01 →; +rear disc	P83043MM	[+]	18,3	ATE			A02217		07/01 →		
	110	10/00 → 02/03		● → 07/01	P83015MM	[+]	15,5	AKE							
	110	10/00 → 02/03		● 07/01 →	P83084MM	[+]	15	TRW							
2.0 (ST220_)	94	09/97 → 10/00	●	+rear drum	P83041MM	[+]	18,2	ATE							
	94	09/97 → 10/00	●	01/00 →; +rear disc	P83028MM	[+]	15,5	AKE							
	94	09/97 → 10/00		●	P83015MM	[+]	15,5	AKE							
2.0 D (CDT220_)	85	09/02 → 02/03	●	+rear drum	P83041MM	[+]	18,2	ATE							
	85	09/02 → 02/03	●	+rear disc	P83043MM	[+]	18,3	ATE							
	85	09/02 → 02/03		●	P83084MM	[+]	15	TRW							
2.0 D-4D (CDT220_)	81	10/99 → 02/03	●	+rear drum	P83041MM	[+]	18,2	ATE			A02217		07/01 →		
	81	10/99 → 02/03	●	01/00 → 07/01; +rear disc	P83028MM	[+]	15,5	AKE			A02217		07/01 →		
	81	10/99 → 02/03	●	07/01 →; +rear disc	P83043MM	[+]	18,3	ATE			A02217		07/01 →		
	81	10/99 → 02/03		● → 07/01	P83015MM	[+]	15,5	AKE							
2.0 TD (CT220_)	66	09/97 → 02/03	●	+rear drum	P83041MM	[+]	18,2	ATE			A02217		07/01 →		
	66	09/97 → 02/03	●	01/00 → 07/01; +rear disc	P83028MM	[+]	15,5	AKE			A02217		07/01 →		
	66	09/97 → 02/03	●	07/01 →; +rear disc	P83043MM	[+]	18,3	ATE			A02217		07/01 →		

									WI			FK	

TOYOTA

AVENSIS Liftback (_T22_) 09/97 → 02/03

2.0 TD	66	09/97 → 02/03	●	→ 07/01	P83015MM	[+]	15,5	AKE					
(CT220_)	66	09/97 → 02/03	●	07/01 →	P83084MM	[+]	15	TRW					

AVENSIS Saloon (_T25_) 04/03 → 11/08

1.6 VVT-i	81	04/03 → 11/08	●		P83046MM	[+]	19,2	BSH					
(ZZT250_)	81	04/03 → 11/08	●		P83047MM	[+]	16,6	BSH					
1.8	95	04/03 → 11/08	●		P83046MM	[+]	19,2	BSH					
(ZZT251_)	95	04/03 → 11/08	●		P83047MM	[+]	16,6	BSH					
2.0	108	04/03 → 11/08	●		P83046MM	[+]	19,2	BSH					
(AZT250_)	108	04/03 → 11/08	●		P83047MM	[+]	16,6	BSH					
2.0 D-4D	93	03/06 → 11/08	●		P83046MM	[+]	19,2	BSH					
(ADT250_)	93	03/06 → 11/08	●		P83047MM	[+]	16,6	BSH					
2.0 D-4D	85	04/03 → 11/08	●		P83046MM	[+]	19,2	BSH					
(CDT250_)	85	04/03 → 11/08	●		P83047MM	[+]	16,6	BSH					
2.0 VVTi	114	04/03 → 11/08	●		P83046MM	[+]	19,2	BSH					
(AZT250_)	114	04/03 → 11/08	●		P83047MM	[+]	16,6	BSH					
2.2 D-4D	110	10/05 → 11/08	●		P83046MM	[+]	19,2	BSH					
(ADT251_)	110	10/05 → 11/08	●		P83047MM	[+]	16,6	BSH					
2.2 D-CAT	130	07/05 → 11/08	●		P83046MM	[+]	19,2	BSH					
(ADT251_)	130	07/05 → 11/08	●		P83047MM	[+]	16,6	BSH					
2.4	125	09/03 → 11/08	●		P83046MM	[+]	19,2	BSH					
	125	09/03 → 11/08	●		P83047MM	[+]	16,6	BSH					
	120	10/03 → 11/08	●		P83046MM	[+]	19,2	BSH					
(AZT251_)	120	10/03 → 11/08	●		P83047MM	[+]	16,6	BSH					

AVENSIS Saloon (_T27_) 11/08 →

1.6	97	11/08 →	●		P83109MM	[+]	18,9	BSH					
(ZRT270_)	97	11/08 →	●		P83112MM	[+]	16,5	BSH					
1.6 D4-D	82	04/15 →	●		P83109MM	[+]	18,9	BSH					
(WWT270_)	82	04/15 →	●		P83112MM	[+]	16,5	BSH					
1.8	108	11/08 →	●		P83109MM	[+]	18,9	BSH					
(ZRT271_)	108	11/08 →	●		P83112MM	[+]	16,5	BSH					
2.0	100	11/08 → 04/11	●		P83109MM	[+]	18,9	BSH					
(AZT270_)	100	11/08 → 04/11	●		P83112MM	[+]	16,5	BSH					
2.0	112	11/08 →	●		P83109MM	[+]	18,9	BSH					
(ZRT272_)	112	11/08 →	●		P83112MM	[+]	16,5	BSH					
2.0 D-4D	91	11/11 →	●		P83109MM	[+]	18,9	BSH					
	91	11/11 →	●		P83112MM	[+]	16,5	BSH					
	93	11/08 →	●		P83109MM	[+]	18,9	BSH					
(ADT270_)	93	11/08 →	●		P83112MM	[+]	16,5	BSH					
2.0 D-4D	105	04/15 →	●		P83148MM	[+]	19,3	BSH					
(WWT271_)	105	04/15 →	●		P83112MM	[+]	16,5	BSH					
2.2 D-4D	110	11/08 →	●		P83148MM	[+]	19,3	BSH					
	110	11/08 →	●		P83112MM	[+]	16,5	BSH					
	130	11/08 →	●		P83148MM	[+]	19,3	BSH					
(ADT271_)	130	11/08 →	●		P83112MM	[+]	16,5	BSH					

AVENSIS Station Wagon (_T22_) 09/97 → 02/03

1.6 (AT220_)	74	09/97 → 10/00	●	+rear drum	P83041MM	[+]	18,2	ATE					
	74	09/97 → 10/00	●	01/00 →; +rear disc	P83028MM	[+]	15,5	AKE					
	74	09/97 → 10/00	●		P83015MM	[+]	15,5	AKE					
1.6 (AT220_ ZZT220_)	81	09/97 → 10/00	●	+rear drum	P83041MM	[+]	18,2	ATE					
	81	09/97 → 10/00	●	01/00 →; +rear disc	P83028MM	[+]	15,5	AKE					
	81	09/97 → 10/00	●		P83015MM	[+]	15,5	AKE					
1.6 (ZZT250_)	81	10/00 → 02/03	●	+rear drum	P83041MM	[+]	18,2	ATE			A02217	07/01 →	
	81	10/00 → 02/03	●	→ 07/01; +rear disc	P83028MM	[+]	15,5	AKE			A02217	07/01 →	
	81	10/00 → 02/03	●	07/01 →; +rear disc	P83043MM	[+]	18,3	ATE			A02217	07/01 →	

--	--	--	--	--	--	--	--	--	--	--	--	--	--	--	--

TOYOTA

AVENSIS Station Wagon (_T22_) 09/97 → 02/03

1.6 (ZZT250_)	81	10/00 → 02/03	●	→ 07/01	P83015MM	[+]	15,5	AKE							
	81	10/00 → 02/03	●	07/01 →	P83084MM	[+]	15	TRW							
1.8 (AT221_)	81	09/97 → 10/00	●	+rear drum	P83041MM	[+]	18,2	ATE							
	81	09/97 → 10/00	●	01/00 →; +rear disc	P83028MM	[+]	15,5	AKE							
1.8 (ZZT221_)	95	10/00 → 02/03	●	+rear drum	P83041MM	[+]	18,2	ATE					A02217	07/01 →	
	95	10/00 → 02/03	●	→ 07/01; +rear disc	P83028MM	[+]	15,5	AKE					A02217	07/01 →	
	95	10/00 → 02/03	●	07/01 →; +rear disc	P83043MM	[+]	18,3	ATE					A02217	07/01 →	
	95	10/00 → 02/03	●	→ 07/01	P83015MM	[+]	15,5	AKE							
	95	10/00 → 02/03	●	07/01 →	P83084MM	[+]	15	TRW							
2.0 (AZT220_)	110	10/00 → 02/03	●	+rear drum	P83041MM	[+]	18,2	ATE					A02217	07/01 →	
	110	10/00 → 02/03	●	→ 07/01; +rear disc	P83028MM	[+]	15,5	AKE					A02217	07/01 →	
	110	10/00 → 02/03	●	07/01 →; +rear disc	P83043MM	[+]	18,3	ATE					A02217	07/01 →	
	110	10/00 → 02/03	●	→ 07/01	P83015MM	[+]	15,5	AKE							
2.0 (ST220_)	94	09/97 → 10/00	●	+rear drum	P83041MM	[+]	18,2	ATE							
	94	09/97 → 10/00	●	01/00 →; +rear disc	P83028MM	[+]	15,5	AKE							
	94	09/97 → 10/00	●		P83015MM	[+]	15,5	AKE							
2.0 D (CDT220_)	85	09/02 → 02/03	●	+rear disc	P83043MM	[+]	18,3	ATE							
	85	09/02 → 02/03	●	+rear drum	P83041MM	[+]	18,2	ATE							
	85	09/02 → 02/03	●		P83084MM	[+]	15	TRW							
2.0 D (CT220_)	61	10/97 → 05/98	●	+rear drum	P83041MM	[+]	18,2	ATE							
	61	10/97 → 05/98	●	+rear disc	P83028MM	[+]	15,5	AKE							
	61	10/97 → 05/98	●		P83015MM	[+]	15,5	AKE							
2.0 D-4D (CDT220_)	81	10/99 → 02/03	●	+rear drum	P83041MM	[+]	18,2	ATE					A02217	07/01 →	
	81	10/99 → 02/03	●	01/00 → 07/01; +rear disc	P83028MM	[+]	15,5	AKE					A02217	07/01 →	
	81	10/99 → 02/03	●	07/01 →; +rear disc	P83043MM	[+]	18,3	ATE					A02217	07/01 →	
	81	10/99 → 02/03	●	→ 07/01	P83015MM	[+]	15,5	AKE							
	81	10/99 → 02/03	●	07/01 →	P83084MM	[+]	15	TRW							
2.0 TD (CT220_)	66	09/97 → 02/03	●	+rear drum	P83041MM	[+]	18,2	ATE					A02217	07/01 →	
	66	09/97 → 02/03	●	01/00 → 07/01; +rear disc	P83028MM	[+]	15,5	AKE					A02217	07/01 →	
	66	09/97 → 02/03	●	07/01 →; +rear disc	P83043MM	[+]	18,3	ATE					A02217	07/01 →	
	66	09/97 → 02/03	●	→ 07/01	P83015MM	[+]	15,5	AKE							
	66	09/97 → 02/03	●	07/01 →	P83084MM	[+]	15	TRW							

AVENSIS VERSO (_M2_) 08/01 → 11/09

2.0 (ACM20_)	110	08/01 → 11/09	●		P83043MM	[+]	18,3	ATE					A02217	
	110	08/01 → 11/09	●		P83061MM	[+]	16,7	AKE					A02217	
	110	08/01 → 11/09	●		P83056MM	[+]	16	SUM						
2.0 D (CLM20_)	85	08/01 → 08/05	●		P83043MM	[+]	18,3	ATE					A02217	
	85	08/01 → 08/05	●		P83061MM	[+]	16,7	AKE					A02217	
	85	08/01 → 08/05	●		P83056MM	[+]	16	SUM						
2.4 (ACM21)	115	10/03 → 11/09	●		P83043MM	[+]	18,3	ATE					A02217	
	115	10/03 → 11/09	●		P83061MM	[+]	16,7	AKE					A02217	
	115	10/03 → 11/09	●		P83056MM	[+]	16	SUM						
2.4 4WD (ACM21_)	115	11/03 → 08/06	●		P83061MM	[+]	16,7	AKE						
	115	11/03 → 08/06	●		P83056MM	[+]	16	SUM						

AYGO (_B1_) 02/05 →

1.0 (KGB10_)	50	07/05 →	●		P61081MM	[-]	17,5	BSH						
1.0 GPL (KGB10_)	50	07/05 →	●		P61081MM	[-]	17,5	BSH						
1.4 HDi (WNB10_)	40	07/05 → 08/10	●		P61081MM	[-]	17,5	BSH						

AYGO (_B4_) 05/14 →

1.0 (KGB40_)	51	05/14 →	●		P61081MM	[-]	17,5	BSH						
--------------	----	---------	---	--	----------	-----	------	-----	--	--	--	--	--	--

								WI			FK		
	kw					wi	Th [mm]	SYS		LENGHT			

TOYOTA

AYGO (_B4_) 05/14 →

1.2 (PAB40_)	60	05/14 →	●	01/15 →	P10013MM	[-]	15,2	TRW					
	60	05/14 →	●	→ 01/15	P61081MM	[-]	17,5	BSH					

BREVIS (JCG1_) 10/99 → 06/07

2.5 4WD	147	10/99 → 09/02	●		P83054MM	[-]	17	AKE					
	147	10/99 → 09/02	●		P83045MM	[+]	15	SUM					
3.0	162	10/99 → 06/07	●		P83054MM	[-]	17	AKE					
	162	10/99 → 06/07	●		P83045MM	[+]	15	SUM					

CALDINA (_T19_) 12/87 → 05/02

1.8	79	02/92 → 09/97	●		P83034MM	[+]	17,6	SUM					
	89	02/92 → 10/97	●		P83034MM	[+]	17,6	SUM					
2.0	89	02/92 → 10/97	●		P83015MM	[+]	15,5	AKE					
	93	02/92 → 09/97	●		P83034MM	[+]	17,6	SUM					
	129	07/94 → 09/97	●		P83034MM	[+]	17,6	SUM					
	129	07/94 → 09/97	●		P83015MM	[+]	15,5	AKE					
2.0 TD	56	06/94 → 09/97	●		P83034MM	[+]	17,6	SUM					
2.0 TD (CT190G)	54	06/94 → 09/97	●		P83034MM	[+]	17,6	SUM					

CALDINA (_T21_) 08/97 → 09/02

1.8 (AT211G_)	85	10/97 → 08/02	●		P83034MM	[+]	17,6	SUM					
2.0 4WD (ST215W_)	140	10/97 → 09/01	●		P83028MM	[+]	15,5	AKE					
	192	02/00 → 09/01	●		P83028MM	[+]	15,5	AKE					
2.2 TD (CT216G_)	67	10/97 → 09/01	●		P83034MM	[+]	17,6	SUM					

CALDINA (_T24_) 09/02 → 06/07

2.0	112	09/02 → 06/07	●		P83054MM	[-]	17	AKE					
	112	09/02 → 06/07	●		P83063MM	[-]	15	AKE					

CAMI Closed Off-Road Vehicle (J1_) 05/99 → 12/05

1.3 (J102E_)	66	06/99 → 12/05	●		P54015MM	[+]	15	SUM					
	63	02/01 → 12/05	●		P54015MM	[+]	15	SUM					
1.3 4WD (J102E_)	103	06/99 → 12/05	●		P54015MM	[+]	15	SUM					
1.3 4WD (J122E_)	63	02/01 → 12/05	●		P54015MM	[+]	15	SUM					

CAMRY (_V2_) 08/96 → 11/01

2.2 (SXV20_)	96	08/96 → 11/01	●		P83040MM	[+]	17	AKE					
	96	08/96 → 11/01	●		P83027MM	[+]	17	SUM					
	96	08/96 → 11/01	●		P83015MM	[+]	15,5	AKE					
	96	08/96 → 11/01	●		P83063MM	[-]	15	AKE					
	93	11/00 → 11/01	●		P83040MM	[+]	17	AKE					
	93	11/00 → 11/01	●		P83027MM	[+]	17	SUM					
	93	11/00 → 11/01	●		P83015MM	[+]	15,5	AKE					
	93	11/00 → 11/01	●		P83063MM	[-]	15	AKE					
3.0 (VDV10)	140	08/96 → 07/01	●		P83040MM	[+]	17	AKE					
	140	08/96 → 07/01	●		P83027MM	[+]	17	SUM					
	140	08/96 → 07/01	●		P83015MM	[+]	15,5	AKE					
	140	08/96 → 07/01	●		P83063MM	[-]	15	AKE					
3.0 24V (MCV20_)	140	08/96 → 11/01	●		P83040MM	[+]	17	AKE					
	140	08/96 → 11/01	●		P83027MM	[+]	17	SUM					
	140	08/96 → 11/01	●		P83015MM	[+]	15,5	AKE					
	140	08/96 → 11/01	●		P83063MM	[-]	15	AKE					
3.0 V6 (MCV20_)	135	08/96 → 11/01	●		P83040MM	[+]	17	AKE					
	135	08/96 → 11/01	●		P83027MM	[+]	17	SUM					
	135	08/96 → 11/01	●		P83015MM	[+]	15,5	AKE					
	135	08/96 → 11/01	●		P83063MM	[-]	15	AKE					

		kw						wi	Th [mm]	SYS	WI		FK		
												LENGHT			

TOYOTA

CAMRY Saloon (_V3_) 08/01 → 11/06

2.4 (ACV30_ ACV36)	112	11/01 → 11/06	●	→ 12/05	P83105MM [-]	16	AKE							
	112	11/01 → 11/06	●	01/06 →	P83117MM [-]	17,6	AKE							
	112	11/01 → 11/06	●	→ 12/05	P83062MM [-]	17	AKE							
	112	11/01 → 11/06		●	P83015MM [+]	15,5	AKE							
	112	11/01 → 11/06		●	P83088MM [-]	15,8	AKE							
3.0 (MCV30_)	137	08/01 → 11/06	●	01/06 →	P83117MM [-]	17,6	AKE							
	137	08/01 → 11/06	●	→ 12/05	P83105MM [-]	16	AKE							
	137	08/01 → 11/06	●	→ 12/05	P83062MM [-]	17	AKE							
	137	08/01 → 11/06		●	P83015MM [+]	15,5	AKE							
	137	08/01 → 11/06		●	P83088MM [-]	15,8	AKE							

CAMRY Saloon (_V4_) 01/06 → 09/11

2.0	108	01/06 → 09/11	●		P83117MM [-]	17,6	AKE							
	108	01/06 → 09/11		●	P83089MM [-]	15,4	AKE							
2.4	127	10/06 → 09/11	●		P83117MM [-]	17,6	AKE							
	127	10/06 → 09/11		●	P83089MM [-]	15,4	AKE							
2.4 (ACV40)	116	01/06 → 09/11	●		P83117MM [-]	17,6	AKE							
	116	01/06 → 09/11		●	P83089MM [-]	15,4	AKE							
2.4 (ACV40_)	123	01/06 → 09/11	●		P83117MM [-]	17,6	AKE							
	123	01/06 → 09/11		●	P83089MM [-]	15,4	AKE							
2.4 Hybrid	105	01/06 → 09/11	●		P83117MM [-]	17,6	AKE							
	105	01/06 → 09/11		●	P83089MM [-]	15,4	AKE							
2.4 Hybrid (AHV40)	110	01/06 → 09/11	●		P83117MM [-]	17,6	AKE							
	110	01/06 → 09/11		●	P83089MM [-]	15,4	AKE							
2.5	129	01/10 → 09/11	●		P83117MM [-]	17,6	AKE							
	129	01/10 → 09/11		●	P83089MM [-]	15,4	AKE							
3.5 (GSV40_)	204	01/08 → 09/11	●		P83117MM [-]	17,6	AKE							
	204	01/08 → 09/11		●	P83089MM [-]	15,4	AKE							

CAMRY Saloon (_V5_) 09/11 →

2.0 (ASV51_)	123	01/15 →	●		P83117MM [-]	17,6	AKE							
	123	01/15 →		●	P83089MM [-]	15,4	AKE							
	110	04/15 →	●		P83117MM [-]	17,6	AKE							
	110	04/15 →		●	P83089MM [-]	15,4	AKE							
3.5 (GSV50_)	183	12/12 →	●		P83117MM [-]	17,6	AKE							
	183	12/12 →		●	P83089MM [-]	15,4	AKE							

CELICA (_T20_) 09/93 → 11/99

1.8 i 16V (AT200/ST)	85	11/93 → 11/99	●		P83034MM [+]	17,6	SUM							
2.0 i 16V (ST202/GT)	129	11/93 → 11/99	●		P83027MM [+]	17	SUM							
2.0 i 16V (ST202_)	125	04/96 → 11/99	●		P83027MM [+]	17	SUM							
2.0 i Turbo	178	02/94 → 11/99	●		P83090MM [+]	17	SUM							
4WD (ST205)	178	02/94 → 11/99		●	P83091MM [+]	16	SUM							

CELICA (_T23_) 08/99 → 09/05

1.8 16V TS (ZZT231_)	141	08/99 → 09/05	●	09/02 →	P83054MM [-]	17	AKE							
	141	08/99 → 09/05	●	→ 08/02	P83051MM [+]	15,5	AKE							
	141	08/99 → 09/05		●	P83052MM [+]	14	SUM							
1.8 16V VT-i (ZZT230_)	105	08/99 → 07/05	●	09/02 →	P83054MM [-]	17	AKE							
	105	08/99 → 07/05	●	→ 08/02	P83051MM [+]	15,5	AKE							
	105	08/99 → 07/05		●	P83052MM [+]	14	SUM							

CELICA Convertible (_T20_) 11/93 → 08/99

2.0 GT (ST202)	129	08/94 → 08/99	●		P83027MM [+]	17	SUM							
----------------	-----	---------------	---	--	--------------	----	-----	--	--	--	--	--	--	--

		kw						wi	Th [mm]	SYS	WI		FK		
												LEIGHT			

TOYOTA

COROLLA (_E11_) 04/97 → 06/02

2.0 D (CE110_)	53	04/97 → 02/00	●	Made in (UK)	P83042MM	[+]	17,6	TRW						
	53	04/97 → 02/00	●	11/99 →	P83015MM	[+]	15,5	AKE						
2.0 D-4D (CDE110_)	66	09/00 → 11/01	●		P83034MM	[+]	17,6	SUM						
	66	09/00 → 11/01	●	Made in (J)	P83044MM	[-]	16,5	AKE						
	66	09/00 → 11/01	●	Made in (UK)	P83042MM	[+]	17,6	TRW						
	66	09/00 → 11/01	●	Made in (J)	P83015MM	[+]	15,5	AKE						
	66	09/00 → 11/01	●	Made in (UK)	P83084MM	[+]	15	TRW						
	66	09/00 → 11/01	●	Made in (UK)	P83065MM	[+]	15,8	TRW						

COROLLA (_E12_) 01/01 → 12/07

1.4 D (NDE120_)	66	07/04 → 02/07	●		P83064MM	[+]	17,8	TRW						
	66	07/04 → 02/07	●		P83065MM	[+]	15,8	TRW						
1.4 VVT-i (ZZE120_)	71	01/02 → 12/06	●	Made in (UK)	P83064MM	[+]	17,8	TRW						
	71	01/02 → 12/06	●	Made in (J)	P83103MM	[+]	16,6	AKE						
	71	01/02 → 12/06	●	Made in (UK)	P83065MM	[+]	15,8	TRW						
	71	01/02 → 12/06	●	Made in (J)	P83052MM	[+]	14	SUM						
1.6 VVT-i (ZZE121_)	81	01/02 → 12/06	●	Made in (UK)	P83064MM	[+]	17,8	TRW						
	81	01/02 → 12/06	●	Made in (J)	P83103MM	[+]	16,6	AKE						
	81	01/02 → 12/06	●	Made in (UK)	P83065MM	[+]	15,8	TRW						
	81	01/02 → 12/06	●	Made in (J)	P83052MM	[+]	14	SUM						
1.8 4WD	100	12/01 → 02/07	●		P83051MM	[+]	15,5	AKE						
	100	12/01 → 02/07	●		P83052MM	[+]	14	SUM						
1.8 VVTL-i TS (ZZE123)	141	01/02 → 02/07	●	Made in (UK)	P83064MM	[+]	17,8	TRW						
	141	01/02 → 02/07	●	Made in (J)	P83103MM	[+]	16,6	AKE						
	141	01/02 → 02/07	●	Made in (UK)	P83065MM	[+]	15,8	TRW						
	141	01/02 → 02/07	●	Made in (J)	P83052MM	[+]	14	SUM						
	160	10/05 → 12/06	●	Made in (J)	P83051MM	[+]	15,5	AKE						
	160	10/05 → 12/06	●		P83064MM	[+]	17,8	TRW						
	160	10/05 → 12/06	●	Made in (J)	P83052MM	[+]	14	SUM						
	160	10/05 → 12/06	●		P83065MM	[+]	15,8	TRW						
	165	02/05 → 02/07	●	Made in (UK)	P83064MM	[+]	17,8	TRW						
	165	02/05 → 02/07	●	Made in (J)	P83051MM	[+]	15,5	AKE						
	165	02/05 → 02/07	●	Made in (UK)	P83065MM	[+]	15,8	TRW						
	165	02/05 → 02/07	●	Made in (J)	P83052MM	[+]	14	SUM						
2.0 D-4D (CDE120_)	66	01/02 → 12/06	●		P83064MM	[+]	17,8	TRW						
	66	01/02 → 12/06	●	Made in (UK)	P83065MM	[+]	15,8	TRW						
	66	01/02 → 12/06	●	Made in (J)	P83052MM	[+]	14	SUM						
2.0 D-4D (CDE120R_, CDE120L_)	81	01/02 → 12/06	●		P83064MM	[+]	17,8	TRW						
	81	01/02 → 12/06	●		P83065MM	[+]	15,8	TRW						
	85	05/03 → 02/07	●		P83064MM	[+]	17,8	TRW						
	85	05/03 → 02/07	●		P83065MM	[+]	15,8	TRW						

COROLLA Compact (_E10_) 05/92 → 11/99

1.3 12V (EE100_)	53	07/92 → 05/95	●		P83034MM	[+]	17,6	SUM						
1.3 XLI (EE101_)	55	09/95 → 04/97	●		P83034MM	[+]	17,6	SUM						
1.3 XLI 16V (EE101)	65	07/92 → 09/95	●		P83034MM	[+]	17,6	SUM						
1.6 i (AE101)	78	09/94 → 11/99	●		P83034MM	[+]	17,6	SUM						
1.6 Si (AE101_)	84	07/92 → 04/97	●		P83034MM	[+]	17,6	SUM						
1.8 GT (AE102_)	86	11/92 → 05/95	●		P83034MM	[+]	17,6	SUM						
1.8 GTI 4WD	81	11/92 → 04/95	●		P83034MM	[+]	17,6	SUM						
2.0 D (CE100_)	53	07/92 → 04/97	●		P83034MM	[+]	17,6	SUM						

--	--	--	--	--	--	--	--	--	--	--	--	--	--

TOYOTA

COROLLA Compact (E11) 04/97 → 01/02

1.4 (EE111_)	63	04/97 → 02/00	●	Made in (J)	P83044MM [-]	16,5	AKE					
	63	04/97 → 02/00	●	Made in (J)	P83034MM [+]	17,6	SUM					
	63	04/97 → 02/00	●	Made in (UK)	P83042MM [+]	17,6	TRW					
	63	04/97 → 02/00	●	11/99 →	P83015MM [+]	15,5	AKE					
1.4 (ZZE111_)	71	02/00 → 01/02	●	Made in (J)	P83044MM [-]	16,5	AKE					
	71	02/00 → 01/02	●	Made in (J)	P83034MM [+]	17,6	SUM					
	71	02/00 → 01/02	●	Made in (UK)	P83042MM [+]	17,6	TRW					
	71	02/00 → 01/02	●	Made in (J)	P83015MM [+]	15,5	AKE			A02205	Made in (UK)	
	71	02/00 → 01/02	●	Made in (UK)	P83084MM [+]	15	TRW			A02205	Made in (UK)	
1.6 (AE111_)	81	04/97 → 02/00	●	Made in (J)	P83044MM [-]	16,5	AKE					
	81	04/97 → 02/00	●	Made in (J)	P83034MM [+]	17,6	SUM					
	81	04/97 → 02/00	●	Made in (UK)	P83042MM [+]	17,6	TRW					
	81	04/97 → 02/00	●	11/99 →	P83015MM [+]	15,5	AKE					
1.6 (ZZE112_)	81	02/00 → 01/02	●		P83034MM [+]	17,6	SUM					
	81	02/00 → 01/02	●	Made in (J)	P83044MM [-]	16,5	AKE					
	81	02/00 → 01/02	●	Made in (UK)	P83042MM [+]	17,6	TRW					
	81	02/00 → 01/02	●	Made in (J)	P83015MM [+]	15,5	AKE			A02205	Made in (UK)	
	81	02/00 → 01/02	●	Made in (UK)	P83084MM [+]	15	TRW			A02205	Made in (UK)	
1.6 Aut. (AE111_)	79	04/97 → 02/00	●	Made in (J)	P83044MM [-]	16,5	AKE					
	79	04/97 → 02/00	●	Made in (J)	P83034MM [+]	17,6	SUM					
	79	04/97 → 02/00	●	Made in (UK)	P83042MM [+]	17,6	TRW					
	79	04/97 → 02/00	●	11/99 →	P83015MM [+]	15,5	AKE					
1.9 D (WZE110_)	51	02/00 → 01/02	●	Made in (J)	P83044MM [-]	16,5	AKE					
	51	02/00 → 01/02	●	Made in (J)	P83034MM [+]	17,6	SUM					
	51	02/00 → 01/02	●	Made in (UK)	P83042MM [+]	17,6	TRW					
	51	02/00 → 01/02	●	Made in (J)	P83015MM [+]	15,5	AKE			A02205	Made in (UK)	
	51	02/00 → 01/02	●	Made in (UK)	P83084MM [+]	15	TRW			A02205	Made in (UK)	
2.0 D (CE110_)	53	04/97 → 02/00	●	Made in (J)	P83044MM [-]	16,5	AKE					
	53	04/97 → 02/00	●	Made in (J)	P83034MM [+]	17,6	SUM					
	53	04/97 → 02/00	●	Made in (UK)	P83042MM [+]	17,6	TRW					
	53	04/97 → 02/00	●	11/99 →	P83015MM [+]	15,5	AKE					
2.0 D-4D (CDE110_)	66	09/00 → 01/02	●		P83034MM [+]	17,6	SUM					
	66	09/00 → 01/02	●	Made in (J)	P83044MM [-]	16,5	AKE					
	66	09/00 → 01/02	●	Made in (UK)	P83042MM [+]	17,6	TRW					
	66	09/00 → 01/02	●	Made in (J)	P83015MM [+]	15,5	AKE					
	66	09/00 → 01/02	●	Made in (UK)	P83084MM [+]	15	TRW					

COROLLA Estate (E12) 03/01 → 02/07

1.4 D4-D (NDE120_)	66	07/04 → 02/07	●	Made in (J)	P83051MM [+]	15,5	AKE					
	66	07/04 → 02/07	●	Made in (UK)	P83064MM [+]	17,8	TRW					
	66	07/04 → 02/07	●		P83065MM [+]	15,8	TRW					
1.4 VVT-i (ZZE120_)	71	01/02 → 02/07	●	Made in (J)	P83051MM [+]	15,5	AKE					
	71	01/02 → 02/07	●	Made in (UK)	P83064MM [+]	17,8	TRW					
	71	01/02 → 02/07	●	Made in (J)	P83052MM [+]	14	SUM					
	71	01/02 → 02/07	●	Made in (UK)	P83065MM [+]	15,8	TRW					
1.6 VVT-i (ZZE121_)	81	01/02 → 02/07	●	Made in (J)	P83051MM [+]	15,5	AKE					
	81	01/02 → 02/07	●	Made in (UK)	P83064MM [+]	17,8	TRW					
	81	01/02 → 02/07	●	Made in (J)	P83052MM [+]	14	SUM					
2.0 D-4D (CDE120_)	66	01/02 → 02/07	●	Made in (J)	P83054MM [-]	17	AKE					
	66	01/02 → 02/07	●	Made in (UK)	P83064MM [+]	17,8	TRW					
	66	01/02 → 02/07	●	Made in (J)	P83052MM [+]	14	SUM					
	66	01/02 → 02/07	●	Made in (UK)	P83065MM [+]	15,8	TRW					
	85	04/04 → 02/07	●	Made in (J)	P83054MM [-]	17	AKE					
	85	04/04 → 02/07	●	Made in (UK)	P83064MM [+]	17,8	TRW					

--	--	--	--	--	--	--	--	--	--	--	--	--	--	--	--

TOYOTA

COROLLA Estate (_ E12_) 03/01 → 02/07

2.0 D-4D	85	04/04 → 02/07	●	Made in (J)	P83052MM	[-]	14	SUM							
(CDE120_)	85	04/04 → 02/07	●	Made in (UK)	P83065MM	[-]	15,8	TRW							

COROLLA Liftback (_ E11_) 04/97 → 01/02

1.4 (EE111_)	63	04/97 → 02/00	●	Made in (J)	P83044MM	[-]	16,5	AKE							
	63	04/97 → 02/00	●	Made in (J)	P83034MM	[-]	17,6	SUM							
	63	04/97 → 02/00	●	Made in (UK)	P83042MM	[-]	17,6	TRW							
	63	04/97 → 02/00	●	11/99 →	P83015MM	[-]	15,5	AKE							
1.4 (ZZE111_)	71	02/00 → 01/02	●	Made in (J)	P83044MM	[-]	16,5	AKE							
	71	02/00 → 01/02	●	Made in (J)	P83034MM	[-]	17,6	SUM							
	71	02/00 → 01/02	●	Made in (UK)	P83042MM	[-]	17,6	TRW							
	71	02/00 → 01/02	●	Made in (J)	P83015MM	[-]	15,5	AKE				A02205	Made in (UK)		
1.6 (AE111_)	71	02/00 → 01/02	●	Made in (UK)	P83084MM	[-]	15	TRW				A02205	Made in (UK)		
	81	04/97 → 02/00	●	Made in (J)	P83044MM	[-]	16,5	AKE							
	81	04/97 → 02/00	●	Made in (J)	P83034MM	[-]	17,6	SUM							
	81	04/97 → 02/00	●	Made in (UK)	P83042MM	[-]	17,6	TRW							
1.6 (ZZE112_)	81	04/97 → 02/00	●	11/99 →	P83015MM	[-]	15,5	AKE							
	81	02/00 → 01/02	●	Made in (J)	P83034MM	[-]	17,6	SUM							
	81	02/00 → 01/02	●	Made in (J)	P83044MM	[-]	16,5	AKE							
	81	02/00 → 01/02	●	Made in (UK)	P83042MM	[-]	17,6	TRW							
1.6 Aut. (AE111_)	81	02/00 → 01/02	●	Made in (UK)	P83042MM	[-]	17,6	TRW							
	81	02/00 → 01/02	●	Made in (J)	P83015MM	[-]	15,5	AKE				A02205	Made in (UK)		
	81	02/00 → 01/02	●	Made in (UK)	P83084MM	[-]	15	TRW				A02205	Made in (UK)		
	79	04/97 → 02/00	●	Made in (J)	P83044MM	[-]	16,5	AKE							
1.9 D (WZE110_)	79	04/97 → 02/00	●	Made in (J)	P83034MM	[-]	17,6	SUM							
	79	04/97 → 02/00	●	Made in (UK)	P83042MM	[-]	17,6	TRW							
	79	04/97 → 02/00	●	11/99 →	P83015MM	[-]	15,5	AKE							
	51	02/00 → 01/02	●	Made in (J)	P83044MM	[-]	16,5	AKE							
2.0 D (CE110)	51	02/00 → 01/02	●	Made in (J)	P83034MM	[-]	17,6	SUM							
	51	02/00 → 01/02	●	Made in (UK)	P83042MM	[-]	17,6	TRW							
	51	02/00 → 01/02	●	Made in (J)	P83015MM	[-]	15,5	AKE				A02205	Made in (UK)		
	51	02/00 → 01/02	●	Made in (UK)	P83084MM	[-]	15	TRW				A02205	Made in (UK)		
2.0 D-4D (CDE110_)	53	04/97 → 02/00	●	Made in (J)	P83044MM	[-]	16,5	AKE							
	53	04/97 → 02/00	●	Made in (J)	P83034MM	[-]	17,6	SUM							
	53	04/97 → 02/00	●	11/99 →	P83015MM	[-]	15,5	AKE							
	66	09/00 → 01/02	●		P83034MM	[-]	17,6	SUM							
2.0 D-4D (CDE110_)	66	09/00 → 01/02	●	Made in (J)	P83044MM	[-]	16,5	AKE							
	66	09/00 → 01/02	●	Made in (UK)	P83042MM	[-]	17,6	TRW							
	66	09/00 → 01/02	●	Made in (J)	P83015MM	[-]	15,5	AKE							
	66	09/00 → 01/02	●	Made in (UK)	P83084MM	[-]	15	TRW							

COROLLA Saloon (_ E12_) 08/00 → 03/08

1.3 (NZE120_)	65	08/00 → 03/04	●		P83103MM	[-]	16,6	AKE							
1.4 D-4D (NDE120_)	66	07/04 → 07/07	●		P83064MM	[-]	17,8	TRW							
	66	07/04 → 07/07	●		P83065MM	[-]	15,8	TRW							
1.4 VVT-i (ZZE120_)	71	08/02 → 07/07	●	10/06 →	P83064MM	[-]	17,8	TRW							
	71	08/02 → 07/07	●	→ 11/06	P83082MM	[-]	17,5	AKE							
	71	08/02 → 07/07	●	Made in (UK)	P83065MM	[-]	15,8	TRW							
	71	08/02 → 07/07	●	Made in (J)	P83052MM	[-]	14	SUM							
1.5 (ZZA120_ ZZE123_)	80	11/01 → 07/07	●		P83103MM	[-]	16,6	AKE							
1.6 VVT-i (ZZE121_)	81	08/02 → 07/07	●		P83064MM	[-]	17,8	TRW							
	81	08/02 → 07/07	●	Made in (UK)	P83065MM	[-]	15,8	TRW							
1.8	96	03/01 → 07/05	●		P83051MM	[-]	15,5	AKE							
	96	03/01 → 07/05	●	+rear disc	P83052MM	[-]	14	SUM							
2.0 D-4D (CDE120_)	66	08/02 → 07/07	●		P83064MM	[-]	17,8	TRW							
	66	08/02 → 07/07	●	Made in (UK)	P83065MM	[-]	15,8	TRW							

		kw						wi	Th [mm]	SYS		LENGHT				FK
--	--	----	--	--	--	--	--	----	---------	-----	--	--------	--	--	--	----

TOYOTA

COROLLA Verso (_E12_) 07/01 → 07/04

1.8 VVT-i (ZZE122_)	99	01/02 → 05/04	●				P83054MM [-]	17	AKE							
	99	01/02 → 05/04		●			P83052MM [+]	14	SUM							
2.0 D-4D (CDE120_)	66	01/02 → 05/04	●				P83054MM [-]	17	AKE							
	66	01/02 → 05/04		●			P83052MM [+]	14	SUM							

COROLLA Verso (ZER_, ZZE12_, R1_) 03/04 → 04/09

1.6 (ZNR10_)	81	04/04 → 03/09	●				P83046MM [+]	19,2	BSH							
	81	04/04 → 03/09		●			P83047MM [+]	16,6	BSH							
1.8 (ZNR11_)	95	04/04 → 03/09	●				P83046MM [+]	19,2	BSH							
	95	04/04 → 03/09		●			P83047MM [+]	16,6	BSH							
2.0 D-4D (CUR10_)	85	04/04 → 03/09	●				P83046MM [+]	19,2	BSH							
	85	04/04 → 03/09		●			P83047MM [+]	16,6	BSH							
2.2 D-4D (AUR10_)	130	10/05 → 03/09	●				P83046MM [+]	19,2	BSH							
	130	10/05 → 03/09		●			P83047MM [+]	16,6	BSH							
	100	10/05 → 03/09	●				P83046MM [+]	19,2	BSH							
	100	10/05 → 03/09		●			P83047MM [+]	16,6	BSH							

COROLLA Wagon (_E11_) 04/97 → 10/01

1.4 (EE111_)	63	04/97 → 02/00	●		Made in (J)		P83044MM [-]	16,5	AKE							
	63	04/97 → 02/00	●		Made in (J)		P83034MM [+]	17,6	SUM							
	63	04/97 → 02/00	●		Made in (UK)		P83042MM [+]	17,6	TRW							
	63	04/97 → 02/00		●	11/99 →		P83015MM [+]	15,5	AKE							
1.4 16V (ZZE111_)	71	02/00 → 10/01	●		Made in (J)		P83044MM [-]	16,5	AKE							
	71	02/00 → 10/01	●		Made in (J)		P83034MM [+]	17,6	SUM							
	71	02/00 → 10/01		●	+ABS; Made in (J)		P83015MM [+]	15,5	AKE				A02205	Made in (UK)		
	71	02/00 → 10/01		●	+ABS; Made in (UK)		P83084MM [+]	15	TRW				A02205	Made in (UK)		
1.6 (AE111_)	81	04/97 → 02/00	●		Made in (J)		P83044MM [-]	16,5	AKE							
	81	04/97 → 02/00	●		Made in (J)		P83034MM [+]	17,6	SUM							
	81	04/97 → 02/00		●	11/99 →		P83015MM [+]	15,5	AKE							
1.6 16V (ZZE112_)	81	02/00 → 10/01	●				P83034MM [+]	17,6	SUM							
	81	02/00 → 10/01	●		Made in (J)		P83044MM [-]	16,5	AKE							
	81	02/00 → 10/01	●		Made in (UK)		P83042MM [+]	17,6	TRW							
	81	02/00 → 10/01		●	+ABS; Made in (J)		P83015MM [+]	15,5	AKE				A02205	Made in (UK)		
	81	02/00 → 10/01		●	+ABS; Made in (UK)		P83084MM [+]	15	TRW				A02205	Made in (UK)		
1.6 Aut. (AE111_)	79	04/97 → 02/00	●		Made in (J)		P83044MM [-]	16,5	AKE							
	79	04/97 → 02/00	●		Made in (J)		P83034MM [+]	17,6	SUM							
	79	04/97 → 02/00		●	11/99 →		P83015MM [+]	15,5	AKE							
1.8	81	10/97 → 10/01	●		AKEBONO		P83034MM [+]	17,6	SUM							
1.8 4WD (AE115_)	81	04/97 → 10/01	●		Made in (J)		P83044MM [-]	16,5	AKE							
	81	04/97 → 10/01	●		Made in (J)		P83034MM [+]	17,6	SUM							
	81	04/97 → 10/01		●	11/99 →		P83015MM [+]	15,5	AKE							
1.9 D (WZE110_)	51	02/00 → 10/01	●		Made in (J)		P83044MM [-]	16,5	AKE							
	51	02/00 → 10/01	●		Made in (J)		P83034MM [+]	17,6	SUM							
	51	02/00 → 10/01	●		Made in (UK)		P83042MM [+]	17,6	TRW							
	51	02/00 → 10/01		●	+ABS; Made in (J)		P83015MM [+]	15,5	AKE				A02205	Made in (UK)		
	51	02/00 → 10/01		●	+ABS; Made in (UK)		P83084MM [+]	15	TRW				A02205	Made in (UK)		
2.0 D (CE110_)	53	04/97 → 02/00	●		Made in (J)		P83044MM [-]	16,5	AKE							
	53	04/97 → 02/00	●		Made in (J)		P83034MM [+]	17,6	SUM							
	53	04/97 → 02/00		●	11/99 →		P83015MM [+]	15,5	AKE							
2.0 D-4D (CDE110_)	66	09/00 → 10/01	●				P83034MM [+]	17,6	SUM							
	66	09/00 → 10/01	●		Made in (J)		P83044MM [-]	16,5	AKE							
	66	09/00 → 10/01	●		Made in (UK)		P83042MM [+]	17,6	TRW							
	66	09/00 → 10/01		●	+ABS; Made in (J)		P83015MM [+]	15,5	AKE							
	66	09/00 → 10/01		●	+ABS; Made in (UK)		P83084MM [+]	15	TRW							

CRESTA Saloon 10/96 → 09/01

2.0 VVTi	118	10/96 → 09/01	●				P83034MM [+]	17,6	SUM							
----------	-----	---------------	---	--	--	--	--------------	------	-----	--	--	--	--	--	--	--

							WI		FK			
	kw				WI	Th [mm]	SYS		LENGHT			

TOYOTA

CRESTA Saloon 10/96 → 09/01

2.0 VVTi 24V	118	10/96 → 09/01	●		P83034MM	[+]	17,6	SUM				
2.5 VVTi	147	10/96 → 09/01	●		P83027MM	[+]	17	SUM				
	147	10/96 → 09/01		●	P83038MM	[+]	15,5	SUM				

CROWN Saloon (CRS_, JZS_, GRS18_, UZS_) 09/03 → 12/08

3.0	170	09/04 → 02/08	●		P83054MM	[-]	17	AKE				
3.0 4WD	188	09/03 → 02/08	●		P83054MM	[-]	17	AKE				

CROWN Saloon (JZS13_, YS13_, LS13_, GS13_) 08/91 → 04/01

3.0 (JZS133_, JZS147_, JZS149_)	162	08/91 → 08/99	●		P83027MM	[+]	17	SUM				
	162	08/91 → 08/99		●	P83038MM	[+]	15,5	SUM				

DUET (M11_, M10_) 09/98 → 04/04

1.0	43	09/98 → 04/04	●		P16008MM	[+]	15,5	AKE				
-----	----	---------------	---	--	----------	-----	------	-----	--	--	--	--

DYNA Bus (LY1_, H8_) 08/87 → 07/01

2.4 D (LY100_, LH80_)	61	08/87 → 07/01	●		P83092MM	[-]	15,5	SUM				
-----------------------	----	---------------	---	--	----------	-----	------	-----	--	--	--	--

DYNA Platform/Chassis (KD_, LY_, Y2_, U3_, U4_) 08/01 →

2.5 D4d	75	08/01 →	●		P83092MM	[-]	15,5	SUM				
2.5 D4d (KDY220_, KDY230_)	65	08/01 →	●		P83092MM	[-]	15,5	SUM				
3.0 D4d	100	10/09 →	●		P83092MM	[-]	15,5	SUM				
	65	08/01 →	●		P83092MM	[-]	15,5	SUM				
3.0 D4d (KDY22_, KDY23_, KDY25_, KDY26_)	106	09/06 →	●		P83092MM	[-]	15,5	SUM				
3.0 D4d (KDY261_, KDY251_, KDY231_, KDY221_)	80	09/06 →	●		P83092MM	[-]	15,5	SUM				

ECHO Hatchback (_P1_) 03/99 → 10/05

1.5 (NCP13_)	78	12/02 → 08/05	●		P83051MM	[+]	15,5	AKE				
	78	12/02 → 08/05		●	P83052MM	[+]	14	SUM				

FJ CRUISER (GSJ1_) 01/06 →

4.0 (GSJ10_)	178	01/06 → 10/10	●		P83066MM	[+]	17,8	SUM				
	178	01/06 → 10/10		●	P83024MM	[-]	15	SUM				
4.0 4WD (GSJ15_)	200	12/10 →	●		P83066MM	[+]	17,8	SUM				
	200	12/10 →		●	P83024MM	[-]	15	SUM				
	203	01/11 →	●		P83066MM	[+]	17,8	SUM				
	203	01/11 →		●	P83024MM	[-]	15	SUM				
	193	11/10 →	●		P83066MM	[+]	17,8	SUM				
	193	11/10 →		●	P83024MM	[-]	15	SUM				

FORTUNER (_N5_, _N6_) 06/04 → 05/15

3.0 D	120	08/09 → 05/15	●		P83069MM	[+]	15	SUM				
	120	08/09 → 05/15		●	P83151MM	[+]	17,5	SUM				
	125	08/09 → 05/15	●		P83069MM	[+]	15	SUM				
	125	08/09 → 05/15		●	P83151MM	[+]	17,5	SUM				

GAIA (_M1_) 05/98 → 08/04

2.0 VVTi 4WD	99	05/98 → 03/01	●		P83034MM	[+]	17,6	SUM				
--------------	----	---------------	---	--	----------	-----	------	-----	--	--	--	--

GRANVIA (_H2_, _H1_) 08/95 → 12/04

3.4 4x4 (VCH16)	140	08/97 → 12/04	●		P83092MM	[-]	15,5	SUM				
	140	08/97 → 12/04		●	P83036MM	[o]	15,5	SUM				

	kw				MAGNETI MARELLI	wi	Th [mm]	SYS	WI			FK	
									MAGNETI MARELLI	LENGHT		MAGNETI MARELLI	

TOYOTA

GT 86 Coupé (ZN6_) 03/12 →

2.0 GT	147	03/12 →	●					P78021MM	[+]	16,7	TOK				
(ZN6AC_, ZN6BC_)	147	03/12 →		●	Base			P78020MM	[+]	14,7	AKE				
	147	03/12 →		●	Hi-Type			P78018MM	[+]	16	NBK				

HARRIER (_U1_) 05/97 → 02/03

2.2 4WD	103	03/98 → 01/03	●					P83040MM	[+]	17	AKE				
	103	03/98 → 01/03		●				P83015MM	[+]	15,5	AKE				
2.4	118	06/00 → 01/03	●					P83040MM	[+]	17	AKE				
	118	06/00 → 01/03		●				P83015MM	[+]	15,5	AKE				
2.4 4WD	118	06/00 → 01/03	●					P83040MM	[+]	17	AKE				
	118	06/00 → 01/03		●				P83015MM	[+]	15,5	AKE				
3.0 4WD (MCU15, MCU10)	164	03/98 → 01/03	●					P83040MM	[+]	17	AKE				
	164	03/98 → 01/03		●				P83015MM	[+]	15,5	AKE				

HARRIER (_U3_) 02/03 → 12/13

2.4 (ACU30_)	118	02/03 → 06/12	●					P83067MM	[-]	17	AKE				
	118	02/03 → 06/12		●				P83068MM	[-]	15,2	SUM				
2.4 4WD (ACU35_)	118	10/03 → 06/12	●					P83067MM	[-]	17	AKE				
	118	10/03 → 06/12		●				P83068MM	[-]	15,2	SUM				
3.0 4WD (MCU35_, MCU36_)	150	10/03 → 12/08	●					P83067MM	[-]	17	AKE				
	150	10/03 → 12/08		●				P83068MM	[-]	15,2	SUM				
3.3 4WD	171	10/03 → 12/08	●					P83067MM	[-]	17	AKE				
	171	10/03 → 12/08		●				P83068MM	[-]	15,2	SUM				
3.3 Hybrid 4WD (MHU38_)	155	04/05 → 05/12	●					P83067MM	[-]	17	AKE				
	155	04/05 → 05/12		●				P83068MM	[-]	15,2	SUM				
3.5 (GSU30_, GSU31_)	206	04/05 → 12/08	●					P83067MM	[-]	17	AKE				
	206	04/05 → 12/08		●				P83068MM	[-]	15,2	SUM				
3.5 4WD (GSU35_, GSU36_)	206	04/05 → 12/08	●					P83067MM	[-]	17	AKE				
	206	04/05 → 12/08		●				P83068MM	[-]	15,2	SUM				

HIACE / COMMUTER V (TRH2_, KDH2_) 08/04 →

2.5D-4D 4WD	94	01/05 →	●					P83139MM	[-]	15,5	SUM				
3.0 D (KDH223)	100	01/05 →	●					P83139MM	[-]	15,5	SUM				

HIACE III Box (YH7_, LH6_, LH7_, LH5_, YH5_, YH6_) 08/87 → 07/06

2.0 (RCH102_, RCH112_)	74	02/90 → 08/95	●					P83023MM	[-]	15,5	SUM			A02312	
	74	02/90 → 08/95	●		08/93 →			P83092MM	[-]	15,5	SUM			A02312	
2.4 (RZH10)	88	08/89 → 08/95	●					P83023MM	[-]	15,5	SUM			A02312	
	88	08/89 → 08/95	●		08/93 →			P83092MM	[-]	15,5	SUM			A02312	
2.4 4WD (RCH103_, RCH113_)	88	08/89 → 08/95	●					P83023MM	[-]	15,5	SUM			A02312	
	88	08/89 → 08/95	●		08/93 →			P83092MM	[-]	15,5	SUM			A02312	
2.4 D (LH10_, LH11_)	55	08/89 → 08/95	●					P83023MM	[-]	15,5	SUM			A02312	
	55	08/89 → 08/95	●		08/93 →			P83092MM	[-]	15,5	SUM			A02312	
2.4 D (LN10, LH11)	57	09/89 → 08/95	●					P83023MM	[-]	15,5	SUM				
	57	09/89 → 08/95	●		08/93 →			P83092MM	[-]	15,5	SUM				
2.4 D 4WD	57	09/89 → 08/95	●					P83023MM	[-]	15,5	SUM				
	57	09/89 → 08/95	●		08/93 →			P83092MM	[-]	15,5	SUM				
2.4 D 4WD (LXH22_, LXH12_, LH114_, LH112_, LH104_, ...)	55	08/89 → 07/99	●					P83023MM	[-]	15,5	SUM			A02312	
	55	08/89 → 07/99	●		08/93 →			P83092MM	[-]	15,5	SUM			A02312	

Car icons	kW	Hourglass icon	Truck icon	i icon	MAGNETI MARELLI	wi	Th [mm]	SYS	WI			FK	
									MAGNETI MARELLI	LENGHT	i	MAGNETI MARELLI	i

TOYOTA

HIACE III Wagon (_H1_) 08/87 → 12/04

2.0 (RZH102)	74	08/89 → 04/98	●					P83023MM	[-]	15,5	SUM			
	74	08/89 → 04/98	●	08/93 →				P83092MM	[-]	15,5	SUM			
2.4 (RZH103)	88	08/89 → 08/95	●					P83023MM	[-]	15,5	SUM			
	88	08/89 → 08/95	●	08/93 →				P83092MM	[-]	15,5	SUM			
2.4 (RZH12_)	85	11/96 → 08/04	●					P83092MM	[-]	15,5	SUM			
2.4 4WD (RZH103_, RZH109_, RZH113_, RZH115_)	88	08/89 → 07/95	●					P83023MM	[-]	15,5	SUM		A02312	
	88	08/89 → 07/95	●	08/93 →				P83092MM	[-]	15,5	SUM		A02312	
2.4 D (LH102)	55	08/89 → 08/95	●					P83023MM	[-]	15,5	SUM			
	55	08/89 → 08/95	●	08/93 →				P83092MM	[-]	15,5	SUM			
2.4 D (LH5_, LH6_, LH7_, LH10_, LH11_)	57	08/87 → 12/04	●					P83023MM	[-]	15,5	SUM		A02312	
	57	08/87 → 12/04	●	08/93 →				P83092MM	[-]	15,5	SUM		A02312	
2.4 D 4WD (LH51_, LH61_, LH66_, LH71_)	55	08/87 → 08/95	●					P83023MM	[-]	15,5	SUM		A02312	
	55	08/87 → 08/95	●	08/93 →				P83092MM	[-]	15,5	SUM		A02312	
2.5 D-4D 4WD	75	08/01 → 08/04	●					P83092MM	[-]	15,5	SUM			

HIACE IV Box (LXH1_, RZH1_, LH1_) 08/95 →

2.4 (RCH12_, RCH22_)	85	08/95 → 02/05	●					P83092MM	[-]	15,5	SUM			
2.4 4WD (RCH18_, RCH28_)	85	08/95 → 04/98	●					P83092MM	[-]	15,5	SUM			
2.4 D (LXH12_, LXH22_)	58	08/95 → 08/06	●					P83092MM	[-]	15,5	SUM			
	61	08/95 → 07/01	●					P83092MM	[-]	15,5	SUM			
	55	09/95 → 08/01	●					P83092MM	[-]	15,5	SUM			
2.4 i (RZH10)	88	08/95 → 02/05	●					P83092MM	[-]	15,5	SUM			
2.4 TD (LXH12_, LXH22_)	66	08/95 → 08/06	●					P83092MM	[-]	15,5	SUM			
2.4 TD 4WD (LXH18_, LXH28_)	66	08/95 → 08/06	●					P83092MM	[-]	15,5	SUM			
2.5 D-4D (KLH12_, KLH22_)	65	11/01 → 08/06	●					P83092MM	[-]	15,5	SUM			
	75	11/01 → 08/06	●					P83092MM	[-]	15,5	SUM			
	86	09/06 →	●					P83139MM	[-]	15,5	SUM			
	70	09/06 →	●					P83139MM	[-]	15,5	SUM			
2.5 D-4D 4WD (KLH12_, KLH22_)	75	11/01 → 08/06	●					P83092MM	[-]	15,5	SUM			
2.5 D-4D 4WD (KLH18_, KLH28_)	65	08/01 → 07/06	●					P83092MM	[-]	15,5	SUM			
2.5 D-4D 4WD (KLH28_)	86	09/06 →	●					P83139MM	[-]	15,5	SUM			
2.7 (RCH13_, RCH23_)	105	04/98 → 08/06	●					P83092MM	[-]	15,5	SUM			
2.7 4WD (RCH19_, RCH29_)	106	04/98 →	●					P83092MM	[-]	15,5	SUM			

HIACE IV Bus (_H1_, _H2_) 08/95 →

2.4 (RCH12_, RCH22_)	85	08/95 → 04/98	●					P83092MM	[-]	15,5	SUM			
----------------------	----	---------------	---	--	--	--	--	----------	-----	------	-----	--	--	--

 	kw					wi	Th [mm]	SYS	WI			FK	
										LENGHT			

TOYOTA

HIACE IV Bus (_H1_, _H2_) 08/95 →

2.4 4WD (RCH18_)	85	08/95 → 04/98	●						P83092MM [-]	15,5	SUM				
2.4 D	61	08/95 → 08/06	●						P83092MM [-]	15,5	SUM				
2.4 D (LH10_, LH11_, LXH12_)	55	07/99 → 08/06	●						P83092MM [-]	15,5	SUM				
2.4 D (LH10_, LH11_, LXH12_, LXH22_)	58	08/95 → 08/06	●						P83092MM [-]	15,5	SUM				
2.4 TD (LXH12_, LXH22_)	66	08/95 → 08/06	●						P83092MM [-]	15,5	SUM				
2.4 TD 4WD (H18/28)	66	08/95 → 08/06	●						P83092MM [-]	15,5	SUM				
2.5 D-4D (KLH12_)	65	11/01 → 08/06	●						P83092MM [-]	15,5	SUM				
2.5 D-4D (KLH12_, KLH22_)	75	11/01 → 08/06	●						P83092MM [-]	15,5	SUM				
	70	08/01 →	●						P83139MM [-]	15,5	SUM				
	86	08/06 →	●						P83139MM [-]	15,5	SUM				
2.5D-4D 4WD (KLH12_, KLH18_, KLH22_, KDH20_, KDH21_, ...)	86	01/05 →	●						P83139MM [-]	15,5	SUM				
2.5D-4D 4WD (KLH12_, KLH22_)	75	08/01 → 07/06	●						P83092MM [-]	15,5	SUM				
2.7 (RCH13_, RCH23_)	105	04/98 → 11/01	●						P83092MM [-]	15,5	SUM				
	106	11/01 → 12/06	●						P83092MM [-]	15,5	SUM				
2.7 4WD (RCH13_, RCH19_, RCH23_)	106	07/99 →	●						P83092MM [-]	15,5	SUM				
2.7 4WD (RCH19_)	105	04/98 → 08/06	●						P83092MM [-]	15,5	SUM				

HIACE V Box (TRH2_, KDH2_) 08/04 →

2.5 D-4D	70	09/06 →	●						P83139MM [-]	15,5	SUM				
2.5 D-4D (KDH200_, KDH222_, KDH212_, KDH202_)	86	09/06 →	●						P83139MM [-]	15,5	SUM				

HILUX V Pickup (LN_, KZN1_, VZN1_) 09/88 → 01/99

1.8 (YN5_, YN8_, YN85)	61	09/88 → 06/98	●						P83013MM [-]	15,6	AKE				
	61	09/88 → 06/98	●						P83095MM [+]	15	SUM				
2.4 D	58	03/95 → 08/97	●						P83013MM [-]	15,6	AKE				
	58	03/95 → 08/97	●						P83095MM [+]	15	SUM				
2.4 D (LN5_, LN8_, LN9_, LN14_, LN15_)	59	01/92 → 08/97	●						P83013MM [-]	15,6	AKE				
	59	01/92 → 08/97	●						P83095MM [+]	15	SUM				
2.4 D (LN85_)	61	09/88 → 08/97	●						P83013MM [-]	15,6	AKE				
	61	09/88 → 08/97	●						P83095MM [+]	15	SUM				
2.4 D 4WD (LN1_)	61	09/88 → 08/97	●				(-D)		P83009MM [+]	15	SUM				
2.4 D 4WD (LN11_)	73	08/91 → 07/97	●						P83009MM [+]	15	SUM				

							WI			FK		
	kw				wi	Th [mm]	SYS		LENGHT			

TOYOTA

HILUX V Pickup (LN_, KZN1_, VZN1_) 09/88 → 01/99

2.4 D 4WD (LN110_)	58	01/94 → 12/97	●	- (D)	P83009MM	[+]	15	SUM				
2.4 i 4WD	84	08/89 → 07/97	●	- (D)	P83009MM	[+]	15	SUM				

HILUX VI Pickup (_N1_) 08/97 → 03/06

2.4 D (LN150, LN145)	55	08/97 → 02/06	●		P83013MM	[-]	15,6	AKE				
	55	08/97 → 02/06	●		P83095MM	[+]	15	SUM				
2.4 i 4WD (RZN14_, RZN16_, RZN19_)	103	08/97 → 10/05	●	- (D)	P83009MM	[+]	15	SUM				
2.4 TD 4WD (LN165_, LN170_, LN190_)	66	08/98 → 01/02	●	- (D)	P83009MM	[+]	15	SUM				
2.5 D-4D (KDN14_, KDN15_, KDN16_, KDN19_)	65	11/01 → 07/05	●		P83013MM	[-]	15,6	AKE				
	65	11/01 → 07/05	●		P83095MM	[+]	15	SUM				
	65	11/01 → 07/05	●		P83094MM	[+]	16,4	ADV				
2.5 D-4D 4WD (KDN165_, KDN170_, KDN190_)	75	11/01 → 07/05	●	- (D)	P83009MM	[+]	15	SUM				

HILUX VII Pickup (_N1_, _N2_, _N3_) 08/04 →

2.5 D 4WD (KUN25_)	75	10/05 →	●	08/08 →	P83137MM	[-]	15,6	ADV				
	75	10/05 →	●	short wheelbase	P83151MM	[+]	17,5	SUM				
	75	10/05 →	●	long wheelbase	P83096MM	[-]	15,5	ADV				
2.5 D-4D	106	01/10 →	●		P83066MM	[+]	17,8	SUM				
	106	01/10 →	●		P83140MM	[+]	16,8	ADV				
2.5 D-4D (KUN15_)	88	12/07 →	●	→ 10/08; long wheelbase	P83094MM	[+]	16,4	ADV				
	88	12/07 →	●	08/08 →	P83137MM	[-]	15,6	ADV				
	88	12/07 →	●	short wheelbase	P83151MM	[+]	17,5	SUM				
	88	12/07 →	●	long wheelbase	P83096MM	[-]	15,5	ADV				
2.5 D-4D (KUN15_, KDN1_)	65	10/05 → 11/08	●	short wheelbase	P83096MM	[-]	15,5	ADV				
	65	10/05 → 11/08	●	long wheelbase	P83094MM	[+]	16,4	ADV				
2.5 D-4D (KUN15_, KUN25_, KUN35_)	75	10/05 →	●	08/08 →	P83137MM	[-]	15,6	ADV				
	75	10/05 →	●	→ 10/08; long wheelbase	P83094MM	[+]	16,4	ADV				
	75	10/05 →	●	short wheelbase	P83151MM	[+]	17,5	SUM				
	75	10/05 →	●	long wheelbase	P83096MM	[-]	15,5	ADV				
2.5 D-4D 4WD	106	09/09 →	●	08/08 →	P83137MM	[-]	15,6	ADV				
	106	09/09 →	●	KUN15	P83096MM	[-]	15,5	ADV				
	106	09/09 →	●		P83140MM	[+]	16,8	ADV				
	106	09/09 →	●	KUN25; KUN35	P83151MM	[+]	17,5	SUM				
2.5 D-4D 4WD (KDN165_, KDN170_, KDN190_)	94	11/04 → 12/05	●	long wheelbase	P83094MM	[+]	16,4	ADV				
	94	11/04 → 12/05	●	short wheelbase	P83096MM	[-]	15,5	ADV				
2.5 D-4D 4WD (KUN25_)	88	12/07 →	●	08/08 →	P83137MM	[-]	15,6	ADV				
	88	12/07 →	●	short wheelbase	P83151MM	[+]	17,5	SUM				
	88	12/07 →	●	long wheelbase	P83096MM	[-]	15,5	ADV				
3.0 D-4D 4WD	145	05/08 → 12/08	●		P83066MM	[+]	17,8	SUM				
	145	05/08 → 12/08	●	11/08 →	P83140MM	[+]	16,8	ADV				
	145	05/08 → 12/08	●	→ 10/08	P83069MM	[+]	15	SUM				
3.0 D-4D 4WD (KUN26)	126	12/07 →	●	11/08 →	P83140MM	[+]	16,8	ADV				
	126	12/07 →	●		P83066MM	[+]	17,8	SUM				
	126	12/07 →	●	GGN25	P83069MM	[+]	15	SUM				

Car Model	kw	Icon 1	Icon 2	Icon 3	MAGNETI MARELLI	wi	Th [mm]	SYS	WI			FK	
									MAGNETI MARELLI	LEIGHT	Icon 4	MAGNETI MARELLI	Icon 5

TOYOTA

HILUX VIII Pickup (_N1_) 05/15 →

2.4 D (GUN112_, GUN122_, GUN135_)	110	05/15 →	•					P83102MM	[+]	17	SUM				
2.4 D 4WD (GUN125_)	110	05/15 →	•					P83102MM	[+]	17	SUM				

IQ (_J1_) 11/08 →

1.0 (KGJ10_)	50	01/09 →	•					P83097MM	[+]	16,6	ADV				
	50	01/09 →		•	+ABS			P83083MM	[+]	14,3	AKE				
1.33 (NGJ10_)	72	01/09 →	•					P83097MM	[+]	16,6	ADV				
	72	01/09 →		•	+ABS			P83083MM	[+]	14,3	AKE				
1.4 D-4D (NUJ10_)	66	01/09 →	•					P83097MM	[+]	16,6	ADV				
	66	01/09 →		•	+ABS			P83083MM	[+]	14,3	AKE				
EV	47	09/12 →	•					P83141MM	[-]	17,2	AKE				

KLUGER (_U3_) 06/00 → 05/07

2.4 (ACU20_)	115	06/00 → 05/07	•					P83078MM	[+]	18,5	SUM				
	115	06/00 → 05/07		•	→ 08/03			P83088MM	[-]	15,8	AKE				
	115	06/00 → 05/07		•	08/03 →			P83068MM	[-]	15,2	SUM				
2.4 4WD (ACU25_)	115	06/00 → 09/03	•					P83078MM	[+]	18,5	SUM				
	115	06/00 → 09/03		•				P83088MM	[-]	15,8	AKE				
3.0 (MCU20_)	164	11/00 → 07/03	•					P83078MM	[+]	18,5	SUM				
	164	11/00 → 07/03		•	08/03 →			P83068MM	[-]	15,2	SUM				
	164	11/00 → 07/03		•	→ 08/03			P83088MM	[-]	15,8	AKE				
3.0 4WD (MCU25_)	164	11/00 → 07/03		•	08/03 →			P83068MM	[-]	15,2	SUM				
3.3 (MCU23_)	171	08/03 → 05/07	•					P83078MM	[+]	18,5	SUM				
	171	08/03 → 05/07		•				P83068MM	[-]	15,2	SUM				
3.3 4WD (MCU28_)	171	08/03 → 05/07		•				P83068MM	[-]	15,2	SUM				
3.3 Hybrid (MHU23_)	200	03/05 → 05/07	•					P83078MM	[+]	18,5	SUM				
	200	03/05 → 05/07		•				P83068MM	[-]	15,2	SUM				
3.3 Hybrid 4WD (MHU28_)	200	03/05 → 05/07	•					P83078MM	[+]	18,5	SUM				
	200	03/05 → 05/07		•				P83068MM	[-]	15,2	SUM				

KLUGER (_U4_) 05/07 →

2.7 (ASU40_)	140	05/07 →	•					P83145MM	[-]	17,5	ADV				
	140	05/07 →		•				P83138MM	[-]	15,2	AKE				
	139	09/08 → 12/13	•					P83145MM	[-]	17,5	ADV				
	139	09/08 → 12/13		•				P83138MM	[-]	15,2	AKE				
2.7 4WD (ASU40_)	140	05/07 →	•					P83145MM	[-]	17,5	ADV				
	140	05/07 →		•				P83138MM	[-]	15,2	AKE				
3.5 (GSU40_)	201	05/07 →	•					P83145MM	[-]	17,5	ADV				
	201	05/07 →		•				P83138MM	[-]	15,2	AKE				
3.5 4WD (GSU45_)	201	05/07 →	•					P83145MM	[-]	17,5	ADV				
	201	05/07 →		•				P83138MM	[-]	15,2	AKE				

KLUGER (_U5_) 03/13 →

3.5 AWD	183	09/14 →	•					P83145MM	[-]	17,5	ADV				
	183	09/14 →		•				P83152MM	[-]	15	-				

LAND CRUISER (_J12_) 09/02 → 07/09

2.7 (RZJ12)	112	09/02 → 08/04	•					P83066MM	[+]	17,8	SUM				
	112	09/02 → 08/04		•				P83024MM	[-]	15	SUM				
	120	11/03 → 07/09	•					P83066MM	[+]	17,8	SUM				
	120	11/03 → 07/09		•				P83024MM	[-]	15	SUM				
3.0 D	70	09/02 → 07/09	•					P83066MM	[+]	17,8	SUM				
	70	09/02 → 07/09		•				P83024MM	[-]	15	SUM				

								WI			FK		
	kw					wi	Th [mm]	SYS		LENGHT			

TOYOTA

LAND CRUISER (_J12_) 09/02 → 07/09

3.0 D-4D	150	08/04 → 07/09	●				P83066MM	[+]	17,8	SUM			
	150	08/04 → 07/09		●			P83024MM	[-]	15	SUM			
3.0 D-4D (KDJ120, KDJ125)	122	08/04 → 07/09	●				P83066MM	[+]	17,8	SUM			
	122	08/04 → 07/09		●			P83024MM	[-]	15	SUM			
	127	09/02 → 07/09	●				P83066MM	[+]	17,8	SUM			
	127	09/02 → 07/09		●			P83024MM	[-]	15	SUM			
3.0 D-4D (KDJ120, KDJ150, KDJ125)	120	01/03 → 07/09	●				P83066MM	[+]	17,8	SUM			
	120	01/03 → 07/09		●			P83024MM	[-]	15	SUM			
3.0 D-4D (KZJ12)	92	09/02 → 07/09	●				P83066MM	[+]	17,8	SUM			
	92	09/02 → 07/09		●			P83024MM	[-]	15	SUM			
3.4	136	09/02 → 08/04	●				P83066MM	[+]	17,8	SUM			
	136	09/02 → 08/04		●			P83024MM	[-]	15	SUM			
4.0 (GRJ12)	179	09/02 → 08/04	●				P83066MM	[+]	17,8	SUM			
	179	09/02 → 08/04		●			P83024MM	[-]	15	SUM			
4.0 (GRJ120)	203	08/05 → 07/09	●				P83066MM	[+]	17,8	SUM			
	203	08/05 → 07/09		●			P83024MM	[-]	15	SUM			
4.0 (GRJ125, GRJ120_)	183	01/03 → 07/09	●				P83066MM	[+]	17,8	SUM			
	183	01/03 → 07/09		●			P83024MM	[-]	15	SUM			

LAND CRUISER (_J15_) 07/09 →

2.7 (TRJ150, TRJ155_)	120	08/09 →	●				P83102MM	[+]	17	SUM			
	120	08/09 →		●			P83024MM	[-]	15	SUM			
2.8 D-4D (GDJ150, GDJ155_)	130	06/15 →	●				P83102MM	[+]	17	SUM			
	130	06/15 →		●			P83024MM	[-]	15	SUM			
3.0 D-4D (KDJ150_)	127	08/09 →	●				P83102MM	[+]	17	SUM			
	127	08/09 →		●			P83024MM	[-]	15	SUM			
3.0 D-4D (KDJ155, KDJ150_)	140	08/09 →	●				P83102MM	[+]	17	SUM			
	140	08/09 →		●			P83024MM	[-]	15	SUM			
4.0 V6 Dual VVTi (GRJ150_)	205	08/09 →	●				P83102MM	[+]	17	SUM			
	205	08/09 →		●			P83024MM	[-]	15	SUM			
4.0 V6 VVTi (GRJ150)	202	08/09 →	●				P83102MM	[+]	17	SUM			
	202	08/09 →		●			P83024MM	[-]	15	SUM			
4.0 V6 VVTi (GRJ150_)	183	01/10 →	●				P83102MM	[+]	17	SUM			
	183	01/10 →		●			P83024MM	[-]	15	SUM			
	207	08/09 →	●				P83102MM	[+]	17	SUM			
	207	08/09 →		●			P83024MM	[-]	15	SUM			

LAND CRUISER (_J4_ , _J5_) 01/68 → 11/01

3.0 D 4WD (BJ42_ , FJ4_ , FJ5_)	59	03/69 → 10/84	●				P83006MM	[-]	15,5	SUM			
3.4 D (BJ42_V , BJ45_V , BJ46_)	66	08/80 → 10/84	●				P83006MM	[-]	15,5	SUM			
4.0 D (HJ47_V)	76	08/80 → 10/84	●				P83006MM	[-]	15,5	SUM			
4.2 (FJ40_V , FJ43_ , FJ45_V , FJ55_)	89	01/75 → 04/86	●				P83006MM	[-]	15,5	SUM			

LAND CRUISER (_J7_) 03/84 →

2.4 (RJ70_ , RJ73_)	77	11/84 → 05/93	●				P83006MM	[-]	15,5	SUM			
	81	11/84 → 05/93	●				P83006MM	[-]	15,5	SUM			

--	--	--	--	--	--	--	--	--	--	--	--	--	--

TOYOTA

LAND CRUISER (_J7_) 03/84 →

2.4 (RJ70_V, RJ73_V)	84	12/88 → 12/96	●	→ 12/89	P83006MM [-]	15,5	SUM						
	84	12/88 → 12/96	●	01/90 → 04/93; -(D)	P83009MM [+]	15	SUM						
	84	12/88 → 12/96	●	01/90 →	P83026MM [+]	15	SUM						
	84	12/88 → 12/96	●	01/90 →	P83024MM [-]	15	SUM						
2.4 D (LJ70_)	53	11/84 → 10/85	●		P83006MM [-]	15,5	SUM						
	66	01/90 → 05/93	●	-(D)	P83009MM [+]	15	SUM						
	66	01/90 → 05/93	●		P83026MM [+]	15	SUM						
2.4 TD (LJ70)	66	01/90 → 05/93	●		P83024MM [-]	15	SUM						
	66	01/90 → 05/93	●										
2.4 TD (LJ70, LJ73_)	63	10/85 → 05/90	●		P83006MM [-]	15,5	SUM						
3.0 TD (KZJ70_, KZJ73_, KZJ77_)	92	05/93 → 05/96	●	-(D)	P83009MM [+]	15	SUM						
3.4 D (BJ70_V, BJ73_)	70	11/84 → 12/96	●	→ 04/93	P83006MM [-]	15,5	SUM						
	70	11/84 → 12/96	●	05/93 →; -(D)	P83009MM [+]	15	SUM						
3.4 TD (BJ71_V, BJ74)	91	10/85 → 08/86	●		P83006MM [-]	15,5	SUM						
4.0 4x4	115	10/89 → 12/97	●		P83025MM [+]	15	SUM						
4.2 D (HZJ7_)	96	01/90 → 12/99	●	-(D); → 08/01; -(D)	P83009MM [+]	15	SUM						
4.2 D 4x4 (HZJ74, HZJ78, HZJ75)	123	08/90 → 08/01	●		P83009MM [+]	15	SUM						
	123	08/90 → 08/01	●		P83024MM [-]	15	SUM						
4.2 TDi 4x4	150	09/01 → 06/06	●		P83048MM [+]	17,7	SUM						
	150	09/01 → 06/06	●		P83049MM [-]	17,5	SUM						
4.5 EFI 4x4 (FZJ75)	158	11/92 → 11/99	●		P83009MM [+]	15	SUM						
4.5 TD 24V 4x4 (VDJ76, VDJ78, VDJ79_)	151	03/07 →	●		P83048MM [+]	17,7	SUM						
	151	03/07 →	●		P83024MM [-]	15	SUM						

LAND CRUISER 100 (_J1_) 01/98 → 08/07

4.2 D (HZJ105)	96	03/98 → 08/07	●		P83048MM [+]	17,7	SUM						
	96	03/98 → 08/07	●		P83049MM [-]	17,5	SUM						
4.2 TD (HDJ100_)	150	01/98 → 08/07	●		P83048MM [+]	17,7	SUM						
	150	01/98 → 08/07	●		P83049MM [-]	17,5	SUM						
4.7 (UZJ100)	175	02/02 → 08/07	●		P83048MM [+]	17,7	SUM						
	175	02/02 → 08/07	●		P83049MM [-]	17,5	SUM						
4.7 (UZJ100_)	173	01/98 → 08/07	●		P83048MM [+]	17,7	SUM						
	173	01/98 → 08/07	●		P83049MM [-]	17,5	SUM						

LAND CRUISER 200 (_J2_) 08/07 →

4.5 D V8 (VDJ200)	210	01/08 →	●		P83107MM [+]	17,9	ADV						
	210	01/08 →	●		P83098MM [-]	17,4	ADV						
4.5 D4-D	173	08/07 →	●		P83107MM [+]	17,9	ADV						
	173	08/07 →	●		P83098MM [-]	17,4	ADV						
4.5 D4-D (VDJ200)	200	01/12 →	●		P83107MM [+]	17,9	ADV						
	200	01/12 →	●		P83098MM [-]	17,4	ADV						
	195	01/08 →	●		P83107MM [+]	17,9	ADV						
	195	01/08 →	●		P83098MM [-]	17,4	ADV						
4.6 V8 (URJ202W_)	234	01/12 →	●		P83107MM [+]	17,9	ADV						
	234	01/12 →	●		P83098MM [-]	17,4	ADV						
4.7 V8 (UZJ200)	212	01/08 →	●		P83107MM [+]	17,9	ADV						
	212	01/08 →	●		P83098MM [-]	17,4	ADV						

Car Icon	kw	Hourglass	Truck	i	MAGNETI MARELLI	wi	Th [mm]	SYS	WI			FK	
									MAGNETI MARELLI	LENGHT	i	MAGNETI MARELLI	i

TOYOTA

LAND CRUISER 200 (_J2_) 08/07 →

4.7 V8 (UZJ200)	202	08/07 →	●					P83107MM	[+]	17,9	ADV				
	202	08/07 →		●				P83098MM	[-]	17,4	ADV				

LAND CRUISER 90 (_J9_) 04/95 →

3.0 D-4D 4WD (KDJ90_, KDJ95_)	120	08/00 → 08/02	●					P83009MM	[+]	15	SUM				
	120	08/00 → 08/02		●				P83024MM	[-]	15	SUM				
3.0 TD	103	04/95 → 07/00	●					P83009MM	[+]	15	SUM				
	103	04/95 → 07/00		●				P83024MM	[-]	15	SUM				
3.0 TD (KZJ90_, KZJ95_)	92	04/96 → 12/02	●					P83009MM	[+]	15	SUM				
	92	04/96 → 12/02		●				P83024MM	[-]	15	SUM				
3.4 i 24V (VZJ90_, VZJ95_)	131	03/96 → 12/02	●					P83009MM	[+]	15	SUM				
	131	03/96 → 12/02		●				P83024MM	[-]	15	SUM				

LAND CRUISER Pickup (_J4_) 03/69 → 11/01

3.4 D (BJ45_P)	66	08/80 → 10/84	●					P83006MM	[-]	15,5	SUM				
3.6 D (HJ45_P)	66	01/75 → 07/80	●					P83006MM	[-]	15,5	SUM				
3.9 (FJ45_P)	96	03/69 → 01/75	●					P83006MM	[-]	15,5	SUM				
4.0 D (HJ47_P)	76	08/80 → 10/84	●					P83006MM	[-]	15,5	SUM				
4.2 (FJ45_P)	89	01/75 → 04/86	●					P83006MM	[-]	15,5	SUM				

LAND CRUISER Pickup (_J7_) 11/84 →

4.2 D 4x4 (HZJ7_V)	96	01/90 → 02/07	●					P83009MM	[+]	15	SUM				
--------------------	----	---------------	---	--	--	--	--	----------	-----	----	-----	--	--	--	--

MARK II Estate (SXV2_, MCV2_, LX1_, JZX1_, GX1_) 11/83 → 07/01

2.5	147	08/96 → 07/01	●					P83034MM	[+]	17,6	SUM				
	147	08/96 → 07/01		●				P83015MM	[+]	15,5	AKE				

MARK II Saloon (_X10_) 09/96 → 09/01

2.0 VVTi	118	10/96 → 09/01	●					P83034MM	[+]	17,6	SUM				
----------	-----	---------------	---	--	--	--	--	----------	-----	------	-----	--	--	--	--

MARK II Saloon (_X11_) 10/02 → 11/04

2.5 4WD	147	10/02 → 11/04	●					P83027MM	[+]	17	SUM				
	147	10/02 → 11/04		●				P83045MM	[+]	15	SUM				

MATRIX (_E14_) 01/08 → 05/14

1.8 (ZRE142_)	97	01/08 → 05/14	●					P83082MM	[-]	17,5	AKE				
	97	01/08 → 05/14		●				P83089MM	[-]	15,4	AKE				
2.4 (AZE14_)	117	01/08 → 05/14	●					P83082MM	[-]	17,5	AKE				
	117	01/08 → 05/14		●				P83089MM	[-]	15,4	AKE				

MIRAI (JPD1_) 10/14 →

FCV (JPD10_)	113	10/14 →	●					P83071MM	[-]	17,6	ADV				
	113	10/14 →	●					P83152MM	[-]	15	-				

MR 2 II (SW2_) 12/89 → 07/99

2.0 (SW20_)	88	12/89 → 08/92	●		12/91 →			P83028MM	[+]	15,5	AKE				
	88	12/89 → 08/92		●				P83019MM	[+]	15,3	AKE				
2.0 16V (SW20_)	115	12/89 → 07/99	●		12/91 →			P83028MM	[+]	15,5	AKE				
	115	12/89 → 07/99		●				P83019MM	[+]	15,3	AKE				
	129	12/89 → 07/99	●		12/91 →			P83028MM	[+]	15,5	AKE				
	129	12/89 → 07/99		●				P83019MM	[+]	15,3	AKE				
	125	12/89 → 07/99	●		12/91 →			P83028MM	[+]	15,5	AKE				
	125	12/89 → 07/99		●				P83019MM	[+]	15,3	AKE				
2.0 Turbo (SW20_)	167	12/89 → 07/99	●					P83028MM	[+]	15,5	AKE				
	180	12/89 → 07/99	●		01/92 →			P83028MM	[+]	15,5	AKE				
	180	12/89 → 07/99	●		01/92 →; → 12/91			P83019MM	[+]	15,3	AKE				

		kw					MAGNETI MARELLI	wi	Th [mm]	SYS	WI			FK	
							MAGNETI MARELLI				MAGNETI MARELLI	LENGHT		MAGNETI MARELLI	

TOYOTA

PRIUS Hatchback (_W2_) 08/03 → 03/09

1.5 (NHW2_)	57	08/03 → 03/09	•				P83103MM	[+]	16,6	AKE					
	57	08/03 → 03/09	•		→ 11/05		P83051MM	[+]	15,5	AKE					
	57	08/03 → 03/09	•	08/04 →			P83063MM	[-]	15	AKE					
	57	08/03 → 03/09	•				P83052MM	[+]	14	SUM					

PRIUS PLUS (_W4_) 05/11 →

1.8 Hybrid (ZVW4_)	73	05/11 →	•				P83106MM	[-]	15,6	AKE					
	73	05/11 →	•				P83133MM	[+]	14,3	AKE					
	100	05/11 →	•				P83071MM	[-]	17,6	ADV					
	100	05/11 →	•				P83152MM	[-]	15	-					

PRIUS Saloon (_W1_) 05/00 → 01/04

1.5 Hybrid (NHW1_)	53	05/00 → 01/04	•				P83051MM	[+]	15,5	AKE					
	53	05/00 → 01/04	•				P83052MM	[+]	14	SUM					

PROACE Box Body / Estate (MDX_) 06/13 → 03/16

1.6 D (MDX9_)	66	06/13 → 03/16	•				P61096MM	[+]	18,3	TRW					
	66	06/13 → 03/16	•				P61095MM	[-]	16,6	TRW					
2.0 D (MDX3_)	94	06/13 → 03/16	•				P61096MM	[+]	18,3	TRW					
	94	06/13 → 03/16	•				P61095MM	[-]	16,6	TRW					
2.0 D (MDX6_)	120	06/13 → 03/16	•				P61096MM	[+]	18,3	TRW					
	120	06/13 → 03/16	•				P61095MM	[-]	16,6	TRW					

PROGRES (JCG1_) 05/98 → 05/07

2.5	147	05/98 → 05/07	•				P83027MM	[+]	17	SUM					
	147	05/98 → 05/07	•				P83045MM	[+]	15	SUM					
3.0	162	05/98 → 05/07	•				P83027MM	[+]	17	SUM					
	162	05/98 → 05/07	•				P83045MM	[+]	15	SUM					

RACTIS (_P10_) 09/05 → 08/10

1.3 (SCP100_)	64	09/05 → 08/10	•				P83101MM	[-]	17,6	ADV					
---------------	----	---------------	---	--	--	--	----------	-----	------	-----	--	--	--	--	--

RAUM MPV (EXZ1_) 05/97 → 04/03

1.5	69	08/97 → 04/03	•				P83011MM	[o]	15	AKE					
1.5 4WD	67	08/97 → 04/03	•				P83011MM	[o]	15	AKE					

RAV 4 I (_A1_) 01/94 → 09/00

2.0 (SXA1_)	99	02/96 → 07/00	•				P83034MM	[+]	17,6	SUM					
2.0 4WD (SXA10)	95	06/94 → 06/00	•				P83034MM	[+]	17,6	SUM					

RAV 4 I Cabrio (_A1_) 12/97 → 06/00

2.0 4WD (SXA11)	94	12/97 → 06/00	•				P83034MM	[+]	17,6	SUM					
--------------------	----	---------------	---	--	--	--	----------	-----	------	-----	--	--	--	--	--

RAV 4 II (_A2_) 06/00 → 11/05

1.8 (ZCA25_ ZCA26_)	92	08/00 → 11/05	•				P83055MM	[-]	17	AKE					
	92	08/00 → 11/05	•				P83057MM	[+]	14	AKE					
2.0 4WD (ACA21, ACA20)	110	06/00 → 11/05	•				P83055MM	[-]	17	AKE					
	110	06/00 → 11/05	•				P83057MM	[+]	14	AKE					
2.0 D 4WD (CLA20_ CLA21_)	85	05/01 → 11/05	•				P83055MM	[-]	17	AKE					
	85	05/01 → 11/05	•				P83057MM	[+]	14	AKE					
2.4 4WD	112	08/03 → 11/05	•				P83055MM	[-]	17	AKE					
	112	08/03 → 11/05	•				P83057MM	[+]	14	AKE					

RAV 4 III (_A3_) 06/05 →

2.0	109	03/09 →	•				P83071MM	[-]	17,6	ADV					
	109	03/09 →	•				P83089MM	[-]	15,4	AKE					
2.0 (ZSA35_)	116	12/08 →	•	(UAE); (AUS)			P83082MM	[-]	17,5	AKE					
	116	12/08 →	•	-(AUS); -(UEA)			P83071MM	[-]	17,6	ADV					
	116	12/08 →	•				P83089MM	[-]	15,4	AKE					

 	kw						wi	Th [mm]	SYS	WI			FK	
											LENGHT			

TOYOTA

RAV 4 III (_A3_) 06/05 →

2.0 4WD	109	03/09 →	●			P83071MM [-]	17,6	ADV						
	109	03/09 →		●		P83089MM [-]	15,4	AKE						
2.0 4WD (ACA30_)	112	03/06 →	●		- (AUS); - (UEA)	P83071MM [-]	17,6	ADV						
	112	03/06 →	●		(UAE); (AUS)	P83082MM [-]	17,5	AKE						
	112	03/06 →		●		P83089MM [-]	15,4	AKE						
2.0 4WD (ZSA30_)	116	12/08 →	●		- (UEA); - (AUS)	P83071MM [-]	17,6	ADV						
	116	12/08 →	●		(UAE); (AUS)	P83082MM [-]	17,5	AKE						
	116	12/08 →		●		P83089MM [-]	15,4	AKE						
2.2 D (ALA35_)	110	12/08 → 12/13	●		- (UEA); - (AUS)	P83071MM [-]	17,6	ADV						
	110	12/08 → 12/13	●		(UAE); (AUS)	P83082MM [-]	17,5	AKE						
	110	12/08 → 12/13		●		P83089MM [-]	15,4	AKE						
2.2 D 4WD (ALA30_)	100	03/06 →	●		- (AUS); - (UEA)	P83071MM [-]	17,6	ADV						
	100	03/06 →	●		(UAE); (AUS)	P83082MM [-]	17,5	AKE						
	100	03/06 →		●		P83089MM [-]	15,4	AKE						
	130	03/06 →	●		- (AUS); - (UEA)	P83071MM [-]	17,6	ADV						
	130	03/06 →	●		(UAE); (AUS)	P83082MM [-]	17,5	AKE						
	130	03/06 →		●		P83089MM [-]	15,4	AKE						
	110	12/08 → 12/13	●		(UAE); (AUS)	P83082MM [-]	17,5	AKE						
	110	12/08 → 12/13	●		- (UEA); - (AUS)	P83071MM [-]	17,6	ADV						
	110	12/08 → 12/13		●		P83089MM [-]	15,4	AKE						
2.4 (ACA33)	125	11/05 →	●		- (UEA); - (AUS)	P83071MM [-]	17,6	ADV						
	125	11/05 →	●		(AUS); (UAE)	P83082MM [-]	17,5	AKE						
	125	11/05 →		●		P83089MM [-]	15,4	AKE						
3.5 4WD (GSA33)	201	11/05 →	●			P83082MM [-]	17,5	AKE						
	201	11/05 →		●		P83089MM [-]	15,4	AKE						

RAV 4 IV (_A4_) 12/12 →

2.0 4WD (ZSA44_)	111	12/12 →	●		16" wheel	P83071MM [-]	17,6	ADV						
	111	12/12 →	●		17" wheel	P83145MM [-]	17,5	ADV						
	111	12/12 →		●		P83089MM [-]	15,4	AKE						
	112	04/15 →	●		16" wheel	P83071MM [-]	17,6	ADV						
	112	04/15 →	●		17" wheel	P83145MM [-]	17,5	ADV						
	112	04/15 →		●		P83089MM [-]	15,4	AKE						
2.0 D (ALA40_)	91	12/12 →	●		16" wheel	P83071MM [-]	17,6	ADV						
	91	12/12 →	●		17" wheel	P83145MM [-]	17,5	ADV						
	91	12/12 →		●		P83089MM [-]	15,4	AKE						
2.0 D (WWA42_)	105	10/15 →	●		16" wheel	P83071MM [-]	17,6	ADV						
	105	10/15 →	●		17" wheel	P83145MM [-]	17,5	ADV						
	105	10/15 →		●		P83089MM [-]	15,4	AKE						
2.0 D 4WD (ALA41_)	91	01/13 →	●		16" wheel	P83071MM [-]	17,6	ADV						
	91	01/13 →	●		17" wheel	P83145MM [-]	17,5	ADV						
	91	01/13 →		●		P83089MM [-]	15,4	AKE						
2.2 D 4WD (ALA49)	110	12/12 →	●		16" wheel	P83071MM [-]	17,6	ADV						
	110	12/12 →	●		17" wheel	P83145MM [-]	17,5	ADV						
	110	12/12 →		●		P83089MM [-]	15,4	AKE						
2.5 4WD	131	12/12 →	●			P83071MM [-]	17,6	ADV						
	131	12/12 →		●		P83089MM [-]	15,4	AKE						
2.5 Hybrid (AVA42_ , AVA44_)	114	10/15 →	●		16" wheel	P83071MM [-]	17,6	ADV						
	114	10/15 →	●		17" wheel	P83145MM [-]	17,5	ADV						
	114	10/15 →		●		P83089MM [-]	15,4	AKE						
2.5 Hybrid 4WD (AVA44_)	114	10/15 →	●		16" wheel	P83071MM [-]	17,6	ADV						
	114	10/15 →	●		17" wheel	P83145MM [-]	17,5	ADV						
	114	10/15 →		●		P83089MM [-]	15,4	AKE						

								WI			FK		
	kw									LENGHT			

TOYOTA

RUSH Closed Off-Road Vehicle (F700_) 03/06 →

1.3	63	03/06 →	●		P54015MM	[+]	15	SUM					
1.5	80	03/06 →	●		P54015MM	[+]	15	SUM					
1.5 4WD	80	03/06 →	●		P54015MM	[+]	15	SUM					

SEQUOIA (_K6_) 11/07 →

4.6 (UPK60)	231	01/10 → 07/12	●		P83107MM	[+]	17,9	ADV					
	231	01/10 → 07/12	●		P83098MM	[-]	17,4	ADV					
4.7 (UCK60_)	206	11/07 →	●		P83107MM	[+]	17,9	ADV					
	206	11/07 →	●		P83098MM	[-]	17,4	ADV					
5.7 (USK60_)	280	11/07 →	●		P83107MM	[+]	17,9	ADV					
	280	11/07 →	●		P83098MM	[-]	17,4	ADV					
5.7 4WD (USK65_)	280	11/07 →	●		P83107MM	[+]	17,9	ADV					
	280	11/07 →	●		P83098MM	[-]	17,4	ADV					

SIENNA (_L2_) 01/03 → 12/09

3.3 (MCL20_)	169	01/03 → 12/06	●		P83105MM	[-]	16	AKE					
	169	01/03 → 12/06	●	+rear disc	P83056MM	[+]	16	SUM					

SIENNA (_L3_) 01/10 →

3.5 (GSL30_)	198	01/10 →	●		P83145MM	[-]	17,5	ADV					
	198	01/10 →	●		P83152MM	[-]	15	-					
3.5 4WD (GSL35_)	198	01/10 →	●		P83145MM	[-]	17,5	ADV					
	198	01/10 →	●		P83152MM	[-]	15	-					

SIENNA Mini Cargo Van (_L3_) 01/10 → 08/14

3.5 (GSL33_)	196	01/10 → 08/14	●		P83145MM	[-]	17,5	ADV					
	196	01/10 → 08/14	●		P83152MM	[-]	15	-					

SOLARA Convertible (_V3_) 02/04 → 11/08

3.3 (MCV31_)	165	02/04 → 11/08	●		P83040MM	[+]	17	AKE					
	155	02/04 → 11/08	●		P83105MM	[-]	16	AKE					
	155	02/04 → 11/08	●		P83110MM	[+]	15,4	-					

SOLARA Coupé (_V3_) 07/03 → 11/08

2.4 (ACV30_)	117	07/03 → 11/08	●		P83040MM	[+]	17	AKE					
3.3 (MCV31_)	165	07/03 → 07/08	●		P83040MM	[+]	17	AKE					
	155	07/03 → 07/08	●		P83105MM	[-]	16	AKE					
	155	07/03 → 07/08	●		P83110MM	[+]	15,4	-					

SPRINTER CARIB (AE11_) 06/92 → 11/02

1.6	81	08/95 → 10/01	●		P83011MM	[o]	15	AKE					
-----	----	---------------	---	--	----------	-----	----	-----	--	--	--	--	--

SPRINTER Saloon (_E1_) 06/91 → 11/02

1.5 (AE100_)	74	06/91 → 11/02	●		P83044MM	[-]	16,5	AKE					
2.0 D (CE10_)	54	06/91 → 11/00	●		P83044MM	[-]	16,5	AKE					

STARLET (_P9_) 01/96 → 10/99

1.3 (EP91_)	55	01/96 → 10/99	●		P83011MM	[o]	15	AKE					
-------------	----	---------------	---	--	----------	-----	----	-----	--	--	--	--	--

SUPRA (_A8_) 05/93 → 07/02

3.0 (JZA80_)	165	05/93 → 07/02	●		P83090MM	[+]	17	SUM					
	165	05/93 → 07/02	●		P83038MM	[+]	15,5	SUM					
3.0 i Bi-Turbo (JZA80_)	243	05/93 → 07/02	●		P83090MM	[+]	17	SUM					
	243	05/93 → 07/02	●		P83091MM	[+]	16	SUM					

TOWN ACE Bus 05/95 → 10/01

2.0	65	05/95 → 09/01	●		P83029MM	[+]	15,5	AKE					
-----	----	---------------	---	--	----------	-----	------	-----	--	--	--	--	--

TUNDRA Pickup (_K5_, _K6_) 11/06 →

4.0 (GSK50_, GSK51_)	176	11/06 → 12/11	●		P83107MM	[+]	17,9	ADV					
	176	11/06 → 12/11	●		P83098MM	[-]	17,4	ADV					
4.0 4WD (GSK50_, GSK51_)	176	11/06 → 12/11	●		P83107MM	[+]	17,9	ADV					
	176	11/06 → 12/11	●		P83098MM	[-]	17,4	ADV					

Car Model	kw	Date	Type	i	MAGNETI MARELLI	wi	Th [mm]	SYS	WI			FK	
									MAGNETI MARELLI	LENGHT	i	MAGNETI MARELLI	i

TOYOTA

TUNDRA Pickup (_K5_ , _K6_) 11/06 →

4.7 (UCK50_ , UCK51_ , UCK52_ , UCK55_ , UCK56_ , UCK57_)	206	11/06 → 03/09	•					P83107MM	[+]	17,9	ADV			
	206	11/06 → 03/09		•				P83098MM	[-]	17,4	ADV			
4.7 4WD (UCK50_ , UCK51_ , UCK52_ , UCK55_ , UCK56_ , UCK57_)	206	11/06 → 03/09	•					P83107MM	[+]	17,9	ADV			
	206	11/06 → 03/09		•				P83098MM	[-]	17,4	ADV			

URBAN CRUISER (_P1_) 07/07 →

1.33 (NSP110_)	73	01/09 →	•					P83082MM	[-]	17,5	AKE			
	73	01/09 →		•				P83083MM	[+]	14,3	AKE			
	74	04/09 →	•					P83082MM	[-]	17,5	AKE			
	74	04/09 →		•				P83083MM	[+]	14,3	AKE			
1.4 D-4D (NLP110_)	66	01/09 → 04/14	•					P83082MM	[-]	17,5	AKE			
	66	01/09 → 04/14		•				P83083MM	[+]	14,3	AKE			
1.4 D-4D 4WD (NLP115_)	66	01/09 → 04/14	•					P83082MM	[-]	17,5	AKE			
	66	01/09 → 04/14		•				P83083MM	[+]	14,3	AKE			

VANGUARD (_A3_) 11/05 →

2.4 VVTi	125	11/05 →	•					P83071MM	[-]	17,6	ADV			
4WD	125	11/05 →		•				P83089MM	[-]	15,4	AKE			

VEROSSA (_X11_) 10/00 → 04/04

2.0 VVTi	118	10/00 → 11/03	•		01/02 →			P83054MM	[-]	17	AKE			
2.0 VVTi 4WD	118	10/00 → 11/03	•		01/02 →			P83054MM	[-]	17	AKE			
2.5 VVTi	147	10/00 → 11/03	•		01/02 →			P83054MM	[-]	17	AKE			

VERSO (_R2_) 04/09 →

1.6 (ZGR20_)	97	04/09 →	•					P83109MM	[+]	18,9	BSH			
	97	04/09 →		•				P83114MM	[+]	16,6	BSH			
1.6 D4-D (WAR20_)	82	11/13 →	•					P83109MM	[+]	18,9	BSH			
	82	11/13 →		•				P83114MM	[+]	16,6	BSH			
1.8 (ZGR21_)	108	04/09 →	•					P83109MM	[+]	18,9	BSH			
	108	04/09 →		•				P83114MM	[+]	16,6	BSH			
	108	04/09 →		•				P83153MM	[-]	15	-			
2.0 D-4D (AUR20_)	93	04/09 →	•					P83109MM	[+]	18,9	BSH			
	93	04/09 →		•				P83114MM	[+]	16,6	BSH			
	91	11/12 →	•					P83148MM	[+]	19,3	BSH			
2.2 D-4D (AUR21_)	110	04/09 →	•					P83148MM	[+]	19,3	BSH			
	110	04/09 →		•				P83114MM	[+]	16,6	BSH			
2.2 D-CAT (AUR21_)	130	04/09 →	•					P83148MM	[+]	19,3	BSH			
	130	04/09 →		•				P83114MM	[+]	16,6	BSH			

VERSO S (_P12_) 11/10 → 10/16

1.33 (NSP120_)	73	11/10 → 10/16	•					P83082MM	[-]	17,5	AKE			
	73	11/10 → 10/16		•				P83083MM	[+]	14,3	AKE			
1.4 D4-D (NLP121_)	66	11/10 → 10/16	•					P83082MM	[-]	17,5	AKE			
	66	11/10 → 10/16		•				P83083MM	[+]	14,3	AKE			

VIOS/YARIS Saloon (_P9_) 08/05 →

1.0 (KSP90_)	52	08/07 →	•					P83141MM	[-]	17,2	AKE			
	64	08/07 →	•					P83141MM	[-]	17,2	AKE			
1.3 (NCP92_)	63	08/05 →	•					P83086MM	[-]	18,6	AKE			
	63	08/05 →	•		+rear disc			P83101MM	[-]	17,6	ADV			

TOYOTA

VIOS/YARIS Saloon (_P9_) 08/05 →

1.3 (NCP92_)	63	08/05 →	●		P83141MM	[-]	17,2	AKE					
	63	08/05 →		●	P83083MM	[+]	14,3	AKE					
1.3 4WD (NCP92_)	64	08/07 →	●		P83141MM	[-]	17,2	AKE					

VISTA Saloon (_V5_) 06/98 → 08/03

1.8	96	06/98 → 08/03	●		P83034MM	[+]	17,6	SUM					
	107	06/98 → 08/03	●		P83054MM	[-]	17	AKE					
2.0	107	06/98 → 08/03		●	P83063MM	[-]	15	AKE					

WILL Vi (NCP19_) 01/00 → 12/01

1.3	64	01/00 → 12/01	●		P83103MM	[+]	16,6	AKE					
-----	----	---------------	---	--	----------	-----	------	-----	--	--	--	--	--

YARIS (_P1_) 01/99 → 12/05

1.0 (SCP10_)	50	04/99 → 09/05	●	Made in (F); +rear drum	P83053MM	[+]	16,8	BSH					
	50	04/99 → 09/05	●	Made in (J); +rear drum	P83050MM	[+]	16,5	AKE					
	50	04/99 → 09/05	●	+rear disc	P83051MM	[+]	15,5	AKE					
	50	04/99 → 09/05	●	+rear disc	P83052MM	[+]	14	SUM					
	48	03/03 → 09/05	●	Made in (F); +rear drum	P83053MM	[+]	16,8	BSH					
	48	03/03 → 09/05	●	Made in (J); +rear drum	P83050MM	[+]	16,5	AKE					
	48	03/03 → 09/05	●	+rear disc	P83051MM	[+]	15,5	AKE					
	48	03/03 → 09/05	●	+rear disc	P83052MM	[+]	14	SUM					
1.3 (NCP10_ SCP12_)	63	11/99 → 10/05	●	Made in (F); +rear drum	P83053MM	[+]	16,8	BSH					
	63	11/99 → 10/05	●	Made in (J); +rear drum	P83050MM	[+]	16,5	AKE					
	63	11/99 → 10/05	●	+rear disc	P83051MM	[+]	15,5	AKE					
	63	11/99 → 10/05	●	+rear disc	P83052MM	[+]	14	SUM					
1.3 (SCP12_)	64	08/99 → 09/05	●	Made in (F); +rear drum	P83053MM	[+]	16,8	BSH					
	64	08/99 → 09/05	●	Made in (J); +rear drum	P83050MM	[+]	16,5	AKE					
	64	08/99 → 09/05	●	+rear disc	P83051MM	[+]	15,5	AKE					
	64	08/99 → 09/05	●	+rear disc	P83052MM	[+]	14	SUM					
1.4 D-4D (NLP10_)	55	10/01 → 09/05	●	Made in (F); +rear drum	P83053MM	[+]	16,8	BSH					
	55	10/01 → 09/05	●	Made in (J); +rear drum	P83050MM	[+]	16,5	AKE					
	55	10/01 → 09/05	●	+rear disc	P83051MM	[+]	15,5	AKE					
	55	10/01 → 09/05	●	+rear disc	P83052MM	[+]	14	SUM					
1.5 (NCP13_)	78	04/01 → 09/05	●	+rear disc	P83051MM	[+]	15,5	AKE					
	78	04/01 → 09/05	●	+rear drum	P83053MM	[+]	16,8	BSH					
	78	04/01 → 09/05	●	+rear disc	P83052MM	[+]	14	SUM					
	77	01/03 → 11/05	●		P83051MM	[+]	15,5	AKE					
	77	01/03 → 11/05	●	+rear disc	P83052MM	[+]	14	SUM					
	110	03/00 → 07/05	●		P83051MM	[+]	15,5	AKE					
	110	03/00 → 07/05	●	+rear disc	P83052MM	[+]	14	SUM					

YARIS (_P13_) 12/10 →

1.0 (KSP130_)	51	12/10 →	●	Made in (J)	P83141MM	[-]	17,2	AKE				A02227	Made in (F)
	51	12/10 →	●	Made in (F)	P83085MM	[+]	17,7	ATE				A02227	Made in (F)
	51	12/10 →	●		P83086MM	[-]	18,6	AKE				A02227	Made in (F)
	51	12/10 →	●		P83083MM	[+]	14,3	AKE					
1.3 (NSP130_)	70	09/11 →	●	Made in (F)	P83085MM	[+]	17,7	ATE				A02227	Made in (F)
	70	09/11 →	●		P83101MM	[-]	17,6	ADV				A02227	Made in (F)
	70	09/11 →	●	Made in (F)	P83087MM	[+]	15	ATE					
	73	09/11 →	●	Made in (F)	P83085MM	[+]	17,7	ATE				A02227	Made in (F)
	73	09/11 →	●		P83101MM	[-]	17,6	ADV				A02227	Made in (F)
73	09/11 →	●	Made in (F)	P83087MM	[+]	15	ATE						
1.3 4WD (NSP135_)	70	12/10 →	●	Made in (F)	P83085MM	[+]	17,7	ATE					
	70	12/10 →	●		P83101MM	[-]	17,6	ADV					
1.4 D-4D (NLP130_)	66	09/11 →	●		P83085MM	[+]	17,7	ATE				A02227	
	66	09/11 →	●		P83087MM	[+]	15	ATE				A02217	

--	--	--	--	--	--	--	--	--	--	--	--	--	--	--

TOYOTA

YARIS (_P13_) 12/10 →

1.5 Hybrid (NHP130_)	55	03/12 →	●		P83082MM [-]	17,5	AKE						
	55	03/12 →		●	P83087MM [+]	15	ATE						
	54	04/15 →		●	P83087MM [+]	15	ATE						

YARIS (_P9_) 01/05 →

1.0 GPL (KSP90_)	51	01/06 →	●	Made in (F)	P83085MM [+]	17,7	ATE						
	51	01/06 →	●	Made in (J)	P83086MM [-]	18,6	AKE						
	51	01/06 →		● +ABS; Made in (F)	P83087MM [+]	15	ATE						
1.0 VVT-i (KSP90_)	51	01/05 → 11/11	●	Made in (J)	P83141MM [-]	17,2	AKE					A02227	Made in (F)
	51	01/05 → 11/11	●	Made in (F)	P83085MM [+]	17,7	ATE					A02227	Made in (F)
	51	01/05 → 11/11	●	Made in (J)	P83086MM [-]	18,6	AKE					A02227	Made in (F)
	51	01/05 → 11/11		● +ABS; Made in (F)	P83087MM [+]	15	ATE					A02217	
1.3 4WD (NCP92_)	64	08/07 →	●		P83141MM [-]	17,2	AKE						
	64	08/07 →	●		P83086MM [-]	18,6	AKE						
1.3 VVT-i (NCP90_ SCP90_)	63	01/05 →	●	Made in (F)	P83085MM [+]	17,7	ATE					A02227	Made in (F)
	63	01/05 →	●	Made in (J)	P83086MM [-]	18,6	AKE					A02227	Made in (F)
	63	01/05 →		● +ABS; Made in (F)	P83087MM [+]	15	ATE					A02217	
1.3 VVT-i (SCP90_)	64	08/05 →	●	Made in (F)	P83085MM [+]	17,7	ATE					A02227	Made in (F)
	64	08/05 →	●	Made in (J)	P83086MM [-]	18,6	AKE					A02227	Made in (F)
	64	08/05 →		● +ABS; Made in (F)	P83087MM [+]	15	ATE					A02217	
1.33 VVT-i (NSP90_)	73	07/10 →	●	Made in (J)	P83086MM [-]	18,6	AKE					A02227	Made in (F)
	73	07/10 →	●	Made in (F)	P83085MM [+]	17,7	ATE					A02227	Made in (F)
	73	07/10 →		● +ABS; Made in (F)	P83087MM [+]	15	ATE					A02217	
	74	11/08 →	●	Made in (F)	P83085MM [+]	17,7	ATE						
	74	11/08 →	●	Made in (J)	P83086MM [-]	18,6	AKE						
	74	11/08 →		● +ABS; Made in (F)	P83087MM [+]	15	ATE						
1.4 D-4D (NLP90_)	66	08/05 →	●	Made in (F)	P83085MM [+]	17,7	ATE					A02227	Made in (F)
	66	08/05 →	●	Made in (J)	P83086MM [-]	18,6	AKE					A02227	Made in (F)
	66	08/05 →		● +ABS; Made in (F)	P83087MM [+]	15	ATE					A02217	
1.8 VVTi (ZSP90_)	98	01/07 →	●		P83101MM [-]	17,6	ADV						
	98	01/07 →		●	P83083MM [+]	14,3	AKE						

YARIS VERSO (_P2_) 08/99 → 09/05

1.3 (NCP20_ NCP22_)	63	08/99 → 10/02	●		P83051MM [+]	15,5	AKE						
	63	08/99 → 10/02		●	P83052MM [+]	14	SUM						
	62	11/02 → 09/05	●		P83051MM [+]	15,5	AKE						
	62	11/02 → 09/05		●	P83052MM [+]	14	SUM						
1.4 D-4D (NLP20_ NLP22_)	55	12/01 → 09/05	●		P83051MM [+]	15,5	AKE						
	55	12/01 → 09/05		●	P83052MM [+]	14	SUM						
1.5 (NCP21_)	78	03/00 → 09/05	●		P83051MM [+]	15,5	AKE						
	78	03/00 → 09/05		●	P83052MM [+]	14	SUM						
	77	05/03 → 09/05	●		P83051MM [+]	15,5	AKE						
	77	05/03 → 09/05		●	P83052MM [+]	14	SUM						
1.5 4WD (NCP21_)	78	03/00 → 09/05	●		P83051MM [+]	15,5	AKE						
	78	03/00 → 09/05		●	P83052MM [+]	14	SUM						

VAUXHALL

ADAM 10/12 →

1.0	85	07/14 →	●	14" wheel	P59081MM [+]	17	BSH						
	85	07/14 →	●	15" wheel	P59083MM [+]	17,8	ATE						
	85	07/14 →		● +rear disc	P59086MM [+]	16,8	TRW						
	66	07/14 →	●	14" wheel	P59081MM [+]	17	BSH						
	66	07/14 →	●	15" wheel	P59083MM [+]	17,8	ATE						
	66	07/14 →		● +rear disc	P59086MM [+]	16,8	TRW						

									WI			FK	
	kw								MAGNETI MARELLI	LENGHT		MAGNETI MARELLI	

VAUXHALL

ADAM		10/12 →											
1.2	51	10/12 →	●						P59081MM	[+]	17	BSH	
1.4	64	10/12 →	●						P59081MM	[+]	17	BSH	
	74	10/12 →	●						P59081MM	[+]	17	BSH	
1.4 LPG	64	07/13 →	●						P59081MM	[+]	17	BSH	
1.4 S	110	11/14 →	●						P59045MM	[+]	19,6	ATE	
	110	11/14 →	●						P59086MM	[+]	16,8	TRW	

AGILA Mk I (A)		02/00 → 03/08											
1.0 12V	43	09/00 → 08/05	●	→ 3G062569					P59035MM	[+]	15,5	BSH	
	43	09/00 → 08/05	●	3G062570 →					P79015MM	[+]	15,5	BSH	
	44	02/00 → 11/06	●	→ 3G062569					P59035MM	[+]	15,5	BSH	
	44	02/00 → 11/06	●	3G062570 →					P79015MM	[+]	15,5	BSH	
1.2 16V	55	09/00 → 03/08	●	→ 3G062569					P59035MM	[+]	15,5	BSH	
	55	09/00 → 03/08	●	3G062570 →					P79015MM	[+]	15,5	BSH	
1.2 16V Twinport	59	07/04 → 11/06	●	→ 3G062569					P59035MM	[+]	15,5	BSH	
	59	07/04 → 11/06	●	3G062570 →					P79015MM	[+]	15,5	BSH	

AGILA Mk II (B)		01/08 → 11/14											
1.0 12V	48	01/08 → 11/14	●						P59050MM	[+]	17,3	TRW	
1.0 i	50	08/11 → 11/14	●						P59050MM	[+]	17,3	TRW	
1.2 i 16V	63	01/08 → 11/14	●						P59050MM	[+]	17,3	TRW	
	69	01/08 → 11/14	●						P59050MM	[+]	17,3	TRW	
1.3 CDTI	55	01/08 → 11/14	●						P59050MM	[+]	17,3	TRW	

AMPERA		03/12 →											
EV 150 (D1J0I)	111	03/12 →	●						P59077MM	[+]	18,8	BSH	
	111	03/12 →	●						P59080MM	[+]	16,2	TRW	

ANTARA (J26, H26)		08/06 →											
2.0 CDTI 4x4	110	08/06 → 04/15	●						P10003MM	[+]	16,9	MN	
	110	08/06 → 04/15	●						P10004MM	[+]	15,4	MN	
	93	08/06 → 04/15	●						P10003MM	[+]	16,9	MN	
	93	08/06 → 04/15	●						P10004MM	[+]	15,4	MN	
2.2 CDTI 4x4	120	12/10 →	●						P10003MM	[+]	16,9	MN	
	120	12/10 →	●						P10004MM	[+]	15,4	MN	
	135	12/10 →	●						P10003MM	[+]	16,9	MN	
	135	12/10 →	●						P10004MM	[+]	15,4	MN	
2.2 CDTI FWD	120	12/10 →	●						P10003MM	[+]	16,9	MN	
	120	12/10 →	●						P10004MM	[+]	15,4	MN	
2.4	123	12/10 → 04/15	●						P10003MM	[+]	16,9	MN	
	123	12/10 → 04/15	●						P10004MM	[+]	15,4	MN	
	126	11/10 → 04/15	●						P10003MM	[+]	16,9	MN	
	126	11/10 → 04/15	●						P10004MM	[+]	15,4	MN	
2.4 4x4	123	12/10 → 04/15	●						P10003MM	[+]	16,9	MN	
	123	12/10 → 04/15	●						P10004MM	[+]	15,4	MN	
	126	11/10 → 04/15	●						P10003MM	[+]	16,9	MN	
	126	11/10 → 04/15	●						P10004MM	[+]	15,4	MN	
	103	08/06 → 04/15	●						P10003MM	[+]	16,9	MN	
	103	08/06 → 04/15	●						P10004MM	[+]	15,4	MN	
3.0 4x4	188	11/10 → 04/15	●						P10003MM	[+]	16,9	MN	
	188	11/10 → 04/15	●						P10004MM	[+]	15,4	MN	
3.2 V6 4x4	167	11/06 → 04/15	●						P10003MM	[+]	16,9	MN	
	167	11/06 → 04/15	●						P10004MM	[+]	15,4	MN	

ARENA Combi		01/97 → 08/01											
1.9 D	44	03/98 → 08/01	●						P68006MM	[+]	18,5	BDX	
2.5 D	55	03/98 → 08/01	●						P68006MM	[+]	18,5	BDX	

Car Model	kw	Start	Stop	i	MAGNETI MARELLI	wi	Th [mm]	SYS	WI			FK	
									MAGNETI MARELLI	LENGHT	i	MAGNETI MARELLI	i

VAUXHALL

ARENA Van 01/97 → 08/01

1.9 D	44	03/98 → 08/01	•		P68006MM	[+]	18,5	BDX					
2.5 D	55	03/98 → 08/01	•		P68006MM	[+]	18,5	BDX					

ASTRA Mk III (F) Convertible 03/93 → 03/01

1.4 i	60	05/93 → 03/01	•		P59011MM	[O]	16,8	ATE	A00261	685			A02238
1.4 i 16V	66	01/96 → 03/01	•		P59011MM	[O]	16,8	ATE	A00261	685			A02238
1.6	74	03/94 → 08/95	•		P59011MM	[O]	16,8	ATE	A00261	685			
1.6 i	52	03/93 → 08/96	•		P59011MM	[O]	16,8	ATE	A00261	685			A02238
	55	01/96 → 03/01	•		P59011MM	[O]	16,8	ATE	A00261	685			A02238
1.8	92	09/94 → 08/96	•		P59017MM	[O]	18,3	ATE					
	92	09/94 → 08/96	•		P59018MM	[-]	15,7	ATE					
1.8 16V	85	11/94 → 03/01	•		P59017MM	[O]	18,3	ATE					A02238
	85	11/94 → 03/01	•		P59018MM	[-]	15,7	ATE					A02258
2.0 i	85	03/93 → 10/94	•		P59017MM	[O]	18,3	ATE					A02238
	85	03/93 → 10/94	•		P59018MM	[-]	15,7	ATE					A02258
2.0 i 16V	100	01/94 → 02/98	•		P59017MM	[O]	18,3	ATE					A02238
	100	01/94 → 02/98	•		P59018MM	[-]	15,7	ATE					A02258

ASTRA Mk IV (G) Convertible 03/01 → 10/05

1.6 16V	76	03/03 → 10/05	•		P59030MM	[+]	17,3	ATE	A00259	720	+on board comp.		
	76	03/03 → 10/05	•		P59031MM	[+]	16,9	BSH					
	76	03/03 → 10/05	•		P59038MM	[+]	15,2	TRW					
	74	03/01 → 10/05	•		P59030MM	[+]	17,3	ATE	A00259	720	+on board comp.		
	74	03/01 → 10/05	•		P59031MM	[+]	16,9	BSH					
	74	03/01 → 10/05	•		P59038MM	[+]	15,2	TRW					
1.8 16V	92	03/01 → 10/05	•		P59045MM	[+]	19,6	ATE	A00254	750	-elec.damp.susp.		A02202
	92	03/01 → 10/05	•		P59031MM	[+]	16,9	BSH					
	92	03/01 → 10/05	•		P59038MM	[+]	15,2	TRW					
2.0	147	09/02 → 10/05	•		P59048MM	[+]	20,2	ATE					
	147	09/02 → 10/05	•		P59031MM	[+]	16,9	BSH					
	147	09/02 → 10/05	•		P59038MM	[+]	15,2	TRW					
2.0 Turbo	141	03/02 → 10/05	•		P59048MM	[+]	20,2	ATE					A02202
	141	03/02 → 10/05	•		P59031MM	[+]	16,9	BSH					
	141	03/02 → 10/05	•		P59038MM	[+]	15,2	TRW					
2.2 16V	108	03/01 → 10/05	•		P59045MM	[+]	19,6	ATE	A00254	750	-elec.damp.susp.		A02202
	108	03/01 → 10/05	•		P59031MM	[+]	16,9	BSH					
	108	03/01 → 10/05	•		P59038MM	[+]	15,2	TRW					

ASTRA Mk IV (G) Coupé (F67) 03/00 → 08/05

1.6 16V	76	03/00 → 08/05	•		P59045MM	[+]	19,6	ATE	A00254	750	-elec.damp.susp.		A02202
	76	03/00 → 08/05	•		P59031MM	[+]	16,9	BSH					
	76	03/00 → 08/05	•		P59038MM	[+]	15,2	TRW					
1.8 16V	85	03/00 → 08/05	•		P59045MM	[+]	19,6	ATE	A00254	750	-elec.damp.susp.		A02202
	85	03/00 → 08/05	•		P59031MM	[+]	16,9	BSH					
	85	03/00 → 08/05	•		P59038MM	[+]	15,2	TRW					
	92	09/00 → 08/05	•		P59045MM	[+]	19,6	ATE	A00254	750	-elec.damp.susp.		A02202
	92	09/00 → 08/05	•		P59031MM	[+]	16,9	BSH					
	92	09/00 → 08/05	•		P59038MM	[+]	15,2	TRW					
1.8 16V Duafuel	87	09/02 → 08/05	•		P59045MM	[+]	19,6	ATE	A00254	750	-elec.damp.susp.		A02202
	87	09/02 → 08/05	•		P59031MM	[+]	16,9	BSH					
	87	09/02 → 08/05	•		P59038MM	[+]	15,2	TRW					
2.0	147	08/02 → 05/05	•		P59048MM	[+]	20,2	ATE					
	147	08/02 → 05/05	•		P59031MM	[+]	16,9	BSH					
	147	08/02 → 05/05	•		P59038MM	[+]	15,2	TRW					
2.0 16V Turbo	140	09/00 → 08/05	•		P59048MM	[+]	20,2	ATE					A02202
	140	09/00 → 08/05	•		P59031MM	[+]	16,9	BSH					
	140	09/00 → 08/05	•		P59038MM	[+]	15,2	TRW					



kW

MAGNETI
MARELLI

Wi

Th
[mm]

SYS

WI

FK

MAGNETI
MARELLI

LENGHT

MAGNETI
MARELLI

VAUXHALL

ASTRA Mk IV (G) Coupé (F67) 03/00 → 08/05

2.2 16V	108	03/00 → 08/05	●			P59045MM	[+]	19,6	ATE	A00254	750	-elec.damp.susp.	A02202	
	108	03/00 → 08/05		●		P59031MM	[+]	16,9	BSH					
	108	03/00 → 08/05		●		P59038MM	[+]	15,2	TRW					

ASTRA Mk IV (G) Estate 02/98 → 05/05

1.2 16V	48	02/98 → 09/00	●			P59030MM	[+]	17,3	ATE	A00259	720	+on board comp.		
	48	02/98 → 09/00		●		P59031MM	[+]	16,9	BSH					
	48	02/98 → 09/00		●		P59038MM	[+]	15,2	TRW					
	55	09/00 → 05/05	●			P59030MM	[+]	17,3	ATE	A00259	720	+on board comp.		
	55	09/00 → 05/05		●		P59031MM	[+]	16,9	BSH					
	55	09/00 → 05/05		●		P59038MM	[+]	15,2	TRW					
1.4 16V	66	02/98 → 05/05	●			P59030MM	[+]	17,3	ATE	A00259	720	+on board comp.		
	66	02/98 → 05/05		●		P59031MM	[+]	16,9	BSH					
	66	02/98 → 05/05		●		P59038MM	[+]	15,2	TRW					
1.6	55	03/98 → 04/04	●			P59030MM	[+]	17,3	ATE	A00259	720	+on board comp.		
	55	03/98 → 04/04		●		P59031MM	[+]	16,9	BSH					
	55	03/98 → 04/04		●		P59038MM	[+]	15,2	TRW					
	76	12/02 → 05/05	●			P59030MM	[+]	17,3	ATE	A00259	720	+on board comp.		
	76	12/02 → 05/05		●		P59031MM	[+]	16,9	BSH					
	76	12/02 → 05/05		●		P59038MM	[+]	15,2	TRW					
	62	03/98 → 04/04	●			P59030MM	[+]	17,3	ATE	A00259	720	+on board comp.		
1.6 16V	62	03/98 → 04/04		●		P59031MM	[+]	16,9	BSH					
	62	03/98 → 04/04		●		P59038MM	[+]	15,2	TRW					
	74	03/98 → 04/04	●			P59030MM	[+]	17,3	ATE	A00259	720	+on board comp.		
1.6 Dualfuel	74	03/98 → 04/04		●		P59031MM	[+]	16,9	BSH					
	74	03/98 → 04/04		●		P59038MM	[+]	15,2	TRW					
	63	03/98 → 04/04	●			P59030MM	[+]	17,3	ATE	A00259	720	+on board comp.		
	63	03/98 → 04/04		●		P59031MM	[+]	16,9	BSH					
	63	03/98 → 04/04		●		P59038MM	[+]	15,2	TRW					
	62	07/00 → 05/05	●			P59030MM	[+]	17,3	ATE	A00259	720	+on board comp.		
1.7 CDTI 16V	62	07/00 → 05/05		●		P59031MM	[+]	16,9	BSH					
	62	07/00 → 05/05		●		P59038MM	[+]	15,2	TRW					
	59	04/03 → 05/05	●			P59030MM	[+]	17,3	ATE	A00259	720	+on board comp.		
1.7 DTI 16V	59	04/03 → 05/05		●		P59031MM	[+]	16,9	BSH					
	59	04/03 → 05/05		●		P59038MM	[+]	15,2	TRW					
	55	02/00 → 05/05	●			P59030MM	[+]	17,3	ATE	A00259	720	+on board comp.		
1.7 TD	55	02/00 → 05/05		●		P59031MM	[+]	16,9	BSH					
	55	02/00 → 05/05		●		P59038MM	[+]	15,2	TRW					
	50	02/98 → 08/00	●			P59030MM	[+]	17,3	ATE	A00259	720	+on board comp.		
1.8 16V	50	02/98 → 08/00		●		P59031MM	[+]	16,9	BSH					
	50	02/98 → 08/00		●		P59038MM	[+]	15,2	TRW					
	85	02/98 → 08/00	●		-ABS	P59030MM	[+]	17,3	ATE	A00254	750	+P 59 045; -elec.damp.susp.	A02202	-ABS
	85	02/98 → 08/00	●		+ABS	P59045MM	[+]	19,6	ATE	A00254	750	+P 59 045; -elec.damp.susp.	A02202	-ABS
	85	02/98 → 08/00		●		P59031MM	[+]	16,9	BSH					
	85	02/98 → 08/00		●		P59038MM	[+]	15,2	TRW					
	92	09/00 → 05/05	●		→ 09/01; -ABS	P59030MM	[+]	17,3	ATE	A00254	750	+P 59 045; -elec.damp.susp.	A02202	-ABS
1.8 16V Dualfuel	92	09/00 → 05/05	●		+ABS	P59045MM	[+]	19,6	ATE	A00254	750	+P 59 045; -elec.damp.susp.	A02202	-ABS
	92	09/00 → 05/05		●		P59031MM	[+]	16,9	BSH					
	92	09/00 → 05/05		●		P59038MM	[+]	15,2	TRW					
	87	09/02 → 05/05	●			P59045MM	[+]	19,6	ATE	A00254	750	-elec.damp.susp.	A02202	
	87	09/02 → 05/05		●		P59031MM	[+]	16,9	BSH					

VAUXHALL

ASTRA Mk IV (G) Estate 02/98 → 05/05

2.0 16V	100	02/98 → 05/05	●			P59045MM	[+]	19,6	ATE	A00254	750	-elec.damp.susp.	A02202	
	100	02/98 → 05/05		●		P59031MM	[+]	16,9	BSH					
	100	02/98 → 05/05		●		P59038MM	[+]	15,2	TRW					
	118	10/99 → 05/05	●			P59045MM	[+]	19,6	ATE	A00254	750	-elec.damp.susp.	A02202	
	118	10/99 → 05/05		●		P59031MM	[+]	16,9	BSH					
	118	10/99 → 05/05		●		P59038MM	[+]	15,2	TRW					
2.0 DI	60	03/98 → 04/04	●		→ 09/01; -ABS	P59030MM	[+]	17,3	ATE	A00254	750	+P 59 045; -elec.damp.susp.	A02202	-ABS
	60	03/98 → 04/04	●		+ABS	P59045MM	[+]	19,6	ATE	A00254	750	+P 59 045; -elec.damp.susp.	A02202	-ABS
	60	03/98 → 04/04		●		P59031MM	[+]	16,9	BSH					
	60	03/98 → 04/04		●		P59038MM	[+]	15,2	TRW					
2.0 DTI 16V	74	03/98 → 04/04	●			P59045MM	[+]	19,6	ATE	A00254	750	-elec.damp.susp.	A02202	
	74	03/98 → 04/04		●		P59031MM	[+]	16,9	BSH					
	74	03/98 → 04/04		●		P59038MM	[+]	15,2	TRW					
2.2 16V	108	03/01 → 05/05	●			P59045MM	[+]	19,6	ATE	A00254	750	-elec.damp.susp.	A02202	
	108	03/01 → 05/05		●		P59031MM	[+]	16,9	BSH					
	108	03/01 → 05/05		●		P59038MM	[+]	15,2	TRW					

ASTRA Mk IV (G) Hatchback 02/98 → 05/05

1.2 16V	48	02/98 → 09/00	●			P59030MM	[+]	17,3	ATE	A00259	720	+on board comp.		
	48	02/98 → 09/00		●		P59031MM	[+]	16,9	BSH					
	48	02/98 → 09/00		●		P59038MM	[+]	15,2	TRW					
	55	09/00 → 05/05	●			P59030MM	[+]	17,3	ATE	A00259	720	+on board comp.		
	55	09/00 → 05/05		●		P59031MM	[+]	16,9	BSH					
	55	09/00 → 05/05		●		P59038MM	[+]	15,2	TRW					
1.4 16V	66	02/98 → 05/05	●			P59030MM	[+]	17,3	ATE	A00259	720	+on board comp.		
	66	02/98 → 05/05		●		P59031MM	[+]	16,9	BSH					
	66	02/98 → 05/05		●		P59038MM	[+]	15,2	TRW					
1.6	55	02/98 → 09/00	●			P59030MM	[+]	17,3	ATE	A00259	720	+on board comp.		
	55	02/98 → 09/00		●		P59031MM	[+]	16,9	BSH					
	55	02/98 → 09/00		●		P59038MM	[+]	15,2	TRW					
	62	09/00 → 05/05	●			P59030MM	[+]	17,3	ATE	A00259	720	+on board comp.		
	62	09/00 → 05/05		●		P59031MM	[+]	16,9	BSH					
	62	09/00 → 05/05		●		P59038MM	[+]	15,2	TRW					
	76	12/02 → 05/05	●			P59030MM	[+]	17,3	ATE					
	76	12/02 → 05/05		●		P59031MM	[+]	16,9	BSH					
	76	12/02 → 05/05		●		P59038MM	[+]	15,2	TRW					
1.6 16V	74	02/98 → 05/05	●			P59030MM	[+]	17,3	ATE	A00259	720	+on board comp.		
	74	02/98 → 05/05		●		P59031MM	[+]	16,9	BSH					
	74	02/98 → 05/05		●		P59038MM	[+]	15,2	TRW					
1.6 Dualfuel	63	09/02 → 05/05	●			P59030MM	[+]	17,3	ATE	A00259	720	+on board comp.		
	63	09/02 → 05/05		●		P59031MM	[+]	16,9	BSH					
	63	09/02 → 05/05		●		P59038MM	[+]	15,2	TRW					
	62	07/00 → 05/05	●			P59030MM	[+]	17,3	ATE	A00259	720	+on board comp.		
	62	07/00 → 05/05		●		P59031MM	[+]	16,9	BSH					
	62	07/00 → 05/05		●		P59038MM	[+]	15,2	TRW					
1.7 CDTI 16V	59	04/03 → 05/05	●			P59030MM	[+]	17,3	ATE	A00259	720	+on board comp.		
	59	04/03 → 05/05		●		P59031MM	[+]	16,9	BSH					
	59	04/03 → 05/05		●		P59038MM	[+]	15,2	TRW					
1.7 DTI 16V	55	02/00 → 05/05	●			P59030MM	[+]	17,3	ATE	A00259	720	+on board comp.		
	55	02/00 → 05/05		●		P59031MM	[+]	16,9	BSH					
	55	02/00 → 05/05		●		P59038MM	[+]	15,2	TRW					
1.7 TD	50	02/98 → 08/00	●			P59030MM	[+]	17,3	ATE	A00259	720	+on board comp.		
	50	02/98 → 08/00		●		P59031MM	[+]	16,9	BSH					



kw



MAGNETI MARELLI

wi

Th [mm]

SYS

WI

FK

MAGNETI MARELLI

LENGHT



MAGNETI MARELLI



VAUXHALL

ASTRA Mk IV (G) Estate 02/98 → 05/05

1.7 TD	50	02/98 → 08/00	●		P59038MM	[+]	15,2	TRW						
1.8 16V	85	02/98 → 09/00	●	-ABS	P59030MM	[+]	17,3	ATE	A00254	750	+P 59 045; -elec.damp.susp.	A02202	-ABS	
	85	02/98 → 09/00	●	+ABS	P59045MM	[+]	19,6	ATE	A00254	750	+P 59 045; -elec.damp.susp.	A02202	-ABS	
	85	02/98 → 09/00	●		P59031MM	[+]	16,9	BSH						
	85	02/98 → 09/00	●		P59038MM	[+]	15,2	TRW						
	92	09/00 → 05/05	●	-ABS	P59030MM	[+]	17,3	ATE	A00254	750	+P 59 045; -elec.damp.susp.	A02202	-ABS	
	92	09/00 → 05/05	●	+ABS	P59045MM	[+]	19,6	ATE	A00254	750	+P 59 045; -elec.damp.susp.	A02202	-ABS	
	92	09/00 → 05/05	●		P59031MM	[+]	16,9	BSH						
	92	09/00 → 05/05	●		P59038MM	[+]	15,2	TRW						
1.8 16V Dualfuel	87	09/02 → 05/05	●		P59045MM	[+]	19,6	ATE	A00254	750	+P 59 045; -elec.damp.susp.	A02202		
	87	09/02 → 05/05	●		P59031MM	[+]	16,9	BSH						
	87	09/02 → 05/05	●		P59038MM	[+]	15,2	TRW						
2.0	118	10/99 → 08/00	●		P59045MM	[+]	19,6	ATE	A00254	750	+P 59 045; -elec.damp.susp.			
	118	10/99 → 08/00	●		P59031MM	[+]	16,9	BSH						
	118	10/99 → 08/00	●		P59038MM	[+]	15,2	TRW						
2.0 16V	100	02/98 → 05/05	●		P59045MM	[+]	19,6	ATE	A00254	750	+P 59 045; -elec.damp.susp.	A02202		
	100	02/98 → 05/05	●		P59031MM	[+]	16,9	BSH						
	100	02/98 → 05/05	●		P59038MM	[+]	15,2	TRW						
2.0 DI	60	02/98 → 05/05	●	-ABS	P59030MM	[+]	17,3	ATE	A00254	750	+P 59 045; -elec.damp.susp.	A02202	-ABS	
	60	02/98 → 05/05	●	+ABS	P59045MM	[+]	19,6	ATE	A00254	750	+P 59 045; -elec.damp.susp.	A02202	-ABS	
	60	02/98 → 05/05	●		P59031MM	[+]	16,9	BSH						
	60	02/98 → 05/05	●		P59038MM	[+]	15,2	TRW						
2.0 DTI 16V	74	08/99 → 05/05	●		P59045MM	[+]	19,6	ATE	A00254	750	+P 59 045; -elec.damp.susp.			
	74	08/99 → 05/05	●		P59031MM	[+]	16,9	BSH						
	74	08/99 → 05/05	●		P59038MM	[+]	15,2	TRW						
2.0 SRI Turbo	141	11/01 → 05/05	●		P59048MM	[+]	20,2	ATE				A02202		
	141	11/01 → 05/05	●		P59031MM	[+]	16,9	BSH						
	141	11/01 → 05/05	●		P59038MM	[+]	15,2	TRW						
2.2 16V	108	03/01 → 05/05	●		P59045MM	[+]	19,6	ATE	A00254	750	+P 59 045; -elec.damp.susp.	A02202		
	108	03/01 → 05/05	●		P59031MM	[+]	16,9	BSH						
	108	03/01 → 05/05	●		P59038MM	[+]	15,2	TRW						

ASTRA Mk IV (G) Saloon 02/98 → 05/05

1.2 16V	48	09/98 → 09/00	●		P59030MM	[+]	17,3	ATE	A00259	720	+on board comp.		
	48	09/98 → 09/00	●		P59031MM	[+]	16,9	BSH					
	48	09/98 → 09/00	●		P59038MM	[+]	15,2	TRW					
	55	09/00 → 05/05	●		P59030MM	[+]	17,3	ATE	A00259	720	+on board comp.		
	55	09/00 → 05/05	●		P59031MM	[+]	16,9	BSH					
	55	09/00 → 05/05	●		P59038MM	[+]	15,2	TRW					
1.4 16V	66	09/98 → 05/05	●		P59030MM	[+]	17,3	ATE	A00259	720	+on board comp.		
	66	09/98 → 05/05	●		P59031MM	[+]	16,9	BSH					
	66	09/98 → 05/05	●		P59038MM	[+]	15,2	TRW					
1.6	55	09/98 → 09/00	●		P59030MM	[+]	17,3	ATE	A00259	720	+on board comp.		
	55	09/98 → 09/00	●		P59031MM	[+]	16,9	BSH					
	55	09/98 → 09/00	●		P59038MM	[+]	15,2	TRW					
	62	09/00 → 05/05	●		P59030MM	[+]	17,3	ATE	A00259	720	+on board comp.		
	62	09/00 → 05/05	●		P59031MM	[+]	16,9	BSH					

Car Model	KW	S	E	i	MAGNETI MARELLI	WI	Th [mm]	SYS	WI			FK	
									MAGNETI MARELLI	LENGHT	i	MAGNETI MARELLI	i

VAUXHALL

ASTRA Mk IV (G) Saloon 02/98 → 05/05

1.6	62	09/00 → 05/05	•		P59038MM	[+]	15,2	TRW						
1.6 16V	74	09/98 → 05/05	•		P59030MM	[+]	17,3	ATE	A00259	720	+on board comp.			
	74	09/98 → 05/05	•		P59031MM	[+]	16,9	BSH						
	74	09/98 → 05/05	•		P59038MM	[+]	15,2	TRW						
1.6 Dualfuel	63	09/02 → 05/05	•		P59030MM	[+]	17,3	ATE	A00259	720	+on board comp.			
	63	09/02 → 05/05	•		P59031MM	[+]	16,9	BSH						
	63	09/02 → 05/05	•		P59038MM	[+]	15,2	TRW						
	62	07/00 → 05/05	•		P59030MM	[+]	17,3	ATE	A00259	720	+on board comp.			
	62	07/00 → 05/05	•		P59031MM	[+]	16,9	BSH						
	62	07/00 → 05/05	•		P59038MM	[+]	15,2	TRW						
1.7 CDTI 16V	59	04/03 → 05/05	•		P59030MM	[+]	17,3	ATE	A00259	720	+on board comp.			
	59	04/03 → 05/05	•		P59031MM	[+]	16,9	BSH						
	59	04/03 → 05/05	•		P59038MM	[+]	15,2	TRW						
1.7 DTI 16V	55	02/00 → 05/05	•		P59030MM	[+]	17,3	ATE	A00259	720	+on board comp.			
	55	02/00 → 05/05	•		P59031MM	[+]	16,9	BSH						
	55	02/00 → 05/05	•		P59038MM	[+]	15,2	TRW						
1.7 TD	50	09/98 → 08/00	•		P59030MM	[+]	17,3	ATE	A00259	720	+on board comp.			
	50	09/98 → 08/00	•		P59031MM	[+]	16,9	BSH						
	50	09/98 → 08/00	•		P59038MM	[+]	15,2	TRW						
1.8 16V	85	02/98 → 07/04	•	-ABS	P59030MM	[+]	17,3	ATE	A00254	750	+P 59 045; -elec.damp.susp.	A02202	-ABS	
	85	02/98 → 07/04	•	+ABS	P59045MM	[+]	19,6	ATE	A00254	750	+P 59 045; -elec.damp.susp.	A02202	-ABS	
	85	02/98 → 07/04	•		P59031MM	[+]	16,9	BSH						
	85	02/98 → 07/04	•		P59038MM	[+]	15,2	TRW						
	92	02/98 → 07/04	•	-ABS	P59030MM	[+]	17,3	ATE	A00254	750	+P 59 045; -elec.damp.susp.	A02202	-ABS	
	92	02/98 → 07/04	•	+ABS	P59045MM	[+]	19,6	ATE	A00254	750	+P 59 045; -elec.damp.susp.	A02202	-ABS	
	92	02/98 → 07/04	•		P59031MM	[+]	16,9	BSH						
1.8 16V Dualfuel	87	02/98 → 07/04	•		P59045MM	[+]	19,6	ATE	A00254	750	+P 59 045; -elec.damp.susp.	A02202		
	87	02/98 → 07/04	•		P59031MM	[+]	16,9	BSH						
	87	02/98 → 07/04	•		P59038MM	[+]	15,2	TRW						
2.0 16V	100	09/98 → 05/05	•		P59045MM	[+]	19,6	ATE	A00254	750	+P 59 045; -elec.damp.susp.	A02202		
	100	09/98 → 05/05	•		P59031MM	[+]	16,9	BSH						
	100	09/98 → 05/05	•		P59038MM	[+]	15,2	TRW						
	118	10/99 → 05/05	•		P59045MM	[+]	19,6	ATE	A00254	750	+P 59 045; -elec.damp.susp.	A02202		
	118	10/99 → 05/05	•		P59031MM	[+]	16,9	BSH						
	118	10/99 → 05/05	•		P59038MM	[+]	15,2	TRW						
2.0 DI	60	02/98 → 07/04	•	-ABS	P59030MM	[+]	17,3	ATE	A00254	750	+P 59 045; -elec.damp.susp.	A02202	-ABS	
	60	02/98 → 07/04	•	+ABS	P59045MM	[+]	19,6	ATE	A00254	750	+P 59 045; -elec.damp.susp.	A02202	-ABS	
	60	02/98 → 07/04	•		P59031MM	[+]	16,9	BSH						
	60	02/98 → 07/04	•		P59038MM	[+]	15,2	TRW						
2.0 DTI 16V	74	02/98 → 07/04	•		P59045MM	[+]	19,6	ATE	A00254	750	+P 59 045; -elec.damp.susp.	A02202		
	74	02/98 → 07/04	•		P59031MM	[+]	16,9	BSH						
	74	02/98 → 07/04	•		P59038MM	[+]	15,2	TRW						
2.2 16V	108	03/01 → 05/05	•		P59045MM	[+]	19,6	ATE	A00254	750	+P 59 045; -elec.damp.susp.	A02202		
	108	03/01 → 05/05	•		P59031MM	[+]	16,9	BSH						
	108	03/01 → 05/05	•		P59038MM	[+]	15,2	TRW						

									WI			FK	

VAUXHALL

ASTRA Mk IV (G) Saloon 02/98 → 05/05

2.2 DTI	92 09/02 → 05/05	●		P59045MM	[+]	19,6	ATE	A00254	750			A02202
	92 09/02 → 05/05	●		P59031MM	[+]	16,9	BSH					
	92 09/02 → 05/05	●		P59038MM	[+]	15,2	TRW					

ASTRA Mk V (H) Estate 08/04 → 10/12

1.3 CDTi	66 08/04 → 03/09	●		P59045MM	[+]	19,6	ATE	A00255	287			A02202
	66 08/04 → 03/09	●	4 holes	P10013MM	[-]	15,2	TRW					
	66 08/04 → 03/09	●	5 holes	P59038MM	[+]	15,2	TRW					
1.4	55 08/04 → 10/10	●		P59045MM	[+]	19,6	ATE	A00255	287			A02202
	55 08/04 → 10/10	●	4 holes	P10013MM	[-]	15,2	TRW					
	55 08/04 → 10/10	●	5 holes	P59038MM	[+]	15,2	TRW					
	66 08/04 → 03/09	●		P59045MM	[+]	19,6	ATE	A00255	287			A02202
	66 08/04 → 03/09	●	4 holes	P10013MM	[-]	15,2	TRW					
	66 08/04 → 03/09	●	5 holes	P59038MM	[+]	15,2	TRW					
1.6	77 08/04 → 03/09	●		P59045MM	[+]	19,6	ATE	A00255	287			A02202
	77 08/04 → 03/09	●	4 holes	P10013MM	[-]	15,2	TRW					
	77 08/04 → 03/09	●	5 holes	P59038MM	[+]	15,2	TRW					
	132 08/04 → 03/09	●		P59045MM	[+]	19,6	ATE	A00255	287			
	132 08/04 → 03/09	●	+rear disc	P10013MM	[-]	15,2	TRW					
	85 08/04 → 03/09	●		P59045MM	[+]	19,6	ATE	A00255	287			
	85 08/04 → 03/09	●	4 holes	P10013MM	[-]	15,2	TRW					
	85 08/04 → 03/09	●	5 holes	P59038MM	[+]	15,2	TRW					
1.7 CDTi	92 02/07 → 10/10	●		P59045MM	[+]	19,6	ATE					A02202
	92 02/07 → 10/10	●	4 holes	P10013MM	[-]	15,2	TRW					
	92 02/07 → 10/10	●	5 holes	P59038MM	[+]	15,2	TRW					
	74 08/04 → 03/09	●		P59045MM	[+]	19,6	ATE	A00255	287			A02202
	74 08/04 → 03/09	●	4 holes	P10013MM	[-]	15,2	TRW					
	74 08/04 → 03/09	●	5 holes	P59038MM	[+]	15,2	TRW					
	81 08/04 → 10/12	●		P59045MM	[+]	19,6	ATE	A00255	287			
	81 08/04 → 10/12	●	4 holes	P10013MM	[-]	15,2	TRW					
	81 08/04 → 10/12	●	5 holes	P59038MM	[+]	15,2	TRW					
	59 08/04 → 05/09	●		P59045MM	[+]	19,6	ATE					
1.8	92 10/04 → 03/09	●		P59045MM	[+]	19,6	ATE	A00255	287			A02202
	92 10/04 → 03/09	●	4 holes	P10013MM	[-]	15,2	TRW					
	92 10/04 → 03/09	●	5 holes	P59038MM	[+]	15,2	TRW					
	103 12/05 → 10/10	●		P59045MM	[+]	19,6	ATE	A00255	287			
	103 12/05 → 10/10	●	4 holes	P10013MM	[-]	15,2	TRW					
	103 12/05 → 10/10	●	5 holes	P59038MM	[+]	15,2	TRW					
1.9 CDTi	88 08/04 → 03/09	●		P59045MM	[+]	19,6	ATE	A00255	287			A02202
	88 08/04 → 03/09	●	+rear disc	P10013MM	[-]	15,2	TRW					
	110 08/04 → 03/09	●		P59045MM	[+]	19,6	ATE	A00255	287			A02202
	110 08/04 → 03/09	●	+rear disc	P10013MM	[-]	15,2	TRW					
	74 08/04 → 03/09	●		P59045MM	[+]	19,6	ATE	A00255	287			
	74 08/04 → 03/09	●	4 holes	P10013MM	[-]	15,2	TRW					
2.0 Turbo	125 08/04 → 10/10	●		P59045MM	[+]	19,6	ATE	A00255	287			A02202
	125 08/04 → 10/10	●		P10013MM	[-]	15,2	TRW					
	147 08/04 → 10/10	●		P59045MM	[+]	19,6	ATE	A00255	287			A02202
	147 08/04 → 10/10	●		P10013MM	[-]	15,2	TRW					

ASTRA Mk V (H) Hatchback 01/04 → 09/09

1.3 CDTi	66 01/04 → 05/09	●		P59045MM	[+]	19,6	ATE	A00255	287			A02202
	66 01/04 → 05/09	●	4 holes	P10013MM	[-]	15,2	TRW					
	66 01/04 → 05/09	●	5 holes	P59038MM	[+]	15,2	TRW					

		kw						wi	Th [mm]	SYS	wi		FK		
												LEIGHT			

VAUXHALL

ASTRA Mk V (H) Hatchback 01/04 → 09/09

1.4	55	04/04 → 12/05	●		P59045MM	[+]	19,6	ATE	A00255	287			A02202
	55	04/04 → 12/05		● 4 holes	P10013MM	[-]	15,2	TRW					
	55	04/04 → 12/05		● 5 holes	P59038MM	[+]	15,2	TRW					
1.6	66	01/04 → 05/09	●		P59045MM	[+]	19,6	ATE	A00255	287			A02202
	66	01/04 → 05/09		● 4 holes	P10013MM	[-]	15,2	TRW					
	66	01/04 → 05/09		● 5 holes	P59038MM	[+]	15,2	TRW					
1.6 Turbo	77	01/04 → 05/09	●		P59045MM	[+]	19,6	ATE	A00255	287			A02202
	77	01/04 → 05/09		● 4 holes	P10013MM	[-]	15,2	TRW					
	77	01/04 → 05/09		● 5 holes	P59038MM	[+]	15,2	TRW					
1.6 Turbo	85	01/04 → 05/09	●		P59045MM	[+]	19,6	ATE	A00255	287			
	85	01/04 → 05/09		● 4 holes	P10013MM	[-]	15,2	TRW					
	85	01/04 → 05/09		● 5 holes	P59038MM	[+]	15,2	TRW					
1.7 CDTi	132	09/06 → 09/09	●		P59045MM	[+]	19,6	ATE					
	132	09/06 → 09/09		● +rear disc	P10013MM	[-]	15,2	TRW					
	59	01/04 → 05/09	●		P59045MM	[+]	19,6	ATE	A00255	287			A02202
1.7 CDTi	59	01/04 → 05/09		● 4 holes	P10013MM	[-]	15,2	TRW					
	59	01/04 → 05/09		● 5 holes	P59038MM	[+]	15,2	TRW					
	74	01/04 → 05/09	●		P59045MM	[+]	19,6	ATE	A00255	287			A02202
1.7 CDTi	74	01/04 → 05/09		● 4 holes	P10013MM	[-]	15,2	TRW					
	74	01/04 → 05/09		● 5 holes	P59038MM	[+]	15,2	TRW					
	81	01/04 → 05/09	●		P59045MM	[+]	19,6	ATE	A00255	287			
1.8	81	01/04 → 05/09		● 4 holes	P10013MM	[-]	15,2	TRW					
	81	01/04 → 05/09		● 5 holes	P59038MM	[+]	15,2	TRW					
	92	01/04 → 05/09	●		P59045MM	[+]	19,6	ATE	A00255	287			A02202
1.8	92	01/04 → 05/09		● 4 holes	P10013MM	[-]	15,2	TRW					
	92	01/04 → 05/09		● 5 holes	P59038MM	[+]	15,2	TRW					
	103	01/04 → 05/09	●		P59045MM	[+]	19,6	ATE	A00255	287			
1.9 CDTi	103	01/04 → 05/09		● 4 holes	P10013MM	[-]	15,2	TRW					
	103	01/04 → 05/09		● 5 holes	P59038MM	[+]	15,2	TRW					
	110	01/04 → 05/09	●		P59045MM	[+]	19,6	ATE	A00255	287			A02202
1.9 CDTi	110	01/04 → 05/09		● +rear disc	P10013MM	[-]	15,2	TRW					
	88	01/04 → 05/09	●		P59045MM	[+]	19,6	ATE	A00255	287			A02202
	88	01/04 → 05/09		● +rear disc	P10013MM	[-]	15,2	TRW					
1.9 CDTi 16V	88	01/04 → 05/09	●		P59045MM	[+]	19,6	ATE	A00255	287			A02202
	88	01/04 → 05/09		● +rear disc	P10013MM	[-]	15,2	TRW					
	125	01/04 → 05/09	●		P59045MM	[+]	19,6	ATE	A00255	287			A02202
2.0 Turbo	125	01/04 → 05/09		● +rear disc	P10013MM	[-]	15,2	TRW					
	147	01/04 → 05/09	●		P59045MM	[+]	19,6	ATE	A00255	287			A02202
	147	01/04 → 05/09		●	P10013MM	[-]	15,2	TRW					
2.0 Turbo	177	01/04 → 05/09	●		P59043MM	[O]	20,6	ATE	A00255	287			
	177	01/04 → 05/09		●	P10013MM	[-]	15,2	TRW					

ASTRA Mk V (H) Sport Hatch 02/05 → 11/10

1.3 CDTi	66	04/05 → 11/10	●		P59045MM	[+]	19,6	ATE	A00255	287			
	66	04/05 → 11/10		● 4 holes	P10013MM	[-]	15,2	TRW					
	66	04/05 → 11/10		● 5 holes	P59038MM	[+]	15,2	TRW					
1.4	55	02/05 → 11/10	●		P59045MM	[+]	19,6	ATE	A00255	287			A02202
	55	02/05 → 11/10		● 4 holes	P10013MM	[-]	15,2	TRW					
	55	02/05 → 11/10		● 5 holes	P59038MM	[+]	15,2	TRW					
1.4 i 16V	66	03/05 → 11/10	●		P59045MM	[+]	19,6	ATE	A00255	287			
	66	03/05 → 11/10		● 4 holes	P10013MM	[-]	15,2	TRW					
	66	03/05 → 11/10		● 5 holes	P59038MM	[+]	15,2	TRW					
1.6	77	02/05 → 11/10	●		P59045MM	[+]	19,6	ATE	A00255	287			A02202
	77	02/05 → 11/10		● 4 holes	P10013MM	[-]	15,2	TRW					
	77	02/05 → 11/10		● 5 holes	P59038MM	[+]	15,2	TRW					

									WI		FK		
	kw						Th [mm]		MAGNETI MARELLI	LENGHT		MAGNETI MARELLI	

VAUXHALL

ASTRA Mk V (H) Sport Hatch 02/05 → 11/10

1.6	132	10/06 → 11/10	●		P59045MM	[+]	19,6	ATE	A00255	287		
	132	10/06 → 11/10	●	+rear disc	P10013MM	[-]	15,2	TRW				
1.6 i 16V	85	12/06 → 11/10	●		P59045MM	[+]	19,6	ATE	A00255	287		
	85	12/06 → 11/10	●	4 holes	P10013MM	[-]	15,2	TRW				
	85	12/06 → 11/10	●	5 holes	P59038MM	[+]	15,2	TRW				
1.7 CDTi	74	02/05 → 11/10	●		P59045MM	[+]	19,6	ATE	A00255	287		A02202
	74	02/05 → 11/10	●	4 holes	P10013MM	[-]	15,2	TRW				
	74	02/05 → 11/10	●	5 holes	P59038MM	[+]	15,2	TRW				
	81	02/07 → 11/10	●		P59045MM	[+]	19,6	ATE	A00255	287		
	81	02/07 → 11/10	●	4 holes	P10013MM	[-]	15,2	TRW				
1.8	92	02/05 → 11/10	●		P59045MM	[+]	19,6	ATE	A00255	287		A02202
	92	02/05 → 11/10	●	4 holes	P10013MM	[-]	15,2	TRW				
	92	02/05 → 11/10	●	5 holes	P59038MM	[+]	15,2	TRW				
1.8 i 16V	103	03/07 → 11/10	●		P59045MM	[+]	19,6	ATE	A00255	287		
	103	03/07 → 11/10	●	+rear disc	P10013MM	[-]	15,2	TRW				
1.9 CDTi	88	02/05 → 11/10	●		P59045MM	[+]	19,6	ATE	A00255	287		A02202
	88	02/05 → 11/10	●	+rear disc	P10013MM	[-]	15,2	TRW				
	110	02/05 → 11/10	●		P59045MM	[+]	19,6	ATE	A00255	287		A02202
	110	02/05 → 11/10	●	+rear disc	P10013MM	[-]	15,2	TRW				
	74	08/05 → 11/10	●		P59045MM	[+]	19,6	ATE	A00255	287		
	74	08/05 → 11/10	●	4 holes	P10013MM	[-]	15,2	TRW				
2.0 Turbo	125	02/05 → 11/10	●		P59045MM	[+]	19,6	ATE	A00255	287		A02202
	125	02/05 → 11/10	●		P10013MM	[-]	15,2	TRW				
2.0 VXR	176	02/09 → 11/10	●		P59043MM	[O]	20,6	ATE	A00255	287		
	176	02/09 → 11/10	●		P10013MM	[-]	15,2	TRW				

ASTRA Mk V (H) TwinTop 09/05 → 11/10

1.6	77	09/05 → 11/10	●		P59045MM	[+]	19,6	ATE	A00255	287		A02202
	77	09/05 → 11/10	●	4 holes	P10013MM	[-]	15,2	TRW				
	77	09/05 → 11/10	●	5 holes	P59038MM	[+]	15,2	TRW				
	132	10/06 → 11/10	●		P59045MM	[+]	19,6	ATE	A00255	287		
	132	10/06 → 11/10	●	+rear disc	P10013MM	[-]	15,2	TRW				
1.6 i 16V	85	10/06 → 11/10	●		P59045MM	[+]	19,6	ATE	A00255	287		
	85	10/06 → 11/10	●	4 holes	P10013MM	[-]	15,2	TRW				
	85	10/06 → 11/10	●	5 holes	P59038MM	[+]	15,2	TRW				
1.8	103	05/08 → 11/10	●		P59045MM	[+]	19,6	ATE	A00255	287		
	103	05/08 → 11/10	●	4 holes	P10013MM	[-]	15,2	TRW				
	103	05/08 → 11/10	●	5 holes	P59038MM	[+]	15,2	TRW				
1.9 CDTi	110	01/06 → 11/10	●		P59045MM	[+]	19,6	ATE	A00255	287		
	110	01/06 → 11/10	●	+rear disc	P10013MM	[-]	15,2	TRW				
2.0	125	02/06 → 11/10	●		P59045MM	[+]	19,6	ATE	A00255	287		
	125	02/06 → 11/10	●		P10013MM	[-]	15,2	TRW				
2.0 Turbo	147	01/06 → 11/10	●		P59045MM	[+]	19,6	ATE	A00255	287		
	147	01/06 → 11/10	●		P10013MM	[-]	15,2	TRW				

ASTRA Mk VI (J) 12/09 →

1.3 CDTi	70	12/09 →	●	17" wheel	P59055MM	[+]	19,1	MN				
	70	12/09 →	●	15" wheel	P59076MM	[+]	18,8	BSH				
	70	12/09 →	●	16" wheel	P59077MM	[+]	18,8	BSH				
	70	12/09 →	●	16" wheel; 15" wheel	P59080MM	[+]	16,2	TRW				
1.4	74	12/09 →	●	17" wheel	P59055MM	[+]	19,1	MN				
	74	12/09 →	●	15" wheel	P59076MM	[+]	18,8	BSH				
	74	12/09 →	●	16" wheel	P59077MM	[+]	18,8	BSH				
	74	12/09 →	●	16" wheel; 15" wheel	P59080MM	[+]	16,2	TRW				

--	--	--	--	--	--	--	--	--	--	--	--	--	--	--	--

VAUXHALL

ASTRA Mk VI (J) 12/09 →

Power	Year	Direction	ABS	Wheel	Part No.	Offset	System	WI	FK
1.4	64	12/09 →	●	17" wheel	P59055MM	[+]	19,1 MN		
	64	12/09 →	●	15" wheel	P59076MM	[+]	18,8 BSH		
	64	12/09 →	●	16" wheel	P59077MM	[+]	18,8 BSH		
	64	12/09 →	●	15" wheel; 16" wheel	P59080MM	[+]	16,2 TRW		
1.4 Turbo	88	08/11 →	●	17" wheel	P59055MM	[+]	19,1 MN		
	88	08/11 →	●	15" wheel	P59076MM	[+]	18,8 BSH		
	88	08/11 →	●	16" wheel	P59077MM	[+]	18,8 BSH		
	88	08/11 →	●	15" wheel; 16" wheel	P59080MM	[+]	16,2 TRW		
	103	12/09 →	●	17" wheel	P59055MM	[+]	19,1 MN		
	103	12/09 →	●	15" wheel	P59076MM	[+]	18,8 BSH		
	103	12/09 →	●	16" wheel	P59077MM	[+]	18,8 BSH		
1.6	85	12/09 →	●	17" wheel	P59055MM	[+]	19,1 MN		
	85	12/09 →	●	15" wheel	P59076MM	[+]	18,8 BSH		
	85	12/09 →	●	16" wheel	P59077MM	[+]	18,8 BSH		
	85	12/09 →	●	16" wheel; 15" wheel	P59080MM	[+]	16,2 TRW		
1.6 CDTi	81	11/13 →	●	17" wheel	P59055MM	[+]	19,1 MN		
	81	11/13 →	●	15" wheel	P59076MM	[+]	18,8 BSH		
	81	11/13 →	●	16" wheel	P59077MM	[+]	18,8 BSH		
	81	11/13 →	●	16" wheel; 15" wheel	P59080MM	[+]	16,2 TRW		
	100	11/13 →	●	17" wheel	P59055MM	[+]	19,1 MN		
	100	11/13 →	●	15" wheel	P59076MM	[+]	18,8 BSH		
	100	11/13 →	●	16" wheel	P59077MM	[+]	18,8 BSH		
1.6 SIDI	125	12/12 →	●	17" wheel	P59055MM	[+]	19,1 MN		
	125	12/12 →	●	15" wheel	P59076MM	[+]	18,8 BSH		
	125	12/12 →	●	16" wheel	P59077MM	[+]	18,8 BSH		
	125	12/12 →	●	16" wheel; 15" wheel	P59080MM	[+]	16,2 TRW		
1.6 Turbo	132	12/09 →	●	17" wheel	P59055MM	[+]	19,1 MN		
	132	12/09 →	●	15" wheel	P59076MM	[+]	18,8 BSH		
	132	12/09 →	●	16" wheel	P59077MM	[+]	18,8 BSH		
	132	12/09 →	●	15" wheel; 16" wheel	P59080MM	[+]	16,2 TRW		
1.7 CDTi	96	06/11 →	●	17" wheel	P59055MM	[+]	19,1 MN		
	96	06/11 →	●	15" wheel	P59076MM	[+]	18,8 BSH		
	96	06/11 →	●	16" wheel	P59077MM	[+]	18,8 BSH		
	96	06/11 →	●	16" wheel; 15" wheel	P59080MM	[+]	16,2 TRW		
	81	12/09 →	●	17" wheel	P59055MM	[+]	19,1 MN		
	81	12/09 →	●	15" wheel	P59076MM	[+]	18,8 BSH		
	81	12/09 →	●	16" wheel	P59077MM	[+]	18,8 BSH		
	81	12/09 →	●	15" wheel; 16" wheel	P59080MM	[+]	16,2 TRW		
	92	12/09 →	●	17" wheel	P59055MM	[+]	19,1 MN		
	92	12/09 →	●	15" wheel	P59076MM	[+]	18,8 BSH		
2.0 BiTurbo CDTi	143	12/12 →	●	17" wheel	P59055MM	[+]	19,1 MN		
	143	12/12 →	●	15" wheel	P59076MM	[+]	18,8 BSH		
	143	12/12 →	●	16" wheel	P59077MM	[+]	18,8 BSH		
	143	12/12 →	●	15" wheel; 16" wheel	P59080MM	[+]	16,2 TRW		
2.0 CDTi	121	08/11 →	●	17" wheel	P59055MM	[+]	19,1 MN		
	121	08/11 →	●	15" wheel	P59076MM	[+]	18,8 BSH		
	121	08/11 →	●	16" wheel	P59077MM	[+]	18,8 BSH		
	121	08/11 →	●	15" wheel; 16" wheel	P59080MM	[+]	16,2 TRW		
	118	12/09 →	●	17" wheel	P59055MM	[+]	19,1 MN		
	118	12/09 →	●	15" wheel	P59076MM	[+]	18,8 BSH		

									WI			FK	

VAUXHALL

ASTRA Mk VI (J) 12/09 →

2.0 CDTi	118 12/09 →	●	16" wheel	P59077MM	[+]	18,8	BSH					
	118 12/09 →		● 15" wheel; 16" wheel	P59080MM	[+]	16,2	TRW					

ASTRA Mk VI (J) Estate 10/10 →

1.3 CDTi	70 10/10 →	●	15" wheel	P59076MM	[+]	18,8	BSH					
	70 10/10 →	●	16" wheel	P59077MM	[+]	18,8	BSH					
	70 10/10 →	●	17" wheel	P59055MM	[+]	19,1	MN					
	70 10/10 →		● 16" wheel; 15" wheel	P59080MM	[+]	16,2	TRW					
	70 10/10 →		● 18" wheel	P59087MM	[+]	16,2	TRW					
1.4	74 10/10 →	●	15" wheel	P59076MM	[+]	18,8	BSH					
	74 10/10 →	●	16" wheel	P59077MM	[+]	18,8	BSH					
	74 10/10 →	●	17" wheel	P59055MM	[+]	19,1	MN					
	74 10/10 →		● 15" wheel; 16" wheel	P59080MM	[+]	16,2	TRW					
	74 10/10 →		● 18" wheel	P59087MM	[+]	16,2	TRW					
1.4 Turbo	103 10/10 →	●	15" wheel	P59076MM	[+]	18,8	BSH					
	103 10/10 →	●	16" wheel	P59077MM	[+]	18,8	BSH					
	103 10/10 →	●	17" wheel	P59055MM	[+]	19,1	MN					
	103 10/10 →		● 16" wheel; 15" wheel	P59080MM	[+]	16,2	TRW					
	103 10/10 →		● 18" wheel	P59087MM	[+]	16,2	TRW					
	88 10/10 →	●	15" wheel	P59076MM	[+]	18,8	BSH					
	88 10/10 →	●	16" wheel	P59077MM	[+]	18,8	BSH					
	88 10/10 →	●	17" wheel	P59055MM	[+]	19,1	MN					
	88 10/10 →		● 16" wheel; 15" wheel	P59080MM	[+]	16,2	TRW					
1.6	85 10/10 →	●	15" wheel	P59076MM	[+]	18,8	BSH					
	85 10/10 →	●	16" wheel	P59077MM	[+]	18,8	BSH					
	85 10/10 →	●	17" wheel	P59055MM	[+]	19,1	MN					
	85 10/10 →		● 15" wheel; 16" wheel	P59080MM	[+]	16,2	TRW					
	85 10/10 →		● 18" wheel	P59087MM	[+]	16,2	TRW					
1.6 CDTi	100 01/14 →	●	15" wheel	P59076MM	[+]	18,8	BSH					
	100 01/14 →	●	16" wheel	P59077MM	[+]	18,8	BSH					
	100 01/14 →	●	17" wheel	P59055MM	[+]	19,1	MN					
	100 01/14 →		● 15" wheel; 16" wheel	P59080MM	[+]	16,2	TRW					
	100 01/14 →		● 18" wheel	P59087MM	[+]	16,2	TRW					
	81 01/14 →	●	15" wheel	P59076MM	[+]	18,8	BSH					
	81 01/14 →	●	16" wheel	P59077MM	[+]	18,8	BSH					
	81 01/14 →	●	17" wheel	P59055MM	[+]	19,1	MN					
	81 01/14 →		● 16" wheel; 15" wheel	P59080MM	[+]	16,2	TRW					
1.6 SIDI	125 12/12 →	●	15" wheel	P59076MM	[+]	18,8	BSH					
	125 12/12 →	●	16" wheel	P59077MM	[+]	18,8	BSH					
	125 12/12 →	●	17" wheel	P59055MM	[+]	19,1	MN					
	125 12/12 →		● 15" wheel; 16" wheel	P59080MM	[+]	16,2	TRW					
	125 12/12 →		● 18" wheel	P59087MM	[+]	16,2	TRW					
1.6 Turbo	132 10/10 →	●	15" wheel	P59076MM	[+]	18,8	BSH					
	132 10/10 →	●	16" wheel	P59077MM	[+]	18,8	BSH					
	132 10/10 →	●	17" wheel	P59055MM	[+]	19,1	MN					
	132 10/10 →		● 15" wheel; 16" wheel	P59080MM	[+]	16,2	TRW					
	132 10/10 →		● 18" wheel	P59087MM	[+]	16,2	TRW					
1.7 CDTi	81 10/10 →	●	15" wheel	P59076MM	[+]	18,8	BSH					
	81 10/10 →	●	16" wheel	P59077MM	[+]	18,8	BSH					
	81 10/10 →	●	17" wheel	P59055MM	[+]	19,1	MN					
	81 10/10 →		● 16" wheel; 15" wheel	P59080MM	[+]	16,2	TRW					
	81 10/10 →		● 18" wheel	P59087MM	[+]	16,2	TRW					
	92 10/10 →	●	15" wheel	P59076MM	[+]	18,8	BSH					

VAUXHALL

ASTRA Mk VI (J) Estate 10/10 →

1.7 CDTi	92	10/10 →	●	16" wheel	P59077MM	[+]	18,8	BSH						
	92	10/10 →	●	17" wheel	P59055MM	[+]	19,1	MN						
	92	10/10 →		● 15" wheel; 16" wheel	P59080MM	[+]	16,2	TRW						
	92	10/10 →		● 18" wheel	P59087MM	[+]	16,2	TRW						
	96	06/11 → 05/14	●	15" wheel	P59076MM	[+]	18,8	BSH						
	96	06/11 → 05/14	●	16" wheel	P59077MM	[+]	18,8	BSH						
	96	06/11 → 05/14	●	17" wheel	P59055MM	[+]	19,1	MN						
	96	06/11 → 05/14		● 16" wheel; 15" wheel	P59080MM	[+]	16,2	TRW						
	96	06/11 → 05/14		● 18" wheel	P59087MM	[+]	16,2	TRW						
2.0 BiTurbo CDTi	143	12/12 →	●	15" wheel	P59076MM	[+]	18,8	BSH						
	143	12/12 →	●	16" wheel	P59077MM	[+]	18,8	BSH						
	143	12/12 →	●	17" wheel	P59055MM	[+]	19,1	MN						
	143	12/12 →		● 15" wheel; 16" wheel	P59080MM	[+]	16,2	TRW						
	143	12/12 →		● 18" wheel	P59087MM	[+]	16,2	TRW						
2.0 CDTi	118	10/10 →	●	15" wheel	P59076MM	[+]	18,8	BSH						
	118	10/10 →	●	16" wheel	P59077MM	[+]	18,8	BSH						
	118	10/10 →	●	17" wheel	P59055MM	[+]	19,1	MN						
	118	10/10 →		● 15" wheel; 16" wheel	P59080MM	[+]	16,2	TRW						
	118	10/10 →		● 18" wheel	P59087MM	[+]	16,2	TRW						
	121	08/11 →	●	15" wheel	P59076MM	[+]	18,8	BSH						
	121	08/11 →	●	16" wheel	P59077MM	[+]	18,8	BSH						
	121	08/11 →	●	17" wheel	P59055MM	[+]	19,1	MN						
	121	08/11 →		● 15" wheel; 16" wheel	P59080MM	[+]	16,2	TRW						
	121	08/11 →		● 18" wheel	P59087MM	[+]	16,2	TRW						

ASTRA Mk VI (J) GTC 10/11 →

1.4	88	10/11 →	●	15" wheel	P59076MM	[+]	18,8	BSH						
	88	10/11 →	●	16" wheel	P59077MM	[+]	18,8	BSH						
	88	10/11 →	●	17" wheel	P59055MM	[+]	19,1	MN						
	88	10/11 →		● 15" wheel; 16" wheel	P59080MM	[+]	16,2	TRW						
	88	10/11 →		● 18" wheel	P59087MM	[+]	16,2	TRW						
	74	10/11 →	●	15" wheel	P59076MM	[+]	18,8	BSH						
	74	10/11 →	●	16" wheel	P59077MM	[+]	18,8	BSH						
	74	10/11 →	●	17" wheel	P59055MM	[+]	19,1	MN						
	74	10/11 →		● 16" wheel; 15" wheel	P59080MM	[+]	16,2	TRW						
	74	10/11 →		● 18" wheel	P59087MM	[+]	16,2	TRW						
	103	10/11 →	●	15" wheel	P59076MM	[+]	18,8	BSH						
	103	10/11 →	●	16" wheel	P59077MM	[+]	18,8	BSH						
	103	10/11 →	●	17" wheel	P59055MM	[+]	19,1	MN						
	103	10/11 →		● 15" wheel; 16" wheel	P59080MM	[+]	16,2	TRW						
103	10/11 →		● 18" wheel	P59087MM	[+]	16,2	TRW							
1.6	132	10/11 →	●	15" wheel	P59076MM	[+]	18,8	BSH						
	132	10/11 →	●	16" wheel	P59077MM	[+]	18,8	BSH						
	132	10/11 →	●	17" wheel	P59055MM	[+]	19,1	MN						
	132	10/11 →		● 15" wheel; 16" wheel	P59080MM	[+]	16,2	TRW						
	132	10/11 →		● 18" wheel	P59087MM	[+]	16,2	TRW						
1.6 CDTi	81	07/14 →	●	15" wheel	P59076MM	[+]	18,8	BSH						
	81	07/14 →	●	16" wheel	P59077MM	[+]	18,8	BSH						
	81	07/14 →	●	17" wheel	P59055MM	[+]	19,1	MN						
	81	07/14 →		● 15" wheel; 16" wheel	P59080MM	[+]	16,2	TRW						
	81	07/14 →		● 18" wheel	P59087MM	[+]	16,2	TRW						
	100	07/14 →	●	15" wheel	P59076MM	[+]	18,8	BSH						
	100	07/14 →	●	16" wheel	P59077MM	[+]	18,8	BSH						
	100	07/14 →	●	17" wheel	P59055MM	[+]	19,1	MN						
	100	07/14 →		● 16" wheel; 15" wheel	P59080MM	[+]	16,2	TRW						

									WI			FK	
										LENGHT			

VAUXHALL

ASTRA Mk VI (J) GTC 10/11 →

1.6 CDTi	100	07/14 →	●	18" wheel	P59087MM	[+]	16,2	TRW						
	1.6 SIDI	125	12/12 →	●	15" wheel	P59076MM	[+]	18,8	BSH					
		125	12/12 →	●	16" wheel	P59077MM	[+]	18,8	BSH					
		125	12/12 →	●	17" wheel	P59055MM	[+]	19,1	MN					
		125	12/12 →	●	16" wheel; 15" wheel	P59080MM	[+]	16,2	TRW					
		125	12/12 →	●	18" wheel	P59087MM	[+]	16,2	TRW					
		147	09/13 →	●	15" wheel	P59076MM	[+]	18,8	BSH					
		147	09/13 →	●	16" wheel	P59077MM	[+]	18,8	BSH					
		147	09/13 →	●	17" wheel	P59055MM	[+]	19,1	MN					
		147	09/13 →	●	15" wheel; 16" wheel	P59080MM	[+]	16,2	TRW					
		147	09/13 →	●	18" wheel	P59087MM	[+]	16,2	TRW					
1.7 CDTi	81	10/11 →	●	15" wheel	P59076MM	[+]	18,8	BSH						
	81	10/11 →	●	16" wheel	P59077MM	[+]	18,8	BSH						
	81	10/11 →	●	17" wheel	P59055MM	[+]	19,1	MN						
	81	10/11 →	●	16" wheel; 15" wheel	P59080MM	[+]	16,2	TRW						
	81	10/11 →	●	18" wheel	P59087MM	[+]	16,2	TRW						
	96	10/11 →	●	15" wheel	P59076MM	[+]	18,8	BSH						
	96	10/11 →	●	16" wheel	P59077MM	[+]	18,8	BSH						
	96	10/11 →	●	17" wheel	P59055MM	[+]	19,1	MN						
	96	10/11 →	●	16" wheel; 15" wheel	P59080MM	[+]	16,2	TRW						
2.0 BiTurbo CDTi	143	12/12 →	●	15" wheel	P59076MM	[+]	18,8	BSH						
	143	12/12 →	●	16" wheel	P59077MM	[+]	18,8	BSH						
	143	12/12 →	●	17" wheel	P59055MM	[+]	19,1	MN						
	143	12/12 →	●	15" wheel; 16" wheel	P59080MM	[+]	16,2	TRW						
	143	12/12 →	●	18" wheel	P59087MM	[+]	16,2	TRW						
2.0 CDTi	121	10/11 →	●	15" wheel	P59076MM	[+]	18,8	BSH						
	121	10/11 →	●	16" wheel	P59077MM	[+]	18,8	BSH						
	121	10/11 →	●	17" wheel	P59055MM	[+]	19,1	MN						
	121	10/11 →	●	16" wheel; 15" wheel	P59080MM	[+]	16,2	TRW						
	121	10/11 →	●	18" wheel	P59087MM	[+]	16,2	TRW						
2.0 VXR	206	04/12 →	●		P59079MM	[+]	16	BRE						
	206	04/12 →	●	15" wheel	P59076MM	[+]	18,8	BSH						
	206	04/12 →	●	16" wheel	P59077MM	[+]	18,8	BSH						
	206	04/12 →	●	17" wheel	P59055MM	[+]	19,1	MN						
	206	04/12 →	●	16" wheel	P59080MM	[+]	16,2	TRW						
	206	04/12 →	●	18" wheel	P59087MM	[+]	16,2	TRW						

ASTRA Mk VI (J) Saloon 06/12 →

1.3 CDTi	70	06/12 →	●	15" wheel	P59076MM	[+]	18,8	BSH					
	70	06/12 →	●	16" wheel	P59077MM	[+]	18,8	BSH					
	70	06/12 →	●	17" wheel	P59055MM	[+]	19,1	MN					
	70	06/12 →	●	15" wheel; 16" wheel	P59080MM	[+]	16,2	TRW					
	70	06/12 →	●	18" wheel	P59087MM	[+]	16,2	TRW					
1.4	74	06/12 →	●	15" wheel	P59076MM	[+]	18,8	BSH					
	74	06/12 →	●	16" wheel	P59077MM	[+]	18,8	BSH					
	74	06/12 →	●	17" wheel	P59055MM	[+]	19,1	MN					
	74	06/12 →	●	15" wheel; 16" wheel	P59080MM	[+]	16,2	TRW					
	74	06/12 →	●	18" wheel	P59087MM	[+]	16,2	TRW					
1.4 Turbo	103	06/12 →	●	15" wheel	P59076MM	[+]	18,8	BSH					
	103	06/12 →	●	16" wheel	P59077MM	[+]	18,8	BSH					
	103	06/12 →	●	17" wheel	P59055MM	[+]	19,1	MN					
	103	06/12 →	●	15" wheel; 16" wheel	P59080MM	[+]	16,2	TRW					
	103	06/12 →	●	18" wheel	P59087MM	[+]	16,2	TRW					

 	kw						wi	Th [mm]	SYS	WI			FK	
											LENGHT			

VAUXHALL

ASTRA Mk VI (J) Saloon 06/12 →

1.6	85	06/12 →	●	15" wheel	P59076MM	[+]	18,8	BSH					
	85	06/12 →	●	16" wheel	P59077MM	[+]	18,8	BSH					
	85	06/12 →	●	17" wheel	P59055MM	[+]	19,1	MN					
	85	06/12 →		● 15" wheel; 16" wheel	P59080MM	[+]	16,2	TRW					
	85	06/12 →		● 18" wheel	P59087MM	[+]	16,2	TRW					
1.6 SIDI	125	12/12 →	●	15" wheel	P59076MM	[+]	18,8	BSH					
	125	12/12 →	●	16" wheel	P59077MM	[+]	18,8	BSH					
	125	12/12 →	●	17" wheel	P59055MM	[+]	19,1	MN					
	125	12/12 →		● 16" wheel; 15" wheel	P59080MM	[+]	16,2	TRW					
	125	12/12 →		● 18" wheel	P59087MM	[+]	16,2	TRW					
1.6 Turbo	132	06/12 →	●	15" wheel	P59076MM	[+]	18,8	BSH					
	132	06/12 →	●	16" wheel	P59077MM	[+]	18,8	BSH					
	132	06/12 →	●	17" wheel	P59055MM	[+]	19,1	MN					
	132	06/12 →		● 15" wheel; 16" wheel	P59080MM	[+]	16,2	TRW					
	132	06/12 →		● 18" wheel	P59087MM	[+]	16,2	TRW					
1.7 CDTI	81	06/12 →	●	15" wheel	P59076MM	[+]	18,8	BSH					
	81	06/12 →	●	16" wheel	P59077MM	[+]	18,8	BSH					
	81	06/12 →	●	17" wheel	P59055MM	[+]	19,1	MN					
	81	06/12 →		● 16" wheel; 15" wheel	P59080MM	[+]	16,2	TRW					
	81	06/12 →		● 18" wheel	P59087MM	[+]	16,2	TRW					
	96	06/12 →	●	15" wheel	P59076MM	[+]	18,8	BSH					
	96	06/12 →	●	16" wheel	P59077MM	[+]	18,8	BSH					
	96	06/12 →	●	17" wheel	P59055MM	[+]	19,1	MN					
	96	06/12 →		● 15" wheel; 16" wheel	P59080MM	[+]	16,2	TRW					
2.0 BiTurbo CDTI	143	12/12 →	●	15" wheel	P59076MM	[+]	18,8	BSH					
	143	12/12 →	●	16" wheel	P59077MM	[+]	18,8	BSH					
	143	12/12 →	●	17" wheel	P59055MM	[+]	19,1	MN					
	143	12/12 →		● 16" wheel; 15" wheel	P59080MM	[+]	16,2	TRW					
	143	12/12 →		● 18" wheel	P59087MM	[+]	16,2	TRW					

ASTRA Mk VII (K) 07/15 →

1.0	77	07/15 →	●	15" wheel	P59092MM	[+]	19,8	ATE					
	77	07/15 →	●	16" wheel	P59091MM	[+]	19,4	ATE					
1.4	74	07/15 →	●	15" wheel	P59092MM	[+]	19,8	ATE					
	74	07/15 →	●	16" wheel	P59091MM	[+]	19,4	ATE					
1.4 Turbo	92	07/15 →	●	15" wheel	P59092MM	[+]	19,8	ATE					
	92	07/15 →	●	16" wheel	P59091MM	[+]	19,4	ATE					
	110	07/15 →	●	15" wheel	P59092MM	[+]	19,8	ATE					
	110	07/15 →	●	16" wheel	P59091MM	[+]	19,4	ATE					
1.6 CDTI	81	07/15 →	●	15" wheel	P59092MM	[+]	19,8	ATE					
	81	07/15 →	●	16" wheel	P59091MM	[+]	19,4	ATE					
	100	07/15 →	●	15" wheel	P59092MM	[+]	19,8	ATE					
	100	07/15 →	●	16" wheel	P59091MM	[+]	19,4	ATE					
	118	11/15 →	●	15" wheel	P59092MM	[+]	19,8	ATE					
	118	11/15 →	●	16" wheel	P59091MM	[+]	19,4	ATE					
	70	07/15 →	●	15" wheel	P59092MM	[+]	19,8	ATE					
70	07/15 →	●	16" wheel	P59091MM	[+]	19,4	ATE						
1.6 Turbo	147	11/15 →	●	15" wheel	P59092MM	[+]	19,8	ATE					
	147	11/15 →	●	16" wheel	P59091MM	[+]	19,4	ATE					

ASTRA Mk VII (K) Estate 11/15 →

1.0	77	11/15 →	●	15" wheel	P59092MM	[+]	19,8	ATE					
	77	11/15 →	●	16" wheel	P59091MM	[+]	19,4	ATE					
1.4	74	11/15 →	●	15" wheel	P59092MM	[+]	19,8	ATE					
	74	11/15 →	●	16" wheel	P59091MM	[+]	19,4	ATE					

										WI			FK	
											LENGHT			

VAUXHALL

ASTRA Mk VII (K) Estate 11/15 →

1.4 Turbo	92	11/15 →	●	15" wheel	P59092MM	[+]	19,8	ATE						
	92	11/15 →	●	16" wheel	P59091MM	[+]	19,4	ATE						
	110	11/15 →	●	15" wheel	P59092MM	[+]	19,8	ATE						
	110	11/15 →	●	16" wheel	P59091MM	[+]	19,4	ATE						
1.6 CDTi	81	11/15 →	●	15" wheel	P59092MM	[+]	19,8	ATE						
	81	11/15 →	●	16" wheel	P59091MM	[+]	19,4	ATE						
	100	11/15 →	●	15" wheel	P59092MM	[+]	19,8	ATE						
	100	11/15 →	●	16" wheel	P59091MM	[+]	19,4	ATE						
	118	11/15 →	●	15" wheel	P59092MM	[+]	19,8	ATE						
	118	11/15 →	●	16" wheel	P59091MM	[+]	19,4	ATE						
1.6 Turbo	70	11/15 →	●	15" wheel	P59092MM	[+]	19,8	ATE						
	70	11/15 →	●	16" wheel	P59091MM	[+]	19,4	ATE						
	147	11/15 →	●	15" wheel	P59092MM	[+]	19,8	ATE						
	147	11/15 →	●	16" wheel	P59091MM	[+]	19,4	ATE						

ASTRAVAN Mk IV (G) 08/98 → 08/06

1.6 i	55	08/98 → 09/00	●		P59030MM	[+]	17,3	ATE	A00259	720	+on board comp.			
	55	08/98 → 09/00	●		P59031MM	[+]	16,9	BSH						
	55	08/98 → 09/00	●		P59038MM	[+]	15,2	TRW						
	62	09/00 → 08/06	●		P59030MM	[+]	17,3	ATE	A00259	720	+on board comp.			
	62	09/00 → 08/06	●		P59031MM	[+]	16,9	BSH						
	62	09/00 → 08/06	●		P59038MM	[+]	15,2	TRW						
1.7 CDTi	59	04/04 → 08/06	●	-reinf.brakes	P59030MM	[+]	17,3	ATE	A00254	750	+P 59 045; -elec.damp.susp.			
	59	04/04 → 08/06	●	+reinf.brakes	P59045MM	[+]	19,6	ATE	A00254	750	+P 59 045; -elec.damp.susp.			
	59	04/04 → 08/06	●		P59031MM	[+]	16,9	BSH						
	59	04/04 → 08/06	●		P59038MM	[+]	15,2	TRW						
1.7 DTi 16V	55	04/01 → 08/06	●	-reinf.brakes	P59030MM	[+]	17,3	ATE	A00254	750	+P 59 045; -elec.damp.susp.			
	55	04/01 → 08/06	●	+reinf.brakes	P59045MM	[+]	19,6	ATE	A00254	750	+P 59 045; -elec.damp.susp.			
	55	04/01 → 08/06	●		P59031MM	[+]	16,9	BSH						
	55	04/01 → 08/06	●		P59038MM	[+]	15,2	TRW						
1.7 TD	50	08/98 → 08/06	●	-reinf.brakes	P59030MM	[+]	17,3	ATE	A00254	750	+P 59 045; -elec.damp.susp.			
	50	08/98 → 08/06	●	+reinf.brakes	P59045MM	[+]	19,6	ATE	A00254	750	+P 59 045; -elec.damp.susp.			
	50	08/98 → 08/06	●		P59031MM	[+]	16,9	BSH						
	50	08/98 → 08/06	●		P59038MM	[+]	15,2	TRW						
2.0 DI	60	08/98 → 08/06	●	→ 09/01	P59030MM	[+]	17,3	ATE	A00254	750	+P 59 045; -elec.damp.susp.	A02202	→ 09/01	
	60	08/98 → 08/06	●	→ 09/01; +ABS; 09/01 →	P59045MM	[+]	19,6	ATE	A00254	750	+P 59 045; -elec.damp.susp.	A02202	→ 09/01	
	60	08/98 → 08/06	●		P59031MM	[+]	16,9	BSH						
	60	08/98 → 08/06	●		P59038MM	[+]	15,2	TRW						
2.0 DTi	74	04/04 → 08/06	●		P59045MM	[+]	19,6	ATE	A00254	750	+P 59 045; -elec.damp.susp.			
	74	04/04 → 08/06	●		P59031MM	[+]	16,9	BSH						
	74	04/04 → 08/06	●		P59038MM	[+]	15,2	TRW						

ASTRAVAN Mk V (H) 03/05 →

1.3 CDTi	66	08/05 →	●		P59045MM	[+]	19,6	ATE						
	66	08/05 →	●		P10013MM	[-]	15,2	TRW						
1.4 i	66	03/05 →	●		P59045MM	[+]	19,6	ATE						
	66	03/05 →	●		P10013MM	[-]	15,2	TRW						
1.6	76	03/05 →	●		P59045MM	[+]	19,6	ATE						
	76	03/05 →	●		P10013MM	[-]	15,2	TRW						

		kw						wi	Th [mm]	SYS	WI		FK		
												LEIGHT			

VAUXHALL

ASTRAVAN Mk V (H) 03/05 →

1.7 CDTi	81	06/11 → 12/13	●			P59045MM	[+]	19,6	ATE	A00255	287			A02202	
	81	06/11 → 12/13		●		P10013MM	[-]	15,2	TRW						
	92	11/11 →	●			P59045MM	[+]	19,6	ATE					A02202	
	92	11/11 →		●		P10013MM	[-]	15,2	TRW						
	59	03/05 → 07/06	●			P59045MM	[+]	19,6	ATE						
	59	03/05 → 07/06		●		P10013MM	[-]	15,2	TRW						
	74	03/05 → 11/11	●			P59045MM	[+]	19,6	ATE	A00255	287				
	74	03/05 → 11/11		●		P10013MM	[-]	15,2	TRW						
1.9 CDTi	88	03/05 → 11/11	●			P59045MM	[+]	19,6	ATE						
	88	03/05 → 11/11		●		P10013MM	[-]	15,2	TRW						
	110	03/05 → 11/11	●			P59045MM	[+]	19,6	ATE						
	110	03/05 → 11/11		●		P10013MM	[-]	15,2	TRW						

BRAVA Pickup 12/88 → 12/02

2.2 D	45	07/90 → 09/92	●			P59015MM	[+]	16,5	AKE						
2.2D (TFR52)	39	12/88 → 09/96	●			P59015MM	[+]	16,5	AKE						
2.2 D 4x4 (TFS52)	39	12/88 → 09/96	●			P59015MM	[+]	16,5	AKE						
2.3 (TFR16)	69	08/91 → 08/94	●			P59015MM	[+]	16,5	AKE						
	72	08/94 → 09/96	●			P59015MM	[+]	16,5	AKE						
2.3 4x4 (TFS16)	69	06/90 → 08/94	●			P59015MM	[+]	16,5	AKE						
	72	08/94 → 09/96	●			P59015MM	[+]	16,5	AKE						
2.5D (TFR54)	56	08/91 → 06/94	●			P59015MM	[+]	16,5	AKE						
2.5 D 4x4 (TFS54)	56	06/90 → 06/94	●			P59015MM	[+]	16,5	AKE						
2.5 DTI	74	08/01 → 12/02	●			P59015MM	[+]	16,5	AKE						
2.5 DTI 4x4	74	08/01 → 12/02	●			P59015MM	[+]	16,5	AKE						
2.5 TD (TFR54)	56	07/94 → 12/02	●			P59015MM	[+]	16,5	AKE						
2.5 TD 4x4 (TFS54)	56	07/94 → 12/02	●			P59015MM	[+]	16,5	AKE						
3.1 D	80	07/91 → 07/01	●			P59015MM	[+]	16,5	AKE						

CASCADA Convertible 02/13 →

1.4	103	02/13 →	●			P59055MM	[+]	19,1	MN						
	103	02/13 →		●		P59080MM	[+]	16,2	TRW						
	88	02/13 →	●			P59055MM	[+]	19,1	MN						
	88	02/13 →		●		P59080MM	[+]	16,2	TRW						
1.6	125	02/13 →	●			P59055MM	[+]	19,1	MN						
	125	02/13 →		●		P59080MM	[+]	16,2	TRW						
	147	11/13 →	●			P59055MM	[+]	19,1	MN						
	147	11/13 →		●		P59080MM	[+]	16,2	TRW						
2.0 CDTi	121	02/13 →	●			P59055MM	[+]	19,1	MN						
	121	02/13 →		●		P59080MM	[+]	16,2	TRW						
	143	02/13 →	●			P59055MM	[+]	19,1	MN						
	143	02/13 →		●		P59080MM	[+]	16,2	TRW						
	125	07/15 →	●			P59055MM	[+]	19,1	MN						
	125	07/15 →		●		P59080MM	[+]	16,2	TRW						

COMBO Mk I (B) 07/94 → 10/01

1.2	33	07/94 → 10/01	●			P59011MM	[○]	16,8	ATE					A02238	
1.4	44	07/94 → 10/01	●			P59011MM	[○]	16,8	ATE					A02238	
	60	07/94 → 10/01	●			P59011MM	[○]	16,8	ATE					A02238	
1.7 D	44	07/94 → 10/01	●			P59011MM	[○]	16,8	ATE					A02238	

COMBO Mk II (C) Box Body / Estate (F25) 09/01 → 02/12

1.3 CDTi 16V	51	09/04 → 02/12	●			P59036MM	[+]	17	TRW					A02202	53000001 →; +high payload
	51	09/04 → 02/12	●		53000001 →; +high payload	P59045MM	[+]	19,6	ATE					A02202	53000001 →; +high payload



kw



wi

Th [mm]

SYS

WI

FK



LENGHT



VAUXHALL

COMBO Mk II (C) Box Body / Estate (F25) 09/01 → 02/12

1.3 CDTi 16V	51	09/04 → 02/12	•		P59038MM	[+]	15,2	TRW					
	55	10/05 → 11/11	•		P59036MM	[+]	17	TRW					
	55	10/05 → 11/11	•	53000001 →; +high payload	P59045MM	[+]	19,6	ATE					
	55	10/05 → 11/11	•		P59038MM	[+]	15,2	TRW					
1.4 16V	66	10/01 → 05/07	•		P59036MM	[+]	17	TRW			A02202	53000001 →; +high payload	
	66	10/01 → 05/07	•	53000001 →; +high payload	P59045MM	[+]	19,6	ATE			A02202	53000001 →; +high payload	
	66	10/01 → 05/07	•		P59038MM	[+]	15,2	TRW					
1.4 i 16V	66	01/04 → 11/11	•		P59036MM	[+]	17	TRW			A02202	53000001 →; +high payload	
	66	01/04 → 11/11	•	53000001 →; +high payload	P59045MM	[+]	19,6	ATE			A02202	53000001 →; +high payload	
	66	01/04 → 11/11	•		P59038MM	[+]	15,2	TRW					
1.6	64	10/01 → 11/11	•		P59036MM	[+]	17	TRW			A02202	53000001 →; +high payload	
	64	10/01 → 11/11	•	53000001 →; +high payload	P59045MM	[+]	19,6	ATE			A02202	53000001 →; +high payload	
	64	10/01 → 11/11	•		P59038MM	[+]	15,2	TRW					
	62	09/01 → 10/04	•		P59036MM	[+]	17	TRW					
	62	09/01 → 10/04	•	53000001 →; +high payload	P59045MM	[+]	19,6	ATE					
	62	09/01 → 10/04	•		P59038MM	[+]	15,2	TRW					
1.6 CNG 16V	69	06/06 → 02/12	•		P59036MM	[+]	17	TRW			A02202		
	69	06/06 → 02/12	•		P59045MM	[+]	19,6	ATE			A02202		
	69	06/06 → 02/12	•		P59038MM	[+]	15,2	TRW					
	71	04/05 → 02/12	•		P59036MM	[+]	17	TRW			A02202		
	71	04/05 → 02/12	•		P59045MM	[+]	19,6	ATE			A02202		
1.7 CDTi 16V	74	12/04 → 11/11	•		P59045MM	[+]	19,6	ATE					
	74	12/04 → 11/11	•		P59038MM	[+]	15,2	TRW					
	48	09/01 → 11/11	•		P59036MM	[+]	17	TRW					
1.7 DI 16V	48	09/01 → 11/11	•	53000001 →; +high payload	P59045MM	[+]	19,6	ATE					
	48	09/01 → 11/11	•		P59038MM	[+]	15,2	TRW					
	55	10/01 → 11/11	•		P59036MM	[+]	17	TRW			A02202	53000001 →; +high payload	
1.7 DTi 16V	55	10/01 → 11/11	•	53000001 →; +high payload	P59045MM	[+]	19,6	ATE			A02202	53000001 →; +high payload	
	55	10/01 → 11/11	•		P59038MM	[+]	15,2	TRW					

COMBO Mk III (D) Box Body / Estate 11/11 →

1.3 CDTi	66	11/11 →	•	J42; → 12/13; disc Ø 284 mm	P23087MM	[+]	19	BSH					
	66	11/11 →	•	J42; 12/13 →; disc Ø 284 mm	P23137MM	[+]	19	BSH					
	66	11/11 →	•	J43; → 12/13; disc Ø 305 mm	P23130MM	[+]	20	ATE					
	66	11/11 →	•	J43; 12/13 →; disc Ø 305 mm	P23163MM	[+]	20	ATE					
	70	03/16 →	•	J42; → 12/13; disc Ø 284 mm	P23087MM	[+]	19	BSH					
	70	03/16 →	•	J42; 12/13 →; disc Ø 284 mm	P23137MM	[+]	19	BSH					
	70	03/16 →	•	J43; → 12/13; disc Ø 305 mm	P23130MM	[+]	20	ATE					
	70	03/16 →	•	J43; 12/13 →; disc Ø 305 mm	P23163MM	[+]	20	ATE					
1.4	70	11/11 →	•	J42; → 12/13; disc Ø 284 mm	P23087MM	[+]	19	BSH					
	70	11/11 →	•	J42; 12/13 →; disc Ø 284 mm	P23137MM	[+]	19	BSH					
	70	11/11 →	•	J43; → 12/13; disc Ø 305 mm	P23130MM	[+]	20	ATE					
	70	11/11 →	•	J43; 12/13 →; disc Ø 305 mm	P23163MM	[+]	20	ATE					
1.4 CNG	88	11/11 →	•	J42; → 12/13; disc Ø 284 mm	P23087MM	[+]	19	BSH					
	88	11/11 →	•	J42; 12/13 →; disc Ø 284 mm	P23137MM	[+]	19	BSH					
	88	11/11 →	•	J43; → 12/13; disc Ø 305 mm	P23130MM	[+]	20	ATE					
	88	11/11 →	•	J43; 12/13 →; disc Ø 305 mm	P23163MM	[+]	20	ATE					
1.6 CDTi	66	11/11 →	•	J42; → 12/13; disc Ø 284 mm	P23087MM	[+]	19	BSH					
	66	11/11 →	•	J42; 12/13 →; disc Ø 284 mm	P23137MM	[+]	19	BSH					
	66	11/11 →	•	J43; → 12/13; disc Ø 305 mm	P23130MM	[+]	20	ATE					
	66	11/11 →	•	J43; 12/13 →; disc Ø 305 mm	P23163MM	[+]	20	ATE					
	77	11/11 →	•	J42; → 12/13; disc Ø 284 mm	P23087MM	[+]	19	BSH					
	77	11/11 →	•	J42; 12/13 →; disc Ø 284 mm	P23137MM	[+]	19	BSH					
	77	11/11 →	•	J43; → 12/13; disc Ø 305 mm	P23130MM	[+]	20	ATE					

--	--	--	--	--	--	--	--	--	--	--	--	--	--	--

VAUXHALL

COMBO Mk III (D) Box Body / Estate 11/11 →

1.6 CDTI	77	11/11 →	●	J43; 12/13 →; disc Ø 305 mm	P23163MM	[+]	20	ATE						
	74	11/11 →	●	J42; → 12/13; disc Ø 284 mm	P23087MM	[+]	19	BSH						
	74	11/11 →	●	J42; 12/13 →; disc Ø 284 mm	P23137MM	[+]	19	BSH						
	74	11/11 →	●	J43; → 12/13; disc Ø 305 mm	P23130MM	[+]	20	ATE						
	74	11/11 →	●	J43; 12/13 →; disc Ø 305 mm	P23163MM	[+]	20	ATE						
2.0 CDTI	99	11/11 →	●	J42; → 12/13; disc Ø 284 mm	P23087MM	[+]	19	BSH						
	99	11/11 →	●	J42; 12/13 →; disc Ø 284 mm	P23137MM	[+]	19	BSH						
	99	11/11 →	●	J43; → 12/13; disc Ø 305 mm	P23130MM	[+]	20	ATE						
	99	11/11 →	●	J43; 12/13 →; disc Ø 305 mm	P23163MM	[+]	20	ATE						

COMBO TOUR Mk II (C) (F25) 09/01 → 02/12

1.3 CDTI 16V	51	09/04 → 09/06	●		P59036MM	[+]	17	TRW						
	51	09/04 → 09/06	●	53000001 →; +high payload	P59045MM	[+]	19,6	ATE						
	51	09/04 → 09/06	●		P59038MM	[+]	15,2	TRW						
	55	07/06 → 02/12	●		P59036MM	[+]	17	TRW						
	55	07/06 → 02/12	●	53000001 →; +high payload	P59045MM	[+]	19,6	ATE						
	55	07/06 → 02/12	●		P59038MM	[+]	15,2	TRW						
1.4	66	10/04 → 09/10	●		P59036MM	[+]	17	TRW						
	66	10/04 → 09/10	●	53000001 →; +high payload	P59045MM	[+]	19,6	ATE						
	66	10/04 → 09/10	●		P59038MM	[+]	15,2	TRW						
1.6	64	10/01 → 06/04	●		P59036MM	[+]	17	TRW						
	64	10/01 → 06/04	●	53000001 →; +high payload	P59045MM	[+]	19,6	ATE						
	64	10/01 → 06/04	●		P59038MM	[+]	15,2	TRW						
1.6 CNG	69	06/06 → 09/10	●		P59036MM	[+]	17	TRW						
	69	06/06 → 09/10	●	53000001 →; +high payload	P59045MM	[+]	19,6	ATE						
	69	06/06 → 09/10	●		P59038MM	[+]	15,2	TRW						
	71	04/05 → 02/12	●		P59036MM	[+]	17	TRW						
	71	04/05 → 02/12	●	53000001 →; +high payload	P59045MM	[+]	19,6	ATE						
1.7 CDTI 16V	74	12/04 → 09/10	●		P59036MM	[+]	17	TRW						
	74	12/04 → 09/10	●	53000001 →; +high payload	P59045MM	[+]	19,6	ATE						
	74	12/04 → 09/10	●		P59038MM	[+]	15,2	TRW						
1.7 DI 16V	48	09/01 → 06/04	●		P59036MM	[+]	17	TRW						
	48	09/01 → 06/04	●	53000001 →; +high payload	P59045MM	[+]	19,6	ATE						
	48	09/01 → 06/04	●		P59038MM	[+]	15,2	TRW						
1.7 DTI 16V	55	10/01 → 02/12	●		P59036MM	[+]	17	TRW						
	55	10/01 → 02/12	●	53000001 →; +high payload	P59045MM	[+]	19,6	ATE						
	55	10/01 → 02/12	●		P59038MM	[+]	15,2	TRW						

CORSA Mk I (B) 12/92 → 09/00

1.0 i 12V	40	11/96 → 09/00	●		P59011MM	[O]	16,8	ATE					A02238	
1.2 i	33	03/93 → 09/00	●		P59011MM	[O]	16,8	ATE					A02238	
1.2 i 16V	48	03/98 → 09/00	●		P59011MM	[O]	16,8	ATE					A02238	
1.4 i	44	03/93 → 09/00	●		P59011MM	[O]	16,8	ATE						
1.4 i 16V	66	09/94 → 09/00	●		P59011MM	[O]	16,8	ATE					A02238	
	63	08/97 → 09/00	●		P59011MM	[O]	16,8	ATE					A02238	
1.4 i S	60	03/93 → 09/00	●		P59011MM	[O]	16,8	ATE						
1.5 D	37	12/92 → 12/96	●		P59011MM	[O]	16,8	ATE					A02238	
1.5 TD	49	03/93 → 10/96	●		P59011MM	[O]	16,8	ATE					A02238	
1.6 GSI 16V	80	03/93 → 09/00	●		P59011MM	[O]	16,8	ATE					A02238	
1.6 i 16V	78	09/94 → 09/00	●		P59011MM	[O]	16,8	ATE					A02238	
	74	08/97 → 09/00	●		P59011MM	[O]	16,8	ATE					A02238	
1.7 D	44	02/96 → 09/00	●		P59011MM	[O]	16,8	ATE					A02238	

									WI			FK	

VAUXHALL

CORSA Mk II (C) (W5L, F08) 08/00 → 10/06

1.0 12V	43	09/00 → 10/03	●		P59036MM	[+]	17	TRW					
	43	09/00 → 10/03	●		P59038MM	[+]	15,2	TRW					
	44	11/03 → 10/06	●		P59036MM	[+]	17	TRW					
	44	11/03 → 10/06	●		P59038MM	[+]	15,2	TRW					
1.2 16V	55	09/00 → 10/06	●		P59036MM	[+]	17	TRW					
	55	09/00 → 10/06	●		P59038MM	[+]	15,2	TRW					
1.2 16V Dualfuel	55	08/01 → 10/06	●		P59036MM	[+]	17	TRW					
	55	08/01 → 10/06	●		P59038MM	[+]	15,2	TRW					
1.2 Twinport	59	07/04 → 10/06	●		P59036MM	[+]	17	TRW					
	59	07/04 → 10/06	●		P59038MM	[+]	15,2	TRW					
1.3 CDTI 16V	55	09/05 → 09/06	●		P59036MM	[+]	17	TRW					
	55	09/05 → 09/06	●		P59038MM	[+]	15,2	TRW					
	52	08/00 → 09/06	●		P59036MM	[+]	17	TRW					
	52	08/00 → 09/06	●		P59038MM	[+]	15,2	TRW					
1.4 16V	66	09/00 → 10/06	●		P59036MM	[+]	17	TRW					
	66	09/00 → 10/06	●		P59037MM	[+]	14	TRW					
1.4 Twinport	66	06/03 → 10/06	●		P59036MM	[+]	17	TRW					
	66	06/03 → 10/06	●		P59038MM	[+]	15,2	TRW					
1.6	62	08/00 → 10/04	●	74000001 →	P59045MM	[+]	19,6	ATE					
	62	08/00 → 10/04	●		P59036MM	[+]	17	TRW					
	62	08/00 → 10/04	●		P59038MM	[+]	15,2	TRW					
1.7 CDTI 16V	74	08/00 → 09/06	●		P59045MM	[+]	19,6	ATE				A02202	
	74	08/00 → 09/06	●		P59038MM	[+]	15,2	TRW					
1.7 DI 16V	48	08/00 → 09/06	●		P59036MM	[+]	17	TRW					
	48	08/00 → 09/06	●		P59038MM	[+]	15,2	TRW					
1.7 DTI 16V	55	08/00 → 09/06	●		P59036MM	[+]	17	TRW					
	55	08/00 → 09/06	●		P59038MM	[+]	15,2	TRW					
1.8 16V	92	08/00 → 09/06	●		P59045MM	[+]	19,6	ATE					
	92	08/00 → 09/06	●		P59036MM	[+]	17	TRW					
	92	08/00 → 09/06	●		P59037MM	[+]	14	TRW					

CORSA Mk III (D) (L_8) 07/06 → 08/14

1.0	44	11/06 → 08/14	●		P59051MM	[+]	17,8	BSH					
1.0 i 12V	48	06/10 → 08/14	●		P59051MM	[+]	17,8	BSH					
1.2	59	11/06 → 08/14	●		P59051MM	[+]	17,8	BSH					
	51	06/10 → 08/14	●		P59051MM	[+]	17,8	BSH					
1.2 i 16V	63	11/06 → 08/14	●		P59051MM	[+]	17,8	BSH					
	63	08/11 → 08/14	●		P59051MM	[+]	17,8	BSH					
1.2 LPG	59	09/09 → 08/14	●		P59051MM	[+]	17,8	BSH					
	61	06/11 → 08/14	●		P59051MM	[+]	17,8	BSH					
	55	07/06 → 08/14	●	disc Ø 284 mm	P59052MM	[+]	19,2	BSH					
1.3 CDTI	55	07/06 → 08/14	●		P59051MM	[+]	17,8	BSH					
	66	07/06 → 08/14	●	disc Ø 257 mm	P59051MM	[+]	17,8	BSH					
	66	07/06 → 08/14	●	disc Ø 284 mm	P59052MM	[+]	19,2	BSH					
	70	06/10 → 08/14	●	disc Ø 257 mm	P59051MM	[+]	17,8	BSH					
	70	06/10 → 08/14	●	disc Ø 284 mm	P59052MM	[+]	19,2	BSH					
1.4	64	09/09 → 08/14	●		P59051MM	[+]	17,8	BSH					
	66	07/06 → 08/14	●		P59051MM	[+]	17,8	BSH					
	74	07/10 → 08/14	●		P59051MM	[+]	17,8	BSH					
	88	07/12 → 08/14	●		P59053MM	[+]	20,2	BSH					
1.4 LPG	64	09/09 → 08/14	●		P59051MM	[+]	17,8	BSH					
	66	07/06 → 08/14	●		P59051MM	[+]	17,8	BSH					
1.6 SRi	110	05/07 → 08/14	●		P59045MM	[+]	19,6	ATE					
	110	05/07 → 08/14	●		P59057MM	[-]	17,5	BSH					

--	--	--	--	--	--	--	--	--	--	--	--	--	--

VAUXHALL

CORSA Mk III (D) (L_8) 07/06 → 08/14

1.6 VXR	150	06/11 → 08/14	●		P59057MM [-]	17,5	BSH						
	141	02/07 → 08/14	●		P59045MM [+]	19,6	ATE						
	141	02/07 → 08/14	●		P59057MM [-]	17,5	BSH						
1.7 CDTI	92	11/06 → 08/14	●		P59053MM [+]	20,2	BSH						
	92	11/06 → 08/14	●		P59057MM [-]	17,5	BSH						
	96	11/06 → 08/14	●		P59053MM [+]	20,2	BSH						
	96	11/06 → 08/14	●		P59057MM [-]	17,5	BSH						

CORSA Mk IV (E) 08/14 →

1.0	66	08/14 →	●	14" wheel	P59084MM [+]	17,4	ATE						
	66	08/14 →	●	15" wheel	P59083MM [+]	17,8	ATE						
	66	08/14 →	●	+rear disc	P59086MM [+]	16,8	TRW						
	85	08/14 →	●	14" wheel	P59084MM [+]	17,4	ATE						
	85	08/14 →	●	15" wheel	P59083MM [+]	17,8	ATE						
	85	08/14 →	●	+rear disc	P59086MM [+]	16,8	TRW						
1.2	51	08/14 →	●	14" wheel	P59084MM [+]	17,4	ATE						
	51	08/14 →	●	15" wheel	P59083MM [+]	17,8	ATE						
	51	08/14 →	●	+rear disc	P59086MM [+]	16,8	TRW						
1.3 CDTI	55	08/14 →	●	14" wheel	P59084MM [+]	17,4	ATE						
	55	08/14 →	●	15" wheel	P59083MM [+]	17,8	ATE						
	55	08/14 →	●	+rear disc	P59086MM [+]	16,8	TRW						
	70	08/14 →	●	14" wheel	P59084MM [+]	17,4	ATE						
	70	08/14 →	●	15" wheel	P59083MM [+]	17,8	ATE						
1.4	70	08/14 →	●	+rear disc	P59086MM [+]	16,8	TRW						
	74	08/14 →	●	14" wheel	P59084MM [+]	17,4	ATE						
	74	08/14 →	●	15" wheel	P59083MM [+]	17,8	ATE						
	74	08/14 →	●	+rear disc	P59086MM [+]	16,8	TRW						
	66	08/14 →	●	14" wheel	P59084MM [+]	17,4	ATE						
	66	08/14 →	●	15" wheel	P59083MM [+]	17,8	ATE						
	66	08/14 →	●	+rear disc	P59086MM [+]	16,8	TRW						
	110	07/15 →	●	14" wheel	P59084MM [+]	17,4	ATE						
	110	07/15 →	●	15" wheel	P59083MM [+]	17,8	ATE						
	110	07/15 →	●	15" wheel; 16" wheel; +rear disc	P59086MM [+]	16,8	TRW						
	55	09/14 →	●	14" wheel	P59084MM [+]	17,4	ATE						
55	09/14 →	●	15" wheel	P59083MM [+]	17,8	ATE							
55	09/14 →	●	+rear disc	P59086MM [+]	16,8	TRW							
1.4 LPG	66	08/14 →	●	14" wheel	P59084MM [+]	17,4	ATE						
	66	08/14 →	●	15" wheel	P59083MM [+]	17,8	ATE						
	66	08/14 →	●	+rear disc	P59086MM [+]	16,8	TRW						
1.6 VXR	151	04/15 →	●	16" wheel; 15" wheel	P59086MM [+]	16,8	TRW						

CORSAVAN Mk I (B) 01/94 → 09/00

1.4 i	44	01/94 → 09/00	●		P59011MM [O]	16,8	ATE					A02238	
1.5 D	37	08/94 → 12/95	●		P59011MM [O]	16,8	ATE						
1.7 D	44	01/94 → 09/00	●		P59011MM [O]	16,8	ATE					A02238	

CORSAVAN Mk II (C) 09/00 → 06/06

1.2 16V	55	09/00 → 06/06	●		P59036MM [+]	17	TRW						
1.2 16V Dualfuel	55	08/01 → 06/06	●		P59036MM [+]	17	TRW						
1.3 CDTI 16V	52	04/04 → 06/06	●		P59036MM [+]	17	TRW						
1.4	66	11/03 → 06/06	●		P59036MM [+]	17	TRW						
1.7 DI 16V	48	09/00 → 06/06	●		P59036MM [+]	17	TRW						
1.7 DTI 16V	55	09/00 → 06/06	●		P59045MM [+]	19,6	ATE						
	55	09/00 → 06/06	●		P59036MM [+]	17	TRW						
	55	09/00 → 06/06	●		P10013MM [-]	15,2	TRW						

VAUXHALL

CORSAVAN Mk III (D) 07/06 →

1.2	59	07/09 →	●		P59051MM	[+]	17,8	BSH							
	51	01/10 →	●		P59051MM	[+]	17,8	BSH							
1.3 CDTi	70	07/06 →	●	disc Ø 257 mm	P59051MM	[+]	17,8	BSH							
	70	07/06 →	●	disc Ø 284 mm	P59052MM	[+]	19,2	BSH							
	70	07/06 →	●	+rear disc	P59057MM	[-]	17,5	BSH							
	55	07/06 →	●	disc Ø 257 mm	P59051MM	[+]	17,8	BSH							
	55	07/06 →	●	disc Ø 284 mm	P59052MM	[+]	19,2	BSH							
	66	07/06 →	●	disc Ø 257 mm	P59051MM	[+]	17,8	BSH							
66	07/06 →	●	disc Ø 284 mm	P59052MM	[+]	19,2	BSH								

CORSAVAN Mk IV (E) 10/14 →

1.2	51	10/14 →	●	14" wheel	P59084MM	[+]	17,4	ATE							
	51	10/14 →	●	15" wheel	P59083MM	[+]	17,8	ATE							
	51	10/14 →	●	15" wheel	P59086MM	[+]	16,8	TRW							
1.3 CDTi	55	10/14 →	●	14" wheel	P59084MM	[+]	17,4	ATE							
	55	10/14 →	●	15" wheel	P59083MM	[+]	17,8	ATE							
	55	10/14 →	●	15" wheel	P59086MM	[+]	16,8	TRW							
	70	10/14 →	●	14" wheel	P59084MM	[+]	17,4	ATE							
	70	10/14 →	●	15" wheel	P59083MM	[+]	17,8	ATE							
	70	10/14 →	●	15" wheel	P59086MM	[+]	16,8	TRW							
1.4	55	10/14 →	●	14" wheel	P59084MM	[+]	17,4	ATE							
	55	10/14 →	●	15" wheel	P59083MM	[+]	17,8	ATE							
	55	10/14 →	●	15" wheel	P59086MM	[+]	16,8	TRW							

FRONTERA Mk II (B) 10/98 → 10/04

2.2 DTI	85	10/98 → 09/04	●	-on board comp.	P59020MM	[+]	16,5	AKE							
	85	10/98 → 09/04	●	+on board comp.	P59033MM	[O]	16,5	AKE							
	85	10/98 → 09/04	●		P59021MM	[+]	15,8	SUM							
2.2 i	100	10/98 → 10/04	●	-on board comp.	P59020MM	[+]	16,5	AKE							
	100	10/98 → 10/04	●	+on board comp.	P59033MM	[O]	16,5	AKE							
	100	10/98 → 10/04	●		P59021MM	[+]	15,8	SUM							
3.2 i	151	10/98 → 10/04	●	-on board comp.	P59020MM	[+]	16,5	AKE							
	151	10/98 → 10/04	●	+on board comp.	P59033MM	[O]	16,5	AKE							
	151	10/98 → 10/04	●		P59021MM	[+]	15,8	SUM							

INSIGNIA Mk I (A) 07/08 → 05/17

1.4	103	04/11 → 05/17	●	16" wheel	P59054MM	[+]	19,1	MN							
	103	04/11 → 05/17	●	17" wheel	P59055MM	[+]	19,1	MN							
	103	04/11 → 05/17	●	18" wheel	P59058MM	[+]	17,2	TRW							
	103	04/11 → 05/17	●	solid	P59059MM	[+]	16,7	TRW							
	103	04/11 → 05/17	●	vented	P59060MM	[+]	16,7	TRW							
1.4 LPG	103	07/12 → 05/17	●	16" wheel	P59054MM	[+]	19,1	MN							
	103	07/12 → 05/17	●	17" wheel	P59055MM	[+]	19,1	MN							
	103	07/12 → 05/17	●	18" wheel	P59058MM	[+]	17,2	TRW							
	103	07/12 → 05/17	●	solid	P59059MM	[+]	16,7	TRW							
	103	07/12 → 05/17	●	vented	P59060MM	[+]	16,7	TRW							
1.6 CDTi	100	07/15 → 05/17	●	disc Ø 296 mm	P59054MM	[+]	19,1	MN							
	100	07/15 → 05/17	●	disc Ø 321 mm	P59055MM	[+]	19,1	MN							
	100	07/15 → 05/17	●	disc Ø 337 mm	P59058MM	[+]	17,2	TRW							
	100	07/15 → 05/17	●	solid	P59059MM	[+]	16,7	TRW							
	100	07/15 → 05/17	●	vented	P59060MM	[+]	16,7	TRW							
1.6 Turbo	132	01/09 → 05/17	●	16" wheel	P59054MM	[+]	19,1	MN							
	132	01/09 → 05/17	●	17" wheel	P59055MM	[+]	19,1	MN							
	132	01/09 → 05/17	●	18" wheel	P59058MM	[+]	17,2	TRW							
	132	01/09 → 05/17	●	solid	P59059MM	[+]	16,7	TRW							
	132	01/09 → 05/17	●	vented	P59060MM	[+]	16,7	TRW							
	125	07/13 → 05/17	●	16" wheel	P59054MM	[+]	19,1	MN							

 	kw						wi	Th [mm]	SYS	WI			FK	
											LENGHT			

VAUXHALL

INSIGNIA Mk I (A) 07/08 → 05/17

1.6 Turbo	125	07/13 → 05/17	●		17" wheel	P59055MM	[+]	19,1	MN					
	125	07/13 → 05/17	●		18" wheel	P59058MM	[+]	17,2	TRW					
	125	07/13 → 05/17		●	solid	P59059MM	[+]	16,7	TRW					
	125	07/13 → 05/17		●	vented	P59060MM	[+]	16,7	TRW					
1.8	103	07/08 → 05/17	●		16" wheel	P59054MM	[+]	19,1	MN					
	103	07/08 → 05/17	●		17" wheel	P59055MM	[+]	19,1	MN					
	103	07/08 → 05/17	●		18" wheel	P59058MM	[+]	17,2	TRW					
	103	07/08 → 05/17		●	solid	P59059MM	[+]	16,7	TRW					
	103	07/08 → 05/17		●	vented	P59060MM	[+]	16,7	TRW					
2.0 Biturbo CDTI	143	03/12 → 05/17	●		17" wheel	P59055MM	[+]	19,1	MN					
	143	03/12 → 05/17	●		18" wheel	P59058MM	[+]	17,2	TRW					
	143	03/12 → 05/17		●		P59060MM	[+]	16,7	TRW					
2.0 Biturbo CDTI 4x4	143	03/12 → 05/17	●		17" wheel	P59055MM	[+]	19,1	MN					
	143	03/12 → 05/17	●		18" wheel	P59058MM	[+]	17,2	TRW					
	143	03/12 → 05/17		●		P59060MM	[+]	16,7	TRW					
2.0 CDTI	120	07/13 → 05/17	●		16" wheel	P59054MM	[+]	19,1	MN					
	120	07/13 → 05/17	●		17" wheel	P59055MM	[+]	19,1	MN					
	120	07/13 → 05/17	●		18" wheel	P59058MM	[+]	17,2	TRW					
	120	07/13 → 05/17		●	solid	P59059MM	[+]	16,7	TRW					
	120	07/13 → 05/17		●	vented	P59060MM	[+]	16,7	TRW					
	140	10/08 → 05/17	●		17" wheel	P59055MM	[+]	19,1	MN					
	140	10/08 → 05/17	●		18" wheel	P59058MM	[+]	17,2	TRW					
	140	10/08 → 05/17		●		P59060MM	[+]	16,7	TRW					
	81	07/08 → 05/17	●		16" wheel	P59054MM	[+]	19,1	MN					
	81	07/08 → 05/17	●		17" wheel	P59055MM	[+]	19,1	MN					
	81	07/08 → 05/17	●		18" wheel	P59058MM	[+]	17,2	TRW					
	81	07/08 → 05/17		●	solid	P59059MM	[+]	16,7	TRW					
	81	07/08 → 05/17		●	vented	P59060MM	[+]	16,7	TRW					
	103	07/13 → 05/17	●		16" wheel	P59054MM	[+]	19,1	MN					
	103	07/13 → 05/17	●		17" wheel	P59055MM	[+]	19,1	MN					
	103	07/13 → 05/17	●		18" wheel	P59058MM	[+]	17,2	TRW					
	103	07/13 → 05/17		●	solid	P59059MM	[+]	16,7	TRW					
	103	07/13 → 05/17		●	vented	P59060MM	[+]	16,7	TRW					
	96	07/08 → 12/14	●		16" wheel	P59054MM	[+]	19,1	MN					
	96	07/08 → 12/14	●		17" wheel	P59055MM	[+]	19,1	MN					
	96	07/08 → 12/14	●		18" wheel	P59058MM	[+]	17,2	TRW					
	96	07/08 → 12/14		●	solid	P59059MM	[+]	16,7	TRW					
	96	07/08 → 12/14		●	vented	P59060MM	[+]	16,7	TRW					
	118	07/08 → 05/17	●		16" wheel	P59054MM	[+]	19,1	MN					
	118	07/08 → 05/17	●		17" wheel	P59055MM	[+]	19,1	MN					
	118	07/08 → 05/17	●		18" wheel	P59058MM	[+]	17,2	TRW					
	118	07/08 → 05/17		●	solid	P59059MM	[+]	16,7	TRW					
	118	07/08 → 05/17		●	vented	P59060MM	[+]	16,7	TRW					
	88	03/12 → 03/16	●		16" wheel	P59054MM	[+]	19,1	MN					
	88	03/12 → 03/16	●		17" wheel	P59055MM	[+]	19,1	MN					
	88	03/12 → 03/16	●		18" wheel	P59058MM	[+]	17,2	TRW					
	88	03/12 → 03/16		●	solid	P59059MM	[+]	16,7	TRW					
	88	03/12 → 03/16		●	vented	P59060MM	[+]	16,7	TRW					
125	11/14 → 05/17	●		16" wheel	P59054MM	[+]	19,1	MN						
125	11/14 → 05/17	●		17" wheel	P59055MM	[+]	19,1	MN						
125	11/14 → 05/17	●		18" wheel	P59058MM	[+]	17,2	TRW						
125	11/14 → 05/17		●	solid	P59059MM	[+]	16,7	TRW						
125	11/14 → 05/17		●	vented	P59060MM	[+]	16,7	TRW						

VAUXHALL

INSIGNIA Mk I (A) 07/08 → 05/17

2.0 CDTI 4x4	140	05/09 → 05/17	●	17" wheel	P59055MM	[+]	19,1	MN						
	140	05/09 → 05/17	●	18" wheel	P59058MM	[+]	17,2	TRW						
	140	05/09 → 05/17	●		P59060MM	[+]	16,7	TRW						
	120	07/13 → 05/17	●	16" wheel	P59054MM	[+]	19,1	MN						
	120	07/13 → 05/17	●	17" wheel	P59055MM	[+]	19,1	MN						
	120	07/13 → 05/17	●	18" wheel	P59058MM	[+]	17,2	TRW						
	120	07/13 → 05/17	●	solid	P59059MM	[+]	16,7	TRW						
	120	07/13 → 05/17	●	vented	P59060MM	[+]	16,7	TRW						
	118	07/08 → 05/17	●	16" wheel	P59054MM	[+]	19,1	MN						
	118	07/08 → 05/17	●	17" wheel	P59055MM	[+]	19,1	MN						
	118	07/08 → 05/17	●	18" wheel	P59058MM	[+]	17,2	TRW						
	118	07/08 → 05/17	●	solid	P59059MM	[+]	16,7	TRW						
	118	07/08 → 05/17	●	vented	P59060MM	[+]	16,7	TRW						
	125	11/14 → 05/17	●	16" wheel	P59054MM	[+]	19,1	MN						
	125	11/14 → 05/17	●	17" wheel	P59055MM	[+]	19,1	MN						
125	11/14 → 05/17	●	18" wheel	P59058MM	[+]	17,2	TRW							
125	11/14 → 05/17	●	solid	P59059MM	[+]	16,7	TRW							
125	11/14 → 05/17	●	vented	P59060MM	[+]	16,7	TRW							
2.0 Turbo	162	07/08 → 05/17	●	17" wheel	P59055MM	[+]	19,1	MN						
	162	07/08 → 05/17	●	18" wheel	P59058MM	[+]	17,2	TRW						
	162	07/08 → 05/17	●		P59060MM	[+]	16,7	TRW						
	184	04/14 → 05/17	●	16" wheel; disc Ø 296 mm	P59054MM	[+]	19,1	MN						
	184	04/14 → 05/17	●	17" wheel	P59055MM	[+]	19,1	MN						
	184	04/14 → 05/17	●	18" wheel	P59058MM	[+]	17,2	TRW						
	184	04/14 → 05/17	●	vented	P59060MM	[+]	16,7	TRW						
2.0 Turbo 4x4	162	07/08 → 05/17	●	17" wheel	P59055MM	[+]	19,1	MN						
	162	07/08 → 05/17	●	18" wheel	P59058MM	[+]	17,2	TRW						
	162	07/08 → 05/17	●		P59060MM	[+]	16,7	TRW						
	184	09/11 → 05/17	●	17" wheel	P59055MM	[+]	19,1	MN						
	184	09/11 → 05/17	●	18" wheel	P59058MM	[+]	17,2	TRW						
	184	09/11 → 05/17	●		P59060MM	[+]	16,7	TRW						
2.8 V6 Turbo 4x4	191	07/08 → 05/17	●		P59058MM	[+]	17,2	TRW						
	191	07/08 → 05/17	●		P59060MM	[+]	16,7	TRW						
2.8 VXR	239	07/09 → 05/17	●		P59079MM	[+]	16	BRE						
	239	07/09 → 05/17	●		P59060MM	[+]	16,7	TRW						

INSIGNIA Mk I (A) Estate 07/08 → 05/17

1.4	103	04/11 → 05/17	●	16" wheel	P59054MM	[+]	19,1	MN						
	103	04/11 → 05/17	●	17" wheel	P59055MM	[+]	19,1	MN						
	103	04/11 → 05/17	●	18" wheel	P59058MM	[+]	17,2	TRW						
	103	04/11 → 05/17	●	solid	P59059MM	[+]	16,7	TRW						
	103	04/11 → 05/17	●	vented	P59060MM	[+]	16,7	TRW						
1.4 LPG	103	07/12 → 05/17	●	16" wheel	P59054MM	[+]	19,1	MN						
	103	07/12 → 05/17	●	17" wheel	P59055MM	[+]	19,1	MN						
	103	07/12 → 05/17	●	18" wheel	P59058MM	[+]	17,2	TRW						
	103	07/12 → 05/17	●	solid	P59059MM	[+]	16,7	TRW						
1.6 CDTI	100	07/15 → 05/17	●	16" wheel	P59054MM	[+]	19,1	MN						
	100	07/15 → 05/17	●	17" wheel	P59055MM	[+]	19,1	MN						
	100	07/15 → 05/17	●	18" wheel	P59058MM	[+]	17,2	TRW						
	100	07/15 → 05/17	●	solid	P59059MM	[+]	16,7	TRW						
	100	07/15 → 05/17	●	vented	P59060MM	[+]	16,7	TRW						

	kw										LENGHT			

VAUXHALL

INSIGNIA Mk I (A) Estate 07/08 → 05/17

2.0 CDTI	88	03/12 → 03/16	•	vented	P59060MM	[+]	16,7	TRW						
	125	11/14 → 05/17	•	16" wheel	P59054MM	[+]	19,1	MN						
	125	11/14 → 05/17	•	17" wheel	P59055MM	[+]	19,1	MN						
	125	11/14 → 05/17	•	18" wheel	P59058MM	[+]	17,2	TRW						
	125	11/14 → 05/17	•	solid	P59059MM	[+]	16,7	TRW						
	125	11/14 → 05/17	•	vented	P59060MM	[+]	16,7	TRW						
2.0 CDTI 4x4	140	05/09 → 05/17	•	17" wheel	P59055MM	[+]	19,1	MN						
	140	05/09 → 05/17	•	18" wheel	P59058MM	[+]	17,2	TRW						
	140	05/09 → 05/17	•		P59060MM	[+]	16,7	TRW						
	120	07/13 → 05/17	•	16" wheel	P59054MM	[+]	19,1	MN						
	120	07/13 → 05/17	•	17" wheel	P59055MM	[+]	19,1	MN						
	120	07/13 → 05/17	•	18" wheel	P59058MM	[+]	17,2	TRW						
	120	07/13 → 05/17	•	solid	P59059MM	[+]	16,7	TRW						
	120	07/13 → 05/17	•	vented	P59060MM	[+]	16,7	TRW						
	118	07/08 → 05/17	•	16" wheel	P59054MM	[+]	19,1	MN						
	118	07/08 → 05/17	•	17" wheel	P59055MM	[+]	19,1	MN						
	118	07/08 → 05/17	•	18" wheel	P59058MM	[+]	17,2	TRW						
	118	07/08 → 05/17	•	solid	P59059MM	[+]	16,7	TRW						
	118	07/08 → 05/17	•	vented	P59060MM	[+]	16,7	TRW						
	125	11/14 → 05/17	•	16" wheel	P59054MM	[+]	19,1	MN						
125	11/14 → 05/17	•	17" wheel	P59055MM	[+]	19,1	MN							
125	11/14 → 05/17	•	18" wheel	P59058MM	[+]	17,2	TRW							
125	11/14 → 05/17	•	solid	P59059MM	[+]	16,7	TRW							
125	11/14 → 05/17	•	vented	P59060MM	[+]	16,7	TRW							
2.0 Turbo	162	07/08 → 05/17	•	17" wheel	P59055MM	[+]	19,1	MN						
	162	07/08 → 05/17	•	18" wheel	P59058MM	[+]	17,2	TRW						
	162	07/08 → 05/17	•		P59060MM	[+]	16,7	TRW						
	184	04/14 → 05/17	•	16" wheel	P59054MM	[+]	19,1	MN						
	184	04/14 → 05/17	•	18" wheel	P59058MM	[+]	17,2	TRW						
	184	04/14 → 05/17	•	17" wheel	P59055MM	[+]	19,1	MN						
	184	04/14 → 05/17	•	solid	P59059MM	[+]	16,7	TRW						
184	04/14 → 05/17	•	vented	P59060MM	[+]	16,7	TRW							
2.0 Turbo 4x4	162	07/08 → 05/17	•	17" wheel	P59055MM	[+]	19,1	MN						
	162	07/08 → 05/17	•	18" wheel	P59058MM	[+]	17,2	TRW						
	162	07/08 → 05/17	•		P59060MM	[+]	16,7	TRW						
	184	09/11 → 05/17	•	17" wheel	P59055MM	[+]	19,1	MN						
	184	09/11 → 05/17	•	18" wheel	P59058MM	[+]	17,2	TRW						
2.8 V6 Turbo	191	08/08 → 05/17	•		P59058MM	[+]	17,2	TRW						
	191	08/08 → 05/17	•		P59060MM	[+]	16,7	TRW						
	239	07/09 → 05/17	•		P59079MM	[+]	16	BRE						
2.8 VXR	239	07/09 → 05/17	•		P59060MM	[+]	16,7	TRW						

INSIGNIA Mk I (A) Saloon 07/08 → 05/17

1.4	103	04/11 → 05/17	•	16" wheel	P59054MM	[+]	19,1	MN						
	103	04/11 → 05/17	•	17" wheel	P59055MM	[+]	19,1	MN						
	103	04/11 → 05/17	•	18" wheel	P59058MM	[+]	17,2	TRW						
	103	04/11 → 05/17	•	solid	P59059MM	[+]	16,7	TRW						
	103	04/11 → 05/17	•	vented	P59060MM	[+]	16,7	TRW						
1.4 LPG	103	07/12 → 05/17	•	16" wheel	P59054MM	[+]	19,1	MN						
	103	07/12 → 05/17	•	17" wheel	P59055MM	[+]	19,1	MN						
	103	07/12 → 05/17	•	18" wheel	P59058MM	[+]	17,2	TRW						
	103	07/12 → 05/17	•	solid	P59059MM	[+]	16,7	TRW						
	103	07/12 → 05/17	•	vented	P59060MM	[+]	16,7	TRW						

VAUXHALL

INSIGNIA Mk I (A) Saloon 07/08 → 05/17

1.6 Turbo	132	01/09 → 05/17	●	16" wheel	P59054MM	[+]	19,1	MN							
	132	01/09 → 05/17	●	17" wheel	P59055MM	[+]	19,1	MN							
	132	01/09 → 05/17	●	18" wheel	P59058MM	[+]	17,2	TRW							
	132	01/09 → 05/17		● vented	P59060MM	[+]	16,7	TRW							
	132	01/09 → 05/17		● solid	P59059MM	[+]	16,7	TRW							
	125	07/13 → 05/17	●	16" wheel	P59054MM	[+]	19,1	MN							
	125	07/13 → 05/17	●	17" wheel	P59055MM	[+]	19,1	MN							
	125	07/13 → 05/17	●	18" wheel	P59058MM	[+]	17,2	TRW							
	125	07/13 → 05/17		● solid	P59059MM	[+]	16,7	TRW							
	125	07/13 → 05/17		● vented	P59060MM	[+]	16,7	TRW							
1.8	103	07/08 → 05/17	●	16" wheel	P59054MM	[+]	19,1	MN							
	103	07/08 → 05/17	●	17" wheel	P59055MM	[+]	19,1	MN							
	103	07/08 → 05/17	●	18" wheel	P59058MM	[+]	17,2	TRW							
	103	07/08 → 05/17		● solid	P59059MM	[+]	16,7	TRW							
	103	07/08 → 05/17		● vented	P59060MM	[+]	16,7	TRW							
2.0 Biturbo CDTI	143	03/12 → 05/17	●	17" wheel	P59055MM	[+]	19,1	MN							
	143	03/12 → 05/17	●	18" wheel	P59058MM	[+]	17,2	TRW							
	143	03/12 → 05/17		●	P59060MM	[+]	16,7	TRW							
2.0 Biturbo CDTI 4x4	143	03/12 → 05/17	●	17" wheel	P59055MM	[+]	19,1	MN							
	143	03/12 → 05/17	●	18" wheel	P59058MM	[+]	17,2	TRW							
	143	03/12 → 05/17		●	P59060MM	[+]	16,7	TRW							
2.0 CDTI	140	11/08 → 05/17	●	17" wheel	P59055MM	[+]	19,1	MN							
	140	11/08 → 05/17	●	18" wheel	P59058MM	[+]	17,2	TRW							
	140	11/08 → 05/17		●	P59060MM	[+]	16,7	TRW							
	120	07/13 → 05/17	●	16" wheel	P59054MM	[+]	19,1	MN							
	120	07/13 → 05/17	●	17" wheel	P59055MM	[+]	19,1	MN							
	120	07/13 → 05/17	●	18" wheel	P59058MM	[+]	17,2	TRW							
	120	07/13 → 05/17		● solid	P59059MM	[+]	16,7	TRW							
	120	07/13 → 05/17		● vented	P59060MM	[+]	16,7	TRW							
	103	07/13 → 05/17	●	16" wheel	P59054MM	[+]	19,1	MN							
	103	07/13 → 05/17	●	17" wheel	P59055MM	[+]	19,1	MN							
	103	07/13 → 05/17	●	18" wheel	P59058MM	[+]	17,2	TRW							
	103	07/13 → 05/17		● solid	P59059MM	[+]	16,7	TRW							
	103	07/13 → 05/17		● vented	P59060MM	[+]	16,7	TRW							
	81	07/08 → 05/17	●	16" wheel	P59054MM	[+]	19,1	MN							
	81	07/08 → 05/17	●	17" wheel	P59055MM	[+]	19,1	MN							
	81	07/08 → 05/17	●	18" wheel	P59058MM	[+]	17,2	TRW							
	81	07/08 → 05/17		● solid	P59059MM	[+]	16,7	TRW							
	81	07/08 → 05/17		● vented	P59060MM	[+]	16,7	TRW							
	96	07/08 → 12/14	●	16" wheel	P59054MM	[+]	19,1	MN							
	96	07/08 → 12/14	●	17" wheel	P59055MM	[+]	19,1	MN							
	96	07/08 → 12/14	●	18" wheel	P59058MM	[+]	17,2	TRW							
	96	07/08 → 12/14		● solid	P59059MM	[+]	16,7	TRW							
	96	07/08 → 12/14		● vented	P59060MM	[+]	16,7	TRW							
	118	07/08 → 05/17	●	16" wheel	P59054MM	[+]	19,1	MN							
	118	07/08 → 05/17	●	17" wheel	P59055MM	[+]	19,1	MN							
	118	07/08 → 05/17	●	18" wheel	P59058MM	[+]	17,2	TRW							
	118	07/08 → 05/17		● solid	P59059MM	[+]	16,7	TRW							
118	07/08 → 05/17		● vented	P59060MM	[+]	16,7	TRW								
88	03/12 → 12/14	●	16" wheel	P59054MM	[+]	19,1	MN								
88	03/12 → 12/14	●	17" wheel	P59055MM	[+]	19,1	MN								
88	03/12 → 12/14	●	18" wheel	P59058MM	[+]	17,2	TRW								
88	03/12 → 12/14		● solid	P59059MM	[+]	16,7	TRW								

	kw										LENGHT			

VAUXHALL

INSIGNIA Mk I (A) Saloon 07/08 → 05/17

2.0 CDTI	88	03/12 → 12/14	•	vented	P59060MM	[+]	16,7	TRW						
	125	11/14 → 05/17	•	16" wheel	P59054MM	[+]	19,1	MN						
	125	11/14 → 05/17	•	17" wheel	P59055MM	[+]	19,1	MN						
	125	11/14 → 05/17	•	18" wheel	P59058MM	[+]	17,2	TRW						
	125	11/14 → 05/17	•	solid	P59059MM	[+]	16,7	TRW						
	125	11/14 → 05/17	•	vented	P59060MM	[+]	16,7	TRW						
2.0 CDTI 4x4	140	05/09 → 05/17	•	17" wheel	P59055MM	[+]	19,1	MN						
	140	05/09 → 05/17	•	18" wheel	P59058MM	[+]	17,2	TRW						
	140	05/09 → 05/17	•		P59060MM	[+]	16,7	TRW						
	120	07/13 → 05/17	•	16" wheel	P59054MM	[+]	19,1	MN						
	120	07/13 → 05/17	•	17" wheel	P59055MM	[+]	19,1	MN						
	120	07/13 → 05/17	•	18" wheel	P59058MM	[+]	17,2	TRW						
	120	07/13 → 05/17	•	solid	P59059MM	[+]	16,7	TRW						
	120	07/13 → 05/17	•	vented	P59060MM	[+]	16,7	TRW						
	118	07/08 → 05/17	•	16" wheel	P59054MM	[+]	19,1	MN						
	118	07/08 → 05/17	•	17" wheel	P59055MM	[+]	19,1	MN						
	118	07/08 → 05/17	•	18" wheel	P59058MM	[+]	17,2	TRW						
	118	07/08 → 05/17	•	solid	P59059MM	[+]	16,7	TRW						
	118	07/08 → 05/17	•	vented	P59060MM	[+]	16,7	TRW						
	125	11/14 → 05/17	•	16" wheel	P59054MM	[+]	19,1	MN						
	125	11/14 → 05/17	•	17" wheel	P59055MM	[+]	19,1	MN						
	125	11/14 → 05/17	•	18" wheel	P59058MM	[+]	17,2	TRW						
	125	11/14 → 05/17	•	solid	P59059MM	[+]	16,7	TRW						
	125	11/14 → 05/17	•	vented	P59060MM	[+]	16,7	TRW						
2.0 Turbo	162	07/08 → 05/17	•	17" wheel	P59055MM	[+]	19,1	MN						
	162	07/08 → 05/17	•	18" wheel	P59058MM	[+]	17,2	TRW						
	162	07/08 → 05/17	•		P59060MM	[+]	16,7	TRW						
2.0 Turbo 4x4	162	07/08 → 05/17	•	17" wheel	P59055MM	[+]	19,1	MN						
	162	07/08 → 05/17	•	18" wheel	P59058MM	[+]	17,2	TRW						
	162	07/08 → 05/17	•		P59060MM	[+]	16,7	TRW						
	184	09/11 → 05/17	•	17" wheel	P59055MM	[+]	19,1	MN						
	184	09/11 → 05/17	•	18" wheel	P59058MM	[+]	17,2	TRW						
	184	09/11 → 05/17	•		P59060MM	[+]	16,7	TRW						
2.8 V6 Turbo 4x4	191	07/08 → 05/17	•		P59058MM	[+]	17,2	TRW						
	191	07/08 → 05/17	•		P59060MM	[+]	16,7	TRW						
2.8 VXR	239	07/09 → 05/17	•		P59079MM	[+]	16	BRE						
	239	07/09 → 05/17	•		P59060MM	[+]	16,7	TRW						

MERIVA Mk I (A) 01/03 → 06/10

1.3 CDTI	55	01/03 → 10/09	•		P59045MM	[+]	19,6	ATE						
	55	01/03 → 10/09	•		P59038MM	[+]	15,2	TRW						
1.4 16V Twinport	66	01/03 → 06/10	•	14" wheel	P59036MM	[+]	17	TRW						
	66	01/03 → 06/10	•	15" wheel	P59045MM	[+]	19,6	ATE						
	66	01/03 → 06/10	•		P59038MM	[+]	15,2	TRW						
1.6 i	64	01/03 → 06/10	•	14" wheel	P59036MM	[+]	17	TRW					A02202	
	64	01/03 → 06/10	•	15" wheel	P59045MM	[+]	19,6	ATE					A02202	
	64	01/03 → 06/10	•		P59038MM	[+]	15,2	TRW						
1.6 i 16V	74	01/03 → 09/05	•		P59045MM	[+]	19,6	ATE					A02202	
	74	01/03 → 09/05	•		P59038MM	[+]	15,2	TRW						
1.6 i 16V Twinport	77	05/03 → 06/10	•		P59045MM	[+]	19,6	ATE						
	77	05/03 → 06/10	•		P59038MM	[+]	15,2	TRW						
1.6 Turbo	132	05/06 → 06/10	•		P59045MM	[+]	19,6	ATE						
	132	05/06 → 06/10	•		P59038MM	[+]	15,2	TRW						
1.7 CDTI	74	09/03 → 06/10	•		P59045MM	[+]	19,6	ATE					A02202	
	74	09/03 → 06/10	•		P59038MM	[+]	15,2	TRW						

Car Model	kw	Icon 1	Icon 2	Icon 3	MAGNETI MARELLI	wi	Th [mm]	SYS	WI			FK	
									MAGNETI MARELLI	LENGHT	Icon 4	MAGNETI MARELLI	Icon 5

VAUXHALL

MERIVA Mk I (A) 01/03 → 06/10

1.7 DTI	55	06/03 → 06/10	●		P59045MM	[+]	19,6	ATE					A02202	
	55	06/03 → 06/10		●	P59038MM	[+]	15,2	TRW						
1.8 i 16V	92	05/03 → 06/10	●		P59045MM	[+]	19,6	ATE					A02202	
	92	05/03 → 06/10		●	P59038MM	[+]	15,2	TRW						

MERIVA Mk II (B) 06/10 →

1.3 CDTi	70	06/10 →	●		P59045MM	[+]	19,6	ATE					A02202	
	70	06/10 →		●	P10013MM	[-]	15,2	TRW						
	55	06/10 →	●		P59045MM	[+]	19,6	ATE						
	55	06/10 →		●	P10013MM	[-]	15,2	TRW						
1.4	74	06/10 →	●		P59045MM	[+]	19,6	ATE						
	74	06/10 →		●	P10013MM	[-]	15,2	TRW						
	88	06/10 →	●		P59045MM	[+]	19,6	ATE						
	88	06/10 →		●	P10013MM	[-]	15,2	TRW						
	103	06/10 →	●		P59045MM	[+]	19,6	ATE						
	103	06/10 →		●	P10013MM	[-]	15,2	TRW						
1.4 LPG	88	06/11 →	●		P59045MM	[+]	19,6	ATE						
	88	06/11 →		●	P10013MM	[-]	15,2	TRW						
1.6 CDTi	100	08/13 →	●		P59045MM	[+]	19,6	ATE						
	100	08/13 →		●	P10013MM	[-]	15,2	TRW						
	81	07/14 →	●		P59045MM	[+]	19,6	ATE						
	81	07/14 →		●	P10013MM	[-]	15,2	TRW						
	70	01/14 →	●		P59045MM	[+]	19,6	ATE						
1.7 CDTi	70	01/14 →		●	P10013MM	[-]	15,2	TRW						
	96	06/10 →	●		P59045MM	[+]	19,6	ATE					A02202	
	96	06/10 →		●	P10013MM	[-]	15,2	TRW						
	81	06/10 →	●		P59045MM	[+]	19,6	ATE					A02202	
	81	06/10 →		●	P10013MM	[-]	15,2	TRW						
	74	06/10 →	●		P59045MM	[+]	19,6	ATE						
74	06/10 →		●	P10013MM	[-]	15,2	TRW							

MOKKA / MOKKA X 06/12 →

1.4	103	04/13 →	●		P59077MM	[+]	18,8	BSH						
	103	04/13 →		●	P59080MM	[+]	16,2	TRW						
1.4 4x4	103	06/12 →	●		P59077MM	[+]	18,8	BSH						
	103	06/12 →		●	P59080MM	[+]	16,2	TRW						
	112	06/16 →	●		P59077MM	[+]	18,8	BSH						
	112	06/16 →		●	P59080MM	[+]	16,2	TRW						
1.6	85	06/12 →	●		P59077MM	[+]	18,8	BSH						
	85	06/12 →		●	P59080MM	[+]	16,2	TRW						
1.6 CDTi	100	01/15 →	●		P59077MM	[+]	18,8	BSH						
	100	01/15 →		●	P59080MM	[+]	16,2	TRW						
	81	06/15 →	●		P59077MM	[+]	18,8	BSH						
	81	06/15 →		●	P59080MM	[+]	16,2	TRW						
1.6 CDTi 4x4	100	01/15 →	●		P59077MM	[+]	18,8	BSH						
	100	01/15 →		●	P59080MM	[+]	16,2	TRW						
1.7 CDTi	96	06/12 →	●		P59077MM	[+]	18,8	BSH						
	96	06/12 →		●	P59080MM	[+]	16,2	TRW						
1.7 CDTi 4x4	96	06/12 →	●		P59077MM	[+]	18,8	BSH						
	96	06/12 →		●	P59080MM	[+]	16,2	TRW						

MONARO 03/04 → 04/07

5.7	242	03/04 → 08/05	●		P59056MM	[-]	18,5	TRW						
	257	01/05 → 04/07	●		P59056MM	[-]	18,5	TRW						
	285	03/04 → 07/05	●		P59056MM	[-]	18,5	TRW						
6.0	293	01/05 → 04/07	●		P59056MM	[-]	18,5	TRW						
	362	10/06 → 04/07	●		P59056MM	[-]	18,5	TRW						

	kw										LENGHT			

VAUXHALL

MONTEREY Mk II 07/98 → 08/99

3.0 DTI	117	07/98 → 08/99	●		P59020MM	[+]	16,5	AKE						
	117	07/98 → 08/99		●	P59021MM	[+]	15,8	SUM						
3.5 V6 24V	158	07/98 → 08/99	●		P59020MM	[+]	16,5	AKE						
	158	07/98 → 08/99		●	P59021MM	[+]	15,8	SUM						

MOVANO Mk I (A) Chassis/Cab (ED, UD, HD) 10/98 → 05/10

2.2 DTI	66	09/00 → 05/10	●	15" wheel	P68025MM	[-]	17,5	BSH						
	66	09/00 → 05/10	●	16" wheel	P59039MM	[-]	17,8	BSH						
	66	09/00 → 05/10		●	P59040MM	[-]	16,8	BSH						
2.5 CDTI	74	04/04 → 05/10	●	15" wheel	P68025MM	[-]	17,5	BSH						
	74	04/04 → 05/10	●	16" wheel	P59039MM	[-]	17,8	BSH						
	74	04/04 → 05/10		●	P59040MM	[-]	16,8	BSH						
	88	08/06 → 05/10	●	15" wheel	P68025MM	[-]	17,5	BSH						
	88	08/06 → 05/10	●	16" wheel	P59039MM	[-]	17,8	BSH						
	88	08/06 → 05/10		●	P59040MM	[-]	16,8	BSH						
	107	08/06 → 05/10	●	15" wheel	P68025MM	[-]	17,5	BSH						
	107	08/06 → 05/10	●	16" wheel	P59039MM	[-]	17,8	BSH						
	107	08/06 → 05/10		●	P59040MM	[-]	16,8	BSH						
2.5 D	59	10/98 → 08/02	●	15" wheel	P68025MM	[-]	17,5	BSH						
	59	10/98 → 08/02	●	16" wheel	P59039MM	[-]	17,8	BSH						
	59	10/98 → 08/02		●	P59040MM	[-]	16,8	BSH						
2.5 DTI	84	10/01 → 05/10	●	15" wheel	P68025MM	[-]	17,5	BSH						
	84	10/01 → 05/10	●	16" wheel	P59039MM	[-]	17,8	BSH						
	84	10/01 → 05/10		●	P59040MM	[-]	16,8	BSH						
2.8 DTI	84	10/98 → 10/01	●	15" wheel	P68025MM	[-]	17,5	BSH						
	84	10/98 → 10/01	●	16" wheel	P59039MM	[-]	17,8	BSH						
	84	10/98 → 10/01		●	P59040MM	[-]	16,8	BSH						
3.0 DTI	100	10/03 → 05/10	●	15" wheel	P68025MM	[-]	17,5	BSH						
	100	10/03 → 05/10	●	16" wheel	P59039MM	[-]	17,8	BSH						
	100	10/03 → 05/10		●	P59040MM	[-]	16,8	BSH						

MOVANO Mk I (A) Combi (JD) 10/98 → 05/10

1.9 DTI	59	09/00 → 10/01	●	15" wheel	P68025MM	[-]	17,5	BSH						
	59	09/00 → 10/01	●	16" wheel	P59039MM	[-]	17,8	BSH						
	59	09/00 → 10/01		●	P59040MM	[-]	16,8	BSH						
	60	10/01 → 05/10	●	15" wheel	P68025MM	[-]	17,5	BSH						
	60	10/01 → 05/10	●	16" wheel	P59039MM	[-]	17,8	BSH						
	60	10/01 → 05/10		●	P59040MM	[-]	16,8	BSH						
2.2 DTI	66	09/00 → 05/10	●	15" wheel	P68025MM	[-]	17,5	BSH						
	66	09/00 → 05/10	●	16" wheel	P59039MM	[-]	17,8	BSH						
	66	09/00 → 05/10		●	P59040MM	[-]	16,8	BSH						
2.5 CDTI	74	10/01 → 08/09	●	15" wheel	P68025MM	[-]	17,5	BSH						
	74	10/01 → 08/09	●	16" wheel	P59039MM	[-]	17,8	BSH						
	74	10/01 → 08/09		●	P59040MM	[-]	16,8	BSH						
	88	02/03 → 08/09	●	15" wheel	P68025MM	[-]	17,5	BSH						
	88	02/03 → 08/09	●	16" wheel	P59039MM	[-]	17,8	BSH						
	88	02/03 → 08/09		●	P59040MM	[-]	16,8	BSH						
	107	08/06 → 05/10	●	15" wheel	P68025MM	[-]	17,5	BSH						
	107	08/06 → 05/10	●	16" wheel	P59039MM	[-]	17,8	BSH						
	107	08/06 → 05/10		●	P59040MM	[-]	16,8	BSH						
2.5 D	59	10/98 → 09/00	●	15" wheel	P68025MM	[-]	17,5	BSH						
	59	10/98 → 09/00	●	16" wheel	P59039MM	[-]	17,8	BSH						
	59	10/98 → 09/00		●	P59040MM	[-]	16,8	BSH						
2.5 DTI	84	10/01 → 08/09	●	15" wheel	P68025MM	[-]	17,5	BSH						
	84	10/01 → 08/09	●	16" wheel	P59039MM	[-]	17,8	BSH						
	84	10/01 → 08/09		●	P59040MM	[-]	16,8	BSH						

VAUXHALL

MOVANO Mk I (A) Combi (JD) 10/98 → 05/10

2.8 DTI	84	10/98 → 10/01	●	15" wheel	P68025MM [-]	17,5	BSH					
	84	10/98 → 10/01	●	16" wheel	P59039MM [-]	17,8	BSH					
	84	10/98 → 10/01	●		P59040MM [-]	16,8	BSH					
3.0 DTi	100	10/03 → 05/10	●	15" wheel	P68025MM [-]	17,5	BSH					
	100	10/03 → 05/10	●	16" wheel	P59039MM [-]	17,8	BSH					
	100	10/03 → 05/10	●		P59040MM [-]	16,8	BSH					

MOVANO Mk I (A) Van (FD) 10/98 → 05/10

1.9 DTI	59	09/00 → 10/01	●	15" wheel	P68025MM [-]	17,5	BSH					
	59	09/00 → 10/01	●	16" wheel	P59039MM [-]	17,8	BSH					
	59	09/00 → 10/01	●		P59040MM [-]	16,8	BSH					
	60	10/01 → 05/10	●	15" wheel	P68025MM [-]	17,5	BSH					
	60	10/01 → 05/10	●	16" wheel	P59039MM [-]	17,8	BSH					
	60	10/01 → 05/10	●		P59040MM [-]	16,8	BSH					
2.2 DTI	66	09/00 → 05/10	●	15" wheel	P68025MM [-]	17,5	BSH					
	66	09/00 → 05/10	●	16" wheel	P59039MM [-]	17,8	BSH					
	66	09/00 → 05/10	●		P59040MM [-]	16,8	BSH					
2.5 CDTI	74	04/04 → 05/10	●	15" wheel	P68025MM [-]	17,5	BSH					
	74	04/04 → 05/10	●	16" wheel	P59039MM [-]	17,8	BSH					
	74	04/04 → 05/10	●		P59040MM [-]	16,8	BSH					
	107	08/06 → 05/10	●	15" wheel	P68025MM [-]	17,5	BSH					
	107	08/06 → 05/10	●	16" wheel	P59039MM [-]	17,8	BSH					
	107	08/06 → 05/10	●		P59040MM [-]	16,8	BSH					
	88	08/06 → 05/10	●	15" wheel	P68025MM [-]	17,5	BSH					
	88	08/06 → 05/10	●	16" wheel	P59039MM [-]	17,8	BSH					
	88	08/06 → 05/10	●		P59040MM [-]	16,8	BSH					
2.5 D	59	10/98 → 09/00	●	15" wheel	P68025MM [-]	17,5	BSH					
	59	10/98 → 09/00	●	16" wheel	P59039MM [-]	17,8	BSH					
	59	10/98 → 09/00	●		P59040MM [-]	16,8	BSH					
2.5 DTI	84	10/01 → 05/10	●	15" wheel	P68025MM [-]	17,5	BSH					
	84	10/01 → 05/10	●	16" wheel	P59039MM [-]	17,8	BSH					
	84	10/01 → 05/10	●		P59040MM [-]	16,8	BSH					
2.8 TDI	84	10/98 → 10/01	●	15" wheel	P68025MM [-]	17,5	BSH					
	84	10/98 → 10/01	●	16" wheel	P59039MM [-]	17,8	BSH					
	84	10/98 → 10/01	●		P59040MM [-]	16,8	BSH					
3.0 DTI	100	10/03 → 05/10	●	15" wheel	P68025MM [-]	17,5	BSH					
	100	10/03 → 05/10	●	16" wheel	P59039MM [-]	17,8	BSH					
	100	10/03 → 05/10	●		P59040MM [-]	16,8	BSH					

MOVANO Mk II (B) Chassis/Cab 05/10 →

2.3 CDTI [RWD]	74	07/10 →	●		P68062MM [+]	18	BRE					
	74	07/10 →	●	single tyres	P68063MM [+]	18,1	BRE					
	74	07/10 →	●	twin tyres	P68061MM [+]	18	BRE					
	92	07/10 →	●		P68062MM [+]	18	BRE					
	92	07/10 →	●	single tyres	P68063MM [+]	18,1	BRE					
	92	07/10 →	●	twin tyres	P68061MM [+]	18	BRE					
	107	07/10 →	●		P68062MM [+]	18	BRE					
	107	07/10 →	●	single tyres	P68063MM [+]	18,1	BRE					
	107	07/10 →	●	twin tyres	P68061MM [+]	18	BRE					
	110	01/13 →	●		P68062MM [+]	18	BRE					
	110	01/13 →	●	single tyres	P68063MM [+]	18,1	BRE					
	110	01/13 →	●	twin tyres	P68061MM [+]	18	BRE					
	120	05/14 →	●		P68062MM [+]	18	BRE					
	120	05/14 →	●	single tyres	P68063MM [+]	18,1	BRE					
	120	05/14 →	●	twin tyres	P68061MM [+]	18	BRE					
	96	10/16 →	●		P68062MM [+]	18	BRE					

VAUXHALL

MOVANO Mk II (B) Chassis/Cab 05/10 →

2.3 CDTI [RWD]	96 10/16 →		●	single tyres	P68063MM	[+]	18,1	BRE							
	96 10/16 →			twin tyres	P68061MM	[+]	18	BRE							
2.3 CDTI FWD	74 05/10 →	●			P68062MM	[+]	18	BRE							
	74 05/10 →		●	single tyres	P68063MM	[+]	18,1	BRE							
	74 05/10 →		●	twin tyres	P68061MM	[+]	18	BRE							
	92 05/10 →	●			P68062MM	[+]	18	BRE							
	92 05/10 →		●	single tyres	P68063MM	[+]	18,1	BRE							
	92 05/10 →		●	twin tyres	P68061MM	[+]	18	BRE							
	107 05/10 →	●			P68062MM	[+]	18	BRE							
	107 05/10 →		●	single tyres	P68063MM	[+]	18,1	BRE							
	107 05/10 →		●	twin tyres	P68061MM	[+]	18	BRE							
	110 01/13 →	●			P68062MM	[+]	18	BRE							
	110 01/13 →		●	single tyres	P68063MM	[+]	18,1	BRE							
	110 01/13 →		●	twin tyres	P68061MM	[+]	18	BRE							
	96 10/16 →	●			P68062MM	[+]	18	BRE							
	96 10/16 →		●	single tyres	P68063MM	[+]	18,1	BRE							
	96 10/16 →		●	twin tyres	P68061MM	[+]	18	BRE							
	81 05/14 →	●			P68062MM	[+]	18	BRE							
	81 05/14 →		●	single tyres	P68063MM	[+]	18,1	BRE							
	81 05/14 →		●	twin tyres	P68061MM	[+]	18	BRE							
125 11/16 →	●			P68062MM	[+]	18	BRE								
125 11/16 →		●	single tyres	P68063MM	[+]	18,1	BRE								
125 11/16 →		●	twin tyres	P68061MM	[+]	18	BRE								

MOVANO Mk II (B) Combi 05/10 →

2.3 CDTI [RWD]	96 10/16 →	●			P68062MM	[+]	18	BRE							
	96 10/16 →		●	single tyres	P68063MM	[+]	18,1	BRE							
	96 10/16 →		●	twin tyres	P68061MM	[+]	18	BRE							
2.3 CDTI FWD	74 05/10 →	●			P68062MM	[+]	18	BRE							
	74 05/10 →		●	single tyres	P68063MM	[+]	18,1	BRE							
	74 05/10 →		●	twin tyres	P68061MM	[+]	18	BRE							
	92 05/10 →	●			P68062MM	[+]	18	BRE							
	92 05/10 →		●	single tyres	P68063MM	[+]	18,1	BRE							
	92 05/10 →		●	twin tyres	P68061MM	[+]	18	BRE							
	107 05/10 →	●			P68062MM	[+]	18	BRE							
	107 05/10 →		●	single tyres	P68063MM	[+]	18,1	BRE							
	107 05/10 →		●	twin tyres	P68061MM	[+]	18	BRE							
	110 01/13 →	●			P68062MM	[+]	18	BRE							
	110 01/13 →		●	single tyres	P68063MM	[+]	18,1	BRE							
	110 01/13 →		●	twin tyres	P68061MM	[+]	18	BRE							
	81 05/14 →	●			P68062MM	[+]	18	BRE							
	81 05/14 →		●	single tyres	P68063MM	[+]	18,1	BRE							
	81 05/14 →		●	twin tyres	P68061MM	[+]	18	BRE							
	100 05/14 →	●			P68062MM	[+]	18	BRE							
	100 05/14 →		●	single tyres	P68063MM	[+]	18,1	BRE							
	100 05/14 →		●	twin tyres	P68061MM	[+]	18	BRE							
	120 05/14 →	●			P68062MM	[+]	18	BRE							
	120 05/14 →		●	single tyres	P68063MM	[+]	18,1	BRE							
	120 05/14 →		●	twin tyres	P68061MM	[+]	18	BRE							
	125 07/15 →	●			P68062MM	[+]	18	BRE							
	125 07/15 →		●	single tyres	P68061MM	[+]	18	BRE							
	125 07/15 →		●	twin tyres	P68063MM	[+]	18,1	BRE							
	96 10/16 →	●			P68062MM	[+]	18	BRE							
	96 10/16 →		●	single tyres	P68063MM	[+]	18,1	BRE							
	96 10/16 →		●	twin tyres	P68061MM	[+]	18	BRE							

VAUXHALL

MOVANO Mk II (B) VAN 05/10 →

2.3 CDTI [RWD]	74	05/10 →	●		P68062MM	[+]	18	BRE					
	74	05/10 →		●	single tyres	P68063MM	[+]	18,1	BRE				
	74	05/10 →		●	twin tyres	P68061MM	[+]	18	BRE				
	92	05/10 →	●		P68062MM	[+]	18	BRE					
	92	05/10 →		●	single tyres	P68063MM	[+]	18,1	BRE				
	92	05/10 →		●	twin tyres	P68061MM	[+]	18	BRE				
	107	05/10 →	●		P68062MM	[+]	18	BRE					
	107	05/10 →		●	single tyres	P68063MM	[+]	18,1	BRE				
	107	05/10 →		●	twin tyres	P68061MM	[+]	18	BRE				
	110	01/13 →	●		P68062MM	[+]	18	BRE					
	110	01/13 →		●	single tyres	P68063MM	[+]	18,1	BRE				
	110	01/13 →		●	twin tyres	P68061MM	[+]	18	BRE				
	120	05/14 →	●		P68062MM	[+]	18	BRE					
	120	05/14 →		●	single tyres	P68063MM	[+]	18,1	BRE				
	120	05/14 →		●	twin tyres	P68061MM	[+]	18	BRE				
	100	05/14 →	●		P68062MM	[+]	18	BRE					
	100	05/14 →		●	single tyres	P68063MM	[+]	18,1	BRE				
	100	05/14 →		●	twin tyres	P68061MM	[+]	18	BRE				
96	10/16 →	●		P68062MM	[+]	18	BRE						
96	10/16 →		●	single tyres	P68063MM	[+]	18,1	BRE					
96	10/16 →		●	twin tyres	P68061MM	[+]	18	BRE					

2.3 CDTI FWD	74	05/10 →	●		P68062MM	[+]	18	BRE					
	74	05/10 →		●	single tyres	P68063MM	[+]	18,1	BRE				
	74	05/10 →		●	twin tyres	P68061MM	[+]	18	BRE				
	92	05/10 →	●		P68062MM	[+]	18	BRE					
	92	05/10 →		●	single tyres	P68063MM	[+]	18,1	BRE				
	92	05/10 →		●	twin tyres	P68061MM	[+]	18	BRE				
	107	05/10 →	●		P68062MM	[+]	18	BRE					
	107	05/10 →		●	single tyres	P68063MM	[+]	18,1	BRE				
	107	05/10 →		●	twin tyres	P68061MM	[+]	18	BRE				
	110	01/13 →	●		P68062MM	[+]	18	BRE					
	110	01/13 →		●	single tyres	P68063MM	[+]	18,1	BRE				
	110	01/13 →		●	twin tyres	P68061MM	[+]	18	BRE				
	100	05/14 →	●		P68062MM	[+]	18	BRE					
	100	05/14 →		●	single tyres	P68063MM	[+]	18,1	BRE				
	100	05/14 →		●	twin tyres	P68061MM	[+]	18	BRE				
	81	02/12 →	●		P68062MM	[+]	18	BRE					
	81	02/12 →		●	single tyres	P68063MM	[+]	18,1	BRE				
	81	02/12 →		●	twin tyres	P68061MM	[+]	18	BRE				
	120	05/14 →	●		P68062MM	[+]	18	BRE					
	120	05/14 →		●	single tyres	P68063MM	[+]	18,1	BRE				
	120	05/14 →		●	twin tyres	P68061MM	[+]	18	BRE				
	96	10/16 →	●		P68062MM	[+]	18	BRE					
	96	10/16 →		●	single tyres	P68063MM	[+]	18,1	BRE				
	96	10/16 →		●	twin tyres	P68061MM	[+]	18	BRE				
125	11/16 →	●		P68062MM	[+]	18	BRE						
125	11/16 →		●	single tyres	P68063MM	[+]	18,1	BRE					
125	11/16 →		●	twin tyres	P68061MM	[+]	18	BRE					

OMEGA (B) 12/93 → 07/03

2.0	85	03/94 → 09/99	●	-arm.veh.; → V1999999	P59019MM	[O]	17,5	ATE	A00308	730	→ V1999999; -arm.veh.	A02202	-arm.veh.; → V1999999
	85	03/94 → 09/99	●	+arm.veh.; W1000001 →	P59016MM	[O]	18,3	TRW	A00308	730	→ V1999999; -arm.veh.	A02202	-arm.veh.; → V1999999
	85	03/94 → 09/99	●		P59014MM	[-]	15,2	ATE				A02258	
	85	09/95 → 09/96	●	-arm.veh.; → V1999999	P59019MM	[O]	17,5	ATE	A00308	730	→ V1999999; -arm.veh.	A02202	-arm.veh.; → V1999999



kW



WI

 Th
[mm]

SYS

WI

 MAGNETI
MARELLI

LENGHT

FK


VAUXHALL
OMEGA (B) 12/93 → 07/03

2.0	85	09/95 → 09/96	●	+arm.veh.; W1000001 →	P59016MM	[O]	18,3	TRW	A00308	730	→ V1999999; -arm.veh.	A02202	-arm.veh.; → V1999999
	85	09/95 → 09/96	●		P59014MM	[-]	15,2	ATE				A02258	
2.0 16V	100	03/94 → 07/01	●	-arm.veh.; → V1999999	P59019MM	[O]	17,5	ATE	A00308	730	-arm.veh.; → V1999999	A02202	-arm.veh.; → V1999999
	100	03/94 → 07/01	●	+arm.veh.; W1000001 →	P59016MM	[O]	18,3	TRW	A00308	730	-arm.veh.; → V1999999	A02202	-arm.veh.; → V1999999
2.0 DTI 16V	100	03/94 → 07/01	●		P59014MM	[-]	15,2	ATE				A02258	
	74	01/98 → 09/00	●		P59016MM	[O]	18,3	TRW	A00309	735			
2.2 16V	74	01/98 → 09/00	●		P59014MM	[-]	15,2	ATE				A02296	solid
	106	01/94 → 06/03	●		P59016MM	[O]	18,3	TRW	A00309	735			
2.2 DTI 16V	106	01/94 → 06/03	●		P59014MM	[-]	15,2	ATE				A02296	solid
	88	08/00 → 07/03	●		P59016MM	[O]	18,3	TRW	A00309	735			
2.5 DTI 24V	88	08/00 → 07/03	●		P59014MM	[-]	15,2	ATE				A02296	solid
	110	09/01 → 07/03	●		P59016MM	[O]	18,3	TRW	A00309	735			
2.5 TD	110	09/01 → 07/03	●		P59014MM	[-]	15,2	ATE				A02296	solid
	96	04/94 → 07/01	●		P59016MM	[O]	18,3	TRW	A00309	735			
2.5 V6	96	04/94 → 07/01	●		P59014MM	[-]	15,2	ATE				A02296	solid
	125	03/94 → 09/00	●		P59016MM	[O]	18,3	TRW	A00309	735			
2.6 V6	125	03/94 → 09/00	●		P59014MM	[-]	15,2	ATE				A02296	solid
	132	08/00 → 07/03	●		P59016MM	[O]	18,3	TRW	A00309	735			
3.0 V6	132	08/00 → 07/03	●		P59014MM	[-]	15,2	ATE				A02296	solid
	155	04/94 → 07/00	●		P59016MM	[O]	18,3	TRW	A00309	735			
3.2 V6	155	04/94 → 07/00	●		P59014MM	[-]	15,2	ATE				A02296	solid
	160	02/01 → 07/03	●		P59016MM	[O]	18,3	TRW	A00309	735			
	160	02/01 → 07/03	●		P59014MM	[-]	15,2	ATE				A02296	solid

OMEGA (B) Estate 12/93 → 06/03

2.0	85	03/94 → 09/99	●	-arm.veh.; → V1999999	P59019MM	[O]	17,5	ATE	A00308	730	→ V1999999; -arm.veh.	A02202	-arm.veh.; → V1999999
	85	03/94 → 09/99	●	+arm.veh.; W1000001 →	P59016MM	[O]	18,3	TRW	A00308	730	→ V1999999; -arm.veh.	A02202	-arm.veh.; → V1999999
	85	03/94 → 09/99	●		P59014MM	[-]	15,2	ATE				A02258	
2.0 16V	100	03/94 → 07/01	●	-arm.veh.; → V1999999	P59019MM	[O]	17,5	ATE	A00308	730	-arm.veh.; → V1999999	A02202	-arm.veh.; → V1999999
	100	03/94 → 07/01	●	+arm.veh.; W1000001 →	P59016MM	[O]	18,3	TRW	A00308	730	-arm.veh.; → V1999999	A02202	-arm.veh.; → V1999999
	100	03/94 → 07/01	●		P59014MM	[-]	15,2	ATE				A02258	
2.0 DTI 16V	74	01/98 → 09/00	●		P59016MM	[O]	18,3	TRW	A00309	735			
	74	01/98 → 09/00	●		P59014MM	[-]	15,2	ATE				A02296	solid
2.2 16V	106	02/94 → 06/03	●		P59016MM	[O]	18,3	TRW	A00309	735			
	106	02/94 → 06/03	●		P59014MM	[-]	15,2	ATE				A02296	solid
2.2 DTI 16V	88	08/00 → 06/03	●		P59016MM	[O]	18,3	TRW	A00309	735			
	88	08/00 → 06/03	●		P59014MM	[-]	15,2	ATE				A02296	solid
2.5 DTI 24V	110	09/01 → 06/03	●		P59016MM	[O]	18,3	TRW	A00309	735			
	110	09/01 → 06/03	●		P59014MM	[-]	15,2	ATE				A02296	solid
2.5 TD	96	04/94 → 07/01	●		P59016MM	[O]	18,3	TRW	A00309	735			
	96	04/94 → 07/01	●		P59014MM	[-]	15,2	ATE				A02296	solid
2.5 V6	125	03/94 → 09/00	●		P59016MM	[O]	18,3	TRW	A00309	735			
	125	03/94 → 09/00	●		P59014MM	[-]	15,2	ATE				A02296	solid
2.6 V6	132	08/00 → 06/03	●		P59016MM	[O]	18,3	TRW	A00309	735			
	132	08/00 → 06/03	●		P59014MM	[-]	15,2	ATE				A02296	solid
3.0 V6	155	07/94 → 07/00	●		P59016MM	[O]	18,3	TRW	A00309	735			
	155	07/94 → 07/00	●		P59014MM	[-]	15,2	ATE				A02296	solid
3.2 V6	160	02/01 → 06/03	●		P59016MM	[O]	18,3	TRW	A00309	735			
	160	02/01 → 06/03	●		P59014MM	[-]	15,2	ATE				A02296	solid

SIGNUM 03/03 → 10/08

1.8	103	08/05 → 05/08	●	→ 51066206	P59043MM	[O]	20,6	ATE	A00251	685	→ 41048789; → 48045597		
	103	08/05 → 05/08	●	61000001 →	P10011MM	[O]	20,6	ATE	A00251	685	→ 41048789; → 48045597		
	103	08/05 → 05/08	●		P59042MM	[O]	16,7	ATE					

VAUXHALL

SIGNUM 03/03 → 10/08

1.8	90	06/03 → 07/05	●	→ 51066206	P59043MM	[O]	20,6	ATE	A00251	685	→ 41048789; → 48045597		
	90	06/03 → 07/05	●	61000001 →	P10011MM	[O]	20,6	ATE	A00251	685	→ 41048789; → 48045597		
	90	06/03 → 07/05	●		P59042MM	[O]	16,7	ATE					
1.9 CDTI	88	04/04 → 03/08	●	61000001 →	P10011MM	[O]	20,6	ATE	A00251	685	→ 41048789; → 48045597	A02202	51064147 →
	88	04/04 → 03/08	●		P59043MM	[O]	20,6	ATE	A00251	685	→ 41048789; → 48045597	A02202	51064147 →
	88	04/04 → 03/08	●		P59042MM	[O]	16,7	ATE					
1.9 CDTI 16V	110	04/04 → 03/08	●	61000001 →	P10011MM	[O]	20,6	ATE	A00251	685	→ 41048789; → 48045597	A02202	
	110	04/04 → 03/08	●		P59043MM	[O]	20,6	ATE	A00251	685	→ 41048789; → 48045597	A02202	
	110	04/04 → 03/08	●		P59042MM	[O]	16,7	ATE					
1.9 Turbo	74	01/05 → 05/08	●	→ 51066206	P59043MM	[O]	20,6	ATE	A00251	685	→ 41048789; → 48045597	A02202	51066207 →
	74	01/05 → 05/08	●	61000001 →	P10011MM	[O]	20,6	ATE	A00251	685	→ 41048789; → 48045597	A02202	51066207 →
	74	01/05 → 05/08	●		P59042MM	[O]	16,7	ATE					
2.0 DTI	74	05/03 → 05/08	●	61000001 →	P10011MM	[O]	20,6	ATE	A00251	685	→ 41048789; → 48045597	A02202	51064147 →
	74	05/03 → 05/08	●		P59043MM	[O]	20,6	ATE	A00251	685	→ 41048789; → 48045597	A02202	51064147 →
	74	05/03 → 05/08	●		P59042MM	[O]	16,7	ATE					
2.0 i Turbo	129	03/03 → 10/08	●	→ 51066206	P59043MM	[O]	20,6	ATE	A00251	685	→ 41048789; → 48045597	A02202	51066207 →
	129	03/03 → 10/08	●	61000001 →	P10011MM	[O]	20,6	ATE	A00251	685	→ 41048789; → 48045597	A02202	51066207 →
	129	03/03 → 10/08	●		P59042MM	[O]	16,7	ATE					
2.2 DTI	92	05/03 → 05/08	●	→ 51066206	P59043MM	[O]	20,6	ATE	A00251	685	→ 41048789; → 48045597	A02202	51064147 →; 51066207 →
	92	05/03 → 05/08	●	61000001 →	P10011MM	[O]	20,6	ATE	A00251	685	→ 41048789; → 48045597	A02202	51064147 →; 51066207 →
	92	05/03 → 05/08	●		P59042MM	[O]	16,7	ATE					
2.2 i	114	05/03 → 05/08	●	→ 51066206	P59043MM	[O]	20,6	ATE	A00251	685	→ 41048789; → 48045597	A02202	51064147 →; 51066207 →
	114	05/03 → 05/08	●	61000001 →	P10011MM	[O]	20,6	ATE	A00251	685	→ 41048789; → 48045597	A02202	51064147 →; 51066207 →
	114	05/03 → 05/08	●		P59042MM	[O]	16,7	ATE					
2.8 V6 Turbo	169	07/05 → 05/08	●	61000001 →	P59049MM	[O]	20,9	ATE	A00253	302			
	169	07/05 → 05/08	●	VXR	P10012MM	[-]	20,4	ATE	A00253	302			
	169	07/05 → 05/08	●	-VXR	P59046MM	[O]	20,4	ATE	A00253	302			
	169	07/05 → 05/08	●		P59042MM	[O]	16,7	ATE					
	184	05/07 → 10/08	●	-VXR	P59046MM	[O]	20,4	ATE					
	184	05/07 → 10/08	●	-VXR; 61000001 →	P59049MM	[O]	20,9	ATE					
	184	05/07 → 10/08	●	VXR; 61000001 →	P10012MM	[-]	20,4	ATE					
	184	05/07 → 10/08	●		P59042MM	[O]	16,7	ATE					
3.0 CDTI	130	05/03 → 05/08	●	→ 31068238	P59043MM	[O]	20,6	ATE	A00252	693			
	130	05/03 → 05/08	●	31068239 →; → 51999999	P59049MM	[O]	20,9	ATE	A00252	693			
	130	05/03 → 05/08	●	+special veh.	P59046MM	[O]	20,4	ATE	A00252	693			
	130	05/03 → 05/08	●		P59042MM	[O]	16,7	ATE					
3.0 V6 CDTI	135	07/05 → 06/08	●		P59046MM	[O]	20,4	ATE	A00253	302	41048790 →; 48045598 →		
	135	07/05 → 06/08	●	→ 31068238	P59043MM	[O]	20,6	ATE	A00253	302	41048790 →; 48045598 →		
	135	07/05 → 06/08	●	31068239 →	P59049MM	[O]	20,9	ATE	A00253	302	41048790 →; 48045598 →		
	135	07/05 → 06/08	●		P59042MM	[O]	16,7	ATE					

											WI		FK		
												LENGHT			

VAUXHALL

SIGNUM 03/03 → 10/08

3.2 V6	155	05/03 → 05/08	●	→ 31068238	P59043MM	[O]	20,6	ATE	A00252	693				
	155	05/03 → 05/08	●	31068239 →; → 51999999	P59049MM	[O]	20,9	ATE	A00252	693				
	155	05/03 → 05/08	●	+special veh.	P59046MM	[O]	20,4	ATE	A00252	693				
	155	05/03 → 05/08	●		P59042MM	[O]	16,7	ATE						

SINTRA 09/96 → 04/99

2.2 DTI	85	07/97 → 04/99	●		P59028MM	[+]	18	WAG						
	85	07/97 → 04/99	●		P59027MM	[+]	15	AKE						
2.2 i 16 V	104	11/96 → 04/99	●		P59028MM	[+]	18	WAG						
	104	11/96 → 04/99	●		P59027MM	[+]	15	AKE						
3.0 i 24V	148	11/96 → 04/99	●		P59028MM	[+]	18	WAG						
	148	11/96 → 04/99	●		P59027MM	[+]	15	AKE						

SPEEDSTER 03/01 → 09/06

2.2	108	03/01 → 09/06	●		P59025MM	[-]	14,5	ATE						
	108	03/01 → 09/06	●		P59026MM	[-]	12,9	BRE						

TIGRA Mk I (F07) 07/94 → 12/00

1.4 16V	66	07/94 → 12/00	●		P59011MM	[O]	16,8	ATE					A02238	
1.6 16V	78	07/94 → 12/00	●		P59011MM	[O]	16,8	ATE					A02238	

TIGRA TwinTop 06/04 → 08/09

1.3 CDTI	51	06/04 → 08/09	●		P59036MM	[+]	17	TRW						
	51	06/04 → 08/09	●		P59037MM	[+]	14	TRW						
1.4	66	06/04 → 08/09	●		P59036MM	[+]	17	TRW						
	66	06/04 → 08/09	●		P59037MM	[+]	14	TRW						
1.8	92	06/04 → 08/09	●		P59036MM	[+]	17	TRW						
	92	06/04 → 08/09	●		P59037MM	[+]	14	TRW						

VECTRA (B) 08/95 → 03/02

1.6 i	55	08/95 → 10/01	●	XL000001 → XL999999	P59017MM	[O]	18,3	ATE	A00263	660	XL000001 → XL999999	A02241	XL000001 → XL999999
	55	08/95 → 10/01	●		P59022MM	[O]	19,6	ATE	A00264	660		A02241	XL000001 → XL999999
1.6 i 16V	74	08/95 → 10/01	●	XL000001 → XL999999	P59017MM	[O]	18,3	ATE	A00263	660	XL000001 → XL999999	A02241	XL000001 → XL999999
	74	08/95 → 10/01	●		P59022MM	[O]	19,6	ATE	A00264	660		A02241	XL000001 → XL999999
	74	08/95 → 10/01	●		P59014MM	[-]	15,2	ATE				A02258	
1.7 TD	60	10/95 → 11/96	●		P59017MM	[O]	18,3	ATE	A00263	660		A02241	
	60	10/95 → 11/96	●		P59014MM	[-]	15,2	ATE				A02258	
1.8 Duafuel	92	09/00 → 03/02	●		P59022MM	[O]	19,6	ATE					
	92	09/00 → 03/02	●		P59014MM	[-]	15,2	ATE					
1.8 i 16V	85	10/95 → 09/00	●	XL000001 → XL999999	P59017MM	[O]	18,3	ATE	A00263	660	XL000001 → XL999999	A02241	XL000001 → XL999999
	85	10/95 → 09/00	●		P59022MM	[O]	19,6	ATE	A00264	660		A02241	XL000001 → XL999999
	85	10/95 → 09/00	●		P59014MM	[-]	15,2	ATE				A02258	
	92	09/00 → 03/02	●	YL000001 →	P59022MM	[O]	19,6	ATE	A00263	660	XL000001 → XL999999	A02202	
	92	09/00 → 03/02	●		P59014MM	[-]	15,2	ATE				A02258	
2.0 DI 16V	60	08/95 → 10/01	●	XL000001 → XL999999	P59017MM	[O]	18,3	ATE	A00263	660	XL000001 → XL999999	A02241	XL000001 → XL999999
	60	08/95 → 10/01	●		P59022MM	[O]	19,6	ATE	A00264	660		A02241	XL000001 → XL999999
	60	08/95 → 10/01	●		P59014MM	[-]	15,2	ATE				A02258	
2.0 DTI 16V	74	08/95 → 10/01	●		P59022MM	[O]	19,6	ATE	A00263	660		A02241	
	74	08/95 → 10/01	●		P59014MM	[-]	15,2	ATE				A02258	
2.0 i 16V	100	10/95 → 01/01	●		P59022MM	[O]	19,6	ATE	A00264	660		A02202	
	100	10/95 → 01/01	●		P59014MM	[-]	15,2	ATE				A02258	
2.2 DTI 16V	92	08/95 → 10/01	●		P59022MM	[O]	19,6	ATE	A00264	660		A02202	
	92	08/95 → 10/01	●		P59014MM	[-]	15,2	ATE				A02258	
2.2 i 16V	108	08/95 → 10/01	●		P59022MM	[O]	19,6	ATE	A00264	660		A02202	
	108	08/95 → 10/01	●		P59014MM	[-]	15,2	ATE				A02258	
2.5 i GSi	143	03/98 → 07/00	●		P59022MM	[O]	19,6	ATE	A00264	660		A02202	
	143	03/98 → 07/00	●		P59014MM	[-]	15,2	ATE				A02258	

Car Models		kw	Icon 1	Icon 2	Icon 3	MAGNETI MARELLI	WI	Th [mm]	SYS	WI		FK	
										MAGNETI MARELLI	LENGHT	Icon 4	MAGNETI MARELLI

VAUXHALL

VECTRA (B) 08/95 → 03/02

2.5 i V6	125	09/95 → 08/00	●			P59022MM	[O]	19,6	ATE	A00264	660		A02202
	125	09/95 → 08/00	●			P59014MM	[-]	15,2	ATE				A02258
	125	09/00 → 03/02	●			P59022MM	[O]	19,6	ATE	A00264	660		A02202
	125	09/00 → 03/02	●			P59014MM	[-]	15,2	ATE				A02258

VECTRA (B) Estate 08/95 → 03/02

1.8 Dualfuel	92	09/00 → 03/02	●			P59022MM	[O]	19,6	ATE				
	92	09/00 → 03/02	●			P59014MM	[-]	15,2	ATE				
1.8 i 16V	85	11/96 → 09/00	●	XL000001 → XL999999		P59017MM	[O]	18,3	ATE	A00263	660	XL000001 → XL999999	A02241
	85	11/96 → 09/00	●			P59022MM	[O]	19,6	ATE	A00264	660		A02241
	85	11/96 → 09/00	●			P59014MM	[-]	15,2	ATE				A02258
	92	09/00 → 03/02	●			P59022MM	[O]	19,6	ATE	A00264	660		A02202
	92	09/00 → 03/02	●			P59014MM	[-]	15,2	ATE				A02258
2.0 DI 16V	60	08/95 → 10/01	●	XL000001 → XL999999		P59017MM	[O]	18,3	ATE	A00263	660	XL000001 → XL999999	A02241
	60	08/95 → 10/01	●			P59022MM	[O]	19,6	ATE	A00264	660		A02241
	60	08/95 → 10/01	●			P59014MM	[-]	15,2	ATE				A02258
2.0 DTi 16V	74	08/95 → 10/01	●	XL000001 → XL999999		P59017MM	[O]	18,3	ATE	A00263	660	XL000001 → XL999999	A02241
	74	08/95 → 10/01	●			P59022MM	[O]	19,6	ATE	A00264	660		A02241
	74	08/95 → 10/01	●			P59014MM	[-]	15,2	ATE				A02258
2.0 i 16V	100	10/95 → 01/01	●			P59022MM	[O]	19,6	ATE	A00264	660		A02202
	100	10/95 → 01/01	●			P59014MM	[-]	15,2	ATE				A02258
2.2 DTi 16V	92	08/95 → 10/01	●			P59022MM	[O]	19,6	ATE	A00264	660		A02202
	92	08/95 → 10/01	●			P59014MM	[-]	15,2	ATE				A02258
2.2 i 16V	108	08/95 → 10/01	●			P59022MM	[O]	19,6	ATE	A00264	660		A02202
	108	08/95 → 10/01	●			P59014MM	[-]	15,2	ATE				A02258
2.5 i GSi	143	05/98 → 09/99	●			P59022MM	[O]	19,6	ATE	A00264	660		A02202
	143	05/98 → 09/99	●			P59014MM	[-]	15,2	ATE				A02258
2.5 i V6	125	11/96 → 08/00	●			P59022MM	[O]	19,6	ATE	A00264	660		A02202
	125	11/96 → 08/00	●			P59014MM	[-]	15,2	ATE				A02258
2.6 i V6	125	09/00 → 03/02	●			P59022MM	[O]	19,6	ATE	A00264	660		A02202
	125	09/00 → 03/02	●			P59014MM	[-]	15,2	ATE				A02258

VECTRA (B) Hatchback 08/95 → 07/03

1.6 i	55	08/95 → 10/01	●	XL000001 → XL999999		P59017MM	[O]	18,3	ATE	A00263	660	XL000001 → XL999999	A02241
	55	08/95 → 10/01	●			P59022MM	[O]	19,6	ATE	A00264	660		A02241
1.6 i 16V	74	08/95 → 10/01	●	XL000001 → XL999999		P59017MM	[O]	18,3	ATE	A00263	660	XL000001 → XL999999	A02241
	74	08/95 → 10/01	●			P59022MM	[O]	19,6	ATE	A00264	660		A02241
	74	08/95 → 10/01	●			P59014MM	[-]	15,2	ATE				A02258
1.7 TD	60	10/95 → 11/96	●			P59017MM	[O]	18,3	ATE	A00263	660		A02241
	60	10/95 → 11/96	●			P59014MM	[-]	15,2	ATE				A02258
1.8 Dualfuel	92	09/00 → 07/03	●			P59022MM	[O]	19,6	ATE				
	92	09/00 → 07/03	●			P59014MM	[-]	15,2	ATE				
1.8 i 16V	85	10/95 → 09/00	●	XL000001 → XL999999		P59017MM	[O]	18,3	ATE	A00263	660	XL000001 → XL999999	A02241
	85	10/95 → 09/00	●			P59022MM	[O]	19,6	ATE	A00264	660		A02241
	85	10/95 → 09/00	●			P59014MM	[-]	15,2	ATE				A02258
	92	09/00 → 07/03	●	YL000001 →		P59022MM	[O]	19,6	ATE	A00263	660	XL000001 → XL999999	A02202
	92	09/00 → 07/03	●			P59014MM	[-]	15,2	ATE				A02258
2.0 Di 16V	60	08/95 → 10/01	●	XL000001 → XL999999		P59017MM	[O]	18,3	ATE	A00263	660	XL000001 → XL999999	A02241
	60	08/95 → 10/01	●			P59022MM	[O]	19,6	ATE	A00264	660		A02241
	60	08/95 → 10/01	●	+rear disc		P59014MM	[-]	15,2	ATE				A02258
2.0 DTi 16V	74	06/97 → 10/01	●	XL000001 → XL999999		P59017MM	[O]	18,3	ATE	A00263	660	XL000001 → XL999999	A02241
	74	06/97 → 10/01	●			P59022MM	[O]	19,6	ATE	A00264	660		A02241
	74	06/97 → 10/01	●			P59014MM	[-]	15,2	ATE				A02258
2.0 i 16V	100	10/95 → 01/01	●			P59022MM	[O]	19,6	ATE	A00264	660		A02202
	100	10/95 → 01/01	●			P59014MM	[-]	15,2	ATE				A02258

									WI		FK		
	kw				MAGNETI MARELLI	WI	Th [mm]	SYS	MAGNETI MARELLI	LENGHT		MAGNETI MARELLI	

VAUXHALL

VECTRA (B) Hatchback 08/95 → 07/03

2.2 DTI 16V	92	08/95 → 10/01	●		P59022MM	[O]	19,6	ATE	A00264	660		A02202	
	92	08/95 → 10/01	●		P59014MM	[-]	15,2	ATE				A02258	
2.2 i 16V	108	09/00 → 07/03	●		P59022MM	[O]	19,6	ATE	A00264	660		A02202	
	108	09/00 → 07/03	●		P59014MM	[-]	15,2	ATE				A02258	
2.5 i GSi	143	03/98 → 07/00	●		P59022MM	[O]	19,6	ATE	A00264	660		A02202	
	143	03/98 → 07/00	●		P59014MM	[-]	15,2	ATE				A02258	
2.5 i V6	125	09/95 → 08/00	●		P59022MM	[O]	19,6	ATE	A00264	660		A02202	
	125	09/95 → 08/00	●		P59014MM	[-]	15,2	ATE				A02258	
2.6 i V6	125	09/00 → 07/03	●		P59022MM	[O]	19,6	ATE	A00264	660		A02202	
	125	09/00 → 07/03	●		P59014MM	[-]	15,2	ATE				A02258	

VECTRA Mk II (C) 01/00 → 10/08

1.8	103	01/06 → 07/08	●	→ 58999999; → 51999999	P59043MM	[O]	20,6	ATE	A00251	685	→ 41048789; → 48045597		
	103	01/06 → 07/08	●	61000001 →; 68 →	P10011MM	[O]	20,6	ATE	A00251	685	→ 41048789; → 48045597		
	103	01/06 → 07/08	●		P59042MM	[O]	16,7	ATE					
1.8 16V	90	04/02 → 07/08	●		P59043MM	[O]	20,6	ATE	A00251	685	→ 41048789; → 48045597	A02202	51064147 →; 58 →; 51066207 →; → 51064146; → 48999999
	90	04/02 → 07/08	●	61000001 →; 68 →	P10011MM	[O]	20,6	ATE	A00251	685	→ 41048789; → 48045597	A02202	51064147 →; 58 →; 51066207 →; → 51064146; → 48999999
	90	04/02 → 07/08	●		P59042MM	[O]	16,7	ATE					
1.8 16V Dualfuel	90	04/02 → 07/08	●		P59043MM	[O]	20,6	ATE	A00251	685	→ 41048789; → 48045597	A02202	51064147 →; 58 →; 51066207 →; → 51064146; → 48999999
	90	04/02 → 07/08	●	61000001 →; 68 →	P10011MM	[O]	20,6	ATE	A00251	685	→ 41048789; → 48045597	A02202	51064147 →; 58 →; 51066207 →; → 51064146; → 48999999
	90	04/02 → 07/08	●		P59042MM	[O]	16,7	ATE					
1.9 CDTI	88	04/02 → 09/08	●		P59043MM	[O]	20,6	ATE	A00251	685	→ 41048789; → 48045597	A02202	51066207 →; 58 →
	88	04/02 → 09/08	●	61000001 →; 68 →	P10011MM	[O]	20,6	ATE	A00251	685	→ 41048789; → 48045597	A02202	51066207 →; 58 →
	88	04/02 → 09/08	●		P59042MM	[O]	16,7	ATE					
1.9 CDTI 16V	110	04/04 → 08/08	●		P59043MM	[O]	20,6	ATE	A00251	685	→ 41048789; → 48045597	A02202	51066207 →; 58 →
	110	04/04 → 08/08	●	61000001 →; 68 →	P10011MM	[O]	20,6	ATE	A00251	685	→ 41048789; → 48045597	A02202	51066207 →; 58 →
	110	04/04 → 08/08	●		P59042MM	[O]	16,7	ATE					
2.0 16V Turbo	129	01/00 → 10/08	●	→ 51066206; → 48999999	P59043MM	[O]	20,6	ATE	A00251	685	→ 41048789; → 48045597	A02202	51066207 →; 58 →
	129	01/00 → 10/08	●	61000001 →; 68 →	P10011MM	[O]	20,6	ATE	A00251	685	→ 41048789; → 48045597	A02202	51066207 →; 58 →
	129	01/00 → 10/08	●		P59042MM	[O]	16,7	ATE					
2.0 DTI 16V	74	04/02 → 10/08	●		P10011MM	[O]	20,6	ATE	A00251	685	→ 41048789; → 48045597	A02202	51064147 →; 58 →; → 51064146; → 48999999
	74	04/02 → 10/08	●	→ 58999999; → 51999999	P59043MM	[O]	20,6	ATE	A00251	685	→ 41048789; → 48045597	A02202	51064147 →; 58 →; → 51064146; → 48999999
	74	04/02 → 10/08	●		P59042MM	[O]	16,7	ATE					
2.2 16V	108	01/02 → 10/08	●		P59043MM	[O]	20,6	ATE	A00251	685	→ 41048789; → 48045597	A02202	51064147 →; 58 →; 51066207 →
	108	01/02 → 10/08	●	61000001 →; 68 →	P10011MM	[O]	20,6	ATE	A00251	685	→ 41048789; → 48045597	A02202	51064147 →; 58 →; 51066207 →
	108	01/02 → 10/08	●		P59042MM	[O]	16,7	ATE					
2.2 direct	114	01/02 → 10/08	●		P59043MM	[O]	20,6	ATE	A00251	685	→ 41048789; → 48045597	A02202	51064147 →; 58 →; 51066207 →; → 51064146; → 48999999
	114	01/02 → 10/08	●	61000001 →; 68 →	P10011MM	[O]	20,6	ATE	A00251	685	→ 41048789; → 48045597	A02202	51064147 →; 58 →; 51066207 →; → 51064146; → 48999999

	kw					wi	Th [mm]						

VAUXHALL

VECTRA Mk II (C) 01/00 → 10/08

2.2 direct	114	01/02 → 10/08	●		P59042MM	[O]	16,7	ATE					
2.2 DTI 16V	92	04/02 → 10/08	●	51066207 →; → 58999999; → 51999999	P10011MM	[O]	20,6	ATE	A00251	685	→ 41048789; → 48045597	A02202	51064147 →; 58 →; 51066207 →; → 51064146; → 48999999
	92	04/02 → 10/08	●		P59043MM	[O]	20,6	ATE	A00251	685	→ 41048789; → 48045597	A02202	51064147 →; 58 →; 51066207 →; → 51064146; → 48999999
	92	04/02 → 10/08	●		P59042MM	[O]	16,7	ATE					
3.0 CDTI	135	08/05 → 07/08	●	61000001 →; 68 →	P59049MM	[O]	20,9	ATE	A00253	302	41048790 →; 48045598 →		
	135	08/05 → 07/08	●		P59042MM	[O]	16,7	ATE					
3.0 V6 CDTI	130	06/03 → 08/05	●	→ 31070293; → 38047797	P59043MM	[O]	20,6	ATE	A00252	693	→ 41048789; → 48045597; 31070294 →; 38047798 →		
	130	06/03 → 08/05	●	31070294 →; 38047798 →; → 51999999; → 58999999	P59049MM	[O]	20,9	ATE	A00252	693	→ 41048789; → 48045597; 31070294 →; 38047798 →		
	130	06/03 → 08/05	●	+special veh.	P59046MM	[O]	20,4	ATE	A00252	693	→ 41048789; → 48045597; 31070294 →; 38047798 →		
	130	06/03 → 08/05	●		P59042MM	[O]	16,7	ATE					
3.2 V6	155	06/03 → 07/08	●	→ 38047797; → 31070293	P59043MM	[O]	20,6	ATE	A00252	693	→ 41048789; → 48045597; 31070294 →; 38047798 →		
	155	06/03 → 07/08	●	31070294 →; 38047798 →; → 58999999; → 51999999	P59049MM	[O]	20,9	ATE	A00252	693	→ 41048789; → 48045597; 31070294 →; 38047798 →		
	155	06/03 → 07/08	●	+special veh.	P59046MM	[O]	20,4	ATE	A00252	693	→ 41048789; → 48045597; 31070294 →; 38047798 →		
	155	06/03 → 07/08	●		P59042MM	[O]	16,7	ATE					

VECTRA Mk II (C) Estate 10/03 → 05/09

1.8	103	01/06 → 07/08	●	→ 51999999; → 58999999	P59043MM	[O]	20,6	ATE	A00251	685	→ 41048789; → 48045597		
	103	01/06 → 07/08	●	61000001 →; 68 →	P10011MM	[O]	20,6	ATE	A00251	685	→ 41048789; → 48045597		
	103	01/06 → 07/08	●		P59042MM	[O]	16,7	ATE					
1.8 16V	90	10/03 → 08/05	●		P59043MM	[O]	20,6	ATE	A00251	685	→ 41048789; → 48045597	A02202	51064147 →; 58 →; 51066207 →; → 51064146; → 48999999
	90	10/03 → 08/05	●	61000001 →; 68 →	P10011MM	[O]	20,6	ATE	A00251	685	→ 41048789; → 48045597	A02202	51064147 →; 58 →; 51066207 →; → 51064146; → 48999999
	90	10/03 → 08/05	●		P59042MM	[O]	16,7	ATE					
1.9 CDTI	88	04/04 → 07/08	●		P59043MM	[O]	20,6	ATE	A00251	685	→ 41048789; → 48045597	A02202	51066207 →; 58 →
	88	04/04 → 07/08	●	61000001 →; 68 →	P10011MM	[O]	20,6	ATE	A00251	685	→ 41048789; → 48045597	A02202	51066207 →; 58 →
	88	04/04 → 07/08	●		P59042MM	[O]	16,7	ATE					
1.9 CDTI 16V	110	04/04 → 05/09	●		P59043MM	[O]	20,6	ATE	A00251	685	→ 48045597; → 41048789	A02202	51066207 →; 58 →
	110	04/04 → 05/09	●	61000001 →; 68 →	P10011MM	[O]	20,6	ATE	A00251	685	→ 48045597; → 41048789	A02202	51066207 →; 58 →
	110	04/04 → 05/09	●		P59042MM	[O]	16,7	ATE					
2.0 16V Turbo	129	10/03 → 07/08	●	→ 48999999; → 51066206	P59043MM	[O]	20,6	ATE	A00251	685	→ 41048789; → 48045597	A02202	51066207 →; 58 →



kw



wi

Th [mm]

SYS

WI

FK



LENGHT



VAUXHALL

VECTRA Mk II (C) Estate 10/03 → 05/09

Model	kw	10/03 → 07/08	•	61000001 →; 68 →	MAGNETI MARELLI	wi	Th [mm]	SYS	MAGNETI MARELLI	LENGHT	WI	MAGNETI MARELLI	FK
2.0 16V Turbo	129	10/03 → 07/08	•	61000001 →; 68 →	P10011MM	[O]	20,6	ATE	A00251	685	→ 41048789; → 48045597	A02202	51066207 →; 58 →
	129	10/03 → 07/08	•		P59042MM	[O]	16,7	ATE					
2.0 DTI 16V	74	10/03 → 07/08	•		P10011MM	[O]	20,6	ATE	A00251	685	→ 41048789; → 48045597	A02202	51064147 →; 58 →; → 51064146; → 48999999
	74	10/03 → 07/08	•	→ 58999999; → 51999999	P59043MM	[O]	20,6	ATE	A00251	685	→ 41048789; → 48045597	A02202	51064147 →; 58 →; → 51064146; → 48999999
	74	10/03 → 07/08	•		P59042MM	[O]	16,7	ATE					
2.2 direct	114	10/03 → 07/08	•		P59043MM	[O]	20,6	ATE	A00251	685	→ 41048789; → 48045597	A02202	51064147 →; 58 →; 51066207 →; → 51064146; → 48999999
	114	10/03 → 07/08	•	61000001 →; 68 →	P10011MM	[O]	20,6	ATE	A00251	685	→ 41048789; → 48045597	A02202	51064147 →; 58 →; 51066207 →; → 51064146; → 48999999
	114	10/03 → 07/08	•		P59042MM	[O]	16,7	ATE					
2.2 DTI 16V	92	10/03 → 07/08	•	51066207 →; → 51999999; → 58999999	P10011MM	[O]	20,6	ATE	A00251	685	→ 41048789; → 48045597	A02202	51064147 →; 58 →; 51066207 →; → 51064146; → 48999999
	92	10/03 → 07/08	•		P59043MM	[O]	20,6	ATE	A00251	685	→ 41048789; → 48045597	A02202	51064147 →; 58 →; 51066207 →; → 51064146; → 48999999
	92	10/03 → 07/08	•		P59042MM	[O]	16,7	ATE					
2.8 V6 Turbo	206	10/06 → 07/08	•		P10012MM	[-]	20,4	ATE	A00253	302	41048790 →; 48045598 →		
	206	10/06 → 07/08	•		P59042MM	[O]	16,7	ATE					
	169	08/05 → 07/08	•	61000001 →; 68 →	P10012MM	[-]	20,4	ATE	A00253	302	41048790 →; 48045598 →		
	169	08/05 → 07/08	•	61000001 →; 68 →	P59049MM	[O]	20,9	ATE	A00253	302	41048790 →; 48045598 →		
	169	08/05 → 07/08	•		P59042MM	[O]	16,7	ATE					
	188	08/06 → 07/08	•		P10012MM	[-]	20,4	ATE	A00253	302	41048790 →; 48045598 →		
	188	08/06 → 07/08	•		P59042MM	[O]	16,7	ATE					
3.0 CDTi	135	08/05 → 07/08	•	61000001 →; 68 →	P59049MM	[O]	20,9	ATE	A00253	302	41048790 →; 48045598 →		
	135	08/05 → 07/08	•		P59042MM	[O]	16,7	ATE					
3.0 V6 CDTi	130	10/03 → 08/05	•	→ 38047797; → 31070293	P59043MM	[O]	20,6	ATE	A00252	693	→ 41048789; → 48045597; 31070294 →; 38047798 →		
	130	10/03 → 08/05	•	31070294 →; 38047798 →; → 58999999; → 51999999	P59049MM	[O]	20,9	ATE	A00252	693	→ 41048789; → 48045597; 31070294 →; 38047798 →		
	130	10/03 → 08/05	•	+special veh.	P59046MM	[O]	20,4	ATE	A00252	693	→ 41048789; → 48045597; 31070294 →; 38047798 →		
	130	10/03 → 08/05	•		P59042MM	[O]	16,7	ATE					
3.2 V6	155	10/03 → 08/05	•	→ 38047797; → 31070293	P59043MM	[O]	20,6	ATE	A00252	693	→ 41048789; → 48045597; 31070294 →; 38047798 →		
	155	10/03 → 08/05	•	31070294 →; 38047798 →; → 51999999; → 58999999	P59049MM	[O]	20,9	ATE	A00252	693	→ 41048789; → 48045597; 31070294 →; 38047798 →		
	155	10/03 → 08/05	•	+special veh.	P59046MM	[O]	20,4	ATE	A00252	693	→ 41048789; → 48045597; 31070294 →; 38047798 →		
	155	10/03 → 08/05	•		P59042MM	[O]	16,7	ATE					

		kw						wi	Th [mm]	SYS	wi		FK		
												LENGHT			

VAUXHALL

VECTRA Mk II (C) GTS 08/02 → 07/08

1.8	103	01/06 → 07/08	●	→ 51999999; → 58999999	P59043MM	[O]	20,6	ATE	A00251	685	→ 41048789; → 48045597		
	103	01/06 → 07/08	●	61000001 →; 68 →	P10011MM	[O]	20,6	ATE	A00251	685	→ 41048789; → 48045597		
	103	01/06 → 07/08	●		P59042MM	[O]	16,7	ATE					
1.8 16V	90	08/02 → 07/08	●		P59043MM	[O]	20,6	ATE	A00251	685	→ 41048789; → 48045597	A02202	51064147 →; 58 →; 51066207 →; → 51064146; → 48999999
	90	08/02 → 07/08	●	61000001 →; 68 →	P10011MM	[O]	20,6	ATE	A00251	685	→ 41048789; → 48045597	A02202	51064147 →; 58 →; 51066207 →; → 51064146; → 48999999
	90	08/02 → 07/08	●		P59042MM	[O]	16,7	ATE					
1.8 16V Dualfuel	90	08/02 → 07/08	●		P59043MM	[O]	20,6	ATE	A00251	685	→ 41048789; → 48045597	A02202	51064147 →; 58 →; 51066207 →; → 51064146; → 48999999
	90	08/02 → 07/08	●	61000001 →; 68 →	P10011MM	[O]	20,6	ATE	A00251	685	→ 41048789; → 48045597	A02202	51064147 →; 58 →; 51066207 →; → 51064146; → 48999999
	90	08/02 → 07/08	●		P59042MM	[O]	16,7	ATE					
1.9 CDTI	88	08/02 → 07/08	●		P59043MM	[O]	20,6	ATE	A00251	685	→ 41048789; → 48045597	A02202	51066207 →; 58 →
	88	08/02 → 07/08	●	61000001 →; 68 →	P10011MM	[O]	20,6	ATE	A00251	685	→ 41048789; → 48045597	A02202	51066207 →; 58 →
	88	08/02 → 07/08	●		P59042MM	[O]	16,7	ATE					
1.9 CDTI 16V	110	04/04 → 07/08	●		P59043MM	[O]	20,6	ATE	A00251	685	→ 41048789; → 48045597	A02202	51066207 →; 58 →
	110	04/04 → 07/08	●	61000001 →; 68 →	P10011MM	[O]	20,6	ATE	A00251	685	→ 41048789; → 48045597	A02202	51066207 →; 58 →
	110	04/04 → 07/08	●		P59042MM	[O]	16,7	ATE					
2.0 16V Turbo	129	03/03 → 07/08	●	→ 51066206; → 48999999	P59043MM	[O]	20,6	ATE	A00251	685	→ 41048789; → 48045597	A02202	51066207 →; 58 →
	129	03/03 → 07/08	●	61000001 →; 68 →	P10011MM	[O]	20,6	ATE	A00251	685	→ 41048789; → 48045597	A02202	51066207 →; 58 →
	129	03/03 → 07/08	●		P59042MM	[O]	16,7	ATE					
2.0 DTI 16V	74	08/02 → 07/08	●	61000001 →	P10011MM	[O]	20,6	ATE	A00251	685	→ 41048789; → 48045597	A02202	51064147 →; 58 →; → 51064146; → 48999999
	74	08/02 → 07/08	●	→ 51999999; → 58999999	P59043MM	[O]	20,6	ATE	A00251	685	→ 41048789; → 48045597	A02202	51064147 →; 58 →; → 51064146; → 48999999
	74	08/02 → 07/08	●		P59042MM	[O]	16,7	ATE					
2.2 16V	108	08/02 → 07/08	●		P59043MM	[O]	20,6	ATE	A00251	685	→ 41048789; → 48045597	A02202	51064147 →; 58 →; 51066207 →; → 51064146; → 48999999
	108	08/02 → 07/08	●	61000001 →; 68 →	P10011MM	[O]	20,6	ATE	A00251	685	→ 41048789; → 48045597	A02202	51064147 →; 58 →; 51066207 →; → 51064146; → 48999999
	108	08/02 → 07/08	●		P59042MM	[O]	16,7	ATE					
2.2 direct	114	10/03 → 08/05	●		P59043MM	[O]	20,6	ATE	A00251	685	→ 41048789; → 48045597	A02202	51064147 →; 58 →; 51066207 →; → 51064146; → 48999999
	114	10/03 → 08/05	●	61000001 →; 68 →	P10011MM	[O]	20,6	ATE	A00251	685	→ 41048789; → 48045597	A02202	51064147 →; 58 →; 51066207 →; → 51064146; → 48999999
	114	10/03 → 08/05	●		P59042MM	[O]	16,7	ATE					
2.2 DTI 16V	92	08/02 → 07/08	●	51066207 →; → 51999999; → 58999999	P10011MM	[O]	20,6	ATE	A00251	685	→ 41048789; → 48045597	A02202	51064147 →; 58 →; 51066207 →; → 51064146; → 48999999
	92	08/02 → 07/08	●		P59043MM	[O]	20,6	ATE	A00251	685	→ 41048789; → 48045597	A02202	51064147 →; 58 →; 51066207 →; → 51064146; → 48999999
	92	08/02 → 07/08	●		P59042MM	[O]	16,7	ATE					
2.8 V6 Turbo	169	08/05 → 07/08	●	61000001 →; 68 →	P10012MM	[-]	20,4	ATE	A00253	302	41048790 →; 48045598 →		
	169	08/05 → 07/08	●	61000001 →; 68 →	P59049MM	[O]	20,9	ATE	A00253	302	41048790 →; 48045598 →		

									WI			FK	
	kw						Th [mm]		MAGNETI MARELLI	LENGHT		MAGNETI MARELLI	

VAUXHALL

VECTRA Mk II (C) GTS 08/02 → 07/08

2.8 V6 Turbo	169	08/05 → 07/08	●		P59042MM	[o]	16,7	ATE					
	184	08/06 → 07/08	●		P10012MM	[-]	20,4	ATE	A00253	302	41048790 →; 48045598 →		
	184	08/06 → 07/08	●		P59042MM	[o]	16,7	ATE					
	188	08/05 → 07/08	●		P10012MM	[-]	20,4	ATE	A00253	302	41048790 →; 48045598 →		
	188	08/05 → 07/08	●		P59042MM	[o]	16,7	ATE					
	206	08/06 → 07/08	●		P10012MM	[-]	20,4	ATE					
	206	08/06 → 07/08	●		P59042MM	[o]	16,7	ATE					

3.0 CDTi	135	08/05 → 07/08	●	61000001 →; 68 →	P59049MM	[o]	20,9	ATE	A00253	302	41048790 →; 48045598 →		
	135	08/05 → 07/08	●		P59042MM	[o]	16,7	ATE					

3.0 V6 CDTi	130	06/03 → 08/05	●	→ 38047797; → 31070293	P59043MM	[o]	20,6	ATE	A00252	693	→ 41048789; → 48045597; 31070294 →; 38047798 →		
	130	06/03 → 08/05	●	31070294 →; 38047798 →; → 58999999; → 51999999	P59049MM	[o]	20,9	ATE	A00252	693	→ 41048789; → 48045597; 31070294 →; 38047798 →		
	130	06/03 → 08/05	●	+special veh.	P59046MM	[o]	20,4	ATE	A00252	693	→ 41048789; → 48045597; 31070294 →; 38047798 →		
	130	06/03 → 08/05	●		P59042MM	[o]	16,7	ATE					

3.2 V6	155	08/02 → 07/08	●	→ 38047797; → 31070293	P59043MM	[o]	20,6	ATE	A00252	693	→ 41048789; → 48045597; 31070294 →; 38047798 →		
	155	08/02 → 07/08	●	31070294 →; 38047798 →; → 51999999; → 58999999	P59049MM	[o]	20,9	ATE	A00252	693	→ 41048789; → 48045597; 31070294 →; 38047798 →		
	155	08/02 → 07/08	●	+special veh.	P59046MM	[o]	20,4	ATE	A00252	693	→ 41048789; → 48045597; 31070294 →; 38047798 →		
	155	08/02 → 07/08	●		P59042MM	[o]	16,7	ATE					

VIVARO Box 05/14 →

1.6 CDTi	103	05/14 →	●		P59082MM	[-]	18,2	TRW					
	103	05/14 →	●		P59041MM	[-]	17	TRW					
	66	05/14 →	●		P59082MM	[-]	18,2	TRW					
	66	05/14 →	●		P59041MM	[-]	17	TRW					
	85	05/14 →	●		P59082MM	[-]	18,2	TRW					
	85	05/14 →	●		P59041MM	[-]	17	TRW					
	88	05/14 →	●		P59082MM	[-]	18,2	TRW					
	88	05/14 →	●		P59041MM	[-]	17	TRW					
	92	08/16 →	●		P59082MM	[-]	18,2	TRW					
1.6 DTi	107	08/16 →	●		P59082MM	[-]	18,2	TRW					
	107	08/16 →	●		P59041MM	[-]	17	TRW					
	70	08/16 →	●		P59082MM	[-]	18,2	TRW					
	70	08/16 →	●		P59041MM	[-]	17	TRW					
	89	09/16 →	●		P59082MM	[-]	18,2	TRW					
89	09/16 →	●		P59041MM	[-]	17	TRW						

VIVARO Box (F7) 08/01 → 07/14

1.9 DI	59	08/01 → 12/06	●		P56061MM	[+]	18,4	TRW					
	59	08/01 → 12/06	●		P59041MM	[-]	17	TRW					
1.9 DTi	74	08/01 → 12/06	●		P56061MM	[+]	18,4	TRW					
	74	08/01 → 12/06	●		P59041MM	[-]	17	TRW					

							WI	Th [mm]	SYS	WI		FK		
											LENGHT			

VAUXHALL

VIVARO Box (F7) 08/01 → 07/14

2.0 16V	88	08/01 → 12/06	●			P56061MM	[+]	18,4	TRW				
	88	08/01 → 12/06		●		P59041MM	[-]	17	TRW				
2.0 CDTI	84	08/06 → 07/14	●			P56061MM	[+]	18,4	TRW				
	84	08/06 → 07/14		●		P59041MM	[-]	17	TRW				
	66	01/06 → 07/14	●			P56061MM	[+]	18,4	TRW				
	66	01/06 → 07/14		●		P59041MM	[-]	17	TRW				
2.0 ECOTEC	86	08/06 → 07/14	●			P56061MM	[+]	18,4	TRW				
	86	08/06 → 07/14		●		P59041MM	[-]	17	TRW				
2.5 CDTI	107	08/06 → 07/14	●			P56061MM	[+]	18,4	TRW				
	107	08/06 → 07/14		●		P59041MM	[-]	17	TRW				
2.5 DTI	99	07/03 → 07/14	●			P56061MM	[+]	18,4	TRW				
	99	07/03 → 07/14		●		P59041MM	[-]	17	TRW				

VIVARO Combi 05/14 →

1.6 CDTI	66	05/14 →	●			P59082MM	[-]	18,2	TRW				
	66	05/14 →		●		P59041MM	[-]	17	TRW				
	85	05/14 →	●			P59082MM	[-]	18,2	TRW				
	85	05/14 →		●		P59041MM	[-]	17	TRW				
	88	05/14 →	●			P59082MM	[-]	18,2	TRW				
	88	05/14 →		●		P59041MM	[-]	17	TRW				
	103	06/14 →	●			P59082MM	[-]	18,2	TRW				
	103	06/14 →		●		P59041MM	[-]	17	TRW				
	92	08/16 →	●			P59082MM	[-]	18,2	TRW				
	92	08/16 →		●		P59041MM	[-]	17	TRW				
	107	08/16 →	●			P59082MM	[-]	18,2	TRW				
	107	08/16 →		●		P59041MM	[-]	17	TRW				
	70	08/16 →	●			P59082MM	[-]	18,2	TRW				
	70	08/16 →		●		P59041MM	[-]	17	TRW				
	89	09/16 →	●			P59082MM	[-]	18,2	TRW				
	89	09/16 →		●		P59041MM	[-]	17	TRW				

VIVARO Combi (J7) 08/01 → 07/14

1.9 DI	59	08/01 → 12/06	●			P56061MM	[+]	18,4	TRW				
	59	08/01 → 12/06		●		P59041MM	[-]	17	TRW				
1.9 DTI	74	08/01 → 12/06	●			P56061MM	[+]	18,4	TRW				
	74	08/01 → 12/06		●		P59041MM	[-]	17	TRW				
2.0 16V	88	08/01 → 12/06	●			P56061MM	[+]	18,4	TRW				
	88	08/01 → 12/06		●		P59041MM	[-]	17	TRW				
2.0 CDTI	66	01/06 → 07/14	●			P56061MM	[+]	18,4	TRW				
	66	01/06 → 07/14		●		P59041MM	[-]	17	TRW				
	84	08/06 → 07/14	●			P56061MM	[+]	18,4	TRW				
	84	08/06 → 07/14		●		P59041MM	[-]	17	TRW				
2.0 ECOTEC	86	08/06 → 07/14	●			P56061MM	[+]	18,4	TRW				
	86	08/06 → 07/14		●		P59041MM	[-]	17	TRW				
2.5 CDTI	107	01/06 → 07/14	●			P56061MM	[+]	18,4	TRW				
	107	01/06 → 07/14		●		P59041MM	[-]	17	TRW				
2.5 DTI	99	07/03 → 07/14	●			P56061MM	[+]	18,4	TRW				
	99	07/03 → 07/14		●		P59041MM	[-]	17	TRW				

VIVARO Platform/Chassis 05/14 →

1.6 CDTI	85	05/14 →	●			P59082MM	[-]	18,2	TRW				
	85	05/14 →		●		P59041MM	[-]	17	TRW				
	103	05/14 →	●			P59082MM	[-]	18,2	TRW				
	103	05/14 →		●		P59041MM	[-]	17	TRW				
	88	05/14 →	●			P59082MM	[-]	18,2	TRW				
	88	05/14 →		●		P59041MM	[-]	17	TRW				

		kw					MAGNETI MARELLI	wi	Th [mm]	SYS	WI			FK	
											MAGNETI MARELLI	LENGHT		MAGNETI MARELLI	

VAUXHALL

VIVARO Platform/Chassis 05/14 →

1.6 CDTi	92 08/16 →	●			P59082MM [-]	18,2	TRW								
	92 08/16 →		●		P59041MM [-]	17	TRW								
	107 08/16 →	●			P59082MM [-]	18,2	TRW								
	107 08/16 →		●		P59041MM [-]	17	TRW								

VIVARO Platform/Chassis (E7) 04/03 → 07/14

1.9 DI	59 04/03 → 07/14	●			P56061MM [+]	18,4	TRW								
	59 04/03 → 07/14		●		P59041MM [-]	17	TRW								
2.0 16V	88 04/03 → 07/14	●			P56061MM [+]	18,4	TRW								
	88 04/03 → 07/14		●		P59041MM [-]	17	TRW								
2.0 CDTi	66 01/06 → 07/14	●			P56061MM [+]	18,4	TRW								
	66 01/06 → 07/14		●		P59041MM [-]	17	TRW								
	84 08/06 → 07/14	●			P56061MM [+]	18,4	TRW								
	84 08/06 → 07/14		●		P59041MM [-]	17	TRW								
2.0 ECOTEC	86 08/06 → 07/14	●			P56061MM [+]	18,4	TRW								
	86 08/06 → 07/14		●		P59041MM [-]	17	TRW								
2.5 CDTi	107 08/06 → 07/14	●			P56061MM [+]	18,4	TRW								
	107 08/06 → 07/14		●		P59041MM [-]	17	TRW								
	99 04/03 → 07/06	●			P56061MM [+]	18,4	TRW								
	99 04/03 → 07/06		●		P59041MM [-]	17	TRW								

VX220 09/00 → 07/05

2.0 i Turbo	147 03/01 → 07/05	●			P59025MM [-]	14,5	ATE								
	147 03/01 → 07/05		●		P59026MM [-]	12,9	BRE								
2.2 i	108 09/00 → 07/05	●			P59025MM [-]	14,5	ATE								
	108 09/00 → 07/05		●		P59026MM [-]	12,9	BRE								

ZAFIRA Mk I (A) (F75) 11/98 → 08/05

1.6 16V	74 04/99 → 08/05	●			P59045MM [+]	19,6	ATE	A00254	750	-elec.damp.susp.		A02202		
	74 04/99 → 08/05		●		P59031MM [+]	16,9	BSH							
	74 04/99 → 08/05		●		P59038MM [+]	15,2	TRW							
1.6 CNG	71 09/01 → 06/05	●			P59045MM [+]	19,6	ATE	A00254	750	-elec.damp.susp.				
	71 09/01 → 06/05		●		P59031MM [+]	16,9	BSH							
	71 09/01 → 06/05		●		P59038MM [+]	15,2	TRW							
1.6 Dualfuel	74 11/98 → 08/05	●			P59045MM [+]	19,6	ATE							
	74 11/98 → 08/05		●		P59038MM [+]	15,2	TRW							
1.8 16V	85 05/99 → 08/00	●			P59045MM [+]	19,6	ATE	A00254	750	-elec.damp.susp.		A02202		
	85 05/99 → 08/00		●		P59031MM [+]	16,9	BSH							
	85 05/99 → 08/00		●		P59038MM [+]	15,2	TRW							
	92 09/00 → 08/05	●			P59045MM [+]	19,6	ATE	A00254	750	-elec.damp.susp.		A02202		
	92 09/00 → 08/05		●		P59031MM [+]	16,9	BSH							
	92 09/00 → 08/05		●		P59038MM [+]	15,2	TRW							
1.8 Dualfuel	92 09/00 → 08/05	●			P59045MM [+]	19,6	ATE	A00254	750			A02202		
	92 09/00 → 08/05		●		P59031MM [+]	16,9	BSH							
	92 09/00 → 08/05		●		P59038MM [+]	15,2	TRW							
2.0	147 06/02 → 06/05	●			P59048MM [+]	20,2	ATE							
	147 06/02 → 06/05		●		P59038MM [+]	15,2	TRW							
2.0 DI 16V	60 10/99 → 08/05	●			P59045MM [+]	19,6	ATE	A00254	750	-elec.damp.susp.		A02202		
	60 10/99 → 08/05		●		P59031MM [+]	16,9	BSH							
	60 10/99 → 08/05		●		P59038MM [+]	15,2	TRW							
2.0 DTi 16V	74 04/99 → 08/05	●			P59045MM [+]	19,6	ATE	A00254	750	-elec.damp.susp.		A02202		
	74 04/99 → 08/05		●		P59031MM [+]	16,9	BSH							
	74 04/99 → 08/05		●		P59038MM [+]	15,2	TRW							
2.0 GSi Turbo	141 09/01 → 06/05	●			P59048MM [+]	20,2	ATE					A02202		
	141 09/01 → 06/05		●		P59038MM [+]	15,2	TRW							

VAUXHALL

ZAFIRA Mk I (A) (F75) 11/98 → 08/05

2.2 16V	108	11/98 → 08/04	●		P59045MM	[+]	19,6	ATE	A00254	750	-elec.damp.susp.	A02202	
	108	11/98 → 08/04		●	P59031MM	[+]	16,9	BSH					
	108	11/98 → 08/04		●	P59038MM	[+]	15,2	TRW					
2.2 D	92	06/01 → 06/05	●		P59045MM	[+]	19,6	ATE	A00254	750	-elec.damp.susp.		
	92	06/01 → 06/05		●	P59031MM	[+]	16,9	BSH					
	92	06/01 → 06/05		●	P59038MM	[+]	15,2	TRW					

ZAFIRA Mk II (B) (M75) 04/05 → 11/14

1.6	77	07/05 → 11/14	●		P59045MM	[+]	19,6	ATE	A00255	287		A02202	
	77	07/05 → 11/14		●	P10013MM	[-]	15,2	TRW					
	85	12/07 → 11/14	●		P59045MM	[+]	19,6	ATE	A00255	287			
	85	12/07 → 11/14		●	P10013MM	[-]	15,2	TRW					
1.6 CNG	69	07/05 → 11/14	●		P59045MM	[+]	19,6	ATE	A00255	287		A02202	
	69	07/05 → 11/14		●	P10013MM	[-]	15,2	TRW					
1.6 CNG Turbo	110	02/09 → 11/14	●		P59045MM	[+]	19,6	ATE	A00255	287		A02202	
	110	02/09 → 11/14		●	P10013MM	[-]	15,2	TRW					
1.7 CDTI	92	01/08 → 11/14	●		P59045MM	[+]	19,6	ATE	A00255	287		A02202	
	92	01/08 → 11/14		●	P10013MM	[-]	15,2	TRW					
	81	04/09 → 11/14	●		P59045MM	[+]	19,6	ATE	A00255	287			
	81	04/09 → 11/14		●	P10013MM	[-]	15,2	TRW					
1.8	103	04/05 → 11/14	●		P59045MM	[+]	19,6	ATE	A00255	287		A02202	
	103	04/05 → 11/14		●	P10013MM	[-]	15,2	TRW					
	88	04/13 → 11/14	●		P59045MM	[+]	19,6	ATE	A00255	287			
	88	04/13 → 11/14		●	P10013MM	[-]	15,2	TRW					
1.9 CDTI	74	07/05 → 11/14	●		P59045MM	[+]	19,6	ATE	A00255	287		A02202	
	74	07/05 → 11/14		●	P10013MM	[-]	15,2	TRW					
	88	07/05 → 11/14	●		P59045MM	[+]	19,6	ATE	A00255	287		A02202	
	88	07/05 → 11/14		●	P10013MM	[-]	15,2	TRW					
	110	07/05 → 11/14	●		P59045MM	[+]	19,6	ATE	A00255	287			
	110	07/05 → 11/14		●	P10013MM	[-]	15,2	TRW					
2.0	147	07/05 → 11/14	●		P59045MM	[+]	19,6	ATE	A00255	287			
	147	07/05 → 11/14		●	P10013MM	[-]	15,2	TRW					
	176	01/06 → 11/14	●		P59043MM	[O]	20,6	ATE	A00255	287			
	176	01/06 → 11/14		●	P10013MM	[-]	15,2	TRW					
2.2	110	07/05 → 11/14	●		P59045MM	[+]	19,6	ATE	A00255	287		A02202	
	110	07/05 → 11/14		●	P10013MM	[-]	15,2	TRW					

ZAFIRA Mk III (P12) 10/11 →

1.4	88	10/11 →	●	16" wheel	P59077MM	[+]	18,8	BSH					
	88	10/11 →	●	17" wheel	P59055MM	[+]	19,1	MN					
	88	10/11 →		●	P59080MM	[+]	16,2	TRW					
	88	10/11 →		●	P59087MM	[+]	16,2	TRW					
	103	10/11 →	●	16" wheel	P59077MM	[+]	18,8	BSH					
	103	10/11 →	●	17" wheel	P59055MM	[+]	19,1	MN					
	103	10/11 →		●	P59080MM	[+]	16,2	TRW					
	103	10/11 →		●	P59087MM	[+]	16,2	TRW					
1.4 LPG	103	10/11 →	●	16" wheel	P59077MM	[+]	18,8	BSH					
	103	10/11 →	●	17" wheel	P59055MM	[+]	19,1	MN					
	103	10/11 →		●	P59080MM	[+]	16,2	TRW					
1.6 CDTI	100	03/13 →	●	16" wheel	P59077MM	[+]	18,8	BSH					
	100	03/13 →	●	17" wheel	P59055MM	[+]	19,1	MN					
	100	03/13 →		●	P59080MM	[+]	16,2	TRW					
	100	03/13 →		●	P59087MM	[+]	16,2	TRW					
	99	10/16 →	●	16" wheel	P59077MM	[+]	18,8	BSH					



kw



wi

Th [mm]

SYS

WI

FK



LENGHT



VAUXHALL

ZAFIRA Mk III (P12) 10/11 →

	99	10/16 →	●	17" wheel	P59055MM	[+]	19,1	MN						
1.6 CDTi	99	10/16 →	●	16" wheel	P59080MM	[+]	16,2	TRW						
	99	10/16 →	●	17" wheel	P59087MM	[+]	16,2	TRW						
	110	10/11 →	●	16" wheel	P59077MM	[+]	18,8	BSH						
1.6 CNG	110	10/11 →	●	17" wheel	P59055MM	[+]	19,1	MN						
	110	10/11 →	●	16" wheel	P59080MM	[+]	16,2	TRW						
	110	10/11 →	●	17" wheel	P59087MM	[+]	16,2	TRW						
	147	07/13 →	●	16" wheel	P59077MM	[+]	18,8	BSH						
1.6 SIDI	147	07/13 →	●	17" wheel	P59055MM	[+]	19,1	MN						
	147	07/13 →	●	16" wheel	P59080MM	[+]	16,2	TRW						
	147	07/13 →	●	17" wheel	P59087MM	[+]	16,2	TRW						
1.6 Turbo	125	12/12 →	●	16" wheel	P59077MM	[+]	18,8	BSH						
	125	12/12 →	●	17" wheel	P59055MM	[+]	19,1	MN						
	125	12/12 →	●	16" wheel	P59080MM	[+]	16,2	TRW						
	125	12/12 →	●	17" wheel	P59087MM	[+]	16,2	TRW						
1.8	85	10/11 →	●	16" wheel	P59077MM	[+]	18,8	BSH						
	85	10/11 →	●	17" wheel	P59055MM	[+]	19,1	MN						
	85	10/11 →	●	16" wheel	P59080MM	[+]	16,2	TRW						
	85	10/11 →	●	17" wheel	P59087MM	[+]	16,2	TRW						
	88	10/11 →	●	16" wheel	P59077MM	[+]	18,8	BSH						
	88	10/11 →	●	17" wheel	P59055MM	[+]	19,1	MN						
	88	10/11 →	●	16" wheel	P59080MM	[+]	16,2	TRW						
	88	10/11 →	●	17" wheel	P59087MM	[+]	16,2	TRW						
	103	10/11 →	●	16" wheel	P59077MM	[+]	18,8	BSH						
	103	10/11 →	●	17" wheel	P59055MM	[+]	19,1	MN						
2.0 BiTurbo CDTi	143	01/13 →	●	16" wheel	P59077MM	[+]	18,8	BSH						
	143	01/13 →	●	17" wheel	P59055MM	[+]	19,1	MN						
	143	01/13 →	●	16" wheel	P59080MM	[+]	16,2	TRW						
	143	01/13 →	●	17" wheel	P59087MM	[+]	16,2	TRW						
2.0 CDTi	81	10/11 →	●	16" wheel	P59077MM	[+]	18,8	BSH						
	81	10/11 →	●	17" wheel	P59055MM	[+]	19,1	MN						
	81	10/11 →	●	16" wheel	P59080MM	[+]	16,2	TRW						
	81	10/11 →	●	17" wheel	P59087MM	[+]	16,2	TRW						
	96	10/11 →	●	16" wheel	P59077MM	[+]	18,8	BSH						
	96	10/11 →	●	17" wheel	P59055MM	[+]	19,1	MN						
	96	10/11 →	●	16" wheel	P59080MM	[+]	16,2	TRW						
	96	10/11 →	●	17" wheel	P59087MM	[+]	16,2	TRW						
	121	10/11 →	●	16" wheel	P59077MM	[+]	18,8	BSH						
	121	10/11 →	●	17" wheel	P59055MM	[+]	19,1	MN						
	121	10/11 →	●	16" wheel	P59080MM	[+]	16,2	TRW						
	121	10/11 →	●	17" wheel	P59087MM	[+]	16,2	TRW						
	125	01/15 →	●	16" wheel	P59077MM	[+]	18,8	BSH						
	125	01/15 →	●	17" wheel	P59055MM	[+]	19,1	MN						
125	01/15 →	●	16" wheel	P59080MM	[+]	16,2	TRW							
125	01/15 →	●	17" wheel	P59087MM	[+]	16,2	TRW							

		kw						wi	Th [mm]	SYS	wi			FK	

VOLKSWAGEN

AMAROK (2H_, S1B) 09/10 →

2.0 BiTDI	120	09/10 →	●	→ 09/12	P85115MM [-]	18,9	BSH								
	132	11/11 →	●	→ 09/12	P85115MM [-]	18,9	BSH								
2.0 BiTDI 4motion	132	11/11 →	●	→ 09/12	P85115MM [-]	18,9	BSH								
	120	09/10 →	●	→ 09/12	P85115MM [-]	18,9	BSH								
2.0 TDI	90	09/10 →	●	→ 09/12	P85115MM [-]	18,9	BSH								
	103	07/12 →	●		P85115MM [-]	18,9	BSH								
2.0 TDI 4motion	90	09/10 →	●	→ 09/12	P85115MM [-]	18,9	BSH								
	103	06/12 →	●		P85115MM [-]	18,9	BSH								
2.0 TSI	118	12/10 →	●	→ 09/12	P85115MM [-]	18,9	BSH								
3.0 TDI 4motion	165	06/16 →	●	PR:2E3	P85115MM [-]	18,9	BSH								
	150	06/16 →	●	PR:2E3	P85115MM [-]	18,9	BSH								

AMAROK Platform/Chassis (S1B) 09/11 →

2.0 TDI	103	09/11 →	●		P85115MM [-]	18,9	BSH								
	132	09/11 →	●		P85115MM [-]	18,9	BSH								
2.0 TDI 4motion	103	09/11 →	●		P85115MM [-]	18,9	BSH								

BEETLE (5C1, 5C2) 04/11 →

1.2 TSI	77	07/11 →	●	PR:1ZQ	P85041MM [-]	19,7	ATE								
	77	07/11 →	●	PR:1LV; PR:1LD; PR:1LM; PR:1ZP	P85072MM [+]	19,7	ATE								
	77	07/11 →	●	PR:1ZA; PR:1ZE; PR:1ZB	P85075MM [+]	20,3	ATE								
	77	07/11 →	●	PR:1KS; PR:1KT	P85114MM [-]	17,7	BSH								
1.2 TSI 16V	77	12/14 →	●	PR:1ZP; PR:1ZD; PR:1LV	P85041MM [-]	19,7	ATE								
	77	12/14 →	●	PR:1ZM	P85072MM [+]	19,7	ATE								
	77	12/14 →	●	PR:1ZE	P85075MM [+]	20,3	ATE								
	77	12/14 →	●	PR:1ZQ	P85105MM [-]	20,3	ATE								
	77	12/14 →	●	PR:1ZA; PR:1ZB	P85146MM [+]	20,3	ATE								
	77	12/14 →	●	PR:1KD; PR:1KX; PR:1KU; PR:1KY	P85020MM [-]	17,2	TRW								
	77	12/14 →	●	PR:1KS; PR:1KT	P85114MM [-]	17,7	BSH								
	77	12/14 →	●	PR:1KW; PR:1KQ	P85135MM [-]	17,5	TRW								
1.4 TSI	118	10/11 →	●	PR:1LD; PR:1LM; PR:1LV	P85072MM [+]	19,7	ATE								
	118	10/11 →	●	PR:1ZA; PR:1ZE; PR:1ZB	P85075MM [+]	20,3	ATE								
	118	10/11 →	●	PR:1ZP	P85146MM [+]	20,3	ATE								
	118	10/11 →	●	PR:1KD; PR:1KU	P85020MM [-]	17,2	TRW								
	118	10/11 →	●	PR:1KS; PR:1KT	P85114MM [-]	17,7	BSH								
	110	12/14 →	●	PR:1ZM; PR:1ZQ	P85072MM [+]	19,7	ATE								
	110	12/14 →	●	PR:1ZD; PR:1LV; PR:1ZB	P85075MM [+]	20,3	ATE								
	110	12/14 →	●	PR:1ZP; PR:1ZA	P85146MM [+]	20,3	ATE								
	110	12/14 →	●	PR:1KD; PR:1KU	P85020MM [-]	17,2	TRW								
	110	12/14 →	●	PR:1KT; PR:1KS	P85114MM [-]	17,7	BSH								
1.6 TDI	77	10/11 →	●	PR:1ZQ	P85041MM [-]	19,7	ATE								
	77	10/11 →	●	PR:1LD; PR:1LM; PR:1ZP; PR:1LV	P85072MM [+]	19,7	ATE								
	77	10/11 →	●	PR:1ZB; PR:1ZE; PR:1ZA	P85075MM [+]	20,3	ATE								
	77	10/11 →	●	PR:1KT; PR:1KS	P85114MM [-]	17,7	BSH								
2.0 TDI	103	04/11 →	●	PR:1ZP	P85146MM [+]	20,3	ATE								
	103	04/11 →	●	PR:1ZQ	P85041MM [-]	19,7	ATE								
	103	04/11 →	●	PR:1LV; PR:1LM; PR:1LD	P85072MM [+]	19,7	ATE								
	103	04/11 →	●	PR:1ZA; PR:1ZE; PR:1ZB	P85075MM [+]	20,3	ATE								
	103	04/11 →	●	PR:1KS; PR:1KT	P85114MM [-]	17,7	BSH								
	110	07/14 →	●	PR:1ZM; PR:1ZQ	P85072MM [+]	19,7	ATE								
	110	07/14 →	●	PR:1ZE; PR:1LV; PR:1ZD	P85075MM [+]	20,3	ATE								
	110	07/14 →	●	PR:1ZB; PR:1ZA; PR:1ZP	P85146MM [+]	20,3	ATE								
110	07/14 →	●	PR:1KD; PR:1KU	P85020MM [-]	17,2	TRW									

									WI			FK	
	kw						Th [mm]		MAGNETI MARELLI	LENGHT		MAGNETI MARELLI	

VOLKSWAGEN

BEETLE (5C1, 5C2) 04/11 →

2.0 TDI	110 07/14 →	●	PR:1KS; PR:1KT	P85114MM [-]	17,7	BSH							
	81 06/14 →	●	PR:1ZM; PR:1ZQ	P85072MM [+]	19,7	ATE							
	81 06/14 →	●	PR:1ZE; PR:1LV; PR:1ZD	P85075MM [+]	20,3	ATE							
	81 06/14 →	●	PR:1ZB; PR:1ZA; PR:1ZP	P85146MM [+]	20,3	ATE							
	81 06/14 →	●	PR:1KD; PR:1KU	P85020MM [-]	17,2	TRW							
	81 06/14 →	●	PR:1KS; PR:1KT	P85114MM [-]	17,7	BSH							
2.0 TSI	147 04/11 →	●	PR:1ZE	P85075MM [+]	20,3	ATE							
	147 04/11 →	●	PR:1ZB; PR:1ZP; PR:1ZA	P85146MM [+]	20,3	ATE							
	147 04/11 →	●	PR:1ZM; PR:1ZQ	P85072MM [+]	19,7	ATE							
	147 04/11 →	●	PR:1KD; PR:1KU	P85020MM [-]	17,2	TRW							
	147 04/11 →	●	PR:1KT; PR:1KS	P85114MM [-]	17,7	BSH							
	155 12/12 →	●	PR:1ZD; PR:1LV	P85075MM [+]	20,3	ATE							
	155 12/12 →	●	PR:1ZP; PR:1ZB; PR:1ZA	P85146MM [+]	20,3	ATE							
	155 12/12 →	●	PR:1ZM; PR:1ZQ	P85072MM [+]	19,7	ATE							
	155 12/12 →	●	PR:1KD; PR:1KU	P85020MM [-]	17,2	TRW							
	155 12/12 →	●	PR:1KT; PR:1KS	P85114MM [-]	17,7	BSH							
	162 12/14 →	●	PR:1ZA; PR:1ZP; PR:1ZB	P85146MM [+]	20,3	ATE							
	162 12/14 →	●	PR:1ZM; PR:1ZQ	P85072MM [+]	19,7	ATE							
	162 12/14 →	●	PR:1ZD; PR:1LV; PR:1ZE	P85075MM [+]	20,3	ATE							
	162 12/14 →	●	PR:1KD; PR:1KU	P85020MM [-]	17,2	TRW							
162 12/14 →	●	PR:1KT; PR:1KS	P85114MM [-]	17,7	BSH								
2.5	125 04/11 →	●	PR:1ZE; PR:1ZD; PR:1LV	P85075MM [+]	20,3	ATE							
	125 04/11 →	●	PR:1ZM; PR:1ZQ	P85072MM [+]	19,7	ATE							
	125 04/11 →	●	PR:1ZB; PR:1ZA; PR:1ZP	P85146MM [+]	20,3	ATE							
	125 04/11 →	●	PR:1KS; PR:1KT	P85114MM [-]	17,7	BSH							
	125 04/11 →	●	PR:1KD; PR:1KU	P85020MM [-]	17,2	TRW							

BEETLE Convertible (5C7, 5C8) 12/11 →

1.2 TSI	77 12/11 →	●		P85075MM [+]	20,3	ATE							
	77 12/11 →	●	PR:1ZM; PR:1ZQ	P85072MM [+]	19,7	ATE							
	77 12/11 →	●	PR:1KT; PR:1KS	P85114MM [-]	17,7	BSH							
1.2 TSI 16V	77 12/14 →	●	PR:1ZP; PR:1LV	P85041MM [-]	19,7	ATE							
	77 12/14 →	●	PR:1ZM	P85072MM [+]	19,7	ATE							
	77 12/14 →	●	PR:1ZE	P85075MM [+]	20,3	ATE							
	77 12/14 →	●	PR:1ZQ	P85105MM [-]	20,3	ATE							
	77 12/14 →	●	PR:1ZA; PR:1ZB	P85146MM [+]	20,3	ATE							
	77 12/14 →	●	PR:1KD; PR:1KY; PR:1KX; PR:1KU	P85020MM [-]	17,2	TRW							
	77 12/14 →	●	PR:1KT; PR:1KS	P85114MM [-]	17,7	BSH							
	77 12/14 →	●	PR:1KQ; PR:1KW	P85135MM [-]	17,5	TRW							
1.4 TSI	118 12/11 →	●	PR:1ZP	P85146MM [+]	20,3	ATE							
	118 12/11 →	●	PR:1ZA; PR:1ZE; PR:1ZB; PR:1ZD; PR:1LV	P85075MM [+]	20,3	ATE							
	118 12/11 →	●	PR:1KD; PR:1KU	P85020MM [-]	17,2	TRW							
	118 12/11 →	●	PR:1KS; PR:1KT	P85114MM [-]	17,7	BSH							
	110 12/14 →	●	PR:1ZQ; PR:1ZM	P85072MM [+]	19,7	ATE							
	110 12/14 →	●	PR:1ZE; PR:1LV; PR:1ZD	P85075MM [+]	20,3	ATE							
	110 12/14 →	●	PR:1ZB; PR:1ZA; PR:1ZP	P85146MM [+]	20,3	ATE							
	110 12/14 →	●	PR:1KU; PR:1KD	P85020MM [-]	17,2	TRW							
	110 12/14 →	●	PR:1KT; PR:1KS	P85114MM [-]	17,7	BSH							
1.6 TDI	77 12/11 →	●		P85075MM [+]	20,3	ATE							
	77 12/11 →	●	PR:1ZM; PR:1ZQ	P85072MM [+]	19,7	ATE							
	77 12/11 →	●	PR:1KT; PR:1KS	P85114MM [-]	17,7	BSH							
1.8 TSI	125 12/13 →	●	PR:1ZQ; PR:1ZM	P85072MM [+]	19,7	ATE							
	125 12/13 →	●	PR:1ZE; PR:1ZD; PR:1LV	P85075MM [+]	20,3	ATE							

		kw						wi	Th [mm]	SYS	WI			FK	
												LENGHT			

VOLKSWAGEN

BEETLE Convertible (5C7, 5C8) 12/11 →

1.8 TSI	125	12/13 →	●	PR:1ZB; PR:1ZP; PR:1ZA	P85146MM	[+]	20,3	ATE							
	125	12/13 →	●	PR:1KU; PR:1KD	P85020MM	[-]	17,2	TRW							
	125	12/13 →	●	PR:1KT; PR:1KS	P85114MM	[-]	17,7	BSH							
2.0 TDI	103	04/12 →	●	PR:1ZQ; PR:1ZM	P85072MM	[+]	19,7	ATE							
	103	04/12 →	●	PR:1LV; PR:1ZD; PR:1ZB; PR:1ZE; PR:1ZA	P85075MM	[+]	20,3	ATE							
	103	04/12 →	●	PR:1ZP	P85146MM	[+]	20,3	ATE							
	103	04/12 →	●	PR:1KU; PR:1KD	P85020MM	[-]	17,2	TRW							
	103	04/12 →	●	PR:1KS; PR:1KT	P85114MM	[-]	17,7	BSH							
	110	09/14 →	●	PR:1ZQ; PR:1ZM	P85072MM	[+]	19,7	ATE							
	110	09/14 →	●	PR:1ZE; PR:1ZD; PR:1LV	P85075MM	[+]	20,3	ATE							
	110	09/14 →	●	PR:1ZB; PR:1ZA; PR:1ZP	P85146MM	[+]	20,3	ATE							
	110	09/14 →	●	PR:1KU; PR:1KD	P85020MM	[-]	17,2	TRW							
	110	09/14 →	●	PR:1KT; PR:1KS	P85114MM	[-]	17,7	BSH							
	81	06/14 →	●	PR:1ZQ; PR:1ZM	P85072MM	[+]	19,7	ATE							
	81	06/14 →	●	PR:1LV; PR:1ZD; PR:1ZE	P85075MM	[+]	20,3	ATE							
81	06/14 →	●	PR:1ZP; PR:1ZA; PR:1ZB	P85146MM	[+]	20,3	ATE								
81	06/14 →	●	PR:1KU; PR:1KD	P85020MM	[-]	17,2	TRW								
81	06/14 →	●	PR:1KS; PR:1KT	P85114MM	[-]	17,7	BSH								
2.0 TSI	147	12/11 →	●	PR:1ZE; PR:1LV; PR:1ZD	P85075MM	[+]	20,3	ATE							
	147	12/11 →	●	PR:1ZQ; PR:1ZM	P85072MM	[+]	19,7	ATE							
	147	12/11 →	●	PR:1ZB; PR:1ZA; PR:1ZP	P85146MM	[+]	20,3	ATE							
	147	12/11 →	●	PR:1KU; PR:1KD	P85020MM	[-]	17,2	TRW							
	147	12/11 →	●	PR:1KT; PR:1KS	P85114MM	[-]	17,7	BSH							
	155	12/12 →	●	PR:1ZP; PR:1ZA; PR:1ZB	P85146MM	[+]	20,3	ATE							
	155	12/12 →	●	PR:1ZQ; PR:1ZM	P85072MM	[+]	19,7	ATE							
	155	12/12 →	●	PR:1LV; PR:1ZD; PR:1ZE	P85075MM	[+]	20,3	ATE							
	155	12/12 →	●	PR:1KU; PR:1KD	P85020MM	[-]	17,2	TRW							
	155	12/12 →	●	PR:1KS; PR:1KT	P85114MM	[-]	17,7	BSH							
	162	12/14 →	●	PR:1ZQ; PR:1ZM	P85072MM	[+]	19,7	ATE							
	162	12/14 →	●	PR:1ZE	P85075MM	[+]	20,3	ATE							
162	12/14 →	●	PR:1ZP; PR:1ZA; PR:1ZB	P85146MM	[+]	20,3	ATE								
162	12/14 →	●	PR:1KU; PR:1KD	P85020MM	[-]	17,2	TRW								
162	12/14 →	●	PR:1KS; PR:1KT	P85114MM	[-]	17,7	BSH								
2.5	125	12/11 →	●	PR:1ZP; PR:1LV	P85041MM	[-]	19,7	ATE							
	125	12/11 →	●	PR:1ZM	P85072MM	[+]	19,7	ATE							
	125	12/11 →	●	PR:1ZE	P85075MM	[+]	20,3	ATE							
	125	12/11 →	●	PR:1ZQ	P85105MM	[-]	20,3	ATE							
	125	12/11 →	●	PR:1ZB; PR:1ZA	P85146MM	[+]	20,3	ATE							
	125	12/11 →	●	PR:1KD; PR:1KU; PR:1KX; PR:1KY; PR:1KQ; PR:1KW	P85020MM	[-]	17,2	TRW							
	125	12/11 →	●	PR:1KS; PR:1KT	P85114MM	[-]	17,7	BSH							

BORA (1J2) 10/98 → 09/05

1.4 16V	55	03/00 → 05/05	●	PR:1ZF; PR:1LQ; PR:1ZP; PR:1ZM; PR:1LS; 1J-Y-000001 →	P85072MM	[+]	19,7	ATE							
	55	03/00 → 05/05	●		P85020MM	[-]	17,2	TRW							
1.6	74	10/98 → 05/05	●	PR:1LQ; PR:1LR; PR:1LS; PR:1ZM; → 1J-X-800000	P85041MM	[-]	19,7	ATE							
	74	10/98 → 05/05	●	PR:1LS; PR:1ZM; PR:1ZP; PR:1LQ; PR:1ZF; 1J-Y-000001 →	P85072MM	[+]	19,7	ATE							
	74	10/98 → 05/05	●		P85020MM	[-]	17,2	TRW							
	75	08/00 → 05/05	●	PR:1LQ; PR:1ZF; PR:1ZP; PR:1ZM; PR:1LS	P85072MM	[+]	19,7	ATE							
	75	08/00 → 05/05	●		P85020MM	[-]	17,2	TRW							

										WI			FK	
	kw										LENGHT			

VOLKSWAGEN

BORA (1J2) 10/98 → 09/05

1.6	78	06/02 → 10/04	●	PR:1ZF; PR:1LS; PR:1ZP; PR:1ZM; PR:1LQ	P85072MM	[+]	19,7	ATE						
	78	06/02 → 10/04	●		P85020MM	[-]	17,2	TRW						
1.6 16V	77	05/00 → 05/05	●	PR:1LS; PR:1ZF; PR:1ZP; PR:1ZM; PR:1LQ	P85072MM	[+]	19,7	ATE						
	77	05/00 → 05/05	●		P85020MM	[-]	17,2	TRW						
1.6 FSI	81	01/02 → 05/05	●	PR:1LQ; PR:1ZM; PR:1ZP; PR:1LS; PR:1ZF	P85072MM	[+]	19,7	ATE						
	81	01/02 → 05/05	●		P85020MM	[-]	17,2	TRW						
1.8	92	10/98 → 05/05	●	PR:1LQ; PR:1LS; PR:1LR; PR:1ZM; → 1J-X-800000	P85041MM	[-]	19,7	ATE						
	92	10/98 → 05/05	●	PR:1ZF; PR:1LS; PR:1ZP; PR:1ZM; PR:1LQ; 1J-Y-000001 →	P85072MM	[+]	19,7	ATE						
	92	10/98 → 05/05	●		P85020MM	[-]	17,2	TRW						
1.8 4motion	92	02/99 → 05/05	●	PR:1ZF; PR:1ZM; PR:1ZP; PR:1LS; PR:1LQ	P85072MM	[+]	19,7	ATE						
	92	02/99 → 05/05	●		P85020MM	[-]	17,2	TRW						
1.8 T	110	05/00 → 05/05	●	PR:1LE; PR:1ZE	P85045MM	[+]	20,6	ATE						
	110	05/00 → 05/05	●		P85020MM	[-]	17,2	TRW						
	132	03/02 → 05/05	●	PR:1ZE; PR:1LE	P85045MM	[+]	20,6	ATE						
	132	03/02 → 05/05	●		P85020MM	[-]	17,2	TRW						
1.9 SDI	50	10/98 → 05/05	●	PR:1LS; PR:1ZM; PR:1LR; PR:1LQ; → 1J-X-800000	P85041MM	[-]	19,7	ATE						
	50	10/98 → 05/05	●	PR:1ZF; PR:1LS; PR:1ZP; PR:1ZM; PR:1LQ; 1J-Y-000001 →	P85072MM	[+]	19,7	ATE						
	50	10/98 → 05/05	●		P85020MM	[-]	17,2	TRW						
1.9 TDI	66	10/98 → 05/05	●	PR:1LQ; PR:1LR; PR:1LS; PR:1ZM; → 1J-X-800000	P85041MM	[-]	19,7	ATE						
	66	10/98 → 05/05	●	PR:1ZF; PR:1LS; PR:1ZP; PR:1ZM; PR:1LQ; 1J-Y-000001 →	P85072MM	[+]	19,7	ATE						
	66	10/98 → 05/05	●		P85020MM	[-]	17,2	TRW						
	81	10/98 → 06/01	●	PR:1ZM; PR:1LS; PR:1LR; PR:1LQ; → 1J-X-800000	P85041MM	[-]	19,7	ATE						
	81	10/98 → 06/01	●	PR:1LQ; PR:1ZM; PR:1ZP; PR:1LS; PR:1ZF; 1J-Y-000001 →	P85072MM	[+]	19,7	ATE						
	81	10/98 → 06/01	●		P85020MM	[-]	17,2	TRW						
	85	12/98 → 01/02	●	PR:1LQ; PR:1LR; PR:1ZM; PR:1LS; → 1J-X-800000	P85041MM	[-]	19,7	ATE						
	85	12/98 → 01/02	●	PR:1ZF; PR:1ZM; PR:1ZP; PR:1LS; PR:1LQ; 1J-Y-000001 →	P85072MM	[+]	19,7	ATE						
	85	12/98 → 01/02	●		P85020MM	[-]	17,2	TRW						
	74	09/00 → 05/05	●	PR:1LQ; PR:1LS; PR:1ZP; PR:1ZM; PR:1ZF	P85072MM	[+]	19,7	ATE						
	74	09/00 → 05/05	●		P85020MM	[-]	17,2	TRW						
	110	05/00 → 05/05	●	PR:1LE; PR:1ZE	P85045MM	[+]	20,6	ATE						
	110	05/00 → 05/05	●		P85020MM	[-]	17,2	TRW						
	96	11/00 → 05/05	●	PR:1ZE; PR:1LE	P85045MM	[+]	20,6	ATE						
	96	11/00 → 05/05	●		P85020MM	[-]	17,2	TRW						
1.9 TDI 4motion	66	11/98 → 04/02	●	PR:1LQ; PR:1ZP; PR:1ZM; PR:1ZF; PR:1LS	P85072MM	[+]	19,7	ATE						
	66	11/98 → 04/02	●		P85020MM	[-]	17,2	TRW						
	85	02/99 → 06/01	●	PR:1LQ; PR:1LS; PR:1ZP; PR:1ZM; PR:1ZF	P85072MM	[+]	19,7	ATE						
	85	02/99 → 06/01	●		P85020MM	[-]	17,2	TRW						
74	09/00 → 05/05	●	PR:1ZF; PR:1LS; PR:1ZM; PR:1ZP; PR:1LQ	P85072MM	[+]	19,7	ATE							

VOLKSWAGEN

BORA (1J2) 10/98 → 09/05

1.9 TDI 4motion	74	09/00 → 05/05	●		P85020MM [-]	17,2	TRW								
	110	05/00 → 05/05	●	PR:1ZE; PR:1LE	P85045MM [+]	20,6	ATE								
	110	05/00 → 05/05	●		P85020MM [-]	17,2	TRW								
	96	11/00 → 05/05	●	PR:1LE; PR:1ZE	P85045MM [+]	20,6	ATE								
	96	11/00 → 05/05	●		P85020MM [-]	17,2	TRW								
2.0	85	10/98 → 05/05	●	PR:1ZM; PR:1LS; PR:1LR; PR:1LQ; → 1J-X-800000	P85041MM [-]	19,7	ATE								
	85	10/98 → 05/05	●	PR:1ZF; PR:1LQ; PR:1ZP; PR:1ZM; PR:1LS; 1J-Y-000001 →	P85072MM [+]	19,7	ATE								
	85	10/98 → 05/05	●		P85020MM [-]	17,2	TRW								
2.0 4motion	85	04/00 → 05/05	●	PR:1LS; PR:1ZF; PR:1ZM; PR:1ZP; PR:1LQ	P85072MM [+]	19,7	ATE								
	85	04/00 → 05/05	●		P85020MM [-]	17,2	TRW								
2.3 V5	110	10/98 → 10/00	●	PR:1ZE; PR:1LE; 1J-Y-000001 →	P85045MM [+]	20,6	ATE								
	110	10/98 → 10/00	●		P85020MM [-]	17,2	TRW								
	125	10/00 → 05/05	●	PR:1LE; PR:1ZE	P85045MM [+]	20,6	ATE								
	125	10/00 → 05/05	●		P85020MM [-]	17,2	TRW								
2.3 V5 4motion	110	12/98 → 10/00	●	PR:1ZE; PR:1LE; 1J-Y-000001 →	P85045MM [+]	20,6	ATE								
	110	12/98 → 10/00	●		P85020MM [-]	17,2	TRW								
	125	10/00 → 05/05	●	PR:1ZE; PR:1LE	P85045MM [+]	20,6	ATE								
	125	10/00 → 05/05	●		P85020MM [-]	17,2	TRW								
2.8 V6 4motion	150	03/99 → 05/05	●	PR:1LE; PR:1ZE; 1J-Y-000001 →	P85045MM [+]	20,6	ATE								
	150	03/99 → 05/05	●		P85020MM [-]	17,2	TRW								

BORA Variant (1J6) 05/99 → 05/05

1.4 16V	55	09/01 → 05/05	●		P85072MM [+]	19,7	ATE								
	55	09/01 → 05/05	●		P85020MM [-]	17,2	TRW								
1.6	74	05/99 → 05/05	●		P85072MM [+]	19,7	ATE								
	74	05/99 → 05/05	●		P85020MM [-]	17,2	TRW								
	75	08/00 → 05/05	●		P85072MM [+]	19,7	ATE								
	75	08/00 → 05/05	●		P85020MM [-]	17,2	TRW								
1.6 16V	77	02/00 → 05/05	●		P85072MM [+]	19,7	ATE								
	77	02/00 → 05/05	●		P85020MM [-]	17,2	TRW								
1.6 FSI	81	01/02 → 05/05	●		P85072MM [+]	19,7	ATE								
	81	01/02 → 05/05	●		P85020MM [-]	17,2	TRW								
1.8 4motion	92	05/99 → 05/05	●		P85072MM [+]	19,7	ATE								
	92	05/99 → 05/05	●		P85020MM [-]	17,2	TRW								
1.8 T	110	05/00 → 05/05	●		P85045MM [+]	20,6	ATE								
	110	05/00 → 05/05	●		P85020MM [-]	17,2	TRW								
	132	05/02 → 05/05	●		P85045MM [+]	20,6	ATE								
	132	05/02 → 05/05	●		P85020MM [-]	17,2	TRW								
1.9 TDI	85	05/99 → 06/01	●		P85072MM [+]	19,7	ATE								
	85	05/99 → 06/01	●		P85020MM [-]	17,2	TRW								
	81	05/99 → 06/01	●		P85072MM [+]	19,7	ATE								
	81	05/99 → 06/01	●		P85020MM [-]	17,2	TRW								
	66	07/04 → 05/05	●		P85072MM [+]	19,7	ATE								
	66	07/04 → 05/05	●		P85020MM [-]	17,2	TRW								
	74	09/00 → 05/05	●		P85072MM [+]	19,7	ATE								
	74	09/00 → 05/05	●		P85020MM [-]	17,2	TRW								
	96	11/00 → 05/05	●		P85045MM [+]	20,6	ATE								
	96	11/00 → 05/05	●		P85020MM [-]	17,2	TRW								
	110	05/01 → 05/05	●		P85045MM [+]	20,6	ATE								
	110	05/01 → 05/05	●		P85020MM [-]	17,2	TRW								

VOLKSWAGEN

BORA Variant (1J6) 05/99 → 05/05

1.9 TDI 4motion	85	05/99 → 06/01	●		P85072MM	[+]	19,7	ATE							
	85	05/99 → 06/01		●	P85020MM	[-]	17,2	TRW							
	74	09/00 → 05/05	●		P85072MM	[+]	19,7	ATE							
	74	09/00 → 05/05		●	P85020MM	[-]	17,2	TRW							
	96	11/00 → 05/05	●		P85045MM	[+]	20,6	ATE							
	96	11/00 → 05/05		●	P85020MM	[-]	17,2	TRW							
	110	05/01 → 05/05	●		P85045MM	[+]	20,6	ATE							
	110	05/01 → 05/05		●	P85020MM	[-]	17,2	TRW							
2.0	85	05/99 → 05/05	●		P85072MM	[+]	19,7	ATE							
	85	05/99 → 05/05		●	P85020MM	[-]	17,2	TRW							
2.0 4motion	85	04/00 → 05/05	●		P85072MM	[+]	19,7	ATE							
	85	04/00 → 05/05		●	P85020MM	[-]	17,2	TRW							
	88	12/99 → 05/03	●		P85072MM	[+]	19,7	ATE							
	88	12/99 → 05/03		●	P85020MM	[-]	17,2	TRW							
2.3 V5	110	05/99 → 10/00	●		P85045MM	[+]	20,6	ATE							
	110	05/99 → 10/00		●	P85020MM	[-]	17,2	TRW							
	125	10/00 → 05/05	●		P85045MM	[+]	20,6	ATE							
	125	10/00 → 05/05		●	P85020MM	[-]	17,2	TRW							
2.3 V5 4motion	110	05/99 → 10/00	●		P85045MM	[+]	20,6	ATE							
	110	05/99 → 10/00		●	P85020MM	[-]	17,2	TRW							
	125	10/00 → 05/05	●		P85045MM	[+]	20,6	ATE							
2.8 V6 4motion	150	05/99 → 05/05	●		P85045MM	[+]	20,6	ATE							
	150	05/99 → 05/05		●	P85020MM	[-]	17,2	TRW							
2.8 VR6	150	03/00 → 05/00	●		P85045MM	[+]	20,6	ATE							
	150	03/00 → 05/00		●	P85020MM	[-]	17,2	TRW							

CADDY ALLTRACK Box (SAA) 05/15 →

1.0 TSI	75	11/15 →	●	PR:1ZE; PR:1ZA	P85147MM	[o]	20,3	TRW							
	75	11/15 →		●	P85135MM	[-]	17,5	TRW							
1.2 TSI	62	06/15 →	●	PR:1ZA; PR:1ZE	P85147MM	[o]	20,3	TRW							
	62	06/15 →		●	P85135MM	[-]	17,5	TRW							
1.4 TGI CNG	81	06/15 →	●	PR:1ZE; PR:1ZA	P85147MM	[o]	20,3	TRW							
	81	06/15 →		●	P85135MM	[-]	17,5	TRW							
1.4 TSI	92	05/15 →	●	PR:1ZA; PR:1ZE	P85147MM	[o]	20,3	TRW							
	92	05/15 →		●	P85135MM	[-]	17,5	TRW							
2.0 TDI	55	05/15 →	●	PR:1ZE; PR:1ZA	P85147MM	[o]	20,3	TRW							
	55	05/15 →		●	P85135MM	[-]	17,5	TRW							
	75	05/15 →	●	PR:1ZA; PR:1ZE	P85147MM	[o]	20,3	TRW							
	75	05/15 →		●	P85135MM	[-]	17,5	TRW							
	110	05/15 →	●	PR:1ZA; PR:1ZE	P85147MM	[o]	20,3	TRW							
	110	05/15 →		●	P85135MM	[-]	17,5	TRW							
2.0 TDI 4motion	90	05/15 →	●	PR:1ZE; PR:1ZA	P85147MM	[o]	20,3	TRW							
	90	05/15 →		●	P85135MM	[-]	17,5	TRW							
	110	11/15 →	●	PR:1ZE; PR:1ZA	P85147MM	[o]	20,3	TRW							
	110	11/15 →		●	P85135MM	[-]	17,5	TRW							

CADDY ALLTRACK Variant (SAB) 05/15 →

1.0 TSI	75	11/15 →	●	PR:1ZA; PR:1ZE	P85147MM	[o]	20,3	TRW							
	75	11/15 →		●	P85135MM	[-]	17,5	TRW							
1.2 TSI	62	06/15 →	●	PR:1ZE; PR:1ZA	P85147MM	[o]	20,3	TRW							
	62	06/15 →		●	P85135MM	[-]	17,5	TRW							
1.4 TGI CNG	81	06/15 →	●	PR:1ZA; PR:1ZE	P85147MM	[o]	20,3	TRW							
	81	06/15 →		●	P85135MM	[-]	17,5	TRW							
1.4 TSI	92	05/15 →	●	PR:1ZE; PR:1ZA	P85147MM	[o]	20,3	TRW							
	92	05/15 →		●	P85135MM	[-]	17,5	TRW							

VOLKSWAGEN

CADDY ALLTRACK Variant (SAB) 05/15 →

2.0 TDI	55	05/15 →	●	PR:1ZA; PR:1ZE	P85147MM [O]	20,3	TRW						
	55	05/15 →	●		P85135MM [-]	17,5	TRW						
	75	05/15 →	●	PR:1ZE; PR:1ZA	P85147MM [O]	20,3	TRW						
	75	05/15 →	●		P85135MM [-]	17,5	TRW						
	110	05/15 →	●	PR:1ZE; PR:1ZA	P85147MM [O]	20,3	TRW						
	110	05/15 →	●		P85135MM [-]	17,5	TRW						
2.0 TDI 4motion	90	05/15 →	●	PR:1ZA; PR:1ZE	P85147MM [O]	20,3	TRW						
	90	05/15 →	●		P85135MM [-]	17,5	TRW						
	110	11/15 →	●	PR:1ZA; PR:1ZE	P85147MM [O]	20,3	TRW						
	110	11/15 →	●		P85135MM [-]	17,5	TRW						

CADDY II Box (9K9A) 11/95 → 01/04

1.4	55	08/00 → 01/04	●	PR:1ZK; PR:1ZE; PR:1LY	P85032MM [-]	16,2	TRW						
1.7 SDI	42	07/96 → 09/00	●	PR:1LY; PR:1ZK; PR:1ZE	P85032MM [-]	16,2	TRW						
1.9 D	47	11/95 → 01/04	●	PR:1LL	P85011MM [-]	19,6	TRW						
	47	11/95 → 01/04	●	PR:1LY; PR:1ZE; PR:1ZK	P85032MM [-]	16,2	TRW						
1.9 SDI	47	11/95 → 01/04	●	PR:1LL	P85011MM [-]	19,6	TRW						
	47	11/95 → 01/04	●	PR:1LY; PR:1ZK; PR:1ZE	P85032MM [-]	16,2	TRW						
1.9 TDI	66	09/96 → 01/04	●	PR:1ZE; PR:1ZK; PR:1LY	P85032MM [-]	16,2	TRW						
60 1.4	44	11/95 → 01/04	●	PR:1LL	P85011MM [-]	19,6	TRW						
	44	11/95 → 01/04	●	PR:1LY; PR:1ZE; PR:1ZK	P85032MM [-]	16,2	TRW						
75 1.6	55	11/95 → 09/00	●	PR:1LL	P85011MM [-]	19,6	TRW						
	55	11/95 → 09/00	●	PR:1LY; PR:1ZE; PR:1ZK	P85032MM [-]	16,2	TRW						
	55	11/95 → 05/97	●	PR:1LL	P85011MM [-]	19,6	TRW						
	55	11/95 → 05/97	●	PR:1LY; PR:1ZE; PR:1ZK	P85032MM [-]	16,2	TRW						

CADDY II Pickup (9U7) 06/96 → 12/00

1.6	55	06/96 → 12/00	●		P85022MM [-]	17,8	GIR						
1.9 D	47	06/96 → 12/00	●		P85022MM [-]	17,8	GIR						

CADDY II Variant (9K9B) 11/95 → 01/04

1.4	44	11/95 → 01/04	●	PR:1LL; → 9K-T-514500	P85011MM [-]	19,6	TRW						
	44	11/95 → 01/04	●	PR:1LY; PR:1ZK; PR:1ZE; 9K-T-514501 →	P85032MM [-]	16,2	TRW						
1.4 16V	55	08/00 → 01/04	●	PR:1ZE; PR:1ZK; PR:1LY	P85032MM [-]	16,2	TRW						
1.6	55	11/95 → 05/97	●	PR:1LL; → 9K-T-514500	P85011MM [-]	19,6	TRW						
	55	11/95 → 05/97	●	PR:1LY; PR:1ZK; PR:1ZE; 9K-T-514501 →	P85032MM [-]	16,2	TRW						
	55	06/97 → 09/00	●	PR:1ZE; PR:1ZK; PR:1LY	P85032MM [-]	16,2	TRW						
1.7 SDI	42	07/96 → 09/00	●	PR:1LY; PR:1ZE; PR:1ZK	P85032MM [-]	16,2	TRW						
1.9 D	47	11/95 → 01/04	●	PR:1LL; → 9K-T-514500	P85011MM [-]	19,6	TRW						
1.9 D	47	11/95 → 01/04	●	PR:1LY; PR:1ZE; PR:1ZK; 9K-T-514501 →	P85032MM [-]	16,2	TRW						
1.9 SDI	47	11/95 → 01/04	●	PR:1LL; → 9K-T-514500	P85011MM [-]	19,6	TRW						
	47	11/95 → 01/04	●	PR:1LY; PR:1ZK; PR:1ZE; 9K-T-514501 →	P85032MM [-]	16,2	TRW						
1.9 TDI	66	10/96 → 01/04	●	PR:1ZK; PR:1ZE; PR:1LY	P85032MM [-]	16,2	TRW						

CADDY III Box (2KA, 2KH, 2CA, 2CH) 03/04 → 05/15

1.2 TSI	63	09/10 → 05/15	●	PR:1ZM; PR:1ZF	P85072MM [+]	19,7	ATE						
	63	09/10 → 05/15	●	PR:1LJ; PR:1ZA; PR:1ZE	P85075MM [+]	20,3	ATE						
	63	09/10 → 05/15	●	disc Ø 272 mm	P85114MM [-]	17,7	BSH						
	63	09/10 → 05/15	●	disc Ø 253 mm	P85020MM [-]	17,2	TRW						
	77	09/10 → 05/15	●	PR:1ZM; PR:1ZF	P85072MM [+]	19,7	ATE						
	77	09/10 → 05/15	●	PR:1ZE; PR:1ZA; PR:1LJ	P85075MM [+]	20,3	ATE						
	77	09/10 → 05/15	●	disc Ø 253 mm	P85020MM [-]	17,2	TRW						
	77	09/10 → 05/15	●	disc Ø 272 mm	P85114MM [-]	17,7	BSH						
1.4	55	03/04 → 05/06	●	PR:1ZM; PR:1ZF	P85072MM [+]	19,7	ATE						
	55	03/04 → 05/06	●	PR:1LJ; PR:1ZA; PR:1ZE	P85075MM [+]	20,3	ATE						

Car Icon	kW	Hourglass Icon	Truck Icon	i	MAGNETI MARELLI	wi	Th [mm]	SYS	WI			FK	
									MAGNETI MARELLI	LENGHT	i	MAGNETI MARELLI	i

VOLKSWAGEN

CADDY III Box (2KA, 2KH, 2CA, 2CH) 03/04 → 05/15

1.4	55	03/04 → 05/06	●	disc Ø 253 mm	P85020MM	[-]	17,2	TRW					
	55	03/04 → 05/06	●	disc Ø 256 mm	P85073MM	[O]	17,2	TRW					
	59	05/06 → 08/10	●	PR:1ZM; PR:1ZF	P85072MM	[+]	19,7	ATE					
	59	05/06 → 08/10	●	PR:1ZE; PR:1LJ; PR:1ZA	P85075MM	[+]	20,3	ATE					
	59	05/06 → 08/10	●	disc Ø 253 mm	P85020MM	[-]	17,2	TRW					
	59	05/06 → 08/10	●	disc Ø 256 mm	P85073MM	[O]	17,2	TRW					
1.6	75	04/04 → 05/15	●	PR:1ZM; PR:1ZF	P85072MM	[+]	19,7	ATE					
	75	04/04 → 05/15	●	PR:1ZE; PR:1ZA; PR:1LJ	P85075MM	[+]	20,3	ATE					
	75	04/04 → 05/15	●	disc Ø 253 mm	P85020MM	[-]	17,2	TRW					
	75	04/04 → 05/15	●	disc Ø 256 mm	P85073MM	[O]	17,2	TRW					
1.6 BIFuel	75	05/11 → 05/15	●	PR:1ZA	P85146MM	[+]	20,3	ATE					
	75	05/11 → 05/15	●	PR:1ZM; PR:1ZF	P85072MM	[+]	19,7	ATE					
	75	05/11 → 05/15	●	PR:1LJ; PR:1ZE	P85075MM	[+]	20,3	ATE					
	75	05/11 → 05/15	●	disc Ø 253 mm	P85020MM	[-]	17,2	TRW					
	75	05/11 → 05/15	●	disc Ø 272 mm	P85114MM	[-]	17,7	BSH					
1.6 TDI	55	08/10 → 05/15	●	PR:1ZM; PR:1ZF	P85072MM	[+]	19,7	ATE					
	55	08/10 → 05/15	●	PR:1ZA; PR:1LJ; PR:1ZE	P85075MM	[+]	20,3	ATE					
	55	08/10 → 05/15	●	disc Ø 253 mm	P85020MM	[-]	17,2	TRW					
	55	08/10 → 05/15	●	disc Ø 272 mm	P85114MM	[-]	17,7	BSH					
	75	08/10 → 05/15	●	PR:1ZM; PR:1ZF	P85072MM	[+]	19,7	ATE					
	75	08/10 → 05/15	●	PR:1ZE; PR:1LJ	P85075MM	[+]	20,3	ATE					
	75	08/10 → 05/15	●	PR:1ZA	P85146MM	[+]	20,3	ATE					
	75	08/10 → 05/15	●	disc Ø 253 mm	P85020MM	[-]	17,2	TRW					
1.9 TDI	77	04/04 → 08/10	●	PR:1ZM; PR:1ZF	P85072MM	[+]	19,7	ATE					
	77	04/04 → 08/10	●	PR:1ZE; PR:1ZA; PR:1LJ	P85075MM	[+]	20,3	ATE					
	77	04/04 → 08/10	●	disc Ø 253 mm	P85020MM	[-]	17,2	TRW					
	77	04/04 → 08/10	●	disc Ø 256 mm	P85073MM	[O]	17,2	TRW					
	55	09/05 → 08/10	●	PR:1ZM; PR:1ZF	P85072MM	[+]	19,7	ATE					
	55	09/05 → 08/10	●	PR:1ZA; PR:1LJ; PR:1ZE	P85075MM	[+]	20,3	ATE					
	55	09/05 → 08/10	●	disc Ø 253 mm	P85020MM	[-]	17,2	TRW					
	55	09/05 → 08/10	●	disc Ø 256 mm	P85073MM	[O]	17,2	TRW					
1.9 TDI 4motion	77	11/08 → 08/10	●	PR:1ZM; PR:1ZF	P85072MM	[+]	19,7	ATE					
	77	11/08 → 08/10	●	PR:1ZE; PR:1LJ; PR:1ZA	P85075MM	[+]	20,3	ATE					
	77	11/08 → 08/10	●	disc Ø 253 mm	P85020MM	[-]	17,2	TRW					
	77	11/08 → 08/10	●	disc Ø 256 mm	P85073MM	[O]	17,2	TRW					
2.0 EcoFuel	80	04/06 → 05/15	●	PR:1ZM; PR:1ZF	P85072MM	[+]	19,7	ATE					
	80	04/06 → 05/15	●	PR:1ZA; PR:1LJ; PR:1ZE	P85075MM	[+]	20,3	ATE					
	80	04/06 → 05/15	●	PR:1ZA	P85146MM	[+]	20,3	ATE					
	80	04/06 → 05/15	●	disc Ø 253 mm	P85020MM	[-]	17,2	TRW					
	80	04/06 → 05/15	●	disc Ø 256 mm	P85073MM	[O]	17,2	TRW					
	80	04/06 → 05/15	●	disc Ø 272 mm	P85114MM	[-]	17,7	BSH					
2.0 SDI	51	03/04 → 08/10	●	PR:1ZM; PR:1ZF	P85072MM	[+]	19,7	ATE					
	51	03/04 → 08/10	●	PR:1LJ; PR:1ZA; PR:1ZE	P85075MM	[+]	20,3	ATE					
	51	03/04 → 08/10	●	disc Ø 253 mm	P85020MM	[-]	17,2	TRW					
	51	03/04 → 08/10	●	disc Ø 256 mm	P85073MM	[O]	17,2	TRW					
2.0 TDI	62	11/10 → 05/15	●	PR:1ZM; PR:1ZF	P85072MM	[+]	19,7	ATE					
	62	11/10 → 05/15	●	PR:1LJ; PR:1ZA; PR:1ZE	P85075MM	[+]	20,3	ATE					
	62	11/10 → 05/15	●	disc Ø 253 mm	P85020MM	[-]	17,2	TRW					
	62	11/10 → 05/15	●	disc Ø 272 mm	P85114MM	[-]	17,7	BSH					
	81	08/10 → 05/15	●	PR:1ZM; PR:1ZF	P85072MM	[+]	19,7	ATE					
	81	08/10 → 05/15	●	PR:1LJ; PR:1ZA; PR:1ZE	P85075MM	[+]	20,3	ATE					
	81	08/10 → 05/15	●	disc Ø 253 mm	P85020MM	[-]	17,2	TRW					
	81	08/10 → 05/15	●	disc Ø 272 mm	P85114MM	[-]	17,7	BSH					

		kw						wi	Th [mm]	SYS	wi		FK		
												LEIGHT			

VOLKSWAGEN

CADDY III Box (2KA, 2KH, 2CA, 2CH) 03/04 → 05/15

2.0 TDI	125	05/12 → 05/15	●	PR:1ZA	P85146MM	[+]	20,3	ATE						
	125	05/12 → 05/15	●	PR:1ZM; PR:1ZF	P85072MM	[+]	19,7	ATE						
	125	05/12 → 05/15	●	PR:1ZE; PR:1LJ	P85075MM	[+]	20,3	ATE						
	125	05/12 → 05/15	●	disc Ø 253 mm	P85020MM	[-]	17,2	TRW						
	125	05/12 → 05/15	●	disc Ø 272 mm	P85114MM	[-]	17,7	BSH						
	103	09/07 → 08/10	●	PR:1ZM; PR:1ZF	P85072MM	[+]	19,7	ATE						
	103	09/07 → 08/10	●	PR:1ZE; PR:1LJ	P85075MM	[+]	20,3	ATE						
	103	09/07 → 08/10	●	PR:1ZA	P85146MM	[+]	20,3	ATE						
	103	09/07 → 08/10	●	disc Ø 253 mm	P85020MM	[-]	17,2	TRW						
	103	09/07 → 08/10	●	disc Ø 256 mm	P85073MM	[O]	17,2	TRW						
2.0 TDI 16V	103	11/10 → 05/15	●	PR:1ZM; PR:1ZF	P85072MM	[+]	19,7	ATE						
	103	11/10 → 05/15	●	PR:1LJ; PR:1ZE	P85075MM	[+]	20,3	ATE						
	103	11/10 → 05/15	●	PR:1ZA	P85146MM	[+]	20,3	ATE						
	103	11/10 → 05/15	●	disc Ø 253 mm	P85020MM	[-]	17,2	TRW						
	103	11/10 → 05/15	●	disc Ø 272 mm	P85114MM	[-]	17,7	BSH						
2.0 TDI 16V 4motion	103	11/10 → 05/15	●	PR:1ZE; PR:1LJ	P85075MM	[+]	20,3	ATE						
	103	11/10 → 05/15	●	PR:1ZA	P85146MM	[+]	20,3	ATE						
	103	11/10 → 05/15	●	disc Ø 272 mm	P85114MM	[-]	17,7	BSH						
	103	11/10 → 05/15	●	disc Ø 253 mm	P85020MM	[-]	17,2	TRW						
2.0 TDI 4motion	62	12/10 → 05/15	●	PR:1ZM; PR:1ZF	P85072MM	[+]	19,7	ATE						
	62	12/10 → 05/15	●	PR:1ZA	P85146MM	[+]	20,3	ATE						
	62	12/10 → 05/15	●	PR:1ZE; PR:1LJ	P85075MM	[+]	20,3	ATE						
	62	12/10 → 05/15	●	disc Ø 253 mm	P85020MM	[-]	17,2	TRW						
	62	12/10 → 05/15	●	disc Ø 272 mm	P85114MM	[-]	17,7	BSH						
	81	08/10 → 05/15	●	PR:1ZM; PR:1ZF	P85072MM	[+]	19,7	ATE						
	81	08/10 → 05/15	●	PR:1ZE; PR:1LJ	P85075MM	[+]	20,3	ATE						
	81	08/10 → 05/15	●	PR:1ZA	P85146MM	[+]	20,3	ATE						
	81	08/10 → 05/15	●	disc Ø 253 mm	P85020MM	[-]	17,2	TRW						
	81	08/10 → 05/15	●	disc Ø 272 mm	P85114MM	[-]	17,7	BSH						

CADDY III Variant (2KB, 2KJ, 2CB, 2CJ) 03/04 → 05/15

1.2 TSI	63	09/10 → 05/15	●	PR:1ZM; PR:1ZF	P85072MM	[+]	19,7	ATE						
	63	09/10 → 05/15	●	PR:1LJ; PR:1ZA; PR:1ZE	P85075MM	[+]	20,3	ATE						
	63	09/10 → 05/15	●	disc Ø 253 mm	P85020MM	[-]	17,2	TRW						
	63	09/10 → 05/15	●	disc Ø 272 mm	P85114MM	[-]	17,7	BSH						
	77	09/10 → 05/15	●	PR:1ZM; PR:1ZF	P85072MM	[+]	19,7	ATE						
	77	09/10 → 05/15	●	PR:1ZE; PR:1ZA; PR:1LJ	P85075MM	[+]	20,3	ATE						
	77	09/10 → 05/15	●	disc Ø 253 mm	P85020MM	[-]	17,2	TRW						
1.4	55	03/04 → 05/06	●	PR:1ZM; PR:1ZF	P85072MM	[+]	19,7	ATE						
	55	03/04 → 05/06	●	PR:1ZE; PR:1ZA; PR:1LJ	P85075MM	[+]	20,3	ATE						
	55	03/04 → 05/06	●	disc Ø 253 mm	P85020MM	[-]	17,2	TRW						
	55	03/04 → 05/06	●	disc Ø 256 mm	P85073MM	[O]	17,2	TRW						
	59	05/06 → 08/10	●	PR:1ZM; PR:1ZF	P85072MM	[+]	19,7	ATE						
	59	05/06 → 08/10	●	PR:1ZE; PR:1ZA; PR:1LJ	P85075MM	[+]	20,3	ATE						
	59	05/06 → 08/10	●	disc Ø 253 mm	P85020MM	[-]	17,2	TRW						
1.6	75	04/04 → 05/15	●	PR:1ZM; PR:1ZF	P85072MM	[+]	19,7	ATE						
	75	04/04 → 05/15	●	PR:1LJ; PR:1ZA; PR:1ZE	P85075MM	[+]	20,3	ATE						
	75	04/04 → 05/15	●	disc Ø 253 mm	P85020MM	[-]	17,2	TRW						
	75	04/04 → 05/15	●	disc Ø 256 mm	P85073MM	[O]	17,2	TRW						
	74	03/05 → 05/15	●	PR:1ZM; PR:1ZF	P85072MM	[+]	19,7	ATE						
	74	03/05 → 05/15	●	PR:1LJ; PR:1ZA; PR:1ZE	P85075MM	[+]	20,3	ATE						
	74	03/05 → 05/15	●	disc Ø 253 mm	P85020MM	[-]	17,2	TRW						
74	03/05 → 05/15	●	disc Ø 256 mm	P85073MM	[O]	17,2	TRW							

		kw						wi	Th [mm]	SYS	wi			FK	
												LENGHT			

VOLKSWAGEN

CADDY III Variant (2KB, 2KJ, 2CB, 2CJ) 03/04 → 05/15

2.0 TDI 16V	103	11/10 → 05/15	●	disc Ø 253 mm	P85020MM [-]	17,2	TRW								
	103	11/10 → 05/15	●	disc Ø 272 mm	P85114MM [-]	17,7	BSH								
2.0 TDI 16V 4motion	103	11/10 → 05/15	●	PR:1ZM; PR:1ZF	P85072MM [+]	19,7	ATE								
	103	11/10 → 05/15	●	PR:1ZE	P85075MM [+]	20,3	ATE								
	103	11/10 → 05/15	●	PR:1LJ; PR:1ZA	P85146MM [+]	20,3	ATE								
	103	11/10 → 05/15	●	disc Ø 253 mm	P85020MM [-]	17,2	TRW								
	103	11/10 → 05/15	●	disc Ø 272 mm	P85114MM [-]	17,7	BSH								
2.0 TDI 4motion	81	08/10 → 05/15	●	PR:1ZM; PR:1ZF	P85072MM [+]	19,7	ATE								
	81	08/10 → 05/15	●	PR:1LJ; PR:1ZE	P85075MM [+]	20,3	ATE								
	81	08/10 → 05/15	●	PR:1ZA	P85146MM [+]	20,3	ATE								
	81	08/10 → 05/15	●	disc Ø 253 mm	P85020MM [-]	17,2	TRW								
	81	08/10 → 05/15	●	disc Ø 272 mm	P85114MM [-]	17,7	BSH								

CADDY IV Box (SAA, SAH) 05/15 →

1.0 TSI	75	11/15 →	●	PR:1ZA; PR:1ZE	P85147MM [O]	20,3	TRW								
	75	11/15 →	●		P85135MM [-]	17,5	TRW								
1.2 TSI	62	06/15 →	●	PR:1ZE; PR:1ZA	P85147MM [O]	20,3	TRW								
	62	06/15 →	●		P85135MM [-]	17,5	TRW								
1.4 TGI CNG	81	06/15 →	●	PR:1ZA; PR:1ZE	P85147MM [O]	20,3	TRW								
	81	06/15 →	●		P85135MM [-]	17,5	TRW								
1.4 TSI	92	05/15 →	●	PR:1ZE; PR:1ZA	P85147MM [O]	20,3	TRW								
	92	05/15 →	●		P85135MM [-]	17,5	TRW								
1.6 TDI	55	05/15 →	●	PR:1ZA; PR:1ZE	P85147MM [O]	20,3	TRW								
	55	05/15 →	●		P85135MM [-]	17,5	TRW								
	75	05/15 →	●	PR:1ZE; PR:1ZA	P85147MM [O]	20,3	TRW								
2.0 TDI	55	05/15 →	●	PR:1ZA; PR:1ZE	P85147MM [O]	20,3	TRW								
	55	05/15 →	●		P85135MM [-]	17,5	TRW								
	75	05/15 →	●	PR:1ZE; PR:1ZA	P85147MM [O]	20,3	TRW								
	75	05/15 →	●		P85135MM [-]	17,5	TRW								
	103	05/15 →	●	PR:1ZA; PR:1ZE	P85147MM [O]	20,3	TRW								
	103	05/15 →	●		P85135MM [-]	17,5	TRW								
	110	05/15 →	●	PR:1ZA; PR:1ZE	P85147MM [O]	20,3	TRW								
	110	05/15 →	●		P85135MM [-]	17,5	TRW								
2.0 TDI 4motion	81	09/15 →	●	PR:1ZA; PR:1ZE	P85147MM [O]	20,3	TRW								
	81	09/15 →	●		P85135MM [-]	17,5	TRW								
	81	05/15 →	●	PR:1ZA; PR:1ZE	P85147MM [O]	20,3	TRW								
	81	05/15 →	●		P85135MM [-]	17,5	TRW								
	90	05/15 →	●	PR:1ZE; PR:1ZA	P85147MM [O]	20,3	TRW								
	90	05/15 →	●		P85135MM [-]	17,5	TRW								
	103	05/15 →	●	PR:1ZE; PR:1ZA	P85147MM [O]	20,3	TRW								
	103	05/15 →	●		P85135MM [-]	17,5	TRW								
	55	11/15 →	●	PR:1ZE; PR:1ZA	P85147MM [O]	20,3	TRW								
	55	11/15 →	●		P85135MM [-]	17,5	TRW								
	110	11/15 →	●	PR:1ZE; PR:1ZA	P85147MM [O]	20,3	TRW								
110	11/15 →	●		P85135MM [-]	17,5	TRW									

CADDY IV Variant (SAB, SAJ) 05/15 →

1.0 TSI	75	11/15 →	●	PR:1ZA; PR:1ZE	P85147MM [O]	20,3	TRW								
	75	11/15 →	●		P85135MM [-]	17,5	TRW								
1.2 TSI	62	06/15 →	●	PR:1ZE; PR:1ZA	P85147MM [O]	20,3	TRW								
	62	06/15 →	●		P85135MM [-]	17,5	TRW								
1.4 TGI CNG	81	06/15 →	●	PR:1ZE; PR:1ZA	P85147MM [O]	20,3	TRW								
	81	06/15 →	●		P85135MM [-]	17,5	TRW								
1.4 TSI	92	05/15 →	●	PR:1ZE; PR:1ZA	P85147MM [O]	20,3	TRW								
	92	05/15 →	●		P85135MM [-]	17,5	TRW								

									WI			FK	
	kw				MAGNETI MARELLI	Wi	Th [mm]	SYS	MAGNETI MARELLI	LENGHT		MAGNETI MARELLI	

VOLKSWAGEN

CADDY IV Variant (SAB, SAJ) 05/15 →

1.6 TDI	55	05/15 →	●	PR:1ZE; PR:1ZA	P85147MM	[O]	20,3	TRW					
	55	05/15 →		●		P85135MM	[-]	17,5	TRW				
	75	05/15 →	●	PR:1ZA; PR:1ZE	P85147MM	[O]	20,3	TRW					
	75	05/15 →		●		P85135MM	[-]	17,5	TRW				
2.0 TDI	75	05/15 →	●	PR:1ZE; PR:1ZA	P85147MM	[O]	20,3	TRW					
	75	05/15 →		●		P85135MM	[-]	17,5	TRW				
	55	05/15 →	●	PR:1ZA; PR:1ZE	P85147MM	[O]	20,3	TRW					
	55	05/15 →		●		P85135MM	[-]	17,5	TRW				
	110	05/15 →	●	PR:1ZE; PR:1ZA	P85147MM	[O]	20,3	TRW					
	110	05/15 →		●		P85135MM	[-]	17,5	TRW				
	103	05/15 →	●	PR:1ZE; PR:1ZA	P85147MM	[O]	20,3	TRW					
	103	05/15 →		●		P85135MM	[-]	17,5	TRW				
2.0 TDI 4motion	81	09/15 →	●	PR:1ZE; PR:1ZA	P85147MM	[O]	20,3	TRW					
	81	09/15 →		●		P85135MM	[-]	17,5	TRW				
	81	05/15 →	●	PR:1ZA; PR:1ZE	P85147MM	[O]	20,3	TRW					
	81	05/15 →		●		P85135MM	[-]	17,5	TRW				
	90	05/15 →	●	PR:1ZA; PR:1ZE	P85147MM	[O]	20,3	TRW					
	90	05/15 →		●		P85135MM	[-]	17,5	TRW				
	103	05/15 →	●	PR:1ZA; PR:1ZE	P85147MM	[O]	20,3	TRW					
	103	05/15 →		●		P85135MM	[-]	17,5	TRW				

CC (358) 11/11 → 12/16

1.4 TSI	118	11/11 → 12/16	●	PR:1ZG; PR:1ZM	P85075MM	[+]	20,3	ATE					
	118	11/11 → 12/16	●	PR:1ZM; PR:1ZG	P85146MM	[+]	20,3	ATE					
	118	11/11 → 12/16		●	PR:1KW	P85109MM	[-]	17,2	TRW				
	110	05/15 → 12/16	●	PR:1LB; PR:1LA	P85131MM	[+]	20	TRW					
	110	05/15 → 12/16	●	PR:1ZG; PR:1ZM	P85146MM	[+]	20,3	ATE					
	110	05/15 → 12/16		●	PR:2EA	P85108MM	[-]	17,2	TRW				
	110	05/15 → 12/16		●	PR:1KW	P85109MM	[-]	17,2	TRW				
1.4 TSI MultiFuel	118	11/11 → 12/16	●	PR:1LA; PR:1LB	P85131MM	[+]	20	TRW					
	118	11/11 → 12/16	●	PR:1ZM; PR:1ZG	P85146MM	[+]	20,3	ATE					
	118	11/11 → 12/16		●	PR:2EA	P85108MM	[-]	17,2	TRW				
	118	11/11 → 12/16		●	PR:1KW	P85109MM	[-]	17,2	TRW				
1.8 TSI	118	11/11 → 12/16	●	PR:1ZG; PR:1ZM	P85075MM	[+]	20,3	ATE					
	118	11/11 → 12/16	●	PR:1ZG; PR:1ZM	P85146MM	[+]	20,3	ATE					
	118	11/11 → 12/16		●	PR:1KW	P85109MM	[-]	17,2	TRW				
	112	11/11 → 12/16	●	PR:1ZG; PR:1ZM	P85075MM	[+]	20,3	ATE					
	112	11/11 → 12/16	●	PR:1ZG; PR:1ZM	P85146MM	[+]	20,3	ATE					
	112	11/11 → 12/16		●	PR:1KW	P85109MM	[-]	17,2	TRW				
2.0 TDI	125	11/11 → 12/16	●	PR:1ZM; PR:1ZG	P85075MM	[+]	20,3	ATE					
	125	11/11 → 12/16	●	PR:1ZM; PR:1ZG	P85146MM	[+]	20,3	ATE					
	125	11/11 → 12/16		●	PR:1KW	P85109MM	[-]	17,2	TRW				
	103	11/11 → 12/16	●	PR:1ZM; PR:1ZG	P85075MM	[+]	20,3	ATE					
	103	11/11 → 12/16	●	PR:1ZM; PR:1ZG	P85146MM	[+]	20,3	ATE					
	103	11/11 → 12/16		●	PR:1KW	P85109MM	[-]	17,2	TRW				
	100	11/11 → 12/16	●	PR:1ZM; PR:1ZG	P85075MM	[+]	20,3	ATE					
	100	11/11 → 12/16	●	PR:1ZM; PR:1ZG	P85146MM	[+]	20,3	ATE					
	100	11/11 → 12/16		●	PR:1KW	P85109MM	[-]	17,2	TRW				
	130	12/12 → 12/16	●	PR:1LB; PR:1LA	P85131MM	[+]	20	TRW					
	130	12/12 → 12/16	●	PR:1ZG; PR:1ZM	P85146MM	[+]	20,3	ATE					
130	12/12 → 12/16		●	PR:1KW	P85109MM	[-]	17,2	TRW					
130	12/12 → 12/16		●	PR:2EA	P85108MM	[-]	17,2	TRW					
110	05/15 → 12/16	●	PR:1LA; PR:1LB	P85131MM	[+]	20	TRW						

		kw						wi	Th [mm]	SYS	wi		FK		
												LENGHT			

VOLKSWAGEN

CC (358) 11/11 → 12/16

2.0 TDI	110	05/15 → 12/16	●	PR:1ZM; PR:1ZG	P85146MM	[+]	20,3	ATE						
	110	05/15 → 12/16	●	PR:2EA	P85108MM	[-]	17,2	TRW						
	110	05/15 → 12/16	●	PR:1KW	P85109MM	[-]	17,2	TRW						
	135	05/15 → 12/16	●	PR:1LB; PR:1LA	P85131MM	[+]	20	TRW						
	135	05/15 → 12/16	●	PR:1ZG; PR:1ZM	P85146MM	[+]	20,3	ATE						
	135	05/15 → 12/16	●	PR:2EA	P85108MM	[-]	17,2	TRW						
	135	05/15 → 12/16	●	PR:1KW	P85109MM	[-]	17,2	TRW						
2.0 TDI 4motion	103	11/11 → 12/16	●	PR:1ZM; PR:1ZG	P85075MM	[+]	20,3	ATE						
	103	11/11 → 12/16	●	PR:1ZG; PR:1ZM	P85146MM	[+]	20,3	ATE						
	103	11/11 → 12/16	●	PR:1KW	P85109MM	[-]	17,2	TRW						
	125	11/11 → 01/13	●	PR:1ZG; PR:1ZM	P85075MM	[+]	20,3	ATE						
	125	11/11 → 01/13	●	PR:1ZM; PR:1ZG	P85146MM	[+]	20,3	ATE						
	125	11/11 → 01/13	●	PR:1KW	P85109MM	[-]	17,2	TRW						
	130	12/12 → 12/16	●	PR:1LB; PR:1LA	P85131MM	[+]	20	TRW						
	130	12/12 → 12/16	●	PR:1ZM; PR:1ZG	P85146MM	[+]	20,3	ATE						
2.0 TSI	155	11/11 → 12/16	●	PR:1ZG; PR:1ZM	P85075MM	[+]	20,3	ATE						
	155	11/11 → 12/16	●	PR:1ZG; PR:1ZM	P85146MM	[+]	20,3	ATE						
	155	11/11 → 12/16	●	PR:1KW	P85109MM	[-]	17,2	TRW						
	220	11/11 → 12/16	●	PR:1LA; PR:1LB; disc Ø 340 mm	P85131MM	[+]	20	TRW						
3.6 FSI 4motion	220	11/11 → 12/16	●	PR:1LK; disc Ø 345 mm	P85079MM	[+]	20,3	ATE						
	220	11/11 → 12/16	●		P85108MM	[-]	17,2	TRW						

CRAFTER 30-35 Bus (2E_) 04/06 → 12/16

2.0 TDI	80	05/11 → 12/16	●		P50085MM	[+]	20,9	BRE						
	80	05/11 → 12/16	●		P50084MM	[+]	19	BSH						
	100	05/11 → 12/16	●		P50085MM	[+]	20,9	BRE						
	100	05/11 → 12/16	●		P50084MM	[+]	19	BSH						
	120	07/11 → 12/16	●		P50085MM	[+]	20,9	BRE						
	120	07/11 → 12/16	●		P50084MM	[+]	19	BSH						
	105	10/11 → 12/16	●		P50085MM	[+]	20,9	BRE						
	105	10/11 → 12/16	●		P50084MM	[+]	19	BSH						
	84	11/13 → 12/16	●	PR:0WF	P50059MM	[O]	20,9	BRE						
	84	11/13 → 12/16	●	PR:0WC; PR:0WL	P50085MM	[+]	20,9	BRE						
	84	11/13 → 12/16	●	PR:0WC; PR:0WL	P50084MM	[+]	19	BSH						
2.0 TDI 4motion	120	11/11 → 12/16	●		P50085MM	[+]	20,9	BRE						
	120	11/11 → 12/16	●		P50084MM	[+]	19	BSH						
2.5 TDI	65	04/06 → 07/11	●		P50085MM	[+]	20,9	BRE						
	65	04/06 → 07/11	●		P50084MM	[+]	19	BSH						
	80	04/06 → 05/13	●		P50085MM	[+]	20,9	BRE						
	80	04/06 → 05/13	●		P50084MM	[+]	19	BSH						
	100	04/06 → 05/13	●		P50085MM	[+]	20,9	BRE						
	100	04/06 → 05/13	●		P50084MM	[+]	19	BSH						
	120	04/06 → 07/11	●		P50085MM	[+]	20,9	BRE						
	120	04/06 → 07/11	●		P50084MM	[+]	19	BSH						

CRAFTER 30-50 Box (2E_) 04/06 → 12/16

2.0 TDI	80	05/11 → 12/16	●	PR:0WL; PR:0WC; Max Load 3000 kg; Max Load 3500 kg	P50085MM	[+]	20,9	BRE						
	80	05/11 → 12/16	●	PR:0WF; Max Load 5000 kg	P50059MM	[O]	20,9	BRE						
	80	05/11 → 12/16	●	PR:0WL; PR:0WC; Max Load 3000 kg; Max Load 3500 kg	P50084MM	[+]	19	BSH						
	80	05/11 → 12/16	●	PR:0WF; Max Load 5000 kg	P50060MM	[O]	20,6	BSH						
	100	05/11 → 12/16	●	PR:0WC; PR:0WL; Max Load 3000 kg; Max Load 3500 kg	P50085MM	[+]	20,9	BRE						



kw



wi

Th [mm]

SYS

WI

FK



LENGHT



VOLKSWAGEN

CRAFTER 30-50 Box (2E_) 04/06 → 12/16

2.0 TDI	100	05/11 → 12/16	●	PR:0WF; Max Load 5000 kg	P50059MM	[O]	20,9	BRE					
	100	05/11 → 12/16	●	PR:0WC; PR:0WL; Max Load 3000 kg; Max Load 3500 kg	P50084MM	[+]	19	BSH					
	100	05/11 → 12/16	●	PR:0WF; Max Load 5000 kg	P50060MM	[O]	20,6	BSH					
	120	07/11 → 12/16	●	PR:0WL; PR:0WC; Max Load 3500 kg; Max Load 3000 kg	P50085MM	[+]	20,9	BRE					
	120	07/11 → 12/16	●	PR:0WF; Max Load 5000 kg	P50059MM	[O]	20,9	BRE					
	120	07/11 → 12/16	●	PR:0WL; PR:0WC; Max Load 3000 kg; Max Load 3500 kg	P50084MM	[+]	19	BSH					
	120	07/11 → 12/16	●	PR:0WF; Max Load 5000 kg	P50060MM	[O]	20,6	BSH					
	105	10/11 → 12/16	●	PR:0WC; PR:0WL; Max Load 3000 kg; Max Load 3500 kg	P50085MM	[+]	20,9	BRE					
	105	10/11 → 12/16	●	PR:0WF; Max Load 5000 kg	P50059MM	[O]	20,9	BRE					
	105	10/11 → 12/16	●	PR:0WC; PR:0WL; Max Load 3000 kg; Max Load 3500 kg	P50084MM	[+]	19	BSH					
	105	10/11 → 12/16	●	PR:0WF; Max Load 5000 kg	P50060MM	[O]	20,6	BSH					
	84	11/13 → 12/16	●	PR:0WF	P50059MM	[O]	20,9	BRE					
	84	11/13 → 12/16	●	PR:0WC; PR:0WL	P50085MM	[+]	20,9	BRE					
	84	11/13 → 12/16	●	PR:0WC; PR:0WL	P50084MM	[+]	19	BSH					
	103	11/15 → 12/16	●	PR:0WL; PR:0WF; PR:0WC	P50085MM	[+]	20,9	BRE					
	103	11/15 → 12/16	●	PR:0WF	P50060MM	[O]	20,6	BSH					
103	11/15 → 12/16	●	PR:0WL; PR:0WC	P50084MM	[+]	19	BSH						
2.0 TDI 4motion	120	11/11 → 12/16	●	PR:0WL; PR:0WC; Max Load 3500 kg; Max Load 3000 kg	P50085MM	[+]	20,9	BRE					
	120	11/11 → 12/16	●	PR:0WF; Max Load 5000 kg	P50059MM	[O]	20,9	BRE					
	120	11/11 → 12/16	●	PR:0WL; PR:0WC; Max Load 3000 kg; Max Load 3500 kg	P50084MM	[+]	19	BSH					
	120	11/11 → 12/16	●	PR:0WF; Max Load 5000 kg	P50060MM	[O]	20,6	BSH					
2.5 TDI	65	04/06 → 07/11	●	PR:0WL; PR:0WC; Max Load 3500 kg; Max Load 3000 kg	P50085MM	[+]	20,9	BRE					
	65	04/06 → 07/11	●	PR:0WF; Max Load 5000 kg	P50059MM	[O]	20,9	BRE					
	65	04/06 → 07/11	●	PR:0WL; PR:0WC; Max Load 3500 kg; Max Load 3000 kg	P50084MM	[+]	19	BSH					
	65	04/06 → 07/11	●	PR:0WF; Max Load 5000 kg	P50060MM	[O]	20,6	BSH					
	80	04/06 → 05/13	●	PR:0WC; PR:0WL; Max Load 3000 kg; Max Load 3500 kg	P50085MM	[+]	20,9	BRE					
	80	04/06 → 05/13	●	PR:0WF; Max Load 5000 kg	P50059MM	[O]	20,9	BRE					
	80	04/06 → 05/13	●	PR:0WC; PR:0WL; Max Load 3000 kg; Max Load 3500 kg	P50084MM	[+]	19	BSH					
	80	04/06 → 05/13	●	PR:0WF; Max Load 5000 kg	P50060MM	[O]	20,6	BSH					
	100	04/06 → 05/13	●	PR:0WL; PR:0WC; Max Load 3000 kg; Max Load 3500 kg	P50085MM	[+]	20,9	BRE					
	100	04/06 → 05/13	●	PR:0WF; Max Load 5000 kg	P50059MM	[O]	20,9	BRE					
	100	04/06 → 05/13	●	PR:0WL; PR:0WC; Max Load 3000 kg; Max Load 3500 kg	P50084MM	[+]	19	BSH					
	100	04/06 → 05/13	●	PR:0WF; Max Load 5000 kg	P50060MM	[O]	20,6	BSH					
	120	04/06 → 07/11	●	PR:0WC; PR:0WL; Max Load 3000 kg; Max Load 3500 kg	P50085MM	[+]	20,9	BRE					
	120	04/06 → 07/11	●	PR:0WF; Max Load 5000 kg	P50059MM	[O]	20,9	BRE					
	120	04/06 → 07/11	●	PR:0WC; PR:0WL; Max Load 3500 kg; Max Load 3000 kg	P50084MM	[+]	19	BSH					
	120	04/06 → 07/11	●	PR:0WF; Max Load 5000 kg	P50060MM	[O]	20,6	BSH					

CRAFTER 30-50 Platform/Chassis (2F_) 04/06 → 12/16

2.0 TDI	80	05/11 → 12/16	●	PR:0WC; PR:0WL; Max Load 3500 kg; Max Load 3000 kg	P50085MM	[+]	20,9	BRE					
	80	05/11 → 12/16	●	PR:0WF; Max Load 5000 kg	P50059MM	[O]	20,9	BRE					
	80	05/11 → 12/16	●	PR:0WC; PR:0WL; Max Load 3000 kg; Max Load 3500 kg	P50084MM	[+]	19	BSH					
	80	05/11 → 12/16	●	PR:0WF; Max Load 5000 kg	P50060MM	[O]	20,6	BSH					

							WI	Th [mm]	SYS	WI		FK	
											LENGHT		

VOLKSWAGEN

CRAFTER 30-50 Platform/Chassis (2F_) 04/06 → 12/16

2.0 TDI	100	05/11 → 12/16	●	PR:0WL; PR:0WC; Max Load 3000 kg; Max Load 3500 kg	P50085MM	[+]	20,9	BRE					
	100	05/11 → 12/16	●	PR:0WF; Max Load 5000 kg	P50059MM	[O]	20,9	BRE					
	100	05/11 → 12/16	●	PR:0WL; PR:0WC; Max Load 3500 kg; Max Load 3000 kg	P50084MM	[+]	19	BSH					
	100	05/11 → 12/16	●	PR:0WF; Max Load 5000 kg	P50060MM	[O]	20,6	BSH					
	120	07/11 → 12/16	●	PR:0WC; PR:0WL; Max Load 3500 kg; Max Load 3000 kg	P50085MM	[+]	20,9	BRE					
	120	07/11 → 12/16	●	PR:0WF; Max Load 5000 kg	P50059MM	[O]	20,9	BRE					
	120	07/11 → 12/16	●	PR:0WC; PR:0WL; Max Load 3500 kg; Max Load 3000 kg	P50084MM	[+]	19	BSH					
	120	07/11 → 12/16	●	PR:0WF; Max Load 5000 kg	P50060MM	[O]	20,6	BSH					
	105	10/11 → 12/16	●	PR:0WL; PR:0WC; Max Load 3000 kg; Max Load 3500 kg	P50085MM	[+]	20,9	BRE					
	105	10/11 → 12/16	●	PR:0WF; Max Load 5000 kg	P50059MM	[O]	20,9	BRE					
	105	10/11 → 12/16	●	PR:0WL; PR:0WC; Max Load 3500 kg; Max Load 3000 kg	P50084MM	[+]	19	BSH					
	105	10/11 → 12/16	●	PR:0WF; Max Load 5000 kg	P50060MM	[O]	20,6	BSH					
	84	11/13 → 12/16	●	PR:0WF	P50059MM	[O]	20,9	BRE					
	84	11/13 → 12/16	●	PR:0WL; PR:0WC	P50085MM	[+]	20,9	BRE					
	84	11/13 → 12/16	●	PR:0WL; PR:0WC	P50084MM	[+]	19	BSH					
103	11/15 → 12/16	●	PR:0WC; PR:0WL; PR:0WF	P50085MM	[+]	20,9	BRE						
103	11/15 → 12/16	●	PR:0WF	P50060MM	[O]	20,6	BSH						
103	11/15 → 12/16	●	PR:0WC; PR:0WL	P50084MM	[+]	19	BSH						
2.0 TDI 4motion	120	11/11 → 12/16	●	PR:0WC; PR:0WL; Max Load 3000 kg; Max Load 3500 kg	P50085MM	[+]	20,9	BRE					
	120	11/11 → 12/16	●	PR:0WF; Max Load 5000 kg	P50059MM	[O]	20,9	BRE					
	120	11/11 → 12/16	●	PR:0WC; PR:0WL; Max Load 3000 kg; Max Load 3500 kg	P50084MM	[+]	19	BSH					
	120	11/11 → 12/16	●	PR:0WF; Max Load 5000 kg	P50060MM	[O]	20,6	BSH					
2.5 TDI	65	04/06 → 07/11	●	PR:0WC; PR:0WL; Max Load 3500 kg; Max Load 3000 kg	P50085MM	[+]	20,9	BRE					
	65	04/06 → 07/11	●	PR:0WF; Max Load 5000 kg	P50059MM	[O]	20,9	BRE					
	65	04/06 → 07/11	●	PR:0WC; PR:0WL; Max Load 3000 kg; Max Load 3500 kg	P50084MM	[+]	19	BSH					
	65	04/06 → 07/11	●	PR:0WF; Max Load 5000 kg	P50060MM	[O]	20,6	BSH					
	80	04/06 → 05/13	●	PR:0WL; PR:0WC; Max Load 3500 kg; Max Load 3000 kg	P50085MM	[+]	20,9	BRE					
	80	04/06 → 05/13	●	PR:0WF; Max Load 5000 kg	P50059MM	[O]	20,9	BRE					
	80	04/06 → 05/13	●	PR:0WL; PR:0WC; Max Load 3000 kg; Max Load 3500 kg	P50084MM	[+]	19	BSH					
	80	04/06 → 05/13	●	PR:0WF; Max Load 5000 kg	P50060MM	[O]	20,6	BSH					
	100	04/06 → 05/13	●	PR:0WC; PR:0WL; Max Load 3000 kg; Max Load 3500 kg	P50085MM	[+]	20,9	BRE					
	100	04/06 → 05/13	●	PR:0WF; Max Load 5000 kg	P50059MM	[O]	20,9	BRE					
	100	04/06 → 05/13	●	PR:0WC; PR:0WL; Max Load 3500 kg; Max Load 3000 kg	P50084MM	[+]	19	BSH					
	100	04/06 → 05/13	●	PR:0WF; Max Load 5000 kg	P50060MM	[O]	20,6	BSH					
	120	04/06 → 07/11	●	PR:0WL; PR:0WC; Max Load 3000 kg; Max Load 3500 kg	P50085MM	[+]	20,9	BRE					
	120	04/06 → 07/11	●	PR:0WF; Max Load 5000 kg	P50059MM	[O]	20,9	BRE					
	120	04/06 → 07/11	●	PR:0WL; PR:0WC; Max Load 3500 kg; Max Load 3000 kg	P50084MM	[+]	19	BSH					
	120	04/06 → 07/11	●	PR:0WF; Max Load 5000 kg	P50060MM	[O]	20,6	BSH					

EOS (1F7, 1F8) 03/06 → 08/15

1.4 TSI	90	11/07 → 08/15	●		P85075MM	[+]	20,3	ATE					
	90	11/07 → 08/15	●	PR:1KD	P85020MM	[-]	17,2	TRW					
	90	11/07 → 08/15	●	PR:1KS	P85114MM	[-]	17,7	BSH					
	90	11/07 → 08/15	●	PR:1KJ; PR:1KZ	P85073MM	[O]	17,2	TRW					

									WI			FK	
													

VOLKSWAGEN

EOS (1F7, 1F8) 03/06 → 08/15

1.4 TSI	118 05/08 → 08/15	●	PR:1LJ; PR:1ZD	P85146MM [+]	20,3	ATE							
	118 05/08 → 08/15	●		P85075MM [+]	20,3	ATE							
	118 05/08 → 08/15	●	PR:1KD	P85020MM [-]	17,2	TRW							
	118 05/08 → 08/15	●	PR:1KS	P85114MM [-]	17,7	BSH							
	118 05/08 → 08/15	●	PR:1KZ; PR:1KJ	P85073MM [o]	17,2	TRW							
1.6 FSI	85 06/06 → 05/08	●		P85075MM [+]	20,3	ATE							
	85 06/06 → 05/08	●	PR:1KD	P85020MM [-]	17,2	TRW							
	85 06/06 → 05/08	●	PR:1KS	P85114MM [-]	17,7	BSH							
	85 06/06 → 05/08	●	PR:1KZ; PR:1KJ	P85073MM [o]	17,2	TRW							
2.0 FSI	110 03/06 → 05/08	●		P85075MM [+]	20,3	ATE							
	110 03/06 → 05/08	●	PR:1KD	P85020MM [-]	17,2	TRW							
	110 03/06 → 05/08	●	PR:1KS	P85114MM [-]	17,7	BSH							
	110 03/06 → 05/08	●	PR:1KJ; PR:1KZ	P85073MM [o]	17,2	TRW							
2.0 TDI	100 11/10 → 08/15	●		P85075MM [+]	20,3	ATE							
	100 11/10 → 08/15	●	PR:1LJ; PR:1ZD	P85146MM [+]	20,3	ATE							
	100 11/10 → 08/15	●	PR:1KD	P85020MM [-]	17,2	TRW							
	100 11/10 → 08/15	●	PR:1KS	P85114MM [-]	17,7	BSH							
	100 11/10 → 08/15	●	PR:1KJ; PR:1KZ	P85073MM [o]	17,2	TRW							
	103 06/06 → 05/08	●	PR:1ZD; PR:1LJ	P85146MM [+]	20,3	ATE							
	103 06/06 → 05/08	●		P85075MM [+]	20,3	ATE							
	103 06/06 → 05/08	●	PR:1KD	P85020MM [-]	17,2	TRW							
	103 06/06 → 05/08	●	PR:1KS	P85114MM [-]	17,7	BSH							
	103 06/06 → 05/08	●	PR:1KZ; PR:1KJ	P85073MM [o]	17,2	TRW							
2.0 TDI 16V	103 05/08 → 08/15	●	PR:1LJ; PR:1ZD	P85146MM [+]	20,3	ATE							
	103 05/08 → 08/15	●		P85075MM [+]	20,3	ATE							
	103 05/08 → 08/15	●	PR:1KD	P85020MM [-]	17,2	TRW							
	103 05/08 → 08/15	●	PR:1KS	P85114MM [-]	17,7	BSH							
	103 05/08 → 08/15	●	PR:1KZ; PR:1KJ	P85073MM [o]	17,2	TRW							
2.0 TFSI	147 03/06 → 08/15	●		P85075MM [+]	20,3	ATE							
	147 03/06 → 08/15	●	PR:1ZD; PR:1LJ	P85146MM [+]	20,3	ATE							
	147 03/06 → 08/15	●	PR:1KD	P85020MM [-]	17,2	TRW							
	147 03/06 → 08/15	●	PR:1KS	P85114MM [-]	17,7	BSH							
	147 03/06 → 08/15	●	PR:1KZ; PR:1KJ	P85073MM [o]	17,2	TRW							
2.0 TSI	155 11/09 → 08/15	●	PR:1ZD; PR:1LJ	P85146MM [+]	20,3	ATE							
	155 11/09 → 08/15	●		P85075MM [+]	20,3	ATE							
	155 11/09 → 08/15	●	PR:1KD	P85020MM [-]	17,2	TRW							
	155 11/09 → 08/15	●	PR:1KS	P85114MM [-]	17,7	BSH							
	155 11/09 → 08/15	●	PR:1KJ; PR:1KZ	P85073MM [o]	17,2	TRW							
3.2 V6	184 06/06 → 05/09	●	PR:1LJ; PR:1ZD	P85146MM [+]	20,3	ATE							
	184 06/06 → 05/09	●		P85079MM [+]	20,3	ATE							
	184 06/06 → 05/09	●	PR:1KJ; PR:1KZ	P85073MM [o]	17,2	TRW							
	184 06/06 → 05/09	●		P85095MM [o]	17,2	TRW							
3.6 V6	191 05/09 → 11/10	●		P85079MM [+]	20,3	ATE							
	191 05/09 → 11/10	●		P85095MM [o]	17,2	TRW							

FOX (5Z1, 5Z3) 10/03 →

1.2	40 04/05 →	●	PR:1LA; PR:1LM; PR:1ZN	P85025MM [-]	17,2	VW / VAG							
	40 04/05 →	●	PR:1LR; PR:1ZF; PR:1LG	P85041MM [-]	19,7	ATE							
	44 09/10 →	●	PR:1LA; PR:1ZN; PR:1LM	P85025MM [-]	17,2	VW / VAG							
	44 09/10 →	●	PR:1LR; PR:1ZF; PR:1LG	P85041MM [-]	19,7	ATE							
1.4	55 04/05 →	●	PR:1LA; PR:1LM; PR:1ZN	P85025MM [-]	17,2	VW / VAG							
	55 04/05 →	●	PR:1LR; PR:1ZF; PR:1LG	P85041MM [-]	19,7	ATE							

									WI		FK		
	kw								MAGNETI MARELLI	LENGHT		MAGNETI MARELLI	

VOLKSWAGEN

FOX (5Z1, 5Z3) 10/03 →

1.4 TDI	51	04/05 →	●	PR:1LA; PR:1LM; PR:1ZN	P85025MM [-]	17,2	VW / VAG					
	51	04/05 →	●	PR:1ZF; PR:1LR; PR:1LG	P85041MM [-]	19,7	ATE					

GOL IV 07/05 → 12/10

1.6	68	10/05 → 05/08	●	PR:1LA; PR:1AL; 5X6000001 →	P59034MM [-]	16	VAR					
1.6 TotalFlex	68	09/05 → 05/08	●		P24030MM [-]	15	ATE					

GOLF III Variant (1H5) 07/93 → 04/99

1.4	40	07/93 → 04/99	●	→ 1H-TB015953	P85012MM [-]	19,7	KH					
	40	07/93 → 04/99	●	→ 04/96; 1H-TB015954 →; 05/96 →; -ABS	P85030MM [-]	19,7	VW / VAG					
	40	07/93 → 04/99	●	05/96 → 09/96; +ABS	P85032MM [-]	16,2	TRW					
	40	07/93 → 04/99	●	10/96 →; +ABS	P85031MM [-]	15,3	VW / VAG					
	44	07/93 → 04/99	●	→ 1H-TB015953	P85012MM [-]	19,7	KH					
	44	07/93 → 04/99	●	→ 04/96; 1H-TB015954 →; 05/96 →; -ABS	P85030MM [-]	19,7	VW / VAG					
	44	07/93 → 04/99	●	05/96 → 09/96; +ABS	P85032MM [-]	16,2	TRW					
	44	07/93 → 04/99	●	10/96 →; +ABS	P85031MM [-]	15,3	VW / VAG					
1.6	74	07/94 → 04/99	●	→ 05/96	P85015MM [-]	16,2	TRW					
	74	07/94 → 04/99	●	05/96 →	P85032MM [-]	16,2	TRW					
	74	07/94 → 04/99	●	→ 07/95	P85017MM [-]	15,2	TRW					
	74	07/94 → 04/99	●	08/95 →	P85020MM [-]	17,2	TRW					
1.8	55	07/93 → 04/99	●		P85011MM [-]	19,6	TRW					
	55	07/93 → 04/99	●	05/96 →; +ABS	P85032MM [-]	16,2	TRW					
	55	07/93 → 04/99	●	GT; → 07/95	P85017MM [-]	15,2	TRW					
	55	07/93 → 04/99	●	GT; 08/95 →	P85020MM [-]	17,2	TRW					
	66	07/93 → 04/99	●		P85011MM [-]	19,6	TRW					
	66	07/93 → 04/99	●	05/96 →; +ABS	P85032MM [-]	16,2	TRW					
	66	07/93 → 04/99	●	GT; → 07/95	P85017MM [-]	15,2	TRW					
	66	07/93 → 04/99	●	GT; 08/95 →	P85020MM [-]	17,2	TRW					
1.8 Syncro	66	10/94 → 04/99	●	1S-W-369001 →	P85011MM [-]	19,6	TRW					
	66	10/94 → 04/99	●	→ 1S-W-369000	P85012MM [-]	19,7	KH					
1.9 D	48	07/93 → 04/99	●	-ABS	P85011MM [-]	19,6	TRW					
	48	07/93 → 04/99	●	05/96 → 09/96; +ABS	P85032MM [-]	16,2	TRW					
	48	07/93 → 04/99	●	10/96 →; +ABS	P85031MM [-]	15,3	VW / VAG					
1.9 SDI	47	07/95 → 04/99	●	-ABS	P85011MM [-]	19,6	TRW					
	47	07/95 → 04/99	●	+ABS	P85031MM [-]	15,3	VW / VAG					
1.9 TD	55	07/93 → 04/99	●	-ABS	P85011MM [-]	19,6	TRW					
	55	07/93 → 04/99	●	05/96 → 09/96; +ABS	P85032MM [-]	16,2	TRW					
	55	07/93 → 04/99	●	10/96 →; +ABS	P85031MM [-]	15,3	VW / VAG					
1.9 TDI	66	03/94 → 04/99	●	-ABS	P85011MM [-]	19,6	TRW					
	66	03/94 → 04/99	●	05/96 →; +ABS	P85032MM [-]	16,2	TRW					
	66	03/94 → 04/99	●	→ 07/95	P85017MM [-]	15,2	TRW					
	66	03/94 → 04/99	●	08/95 →	P85020MM [-]	17,2	TRW					
	81	04/96 → 04/99	●	→ 04/96	P85015MM [-]	16,2	TRW					
	81	04/96 → 04/99	●	05/96 →	P85032MM [-]	16,2	TRW					
1.9 TDI Syncro	81	04/96 → 04/99	●		P85020MM [-]	17,2	TRW					
	66	07/95 → 04/99	●		P85011MM [-]	19,6	TRW					
	66	07/95 → 04/99	●		P85020MM [-]	17,2	TRW					



kw



wi

Th [mm]

SYS

WI



LENGHT



FK



VOLKSWAGEN

GOLF III Variant (1H5) 07/93 → 04/99

2.0	85	07/93 → 04/99	●	→ 04/96	P85015MM [-]	16,2	TRW						
	85	07/93 → 04/99	●	05/96 →	P85032MM [-]	16,2	TRW						
	85	07/93 → 04/99	●	+rear disc; -GT; → 07/95	P85017MM [-]	15,2	TRW						
	85	07/93 → 04/99	●	+rear disc; GT; → 07/95; (D); 08/95 →	P85020MM [-]	17,2	TRW						
	79	08/95 → 04/96	●		P85015MM [-]	16,2	TRW						
	79	08/95 → 04/96	●		P85020MM [-]	17,2	TRW						
2.0 Syncro	85	08/95 → 04/99	●	→ 04/96; 4 holes	P85015MM [-]	16,2	TRW						
	85	08/95 → 04/99	●	05/96 →; 4 holes	P85032MM [-]	16,2	TRW						
	85	08/95 → 04/99	●	5 holes	P85011MM [-]	19,6	TRW						
	85	08/95 → 04/99	●		P85020MM [-]	17,2	TRW						
2.9 VR6 Syncro	140	10/94 → 04/99	●		P85035MM [-]	20,6	ATE						
	140	10/94 → 04/99	●		P85020MM [-]	17,2	TRW						

GOLF IV (1J1) 08/97 → 06/05

1.4 16V	55	08/97 → 06/05	●	→ 1J-X-800000	P85041MM [-]	19,7	ATE						
	55	08/97 → 06/05	●	1J-Y-000001 →	P85072MM [+]	19,7	ATE						
	55	08/97 → 06/05	●	PR:1KK; PR:1KS	P85020MM [-]	17,2	TRW						
1.6	74	08/97 → 05/04	●	→ 1J-X-800000	P85041MM [-]	19,7	ATE						
	74	08/97 → 05/04	●	1J-Y-000001 →	P85072MM [+]	19,7	ATE						
	74	08/97 → 05/04	●		P85020MM [-]	17,2	TRW						
	75	08/00 → 06/05	●		P85072MM [+]	19,7	ATE						
	75	08/00 → 06/05	●		P85020MM [-]	17,2	TRW						
	78	08/03 → 06/05	●		P85072MM [+]	19,7	ATE						
	78	08/03 → 06/05	●		P85020MM [-]	17,2	TRW						
	74	02/01 → 06/01	●		P85072MM [+]	19,7	ATE						
	74	02/01 → 06/01	●		P85020MM [-]	17,2	TRW						
1.6 16V	77	02/00 → 06/05	●		P85072MM [+]	19,7	ATE						
	77	02/00 → 06/05	●		P85020MM [-]	17,2	TRW						
1.6 FSI	81	01/02 → 06/05	●		P85072MM [+]	19,7	ATE						
	81	01/02 → 06/05	●		P85020MM [-]	17,2	TRW						
1.8	92	08/97 → 06/05	●	→ 1J-X-800000	P85041MM [-]	19,7	ATE						
	92	08/97 → 06/05	●	1J-Y-000001 →	P85072MM [+]	19,7	ATE						
	92	08/97 → 06/05	●		P85020MM [-]	17,2	TRW						
1.8 4motion	92	05/98 → 06/05	●	→ 1J-X-800000	P85041MM [-]	19,7	ATE						
	92	05/98 → 06/05	●	1J-Y-000001 →	P85072MM [+]	19,7	ATE						
	92	05/98 → 06/05	●		P85020MM [-]	17,2	TRW						
1.8 T	110	08/97 → 06/05	●	→ 1J-X-800000	P85035MM [-]	20,6	ATE						
	110	08/97 → 06/05	●	1J-Y-000001 →	P85045MM [+]	20,6	ATE						
	110	08/97 → 06/05	●		P85020MM [-]	17,2	TRW						
1.8 T GTI	132	08/01 → 06/05	●		P85045MM [+]	20,6	ATE						
	132	08/01 → 06/05	●		P85020MM [-]	17,2	TRW						
1.9 SDI	50	08/97 → 06/05	●	→ 1J-X-800000	P85041MM [-]	19,7	ATE						
	50	08/97 → 06/05	●	1J-Y-000001 →	P85072MM [+]	19,7	ATE						
	50	08/97 → 06/05	●		P85020MM [-]	17,2	TRW						
1.9 TDI	66	10/97 → 05/04	●	→ 1J-X-800000	P85041MM [-]	19,7	ATE						
	66	10/97 → 05/04	●	1J-Y-000001 →	P85072MM [+]	19,7	ATE						
	66	10/97 → 05/04	●		P85020MM [-]	17,2	TRW						
	81	08/97 → 05/04	●	→ 1J-X-800000	P85041MM [-]	19,7	ATE						
	81	08/97 → 05/04	●	1J-Y-000001 →	P85072MM [+]	19,7	ATE						
	81	08/97 → 05/04	●		P85020MM [-]	17,2	TRW						
	85	12/98 → 06/01	●	→ 1J-X-800000	P85041MM [-]	19,7	ATE						
	85	12/98 → 06/01	●	1J-Y-000001 →	P85072MM [+]	19,7	ATE						
	85	12/98 → 06/01	●		P85020MM [-]	17,2	TRW						
74	09/00 → 06/05	●		P85072MM [+]	19,7	ATE							

										WI			FK	

VOLKSWAGEN

GOLF IV Cabriolet (1E7) 06/98 → 06/02

1.8	66	06/98 → 06/02	•	PR:1ZK; PR:1LY; PR:1ZJ; PR:1AC	P85032MM [-]	16,2	TRW						
	66	06/98 → 06/02	•	→ 1E-X-016000; -ABS; 1E-X-016001 →	P85017MM [-]	15,2	TRW						
	66	06/98 → 06/02	•	+ABS; 1E-X-016001 →	P85020MM [-]	17,2	TRW						
1.9 TDI	66	06/98 → 06/02	•	→ 1E-T-030000	P85011MM [-]	19,6	TRW						
	66	06/98 → 06/02	•	1E-V-000001 →; PR:1LL	P85015MM [-]	16,2	TRW						
	66	06/98 → 06/02	•	PR:1ZK; PR:1LY; PR:1ZJ; PR:1AC	P85032MM [-]	16,2	TRW						
	66	06/98 → 06/02	•	→ 1E-X-016000; -ABS; 1E-X-016001 →	P85017MM [-]	15,2	TRW						
	66	06/98 → 06/02	•	+ABS; 1E-X-016001 →	P85020MM [-]	17,2	TRW						
	81	06/98 → 06/02	•	→ 1E-T-030000	P85011MM [-]	19,6	TRW						
	81	06/98 → 06/02	•	1E-V-000001 →; PR:1LL	P85015MM [-]	16,2	TRW						
2.0	81	06/98 → 06/02	•	PR:1ZK; PR:1LY; PR:1ZJ; PR:1AC	P85032MM [-]	16,2	TRW						
	81	06/98 → 06/02	•	→ 1E-X-016000; -ABS; 1E-X-016001 →	P85017MM [-]	15,2	TRW						
	81	06/98 → 06/02	•	+ABS; 1E-X-016001 →	P85020MM [-]	17,2	TRW						
	85	06/98 → 06/02	•	→ 1E-T-030000	P85011MM [-]	19,6	TRW						
	85	06/98 → 06/02	•	1E-V-000001 →; PR:1LL	P85015MM [-]	16,2	TRW						

GOLF IV Van (1J1) 05/00 → 05/04

1.9 TDI	66	05/00 → 09/02	•	PR:1LS; PR:1LR; 1J-Y-000001 →	P85072MM [+]	19,7	ATE						
	66	05/00 → 09/02	•	PR:1KK; PR:1KS; PR:1KT; PR:1KY; PR:1KU; PR:2EE; PR:1KP; PR:1KV	P85020MM [-]	17,2	TRW						
	96	04/01 → 05/04	•	PR:1ZE; PR:1ZD	P85045MM [+]	20,6	ATE						
	96	04/01 → 05/04	•	PR:1KV; PR:1KY; PR:2EE; PR:1KU; PR:1KS; PR:1KK	P85020MM [-]	17,2	TRW						

GOLF IV Variant (1J5) 05/99 → 06/06

1.4 16V	55	05/99 → 06/06	•		P85072MM [+]	19,7	ATE						
	55	05/99 → 06/06	•		P85020MM [-]	17,2	TRW						
1.6	74	05/99 → 04/02	•		P85072MM [+]	19,7	ATE						
	74	05/99 → 04/02	•		P85020MM [-]	17,2	TRW						
	75	08/00 → 06/06	•		P85072MM [+]	19,7	ATE						
1.6 16V	75	08/00 → 06/06	•		P85020MM [-]	17,2	TRW						
	77	02/00 → 06/06	•		P85072MM [+]	19,7	ATE						
1.6 FSI	77	02/00 → 06/06	•		P85020MM [-]	17,2	TRW						
	81	01/02 → 06/06	•		P85072MM [+]	19,7	ATE						
1.8 4motion	81	01/02 → 06/06	•		P85020MM [-]	17,2	TRW						
	92	05/99 → 06/06	•		P85072MM [+]	19,7	ATE						
1.8 T	92	05/99 → 06/06	•		P85020MM [-]	17,2	TRW						
	110	05/00 → 06/06	•		P85045MM [+]	20,6	ATE						
1.9 SDI	110	05/00 → 06/06	•		P85020MM [-]	17,2	TRW						
	50	05/99 → 06/06	•		P85072MM [+]	19,7	ATE						
1.9 TDI	50	05/99 → 06/06	•		P85020MM [-]	17,2	TRW						
	66	05/99 → 05/06	•		P85072MM [+]	19,7	ATE						
	66	05/99 → 05/06	•		P85020MM [-]	17,2	TRW						
	81	05/99 → 06/01	•		P85072MM [+]	19,7	ATE						
	85	08/99 → 06/01	•		P85020MM [-]	17,2	TRW						

	kw					wi	Th [mm]	SYS	WI			FK	
										LENGHT			

VOLKSWAGEN

GOLF IV Variant (1J5) 05/99 → 06/06

1.9 TDI	85	08/99 → 06/01	•		P85020MM [-]	17,2	TRW					
	74	09/00 → 06/06	•		P85072MM [+]	19,7	ATE					
	74	09/00 → 06/06	•		P85020MM [-]	17,2	TRW					
	96	11/00 → 06/06	•		P85045MM [+]	20,6	ATE					
	96	11/00 → 06/06	•		P85020MM [-]	17,2	TRW					
1.9 TDI 4motion	66	05/99 → 04/02	•		P85072MM [+]	19,7	ATE					
	66	05/99 → 04/02	•		P85020MM [-]	17,2	TRW					
	85	05/99 → 06/01	•		P85072MM [+]	19,7	ATE					
	85	05/99 → 06/01	•		P85020MM [-]	17,2	TRW					
	74	09/00 → 06/06	•		P85072MM [+]	19,7	ATE					
	74	09/00 → 06/06	•		P85020MM [-]	17,2	TRW					
	96	11/00 → 06/06	•		P85045MM [+]	20,6	ATE					
	96	11/00 → 06/06	•		P85020MM [-]	17,2	TRW					
	110	05/02 → 06/05	•	PR:1LJ; PR:1ZE	P85045MM [+]	20,6	ATE					
	110	05/02 → 06/05	•	PR:1LS; PR:1ZM	P85072MM [+]	19,7	ATE					
2.0	110	05/02 → 06/05	•	PR:2EE; PR:1KE	P85020MM [-]	17,2	TRW					
	85	05/99 → 06/06	•		P85072MM [+]	19,7	ATE					
2.0 4motion	85	05/99 → 06/06	•		P85020MM [-]	17,2	TRW					
	85	10/00 → 06/06	•		P85072MM [+]	19,7	ATE					
	85	10/00 → 06/06	•		P85020MM [-]	17,2	TRW					
	88	12/99 → 06/06	•		P85072MM [+]	19,7	ATE					
	88	12/99 → 06/06	•		P85020MM [-]	17,2	TRW					
2.0 Bi-Fuel	85	02/02 → 06/06	•		P85072MM [+]	19,7	ATE					
	85	02/02 → 06/06	•		P85020MM [-]	17,2	TRW					
2.3 V5	110	05/99 → 06/06	•		P85045MM [+]	20,6	ATE					
	110	05/99 → 06/06	•		P85020MM [-]	17,2	TRW					
	125	10/00 → 06/06	•		P85045MM [+]	20,6	ATE					
	125	10/00 → 06/06	•		P85020MM [-]	17,2	TRW					
2.3 V5 4motion	110	05/99 → 06/06	•		P85045MM [+]	20,6	ATE					
	110	05/99 → 06/06	•		P85020MM [-]	17,2	TRW					
	125	10/00 → 06/06	•		P85045MM [+]	20,6	ATE					
	125	10/00 → 06/06	•		P85020MM [-]	17,2	TRW					
2.8 V6 4motion	150	05/99 → 06/06	•		P85045MM [+]	20,6	ATE					
	150	05/99 → 06/06	•		P85020MM [-]	17,2	TRW					

GOLF V (1K1) 10/03 → 02/09

1.4 16V	55	10/03 → 05/06	•	PR:1ZF; PR:1ZM	P85072MM [+]	19,7	ATE					
	55	10/03 → 05/06	•	PR:1ZE	P85075MM [+]	20,3	ATE					
	55	10/03 → 05/06	•	PR:1KQ; PR:1KD	P85020MM [-]	17,2	TRW					
	59	05/06 → 11/08	•	PR:1ZM; PR:1ZF	P85072MM [+]	19,7	ATE					
	59	05/06 → 11/08	•	PR:1KD; PR:1KQ	P85020MM [-]	17,2	TRW					
1.4 FSI	66	10/03 → 07/06	•	PR:1ZM; PR:1ZF	P85072MM [+]	19,7	ATE					
	66	10/03 → 07/06	•	PR:1KD; PR:1KQ	P85020MM [-]	17,2	TRW					
1.4 TSI	125	11/05 → 11/08	•	PR:1LJ; PR:1LV; PR:1ZD; PR:1LL	P85075MM [+]	20,3	ATE					
	125	11/05 → 11/08	•	PR:1KD	P85020MM [-]	17,2	TRW					
	125	11/05 → 11/08	•	PR:1KE; PR:1KF; PR:1KV; PR:1KY; PR:1KZ	P85073MM [o]	17,2	TRW					
	103	05/06 → 11/08	•	PR:1ZM; PR:1ZF	P85072MM [+]	19,7	ATE					
	103	05/06 → 11/08	•	PR:1ZE; PR:1ZP	P85075MM [+]	20,3	ATE					
	103	05/06 → 11/08	•	PR:1KD; PR:1KQ	P85020MM [-]	17,2	TRW					
	103	05/06 → 11/08	•	PR:1KE; PR:1KF; PR:1KV; PR:1KY; PR:1KZ	P85073MM [o]	17,2	TRW					
	90	05/07 → 11/08	•	PR:1ZM; PR:1ZF	P85072MM [+]	19,7	ATE					
90	05/07 → 11/08	•	PR:1ZP; PR:1ZE	P85075MM [+]	20,3	ATE						

									WI			FK	
	kw						Th [mm]		MAGNETI MARELLI	LENGHT		MAGNETI MARELLI	

VOLKSWAGEN

GOLF V (1K1) 10/03 → 02/09

Engine	Power (kw)	Period	Options	Part No.	Th [mm]	SYS	WI	FK
1.4 TSI	90	05/07 → 11/08	● PR:1KD; PR:1KQ	P85020MM [-]	17,2	TRW		
	90	05/07 → 11/08	● PR:1KE; PR:1KV; PR:1KF; PR:1KY; PR:1KZ	P85073MM [o]	17,2	TRW		
1.6	75	01/04 → 11/08	● PR:1ZM; PR:1ZF	P85072MM [+]	19,7	ATE		
	75	01/04 → 11/08	● PR:1ZP; PR:1ZE	P85075MM [+]	20,3	ATE		
	75	01/04 → 11/08	● PR:1KD; PR:1KQ	P85020MM [-]	17,2	TRW		
	75	01/04 → 11/08	● PR:1KE; PR:1KZ; PR:1KY; PR:1KF; PR:1KV	P85073MM [o]	17,2	TRW		
1.6 FSI	85	10/03 → 07/08	● PR:1ZM; PR:1ZF	P85072MM [+]	19,7	ATE		
	85	10/03 → 07/08	● PR:1ZE; PR:1ZP	P85075MM [+]	20,3	ATE		
	85	10/03 → 07/08	● PR:1KD; PR:1KQ	P85020MM [-]	17,2	TRW		
	85	10/03 → 07/08	● PR:1KE; PR:1KZ; PR:1KY; PR:1KV; PR:1KF	P85073MM [o]	17,2	TRW		
1.6 MultiFuel	75	10/07 → 11/08	● PR:1ZF; PR:1ZM	P85072MM [+]	19,7	ATE		
	75	10/07 → 11/08	● PR:1ZE; PR:1ZP	P85075MM [+]	20,3	ATE		
	75	10/07 → 11/08	● PR:1KQ; PR:1KD	P85020MM [-]	17,2	TRW		
	75	10/07 → 11/08	● PR:1KE; PR:1KF; PR:1KY; PR:1KZ; PR:1KV	P85073MM [o]	17,2	TRW		
1.8 GTI	132	08/06 → 11/08	● PR:1LJ; PR:1LL; PR:1ZD; PR:1LV	P85075MM [+]	20,3	ATE		
	132	08/06 → 11/08	● PR:1KD	P85020MM [-]	17,2	TRW		
	132	08/06 → 11/08	● PR:1KF; PR:1KZ; PR:1KV; PR:1KY; PR:1KE; (J)	P85073MM [o]	17,2	TRW		
1.9 TDI	77	10/03 → 11/08	● PR:1ZP	P85146MM [+]	20,3	ATE		
	77	10/03 → 11/08	● PR:1ZM; PR:1ZF	P85072MM [+]	19,7	ATE		
	77	10/03 → 11/08	● PR:1ZE	P85075MM [+]	20,3	ATE		
	77	10/03 → 11/08	● PR:1KD; PR:1KQ	P85020MM [-]	17,2	TRW		
	77	10/03 → 11/08	● PR:1KF; PR:1KV; PR:1KY; PR:1KZ; PR:1KE	P85073MM [o]	17,2	TRW		
	66	05/04 → 11/08	● PR:1ZM; PR:1ZF	P85072MM [+]	19,7	ATE		
1.9 TDI 4motion	66	05/04 → 11/08	● PR:1KD; PR:1KQ	P85020MM [-]	17,2	TRW		
	77	08/04 → 11/08	● PR:1ZP	P85146MM [+]	20,3	ATE		
	77	08/04 → 11/08	● PR:1ZM; PR:1ZF	P85072MM [+]	19,7	ATE		
	77	08/04 → 11/08	● PR:1ZE	P85075MM [+]	20,3	ATE		
	77	08/04 → 11/08	● PR:1KD; PR:1KQ	P85020MM [-]	17,2	TRW		
2.0	77	08/04 → 11/08	● PR:1KV; PR:1KF; PR:1KY; PR:1KZ; PR:1KE	P85073MM [o]	17,2	TRW		
	85	08/06 → 11/08	● PR:1ZP	P85146MM [+]	20,3	ATE		
	85	08/06 → 11/08	● PR:1ZF; PR:1ZM	P85072MM [+]	19,7	ATE		
	85	08/06 → 11/08	● PR:1ZE	P85075MM [+]	20,3	ATE		
	85	08/06 → 11/08	● PR:1KQ; PR:1KD	P85020MM [-]	17,2	TRW		
2.0 FSI	85	08/06 → 11/08	● PR:1KE; PR:1KY; PR:1KZ; PR:1KF; PR:1KV	P85073MM [o]	17,2	TRW		
	110	01/04 → 11/08	● PR:1ZF	P85072MM [+]	19,7	ATE		
	110	01/04 → 11/08	● PR:1ZP; PR:1ZE	P85075MM [+]	20,3	ATE		
	110	01/04 → 11/08	● PR:1KD; PR:1KQ	P85020MM [-]	17,2	TRW		
	110	01/04 → 11/08	● PR:1KE; PR:1KZ; PR:1KY; PR:1KV; PR:1KF	P85073MM [o]	17,2	TRW		
2.0 FSI 4motion	110	08/04 → 11/08	● PR:1ZM; PR:1ZF	P85072MM [+]	19,7	ATE		
	110	08/04 → 11/08	● PR:1ZP	P85146MM [+]	20,3	ATE		
	110	08/04 → 11/08	● PR:1ZE	P85075MM [+]	20,3	ATE		
	110	08/04 → 11/08	● PR:1KD; PR:1KQ	P85020MM [-]	17,2	TRW		
	110	08/04 → 11/08	● PR:1KF; PR:1KV; PR:1KY; PR:1KZ; PR:1KE	P85073MM [o]	17,2	TRW		
2.0 GTI	147	10/04 → 02/09	● PR:1LJ; PR:1LL	P85146MM [+]	20,3	ATE		
	147	10/04 → 02/09	● PR:1ZD; PR:1LV	P85075MM [+]	20,3	ATE		
	147	10/04 → 02/09	● PR:1KE; PR:1KZ; PR:1KY; PR:1KV; PR:1KF	P85073MM [o]	17,2	TRW		

		kw					wi	Th [mm]	SYS	wi			FK	
											LEIGHT			

VOLKSWAGEN

GOLF V (1K1) 10/03 → 02/09

2.0 GTI	169	09/06 → 12/08	●	PR-1LJ; PR-1LL	P85075MM	[+]	20,3	ATE						
	169	09/06 → 12/08	●	PR-1LK; PR-1LM	P85079MM	[+]	20,3	ATE						
	169	09/06 → 12/08	●	PR-1KD; PR-1KQ	P85020MM	[-]	17,2	TRW						
	169	09/06 → 12/08	●	PR-1KZ; PR-1KY; PR-1KV; PR-1KF; PR-1KE	P85073MM	[O]	17,2	TRW						
2.0 SDI	55	01/04 → 11/08	●	PR-1ZM; PR-1ZF	P85072MM	[+]	19,7	ATE						
	55	01/04 → 11/08	●	PR-1KD; PR-1KQ	P85020MM	[-]	17,2	TRW						
	55	01/04 → 11/08	●	PR-1KF; PR-1KV; PR-1KY; PR-1KZ; PR-1KE	P85073MM	[O]	17,2	TRW						
2.0 TDI	125	11/05 → 11/08	●	PR-1LV; PR-1ZD	P85146MM	[+]	20,3	ATE						
	125	11/05 → 11/08	●	PR-1LV; PR-1ZD	P85075MM	[+]	20,3	ATE						
	125	11/05 → 11/08	●	PR-1KQ; PR-1KD	P85020MM	[-]	17,2	TRW						
	125	11/05 → 11/08	●	PR-1KF; PR-1KV; PR-1KY; PR-1KZ; PR-1KE	P85073MM	[O]	17,2	TRW						
	100	10/03 → 11/08	●	PR-1ZP; PR-1ZE	P85075MM	[+]	20,3	ATE						
	100	10/03 → 11/08	●	PR-1KD; PR-1KQ	P85020MM	[-]	17,2	TRW						
	100	10/03 → 11/08	●	PR-1KZ; PR-1KY; PR-1KV; PR-1KF; PR-1KE	P85073MM	[O]	17,2	TRW						
	103	12/04 → 11/08	●	PR-1ZP; PR-1ZE	P85075MM	[+]	20,3	ATE						
2.0 TDI 16V	103	12/04 → 11/08	●	PR-1KQ; PR-1KD	P85020MM	[-]	17,2	TRW						
	103	12/04 → 11/08	●	PR-1KZ; PR-1KY; PR-1KV; PR-1KF; PR-1KE	P85073MM	[O]	17,2	TRW						
	103	10/03 → 11/08	●	PR-1ZE; PR-1ZP	P85075MM	[+]	20,3	ATE						
	103	10/03 → 11/08	●	PR-1KD; PR-1KQ	P85020MM	[-]	17,2	TRW						
2.0 TDI 16V 4motion	103	10/03 → 11/08	●	PR-1KF; PR-1KV; PR-1KZ; PR-1KY; PR-1KE	P85073MM	[O]	17,2	TRW						
	103	08/04 → 11/08	●	PR-1ZM; PR-1ZF	P85072MM	[+]	19,7	ATE						
	103	08/04 → 11/08	●	PR-1ZP	P85146MM	[+]	20,3	ATE						
	103	08/04 → 11/08	●	PR-1ZE	P85075MM	[+]	20,3	ATE						
	103	08/04 → 11/08	●	PR-1KD; PR-1KQ	P85020MM	[-]	17,2	TRW						
2.0 TDI 4motion	103	08/04 → 11/08	●	PR-1KE; PR-1KZ; PR-1KY; PR-1KV; PR-1KF	P85073MM	[O]	17,2	TRW						
	103	08/04 → 11/08	●	PR-1ZF; PR-1ZM	P85072MM	[+]	19,7	ATE						
	103	08/04 → 11/08	●	PR-1ZP	P85146MM	[+]	20,3	ATE						
	103	08/04 → 11/08	●	PR-1ZE	P85075MM	[+]	20,3	ATE						
	103	08/04 → 11/08	●	PR-1KQ; PR-1KD	P85020MM	[-]	17,2	TRW						
3.2	184	09/05 → 11/08	●	PR-1LM; PR-1LK	P85079MM	[+]	20,3	ATE						
	184	09/05 → 11/08	●	PR-1KV; PR-1KY; PR-1KJ; PR-1KZ	P85073MM	[O]	17,2	TRW						
	184	09/05 → 11/08	●		P85095MM	[O]	17,2	TRW						
3.2 R32 4motion	184	11/05 → 11/08	●	PR-1LM; PR-1LK	P85079MM	[+]	20,3	ATE						
	184	11/05 → 11/08	●		P85095MM	[O]	17,2	TRW						

GOLF V Variant (1K5) 06/07 → 07/09

1.4	59	06/07 → 07/09	●	PR-1ZF; PR-1ZM	P85072MM	[+]	19,7	ATE						
	59	06/07 → 07/09	●	PR-1KD	P85020MM	[-]	17,2	TRW						
	59	06/07 → 07/09	●	PR-1KE; PR-1KF; PR-1KJ	P85073MM	[O]	17,2	TRW						
1.4 TSI	103	06/07 → 07/09	●	PR-1ZP	P85146MM	[+]	20,3	ATE						
	103	06/07 → 07/09	●	PR-1LJ; PR-1ZD; PR-1ZE	P85075MM	[+]	20,3	ATE						
	103	06/07 → 07/09	●	PR-1KD	P85020MM	[-]	17,2	TRW						
	103	06/07 → 07/09	●	PR-1KE; PR-1KJ; PR-1KF	P85073MM	[O]	17,2	TRW						
	90	06/07 → 07/09	●	PR-1ZP	P85146MM	[+]	20,3	ATE						
	90	06/07 → 07/09	●	PR-1ZE; PR-1LJ; PR-1ZD	P85075MM	[+]	20,3	ATE						
	90	06/07 → 07/09	●	PR-1KD	P85020MM	[-]	17,2	TRW						
	90	06/07 → 07/09	●	PR-1KE; PR-1KF; PR-1KJ	P85073MM	[O]	17,2	TRW						
125	06/07 → 07/09	●	PR-1LJ; PR-1ZA	P85146MM	[+]	20,3	ATE							



VOLKSWAGEN

GOLF V Variant (1K5) 06/07 → 07/09

1.4 TSI	125	06/07 → 07/09	●	PR:1ZP; PR:1ZD; PR:1ZE	P85075MM	[+]	20,3	ATE							
	125	06/07 → 07/09	●	PR:1KF; PR:1KJ; PR:1KE	P85073MM	[O]	17,2	TRW							
	118	07/08 → 07/09	●	PR:1ZA; PR:1LJ	P85146MM	[+]	20,3	ATE							
	118	07/08 → 07/09	●	PR:1ZE; PR:1ZD; PR:1ZP	P85075MM	[+]	20,3	ATE							
	118	07/08 → 07/09	●	PR:1KJ; PR:1KF; PR:1KE	P85073MM	[O]	17,2	TRW							
1.6	75	06/07 → 07/09	●	PR:1ZF; PR:1ZM	P85072MM	[+]	19,7	ATE							
	75	06/07 → 07/09	●	PR:1KD	P85020MM	[-]	17,2	TRW							
	75	06/07 → 07/09	●	PR:1KF; PR:1KJ; PR:1KE	P85073MM	[O]	17,2	TRW							
1.6 MultiFuel	75	11/07 → 07/09	●	PR:1ZF; PR:1ZM	P85072MM	[+]	19,7	ATE							
	75	11/07 → 07/09	●	PR:1ZE; PR:1ZP; PR:1LJ; PR:1ZD	P85075MM	[+]	20,3	ATE							
	75	11/07 → 07/09	●	PR:1KD	P85020MM	[-]	17,2	TRW							
1.9 TDI	77	06/07 → 07/09	●	PR:1KJ; PR:1KF; PR:1KE	P85073MM	[O]	17,2	TRW							
	77	06/07 → 07/09	●	PR:1ZF; PR:1ZM	P85072MM	[+]	19,7	ATE							
	77	06/07 → 07/09	●	PR:1KD	P85020MM	[-]	17,2	TRW							
1.9 TDI 4motion	77	01/08 → 07/09	●	PR:1KF; PR:1KJ; PR:1KE	P85073MM	[O]	17,2	TRW							
	77	01/08 → 07/09	●	PR:1ZF; PR:1ZM	P85072MM	[+]	19,7	ATE							
	77	01/08 → 07/09	●	PR:1LJ; PR:1ZA; PR:1ZP	P85146MM	[+]	20,3	ATE							
	77	01/08 → 07/09	●	PR:1LJ; PR:1ZD; PR:1ZE	P85075MM	[+]	20,3	ATE							
	77	01/08 → 07/09	●	PR:1KD	P85020MM	[-]	17,2	TRW							
2.0	147	06/07 → 07/09	●	PR:1KF; PR:1KJ; PR:1KE	P85073MM	[O]	17,2	TRW							
	147	06/07 → 07/09	●	PR:1ZE; PR:1ZP; PR:1ZD	P85075MM	[+]	20,3	ATE							
	147	06/07 → 07/09	●	PR:1KJ; PR:1KF; PR:1KE	P85073MM	[O]	17,2	TRW							
2.0 TDI	103	06/07 → 07/09	●	PR:1KJ; PR:1KF; PR:1KE	P85073MM	[O]	17,2	TRW							
	103	06/07 → 07/09	●	PR:1ZF; PR:1ZM	P85072MM	[+]	19,7	ATE							
	103	06/07 → 07/09	●	PR:1LJ; PR:1ZD; PR:1ZE	P85075MM	[+]	20,3	ATE							
	103	06/07 → 07/09	●	PR:1KD	P85020MM	[-]	17,2	TRW							
	100	06/07 → 07/09	●	PR:1KJ; PR:1KF; PR:1KE	P85073MM	[O]	17,2	TRW							
	100	06/07 → 07/09	●	PR:1ZF; PR:1ZM	P85072MM	[+]	19,7	ATE							
	100	06/07 → 07/09	●	PR:1LJ; PR:1ZD; PR:1ZE	P85075MM	[+]	20,3	ATE							
	100	06/07 → 07/09	●	PR:1KD	P85020MM	[-]	17,2	TRW							
2.0 TDI 16V	103	06/07 → 07/09	●	PR:1KF; PR:1KJ; PR:1KE	P85073MM	[O]	17,2	TRW							
	103	06/07 → 07/09	●	PR:1LJ; PR:1ZP; PR:1ZA	P85146MM	[+]	20,3	ATE							
	103	06/07 → 07/09	●	PR:1ZE; PR:1LJ; PR:1ZD	P85075MM	[+]	20,3	ATE							
	103	06/07 → 07/09	●	PR:1KD	P85020MM	[-]	17,2	TRW							

GOLF VI (5K1) 10/08 → 11/13

1.2 TSI	63	05/10 → 11/12	●	PR:1ZF; PR:1ZM	P85041MM	[-]	19,7	ATE							
	63	05/10 → 11/12	●	PR:1ZF; PR:1ZM	P85072MM	[+]	19,7	ATE							
	63	05/10 → 11/12	●		P85075MM	[+]	20,3	ATE							
	63	05/10 → 11/12	●	PR:1KD	P85020MM	[-]	17,2	TRW							
	63	05/10 → 11/12	●	PR:1KS; PR:1KT	P85114MM	[-]	17,7	BSH							
	77	11/08 → 11/12	●	PR:1ZF; PR:1ZM	P85041MM	[-]	19,7	ATE							
	77	11/08 → 11/12	●	PR:1ZF; PR:1ZM	P85072MM	[+]	19,7	ATE							
	77	11/08 → 11/12	●		P85075MM	[+]	20,3	ATE							
	77	11/08 → 11/12	●	PR:1KD	P85020MM	[-]	17,2	TRW							
	77	11/08 → 11/12	●		P85073MM	[O]	17,2	TRW							
	77	11/08 → 11/12	●	PR:1KS; PR:1KT	P85114MM	[-]	17,7	BSH							
	1.4	59	10/08 → 11/12	●	PR:1ZF; PR:1ZM	P85041MM	[-]	19,7	ATE						
59		10/08 → 11/12	●	PR:1ZF; PR:1ZM	P85072MM	[+]	19,7	ATE							
59		10/08 → 11/12	●		P85075MM	[+]	20,3	ATE							
59		10/08 → 11/12	●	PR:1KD	P85020MM	[-]	17,2	TRW							
59		10/08 → 11/12	●		P85073MM	[O]	17,2	TRW							
59		10/08 → 11/12	●	PR:1KS; PR:1KT	P85114MM	[-]	17,7	BSH							

VOLKSWAGEN

GOLF VI (5K1) 10/08 → 11/13

2.0 GTi	155	04/09 → 11/12	●	PR:1ZE; PR:1ZB; PR:1ZA; PR:1ZP; PR:1LV	P85075MM	[+]	20,3	ATE							
	155	04/09 → 11/12	●	PR:1KS; PR:1KT	P85114MM	[-]	17,7	BSH							
	155	04/09 → 11/12	●		P85073MM	[O]	17,2	TRW							
	155	04/09 → 11/12	●	PR:1KW	P85095MM	[O]	17,2	TRW							
2.0 R 4motion	188	11/09 → 11/13	●	PR:1ZK	P85129MM	[+]	20,3	ATE							
	188	11/09 → 11/13	●	PR:1KW	P85095MM	[O]	17,2	TRW							
	195	11/09 → 05/11	●	PR:1LM	P85079MM	[+]	20,3	ATE							
	195	11/09 → 05/11	●	PR:1ZK	P85129MM	[+]	20,3	ATE							
	195	11/09 → 05/11	●	PR:1KW	P85095MM	[O]	17,2	TRW							
	199	11/09 → 11/12	●	PR:1ZK	P85129MM	[+]	20,3	ATE							
2.0 TDI	103	10/08 → 05/13	●	PR:1ZE; PR:1ZP	P85105MM	[-]	20,3	ATE							
	103	10/08 → 05/13	●	PR:1ZP	P85146MM	[+]	20,3	ATE							
	103	10/08 → 05/13	●	PR:1ZF; PR:1ZM	P85072MM	[+]	19,7	ATE							
	103	10/08 → 05/13	●		P85075MM	[+]	20,3	ATE							
	103	10/08 → 05/13	●	PR:1KD	P85020MM	[-]	17,2	TRW							
	103	10/08 → 05/13	●		P85073MM	[O]	17,2	TRW							
	103	10/08 → 05/13	●	PR:1KT; PR:1KS	P85114MM	[-]	17,7	BSH							
	81	10/08 → 11/12	●	PR:1ZM; PR:1ZF	P85041MM	[-]	19,7	ATE							
	81	10/08 → 11/12	●	PR:1ZF; PR:1ZM	P85072MM	[+]	19,7	ATE							
	81	10/08 → 11/12	●		P85075MM	[+]	20,3	ATE							
	81	10/08 → 11/12	●	PR:1KD	P85020MM	[-]	17,2	TRW							
	81	10/08 → 11/12	●		P85073MM	[O]	17,2	TRW							
	81	10/08 → 11/12	●	PR:1KS; PR:1KT	P85114MM	[-]	17,7	BSH							
	125	04/09 → 11/12	●	PR:1LJ; PR:1ZD	P85146MM	[+]	20,3	ATE							
	125	04/09 → 11/12	●	PR:1LV; PR:1ZP; PR:1ZA; PR:1ZB; PR:1ZE	P85075MM	[+]	20,3	ATE							
	125	04/09 → 11/12	●		P85073MM	[O]	17,2	TRW							
	125	04/09 → 11/12	●	PR:1KD	P85020MM	[-]	17,2	TRW							
	125	04/09 → 11/12	●	PR:1KW	P85095MM	[O]	17,2	TRW							
	100	10/08 → 11/12	●	PR:1ZE; PR:1ZP	P85105MM	[-]	20,3	ATE							
	100	10/08 → 11/12	●	PR:1ZP	P85146MM	[+]	20,3	ATE							
100	10/08 → 11/12	●	PR:1ZF; PR:1ZM	P85072MM	[+]	19,7	ATE								
100	10/08 → 11/12	●		P85075MM	[+]	20,3	ATE								
100	10/08 → 11/12	●	PR:1KD	P85020MM	[-]	17,2	TRW								
100	10/08 → 11/12	●		P85073MM	[O]	17,2	TRW								
100	10/08 → 11/12	●	PR:1KT; PR:1KS	P85114MM	[-]	17,7	BSH								
2.0 TDI 4motion	103	05/09 → 11/12	●	PR:1LJ; PR:1ZD	P85146MM	[+]	20,3	ATE							
	103	05/09 → 11/12	●	PR:1LV; PR:1ZP; PR:1ZA; PR:1ZB; PR:1ZE	P85075MM	[+]	20,3	ATE							
	103	05/09 → 11/12	●	PR:1KS; PR:1KT	P85114MM	[-]	17,7	BSH							
Blue E-Motion	65	12/10 → 11/13	●	PR:1ZM; PR:1ZF	P85041MM	[-]	19,7	ATE							
	65	12/10 → 11/13	●	PR:1ZF; PR:1ZM	P85072MM	[+]	19,7	ATE							
	65	12/10 → 11/13	●		P85075MM	[+]	20,3	ATE							
	65	12/10 → 11/13	●	PR:1KD	P85020MM	[-]	17,2	TRW							
	65	12/10 → 11/13	●	PR:1KT; PR:1KS	P85114MM	[-]	17,7	BSH							
GOLF VI Convertible (517) 03/11 →															
1.2 TSI	77	03/11 →	●	PR:1ZP	P85146MM	[+]	20,3	ATE							
	77	03/11 →	●	PR:1ZE	P85075MM	[+]	20,3	ATE							
	77	03/11 →	●	PR:1KD	P85020MM	[-]	17,2	TRW							
	77	03/11 →	●	PR:1KS; PR:1KT	P85114MM	[-]	17,7	BSH							
1.2 TSI 16V	77	11/13 →	●	PR:1ZE; PR:1ZP	P85126MM	[+]	20,3	TRW							
	77	11/13 →	●	PR:1KT; PR:1KS	P85125MM	[-]	16,4	ATE							

Car icons		kw	Hourglass icon	Car icon	Stylized 'i' icon	MAGNETI MARELLI logo	wi	Th [mm]	SYS	WI			FK	
										MAGNETI MARELLI logo	LENGHT	Stylized 'i' icon	MAGNETI MARELLI logo	Stylized 'i' icon

VOLKSWAGEN

GOLF VI Convertible (517) 03/11 →

1.2 TSI 16V	77	11/13 →	•	PR:1KD	P85020MM [-]	17,2	TRW							
	90	11/11 →	•	PR:1ZP	P85146MM [+]	20,3	ATE							
	90	11/11 →	•	PR:1ZE	P85075MM [+]	20,3	ATE							
	90	11/11 →	•	PR:1KD	P85020MM [-]	17,2	TRW							
	90	11/11 →	•	PR:1KS; PR:1KT	P85114MM [-]	17,7	BSH							
	118	03/11 →	•	PR:1ZA; PR:1ZB; PR:1ZD	P85146MM [+]	20,3	ATE							
	118	03/11 →	•	PR:1ZE; PR:1LJ; PR:1LV; PR:1ZP	P85075MM [+]	20,3	ATE							
1.4 TSI	118	03/11 →	•	PR:1KD	P85020MM [-]	17,2	TRW							
	118	03/11 →	•	PR:1KS; PR:1KT	P85114MM [-]	17,7	BSH							
	92	11/13 →	•	PR:1ZE	P85075MM [+]	20,3	ATE							
	92	11/13 →	•	PR:1ZP	P85146MM [+]	20,3	ATE							
	92	11/13 →	•	PR:1KD	P85020MM [-]	17,2	TRW							
	110	11/13 →	•	PR:1ZA; PR:1ZD; PR:1ZB	P85075MM [+]	20,3	ATE							
	110	11/13 →	•	PR:1ZA; PR:1ZD; PR:1ZB	P85146MM [+]	20,3	ATE							
1.6 TDI	77	03/11 →	•	PR:1ZP	P85146MM [+]	20,3	ATE							
	77	03/11 →	•	PR:1ZE	P85075MM [+]	20,3	ATE							
	77	03/11 →	•	PR:1KD	P85020MM [-]	17,2	TRW							
	77	03/11 →	•	PR:1KS; PR:1KT	P85114MM [-]	17,7	BSH							
2.0 GTI	155	11/11 →	•	PR:1ZD; PR:1ZB; PR:1ZA	P85146MM [+]	20,3	ATE							
	155	11/11 →	•	PR:1ZP; PR:1LV; PR:1LJ; PR:1ZE	P85075MM [+]	20,3	ATE							
	155	11/11 →	•	PR:1KD	P85020MM [-]	17,2	TRW							
2.0 R	195	01/13 →	•	PR:1ZK	P85129MM [+]	20,3	ATE							
	195	01/13 →	•	PR:1KD	P85020MM [-]	17,2	TRW							
	195	01/13 →	•	PR:1KW	P85073MM [O]	17,2	TRW							
	195	01/13 →	•	PR:1KS; PR:1KT	P85114MM [-]	17,7	BSH							
	195	01/13 →	•	PR:1ZK	P85129MM [+]	20,3	ATE							
2.0 TDI	103	11/11 →	•	PR:1ZA; PR:1ZB; PR:1ZD	P85146MM [+]	20,3	ATE							
	103	11/11 →	•	PR:1ZE; PR:1LJ; PR:1LV; PR:1ZP	P85075MM [+]	20,3	ATE							
	103	11/11 →	•	PR:1KD	P85020MM [-]	17,2	TRW							
	103	11/11 →	•	PR:1KT; PR:1KS	P85114MM [-]	17,7	BSH							
	110	11/13 →	•	PR:1ZK	P85129MM [+]	20,3	ATE							
	110	11/13 →	•	PR:1ZP; PR:1LV; PR:1ZD; PR:1ZB; PR:1ZA	P85146MM [+]	20,3	ATE							
	110	11/13 →	•	PR:1ZE; PR:1LJ	P85075MM [+]	20,3	ATE							
	110	11/13 →	•	PR:1KW	P85073MM [O]	17,2	TRW							
	110	11/13 →	•	PR:1KD	P85020MM [-]	17,2	TRW							
	110	11/13 →	•	PR:1KS; PR:1KT	P85114MM [-]	17,7	BSH							
	81	11/13 →	•	PR:1ZP; PR:1ZB; PR:1LV; PR:1ZD; PR:1ZA	P85146MM [+]	20,3	ATE							
	81	11/13 →	•	PR:1ZE	P85075MM [+]	20,3	ATE							
	81	11/13 →	•	PR:1ZK	P85129MM [+]	20,3	ATE							
	81	11/13 →	•	PR:1KD	P85020MM [-]	17,2	TRW							
81	11/13 →	•	PR:1KW	P85073MM [O]	17,2	TRW								
81	11/13 →	•	PR:1KT; PR:1KS	P85114MM [-]	17,7	BSH								
2.0 TSI	162	11/13 →	•	PR:1ZA; PR:1ZB; PR:1ZD; PR:1LV; PR:1ZP	P85146MM [+]	20,3	ATE							
	162	11/13 →	•	PR:1LJ; PR:1ZE	P85075MM [+]	20,3	ATE							
	162	11/13 →	•	PR:1ZK	P85129MM [+]	20,3	ATE							
	162	11/13 →	•	PR:1KD	P85020MM [-]	17,2	TRW							
	162	11/13 →	•	PR:1KT; PR:1KS	P85114MM [-]	17,7	BSH							
	162	11/13 →	•	PR:1KW	P85073MM [O]	17,2	TRW							

										WI			FK	

VOLKSWAGEN

GOLF VI Variant (AJ5) 07/09 → 07/13

Engine	Power [kW]	Year Range	Options	Part No.	Th [mm]	SYS	WI	FK
1.2 TSI	77	07/09 → 07/13	● PR:1ZF; PR:1ZM	P85072MM	[+]	19,7	ATE	
	77	07/09 → 07/13	●	P85075MM	[+]	20,3	ATE	
	77	07/09 → 07/13	●	P85073MM	[o]	17,2	TRW	
	77	07/09 → 07/13	● PR:1KS; PR:1KT	P85114MM	[-]	17,7	BSH	
	63	07/10 → 07/13	● PR:1ZF; PR:1ZM	P85072MM	[+]	19,7	ATE	
	63	07/10 → 07/13	● PR:1KT; PR:1KS	P85114MM	[-]	17,7	BSH	
1.4	59	07/09 → 07/13	● PR:1ZF; PR:1ZM	P85072MM	[+]	19,7	ATE	
	59	07/09 → 07/13	●	P85075MM	[+]	20,3	ATE	
	59	07/09 → 07/13	●	P85073MM	[o]	17,2	TRW	
	59	07/09 → 07/13	● PR:1KT; PR:1KS	P85114MM	[-]	17,7	BSH	
1.4 TSI	90	07/09 → 07/13	● PR:1LJ; PR:1ZD; PR:1ZP	P85146MM	[+]	20,3	ATE	
	90	07/09 → 07/13	● PR:1ZM; PR:1ZF	P85072MM	[+]	19,7	ATE	
	90	07/09 → 07/13	● PR:1ZA; PR:1ZB; PR:1LV; PR:1ZE	P85075MM	[+]	20,3	ATE	
	90	07/09 → 07/13	●	P85073MM	[o]	17,2	TRW	
	90	07/09 → 07/13	● PR:1KS; PR:1KT	P85114MM	[-]	17,7	BSH	
	118	07/09 → 07/13	● PR:1LJ; PR:1ZA	P85146MM	[+]	20,3	ATE	
	118	07/09 → 07/13	● PR:1ZE; PR:1ZP; PR:1LV; PR:1ZB; PR:1ZD	P85075MM	[+]	20,3	ATE	
	118	07/09 → 07/13	●	P85073MM	[o]	17,2	TRW	
1.6	118	07/09 → 07/13	● PR:1KT; PR:1KS	P85114MM	[-]	17,7	BSH	
	75	07/09 → 07/13	● PR:1ZM; PR:1ZF	P85072MM	[+]	19,7	ATE	
	75	07/09 → 07/13	●	P85075MM	[+]	20,3	ATE	
	75	07/09 → 07/13	●	P85073MM	[o]	17,2	TRW	
	75	07/09 → 07/13	● PR:1KS; PR:1KT	P85114MM	[-]	17,7	BSH	
1.6 MultiFuel	75	07/10 → 07/13	● PR:1ZE	P85075MM	[+]	20,3	ATE	
	75	07/10 → 07/13	● PR:1ZA; PR:1ZD; PR:1ZP; PR:1LJ	P85146MM	[+]	20,3	ATE	
	75	07/10 → 07/13	● PR:1ZF; PR:1ZM	P85072MM	[+]	19,7	ATE	
	75	07/10 → 07/13	● PR:1KE; PR:1KF; PR:1KJ	P85073MM	[o]	17,2	TRW	
	75	07/10 → 07/13	● PR:1KS; PR:1KT	P85114MM	[-]	17,7	BSH	
1.6 TDI	77	07/09 → 07/13	● PR:1ZA; PR:1LJ; PR:1ZP; PR:1ZD	P85146MM	[+]	20,3	ATE	
	77	07/09 → 07/13	● PR:1ZF; PR:1ZM	P85072MM	[+]	19,7	ATE	
	77	07/09 → 07/13	● PR:1ZB; PR:1LV; PR:1ZE	P85075MM	[+]	20,3	ATE	
	77	07/09 → 07/13	●	P85073MM	[o]	17,2	TRW	
	77	07/09 → 07/13	● PR:1KS; PR:1KT	P85114MM	[-]	17,7	BSH	
	66	12/09 → 07/13	● PR:1ZM; PR:1ZF	P85072MM	[+]	19,7	ATE	
	66	12/09 → 07/13	●	P85075MM	[+]	20,3	ATE	
	66	12/09 → 07/13	●	P85073MM	[o]	17,2	TRW	
1.6 TDI 4motion	66	12/09 → 07/13	● PR:1KT; PR:1KS	P85114MM	[-]	17,7	BSH	
	77	07/09 → 07/13	● PR:1ZD; PR:1ZP; PR:1LJ; PR:1ZA	P85146MM	[+]	20,3	ATE	
	77	07/09 → 07/13	● PR:1ZM; PR:1ZF	P85072MM	[+]	19,7	ATE	
	77	07/09 → 07/13	● PR:1ZE; PR:1LV; PR:1ZB	P85075MM	[+]	20,3	ATE	
	77	07/09 → 07/13	●	P85073MM	[o]	17,2	TRW	
2.0 TDI	77	07/09 → 07/13	● PR:1KT; PR:1KS	P85114MM	[-]	17,7	BSH	
	103	07/09 → 07/13	● PR:1ZP; PR:1ZD; PR:1LJ	P85146MM	[+]	20,3	ATE	
	103	07/09 → 07/13	● PR:1ZE; PR:1ZA; PR:1LV; PR:1ZB	P85075MM	[+]	20,3	ATE	
	103	07/09 → 07/13	●	P85073MM	[o]	17,2	TRW	
	103	07/09 → 07/13	● PR:1KT; PR:1KS	P85114MM	[-]	17,7	BSH	
	100	07/09 → 07/13	● PR:1ZA; PR:1LJ; PR:1ZP; PR:1ZD	P85146MM	[+]	20,3	ATE	
	100	07/09 → 07/13	● PR:1ZB; PR:1LV; PR:1ZE	P85075MM	[+]	20,3	ATE	
	100	07/09 → 07/13	●	P85073MM	[o]	17,2	TRW	

Car Type	kw	S	C	i	MAGNETI MARELLI	wi	Th [mm]	SYS	WI			FK	
									MAGNETI MARELLI	LENGHT	i	MAGNETI MARELLI	i

VOLKSWAGEN

GOLF VI Variant (AJ5) 07/09 → 07/13

2.0 TDI	100	07/09 → 07/13	●	PR:1KS; PR:1KT	P85114MM [-]	17,7	BSH					
	81	01/10 → 07/13	●	PR:1ZM	P85072MM [+]	19,7	ATE					
	81	01/10 → 07/13	●	PR:1ZA; PR:1LJ; PR:1ZP; PR:1ZD	P85146MM [+]	20,3	ATE					
	81	01/10 → 07/13	●	PR:1ZB; PR:1LV; PR:1ZE	P85075MM [+]	20,3	ATE					
	81	01/10 → 07/13	●	PR:1KF; PR:1KJ; PR:1KE	P85073MM [O]	17,2	TRW					
	81	01/10 → 07/13	●	PR:1KS; PR:1KT	P85114MM [-]	17,7	BSH					
2.0 TSI	147	07/09 → 07/13	●	PR:1ZM	P85072MM [+]	19,7	ATE					
	147	07/09 → 07/13	●	PR:1ZD; PR:1ZP; PR:1LJ; PR:1ZA	P85146MM [+]	20,3	ATE					
	147	07/09 → 07/13	●	PR:1ZE; PR:1LV; PR:1ZB	P85075MM [+]	20,3	ATE					
	147	07/09 → 07/13	●	PR:1KT; PR:1KS	P85114MM [-]	17,7	BSH					
	147	07/09 → 07/13	●	PR:1KE; PR:1KJ; PR:1KF	P85073MM [O]	17,2	TRW					

GOLF VII (5G1, BQ1, BE1, BE2) 08/12 →

1.0 TSI	85	05/15 →	●	PR:1ZD; PR:1ZP; PR:1ZG; PR:9U1; PR:1ZC; PR:1LV; PR:1ZE; PR:1ZB; PR:1ZA	P85126MM [+]	20,3	TRW					
	85	05/15 →	●	PR:1ZF	P85137MM [+]	17,2	ATE					
	85	05/15 →	●	PR:1LJ; PR:1LM	P85144MM [+]	20	TRW					
	85	05/15 →	●	PR:1ZP; PR:9U0; PR:1ZG; PR:1LV; PR:1ZD	P85147MM [O]	20,3	TRW					
	85	05/15 →	●	PR:1KJ; PR:1KV; PR:1KY; → 09/15	P85124MM [-]	16,4	ATE					
	85	05/15 →	●	PR:1KE; PR:1KK	P85125MM [-]	16,4	ATE					
	81	11/16 →	●	PR:9U1; PR:1ZD; PR:1ZG; PR:1ZC; PR:1LV; PR:1ZB; PR:1ZA; PR:1ZP; PR:1ZE	P85126MM [+]	20,3	TRW					
	81	11/16 →	●	PR:1ZF	P85137MM [+]	17,2	ATE					
	81	11/16 →	●	PR:1ZP; PR:9U0; PR:1ZG; PR:1LV; PR:1ZD	P85147MM [O]	20,3	TRW					
	81	11/16 →	●	PR:1KV; PR:1KJ; PR:1KY	P85124MM [-]	16,4	ATE					
1.2 TSI	63	01/17 →	●	PR:9U1; PR:1ZC; PR:1ZB; PR:1ZD; PR:1ZA; PR:1ZP; PR:1ZE	P85126MM [+]	20,3	TRW					
	63	01/17 →	●	PR:1ZF	P85137MM [+]	17,2	ATE					
	63	01/17 →	●	PR:1ZE; PR:9U0; PR:1LV; PR:1ZG; PR:1ZD; PR:1ZP	P85147MM [O]	20,3	TRW					
	63	01/17 →	●	PR:1KV; → 06/17	P85124MM [-]	16,4	ATE					
	63	01/17 →	●	PR:1KE; PR:1KK; PR:1KR; PR:1KI	P85125MM [-]	16,4	ATE					
	63	08/12 →	●	PR:1ZF	P85137MM [+]	17,2	ATE					
	63	08/12 →	●	PR:1LV; PR:1ZP; PR:1ZE; PR:1ZD; PR:1ZB; PR:1ZA	P85126MM [+]	20,3	TRW					
	63	08/12 →	●	PR:1KE	P85125MM [-]	16,4	ATE					
	63	08/12 →	●	PR:1KV; PR:1KY; PR:1KJ	P85124MM [-]	16,4	ATE					
	77	11/12 →	●	PR:1ZE; PR:1ZP	P85126MM [+]	20,3	TRW					
1.4 GTE Hybrid	77	11/12 →	●	PR:1KE	P85125MM [-]	16,4	ATE					
	77	11/12 →	●	PR:1KY; PR:1KV; PR:1KJ	P85124MM [-]	16,4	ATE					
	81	04/14 →	●	PR:1ZA; PR:1ZD; PR:1LV; PR:1ZB	P85126MM [+]	20,3	TRW					
	81	04/14 →	●	PR:1KE	P85125MM [-]	16,4	ATE					
	81	04/14 →	●	PR:1KY; PR:1KV; PR:1KJ	P85124MM [-]	16,4	ATE					
110	05/14 →	●	PR:1ZB; PR:1LV; PR:1ZD; PR:1ZA	P85126MM [+]	20,3	TRW						
110	05/14 →	●	PR:1KE	P85125MM [-]	16,4	ATE						
110	05/14 →	●	PR:1KJ; PR:1KY; PR:1KV	P85124MM [-]	16,4	ATE						

VOLKSWAGEN

GOLF VII (5G1, BQ1, BE1, BE2) 08/12 →

Engine	Year	Icon	PR	MAGNETI MARELLI	Th [mm]	SYS	WI	FK	
1.4 TGI CNG	81 06/13 →	●	PR:1ZF	P85137MM	[+]	17,2	ATE		
	81 06/13 →	●	PR:1ZA; PR:1ZB; PR:1ZD; PR:1ZE; PR:1ZP; PR:1LV	P85126MM	[+]	20,3	TRW		
	81 06/13 →	●	PR:1KE	P85125MM	[-]	16,4	ATE		
	81 06/13 →	●	PR:1KJ; PR:1KY; PR:1KV	P85124MM	[-]	16,4	ATE		
1.4 TSI	103 08/12 →	●	PR:1ZB; PR:1LV; PR:1ZD; PR:1ZA	P85126MM	[+]	20,3	TRW		
	103 08/12 →	●	PR:1KE	P85125MM	[-]	16,4	ATE		
	103 08/12 →	●	PR:1KJ; PR:1KY; PR:1KV	P85124MM	[-]	16,4	ATE		
	90 11/12 →	●	PR:1ZP; PR:1ZE	P85126MM	[+]	20,3	TRW		
	90 11/12 →	●	PR:1KE	P85125MM	[-]	16,4	ATE		
	90 11/12 →	●	PR:1KJ; PR:1KV; PR:1KY	P85124MM	[-]	16,4	ATE		
	92 05/14 →	●	PR:1ZB; PR:1LV; PR:1ZD; PR:1ZA	P85126MM	[+]	20,3	TRW		
	92 05/14 →	●	PR:1KE	P85125MM	[-]	16,4	ATE		
	92 05/14 →	●	PR:1KJ; PR:1KY; PR:1KV	P85124MM	[-]	16,4	ATE		
	110 05/14 →	●	PR:1ZA; PR:1ZD; PR:1LV; PR:1ZB	P85126MM	[+]	20,3	TRW		
	110 05/14 →	●	PR:1KE	P85125MM	[-]	16,4	ATE		
	110 05/14 →	●	PR:1KY; PR:1KV; PR:1KJ	P85124MM	[-]	16,4	ATE		
1.4 TSI MultiFuel	90 04/13 →	●	PR:1ZP; PR:1ZE	P85126MM	[+]	20,3	TRW		
	90 04/13 →	●	PR:1KE	P85125MM	[-]	16,4	ATE		
	90 04/13 →	●	PR:1KV; PR:1KY; PR:1KJ	P85124MM	[-]	16,4	ATE		
	92 12/13 →	●	PR:1ZB; PR:1LV; PR:1ZD; PR:1ZA	P85126MM	[+]	20,3	TRW		
	92 12/13 →	●	PR:1KE	P85125MM	[-]	16,4	ATE		
	92 12/13 →	●	PR:1KJ; PR:1KV; PR:1KY	P85124MM	[-]	16,4	ATE		
1.6	81 05/14 →	●	PR:1ZA; PR:1ZB; PR:1ZD; PR:1LV	P85126MM	[+]	20,3	TRW		
	81 05/14 →	●	PR:1KE	P85125MM	[-]	16,4	ATE		
	81 05/14 →	●	PR:1KY; PR:1KV; PR:1KJ	P85124MM	[-]	16,4	ATE		
1.6 TDI	77 08/12 →	●	PR:1ZF	P85137MM	[+]	17,2	ATE		
	77 08/12 →	●	PR:1LV; PR:1ZE; PR:1ZP; PR:1ZD; PR:1ZB; PR:1ZA	P85126MM	[+]	20,3	TRW		
	77 08/12 →	●	PR:1KE	P85125MM	[-]	16,4	ATE		
	77 08/12 →	●	PR:1KY; PR:1KV; PR:1KJ	P85124MM	[-]	16,4	ATE		
	66 04/13 →	●	PR:1ZE; PR:1ZP	P85126MM	[+]	20,3	TRW		
	66 04/13 →	●	PR:1KE	P85125MM	[-]	16,4	ATE		
	66 04/13 →	●	PR:1KJ; PR:1KY; PR:1KV	P85124MM	[-]	16,4	ATE		
	81 01/13 →	●	PR:1ZE; PR:1ZP	P85126MM	[+]	20,3	TRW		
	81 01/13 →	●	PR:1KE	P85125MM	[-]	16,4	ATE		
	81 01/13 →	●	PR:1KV; PR:1KY; PR:1KJ	P85124MM	[-]	16,4	ATE		
		85 11/16 →	●	PR:1ZE; PR:1ZP; PR:1ZA; PR:1ZB; PR:1LV; PR:1ZG; PR:1ZC; PR:1ZD; PR:9U1	P85126MM	[+]	20,3	TRW	
		85 11/16 →	●	PR:1ZF	P85137MM	[+]	17,2	ATE	
		85 11/16 →	●	PR:1ZD; PR:1LV; PR:1ZG; PR:9U0; PR:1ZP	P85147MM	[o]	20,3	TRW	
		85 11/16 →	●	PR:1KJ; PR:1KY; PR:1KV	P85124MM	[-]	16,4	ATE	
		85 11/16 →	●	PR:1KK; PR:1KE	P85125MM	[-]	16,4	ATE	
	1.6 TDI 4motion	77 11/12 →	●	PR:1ZE; PR:1ZP	P85126MM	[+]	20,3	TRW	
		77 11/12 →	●	PR:1KE	P85125MM	[-]	16,4	ATE	
77 11/12 →		●	PR:1KY; PR:1KV; PR:1KJ	P85124MM	[-]	16,4	ATE		
81 01/13 →		●	PR:1ZA; PR:1ZB; PR:1LV; PR:1ZD	P85126MM	[+]	20,3	TRW		
81 01/13 →		●	PR:1KE	P85125MM	[-]	16,4	ATE		
81 01/13 →		●	PR:1KJ; PR:1KV; PR:1KY	P85124MM	[-]	16,4	ATE		

		kw						wi	Th [mm]	SYS	WI		FK		
												LEIGHT			

VOLKSWAGEN

GOLF VII (5G1, BQ1, BE1, BE2) 08/12 →

2.0 GTD	135	04/13 →	●	PR:1ZD; PR:1LV; PR:1ZB; PR:1ZA	P85126MM	[+]	20,3	TRW						
	135	04/13 →	●	PR:1KE	P85125MM	[-]	16,4	ATE						
	135	04/13 →	●	PR:1KV; PR:1KY; PR:1KJ	P85124MM	[-]	16,4	ATE						
2.0 GTI	162	04/13 →	●	PR:1LJ; PR:1LM	P85144MM	[+]	20	TRW						
	162	04/13 →	●	PR:1ZB; PR:1ZE; PR:1LV; PR:1ZC; PR:1ZG; PR:1ZP; PR:1ZD; PR:1ZA	P85126MM	[+]	20,3	TRW						
	162	04/13 →	●	PR:1KV; PR:1KY; PR:1KJ	P85124MM	[-]	16,4	ATE						
	169	04/13 →	●	PR:1LM; PR:1LJ	P85144MM	[+]	20	TRW						
	169	04/13 →	●	PR:1ZA; PR:1ZP; PR:1ZG; PR:1ZC; PR:1LV; PR:1ZE; PR:1ZB; PR:1ZD	P85126MM	[+]	20,3	TRW						
	169	04/13 →	●	PR:1KJ; PR:1KY; PR:1KV	P85124MM	[-]	16,4	ATE						
	155	11/13 →	●	PR:1LJ; PR:1LM	P85144MM	[+]	20	TRW						
	155	11/13 →	●	PR:1ZA; PR:1ZB; PR:1ZE; PR:1LV; PR:1ZP; PR:1ZC; PR:1ZG; PR:1ZD	P85126MM	[+]	20,3	TRW						
	155	11/13 →	●	PR:1KY; PR:1KV; PR:1KJ	P85124MM	[-]	16,4	ATE						
	180	03/17 →	●	PR:1LJ; PR:1LM	P85144MM	[+]	20	TRW						
	180	03/17 →	●	PR:1KJ; PR:1KY	P85124MM	[-]	16,4	ATE						
2.0 GTI Clubsport	195	02/16 →	●	PR:1ZA; PR:1ZB; PR:1ZD; PR:1ZC; PR:1LV; PR:1ZG; PR:9U1; PR:1ZP; PR:1ZE	P85126MM	[+]	20,3	TRW						
	195	02/16 →	●	PR:1ZF	P85137MM	[+]	17,2	ATE						
	195	02/16 →	●	PR:1LJ; PR:1LM	P85144MM	[+]	20	TRW						
	195	02/16 →	●	PR:1ZD; PR:1LV; PR:1ZG; PR:9U0; PR:1ZP	P85147MM	[O]	20,3	TRW						
	195	02/16 →	●	PR:1KY; PR:1KV; PR:1KJ	P85124MM	[-]	16,4	ATE						
	195	02/16 →	●	PR:1KK; PR:1KE	P85125MM	[-]	16,4	ATE						
2.0 GTI Clubsport S	228	09/16 →	●	PR:1LM; PR:1LJ	P85144MM	[+]	20	TRW						
	228	09/16 →	●	PR:1KJ; PR:1KY	P85124MM	[-]	16,4	ATE						
2.0 R 360S 4motion	265	09/16 →	●	PR:1LJ; PR:1LM	P85144MM	[+]	20	TRW						
	265	09/16 →	●	PR:1KY; PR:1KJ	P85124MM	[-]	16,4	ATE						
2.0 R 4motion	206	11/13 →	●	PR:1LJ; PR:1LM	P85144MM	[+]	20	TRW						
	206	11/13 →	●	PR:1KY; PR:1KV; PR:1KJ	P85124MM	[-]	16,4	ATE						
	221	11/13 →	●	PR:1LM; PR:1LJ	P85144MM	[+]	20	TRW						
	221	11/13 →	●	PR:1KJ; PR:1KV; PR:1KY	P85124MM	[-]	16,4	ATE						
2.0 TDI	110	11/12 →	●	PR:1ZA; PR:1ZD; PR:1ZE; PR:1ZB; PR:1LV; PR:1ZP; → 03/15	P85126MM	[+]	20,3	TRW						
	110	11/12 →	●	PR:1ZP; 03/15 →	P85147MM	[O]	20,3	TRW						
	110	11/12 →	●	PR:1KE	P85125MM	[-]	16,4	ATE						
	110	11/12 →	●	PR:1KJ; PR:1KY; PR:1KV	P85124MM	[-]	16,4	ATE						
	105	08/12 →	●	PR:1ZF	P85137MM	[+]	17,2	ATE						
	105	08/12 →	●	PR:1ZA; PR:1ZB; PR:1ZE; PR:1ZP; PR:1ZD; PR:1LV	P85126MM	[+]	20,3	TRW						
	105	08/12 →	●	PR:1LJ; PR:1LM	P85131MM	[+]	20	TRW						
	105	08/12 →	●	PR:1KE	P85125MM	[-]	16,4	ATE						
	105	08/12 →	●	PR:1KY; PR:1KV; PR:1KJ	P85124MM	[-]	16,4	ATE						
	81	11/12 →	●	PR:1ZE; PR:1ZP	P85126MM	[+]	20,3	TRW						
	81	11/12 →	●	PR:1KE	P85125MM	[-]	16,4	ATE						
81	11/12 →	●	PR:1KJ; PR:1KV; PR:1KY	P85124MM	[-]	16,4	ATE							
2.0 TDI 4motion	110	11/12 →	●	PR:1ZE; PR:1ZP	P85126MM	[+]	20,3	TRW						
	110	11/12 →	●	PR:1KE	P85125MM	[-]	16,4	ATE						
	110	11/12 →	●	PR:1KJ; PR:1KV; PR:1KY	P85124MM	[-]	16,4	ATE						
e-Golf	85	03/14 → 02/17	●	PR:1ZP; PR:1ZE	P85126MM	[+]	20,3	TRW						
	85	03/14 → 02/17	●	PR:1KE	P85125MM	[-]	16,4	ATE						

									WI			FK	
	kw								MAGNETI MARELLI	LENGHT		MAGNETI MARELLI	

VOLKSWAGEN

GOLF VII Variant (BA5, BV5) 04/13 →

1.0 TSI	85	05/15 →	●		P85126MM	[+]	20,3	TRW					
	85	05/15 →	●	PR:1ZF	P85137MM	[+]	17,2	ATE					
	85	05/15 →	●	PR:1LJ; PR:1LM	P85144MM	[+]	20	TRW					
	85	05/15 →	●	PR:1ZD; PR:1ZG; PR:1LV; PR:9U0; PR:1ZP	P85147MM	[o]	20,3	TRW					
	85	05/15 →	●	PR:1KJ; PR:1KY; PR:1KV; → 09/15	P85124MM	[-]	16,4	ATE					
	85	05/15 →	●	PR:1KE; PR:1KK	P85125MM	[-]	16,4	ATE					
	81	11/16 →	●	PR:E14	P85131MM	[+]	20	TRW					
	81	11/16 →	●	PR:1ZF	P85137MM	[+]	17,2	ATE					
	81	11/16 →	●	PR:1LJ; PR:1LM	P85144MM	[+]	20	TRW					
	81	11/16 →	●	PR:1ZA; PR:1ZC; PR:1ZP; PR:1ZD; PR:1ZB; PR:9U1; PR:1ZE	P85126MM	[+]	20,3	TRW					
	81	11/16 →	●	PR:1ZE; PR:1ZP; PR:9U0; PR:1LV; PR:1ZG; PR:1ZD	P85147MM	[o]	20,3	TRW					
	81	11/16 →	●	PR:1KK; PR:1KE	P85125MM	[-]	16,4	ATE					
	81	11/16 →	●	PR:1KJ; PR:1KV; PR:1KY; PR:E14	P85124MM	[-]	16,4	ATE					
	63	01/17 →	●	PR:9U1; PR:1ZD; PR:1ZB; PR:1ZC; PR:1ZA; PR:1ZP; PR:1ZE	P85126MM	[+]	20,3	TRW					
	63	01/17 →	●	PR:1ZF	P85137MM	[+]	17,2	ATE					
	63	01/17 →	●	PR:1ZE; PR:9U0; PR:1ZP; PR:1LV; PR:1ZG; PR:1ZD	P85147MM	[o]	20,3	TRW					
63	01/17 →	●	PR:1KV; → 06/17	P85124MM	[-]	16,4	ATE						
63	01/17 →	●	PR:1KK; PR:1KI; PR:1KR; PR:1KE	P85125MM	[-]	16,4	ATE						
1.2 TSI	63	05/13 →	●	PR:1ZF	P85137MM	[+]	17,2	ATE					
	63	05/13 →	●	PR:1ZB; PR:1ZD; PR:1LV; PR:1ZP; PR:1ZA; PR:1ZE	P85126MM	[+]	20,3	TRW					
	63	05/13 →	●	PR:1KE	P85125MM	[-]	16,4	ATE					
	63	05/13 →	●	PR:1KJ; PR:1KY; PR:1KV	P85124MM	[-]	16,4	ATE					
	77	05/13 →	●	PR:1ZF	P85137MM	[+]	17,2	ATE					
	77	05/13 →	●	PR:1ZE; PR:1ZA; PR:1LV; PR:1ZD; PR:1ZP; PR:1ZB	P85126MM	[+]	20,3	TRW					
	77	05/13 →	●	PR:1KE	P85125MM	[-]	16,4	ATE					
	77	05/13 →	●	PR:1KV; PR:1KY; PR:1KJ	P85124MM	[-]	16,4	ATE					
	81	04/14 →	●		P85126MM	[+]	20,3	TRW					
	81	04/14 →	●	PR:1KE	P85125MM	[-]	16,4	ATE					
81	04/14 →	●	PR:1KJ; PR:1KY; PR:1KV	P85124MM	[-]	16,4	ATE						
1.4 TGI CNG	81	09/13 →	●	PR:1ZF	P85137MM	[+]	17,2	ATE					
	81	09/13 →	●	PR:1ZE; PR:1ZA; PR:1ZP; PR:1LV; PR:1ZD; PR:1ZB	P85126MM	[+]	20,3	TRW					
	81	09/13 →	●	PR:1LM; PR:1LJ	P85131MM	[+]	20	TRW					
	81	09/13 →	●	PR:1KE	P85125MM	[-]	16,4	ATE					
	81	09/13 →	●	PR:1KJ; PR:1KY; PR:1KV	P85124MM	[-]	16,4	ATE					
1.4 TSI	103	05/13 →	●	PR:1ZP; PR:1ZE	P85126MM	[+]	20,3	TRW					
	103	05/13 →	●	PR:1KE	P85125MM	[-]	16,4	ATE					
	103	05/13 →	●	PR:1KJ; PR:1KV; PR:1KY	P85124MM	[-]	16,4	ATE					
	90	05/13 →	●	PR:1ZF	P85137MM	[+]	17,2	ATE					
	90	05/13 →	●	PR:1ZP; PR:1ZD; PR:1LV; PR:1ZB; PR:1ZA; PR:1ZE	P85126MM	[+]	20,3	TRW					
	90	05/13 →	●	PR:1KE	P85125MM	[-]	16,4	ATE					
	90	05/13 →	●	PR:1KJ; PR:1KY; PR:1KV	P85124MM	[-]	16,4	ATE					
	92	05/14 →	●		P85126MM	[+]	20,3	TRW					
	92	05/14 →	●	PR:1KE	P85125MM	[-]	16,4	ATE					
	92	05/14 →	●	PR:1KV; PR:1KY; PR:1KJ	P85124MM	[-]	16,4	ATE					

											WI		FK	

VOLKSWAGEN

GOLF VII Variant (BA5, BV5) 04/13 →

1.4 TSI	110	05/14 →	●		P85126MM	[+]	20,3	TRW						
	110	05/14 →		●	PR:1KE	P85125MM	[-]	16,4	ATE					
	110	05/14 →		●	PR:1KJ; PR:1KY; PR:1KV	P85124MM	[-]	16,4	ATE					
1.4 TSI MultiFuel	90	04/13 →	●		P85126MM	[+]	20,3	TRW						
	90	04/13 →		●	PR:1KE	P85125MM	[-]	16,4	ATE					
	90	04/13 →		●	PR:1KV; PR:1KY; PR:1KJ	P85124MM	[-]	16,4	ATE					
	92	05/14 →	●		P85126MM	[+]	20,3	TRW						
	92	05/14 →		●	PR:1KE	P85125MM	[-]	16,4	ATE					
1.6	81	05/14 →	●		P85126MM	[+]	20,3	TRW						
	81	05/14 →		●	PR:1KE	P85125MM	[-]	16,4	ATE					
	81	05/14 →		●	PR:1KV; PR:1KY; PR:1KJ	P85124MM	[-]	16,4	ATE					
1.6 TDI	66	05/13 →	●		PR:1ZP; PR:1ZE	P85126MM	[+]	20,3	TRW					
	66	05/13 →		●	PR:1KE	P85125MM	[-]	16,4	ATE					
	66	05/13 →		●	PR:1KJ; PR:1KY; PR:1KV	P85124MM	[-]	16,4	ATE					
	81	05/13 →	●		PR:1ZP; PR:1ZE	P85126MM	[+]	20,3	TRW					
	81	05/13 →		●	PR:1KE	P85125MM	[-]	16,4	ATE					
	81	05/13 →		●	PR:1KJ; PR:1KY; PR:1KV	P85124MM	[-]	16,4	ATE					
	77	05/13 →	●		PR:1ZF	P85137MM	[+]	17,2	ATE					
	77	05/13 →	●		PR:1ZE; PR:1ZA; PR:1LV; PR:1ZD; PR:1ZP; PR:1ZB	P85126MM	[+]	20,3	TRW					
	77	05/13 →		●	PR:1KE	P85125MM	[-]	16,4	ATE					
	77	05/13 →		●	PR:1KV; PR:1KY; PR:1KJ	P85124MM	[-]	16,4	ATE					
	85	11/16 →	●		PR:E14	P85131MM	[+]	20	TRW					
	85	11/16 →	●		PR:1ZF	P85137MM	[+]	17,2	ATE					
	85	11/16 →	●		PR:1LJ; PR:1LM	P85144MM	[+]	20	TRW					
	85	11/16 →	●		PR:1ZE; PR:9U1; PR:1ZA; PR:1ZB; PR:1ZD; PR:1ZP; PR:1ZC	P85126MM	[+]	20,3	TRW					
85	11/16 →	●		PR:1ZD; PR:1ZG; PR:1LV; PR:1ZP; PR:9U0; PR:1ZE	P85147MM	[O]	20,3	TRW						
85	11/16 →		●	PR:1KE; PR:1KK	P85125MM	[-]	16,4	ATE						
85	11/16 →		●	PR:E14; PR:1KV; PR:1KY; PR:1KJ	P85124MM	[-]	16,4	ATE						
1.6 TDI 4motion	77	05/13 →	●		PR:1ZE; PR:1ZP	P85126MM	[+]	20,3	TRW					
	77	05/13 →		●	PR:1KE	P85125MM	[-]	16,4	ATE					
	77	05/13 →		●	PR:1KV; PR:1KY; PR:1KJ	P85124MM	[-]	16,4	ATE					
	81	05/13 →	●		P85126MM	[+]	20,3	TRW						
	81	05/13 →		●	PR:1KE	P85125MM	[-]	16,4	ATE					
81	05/13 →		●	PR:1KJ; PR:1KY; PR:1KV	P85124MM	[-]	16,4	ATE						
2.0 GTD	135	01/15 →	●		P85126MM	[+]	20,3	TRW						
	135	01/15 →	●		PR:1LJ; PR:1LM	P85131MM	[+]	20	TRW					
	135	01/15 →	●		PR:1ZF	P85137MM	[+]	17,2	ATE					
	135	01/15 →		●	PR:1KY; PR:1KV; PR:1KJ	P85124MM	[-]	16,4	ATE					
	135	01/15 →		●	PR:1KE	P85125MM	[-]	16,4	ATE					
2.0 R 360S 4motion	265	09/16 →	●		PR:1LM; PR:1LJ	P85144MM	[+]	20	TRW					
	265	09/16 →		●	PR:1KY; PR:1KJ	P85124MM	[-]	16,4	ATE					
2.0 R 4motion	221	03/15 →	●		PR:1LJ; PR:1LM	P85144MM	[+]	20	TRW					
	221	03/15 →		●	PR:1KJ; PR:1KV; PR:1KY	P85124MM	[-]	16,4	ATE					
	206	03/15 →	●		PR:1LM; PR:1LJ	P85144MM	[+]	20	TRW					
	206	03/15 →		●	PR:1KY; PR:1KV; PR:1KJ	P85124MM	[-]	16,4	ATE					
2.0 TDI	81	05/13 →	●		PR:1ZE; PR:1ZP	P85126MM	[+]	20,3	TRW					
	81	05/13 →		●	PR:1KE	P85125MM	[-]	16,4	ATE					
	81	05/13 →		●	PR:1KY; PR:1KV; PR:1KJ	P85124MM	[-]	16,4	ATE					
	110	04/13 →	●		P85126MM	[+]	20,3	TRW						

Car Model	kW	Hourglass	Car	i	MAGNETI MARELLI	wi	Th [mm]	SYS	WI			FK	
									MAGNETI MARELLI	LENGHT	i	MAGNETI MARELLI	i

VOLKSWAGEN

GOLF VII Variant (BA5, BV5) 04/13 →

2.0 TDI	110 04/13 →	●	PR:1KE	P85125MM [-]	16,4	ATE						
	110 04/13 →	●	PR:1KJ; PR:1KY; PR:1KV	P85124MM [-]	16,4	ATE						
2.0 TDI 4motion	110 04/13 →	●	PR:1ZE; PR:1ZP	P85126MM [+]	20,3	TRW						
	110 04/13 →	●	PR:1KE	P85125MM [-]	16,4	ATE						
	110 04/13 →	●	PR:1KY; PR:1KV; PR:1KJ	P85124MM [-]	16,4	ATE						

GOLF ALLTRACK (BA5) 12/14 →

1.6 TDI 4motion	81 12/14 →	●	PR:1ZE; PR:1ZA; PR:1ZD; PR:1LV; PR:1ZP; PR:1ZB	P85126MM [+]	20,3	TRW						
	81 12/14 →	●	PR:1LJ; PR:1LM	P85131MM [+]	20	TRW						
	81 12/14 →	●	PR:1ZF	P85137MM [+]	17,2	ATE						
	81 12/14 →	●	PR:1KY; PR:1KV; PR:1KJ	P85124MM [-]	16,4	ATE						
	81 12/14 →	●	PR:1KE	P85125MM [-]	16,4	ATE						
1.8 TSI 4motion	132 12/14 →	●	PR:1ZP; PR:1ZD; PR:1LV; PR:1ZA; PR:1ZB; PR:1ZE	P85126MM [+]	20,3	TRW						
	132 12/14 →	●	PR:1LJ; PR:1LM	P85131MM [+]	20	TRW						
	132 12/14 →	●	PR:1ZF	P85137MM [+]	17,2	ATE						
	132 12/14 →	●	PR:1KY; PR:1KV; PR:1KJ	P85124MM [-]	16,4	ATE						
	132 12/14 →	●	PR:1KE	P85125MM [-]	16,4	ATE						
2.0 TDI 4motion	110 12/14 →	●	PR:1ZB; PR:1ZP; PR:1LV; PR:1ZD; PR:1ZA; PR:1ZE	P85126MM [+]	20,3	TRW						
	110 12/14 →	●	PR:1LJ; PR:1LM	P85131MM [+]	20	TRW						
	110 12/14 →	●	PR:1ZF	P85137MM [+]	17,2	ATE						
	110 12/14 →	●	PR:1KY; PR:1KV; PR:1KJ	P85124MM [-]	16,4	ATE						
	110 12/14 →	●	PR:1KE	P85125MM [-]	16,4	ATE						
	135 12/14 →	●	PR:1ZE; PR:1ZB; PR:1ZA; PR:1LV; PR:1ZD; PR:1ZP	P85126MM [+]	20,3	TRW						
	135 12/14 →	●	PR:1LJ; PR:1LM	P85131MM [+]	20	TRW						
	135 12/14 →	●	PR:1ZF	P85137MM [+]	17,2	ATE						
	135 12/14 →	●	PR:1KY; PR:1KV; PR:1KJ	P85124MM [-]	16,4	ATE						
135 12/14 →	●	PR:1KE	P85125MM [-]	16,4	ATE							

GOLF PLUS (5M1, 521) 01/05 → 12/13

1.2 TSI	63 05/10 → 12/13	●	PR:1ZF+9U0	P85041MM [-]	19,7	ATE						
	63 05/10 → 12/13	●	PR:1ZF+9U1; PR:1ZM	P85072MM [+]	19,7	ATE						
	63 05/10 → 12/13	●	PR:1KD	P85020MM [-]	17,2	TRW						
	63 05/10 → 12/13	●	PR:1KE; PR:1KZ	P85073MM [O]	17,2	TRW						
	77 11/09 → 12/13	●	PR:1ZF+9U0	P85041MM [-]	19,7	ATE						
	77 11/09 → 12/13	●	PR:1ZF+9U1; PR:1ZM	P85072MM [+]	19,7	ATE						
	77 11/09 → 12/13	●	PR:1KD	P85020MM [-]	17,2	TRW						
	77 11/09 → 12/13	●	PR:1KE; PR:1KZ	P85073MM [O]	17,2	TRW						
1.4 16V	55 01/05 → 11/06	●	PR:1ZF+9U0	P85041MM [-]	19,7	ATE						
	55 01/05 → 11/06	●	PR:1ZF+9U1; PR:1ZM	P85072MM [+]	19,7	ATE						
	55 01/05 → 11/06	●	PR:1ZE+9U0; PR:1LJ-9U0	P85105MM [-]	20,3	ATE						
	55 01/05 → 11/06	●	PR:1ZE+9U1; PR:1ZP; PR:1LJ+9U1	P85075MM [+]	20,3	ATE						
	55 01/05 → 11/06	●	PR:1KD	P85020MM [-]	17,2	TRW						
	55 01/05 → 11/06	●	PR:1KZ; PR:1KE	P85073MM [O]	17,2	TRW						
	59 05/06 → 12/13	●	PR:1ZF+9U0	P85041MM [-]	19,7	ATE						
	59 05/06 → 12/13	●	PR:1ZF+9U1; PR:1ZM	P85072MM [+]	19,7	ATE						
	59 05/06 → 12/13	●	PR:1ZE+9U0; PR:1LJ-9U0	P85105MM [-]	20,3	ATE						
	59 05/06 → 12/13	●	PR:1ZE+9U1; PR:1ZP; PR:1LJ+9U1	P85075MM [+]	20,3	ATE						
	59 05/06 → 12/13	●	PR:1KD	P85020MM [-]	17,2	TRW						
	59 05/06 → 12/13	●	PR:1KZ; PR:1KE	P85073MM [O]	17,2	TRW						
1.4 FSI	66 07/05 → 11/06	●	PR:1ZF+9U0	P85041MM [-]	19,7	ATE						
	66 07/05 → 11/06	●	PR:1ZF+9U1; PR:1ZM	P85072MM [+]	19,7	ATE						
	66 07/05 → 11/06	●	PR:1ZE+9U0; PR:1LJ-9U0	P85105MM [-]	20,3	ATE						

		kw					MAGNETI MARELLI	wi	Th [mm]	SYS	wi		FK		
											MAGNETI MARELLI	LEIGHT		MAGNETI MARELLI	

VOLKSWAGEN

GOLF PLUS (5M1, 521) 01/05 → 12/13

1.4 FSI	66	07/05 → 11/06	●	PR:1ZE+9U1; PR:1ZP; PR:1LJ+9U1	P85075MM	[+]	20,3	ATE						
	66	07/05 → 11/06	●	PR:1KD	P85020MM	[-]	17,2	TRW						
	66	07/05 → 11/06	●	PR:1KE; PR:1KZ	P85073MM	[O]	17,2	TRW						
1.4 TSI	103	05/06 → 06/08	●	PR:1ZP	P85146MM	[+]	20,3	ATE						
	103	05/06 → 06/08	●	PR:1ZE+9U0; PR:1LJ-9U0	P85105MM	[-]	20,3	ATE						
	103	05/06 → 06/08	●	PR:1ZE+9U1; PR:1LJ+9U1	P85075MM	[+]	20,3	ATE						
	103	05/06 → 06/08	●	PR:1KD	P85020MM	[-]	17,2	TRW						
	103	05/06 → 06/08	●	PR:1KE; PR:1KZ	P85073MM	[O]	17,2	TRW						
	125	05/06 → 06/08	●	PR:1ZE+9U0; PR:1LJ-9U0	P85105MM	[-]	20,3	ATE						
	125	05/06 → 06/08	●	PR:1ZE+9U1; PR:1ZP; PR:1LJ+9U1	P85075MM	[+]	20,3	ATE						
	125	05/06 → 06/08	●	PR:1KD	P85020MM	[-]	17,2	TRW						
	125	05/06 → 06/08	●	PR:1KZ; PR:1KE	P85073MM	[O]	17,2	TRW						
	90	06/07 → 12/13	●	PR:1ZE+9U0; PR:1LJ-9U0	P85105MM	[-]	20,3	ATE						
	90	06/07 → 12/13	●	PR:1ZE+9U1; PR:1LJ+9U1	P85075MM	[+]	20,3	ATE						
	90	06/07 → 12/13	●	PR:1ZP	P85146MM	[+]	20,3	ATE						
	90	06/07 → 12/13	●	PR:1KD	P85020MM	[-]	17,2	TRW						
	90	06/07 → 12/13	●	PR:1KZ; PR:1KE	P85073MM	[O]	17,2	TRW						
	118	06/08 → 12/13	●	PR:1ZE+9U0; PR:1LJ-9U0	P85105MM	[-]	20,3	ATE						
	118	06/08 → 12/13	●	PR:1ZE+9U1; PR:1ZP; PR:1LJ+9U1	P85075MM	[+]	20,3	ATE						
	118	06/08 → 12/13	●	PR:1KD	P85020MM	[-]	17,2	TRW						
118	06/08 → 12/13	●	PR:1KE; PR:1KZ	P85073MM	[O]	17,2	TRW							
1.6	75	05/05 → 12/13	●	PR:1ZF+9U0	P85041MM	[-]	19,7	ATE						
	75	05/05 → 12/13	●	PR:1ZF+9U1; PR:1ZM	P85072MM	[+]	19,7	ATE						
	75	05/05 → 12/13	●	PR:1ZE+9U0; PR:1LJ-9U0	P85105MM	[-]	20,3	ATE						
	75	05/05 → 12/13	●	PR:1ZE+9U1; PR:1ZP; PR:1LJ+9U1	P85075MM	[+]	20,3	ATE						
	75	05/05 → 12/13	●	PR:1KD	P85020MM	[-]	17,2	TRW						
1.6 BiFuel	75	05/09 → 12/13	●	PR:1ZF+9U0	P85041MM	[-]	19,7	ATE						
	75	05/09 → 12/13	●	PR:1ZM; PR:1ZF+9U1	P85072MM	[+]	19,7	ATE						
	75	05/09 → 12/13	●	PR:1KD	P85020MM	[-]	17,2	TRW						
	75	05/09 → 12/13	●	PR:1KE; PR:1KZ	P85073MM	[O]	17,2	TRW						
1.6 FSI	85	01/05 → 05/08	●	PR:1ZP	P85146MM	[+]	20,3	ATE						
	85	01/05 → 05/08	●	PR:1ZF+9U0	P85041MM	[-]	19,7	ATE						
	85	01/05 → 05/08	●	PR:1ZF+9U1; PR:1ZM	P85072MM	[+]	19,7	ATE						
	85	01/05 → 05/08	●	PR:1ZE+9U0; PR:1LJ-9U0	P85105MM	[-]	20,3	ATE						
	85	01/05 → 05/08	●	PR:1ZE+9U1; PR:1LJ+9U1	P85075MM	[+]	20,3	ATE						
	85	01/05 → 05/08	●	PR:1KD	P85020MM	[-]	17,2	TRW						
	85	01/05 → 05/08	●	PR:1KE; PR:1KZ	P85073MM	[O]	17,2	TRW						
1.6 MultiFuel	75	11/07 → 12/13	●	PR:1ZF+9U0	P85041MM	[-]	19,7	ATE						
	75	11/07 → 12/13	●	PR:1ZF+9U1; PR:1ZM	P85072MM	[+]	19,7	ATE						
	75	11/07 → 12/13	●	PR:1ZE+9U0; PR:1LJ-9U0	P85105MM	[-]	20,3	ATE						
	75	11/07 → 12/13	●	PR:1ZE+9U1; PR:1ZP; PR:1LJ+9U1	P85075MM	[+]	20,3	ATE						
1.6 TDI	66	02/09 → 12/13	●	PR:1ZF+9U0	P85041MM	[-]	19,7	ATE						
	66	02/09 → 12/13	●	PR:1ZF+9U1; PR:1ZM	P85072MM	[+]	19,7	ATE						
	66	02/09 → 12/13	●	PR:1KD	P85020MM	[-]	17,2	TRW						
	66	02/09 → 12/13	●	PR:1KZ; PR:1KE	P85073MM	[O]	17,2	TRW						
	77	03/09 → 12/13	●	PR:1ZF+9U1; PR:1ZM	P85072MM	[+]	19,7	ATE						
	77	03/09 → 12/13	●	PR:1ZF+9U0	P85041MM	[-]	19,7	ATE						

kw							Th [mm]		MAGNETI MARELLI	LENGHT		MAGNETI MARELLI	

VOLKSWAGEN

GOLF PLUS (5M1, 521) 01/05 → 12/13

Engine	Year	PR	P	T	S	W	F
1.6 TDI	77 03/09 → 12/13	●	PR:1ZP	P85146MM	[+]	20,3	ATE
	77 03/09 → 12/13	●	PR:1ZE+9U0; PR:1LJ-9U0	P85105MM	[-]	20,3	ATE
	77 03/09 → 12/13	●	PR:1ZE+9U1; PR:1LJ+9U1	P85075MM	[+]	20,3	ATE
	77 03/09 → 12/13	●	PR:1KD	P85020MM	[-]	17,2	TRW
	77 03/09 → 12/13	●	PR:1KE; PR:1KZ	P85073MM	[o]	17,2	TRW
1.9 TDI	77 01/05 → 01/09	●	PR:1ZF+9U0	P85041MM	[-]	19,7	ATE
	77 01/05 → 01/09	●	PR:1ZF+9U1; PR:1ZM	P85072MM	[+]	19,7	ATE
	77 01/05 → 01/09	●	PR:1ZP	P85146MM	[+]	20,3	ATE
	77 01/05 → 01/09	●	PR:1ZE+9U0; PR:1LJ-9U0	P85105MM	[-]	20,3	ATE
	77 01/05 → 01/09	●	PR:1ZE+9U1; PR:1LJ+9U1	P85075MM	[+]	20,3	ATE
	77 01/05 → 01/09	●	PR:1KD	P85020MM	[-]	17,2	TRW
	77 01/05 → 01/09	●	PR:1KZ; PR:1KE	P85073MM	[o]	17,2	TRW
	66 05/05 → 12/08	●	PR:1ZF+9U0	P85041MM	[-]	19,7	ATE
	66 05/05 → 12/08	●	PR:1ZF+9U1; PR:1ZM	P85072MM	[+]	19,7	ATE
	66 05/05 → 12/08	●	PR:1ZE+9U0; PR:1LJ-9U0	P85105MM	[-]	20,3	ATE
	66 05/05 → 12/08	●	PR:1ZE+9U1; PR:1ZP; PR:1LJ+9U1	P85075MM	[+]	20,3	ATE
	66 05/05 → 12/08	●	PR:1KD	P85020MM	[-]	17,2	TRW
	66 05/05 → 12/08	●	PR:1KE; PR:1KZ	P85073MM	[o]	17,2	TRW
	2.0 FSI	110 05/05 → 06/08	●	PR:1ZE+9U0; PR:1LJ-9U0	P85105MM	[-]	20,3
110 05/05 → 06/08		●	PR:1ZE+9U1; PR:1ZP; PR:1LJ+9U1	P85075MM	[+]	20,3	ATE
110 05/05 → 06/08		●	PR:1KD	P85020MM	[-]	17,2	TRW
2.0 TDI	100 05/05 → 12/13	●	PR:1ZP	P85146MM	[+]	20,3	ATE
	100 05/05 → 12/13	●	PR:1ZE+9U0; PR:1LJ-9U0	P85105MM	[-]	20,3	ATE
	100 05/05 → 12/13	●	PR:1ZE+9U1; PR:1LJ+9U1	P85075MM	[+]	20,3	ATE
	100 05/05 → 12/13	●	PR:1KD	P85020MM	[-]	17,2	TRW
	100 05/05 → 12/13	●	PR:1KE; PR:1KZ	P85073MM	[o]	17,2	TRW
	103 12/05 → 05/11	●	PR:1ZP	P85146MM	[+]	20,3	ATE
	103 12/05 → 05/11	●	PR:1ZE+9U0; PR:1LJ-9U0	P85105MM	[-]	20,3	ATE
	103 12/05 → 05/11	●	PR:1ZE+9U1; PR:1LJ+9U1	P85075MM	[+]	20,3	ATE
	103 12/05 → 05/11	●	PR:1KD	P85020MM	[-]	17,2	TRW
	103 12/05 → 05/11	●	PR:1KE; PR:1KZ	P85073MM	[o]	17,2	TRW
	96 05/05 → 05/07	●	PR:1ZE+9U0; PR:1LJ-9U0	P85105MM	[-]	20,3	ATE
	96 05/05 → 05/07	●	PR:1ZE+9U1; PR:1LJ+9U1	P85075MM	[+]	20,3	ATE
2.0 TDI 16V	96 05/05 → 05/07	●	PR:1ZP	P85146MM	[+]	20,3	ATE
	96 05/05 → 05/07	●	PR:1ZF+9U0	P85041MM	[-]	19,7	ATE
	96 05/05 → 05/07	●	PR:1ZF+9U1; PR:1ZM	P85072MM	[+]	19,7	ATE
	96 05/05 → 05/07	●	PR:1KD	P85020MM	[-]	17,2	TRW
	96 05/05 → 05/07	●	PR:1KZ; PR:1KE	P85073MM	[o]	17,2	TRW
	81 01/09 → 12/13	●	PR:1ZF+9U1; PR:1ZM	P85072MM	[+]	19,7	ATE
	81 01/09 → 12/13	●	PR:1ZF+9U0	P85041MM	[-]	19,7	ATE
	81 01/09 → 12/13	●	PR:1ZP	P85146MM	[+]	20,3	ATE
	81 01/09 → 12/13	●	PR:1ZE+9U0; PR:1LJ-9U0	P85105MM	[-]	20,3	ATE
	81 01/09 → 12/13	●	PR:1ZE+9U1; PR:1LJ+9U1	P85075MM	[+]	20,3	ATE
	81 01/09 → 12/13	●	PR:1KD	P85020MM	[-]	17,2	TRW
	81 01/09 → 12/13	●	PR:1KE; PR:1KZ	P85073MM	[o]	17,2	TRW
	103 01/05 → 12/13	●	PR:1ZP	P85146MM	[+]	20,3	ATE
103 01/05 → 12/13	●	PR:1ZE+9U0; PR:1LJ-9U0	P85105MM	[-]	20,3	ATE	
103 01/05 → 12/13	●	PR:1ZE+9U1; PR:1LJ+9U1	P85075MM	[+]	20,3	ATE	
103 01/05 → 12/13	●	PR:1KD	P85020MM	[-]	17,2	TRW	
103 01/05 → 12/13	●	PR:1KE; PR:1KZ	P85073MM	[o]	17,2	TRW	

VOLKSWAGEN

GOLF SPORTSVAN (AM1) 02/14 →

1.0 TSI	85	05/15 →	●	PR:1ZE; PR:1ZA	P85126MM	[+]	20,3	TRW							
	85	05/15 →	●	PR:1ZF	P85137MM	[+]	17,2	ATE							
	85	05/15 →	●	PR:1KE	P85125MM	[-]	16,4	ATE							
1.2 TSI	81	04/14 →	●	PR:1ZP; PR:1ZA; PR:1ZE	P85126MM	[+]	20,3	TRW							
	81	04/14 →	●	PR:1ZF	P85137MM	[+]	17,2	ATE							
	81	04/14 →	●	PR:1KE	P85125MM	[-]	16,4	ATE							
	63	05/14 →	●	PR:1ZA; PR:1ZP; PR:1ZE	P85126MM	[+]	20,3	TRW							
	63	05/14 →	●	PR:1ZF	P85137MM	[+]	17,2	ATE							
	63	05/14 →	●	PR:1KE	P85125MM	[-]	16,4	ATE							
1.4 TSI	110	02/14 →	●	PR:1ZE; PR:1ZP; PR:1ZA	P85126MM	[+]	20,3	TRW							
	110	02/14 →	●	PR:1ZF	P85137MM	[+]	17,2	ATE							
	110	02/14 →	●	PR:1KE	P85125MM	[-]	16,4	ATE							
	92	04/14 →	●	PR:1ZE; PR:1ZP; PR:1ZA	P85126MM	[+]	20,3	TRW							
	92	04/14 →	●	PR:1ZF	P85137MM	[+]	17,2	ATE							
1.4 TSI MultiFuel	92	04/14 →	●	PR:1ZA; PR:1ZP; PR:1ZE	P85126MM	[+]	20,3	TRW							
	92	04/14 →	●	PR:1ZF	P85137MM	[+]	17,2	ATE							
	92	04/14 →	●	PR:1KE	P85125MM	[-]	16,4	ATE							
1.6	81	05/14 →	●	PR:1ZE; PR:1ZP; PR:1ZA	P85126MM	[+]	20,3	TRW							
	81	05/14 →	●	PR:1ZF	P85137MM	[+]	17,2	ATE							
	81	05/14 →	●	PR:1KE	P85125MM	[-]	16,4	ATE							
1.6 TDI	81	02/14 →	●	PR:1ZE; PR:1ZP; PR:1ZA	P85126MM	[+]	20,3	TRW							
	81	02/14 →	●	PR:1ZF	P85137MM	[+]	17,2	ATE							
	81	02/14 →	●	PR:1KE	P85125MM	[-]	16,4	ATE							
	66	02/14 →	●	PR:1ZE; PR:1ZP; PR:1ZA	P85126MM	[+]	20,3	TRW							
	66	02/14 →	●	PR:1ZF	P85137MM	[+]	17,2	ATE							
	66	02/14 →	●	PR:1KE	P85125MM	[-]	16,4	ATE							
	85	11/16 →	●	PR:1ZA; PR:1ZE	P85126MM	[+]	20,3	TRW							
	85	11/16 →	●	PR:1ZF	P85137MM	[+]	17,2	ATE							
	85	11/16 →	●	PR:1KE	P85125MM	[-]	16,4	ATE							
2.0 TDI	110	02/14 →	●	PR:1ZA; PR:1ZP; PR:1ZE	P85126MM	[+]	20,3	TRW							
	110	02/14 →	●	PR:1ZF	P85137MM	[+]	17,2	ATE							
	110	02/14 →	●	PR:1KE	P85125MM	[-]	16,4	ATE							
	81	05/14 →	●	PR:1ZA; PR:1ZP; PR:1ZE	P85126MM	[+]	20,3	TRW							
	81	05/14 →	●	PR:1ZF	P85137MM	[+]	17,2	ATE							
	81	05/14 →	●	PR:1KE	P85125MM	[-]	16,4	ATE							

JETTA III (1K2) 08/05 → 10/10

1.4 TSI	103	07/06 → 10/10	●	PR:1ZM	P85072MM	[+]	19,7	ATE							
	103	07/06 → 10/10	●	PR:1ZE; PR:1ZP	P85146MM	[+]	20,3	ATE							
	103	07/06 → 10/10	●	PR:1KV; PR:1KJ; PR:1KF; PR:1KE	P85073MM	[O]	17,2	TRW							
	125	07/06 → 10/10	●	PR:1ZM	P85072MM	[+]	19,7	ATE							
	125	07/06 → 10/10	●	PR:1ZP; PR:1ZE	P85075MM	[+]	20,3	ATE							
	125	07/06 → 10/10	●	PR:1LV; PR:1ZD	P85146MM	[+]	20,3	ATE							
	125	07/06 → 10/10	●	PR:1KE; PR:1KF; PR:1KJ; PR:1KV	P85073MM	[O]	17,2	TRW							
	90	05/07 → 10/10	●	PR:1ZM	P85072MM	[+]	19,7	ATE							
	90	05/07 → 10/10	●	PR:1ZE; PR:1ZP	P85146MM	[+]	20,3	ATE							
	90	05/07 → 10/10	●	PR:1KV; PR:1KJ; PR:1KF; PR:1KE	P85073MM	[O]	17,2	TRW							
	118	07/08 → 10/10	●	PR:1ZM	P85072MM	[+]	19,7	ATE							
	118	07/08 → 10/10	●	PR:1ZP; PR:1ZE	P85075MM	[+]	20,3	ATE							
	118	07/08 → 10/10	●	PR:1LV; PR:1ZD	P85146MM	[+]	20,3	ATE							
	118	07/08 → 10/10	●	PR:1KE; PR:1KF; PR:1KJ; PR:1KV	P85073MM	[O]	17,2	TRW							

									WI			FK	
	kw									LENGHT			

VOLKSWAGEN

JETTA III (1K2) 08/05 → 10/10

Engine	Power (kw)	Period	PR	Part No.	Th [mm]	SYS	WI	FK
1.4 TSI	118	07/08 → 10/10	●	PR:1KS	P85114MM [-]	17,7	BSH	
1.6	75	10/05 → 10/10	●	PR:1ZM	P85072MM [+]	19,7	ATE	
	75	10/05 → 10/10	●	PR:1KE; PR:1KF; PR:1KJ; PR:1KV	P85073MM [o]	17,2	TRW	
1.6 FSI	85	09/05 → 10/10	●	PR:1ZM	P85072MM [+]	19,7	ATE	
	85	09/05 → 10/10	●	PR:1ZE; PR:1ZP	P85075MM [+]	20,3	ATE	
	85	09/05 → 10/10	●	PR:1KV; PR:1KF; PR:1KJ; PR:1KE	P85073MM [o]	17,2	TRW	
1.6 MultiFuel	75	01/08 → 10/10	●	PR:1ZM	P85072MM [+]	19,7	ATE	
	75	01/08 → 10/10	●	PR:1ZE; PR:1ZP	P85075MM [+]	20,3	ATE	
	75	01/08 → 10/10	●	PR:1KE; PR:1KF; PR:1KV; PR:1KJ	P85073MM [o]	17,2	TRW	
1.6 TDI	66	12/09 → 10/10	●	PR:1ZM	P85072MM [+]	19,7	ATE	
	66	12/09 → 10/10	●	PR:1KE; PR:1KF; PR:1KJ; PR:1KV	P85073MM [o]	17,2	TRW	
	77	06/09 → 10/10	●	PR:1ZM	P85072MM [+]	19,7	ATE	
1.9 TDI	77	06/09 → 10/10	●	PR:1KJ; PR:1KV; PR:1KF; PR:1KE	P85073MM [o]	17,2	TRW	
	77	08/05 → 10/10	●	PR:1ZM	P85072MM [+]	19,7	ATE	
2.0 FSI	110	08/05 → 10/10	●	PR:1KV; PR:1KJ; PR:1KF; PR:1KE	P85073MM [o]	17,2	TRW	
	110	08/05 → 10/10	●	PR:1ZE; PR:1ZP	P85146MM [+]	20,3	ATE	
2.0 TDI	110	08/05 → 10/10	●	PR:1ZM	P85072MM [+]	19,7	ATE	
	100	09/05 → 10/10	●	PR:1KE; PR:1KJ; PR:1KF; PR:1KV	P85073MM [o]	17,2	TRW	
	100	09/05 → 10/10	●	PR:1ZD; PR:1ZP; PR:1LV; PR:1ZE	P85146MM [+]	20,3	ATE	
	100	09/05 → 10/10	●	PR:1LJ; PR:1LL	P85075MM [+]	20,3	ATE	
	100	09/05 → 10/10	●	PR:1ZM	P85072MM [+]	19,7	ATE	
	103	10/05 → 10/10	●	PR:1KE; PR:1KJ; PR:1KF; PR:1KV	P85073MM [o]	17,2	TRW	
	103	10/05 → 10/10	●	PR:1ZE; PR:1ZP	P85146MM [+]	20,3	ATE	
	103	10/05 → 10/10	●	PR:1KV; PR:1KJ; PR:1KF; PR:1KE	P85073MM [o]	17,2	TRW	
	125	10/06 → 10/10	●	PR:1LJ; PR:1LL	P85075MM [+]	20,3	ATE	
	125	10/06 → 10/10	●	PR:1LV; PR:1ZD	P85146MM [+]	20,3	ATE	
2.0 TDI 16V	125	10/06 → 10/10	●	PR:1KE; PR:1KJ; PR:1KF; PR:1KV	P85073MM [o]	17,2	TRW	
	103	08/05 → 10/10	●	PR:1ZP; PR:1ZE	P85146MM [+]	20,3	ATE	
	103	08/05 → 10/10	●	PR:1ZM	P85072MM [+]	19,7	ATE	
2.0 TFSI	103	08/05 → 10/10	●	PR:1KE; PR:1KF; PR:1KJ; PR:1KV	P85073MM [o]	17,2	TRW	
	147	10/05 → 10/10	●	PR:1ZD; PR:1LV	P85146MM [+]	20,3	ATE	
	147	10/05 → 10/10	●	PR:1LL; PR:1LJ	P85075MM [+]	20,3	ATE	
	147	10/05 → 10/10	●	PR:1KV; PR:1KJ; PR:1KF; PR:1KE	P85073MM [o]	17,2	TRW	
	125	03/08 → 10/10	●	PR:1ZM	P85072MM [+]	19,7	ATE	
	125	03/08 → 10/10	●	PR:1ZE; PR:1ZD; PR:1ZP	P85146MM [+]	20,3	ATE	
	125	03/08 → 10/10	●	PR:1LV; PR:1LL; PR:1LJ	P85075MM [+]	20,3	ATE	
2.5	125	03/08 → 10/10	●	PR:1KJ; PR:1KV; PR:1KF; PR:1KE	P85073MM [o]	17,2	TRW	
	110	01/06 → 10/10	●	PR:1ZM	P85072MM [+]	19,7	ATE	
	110	01/06 → 10/10	●	PR:1ZD; PR:1LV; PR:1ZP; PR:1ZE	P85146MM [+]	20,3	ATE	
	110	01/06 → 10/10	●	PR:1LL; PR:1LJ	P85075MM [+]	20,3	ATE	
	110	01/06 → 10/10	●	PR:1KE; PR:1KF; PR:1KJ; PR:1KV	P85073MM [o]	17,2	TRW	
	125	07/08 → 10/10	●	PR:1LJ; PR:1LL	P85075MM [+]	20,3	ATE	

VOLKSWAGEN

JETTA III (1K2) 08/05 → 10/10

2.5	125	07/08 → 10/10	●	PR:1ZD; PR:1LV	P85146MM	[+]	20,3	ATE				
	125	07/08 → 10/10	●	PR:1KV; PR:1KJ; PR:1KF; PR:1KE	P85073MM	[O]	17,2	TRW				

JETTA IV (162, 163) 04/10 →

1.2 TSI	77	10/10 →	●	PR:1ZE	P85075MM	[+]	20,3	ATE				
	77	10/10 →	●	PR:1ZM; PR:1ZQ	P85072MM	[+]	19,7	ATE				
	77	10/10 →	●	PR:1KE; PR:1KF	P85073MM	[O]	17,2	TRW				
	77	10/10 →	●	PR:1KS; PR:1KT	P85114MM	[-]	17,7	BSH				
1.4 TSI	118	04/11 →	●	PR:1ZE; PR:1ZP; PR:1ZB	P85075MM	[+]	20,3	ATE				
	118	04/11 →	●	PR:1LV; PR:1LL; PR:1ZA; PR:1ZD; PR:1LJ	P85146MM	[+]	20,3	ATE				
	118	04/11 →	●	PR:1KT; PR:1KS	P85114MM	[-]	17,7	BSH				
	90	05/11 →	●	PR:1ZP	P85041MM	[-]	19,7	ATE				
	90	05/11 →	●	PR:1ZA; PR:1ZE; PR:1ZB	P85075MM	[+]	20,3	ATE				
	90	05/11 →	●	PR:1KS; PR:1KT	P85114MM	[-]	17,7	BSH				
	110	04/11 → 07/14	●	PR:1ZP	P85041MM	[-]	19,7	ATE				
	110	04/11 → 07/14	●	PR:1ZB; PR:1ZE; PR:1ZA	P85075MM	[+]	20,3	ATE				
	110	04/11 → 07/14	●	PR:1KT; PR:1KS	P85114MM	[-]	17,7	BSH				
	92	08/14 →	●	PR:1ZM; PR:1ZQ	P85072MM	[+]	19,7	ATE				
	92	08/14 →	●	PR:1ZA; PR:1ZE; PR:1ZP; PR:1ZB	P85075MM	[+]	20,3	ATE				
	92	08/14 →	●	PR:1KU; PR:1KD	P85020MM	[-]	17,2	TRW				
	110	08/14 →	●	PR:1ZM; PR:1ZQ	P85072MM	[+]	19,7	ATE				
	110	08/14 →	●	PR:1ZA; PR:1ZE; PR:1ZP; PR:1ZB	P85075MM	[+]	20,3	ATE				
110	08/14 →	●	PR:1KU; PR:1KD	P85020MM	[-]	17,2	TRW					
1.4 TSI Hybrid	110	04/11 →	●	PR:1ZP	P85041MM	[-]	19,7	ATE				
	110	04/11 →	●	PR:1ZA; PR:1ZE; PR:1ZB	P85075MM	[+]	20,3	ATE				
	110	04/11 →	●	PR:1KS	P85114MM	[-]	17,7	BSH				
	110	04/11 →	●	PR:1KD; PR:1KU	P85020MM	[-]	17,2	TRW				
1.6	77	12/11 →	●	PR:1ZQ; PR:1ZM	P85072MM	[+]	19,7	ATE				
	77	12/11 →	●	PR:1KD	P85020MM	[-]	17,2	TRW				
	77	12/11 →	●	PR:1KS; PR:1KT	P85114MM	[-]	17,7	BSH				
	63	03/13 →	●	PR:1ZM; PR:1ZQ	P85072MM	[+]	19,7	ATE				
	63	03/13 →	●	PR:1KU; PR:1KD	P85020MM	[-]	17,2	TRW				
	77	04/10 → 07/14	●	PR:1ZQ; PR:1ZM	P85072MM	[+]	19,7	ATE				
1.6 TDI	77	04/10 → 07/14	●	PR:1ZE	P85075MM	[+]	20,3	ATE				
	77	04/10 → 07/14	●	PR:1KF; PR:1KE	P85073MM	[O]	17,2	TRW				
	77	04/10 → 07/14	●	PR:1KT; PR:1KS	P85114MM	[-]	17,7	BSH				
	125	07/14 →	●	PR:1ZP; PR:1LV	P85041MM	[-]	19,7	ATE				
1.8 TSI	125	07/14 →	●	PR:1ZQ	P85105MM	[-]	20,3	ATE				
	125	07/14 →	●	PR:1ZM; PR:1ZQ	P85072MM	[+]	19,7	ATE				
	125	07/14 →	●	PR:1ZB; PR:1ZP; PR:1ZE; PR:1ZA	P85075MM	[+]	20,3	ATE				
	125	07/14 →	●	PR:1KU; PR:1KD	P85020MM	[-]	17,2	TRW				
	85	06/10 →	●	PR:1ZM	P85072MM	[+]	19,7	ATE				
2.0	85	06/10 →	●	PR:1ZE; PR:1ZB; PR:1ZP; PR:1ZA	P85075MM	[+]	20,3	ATE				
	85	06/10 →	●	PR:1KS; PR:1KD; 12/11 →	P85020MM	[-]	17,2	TRW				
	85	06/10 →	●	PR:1KT; PR:1KS	P85114MM	[-]	17,7	BSH				
	103	02/11 →	●	PR:1ZA; PR:1ZE; PR:1ZP; PR:1ZB	P85075MM	[+]	20,3	ATE				
2.0 TDI	103	02/11 →	●	PR:1ZP	P85041MM	[-]	19,7	ATE				
	103	02/11 →	●	PR:1KS; PR:1KT	P85114MM	[-]	17,7	BSH				
	81	10/10 →	●	PR:1ZM	P85072MM	[+]	19,7	ATE				

								WI			FK		
	kw					wi	Th [mm]	SYS		LENGHT			

VOLKSWAGEN

JETTA IV (162, 163) 04/10 →

2.0 TDI	81	10/10 →	●	PR:1ZA; PR:1ZE; PR:1ZP; PR:1ZB	P85075MM	[+]	20,3	ATE				
	81	10/10 →	●	PR:1KS; PR:1KT	P85114MM	[-]	17,7	BSH				
	81	10/10 →	●	PR:1KD; disc Ø 255 mm	P85020MM	[-]	17,2	TRW				
	110	08/14 →	●	PR:1ZM; PR:1ZQ	P85072MM	[+]	19,7	ATE				
	110	08/14 →	●	PR:1ZE; PR:1ZB; PR:1ZP; PR:1ZA	P85075MM	[+]	20,3	ATE				
	110	08/14 →	●	PR:1KU; PR:1KD	P85020MM	[-]	17,2	TRW				
2.0 TSI	147	12/10 →	●	PR:1ZB; PR:1ZP; PR:1ZE	P85075MM	[+]	20,3	ATE				
	147	12/10 →	●	PR:1LJ; PR:1ZD; PR:1ZA; PR:1LL; PR:1LV	P85146MM	[+]	20,3	ATE				
	147	12/10 →	●	PR:1KS; PR:1KT	P85114MM	[-]	17,7	BSH				
	155	12/12 →	●	PR:1ZE; PR:1ZP; PR:1ZB	P85075MM	[+]	20,3	ATE				
	155	12/12 →	●	PR:1LV; PR:1ZA; PR:1LL; PR:1ZD; PR:1LJ	P85146MM	[+]	20,3	ATE				
2.5	125	04/10 →	●	PR:1ZB; PR:1ZE; PR:1ZA	P85075MM	[+]	20,3	ATE				
	125	04/10 →	●	PR:1ZP	P85041MM	[-]	19,7	ATE				
	125	04/10 →	●	PR:1KT; PR:1KS	P85114MM	[-]	17,7	BSH				
	125	04/10 →	●	PR:1KD; 12/11 →	P85020MM	[-]	17,2	TRW				

KAEFER 12/47 → 08/03

1600 (Mexico)	34	05/73 → 09/92	●		P06001MM	[-]	15	ATE				
1600 i (Mexico)	34	10/92 → 07/03	●		P06001MM	[-]	15	ATE				

LOAD UP (121, 122, BL1, BL2) 12/14 →

1.0	44	12/14 →	●	PR:1ZQ	P85105MM	[-]	20,3	ATE				
	44	12/14 →	●	PR:1LA	P85041MM	[-]	19,7	ATE				
1.0 EcoFuel	50	12/14 →	●	PR:1ZQ	P85105MM	[-]	20,3	ATE				
	50	12/14 →	●	PR:1LA	P85041MM	[-]	19,7	ATE				
e-Load Up	60	12/14 →	●	PR:1ZQ	P85105MM	[-]	20,3	ATE				
	60	12/14 →	●	PR:1LA	P85041MM	[-]	19,7	ATE				

LT 28-35 II Bus (2DB, 2DE, 2DK) 04/96 → 07/06

2.3	105	05/96 → 07/06	●	PR:OWA; PR:OWC; LT 28/LT 35	P50080MM	[+]	20,7	ATE				
	105	05/96 → 07/06	●	PR:OWA; LT 28	P50081MM	[+]	17,3	ATE				
	105	05/96 → 07/06	●	PR:OWC; LT 35; 2D-2-000001 →; → 2D-X-002119	P50082MM	[+]	18,8	ATE				
	105	05/96 → 07/06	●	PR:OWC; LT 35; 2D-X-002120 →; → 2D-2-008000	P50020MM	[o]	18,9	BSH				
2.5 SDI	55	07/96 → 07/06	●	PR:OWA; PR:OWC; LT 28/LT 35	P50080MM	[+]	20,7	ATE				
	55	07/96 → 07/06	●	PR:OWA; LT 28	P50081MM	[+]	17,3	ATE				
	55	07/96 → 07/06	●	PR:OWC; LT 35; 2D-2-000001 →; → 2D-X-002119	P50082MM	[+]	18,8	ATE				
	55	07/96 → 07/06	●	PR:OWC; LT 35; 2D-X-002120 →; → 2D-2-008000	P50020MM	[o]	18,9	BSH				
2.5 TDI	75	05/96 → 08/99	●	PR:OWA; PR:OWC; LT 28/LT 35	P50080MM	[+]	20,7	ATE				
	75	05/96 → 08/99	●	PR:OWA; LT 28	P50081MM	[+]	17,3	ATE				
	75	05/96 → 08/99	●	PR:OWC; LT 35; 2D-2-000001 →; → 2D-X-002119	P50082MM	[+]	18,8	ATE				
	75	05/96 → 08/99	●	PR:OWC; LT 35; 2D-X-002120 →; → 2D-2-008000	P50020MM	[o]	18,9	BSH				
	66	05/99 → 07/06	●	PR:OWA; PR:OWC; LT 28/LT 35	P50080MM	[+]	20,7	ATE				
	66	05/99 → 07/06	●	PR:OWA; LT 28	P50081MM	[+]	17,3	ATE				

VOLKSWAGEN

LT 28-35 II Bus (2DB, 2DE, 2DK) 04/96 → 07/06

2.5 TDI	66	05/99 → 07/06	●	PR:0WC; LT 35; 2D-2-000001 → ; → 2D-X-002119	P50082MM	[+]	18,8	ATE						
	66	05/99 → 07/06		PR:0WC; LT 35; 2D-X-002120 → ; → 2D-2-008000	P50020MM	[o]	18,9	BSH						
	80	05/99 → 07/06	●	PR:0WA; PR:0WC; LT 28/LT 35	P50080MM	[+]	20,7	ATE						
	80	05/99 → 07/06	●	PR:0WA; LT 28	P50081MM	[+]	17,3	ATE						
	80	05/99 → 07/06		PR:0WC; LT 35; 2D-2-000001 → ; → 2D-X-002119	P50082MM	[+]	18,8	ATE						
	80	05/99 → 07/06		PR:0WC; LT 35; 2D-X-002120 → ; → 2D-2-008000	P50020MM	[o]	18,9	BSH						
	61	05/01 → 07/06	●	PR:0WA; PR:0WC; LT 28/LT 35	P50080MM	[+]	20,7	ATE						
	61	05/01 → 07/06	●	PR:0WA; LT 28	P50081MM	[+]	17,3	ATE						
	61	05/01 → 07/06		PR:0WC; LT 35; 2D-2-000001 → ; → 2D-X-002119	P50082MM	[+]	18,8	ATE						
	61	05/01 → 07/06		PR:0WC; LT 35; 2D-X-002120 → ; → 2D-2-008000	P50020MM	[o]	18,9	BSH						
	70	05/01 → 07/06	●	PR:0WA; PR:0WC; LT 28/LT 35	P50080MM	[+]	20,7	ATE						
	70	05/01 → 07/06	●	PR:0WA; LT 28	P50081MM	[+]	17,3	ATE						
	70	05/01 → 07/06		PR:0WC; LT 35; 2D-2-000001 → ; → 2D-X-002119	P50082MM	[+]	18,8	ATE						
	70	05/01 → 07/06		PR:0WC; LT 35; 2D-X-002120 → ; → 2D-2-008000	P50020MM	[o]	18,9	BSH						
2.8 TDI	116	05/01 → 06/06	●	PR:0WA; PR:0WC; LT 28/LT 35	P50080MM	[+]	20,7	ATE						
	116	05/01 → 06/06	●	PR:0WA; LT 28	P50081MM	[+]	17,3	ATE						
	116	05/01 → 06/06		PR:0WC; LT 35; 2D-2-000001 → ; → 2D-X-002119	P50082MM	[+]	18,8	ATE						
	116	05/01 → 06/06		PR:0WC; LT 35; 2D-X-002120 → ; → 2D-2-008000	P50020MM	[o]	18,9	BSH						
	96	01/99 → 01/02	●	PR:0WA; PR:0WC; LT 28/LT 35	P50080MM	[+]	20,7	ATE						
	96	01/99 → 01/02	●	PR:0WA; LT 28	P50081MM	[+]	17,3	ATE						
	96	01/99 → 01/02		PR:0WC; LT 35; 2D-2-000001 → ; → 2D-X-002119	P50082MM	[+]	18,8	ATE						
	96	01/99 → 01/02		PR:0WC; LT 35; 2D-X-002120 → ; → 2D-2-008000	P50020MM	[o]	18,9	BSH						
	92	07/97 → 05/03	●	PR:0WA; PR:0WC; LT 28/LT 35	P50080MM	[+]	20,7	ATE						
	92	07/97 → 05/03	●	PR:0WA; LT 28	P50081MM	[+]	17,3	ATE						
	92	07/97 → 05/03		PR:0WC; LT 35; 2D-2-000001 → ; → 2D-X-002119	P50082MM	[+]	18,8	ATE						
	92	07/97 → 05/03		PR:0WC; LT 35; 2D-X-002120 → ; → 2D-2-008000	P50020MM	[o]	18,9	BSH						

LT 28-46 II Box (2DA, 2DD, 2DH) 04/96 → 07/06

2.3	105	05/96 → 07/06	●	PR:0WA; PR:0WC; LT 28/LT 35	P50080MM	[+]	20,7	ATE						
	105	05/96 → 07/06	●	PR:0WE; LT 46	P50028MM	[o]	20	PER						
	105	05/96 → 07/06	●	PR:0WA; LT 28	P50081MM	[+]	17,3	ATE						
	105	05/96 → 07/06		PR:0WC; LT 35; 2D-2-000001 → ; → 2D-X-002119	P50082MM	[+]	18,8	ATE						

									WI			FK	
	kw						Th [mm]			LENGHT			

VOLKSWAGEN

LT 28-46 II Box (2DA, 2DD, 2DH) 04/96 → 07/06

2.3	105	05/96 → 07/06		● PR:0WC; LT 35; 2D-X-002120 →; → 2D-2-008000	P50020MM	[o]	18,9	BSH						
	105	05/96 → 07/06		● PR:0WE; LT 46	P50028MM	[o]	20	PER						
2.5 SDI	55	09/96 → 07/06	●	PR:0WA; PR:0WC; LT 28/LT 35	P50080MM	[+]	20,7	ATE						
	55	09/96 → 07/06	●	PR:0WE; LT 46	P50028MM	[o]	20	PER						
	55	09/96 → 07/06		● PR:0WA; LT 28	P50081MM	[+]	17,3	ATE						
	55	09/96 → 07/06		● PR:0WC; LT 35; 2D-2-000001 →; → 2D-X-002119	P50082MM	[+]	18,8	ATE						
	55	09/96 → 07/06		● PR:0WC; LT 35; 2D-X-002120 →; → 2D-2-008000	P50020MM	[o]	18,9	BSH						
	55	09/96 → 07/06		● PR:0WE; LT 46	P50028MM	[o]	20	PER						
	2.5 TDI	75	05/96 → 08/99	●	PR:0WA; PR:0WC; LT 28/LT 35	P50080MM	[+]	20,7	ATE					
		75	05/96 → 08/99	●	PR:0WE; LT 46	P50028MM	[o]	20	PER					
		75	05/96 → 08/99	●	PR:0WA; LT 28	P50081MM	[+]	17,3	ATE					
		75	05/96 → 08/99		● PR:0WC; LT 35; 2D-2-000001 →; → 2D-X-002119	P50082MM	[+]	18,8	ATE					
75		05/96 → 08/99		● PR:0WC; LT 35; 2D-X-002120 →; → 2D-2-008000	P50020MM	[o]	18,9	BSH						
75		05/96 → 08/99		● PR:0WE; LT 46	P50028MM	[o]	20	PER						
66		05/99 → 07/06	●	PR:0WA; PR:0WC; LT 28/LT 35	P50080MM	[+]	20,7	ATE						
66		05/99 → 07/06	●	PR:0WE; LT 46	P50028MM	[o]	20	PER						
66		05/99 → 07/06	●	PR:0WA; LT 28	P50081MM	[+]	17,3	ATE						
66		05/99 → 07/06		● PR:0WC; LT 35; 2D-2-000001 →; → 2D-X-002119	P50082MM	[+]	18,8	ATE						
66		05/99 → 07/06		● PR:0WC; LT 35; 2D-X-002120 →; → 2D-2-008000	P50020MM	[o]	18,9	BSH						
66		05/99 → 07/06		● PR:0WE; LT 46	P50028MM	[o]	20	PER						
80		05/99 → 07/06	●	PR:0WA; PR:0WC; LT 28/LT 35	P50080MM	[+]	20,7	ATE						
80		05/99 → 07/06	●	PR:0WE; LT 46	P50028MM	[o]	20	PER						
80		05/99 → 07/06	●	PR:0WA; LT 28	P50081MM	[+]	17,3	ATE						
80		05/99 → 07/06		● PR:0WC; LT 35; 2D-2-000001 →; → 2D-X-002119	P50082MM	[+]	18,8	ATE						
80		05/99 → 07/06		● PR:0WC; LT 35; 2D-X-002120 →; → 2D-2-008000	P50020MM	[o]	18,9	BSH						
80		05/99 → 07/06		● PR:0WE; LT 46	P50028MM	[o]	20	PER						
61		05/01 → 07/06	●	PR:0WA; PR:0WC; LT 28/LT 35	P50080MM	[+]	20,7	ATE						
61		05/01 → 07/06	●	PR:0WE; LT 46	P50028MM	[o]	20	PER						
61	05/01 → 07/06	●	PR:0WA; LT 28	P50081MM	[+]	17,3	ATE							
61	05/01 → 07/06		● PR:0WC; LT 35; 2D-2-000001 →; → 2D-X-002119	P50082MM	[+]	18,8	ATE							
61	05/01 → 07/06		● PR:0WC; LT 35; 2D-X-002120 →; → 2D-2-008000	P50020MM	[o]	18,9	BSH							
61	05/01 → 07/06		● PR:0WE; LT 46	P50028MM	[o]	20	PER							
70	05/01 → 07/06	●	PR:0WA; PR:0WC; LT 28/LT 35	P50080MM	[+]	20,7	ATE							
70	05/01 → 07/06	●	PR:0WE; LT 46	P50028MM	[o]	20	PER							
70	05/01 → 07/06	●	PR:0WA; LT 28	P50081MM	[+]	17,3	ATE							
70	05/01 → 07/06		● PR:0WC; LT 35; 2D-2-000001 →; → 2D-X-002119	P50082MM	[+]	18,8	ATE							

VOLKSWAGEN

LT 28-46 II Box (2DA, 2DD, 2DH) 04/96 → 07/06

2.5 TDI	70	05/01 → 07/06	●	PR:0WC; LT 35; 2D-X-002120 →; → 2D-2-008000	P50020MM	[O]	18,9	BSH				
	70	05/01 → 07/06	●	PR:0WE; LT 46	P50028MM	[O]	20	PER				
2.8 TDI	92	07/97 → 01/02	●	PR:0WA; PR:0WC; LT 28/LT 35	P50080MM	[+]	20,7	ATE				
	92	07/97 → 01/02	●	PR:0WE; LT 46	P50028MM	[O]	20	PER				
	92	07/97 → 01/02	●	PR:0WA; LT 28	P50081MM	[+]	17,3	ATE				
	92	07/97 → 01/02	●	PR:0WC; LT 35; 2D-2-000001 →; → 2D-X-002119	P50082MM	[+]	18,8	ATE				
	92	07/97 → 01/02	●	PR:0WC; LT 35; 2D-X-002120 →; → 2D-2-008000	P50020MM	[O]	18,9	BSH				
	92	07/97 → 01/02	●	PR:0WE; LT 46	P50028MM	[O]	20	PER				
	96	01/99 → 07/06	●	PR:0WA; PR:0WC; LT 28/LT 35	P50080MM	[+]	20,7	ATE				
	96	01/99 → 07/06	●	PR:0WE; LT 46	P50028MM	[O]	20	PER				
	96	01/99 → 07/06	●	PR:0WA; LT 28	P50081MM	[+]	17,3	ATE				
	96	01/99 → 07/06	●	PR:0WC; LT 35; 2D-2-000001 →; → 2D-X-002119	P50082MM	[+]	18,8	ATE				
	96	01/99 → 07/06	●	PR:0WC; LT 35; 2D-X-002120 →; → 2D-2-008000	P50020MM	[O]	18,9	BSH				
	96	01/99 → 07/06	●	PR:0WE; LT 46	P50028MM	[O]	20	PER				
	116	04/02 → 07/06	●	PR:0WA; PR:0WC; LT 28/LT 35	P50080MM	[+]	20,7	ATE				
	116	04/02 → 07/06	●	PR:0WE; LT 46	P50028MM	[O]	20	PER				
116	04/02 → 07/06	●	PR:0WA; LT 28	P50081MM	[+]	17,3	ATE					
116	04/02 → 07/06	●	PR:0WC; LT 35; 2D-2-000001 →; → 2D-X-002119	P50082MM	[+]	18,8	ATE					
116	04/02 → 07/06	●	PR:0WC; LT 35; 2D-X-002120 →; → 2D-2-008000	P50020MM	[O]	18,9	BSH					
116	04/02 → 07/06	●	PR:0WE; LT 46	P50028MM	[O]	20	PER					

LT 28-46 II Platform/Chassis (2DC, 2DF, 2DG, 2DL, 2DM) 04/96 → 07/06

2.3	105	06/96 → 07/06	●	PR:0WA; PR:0WC; LT 28/LT 35	P50080MM	[+]	20,7	ATE				
	105	06/96 → 07/06	●	PR:0WE; LT 46	P50028MM	[O]	20	PER				
	105	06/96 → 07/06	●	PR:0WA; LT 28	P50081MM	[+]	17,3	ATE				
	105	06/96 → 07/06	●	PR:0WC; LT 35; 2D-2-000001 →; → 2D-X-002119	P50082MM	[+]	18,8	ATE				
	105	06/96 → 07/06	●	PR:0WC; LT 35; 2D-X-002120 →; → 2D-2-008000	P50020MM	[O]	18,9	BSH				
2.5 SDI	55	09/96 → 07/06	●	PR:0WA; PR:0WC; LT 28/LT 35	P50080MM	[+]	20,7	ATE				
	55	09/96 → 07/06	●	PR:0WE; LT 46	P50028MM	[O]	20	PER				
	55	09/96 → 07/06	●	PR:0WA; LT 28	P50081MM	[+]	17,3	ATE				
	55	09/96 → 07/06	●	PR:0WC; LT 35; 2D-2-000001 →; → 2D-X-002119	P50082MM	[+]	18,8	ATE				
	55	09/96 → 07/06	●	PR:0WC; LT 35; 2D-X-002120 →; → 2D-2-008000	P50020MM	[O]	18,9	BSH				
2.5 TDI	75	06/96 → 08/99	●	PR:0WA; PR:0WC; LT 28/LT 35	P50080MM	[+]	20,7	ATE				
	75	06/96 → 08/99	●	PR:0WE; LT 46	P50028MM	[O]	20	PER				
	75	06/96 → 08/99	●	PR:0WA; LT 28	P50081MM	[+]	17,3	ATE				
	75	06/96 → 08/99	●	PR:0WC; LT 35; 2D-2-000001 →; → 2D-X-002119	P50082MM	[+]	18,8	ATE				

	kw										LENGHT			

VOLKSWAGEN

LT 28-46 II Platform/Chassis (2DC, 2DF, 2DG, 2DL, 2DM) 04/96 → 07/06

2.5 TDI	75	06/96 → 08/99	●	PR:0WC; LT 35; 2D-X-002120 →; → 2D-2-008000	P50020MM	[o]	18,9	BSH						
	75	06/96 → 08/99	●	PR:0WE; LT 46	P50028MM	[o]	20	PER						
	66	05/99 → 07/06	●	PR:0WA; PR:0WC; LT 28/LT 35	P50080MM	[+]	20,7	ATE						
	66	05/99 → 07/06	●	PR:0WE; LT 46	P50028MM	[o]	20	PER						
	66	05/99 → 07/06	●	PR:0WA; LT 28	P50081MM	[+]	17,3	ATE						
	66	05/99 → 07/06	●	PR:0WC; LT 35; 2D-2-000001 →; → 2D-X-002119	P50082MM	[+]	18,8	ATE						
	66	05/99 → 07/06	●	PR:0WC; LT 35; 2D-X-002120 →; → 2D-2-008000	P50020MM	[o]	18,9	BSH						
	66	05/99 → 07/06	●	PR:0WE; LT 46	P50028MM	[o]	20	PER						
	80	05/99 → 07/06	●	PR:0WA; PR:0WC; LT 28/LT 35	P50080MM	[+]	20,7	ATE						
	80	05/99 → 07/06	●	PR:0WE; LT 46	P50028MM	[o]	20	PER						
	80	05/99 → 07/06	●	PR:0WA; LT 28	P50081MM	[+]	17,3	ATE						
	80	05/99 → 07/06	●	PR:0WC; LT 35; 2D-2-000001 →; → 2D-X-002119	P50082MM	[+]	18,8	ATE						
	80	05/99 → 07/06	●	PR:0WC; LT 35; 2D-X-002120 →; → 2D-2-008000	P50020MM	[o]	18,9	BSH						
	80	05/99 → 07/06	●	PR:0WE; LT 46	P50028MM	[o]	20	PER						
	61	05/01 → 07/06	●	PR:0WA; PR:0WC; LT 28/LT 35	P50080MM	[+]	20,7	ATE						
	61	05/01 → 07/06	●	PR:0WE; LT 46	P50028MM	[o]	20	PER						
	61	05/01 → 07/06	●	PR:0WA; LT 28	P50081MM	[+]	17,3	ATE						
	61	05/01 → 07/06	●	PR:0WC; LT 35; 2D-2-000001 →; → 2D-X-002119	P50082MM	[+]	18,8	ATE						
	61	05/01 → 07/06	●	PR:0WC; LT 35; 2D-X-002120 →; → 2D-2-008000	P50020MM	[o]	18,9	BSH						
	61	05/01 → 07/06	●	PR:0WE; LT 46	P50028MM	[o]	20	PER						
70	05/01 → 07/06	●	PR:0WA; PR:0WC; LT 28/LT 35	P50080MM	[+]	20,7	ATE							
70	05/01 → 07/06	●	PR:0WE; LT 46	P50028MM	[o]	20	PER							
70	05/01 → 07/06	●	PR:0WA; LT 28	P50081MM	[+]	17,3	ATE							
70	05/01 → 07/06	●	PR:0WC; LT 35; 2D-2-000001 →; → 2D-X-002119	P50082MM	[+]	18,8	ATE							
70	05/01 → 07/06	●	PR:0WC; LT 35; 2D-X-002120 →; → 2D-2-008000	P50020MM	[o]	18,9	BSH							
70	05/01 → 07/06	●	PR:0WE; LT 46	P50028MM	[o]	20	PER							
2.8 TDI	92	07/97 → 01/02	●	PR:0WA; PR:0WC; LT 28/LT 35	P50080MM	[+]	20,7	ATE						
	92	07/97 → 01/02	●	PR:0WE; LT 46	P50028MM	[o]	20	PER						
	92	07/97 → 01/02	●	PR:0WA; LT 28	P50081MM	[+]	17,3	ATE						
	92	07/97 → 01/02	●	PR:0WC; LT 35; 2D-2-000001 →; → 2D-X-002119	P50082MM	[+]	18,8	ATE						
	92	07/97 → 01/02	●	PR:0WC; LT 35; 2D-X-002120 →; → 2D-2-008000	P50020MM	[o]	18,9	BSH						
	92	07/97 → 01/02	●	PR:0WE; LT 46	P50028MM	[o]	20	PER						
	96	01/99 → 07/06	●	PR:0WA; PR:0WC; LT 28/LT 35	P50080MM	[+]	20,7	ATE						
	96	01/99 → 07/06	●	PR:0WE; LT 46	P50028MM	[o]	20	PER						
	96	01/99 → 07/06	●	PR:0WA; LT 28	P50081MM	[+]	17,3	ATE						
96	01/99 → 07/06	●	PR:0WC; LT 35; 2D-2-000001 →; → 2D-X-002119	P50082MM	[+]	18,8	ATE							

VOLKSWAGEN

LT 28-46 II Platform/Chassis (2DC, 2DF, 2DG, 2DL, 2DM) 04/96 → 07/06

2.8 TDI	96	01/99 → 07/06	●	PR:0WC; LT 35; 2D-X-002120 →; → 2D-2-008000	P50020MM [O]	18,9	BSH								
	96	01/99 → 07/06	●	PR:0WE; LT 46	P50028MM [O]	20	PER								
	116	04/02 → 07/06	●	PR:0WA; PR:0WC; LT 28/LT 35	P50080MM [+]	20,7	ATE								
	116	04/02 → 07/06	●	PR:0WE; LT 46	P50028MM [O]	20	PER								
	116	04/02 → 07/06	●	PR:0WA; LT 28	P50081MM [+]	17,3	ATE								
	116	04/02 → 07/06	●	PR:0WC; LT 35; 2D-2-000001 →; → 2D-X-002119	P50082MM [+]	18,8	ATE								
	116	04/02 → 07/06	●	PR:0WC; LT 35; 2D-X-002120 →; → 2D-2-008000	P50020MM [O]	18,9	BSH								
	116	04/02 → 07/06	●	PR:0WE; LT 46	P50028MM [O]	20	PER								

LUPU (6X1, 6E1) 09/98 → 07/05

1.0	37	09/98 → 07/05	●	PR:1LB; PR:1LM; PR:1ZC	P85025MM [-]	17,2	VW / VAG								
	37	09/98 → 07/05	●	PR:1ZK; PR:1ZJ; PR:1ZE	P85032MM [-]	16,2	TRW								
	37	10/98 → 05/00	●		P85025MM [-]	17,2	VW / VAG								
1.2 TDI 3L	45	07/99 → 07/05	●		P85055MM [-]	14,5	ATE								
1.4	44	10/00 → 07/05	●		P85025MM [-]	17,2	VW / VAG								
1.4 16V	55	09/98 → 07/05	●	PR:1LB; PR:1LM; PR:1ZC	P85025MM [-]	17,2	VW / VAG								
	55	09/98 → 07/05	●	PR:1ZK; PR:1ZJ; PR:1ZE	P85032MM [-]	16,2	TRW								
	74	08/99 → 07/05	●		P85032MM [-]	16,2	TRW								
	74	08/99 → 07/05	●		P85020MM [-]	17,2	TRW								
1.4 FSI	77	02/01 → 07/05	●		P85032MM [-]	16,2	TRW								
	77	02/01 → 07/05	●		P85020MM [-]	17,2	TRW								
1.4 TDI	55	01/99 → 07/05	●	PR:1LB; PR:1LM; PR:1ZC	P85025MM [-]	17,2	VW / VAG								
	55	01/99 → 07/05	●	PR:1ZK; PR:1ZJ; PR:1ZE	P85032MM [-]	16,2	TRW								
	55	01/99 → 07/05	●		P85020MM [-]	17,2	TRW								
1.6 GTI	92	09/00 → 07/05	●		P85032MM [-]	16,2	TRW								
	92	09/00 → 07/05	●		P85020MM [-]	17,2	TRW								
1.7 SDI	44	09/98 → 07/05	●		P85025MM [-]	17,2	VW / VAG								

MULTIVAN V (7HM, 7HN, 7HF, 7EF, 7EM, 7EN) 04/03 → 08/15

1.9 TDI	77	04/03 → 11/09	●	PR:2E3; 16" wheel	P85081MM [+]	20,1	ATE								
	77	04/03 → 11/09	●	PR:2E3; 16" wheel	P85106MM [-]	20,1	ATE								
	77	04/03 → 11/09	●	PR:2E4; 17" wheel	P85082MM [+]	18	ATE								
	77	04/03 → 11/09	●	PR:2E4; 17" wheel	P85107MM [-]	18	ATE								
	77	04/03 → 11/09	●	PR:2E4; PR:2E3	P85076MM [-]	17,7	TRW								
	77	04/03 → 11/09	●	PR:2E3; PR:2E4	P85083MM [+]	17,7	TRW								
	77	04/03 → 11/09	●	PR:0WR; 16" wheel	P85091MM [+]	19	ATE								
	75	06/06 → 11/09	●	PR:2E3; 16" wheel	P85081MM [+]	20,1	ATE								
	75	06/06 → 11/09	●	PR:2E3; 16" wheel	P85106MM [-]	20,1	ATE								
	75	06/06 → 11/09	●	PR:2E4; 17" wheel	P85082MM [+]	18	ATE								
	75	06/06 → 11/09	●	PR:2E4; 17" wheel	P85107MM [-]	18	ATE								
	75	06/06 → 11/09	●	PR:2E3; PR:2E4	P85076MM [-]	17,7	TRW								
	75	06/06 → 11/09	●	PR:2E3; PR:2E4	P85083MM [+]	17,7	TRW								
	75	06/06 → 11/09	●	PR:0WR; 16" wheel	P85091MM [+]	19	ATE								
	63	04/03 → 11/09	●	PR:2E4; 17" wheel	P85082MM [+]	18	ATE								
	63	04/03 → 11/09	●	PR:2E3+K4A; PR:K4B; 16" wheel	P85106MM [-]	20,1	ATE								

											WI			FK	

VOLKSWAGEN

MULTIVAN V (7HM, 7HN, 7HF, 7EF, 7EM, 7EN) 04/03 → 08/15

Engine	Power (kW)	Year Range	Configuration	Part Number	Wheel Size	Disc Diameter	System	WI	FK
1.9 TDI	63	04/03 → 11/09	● PR:2E3+K4H; PR:K4L; PR:K4J; 16" wheel	P85081MM	[+]	20,1	ATE		
	63	04/03 → 11/09	● PR:2E4; 17" wheel	P85107MM	[-]	18	ATE		
	63	04/03 → 11/09	● PR:2E4	P85141MM	[+]	18,1	ATE		
	63	04/03 → 11/09	● PR:2E4; PR:2E3	P85076MM	[-]	17,7	TRW		
	63	04/03 → 11/09	● PR:0WR; 16" wheel	P85091MM	[+]	19	ATE		
	63	04/03 → 11/09	● PR:2E4; PR:2E3	P85083MM	[+]	17,7	TRW		
	62	01/06 → 11/09	● PR:2E3; 16" wheel	P85081MM	[+]	20,1	ATE		
	62	01/06 → 11/09	● PR:2E3; 16" wheel	P85106MM	[-]	20,1	ATE		
	62	01/06 → 11/09	● PR:2E4; 17" wheel	P85082MM	[+]	18	ATE		
	62	01/06 → 11/09	● PR:2E4; 17" wheel	P85107MM	[-]	18	ATE		
	62	01/06 → 11/09	● PR:2E3; PR:2E4	P85076MM	[-]	17,7	TRW		
	62	01/06 → 11/09	● PR:2E4; PR:2E3	P85083MM	[+]	17,7	TRW		
62	01/06 → 11/09	● PR:0WR; 16" wheel	P85091MM	[+]	19	ATE			
2.0	85	11/03 → 08/15	● PR:2E3; 16" wheel	P85081MM	[+]	20,1	ATE		
	85	11/03 → 08/15	● PR:2E3; 16" wheel	P85106MM	[-]	20,1	ATE		
	85	11/03 → 08/15	● PR:2E4; 17" wheel	P85082MM	[+]	18	ATE		
	85	11/03 → 08/15	● PR:2E4; 17" wheel	P85107MM	[-]	18	ATE		
	85	11/03 → 08/15	● PR:2E4; PR:2E3	P85076MM	[-]	17,7	TRW		
	85	11/03 → 08/15	● PR:2E4; PR:2E3	P85083MM	[+]	17,7	TRW		
	85	11/03 → 08/15	● PR:0WR	P85091MM	[+]	19	ATE		
2.0 BitDI	132	09/09 → 08/15	● PR:2E3; 16" wheel; disc Ø 308 mm	P85081MM	[+]	20,1	ATE		
	132	09/09 → 08/15	● PR:2E3; 16" wheel; disc Ø 308 mm	P85106MM	[-]	20,1	ATE		
	132	09/09 → 08/15	● PR:2E4; 17" wheel; disc Ø 333 mm	P85082MM	[+]	18	ATE		
	132	09/09 → 08/15	● PR:2E4; 17" wheel; disc Ø 333 mm	P85107MM	[-]	18	ATE		
	132	09/09 → 08/15	● PR:2E4; disc Ø 340 mm	P85141MM	[+]	18,1	ATE		
	132	09/09 → 08/15	● PR:2E3; PR:2E4; disc Ø 294 mm	P85076MM	[-]	17,7	TRW		
	132	09/09 → 08/15	● PR:2E3; PR:2E4; disc Ø 294 mm	P85083MM	[+]	17,7	TRW		
2.0 BitDI 4motion	132	09/09 → 08/15	● PR:2E3; 16" wheel; disc Ø 308 mm	P85081MM	[+]	20,1	ATE		
	132	09/09 → 08/15	● PR:2E3; 16" wheel; disc Ø 308 mm	P85106MM	[-]	20,1	ATE		
	132	09/09 → 08/15	● PR:2E4; 17" wheel; disc Ø 333 mm	P85082MM	[+]	18	ATE		
	132	09/09 → 08/15	● PR:2E4; 17" wheel; disc Ø 333 mm	P85107MM	[-]	18	ATE		
	132	09/09 → 08/15	● PR:2E4; disc Ø 340 mm	P85141MM	[+]	18,1	ATE		
	132	09/09 → 08/15	● PR:2E4; PR:2E3; disc Ø 294 mm	P85076MM	[-]	17,7	TRW		
	132	09/09 → 08/15	● PR:2E4; PR:2E3; disc Ø 294 mm	P85083MM	[+]	17,7	TRW		
	100	05/10 → 08/15	● PR:2E4; 17" wheel	P85141MM	[+]	18,1	ATE		
2.0 TDI	100	05/10 → 08/15	● PR:2E3+K4H; PR:K4J; PR:K4L; 16" wheel	P85081MM	[+]	20,1	ATE		
	100	05/10 → 08/15	● PR:2E3+K4A; PR:K4B; 16" wheel	P85106MM	[-]	20,1	ATE		
	100	05/10 → 08/15	● PR:2E3; PR:2E4	P85076MM	[-]	17,7	TRW		
	100	05/10 → 08/15	● PR:0WR; 16" wheel	P85091MM	[+]	19	ATE		
	100	05/10 → 08/15	● PR:2E3; PR:2E4	P85083MM	[+]	17,7	TRW		
	84	05/11 → 08/15	● PR:2E3	P85081MM	[+]	20,1	ATE		
	84	05/11 → 08/15	● PR:2E3	P85106MM	[-]	20,1	ATE		
	84	05/11 → 08/15	● PR:2E3; PR:2E4	P85076MM	[-]	17,7	TRW		
	84	05/11 → 08/15	● PR:0WR	P85091MM	[+]	19	ATE		
	84	05/11 → 08/15	● PR:2E3; PR:2E4	P85083MM	[+]	17,7	TRW		
	62	09/09 → 08/15	● PR:2E3; 16" wheel	P85081MM	[+]	20,1	ATE		



kw



wi

Th [mm]

SYS

WI

FK



LENGHT



VOLKSWAGEN

MULTIVAN V (7HM, 7HN, 7HF, 7EF, 7EM, 7EN) 04/03 → 08/15

2.0 TSI 4motion	150	07/11 → 08/15	●	PR:K4L; PR:K4J; PR:2E3+K4H; disc Ø 308 mm	P85081MM	[+]	20,1	ATE							
	150	07/11 → 08/15	●	PR:K4B; PR:2E3+K4A; disc Ø 308 mm	P85106MM	[-]	20,1	ATE							
	150	07/11 → 08/15	●	PR:2E4; disc Ø 340 mm	P85141MM	[+]	18,1	ATE							
	150	07/11 → 08/15	●	PR:0WR	P85091MM	[+]	19	ATE							
	150	07/11 → 08/15	●	PR:2E3; PR:2E4	P85083MM	[+]	17,7	TRW							
	150	07/11 → 08/15	●	PR:2E3; PR:2E4	P85076MM	[-]	17,7	TRW							
2.5 TDI	96	04/03 → 11/09	●	PR:2E3; 16" wheel	P85081MM	[+]	20,1	ATE							
	96	04/03 → 11/09	●	PR:2E3; 16" wheel	P85106MM	[-]	20,1	ATE							
	96	04/03 → 11/09	●	PR:2E4; 17" wheel	P85082MM	[+]	18	ATE							
	96	04/03 → 11/09	●	PR:2E4; 17" wheel	P85107MM	[-]	18	ATE							
	96	04/03 → 11/09	●	PR:2E4; PR:2E3	P85076MM	[-]	17,7	TRW							
	96	04/03 → 11/09	●		P85083MM	[+]	17,7	TRW							
	96	04/03 → 11/09	●	PR:0WR	P85091MM	[+]	19	ATE							
	128	04/03 → 11/09	●	PR:2E3; 16" wheel; disc Ø 308 mm	P85081MM	[+]	20,1	ATE							
	128	04/03 → 11/09	●	PR:2E3; 16" wheel; disc Ø 308 mm	P85106MM	[-]	20,1	ATE							
	128	04/03 → 11/09	●	PR:2E4; 17" wheel; disc Ø 333 mm	P85082MM	[+]	18	ATE							
	128	04/03 → 11/09	●	PR:2E4; 17" wheel; disc Ø 333 mm	P85107MM	[-]	18	ATE							
	128	04/03 → 11/09	●	PR:2E3; PR:2E4; disc Ø 294 mm	P85076MM	[-]	17,7	TRW							
	128	04/03 → 11/09	●	disc Ø 294 mm	P85083MM	[+]	17,7	TRW							
	128	04/03 → 11/09	●	PR:0WR; 16" wheel; disc Ø 314 mm	P85091MM	[+]	19	ATE							
2.5 TDI	120	11/03 → 11/09	●	PR:2E3; 16" wheel	P85081MM	[+]	20,1	ATE							
	120	11/03 → 11/09	●	PR:2E3; 16" wheel	P85106MM	[-]	20,1	ATE							
	120	11/03 → 11/09	●	PR:2E4; 17" wheel	P85082MM	[+]	18	ATE							
	120	11/03 → 11/09	●	PR:2E4; 17" wheel	P85107MM	[-]	18	ATE							
	120	11/03 → 11/09	●	PR:2E4; PR:2E3	P85076MM	[-]	17,7	TRW							
	120	11/03 → 11/09	●	PR:2E3; PR:2E4	P85083MM	[+]	17,7	TRW							
	120	11/03 → 11/09	●	PR:0WR; 16" wheel	P85091MM	[+]	19	ATE							
	2.5 TDI 4motion	96	07/04 → 11/09	●	PR:2E3; 16" wheel	P85081MM	[+]	20,1	ATE						
		96	07/04 → 11/09	●	PR:2E3; 16" wheel	P85106MM	[-]	20,1	ATE						
		96	07/04 → 11/09	●	PR:2E4; 17" wheel	P85082MM	[+]	18	ATE						
96		07/04 → 11/09	●	PR:2E4; 17" wheel	P85107MM	[-]	18	ATE							
96		07/04 → 11/09	●	PR:2E3; PR:2E4	P85076MM	[-]	17,7	TRW							
96		07/04 → 11/09	●	PR:2E3; PR:2E4	P85083MM	[+]	17,7	TRW							
96		07/04 → 11/09	●	PR:0WR	P85091MM	[+]	19	ATE							
128		07/04 → 11/09	●	PR:2E3; 16" wheel	P85081MM	[+]	20,1	ATE							
128		07/04 → 11/09	●	PR:2E3; 16" wheel	P85106MM	[-]	20,1	ATE							
128		07/04 → 11/09	●	PR:2E4; 17" wheel	P85082MM	[+]	18	ATE							
128		07/04 → 11/09	●	PR:2E4; 17" wheel	P85107MM	[-]	18	ATE							
128		07/04 → 11/09	●	PR:2E4; PR:2E3	P85076MM	[-]	17,7	TRW							
128		07/04 → 11/09	●	PR:2E4; PR:2E3	P85083MM	[+]	17,7	TRW							
128		07/04 → 11/09	●	PR:0WR	P85091MM	[+]	19	ATE							
3.2 V6	170	02/04 → 06/04	●	PR:2E3; 16" wheel	P85081MM	[+]	20,1	ATE							
	170	02/04 → 06/04	●	PR:2E3; 16" wheel	P85106MM	[-]	20,1	ATE							
	170	02/04 → 06/04	●	PR:2E4; 17" wheel	P85082MM	[+]	18	ATE							
	170	02/04 → 06/04	●	PR:2E4; 17" wheel	P85107MM	[-]	18	ATE							
	170	02/04 → 06/04	●	PR:2E3; PR:2E4	P85076MM	[-]	17,7	TRW							
	170	02/04 → 06/04	●	PR:2E3; PR:2E4	P85083MM	[+]	17,7	TRW							
	170	02/04 → 06/04	●	PR:0WR	P85091MM	[+]	19	ATE							
	173	02/04 → 11/09	●	PR:2E3; 16" wheel	P85081MM	[+]	20,1	ATE							

VOLKSWAGEN

MULTIVAN V (7HM, 7HN, 7HF, 7EF, 7EM, 7EN) 04/03 → 08/15

3.2 V6	173	02/04 → 11/09	●	PR:2E3; 16" wheel	P85106MM [-]	20,1	ATE					
	173	02/04 → 11/09	●	PR:2E4; 17" wheel	P85082MM [+]	18	ATE					
	173	02/04 → 11/09	●	PR:2E4; 17" wheel	P85107MM [-]	18	ATE					
	173	02/04 → 11/09	●	PR:2E3; PR:2E4	P85076MM [-]	17,7	TRW					
	173	02/04 → 11/09	●		P85083MM [+]	17,7	TRW					
	173	02/04 → 11/09	●	PR:0WR	P85091MM [+]	19	ATE					
3.2 V6 4motion	173	07/04 → 11/09	●	PR:2E3; 16" wheel	P85081MM [+]	20,1	ATE					
	173	07/04 → 11/09	●	PR:2E3; 16" wheel	P85106MM [-]	20,1	ATE					
	173	07/04 → 11/09	●	PR:2E4; 17" wheel	P85082MM [+]	18	ATE					
	173	07/04 → 11/09	●	PR:2E4; 17" wheel	P85107MM [-]	18	ATE					
	173	07/04 → 11/09	●	PR:2E4; PR:2E3	P85076MM [-]	17,7	TRW					
	173	07/04 → 11/09	●	PR:2E4; PR:2E3	P85083MM [+]	17,7	TRW					
	173	07/04 → 11/09	●	PR:0WR	P85091MM [+]	19	ATE					

MULTIVAN VI (SGF, SGM, SGN) 04/15 →

2.0 TDI	75	04/15 →	●	PR:2E3	P85081MM [+]	20,1	ATE					
	75	04/15 →	●	PR:2E4	P85141MM [+]	18,1	ATE					
	75	04/15 →	●		P85083MM [+]	17,7	TRW					
	103	04/15 →	●	PR:2E3	P85081MM [+]	20,1	ATE					
	103	04/15 →	●	PR:2E4	P85141MM [+]	18,1	ATE					
	103	04/15 →	●		P85083MM [+]	17,7	TRW					
	132	04/15 →	●	PR:2E3	P85081MM [+]	20,1	ATE					
	132	04/15 →	●	PR:2E4	P85141MM [+]	18,1	ATE					
	132	04/15 →	●		P85083MM [+]	17,7	TRW					
	150	06/15 →	●	PR:2E3	P85081MM [+]	20,1	ATE					
	150	06/15 →	●	PR:2E4	P85141MM [+]	18,1	ATE					
	150	06/15 →	●		P85083MM [+]	17,7	TRW					
	110	04/15 →	●	PR:2E3	P85081MM [+]	20,1	ATE					
	110	04/15 →	●	PR:2E4	P85141MM [+]	18,1	ATE					
	110	04/15 →	●		P85083MM [+]	17,7	TRW					
	62	04/15 →	●	PR:2E3	P85081MM [+]	20,1	ATE					
	62	04/15 →	●	PR:2E4	P85141MM [+]	18,1	ATE					
	62	04/15 →	●		P85083MM [+]	17,7	TRW					
	84	05/16 →	●	PR:2E3	P85081MM [+]	20,1	ATE					
	84	05/16 →	●	PR:2E4	P85141MM [+]	18,1	ATE					
84	05/16 →	●		P85083MM [+]	17,7	TRW						
2.0 TDI 4motion	103	06/15 →	●	PR:2E3	P85081MM [+]	20,1	ATE					
	103	06/15 →	●	PR:2E4	P85141MM [+]	18,1	ATE					
	103	06/15 →	●		P85083MM [+]	17,7	TRW					
	132	06/15 →	●	PR:2E3	P85081MM [+]	20,1	ATE					
	132	06/15 →	●	PR:2E4	P85141MM [+]	18,1	ATE					
	132	06/15 →	●		P85083MM [+]	17,7	TRW					
	150	06/15 →	●	PR:2E3	P85081MM [+]	20,1	ATE					
	150	06/15 →	●	PR:2E4	P85141MM [+]	18,1	ATE					
	150	06/15 →	●		P85083MM [+]	17,7	TRW					
	110	08/15 →	●	PR:2E3	P85081MM [+]	20,1	ATE					
110	08/15 →	●	PR:2E4	P85141MM [+]	18,1	ATE						
110	08/15 →	●		P85083MM [+]	17,7	TRW						
2.0 TSI	150	04/15 →	●	PR:2E3	P85081MM [+]	20,1	ATE					
	150	04/15 →	●	PR:2E4	P85141MM [+]	18,1	ATE					
	150	04/15 →	●		P85083MM [+]	17,7	TRW					
	110	04/15 →	●	PR:2E3	P85081MM [+]	20,1	ATE					
	110	04/15 →	●	PR:2E4	P85141MM [+]	18,1	ATE					
110	04/15 →	●		P85083MM [+]	17,7	TRW						

									WI			FK	

VOLKSWAGEN

MULTIVAN VI (SGF, SGM, SGN) 04/15 →

2.0 TSI 4motion	150 06/15 →	●	PR:2E3	P85081MM	[+]	20,1	ATE					
	150 06/15 →	●	PR:2E4	P85141MM	[+]	18,1	ATE					
	150 06/15 →	●		P85083MM	[+]	17,7	TRW					

NEW BEETLE (9C1, 1C1) 01/98 → 09/10

1.4	55 11/01 → 09/10	●		P85072MM	[+]	19,7	ATE					
	55 11/01 → 09/10	●		P85020MM	[-]	17,2	TRW					
1.6	74 10/99 → 09/00	●		P85072MM	[+]	19,7	ATE					
	74 10/99 → 09/00	●		P85020MM	[-]	17,2	TRW					
	75 06/00 → 09/10	●		P85072MM	[+]	19,7	ATE					
	75 06/00 → 09/10	●		P85020MM	[-]	17,2	TRW					
1.8 T	110 10/99 → 09/10	●		P85045MM	[+]	20,6	ATE					
	110 10/99 → 09/10	●		P85020MM	[-]	17,2	TRW					
	132 11/01 → 06/05	●	16" wheel	P85045MM	[+]	20,6	ATE					
1.9 TDI	66 01/98 → 06/04	●	→ 9C-X-999000	P85041MM	[-]	19,7	ATE					
	66 01/98 → 06/04	●	9C-Y-600001 →	P85072MM	[+]	19,7	ATE					
	66 01/98 → 06/04	●		P85020MM	[-]	17,2	TRW					
	74 02/01 → 09/10	●		P85072MM	[+]	19,7	ATE					
	74 02/01 → 09/10	●		P85020MM	[-]	17,2	TRW					
	77 07/05 → 09/10	●		P85072MM	[+]	19,7	ATE					
2.0	85 01/98 → 09/10	●	→ 9C-X-999000	P85041MM	[-]	19,7	ATE					
	85 01/98 → 09/10	●	9C-Y-600001 →	P85072MM	[+]	19,7	ATE					
	85 01/98 → 09/10	●		P85020MM	[-]	17,2	TRW					
2.3 V5	125 10/00 → 09/10	●		P85045MM	[+]	20,6	ATE					
	125 10/00 → 09/10	●		P85020MM	[-]	17,2	TRW					
2.5	110 07/05 → 09/10	●	PR:1ZP; PR:1ZM	P85072MM	[+]	19,7	ATE					
	110 07/05 → 09/10	●	PR:1ZD; PR:1ZE	P85045MM	[+]	20,6	ATE					
	110 07/05 → 09/10	●		P85020MM	[-]	17,2	TRW					
RSI 3.2 4motion (1C9)	165 04/00 → 05/01	●		P85045MM	[+]	20,6	ATE					
	165 04/00 → 05/01	●		P85020MM	[-]	17,2	TRW					

NEW BEETLE Convertible (1Y7) 09/02 → 10/10

1.4	55 01/03 → 09/10	●	PR:1ZP; PR:1ZM	P85072MM	[+]	19,7	ATE					
	55 01/03 → 09/10	●	PR:1ZE; PR:1ZD	P85045MM	[+]	20,6	ATE					
	55 01/03 → 09/10	●	PR:1KS; PR:1KV	P85020MM	[-]	17,2	TRW					
1.6	75 01/03 → 09/10	●	PR:1ZP; PR:1ZM	P85072MM	[+]	19,7	ATE					
	75 01/03 → 09/10	●	PR:1ZD; PR:1ZE	P85045MM	[+]	20,6	ATE					
	75 01/03 → 09/10	●	PR:1KS; PR:1KV	P85020MM	[-]	17,2	TRW					
1.8 T	110 01/03 → 09/10	●	PR:1ZD; PR:1ZE	P85045MM	[+]	20,6	ATE					
	110 01/03 → 09/10	●	PR:1ZP; PR:1ZM	P85072MM	[+]	19,7	ATE					
	110 01/03 → 09/10	●	PR:1KS; PR:1KV	P85020MM	[-]	17,2	TRW					
1.9 TDI	74 06/03 → 09/10	●	PR:1ZP; PR:1ZM	P85072MM	[+]	19,7	ATE					
	74 06/03 → 09/10	●	PR:1ZD; PR:1ZE	P85045MM	[+]	20,6	ATE					
	74 06/03 → 09/10	●	PR:1KS; PR:1KV	P85020MM	[-]	17,2	TRW					
	77 07/05 → 09/10	●	PR:1ZP; PR:1ZM	P85072MM	[+]	19,7	ATE					
	77 07/05 → 09/10	●	PR:1ZE; PR:1ZD	P85045MM	[+]	20,6	ATE					
2.0	85 09/02 → 10/10	●	PR:1KS; PR:1KV	P85020MM	[-]	17,2	TRW					
	85 09/02 → 10/10	●	PR:1ZP; PR:1ZM	P85072MM	[+]	19,7	ATE					
	85 09/02 → 10/10	●	PR:1ZE; PR:1ZD	P85045MM	[+]	20,6	ATE					
2.5	110 07/05 → 09/10	●	PR:1ZP; PR:1ZM	P85072MM	[+]	19,7	ATE					
	110 07/05 → 09/10	●	PR:1ZD; PR:1ZE	P85045MM	[+]	20,6	ATE					
	110 07/05 → 09/10	●	PR:1KS; PR:1KV	P85020MM	[-]	17,2	TRW					

VOLKSWAGEN

PASSAT (3B2) 08/96 → 12/01

1.6	74	10/96 → 11/00	●	→ 3B-X-600000	P85042MM	[-]	19,6	TRW							
	74	10/96 → 11/00	●	→ 09/00; 3B-Y-000001 →	P85044MM	[+]	19,6	TRW							
	74	10/96 → 11/00	●	10/00 →	P85085MM	[+]	20,4	ATE							
	74	10/96 → 11/00	●	10/00 →; (J)	P85037MM	[+]	20,4	ATE							
	74	10/96 → 11/00	●		P85020MM	[-]	17,2	TRW							
1.8	92	10/96 → 11/00	●	→ 3B-X-600000	P85042MM	[-]	19,6	TRW							
	92	10/96 → 11/00	●	→ 09/00; 3B-Y-000001 →	P85044MM	[+]	19,6	TRW							
	92	10/96 → 11/00	●	10/00 →	P85085MM	[+]	20,4	ATE							
	92	10/96 → 11/00	●	10/00 →; (J)	P85037MM	[+]	20,4	ATE							
	92	10/96 → 11/00	●		P85020MM	[-]	17,2	TRW							
	85	01/97 → 11/00	●	→ 3B-X-600000	P85042MM	[-]	19,6	TRW							
	85	01/97 → 11/00	●	→ 09/00; 3B-Y-000001 →	P85044MM	[+]	19,6	TRW							
	85	01/97 → 11/00	●	10/00 →	P85085MM	[+]	20,4	ATE							
1.8 Syncro/4motion	92	10/96 → 11/00	●	→ 3B-X-600000	P85042MM	[-]	19,6	TRW							
	92	10/96 → 11/00	●	→ 09/00; 3B-Y-000001 →	P85044MM	[+]	19,6	TRW							
	92	10/96 → 11/00	●		P85020MM	[-]	17,2	TRW							
	110	10/96 → 11/00	●	→ 3B-X-600000	P85036MM	[-]	20,4	ATE							
	110	10/96 → 11/00	●	3B-Y-000001 →	P85085MM	[+]	20,4	ATE							
1.8 T	110	10/96 → 11/00	●	3B-Y-000001 →; (J)	P85037MM	[+]	20,4	ATE							
	110	10/96 → 11/00	●		P85020MM	[-]	17,2	TRW							
	110	11/96 → 08/00	●	→ 3B-X-600000	P85042MM	[-]	19,6	TRW							
1.8 T Syncro	110	11/96 → 08/00	●	3B-Y-000001 →	P85044MM	[+]	19,6	TRW							
	110	11/96 → 08/00	●		P85020MM	[-]	17,2	TRW							
	66	10/96 → 11/00	●	→ 3B-X-600000	P85042MM	[-]	19,6	TRW							
1.9 TDI	66	10/96 → 11/00	●	→ 09/00; 3B-Y-000001 →	P85044MM	[+]	19,6	TRW							
	66	10/96 → 11/00	●	10/00 →	P85085MM	[+]	20,4	ATE							
	66	10/96 → 11/00	●	10/00 →; (J)	P85037MM	[+]	20,4	ATE							
	66	10/96 → 11/00	●		P85020MM	[-]	17,2	TRW							
	81	10/96 → 11/00	●	→ 3B-X-600000	P85036MM	[-]	20,4	ATE							
	81	10/96 → 11/00	●	3B-Y-000001 →	P85085MM	[+]	20,4	ATE							
	81	10/96 → 11/00	●	3B-Y-000001 →; (J)	P85037MM	[+]	20,4	ATE							
	81	10/96 → 11/00	●		P85020MM	[-]	17,2	TRW							
	85	08/98 → 11/00	●	→ 3B-X-600000	P85036MM	[-]	20,4	ATE							
	85	08/98 → 11/00	●	3B-Y-000001 →	P85085MM	[+]	20,4	ATE							
	85	08/98 → 11/00	●	3B-Y-000001 →; (J)	P85037MM	[+]	20,4	ATE							
	85	08/98 → 11/00	●		P85020MM	[-]	17,2	TRW							
	74	02/00 → 11/00	●	→ 3B-X-600000	P85042MM	[-]	19,6	TRW							
	74	02/00 → 11/00	●	→ 09/00; 3B-Y-000001 →	P85044MM	[+]	19,6	TRW							
	74	02/00 → 11/00	●	10/00 →	P85085MM	[+]	20,4	ATE							
	74	02/00 → 11/00	●	10/00 →; (J)	P85037MM	[+]	20,4	ATE							
74	02/00 → 11/00	●		P85020MM	[-]	17,2	TRW								
1.9 TDI 4motion	85	08/99 → 11/00	●	→ 3B-X-600000	P85036MM	[-]	20,4	ATE							
	85	08/99 → 11/00	●	3B-Y-000001 →	P85085MM	[+]	20,4	ATE							
	85	08/99 → 11/00	●	3B-Y-000001 →; (J)	P85037MM	[+]	20,4	ATE							
	85	08/99 → 11/00	●		P85020MM	[-]	17,2	TRW							
1.9 TDI Syncro/4motion	81	10/96 → 11/00	●	→ 3B-X-600000	P85036MM	[-]	20,4	ATE							
	81	10/96 → 11/00	●	3B-Y-000001 →	P85085MM	[+]	20,4	ATE							
	81	10/96 → 11/00	●	3B-Y-000001 →; (J)	P85037MM	[+]	20,4	ATE							
	81	10/96 → 11/00	●		P85020MM	[-]	17,2	TRW							
2.0	88	04/00 → 11/00	●	→ 3B-X-600000	P85036MM	[-]	20,4	ATE							
	88	04/00 → 11/00	●	3B-Y-000001 →	P85085MM	[+]	20,4	ATE							
	88	04/00 → 11/00	●	3B-Y-000001 →; (J)	P85037MM	[+]	20,4	ATE							

VOLKSWAGEN

PASSAT (3B2) 08/96 → 12/01

2.0	88	04/00 → 11/00	●		P85020MM [-]	17,2	TRW								
2.0 4motion	88	04/00 → 11/00	●	→ 3B-X-600000	P85036MM [-]	20,4	ATE								
	88	04/00 → 11/00	●	3B-Y-000001 →	P85085MM [+]	20,4	ATE								
	88	04/00 → 11/00	●	3B-Y-000001 →; (J)	P85037MM [+]	20,4	ATE								
	88	04/00 → 11/00	●		P85020MM [-]	17,2	TRW								
2.3 VR5	110	10/96 → 11/00	●	→ 3B-X-600000	P85036MM [-]	20,4	ATE								
	110	10/96 → 11/00	●	3B-Y-000001 →	P85085MM [+]	20,4	ATE								
	110	10/96 → 11/00	●	3B-Y-000001 →; (J)	P85037MM [+]	20,4	ATE								
	110	10/96 → 11/00	●		P85020MM [-]	17,2	TRW								
2.3 VR5 Syncro/ 4motion	110	10/97 → 11/00	●	→ 3B-X-600000	P85036MM [-]	20,4	ATE								
	110	10/97 → 11/00	●	3B-Y-000001 →	P85085MM [+]	20,4	ATE								
	110	10/97 → 11/00	●	3B-Y-000001 →; (J)	P85037MM [+]	20,4	ATE								
	110	10/97 → 11/00	●		P85020MM [-]	17,2	TRW								
2.5 TDI	110	07/98 → 11/00	●	→ 3B-X-600000	P85036MM [-]	20,4	ATE								
	110	07/98 → 11/00	●	3B-Y-000001 →	P85085MM [+]	20,4	ATE								
	110	07/98 → 11/00	●	3B-Y-000001 →; (J)	P85037MM [+]	20,4	ATE								
	110	07/98 → 11/00	●		P85020MM [-]	17,2	TRW								
2.5 TDI Syncro/ 4motion	110	12/98 → 11/00	●	→ 3B-X-600000	P85036MM [-]	20,4	ATE								
	110	12/98 → 11/00	●	3B-Y-000001 →	P85085MM [+]	20,4	ATE								
	110	12/98 → 11/00	●	3B-Y-000001 →; (J)	P85037MM [+]	20,4	ATE								
	110	12/98 → 11/00	●		P85020MM [-]	17,2	TRW								
2.8 Syncro	132	05/97 → 09/99	●	→ 3B-X-600000	P85036MM [-]	20,4	ATE								
	132	05/97 → 09/99	●	3B-Y-000001 →	P85085MM [+]	20,4	ATE								
	132	05/97 → 09/99	●	3B-Y-000001 →; (J)	P85037MM [+]	20,4	ATE								
	132	05/97 → 09/99	●		P85020MM [-]	17,2	TRW								
2.8 V6	142	08/96 → 11/00	●	→ 3B-X-600000	P85036MM [-]	20,4	ATE								
	142	08/96 → 11/00	●	3B-Y-000001 →	P85085MM [+]	20,4	ATE								
	142	08/96 → 11/00	●	3B-Y-000001 →; (J)	P85037MM [+]	20,4	ATE								
	142	08/96 → 11/00	●		P85020MM [-]	17,2	TRW								
	132	05/97 → 09/99	●	→ 3B-X-600000	P85036MM [-]	20,4	ATE								
	132	05/97 → 09/99	●	3B-Y-000001 →	P85085MM [+]	20,4	ATE								
	132	05/97 → 09/99	●	3B-Y-000001 →; (J)	P85037MM [+]	20,4	ATE								
	132	05/97 → 09/99	●		P85020MM [-]	17,2	TRW								
	140	09/99 → 11/00	●	→ 3B-X-600000	P85036MM [-]	20,4	ATE								
	140	09/99 → 11/00	●	3B-Y-000001 →	P85085MM [+]	20,4	ATE								
140	09/99 → 11/00	●	3B-Y-000001 →; (J)	P85037MM [+]	20,4	ATE									
2.8 V6 Syncro/ 4motion	142	10/96 → 11/00	●	→ 3B-X-600000	P85036MM [-]	20,4	ATE								
	142	10/96 → 11/00	●	3B-Y-000001 →	P85085MM [+]	20,4	ATE								
	142	10/96 → 11/00	●	3B-Y-000001 →; (J)	P85037MM [+]	20,4	ATE								
	142	10/96 → 11/00	●		P85020MM [-]	17,2	TRW								

PASSAT (3B3) 11/00 → 05/05

1.6	75	11/00 → 05/05	●	PR:1LE; (J)	P85037MM [+]	20,4	ATE								
	75	11/00 → 05/05	●	PR:1ZC; PR:1LT	P85085MM [+]	20,4	ATE								
	75	11/00 → 05/05	●		P85020MM [-]	17,2	TRW								
1.8 T	125	02/01 → 05/05	●	PR:1ZF; PR:1ZG; +arm.veh.; disc Ø 321 mm	P85067MM [+]	18,3 / 18,5	TRW								
	125	02/01 → 05/05	●	PR:1LE; (J)	P85037MM [+]	20,4	ATE								
	125	02/01 → 05/05	●	PR:1LT; PR:1ZC	P85085MM [+]	20,4	ATE								
	125	02/01 → 05/05	●		P85020MM [-]	17,2	TRW								
1.8 T 20V	110	11/00 → 05/05	●	PR:1ZC; PR:1LT	P85085MM [+]	20,4	ATE								
	110	11/00 → 05/05	●	PR:1LE; (J)	P85037MM [+]	20,4	ATE								
	110	11/00 → 05/05	●	PR:1ZF; PR:1ZG; +arm.veh.; disc Ø 321 mm	P85067MM [+]	18,3 / 18,5	TRW								

VOLKSWAGEN

PASSAT (3B3) 11/00 → 05/05

1.8 T 20V	110	11/00 → 05/05	●		P85020MM [-]	17,2	TRW							
1.8 T 4motion	125	03/01 → 05/05	●	PR:1ZG; PR:1ZF; +arm.veh.; disc Ø 321 mm	P85067MM [+]	18,3 / 18,5	TRW							
	125	03/01 → 05/05	●	PR:1LE; (J)	P85037MM [+]	20,4	ATE							
	125	03/01 → 05/05	●	PR:1LT; PR:1ZC	P85085MM [+]	20,4	ATE							
1.9 TDI	125	03/01 → 05/05	●	PR:1KF; PR:1KW; PR:1KE; PR:1KD	P85020MM [-]	17,2	TRW							
	74	11/00 → 05/05	●	PR:1LE; (J)	P85037MM [+]	20,4	ATE							
	74	11/00 → 05/05	●	PR:1LT; PR:1ZC	P85085MM [+]	20,4	ATE							
	74	11/00 → 05/05	●		P85020MM [-]	17,2	TRW							
	96	11/00 → 05/05	●	PR:1LE; (J)	P85037MM [+]	20,4	ATE							
	96	11/00 → 05/05	●	PR:1ZC; PR:1LT	P85085MM [+]	20,4	ATE							
1.9 TDI 4motion	96	11/00 → 05/05	●		P85020MM [-]	17,2	TRW							
	96	11/00 → 05/05	●	PR:1LE; (J)	P85037MM [+]	20,4	ATE							
	96	11/00 → 05/05	●	PR:1LT; PR:1ZC	P85085MM [+]	20,4	ATE							
2.0	96	11/00 → 05/05	●	disc Ø 245 mm	P85020MM [-]	17,2	TRW							
	85	11/00 → 05/05	●	PR:1LE; (J)	P85037MM [+]	20,4	ATE							
	85	11/00 → 05/05	●	PR:1ZC; PR:1LT	P85085MM [+]	20,4	ATE							
	85	11/00 → 05/05	●		P85020MM [-]	17,2	TRW							
	96	11/01 → 05/05	●	PR:1LE; (J)	P85037MM [+]	20,4	ATE							
	96	11/01 → 05/05	●	PR:1ZC; PR:1LT	P85085MM [+]	20,4	ATE							
2.0 4motion	96	11/01 → 05/05	●		P85020MM [-]	17,2	TRW							
	85	11/00 → 05/05	●	PR:1LE; (J)	P85037MM [+]	20,4	ATE							
	85	11/00 → 05/05	●	PR:1ZC; PR:1LT	P85085MM [+]	20,4	ATE							
2.0 TDI	85	11/00 → 05/05	●	disc Ø 245 mm	P85020MM [-]	17,2	TRW							
	100	12/03 → 05/05	●	PR:1LE; (J)	P85037MM [+]	20,4	ATE							
	100	12/03 → 05/05	●	PR:1ZC; PR:1LT	P85085MM [+]	20,4	ATE							
	100	12/03 → 05/05	●	PR:1ZG; PR:1ZF; +arm.veh.; disc Ø 321 mm	P85067MM [+]	18,3 / 18,5	TRW							
2.3 V5	100	12/03 → 05/05	●		P85020MM [-]	17,2	TRW							
	125	11/00 → 05/05	●	PR:1LE; (J); disc Ø 288 mm	P85037MM [+]	20,4	ATE							
	125	11/00 → 05/05	●	PR:1LT; PR:1ZC	P85085MM [+]	20,4	ATE							
	125	11/00 → 05/05	●	PR:1ZF; PR:1ZG; +arm.veh.; disc Ø 321 mm	P85067MM [+]	18,3 / 18,5	TRW							
2.3 V5 4motion	125	11/00 → 05/05	●		P85020MM [-]	17,2	TRW							
	125	11/00 → 05/05	●	PR:1LE; (J); disc Ø 288 mm	P85037MM [+]	20,4	ATE							
	125	11/00 → 05/05	●	PR:1LT; PR:1ZC	P85085MM [+]	20,4	ATE							
	125	11/00 → 05/05	●	PR:1ZF; PR:1ZG; +arm.veh.; disc Ø 321 mm	P85067MM [+]	18,3 / 18,5	TRW							
2.5 TDI	125	11/00 → 05/05	●	disc Ø 245 mm	P85020MM [-]	17,2	TRW							
	110	11/00 → 05/05	●	PR:1LT; PR:1ZC	P85085MM [+]	20,4	ATE							
	110	11/00 → 05/05	●	PR:1LE; (J); disc Ø 288 mm	P85037MM [+]	20,4	ATE							
	110	11/00 → 05/05	●	PR:1ZG; PR:1ZF; +arm.veh.; disc Ø 321 mm	P85067MM [+]	18,3 / 18,5	TRW							
	110	11/00 → 05/05	●		P85020MM [-]	17,2	TRW							
	120	05/03 → 05/05	●	PR:1LE; (J); disc Ø 288 mm	P85037MM [+]	20,4	ATE							
	120	05/03 → 05/05	●	PR:1LT; PR:1ZC	P85085MM [+]	20,4	ATE							
	120	05/03 → 05/05	●	PR:1ZF; PR:1ZG; +arm.veh.; disc Ø 321 mm	P85067MM [+]	18,3 / 18,5	TRW							
2.5 TDI 4motion	120	05/03 → 05/05	●		P85020MM [-]	17,2	TRW							
	110	11/00 → 05/05	●	PR:1LE; (J); disc Ø 288 mm	P85037MM [+]	20,4	ATE							
	110	11/00 → 05/05	●	PR:1ZC; PR:1LT	P85085MM [+]	20,4	ATE							
110	11/00 → 05/05	●	PR:1ZF; PR:1ZG; +arm.veh.; disc Ø 321 mm	P85067MM [+]	18,3 / 18,5	TRW								

VOLKSWAGEN

PASSAT (3B3) 11/00 → 05/05

2.5 TDI 4motion	110	11/00 → 05/05	● disc Ø 245 mm	P85020MM [-]	17,2	TRW							
	132	01/03 → 05/05	● PR:1LE; (J); disc Ø 288 mm	P85037MM [+]	20,4	ATE							
	132	01/03 → 05/05	● PR:1ZC; PR:1LT	P85085MM [+]	20,4	ATE							
	132	01/03 → 05/05	● PR:1ZG; PR:1ZF; +arm.veh.; disc Ø 321 mm	P85067MM [+]	18,3 / 18,5	TRW							
2.8 4motion	142	11/00 → 05/05	● disc Ø 245 mm	P85020MM [-]	17,2	TRW							
	142	11/00 → 05/05	● PR:1LE; (J); disc Ø 288 mm	P85037MM [+]	20,4	ATE							
	142	11/00 → 05/05	● PR:1LT; PR:1ZC	P85085MM [+]	20,4	ATE							
	142	11/00 → 05/05	● PR:1ZG; PR:1ZF; +arm.veh.; disc Ø 321 mm	P85067MM [+]	18,3 / 18,5	TRW							
142	11/00 → 05/05	● disc Ø 245 mm	P85020MM [-]	17,2	TRW								

PASSAT (3C2) 03/05 → 11/10

1.4 TSI	90	05/07 → 07/10	● PR:1ZM; PR:1ZG	P85146MM [+]	20,3	ATE							
	90	05/07 → 07/10	● PR:1LH	P85075MM [+]	20,3	ATE							
	90	05/07 → 07/10	● PR:1KU	P85109MM [-]	17,2	TRW							
1.4 TSI EcoFuel	110	01/09 → 07/10	● PR:1ZG; PR:1ZM	P85146MM [+]	20,3	ATE							
	110	01/09 → 07/10	● PR:1LH	P85075MM [+]	20,3	ATE							
	110	01/09 → 07/10	● PR:1KU	P85109MM [-]	17,2	TRW							
1.6	75	05/05 → 07/10	● PR:1LH	P85075MM [+]	20,3	ATE							
	75	05/05 → 07/10	● PR:1ZM; PR:1ZG	P85146MM [+]	20,3	ATE							
	75	05/05 → 07/10	● PR:1KU; → 3C-7-300000	P85073MM [o]	17,2	TRW							
	75	05/05 → 07/10	● PR:1KU; 3C-8-000001 →	P85109MM [-]	17,2	TRW							
1.6 FSI	85	03/05 → 06/08	● PR:1LH	P85075MM [+]	20,3	ATE							
	85	03/05 → 06/08	● PR:1ZG; PR:1ZM	P85146MM [+]	20,3	ATE							
	85	03/05 → 06/08	● PR:1KU; → 3C-7-300000	P85073MM [o]	17,2	TRW							
	85	03/05 → 06/08	● PR:1KU; 3C-8-000001 →	P85109MM [-]	17,2	TRW							
1.6 TDI	77	08/09 → 07/10	● PR:1ZM; PR:1ZG	P85146MM [+]	20,3	ATE							
	77	08/09 → 07/10	● PR:1LH	P85075MM [+]	20,3	ATE							
	77	08/09 → 07/10	● PR:1KU	P85109MM [-]	17,2	TRW							
1.8 TSI	118	05/07 → 07/10	● PR:1ZG; PR:1ZM	P85146MM [+]	20,3	ATE							
	118	05/07 → 07/10	● PR:1LH	P85075MM [+]	20,3	ATE							
	118	05/07 → 07/10	● PR:1KU	P85109MM [-]	17,2	TRW							
	112	11/09 → 07/10	● PR:1ZM; PR:1ZG	P85146MM [+]	20,3	ATE							
	112	11/09 → 07/10	● PR:1LH	P85075MM [+]	20,3	ATE							
1.9 TDI	112	11/09 → 07/10	● PR:1KU	P85109MM [-]	17,2	TRW							
	77	03/05 → 11/08	● PR:1LH	P85075MM [+]	20,3	ATE							
	77	03/05 → 11/08	● PR:1ZG; PR:1ZM	P85146MM [+]	20,3	ATE							
	77	03/05 → 11/08	● PR:1KU; → 3C-7-300000	P85073MM [o]	17,2	TRW							
2.0 BlueTDI	77	03/05 → 11/08	● PR:1KU; 3C-8-000001 →	P85109MM [-]	17,2	TRW							
	105	01/09 → 11/10	● PR:1ZG; PR:1ZM	P85146MM [+]	20,3	ATE							
	105	01/09 → 11/10	● PR:1LH	P85075MM [+]	20,3	ATE							
2.0 FSI	105	01/09 → 11/10	● PR:1KU	P85109MM [-]	17,2	TRW							
	110	03/05 → 07/10	● PR:1LH	P85075MM [+]	20,3	ATE							
	110	03/05 → 07/10	● PR:1ZM; PR:1ZG	P85146MM [+]	20,3	ATE							
	110	03/05 → 07/10	● PR:1KU; → 3C-7-300000	P85073MM [o]	17,2	TRW							
	110	03/05 → 07/10	● PR:1KU; 3C-8-000001 →	P85109MM [-]	17,2	TRW							
	147	07/05 → 07/10	● PR:1LH	P85075MM [+]	20,3	ATE							
	147	07/05 → 07/10	● PR:1ZG; PR:1ZM	P85146MM [+]	20,3	ATE							
	147	07/05 → 07/10	● PR:1KU; PR:1KW; → 3C-7-300000	P85073MM [o]	17,2	TRW							
	147	07/05 → 07/10	● PR:1KU; PR:1KW; 3C-8-000001 →	P85109MM [-]	17,2	TRW							
125	08/07 → 07/10	● PR:1ZM; PR:1ZG	P85146MM [+]	20,3	ATE								
125	08/07 → 07/10	● PR:1LH	P85075MM [+]	20,3	ATE								
125	08/07 → 07/10	● PR:1KU	P85109MM [-]	17,2	TRW								

VOLKSWAGEN

PASSAT (3C2) 03/05 → 11/10

2.0 FSI 4motion	110	09/05 → 07/10	●	PR:1LH	P85075MM	[+]	20,3	ATE							
	110	09/05 → 07/10	●	PR:1ZG; PR:1ZM	P85146MM	[+]	20,3	ATE							
	110	09/05 → 07/10	●	PR:1KU; → 3C-7-300000	P85073MM	[O]	17,2	TRW							
	110	09/05 → 07/10	●	PR:1KU; 3C-8-000001 →	P85109MM	[-]	17,2	TRW							
2.0 TDI	125	08/05 → 07/10	●	PR:1LH	P85075MM	[+]	20,3	ATE							
	125	08/05 → 07/10	●	PR:1ZG; PR:1ZM	P85146MM	[+]	20,3	ATE							
	125	08/05 → 07/10	●	PR:1KU; → 3C-7-300000	P85073MM	[O]	17,2	TRW							
	125	08/05 → 07/10	●	PR:1KU; 3C-8-000001 →	P85109MM	[-]	17,2	TRW							
	103	03/05 → 05/09	●	PR:1LH	P85075MM	[+]	20,3	ATE							
	103	03/05 → 05/09	●	PR:1ZM; PR:1ZG	P85146MM	[+]	20,3	ATE							
	103	03/05 → 05/09	●	PR:1KU; → 3C-7-300000	P85073MM	[O]	17,2	TRW							
	103	03/05 → 05/09	●	PR:1KU; 3C-8-000001 →	P85109MM	[-]	17,2	TRW							
	90	08/05 → 07/06	●	PR:1ZM; PR:1ZG	P85146MM	[+]	20,3	ATE							
	90	08/05 → 07/06	●	PR:1LH	P85075MM	[+]	20,3	ATE							
	90	08/05 → 07/06	●	PR:1KU	P85073MM	[O]	17,2	TRW							
	120	08/05 → 05/09	●	PR:1ZG; PR:1ZM	P85146MM	[+]	20,3	ATE							
	120	08/05 → 05/09	●	PR:1LH	P85075MM	[+]	20,3	ATE							
	120	08/05 → 05/09	●	PR:1KU; → 3C-7-300000	P85073MM	[O]	17,2	TRW							
	120	08/05 → 05/09	●	PR:1KU; 3C-8-000001 →	P85109MM	[-]	17,2	TRW							
	100	03/05 → 11/10	●	PR:1ZM; PR:1ZG	P85146MM	[+]	20,3	ATE							
	100	03/05 → 11/10	●	PR:1LH	P85075MM	[+]	20,3	ATE							
	100	03/05 → 11/10	●	PR:1KU; → 3C-7-300000	P85073MM	[O]	17,2	TRW							
	100	03/05 → 11/10	●	PR:1KU; 3C-8-000001 →	P85109MM	[-]	17,2	TRW							
	88	11/05 → 05/07	●	PR:1ZG; PR:1ZM	P85146MM	[+]	20,3	ATE							
88	11/05 → 05/07	●	PR:1LH	P85075MM	[+]	20,3	ATE								
88	11/05 → 05/07	●	PR:1KU	P85073MM	[O]	17,2	TRW								
81	11/08 → 07/10	●	PR:1ZM; PR:1ZG	P85146MM	[+]	20,3	ATE								
81	11/08 → 07/10	●	PR:1LH	P85075MM	[+]	20,3	ATE								
81	11/08 → 07/10	●	PR:1KU	P85109MM	[-]	17,2	TRW								
2.0 TDI 16V	103	03/05 → 07/10	●	PR:1LH	P85075MM	[+]	20,3	ATE							
	103	03/05 → 07/10	●	PR:1ZM; PR:1ZG	P85146MM	[+]	20,3	ATE							
	103	03/05 → 07/10	●	PR:1KU; → 3C-7-300000	P85073MM	[O]	17,2	TRW							
	103	03/05 → 07/10	●	PR:1KU; 3C-8-000001 →	P85109MM	[-]	17,2	TRW							
2.0 TDI 16V 4motion	103	03/05 → 08/10	●	PR:1LH	P85075MM	[+]	20,3	ATE							
	103	03/05 → 08/10	●	PR:1ZM; PR:1ZG	P85146MM	[+]	20,3	ATE							
	103	03/05 → 08/10	●	PR:1KU; → 3C-7-300000	P85073MM	[O]	17,2	TRW							
	103	03/05 → 08/10	●	PR:1KU; 3C-8-000001 →	P85109MM	[-]	17,2	TRW							
2.0 TDI 4motion	103	03/05 → 05/09	●	PR:1LH	P85075MM	[+]	20,3	ATE							
	103	03/05 → 05/09	●	PR:1ZG; PR:1ZM	P85146MM	[+]	20,3	ATE							
	103	03/05 → 05/09	●	PR:1KU; → 3C-7-300000	P85073MM	[O]	17,2	TRW							
	103	03/05 → 05/09	●	PR:1KU; 3C-8-000001 →	P85109MM	[-]	17,2	TRW							
	125	05/09 → 07/10	●	PR:1ZG; PR:1ZM	P85146MM	[+]	20,3	ATE							
	125	05/09 → 07/10	●	PR:1LH	P85075MM	[+]	20,3	ATE							
	125	05/09 → 07/10	●	PR:1KU	P85109MM	[-]	17,2	TRW							
3.2 FSI 4motion	184	11/05 → 07/10	●	PR:1LK; PR:1LM	P85079MM	[+]	20,3	ATE							
	184	11/05 → 07/10	●	PR:2EA; PR:2EL; → 3C-7-300000	P85095MM	[O]	17,2	TRW							
	184	11/05 → 07/10	●	PR:2EA; PR:2EL; 3C-8-000001 →	P85108MM	[-]	17,2	TRW							
3.6 R36 4motion	220	04/07 → 07/10	●	PR:1LM; PR:1LK	P85079MM	[+]	20,3	ATE							
	220	04/07 → 07/10	●	PR:2EL; PR:2EA; → 3C-7-300000	P85095MM	[O]	17,2	TRW							
	220	04/07 → 07/10	●	PR:2EL; PR:2EA; 3C-8-000001 →	P85108MM	[-]	17,2	TRW							

VOLKSWAGEN

PASSAT (362) 08/10 → 12/14

1.4 TSI	90	08/10 → 12/14	●	PR:1ZM; PR:1ZG	P85146MM	[+]	20,3	ATE						
	90	08/10 → 12/14	●	PR:1KW	P85109MM	[-]	17,2	TRW						
	90	08/10 → 12/14	●	PR:2EA	P85108MM	[-]	17,2	TRW						
	118	11/12 → 12/14	●	PR:1ZG; PR:1ZM	P85146MM	[+]	20,3	ATE						
	118	11/12 → 12/14	●	PR:1KW	P85109MM	[-]	17,2	TRW						
	118	11/12 → 12/14	●	PR:1KW	P85073MM	[o]	17,2	TRW						
	118	11/12 → 12/14	●	PR:2EA	P85108MM	[-]	17,2	TRW						
1.4 TSI EcoFuel	110	08/10 → 12/14	●	PR:1ZM; PR:1ZG	P85146MM	[+]	20,3	ATE						
	110	08/10 → 12/14	●	PR:1KW	P85109MM	[-]	17,2	TRW						
	110	08/10 → 12/14	●	PR:2EA	P85108MM	[-]	17,2	TRW						
1.4 TSI MultiFuel	118	11/10 → 12/14	●	PR:1ZG; PR:1ZM	P85146MM	[+]	20,3	ATE						
	118	11/10 → 12/14	●	PR:1KW	P85109MM	[-]	17,2	TRW						
	118	11/10 → 12/14	●	PR:2EA	P85108MM	[-]	17,2	TRW						
1.6 TDI	77	08/10 → 12/14	●	PR:1ZG; PR:1ZM	P85146MM	[+]	20,3	ATE						
	77	08/10 → 12/14	●	PR:1KW	P85109MM	[-]	17,2	TRW						
	77	08/10 → 12/14	●	PR:2EA	P85108MM	[-]	17,2	TRW						
1.8 TSI	118	08/10 → 12/14	●	PR:1ZG; PR:1ZM	P85146MM	[+]	20,3	ATE						
	118	08/10 → 12/14	●	PR:1KW	P85109MM	[-]	17,2	TRW						
	118	08/10 → 12/14	●	PR:2EA	P85108MM	[-]	17,2	TRW						
	112	02/11 → 12/14	●	PR:1ZG; PR:1ZM	P85146MM	[+]	20,3	ATE						
	112	02/11 → 12/14	●	PR:1KW	P85109MM	[-]	17,2	TRW						
2.0 TDI	103	08/10 → 12/14	●	PR:1ZM; PR:1ZG	P85146MM	[+]	20,3	ATE						
	103	08/10 → 12/14	●	PR:1KW	P85109MM	[-]	17,2	TRW						
	103	08/10 → 12/14	●	PR:2EA	P85108MM	[-]	17,2	TRW						
	125	08/10 → 12/14	●	PR:1ZM; PR:1ZG	P85146MM	[+]	20,3	ATE						
	125	08/10 → 12/14	●	PR:1KW	P85109MM	[-]	17,2	TRW						
	125	08/10 → 12/14	●	PR:2EA	P85108MM	[-]	17,2	TRW						
	100	08/10 → 12/14	●	PR:1ZM; PR:1ZG	P85146MM	[+]	20,3	ATE						
	100	08/10 → 12/14	●	PR:1KW	P85109MM	[-]	17,2	TRW						
	100	08/10 → 12/14	●	PR:2EA	P85108MM	[-]	17,2	TRW						
	130	12/12 → 12/14	●	PR:1ZM; PR:1ZG	P85146MM	[+]	20,3	ATE						
	130	12/12 → 12/14	●	PR:1KW	P85109MM	[-]	17,2	TRW						
	130	12/12 → 12/14	●	PR:2EA	P85108MM	[-]	17,2	TRW						
2.0 TDI 4motion	103	08/10 → 12/14	●	PR:1ZG; PR:1ZM	P85146MM	[+]	20,3	ATE						
	103	08/10 → 12/14	●	PR:1KW	P85109MM	[-]	17,2	TRW						
	103	08/10 → 12/14	●	PR:2EA	P85108MM	[-]	17,2	TRW						
	125	08/10 → 01/13	●	PR:1ZG; PR:1ZM	P85146MM	[+]	20,3	ATE						
	125	08/10 → 01/13	●	PR:1KW	P85109MM	[-]	17,2	TRW						
	125	08/10 → 01/13	●	PR:2EA	P85108MM	[-]	17,2	TRW						
	130	01/13 → 12/14	●	PR:1ZM; PR:1ZG	P85146MM	[+]	20,3	ATE						
	130	01/13 → 12/14	●	PR:1KW	P85109MM	[-]	17,2	TRW						
	130	01/13 → 12/14	●	PR:2EA	P85108MM	[-]	17,2	TRW						
2.0 TSI	155	11/10 → 12/14	●	PR:1ZM; PR:1ZG	P85146MM	[+]	20,3	ATE						
	155	11/10 → 12/14	●	PR:1KW	P85109MM	[-]	17,2	TRW						
	155	11/10 → 12/14	●	PR:2EA	P85108MM	[-]	17,2	TRW						
3.6 FSI 4motion	220	01/11 → 12/14	●	PR:1LA; PR:1LB	P85131MM	[+]	20	TRW						
	220	01/11 → 12/14	●	PR:2EA	P85108MM	[-]	17,2	TRW						

PASSAT (3G2) 08/14 →

1.4 GTE Hybrid	115	06/15 →	●	PR:1LA	P85144MM	[+]	20	TRW						
	115	06/15 →	●	PR:1ZD; PR:1ZL	P85147MM	[o]	20,3	TRW						
	115	06/15 →	●	PR:1KZ; PR:2EA; PR:1KU	P85124MM	[-]	16,4	ATE						

	kw					wi	Th [mm]	SYS	wi			FK	
										LENGHT			

VOLKSWAGEN

PASSAT (3G2) 08/14 →

1.4 TSI	110	11/14 →	●	PR:1ZA; PR:1ZD	P85126MM	[+]	20,3	TRW					
	110	11/14 →	●	PR:1LA	P85131MM	[+]	20	TRW					
	110	11/14 →		●	PR:1KU; PR:1KZ	P85124MM	[-]	16,4	ATE				
	92	11/14 →	●	PR:1ZD; PR:1ZA	P85126MM	[+]	20,3	TRW					
	92	11/14 →	●	PR:1LA	P85131MM	[+]	20	TRW					
	92	11/14 →		●	PR:1KU; PR:1KZ	P85124MM	[-]	16,4	ATE				
1.4 TSI 4motion	110	02/15 →	●	PR:1ZA; PR:1ZD; → 03/15	P85126MM	[+]	20,3	TRW					
	110	02/15 →	●	PR:1LA	P85131MM	[+]	20	TRW					
	110	02/15 →	●	PR:1ZD; 03/15 →	P85147MM	[O]	20,3	TRW					
	110	02/15 →		●	PR:1KU; PR:1KZ	P85124MM	[-]	16,4	ATE				
1.6 TDI	88	08/14 →	●	PR:1ZA; PR:1ZD	P85126MM	[+]	20,3	TRW					
	88	08/14 →	●	PR:1LA	P85131MM	[+]	20	TRW					
	88	08/14 →		●	PR:1KU; PR:1KZ	P85124MM	[-]	16,4	ATE				
1.8 TSI	132	02/15 →	●	PR:1ZA; PR:1ZD; → 03/15	P85126MM	[+]	20,3	TRW					
	132	02/15 →	●	PR:1LA	P85131MM	[+]	20	TRW					
	132	02/15 →	●	PR:1ZD; 03/15 →	P85147MM	[O]	20,3	TRW					
	132	02/15 →		●	PR:1KU; PR:1KZ	P85124MM	[-]	16,4	ATE				
2.0 TDI	110	11/14 →	●	PR:1ZD; PR:1ZA	P85126MM	[+]	20,3	TRW					
	110	11/14 →	●	PR:1LA	P85131MM	[+]	20	TRW					
	110	11/14 →		●	PR:1KU; PR:1KZ	P85124MM	[-]	16,4	ATE				
	140	11/14 →	●	PR:1ZD; PR:1ZA	P85126MM	[+]	20,3	TRW					
	140	11/14 →	●	PR:1LA	P85131MM	[+]	20	TRW					
	140	11/14 →		●	PR:1KU; PR:1KZ	P85124MM	[-]	16,4	ATE				
	135	07/15 →	●	PR:1LA	P85144MM	[+]	20	TRW					
	135	07/15 →	●	PR:1ZA; PR:1ZK; PR:1ZC	P85126MM	[+]	20,3	TRW					
	135	07/15 →	●	PR:1ZL; PR:1ZG; PR:1ZD	P85147MM	[O]	20,3	TRW					
2.0 TDI 4motion	176	08/14 →	●	PR:1ZA; PR:1ZD	P85126MM	[+]	20,3	TRW					
	176	08/14 →	●	PR:1LA	P85131MM	[+]	20	TRW					
	176	08/14 →		●	PR:1KU; PR:1KZ	P85124MM	[-]	16,4	ATE				
	140	11/14 →	●	PR:1ZA; PR:1ZD	P85126MM	[+]	20,3	TRW					
	140	11/14 →	●	PR:1LA	P85131MM	[+]	20	TRW					
	140	11/14 →		●	PR:1KU; PR:1KZ	P85124MM	[-]	16,4	ATE				
	110	02/15 →	●	PR:1ZA; PR:1ZD; → 03/15	P85126MM	[+]	20,3	TRW					
	110	02/15 →	●	PR:1LA	P85131MM	[+]	20	TRW					
	110	02/15 →	●	PR:1ZD; 03/15 →	P85147MM	[O]	20,3	TRW					
2.0 TSI	162	02/15 →	●	PR:1ZA; PR:1ZD	P85126MM	[+]	20,3	TRW					
	162	02/15 →	●	PR:1LA	P85131MM	[+]	20	TRW					
	162	02/15 →	●	PR:1ZD	P85147MM	[O]	20,3	TRW					
	162	02/15 →		●	PR:1KU; PR:1KZ	P85124MM	[-]	16,4	ATE				
2.0 TSI 4motion	206	05/15 →	●	PR:1ZD; PR:1ZA	P85126MM	[+]	20,3	TRW					
	206	05/15 →	●	PR:1LA	P85131MM	[+]	20	TRW					
	206	05/15 →		●	PR:1KU; PR:1KZ	P85124MM	[-]	16,4	ATE				

PASSAT ALLTRACK (365) 01/12 → 12/14

1.8 TSI	112	01/12 → 12/14	●	PR:1ZG; PR:1ZM	P85146MM	[+]	20,3	ATE					
	112	01/12 → 12/14		●	PR:1KW	P85109MM	[-]	17,2	TRW				
	112	01/12 → 12/14		●	PR:2EA	P85108MM	[-]	17,2	TRW				
	118	01/12 → 12/14	●	PR:1ZM; PR:1ZG	P85146MM	[+]	20,3	ATE					
	118	01/12 → 12/14		●	PR:1KW	P85109MM	[-]	17,2	TRW				
	118	01/12 → 12/14		●	PR:2EA	P85108MM	[-]	17,2	TRW				
2.0 TDI	103	01/12 → 12/14	●	PR:1ZM; PR:1ZG	P85146MM	[+]	20,3	ATE					
	103	01/12 → 12/14		●	PR:1KW	P85109MM	[-]	17,2	TRW				
	103	01/12 → 12/14		●	PR:2EA	P85108MM	[-]	17,2	TRW				

VOLKSWAGEN

PASSAT CC (357) 05/08 → 01/12

2.0 TDI	103	06/08 → 01/12	●	PR:1ZG; PR:1ZM	P85146MM	[+]	20,3	ATE					
	103	06/08 → 01/12	●	PR:1LH	P85075MM	[+]	20,3	ATE					
	103	06/08 → 01/12	●	PR:1KU	P85109MM	[-]	17,2	TRW					
	125	06/08 → 01/12	●	PR:1ZM; PR:1ZG	P85146MM	[+]	20,3	ATE					
	125	06/08 → 01/12	●	PR:1LH	P85075MM	[+]	20,3	ATE					
	125	06/08 → 01/12	●	PR:1KU	P85109MM	[-]	17,2	TRW					
	100	06/08 → 05/11	●	PR:1ZM; PR:1ZG	P85146MM	[+]	20,3	ATE					
	100	06/08 → 05/11	●	PR:1LH	P85075MM	[+]	20,3	ATE					
	100	06/08 → 05/11	●	PR:1KU	P85109MM	[-]	17,2	TRW					
2.0 TDI 4motion	103	08/09 → 01/12	●	PR:1ZM; PR:1ZG	P85146MM	[+]	20,3	ATE					
	103	08/09 → 01/12	●	PR:1LH	P85075MM	[+]	20,3	ATE					
	103	08/09 → 01/12	●	PR:1KU	P85109MM	[-]	17,2	TRW					
	125	11/09 → 01/12	●	PR:1ZG; PR:1ZM	P85146MM	[+]	20,3	ATE					
	125	11/09 → 01/12	●	PR:1LH	P85075MM	[+]	20,3	ATE					
2.0 TSI	155	11/10 → 01/12	●	PR:1LH	P85075MM	[+]	20,3	ATE					
	155	11/10 → 01/12	●	PR:1ZM; PR:1ZG	P85146MM	[+]	20,3	ATE					
	155	11/10 → 01/12	●	PR:1KU	P85109MM	[-]	17,2	TRW					
	147	06/08 → 01/12	●	PR:1ZG; PR:1ZM	P85146MM	[+]	20,3	ATE					
	147	06/08 → 01/12	●	PR:1LH	P85075MM	[+]	20,3	ATE					
	147	06/08 → 01/12	●	PR:1KU	P85109MM	[-]	17,2	TRW					
3.6 FSI 4motion	206	06/08 → 01/12	●	PR:1LK	P85079MM	[+]	20,3	ATE					
	206	06/08 → 01/12	●	PR:1LA; PR:1LB	P85131MM	[+]	20	TRW					
	206	06/08 → 01/12	●	PR:2EA	P85108MM	[-]	17,2	TRW					
	220	06/08 → 05/10	●	PR:1LB; PR:1LA	P85131MM	[+]	20	TRW					
	220	06/08 → 05/10	●	PR:1LK	P85079MM	[+]	20,3	ATE					
	220	06/08 → 05/10	●	PR:2EA	P85108MM	[-]	17,2	TRW					

PASSAT Variant (3B5) 05/97 → 12/01

1.6	74	06/97 → 11/00	●	→ 3B-X-600000	P85042MM	[-]	19,6	TRW					
	74	06/97 → 11/00	●	→ 09/00; 3B-Y-000001 →	P85044MM	[+]	19,6	TRW					
	74	06/97 → 11/00	●	10/00 →	P85085MM	[+]	20,4	ATE					
	74	06/97 → 11/00	●	10/00 →; (J)	P85037MM	[+]	20,4	ATE					
	74	06/97 → 11/00	●		P85020MM	[-]	17,2	TRW					
1.8	92	06/97 → 11/00	●	→ 3B-X-600000	P85042MM	[-]	19,6	TRW					
	92	06/97 → 11/00	●	→ 09/00; 3B-Y-000001 →	P85044MM	[+]	19,6	TRW					
	92	06/97 → 11/00	●	10/00 →	P85085MM	[+]	20,4	ATE					
	92	06/97 → 11/00	●	10/00 →; (J)	P85037MM	[+]	20,4	ATE					
	92	06/97 → 11/00	●		P85020MM	[-]	17,2	TRW					
	85	06/97 → 11/00	●	→ 3B-X-600000	P85042MM	[-]	19,6	TRW					
	85	06/97 → 11/00	●	→ 09/00; 3B-Y-000001 →	P85044MM	[+]	19,6	TRW					
	85	06/97 → 11/00	●	10/00 →	P85085MM	[+]	20,4	ATE					
	85	06/97 → 11/00	●	10/00 →; (J)	P85037MM	[+]	20,4	ATE					
	85	06/97 → 11/00	●		P85020MM	[-]	17,2	TRW					
1.8 Syncro/ 4motion	92	06/97 → 11/00	●	→ 3B-X-600000	P85042MM	[-]	19,6	TRW					
	92	06/97 → 11/00	●	→ 09/00; 3B-Y-000001 →	P85044MM	[+]	19,6	TRW					
	92	06/97 → 11/00	●	10/00 →	P85085MM	[+]	20,4	ATE					
	92	06/97 → 11/00	●	10/00 →; (J)	P85037MM	[+]	20,4	ATE					
1.8 T	110	06/97 → 11/00	●	→ 3B-X-600000	P85036MM	[-]	20,4	ATE					
	110	06/97 → 11/00	●	3B-Y-000001 →	P85085MM	[+]	20,4	ATE					
	110	06/97 → 11/00	●	3B-Y-000001 →; (J)	P85037MM	[+]	20,4	ATE					
	110	06/97 → 11/00	●		P85020MM	[-]	17,2	TRW					

									WI			FK	
		kw				wi	Th [mm]	SYS		LENGHT			

VOLKSWAGEN

PASSAT Variant (3B5) 05/97 → 12/01

1.9 TDI	66	06/97 → 11/00	●	→ 3B-X-600000	P85042MM	[-]	19,6	TRW					
	66	06/97 → 11/00	●	→ 09/00; 3B-Y-000001 →	P85044MM	[+]	19,6	TRW					
	66	06/97 → 11/00	●	10/00 →	P85085MM	[+]	20,4	ATE					
	66	06/97 → 11/00	●	10/00 →; (J)	P85037MM	[+]	20,4	ATE					
	66	06/97 → 11/00	●		P85020MM	[-]	17,2	TRW					
	81	06/97 → 11/00	●	→ 3B-X-600000	P85036MM	[-]	20,4	ATE					
	81	06/97 → 11/00	●	3B-Y-000001 →	P85085MM	[+]	20,4	ATE					
	81	06/97 → 11/00	●	3B-Y-000001 →; (J)	P85037MM	[+]	20,4	ATE					
	81	06/97 → 11/00	●		P85020MM	[-]	17,2	TRW					
	85	08/98 → 11/00	●	→ 3B-X-600000	P85036MM	[-]	20,4	ATE					
	85	08/98 → 11/00	●	3B-Y-000001 →	P85085MM	[+]	20,4	ATE					
	85	08/98 → 11/00	●	3B-Y-000001 →; (J)	P85037MM	[+]	20,4	ATE					
	85	08/98 → 11/00	●		P85020MM	[-]	17,2	TRW					
	74	02/00 → 11/00	●	→ 3B-X-600000	P85042MM	[-]	19,6	TRW					
74	02/00 → 11/00	●	→ 09/00; 3B-Y-000001 →	P85044MM	[+]	19,6	TRW						
74	02/00 → 11/00	●	10/00 →	P85085MM	[+]	20,4	ATE						
74	02/00 → 11/00	●	10/00 →; (J)	P85037MM	[+]	20,4	ATE						
74	02/00 → 11/00	●		P85020MM	[-]	17,2	TRW						
1.9 TDI 4motion	85	08/99 → 11/00	●	→ 3B-X-600000	P85036MM	[-]	20,4	ATE					
	85	08/99 → 11/00	●	3B-Y-000001 →	P85085MM	[+]	20,4	ATE					
	85	08/99 → 11/00	●	3B-Y-000001 →; (J)	P85037MM	[+]	20,4	ATE					
	85	08/99 → 11/00	●		P85020MM	[-]	17,2	TRW					
1.9 TDI Syncro/ 4motion	81	06/97 → 11/00	●	→ 3B-X-600000	P85036MM	[-]	20,4	ATE					
	81	06/97 → 11/00	●	3B-Y-000001 →	P85085MM	[+]	20,4	ATE					
	81	06/97 → 11/00	●	3B-Y-000001 →; (J)	P85037MM	[+]	20,4	ATE					
	81	06/97 → 11/00	●		P85020MM	[-]	17,2	TRW					
2.0	88	04/00 → 11/00	●	→ 3B-X-600000	P85036MM	[-]	20,4	ATE					
	88	04/00 → 11/00	●	3B-Y-000001 →	P85085MM	[+]	20,4	ATE					
	88	04/00 → 11/00	●	3B-Y-000001 →; (J)	P85037MM	[+]	20,4	ATE					
	88	04/00 → 11/00	●		P85020MM	[-]	17,2	TRW					
2.0 4motion	88	04/00 → 11/00	●	→ 3B-X-600000	P85036MM	[-]	20,4	ATE					
	88	04/00 → 11/00	●	3B-Y-000001 →	P85085MM	[+]	20,4	ATE					
	88	04/00 → 11/00	●	3B-Y-000001 →; (J)	P85037MM	[+]	20,4	ATE					
	88	04/00 → 11/00	●		P85020MM	[-]	17,2	TRW					
2.3 VR5	110	06/97 → 11/00	●	→ 3B-X-600000	P85036MM	[-]	20,4	ATE					
	110	06/97 → 11/00	●	3B-Y-000001 →	P85085MM	[+]	20,4	ATE					
	110	06/97 → 11/00	●	3B-Y-000001 →; (J)	P85037MM	[+]	20,4	ATE					
	110	06/97 → 11/00	●		P85020MM	[-]	17,2	TRW					
2.3 VR5 Syncro/ 4motion	110	10/97 → 11/00	●	→ 3B-X-600000	P85036MM	[-]	20,4	ATE					
	110	10/97 → 11/00	●	3B-Y-000001 →	P85085MM	[+]	20,4	ATE					
	110	10/97 → 11/00	●	3B-Y-000001 →; (J)	P85037MM	[+]	20,4	ATE					
	110	10/97 → 11/00	●		P85020MM	[-]	17,2	TRW					
2.5 TDI	110	07/98 → 11/00	●	→ 3B-X-600000	P85036MM	[-]	20,4	ATE					
	110	07/98 → 11/00	●	3B-Y-000001 →	P85085MM	[+]	20,4	ATE					
	110	07/98 → 11/00	●	3B-Y-000001 →; (J)	P85037MM	[+]	20,4	ATE					
	110	07/98 → 11/00	●		P85020MM	[-]	17,2	TRW					
2.5 TDI Syncro/ 4motion	110	12/98 → 11/00	●	→ 3B-X-600000	P85036MM	[-]	20,4	ATE					
	110	12/98 → 11/00	●	3B-Y-000001 →	P85085MM	[+]	20,4	ATE					
	110	12/98 → 11/00	●	3B-Y-000001 →; (J)	P85037MM	[+]	20,4	ATE					
	110	12/98 → 11/00	●		P85020MM	[-]	17,2	TRW					
2.8 Syncro	132	05/97 → 09/99	●	→ 3B-X-600000	P85036MM	[-]	20,4	ATE					
	132	05/97 → 09/99	●	3B-Y-000001 →	P85085MM	[+]	20,4	ATE					
	132	05/97 → 09/99	●	3B-Y-000001 →; (J)	P85037MM	[+]	20,4	ATE					
	132	05/97 → 09/99	●		P85020MM	[-]	17,2	TRW					

								WI			FK		
	kw					Wi	Th [mm]	SYS		LENGHT			

VOLKSWAGEN

PASSAT Variant (3B6) 10/00 → 08/05

2.0 TDI	100	12/03 → 05/05	●	PR:1LE; (J)	P85037MM	[+]	20,4	ATE				
	100	12/03 → 05/05	●	PR:1LT; PR:1ZC	P85085MM	[+]	20,4	ATE				
	100	12/03 → 05/05	●	PR:1ZG; PR:1ZF; +arm.veh.; disc Ø 321 mm	P85067MM	[+]	18,3 / 18,5	TRW				
	100	12/03 → 05/05	●		P85020MM	[-]	17,2	TRW				
2.3 VR5	125	11/00 → 05/05	●	PR:1LE; (J); disc Ø 288 mm	P85037MM	[+]	20,4	ATE				
	125	11/00 → 05/05	●	PR:1ZC; PR:1LT	P85085MM	[+]	20,4	ATE				
	125	11/00 → 05/05	●	PR:1ZF; PR:1ZG; +arm.veh.; disc Ø 321 mm	P85067MM	[+]	18,3 / 18,5	TRW				
	125	11/00 → 05/05	●		P85020MM	[-]	17,2	TRW				
2.3 VR5 4motion	125	11/00 → 05/05	●	PR:1LE; (J); disc Ø 288 mm	P85037MM	[+]	20,4	ATE				
	125	11/00 → 05/05	●	PR:1LT; PR:1ZC	P85085MM	[+]	20,4	ATE				
	125	11/00 → 05/05	●	PR:1ZG; PR:1ZF; +arm.veh.; disc Ø 321 mm	P85067MM	[+]	18,3 / 18,5	TRW				
	125	11/00 → 05/05	●	disc Ø 245 mm	P85020MM	[-]	17,2	TRW				
2.5 TDI	110	11/00 → 05/05	●	PR:1LE; (J); disc Ø 288 mm	P85037MM	[+]	20,4	ATE				
	110	11/00 → 05/05	●	PR:1LT; PR:1ZC	P85085MM	[+]	20,4	ATE				
	110	11/00 → 05/05	●	PR:1ZG; PR:1ZF; +arm.veh.; disc Ø 321 mm	P85067MM	[+]	18,3 / 18,5	TRW				
	110	11/00 → 05/05	●		P85020MM	[-]	17,2	TRW				
	120	05/03 → 05/05	●	PR:1LE; (J); disc Ø 288 mm	P85037MM	[+]	20,4	ATE				
	120	05/03 → 05/05	●	PR:1ZC; PR:1LT	P85085MM	[+]	20,4	ATE				
	120	05/03 → 05/05	●	PR:1ZF; PR:1ZG; +arm.veh.; disc Ø 321 mm	P85067MM	[+]	18,3 / 18,5	TRW				
2.5 TDI 4motion	110	11/00 → 05/05	●	PR:1LE; (J); disc Ø 288 mm	P85037MM	[+]	20,4	ATE				
	110	11/00 → 05/05	●	PR:1ZC; PR:1LT	P85085MM	[+]	20,4	ATE				
	110	11/00 → 05/05	●	PR:1ZF; PR:1ZG; +arm.veh.; disc Ø 321 mm	P85067MM	[+]	18,3 / 18,5	TRW				
	110	11/00 → 05/05	●	disc Ø 245 mm	P85020MM	[-]	17,2	TRW				
	132	01/03 → 05/05	●	PR:1LE; (J); disc Ø 288 mm	P85037MM	[+]	20,4	ATE				
	132	01/03 → 05/05	●	PR:1LT; PR:1ZC	P85085MM	[+]	20,4	ATE				
	132	01/03 → 05/05	●	PR:1ZG; PR:1ZF; +arm.veh.; disc Ø 321 mm	P85067MM	[+]	18,3 / 18,5	TRW				
2.8 4motion	142	11/00 → 05/05	●	PR:1LE; (J); disc Ø 288 mm	P85037MM	[+]	20,4	ATE				
	142	11/00 → 05/05	●	PR:1ZC; PR:1LT	P85085MM	[+]	20,4	ATE				
	142	11/00 → 05/05	●	PR:1ZF; PR:1ZG; +arm.veh.; disc Ø 321 mm	P85067MM	[+]	18,3 / 18,5	TRW				
	142	11/00 → 05/05	●	disc Ø 245 mm	P85020MM	[-]	17,2	TRW				

PASSAT Variant (3C5) 08/05 → 10/11

1.4 TSI	90	05/07 → 11/10	●	PR:1ZM; PR:1ZG	P85146MM	[+]	20,3	ATE				
	90	05/07 → 11/10	●	PR:1LH	P85075MM	[+]	20,3	ATE				
	90	05/07 → 11/10	●	PR:1KU	P85109MM	[-]	17,2	TRW				
1.4 TSI EcoFuel	110	01/09 → 11/10	●	PR:1ZG; PR:1ZM	P85146MM	[+]	20,3	ATE				
	110	01/09 → 11/10	●	PR:1LH	P85075MM	[+]	20,3	ATE				
	110	01/09 → 11/10	●	PR:1KU	P85109MM	[-]	17,2	TRW				
1.6	75	08/05 → 11/10	●	PR:1ZG; PR:1ZM	P85146MM	[+]	20,3	ATE				
	75	08/05 → 11/10	●	PR:1LH	P85075MM	[+]	20,3	ATE				
	75	08/05 → 11/10	●	PR:1KU; → 3C-7-300000	P85073MM	[o]	17,2	TRW				
	75	08/05 → 11/10	●	PR:1KU; 3C-8-000001 →	P85109MM	[-]	17,2	TRW				
1.6 FSI	85	08/05 → 06/08	●	PR:1ZG; PR:1ZM	P85146MM	[+]	20,3	ATE				
	85	08/05 → 06/08	●	PR:1LH	P85075MM	[+]	20,3	ATE				
	85	08/05 → 06/08	●	PR:1KU; → 3C-7-300000	P85073MM	[o]	17,2	TRW				
	85	08/05 → 06/08	●	PR:1KU; 3C-8-000001 →	P85109MM	[-]	17,2	TRW				

--	--	--	--	--	--	--	--	--	--	--	--	--	--	--

VOLKSWAGEN

PASSAT Variant (3C5) 08/05 → 10/11

Engine	Year	PR	P85146MM	+	20,3	ATE							
1.6 TDI	77 08/09 → 11/10	●	PR:1ZM; PR:1ZG	P85146MM	[+]	20,3	ATE						
	77 08/09 → 11/10	●	PR:1LH	P85075MM	[+]	20,3	ATE						
	77 08/09 → 11/10	●	PR:1KU	P85109MM	[-]	17,2	TRW						
1.8 TSI	118 05/07 → 10/11	●	PR:1ZG; PR:1ZM	P85146MM	[+]	20,3	ATE						
	118 05/07 → 10/11	●	PR:1LH	P85075MM	[+]	20,3	ATE						
	118 05/07 → 10/11	●	PR:1KU	P85109MM	[-]	17,2	TRW						
	112 11/09 → 11/10	●	PR:1ZM; PR:1ZG	P85146MM	[+]	20,3	ATE						
	112 11/09 → 11/10	●	PR:1LH	P85075MM	[+]	20,3	ATE						
	112 11/09 → 11/10	●	PR:1KU	P85109MM	[-]	17,2	TRW						
1.9 TDI	77 08/05 → 11/08	●	PR:1ZG; PR:1ZM	P85146MM	[+]	20,3	ATE						
	77 08/05 → 11/08	●	PR:1LH	P85075MM	[+]	20,3	ATE						
	77 08/05 → 11/08	●	PR:1KU; → 3C-7-300000	P85073MM	[O]	17,2	TRW						
	77 08/05 → 11/08	●	PR:1KU; 3C-8-000001 →	P85109MM	[-]	17,2	TRW						
2.0 BlueTDI	105 01/09 → 11/10	●	PR:1ZG; PR:1ZM	P85146MM	[+]	20,3	ATE						
	105 01/09 → 11/10	●	PR:1LH	P85075MM	[+]	20,3	ATE						
	105 01/09 → 11/10	●	PR:1KU	P85109MM	[-]	17,2	TRW						
2.0 FSI	110 08/05 → 11/10	●	PR:1ZM; PR:1ZG	P85146MM	[+]	20,3	ATE						
	110 08/05 → 11/10	●	PR:1LH	P85075MM	[+]	20,3	ATE						
	110 08/05 → 11/10	●	PR:1KU; → 3C-7-300000	P85073MM	[O]	17,2	TRW						
	110 08/05 → 11/10	●	PR:1KU; 3C-8-000001 →	P85109MM	[-]	17,2	TRW						
	147 08/05 → 11/10	●	PR:1ZG; PR:1ZM	P85146MM	[+]	20,3	ATE						
	147 08/05 → 11/10	●	PR:1LH	P85075MM	[+]	20,3	ATE						
	147 08/05 → 11/10	●	PR:1KU; → 3C-7-300000	P85073MM	[O]	17,2	TRW						
	147 08/05 → 11/10	●	PR:1KU; 3C-8-000001 →	P85109MM	[-]	17,2	TRW						
	125 08/07 → 11/10	●	PR:1ZG; PR:1ZM	P85146MM	[+]	20,3	ATE						
	125 08/07 → 11/10	●	PR:1LH	P85075MM	[+]	20,3	ATE						
2.0 FSI 4motion	110 09/05 → 11/10	●	PR:1ZG; PR:1ZM	P85146MM	[+]	20,3	ATE						
	110 09/05 → 11/10	●	PR:1LH	P85075MM	[+]	20,3	ATE						
	110 09/05 → 11/10	●	PR:1KU; → 3C-7-300000	P85073MM	[O]	17,2	TRW						
	110 09/05 → 11/10	●	PR:1KU; 3C-8-000001 →	P85109MM	[-]	17,2	TRW						
2.0 TDI	88 11/05 → 05/07	●	PR:1ZM; PR:1ZG	P85146MM	[+]	20,3	ATE						
	88 11/05 → 05/07	●	PR:1LH	P85075MM	[+]	20,3	ATE						
	88 11/05 → 05/07	●	PR:1KU	P85073MM	[O]	17,2	TRW						
	90 08/05 → 02/06	●	PR:1ZM; PR:1ZG	P85146MM	[+]	20,3	ATE						
	90 08/05 → 02/06	●	PR:1LH	P85075MM	[+]	20,3	ATE						
	90 08/05 → 02/06	●	PR:1KU	P85073MM	[O]	17,2	TRW						
	100 08/05 → 11/10	●	PR:1ZG; PR:1ZM	P85146MM	[+]	20,3	ATE						
	100 08/05 → 11/10	●	PR:1LH	P85075MM	[+]	20,3	ATE						
	100 08/05 → 11/10	●	PR:1KU; → 3C-7-300000	P85073MM	[O]	17,2	TRW						
	100 08/05 → 11/10	●	PR:1KU; 3C-8-000001 →	P85109MM	[-]	17,2	TRW						
	125 08/05 → 11/10	●	PR:1ZM; PR:1ZG	P85146MM	[+]	20,3	ATE						
	125 08/05 → 11/10	●	PR:1LH	P85075MM	[+]	20,3	ATE						
	125 08/05 → 11/10	●	PR:1KU; → 3C-7-300000	P85073MM	[O]	17,2	TRW						
	125 08/05 → 11/10	●	PR:1KU; 3C-8-000001 →	P85109MM	[-]	17,2	TRW						
	103 08/05 → 05/09	●	PR:1ZM; PR:1ZG	P85146MM	[+]	20,3	ATE						
	103 08/05 → 05/09	●	PR:1LH	P85075MM	[+]	20,3	ATE						
	103 08/05 → 05/09	●	PR:1KU; → 3C-7-300000	P85073MM	[O]	17,2	TRW						
	103 08/05 → 05/09	●	PR:1KU; 3C-8-000001 →	P85109MM	[-]	17,2	TRW						
	120 08/05 → 05/09	●	PR:1ZM; PR:1ZG	P85146MM	[+]	20,3	ATE						
	120 08/05 → 05/09	●	PR:1LH	P85075MM	[+]	20,3	ATE						
	120 08/05 → 05/09	●	PR:1KU; → 3C-7-300000	P85073MM	[O]	17,2	TRW						
	120 08/05 → 05/09	●	PR:1KU; 3C-8-000001 →	P85109MM	[-]	17,2	TRW						

									WI			FK	
									MAGNETI MARELLI	LENGHT		MAGNETI MARELLI	

VOLKSWAGEN

PASSAT Variant (3C5) 08/05 → 10/11

2.0 TDI	81	11/08 → 11/10	●	PR:1ZM; PR:1ZG	P85146MM	[+]	20,3	ATE					
	81	11/08 → 11/10	●	PR:1LH	P85075MM	[+]	20,3	ATE					
	81	11/08 → 11/10	●	PR:1KU	P85109MM	[-]	17,2	TRW					
2.0 TDI 16V	103	08/05 → 11/10	●	PR:1ZM; PR:1ZG	P85146MM	[+]	20,3	ATE					
	103	08/05 → 11/10	●	PR:1LH	P85075MM	[+]	20,3	ATE					
	103	08/05 → 11/10	●	PR:1KU; → 3C-7-300000	P85073MM	[o]	17,2	TRW					
	103	08/05 → 11/10	●	PR:1KU; 3C-8-000001 →	P85109MM	[-]	17,2	TRW					
2.0 TDI 16V 4motion	103	08/05 → 11/10	●	PR:1ZM; PR:1ZG	P85146MM	[+]	20,3	ATE					
	103	08/05 → 11/10	●	PR:1LH	P85075MM	[+]	20,3	ATE					
	103	08/05 → 11/10	●	PR:1KU; → 3C-7-300000	P85073MM	[o]	17,2	TRW					
2.0 TDI 4motion	103	08/05 → 11/10	●	PR:1KU; 3C-8-000001 →	P85109MM	[-]	17,2	TRW					
	103	08/05 → 05/09	●	PR:1ZG; PR:1ZM	P85146MM	[+]	20,3	ATE					
	103	08/05 → 05/09	●	PR:1LH	P85075MM	[+]	20,3	ATE					
	103	08/05 → 05/09	●	PR:1KU; → 3C-7-300000	P85073MM	[o]	17,2	TRW					
	103	08/05 → 05/09	●	PR:1KU; 3C-8-000001 →	P85109MM	[-]	17,2	TRW					
	125	05/09 → 11/10	●	PR:1ZG; PR:1ZM	P85146MM	[+]	20,3	ATE					
	125	05/09 → 11/10	●	PR:1LH	P85075MM	[+]	20,3	ATE					
3.2 FSI 4motion	184	11/05 → 11/10	●	PR:1LH	P85109MM	[-]	17,2	TRW					
	184	11/05 → 11/10	●	PR:1LK; PR:1LM	P85079MM	[+]	20,3	ATE					
	184	11/05 → 11/10	●	PR:2EA; PR:2EL; → 3C-7-300000	P85095MM	[o]	17,2	TRW					
3.6 R36 4motion	184	11/05 → 11/10	●	PR:2EA; PR:2EL; 3C-8-000001 →	P85108MM	[-]	17,2	TRW					
	220	04/07 → 11/10	●	PR:1LM; PR:1LK	P85079MM	[+]	20,3	ATE					
	220	04/07 → 11/10	●	PR:2EL; PR:2EA; → 3C-7-300000	P85095MM	[o]	17,2	TRW					
	220	04/07 → 11/10	●	PR:2EL; PR:2EA; 3C-8-000001 →	P85108MM	[-]	17,2	TRW					
	220	04/07 → 11/10	●	PR:2EL; PR:2EA; 3C-8-000001 →	P85108MM	[-]	17,2	TRW					

PASSAT Variant (365) 08/10 → 12/14

1.4 TSI	90	08/10 → 12/14	●	PR:1ZM; PR:1ZG	P85146MM	[+]	20,3	ATE					
	90	08/10 → 12/14	●	PR:1KW	P85109MM	[-]	17,2	TRW					
	90	08/10 → 12/14	●	PR:2EA	P85108MM	[-]	17,2	TRW					
	118	11/12 → 12/14	●	PR:1ZG; PR:1ZM	P85146MM	[+]	20,3	ATE					
	118	11/12 → 12/14	●	PR:1KW	P85073MM	[o]	17,2	TRW					
	118	11/12 → 12/14	●	PR:1KW	P85109MM	[-]	17,2	TRW					
	118	11/12 → 12/14	●	PR:2EA	P85108MM	[-]	17,2	TRW					
1.4 TSI EcoFuel	110	08/10 → 12/14	●	PR:1ZM; PR:1ZG	P85146MM	[+]	20,3	ATE					
	110	08/10 → 12/14	●	PR:1KW	P85109MM	[-]	17,2	TRW					
	110	08/10 → 12/14	●	PR:2EA	P85108MM	[-]	17,2	TRW					
1.4 TSI MultiFuel	118	11/10 → 12/14	●	PR:1ZG; PR:1ZM	P85146MM	[+]	20,3	ATE					
	118	11/10 → 12/14	●	PR:1KW	P85109MM	[-]	17,2	TRW					
	118	11/10 → 12/14	●	PR:2EA	P85108MM	[-]	17,2	TRW					
1.6 TDI	77	08/10 → 12/14	●	PR:1ZM; PR:1ZG	P85146MM	[+]	20,3	ATE					
	77	08/10 → 12/14	●	PR:1KW	P85109MM	[-]	17,2	TRW					
	77	08/10 → 12/14	●	PR:2EA	P85108MM	[-]	17,2	TRW					
1.8 TSI	118	08/10 → 12/14	●	PR:1ZG; PR:1ZM	P85146MM	[+]	20,3	ATE					
	118	08/10 → 12/14	●	PR:1KW	P85109MM	[-]	17,2	TRW					
	118	08/10 → 12/14	●	PR:2EA	P85108MM	[-]	17,2	TRW					
	112	02/11 → 12/14	●	PR:1ZG; PR:1ZM	P85146MM	[+]	20,3	ATE					
	112	02/11 → 12/14	●	PR:1KW	P85109MM	[-]	17,2	TRW					
	112	02/11 → 12/14	●	PR:2EA	P85108MM	[-]	17,2	TRW					
2.0 TDI	103	08/10 → 12/14	●	PR:1ZM; PR:1ZG	P85146MM	[+]	20,3	ATE					
	103	08/10 → 12/14	●	PR:1KW	P85109MM	[-]	17,2	TRW					
	103	08/10 → 12/14	●	PR:2EA	P85108MM	[-]	17,2	TRW					
	125	08/10 → 12/14	●	PR:1ZM; PR:1ZG	P85146MM	[+]	20,3	ATE					

	kw				wi	Th [mm]	SYS	MAGNETI MARELLI	LENGHT		MAGNETI MARELLI	
										wi		FK

VOLKSWAGEN

PASSAT Variant (365) 08/10 → 12/14

2.0 TDI	125	08/10 → 12/14	●	PR:1KW	P85109MM [-]	17,2	TRW					
	125	08/10 → 12/14	●	PR:2EA	P85108MM [-]	17,2	TRW					
	100	08/10 → 12/14	●	PR:1ZM; PR:1ZG	P85146MM [+]	20,3	ATE					
	100	08/10 → 12/14	●	PR:1KW	P85109MM [-]	17,2	TRW					
	100	08/10 → 12/14	●	PR:2EA	P85108MM [-]	17,2	TRW					
	130	12/12 → 12/14	●	PR:1ZM; PR:1ZG	P85146MM [+]	20,3	ATE					
	130	12/12 → 12/14	●	PR:1KW	P85109MM [-]	17,2	TRW					
2.0 TDI 4motion	130	12/12 → 12/14	●	PR:2EA	P85108MM [-]	17,2	TRW					
	103	08/10 → 12/14	●	PR:1ZG; PR:1ZM	P85146MM [+]	20,3	ATE					
	103	08/10 → 12/14	●	PR:1KW	P85109MM [-]	17,2	TRW					
	103	08/10 → 12/14	●	PR:2EA	P85108MM [-]	17,2	TRW					
	125	08/10 → 01/13	●	PR:1ZG; PR:1ZM	P85146MM [+]	20,3	ATE					
	125	08/10 → 01/13	●	PR:1KW	P85109MM [-]	17,2	TRW					
	125	08/10 → 01/13	●	PR:2EA	P85108MM [-]	17,2	TRW					
	130	01/13 → 12/14	●	PR:1ZM; PR:1ZG	P85146MM [+]	20,3	ATE					
	130	01/13 → 12/14	●	PR:1KW	P85109MM [-]	17,2	TRW					
	130	01/13 → 12/14	●	PR:2EA	P85108MM [-]	17,2	TRW					
2.0 TSI	155	11/10 → 12/14	●	PR:1ZG; PR:1ZM	P85146MM [+]	20,3	ATE					
	155	11/10 → 12/14	●	PR:1KW	P85109MM [-]	17,2	TRW					
	155	11/10 → 12/14	●	PR:2EA	P85108MM [-]	17,2	TRW					
3.6 FSI 4motion	220	01/11 → 12/14	●	PR:1LA; PR:1LB	P85131MM [+]	20	TRW					
	220	01/11 → 12/14	●	PR:2EA	P85108MM [-]	17,2	TRW					

PASSAT Variant (3G5) 08/14 →

1.4 GTE Hybrid	115	06/15 →	●	PR:1LA	P85144MM [+]	20	TRW					
	115	06/15 →	●	PR:1ZD; PR:1ZL	P85147MM [O]	20,3	TRW					
	115	06/15 →	●	PR:1KZ; PR:2EA; PR:1KU	P85124MM [-]	16,4	ATE					
1.4 TSI	110	11/14 →	●	PR:1ZA; PR:1ZD	P85126MM [+]	20,3	TRW					
	110	11/14 →	●	PR:1LA	P85131MM [+]	20	TRW					
	110	11/14 →	●	PR:1KU; PR:1KZ	P85124MM [-]	16,4	ATE					
	92	11/14 →	●	PR:1ZD; PR:1ZA	P85126MM [+]	20,3	TRW					
	92	11/14 →	●	PR:1LA	P85131MM [+]	20	TRW					
	92	11/14 →	●	PR:1KZ; PR:1KU	P85124MM [-]	16,4	ATE					
1.4 TSI 4motion	110	02/15 →	●	PR:1ZA; PR:1ZD; → 03/15	P85126MM [+]	20,3	TRW					
	110	02/15 →	●	PR:1LA	P85131MM [+]	20	TRW					
	110	02/15 →	●	PR:1ZD; 03/15 →	P85147MM [O]	20,3	TRW					
	110	02/15 →	●	PR:1KU; PR:1KZ	P85124MM [-]	16,4	ATE					
1.6 TDI	88	08/14 →	●	PR:1ZA; PR:1ZD	P85126MM [+]	20,3	TRW					
	88	08/14 →	●	PR:1LA	P85131MM [+]	20	TRW					
	88	08/14 →	●	PR:1KU; PR:1KZ	P85124MM [-]	16,4	ATE					
1.8 TSI	132	02/15 →	●	PR:1ZA; PR:1ZD; → 03/15	P85126MM [+]	20,3	TRW					
	132	02/15 →	●	PR:1LA	P85131MM [+]	20	TRW					
	132	02/15 →	●	PR:1ZD; 03/15 →	P85147MM [O]	20,3	TRW					
	132	02/15 →	●	PR:1KU; PR:1KZ	P85124MM [-]	16,4	ATE					
2.0 TDI	110	11/14 →	●	PR:1ZD; PR:1ZA	P85126MM [+]	20,3	TRW					
	110	11/14 →	●	PR:1LA	P85131MM [+]	20	TRW					
	110	11/14 →	●	PR:1KU; PR:1KZ	P85124MM [-]	16,4	ATE					
	140	11/14 →	●	PR:1ZD; PR:1ZA	P85126MM [+]	20,3	TRW					
	140	11/14 →	●	PR:1LA	P85131MM [+]	20	TRW					
	140	11/14 →	●	PR:1KU; PR:1KZ	P85124MM [-]	16,4	ATE					
	135	07/15 →	●	PR:1LA	P85144MM [+]	20	TRW					
	135	07/15 →	●	PR:1ZA; PR:1ZK; PR:1ZC	P85126MM [+]	20,3	TRW					
	135	07/15 →	●	PR:1ZL; PR:1ZG; PR:1ZD	P85147MM [O]	20,3	TRW					
	135	07/15 →	●	PR:1KU; PR:1KZ; PR:2EA	P85124MM [-]	16,4	ATE					

									WI			FK	

VOLKSWAGEN

PASSAT Variant (3G5) 08/14 →

2.0 TDI 4motion	176	08/14 →	●	PR:1ZA; PR:1ZD	P85126MM	[+]	20,3	TRW					
	176	08/14 →	●	PR:1LA	P85131MM	[+]	20	TRW					
	176	08/14 →	●	PR:1KU; PR:1KZ	P85124MM	[-]	16,4	ATE					
	140	11/14 →	●	PR:1ZA; PR:1ZD	P85126MM	[+]	20,3	TRW					
	140	11/14 →	●	PR:1LA	P85131MM	[+]	20	TRW					
	140	11/14 →	●	PR:1KU; PR:1KZ	P85124MM	[-]	16,4	ATE					
	110	02/15 →	●	PR:1ZA; PR:1ZD; → 03/15	P85126MM	[+]	20,3	TRW					
	110	02/15 →	●	PR:1LA	P85131MM	[+]	20	TRW					
	110	02/15 →	●	PR:1ZD; 03/15 →	P85147MM	[O]	20,3	TRW					
2.0 TSI	162	02/15 →	●	PR:1ZA	P85126MM	[+]	20,3	TRW					
	162	02/15 →	●	PR:1LA	P85131MM	[+]	20	TRW					
	162	02/15 →	●	PR:1ZD	P85147MM	[O]	20,3	TRW					
	162	02/15 →	●	PR:1KU; PR:1KZ	P85124MM	[-]	16,4	ATE					
2.0 TSI 4motion	206	05/15 →	●	PR:1ZA	P85126MM	[+]	20,3	TRW					
	206	05/15 →	●	PR:1LA	P85131MM	[+]	20	TRW					
	206	05/15 →	●	PR:1ZD	P85147MM	[O]	20,3	TRW					
	206	05/15 →	●	PR:1KU; PR:1KZ	P85124MM	[-]	16,4	ATE					

PHAETON (3D_) 04/02 → 03/16

3.0 V6 TDI 4motion	165	09/04 → 05/07	●	PR:1LX; → 3D-5-002000	P85067MM	[+]	18,3 / 18,5	TRW					
	165	09/04 → 05/07	●	PR:1LC	P85078MM	[+]	16,7	BRE					
	165	09/04 → 05/07	●	PR:1ZK; PR:1ZL	P85102MM	[+]	20,5	ATE					
	165	09/04 → 05/07	●	PR:1KD; PR:1KY; PR:1KP	P85064MM	[+]	17,7	TRW					
	176	11/08 → 03/16	●	PR:1ZL; PR:1ZK	P85102MM	[+]	20,5	ATE					
	176	11/08 → 03/16	●	PR:1KY; PR:1KP	P85064MM	[+]	17,7	TRW					
	171	06/07 → 11/08	●	PR:1ZK; PR:1ZL	P85102MM	[+]	20,5	ATE					
	171	06/07 → 11/08	●	PR:1KP; PR:1KY	P85064MM	[+]	17,7	TRW					
	180	11/13 → 03/16	●	PR:1ZL	P85102MM	[+]	20,5	ATE					
	180	11/13 → 03/16	●	PR:1LC	P85078MM	[+]	16,7	BRE					
3.2 V6	177	04/02 → 05/05	●	PR:1LX; → 3D-5-002000	P85067MM	[+]	18,3 / 18,5	TRW					
	177	04/02 → 05/05	●	PR:1ZK; PR:1ZL	P85102MM	[+]	20,5	ATE					
	177	04/02 → 05/05	●	PR:1LC	P85078MM	[+]	16,7	BRE					
	177	04/02 → 05/05	●	PR:1KD; PR:1KP; PR:1KY	P85064MM	[+]	17,7	TRW					
3.2 V6 4motion	177	02/04 → 11/08	●	PR:1LC	P85078MM	[+]	16,7	BRE					
	177	02/04 → 11/08	●	PR:1LX; → 3D-5-002000	P85067MM	[+]	18,3 / 18,5	TRW					
	177	02/04 → 11/08	●	PR:1ZL; PR:1ZK	P85102MM	[+]	20,5	ATE					
	177	02/04 → 11/08	●	PR:1KP; PR:1KY; PR:1KD	P85064MM	[+]	17,7	TRW					
	206	11/08 → 03/16	●	PR:1ZK; PR:1ZL	P85102MM	[+]	20,5	ATE					
4.2 V8 4motion	246	05/03 → 03/16	●	PR:1LX; → 3D-5-002000	P85067MM	[+]	18,3 / 18,5	TRW					
	246	05/03 → 03/16	●	PR:1LC	P85078MM	[+]	16,7	BRE					
	246	05/03 → 03/16	●	PR:1ZK; PR:1ZL	P85102MM	[+]	20,5	ATE					
	246	05/03 → 03/16	●	PR:1KD; PR:1KY; PR:1KP	P85064MM	[+]	17,7	TRW					
5.0 V10 TDI 4motion	230	11/02 → 10/06	●	PR:1LC	P85078MM	[+]	16,7	BRE					
	230	11/02 → 10/06	●	PR:1ZL; PR:1ZK	P85102MM	[+]	20,5	ATE					
	230	11/02 → 10/06	●	PR:1KY; PR:1KP; PR:1KD	P85064MM	[+]	17,7	TRW					
6.0 W12 4motion	309	04/02 → 05/05	●	PR:1LC	P85078MM	[+]	16,7	BRE					
	309	04/02 → 05/05	●	PR:1ZL; PR:1ZK	P85102MM	[+]	20,5	ATE					
	309	04/02 → 05/05	●	PR:1KY; PR:1KP; PR:1KD	P85064MM	[+]	17,7	TRW					

Car Type	kw	S	E	i	MAGNETI MARELLI	wi	Th [mm]	SYS	WI			FK	
									MAGNETI MARELLI	LENGHT	i	MAGNETI MARELLI	i

VOLKSWAGEN

PHAETON (3D_) 04/02 → 03/16

6.0 W12 4motion	331	05/05 → 03/16	●		PR:1ZL; PR:1ZK	P85102MM	[+]	20,5	ATE				
	331	05/05 → 03/16	●		PR:1LC	P85078MM	[+]	16,7	BRE				
	331	05/05 → 03/16	●		PR:1KP; PR:1KY; PR:1KD	P85064MM	[+]	17,7	TRW				

POLO (6N1) 10/94 → 10/99

1.7 SDI	42	04/97 → 10/99	●			P85024MM	[-]	17,3	KH				
	42	04/97 → 10/99	●			P85025MM	[-]	17,2	VW / VAG				
100 1.4 16V	74	04/96 → 10/99	●			P85032MM	[-]	16,2	TRW				
	74	04/96 → 10/99	●			P85020MM	[-]	17,2	TRW				
120 1.6 16V GTI	88	09/98 → 10/99	●			P85032MM	[-]	16,2	TRW				
	88	09/98 → 10/99	●			P85020MM	[-]	17,2	TRW				
45 1.0	33	10/94 → 09/96	●			P85024MM	[-]	17,3	KH				
	33	10/94 → 09/96	●			P85025MM	[-]	17,2	VW / VAG				
50 1.0	37	09/96 → 10/99	●			P85024MM	[-]	17,3	KH				
	37	09/96 → 10/99	●			P85025MM	[-]	17,2	VW / VAG				
55 1.3	40	10/94 → 07/95	●			P85024MM	[-]	17,3	KH				
	40	10/94 → 07/95	●			P85025MM	[-]	17,2	VW / VAG				
55 1.4	40	08/95 → 10/99	●			P85024MM	[-]	17,3	KH				
	40	08/95 → 10/99	●			P85025MM	[-]	17,2	VW / VAG				
60 1.4	44	07/95 → 10/99	●			P85024MM	[-]	17,3	KH				
	44	07/95 → 10/99	●			P85025MM	[-]	17,2	VW / VAG				
60 1.7 SDI	44	08/97 → 10/99	●			P85024MM	[-]	17,3	KH				
	44	08/97 → 10/99	●			P85025MM	[-]	17,2	VW / VAG				
64 1.9 D	47	10/94 → 10/99	●			P85024MM	[-]	17,3	KH				
	47	10/94 → 10/99	●			P85025MM	[-]	17,2	VW / VAG				
64 1.9 SDI	47	07/96 → 10/99	●			P85024MM	[-]	17,3	KH				
	47	07/96 → 10/99	●			P85025MM	[-]	17,2	VW / VAG				
75 1.6	55	10/94 → 10/99	●			P85024MM	[-]	17,3	KH				
	55	10/94 → 10/99	●			P85025MM	[-]	17,2	VW / VAG				

POLO (6N2) 10/99 → 10/01

1.0	37	10/99 → 09/01	●			P85025MM	[-]	17,2	VW / VAG				
	37	10/99 → 09/01	●			P85020MM	[-]	17,2	TRW				
1.4	44	10/99 → 09/01	●			P85025MM	[-]	17,2	VW / VAG				
	44	10/99 → 09/01	●			P85020MM	[-]	17,2	TRW				
	40	10/99 → 09/01	●			P85025MM	[-]	17,2	VW / VAG				
	40	10/99 → 09/01	●			P85020MM	[-]	17,2	TRW				
1.4 16V	55	10/99 → 09/01	●		-ABS	P85025MM	[-]	17,2	VW / VAG				
	55	10/99 → 09/01	●		+ABS	P85032MM	[-]	16,2	TRW				
	55	10/99 → 09/01	●			P85020MM	[-]	17,2	TRW				
	74	10/99 → 09/01	●			P85032MM	[-]	16,2	TRW				
	74	10/99 → 09/01	●			P85020MM	[-]	17,2	TRW				

											WI		FK		

VOLKSWAGEN

POLO (6N2) 10/99 → 10/01

1.4 TDI	55	10/99 → 09/01	●		P85032MM [-]	16,2	TRW							
	55	10/99 → 09/01	●		P85020MM [-]	17,2	TRW							
	66	01/00 → 10/00	●		P85032MM [-]	16,2	TRW							
	66	01/00 → 10/00	●		P85020MM [-]	17,2	TRW							
1.6 16V GTI	92	10/99 → 09/01	●		P85032MM [-]	16,2	TRW							
	92	10/99 → 09/01	●		P85020MM [-]	17,2	TRW							
1.7 SDI	44	10/99 → 09/01	●		P85025MM [-]	17,2	VW / VAG							
	44	10/99 → 09/01	●		P85020MM [-]	17,2	TRW							
1.9 D	47	10/99 → 09/01	●		P85025MM [-]	17,2	VW / VAG							
	47	10/99 → 09/01	●		P85020MM [-]	17,2	TRW							
1.9 SDI	47	10/99 → 09/01	●		P85025MM [-]	17,2	VW / VAG							
	47	10/99 → 09/01	●		P85020MM [-]	17,2	TRW							

POLO (9N_) 10/01 → 01/12

1.2	40	01/02 → 05/07	●	PR:1LR; PR:1ZG	P85072MM [+]	19,7	ATE							
	40	01/02 → 05/07	●	PR:1LQ; PR:1ZF; PR:1ZJ	P85041MM [-]	19,7	ATE							
	40	01/02 → 05/07	●	PR:1ZN; PR:9U0; PR:1LM	P85025MM [-]	17,2	VW / VAG							
	40	01/02 → 05/07	●	PR:1LM; PR:9U1; PR:1ZN	P85071MM [+]	17,2	VW / VAG							
	44	05/07 → 11/09	●	PR:1ZG; PR:1LR	P85072MM [+]	19,7	ATE							
	44	05/07 → 11/09	●	PR:1LQ; PR:1ZF; PR:1ZJ	P85041MM [-]	19,7	ATE							
	44	05/07 → 11/09	●	PR:1ZN; PR:1LM; -power steering	P85025MM [-]	17,2	VW / VAG							
	44	05/07 → 11/09	●	PR:1LM; PR:1ZN; -power steering	P85071MM [+]	17,2	VW / VAG							
1.2 12V	44	05/07 → 11/09	●		P85020MM [-]	17,2	TRW							
	47	10/01 → 07/07	●	PR:1LQ; PR:1ZF; PR:1ZJ	P85041MM [-]	19,7	ATE							
	47	10/01 → 07/07	●	PR:1LR; PR:1ZG	P85072MM [+]	19,7	ATE							
	47	10/01 → 07/07	●	PR:9U0; PR:2EJ	P85020MM [-]	17,2	TRW							
	47	10/01 → 07/07	●	PR:9U1	P85066MM [+]	17,2	TRW							
	51	05/07 → 11/09	●	PR:1ZF; PR:1ZJ; PR:1LQ	P85041MM [-]	19,7	ATE							
	51	05/07 → 11/09	●	PR:1LR; PR:1ZG	P85072MM [+]	19,7	ATE							
	51	05/07 → 11/09	●	PR:2EJ; PR:9U0	P85020MM [-]	17,2	TRW							
1.4	51	05/07 → 11/09	●	PR:9U1	P85066MM [+]	17,2	TRW							
	61	08/02 → 11/09	●	PR:1LQ; PR:1ZJ; PR:1ZF	P85041MM [-]	19,7	ATE							
	61	08/02 → 11/09	●	PR:1ZG; PR:1LR	P85072MM [+]	19,7	ATE							
	61	08/02 → 11/09	●	PR:2EJ; PR:9U0	P85020MM [-]	17,2	TRW							
	61	08/02 → 11/09	●	PR:9U1	P85066MM [+]	17,2	TRW							
1.4 16V	55	10/01 → 05/08	●	PR:1LQ; PR:1ZF; PR:1ZJ	P85041MM [-]	19,7	ATE							
	55	10/01 → 05/08	●	PR:1LR; PR:1ZG	P85072MM [+]	19,7	ATE							
	55	10/01 → 05/08	●	PR:9U0; PR:2EJ	P85020MM [-]	17,2	TRW							
	55	10/01 → 05/08	●	PR:9U1	P85066MM [+]	17,2	TRW							
	74	10/01 → 05/08	●	PR:1ZF; PR:1ZJ; PR:1LQ	P85041MM [-]	19,7	ATE							
	74	10/01 → 05/08	●	PR:1ZG; PR:1LR	P85072MM [+]	19,7	ATE							
	74	10/01 → 05/08	●	PR:2EJ; PR:9U0	P85020MM [-]	17,2	TRW							
	74	10/01 → 05/08	●	PR:9U1	P85066MM [+]	17,2	TRW							
	59	05/06 → 11/09	●	PR:1ZF; PR:1ZJ; PR:1LQ	P85041MM [-]	19,7	ATE							
	59	05/06 → 11/09	●	PR:1LR; PR:1ZG	P85072MM [+]	19,7	ATE							
1.4 FSI	59	05/06 → 11/09	●	PR:9U0; PR:2EJ	P85020MM [-]	17,2	TRW							
	59	05/06 → 11/09	●	PR:9U1	P85066MM [+]	17,2	TRW							
	63	02/02 → 07/06	●	PR:1LQ; PR:1ZJ; PR:1ZF	P85041MM [-]	19,7	ATE							
	63	02/02 → 07/06	●	PR:1ZG; PR:1LR	P85072MM [+]	19,7	ATE							

VOLKSWAGEN

POLO (9N_) 10/01 → 01/12

1.4 FSI	63	02/02 → 07/06	●	PR:2EJ; PR:9U0	P85020MM [-]	17,2	TRW									
	63	02/02 → 07/06	●	PR:9U1	P85066MM [+]	17,2	TRW									
1.4 TDI	55	10/01 → 06/05	●	PR:1ZF; PR:1ZJ; PR:1LQ	P85041MM [-]	19,7	ATE									
	55	10/01 → 06/05	●	PR:1LR; PR:1ZG	P85072MM [+]	19,7	ATE									
	55	10/01 → 06/05	●	PR:9U0; PR:2EJ	P85020MM [-]	17,2	TRW									
	55	10/01 → 06/05	●	PR:9U1	P85066MM [+]	17,2	TRW									
	59	04/05 → 11/09	●	PR:1ZF; PR:1ZJ; PR:1LQ	P85041MM [-]	19,7	ATE									
	59	04/05 → 11/09	●	PR:1LR; PR:1ZG	P85072MM [+]	19,7	ATE									
	59	04/05 → 11/09	●	PR:2EJ; PR:9U0	P85020MM [-]	17,2	TRW									
	59	04/05 → 11/09	●	PR:9U1	P85066MM [+]	17,2	TRW									
	51	04/05 → 11/09	●	PR:1LQ; PR:1ZJ; PR:1ZF	P85041MM [-]	19,7	ATE									
	51	04/05 → 11/09	●	PR:1ZG; PR:1LR	P85072MM [+]	19,7	ATE									
	51	04/05 → 11/09	●	PR:2EJ; PR:9U0	P85020MM [-]	17,2	TRW									
51	04/05 → 11/09	●	PR:9U1	P85066MM [+]	17,2	TRW										
1.6 16V	77	05/06 → 11/09	●	PR:1LQ; PR:1ZJ; PR:1ZF	P85041MM [-]	19,7	ATE									
	77	05/06 → 11/09	●	PR:1LR; PR:1ZG	P85072MM [+]	19,7	ATE									
	77	05/06 → 11/09	●	PR:9U0; PR:2EJ	P85020MM [-]	17,2	TRW									
	77	05/06 → 11/09	●	PR:9U1	P85066MM [+]	17,2	TRW									
1.8 GTI	110	09/05 → 11/09	●	PR:1LN; PR:9U0; PR:1ZD; PR:1ZH	P85057MM [-]	19	TRW									
	110	09/05 → 11/09	●	PR:9U1; PR:1ZH; PR:1ZD; PR:1LN	P85077MM [+]	19	TRW									
	110	09/05 → 11/09	●	PR:9U0; PR:2EJ	P85020MM [-]	17,2	TRW									
1.8 GTI Cup Edition	132	05/06 → 11/09	●	PR:1LJ	P85045MM [+]	20,6	ATE									
	132	05/06 → 11/09	●	PR:2EJ; PR:9U0	P85020MM [-]	17,2	TRW									
	132	05/06 → 11/09	●	PR:9U1	P85066MM [+]	17,2	TRW									
1.9 SDI	47	10/01 → 11/09	●	PR:1ZJ; PR:1ZF; PR:1LQ	P85041MM [-]	19,7	ATE									
	47	10/01 → 11/09	●	PR:1LR; PR:1ZG	P85072MM [+]	19,7	ATE									
	47	10/01 → 11/09	●	PR:9U0; PR:2EJ	P85020MM [-]	17,2	TRW									
47	10/01 → 11/09	●	PR:9U1	P85066MM [+]	17,2	TRW										
1.9 TDI	74	10/01 → 11/09	●	PR:1LQ; PR:1ZF; PR:1ZJ	P85041MM [-]	19,7	ATE									
	74	10/01 → 11/09	●	PR:1LR; PR:1ZG	P85072MM [+]	19,7	ATE									
	74	10/01 → 11/09	●	PR:9U0; PR:2EJ	P85020MM [-]	17,2	TRW									
	74	10/01 → 11/09	●	PR:9U1	P85066MM [+]	17,2	TRW									
	96	11/03 → 11/09	●	PR:1ZH; PR:1ZD; PR:9U0; PR:1LN	P85057MM [-]	19	TRW									
	96	11/03 → 11/09	●	PR:1LN; PR:1ZH; PR:9U1; PR:1ZD	P85077MM [+]	19	TRW									
	96	11/03 → 11/09	●	PR:2EJ; PR:9U0	P85020MM [-]	17,2	TRW									
	96	11/03 → 11/09	●	PR:9U1	P85066MM [+]	17,2	TRW									

POLO (6R, 6C) 06/09 →

1.0	44	01/14 →	●	PR:1ZJ; PR:1ZG; PR:1LR	P85041MM [-]	19,7	ATE								
	44	01/14 →	●	PR:1LN; PR:1ZD; PR:1ZC	P85075MM [+]	20,3	ATE								
	44	01/14 →	●	PR:1LN; PR:1ZC; PR:1ZD	P85105MM [-]	20,3	ATE								
	44	01/14 →	●		P85020MM [-]	17,2	TRW								
	55	01/14 →	●	PR:1ZG; PR:1ZJ; PR:1LR	P85041MM [-]	19,7	ATE								
	55	01/14 →	●	PR:1ZC; PR:1ZD; PR:1LN	P85075MM [+]	20,3	ATE								
	55	01/14 →	●	PR:1LN; PR:1ZD; PR:1ZC	P85105MM [-]	20,3	ATE								
	55	01/14 →	●		P85020MM [-]	17,2	TRW								
1.0 TSI	70	11/14 →	●	PR:1ZG; PR:1ZJ; PR:1LR	P85041MM [-]	19,7	ATE								
	70	11/14 →	●	PR:1LN; PR:1ZC; PR:1ZD	P85075MM [+]	20,3	ATE								
	70	11/14 →	●	PR:1LN; PR:1ZD; PR:1ZC	P85105MM [-]	20,3	ATE								
	70	11/14 →	●	PR:1ZR; PR:1ZP	P85148MM [-]	20,3	ATE								
	70	11/14 →	●		P85020MM [-]	17,2	TRW								



kw



wi

Th

[mm]

SYS

WI

FK



LENGHT



VOLKSWAGEN

POLO (6R, 6C) 06/09 →

Engine	Power (kw)	Year Range	Availability	Part Numbers	Code	Th [mm]	SYS	WI	FK
1.0 TSI	81	11/14 →	●	PR:1ZJ; PR:1ZG; PR:1LR	P85041MM	[-]	19,7	ATE	
	81	11/14 →	●	PR:1ZC; PR:1ZD; PR:1LN	P85075MM	[+]	20,3	ATE	
	81	11/14 →	●	PR:1LN; PR:1ZC; PR:1ZD	P85105MM	[-]	20,3	ATE	
	81	11/14 →	●	PR:1ZR; PR:1ZP	P85148MM	[-]	20,3	ATE	
	81	11/14 →	●		P85020MM	[-]	17,2	TRW	
1.2	44	06/09 →	●	PR:1LR; PR:1ZG; PR:1ZJ	P85041MM	[-]	19,7	ATE	
	44	06/09 →	●	PR:1ZD; PR:1ZC; PR:1LN	P85075MM	[+]	20,3	ATE	
	44	06/09 →	●	PR:1ZC; PR:1ZD; PR:1LN	P85105MM	[-]	20,3	ATE	
	44	06/09 →	●		P85020MM	[-]	17,2	TRW	
	51	06/09 →	●	PR:1LR; PR:1ZJ; PR:1ZG	P85041MM	[-]	19,7	ATE	
	51	06/09 →	●	PR:1LN; PR:1ZD; PR:1ZC	P85075MM	[+]	20,3	ATE	
	51	06/09 →	●	PR:1ZC; PR:1ZD; PR:1LN	P85105MM	[-]	20,3	ATE	
	51	06/09 →	●		P85020MM	[-]	17,2	TRW	
1.2 TDI	55	10/09 →	●	PR:1LR; PR:1ZJ; PR:1ZG	P85041MM	[-]	19,7	ATE	
	55	10/09 →	●	PR:1LN; PR:1ZC; PR:1ZD	P85075MM	[+]	20,3	ATE	
	55	10/09 →	●	PR:1ZC; PR:1ZD; PR:1LN	P85105MM	[-]	20,3	ATE	
	55	10/09 →	●		P85020MM	[-]	17,2	TRW	
1.2 TSI	66	05/11 → 05/14	●	PR:1LR; PR:1ZG; PR:1ZJ	P85041MM	[-]	19,7	ATE	
	66	05/11 → 05/14	●	PR:1ZD; PR:1ZC; PR:1LN	P85075MM	[+]	20,3	ATE	
	66	05/11 → 05/14	●	PR:1ZC; PR:1ZD; PR:1LN	P85105MM	[-]	20,3	ATE	
	66	05/11 → 05/14	●		P85020MM	[-]	17,2	TRW	
	77	11/09 →	●	PR:1LR; PR:1ZJ; PR:1ZG	P85041MM	[-]	19,7	ATE	
	77	11/09 →	●	PR:1ZD; PR:1ZC; PR:1LN	P85075MM	[+]	20,3	ATE	
	77	11/09 →	●	PR:1ZC; PR:1ZD; PR:1LN	P85105MM	[-]	20,3	ATE	
	77	11/09 →	●		P85020MM	[-]	17,2	TRW	
1.2 TSI 16V	81	01/14 →	●	PR:1ZG; PR:1ZJ; PR:1LR	P85041MM	[-]	19,7	ATE	
	81	01/14 →	●		P85075MM	[+]	20,3	ATE	
	81	01/14 →	●	PR:1LN; PR:1ZD; PR:1ZC	P85105MM	[-]	20,3	ATE	
	81	01/14 →	●		P85020MM	[-]	17,2	TRW	
1.4	63	06/09 →	●	PR:1LR; PR:1ZJ; PR:1ZG	P85041MM	[-]	19,7	ATE	
	63	06/09 →	●	PR:1ZC; PR:1ZD; PR:1LN	P85075MM	[+]	20,3	ATE	
	63	06/09 →	●	PR:1ZC; PR:1ZD; PR:1LN	P85105MM	[-]	20,3	ATE	
	63	06/09 →	●		P85020MM	[-]	17,2	TRW	
1.4 BiFuel	60	03/10 → 01/11	●	PR:1LR; PR:1ZJ; PR:1ZG	P85041MM	[-]	19,7	ATE	
	60	03/10 → 01/11	●	PR:1LN; PR:1ZC; PR:1ZD	P85075MM	[+]	20,3	ATE	
	60	03/10 → 01/11	●	PR:1ZC; PR:1ZD; PR:1LN	P85105MM	[-]	20,3	ATE	
	60	03/10 → 01/11	●		P85020MM	[-]	17,2	TRW	
1.4 GTI	132	05/10 →	●		P85075MM	[+]	20,3	ATE	
	132	05/10 →	●		P85105MM	[-]	20,3	ATE	
	132	05/10 →	●		P85020MM	[-]	17,2	TRW	
1.4 TDI	66	02/14 →	●	PR:1ZG; PR:1ZJ; PR:1LR	P85041MM	[-]	19,7	ATE	
	66	02/14 →	●	PR:1LN; PR:1ZD; PR:1ZC	P85075MM	[+]	20,3	ATE	
	66	02/14 →	●	PR:1LN; PR:1ZD; PR:1ZC	P85105MM	[-]	20,3	ATE	
	66	02/14 →	●		P85020MM	[-]	17,2	TRW	
	55	03/14 →	●	PR:1ZG; PR:1ZJ; PR:1LR	P85041MM	[-]	19,7	ATE	
	55	03/14 →	●	PR:1ZC; PR:1ZD; PR:1LN	P85075MM	[+]	20,3	ATE	
	55	03/14 →	●	PR:1LN; PR:1ZC; PR:1ZD	P85105MM	[-]	20,3	ATE	
	55	03/14 →	●		P85020MM	[-]	17,2	TRW	
77	05/14 →	●	PR:1LR; PR:1ZG; PR:1ZJ	P85041MM	[-]	19,7	ATE		

		kW					wi	Th [mm]	SYS	WI		FK	
											LEIGHT		

VOLKSWAGEN

POLO (6R, 6C) 06/09 →

1.4 TDI	77	05/14	→	●		PR:1LN; PR:1ZC; PR:1ZD	P85075MM	[+]	20,3	ATE			
	77	05/14	→	●		PR:1ZC; PR:1ZD; PR:1LN	P85105MM	[-]	20,3	ATE			
	77	05/14	→	●		PR:1ZP; PR:1ZR	P85148MM	[-]	20,3	ATE			
	77	05/14	→		●		P85020MM	[-]	17,2	TRW			
1.4 TSI	103	10/12	→	●		PR:1ZJ; PR:1ZG; PR:1LR	P85041MM	[-]	19,7	ATE			
	103	10/12	→	●		PR:1ZD	P85075MM	[+]	20,3	ATE			
	103	10/12	→	●		PR:1LN; PR:1ZC; PR:1ZD	P85105MM	[-]	20,3	ATE			
	103	10/12	→		●		P85020MM	[-]	17,2	TRW			
	110	05/14	→	●		PR:1ZJ; PR:1ZG; PR:1LR	P85041MM	[-]	19,7	ATE			
	110	05/14	→	●		PR:1LN; PR:1ZD; PR:1ZC	P85075MM	[+]	20,3	ATE			
	110	05/14	→	●		PR:1LN; PR:1ZC; PR:1ZD	P85105MM	[-]	20,3	ATE			
1.6	110	05/14	→		●		P85020MM	[-]	17,2	TRW			
	77	01/10	→	●		PR:1ZG; PR:1LR; PR:1ZJ	P85041MM	[-]	19,7	ATE			
	81	07/14	→	●		PR:1LR; PR:1ZG; PR:1ZJ	P85041MM	[-]	19,7	ATE			
	81	07/14	→	●		PR:1LN; PR:1ZC; PR:1ZD	P85075MM	[+]	20,3	ATE			
	81	07/14	→	●		PR:1ZD; PR:1ZC; PR:1LN	P85105MM	[-]	20,3	ATE			
	81	07/14	→	●		PR:1ZR; PR:1ZP	P85148MM	[-]	20,3	ATE			
	81	07/14	→		●		P85020MM	[-]	17,2	TRW			
	66	07/14	→	●		PR:1LR; PR:1ZJ; PR:1ZG	P85041MM	[-]	19,7	ATE			
	66	07/14	→	●		PR:1ZP; PR:1ZR	P85148MM	[-]	20,3	ATE			
	66	07/14	→		●	PR:1KD; PR:1KK; PR:1KT; PR:1KV; PR:2EJ; +rear disc	P85020MM	[-]	17,2	TRW			
	63	05/10	→	●		PR:1ZG	P85041MM	[-]	19,7	ATE			
63	05/10	→	●		PR:1ZE	P85121MM	[-]	18	TRW				
1.6 BiFuel	60	01/11	→	●		PR:1LR; PR:1ZG; PR:1ZJ	P85041MM	[-]	19,7	ATE			
	60	01/11	→	●		PR:1LN; PR:1ZC; PR:1ZD	P85075MM	[+]	20,3	ATE			
	60	01/11	→	●		PR:1ZD; PR:1ZC; PR:1LN	P85105MM	[-]	20,3	ATE			
	60	01/11	→		●		P85020MM	[-]	17,2	TRW			
1.6 TDI	55	06/09	→	●		PR:1LR; PR:1ZG; PR:1ZJ	P85041MM	[-]	19,7	ATE			
	55	06/09	→	●		PR:1LN; PR:1ZD; PR:1ZC	P85075MM	[+]	20,3	ATE			
	55	06/09	→	●		PR:1ZC; PR:1ZD; PR:1LN	P85105MM	[-]	20,3	ATE			
	55	06/09	→		●		P85020MM	[-]	17,2	TRW			
	66	06/09	→	●		PR:1LR; PR:1ZJ; PR:1ZG	P85041MM	[-]	19,7	ATE			
	66	06/09	→	●		PR:1ZC; PR:1ZD; PR:1LN	P85075MM	[+]	20,3	ATE			
	66	06/09	→	●		PR:1ZC; PR:1ZD; PR:1LN	P85105MM	[-]	20,3	ATE			
	66	06/09	→		●		P85020MM	[-]	17,2	TRW			
	77	06/09	→	●		PR:1LR; PR:1ZG; PR:1ZJ	P85041MM	[-]	19,7	ATE			
	77	06/09	→	●		PR:1LN; PR:1ZC; PR:1ZD	P85075MM	[+]	20,3	ATE			
	77	06/09	→	●		PR:1ZD; PR:1ZC; PR:1LN	P85105MM	[-]	20,3	ATE			
77	06/09	→		●		P85020MM	[-]	17,2	TRW				
1.8 GTI	141	11/14	→	●		PR:1LR; PR:1ZG; PR:1ZJ	P85041MM	[-]	19,7	ATE			
	141	11/14	→	●		PR:1ZD; PR:1ZC; PR:1LN	P85075MM	[+]	20,3	ATE			
	141	11/14	→	●		PR:1ZR	P85148MM	[-]	20,3	ATE			
	141	11/14	→		●	PR:1LN; PR:1ZC	P85020MM	[-]	17,2	TRW			
1.8 GTI 230	169	04/16	→	●		PR:1ZG; PR:1LR; PR:1ZJ	P85041MM	[-]	19,7	ATE			
	169	04/16	→	●		PR:1ZC; PR:1LN	P85075MM	[+]	20,3	ATE			
	169	04/16	→	●		PR:1ZR	P85148MM	[-]	20,3	ATE			
	169	04/16	→		●	PR:1KV; PR:1KT; PR:1KK	P85020MM	[-]	17,2	TRW			
2.0 R WRC	162	08/13	→	●		PR:1ZR; PR:1ZP	P85148MM	[-]	20,3	ATE			
	162	08/13	→	●			P85075MM	[+]	20,3	ATE			
	162	08/13	→	●			P85105MM	[-]	20,3	ATE			
	162	08/13	→		●		P85020MM	[-]	17,2	TRW			

VOLKSWAGEN

POLO Box (6NF) 09/94 → 12/99

1.0	33	10/94 → 12/99	●			P85024MM	[-]	17,3	KH					
	33	10/94 → 12/99	●			P85025MM	[-]	17,2	VW / VAG					
1.4	44	05/98 → 12/99	●			P85024MM	[-]	17,3	KH					
	44	05/98 → 12/99	●			P85025MM	[-]	17,2	VW / VAG					
1.7 SDI	44	08/97 → 12/99	●			P85024MM	[-]	17,3	KH					
	44	08/97 → 12/99	●			P85025MM	[-]	17,2	VW / VAG					
1.9 D	47	10/94 → 12/99	●			P85024MM	[-]	17,3	KH					
	47	10/94 → 12/99	●			P85025MM	[-]	17,2	VW / VAG					
1.9 SDI	47	07/96 → 12/99	●			P85024MM	[-]	17,3	KH					
	47	07/96 → 12/99	●			P85025MM	[-]	17,2	VW / VAG					

POLO CLASSIC (6V2) 11/95 → 07/06

1.9 SDI	48	06/96 → 09/01	●	PR:1LY; PR:1ZE; PR:1ZK; 6K-Y-502795 → ; → 6K-V-022628		P85032MM	[-]	16,2	TRW					
	48	06/96 → 09/01	●	PR:1ZD; PR:1LG		P85031MM	[-]	15,3	VW / VAG					
	48	06/96 → 09/01	●	PR:1LM		P85030MM	[-]	19,7	VW / VAG					
	48	06/96 → 09/01	●	PR:1LA; → 6K-W-518500		P85024MM	[-]	17,3	KH					
	48	06/96 → 09/01	●	→ 09/99; -ABS		P85017MM	[-]	15,2	TRW					
	48	06/96 → 09/01	●	+ABS; PR:1KT; PR:1KK		P85020MM	[-]	17,2	TRW					
1.9 TDI	67	01/97 → 08/99	●			P85031MM	[-]	15,3	VW / VAG					
	67	01/97 → 08/99	●	6K-Y-502795 → ; → 6K-V-022628		P85032MM	[-]	16,2	TRW					
	67	01/97 → 08/99	●	→ 09/99; -ABS		P85017MM	[-]	15,2	TRW					
	67	01/97 → 08/99	●	+ABS		P85020MM	[-]	17,2	TRW					
100 1.6	74	12/95 → 09/01	●	PR:1LG; PR:1ZD		P85031MM	[-]	15,3	VW / VAG					
	74	12/95 → 09/01	●	PR:1ZE; PR:1ZK; PR:1LY; 6K-Y-502795 → ; → 6K-V-022628		P85032MM	[-]	16,2	TRW					
	74	12/95 → 09/01	●	→ 09/99; -ABS		P85017MM	[-]	15,2	TRW					
	74	12/95 → 09/01	●	+ABS; PR:1KK; PR:1KT		P85020MM	[-]	17,2	TRW					
110 1.9 TDI	81	06/98 → 01/02	●	PR:1LG; PR:1ZD		P85031MM	[-]	15,3	VW / VAG					
	81	06/98 → 01/02	●	PR:1LY; PR:1ZE; PR:1ZK; 6K-Y-502795 → ; → 6K-V-022628		P85032MM	[-]	16,2	TRW					
	81	06/98 → 01/02	●	→ 09/99; -ABS		P85017MM	[-]	15,2	TRW					
	81	06/98 → 01/02	●	+ABS; PR:1KK; PR:1KT		P85020MM	[-]	17,2	TRW					
54 1.4	40	01/98 → 08/99	●	PR:1LA; → 6K-W-518500		P85024MM	[-]	17,3	KH					
	40	01/98 → 08/99	●	PR:1LM		P85030MM	[-]	19,7	VW / VAG					
	40	01/98 → 08/99	●	PR:1LG; PR:1ZD		P85031MM	[-]	15,3	VW / VAG					
	40	01/98 → 08/99	●	-ABS		P85017MM	[-]	15,2	TRW					
	40	01/98 → 08/99	●	+ABS; PR:1KK; PR:1KT		P85020MM	[-]	17,2	TRW					
57 1.7 SDI	42	07/97 → 09/01	●	PR:1LA; → 6K-W-518500		P85024MM	[-]	17,3	KH					
	42	07/97 → 09/01	●	PR:1LM		P85030MM	[-]	19,7	VW / VAG					
	42	07/97 → 09/01	●	PR:1ZD; PR:1LG		P85031MM	[-]	15,3	VW / VAG					

	kw				MAGNETI MARELLI	wi	Th [mm]	SYS	WI			FK	
									MAGNETI MARELLI	LENGHT		MAGNETI MARELLI	

VOLKSWAGEN

POLO CLASSIC (6V2) 11/95 → 07/06

57 1.7 SDI	42	07/97 → 09/01	●	→ 09/99; -ABS	P85017MM [-]	15,2	TRW						
	42	07/97 → 09/01	●	+ABS; PR:1KT; PR:1KK	P85020MM [-]	17,2	TRW						
60 1.4	44	12/95 → 09/01	●	PR:1LA; → 6K-W-518500	P85024MM [-]	17,3	KH						
	44	12/95 → 09/01	●	PR:1LM	P85030MM [-]	19,7	VW / VAG						
	44	12/95 → 09/01	●	PR:1LG; PR:1ZD	P85031MM [-]	15,3	VW / VAG						
	44	12/95 → 09/01	●	→ 09/99; -ABS	P85017MM [-]	15,2	TRW						
64 1.9 D	44	12/95 → 09/01	●	+ABS; PR:1KK; PR:1KT	P85020MM [-]	17,2	TRW						
	47	01/96 → 10/96	●	PR:1LA; → 6K-W-518500	P85024MM [-]	17,3	KH						
	47	01/96 → 10/96	●	PR:1LM	P85030MM [-]	19,7	VW / VAG						
	47	01/96 → 10/96	●	PR:1LG; PR:1ZD	P85031MM [-]	15,3	VW / VAG						
	47	01/96 → 10/96	●	-ABS	P85017MM [-]	15,2	TRW						
	47	01/96 → 10/96	●	+ABS; PR:1KK; PR:1KT	P85020MM [-]	17,2	TRW						
64 1.9 SDI	47	12/95 → 08/99	●	PR:1LA; → 6K-W-518500	P85024MM [-]	17,3	KH						
	47	12/95 → 08/99	●	PR:1LM	P85030MM [-]	19,7	VW / VAG						
	47	12/95 → 08/99	●	PR:1ZD; PR:1LG	P85031MM [-]	15,3	VW / VAG						
	47	12/95 → 08/99	●	-ABS	P85017MM [-]	15,2	TRW						
	47	12/95 → 08/99	●	+ABS; PR:1KT; PR:1KK	P85020MM [-]	17,2	TRW						
	50	08/99 → 01/02	●	PR:1LA; → 6K-W-518500	P85024MM [-]	17,3	KH						
	50	08/99 → 01/02	●	PR:1LM	P85030MM [-]	19,7	VW / VAG						
	50	08/99 → 01/02	●	PR:1LG; PR:1ZD	P85031MM [-]	15,3	VW / VAG						
75 1.4 16V	50	08/99 → 01/02	●	→ 09/99; -ABS	P85017MM [-]	15,2	TRW						
	50	08/99 → 01/02	●	+ABS; PR:1KK; PR:1KT	P85020MM [-]	17,2	TRW						
	55	10/99 → 09/01	●	PR:1LA; → 6K-W-518500	P85024MM [-]	17,3	KH						
	55	10/99 → 09/01	●	PR:1LM	P85030MM [-]	19,7	VW / VAG						
	55	10/99 → 09/01	●	PR:1ZD; PR:1LG	P85031MM [-]	15,3	VW / VAG						
75 1.6	55	10/99 → 09/01	●	-ABS	P85017MM [-]	15,2	TRW						
	55	10/99 → 09/01	●	+ABS; PR:1KT; PR:1KK	P85020MM [-]	17,2	TRW						
	55	11/95 → 09/01	●	PR:1LA; → 6K-W-518500	P85024MM [-]	17,3	KH						
	55	11/95 → 09/01	●	PR:1LM	P85030MM [-]	19,7	VW / VAG						
	55	11/95 → 09/01	●	PR:1ZD; PR:1LG	P85031MM [-]	15,3	VW / VAG						
	55	11/95 → 09/01	●	→ 09/99; -ABS	P85017MM [-]	15,2	TRW						
	55	11/95 → 09/01	●	+ABS; PR:1KT; PR:1KK	P85020MM [-]	17,2	TRW						
	55	11/95 → 09/97	●	PR:1ZK; PR:1ZE; PR:1LY	P85032MM [-]	16,2	TRW						
	55	11/95 → 09/97	●	PR:1LA; → 6K-W-518500	P85024MM [-]	17,3	KH						
	55	11/95 → 09/97	●	PR:1LM	P85030MM [-]	19,7	VW / VAG						
90 1.8	55	11/95 → 09/97	●	PR:1ZD; PR:1LG	P85031MM [-]	15,3	VW / VAG						
	55	11/95 → 09/97	●	-ABS	P85017MM [-]	15,2	TRW						
	55	11/95 → 09/97	●	+ABS; PR:1KT; PR:1KK	P85020MM [-]	17,2	TRW						
90 1.8	66	01/97 → 09/01	●	PR:1LG; PR:1ZD	P85031MM [-]	15,3	VW / VAG						
	66	01/97 → 09/01	●	PR:1ZK; PR:1ZE; PR:1LY; 6K-Y-502795 →; → 6K-V-022628	P85032MM [-]	16,2	TRW						



kw



wi

Th
[mm]

SYS

WI

FK



LENGHT



VOLKSWAGEN

POLO CLASSIC (6V2) 11/95 → 07/06

90 1.8	66	01/97 → 09/01	●	→ 09/99; -ABS	P85017MM	[-]	15,2	TRW					
	66	01/97 → 09/01	●	+ABS; PR:1KK; PR:1KT	P85020MM	[-]	17,2	TRW					
90 1.9 TDI	66	09/96 → 09/01	●	PR:1ZD; PR:1LG	P85031MM	[-]	15,3	VW / VAG					
	66	09/96 → 09/01	●	PR:1LY; PR:1ZE; PR:1ZK; 6K-Y-502795 →; → 6K-V-022628	P85032MM	[-]	16,2	TRW					
	66	09/96 → 09/01	●	→ 09/99; -ABS	P85017MM	[-]	15,2	TRW					
	66	09/96 → 09/01	●	+ABS; PR:1KT; PR:1KK	P85020MM	[-]	17,2	TRW					

POLO Saloon (9A4) 09/02 →

1.4	55	07/03 →	●	PR:1LG	P85041MM	[-]	19,7	ATE					
	55	07/03 →	●	PR:1ZG	P85072MM	[+]	19,7	ATE					
	55	07/03 →	●	PR:1LN	P85057MM	[-]	19	TRW					
	55	07/03 →	●	PR:1LN	P85077MM	[+]	19	TRW					
	55	07/03 →	●	PR:1KK; PR:1KS; PR:1KT	P85020MM	[-]	17,2	TRW					
	74	11/03 →	●	PR:1LG	P85041MM	[-]	19,7	ATE					
	74	11/03 →	●	PR:1ZG	P85072MM	[+]	19,7	ATE					
	74	11/03 →	●	PR:1LN	P85057MM	[-]	19	TRW					
	74	11/03 →	●	PR:1LN	P85077MM	[+]	19	TRW					
	74	11/03 →	●	PR:1KK; PR:1KT; PR:1KS	P85020MM	[-]	17,2	TRW					
1.4 TDI	55	07/03 →	●	PR:1LG	P85041MM	[-]	19,7	ATE					
	55	07/03 →	●	PR:1ZG	P85072MM	[+]	19,7	ATE					
	55	07/03 →	●	PR:1LN	P85057MM	[-]	19	TRW					
	55	07/03 →	●	PR:1LN	P85077MM	[+]	19	TRW					
	55	07/03 →	●	PR:1KK; PR:1KS; PR:1KT	P85020MM	[-]	17,2	TRW					
1.6	74	09/02 →	●	PR:1LG	P85041MM	[-]	19,7	ATE					
	74	09/02 →	●	PR:1ZG	P85072MM	[+]	19,7	ATE					
	74	09/02 →	●	PR:1LN	P85057MM	[-]	19	TRW					
	74	09/02 →	●	PR:1LN	P85077MM	[+]	19	TRW					
	74	09/02 →	●	PR:1KK; PR:1KS; PR:1KT	P85020MM	[-]	17,2	TRW					
1.9 SDI	47	09/02 →	●	PR:1LG	P85041MM	[-]	19,7	ATE					
	47	09/02 →	●	PR:1ZG	P85072MM	[+]	19,7	ATE					
	47	09/02 →	●	PR:1LN	P85057MM	[-]	19	TRW					
	47	09/02 →	●	PR:1LN	P85077MM	[+]	19	TRW					
	47	09/02 →	●	PR:1KK; PR:1KT; PR:1KS	P85020MM	[-]	17,2	TRW					
1.9 TDI	74	09/02 →	●	PR:1LG	P85041MM	[-]	19,7	ATE					
	74	09/02 →	●	PR:1ZG	P85072MM	[+]	19,7	ATE					
	74	09/02 →	●	PR:1LN	P85057MM	[-]	19	TRW					
	74	09/02 →	●	PR:1LN	P85077MM	[+]	19	TRW					
	74	09/02 →	●	PR:1KK; PR:1KT; PR:1KS	P85020MM	[-]	17,2	TRW					

POLO Saloon (60_, 61_) 05/09 →

1.6	63	11/10 →	●		P85041MM	[-]	19,7	ATE					
	63	11/10 →	●	PR:1ZE	P85121MM	[-]	18	TRW					
	63	11/10 →	●		P85020MM	[-]	17,2	TRW					
	77	05/10 →	●		P85041MM	[-]	19,7	ATE					
	77	05/10 →	●	PR:1ZE	P85121MM	[-]	18	TRW					
	77	05/10 →	●		P85020MM	[-]	17,2	TRW					

POLO Van (6R) 01/14 →

1.0	44	01/14 →	●	PR:1ZG; PR:1LR; PR:1ZJ	P85041MM	[-]	19,7	ATE					
	55	01/14 →	●	PR:1ZJ; PR:1LR; PR:1ZG	P85041MM	[-]	19,7	ATE					
1.0 TSI	70	11/14 →	●	PR:1ZG; PR:1LR; PR:1ZJ	P85041MM	[-]	19,7	ATE					
	70	11/14 →	●	PR:1ZR; PR:1ZP	P85148MM	[-]	20,3	ATE					
	70	11/14 →	●	PR:1KK; PR:2EJ; PR:1KV; PR:1KD; PR:1KT; +rear disc	P85020MM	[-]	17,2	TRW					

Car Type	kw	Icon 1	Icon 2	Icon 3	MAGNETI MARELLI	wi	Th [mm]	SYS	WI			FK	
									MAGNETI MARELLI	LENGHT	Icon 4	MAGNETI MARELLI	Icon 5

VOLKSWAGEN

POLO Van (6R) 01/14 →

1.2 TSI	66	02/14 →	●	PR:1ZJ; PR:1LR; PR:1ZG	P85041MM [-]	19,7	ATE					
	66	02/14 →	●	PR:1KT; PR:2EJ; PR:1KV; PR:1KK	P85020MM [-]	17,2	TRW					
	81	01/14 →	●	PR:1ZG; PR:1LR; PR:1ZJ	P85041MM [-]	19,7	ATE					
	81	01/14 →	●	PR:1KK; PR:1KV; PR:2EJ; PR:1KT; +rear disc	P85020MM [-]	17,2	TRW					
1.4 TDI	55	03/14 →	●	PR:1LR; PR:1ZJ; PR:1ZG	P85041MM [-]	19,7	ATE					
	66	02/14 →	●	PR:1ZG; PR:1ZJ; PR:1LR	P85041MM [-]	19,7	ATE					
	66	02/14 →	●	PR:1KK; PR:1KV; PR:2EJ; PR:1KT	P85020MM [-]	17,2	TRW					
1.4 TSI	110	05/14 →	●	PR:1ZC; PR:1LN	P85075MM [+]	20,3	ATE					
	110	05/14 →	●	PR:1KT; PR:2EJ; PR:1KK	P85020MM [-]	17,2	TRW					

POLO Variant (6V5) 04/97 → 09/01

1.4	44	05/97 → 09/01	●	PR:1LA	P85024MM [-]	17,3	KH					
	44	05/97 → 09/01	●	PR:1LM	P85030MM [-]	19,7	VW / VAG					
	44	05/97 → 09/01	●	PR:1LG; PR:1ZD	P85031MM [-]	15,3	VW / VAG					
	44	05/97 → 09/01	●	PR:1LY; PR:1ZK; PR:1ZE	P85032MM [-]	16,2	TRW					
	44	05/97 → 09/01	●		P85017MM [-]	15,2	TRW					
	44	05/97 → 09/01	●	PR:1KT; PR:1KK	P85020MM [-]	17,2	TRW					
	40	12/98 → 09/01	●	PR:1LA	P85024MM [-]	17,3	KH					
	40	12/98 → 09/01	●	PR:1LM	P85030MM [-]	19,7	VW / VAG					
	40	12/98 → 09/01	●	PR:1LG; PR:1ZD	P85031MM [-]	15,3	VW / VAG					
	40	12/98 → 09/01	●	PR:1ZE; PR:1ZK; PR:1LY	P85032MM [-]	16,2	TRW					
1.4 16V	40	12/98 → 09/01	●		P85017MM [-]	15,2	TRW					
	40	12/98 → 09/01	●	PR:1KT; PR:1KK	P85020MM [-]	17,2	TRW					
	55	10/99 → 09/01	●	PR:1LA	P85024MM [-]	17,3	KH					
	55	10/99 → 09/01	●	PR:1LM	P85030MM [-]	19,7	VW / VAG					
	55	10/99 → 09/01	●	PR:1LG; PR:1ZD	P85031MM [-]	15,3	VW / VAG					
	55	10/99 → 09/01	●	PR:1ZE; PR:1ZK; PR:1LY	P85032MM [-]	16,2	TRW					
	55	10/99 → 09/01	●	PR:1KT; PR:1KK	P85020MM [-]	17,2	TRW					
1.6	55	05/97 → 09/01	●	PR:1LA	P85024MM [-]	17,3	KH					
	55	05/97 → 09/01	●	PR:1LM	P85030MM [-]	19,7	VW / VAG					
	55	05/97 → 09/01	●	PR:1ZD; PR:1LG	P85031MM [-]	15,3	VW / VAG					
	55	05/97 → 09/01	●	PR:1ZE; PR:1ZK; PR:1LY	P85032MM [-]	16,2	TRW					
	55	05/97 → 09/01	●		P85017MM [-]	15,2	TRW					
	55	05/97 → 09/01	●	PR:1KK; PR:1KT	P85020MM [-]	17,2	TRW					
	74	05/97 → 09/01	●	PR:1LA	P85024MM [-]	17,3	KH					
	74	05/97 → 09/01	●	PR:1LM	P85030MM [-]	19,7	VW / VAG					
	74	05/97 → 09/01	●	PR:1LG; PR:1ZD	P85031MM [-]	15,3	VW / VAG					
	74	05/97 → 09/01	●	PR:1LY; PR:1ZK; PR:1ZE	P85032MM [-]	16,2	TRW					
1.7 SDI	74	05/97 → 09/01	●		P85017MM [-]	15,2	TRW					
	74	05/97 → 09/01	●	PR:1KK; PR:1KT	P85020MM [-]	17,2	TRW					
	42	08/97 → 09/01	●	PR:1LA	P85024MM [-]	17,3	KH					
	42	08/97 → 09/01	●	PR:1LM	P85030MM [-]	19,7	VW / VAG					

	kw				MAGNETI MARELLI	wi	Th [mm]	SYS	WI			FK	
									MAGNETI MARELLI	LENGHT		MAGNETI MARELLI	

VOLKSWAGEN

POLO Variant (6V5) 04/97 → 09/01

1.7 SDI	42	08/97 → 09/01	●	PR:1ZD; PR:1LG	P85031MM	[-]	15,3	VW / VAG					
	42	08/97 → 09/01	●	PR:1LY; PR:1ZK; PR:1ZE	P85032MM	[-]	16,2	TRW					
	42	08/97 → 09/01	●		P85017MM	[-]	15,2	TRW					
	42	08/97 → 09/01	●	PR:1KK; PR:1KT	P85020MM	[-]	17,2	TRW					
1.8	66	05/97 → 09/01	●	PR:1LA	P85024MM	[-]	17,3	KH					
	66	05/97 → 09/01	●	PR:1LM	P85030MM	[-]	19,7	VW / VAG					
	66	05/97 → 09/01	●	PR:1ZD; PR:1LG	P85031MM	[-]	15,3	VW / VAG					
	66	05/97 → 09/01	●	PR:1ZE; PR:1ZK; PR:1LY	P85032MM	[-]	16,2	TRW					
	66	05/97 → 09/01	●		P85017MM	[-]	15,2	TRW					
1.9 SDI	47	06/97 → 09/01	●	PR:1LA	P85024MM	[-]	17,3	KH					
	47	06/97 → 09/01	●	PR:1LM	P85030MM	[-]	19,7	VW / VAG					
	47	06/97 → 09/01	●	PR:1LG; PR:1ZD	P85031MM	[-]	15,3	VW / VAG					
	47	06/97 → 09/01	●	PR:1ZE; PR:1ZK; PR:1LY	P85032MM	[-]	16,2	TRW					
	47	06/97 → 09/01	●		P85017MM	[-]	15,2	TRW					
	47	06/97 → 09/01	●	PR:1KT; PR:1KK	P85020MM	[-]	17,2	TRW					
	50	08/99 → 09/01	●	PR:1LA	P85024MM	[-]	17,3	KH					
	50	08/99 → 09/01	●	PR:1LM	P85030MM	[-]	19,7	VW / VAG					
	50	08/99 → 09/01	●	PR:1ZD; PR:1LG	P85031MM	[-]	15,3	VW / VAG					
	50	08/99 → 09/01	●	PR:1LY; PR:1ZK; PR:1ZE	P85032MM	[-]	16,2	TRW					
1.9 TDI	66	05/97 → 09/01	●	PR:1LA	P85024MM	[-]	17,3	KH					
	66	05/97 → 09/01	●	PR:1LM	P85030MM	[-]	19,7	VW / VAG					
	66	05/97 → 09/01	●	PR:1LG; PR:1ZD	P85031MM	[-]	15,3	VW / VAG					
	66	05/97 → 09/01	●	PR:1ZE; PR:1ZK; PR:1LY	P85032MM	[-]	16,2	TRW					
	66	05/97 → 09/01	●		P85017MM	[-]	15,2	TRW					
	66	05/97 → 09/01	●	PR:1KT; PR:1KK	P85020MM	[-]	17,2	TRW					
	81	06/98 → 09/01	●	PR:1LA	P85024MM	[-]	17,3	KH					
	81	06/98 → 09/01	●	PR:1LM	P85030MM	[-]	19,7	VW / VAG					
	81	06/98 → 09/01	●	PR:1ZD; PR:1LG	P85031MM	[-]	15,3	VW / VAG					
	81	06/98 → 09/01	●	PR:1LY; PR:1ZK; PR:1ZE	P85032MM	[-]	16,2	TRW					
SCIROCCO (137, 138) 05/08 →	118	05/08 →	●	PR:1ZA; PR:1ZD; PR:1ZB	P85146MM	[+]	20,3	ATE					
	118	05/08 →	●	PR:1ZP; PR:1LJ; PR:1ZE	P85075MM	[+]	20,3	ATE					
	118	05/08 →	●	PR:1KD	P85020MM	[-]	17,2	TRW					
	118	05/08 →	●	PR:1KE; PR:1KZ	P85073MM	[o]	17,2	TRW					
	90	08/08 →	●	PR:1ZP	P85146MM	[+]	20,3	ATE					
	90	08/08 →	●	PR:1ZE; PR:1ZD; PR:1ZA; PR:1LJ	P85075MM	[+]	20,3	ATE					
	90	08/08 →	●	PR:1KD	P85020MM	[-]	17,2	TRW					
	90	08/08 →	●	PR:1KZ; PR:1KE	P85073MM	[o]	17,2	TRW					
	92	11/13 →	●	PR:1ZE; PR:1LJ	P85075MM	[+]	20,3	ATE					

	kw				wi	Th [mm]	SYS	WI		FK		
									LEIGHT			

VOLKSWAGEN

SCIROCCO (137, 138) 05/08 →

1.4 TSI	92	11/13 →	•	PR:1ZA; PR:1ZB; PR:1ZP; PR:1ZD	P85146MM	[+]	20,3	ATE				
	92	11/13 →	•	PR:1ZK	P85129MM	[+]	20,3	ATE				
	92	11/13 →		•	PR:1KD	P85020MM	[-]	17,2	TRW			
	92	11/13 →		•	PR:1KW	P85073MM	[O]	17,2	TRW			
	92	11/13 →		•	PR:1KS; PR:1KT	P85114MM	[-]	17,7	BSH			
	110	07/15 →	•	PR:1ZE	P85075MM	[+]	20,3	ATE				
	110	07/15 →	•	PR:1ZK	P85129MM	[+]	20,3	ATE				
	110	07/15 →	•	PR:1ZP; PR:1ZA; PR:1ZB; PR:1ZD	P85146MM	[+]	20,3	ATE				
	110	07/15 →		•	PR:1KW	P85095MM	[O]	17,2	TRW			
	110	07/15 →		•	PR:1KS; PR:1KT	P85114MM	[-]	17,7	BSH			
110	07/15 →		•	PR:1KD	P85020MM	[-]	17,2	TRW				
2.0 R	188	11/09 →	•	PR:1ZE; PR:1ZP; PR:1LJ; PR:1ZA; PR:1ZD	P85075MM	[+]	20,3	ATE				
	188	11/09 →	•	PR:1ZK	P85129MM	[+]	20,3	ATE				
	188	11/09 →		•	PR:1KW	P85095MM	[O]	17,2	TRW			
	195	11/09 →	•	PR:1ZK	P85129MM	[+]	20,3	ATE				
	195	11/09 →		•	PR:1KW	P85095MM	[O]	17,2	TRW			
	206	05/14 →	•	PR:1ZK	P85129MM	[+]	20,3	ATE				
	206	05/14 →	•	PR:1ZB	P85146MM	[+]	20,3	ATE				
	206	05/14 →		•	PR:1KW	P85073MM	[O]	17,2	TRW			
206	05/14 →		•	PR:1KT	P85114MM	[-]	17,7	BSH				
2.0 TDI	100	11/10 →	•	PR:1ZP	P85146MM	[+]	20,3	ATE				
	100	11/10 →	•	PR:1ZE; PR:1ZD; PR:1ZA; PR:1LJ	P85075MM	[+]	20,3	ATE				
	100	11/10 →		•	PR:1KD	P85020MM	[-]	17,2	TRW			
	103	08/08 →	•	PR:1ZP	P85146MM	[+]	20,3	ATE				
	103	08/08 →	•	PR:1ZD; PR:1LJ; PR:1ZA; PR:1ZE	P85075MM	[+]	20,3	ATE				
	103	08/08 →		•	PR:1KD	P85020MM	[-]	17,2	TRW			
	103	08/08 →		•	PR:1KE; PR:1KZ	P85073MM	[O]	17,2	TRW			
	125	05/09 →	•	PR:1ZP; PR:1LJ; PR:1ZE	P85075MM	[+]	20,3	ATE				
	125	05/09 →	•	PR:1ZD; PR:1ZA; PR:1ZB	P85146MM	[+]	20,3	ATE				
	125	05/09 →		•	PR:1KE; PR:1KZ	P85073MM	[O]	17,2	TRW			
	125	05/09 →		•	PR:1KT; PR:1KS	P85114MM	[-]	17,7	BSH			
	125	05/09 →		•	PR:1KD	P85020MM	[-]	17,2	TRW			
	130	01/13 →	•	PR:1LJ; PR:1ZP; PR:1ZE	P85075MM	[+]	20,3	ATE				
	130	01/13 →	•	PR:1ZD; PR:1ZB; PR:1ZA	P85146MM	[+]	20,3	ATE				
	130	01/13 →		•	PR:1KE; PR:1KZ	P85073MM	[O]	17,2	TRW			
	130	01/13 →		•	PR:1KT; PR:1KS	P85114MM	[-]	17,7	BSH			
	130	01/13 →		•	PR:1KD	P85020MM	[-]	17,2	TRW			
	110	11/13 →	•	PR:1ZK	P85129MM	[+]	20,3	ATE				
	110	11/13 →	•	PR:1ZD; PR:1ZB; PR:1ZP; PR:1ZA	P85146MM	[+]	20,3	ATE				
	110	11/13 →		•	PR:1LJ; PR:1ZE	P85075MM	[+]	20,3	ATE			
	110	11/13 →		•	PR:1KT; PR:1KS	P85114MM	[-]	17,7	BSH			
110	11/13 →		•	PR:1KD	P85020MM	[-]	17,2	TRW				
110	11/13 →		•	PR:1KE; PR:1KZ	P85073MM	[O]	17,2	TRW				
135	05/14 →	•	PR:1ZE; PR:1LJ	P85075MM	[+]	20,3	ATE					
135	05/14 →	•	PR:1ZB; PR:1ZA; PR:1ZP; PR:1ZD	P85146MM	[+]	20,3	ATE					
135	05/14 →		•	PR:1KE; PR:1KZ	P85073MM	[O]	17,2	TRW				
135	05/14 →		•	PR:1KS; PR:1KT	P85114MM	[-]	17,7	BSH				
135	05/14 →		•	PR:1KD	P85020MM	[-]	17,2	TRW				
135	05/14 →		•	PR:1KW	P85095MM	[O]	17,2	TRW				

	kw										LENGHT			

VOLKSWAGEN

SCIROCCO (137, 138) 05/08 →

2.0 TSI	147	05/08 → 11/09	●	PR:1ZA; PR:1ZB; PR:1ZD	P85146MM	[+]	20,3	ATE						
	147	05/08 → 11/09	●	PR:1ZE; PR:1LJ; PR:1ZP	P85075MM	[+]	20,3	ATE						
	147	05/08 → 11/09	●	PR:1KD	P85020MM	[-]	17,2	TRW						
	147	05/08 → 11/09	●	PR:1KZ; PR:1KE	P85073MM	[O]	17,2	TRW						
	147	05/08 → 11/09	●	PR:1KS; PR:1KT	P85114MM	[-]	17,7	BSH						
	155	11/09 →	●	PR:1ZE; PR:1ZP; PR:1LJ	P85075MM	[+]	20,3	ATE						
	155	11/09 →	●	PR:1ZA; PR:1ZB; PR:1ZD	P85146MM	[+]	20,3	ATE						
	155	11/09 →	●	PR:1KZ; PR:1KE	P85073MM	[O]	17,2	TRW						
	155	11/09 →	●	PR:1KT; PR:1KS	P85114MM	[-]	17,7	BSH						
	155	11/09 →	●	PR:1KD	P85020MM	[-]	17,2	TRW						
	132	11/13 →	●	PR:1ZE; PR:1LJ	P85075MM	[+]	20,3	ATE						
	132	11/13 →	●	PR:1ZA; PR:1ZB; PR:1ZD; PR:1ZP	P85146MM	[+]	20,3	ATE						
	132	11/13 →	●	PR:1ZK	P85129MM	[+]	20,3	ATE						
	132	11/13 →	●	PR:1KZ; PR:1KE	P85073MM	[O]	17,2	TRW						
	132	11/13 →	●	PR:1KS; PR:1KT	P85114MM	[-]	17,7	BSH						
	132	11/13 →	●	PR:1KD	P85020MM	[-]	17,2	TRW						
	162	11/13 →	●	PR:1LJ; PR:1ZE	P85075MM	[+]	20,3	ATE						
	162	11/13 →	●	PR:1ZK	P85129MM	[+]	20,3	ATE						
	162	11/13 →	●	PR:1ZP; PR:1ZD; PR:1ZB; PR:1ZA	P85146MM	[+]	20,3	ATE						
	162	11/13 →	●	PR:1KT; PR:1KS	P85114MM	[-]	17,7	BSH						
162	11/13 →	●	PR:1KD	P85020MM	[-]	17,2	TRW							
162	11/13 →	●	PR:1KW	P85073MM	[O]	17,2	TRW							

SHARAN (7M8, 7M9, 7M6) 05/95 → 03/10

1.8 T 20V	110	09/97 → 03/10	●	→ 04/00	P85039MM	[-]	19,7	ATE					
	110	09/97 → 03/10	●	05/00 →; → 7M-1-070000	P85060MM	[+]	20,6	ATE					
	110	09/97 → 03/10	●	7M-2-000001 →	P85061MM	[+]	20,1	ATE					
	110	09/97 → 03/10	●	→ 04/00	P85020MM	[-]	17,2	TRW					
	110	09/97 → 03/10	●	05/00 →; → 7M-1-070000	P85058MM	[+]	17,2	TRW					
	110	09/97 → 03/10	●	7M-2-000001 →	P85059MM	[+]	16,5	TRW					
1.9 TDI	66	09/95 → 03/10	●	→ 04/00	P85039MM	[-]	19,7	ATE					
	66	09/95 → 03/10	●	05/00 →; → 7M-1-070000	P85060MM	[+]	20,6	ATE					
	66	09/95 → 03/10	●	7M-2-000001 →	P85062MM	[+]	19,6	ATE					
	66	09/95 → 03/10	●	→ 04/00	P85020MM	[-]	17,2	TRW					
	66	09/95 → 03/10	●	05/00 →	P85058MM	[+]	17,2	TRW					
	81	09/96 → 04/00	●		P85039MM	[-]	19,7	ATE					
	81	09/96 → 04/00	●		P85020MM	[-]	17,2	TRW					
	85	04/00 → 03/10	●	→ 7M-1-070000	P85060MM	[+]	20,6	ATE					
	85	04/00 → 03/10	●	7M-2-000001 →	P85062MM	[+]	19,6	ATE					
	85	04/00 → 03/10	●		P85058MM	[+]	17,2	TRW					
	96	11/02 → 03/10	●	→ 7M-1-070000	P85060MM	[+]	20,6	ATE					
	96	11/02 → 03/10	●	7M-2-000001 →	P85062MM	[+]	19,6	ATE					
	96	11/02 → 03/10	●	PR:MG8; PR:D3A; PR:MC0	P85061MM	[+]	20,1	ATE					
	96	11/02 → 03/10	●	PR:M3L; PR:MF7; PR:ML1; PR:D3E	P85058MM	[+]	17,2	TRW					
	110	06/05 → 03/10	●	→ 7M-1-070000	P85060MM	[+]	20,6	ATE					
	110	06/05 → 03/10	●	7M-2-000001 →	P85062MM	[+]	19,6	ATE					
110	06/05 → 03/10	●	PR:MC0; PR:MG8; PR:D3A	P85061MM	[+]	20,1	ATE						
110	06/05 → 03/10	●		P85059MM	[+]	16,5	TRW						
1.9 TDI 4motion	85	04/00 → 03/10	●	→ 04/00	P85039MM	[-]	19,7	ATE					
	85	04/00 → 03/10	●	05/00 →	P85061MM	[+]	20,1	ATE					
	85	04/00 → 03/10	●	→ 04/00	P85020MM	[-]	17,2	TRW					
	85	04/00 → 03/10	●	05/00 →	P85059MM	[+]	16,5	TRW					

		kw						wi	Th [mm]	SYS	WI			FK	
												LEIGHT			

VOLKSWAGEN

SHARAN (7M8, 7M9, 7M6) 05/95 → 03/10

2.0	85	09/95 → 03/10	●	→ 04/00	P85039MM [-]	19,7	ATE								
	85	09/95 → 03/10	●	05/00 →; → 7M-1-070000	P85060MM [+]	20,6	ATE								
	85	09/95 → 03/10	●	7M-2-000001 →	P85062MM [+]	19,6	ATE								
	85	09/95 → 03/10	●	→ 04/00	P85020MM [-]	17,2	TRW								
	85	09/95 → 03/10	●	05/00 →	P85058MM [+]	17,2	TRW								
2.0 16V	110	09/95 → 02/00	●		P85039MM [-]	19,7	ATE								
	110	09/95 → 02/00	●		P85020MM [-]	17,2	TRW								
2.0 LPG	85	04/06 → 03/10	●	PR:D3E; PR:M3L; PR:MF7; PR:ML1	P85062MM [+]	19,6	ATE								
	85	04/06 → 03/10	●	PR:MC0; PR:D3A; PR:MG8	P85061MM [+]	20,1	ATE								
	85	04/06 → 03/10	●	PR:ML1; PR:MF7; PR:M3L; PR:D3E	P85058MM [+]	17,2	TRW								
	85	04/06 → 03/10	●	PR:MC0; PR:MG8; PR:D3A	P85059MM [+]	16,5	TRW								
2.0 TDI	100	11/05 → 03/10	●	PR:D3E; PR:M3L; PR:MF7; PR:ML1	P85062MM [+]	19,6	ATE								
	100	11/05 → 03/10	●	PR:MC0; PR:MG8; PR:D3A	P85061MM [+]	20,1	ATE								
	100	11/05 → 03/10	●	PR:ML1; PR:MF7; PR:M3L; PR:D3E	P85058MM [+]	17,2	TRW								
	100	11/05 → 03/10	●	PR:MC0; PR:MG8; PR:D3A	P85059MM [+]	16,5	TRW								
	103	11/05 → 03/10	●	PR:D3E; PR:ML1; PR:MF7; PR:M3L	P85062MM [+]	19,6	ATE								
	103	11/05 → 03/10	●	PR:MG8; PR:D3A; PR:MC0	P85061MM [+]	20,1	ATE								
	103	11/05 → 03/10	●	PR:D3E; PR:M3L; PR:MF7; PR:ML1	P85058MM [+]	17,2	TRW								
	103	11/05 → 03/10	●	PR:D3A; PR:MG8; PR:MC0	P85059MM [+]	16,5	TRW								
2.8 V6 24V	150	04/00 → 03/10	●		P85061MM [+]	20,1	ATE								
	150	04/00 → 03/10	●		P85059MM [+]	16,5	TRW								
2.8 V6 24V 4motion	150	04/00 → 03/10	●		P85061MM [+]	20,1	ATE								
	150	04/00 → 03/10	●		P85059MM [+]	16,5	TRW								
2.8 VR6	128	09/95 → 04/00	●		P85039MM [-]	19,7	ATE								
	128	09/95 → 04/00	●		P85020MM [-]	17,2	TRW								
2.8 VR6 Syncro	128	11/96 → 04/00	●		P85039MM [-]	19,7	ATE								
	128	11/96 → 04/00	●		P85020MM [-]	17,2	TRW								

SHARAN (7N1, 7N2) 05/10 →

1.4 TSI	110	05/10 →	●	PR:1LJ	P85112MM [+]	19,9 / 20,6	ATE								
	110	05/10 →	●	PR:1LX; PR:1LW	P85131MM [+]	20	TRW								
	110	05/10 →	●		P85109MM [-]	17,2	TRW								
	110	05/15 →	●	PR:1LJ; → 7N-G-050000	P85112MM [+]	19,9 / 20,6	ATE								
	110	05/15 →	●	PR:1LW; PR:1LX	P85131MM [+]	20	TRW								
	110	05/15 →	●	→ 7N-G-050000	P85109MM [-]	17,2	TRW								
	110	05/15 →	●	7N-G-200001 →	P85140MM [-]	17,5	TRW								
2.0 TDI	85	05/11 →	●	PR:1LJ	P85112MM [+]	19,9 / 20,6	ATE								
	85	05/11 →	●	PR:1LW; PR:1LX	P85131MM [+]	20	TRW								
	85	05/11 →	●		P85109MM [-]	17,2	TRW								
	103	05/10 →	●	PR:1LJ	P85112MM [+]	19,9 / 20,6	ATE								
	103	05/10 →	●	PR:1LW; PR:1LX	P85131MM [+]	20	TRW								
	103	05/10 →	●		P85109MM [-]	17,2	TRW								
	125	08/10 →	●	PR:1LJ	P85112MM [+]	19,9 / 20,6	ATE								
	125	08/10 →	●	PR:1LX; PR:1LW	P85131MM [+]	20	TRW								
	125	08/10 →	●		P85109MM [-]	17,2	TRW								
	100	05/10 →	●	PR:1LJ	P85112MM [+]	19,9 / 20,6	ATE								

									WI			FK	

VOLKSWAGEN

SHARAN (7N1, 7N2) 05/10 →

2.0 TDI	100	05/10 →	●	PR:1LW; PR:1LX	P85131MM	[+]	20	TRW					
	100	05/10 →	●		P85109MM	[-]	17,2	TRW					
	130	01/13 →	●	PR:1LJ	P85112MM	[+]	19,9 / 20,6	ATE					
	130	01/13 →	●	PR:1LX; PR:1LW	P85131MM	[+]	20	TRW					
	130	01/13 →	●		P85109MM	[-]	17,2	TRW					
	110	05/15 →	●	PR:1LJ; → 7N-G-050000	P85112MM	[+]	19,9 / 20,6	ATE					
	110	05/15 →	●	PR:1LW; PR:1LX	P85131MM	[+]	20	TRW					
	110	05/15 →	●	→ 7N-G-050000	P85109MM	[-]	17,2	TRW					
	110	05/15 →	●	7N-G-200001 →	P85140MM	[-]	17,5	TRW					
	135	05/15 →	●	PR:1LJ; → 7N-G-050000	P85112MM	[+]	19,9 / 20,6	ATE					
	135	05/15 →	●	PR:1LW; PR:1LX	P85131MM	[+]	20	TRW					
	135	05/15 →	●	→ 7N-G-050000	P85109MM	[-]	17,2	TRW					
	135	05/15 →	●	7N-G-200001 →	P85140MM	[-]	17,5	TRW					

2.0 TDI 4motion	103	05/11 →	●	PR:1LJ	P85112MM	[+]	19,9 / 20,6	ATE					
	103	05/11 →	●	PR:1LX; PR:1LW	P85131MM	[+]	20	TRW					
	103	05/11 →	●		P85109MM	[-]	17,2	TRW					
	110	05/15 →	●	PR:1LJ; → 7N-G-050000	P85112MM	[+]	19,9 / 20,6	ATE					
	110	05/15 →	●	PR:1LX; PR:1LW	P85131MM	[+]	20	TRW					
	110	05/15 →	●	→ 7N-G-050000	P85109MM	[-]	17,2	TRW					
	110	05/15 →	●	7N-G-200001 →	P85140MM	[-]	17,5	TRW					
	135	05/16 →	●	PR:1LX; PR:1LW	P85131MM	[+]	20	TRW					

2.0 TSI	147	12/10 →	●	PR:1LJ	P85112MM	[+]	19,9 / 20,6	ATE					
	147	12/10 →	●	PR:1LW; PR:1LX	P85131MM	[+]	20	TRW					
	147	12/10 →	●		P85109MM	[-]	17,2	TRW					
	162	05/15 →	●	PR:1LJ; → 7N-G-050000	P85112MM	[+]	19,9 / 20,6	ATE					
	162	05/15 →	●	PR:1LX; PR:1LW	P85131MM	[+]	20	TRW					
	162	05/15 →	●	→ 7N-G-050000	P85109MM	[-]	17,2	TRW					
	162	05/15 →	●	7N-G-200001 →	P85140MM	[-]	17,5	TRW					

TIGUAN (5N_) 09/07 →

1.4 TSI	118	05/11 →	●	PR:1LJ; → 09/12	P85112MM	[+]	19,9 / 20,6	ATE					
	118	05/11 →	●	PR:1ZD; 10/12 →	P85130MM	[+]	19,5 / 20	ATE					
	118	05/11 →	●	PR:1KU	P85109MM	[-]	17,2	TRW					
	110	05/08 →	●	PR:1LJ; → 09/12	P85112MM	[+]	19,9 / 20,6	ATE					
	110	05/08 →	●	PR:1ZD; 10/12 →	P85130MM	[+]	19,5 / 20	ATE					
	110	05/08 →	●	PR:1KU	P85109MM	[-]	17,2	TRW					
	90	08/10 →	●	PR:1LJ; → 09/12	P85112MM	[+]	19,9 / 20,6	ATE					
	90	08/10 →	●	PR:1ZD; 10/12 →	P85130MM	[+]	19,5 / 20	ATE					
	90	08/10 →	●	PR:1KU	P85109MM	[-]	17,2	TRW					
	92	05/15 →	●	PR:1LJ	P85112MM	[+]	19,9 / 20,6	ATE					
	92	05/15 →	●	PR:1ZD	P85130MM	[+]	19,5 / 20	ATE					

Car Type	kw	S	C	i	MAGNETI MARELLI	wi	Th [mm]	SYS	WI			FK	
									MAGNETI MARELLI	LENGHT	i	MAGNETI MARELLI	i

VOLKSWAGEN

TIGUAN (5N_) 09/07 →

1.4 TSI	92	05/15 →	●	PR:1KU	P85109MM [-]	17,2	TRW						
	110	05/15 →	●	PR:1LJ	P85112MM [+]	19,9 / 20,6	ATE						
	110	05/15 →	●	PR:1ZD	P85130MM [+]	19,5 / 20	ATE						
	110	05/15 →	●	PR:1KU	P85109MM [-]	17,2	TRW						
1.4 TSI 4motion	118	05/11 →	●	PR:1LJ; → 09/12	P85112MM [+]	19,9 / 20,6	ATE						
	118	05/11 →	●	PR:1ZD; 10/12 →	P85130MM [+]	19,5 / 20	ATE						
	118	05/11 →	●	PR:1KU	P85109MM [-]	17,2	TRW						
	110	09/07 →	●	PR:1LJ; → 09/12	P85112MM [+]	19,9 / 20,6	ATE						
	110	09/07 →	●	PR:1ZD; 10/12 →	P85130MM [+]	19,5 / 20	ATE						
	110	09/07 →	●	PR:1KU	P85109MM [-]	17,2	TRW						
2.0 TDI	103	03/08 →	●	PR:1LJ; → 09/12	P85112MM [+]	19,9 / 20,6	ATE						
	103	03/08 →	●	PR:1ZD; 10/12 →	P85130MM [+]	19,5 / 20	ATE						
	103	03/08 →	●	PR:1KU	P85109MM [-]	17,2	TRW						
	81	05/10 →	●	PR:1LJ; → 09/12	P85112MM [+]	19,9 / 20,6	ATE						
	81	05/10 →	●	PR:1ZD; 10/12 →	P85130MM [+]	19,5 / 20	ATE						
	81	05/10 →	●	PR:1KU	P85109MM [-]	17,2	TRW						
	110	05/15 →	●	PR:1LJ	P85112MM [+]	19,9 / 20,6	ATE						
	110	05/15 →	●	PR:1ZD	P85130MM [+]	19,5 / 20	ATE						
	110	05/15 →	●	PR:1KU	P85109MM [-]	17,2	TRW						
2.0 TDI 4motion	120	02/08 → 08/09	●	PR:1ZD	P85130MM [+]	19,5 / 20	ATE						
	120	02/08 → 08/09	●	PR:1LJ	P85112MM [+]	19,9 / 20,6	ATE						
	120	02/08 → 08/09	●	PR:1KU	P85109MM [-]	17,2	TRW						
	103	09/07 →	●	PR:1LJ; → 09/12	P85112MM [+]	19,9 / 20,6	ATE						
	103	09/07 →	●	PR:1ZD; 10/12 →	P85130MM [+]	19,5 / 20	ATE						
	103	09/07 →	●	PR:1KU	P85109MM [-]	17,2	TRW						
	125	09/07 →	●	PR:1LJ; → 09/12	P85112MM [+]	19,9 / 20,6	ATE						
	125	09/07 →	●	PR:1ZD; 10/12 →	P85130MM [+]	19,5 / 20	ATE						
	125	09/07 →	●	PR:1KU	P85109MM [-]	17,2	TRW						
	100	11/07 →	●	PR:1LJ; → 09/12	P85112MM [+]	19,9 / 20,6	ATE						
	100	11/07 →	●	PR:1ZD; 10/12 →	P85130MM [+]	19,5 / 20	ATE						
	100	11/07 →	●	PR:1KU	P85109MM [-]	17,2	TRW						
	130	11/12 →	●	PR:1LJ	P85112MM [+]	19,9 / 20,6	ATE						
	130	11/12 →	●	PR:1ZD	P85130MM [+]	19,5 / 20	ATE						
130	11/12 →	●	PR:1KU	P85109MM [-]	17,2	TRW							

									WI			FK	

VOLKSWAGEN

TIGUAN (5N_) 09/07 →

2.0 TDI 4motion	110 05/15 →	●	PR:1LJ	P85112MM	[+]	19,9 / 20,6	ATE					
	110 05/15 →	●	PR:1ZD	P85130MM	[+]	19,5 / 20	ATE					
	110 05/15 →	●	PR:1KU	P85109MM	[-]	17,2	TRW					
	135 05/15 →	●	PR:1LJ	P85112MM	[+]	19,9 / 20,6	ATE					
	135 05/15 →	●	PR:1ZD	P85130MM	[+]	19,5 / 20	ATE					
	135 05/15 →	●	PR:1KU	P85109MM	[-]	17,2	TRW					
2.0 TFSI 4motion	147 09/07 →	●	PR:1LJ; → 09/12	P85112MM	[+]	19,9 / 20,6	ATE					
	147 09/07 →	●	PR:1ZD; 10/12 →	P85130MM	[+]	19,5 / 20	ATE					
	147 09/07 →	●	PR:1KU	P85109MM	[-]	17,2	TRW					
	125 09/07 →	●	PR:1LJ; → 09/12	P85112MM	[+]	19,9 / 20,6	ATE					
	125 09/07 →	●	PR:1ZD; 10/12 →	P85130MM	[+]	19,5 / 20	ATE					
	125 09/07 →	●	PR:1KU	P85109MM	[-]	17,2	TRW					
2.0 TSI 4motion	132 05/11 →	●	PR:1LJ; → 09/12	P85112MM	[+]	19,9 / 20,6	ATE					
	132 05/11 →	●	PR:1ZD; 10/12 →	P85130MM	[+]	19,5 / 20	ATE					
	132 05/11 →	●	PR:1KU	P85109MM	[-]	17,2	TRW					
	155 05/11 →	●	PR:1LJ; → 09/12	P85112MM	[+]	19,9 / 20,6	ATE					
	155 05/11 →	●	PR:1ZD; 10/12 →	P85130MM	[+]	19,5 / 20	ATE					
	155 05/11 →	●	PR:1KU	P85109MM	[-]	17,2	TRW					

TIGUAN (AD1) 01/16 →

1.4 TSI	92 01/16 →	●	PR:1ZA; → 09/16	P85126MM	[+]	20,3	TRW					
	92 01/16 →	●	PR:1LW; PR:1LA	P85144MM	[+]	20	TRW					
	92 01/16 →	●	PR:1ZD	P85147MM	[O]	20,3	TRW					
	92 01/16 →	●	PR:1KZ; PR:1KU	P85124MM	[-]	16,4	ATE					
	110 05/16 →	●	PR:1ZA; → 09/16	P85126MM	[+]	20,3	TRW					
	110 05/16 →	●	PR:1LA; PR:1LW	P85144MM	[+]	20	TRW					
	110 05/16 →	●	PR:1ZD	P85147MM	[O]	20,3	TRW					
	110 05/16 →	●	PR:1KU; PR:1KZ	P85124MM	[-]	16,4	ATE					
1.4 TSI 4motion	110 05/16 →	●	PR:1ZA; → 09/16	P85126MM	[+]	20,3	TRW					
	110 05/16 →	●	PR:1LW; PR:1LA	P85144MM	[+]	20	TRW					
	110 05/16 →	●	PR:1ZD	P85147MM	[O]	20,3	TRW					
	110 05/16 →	●	PR:1KZ; PR:1KU	P85124MM	[-]	16,4	ATE					
1.6 TDI	85 05/16 →	●	PR:1ZA; → 09/16	P85126MM	[+]	20,3	TRW					
	85 05/16 →	●	PR:1LA; PR:1LW	P85144MM	[+]	20	TRW					
	85 05/16 →	●	PR:1ZD	P85147MM	[O]	20,3	TRW					
	85 05/16 →	●	PR:1KU; PR:1KZ	P85124MM	[-]	16,4	ATE					
2.0 TDI	110 01/16 →	●	PR:1LA; PR:1LW	P85144MM	[+]	20	TRW					
	110 01/16 →	●	PR:1ZA	P85126MM	[+]	20,3	TRW					
	110 01/16 →	●	PR:1ZD	P85147MM	[O]	20,3	TRW					
	110 01/16 →	●		P85124MM	[-]	16,4	ATE					
	85 05/16 →	●	PR:1ZA; → 09/16	P85126MM	[+]	20,3	TRW					
	85 05/16 →	●	PR:1LA; PR:1LW	P85144MM	[+]	20	TRW					
	85 05/16 →	●	PR:1ZD	P85147MM	[O]	20,3	TRW					
	85 05/16 →	●	PR:1KU; PR:1KZ	P85124MM	[-]	16,4	ATE					

		kw						wi	Th [mm]	SYS	WI			FK	
												LENGHT			

VOLKSWAGEN

TIGUAN (AD1) 01/16 →

2.0 TDI	81	08/16 →	●	PR:1ZA; → 09/16	P85126MM	[+]	20,3	TRW							
	81	08/16 →	●	PR:1LW; PR:1LA	P85144MM	[+]	20	TRW							
	81	08/16 →	●	PR:1ZD	P85147MM	[O]	20,3	TRW							
	81	08/16 →	●	PR:1KZ; PR:1KU	P85124MM	[-]	16,4	ATE							
2.0 TDI 4motion	110	01/16 →	●	PR:1LW; PR:1LA	P85144MM	[+]	20	TRW							
	110	01/16 →	●	PR:1ZA	P85126MM	[+]	20,3	TRW							
	110	01/16 →	●	PR:1ZD	P85147MM	[O]	20,3	TRW							
	110	01/16 →	●		P85124MM	[-]	16,4	ATE							
	140	04/16 →	●	PR:1ZA; → 09/16	P85126MM	[+]	20,3	TRW							
	140	04/16 →	●	PR:1LW; PR:1LA	P85144MM	[+]	20	TRW							
	140	04/16 →	●	PR:1ZD	P85147MM	[O]	20,3	TRW							
	140	04/16 →	●	PR:1KZ; PR:1KU	P85124MM	[-]	16,4	ATE							
	176	05/16 →	●	PR:1ZA; → 09/16	P85126MM	[+]	20,3	TRW							
	176	05/16 →	●	PR:1LA; PR:1LW	P85144MM	[+]	20	TRW							
	176	05/16 →	●	PR:1ZD	P85147MM	[O]	20,3	TRW							
	176	05/16 →	●	PR:1KU; PR:1KZ	P85124MM	[-]	16,4	ATE							
	105	06/16 →	●	PR:1ZA; → 09/16	P85126MM	[+]	20,3	TRW							
	105	06/16 →	●	PR:1LA; PR:1LW	P85144MM	[+]	20	TRW							
	105	06/16 →	●	PR:1ZD	P85147MM	[O]	20,3	TRW							
	105	06/16 →	●	PR:1KU; PR:1KZ	P85124MM	[-]	16,4	ATE							
130	08/16 →	●	PR:1ZA; → 09/16	P85126MM	[+]	20,3	TRW								
130	08/16 →	●	PR:1LW; PR:1LA	P85144MM	[+]	20	TRW								
130	08/16 →	●	PR:1ZD	P85147MM	[O]	20,3	TRW								
130	08/16 →	●	PR:1KZ; PR:1KU	P85124MM	[-]	16,4	ATE								
2.0 TSI 4motion	132	01/16 →	●	PR:1LW; PR:1LA	P85144MM	[+]	20	TRW							
	132	01/16 →	●	PR:1ZA	P85126MM	[+]	20,3	TRW							
	132	01/16 →	●	PR:1ZD	P85147MM	[O]	20,3	TRW							
	132	01/16 →	●		P85124MM	[-]	16,4	ATE							
	162	06/16 →	●	PR:1ZA; → 09/16	P85126MM	[+]	20,3	TRW							
	162	06/16 →	●	PR:1LW; PR:1LA	P85144MM	[+]	20	TRW							
	162	06/16 →	●	PR:1ZD	P85147MM	[O]	20,3	TRW							
	162	06/16 →	●	PR:1KZ; PR:1KU	P85124MM	[-]	16,4	ATE							

TOUAREG (7LA, 7L6, 7L7) 10/02 → 05/10

2.5 R5 TDI	128	01/03 → 05/10	●	PR:1LB	P85090MM	[+]	18,8 / 19,8	ATE							
	128	01/03 → 05/10	●	PR:1LC	P85069MM	[O]	16,7	BRE							
	128	01/03 → 05/10	●	PR:1LF	P85065MM	[O]	16,7	BRE							
	128	01/03 → 05/10	●	PR:1LE	P85110MM	[O]	17,1	BRE							
	128	01/03 → 05/10	●	PR:1LB	P85149MM	[+]	18,8 / 20,1	ATE							
	128	01/03 → 05/10	●	PR:1KE	P85068MM	[+]	19	ATE							
	120	08/03 → 05/10	●	PR:1LB	P85090MM	[+]	18,8 / 19,8	ATE							
	120	08/03 → 05/10	●	PR:1LC	P85069MM	[O]	16,7	BRE							
	120	08/03 → 05/10	●	PR:1LF	P85065MM	[O]	16,7	BRE							
	120	08/03 → 05/10	●	PR:1LE	P85110MM	[O]	17,1	BRE							
	120	08/03 → 05/10	●	PR:1LB	P85149MM	[+]	18,8 / 20,1	ATE							
	120	08/03 → 05/10	●	PR:1KE	P85068MM	[+]	19	ATE							
3.0 TDI	155	04/06 → 05/10	●	PR:1LE	P85110MM	[O]	17,1	BRE							
	155	04/06 → 05/10	●	PR:1KF	P85070MM	[O]	16,7	BRE							
	155	04/06 → 05/10	●	PR:1KQ	P85111MM	[O]	17,1	BRE							

									WI			FK	
	kw								MAGNETI MARELLI	LENGHT		MAGNETI MARELLI	

VOLKSWAGEN

TOUAREG (7LA, 7L6, 7L7) 10/02 → 05/10

Engine	Power (kw)	Period	PR	Part No.	Th [mm]	SYS	ATE	BRE	Other
3.0 V6 TDI	165	11/04 → 05/10	●	PR:1LB	P85090MM	[+]	18,8 / 19,8	ATE	
	165	11/04 → 05/10	●	PR:1LC	P85069MM	[o]	16,7	BRE	
	165	11/04 → 05/10	●	PR:1LF	P85065MM	[o]	16,7	BRE	
	165	11/04 → 05/10	●	PR:1LE	P85110MM	[o]	17,1	BRE	
	165	11/04 → 05/10	●	PR:1LU; PR:1LT	P65017MM	[o]	16,1	BRE	
	165	11/04 → 05/10	●	PR:1KF	P85070MM	[o]	16,7	BRE	
	165	11/04 → 05/10	●	PR:1KD; PR:2ED	P85103MM	[o]	16,6	BRE	
	165	11/04 → 05/10	●	PR:1KQ	P85111MM	[o]	17,1	BRE	
	176	11/07 → 05/10	●	PR:1LF	P85065MM	[o]	16,7	BRE	
	176	11/07 → 05/10	●	PR:1LE	P85110MM	[o]	17,1	BRE	
	176	11/07 → 05/10	●	PR:1KF	P85070MM	[o]	16,7	BRE	
	176	11/07 → 05/10	●	PR:1KD; PR:2ED	P85103MM	[o]	16,6	BRE	
176	11/07 → 05/10	●	PR:1KQ	P85111MM	[o]	17,1	BRE		
3.2 V6	162	10/02 → 11/06	●	PR:1LB	P85090MM	[+]	18,8 / 19,8	ATE	
	162	10/02 → 11/06	●	PR:1LC	P85069MM	[o]	16,7	BRE	
	162	10/02 → 11/06	●	PR:1LF	P85065MM	[o]	16,7	BRE	
	162	10/02 → 11/06	●	PR:1LE	P85110MM	[o]	17,1	BRE	
	162	10/02 → 11/06	●	PR:1KF	P85070MM	[o]	16,7	BRE	
	162	10/02 → 11/06	●	PR:1KQ	P85111MM	[o]	17,1	BRE	
	177	11/04 → 11/06	●	PR:1LT; PR:1LU	P65017MM	[o]	16,1	BRE	
	177	11/04 → 11/06	●	PR:1LE	P85110MM	[o]	17,1	BRE	
	177	11/04 → 11/06	●	PR:1LB	P85090MM	[+]	18,8 / 19,8	ATE	
	177	11/04 → 11/06	●	PR:1LC	P85069MM	[o]	16,7	BRE	
	177	11/04 → 11/06	●	PR:1LF	P85065MM	[o]	16,7	BRE	
	177	11/04 → 11/06	●	PR:2ED; PR:1KD	P85103MM	[o]	16,6	BRE	
177	11/04 → 11/06	●	PR:1KF	P85070MM	[o]	16,7	BRE		
177	11/04 → 11/06	●	PR:1KQ	P85111MM	[o]	17,1	BRE		
3.6 V6 FSI	206	10/05 → 05/10	●	PR:1LT; PR:1LU; disc Ø 368 mm	P65017MM	[o]	16,1	BRE	
	206	10/05 → 05/10	●	PR:1LF; disc Ø 350 mm	P85065MM	[o]	16,7	BRE	
	206	10/05 → 05/10	●	PR:1LC	P85069MM	[o]	16,7	BRE	
	206	10/05 → 05/10	●	PR:1LE	P85110MM	[o]	17,1	BRE	
	206	10/05 → 05/10	●	PR:1KD; PR:2ED; disc Ø 358 mm	P85103MM	[o]	16,6	BRE	
	206	10/05 → 05/10	●	PR:1KF	P85070MM	[o]	16,7	BRE	
4.2 V8	228	12/02 → 11/06	●	PR:1LC	P85069MM	[o]	16,7	BRE	
	228	12/02 → 11/06	●	PR:1LF	P85065MM	[o]	16,7	BRE	
	228	12/02 → 11/06	●	PR:1LE	P85110MM	[o]	17,1	BRE	
	228	12/02 → 11/06	●	PR:1KF	P85070MM	[o]	16,7	BRE	
	228	12/02 → 11/06	●	PR:1KQ	P85111MM	[o]	17,1	BRE	
4.2 V8 FSI	257	06/06 → 05/10	●	PR:1LF	P85065MM	[o]	16,7	BRE	
	257	06/06 → 05/10	●	PR:1LT; PR:1LU	P65017MM	[o]	16,1	BRE	
	257	06/06 → 05/10	●	PR:1KF	P85070MM	[o]	16,7	BRE	
	257	06/06 → 05/10	●	PR:1KD; PR:2ED	P85103MM	[o]	16,6	BRE	
	257	06/06 → 05/10	●	PR:1KQ	P85111MM	[o]	17,1	BRE	
5.0 R50 TDI	257	08/07 → 05/10	●	PR:1LF	P85065MM	[o]	16,7	BRE	
	257	08/07 → 05/10	●	PR:1LU; PR:1LT	P65017MM	[o]	16,1	BRE	
	257	08/07 → 05/10	●	PR:1KF	P85070MM	[o]	16,7	BRE	
	257	08/07 → 05/10	●	PR:2ED; PR:1KD	P85103MM	[o]	16,6	BRE	
257	08/07 → 05/10	●	PR:1KQ	P85111MM	[o]	17,1	BRE		

VOLKSWAGEN

TOUAREG (7LA, 7L6, 7L7) 10/02 → 05/10

5.0 V10 TDI	230	10/02 → 05/10	●	PR:1LF	P85065MM	[O]	16,7	BRE					
	230	10/02 → 05/10	●	PR:1LT; PR:1LU	P65017MM	[O]	16,1	BRE					
	230	10/02 → 05/10	●	PR:1KF	P85070MM	[O]	16,7	BRE					
	230	10/02 → 05/10	●	PR:1KD; PR:2ED	P85103MM	[O]	16,6	BRE					
	230	10/02 → 05/10	●	PR:1KQ	P85111MM	[O]	17,1	BRE					
6.0 W12	331	08/04 → 05/10	●	PR:1LF	P85065MM	[O]	16,7	BRE					
	331	08/04 → 05/10	●	PR:1LT; PR:1LU	P65017MM	[O]	16,1	BRE					
	331	08/04 → 05/10	●	PR:1KF	P85070MM	[O]	16,7	BRE					
	331	08/04 → 05/10	●	PR:2ED; PR:1KD	P85103MM	[O]	16,6	BRE					
	331	08/04 → 05/10	●	PR:1KQ	P85111MM	[O]	17,1	BRE					

TOUAREG (7P5) 01/10 →

3.0 V6 TDI	150	01/10 →	●	PR:1LC; PR:1LE	P85110MM	[O]	17,1	BRE					
	150	01/10 →	●		P65027MM	[O]	17,2	BRE					
	180	05/11 →	●	PR:1LE; PR:1LC	P85110MM	[O]	17,1	BRE					
	180	05/11 →	●		P65027MM	[O]	17,2	BRE					
	176	01/10 →	●	PR:1LC; PR:1LE	P85110MM	[O]	17,1	BRE					
	176	01/10 →	●		P65027MM	[O]	17,2	BRE					
	165	06/10 →	●	PR:1LE; PR:1LC	P85110MM	[O]	17,1	BRE					
	165	06/10 →	●		P65027MM	[O]	17,2	BRE					
	193	09/14 →	●	PR:1LC; PR:1LE	P85110MM	[O]	17,1	BRE					
	193	09/14 →	●	PR:1LJ; PR:1LW	P65021MM	[O]	17,1	BRE					
3.0 V6 TSI	213	08/10 →	●	PR:1LC; PR:1LE	P85110MM	[O]	17,1	BRE					
	213	08/10 →	●		P65027MM	[O]	17,2	BRE					
3.0 V6 TSI Hybrid	245	04/10 →	●	PR:1LC; PR:1LE	P85110MM	[O]	17,1	BRE					
	245	04/10 →	●		P65027MM	[O]	17,2	BRE					
3.6 V6 FSI	183	08/10 →	●	PR:1LE; PR:1LC	P85110MM	[O]	17,1	BRE					
	183	08/10 →	●		P65027MM	[O]	17,2	BRE					
	206	04/10 →	●	PR:1LE; PR:1LC	P85110MM	[O]	17,1	BRE					
	206	04/10 →	●		P65027MM	[O]	17,2	BRE					
4.2 V8 FSI	265	01/11 →	●	PR:1LC; PR:1LE	P85110MM	[O]	17,1	BRE					
	265	01/11 →	●		P65021MM	[O]	17,1	BRE					
	265	01/11 →	●		P65027MM	[O]	17,2	BRE					
4.2 V8 TD/4.2 V8 TDI	250	01/10 →	●	PR:1LE; PR:1LC	P85110MM	[O]	17,1	BRE					
	250	01/10 →	●		P65021MM	[O]	17,1	BRE					
	250	01/10 →	●		P65027MM	[O]	17,2	BRE					

TOURAN (1T1, 1T2) 02/03 → 05/10

1.4 FSI	125	11/06 → 05/10	●	PR:1LJ; PR:1ZD	P85146MM	[+]	20,3	ATE					
	125	11/06 → 05/10	●		P85075MM	[+]	20,3	ATE					
	125	11/06 → 05/10	●	PR:1KF; PR:1KJ; PR:1KE	P85073MM	[O]	17,2	TRW					
1.4 TSI	103	02/06 → 05/10	●	PR:1ZP	P85146MM	[+]	20,3	ATE					
	103	02/06 → 05/10	●		P85075MM	[+]	20,3	ATE					
	103	02/06 → 05/10	●	PR:1KE; PR:1KJ; PR:1KF	P85073MM	[O]	17,2	TRW					
	103	02/06 → 05/10	●	PR:1KS	P85114MM	[-]	17,7	BSH					
1.4 TSI EcoFuel	110	05/09 → 05/10	●	PR:1ZP	P85146MM	[+]	20,3	ATE					
	110	05/09 → 05/10	●		P85075MM	[+]	20,3	ATE					
	110	05/09 → 05/10	●	PR:1KE; PR:1KJ; PR:1KF	P85073MM	[O]	17,2	TRW					
1.6	110	05/09 → 05/10	●	PR:1KS	P85114MM	[-]	17,7	BSH					
	75	07/03 → 05/10	●	PR:1ZP	P85146MM	[+]	20,3	ATE					
	75	07/03 → 05/10	●	PR:1ZE	P85075MM	[+]	20,3	ATE					
	75	07/03 → 05/10	●	PR:1KF; PR:1KJ; PR:1KE	P85073MM	[O]	17,2	TRW					
	75	07/03 → 05/10	●	PR:1KS	P85114MM	[-]	17,7	BSH					

									WI			FK	

VOLKSWAGEN

TOURAN (1T1, 1T2) 02/03 → 05/10

1.6 FSI	85	02/03 → 01/07	●	PR:1ZP	P85146MM	[+]	20,3	ATE					
	85	02/03 → 01/07	●	PR:1ZE	P85075MM	[+]	20,3	ATE					
	85	02/03 → 01/07	●	PR:1KF; PR:1KJ; PR:1KE	P85073MM	[O]	17,2	TRW					
1.9 TDI	74	02/03 → 05/04	●	PR:1ZP	P85146MM	[+]	20,3	ATE					
	74	02/03 → 05/04	●	PR:1ZE	P85075MM	[+]	20,3	ATE					
	74	02/03 → 05/04	●	PR:1KE; PR:1KJ; PR:1KF	P85073MM	[O]	17,2	TRW					
	74	02/03 → 05/04	●	PR:1KS	P85114MM	[-]	17,7	BSH					
	77	08/03 → 05/10	●	PR:1ZP	P85146MM	[+]	20,3	ATE					
	77	08/03 → 05/10	●	PR:1ZE	P85075MM	[+]	20,3	ATE					
	77	08/03 → 05/10	●	PR:1KJ; PR:1KF; PR:1KE	P85073MM	[O]	17,2	TRW					
	77	08/03 → 05/10	●	PR:1KS	P85114MM	[-]	17,7	BSH					
	66	11/04 → 05/10	●	PR:1ZP	P85146MM	[+]	20,3	ATE					
	66	11/04 → 05/10	●	PR:1ZE	P85075MM	[+]	20,3	ATE					
2.0 EcoFuel	80	02/06 → 05/09	●	PR:1KF; PR:1KJ; PR:1KE	P85073MM	[O]	17,2	TRW					
	80	02/06 → 05/09	●	PR:1KS	P85114MM	[-]	17,7	BSH					
	80	02/06 → 05/09	●	PR:1ZP	P85146MM	[+]	20,3	ATE					
	80	02/06 → 05/09	●	PR:1ZE	P85075MM	[+]	20,3	ATE					
2.0 FSI	110	10/03 → 01/07	●	PR:1ZP	P85146MM	[+]	20,3	ATE					
	110	10/03 → 01/07	●	PR:1ZE	P85075MM	[+]	20,3	ATE					
	110	10/03 → 01/07	●	PR:1KE; PR:1KF; PR:1KJ	P85073MM	[O]	17,2	TRW					
	110	10/03 → 01/07	●	PR:1KS	P85114MM	[-]	17,7	BSH					
	85	10/04 → 05/10	●	PR:1ZP	P85146MM	[+]	20,3	ATE					
	85	10/04 → 05/10	●		P85075MM	[+]	20,3	ATE					
	85	10/04 → 05/10	●	PR:1KF; PR:1KJ; PR:1KE	P85073MM	[O]	17,2	TRW					
2.0 TDI	100	02/03 → 05/10	●	PR:1ZP	P85146MM	[+]	20,3	ATE					
	100	02/03 → 05/10	●	PR:1ZE	P85075MM	[+]	20,3	ATE					
	100	02/03 → 05/10	●	PR:1KE; PR:1KJ; PR:1KF	P85073MM	[O]	17,2	TRW					
	100	02/03 → 05/10	●	PR:1KS	P85114MM	[-]	17,7	BSH					
	125	12/05 → 05/10	●	PR:1LJ; PR:1ZD	P85146MM	[+]	20,3	ATE					
	125	12/05 → 05/10	●	PR:1ZE	P85075MM	[+]	20,3	ATE					
	125	12/05 → 05/10	●	PR:1KS	P85114MM	[-]	17,7	BSH					
	125	12/05 → 05/10	●	PR:1KE; PR:1KJ; PR:1KF	P85073MM	[O]	17,2	TRW					
	103	12/05 → 05/10	●	PR:1ZP	P85146MM	[+]	20,3	ATE					
	103	12/05 → 05/10	●		P85075MM	[+]	20,3	ATE					
	103	12/05 → 05/10	●	PR:1KE; PR:1KJ; PR:1KF	P85073MM	[O]	17,2	TRW					
	103	12/05 → 05/10	●	PR:1KS	P85114MM	[-]	17,7	BSH					
2.0 TDI 16V	103	08/03 → 05/10	●	PR:1ZP	P85146MM	[+]	20,3	ATE					
	103	08/03 → 05/10	●	PR:1ZE	P85075MM	[+]	20,3	ATE					
	103	08/03 → 05/10	●	PR:1KE; PR:1KF; PR:1KJ	P85073MM	[O]	17,2	TRW					
	103	08/03 → 05/10	●	PR:1KS	P85114MM	[-]	17,7	BSH					

TOURAN (1T3) 05/10 → 05/15

1.2 TSI	77	05/10 → 05/15	●	PR:1ZE	P85075MM	[+]	20,3	ATE					
	77	05/10 → 05/15	●	PR:1ZP	P85146MM	[+]	20,3	ATE					
	77	05/10 → 05/15	●		P85114MM	[-]	17,7	BSH					
1.4 TSI	103	05/10 → 05/15	●	PR:1ZE	P85075MM	[+]	20,3	ATE					
	103	05/10 → 05/15	●	PR:1ZP	P85146MM	[+]	20,3	ATE					
	103	05/10 → 05/15	●		P85114MM	[-]	17,7	BSH					
	125	05/10 → 05/15	●	PR:1ZE; PR:1ZP	P85075MM	[+]	20,3	ATE					
	125	05/10 → 05/15	●	PR:1ZA; PR:1ZD	P85146MM	[+]	20,3	ATE					
	125	05/10 → 05/15	●		P85114MM	[-]	17,7	BSH					

VOLKSWAGEN

TOURAN (1T3) 05/10 → 05/15

1.4 TSI EcoFuel	110	05/10 → 05/15	●	PR:1ZE; PR:1ZP	P85075MM	[+]	20,3	ATE							
	110	05/10 → 05/15	●	PR:1ZA; PR:1ZD	P85146MM	[+]	20,3	ATE							
	110	05/10 → 05/15	●		P85114MM	[-]	17,7	BSH							
1.6 TDI	66	05/10 → 05/15	●	PR:1ZE	P85075MM	[+]	20,3	ATE							
	66	05/10 → 05/15	●	PR:1ZP	P85146MM	[+]	20,3	ATE							
	66	05/10 → 05/15	●		P85114MM	[-]	17,7	BSH							
	77	05/10 → 05/15	●	PR:1ZE	P85075MM	[+]	20,3	ATE							
	77	05/10 → 05/15	●	PR:1ZP	P85146MM	[+]	20,3	ATE							
	77	05/10 → 05/15	●		P85114MM	[-]	17,7	BSH							
2.0 TDI	81	11/10 → 05/15	●	PR:1ZE	P85075MM	[+]	20,3	ATE							
	81	11/10 → 05/15	●	PR:1ZP	P85146MM	[+]	20,3	ATE							
	81	11/10 → 05/15	●		P85114MM	[-]	17,7	BSH							
	130	01/13 → 05/15	●	PR:1ZE; PR:1ZP	P85075MM	[+]	20,3	ATE							
	130	01/13 → 05/15	●	PR:1ZA; PR:1ZD	P85146MM	[+]	20,3	ATE							
	130	01/13 → 05/15	●		P85114MM	[-]	17,7	BSH							
	125	05/10 → 01/13	●	PR:1ZP; PR:1ZE	P85075MM	[+]	20,3	ATE							
	125	05/10 → 01/13	●	PR:1ZD; PR:1ZA	P85146MM	[+]	20,3	ATE							
	125	05/10 → 01/13	●		P85114MM	[-]	17,7	BSH							
	103	05/10 → 05/15	●	PR:1ZP; PR:1ZE	P85075MM	[+]	20,3	ATE							
103	05/10 → 05/15	●	PR:1ZD; PR:1ZA	P85146MM	[+]	20,3	ATE								
103	05/10 → 05/15	●		P85114MM	[-]	17,7	BSH								

TOURAN (5T1) 05/15 →

1.2 TSI	81	05/15 →	●	PR:1ZA; PR:1ZD	P85126MM	[+]	20,3	TRW							
	81	05/15 →	●	PR:1KU	P85124MM	[-]	16,4	ATE							
	81	05/15 →	●	PR:1KE	P85125MM	[-]	16,4	ATE							
1.4 TSI	110	05/15 →	●	PR:1ZD; PR:1ZA	P85126MM	[+]	20,3	TRW							
	110	05/15 →	●	PR:1KU	P85124MM	[-]	16,4	ATE							
	110	05/15 →	●	PR:1KE	P85125MM	[-]	16,4	ATE							
1.6 TDI	81	05/15 → 05/16	●	PR:1ZA; PR:1ZD	P85126MM	[+]	20,3	TRW							
	81	05/15 → 05/16	●	PR:1KU	P85124MM	[-]	16,4	ATE							
	81	05/15 → 05/16	●	PR:1KE	P85125MM	[-]	16,4	ATE							
	85	05/16 →	●	PR:1ZD; PR:1ZA	P85126MM	[+]	20,3	TRW							
	85	05/16 →	●	PR:1KU	P85124MM	[-]	16,4	ATE							
	85	05/16 →	●	PR:1KE	P85125MM	[-]	16,4	ATE							
1.8 TSI	132	11/15 →	●	PR:1ZD; PR:1ZA	P85126MM	[+]	20,3	TRW							
	132	11/15 →	●	PR:1KU	P85124MM	[-]	16,4	ATE							
	132	11/15 →	●	PR:1KE	P85125MM	[-]	16,4	ATE							
2.0 TDI	110	05/15 →	●	PR:1ZD; PR:1ZA	P85126MM	[+]	20,3	TRW							
	110	05/15 →	●	PR:1KU	P85124MM	[-]	16,4	ATE							
	110	05/15 →	●	PR:1KE	P85125MM	[-]	16,4	ATE							
	81	11/15 →	●	PR:1ZA; PR:1ZD	P85126MM	[+]	20,3	TRW							
	81	11/15 →	●	PR:1KU	P85124MM	[-]	16,4	ATE							
	81	11/15 →	●	PR:1KE	P85125MM	[-]	16,4	ATE							
	140	11/15 →	●	PR:1ZA; PR:1ZD	P85126MM	[+]	20,3	TRW							
	140	11/15 →	●	PR:1KU	P85124MM	[-]	16,4	ATE							
140	11/15 →	●	PR:1KE	P85125MM	[-]	16,4	ATE								

TRANSPORTER IV Box (70XA) 07/90 → 04/03

1.9 D	45	07/90 → 12/95	●	→ 70-T-199000; 14" wheel; fist-type cal.	P85028MM	[-]	19	TRW							
	45	07/90 → 12/95	●	→ 70-X-250000; 15" wheel; solid; fist-type cal.	P85029MM	[-]	19,2	TRW							
	45	07/90 → 12/95	●	→ 70-X-250000; 15" wheel; frame saddle	P85027MM	[-]	18,2	TRW							

									WI			FK	
	kw						Th [mm]		MAGNETI MARELLI	LENGHT		MAGNETI MARELLI	

VOLKSWAGEN

TRANSPORTER IV Box (70XA) 07/90 → 04/03

1.9 D	45	07/90 → 12/95	•	70-T-200001 → ; → 70-X-250000; 15" wheel; vented; fist-type cal.	P85047MM	[-]	19,6	ATE					
	45	07/90 → 12/95	•	70-Y-000001 → ; 15" wheel; solid; fist-type cal.	P85050MM	[+]	19,2	TRW					
	45	07/90 → 12/95	•	70-Y-000001 → ; 15" wheel; frame saddle	P85048MM	[+]	18,2	TRW					
	45	07/90 → 12/95	•	70-Y-000001 → ; 15" wheel; vented; fist-type cal.	P85049MM	[+]	20,6	ATE					
	44	09/90 → 12/95	•	→ 70-T-199000; 14" wheel; fist-type cal.	P85028MM	[-]	19	TRW					
	44	09/90 → 12/95	•	→ 70-X-250000; 15" wheel; solid; fist-type cal.	P85029MM	[-]	19,2	TRW					
	44	09/90 → 12/95	•	→ 70-X-250000; 15" wheel; frame saddle	P85027MM	[-]	18,2	TRW					
	44	09/90 → 12/95	•	70-T-200001 → ; → 70-X-250000; 15" wheel; vented; fist-type cal.	P85047MM	[-]	19,6	ATE					
	44	09/90 → 12/95	•	70-Y-000001 → ; 15" wheel; solid; fist-type cal.	P85050MM	[+]	19,2	TRW					
	44	09/90 → 12/95	•	70-Y-000001 → ; 15" wheel; frame saddle	P85048MM	[+]	18,2	TRW					
	44	09/90 → 12/95	•	70-Y-000001 → ; 15" wheel; vented; fist-type cal.	P85049MM	[+]	20,6	ATE					
1.9 TD	50	10/92 → 04/03	•	→ 70-T-199000; 14" wheel; fist-type cal.	P85028MM	[-]	19	TRW					
	50	10/92 → 04/03	•	→ 70-X-250000; 15" wheel; solid; fist-type cal.	P85029MM	[-]	19,2	TRW					
	50	10/92 → 04/03	•	→ 70-X-250000; 15" wheel; frame saddle	P85027MM	[-]	18,2	TRW					
	50	10/92 → 04/03	•	70-T-200001 → ; → 70-X-250000; 15" wheel; vented; fist-type cal.	P85047MM	[-]	19,6	ATE					
	50	10/92 → 04/03	•	70-Y-000001 → ; 15" wheel; solid; fist-type cal.	P85050MM	[+]	19,2	TRW					
	50	10/92 → 04/03	•	70-Y-000001 → ; 15" wheel; frame saddle	P85048MM	[+]	18,2	TRW					
	50	10/92 → 04/03	•	70-Y-000001 → ; 15" wheel; vented; fist-type cal.	P85049MM	[+]	20,6	ATE					
	50	10/92 → 04/03	•	→ 70-1-000954; 16" wheel	P85052MM	[+]	18,6	ATE					
	50	10/92 → 04/03	•	70-1-000955 → ; 16" wheel	P85061MM	[+]	20,1	ATE					
	50	10/92 → 04/03	•	70-T-200001 → ; 15" wheel	P85046MM	[+]	17,3	TRW					
	50	10/92 → 04/03	•	16" wheel	P85059MM	[+]	16,5	TRW					
2.0	62	07/90 → 04/03	•	→ 70-T-199000; 14" wheel; fist-type cal.	P85028MM	[-]	19	TRW					
	62	07/90 → 04/03	•	→ 70-X-250000; 15" wheel; solid; fist-type cal.	P85029MM	[-]	19,2	TRW					
	62	07/90 → 04/03	•	→ 70-X-250000; 15" wheel; frame saddle	P85027MM	[-]	18,2	TRW					
	62	07/90 → 04/03	•	70-T-200001 → ; → 70-X-250000; 15" wheel; vented; fist-type cal.	P85047MM	[-]	19,6	ATE					
	62	07/90 → 04/03	•	70-Y-000001 → ; 15" wheel; solid; fist-type cal.	P85050MM	[+]	19,2	TRW					
	62	07/90 → 04/03	•	70-Y-000001 → ; 15" wheel; frame saddle	P85048MM	[+]	18,2	TRW					
	62	07/90 → 04/03	•	70-Y-000001 → ; 15" wheel; vented; fist-type cal.	P85049MM	[+]	20,6	ATE					
	62	07/90 → 04/03	•	→ 70-1-000954; 16" wheel	P85052MM	[+]	18,6	ATE					
	62	07/90 → 04/03	•	70-1-000955 → ; 16" wheel	P85061MM	[+]	20,1	ATE					
	62	07/90 → 04/03	•	70-T-200001 → ; 15" wheel	P85046MM	[+]	17,3	TRW					
	62	07/90 → 04/03	•	16" wheel	P85059MM	[+]	16,5	TRW					

VOLKSWAGEN

TRANSPORTER IV Box (70XA) 07/90 → 04/03

2.4 D	57	07/90 → 04/98	●	→ 70-T-199000; 14" wheel; fist-type cal.	P85028MM [-]	19	TRW								
	57	07/90 → 04/98	●	→ 70-X-250000; 15" wheel; solid; fist-type cal.	P85029MM [-]	19,2	TRW								
	57	07/90 → 04/98	●	→ 70-X-250000; 15" wheel; frame saddle	P85027MM [-]	18,2	TRW								
	57	07/90 → 04/98	●	70-T-200001 → ; → 70-X-250000; 15" wheel; vented; fist-type cal.	P85047MM [-]	19,6	ATE								
	57	07/90 → 04/98	●	70-Y-000001 → ; 15" wheel; solid; fist-type cal.	P85050MM [+]	19,2	TRW								
	57	07/90 → 04/98	●	70-Y-000001 → ; 15" wheel; frame saddle	P85048MM [+]	18,2	TRW								
	57	07/90 → 04/98	●	70-Y-000001 → ; 15" wheel; vented; fist-type cal.	P85049MM [+]	20,6	ATE								
	57	07/90 → 04/98	●	→ 70-1-000954; 16" wheel	P85052MM [+]	18,6	ATE								
	57	07/90 → 04/98	●	70-1-000955 → ; 16" wheel	P85061MM [+]	20,1	ATE								
	57	07/90 → 04/98	●	70-T-200001 → ; 15" wheel	P85046MM [+]	17,3	TRW								
	57	07/90 → 04/98	●	16" wheel	P85059MM [+]	16,5	TRW								
	55	08/97 → 04/03	●	→ 70-X-250000; 15" wheel; solid; fist-type cal.	P85029MM [-]	19,2	TRW								
	55	08/97 → 04/03	●	→ 70-X-250000; 15" wheel; frame saddle	P85027MM [-]	18,2	TRW								
	55	08/97 → 04/03	●	70-T-200001 → ; → 70-X-250000; 15" wheel; vented; fist-type cal.	P85047MM [-]	19,6	ATE								
	55	08/97 → 04/03	●	70-Y-000001 → ; 15" wheel; solid; fist-type cal.	P85050MM [+]	19,2	TRW								
	55	08/97 → 04/03	●	70-Y-000001 → ; 15" wheel; frame saddle	P85048MM [+]	18,2	TRW								
	55	08/97 → 04/03	●	70-Y-000001 → ; 15" wheel; vented; fist-type cal.	P85049MM [+]	20,6	ATE								
	55	08/97 → 04/03	●	→ 70-1-000954; 16" wheel	P85052MM [+]	18,6	ATE								
	55	08/97 → 04/03	●	70-1-000955 → ; 16" wheel	P85061MM [+]	20,1	ATE								
	55	08/97 → 04/03	●	70-T-200001 → ; 15" wheel	P85046MM [+]	17,3	TRW								
55	08/97 → 04/03	●	16" wheel	P85059MM [+]	16,5	TRW									
2.4 D Syncro	57	10/92 → 09/98	●	→ 70-T-199000; 14" wheel; fist-type cal.	P85028MM [-]	19	TRW								
	57	10/92 → 09/98	●	→ 70-X-250000; 15" wheel; solid; fist-type cal.	P85029MM [-]	19,2	TRW								
	57	10/92 → 09/98	●	→ 70-X-250000; 15" wheel; frame saddle	P85027MM [-]	18,2	TRW								
	57	10/92 → 09/98	●	70-T-200001 → ; → 70-X-250000; 15" wheel; vented; fist-type cal.	P85047MM [-]	19,6	ATE								
	57	10/92 → 09/98	●	70-Y-000001 → ; 15" wheel; solid; fist-type cal.	P85050MM [+]	19,2	TRW								
	57	10/92 → 09/98	●	70-Y-000001 → ; 15" wheel; frame saddle	P85048MM [+]	18,2	TRW								
	57	10/92 → 09/98	●	70-Y-000001 → ; 15" wheel; vented; fist-type cal.	P85049MM [+]	20,6	ATE								
	57	10/92 → 09/98	●	→ 70-1-000954; 16" wheel	P85052MM [+]	18,6	ATE								
	57	10/92 → 09/98	●	70-1-000955 → ; 16" wheel	P85061MM [+]	20,1	ATE								
	57	10/92 → 09/98	●	70-T-200001 → ; 15" wheel	P85046MM [+]	17,3	TRW								
57	10/92 → 09/98	●	16" wheel	P85059MM [+]	16,5	TRW									
2.5	81	11/90 → 04/03	●	→ 70-X-250000; 15" wheel; solid; fist-type cal.	P85029MM [-]	19,2	TRW								
	81	11/90 → 04/03	●	→ 70-X-250000; 15" wheel; frame saddle	P85027MM [-]	18,2	TRW								
	81	11/90 → 04/03	●	70-T-200001 → ; → 70-X-250000; 15" wheel; vented; fist-type cal.	P85047MM [-]	19,6	ATE								

										WI			FK	
	kw										LENGHT			

VOLKSWAGEN

TRANSPORTER IV Box (70XA) 07/90 → 04/03

2.5	81	11/90 → 04/03	●	70-Y-000001 →; 15" wheel; solid; fist-type cal.	P85050MM	[+]	19,2	TRW						
	81	11/90 → 04/03	●	70-Y-000001 →; 15" wheel; frame saddle	P85048MM	[+]	18,2	TRW						
	81	11/90 → 04/03	●	70-Y-000001 →; 15" wheel; vented; fist-type cal.	P85049MM	[+]	20,6	ATE						
	81	11/90 → 04/03	●	→ 70-1-000954; 16" wheel	P85052MM	[+]	18,6	ATE						
	81	11/90 → 04/03	●	70-1-000955 →; 16" wheel	P85061MM	[+]	20,1	ATE						
	81	11/90 → 04/03	●	70-T-200001 →; 15" wheel	P85046MM	[+]	17,3	TRW						
	81	11/90 → 04/03	●	16" wheel	P85059MM	[+]	16,5	TRW						
	85	08/96 → 04/03	●	→ 70-X-250000; 15" wheel; solid; fist-type cal.	P85029MM	[-]	19,2	TRW						
	85	08/96 → 04/03	●	→ 70-X-250000; 15" wheel; frame saddle	P85027MM	[-]	18,2	TRW						
	85	08/96 → 04/03	●	70-T-200001 →; → 70-X-250000; 15" wheel; vented; fist-type cal.	P85047MM	[-]	19,6	ATE						
	85	08/96 → 04/03	●	70-Y-000001 →; 15" wheel; solid; fist-type cal.	P85050MM	[+]	19,2	TRW						
	85	08/96 → 04/03	●	70-Y-000001 →; 15" wheel; frame saddle	P85048MM	[+]	18,2	TRW						
	85	08/96 → 04/03	●	70-Y-000001 →; 15" wheel; vented; fist-type cal.	P85049MM	[+]	20,6	ATE						
	85	08/96 → 04/03	●	→ 70-1-000954; 16" wheel	P85052MM	[+]	18,6	ATE						
	85	08/96 → 04/03	●	70-1-000955 →; 16" wheel	P85061MM	[+]	20,1	ATE						
	85	08/96 → 04/03	●	70-T-200001 →; 15" wheel	P85046MM	[+]	17,3	TRW						
	85	08/96 → 04/03	●	16" wheel	P85059MM	[+]	16,5	TRW						
	2.5 Syncro	81	10/92 → 04/03	●	→ 70-X-250000; 15" wheel; solid; fist-type cal.	P85029MM	[-]	19,2	TRW					
81		10/92 → 04/03	●	→ 70-X-250000; 15" wheel; frame saddle	P85027MM	[-]	18,2	TRW						
81		10/92 → 04/03	●	70-T-200001 →; → 70-X-250000; 15" wheel; vented; fist-type cal.	P85047MM	[-]	19,6	ATE						
81		10/92 → 04/03	●	70-Y-000001 →; 15" wheel; solid; fist-type cal.	P85050MM	[+]	19,2	TRW						
81		10/92 → 04/03	●	70-Y-000001 →; 15" wheel; frame saddle	P85048MM	[+]	18,2	TRW						
81		10/92 → 04/03	●	70-Y-000001 →; 15" wheel; vented; fist-type cal.	P85049MM	[+]	20,6	ATE						
81		10/92 → 04/03	●	→ 70-1-000954; 16" wheel	P85052MM	[+]	18,6	ATE						
81		10/92 → 04/03	●	70-1-000955 →; 16" wheel	P85061MM	[+]	20,1	ATE						
81		10/92 → 04/03	●	70-T-200001 →; 15" wheel	P85046MM	[+]	17,3	TRW						
81		10/92 → 04/03	●	16" wheel	P85059MM	[+]	16,5	TRW						
85		08/96 → 04/03	●	→ 70-X-250000; 15" wheel; solid; fist-type cal.	P85029MM	[-]	19,2	TRW						
85		08/96 → 04/03	●	→ 70-X-250000; 15" wheel; frame saddle	P85027MM	[-]	18,2	TRW						
85		08/96 → 04/03	●	70-T-200001 →; → 70-X-250000; 15" wheel; vented; fist-type cal.	P85047MM	[-]	19,6	ATE						
85		08/96 → 04/03	●	70-Y-000001 →; 15" wheel; solid; fist-type cal.	P85050MM	[+]	19,2	TRW						
85		08/96 → 04/03	●	70-Y-000001 →; 15" wheel; frame saddle	P85048MM	[+]	18,2	TRW						
85		08/96 → 04/03	●	70-Y-000001 →; 15" wheel; vented; fist-type cal.	P85049MM	[+]	20,6	ATE						
85		08/96 → 04/03	●	→ 70-1-000954; 16" wheel	P85052MM	[+]	18,6	ATE						
85		08/96 → 04/03	●	70-1-000955 →; 16" wheel	P85061MM	[+]	20,1	ATE						
85		08/96 → 04/03	●	70-T-200001 →; 15" wheel	P85046MM	[+]	17,3	TRW						
85		08/96 → 04/03	●	16" wheel	P85059MM	[+]	16,5	TRW						

VOLKSWAGEN

TRANSPORTER IV Box (70XA) 07/90 → 04/03

2.5 TDI	75	09/95 → 04/03	●	→ 70-X-250000; 15" wheel; solid; fist-type cal.	P85029MM [-]	19,2	TRW					
	75	09/95 → 04/03	●	→ 70-X-250000; 15" wheel; frame saddle	P85027MM [-]	18,2	TRW					
	75	09/95 → 04/03	●	70-T-200001 → ; → 70-X-250000; 15" wheel; vented; fist-type cal.	P85047MM [-]	19,6	ATE					
	75	09/95 → 04/03	●	70-Y-000001 → ; 15" wheel; solid; fist-type cal.	P85050MM [+]	19,2	TRW					
	75	09/95 → 04/03	●	70-Y-000001 → ; 15" wheel; frame saddle	P85048MM [+]	18,2	TRW					
	75	09/95 → 04/03	●	70-Y-000001 → ; 15" wheel; vented; fist-type cal.	P85049MM [+]	20,6	ATE					
	75	09/95 → 04/03	●	→ 70-1-000954; 16" wheel	P85052MM [+]	18,6	ATE					
	75	09/95 → 04/03	●	70-1-000955 → ; 16" wheel	P85061MM [+]	20,1	ATE					
	75	09/95 → 04/03	●	70-T-200001 → ; 15" wheel	P85046MM [+]	17,3	TRW					
	75	09/95 → 04/03	●	16" wheel	P85059MM [+]	16,5	TRW					
	65	12/98 → 04/03	●	→ 70-X-250000; 15" wheel; solid; fist-type cal.	P85029MM [-]	19,2	TRW					
	65	12/98 → 04/03	●	→ 70-X-250000; 15" wheel; frame saddle	P85027MM [-]	18,2	TRW					
	65	12/98 → 04/03	●	70-T-200001 → ; → 70-X-250000; 15" wheel; vented; fist-type cal.	P85047MM [-]	19,6	ATE					
	65	12/98 → 04/03	●	70-Y-000001 → ; 15" wheel; solid; fist-type cal.	P85050MM [+]	19,2	TRW					
	65	12/98 → 04/03	●	70-Y-000001 → ; 15" wheel; frame saddle	P85048MM [+]	18,2	TRW					
	65	12/98 → 04/03	●	70-Y-000001 → ; 15" wheel; vented; fist-type cal.	P85049MM [+]	20,6	ATE					
	65	12/98 → 04/03	●	→ 70-1-000954; 16" wheel	P85052MM [+]	18,6	ATE					
	65	12/98 → 04/03	●	70-1-000955 → ; 16" wheel	P85061MM [+]	20,1	ATE					
	65	12/98 → 04/03	●	70-T-200001 → ; 15" wheel	P85046MM [+]	17,3	TRW					
	65	12/98 → 04/03	●	16" wheel	P85059MM [+]	16,5	TRW					
	111	09/00 → 04/03	●	→ 70-X-250000; 15" wheel; solid; fist-type cal.	P85029MM [-]	19,2	TRW					
	111	09/00 → 04/03	●	→ 70-X-250000; 15" wheel; frame saddle	P85027MM [-]	18,2	TRW					
111	09/00 → 04/03	●	70-T-200001 → ; → 70-X-250000; 15" wheel; vented; fist-type cal.	P85047MM [-]	19,6	ATE						
111	09/00 → 04/03	●	70-Y-000001 → ; 15" wheel; solid; fist-type cal.	P85050MM [+]	19,2	TRW						
111	09/00 → 04/03	●	70-Y-000001 → ; 15" wheel; frame saddle	P85048MM [+]	18,2	TRW						
111	09/00 → 04/03	●	70-Y-000001 → ; 15" wheel; vented; fist-type cal.	P85049MM [+]	20,6	ATE						
111	09/00 → 04/03	●	→ 70-1-000954; 16" wheel	P85052MM [+]	18,6	ATE						
111	09/00 → 04/03	●	70-1-000955 → ; 16" wheel	P85061MM [+]	20,1	ATE						
111	09/00 → 04/03	●	70-T-200001 → ; 15" wheel	P85046MM [+]	17,3	TRW						
111	09/00 → 04/03	●	16" wheel	P85059MM [+]	16,5	TRW						
2.5 TDI Syncro	75	09/95 → 04/03	●	→ 70-X-250000; 15" wheel; solid; fist-type cal.	P85029MM [-]	19,2	TRW					
	75	09/95 → 04/03	●	→ 70-X-250000; 15" wheel; frame saddle	P85027MM [-]	18,2	TRW					
	75	09/95 → 04/03	●	70-T-200001 → ; → 70-X-250000; 15" wheel; vented; fist-type cal.	P85047MM [-]	19,6	ATE					
	75	09/95 → 04/03	●	70-Y-000001 → ; 15" wheel; solid; fist-type cal.	P85050MM [+]	19,2	TRW					
	75	09/95 → 04/03	●	70-Y-000001 → ; 15" wheel; frame saddle	P85048MM [+]	18,2	TRW					

											WI			FK	
												LENGHT			

VOLKSWAGEN

TRANSPORTER IV Box (70XA) 07/90 → 04/03

2.5 TDI Syncro	75	09/95 → 04/03	●	70-Y-000001 →; 15" wheel; vented; fist-type cal.	P85049MM	[+]	20,6	ATE							
	75	09/95 → 04/03	●	→ 70-1-000954; 16" wheel	P85052MM	[+]	18,6	ATE							
	75	09/95 → 04/03	●	70-1-000955 →; 16" wheel	P85061MM	[+]	20,1	ATE							
	75	09/95 → 04/03	●	70-T-200001 →; 15" wheel	P85046MM	[+]	17,3	TRW							
	75	09/95 → 04/03	●	16" wheel	P85059MM	[+]	16,5	TRW							
2.8 VR6	150	06/00 → 04/03	●	→ 70-1-000954; 16" wheel	P85052MM	[+]	18,6	ATE							
	150	06/00 → 04/03	●	70-1-000955 →; 16" wheel	P85061MM	[+]	20,1	ATE							
	150	06/00 → 04/03	●	16" wheel	P85059MM	[+]	16,5	TRW							
	103	05/96 → 05/00	●	→ 70-X-250000; 15" wheel; solid; fist-type cal.	P85029MM	[-]	19,2	TRW							
	103	05/96 → 05/00	●	→ 70-X-250000; 15" wheel; frame saddle	P85027MM	[-]	18,2	TRW							
	103	05/96 → 05/00	●	70-T-200001 →; → 70-X-250000; 15" wheel; vented; fist-type cal.	P85047MM	[-]	19,6	ATE							
	103	05/96 → 05/00	●	70-Y-000001 →; 15" wheel; solid; fist-type cal.	P85050MM	[+]	19,2	TRW							
	103	05/96 → 05/00	●	70-Y-000001 →; 15" wheel; frame saddle	P85048MM	[+]	18,2	TRW							
	103	05/96 → 05/00	●	70-Y-000001 →; 15" wheel; vented; fist-type cal.	P85049MM	[+]	20,6	ATE							
	103	05/96 → 05/00	●	→ 70-1-000954; 16" wheel	P85052MM	[+]	18,6	ATE							
	103	05/96 → 05/00	●	70-1-000955 →; 16" wheel	P85061MM	[+]	20,1	ATE							
	103	05/96 → 05/00	●	70-T-200001 →; 15" wheel	P85046MM	[+]	17,3	TRW							
	103	05/96 → 05/00	●	16" wheel	P85059MM	[+]	16,5	TRW							

TRANSPORTER IV Bus (70XB, 70XC, 7DB, 7DW, 7DK) 09/90 → 04/03

1.9 D	44	09/90 → 12/95	●	→ 70-T-199000; 14" wheel; fist-type cal.	P85028MM	[-]	19	TRW							
	44	09/90 → 12/95	●	→ 70-X-250000; 15" wheel; solid; fist-type cal.	P85029MM	[-]	19,2	TRW							
	44	09/90 → 12/95	●	→ 70-X-250000; 15" wheel; frame saddle	P85027MM	[-]	18,2	TRW							
	44	09/90 → 12/95	●	70-T-200001 →; → 70-X-250000; 15" wheel; vented; fist-type cal.	P85047MM	[-]	19,6	ATE							
	44	09/90 → 12/95	●	70-Y-000001 →; 15" wheel; solid; fist-type cal.	P85050MM	[+]	19,2	TRW							
	44	09/90 → 12/95	●	70-Y-000001 →; 15" wheel; frame saddle	P85048MM	[+]	18,2	TRW							
	44	09/90 → 12/95	●	70-Y-000001 →; 15" wheel; vented; fist-type cal.	P85049MM	[+]	20,6	ATE							
	45	09/90 → 12/95	●	→ 70-T-199000; 14" wheel; fist-type cal.	P85028MM	[-]	19	TRW							
	45	09/90 → 12/95	●	→ 70-X-250000; 15" wheel; solid; fist-type cal.	P85029MM	[-]	19,2	TRW							
	45	09/90 → 12/95	●	→ 70-X-250000; 15" wheel; frame saddle	P85027MM	[-]	18,2	TRW							
	45	09/90 → 12/95	●	70-T-200001 →; → 70-X-250000; 15" wheel; vented; fist-type cal.	P85047MM	[-]	19,6	ATE							
	45	09/90 → 12/95	●	70-Y-000001 →; 15" wheel; solid; fist-type cal.	P85050MM	[+]	19,2	TRW							
	45	09/90 → 12/95	●	70-Y-000001 →; 15" wheel; frame saddle	P85048MM	[+]	18,2	TRW							
	45	09/90 → 12/95	●	70-Y-000001 →; 15" wheel; vented; fist-type cal.	P85049MM	[+]	20,6	ATE							
	1.9 TD	50	10/92 → 04/03	●	→ 70-T-199000; 14" wheel; fist-type cal.	P85028MM	[-]	19	TRW						
50		10/92 → 04/03	●	→ 70-X-250000; 15" wheel; solid; fist-type cal.	P85029MM	[-]	19,2	TRW							

									WI			FK	

VOLKSWAGEN

TRANSPORTER IV Bus (70XB, 70XC, 7DB, 7DW, 7DK) 09/90 → 04/03

2.4 D	55	08/97 → 04/03	●	70-Y-000001 →; 15" wheel; frame saddle	P85048MM	[+]	18,2	TRW				
	55	08/97 → 04/03	●	70-Y-000001 →; 15" wheel; vented; fist-type cal.	P85049MM	[+]	20,6	ATE				
	55	08/97 → 04/03	●	→ 70-1-000954; 16" wheel	P85052MM	[+]	18,6	ATE				
	55	08/97 → 04/03	●	70-1-000955 →; 16" wheel	P85061MM	[+]	20,1	ATE				
	55	08/97 → 04/03	●	70-T-200001 →; 15" wheel	P85046MM	[+]	17,3	TRW				
	55	08/97 → 04/03	●	16" wheel	P85059MM	[+]	16,5	TRW				
2.4 D Syncro	57	10/92 → 09/98	●	→ 70-T-199000; 14" wheel; fist-type cal.	P85028MM	[-]	19	TRW				
	57	10/92 → 09/98	●	→ 70-X-250000; 15" wheel; solid; fist-type cal.	P85029MM	[-]	19,2	TRW				
	57	10/92 → 09/98	●	→ 70-X-250000; 15" wheel; frame saddle	P85027MM	[-]	18,2	TRW				
	57	10/92 → 09/98	●	70-T-200001 →; → 70-X-250000; 15" wheel; vented; fist-type cal.	P85047MM	[-]	19,6	ATE				
	57	10/92 → 09/98	●	70-Y-000001 →; 15" wheel; solid; fist-type cal.	P85050MM	[+]	19,2	TRW				
	57	10/92 → 09/98	●	70-Y-000001 →; 15" wheel; frame saddle	P85048MM	[+]	18,2	TRW				
	57	10/92 → 09/98	●	70-Y-000001 →; 15" wheel; vented; fist-type cal.	P85049MM	[+]	20,6	ATE				
	57	10/92 → 09/98	●	→ 70-1-000954; 16" wheel	P85052MM	[+]	18,6	ATE				
	57	10/92 → 09/98	●	70-1-000955 →; 16" wheel	P85061MM	[+]	20,1	ATE				
	57	10/92 → 09/98	●	70-T-200001 →; 15" wheel	P85046MM	[+]	17,3	TRW				
	57	10/92 → 09/98	●	16" wheel	P85059MM	[+]	16,5	TRW				
2.5	81	11/90 → 04/03	●	→ 70-X-250000; 15" wheel; solid; fist-type cal.	P85029MM	[-]	19,2	TRW				
	81	11/90 → 04/03	●	→ 70-X-250000; 15" wheel; frame saddle	P85027MM	[-]	18,2	TRW				
	81	11/90 → 04/03	●	70-T-200001 →; → 70-X-250000; 15" wheel; vented; fist-type cal.	P85047MM	[-]	19,6	ATE				
	81	11/90 → 04/03	●	70-Y-000001 →; 15" wheel; solid; fist-type cal.	P85050MM	[+]	19,2	TRW				
	81	11/90 → 04/03	●	70-Y-000001 →; 15" wheel; frame saddle	P85048MM	[+]	18,2	TRW				
	81	11/90 → 04/03	●	70-Y-000001 →; 15" wheel; vented; fist-type cal.	P85049MM	[+]	20,6	ATE				
	81	11/90 → 04/03	●	→ 70-1-000954; 16" wheel	P85052MM	[+]	18,6	ATE				
	81	11/90 → 04/03	●	70-1-000955 →; 16" wheel	P85061MM	[+]	20,1	ATE				
	81	11/90 → 04/03	●	70-T-200001 →; 15" wheel	P85046MM	[+]	17,3	TRW				
	81	11/90 → 04/03	●	16" wheel	P85059MM	[+]	16,5	TRW				
	85	08/96 → 04/03	●	→ 70-X-250000; 15" wheel; solid; fist-type cal.	P85029MM	[-]	19,2	TRW				
	85	08/96 → 04/03	●	→ 70-X-250000; 15" wheel; frame saddle	P85027MM	[-]	18,2	TRW				
	85	08/96 → 04/03	●	70-T-200001 →; → 70-X-250000; 15" wheel; vented; fist-type cal.	P85047MM	[-]	19,6	ATE				
	85	08/96 → 04/03	●	70-Y-000001 →; 15" wheel; solid; fist-type cal.	P85050MM	[+]	19,2	TRW				
	85	08/96 → 04/03	●	70-Y-000001 →; 15" wheel; frame saddle	P85048MM	[+]	18,2	TRW				
	85	08/96 → 04/03	●	70-Y-000001 →; 15" wheel; vented; fist-type cal.	P85049MM	[+]	20,6	ATE				
	85	08/96 → 04/03	●	→ 70-1-000954; 16" wheel	P85052MM	[+]	18,6	ATE				
	85	08/96 → 04/03	●	70-1-000955 →; 16" wheel	P85061MM	[+]	20,1	ATE				
	85	08/96 → 04/03	●	70-T-200001 →; 15" wheel	P85046MM	[+]	17,3	TRW				
	85	08/96 → 04/03	●	16" wheel	P85059MM	[+]	16,5	TRW				

VOLKSWAGEN

TRANSPORTER IV Bus (70XB, 70XC, 7DB, 7DW, 7DK) 09/90 → 04/03

2.5 Syncro	81	11/92 → 04/03	●	→ 70-X-250000; 15" wheel; solid; fist-type cal.	P85029MM [-]	19,2	TRW						
	81	11/92 → 04/03	●	→ 70-X-250000; 15" wheel; frame saddle	P85027MM [-]	18,2	TRW						
	81	11/92 → 04/03	●	70-T-200001 → ; → 70-X-250000; 15" wheel; vented; fist-type cal.	P85047MM [-]	19,6	ATE						
	81	11/92 → 04/03	●	70-Y-000001 → ; 15" wheel; solid; fist-type cal.	P85050MM [+]	19,2	TRW						
	81	11/92 → 04/03	●	70-Y-000001 → ; 15" wheel; frame saddle	P85048MM [+]	18,2	TRW						
	81	11/92 → 04/03	●	70-Y-000001 → ; 15" wheel; vented; fist-type cal.	P85049MM [+]	20,6	ATE						
	81	11/92 → 04/03	●	→ 70-1-000954; 16" wheel	P85052MM [+]	18,6	ATE						
	81	11/92 → 04/03	●	70-1-000955 → ; 16" wheel	P85061MM [+]	20,1	ATE						
	81	11/92 → 04/03	●	70-T-200001 → ; 15" wheel	P85046MM [+]	17,3	TRW						
	81	11/92 → 04/03	●	16" wheel	P85059MM [+]	16,5	TRW						
	85	07/96 → 04/03	●	→ 70-X-250000; 15" wheel; solid; fist-type cal.	P85029MM [-]	19,2	TRW						
	85	07/96 → 04/03	●	→ 70-X-250000; 15" wheel; frame saddle	P85027MM [-]	18,2	TRW						
	85	07/96 → 04/03	●	70-T-200001 → ; → 70-X-250000; 15" wheel; vented; fist-type cal.	P85047MM [-]	19,6	ATE						
	85	07/96 → 04/03	●	70-Y-000001 → ; 15" wheel; solid; fist-type cal.	P85050MM [+]	19,2	TRW						
	85	07/96 → 04/03	●	70-Y-000001 → ; 15" wheel; frame saddle	P85048MM [+]	18,2	TRW						
	85	07/96 → 04/03	●	70-Y-000001 → ; 15" wheel; vented; fist-type cal.	P85049MM [+]	20,6	ATE						
	85	07/96 → 04/03	●	→ 70-1-000954; 16" wheel	P85052MM [+]	18,6	ATE						
	85	07/96 → 04/03	●	70-1-000955 → ; 16" wheel	P85061MM [+]	20,1	ATE						
85	07/96 → 04/03	●	70-T-200001 → ; 15" wheel	P85046MM [+]	17,3	TRW							
85	07/96 → 04/03	●	16" wheel	P85059MM [+]	16,5	TRW							
2.5 TDI	75	09/95 → 04/03	●	→ 70-X-250000; 15" wheel; solid; fist-type cal.	P85029MM [-]	19,2	TRW						
	75	09/95 → 04/03	●	→ 70-X-250000; 15" wheel; frame saddle	P85027MM [-]	18,2	TRW						
	75	09/95 → 04/03	●	70-T-200001 → ; → 70-X-250000; 15" wheel; vented; fist-type cal.	P85047MM [-]	19,6	ATE						
	75	09/95 → 04/03	●	70-Y-000001 → ; 15" wheel; solid; fist-type cal.	P85050MM [+]	19,2	TRW						
	75	09/95 → 04/03	●	70-Y-000001 → ; 15" wheel; frame saddle	P85048MM [+]	18,2	TRW						
	75	09/95 → 04/03	●	70-Y-000001 → ; 15" wheel; vented; fist-type cal.	P85049MM [+]	20,6	ATE						
	75	09/95 → 04/03	●	→ 70-1-000954; 16" wheel	P85052MM [+]	18,6	ATE						
	75	09/95 → 04/03	●	70-1-000955 → ; 16" wheel	P85061MM [+]	20,1	ATE						
	75	09/95 → 04/03	●	70-T-200001 → ; 15" wheel	P85046MM [+]	17,3	TRW						
	75	09/95 → 04/03	●	16" wheel	P85059MM [+]	16,5	TRW						
	65	05/98 → 04/03	●	→ 70-X-250000; 15" wheel; solid; fist-type cal.	P85029MM [-]	19,2	TRW						
	65	05/98 → 04/03	●	→ 70-X-250000; 15" wheel; frame saddle	P85027MM [-]	18,2	TRW						
65	05/98 → 04/03	●	70-T-200001 → ; → 70-X-250000; 15" wheel; vented; fist-type cal.	P85047MM [-]	19,6	ATE							
65	05/98 → 04/03	●	70-Y-000001 → ; 15" wheel; solid; fist-type cal.	P85050MM [+]	19,2	TRW							
65	05/98 → 04/03	●	70-Y-000001 → ; 15" wheel; frame saddle	P85048MM [+]	18,2	TRW							

											WI			FK	

VOLKSWAGEN

TRANSPORTER IV Bus (70XB, 70XC, 7DB, 7DW, 7DK) 09/90 → 04/03

2.5 TDI	65	05/98 → 04/03	●	70-Y-000001 →; 15" wheel; vented; fist-type cal.	P85049MM	[+]	20,6	ATE							
	65	05/98 → 04/03	●	→ 70-1-000954; 16" wheel	P85052MM	[+]	18,6	ATE							
	65	05/98 → 04/03	●	70-1-000955 →; 16" wheel	P85061MM	[+]	20,1	ATE							
	65	05/98 → 04/03	●	70-T-200001 →; 15" wheel	P85046MM	[+]	17,3	TRW							
	65	05/98 → 04/03	●	16" wheel	P85059MM	[+]	16,5	TRW							
	111	05/98 → 04/03	●	→ 70-X-250000; 15" wheel; solid; fist-type cal.	P85029MM	[-]	19,2	TRW							
	111	05/98 → 04/03	●	→ 70-X-250000; 15" wheel; frame saddle	P85027MM	[-]	18,2	TRW							
	111	05/98 → 04/03	●	70-T-200001 →; → 70-X-250000; 15" wheel; vented; fist-type cal.	P85047MM	[-]	19,6	ATE							
	111	05/98 → 04/03	●	70-Y-000001 →; 15" wheel; solid; fist-type cal.	P85050MM	[+]	19,2	TRW							
	111	05/98 → 04/03	●	70-Y-000001 →; 15" wheel; frame saddle	P85048MM	[+]	18,2	TRW							
	111	05/98 → 04/03	●	70-Y-000001 →; 15" wheel; vented; fist-type cal.	P85049MM	[+]	20,6	ATE							
	111	05/98 → 04/03	●	→ 70-1-000954; 16" wheel	P85052MM	[+]	18,6	ATE							
	111	05/98 → 04/03	●	70-1-000955 →; 16" wheel	P85061MM	[+]	20,1	ATE							
	111	05/98 → 04/03	●	70-T-200001 →; 15" wheel	P85046MM	[+]	17,3	TRW							
111	05/98 → 04/03	●	16" wheel	P85059MM	[+]	16,5	TRW								
2.5 TDI Syncro	75	01/96 → 04/03	●	→ 70-X-250000; 15" wheel; solid; fist-type cal.	P85029MM	[-]	19,2	TRW							
	75	01/96 → 04/03	●	→ 70-X-250000; 15" wheel; frame saddle	P85027MM	[-]	18,2	TRW							
	75	01/96 → 04/03	●	70-T-200001 →; → 70-X-250000; 15" wheel; vented; fist-type cal.	P85047MM	[-]	19,6	ATE							
	75	01/96 → 04/03	●	70-Y-000001 →; 15" wheel; solid; fist-type cal.	P85050MM	[+]	19,2	TRW							
	75	01/96 → 04/03	●	70-Y-000001 →; 15" wheel; frame saddle	P85048MM	[+]	18,2	TRW							
	75	01/96 → 04/03	●	70-Y-000001 →; 15" wheel; vented; fist-type cal.	P85049MM	[+]	20,6	ATE							
	75	01/96 → 04/03	●	→ 70-1-000954; 16" wheel	P85052MM	[+]	18,6	ATE							
	75	01/96 → 04/03	●	70-1-000955 →; 16" wheel	P85061MM	[+]	20,1	ATE							
	75	01/96 → 04/03	●	70-T-200001 →; 15" wheel	P85046MM	[+]	17,3	TRW							
75	01/96 → 04/03	●	16" wheel	P85059MM	[+]	16,5	TRW								
2.8 VR 6	103	11/95 → 04/00	●	→ 70-X-250000; 15" wheel; solid; fist-type cal.	P85029MM	[-]	19,2	TRW							
	103	11/95 → 04/00	●	→ 70-X-250000; 15" wheel; frame saddle	P85027MM	[-]	18,2	TRW							
	103	11/95 → 04/00	●	70-T-200001 →; → 70-X-250000; 15" wheel; vented; fist-type cal.	P85047MM	[-]	19,6	ATE							
	103	11/95 → 04/00	●	70-Y-000001 →; 15" wheel; solid; fist-type cal.	P85050MM	[+]	19,2	TRW							
	103	11/95 → 04/00	●	70-Y-000001 →; 15" wheel; frame saddle	P85048MM	[+]	18,2	TRW							
	103	11/95 → 04/00	●	70-Y-000001 →; 15" wheel; vented; fist-type cal.	P85049MM	[+]	20,6	ATE							
	103	11/95 → 04/00	●	→ 70-1-000954; 16" wheel	P85052MM	[+]	18,6	ATE							
	103	11/95 → 04/00	●	70-1-000955 →; 16" wheel	P85061MM	[+]	20,1	ATE							
	103	11/95 → 04/00	●	70-T-200001 →; 15" wheel	P85046MM	[+]	17,3	TRW							
	103	11/95 → 04/00	●	16" wheel	P85059MM	[+]	16,5	TRW							
	150	04/00 → 04/03	●	→ 70-1-000954; 16" wheel	P85052MM	[+]	18,6	ATE							
	150	04/00 → 04/03	●	70-1-000955 →; 16" wheel	P85061MM	[+]	20,1	ATE							
	150	04/00 → 04/03	●	16" wheel	P85059MM	[+]	16,5	TRW							

VOLKSWAGEN

TRANSPORTER IV Platform/Chassis (70XD) 07/90 → 04/03

1.8	49	12/90 → 07/92	●	→ 70-T-199000; 14" wheel; fist-type cal.	P85028MM [-]	19	TRW						
	49	12/90 → 07/92	●	→ 70-X-250000; 15" wheel; solid; fist-type cal.	P85029MM [-]	19,2	TRW						
	49	12/90 → 07/92	●	→ 70-X-250000; 15" wheel; frame saddle	P85027MM [-]	18,2	TRW						
	49	12/90 → 07/92	●	70-T-200001 → ; → 70-X-250000; 15" wheel; vented; fist-type cal.	P85047MM [-]	19,6	ATE						
	49	12/90 → 07/92	●	70-Y-000001 → ; 15" wheel; solid; fist-type cal.	P85050MM [+]	19,2	TRW						
	49	12/90 → 07/92	●	70-Y-000001 → ; 15" wheel; frame saddle	P85048MM [+]	18,2	TRW						
	49	12/90 → 07/92	●	70-Y-000001 → ; 15" wheel; vented; fist-type cal.	P85049MM [+]	20,6	ATE						
1.9 D	45	07/90 → 12/95	●	→ 70-T-199000; 14" wheel; fist-type cal.	P85028MM [-]	19	TRW						
	45	07/90 → 12/95	●	→ 70-X-250000; 15" wheel; solid; fist-type cal.	P85029MM [-]	19,2	TRW						
	45	07/90 → 12/95	●	→ 70-X-250000; 15" wheel; frame saddle	P85027MM [-]	18,2	TRW						
	45	07/90 → 12/95	●	70-T-200001 → ; → 70-X-250000; 15" wheel; vented; fist-type cal.	P85047MM [-]	19,6	ATE						
	45	07/90 → 12/95	●	70-Y-000001 → ; 15" wheel; solid; fist-type cal.	P85050MM [+]	19,2	TRW						
	45	07/90 → 12/95	●	70-Y-000001 → ; 15" wheel; frame saddle	P85048MM [+]	18,2	TRW						
	45	07/90 → 12/95	●	70-Y-000001 → ; 15" wheel; vented; fist-type cal.	P85049MM [+]	20,6	ATE						
	44	09/90 → 12/95	●	→ 70-T-199000; 14" wheel; fist-type cal.	P85028MM [-]	19	TRW						
	44	09/90 → 12/95	●	→ 70-X-250000; 15" wheel; solid; fist-type cal.	P85029MM [-]	19,2	TRW						
	44	09/90 → 12/95	●	→ 70-X-250000; 15" wheel; frame saddle	P85027MM [-]	18,2	TRW						
	44	09/90 → 12/95	●	70-T-200001 → ; → 70-X-250000; 15" wheel; vented; fist-type cal.	P85047MM [-]	19,6	ATE						
	44	09/90 → 12/95	●	70-Y-000001 → ; 15" wheel; solid; fist-type cal.	P85050MM [+]	19,2	TRW						
	44	09/90 → 12/95	●	70-Y-000001 → ; 15" wheel; frame saddle	P85048MM [+]	18,2	TRW						
44	09/90 → 12/95	●	70-Y-000001 → ; 15" wheel; vented; fist-type cal.	P85049MM [+]	20,6	ATE							
1.9 TD	50	10/92 → 04/03	●	→ 70-T-199000; 14" wheel; fist-type cal.	P85028MM [-]	19	TRW						
	50	10/92 → 04/03	●	→ 70-X-250000; 15" wheel; solid; fist-type cal.	P85029MM [-]	19,2	TRW						
	50	10/92 → 04/03	●	→ 70-X-250000; 15" wheel; frame saddle	P85027MM [-]	18,2	TRW						
	50	10/92 → 04/03	●	70-T-200001 → ; → 70-X-250000; 15" wheel; vented; fist-type cal.	P85047MM [-]	19,6	ATE						
	50	10/92 → 04/03	●	70-Y-000001 → ; 15" wheel; solid; fist-type cal.	P85050MM [+]	19,2	TRW						
	50	10/92 → 04/03	●	70-Y-000001 → ; 15" wheel; frame saddle	P85048MM [+]	18,2	TRW						
	50	10/92 → 04/03	●	70-Y-000001 → ; 15" wheel; vented; fist-type cal.	P85049MM [+]	20,6	ATE						
	50	10/92 → 04/03	●	→ 70-1-000954; 16" wheel	P85052MM [+]	18,6	ATE						
	50	10/92 → 04/03	●	70-1-000955 → ; 16" wheel	P85061MM [+]	20,1	ATE						
	50	10/92 → 04/03	●	70-T-200001 → ; 15" wheel	P85046MM [+]	17,3	TRW						
50	10/92 → 04/03	●	16" wheel	P85059MM [+]	16,5	TRW							

											WI			FK	

VOLKSWAGEN

TRANSPORTER IV Platform/Chassis (70XD) 07/90 → 04/03

2.0	62	07/90 → 04/03	●	→ 70-T-199000; 14" wheel; fist-type cal.	P85028MM	[-]	19	TRW							
	62	07/90 → 04/03	●	→ 70-X-250000; 15" wheel; solid; fist-type cal.	P85029MM	[-]	19,2	TRW							
	62	07/90 → 04/03	●	→ 70-X-250000; 15" wheel; frame saddle	P85027MM	[-]	18,2	TRW							
	62	07/90 → 04/03	●	70-T-200001 → ; → 70-X-250000; 15" wheel; vented; fist-type cal.	P85047MM	[-]	19,6	ATE							
	62	07/90 → 04/03	●	70-Y-000001 → ; 15" wheel; solid; fist-type cal.	P85050MM	[+]	19,2	TRW							
	62	07/90 → 04/03	●	70-Y-000001 → ; 15" wheel; frame saddle	P85048MM	[+]	18,2	TRW							
	62	07/90 → 04/03	●	70-Y-000001 → ; 15" wheel; vented; fist-type cal.	P85049MM	[+]	20,6	ATE							
	62	07/90 → 04/03	●	→ 70-1-000954; 16" wheel	P85052MM	[+]	18,6	ATE							
	62	07/90 → 04/03	●	70-1-000955 → ; 16" wheel	P85061MM	[+]	20,1	ATE							
	62	07/90 → 04/03	●	70-T-200001 → ; 15" wheel	P85046MM	[+]	17,3	TRW							
62	07/90 → 04/03	●	16" wheel	P85059MM	[+]	16,5	TRW								
2.4 D	57	09/90 → 04/98	●	→ 70-T-199000; 14" wheel; fist-type cal.	P85028MM	[-]	19	TRW							
	57	09/90 → 04/98	●	→ 70-X-250000; 15" wheel; solid; fist-type cal.	P85029MM	[-]	19,2	TRW							
	57	09/90 → 04/98	●	→ 70-X-250000; 15" wheel; frame saddle	P85027MM	[-]	18,2	TRW							
	57	09/90 → 04/98	●	70-T-200001 → ; → 70-X-250000; 15" wheel; vented; fist-type cal.	P85047MM	[-]	19,6	ATE							
	57	09/90 → 04/98	●	70-Y-000001 → ; 15" wheel; solid; fist-type cal.	P85050MM	[+]	19,2	TRW							
	57	09/90 → 04/98	●	70-Y-000001 → ; 15" wheel; frame saddle	P85048MM	[+]	18,2	TRW							
	57	09/90 → 04/98	●	70-Y-000001 → ; 15" wheel; vented; fist-type cal.	P85049MM	[+]	20,6	ATE							
	57	09/90 → 04/98	●	→ 70-1-000954; 16" wheel	P85052MM	[+]	18,6	ATE							
	57	09/90 → 04/98	●	70-1-000955 → ; 16" wheel	P85061MM	[+]	20,1	ATE							
	57	09/90 → 04/98	●	70-T-200001 → ; 15" wheel	P85046MM	[+]	17,3	TRW							
57	09/90 → 04/98	●	16" wheel	P85059MM	[+]	16,5	TRW								
2.4 D Syncro	55	08/97 → 04/03	●	→ 70-X-250000; 15" wheel; solid; fist-type cal.	P85029MM	[-]	19,2	TRW							
	55	08/97 → 04/03	●	→ 70-X-250000; 15" wheel; frame saddle	P85027MM	[-]	18,2	TRW							
	55	08/97 → 04/03	●	70-T-200001 → ; → 70-X-250000; 15" wheel; vented; fist-type cal.	P85047MM	[-]	19,6	ATE							
	55	08/97 → 04/03	●	70-Y-000001 → ; 15" wheel; solid; fist-type cal.	P85050MM	[+]	19,2	TRW							
	55	08/97 → 04/03	●	70-Y-000001 → ; 15" wheel; frame saddle	P85048MM	[+]	18,2	TRW							
	55	08/97 → 04/03	●	70-Y-000001 → ; 15" wheel; vented; fist-type cal.	P85049MM	[+]	20,6	ATE							
	55	08/97 → 04/03	●	→ 70-1-000954; 16" wheel	P85052MM	[+]	18,6	ATE							
	55	08/97 → 04/03	●	70-1-000955 → ; 16" wheel	P85061MM	[+]	20,1	ATE							
	55	08/97 → 04/03	●	70-T-200001 → ; 15" wheel	P85046MM	[+]	17,3	TRW							
	55	08/97 → 04/03	●	16" wheel	P85059MM	[+]	16,5	TRW							
2.4 D Syncro	57	10/92 → 09/98	●	→ 70-T-199000; 14" wheel; fist-type cal.	P85028MM	[-]	19	TRW							
	57	10/92 → 09/98	●	→ 70-X-250000; 15" wheel; solid; fist-type cal.	P85029MM	[-]	19,2	TRW							
	57	10/92 → 09/98	●	→ 70-X-250000; 15" wheel; frame saddle	P85027MM	[-]	18,2	TRW							

VOLKSWAGEN

TRANSPORTER IV Platform/Chassis (70XD) 07/90 → 04/03

2.4 D Syncro	57	10/92 → 09/98	●	70-T-200001 → ; → 70-X-250000; 15" wheel; vented; fist-type cal.	P85047MM	[-]	19,6	ATE				
	57	10/92 → 09/98	●	70-Y-000001 → ; 15" wheel; solid; fist-type cal.	P85050MM	[+]	19,2	TRW				
	57	10/92 → 09/98	●	70-Y-000001 → ; 15" wheel; frame saddle	P85048MM	[+]	18,2	TRW				
	57	10/92 → 09/98	●	70-Y-000001 → ; 15" wheel; vented; fist-type cal.	P85049MM	[+]	20,6	ATE				
	57	10/92 → 09/98	●	→ 70-1-000954; 16" wheel	P85052MM	[+]	18,6	ATE				
	57	10/92 → 09/98	●	70-1-000955 → ; 16" wheel	P85061MM	[+]	20,1	ATE				
	57	10/92 → 09/98	●	70-T-200001 → ; 15" wheel	P85046MM	[+]	17,3	TRW				
	57	10/92 → 09/98	●	16" wheel	P85059MM	[+]	16,5	TRW				
2.5	81	11/90 → 04/03	●	→ 70-X-250000; 15" wheel; solid; fist-type cal.	P85029MM	[-]	19,2	TRW				
	81	11/90 → 04/03	●	→ 70-X-250000; 15" wheel; frame saddle	P85027MM	[-]	18,2	TRW				
	81	11/90 → 04/03	●	70-T-200001 → ; → 70-X-250000; 15" wheel; vented; fist-type cal.	P85047MM	[-]	19,6	ATE				
	81	11/90 → 04/03	●	70-Y-000001 → ; 15" wheel; solid; fist-type cal.	P85050MM	[+]	19,2	TRW				
	81	11/90 → 04/03	●	70-Y-000001 → ; 15" wheel; frame saddle	P85048MM	[+]	18,2	TRW				
	81	11/90 → 04/03	●	70-Y-000001 → ; 15" wheel; vented; fist-type cal.	P85049MM	[+]	20,6	ATE				
	81	11/90 → 04/03	●	→ 70-1-000954; 16" wheel	P85052MM	[+]	18,6	ATE				
	81	11/90 → 04/03	●	70-1-000955 → ; 16" wheel	P85061MM	[+]	20,1	ATE				
	81	11/90 → 04/03	●	70-T-200001 → ; 15" wheel	P85046MM	[+]	17,3	TRW				
	81	11/90 → 04/03	●	16" wheel	P85059MM	[+]	16,5	TRW				
	85	08/96 → 04/03	●	→ 70-X-250000; 15" wheel; solid; fist-type cal.	P85029MM	[-]	19,2	TRW				
	85	08/96 → 04/03	●	→ 70-X-250000; 15" wheel; frame saddle	P85027MM	[-]	18,2	TRW				
	85	08/96 → 04/03	●	70-T-200001 → ; → 70-X-250000; 15" wheel; vented; fist-type cal.	P85047MM	[-]	19,6	ATE				
	85	08/96 → 04/03	●	70-Y-000001 → ; 15" wheel; solid; fist-type cal.	P85050MM	[+]	19,2	TRW				
	85	08/96 → 04/03	●	70-Y-000001 → ; 15" wheel; frame saddle	P85048MM	[+]	18,2	TRW				
	85	08/96 → 04/03	●	70-Y-000001 → ; 15" wheel; vented; fist-type cal.	P85049MM	[+]	20,6	ATE				
	85	08/96 → 04/03	●	→ 70-1-000954; 16" wheel	P85052MM	[+]	18,6	ATE				
	85	08/96 → 04/03	●	70-1-000955 → ; 16" wheel	P85061MM	[+]	20,1	ATE				
	85	08/96 → 04/03	●	70-T-200001 → ; 15" wheel	P85046MM	[+]	17,3	TRW				
	85	08/96 → 04/03	●	16" wheel	P85059MM	[+]	16,5	TRW				
2.5 Syncro	81	10/92 → 04/03	●	→ 70-X-250000; 15" wheel; solid; fist-type cal.	P85029MM	[-]	19,2	TRW				
	81	10/92 → 04/03	●	→ 70-X-250000; 15" wheel; frame saddle	P85027MM	[-]	18,2	TRW				
	81	10/92 → 04/03	●	70-T-200001 → ; → 70-X-250000; 15" wheel; vented; fist-type cal.	P85047MM	[-]	19,6	ATE				
	81	10/92 → 04/03	●	70-Y-000001 → ; 15" wheel; solid; fist-type cal.	P85050MM	[+]	19,2	TRW				
	81	10/92 → 04/03	●	70-Y-000001 → ; 15" wheel; frame saddle	P85048MM	[+]	18,2	TRW				
	81	10/92 → 04/03	●	70-Y-000001 → ; 15" wheel; vented; fist-type cal.	P85049MM	[+]	20,6	ATE				
	81	10/92 → 04/03	●	→ 70-1-000954; 16" wheel	P85052MM	[+]	18,6	ATE				
	81	10/92 → 04/03	●	70-1-000955 → ; 16" wheel	P85061MM	[+]	20,1	ATE				

								WI			FK	

VOLKSWAGEN

TRANSPORTER IV Platform/Chassis (70XD) 07/90 → 04/03

2.5 Syncro	81	10/92 → 04/03	●	70-T-200001 →; 15" wheel	P85046MM	[+]	17,3	TRW						
	81	10/92 → 04/03	●	16" wheel	P85059MM	[+]	16,5	TRW						
	85	08/96 → 04/03	●	→ 70-X-250000; 15" wheel; solid; fist-type cal.	P85029MM	[-]	19,2	TRW						
	85	08/96 → 04/03	●	→ 70-X-250000; 15" wheel; frame saddle	P85027MM	[-]	18,2	TRW						
	85	08/96 → 04/03	●	70-T-200001 →; → 70-X-250000; 15" wheel; vented; fist-type cal.	P85047MM	[-]	19,6	ATE						
	85	08/96 → 04/03	●	70-Y-000001 →; 15" wheel; solid; fist-type cal.	P85050MM	[+]	19,2	TRW						
	85	08/96 → 04/03	●	70-Y-000001 →; 15" wheel; frame saddle	P85048MM	[+]	18,2	TRW						
	85	08/96 → 04/03	●	70-Y-000001 →; 15" wheel; vented; fist-type cal.	P85049MM	[+]	20,6	ATE						
	85	08/96 → 04/03	●	→ 70-1-000954; 16" wheel	P85052MM	[+]	18,6	ATE						
	85	08/96 → 04/03	●	70-1-000955 →; 16" wheel	P85061MM	[+]	20,1	ATE						
	85	08/96 → 04/03	●	70-T-200001 →; 15" wheel	P85046MM	[+]	17,3	TRW						
2.5 TDI	85	08/96 → 04/03	●	16" wheel	P85059MM	[+]	16,5	TRW						
	75	09/95 → 04/03	●	→ 70-X-250000; 15" wheel; solid; fist-type cal.	P85029MM	[-]	19,2	TRW						
	75	09/95 → 04/03	●	→ 70-X-250000; 15" wheel; frame saddle	P85027MM	[-]	18,2	TRW						
	75	09/95 → 04/03	●	70-T-200001 →; → 70-X-250000; 15" wheel; vented; fist-type cal.	P85047MM	[-]	19,6	ATE						
	75	09/95 → 04/03	●	70-Y-000001 →; 15" wheel; solid; fist-type cal.	P85050MM	[+]	19,2	TRW						
	75	09/95 → 04/03	●	70-Y-000001 →; 15" wheel; frame saddle	P85048MM	[+]	18,2	TRW						
	75	09/95 → 04/03	●	70-Y-000001 →; 15" wheel; vented; fist-type cal.	P85049MM	[+]	20,6	ATE						
	75	09/95 → 04/03	●	→ 70-1-000954; 16" wheel	P85052MM	[+]	18,6	ATE						
	75	09/95 → 04/03	●	70-1-000955 →; 16" wheel	P85061MM	[+]	20,1	ATE						
	75	09/95 → 04/03	●	70-T-200001 →; 15" wheel	P85046MM	[+]	17,3	TRW						
	75	09/95 → 04/03	●	16" wheel	P85059MM	[+]	16,5	TRW						
	65	05/98 → 04/03	●	→ 70-X-250000; 15" wheel; solid; fist-type cal.	P85029MM	[-]	19,2	TRW						
	65	05/98 → 04/03	●	→ 70-X-250000; 15" wheel; frame saddle	P85027MM	[-]	18,2	TRW						
	65	05/98 → 04/03	●	70-T-200001 →; → 70-X-250000; 15" wheel; vented; fist-type cal.	P85047MM	[-]	19,6	ATE						
	65	05/98 → 04/03	●	70-Y-000001 →; 15" wheel; solid; fist-type cal.	P85050MM	[+]	19,2	TRW						
	65	05/98 → 04/03	●	70-Y-000001 →; 15" wheel; frame saddle	P85048MM	[+]	18,2	TRW						
	65	05/98 → 04/03	●	70-Y-000001 →; 15" wheel; vented; fist-type cal.	P85049MM	[+]	20,6	ATE						
	65	05/98 → 04/03	●	→ 70-1-000954; 16" wheel	P85052MM	[+]	18,6	ATE						
	65	05/98 → 04/03	●	70-1-000955 →; 16" wheel	P85061MM	[+]	20,1	ATE						
65	05/98 → 04/03	●	70-T-200001 →; 15" wheel	P85046MM	[+]	17,3	TRW							
65	05/98 → 04/03	●	16" wheel	P85059MM	[+]	16,5	TRW							
2.5 TDI Syncro	75	05/98 → 04/03	●	→ 70-X-250000; 15" wheel; solid; fist-type cal.	P85029MM	[-]	19,2	TRW						
	75	05/98 → 04/03	●	→ 70-X-250000; 15" wheel; frame saddle	P85027MM	[-]	18,2	TRW						
	75	05/98 → 04/03	●	70-T-200001 →; → 70-X-250000; 15" wheel; vented; fist-type cal.	P85047MM	[-]	19,6	ATE						
	75	05/98 → 04/03	●	70-Y-000001 →; 15" wheel; solid; fist-type cal.	P85050MM	[+]	19,2	TRW						

							WI	Th [mm]	SYS	WI		FK		
											LENGHT			

VOLKSWAGEN

TRANSPORTER IV Platform/Chassis (70XD) 07/90 → 04/03

2.5 TDI Syncro	75	05/98 → 04/03	●	70-Y-000001 →; 15" wheel; frame saddle	P85048MM	[+]	18,2	TRW					
	75	05/98 → 04/03	●	70-Y-000001 →; 15" wheel; vented; fist-type cal.	P85049MM	[+]	20,6	ATE					
	75	05/98 → 04/03	●	→ 70-1-000954; 16" wheel	P85052MM	[+]	18,6	ATE					
	75	05/98 → 04/03	●	70-1-000955 →; 16" wheel	P85061MM	[+]	20,1	ATE					
	75	05/98 → 04/03	●	70-T-200001 →; 15" wheel	P85046MM	[+]	17,3	TRW					
	75	05/98 → 04/03	●	16" wheel	P85059MM	[+]	16,5	TRW					

TRANSPORTER V Box (7HA, 7HH, 7EA, 7EH) 04/03 → 08/15

1.9 TDI	63	04/03 → 11/09	●	PR:2E3; 16" wheel	P85081MM	[+]	20,1	ATE					
	63	04/03 → 11/09	●	PR:2E3; 16" wheel	P85106MM	[-]	20,1	ATE					
	63	04/03 → 11/09	●	PR:2E4; 17" wheel	P85082MM	[+]	18	ATE					
	63	04/03 → 11/09	●	PR:2E4; 17" wheel	P85107MM	[-]	18	ATE					
	63	04/03 → 11/09	●	PR:2E3; PR:2E4	P85076MM	[-]	17,7	TRW					
	63	04/03 → 11/09	●	PR:2E3; PR:2E4	P85083MM	[+]	17,7	TRW					
	63	04/03 → 11/09	●	PR:0WR; 16" wheel	P85091MM	[+]	19	ATE					
	77	04/03 → 11/09	●	PR:2E3; 16" wheel	P85081MM	[+]	20,1	ATE					
	77	04/03 → 11/09	●	PR:2E3; 16" wheel	P85106MM	[-]	20,1	ATE					
	77	04/03 → 11/09	●	PR:2E4; 17" wheel	P85082MM	[+]	18	ATE					
	77	04/03 → 11/09	●	PR:2E4; 17" wheel	P85107MM	[-]	18	ATE					
	77	04/03 → 11/09	●	PR:2E3; PR:2E4	P85076MM	[-]	17,7	TRW					
	77	04/03 → 11/09	●	PR:2E3; PR:2E4	P85083MM	[+]	17,7	TRW					
	77	04/03 → 11/09	●	PR:0WR; 16" wheel	P85091MM	[+]	19	ATE					
	75	06/06 → 11/09	●	PR:2E3; 16" wheel	P85081MM	[+]	20,1	ATE					
	75	06/06 → 11/09	●	PR:2E3; 16" wheel	P85106MM	[-]	20,1	ATE					
	75	06/06 → 11/09	●	PR:2E4; 17" wheel	P85082MM	[+]	18	ATE					
	75	06/06 → 11/09	●	PR:2E4; 17" wheel	P85107MM	[-]	18	ATE					
	75	06/06 → 11/09	●	PR:2E3; PR:2E4	P85076MM	[-]	17,7	TRW					
	75	06/06 → 11/09	●	PR:2E3; PR:2E4	P85083MM	[+]	17,7	TRW					
	75	06/06 → 11/09	●	PR:0WR; 16" wheel	P85091MM	[+]	19	ATE					
62	01/06 → 11/09	●	PR:2E3; 16" wheel	P85081MM	[+]	20,1	ATE						
62	01/06 → 11/09	●	PR:2E3; 16" wheel	P85106MM	[-]	20,1	ATE						
62	01/06 → 11/09	●	PR:2E4; 17" wheel	P85082MM	[+]	18	ATE						
62	01/06 → 11/09	●	PR:2E4; 17" wheel	P85107MM	[-]	18	ATE						
62	01/06 → 11/09	●	PR:2E3; PR:2E4	P85076MM	[-]	17,7	TRW						
62	01/06 → 11/09	●	PR:2E3; PR:2E4	P85083MM	[+]	17,7	TRW						
62	01/06 → 11/09	●	PR:0WR; 16" wheel	P85091MM	[+]	19	ATE						
2.0	85	11/03 → 08/15	●	PR:2E3; 16" wheel	P85081MM	[+]	20,1	ATE					
	85	11/03 → 08/15	●	PR:2E3; 16" wheel	P85106MM	[-]	20,1	ATE					
	85	11/03 → 08/15	●	PR:2E4; 17" wheel	P85082MM	[+]	18	ATE					
	85	11/03 → 08/15	●	PR:2E4; 17" wheel	P85107MM	[-]	18	ATE					
	85	11/03 → 08/15	●	PR:2E4; PR:2E3	P85076MM	[-]	17,7	TRW					
	85	11/03 → 08/15	●	PR:2E4; PR:2E3	P85083MM	[+]	17,7	TRW					
	85	11/03 → 08/15	●	PR:0WR; 16" wheel	P85091MM	[+]	19	ATE					
2.0 BiTDI	132	09/09 → 08/15	●	PR:K4J; PR:K4L; PR:2E3+K4H	P85081MM	[+]	20,1	ATE					
	132	09/09 → 08/15	●	PR:K4B; PR:2E3+K4A	P85106MM	[-]	20,1	ATE					
	132	09/09 → 08/15	●	PR:2E4	P85141MM	[+]	18,1	ATE					
	132	09/09 → 08/15	●	PR:2E3; PR:2E4	P85076MM	[-]	17,7	TRW					
	132	09/09 → 08/15	●	PR:2E3; PR:2E4	P85083MM	[+]	17,7	TRW					
2.0 BiTDI 4motion	132	09/09 → 08/15	●	PR:2E3+K4H; PR:K4L; PR:K4J	P85081MM	[+]	20,1	ATE					
	132	09/09 → 08/15	●	PR:2E3+K4A; PR:K4B	P85106MM	[-]	20,1	ATE					
	132	09/09 → 08/15	●	PR:2E4	P85141MM	[+]	18,1	ATE					
	132	09/09 → 08/15	●	PR:2E4; PR:2E3	P85076MM	[-]	17,7	TRW					
	132	09/09 → 08/15	●	PR:2E4; PR:2E3	P85083MM	[+]	17,7	TRW					

										WI			FK	

VOLKSWAGEN

TRANSPORTER V Box (7HA, 7HH, 7EA, 7EH) 04/03 → 08/15

2.0 TDI	84	05/11 → 08/15	●	PR:2E3+K4H; PR:K4J; PR:K4L	P85081MM	[+]	20,1	ATE						
	84	05/11 → 08/15	●	PR:2E3+K4A; PR:K4B	P85106MM	[-]	20,1	ATE						
	84	05/11 → 08/15	●	PR:2E4; PR:2E3	P85083MM	[+]	17,7	TRW						
	84	05/11 → 08/15	●	PR:2E4; PR:2E3	P85076MM	[-]	17,7	TRW						
	100	05/10 → 08/15	●	PR:K4B; PR:2E3+K4A	P85106MM	[-]	20,1	ATE						
	100	05/10 → 08/15	●	PR:K4J; PR:K4L; PR:2E3+K4H	P85081MM	[+]	20,1	ATE						
	100	05/10 → 08/15	●	PR:2E3; PR:2E4	P85083MM	[+]	17,7	TRW						
	100	05/10 → 08/15	●	PR:2E3; PR:2E4	P85076MM	[-]	17,7	TRW						
	62	09/09 → 08/15	●	PR:K4J; PR:K4L; PR:2E3+K4H	P85081MM	[+]	20,1	ATE						
	62	09/09 → 08/15	●	PR:K4B; PR:2E3+K4A	P85106MM	[-]	20,1	ATE						
	62	09/09 → 08/15	●	PR:2E3; PR:2E4	P85076MM	[-]	17,7	TRW						
	62	09/09 → 08/15	●	PR:2E3; PR:2E4	P85083MM	[+]	17,7	TRW						
	75	09/09 → 08/15	●	PR:2E3+K4H; PR:K4L; PR:K4J	P85081MM	[+]	20,1	ATE						
	75	09/09 → 08/15	●	PR:2E3+K4A; PR:K4B	P85106MM	[-]	20,1	ATE						
	75	09/09 → 08/15	●	PR:2E4; PR:2E3	P85076MM	[-]	17,7	TRW						
	75	09/09 → 08/15	●	PR:2E4; PR:2E3	P85083MM	[+]	17,7	TRW						
	103	09/09 → 08/15	●	PR:K4J; PR:K4L; PR:2E3+K4H	P85081MM	[+]	20,1	ATE						
	103	09/09 → 08/15	●	PR:K4B; PR:2E3+K4A	P85106MM	[-]	20,1	ATE						
	103	09/09 → 08/15	●	PR:2E3; PR:2E4	P85076MM	[-]	17,7	TRW						
103	09/09 → 08/15	●	PR:2E3; PR:2E4	P85083MM	[+]	17,7	TRW							
2.0 TDI 4motion	100	05/10 → 08/15	●	PR:2E3+K4A; PR:K4B	P85106MM	[-]	20,1	ATE						
	100	05/10 → 08/15	●	PR:2E3+K4H; PR:K4L; PR:K4J	P85081MM	[+]	20,1	ATE						
	100	05/10 → 08/15	●	PR:2E4; PR:2E3	P85076MM	[-]	17,7	TRW						
	100	05/10 → 08/15	●	PR:2E4; PR:2E3	P85083MM	[+]	17,7	TRW						
	103	09/09 → 08/15	●	PR:2E3+K4H; PR:K4J; PR:K4L	P85081MM	[+]	20,1	ATE						
	103	09/09 → 08/15	●	PR:2E3+K4A; PR:K4B	P85106MM	[-]	20,1	ATE						
	103	09/09 → 08/15	●	PR:2E4; PR:2E3	P85076MM	[-]	17,7	TRW						
2.0 TSI	150	05/11 → 08/15	●	PR:K4B; PR:2E3+K4A	P85106MM	[-]	20,1	ATE						
	150	05/11 → 08/15	●	PR:K4J; PR:K4L; PR:2E3+K4H	P85081MM	[+]	20,1	ATE						
	150	05/11 → 08/15	●	PR:2E4	P85141MM	[+]	18,1	ATE						
	150	05/11 → 08/15	●	PR:2E3; PR:2E4	P85083MM	[+]	17,7	TRW						
	150	05/11 → 08/15	●	PR:2E3; PR:2E4	P85076MM	[-]	17,7	TRW						
	110	07/12 → 08/15	●	PR:K4B; PR:2E3+K4A	P85106MM	[-]	20,1	ATE						
	110	07/12 → 08/15	●	PR:K4J; PR:K4L; PR:2E3+K4H	P85081MM	[+]	20,1	ATE						
	110	07/12 → 08/15	●	PR:2E4	P85141MM	[+]	18,1	ATE						
	110	07/12 → 08/15	●	PR:2E3; PR:2E4	P85076MM	[-]	17,7	TRW						
2.0 TSI 4motion	150	07/11 → 08/15	●	PR:2E3+K4A; PR:K4B	P85106MM	[-]	20,1	ATE						
	150	07/11 → 08/15	●	PR:2E3+K4H; PR:K4L; PR:K4J	P85081MM	[+]	20,1	ATE						
	150	07/11 → 08/15	●	PR:2E4	P85141MM	[+]	18,1	ATE						
	150	07/11 → 08/15	●	PR:2E4; PR:2E3	P85076MM	[-]	17,7	TRW						
	150	07/11 → 08/15	●	PR:2E4; PR:2E3	P85083MM	[+]	17,7	TRW						
2.5 TDI	96	04/03 → 11/09	●	PR:2E3; 16" wheel	P85081MM	[+]	20,1	ATE						
	96	04/03 → 11/09	●	PR:2E3; 16" wheel	P85106MM	[-]	20,1	ATE						
	96	04/03 → 11/09	●	PR:2E4; 17" wheel	P85082MM	[+]	18	ATE						
	96	04/03 → 11/09	●	PR:2E4; 17" wheel	P85107MM	[-]	18	ATE						
	96	04/03 → 11/09	●	PR:2E4; PR:2E3	P85076MM	[-]	17,7	TRW						
	96	04/03 → 11/09	●	PR:2E4; PR:2E3	P85083MM	[+]	17,7	TRW						

VOLKSWAGEN

TRANSPORTER V Box (7HA, 7HH, 7EA, 7EH) 04/03 → 08/15

2.5 TDI	96	04/03 → 11/09	●	PR:0WR; 16" wheel	P85091MM	[+]	19	ATE				
	128	04/03 → 11/09	●	PR:2E3; 16" wheel	P85081MM	[+]	20,1	ATE				
	128	04/03 → 11/09	●	PR:2E3; 16" wheel	P85106MM	[-]	20,1	ATE				
	128	04/03 → 11/09	●	PR:2E4; 17" wheel	P85082MM	[+]	18	ATE				
	128	04/03 → 11/09	●	PR:2E4; 17" wheel	P85107MM	[-]	18	ATE				
	128	04/03 → 11/09	●	PR:2E3; PR:2E4	P85076MM	[-]	17,7	TRW				
	128	04/03 → 11/09	●	PR:2E3; PR:2E4	P85083MM	[+]	17,7	TRW				
	128	04/03 → 11/09	●	PR:0WR; 16" wheel	P85091MM	[+]	19	ATE				
2.5 TDI 4motion	96	07/04 → 11/09	●	PR:2E3; 16" wheel	P85081MM	[+]	20,1	ATE				
	96	07/04 → 11/09	●	PR:2E3; 16" wheel	P85106MM	[-]	20,1	ATE				
	96	07/04 → 11/09	●	PR:2E4; 17" wheel	P85082MM	[+]	18	ATE				
	96	07/04 → 11/09	●	PR:2E4; 17" wheel	P85107MM	[-]	18	ATE				
	96	07/04 → 11/09	●	PR:2E3; PR:2E4	P85076MM	[-]	17,7	TRW				
	96	07/04 → 11/09	●	PR:2E3; PR:2E4	P85083MM	[+]	17,7	TRW				
	96	07/04 → 11/09	●	PR:0WR; 16" wheel	P85091MM	[+]	19	ATE				
	128	07/04 → 11/09	●	PR:2E3; 16" wheel	P85081MM	[+]	20,1	ATE				
	128	07/04 → 11/09	●	PR:2E3; 16" wheel	P85106MM	[-]	20,1	ATE				
	128	07/04 → 11/09	●	PR:2E4; 17" wheel	P85082MM	[+]	18	ATE				
	128	07/04 → 11/09	●	PR:2E4; 17" wheel	P85107MM	[-]	18	ATE				
	128	07/04 → 11/09	●	PR:2E4; PR:2E3	P85076MM	[-]	17,7	TRW				
128	07/04 → 11/09	●	PR:2E4; PR:2E3	P85083MM	[+]	17,7	TRW					
128	07/04 → 11/09	●	PR:0WR; 16" wheel	P85091MM	[+]	19	ATE					
3.2 4motion	173	11/03 → 11/09	●	PR:2E3; 16" wheel	P85081MM	[+]	20,1	ATE				
	173	11/03 → 11/09	●	PR:2E3; 16" wheel	P85106MM	[-]	20,1	ATE				
	173	11/03 → 11/09	●	PR:2E4; 17" wheel	P85082MM	[+]	18	ATE				
	173	11/03 → 11/09	●	PR:2E4; 17" wheel	P85107MM	[-]	18	ATE				
	173	11/03 → 11/09	●	PR:2E4; PR:2E3	P85076MM	[-]	17,7	TRW				
	173	11/03 → 11/09	●	PR:2E4; PR:2E3	P85083MM	[+]	17,7	TRW				
	173	11/03 → 11/09	●	PR:0WR; 16" wheel	P85091MM	[+]	19	ATE				
3.2 V6	170	04/03 → 06/04	●	PR:2E3; 16" wheel	P85081MM	[+]	20,1	ATE				
	170	04/03 → 06/04	●	PR:2E3; 16" wheel	P85106MM	[-]	20,1	ATE				
	170	04/03 → 06/04	●	PR:2E4; 17" wheel	P85082MM	[+]	18	ATE				
	170	04/03 → 06/04	●	PR:2E4; 17" wheel	P85107MM	[-]	18	ATE				
	170	04/03 → 06/04	●	PR:2E3; PR:2E4	P85076MM	[-]	17,7	TRW				
	170	04/03 → 06/04	●	PR:2E3; PR:2E4	P85083MM	[+]	17,7	TRW				
	170	04/03 → 06/04	●	PR:0WR; 16" wheel	P85091MM	[+]	19	ATE				
	173	02/04 → 11/09	●	PR:2E3; 16" wheel	P85081MM	[+]	20,1	ATE				
	173	02/04 → 11/09	●	PR:2E3; 16" wheel	P85106MM	[-]	20,1	ATE				
	173	02/04 → 11/09	●	PR:2E4; 17" wheel	P85082MM	[+]	18	ATE				
	173	02/04 → 11/09	●	PR:2E4; 17" wheel	P85107MM	[-]	18	ATE				
	173	02/04 → 11/09	●	PR:2E4; PR:2E3	P85076MM	[-]	17,7	TRW				
	173	02/04 → 11/09	●	PR:2E4; PR:2E3	P85083MM	[+]	17,7	TRW				
	173	02/04 → 11/09	●	PR:0WR; 16" wheel	P85091MM	[+]	19	ATE				

TRANSPORTER V Bus (7HB, 7HJ, 7EB, 7EJ, 7EF, 7EG, 7HF, 7EC) 04/03 → 08/15

1.9 TDI	63	04/03 → 11/09	●	PR:2E3; 16" wheel	P85081MM	[+]	20,1	ATE				
	63	04/03 → 11/09	●	PR:2E3; 16" wheel	P85106MM	[-]	20,1	ATE				
	63	04/03 → 11/09	●	PR:2E4; 17" wheel	P85082MM	[+]	18	ATE				
	63	04/03 → 11/09	●	PR:2E4; 17" wheel	P85107MM	[-]	18	ATE				
	63	04/03 → 11/09	●	PR:2E3; PR:2E4	P85076MM	[-]	17,7	TRW				
	63	04/03 → 11/09	●	PR:2E4; PR:2E3	P85083MM	[+]	17,7	TRW				
	63	04/03 → 11/09	●	PR:0WR; 16" wheel	P85091MM	[+]	19	ATE				
	77	04/03 → 11/09	●	PR:2E3; 16" wheel	P85081MM	[+]	20,1	ATE				
	77	04/03 → 11/09	●	PR:2E3; 16" wheel	P85106MM	[-]	20,1	ATE				
	77	04/03 → 11/09	●	PR:2E4; 17" wheel	P85082MM	[+]	18	ATE				

		kw						wi	Th [mm]	sys	wi			FK	
												LEIGHT			

VOLKSWAGEN

TRANSPORTER V Bus (7HB, 7HJ, 7EB, 7EJ, 7EF, 7EG, 7HF, 7EC) 04/03 → 08/15

2.0 TDI	75	09/09 → 08/15	●	PR:2E4; PR:2E3	P85083MM	[+]	17,7	TRW							
	103	09/09 → 08/15	●	PR:2E3+K4H; PR:K4J; PR:K4L	P85081MM	[+]	20,1	ATE							
	103	09/09 → 08/15	●	PR:2E3+K4A; PR:K4B	P85106MM	[-]	20,1	ATE							
	103	09/09 → 08/15	●	PR:2E3; PR:2E4	P85076MM	[-]	17,7	TRW							
	103	09/09 → 08/15	●	PR:2E3; PR:2E4	P85083MM	[+]	17,7	TRW							
2.0 TDI 4motion	100	05/10 → 08/15	●	PR:2E3	P85081MM	[+]	20,1	ATE							
	100	05/10 → 08/15	●	PR:2E3	P85106MM	[-]	20,1	ATE							
	100	05/10 → 08/15	●	PR:2E3; PR:2E4	P85083MM	[+]	17,7	TRW							
	100	05/10 → 08/15	●	PR:2E3; PR:2E4	P85076MM	[-]	17,7	TRW							
	103	09/09 → 08/15	●	PR:K4L; PR:K4J; PR:2E3+K4H	P85081MM	[+]	20,1	ATE							
	103	09/09 → 08/15	●	PR:K4B; PR:2E3+K4A	P85106MM	[-]	20,1	ATE							
	103	09/09 → 08/15	●	PR:2E4; PR:2E3	P85076MM	[-]	17,7	TRW							
2.0 TSI	150	05/11 → 08/15	●	PR:2E4	P85141MM	[+]	18,1	ATE							
	150	05/11 → 08/15	●	PR:2E3+K4H; PR:K4J; PR:K4L	P85081MM	[+]	20,1	ATE							
	150	05/11 → 08/15	●	PR:2E3+K4A; PR:K4B	P85106MM	[-]	20,1	ATE							
	150	05/11 → 08/15	●	PR:2E3; PR:2E4	P85076MM	[-]	17,7	TRW							
	150	05/11 → 08/15	●	PR:2E3; PR:2E4	P85083MM	[+]	17,7	TRW							
	110	07/12 → 08/15	●	PR:2E4	P85141MM	[+]	18,1	ATE							
	110	07/12 → 08/15	●	PR:2E3+K4H; PR:K4J; PR:K4L	P85081MM	[+]	20,1	ATE							
	110	07/12 → 08/15	●	PR:2E3+K4A; PR:K4B	P85106MM	[-]	20,1	ATE							
	110	07/12 → 08/15	●	PR:2E3; PR:2E4	P85076MM	[-]	17,7	TRW							
	110	07/12 → 08/15	●	PR:2E3; PR:2E4	P85083MM	[+]	17,7	TRW							
2.0 TSI 4motion	150	07/11 → 08/15	●	PR:2E4	P85141MM	[+]	18,1	ATE							
	150	07/11 → 08/15	●	PR:K4J; PR:K4L; PR:2E3+K4H	P85081MM	[+]	20,1	ATE							
	150	07/11 → 08/15	●	PR:K4B; PR:2E3+K4A	P85106MM	[-]	20,1	ATE							
	150	07/11 → 08/15	●	PR:2E4; PR:2E3	P85083MM	[+]	17,7	TRW							
	150	07/11 → 08/15	●	PR:2E4; PR:2E3	P85076MM	[-]	17,7	TRW							
2.5 TDI	96	04/03 → 11/09	●	PR:2E3; 16" wheel	P85081MM	[+]	20,1	ATE							
	96	04/03 → 11/09	●	PR:2E3; 16" wheel	P85106MM	[-]	20,1	ATE							
	96	04/03 → 11/09	●	PR:2E4; 17" wheel	P85082MM	[+]	18	ATE							
	96	04/03 → 11/09	●	PR:2E4; 17" wheel	P85107MM	[-]	18	ATE							
	96	04/03 → 11/09	●	PR:2E4; PR:2E3	P85076MM	[-]	17,7	TRW							
	96	04/03 → 11/09	●	PR:2E4; PR:2E3	P85083MM	[+]	17,7	TRW							
	96	04/03 → 11/09	●	PR:0WR; 16" wheel	P85091MM	[+]	19	ATE							
	128	04/03 → 11/09	●	PR:2E3; 16" wheel	P85081MM	[+]	20,1	ATE							
	128	04/03 → 11/09	●	PR:2E3; 16" wheel	P85106MM	[-]	20,1	ATE							
	128	04/03 → 11/09	●	PR:2E4; 17" wheel	P85082MM	[+]	18	ATE							
	128	04/03 → 11/09	●	PR:2E4; 17" wheel	P85107MM	[-]	18	ATE							
	128	04/03 → 11/09	●	PR:2E3; PR:2E4	P85076MM	[-]	17,7	TRW							
	128	04/03 → 11/09	●	PR:2E3; PR:2E4	P85083MM	[+]	17,7	TRW							
	128	04/03 → 11/09	●	PR:0WR; 16" wheel	P85091MM	[+]	19	ATE							
	120	11/03 → 11/09	●	PR:2E3; 16" wheel	P85081MM	[+]	20,1	ATE							
	120	11/03 → 11/09	●	PR:2E3; 16" wheel	P85106MM	[-]	20,1	ATE							
	120	11/03 → 11/09	●	PR:2E4; 17" wheel	P85082MM	[+]	18	ATE							
	120	11/03 → 11/09	●	PR:2E4; 17" wheel	P85107MM	[-]	18	ATE							
	120	11/03 → 11/09	●	PR:2E3; PR:2E4	P85076MM	[-]	17,7	TRW							
	120	11/03 → 11/09	●	PR:2E3; PR:2E4	P85083MM	[+]	17,7	TRW							
	120	11/03 → 11/09	●	PR:0WR; 16" wheel	P85091MM	[+]	19	ATE							

								WI			FK	

VOLKSWAGEN

TRANSPORTER V Bus (7HB, 7HJ, 7EB, 7EJ, 7EF, 7EG, 7HF, 7EC) 04/03 → 08/15

2.5 TDI 4motion	96	07/04 → 11/09	●	PR:2E3; 16" wheel	P85081MM	[+]	20,1	ATE				
	96	07/04 → 11/09	●	PR:2E3; 16" wheel	P85106MM	[-]	20,1	ATE				
	96	07/04 → 11/09	●	PR:2E4; 17" wheel	P85082MM	[+]	18	ATE				
	96	07/04 → 11/09	●	PR:2E4; 17" wheel	P85107MM	[-]	18	ATE				
	96	07/04 → 11/09	●	PR:2E3; PR:2E4	P85076MM	[-]	17,7	TRW				
	96	07/04 → 11/09	●	PR:2E3; PR:2E4	P85083MM	[+]	17,7	TRW				
	96	07/04 → 11/09	●	PR:0WR; 16" wheel	P85091MM	[+]	19	ATE				
	128	07/04 → 11/09	●	PR:2E3; 16" wheel	P85081MM	[+]	20,1	ATE				
	128	07/04 → 11/09	●	PR:2E3; 16" wheel	P85106MM	[-]	20,1	ATE				
	128	07/04 → 11/09	●	PR:2E4; 17" wheel	P85082MM	[+]	18	ATE				
	128	07/04 → 11/09	●	PR:2E4; 17" wheel	P85107MM	[-]	18	ATE				
	128	07/04 → 11/09	●	PR:2E3; PR:2E4	P85076MM	[-]	17,7	TRW				
	128	07/04 → 11/09	●	PR:2E4; PR:2E3	P85083MM	[+]	17,7	TRW				
	128	07/04 → 11/09	●	PR:0WR; 16" wheel	P85091MM	[+]	19	ATE				
3.2 V6	170	02/04 → 06/04	●	PR:2E3; 16" wheel	P85081MM	[+]	20,1	ATE				
	170	02/04 → 06/04	●	PR:2E3; 16" wheel	P85106MM	[-]	20,1	ATE				
	170	02/04 → 06/04	●	PR:2E4; 17" wheel	P85082MM	[+]	18	ATE				
	170	02/04 → 06/04	●	PR:2E4; 17" wheel	P85107MM	[-]	18	ATE				
	170	02/04 → 06/04	●	PR:2E3; PR:2E4	P85076MM	[-]	17,7	TRW				
	170	02/04 → 06/04	●	PR:2E3; PR:2E4	P85083MM	[+]	17,7	TRW				
	170	02/04 → 06/04	●	PR:0WR; 16" wheel	P85091MM	[+]	19	ATE				
	173	02/04 → 11/09	●	PR:2E3; 16" wheel	P85081MM	[+]	20,1	ATE				
	173	02/04 → 11/09	●	PR:2E3; 16" wheel	P85106MM	[-]	20,1	ATE				
	173	02/04 → 11/09	●	PR:2E4; 17" wheel	P85082MM	[+]	18	ATE				
	173	02/04 → 11/09	●	PR:2E4; 17" wheel	P85107MM	[-]	18	ATE				
	173	02/04 → 11/09	●	PR:2E4; PR:2E3	P85076MM	[-]	17,7	TRW				
	173	02/04 → 11/09	●	PR:2E4; PR:2E3	P85083MM	[+]	17,7	TRW				
	173	02/04 → 11/09	●	PR:0WR; 16" wheel	P85091MM	[+]	19	ATE				
3.2 V6 4motion	173	11/03 → 11/09	●	PR:2E3; 16" wheel	P85081MM	[+]	20,1	ATE				
	173	11/03 → 11/09	●	PR:2E3; 16" wheel	P85106MM	[-]	20,1	ATE				
	173	11/03 → 11/09	●	PR:2E4; 17" wheel	P85082MM	[+]	18	ATE				
	173	11/03 → 11/09	●	PR:2E4; 17" wheel	P85107MM	[-]	18	ATE				
	173	11/03 → 11/09	●	PR:2E3; PR:2E4	P85076MM	[-]	17,7	TRW				
	173	11/03 → 11/09	●	PR:2E4; PR:2E3	P85083MM	[+]	17,7	TRW				
	173	11/03 → 11/09	●	PR:0WR; 16" wheel	P85091MM	[+]	19	ATE				

TRANSPORTER V Platform/Chassis (7JD, 7JE, 7JL, 7JY, 7JZ, 7FD) 04/03 → 08/15

1.9 TDI	63	04/03 → 11/09	●	PR:2E3; 16" wheel	P85081MM	[+]	20,1	ATE				
	63	04/03 → 11/09	●	PR:2E3; 16" wheel	P85106MM	[-]	20,1	ATE				
	63	04/03 → 11/09	●	PR:2E4; 17" wheel	P85082MM	[+]	18	ATE				
	63	04/03 → 11/09	●	PR:2E4; 17" wheel	P85107MM	[-]	18	ATE				
	63	04/03 → 11/09	●	PR:2E4; PR:2E3	P85076MM	[-]	17,7	TRW				
	63	04/03 → 11/09	●	PR:2E4; PR:2E3	P85083MM	[+]	17,7	TRW				
	63	04/03 → 11/09	●	PR:0WR; 16" wheel	P85091MM	[+]	19	ATE				
	77	04/03 → 11/09	●	PR:2E3; 16" wheel	P85081MM	[+]	20,1	ATE				
	77	04/03 → 11/09	●	PR:2E3; 16" wheel	P85106MM	[-]	20,1	ATE				
	77	04/03 → 11/09	●	PR:2E4; 17" wheel	P85082MM	[+]	18	ATE				
	77	04/03 → 11/09	●	PR:2E4; 17" wheel	P85107MM	[-]	18	ATE				
	77	04/03 → 11/09	●	PR:2E3; PR:2E4	P85076MM	[-]	17,7	TRW				
	77	04/03 → 11/09	●	PR:2E3; PR:2E4	P85083MM	[+]	17,7	TRW				
	77	04/03 → 11/09	●	PR:0WR; 16" wheel	P85091MM	[+]	19	ATE				
	75	06/06 → 11/09	●	PR:2E3; 16" wheel	P85081MM	[+]	20,1	ATE				
	75	06/06 → 11/09	●	PR:2E3; 16" wheel	P85106MM	[-]	20,1	ATE				
	75	06/06 → 11/09	●	PR:2E4; 17" wheel	P85082MM	[+]	18	ATE				
	75	06/06 → 11/09	●	PR:2E4; 17" wheel	P85107MM	[-]	18	ATE				

VOLKSWAGEN

TRANSPORTER V Platform/Chassis (7JD, 7JE, 7JL, 7JY, 7JZ, 7FD) 04/03 → 08/15

1.9 TDI	75	06/06 → 11/09	●	PR:2E4; PR:2E3	P85076MM	[-]	17,7	TRW						
	75	06/06 → 11/09	●	PR:2E4; PR:2E3	P85083MM	[+]	17,7	TRW						
	75	06/06 → 11/09	●	PR:0WR; 16" wheel	P85091MM	[+]	19	ATE						
	62	01/06 → 11/09	●	PR:2E3; 16" wheel	P85081MM	[+]	20,1	ATE						
	62	01/06 → 11/09	●	PR:2E3; 16" wheel	P85106MM	[-]	20,1	ATE						
	62	01/06 → 11/09	●	PR:2E4; 17" wheel	P85082MM	[+]	18	ATE						
	62	01/06 → 11/09	●	PR:2E4; 17" wheel	P85107MM	[-]	18	ATE						
	62	01/06 → 11/09	●	PR:2E3; PR:2E4	P85076MM	[-]	17,7	TRW						
	62	01/06 → 11/09	●	PR:2E3; PR:2E4	P85083MM	[+]	17,7	TRW						
2.0	85	11/03 → 05/13	●	PR:2E3; 16" wheel	P85081MM	[+]	20,1	ATE						
	85	11/03 → 05/13	●	PR:2E3; 16" wheel	P85106MM	[-]	20,1	ATE						
	85	11/03 → 05/13	●	PR:2E4; 17" wheel	P85082MM	[+]	18	ATE						
	85	11/03 → 05/13	●	PR:2E4; 17" wheel	P85107MM	[-]	18	ATE						
	85	11/03 → 05/13	●	PR:2E4; PR:2E3	P85076MM	[-]	17,7	TRW						
	85	11/03 → 05/13	●	PR:2E4; PR:2E3	P85083MM	[+]	17,7	TRW						
2.0 BitDI	132	09/09 → 08/15	●	PR:0WR; 16" wheel	P85091MM	[+]	19	ATE						
	132	09/09 → 08/15	●	PR:2E4	P85141MM	[+]	18,1	ATE						
	132	09/09 → 08/15	●	PR:2E3+K4H; PR:K4L; PR:K4J	P85081MM	[+]	20,1	ATE						
	132	09/09 → 08/15	●	PR:2E3+K4A; PR:K4B	P85106MM	[-]	20,1	ATE						
	132	09/09 → 08/15	●	PR:2E4; PR:2E3	P85076MM	[-]	17,7	TRW						
2.0 BitDI 4motion	132	09/09 → 08/15	●	PR:2E3; PR:2E3	P85083MM	[+]	17,7	TRW						
	132	09/09 → 08/15	●	PR:2E4	P85141MM	[+]	18,1	ATE						
	132	09/09 → 08/15	●	PR:K4J; PR:K4L; PR:2E3+K4H	P85081MM	[+]	20,1	ATE						
	132	09/09 → 08/15	●	PR:K4B; PR:2E3+K4A	P85106MM	[-]	20,1	ATE						
2.0 TDI	84	05/11 → 08/15	●	PR:2E3	P85081MM	[+]	20,1	ATE						
	84	05/11 → 08/15	●	PR:2E3	P85106MM	[-]	20,1	ATE						
	84	05/11 → 08/15	●	PR:2E4; PR:2E3	P85076MM	[-]	17,7	TRW						
	84	05/11 → 08/15	●	PR:2E4; PR:2E3	P85083MM	[+]	17,7	TRW						
	100	05/10 → 08/15	●	PR:2E3	P85081MM	[+]	20,1	ATE						
	100	05/10 → 08/15	●	PR:2E3	P85106MM	[-]	20,1	ATE						
	100	05/10 → 08/15	●	PR:2E3; PR:2E4	P85076MM	[-]	17,7	TRW						
	100	05/10 → 08/15	●	PR:2E3; PR:2E4	P85083MM	[+]	17,7	TRW						
	62	09/09 → 08/15	●	PR:2E3+K4H; PR:K4L; PR:K4J	P85081MM	[+]	20,1	ATE						
	62	09/09 → 08/15	●	PR:2E3+K4A; PR:K4B	P85106MM	[-]	20,1	ATE						
	62	09/09 → 08/15	●	PR:2E4; PR:2E3	P85076MM	[-]	17,7	TRW						
	62	09/09 → 08/15	●	PR:2E4; PR:2E3	P85083MM	[+]	17,7	TRW						
	75	09/09 → 08/15	●	PR:K4J; PR:K4L; PR:2E3+K4H	P85081MM	[+]	20,1	ATE						
	75	09/09 → 08/15	●	PR:K4B; PR:2E3+K4A	P85106MM	[-]	20,1	ATE						
	75	09/09 → 08/15	●	PR:2E3; PR:2E4	P85076MM	[-]	17,7	TRW						
	75	09/09 → 08/15	●	PR:2E3; PR:2E4	P85083MM	[+]	17,7	TRW						
	103	09/09 → 08/15	●	PR:2E3+K4H; PR:K4L; PR:K4J	P85081MM	[+]	20,1	ATE						
	103	09/09 → 08/15	●	PR:2E3+K4A; PR:K4B	P85106MM	[-]	20,1	ATE						
	103	09/09 → 08/15	●	PR:2E4; PR:2E3	P85076MM	[-]	17,7	TRW						
	103	09/09 → 08/15	●	PR:2E4; PR:2E3	P85083MM	[+]	17,7	TRW						
2.0 TDI 4motion	100	05/10 → 08/15	●	PR:2E3	P85081MM	[+]	20,1	ATE						
	100	05/10 → 08/15	●	PR:2E3	P85106MM	[-]	20,1	ATE						
	100	05/10 → 08/15	●	PR:2E4; PR:2E3	P85076MM	[-]	17,7	TRW						
	100	05/10 → 08/15	●	PR:2E4; PR:2E3	P85083MM	[+]	17,7	TRW						
103	09/09 → 08/15	●	PR:K4J; PR:K4L; PR:2E3+K4H	P85081MM	[+]	20,1	ATE							



kw



wi

Th [mm]

SYS

WI

FK



LENGHT



VOLKSWAGEN

TRANSPORTER V Platform/Chassis (7JD, 7JE, 7JL, 7JY, 7JZ, 7FD) 04/03 → 08/15

Model	Year	Power (kw)	Transmission	Drive	Wheel	Code	Th [mm]	SYS	WI	FK
2.0 TDI 4motion	09/09 → 08/15	103	•	PR:K4B; PR:2E3+K4A	P85106MM	[-]	20,1	ATE		
	09/09 → 08/15	103	•	PR:2E3; PR:2E4	P85076MM	[-]	17,7	TRW		
	09/09 → 08/15	103	•	PR:2E3; PR:2E4	P85083MM	[+]	17,7	TRW		
2.0 TSI	07/12 → 08/15	110	•		P85106MM	[-]	20,1	ATE		
	07/12 → 08/15	110	•		P85081MM	[+]	20,1	ATE		
	07/12 → 08/15	110	•	PR:2E4	P85141MM	[+]	18,1	ATE		
	07/12 → 08/15	110	•	PR:2E3	P85076MM	[-]	17,7	TRW		
	07/12 → 08/15	110	•	PR:2E4; PR:2E3	P85083MM	[+]	17,7	TRW		
2.5 TDI	04/03 → 11/09	96	•	PR:2E3; 16" wheel	P85081MM	[+]	20,1	ATE		
	04/03 → 11/09	96	•	PR:2E3; 16" wheel	P85106MM	[-]	20,1	ATE		
	04/03 → 11/09	96	•	PR:2E4; 17" wheel	P85082MM	[+]	18	ATE		
	04/03 → 11/09	96	•	PR:2E4; 17" wheel	P85107MM	[-]	18	ATE		
	04/03 → 11/09	96	•	PR:2E4; PR:2E3	P85076MM	[-]	17,7	TRW		
	04/03 → 11/09	96	•	PR:2E4; PR:2E3	P85083MM	[+]	17,7	TRW		
	04/03 → 11/09	96	•	PR:0WR; 16" wheel	P85091MM	[+]	19	ATE		
	04/03 → 11/09	128	•	PR:2E3; 16" wheel	P85081MM	[+]	20,1	ATE		
	04/03 → 11/09	128	•	PR:2E3; 16" wheel	P85106MM	[-]	20,1	ATE		
	04/03 → 11/09	128	•	PR:2E4; 17" wheel	P85082MM	[+]	18	ATE		
	04/03 → 11/09	128	•	PR:2E4; 17" wheel	P85107MM	[-]	18	ATE		
	04/03 → 11/09	128	•	PR:2E3; PR:2E4	P85076MM	[-]	17,7	TRW		
2.5 TDI 4motion	07/04 → 11/09	96	•	PR:2E3; 16" wheel	P85081MM	[+]	20,1	ATE		
	07/04 → 11/09	96	•	PR:2E3; 16" wheel	P85106MM	[-]	20,1	ATE		
	07/04 → 11/09	96	•	PR:2E4; 17" wheel	P85082MM	[+]	18	ATE		
	07/04 → 11/09	96	•	PR:2E4; 17" wheel	P85107MM	[-]	18	ATE		
	07/04 → 11/09	96	•	PR:2E3; PR:2E4	P85076MM	[-]	17,7	TRW		
	07/04 → 11/09	96	•	PR:2E3; PR:2E4	P85083MM	[+]	17,7	TRW		
	07/04 → 11/09	96	•	PR:0WR; 16" wheel	P85091MM	[+]	19	ATE		
	04/04 → 11/09	128	•	PR:2E3; 16" wheel	P85081MM	[+]	20,1	ATE		
	04/04 → 11/09	128	•	PR:2E3; 16" wheel	P85106MM	[-]	20,1	ATE		
	04/04 → 11/09	128	•	PR:2E4; 17" wheel	P85082MM	[+]	18	ATE		
	04/04 → 11/09	128	•	PR:2E4; 17" wheel	P85107MM	[-]	18	ATE		
	04/04 → 11/09	128	•	PR:2E3; PR:2E4	P85076MM	[-]	17,7	TRW		
3.2 4motion	11/03 → 11/09	170	•	PR:2E4	P85107MM	[-]	18	ATE		
	11/03 → 11/09	170	•	PR:2E4	P85082MM	[+]	18	ATE		
	11/03 → 11/09	170	•	PR:0WR+0E0; PR:0E9	P85091MM	[+]	19	ATE		
3.2 V6	02/04 → 11/09	170	•	PR:2E3; 16" wheel	P85081MM	[+]	20,1	ATE		
	02/04 → 11/09	170	•	PR:2E3; 16" wheel	P85106MM	[-]	20,1	ATE		
	02/04 → 11/09	170	•	PR:2E4; 17" wheel	P85082MM	[+]	18	ATE		
	02/04 → 11/09	170	•	PR:2E4; 17" wheel	P85107MM	[-]	18	ATE		
	02/04 → 11/09	170	•	PR:2E3; PR:2E4	P85076MM	[-]	17,7	TRW		
	02/04 → 11/09	170	•	PR:2E3; PR:2E4	P85083MM	[+]	17,7	TRW		
	02/04 → 11/09	170	•	PR:0WR; 16" wheel	P85091MM	[+]	19	ATE		
	08/03 → 05/06	173	•	PR:2E3; 16" wheel	P85081MM	[+]	20,1	ATE		
	08/03 → 05/06	173	•	PR:2E3; 16" wheel	P85106MM	[-]	20,1	ATE		
	08/03 → 05/06	173	•	PR:2E4; 17" wheel	P85082MM	[+]	18	ATE		
	08/03 → 05/06	173	•	PR:2E4; 17" wheel	P85107MM	[-]	18	ATE		
	08/03 → 05/06	173	•	PR:2E4; PR:2E3	P85076MM	[-]	17,7	TRW		
	08/03 → 05/06	173	•	PR:2E4; PR:2E3	P85083MM	[+]	17,7	TRW		
08/03 → 05/06	173	•	PR:0WR; 16" wheel	P85091MM	[+]	19	ATE			

VOLKSWAGEN

TRANSPORTER VI Box (SGA, SGH) 04/15 →

2.0 TDI	62	04/15 →	●	PR:2E3	P85081MM	[+]	20,1	ATE					
	62	04/15 →	●	PR:2E4	P85141MM	[+]	18,1	ATE					
	62	04/15 →		●		P85083MM	[+]	17,7	TRW				
	75	04/15 →	●	PR:2E3	P85081MM	[+]	20,1	ATE					
	75	04/15 →	●	PR:2E4	P85141MM	[+]	18,1	ATE					
	75	04/15 →		●		P85083MM	[+]	17,7	TRW				
	103	04/15 →	●	PR:2E3	P85081MM	[+]	20,1	ATE					
	103	04/15 →	●	PR:2E4	P85141MM	[+]	18,1	ATE					
	103	04/15 →		●		P85083MM	[+]	17,7	TRW				
	132	04/15 →	●	PR:2E3	P85081MM	[+]	20,1	ATE					
	132	04/15 →	●	PR:2E4	P85141MM	[+]	18,1	ATE					
	132	04/15 →		●		P85083MM	[+]	17,7	TRW				
	150	06/15 →	●	PR:2E3	P85081MM	[+]	20,1	ATE					
	150	06/15 →	●	PR:2E4	P85141MM	[+]	18,1	ATE					
	150	06/15 →		●		P85083MM	[+]	17,7	TRW				
	110	04/15 →	●	PR:2E3	P85081MM	[+]	20,1	ATE					
	110	04/15 →	●	PR:2E4	P85141MM	[+]	18,1	ATE					
	110	04/15 →		●		P85083MM	[+]	17,7	TRW				
84	05/16 →	●	PR:2E3	P85081MM	[+]	20,1	ATE						
84	05/16 →	●	PR:2E4	P85141MM	[+]	18,1	ATE						
84	05/16 →		●		P85083MM	[+]	17,7	TRW					
2.0 TDI 4motion	103	06/15 →	●	PR:2E3	P85081MM	[+]	20,1	ATE					
	103	06/15 →	●	PR:2E4	P85141MM	[+]	18,1	ATE					
	103	06/15 →		●		P85083MM	[+]	17,7	TRW				
	132	06/15 →	●	PR:2E3	P85081MM	[+]	20,1	ATE					
	132	06/15 →	●	PR:2E4	P85141MM	[+]	18,1	ATE					
	132	06/15 →		●		P85083MM	[+]	17,7	TRW				
	150	06/15 →	●	PR:2E3	P85081MM	[+]	20,1	ATE					
	150	06/15 →	●	PR:2E4	P85141MM	[+]	18,1	ATE					
	150	06/15 →		●		P85083MM	[+]	17,7	TRW				
	110	08/15 →	●	PR:2E3	P85081MM	[+]	20,1	ATE					
110	08/15 →	●	PR:2E4	P85141MM	[+]	18,1	ATE						
110	08/15 →		●		P85083MM	[+]	17,7	TRW					
2.0 TSI	150	04/15 →	●	PR:2E3	P85081MM	[+]	20,1	ATE					
	150	04/15 →	●	PR:2E4	P85141MM	[+]	18,1	ATE					
	150	04/15 →		●		P85083MM	[+]	17,7	TRW				
	110	04/15 →	●	PR:2E3	P85081MM	[+]	20,1	ATE					
	110	04/15 →	●	PR:2E4	P85141MM	[+]	18,1	ATE					
110	04/15 →		●		P85083MM	[+]	17,7	TRW					
2.0 TSI 4motion	150	06/15 →	●	PR:2E3	P85081MM	[+]	20,1	ATE					
	150	06/15 →	●	PR:2E4	P85141MM	[+]	18,1	ATE					
	150	06/15 →		●		P85083MM	[+]	17,7	TRW				

TRANSPORTER VI Bus (SGB, SGG, SGJ) 04/15 →

2.0 TDI	62	04/15 →	●	PR:2E3	P85081MM	[+]	20,1	ATE					
	62	04/15 →	●	PR:2E4	P85141MM	[+]	18,1	ATE					
	62	04/15 →		●		P85083MM	[+]	17,7	TRW				
	75	04/15 →	●	PR:2E3	P85081MM	[+]	20,1	ATE					
	75	04/15 →	●	PR:2E4	P85141MM	[+]	18,1	ATE					
	75	04/15 →		●		P85083MM	[+]	17,7	TRW				
	103	04/15 →	●	PR:2E3	P85081MM	[+]	20,1	ATE					
	103	04/15 →	●	PR:2E4	P85141MM	[+]	18,1	ATE					
	103	04/15 →		●		P85083MM	[+]	17,7	TRW				
	132	04/15 →	●	PR:2E3	P85081MM	[+]	20,1	ATE					
132	04/15 →	●	PR:2E4	P85141MM	[+]	18,1	ATE						

									WI			FK	
										LENGHT			

VOLKSWAGEN

TRANSPORTER VI Bus (SGB, SGG, SGJ) 04/15 →

2.0 TDI	132 04/15 →	•			P85083MM	[+]	17,7	TRW					
	150 06/15 →	•	PR:2E3		P85081MM	[+]	20,1	ATE					
	150 06/15 →	•	PR:2E4		P85141MM	[+]	18,1	ATE					
	150 06/15 →		•		P85083MM	[+]	17,7	TRW					
	110 04/15 →	•	PR:2E3		P85081MM	[+]	20,1	ATE					
	110 04/15 →	•	PR:2E4		P85141MM	[+]	18,1	ATE					
	110 04/15 →		•		P85083MM	[+]	17,7	TRW					
	84 05/16 →	•	PR:2E3		P85081MM	[+]	20,1	ATE					
	84 05/16 →	•	PR:2E4		P85141MM	[+]	18,1	ATE					
84 05/16 →		•		P85083MM	[+]	17,7	TRW						
2.0 TDI 4motion	103 06/15 →	•	PR:2E3		P85081MM	[+]	20,1	ATE					
	103 06/15 →	•	PR:2E4		P85141MM	[+]	18,1	ATE					
	103 06/15 →		•		P85083MM	[+]	17,7	TRW					
	132 06/15 →	•	PR:2E3		P85081MM	[+]	20,1	ATE					
	132 06/15 →	•	PR:2E4		P85141MM	[+]	18,1	ATE					
	132 06/15 →		•		P85083MM	[+]	17,7	TRW					
	150 06/15 →	•	PR:2E3		P85081MM	[+]	20,1	ATE					
	150 06/15 →	•	PR:2E4		P85141MM	[+]	18,1	ATE					
	150 06/15 →		•		P85083MM	[+]	17,7	TRW					
2.0 TSI	110 08/15 →	•	PR:2E3		P85081MM	[+]	20,1	ATE					
	110 08/15 →	•	PR:2E4		P85141MM	[+]	18,1	ATE					
	110 08/15 →		•		P85083MM	[+]	17,7	TRW					
	150 04/15 →	•	PR:2E3		P85081MM	[+]	20,1	ATE					
	150 04/15 →	•	PR:2E4		P85141MM	[+]	18,1	ATE					
2.0 TSI 4motion	150 04/15 →		•		P85083MM	[+]	17,7	TRW					
	110 04/15 →	•	PR:2E3		P85081MM	[+]	20,1	ATE					
	110 04/15 →	•	PR:2E4		P85141MM	[+]	18,1	ATE					
	110 04/15 →		•		P85083MM	[+]	17,7	TRW					
	150 06/15 →	•	PR:2E3		P85081MM	[+]	20,1	ATE					
150 06/15 →	•	PR:2E4		P85141MM	[+]	18,1	ATE						
150 06/15 →		•		P85083MM	[+]	17,7	TRW						

TRANSPORTER VI Platform/Chassis (SFD, SFE, SFL, SFZ) 04/15 →

2.0 TDI	62 04/15 →	•	PR:2E3		P85081MM	[+]	20,1	ATE					
	62 04/15 →	•	PR:2E4		P85141MM	[+]	18,1	ATE					
	62 04/15 →		•		P85083MM	[+]	17,7	TRW					
	75 04/15 →	•	PR:2E3		P85081MM	[+]	20,1	ATE					
	75 04/15 →	•	PR:2E4		P85141MM	[+]	18,1	ATE					
	75 04/15 →		•		P85083MM	[+]	17,7	TRW					
	103 04/15 →	•	PR:2E3		P85081MM	[+]	20,1	ATE					
	103 04/15 →	•	PR:2E4		P85141MM	[+]	18,1	ATE					
	103 04/15 →		•		P85083MM	[+]	17,7	TRW					
	132 04/15 →	•	PR:2E3		P85081MM	[+]	20,1	ATE					
	132 04/15 →	•	PR:2E4		P85141MM	[+]	18,1	ATE					
	132 04/15 →		•		P85083MM	[+]	17,7	TRW					
	110 08/15 →	•	PR:2E3		P85081MM	[+]	20,1	ATE					
	110 08/15 →	•	PR:2E4		P85141MM	[+]	18,1	ATE					
	110 08/15 →		•		P85083MM	[+]	17,7	TRW					
	84 05/16 →	•	PR:2E3		P85081MM	[+]	20,1	ATE					
	84 05/16 →	•	PR:2E4		P85141MM	[+]	18,1	ATE					
	84 05/16 →		•		P85083MM	[+]	17,7	TRW					
	150 05/16 →	•	PR:2E3		P85081MM	[+]	20,1	ATE					
	150 05/16 →	•	PR:2E4		P85141MM	[+]	18,1	ATE					
	150 05/16 →		•		P85083MM	[+]	17,7	TRW					

VOLKSWAGEN

TRANSPORTER VI Platform/Chassis (SFD, SFE, SFL, SFZ) 04/15 →

2.0 TDI 4motion	103	06/15 →	●	PR:2E3	P85081MM	[+]	20,1	ATE						
	103	06/15 →	●	PR:2E4	P85141MM	[+]	18,1	ATE						
	103	06/15 →		●		P85083MM	[+]	17,7	TRW					
	132	06/15 →	●	PR:2E3	P85081MM	[+]	20,1	ATE						
	132	06/15 →	●	PR:2E4	P85141MM	[+]	18,1	ATE						
	132	06/15 →		●		P85083MM	[+]	17,7	TRW					
	110	05/16 →	●	PR:2E3	P85081MM	[+]	20,1	ATE						
	110	05/16 →	●	PR:2E4	P85141MM	[+]	18,1	ATE						
	110	05/16 →		●		P85083MM	[+]	17,7	TRW					
	150	05/16 →	●	PR:2E3	P85081MM	[+]	20,1	ATE						
	150	05/16 →	●	PR:2E4	P85141MM	[+]	18,1	ATE						
	150	05/16 →		●		P85083MM	[+]	17,7	TRW					
2.0 TSI	110	04/15 →	●	PR:2E3	P85081MM	[+]	20,1	ATE						
	110	04/15 →	●	PR:2E4	P85141MM	[+]	18,1	ATE						
	110	04/15 →		●		P85083MM	[+]	17,7	TRW					

UP (121, 122, BL1, BL2) 08/11 →

1.0	44	08/11 →	●	PR:1LA	P85041MM	[-]	19,7	ATE					
	55	08/11 →	●	PR:1LA	P85041MM	[-]	19,7	ATE					
1.0 EcoFuel	50	11/12 →	●	PR:1LA	P85041MM	[-]	19,7	ATE					
1.0 TSI	66	05/16 →	●	PR:1LA	P85041MM	[-]	19,7	ATE					
e-Up	60	07/13 →	●	PR:1LA	P85041MM	[-]	19,7	ATE					

VOLVO

C30 10/06 → 12/13

1.6	74	10/06 → 12/12	●		P24061MM	[-]	18,2	ATE					
	74	10/06 → 12/12		●		P24148MM	[-]	16,1	ATE				
1.6 D	80	10/06 → 12/12	●		P24061MM	[-]	18,2	ATE					
	80	10/06 → 12/12		●		P24148MM	[-]	16,1	ATE				
1.6 D2	84	10/10 → 12/12	●		P24061MM	[-]	18,2	ATE				A02202	
	84	10/10 → 12/12		●		P24148MM	[-]	16,1	ATE				
1.8	92	10/06 → 12/12	●		P24061MM	[-]	18,2	ATE					
	92	10/06 → 12/12		●		P24148MM	[-]	16,1	ATE				
1.8 FlexFuel	92	01/07 → 12/12	●		P24061MM	[-]	18,2	ATE					
	92	01/07 → 12/12		●		P24148MM	[-]	16,1	ATE				
2.0	107	10/06 → 12/12	●		P24061MM	[-]	18,2	ATE					
	107	10/06 → 12/12		●		P24148MM	[-]	16,1	ATE				
2.0 D	100	10/06 → 12/12	●		P24061MM	[-]	18,2	ATE					
	100	10/06 → 12/12		●		P24148MM	[-]	16,1	ATE				
2.0 FlexFuel	107	01/10 → 12/12	●		P24061MM	[-]	18,2	ATE					
	107	01/10 → 12/12		●		P24148MM	[-]	16,1	ATE				
2.4 i	125	10/06 → 12/12	●		P24061MM	[-]	18,2	ATE					
	125	10/06 → 12/12		●		P24148MM	[-]	16,1	ATE				
D3	110	10/10 → 12/12	●		P24061MM	[-]	18,2	ATE				A02202	
	110	10/10 → 12/12		●		P24148MM	[-]	16,1	ATE				
D4	130	10/10 → 12/12	●		P24061MM	[-]	18,2	ATE				A02202	
	130	10/10 → 12/12		●		P24148MM	[-]	16,1	ATE				
D5	132	10/06 → 12/12	●		P24061MM	[-]	18,2	ATE					
	132	10/06 → 12/12		●		P24148MM	[-]	16,1	ATE				
	120	10/06 → 12/12	●		P24061MM	[-]	18,2	ATE					
	120	10/06 → 12/12		●		P24148MM	[-]	16,1	ATE				
T5	162	10/06 → 12/12	●		P24061MM	[-]	18,2	ATE					
	162	10/06 → 12/12		●		P24148MM	[-]	16,1	ATE				
	169	03/07 → 12/12	●		P24061MM	[-]	18,2	ATE					
	169	03/07 → 12/12		●		P24148MM	[-]	16,1	ATE				

									WI			FK	
	kw						Th [mm]			LENGHT			

VOLVO

C70 I Convertible 03/98 → 10/05

2.0	132	03/98 → 10/05	●	Brake System: 15"	P86013MM	[O]	19,5	ATE				A02202	
	132	03/98 → 10/05	●	Brake System: 16"	P86024MM	[-]	19,5	ATE				A02202	
	132	03/98 → 10/05	●	Service-Kit; Brake System: 17"	P86015MM	[-]	18,9	ATE				A02202	
	132	03/98 → 10/05	●		P86002MM	[-]	15	ATE				A02315	
2.0 T	166	03/98 → 10/05	●	Brake System: 15"	P86013MM	[O]	19,5	ATE				A02202	
	166	03/98 → 10/05	●	Brake System: 16"	P86024MM	[-]	19,5	ATE				A02202	
	166	03/98 → 10/05	●	Service-Kit; Brake System: 17"	P86015MM	[-]	18,9	ATE				A02202	
	166	03/98 → 10/05	●		P86002MM	[-]	15	ATE				A02315	
	120	03/00 → 10/05	●	Brake System: 15"	P86013MM	[O]	19,5	ATE				A02202	
	120	03/00 → 10/05	●	Brake System: 16"	P86024MM	[-]	19,5	ATE				A02202	
	120	03/00 → 10/05	●	Service-Kit; Brake System: 17"	P86015MM	[-]	18,9	ATE				A02202	
	120	03/00 → 10/05	●		P86002MM	[-]	15	ATE				A02315	
2.3 T5	176	03/98 → 10/05	●	Brake System: 15"	P86013MM	[O]	19,5	ATE				A02202	
	176	03/98 → 10/05	●	Brake System: 16"	P86024MM	[-]	19,5	ATE				A02202	
	176	03/98 → 10/05	●	Service-Kit; Brake System: 17"	P86015MM	[-]	18,9	ATE				A02202	
	176	03/98 → 10/05	●		P86002MM	[-]	15	ATE				A02315	
	180	07/02 → 10/05	●	Brake System: 15"	P86013MM	[O]	19,5	ATE				A02202	
	180	07/02 → 10/05	●	Brake System: 16"	P86024MM	[-]	19,5	ATE				A02202	
	180	07/02 → 10/05	●	Service-Kit; Brake System: 17"	P86015MM	[-]	18,9	ATE				A02202	
	180	07/02 → 10/05	●		P86002MM	[-]	15	ATE				A02315	
2.4	125	06/98 → 10/05	●	Brake System: 15"	P86013MM	[O]	19,5	ATE				A02202	
	125	06/98 → 10/05	●	Brake System: 16"	P86024MM	[-]	19,5	ATE				A02202	
	125	06/98 → 10/05	●	Service-Kit; Brake System: 17"	P86015MM	[-]	18,9	ATE				A02202	
	125	06/98 → 10/05	●		P86002MM	[-]	15	ATE				A02315	
2.4 T	142	03/98 → 10/05	●	Brake System: 15"	P86013MM	[O]	19,5	ATE				A02202	
	142	03/98 → 10/05	●	Brake System: 16"	P86024MM	[-]	19,5	ATE				A02202	
	142	03/98 → 10/05	●	Service-Kit; Brake System: 17"	P86015MM	[-]	18,9	ATE				A02202	
	142	03/98 → 10/05	●		P86002MM	[-]	15	ATE				A02315	
	147	07/02 → 10/05	●	Brake System: 15"	P86013MM	[O]	19,5	ATE				A02202	
	147	07/02 → 10/05	●	Brake System: 16"	P86024MM	[-]	19,5	ATE				A02202	
	147	07/02 → 10/05	●	Service-Kit; Brake System: 17"	P86015MM	[-]	18,9	ATE				A02202	
	147	07/02 → 10/05	●		P86002MM	[-]	15	ATE				A02315	

C70 I Coupé 03/97 → 09/02

2.0	132	03/97 → 09/02	●	Brake System: 15"	P86013MM	[O]	19,5	ATE				A02202	
	132	03/97 → 09/02	●	Brake System: 16"	P86024MM	[-]	19,5	ATE				A02202	
	132	03/97 → 09/02	●	Service-Kit; Brake System: 17"	P86015MM	[-]	18,9	ATE				A02202	
	132	03/97 → 09/02	●		P86002MM	[-]	15	ATE				A02315	
2.0 T	166	03/97 → 09/02	●	Brake System: 15"	P86013MM	[O]	19,5	ATE				A02202	
	166	03/97 → 09/02	●	Brake System: 16"	P86024MM	[-]	19,5	ATE				A02202	
	166	03/97 → 09/02	●	Service-Kit; Brake System: 17"	P86015MM	[-]	18,9	ATE				A02202	
	166	03/97 → 09/02	●		P86002MM	[-]	15	ATE				A02315	
	120	03/00 → 09/02	●	Brake System: 15"	P86013MM	[O]	19,5	ATE				A02202	
	120	03/00 → 09/02	●	Brake System: 16"	P86024MM	[-]	19,5	ATE				A02202	
	120	03/00 → 09/02	●	Service-Kit; Brake System: 17"	P86015MM	[-]	18,9	ATE				A02202	
	120	03/00 → 09/02	●		P86002MM	[-]	15	ATE				A02315	
2.3 T-5	176	03/97 → 09/02	●	Brake System: 15"	P86013MM	[O]	19,5	ATE				A02202	
	176	03/97 → 09/02	●	Brake System: 16"	P86024MM	[-]	19,5	ATE				A02202	
	176	03/97 → 09/02	●	Service-Kit; Brake System: 17"	P86015MM	[-]	18,9	ATE				A02202	
	176	03/97 → 09/02	●		P86002MM	[-]	15	ATE				A02315	
2.4	121	03/99 → 09/02	●	Brake System: 15"	P86013MM	[O]	19,5	ATE				A02202	
	121	03/99 → 09/02	●	Brake System: 16"	P86024MM	[-]	19,5	ATE				A02202	
	121	03/99 → 09/02	●	Service-Kit; Brake System: 17"	P86015MM	[-]	18,9	ATE				A02202	
	121	03/99 → 09/02	●		P86002MM	[-]	15	ATE				A02315	
	125	05/99 → 09/02	●	Brake System: 15"	P86013MM	[O]	19,5	ATE				A02202	

--	--	--	--	--	--	--	--	--	--	--	--	--	--	--	--

VOLVO

C70 I Coupé 03/97 → 09/02

2.4	125	05/99 → 09/02	●	Brake System: 16"	P86024MM [-]	19,5	ATE							A02202	
	125	05/99 → 09/02	●	Service-Kit; Brake System: 17"	P86015MM [-]	18,9	ATE							A02202	
	125	05/99 → 09/02	●		P86002MM [-]	15	ATE							A02315	
2.4 T	142	03/97 → 09/02	●	Brake System: 15"	P86013MM [O]	19,5	ATE							A02202	
	142	03/97 → 09/02	●	Brake System: 16"	P86024MM [-]	19,5	ATE							A02202	
	142	03/97 → 09/02	●	Service-Kit; Brake System: 17"	P86015MM [-]	18,9	ATE							A02202	
	142	03/97 → 09/02	●		P86002MM [-]	15	ATE							A02315	

C70 II Convertible 03/06 → 06/13

2.0 D	100	01/08 → 10/09	●	Brake System: 15"; 16"	P24061MM [-]	18,2	ATE								
	100	01/08 → 10/09	●	Brake System: 16.5"	P24057MM [-]	18,5	ATE								
	100	01/08 → 10/09	●		P24148MM [-]	16,1	ATE								
2.4	103	03/06 → 10/09	●	Brake System: 15"; 16"	P24061MM [-]	18,2	ATE							A02202	
	103	03/06 → 10/09	●	Brake System: 16.5"	P24057MM [-]	18,5	ATE							A02202	
	103	03/06 → 10/09	●		P24148MM [-]	16,1	ATE								
2.4 D	120	03/07 → 06/13	●	Brake System: 15"; 16"	P24061MM [-]	18,2	ATE								
	120	03/07 → 06/13	●	Brake System: 16.5"	P24057MM [-]	18,5	ATE								
	120	03/07 → 06/13	●		P24148MM [-]	16,1	ATE								
2.4 i	125	03/06 → 10/09	●	Brake System: 15"; 16"	P24061MM [-]	18,2	ATE							A02202	
	125	03/06 → 10/09	●	Brake System: 16.5"	P24057MM [-]	18,5	ATE							A02202	
	125	03/06 → 10/09	●		P24148MM [-]	16,1	ATE								
D3	110	10/10 → 06/13	●	Brake System: 15"; 16"	P24061MM [-]	18,2	ATE							A02202	
	110	10/10 → 06/13	●	Brake System: 16.5"	P24057MM [-]	18,5	ATE							A02202	
	110	10/10 → 06/13	●		P24148MM [-]	16,1	ATE								
D4	130	10/10 → 06/13	●	Brake System: 15"; 16"	P24061MM [-]	18,2	ATE							A02202	
	130	10/10 → 06/13	●	Brake System: 16.5"	P24057MM [-]	18,5	ATE							A02202	
	130	10/10 → 06/13	●		P24148MM [-]	16,1	ATE								
D5	132	03/06 → 06/13	●	Brake System: 15"; 16"	P24061MM [-]	18,2	ATE							A02202	
	132	03/06 → 06/13	●	Brake System: 16.5"	P24057MM [-]	18,5	ATE							A02202	
	132	03/06 → 06/13	●		P24148MM [-]	16,1	ATE								
T5	162	03/06 → 02/07	●	Brake System: 15"; 16"	P24061MM [-]	18,2	ATE							A02202	
	162	03/06 → 02/07	●	Brake System: 16.5"	P24057MM [-]	18,5	ATE							A02202	
	162	03/06 → 02/07	●		P24148MM [-]	16,1	ATE								
	169	03/07 → 10/09	●	Brake System: 15"; 16"	P24061MM [-]	18,2	ATE								
	169	03/07 → 10/09	●	Brake System: 16.5"	P24057MM [-]	18,5	ATE								

S40 I (VS) 07/95 → 06/04

1.6	77	09/95 → 08/99	●	→ 06/97	P54022MM [+]	15,1	TRW								
	77	09/95 → 08/99	●	07/97 →	P86017MM [+]	17,3	TRW								
	77	09/95 → 08/99	●		P54023MM [+]	16,8	TRW								
	80	03/99 → 12/03	●		P86017MM [+]	17,3	TRW								
	80	03/99 → 12/03	●		P54023MM [+]	16,8	TRW								
1.8	85	07/95 → 08/99	●	→ 06/97	P54022MM [+]	15,1	TRW								
	85	07/95 → 08/99	●	07/97 →	P86017MM [+]	17,3	TRW								
	85	07/95 → 08/99	●		P54023MM [+]	16,8	TRW								
	90	03/99 → 12/03	●		P86017MM [+]	17,3	TRW								
	90	03/99 → 12/03	●		P54023MM [+]	16,8	TRW								
	85	06/01 → 08/03	●		P86017MM [+]	17,3	TRW								
	85	06/01 → 08/03	●		P54023MM [+]	16,8	TRW								
1.8 i	92	03/98 → 12/03	●		P86017MM [+]	17,3	TRW								
	92	03/98 → 12/03	●		P54023MM [+]	16,8	TRW								
	90	06/01 → 12/03	●		P86017MM [+]	17,3	TRW								
	90	06/01 → 12/03	●		P54023MM [+]	16,8	TRW								



kW



WI

 Th
[mm]

SYS

WI



LENGHT



FK


VOLVO
S40 I (VS) 07/95 → 06/04

1.9 DI	70	03/99 → 07/00	●			P86017MM	[+]	17,3	TRW						
	70	03/99 → 07/00	●			P54023MM	[+]	16,8	TRW						
	75	07/00 → 12/03	●			P86017MM	[+]	17,3	TRW						
	75	07/00 → 12/03	●			P54023MM	[+]	16,8	TRW						
	85	07/00 → 12/03	●			P86017MM	[+]	17,3	TRW						
	85	07/00 → 12/03	●			P54023MM	[+]	16,8	TRW						
1.9 T4	147	05/97 → 07/00	●		→ 06/97	P54022MM	[+]	15,1	TRW						
	147	05/97 → 07/00	●		07/97 →	P86017MM	[+]	17,3	TRW						
	147	05/97 → 07/00	●			P54023MM	[+]	16,8	TRW						
1.9 TD	66	07/95 → 08/99	●		→ 06/97	P54022MM	[+]	15,1	TRW						
	66	07/95 → 08/99	●		07/97 →	P86017MM	[+]	17,3	TRW						
	66	07/95 → 08/99	●			P54023MM	[+]	16,8	TRW						
2.0	100	07/95 → 12/03	●		→ 06/97	P54022MM	[+]	15,1	TRW						
	100	07/95 → 12/03	●		07/97 →	P86017MM	[+]	17,3	TRW						
	100	07/95 → 12/03	●			P54023MM	[+]	16,8	TRW						
	103	07/95 → 08/99	●		→ 06/97	P54022MM	[+]	15,1	TRW						
	103	07/95 → 08/99	●		07/97 →	P86017MM	[+]	17,3	TRW						
	103	07/95 → 08/99	●			P54023MM	[+]	16,8	TRW						
2.0 T	118	10/97 → 12/03	●			P86017MM	[+]	17,3	TRW						
	118	10/97 → 12/03	●			P54023MM	[+]	16,8	TRW						
	121	07/00 → 06/01	●			P86017MM	[+]	17,3	TRW						
	121	07/00 → 06/01	●			P54023MM	[+]	16,8	TRW						
	120	06/01 → 12/03	●			P86017MM	[+]	17,3	TRW						
2.0 T4	147	07/00 → 12/03	●			P86017MM	[+]	17,3	TRW						
	147	07/00 → 12/03	●			P54023MM	[+]	16,8	TRW						

S40 II (MS) 01/04 → 12/12

1.6	74	01/05 → 12/12	●		Brake System: 15"; 16"	P24061MM	[-]	18,2	ATE					A02202	
	74	01/05 → 12/12	●		Brake System: 17"	P24057MM	[-]	18,5	ATE					A02202	
	74	01/05 → 12/12	●			P24148MM	[-]	16,1	ATE						
1.6 D	81	01/05 → 12/12	●		Brake System: 15"; 16"	P24061MM	[-]	18,2	ATE					A02202	
	81	01/05 → 12/12	●		Brake System: 17"	P24057MM	[-]	18,5	ATE					A02202	
	81	01/05 → 12/12	●			P24148MM	[-]	16,1	ATE						
1.6 D2	84	10/10 → 12/12	●		Brake System: 15"; 16"	P24061MM	[-]	18,2	ATE					A02202	
	84	10/10 → 12/12	●		Brake System: 17"	P24057MM	[-]	18,5	ATE					A02202	
	84	10/10 → 12/12	●			P24148MM	[-]	16,1	ATE						
1.8	92	04/04 → 12/10	●		Brake System: 15"; 16"	P24061MM	[-]	18,2	ATE					A02202	
	92	04/04 → 12/10	●		Brake System: 17"	P24057MM	[-]	18,5	ATE					A02202	
	92	04/04 → 12/10	●			P24148MM	[-]	16,1	ATE						
1.8 FlexFuel	92	01/06 → 12/10	●		Brake System: 15"; 16"	P24061MM	[-]	18,2	ATE						
	92	01/06 → 12/10	●		Brake System: 17"	P24057MM	[-]	18,5	ATE						
	92	01/06 → 12/10	●			P24148MM	[-]	16,1	ATE						
2.0	107	10/06 → 12/12	●		Brake System: 15"; 16"	P24061MM	[-]	18,2	ATE					A02202	
	107	10/06 → 12/12	●		Brake System: 17"	P24057MM	[-]	18,5	ATE					A02202	
	107	10/06 → 12/12	●			P24148MM	[-]	16,1	ATE						
2.0 CDI	98	07/05 → 12/06	●		Brake System: 15"; 16"	P24061MM	[-]	18,2	ATE						
	98	07/05 → 12/06	●		Brake System: 17"	P24057MM	[-]	18,5	ATE						
	98	07/05 → 12/06	●			P24148MM	[-]	16,1	ATE						
2.0 D	100	01/04 → 12/10	●		Brake System: 15"; 16"	P24061MM	[-]	18,2	ATE					A02202	
	100	01/04 → 12/10	●		Brake System: 17"	P24057MM	[-]	18,5	ATE					A02202	
	100	01/04 → 12/10	●			P24148MM	[-]	16,1	ATE						
2.0 D4	96	07/05 → 12/06	●		Brake System: 15"; 16"	P24061MM	[-]	18,2	ATE						
	96	07/05 → 12/06	●		Brake System: 17"	P24057MM	[-]	18,5	ATE						
	96	07/05 → 12/06	●			P24148MM	[-]	16,1	ATE						

VOLVO

S40 II (MS) 01/04 → 12/12

2.0 F	107	10/09 → 12/12	●	Brake System: 15"; 16"	P24061MM [-]	18,2	ATE						A02202	
	107	10/09 → 12/12	●	Brake System: 17"	P24057MM [-]	18,5	ATE						A02202	
	107	10/09 → 12/12	●		P24148MM [-]	16,1	ATE							
2.4	103	01/04 → 12/10	●	Brake System: 15"; 16"	P24061MM [-]	18,2	ATE						A02202	
	103	01/04 → 12/10	●	Brake System: 17"	P24057MM [-]	18,5	ATE						A02202	
	103	01/04 → 12/10	●		P24148MM [-]	16,1	ATE							
	125	01/04 → 12/10	●	Brake System: 15"; 16"	P24061MM [-]	18,2	ATE						A02202	
	125	01/04 → 12/10	●	Brake System: 17"	P24057MM [-]	18,5	ATE						A02202	
	125	01/04 → 12/10	●		P24148MM [-]	16,1	ATE							
2.4 AWD	125	08/06 → 12/12	●	Brake System: 15"; 16"	P24061MM [-]	18,2	ATE							
	125	08/06 → 12/12	●	Brake System: 17"	P24057MM [-]	18,5	ATE							
	125	08/06 → 12/12	●		P24148MM [-]	16,1	ATE							
2.4 CDI	120	03/07 → 12/10	●	Brake System: 15"; 16"	P24061MM [-]	18,2	ATE							
	120	03/07 → 12/10	●	Brake System: 17"	P24057MM [-]	18,5	ATE							
	120	03/07 → 12/10	●		P24148MM [-]	16,1	ATE							
2.4 D5	132	03/06 → 12/10	●	Brake System: 15"; 16"	P24061MM [-]	18,2	ATE						A02202	
	132	03/06 → 12/10	●	Brake System: 17"	P24057MM [-]	18,5	ATE						A02202	
	132	03/06 → 12/10	●		P24148MM [-]	16,1	ATE							
D3	110	10/10 → 12/12	●	Brake System: 15"; 16"	P24061MM [-]	18,2	ATE						A02202	
	110	10/10 → 12/12	●	Brake System: 17"	P24057MM [-]	18,5	ATE						A02202	
	110	10/10 → 12/12	●		P24148MM [-]	16,1	ATE							
D4	130	10/10 → 12/12	●	Brake System: 15"; 16"	P24061MM [-]	18,2	ATE						A02202	
	130	10/10 → 12/12	●	Brake System: 17"	P24057MM [-]	18,5	ATE						A02202	
	130	10/10 → 12/12	●		P24148MM [-]	16,1	ATE							
T5	162	01/04 → 12/07	●	Brake System: 15"; 16"	P24061MM [-]	18,2	ATE						A02202	
	162	01/04 → 12/07	●	Brake System: 17"	P24057MM [-]	18,5	ATE						A02202	
	162	01/04 → 12/07	●		P24148MM [-]	16,1	ATE							
	169	03/07 → 12/12	●	Brake System: 15"; 16"	P24061MM [-]	18,2	ATE							
	169	03/07 → 12/12	●	Brake System: 17"	P24057MM [-]	18,5	ATE							
	169	03/07 → 12/12	●		P24148MM [-]	16,1	ATE							
T5 AWD	162	04/04 → 12/07	●	Brake System: 15"; 16"	P24061MM [-]	18,2	ATE						A02202	
	162	04/04 → 12/07	●	Brake System: 17"	P24057MM [-]	18,5	ATE						A02202	
	162	04/04 → 12/07	●		P24148MM [-]	16,1	ATE							
	169	03/07 → 12/10	●	Brake System: 15"; 16"	P24061MM [-]	18,2	ATE							
	169	03/07 → 12/10	●	Brake System: 17"	P24057MM [-]	18,5	ATE							
	169	03/07 → 12/10	●		P24148MM [-]	16,1	ATE							

S60 I 07/00 → 04/10

2.0 T	132	07/00 → 04/10	●	Brake System: 15"; 16"	P86016MM [-]	18,9	ATE						A02202	
	132	07/00 → 04/10	●	Brake System: 17"	P86020MM [-]	18,9	ATE						A02202	
	132	07/00 → 04/10	●		P86014MM [-]	17,5	ATE						A02217	
2.4	103	07/00 → 04/10	●	Brake System: 15"; 16"	P86016MM [-]	18,9	ATE						A02202	
	103	07/00 → 04/10	●	Brake System: 17"	P86020MM [-]	18,9	ATE						A02202	
	103	07/00 → 04/10	●		P86014MM [-]	17,5	ATE						A02217	
	125	11/00 → 04/10	●	Brake System: 15"; 16"	P86016MM [-]	18,9	ATE						A02202	
	125	11/00 → 04/10	●	Brake System: 17"	P86020MM [-]	18,9	ATE						A02202	
	125	11/00 → 04/10	●		P86014MM [-]	17,5	ATE						A02217	
2.4 Bifuel (CNG)	103	07/01 → 04/10	●	Brake System: 15"; 16"	P86016MM [-]	18,9	ATE						A02202	
	103	07/01 → 04/10	●	Brake System: 17"	P86020MM [-]	18,9	ATE						A02202	
	103	07/01 → 04/10	●		P86014MM [-]	17,5	ATE						A02217	
2.4 Bifuel (LPG)	103	07/01 → 04/10	●	Brake System: 15"; 16"	P86016MM [-]	18,9	ATE							
	103	07/01 → 04/10	●	Brake System: 17"	P86020MM [-]	18,9	ATE							
	103	07/01 → 04/10	●		P86014MM [-]	17,5	ATE							
2.4 CDI	85	10/03 → 12/05	●	Brake System: 15"; 16"	P86016MM [-]	18,9	ATE							
	85	10/03 → 12/05	●	Brake System: 17"	P86020MM [-]	18,9	ATE							

										WI			FK	
											LENGHT			

VOLVO

S60 I 07/00 → 04/10

2.4 CDI	85	10/03 → 12/05	●		P86014MM [-]	17,5	ATE							
2.4 D	96	05/01 → 04/10	●	Brake System: 15"; 16"	P86016MM [-]	18,9	ATE						A02202	
	96	05/01 → 04/10	●	Brake System: 17"	P86020MM [-]	18,9	ATE						A02202	
	96	05/01 → 04/10	●		P86014MM [-]	17,5	ATE						A02217	
	93	03/05 → 04/10	●	Brake System: 15"; 16"	P86016MM [-]	18,9	ATE						A02202	
	93	03/05 → 04/10	●	Brake System: 17"	P86020MM [-]	18,9	ATE						A02202	
	93	03/05 → 04/10	●		P86014MM [-]	17,5	ATE						A02217	
	120	07/05 → 12/09	●	Brake System: 15"; 16"	P86016MM [-]	18,9	ATE							
	120	07/05 → 12/09	●	Brake System: 17"	P86020MM [-]	18,9	ATE							
	120	07/05 → 12/09	●		P86014MM [-]	17,5	ATE							
2.4 D5	120	01/01 → 04/10	●	Brake System: 15"; 16"	P86016MM [-]	18,9	ATE						A02202	
	120	01/01 → 04/10	●	Brake System: 17"	P86020MM [-]	18,9	ATE						A02202	
	120	01/01 → 04/10	●		P86014MM [-]	17,5	ATE						A02217	
	136	03/05 → 04/10	●	Brake System: 15"; 16"	P86016MM [-]	18,9	ATE						A02202	
	136	03/05 → 04/10	●	Brake System: 17"	P86020MM [-]	18,9	ATE						A02202	
	136	03/05 → 04/10	●		P86014MM [-]	17,5	ATE						A02217	
2.4 T	147	07/00 → 04/10	●	Brake System: 15"; 16"	P86016MM [-]	18,9	ATE						A02202	
	147	07/00 → 04/10	●	Brake System: 17"	P86020MM [-]	18,9	ATE						A02202	
	147	07/00 → 04/10	●		P86014MM [-]	17,5	ATE						A02217	
2.4 T AWD	147	06/01 → 04/10	●	Brake System: 15"; 16"	P86016MM [-]	18,9	ATE							
	147	06/01 → 04/10	●	Brake System: 17"	P86020MM [-]	18,9	ATE							
	147	06/01 → 04/10	●		P86014MM [-]	17,5	ATE							
2.4 T5	191	04/04 → 04/10	●	Brake System: 15"; 16"	P86016MM [-]	18,9	ATE						A02202	
	191	04/04 → 04/10	●	Brake System: 17"	P86020MM [-]	18,9	ATE						A02202	
	191	04/04 → 04/10	●		P86014MM [-]	17,5	ATE						A02217	
2.5 T	154	01/03 → 04/10	●	Brake System: 15"; 16"	P86016MM [-]	18,9	ATE						A02202	
	154	01/03 → 04/10	●	Brake System: 17"	P86020MM [-]	18,9	ATE						A02202	
	154	01/03 → 04/10	●		P86014MM [-]	17,5	ATE						A02217	
2.5 T AWD	154	07/02 → 04/10	●	Brake System: 15"; 16"	P86016MM [-]	18,9	ATE						A02202	
	154	07/02 → 04/10	●	Brake System: 17"	P86020MM [-]	18,9	ATE						A02202	
	154	07/02 → 04/10	●		P86014MM [-]	17,5	ATE						A02217	
R 2,5 T AWD	221	01/03 → 04/10	●		P23078MM [+]	16	BRE							
	221	01/03 → 04/10	●		P36020MM [-]	15	BRE							
T5	184	07/00 → 04/10	●	Brake System: 15"; 16"	P86016MM [-]	18,9	ATE						A02202	
	184	07/00 → 04/10	●	Brake System: 17"	P86020MM [-]	18,9	ATE						A02202	
	184	07/00 → 04/10	●		P86014MM [-]	17,5	ATE						A02217	

S60 II 04/10 →

1.5 T2	90	10/15 →	●	Brake System: 16"	P24076MM [-]	20,3	ATE							
	90	10/15 →	●	Brake System: 16.5"; 17.5"	P24077MM [-]	18,5/ 20	ATE							
	90	10/15 →	●	solid	P24078MM [-]	16,9	TRW							
	90	10/15 →	●	vented	P86021MM [-]	16,9	TRW							
1.5 T3	112	03/15 →	●	Brake System: 16"	P24076MM [-]	20,3	ATE							
	112	03/15 →	●	Brake System: 16.5"; 17.5"	P24077MM [-]	18,5/ 20	ATE							
	112	03/15 →	●	solid	P24078MM [-]	16,9	TRW							
2.0 AWD	270	06/15 →	●		P86021MM [-]	16,9	TRW							
	88	03/15 →	●	Brake System: 16"	P24076MM [-]	20,3	ATE							
2.0 D2	88	03/15 →	●	Brake System: 16.5"; 17.5"	P24077MM [-]	18,5/ 20	ATE							
	88	03/15 →	●	solid	P24078MM [-]	16,9	TRW							
	88	03/15 →	●	vented	P86021MM [-]	16,9	TRW							

 	kw						wi	Th [mm]	SYS	WI			FK	
											LENGHT			

VOLVO

S60 II 04/10 →

2.0 D3	110	03/15 →	●	Brake System: 16"	P24076MM [-]	20,3	ATE						
	110	03/15 →	●	Brake System: 16.5"; 17.5"	P24077MM [-]	18,5/20	ATE						
	110	03/15 →	●	solid	P24078MM [-]	16,9	TRW						
	110	03/15 →	●	vented	P86021MM [-]	16,9	TRW						
2.0 D4	140	03/15 →	●	Brake System: 16"	P24076MM [-]	20,3	ATE						
	140	03/15 →	●	Brake System: 16.5"; 17.5"	P24077MM [-]	18,5/20	ATE						
	140	03/15 →	●	solid	P24078MM [-]	16,9	TRW						
2.0 D5	140	03/15 →	●	vented	P86021MM [-]	16,9	TRW						
	165	03/15 →	●	Brake System: 16"	P24076MM [-]	20,3	ATE						
	165	03/15 →	●	Brake System: 16.5"; 17.5"	P24077MM [-]	18,5/20	ATE						
	165	03/15 →	●	solid	P24078MM [-]	16,9	TRW						
2.0 T	165	03/15 →	●	vented	P86021MM [-]	16,9	TRW						
	149	04/10 → 12/11	●	Brake System: 16"	P24076MM [-]	20,3	ATE						
	149	04/10 → 12/11	●	Brake System: 16.5"; 17.5"	P24077MM [-]	18,5/20	ATE						
	149	04/10 → 12/11	●	solid	P24078MM [-]	16,9	TRW						
	149	04/10 → 12/11	●	vented	P86021MM [-]	16,9	TRW						
	132	05/12 → 12/15	●	Brake System: 16"; vented	P24076MM [-]	20,3	ATE						
	132	05/12 → 12/15	●	Brake System: 16.5"; 17.5"; vented	P24077MM [-]	18,5/20	ATE						
2.0 T3	132	05/12 → 12/15	●	solid	P24078MM [-]	16,9	TRW						
	132	05/12 → 12/15	●	vented	P86021MM [-]	16,9	TRW						
	112	03/15 →	●	Brake System: 16"	P24076MM [-]	20,3	ATE						
	112	03/15 →	●	Brake System: 16.5"; 17.5"	P24077MM [-]	18,5/20	ATE						
2.0 T4	112	03/15 →	●	solid	P24078MM [-]	16,9	TRW						
	112	03/15 →	●	vented	P86021MM [-]	16,9	TRW						
	140	03/15 →	●	Brake System: 16"	P24076MM [-]	20,3	ATE						
2.4 D4 AWD	140	03/15 →	●	Brake System: 16.5"; 17.5"	P24077MM [-]	18,5/20	ATE						
	140	03/15 →	●	solid	P24078MM [-]	16,9	TRW						
	140	03/15 →	●	vented	P86021MM [-]	16,9	TRW						
2.5 T5	140	03/15 →	●	Brake System: 16"	P24076MM [-]	20,3	ATE						
	186	09/11 →	●	Brake System: 16"	P24076MM [-]	20,3	ATE						
	186	09/11 →	●	Brake System: 16.5"; 17.5"	P24077MM [-]	18,5/20	ATE						
	186	09/11 →	●	solid	P24078MM [-]	16,9	TRW						
2.5 T5 AWD	186	09/11 →	●	vented	P86021MM [-]	16,9	TRW						
	186	09/12 →	●	Brake System: 16"	P24076MM [-]	20,3	ATE						
	186	09/12 →	●	Brake System: 16.5"; 17.5"	P24077MM [-]	18,5/20	ATE						
	186	09/12 →	●	solid	P24078MM [-]	16,9	TRW						
3.0 T AWD	186	09/12 →	●	vented	P86021MM [-]	16,9	TRW						
	258	04/14 →	●	Brake System: 16"	P24076MM [-]	20,3	ATE						
	258	04/14 →	●	Brake System: 16.5"; 17.5"	P24077MM [-]	18,5/20	ATE						
	258	04/14 →	●	solid	P24078MM [-]	16,9	TRW						
3.0 T AWD	258	04/14 →	●	vented	P86021MM [-]	16,9	TRW						

Car	kw	Hourglass	Truck	i	MAGNETI MARELLI	wi	Th [mm]	SYS	WI			FK	
									MAGNETI MARELLI	LENGHT	i	MAGNETI MARELLI	i

VOLVO

S60 II 04/10 →

D3	120	04/10 → 12/14	●	Brake System: 16"	P24076MM	[-]	20,3	ATE					
	120	04/10 → 12/14	●	Brake System: 16.5"; 17.5"	P24077MM	[-]	18,5/20	ATE					
	120	04/10 → 12/14	●	solid	P24078MM	[-]	16,9	TRW					
	120	04/10 → 12/14	●	vented	P86021MM	[-]	16,9	TRW					
	100	05/12 → 12/15	●	Brake System: 16"	P24076MM	[-]	20,3	ATE					
	100	05/12 → 12/15	●	Brake System: 16.5"; 17.5"	P24077MM	[-]	18,5/20	ATE					
	100	05/12 → 12/15	●	solid	P24078MM	[-]	16,9	TRW					
	100	05/12 → 12/15	●	vented	P86021MM	[-]	16,9	TRW					
D4	120	04/10 → 12/14	●	Brake System: 16"	P24076MM	[-]	20,3	ATE					
	120	04/10 → 12/14	●	Brake System: 16.5"; 17.5"	P24077MM	[-]	18,5/20	ATE					
	120	04/10 → 12/14	●	solid	P24078MM	[-]	16,9	TRW					
	120	04/10 → 12/14	●	vented	P86021MM	[-]	16,9	TRW					
	133	09/13 → 12/15	●	Brake System: 16"	P24076MM	[-]	20,3	ATE					
	133	09/13 → 12/15	●	Brake System: 16.5"; 17.5"	P24077MM	[-]	18,5/20	ATE					
	133	09/13 → 12/15	●	solid	P24078MM	[-]	16,9	TRW					
D5	158	04/11 → 12/15	●	Brake System: 16"	P24076MM	[-]	20,3	ATE				A02224	
	158	04/11 → 12/15	●	Brake System: 16.5"; 17.5"	P24077MM	[-]	18,5/20	ATE				A02224	
	158	04/11 → 12/15	●	solid	P24078MM	[-]	16,9	TRW					
	158	04/11 → 12/15	●	vented	P86021MM	[-]	16,9	TRW					
	151	04/10 → 12/11	●	Brake System: 16"	P24076MM	[-]	20,3	ATE					
	151	04/10 → 12/11	●	Brake System: 16.5"; 17.5"	P24077MM	[-]	18,5/20	ATE					
	151	04/10 → 12/11	●	solid	P24078MM	[-]	16,9	TRW					
	151	04/10 → 12/11	●	vented	P86021MM	[-]	16,9	TRW					
	169	04/14 → 12/15	●	Brake System: 16"	P24076MM	[-]	20,3	ATE					
	169	04/14 → 12/15	●	Brake System: 16.5"; 17.5"	P24077MM	[-]	18,5/20	ATE					
D5 AWD	158	04/11 → 12/15	●	Brake System: 16"	P24076MM	[-]	20,3	ATE				A02224	
	158	04/11 → 12/15	●	Brake System: 16.5"; 17.5"	P24077MM	[-]	18,5/20	ATE				A02224	
	158	04/11 → 12/15	●	solid	P24078MM	[-]	16,9	TRW					
	158	04/11 → 12/15	●	vented	P86021MM	[-]	16,9	TRW					
	151	04/10 → 12/11	●	Brake System: 16"	P24076MM	[-]	20,3	ATE					
	151	04/10 → 12/11	●	Brake System: 16.5"; 17.5"	P24077MM	[-]	18,5/20	ATE					
	151	04/10 → 12/11	●	solid	P24078MM	[-]	16,9	TRW					
	151	04/10 → 12/11	●	vented	P86021MM	[-]	16,9	TRW					
	169	04/14 → 12/15	●	Brake System: 16"	P24076MM	[-]	20,3	ATE					
	169	04/14 → 12/15	●	Brake System: 16.5"; 17.5"	P24077MM	[-]	18,5/20	ATE					
	169	04/14 → 12/15	●	solid	P24078MM	[-]	16,9	TRW					
	169	04/14 → 12/15	●	vented	P86021MM	[-]	16,9	TRW					
	DRIVe / D2	84	01/11 → 12/15	●	Brake System: 16"	P24076MM	[-]	20,3	ATE				A02224
84		01/11 → 12/15	●	Brake System: 16.5"; 17.5"	P24077MM	[-]	18,5/20	ATE				A02224	
84		01/11 → 12/15	●	solid	P24078MM	[-]	16,9	TRW					
84		01/11 → 12/15	●	vented	P86021MM	[-]	16,9	TRW					

 	kw						wi	Th [mm]	SYS	WI			FK	
											LENGHT			

VOLVO

S60 II 04/10 →

T3	110	04/10 → 12/15	●	Brake System: 16"	P24076MM [-]	20,3	ATE						
	110	04/10 → 12/15	●	Brake System: 16.5"; 17.5"	P24077MM [-]	18,5/20	ATE						
	110	04/10 → 12/15	●	solid	P24078MM [-]	16,9	TRW						
	110	04/10 → 12/15	●	vented	P86021MM [-]	16,9	TRW						
T4	132	04/10 → 12/15	●	Brake System: 16"	P24076MM [-]	20,3	ATE						
	132	04/10 → 12/15	●	Brake System: 16.5"; 17.5"	P24077MM [-]	18,5/20	ATE						
	132	04/10 → 12/15	●	solid	P24078MM [-]	16,9	TRW						
	132	04/10 → 12/15	●	vented	P86021MM [-]	16,9	TRW						
T4F	132	04/11 → 12/15	●	Brake System: 16"	P24076MM [-]	20,3	ATE						
	132	04/11 → 12/15	●	Brake System: 16.5"; 17.5"	P24077MM [-]	18,5/20	ATE						
	132	04/11 → 12/15	●	solid	P24078MM [-]	16,9	TRW						
	132	04/11 → 12/15	●	vented	P86021MM [-]	16,9	TRW						
T5	177	04/10 → 12/14	●	Brake System: 16"	P24076MM [-]	20,3	ATE						
	177	04/10 → 12/14	●	Brake System: 16.5"; 17.5"	P24077MM [-]	18,5/20	ATE						
	177	04/10 → 12/14	●	solid	P24078MM [-]	16,9	TRW						
	177	04/10 → 12/14	●	vented	P86021MM [-]	16,9	TRW						
	180	09/13 →	●	Brake System: 16"	P24076MM [-]	20,3	ATE						
	180	09/13 →	●	Brake System: 16.5"; 17.5"	P24077MM [-]	18,5/20	ATE						
	180	09/13 →	●	solid	P24078MM [-]	16,9	TRW						
	180	09/13 →	●	vented	P86021MM [-]	16,9	TRW						
	225	08/13 →	●	Brake System: 16"	P24076MM [-]	20,3	ATE						
	225	08/13 →	●	Brake System: 16.5"; 17.5"	P24077MM [-]	18,5/20	ATE						
T5 AWD	180	07/14 →	●	Brake System: 16"	P24076MM [-]	20,3	ATE						
	180	07/14 →	●	Brake System: 16.5"; 17.5"	P24077MM [-]	18,5/20	ATE						
	180	07/14 →	●	solid	P24078MM [-]	16,9	TRW						
	180	07/14 →	●	vented	P86021MM [-]	16,9	TRW						
	187	08/15 →	●	Brake System: 16"	P24076MM [-]	20,3	ATE						
	187	08/15 →	●	Brake System: 16.5"; 17.5"	P24077MM [-]	18,5/20	ATE						
	187	08/15 →	●	solid	P24078MM [-]	16,9	TRW						
	187	08/15 →	●	vented	P86021MM [-]	16,9	TRW						
T6	225	09/13 →	●	Brake System: 16"	P24076MM [-]	20,3	ATE						
	225	09/13 →	●	Brake System: 16.5"; 17.5"	P24077MM [-]	18,5/20	ATE						
	225	09/13 →	●	solid	P24078MM [-]	16,9	TRW						
	225	09/13 →	●	vented	P86021MM [-]	16,9	TRW						
T6 AWD	224	04/10 → 12/15	●	Brake System: 16"	P24076MM [-]	20,3	ATE						
	224	04/10 → 12/15	●	Brake System: 16.5"; 17.5"	P24077MM [-]	18,5/20	ATE						
	224	04/10 → 12/15	●	solid	P24078MM [-]	16,9	TRW						
	224	04/10 → 12/15	●	vented	P86021MM [-]	16,9	TRW						
	242	04/14 → 12/15	●	Brake System: 16"	P24076MM [-]	20,3	ATE						
	242	04/14 → 12/15	●	Brake System: 16.5"; 17.5"	P24077MM [-]	18,5/20	ATE						
	242	04/14 → 12/15	●	solid	P24078MM [-]	16,9	TRW						
	242	04/14 → 12/15	●	vented	P86021MM [-]	16,9	TRW						

Car	kW	Hourglass	Truck	i	MAGNETI MARELLI	wi	Th [mm]	SYS	WI			FK	
									MAGNETI MARELLI	LENGHT	i	MAGNETI MARELLI	i

VOLVO

S60 II 04/10 →

T6 AWD	225	09/15 →	●	Brake System: 16"	P24076MM	[-]	20,3	ATE					
	225	09/15 →	●	Brake System: 16.5"; 17.5"	P24077MM	[-]	18,5/ 20	ATE					
	225	09/15 →		● solid	P24078MM	[-]	16,9	TRW					
	225	09/15 →		● vented	P86021MM	[-]	16,9	TRW					

S70 (LS) 11/96 → 11/00

2.0	93	01/97 → 11/00	●	Brake System: 15"	P86013MM	[O]	19,5	ATE				A02202	
	93	01/97 → 11/00	●	Brake System: 16"	P86024MM	[-]	19,5	ATE				A02202	
	93	01/97 → 11/00	●	Service-Kit; Brake System: 17"	P86015MM	[-]	18,9	ATE				A02202	
	93	01/97 → 11/00	●		P86002MM	[-]	15	ATE				A02315	
	105	01/97 → 11/00	●	Brake System: 15"	P86013MM	[O]	19,5	ATE				A02202	
	105	01/97 → 11/00	●	Brake System: 16"	P86024MM	[-]	19,5	ATE				A02202	
	105	01/97 → 11/00	●	Service-Kit; Brake System: 17"	P86015MM	[-]	18,9	ATE				A02202	
	105	01/97 → 11/00	●		P86002MM	[-]	15	ATE				A02315	
	132	01/97 → 11/00	●	Brake System: 15"	P86013MM	[O]	19,5	ATE				A02202	
	132	01/97 → 11/00	●	Brake System: 16"	P86024MM	[-]	19,5	ATE				A02202	
	132	01/97 → 11/00	●	Service-Kit; Brake System: 17"	P86015MM	[-]	18,9	ATE				A02202	
	132	01/97 → 11/00	●		P86002MM	[-]	15	ATE				A02315	
	120	01/97 → 11/00	●	Brake System: 15"	P86013MM	[O]	19,5	ATE				A02202	
	120	01/97 → 11/00	●	Brake System: 16"	P86024MM	[-]	19,5	ATE				A02202	
120	01/97 → 11/00	●	Service-Kit; Brake System: 17"	P86015MM	[-]	18,9	ATE				A02202		
120	01/97 → 11/00	●		P86002MM	[-]	15	ATE				A02315		
2.0 Turbo	155	01/97 → 11/00	●	Brake System: 15"	P86013MM	[O]	19,5	ATE				A02202	
	155	01/97 → 11/00	●	Brake System: 16"	P86024MM	[-]	19,5	ATE				A02202	
	155	01/97 → 11/00	●	Service-Kit; Brake System: 17"	P86015MM	[-]	18,9	ATE				A02202	
	155	01/97 → 11/00	●		P86002MM	[-]	15	ATE				A02315	
	166	01/97 → 11/00	●	Brake System: 15"	P86013MM	[O]	19,5	ATE				A02202	
	166	01/97 → 11/00	●	Brake System: 16"	P86024MM	[-]	19,5	ATE				A02202	
	166	01/97 → 11/00	●	Service-Kit; Brake System: 17"	P86015MM	[-]	18,9	ATE				A02202	
	166	01/97 → 11/00	●		P86002MM	[-]	15	ATE				A02315	
2.3	195	04/99 → 09/00	●	Brake System: 15"	P86013MM	[O]	19,5	ATE					
	195	04/99 → 09/00	●	Brake System: 16"	P86024MM	[-]	19,5	ATE					
	195	04/99 → 09/00	●	Service-Kit; Brake System: 17"	P86015MM	[-]	18,9	ATE					
	195	04/99 → 09/00	●		P86002MM	[-]	15	ATE					
	177	11/96 → 11/00	●	Brake System: 15"	P86013MM	[O]	19,5	ATE					
	177	11/96 → 11/00	●	Brake System: 16"	P86024MM	[-]	19,5	ATE					
	177	11/96 → 11/00	●	Service-Kit; Brake System: 17"	P86015MM	[-]	18,9	ATE					
	177	11/96 → 11/00	●		P86002MM	[-]	15	ATE					
2.3 T-5	176	01/97 → 11/00	●	Brake System: 15"	P86013MM	[O]	19,5	ATE				A02202	
	176	01/97 → 11/00	●	Brake System: 16"	P86024MM	[-]	19,5	ATE				A02202	
	176	01/97 → 11/00	●	Service-Kit; Brake System: 17"	P86015MM	[-]	18,9	ATE				A02202	
	176	01/97 → 11/00	●		P86002MM	[-]	15	ATE				A02315	
2.3 T5 AWD	177	11/96 → 09/98	●	Brake System: 15"	P86013MM	[O]	19,5	ATE				A02202	
	177	11/96 → 09/98	●	Brake System: 16"	P86024MM	[-]	19,5	ATE				A02202	
	177	11/96 → 09/98	●	Service-Kit; Brake System: 17"	P86015MM	[-]	18,9	ATE				A02202	
	177	11/96 → 09/98	●		P86009MM	[-]	13,9	GIR				A02315	
	184	07/97 → 09/00	●	Brake System: 15"	P86013MM	[O]	19,5	ATE				A02202	
	184	07/97 → 09/00	●	Brake System: 16"	P86024MM	[-]	19,5	ATE				A02202	
	184	07/97 → 09/00	●	Service-Kit; Brake System: 17"	P86015MM	[-]	18,9	ATE				A02202	
	184	07/97 → 09/00	●		P86009MM	[-]	13,9	GIR				A02315	
2.3 Turbo	184	01/97 → 11/00	●	Brake System: 15"	P86013MM	[O]	19,5	ATE				A02202	
	184	01/97 → 11/00	●	Brake System: 16"	P86024MM	[-]	19,5	ATE				A02202	
	184	01/97 → 11/00	●	Service-Kit; Brake System: 17"	P86015MM	[-]	18,9	ATE				A02202	
	184	01/97 → 11/00	●		P86002MM	[-]	15	ATE				A02315	

VOLVO

S70 (LS) 11/96 → 11/00

2.4	106	01/97 → 11/00	●	Brake System: 15"	P86013MM	○	19,5	ATE						A02202
	106	01/97 → 11/00	●	Brake System: 16"	P86024MM	-	19,5	ATE						A02202
	106	01/97 → 11/00	●	Service-Kit; Brake System: 17"	P86015MM	-	18,9	ATE						A02202
	106	01/97 → 11/00	●		P86002MM	-	15	ATE						A02315
	125	01/97 → 11/00	●	Brake System: 15"	P86013MM	○	19,5	ATE						A02202
	125	01/97 → 11/00	●	Brake System: 16"	P86024MM	-	19,5	ATE						A02202
	125	01/97 → 11/00	●	Service-Kit; Brake System: 17"	P86015MM	-	18,9	ATE						A02202
	125	01/97 → 11/00	●		P86002MM	-	15	ATE						A02315
	121	06/98 → 11/00	●	Brake System: 15"	P86013MM	○	19,5	ATE						A02202
	121	06/98 → 11/00	●	Brake System: 16"	P86024MM	-	19,5	ATE						A02202
	121	06/98 → 11/00	●	Service-Kit; Brake System: 17"	P86015MM	-	18,9	ATE						A02202
	121	06/98 → 11/00	●		P86002MM	-	15	ATE						A02315
	103	08/99 → 11/00	●	Brake System: 15"	P86013MM	○	19,5	ATE						A02202
	103	08/99 → 11/00	●	Brake System: 16"	P86024MM	-	19,5	ATE						A02202
	103	08/99 → 11/00	●	Service-Kit; Brake System: 17"	P86015MM	-	18,9	ATE						A02202
	103	08/99 → 11/00	●		P86002MM	-	15	ATE						A02315
2.4 AWD	103	04/99 → 09/00	●	Brake System: 15"	P86013MM	○	19,5	ATE						
	103	04/99 → 09/00	●	Brake System: 16"	P86024MM	-	19,5	ATE						
	103	04/99 → 09/00	●	Service-Kit; Brake System: 17"	P86015MM	-	18,9	ATE						
	103	04/99 → 09/00	●		P86009MM	-	13,9	GIR						
	106	11/96 → 05/99	●	Brake System: 15"	P86013MM	○	19,5	ATE						
	106	11/96 → 05/99	●	Brake System: 16"	P86024MM	-	19,5	ATE						
	106	11/96 → 05/99	●	Service-Kit; Brake System: 17"	P86015MM	-	18,9	ATE						
	106	11/96 → 05/99	●		P86009MM	-	13,9	GIR						
	121	10/98 → 05/99	●	Brake System: 15"	P86013MM	○	19,5	ATE						
	121	10/98 → 05/99	●	Brake System: 16"	P86024MM	-	19,5	ATE						
	121	10/98 → 05/99	●	Service-Kit; Brake System: 17"	P86015MM	-	18,9	ATE						
	121	10/98 → 05/99	●		P86009MM	-	13,9	GIR						
	125	04/99 → 09/00	●	Brake System: 15"	P86013MM	○	19,5	ATE						
	125	04/99 → 09/00	●	Brake System: 16"	P86024MM	-	19,5	ATE						
	125	04/99 → 09/00	●	Service-Kit; Brake System: 17"	P86015MM	-	18,9	ATE						
	125	04/99 → 09/00	●		P86009MM	-	13,9	GIR						
2.4 Bifuel	106	10/98 → 11/00	●	Brake System: 15"	P86013MM	○	19,5	ATE						A02202
	106	10/98 → 11/00	●	Brake System: 16"	P86024MM	-	19,5	ATE						A02202
	106	10/98 → 11/00	●	Service-Kit; Brake System: 17"	P86015MM	-	18,9	ATE						A02202
	106	10/98 → 11/00	●		P86002MM	-	15	ATE						A02315
	103	07/99 → 11/00	●	Brake System: 15"	P86013MM	○	19,5	ATE						A02202
	103	07/99 → 11/00	●	Brake System: 16"	P86024MM	-	19,5	ATE						A02202
	103	07/99 → 11/00	●	Service-Kit; Brake System: 17"	P86015MM	-	18,9	ATE						A02202
	103	07/99 → 11/00	●		P86002MM	-	15	ATE						A02315
2.4 Blu-Fuel	103	07/97 → 09/00	●	Brake System: 15"	P86013MM	○	19,5	ATE						
	103	07/97 → 09/00	●	Brake System: 16"	P86024MM	-	19,5	ATE						
	103	07/97 → 09/00	●	Service-Kit; Brake System: 17"	P86015MM	-	18,9	ATE						
	103	07/97 → 09/00	●		P86002MM	-	15	ATE						
2.4 T5 AWD	142	11/96 → 04/99	●	Brake System: 15"	P86013MM	○	19,5	ATE						A02202
	142	11/96 → 04/99	●	Brake System: 16"	P86024MM	-	19,5	ATE						A02202
	142	11/96 → 04/99	●	Service-Kit; Brake System: 17"	P86015MM	-	18,9	ATE						A02202
	142	11/96 → 04/99	●		P86009MM	-	13,9	GIR						A02315
2.4 Turbo	142	01/97 → 11/00	●	Brake System: 15"	P86013MM	○	19,5	ATE						A02202
	142	01/97 → 11/00	●	Brake System: 16"	P86024MM	-	19,5	ATE						A02202
	142	01/97 → 11/00	●	Service-Kit; Brake System: 17"	P86015MM	-	18,9	ATE						A02202
	142	01/97 → 11/00	●		P86002MM	-	15	ATE						A02315

VOLVO

S70 (LS) 11/96 → 11/00

2.5 TDI	103	01/97 → 11/00	●	Brake System: 15"	P86013MM	[O]	19,5	ATE				A02202	
	103	01/97 → 11/00	●	Brake System: 16"	P86024MM	[-]	19,5	ATE				A02202	
	103	01/97 → 11/00	●	Service-Kit; Brake System: 17"	P86015MM	[-]	18,9	ATE				A02202	
	103	01/97 → 11/00	●		P86002MM	[-]	15	ATE				A02315	
2.5 TDi AWD	103	10/99 → 09/00	●	Brake System: 15"	P86013MM	[O]	19,5	ATE					
	103	10/99 → 09/00	●	Brake System: 16"	P86024MM	[-]	19,5	ATE					
	103	10/99 → 09/00	●	Service-Kit; Brake System: 17"	P86015MM	[-]	18,9	ATE					
	103	10/99 → 09/00	●		P86009MM	[-]	13,9	GIR					

S80 I (TS, XY) 05/98 → 02/08

2.0	120	06/98 → 07/06	●	Brake System: 15"; 16"	P86016MM	[-]	18,9	ATE					
	120	06/98 → 07/06	●	Brake System: 17"	P86020MM	[-]	18,9	ATE					
	120	06/98 → 07/06	●		P86014MM	[-]	17,5	ATE					
2.0 T	166	06/98 → 07/06	●	Brake System: 15"; 16"	P86016MM	[-]	18,9	ATE				A02202	
	166	06/98 → 07/06	●	Brake System: 17"	P86020MM	[-]	18,9	ATE				A02202	
	166	06/98 → 07/06	●		P86014MM	[-]	17,5	ATE				A02217	
	132	12/99 → 07/06	●	Brake System: 15"; 16"	P86016MM	[-]	18,9	ATE				A02202	
	132	12/99 → 07/06	●	Brake System: 17"	P86020MM	[-]	18,9	ATE				A02202	
	132	12/99 → 07/06	●		P86014MM	[-]	17,5	ATE				A02217	
2.4	103	01/99 → 07/06	●	Brake System: 15"; 16"	P86016MM	[-]	18,9	ATE				A02202	
	103	01/99 → 07/06	●	Brake System: 17"	P86020MM	[-]	18,9	ATE				A02202	
	103	01/99 → 07/06	●		P86014MM	[-]	17,5	ATE				A02217	
	125	01/99 → 07/06	●	Brake System: 15"; 16"	P86016MM	[-]	18,9	ATE				A02202	
	125	01/99 → 07/06	●	Brake System: 17"	P86020MM	[-]	18,9	ATE				A02202	
2.4 Bifuel (CNG)	103	09/01 → 07/06	●	Brake System: 15"; 16"	P86016MM	[-]	18,9	ATE				A02202	
	103	09/01 → 07/06	●	Brake System: 17"	P86020MM	[-]	18,9	ATE				A02202	
	103	09/01 → 07/06	●		P86014MM	[-]	17,5	ATE				A02217	
2.4 Bifuel (LPG)	103	09/01 → 07/06	●	Brake System: 15"; 16"	P86016MM	[-]	18,9	ATE					
	103	09/01 → 07/06	●	Brake System: 17"	P86020MM	[-]	18,9	ATE					
	103	09/01 → 07/06	●		P86014MM	[-]	17,5	ATE					
2.4 D	96	10/01 → 07/06	●	Brake System: 15"; 16"	P86016MM	[-]	18,9	ATE				A02202	
	96	10/01 → 07/06	●	Brake System: 17"	P86020MM	[-]	18,9	ATE				A02202	
	96	10/01 → 07/06	●		P86014MM	[-]	17,5	ATE				A02217	
2.4 D5	120	08/01 → 07/06	●	Brake System: 15"; 16"	P86016MM	[-]	18,9	ATE				A02202	
	120	08/01 → 07/06	●	Brake System: 17"	P86020MM	[-]	18,9	ATE				A02202	
	120	08/01 → 07/06	●		P86014MM	[-]	17,5	ATE				A02217	
2.4 T	147	06/00 → 07/06	●	Brake System: 15"; 16"	P86016MM	[-]	18,9	ATE				A02202	
	147	06/00 → 07/06	●	Brake System: 17"	P86020MM	[-]	18,9	ATE				A02202	
	147	06/00 → 07/06	●		P86014MM	[-]	17,5	ATE				A02217	
2.4 T5 AWD	147	04/00 → 09/03	●	Brake System: 15"; 16"	P86016MM	[-]	18,9	ATE				A02202	
	147	04/00 → 09/03	●	Brake System: 17"	P86020MM	[-]	18,9	ATE				A02202	
	147	04/00 → 09/03	●		P86014MM	[-]	17,5	ATE				A02217	
2.5 T	154	03/03 → 07/06	●	Brake System: 15"; 16"	P86016MM	[-]	18,9	ATE				A02202	
	154	03/03 → 07/06	●	Brake System: 17"	P86020MM	[-]	18,9	ATE				A02202	
	154	03/03 → 07/06	●		P86014MM	[-]	17,5	ATE				A02217	
2.5 T AWD	154	07/03 → 07/06	●	Brake System: 15"; 16"	P86016MM	[-]	18,9	ATE				A02202	
	154	07/03 → 07/06	●	Brake System: 17"	P86020MM	[-]	18,9	ATE				A02202	
	154	07/03 → 07/06	●		P86014MM	[-]	17,5	ATE				A02217	
2.5 TDI	103	01/99 → 07/06	●	Brake System: 15"; 16"	P86016MM	[-]	18,9	ATE				A02202	
	103	01/99 → 07/06	●	Brake System: 17"	P86020MM	[-]	18,9	ATE				A02202	
	103	01/99 → 07/06	●		P86014MM	[-]	17,5	ATE				A02217	
2.8 T6	200	05/98 → 07/06	●	Brake System: 15"; 16"	P86016MM	[-]	18,9	ATE				A02202	
	200	05/98 → 07/06	●	Brake System: 17"	P86020MM	[-]	18,9	ATE				A02202	
	200	05/98 → 07/06	●		P86014MM	[-]	17,5	ATE				A02217	

--	--	--	--	--	--	--	--	--	--	--	--	--	--	--

VOLVO

S80 I (TS, XY) 05/98 → 02/08

2.9	150	05/98 → 07/06	●	Brake System: 15"; 16"	P86016MM [-]	18,9	ATE						A02202	
	150	05/98 → 07/06	●	Brake System: 17"	P86020MM [-]	18,9	ATE						A02202	
	150	05/98 → 07/06	●		P86014MM [-]	17,5	ATE						A02217	
	147	03/99 → 07/06	●	Brake System: 15"; 16"	P86016MM [-]	18,9	ATE						A02202	
	147	03/99 → 07/06	●	Brake System: 17"	P86020MM [-]	18,9	ATE						A02202	
	147	03/99 → 07/06	●		P86014MM [-]	17,5	ATE						A02217	
3.0	144	06/01 → 07/06	●	Brake System: 15"; 16"	P86016MM [-]	18,9	ATE						A02202	
	144	06/01 → 07/06	●	Brake System: 17"	P86020MM [-]	18,9	ATE						A02202	
	144	06/01 → 07/06	●		P86014MM [-]	17,5	ATE						A02217	
3.0 T6	200	06/01 → 07/06	●	Brake System: 15"; 16"	P86016MM [-]	18,9	ATE						A02202	
	200	06/01 → 07/06	●	Brake System: 17"	P86020MM [-]	18,9	ATE						A02202	
	200	06/01 → 07/06	●		P86014MM [-]	17,5	ATE						A02217	

S80 II (AS) 03/06 →

1.6 D DRIVE	80	01/10 →	●	Brake System: 16"	P24076MM [-]	20,3	ATE							
	80	01/10 →	●	Brake System: 17"; 18"	P24077MM [-]	18,5/20	ATE							
	80	01/10 →	●	-elect.handbrake	P44017MM [-]	15,7	TRW							
	80	01/10 →	●	+elect.handbrake; solid	P24078MM [-]	16,9	TRW							
	80	01/10 →	●	+elect.handbrake; vented	P86021MM [-]	16,9	TRW							
1.6 DRIVE	84	06/11 →	●	Brake System: 16"	P24076MM [-]	20,3	ATE						A02224	
	84	06/11 →	●	Brake System: 17"; 18"	P24077MM [-]	18,5/20	ATE						A02224	
	84	06/11 →	●	-elect.handbrake	P44017MM [-]	15,7	TRW							
	84	06/11 →	●	+elect.handbrake; solid	P24078MM [-]	16,9	TRW							
	84	06/11 →	●	+elect.handbrake; vented	P86021MM [-]	16,9	TRW							
2.0	107	01/08 →	●	Brake System: 16"	P24076MM [-]	20,3	ATE							
	107	01/08 →	●	Brake System: 17"; 18"	P24077MM [-]	18,5/20	ATE							
	107	01/08 →	●	-elect.handbrake	P44017MM [-]	15,7	TRW							
	107	01/08 →	●	+elect.handbrake; solid	P24078MM [-]	16,9	TRW							
	107	01/08 →	●	+elect.handbrake; vented	P86021MM [-]	16,9	TRW							
2.0 Drive- E	180	12/14 →	●	Brake System: 16"	P24076MM [-]	20,3	ATE							
	180	12/14 →	●	Brake System: 17"; 18"	P24077MM [-]	18,5/20	ATE							
	180	12/14 →	●	-elect.handbrake	P44017MM [-]	15,7	TRW							
	180	12/14 →	●	+elect.handbrake; solid	P24078MM [-]	16,9	TRW							
	180	12/14 →	●	+elect.handbrake; vented	P86021MM [-]	16,9	TRW							
2.0 FlexFuel	107	01/08 →	●	Brake System: 16"	P24076MM [-]	20,3	ATE							
	107	01/08 →	●	Brake System: 17"; 18"	P24077MM [-]	18,5/20	ATE							
	107	01/08 →	●	-elect.handbrake	P44017MM [-]	15,7	TRW							
	107	01/08 →	●	+elect.handbrake; solid	P24078MM [-]	16,9	TRW							
	107	01/08 →	●	+elect.handbrake; vented	P86021MM [-]	16,9	TRW							
2.0 T	149	01/10 →	●	Brake System: 16"	P24076MM [-]	20,3	ATE							
	149	01/10 →	●	Brake System: 17"; 18"	P24077MM [-]	18,5/20	ATE							
	149	01/10 →	●	-elect.handbrake	P44017MM [-]	15,7	TRW							
	149	01/10 →	●	+elect.handbrake; solid	P24078MM [-]	16,9	TRW							
	149	01/10 →	●	+elect.handbrake; vented	P86021MM [-]	16,9	TRW							
2.0 T5	162	01/15 →	●	Brake System: 16"	P24076MM [-]	20,3	ATE							
	162	01/15 →	●	Brake System: 17"; 18"	P24077MM [-]	18,5/20	ATE							
	162	01/15 →	●	+elect.handbrake; vented	P86021MM [-]	16,9	TRW							
	162	01/15 →	●	+elect.handbrake; solid	P24078MM [-]	16,9	TRW							
	162	01/15 →	●	-elect.handbrake	P44017MM [-]	15,7	TRW							

Car Icon	kW	Hourglass Icon	Gear Icon	i	MAGNETI MARELLI	wi	Th [mm]	SYS	WI			FK	
									MAGNETI MARELLI	LENGHT	i	MAGNETI MARELLI	i

VOLVO

S80 II (AS) 03/06 →

2.0 TDi	100	02/08 →	●	Brake System: 16"	P24076MM	[-]	20,3	ATE					
	100	02/08 →	●	Brake System: 17"; 18"	P24077MM	[-]	18,5/20	ATE					
	100	02/08 →		● -elect.handbrake	P44017MM	[-]	15,7	TRW					
	100	02/08 →		● +elect.handbrake; solid	P24078MM	[-]	16,9	TRW					
	100	02/08 →		● +elect.handbrake; vented	P86021MM	[-]	16,9	TRW					
2.4 D	120	03/06 →	●	Brake System: 16"	P24076MM	[-]	20,3	ATE				A02224	
	120	03/06 →	●	Brake System: 17"; 18"	P24077MM	[-]	18,5/20	ATE				A02224	
	120	03/06 →		● -elect.handbrake	P44017MM	[-]	15,7	TRW					
	120	03/06 →		● +elect.handbrake; solid	P24078MM	[-]	16,9	TRW					
	120	03/06 →		● +elect.handbrake; vented	P86021MM	[-]	16,9	TRW					
	129	01/10 →	●	Brake System: 16"	P24076MM	[-]	20,3	ATE					
	129	01/10 →	●	Brake System: 17"; 18"	P24077MM	[-]	18,5/20	ATE					
	129	01/10 →		● -elect.handbrake	P44017MM	[-]	15,7	TRW					
	129	01/10 →		● +elect.handbrake; solid	P24078MM	[-]	16,9	TRW					
	129	01/10 →		● +elect.handbrake; vented	P86021MM	[-]	16,9	TRW					
2.5 T	147	03/06 →	●	Brake System: 16"	P24076MM	[-]	20,3	ATE				A02224	
	147	03/06 →	●	Brake System: 17"; 18"	P24077MM	[-]	18,5/20	ATE				A02224	
	147	03/06 →		● -elect.handbrake	P44017MM	[-]	15,7	TRW					
	147	03/06 →		● +elect.handbrake; solid	P24078MM	[-]	16,9	TRW					
	147	03/06 →		● +elect.handbrake; vented	P86021MM	[-]	16,9	TRW					
	170	01/10 →	●	Brake System: 16"	P24076MM	[-]	20,3	ATE					
	170	01/10 →	●	Brake System: 17"; 18"	P24077MM	[-]	18,5/20	ATE					
	170	01/10 →		● -elect.handbrake	P44017MM	[-]	15,7	TRW					
	170	01/10 →		● +elect.handbrake; solid	P24078MM	[-]	16,9	TRW					
	170	01/10 →		● +elect.handbrake; vented	P86021MM	[-]	16,9	TRW					
	183	09/12 →	●	Brake System: 16"	P24076MM	[-]	20,3	ATE					
	183	09/12 →	●	Brake System: 17"; 18"	P24077MM	[-]	18,5/20	ATE					
	183	09/12 →		● -elect.handbrake	P44017MM	[-]	15,7	TRW					
	183	09/12 →		● +elect.handbrake; solid	P24078MM	[-]	16,9	TRW					
	183	09/12 →		● +elect.handbrake; vented	P86021MM	[-]	16,9	TRW					
187	01/12 →	●	Brake System: 16"	P24076MM	[-]	20,3	ATE						
187	01/12 →	●	Brake System: 17"; 18"	P24077MM	[-]	18,5/20	ATE						
187	01/12 →		● -elect.handbrake	P44017MM	[-]	15,7	TRW						
187	01/12 →		● +elect.handbrake; solid	P24078MM	[-]	16,9	TRW						
187	01/12 →		● +elect.handbrake; vented	P86021MM	[-]	16,9	TRW						
2.5 T AWD	147	10/06 →	●	Brake System: 16"	P24076MM	[-]	20,3	ATE					
	147	10/06 →	●	Brake System: 17"; 18"	P24077MM	[-]	18,5/20	ATE					
	147	10/06 →		● -elect.handbrake	P44017MM	[-]	15,7	TRW					
	147	10/06 →		● +elect.handbrake; solid	P24078MM	[-]	16,9	TRW					
2.5 T FlexFuel	147	05/08 →	●	Brake System: 16"	P24076MM	[-]	20,3	ATE					
	147	05/08 →	●	Brake System: 17"; 18"	P24077MM	[-]	18,5/20	ATE					
	147	05/08 →		● -elect.handbrake	P44017MM	[-]	15,7	TRW					
	147	05/08 →		● +elect.handbrake; solid	P24078MM	[-]	16,9	TRW					
	147	05/08 →		● +elect.handbrake; vented	P86021MM	[-]	16,9	TRW					
170	01/10 →	●	Brake System: 16"	P24076MM	[-]	20,3	ATE						

Car Model	kw	Icon 1	Icon 2	Icon 3	MAGNETI MARELLI	wi	Th [mm]	SYS	WI			FK	
									MAGNETI MARELLI	LENGHT	Icon 4	MAGNETI MARELLI	Icon 5

VOLVO

S80 II (AS) 03/06 →

2.5 T FlexFuel	170	01/10 →	●	Brake System: 17"; 18"	P24077MM [-]	18,5/20	ATE						
	170	01/10 →		● -elect.handbrake	P44017MM [-]	15,7	TRW						
	170	01/10 →		● +elect.handbrake; solid	P24078MM [-]	16,9	TRW						
	170	01/10 →		● +elect.handbrake; vented	P86021MM [-]	16,9	TRW						
3.2	179	01/10 →	●	Brake System: 16"	P24076MM [-]	20,3	ATE					A02224	
	179	01/10 →	●	Brake System: 17"; 18"	P24077MM [-]	18,5/20	ATE					A02224	
	179	01/10 →		● -elect.handbrake	P44017MM [-]	15,7	TRW						
	179	01/10 →		● +elect.handbrake; solid	P24078MM [-]	16,9	TRW						
	179	01/10 →		● +elect.handbrake; vented	P86021MM [-]	16,9	TRW						
	175	03/06 →	●	Brake System: 16"	P24076MM [-]	20,3	ATE						A02224
	175	03/06 →	●	Brake System: 17"; 18"	P24077MM [-]	18,5/20	ATE						A02224
	175	03/06 →		● -elect.handbrake	P44017MM [-]	15,7	TRW						
	175	03/06 →		● +elect.handbrake; solid	P24078MM [-]	16,9	TRW						
	175	03/06 →		● +elect.handbrake; vented	P86021MM [-]	16,9	TRW						
3.2 AWD	179	01/10 →	●	Brake System: 16"	P24076MM [-]	20,3	ATE						A02224
	179	01/10 →	●	Brake System: 17"; 18"	P24077MM [-]	18,5/20	ATE						A02224
	179	01/10 →		● -elect.handbrake	P44017MM [-]	15,7	TRW						
	179	01/10 →		● +elect.handbrake; solid	P24078MM [-]	16,9	TRW						
	179	01/10 →		● +elect.handbrake; vented	P86021MM [-]	16,9	TRW						
	175	01/07 →	●	Brake System: 16"	P24076MM [-]	20,3	ATE						
	175	01/07 →	●	Brake System: 17"; 18"	P24077MM [-]	18,5/20	ATE						
	175	01/07 →		● -elect.handbrake	P44017MM [-]	15,7	TRW						
4.4 V8 AWD	232	03/06 →	●	Brake System: 16"	P24076MM [-]	20,3	ATE						A02224
	232	03/06 →	●	Brake System: 17"; 18"	P24077MM [-]	18,5/20	ATE						A02224
	232	03/06 →		● -elect.handbrake	P44017MM [-]	15,7	TRW						
	232	03/06 →		● +elect.handbrake; solid	P24078MM [-]	16,9	TRW						
	232	03/06 →		● +elect.handbrake; vented	P86021MM [-]	16,9	TRW						
D3	100	05/12 →	●	Brake System: 16"	P24076MM [-]	20,3	ATE						
	100	05/12 →	●	Brake System: 17"; 18"	P24077MM [-]	18,5/20	ATE						
	100	05/12 →		● -elect.handbrake	P44017MM [-]	15,7	TRW						
	100	05/12 →		● +elect.handbrake; solid	P24078MM [-]	16,9	TRW						
	100	05/12 →		● +elect.handbrake; vented	P86021MM [-]	16,9	TRW						
D3 / D4	120	01/10 →	●	Brake System: 16"	P24076MM [-]	20,3	ATE						A02224
	120	01/10 →	●	Brake System: 17"; 18"	P24077MM [-]	18,5/20	ATE						A02224
	120	01/10 →		● -elect.handbrake	P44017MM [-]	15,7	TRW						
	120	01/10 →		● +elect.handbrake; solid	P24078MM [-]	16,9	TRW						
	120	01/10 →		● +elect.handbrake; vented	P86021MM [-]	16,9	TRW						
D4	133	09/13 →	●	Brake System: 16"	P24076MM [-]	20,3	ATE						
	133	09/13 →	●	Brake System: 17"; 18"	P24077MM [-]	18,5/20	ATE						
	133	09/13 →		● -elect.handbrake	P44017MM [-]	15,7	TRW						
	133	09/13 →		● +elect.handbrake; solid	P24078MM [-]	16,9	TRW						
	133	09/13 →		● +elect.handbrake; vented	P86021MM [-]	16,9	TRW						

Car Icon	kw	Hourglass	Truck	i	MAGNETI MARELLI	wi	Th [mm]	SYS	WI			FK	
									MAGNETI MARELLI	LENGHT	i	MAGNETI MARELLI	i

VOLVO

S80 II (AS) 03/06 →

D5	158	06/11 →	●	Brake System: 16"	P24076MM	[-]	20,3	ATE					A02224		
	158	06/11 →	●	Brake System: 17"; 18"	P24077MM	[-]	18,5/20	ATE					A02224		
	158	06/11 →		● -elect.handbrake	P44017MM	[-]	15,7	TRW							
	158	06/11 →		● +elect.handbrake; solid	P24078MM	[-]	16,9	TRW							
	158	06/11 →		● +elect.handbrake; vented	P86021MM	[-]	16,9	TRW							
	136	03/06 →	●	Brake System: 16"	P24076MM	[-]	20,3	ATE						A02224	
	136	03/06 →	●	Brake System: 17"; 18"	P24077MM	[-]	18,5/20	ATE						A02224	
	136	03/06 →		● -elect.handbrake	P44017MM	[-]	15,7	TRW							
	136	03/06 →		● +elect.handbrake; solid	P24078MM	[-]	16,9	TRW							
	136	03/06 →		● +elect.handbrake; vented	P86021MM	[-]	16,9	TRW							
	151	01/10 →	●	Brake System: 16"	P24076MM	[-]	20,3	ATE							
	151	01/10 →	●	Brake System: 17"; 18"	P24077MM	[-]	18,5/20	ATE							
	151	01/10 →		● -elect.handbrake	P44017MM	[-]	15,7	TRW							
	151	01/10 →		● +elect.handbrake; solid	P24078MM	[-]	16,9	TRW							
	151	01/10 →		● +elect.handbrake; vented	P86021MM	[-]	16,9	TRW							
D5 AWD	158	06/11 →	●	Brake System: 16"	P24076MM	[-]	20,3	ATE					A02224		
	158	06/11 →	●	Brake System: 17"; 18"	P24077MM	[-]	18,5/20	ATE					A02224		
	158	06/11 →		● -elect.handbrake	P44017MM	[-]	15,7	TRW							
	158	06/11 →		● +elect.handbrake; solid	P24078MM	[-]	16,9	TRW							
	158	06/11 →		● +elect.handbrake; vented	P86021MM	[-]	16,9	TRW							
	136	01/07 →	●	Brake System: 16"	P24076MM	[-]	20,3	ATE							
	136	01/07 →	●	Brake System: 17"; 18"	P24077MM	[-]	18,5/20	ATE							
	136	01/07 →		● -elect.handbrake	P44017MM	[-]	15,7	TRW							
	136	01/07 →		● +elect.handbrake; solid	P24078MM	[-]	16,9	TRW							
	136	01/07 →		● +elect.handbrake; vented	P86021MM	[-]	16,9	TRW							
	151	01/10 →	●	Brake System: 16"	P24076MM	[-]	20,3	ATE							
	151	01/10 →	●	Brake System: 17"; 18"	P24077MM	[-]	18,5/20	ATE							
	151	01/10 →		● -elect.handbrake	P44017MM	[-]	15,7	TRW							
	151	01/10 →		● +elect.handbrake; solid	P24078MM	[-]	16,9	TRW							
	151	01/10 →		● +elect.handbrake; vented	P86021MM	[-]	16,9	TRW							
T4	132	10/10 →	●	Brake System: 16"	P24076MM	[-]	20,3	ATE					A02224		
	132	10/10 →	●	Brake System: 17"; 18"	P24077MM	[-]	18,5/20	ATE					A02224		
	132	10/10 →		● -elect.handbrake	P44017MM	[-]	15,7	TRW							
	132	10/10 →		● +elect.handbrake; solid	P24078MM	[-]	16,9	TRW							
	132	10/10 →		● +elect.handbrake; vented	P86021MM	[-]	16,9	TRW							
T4F	132	05/11 →	●	Brake System: 16"	P24076MM	[-]	20,3	ATE							
	132	05/11 →	●	Brake System: 17"; 18"	P24077MM	[-]	18,5/20	ATE							
	132	05/11 →		● -elect.handbrake	P44017MM	[-]	15,7	TRW							
	132	05/11 →		● +elect.handbrake; solid	P24078MM	[-]	16,9	TRW							
T5	177	10/10 →	●	Brake System: 16"	P24076MM	[-]	20,3	ATE					A02224		
	177	10/10 →	●	Brake System: 17"; 18"	P24077MM	[-]	18,5/20	ATE					A02224		
	177	10/10 →		● -elect.handbrake	P44017MM	[-]	15,7	TRW							
	177	10/10 →		● +elect.handbrake; solid	P24078MM	[-]	16,9	TRW							
	177	10/10 →		● +elect.handbrake; vented	P86021MM	[-]	16,9	TRW							
180	09/13 →	●	Brake System: 16"	P24076MM	[-]	20,3	ATE								

Car Model	kw	S	E	i	MAGNETI MARELLI	wi	Th [mm]	SYS	WI			FK	
									MAGNETI MARELLI	LENGHT	i	MAGNETI MARELLI	i

VOLVO

S80 II (AS) 03/06 →

T5	180	09/13 →	•	Brake System: 17"; 18"	P24077MM [-]	18,5/20	ATE						
	180	09/13 →	•	-elect.handbrake	P44017MM [-]	15,7	TRW						
	180	09/13 →	•	+elect.handbrake; solid	P24078MM [-]	16,9	TRW						
	180	09/13 →	•	+elect.handbrake; vented	P86021MM [-]	16,9	TRW						
T6 AWD	224	10/10 →	•	Brake System: 16"	P24076MM [-]	20,3	ATE					A02224	
	224	10/10 →	•	Brake System: 17"; 18"	P24077MM [-]	18,5/20	ATE					A02224	
	224	10/10 →	•	-elect.handbrake	P44017MM [-]	15,7	TRW						
	224	10/10 →	•	+elect.handbrake; solid	P24078MM [-]	16,9	TRW						
	224	10/10 →	•	+elect.handbrake; vented	P86021MM [-]	16,9	TRW						
	210	01/07 →	•	Brake System: 16"	P24076MM [-]	20,3	ATE						
	210	01/07 →	•	Brake System: 17"; 18"	P24077MM [-]	18,5/20	ATE						
	210	01/07 →	•	-elect.handbrake	P44017MM [-]	15,7	TRW						
	210	01/07 →	•	+elect.handbrake; solid	P24078MM [-]	16,9	TRW						
	210	01/07 →	•	+elect.handbrake; vented	P86021MM [-]	16,9	TRW						

V40 Estate (VW) 07/95 → 06/04

1.6	77	12/95 → 08/99	•	→ 06/97	P54022MM [+]	15,1	TRW						
	77	12/95 → 08/99	•	07/97 →	P86017MM [+]	17,3	TRW						
	77	12/95 → 08/99	•		P54023MM [+]	16,8	TRW						
	80	03/99 → 06/04	•		P86017MM [+]	17,3	TRW						
	80	03/99 → 06/04	•		P54023MM [+]	16,8	TRW						
1.8	85	07/95 → 08/99	•	→ 06/97	P54022MM [+]	15,1	TRW						
	85	07/95 → 08/99	•	07/97 →	P86017MM [+]	17,3	TRW						
	85	07/95 → 08/99	•		P54023MM [+]	16,8	TRW						
	90	03/99 → 06/04	•		P86017MM [+]	17,3	TRW						
	90	03/99 → 06/04	•		P54023MM [+]	16,8	TRW						
1.8 i	92	03/98 → 06/04	•		P86017MM [+]	17,3	TRW						
	92	03/98 → 06/04	•		P54023MM [+]	16,8	TRW						
	90	06/01 → 06/04	•		P86017MM [+]	17,3	TRW						
	90	06/01 → 06/04	•		P54023MM [+]	16,8	TRW						
1.9 DI	70	03/99 → 07/00	•		P86017MM [+]	17,3	TRW						
	70	03/99 → 07/00	•		P54023MM [+]	16,8	TRW						
	75	07/00 → 06/04	•		P86017MM [+]	17,3	TRW						
	75	07/00 → 06/04	•		P54023MM [+]	16,8	TRW						
	85	07/00 → 06/04	•		P86017MM [+]	17,3	TRW						
1.9 T4	147	05/97 → 07/00	•	→ 06/97	P54022MM [+]	15,1	TRW						
	147	05/97 → 07/00	•	07/97 →	P86017MM [+]	17,3	TRW						
	147	05/97 → 07/00	•		P54023MM [+]	16,8	TRW						
	66	07/95 → 08/99	•	→ 06/97	P54022MM [+]	15,1	TRW						
1.9 TD	66	07/95 → 08/99	•	07/97 →	P86017MM [+]	17,3	TRW						
	66	07/95 → 08/99	•		P54023MM [+]	16,8	TRW						
	100	07/95 → 06/04	•	→ 06/97	P54022MM [+]	15,1	TRW						
2.0	100	07/95 → 06/04	•	07/97 →	P86017MM [+]	17,3	TRW						
	100	07/95 → 06/04	•		P54023MM [+]	16,8	TRW						
	103	07/95 → 08/99	•	→ 06/97	P54022MM [+]	15,1	TRW						
	103	07/95 → 08/99	•	07/97 →	P86017MM [+]	17,3	TRW						
	103	07/95 → 08/99	•		P54023MM [+]	16,8	TRW						
2.0 T	118	10/97 → 07/00	•		P86017MM [+]	17,3	TRW						
	118	10/97 → 07/00	•		P54023MM [+]	16,8	TRW						
	121	07/99 → 06/04	•		P86017MM [+]	17,3	TRW						
	121	07/99 → 06/04	•		P54023MM [+]	16,8	TRW						

VOLVO

V40 Estate (VW) 07/95 → 06/04

2.0 T	120	06/01 → 06/04	●		P86017MM	[+]	17,3	TRW						
	120	06/01 → 06/04		●	P54023MM	[+]	16,8	TRW						
2.0 T4	147	07/00 → 06/04	●		P86017MM	[+]	17,3	TRW						
	147	07/00 → 06/04		●	P54023MM	[+]	16,8	TRW						

V40 Hatchback 03/12 →

D2	84	03/12 →	●	Brake System: 15"; 16"	P24061MM	[-]	18,2	ATE						
	84	03/12 →	●	Brake System: 17"	P24057MM	[-]	18,5	ATE						
	84	03/12 →		●	P24148MM	[-]	16,1	ATE						
	88	02/15 →	●	Brake System: 15"; 16"	P24061MM	[-]	18,2	ATE						
	88	02/15 →	●	Brake System: 17"	P24057MM	[-]	18,5	ATE						
	88	02/15 →		●	P24148MM	[-]	16,1	ATE						
D3	110	03/12 → 03/15	●	Brake System: 15"; 16"	P24061MM	[-]	18,2	ATE						
	110	03/12 → 03/15	●	Brake System: 17"	P24057MM	[-]	18,5	ATE						
	110	03/12 → 03/15		●	P24148MM	[-]	16,1	ATE						
	110	04/15 →	●	Brake System: 15"; 16"	P24061MM	[-]	18,2	ATE						
	110	04/15 →	●	Brake System: 17"	P24057MM	[-]	18,5	ATE						
	110	04/15 →		●	P24148MM	[-]	16,1	ATE						
D4	130	03/12 →	●	Brake System: 15"; 16"	P24061MM	[-]	18,2	ATE						
	130	03/12 →	●	Brake System: 17"	P24057MM	[-]	18,5	ATE						
	130	03/12 →		●	P24148MM	[-]	16,1	ATE						
	140	05/14 →	●	Brake System: 15"; 16"	P24061MM	[-]	18,2	ATE						
	140	05/14 →	●	Brake System: 17"	P24057MM	[-]	18,5	ATE						
	140	05/14 →		●	P24148MM	[-]	16,1	ATE						
T2	90	02/15 →	●	Brake System: 15"; 16"	P24061MM	[-]	18,2	ATE						
	90	02/15 →	●	Brake System: 17"	P24057MM	[-]	18,5	ATE						
	90	02/15 →		●	P24148MM	[-]	16,1	ATE						
T2 GTDi	88	03/13 → 12/15	●	Brake System: 15"; 16"	P24061MM	[-]	18,2	ATE						
	88	03/13 → 12/15	●	Brake System: 17"	P24057MM	[-]	18,5	ATE						
	88	03/13 → 12/15		●	P24148MM	[-]	16,1	ATE						
T3	112	02/15 →	●	Brake System: 15"; 16"	P24061MM	[-]	18,2	ATE						
	112	02/15 →	●	Brake System: 17"	P24057MM	[-]	18,5	ATE						
	112	02/15 →		●	P24148MM	[-]	16,1	ATE						
T3 GTDi	110	03/12 →	●	Brake System: 15"; 16"	P24061MM	[-]	18,2	ATE						
	110	03/12 →	●	Brake System: 17"	P24057MM	[-]	18,5	ATE						
	110	03/12 →		●	P24148MM	[-]	16,1	ATE						
T4	132	07/13 →	●	Brake System: 15"; 16"	P24061MM	[-]	18,2	ATE						
	132	07/13 →	●	Brake System: 17"	P24057MM	[-]	18,5	ATE						
	132	07/13 →		●	P24148MM	[-]	16,1	ATE						
	147	04/14 →	●	Brake System: 15"; 16"	P24061MM	[-]	18,2	ATE						
	147	04/14 →	●	Brake System: 17"	P24057MM	[-]	18,5	ATE						
	147	04/14 →		●	P24148MM	[-]	16,1	ATE						
	140	08/15 →	●	Brake System: 15"; 16"	P24061MM	[-]	18,2	ATE						
	140	08/15 →	●	Brake System: 17"	P24057MM	[-]	18,5	ATE						
	140	08/15 →		●	P24148MM	[-]	16,1	ATE						
T4 AWD	132	07/13 →	●	Brake System: 15"; 16"	P24061MM	[-]	18,2	ATE						
	132	07/13 →	●	Brake System: 17"	P24057MM	[-]	18,5	ATE						
	132	07/13 →		●	P24148MM	[-]	16,1	ATE						
	140	05/14 →	●	Brake System: 15"; 16"	P24061MM	[-]	18,2	ATE						
	140	05/14 →	●	Brake System: 17"	P24057MM	[-]	18,5	ATE						
	140	05/14 →		●	P24148MM	[-]	16,1	ATE						
T4 GTDi	132	03/12 →	●	Brake System: 15"; 16"	P24061MM	[-]	18,2	ATE						
	132	03/12 →	●	Brake System: 17"	P24057MM	[-]	18,5	ATE						
	132	03/12 →		●	P24148MM	[-]	16,1	ATE						

Car Model	kw	Icon 1	Icon 2	Icon 3	MAGNETI MARELLI	wi	Th [mm]	SYS	WI			FK	
									MAGNETI MARELLI	LENGHT	Icon 4	MAGNETI MARELLI	Icon 5

VOLVO

V40 Hatchback 03/12 →

T4 GTDi AWD	132	03/12 →	●	Brake System: 15"; 16"	P24061MM [-]	18,2	ATE						
	132	03/12 →	●	Brake System: 17"	P24057MM [-]	18,5	ATE						
	132	03/12 →	●		P24148MM [-]	16,1	ATE						
T5	187	12/12 →	●	Brake System: 15"; 16"	P24061MM [-]	18,2	ATE						
	187	12/12 →	●	Brake System: 17"	P24057MM [-]	18,5	ATE						
	187	12/12 →	●		P24148MM [-]	16,1	ATE						
	157	03/13 →	●	Brake System: 15"; 16"	P24061MM [-]	18,2	ATE						
	157	03/13 →	●	Brake System: 17"	P24057MM [-]	18,5	ATE						
	157	03/13 →	●		P24148MM [-]	16,1	ATE						
	180	05/14 →	●	Brake System: 15"; 16"	P24061MM [-]	18,2	ATE						
	180	05/14 →	●	Brake System: 17"	P24057MM [-]	18,5	ATE						
	180	05/14 →	●		P24148MM [-]	16,1	ATE						
	183	01/14 →	●	Brake System: 15"; 16"	P24061MM [-]	18,2	ATE						
	183	01/14 →	●	Brake System: 17"	P24057MM [-]	18,5	ATE						
	183	01/14 →	●		P24148MM [-]	16,1	ATE						
T5 AWD	157	03/13 →	●	Brake System: 15"; 16"	P24061MM [-]	18,2	ATE						
	157	03/13 →	●	Brake System: 17"	P24057MM [-]	18,5	ATE						
	157	03/13 →	●		P24148MM [-]	16,1	ATE						
	187	01/13 →	●	Brake System: 15"; 16"	P24061MM [-]	18,2	ATE						
	187	01/13 →	●	Brake System: 17"	P24057MM [-]	18,5	ATE						
	187	01/13 →	●		P24148MM [-]	16,1	ATE						
	180	05/14 →	●	Brake System: 15"; 16"	P24061MM [-]	18,2	ATE						
	180	05/14 →	●	Brake System: 17"	P24057MM [-]	18,5	ATE						
	180	05/14 →	●		P24148MM [-]	16,1	ATE						

V50 (MW) 12/03 → 12/12

1.6	74	01/05 → 12/12	●	Brake System: 15"; 16"	P24061MM [-]	18,2	ATE					A02202	
	74	01/05 → 12/12	●	Brake System: 17"	P24057MM [-]	18,5	ATE					A02202	
	74	01/05 → 12/12	●		P24148MM [-]	16,1	ATE						
1.6 D	81	01/05 → 12/11	●	Brake System: 15"; 16"	P24061MM [-]	18,2	ATE					A02202	
	81	01/05 → 12/11	●	Brake System: 17"	P24057MM [-]	18,5	ATE					A02202	
	81	01/05 → 12/11	●		P24148MM [-]	16,1	ATE						
1.6 D2	84	01/10 → 12/12	●	Brake System: 15"; 16"	P24061MM [-]	18,2	ATE						
	84	01/10 → 12/12	●	Brake System: 17"	P24057MM [-]	18,5	ATE						
	84	01/10 → 12/12	●		P24148MM [-]	16,1	ATE						
1.8	92	04/04 → 12/10	●	Brake System: 15"; 16"	P24061MM [-]	18,2	ATE					A02202	
	92	04/04 → 12/10	●	Brake System: 17"	P24057MM [-]	18,5	ATE					A02202	
	92	04/04 → 12/10	●		P24148MM [-]	16,1	ATE						
1.8 FlexFuel	92	01/05 → 12/10	●	Brake System: 15"; 16"	P24061MM [-]	18,2	ATE						
	92	01/05 → 12/10	●	Brake System: 17"	P24057MM [-]	18,5	ATE						
	92	01/05 → 12/10	●		P24148MM [-]	16,1	ATE						
2.0	107	10/06 → 12/12	●	Brake System: 15"; 16"	P24061MM [-]	18,2	ATE					A02202	
	107	10/06 → 12/12	●	Brake System: 17"	P24057MM [-]	18,5	ATE					A02202	
	107	10/06 → 12/12	●		P24148MM [-]	16,1	ATE						
2.0 CDI	98	12/03 → 12/06	●	Brake System: 15"; 16"	P24061MM [-]	18,2	ATE						
	98	12/03 → 12/06	●	Brake System: 17"	P24057MM [-]	18,5	ATE						
	98	12/03 → 12/06	●		P24148MM [-]	16,1	ATE						
2.0 D	100	04/04 → 12/10	●	Brake System: 15"; 16"	P24061MM [-]	18,2	ATE					A02202	
	100	04/04 → 12/10	●	Brake System: 17"	P24057MM [-]	18,5	ATE					A02202	
	100	04/04 → 12/10	●		P24148MM [-]	16,1	ATE						
2.0 FlexFuel	107	01/10 → 12/12	●	Brake System: 15"; 16"	P24061MM [-]	18,2	ATE						
	107	01/10 → 12/12	●	Brake System: 17"	P24057MM [-]	18,5	ATE						
	107	01/10 → 12/12	●		P24148MM [-]	16,1	ATE						

VOLVO

V50 (MW) 12/03 → 12/12

2.4	103	04/04 → 12/10	●	Brake System: 15"; 16"	P24061MM	[-]	18,2	ATE						A02202	
	103	04/04 → 12/10	●	Brake System: 17"	P24057MM	[-]	18,5	ATE						A02202	
	103	04/04 → 12/10	●		P24148MM	[-]	16,1	ATE							
	125	04/04 → 12/10	●	Brake System: 15"; 16"	P24061MM	[-]	18,2	ATE						A02202	
	125	04/04 → 12/10	●	Brake System: 17"	P24057MM	[-]	18,5	ATE						A02202	
	125	04/04 → 12/10	●		P24148MM	[-]	16,1	ATE							
2.4 AWD	125	08/06 → 12/09	●	Brake System: 15"; 16"	P24061MM	[-]	18,2	ATE							
	125	08/06 → 12/09	●	Brake System: 17"	P24057MM	[-]	18,5	ATE							
	125	08/06 → 12/09	●		P24148MM	[-]	16,1	ATE							
2.4 D5	132	03/06 → 12/10	●	Brake System: 15"; 16"	P24061MM	[-]	18,2	ATE						A02202	
	132	03/06 → 12/10	●	Brake System: 17"	P24057MM	[-]	18,5	ATE						A02202	
	132	03/06 → 12/10	●		P24148MM	[-]	16,1	ATE							
2.4 Tdi	120	05/07 → 12/10	●	Brake System: 15"; 16"	P24061MM	[-]	18,2	ATE							
	120	05/07 → 12/10	●	Brake System: 17"	P24057MM	[-]	18,5	ATE							
	120	05/07 → 12/10	●		P24148MM	[-]	16,1	ATE							
D3	110	10/10 → 12/12	●	Brake System: 15"; 16"	P24061MM	[-]	18,2	ATE						A02202	
	110	10/10 → 12/12	●	Brake System: 17"	P24057MM	[-]	18,5	ATE						A02202	
	110	10/10 → 12/12	●		P24148MM	[-]	16,1	ATE							
D4	130	10/10 → 12/12	●	Brake System: 15"; 16"	P24061MM	[-]	18,2	ATE						A02202	
	130	10/10 → 12/12	●	Brake System: 17"	P24057MM	[-]	18,5	ATE						A02202	
	130	10/10 → 12/12	●		P24148MM	[-]	16,1	ATE							
T5	162	04/04 → 12/07	●	Brake System: 15"; 16"	P24061MM	[-]	18,2	ATE						A02202	
	162	04/04 → 12/07	●	Brake System: 17"	P24057MM	[-]	18,5	ATE						A02202	
	162	04/04 → 12/07	●		P24148MM	[-]	16,1	ATE							
	169	03/07 → 12/12	●	Brake System: 15"; 16"	P24061MM	[-]	18,2	ATE							
	169	03/07 → 12/12	●	Brake System: 17"	P24057MM	[-]	18,5	ATE							
	169	03/07 → 12/12	●		P24148MM	[-]	16,1	ATE							
T5 AWD	162	04/04 → 12/07	●	Brake System: 15"; 16"	P24061MM	[-]	18,2	ATE						A02202	
	162	04/04 → 12/07	●	Brake System: 17"	P24057MM	[-]	18,5	ATE						A02202	
	162	04/04 → 12/07	●		P24148MM	[-]	16,1	ATE							
	169	03/07 → 12/10	●	Brake System: 15"; 16"	P24061MM	[-]	18,2	ATE							
	169	03/07 → 12/10	●	Brake System: 17"	P24057MM	[-]	18,5	ATE							
	169	03/07 → 12/10	●		P24148MM	[-]	16,1	ATE							

V60 07/10 →

1.5 T2	90	10/15 →	●	Brake System: 16"	P24076MM	[-]	20,3	ATE							
	90	10/15 →	●	Brake System: 17"; 18"	P24077MM	[-]	18,5/ 20	ATE							
	90	10/15 →	●	solid	P86021MM	[-]	16,9	TRW							
	90	10/15 →	●	vented	P24078MM	[-]	16,9	TRW							
1.6 DRIVE	84	02/11 → 12/15	●	Brake System: 16"	P24076MM	[-]	20,3	ATE						A02224	
	84	02/11 → 12/15	●	Brake System: 17"; 18"	P24077MM	[-]	18,5/ 20	ATE						A02224	
	84	02/11 → 12/15	●	solid	P24078MM	[-]	16,9	TRW							
	84	02/11 → 12/15	●	vented	P86021MM	[-]	16,9	TRW							
2.0 AWD	270	06/15 →	●	Brake System: 16"	P24076MM	[-]	20,3	ATE							
	270	06/15 →	●	Brake System: 17"; 18"	P24077MM	[-]	18,5/ 20	ATE							
	270	06/15 →	●	solid	P24078MM	[-]	16,9	TRW							
2.0 D2	270	06/15 →	●	vented	P86021MM	[-]	16,9	TRW							
	88	03/15 →	●	Brake System: 16"	P24076MM	[-]	20,3	ATE							
	88	03/15 →	●	Brake System: 17"; 18"	P24077MM	[-]	18,5/ 20	ATE							
	88	03/15 →	●	solid	P24078MM	[-]	16,9	TRW							
	88	03/15 →	●	vented	P86021MM	[-]	16,9	TRW							

 	kw						wi	Th [mm]	SYS	WI			FK	
											LENGHT			

VOLVO

V60 07/10→

2.0 D3	110	03/15→	●	Brake System: 16"	P24076MM [-]	20,3	ATE						
	110	03/15→	●	Brake System: 17"; 18"	P24077MM [-]	18,5/20	ATE						
	110	03/15→		● solid	P24078MM [-]	16,9	TRW						
	110	03/15→		● vented	P86021MM [-]	16,9	TRW						
2.0 D4	140	03/15→	●	Brake System: 16"	P24076MM [-]	20,3	ATE						
	140	03/15→	●	Brake System: 17"; 18"	P24077MM [-]	18,5/20	ATE						
	140	03/15→		● solid	P24078MM [-]	16,9	TRW						
2.0 T	140	03/15→		● vented	P86021MM [-]	16,9	TRW						
	149	07/10→ 12/12	●	Brake System: 16"	P24076MM [-]	20,3	ATE						
	149	07/10→ 12/12	●	Brake System: 17"; 18"	P24077MM [-]	18,5/20	ATE						
	149	07/10→ 12/12		● solid	P24078MM [-]	16,9	TRW						
2.0 T4	149	07/10→ 12/12		● vented	P86021MM [-]	16,9	TRW						
	140	03/15→	●	Brake System: 16"	P24076MM [-]	20,3	ATE						
	140	03/15→	●	Brake System: 17"; 18"	P24077MM [-]	18,5/20	ATE						
2.0 T4	140	03/15→		● solid	P24078MM [-]	16,9	TRW						
	140	03/15→		● vented	P86021MM [-]	16,9	TRW						
	158	04/11→ 12/15	●	Brake System: 16"	P24076MM [-]	20,3	ATE					A02224	
2.4 D5	158	04/11→ 12/15	●	Brake System: 17"; 18"	P24077MM [-]	18,5/20	ATE						A02224
	158	04/11→ 12/15		● solid	P24078MM [-]	16,9	TRW						
	158	04/11→ 12/15		● vented	P86021MM [-]	16,9	TRW						
	158	04/11→ 12/15	●	Brake System: 16"	P24076MM [-]	20,3	ATE					A02224	
2.4 D5 AWD	158	04/11→ 12/15	●	Brake System: 17"; 18"	P24077MM [-]	18,5/20	ATE						A02224
	158	04/11→ 12/15		● solid	P24078MM [-]	16,9	TRW						
	158	04/11→ 12/15		● vented	P86021MM [-]	16,9	TRW						
2.4 D5 Hybrid AWD	120	03/15→	●	Brake System: 16"	P24076MM [-]	20,3	ATE						
	120	03/15→	●	Brake System: 17"; 18"	P24077MM [-]	18,5/20	ATE						
	120	03/15→		● solid	P24078MM [-]	16,9	TRW						
	120	03/15→		● vented	P86021MM [-]	16,9	TRW						
2.4 Hybrid D6 AWD	158	06/12→ 12/15	●	Brake System: 16"	P24076MM [-]	20,3	ATE						
	158	06/12→ 12/15	●	Brake System: 17"; 18"	P24077MM [-]	18,5/20	ATE						
	158	06/12→ 12/15		● solid	P24078MM [-]	16,9	TRW						
	158	06/12→ 12/15		● vented	P86021MM [-]	16,9	TRW						
3.0 T AWD	258	04/14→	●	Brake System: 16"	P24076MM [-]	20,3	ATE						
	258	04/14→	●	Brake System: 17"; 18"	P24077MM [-]	18,5/20	ATE						
	258	04/14→		● solid	P24078MM [-]	16,9	TRW						
	258	04/14→		● vented	P86021MM [-]	16,9	TRW						
D3	100	05/12→ 12/15	●	Brake System: 16"	P24076MM [-]	20,3	ATE						
	100	05/12→ 12/15	●	Brake System: 17"; 18"	P24077MM [-]	18,5/20	ATE						
	100	05/12→ 12/15		● solid	P24078MM [-]	16,9	TRW						
	100	05/12→ 12/15		● vented	P86021MM [-]	16,9	TRW						
D3 / D4	120	07/10→ 12/14	●	Brake System: 16"	P24076MM [-]	20,3	ATE						A02224
	120	07/10→ 12/14	●	Brake System: 17"; 18"	P24077MM [-]	18,5/20	ATE						A02224
	120	07/10→ 12/14		● solid	P24078MM [-]	16,9	TRW						
	120	07/10→ 12/14		● vented	P86021MM [-]	16,9	TRW						

		kW					wi	Th [mm]	SYS	WI			FK	
											LENGHT			

VOLVO

V60 07/10 →

D4	133	10/13 → 12/15	●	Brake System: 16"	P24076MM	[-]	20,3	ATE						
	133	10/13 → 12/15	●	Brake System: 17"; 18"	P24077MM	[-]	18,5/20	ATE						
	133	10/13 → 12/15	●	solid	P24078MM	[-]	16,9	TRW						
	133	10/13 → 12/15	●	vented	P86021MM	[-]	16,9	TRW						
D4 AWD	120	05/12 →	●	Brake System: 16"	P24076MM	[-]	20,3	ATE						
	120	05/12 →	●	Brake System: 17"; 18"	P24077MM	[-]	18,5/20	ATE						
	120	05/12 →	●	solid	P24078MM	[-]	16,9	TRW						
	120	05/12 →	●	vented	P86021MM	[-]	16,9	TRW						
	133	10/13 → 12/15	●	Brake System: 16"	P24076MM	[-]	20,3	ATE						
	133	10/13 → 12/15	●	Brake System: 17"; 18"	P24077MM	[-]	18,5/20	ATE						
	133	10/13 → 12/15	●	solid	P24078MM	[-]	16,9	TRW						
	133	10/13 → 12/15	●	vented	P86021MM	[-]	16,9	TRW						
	140	03/15 →	●	Brake System: 16"	P24076MM	[-]	20,3	ATE						
	140	03/15 →	●	Brake System: 17"; 18"	P24077MM	[-]	18,5/20	ATE						
	140	03/15 →	●	solid	P24078MM	[-]	16,9	TRW						
	140	03/15 →	●	vented	P86021MM	[-]	16,9	TRW						
D5	151	07/10 → 12/11	●	Brake System: 16"	P24076MM	[-]	20,3	ATE						
	151	07/10 → 12/11	●	Brake System: 17"; 18"	P24077MM	[-]	18,5/20	ATE						
	151	07/10 → 12/11	●	solid	P24078MM	[-]	16,9	TRW						
	151	07/10 → 12/11	●	vented	P86021MM	[-]	16,9	TRW						
	169	04/14 → 12/15	●	Brake System: 16"	P24076MM	[-]	20,3	ATE						
	169	04/14 → 12/15	●	Brake System: 17"; 18"	P24077MM	[-]	18,5/20	ATE						
	169	04/14 → 12/15	●	solid	P24078MM	[-]	16,9	TRW						
	169	04/14 → 12/15	●	vented	P86021MM	[-]	16,9	TRW						
	165	03/15 →	●	Brake System: 16"	P24076MM	[-]	20,3	ATE						
	165	03/15 →	●	Brake System: 17"; 18"	P24077MM	[-]	18,5/20	ATE						
	165	03/15 →	●	solid	P24078MM	[-]	16,9	TRW						
	165	03/15 →	●	vented	P86021MM	[-]	16,9	TRW						
D5 AWD	151	07/10 → 12/11	●	Brake System: 16"	P24076MM	[-]	20,3	ATE						
	151	07/10 → 12/11	●	Brake System: 17"; 18"	P24077MM	[-]	18,5/20	ATE						
	151	07/10 → 12/11	●	solid	P24078MM	[-]	16,9	TRW						
	151	07/10 → 12/11	●	vented	P86021MM	[-]	16,9	TRW						
	169	04/14 → 12/15	●	Brake System: 16"	P24076MM	[-]	20,3	ATE						
	169	04/14 → 12/15	●	Brake System: 17"; 18"	P24077MM	[-]	18,5/20	ATE						
	169	04/14 → 12/15	●	solid	P24078MM	[-]	16,9	TRW						
	169	04/14 → 12/15	●	vented	P86021MM	[-]	16,9	TRW						
D6 Hybrid AWD	162	03/15 →	●	Brake System: 16"	P24076MM	[-]	20,3	ATE						
	162	03/15 →	●	Brake System: 17"; 18"	P24077MM	[-]	18,5/20	ATE						
	162	03/15 →	●	solid	P24078MM	[-]	16,9	TRW						
	162	03/15 →	●	vented	P86021MM	[-]	16,9	TRW						
T3	110	09/10 → 12/15	●	Brake System: 16"	P24076MM	[-]	20,3	ATE					A02224	
	110	09/10 → 12/15	●	Brake System: 17"; 18"	P24077MM	[-]	18,5/20	ATE					A02224	
	110	09/10 → 12/15	●	solid	P24078MM	[-]	16,9	TRW						
	110	09/10 → 12/15	●	vented	P86021MM	[-]	16,9	TRW						

Car Model	kw	S	V	i	MAGNETI MARELLI	wi	Th [mm]	SYS	WI			FK	
									MAGNETI MARELLI	LENGHT	i	MAGNETI MARELLI	i

VOLVO

V60 07/10→

T3	112	03/15→	●	Brake System: 16"	P24076MM [-]	20,3	ATE						
	112	03/15→	●	Brake System: 17"; 18"	P24077MM [-]	18,5/20	ATE						
	112	03/15→		● solid	P24078MM [-]	16,9	TRW						
	112	03/15→		● vented	P86021MM [-]	16,9	TRW						
T4	132	09/10→ 12/15	●	Brake System: 16"	P24076MM [-]	20,3	ATE					A02224	
	132	09/10→ 12/15	●	Brake System: 17"; 18"	P24077MM [-]	18,5/20	ATE					A02224	
	132	09/10→ 12/15		● solid	P24078MM [-]	16,9	TRW						
	132	09/10→ 12/15		● vented	P86021MM [-]	16,9	TRW						
T4F	132	04/11→ 12/15	●	Brake System: 16"	P24076MM [-]	20,3	ATE					A02224	
	132	04/11→ 12/15	●	Brake System: 17"; 18"	P24077MM [-]	18,5/20	ATE					A02224	
	132	04/11→ 12/15		● solid	P24078MM [-]	16,9	TRW						
	132	04/11→ 12/15		● vented	P86021MM [-]	16,9	TRW						
T5	177	09/10→ 12/14	●	Brake System: 16"	P24076MM [-]	20,3	ATE					A02224	
	177	09/10→ 12/14	●	Brake System: 17"; 18"	P24077MM [-]	18,5/20	ATE					A02224	
	177	09/10→ 12/14		● solid	P24078MM [-]	16,9	TRW						
	177	09/10→ 12/14		● vented	P86021MM [-]	16,9	TRW						
	180	10/13→	●	Brake System: 16"	P24076MM [-]	20,3	ATE						
	180	10/13→	●	Brake System: 17"; 18"	P24077MM [-]	18,5/20	ATE						
	180	10/13→		● solid	P24078MM [-]	16,9	TRW						
	180	10/13→		● vented	P86021MM [-]	16,9	TRW						
	157	10/13→	●	Brake System: 16"	P24076MM [-]	20,3	ATE						
	157	10/13→	●	Brake System: 17"; 18"	P24077MM [-]	18,5/20	ATE						
	157	10/13→		● solid	P24078MM [-]	16,9	TRW						
	157	10/13→		● vented	P86021MM [-]	16,9	TRW						
T5 AWD	176	08/12→	●	Brake System: 16"	P24076MM [-]	20,3	ATE						
	176	08/12→	●	Brake System: 17"; 18"	P24077MM [-]	18,5/20	ATE						
	176	08/12→		● solid	P24078MM [-]	16,9	TRW						
	176	08/12→		● vented	P86021MM [-]	16,9	TRW						
	180	07/14→	●	Brake System: 16"	P24076MM [-]	20,3	ATE						
	180	07/14→	●	Brake System: 17"; 18"	P24077MM [-]	18,5/20	ATE						
	180	07/14→		● solid	P24078MM [-]	16,9	TRW						
	180	07/14→		● vented	P86021MM [-]	16,9	TRW						
T6	225	10/13→	●	Brake System: 16"	P24076MM [-]	20,3	ATE						
	225	10/13→	●	Brake System: 17"; 18"	P24077MM [-]	18,5/20	ATE						
	225	10/13→		● solid	P24078MM [-]	16,9	TRW						
	225	10/13→		● vented	P86021MM [-]	16,9	TRW						
	224	07/10→ 12/15	●	Brake System: 16"	P24076MM [-]	20,3	ATE					A02224	
	224	07/10→ 12/15	●	Brake System: 17"; 18"	P24077MM [-]	18,5/20	ATE					A02224	
T6 AWD	224	07/10→ 12/15	●	Brake System: 16"	P24076MM [-]	20,3	ATE					A02224	
	224	07/10→ 12/15	●	Brake System: 17"; 18"	P24077MM [-]	18,5/20	ATE					A02224	
	224	07/10→ 12/15		● solid	P24078MM [-]	16,9	TRW						
	224	07/10→ 12/15		● vented	P86021MM [-]	16,9	TRW						

									WI			FK	
	kw						Th [mm]		MAGNETI MARELLI	LENGHT		MAGNETI MARELLI	

VOLVO

V60 07/10 →

T6 AWD	242	04/14 → 12/15	●	Brake System: 16"	P24076MM	[-]	20,3	ATE					
	242	04/14 → 12/15	●	Brake System: 17"; 18"	P24077MM	[-]	18,5/ 20	ATE					
	242	04/14 → 12/15	●	solid	P24078MM	[-]	16,9	TRW					
	242	04/14 → 12/15	●	vented	P86021MM	[-]	16,9	TRW					
	225	10/13 →	●	Brake System: 16"	P24076MM	[-]	20,3	ATE					
	225	10/13 →	●	Brake System: 17"; 18"	P24077MM	[-]	18,5/ 20	ATE					
	225	10/13 →	●	solid	P24078MM	[-]	16,9	TRW					
	225	10/13 →	●	vented	P86021MM	[-]	16,9	TRW					

V70 I (LV) 12/95 → 12/00

2.0	93	12/95 → 03/00	●		P86013MM	[O]	19,5	ATE					A02202
	93	12/95 → 03/00	●		P86024MM	[-]	19,5	ATE					A02202
	93	12/95 → 03/00	●	Service-Kit	P86015MM	[-]	18,9	ATE					A02202
	93	12/95 → 03/00	●		P86002MM	[-]	15	ATE					A02315
	105	12/95 → 03/00	●		P86013MM	[O]	19,5	ATE					A02202
	105	12/95 → 03/00	●		P86024MM	[-]	19,5	ATE					A02202
	105	12/95 → 03/00	●	Service-Kit	P86015MM	[-]	18,9	ATE					A02202
	105	12/95 → 03/00	●		P86002MM	[-]	15	ATE					A02315
	132	11/96 → 03/00	●		P86013MM	[O]	19,5	ATE					A02202
	132	11/96 → 03/00	●		P86024MM	[-]	19,5	ATE					A02202
	132	11/96 → 03/00	●	Service-Kit	P86015MM	[-]	18,9	ATE					A02202
	132	11/96 → 03/00	●		P86002MM	[-]	15	ATE					A02315
	120	01/97 → 12/00	●		P86013MM	[O]	19,5	ATE					
	120	01/97 → 12/00	●		P86024MM	[-]	19,5	ATE					
	120	01/97 → 12/00	●	Service-Kit	P86015MM	[-]	18,9	ATE					
	120	01/97 → 12/00	●		P86002MM	[-]	15	ATE					
2.0 Turbo	155	12/95 → 03/00	●		P86013MM	[O]	19,5	ATE					A02202
	155	12/95 → 03/00	●		P86024MM	[-]	19,5	ATE					A02202
	155	12/95 → 03/00	●	Service-Kit	P86015MM	[-]	18,9	ATE					A02202
	155	12/95 → 03/00	●		P86002MM	[-]	15	ATE					A02315
	166	11/96 → 12/00	●		P86013MM	[O]	19,5	ATE					A02202
	166	11/96 → 12/00	●		P86024MM	[-]	19,5	ATE					A02202
	166	11/96 → 12/00	●	Service-Kit	P86015MM	[-]	18,9	ATE					A02202
	166	11/96 → 12/00	●		P86002MM	[-]	15	ATE					A02315
2.0 Turbo AWD	166	11/96 → 12/00	●		P86013MM	[O]	19,5	ATE					A02202
	166	11/96 → 12/00	●		P86024MM	[-]	19,5	ATE					A02202
	166	11/96 → 12/00	●	Service-Kit	P86015MM	[-]	18,9	ATE					A02202
2.3	177	11/96 → 11/00	●		P86013MM	[O]	19,5	ATE					
	177	11/96 → 11/00	●		P86024MM	[-]	19,5	ATE					
	177	11/96 → 11/00	●		P86015MM	[-]	18,9	ATE					
	177	11/96 → 11/00	●		P86002MM	[-]	15	ATE					
2.3 AWD	195	12/98 → 02/00	●		P86013MM	[O]	19,5	ATE					
	195	12/98 → 02/00	●		P86024MM	[-]	19,5	ATE					
	195	12/98 → 02/00	●	Service-Kit	P86015MM	[-]	18,9	ATE					
	195	12/98 → 02/00	●		P86009MM	[-]	13,9	GIR					
	177	04/97 → 09/98	●		P86013MM	[O]	19,5	ATE					
	177	04/97 → 09/98	●		P86024MM	[-]	19,5	ATE					
	177	04/97 → 09/98	●	Service-Kit	P86015MM	[-]	18,9	ATE					
	177	04/97 → 09/98	●		P86009MM	[-]	13,9	GIR					
2.3 T AWD	184	04/97 → 03/00	●		P86013MM	[O]	19,5	ATE					A02202
	184	04/97 → 03/00	●		P86024MM	[-]	19,5	ATE					A02202
	184	04/97 → 03/00	●	Service-Kit	P86015MM	[-]	18,9	ATE					A02202

Car Model	KW	Icon 1	Icon 2	Icon 3	MAGNETI MARELLI	WI	Th [mm]	SYS	WI			FK	
									MAGNETI MARELLI	LENGHT	Icon 4	MAGNETI MARELLI	Icon 5

VOLVO

V70 I (LV) 12/95 → 12/00

2.3 T AWD	184	04/97 → 03/00	●			P86009MM	[-]	13,9	GIR				A02315	
	176	11/96 → 12/00	●			P86013MM	[O]	19,5	ATE				A02202	
2.3 T-5	176	11/96 → 12/00	●			P86024MM	[-]	19,5	ATE				A02202	
	176	11/96 → 12/00	●		Service-Kit	P86015MM	[-]	18,9	ATE				A02202	
	176	11/96 → 12/00	●			P86002MM	[-]	15	ATE				A02315	
	176	11/96 → 12/00	●											
2.3 T-5 AWD	176	01/97 → 12/00	●			P86013MM	[O]	19,5	ATE					
	176	01/97 → 12/00	●			P86024MM	[-]	19,5	ATE					
	176	01/97 → 12/00	●		Service-Kit	P86015MM	[-]	18,9	ATE					
	176	01/97 → 12/00	●			P86009MM	[-]	13,9	GIR					
2.3 Turbo	184	12/95 → 03/00	●			P86013MM	[O]	19,5	ATE				A02202	
	184	12/95 → 03/00	●			P86024MM	[-]	19,5	ATE				A02202	
	184	12/95 → 03/00	●		Service-Kit	P86015MM	[-]	18,9	ATE				A02202	
	184	12/95 → 03/00	●			P86002MM	[-]	15	ATE				A02315	
2.4	106	12/95 → 03/00	●			P86013MM	[O]	19,5	ATE				A02202	
	106	12/95 → 03/00	●			P86024MM	[-]	19,5	ATE				A02202	
	106	12/95 → 03/00	●		Service-Kit	P86015MM	[-]	18,9	ATE				A02202	
	106	12/95 → 03/00	●			P86002MM	[-]	15	ATE				A02315	
	125	12/95 → 05/00	●			P86013MM	[O]	19,5	ATE				A02202	
	125	12/95 → 05/00	●			P86024MM	[-]	19,5	ATE				A02202	
	125	12/95 → 05/00	●		Service-Kit	P86015MM	[-]	18,9	ATE				A02202	
	125	12/95 → 05/00	●			P86002MM	[-]	15	ATE				A02315	
	121	06/98 → 12/99	●			P86013MM	[O]	19,5	ATE				A02202	
	121	06/98 → 12/99	●			P86024MM	[-]	19,5	ATE				A02202	
	121	06/98 → 12/99	●		Service-Kit	P86015MM	[-]	18,9	ATE				A02202	
	121	06/98 → 12/99	●			P86002MM	[-]	15	ATE				A02315	
2.4 AWD	103	03/99 → 12/00	●			P86013MM	[O]	19,5	ATE				A02202	
	103	03/99 → 12/00	●			P86024MM	[-]	19,5	ATE				A02202	
	103	03/99 → 12/00	●		Service-Kit	P86015MM	[-]	18,9	ATE				A02202	
	103	03/99 → 12/00	●			P86002MM	[-]	15	ATE				A02315	
2.4 Bifuel	121	06/98 → 12/99	●			P86013MM	[O]	19,5	ATE				A02202	
	121	06/98 → 12/99	●			P86024MM	[-]	19,5	ATE				A02202	
	121	06/98 → 12/99	●		Service-Kit	P86015MM	[-]	18,9	ATE				A02202	
	121	06/98 → 12/99	●			P86009MM	[-]	13,9	GIR				A02315	
2.4 Turbo	106	05/98 → 12/99	●			P86013MM	[O]	19,5	ATE				A02202	
	106	05/98 → 12/99	●			P86024MM	[-]	19,5	ATE				A02202	
	106	05/98 → 12/99	●		Service-Kit	P86015MM	[-]	18,9	ATE				A02202	
	106	05/98 → 12/99	●			P86002MM	[-]	15	ATE				A02315	
	103	08/99 → 12/00	●			P86013MM	[O]	19,5	ATE					
	103	08/99 → 12/00	●			P86024MM	[-]	19,5	ATE					
2.4 Turbo AWD	142	04/96 → 12/00	●			P86013MM	[O]	19,5	ATE				A02202	
	142	04/96 → 12/00	●			P86024MM	[-]	19,5	ATE				A02202	
	142	04/96 → 12/00	●		Service-Kit	P86015MM	[-]	18,9	ATE				A02202	
	142	04/96 → 12/00	●			P86002MM	[-]	15	ATE				A02315	
2.4 Turbo AWD	142	04/96 → 12/00	●			P86013MM	[O]	19,5	ATE				A02202	
	142	04/96 → 12/00	●			P86024MM	[-]	19,5	ATE				A02202	
	142	04/96 → 12/00	●		Service-Kit	P86015MM	[-]	18,9	ATE				A02202	
	142	04/96 → 12/00	●			P86009MM	[-]	13,9	GIR				A02315	
	195	03/99 → 12/00	●			P86013MM	[O]	19,5	ATE				A02202	
	195	03/99 → 12/00	●			P86024MM	[-]	19,5	ATE				A02202	
	195	03/99 → 12/00	●		Service-Kit	P86015MM	[-]	18,9	ATE				A02202	
195	03/99 → 12/00	●			P86009MM	[-]	13,9	GIR				A02315		



kw



WI

Th [mm]

SYS

WI

FK



LENGHT



VOLVO

V70 I (LV) 12/95 → 12/00

2.5 TDI	103	12/95 → 12/00	●		P86013MM	[O]	19,5	ATE				A02202
	103	12/95 → 12/00	●		P86024MM	[-]	19,5	ATE				A02202
	103	12/95 → 12/00	●	Service-Kit	P86015MM	[-]	18,9	ATE				A02202
	103	12/95 → 12/00	●		P86002MM	[-]	15	ATE				A02315
2.5 TDi AWD	103	11/96 → 02/00	●		P86013MM	[O]	19,5	ATE				
	103	11/96 → 02/00	●		P86024MM	[-]	19,5	ATE				
	103	11/96 → 02/00	●	Service-Kit	P86015MM	[-]	18,9	ATE				
	103	11/96 → 02/00	●		P86009MM	[-]	13,9	GIR				

V70 II (SW) 11/99 → 12/08

2.0 T	132	11/99 → 08/07	●	Brake System: 15"; 16"	P86016MM	[-]	18,9	ATE				A02202
	132	11/99 → 08/07	●	Brake System: 17"	P86020MM	[-]	18,9	ATE				A02202
	132	11/99 → 08/07	●	Brake System: 16.5"	P86022MM	[-]	19	ATE				A02202
	132	11/99 → 08/07	●		P86014MM	[-]	17,5	ATE				A02217
2.3	195	10/00 → 09/04	●	Brake System: 15"; 16"	P86016MM	[-]	18,9	ATE				
	195	10/00 → 09/04	●	Brake System: 17"	P86020MM	[-]	18,9	ATE				
	195	10/00 → 09/04	●	Brake System: 16.5"	P86022MM	[-]	19	ATE				
	195	10/00 → 09/04	●		P86014MM	[-]	17,5	ATE				
2.3 AWD	195	10/00 → 09/04	●	Brake System: 15"; 16"	P86016MM	[-]	18,9	ATE				A02202
	195	10/00 → 09/04	●	Brake System: 17"	P86020MM	[-]	18,9	ATE				A02202
	195	10/00 → 09/04	●	Brake System: 16.5"	P86022MM	[-]	19	ATE				A02202
	195	10/00 → 09/04	●		P86014MM	[-]	17,5	ATE				A02217
2.3 T5	184	11/99 → 12/04	●	Brake System: 15"; 16"	P86016MM	[-]	18,9	ATE				A02202
	184	11/99 → 12/04	●	Brake System: 17"	P86020MM	[-]	18,9	ATE				A02202
	184	11/99 → 12/04	●	Brake System: 16.5"	P86022MM	[-]	19	ATE				A02202
	184	11/99 → 12/04	●		P86014MM	[-]	17,5	ATE				A02217
2.4	103	03/00 → 08/07	●	Brake System: 15"; 16"	P86016MM	[-]	18,9	ATE				A02202
	103	03/00 → 08/07	●	Brake System: 17"	P86020MM	[-]	18,9	ATE				A02202
	103	03/00 → 08/07	●	Brake System: 16.5"	P86022MM	[-]	19	ATE				A02202
	103	03/00 → 08/07	●		P86014MM	[-]	17,5	ATE				A02217
	125	03/00 → 08/07	●	Brake System: 15"; 16"	P86016MM	[-]	18,9	ATE				A02202
	125	03/00 → 08/07	●	Brake System: 17"	P86020MM	[-]	18,9	ATE				A02202
	125	03/00 → 08/07	●	Brake System: 16.5"	P86022MM	[-]	19	ATE				A02202
	125	03/00 → 08/07	●		P86014MM	[-]	17,5	ATE				A02217
2.4 AWD	121	03/00 → 09/03	●	Brake System: 15"; 16"	P86016MM	[-]	18,9	ATE				A02202
	121	03/00 → 09/03	●	Brake System: 17"	P86020MM	[-]	18,9	ATE				A02202
	121	03/00 → 09/03	●	Brake System: 16.5"	P86022MM	[-]	19	ATE				A02202
	121	03/00 → 09/03	●		P86014MM	[-]	17,5	ATE				A02217
	121	03/00 → 09/03	●	Brake System: 15"; 16"	P86016MM	[-]	18,9	ATE				
	121	03/00 → 09/03	●	Brake System: 17"	P86020MM	[-]	18,9	ATE				
	121	03/00 → 09/03	●	Brake System: 16.5"	P86022MM	[-]	19	ATE				
	121	03/00 → 09/03	●		P86014MM	[-]	17,5	ATE				
2.4 Bifuel (CNG)	103	09/01 → 08/07	●	Brake System: 15"; 16"	P86016MM	[-]	18,9	ATE				A02202
	103	09/01 → 08/07	●	Brake System: 17"	P86020MM	[-]	18,9	ATE				A02202
	103	09/01 → 08/07	●	Brake System: 16.5"	P86022MM	[-]	19	ATE				A02202
	103	09/01 → 08/07	●		P86014MM	[-]	17,5	ATE				A02217
2.4 Bifuel (LPG)	103	09/01 → 08/07	●	Brake System: 15"; 16"	P86016MM	[-]	18,9	ATE				
	103	09/01 → 08/07	●	Brake System: 17"	P86020MM	[-]	18,9	ATE				
	103	09/01 → 08/07	●	Brake System: 16.5"	P86022MM	[-]	19	ATE				
	103	09/01 → 08/07	●		P86014MM	[-]	17,5	ATE				
2.4 D	96	07/01 → 08/07	●	Brake System: 15"; 16"	P86016MM	[-]	18,9	ATE				A02202
	96	07/01 → 08/07	●	Brake System: 17"	P86020MM	[-]	18,9	ATE				A02202
	96	07/01 → 08/07	●	Brake System: 16.5"	P86022MM	[-]	19	ATE				A02202
	96	07/01 → 08/07	●		P86014MM	[-]	17,5	ATE				A02217
93	04/05 → 12/08	●	Brake System: 15"; 16"	P86016MM	[-]	18,9	ATE					

	kw					wi	Th [mm]	SYS	WI			FK	
										LENGHT			

VOLVO

V70 III (BW) 04/07 →

1.6 D	80	07/09 → 12/11	●	Brake System: 16"	P24076MM	[-]	20,3	ATE					
	80	07/09 → 12/11	●	Brake System: 17"; 18"	P24077MM	[-]	18,5/20	ATE					
	80	07/09 → 12/11	●	-elect.handbrake	P44017MM	[-]	15,7	TRW					
	80	07/09 → 12/11	●	+elect.handbrake; solid	P24078MM	[-]	16,9	TRW					
	80	07/09 → 12/11	●	+elect.handbrake; vented	P86021MM	[-]	16,9	TRW					
1.6 DRIVE / D2	84	04/11 → 12/15	●	Brake System: 16"	P24076MM	[-]	20,3	ATE				A02224	
	84	04/11 → 12/15	●	Brake System: 17"; 18"	P24077MM	[-]	18,5/20	ATE				A02224	
	84	04/11 → 12/15	●	-elect.handbrake	P44017MM	[-]	15,7	TRW					
	84	04/11 → 12/15	●	+elect.handbrake; solid	P24078MM	[-]	16,9	TRW					
	84	04/11 → 12/15	●	+elect.handbrake; vented	P86021MM	[-]	16,9	TRW					
1.6 T4F	132	01/11 → 12/15	●	Brake System: 16"	P24076MM	[-]	20,3	ATE				A02224	
	132	01/11 → 12/15	●	Brake System: 17"; 18"	P24077MM	[-]	18,5/20	ATE				A02224	
	132	01/11 → 12/15	●	-elect.handbrake	P44017MM	[-]	15,7	TRW					
	132	01/11 → 12/15	●	+elect.handbrake; solid	P24078MM	[-]	16,9	TRW					
	132	01/11 → 12/15	●	+elect.handbrake; vented	P86021MM	[-]	16,9	TRW					
2.0	107	10/07 → 12/11	●	Brake System: 16"	P24076MM	[-]	20,3	ATE					
	107	10/07 → 12/11	●	Brake System: 17"; 18"	P24077MM	[-]	18,5/20	ATE					
	107	10/07 → 12/11	●	-elect.handbrake	P44017MM	[-]	15,7	TRW					
	107	10/07 → 12/11	●	+elect.handbrake; solid	P24078MM	[-]	16,9	TRW					
	107	10/07 → 12/11	●	+elect.handbrake; vented	P86021MM	[-]	16,9	TRW					
2.0 BiFuel	157	03/13 → 12/15	●	Brake System: 16"	P24076MM	[-]	20,3	ATE					
	157	03/13 → 12/15	●	Brake System: 17"; 18"	P24077MM	[-]	18,5/20	ATE					
	157	03/13 → 12/15	●		P44017MM	[-]	15,7	TRW					
	157	03/13 → 12/15	●	solid	P24078MM	[-]	16,9	TRW					
	157	03/13 → 12/15	●	vented	P86021MM	[-]	16,9	TRW					
2.0 D	100	10/07 → 12/15	●	Brake System: 16"	P24076MM	[-]	20,3	ATE					
	100	10/07 → 12/15	●	Brake System: 17"; 18"	P24077MM	[-]	18,5/20	ATE					
	100	10/07 → 12/15	●	-elect.handbrake	P44017MM	[-]	15,7	TRW					
	100	10/07 → 12/15	●	+elect.handbrake; solid	P24078MM	[-]	16,9	TRW					
	100	10/07 → 12/15	●	+elect.handbrake; vented	P86021MM	[-]	16,9	TRW					
2.0 FlexiFuel	107	01/08 → 12/11	●	Brake System: 16"	P24076MM	[-]	20,3	ATE					
	107	01/08 → 12/11	●	Brake System: 17"; 18"	P24077MM	[-]	18,5/20	ATE					
	107	01/08 → 12/11	●	-elect.handbrake	P44017MM	[-]	15,7	TRW					
	107	01/08 → 12/11	●	+elect.handbrake; solid	P24078MM	[-]	16,9	TRW					
	107	01/08 → 12/11	●	+elect.handbrake; vented	P86021MM	[-]	16,9	TRW					
2.0 GDI	157	04/12 → 12/15	●	Brake System: 17"; 18"	P24077MM	[-]	18,5/20	ATE					
	157	04/12 → 12/15	●	Brake System: 16"	P24076MM	[-]	20,3	ATE					
	157	04/12 → 12/15	●	-elect.handbrake	P44017MM	[-]	15,7	TRW					
	157	04/12 → 12/15	●	+elect.handbrake; vented	P86021MM	[-]	16,9	TRW					
	157	04/12 → 12/15	●	+elect.handbrake; solid	P24078MM	[-]	16,9	TRW					
2.0 T	149	09/09 → 12/11	●	Brake System: 16"	P24076MM	[-]	20,3	ATE					
	149	09/09 → 12/11	●	Brake System: 17"; 18"	P24077MM	[-]	18,5/20	ATE					
	149	09/09 → 12/11	●	-elect.handbrake	P44017MM	[-]	15,7	TRW					
	149	09/09 → 12/11	●	+elect.handbrake; solid	P24078MM	[-]	16,9	TRW					
	149	09/09 → 12/11	●	+elect.handbrake; vented	P86021MM	[-]	16,9	TRW					

 	kw		 			wi	Th [mm]	SYS	WI			FK	
										LENGHT			

VOLVO

V70 III (BW) 04/07 →

2.4 D	120	04/07 → 12/10	●	Brake System: 16"	P24076MM [-]	20,3	ATE						
	120	04/07 → 12/10	●	Brake System: 17"; 18"	P24077MM [-]	18,5/20	ATE						
	120	04/07 → 12/10	●	-elect.handbrake	P44017MM [-]	15,7	TRW						
	120	04/07 → 12/10	●	+elect.handbrake; solid	P24078MM [-]	16,9	TRW						
	120	04/07 → 12/10	●	+elect.handbrake; vented	P86021MM [-]	16,9	TRW						
	129	04/09 → 12/10	●	Brake System: 16"	P24076MM [-]	20,3	ATE						
	129	04/09 → 12/10	●	Brake System: 17"; 18"	P24077MM [-]	18,5/20	ATE						
	129	04/09 → 12/10	●	-elect.handbrake	P44017MM [-]	15,7	TRW						
	129	04/09 → 12/10	●	+elect.handbrake; solid	P24078MM [-]	16,9	TRW						
	129	04/09 → 12/10	●	+elect.handbrake; vented	P86021MM [-]	16,9	TRW						
2.5 T	147	08/07 → 12/09	●	Brake System: 16"	P24076MM [-]	20,3	ATE						
	147	08/07 → 12/09	●	Brake System: 17"; 18"	P24077MM [-]	18,5/20	ATE						
	147	08/07 → 12/09	●	-elect.handbrake	P44017MM [-]	15,7	TRW						
	147	08/07 → 12/09	●	+elect.handbrake; solid	P24078MM [-]	16,9	TRW						
	147	08/07 → 12/09	●	+elect.handbrake; vented	P86021MM [-]	16,9	TRW						
	170	04/09 → 12/12	●	Brake System: 16"	P24076MM [-]	20,3	ATE						
	170	04/09 → 12/12	●	Brake System: 17"; 18"	P24077MM [-]	18,5/20	ATE						
	170	04/09 → 12/12	●	-elect.handbrake	P44017MM [-]	15,7	TRW						
	170	04/09 → 12/12	●	+elect.handbrake; solid	P24078MM [-]	16,9	TRW						
	170	04/09 → 12/12	●	+elect.handbrake; vented	P86021MM [-]	16,9	TRW						
2.5 T FlexiFuel	147	05/08 → 12/09	●	Brake System: 16"	P24076MM [-]	20,3	ATE						
	147	05/08 → 12/09	●	Brake System: 17"; 18"	P24077MM [-]	18,5/20	ATE						
	147	05/08 → 12/09	●	-elect.handbrake	P44017MM [-]	15,7	TRW						
	147	05/08 → 12/09	●	+elect.handbrake; solid	P24078MM [-]	16,9	TRW						
	147	05/08 → 12/09	●	+elect.handbrake; vented	P86021MM [-]	16,9	TRW						
	170	04/09 → 12/11	●	Brake System: 16"	P24076MM [-]	20,3	ATE						
	170	04/09 → 12/11	●	Brake System: 17"; 18"	P24077MM [-]	18,5/20	ATE						
	170	04/09 → 12/11	●	-elect.handbrake	P44017MM [-]	15,7	TRW						
	170	04/09 → 12/11	●	+elect.handbrake; solid	P24078MM [-]	16,9	TRW						
	170	04/09 → 12/11	●	+elect.handbrake; vented	P86021MM [-]	16,9	TRW						
3.2	179	04/10 → 12/14	●	Brake System: 16"	P24076MM [-]	20,3	ATE					A02224	
	179	04/10 → 12/14	●	Brake System: 17"; 18"	P24077MM [-]	18,5/20	ATE					A02224	
	179	04/10 → 12/14	●	-elect.handbrake	P44017MM [-]	15,7	TRW						
	179	04/10 → 12/14	●	+elect.handbrake; solid	P24078MM [-]	16,9	TRW						
3.2	179	04/10 → 12/14	●	+elect.handbrake; vented	P86021MM [-]	16,9	TRW						
	175	08/07 → 12/10	●	Brake System: 16"	P24076MM [-]	20,3	ATE						
	175	08/07 → 12/10	●	Brake System: 17"; 18"	P24077MM [-]	18,5/20	ATE						
	175	08/07 → 12/10	●	-elect.handbrake	P44017MM [-]	15,7	TRW						
	175	08/07 → 12/10	●	+elect.handbrake; solid	P24078MM [-]	16,9	TRW						
3.2 AWD	179	04/10 → 12/15	●	Brake System: 16"	P24076MM [-]	20,3	ATE					A02224	
	179	04/10 → 12/15	●	Brake System: 17"; 18"	P24077MM [-]	18,5/20	ATE					A02224	
	179	04/10 → 12/15	●	-elect.handbrake	P44017MM [-]	15,7	TRW						
	179	04/10 → 12/15	●	+elect.handbrake; solid	P24078MM [-]	16,9	TRW						
	179	04/10 → 12/15	●	+elect.handbrake; vented	P86021MM [-]	16,9	TRW						
	175	04/07 → 12/10	●	Brake System: 16"	P24076MM [-]	20,3	ATE						

		kW					WI	Th [mm]	SYS	WI			FK	
										MAGNETI MARELLI	LENGHT		MAGNETI MARELLI	

VOLVO

V70 III (BW) 04/07 →

3.2 AWD	175	04/07 → 12/10	●	Brake System: 17"; 18"	P24077MM	[-]	18,5/20	ATE						
	175	04/07 → 12/10	●	-elect.handbrake	P44017MM	[-]	15,7	TRW						
	175	04/07 → 12/10	●	+elect.handbrake; solid	P24078MM	[-]	16,9	TRW						
	175	04/07 → 12/10	●	+elect.handbrake; vented	P86021MM	[-]	16,9	TRW						
D2	88	03/15 →	●	Brake System: 16"	P24076MM	[-]	20,3	ATE						
	88	03/15 →	●	Brake System: 17"; 18"	P24077MM	[-]	18,5/20	ATE						
	88	03/15 →	●	+elect.handbrake; vented	P86021MM	[-]	16,9	TRW						
	88	03/15 →	●	+elect.handbrake; solid	P24078MM	[-]	16,9	TRW						
D3	100	10/07 → 12/15	●	Brake System: 16"	P24076MM	[-]	20,3	ATE						
	100	10/07 → 12/15	●	Brake System: 17"; 18"	P24077MM	[-]	18,5/20	ATE						
	100	10/07 → 12/15	●	-elect.handbrake	P44017MM	[-]	15,7	TRW						
	100	10/07 → 12/15	●	+elect.handbrake; solid	P24078MM	[-]	16,9	TRW						
	100	10/07 → 12/15	●	+elect.handbrake; vented	P86021MM	[-]	16,9	TRW						
	110	03/15 →	●	Brake System: 16"	P24076MM	[-]	20,3	ATE						
	110	03/15 →	●	Brake System: 17"; 18"	P24077MM	[-]	18,5/20	ATE						
	110	03/15 →	●	+elect.handbrake; vented	P86021MM	[-]	16,9	TRW						
D3 / D4	120	03/10 → 12/15	●	Brake System: 16"	P24076MM	[-]	20,3	ATE					A02224	
	120	03/10 → 12/15	●	Brake System: 17"; 18"	P24077MM	[-]	18,5/20	ATE					A02224	
	120	03/10 → 12/15	●	-elect.handbrake	P44017MM	[-]	15,7	TRW						
	120	03/10 → 12/15	●	+elect.handbrake; solid	P24078MM	[-]	16,9	TRW						
	120	03/10 → 12/15	●	+elect.handbrake; vented	P86021MM	[-]	16,9	TRW						
D4	133	10/13 →	●	Brake System: 16"	P24076MM	[-]	20,3	ATE						
	133	10/13 →	●	Brake System: 17"; 18"	P24077MM	[-]	18,5/20	ATE						
	133	10/13 →	●	-elect.handbrake	P44017MM	[-]	15,7	TRW						
	133	10/13 →	●	+elect.handbrake; solid	P24078MM	[-]	16,9	TRW						
D4 AWD	120	10/07 → 12/15	●	Brake System: 16"	P24076MM	[-]	20,3	ATE						
	120	10/07 → 12/15	●	Brake System: 17"; 18"	P24077MM	[-]	18,5/20	ATE						
	120	10/07 → 12/15	●	-elect.handbrake	P44017MM	[-]	15,7	TRW						
	120	10/07 → 12/15	●	+elect.handbrake; solid	P24078MM	[-]	16,9	TRW						
	120	10/07 → 12/15	●	+elect.handbrake; vented	P86021MM	[-]	16,9	TRW						
	133	10/13 →	●	Brake System: 16"	P24076MM	[-]	20,3	ATE						
	133	10/13 →	●	Brake System: 17"; 18"	P24077MM	[-]	18,5/20	ATE						
	133	10/13 →	●	-elect.handbrake	P44017MM	[-]	15,7	TRW						
	133	10/13 →	●	+elect.handbrake; solid	P24078MM	[-]	16,9	TRW						
	133	10/13 →	●	+elect.handbrake; vented	P86021MM	[-]	16,9	TRW						
D5	158	04/11 → 12/15	●	Brake System: 16"	P24076MM	[-]	20,3	ATE					A02224	
	158	04/11 → 12/15	●	Brake System: 17"; 18"	P24077MM	[-]	18,5/20	ATE					A02224	
	158	04/11 → 12/15	●	-elect.handbrake	P44017MM	[-]	15,7	TRW						
	158	04/11 → 12/15	●	+elect.handbrake; solid	P24078MM	[-]	16,9	TRW						
	158	04/11 → 12/15	●	+elect.handbrake; vented	P86021MM	[-]	16,9	TRW						
	136	04/07 → 12/09	●	Brake System: 16"	P24076MM	[-]	20,3	ATE						

							WI			FK		
	kw				WI	Th [mm]	SYS		LENGHT			

VOLVO

V70 III (BW) 04/07 →

T6 AWD	224	01/10 → 12/15	●	Brake System: 16"	P24076MM [-]	20,3	ATE				A02224	
	224	01/10 → 12/15	●	Brake System: 17"; 18"	P24077MM [-]	18,5/ 20	ATE				A02224	
	224	01/10 → 12/15	●	-elect.handbrake	P44017MM [-]	15,7	TRW					
	224	01/10 → 12/15	●	+elect.handbrake; solid	P24078MM [-]	16,9	TRW					
	224	01/10 → 12/15	●	+elect.handbrake; vented	P86021MM [-]	16,9	TRW					
	210	08/07 → 12/10	●	Brake System: 16"	P24076MM [-]	20,3	ATE					
	210	08/07 → 12/10	●	Brake System: 17"; 18"	P24077MM [-]	18,5/ 20	ATE					
	210	08/07 → 12/10	●	-elect.handbrake	P44017MM [-]	15,7	TRW					
	210	08/07 → 12/10	●	+elect.handbrake; solid	P24078MM [-]	16,9	TRW					
210	08/07 → 12/10	●	+elect.handbrake; vented	P86021MM [-]	16,9	TRW						

XC60 05/08 →

2.0 T	149	12/09 → 12/12	●	RC01; RC02; → 12/15; → 785803	P86023MM [-]	19,7/ 20,2	ATE					
	149	12/09 → 12/12	●		P86021MM [-]	16,9	TRW					
2.4 D	129	04/09 → 12/10	●	RC01; RC02; → 12/15; → 785803	P86023MM [-]	19,7/ 20,2	ATE					
	129	04/09 → 12/10	●		P86021MM [-]	16,9	TRW					
2.4 D / D3 / D4 AWD	120	05/08 →	●	RC01; RC02; → 12/15; → 785803	P86023MM [-]	19,7/ 20,2	ATE					
	120	05/08 →	●		P86021MM [-]	16,9	TRW					
2.4 D AWD	129	06/09 → 12/10	●	RC01; RC02; → 12/15; → 785803	P86023MM [-]	19,7/ 20,2	ATE					
	129	06/09 → 12/10	●		P86021MM [-]	16,9	TRW					
3.2 AWD	175	07/09 → 12/10	●	RC01; RC02; → 12/15; → 785803	P86023MM [-]	19,7/ 20,2	ATE					
	175	07/09 → 12/10	●		P86021MM [-]	16,9	TRW					
	179	03/10 → 12/15	●	RC01; RC02; → 12/15; → 785803	P86023MM [-]	19,7/ 20,2	ATE					
	179	03/10 → 12/15	●		P86021MM [-]	16,9	TRW					
D3	100	04/12 → 12/15	●	RC01; RC02; → 12/15; → 785803	P86023MM [-]	19,7/ 20,2	ATE					
	100	04/12 → 12/15	●		P86021MM [-]	16,9	TRW					
	110	03/15 →	●	RC01; RC02; → 12/15; → 785803	P86023MM [-]	19,7/ 20,2	ATE					
	110	03/15 →	●		P86021MM [-]	16,9	TRW					
D3 / D4	120	03/10 → 12/14	●	RC01; RC02; → 12/15; → 785803	P86023MM [-]	19,7/ 20,2	ATE					
	120	03/10 → 12/14	●		P86021MM [-]	16,9	TRW					
D4	133	10/13 → 12/15	●	RC01; RC02; → 12/15; → 785803	P86023MM [-]	19,7/ 20,2	ATE					
	133	10/13 → 12/15	●		P86021MM [-]	16,9	TRW					
	140	03/15 →	●	RC01; RC02; → 12/15; → 785803	P86023MM [-]	19,7/ 20,2	ATE					
	140	03/15 →	●		P86021MM [-]	16,9	TRW					
D4 AWD	133	10/13 → 12/15	●	RC01; RC02; → 12/15; → 785803	P86023MM [-]	19,7/ 20,2	ATE					
	133	10/13 → 12/15	●		P86021MM [-]	16,9	TRW					
	140	03/15 →	●	RC01; RC02; → 12/15; → 785803	P86023MM [-]	19,7/ 20,2	ATE					
	140	03/15 →	●		P86021MM [-]	16,9	TRW					
D5	158	06/11 →	●	RC01; RC02; → 12/15; → 785803	P86023MM [-]	19,7/ 20,2	ATE					
	158	06/11 →	●		P86021MM [-]	16,9	TRW					

Car Model	kw	S	C	i	MAGNETI MARELLI	wi	Th [mm]	SYS	WI			FK	
									MAGNETI MARELLI	LENGHT	i	MAGNETI MARELLI	i

VOLVO

XC60 05/08 →

D5 AWD	158	04/11 → 12/15	●	RC01; RC02; → 12/15; → 785803	P86023MM [-]	19,7/20,2	ATE					
	158	04/11 → 12/15	●		P86021MM [-]	16,9	TRW					
	136	05/08 → 12/09	●	RC01; RC02; → 12/15; → 785803	P86023MM [-]	19,7/20,2	ATE					
	136	05/08 → 12/09	●		P86021MM [-]	16,9	TRW					
	151	07/09 → 06/11	●	RC01; RC02; → 12/15; → 785803	P86023MM [-]	19,7/20,2	ATE					
	151	07/09 → 06/11	●		P86021MM [-]	16,9	TRW					
	169	04/14 → 12/15	●	RC01; RC02; → 12/15; → 785803	P86023MM [-]	19,7/20,2	ATE					
	169	04/14 → 12/15	●		P86021MM [-]	16,9	TRW					
	162	03/15 →	●	RC01; RC02; → 12/15; → 785803	P86023MM [-]	19,7/20,2	ATE					
162	03/15 →	●		P86021MM [-]	16,9	TRW						
T5	177	09/10 → 12/14	●	RC01; RC02; → 12/15; → 785803	P86023MM [-]	19,7/20,2	ATE					
	177	09/10 → 12/14	●		P86021MM [-]	16,9	TRW					
	180	10/13 →	●	RC01; RC02; → 12/15; → 785803	P86023MM [-]	19,7/20,2	ATE					
	180	10/13 →	●		P86021MM [-]	16,9	TRW					
T5 AWD	187	04/14 →	●	RC01; RC02; → 12/15; → 785803	P86023MM [-]	19,7/20,2	ATE					
	187	04/14 →	●		P86021MM [-]	16,9	TRW					
	180	10/15 →	●	RC02; RC01; → 12/15; → 785803	P86023MM [-]	19,7/20,2	ATE					
	180	10/15 →	●		P86021MM [-]	16,9	TRW					
T6	225	10/13 →	●	RC01; RC02; → 12/15; → 785803	P86023MM [-]	19,7/20,2	ATE					
	225	10/13 →	●		P86021MM [-]	16,9	TRW					
T6 AWD	210	05/08 → 12/10	●	RC01; RC02; → 12/15; → 785803	P86023MM [-]	19,7/20,2	ATE					
	210	05/08 → 12/10	●		P86021MM [-]	16,9	TRW					
	224	03/10 → 12/15	●	RC01; RC02; → 12/15; → 785803	P86023MM [-]	19,7/20,2	ATE					
	224	03/10 → 12/15	●		P86021MM [-]	16,9	TRW					
	242	04/14 → 12/15	●	RC01; RC02; → 12/15; → 785803	P86023MM [-]	19,7/20,2	ATE					
	242	04/14 → 12/15	●		P86021MM [-]	16,9	TRW					
	225	10/13 →	●	RC01; RC02; → 12/15; → 785803	P86023MM [-]	19,7/20,2	ATE					
225	10/13 →	●		P86021MM [-]	16,9	TRW						

XC70 CROSS COUNTRY 10/97 → 08/07

2.4 D5 AWD	136	12/05 → 08/07	●	Brake System: 15"; 16"	P86016MM [-]	18,9	ATE					
	136	12/05 → 08/07	●	Brake System: 17"	P86020MM [-]	18,9	ATE					
	136	12/05 → 08/07	●		P86014MM [-]	17,5	ATE					
2.4 D5 XC AWD	120	09/02 → 08/07	●	Brake System: 15"; 16"	P86016MM [-]	18,9	ATE					A02202
	120	09/02 → 08/07	●	Brake System: 17"	P86020MM [-]	18,9	ATE					A02202
	120	09/02 → 08/07	●		P86014MM [-]	17,5	ATE					A02217
2.4 T XC AWD	147	03/00 → 09/02	●	Brake System: 15"; 16"	P86016MM [-]	18,9	ATE					A02202
	147	03/00 → 09/02	●	Brake System: 17"	P86020MM [-]	18,9	ATE					A02202
	147	03/00 → 09/02	●		P86014MM [-]	17,5	ATE					A02217
	142	11/97 → 09/02	●	Brake System: 15"; 16"	P86016MM [-]	18,9	ATE					
	142	11/97 → 09/02	●	Brake System: 17"	P86020MM [-]	18,9	ATE					
	142	11/97 → 09/02	●	→ 02/00	P86009MM [-]	13,9	GIR					
	142	11/97 → 09/02	●	03/00 →	P86014MM [-]	17,5	ATE					

Car Model	kW	Hourglass	Truck	i	MAGNETI MARELLI	wi	Th [mm]	SYS	WI			FK	
									MAGNETI MARELLI	LENGHT	i	MAGNETI MARELLI	i

VOLVO

XC70 CROSS COUNTRY 10/97 → 08/07

2.4 T XC AWD	154	09/02 → 08/07	●	Brake System: 15"; 16"	P86016MM	[-]	18,9	ATE					A02202	
	154	09/02 → 08/07	●	Brake System: 17"	P86020MM	[-]	18,9	ATE					A02202	
	154	09/02 → 08/07	●		P86014MM	[-]	17,5	ATE					A02217	

XC70 II 04/07 →

2.4 D	129	06/09 → 12/10	●	Brake System: 16"	P24076MM	[-]	20,3	ATE						
	129	06/09 → 12/10	●	Brake System: 17"; 18"	P24077MM	[-]	18,5/20	ATE						
	129	06/09 → 12/10	●	-elect.handbrake	P44017MM	[-]	15,7	TRW						
	129	06/09 → 12/10	●	+elect.handbrake; solid	P24078MM	[-]	16,9	TRW						
	129	06/09 → 12/10	●	+elect.handbrake; vented	P86021MM	[-]	16,9	TRW						
2.4 D / D4 AWD	120	08/07 →	●	Brake System: 16"	P24076MM	[-]	20,3	ATE						
	120	08/07 →	●	Brake System: 17"; 18"	P24077MM	[-]	18,5/20	ATE						
	120	08/07 →	●	+elect.handbrake; solid	P24078MM	[-]	16,9	TRW						
	120	08/07 →	●	+elect.handbrake; vented	P86021MM	[-]	16,9	TRW						
3.2 AWD	179	08/07 →	●	Brake System: 16"	P24076MM	[-]	20,3	ATE					A02224	
	179	08/07 →	●	Brake System: 17"; 18"	P24077MM	[-]	18,5/20	ATE					A02224	
	179	08/07 →	●	+elect.handbrake; solid	P24078MM	[-]	16,9	TRW						
	179	08/07 →	●	+elect.handbrake; vented	P86021MM	[-]	16,9	TRW						
	179	08/07 →	●	-elect.handbrake	P44017MM	[-]	15,7	TRW						
	175	08/07 →	●	Brake System: 16"	P24076MM	[-]	20,3	ATE						
	175	08/07 →	●	Brake System: 17"; 18"	P24077MM	[-]	18,5/20	ATE						
	175	08/07 →	●	+elect.handbrake; solid	P24078MM	[-]	16,9	TRW						
D3	120	04/10 → 12/15	●	Brake System: 16"	P24076MM	[-]	20,3	ATE						
	120	04/10 → 12/15	●	Brake System: 17"; 18"	P24077MM	[-]	18,5/20	ATE						
	120	04/10 → 12/15	●	+elect.handbrake; solid	P24078MM	[-]	16,9	TRW						
	120	04/10 → 12/15	●	+elect.handbrake; vented	P86021MM	[-]	16,9	TRW						
	120	04/10 → 12/15	●	-elect.handbrake	P44017MM	[-]	15,7	TRW						
D4	133	10/13 →	●	Brake System: 16"	P24076MM	[-]	20,3	ATE						
	133	10/13 →	●	Brake System: 17"; 18"	P24077MM	[-]	18,5/20	ATE						
	133	10/13 →	●	-elect.handbrake	P44017MM	[-]	15,7	TRW						
	133	10/13 →	●	+elect.handbrake; solid	P24078MM	[-]	16,9	TRW						
	133	10/13 →	●	+elect.handbrake; vented	P86021MM	[-]	16,9	TRW						
D4 AWD	133	10/13 →	●	Brake System: 16"	P24076MM	[-]	20,3	ATE						
	133	10/13 →	●	Brake System: 17"; 18"	P24077MM	[-]	18,5/20	ATE						
	133	10/13 →	●	-elect.handbrake	P44017MM	[-]	15,7	TRW						
	133	10/13 →	●	+elect.handbrake; solid	P24078MM	[-]	16,9	TRW						
D5 AWD	158	04/11 → 12/15	●	Brake System: 16"	P24076MM	[-]	20,3	ATE					A02224	
	158	04/11 → 12/15	●	Brake System: 17"; 18"	P24077MM	[-]	18,5/20	ATE					A02224	
	158	04/11 → 12/15	●	+elect.handbrake; solid	P24078MM	[-]	16,9	TRW						
	158	04/11 → 12/15	●	+elect.handbrake; vented	P86021MM	[-]	16,9	TRW						
	158	04/11 → 12/15	●	-elect.handbrake	P44017MM	[-]	15,7	TRW						
	136	04/07 → 12/09	●	Brake System: 16"	P24076MM	[-]	20,3	ATE						
	136	04/07 → 12/09	●	Brake System: 17"; 18"	P24077MM	[-]	18,5/20	ATE						
	136	04/07 → 12/09	●	+elect.handbrake; solid	P24078MM	[-]	16,9	TRW						

--	--	--	--	--	--	--	--	--	--	--	--	--	--	--

VOLVO

XC70 II 04/07 →

D5 AWD	136	04/07 → 12/09	●	+elect.handbrake; vented	P86021MM [-]	16,9	TRW							
	136	04/07 → 12/09	●	-elect.handbrake	P44017MM [-]	15,7	TRW							
	151	04/09 → 12/11	●	Brake System: 16"	P24076MM [-]	20,3	ATE							
	151	04/09 → 12/11	●	Brake System: 17"; 18"	P24077MM [-]	18,5/ 20	ATE							
	151	04/09 → 12/11	●	+elect.handbrake; solid	P24078MM [-]	16,9	TRW							
	151	04/09 → 12/11	●	+elect.handbrake; vented	P86021MM [-]	16,9	TRW							
	151	04/09 → 12/11	●	-elect.handbrake	P44017MM [-]	15,7	TRW							
	162	03/15 →	●	Brake System: 16"	P24076MM [-]	20,3	ATE							
	162	03/15 →	●	Brake System: 17"; 18"	P24077MM [-]	18,5/ 20	ATE							
	162	03/15 →	●	-elect.handbrake	P44017MM [-]	15,7	TRW							
	162	03/15 →	●	+elect.handbrake; solid	P24078MM [-]	16,9	TRW							
	162	03/15 →	●	+elect.handbrake; vented	P86021MM [-]	16,9	TRW							
T5	180	10/13 →	●	Brake System: 16"	P24076MM [-]	20,3	ATE							
	180	10/13 →	●	Brake System: 17"; 18"	P24077MM [-]	18,5/ 20	ATE							
	180	10/13 →	●	-elect.handbrake	P44017MM [-]	15,7	TRW							
	180	10/13 →	●	+elect.handbrake; solid	P24078MM [-]	16,9	TRW							
	180	10/13 →	●	+elect.handbrake; vented	P86021MM [-]	16,9	TRW							
T5 AWD	187	08/15 →	●	Brake System: 16"	P24076MM [-]	20,3	ATE							
	187	08/15 →	●	Brake System: 17"; 18"	P24077MM [-]	18,5/ 20	ATE							
	187	08/15 →	●	-elect.handbrake	P44017MM [-]	15,7	TRW							
	187	08/15 →	●	+elect.handbrake; solid	P24078MM [-]	16,9	TRW							
	187	08/15 →	●	+elect.handbrake; vented	P86021MM [-]	16,9	TRW							
T6 AWD	224	01/10 →	●	Brake System: 16"	P24076MM [-]	20,3	ATE						A02224	
	224	01/10 →	●	Brake System: 17"; 18"	P24077MM [-]	18,5/ 20	ATE						A02224	
	224	01/10 →	●	+elect.handbrake; solid	P24078MM [-]	16,9	TRW							
	224	01/10 →	●	+elect.handbrake; vented	P86021MM [-]	16,9	TRW							
	224	01/10 →	●	-elect.handbrake	P44017MM [-]	15,7	TRW							
	210	01/08 →	●	Brake System: 16"	P24076MM [-]	20,3	ATE							
	210	01/08 →	●	Brake System: 17"; 18"	P24077MM [-]	18,5/ 20	ATE							
	210	01/08 →	●	+elect.handbrake; solid	P24078MM [-]	16,9	TRW							
	210	01/08 →	●	+elect.handbrake; vented	P86021MM [-]	16,9	TRW							
210	01/08 →	●	-elect.handbrake	P44017MM [-]	15,7	TRW								

XC90 I 10/02 → 12/14

2.5 T	154	10/02 → 12/06	●	Brake System: 16"	P86022MM [-]	19	ATE							
	154	10/02 → 12/06	●	Brake System: 17"	P86023MM [-]	19,7/ 20,2	ATE							
	154	10/02 → 12/06	●	Brake System: 17.5"	P86018MM [-]	19,8	ATE							
	154	10/02 → 12/06	●		P86019MM [-]	17,7	ATE						A02227	
2.5 T AWD	154	10/12 → 09/14	●	Brake System: 16"	P86022MM [-]	19	ATE							
	154	10/12 → 09/14	●	Brake System: 17"	P86023MM [-]	19,7/ 20,2	ATE							
	154	10/12 → 09/14	●	Brake System: 17.5"	P86018MM [-]	19,8	ATE							
	154	10/12 → 09/14	●		P86019MM [-]	17,7	ATE							
3.2 AWD	179	04/10 → 12/12	●	Brake System: 16"	P86022MM [-]	19	ATE							
	179	04/10 → 12/12	●	Brake System: 17"	P86023MM [-]	19,7/ 20,2	ATE							
	179	04/10 → 12/12	●	Brake System: 17.5"	P86018MM [-]	19,8	ATE							
	179	04/10 → 12/12	●		P86019MM [-]	17,7	ATE						A02227	
	175	03/06 → 12/10	●	Brake System: 16"	P86022MM [-]	19	ATE							

									WI			FK	
	kw						Th [mm]		MAGNETI MARELLI	LENGHT		MAGNETI MARELLI	

VOLVO

XC90 I 10/02 → 12/14

3.2 AWD	175	03/06 → 12/10	●	Brake System: 17"	P86023MM	[-]	19,7/20,2	ATE					
	175	03/06 → 12/10	●	Brake System: 17.5"	P86018MM	[-]	19,8	ATE					
	175	03/06 → 12/10	●		P86019MM	[-]	17,7	ATE				A02227	
D3 / D5	120	04/09 → 12/14	●	Brake System: 16"	P86022MM	[-]	19	ATE					
	120	04/09 → 12/14	●	Brake System: 17"	P86023MM	[-]	19,7/20,2	ATE					
	120	04/09 → 12/14	●	Brake System: 17.5"	P86018MM	[-]	19,8	ATE					
D5 AWD	147	01/11 → 12/14	●	Brake System: 16"	P86022MM	[-]	19	ATE					
	147	01/11 → 12/14	●	Brake System: 17"	P86023MM	[-]	19,7/20,2	ATE					
	147	01/11 → 12/14	●	Brake System: 17.5"	P86018MM	[-]	19,8	ATE					
	147	01/11 → 12/14	●		P86019MM	[-]	17,7	ATE				A02227	
	120	10/02 → 12/06	●	Brake System: 16"	P86022MM	[-]	19	ATE					
	120	10/02 → 12/06	●	Brake System: 17"	P86023MM	[-]	19,7/20,2	ATE					
	120	10/02 → 12/06	●	Brake System: 17.5"	P86018MM	[-]	19,8	ATE					
	120	10/02 → 12/06	●		P86019MM	[-]	17,7	ATE				A02227	
	136	04/05 → 12/10	●	Brake System: 16"	P86022MM	[-]	19	ATE					
	136	04/05 → 12/10	●	Brake System: 17"	P86023MM	[-]	19,7/20,2	ATE					
	136	04/05 → 12/10	●	Brake System: 17.5"	P86018MM	[-]	19,8	ATE					
	136	04/05 → 12/10	●		P86019MM	[-]	17,7	ATE					
	120	10/07 → 12/10	●	Brake System: 16"	P86022MM	[-]	19	ATE					
	120	10/07 → 12/10	●	Brake System: 17"	P86023MM	[-]	19,7/20,2	ATE					
	120	10/07 → 12/10	●	Brake System: 17.5"	P86018MM	[-]	19,8	ATE					
120	10/07 → 12/10	●		P86019MM	[-]	17,7	ATE						
T6 AWD	200	10/02 → 12/06	●	Brake System: 16"	P86022MM	[-]	19	ATE					
	200	10/02 → 12/06	●	Brake System: 17"	P86023MM	[-]	19,7/20,2	ATE					
	200	10/02 → 12/06	●	Brake System: 17.5"	P86018MM	[-]	19,8	ATE					
V8 AWD	232	01/05 → 12/10	●	Brake System: 16"	P86022MM	[-]	19	ATE					
	232	01/05 → 12/10	●	Brake System: 17"	P86023MM	[-]	19,7/20,2	ATE					
	232	01/05 → 12/10	●	Brake System: 17.5"	P86018MM	[-]	19,8	ATE					
	232	01/05 → 12/10	●		P86019MM	[-]	17,7	ATE				A02227	

ZAZ

LANOS Hatchback 10/04 →

1.4	55	10/04 →	●		P59011MM	[o]	16,8	ATE					
1.5	63	10/04 →	●		P59011MM	[o]	16,8	ATE					
1.6 16V	78	10/04 →	●		P59017MM	[o]	18,3	ATE					

LANOS PICK-UP 10/04 →

1.4	55	10/04 →	●		P59011MM	[o]	16,8	ATE					
1.5	63	10/04 →	●		P59011MM	[o]	16,8	ATE					

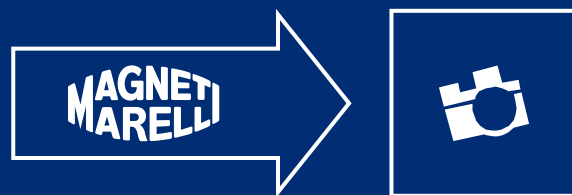
LANOS Saloon 10/04 →

1.4	55	10/04 →	●		P59011MM	[o]	16,8	ATE					
1.5	63	10/04 →	●		P59011MM	[o]	16,8	ATE					
1.6 16V	78	10/04 →	●		P59017MM	[o]	18,3	ATE					

TAVRIA (1102) 01/89 → 12/07

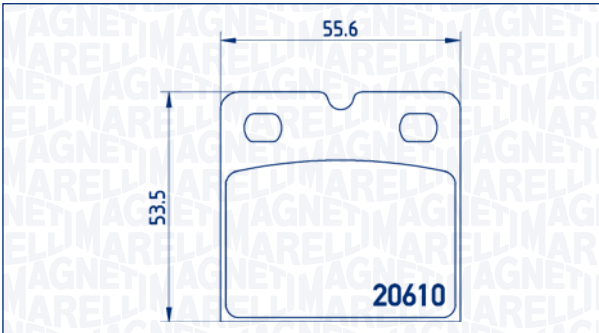
1.1	37	01/89 → 12/07	●	→ 03/00	P41003MM	[-]	17	TRW					
1.2	42	01/98 → 12/07	●	→ 03/00	P41003MM	[-]	17	TRW					
1.3	44	01/89 → 12/07	●	→ 03/00	P41003MM	[-]	17	TRW					

Brake pads – Drawings



WVA	LENGTH × HEIGHT × THICKNESS [mm]	SYS	WI
-----	----------------------------------	-----	----

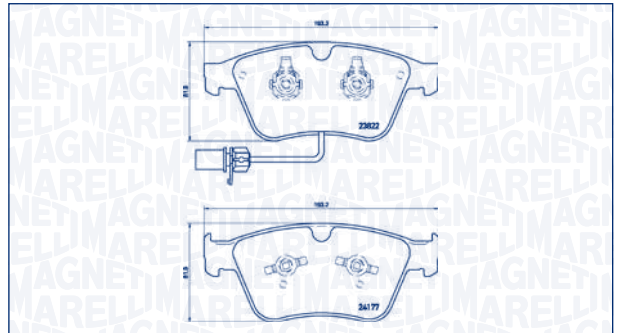
P02001MM



Post	20610	55,6 × 53,5 × 9	BRE	[-]
------	-------	-----------------	-----	-----

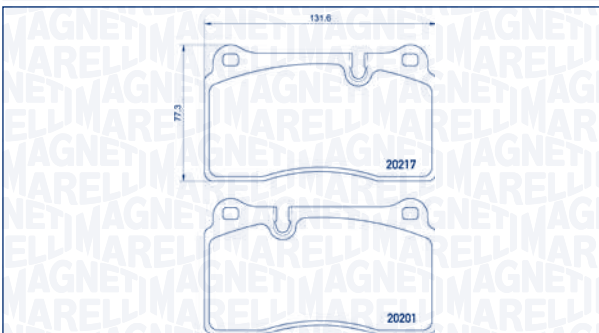
WVA	LENGTH × HEIGHT × THICKNESS [mm]	SYS	WI
-----	----------------------------------	-----	----

P05003MM



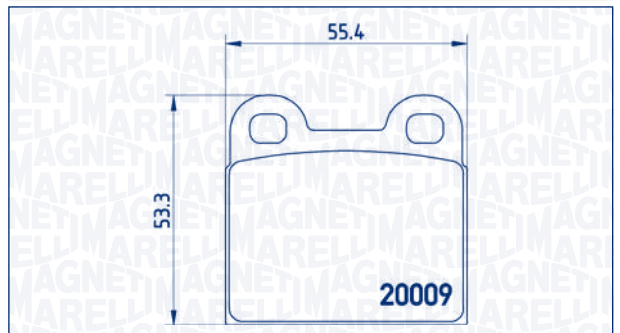
Ant	23822, 24177	193,2 × 81,9 × 20,4/20,8	ATE	[+]
-----	--------------	--------------------------	-----	-----

P02002MM



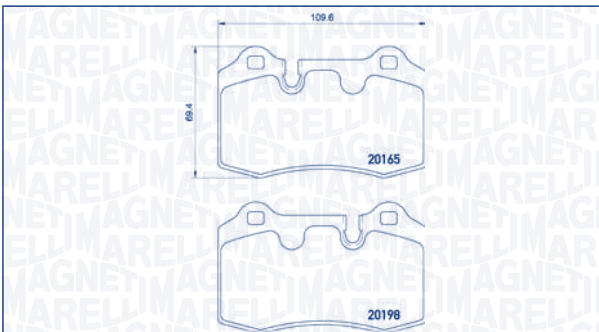
Ant	20217, 20201	131,6 × 77,3 × 16,6	BRE	[o]
-----	--------------	---------------------	-----	-----

P06001MM



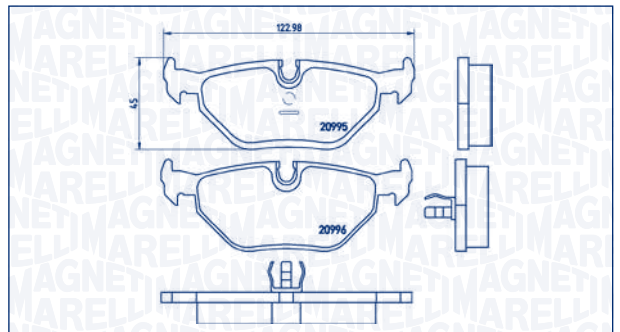
Ant	20009	55,4 × 53,3 × 15	ATE	[-]
-----	-------	------------------	-----	-----

P02003MM



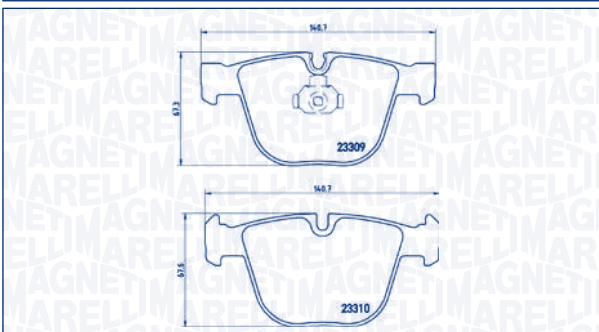
Post	20165, 20198	109,8 × 69,4 × 15,6	BRE	[o]
------	--------------	---------------------	-----	-----

P06011MM



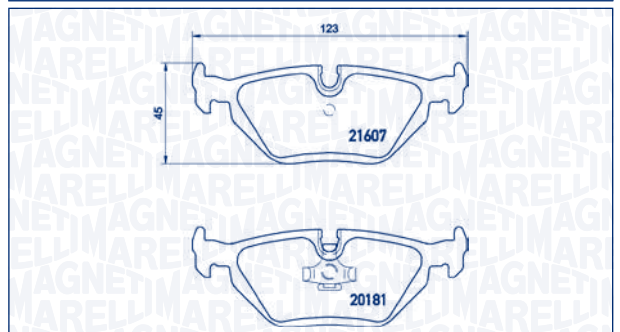
Post	20995, 20996	123 × 45 × 17,3	ATE	[o]
------	--------------	-----------------	-----	-----

P05001MM



Post	23309, 23310	140,7 × 67,3/67,6 × 17,3	ATE	[o]
------	--------------	--------------------------	-----	-----

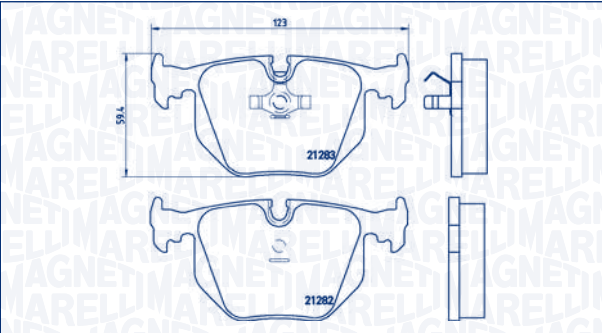
P06013MM



Post	20180, 20181, 21607, 21608	123 × 43,7 × 17,3	ATE	[o]
------	----------------------------	-------------------	-----	-----

	WVA	LENGTH×HEIGHT×THICKNESS [mm]	SYS	WI
--	-----	---------------------------------	-----	----

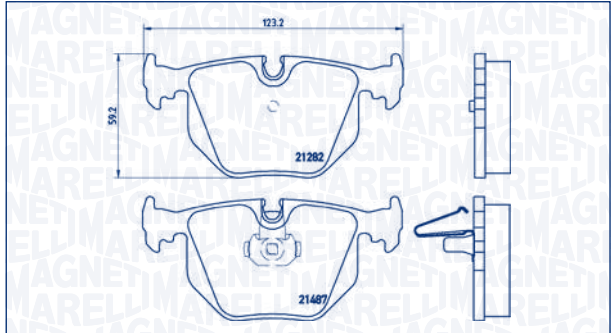
P06016MM



Post	21282, 21283	123 × 59,4 × 17,3	ATE	[o]
------	--------------	-------------------	-----	-----

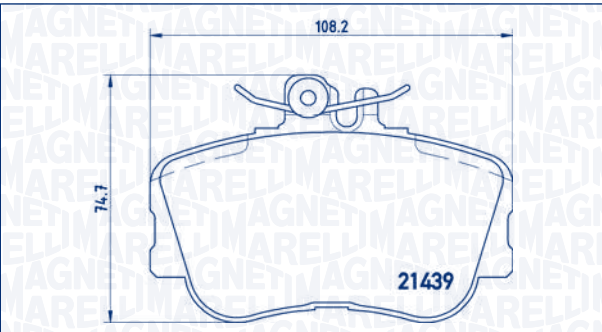
	WVA	LENGTH×HEIGHT×THICKNESS [mm]	SYS	WI
--	-----	---------------------------------	-----	----

P06020MM



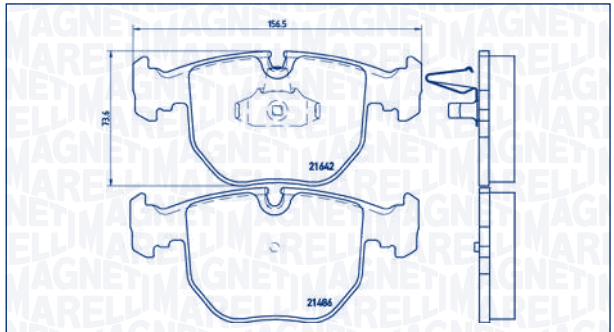
Post	21282, 21487	123,2 × 59,2 × 17,2	ATE	[o]
------	--------------	---------------------	-----	-----

P06017MM



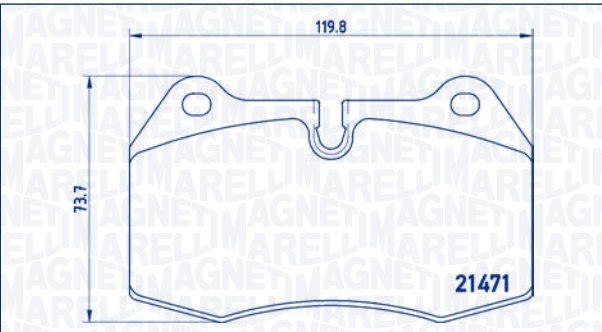
Ant	21439	108,2 × 74,7 × 20,3	TRW	[o]
-----	-------	---------------------	-----	-----

P06021MM



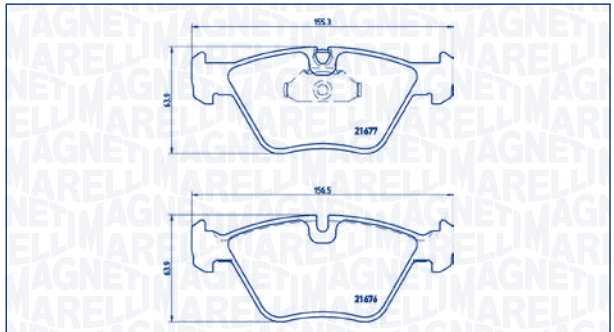
Ant	21486, 21642	156,5 × 73,6 × 19,3	ATE	[o]
-----	--------------	---------------------	-----	-----

P06018MM



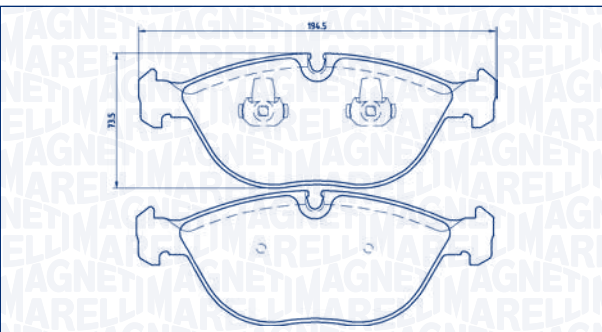
Ant	21471	119,8 × 73,7 × 18	BRE	[o]
-----	-------	-------------------	-----	-----

P06022MM



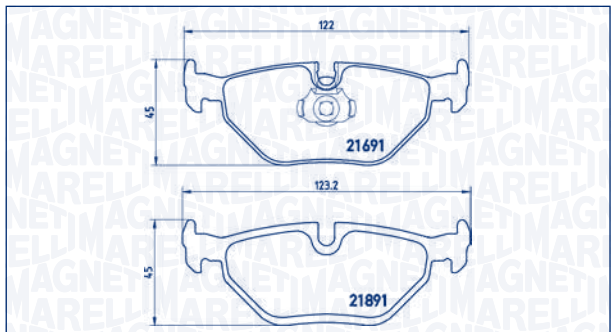
Ant	21676, 21677	155,3 × 63,9 × 20,3	ATE	[o]
-----	--------------	---------------------	-----	-----

P06019MM



Ant	21484, 21485	194,5 × 73,5 × 20,8	ATE	[o]
-----	--------------	---------------------	-----	-----

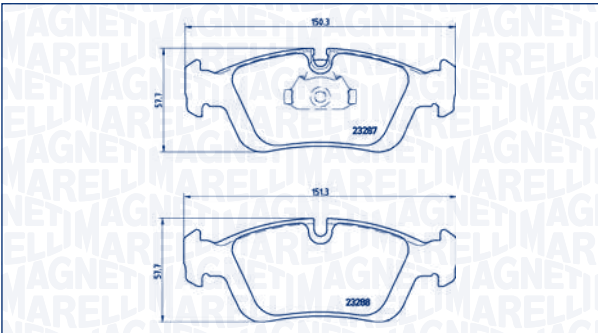
P06023MM



Post	21691, 21891	121,8/122 × 45 × 17,3	ATE	[o]
------	--------------	-----------------------	-----	-----

WVA	LENGTH × HEIGHT × THICKNESS [mm]	SYS	WI
-----	----------------------------------	-----	----

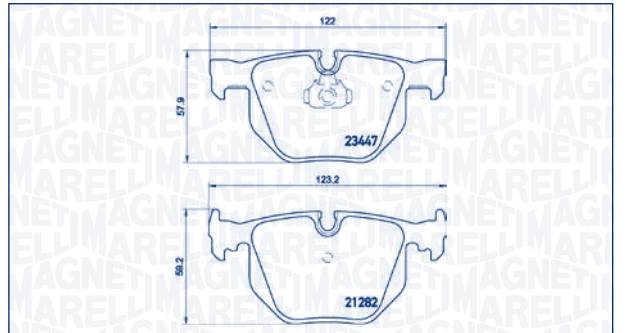
P06024MM



Ant	23287, 23288	150,3/151,3 × 57,7 × 17,8	ATE	[o]
-----	--------------	---------------------------	-----	-----

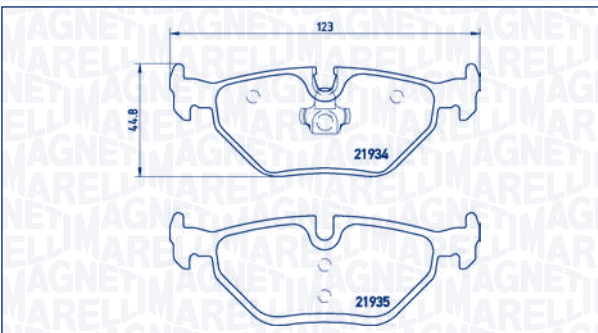
WVA	LENGTH × HEIGHT × THICKNESS [mm]	SYS	WI
-----	----------------------------------	-----	----

P06029MM



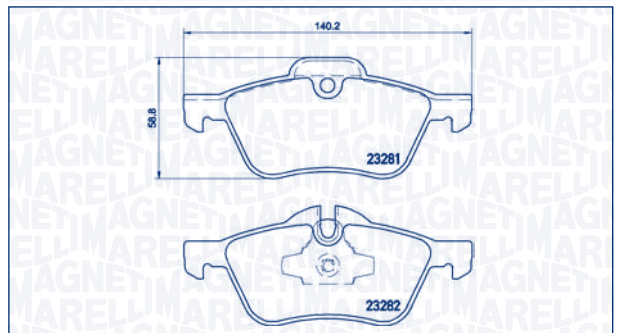
Post	21282, 23447	122/123,2 × 58/59,2 × 17,3	ATE	[o]
------	--------------	----------------------------	-----	-----

P06025MM



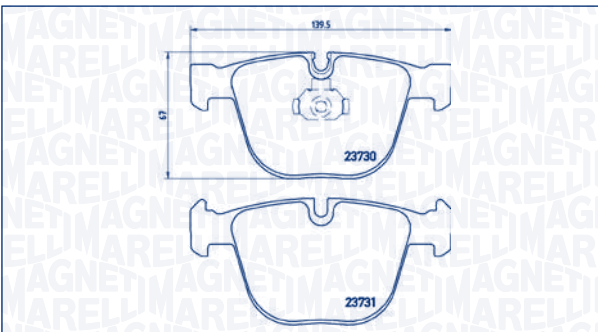
Post	21934, 21935	123 × 44,8 × 17,3	ATE	[o]
------	--------------	-------------------	-----	-----

P06030MM



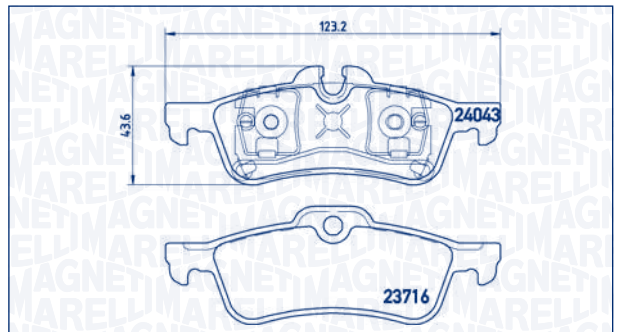
Ant	23281	140,2 × 58,8 × 18,3	ATE	[o]
-----	-------	---------------------	-----	-----

P06026MM



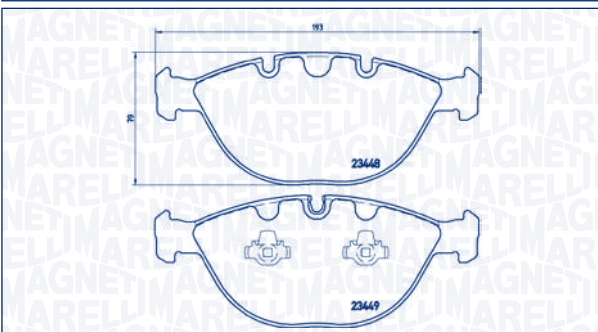
Post	23730, 23731	139,5 × 67 × 17,3	ATE	[o]
------	--------------	-------------------	-----	-----

P06032MM



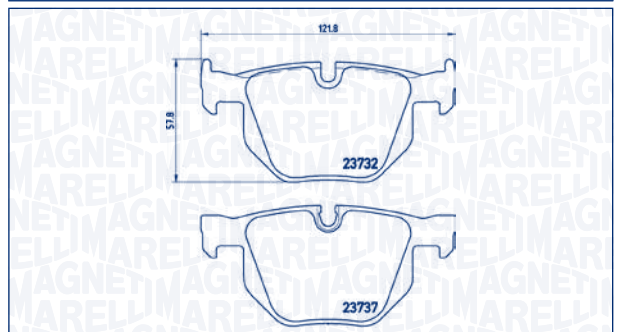
Post	23716, 24043	123,2 × 43,6 × 16,3	ATE	[o]
------	--------------	---------------------	-----	-----

P06028MM



Ant	23448, 23449	193 × 79 × 20,8	ATE	[o]
-----	--------------	-----------------	-----	-----

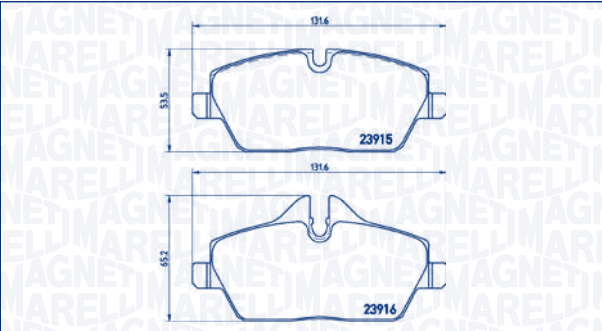
P06033MM



Post	23732, 23737	121,8 × 56,8/57,8 × 17,3	ATE	[o]
------	--------------	--------------------------	-----	-----

WVA	LENGTH×HEIGHT×THICKNESS [mm]	SYS	WI
-----	---------------------------------	-----	----

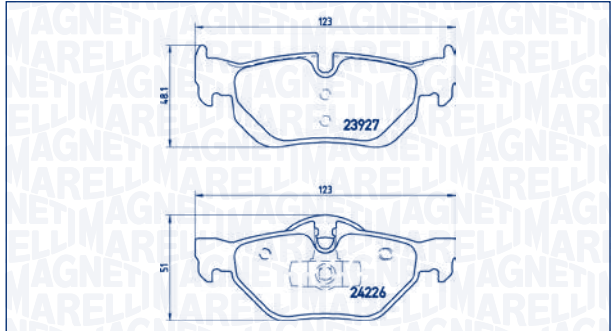
P06034MM



Ant	23915, 23916	131,6 × 53,5/65,2 × 17,8	TRW	[o]
-----	--------------	--------------------------	-----	-----

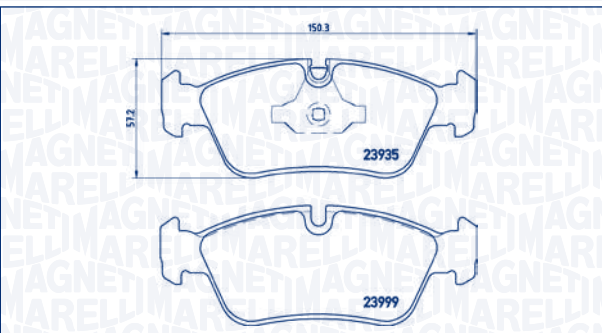
WVA	LENGTH×HEIGHT×THICKNESS [mm]	SYS	WI
-----	---------------------------------	-----	----

P06038MM



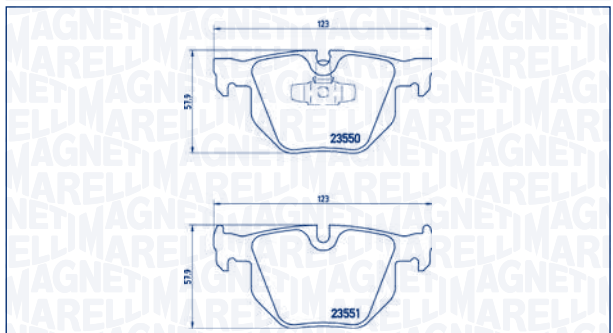
Post	23926, 23927, 24226	123 × 48,1/51 × 17,3	ATE	[o]
------	---------------------	----------------------	-----	-----

P06035MM



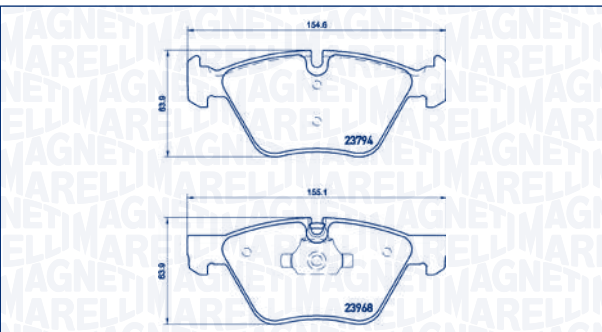
Ant	23935, 23999	149,3/150,3 × 57,2 × 17,8	ATE	[o]
-----	--------------	---------------------------	-----	-----

P06039MM



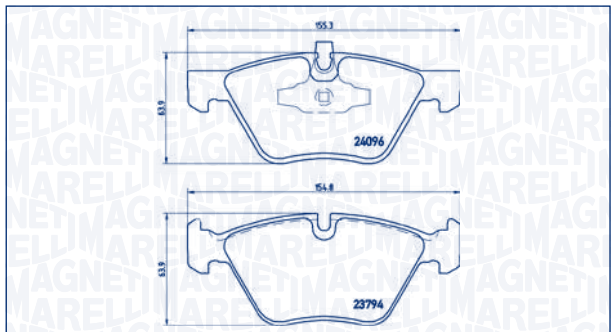
Post	23550, 23551	123 × 57,9 × 17,3	ATE	[o]
------	--------------	-------------------	-----	-----

P06036MM



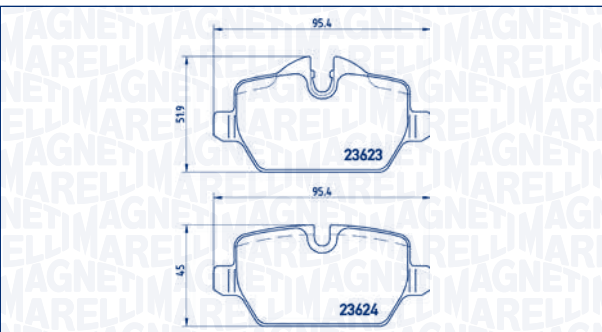
Ant	23794, 23968	154,8/155,1 × 63,9 × 20,3	ATE	[o]
-----	--------------	---------------------------	-----	-----

P06040MM



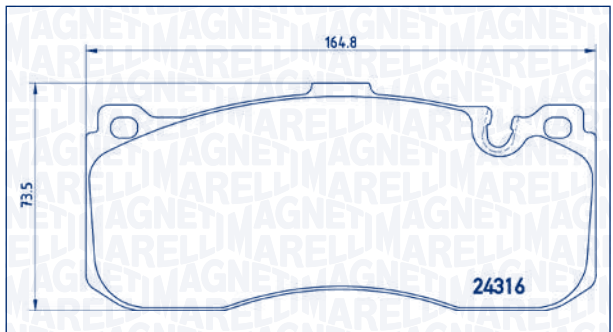
Ant	23794, 24096	154,8/155,3 × 63,9 × 20,3	ATE	[o]
-----	--------------	---------------------------	-----	-----

P06037MM



Post	23623, 23624	95,4 × 45/51,9 × 17,4	TRW	[o]
------	--------------	-----------------------	-----	-----

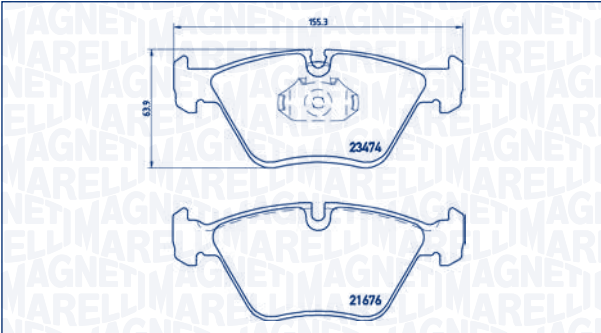
P06041MM



Ant	24316	164,8 × 73,5 × 17	BRE	[o]
-----	-------	-------------------	-----	-----

	WVA	LENGTH × HEIGHT × THICKNESS [mm]	SYS	WI
--	-----	----------------------------------	-----	----

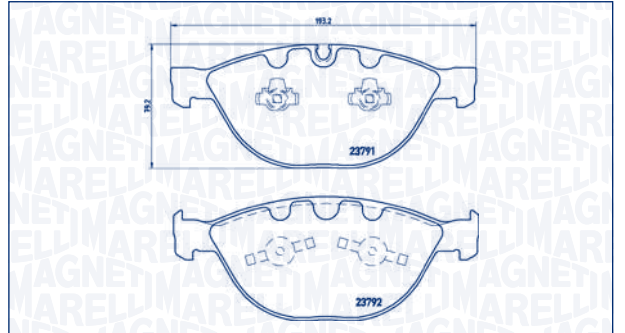
P06042MM



Ant	21676, 23474	155,3/156,3 × 63,9 × 20,3	ATE	[o]
-----	--------------	---------------------------	-----	-----

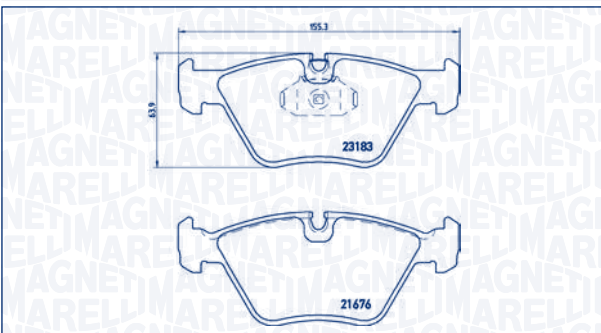
	WVA	LENGTH × HEIGHT × THICKNESS [mm]	SYS	WI
--	-----	----------------------------------	-----	----

P06047MM



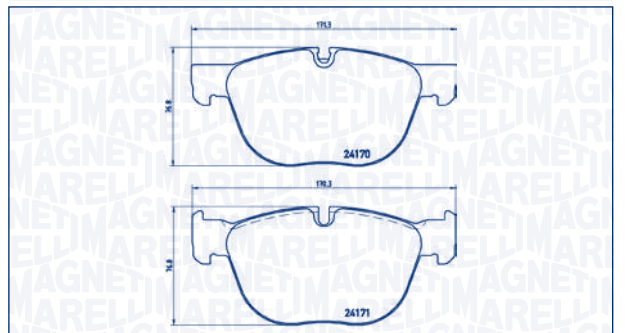
Ant	23791, 23792	193,2 × 79,2 × 20,8	ATE	[o]
-----	--------------	---------------------	-----	-----

P06043MM



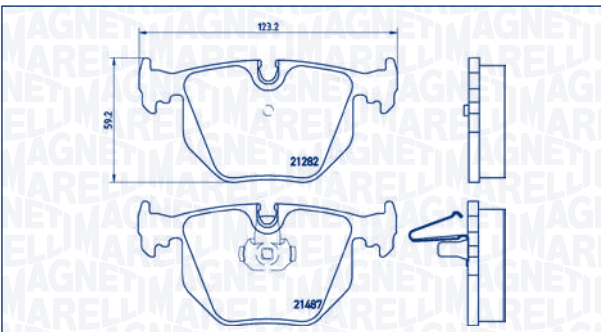
Ant	21676, 23183	155,3 × 63,9 × 20,3	ATE	[o]
-----	--------------	---------------------	-----	-----

P06049MM



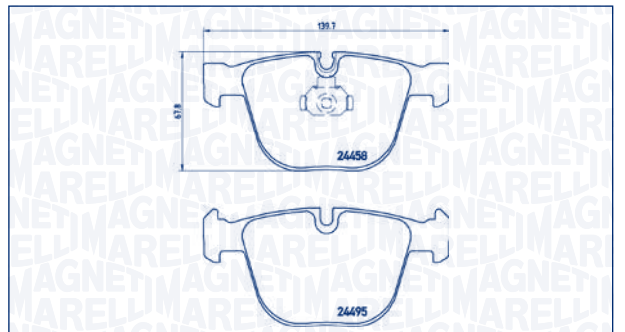
Ant	24170, 24171	170,3/171,3 × 76,8 × 19,7	ATE	[o]
-----	--------------	---------------------------	-----	-----

P06044MM



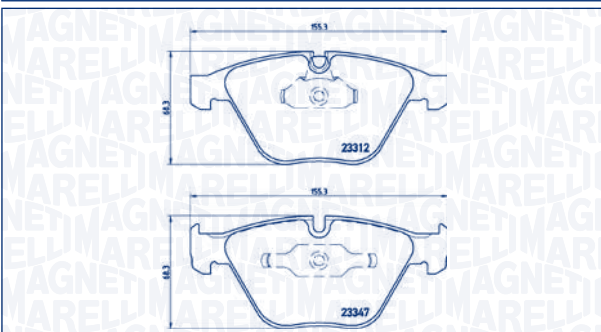
Post	21282, 21487	123,2 × 59,2 × 17,2	ATE	[o]
------	--------------	---------------------	-----	-----

P06050MM



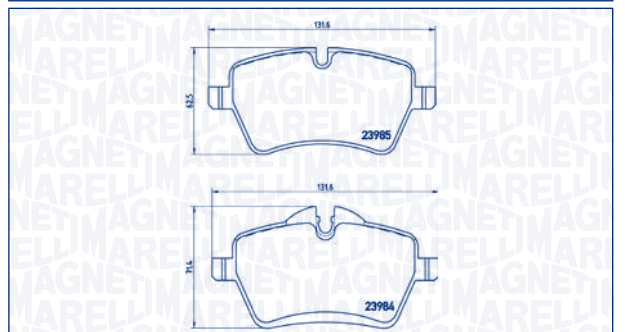
Post	24458, 24495	139,7 × 67,8 × 17,1	ATE	[o]
------	--------------	---------------------	-----	-----

P06046MM



Ant	23312, 23347	155,3 × 68,3 × 20,3	ATE	[o]
-----	--------------	---------------------	-----	-----

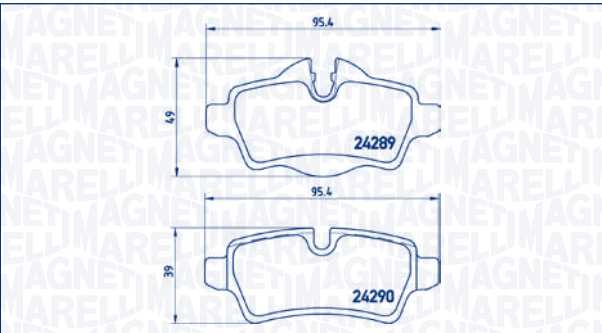
P06051MM



Ant	23984, 23985	131,6 × 62,5/71,4 × 18	TRW	[o]
-----	--------------	------------------------	-----	-----

WVA	LENGTH×HEIGHT×THICKNESS [mm]	SYS	WI
-----	------------------------------	-----	----

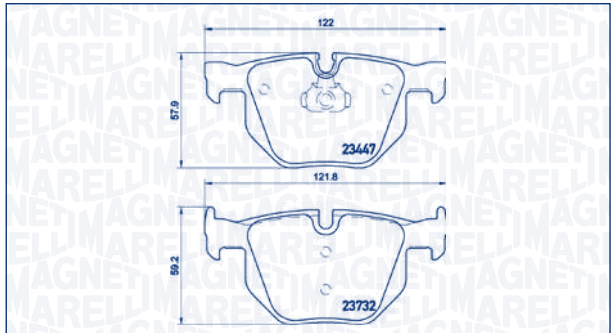
P06052MM



Post 24289, 24290	95,4 × 39/49 × 17	TRW	[o]
-------------------	-------------------	-----	-----

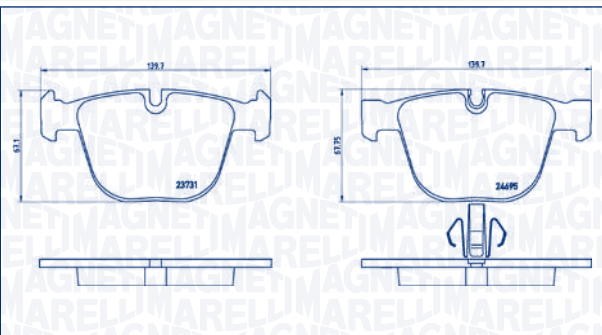
WVA	LENGTH×HEIGHT×THICKNESS [mm]	SYS	WI
-----	------------------------------	-----	----

P06056MM



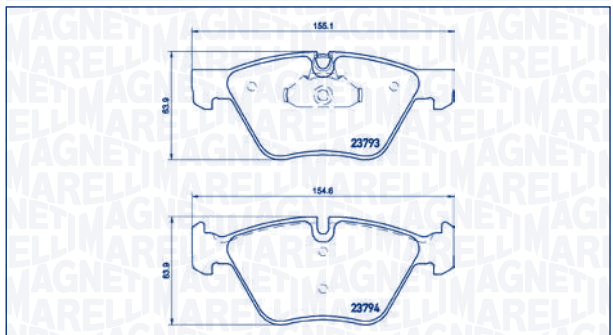
Post 23447, 23732	122/123,2 × 58/59,2 × 17,3	ATE	[o]
-------------------	----------------------------	-----	-----

P06053MM



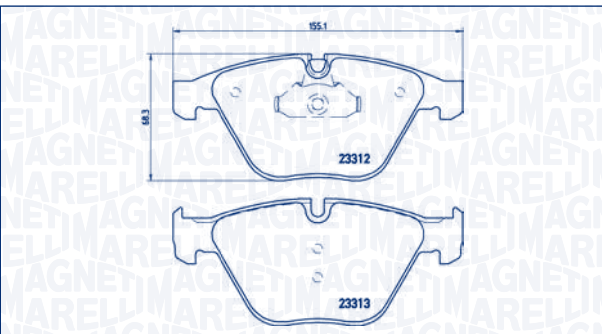
Post 23731, 24695	139,7 × 67,1 × 16,9	ATE	[o]
-------------------	---------------------	-----	-----

P06057MM



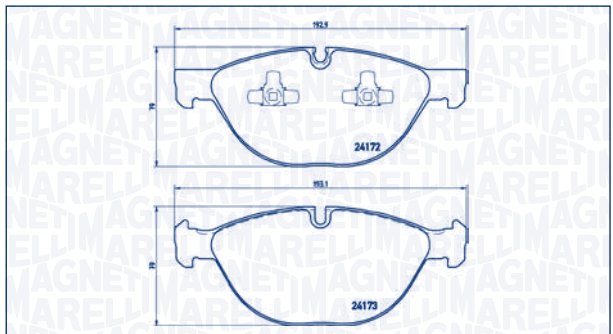
Ant 23794, 23793	154,6/155,1 × 63,9 × 20,3	ATE	[o]
------------------	---------------------------	-----	-----

P06054MM



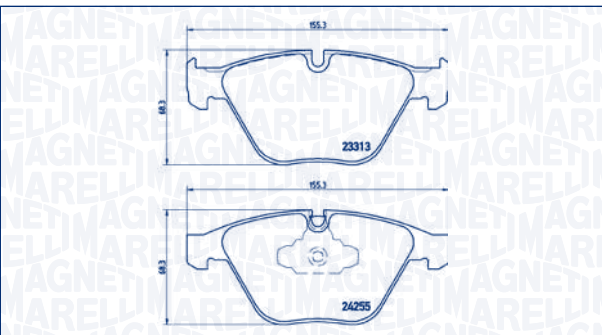
Ant 23313, 23312	155,3 × 68,3 × 20,3	ATE	[o]
------------------	---------------------	-----	-----

P06058MM



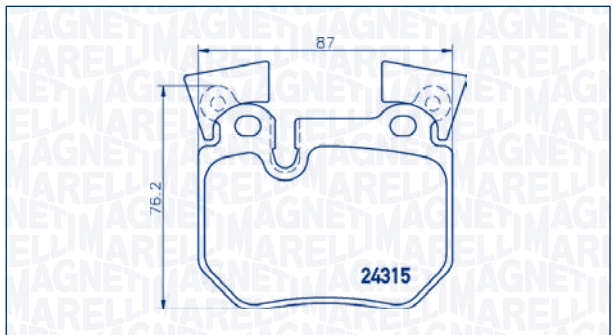
Ant 24173, 24172	192,9 × 79 × 19,7	ATE	[o]
------------------	-------------------	-----	-----

P06055MM



Ant 24255, 23313	155,3 × 68,3 × 20,3	ATE	[o]
------------------	---------------------	-----	-----

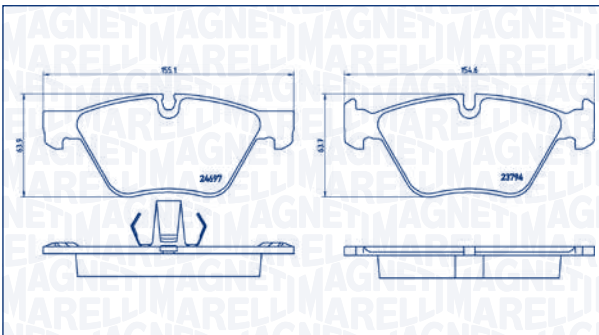
P06059MM



Post 24315	86,95 × 76,2 × 17,1	BRE	[o]
------------	---------------------	-----	-----

WVA	LENGTH × HEIGHT × THICKNESS [mm]	SYS	WI
-----	----------------------------------	-----	----

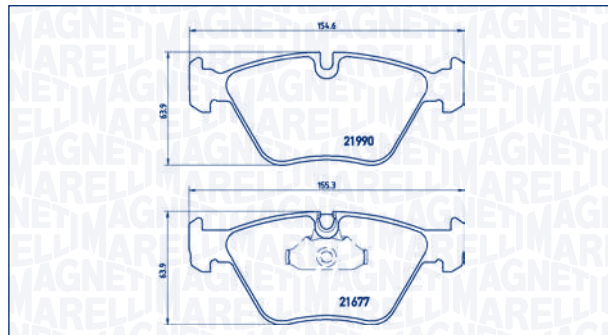
P06060MM



Ant	23794, 24697	154,6/155,1 × 63,7/63,9 × 19,3/20,3	ATE	[o]
-----	--------------	-------------------------------------	-----	-----

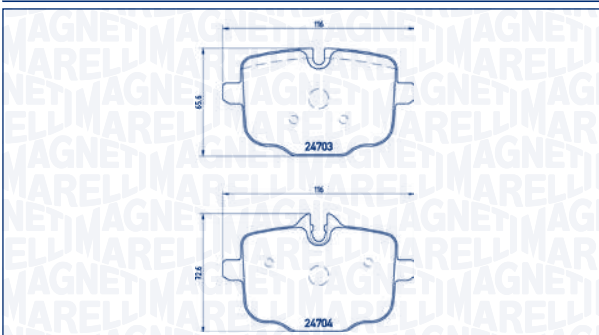
WVA	LENGTH × HEIGHT × THICKNESS [mm]	SYS	WI
-----	----------------------------------	-----	----

P06065MM



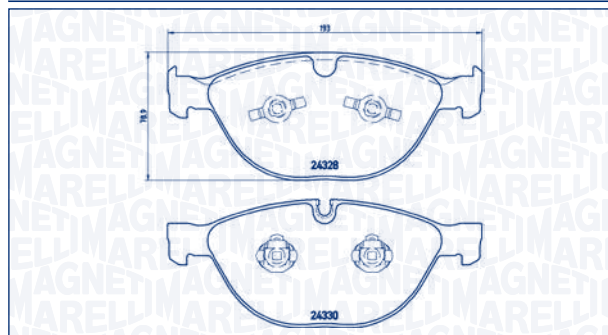
Ant	21677, 21990	154,6 × 63,9 × 20,3	ATE	[o]
-----	--------------	---------------------	-----	-----

P06061MM



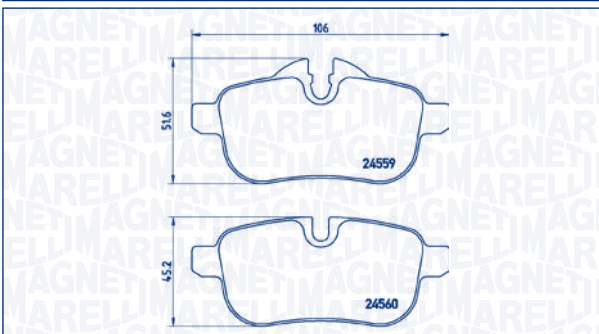
Post	24703, 24704	116 × 65,6/72,6 × 18	TRW	[o]
------	--------------	----------------------	-----	-----

P06066MM



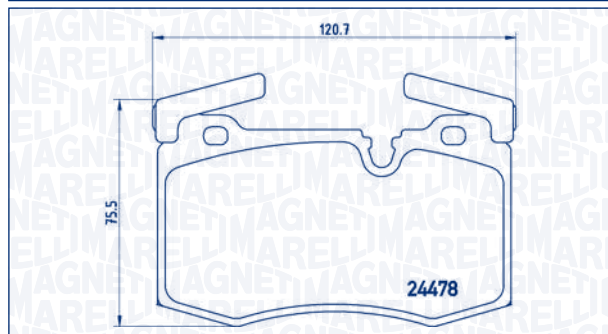
Ant	24328, 24330	193 × 78,9 × 20,8	ATE	[o]
-----	--------------	-------------------	-----	-----

P06062MM



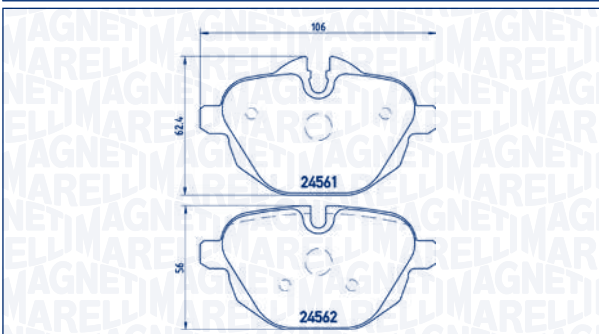
Post	24559, 24560	106 × 45,2/51,6 × 18	TRW	[o]
------	--------------	----------------------	-----	-----

P06068MM



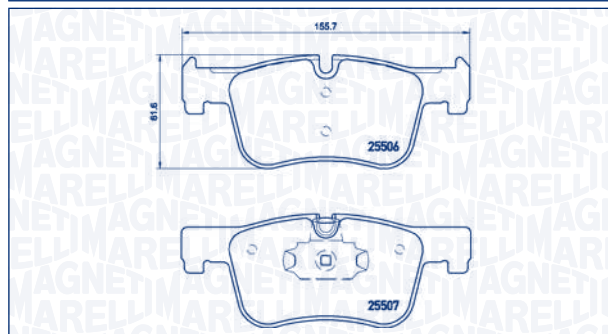
Ant	24478	120,7 × 75,5 × 14,8	BRE	[o]
-----	-------	---------------------	-----	-----

P06064MM



Post	24561, 24562	106 × 56/62,4 × 18	TRW	[o]
------	--------------	--------------------	-----	-----

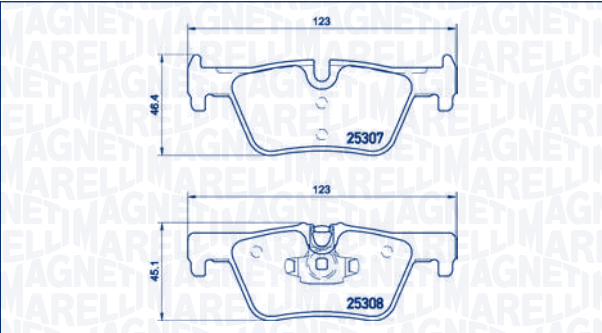
P06070MM



Ant	25506, 25507	155,7 × 61,6 × 18,2	ATE	[o]
-----	--------------	---------------------	-----	-----

WVA	LENGTH×HEIGHT×THICKNESS [mm]	SYS	WI
-----	---------------------------------	-----	----

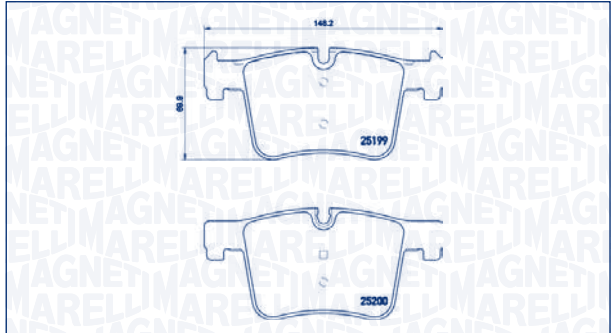
P06071MM



Post	25307, 25308	123 × 45,1/46,4 × 17,2	ATE	[o]
------	--------------	------------------------	-----	-----

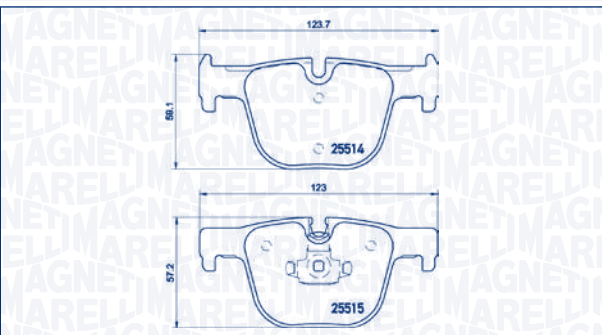
WVA	LENGTH×HEIGHT×THICKNESS [mm]	SYS	WI
-----	---------------------------------	-----	----

P06075MM



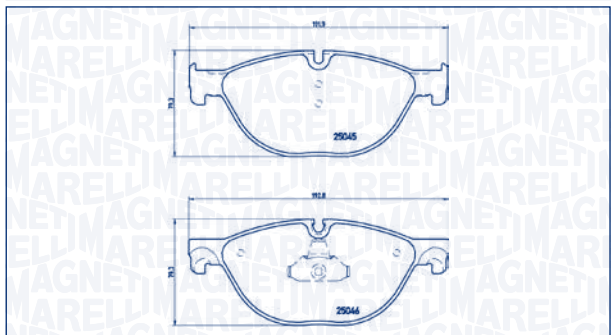
Ant	25199	148,2 × 69,9 × 19,2	BSH	[o]
-----	-------	---------------------	-----	-----

P06072MM



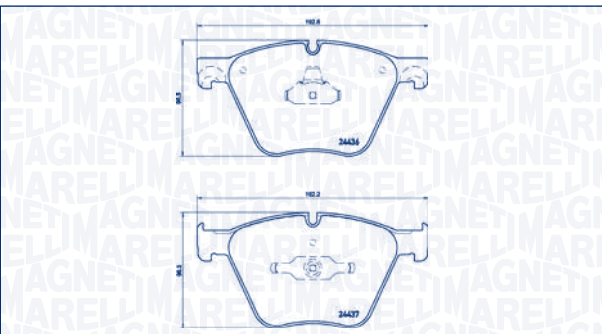
Post	25514, 25515	123/123,7 × 57,2/59,1 × 18,3	ATE	[o]
------	--------------	------------------------------	-----	-----

P06076MM



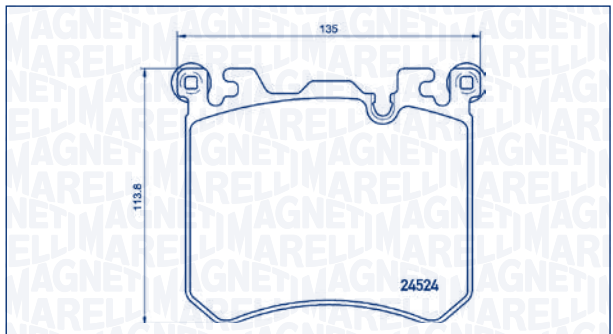
Ant	25045, 25046	191,9/192,8 × 79,35 × 19,3	ATE	[o]
-----	--------------	----------------------------	-----	-----

P06073MM



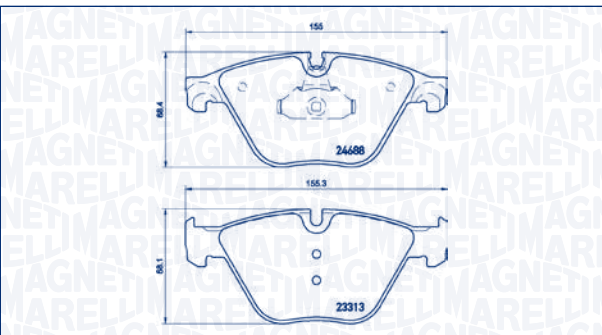
Ant	24436, 24437	192,2/192,8 × 96,5 × 19,9	ATE	[o]
-----	--------------	---------------------------	-----	-----

P06077MM



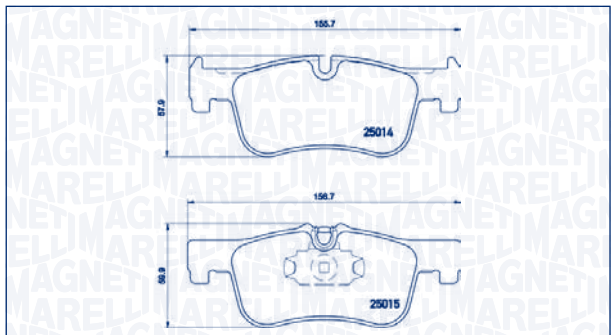
Ant	24524	135 × 113,8 × 19,4	BRE	[o]
-----	-------	--------------------	-----	-----

P06074MM



Ant	23313, 24688	155/155,3 × 68,1/68,4 × 19,2/20,3	ATE	[o]
-----	--------------	-----------------------------------	-----	-----

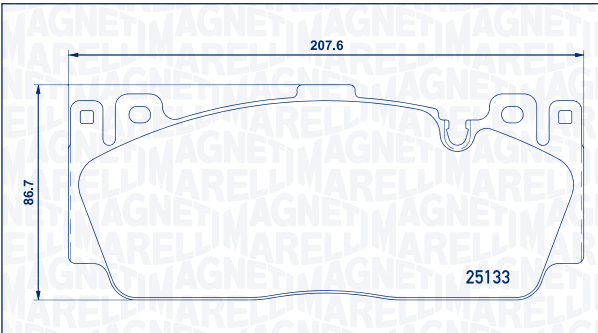
P06078MM



Ant	25014	155,7/156,7 × 57,9/59,9 × 18,3	ATE	[o]
-----	-------	--------------------------------	-----	-----

WVA	LENGTH × HEIGHT × THICKNESS [mm]	SYS	WI
-----	----------------------------------	-----	----

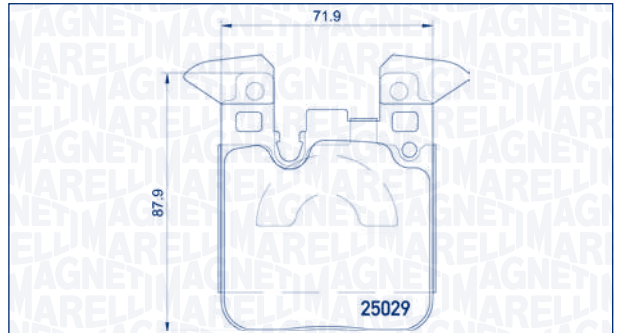
P06079MM



Ant 25133	207,6 × 86,7 × 20,4	BRE	[o]
-----------	---------------------	-----	-----

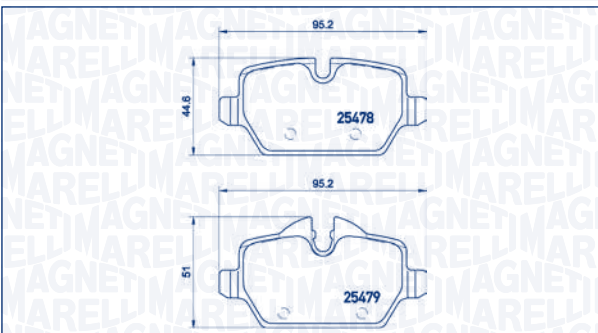
WVA	LENGTH × HEIGHT × THICKNESS [mm]	SYS	WI
-----	----------------------------------	-----	----

P06087MM



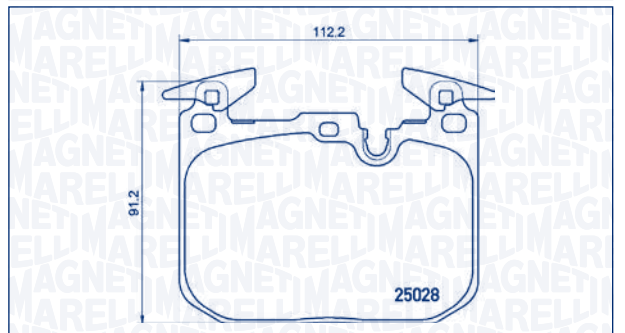
Post 25029	71,9 × 87,9 × 17	BRE	[o]
------------	------------------	-----	-----

P06080MM



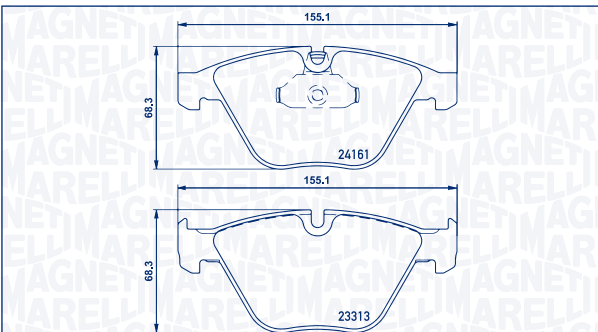
Post 25478, 25479	95,2 × 44,6/51 × 16,8	TRW	[o]
-------------------	-----------------------	-----	-----

P06088MM



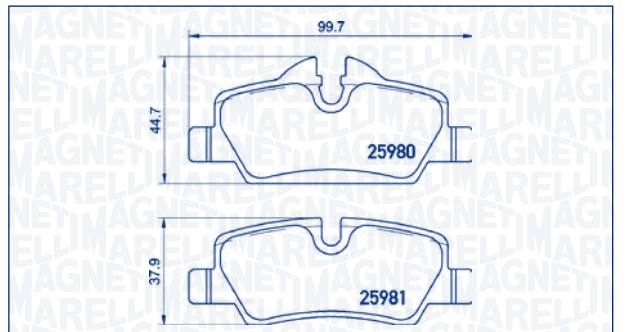
Ant 25028	112,2 × 91,2 × 17,7	BRE	[o]
-----------	---------------------	-----	-----

P06081MM



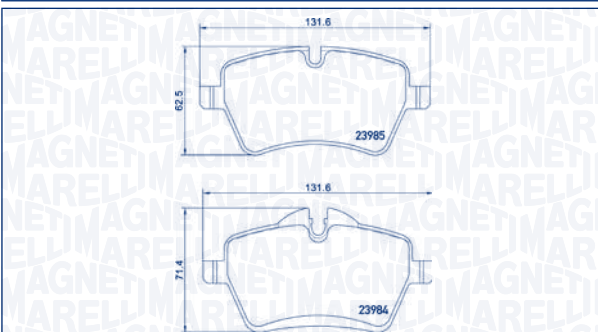
Ant 23313	155,3 × 68,3 × 20,3	ATE	[o]
-----------	---------------------	-----	-----

P06090MM



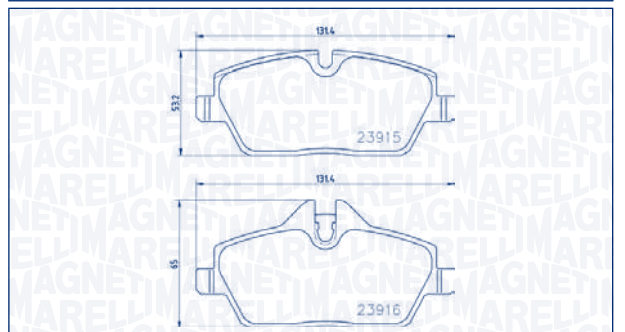
Post 25980, 25981	99,7 × 37,9/44,7 × 16,6	TRW	[o]
-------------------	-------------------------	-----	-----

P06086MM



Ant 23984, 23985	131,6 × 62,5/71,4 × 18	TRW	[o]
------------------	------------------------	-----	-----

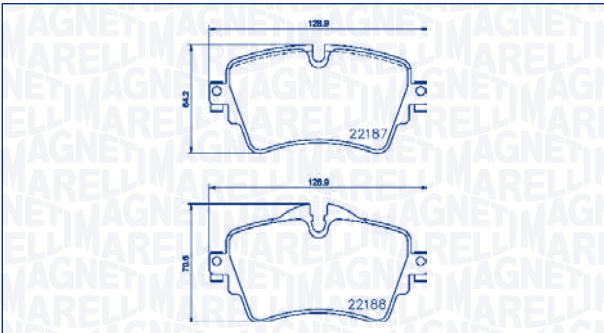
P06091MM



Ant 23915, 23916	131,4 × 53,2/65 × 13,6	TRW	[o]
------------------	------------------------	-----	-----

WVA	LENGTH×HEIGHT×THICKNESS [mm]	SYS	WI
-----	---------------------------------	-----	----

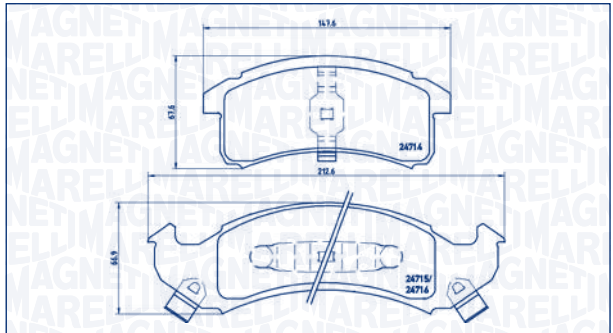
P06092MM



Ant	22187, 22188	128,9 × 64,2/70,6 × 18,3	TRW	[o]
-----	--------------	--------------------------	-----	-----

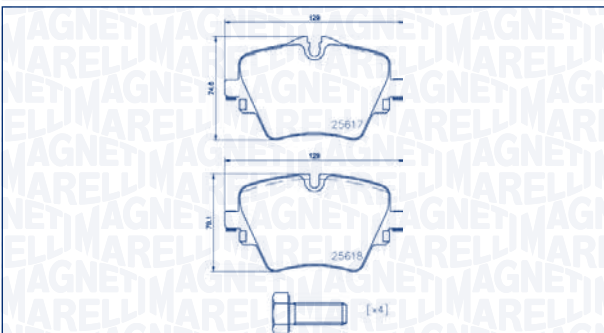
WVA	LENGTH×HEIGHT×THICKNESS [mm]	SYS	WI
-----	---------------------------------	-----	----

P07002MM



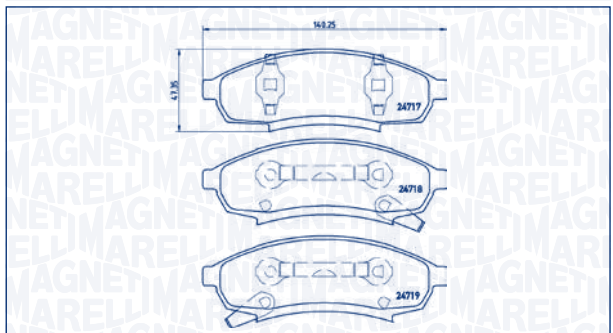
Ant	24714, 24716, 24715	147,6/216,6 × 67,7/68,8 × 15,9	DE	[+]
-----	---------------------	--------------------------------	----	-----

P06093MM



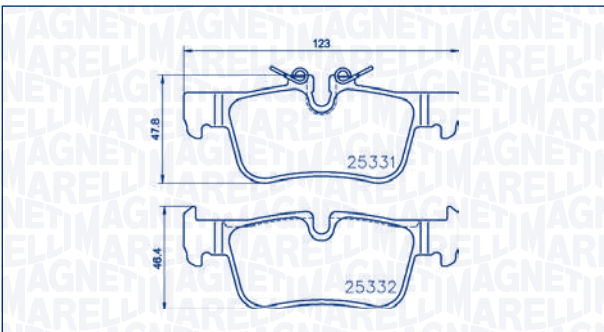
Ant	25617, 25618	129 × 70,1/74,6 × 18,6	TRW	[o]
-----	--------------	------------------------	-----	-----

P07003MM



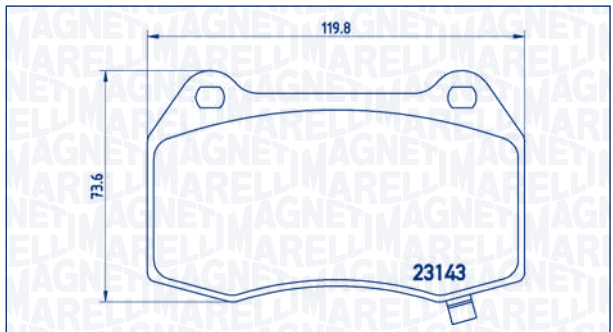
Ant	24717, 24718, 24719	140,26 × 49,1 × 17,3	WAG	[+]
-----	---------------------	----------------------	-----	-----

P06094MM



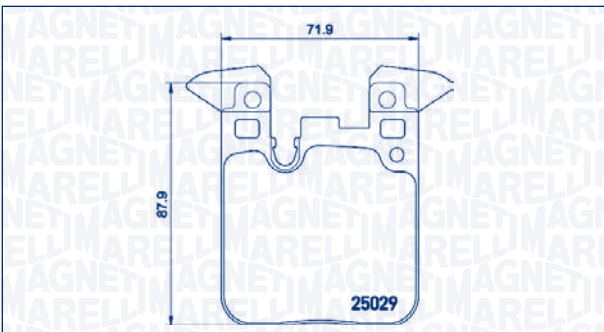
Post	25331, 25332	123 × 46,4/47,8 × 16,2	ATE	[o]
------	--------------	------------------------	-----	-----

P09003MM



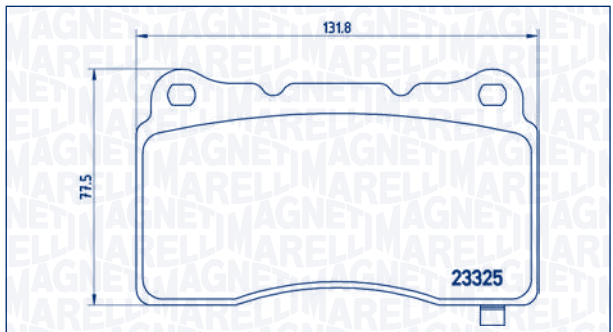
Post	23143	119,8 × 73,6 × 14,3	BRE	[+]
------	-------	---------------------	-----	-----

P06095MM



Post	25029	71,9 × 87,9 × 16,8	ATE	[o]
------	-------	--------------------	-----	-----

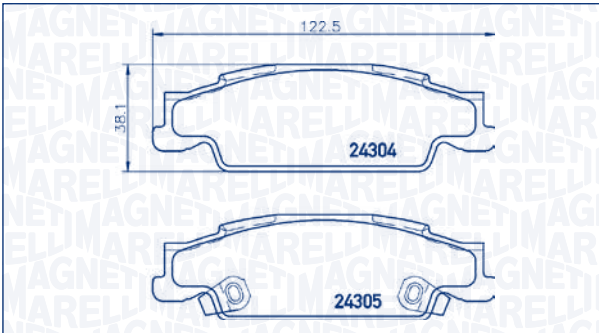
P09004MM



Ant	23325	131,8 × 77,5 × 15	BRE	[+]
-----	-------	-------------------	-----	-----

	WVA	LENGTH × HEIGHT × THICKNESS [mm]	SYS	WI
--	-----	----------------------------------	-----	----

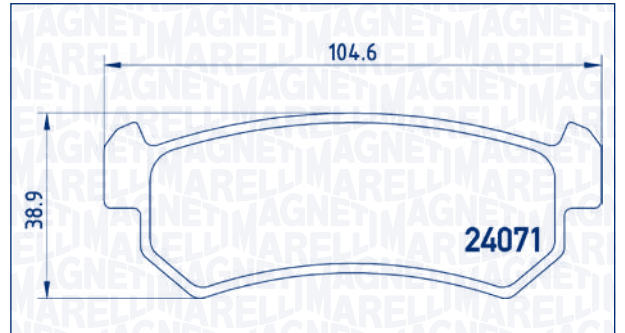
P09007MM



Post	24304	122,5 × 37,1 × 13,7	WAG	[+]
------	-------	---------------------	-----	-----

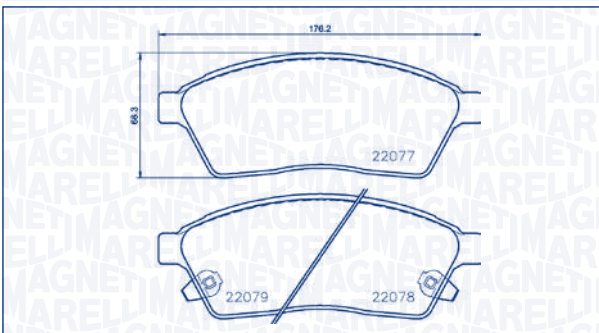
	WVA	LENGTH × HEIGHT × THICKNESS [mm]	SYS	WI
--	-----	----------------------------------	-----	----

P10001MM



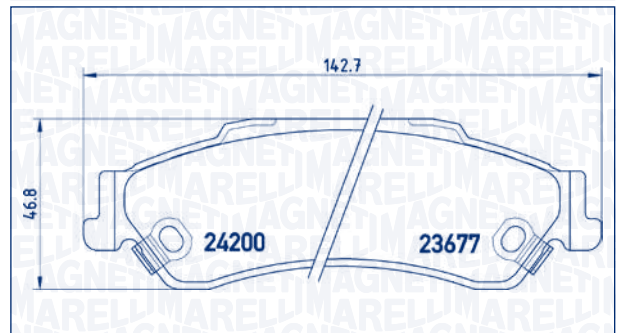
Post	24071	104,6 × 38,9 × 14,6	SUM	[-]
------	-------	---------------------	-----	-----

P09009MM



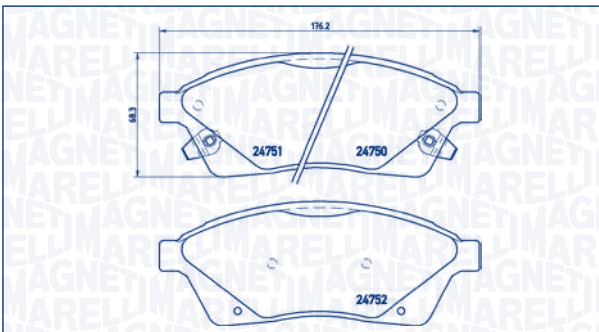
Ant	22077	176,2 × 68,3 × 17,8	MN	[+]
-----	-------	---------------------	----	-----

P10002MM



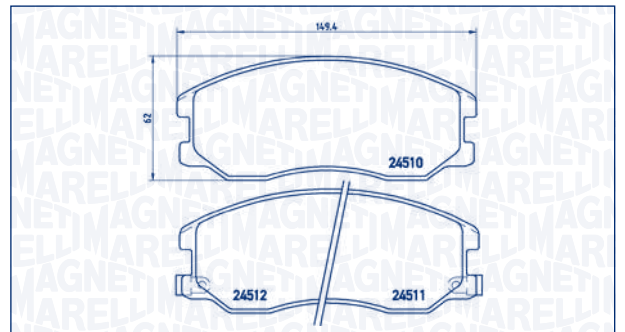
Post	23677, 24200	142,7 × 46,8 × 15,5	BDX	[+]
------	--------------	---------------------	-----	-----

P09010MM



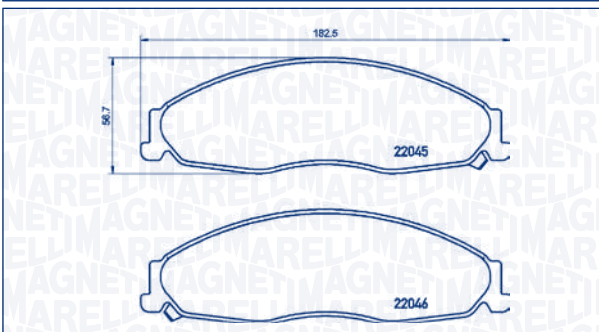
Ant	24750, 24751, 24752	176,2 × 68,3 × 16,7	-	[+]
-----	---------------------	---------------------	---	-----

P10003MM



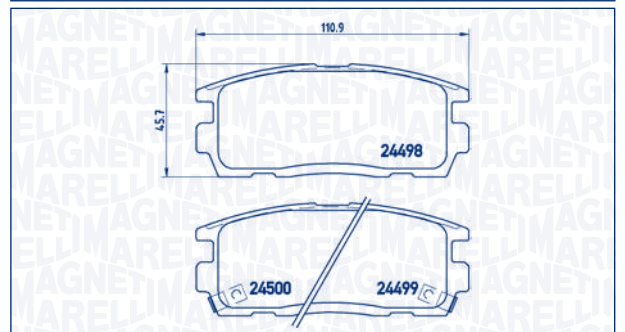
Ant	24510, 24511, 24512	149,4 × 62 × 16,9	MN	[+]
-----	---------------------	-------------------	----	-----

P09011MM



Ant	22045	182,5 × 56,7 × 15,3	-	[+]
-----	-------	---------------------	---	-----

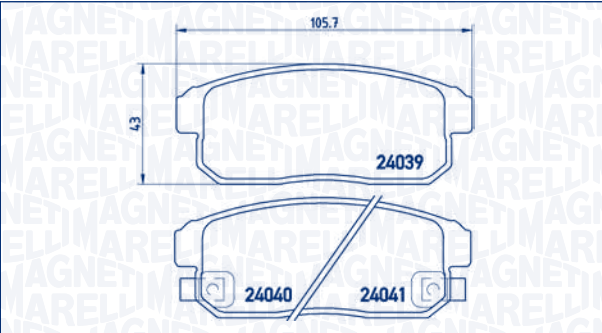
P10004MM



Post	24498, 24499, 24500	110,9 × 45,7 × 15,4	MN	[+]
------	---------------------	---------------------	----	-----

WVA	LENGTH×HEIGHT×THICKNESS [mm]	SYS	WI
-----	------------------------------	-----	----

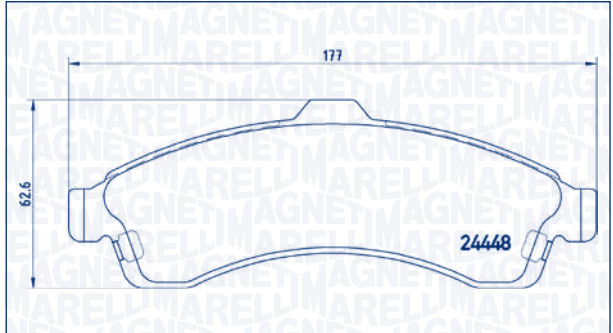
P10005MM



Post	24039, 24040, 24041	105,7 × 43 × 14,4	NBK	[+]
------	---------------------	-------------------	-----	-----

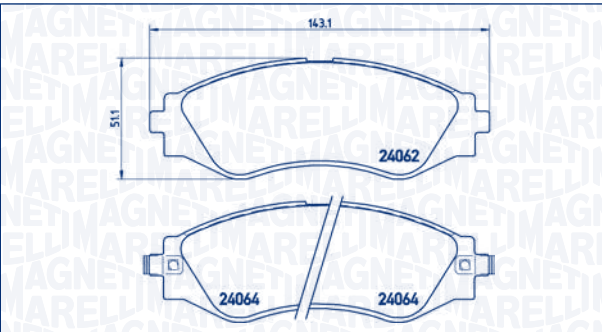
WVA	LENGTH×HEIGHT×THICKNESS [mm]	SYS	WI
-----	------------------------------	-----	----

P10009MM



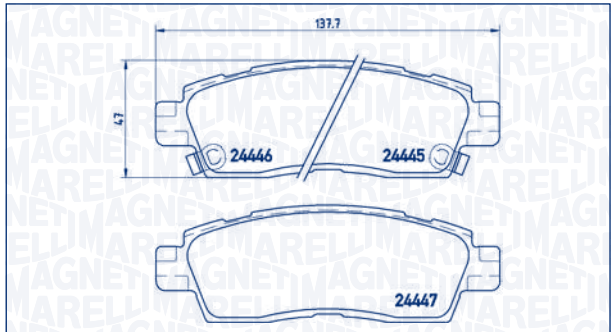
Ant	24448	177 × 62,6 × 16,8	ATE	[+]
-----	-------	-------------------	-----	-----

P10006MM



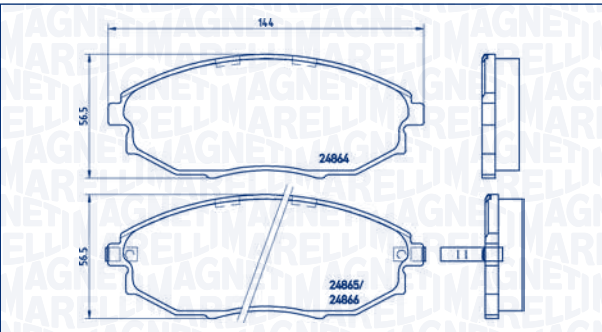
Ant	24062, 24063, 24064	143,1 × 51,1 × 17,6	SUM	[+]
-----	---------------------	---------------------	-----	-----

P10010MM



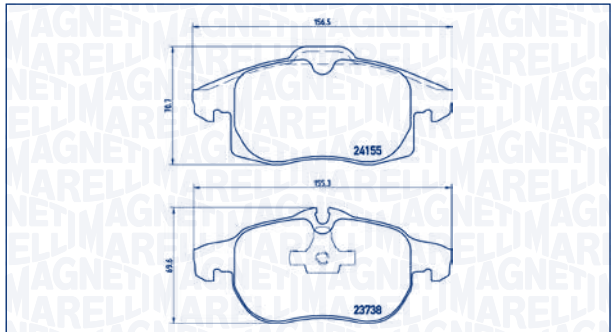
Post	24445, 24446, 24447	137,7 × 47 × 17,5	-	[+]
------	---------------------	-------------------	---	-----

P10007MM



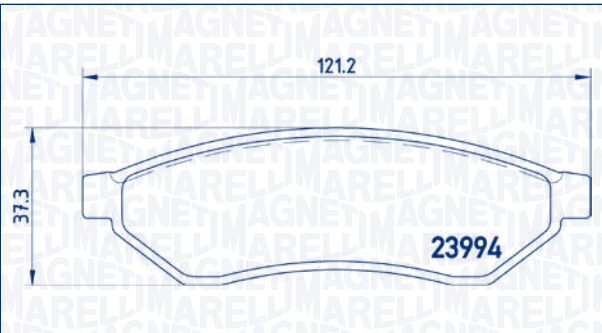
Ant	24864, 24865, 24866	144 × 56,5 × 17	SUM	[+]
-----	---------------------	-----------------	-----	-----

P10011MM



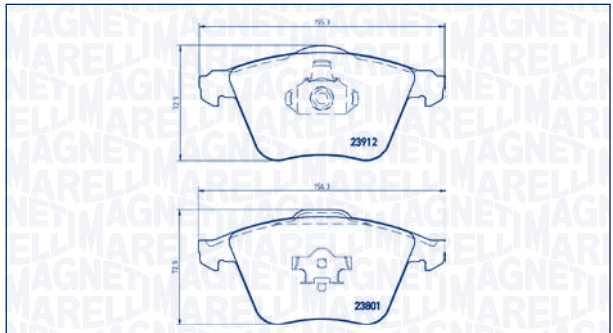
Ant	23738, 24155	155,3/156,5 × 69,6/70,7 × 20,6	ATE	[o]
-----	--------------	--------------------------------	-----	-----

P10008MM



Post	23994	121,2 × 37,3 × 14,8	SUM	[-]
------	-------	---------------------	-----	-----

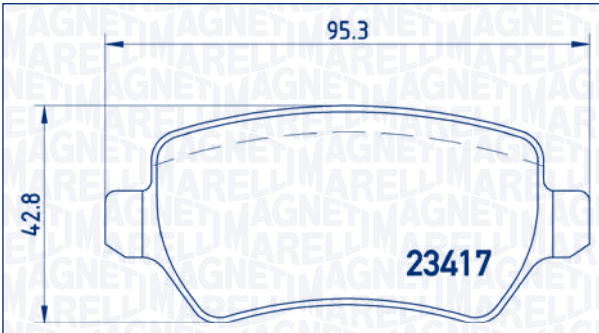
P10012MM



Ant	23801, 23912	155,3/156,3 × 72,9 × 20,4	ATE	[-]
-----	--------------	---------------------------	-----	-----

	WVA	LENGTH × HEIGHT × THICKNESS [mm]	SYS	WI
--	-----	----------------------------------	-----	----

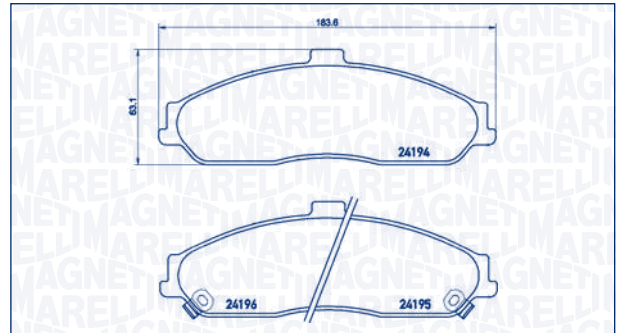
P10013MM



Ant	23417	95,3 × 42,8 × 15,2	TRW	[-]
-----	-------	--------------------	-----	-----

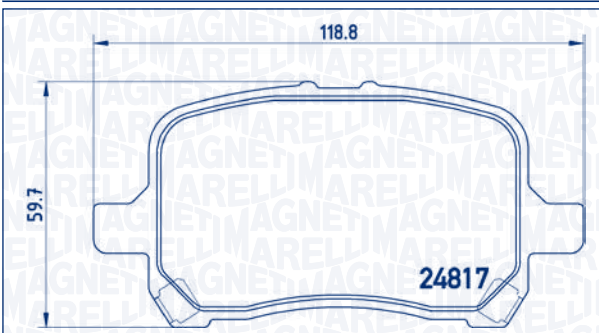
	WVA	LENGTH × HEIGHT × THICKNESS [mm]	SYS	WI
--	-----	----------------------------------	-----	----

P10052MM



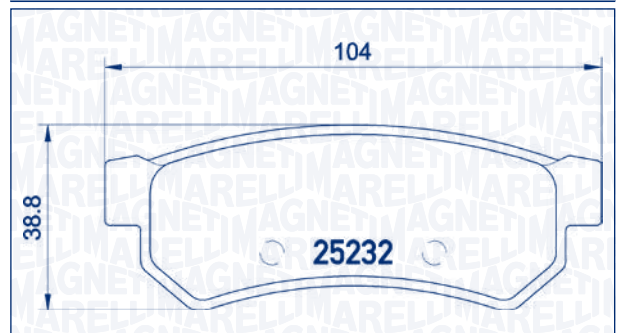
Ant	24194, 24195, 24196	183,6 × 63,1 × 15,3	PBR	[+]
-----	---------------------	---------------------	-----	-----

P10014MM



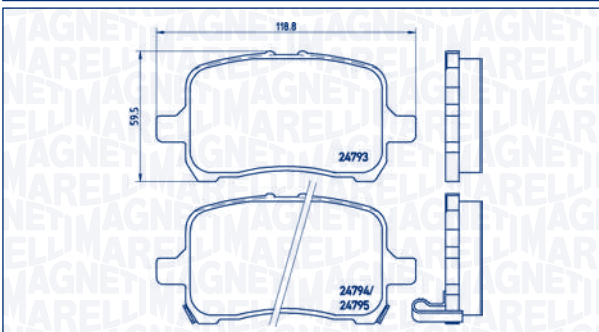
Ant	24817	118,8 × 59,7 × 17	AKE	[+]
-----	-------	-------------------	-----	-----

P10053MM



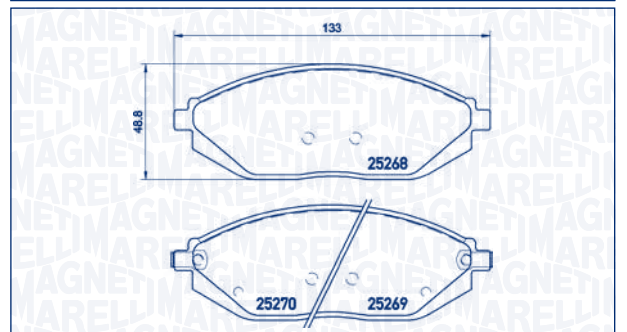
Post	25232	104 × 38,8 × 14,4	SUM	[-]
------	-------	-------------------	-----	-----

P10015MM



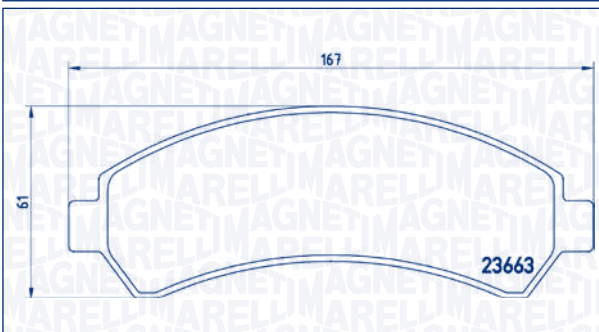
Ant	24795, 24793, 24794	118,8 × 59,5 × 19,5	BSH	[+]
-----	---------------------	---------------------	-----	-----

P10054MM



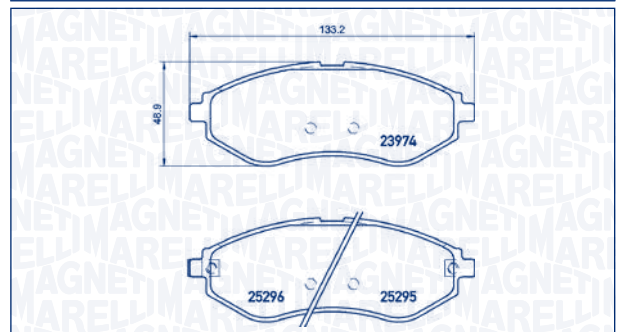
Ant	25268, 25269, 25270	133 × 48,8 × 17,9	AKE	[+]
-----	---------------------	-------------------	-----	-----

P10016MM



Ant	23663	167 × 61 × 15,2	AKE	[-]
-----	-------	-----------------	-----	-----

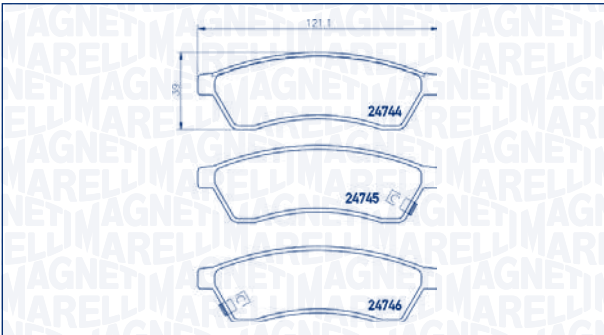
P10057MM



Ant	23974, 25295, 25296	133,2 × 48,9 × 17,8	AKE	[+]
-----	---------------------	---------------------	-----	-----

Icon	WVA	LENGTH×HEIGHT×THICKNESS [mm]	SYS	WI
------	-----	------------------------------	-----	----

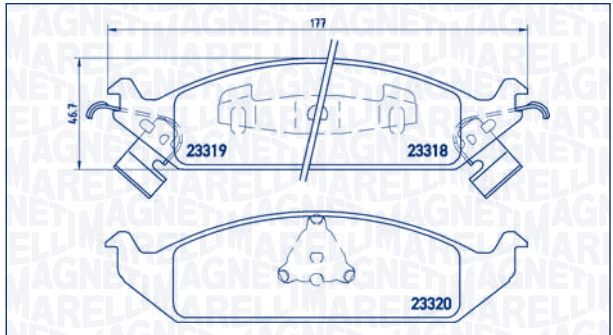
P10060MM



Post	24744, 24745, 24746	121,1 × 39 × 14,7	-	[+]
------	---------------------	-------------------	---	-----

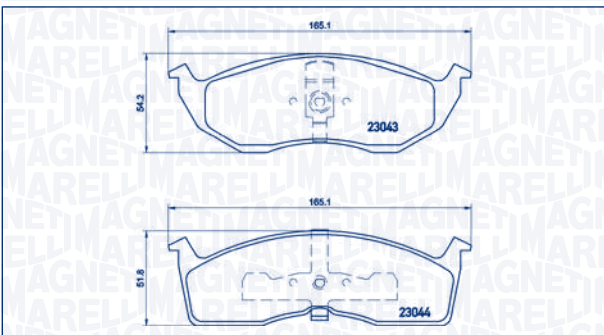
Icon	WVA	LENGTH×HEIGHT×THICKNESS [mm]	SYS	WI
------	-----	------------------------------	-----	----

P11011MM



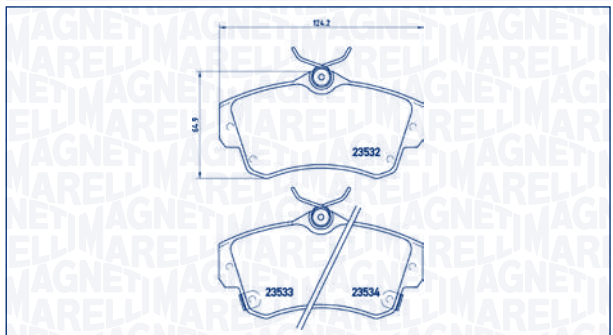
Ant	23318, 23319, 23320	177 × 46,7 × 15,9	BDX	[+]
-----	---------------------	-------------------	-----	-----

P11008MM



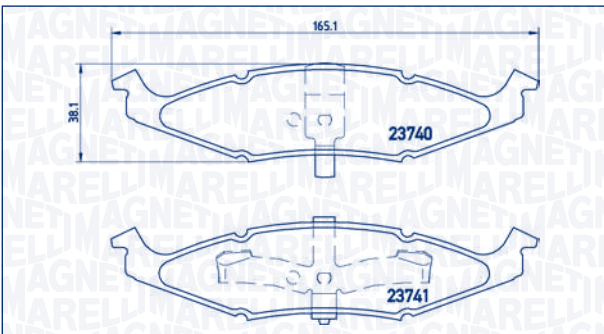
Ant	23043, 23044	164,6/165,1 × 51,6/54,2 × 18,6	KH	[-]
-----	--------------	--------------------------------	----	-----

P11012MM



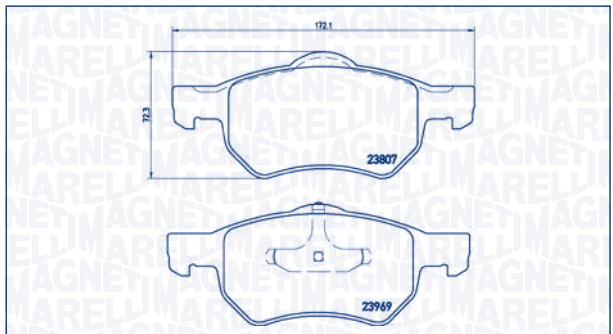
Ant	23532, 23533, 23534	124,2 × 64,9 × 20	TRW	[+]
-----	---------------------	-------------------	-----	-----

P11009MM



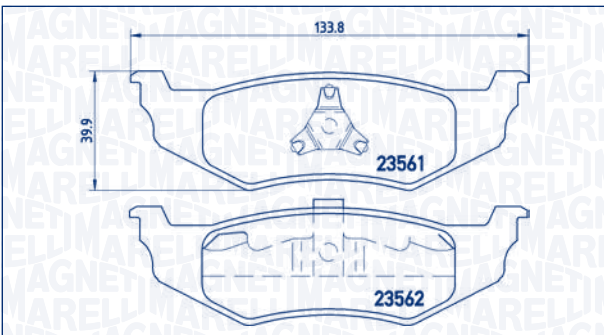
Ant	23740, 23741	165,1 × 38,1 × 15,5	KH	[-]
-----	--------------	---------------------	----	-----

P11013MM



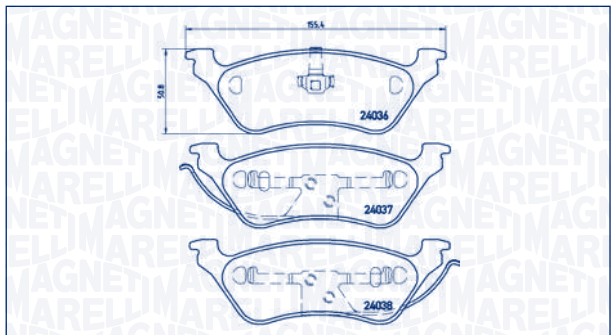
Ant	23807, 23969	172,1 × 69,3/72,5 × 18,5	ATE	[-]
-----	--------------	--------------------------	-----	-----

P11010MM



Post	23561, 23562	133,8 × 39,9 × 17	KH	[-]
------	--------------	-------------------	----	-----

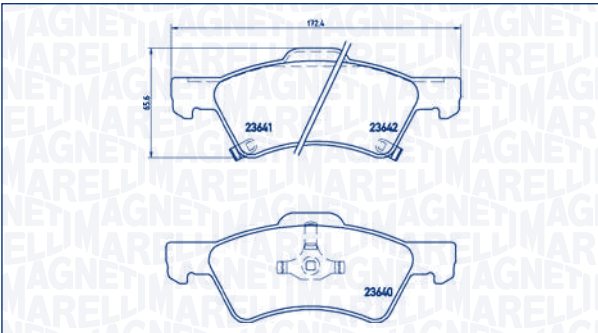
P11014MM



Post	24036, 24037, 24038	155,4 × 50,8 × 16	KH	[-]
------	---------------------	-------------------	----	-----

	WVA	LENGTH × HEIGHT × THICKNESS [mm]	SYS	WI
--	-----	----------------------------------	-----	----

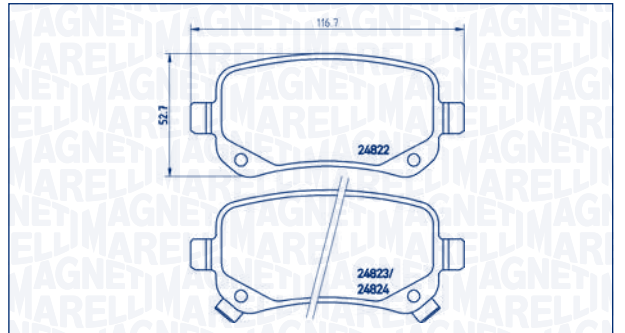
P11015MM



Ant	23640, 23641, 23642	172,4 × 65,6 × 18	ATE	[+]
-----	---------------------	-------------------	-----	-----

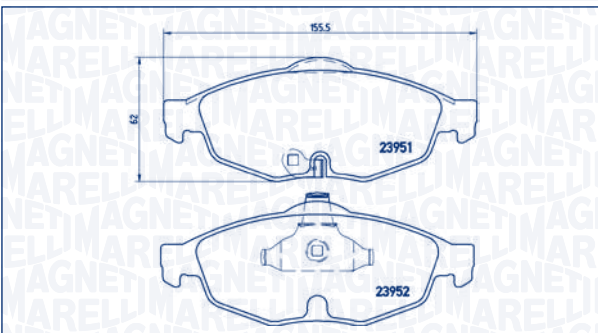
	WVA	LENGTH × HEIGHT × THICKNESS [mm]	SYS	WI
--	-----	----------------------------------	-----	----

P11021MM



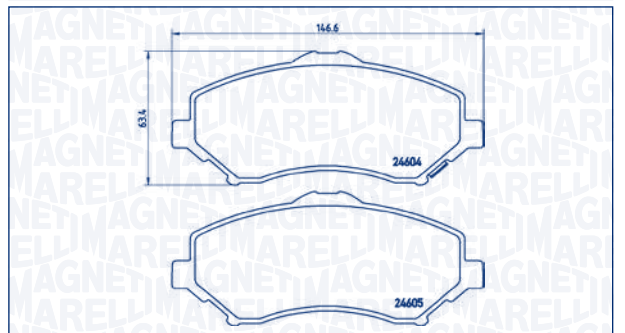
Post	24822, 24823, 24824	116,7 × 52,7 × 17	TRW	[+]
------	---------------------	-------------------	-----	-----

P11016MM



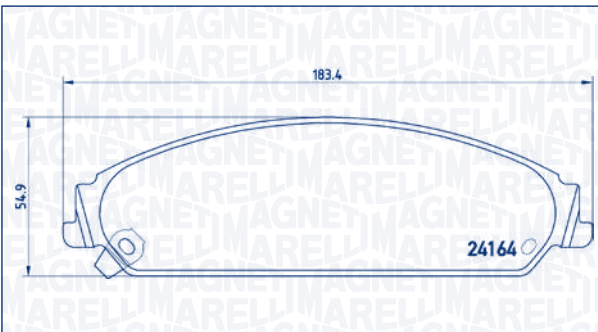
Ant	23951, 23952, 23953	155,5 × 62 × 20,5	ATE	[+]
-----	---------------------	-------------------	-----	-----

P11022MM



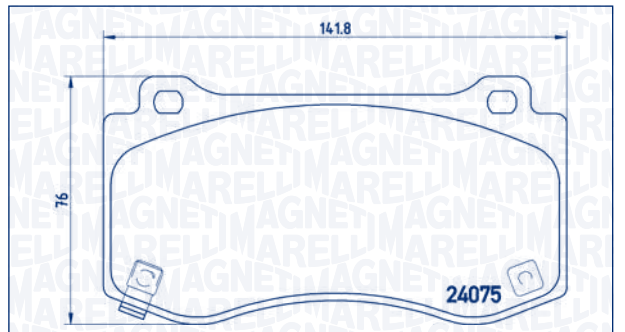
Ant	24605, 24604	146,6 × 63,4 × 17,5	BSH	[+]
-----	--------------	---------------------	-----	-----

P11017MM



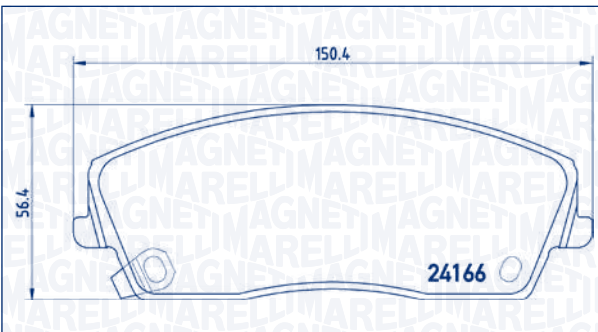
Ant	24164	183,4 × 54,9 × 17,8	BSH	[+]
-----	-------	---------------------	-----	-----

P11023MM



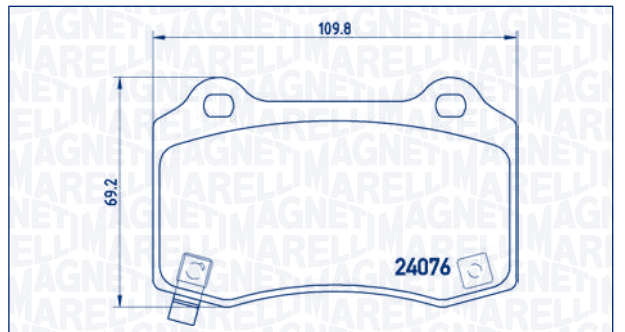
Ant	24075	141,8 × 76 × 17	BRE	[+]
-----	-------	-----------------	-----	-----

P11019MM



Ant	24166	150,4 × 56,4 × 18,8	BSH	[+]
-----	-------	---------------------	-----	-----

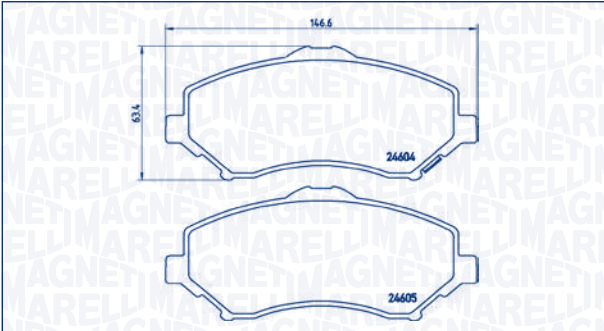
P11024MM



Post	24076	109,8 × 69,2 × 14,8	BRE	[+]
------	-------	---------------------	-----	-----

WVA	LENGTH×HEIGHT×THICKNESS [mm]	SYS	WI
-----	---------------------------------	-----	----

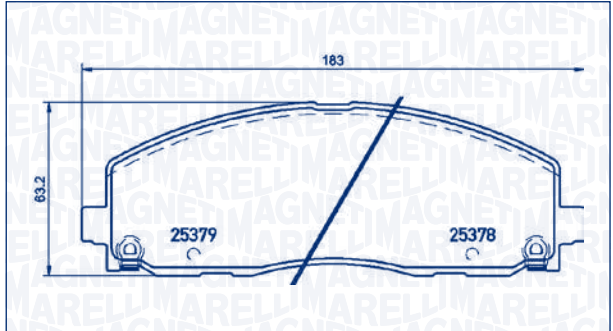
P11025MM



Ant	24604, 24605	146,6 × 63,4 × 18,5	BSH	[+]
-----	--------------	---------------------	-----	-----

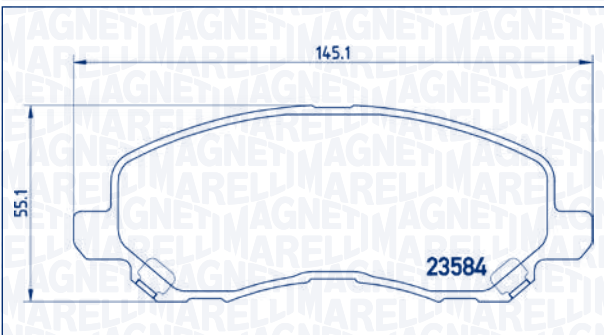
WVA	LENGTH×HEIGHT×THICKNESS [mm]	SYS	WI
-----	---------------------------------	-----	----

P11035MM



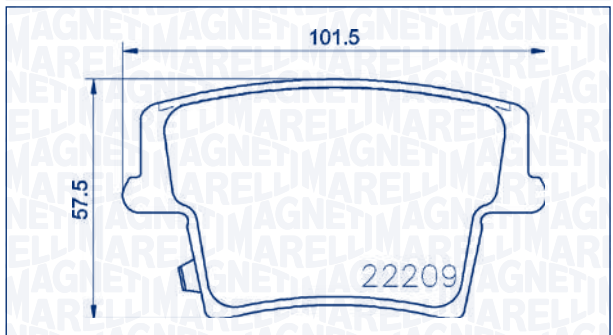
Ant	25378, 25379	183 × 63,2 × 18,1	AKE	[+]
-----	--------------	-------------------	-----	-----

P11026MM



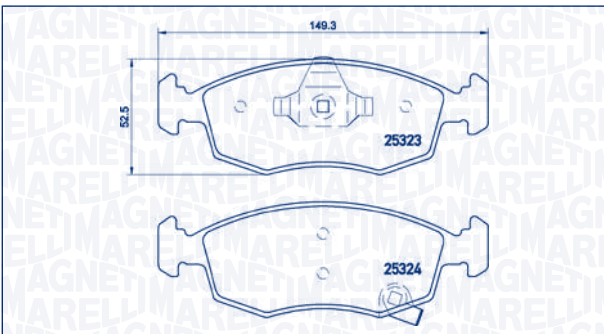
Ant	23584	145,1 × 55,1 × 16	AKE	[+]
-----	-------	-------------------	-----	-----

P11040MM



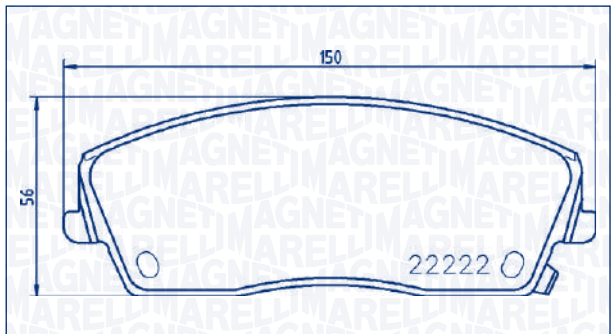
Post	22209	101,5 × 57,5 × 17,8	-	[+]
------	-------	---------------------	---	-----

P11031MM



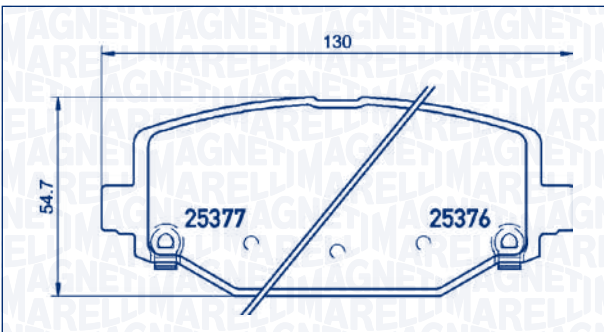
Ant	25323, 25324	149,3 × 52,5 × 17,3	ATE	[+]
-----	--------------	---------------------	-----	-----

P11041MM



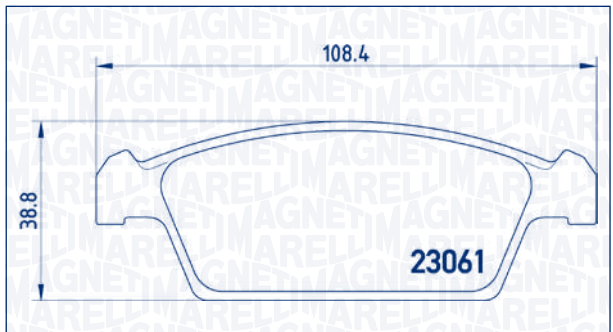
Ant	22222	150 × 56 × 18,8	-	[+]
-----	-------	-----------------	---	-----

P11032MM



Post	25376, 25377	130 × 54,7 × 17,6	TRW	[+]
------	--------------	-------------------	-----	-----

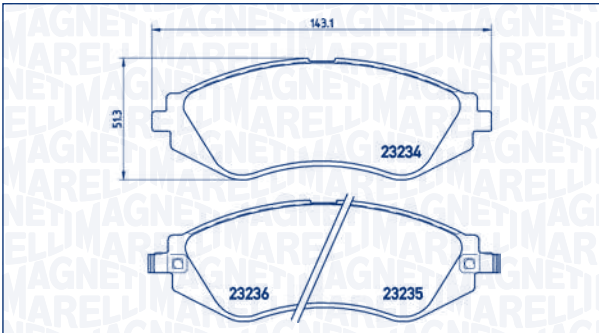
P15001MM



Ant	23061	108,4 × 38,8 × 14	SUM	[-]
-----	-------	-------------------	-----	-----

	WVA	LENGTH × HEIGHT × THICKNESS [mm]	SYS	WI
--	-----	----------------------------------	-----	----

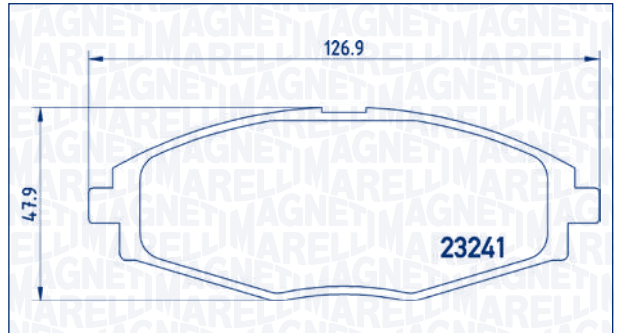
P15002MM



Ant	23234, 23235, 23236	143,1 × 51,3 × 16,9	AKE	[+]
-----	---------------------	---------------------	-----	-----

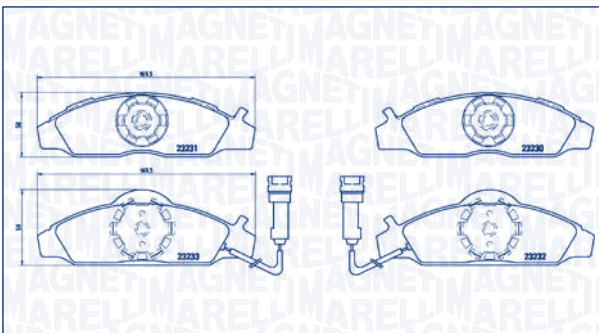
	WVA	LENGTH × HEIGHT × THICKNESS [mm]	SYS	WI
--	-----	----------------------------------	-----	----

P15006MM



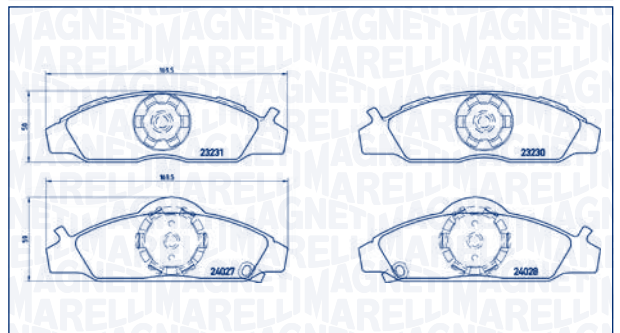
Ant	23241	126,9 × 47,9 × 16,5	AKE	[-]
-----	-------	---------------------	-----	-----

P15003MM



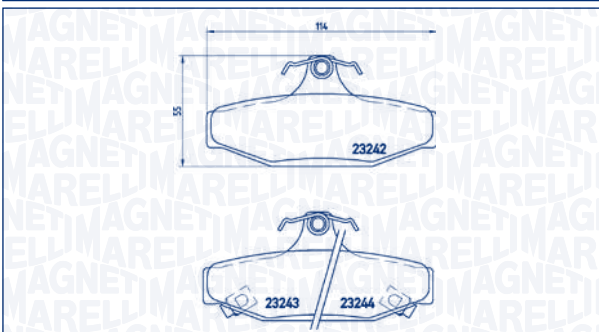
Ant	23230, 23231, 23232, 23233	169,5 × 50,59 × 15,8	TRW	[+]
-----	----------------------------	----------------------	-----	-----

P15008MM



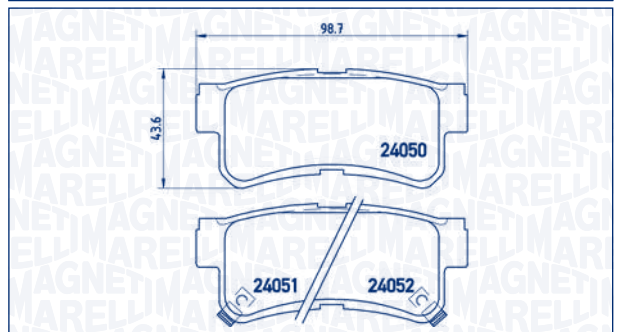
Ant	24028, 23230, 23231, 24027	169,5 × 50,59 × 15,8	TRW	[+]
-----	----------------------------	----------------------	-----	-----

P15004MM



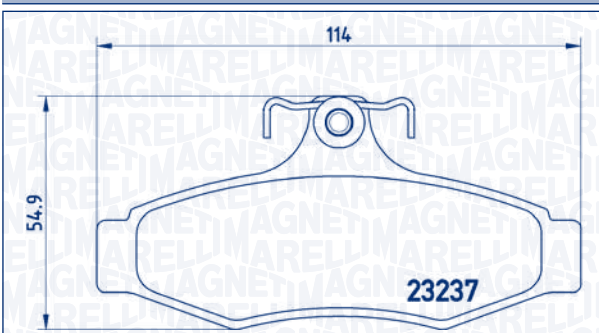
Post	23242, 23243, 23244	114 × 55 × 14,2	TRW	[+]
------	---------------------	-----------------	-----	-----

P15009MM



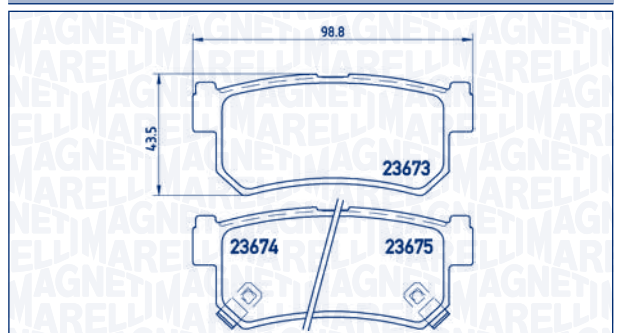
Post	24050, 24051, 24052	98,7 × 43,6 × 15,2	AKE	[+]
------	---------------------	--------------------	-----	-----

P15005MM



Post	23237	114 × 54,9 × 14,5	TRW	[-]
------	-------	-------------------	-----	-----

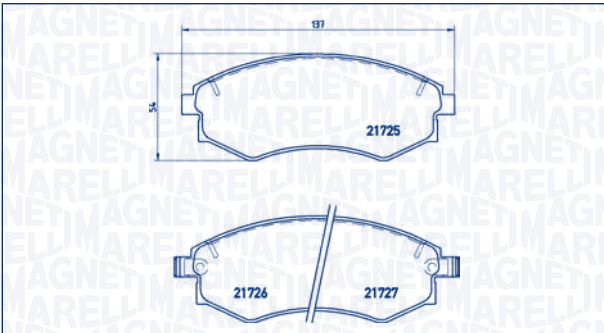
P15010MM



Post	23673, 23674, 23675	98,8 × 43,5 × 15	SAN	[+]
------	---------------------	------------------	-----	-----

WVA	LENGTH×HEIGHT×THICKNESS [mm]	SYS	WI
-----	------------------------------	-----	----

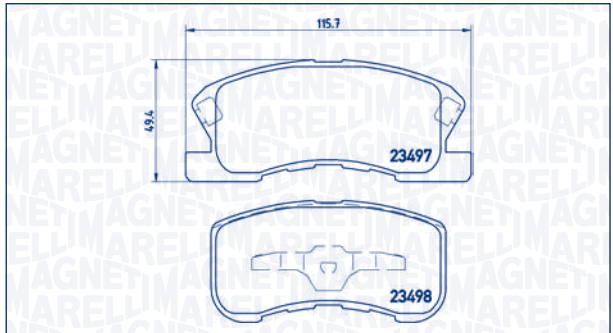
P15011MM



Ant	21725, 21726, 21727	137 × 54 × 15,6	SUM	[+]
-----	---------------------	-----------------	-----	-----

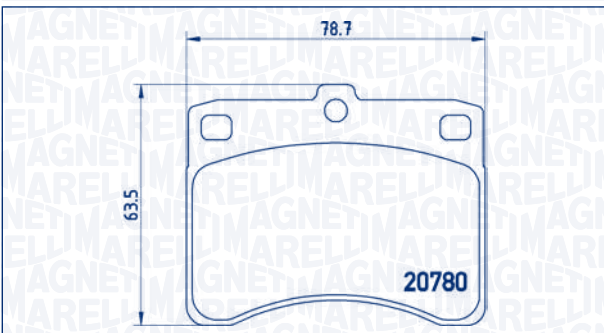
WVA	LENGTH×HEIGHT×THICKNESS [mm]	SYS	WI
-----	------------------------------	-----	----

P16008MM



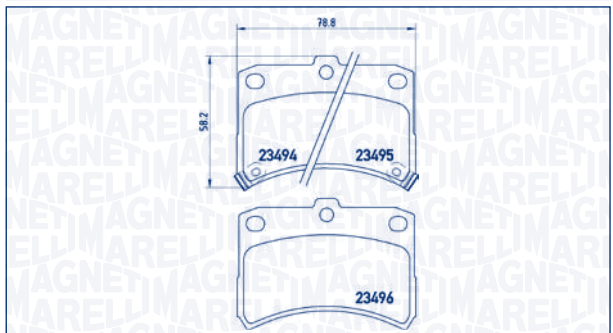
Ant	23497, 23498	115,7 × 49,4 × 15,5	AKE	[+]
-----	--------------	---------------------	-----	-----

P16003MM



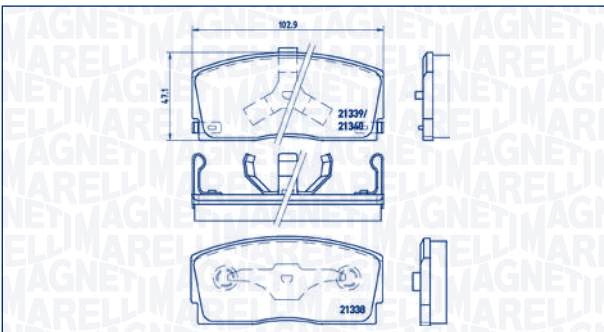
Ant	20780	78,7 × 63,5 × 13,4	SUM	[-]
-----	-------	--------------------	-----	-----

P16009MM



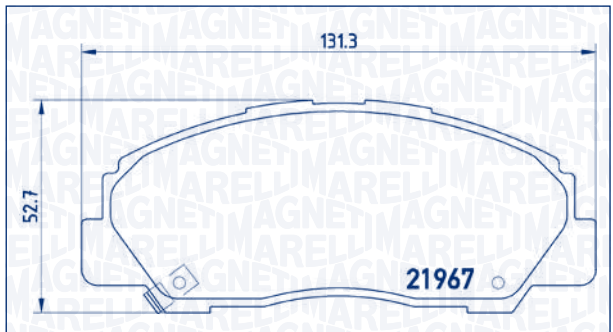
Ant	23494, 23495, 23496	78,8 × 58,2 × 14	SUM	[+]
-----	---------------------	------------------	-----	-----

P16005MM



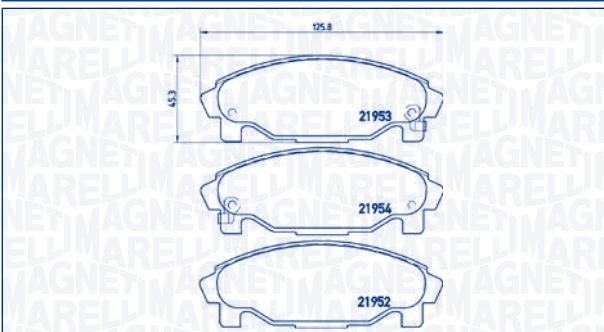
Ant	21338, 21339, 21340	102,9 × 47,1 × 14	AKE	[+]
-----	---------------------	-------------------	-----	-----

P16010MM



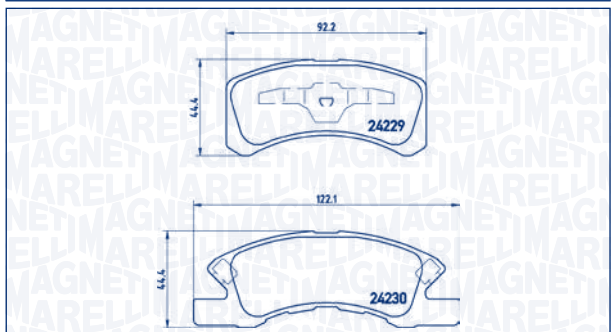
Ant	21967	131,3 × 52,7 × 13,8	AKE	[+]
-----	-------	---------------------	-----	-----

P16007MM



Ant	21952, 21953, 21954	125,8 × 45,3 × 15,6	AKE	[+]
-----	---------------------	---------------------	-----	-----

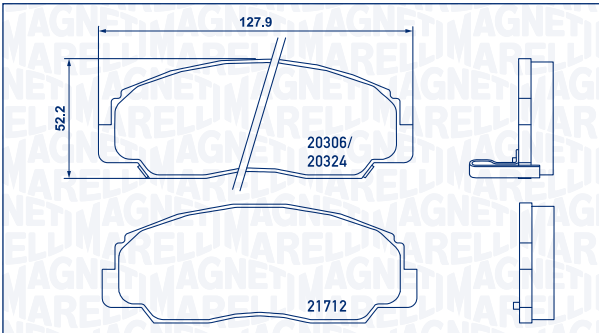
P16011MM



Ant	24229, 24230	122,1/92,2 × 44,4 × 15,3	AKE	[+]
-----	--------------	--------------------------	-----	-----

WVA	LENGTH × HEIGHT × THICKNESS [mm]	SYS	WI
-----	----------------------------------	-----	----

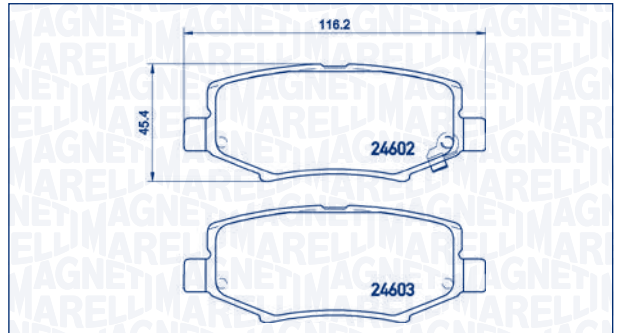
P16012MM



Ant	20306, 20324, 21712	127,9 × 52,2 × 14	AKE	[+]
-----	---------------------	-------------------	-----	-----

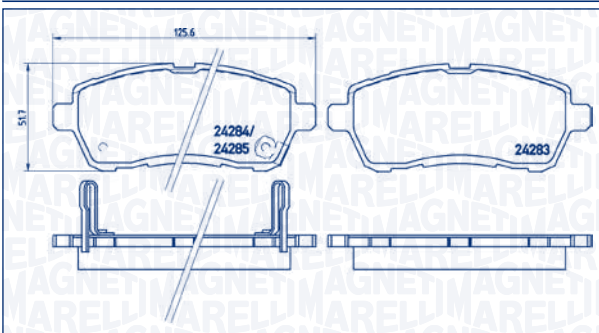
WVA	LENGTH × HEIGHT × THICKNESS [mm]	SYS	WI
-----	----------------------------------	-----	----

P18024MM



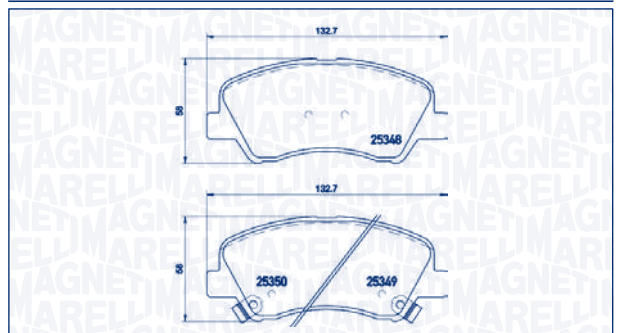
Post	24602, 24603	116,2 × 45,4 × 16	TRW	[+]
------	--------------	-------------------	-----	-----

P16013MM



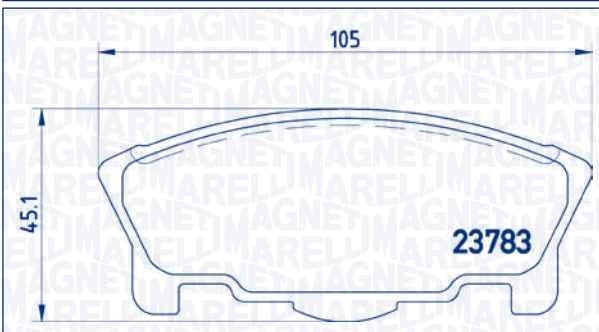
Ant	24283, 24284, 24285	125,6 × 51,7 × 16,5	TRW	[+]
-----	---------------------	---------------------	-----	-----

P18025MM



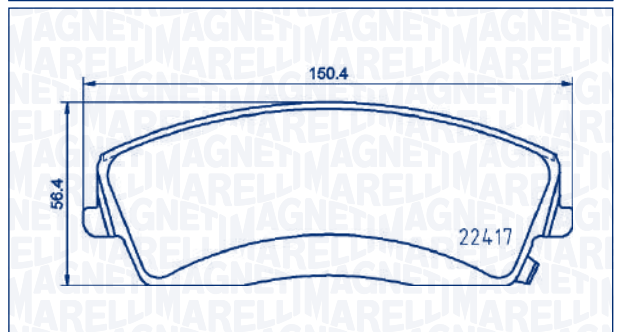
Ant	25348	132,7 × 58 × 17,8	-	[+]
-----	-------	-------------------	---	-----

P16014MM



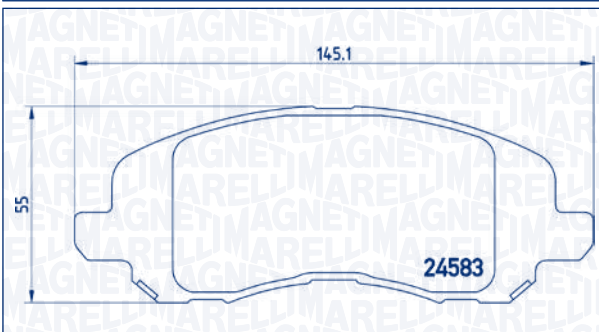
Ant	23783	105 × 45,1 × 13,8	AKE	[-]
-----	-------	-------------------	-----	-----

P18034MM



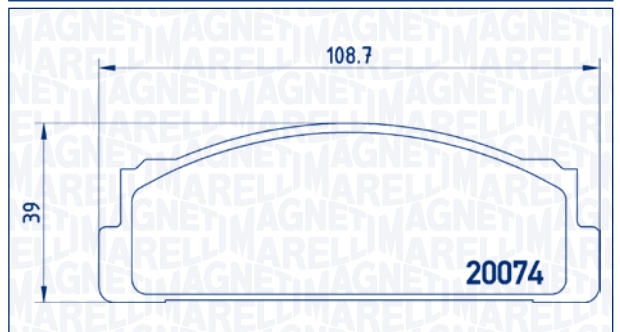
Ant	22417	150,4 × 56,4 × 19,2	BSH	[+]
-----	-------	---------------------	-----	-----

P18001MM



Ant	24583	145,1 × 55 × 17	AKE	[+]
-----	-------	-----------------	-----	-----

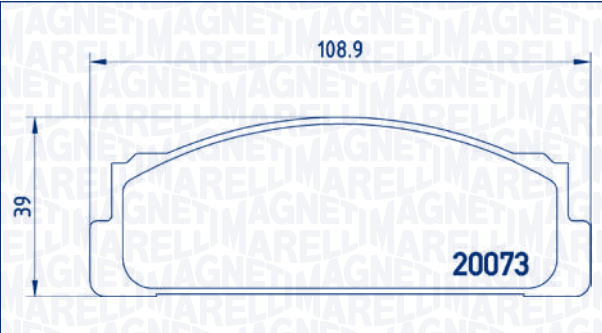
P23002MM



Post	20074	108,7 × 39 × 10	BDX	[-]
------	-------	-----------------	-----	-----

WVA	LENGTH×HEIGHT×THICKNESS [mm]	SYS	WI
-----	------------------------------	-----	----

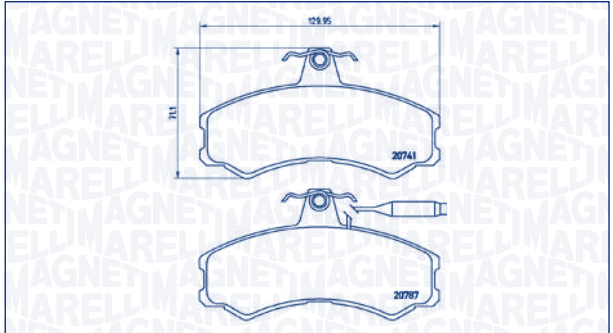
P23003MM



Ant 20073	108,9 × 39 × 17,3	BDX	[-]
-----------	-------------------	-----	-----

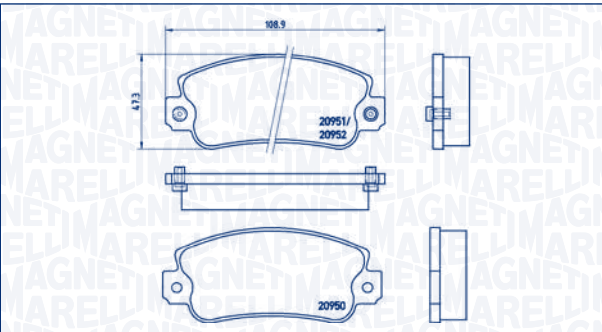
WVA	LENGTH×HEIGHT×THICKNESS [mm]	SYS	WI
-----	------------------------------	-----	----

P23022MM



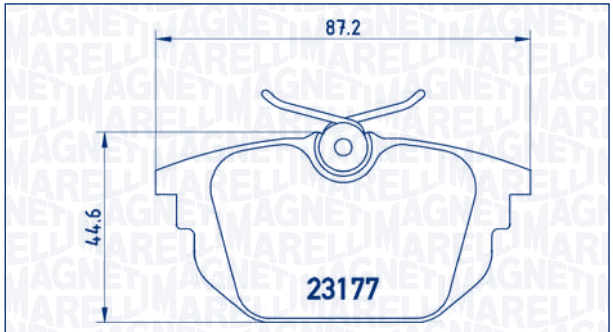
Ant 20741, 20787	130 × 71,1 × 19,2	TRW	[+]
------------------	-------------------	-----	-----

P23013MM



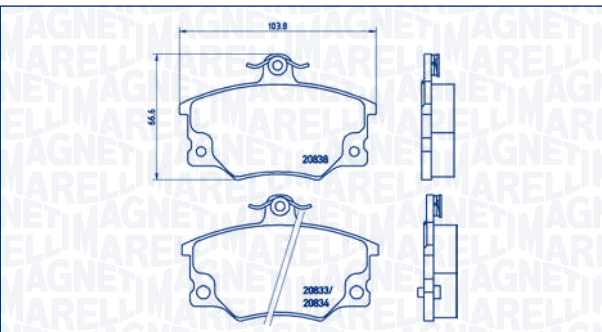
Ant 20950, 20951, 20952	108,9 × 47,3 × 18	BDX	[+]
-------------------------	-------------------	-----	-----

P23026MM



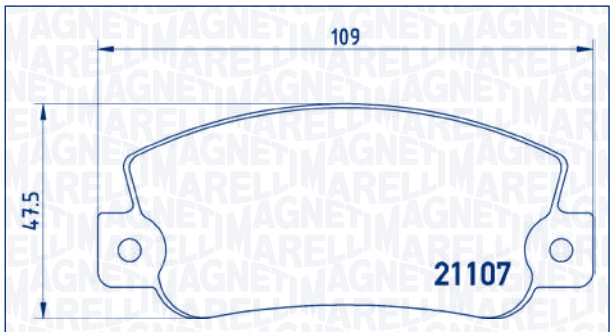
Post 23177	87,2 × 44,6 × 14,4	TRW	[-]
------------	--------------------	-----	-----

P23017MM



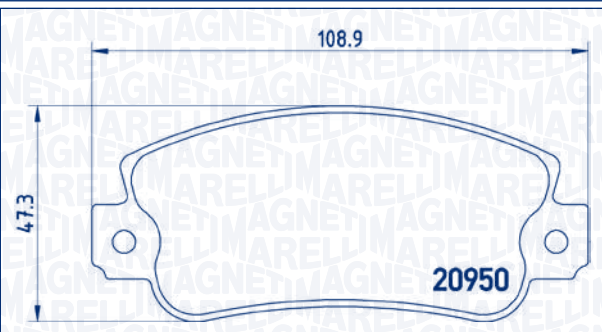
Ant 20833, 20834, 20838	103,8 × 66,6 × 17,1	TRW	[+]
-------------------------	---------------------	-----	-----

P23032MM



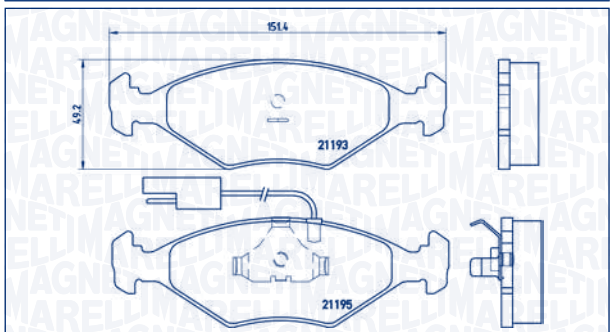
Post 21107	109 × 47,5 × 12	BDX	[o]
------------	-----------------	-----	-----

P23021MM



Ant 20950	108,9 × 47,3 × 18	BDX	[-]
-----------	-------------------	-----	-----

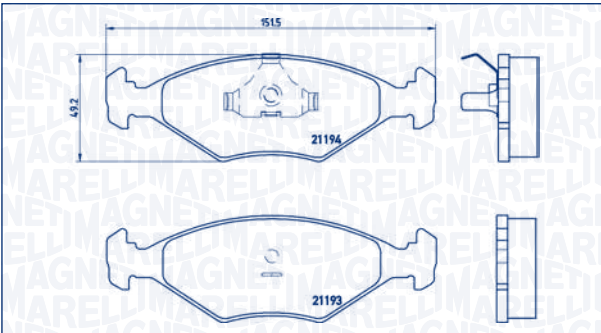
P23039MM



Ant 21193, 21195	151,4 × 49,2 × 18	ATE	[+]
------------------	-------------------	-----	-----

	WVA	LENGTH × HEIGHT × THICKNESS [mm]	SYS	WI
--	-----	----------------------------------	-----	----

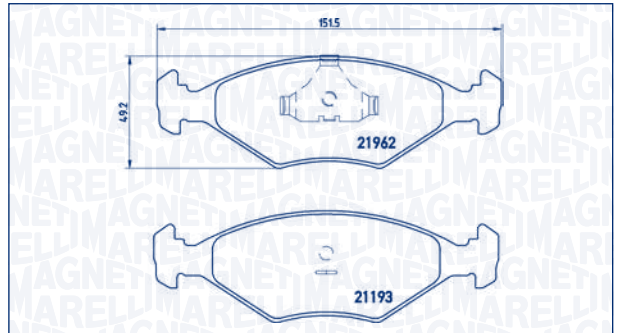
P23040MM



Ant	21193, 21194	151,5 × 49,2 × 18	ATE	[-]
-----	--------------	-------------------	-----	-----

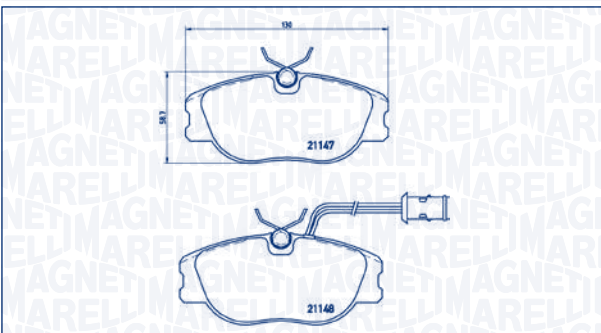
	WVA	LENGTH × HEIGHT × THICKNESS [mm]	SYS	WI
--	-----	----------------------------------	-----	----

P23055MM



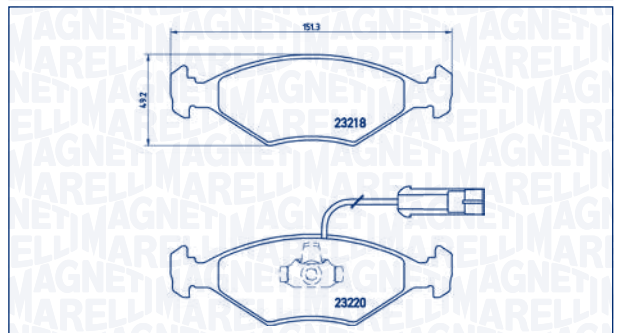
Ant	21193, 21962	151,5 × 49,2 × 18	ATE	[-]
-----	--------------	-------------------	-----	-----

P23041MM



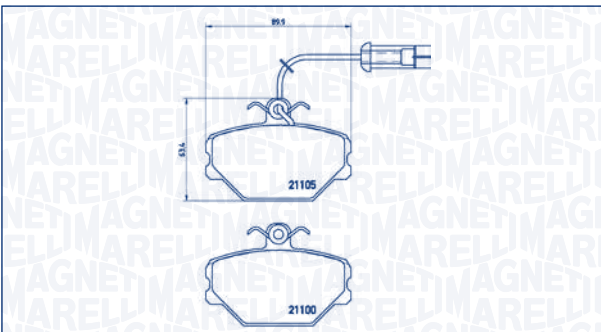
Ant	21147, 21148	130 × 58,7 × 19,3	TRW	[+]
-----	--------------	-------------------	-----	-----

P23056MM



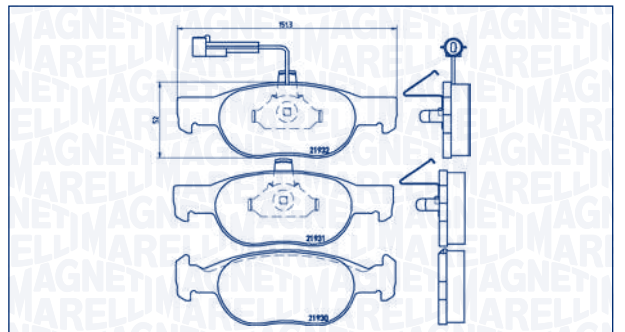
Ant	23218, 23220	151,3 × 49,2 × 18	ATE	[+]
-----	--------------	-------------------	-----	-----

P23044MM



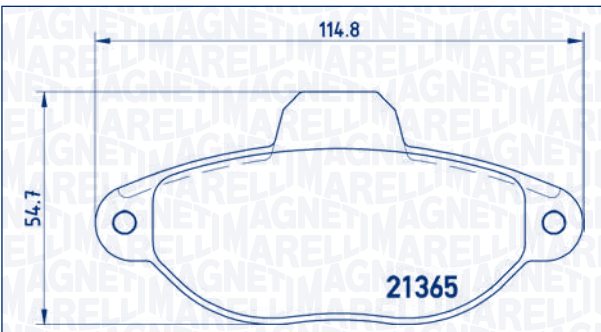
Ant	21100, 21105	89,9 × 63,4 × 17	TRW	[+]
-----	--------------	------------------	-----	-----

P23057MM



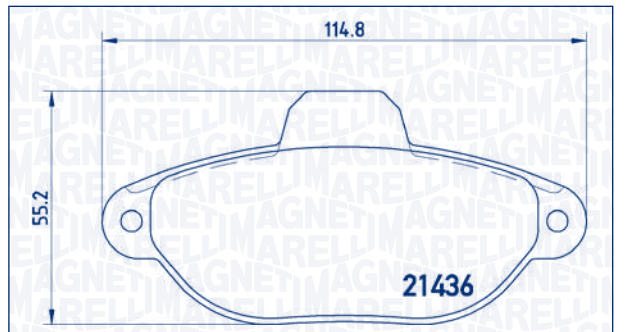
Ant	21930, 21931, 21932	151,3 × 52 × 17,9	ATE	[+]
-----	---------------------	-------------------	-----	-----

P23054MM



Ant	21365	114,8 × 54,7 × 17	BDX	[-]
-----	-------	-------------------	-----	-----

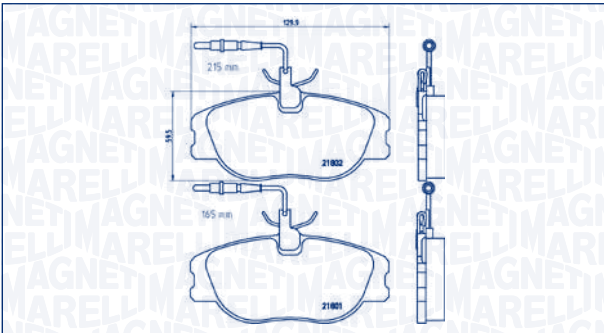
P23060MM



Ant	21436	114,8 × 55,2 × 17	BDX	[+]
-----	-------	-------------------	-----	-----

WVA	LENGTH×HEIGHT×THICKNESS [mm]	SYS	WI
-----	------------------------------	-----	----

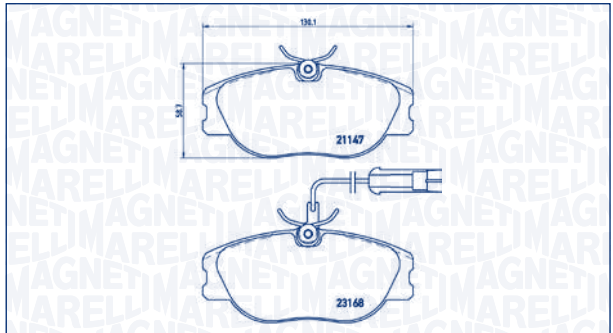
P23061MM



Ant	21801, 21802	129,9 × 59,5 × 19,3	GIR	[+]
-----	--------------	---------------------	-----	-----

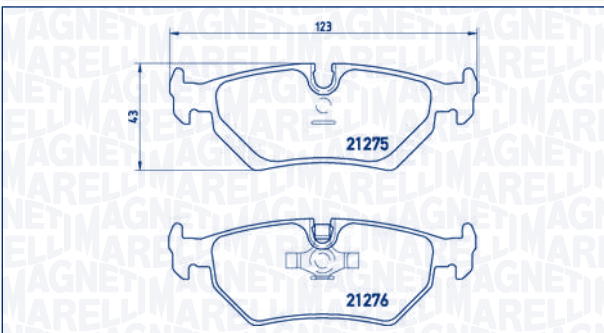
WVA	LENGTH×HEIGHT×THICKNESS [mm]	SYS	WI
-----	------------------------------	-----	----

P23066MM



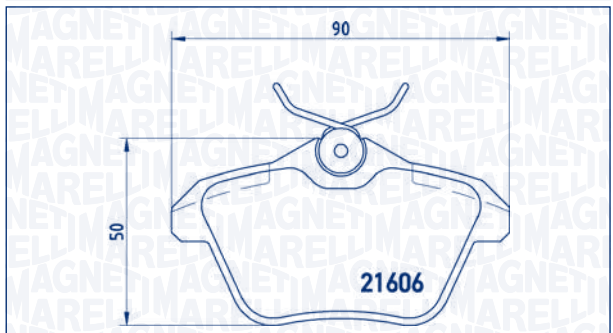
Ant	21147, 23168	130,1 × 58,7 × 19,3	TRW	[+]
-----	--------------	---------------------	-----	-----

P23062MM



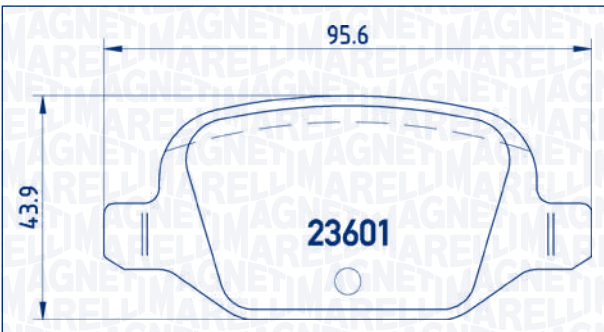
Post	21275, 21276	123 × 43 × 16,9	ATE	[+]
------	--------------	-----------------	-----	-----

P23067MM



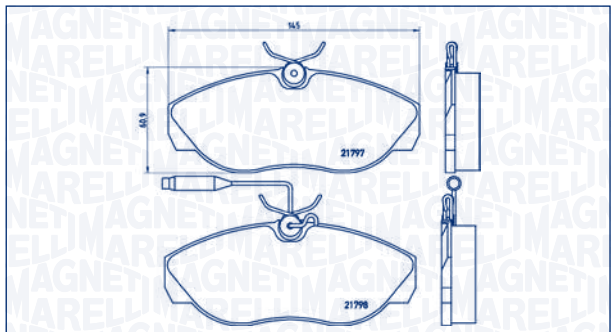
Post	21606	90 × 50 × 16,6	TRW	[-]
------	-------	----------------	-----	-----

P23064MM



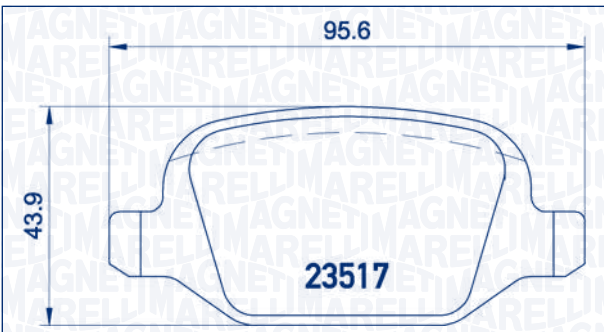
Ant	23601	95,6 × 43,9 × 13,7	TRW	[-]
-----	-------	--------------------	-----	-----

P23068MM



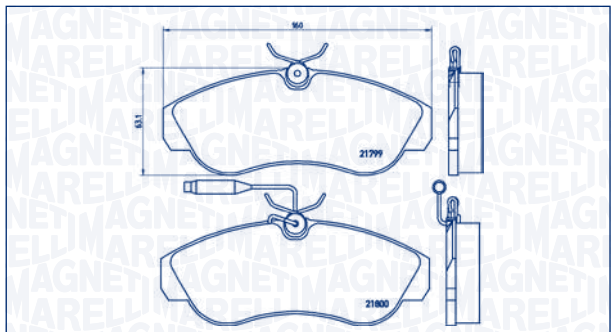
Ant	21797, 21798	145 × 60,9 × 19,7	TRW	[+]
-----	--------------	-------------------	-----	-----

P23065MM



Post	23517	95,5 × 43,9 × 16,5	TRW	[-]
------	-------	--------------------	-----	-----

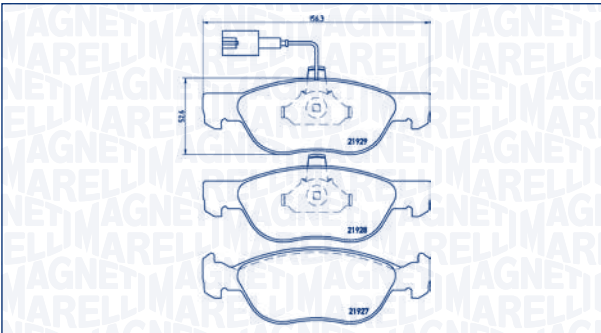
P23069MM



Ant	21799, 21800	160 × 63,1 × 19,7	TRW	[+]
-----	--------------	-------------------	-----	-----

	WVA	LENGTH × HEIGHT × THICKNESS [mm]	SYS	WI
--	-----	----------------------------------	-----	----

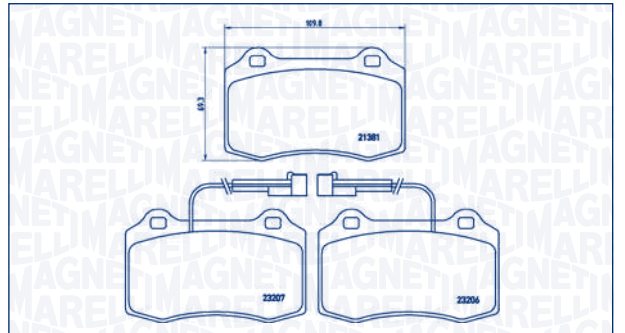
P23070MM



Ant	21927, 21928, 21929	156,3 × 52,6 × 17,9	ATE	[+]
-----	---------------------	---------------------	-----	-----

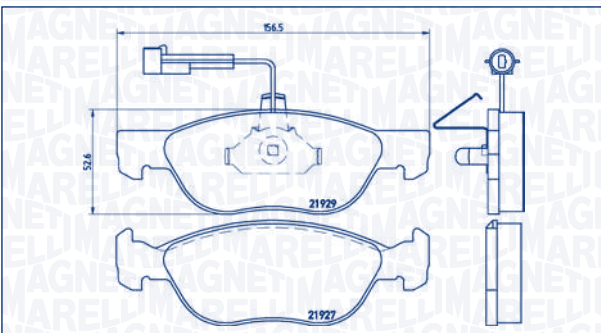
	WVA	LENGTH × HEIGHT × THICKNESS [mm]	SYS	WI
--	-----	----------------------------------	-----	----

P23074MM



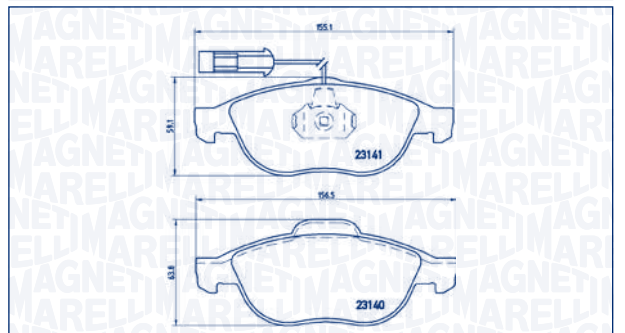
Ant	21381, 23206, 23207	109,8 × 69,3 × 18	BRE	[+]
-----	---------------------	-------------------	-----	-----

P23071MM



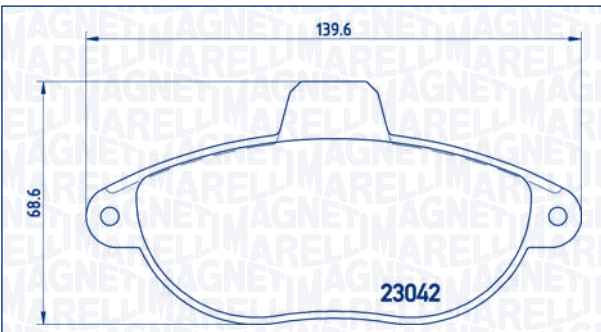
Ant	21927, 21929	156,5 × 52,6 × 17,9	ATE	[+]
-----	--------------	---------------------	-----	-----

P23075MM



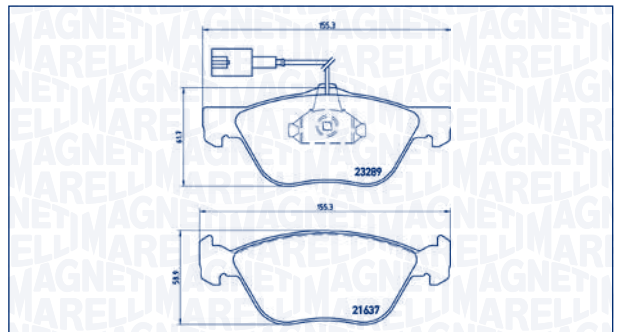
Ant	23140, 23141	155,1/156,3 × 59,1/63,8 × 19,3	ATE	[+]
-----	--------------	--------------------------------	-----	-----

P23072MM



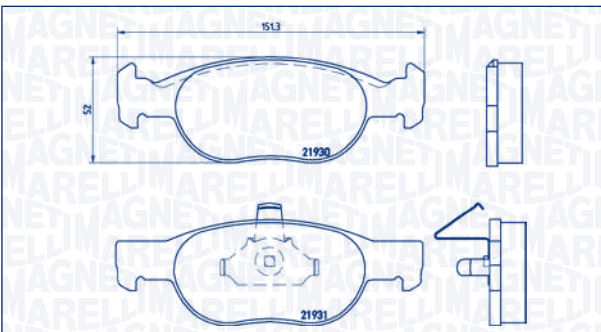
Ant	23042	139,6 × 68,6 × 19	BDX	[+]
-----	-------	-------------------	-----	-----

P23077MM



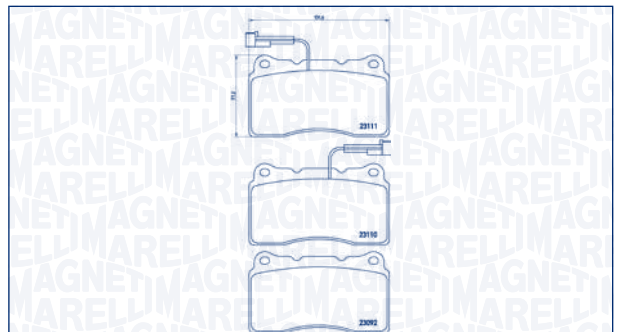
Ant	21637, 23289	155,1 × 58,9/61,7 × 19	ATE	[+]
-----	--------------	------------------------	-----	-----

P23073MM



Ant	21930, 21931	151,3 × 52 × 17,9	ATE	[+]
-----	--------------	-------------------	-----	-----

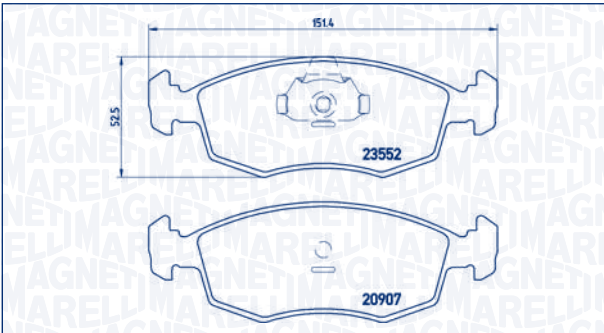
P23078MM



Ant	23092, 23110, 23111	131,6 × 77,2 × 16	BRE	[+]
-----	---------------------	-------------------	-----	-----

WVA	LENGTH×HEIGHT×THICKNESS [mm]	SYS	WI
-----	---------------------------------	-----	----

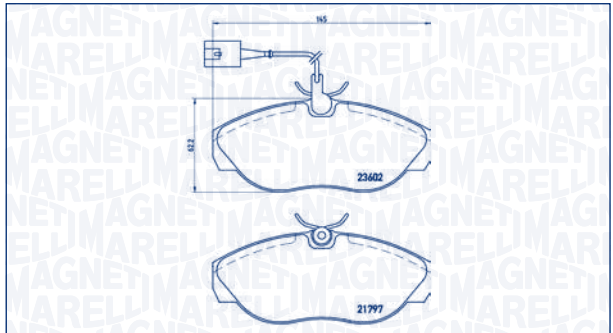
P23079MM



Ant	20907, 23552	151,4 × 52,5 × 18	ATE	[-]
-----	--------------	-------------------	-----	-----

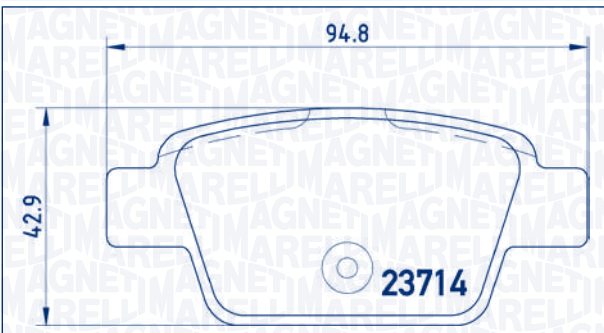
WVA	LENGTH×HEIGHT×THICKNESS [mm]	SYS	WI
-----	---------------------------------	-----	----

P23083MM



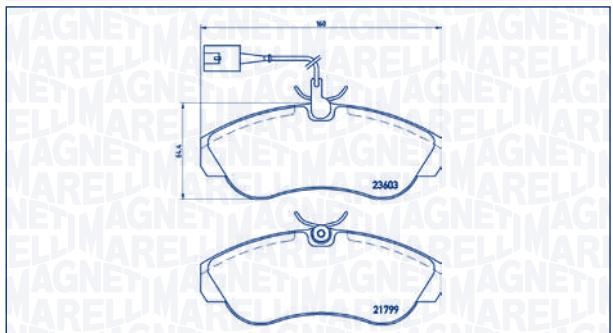
Ant	21797, 23602	145 × 62,2 × 19,7	TRW	[+]
-----	--------------	-------------------	-----	-----

P23080MM



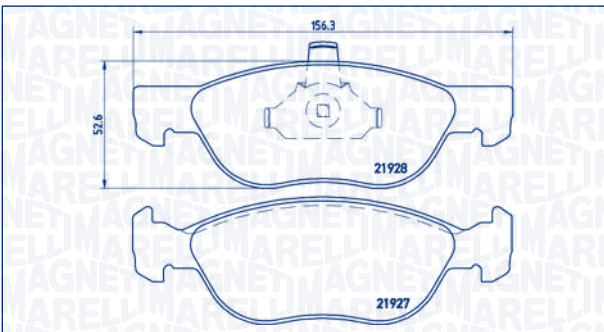
Post	23714	94,8 × 42,9 × 15,5	BSH	[-]
------	-------	--------------------	-----	-----

P23084MM



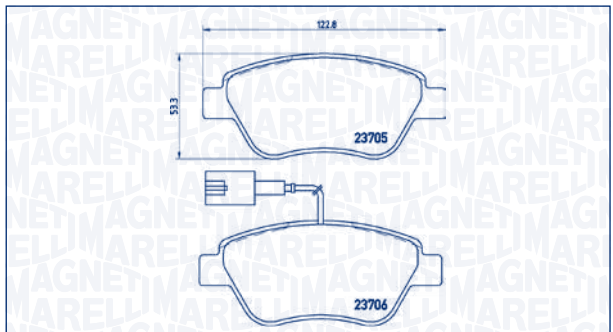
Ant	21799, 23603	160,3 × 64,4 × 19,7	TRW	[+]
-----	--------------	---------------------	-----	-----

P23081MM



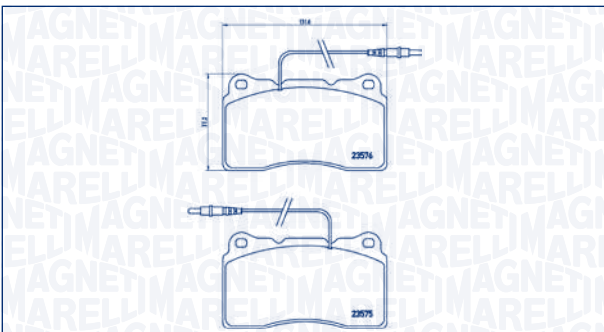
Ant	21927, 21928	156,3 × 52,6 × 17,9	ATE	[-]
-----	--------------	---------------------	-----	-----

P23085MM



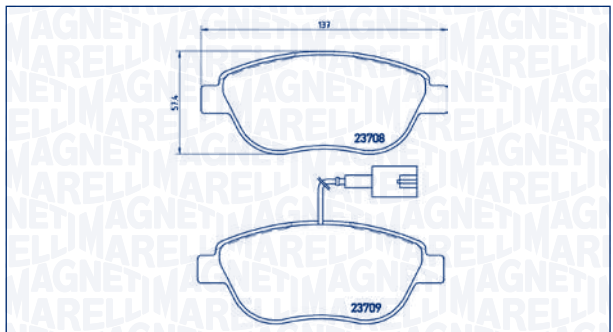
Ant	23705, 23706, 23982	122,8 × 53,3 × 17,8	BSH	[+]
-----	---------------------	---------------------	-----	-----

P23082MM



Ant	23575, 23576	131,6 × 77,2 × 16	BRE	[+]
-----	--------------	-------------------	-----	-----

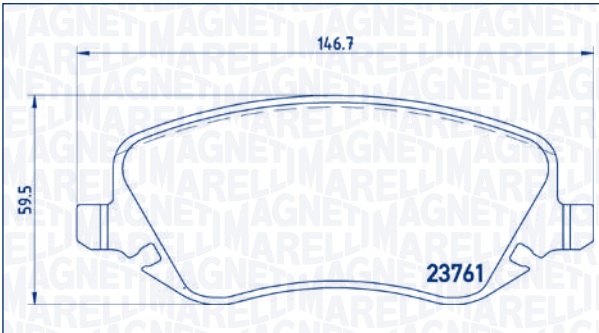
P23087MM



Ant	23708, 23709, 23981	137 × 57,4 × 19	BSH	[+]
-----	---------------------	-----------------	-----	-----

	WVA	LENGTH × HEIGHT × THICKNESS [mm]	SYS	WI
--	-----	----------------------------------	-----	----

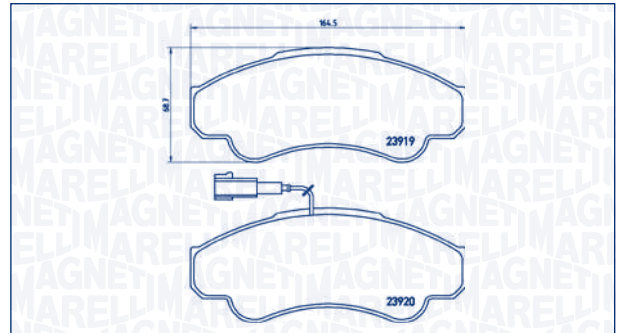
P23088MM



Ant	23761	146,7 × 59,5 × 18,8	TRW	[+]
-----	-------	---------------------	-----	-----

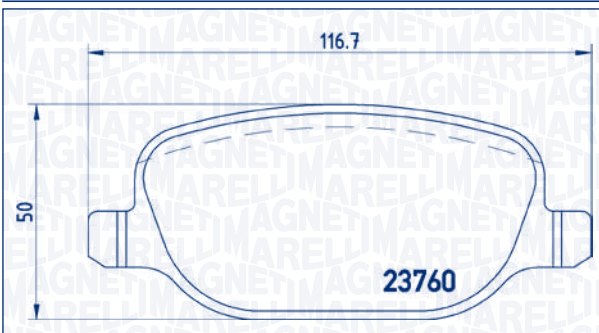
	WVA	LENGTH × HEIGHT × THICKNESS [mm]	SYS	WI
--	-----	----------------------------------	-----	----

P23092MM



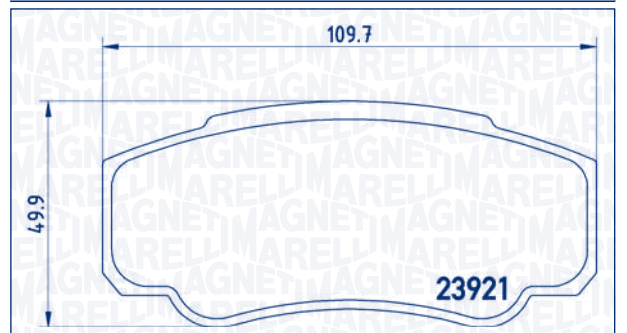
Ant	23919, 23920	164,5 × 68,7 × 19,1	BRE	[+]
-----	--------------	---------------------	-----	-----

P23089MM



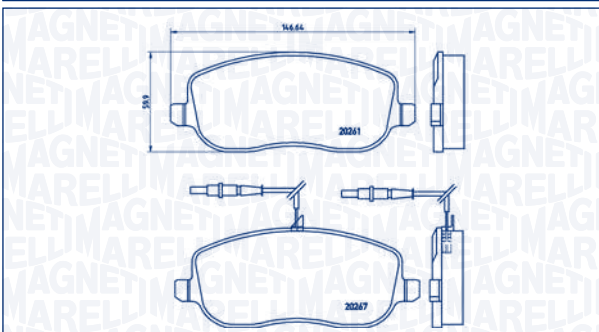
Post	23760	116,7 × 50 × 17,8	TRW	[-]
------	-------	-------------------	-----	-----

P23093MM



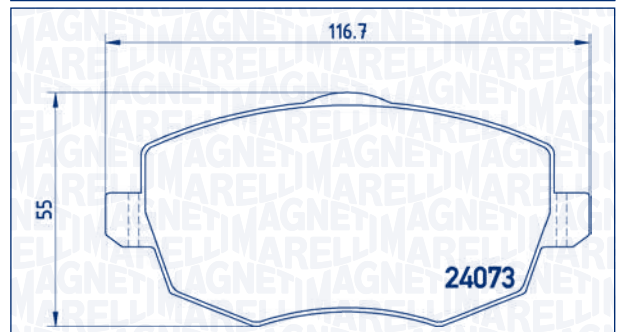
Post	23921	109,7 × 49,9 × 20,1	BRE	[-]
------	-------	---------------------	-----	-----

P23090MM



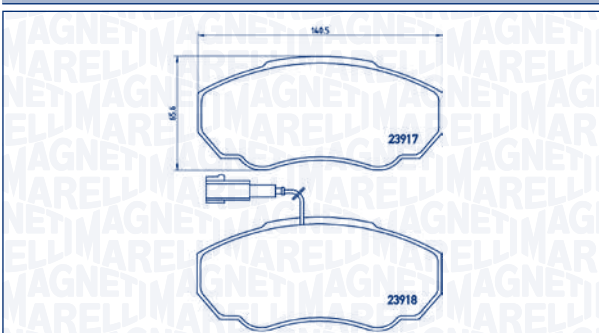
Ant	20261, 20267	146,6 × 59,9 × 19,3	TRW	[+]
-----	--------------	---------------------	-----	-----

P23094MM



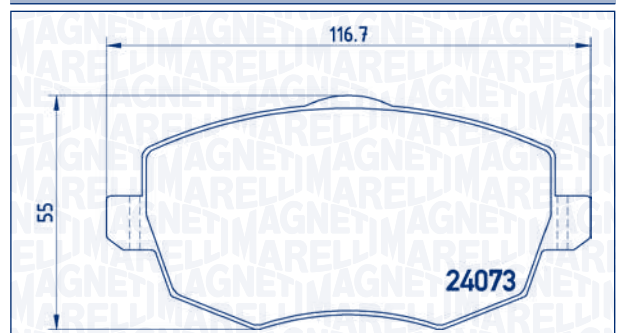
Ant	24073	116,7 × 55 × 16,4	TRW	[-]
-----	-------	-------------------	-----	-----

P23091MM



Ant	23917, 23918	140,5 × 65,6 × 19,1	BRE	[+]
-----	--------------	---------------------	-----	-----

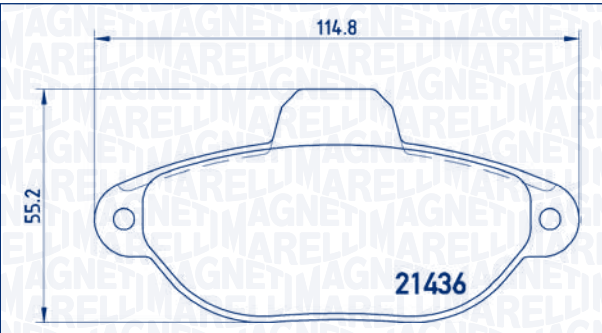
P23095MM



Ant	24073	116,7 × 55 × 16,4	TRW	[-]
-----	-------	-------------------	-----	-----

WVA	LENGTH×HEIGHT×THICKNESS [mm]	SYS	WI
-----	---------------------------------	-----	----

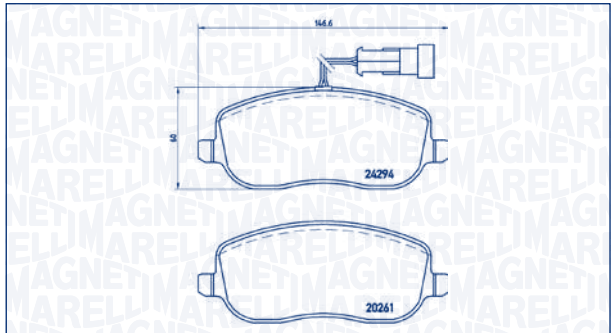
P23096MM



Ant 21436	114,8 × 55,2 × 17	BDX	[-]
-----------	-------------------	-----	-----

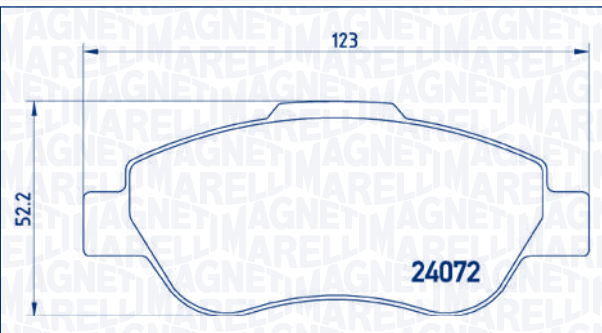
WVA	LENGTH×HEIGHT×THICKNESS [mm]	SYS	WI
-----	---------------------------------	-----	----

P23100MM



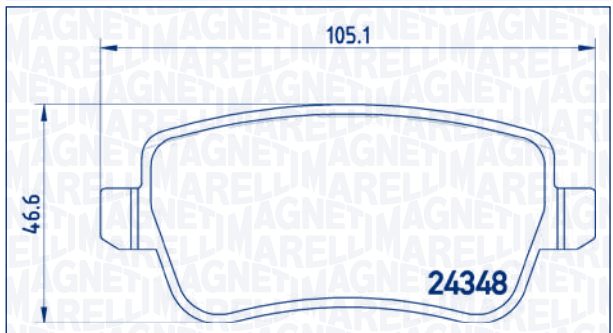
Ant 20261, 24294	146,6 × 60 × 19,3	TRW	[+]
------------------	-------------------	-----	-----

P23097MM



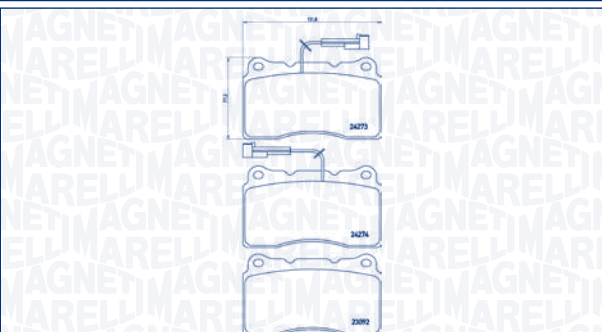
Ant 24072	123 × 52,2 × 17,7	BSH	[-]
-----------	-------------------	-----	-----

P23101MM



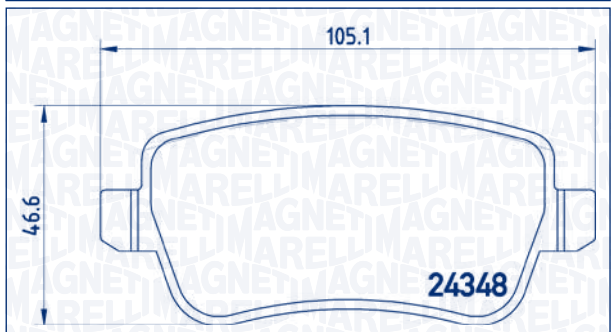
Post 24348	105,1 × 46,6 × 16,8	TRW	[-]
------------	---------------------	-----	-----

P23098MM



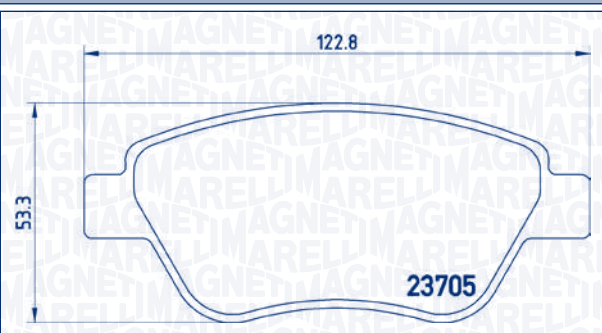
Ant 23092, 24273, 24274	131,8 × 77,2 × 16	BRE	[+]
-------------------------	-------------------	-----	-----

P23102MM



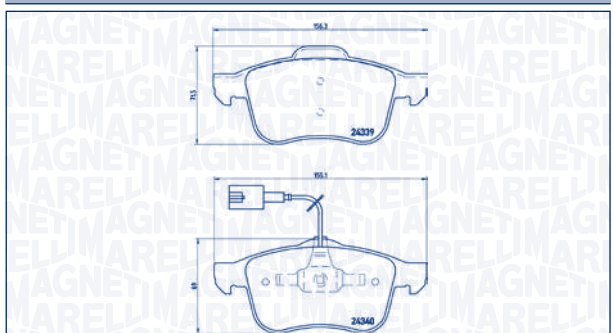
Post 24348	105,1 × 46,6 × 16,8	TRW	[-]
------------	---------------------	-----	-----

P23099MM



Ant 23705, 23982	122,8 × 53,3 × 17,8	BSH	[-]
------------------	---------------------	-----	-----

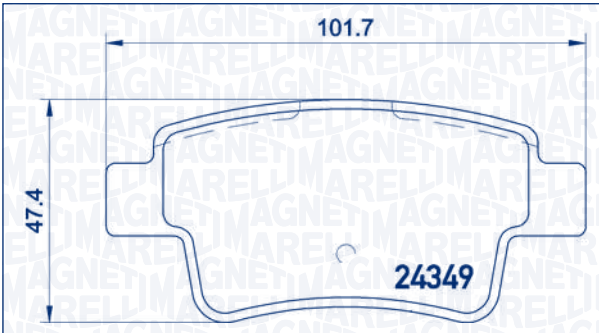
P23103MM



Ant 24339, 24340	155,1/156,3 × 69/71,5 × 20,5	ATE	[+]
------------------	------------------------------	-----	-----

WVA	LENGTH × HEIGHT × THICKNESS [mm]	SYS	WI
-----	----------------------------------	-----	----

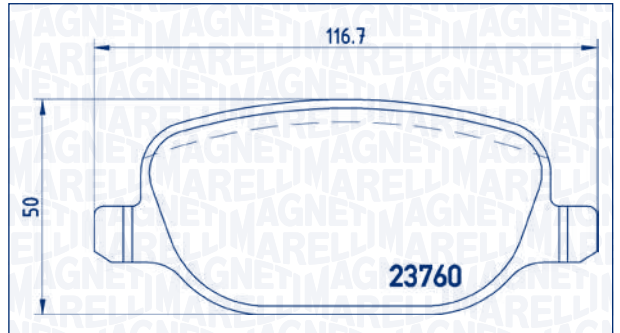
P23104MM



Post 24349	101,7 × 47,3 × 17,5	BSH	[-]
------------	---------------------	-----	-----

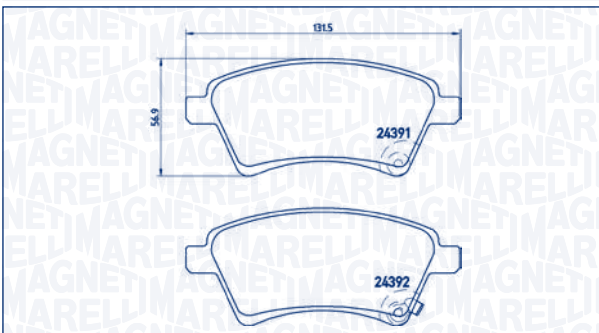
WVA	LENGTH × HEIGHT × THICKNESS [mm]	SYS	WI
-----	----------------------------------	-----	----

P23109MM



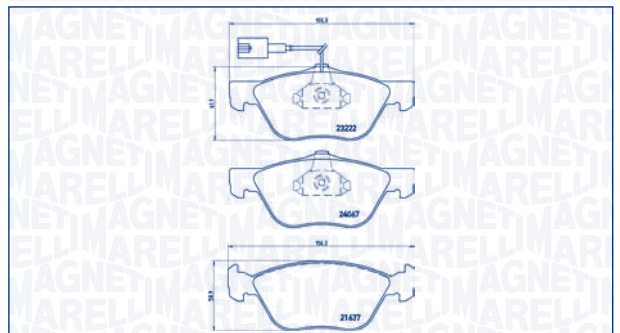
Post 23760	116,7 × 50 × 17,8	TRW	[-]
------------	-------------------	-----	-----

P23105MM



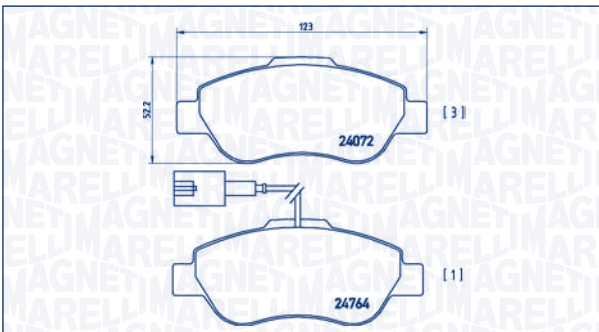
Ant 24391, 24392	131,5 × 56,9 × 16	TRW	[+]
------------------	-------------------	-----	-----

P23112MM



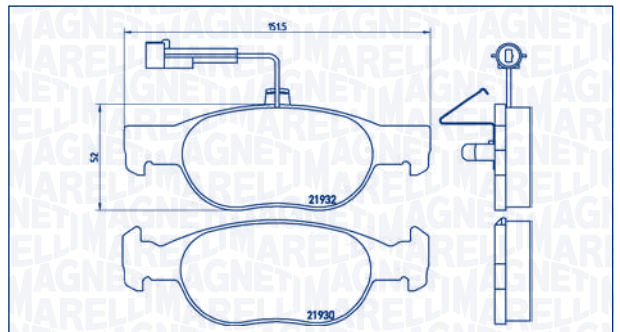
Ant 21637, 23222, 24067	155,1/156,3 × 58,9/61,7 × 19	ATE	[+]
-------------------------	------------------------------	-----	-----

P23107MM



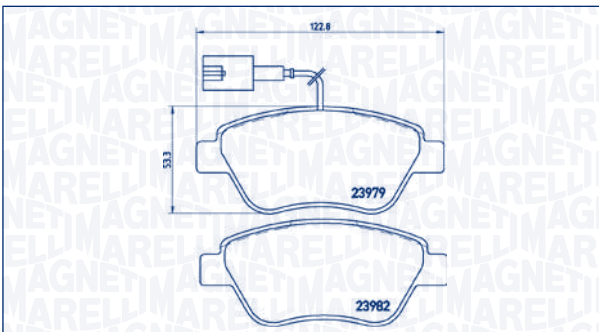
Ant 24072, 24764	123 × 51,7 × 17,7	BSH	[+]
------------------	-------------------	-----	-----

P23113MM



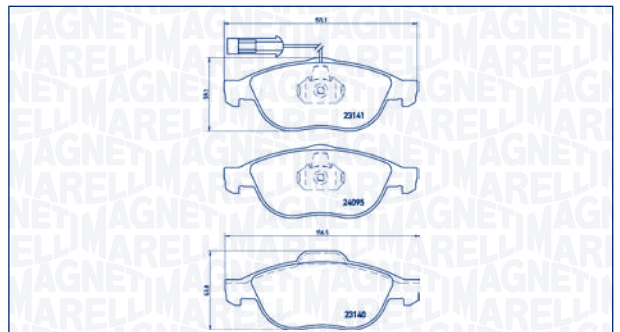
Ant 21930, 21932	151,3 × 52 × 17,9	ATE	[+]
------------------	-------------------	-----	-----

P23108MM



Ant 23982, 23979, 23982	122,8 × 53,3 × 17,8	BSH	[+]
-------------------------	---------------------	-----	-----

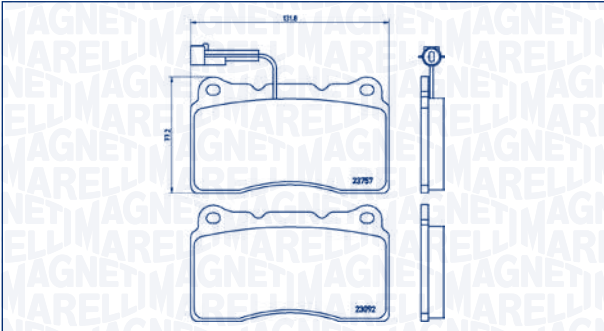
P23114MM



Ant 23140, 23141, 24095	155,1/156,5 × 59,1/63,8 × 19,3	ATE	[+]
-------------------------	--------------------------------	-----	-----

WVA	LENGTH×HEIGHT×THICKNESS [mm]	SYS	WI
-----	------------------------------	-----	----

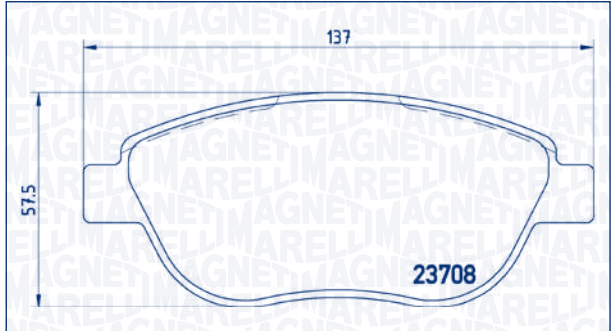
P23115MM



Ant 23092, 23757	131,8 × 77,2 × 16	BRE	[+]
------------------	-------------------	-----	-----

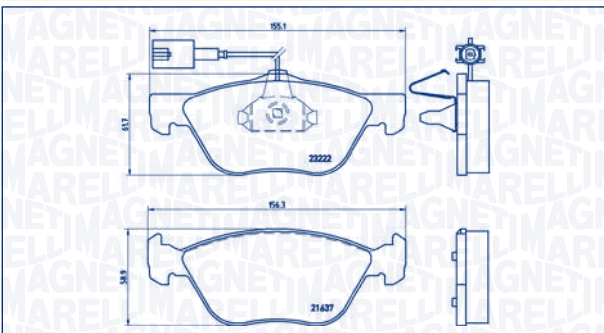
WVA	LENGTH×HEIGHT×THICKNESS [mm]	SYS	WI
-----	------------------------------	-----	----

P23119MM



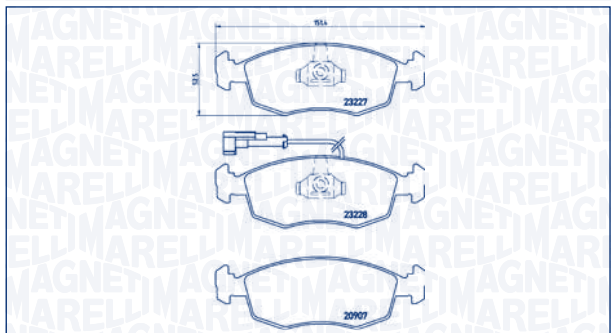
Ant 23708, 23981	137 × 57,5 × 19	BSH	[-]
------------------	-----------------	-----	-----

P23116MM



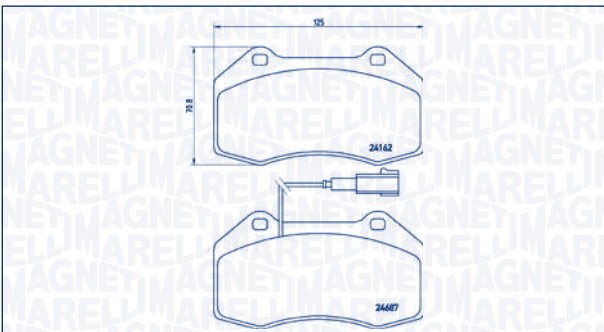
Ant 21637, 23222	155,1/156,3 × 58,9/61,7 × 19	ATE	[+]
------------------	------------------------------	-----	-----

P23121MM



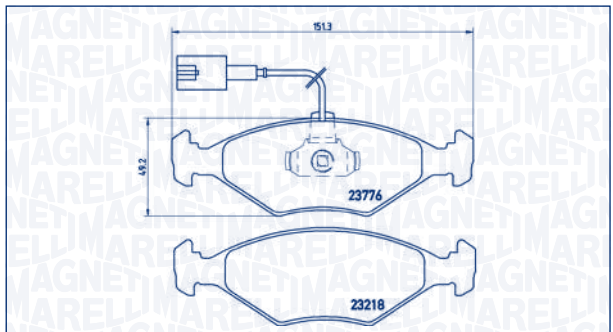
Ant 20907, 23227, 23228	151,4 × 52,5 × 18	ATE	[+]
-------------------------	-------------------	-----	-----

P23117MM



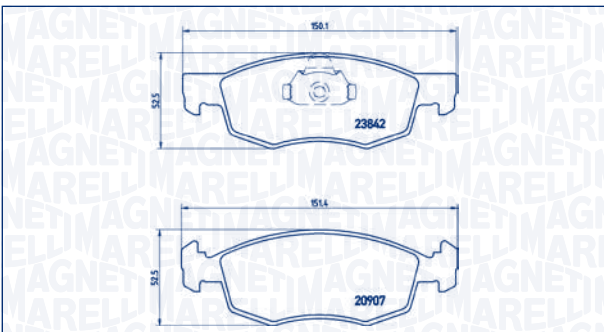
Ant 24162, 24687	125 × 70,8 × 15,3	BRE	[+]
------------------	-------------------	-----	-----

P23122MM



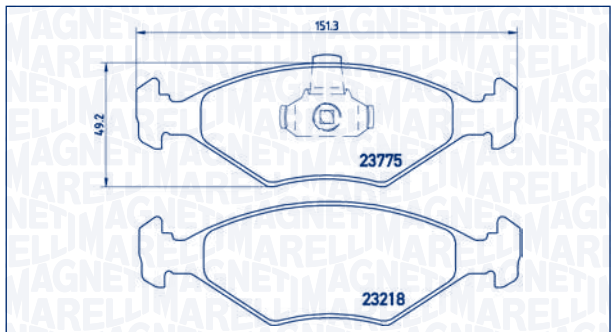
Ant 23218, 23776	151,3 × 49,2 × 18	ATE	[+]
------------------	-------------------	-----	-----

P23118MM



Ant 20907, 23842	150,1/151,4 × 52,3 × 18	ATE	[-]
------------------	-------------------------	-----	-----

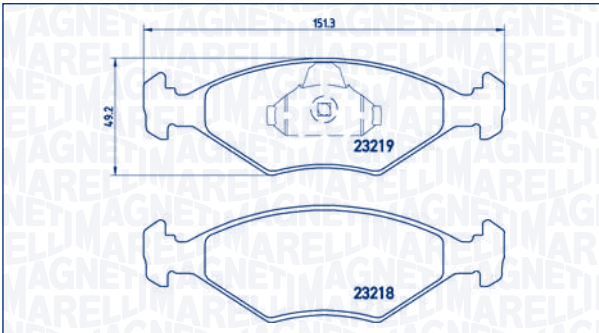
P23123MM



Ant 23218, 23775	151,3 × 49,2 × 18	ATE	[-]
------------------	-------------------	-----	-----

	WVA	LENGTH × HEIGHT × THICKNESS [mm]	SYS	WI
--	-----	----------------------------------	-----	----

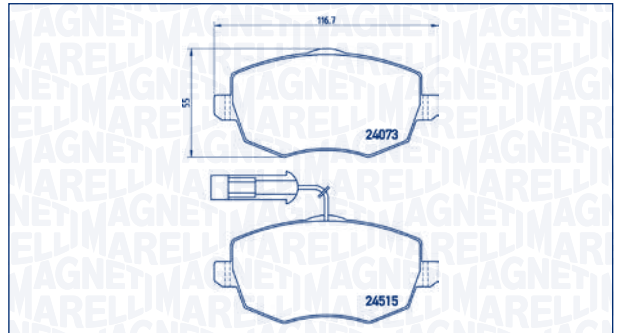
P23124MM



Ant	23218, 23219	151,3 × 49,2 × 18	ATE	[-]
-----	--------------	-------------------	-----	-----

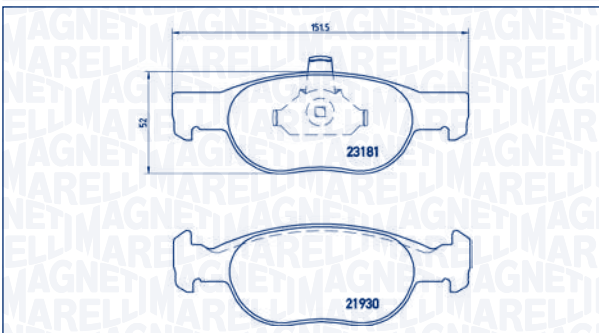
	WVA	LENGTH × HEIGHT × THICKNESS [mm]	SYS	WI
--	-----	----------------------------------	-----	----

P23128MM



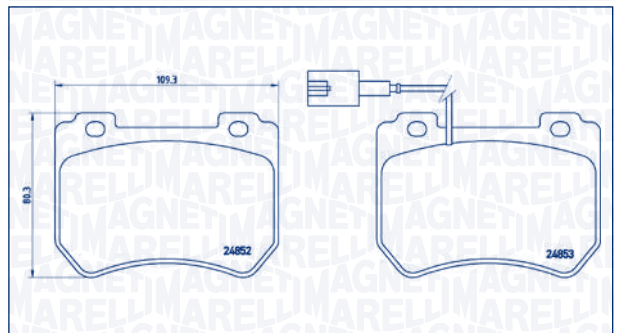
Ant	24073, 24515	116,7 × 55 × 16,4	TRW	[+]
-----	--------------	-------------------	-----	-----

P23125MM



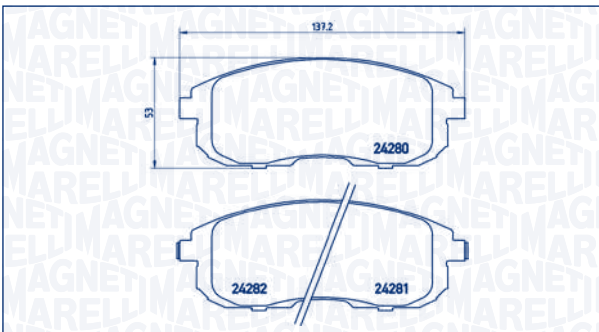
Ant	21930, 23181	151,5 × 52 × 17,9	ATE	[-]
-----	--------------	-------------------	-----	-----

P23129MM



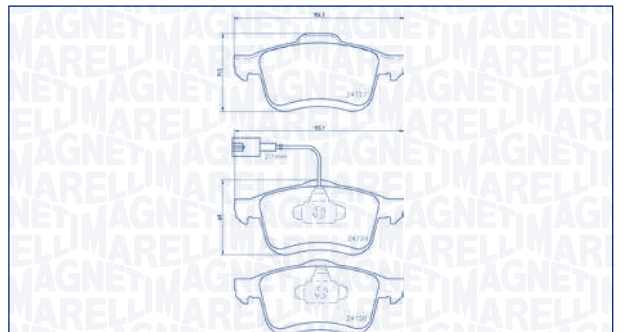
Ant	24852, 24853	109,3 × 80,3 × 15,8	BRE	[+]
-----	--------------	---------------------	-----	-----

P23126MM



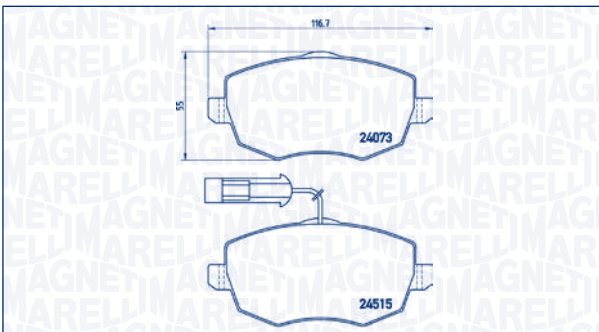
Ant	24280, 24281, 24282	137,2 × 53 × 16	HIT	[+]
-----	---------------------	-----------------	-----	-----

P23130MM



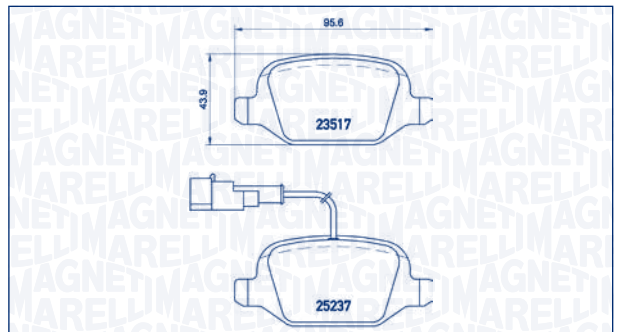
Ant	24727, 24728, 24729	155,1/156,3 × 69/71,5 × 20	ATE	[+]
-----	---------------------	----------------------------	-----	-----

P23127MM



Ant	24073, 24515	116,8 × 55 × 16,4	TRW	[+]
-----	--------------	-------------------	-----	-----

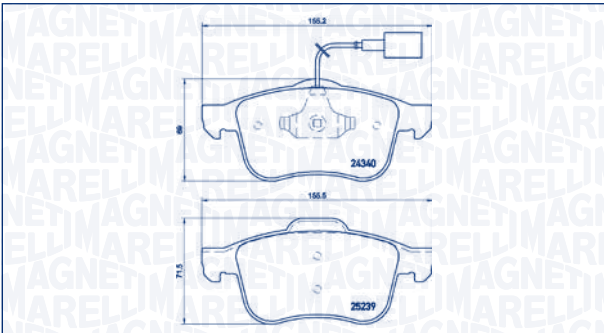
P23131MM



Post	23517, 25237	95,6 × 43,9 × 17,2	TRW	[+]
------	--------------	--------------------	-----	-----

WVA	LENGTH×HEIGHT×THICKNESS [mm]	SYS	WI
-----	------------------------------	-----	----

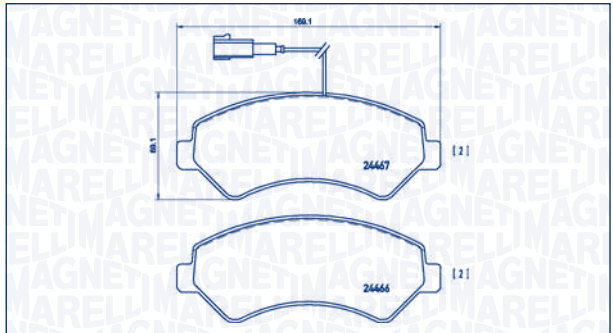
P23132MM



Ant	24340, 25239	155,2/155,5 × 69/71,5 × 20,1/20,4	ATE	[+]
-----	--------------	-----------------------------------	-----	-----

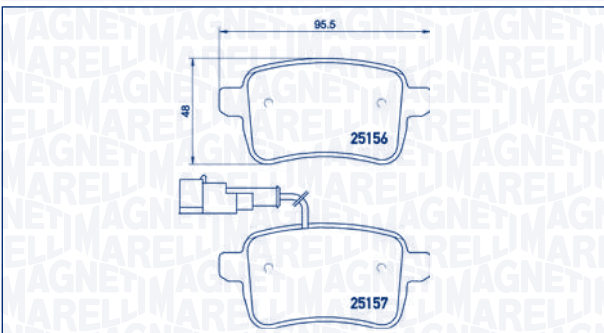
WVA	LENGTH×HEIGHT×THICKNESS [mm]	SYS	WI
-----	------------------------------	-----	----

P23136MM



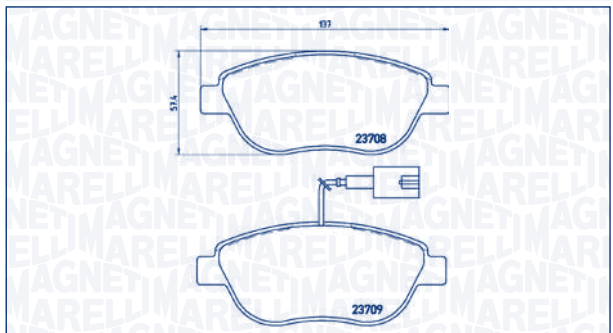
Ant	24466, 24467	169,1 × 69,1 × 19	BRE	[+]
-----	--------------	-------------------	-----	-----

P23133MM



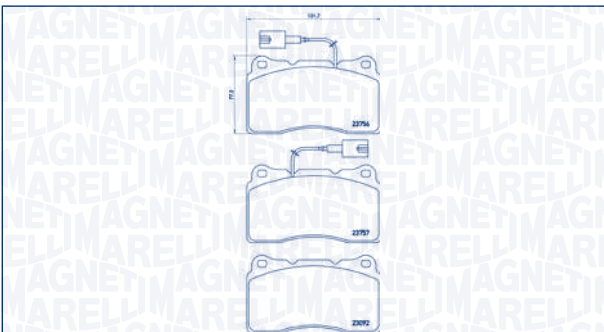
Post	25156, 25157	95,5 × 45 × 17,8	TRW	[+]
------	--------------	------------------	-----	-----

P23137MM



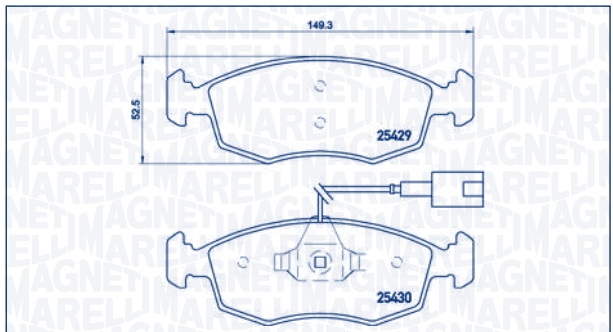
Ant	23708, 23709	137 × 57,4 × 19	BSH	[+]
-----	--------------	-----------------	-----	-----

P23134MM



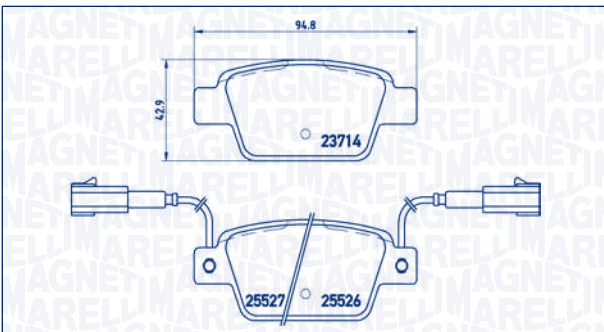
Ant	23757, 23756, 23092	131,7 × 77,2 × 15,7	BRE	[+]
-----	---------------------	---------------------	-----	-----

P23138MM



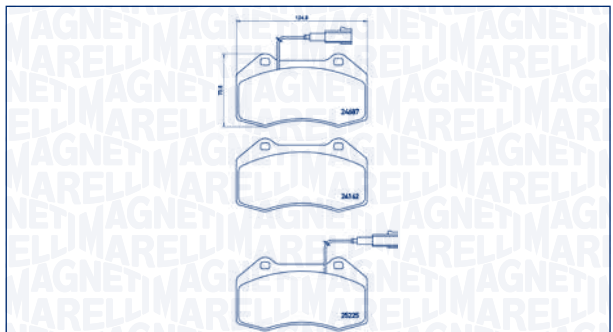
Ant	25429, 25430	149,3 × 52,5 × 16,7	ATE	[+]
-----	--------------	---------------------	-----	-----

P23135MM



Post	25526, 25527, 23714	94,8 × 42,9 × 17,2	BSH	[+]
------	---------------------	--------------------	-----	-----

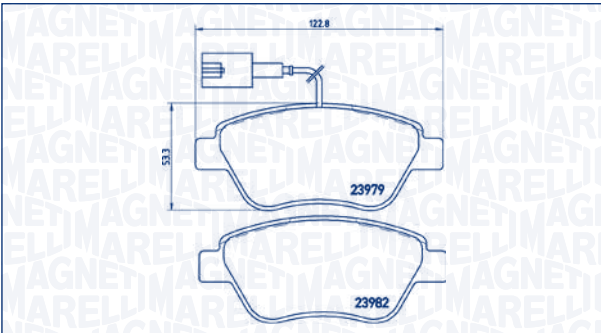
P23139MM



Ant	24162, 24687, 25225	124,8 × 70,8 × 15,3	BRE	[+]
-----	---------------------	---------------------	-----	-----

	WVA	LENGTH × HEIGHT × THICKNESS [mm]	SYS	WI
--	-----	----------------------------------	-----	----

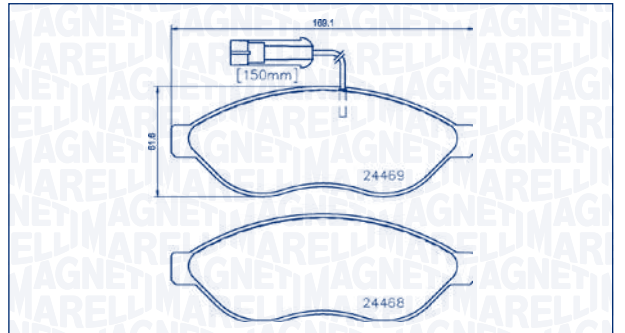
P23140MM



Ant	23982, 23979	122,8 × 53,3 × 17,8	BSH	[+]
-----	--------------	---------------------	-----	-----

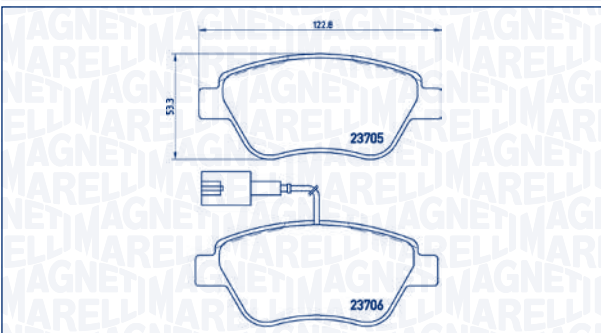
	WVA	LENGTH × HEIGHT × THICKNESS [mm]	SYS	WI
--	-----	----------------------------------	-----	----

P23144MM



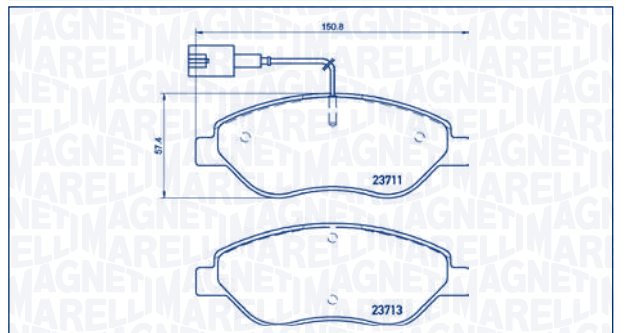
Ant	24469, 24468	169,1 × 61,6 × 19	BRE	[+]
-----	--------------	-------------------	-----	-----

P23141MM



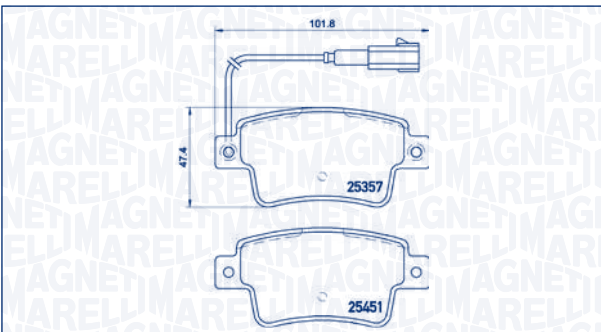
Ant	23705, 23706	122,8 × 53,3 × 17,8	BSH	[+]
-----	--------------	---------------------	-----	-----

P23145MM



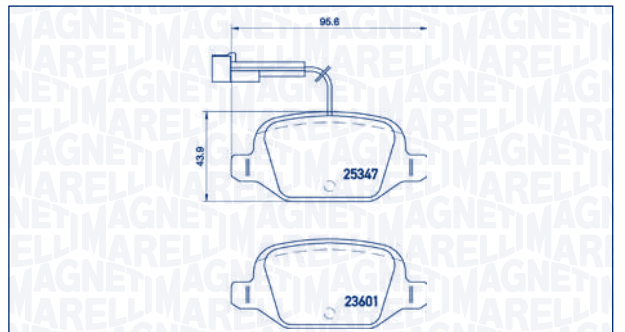
Ant	23711, 23713	150,8 × 57,4 × 19,4	BSH	[+]
-----	--------------	---------------------	-----	-----

P23142MM



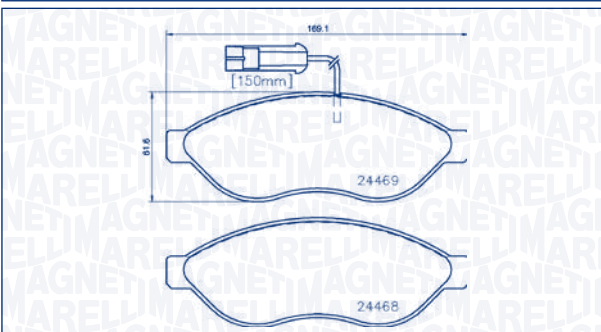
Post	25357, 25451	101,8 × 47,4 × 17,3	BSH	[+]
------	--------------	---------------------	-----	-----

P23146MM



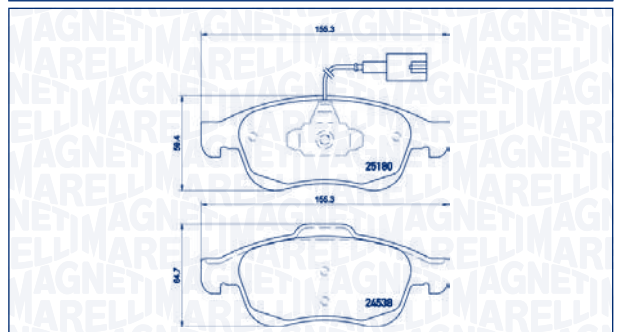
Post	25347, 23601	95,6 × 43,9 × 13,7	TRW	[+]
------	--------------	--------------------	-----	-----

P23143MM



Ant	24469, 24468	169,1 × 61,6 × 19	BRE	[+]
-----	--------------	-------------------	-----	-----

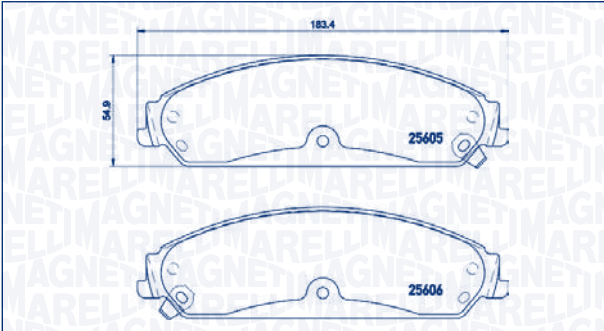
P23148MM



Ant	25180, 24538	155,3 × 59,4/64,7 × 18,5/18,9	ATE	[+]
-----	--------------	-------------------------------	-----	-----

WVA	LENGTH×HEIGHT×THICKNESS [mm]	SYS	WI
-----	---------------------------------	-----	----

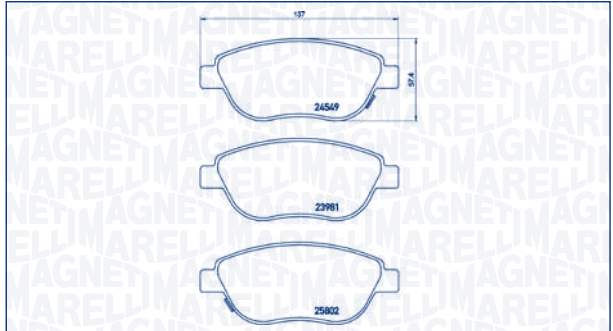
P23149MM



Ant	25605, 25606	183,4 × 54,9 × 18,1	BSH	[+]
-----	--------------	---------------------	-----	-----

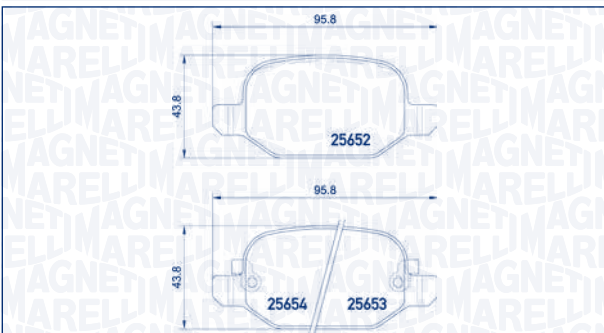
WVA	LENGTH×HEIGHT×THICKNESS [mm]	SYS	WI
-----	---------------------------------	-----	----

P23153MM



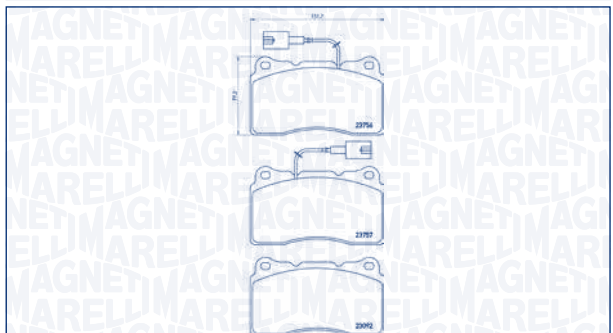
Ant	24549, 23981, 25802	137 × 57,4 × 19,4	BSH	[+]
-----	---------------------	-------------------	-----	-----

P23150MM



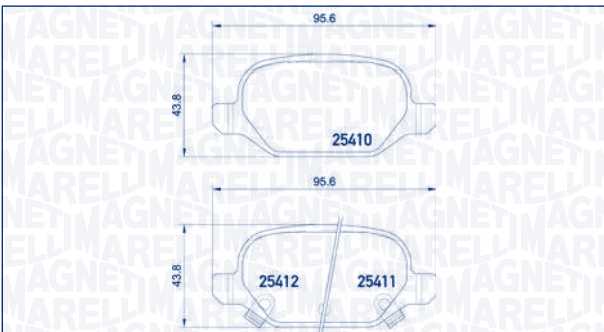
Post	25652, 25653, 25654	95,8 × 43,8 × 17,1	TRW	[+]
------	---------------------	--------------------	-----	-----

P23154MM



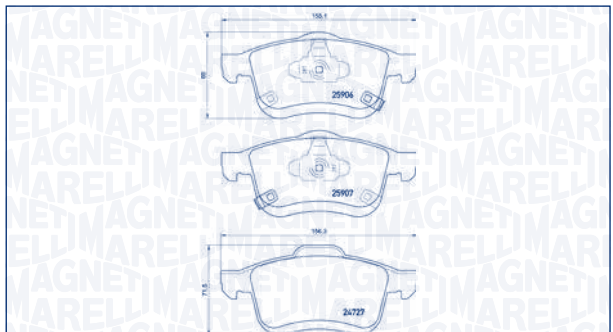
Ant	23092, 23756, 23757	131,7 × 77,2 × 16	BRE	[+]
-----	---------------------	-------------------	-----	-----

P23151MM



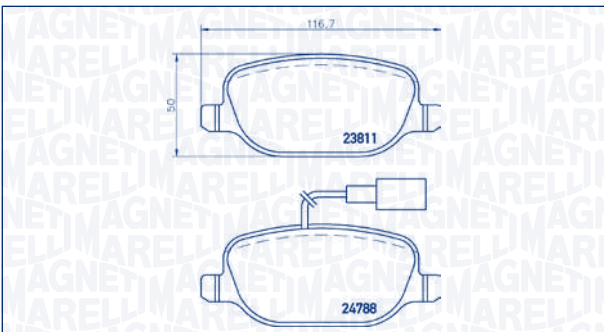
Post	25410, 25411, 25412	95,6 × 43,8 × 14,4	TRW	[+]
------	---------------------	--------------------	-----	-----

P23155MM



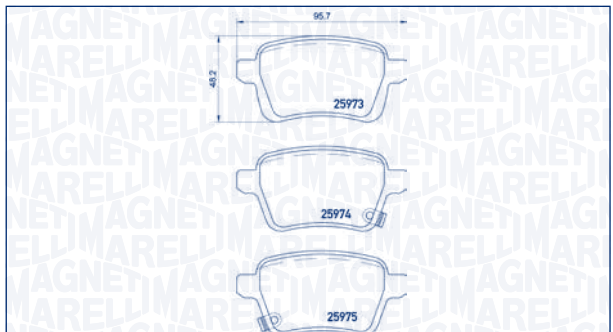
Ant	24727, 25906, 25907	155,1 × 69/71,5 × 20	ATE	[+]
-----	---------------------	----------------------	-----	-----

P23152MM



Post	23760, 24788	116,7 × 50 × 17,8	TRW	[+]
------	--------------	-------------------	-----	-----

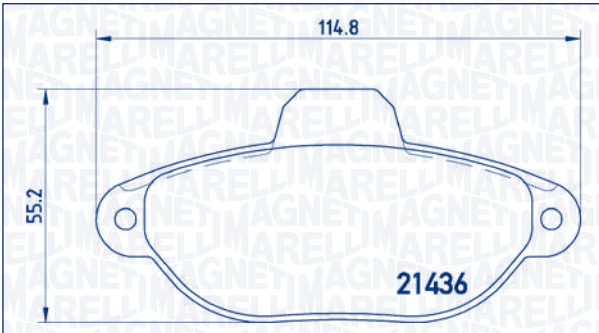
P23156MM



Post	25973, 25974, 25975	95,7 × 48,2 × 16,8	TRW	[+]
------	---------------------	--------------------	-----	-----

	WVA	LENGTH × HEIGHT × THICKNESS [mm]	SYS	WI
--	-----	----------------------------------	-----	----

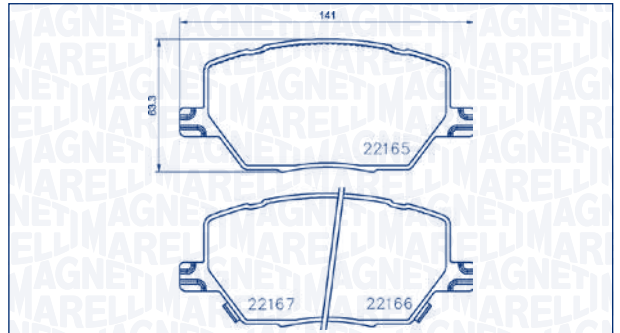
P23160MM



Ant	21436	114,8 × 55,2 × 17	BDX	[+]
-----	-------	-------------------	-----	-----

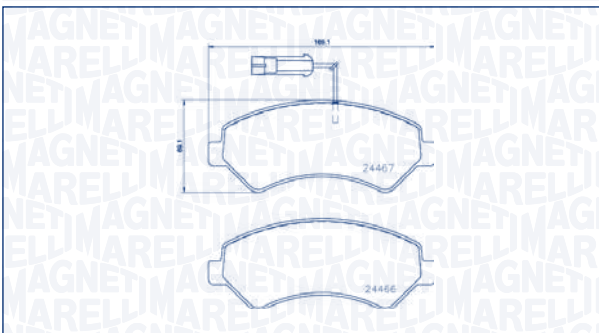
	WVA	LENGTH × HEIGHT × THICKNESS [mm]	SYS	WI
--	-----	----------------------------------	-----	----

P23164MM



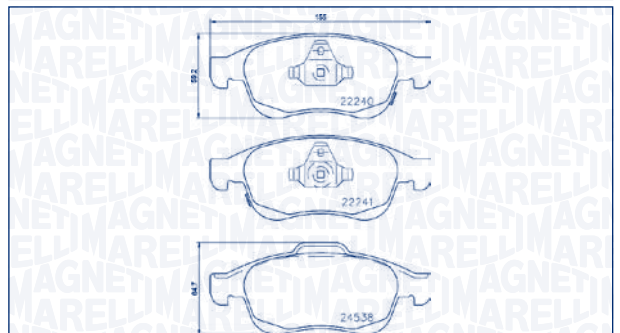
Ant	22165, 22166, 22167	140,9 × 63,3 × 20,5	MN	[+]
-----	---------------------	---------------------	----	-----

P23161MM



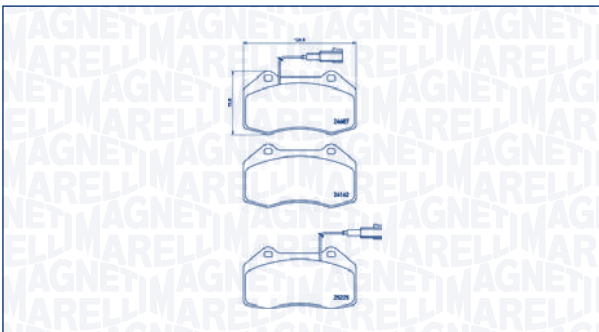
Ant	24466, 24467	169,1 × 69,1 × 20,8	BRE	[+]
-----	--------------	---------------------	-----	-----

P23165MM



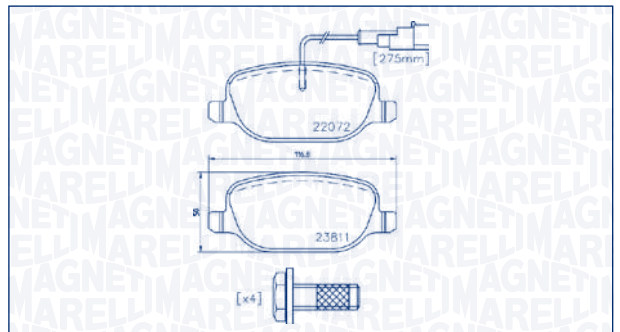
Ant	22240, 22241	155,1 × 59,2/64,7 × 19,2	ATE	[+]
-----	--------------	--------------------------	-----	-----

P23162MM



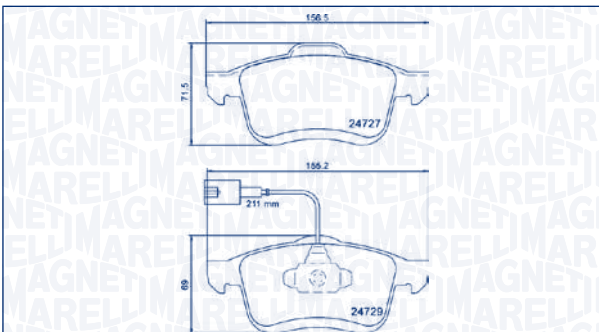
Ant	24687, 24162, 25225	124,8 × 70,8 × 15,3	BRE	[+]
-----	---------------------	---------------------	-----	-----

P23166MM



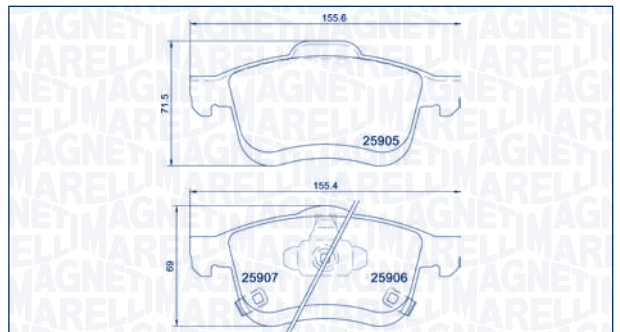
Post	23760	116,7 × 49,9 × 17,8	TRW	[+]
------	-------	---------------------	-----	-----

P23163MM



Ant	24727, 24729	155,2/156,5 × 71,5 × 20	ATE	[+]
-----	--------------	-------------------------	-----	-----

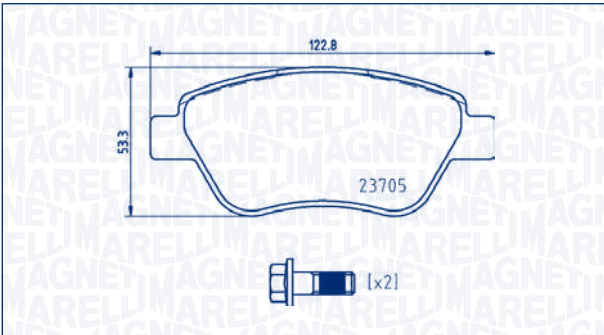
P23167MM



Ant	25905	155,4 × 71,5 × 20,2	ATE	[+]
-----	-------	---------------------	-----	-----

WVA	LENGTH×HEIGHT×THICKNESS [mm]	SYS	WI
-----	------------------------------	-----	----

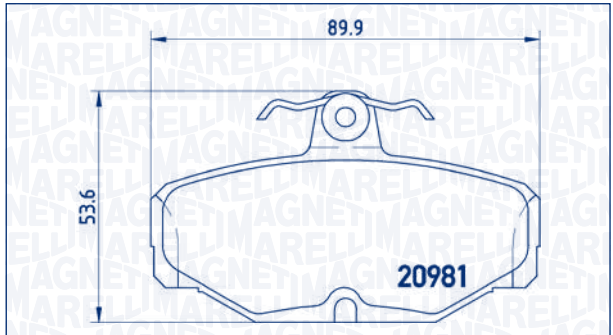
P23169MM



Ant 23705	122,8 × 53,3 × 17,8	BSH	[-]
-----------	---------------------	-----	-----

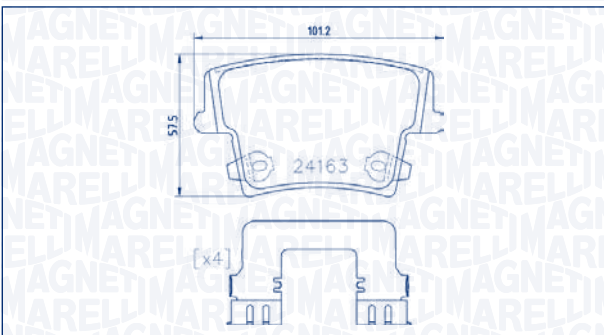
WVA	LENGTH×HEIGHT×THICKNESS [mm]	SYS	WI
-----	------------------------------	-----	----

P24018MM



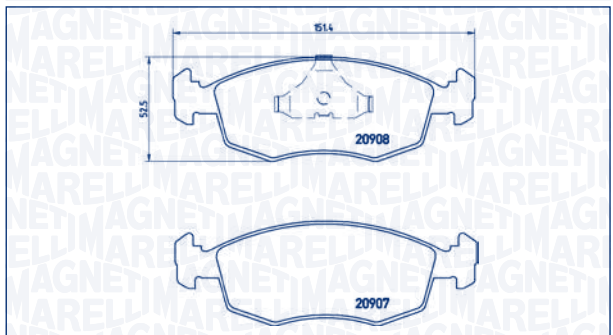
Post 20981	89,9 × 53,6 × 13,7	TRW	[-]
------------	--------------------	-----	-----

P23175MM



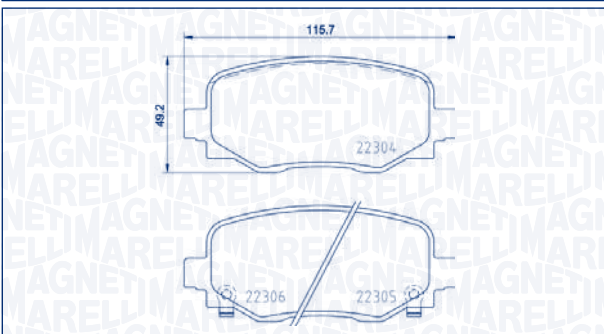
Post 24163	101,2 × 57,5 × 17,8	BSH	[+]
------------	---------------------	-----	-----

P24019MM



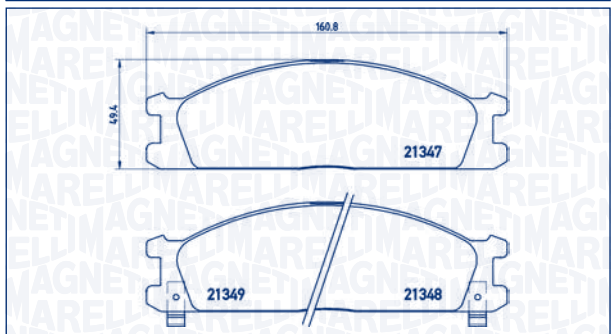
Ant 20907, 20908	151,4 × 52,5 × 18	ATE	[-]
------------------	-------------------	-----	-----

P23177MM



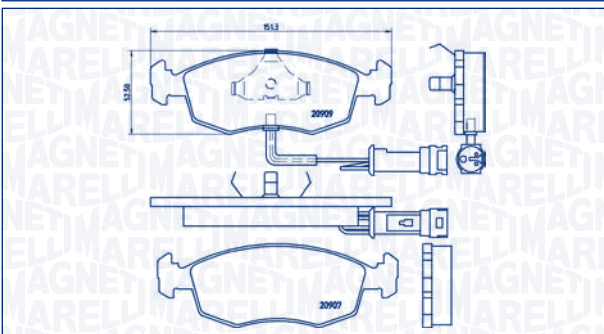
Post 22169, 22170, 25733	115,6 × 49,6 × 17,2	TRW	[+]
--------------------------	---------------------	-----	-----

P24026MM



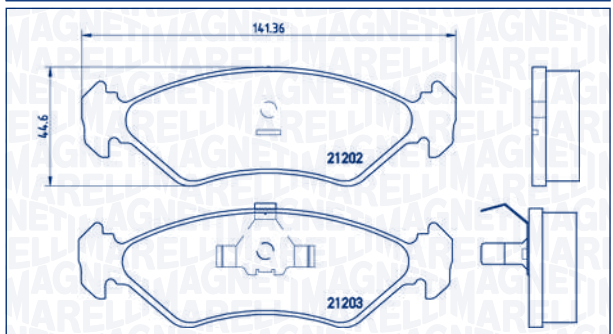
Ant 21347, 21348, 21349	160,8 × 49,4 × 17	AKE	[+]
-------------------------	-------------------	-----	-----

P24007MM



Ant 20907, 20909	151,3 × 52,5 × 18	ATE	[+]
------------------	-------------------	-----	-----

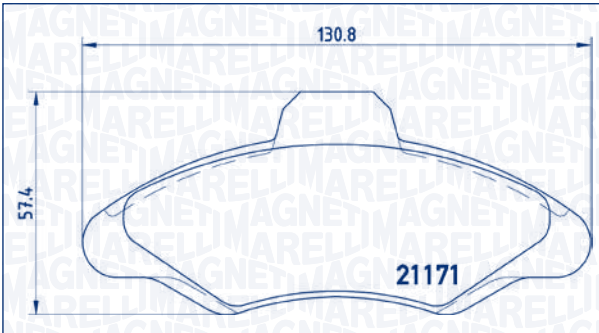
P24028MM



Ant 21202, 21203	141,4 × 44,6 × 17,8	ATE	[-]
------------------	---------------------	-----	-----

	WVA	LENGTH × HEIGHT × THICKNESS [mm]	SYS	WI
--	-----	----------------------------------	-----	----

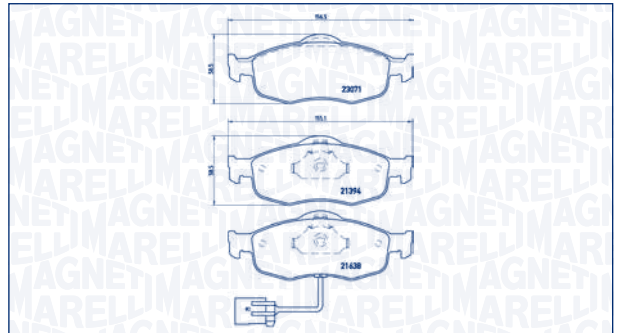
P24029MM



Ant	21171	130,8 × 57,4 × 18	BDX	[-]
-----	-------	-------------------	-----	-----

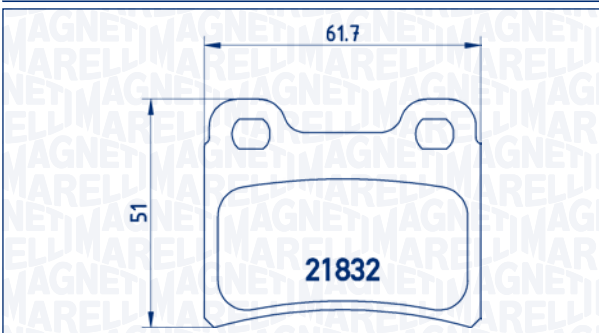
	WVA	LENGTH × HEIGHT × THICKNESS [mm]	SYS	WI
--	-----	----------------------------------	-----	----

P24034MM



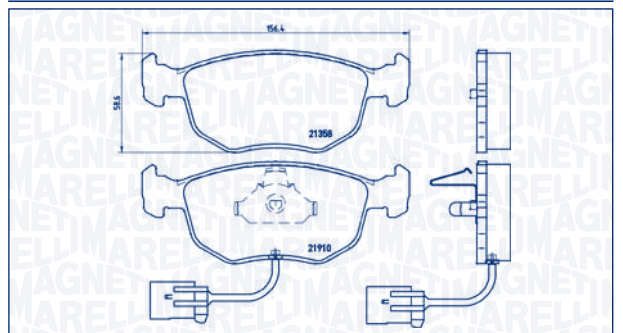
Ant	21394, 21638, 23071	155,1/156,5 × 58,5 × 18,5	ATE	[+]
-----	---------------------	---------------------------	-----	-----

P24030MM



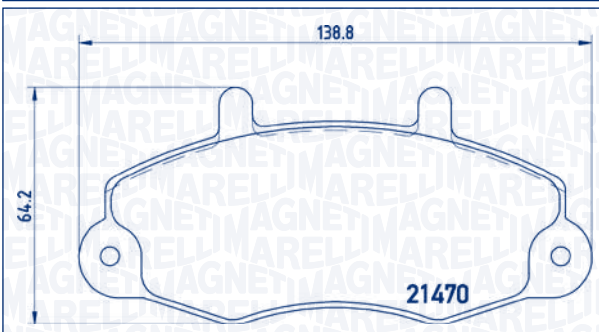
Post	21832	61,7 × 51 × 15	ATE	[-]
------	-------	----------------	-----	-----

P24035MM



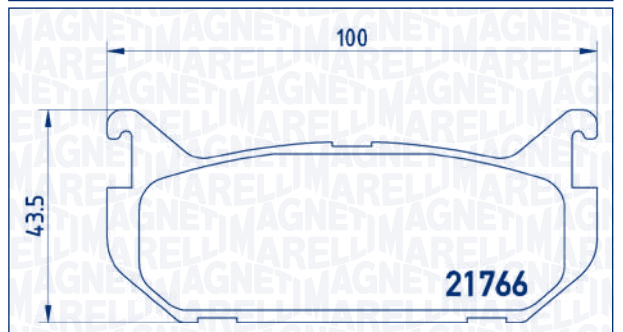
Ant	21358, 21910	156,4 × 58,6 × 19,8	ATE	[+]
-----	--------------	---------------------	-----	-----

P24032MM



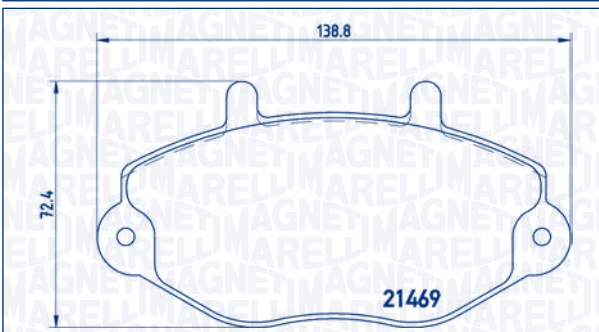
Ant	21470	138,8 × 64,2 × 19	BDX	[-]
-----	-------	-------------------	-----	-----

P24036MM



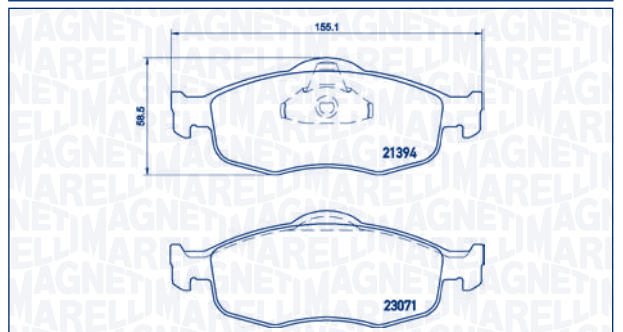
Post	21766	100 × 43,5 × 14,8	SUM	[-]
------	-------	-------------------	-----	-----

P24033MM



Ant	21469	138,8 × 72,4 × 19	BDX	[-]
-----	-------	-------------------	-----	-----

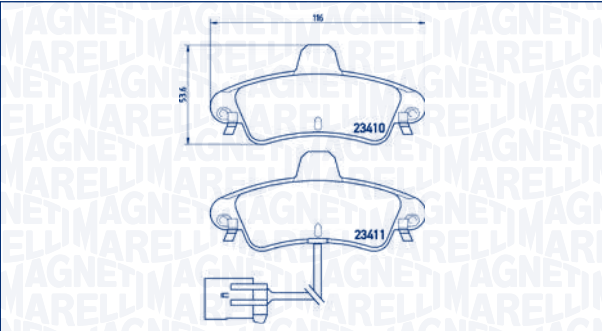
P24037MM



Ant	21394, 23071	155,1/156,3 × 58,5 × 18,5	ATE	[-]
-----	--------------	---------------------------	-----	-----

WVA	LENGTH×HEIGHT×THICKNESS [mm]	SYS	WI
-----	------------------------------	-----	----

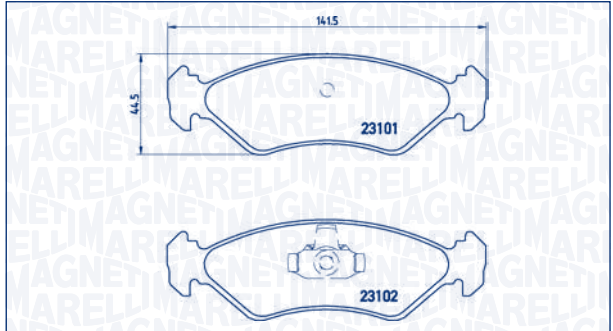
P24038MM



Post	23410, 23411	116 × 53,6 × 15,7	BSH	[+]
------	--------------	-------------------	-----	-----

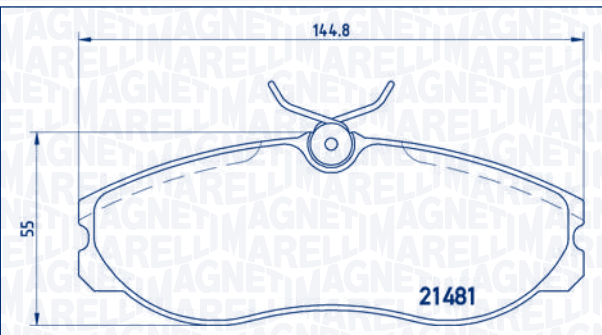
WVA	LENGTH×HEIGHT×THICKNESS [mm]	SYS	WI
-----	------------------------------	-----	----

P24044MM



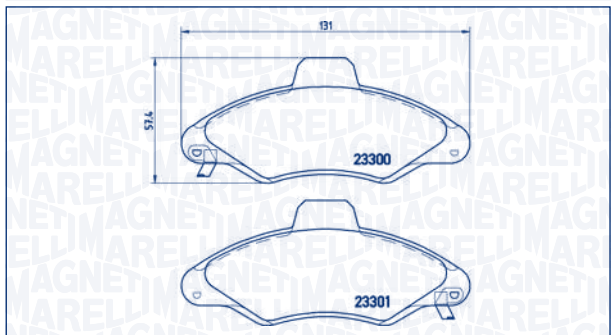
Ant	23101, 23102	141,4 × 44,6 × 17,5	ATE	[-]
-----	--------------	---------------------	-----	-----

P24039MM



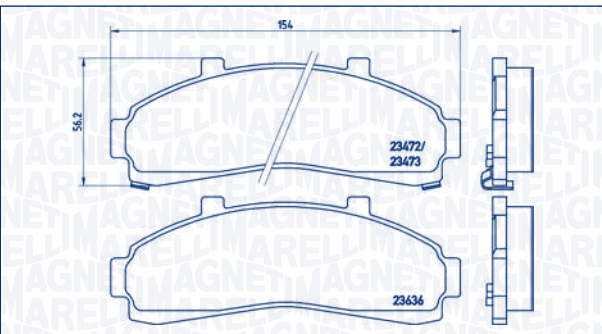
Ant	21481	144,8 × 55 × 15,7	TRW	[-]
-----	-------	-------------------	-----	-----

P24045MM



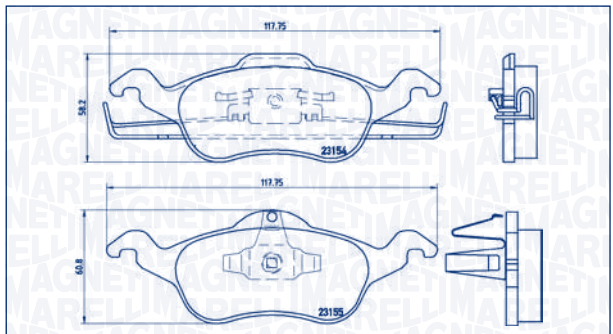
Ant	23300, 23301	131 × 57,4 × 18	BDX	[-]
-----	--------------	-----------------	-----	-----

P24041MM



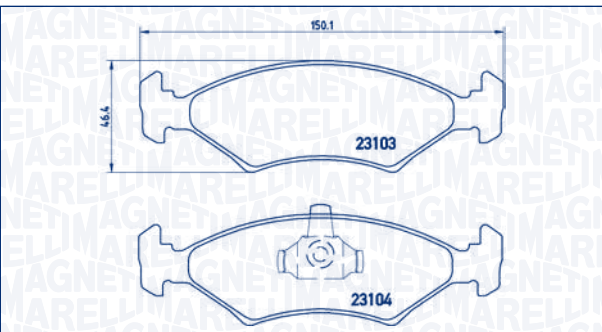
Ant	23472, 23473, 23636	154 × 56,2 × 17	WAG	[+]
-----	---------------------	-----------------	-----	-----

P24046MM



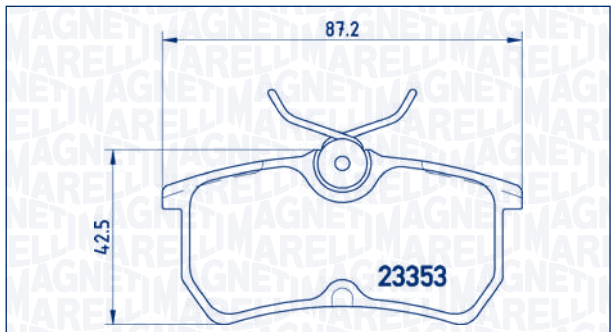
Ant	23154, 23155	177,8 × 58,2/60,8 × 19,3	ATE	[-]
-----	--------------	--------------------------	-----	-----

P24043MM



Ant	23103, 23104	150,1 × 46,4 × 17,5	ATE	[-]
-----	--------------	---------------------	-----	-----

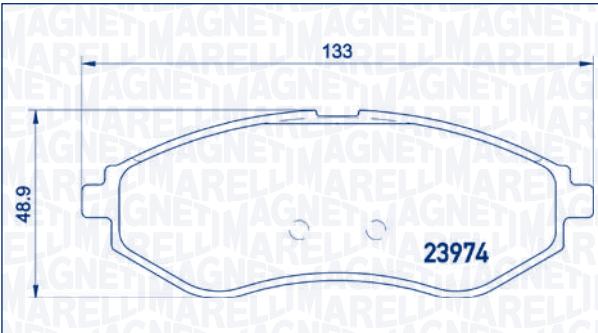
P24047MM



Post	23353	87,25 × 42,54 × 14	TRW	[-]
------	-------	--------------------	-----	-----

WVA	LENGTH × HEIGHT × THICKNESS [mm]	SYS	WI
-----	----------------------------------	-----	----

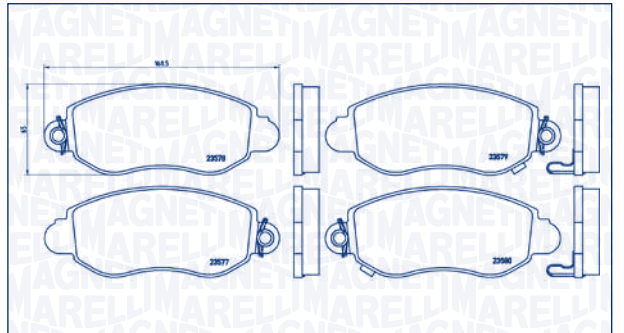
P24048MM



Ant	23974	133,2 × 48,9 × 17,8	AKE	[-]
-----	-------	---------------------	-----	-----

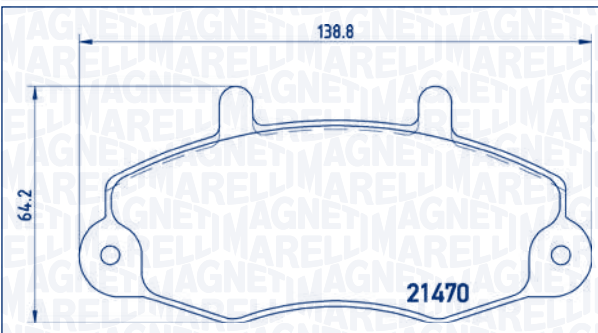
WVA	LENGTH × HEIGHT × THICKNESS [mm]	SYS	WI
-----	----------------------------------	-----	----

P24052MM



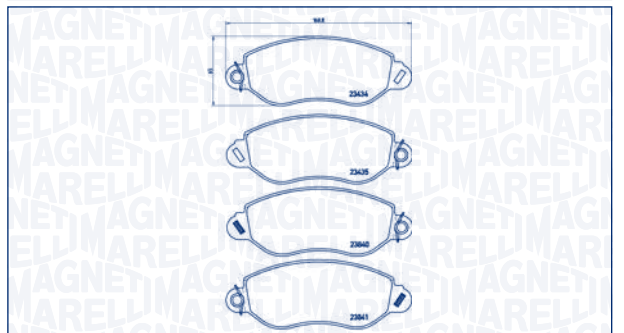
Ant	23577, 23578, 23579, 23580	168,5 × 65 × 18,5	BSH	[+]
-----	----------------------------	-------------------	-----	-----

P24049MM



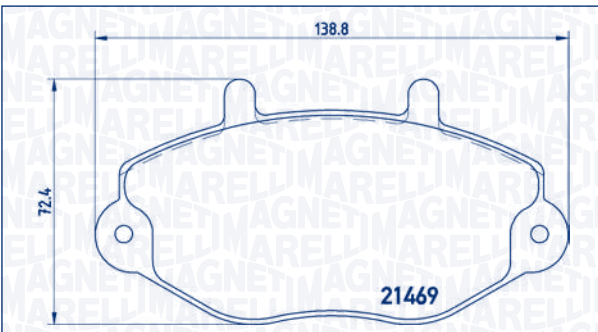
Ant	21470	138,8 × 64,2 × 19	BDX	[+]
-----	-------	-------------------	-----	-----

P24053MM



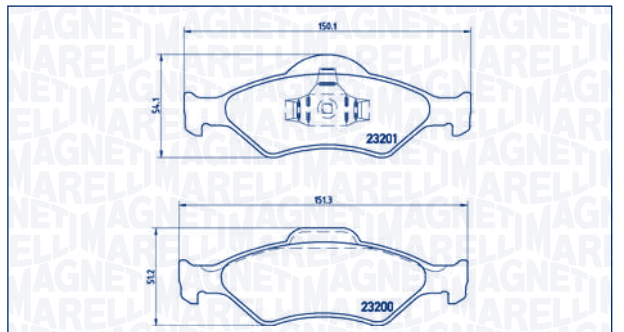
Ant	23841, 23434, 23435, 23840	168,9 × 65 × 17,7	BSH	[+]
-----	----------------------------	-------------------	-----	-----

P24050MM



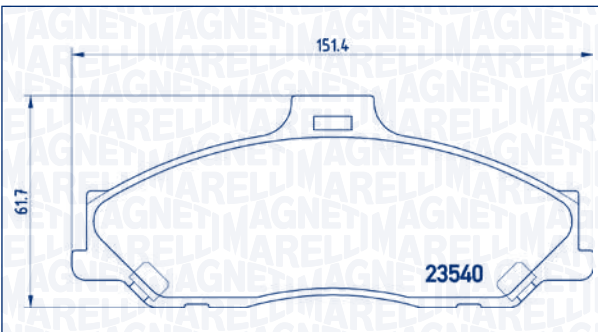
Ant	21469	138,8 × 72,4 × 19	BDX	[+]
-----	-------	-------------------	-----	-----

P24054MM



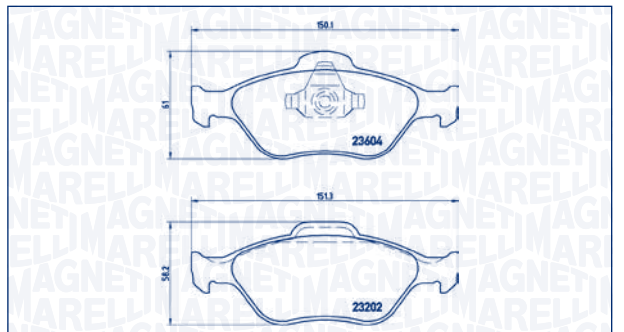
Ant	23200, 23201	150,1/151,3 × 51,2/54,1 × 18,8	ATE	[-]
-----	--------------	--------------------------------	-----	-----

P24051MM



Ant	23540	151,4 × 61,7 × 16,5	KH	[+]
-----	-------	---------------------	----	-----

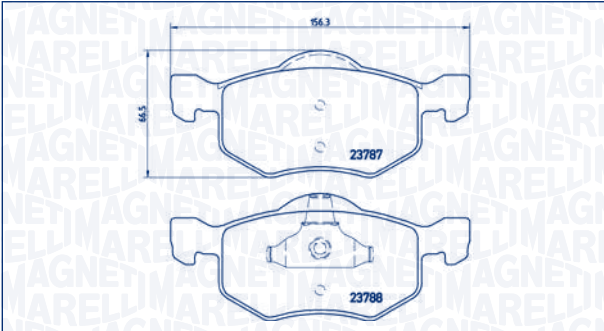
P24055MM



Ant	23202, 23604	150,1/151,3 × 58,2/61 × 18,8	ATE	[-]
-----	--------------	------------------------------	-----	-----

WVA	LENGTH×HEIGHT×THICKNESS [mm]	SYS	WI
-----	------------------------------	-----	----

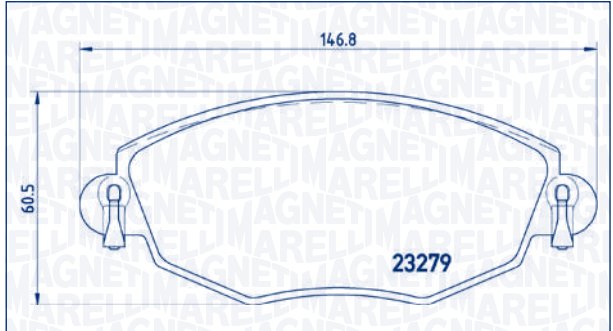
P24056MM



Ant	23787, 23788	156,3 × 66,5 × 18,3	ATE	[-]
-----	--------------	---------------------	-----	-----

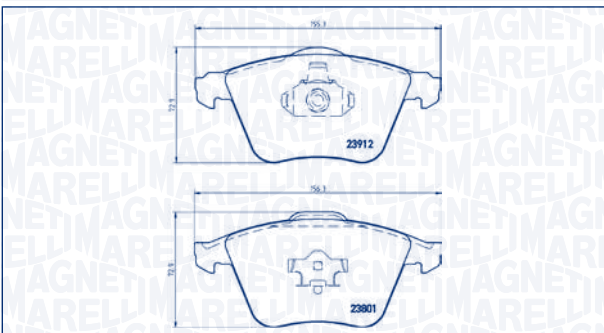
WVA	LENGTH×HEIGHT×THICKNESS [mm]	SYS	WI
-----	------------------------------	-----	----

P24060MM



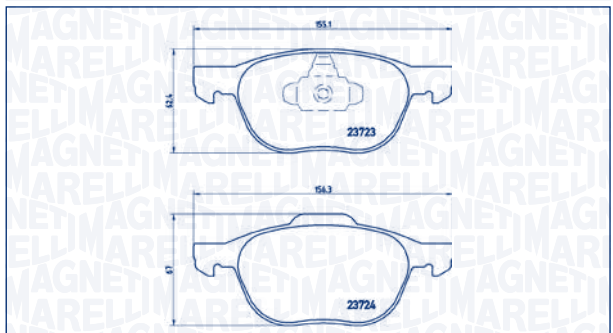
Ant	23279	148,9 × 60,5 × 18,4	BSH	[-]
-----	-------	---------------------	-----	-----

P24057MM



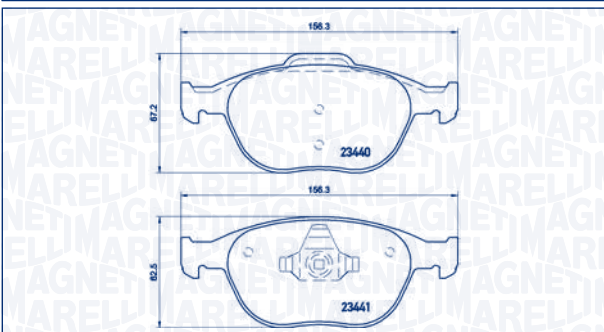
Ant	23801, 23912	155,3/156,3 × 72,9 × 18,5	ATE	[-]
-----	--------------	---------------------------	-----	-----

P24061MM



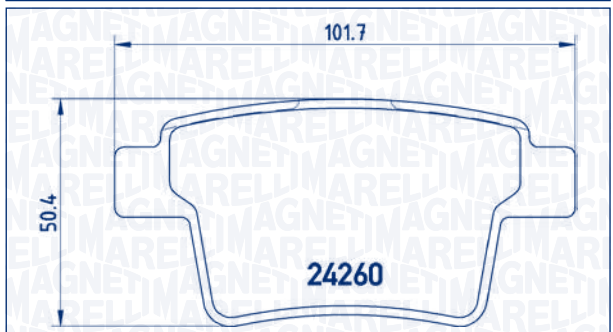
Ant	23723, 23724	155,1/156,3 × 62,4/67 × 18,2	ATE	[-]
-----	--------------	------------------------------	-----	-----

P24058MM



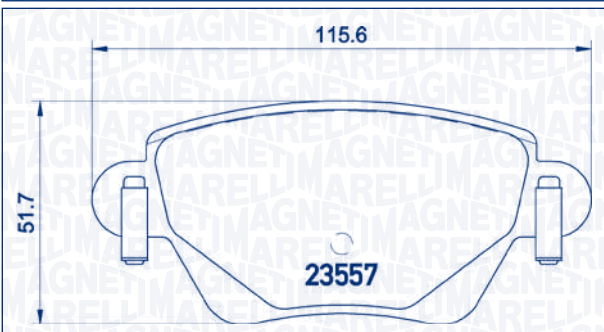
Ant	23440, 23441	156,5 × 62,5/67,2 × 17,6	ATE	[-]
-----	--------------	--------------------------	-----	-----

P24063MM



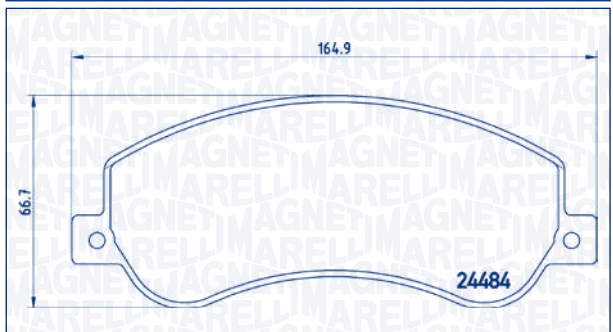
Post	24260	101,7 × 50,4 × 16,3	BSH	[-]
------	-------	---------------------	-----	-----

P24059MM



Post	23557	115,6 × 51,7 × 17,2	BSH	[-]
------	-------	---------------------	-----	-----

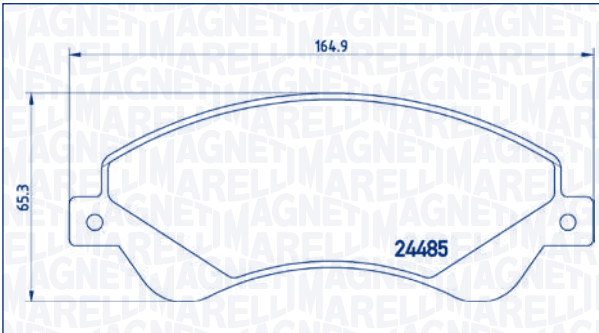
P24064MM



Ant	24484	164,9 × 66,7 × 18,9	BSH	[+]
-----	-------	---------------------	-----	-----

WVA	LENGTH × HEIGHT × THICKNESS [mm]	SYS	WI
-----	----------------------------------	-----	----

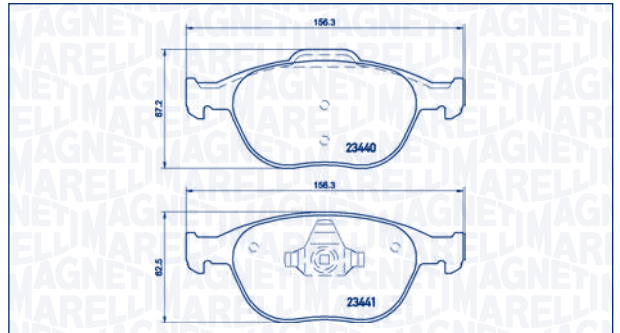
P24065MM



Ant 24485	164,9 × 65,3 × 18,9	BSH	[+]
-----------	---------------------	-----	-----

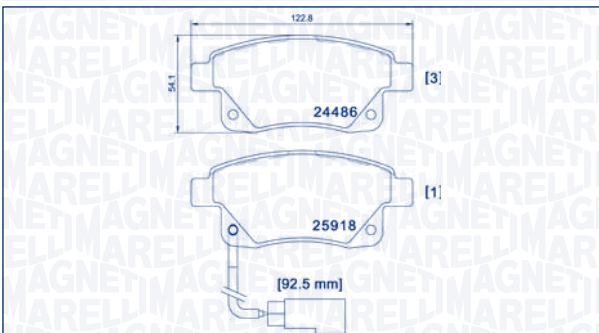
WVA	LENGTH × HEIGHT × THICKNESS [mm]	SYS	WI
-----	----------------------------------	-----	----

P24071MM



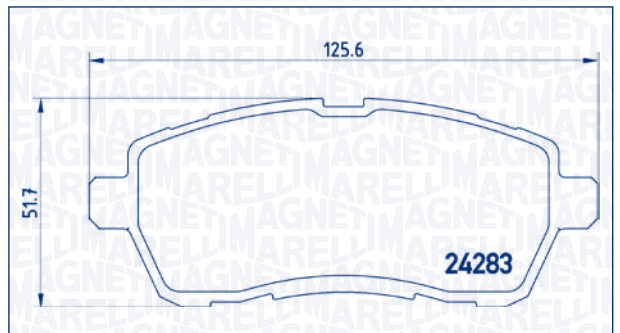
Ant 23440, 23441	156,5 × 62,5/67,2 × 17,1	ATE	[-]
------------------	--------------------------	-----	-----

P24066MM



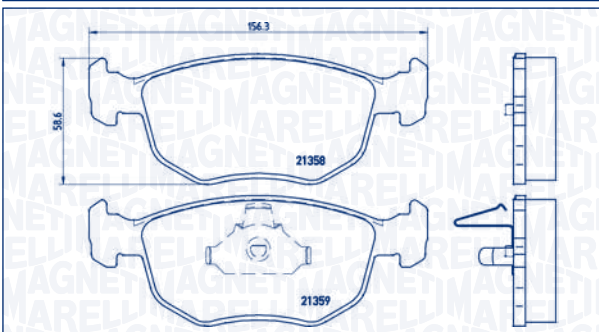
Post 24486	123,1 × 53,3 × 17,3	BSH	[+]
------------	---------------------	-----	-----

P24072MM



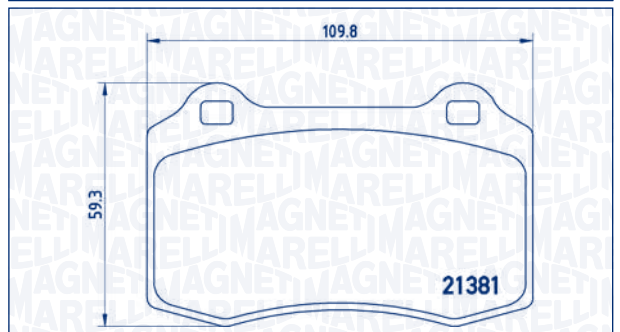
Ant 24283	125,6 × 51,7 × 17,6	TRW	[-]
-----------	---------------------	-----	-----

P24069MM



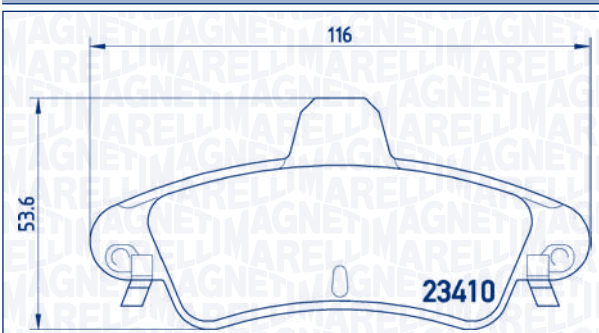
Ant 21358, 21579	156,3 × 58,6 × 19,8	ATE	[-]
------------------	---------------------	-----	-----

P24073MM



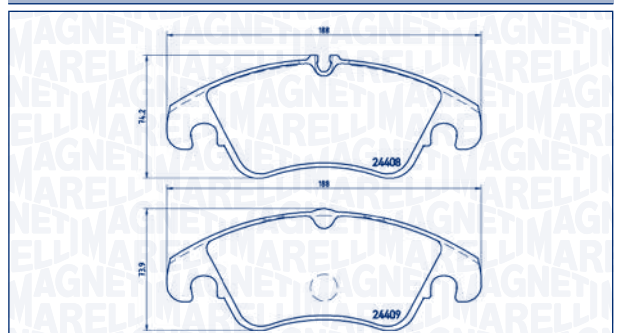
Ant 21381	109,8 × 59,3 × 14	BRE	[-]
-----------	-------------------	-----	-----

P24070MM



Post 23410	116 × 53,6 × 15,7	BSH	[-]
------------	-------------------	-----	-----

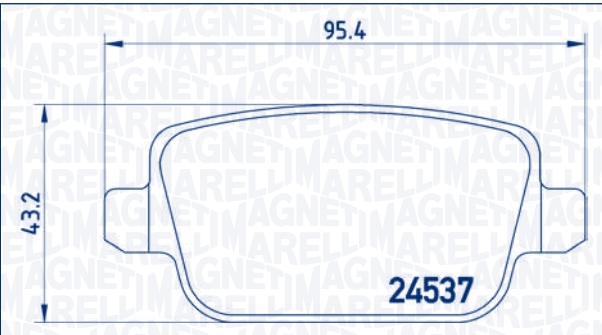
P24074MM



Ant 24408, 24409, 24743	188 × 73,9/74,2 × 18,7	TRW	[o]
-------------------------	------------------------	-----	-----

WVA	LENGTH×HEIGHT×THICKNESS [mm]	SYS	WI
-----	---------------------------------	-----	----

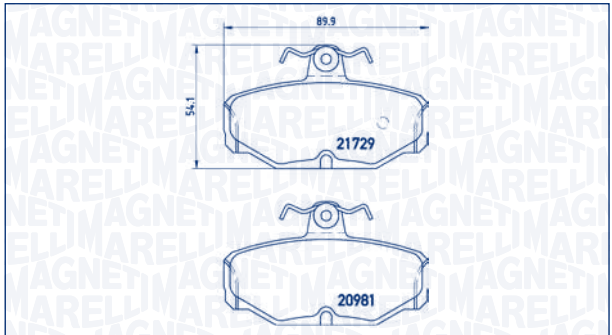
P24075MM



Post 24537	95,4 × 43,2 × 15,7	TRW	[-]
------------	--------------------	-----	-----

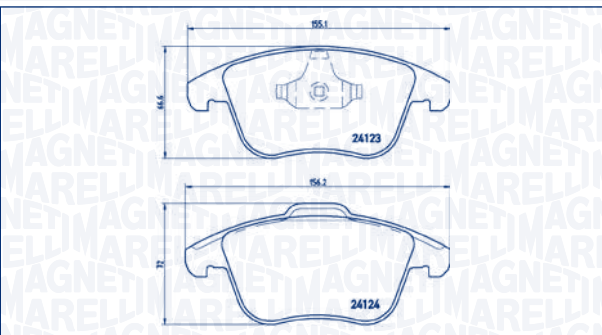
WVA	LENGTH×HEIGHT×THICKNESS [mm]	SYS	WI
-----	---------------------------------	-----	----

P24079MM



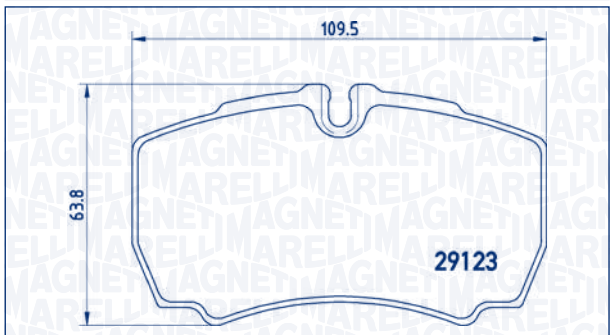
Post 20981, 21729	89,9 × 53,6 × 13,7	TRW	[+]
-------------------	--------------------	-----	-----

P24076MM



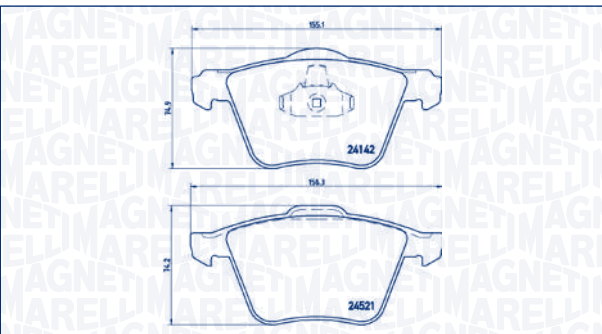
Ant 24123, 24124	155,1/156,3 × 66,6/72,0 × 20,3	ATE	[-]
------------------	--------------------------------	-----	-----

P24084MM



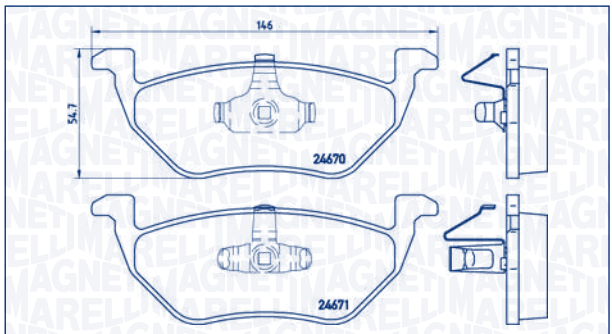
Post 29123	109,5 × 63,8 × 20,3	BRE	[+]
------------	---------------------	-----	-----

P24077MM



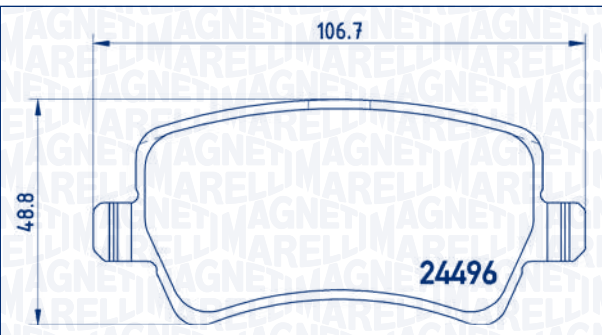
Ant 24142, 24521	155,1/156,3 × 74,2/74,9 × 18,5/20	ATE	[-]
------------------	-----------------------------------	-----	-----

P24085MM



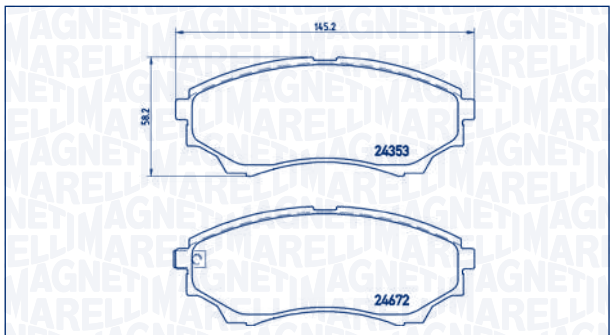
Post 24670, 24671	146 × 54,7 × 17,1	ATE	[-]
-------------------	-------------------	-----	-----

P24078MM



Post 24496	106,7 × 48,8 × 16,9	TRW	[-]
------------	---------------------	-----	-----

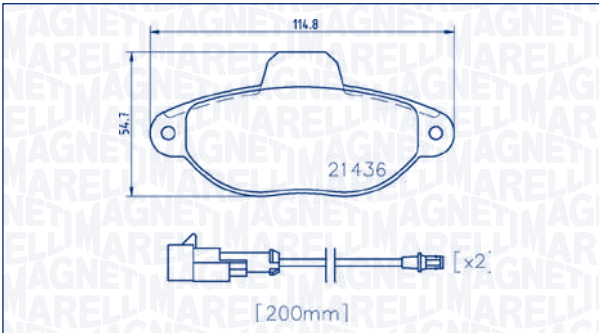
P24086MM



Ant 24353, 24672	145,2 × 58,2 × 16,9	TOK	[+]
------------------	---------------------	-----	-----

WVA	LENGTH × HEIGHT × THICKNESS [mm]	SYS	WI
-----	----------------------------------	-----	----

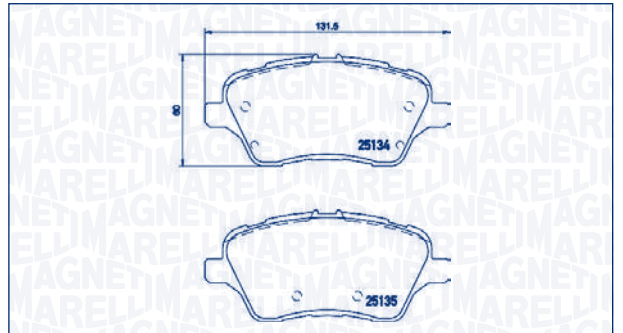
P24147MM



Ant 21436	114,8 × 55,2 × 17	BDX	[+]
-----------	-------------------	-----	-----

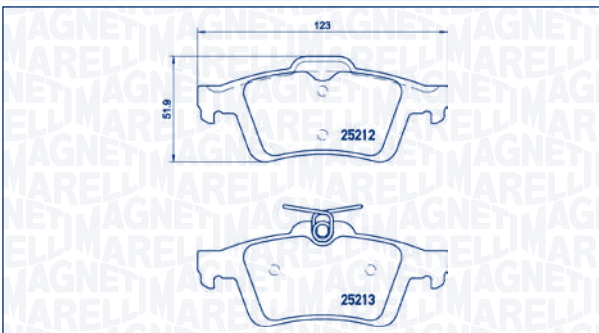
WVA	LENGTH × HEIGHT × THICKNESS [mm]	SYS	WI
-----	----------------------------------	-----	----

P24151MM



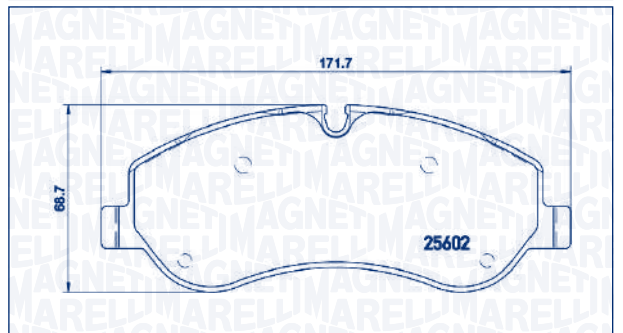
Ant 25134, 25135	131,5 × 60 × 16,7	TRW	[-]
------------------	-------------------	-----	-----

P24148MM



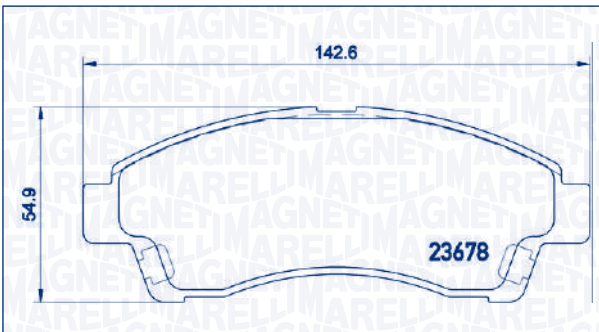
Ant 25212, 25213	123 × 51,9 × 16,1	ATE	[-]
------------------	-------------------	-----	-----

P24152MM



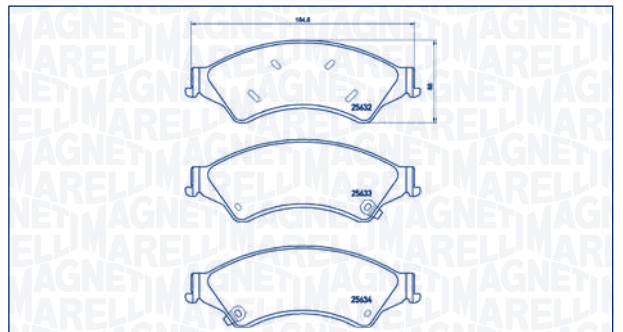
Ant 25602	171,7 × 68,7 × 17	TRW	[+]
-----------	-------------------	-----	-----

P24149MM



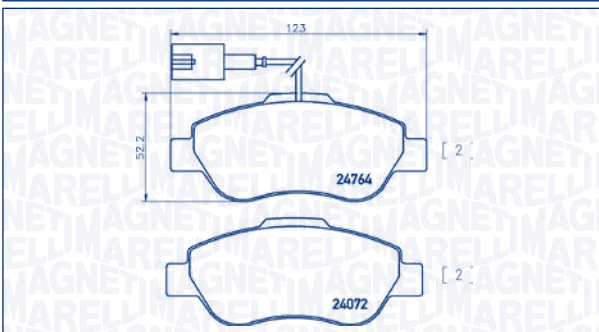
Ant 23678	142,6 × 54,9 × 16	AKE	[+]
-----------	-------------------	-----	-----

P24153MM



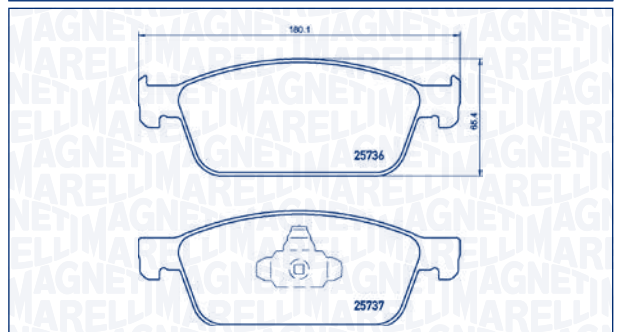
Ant 25632, 25633, 25634	194,1 × 68,2 × 16,4	-	[+]
-------------------------	---------------------	---	-----

P24150MM



Ant 24764, 24072	123 × 52,2 × 17,7	BSH	[+]
------------------	-------------------	-----	-----

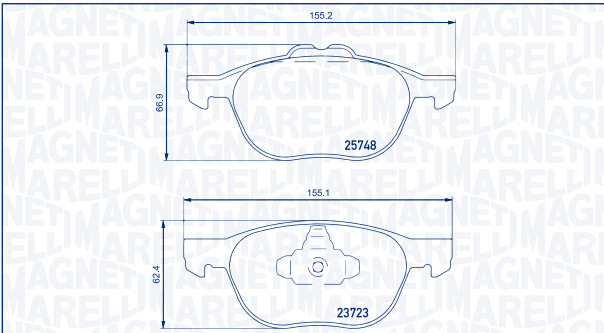
P24157MM



Ant 25736, 25737	180,3 × 65,4 × 17,9	ATE	[-]
------------------	---------------------	-----	-----

Icon	WVA	LENGTH×HEIGHT×THICKNESS [mm]	SYS	WI
------	-----	------------------------------	-----	----

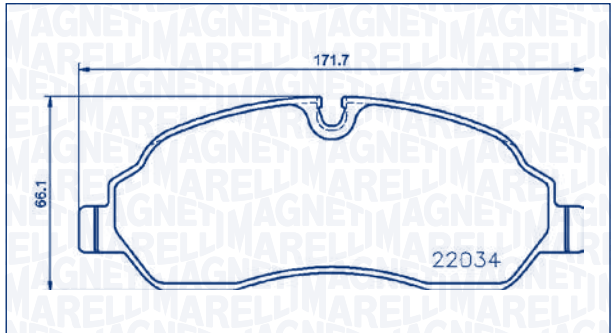
P24158MM



Ant	25748, 23723	155,3 × 62,4 × 18,2	ATE	[-]
-----	--------------	---------------------	-----	-----

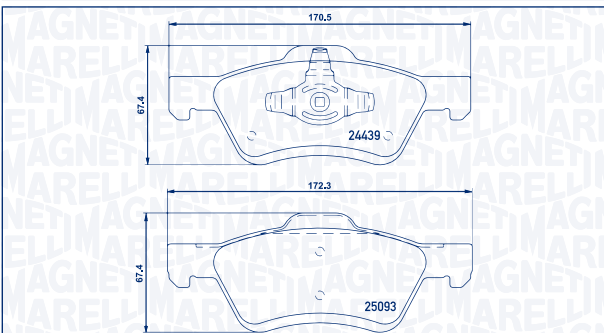
Icon	WVA	LENGTH×HEIGHT×THICKNESS [mm]	SYS	WI
------	-----	------------------------------	-----	----

P24171MM



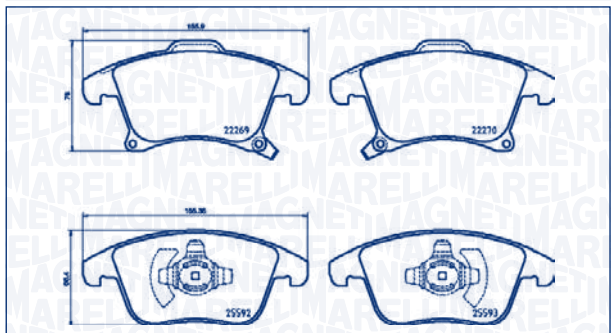
Ant	22034	171,7 × 66,1 × 17	BSH	[+]
-----	-------	-------------------	-----	-----

P24159MM



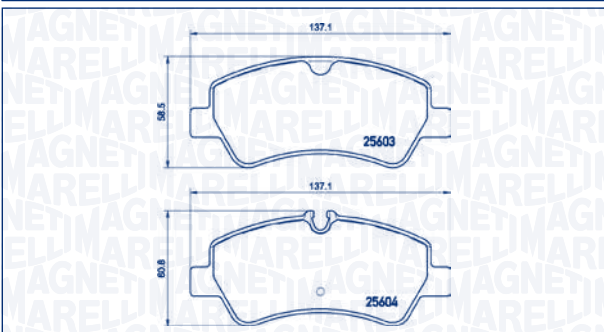
Ant	24439	170,5 × 67,4 × 15	ATE	[-]
-----	-------	-------------------	-----	-----

P24173MM



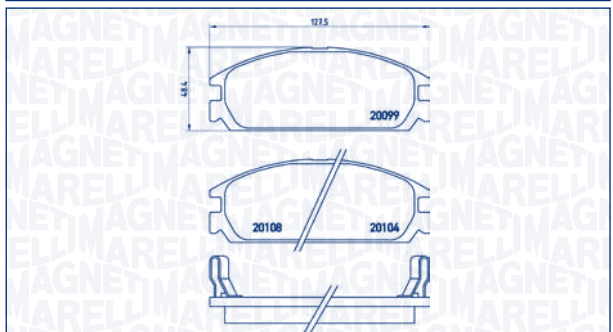
Ant	25591, 25592, 25593	155,1/155,7 × 66,5/76 × 20,2	ATE	[+]
-----	---------------------	------------------------------	-----	-----

P24160MM



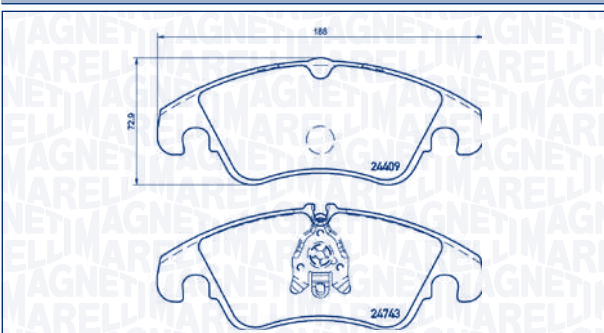
Post	25603, 25604	137,1 × 58,5/60,8 × 17,8	TRW	[o]
------	--------------	--------------------------	-----	-----

P28010MM



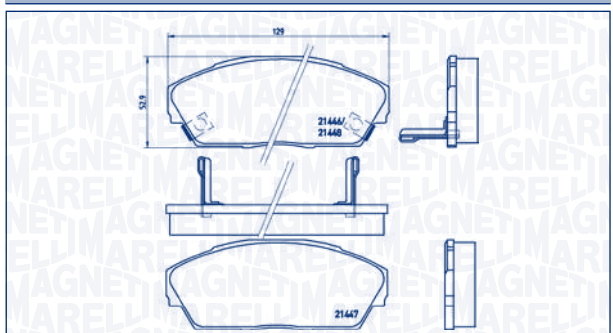
Ant	20099, 20104, 20108	127,5 × 48,4 × 15	AKE	[+]
-----	---------------------	-------------------	-----	-----

P24161MM



Ant	24409, 24743	188 × 72,9 × 18	TRW	[-]
-----	--------------	-----------------	-----	-----

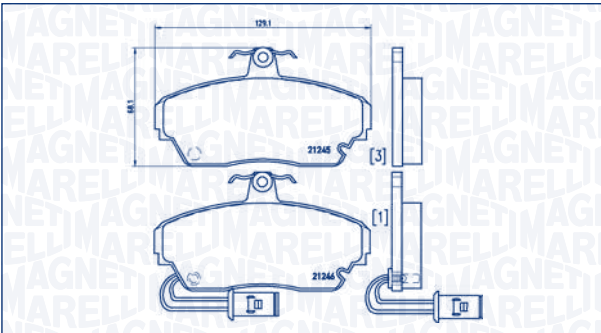
P28013MM



Ant	21446, 21447, 21448	129 × 52,9 × 17,5	AKE	[+]
-----	---------------------	-------------------	-----	-----

	WVA	LENGTH × HEIGHT × THICKNESS [mm]	SYS	WI
--	-----	----------------------------------	-----	----

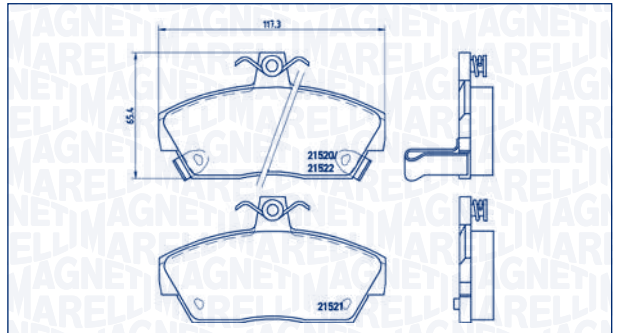
P28014MM



Ant	21245, 21246	129,12 × 68,1 × 17,4	TRW	[+]
-----	--------------	----------------------	-----	-----

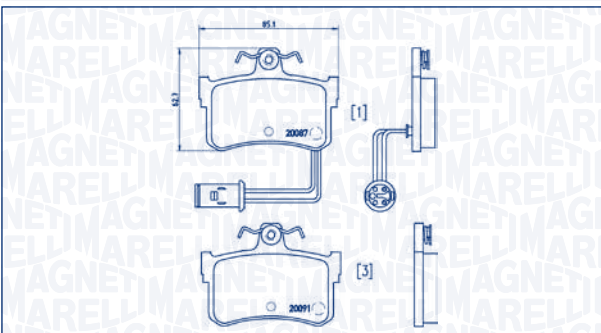
	WVA	LENGTH × HEIGHT × THICKNESS [mm]	SYS	WI
--	-----	----------------------------------	-----	----

P28019MM



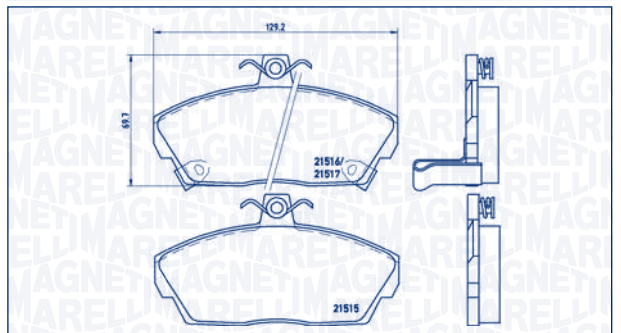
Ant	21520, 21521, 21522	117,3 × 65,4 × 18	TRW	[+]
-----	---------------------	-------------------	-----	-----

P28015MM



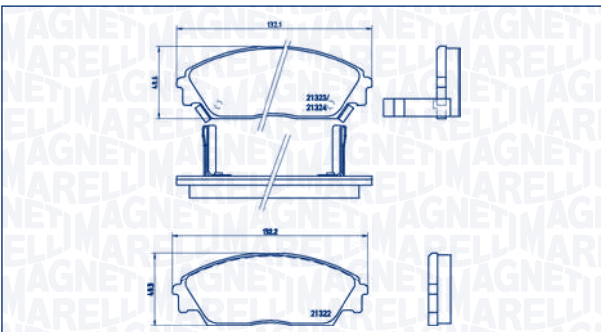
Post	20087, 20091	85,1 × 62,7 × 14	TRW	[+]
------	--------------	------------------	-----	-----

P28020MM



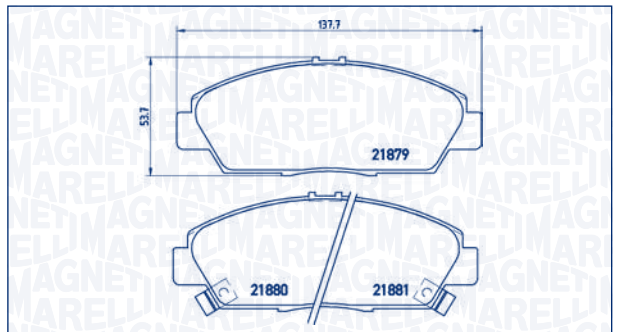
Ant	21515, 21516, 21517	129,2 × 69,7 × 18	TRW	[+]
-----	---------------------	-------------------	-----	-----

P28016MM



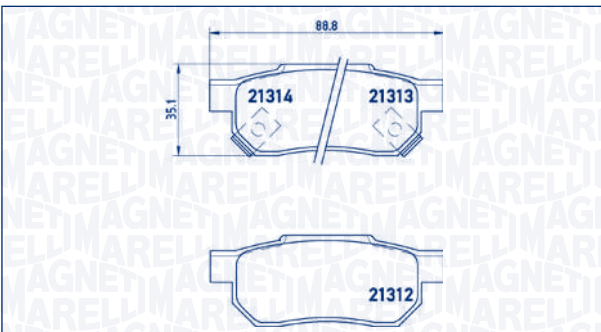
Ant	21322, 21323, 21324	132,1/132,2 × 48,6/49,3 × 15	AKE	[+]
-----	---------------------	------------------------------	-----	-----

P28021MM



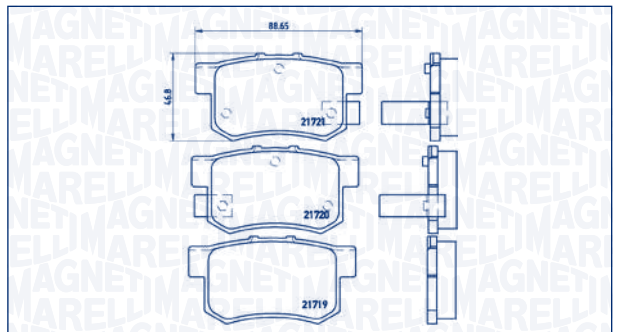
Ant	21879, 21880, 21881	137,7 × 53,7 × 18,5	AKE	[+]
-----	---------------------	---------------------	-----	-----

P28017MM



Post	21312, 21313, 21314	88,8 × 35,1 × 13	AKE	[+]
------	---------------------	------------------	-----	-----

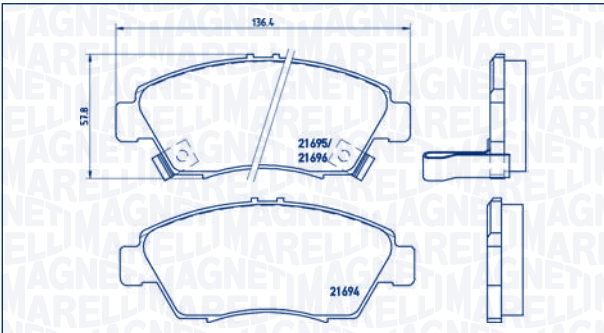
P28022MM



Post	21719, 21720, 21721	88,7 × 46,84 × 14,6	AKE	[+]
------	---------------------	---------------------	-----	-----

WVA	LENGTH×HEIGHT×THICKNESS [mm]	SYS	WI
-----	------------------------------	-----	----

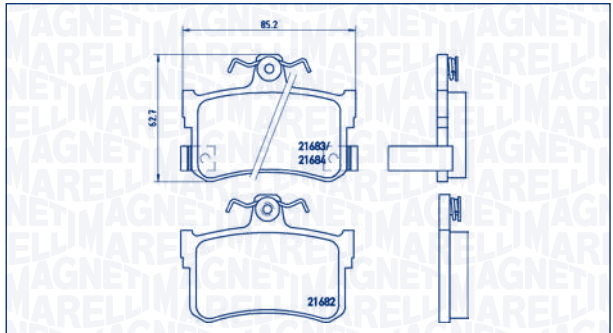
P28023MM



Ant	21694, 21695, 21696	136,4 × 57,8 × 17,3	AKE	[+]
-----	---------------------	---------------------	-----	-----

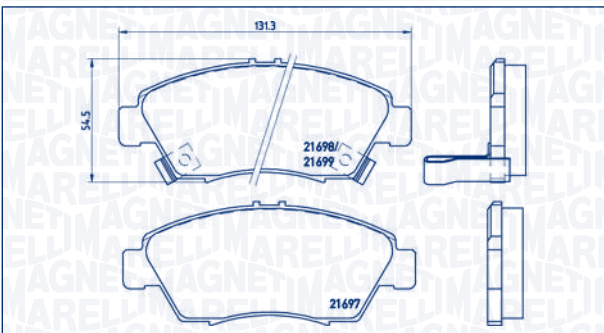
WVA	LENGTH×HEIGHT×THICKNESS [mm]	SYS	WI
-----	------------------------------	-----	----

P28027MM



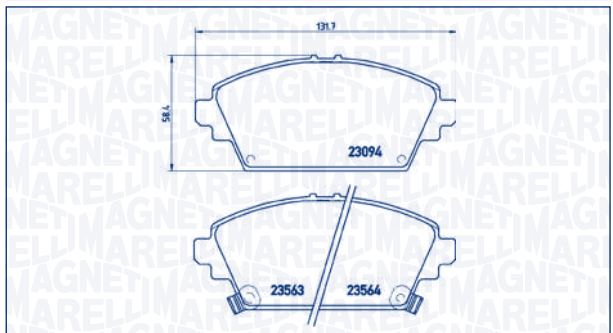
Post	21682, 21683, 21684	85,2 × 62,7 × 14,5	TRW	[+]
------	---------------------	--------------------	-----	-----

P28024MM



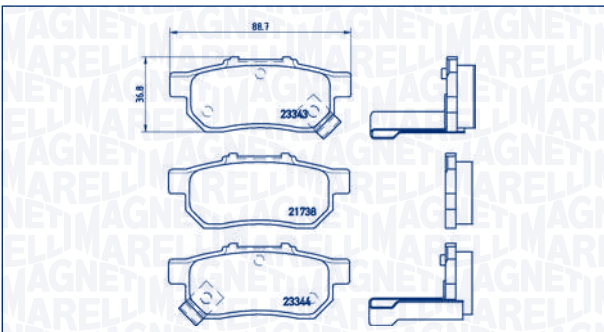
Ant	21697, 21698, 21699	131,3 × 54,5 × 15,8	AKE	[+]
-----	---------------------	---------------------	-----	-----

P28029MM



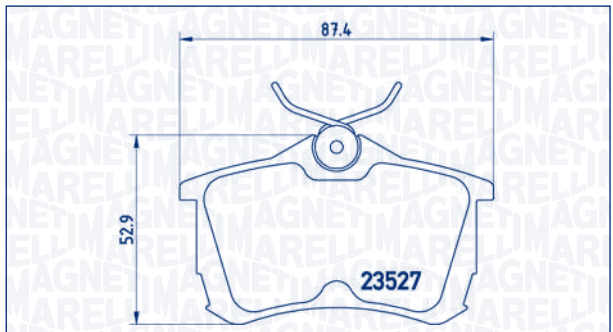
Ant	23094, 23563, 23564	131,7 × 58,4 × 17	TRW	[+]
-----	---------------------	-------------------	-----	-----

P28025MM



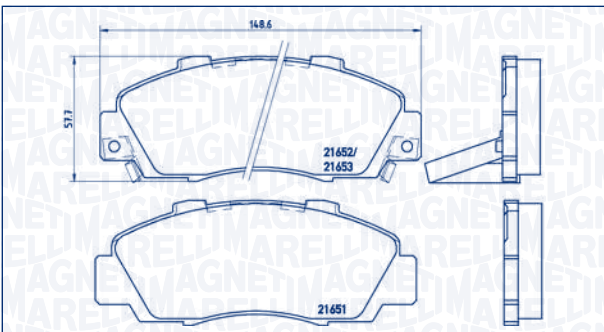
Post	21738, 23343, 23344	88,8 × 36,8 × 13	AKE	[+]
------	---------------------	------------------	-----	-----

P28030MM



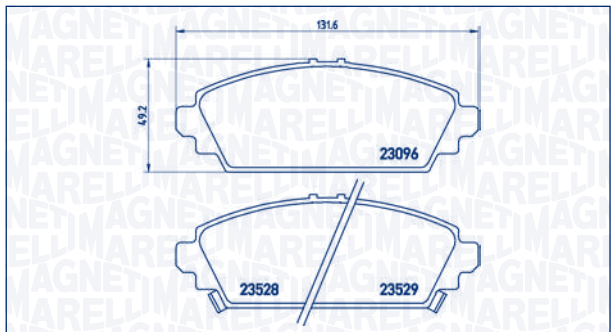
Post	23527	87,4 × 52,9 × 15	TRW	[+]
------	-------	------------------	-----	-----

P28026MM



Ant	21651, 21652, 21653	148,6 × 57,7 × 17,3	AKE	[+]
-----	---------------------	---------------------	-----	-----

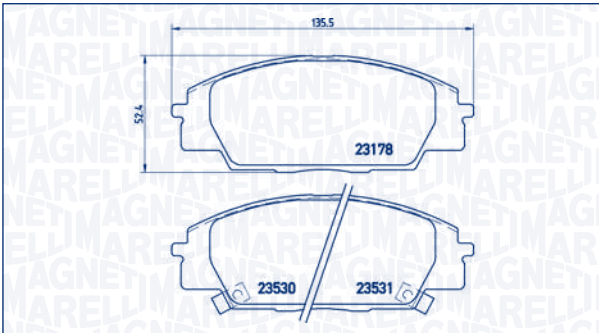
P28031MM



Ant	23096, 23528, 23529	131,6 × 49,2 × 17,2	GIR	[+]
-----	---------------------	---------------------	-----	-----

WVA	LENGTH × HEIGHT × THICKNESS [mm]	SYS	WI
-----	----------------------------------	-----	----

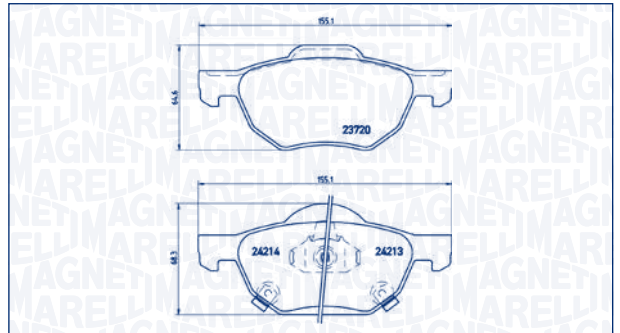
P28032MM



Ant	23178, 23530, 23531	135,5 × 52,4 × 16	SUM	[+]
-----	---------------------	-------------------	-----	-----

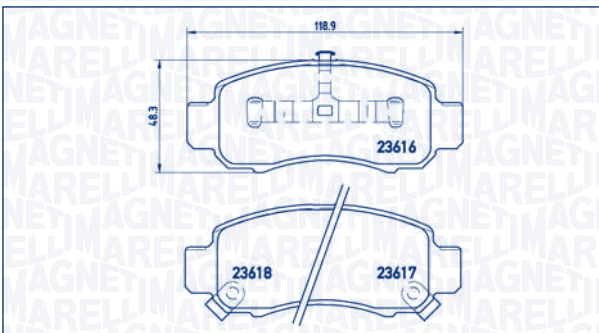
WVA	LENGTH × HEIGHT × THICKNESS [mm]	SYS	WI
-----	----------------------------------	-----	----

P28036MM



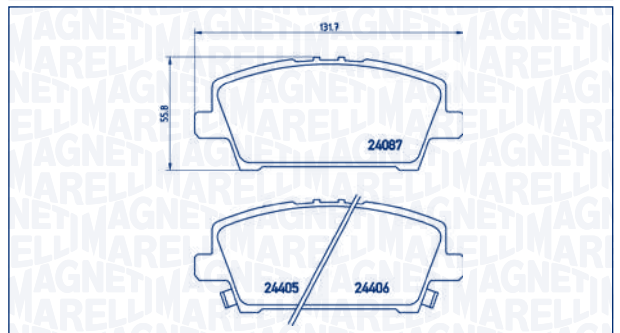
Ant	23720, 24213, 24214	155,1/156,3 × 64,6/68,3 × 17	ATE	[+]
-----	---------------------	------------------------------	-----	-----

P28033MM



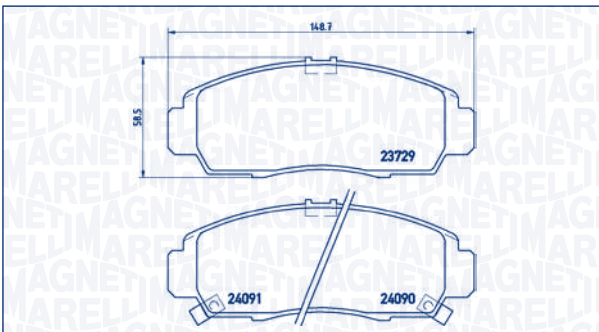
Ant	23616, 23617, 23618	118,9 × 48,3 × 13,3	AKE	[+]
-----	---------------------	---------------------	-----	-----

P28037MM



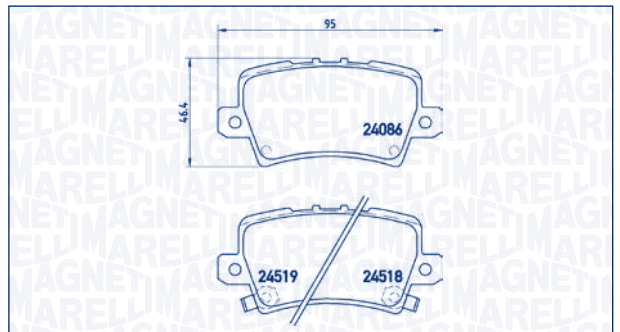
Ant	24087, 24405, 24406	131,7 × 55,8 × 17,5	TRW	[+]
-----	---------------------	---------------------	-----	-----

P28034MM



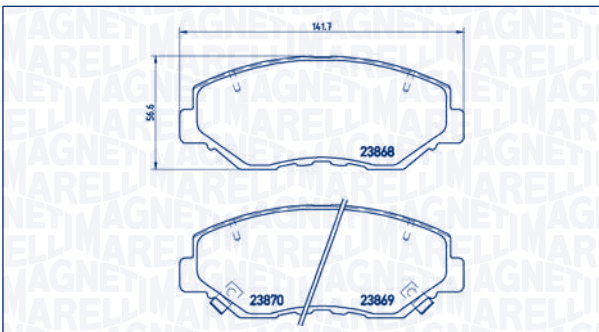
Ant	23729, 24090, 24091	148,7 × 58,5 × 17	NSN	[+]
-----	---------------------	-------------------	-----	-----

P28038MM



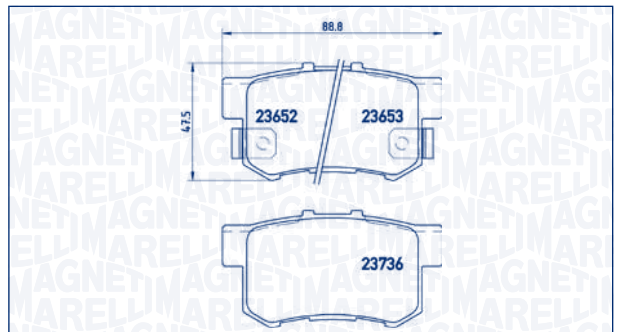
Post	24086, 24518, 24519	95 × 46,4 × 15,7	TRW	[+]
------	---------------------	------------------	-----	-----

P28035MM



Ant	23868, 23869, 23870	141,7 × 56,6 × 16,9	AKE	[+]
-----	---------------------	---------------------	-----	-----

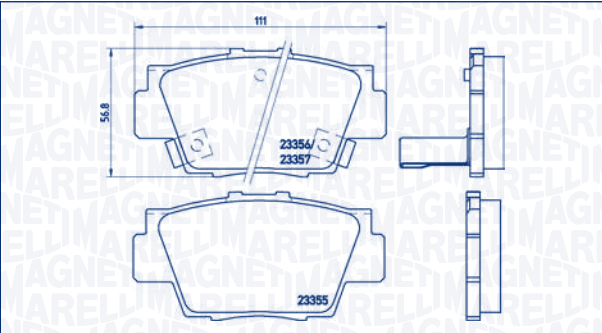
P28039MM



Post	23652, 23653, 23736	88,8 × 47,5 × 14,8	NSN	[+]
------	---------------------	--------------------	-----	-----

WVA	LENGTH×HEIGHT×THICKNESS [mm]	SYS	WI
-----	---------------------------------	-----	----

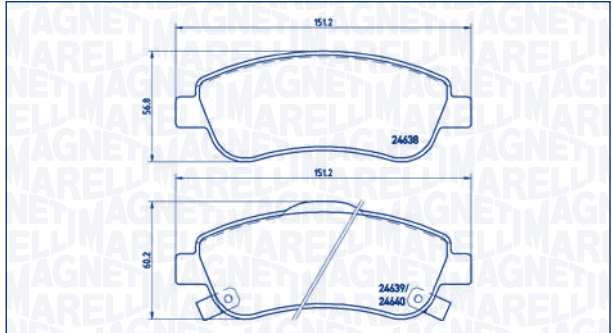
P28040MM



Post	23355, 23356, 23357	111 × 56,8 × 15	AKE	[+]
------	---------------------	-----------------	-----	-----

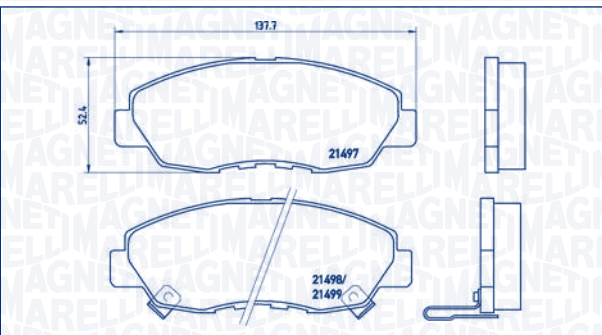
WVA	LENGTH×HEIGHT×THICKNESS [mm]	SYS	WI
-----	---------------------------------	-----	----

P28045MM



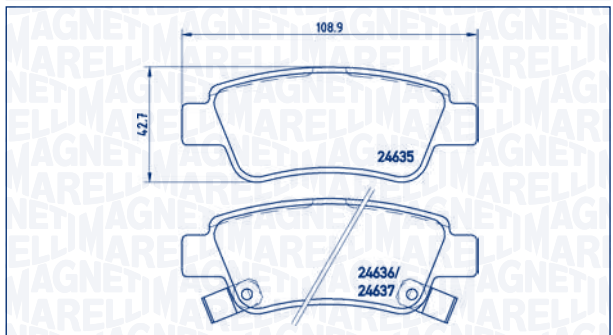
Ant	24638, 24639, 24640	151,2 × 56,8/60,2 × 19	BSH	[+]
-----	---------------------	------------------------	-----	-----

P28042MM



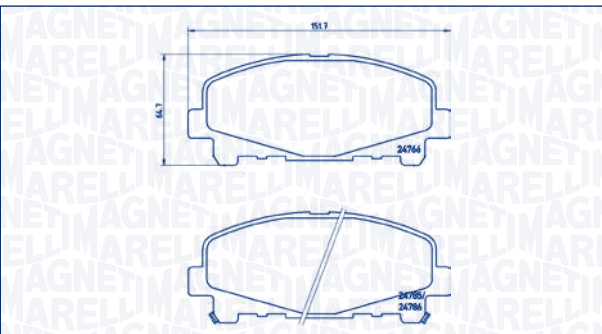
Ant	21497, 21498, 21499	137,7 × 52,4 × 18	AKE	[+]
-----	---------------------	-------------------	-----	-----

P28046MM



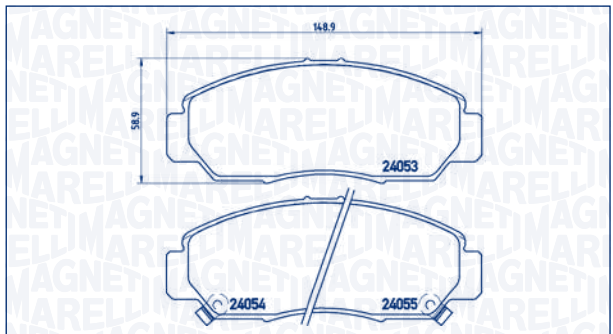
Post	24635, 24636, 24637	108,9 × 42,7 × 16,5	BSH	[+]
------	---------------------	---------------------	-----	-----

P28043MM



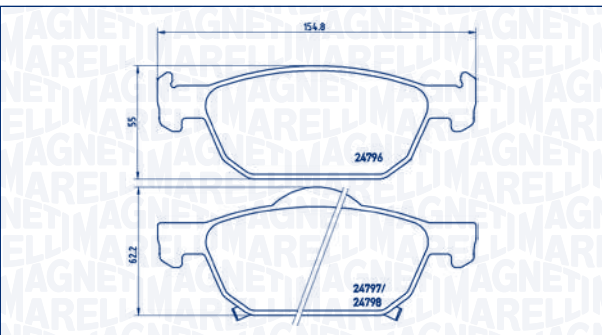
Ant	24766, 24785, 24786	151,7 × 64,7 × 17,5	AKE	[+]
-----	---------------------	---------------------	-----	-----

P28047MM



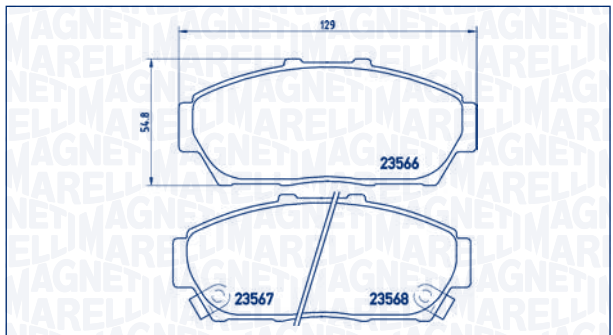
Ant	24053, 24054, 24055	148,9 × 58,9 × 16,9	SUM	[+]
-----	---------------------	---------------------	-----	-----

P28044MM



Ant	24796, 24797, 24798	154,8 × 55/62,2 × 17,5	ATE	[+]
-----	---------------------	------------------------	-----	-----

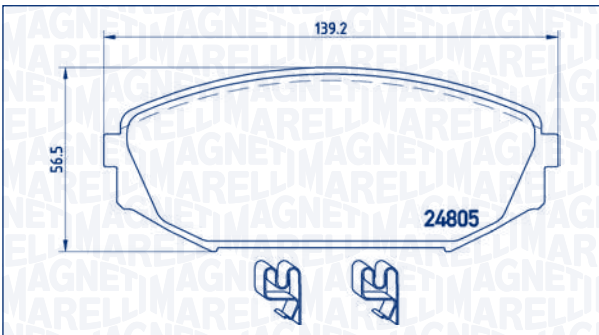
P28048MM



Ant	23566, 23567, 23568	129 × 54,8 × 17,2	AKE	[+]
-----	---------------------	-------------------	-----	-----

	WVA	LENGTH × HEIGHT × THICKNESS [mm]	SYS	WI
--	-----	----------------------------------	-----	----

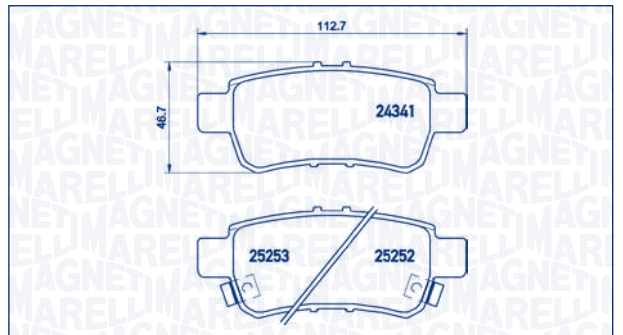
P28049MM



Ant	24805	139,2 × 56,5 × 18	-	[+]
-----	-------	-------------------	---	-----

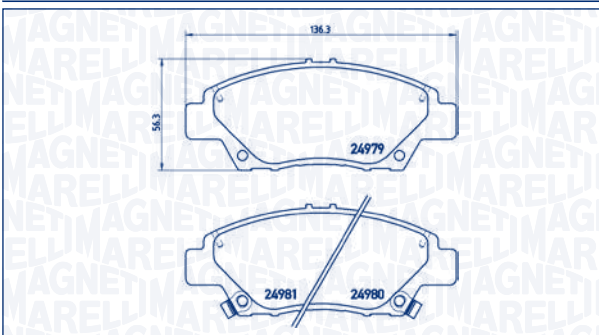
	WVA	LENGTH × HEIGHT × THICKNESS [mm]	SYS	WI
--	-----	----------------------------------	-----	----

P28062MM



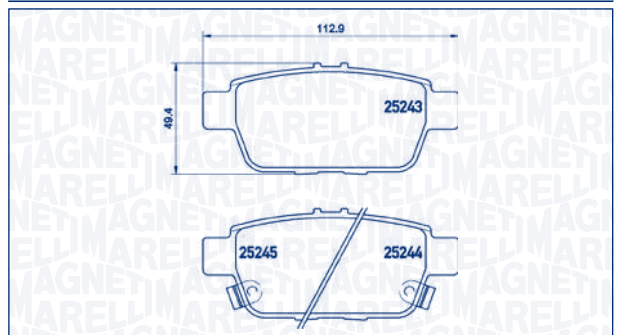
Post	24341, 25253, 25252	112,7 × 46,7 × 15,3	AKE	[+]
------	---------------------	---------------------	-----	-----

P28050MM



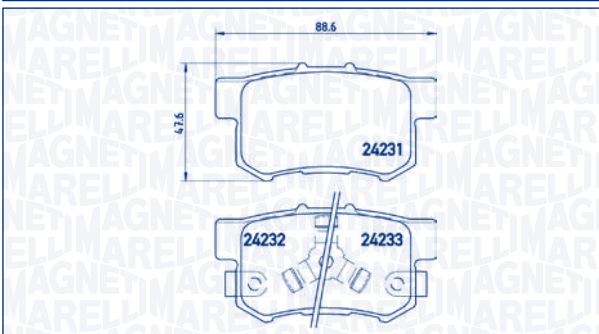
Ant	24980, 24981, 24979	136,3 × 56,3 × 16,5	AKE	[+]
-----	---------------------	---------------------	-----	-----

P28067MM



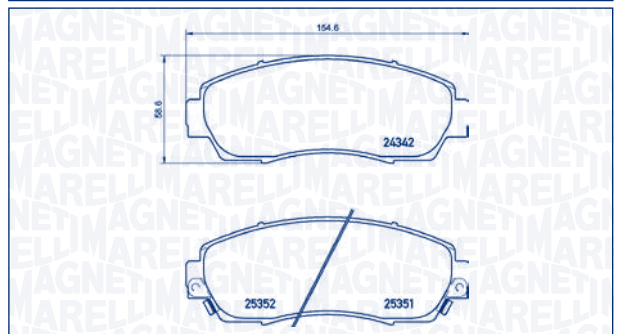
Post	25243, 25244, 25245	112,9 × 49,4 × 15,2	-	[+]
------	---------------------	---------------------	---	-----

P28051MM



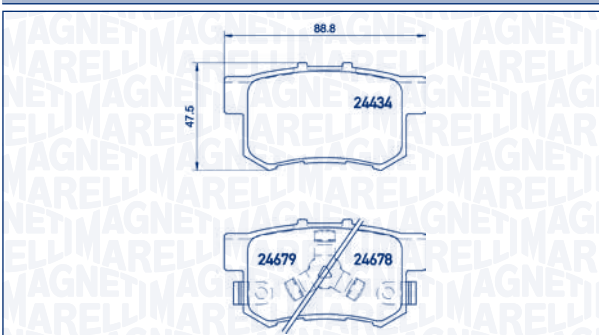
Post	24231, 24232, 24233	88,6 × 47,6 × 14,9	AKE	[+]
------	---------------------	--------------------	-----	-----

P28068MM



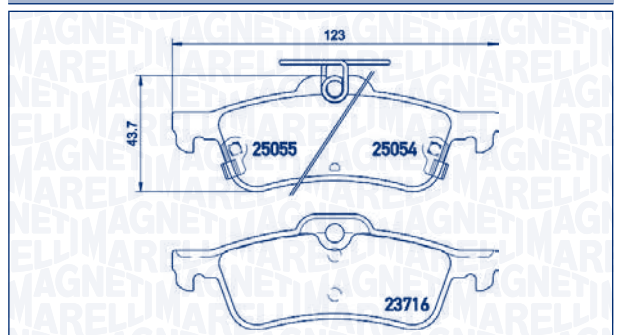
Ant	24342, 25351, 25352	154,6 × 58,6 × 17,8	AKE	[+]
-----	---------------------	---------------------	-----	-----

P28061MM



Post	24434, 24680, 24679	89 × 47,6 × 15,6	NSN	[+]
------	---------------------	------------------	-----	-----

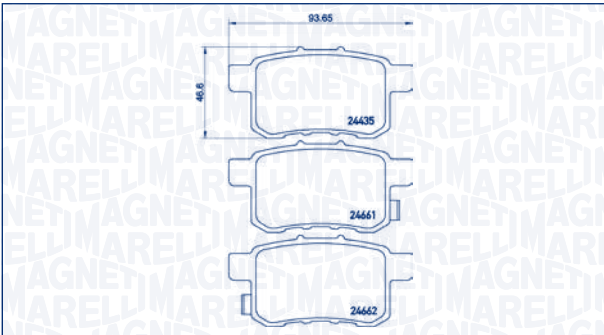
P28070MM



Post	25055, 25054, 24574	123 × 43,7 × 14,6	ATE	[+]
------	---------------------	-------------------	-----	-----

WVA	LENGTH×HEIGHT×THICKNESS [mm]	SYS	WI
-----	------------------------------	-----	----

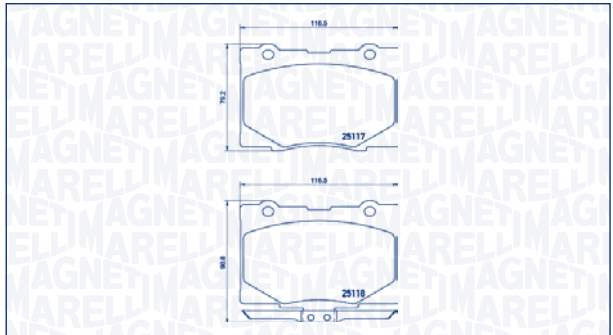
P28072MM



Post	24435, 24461, 24462	93,7 × 46,6 × 14,8	NSN	[+]
------	---------------------	--------------------	-----	-----

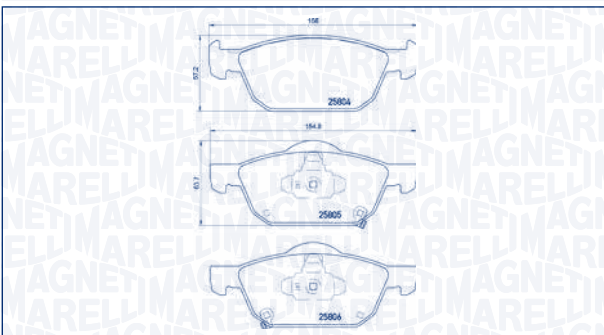
WVA	LENGTH×HEIGHT×THICKNESS [mm]	SYS	WI
-----	------------------------------	-----	----

P28079MM



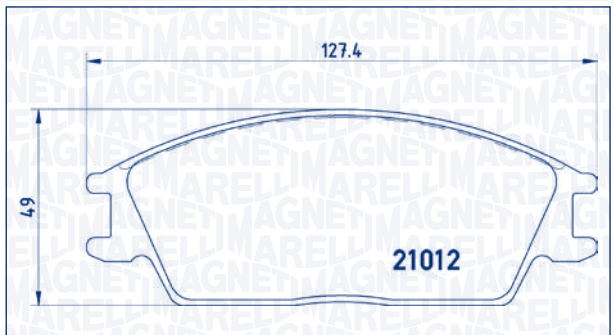
Ant	25117, 25118	116,5 × 79,2/90,8 × 16	AKE	[+]
-----	--------------	------------------------	-----	-----

P28076MM



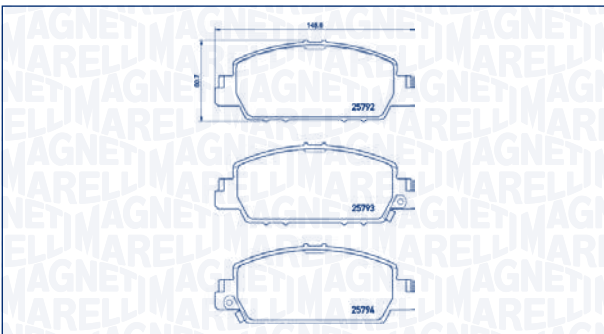
Ant	25804, 25805, 25806	154,8/156 × 57,2/63,7 × 17	ATE	[+]
-----	---------------------	----------------------------	-----	-----

P30001MM



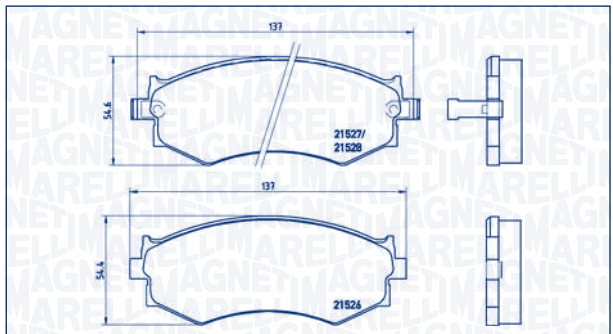
Ant	21012	127,4 × 49 × 14,8	AKE	[-]
-----	-------	-------------------	-----	-----

P28077MM



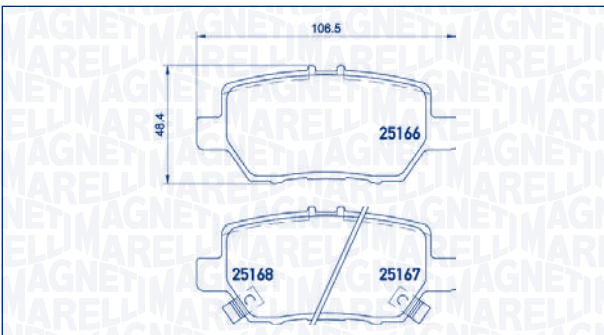
Ant	25792, 25793, 25794	148,6 × 60,7 × 16,8	-	[+]
-----	---------------------	---------------------	---	-----

P30002MM



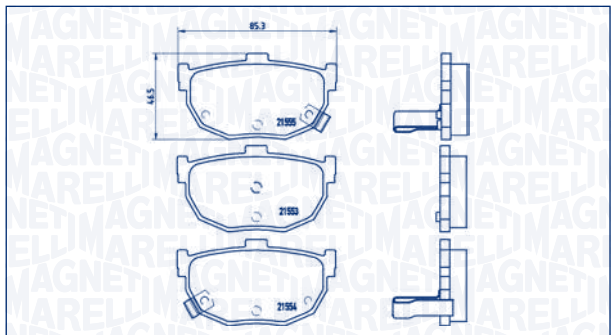
Ant	21526, 21527, 21528	137 × 54,4/54,6 × 17	AKE	[+]
-----	---------------------	----------------------	-----	-----

P28078MM



Post	25166, 25167, 25168	106,5 × 48,4 × 15,9	-	[+]
------	---------------------	---------------------	---	-----

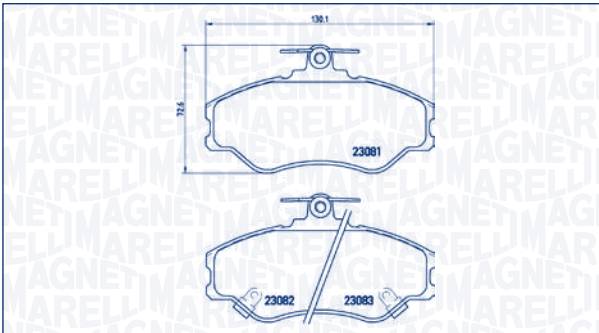
P30003MM



Post	21553, 21554, 21555	85,3 × 46,5 × 14	SUM	[+]
------	---------------------	------------------	-----	-----

	WVA	LENGTH × HEIGHT × THICKNESS [mm]	SYS	WI
--	-----	----------------------------------	-----	----

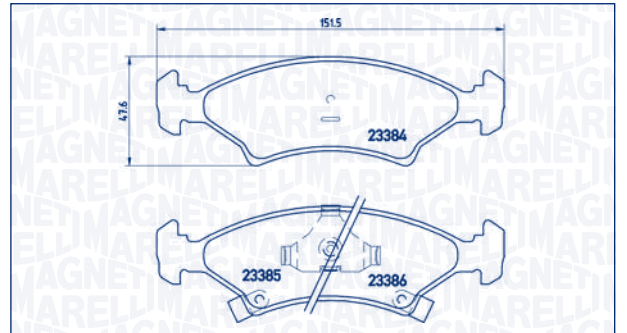
P30005MM



Ant	23081, 23082, 23083	130,1 × 72,6 × 19	TRW	[+]
-----	---------------------	-------------------	-----	-----

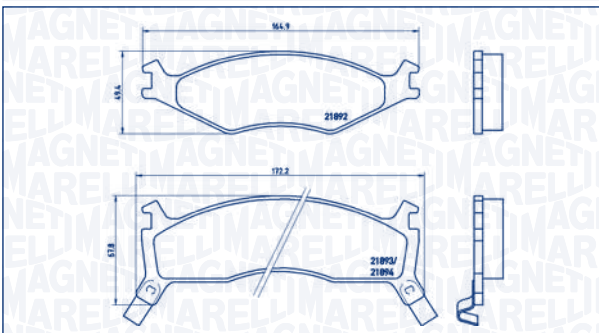
	WVA	LENGTH × HEIGHT × THICKNESS [mm]	SYS	WI
--	-----	----------------------------------	-----	----

P30009MM



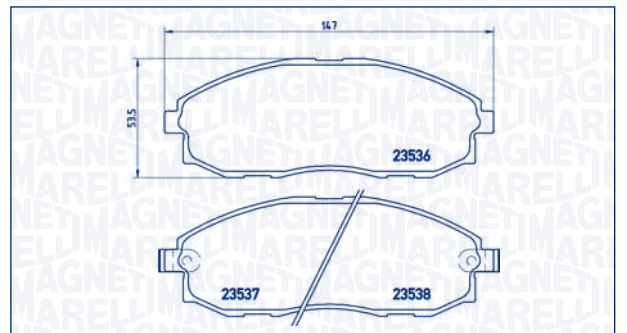
Ant	23384, 23385, 23386	151,5 × 47,6 × 18	ATE	[+]
-----	---------------------	-------------------	-----	-----

P30006MM



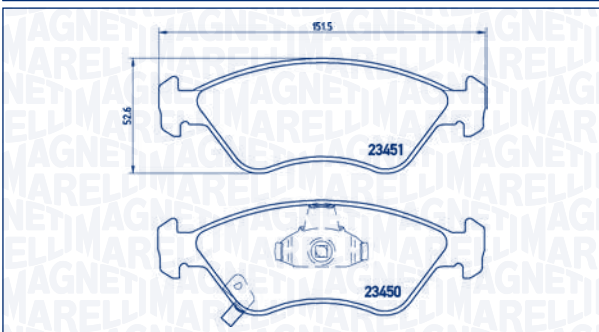
Ant	21892, 21893, 21894	164,9/172,2 × 49,4/67,8 × 18,4	SAN	[+]
-----	---------------------	--------------------------------	-----	-----

P30010MM



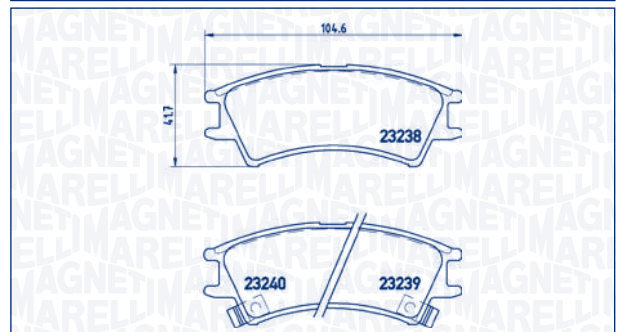
Ant	23536, 23537, 23538	147 × 53,5 × 15,5	MN	[+]
-----	---------------------	-------------------	----	-----

P30007MM



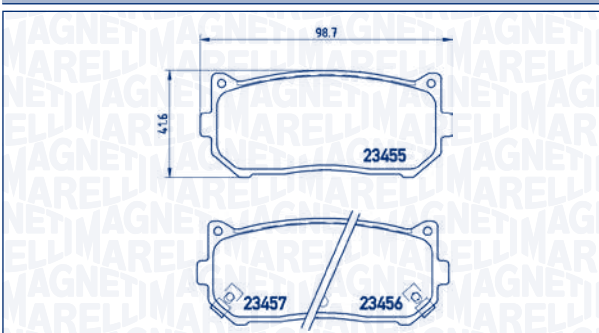
Ant	23450, 23451	151,5 × 52,6 × 18,3	ATE	[+]
-----	--------------	---------------------	-----	-----

P30011MM



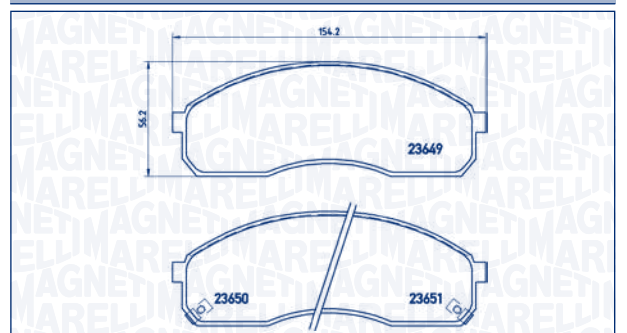
Ant	23238, 23239, 23240	104,6 × 41,7 × 16	MN	[+]
-----	---------------------	-------------------	----	-----

P30008MM



Post	23455, 23456, 23457	98,7 × 41,6 × 13	SUM	[+]
------	---------------------	------------------	-----	-----

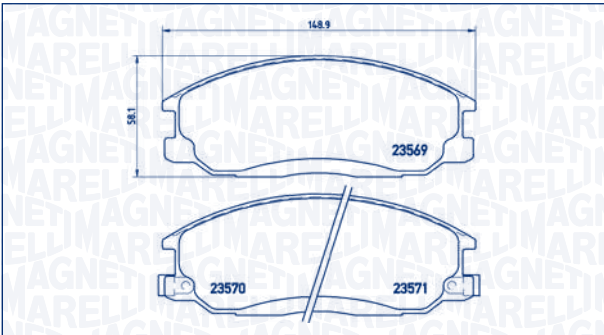
P30012MM



Ant	23649, 23650, 23651	154,2 × 56,2 × 16,2	SUM	[+]
-----	---------------------	---------------------	-----	-----

Icon	WVA	LENGTH×HEIGHT×THICKNESS [mm]	SYS	WI
------	-----	------------------------------	-----	----

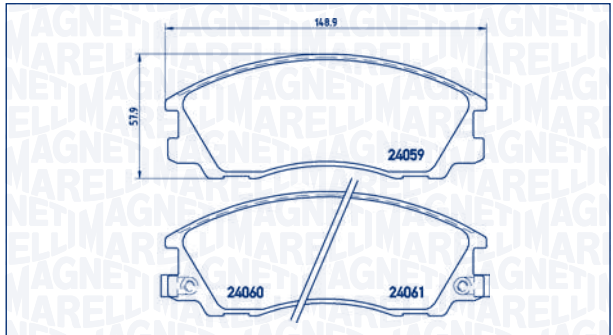
P30013MM



Ant	23569, 23570, 23571	148,9 × 58,1 × 17	MN	[+]
-----	---------------------	-------------------	----	-----

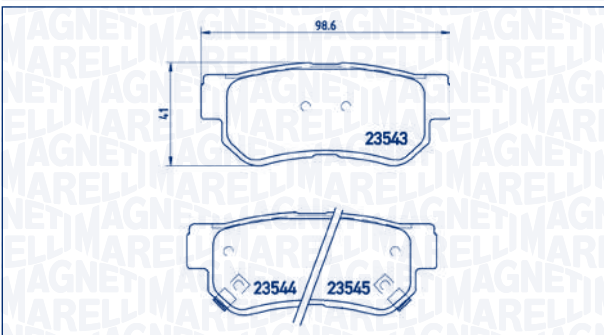
Icon	WVA	LENGTH×HEIGHT×THICKNESS [mm]	SYS	WI
------	-----	------------------------------	-----	----

P30017MM



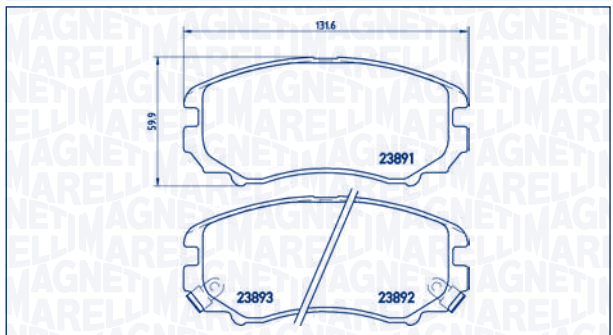
Ant	24059, 24060, 24061	148,9 × 57,9 × 16,6	MN	[+]
-----	---------------------	---------------------	----	-----

P30014MM



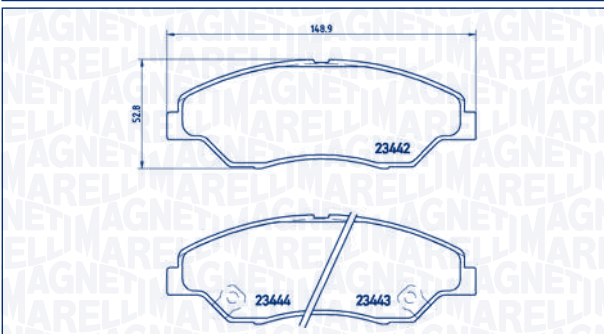
Post	23543, 23544, 23545	98,6 × 4,1 × 15	MN	[+]
------	---------------------	-----------------	----	-----

P30018MM



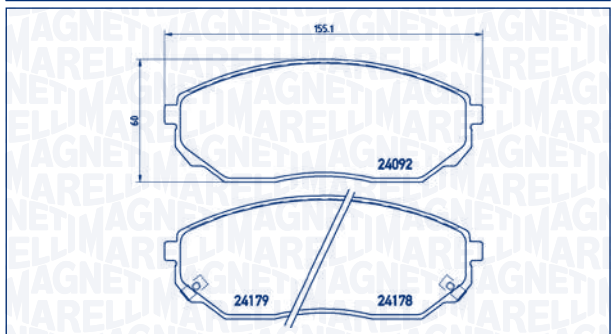
Ant	23891, 23892, 23893	131,6 × 59,9 × 16,9	MN	[+]
-----	---------------------	---------------------	----	-----

P30015MM



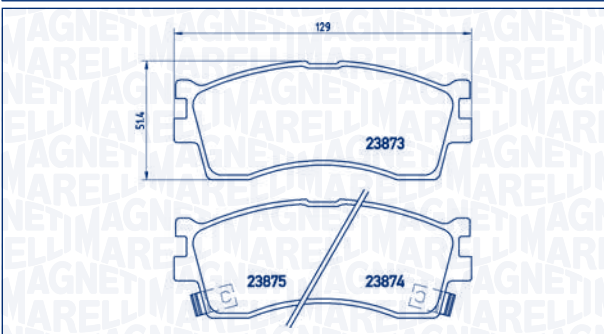
Ant	23442, 23443, 23444	148,9 × 52,8 × 16	SUM	[+]
-----	---------------------	-------------------	-----	-----

P30019MM



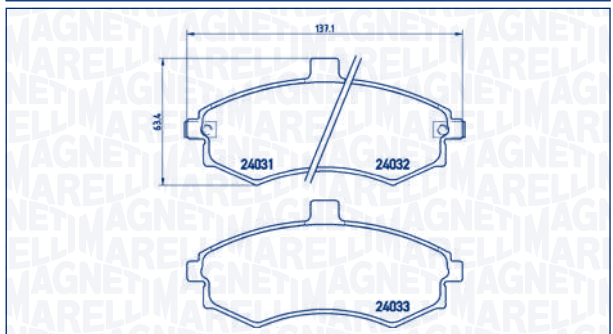
Ant	24092, 24177, 24178	155,1 × 60 × 17,3	SUM	[+]
-----	---------------------	-------------------	-----	-----

P30016MM



Ant	23873, 23874, 23875	129 × 51,4 × 15	SUM	[+]
-----	---------------------	-----------------	-----	-----

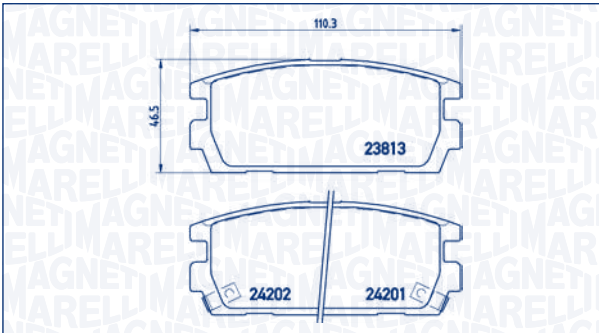
P30020MM



Ant	24031, 24032, 24033	137,1 × 63,4 × 16,8	AKE	[+]
-----	---------------------	---------------------	-----	-----

WVA	LENGTH × HEIGHT × THICKNESS [mm]	SYS	WI
-----	----------------------------------	-----	----

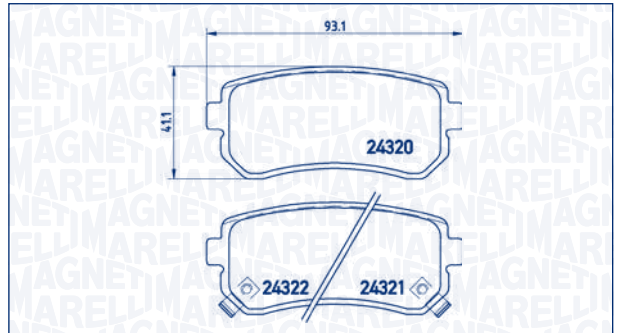
P30021MM



Post	23813, 24201, 24202	110,3 × 46,5 × 15,8	MN	[+]
------	---------------------	---------------------	----	-----

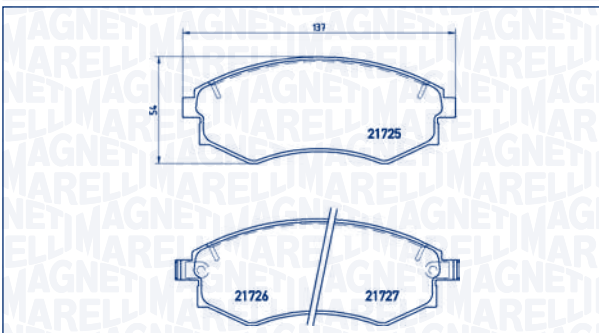
WVA	LENGTH × HEIGHT × THICKNESS [mm]	SYS	WI
-----	----------------------------------	-----	----

P30025MM



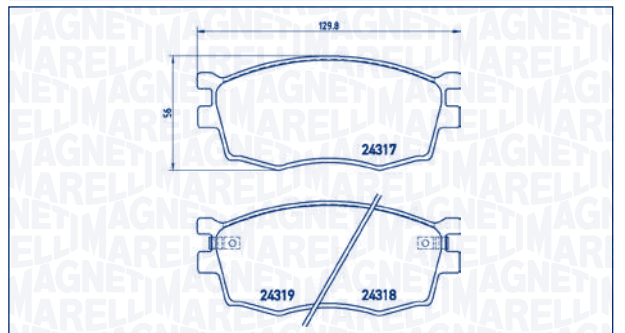
Post	24320, 24321, 24322	93,1 × 41,1 × 15,9	MN	[+]
------	---------------------	--------------------	----	-----

P30022MM



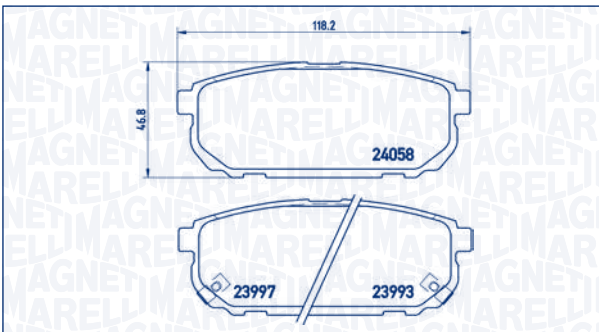
Ant	21725, 21726, 21727	137 × 54 × 17	SUM	[+]
-----	---------------------	---------------	-----	-----

P30026MM



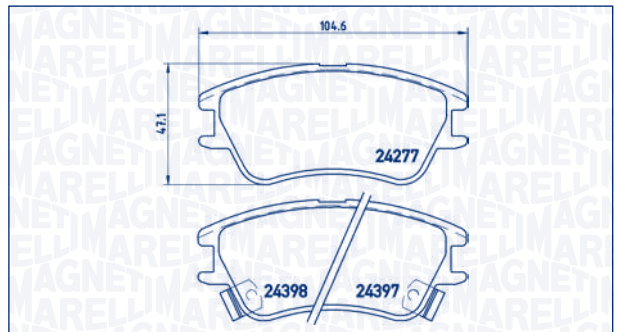
Ant	24317	129,8 × 56 × 17,5	MN	[+]
-----	-------	-------------------	----	-----

P30023MM



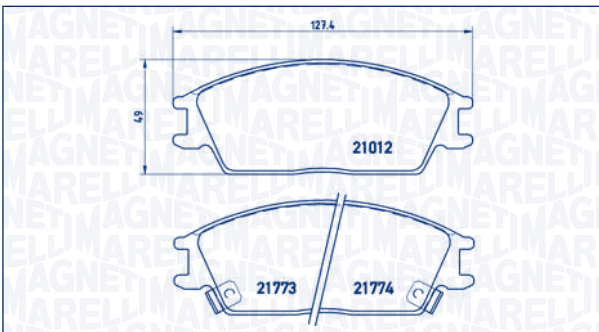
Post	23993, 23997, 24058	118,2 × 46,8 × 15,8	SUM	[+]
------	---------------------	---------------------	-----	-----

P30027MM



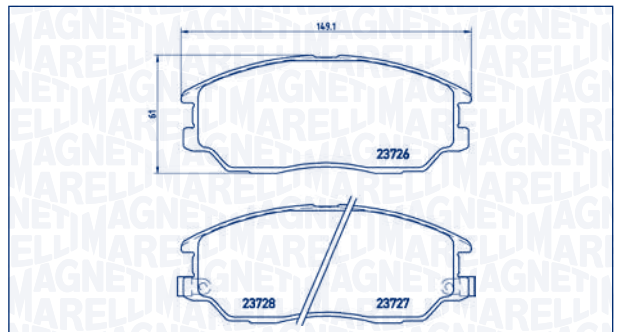
Ant	24277, 24397, 24398	104,6 × 47,1 × 16,5	MN	[+]
-----	---------------------	---------------------	----	-----

P30024MM



Ant	21012, 21773, 21774	127,4 × 49 × 14,8	AKE	[+]
-----	---------------------	-------------------	-----	-----

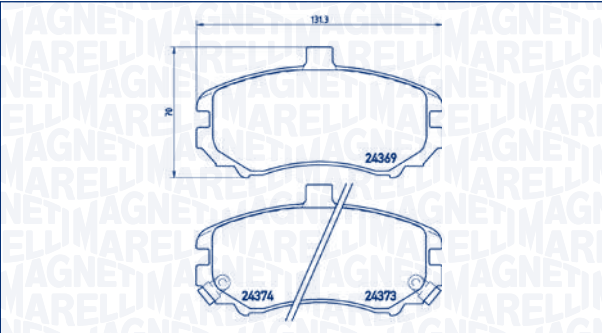
P30028MM



Ant	23726, 23727, 23728, 24167	149,1 × 61 × 16,5	MN	[+]
-----	----------------------------	-------------------	----	-----

WVA	LENGTH×HEIGHT×THICKNESS [mm]	SYS	WI
-----	------------------------------	-----	----

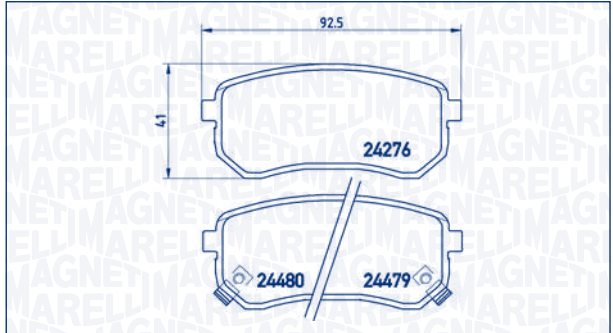
P30029MM



Ant	24369, 24373, 24374	131,3 × 70 × 17	MN	[+]
-----	---------------------	-----------------	----	-----

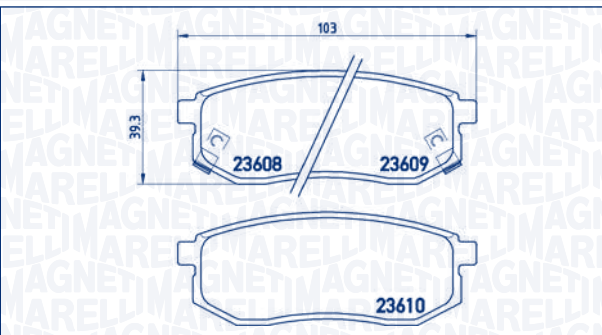
WVA	LENGTH×HEIGHT×THICKNESS [mm]	SYS	WI
-----	------------------------------	-----	----

P30033MM



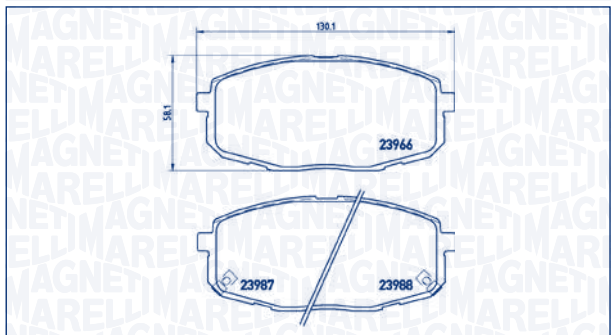
Post	24276, 24479, 24480	92,5 × 41 × 14,8	MN	[+]
------	---------------------	------------------	----	-----

P30030MM



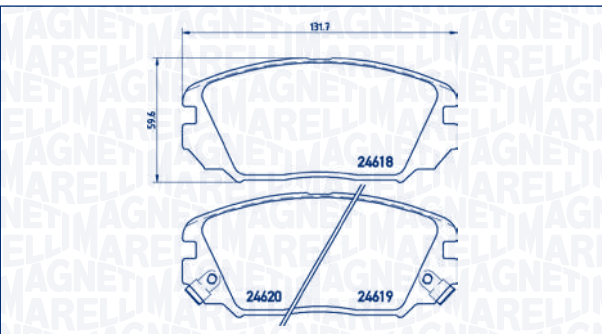
Post	23608, 23609, 23610	103 × 39,3 × 15	MN	[+]
------	---------------------	-----------------	----	-----

P30034MM



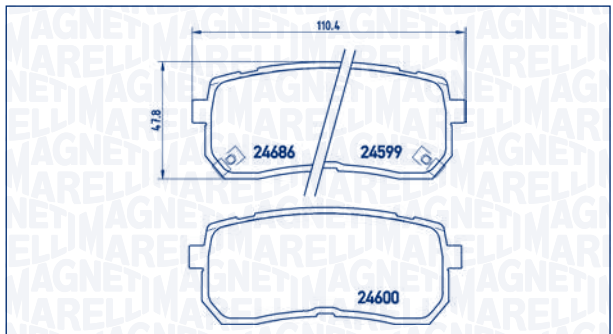
Ant	23966, 23987, 23988	130,1 × 58,1 × 16,4	MN	[+]
-----	---------------------	---------------------	----	-----

P30031MM



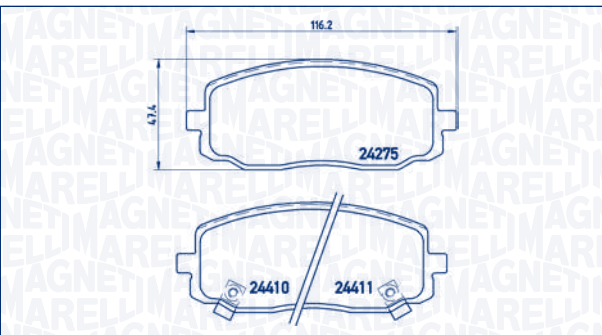
Ant	24618, 24619, 24620	131,7 × 59,6 × 17,8	MN	[+]
-----	---------------------	---------------------	----	-----

P30035MM



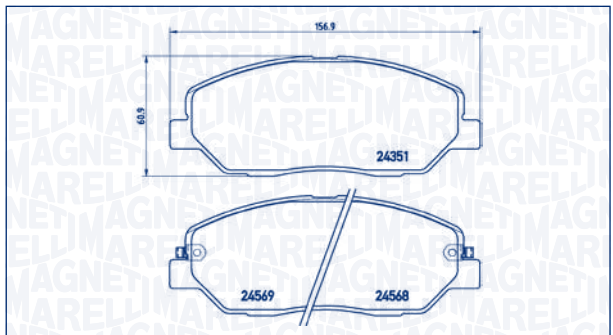
Post	24599, 24600, 24686	110,4 × 47,8 × 15,5	MN	[+]
------	---------------------	---------------------	----	-----

P30032MM



Ant	24275, 24410, 24411	116,2 × 47,4 × 16,8	MN	[+]
-----	---------------------	---------------------	----	-----

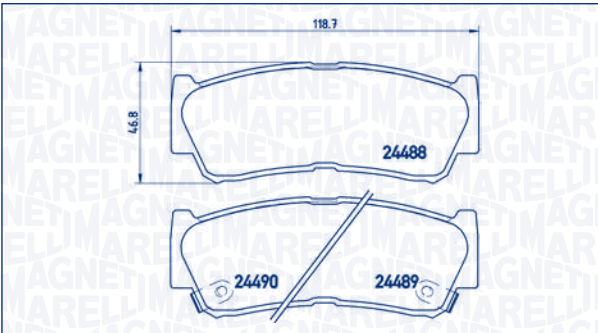
P30036MM



Ant	24351, 24352, 24353	156,9 × 60,9 × 17,6	MN	[+]
-----	---------------------	---------------------	----	-----

	WVA	LENGTH × HEIGHT × THICKNESS [mm]	SYS	WI
--	-----	----------------------------------	-----	----

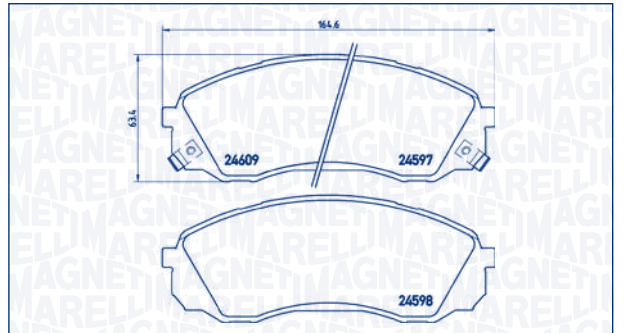
P30037MM



Post	24488, 24489, 24490	118,7 × 46,8 × 16,2	MN	[+]
------	---------------------	---------------------	----	-----

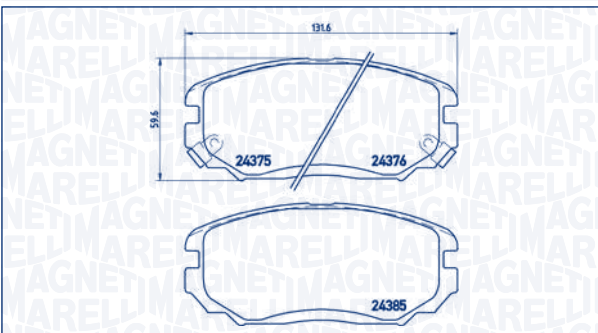
	WVA	LENGTH × HEIGHT × THICKNESS [mm]	SYS	WI
--	-----	----------------------------------	-----	----

P30041MM



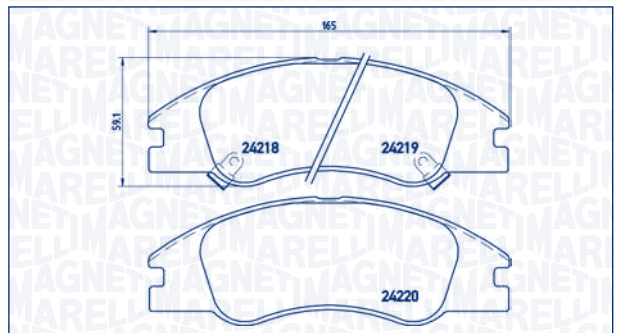
Ant	24597, 24598, 24609	164,6 × 63,4 × 17,6	MN	[+]
-----	---------------------	---------------------	----	-----

P30038MM



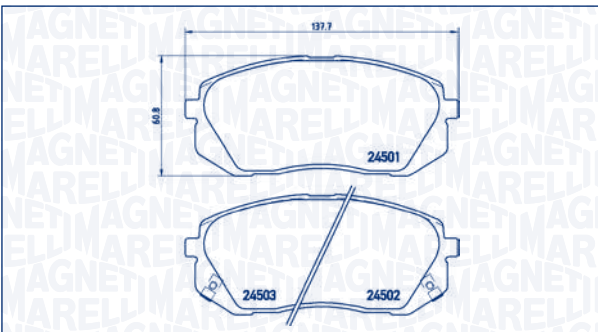
Ant	24375, 24376, 24385	131,6 × 59,6 × 18	MN	[+]
-----	---------------------	-------------------	----	-----

P30042MM



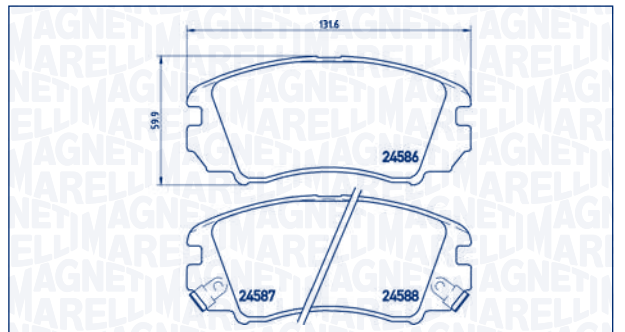
Ant	24218, 24219, 24220	165 × 59,1 × 17,2	MN	[+]
-----	---------------------	-------------------	----	-----

P30039MM



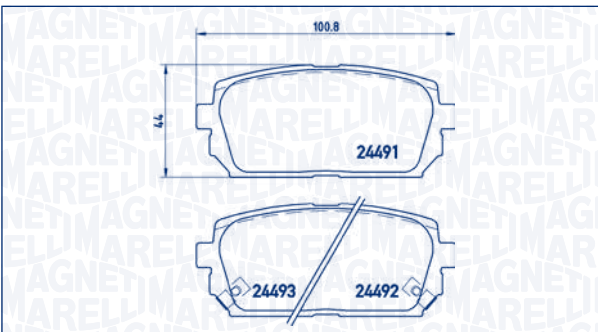
Ant	24501, 24502, 24503	137,7 × 60,8 × 16,6	SUM	[+]
-----	---------------------	---------------------	-----	-----

P30043MM



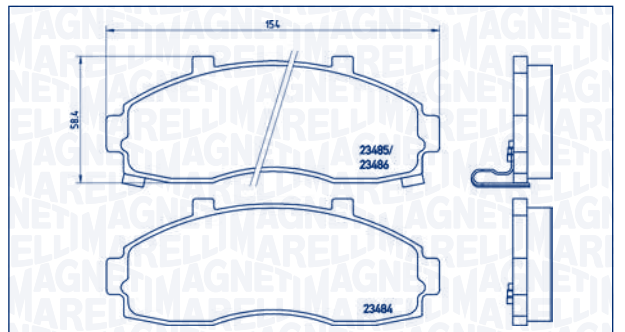
Ant	24586, 24587, 24588	131,6 × 59,9 × 17,8	MN	[+]
-----	---------------------	---------------------	----	-----

P30040MM



Post	24491, 24492, 24493	100,6 × 43,9 × 16	MN	[+]
------	---------------------	-------------------	----	-----

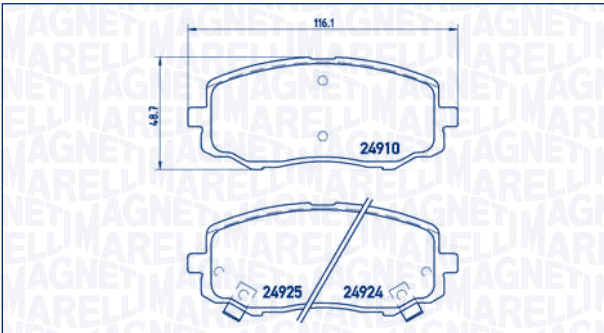
P30044MM



Ant	23484, 23485, 23486	154 × 58,4 × 17	SUM	[+]
-----	---------------------	-----------------	-----	-----

WVA	LENGTH×HEIGHT×THICKNESS [mm]	SYS	WI
-----	------------------------------	-----	----

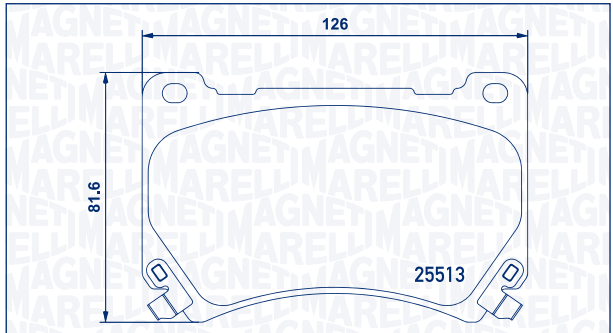
P30045MM



Ant	24925, 24926, 24910	116,1 × 48,7 × 16,7	MN	[+]
-----	---------------------	---------------------	----	-----

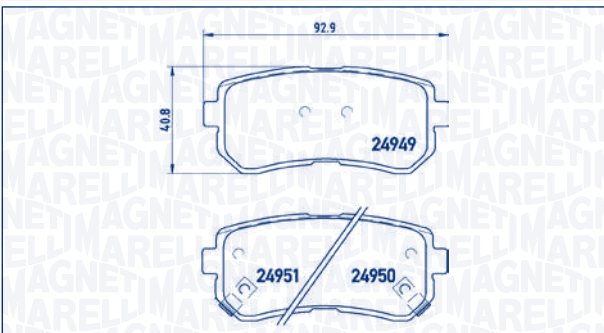
WVA	LENGTH×HEIGHT×THICKNESS [mm]	SYS	WI
-----	------------------------------	-----	----

P30052MM



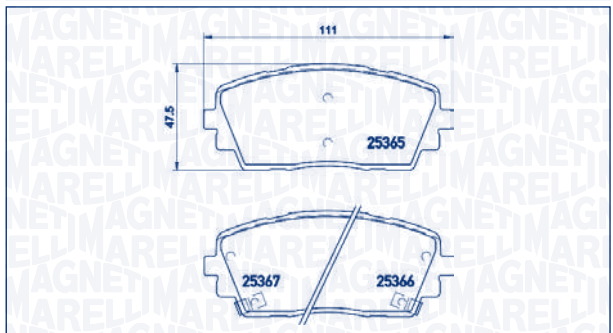
Ant	25513	126 × 81,6 × 17,9	AKE	[+]
-----	-------	-------------------	-----	-----

P30046MM



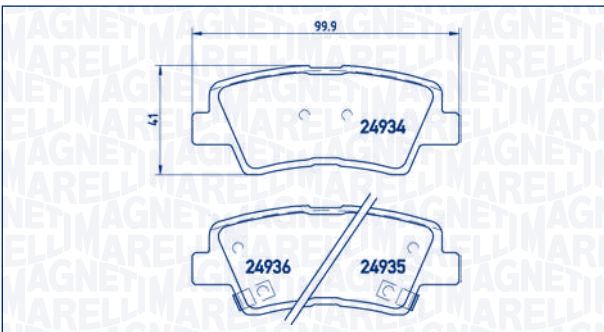
Post	24949, 24950, 24951	92,9 × 40,8 × 16,5	MN	[+]
------	---------------------	--------------------	----	-----

P30053MM



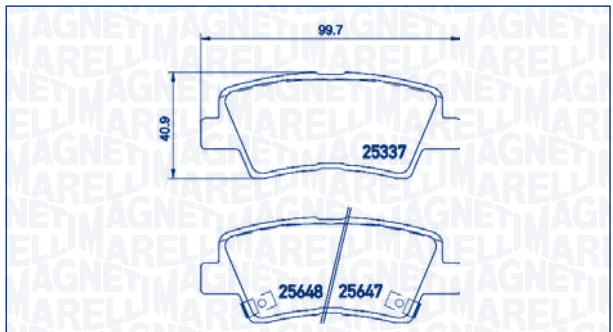
Ant	25365, 25366, 25367	111 × 47,5 × 16,6	MN	[+]
-----	---------------------	-------------------	----	-----

P30047MM



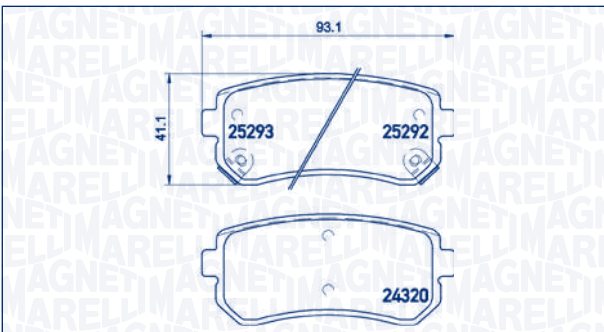
Post	24934, 24935, 24936	99,9 × 41 × 15,5	AKE	[+]
------	---------------------	------------------	-----	-----

P30054MM



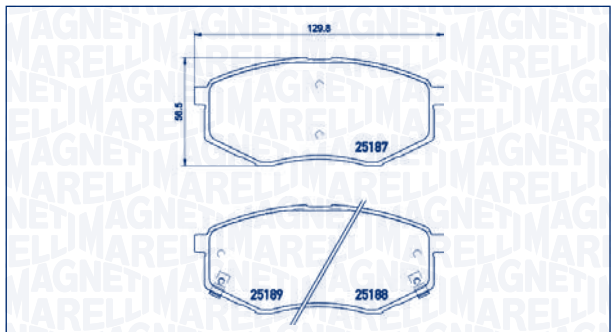
Post	25337, 25647, 25648	99,7 × 40,9 × 15,7	AKE	[+]
------	---------------------	--------------------	-----	-----

P30051MM



Post	25292, 25293, 24320	93,1 × 41,1 × 15,9	MN	[+]
------	---------------------	--------------------	----	-----

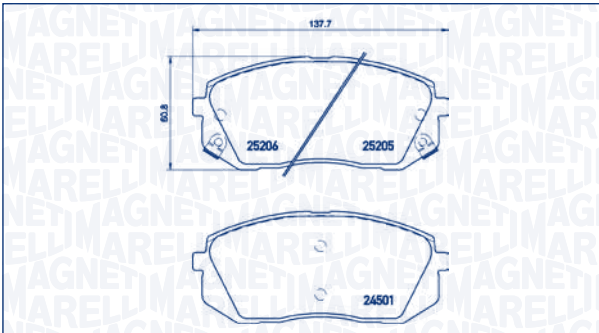
P30055MM



Ant	25187, 25188, 25189	129,8 × 56,5 × 17,7	-	[+]
-----	---------------------	---------------------	---	-----

WVA	LENGTH × HEIGHT × THICKNESS [mm]	SYS	WI
-----	----------------------------------	-----	----

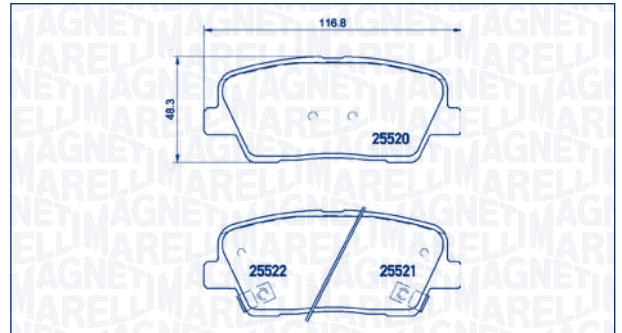
P30056MM



Ant	25205, 25206, 24501	137,7 × 60,8 × 17,5	MN	[+]
-----	---------------------	---------------------	----	-----

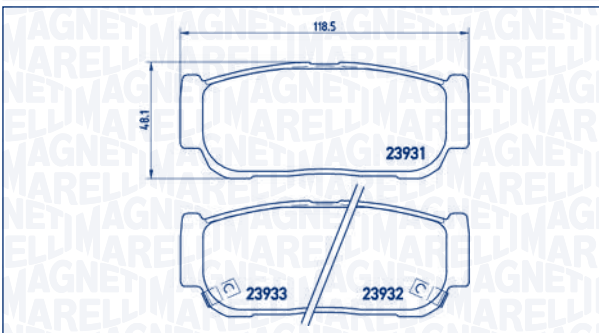
WVA	LENGTH × HEIGHT × THICKNESS [mm]	SYS	WI
-----	----------------------------------	-----	----

P30063MM



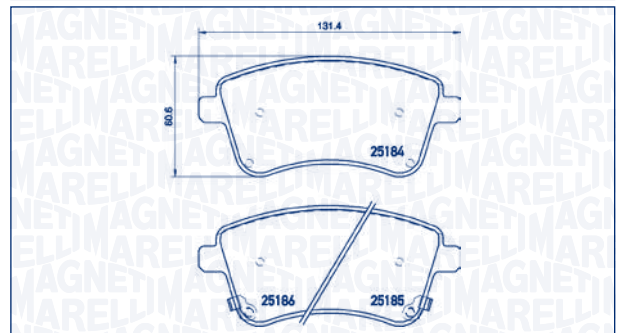
Post	25520, 25521, 25522	116,8 × 48,3 × 15,5	MN	[+]
------	---------------------	---------------------	----	-----

P30057MM



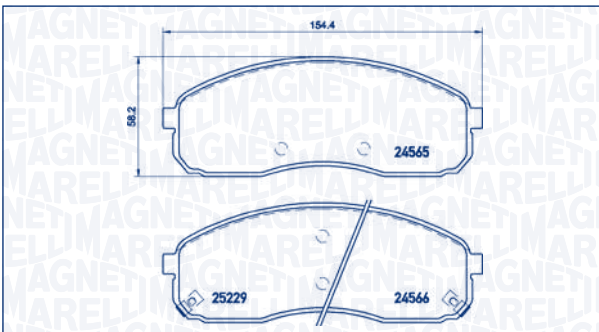
Post	23931, 23932, 23933	118,5 × 48,1 × 15	MN	[+]
------	---------------------	-------------------	----	-----

P30064MM



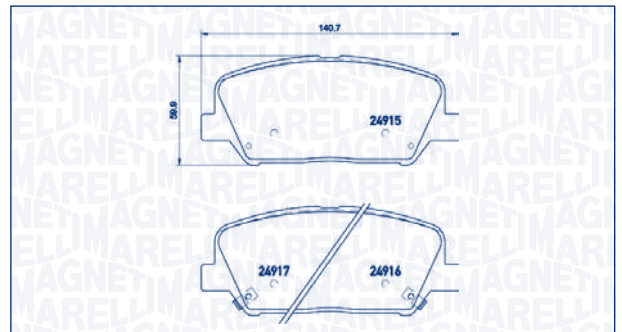
Ant	25184, 25185, 25186	131,4 × 60,6 × 19,4	TRW	[+]
-----	---------------------	---------------------	-----	-----

P30058MM



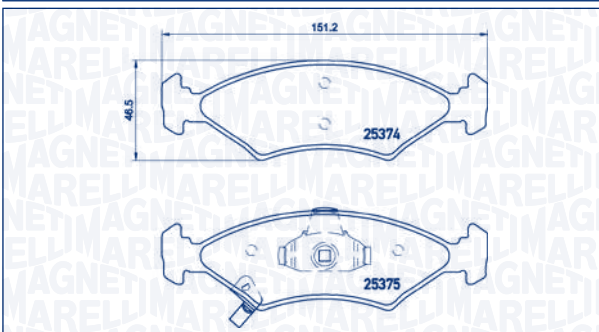
Ant	24565, 24566, 25229	154,4 × 58,2 × 16,2	SUM	[+]
-----	---------------------	---------------------	-----	-----

P30065MM



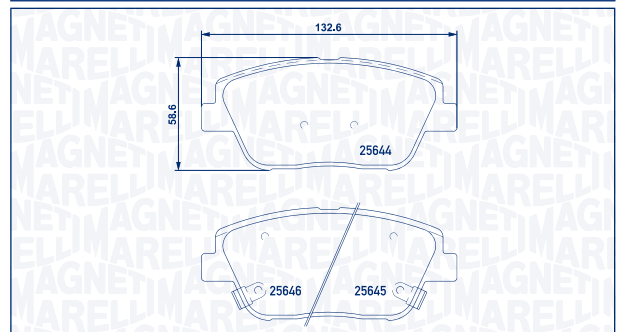
Ant	24915	140,7 × 59,9 × 17,3	SUM	[+]
-----	-------	---------------------	-----	-----

P30062MM



Ant	25374, 25374	151,2 × 46,5 × 18,3	ATE	[+]
-----	--------------	---------------------	-----	-----

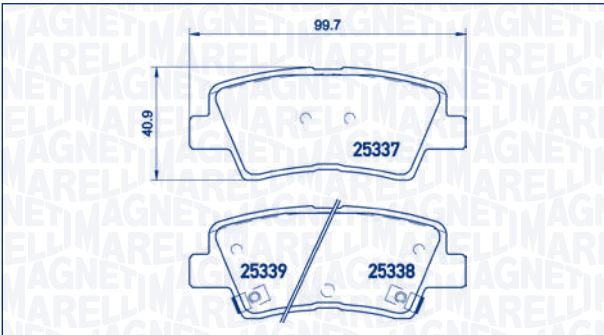
P30066MM



Ant	25644, 25645, 25646	132,6 × 58,6 × 17,7	-	[+]
-----	---------------------	---------------------	---	-----

Icon	WVA	LENGTH×HEIGHT×THICKNESS [mm]	SYS	WI
------	-----	------------------------------	-----	----

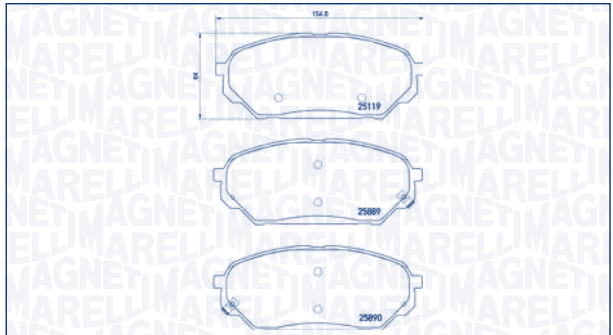
P30067MM



Ant	25337, 25338, 25339	99,7 × 40,9 × 15,7	AKE	[+]
-----	---------------------	--------------------	-----	-----

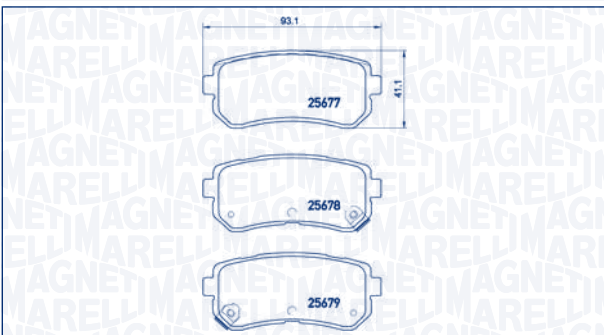
Icon	WVA	LENGTH×HEIGHT×THICKNESS [mm]	SYS	WI
------	-----	------------------------------	-----	----

P30071MM



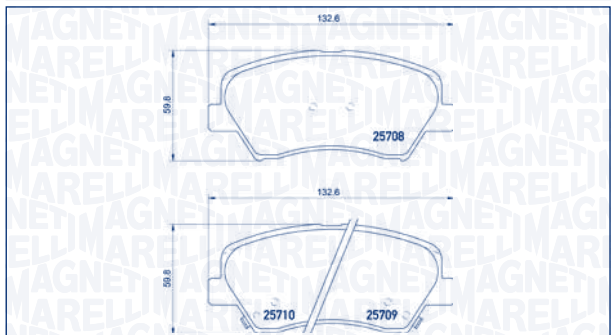
Ant	25119, 25889, 25890	154,8 × 64 × 17,3	AKE	[+]
-----	---------------------	-------------------	-----	-----

P30068MM



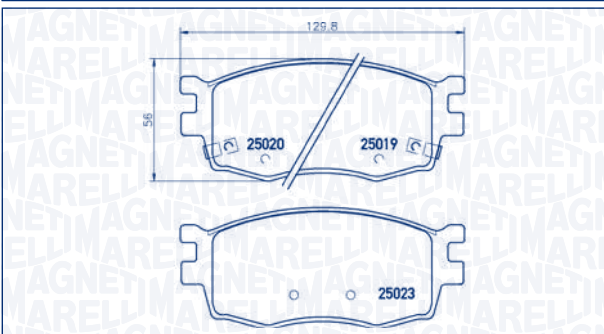
Post	25677, 25678, 25679	93,1 × 41,1 × 15,9	MN	[+]
------	---------------------	--------------------	----	-----

P30073MM



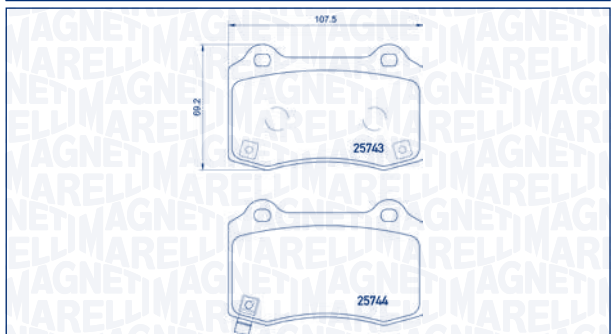
Ant	25708, 25709, 25010	132,6 × 59,8 × 17,8/18,4	-	[+]
-----	---------------------	--------------------------	---	-----

P30069MM



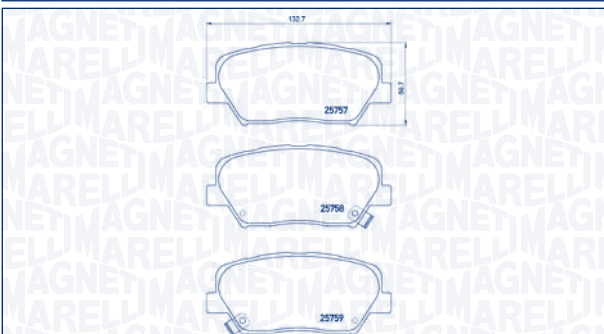
Ant	25019, 25020, 25023	129,8 × 56 × 17,5	MN	[+]
-----	---------------------	-------------------	----	-----

P30074MM



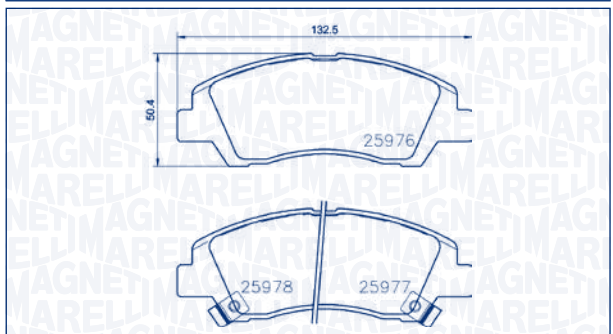
Post	25743, 25744	107,2 × 69,2 × 14,7	BRE	[+]
------	--------------	---------------------	-----	-----

P30070MM



Ant	25757, 25758, 25759	132,7 × 59,7 × 17,8	-	[+]
-----	---------------------	---------------------	---	-----

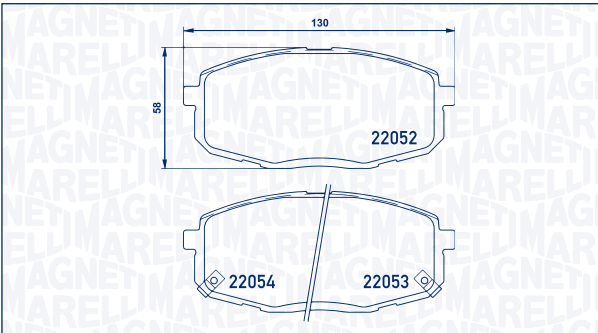
P30076MM



Ant	25976	132,5 × 50,4 × 16,7	MN	[+]
-----	-------	---------------------	----	-----

WVA	LENGTH × HEIGHT × THICKNESS [mm]	SYS	WI
-----	----------------------------------	-----	----

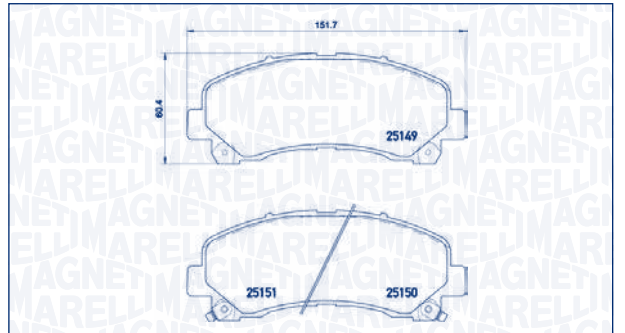
P30077MM



Ant	22052	130 × 58 × 18	MN	[+]
-----	-------	---------------	----	-----

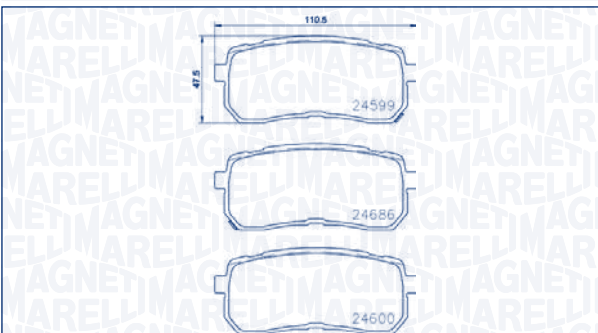
WVA	LENGTH × HEIGHT × THICKNESS [mm]	SYS	WI
-----	----------------------------------	-----	----

P34007MM



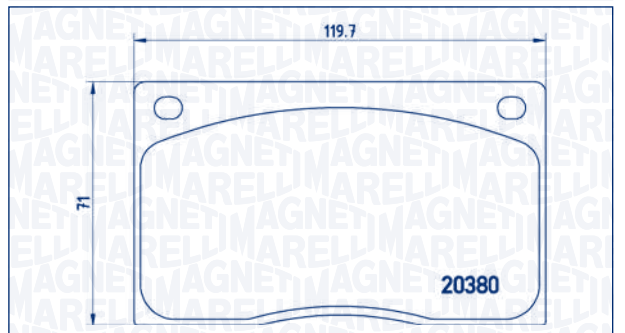
Ant	25149, 25150, 25151	151,8 × 60,8 × 16,8	AKE	[+]
-----	---------------------	---------------------	-----	-----

P30080MM



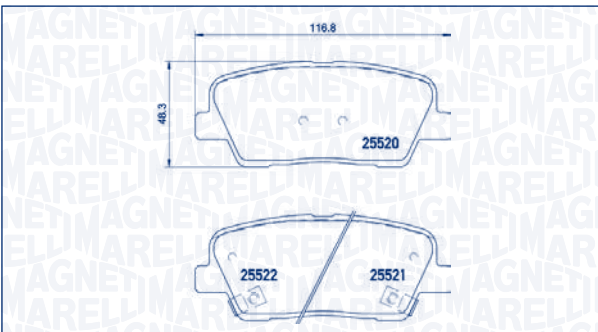
Post	24599, 24600, 24686	110,5 × 47,5 × 15,5	SNG	[+]
------	---------------------	---------------------	-----	-----

P36003MM



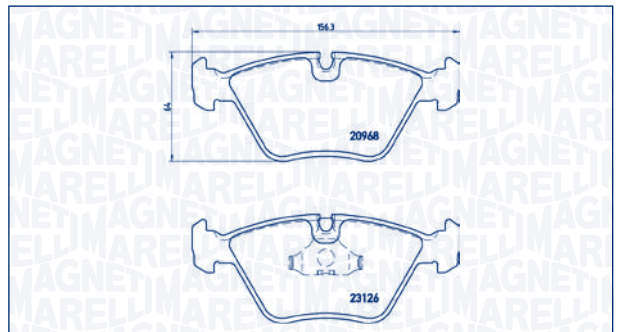
Ant	20380	119,7 × 71 × 15,6	TRW	[-]
-----	-------	-------------------	-----	-----

P30081MM



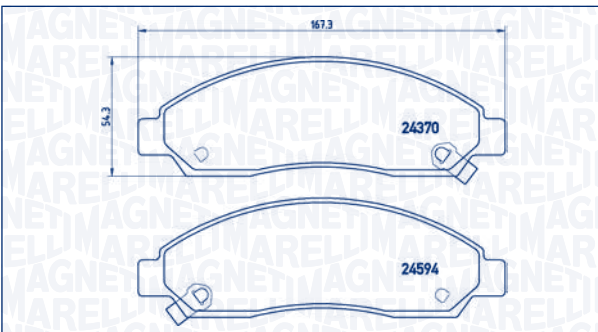
Post	25520, 25521, 25522	116,8 × 48,3 × 15,5	-	[+]
------	---------------------	---------------------	---	-----

P36007MM



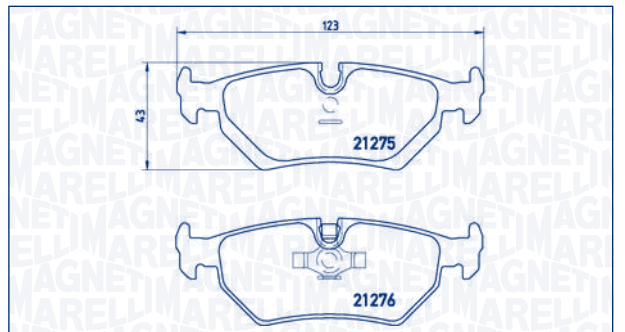
Ant	20968, 23126	156,3 × 64 × 17,5	ATE	[o]
-----	--------------	-------------------	-----	-----

P34005MM



Ant	24370, 24595	167,3 × 54,3 × 16,1	AKE	[+]
-----	--------------	---------------------	-----	-----

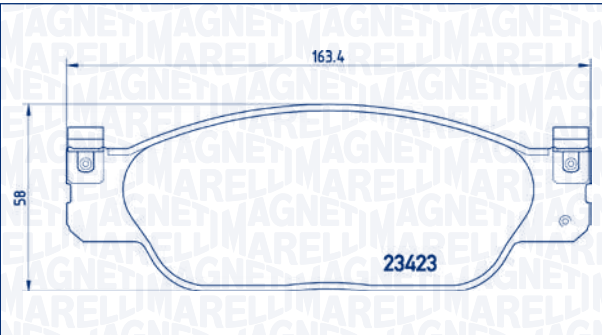
P36008MM



Post	21275, 21276	123 × 43 × 16,9	ATE	[o]
------	--------------	-----------------	-----	-----

WVA	LENGTH×HEIGHT×THICKNESS [mm]	SYS	WI
-----	---------------------------------	-----	----

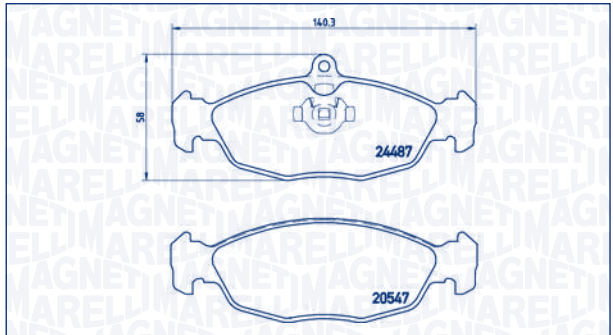
P36012MM



Ant	23423	163,4 × 58 × 17,8	TRW	[-]
-----	-------	-------------------	-----	-----

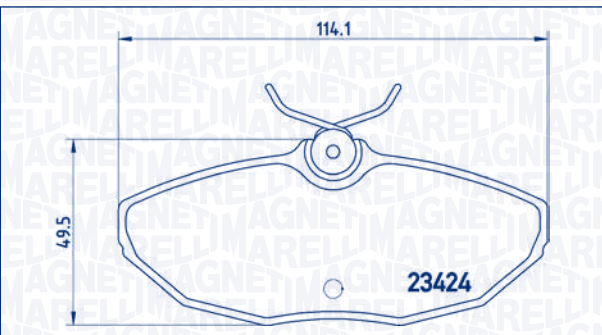
WVA	LENGTH×HEIGHT×THICKNESS [mm]	SYS	WI
-----	---------------------------------	-----	----

P36017MM



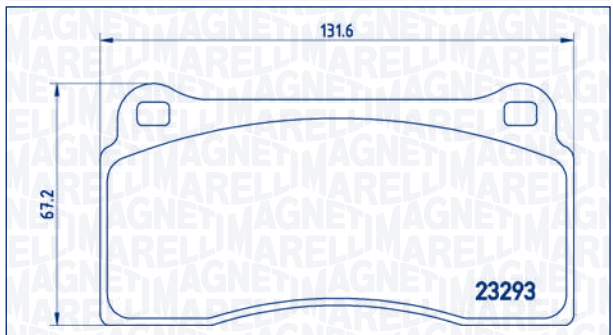
Post	20547, 24487	140,3 × 48/58 × 16	ATE	[o]
------	--------------	--------------------	-----	-----

P36013MM



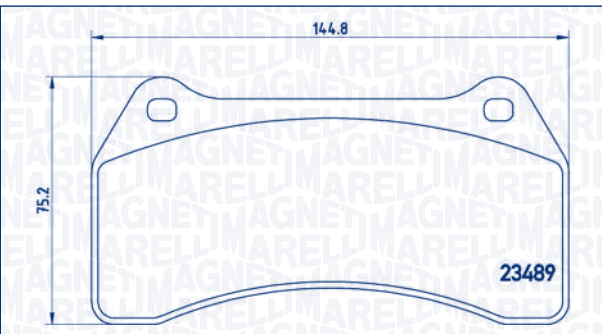
Post	23424	114,1 × 49,5 × 17,8	TRW	[-]
------	-------	---------------------	-----	-----

P36018MM



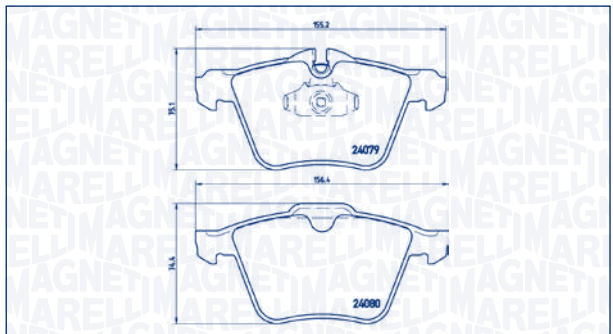
Ant	23293	131,6 × 67,2 × 18,2	BRE	[-]
-----	-------	---------------------	-----	-----

P36014MM



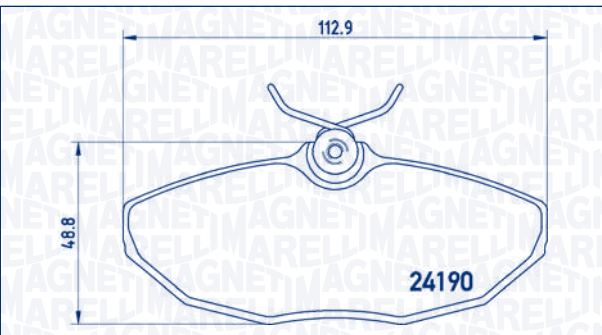
Ant	23489	144,8 × 75,2 × 16,3	BRE	[-]
-----	-------	---------------------	-----	-----

P36019MM



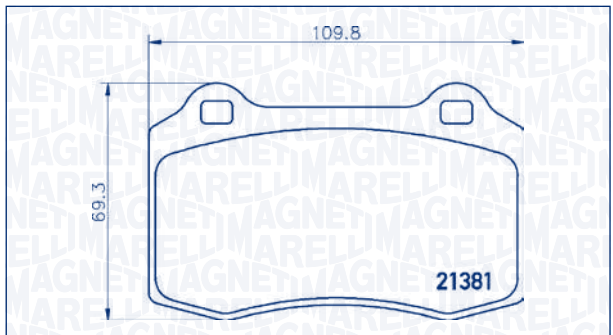
Ant	24079, 24080	155,2/156,4 × 74,4/75,1 × 18,7	ATE	[o]
-----	--------------	--------------------------------	-----	-----

P36015MM



Post	24190	112,9 × 48,8 × 16,5	TRW	[-]
------	-------	---------------------	-----	-----

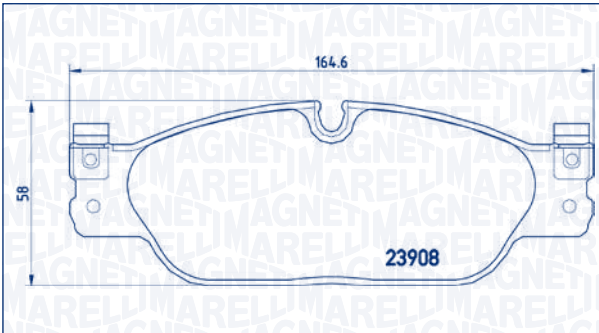
P36020MM



Ant	21381	109,8 × 59,3 × 15	BRE	[-]
-----	-------	-------------------	-----	-----

	WVA	LENGTH × HEIGHT × THICKNESS [mm]	SYS	WI
--	-----	----------------------------------	-----	----

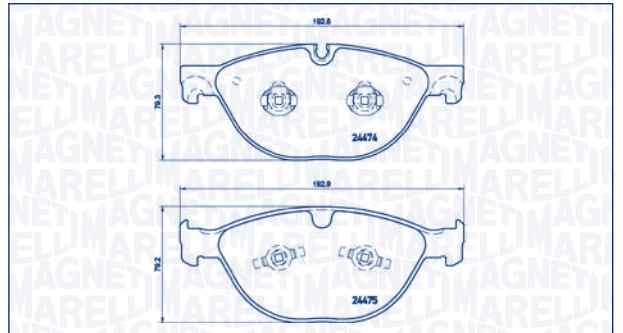
P36021MM



Ant	23908	164,4 × 58 × 17,8	TRW	[o]
-----	-------	-------------------	-----	-----

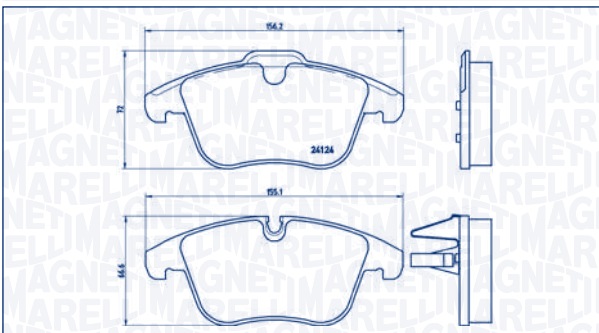
	WVA	LENGTH × HEIGHT × THICKNESS [mm]	SYS	WI
--	-----	----------------------------------	-----	----

P36025MM



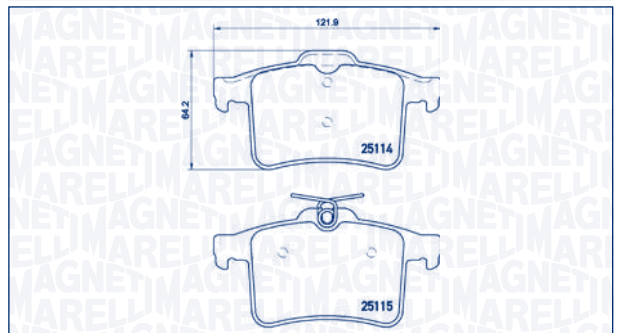
Ant	24474, 24475	192,8/192,9 × 79,2/79,3 × 17,8/19,9	ATE	[o]
-----	--------------	-------------------------------------	-----	-----

P36022MM



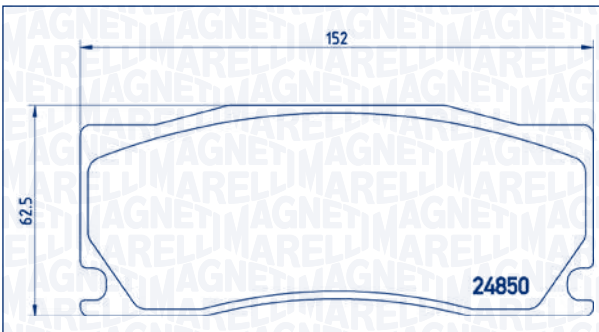
Ant	24084, 24326	156/156,2 × 66,6/72,0 × 19	ATE	[o]
-----	--------------	----------------------------	-----	-----

P36026MM



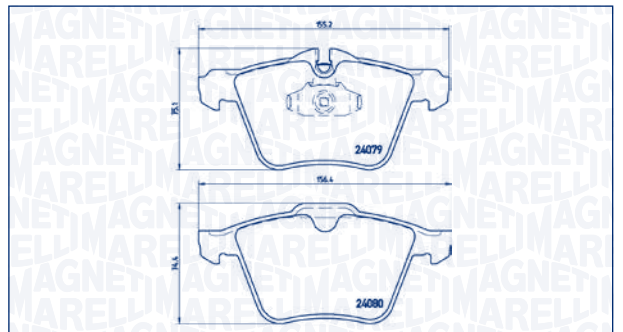
Post	25114, 25115	121,9 × 64,2 × 16,2	ATE	[-]
------	--------------	---------------------	-----	-----

P36023MM



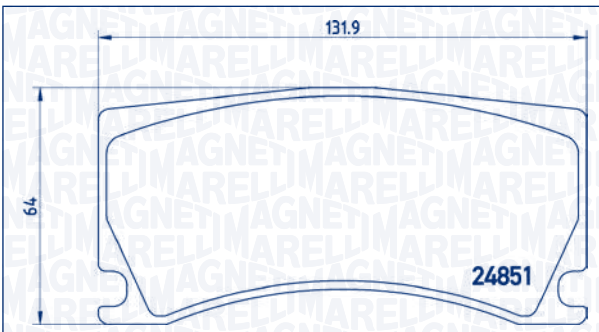
Ant	24850	152 × 62,5 × 16,6	ALC	[-]
-----	-------	-------------------	-----	-----

P36027MM



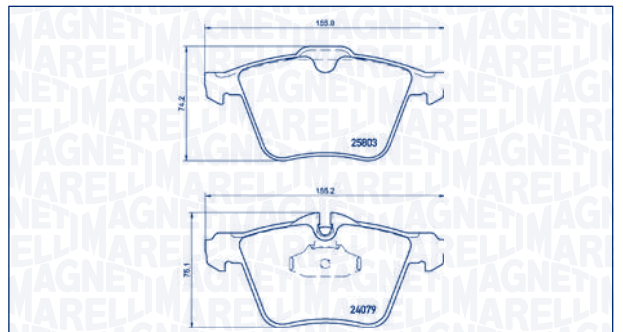
Ant	24079, 24080	155,2/156,4 × 74,4/75,1 × 18,7/20,2	ATE	[o]
-----	--------------	-------------------------------------	-----	-----

P36024MM



Ant	24851	131,9 × 64 × 15,6	ALC	[-]
-----	-------	-------------------	-----	-----

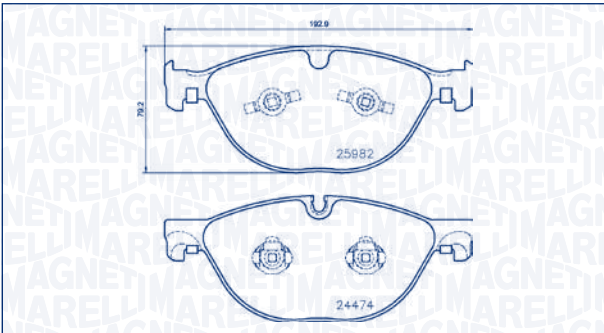
P36028MM



Ant	25803, 24079	155,2/155,8 × 74,2/75,1 × 18,7/20	ATE	[o]
-----	--------------	-----------------------------------	-----	-----

Icon	WVA	LENGTH×HEIGHT×THICKNESS [mm]	SYS	WI
------	-----	------------------------------	-----	----

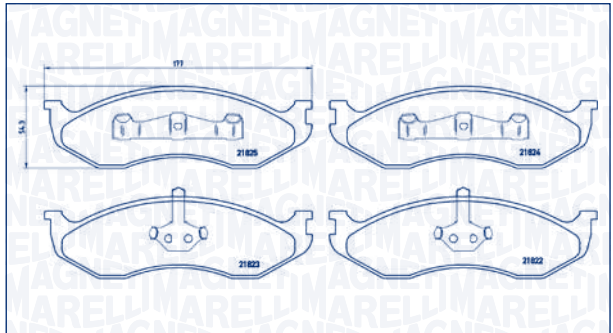
P36029MM



Ant	25982	192,8/192,9 × 79,2/79,3 × 18,2/19,2	ATE	[O]
-----	-------	-------------------------------------	-----	-----

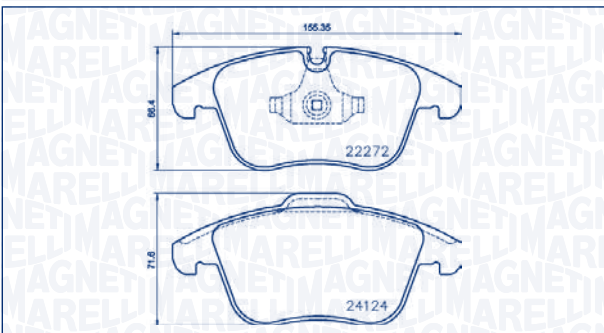
Icon	WVA	LENGTH×HEIGHT×THICKNESS [mm]	SYS	WI
------	-----	------------------------------	-----	----

P37004MM



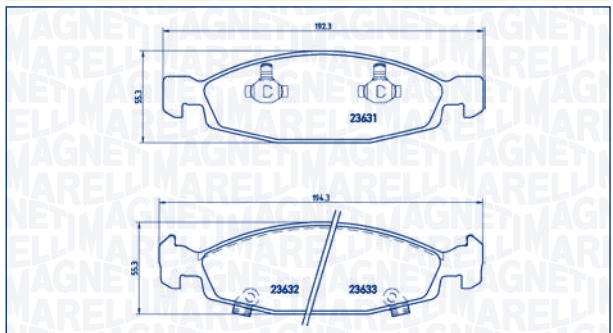
Ant	21822, 21823, 21824, 21825	177 × 54,3 × 17,2	KH	[-]
-----	----------------------------	-------------------	----	-----

P36030MM



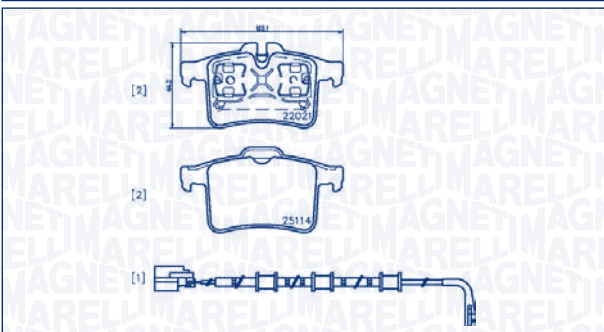
Ant	22272, 24124	155,35 × 66,4 × 19,9	ATE	[O]
-----	--------------	----------------------	-----	-----

P37005MM



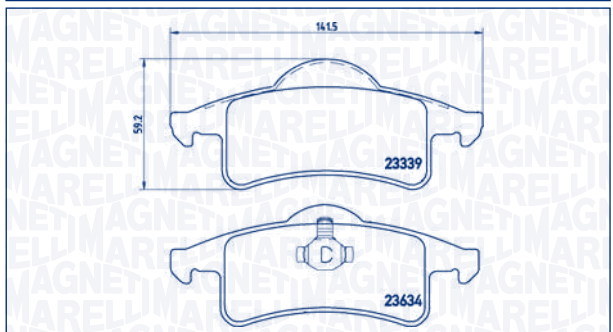
Ant	23631, 23632, 23633	192,3/194,3 × 55,3 × 17,8	ATE	[+]
-----	---------------------	---------------------------	-----	-----

P36034MM



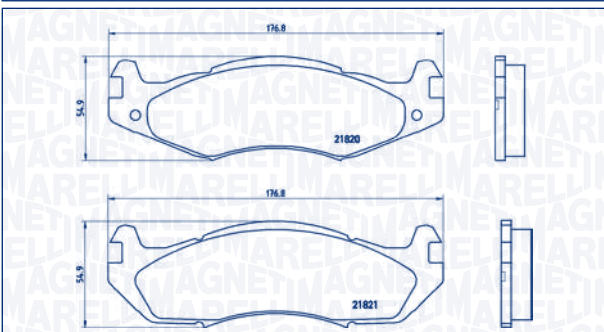
Post	22021, 25114	122,1 × 64,2 × 16,2	ATE	[+]
------	--------------	---------------------	-----	-----

P37006MM



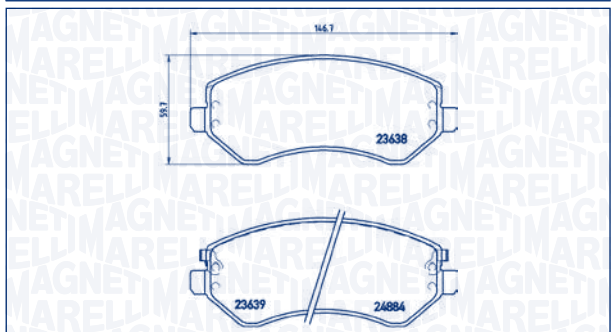
Post	23339, 23634	139,4/141,3 × 55,7/59,2 × 17,1	ATE	[-]
------	--------------	--------------------------------	-----	-----

P37001MM



Ant	21820, 21821	176,8 × 54,9 × 15,5	KH	[-]
-----	--------------	---------------------	----	-----

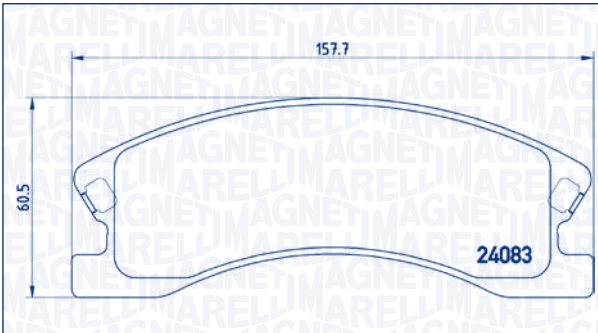
P37007MM



Ant	23638, 23639	146,7 × 59,7 × 17,5	TRW	[+]
-----	--------------	---------------------	-----	-----

WVA	LENGTH × HEIGHT × THICKNESS [mm]	SYS	WI
-----	----------------------------------	-----	----

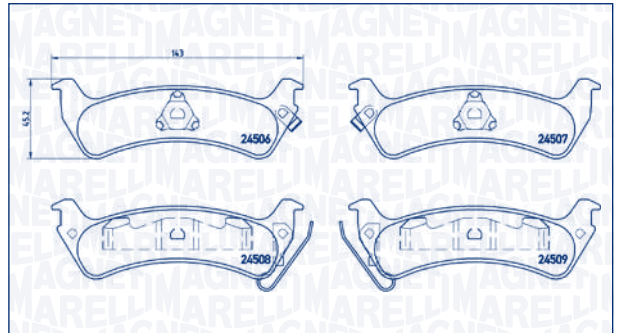
P37008MM



Ant	24083	157,7 × 60,5 × 19,2	AKE	[+]
-----	-------	---------------------	-----	-----

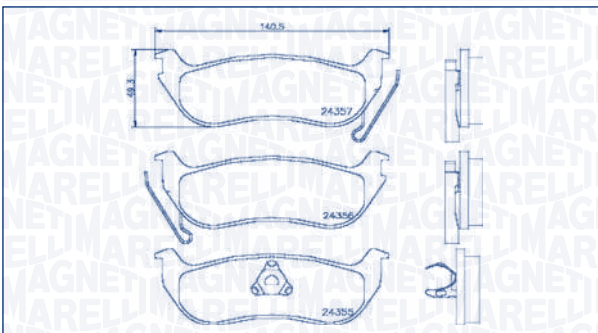
WVA	LENGTH × HEIGHT × THICKNESS [mm]	SYS	WI
-----	----------------------------------	-----	----

P37012MM



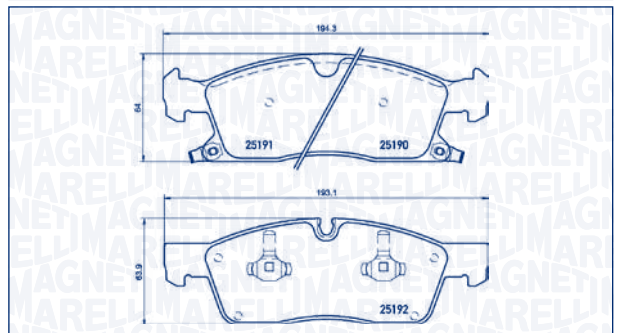
Post	24506, 24507, 24508, 24509	143 × 45,2 × 14,8	KH	[+]
------	----------------------------	-------------------	----	-----

P37009MM



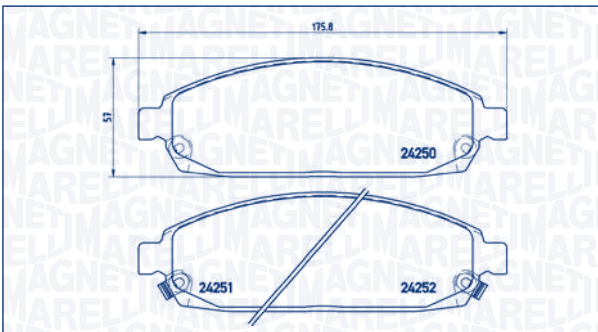
Post	24355	140,5 × 49,3 × 14	KH	[-]
------	-------	-------------------	----	-----

P37015MM



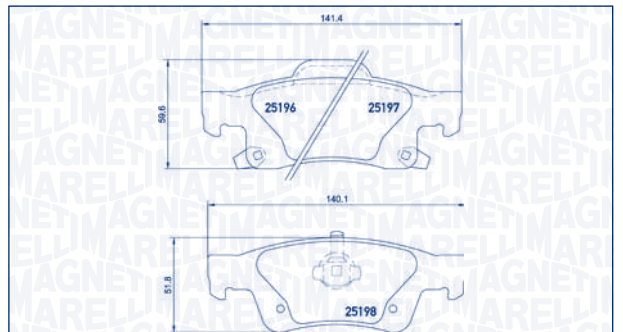
Ant	25190, 25191, 25192	193,1/194,3 × 63,9/64 × 21,3	ATE	[+]
-----	---------------------	------------------------------	-----	-----

P37010MM



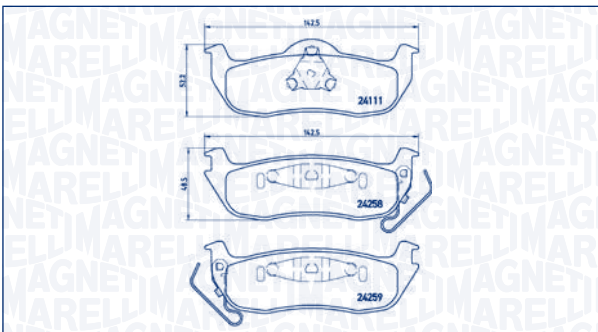
Ant	24250, 24251, 24252	175,8 × 57 × 18,6	AKE	[+]
-----	---------------------	-------------------	-----	-----

P37016MM



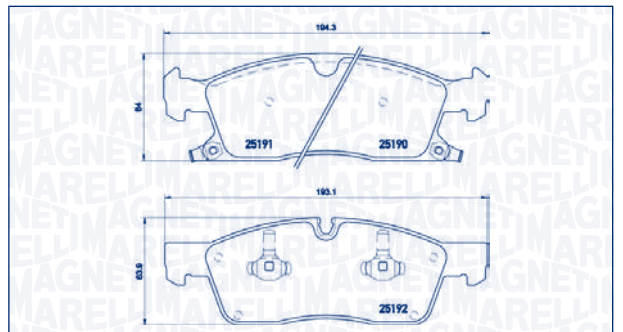
Post	25196, 25197, 25198	140,1/141,4 × 51,8/59,6 × 18	ATE	[+]
------	---------------------	------------------------------	-----	-----

P37011MM



Post	24258, 24259, 24577	142,5 × 49,3/52,2 × 17,9	KH	[+]
------	---------------------	--------------------------	----	-----

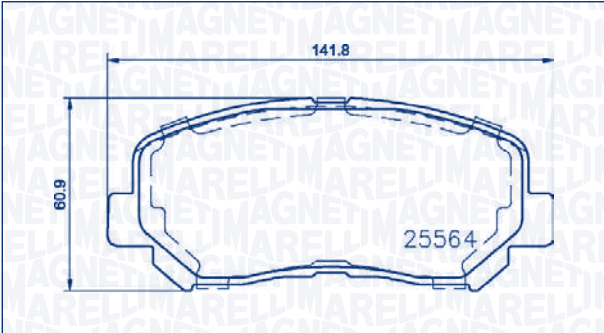
P37017MM



Ant	25190, 25191, 25192	193,1/194,3 × 63,9/64 × 19	ATE	[+]
-----	---------------------	----------------------------	-----	-----

WVA	LENGTH×HEIGHT×THICKNESS [mm]	SYS	WI
-----	------------------------------	-----	----

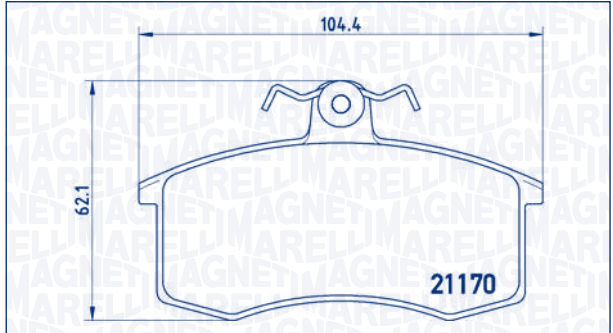
P37019MM



Ant 25564	141,9×61,2×21	AKE	[+]
-----------	---------------	-----	-----

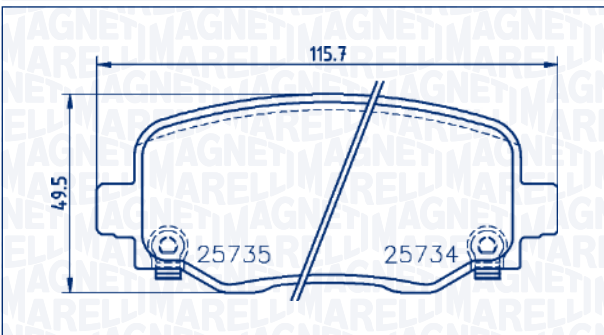
WVA	LENGTH×HEIGHT×THICKNESS [mm]	SYS	WI
-----	------------------------------	-----	----

P41003MM



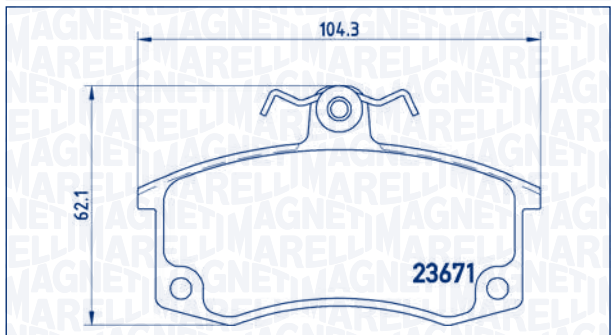
Ant 21170	104,4×62,1×17	TRW	[-]
-----------	---------------	-----	-----

P37020MM



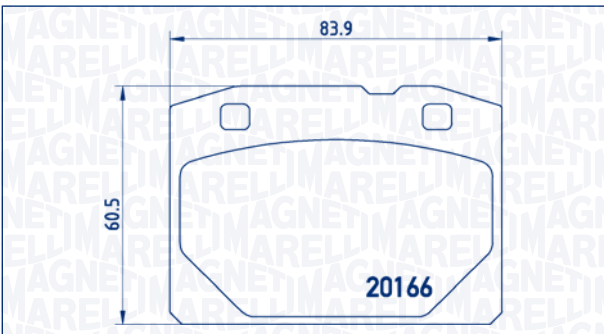
Post 25734, 25735	115,7×49,6×16,9	TRW	[+]
-------------------	-----------------	-----	-----

P41004MM



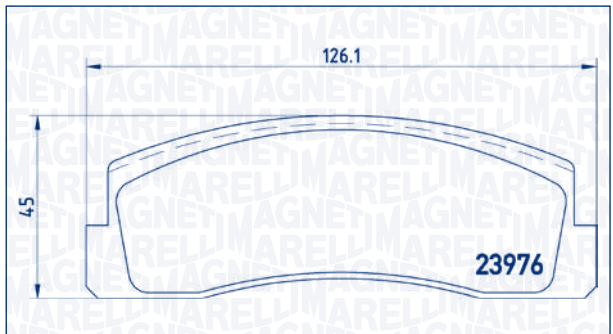
Ant 23671	104,3×62,1×17	TRW	[+]
-----------	---------------	-----	-----

P41001MM



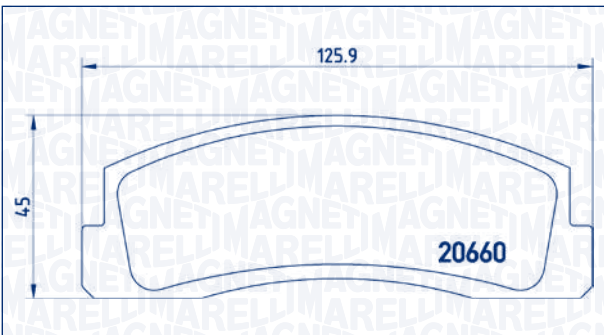
Ant 20166	83,9×60,5×16	BDX	[-]
-----------	--------------	-----	-----

P41005MM



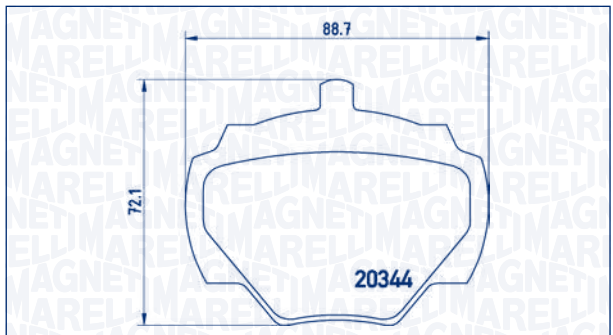
Ant 23976	126,1×45×16	GM	[-]
-----------	-------------	----	-----

P41002MM



Ant 20660	125,9×45×15,6	BDX	[-]
-----------	---------------	-----	-----

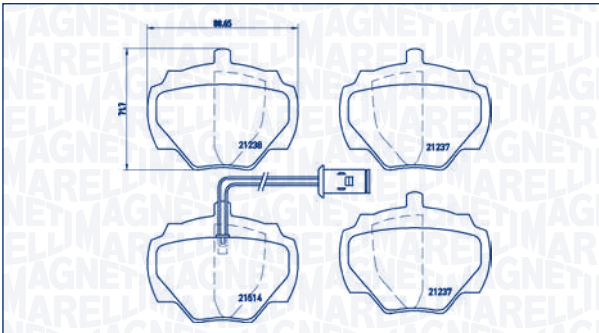
P44001MM



Post 20344	88,7×72,1×15	LKD	[-]
------------	--------------	-----	-----

WVA	LENGTH × HEIGHT × THICKNESS [mm]	SYS	WI
-----	----------------------------------	-----	----

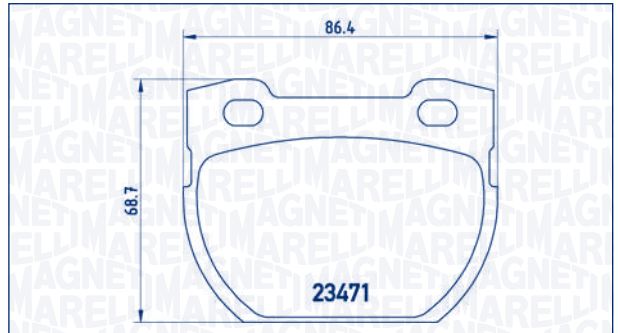
P44003MM



Post	21237, 21238, 21514	88,7 × 71,7 × 15	LKD	[+]
------	---------------------	------------------	-----	-----

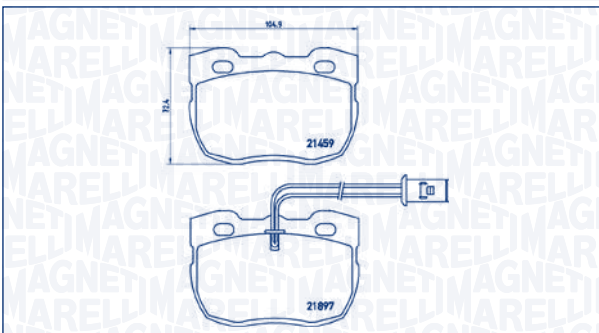
WVA	LENGTH × HEIGHT × THICKNESS [mm]	SYS	WI
-----	----------------------------------	-----	----

P44007MM



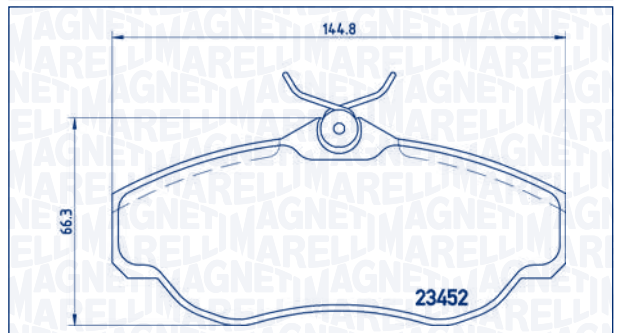
Post	23471	86,4 × 68,7 × 15	LKD	[-]
------	-------	------------------	-----	-----

P44004MM



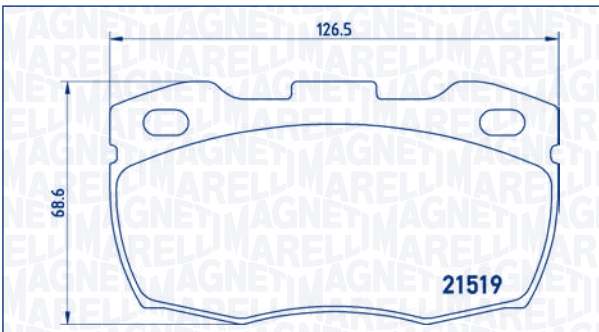
Ant	21459, 21897	104,9 × 72,4 × 18,5	LKD	[+]
-----	--------------	---------------------	-----	-----

P44008MM



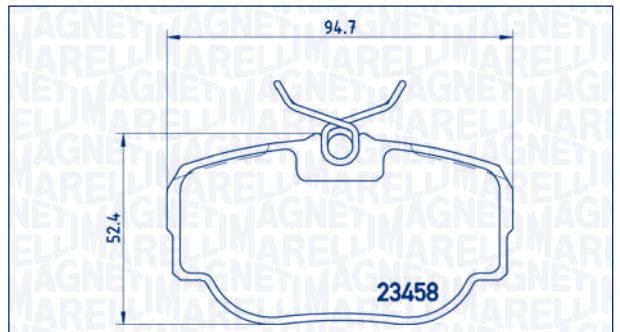
Ant	23452	144,8 × 66,3 × 19	TRW	[-]
-----	-------	-------------------	-----	-----

P44005MM



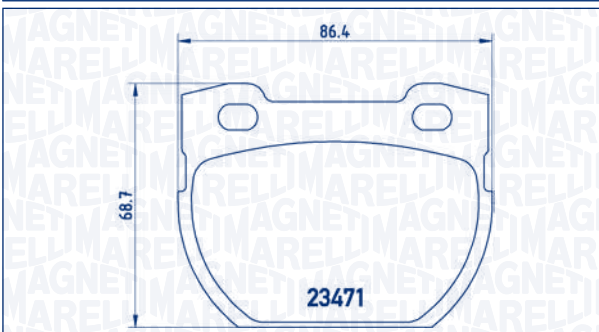
Ant	21519	126,5 × 68,6 × 18	LKD	[-]
-----	-------	-------------------	-----	-----

P44009MM



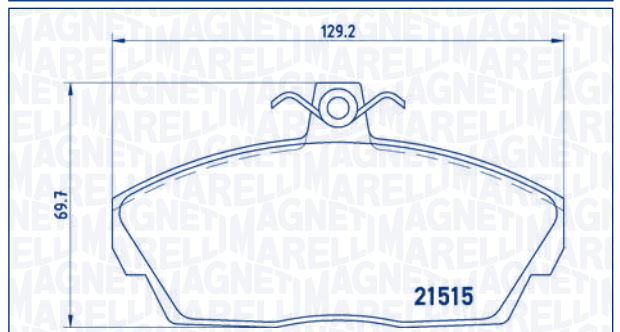
Post	23458	94,7 × 52,4 × 15	TRW	[-]
------	-------	------------------	-----	-----

P44006MM



Post	23471	86,4 × 68,7 × 17,9	LKD	[-]
------	-------	--------------------	-----	-----

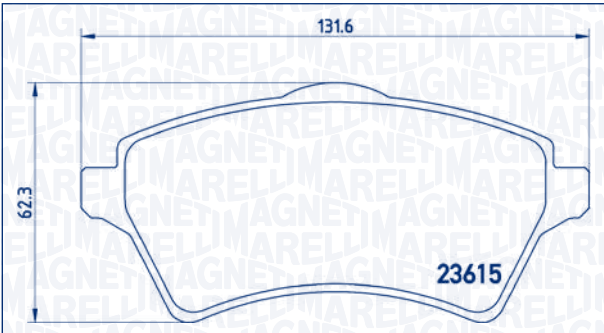
P44010MM



Ant	21515	129,2 × 69,7 × 18	TRW	[-]
-----	-------	-------------------	-----	-----

WVA	LENGTH×HEIGHT×THICKNESS [mm]	SYS	WI
-----	------------------------------	-----	----

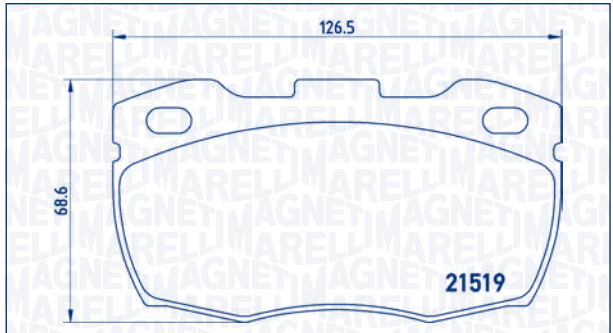
P44011MM



Ant	23615	131,6 × 62,3 × 17,5	TRW	[-]
-----	-------	---------------------	-----	-----

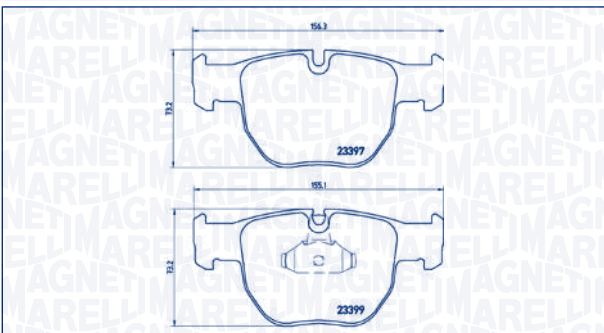
WVA	LENGTH×HEIGHT×THICKNESS [mm]	SYS	WI
-----	------------------------------	-----	----

P44015MM



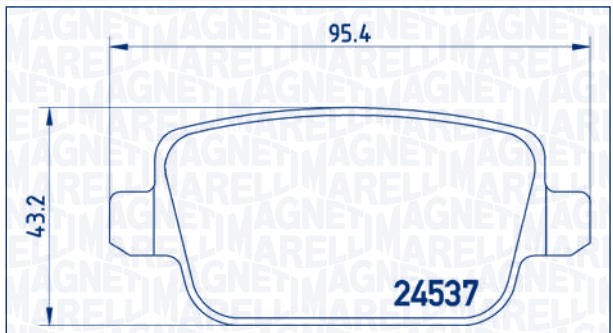
Ant	21519	126,5 × 68,6 × 17	LKD	[-]
-----	-------	-------------------	-----	-----

P44012MM



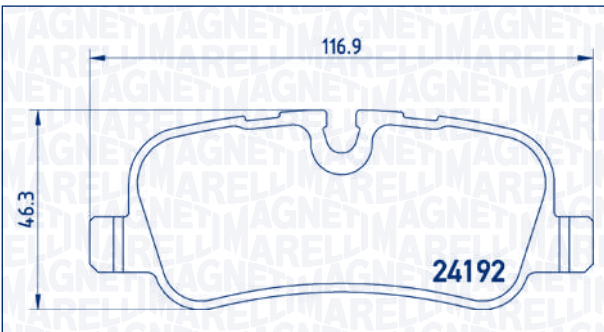
Ant	23397, 23399	155,1/156,3 × 73,2 × 19,4	ATE	[o]
-----	--------------	---------------------------	-----	-----

P44016MM



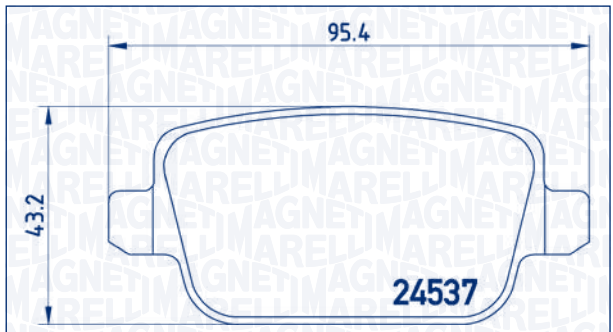
Post	24537	95,4 × 43,2 × 15,7	TRW	[-]
------	-------	--------------------	-----	-----

P44013MM



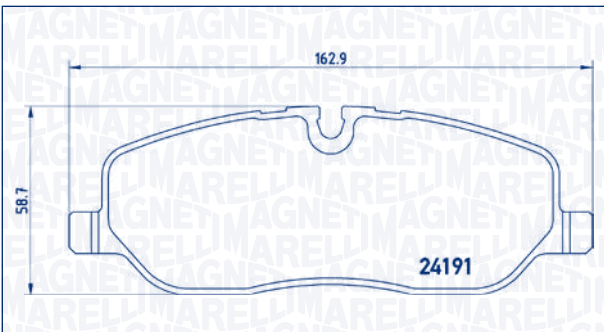
Post	24192	116,9 × 46,3 × 17,3	TRW	[o]
------	-------	---------------------	-----	-----

P44017MM



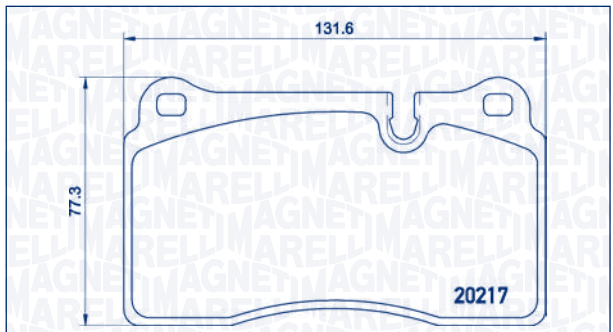
Post	24537	95,4 × 43,2 × 15,7	TRW	[-]
------	-------	--------------------	-----	-----

P44014MM



Ant	24191	162,9 × 58,7 × 18,1	TRW	[o]
-----	-------	---------------------	-----	-----

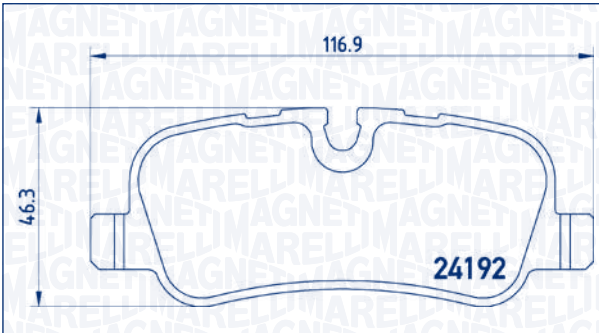
P44018MM



Ant	20217	131,6 × 77,3 × 17,3	BRE	[o]
-----	-------	---------------------	-----	-----

WVA	LENGTH × HEIGHT × THICKNESS [mm]	SYS	WI
-----	----------------------------------	-----	----

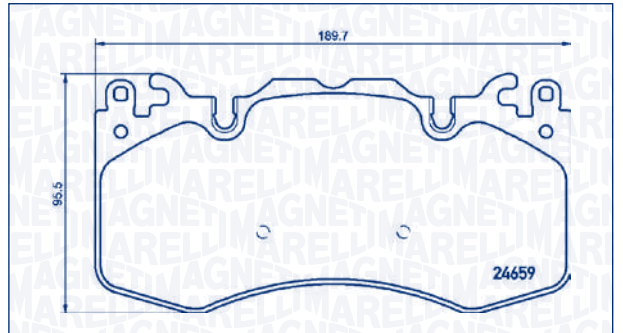
P44019MM



Post	24192	116,9 × 46,3 × 17,3	TRW	[o]
------	-------	---------------------	-----	-----

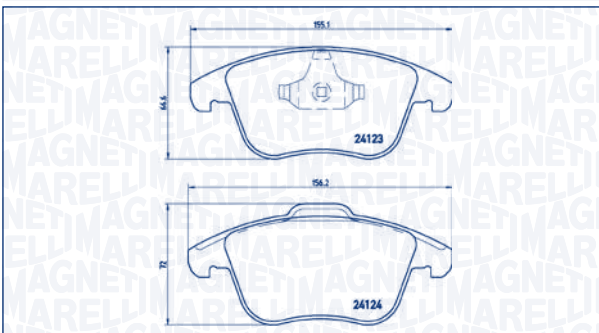
WVA	LENGTH × HEIGHT × THICKNESS [mm]	SYS	WI
-----	----------------------------------	-----	----

P44023MM



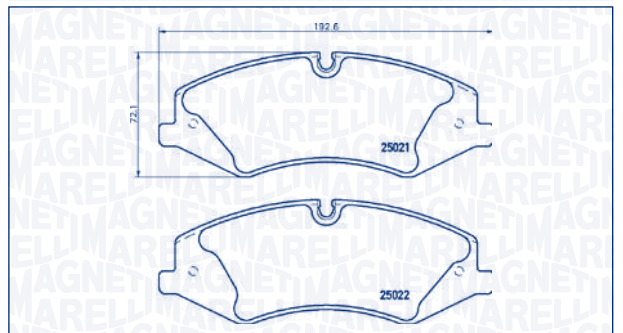
Ant	24659	189,7 × 95,5 × 16,9	BRE	[o]
-----	-------	---------------------	-----	-----

P44020MM



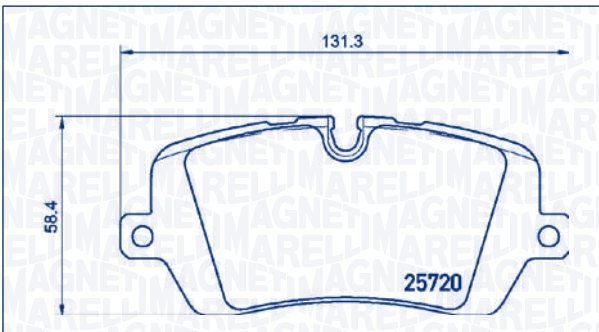
Ant	24123, 24124	155,1/156,3 × 66,6/72 × 20,3	ATE	[-]
-----	--------------	------------------------------	-----	-----

P44024MM



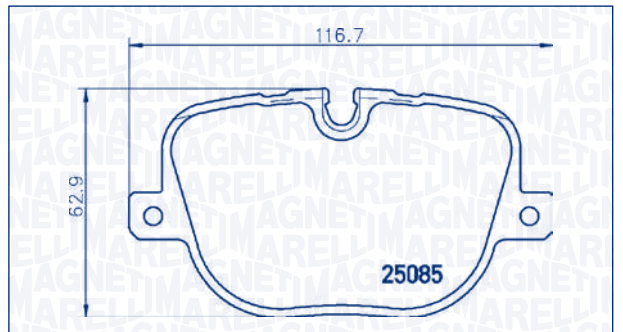
Ant	25021, 25022	192,6 × 72,1 × 18,6	TRW	[o]
-----	--------------	---------------------	-----	-----

P44021MM



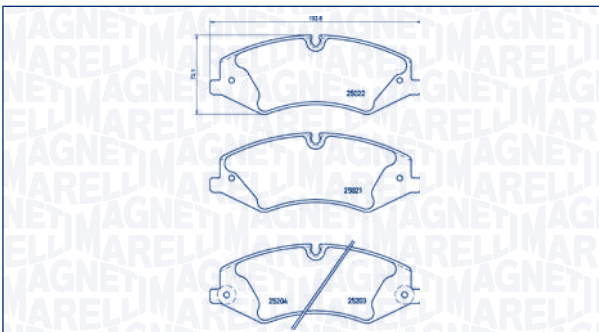
Post	25720	131,3 × 58,4 × 17,3	TRW	[o]
------	-------	---------------------	-----	-----

P44025MM



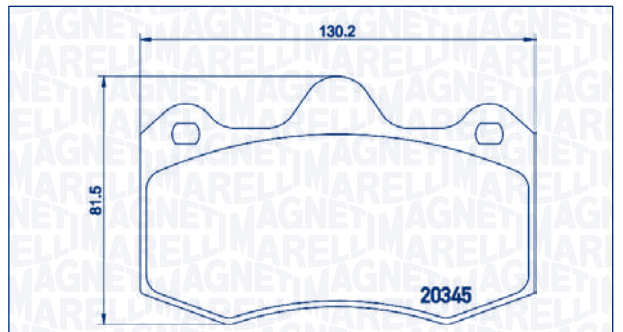
Post	25085	116,7 × 62,9 × 17,1	TRW	[o]
------	-------	---------------------	-----	-----

P44022MM



Ant	25021, 25022, 25203, 25204	192,6 × 72,1 × 18,6	TRW	[o]
-----	----------------------------	---------------------	-----	-----

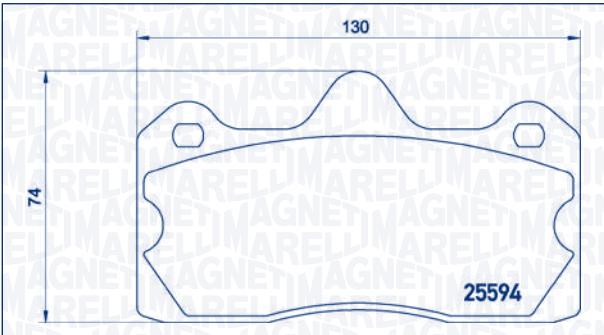
P47001MM



Ant	20345	130,2 × 81,5 × 15,7	LKD	[-]
-----	-------	---------------------	-----	-----

WVA	LENGTH×HEIGHT×THICKNESS [mm]	SYS	WI
-----	---------------------------------	-----	----

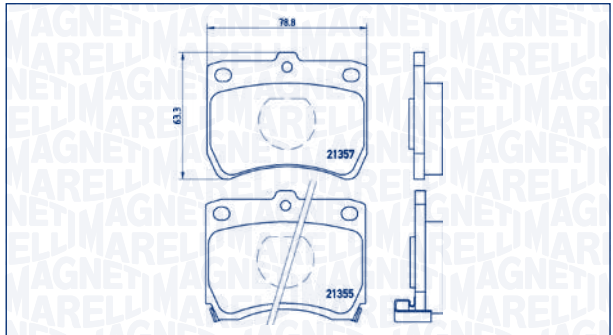
P47002MM



Post 25594	130 × 74 × 15,9	LKD	[-]
------------	-----------------	-----	-----

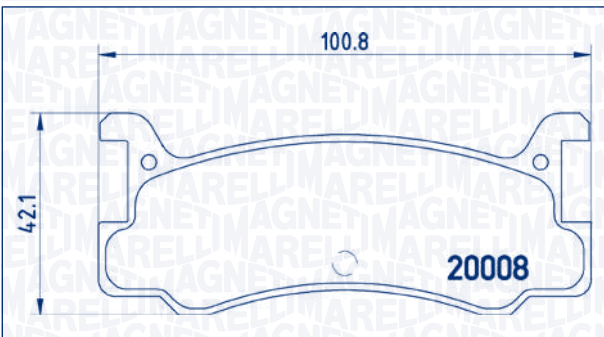
WVA	LENGTH×HEIGHT×THICKNESS [mm]	SYS	WI
-----	---------------------------------	-----	----

P49013MM



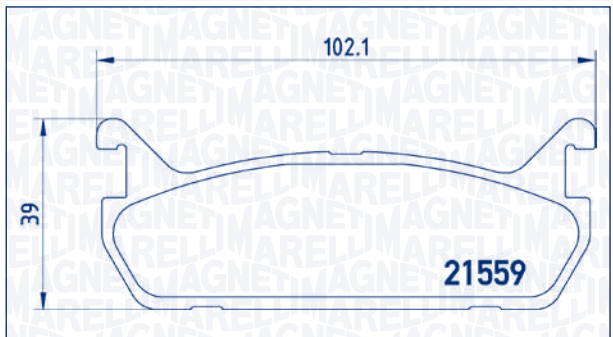
Ant 21355, 21356, 21357	78,8 × 63,3 × 14,5	SUM	[+]
-------------------------	--------------------	-----	-----

P49005MM



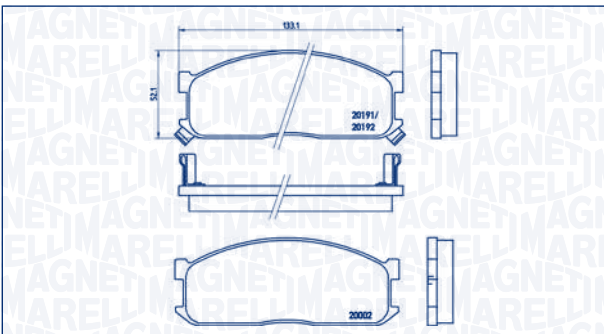
Post 20008	100,8 × 42,1 × 13	AKE	[-]
------------	-------------------	-----	-----

P49015MM



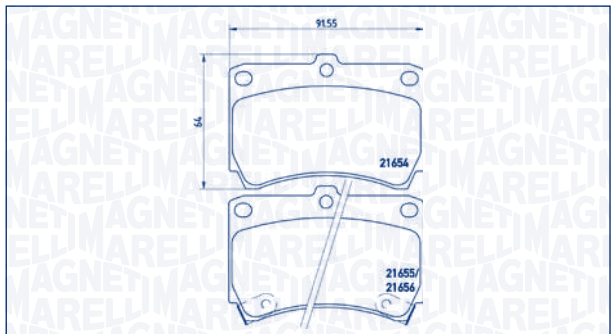
Post 21559	102,1 × 39,1 × 12,5	AKE	[-]
------------	---------------------	-----	-----

P49010MM



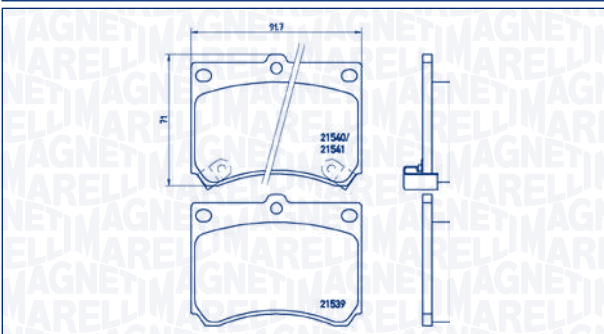
Ant 20002, 20191, 20192	133,1 × 52,1 × 15	AKE	[+]
-------------------------	-------------------	-----	-----

P49016MM



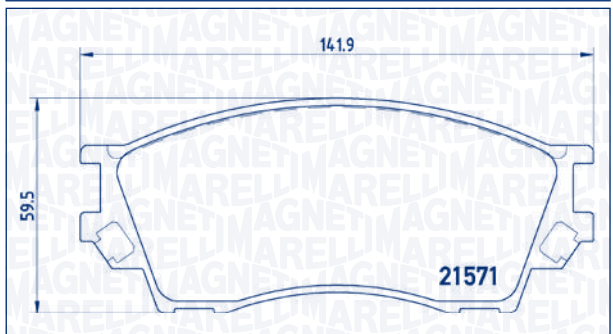
Ant 21654, 21655, 21656	91,6 × 64 × 15	SUM	[+]
-------------------------	----------------	-----	-----

P49011MM



Ant 21539, 21540, 21541	91,7 × 71 × 15	SUM	[+]
-------------------------	----------------	-----	-----

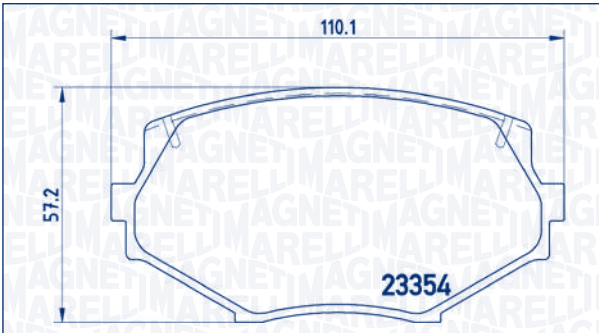
P49019MM



Ant 21571	141,9 × 59,5 × 17,1	AKE	[+]
-----------	---------------------	-----	-----

WVA	LENGTH × HEIGHT × THICKNESS [mm]	SYS	WI
-----	----------------------------------	-----	----

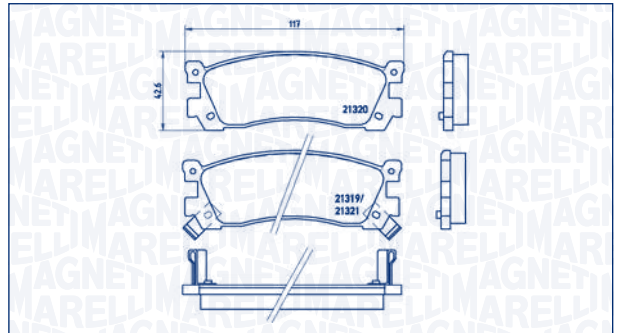
P49020MM



Ant	23354	110,1 × 57,2 × 14	SUM	[+]
-----	-------	-------------------	-----	-----

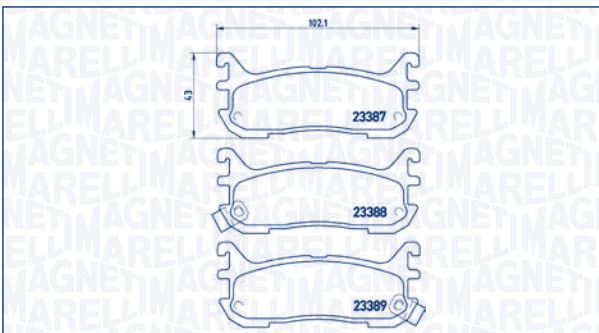
WVA	LENGTH × HEIGHT × THICKNESS [mm]	SYS	WI
-----	----------------------------------	-----	----

P49025MM



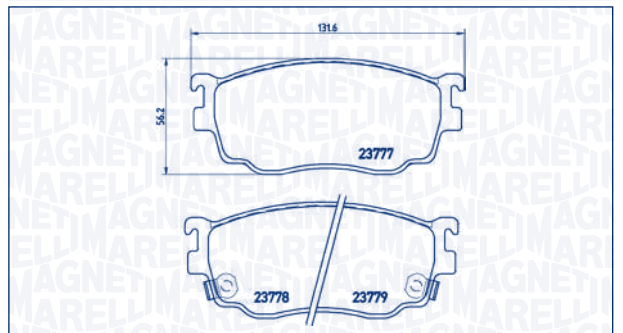
Post	21319, 21320, 21321	117 × 42,6 × 13	AKE	[+]
------	---------------------	-----------------	-----	-----

P49021MM



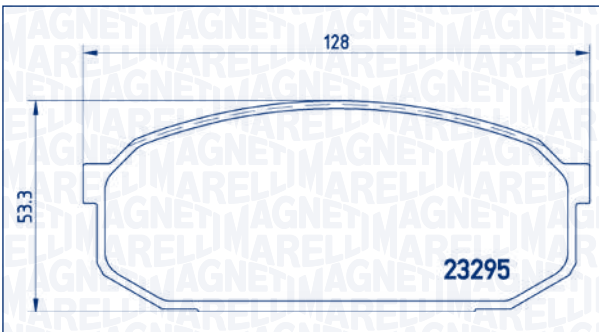
Post	23387, 23388, 23389	102,1 × 43 × 13,3	AKE	[+]
------	---------------------	-------------------	-----	-----

P49026MM



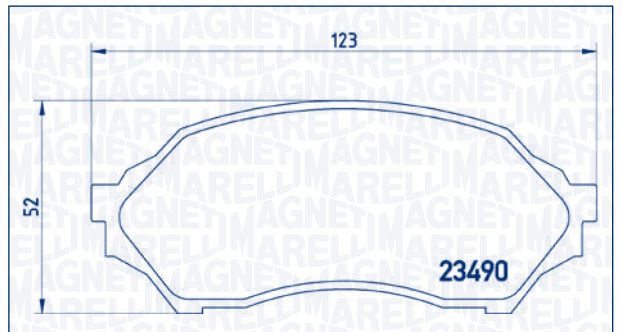
Ant	23777, 23778, 23779	131,6 × 56,3 × 15	SUM	[+]
-----	---------------------	-------------------	-----	-----

P49022MM



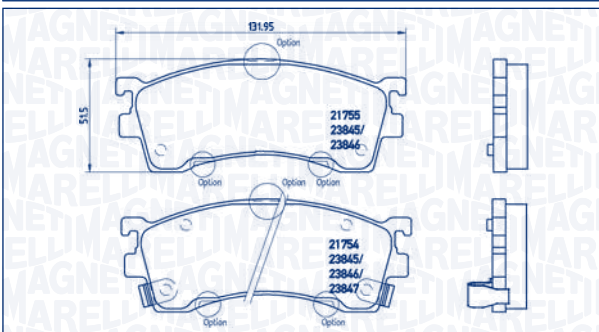
Ant	23295	128 × 53,3 × 15	SUM	[+]
-----	-------	-----------------	-----	-----

P49027MM



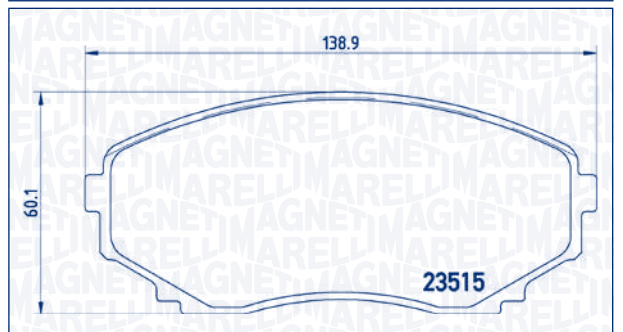
Ant	23490	123 × 52 × 15	SUM	[+]
-----	-------	---------------	-----	-----

P49023MM



Ant	21754, 21755, 23845	132 × 51,5 × 16,5	SUM	[+]
-----	---------------------	-------------------	-----	-----

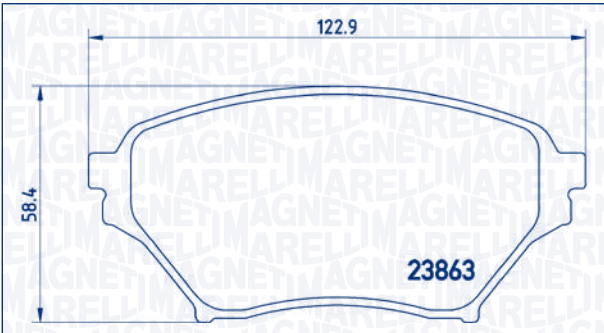
P49028MM



Ant	23515	138,9 × 60,1 × 16	SUM	[+]
-----	-------	-------------------	-----	-----

WVA	LENGTH×HEIGHT×THICKNESS [mm]	SYS	WI
-----	------------------------------	-----	----

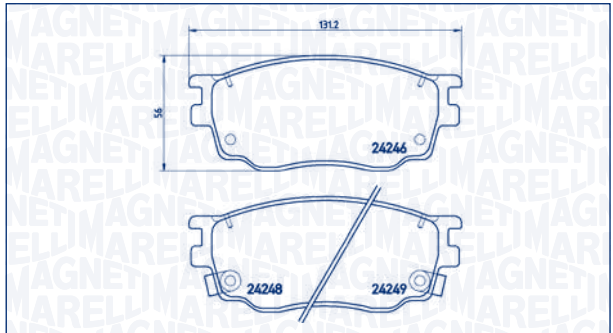
P49029MM



Ant	23863	122,9 × 56,4 × 15	SUM	[-]
-----	-------	-------------------	-----	-----

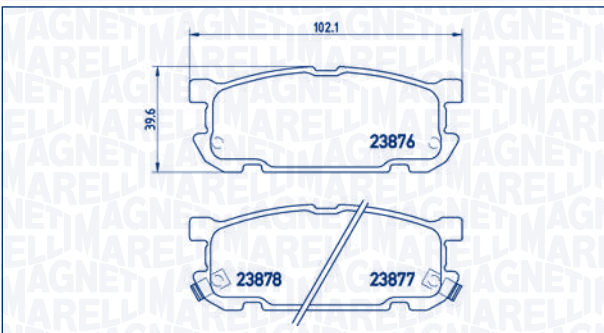
WVA	LENGTH×HEIGHT×THICKNESS [mm]	SYS	WI
-----	------------------------------	-----	----

P49033MM



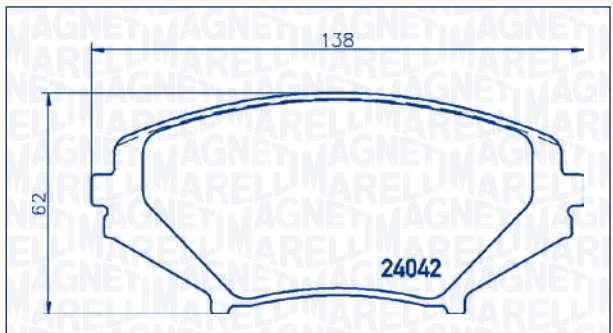
Ant	24246, 24248, 24249	131,2 × 56 × 17	SUM	[+]
-----	---------------------	-----------------	-----	-----

P49030MM



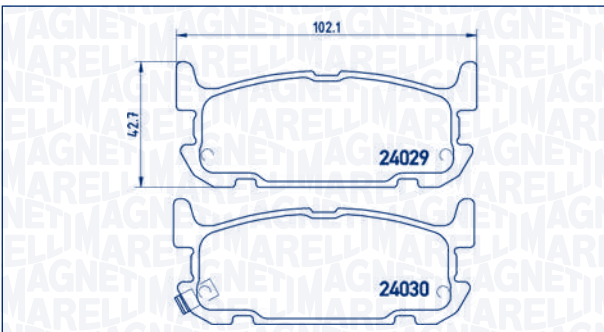
Post	23876, 23877, 23878	102,1 × 39,6 × 12	AKE	[+]
------	---------------------	-------------------	-----	-----

P49034MM



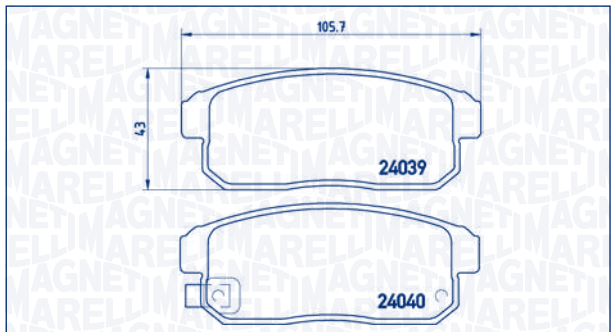
Ant	24042	107,9 × 62 × 16,3	SUM	[-]
-----	-------	-------------------	-----	-----

P49031MM



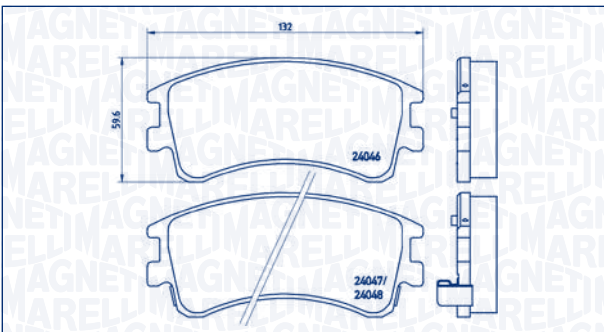
Post	24029, 24030	102,1 × 42,7 × 12,6	AKE	[+]
------	--------------	---------------------	-----	-----

P49035MM



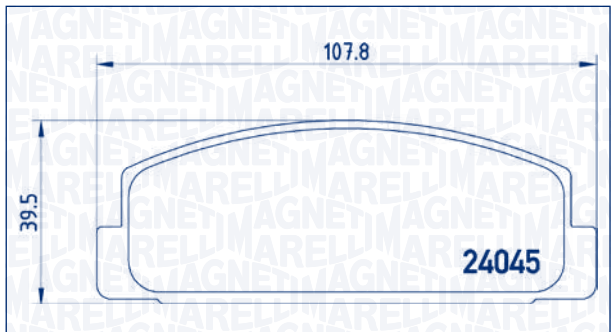
Post	24039, 24040, 24041	105,7 × 43 × 14,4	NBK	[+]
------	---------------------	-------------------	-----	-----

P49032MM



Ant	24046, 24047, 24048	132 × 59,6 × 18,2	AKE	[+]
-----	---------------------	-------------------	-----	-----

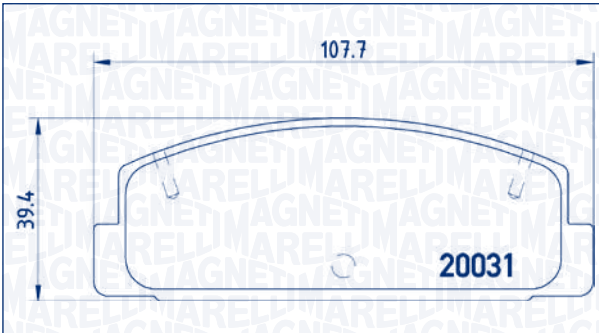
P49036MM



Post	24045	107,8 × 39,5 × 13	AKE	[-]
------	-------	-------------------	-----	-----

WVA	LENGTH × HEIGHT × THICKNESS [mm]	SYS	WI
-----	----------------------------------	-----	----

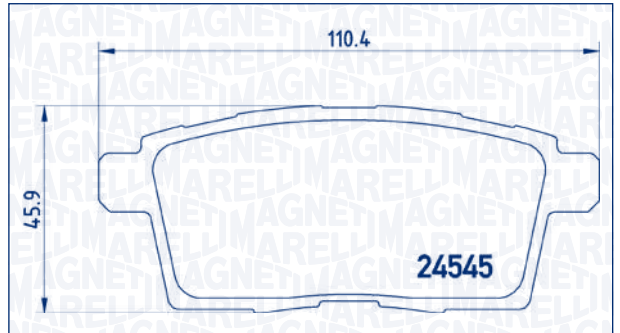
P49037MM



Post	20031	107,7 × 39,4 × 13	AKE	[-]
------	-------	-------------------	-----	-----

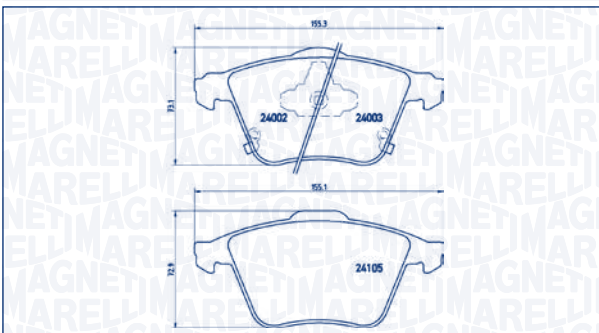
WVA	LENGTH × HEIGHT × THICKNESS [mm]	SYS	WI
-----	----------------------------------	-----	----

P49041MM



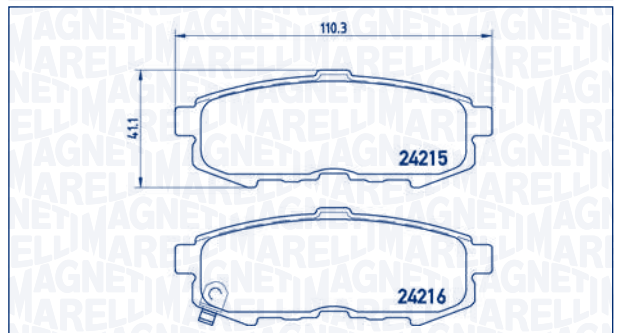
Post	24545	110,4 × 45,9 × 17,9	AKE	[-]
------	-------	---------------------	-----	-----

P49038MM



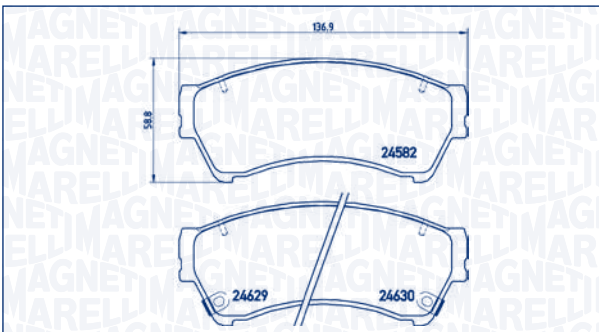
Ant	24002, 24003, 24105	155,1/155,3 × 72,9/73,1 × 18,8	ATE	[+]
-----	---------------------	--------------------------------	-----	-----

P49042MM



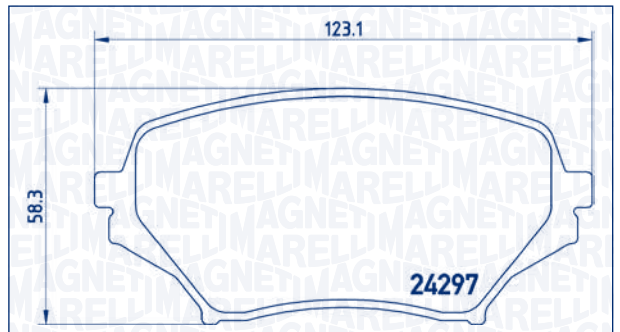
Post	24215, 24216	110,3 × 41,1 × 16	SUM	[+]
------	--------------	-------------------	-----	-----

P49039MM



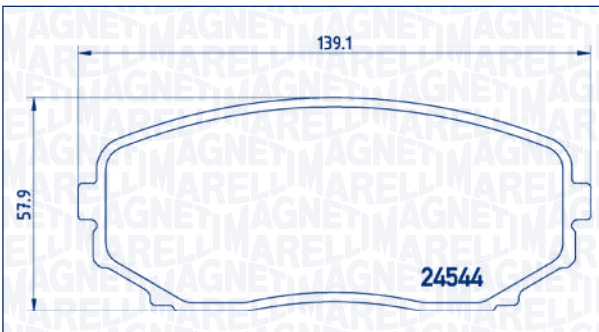
Ant	24582, 24629, 24630	136,9 × 58,8 × 18,4	AKE	[+]
-----	---------------------	---------------------	-----	-----

P49043MM



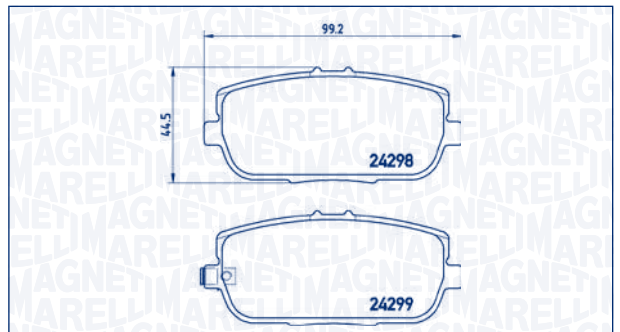
Ant	24297	123,1 × 58,3 × 15	ADV	[-]
-----	-------	-------------------	-----	-----

P49040MM



Ant	24544	139,1 × 57,9 × 17,5	SUM	[+]
-----	-------	---------------------	-----	-----

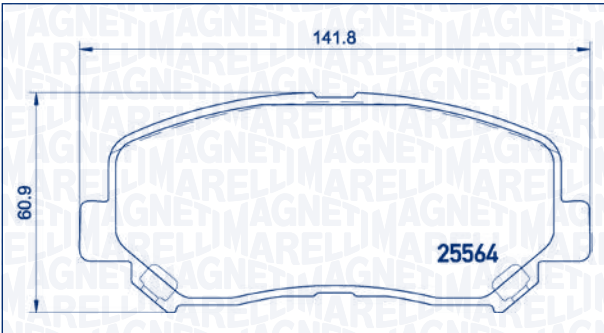
P49044MM



Post	24298, 24299, 24300	99,2 × 44,5 × 14	SUM	[+]
------	---------------------	------------------	-----	-----

WVA	LENGTH×HEIGHT×THICKNESS [mm]	SYS	WI
-----	------------------------------	-----	----

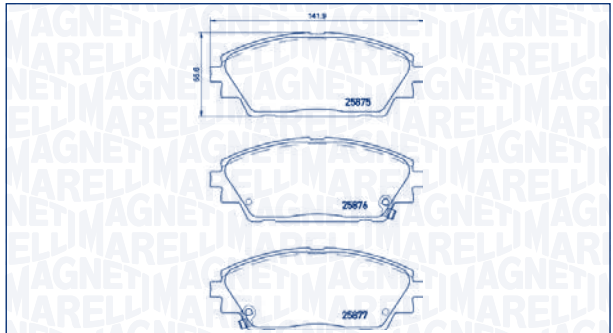
P49045MM



Ant 25564	141,8 × 60,9 × 15,8	AKE	[+]
-----------	---------------------	-----	-----

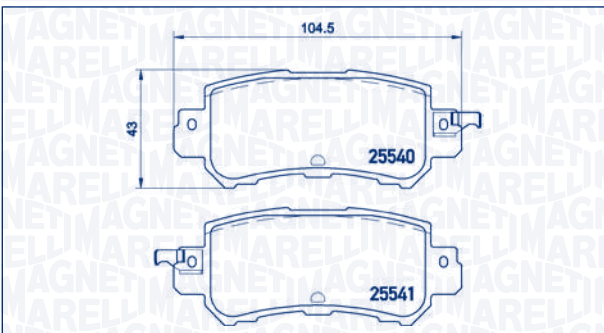
WVA	LENGTH×HEIGHT×THICKNESS [mm]	SYS	WI
-----	------------------------------	-----	----

P49050MM



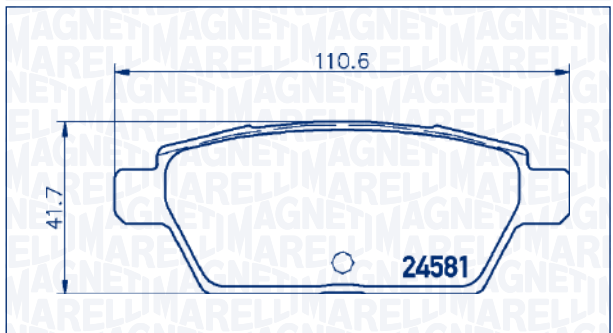
Ant 25875, 25876, 25877	142 × 55,8 × 15,8	AKE	[+]
-------------------------	-------------------	-----	-----

P49047MM



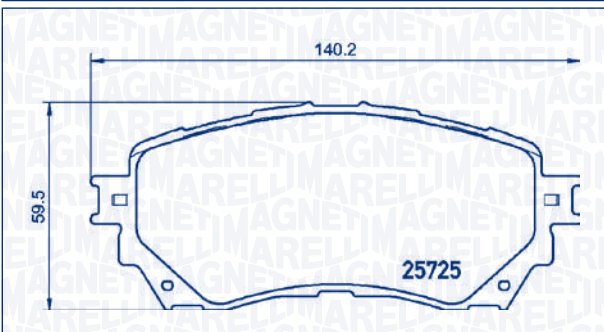
Post 25540, 25541	104,5 × 43 × 14,4	AKE	[+]
-------------------	-------------------	-----	-----

P49051MM



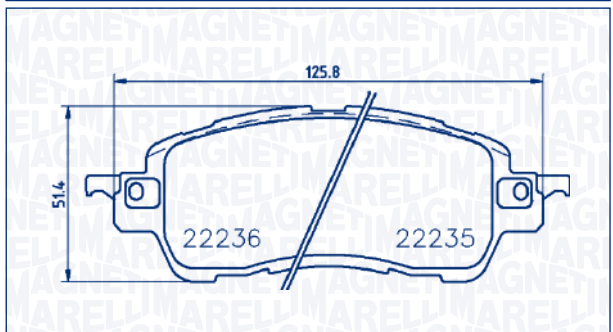
Post 24581	110,6 × 41,7 × 14,3	AKE	[-]
------------	---------------------	-----	-----

P49048MM



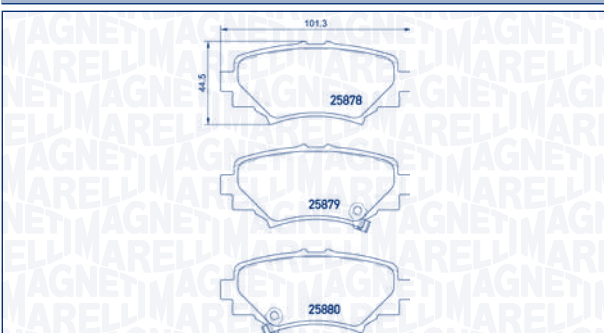
Ant 25725	140,2 × 59,5 × 15,5	AKE	[-]
-----------	---------------------	-----	-----

P49055MM



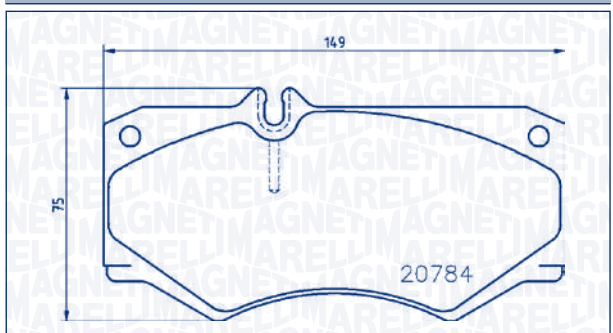
Ant 22235, 22236	125,8 × 51,4 × 15,3	-	[+]
------------------	---------------------	---	-----

P49049MM



Post 25878, 25879, 25880	101,3 × 44,5 × 13,8	-	[+]
--------------------------	---------------------	---	-----

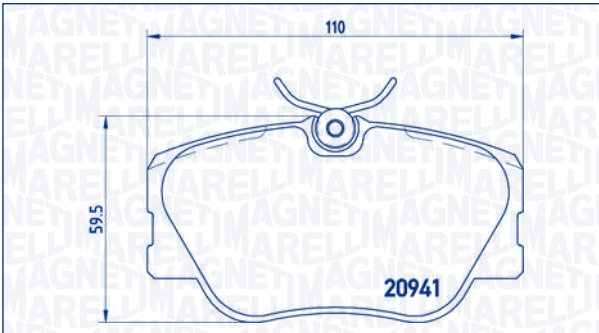
P50003MM



Ant 20784, 29784	149 × 75 × 18	PER	[o]
------------------	---------------	-----	-----

	VVA	LENGTH × HEIGHT × THICKNESS [mm]	SYS	WI
--	-----	----------------------------------	-----	----

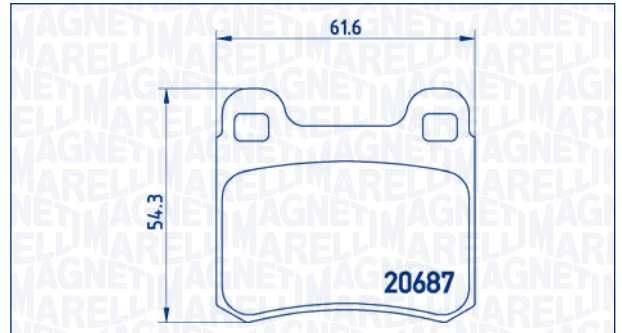
P50008MM



Ant	20941, 21028	110 × 59,5 × 19,3	TRW	[O]
-----	--------------	-------------------	-----	-----

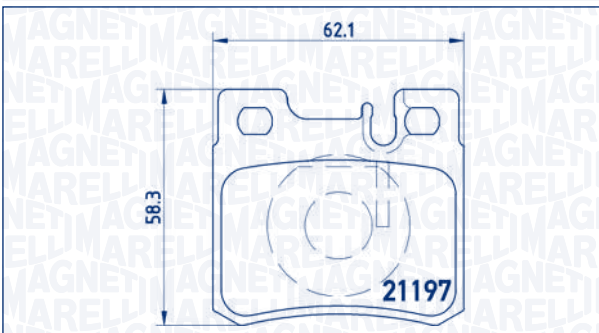
	VVA	LENGTH × HEIGHT × THICKNESS [mm]	SYS	WI
--	-----	----------------------------------	-----	----

P50013MM



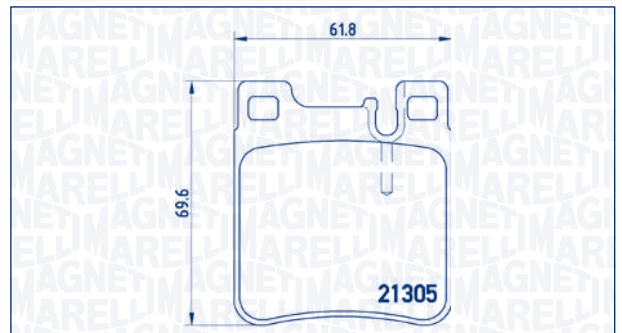
Post	20687	61,6 × 54,3 × 15,5	ATE	[-]
------	-------	--------------------	-----	-----

P50009MM



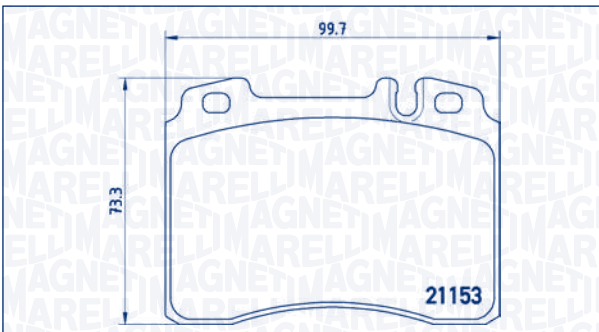
Post	21197	62,1 × 58,34 × 15	ATE	[O]
------	-------	-------------------	-----	-----

P50017MM



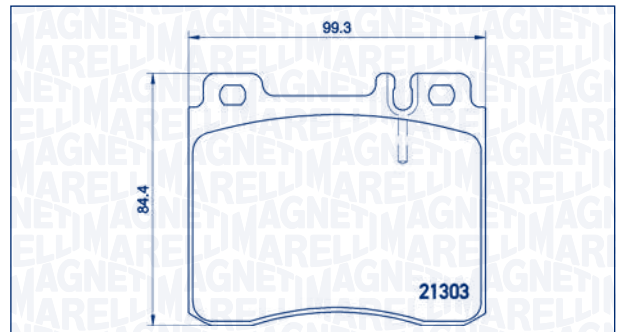
Post	21305	61,8 × 69,6 × 15,5	ATE	[O]
------	-------	--------------------	-----	-----

P50010MM



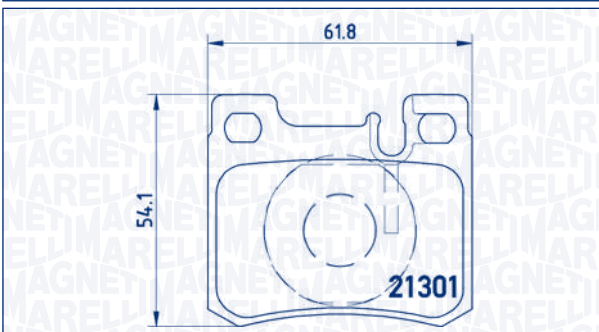
Ant	21153	99,7 × 73,3 × 17,5	ATE	[O]
-----	-------	--------------------	-----	-----

P50018MM



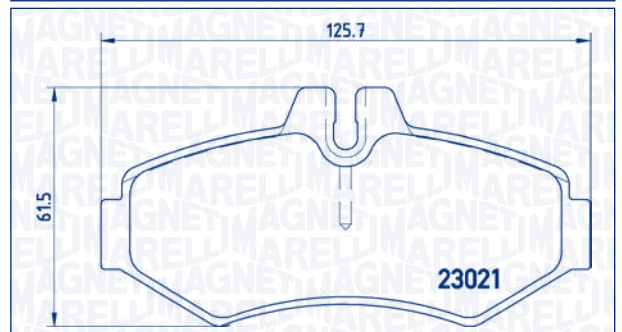
Ant	21303	99,8 × 86 × 18,8	GIR	[O]
-----	-------	------------------	-----	-----

P50012MM



Post	21301	61,8 × 54,1 × 15,5	ATE	[O]
------	-------	--------------------	-----	-----

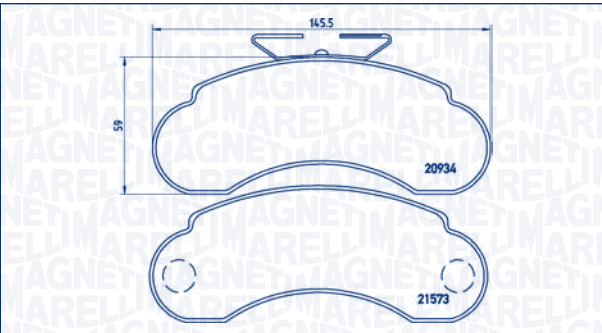
P50020MM



Post	23021	125,7 × 61,5 × 18,9	BSH	[O]
------	-------	---------------------	-----	-----

WVA	LENGTH×HEIGHT×THICKNESS [mm]	SYS	WI
-----	------------------------------	-----	----

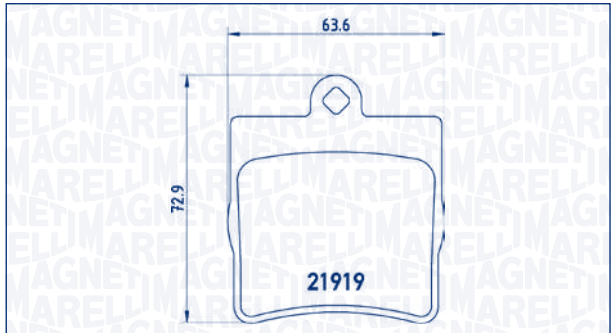
P50021MM



Ant	20934, 21573	145,5 × 59 × 14	BDX	[-]
-----	--------------	-----------------	-----	-----

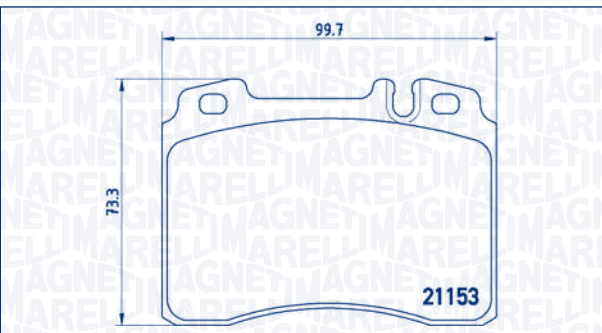
WVA	LENGTH×HEIGHT×THICKNESS [mm]	SYS	WI
-----	------------------------------	-----	----

P50025MM



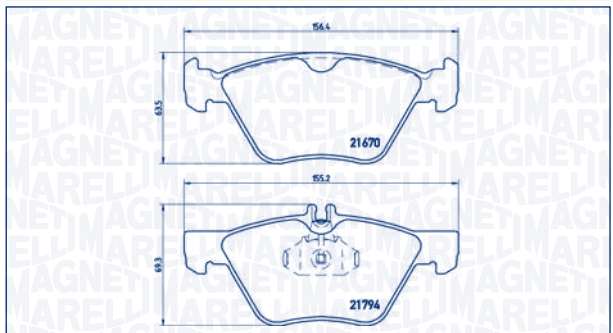
Post	21919	63,6 × 72,9 × 15,7	ATE	[-]
------	-------	--------------------	-----	-----

P50022MM



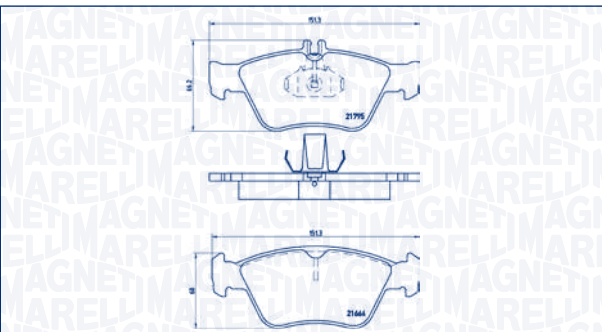
Ant	21153	99,7 × 73,3 × 16	ATE	[o]
-----	-------	------------------	-----	-----

P50026MM



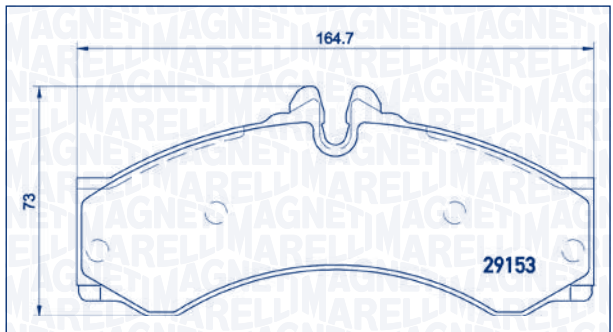
Ant	21670	155,2/156,4 × 63,5/69,3 × 20,3	ATE	[o]
-----	-------	--------------------------------	-----	-----

P50023MM



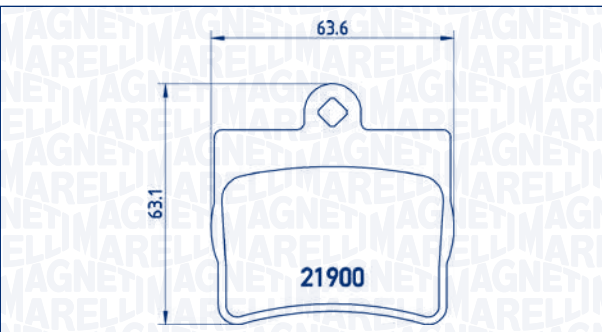
Ant	21664, 21795	151,3 × 60/66,2 × 19,8	ATE	[o]
-----	--------------	------------------------	-----	-----

P50028MM



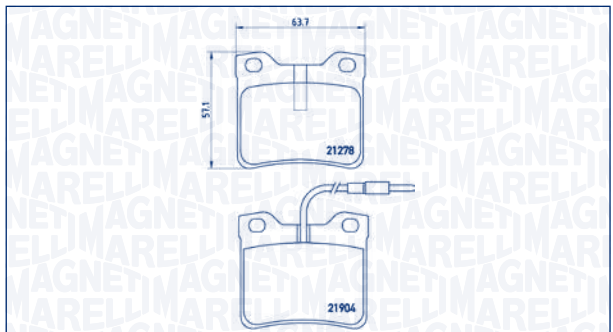
Ant	29153	164,7 × 73 × 20	PER	[o]
-----	-------	-----------------	-----	-----

P50024MM



Post	21900	63,6 × 63,1 × 15,8	ATE	[-]
------	-------	--------------------	-----	-----

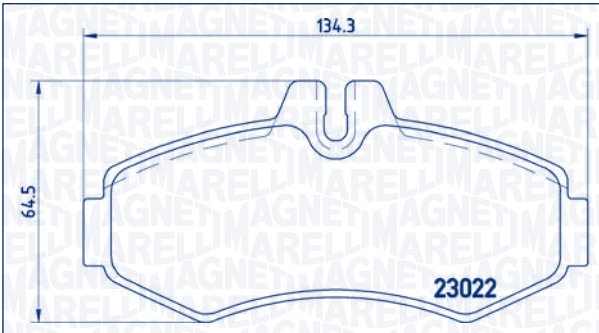
P50030MM



Post	21278, 21904	63,5 × 57,1 × 16,9	ATE	[+]
------	--------------	--------------------	-----	-----

	WVA	LENGTH × HEIGHT × THICKNESS [mm]	SYS	WI
--	-----	----------------------------------	-----	----

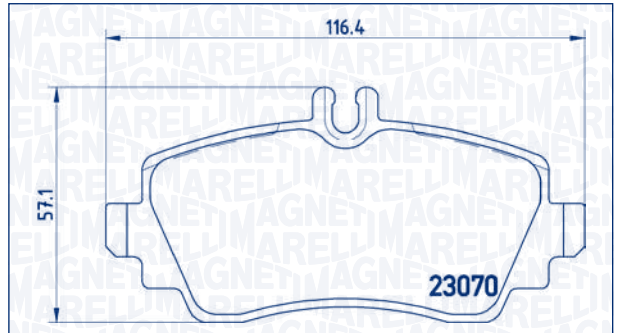
P50031MM



Ant	23022	134,3 × 64,5 × 20,9	BSH	[O]
-----	-------	---------------------	-----	-----

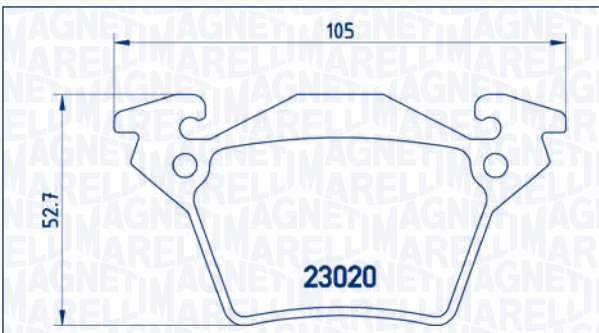
	WVA	LENGTH × HEIGHT × THICKNESS [mm]	SYS	WI
--	-----	----------------------------------	-----	----

P50036MM



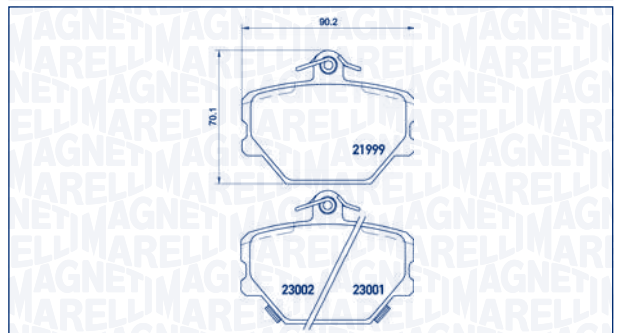
Ant	23070	116,4 × 57,1 × 16,5	TRW	[O]
-----	-------	---------------------	-----	-----

P50032MM



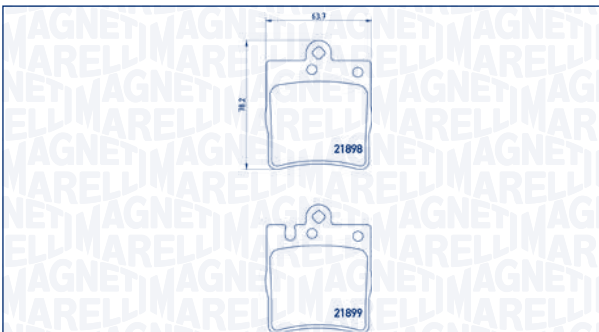
Post	23020	105 × 52,7 × 17,9	BSH	[O]
------	-------	-------------------	-----	-----

P50038MM



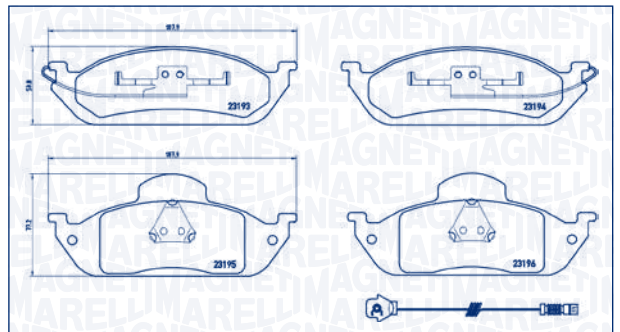
Ant	21999, 23002	90,2 × 70,1 × 15,8	BSH	[+]
-----	--------------	--------------------	-----	-----

P50033MM



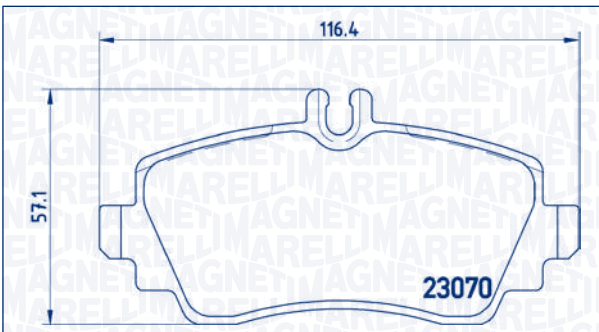
Post	21898, 21899	63,7 × 78,2 × 15,7	ATE	[O]
------	--------------	--------------------	-----	-----

P50039MM



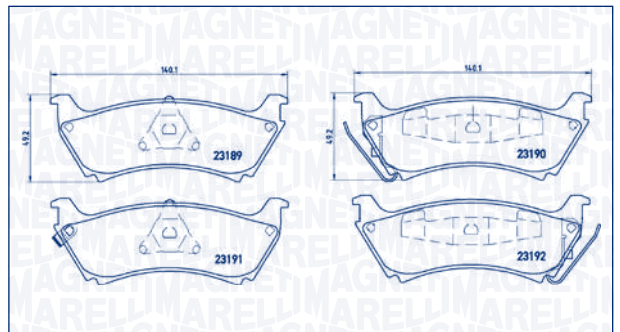
Ant	23193, 23194, 23195	187,9 × 59,8/77,2 × 16,3	BSH	[+]
-----	---------------------	--------------------------	-----	-----

P50035MM



Ant	23070	116,45 × 57,1 × 16,5	TRW	[O]
-----	-------	----------------------	-----	-----

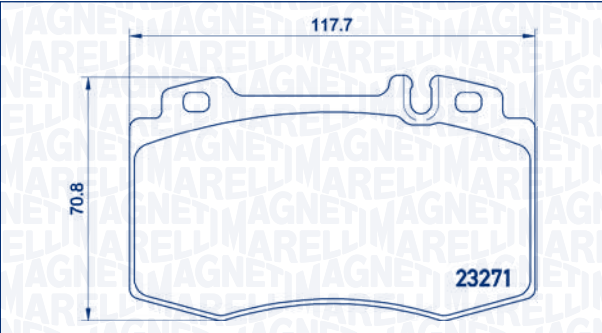
P50040MM



Post	23189, 23190, 23191, 23192	140,1 × 49,2 × 16,7	BSH	[+]
------	----------------------------	---------------------	-----	-----

WVA	LENGTH×HEIGHT×THICKNESS [mm]	SYS	WI
-----	------------------------------	-----	----

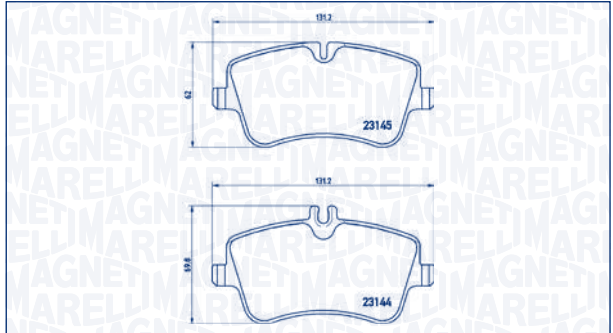
P50041MM



Ant 23271	117,8 × 70,9 × 17,7	BRE	[o]
-----------	---------------------	-----	-----

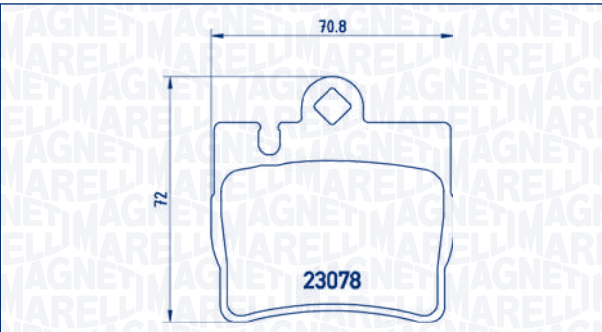
WVA	LENGTH×HEIGHT×THICKNESS [mm]	SYS	WI
-----	------------------------------	-----	----

P50045MM



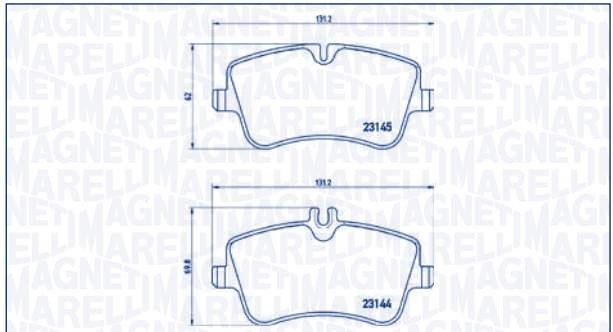
Ant 23144, 23145	131,2 × 62/69,8 × 19,8	TRW	[o]
------------------	------------------------	-----	-----

P50042MM



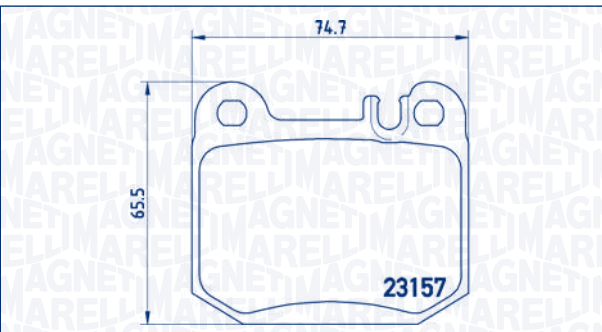
Post 23078	70,8 × 72 × 15,9	ATE	[o]
------------	------------------	-----	-----

P50046MM



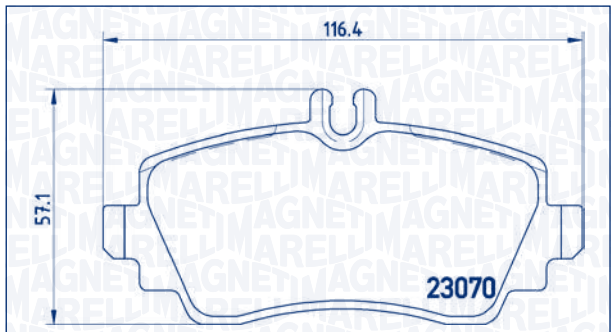
Ant 23144, 23145	131,2 × 62/69,8 × 19,8	TRW	[o]
------------------	------------------------	-----	-----

P50043MM



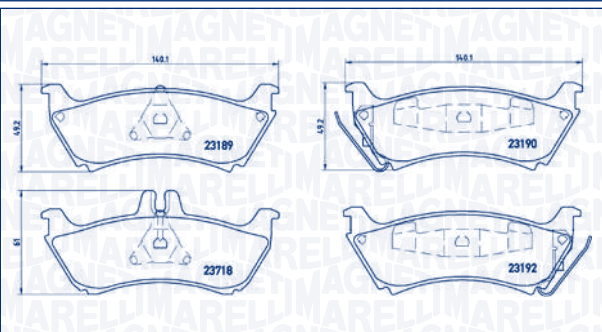
Post 23157	74,7 × 65,5 × 16	ATE	[o]
------------	------------------	-----	-----

P50047MM



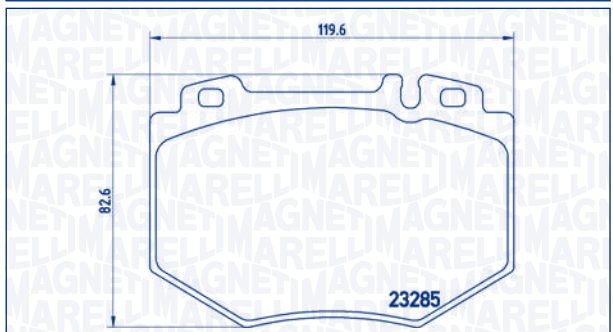
Ant 23070, 23903	116,45 × 57,1 × 19	TRW	[+]
------------------	--------------------	-----	-----

P50044MM



Post 23189, 23190, 23192, 23718	140,1 × 49,2/61 × 16,7	BSH	[o]
---------------------------------	------------------------	-----	-----

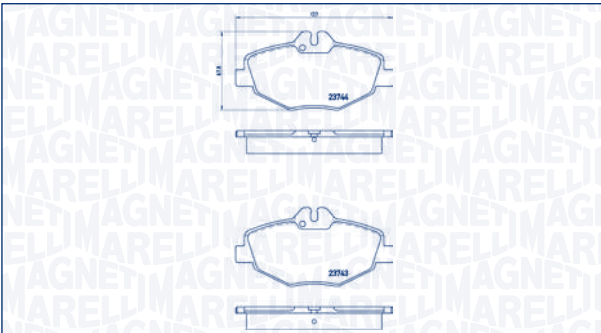
P50048MM



Ant 23285	119,6 × 82,6 × 17,3	BRE	[o]
-----------	---------------------	-----	-----

	WVA	LENGTH × HEIGHT × THICKNESS [mm]	SYS	WI
--	-----	----------------------------------	-----	----

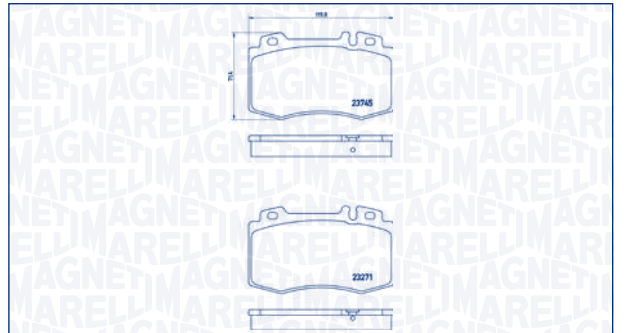
P50049MM



Ant	23743, 23744	137 × 67,8 × 20,5	BSH	[+]
-----	--------------	-------------------	-----	-----

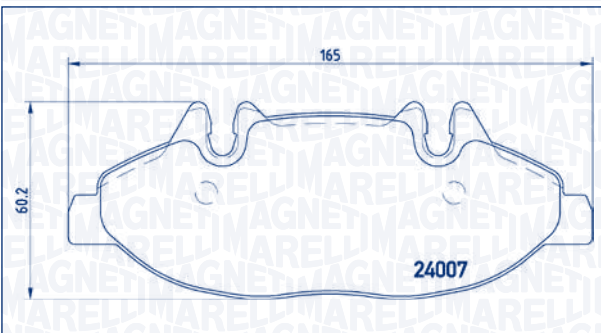
	WVA	LENGTH × HEIGHT × THICKNESS [mm]	SYS	WI
--	-----	----------------------------------	-----	----

P50053MM



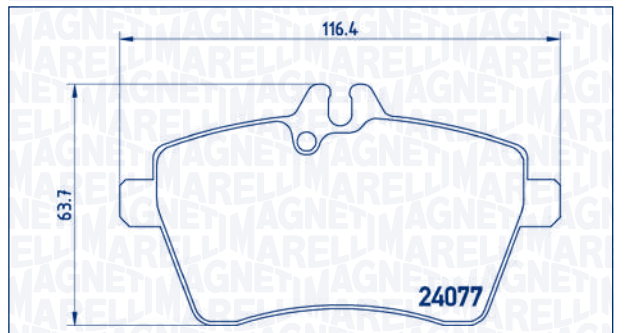
Ant	23271, 23745	119,8 × 71,4 × 17,7	BRE	[o]
-----	--------------	---------------------	-----	-----

P50050MM



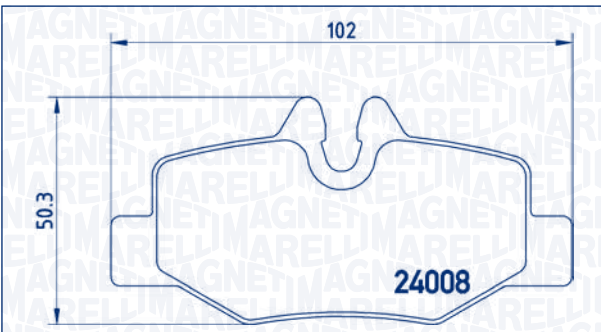
Ant	24007	165 × 60,2 × 20,2	BSH	[+]
-----	-------	-------------------	-----	-----

P50054MM



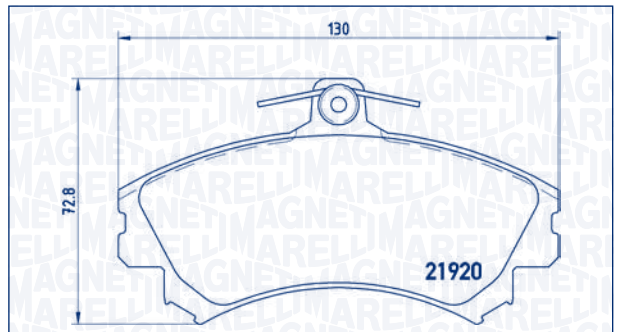
Ant	24077	116,4 × 63,7 × 19	TRW	[o]
-----	-------	-------------------	-----	-----

P50051MM



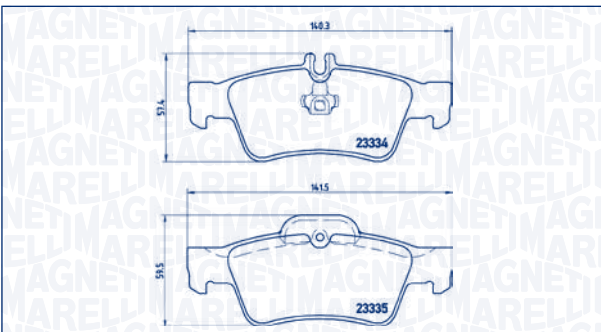
Post	24008	102 × 50,3 × 17,7	BSH	[+]
------	-------	-------------------	-----	-----

P50055MM



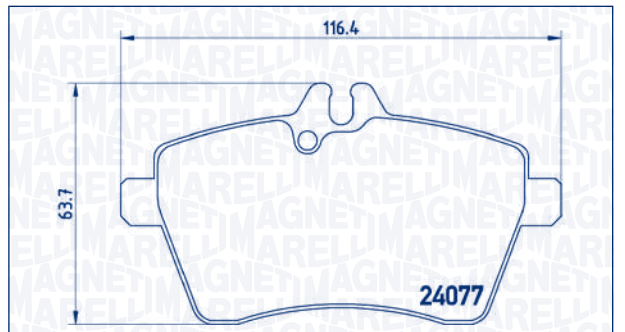
Ant	21920	130 × 72,8 × 17,4	TRW	[+]
-----	-------	-------------------	-----	-----

P50052MM



Post	23334, 23335	140,3/141,5 × 57,4/59,5 × 16,8	ATE	[o]
------	--------------	--------------------------------	-----	-----

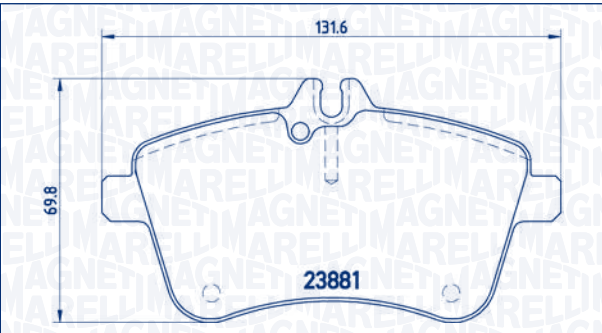
P50056MM



Ant	24077	116,4 × 63,7 × 19	TRW	[o]
-----	-------	-------------------	-----	-----

WVA	LENGTH×HEIGHT×THICKNESS [mm]	SYS	WI
-----	---------------------------------	-----	----

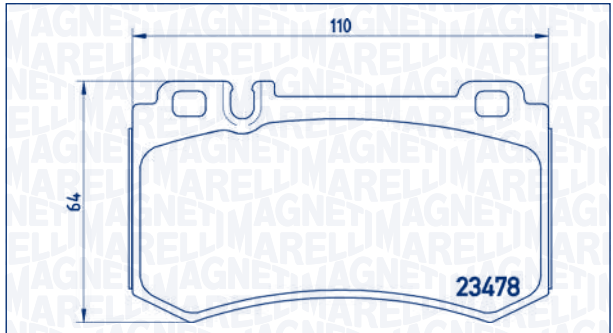
P50057MM



Ant	23881	131,6 × 69,8 × 20,1	TRW	[o]
-----	-------	---------------------	-----	-----

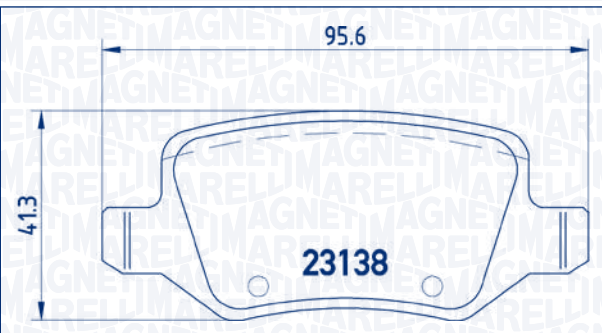
WVA	LENGTH×HEIGHT×THICKNESS [mm]	SYS	WI
-----	---------------------------------	-----	----

P50061MM



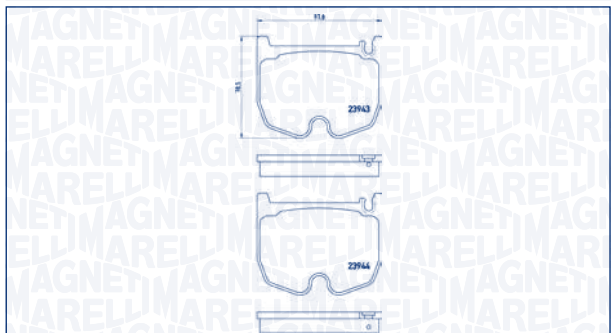
Post	23478	110 × 64 × 16,5	BRE	[o]
------	-------	-----------------	-----	-----

P50058MM



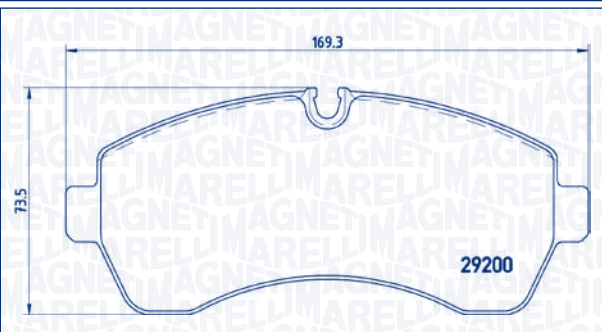
Post	23138	95,6 × 41,3 × 14,6	TRW	[-]
------	-------	--------------------	-----	-----

P50062MM



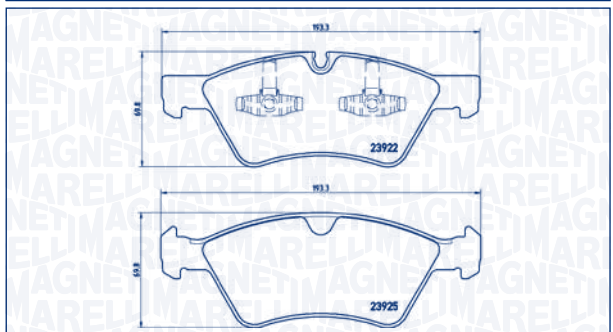
Ant	23541, 23943, 23944	97,8 × 78,5 × 17,5	BRE	[o]
-----	---------------------	--------------------	-----	-----

P50059MM



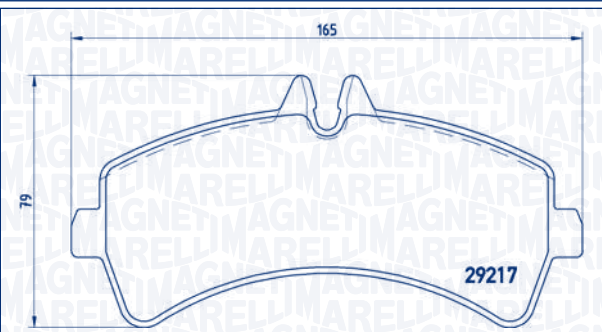
Ant	29200	169,3 × 73,5 × 20,9	BRE	[o]
-----	-------	---------------------	-----	-----

P50063MM



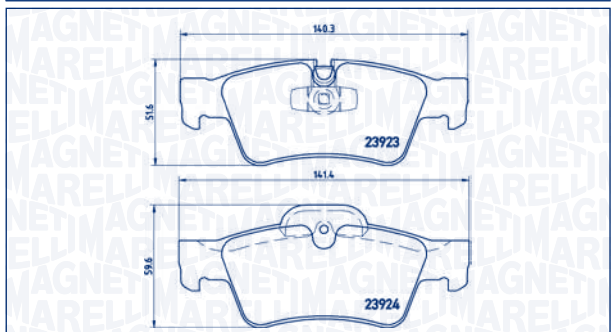
Ant	23922, 23925	193,1/194,3 × 69,8 × 21	ATE	[o]
-----	--------------	-------------------------	-----	-----

P50060MM



Post	29217	165 × 79 × 20,6	BSH	[o]
------	-------	-----------------	-----	-----

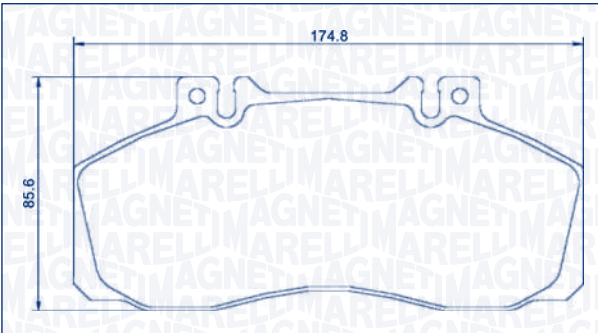
P50064MM



Post	23923, 26924	140,3/141,4 × 51,6/59,6 × 18	ATE	[o]
------	--------------	------------------------------	-----	-----

WVA	LENGTH × HEIGHT × THICKNESS [mm]	SYS	WI
-----	----------------------------------	-----	----

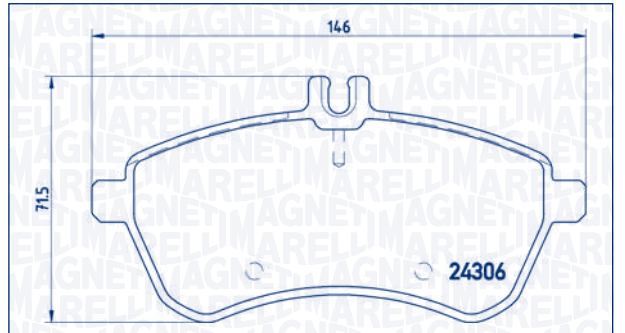
P50065MM



Ant 29835	174,8 × 85,6 × 22	ATE	[o]
-----------	-------------------	-----	-----

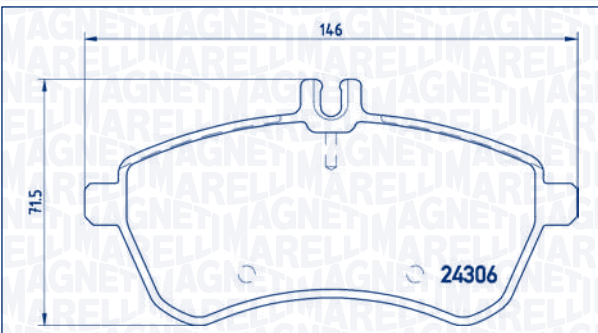
WVA	LENGTH × HEIGHT × THICKNESS [mm]	SYS	WI
-----	----------------------------------	-----	----

P50070MM



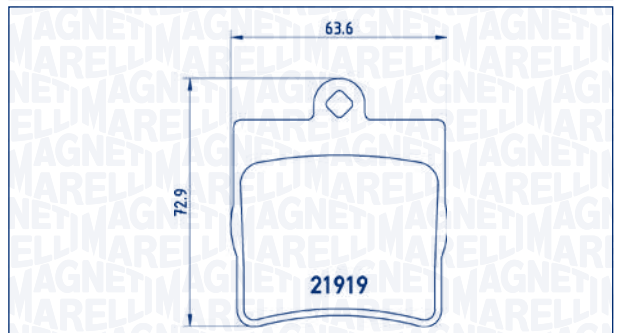
Ant 24306	146 × 71,5 × 20,6	TRW	[o]
-----------	-------------------	-----	-----

P50067MM



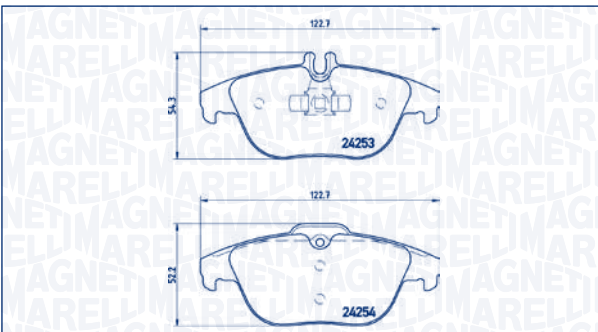
Ant 24306	146 × 71,5 × 20,6	TRW	[o]
-----------	-------------------	-----	-----

P50072MM



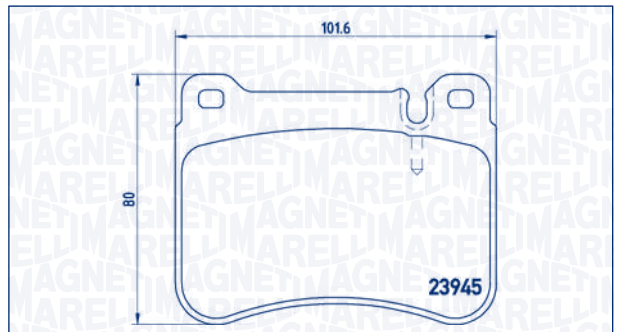
Post 21919	63,6 × 72,9 × 15,3	ATE	[-]
------------	--------------------	-----	-----

P50068MM



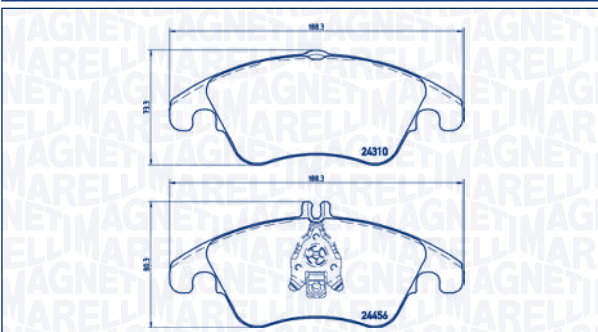
Post 24253, 24254	122,7 × 52,2/54,3 × 17,9	ATE	[o]
-------------------	--------------------------	-----	-----

P50073MM



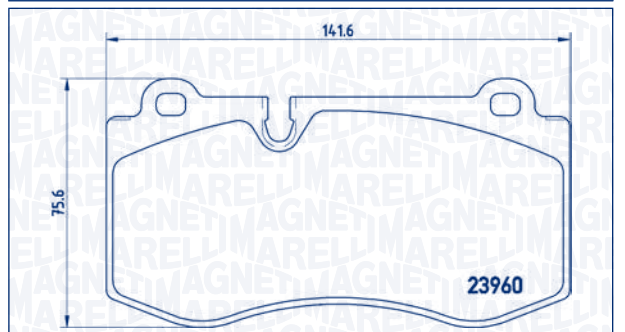
Ant 23945	101,6 × 80 × 16,5	BRE	[o]
-----------	-------------------	-----	-----

P50069MM



Ant 24310, 24311, 24456	188,3 × 73,3/80,3 × 19,4	TRW	[o]
-------------------------	--------------------------	-----	-----

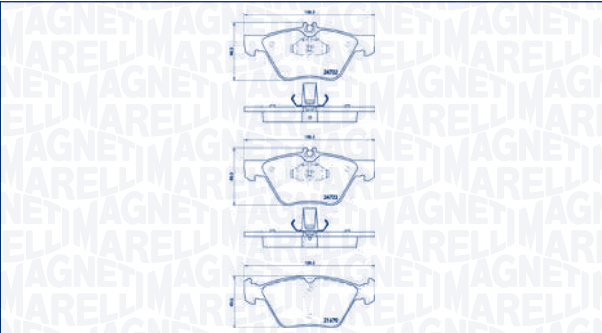
P50074MM



Ant 23960	141,6 × 75,6 × 17,8	BRE	[o]
-----------	---------------------	-----	-----

	WVA	LENGTH×HEIGHT×THICKNESS [mm]	SYS	WI
--	-----	---------------------------------	-----	----

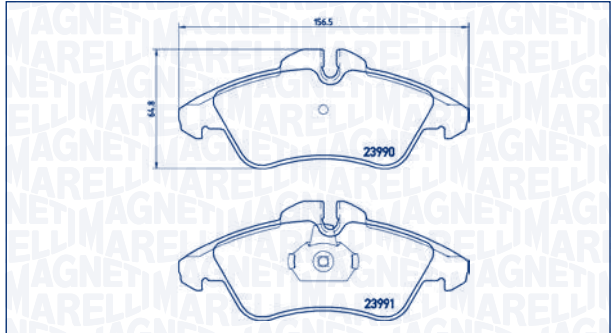
P50075MM



Ant	21670, 24722, 24723	155,1/156,5 × 63,5/69,3 × 19	ATE	[o]
-----	---------------------	------------------------------	-----	-----

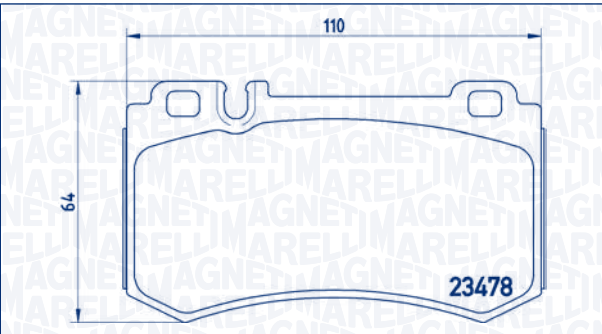
	WVA	LENGTH×HEIGHT×THICKNESS [mm]	SYS	WI
--	-----	---------------------------------	-----	----

P50080MM



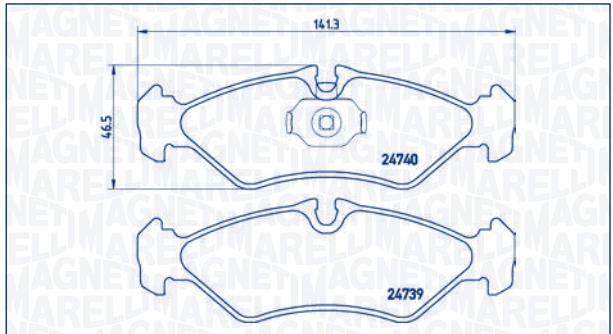
Ant	23990, 23991	156,5 × 64,8 × 20,7	ATE	[+]
-----	--------------	---------------------	-----	-----

P50077MM



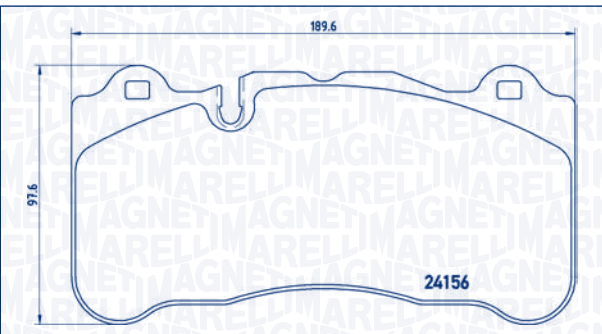
Post	23478	110 × 64 × 14,8	BRE	[o]
------	-------	-----------------	-----	-----

P50081MM



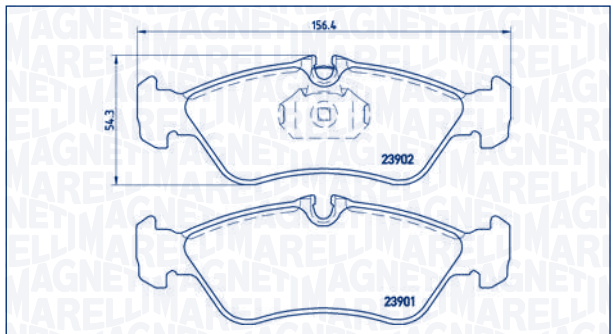
Post	24739, 24740	141,3 × 46,5 × 17,3	ATE	[+]
------	--------------	---------------------	-----	-----

P50078MM



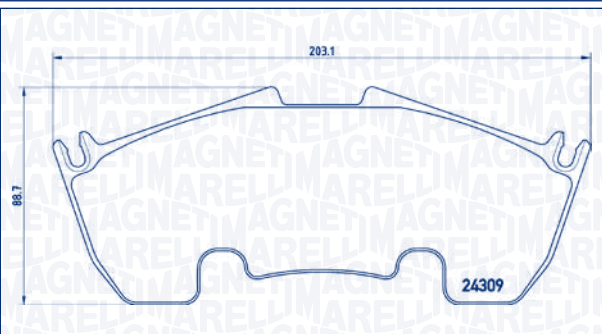
Ant	24156	189,6 × 97,6 × 17,1	BRE	[o]
-----	-------	---------------------	-----	-----

P50082MM



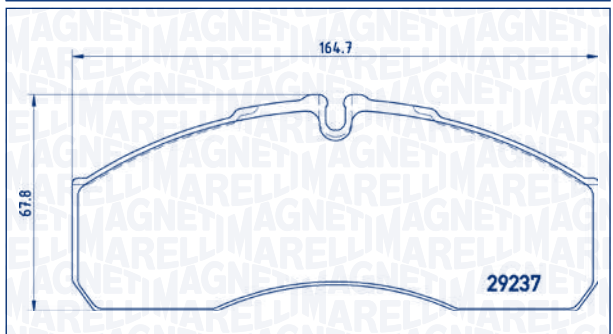
Post	23901, 23902	156,4 × 54,3 × 18,8	ATE	[+]
------	--------------	---------------------	-----	-----

P50079MM



Ant	24309	203,1 × 88,7 × 17,6	BRE	[o]
-----	-------	---------------------	-----	-----

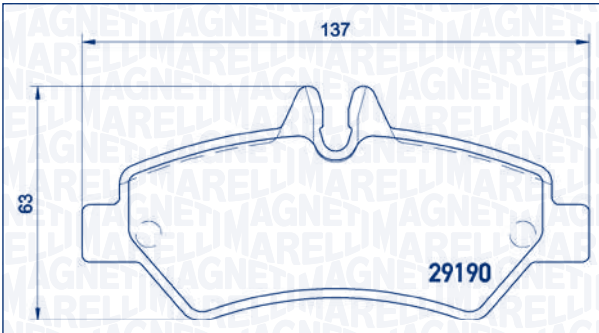
P50083MM



Ant	29237	164,7 × 67,8 × 19,9	BRE	[o]
-----	-------	---------------------	-----	-----

	WVA	LENGTH × HEIGHT × THICKNESS [mm]	SYS	WI
--	-----	----------------------------------	-----	----

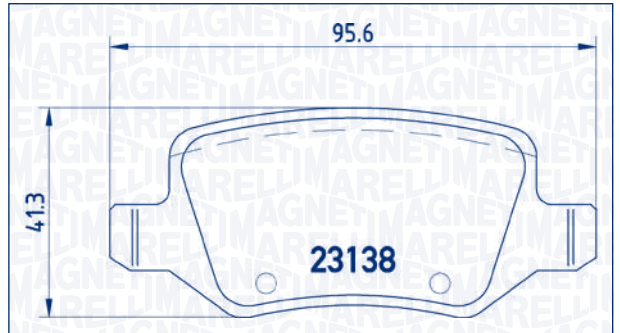
P50084MM



Post	29190	137 × 63 × 19	BSH	[+]
------	-------	---------------	-----	-----

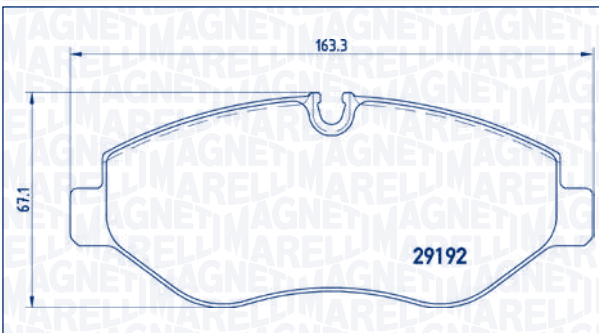
	WVA	LENGTH × HEIGHT × THICKNESS [mm]	SYS	WI
--	-----	----------------------------------	-----	----

P50090MM



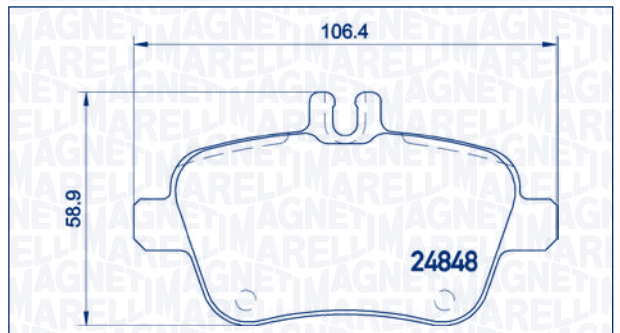
Post	23138	95,6 × 41,3 × 14,6	TRW	[-]
------	-------	--------------------	-----	-----

P50085MM



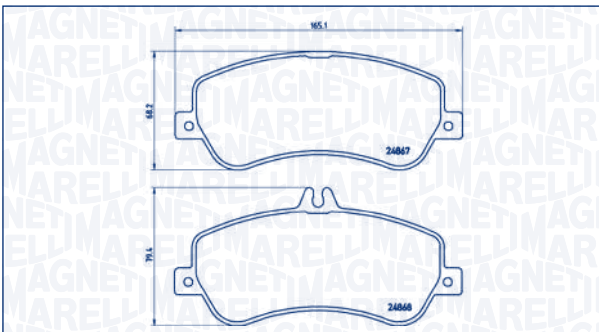
Ant	29192	163,3 × 67,1 × 20,9	BRE	[+]
-----	-------	---------------------	-----	-----

P50091MM



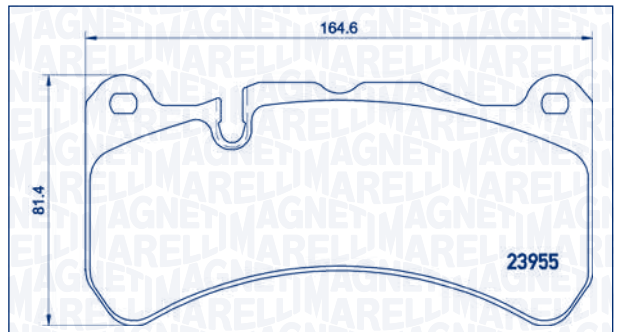
Post	24848	106,4 × 58,9 × 18,4	TRW	[o]
------	-------	---------------------	-----	-----

P50086MM



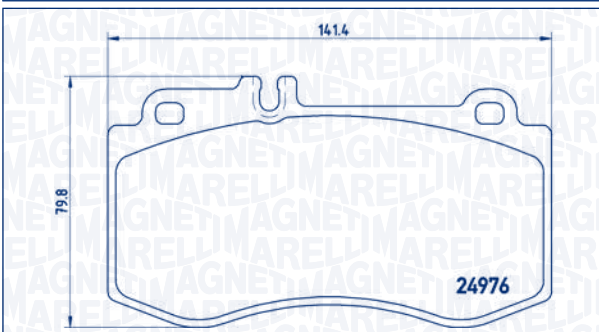
Ant	24868, 24867	165,1 × 68,2/79,4 × 20,2	BSH	[o]
-----	--------------	--------------------------	-----	-----

P50092MM



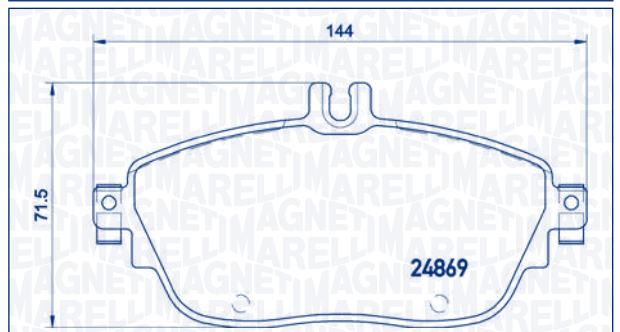
Ant	23955	164,6 × 81,4 × 17,5	BRE	[o]
-----	-------	---------------------	-----	-----

P50087MM



Ant	24976	141,4 × 79,8 × 17,5	BRE	[o]
-----	-------	---------------------	-----	-----

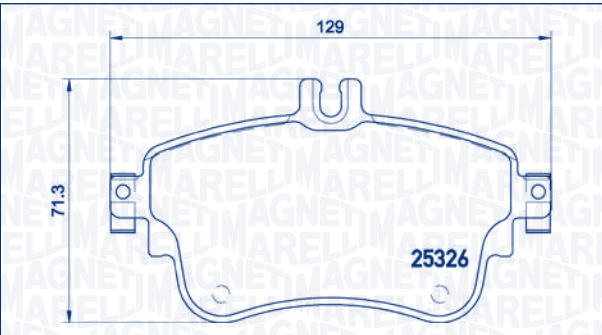
P50093MM



Ant	24869	144 × 71,5 × 19	TRW	[o]
-----	-------	-----------------	-----	-----

WVA	LENGTH×HEIGHT×THICKNESS [mm]	SYS	WI
-----	---------------------------------	-----	----

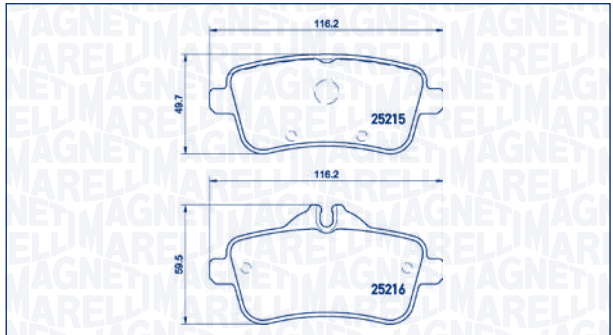
P50094MM



Ant	25326	129 × 71,3 × 19,2	TRW	[o]
-----	-------	-------------------	-----	-----

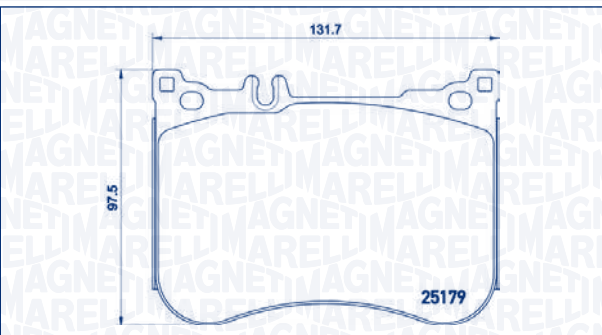
WVA	LENGTH×HEIGHT×THICKNESS [mm]	SYS	WI
-----	---------------------------------	-----	----

P50099MM



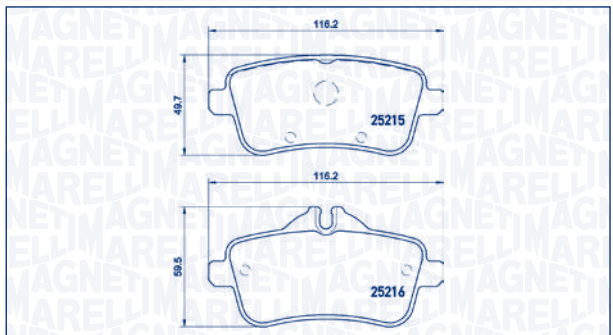
Post	25215, 25216	116,2 × 49,7/59,5 × 18,7	TRW	[o]
------	--------------	--------------------------	-----	-----

P50095MM



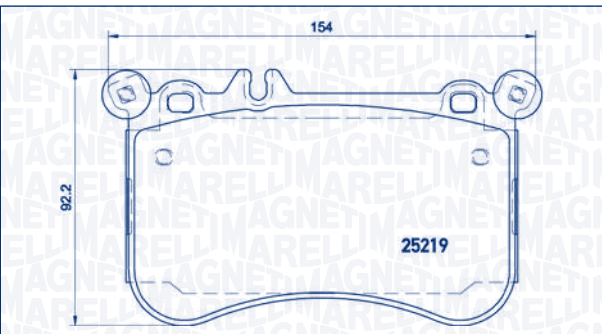
Ant	25179	131,7 × 97,5 × 17,8	BRE	[o]
-----	-------	---------------------	-----	-----

P50100MM



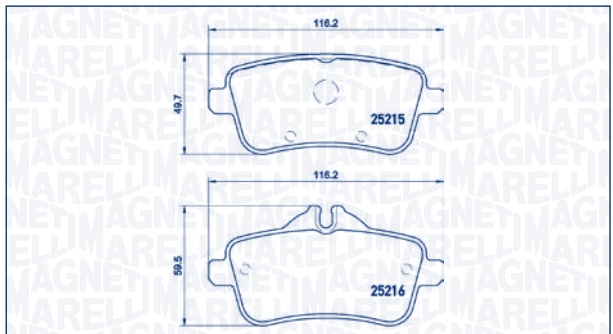
Post	25215, 25216	116,2 × 49,7/59,5 × 18,7	TRW	[o]
------	--------------	--------------------------	-----	-----

P50097MM



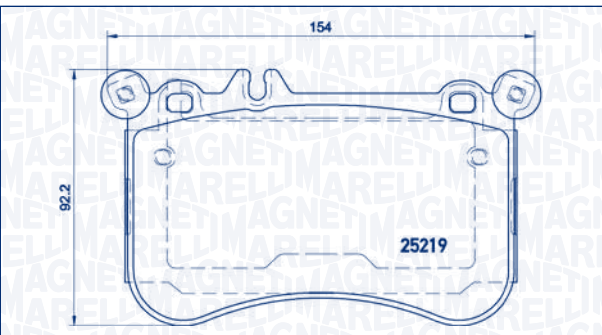
Ant	25219	154 × 92,2 × 17,8	BRE	[o]
-----	-------	-------------------	-----	-----

P50101MM



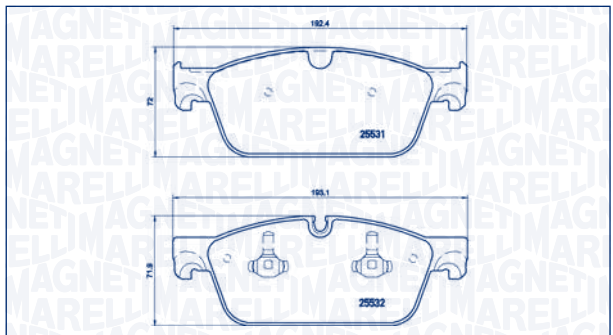
Post	25215, 25216	116,2 × 49,7/59,5 × 16,5	TRW	[o]
------	--------------	--------------------------	-----	-----

P50098MM



Ant	25219	154 × 92,2 × 17,8	BRE	[o]
-----	-------	-------------------	-----	-----

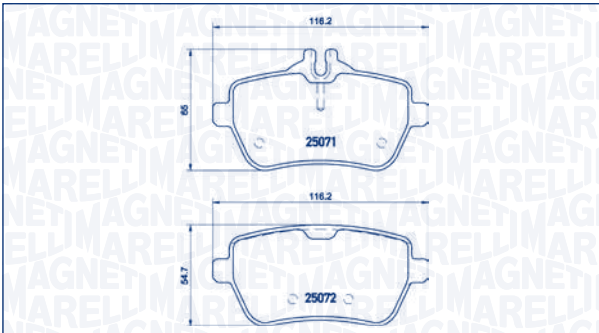
P50102MM



Ant	25531, 25532	192,4/193,1 × 71,9/72 × 19,2	ATE	[o]
-----	--------------	------------------------------	-----	-----

WVA	LENGTH × HEIGHT × THICKNESS [mm]	SYS	WI
-----	----------------------------------	-----	----

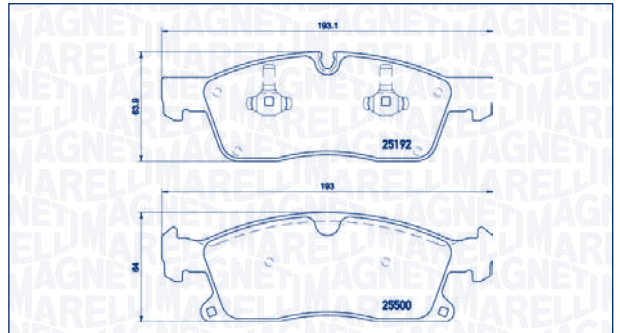
P50103MM



Post	25071, 25072	116,2 × 54,7/65 × 18,8	TRW	[o]
------	--------------	------------------------	-----	-----

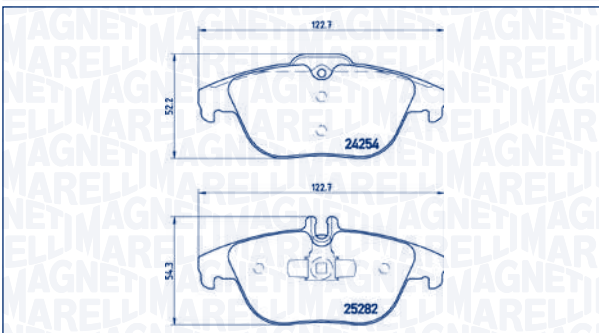
WVA	LENGTH × HEIGHT × THICKNESS [mm]	SYS	WI
-----	----------------------------------	-----	----

P50108MM



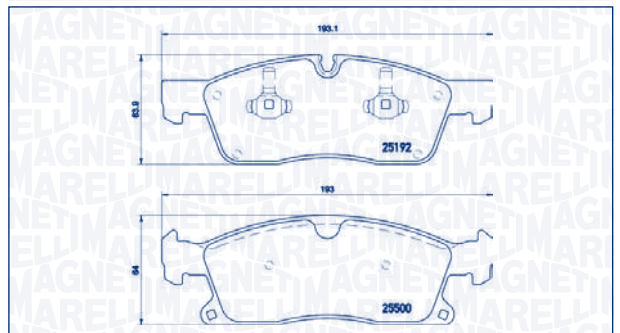
Ant	25192	193/193,1 × 63,9/64 × 19	ATE	[o]
-----	-------	--------------------------	-----	-----

P50104MM



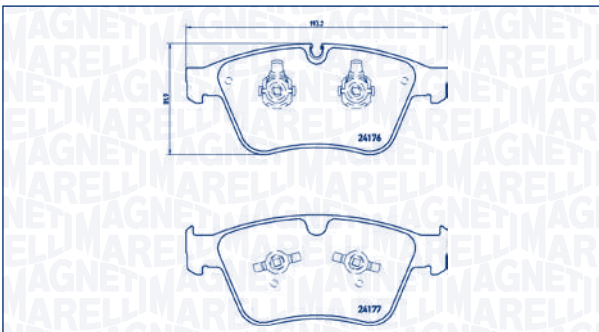
Post	25282, 24254	122,7 × 52,2/54,3 × 17,9	ATE	[o]
------	--------------	--------------------------	-----	-----

P50109MM



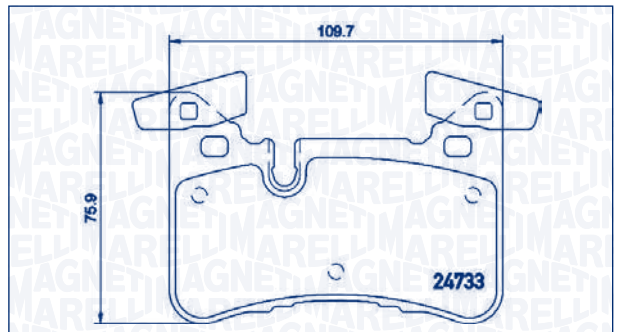
Ant	25192	193/193,1 × 63,9/64 × 21,3	ATE	[o]
-----	-------	----------------------------	-----	-----

P50105MM



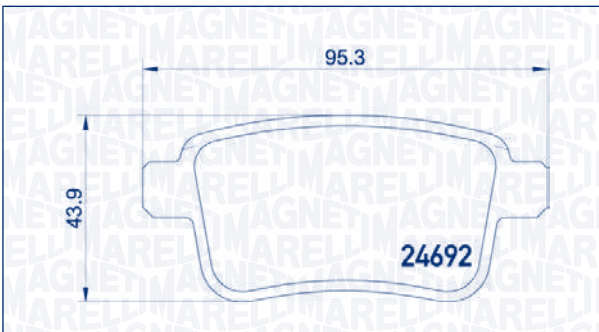
Ant	24176, 24177	193,3 × 77 × 20,8	ATE	[o]
-----	--------------	-------------------	-----	-----

P50110MM



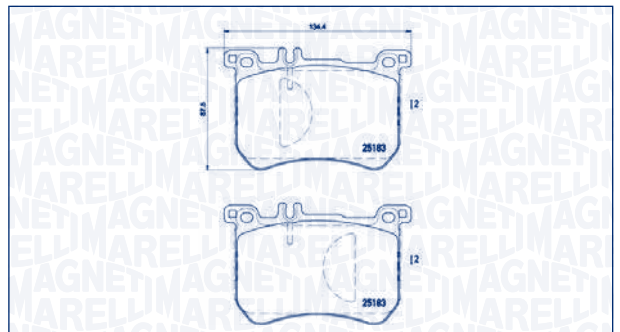
Post	24733	109,7 × 75,9 × 15,3	BRE	[o]
------	-------	---------------------	-----	-----

P50107MM



Post	24692	95,3 × 43,9 × 16	TRW	[-]
------	-------	------------------	-----	-----

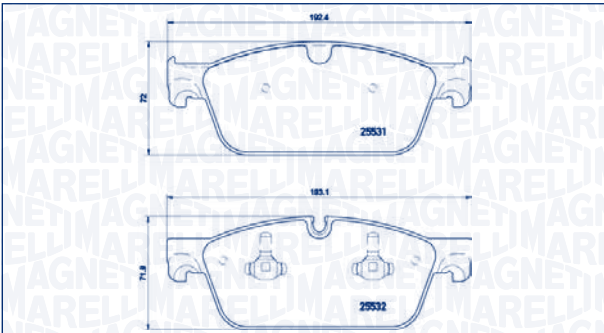
P50111MM



Ant	25183	134,4 × 87,5 × 17,8	BRE	[o]
-----	-------	---------------------	-----	-----

WVA	LENGTH×HEIGHT×THICKNESS [mm]	SYS	WI
-----	------------------------------	-----	----

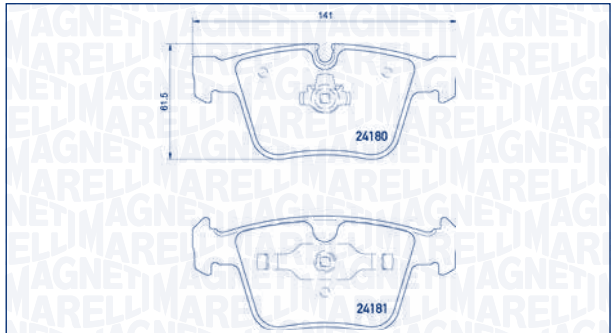
P50112MM



Ant	25531, 25532	192,4/193,1 × 71,9/72 × 17,2	ATE	[o]
-----	--------------	------------------------------	-----	-----

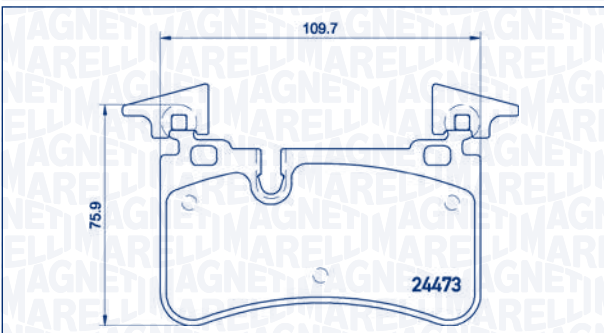
WVA	LENGTH×HEIGHT×THICKNESS [mm]	SYS	WI
-----	------------------------------	-----	----

P50116MM



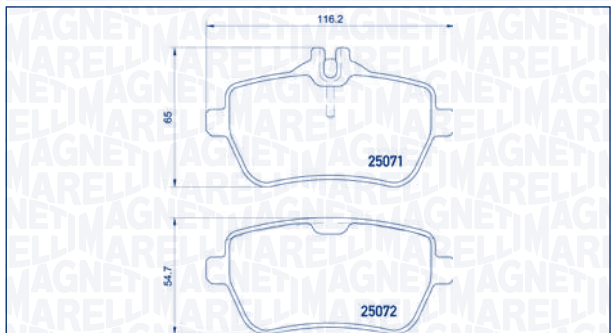
Post	24180, 24181	141 × 61,7 × 16,9	ATE	[o]
------	--------------	-------------------	-----	-----

P50113MM



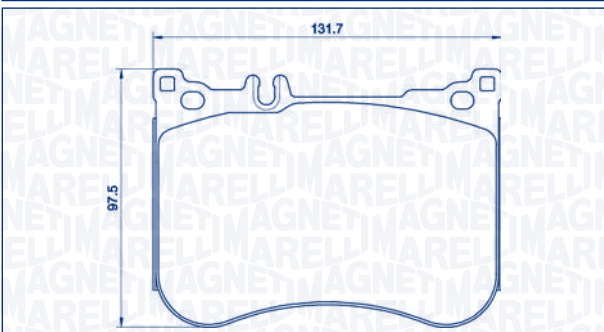
Post	24473	109,7 × 75,9 × 14,8	BRE	[-]
------	-------	---------------------	-----	-----

P50117MM



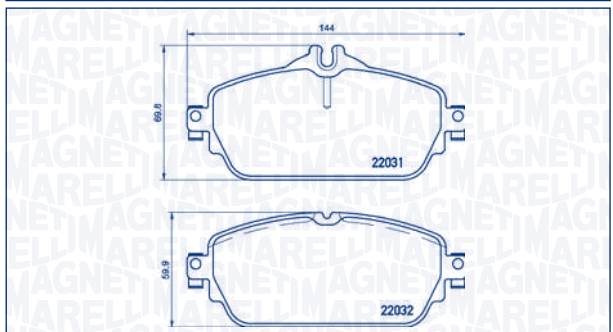
Post	25071, 25072	116,2 × 54,7/65 × 18,8	TRW	[o]
------	--------------	------------------------	-----	-----

P50114MM



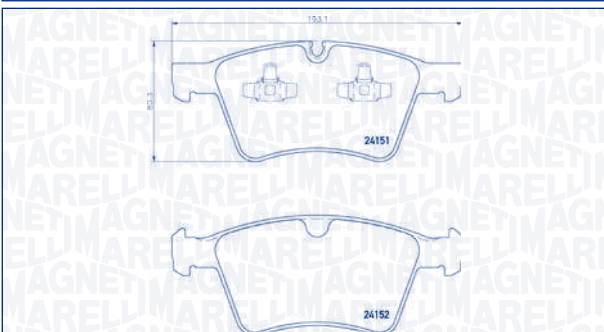
Ant	25179	131,7 × 97,5 × 17,5	BRE	[o]
-----	-------	---------------------	-----	-----

P50118MM



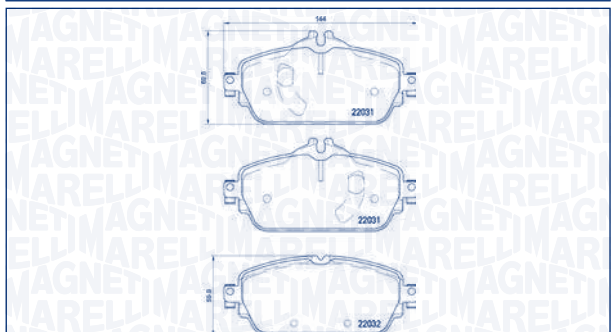
Ant	22031, 22032	144 × 59,8/69,8 × 19,3	TRW	[o]
-----	--------------	------------------------	-----	-----

P50115MM



Ant	24151, 24152	193,1 × 80,3 × 20,3	ATE	[o]
-----	--------------	---------------------	-----	-----

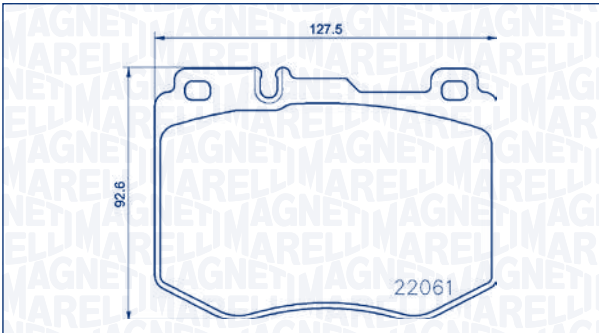
P50119MM



Ant	22031, 22032	144 × 59,8/69,8 × 19,3	TRW	[o]
-----	--------------	------------------------	-----	-----

	VVA	LENGTH × HEIGHT × THICKNESS [mm]	SYS	WI
--	-----	----------------------------------	-----	----

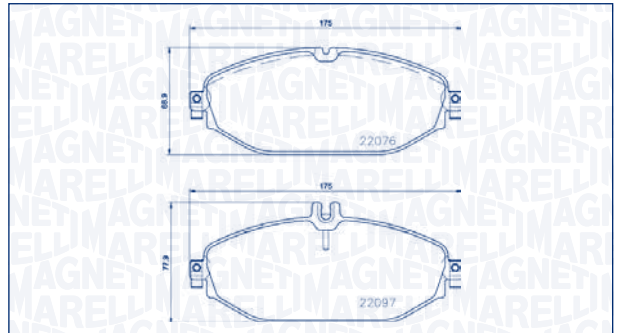
P50120MM



Ant	22061	127,5 × 92,6 × 18,9	BRE	[o]
-----	-------	---------------------	-----	-----

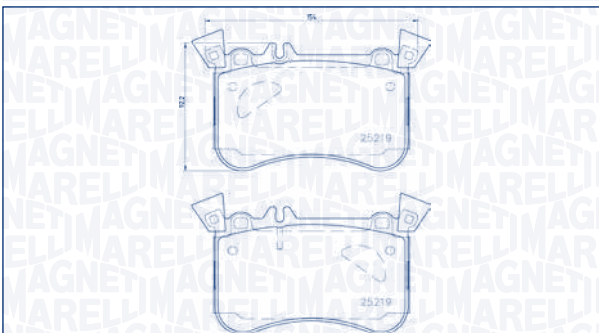
	VVA	LENGTH × HEIGHT × THICKNESS [mm]	SYS	WI
--	-----	----------------------------------	-----	----

P50124MM



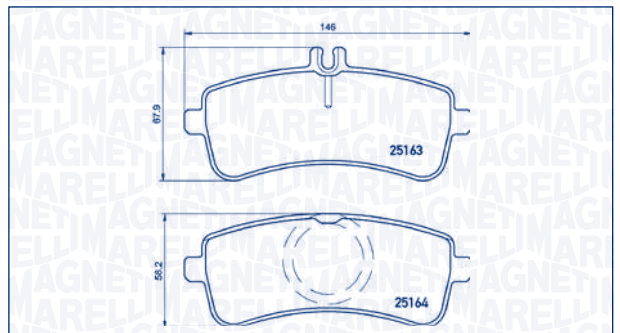
Ant	22076, 22097	175 × 68,9 × 19,4	TRW	[o]
-----	--------------	-------------------	-----	-----

P50121MM



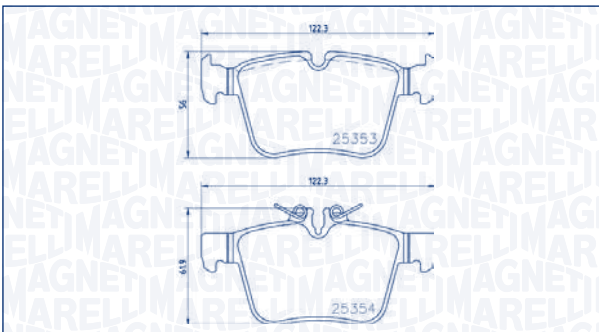
Ant	25219	154 × 92,2 × 16,7	BRE	[o]
-----	-------	-------------------	-----	-----

P50125MM



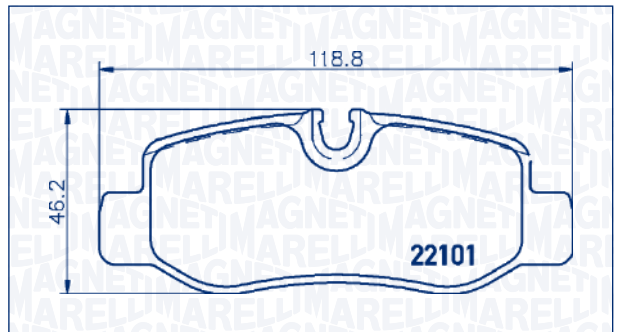
Post	25163, 25164	146 × 58,2/67,9 × 18,8	TRW	[o]
------	--------------	------------------------	-----	-----

P50122MM



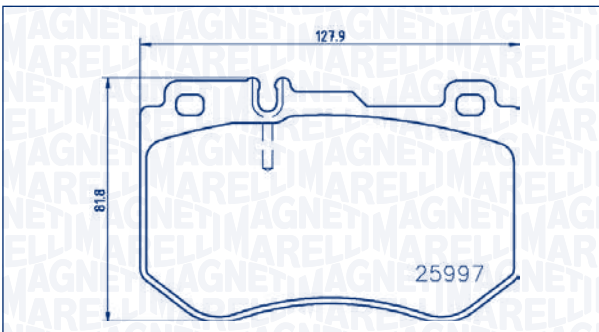
Post	25353, 25354	122,3 × 56/61,9 × 16,1	ATE	[o]
------	--------------	------------------------	-----	-----

P50126MM



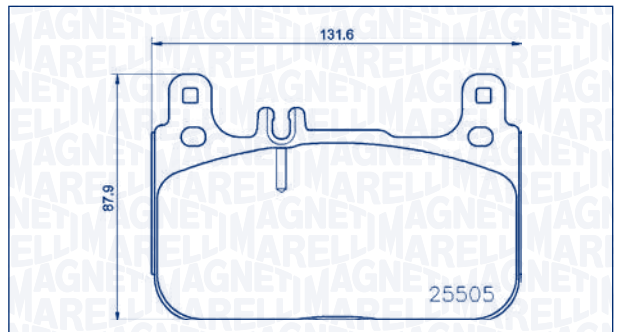
Post	22101	118,8 × 46,2 × 18,4	BRE	[o]
------	-------	---------------------	-----	-----

P50123MM



Ant	25997	127,9 × 81,8 × 18,7	BRE	[o]
-----	-------	---------------------	-----	-----

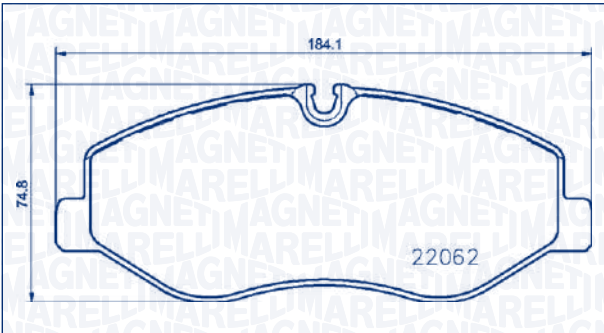
P50128MM



Ant	25505	131,5 × 87,9 × 17,7	BRE	[o]
-----	-------	---------------------	-----	-----

WVA	LENGTH×HEIGHT×THICKNESS [mm]	SYS	WI
-----	------------------------------	-----	----

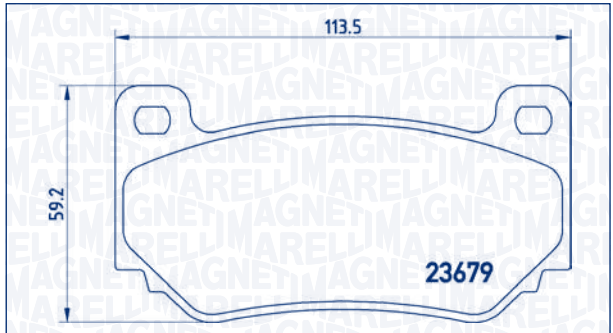
P50129MM



Ant 22062	184,1 × 74,8 × 20,8	BRE	[o]
-----------	---------------------	-----	-----

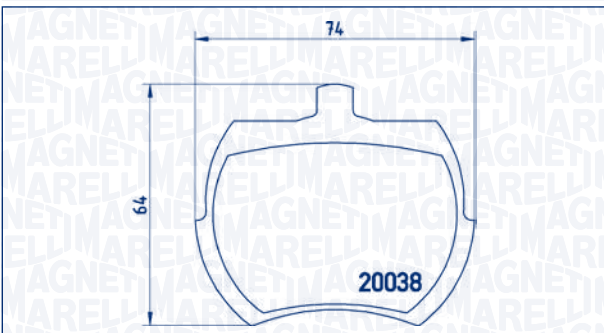
WVA	LENGTH×HEIGHT×THICKNESS [mm]	SYS	WI
-----	------------------------------	-----	----

P52018MM



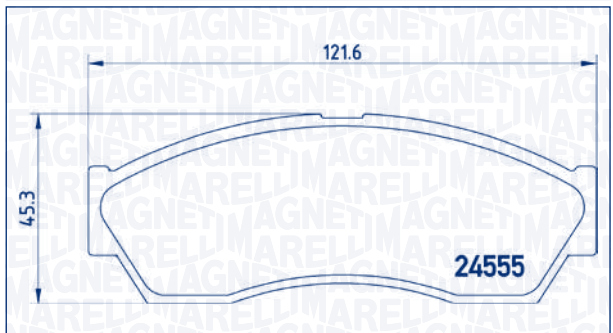
Ant 23679	113,5 × 59,2 × 16,1	LKD	[-]
-----------	---------------------	-----	-----

P52002MM



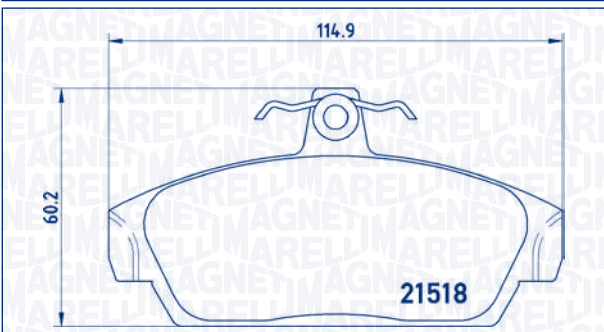
Ant 20038	74 × 64 × 13,8	LKD	[-]
-----------	----------------	-----	-----

P52019MM



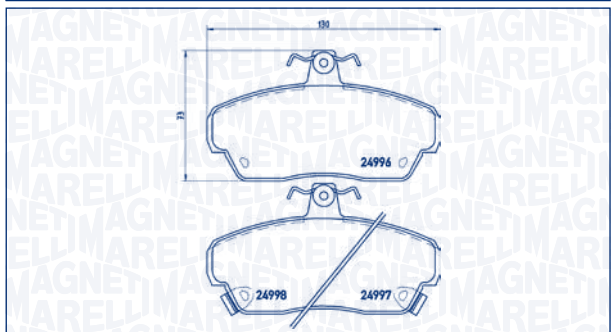
Ant 24555	121,6 × 45,3 × 16	TRW	[-]
-----------	-------------------	-----	-----

P52015MM



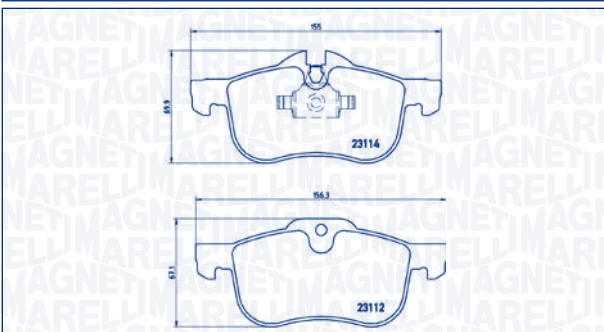
Ant 21518	114,9 × 60,2 × 17	TRW	[-]
-----------	-------------------	-----	-----

P52020MM



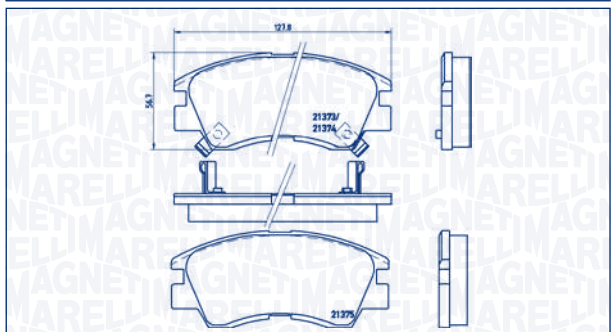
Ant 24996, 24997, 24998	130 × 73 × 17,4	TRW	[+]
-------------------------	-----------------	-----	-----

P52017MM



Ant 23112, 23114	155/156,3 × 67,1/69,9 × 19,1	ATE	[o]
------------------	------------------------------	-----	-----

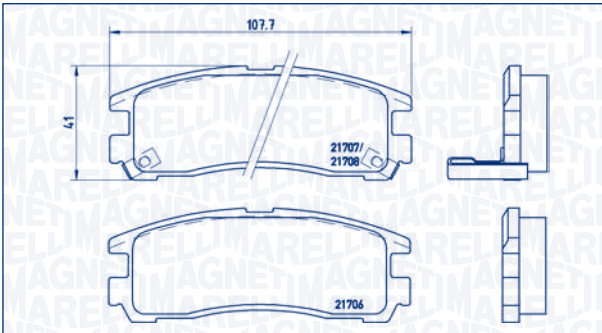
P54008MM



Ant 21373, 21374, 21375	127,8 × 56,7 × 16,5	SUM	[+]
-------------------------	---------------------	-----	-----

	WVA	LENGTH × HEIGHT × THICKNESS [mm]	SYS	WI
--	-----	----------------------------------	-----	----

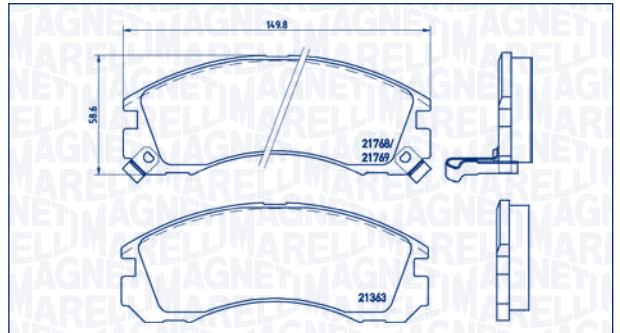
P54012MM



Post	21706, 21707, 21708	107,7 × 41 × 15,5	AKE	[+]
------	---------------------	-------------------	-----	-----

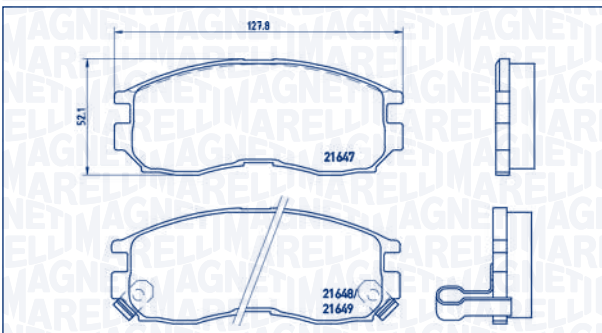
	WVA	LENGTH × HEIGHT × THICKNESS [mm]	SYS	WI
--	-----	----------------------------------	-----	----

P54017MM



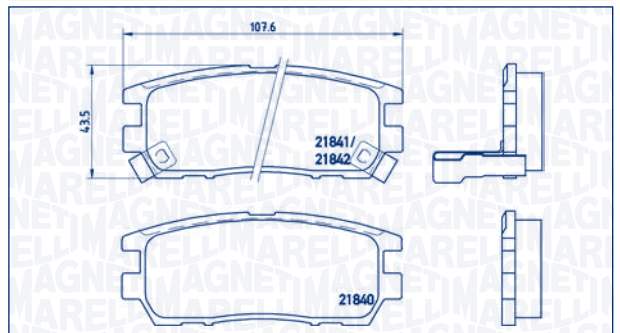
Ant	21363, 21768, 21769	149,8 × 58,6 × 15,7	AKE	[+]
-----	---------------------	---------------------	-----	-----

P54014MM



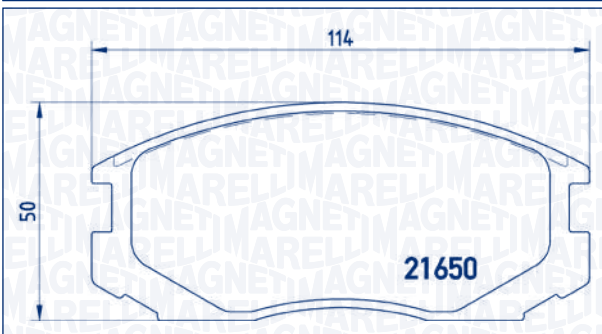
Ant	21647, 21648, 21649	127,8 × 52,1 × 16	SUM	[+]
-----	---------------------	-------------------	-----	-----

P54018MM



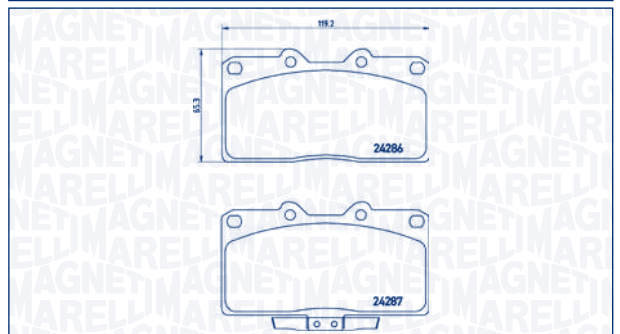
Post	21840, 21841, 21842	107,6 × 43,5 × 14	AKE	[+]
------	---------------------	-------------------	-----	-----

P54015MM



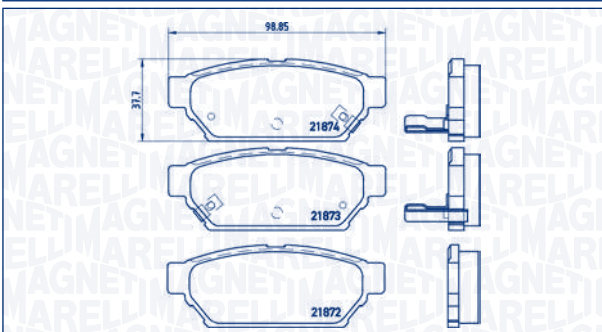
Ant	21650	114 × 50 × 15	SUM	[+]
-----	-------	---------------	-----	-----

P54019MM



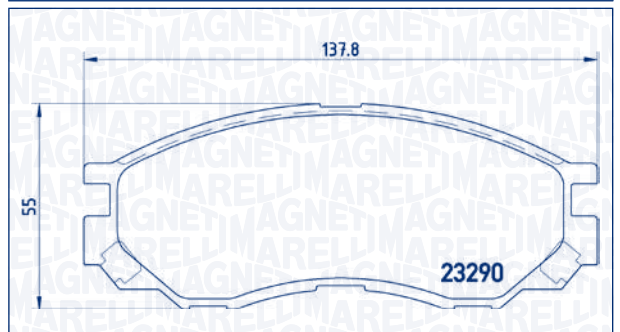
Ant	24286, 24287	119,2 × 65,3/74,8 × 14,7	AKE	[+]
-----	--------------	--------------------------	-----	-----

P54016MM



Post	21872, 21873, 21874	98,9 × 37,7 × 14,5	AKE	[+]
------	---------------------	--------------------	-----	-----

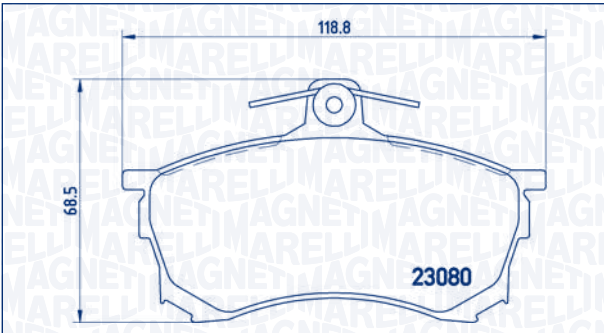
P54020MM



Ant	23290	137,8 × 55 × 15,5	AKE	[+]
-----	-------	-------------------	-----	-----

WVA	LENGTH×HEIGHT×THICKNESS [mm]	SYS	WI
-----	------------------------------	-----	----

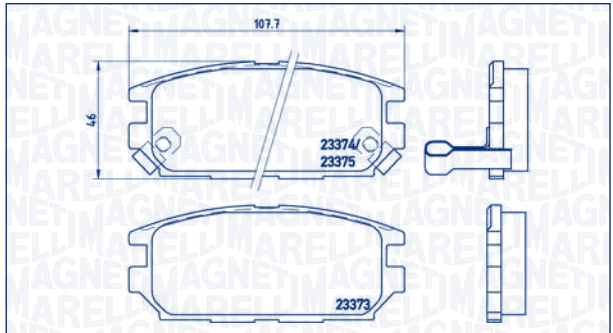
P54021MM



Ant	23080	118,8 × 68,5 × 15,1	TRW	[+]
-----	-------	---------------------	-----	-----

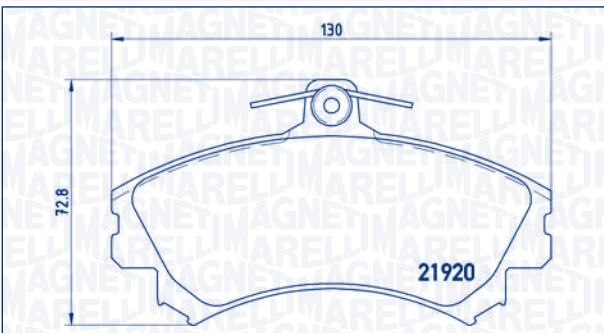
WVA	LENGTH×HEIGHT×THICKNESS [mm]	SYS	WI
-----	------------------------------	-----	----

P54025MM



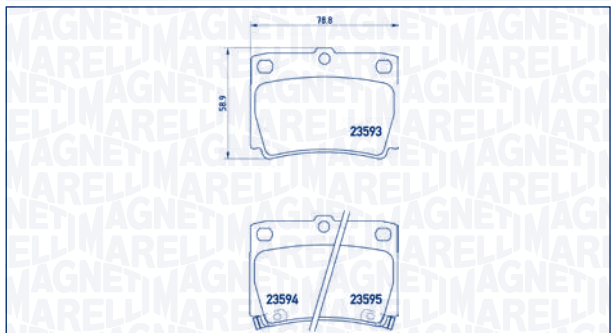
Post	23373, 23374, 23375	107,7 × 46 × 15	AKE	[+]
------	---------------------	-----------------	-----	-----

P54022MM



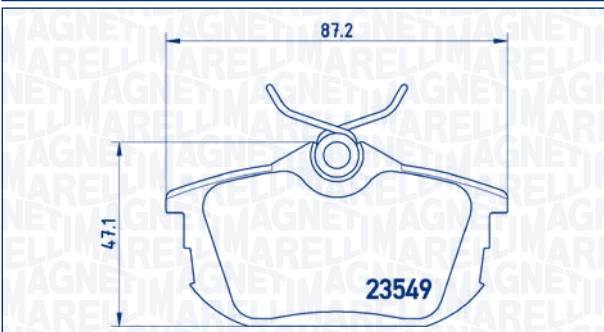
Ant	21920	130 × 72,8 × 15,1	TRW	[+]
-----	-------	-------------------	-----	-----

P54026MM



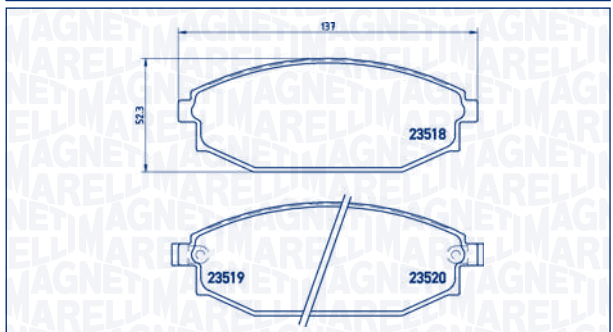
Post	23593, 23594, 23595	78,8 × 58,9 × 15	SUM	[+]
------	---------------------	------------------	-----	-----

P54023MM



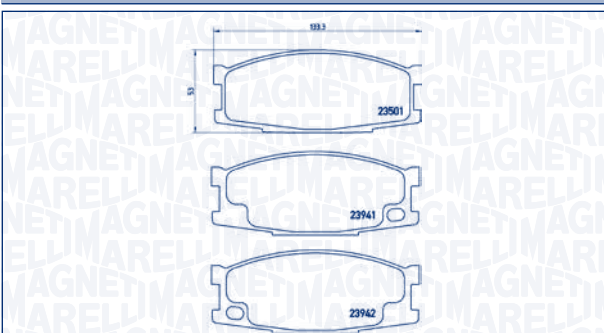
Post	21861, 23549	87,2 × 47,1 × 16,8	TRW	[+]
------	--------------	--------------------	-----	-----

P54027MM



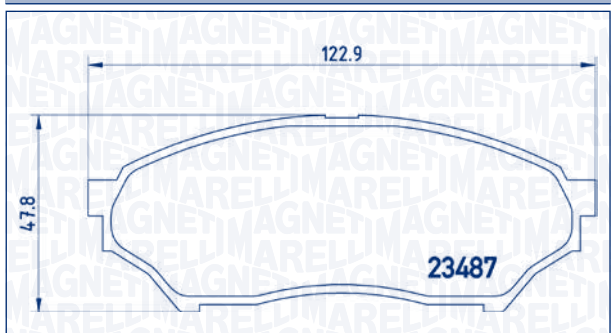
Ant	23518, 23519, 23520	137 × 52,3 × 17	SUM	[+]
-----	---------------------	-----------------	-----	-----

P54024MM



Ant	23501, 23941, 23942	133,3 × 53/53,5 × 17,2	SUM	[-]
-----	---------------------	------------------------	-----	-----

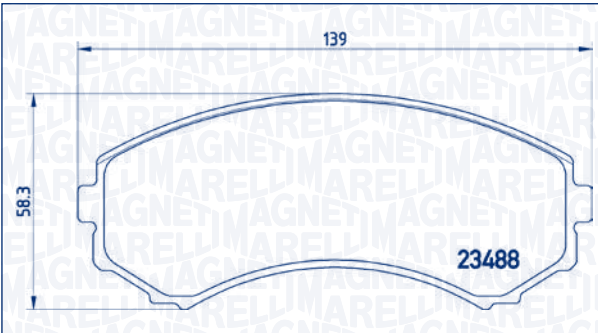
P54028MM



Ant	23487	122,9 × 47,8 × 15,5	SUM	[-]
-----	-------	---------------------	-----	-----

WVA	LENGTH × HEIGHT × THICKNESS [mm]	SYS	WI
-----	----------------------------------	-----	----

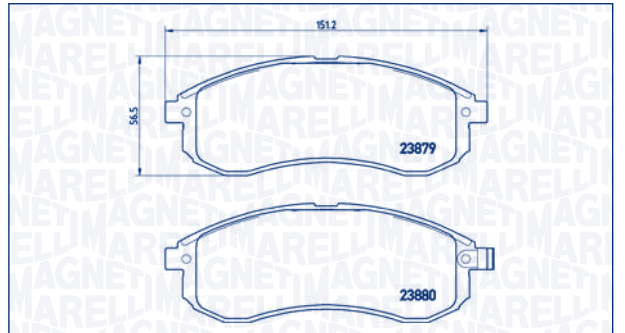
P54029MM



Ant	23488	139 × 58,3 × 16	SUM	[+]
-----	-------	-----------------	-----	-----

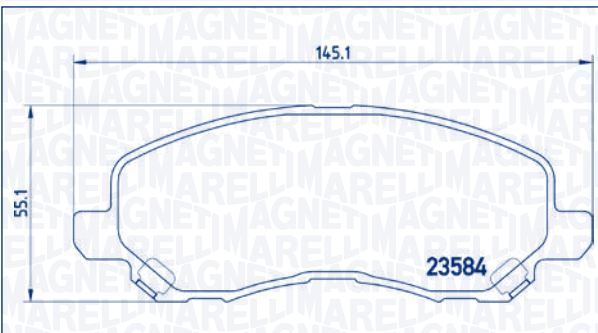
WVA	LENGTH × HEIGHT × THICKNESS [mm]	SYS	WI
-----	----------------------------------	-----	----

P54033MM



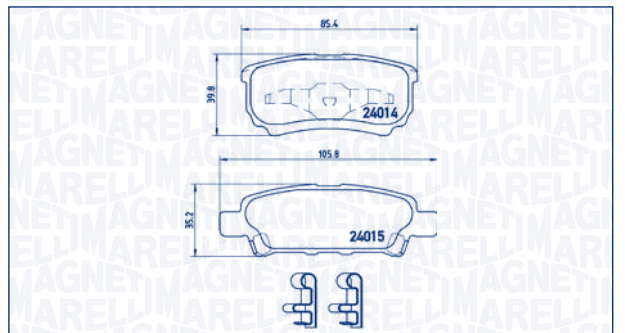
Ant	23879, 23880	151,2 × 56,5 × 15,5	SUM	[+]
-----	--------------	---------------------	-----	-----

P54030MM



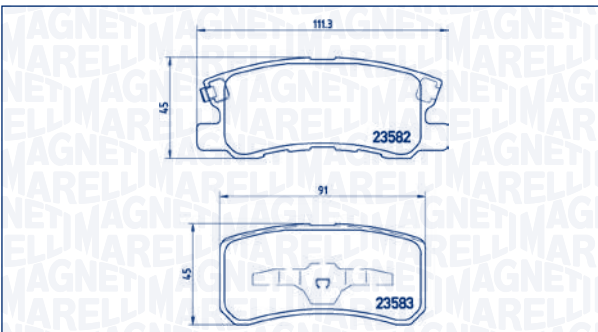
Ant	23584	145,1 × 55 × 16	AKE	[+]
-----	-------	-----------------	-----	-----

P54034MM



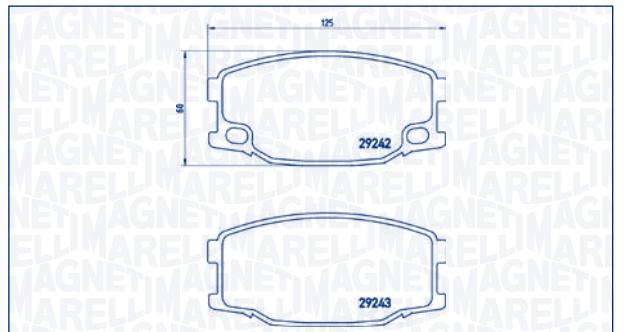
Post	24014, 24015	105,8/85,4 × 35,2/39,8 × 15,4	AKE	[+]
------	--------------	-------------------------------	-----	-----

P54031MM



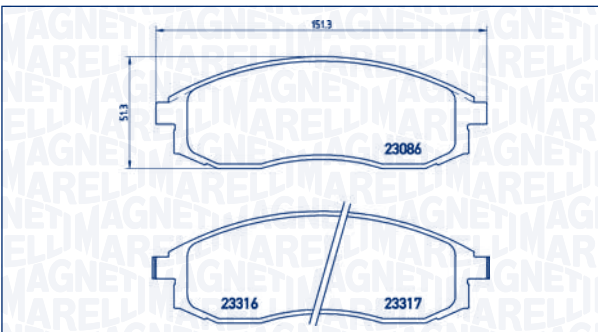
Post	23582, 23583	111,3/91 × 45 × 15,5	AKE	[+]
------	--------------	----------------------	-----	-----

P54035MM



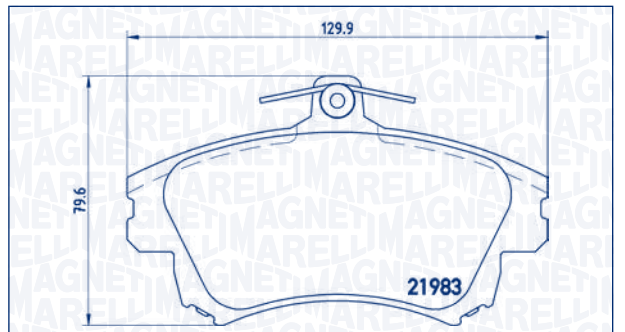
Ant	29242, 29243	125 × 60 × 19,4	SUM	[o]
-----	--------------	-----------------	-----	-----

P54032MM



Ant	23086, 23316, 23317	151,3 × 51,3 × 17	SUM	[+]
-----	---------------------	-------------------	-----	-----

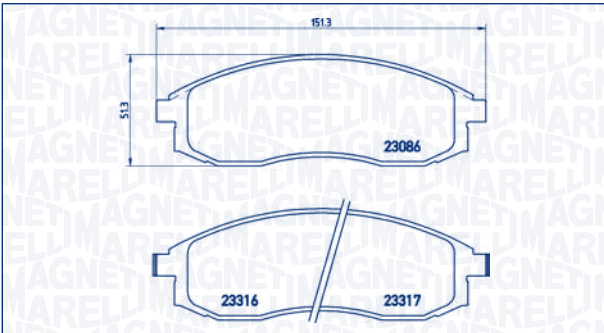
P54036MM



Ant	21983	129,9 × 79,6 × 16,5	TRW	[+]
-----	-------	---------------------	-----	-----

WVA	LENGTH×HEIGHT×THICKNESS [mm]	SYS	WI
-----	---------------------------------	-----	----

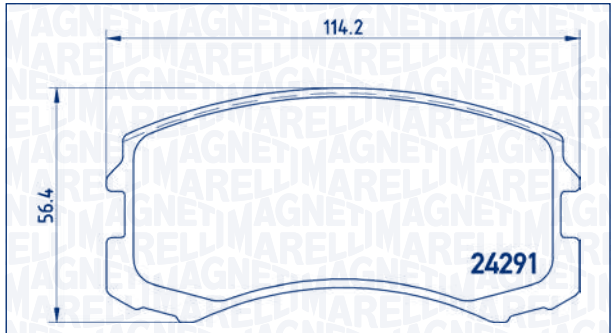
P54037MM



Ant	23086, 23316, 23317	151,3 × 51,3 × 16	SUM	[+]
-----	---------------------	-------------------	-----	-----

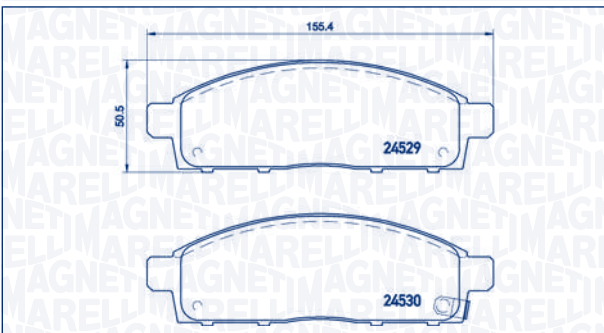
WVA	LENGTH×HEIGHT×THICKNESS [mm]	SYS	WI
-----	---------------------------------	-----	----

P54041MM



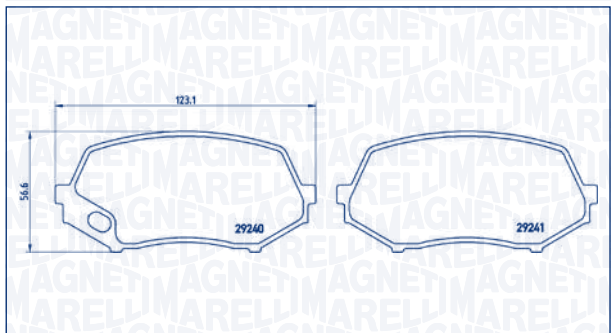
Ant	24291	114,2 × 56,4 × 16	SUM	[-]
-----	-------	-------------------	-----	-----

P54038MM



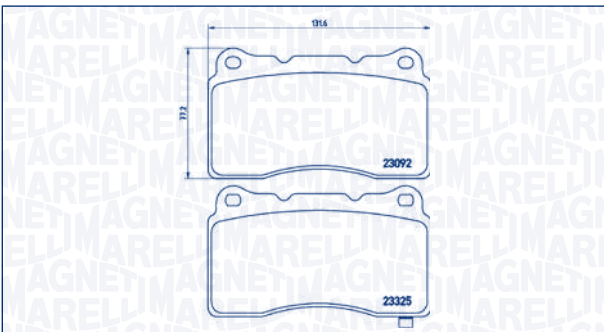
Ant	24529, 24530	155,5 × 49 × 16	TOK	[+]
-----	--------------	-----------------	-----	-----

P54044MM



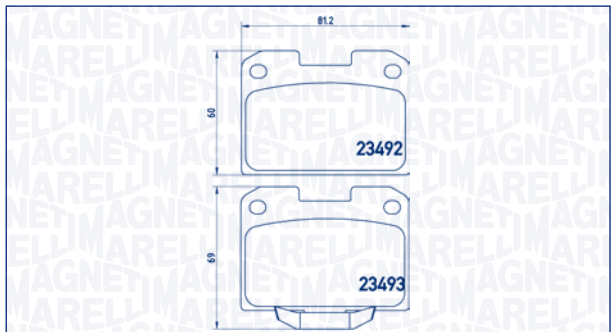
Ant	29240, 29241	123,1 × 56,6 × 17,3	SUM	[o]
-----	--------------	---------------------	-----	-----

P54039MM



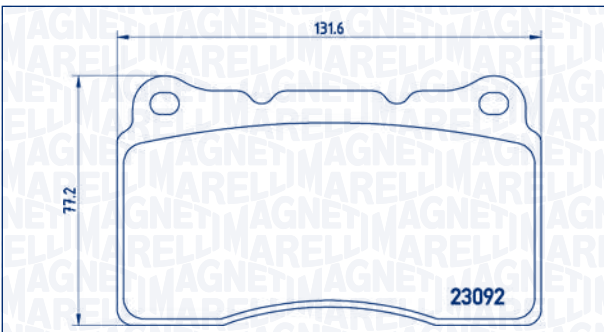
Ant	23092, 23325	131,6 × 77,2 × 15	BRE	[+]
-----	--------------	-------------------	-----	-----

P54048MM



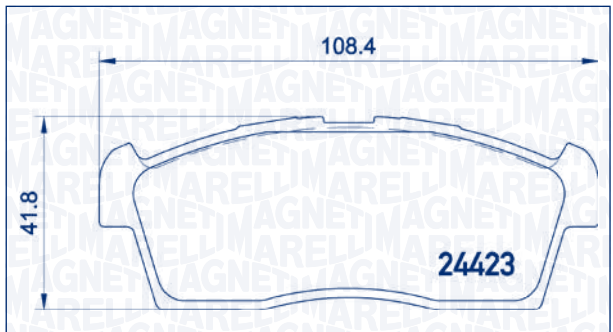
Post	23492, 23493	81,2 × 60/69 × 16,5	SUM	[+]
------	--------------	---------------------	-----	-----

P54040MM



Ant	23092	131,6 × 77,2 × 16	BRE	[-]
-----	-------	-------------------	-----	-----

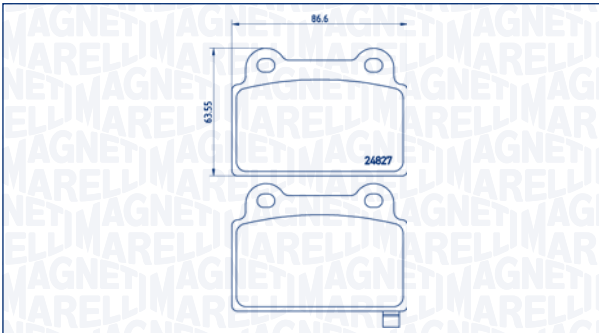
P54049MM



Ant	24423	108,4 × 41,8 × 14,7	SUM	[-]
-----	-------	---------------------	-----	-----

	WVA	LENGTH × HEIGHT × THICKNESS [mm]	SYS	WI
--	-----	----------------------------------	-----	----

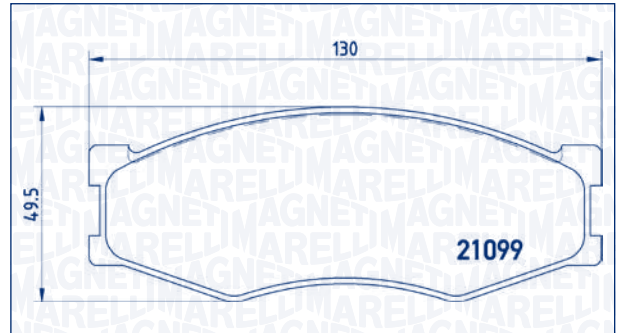
P54052MM



Post	24827, 24849	86,6 × 63,6 × 14,1	BRE	[+]
------	--------------	--------------------	-----	-----

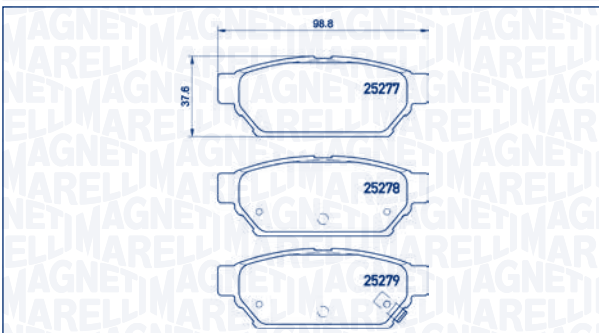
	WVA	LENGTH × HEIGHT × THICKNESS [mm]	SYS	WI
--	-----	----------------------------------	-----	----

P56014MM



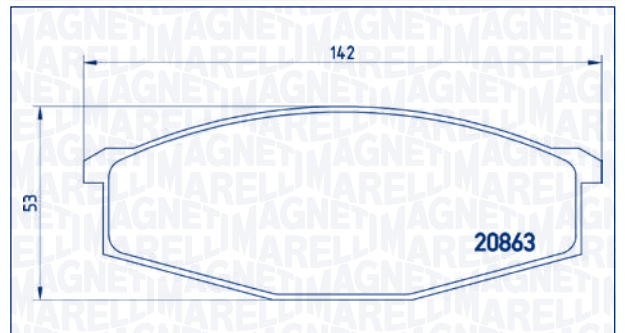
Ant	21099	130 × 49,5 × 17	AKE	[-]
-----	-------	-----------------	-----	-----

P54053MM



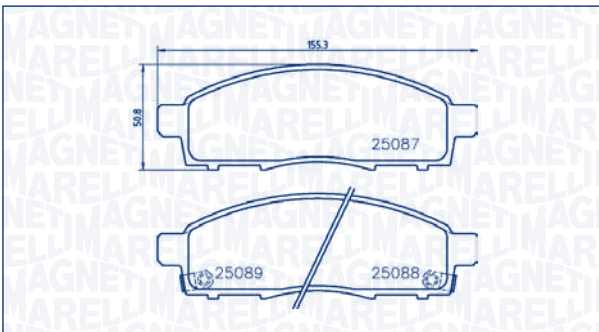
Post	25277, 25278, 25279	98,8 × 37,6 × 14,5	AKE	[+]
------	---------------------	--------------------	-----	-----

P56015MM



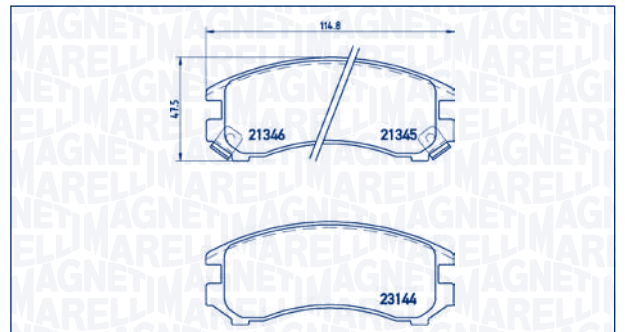
Ant	20863	142 × 53 × 17,2	TRW	[-]
-----	-------	-----------------	-----	-----

P54055MM



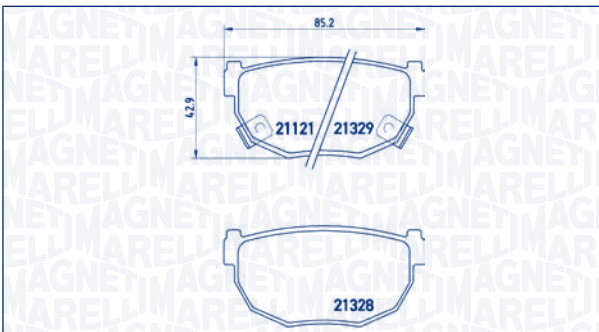
Ant	24529, 24530, 25004	155,4 × 51 × 16	TOK	[+]
-----	---------------------	-----------------	-----	-----

P56018MM



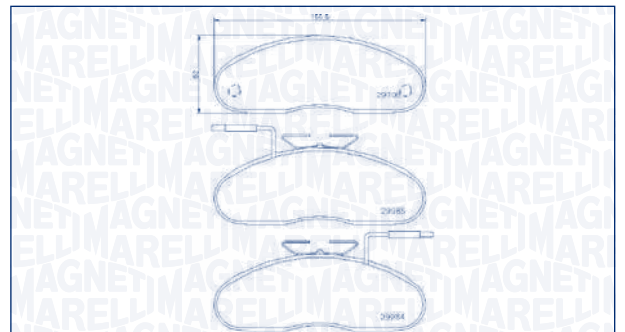
Ant	21344, 21345, 21346	114,8 × 47,5 × 16	AKE	[+]
-----	---------------------	-------------------	-----	-----

P56010MM



Post	21121, 21328, 21329	85,2 × 41,6/42,9 × 14	AKE	[+]
------	---------------------	-----------------------	-----	-----

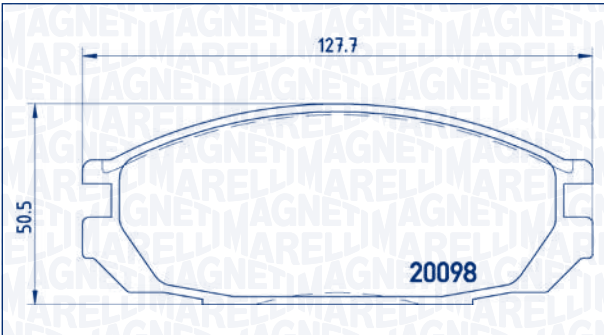
P56019MM



Ant	20984, 20985, 29706	166,6 × 62 × 17	BDX	[+]
-----	---------------------	-----------------	-----	-----

WVA	LENGTH×HEIGHT×THICKNESS [mm]	SYS	WI
-----	------------------------------	-----	----

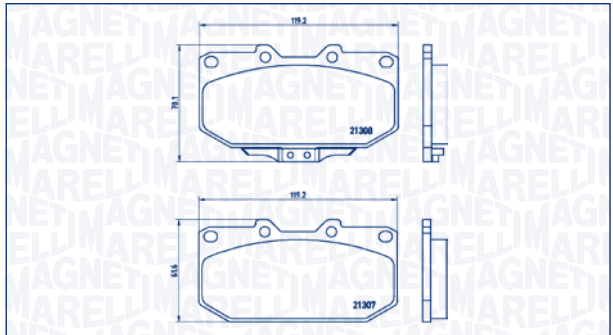
P56020MM



Post	20098	127,7 × 50,5 × 17	SUM	[-]
------	-------	-------------------	-----	-----

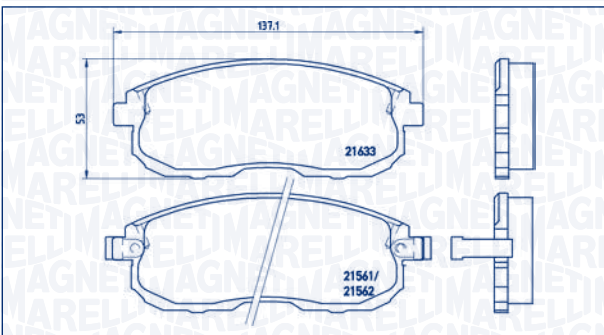
WVA	LENGTH×HEIGHT×THICKNESS [mm]	SYS	WI
-----	------------------------------	-----	----

P56025MM



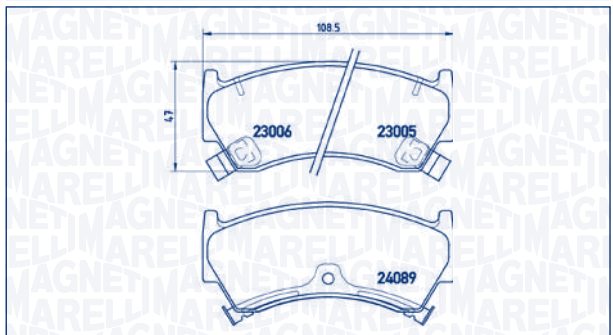
Ant	21307, 21308	119,2 × 61,6/70,1 × 14,5	SUM	[+]
-----	--------------	--------------------------	-----	-----

P56021MM



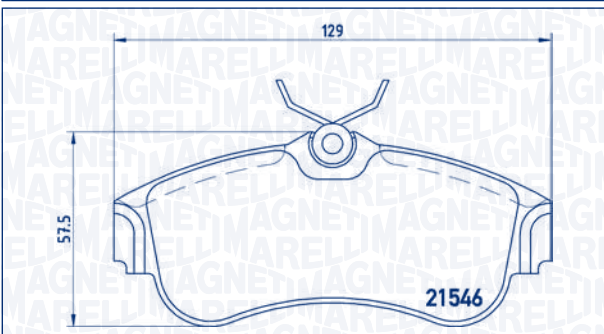
Ant	21561, 21562, 21633	137,1 × 53 × 17	SUM	[+]
-----	---------------------	-----------------	-----	-----

P56026MM



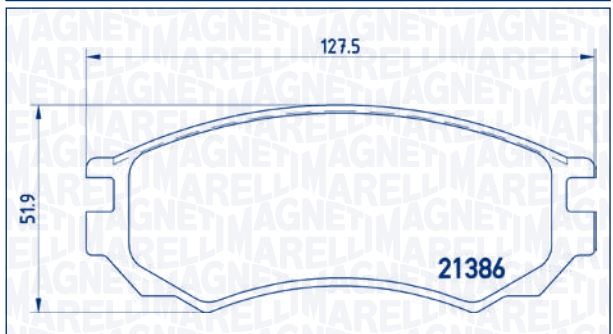
Ant	23005, 23006, 24089	108,5 × 47 × 15,5	AKE	[+]
-----	---------------------	-------------------	-----	-----

P56022MM



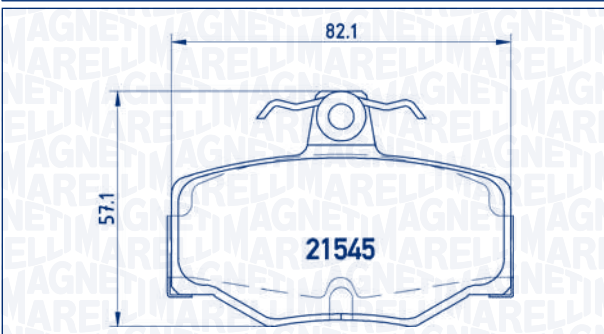
Ant	21546	129 × 57,5 × 17,5	TRW	[-]
-----	-------	-------------------	-----	-----

P56028MM



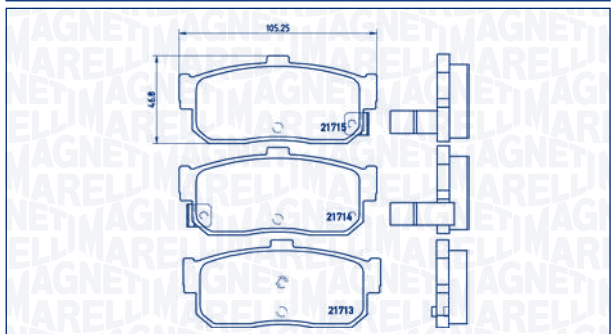
Ant	21386	127,5 × 51,9 × 15	SUM	[-]
-----	-------	-------------------	-----	-----

P56024MM



Post	21545	82,1 × 57,1 × 15,6	TRW	[-]
------	-------	--------------------	-----	-----

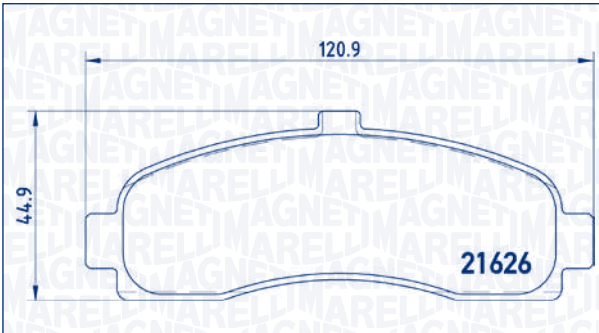
P56029MM



Post	21713, 21714, 21715	105,3 × 46,8 × 16,4	AKE	[+]
------	---------------------	---------------------	-----	-----

WVA	LENGTH × HEIGHT × THICKNESS [mm]	SYS	WI
-----	----------------------------------	-----	----

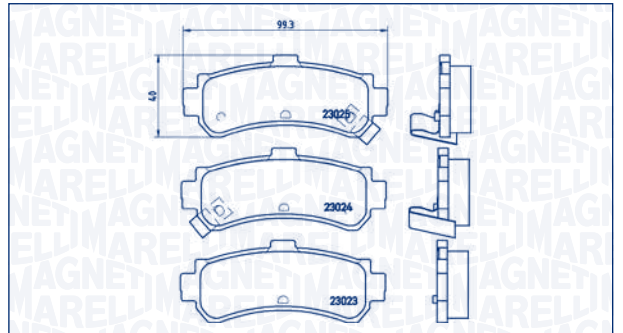
P56031MM



Ant	21626	120,9 × 44,9 × 15,8	AKE	[-]
-----	-------	---------------------	-----	-----

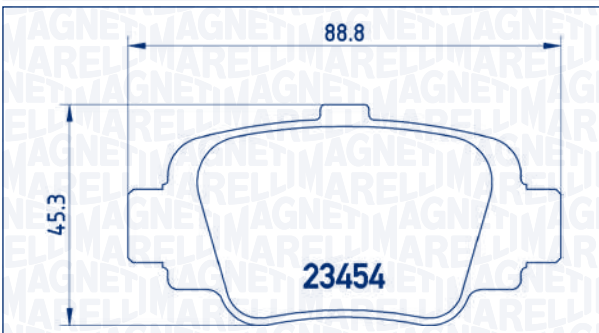
WVA	LENGTH × HEIGHT × THICKNESS [mm]	SYS	WI
-----	----------------------------------	-----	----

P56035MM



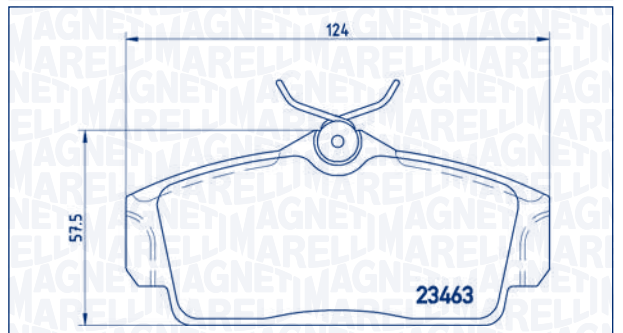
Post	23023, 23024, 23025	99,3 × 40 × 15	AKE	[+]
------	---------------------	----------------	-----	-----

P56032MM



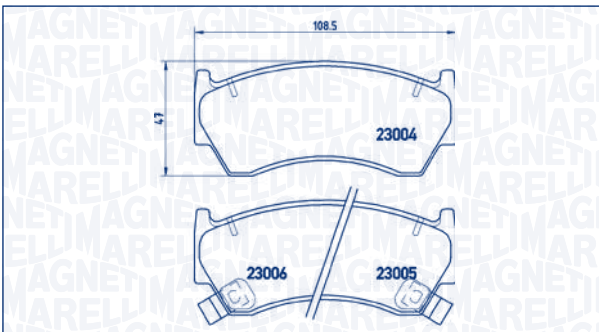
Post	23454	88,8 × 45,3 × 15	SUM	[-]
------	-------	------------------	-----	-----

P56036MM



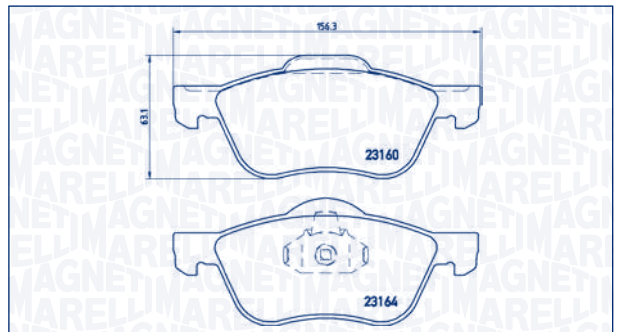
Ant	23093, 23463	124 × 57,5 × 16,6	TRW	[-]
-----	--------------	-------------------	-----	-----

P56033MM



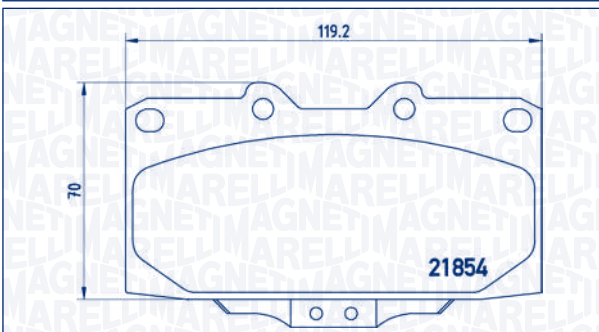
Ant	23004, 23005, 23006	108,5 × 47 × 15,5	AKE	[+]
-----	---------------------	-------------------	-----	-----

P56037MM



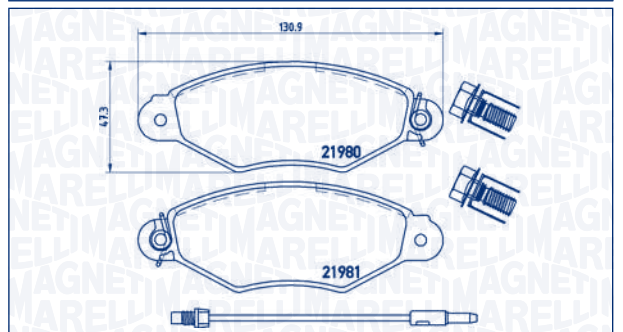
Ant	23160, 23164	156,3 × 63,1 × 17,3	ATE	[-]
-----	--------------	---------------------	-----	-----

P56034MM



Ant	21854	119,2 × 70 × 15	SUM	[+]
-----	-------	-----------------	-----	-----

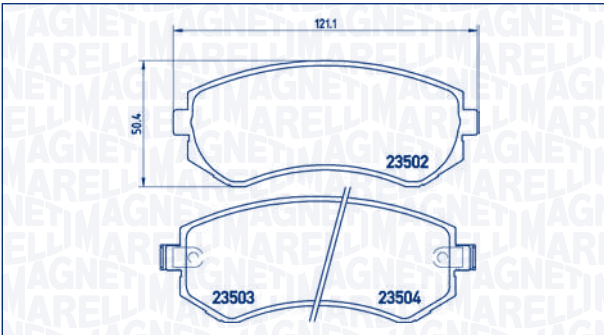
P56038MM



Ant	21980, 21981	130,9 × 47,3 × 18	BSH	[+]
-----	--------------	-------------------	-----	-----

WVA	LENGTH×HEIGHT×THICKNESS [mm]	SYS	WI
-----	------------------------------	-----	----

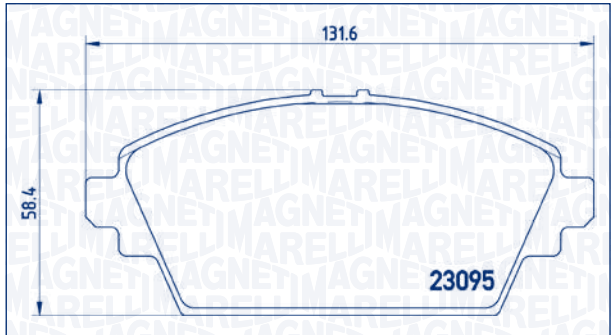
P56039MM



Ant	23502, 23503, 23504	121,1 × 50,4 × 16	SUM	[+]
-----	---------------------	-------------------	-----	-----

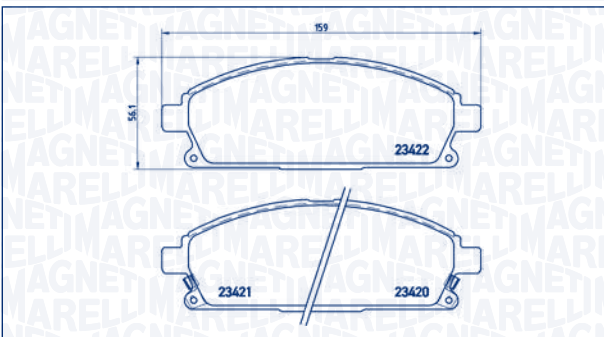
WVA	LENGTH×HEIGHT×THICKNESS [mm]	SYS	WI
-----	------------------------------	-----	----

P56044MM



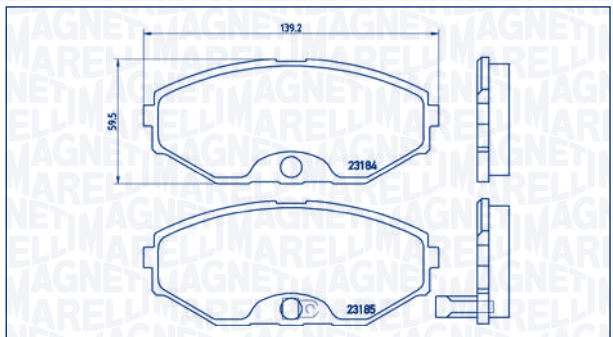
Ant	23095	131,6 × 58,4 × 17	TRW	[-]
-----	-------	-------------------	-----	-----

P56040MM



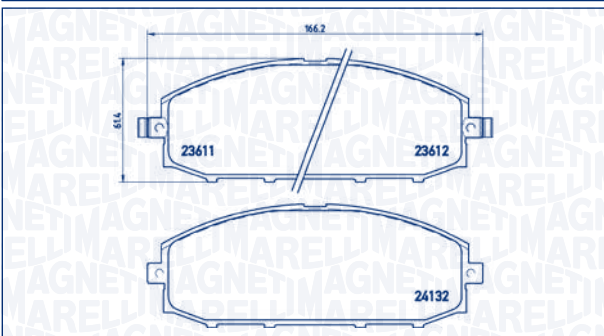
Ant	23420, 23421, 23422	159 × 56,1 × 16,5	NSN	[+]
-----	---------------------	-------------------	-----	-----

P56045MM



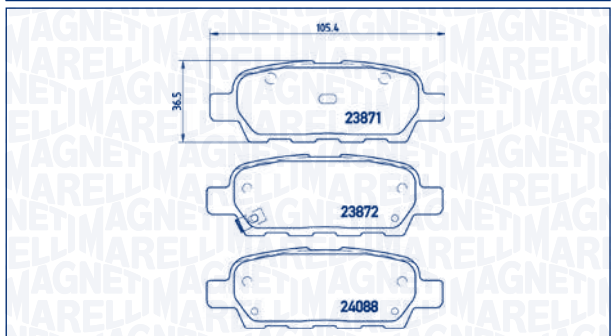
Ant	23184, 23185	139,2 × 59,5 × 14,5	TOK	[+]
-----	--------------	---------------------	-----	-----

P56041MM



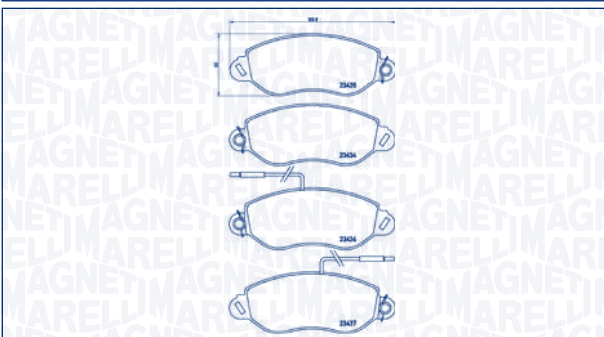
Ant	23611, 23612, 24132	166,2 × 61,4 × 19	AKE	[+]
-----	---------------------	-------------------	-----	-----

P56046MM



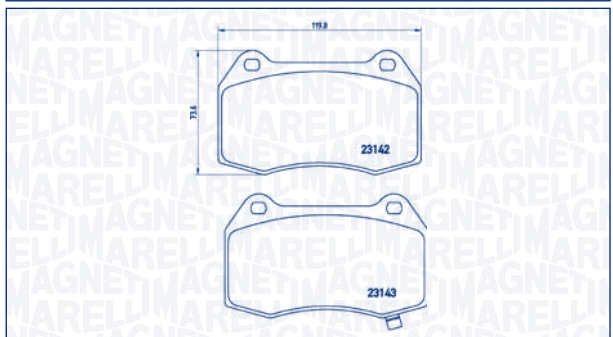
Post	23871, 23872, 24088, 24453	105,4 × 36,5 × 13,8	AKE	[+]
------	----------------------------	---------------------	-----	-----

P56042MM



Ant	23437, 23434, 23435, 23436	168,9 × 65 × 17,7	BSH	[+]
-----	----------------------------	-------------------	-----	-----

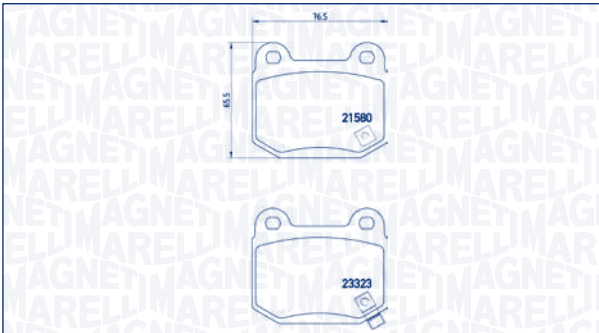
P56047MM



Ant	23142	119,8 × 73,6 × 14,3	BRE	[+]
-----	-------	---------------------	-----	-----

WVA	LENGTH × HEIGHT × THICKNESS [mm]	SYS	WI
-----	----------------------------------	-----	----

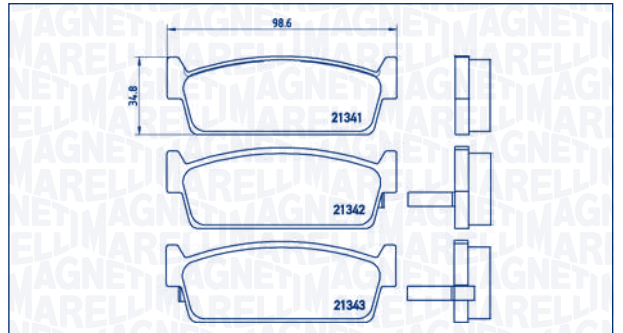
P56048MM



Post	21580, 23323	76,5 × 65,5 × 14,3	BRE	[+]
------	--------------	--------------------	-----	-----

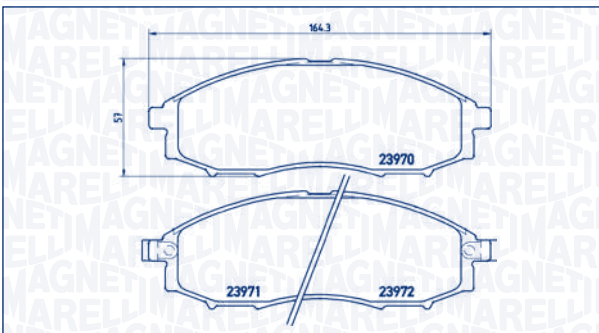
WVA	LENGTH × HEIGHT × THICKNESS [mm]	SYS	WI
-----	----------------------------------	-----	----

P56053MM



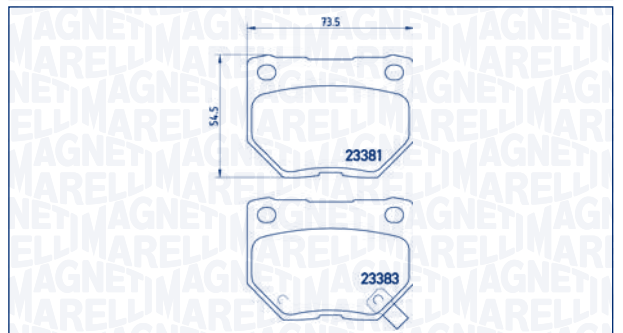
Post	21341, 21342, 21343	98,6 × 34,8 × 16	SUM	[+]
------	---------------------	------------------	-----	-----

P56049MM



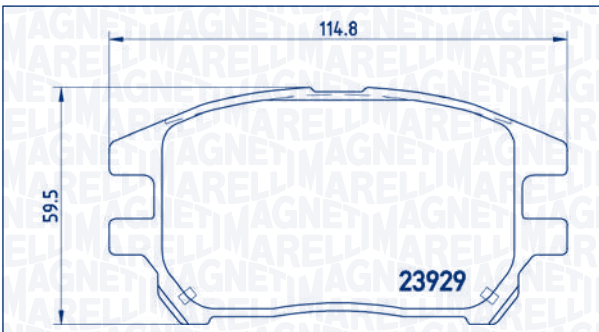
Ant	23970, 23971, 23972	164,3 × 57 × 17	AKE	[+]
-----	---------------------	-----------------	-----	-----

P56054MM



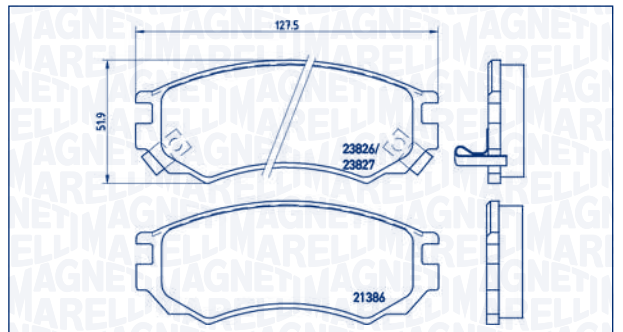
Post	23381, 23382, 23383	73,5 × 54,5 × 15,5	AKE	[+]
------	---------------------	--------------------	-----	-----

P56050MM



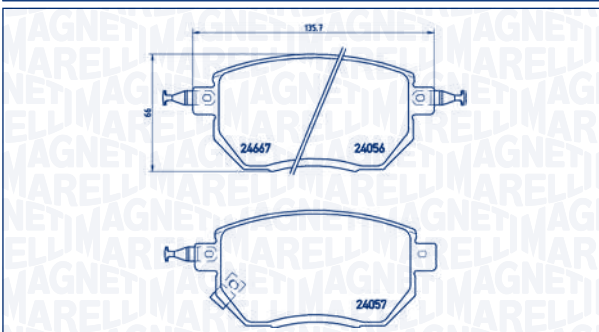
Ant	23929	114,85 × 59,5 × 17	AKE	[-]
-----	-------	--------------------	-----	-----

P56055MM



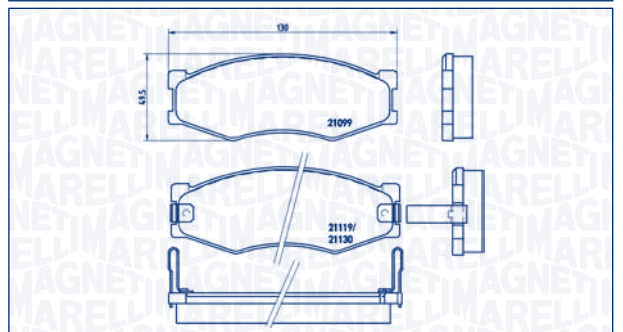
Ant	21386, 23826, 23827	127,5 × 51,9 × 15	SUM	[+]
-----	---------------------	-------------------	-----	-----

P56051MM



Ant	24056, 24057, 24667	135,7 × 66 × 15,5	TOK	[+]
-----	---------------------	-------------------	-----	-----

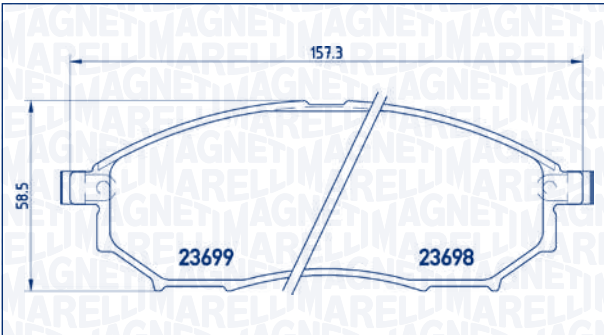
P56056MM



Ant	21099, 21119, 21130	130 × 49,5 × 17	AKE	[+]
-----	---------------------	-----------------	-----	-----

WVA	LENGTH×HEIGHT×THICKNESS [mm]	SYS	WI
-----	------------------------------	-----	----

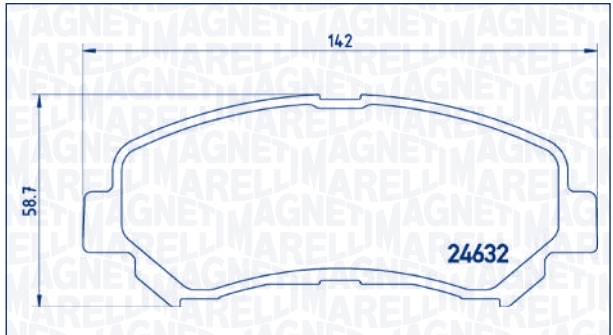
P56058MM



Ant	23698, 23699	157,3 × 58,5 × 16	SUM	[+]
-----	--------------	-------------------	-----	-----

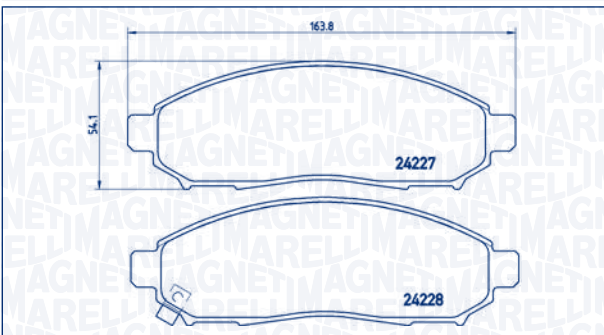
WVA	LENGTH×HEIGHT×THICKNESS [mm]	SYS	WI
-----	------------------------------	-----	----

P56062MM



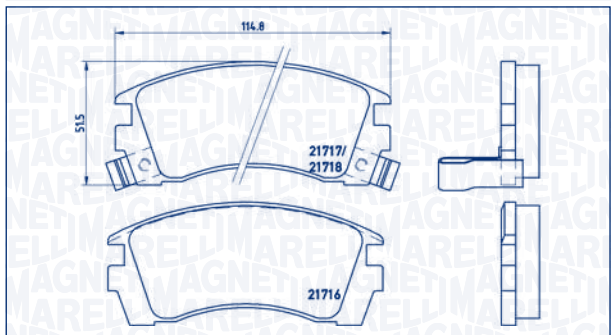
Ant	24632	142 × 58,7 × 17	AKE	[o]
-----	-------	-----------------	-----	-----

P56059MM



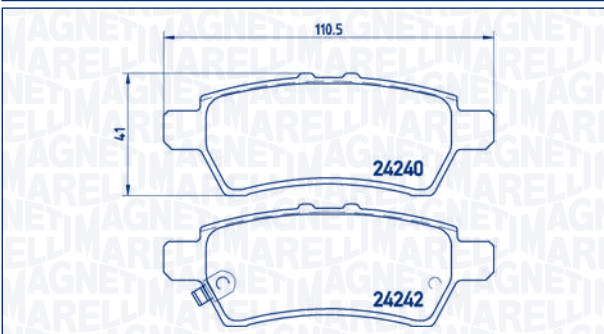
Ant	24227, 24228	163,8 × 54,1 × 16,5	TOK	[+]
-----	--------------	---------------------	-----	-----

P56064MM



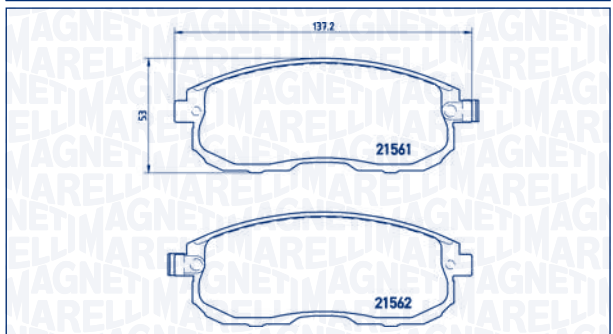
Ant	21716, 21717, 21718	114,8 × 51,5 × 15,9	AKE	[+]
-----	---------------------	---------------------	-----	-----

P56060MM



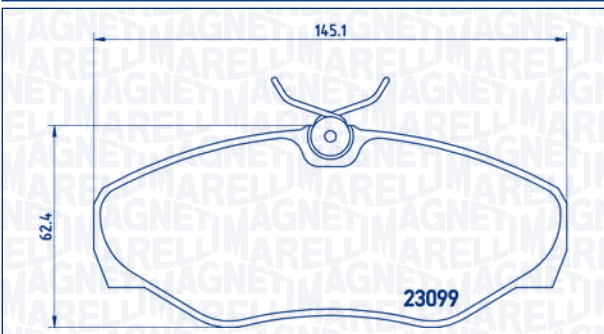
Post	24240, 24242, 24243	110,5 × 41 × 16	TOK	[+]
------	---------------------	-----------------	-----	-----

P56065MM



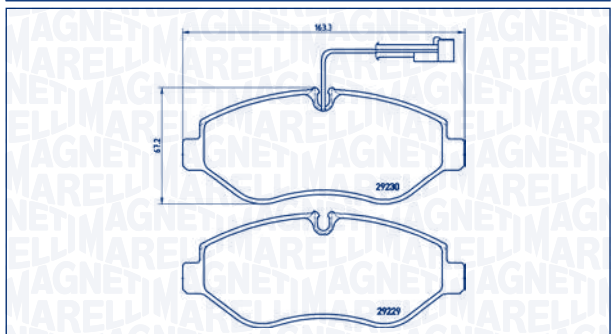
Ant	21561, 21562	137,2 × 53 × 17	SUM	[+]
-----	--------------	-----------------	-----	-----

P56061MM



Ant	23099	145,1 × 62,4 × 18,4	TRW	[+]
-----	-------	---------------------	-----	-----

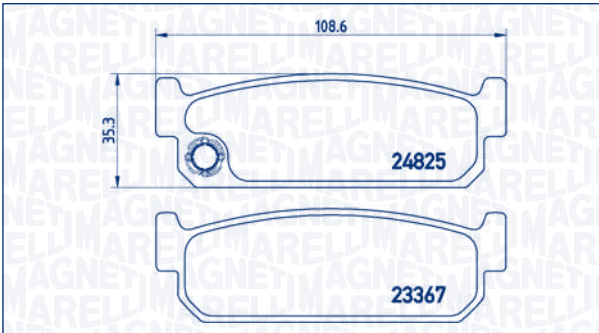
P56066MM



Ant	29229	163,3 × 67,2 × 21,4	BRE	[+]
-----	-------	---------------------	-----	-----

WVA	LENGTH × HEIGHT × THICKNESS [mm]	SYS	WI
-----	----------------------------------	-----	----

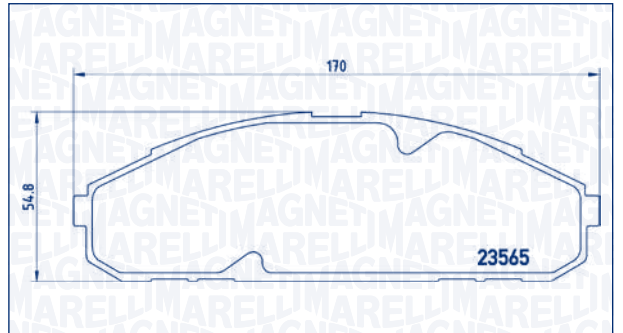
P56067MM



Post	24825, 23367	108,6 × 35,3 × 15	AKE	[O]
------	--------------	-------------------	-----	-----

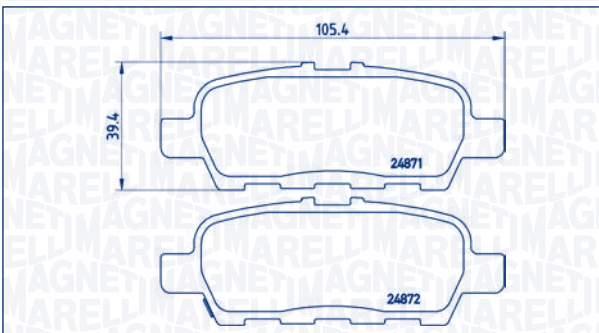
WVA	LENGTH × HEIGHT × THICKNESS [mm]	SYS	WI
-----	----------------------------------	-----	----

P56072MM



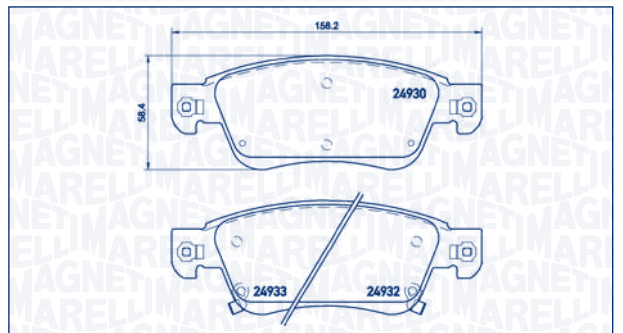
Ant	23565	170 × 54,8 × 17,9	AKE	[-]
-----	-------	-------------------	-----	-----

P56068MM



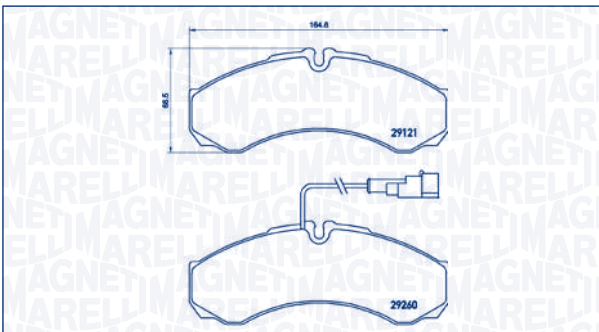
Post	24871, 24872	105,4 × 39,4 × 13,8	AKE	[+]
------	--------------	---------------------	-----	-----

P56080MM



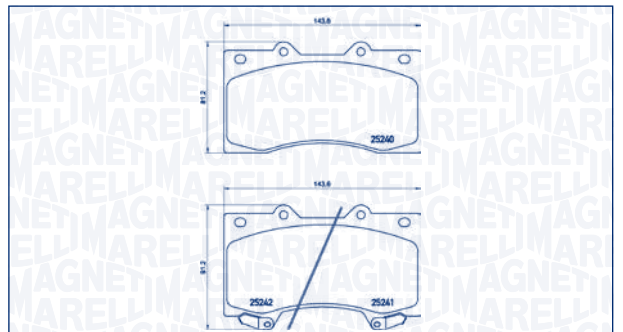
Ant	24930, 24932, 24933	158,2 × 58,4 × 16,4	ATE	[+]
-----	---------------------	---------------------	-----	-----

P56069MM



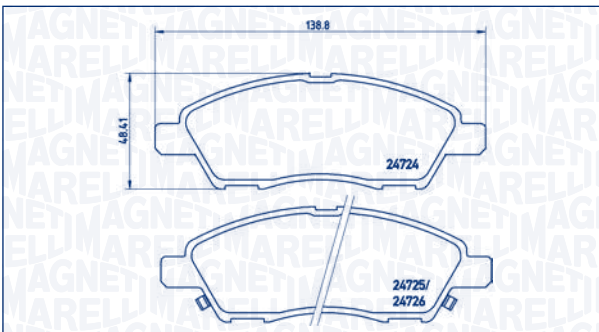
Post	29121, 29260	164,7 × 66,3 × 20,3	BRE	[+]
------	--------------	---------------------	-----	-----

P56081MM



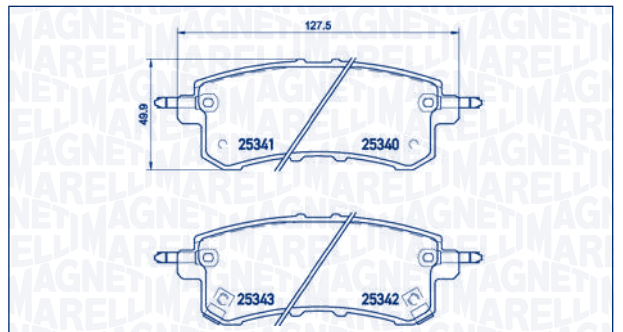
Ant	25240, 25241, 25242	143,6 × 81,2/91,2 × 17,8	AKE	[+]
-----	---------------------	--------------------------	-----	-----

P56070MM



Ant	24724	138,8 × 48,4 × 14	AKE	[+]
-----	-------	-------------------	-----	-----

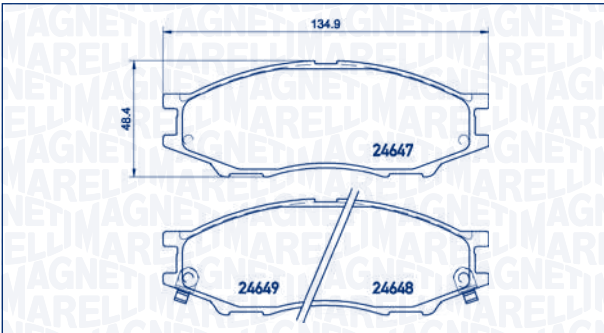
P56082MM



Post	25343, 25340, 25341, 25342	127,5 × 49,9 × 15	-	[+]
------	----------------------------	-------------------	---	-----

WVA	LENGTH×HEIGHT×THICKNESS [mm]	SYS	WI
-----	------------------------------	-----	----

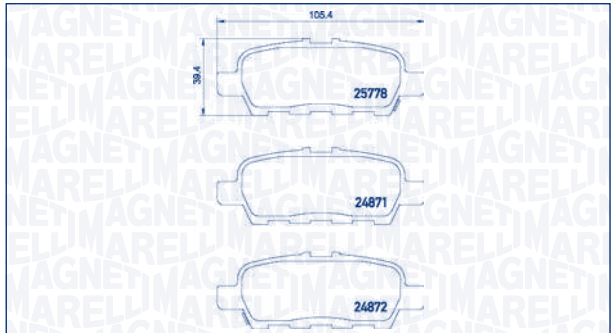
P56083MM



Ant	24647, 24648, 24649	134,9 × 48,4 × 15,4	AKE	[+]
-----	---------------------	---------------------	-----	-----

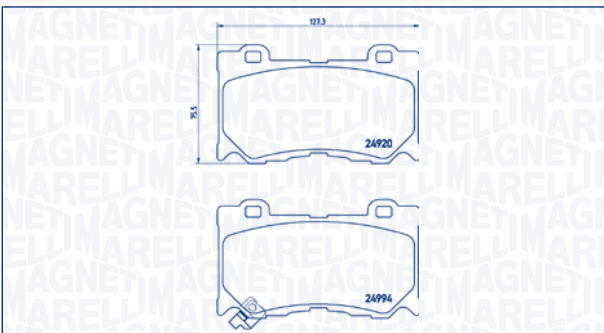
WVA	LENGTH×HEIGHT×THICKNESS [mm]	SYS	WI
-----	------------------------------	-----	----

P56087MM



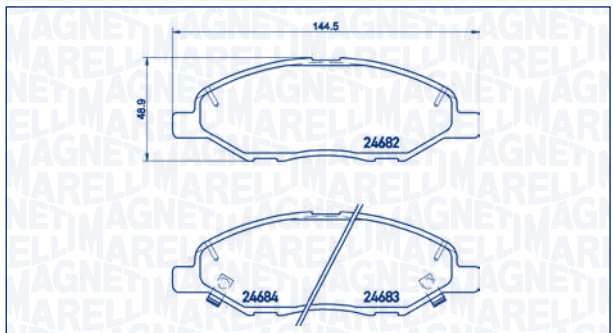
Post	25778, 24871, 24872	105,6 × 39,4 × 13,8	AKE	[+]
------	---------------------	---------------------	-----	-----

P56084MM



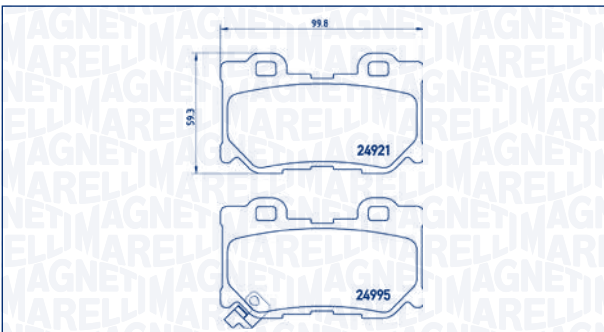
Ant	24920, 24994	127,3 × 75,5 × 15,6	AKE	[+]
-----	--------------	---------------------	-----	-----

P56088MM



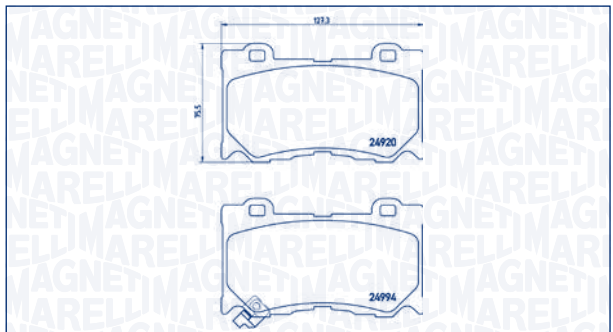
Ant	24682, 24683, 24684	144,5 × 49,1 × 14,2	SUM	[+]
-----	---------------------	---------------------	-----	-----

P56085MM



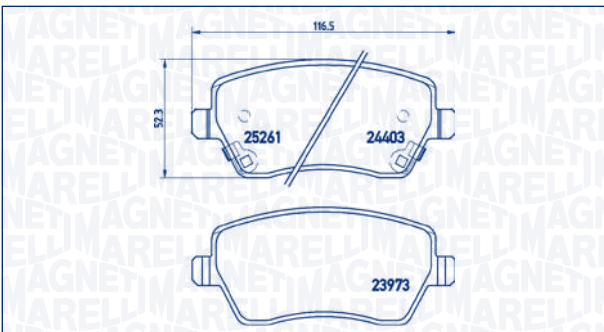
Post	24921, 24995	99,8 × 59,3 × 13,5	AKE	[+]
------	--------------	--------------------	-----	-----

P56089MM



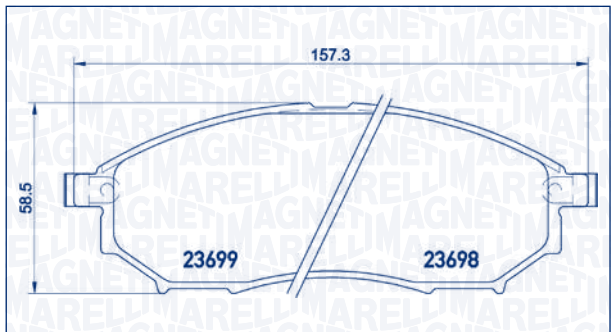
Ant	24920, 24994	127,3 × 75,5 × 15,9	AKE	[+]
-----	--------------	---------------------	-----	-----

P56086MM



Ant	24403, 23973, 25261	116,4 × 52,5 × 17,3	TRW	[+]
-----	---------------------	---------------------	-----	-----

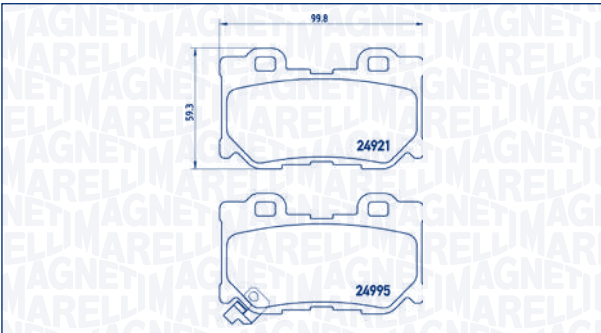
P56094MM



Ant	23699, 23698	157,3 × 58,5 × 17	SUM	[+]
-----	--------------	-------------------	-----	-----

WVA	LENGTH × HEIGHT × THICKNESS [mm]	SYS	WI
-----	----------------------------------	-----	----

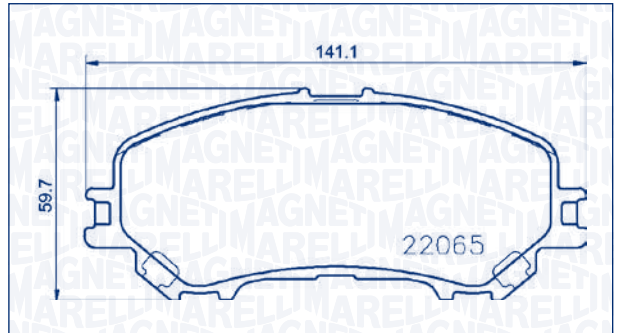
P56095MM



Post	24921, 24995	99,8 × 59,3 × 13,8	AKE	[+]
------	--------------	--------------------	-----	-----

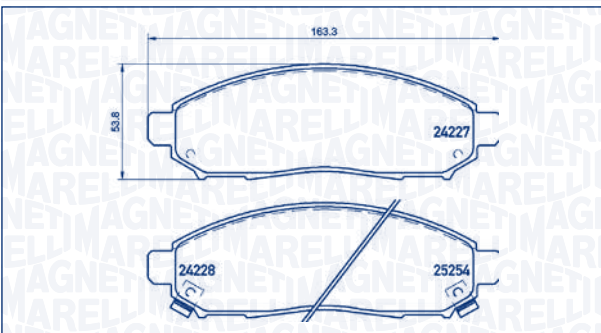
WVA	LENGTH × HEIGHT × THICKNESS [mm]	SYS	WI
-----	----------------------------------	-----	----

P56100MM



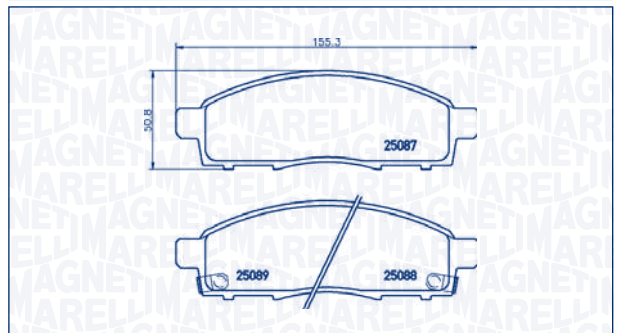
Ant	22065	141,1 × 59,7 × 17,9	AKE	[+]
-----	-------	---------------------	-----	-----

P56096MM



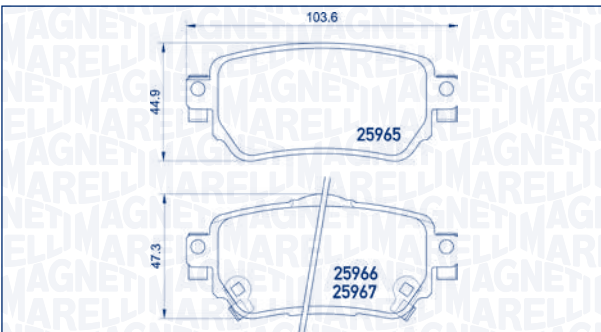
Ant	24227, 24228, 25254	163,8 × 54,1 × 15,4	TOK	[+]
-----	---------------------	---------------------	-----	-----

P56102MM



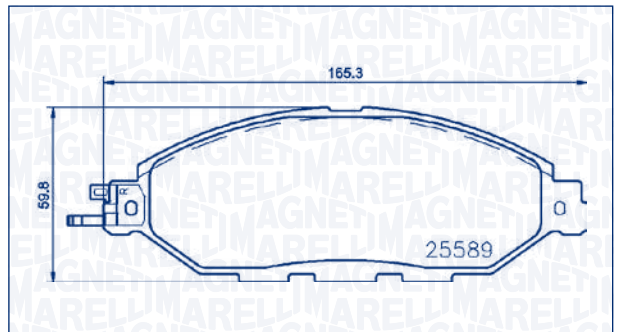
Ant	25087, 25088	155,4 × 50,5 × 16,8	TOK	[+]
-----	--------------	---------------------	-----	-----

P56098MM



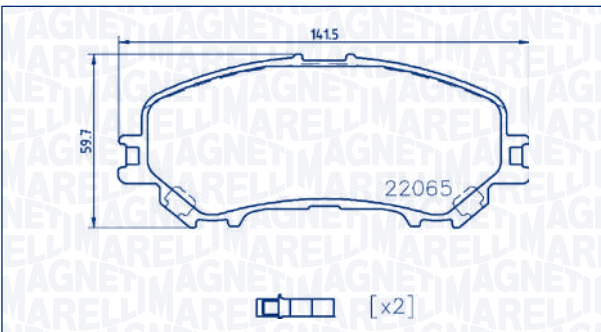
Post	25965, 25966, 25967	103,6 × 44,9/47,3 × 15,1	TRW	[+]
------	---------------------	--------------------------	-----	-----

P56103MM



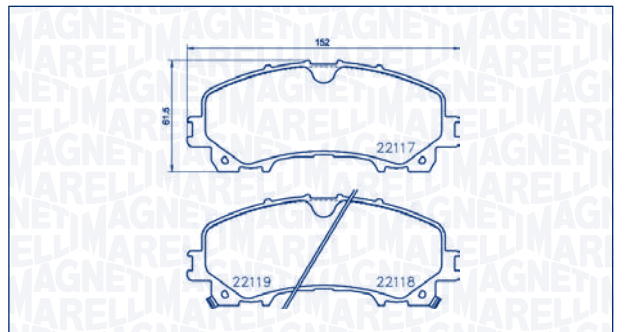
Ant	25589	165,3 × 59,8 × 17	-	[+]
-----	-------	-------------------	---	-----

P56099MM



Ant	22065	141,1 × 59,7 × 16,7	AKE	[+]
-----	-------	---------------------	-----	-----

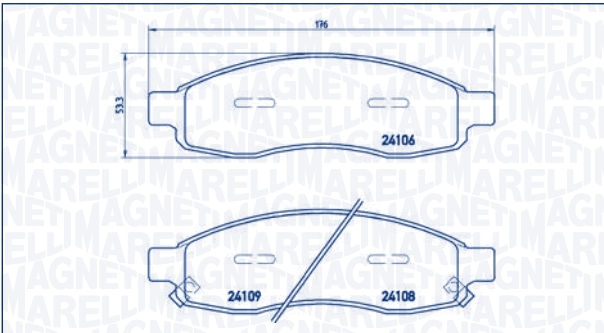
P56106MM



Ant	22119, 22118, 22117	152 × 61,5 × 15,8	-	[+]
-----	---------------------	-------------------	---	-----

WVA	LENGTH×HEIGHT×THICKNESS [mm]	SYS	WI
-----	------------------------------	-----	----

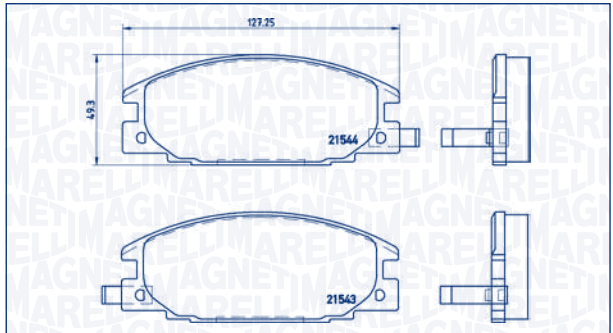
P58001MM



Ant 24106	176 × 53,3 × 18	BSH	[+]
-----------	-----------------	-----	-----

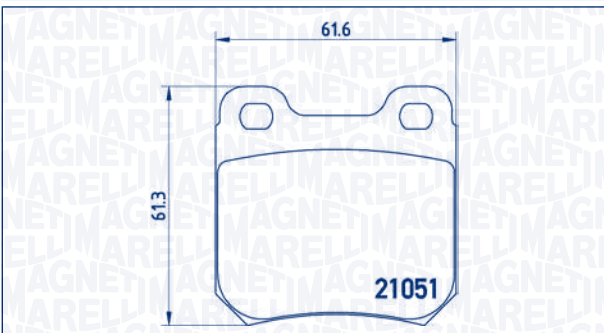
WVA	LENGTH×HEIGHT×THICKNESS [mm]	SYS	WI
-----	------------------------------	-----	----

P59015MM



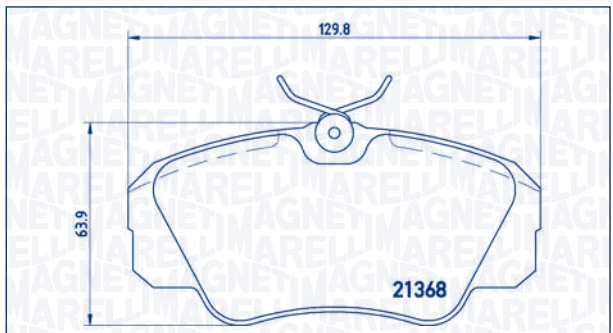
Ant 21543, 21544	127,3 × 49,3 × 16,5	AKE	[+]
------------------	---------------------	-----	-----

P59010MM



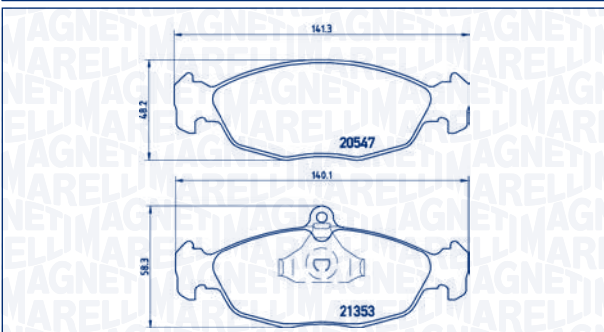
Post 21051	61,6 × 61,2 × 15,7	ATE	[-]
------------	--------------------	-----	-----

P59016MM



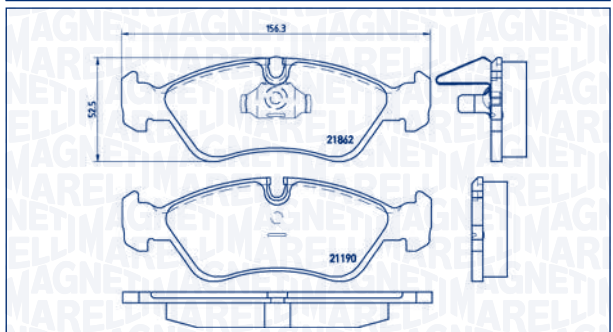
Ant 21368	129,8 × 63,9 × 18,3	TRW	[o]
-----------	---------------------	-----	-----

P59011MM



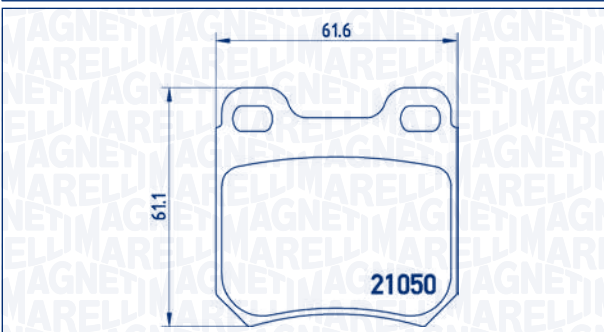
Ant 21353, 20547	140,1/141,3 × 48,2/58,3 × 16,8	ATE	[o]
------------------	--------------------------------	-----	-----

P59017MM



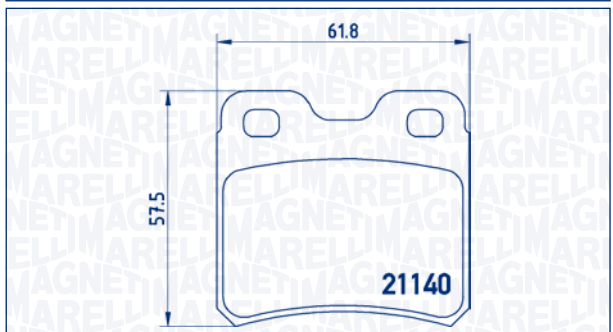
Ant 21190, 21862	156,3 × 52,5 × 18,3	ATE	[o]
------------------	---------------------	-----	-----

P59014MM



Post 21050	61,64 × 61,1 × 15,2	ATE	[-]
------------	---------------------	-----	-----

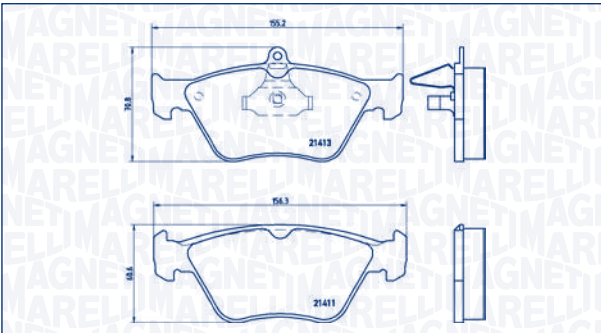
P59018MM



Post 21140	61,8 × 57,5 × 15,7	ATE	[-]
------------	--------------------	-----	-----

WVA	LENGTH × HEIGHT × THICKNESS [mm]	SYS	WI
-----	----------------------------------	-----	----

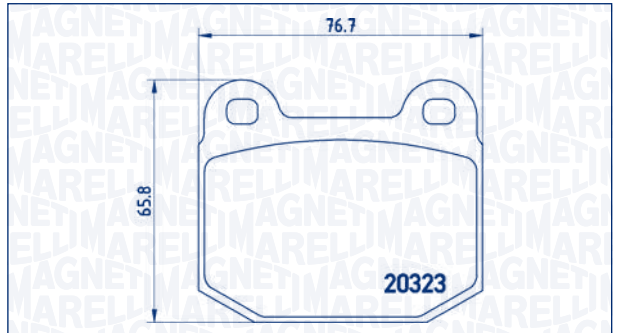
P59019MM



Ant	21411, 21413	155,2/156,3 × 60,6/70,8 × 17,5	ATE	[O]
-----	--------------	--------------------------------	-----	-----

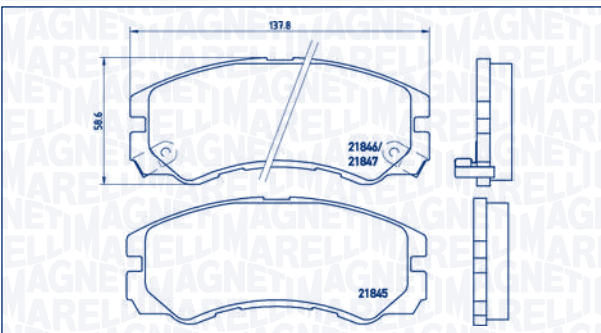
WVA	LENGTH × HEIGHT × THICKNESS [mm]	SYS	WI
-----	----------------------------------	-----	----

P59025MM



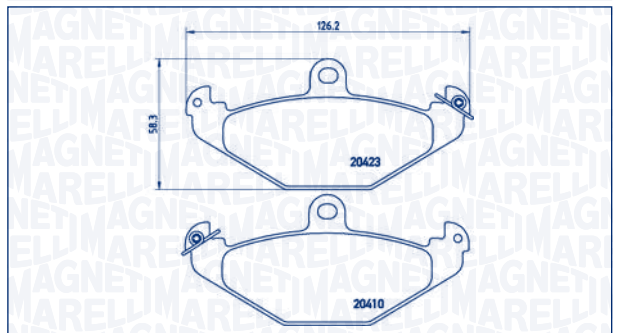
Ant	20323	76,7 × 65,8 × 14,5	ATE	[-]
-----	-------	--------------------	-----	-----

P59020MM



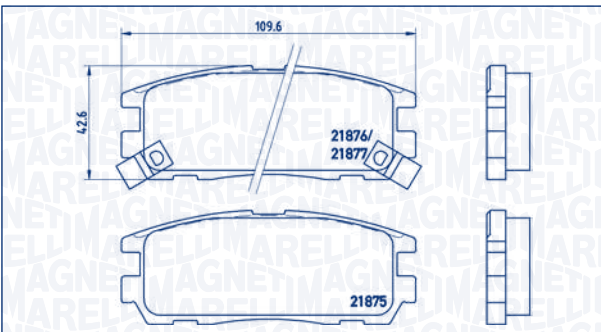
Ant	21845, 21846, 21847	137,8 × 58,6 × 16,5	AKE	[+]
-----	---------------------	---------------------	-----	-----

P59026MM



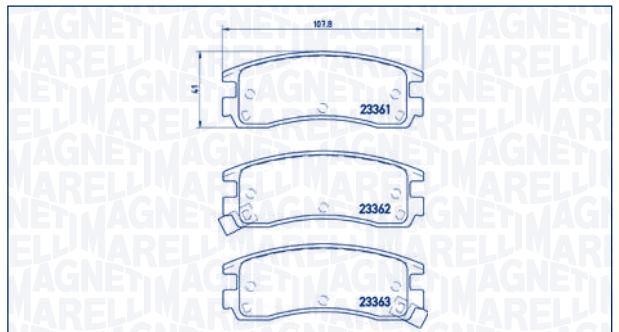
Post	20410, 20423	126,2 × 58,3 × 12,9	BRE	[-]
------	--------------	---------------------	-----	-----

P59021MM



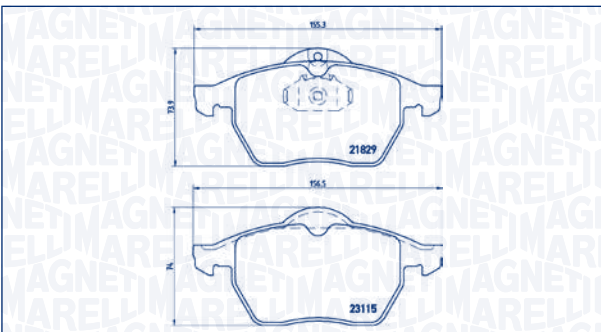
Post	21875, 21876, 21877	109,5 × 42,6 × 15,8	SUM	[+]
------	---------------------	---------------------	-----	-----

P59027MM



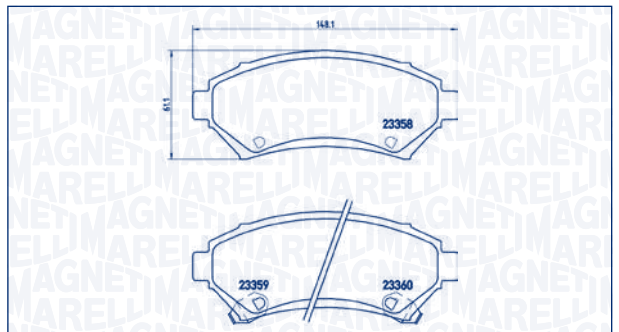
Post	23361, 23362, 23363	107,8 × 41 × 15	AKE	[+]
------	---------------------	-----------------	-----	-----

P59022MM



Ant	21829, 23115	155,3/156,3 × 73,9/74 × 19,6	ATE	[O]
-----	--------------	------------------------------	-----	-----

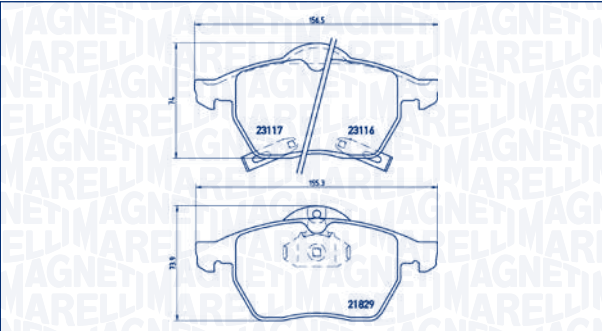
P59028MM



Ant	23358, 23359, 23360	148,1 × 61,1 × 18	WAG	[+]
-----	---------------------	-------------------	-----	-----

WVA	LENGTH×HEIGHT×THICKNESS [mm]	SYS	WI
-----	---------------------------------	-----	----

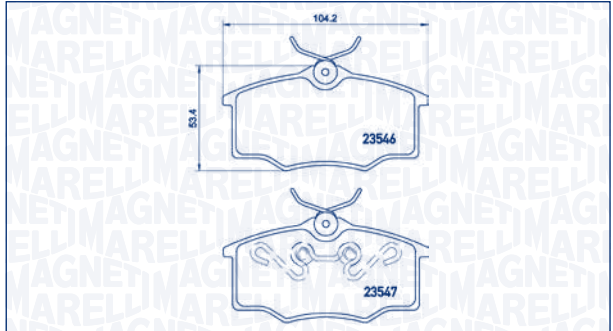
P59029MM



Ant	21829, 23116, 23117	155,3/156,5 × 73,9/74 × 19,6	ATE	[+]
-----	---------------------	------------------------------	-----	-----

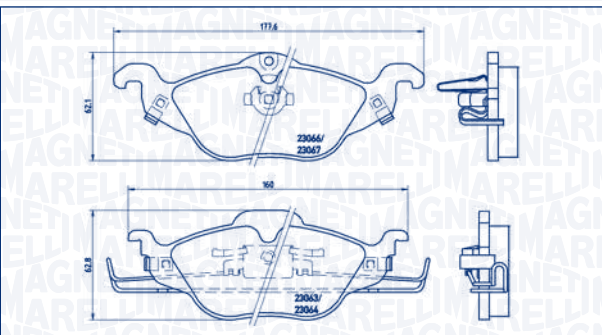
WVA	LENGTH×HEIGHT×THICKNESS [mm]	SYS	WI
-----	---------------------------------	-----	----

P59034MM



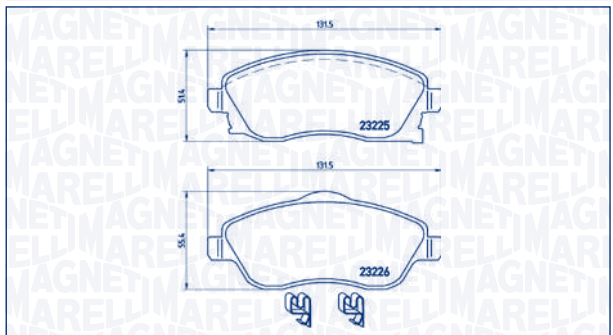
Ant	23546, 23547	104,2 × 53,4 × 16	VAR	[-]
-----	--------------	-------------------	-----	-----

P59030MM



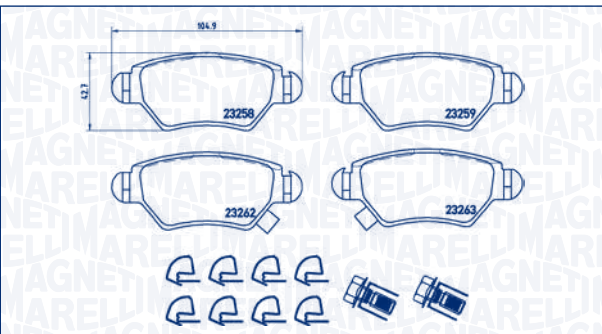
Ant	23063, 23064, 23066, 23067	160/177,6 × 62,1/62,8 × 17,3	ATE	[+]
-----	----------------------------	------------------------------	-----	-----

P59036MM



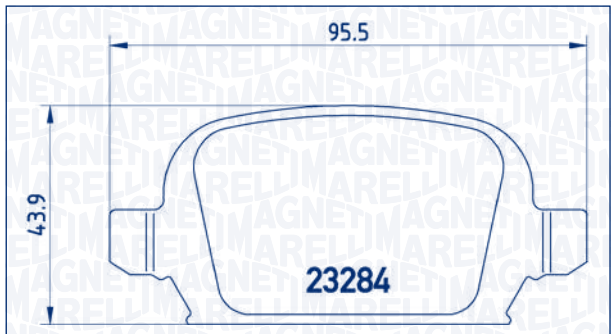
Ant	23225, 23226	131,5 × 51,4/55,4 × 17	TRW	[+]
-----	--------------	------------------------	-----	-----

P59031MM



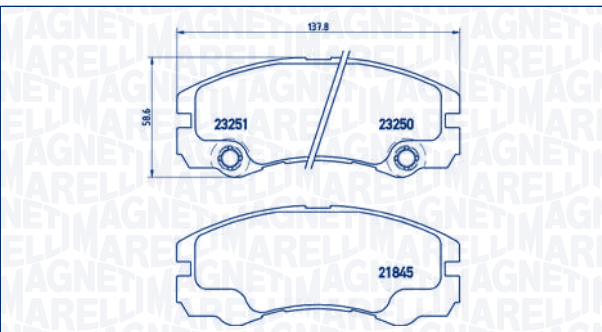
Post	23263, 23258, 23259, 23262	104,9 × 42,7 × 16,9	BSH	[+]
------	----------------------------	---------------------	-----	-----

P59037MM



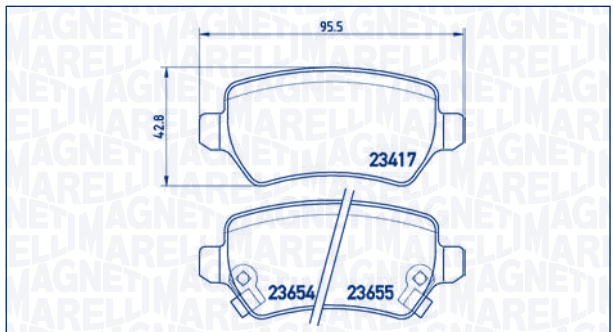
Post	23284	95,6 × 43,9 × 14	TRW	[+]
------	-------	------------------	-----	-----

P59033MM



Ant	21845, 23250, 23251	137,6 × 58,5 × 16,5	AKE	[o]
-----	---------------------	---------------------	-----	-----

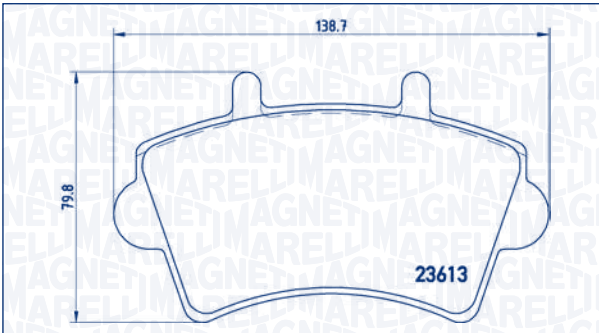
P59038MM



Post	23417, 23654, 23655	95,5 × 42,8 × 15,2	TRW	[+]
------	---------------------	--------------------	-----	-----

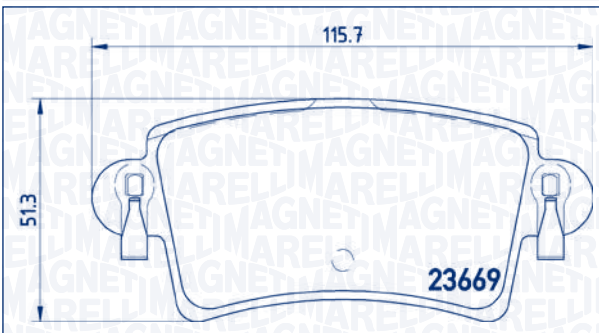
	WVA	LENGTH × HEIGHT × THICKNESS [mm]	SYS	WI
--	-----	----------------------------------	-----	----

P59039MM



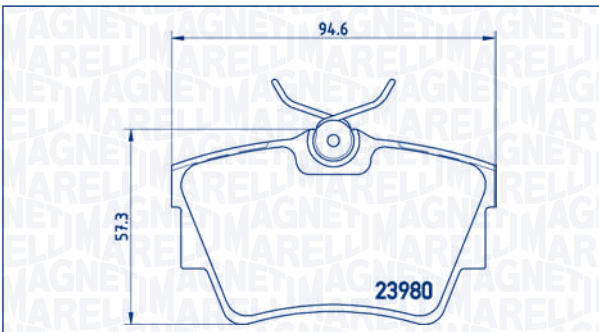
Ant	23613	139 × 79,8 × 17,8	BSH	[-]
-----	-------	-------------------	-----	-----

P59040MM



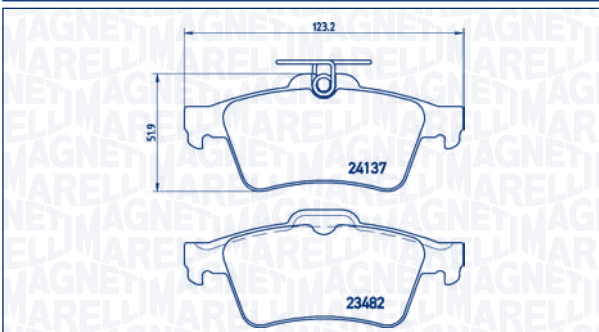
Post	23669	115,7 × 51,3 × 16,8	BSH	[-]
------	-------	---------------------	-----	-----

P59041MM



Post	23980	94,6 × 57,3 × 17	TRW	[-]
------	-------	------------------	-----	-----

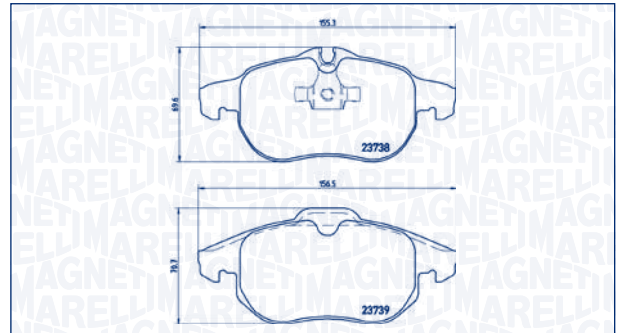
P59042MM



Post	23482, 24137	123,2 × 51,9 × 16,7	ATE	[O]
------	--------------	---------------------	-----	-----

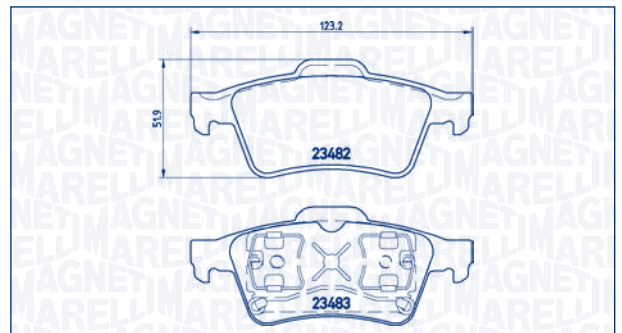
	WVA	LENGTH × HEIGHT × THICKNESS [mm]	SYS	WI
--	-----	----------------------------------	-----	----

P59043MM



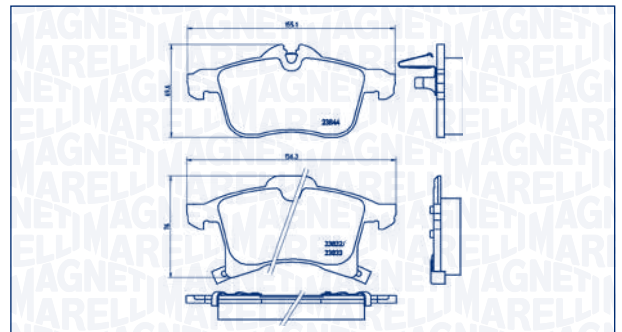
Ant	23738, 23739	155,3/156,5 × 69,6/70,7 × 20,6	ATE	[O]
-----	--------------	--------------------------------	-----	-----

P59044MM



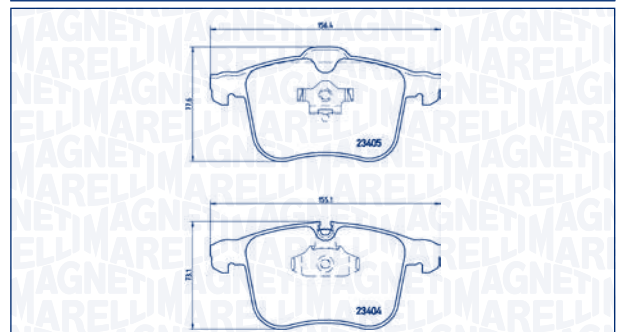
Post	23482, 23483	123 × 51,9 × 16,8	ATE	[-]
------	--------------	-------------------	-----	-----

P59045MM



Ant	23832, 23833, 23844	155,1/156,3 × 69,6/76 × 19,6	ATE	[+]
-----	---------------------	------------------------------	-----	-----

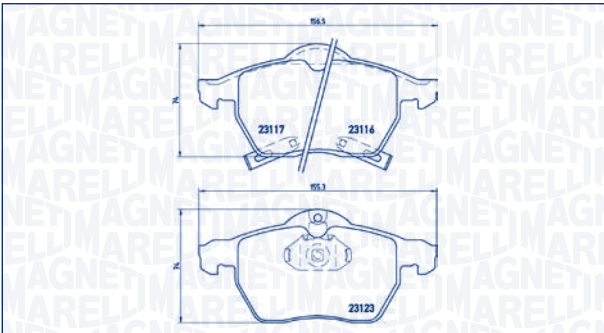
P59046MM



Ant	23404, 23405	155,1/156,4 × 73,1/77,6 × 20,4	ATE	[O]
-----	--------------	--------------------------------	-----	-----

WVA	LENGTH×HEIGHT×THICKNESS [mm]	SYS	WI
-----	------------------------------	-----	----

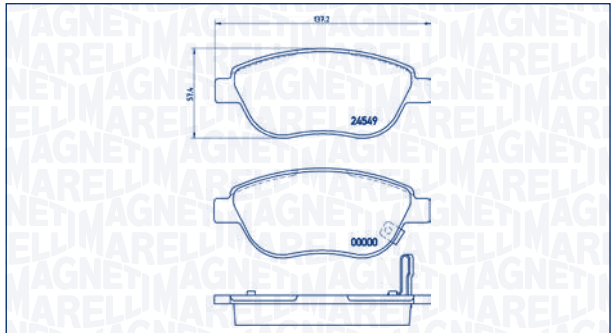
P59048MM



Ant	23116, 23117, 23123	155,3/156,5 × 74 × 20,2	ATE	[+]
-----	---------------------	-------------------------	-----	-----

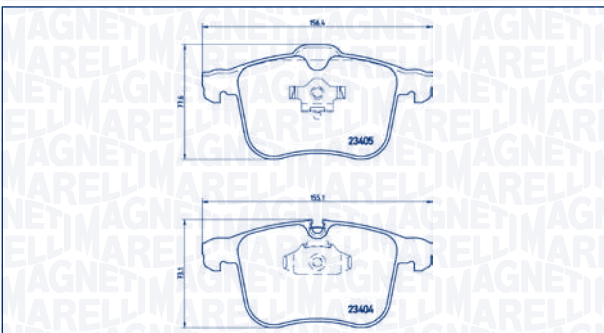
WVA	LENGTH×HEIGHT×THICKNESS [mm]	SYS	WI
-----	------------------------------	-----	----

P59052MM



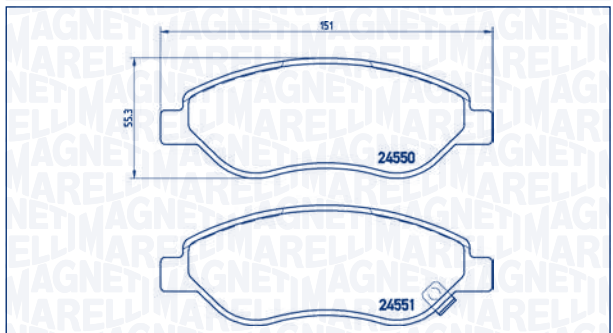
Ant	23708, 23981, 24549	137,2 × 57,4 × 19,2	BSH	[+]
-----	---------------------	---------------------	-----	-----

P59049MM



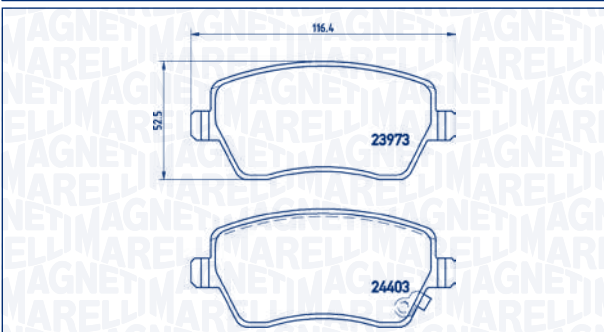
Ant	20224, 23405	155,1/156,4 × 73,1/77,6 × 20,9	ATE	[o]
-----	--------------	--------------------------------	-----	-----

P59053MM



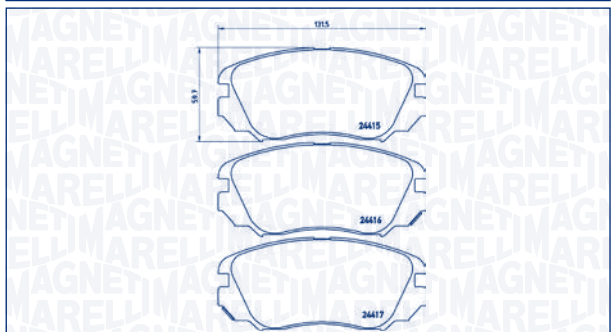
Ant	24550, 24551	150,8 × 55,3 × 20,2	BSH	[+]
-----	--------------	---------------------	-----	-----

P59050MM



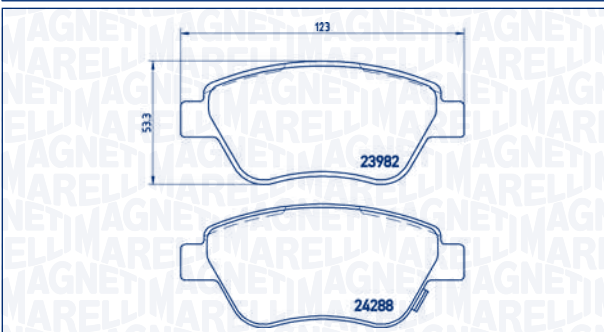
Ant	23973, 24403	116,4 × 52,5 × 17,3	TRW	[+]
-----	--------------	---------------------	-----	-----

P59054MM



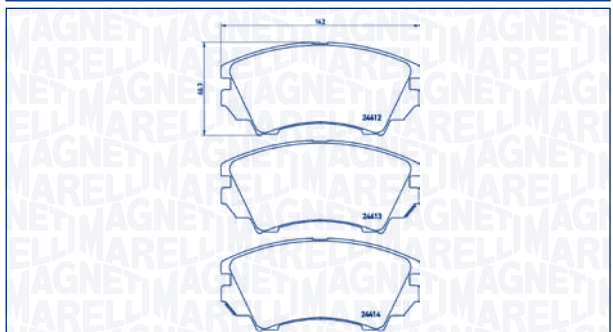
Ant	24415, 24416, 24417	131,5 × 59,7 × 19,1	MN	[+]
-----	---------------------	---------------------	----	-----

P59051MM



Ant	23982, 24288	123 × 53,3 × 17,8	BSH	[+]
-----	--------------	-------------------	-----	-----

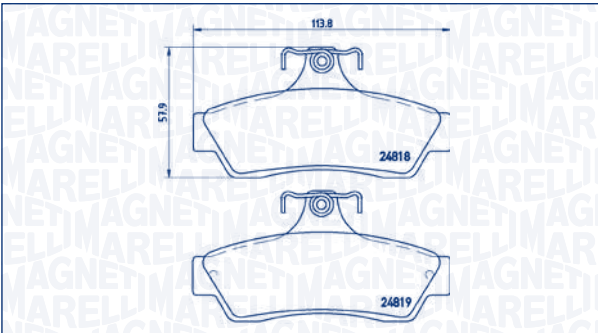
P59055MM



Ant	24412, 24413, 24414	142,1 × 61,7 × 19,1	MN	[+]
-----	---------------------	---------------------	----	-----

WVA	LENGTH × HEIGHT × THICKNESS [mm]	SYS	WI
-----	----------------------------------	-----	----

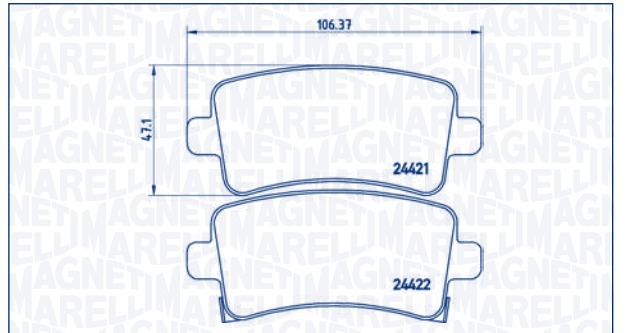
P59056MM



Post	24818, 24819	113,8 × 57,9 × 18,5	TRW	[-]
------	--------------	---------------------	-----	-----

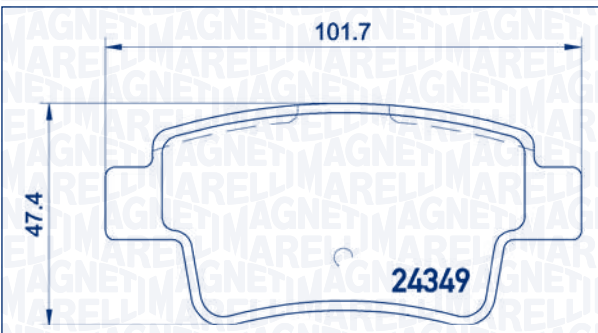
WVA	LENGTH × HEIGHT × THICKNESS [mm]	SYS	WI
-----	----------------------------------	-----	----

P59060MM



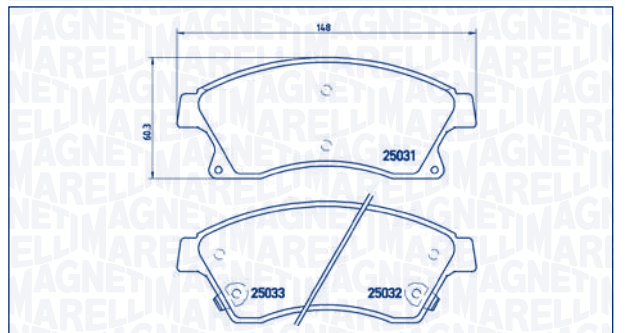
Post	24421	106,4 × 47,1 × 16,7	TRW	[+]
------	-------	---------------------	-----	-----

P59057MM



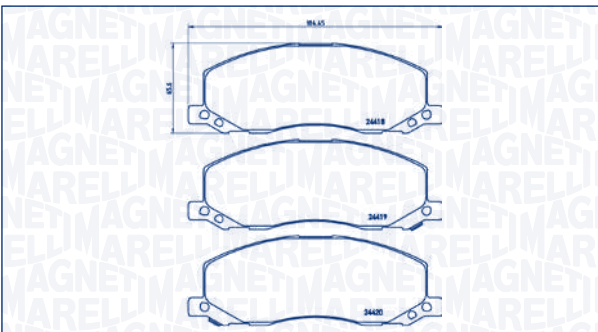
Post	24349	101,7 × 47,3 × 17,5	BSH	[-]
------	-------	---------------------	-----	-----

P59076MM



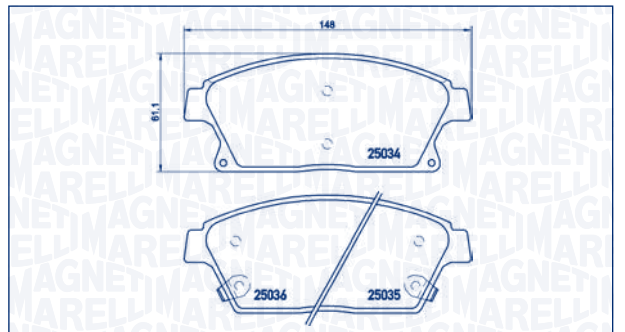
Ant	25031, 25032, 25033	148 × 60,3 × 18,8	BSH	[+]
-----	---------------------	-------------------	-----	-----

P59058MM



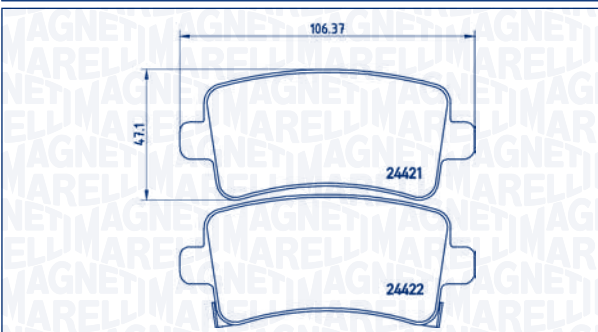
Ant	24418, 24419, 24420	184,5 × 65,6 × 17,2	TRW	[+]
-----	---------------------	---------------------	-----	-----

P59077MM



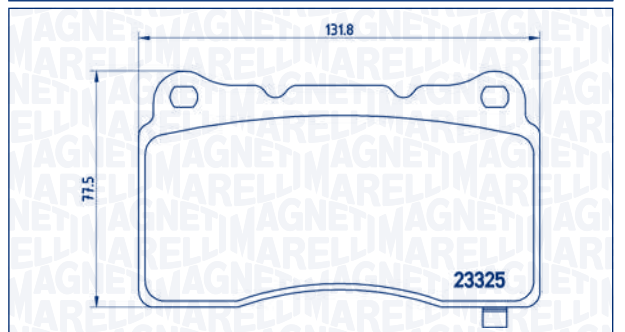
Ant	25034, 25035, 25036	148 × 61,1 × 18,8	BSH	[+]
-----	---------------------	-------------------	-----	-----

P59059MM



Post	24421, 24422	106,4 × 47,1 × 16,7	TRW	[+]
------	--------------	---------------------	-----	-----

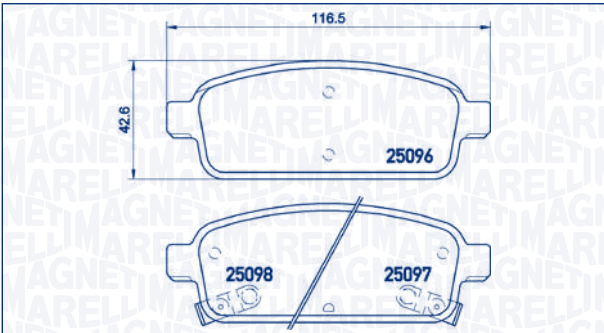
P59079MM



Ant	23325	131,8 × 77,5 × 16	BRE	[+]
-----	-------	-------------------	-----	-----

WVA	LENGTH×HEIGHT×THICKNESS [mm]	SYS	WI
-----	------------------------------	-----	----

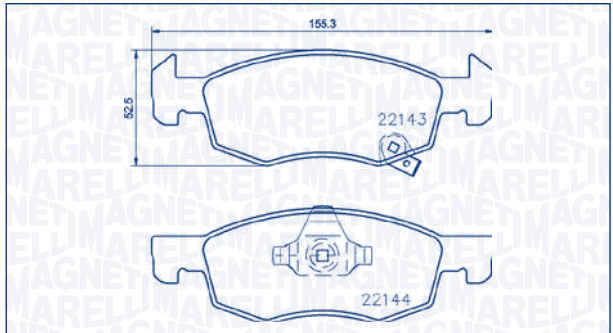
P59080MM



Post	25096, 25097, 25098	116,6 × 42,6 × 16,2	TRW	[+]
------	---------------------	---------------------	-----	-----

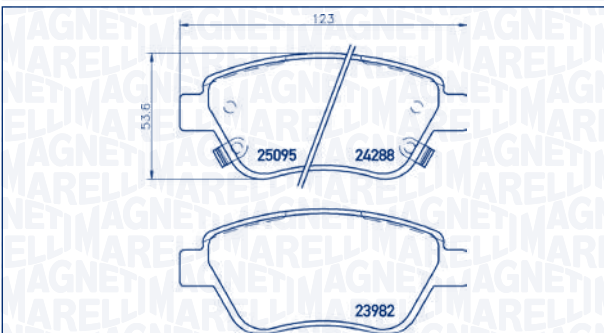
WVA	LENGTH×HEIGHT×THICKNESS [mm]	SYS	WI
-----	------------------------------	-----	----

P59084MM



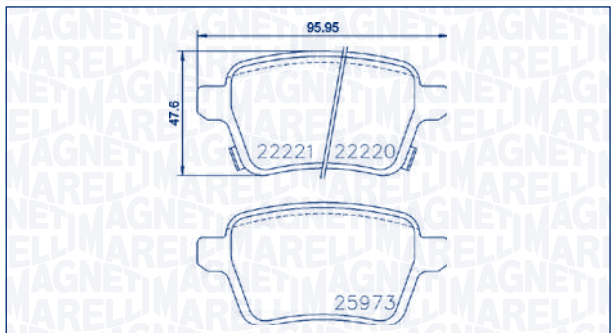
Ant	22123, 22124	155,1 × 62,5 × 17,4	ATE	[+]
-----	--------------	---------------------	-----	-----

P59081MM



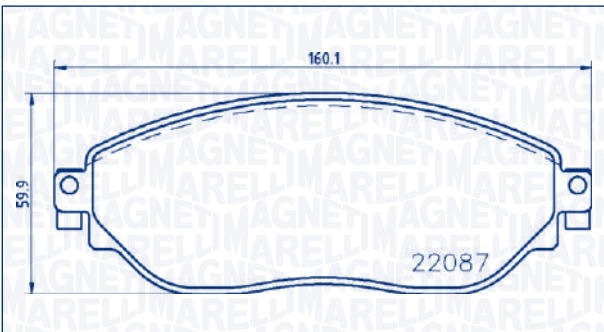
Ant	23982, 24288, 23982	123 × 53,6 × 17	BSH	[+]
-----	---------------------	-----------------	-----	-----

P59086MM



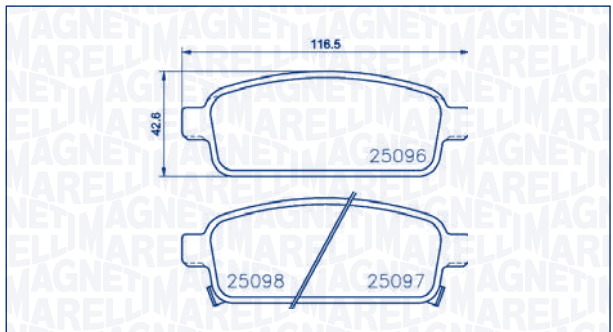
Post	22220, 22221, 25973	95,95 × 47,6 × 16,8	TRW	[+]
------	---------------------	---------------------	-----	-----

P59082MM



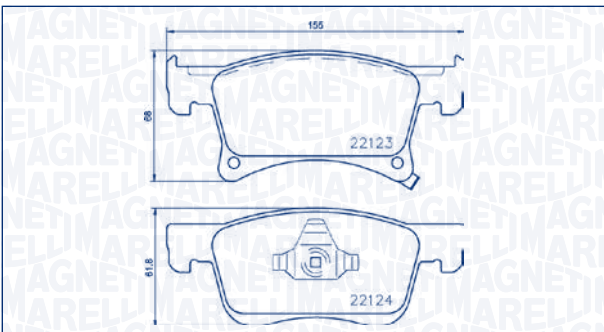
Ant	22087	160,1 × 59,9 × 18,2	TRW	[-]
-----	-------	---------------------	-----	-----

P59087MM



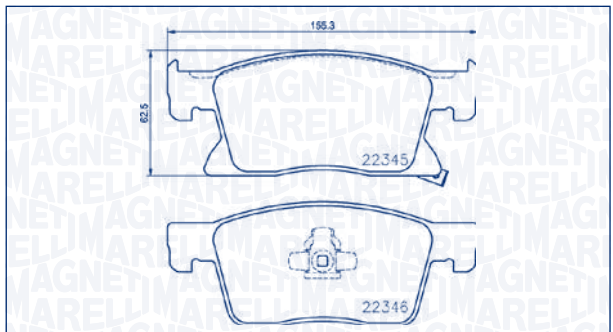
Post	25098, 25097, 25096	116,5 × 42,6 × 16,2	TRW	[+]
------	---------------------	---------------------	-----	-----

P59083MM



Ant	22123, 22124	155 × 61,8/68 × 17,8	ATE	[+]
-----	--------------	----------------------	-----	-----

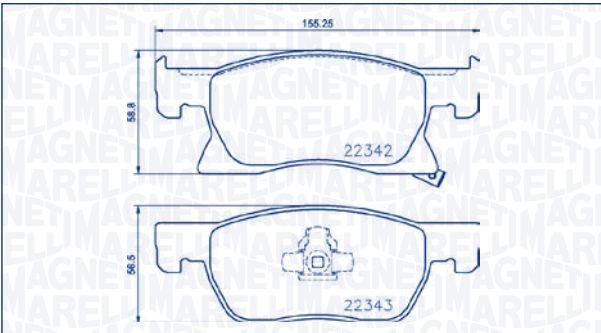
P59091MM



Ant	22345, 22346	155,3 × 62,5 × 19,4	ATE	[+]
-----	--------------	---------------------	-----	-----

WVA	LENGTH × HEIGHT × THICKNESS [mm]	SYS	WI
-----	----------------------------------	-----	----

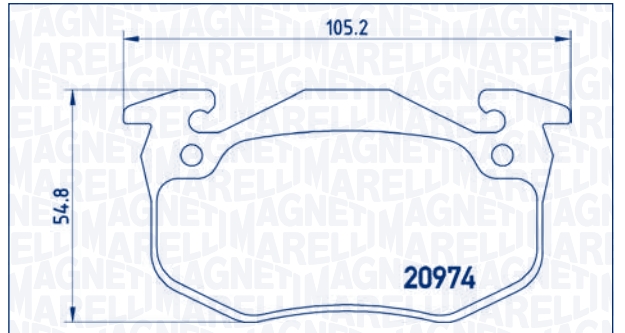
P59092MM



Ant	22342, 22343	155,3 × 58,8 × 19,8	ATE	[+]
-----	--------------	---------------------	-----	-----

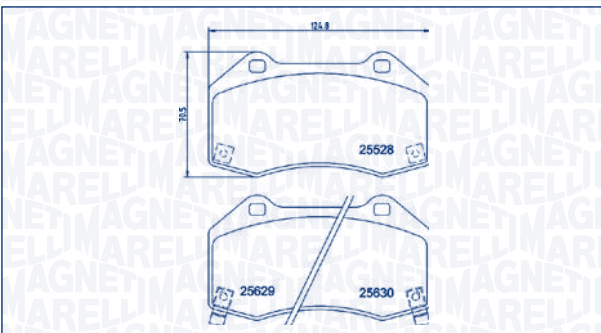
WVA	LENGTH × HEIGHT × THICKNESS [mm]	SYS	WI
-----	----------------------------------	-----	----

P61032MM



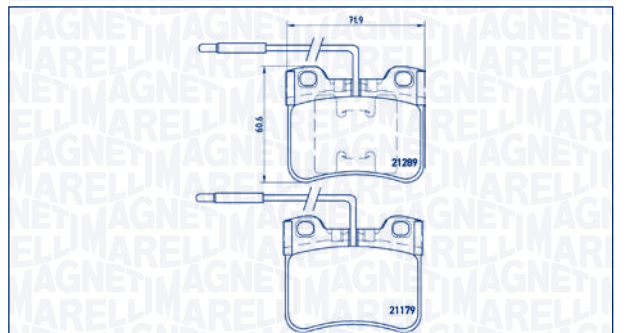
Post	20973, 20974	105,2 × 54,8 × 11	BDX	[o]
------	--------------	-------------------	-----	-----

P59094MM



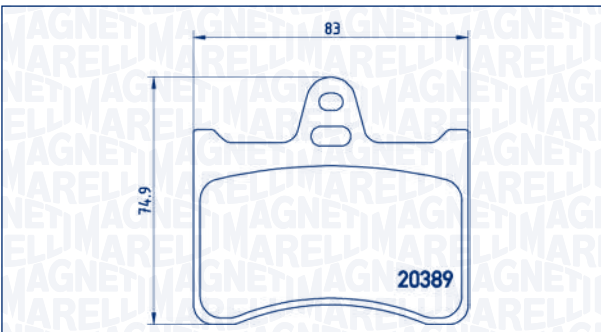
Ant	25628, 25629, 25630	124,7 × 70,7 × 15,1	BRE	[+]
-----	---------------------	---------------------	-----	-----

P61034MM



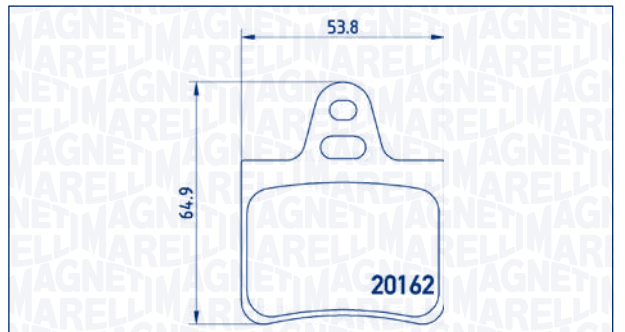
Ant	21179, 21289	71,9 × 60,6 × 16,8	ATE	[+]
-----	--------------	--------------------	-----	-----

P61019MM



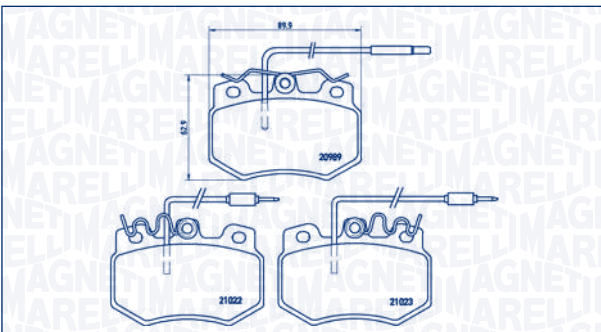
Post	20389	83 × 74,9 × 16	CIT	[-]
------	-------	----------------	-----	-----

P61037MM



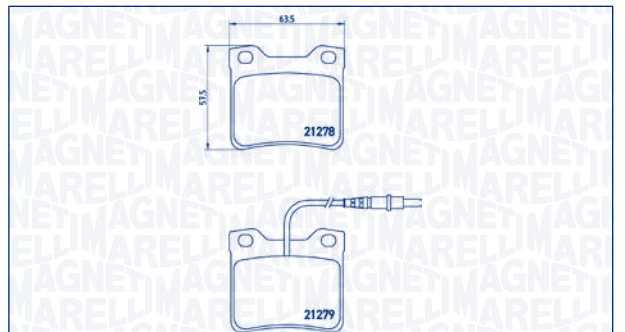
Post	20162	53,8 × 64,93 × 15,4	CIT	[-]
------	-------	---------------------	-----	-----

P61031MM



Ant	20989, 21022, 21023	89,9 × 62,9 × 17,7	TRW	[+]
-----	---------------------	--------------------	-----	-----

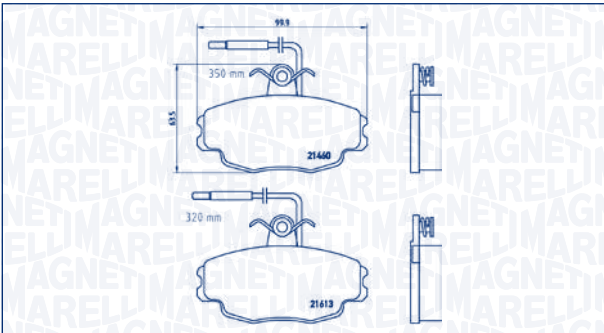
P61038MM



Post	21278, 21279	63,5 × 57,5 × 17	ATE	[+]
------	--------------	------------------	-----	-----

WVA	LENGTH×HEIGHT×THICKNESS [mm]	SYS	WI
-----	------------------------------	-----	----

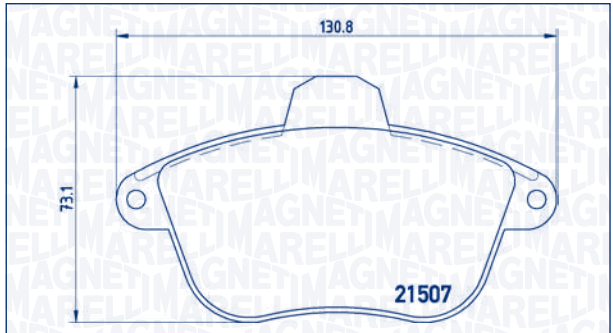
P61043MM



Ant 21460, 21613	99,9 × 63,5 × 18	TRW	[+]
------------------	------------------	-----	-----

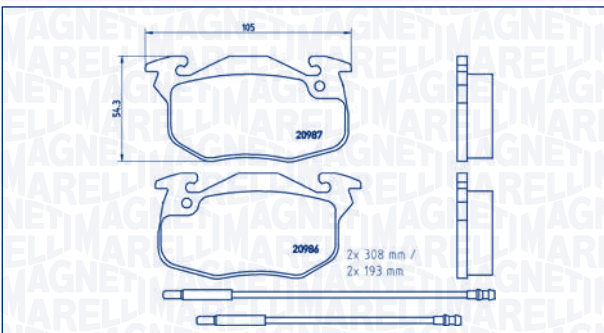
WVA	LENGTH×HEIGHT×THICKNESS [mm]	SYS	WI
-----	------------------------------	-----	----

P61048MM



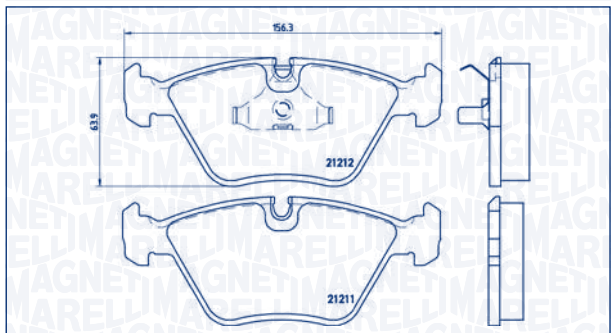
Ant 21507	130,8 × 73,1 × 17	BDX	[+]
-----------	-------------------	-----	-----

P61044MM



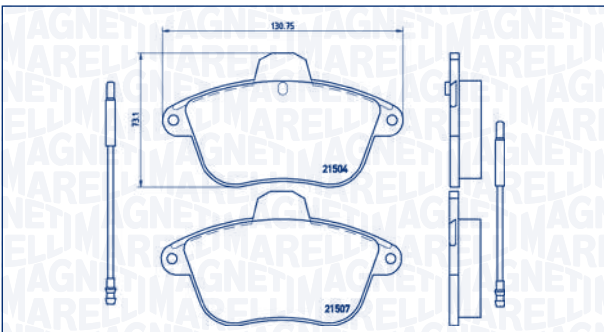
Ant 20905, 20906	105 × 54,3 × 18	BDX	[+]
------------------	-----------------	-----	-----

P61049MM



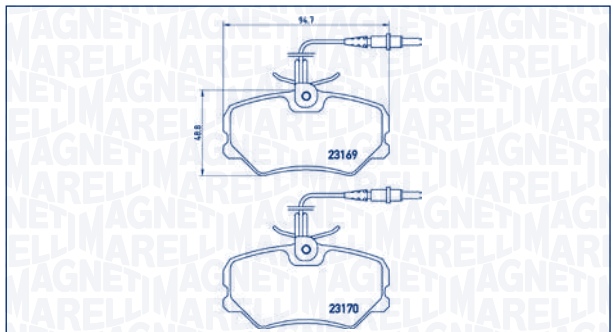
Ant 21211, 21212	156,3 × 63,9 × 18,7	ATE	[o]
------------------	---------------------	-----	-----

P61046MM



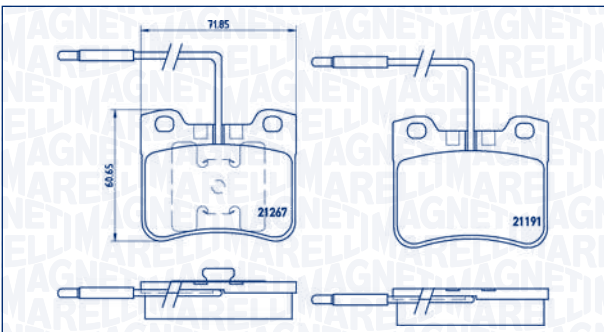
Ant 21504, 21507	130,8 × 73,1 × 17	BDX	[+]
------------------	-------------------	-----	-----

P61050MM



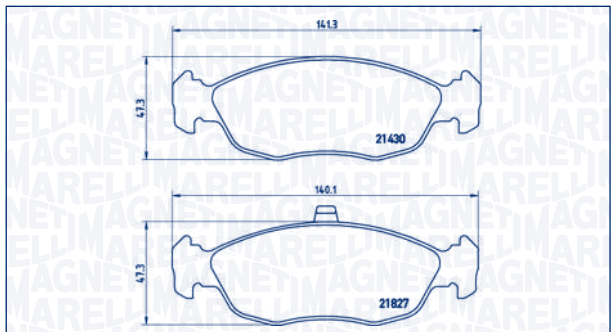
Ant 23169, 23170	94,7 × 48,8 × 19,4	TRW	[+]
------------------	--------------------	-----	-----

P61047MM



Ant 21191, 21267	71,9 × 60,7 × 17	ATE	[+]
------------------	------------------	-----	-----

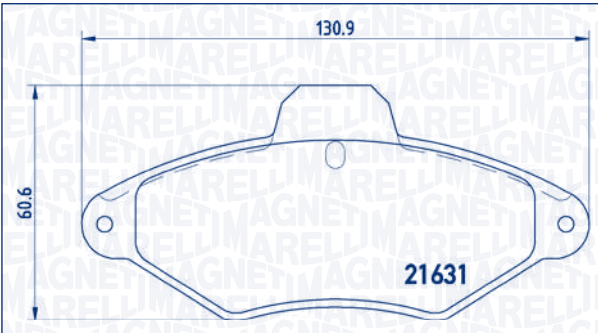
P61051MM



Ant 21430, 21827	140,1/141,3 × 47,3 × 17,3	ATE	[-]
------------------	---------------------------	-----	-----

WVA	LENGTH × HEIGHT × THICKNESS [mm]	SYS	WI
-----	----------------------------------	-----	----

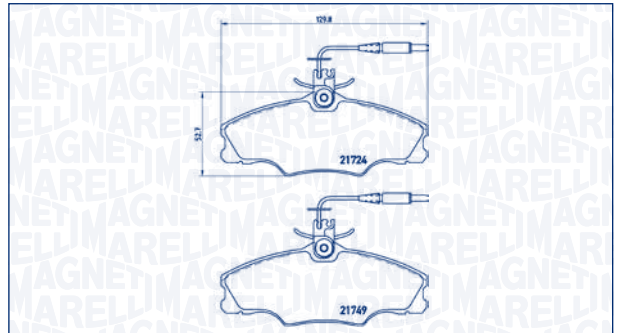
P61052MM



Ant 21631	130,9 × 60,6 × 17	BDX	[+]
-----------	-------------------	-----	-----

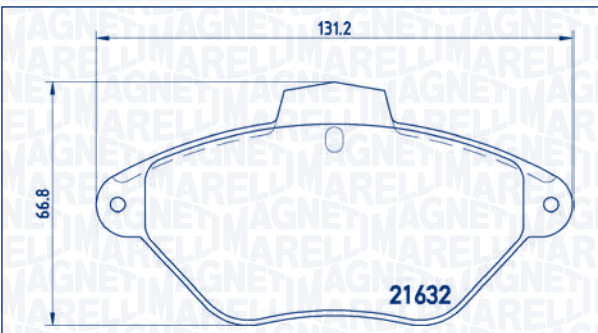
WVA	LENGTH × HEIGHT × THICKNESS [mm]	SYS	WI
-----	----------------------------------	-----	----

P61056MM



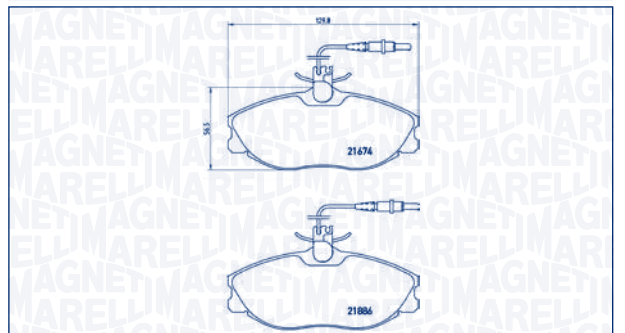
Ant 21724, 21749	129,8 × 52,7 × 19,3	TRW	[+]
------------------	---------------------	-----	-----

P61053MM



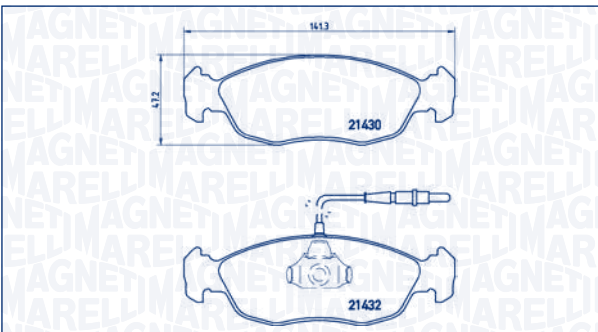
Ant 21632	131,2 × 66,8 × 16	BDX	[+]
-----------	-------------------	-----	-----

P61057MM



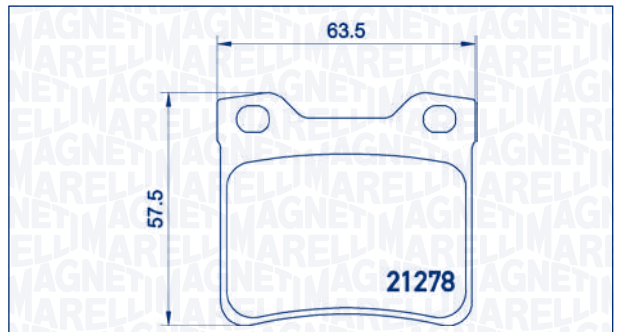
Ant 21674, 21886	129,8 × 56,5 × 19,3	TRW	[+]
------------------	---------------------	-----	-----

P61054MM



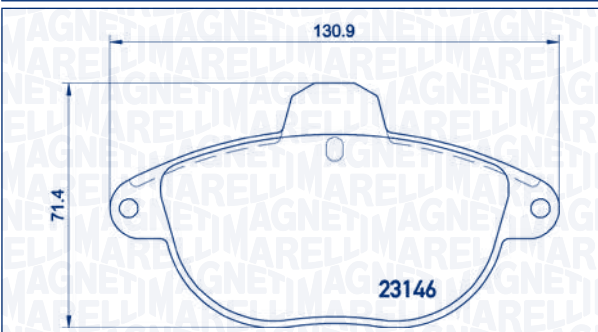
Ant 21430, 21432	141,3 × 47,2 × 17,3	ATE	[+]
------------------	---------------------	-----	-----

P61058MM



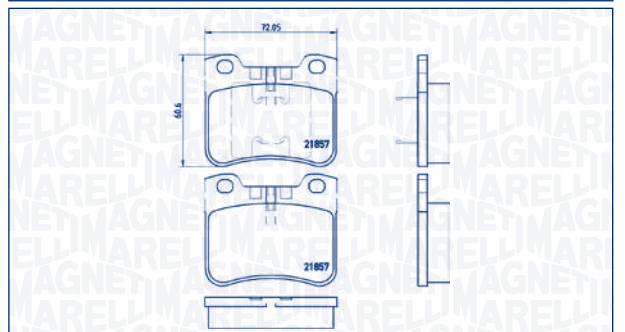
Post 21278, 21279	63,5 × 57,5 × 17	ATE	[-]
-------------------	------------------	-----	-----

P61055MM



Ant 23146, 23147	130,9 × 71,4 × 17	BDX	[+]
------------------	-------------------	-----	-----

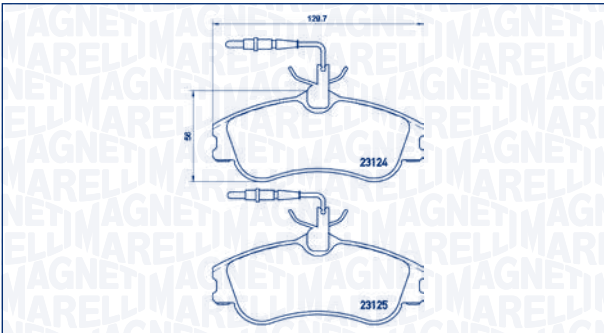
P61059MM



Ant 21857	72,5 × 60,6 × 17	ATE	[-]
-----------	------------------	-----	-----

Icon	WVA	LENGTH×HEIGHT×THICKNESS [mm]	SYS	WI
------	-----	------------------------------	-----	----

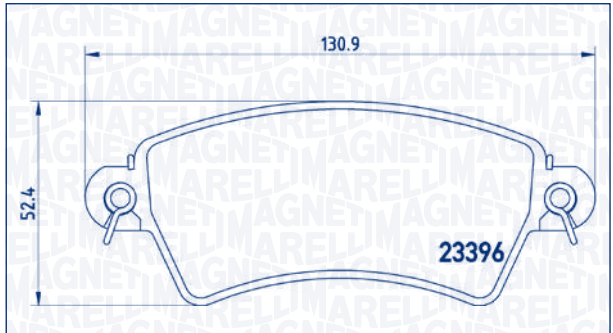
P61060MM



Ant	23124, 23125	129,9 × 56 × 19,3	GIR	[+]
-----	--------------	-------------------	-----	-----

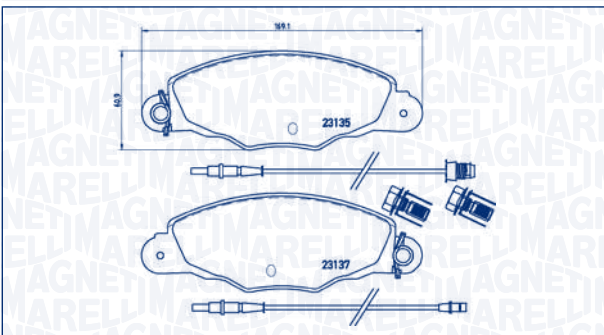
Icon	WVA	LENGTH×HEIGHT×THICKNESS [mm]	SYS	WI
------	-----	------------------------------	-----	----

P61065MM



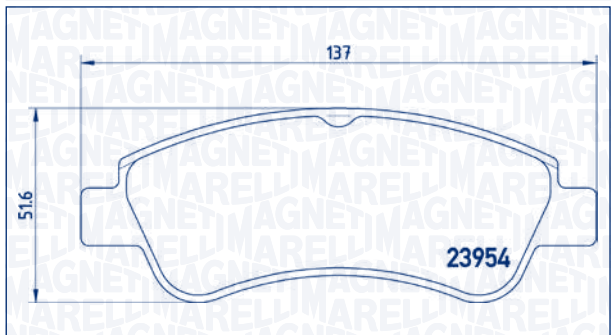
Ant	23396	130,9 × 52,4 × 18	BSH	[-]
-----	-------	-------------------	-----	-----

P61061MM



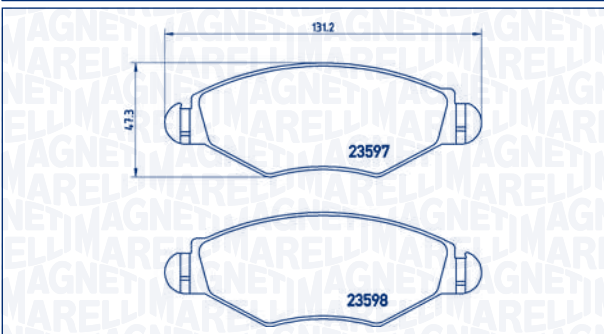
Ant	23135, 23137	169,1 × 60,9 × 18	BSH	[+]
-----	--------------	-------------------	-----	-----

P61066MM



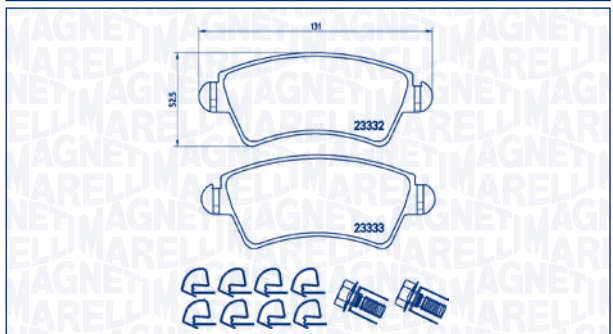
Ant	23954	137 × 51,6 × 19	BSH	[-]
-----	-------	-----------------	-----	-----

P61063MM



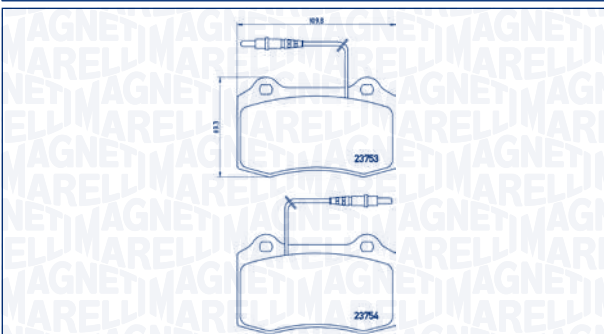
Ant	23597, 23598	131,2 × 47,3 × 18	BSH	[-]
-----	--------------	-------------------	-----	-----

P61067MM



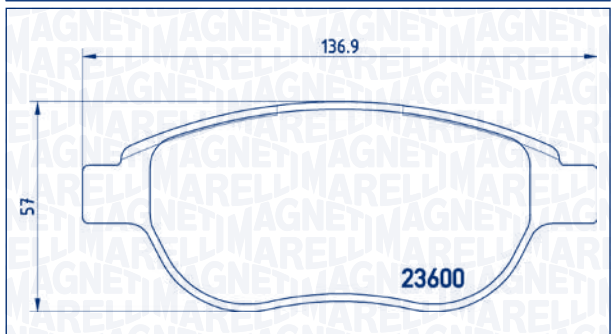
Ant	23332, 23333	131 × 52,5 × 18	BSH	[-]
-----	--------------	-----------------	-----	-----

P61064MM



Ant	23753, 23754	109,8 × 69,3 × 18	BRE	[+]
-----	--------------	-------------------	-----	-----

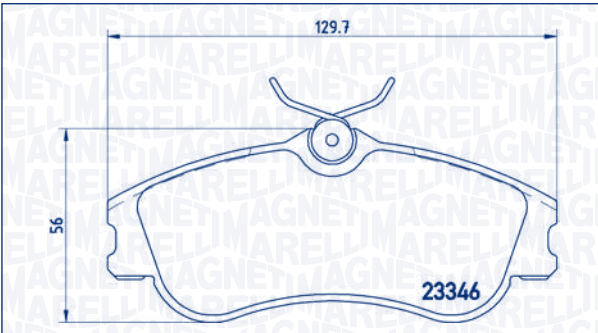
P61068MM



Ant	23600	136,9 × 57,4 × 19	BSH	[-]
-----	-------	-------------------	-----	-----

WVA	LENGTH × HEIGHT × THICKNESS [mm]	SYS	WI
-----	----------------------------------	-----	----

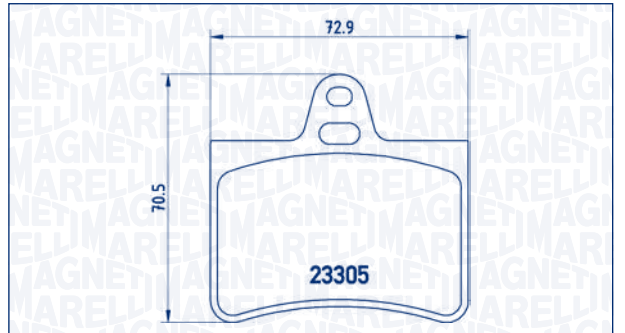
P61069MM



Ant 23346	129,7 × 56 × 19,3	TRW	[-]
-----------	-------------------	-----	-----

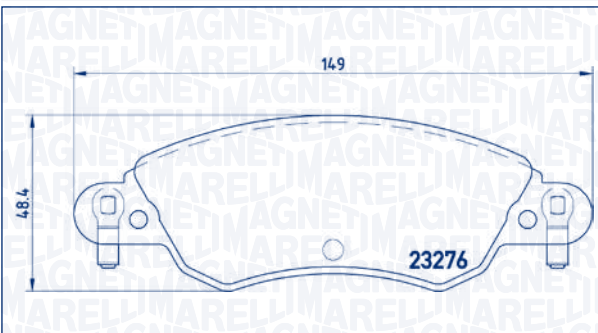
WVA	LENGTH × HEIGHT × THICKNESS [mm]	SYS	WI
-----	----------------------------------	-----	----

P61073MM



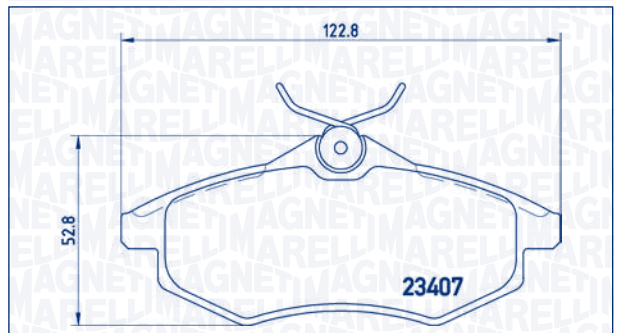
Post 23305	72,9 × 70,5 × 15,4	CIT	[-]
------------	--------------------	-----	-----

P61070MM



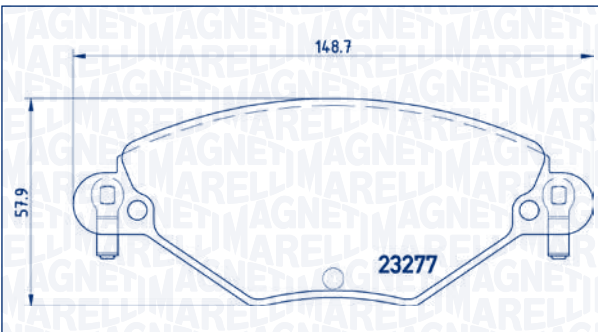
Ant 23276	149 × 48,4 × 17,5	BSH	[+]
-----------	-------------------	-----	-----

P61074MM



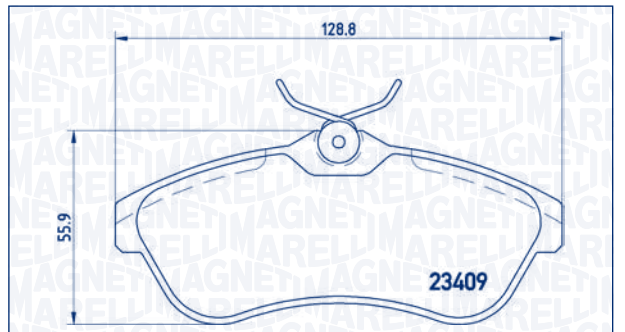
Ant 23407	122,8 × 52,8 × 19,3	TRW	[-]
-----------	---------------------	-----	-----

P61071MM



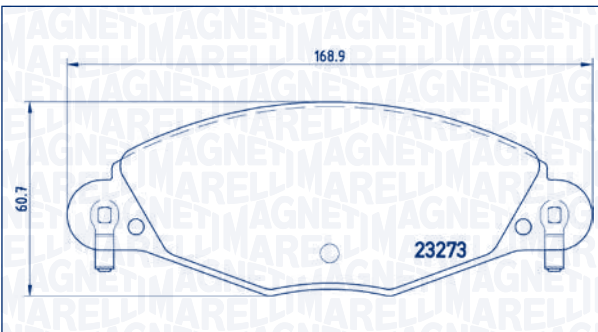
Ant 23277	148,7 × 57,9 × 17,7	BSH	[+]
-----------	---------------------	-----	-----

P61075MM



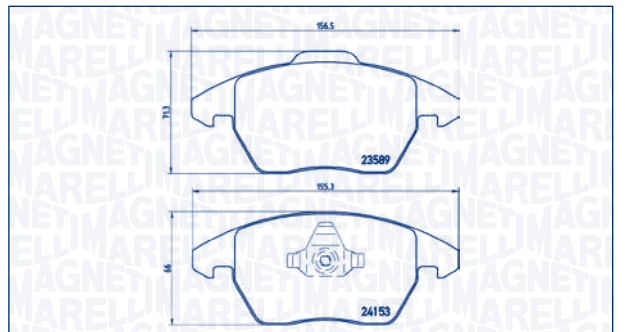
Ant 23409	128,8 × 55,9 × 19,3	TRW	[-]
-----------	---------------------	-----	-----

P61072MM



Ant 23273	168,9 × 60,7 × 18	BSH	[+]
-----------	-------------------	-----	-----

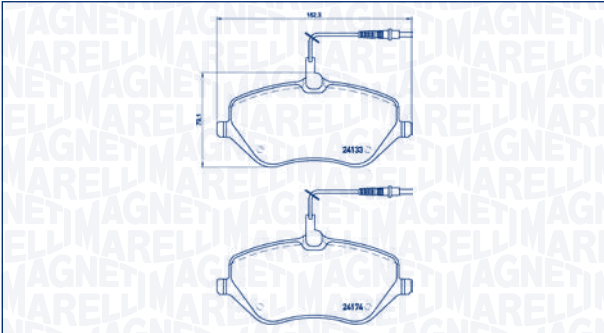
P61076MM



Ant 23589, 24153	155,3/156,5 × 66/71,3 × 19	ATE	[-]
------------------	----------------------------	-----	-----

WVA	LENGTH×HEIGHT×THICKNESS [mm]	SYS	WI
-----	------------------------------	-----	----

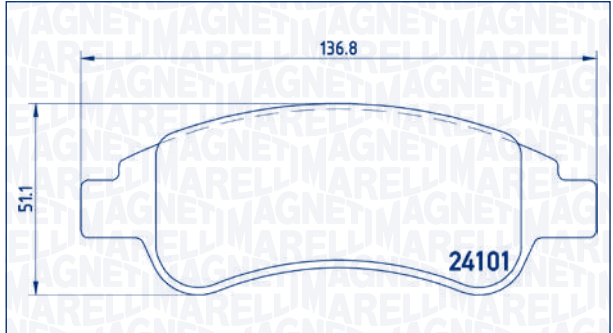
P61078MM



Ant	24133, 24174	162,4 × 79,1 × 17,7	TRW	[+]
-----	--------------	---------------------	-----	-----

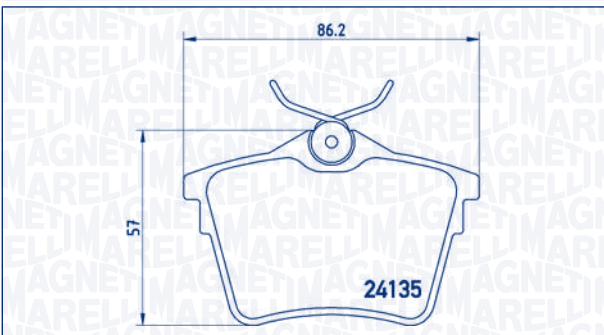
WVA	LENGTH×HEIGHT×THICKNESS [mm]	SYS	WI
-----	------------------------------	-----	----

P61082MM



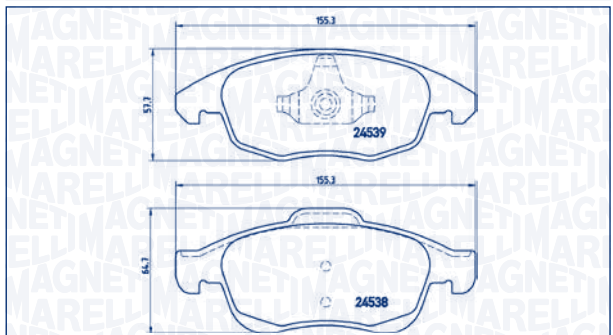
Ant	24101	136,8 × 51,1 × 19	BSH	[-]
-----	-------	-------------------	-----	-----

P61079MM



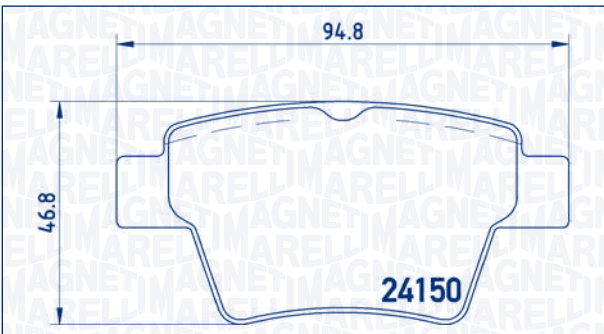
Post	24135	86,2 × 57 × 17,8	TRW	[-]
------	-------	------------------	-----	-----

P61083MM



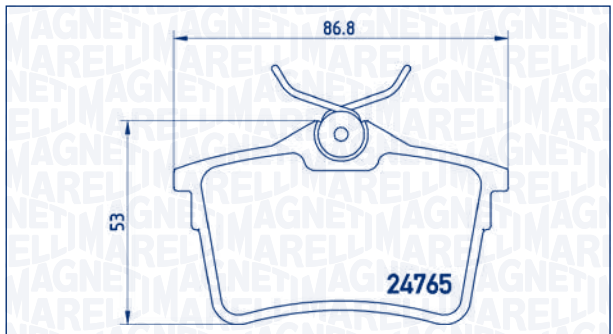
Ant	24538, 24539	155,3 × 57,7/64,7 × 18,3/18,8	ATE	[-]
-----	--------------	-------------------------------	-----	-----

P61080MM



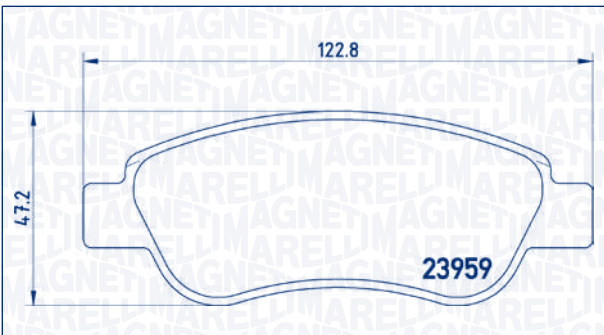
Post	24150	94,8 × 46,8 × 17,6	BSH	[-]
------	-------	--------------------	-----	-----

P61084MM



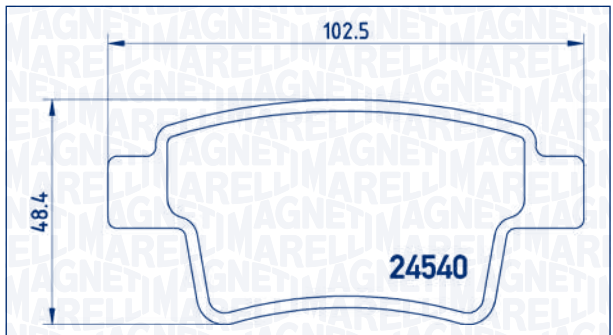
Post	24765	86,8 × 53 × 16,6	TRW	[-]
------	-------	------------------	-----	-----

P61081MM



Ant	23959	122,8 × 47,2 × 17,5	BSH	[-]
-----	-------	---------------------	-----	-----

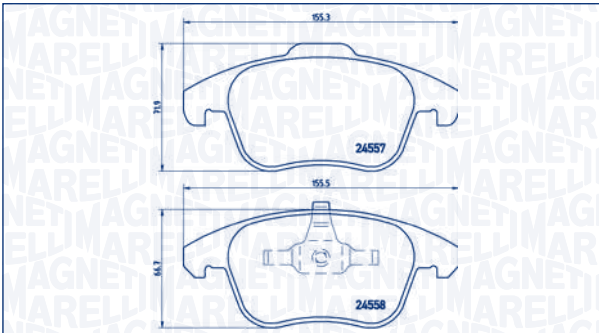
P61085MM



Post	24540	102,5 × 48,4 × 16,4	BSH	[-]
------	-------	---------------------	-----	-----

WVA	LENGTH × HEIGHT × THICKNESS [mm]	SYS	WI
-----	----------------------------------	-----	----

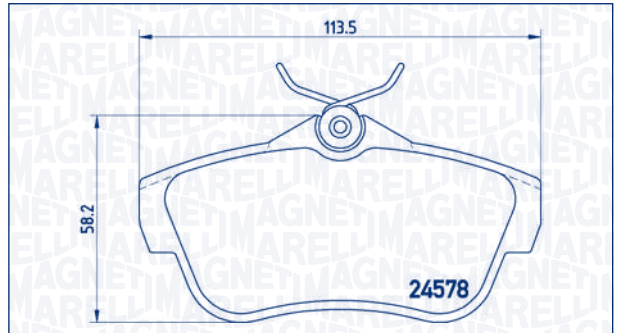
P61086MM



Ant	24557, 24558	155,3 × 66,7/71,9 × 18,2/19	ATE	[-]
-----	--------------	-----------------------------	-----	-----

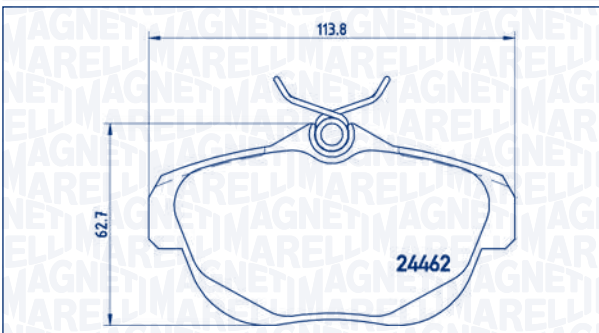
WVA	LENGTH × HEIGHT × THICKNESS [mm]	SYS	WI
-----	----------------------------------	-----	----

P61095MM



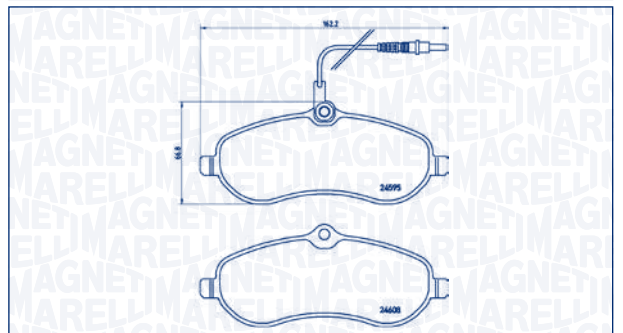
Post	24578	113,5 × 58,2 × 16,6	TRW	[-]
------	-------	---------------------	-----	-----

P61087MM



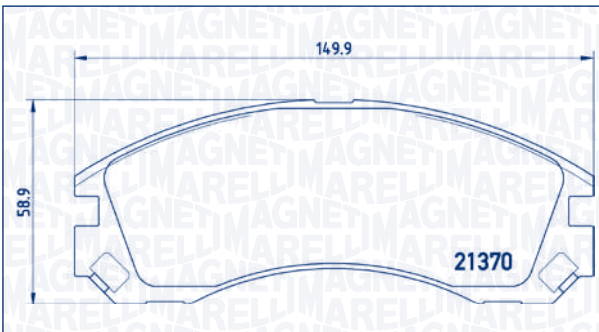
Post	24462	113,8 × 62,7 × 16,7	TRW	[-]
------	-------	---------------------	-----	-----

P61096MM



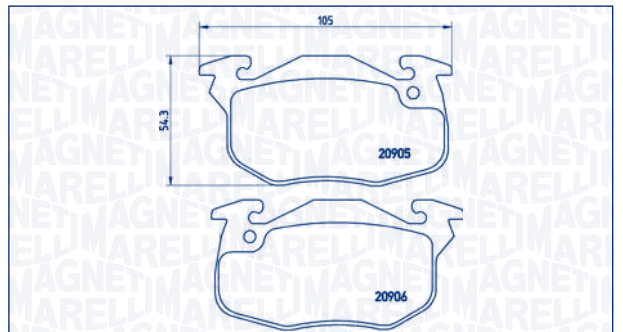
Ant	24595, 24608	162,2 × 66,8 × 18,3	TRW	[+]
-----	--------------	---------------------	-----	-----

P61089MM



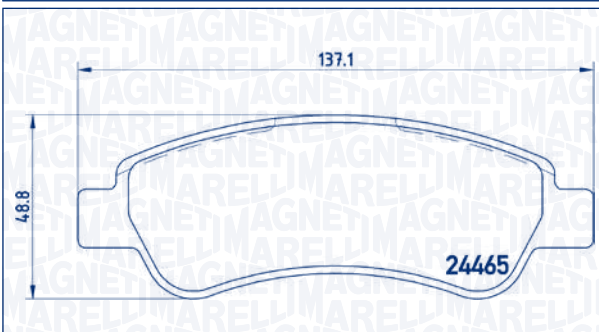
Ant	21370	149,9 × 58,9 × 15,7	AKE	[+]
-----	-------	---------------------	-----	-----

P61097MM



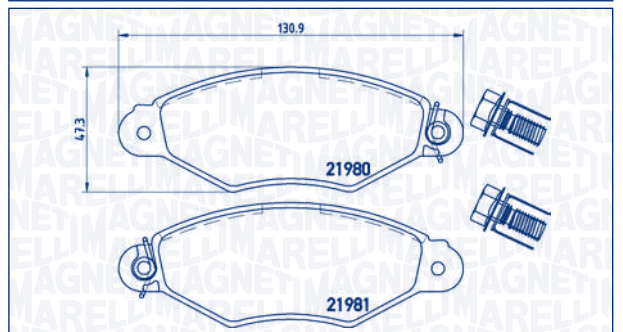
Ant	20905, 20906	105 × 54,3 × 18	BDX	[o]
-----	--------------	-----------------	-----	-----

P61091MM



Post	24465	137,1 × 48,8 × 18,8	BSH	[-]
------	-------	---------------------	-----	-----

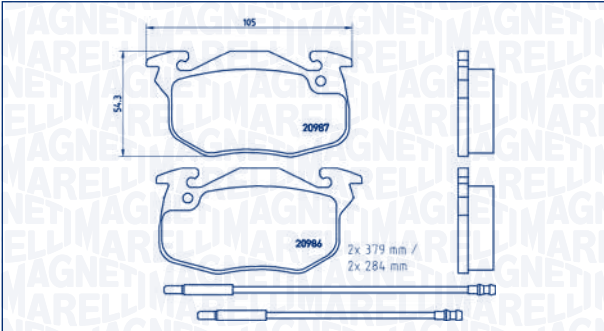
P61098MM



Ant	21980, 21981	130,9 × 47,3 × 18	BSH	[-]
-----	--------------	-------------------	-----	-----

WVA	LENGTH×HEIGHT×THICKNESS [mm]	SYS	WI
-----	------------------------------	-----	----

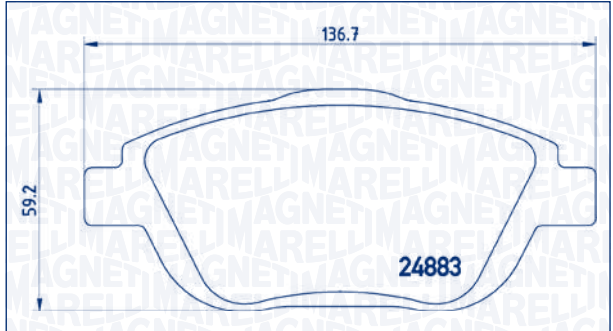
P61099MM



Ant 20905, 20906	105 × 54,3 × 18	BDX	[+]
------------------	-----------------	-----	-----

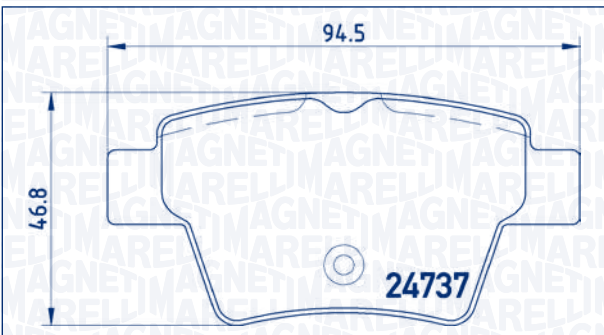
WVA	LENGTH×HEIGHT×THICKNESS [mm]	SYS	WI
-----	------------------------------	-----	----

P61103MM



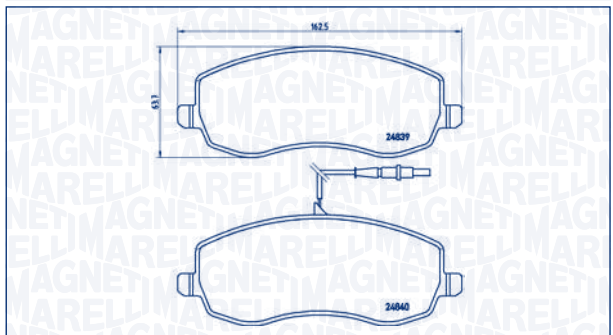
Ant 24883	136,7 × 59,2 × 18	BSH	[-]
-----------	-------------------	-----	-----

P61100MM



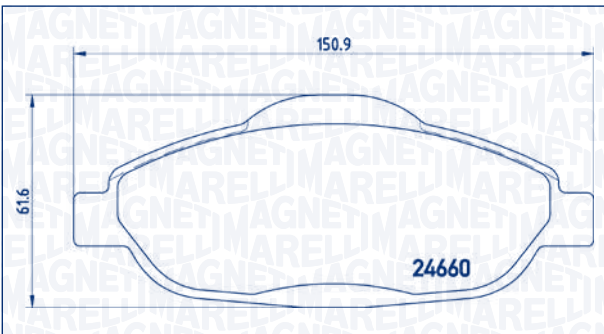
Post 24737	94,5 × 46,8 × 18	BSH	[-]
------------	------------------	-----	-----

P61104MM



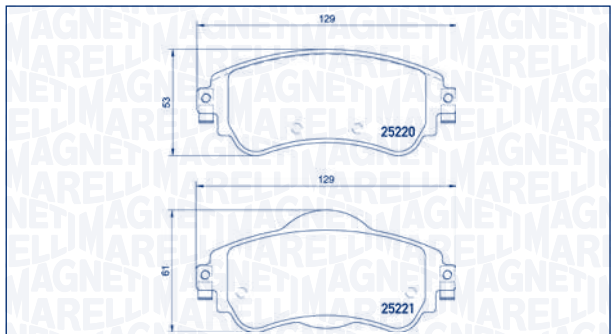
Ant 24839, 24840	162,5 × 63,7 × 19,4	TRW	[+]
------------------	---------------------	-----	-----

P61101MM



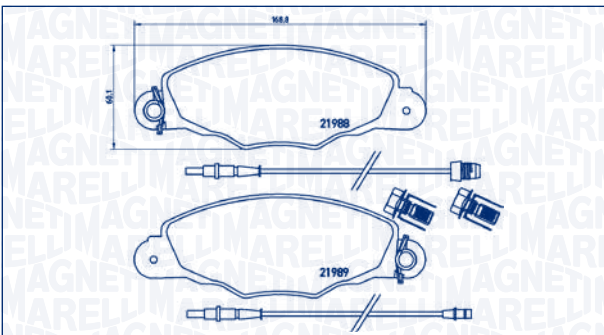
Ant 24660	150,9 × 61,6 × 17,8	BSH	[-]
-----------	---------------------	-----	-----

P61105MM



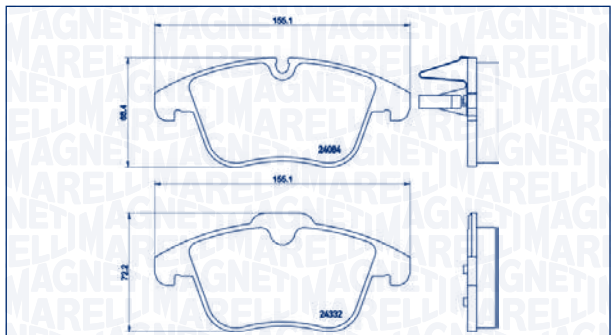
Ant 25220, 25221	129 × 53/61 × 18,5	TRW	[-]
------------------	--------------------	-----	-----

P61102MM



Ant 21988, 21989	168,8 × 60,1 × 18	BSH	[+]
------------------	-------------------	-----	-----

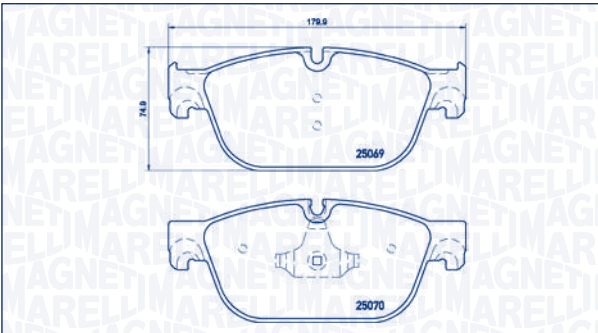
P61106MM



Ant 24332	155,1 × 66,4/72,2 × 17,9/18,8	ATE	[+]
-----------	-------------------------------	-----	-----

	WVA	LENGTH × HEIGHT × THICKNESS [mm]	SYS	WI
--	-----	----------------------------------	-----	----

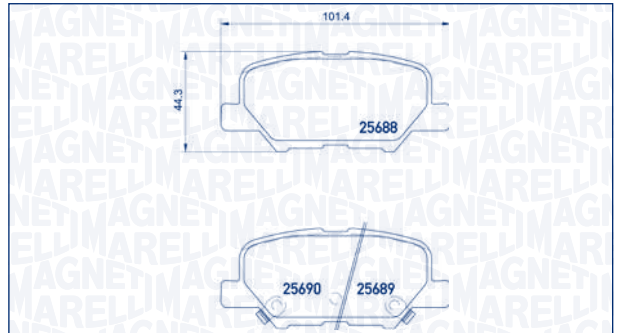
P61107MM



Ant	25069, 25070	179,9 × 74,9 × 17	ATE	[+]
-----	--------------	-------------------	-----	-----

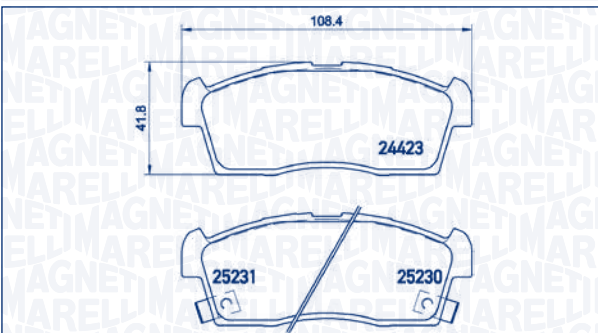
	WVA	LENGTH × HEIGHT × THICKNESS [mm]	SYS	WI
--	-----	----------------------------------	-----	----

P61111MM



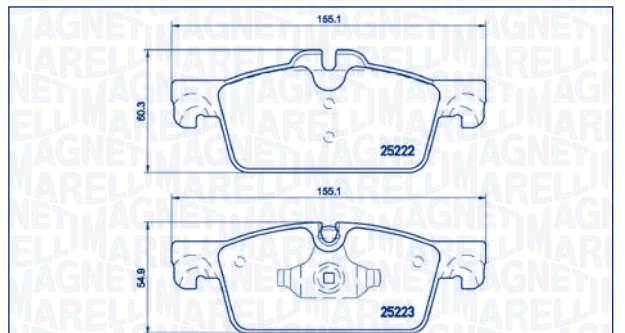
Post	25688, 25689, 25690	101,4 × 44,3 × 14,3	AKE	[+]
------	---------------------	---------------------	-----	-----

P61108MM



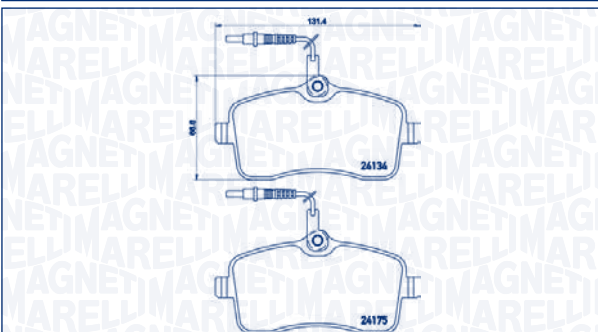
Ant	24423, 25231, 25230	108,4 × 41,8 × 14,7	SUM	[+]
-----	---------------------	---------------------	-----	-----

P61112MM



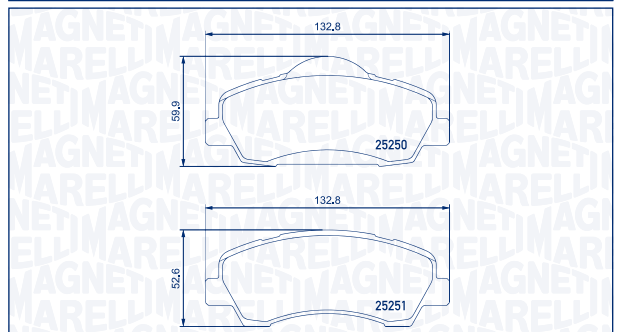
Ant	25222, 25223	155,1 × 54,9/60,3 × 17	ATE	[+]
-----	--------------	------------------------	-----	-----

P61109MM



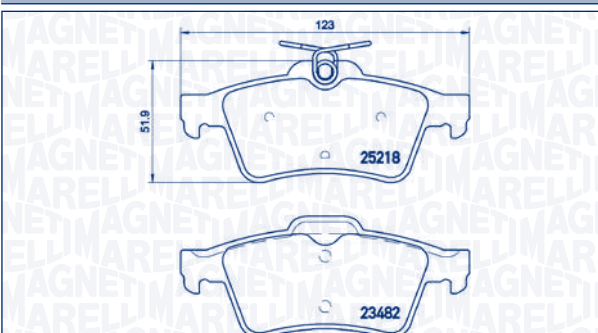
Ant	24175	131,4 × 66,8 × 18,7	TRW	[+]
-----	-------	---------------------	-----	-----

P61113MM



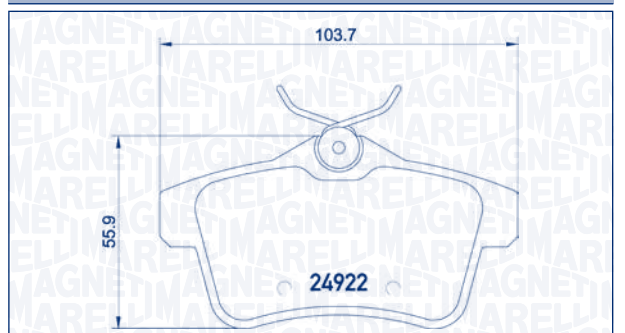
Ant	25250, 25251	132,8 × 52,6/59,9 × 18,7	MN	[-]
-----	--------------	--------------------------	----	-----

P61110MM



Post	25218, 23482	123 × 51,9 × 16,3	ATE	[-]
------	--------------	-------------------	-----	-----

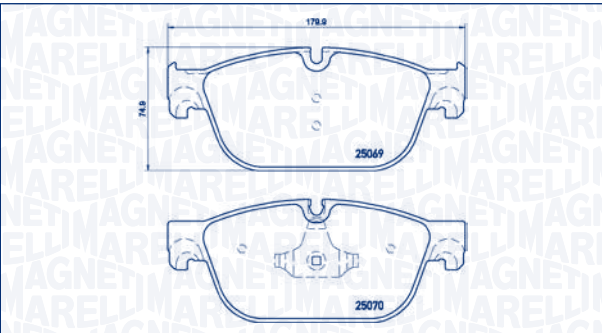
P61114MM



Post	24922	103,7 × 55,9 × 17,3	TRW	[-]
------	-------	---------------------	-----	-----

WVA	LENGTH×HEIGHT×THICKNESS [mm]	SYS	WI
-----	------------------------------	-----	----

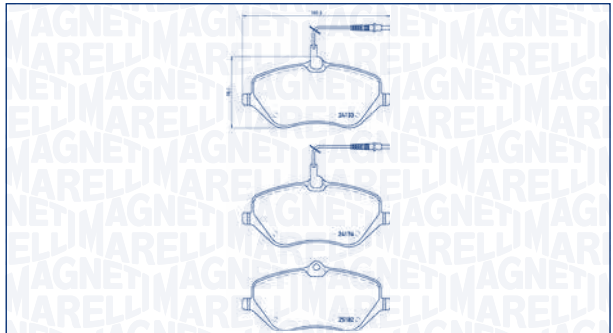
P61115MM



Ant	25069, 25070	179,9 × 74,9 × 17	ATE	[o]
-----	--------------	-------------------	-----	-----

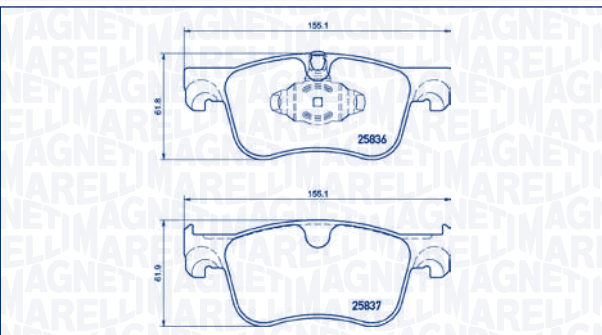
WVA	LENGTH×HEIGHT×THICKNESS [mm]	SYS	WI
-----	------------------------------	-----	----

P61119MM



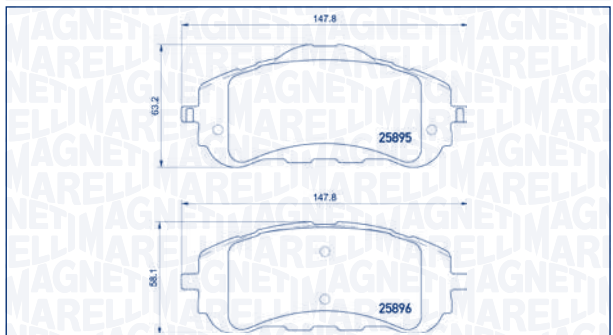
Ant	24133, 24174, 25182	162,3 × 79,1 × 18,3	TRW	[+]
-----	---------------------	---------------------	-----	-----

P61116MM



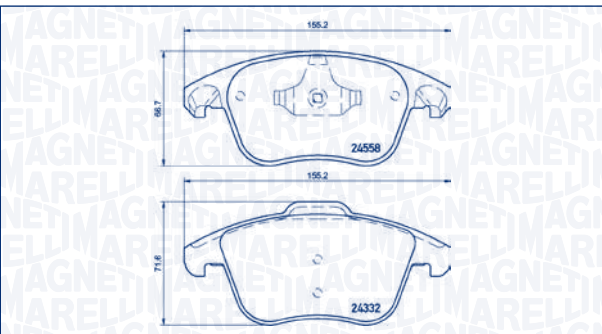
Ant	25836, 25837	155,1 × 61,8/61,9 × 17	ATE	[o]
-----	--------------	------------------------	-----	-----

P61120MM



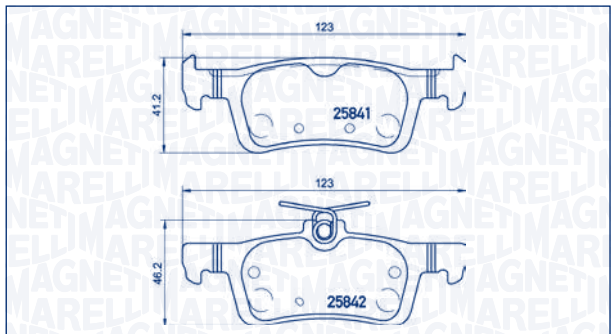
Ant	25895, 25896	147,8 × 58,1/63,2 × 18,5	BSH	[-]
-----	--------------	--------------------------	-----	-----

P61117MM



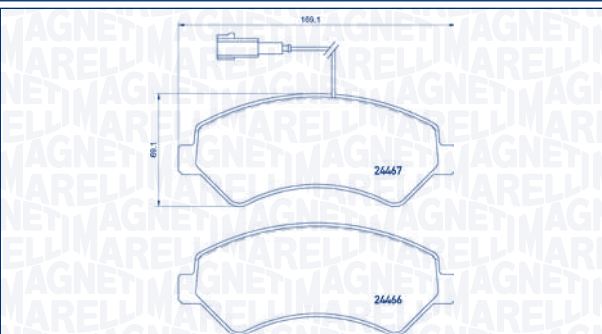
Ant	24558, 24332	155,2 × 66,7/71,6 × 18/18,9	ATE	[-]
-----	--------------	-----------------------------	-----	-----

P61121MM



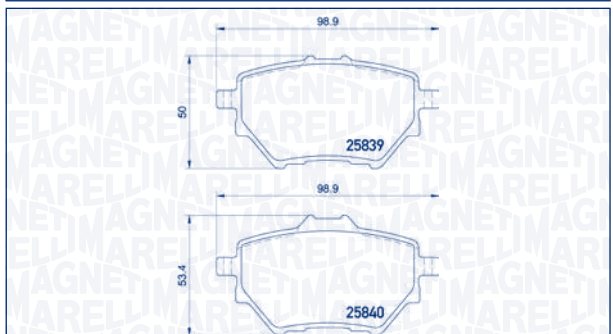
Post	25841, 25842	123 × 41,2/46,2 × 15,4	ATE	[-]
------	--------------	------------------------	-----	-----

P61118MM



Ant	24467, 24466	169,1 × 69,1 × 19	BRE	[+]
-----	--------------	-------------------	-----	-----

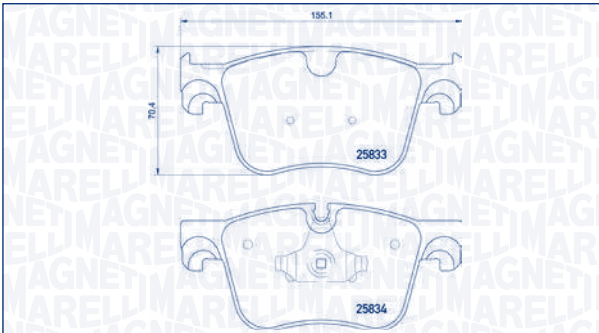
P61122MM



Post	25839, 25840	98,9 × 50/53,4 × 17,5	BSH	[-]
------	--------------	-----------------------	-----	-----

	WVA	LENGTH × HEIGHT × THICKNESS [mm]	SYS	WI
--	-----	----------------------------------	-----	----

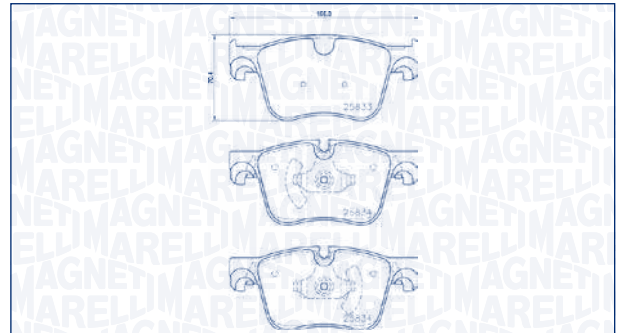
P61123MM



Ant	25833, 25834	155,1 × 70,4 × 17,1	ATE	[o]
-----	--------------	---------------------	-----	-----

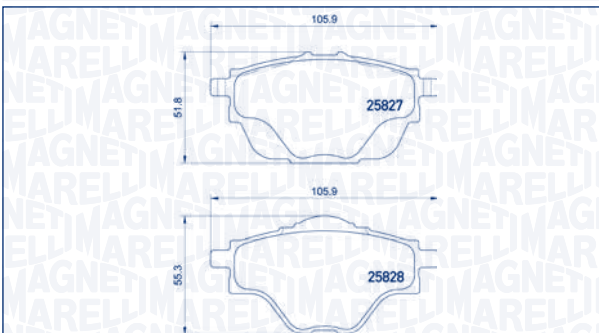
	WVA	LENGTH × HEIGHT × THICKNESS [mm]	SYS	WI
--	-----	----------------------------------	-----	----

P61127MM



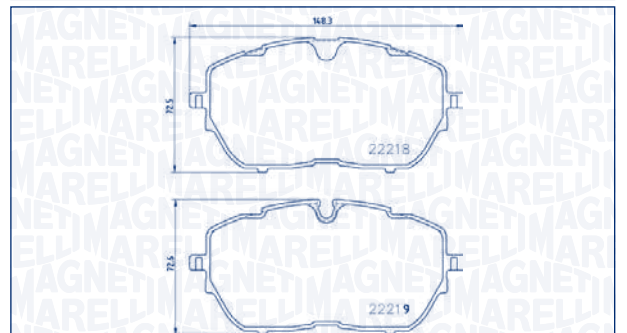
Ant	25834, 25833	155,3 × 70,4 × 17,1	ATE	[o]
-----	--------------	---------------------	-----	-----

P61124MM



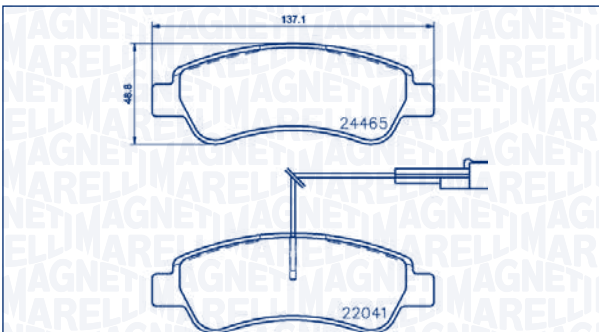
Post	25827, 25828	105,9 × 51,8/55,3 × 17,3	BSH	[-]
------	--------------	--------------------------	-----	-----

P61128MM



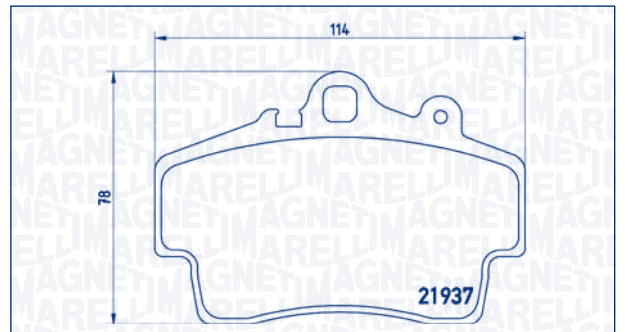
Ant	22219, 22218	148,3 × 72,5 × 18,5	BSH	[-]
-----	--------------	---------------------	-----	-----

P61125MM



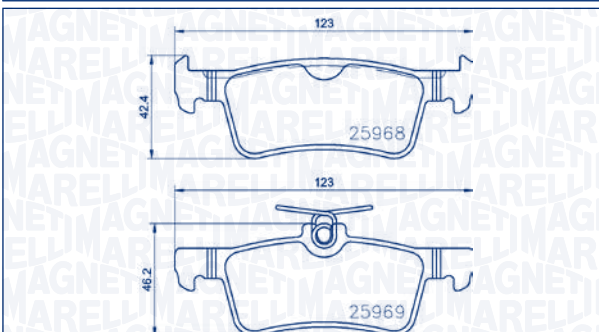
Post	24465, 22041	137,1 × 48,8 × 18,8	BSH	[+]
------	--------------	---------------------	-----	-----

P65007MM



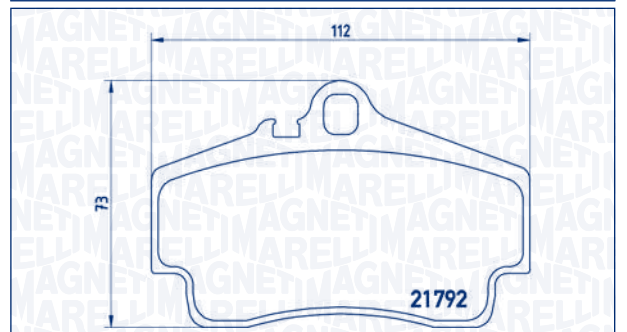
Ant	21937	114 × 78 × 15,5	BRE	[o]
-----	-------	-----------------	-----	-----

P61126MM



Post	25968	123 × 42,4/46,2 × 15,9	ATE	[-]
------	-------	------------------------	-----	-----

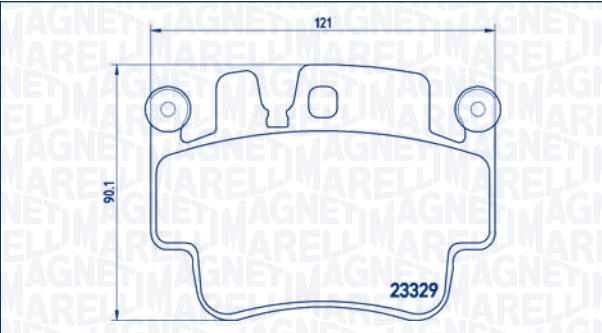
P65008MM



Post	21792	112 × 73 × 15,5	BRE	[o]
------	-------	-----------------	-----	-----

WVA	LENGTH×HEIGHT×THICKNESS [mm]	SYS	WI
-----	------------------------------	-----	----

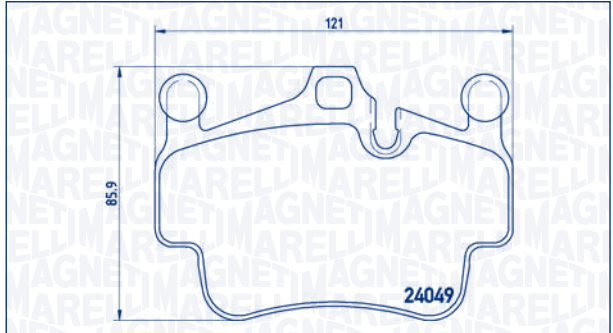
P65009MM



Ant 23329	121 × 90,1 × 17	BRE	[o]
-----------	-----------------	-----	-----

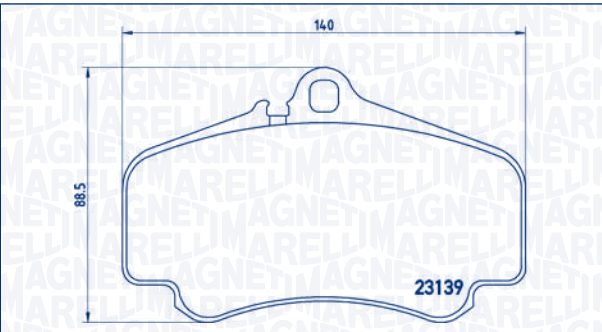
WVA	LENGTH×HEIGHT×THICKNESS [mm]	SYS	WI
-----	------------------------------	-----	----

P65015MM



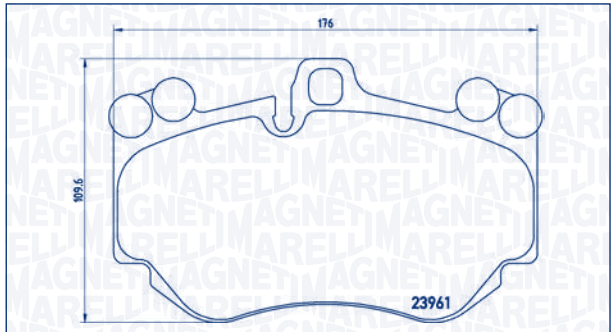
Ant 24049	121 × 85,9 × 17	BRE	[o]
-----------	-----------------	-----	-----

P65011MM



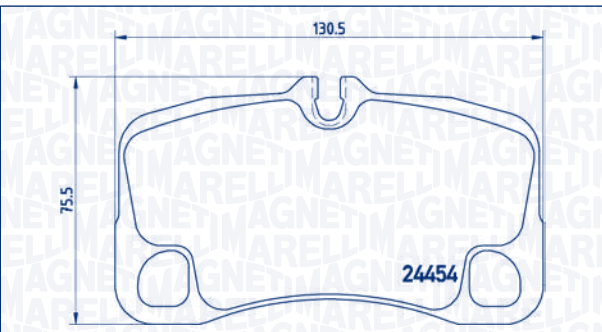
Ant 23139	140 × 88,5 × 17	BRE	[o]
-----------	-----------------	-----	-----

P65016MM



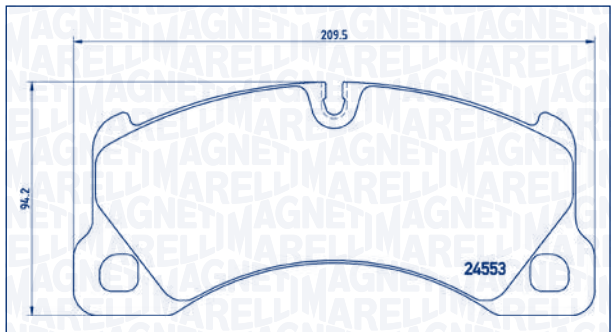
Ant 23961	176 × 109,6 × 17	BRE	[o]
-----------	------------------	-----	-----

P65013MM



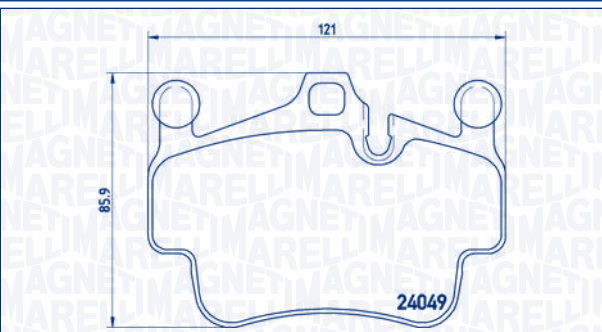
Post 24454	130,5 × 75,5 × 17,5	BRE	[o]
------------	---------------------	-----	-----

P65017MM



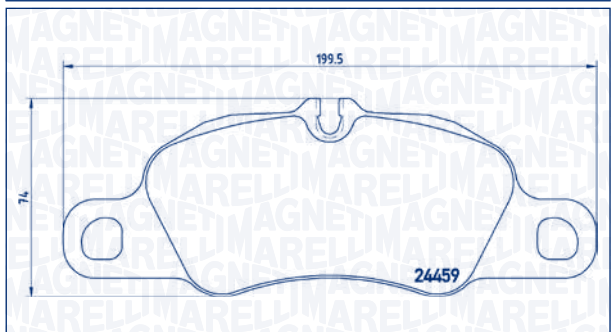
Ant 24553	209,5 × 94,2 × 16,1	BRE	[o]
-----------	---------------------	-----	-----

P65014MM



Ant 24049	121 × 85,9 × 17	BRE	[o]
-----------	-----------------	-----	-----

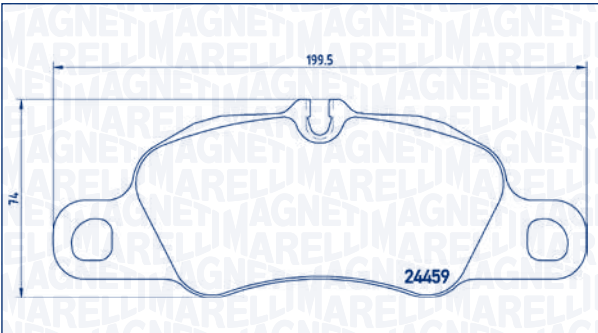
P65018MM



Ant 24459	199,5 × 74 × 18,5	BRE	[o]
-----------	-------------------	-----	-----

WVA	LENGTH × HEIGHT × THICKNESS [mm]	SYS	WI
-----	----------------------------------	-----	----

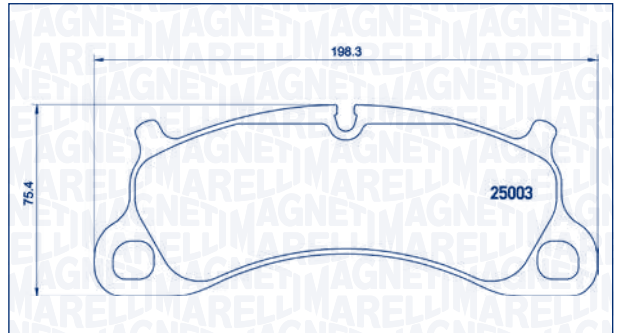
P65019MM



Ant 24459	199,5 × 74 × 18,5	BRE	[o]
-----------	-------------------	-----	-----

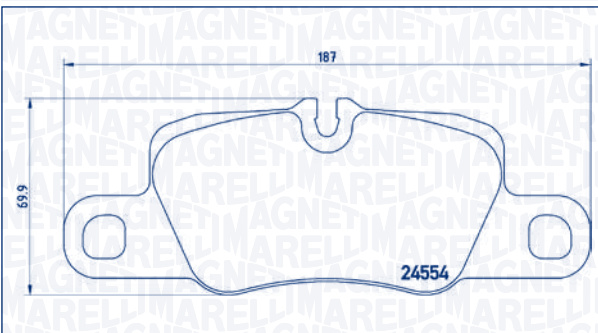
WVA	LENGTH × HEIGHT × THICKNESS [mm]	SYS	WI
-----	----------------------------------	-----	----

P65025MM



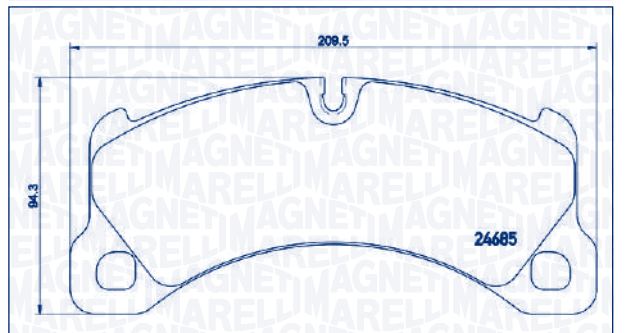
Ant 25003	198,3 × 75,4 × 17,3	BRE	[o]
-----------	---------------------	-----	-----

P65020MM



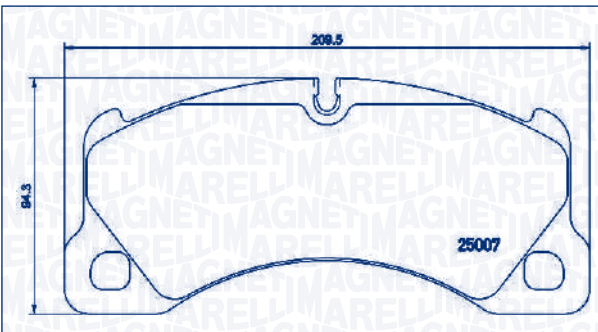
Post 24554	187 × 69,9 × 16	BRE	[o]
------------	-----------------	-----	-----

P65026MM



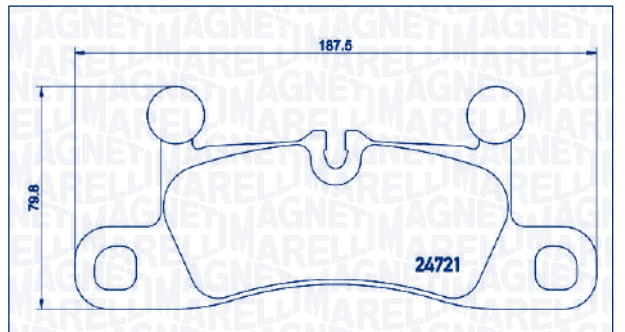
Ant 24685	209,5 × 94,6 × 17,1	BRE	[o]
-----------	---------------------	-----	-----

P65021MM



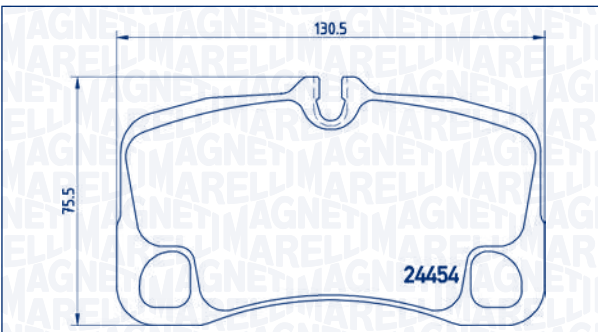
Ant 25007	209,5 × 94,2 × 17,1	BRE	[o]
-----------	---------------------	-----	-----

P65027MM



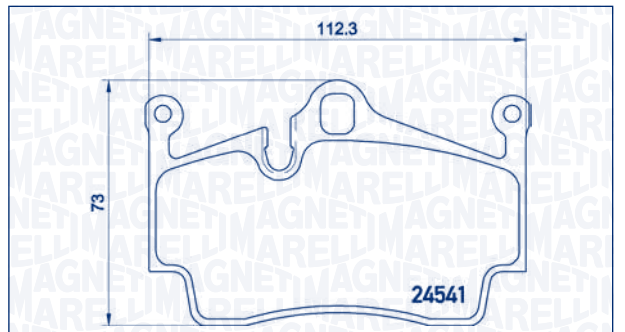
Post 24721	187,5 × 79,8 × 17,2	BRE	[o]
------------	---------------------	-----	-----

P65022MM



Post 24454	130,5 × 75,5 × 17	BRE	[o]
------------	-------------------	-----	-----

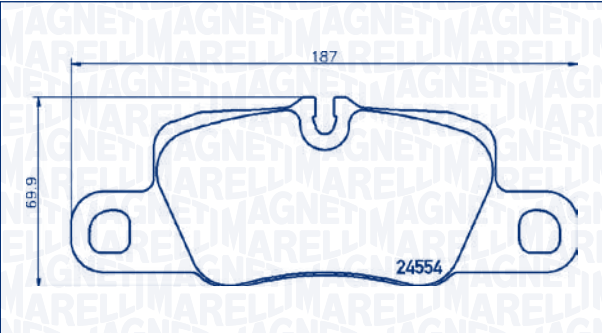
P65028MM



Post 24541	112 × 73 × 15,5	BRE	[o]
------------	-----------------	-----	-----

WVA	LENGTH×HEIGHT×THICKNESS [mm]	SYS	WI
-----	------------------------------	-----	----

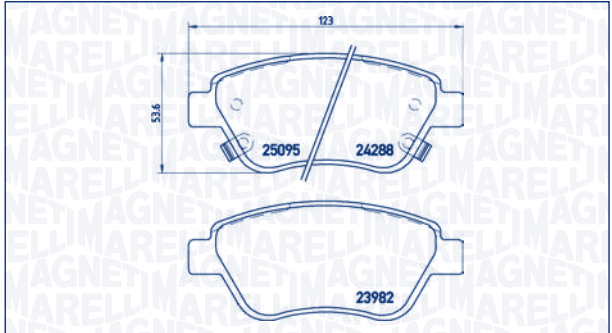
P65029MM



Post	24554	187 × 69,9 × 16	BRE	[o]
------	-------	-----------------	-----	-----

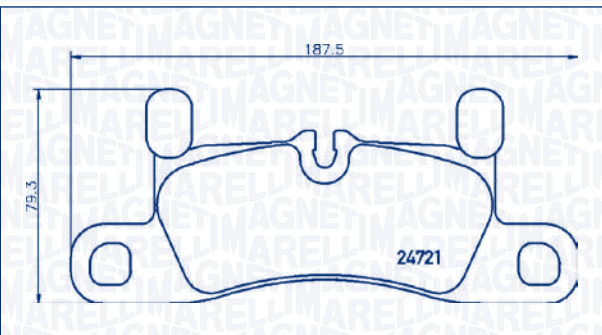
WVA	LENGTH×HEIGHT×THICKNESS [mm]	SYS	WI
-----	------------------------------	-----	----

P66001MM



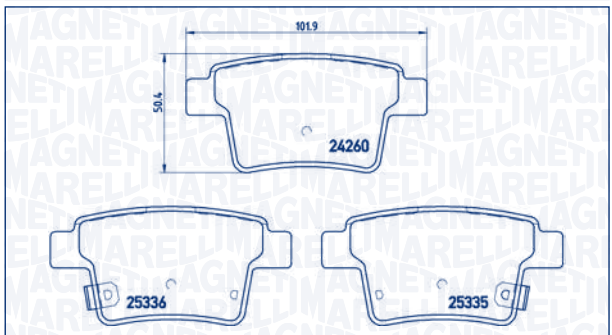
Ant	24288, 25095, 23982	123 × 53,3 × 17	BSH	[+]
-----	---------------------	-----------------	-----	-----

P65030MM



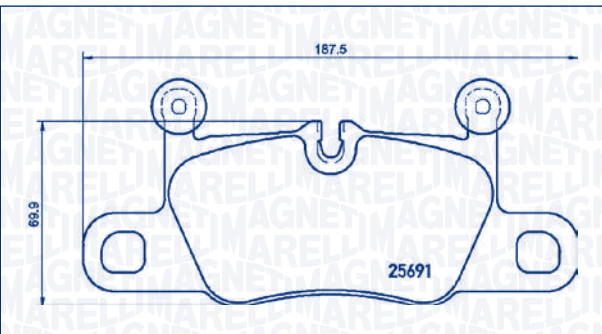
Post	24721	187,5 × 75,5 × 17,4	BRE	[o]
------	-------	---------------------	-----	-----

P66002MM



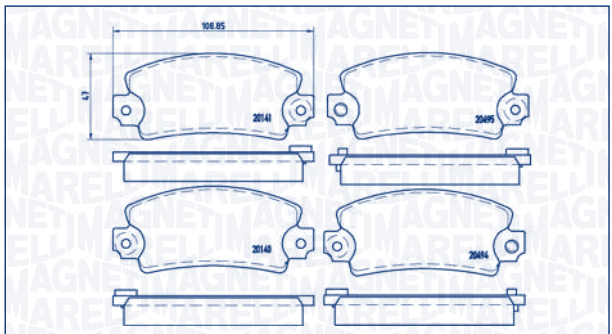
Post	24260, 25335, 25336	101,7 × 50,4 × 16,3	BSH	[+]
------	---------------------	---------------------	-----	-----

P65031MM



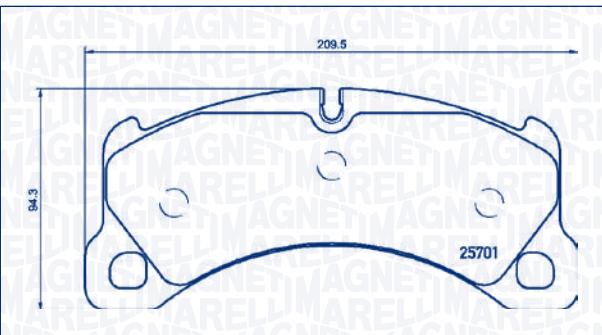
Post	25691	187 × 69,9 × 16,2	BRE	[o]
------	-------	-------------------	-----	-----

P68001MM



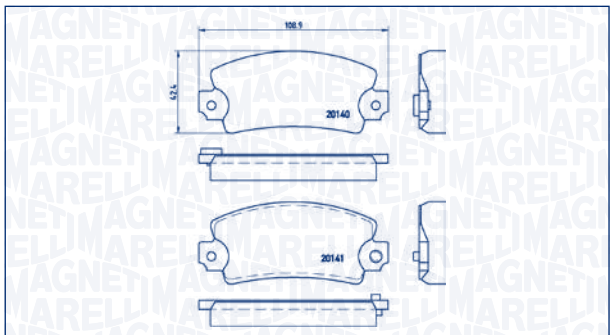
Ant	20140, 20141, 20494, 20495	108,9 × 47 × 14	BDX	[+]
-----	----------------------------	-----------------	-----	-----

P65033MM



Ant	25701	209,5 × 94,3 × 16,9	BRE	[o]
-----	-------	---------------------	-----	-----

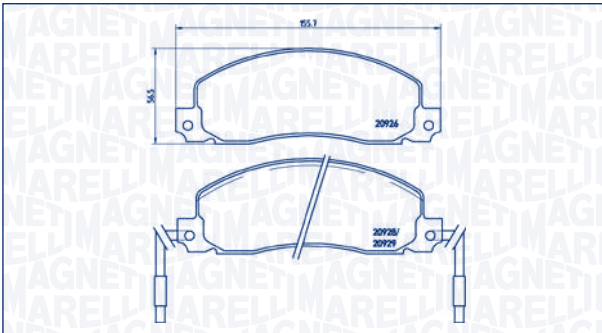
P68004MM



Ant	20140, 20141	108,9 × 42,4 × 14	BDX	[o]
-----	--------------	-------------------	-----	-----

WVA	LENGTH × HEIGHT × THICKNESS [mm]	SYS	WI
-----	----------------------------------	-----	----

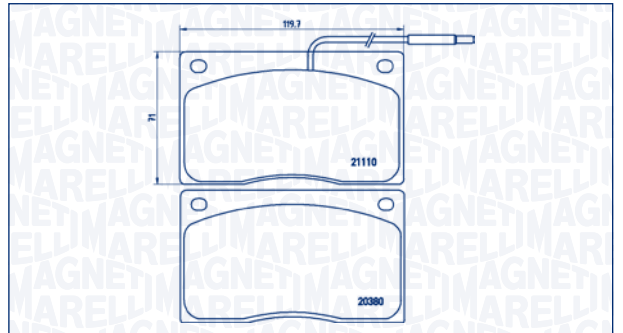
P68006MM



Ant	20926, 20928, 20929	155,7 × 56,5 × 18,5	BDX	[+]
-----	---------------------	---------------------	-----	-----

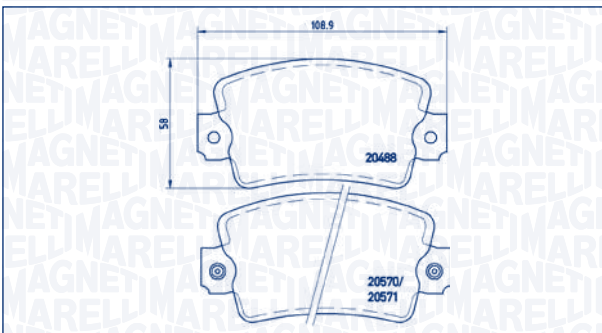
WVA	LENGTH × HEIGHT × THICKNESS [mm]	SYS	WI
-----	----------------------------------	-----	----

P68012MM



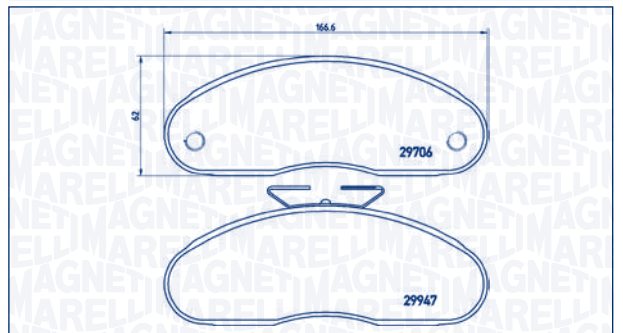
Ant	20380, 21110	119,7 × 71 × 15,6	TRW	[+]
-----	--------------	-------------------	-----	-----

P68007MM



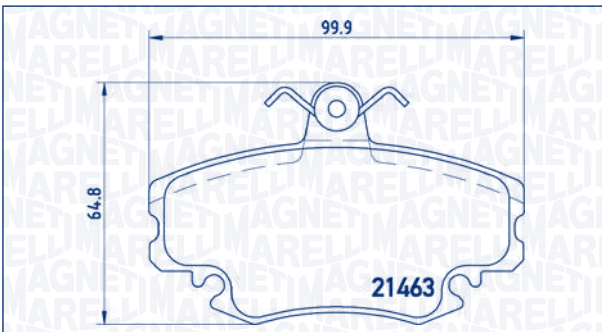
Ant	20488, 20489, 20570, 20571	108,9 × 58 × 18,5	BDX	[+]
-----	----------------------------	-------------------	-----	-----

P68013MM



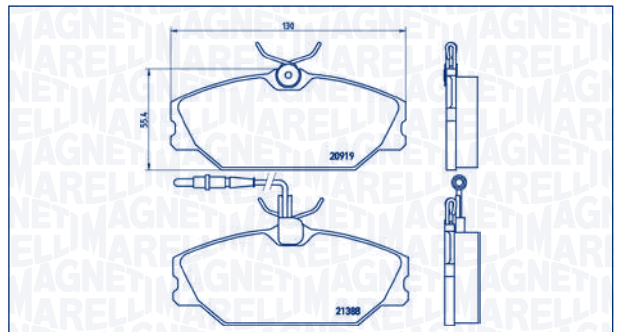
Ant	29706, 29947	166,6 × 62 × 17	BDX	[-]
-----	--------------	-----------------	-----	-----

P68008MM



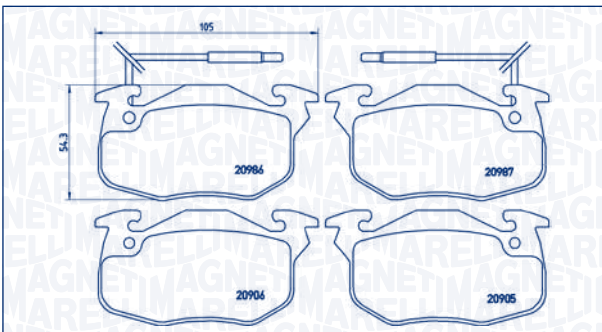
Ant	21463	99,9 × 64,8 × 18,2	TRW	[+]
-----	-------	--------------------	-----	-----

P68014MM



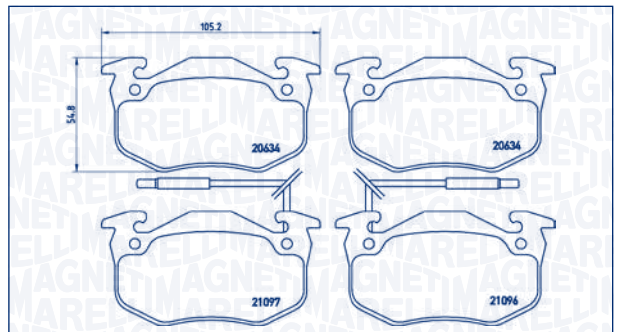
Ant	20919, 21388	129,9 × 55,4 × 18,3	GIR	[+]
-----	--------------	---------------------	-----	-----

P68010MM



Ant	20987, 20905, 20906, 20986	105 × 54,3 × 18	BDX	[+]
-----	----------------------------	-----------------	-----	-----

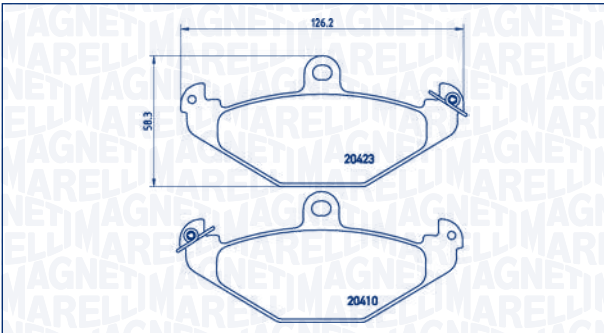
P68015MM



Ant	20634, 21096, 21097	105,2 × 54,8 × 15	BDX	[+]
-----	---------------------	-------------------	-----	-----

WVA	LENGTH×HEIGHT×THICKNESS [mm]	SYS	WI
-----	---------------------------------	-----	----

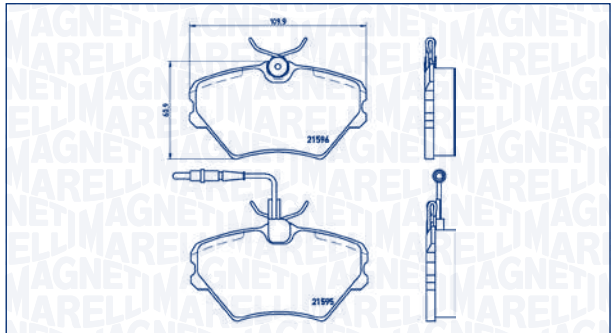
P68017MM



Post	20410, 20423	126,2 × 58,3 × 15	BRE	[-]
------	--------------	-------------------	-----	-----

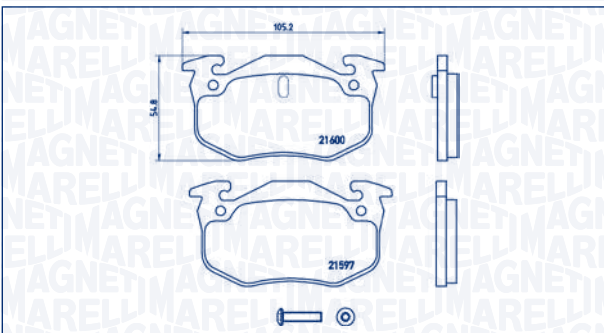
WVA	LENGTH×HEIGHT×THICKNESS [mm]	SYS	WI
-----	---------------------------------	-----	----

P68022MM



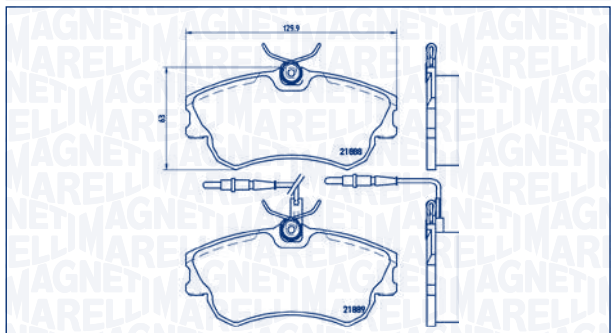
Ant	21595, 21596	109,9 × 60,9 × 18,3	TRW	[+]
-----	--------------	---------------------	-----	-----

P68018MM



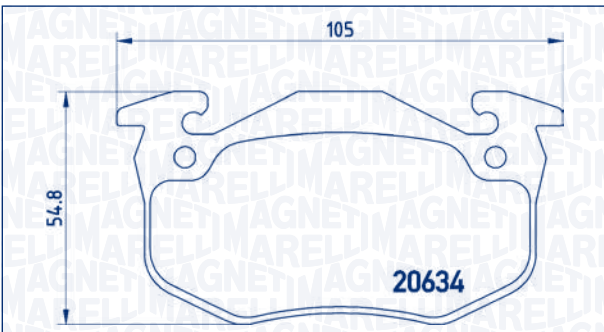
Post	21597, 21600	105,2 × 54,8 × 11	BDX	[o]
------	--------------	-------------------	-----	-----

P68023MM



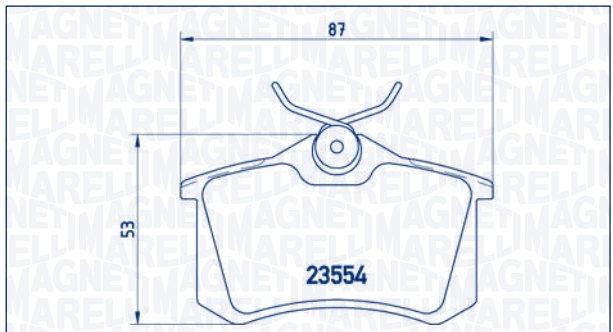
Ant	21888, 21889	129,9 × 63 × 18,4	TRW	[+]
-----	--------------	-------------------	-----	-----

P68020MM



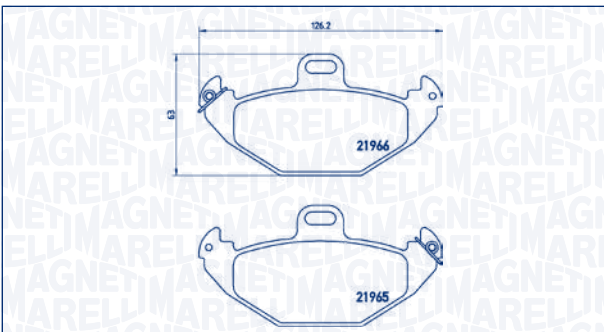
Ant	20634	105 × 54,8 × 15	BDX	[-]
-----	-------	-----------------	-----	-----

P68024MM



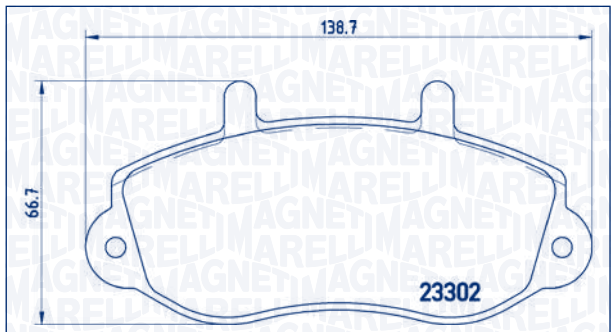
Post	20961, 23554	87 × 53 × 16,2	TRW	[-]
------	--------------	----------------	-----	-----

P68021MM



Post	21965, 21966	126,2 × 63 × 15	BRE	[-]
------	--------------	-----------------	-----	-----

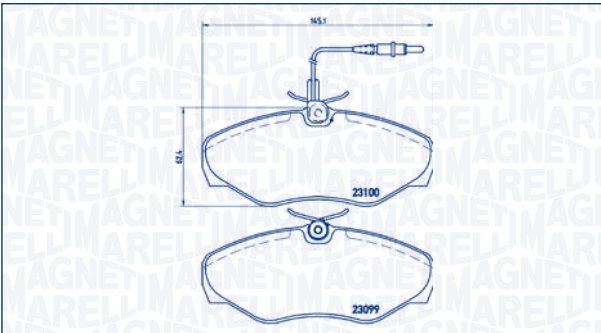
P68025MM



Ant	23302	138,7 × 66,7 × 17,5	BSH	[-]
-----	-------	---------------------	-----	-----

WVA	LENGTH × HEIGHT × THICKNESS [mm]	SYS	WI
-----	----------------------------------	-----	----

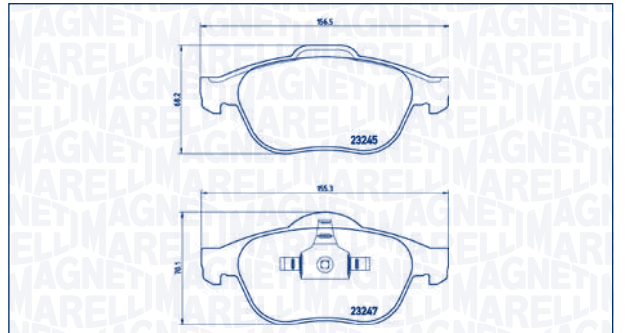
P68026MM



Ant	23099, 23100	145,1 × 62,4 × 18,4	TRW	[+]
-----	--------------	---------------------	-----	-----

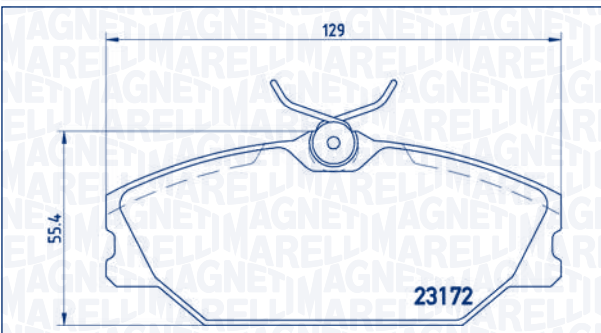
WVA	LENGTH × HEIGHT × THICKNESS [mm]	SYS	WI
-----	----------------------------------	-----	----

P68030MM



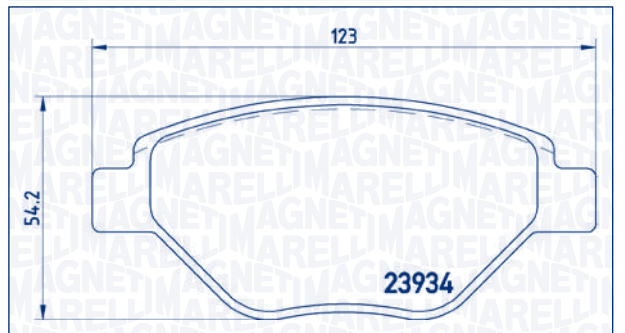
Ant	23245, 23247	155,3/156,5 × 68,2/70,1 × 18,3	ATE	[-]
-----	--------------	--------------------------------	-----	-----

P68027MM



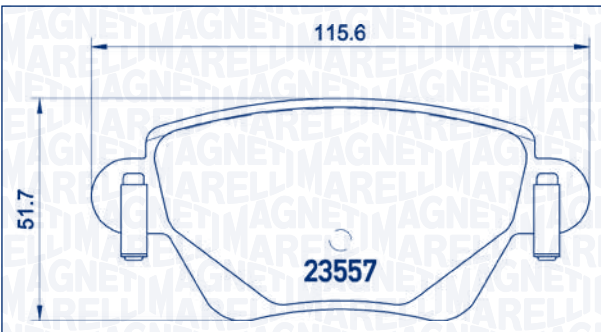
Ant	23172	129 × 55,4 × 18,3	TRW	[-]
-----	-------	-------------------	-----	-----

P68031MM



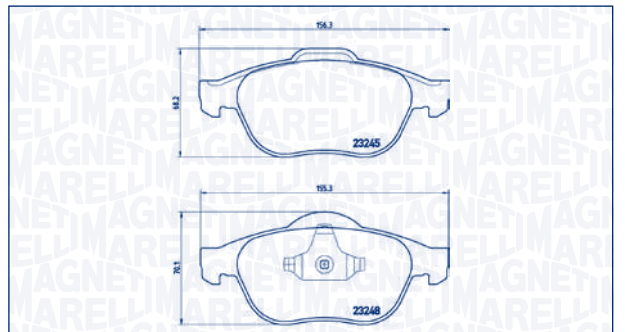
Ant	23934	123 × 54,2 × 18,1	BSH	[-]
-----	-------	-------------------	-----	-----

P68028MM



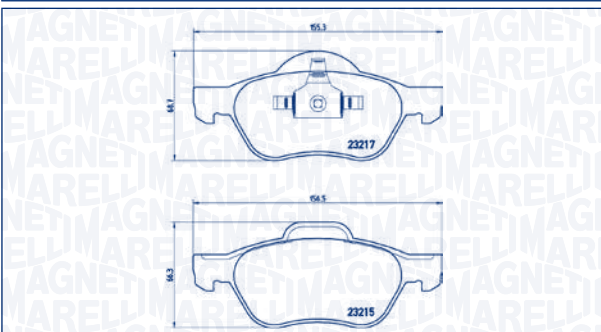
Post	23557	115,6 × 51,7 × 16,9	BSH	[-]
------	-------	---------------------	-----	-----

P68032MM



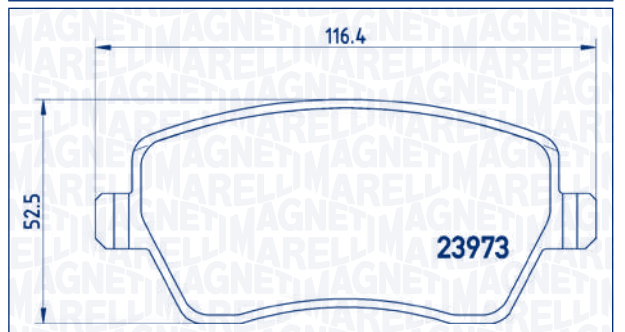
Ant	23245, 23248	155,1/156,3 × 68,2/70,1 × 18,3	ATE	[-]
-----	--------------	--------------------------------	-----	-----

P68029MM



Ant	23215, 23217	155,3/156,5 × 66,3/68,7 × 18,3	ATE	[-]
-----	--------------	--------------------------------	-----	-----

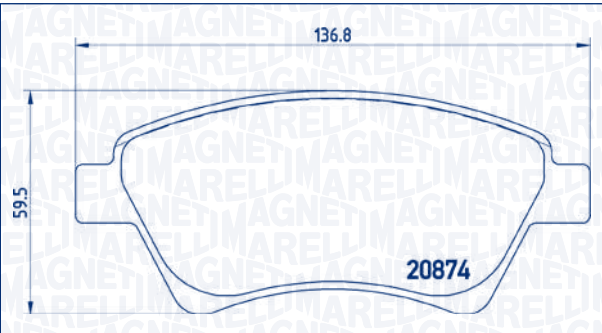
P68033MM



Ant	23973	116,3 × 51,9 × 17,3	TRW	[-]
-----	-------	---------------------	-----	-----

WVA	LENGTH×HEIGHT×THICKNESS [mm]	SYS	WI
-----	---------------------------------	-----	----

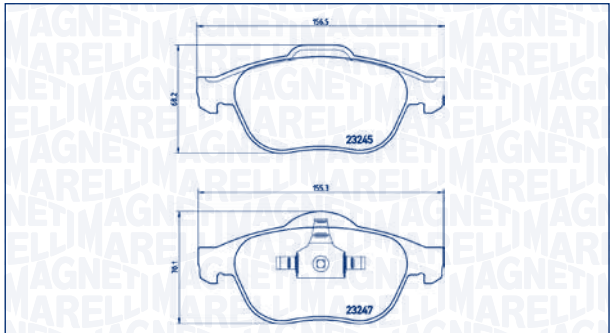
P68034MM



Ant 23930	136,8 × 59,5 × 18,1	BSH	[-]
-----------	---------------------	-----	-----

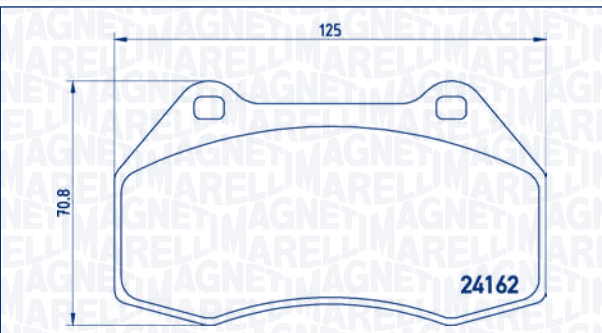
WVA	LENGTH×HEIGHT×THICKNESS [mm]	SYS	WI
-----	---------------------------------	-----	----

P68040MM



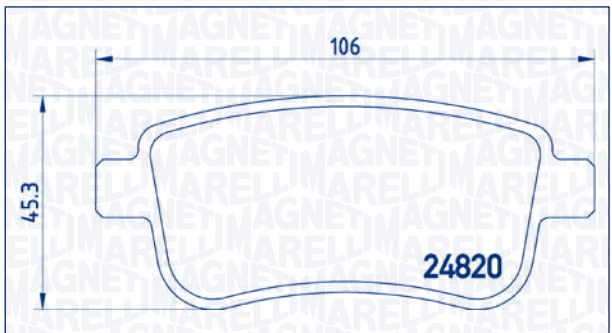
Ant 23245, 24536	155,1/156,5 × 68,2/70,1 × 18,3	ATE	[-]
------------------	--------------------------------	-----	-----

P68036MM



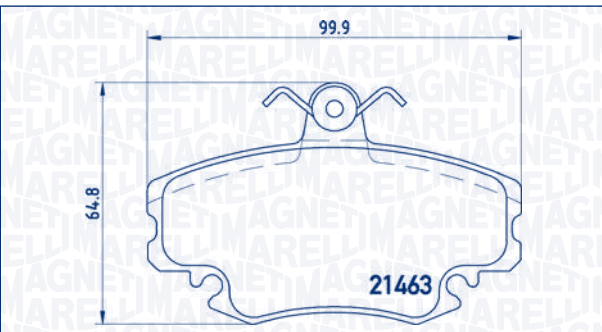
Ant 24162	125 × 70,8 × 15,3	BRE	[-]
-----------	-------------------	-----	-----

P68041MM



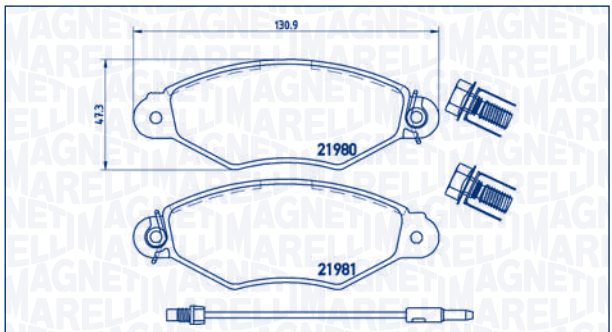
Post 24820	106 × 45,3 × 15,7	BSH	[-]
------------	-------------------	-----	-----

P68038MM



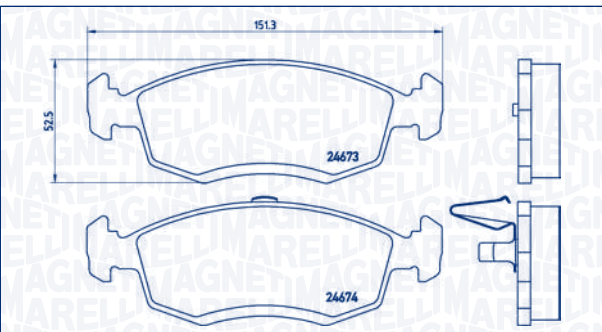
Ant 21463	99,9 × 64,8 × 18,2	TRW	[-]
-----------	--------------------	-----	-----

P68042MM



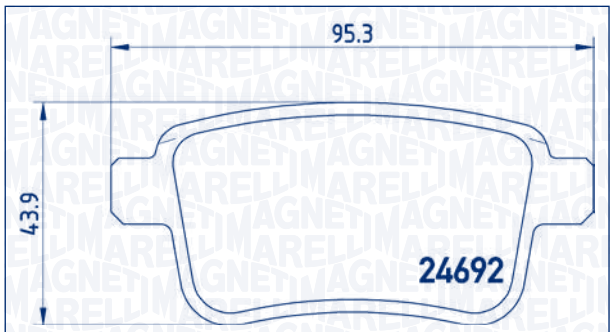
Ant 21980, 21981	130,9 × 47,3 × 18	BSH	[+]
------------------	-------------------	-----	-----

P68039MM



Ant 24673, 24674	150,1/151,3 × 52,5 × 18	ATE	[-]
------------------	-------------------------	-----	-----

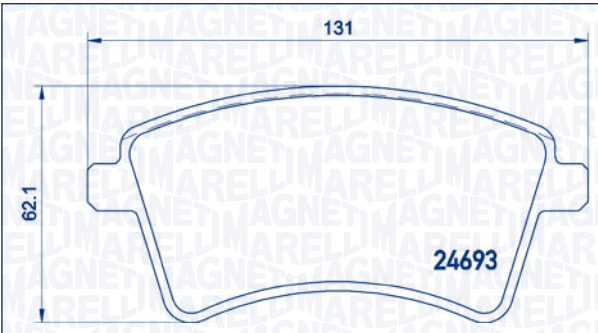
P68043MM



Post 24692	95,3 × 43,9 × 15	TRW	[-]
------------	------------------	-----	-----

WVA	LENGTH × HEIGHT × THICKNESS [mm]	SYS	WI
-----	----------------------------------	-----	----

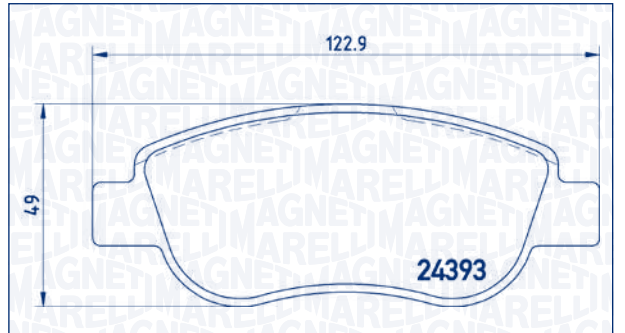
P68044MM



Ant 24693	131 × 62,1 × 18,7	BSH	[-]
-----------	-------------------	-----	-----

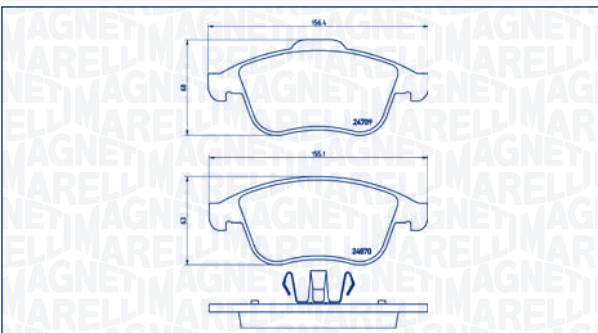
WVA	LENGTH × HEIGHT × THICKNESS [mm]	SYS	WI
-----	----------------------------------	-----	----

P68049MM



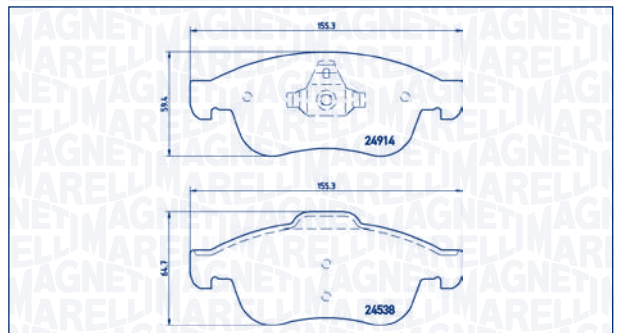
Ant 24393	122,9 × 49 × 17,4	BSH	[-]
-----------	-------------------	-----	-----

P68045MM



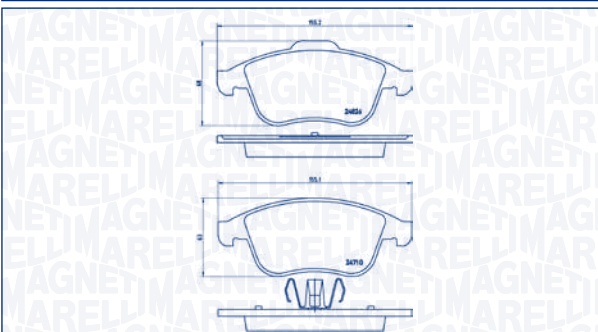
Ant 24709, 24870	155,1/156,4 × 63/68 × 18	ATE	[-]
------------------	--------------------------	-----	-----

P68050MM



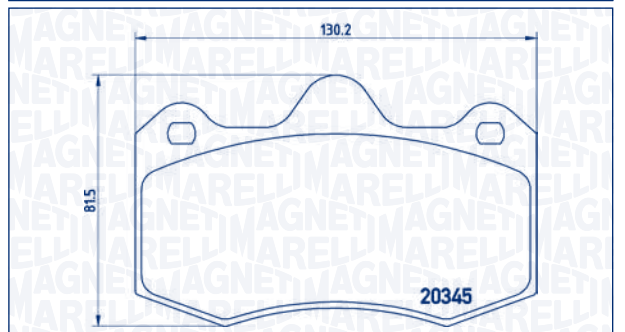
Ant 24538, 24914	155,3 × 59,4/64,7 × 18	ATE	[-]
------------------	------------------------	-----	-----

P68047MM



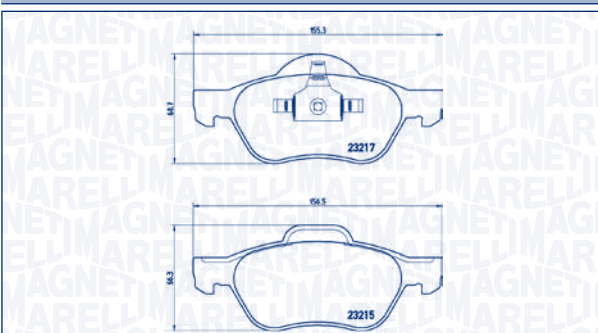
Ant 24710, 24826	155,2 × 63/68 × 18	ATE	[-]
------------------	--------------------	-----	-----

P68051MM



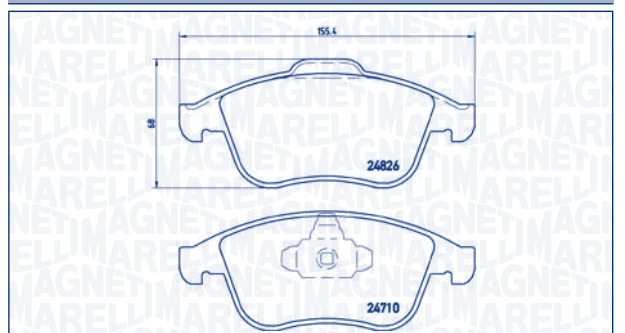
Ant 20345	130,2 × 81,5 × 16,9	LKD	[-]
-----------	---------------------	-----	-----

P68048MM



Ant 23215, 24535	155,3/156,3 × 66,3/68,7 × 18,3	ATE	[-]
------------------	--------------------------------	-----	-----

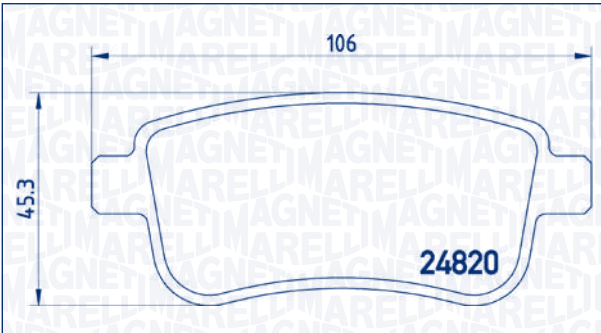
P68052MM



Ant 24710, 24826	155,4 × 63/68 × 18	ATE	[-]
------------------	--------------------	-----	-----

WVA	LENGTH×HEIGHT×THICKNESS [mm]	SYS	WI
-----	---------------------------------	-----	----

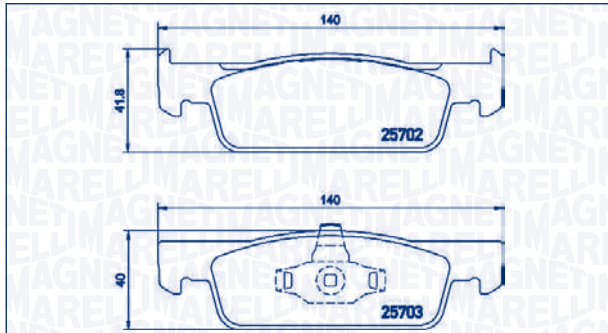
P68054MM



Post	24820	106 × 45,3 × 15,7	BSH	[-]
------	-------	-------------------	-----	-----

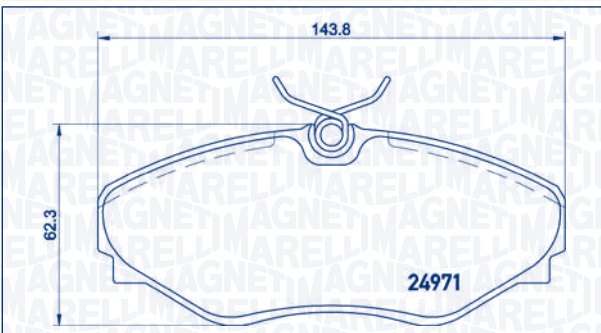
WVA	LENGTH×HEIGHT×THICKNESS [mm]	SYS	WI
-----	---------------------------------	-----	----

P68059MM



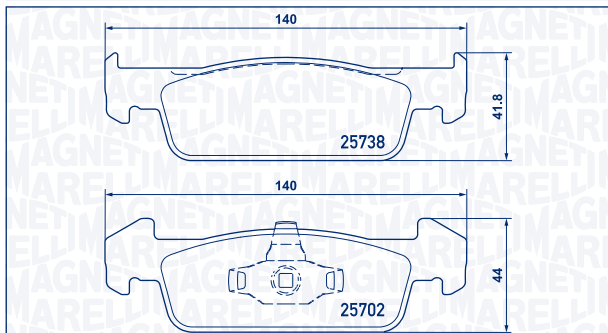
Ant	25702, 25703	140 × 40/41,8 × 18	ATE	[-]
-----	--------------	--------------------	-----	-----

P68055MM



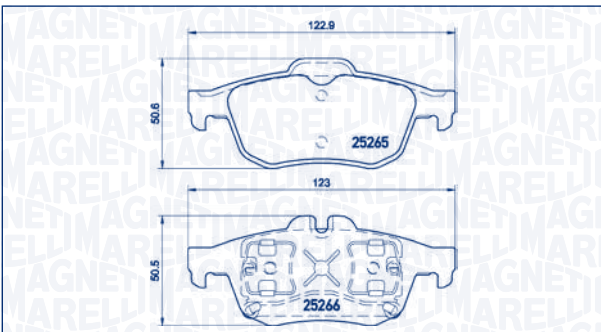
Ant	24971	143,8 × 62,2 × 18,4	TRW	[-]
-----	-------	---------------------	-----	-----

P68060MM



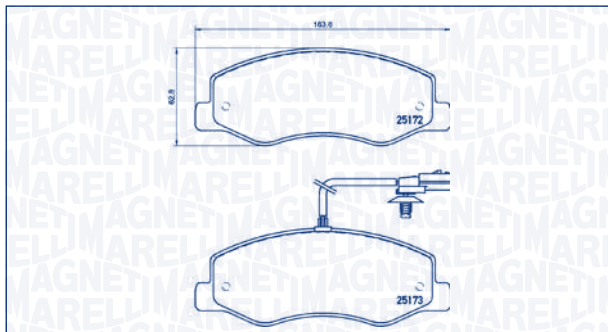
Ant	25738, 25702	140,2 × 41,3/43,8 × 18	ATE	[-]
-----	--------------	------------------------	-----	-----

P68057MM



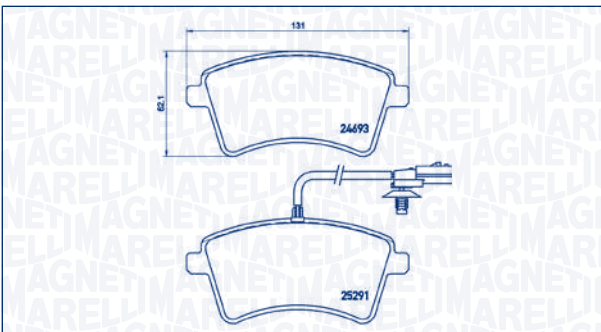
Post	25265, 25266	122,9/50,6 × 50,5/50,6 × 16,2	ATE	[-]
------	--------------	-------------------------------	-----	-----

P68061MM



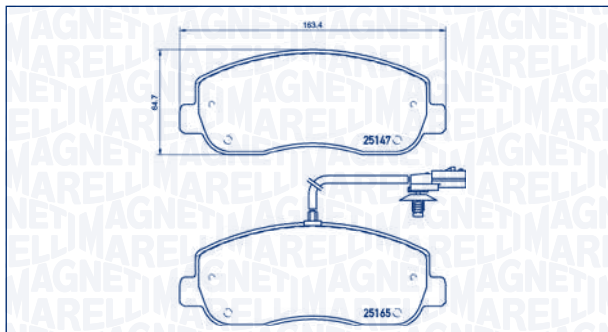
Post	25172, 25173	163,6 × 62,8 × 18	BRE	[+]
------	--------------	-------------------	-----	-----

P68058MM



Ant	24693, 25291	131 × 62,1 × 17,6	BSH	[+]
-----	--------------	-------------------	-----	-----

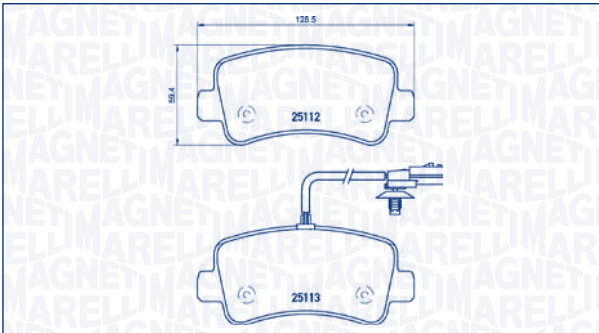
P68062MM



Ant	25147, 25165	163,6 × 64,5 × 18	BRE	[+]
-----	--------------	-------------------	-----	-----

WVA	LENGTH × HEIGHT × THICKNESS [mm]	SYS	WI
-----	----------------------------------	-----	----

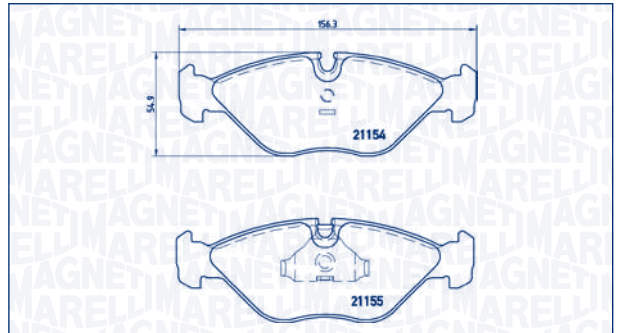
P68063MM



Post	25112, 25113	128,6 × 59,8 × 18,1	BRE	[+]
------	--------------	---------------------	-----	-----

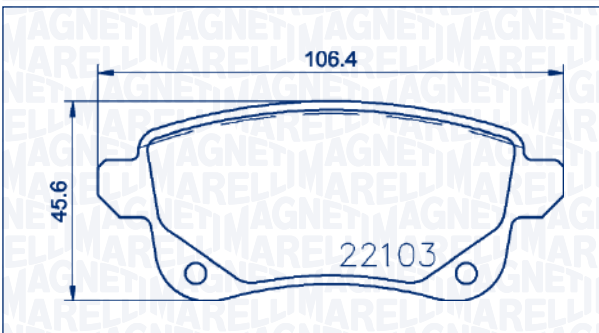
WVA	LENGTH × HEIGHT × THICKNESS [mm]	SYS	WI
-----	----------------------------------	-----	----

P71005MM



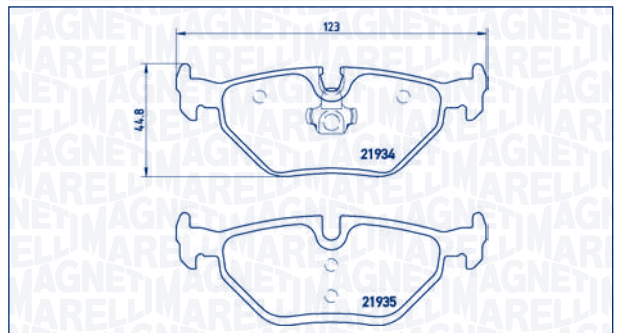
Ant	21154, 21155	156,3 × 54,9 × 19,5	ATE	[o]
-----	--------------	---------------------	-----	-----

P68064MM



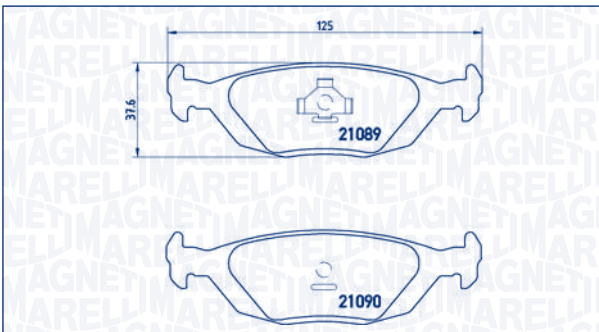
Post	22103	106,4 × 45,6 × 15,9	TRW	[-]
------	-------	---------------------	-----	-----

P71006MM



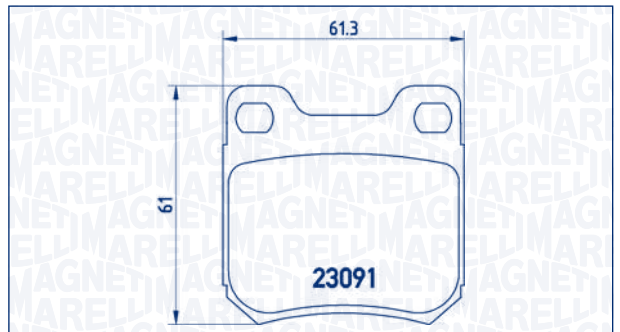
Post	21934, 21935	123 × 44,8 × 16,3	ATE	[o]
------	--------------	-------------------	-----	-----

P71003MM



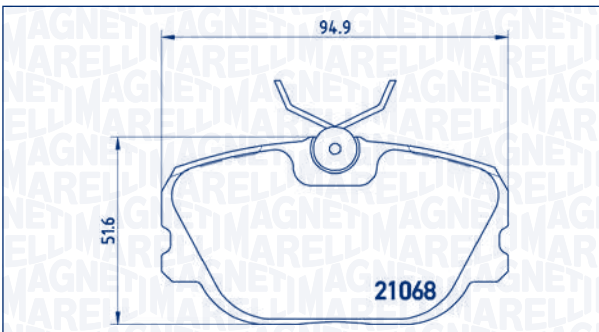
Post	21089, 21090	125 × 37,6 × 15	ATE	[-]
------	--------------	-----------------	-----	-----

P71008MM



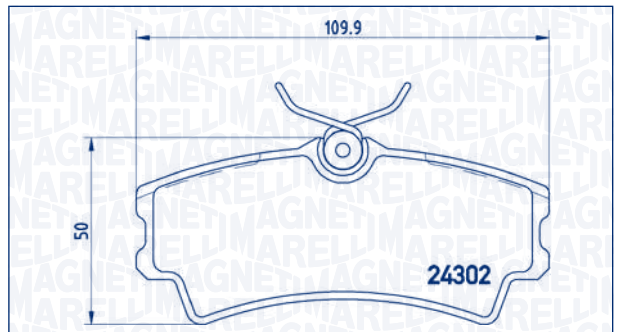
Post	23091	61,3 × 61 × 15,2	ATE	[-]
------	-------	------------------	-----	-----

P71004MM



Ant	21068	94,9 × 51,6 × 17,7	TRW	[-]
-----	-------	--------------------	-----	-----

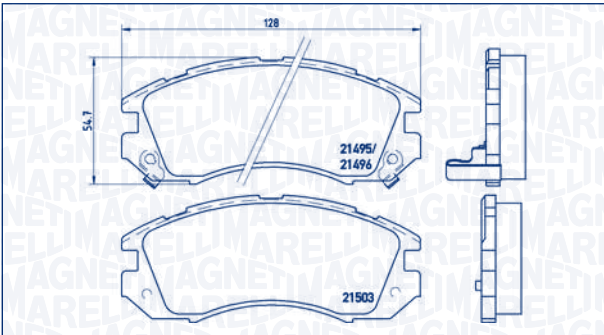
P72001MM



Ant	24302	109,9 × 50 × 15,5	TRW	[-]
-----	-------	-------------------	-----	-----

WVA	LENGTH×HEIGHT×THICKNESS [mm]	SYS	WI
-----	---------------------------------	-----	----

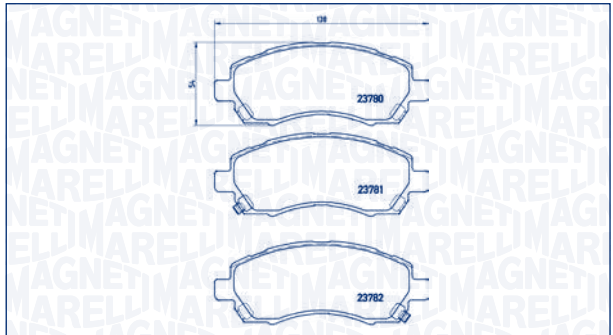
P78004MM



Ant	21495, 21496, 21503	128 × 54,7 × 17	AKE	[+]
-----	---------------------	-----------------	-----	-----

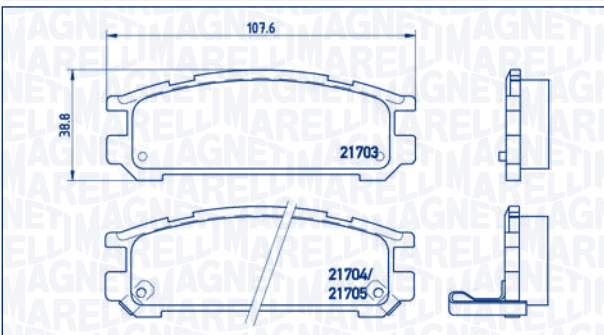
WVA	LENGTH×HEIGHT×THICKNESS [mm]	SYS	WI
-----	---------------------------------	-----	----

P78009MM



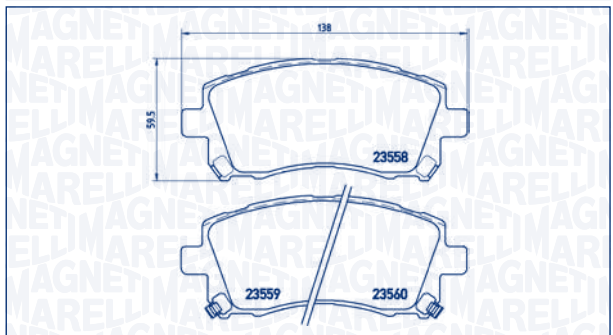
Ant	23780, 23781, 23782	138 × 54 × 17	AKE	[+]
-----	---------------------	---------------	-----	-----

P78005MM



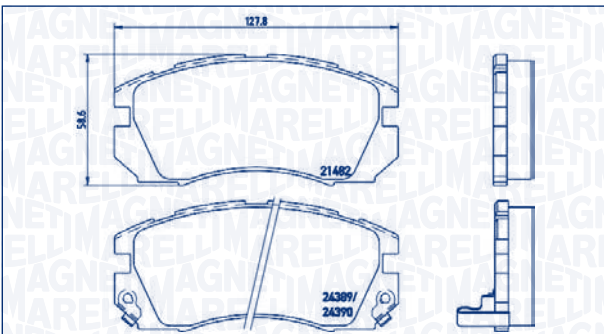
Post	21703, 21704, 21705	107,6 × 38,8 × 15	AKE	[+]
------	---------------------	-------------------	-----	-----

P78010MM



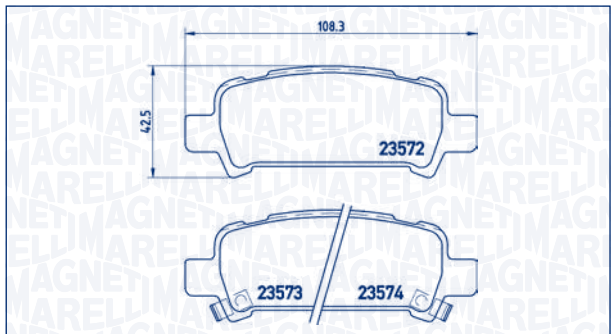
Ant	23558, 23559, 23560	138 × 59,5 × 17	AKE	[+]
-----	---------------------	-----------------	-----	-----

P78007MM



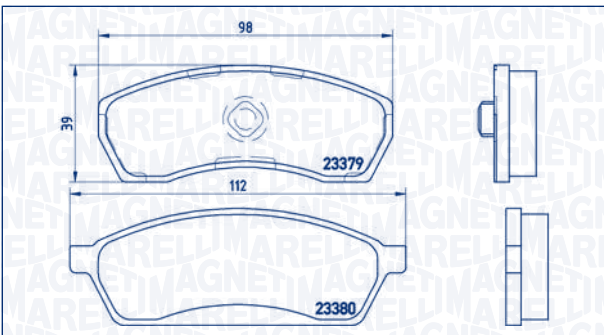
Ant	21482, 24389, 24390	127,8 × 58,6 × 17	AKE	[+]
-----	---------------------	-------------------	-----	-----

P78011MM



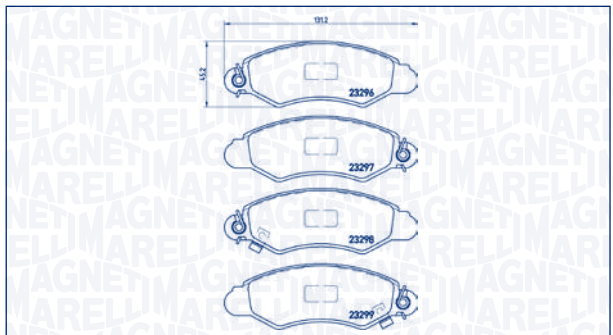
Post	23572, 23573, 23574	108,3 × 42,5 × 13,8	AKE	[+]
------	---------------------	---------------------	-----	-----

P78008MM



Ant	23380, 23379	112/98 × 39 × 14	SUM	[-]
-----	--------------	------------------	-----	-----

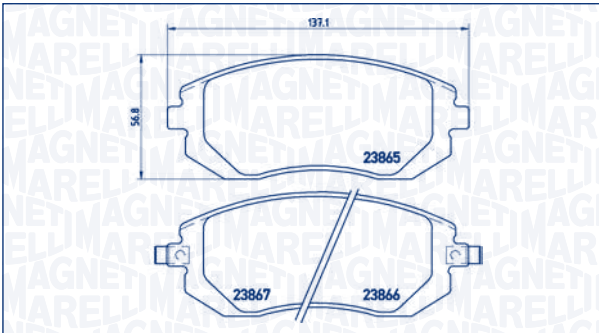
P78012MM



Ant	23296, 23297, 23298, 23299	131,2 × 45,2 × 15	BSH	[+]
-----	----------------------------	-------------------	-----	-----

	WVA	LENGTH × HEIGHT × THICKNESS [mm]	SYS	WI
--	-----	----------------------------------	-----	----

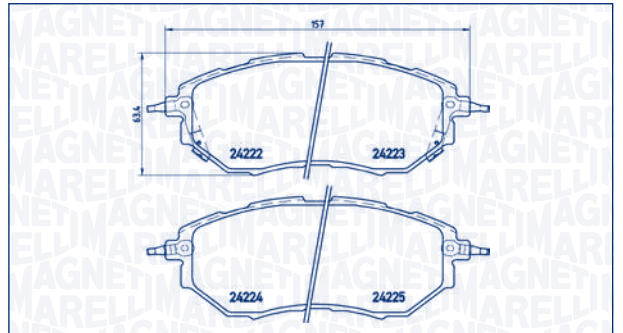
P78013MM



Ant	23865, 23866, 23867	137,1 × 56,8 × 16,4	TOK	[+]
-----	---------------------	---------------------	-----	-----

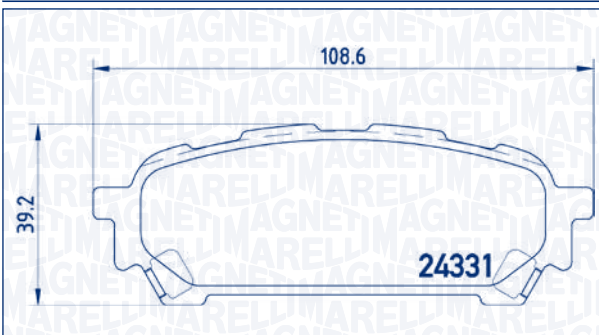
	WVA	LENGTH × HEIGHT × THICKNESS [mm]	SYS	WI
--	-----	----------------------------------	-----	----

P78017MM



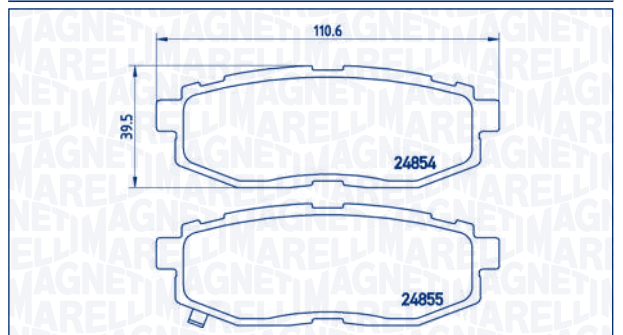
Ant	24222, 24223, 24224, 24225	157 × 63,4 × 18	AKE	[+]
-----	----------------------------	-----------------	-----	-----

P78014MM



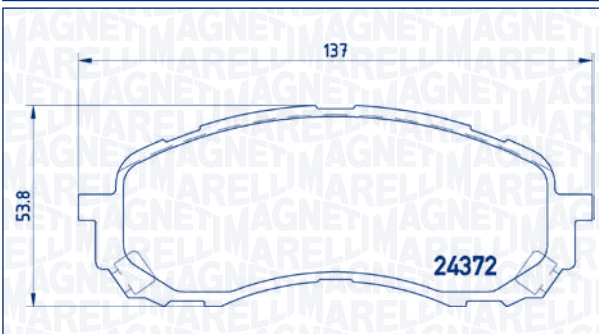
Post	24331	108,6 × 39,2 × 14	AKE	[+]
------	-------	-------------------	-----	-----

P78018MM



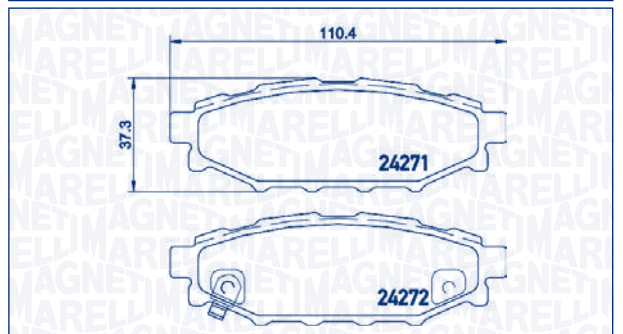
Post	24855, 24854	110,6 × 39,5 × 16	NBK	[+]
------	--------------	-------------------	-----	-----

P78015MM



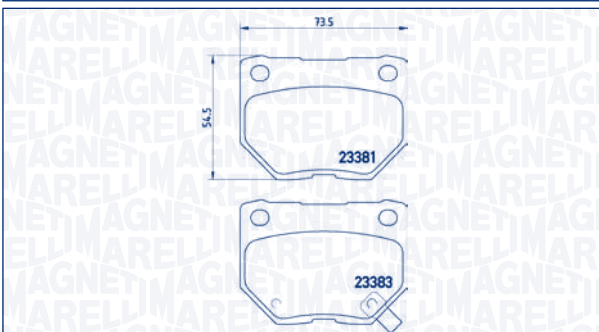
Ant	24372	137 × 53,8 × 17,9	AKE	[+]
-----	-------	-------------------	-----	-----

P78020MM



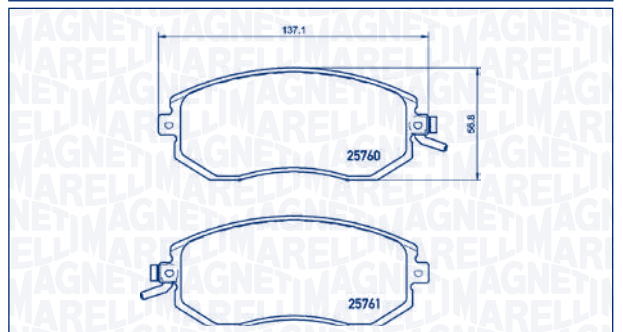
Post	24271	110,4 × 37,3 × 14,7	AKE	[+]
------	-------	---------------------	-----	-----

P78016MM



Post	23381, 23382	73,5 × 54,5 × 17	AKE	[+]
------	--------------	------------------	-----	-----

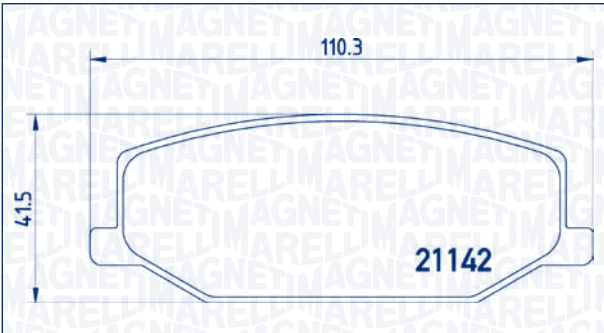
P78021MM



Ant	25760, 25761	137,1 × 56,8 × 16,7	TOK	[+]
-----	--------------	---------------------	-----	-----

WVA	LENGTH×HEIGHT×THICKNESS [mm]	SYS	WI
-----	---------------------------------	-----	----

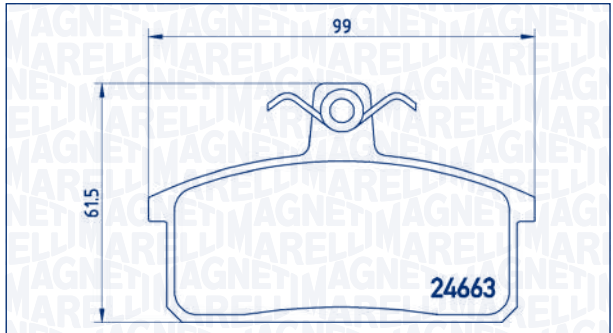
P79001MM



Ant 21142	110,3 × 41,5 × 15,5	SUM	[-]
-----------	---------------------	-----	-----

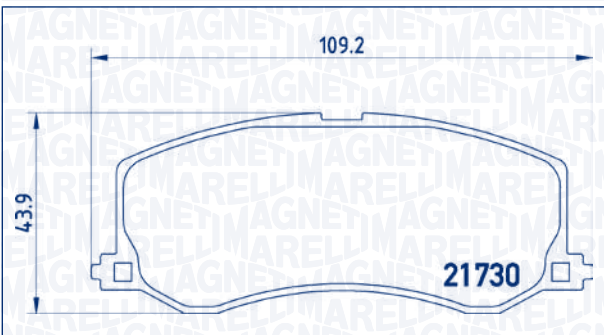
WVA	LENGTH×HEIGHT×THICKNESS [mm]	SYS	WI
-----	---------------------------------	-----	----

P79007MM



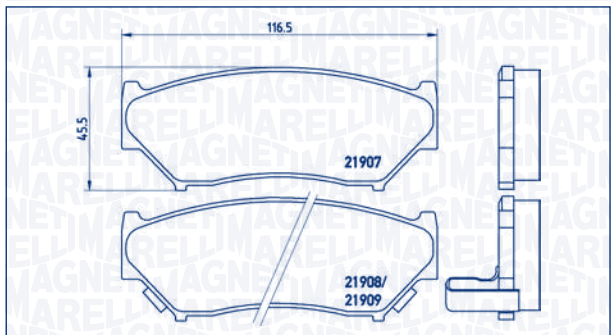
Ant 24663	99 × 61,5 × 14	TRW	[-]
-----------	----------------	-----	-----

P79004MM



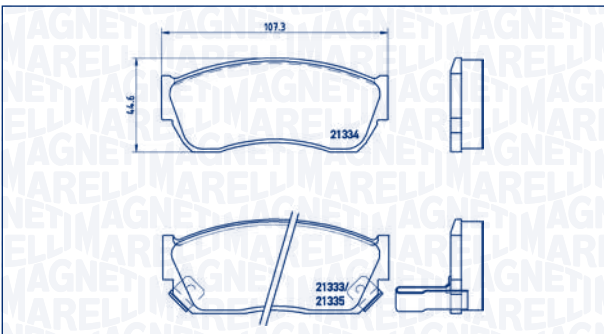
Ant 21730	109,2 × 43,9 × 14	AKE	[o]
-----------	-------------------	-----	-----

P79008MM



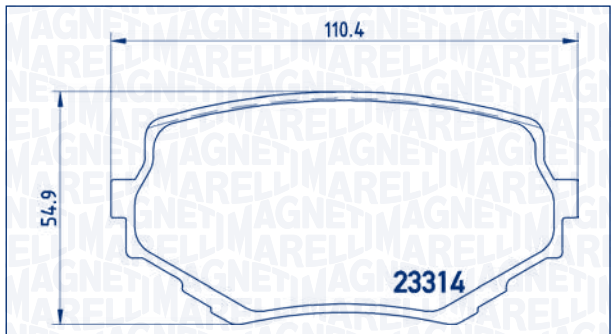
Ant 21907, 21908, 21909	116,5 × 45,5 × 15,4	AKE	[+]
-------------------------	---------------------	-----	-----

P79005MM



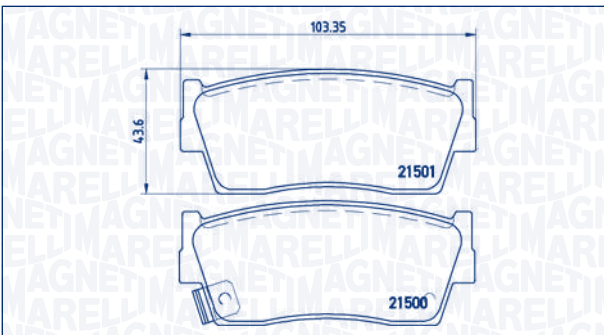
Ant 21333, 21334, 21335	107,3 × 44,6 × 15	SUM	[+]
-------------------------	-------------------	-----	-----

P79009MM



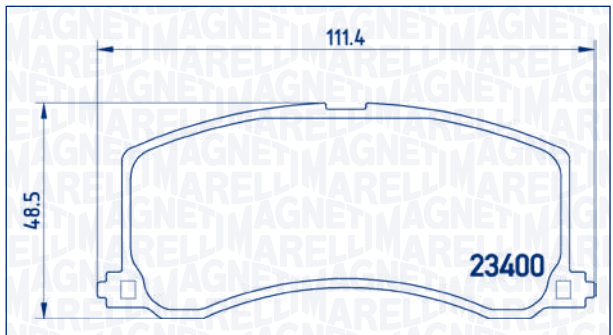
Ant 23314	110,4 × 54,9 × 14,5	SUM	[+]
-----------	---------------------	-----	-----

P79006MM



Ant 21500, 21501, 21502	103,4 × 43,6 × 14,8	AKE	[+]
-------------------------	---------------------	-----	-----

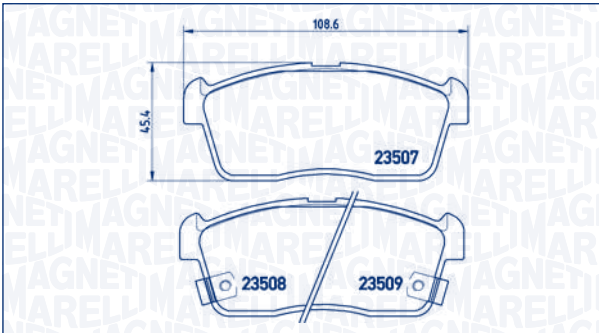
P79010MM



Ant 23400	111,4 × 48,5 × 16,5	SUM	[+]
-----------	---------------------	-----	-----

	WVA	LENGTH × HEIGHT × THICKNESS [mm]	SYS	WI
--	-----	----------------------------------	-----	----

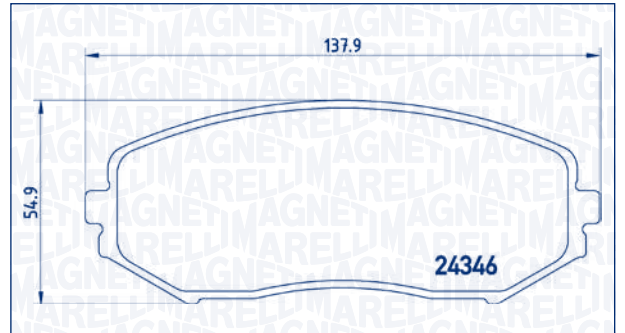
P79012MM



Ant	23507, 23508, 23509	108,6 × 45,4 × 15	SUM	[+]
-----	---------------------	-------------------	-----	-----

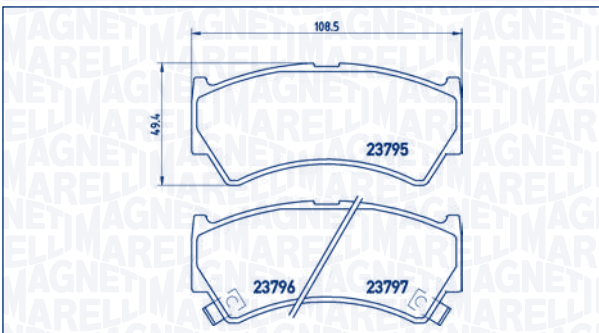
	WVA	LENGTH × HEIGHT × THICKNESS [mm]	SYS	WI
--	-----	----------------------------------	-----	----

P79018MM



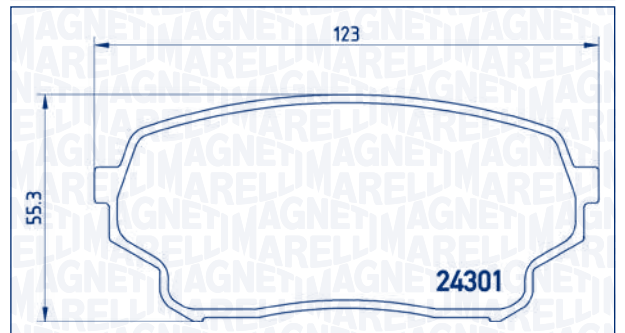
Ant	24346	137,9 × 54,9 × 17	TOK	[+]
-----	-------	-------------------	-----	-----

P79013MM



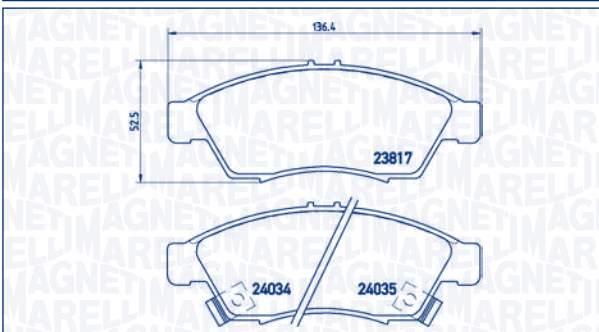
Ant	23795, 23796, 23797	108,5 × 49,4 × 15	AKE	[+]
-----	---------------------	-------------------	-----	-----

P79019MM



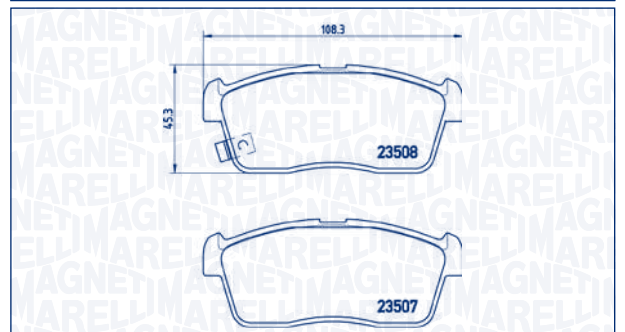
Ant	24301	123 × 55,3 × 16,4	AKE	[-]
-----	-------	-------------------	-----	-----

P79014MM



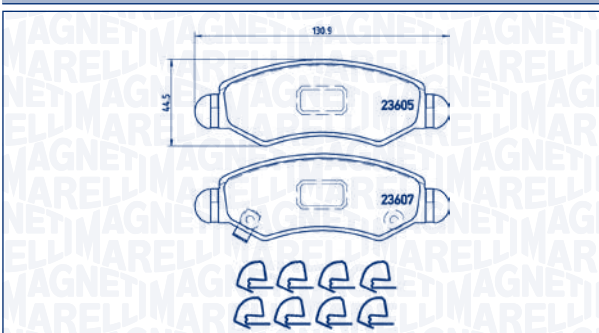
Ant	23817, 24034, 24035	136,4 × 52,5 × 17	NBK	[+]
-----	---------------------	-------------------	-----	-----

P79020MM



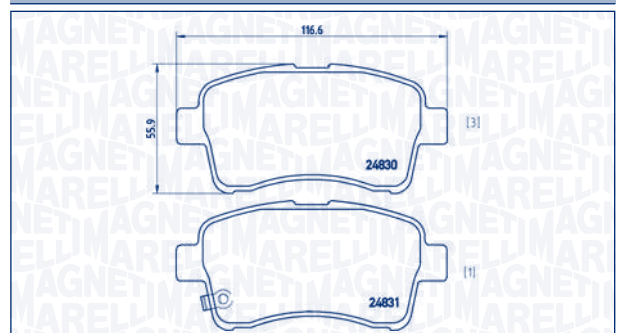
Ant	23508, 23507	108,3 × 45,3 × 17	SUM	[+]
-----	--------------	-------------------	-----	-----

P79015MM



Ant	23605, 23607	130,9 × 44,5 × 15,5	BSH	[+]
-----	--------------	---------------------	-----	-----

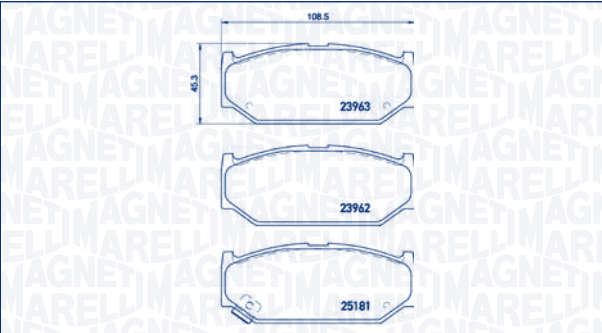
P79021MM



Ant	24831, 24830	116,6 × 55,9 × 15,5	AKE	[+]
-----	--------------	---------------------	-----	-----

WVA	LENGTH×HEIGHT×THICKNESS [mm]	SYS	WI
-----	------------------------------	-----	----

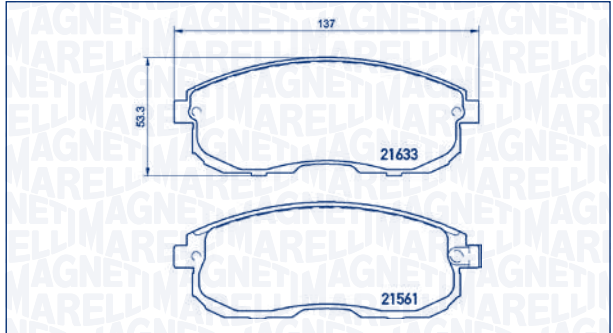
P79023MM



Ant	23962, 23963, 25181	108,5 × 45,3 × 15,5	JWA	[+]
-----	---------------------	---------------------	-----	-----

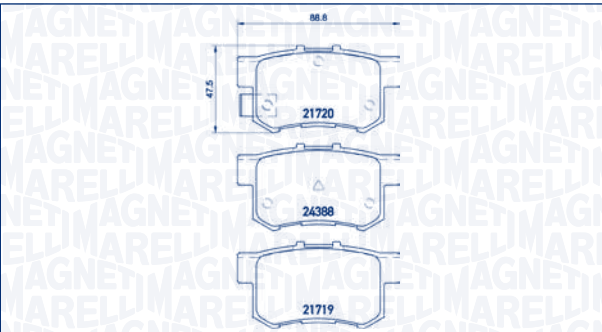
WVA	LENGTH×HEIGHT×THICKNESS [mm]	SYS	WI
-----	------------------------------	-----	----

P79030MM



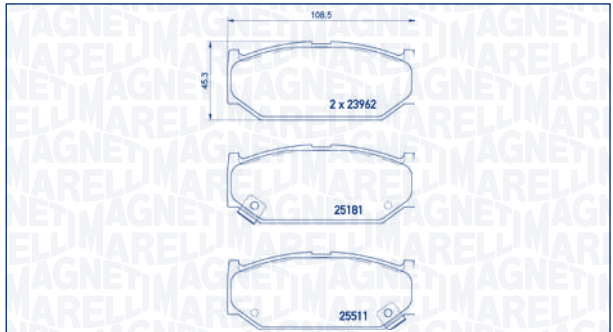
Ant	21633, 21561	137,3 × 53 × 17	SUM	[+]
-----	--------------	-----------------	-----	-----

P79027MM



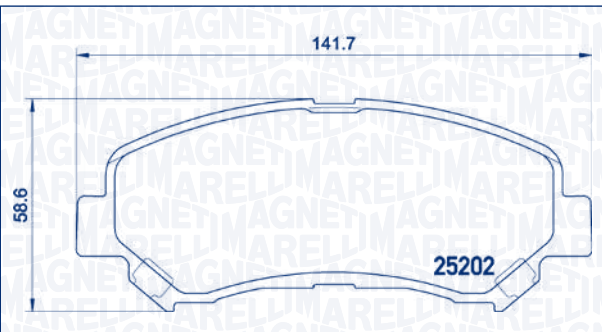
Post	21719, 21720, 25201	88,8 × 47,5 × 14,6	AKE	[+]
------	---------------------	--------------------	-----	-----

P79031MM



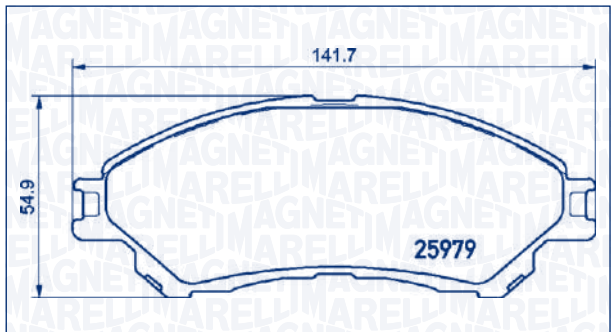
Ant	23962, 25181, 25511	108,5 × 45,3 × 15,5	JWA	[+]
-----	---------------------	---------------------	-----	-----

P79028MM



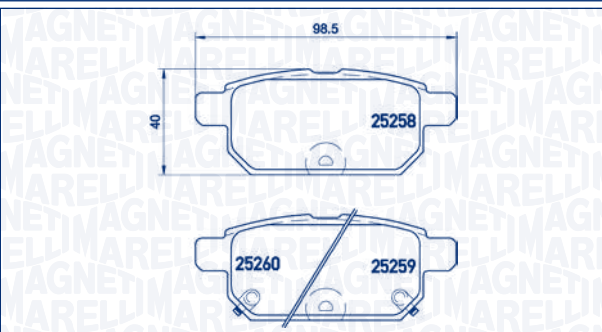
Ant	25202	141,7 × 58,6 × 16,8	AKE	[+]
-----	-------	---------------------	-----	-----

P79032MM



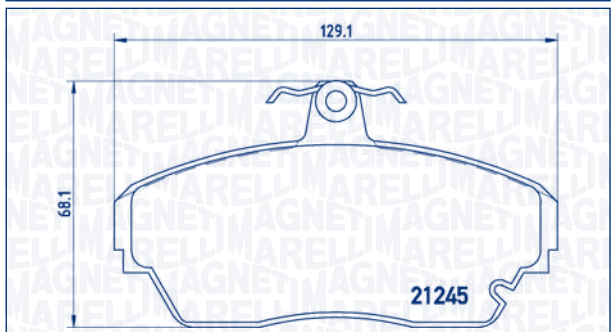
Ant	25979	142 × 55,1 × 15,7	SUM	[+]
-----	-------	-------------------	-----	-----

P79029MM



Ant	25258, 25259, 25260	98,5 × 40 × 14,3	AKE	[+]
-----	---------------------	------------------	-----	-----

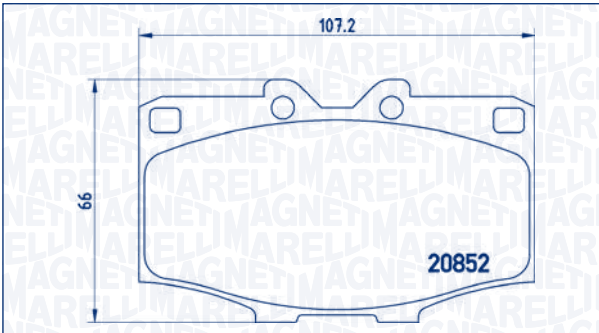
P82001MM



Ant	21245	129,1 × 68,1 × 17,4	TRW	[o]
-----	-------	---------------------	-----	-----

	WVA	LENGTH × HEIGHT × THICKNESS [mm]	SYS	WI
--	-----	----------------------------------	-----	----

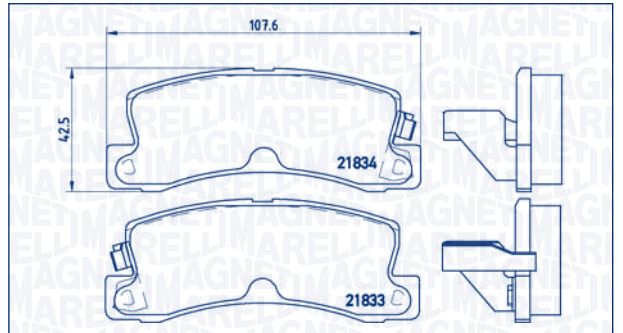
P83006MM



Ant	20852	107,2 × 66 × 15,5	SUM	[-]
-----	-------	-------------------	-----	-----

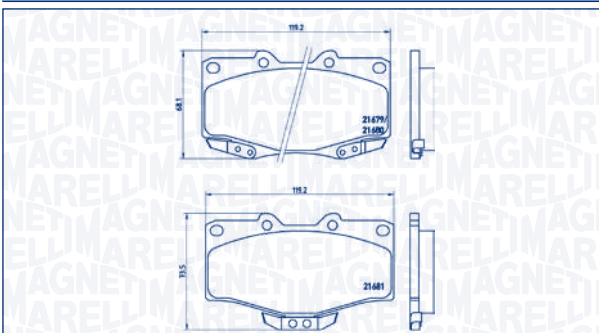
	WVA	LENGTH × HEIGHT × THICKNESS [mm]	SYS	WI
--	-----	----------------------------------	-----	----

P83015MM



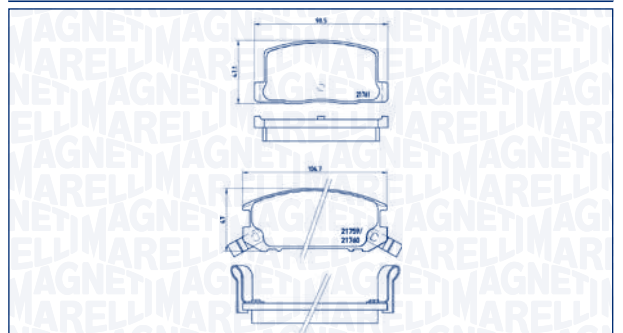
Post	21833, 21834	107,6 × 42,5 × 15,5	AKE	[+]
------	--------------	---------------------	-----	-----

P83009MM



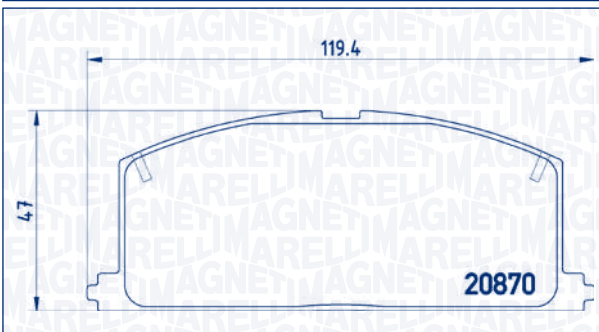
Ant	21679, 21680	119,2 × 68, 173,5 × 15	SUM	[+]
-----	--------------	------------------------	-----	-----

P83019MM



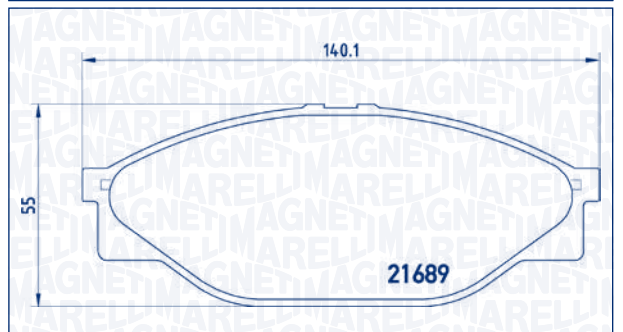
Post	21759, 21760, 21761	106,7/98,5 × 47/47,1 × 15,3	AKE	[+]
------	---------------------	-----------------------------	-----	-----

P83011MM



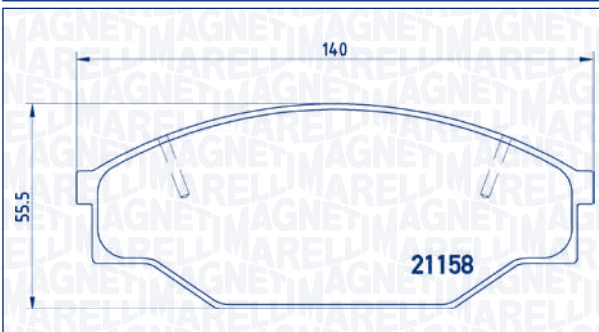
Ant	20870	119,4 × 47 × 15	AKE	[0]
-----	-------	-----------------	-----	-----

P83023MM



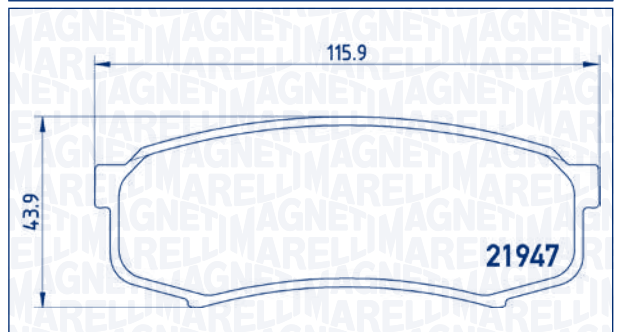
Ant	21689	140,1 × 55 × 15,5	SUM	[-]
-----	-------	-------------------	-----	-----

P83013MM



Ant	21158	140 × 55,5 × 15,6	AKE	[-]
-----	-------	-------------------	-----	-----

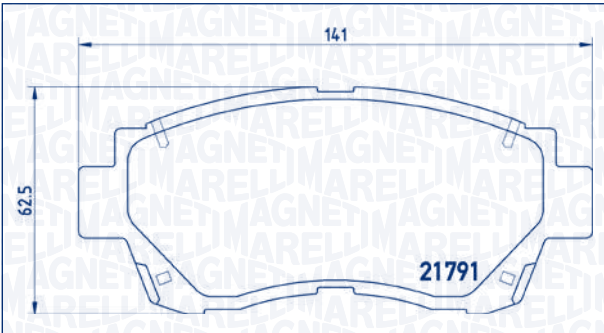
P83024MM



Post	21947	115,9 × 43,9 × 15	SUM	[-]
------	-------	-------------------	-----	-----

WVA	LENGTH×HEIGHT×THICKNESS [mm]	SYS	WI
-----	------------------------------	-----	----

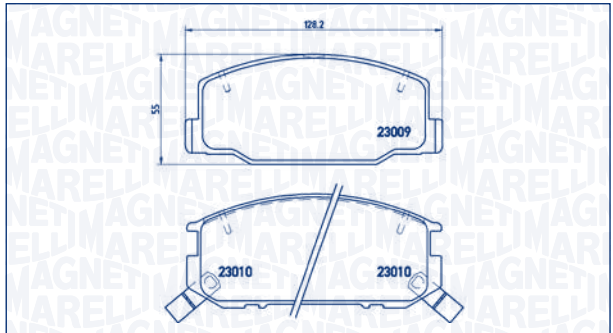
P83027MM



Ant 21791	141 × 62,5 × 17	SUM	[+]
-----------	-----------------	-----	-----

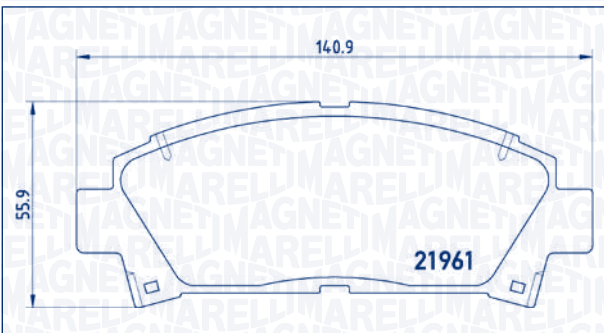
WVA	LENGTH×HEIGHT×THICKNESS [mm]	SYS	WI
-----	------------------------------	-----	----

P83031MM



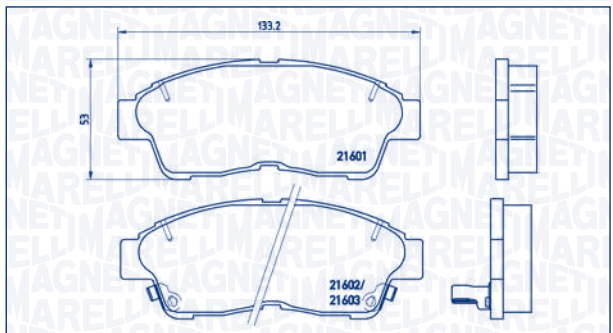
Ant 23009, 23010, 23011	128,2 × 55 × 15,5	AKE	[+]
-------------------------	-------------------	-----	-----

P83028MM



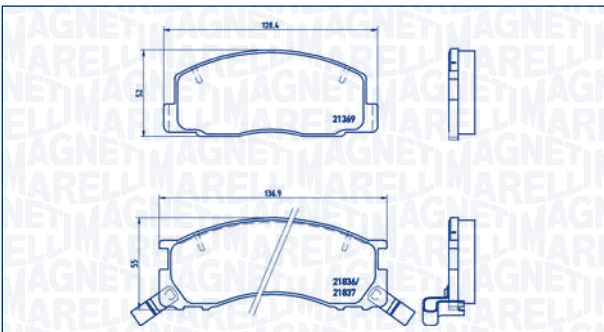
Ant 21961	140,9 × 55,9 × 15,5	AKE	[+]
-----------	---------------------	-----	-----

P83034MM



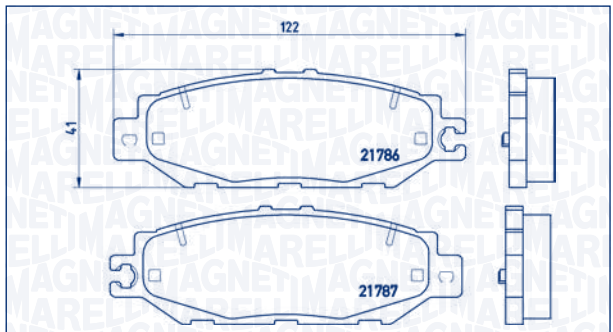
Ant 21601, 21602, 21603	133,2 × 53 × 17,6	SUM	[+]
-------------------------	-------------------	-----	-----

P83029MM



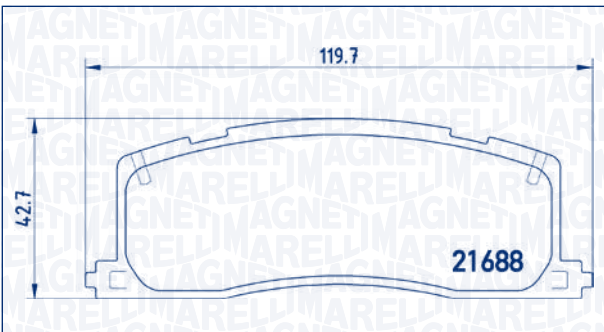
Ant 21369, 21836, 21837	128,4/136,9 × 52/55 × 15,5	AKE	[+]
-------------------------	----------------------------	-----	-----

P83036MM



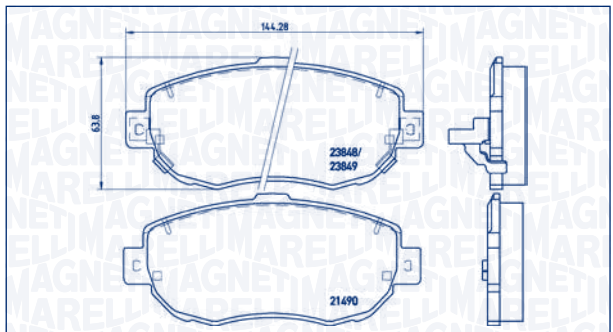
Post 21786, 21787	122 × 41 × 15,5	SUM	[o]
-------------------	-----------------	-----	-----

P83030MM



Post 21688	119,7 × 42,7 × 15,3	AKE	[-]
------------	---------------------	-----	-----

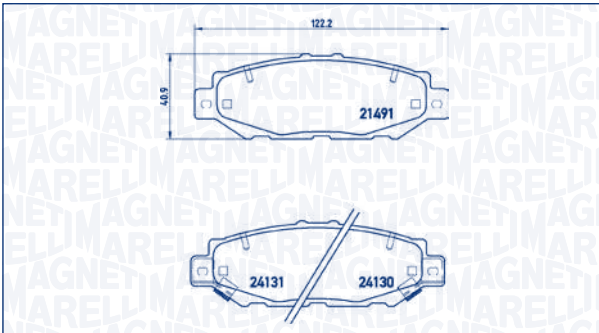
P83037MM



Ant 21490, 23848, 23849	144,3 × 63,8 × 17,1	SUM	[+]
-------------------------	---------------------	-----	-----

	WVA	LENGTH × HEIGHT × THICKNESS [mm]	SYS	WI
--	-----	----------------------------------	-----	----

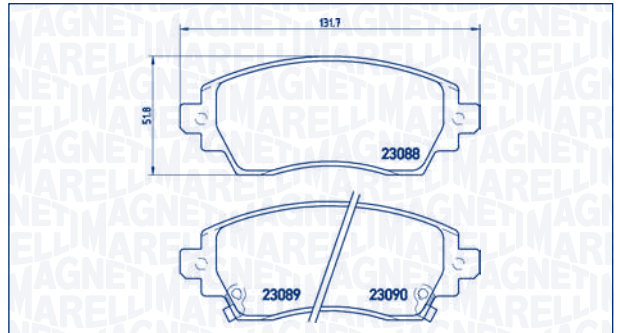
P83038MM



Post	21491, 24130, 24131	122,2 × 40,9 × 15,5	SUM	[+]
------	---------------------	---------------------	-----	-----

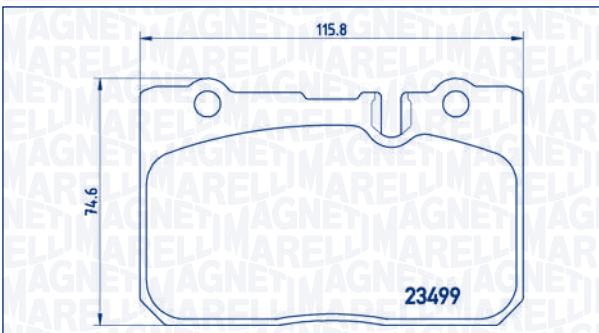
	WVA	LENGTH × HEIGHT × THICKNESS [mm]	SYS	WI
--	-----	----------------------------------	-----	----

P83042MM



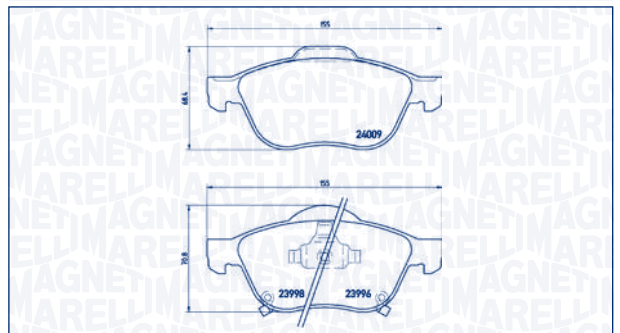
Ant	23088, 23089, 23090	131,7 × 51,8 × 17,6	TRW	[+]
-----	---------------------	---------------------	-----	-----

P83039MM



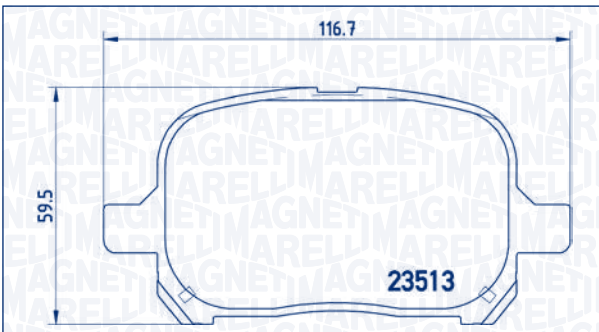
Ant	23499	115,8 × 74,6 × 17	ADV	[o]
-----	-------	-------------------	-----	-----

P83043MM



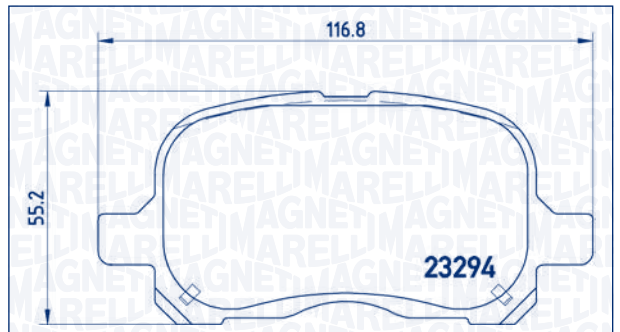
Ant	23996, 23998, 24009	155/156,4 × 68,4/70,8 × 18,3	ATE	[+]
-----	---------------------	------------------------------	-----	-----

P83040MM



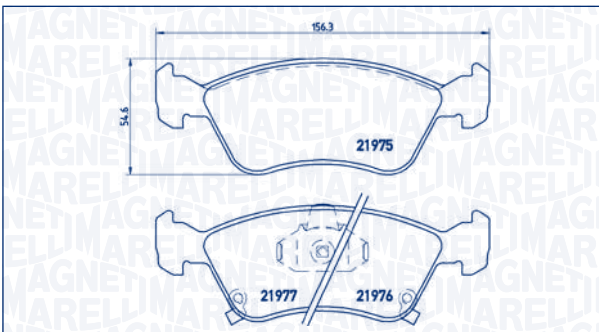
Ant	23513	116,7 × 59,5 × 17	AKE	[+]
-----	-------	-------------------	-----	-----

P83044MM



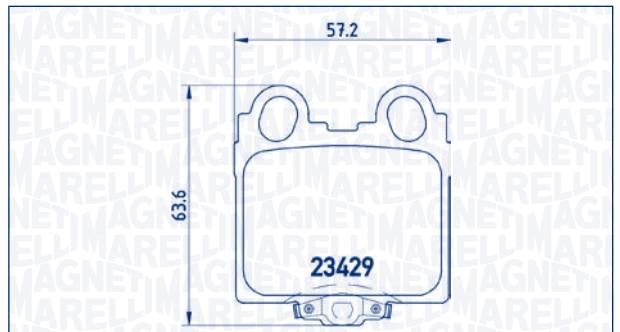
Ant	23294	116,8 × 55,2 × 16,5	AKE	[-]
-----	-------	---------------------	-----	-----

P83041MM



Ant	21975, 21976, 21977	156,3 × 54,6 × 18,2	ATE	[+]
-----	---------------------	---------------------	-----	-----

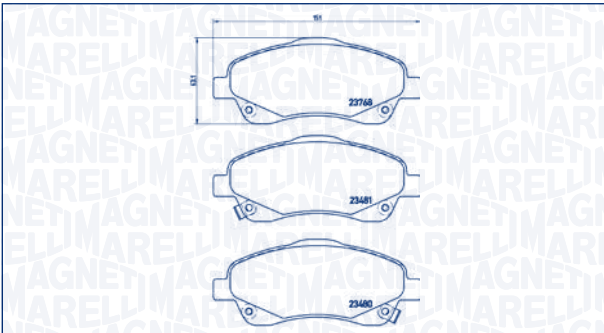
P83045MM



Post	23429	57,2 × 63,6 × 15	SUM	[+]
------	-------	------------------	-----	-----

WVA	LENGTH×HEIGHT×THICKNESS [mm]	SYS	WI
-----	------------------------------	-----	----

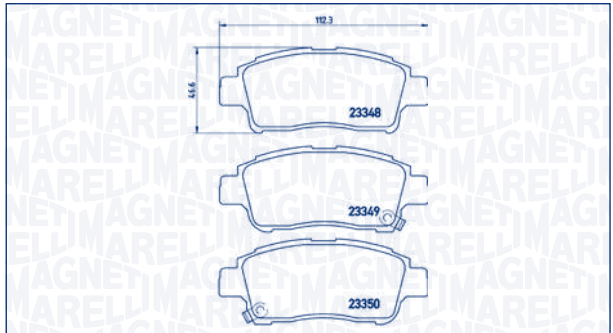
P83046MM



Ant	23480, 23481, 23768	151 × 63,1 × 19,2	BSH	[+]
-----	---------------------	-------------------	-----	-----

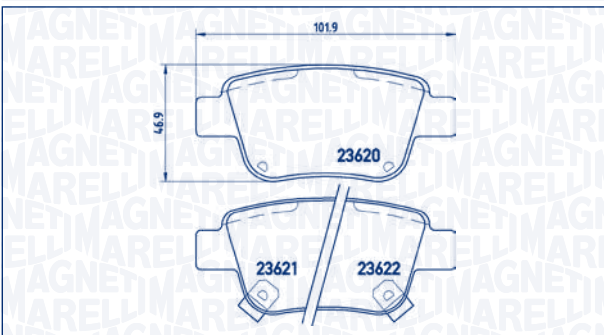
WVA	LENGTH×HEIGHT×THICKNESS [mm]	SYS	WI
-----	------------------------------	-----	----

P83050MM



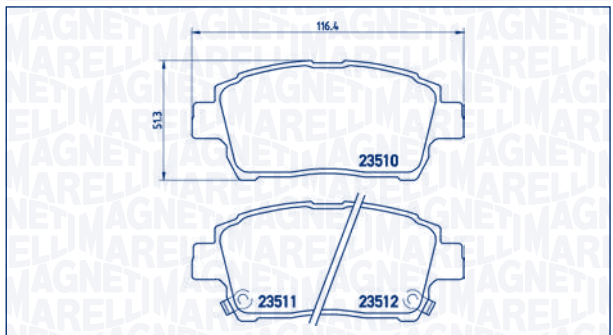
Ant	23348, 23349, 23350	112,3 × 46,6 × 16,5	AKE	[+]
-----	---------------------	---------------------	-----	-----

P83047MM



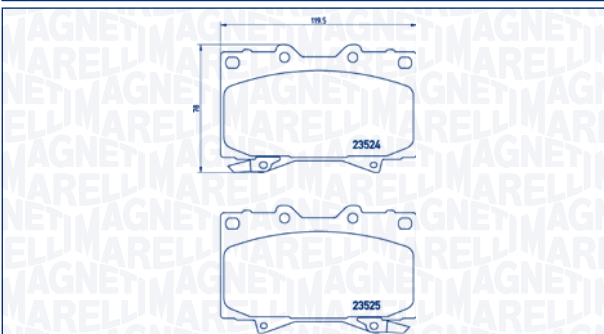
Post	23620, 23621, 23622	101,9 × 46,9 × 16,6	BSH	[+]
------	---------------------	---------------------	-----	-----

P83051MM



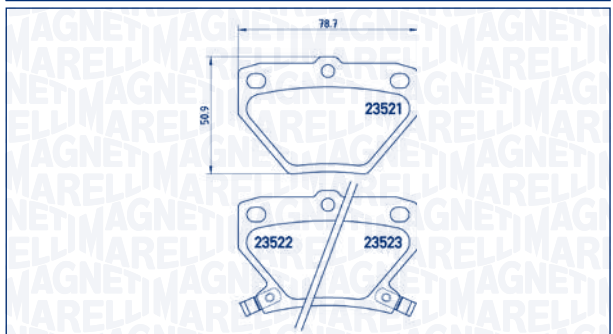
Ant	23510, 23511, 23512	116,4 × 51,3 × 15,5	AKE	[+]
-----	---------------------	---------------------	-----	-----

P83048MM



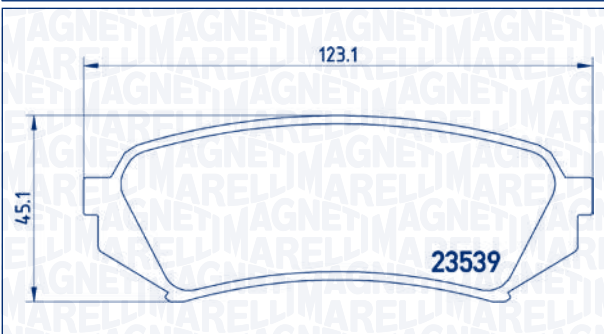
Ant	23524, 23525	119,5 × 78 × 17,7	SUM	[+]
-----	--------------	-------------------	-----	-----

P83052MM



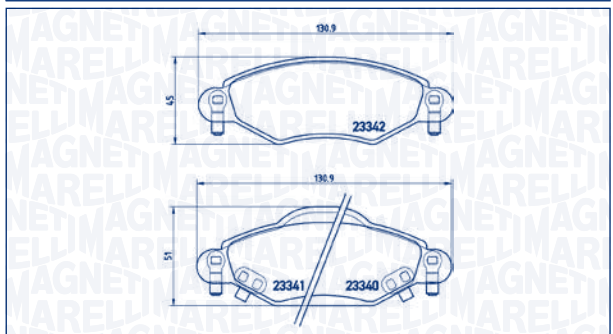
Post	23521, 23522, 23523	78,7 × 50,9/54,2 × 14	SUM	[+]
------	---------------------	-----------------------	-----	-----

P83049MM



Post	23539	123,1 × 45,1 × 17,5	SUM	[-]
------	-------	---------------------	-----	-----

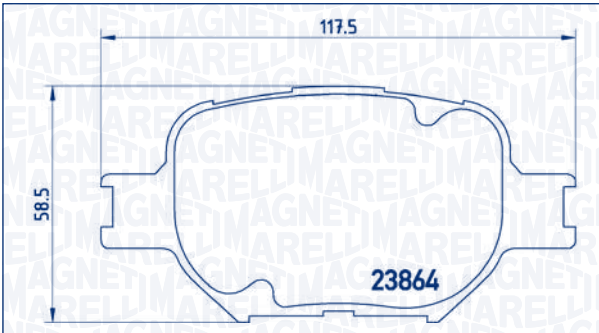
P83053MM



Ant	23340, 23341, 23342	130,9 × 45/51 × 16,8	BSH	[+]
-----	---------------------	----------------------	-----	-----

WVA	LENGTH × HEIGHT × THICKNESS [mm]	SYS	WI
-----	----------------------------------	-----	----

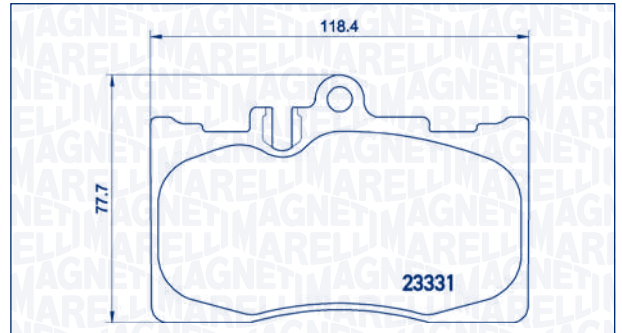
P83054MM



Ant	23864	117,5 × 58,5 × 17	AKE	[-]
-----	-------	-------------------	-----	-----

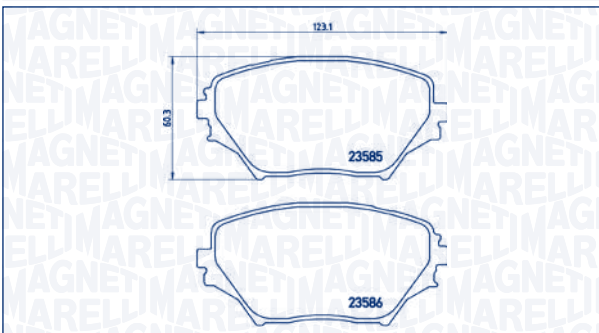
WVA	LENGTH × HEIGHT × THICKNESS [mm]	SYS	WI
-----	----------------------------------	-----	----

P83058MM



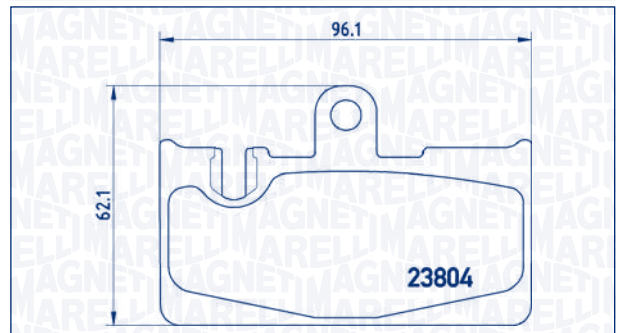
Ant	23331	118,4 × 77,7 × 16	ADV	[o]
-----	-------	-------------------	-----	-----

P83055MM



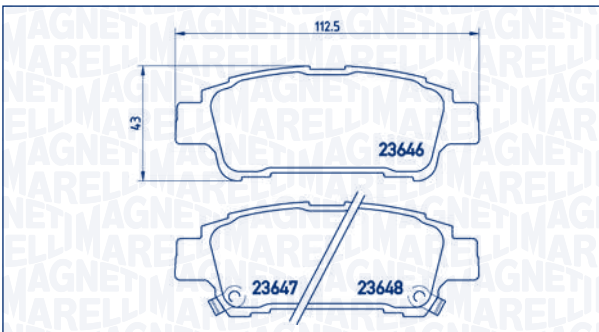
Ant	23585, 23586	123,1 × 60,3 × 17	AKE	[-]
-----	--------------	-------------------	-----	-----

P83059MM



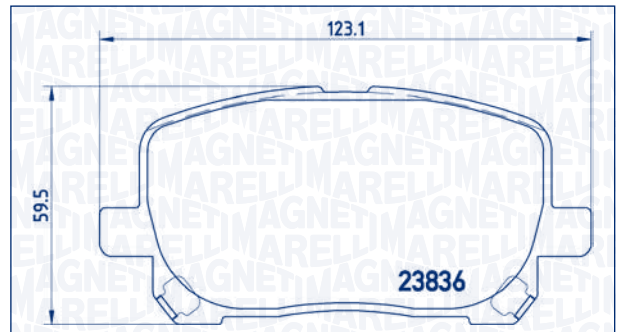
Post	23804	96,1 × 62,1 × 15	AKE	[o]
------	-------	------------------	-----	-----

P83056MM



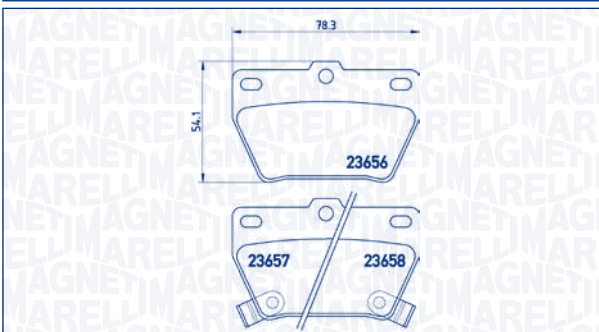
Post	23646, 23647, 23648	112,5 × 43 × 16	SUM	[+]
------	---------------------	-----------------	-----	-----

P83061MM



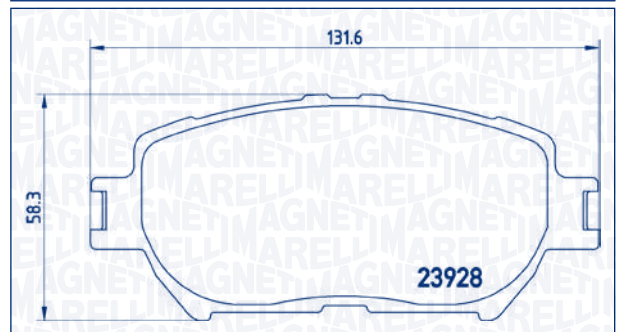
Ant	23836	123,1 × 59,5 × 16,7	AKE	[+]
-----	-------	---------------------	-----	-----

P83057MM



Post	23656, 23657, 23658	78,3 × 54,1 × 14	AKE	[+]
------	---------------------	------------------	-----	-----

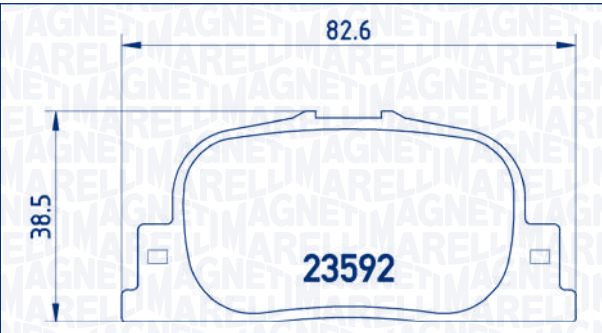
P83062MM



Ant	23928	131,6 × 58,3 × 17	AKE	[-]
-----	-------	-------------------	-----	-----

WVA	LENGTH×HEIGHT×THICKNESS [mm]	SYS	WI
-----	---------------------------------	-----	----

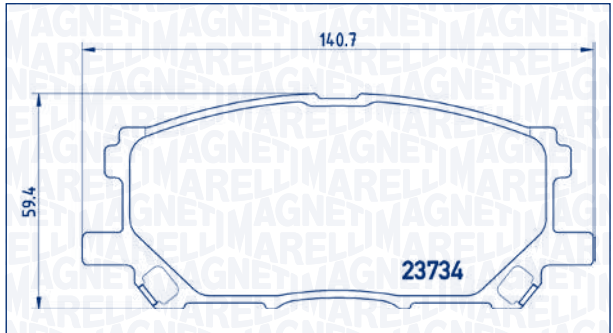
P83063MM



Post	23592	82,6 × 38,5 × 15	AKE	[-]
------	-------	------------------	-----	-----

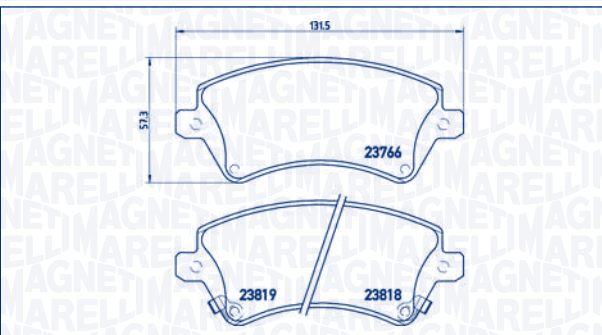
WVA	LENGTH×HEIGHT×THICKNESS [mm]	SYS	WI
-----	---------------------------------	-----	----

P83067MM



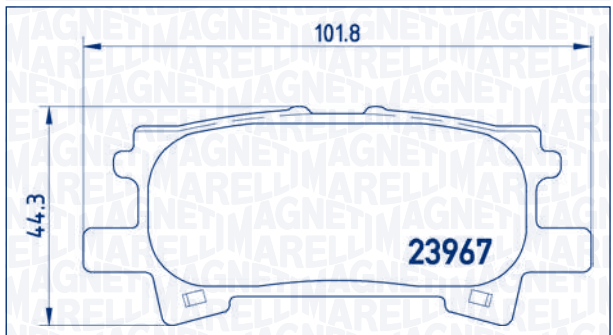
Ant	23734, 23989	140,7 × 59,4 × 17	AKE	[-]
-----	--------------	-------------------	-----	-----

P83064MM



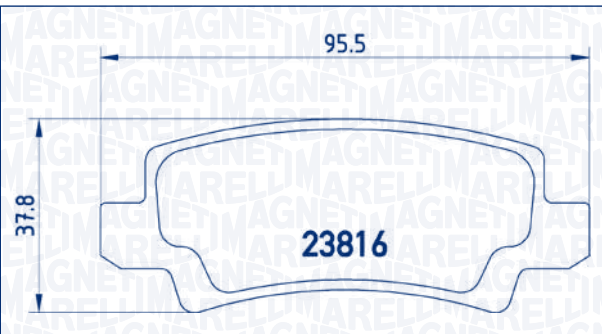
Ant	23766, 23818, 23819	131,5 × 57,3 × 17,8	TRW	[+]
-----	---------------------	---------------------	-----	-----

P83068MM



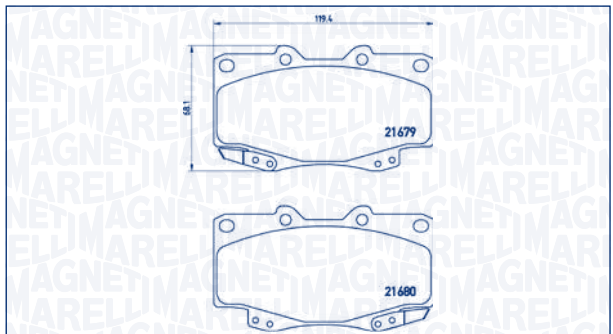
Post	23967	101,8 × 44,3 × 15,2	SUM	[-]
------	-------	---------------------	-----	-----

P83065MM



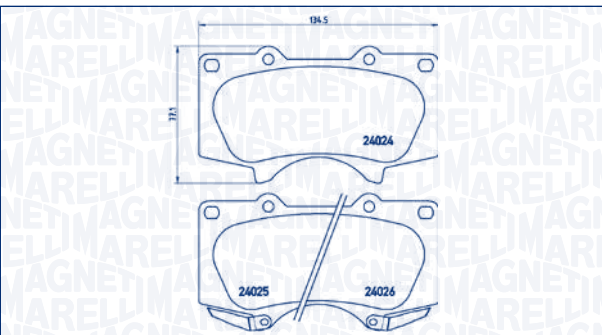
Post	23816	95,5 × 37,8 × 15,8	TRW	[+]
------	-------	--------------------	-----	-----

P83069MM



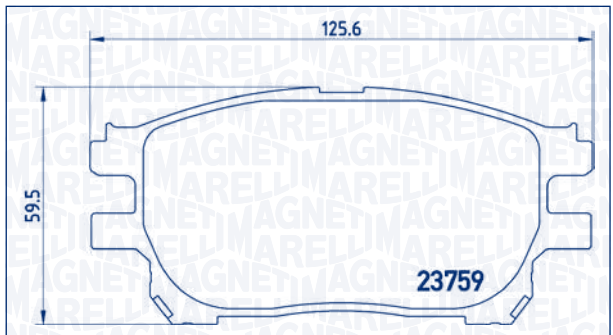
Ant	21679, 21680	119,2 × 68,1 × 15	SUM	[+]
-----	--------------	-------------------	-----	-----

P83066MM



Ant	24024, 24025, 24026	134,5 × 77,1 × 17,8	SUM	[+]
-----	---------------------	---------------------	-----	-----

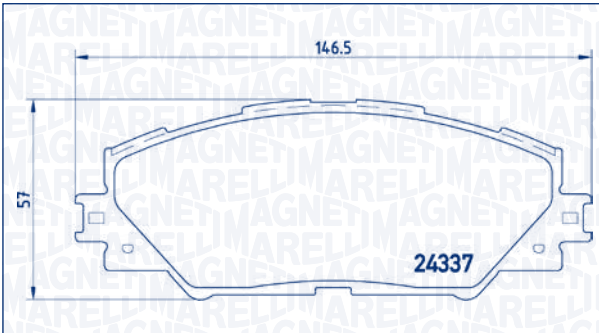
P83070MM



Ant	23759	125,6 × 59,5 × 17	AKE	[-]
-----	-------	-------------------	-----	-----

	WVA	LENGTH × HEIGHT × THICKNESS [mm]	SYS	WI
--	-----	----------------------------------	-----	----

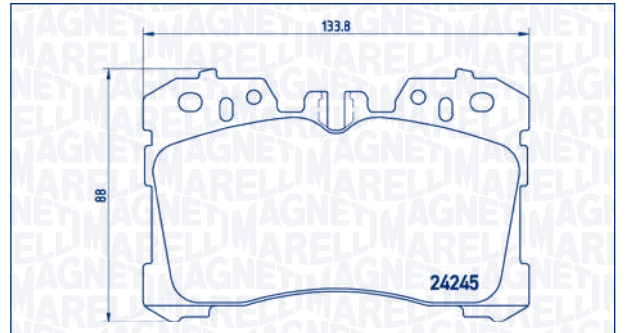
P83071MM



Ant	24337	146,5 × 57 × 17,6	ADV	[-]
-----	-------	-------------------	-----	-----

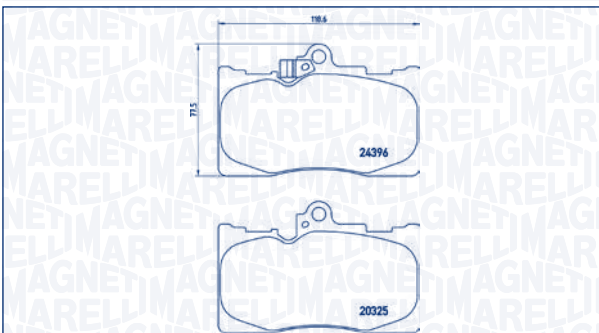
	WVA	LENGTH × HEIGHT × THICKNESS [mm]	SYS	WI
--	-----	----------------------------------	-----	----

P83075MM



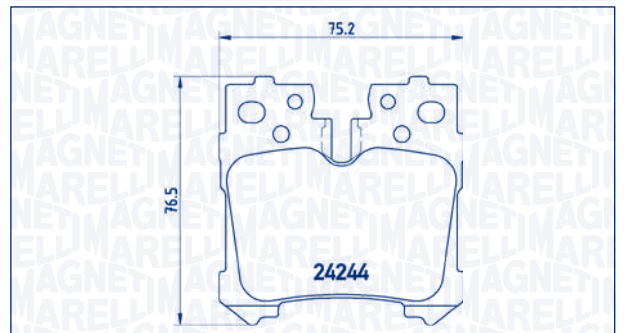
Ant	24245	133,8 × 88 × 18,5	ADV	[O]
-----	-------	-------------------	-----	-----

P83072MM



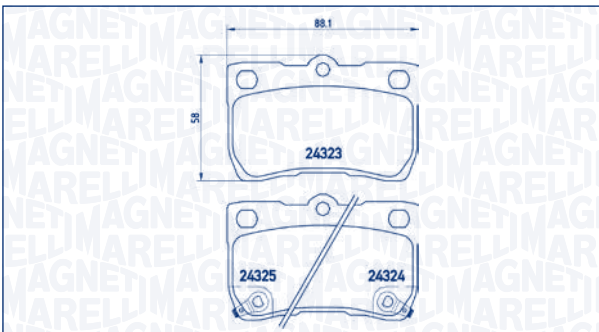
Ant	20325, 24396	118,6 × 77,5 × 17,5	ADV	[+]
-----	--------------	---------------------	-----	-----

P83076MM



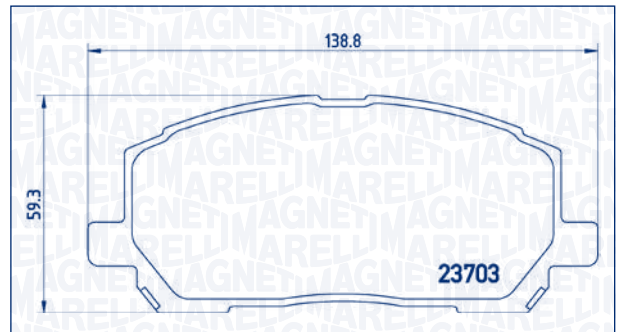
Post	24244	75,2 × 76,5 × 18,5	ADV	[O]
------	-------	--------------------	-----	-----

P83073MM



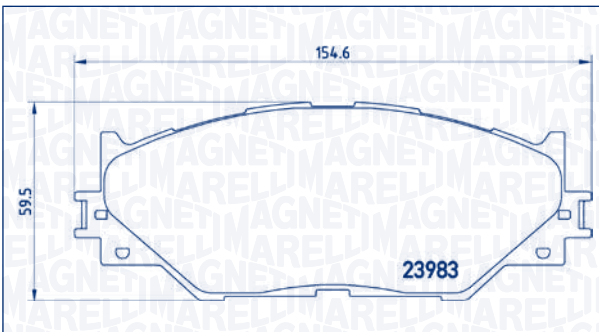
Post	24323, 24324, 24325	88,1 × 58 × 15,5	NBK	[+]
------	---------------------	------------------	-----	-----

P83078MM



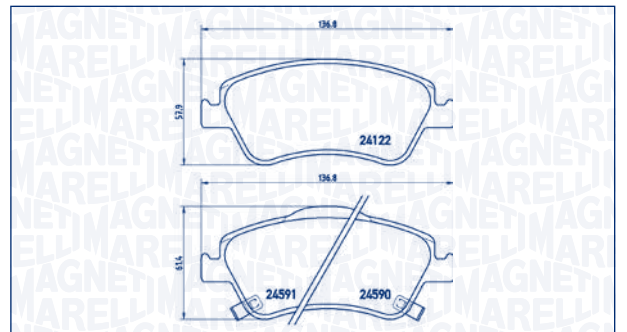
Ant	23703	138,8 × 59,3 × 18,5	SUM	[+]
-----	-------	---------------------	-----	-----

P83074MM



Ant	23983	154,6 × 59,5 × 17,8	ADV	[-]
-----	-------	---------------------	-----	-----

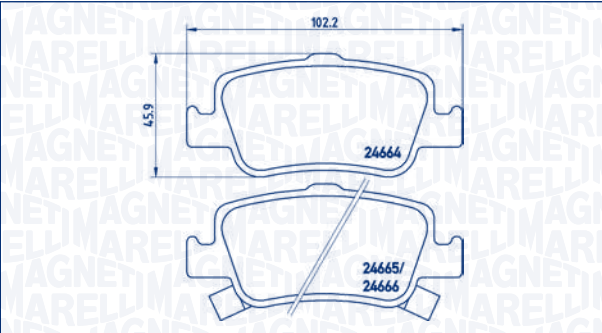
P83079MM



Ant	24122, 24590, 24591	136,8 × 57,9/61,4 × 19,2	BSH	[+]
-----	---------------------	--------------------------	-----	-----

WVA	LENGTH×HEIGHT×THICKNESS [mm]	SYS	WI
-----	---------------------------------	-----	----

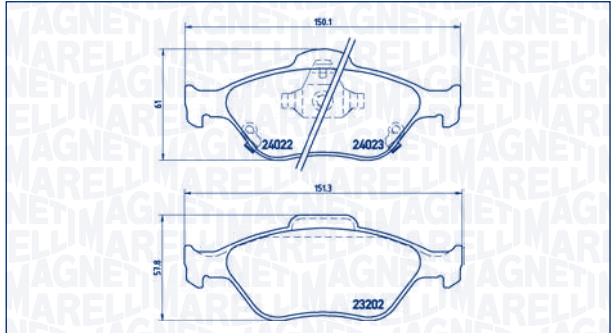
P83080MM



Post	24664, 24665, 24666	102,2 × 45,9 × 16	BSH	[+]
------	---------------------	-------------------	-----	-----

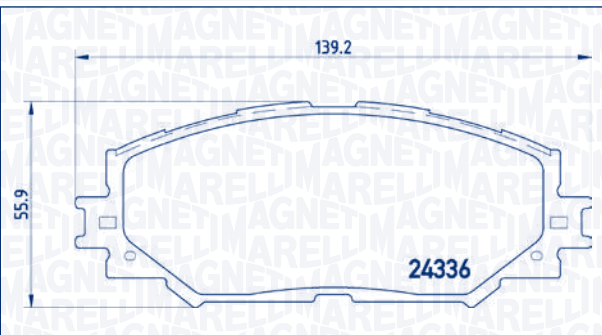
WVA	LENGTH×HEIGHT×THICKNESS [mm]	SYS	WI
-----	---------------------------------	-----	----

P83085MM



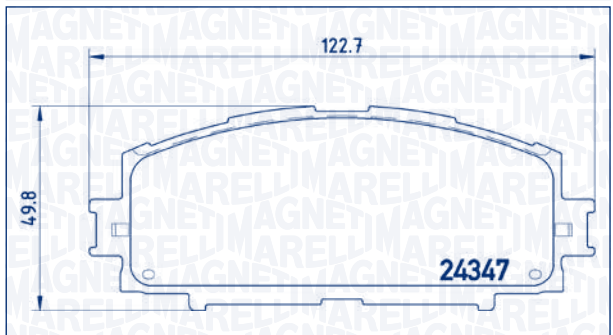
Ant	23202, 24022, 24023	150,1/151,3 × 57,8/61 × 17,7	ATE	[+]
-----	---------------------	------------------------------	-----	-----

P83082MM



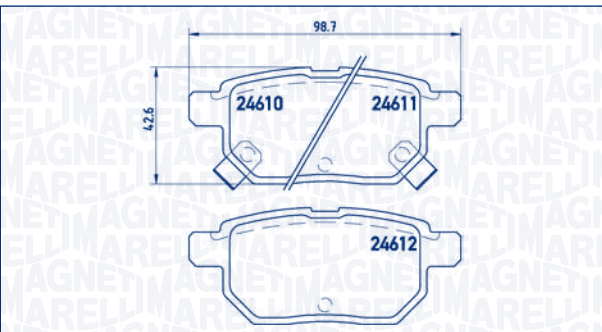
Ant	24336	139,2 × 55,9 × 17,5	AKE	[-]
-----	-------	---------------------	-----	-----

P83086MM



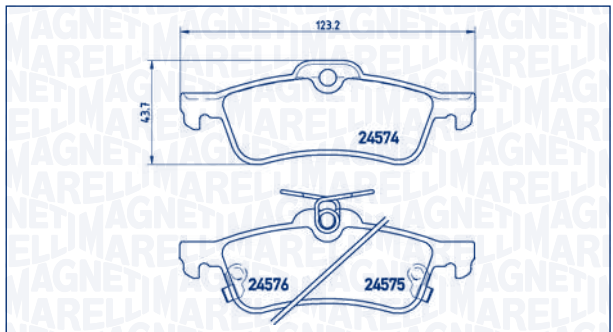
Ant	24347	122,7 × 49,8 × 18,6	AKE	[-]
-----	-------	---------------------	-----	-----

P83083MM



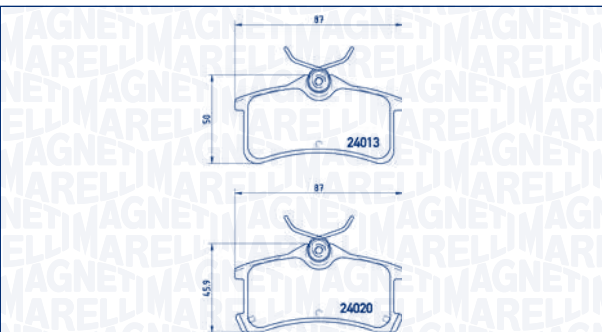
Post	24610, 24611, 24612	98,7 × 42,6 × 14,3	AKE	[+]
------	---------------------	--------------------	-----	-----

P83087MM



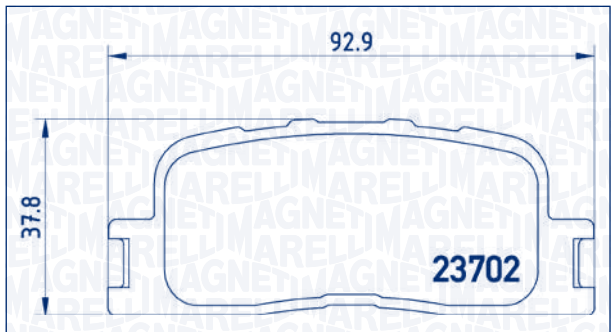
Post	24574, 24575, 24576	123,2 × 43,7 × 15	ATE	[+]
------	---------------------	-------------------	-----	-----

P83084MM



Post	24013, 24020	87 × 45,9/50 × 15	TRW	[+]
------	--------------	-------------------	-----	-----

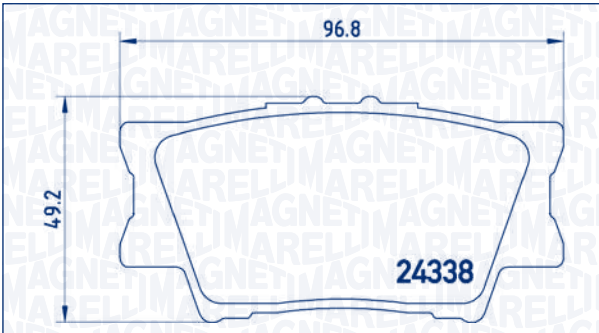
P83088MM



Post	23702	92,9 × 37,8 × 15,8	AKE	[-]
------	-------	--------------------	-----	-----

WVA	LENGTH × HEIGHT × THICKNESS [mm]	SYS	WI
-----	----------------------------------	-----	----

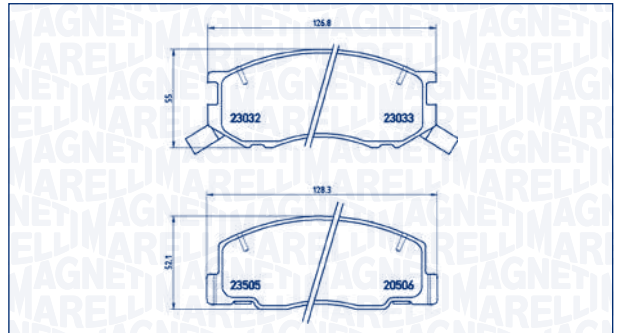
P83089MM



Post	24338	96,8 × 49,2 × 15,4	AKE	[-]
------	-------	--------------------	-----	-----

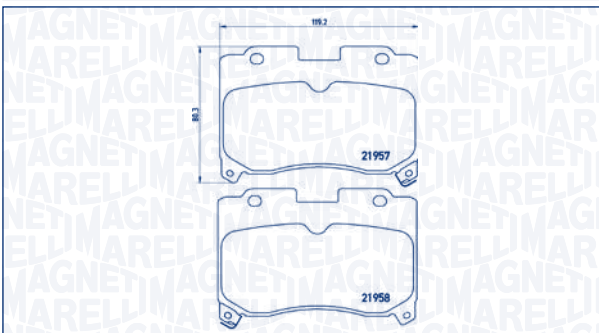
WVA	LENGTH × HEIGHT × THICKNESS [mm]	SYS	WI
-----	----------------------------------	-----	----

P83093MM



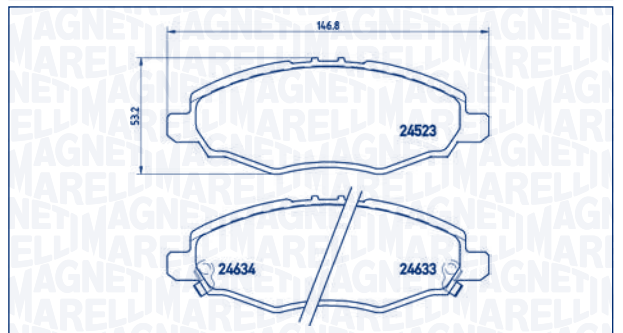
Ant	23032, 23033, 23505, 23506	126,8/128,3 × 52,1/55 × 15,5	AKE	[+]
-----	----------------------------	------------------------------	-----	-----

P83090MM



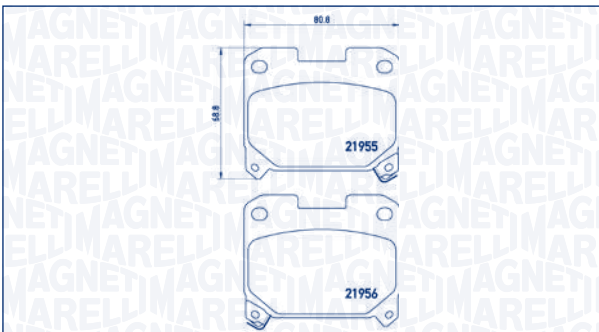
Ant	21957, 21958	119,2 × 80,3 × 17	SUM	[+]
-----	--------------	-------------------	-----	-----

P83094MM



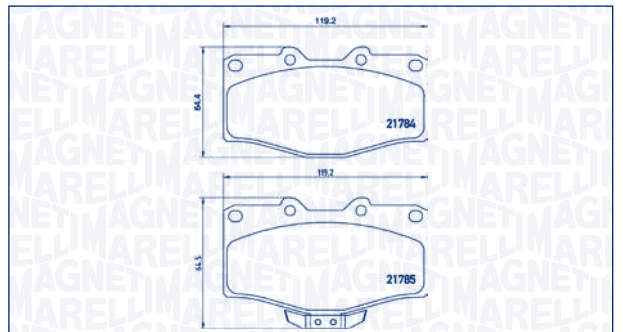
Ant	24523, 24633, 24634	146,8 × 53,2 × 16,4	ADV	[+]
-----	---------------------	---------------------	-----	-----

P83091MM



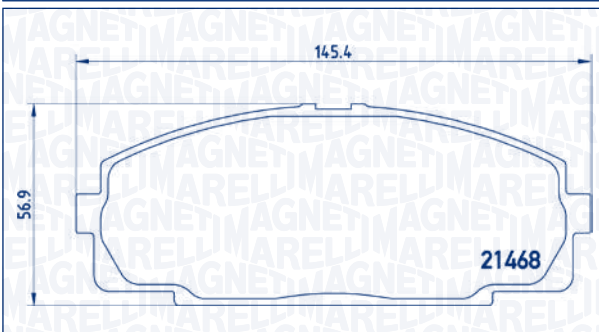
Post	21955, 21956	80,8 × 68,8 × 16	SUM	[+]
------	--------------	------------------	-----	-----

P83095MM



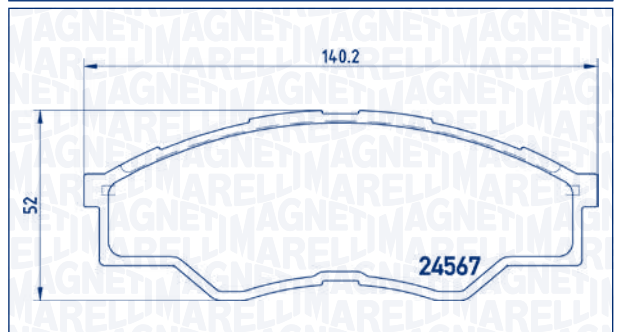
Ant	21784, 21785	119,2 × 64,5 × 15	SUM	[+]
-----	--------------	-------------------	-----	-----

P83092MM



Ant	21468	145,4 × 56,9 × 15,5	SUM	[-]
-----	-------	---------------------	-----	-----

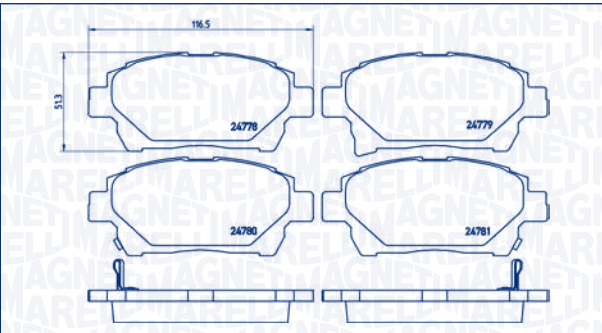
P83096MM



Ant	24567	140,2 × 52 × 15,5	ADV	[-]
-----	-------	-------------------	-----	-----

WVA	LENGTH×HEIGHT×THICKNESS [mm]	SYS	WI
-----	------------------------------	-----	----

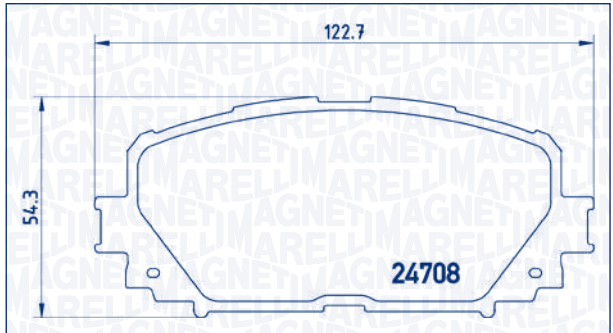
P83097MM



Ant 24778, 24779, 24780, 24781	116,5 × 51,3/53,8 × 16,6	ADV	[+]
--------------------------------	--------------------------	-----	-----

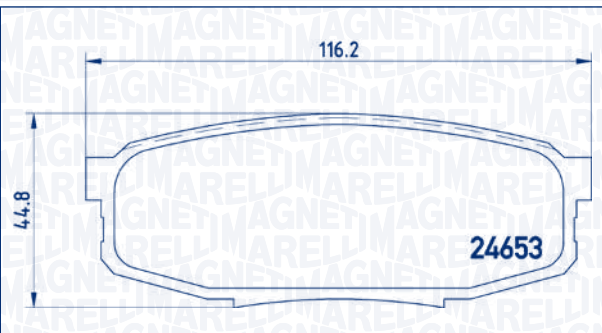
WVA	LENGTH×HEIGHT×THICKNESS [mm]	SYS	WI
-----	------------------------------	-----	----

P83101MM



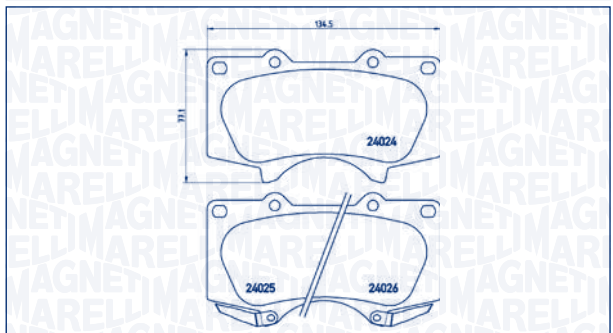
Ant 24708	122,7 × 54,3 × 17,6	ADV	[-]
-----------	---------------------	-----	-----

P83098MM



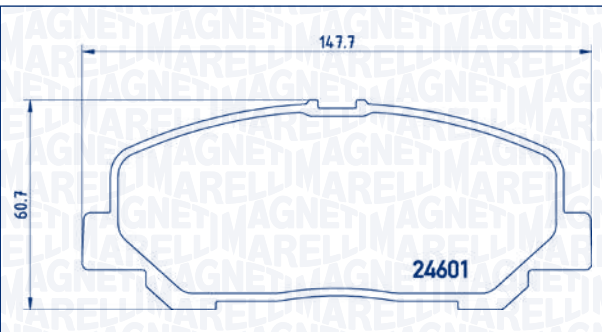
Post 24653	116,2 × 44,8 × 17,4	ADV	[-]
------------	---------------------	-----	-----

P83102MM



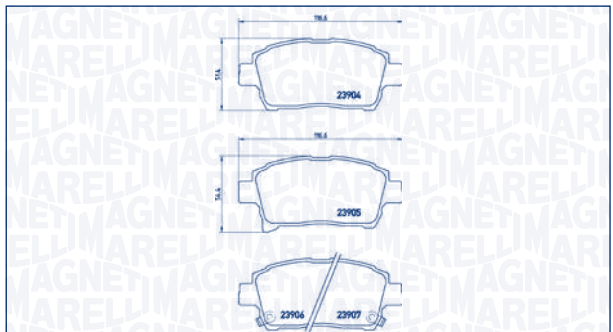
Ant 24024, 24025, 24026	134,5 × 77,05 × 17	SUM	[+]
-------------------------	--------------------	-----	-----

P83099MM



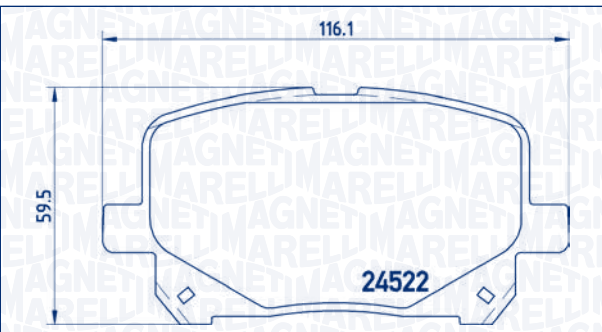
Ant 24601	147,7 × 60,7 × 18	AKE	[o]
-----------	-------------------	-----	-----

P83103MM



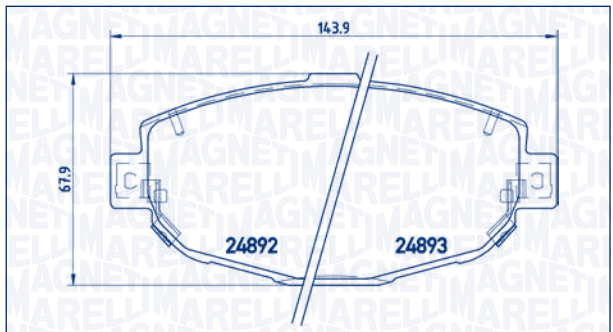
Ant 23904, 23907, 23906, 23905	116,6 × 51,4/54,4 × 16,6	AKE	[+]
--------------------------------	--------------------------	-----	-----

P83100MM



Ant 24522	116,1 × 59,5 × 16,9	AKE	[-]
-----------	---------------------	-----	-----

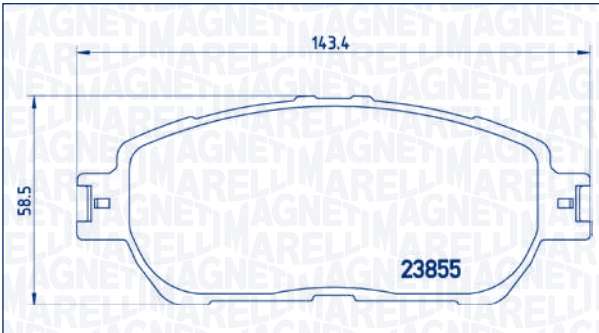
P83104MM



Ant 24892	143,9 × 68,6 × 18	AKE	[+]
-----------	-------------------	-----	-----

	WVA	LENGTH × HEIGHT × THICKNESS [mm]	SYS	WI
--	-----	----------------------------------	-----	----

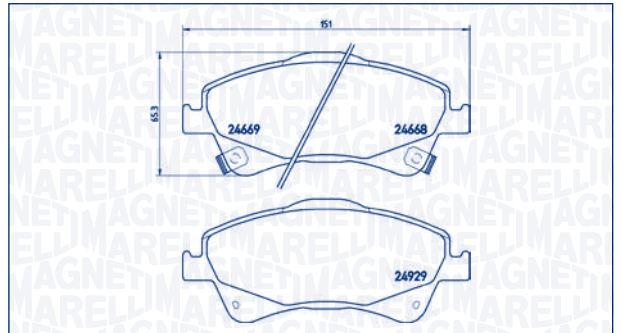
P83105MM



Ant	23855	143,4 × 58,5 × 16	AKE	[-]
-----	-------	-------------------	-----	-----

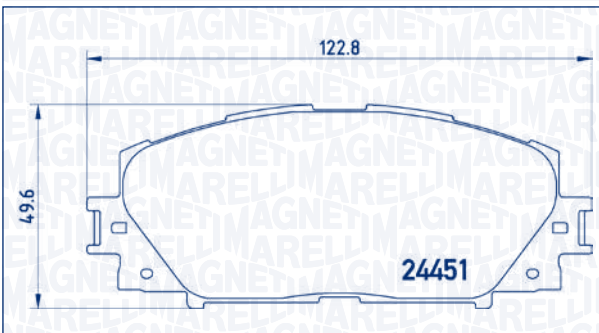
	WVA	LENGTH × HEIGHT × THICKNESS [mm]	SYS	WI
--	-----	----------------------------------	-----	----

P83109MM



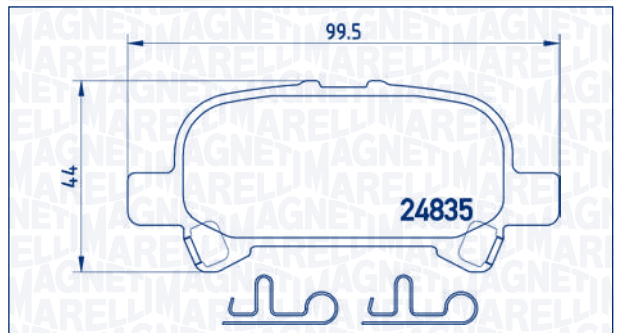
Ant	24929, 24668, 24669	151 × 65,3 × 18,9	BSH	[+]
-----	---------------------	-------------------	-----	-----

P83106MM



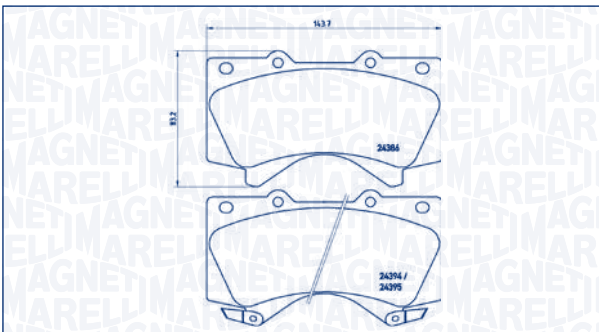
Ant	24451	122,8 × 49,6 × 15,6	AKE	[-]
-----	-------	---------------------	-----	-----

P83110MM



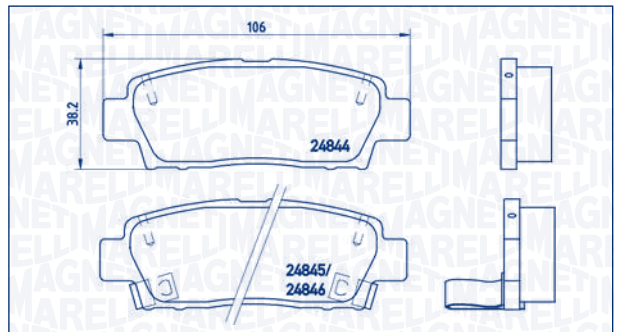
Post	24835	99,5 × 44 × 15,4	-	[+]
------	-------	------------------	---	-----

P83107MM



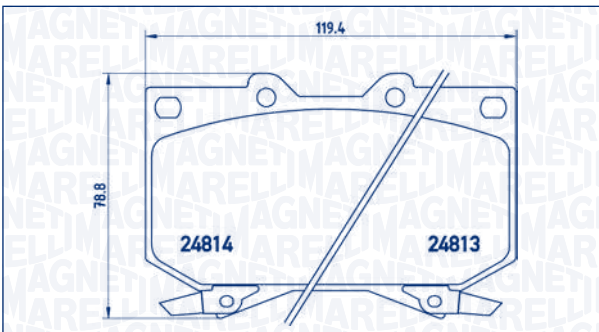
Ant	24386, 24394, 24395	143,7 × 83,2 × 17,9	ADV	[+]
-----	---------------------	---------------------	-----	-----

P83111MM



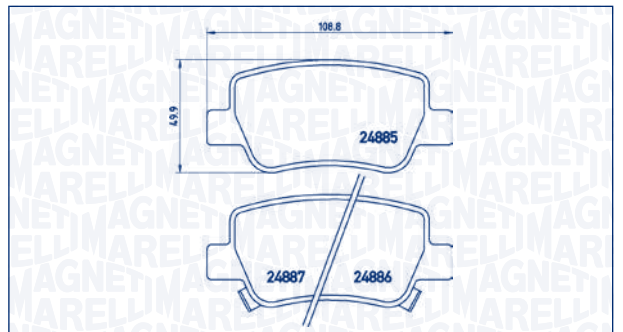
Ant	24844, 24845, 24846	106 × 38,2 × 17,9	SUM	[+]
-----	---------------------	-------------------	-----	-----

P83108MM



Ant	24813, 24814	120 × 78,8 × 18	SUM	[+]
-----	--------------	-----------------	-----	-----

P83112MM



Post	24885, 24886, 24887	108,8 × 49,9 × 16,5	BSH	[+]
------	---------------------	---------------------	-----	-----

WVA	LENGTH×HEIGHT×THICKNESS [mm]	SYS	WI
-----	---------------------------------	-----	----

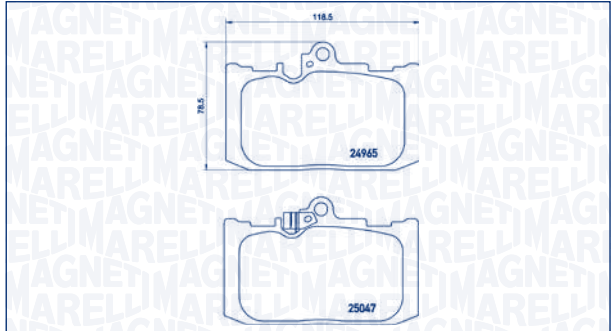
P83113MM



Post	24902, 24903, 24904	88 × 58,2 × 15,5	-	[+]
------	---------------------	------------------	---	-----

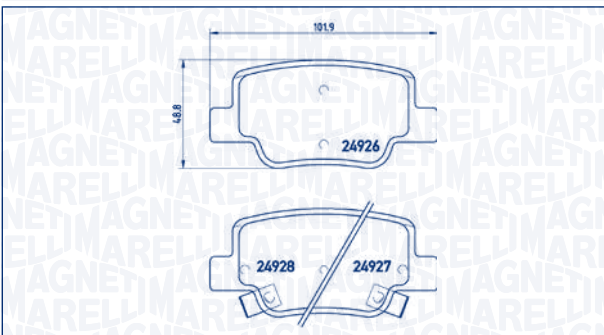
WVA	LENGTH×HEIGHT×THICKNESS [mm]	SYS	WI
-----	---------------------------------	-----	----

P83131MM



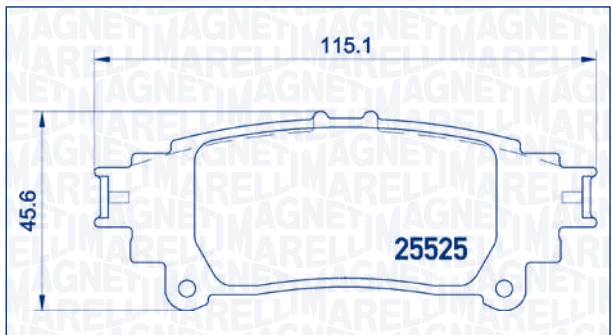
Ant	24965, 25047	118,6 × 77,5 × 17,5	ADV	[+]
-----	--------------	---------------------	-----	-----

P83114MM



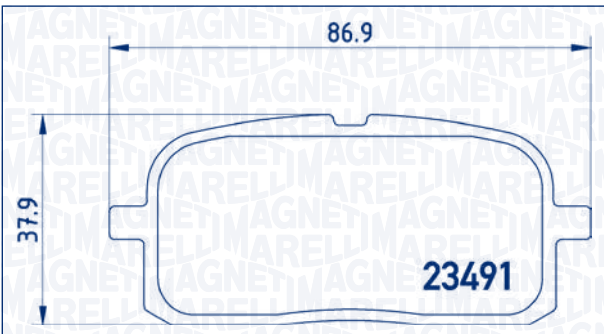
Post	24926, 24927, 24928	101,9 × 48,8 × 16,6	BSH	[+]
------	---------------------	---------------------	-----	-----

P83132MM



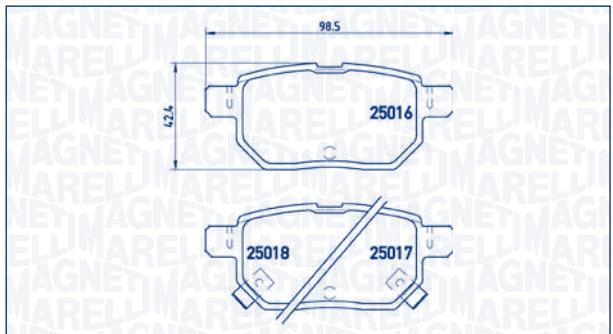
Post	25525	115,1 × 45,6 × 16,8	AKE	[-]
------	-------	---------------------	-----	-----

P83116MM



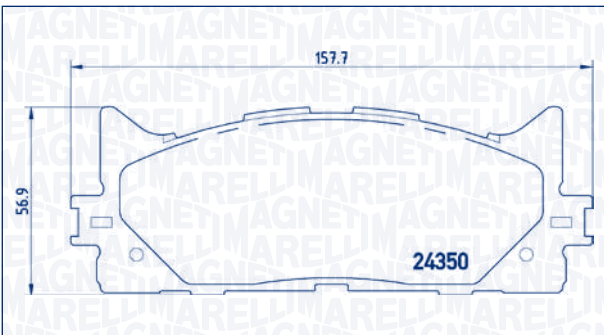
Ant	23491	86,9 × 37,9 × 12,5	AKE	[-]
-----	-------	--------------------	-----	-----

P83133MM



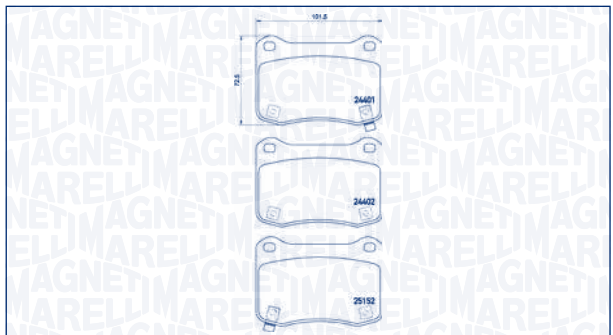
Post	25016, 25017, 25018	98,5 × 42,4 × 14,3	AKE	[+]
------	---------------------	--------------------	-----	-----

P83117MM



Ant	24350	157,7 × 56,9 × 17,6	AKE	[-]
-----	-------	---------------------	-----	-----

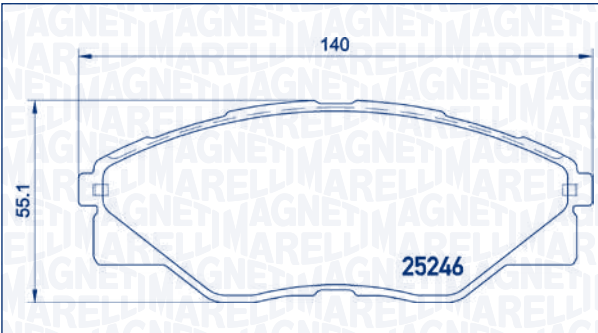
P83134MM



Post	24402, 24401, 25152	101,5 × 73 × 17,5	BRE	[+]
------	---------------------	-------------------	-----	-----

WVA	LENGTH × HEIGHT × THICKNESS [mm]	SYS	WI
-----	----------------------------------	-----	----

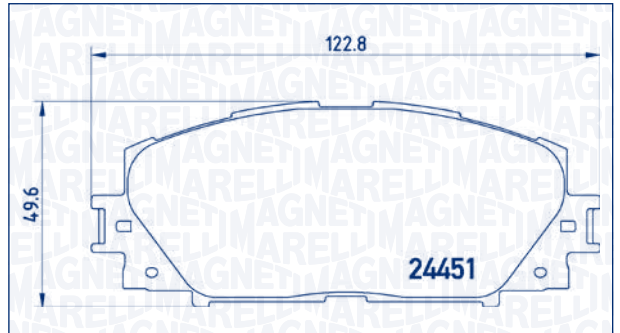
P83137MM



Ant 25246	140 × 55,1 × 15,6	ADV	[-]
-----------	-------------------	-----	-----

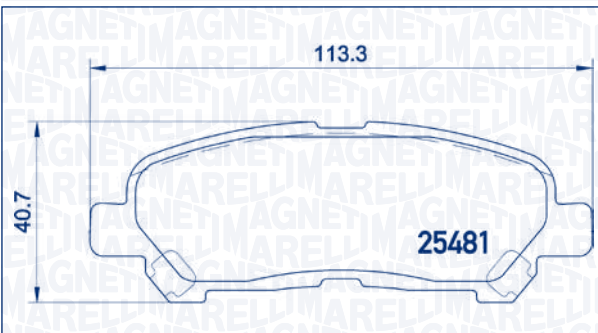
WVA	LENGTH × HEIGHT × THICKNESS [mm]	SYS	WI
-----	----------------------------------	-----	----

P83141MM



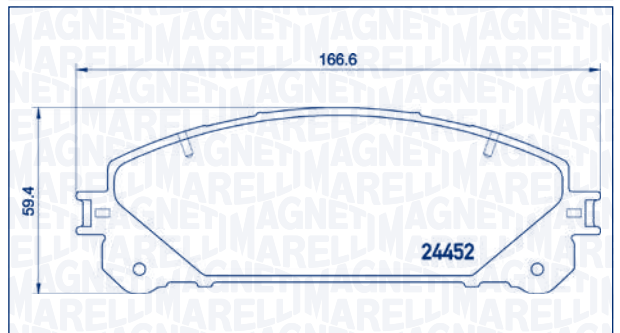
Ant 24451	122,8 × 49,6 × 17,2	AKE	[-]
-----------	---------------------	-----	-----

P83138MM



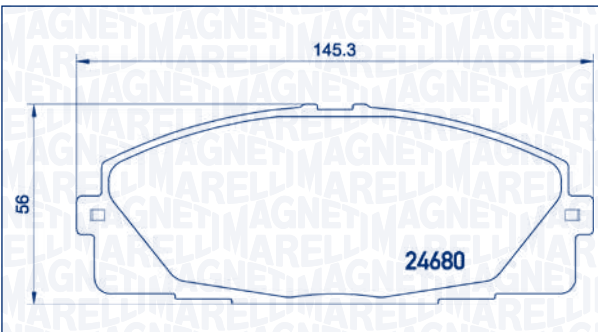
Post 25481	113,3 × 40,7 × 15,2	AKE	[-]
------------	---------------------	-----	-----

P83145MM



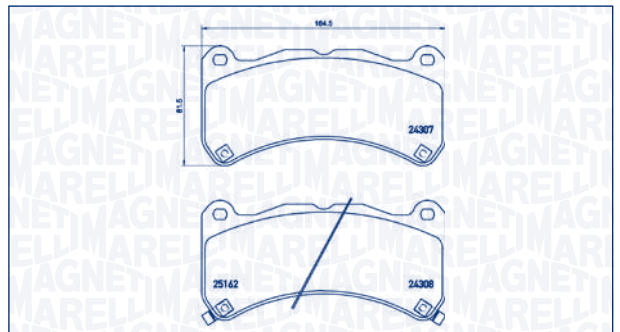
Ant 24452	166,6 × 59,4 × 17,5	ADV	[-]
-----------	---------------------	-----	-----

P83139MM



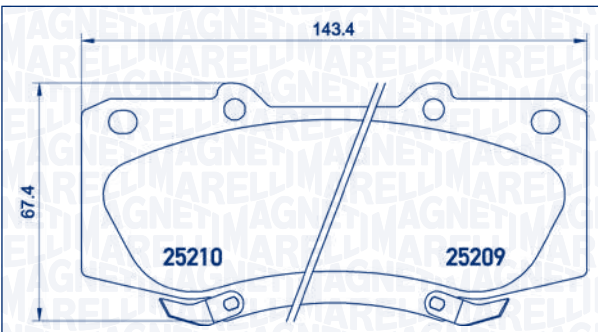
Ant 24680	145,3 × 56 × 15,5	SUM	[-]
-----------	-------------------	-----	-----

P83146MM



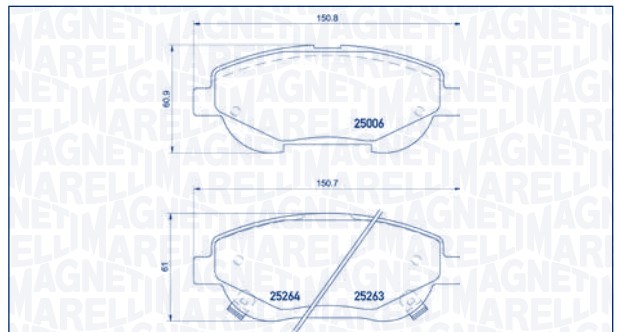
Ant 24307, 24308, 25162	164,5 × 81,5 × 16,3	BRE	[+]
-------------------------	---------------------	-----	-----

P83140MM



Ant 25209, 25210	143,4 × 67,4 × 16,8	ADV	[+]
------------------	---------------------	-----	-----

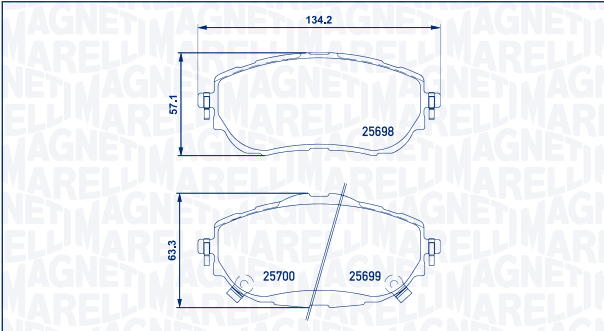
P83148MM



Ant 25006, 25263, 25264	150,8 × 61 × 19,3	BSH	[+]
-------------------------	-------------------	-----	-----

WVA	LENGTH×HEIGHT×THICKNESS [mm]	SYS	WI
-----	------------------------------	-----	----

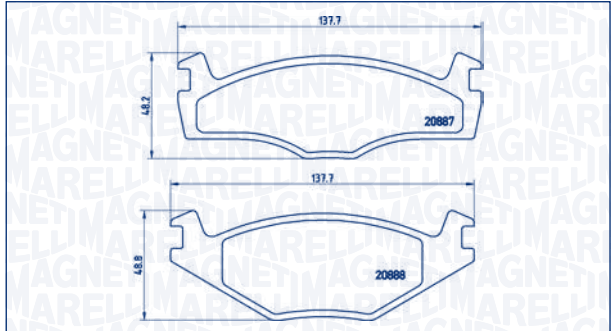
P83150MM



Ant	25698, 25699, 25700	134,2 × 57,1/63,3 × 18,7	BSH	[+]
-----	---------------------	--------------------------	-----	-----

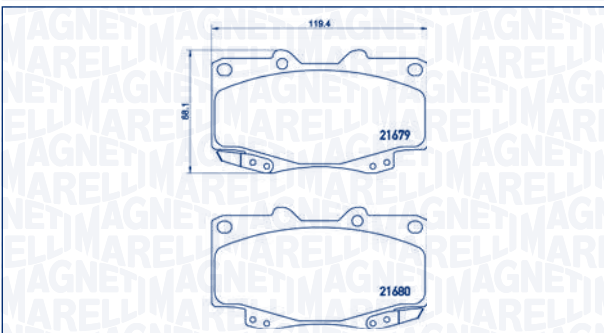
WVA	LENGTH×HEIGHT×THICKNESS [mm]	SYS	WI
-----	------------------------------	-----	----

P85005MM



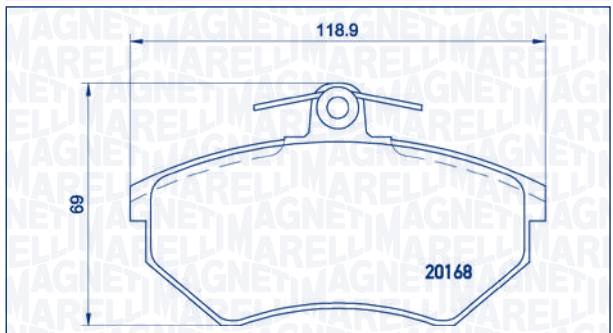
Ant	20887, 20888	137,7 × 48,2/48,8 × 15,3	KH	[-]
-----	--------------	--------------------------	----	-----

P83151MM



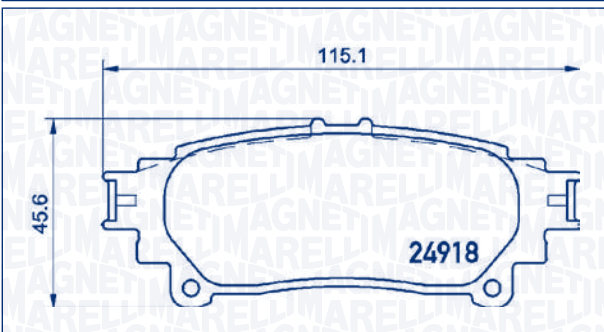
Ant	21679, 21680	119,2 × 68,1 × 17,5	SUM	[+]
-----	--------------	---------------------	-----	-----

P85011MM



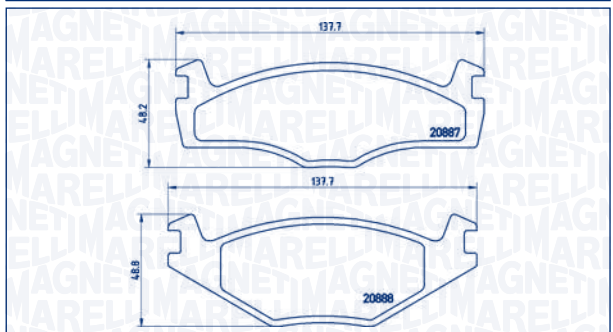
Ant	20168	118,9 × 69 × 19,6	TRW	[-]
-----	-------	-------------------	-----	-----

P83152MM



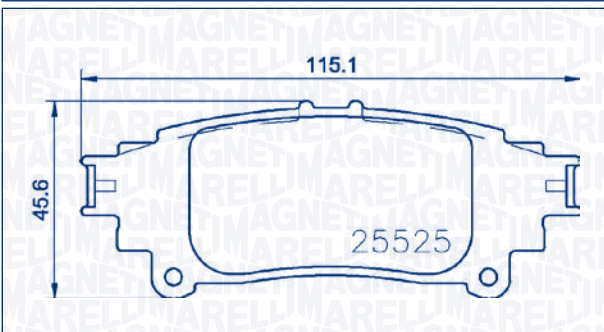
Ant	24918	115,1 × 45,6 × 15	-	[-]
-----	-------	-------------------	---	-----

P85012MM



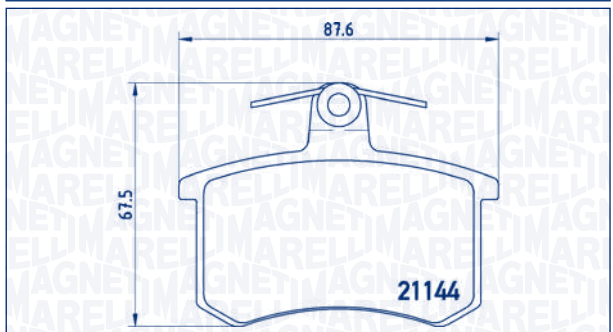
Ant	20887, 20888	137,7 × 48,2/48,8 × 19,7	KH	[-]
-----	--------------	--------------------------	----	-----

P83153MM



Post	25525	115,1 × 45,6 × 15	-	[-]
------	-------	-------------------	---	-----

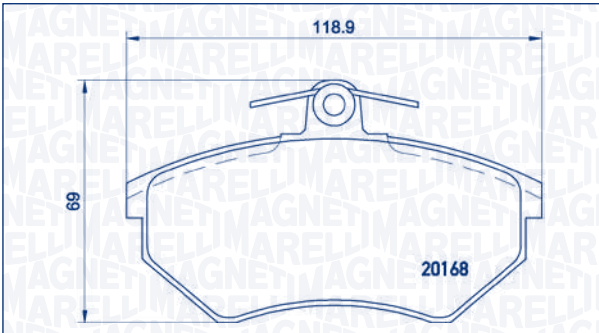
P85013MM



Post	21144	193 × 67,5 × 16,6	TRW	[-]
------	-------	-------------------	-----	-----

	WVA	LENGTH × HEIGHT × THICKNESS [mm]	SYS	WI
--	-----	----------------------------------	-----	----

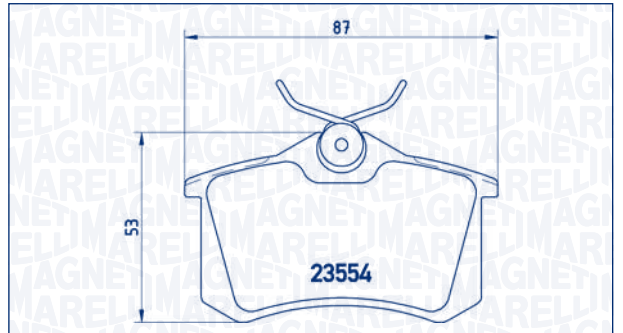
P85015MM



Ant	20168	123,2 × 69 × 16,2	TRW	[-]
-----	-------	-------------------	-----	-----

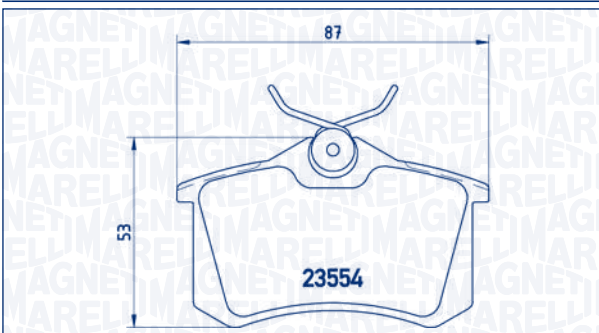
	WVA	LENGTH × HEIGHT × THICKNESS [mm]	SYS	WI
--	-----	----------------------------------	-----	----

P85020MM



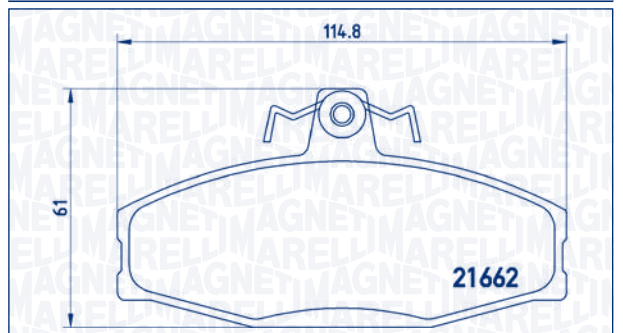
Ant	20961, 23554	87 × 53 × 17,2	TRW	[-]
-----	--------------	----------------	-----	-----

P85017MM



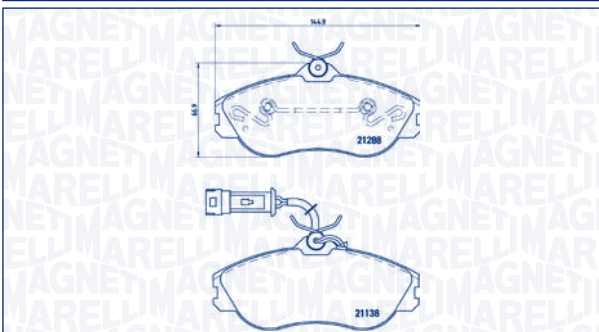
Post	20961, 23554	87 × 53 × 15,2	TRW	[-]
------	--------------	----------------	-----	-----

P85022MM



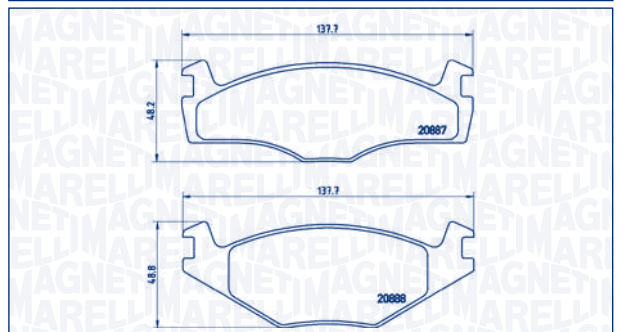
Ant	21662	114,8 × 61 × 17,8	GIR	[-]
-----	-------	-------------------	-----	-----

P85018MM



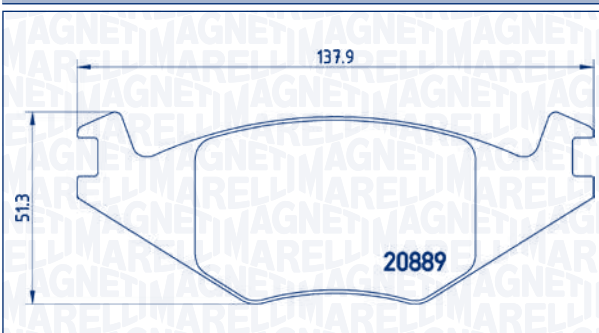
Ant	21138, 21288	144,8 × 66,9 × 19,5	TRW	[+]
-----	--------------	---------------------	-----	-----

P85024MM



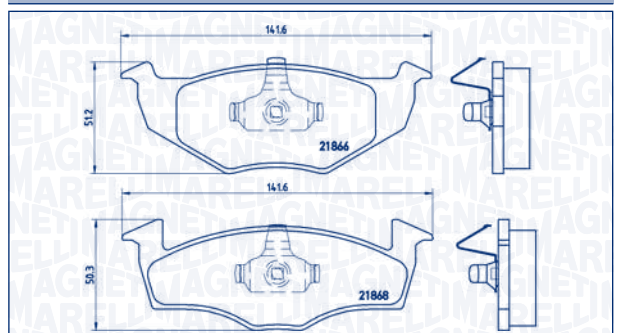
Ant	20887, 20888	137,7 × 48,2/48,8 × 17,3	KH	[-]
-----	--------------	--------------------------	----	-----

P85019MM



Ant	20889	137,9 × 51,3 × 17,3	KH	[-]
-----	-------	---------------------	----	-----

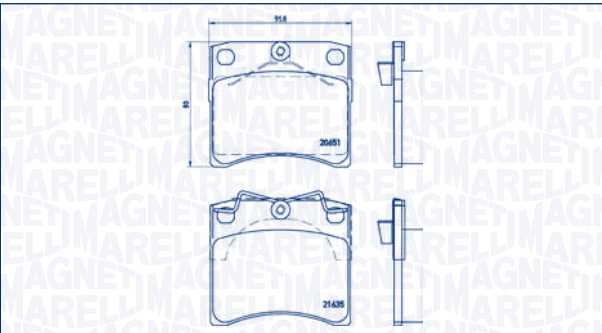
P85025MM



Ant	21866, 21868	141,6 × 50,3/51,2 × 17,2	VW/VAG	[-]
-----	--------------	--------------------------	--------	-----

WVA	LENGTH×HEIGHT×THICKNESS [mm]	SYS	WI
-----	---------------------------------	-----	----

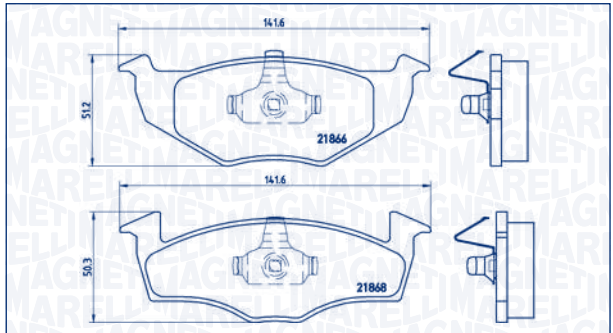
P85027MM



Ant	20651, 21635	91,8 × 80 × 18,2	TRW	[-]
-----	--------------	------------------	-----	-----

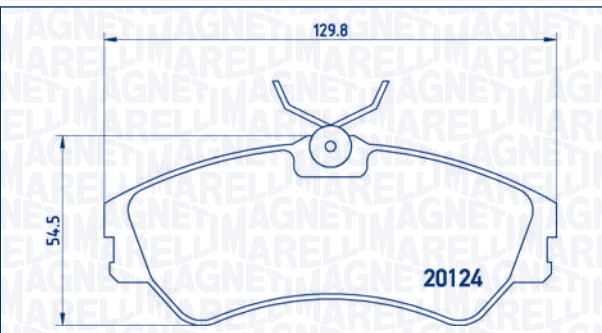
WVA	LENGTH×HEIGHT×THICKNESS [mm]	SYS	WI
-----	---------------------------------	-----	----

P85031MM



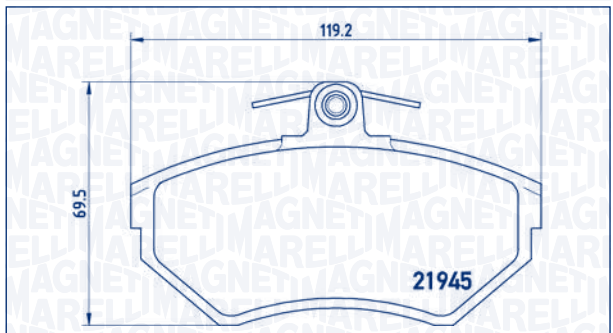
Ant	21866, 21868	141,6 × 50,3/51,2 × 15,3	VW/VAG	[-]
-----	--------------	--------------------------	--------	-----

P85028MM



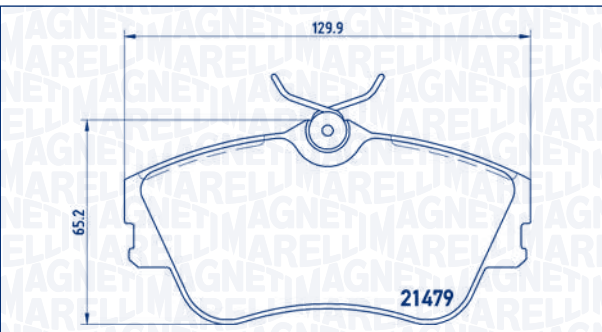
Ant	20124	129,8 × 54,5 × 19	TRW	[-]
-----	-------	-------------------	-----	-----

P85032MM



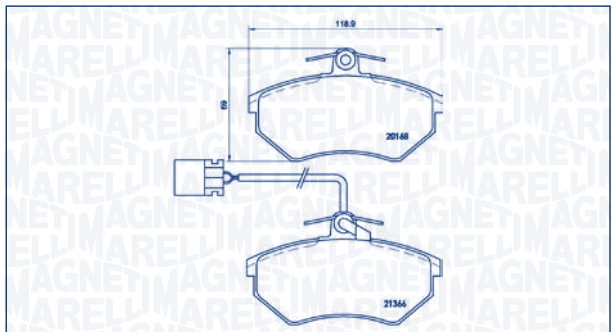
Ant	21945	119,2 × 69,5 × 16,2	TRW	[-]
-----	-------	---------------------	-----	-----

P85029MM



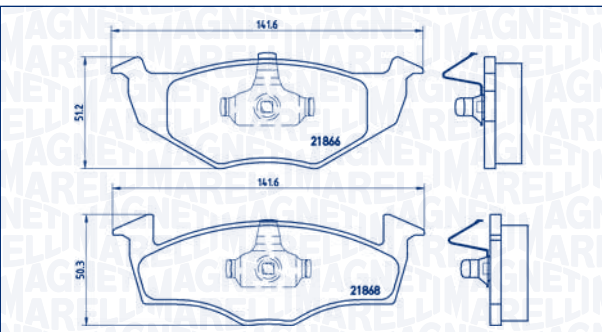
Ant	21479	129,9 × 65,2 × 19,2	TRW	[-]
-----	-------	---------------------	-----	-----

P85034MM



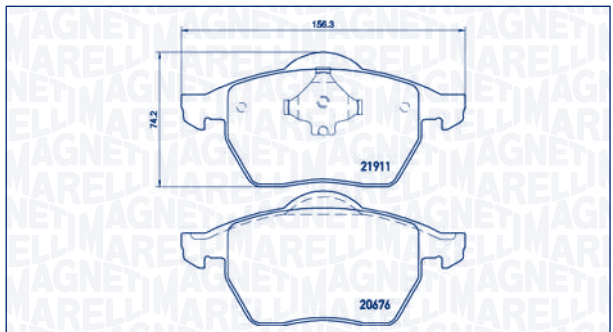
Ant	20168, 21366	118,9 × 69 × 19,6	TRW	[+]
-----	--------------	-------------------	-----	-----

P85030MM



Ant	21866, 21868	141,6 × 50,3/51,2 × 19,7	VW/VAG	[-]
-----	--------------	--------------------------	--------	-----

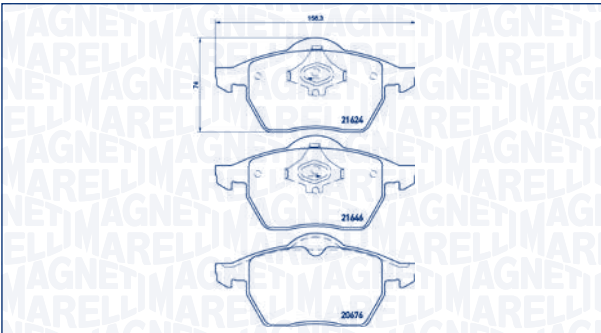
P85035MM



Ant	20676, 21911	156,4 × 74 × 20,6	ATE	[-]
-----	--------------	-------------------	-----	-----

WVA	LENGTH × HEIGHT × THICKNESS [mm]	SYS	WI
-----	----------------------------------	-----	----

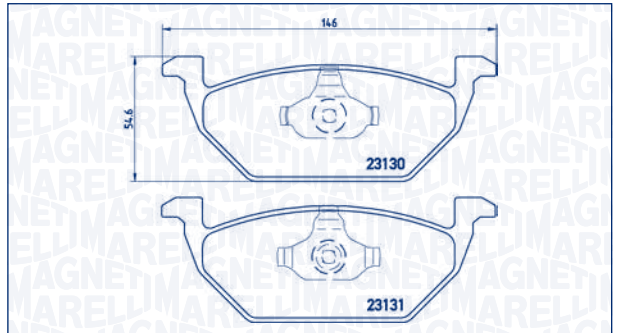
P85036MM



Ant 20676, 21624, 21646	156,25 × 74 × 20,4	ATE	[-]
-------------------------	--------------------	-----	-----

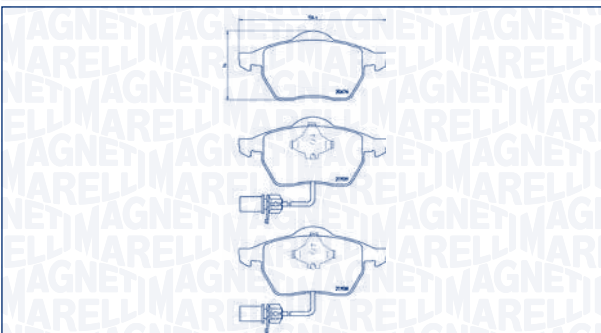
WVA	LENGTH × HEIGHT × THICKNESS [mm]	SYS	WI
-----	----------------------------------	-----	----

P85041MM



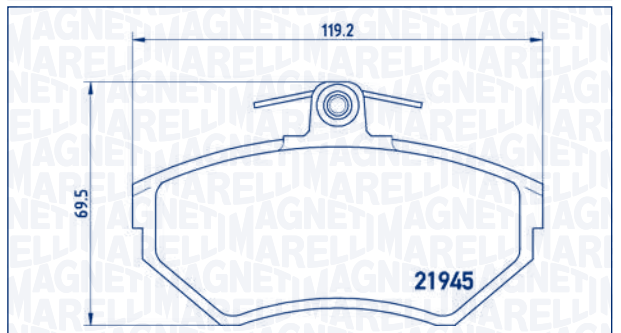
Ant 23130, 23131	146 × 54,6 × 19,7	ATE	[-]
------------------	-------------------	-----	-----

P85037MM



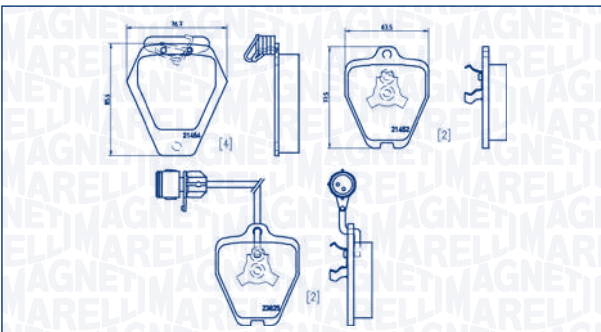
Ant 20676, 21938, 21939	156,4 × 74 × 20,4	ATE	[+]
-------------------------	-------------------	-----	-----

P85042MM



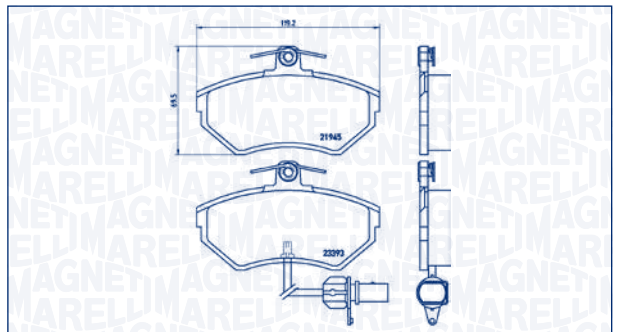
Ant 21945	119,2 × 69,5 × 19,6	TRW	[-]
-----------	---------------------	-----	-----

P85038MM



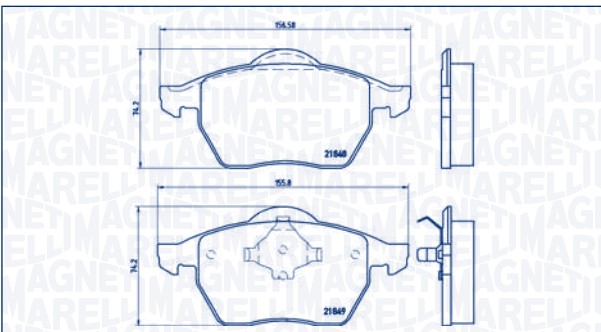
Ant 21452, 21454, 23825	63,5/76,7 × 77,5/85,6 × 18,5	TRW	[+]
-------------------------	------------------------------	-----	-----

P85044MM



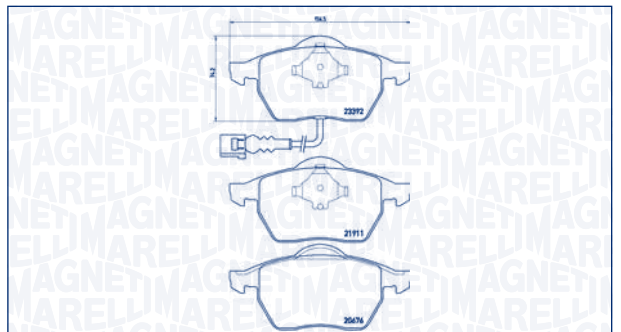
Ant 21945, 23393	119,2 × 69,5 × 19,6	TRW	[+]
------------------	---------------------	-----	-----

P85039MM



Ant 21848, 21849	155,8/156,6 × 74,2 × 19,7	ATE	[-]
------------------	---------------------------	-----	-----

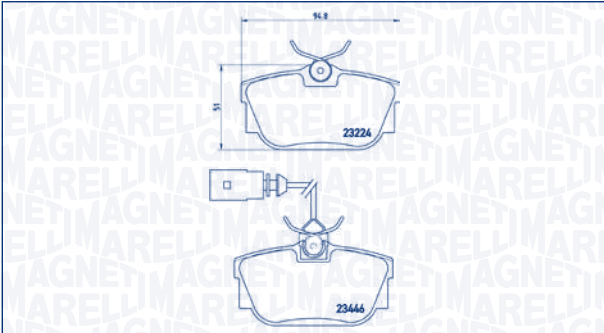
P85045MM



Ant 20676, 21911, 23392	156,5 × 74,2 × 20,6	ATE	[+]
-------------------------	---------------------	-----	-----

Icon	WVA	LENGTH×HEIGHT×THICKNESS [mm]	SYS	WI
------	-----	------------------------------	-----	----

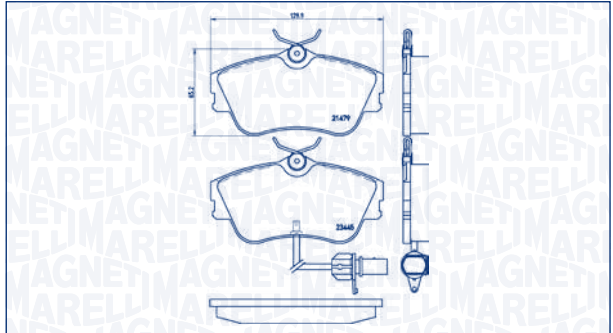
P85046MM



Post	23224, 23446	94,8 × 51 × 17,3	TRW	[+]
------	--------------	------------------	-----	-----

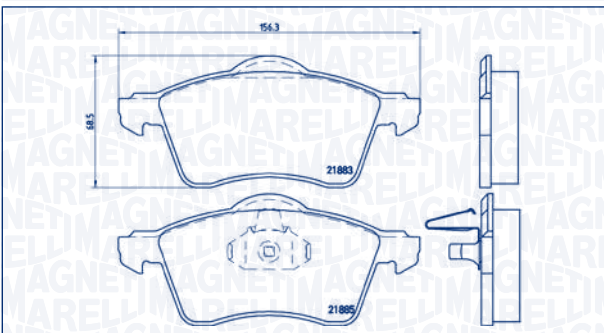
Icon	WVA	LENGTH×HEIGHT×THICKNESS [mm]	SYS	WI
------	-----	------------------------------	-----	----

P85050MM



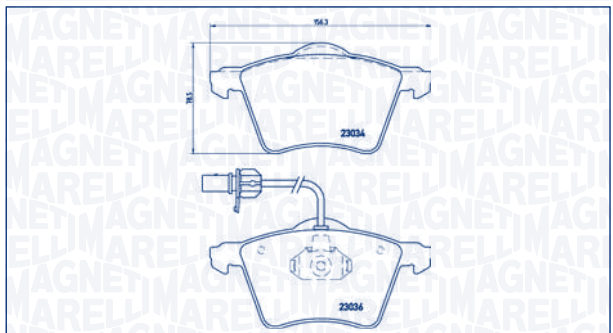
Ant	21479, 23445	129,9 × 65,2 × 19,2	TRW	[+]
-----	--------------	---------------------	-----	-----

P85047MM



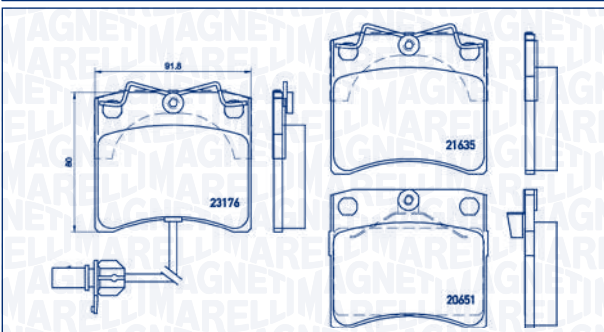
Ant	21883, 21885	156,3 × 68,5 × 19,6	ATE	[-]
-----	--------------	---------------------	-----	-----

P85052MM



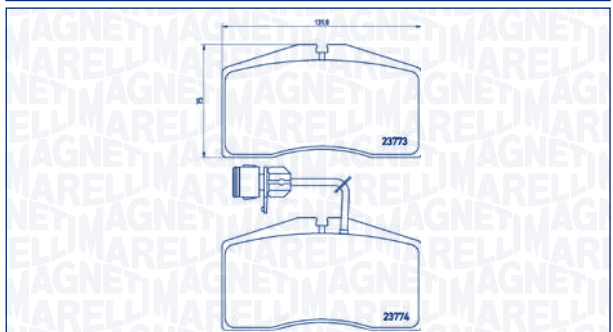
Ant	23034, 23036	156,3 × 78,5 × 18,6	ATE	[+]
-----	--------------	---------------------	-----	-----

P85048MM



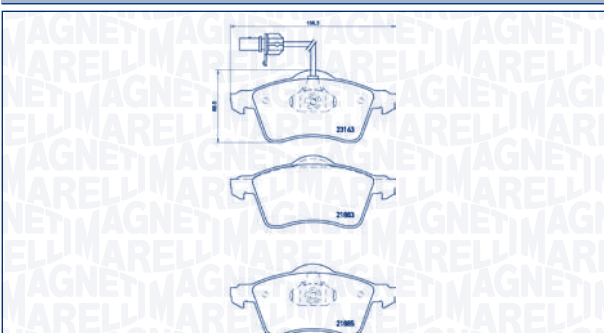
Ant	20651, 21635, 23176	91,8 × 80 × 18,2	TRW	[+]
-----	---------------------	------------------	-----	-----

P85053MM



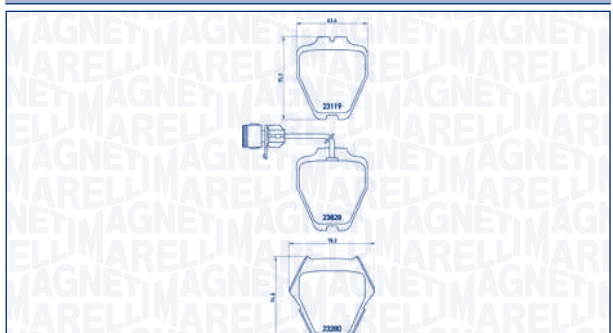
Ant	23773, 23774	131,8 × 75 × 17,5	BRE	[+]
-----	--------------	-------------------	-----	-----

P85049MM



Ant	21883, 21885, 23163	156,5 × 68,5 × 20,6	ATE	[+]
-----	---------------------	---------------------	-----	-----

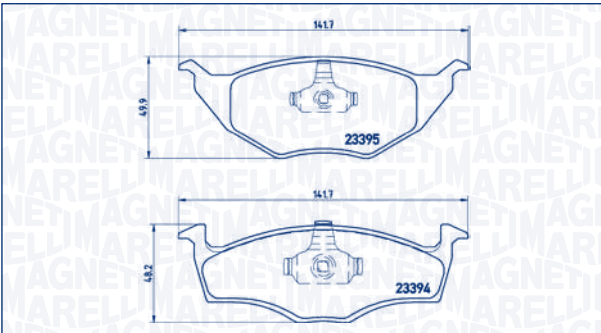
P85054MM



Ant	23119, 23280, 23282	63,4/78,3 × 74,6/75,3 × 18,3/18,5	TRW	[+]
-----	---------------------	-----------------------------------	-----	-----

WVA	LENGTH × HEIGHT × THICKNESS [mm]	SYS	WI
-----	----------------------------------	-----	----

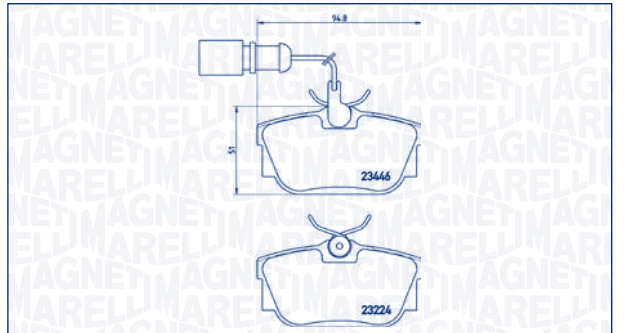
P85055MM



Ant	23394, 23395	141,7 × 48,2/49,9 × 14,5	ATE	[-]
-----	--------------	--------------------------	-----	-----

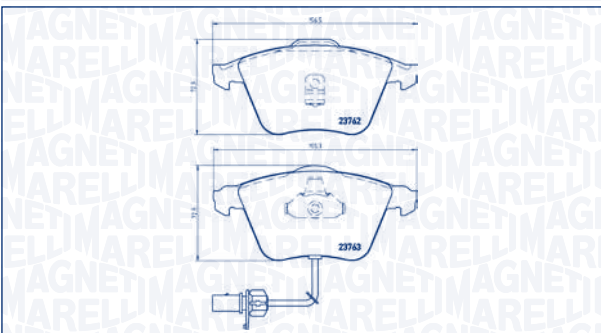
WVA	LENGTH × HEIGHT × THICKNESS [mm]	SYS	WI
-----	----------------------------------	-----	----

P85059MM



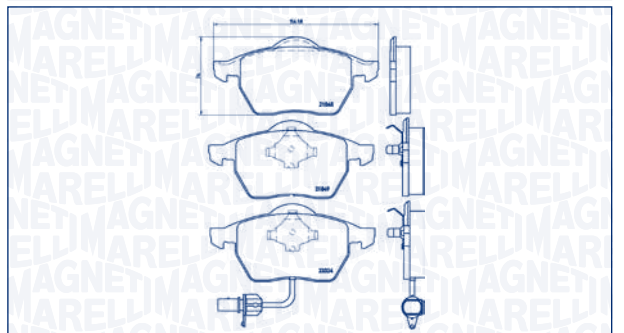
Post	23224, 23446	94,8 × 51 × 16,5	TRW	[+]
------	--------------	------------------	-----	-----

P85056MM



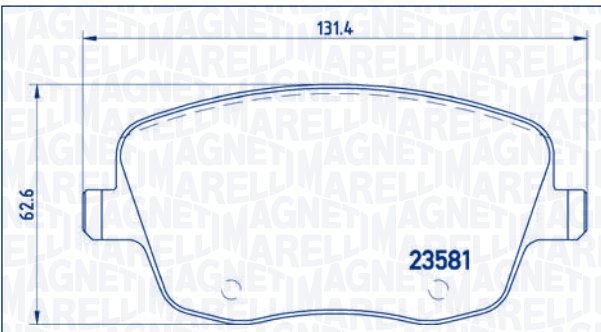
Ant	23762, 23763	155,3/156,5 × 72,9 × 20,4	ATE	[+]
-----	--------------	---------------------------	-----	-----

P85060MM



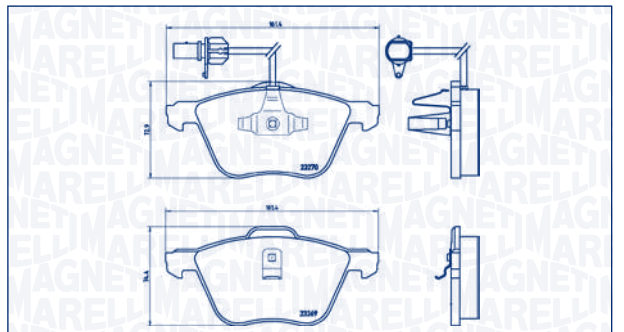
Ant	21848, 21849, 23324	156,6 × 74 × 20,6	ATE	[+]
-----	---------------------	-------------------	-----	-----

P85057MM



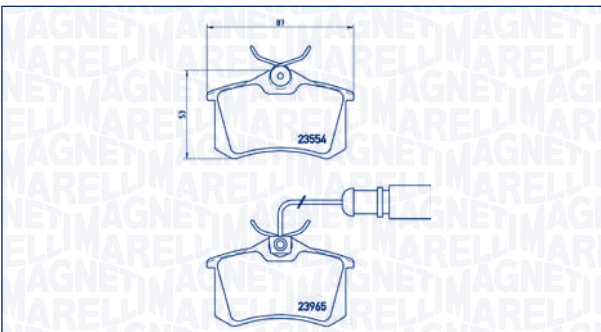
Ant	23581	131,4 × 60 × 19	TRW	[-]
-----	-------	-----------------	-----	-----

P85061MM



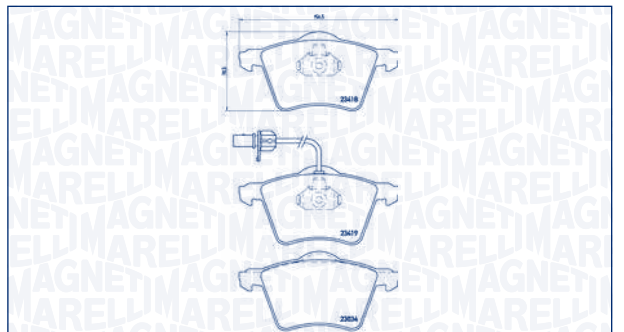
Ant	23269, 23270	161,3 × 72,9/74,4 × 20,1	ATE	[+]
-----	--------------	--------------------------	-----	-----

P85058MM



Post	20961, 23554, 23965	87 × 53 × 17,2	TRW	[+]
------	---------------------	----------------	-----	-----

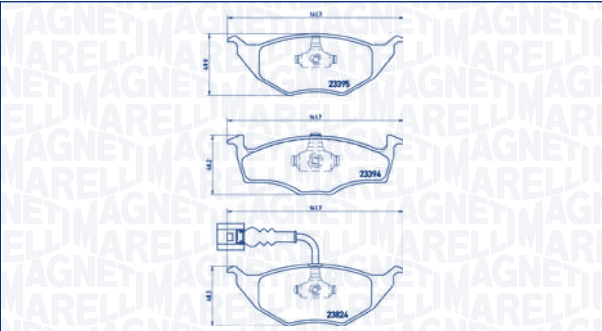
P85062MM



Ant	23034, 23418, 23419	156,5 × 78,5 × 19,6	ATE	[+]
-----	---------------------	---------------------	-----	-----

	WVA	LENGTH×HEIGHT×THICKNESS [mm]	SYS	WI
--	-----	---------------------------------	-----	----

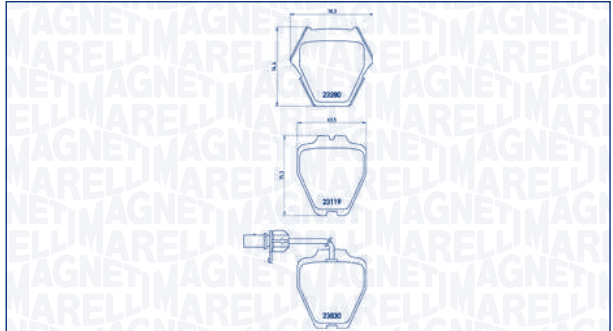
P85063MM



Ant	23394, 23395, 23824	141,5/141,7 × 48,2/48,3 × 14,5	ATE	[+]
-----	---------------------	--------------------------------	-----	-----

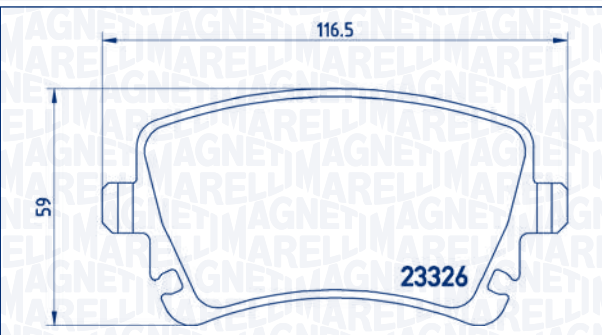
	WVA	LENGTH×HEIGHT×THICKNESS [mm]	SYS	WI
--	-----	---------------------------------	-----	----

P85067MM



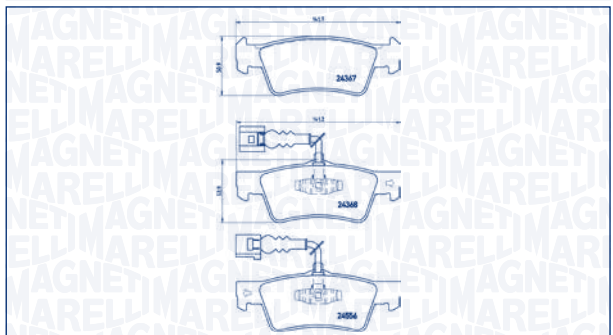
Ant	23119, 23280, 23830	63,5/78,3 × 74,6/75,3 × 18,3/18,5	TRW	[+]
-----	---------------------	-----------------------------------	-----	-----

P85064MM



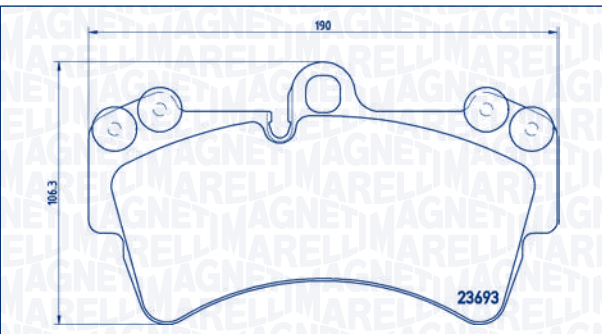
Post	23326	116,5 × 59 × 17,7	TRW	[+]
------	-------	-------------------	-----	-----

P85068MM



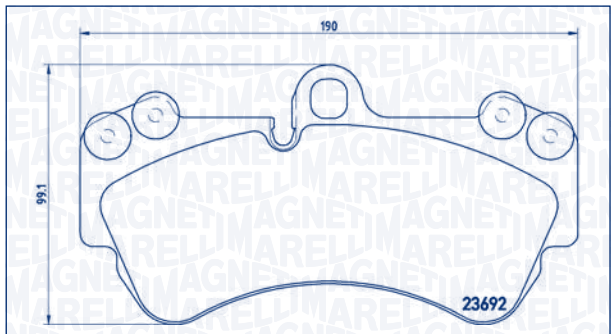
Post	24367, 24368, 24556	141,2/141,7 × 50,9/53,9 × 19	ATE	[+]
------	---------------------	------------------------------	-----	-----

P85065MM



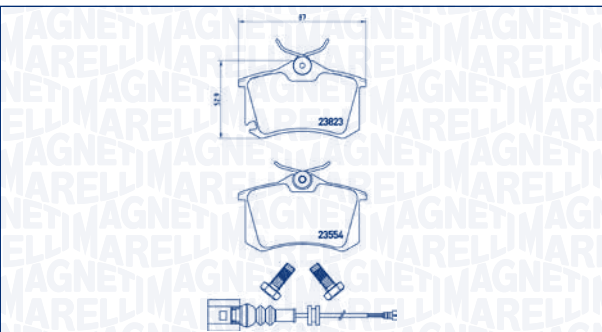
Ant	23693	190 × 106,3 × 16,7	BRE	[o]
-----	-------	--------------------	-----	-----

P85069MM



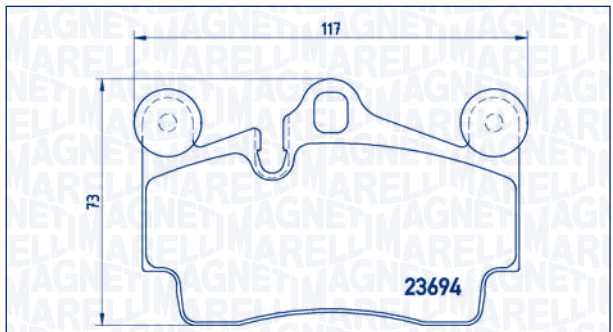
Ant	23692	190 × 99,1 × 16,7	BRE	[o]
-----	-------	-------------------	-----	-----

P85066MM



Post	23554, 23823	87 × 53 × 17,2	TRW	[+]
------	--------------	----------------	-----	-----

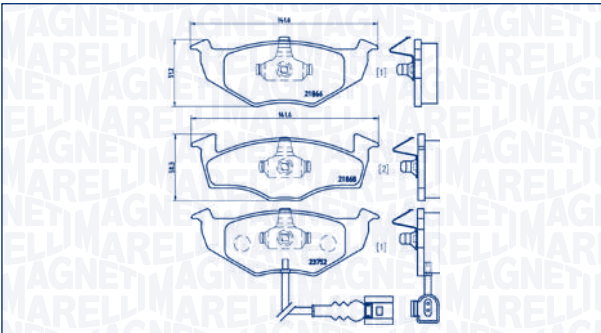
P85070MM



Post	23694	117 × 73 × 16,7	BRE	[o]
------	-------	-----------------	-----	-----

	WVA	LENGTH × HEIGHT × THICKNESS [mm]	SYS	WI
--	-----	----------------------------------	-----	----

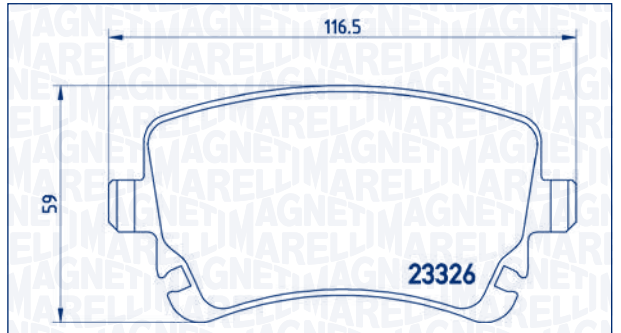
P85071MM



Ant	21866, 21868, 23752	141,6 × 50,3/51,2 × 17,2	VW/VAG	[+]
-----	---------------------	--------------------------	--------	-----

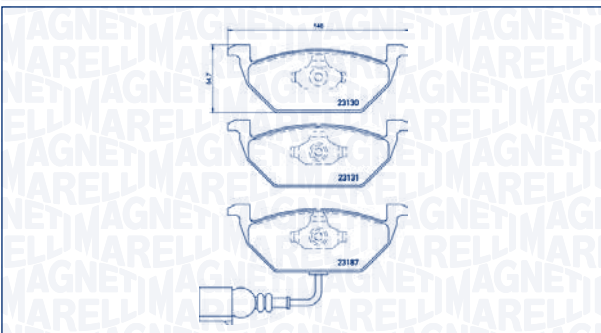
	WVA	LENGTH × HEIGHT × THICKNESS [mm]	SYS	WI
--	-----	----------------------------------	-----	----

P85076MM



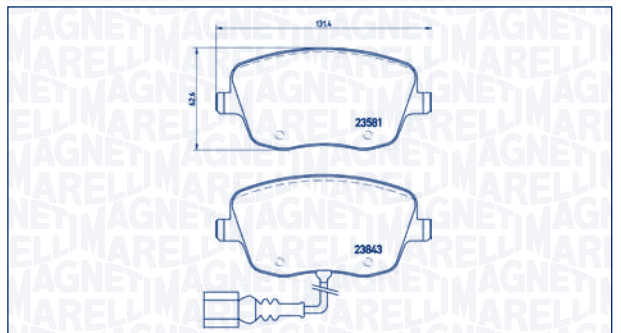
Post	23326	116,5 × 59 × 17,7	TRW	[-]
------	-------	-------------------	-----	-----

P85072MM



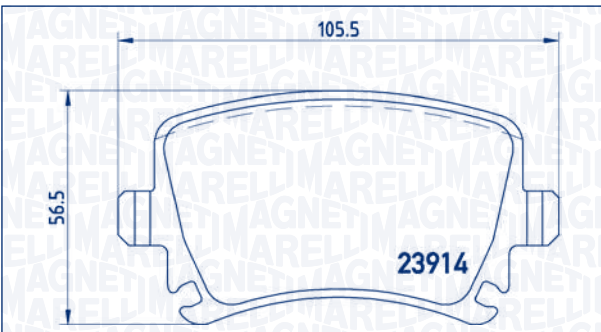
Ant	23130, 23131, 23187	146 × 54,7 × 19,7	ATE	[+]
-----	---------------------	-------------------	-----	-----

P85077MM



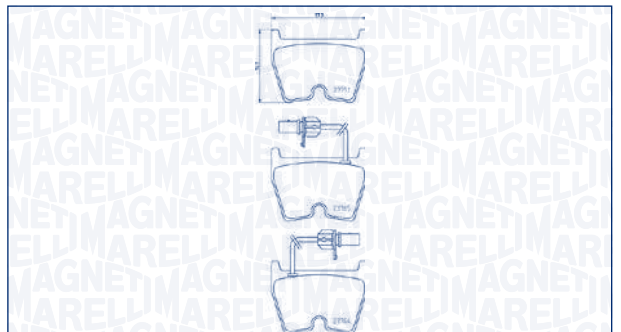
Ant	23581, 23843	131,4 × 62,6 × 19	TRW	[+]
-----	--------------	-------------------	-----	-----

P85073MM



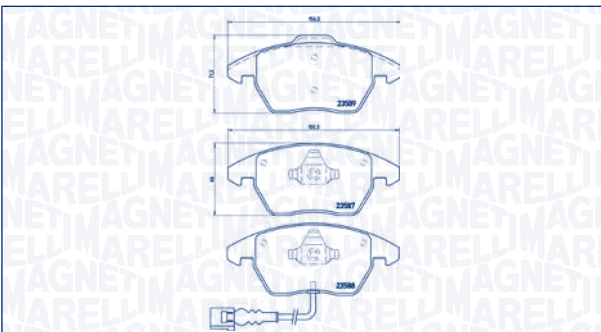
Post	23914	105,5 × 56,5 × 17,2	TRW	[o]
------	-------	---------------------	-----	-----

P85078MM



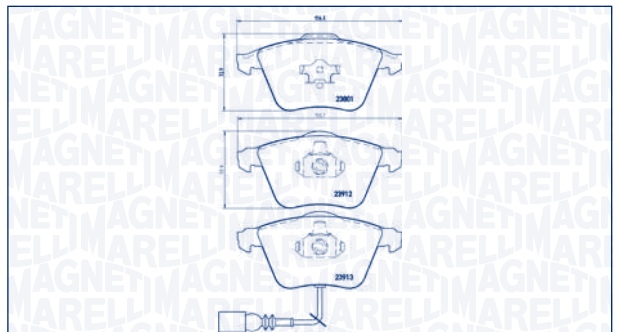
Ant	23751, 23764, 23765	97,3 × 74,2 × 16,7	BRE	[+]
-----	---------------------	--------------------	-----	-----

P85075MM



Ant	23587, 23588, 23589	155,3/156,5 × 66/71,3 × 20,3	ATE	[+]
-----	---------------------	------------------------------	-----	-----

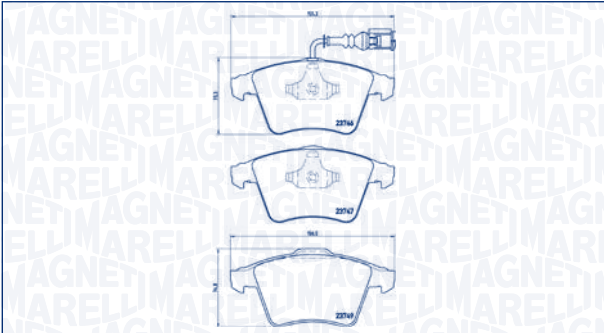
P85079MM



Ant	23801, 23912, 23913	155,1/156,3 × 72,9 × 20,3	ATE	[+]
-----	---------------------	---------------------------	-----	-----

	WVA	LENGTH×HEIGHT×THICKNESS [mm]	SYS	WI
--	-----	---------------------------------	-----	----

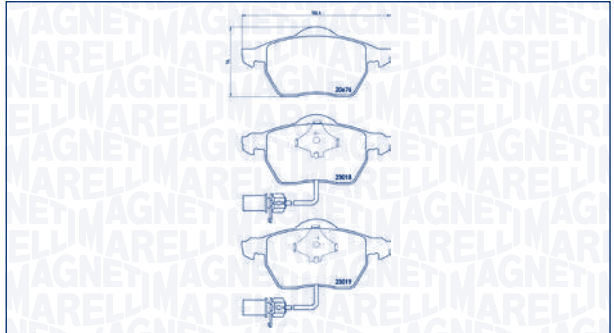
P85081MM



Ant	23746, 23747, 23749	155,3/156,5 × 73,3/74,8 × 20,1	ATE	[+]
-----	---------------------	--------------------------------	-----	-----

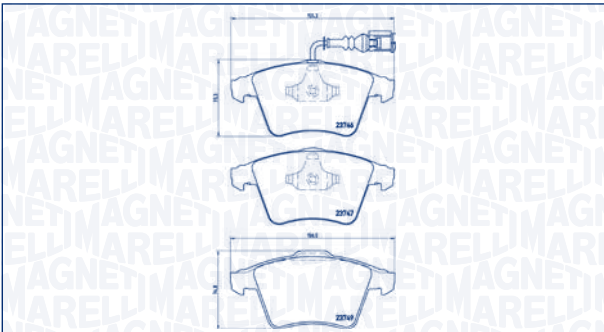
	WVA	LENGTH×HEIGHT×THICKNESS [mm]	SYS	WI
--	-----	---------------------------------	-----	----

P85085MM



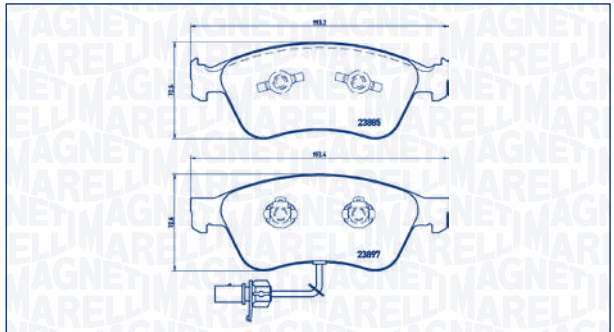
Ant	20676, 23018, 23019	156,4 × 74 × 20,4	ATE	[+]
-----	---------------------	-------------------	-----	-----

P85082MM



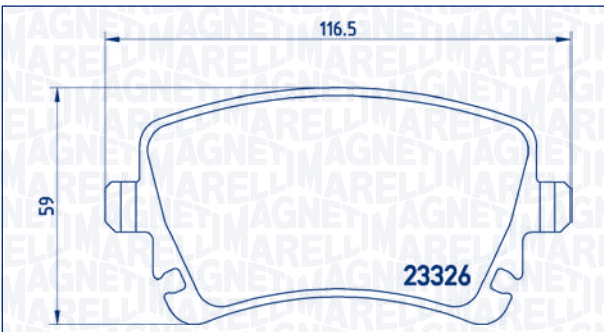
Ant	23746, 23747, 23749	155,3/156,5 × 73,3/74,8 × 18	ATE	[+]
-----	---------------------	------------------------------	-----	-----

P85087MM



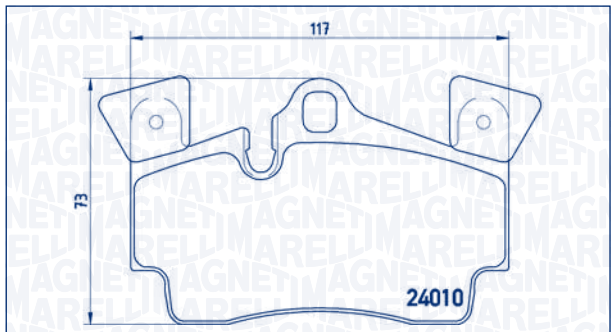
Ant	23885, 23897	193,2/193,4 × 72,6 × 20,5	ATE	[+]
-----	--------------	---------------------------	-----	-----

P85083MM



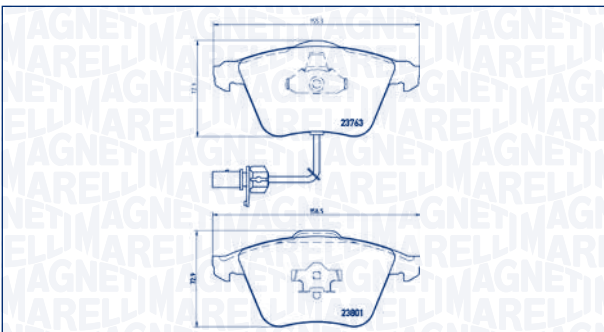
Post	23326	116,5 × 59 × 17,7	TRW	[+]
------	-------	-------------------	-----	-----

P85088MM



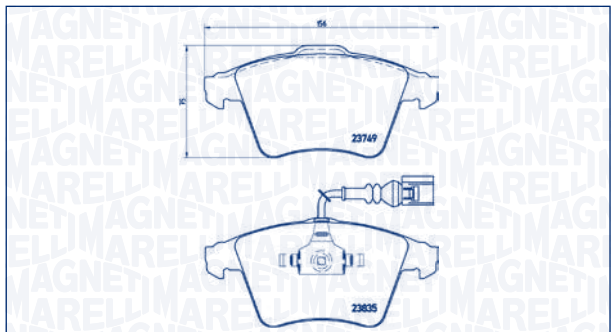
Post	24010	117 × 73 × 16,7	BRE	[o]
------	-------	-----------------	-----	-----

P85084MM



Ant	23763, 23801	155,3/156,5 × 72,9 × 20,3	ATE	[+]
-----	--------------	---------------------------	-----	-----

P85090MM



Ant	23749, 23835	156 × 73,2/75 × 18,8/19,8	ATE	[+]
-----	--------------	---------------------------	-----	-----



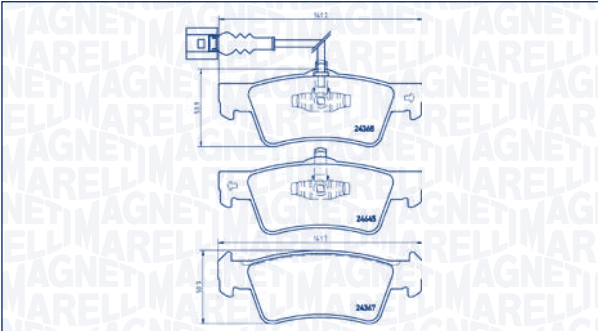
WVA

LENGTH × HEIGHT × THICKNESS
[mm]

SYS

WI

P85091MM



Post 24367, 24368, 24556 141,2/141,7 × 50,9/53,9 × 19 ATE [+]



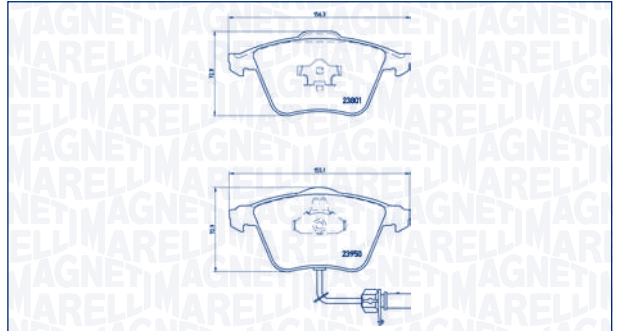
WVA

LENGTH × HEIGHT × THICKNESS
[mm]

SYS

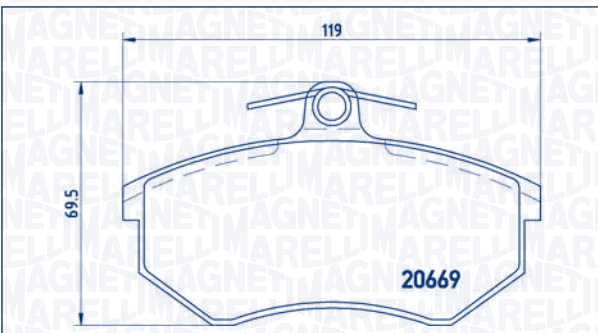
WI

P85097MM



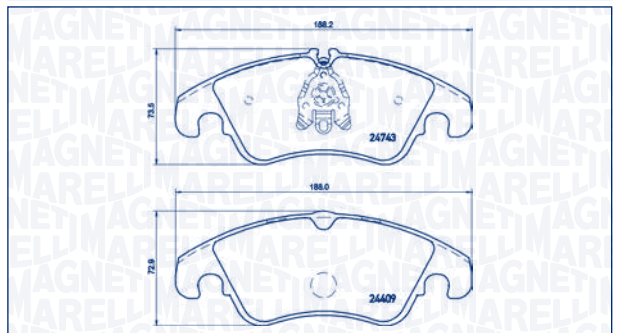
Ant 23801, 23950 155,1/156,3 × 72,9 × 20,3 ATE [+]

P85092MM



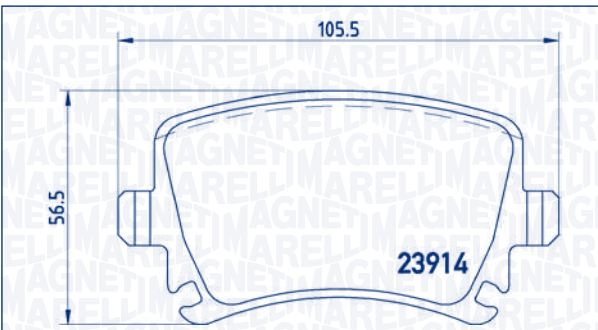
Ant 20669 119 × 69,5 × 19,6 TRW [-]

P85098MM



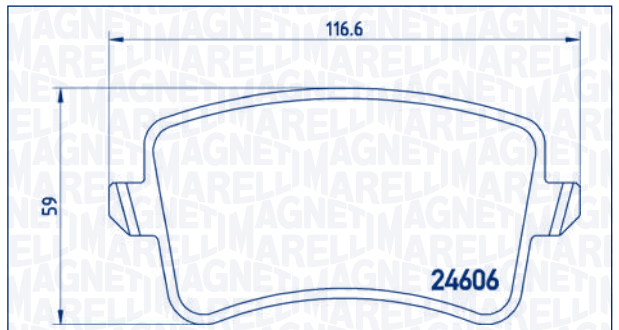
Ant 24408, 24409, 24743 188 × 73,9/74,2 × 19,4 TRW [+]

P85095MM



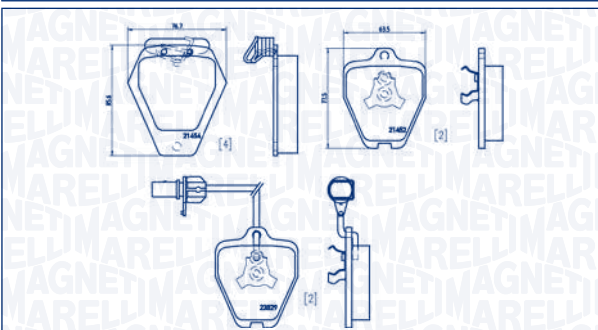
Post 23914 105,5 × 56,5 × 17,2 TRW [O]

P85099MM



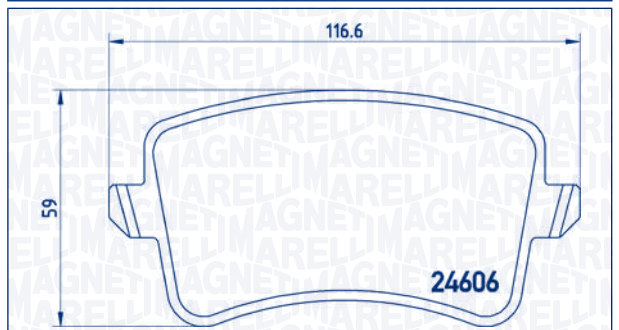
Post 24606 116,6 × 59 × 17,5 TRW [-]

P85096MM



Ant 21452, 21454, 23829 63,5/76,4 × 77,5/85,4 × 18,5 TRW [+]

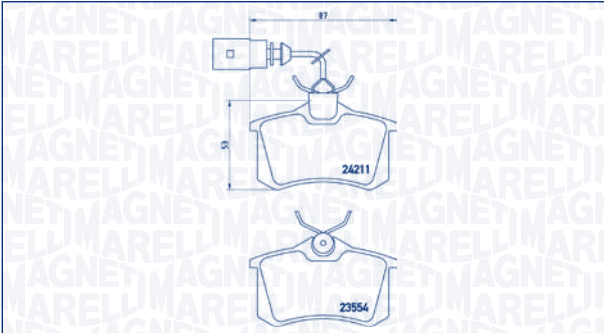
P85100MM



Post 24606 116,6 × 59 × 17,7 TRW [-]

WVA	LENGTH×HEIGHT×THICKNESS [mm]	SYS	WI
-----	---------------------------------	-----	----

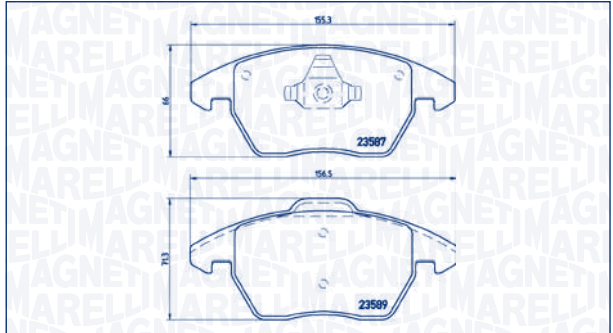
P85101MM



Post	23554, 24211	87 × 53 × 17,2	TRW	[+]
------	--------------	----------------	-----	-----

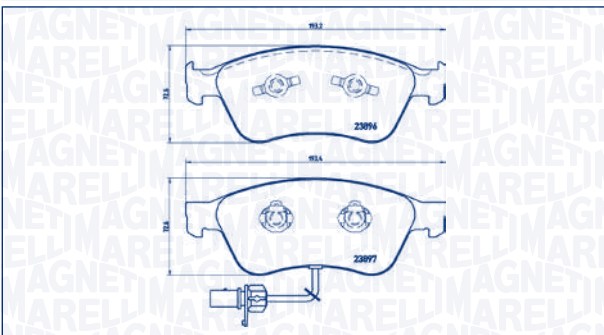
WVA	LENGTH×HEIGHT×THICKNESS [mm]	SYS	WI
-----	---------------------------------	-----	----

P85105MM



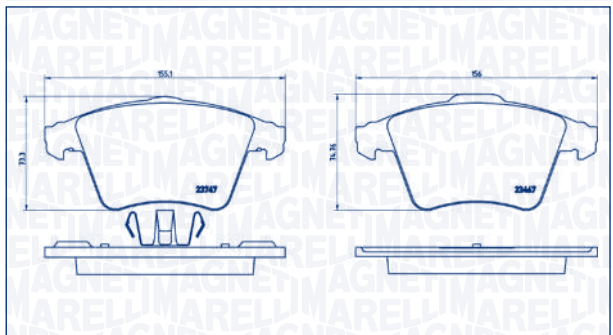
Ant	23587, 23589	155,3/156,5 × 66/71,3 × 20,3	ATE	[-]
-----	--------------	------------------------------	-----	-----

P85102MM



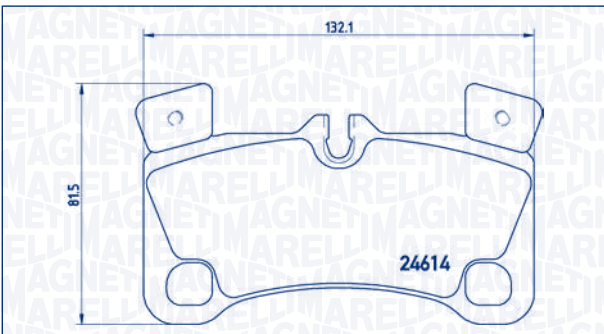
Ant	23896, 23897	193,2/193,4 × 72,6/77,6 × 20,5	ATE	[+]
-----	--------------	--------------------------------	-----	-----

P85106MM



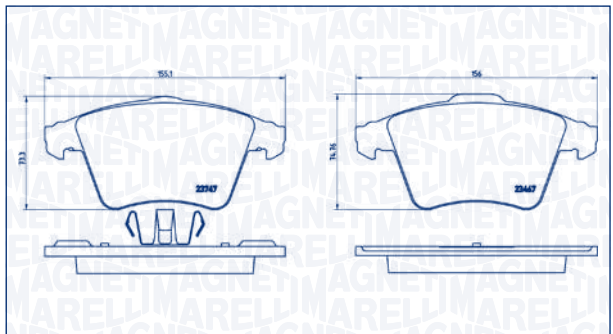
Ant	23467, 23747	155,1/156 × 73,3/74,8 × 20,1	ATE	[-]
-----	--------------	------------------------------	-----	-----

P85103MM



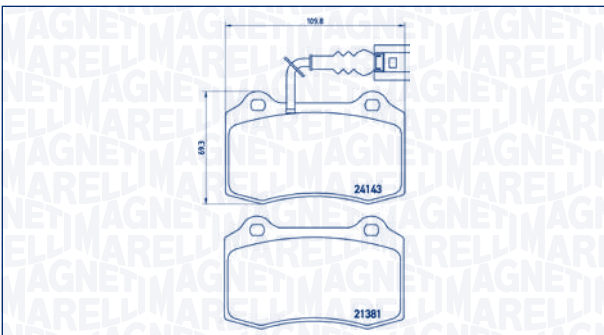
Post	24296	132,1 × 81,5 × 16,6	BRE	[o]
------	-------	---------------------	-----	-----

P85107MM



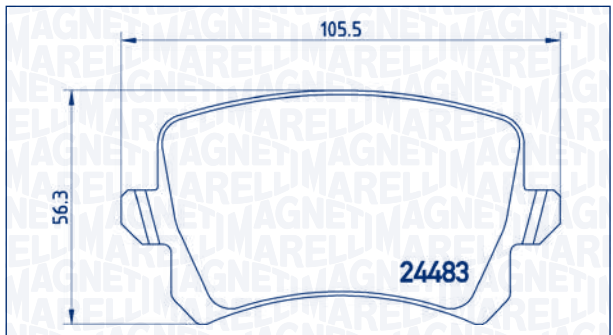
Ant	23467, 23747	155,1/156 × 73,3/74,8 × 18	ATE	[-]
-----	--------------	----------------------------	-----	-----

P85104MM



Ant	21381, 24143	109,8 × 69,3 × 15	BRE	[+]
-----	--------------	-------------------	-----	-----

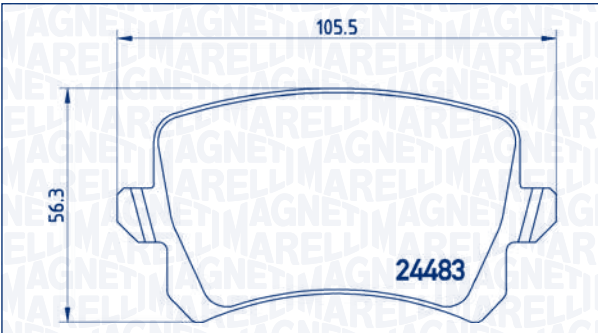
P85108MM



Post	24483	105,5 × 56,3 × 17,2	TRW	[-]
------	-------	---------------------	-----	-----

WVA	LENGTH × HEIGHT × THICKNESS [mm]	SYS	WI
-----	----------------------------------	-----	----

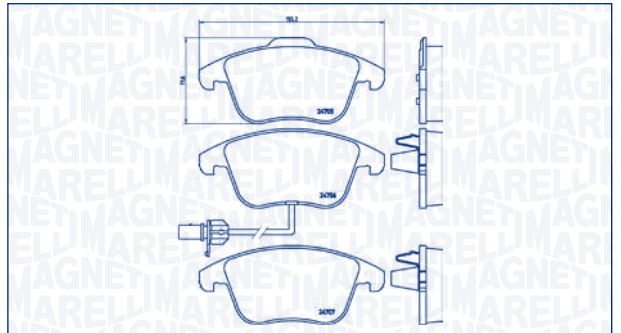
P85109MM



Post 24483	105,5 × 56,3 × 17,2	TRW	[-]
------------	---------------------	-----	-----

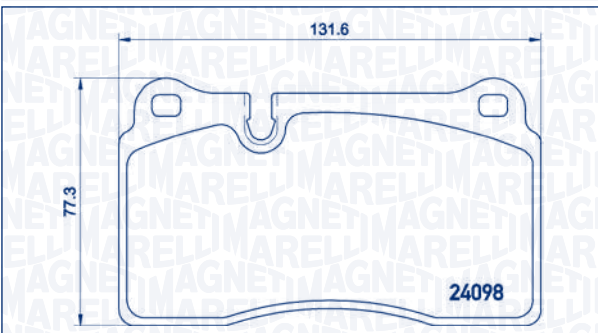
WVA	LENGTH × HEIGHT × THICKNESS [mm]	SYS	WI
-----	----------------------------------	-----	----

P85113MM



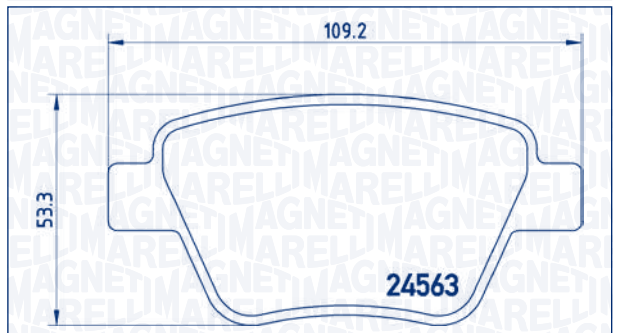
Ant 24332, 24333, 24706	155,2 × 66,4/71,6 × 20	ATE	[+]
-------------------------	------------------------	-----	-----

P85110MM



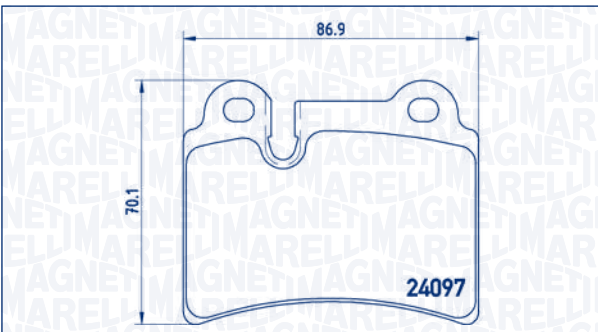
Ant 24098	131,8 × 77,2 × 17,1	BRE	[o]
-----------	---------------------	-----	-----

P85114MM



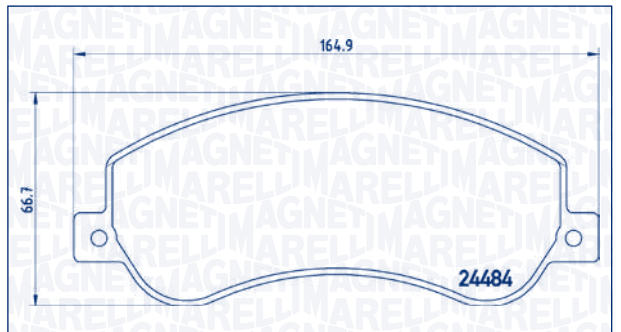
Post 24563	109,2 × 53,3 × 17,7	BSH	[-]
------------	---------------------	-----	-----

P85111MM



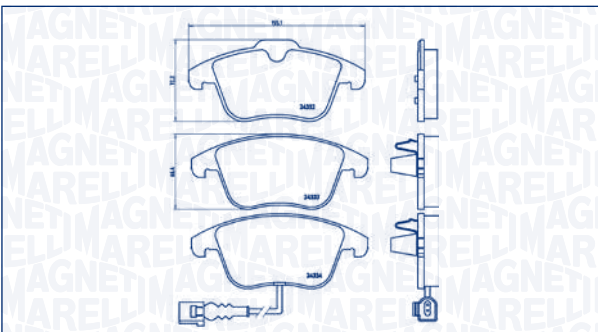
Post 24097	86,9 × 70,1 × 17,1	BRE	[o]
------------	--------------------	-----	-----

P85115MM



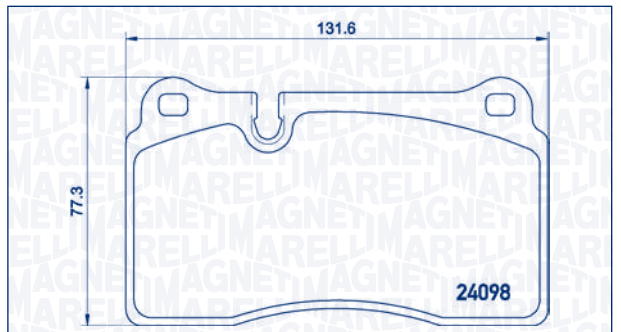
Ant 24484	164,9 × 66,7 × 18,9	BSH	[-]
-----------	---------------------	-----	-----

P85112MM



Ant 24332, 24333, 24334	155,1 × 66,4/72,2 × 19,9/20,6	ATE	[+]
-------------------------	-------------------------------	-----	-----

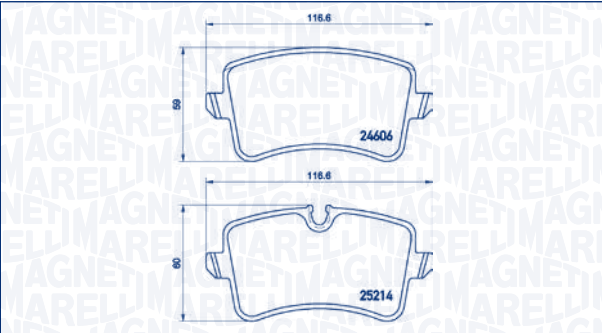
P85116MM



Ant 24098	131,8 × 77,2 × 16	BRE	[o]
-----------	-------------------	-----	-----

WVA	LENGTH×HEIGHT×THICKNESS [mm]	SYS	WI
-----	------------------------------	-----	----

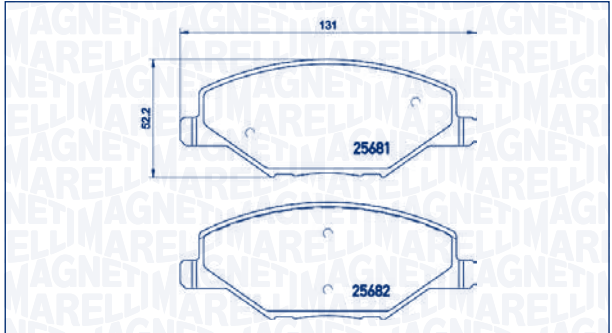
P85117MM



Post	24606, 25214	116,6 × 59/60 × 15,6	TRW	[+]
------	--------------	----------------------	-----	-----

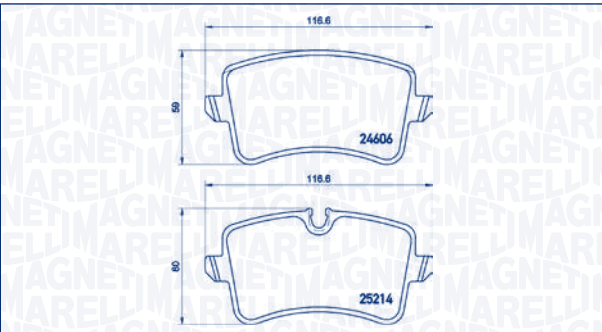
WVA	LENGTH×HEIGHT×THICKNESS [mm]	SYS	WI
-----	------------------------------	-----	----

P85121MM



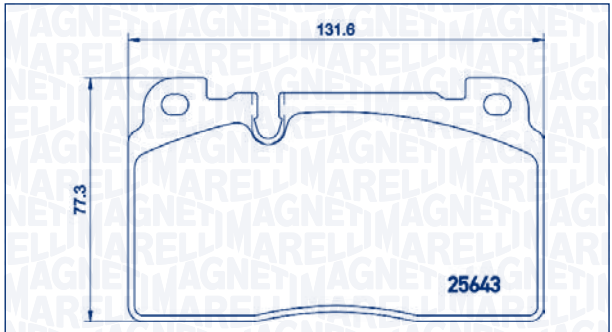
Ant	25681	131 × 52,2 × 18	TRW	[-]
-----	-------	-----------------	-----	-----

P85118MM



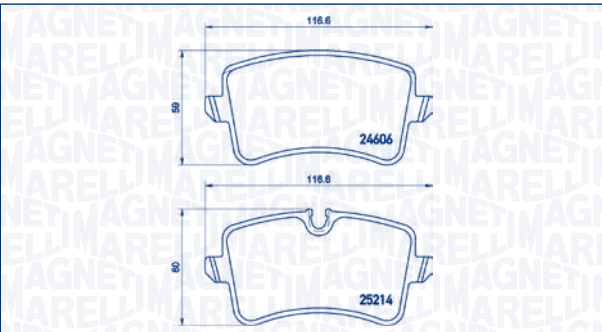
Post	24606, 25214	116,6 × 59/60 × 17,5	TRW	[+]
------	--------------	----------------------	-----	-----

P85122MM



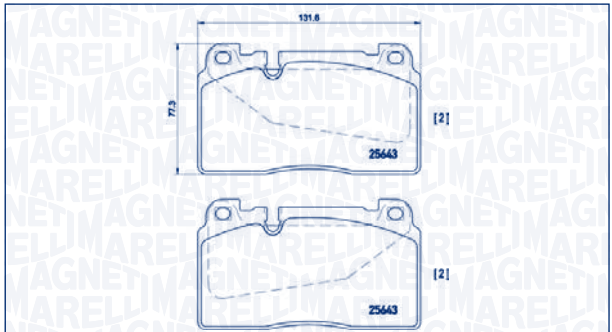
Ant	25643	131,6 × 77,3 × 15,6	BRE	[o]
-----	-------	---------------------	-----	-----

P85119MM



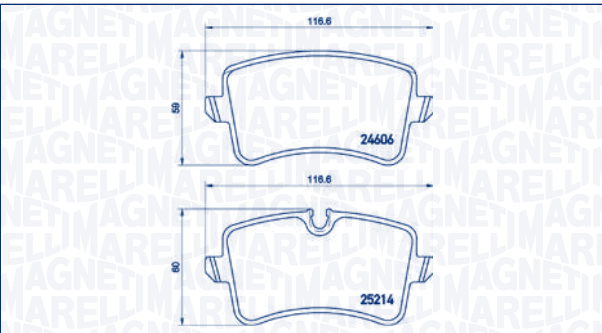
Post	24606, 25214	116,6 × 59/60 × 17,5	TRW	[+]
------	--------------	----------------------	-----	-----

P85123MM



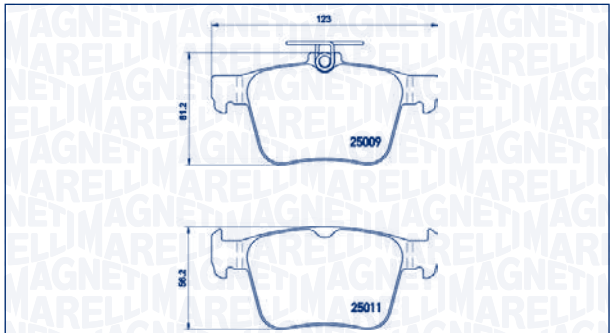
Ant	25643	131,6 × 77,3 × 16,7	BRE	[o]
-----	-------	---------------------	-----	-----

P85120MM



Post	24606, 25214	116,6 × 59/60 × 17,5	TRW	[+]
------	--------------	----------------------	-----	-----

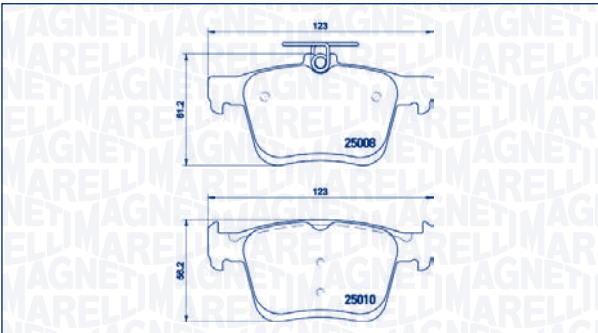
P85124MM



Post	25009	123 × 56,2/61,2 × 16,4	ATE	[-]
------	-------	------------------------	-----	-----

WVA	LENGTH × HEIGHT × THICKNESS [mm]	SYS	WI
-----	----------------------------------	-----	----

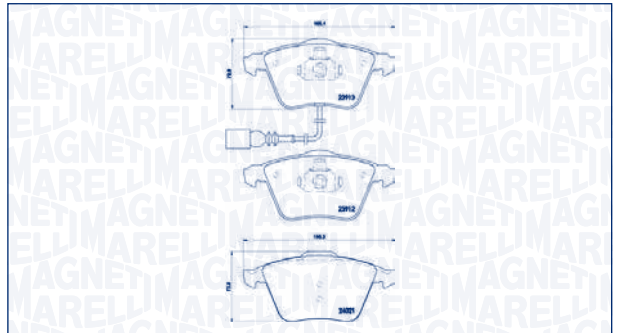
P85125MM



Post	25008, 25010	123 × 56,2/61,2 × 16,4	ATE	[-]
------	--------------	------------------------	-----	-----

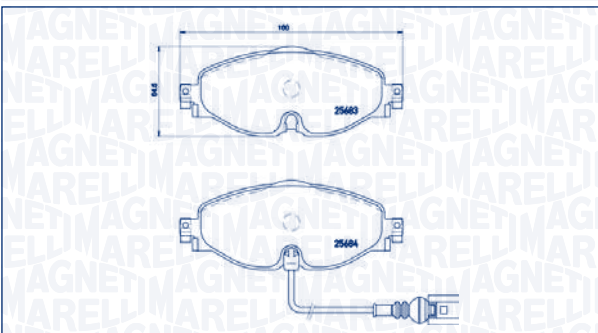
WVA	LENGTH × HEIGHT × THICKNESS [mm]	SYS	WI
-----	----------------------------------	-----	----

P85129MM



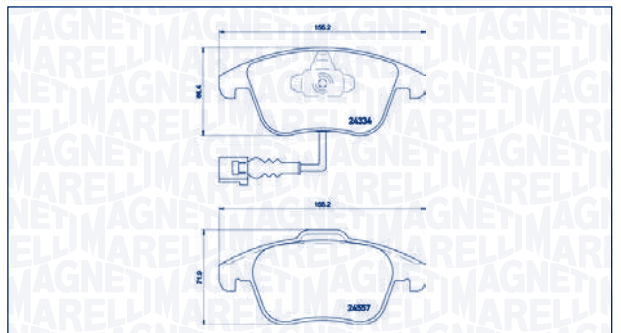
Ant	23913, 23912, 24021	155,1/156,3 × 72,9 × 20,3	ATE	[+]
-----	---------------------	---------------------------	-----	-----

P85126MM



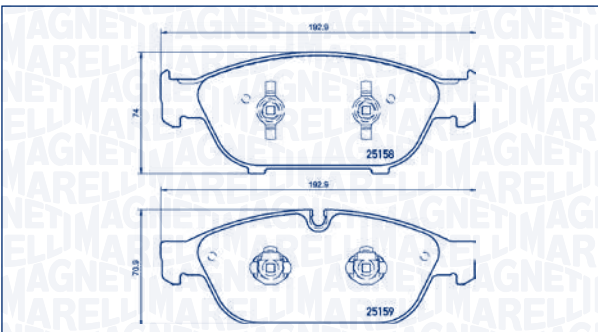
Ant	25683	160 × 64,8 × 20,3	TRW	[+]
-----	-------	-------------------	-----	-----

P85130MM



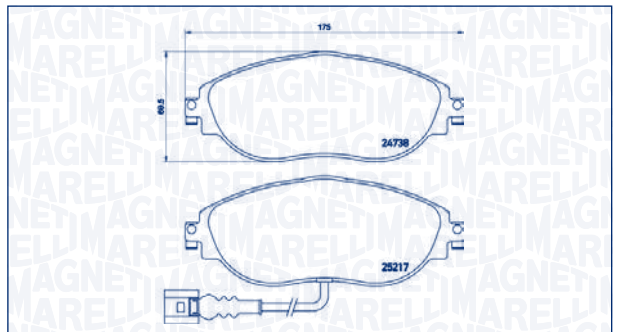
Ant	24334, 24333, 24557	155,2 × 66,4/71,9 × 19,5/20	ATE	[+]
-----	---------------------	-----------------------------	-----	-----

P85127MM



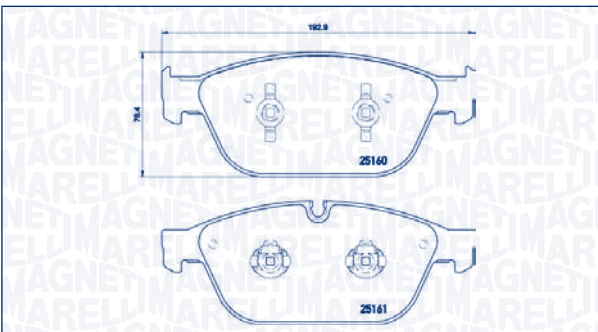
Ant	25158, 25159	192,9 × 70,9/74 × 20	ATE	[0]
-----	--------------	----------------------	-----	-----

P85131MM



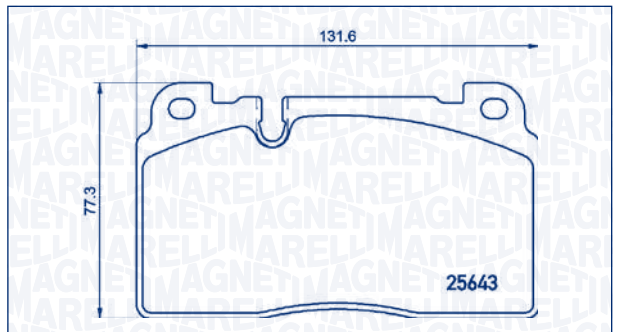
Ant	24738, 25217	175 × 69,5 × 20	TRW	[+]
-----	--------------	-----------------	-----	-----

P85128MM



Ant	25160	192,9 × 76,4 × 20	ATE	[0]
-----	-------	-------------------	-----	-----

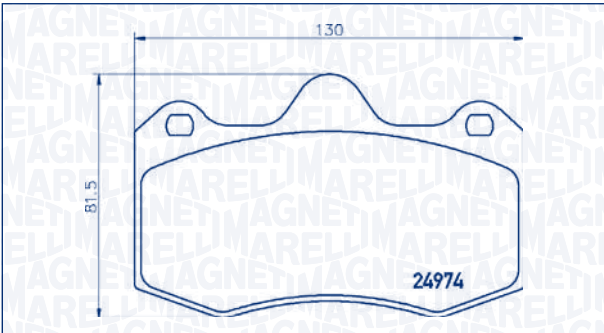
P85133MM



Ant	25643	131,6 × 77,3 × 16,7	BRE	[0]
-----	-------	---------------------	-----	-----

WVA	LENGTH×HEIGHT×THICKNESS [mm]	SYS	WI
-----	------------------------------	-----	----

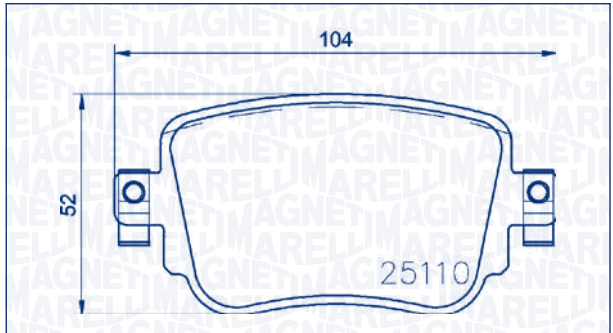
P85134MM



Ant	24974	130 × 81,5 × 16,7	LKD	[-]
-----	-------	-------------------	-----	-----

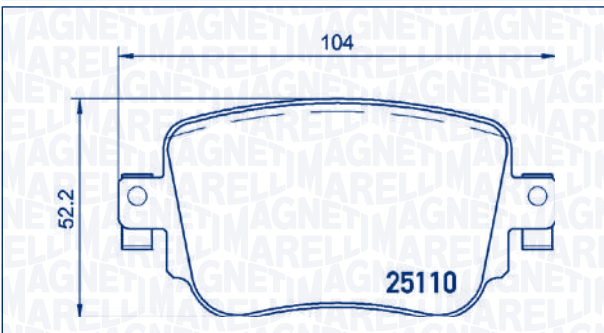
WVA	LENGTH×HEIGHT×THICKNESS [mm]	SYS	WI
-----	------------------------------	-----	----

P85140MM



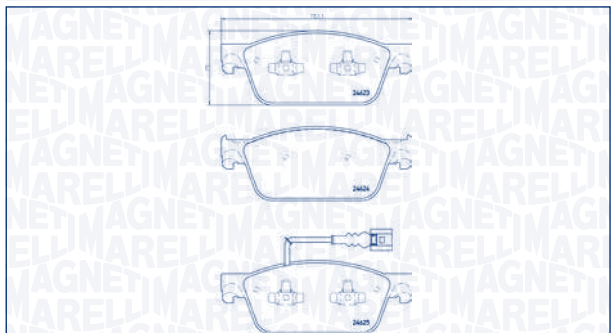
Post	25110	104 × 52,2 × 17,5	TRW	[-]
------	-------	-------------------	-----	-----

P85135MM



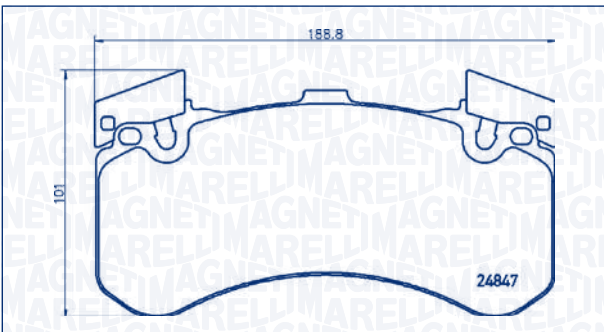
Post	25110	104 × 52,2 × 17,5	TRW	[-]
------	-------	-------------------	-----	-----

P85141MM



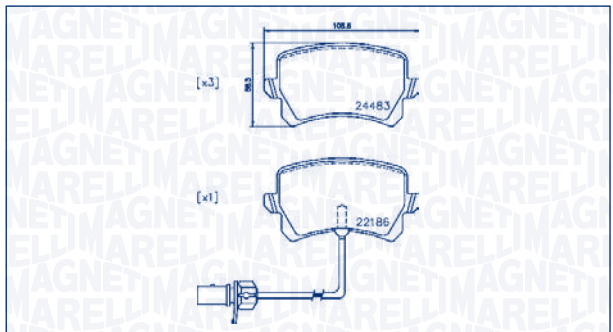
Ant	24623, 24624, 24625	193,1 × 75 × 18,1	ATE	[+]
-----	---------------------	-------------------	-----	-----

P85136MM



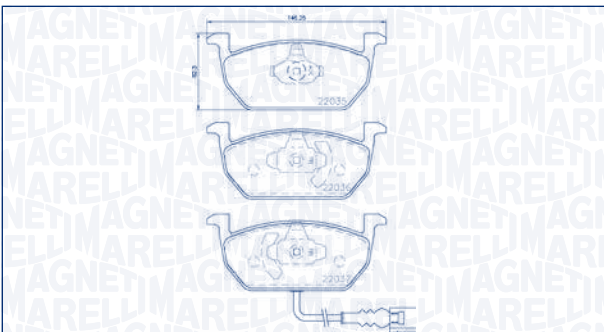
Ant	24847	188 × 101 × 17	BRE	[o]
-----	-------	----------------	-----	-----

P85142MM



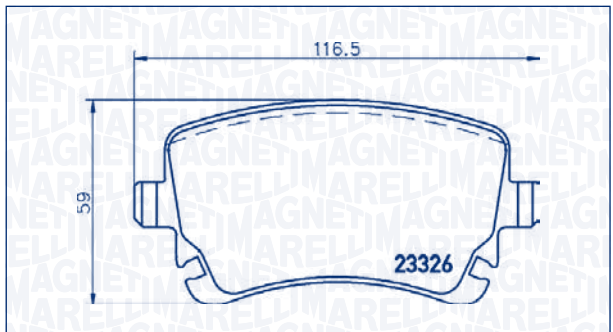
Post	24483, 22186	105,6 × 56,3 × 17,2	TRW	[+]
------	--------------	---------------------	-----	-----

P85137MM



Ant	22035, 22036, 22037	146,3 × 62,3 × 17,2	ATE	[+]
-----	---------------------	---------------------	-----	-----

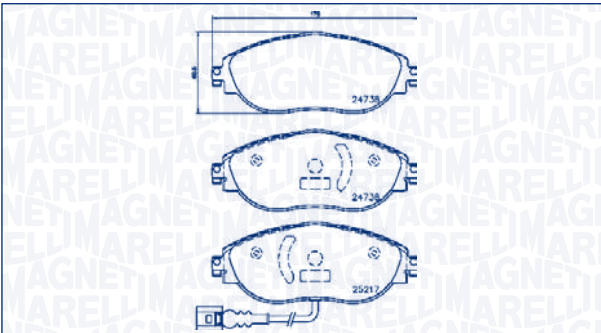
P85143MM



Post	23326	116,5 × 59 × 17,7	TRW	[-]
------	-------	-------------------	-----	-----

WVA	LENGTH × HEIGHT × THICKNESS [mm]	SYS	WI
-----	----------------------------------	-----	----

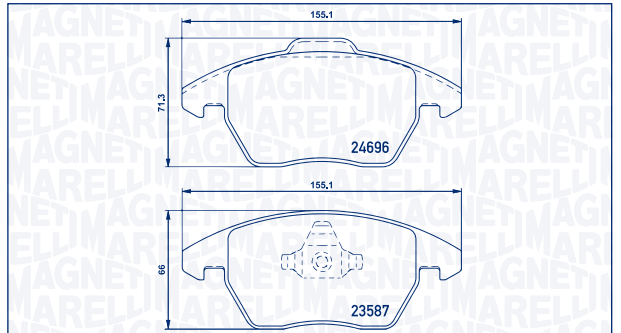
P85144MM



Ant 24738, 25217	175 × 69,5 × 20	TRW	[+]
------------------	-----------------	-----	-----

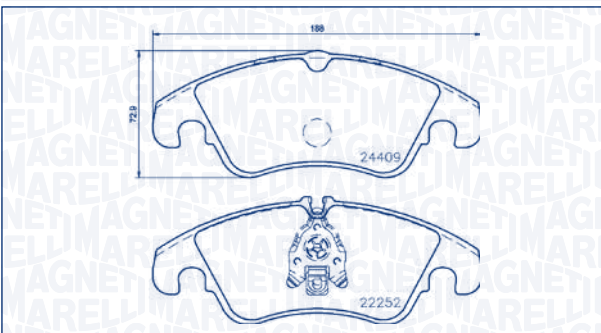
WVA	LENGTH × HEIGHT × THICKNESS [mm]	SYS	WI
-----	----------------------------------	-----	----

P85148MM



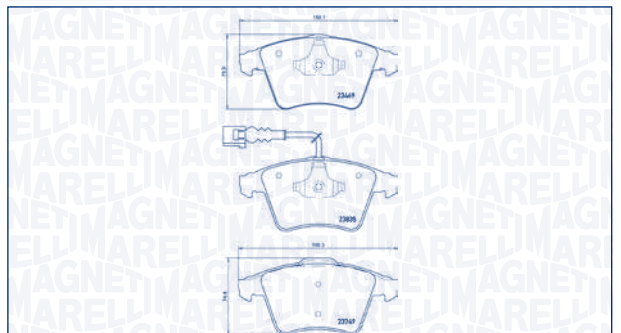
Ant 24696	155,4 × 66/71,5 × 20,3	ATE	[-]
-----------	------------------------	-----	-----

P85145MM



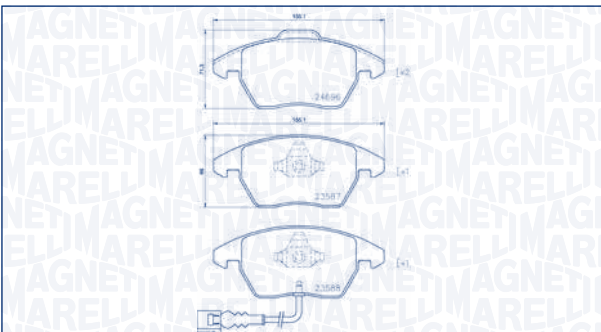
Ant 24409	188 × 72,9 × 19,4	TRW	[+]
-----------	-------------------	-----	-----

P85149MM



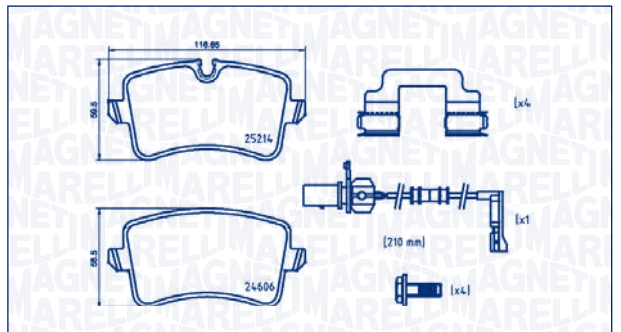
Ant 23469	155,1/156,3 × 73,3/74,8 × 18,8/20,1	ATE	[+]
-----------	-------------------------------------	-----	-----

P85146MM



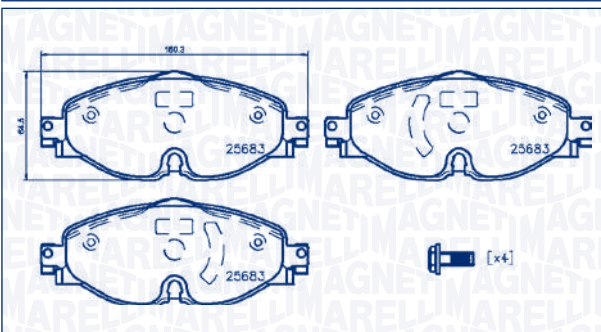
Ant 24696	155,1 × 66/71,5 × 20,3	ATE	[+]
-----------	------------------------	-----	-----

P85150MM



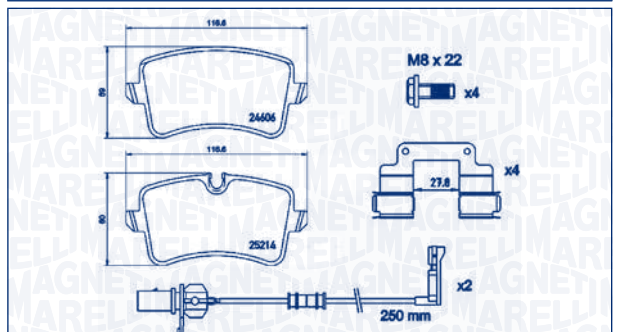
Post 24606, 25214	116,6 × 58,5/59,5 × 17,5	TRW	[+]
-------------------	--------------------------	-----	-----

P85147MM



Ant 25683	160,3 × 64,5 × 20,3	TRW	[0]
-----------	---------------------	-----	-----

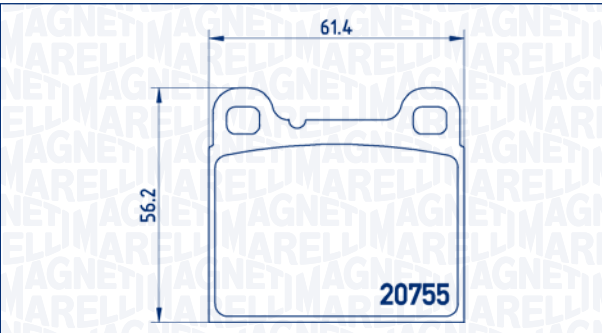
P85157MM



Post 24606, 25214	116,6 × 58,6/59,5 × 17,5	TRW	[+]
-------------------	--------------------------	-----	-----

WVA	LENGTH×HEIGHT×THICKNESS [mm]	SYS	WI
-----	---------------------------------	-----	----

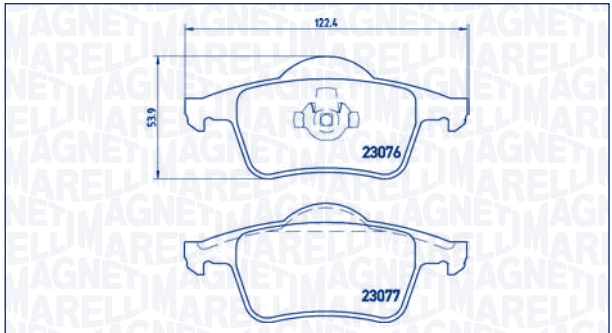
P86002MM



Post	20755	61,4 × 56,2 × 15	ATE	[-]
------	-------	------------------	-----	-----

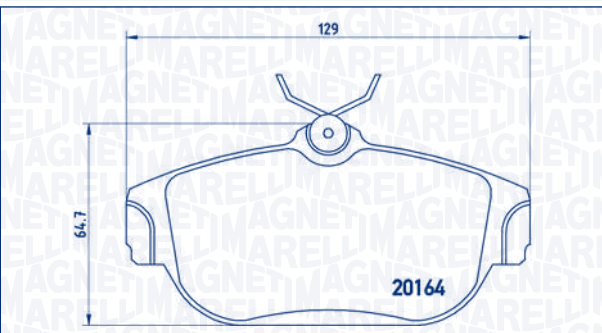
WVA	LENGTH×HEIGHT×THICKNESS [mm]	SYS	WI
-----	---------------------------------	-----	----

P86014MM



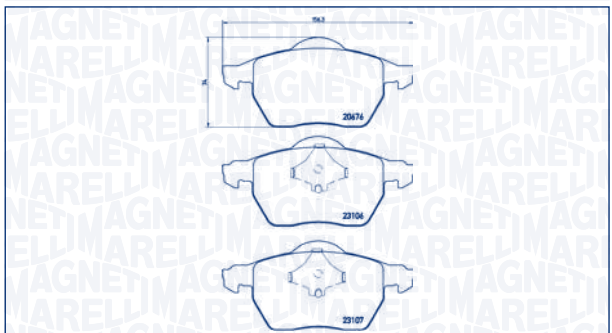
Post	23076, 23077	122,4 × 53,9 × 17,5	ATE	[-]
------	--------------	---------------------	-----	-----

P86007MM



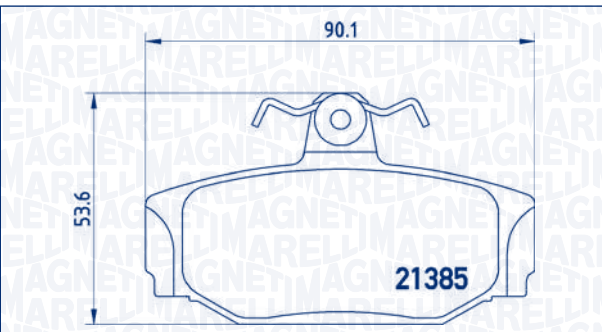
Ant	20164	128,9 × 64,7 × 18,2	TRW	[-]
-----	-------	---------------------	-----	-----

P86015MM



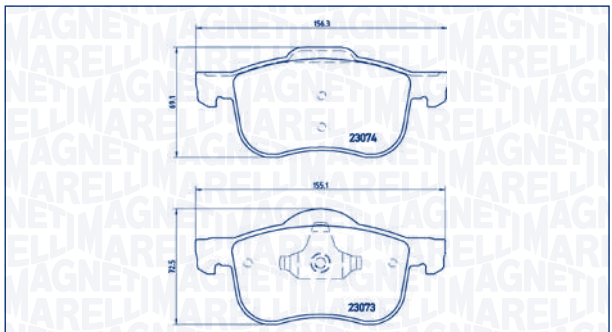
Ant	20676, 23106, 23107	156,3 × 74 × 18,9	ATE	[-]
-----	---------------------	-------------------	-----	-----

P86009MM



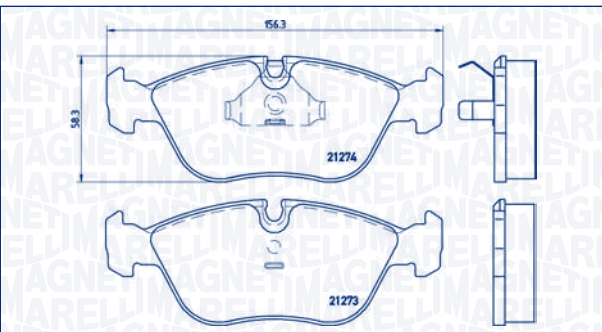
Post	21385	90,1 × 53,6 × 13,9	GIR	[-]
------	-------	--------------------	-----	-----

P86016MM



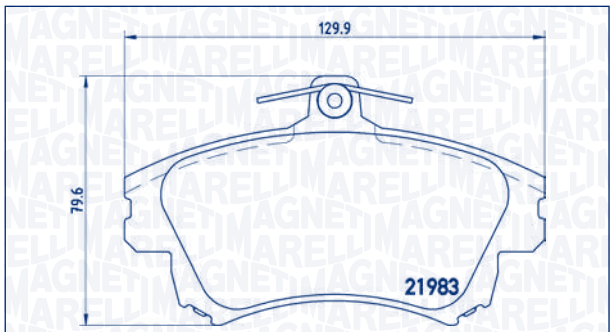
Ant	23073, 23074	155,1/156,3 × 69,1/72,5 × 18,9	ATE	[-]
-----	--------------	--------------------------------	-----	-----

P86013MM



Ant	21273, 21274	156,3 × 58,3 × 19,5	ATE	[o]
-----	--------------	---------------------	-----	-----

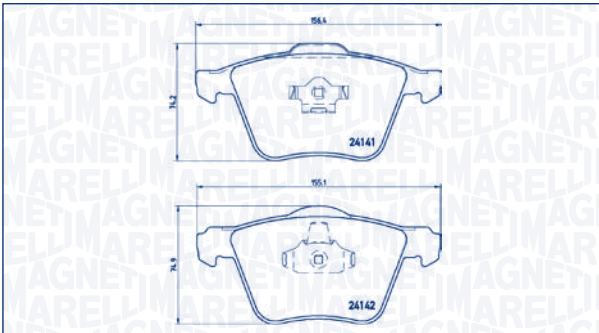
P86017MM



Ant	21983	129,9 × 79,6 × 17,3	TRW	[+]
-----	-------	---------------------	-----	-----

	WVA	LENGTH × HEIGHT × THICKNESS [mm]	SYS	WI
--	-----	----------------------------------	-----	----

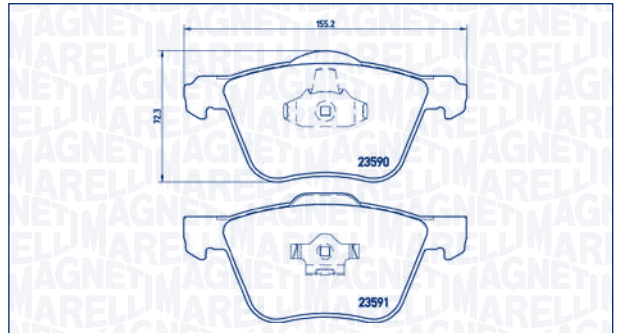
P86018MM



Ant	24141, 24142	155,1/156,6 × 74,2/74,9 × 19,8	ATE	[-]
-----	--------------	--------------------------------	-----	-----

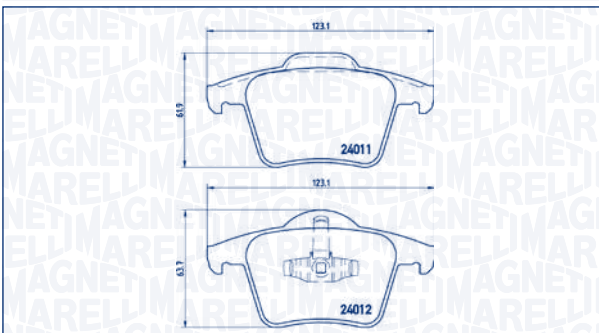
	WVA	LENGTH × HEIGHT × THICKNESS [mm]	SYS	WI
--	-----	----------------------------------	-----	----

P86022MM



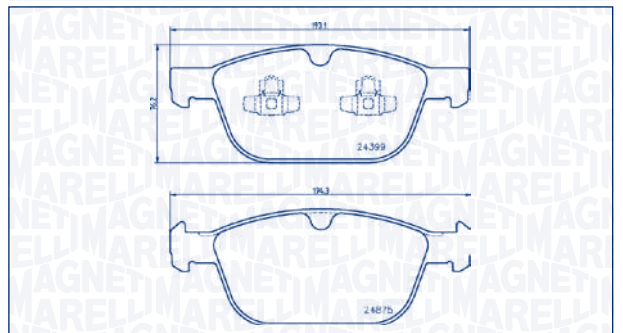
Ant	23590, 23591	155,2/156,3 × 71,3/72,3 × 19	ATE	[-]
-----	--------------	------------------------------	-----	-----

P86019MM



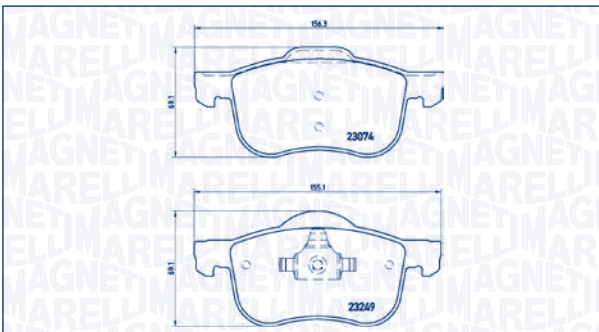
Post	24011, 24012	123,1 × 61,9/63,7 × 17,7	ATE	[-]
------	--------------	--------------------------	-----	-----

P86023MM



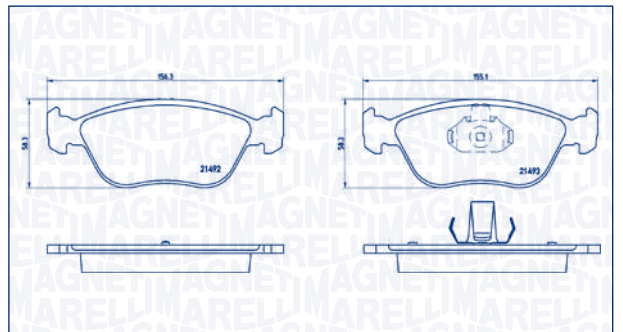
Ant	24399, 24875	193,3/194,3 × 76,2 × 19,7/20,2	ATE	[-]
-----	--------------	--------------------------------	-----	-----

P86020MM



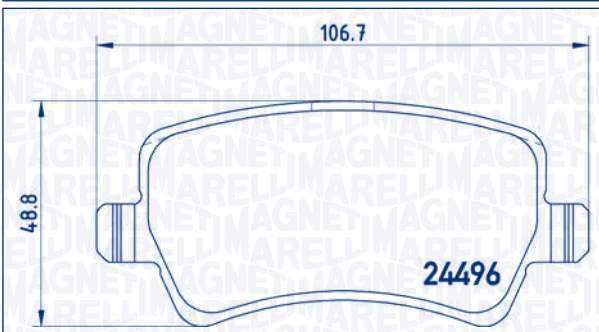
Ant	23074, 23249	155,1/156,3 × 69,1 × 18,9	ATE	[-]
-----	--------------	---------------------------	-----	-----

P86024MM



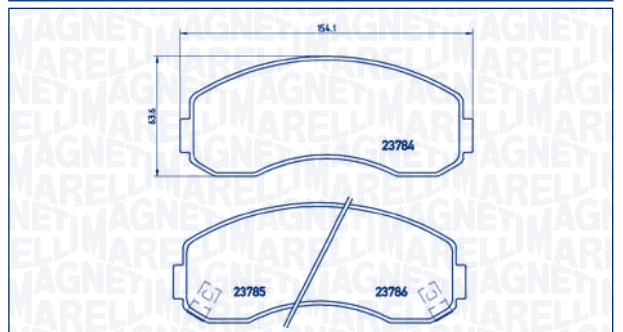
Ant	21492, 21493	155,1/156,3 × 58,3 × 19,5	ATE	[-]
-----	--------------	---------------------------	-----	-----

P86021MM



Post	24496	106,7 × 48,8 × 16,9	TRW	[-]
------	-------	---------------------	-----	-----

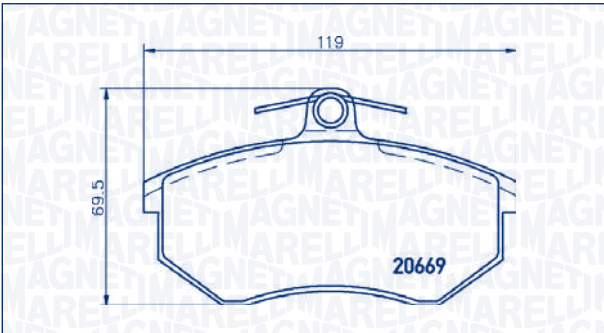
P99003MM



Ant	23784, 23785, 23786	154,1 × 63,6 × 15,5	SUM	[+]
-----	---------------------	---------------------	-----	-----

Icon	WVA	LENGTH×HEIGHT×THICKNESS [mm]	SYS	WI
------	-----	---------------------------------	-----	----

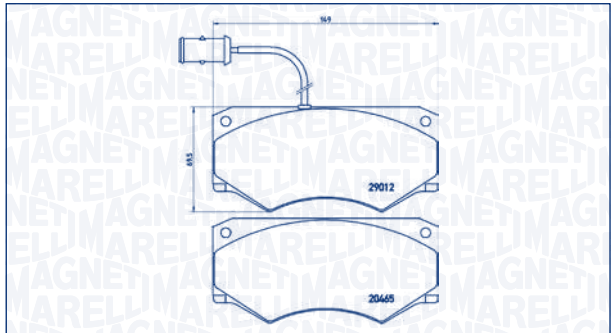
P99026MM



Ant	20669	119 × 69,5 × 18	TRW	[-]
-----	-------	-----------------	-----	-----

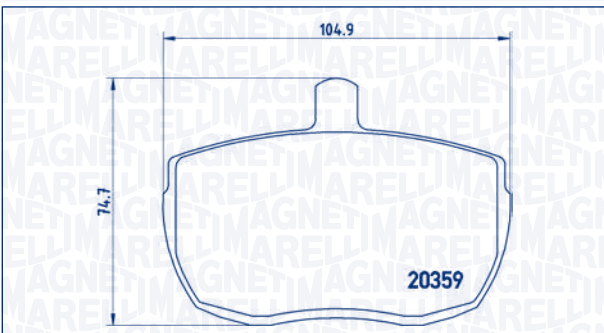
Icon	WVA	LENGTH×HEIGHT×THICKNESS [mm]	SYS	WI
------	-----	---------------------------------	-----	----

PA6013MM



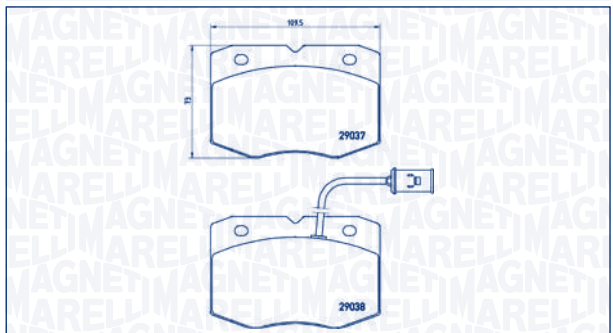
Ant	20465, 29012	149 × 69,5 × 18	PER	[+]
-----	--------------	-----------------	-----	-----

PA6001MM



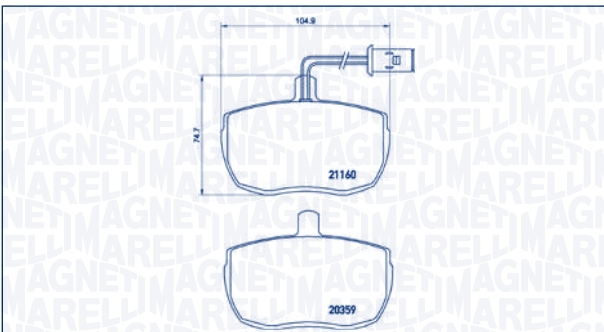
Ant	20359	104,9 × 74,7 × 18	LKD	[-]
-----	-------	-------------------	-----	-----

PA6014MM



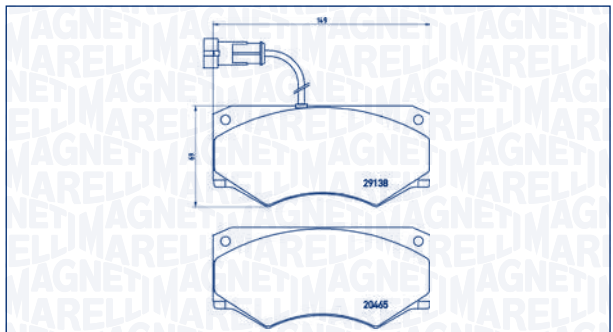
Ant	29037, 29038	109,5 × 73 × 18,3	BRE	[+]
-----	--------------	-------------------	-----	-----

PA6006MM



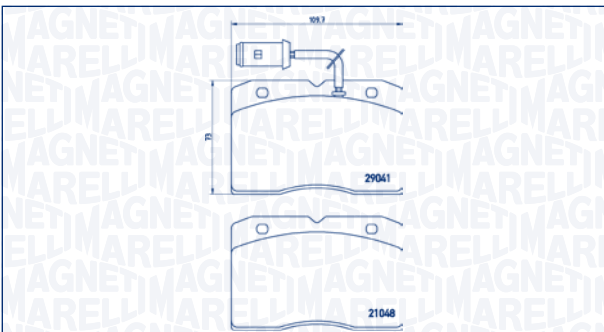
Ant	20359, 21160	104,9 × 74,7 × 18	LKD	[+]
-----	--------------	-------------------	-----	-----

PA6016MM



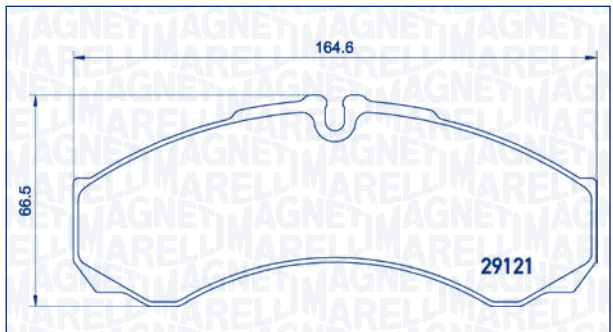
Ant	20465, 29138	149 × 69 × 18	PER	[+]
-----	--------------	---------------	-----	-----

PA6012MM



Ant	21048, 29041	109,7 × 73 × 18,3	BRE	[+]
-----	--------------	-------------------	-----	-----

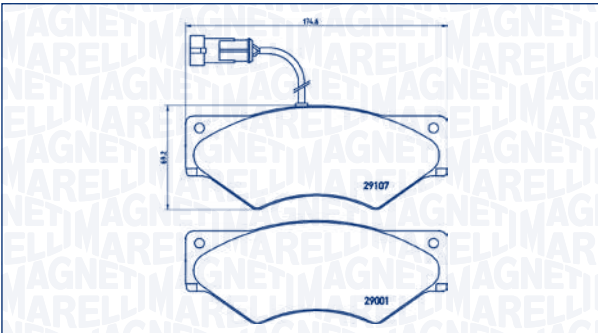
PA6017MM



Ant	29121	164,7 × 66,3 × 20,3	BRE	[o]
-----	-------	---------------------	-----	-----

WVA	LENGTH × HEIGHT × THICKNESS [mm]	SYS	WI
-----	----------------------------------	-----	----

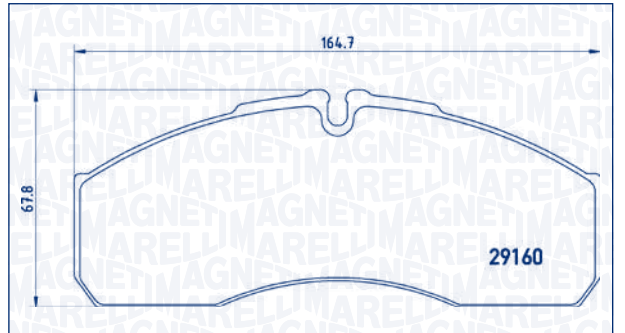
PA6018MM



Ant	29001, 29107	174,6 × 69,2 × 20	WAB	[+]
-----	--------------	-------------------	-----	-----

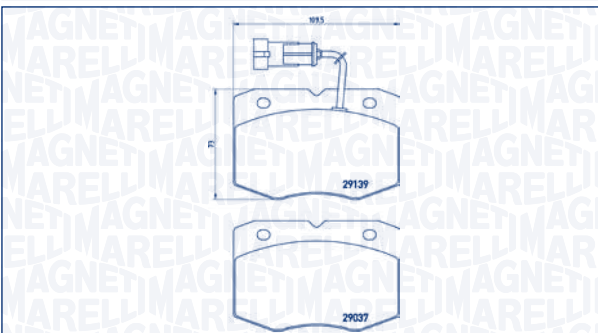
WVA	LENGTH × HEIGHT × THICKNESS [mm]	SYS	WI
-----	----------------------------------	-----	----

PA6022MM



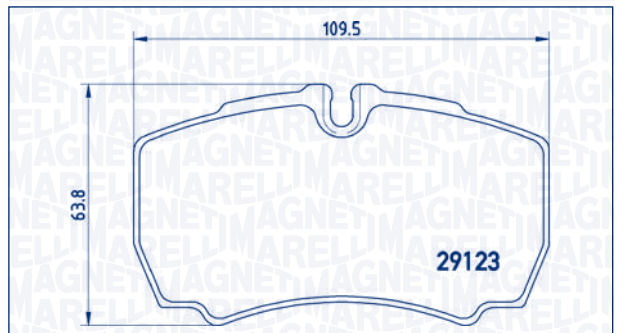
Ant	29160	164,7 × 67,8 × 19,9	BRE	[o]
-----	-------	---------------------	-----	-----

PA6019MM



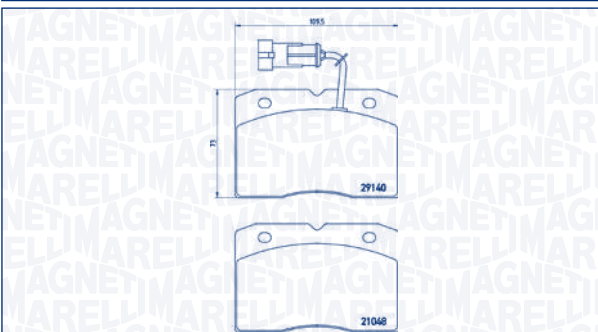
Ant	29037, 29139	109,5 × 73 × 18,3	BRE	[+]
-----	--------------	-------------------	-----	-----

PA6023MM



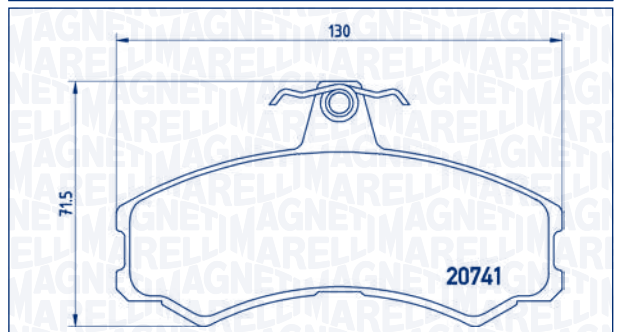
Post	29123	109,5 × 63,8 × 20,3	BRE	[o]
------	-------	---------------------	-----	-----

PA6020MM



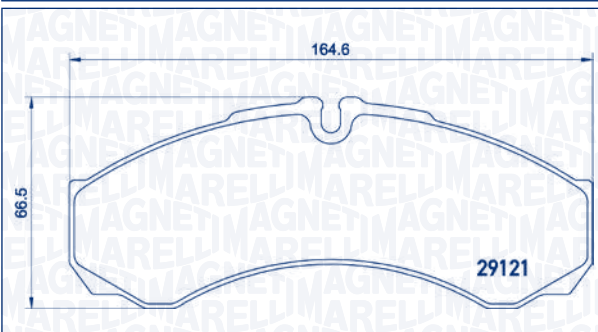
Ant	21048, 29140	109,5 × 73 × 18,3	BRE	[+]
-----	--------------	-------------------	-----	-----

PA6024MM



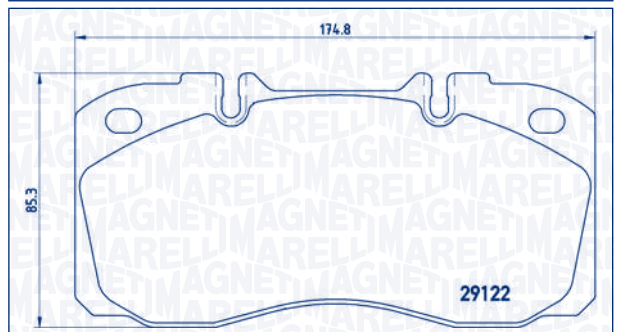
Ant	20741, 20925	130 × 71,5 × 15	TRW	[-]
-----	--------------	-----------------	-----	-----

PA6021MM



Ant	29121	164,7 × 66,3 × 17	BRE	[o]
-----	-------	-------------------	-----	-----

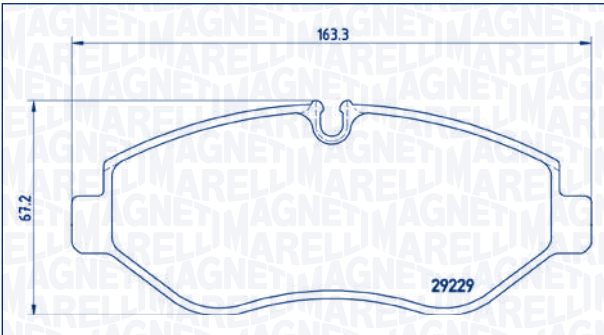
PA6025MM



Ant	29122	174,8 × 85,3 × 22	BRE	[o]
-----	-------	-------------------	-----	-----

WVA	LENGTH×HEIGHT×THICKNESS [mm]	SYS	WI
-----	---------------------------------	-----	----

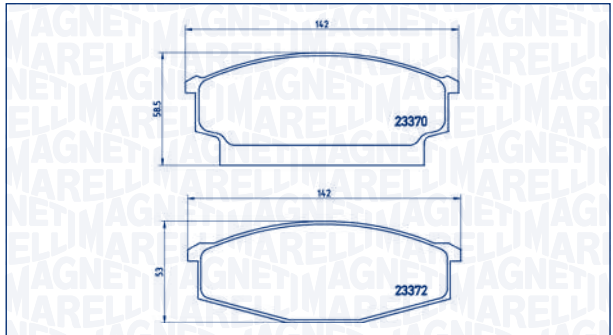
PA6026MM



Ant	29229	163,3 × 67,2 × 21,4	BRE	[o]
-----	-------	---------------------	-----	-----

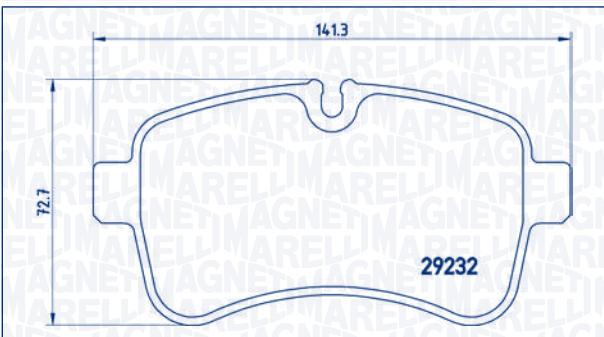
WVA	LENGTH×HEIGHT×THICKNESS [mm]	SYS	WI
-----	---------------------------------	-----	----

PB1001MM



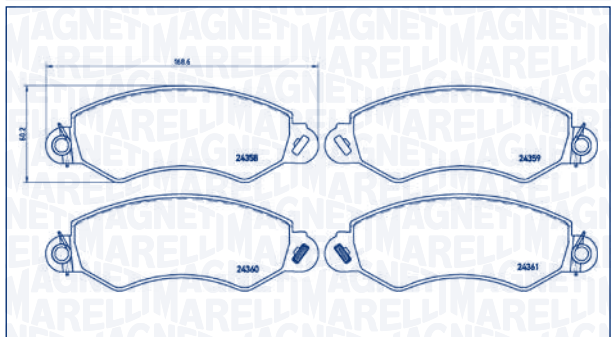
Ant	23370	142 × 53/58,5 × 15	SUM	[-]
-----	-------	--------------------	-----	-----

PA6027MM



Post	29232	141,3 × 72,7 × 21	BRE	[o]
------	-------	-------------------	-----	-----

PB1002MM



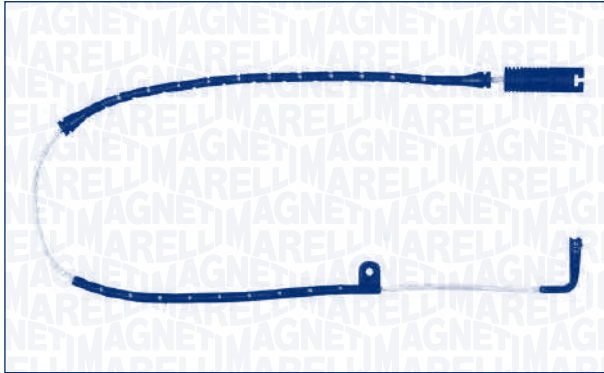
Ant	24358, 24359, 24360, 24361	168,6 × 60,2 × 18,4	BSH	[+]
-----	----------------------------	---------------------	-----	-----

Wear indicator – Drawings



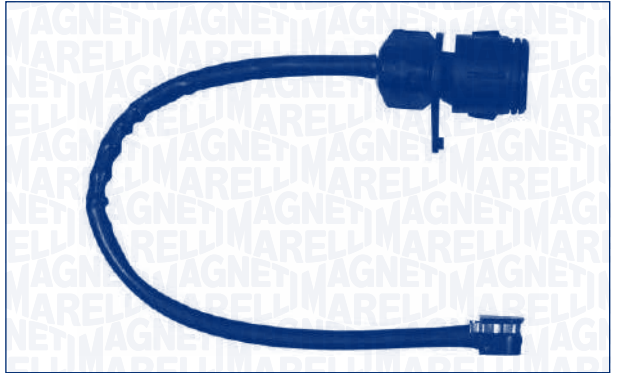
MAGNETI MARELLI		LENGTH [mm]
----------------------------	---	----------------

A00200	BMW	805
---------------	-----	-----

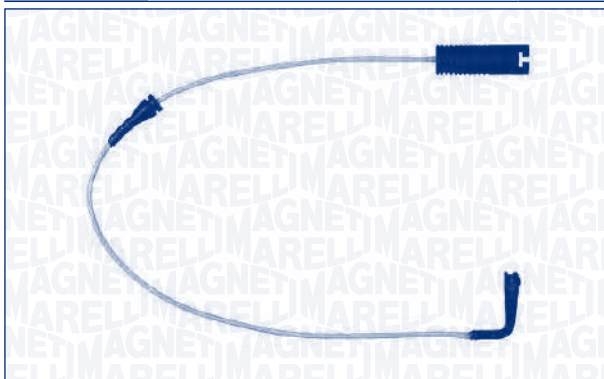


MAGNETI MARELLI		LENGTH [mm]
----------------------------	---	----------------

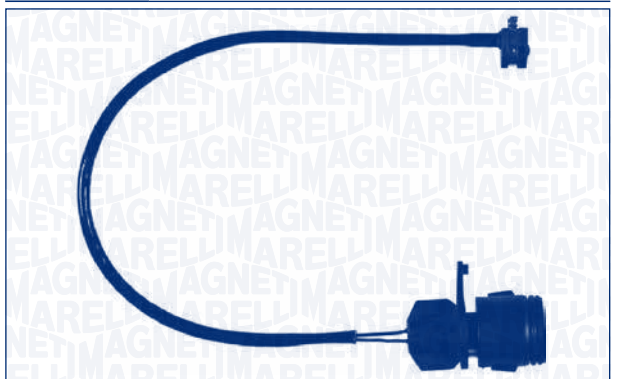
A00204	AUDI, SEAT, SKODA, VOLKSWAGEN	250
---------------	-------------------------------	-----



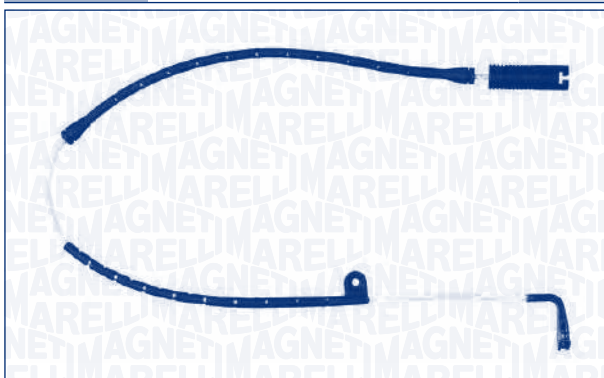
A00201	BMW	545
---------------	-----	-----



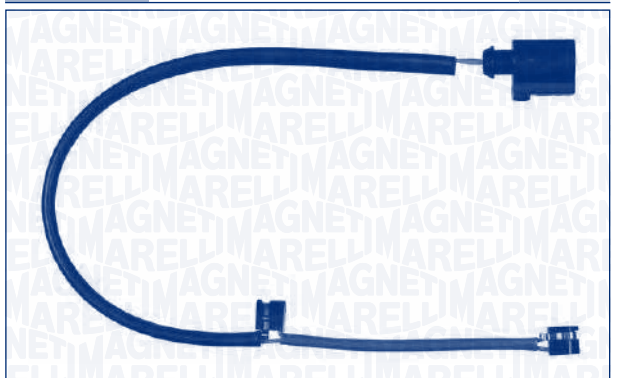
A00205	AUDI, SEAT, SKODA, VOLKSWAGEN	287
---------------	-------------------------------	-----



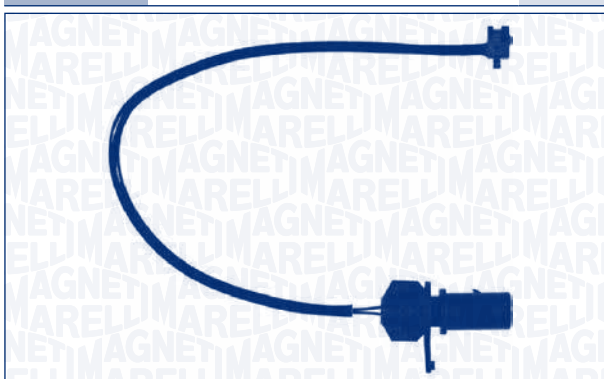
A00202	BMW	760
---------------	-----	-----



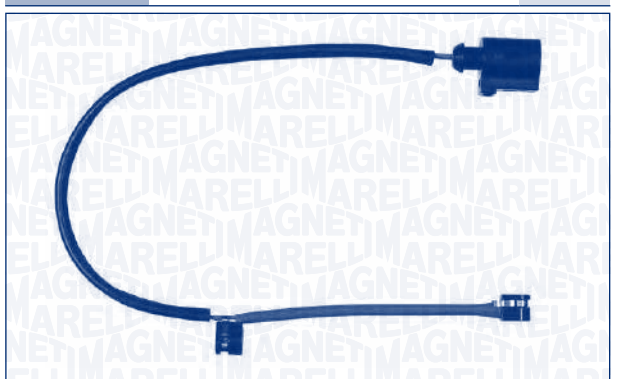
A00206	AUDI, PORSCHE, SEAT, SKODA, VOLKSWAGEN	420
---------------	--	-----



A00203	AUDI, SEAT, SKODA, VOLKSWAGEN	305
---------------	-------------------------------	-----



A00207	AUDI, PORSCHE, SEAT, SKODA, VOLKSWAGEN	255
---------------	--	-----



**MAGNET
MARELLI**



LENGTH
[mm]

A00208

AUDI, SEAT, SKODA, VOLKSWAGEN

225



**MAGNET
MARELLI**

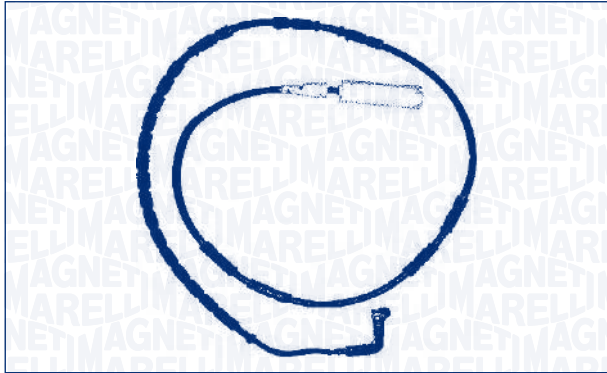


LENGTH
[mm]

A00212

BMW

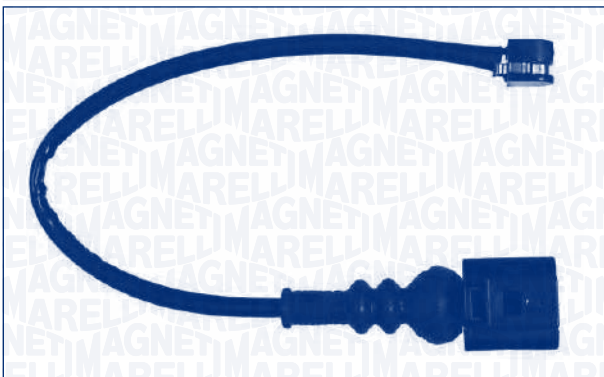
1093



A00209

AUDI, PORSCHE, SEAT, SKODA, VOLKSWAGEN

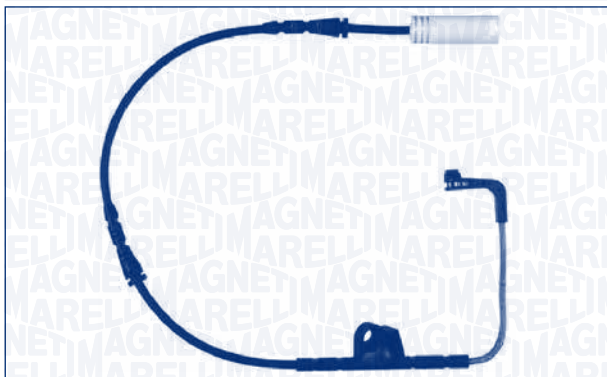
270



A00213

BMW

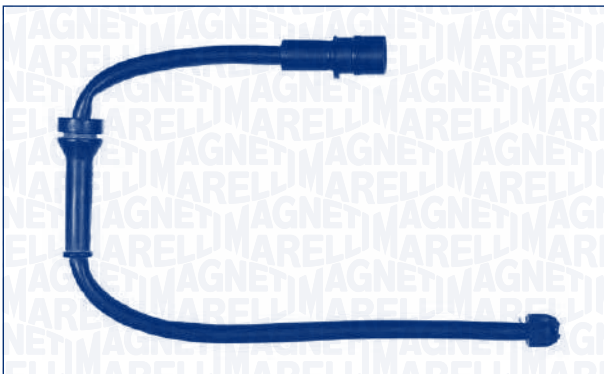
692



A00210

AUDI, SEAT, SKODA, VOLKSWAGEN

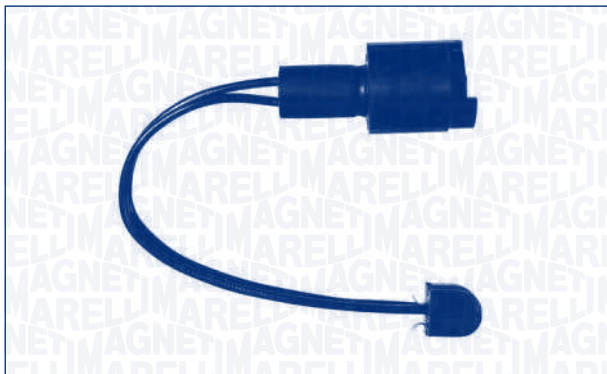
330



A00214

BMW

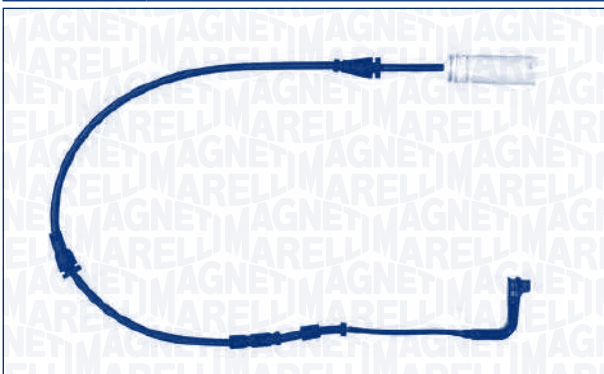
165



A00211

BMW

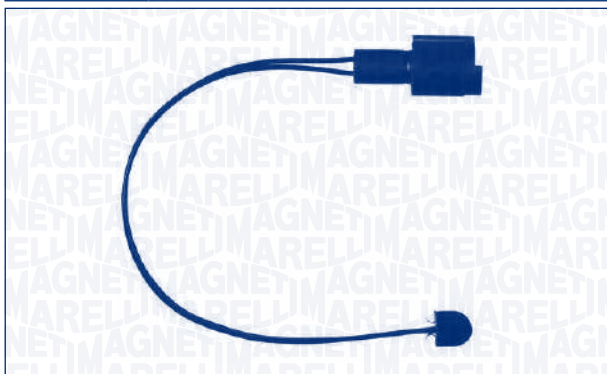
635



A00215

BMW

260



**MAGNETI
MARELLI**

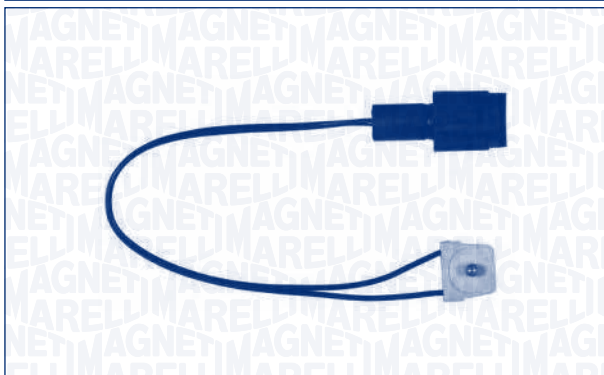


LENGTH
[mm]

A00216

BMW

250



**MAGNETI
MARELLI**

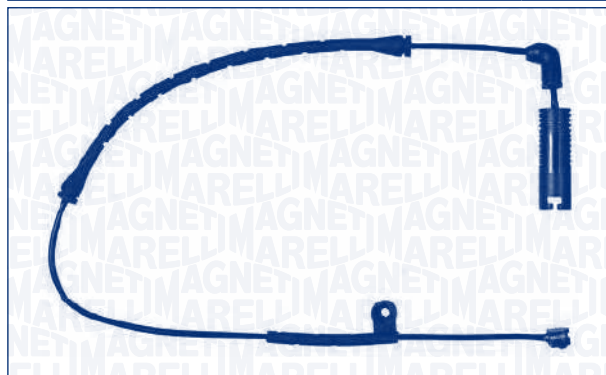


LENGTH
[mm]

A00220

BMW

596



A00217

BMW

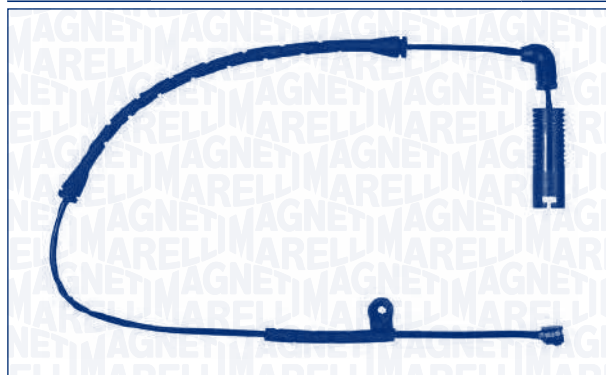
776



A00221

BMW

1338



A00218

BMW

790



A00222

BMW

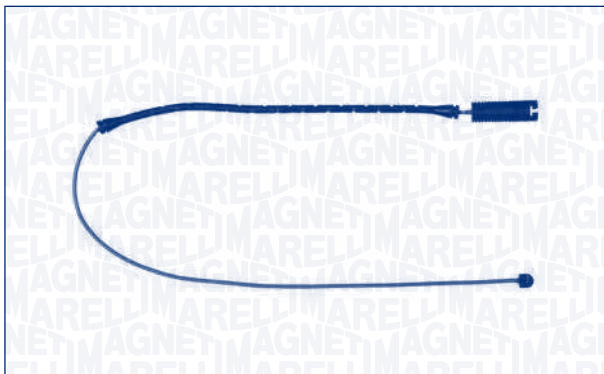
650



A00219

BMW

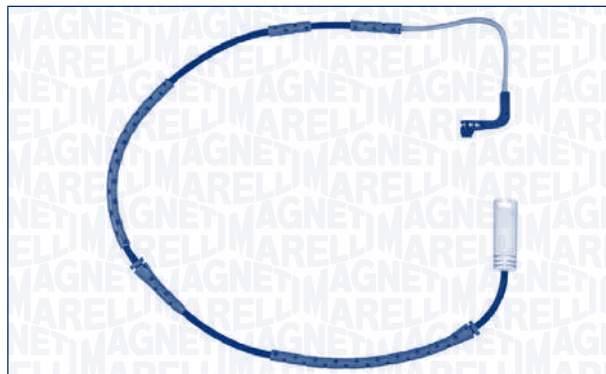
810



A00223

BMW

850



**MAGNETI
MARELLI**

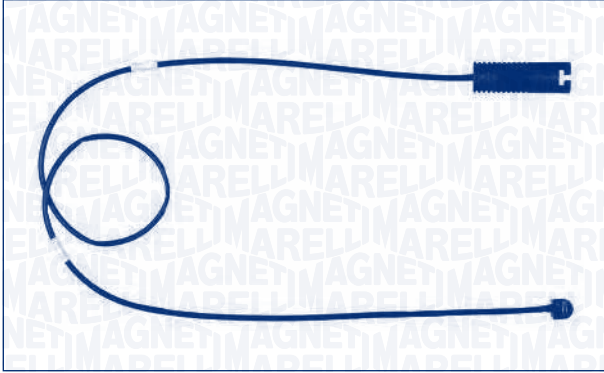


LENGTH
[mm]

A00224

BMW

840



**MAGNETI
MARELLI**

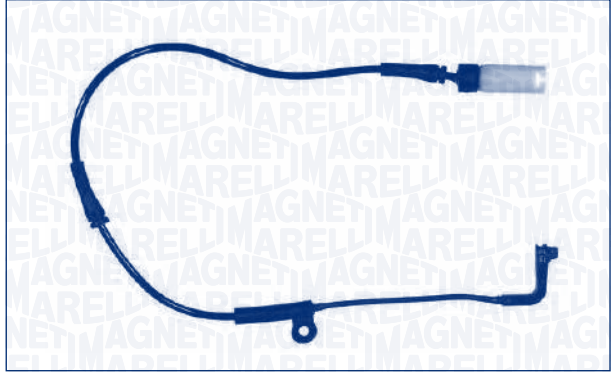


LENGTH
[mm]

A00228

BMW

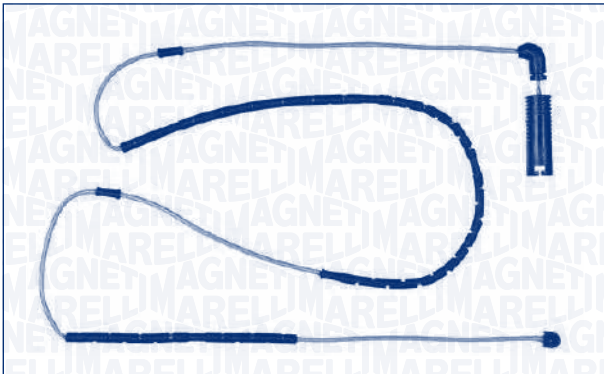
670



A00225

BMW

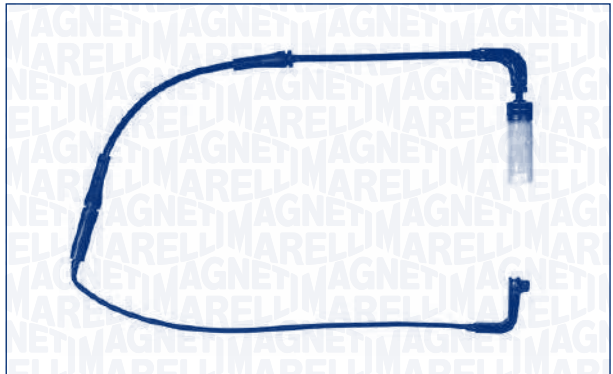
1350



A00229

BMW

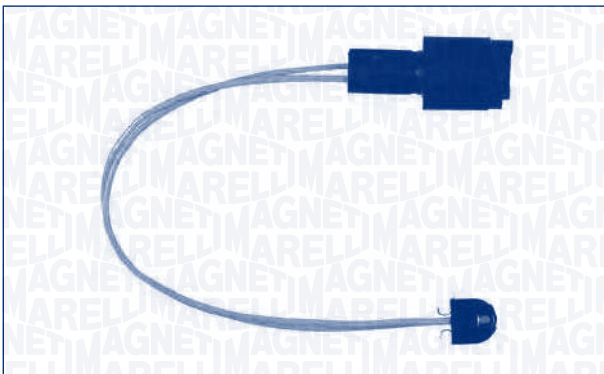
685



A00226

BMW

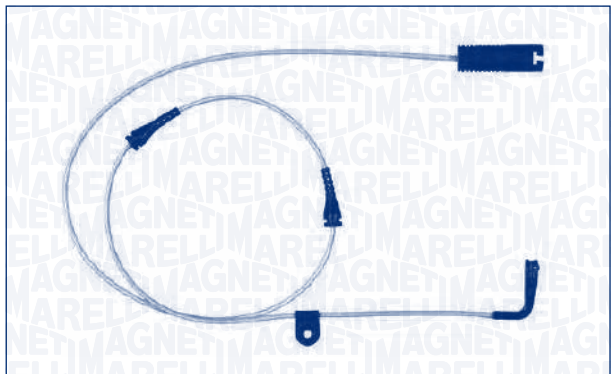
220



A00230

BMW

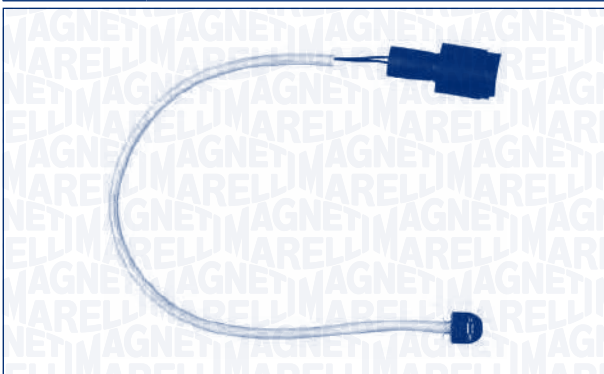
1100



A00227

BMW

315



A00231

BMW

883



**MAGNETI
MARELLI**

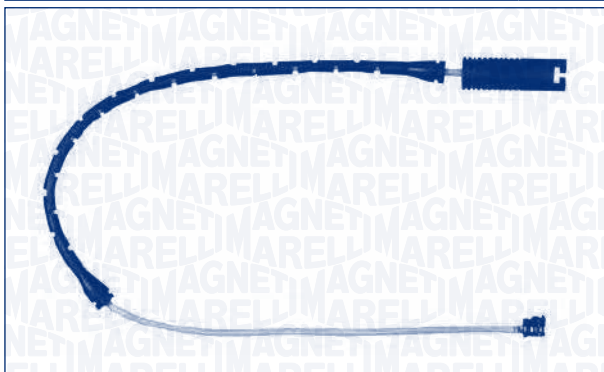


LENGTH
[mm]

A00232

BMW

570



**MAGNETI
MARELLI**



LENGTH
[mm]

A00236

BMW

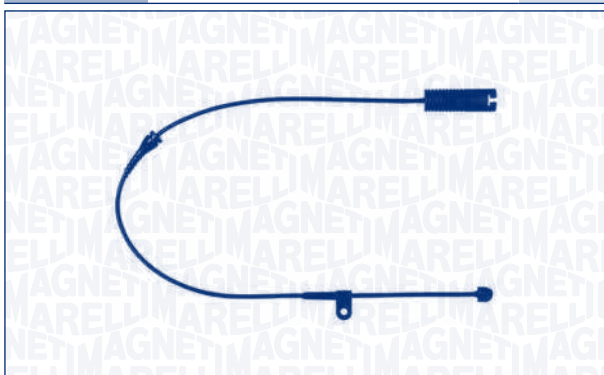
830



A00233

BMW

620



A00237

BMW

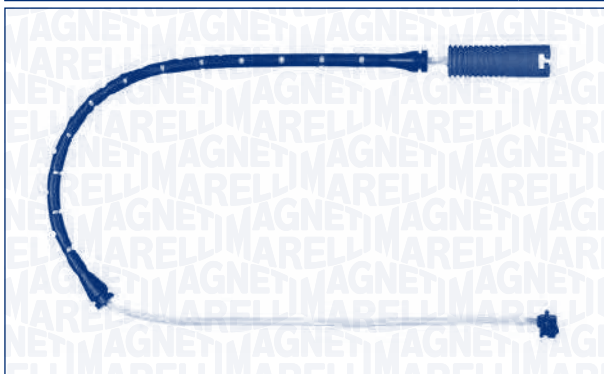
845



A00234

BMW

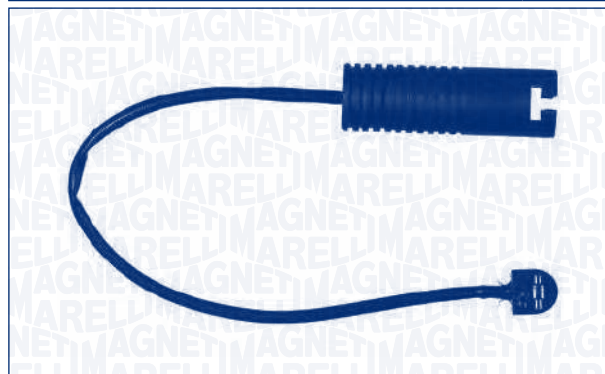
580



A00238

BMW

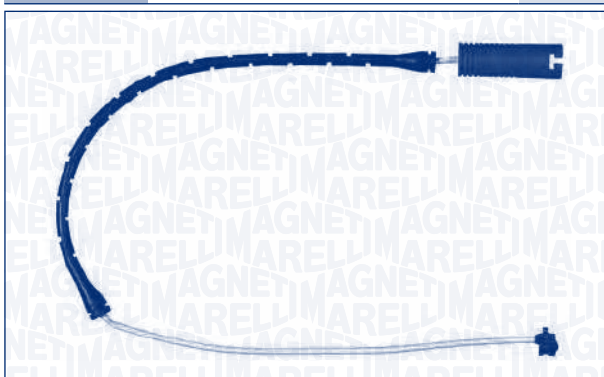
260



A00235

BMW

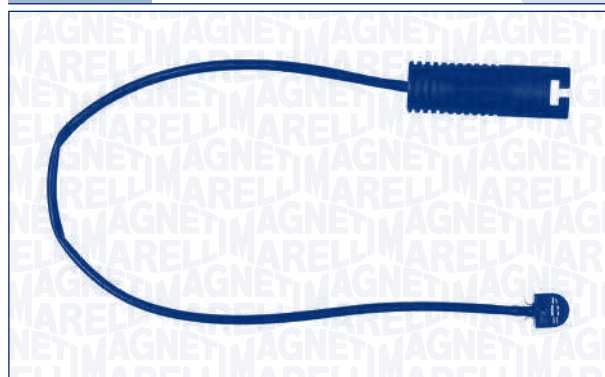
585



A00239

BMW

370



**MAGNETI
MARELLI**

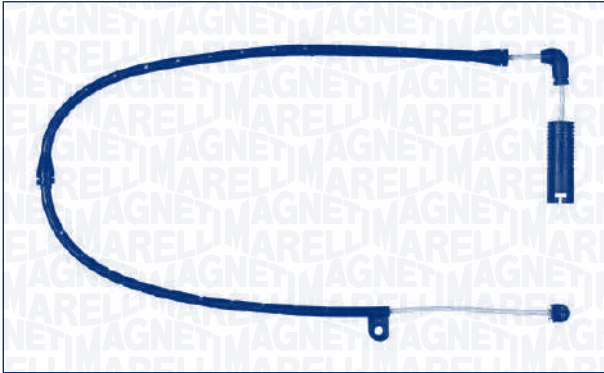


LENGTH
[mm]

A00240

BMW

740



**MAGNETI
MARELLI**

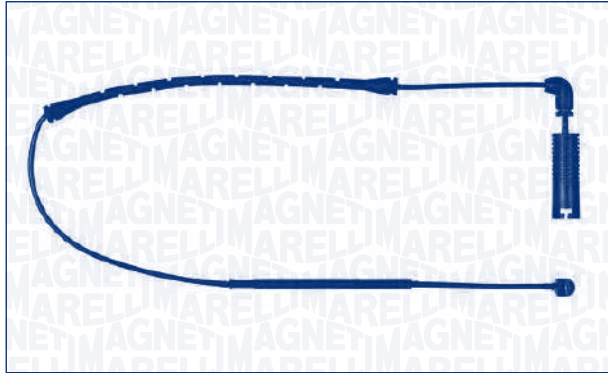


LENGTH
[mm]

A00244

BMW

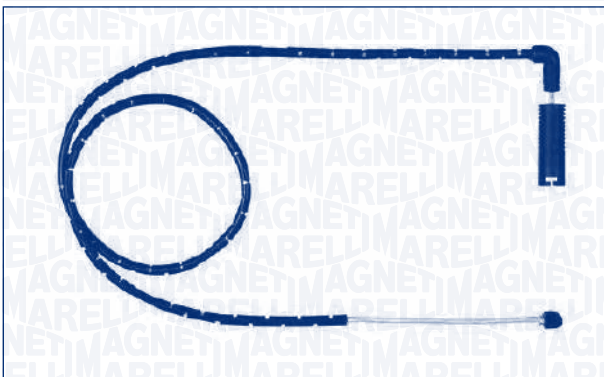
715



A00241

BMW

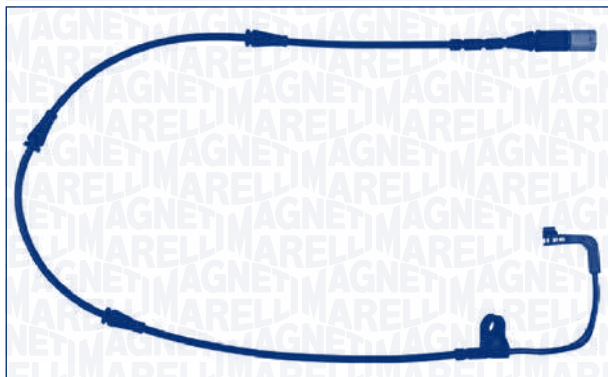
1055



A00245

BMW

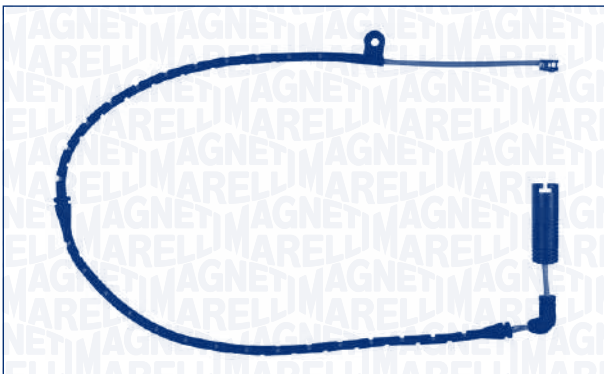
960



A00242

BMW

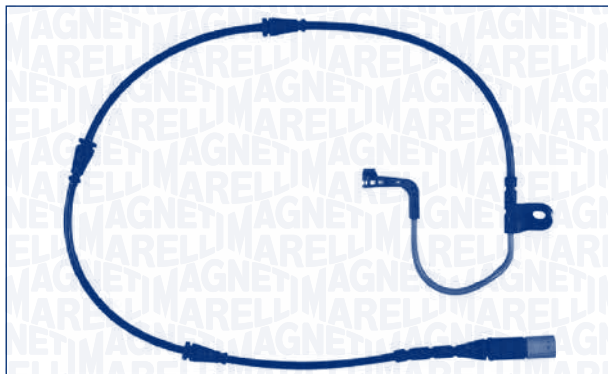
744



A00246

BMW

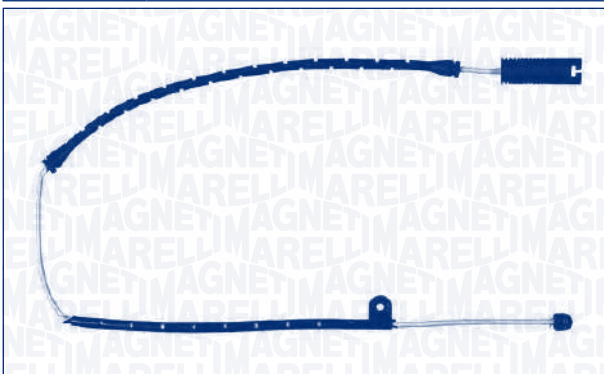
953



A00243

BMW

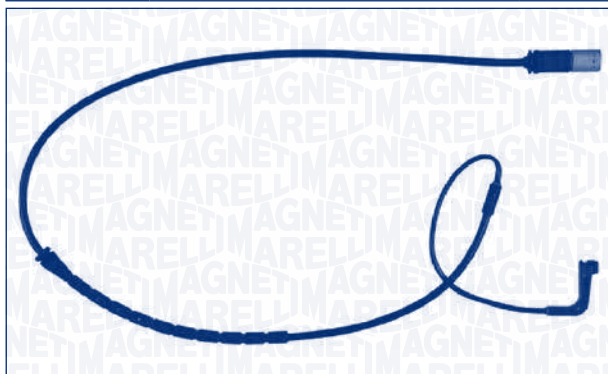
800



A00247

BMW

1006



MAGNETI MARELLI

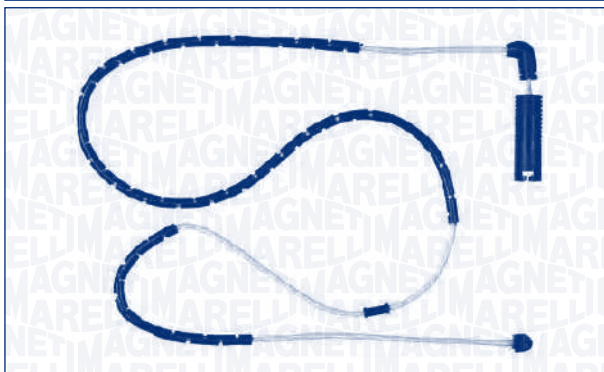


LENGTH [mm]

A00248

BMW

1150



MAGNETI MARELLI

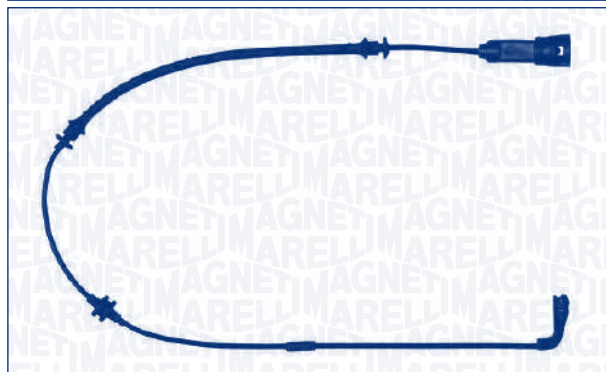


LENGTH [mm]

A00252

OPEL

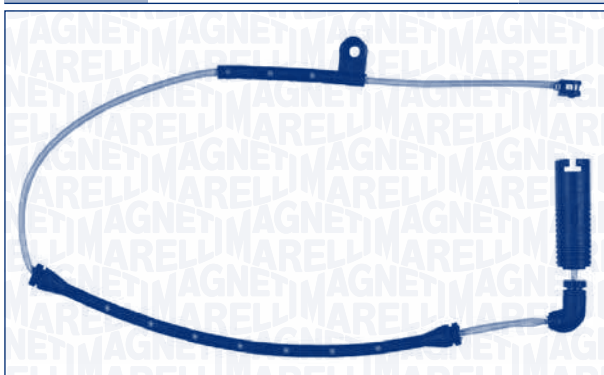
693



A00249

BMW

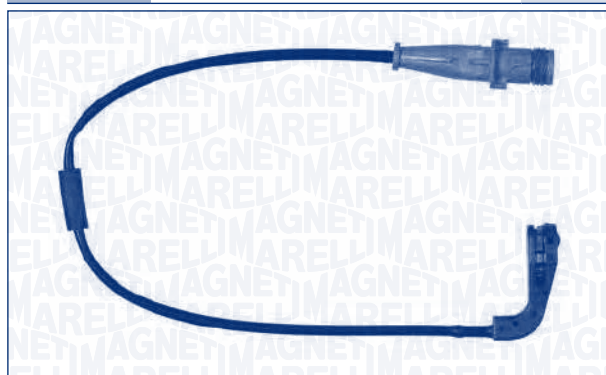
612



A00253

GENERAL MOTORS, OPEL

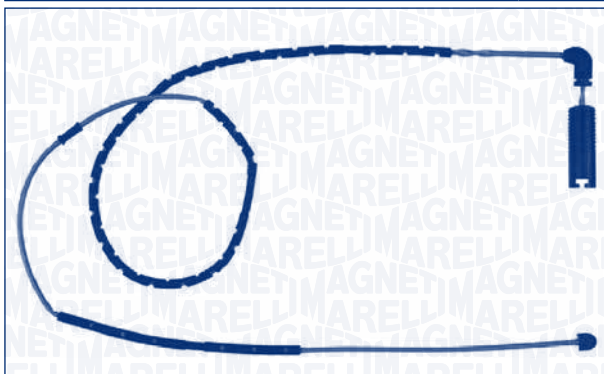
302



A00250

BMW

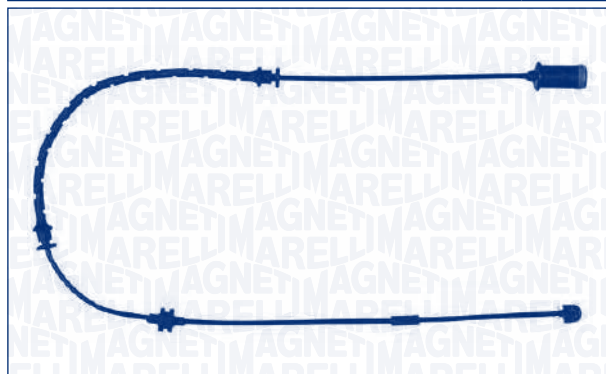
1160



A00254

OPEL

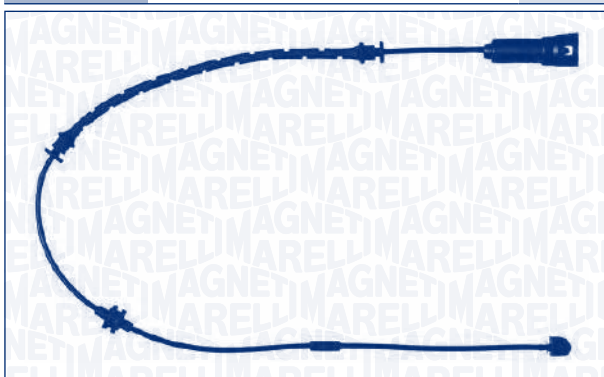
750



A00251

FIAT, OPEL

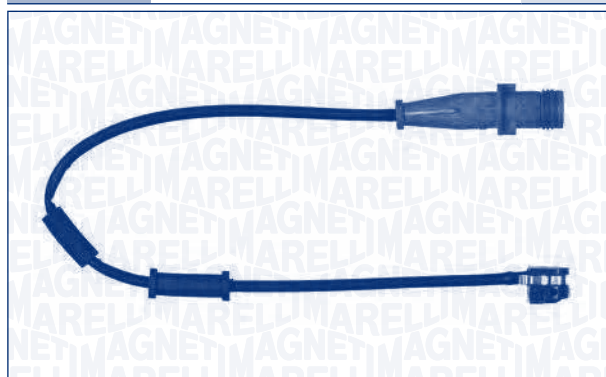
685



A00255

OPEL

287



**MAGNETI
MARELLI**

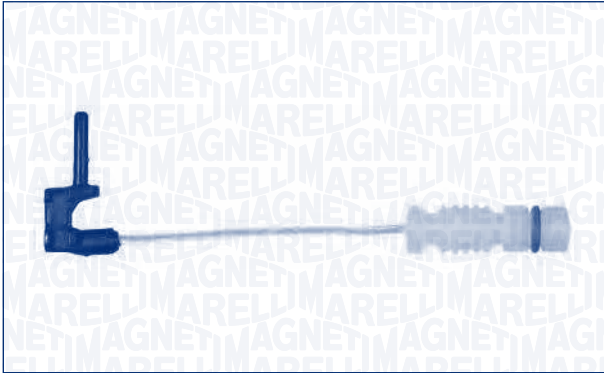


LENGTH
[mm]

A00256

MERCEDES-BENZ

90



**MAGNETI
MARELLI**

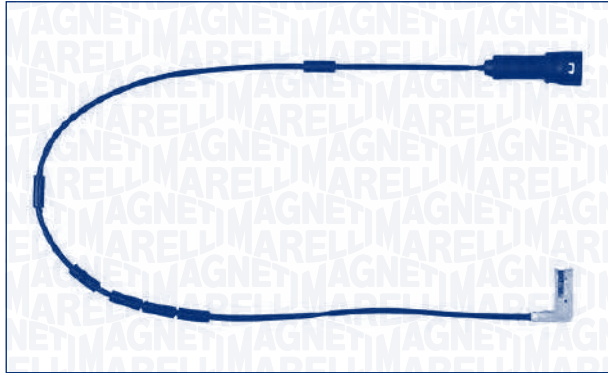


LENGTH
[mm]

A00260

OPEL

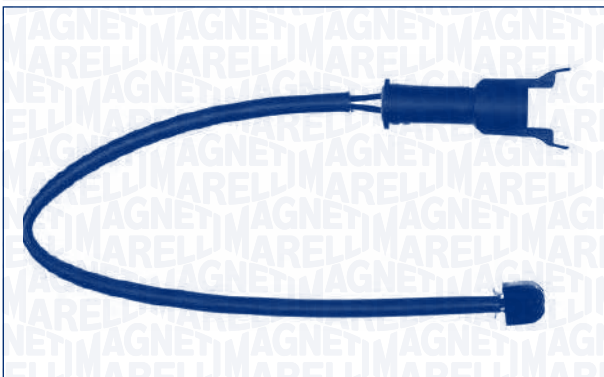
660



A00257

JAGUAR

300



A00261

OPEL

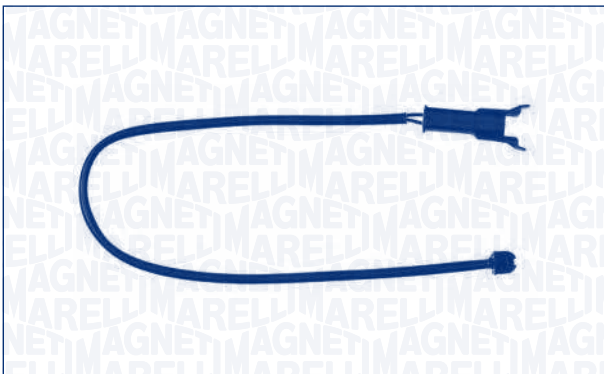
685



A00258

JAGUAR

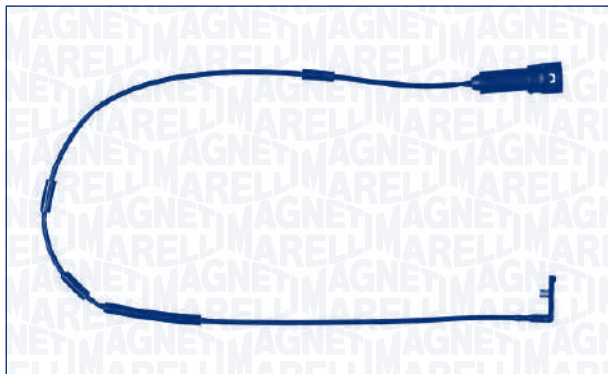
455



A00262

OPEL

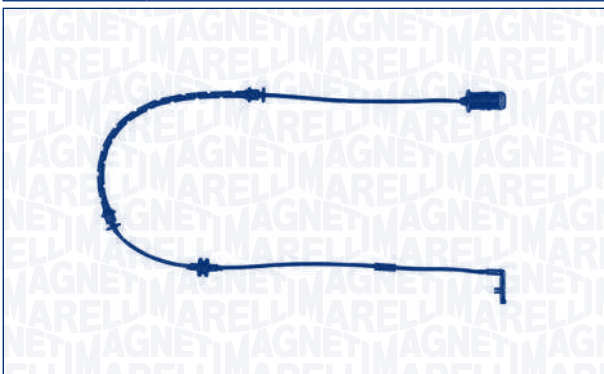
685



A00259

OPEL, VAUXHALL

720



A00263

OPEL

660



**MAGNETI
MARELLI**

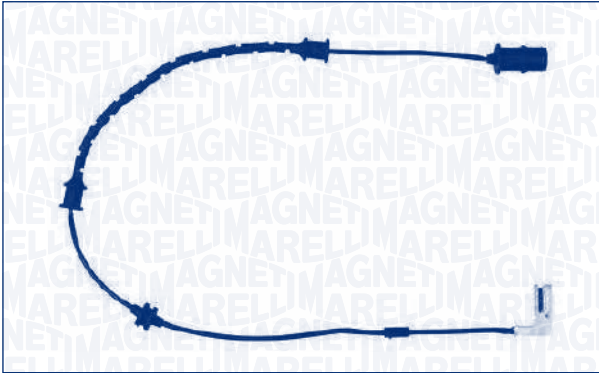


LENGTH
[mm]

A00264

OPEL

660



**MAGNETI
MARELLI**

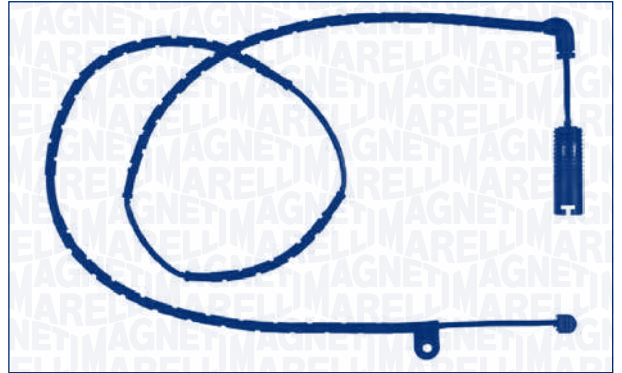


LENGTH
[mm]

A00269

LAND ROVER

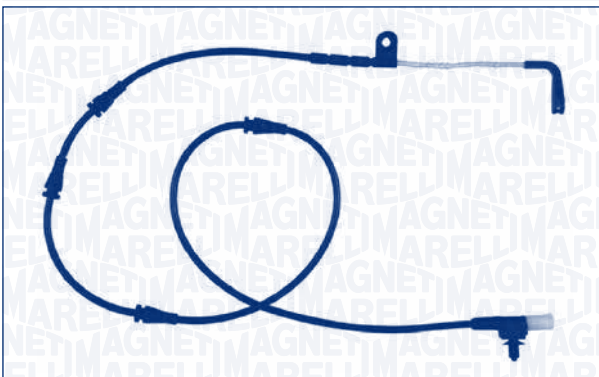
1220



A00265

LAND ROVER

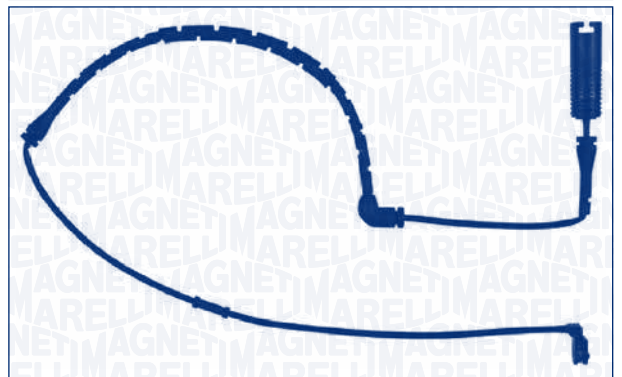
1178



A00270

LAND ROVER

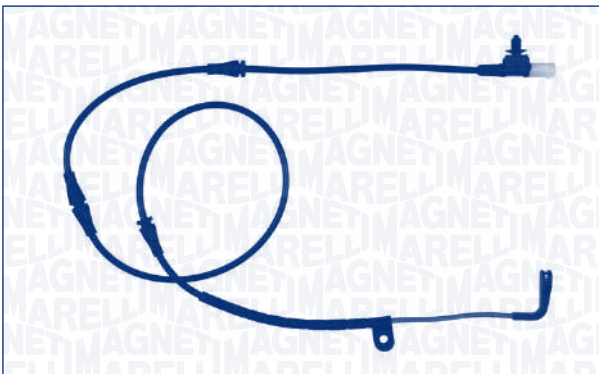
845



A00267

LAND ROVER

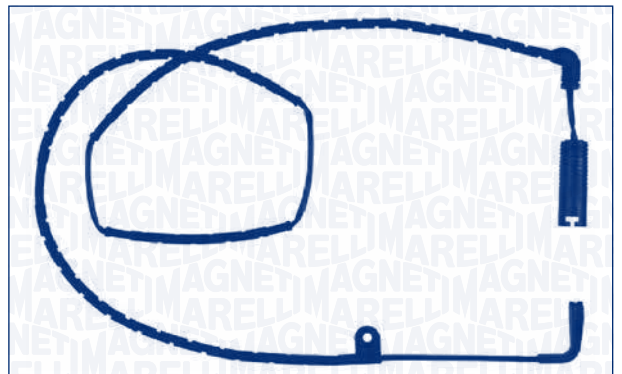
1184



A00271

LAND ROVER

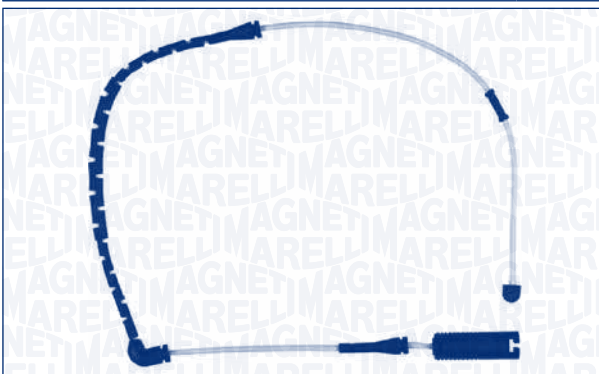
1270



A00268

LAND ROVER

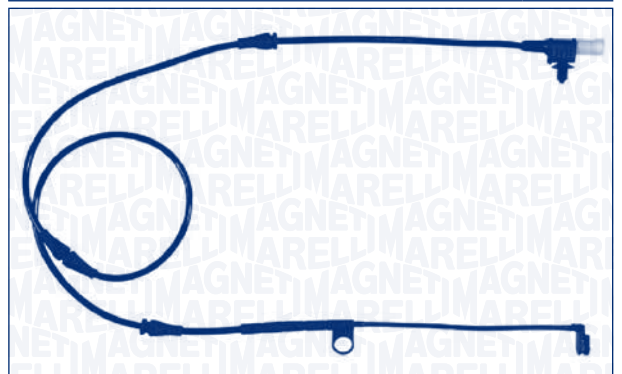
780



A00272

LAND ROVER

1209



**MAGNET
MARELLI**

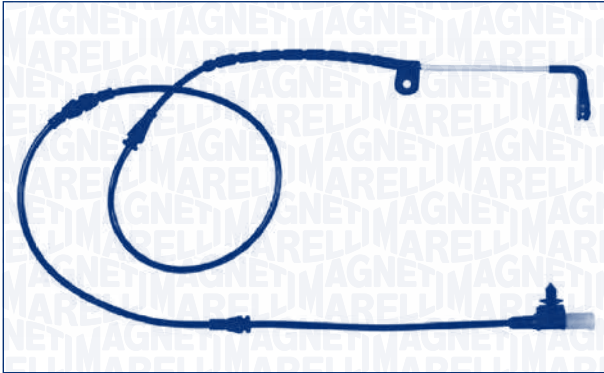


LENGTH
[mm]

A00273

LAND ROVER

1230



**MAGNET
MARELLI**

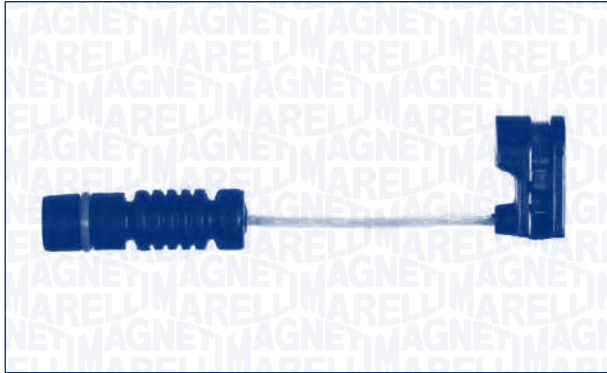


LENGTH
[mm]

A00278

MERCEDES-BENZ

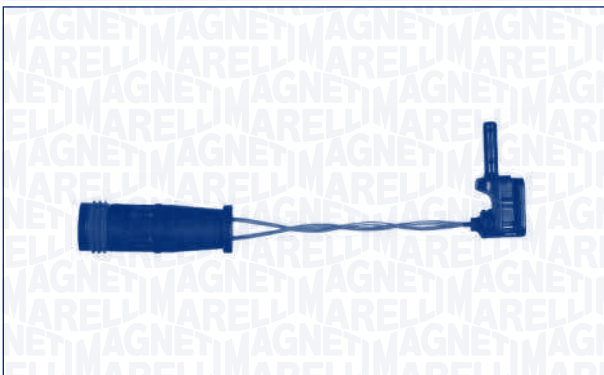
74



A00274

MERCEDES-BENZ

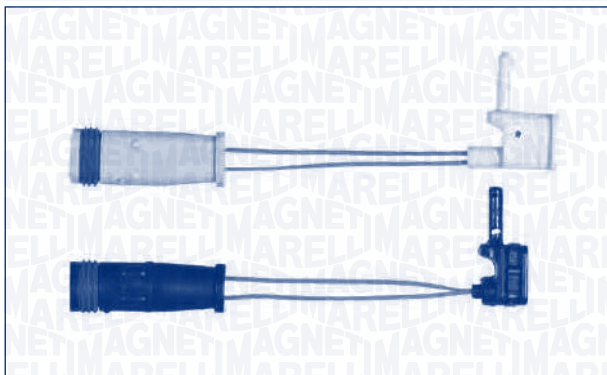
95



A00279

MERCEDES-BENZ

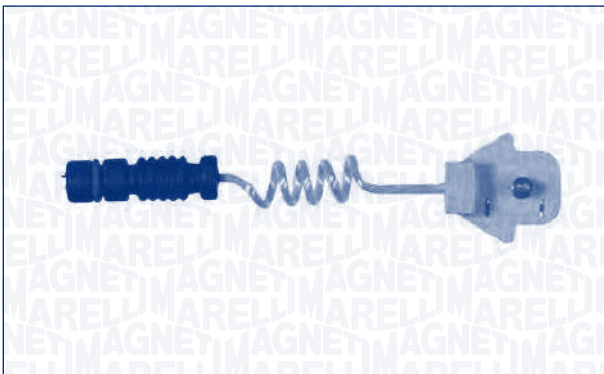
101 / 94



A00275

MERCEDES-BENZ

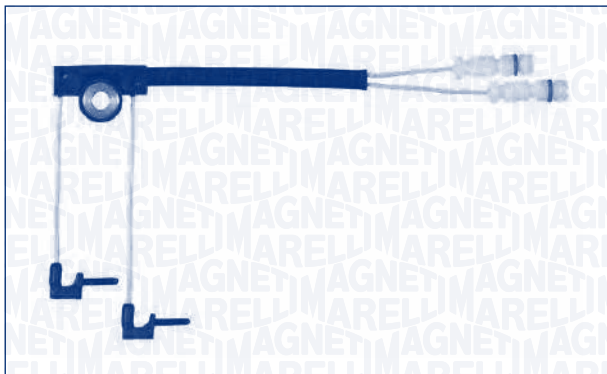
150



A00281

MERCEDES-BENZ

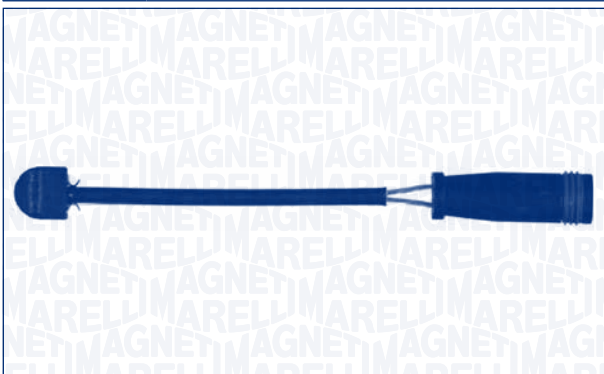
265



A00277

MERCEDES-BENZ

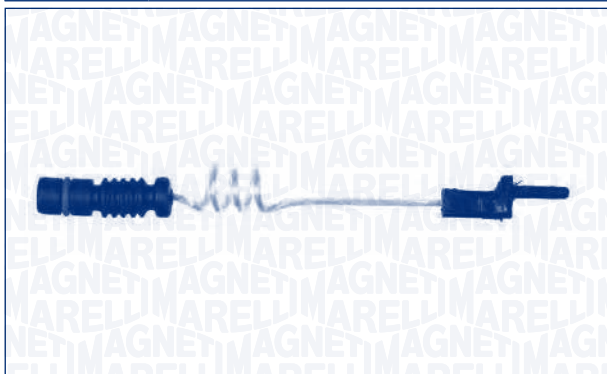
98



A00282

AUDI, MERCEDES-BENZ, SEAT, SKODA, VOLKSWAGEN

210



**MAGNETI
MARELLI**

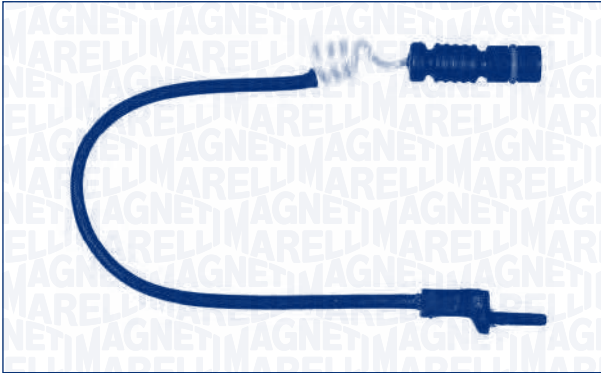


LENGTH
[mm]

A00283

MERCEDES-BENZ

320



**MAGNETI
MARELLI**



LENGTH
[mm]

A00287

AUDI, MERCEDES-BENZ, SEAT, SKODA, VOLKSWAGEN

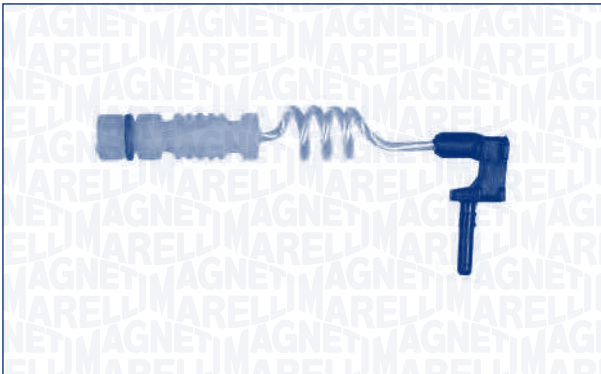
103



A00284

MERCEDES-BENZ

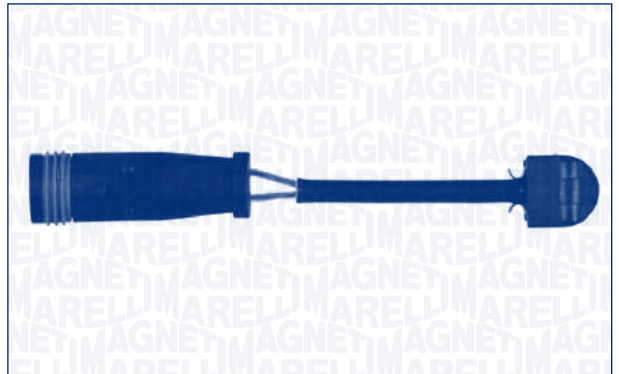
147



A00288

AUDI, MERCEDES-BENZ, SEAT, SKODA, VOLKSWAGEN

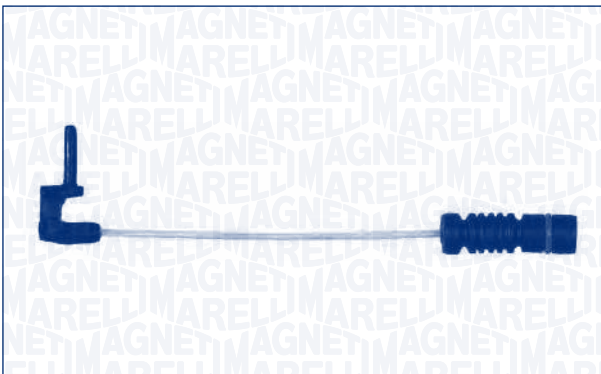
85



A00285

MERCEDES-BENZ

114



A00291

AUDI, MERCEDES-BENZ, SEAT, SKODA, VOLKSWAGEN

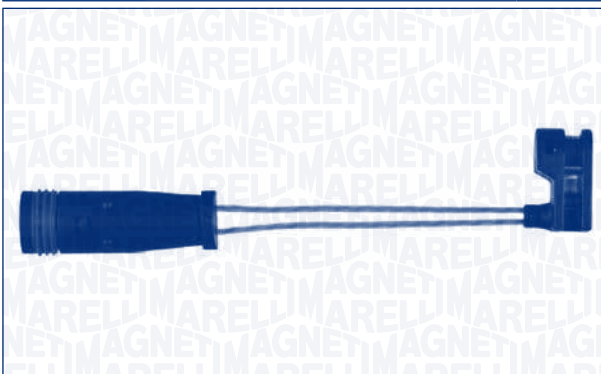
95



A00286

MERCEDES-BENZ

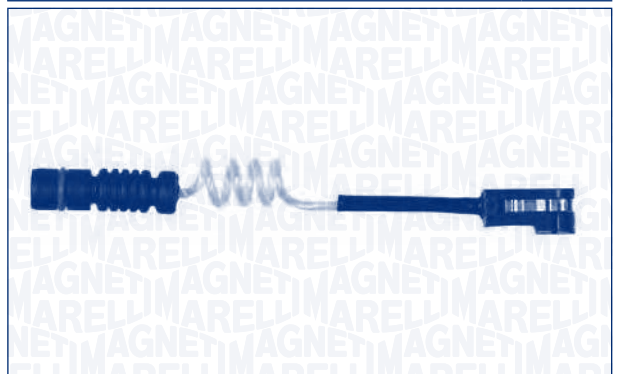
95



A00292

AUDI, MERCEDES-BENZ, SEAT, SKODA, VOLKSWAGEN

189



**MAGNET
MARELLI**



LENGTH
[mm]

A00293

MERCEDES-BENZ

152



**MAGNET
MARELLI**

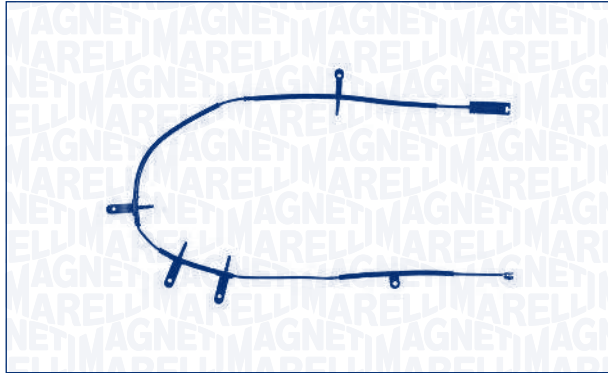


LENGTH
[mm]

A00297

BMW

1095



A00294

ROVER

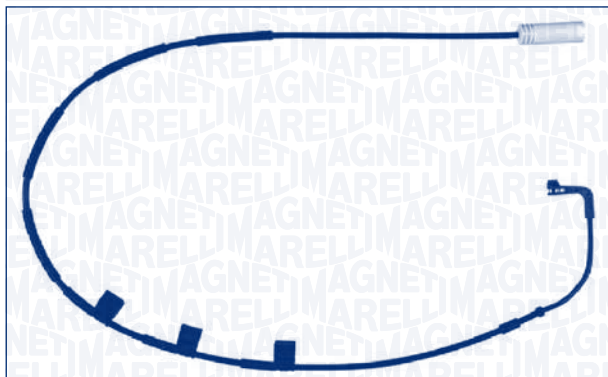
1120



A00298

MINI

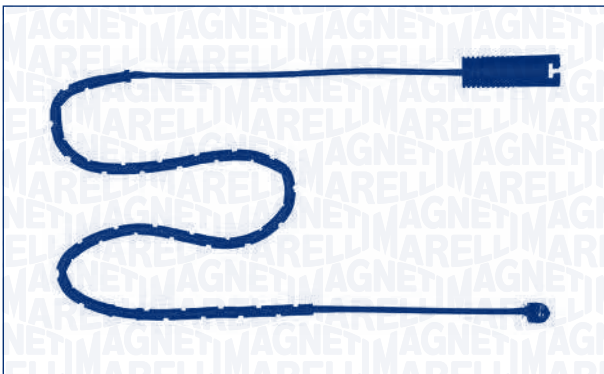
1127



A00295

ROVER

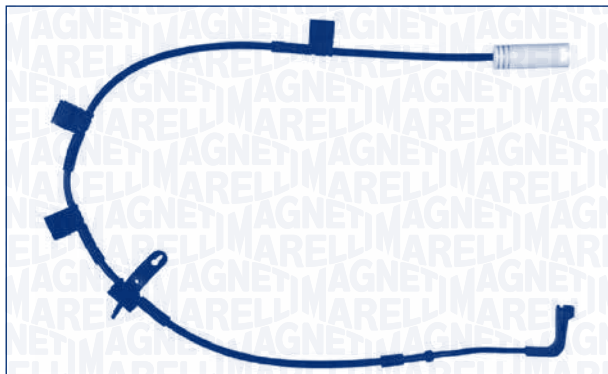
850



A00299

BMW, BOLINDER MUNKTELL

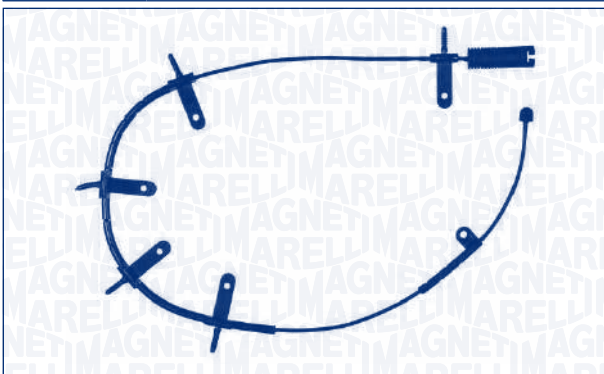
807



A00296

BMW

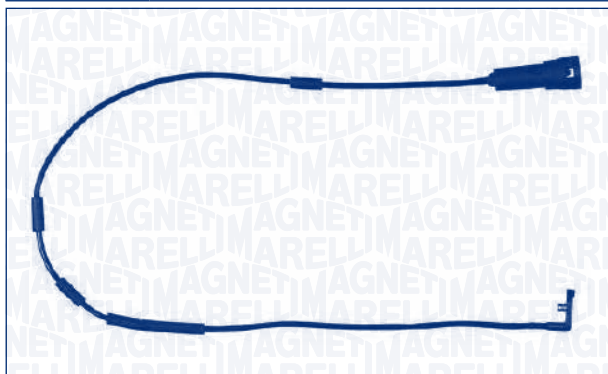
885



A00303

OPEL

685



**MAGNETI
MARELLI**

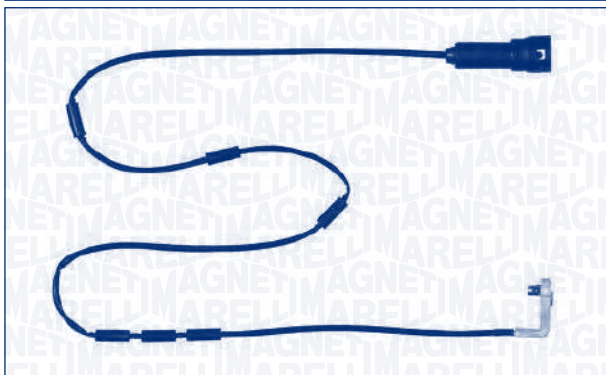


LENGTH
[mm]

A00305

OPEL

860



**MAGNETI
MARELLI**

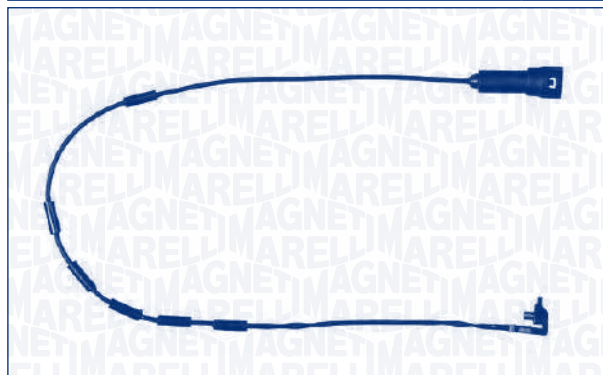


LENGTH
[mm]

A00310

OPEL

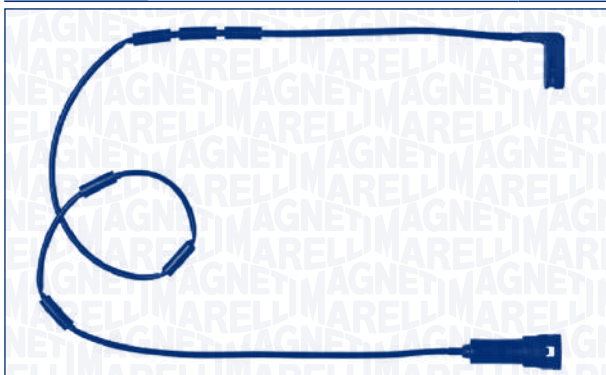
660



A00307

GENERAL MOTORS, OPEL

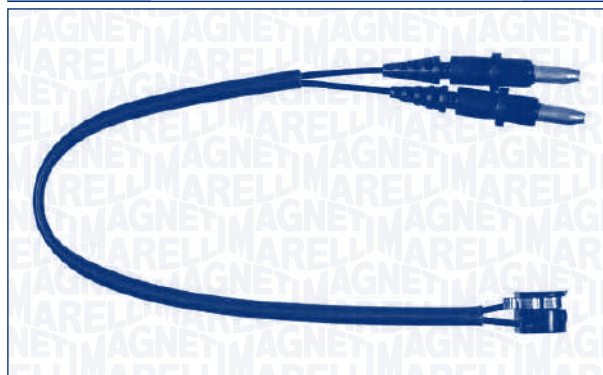
860



A00311

PEUGEOT

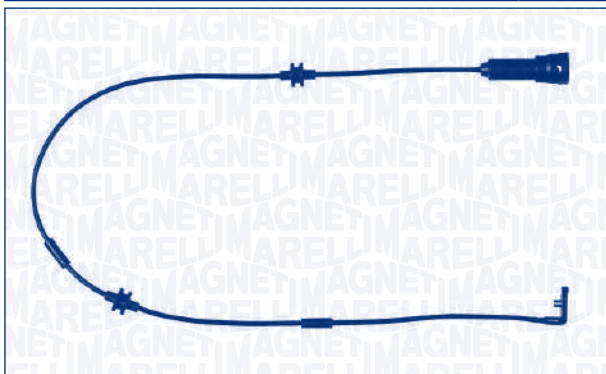
250



A00308

OPEL

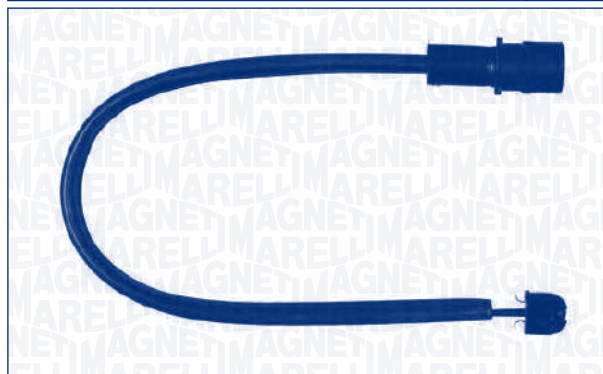
730



A00312

PORSCHE

281



A00309

OPEL

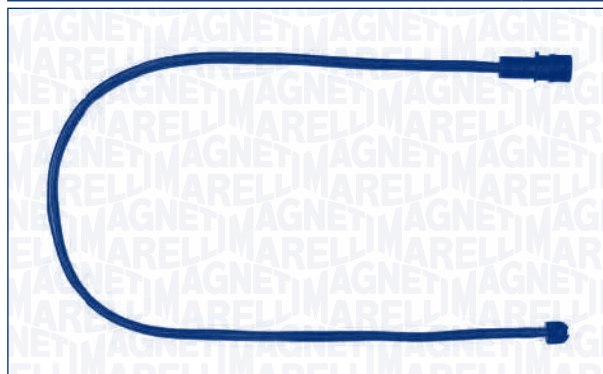
735



A00313

PORSCHE

586



**MAGNET
MARELLI**

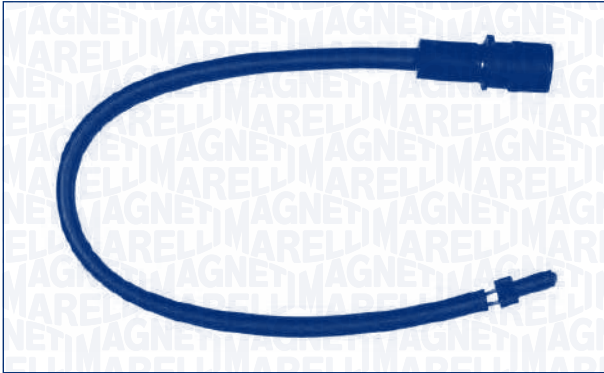


LENGTH
[mm]

A00314

PORSCHE

290



**MAGNET
MARELLI**

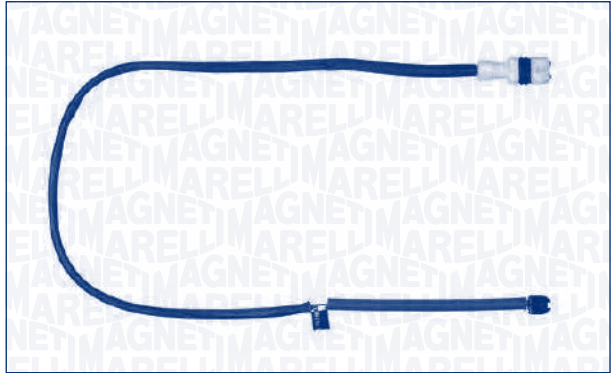


LENGTH
[mm]

A00318

PORSCHE

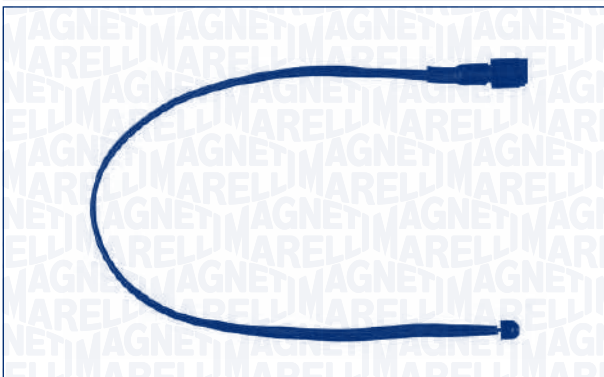
640



A00315

PORSCHE

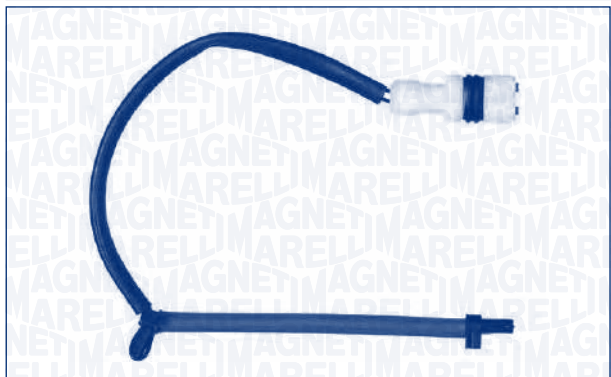
567



A00319

PORSCHE

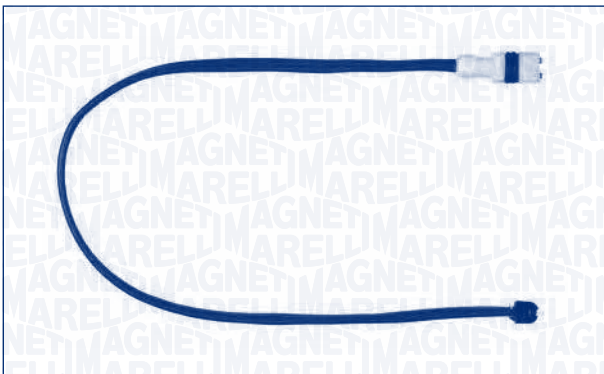
325



A00316

PORSCHE

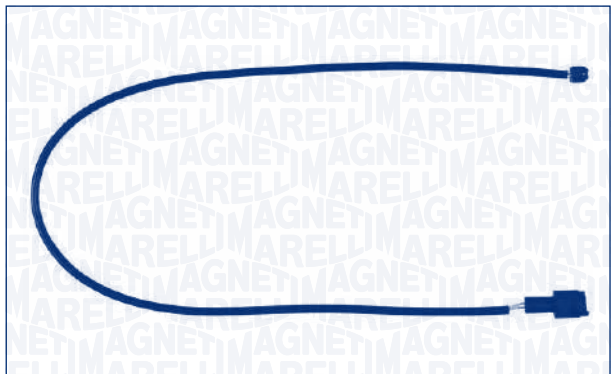
525



A00320

PORSCHE

800



A00317

PORSCHE

330



A00324

PORSCHE

260



**MAGNETI
MARELLI**

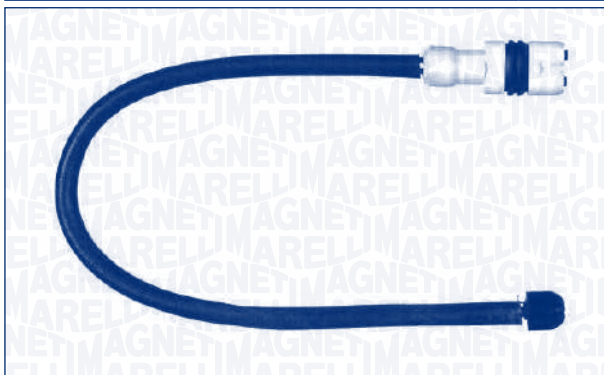


LENGTH
[mm]

A00325

PORSCHE

318



**MAGNETI
MARELLI**

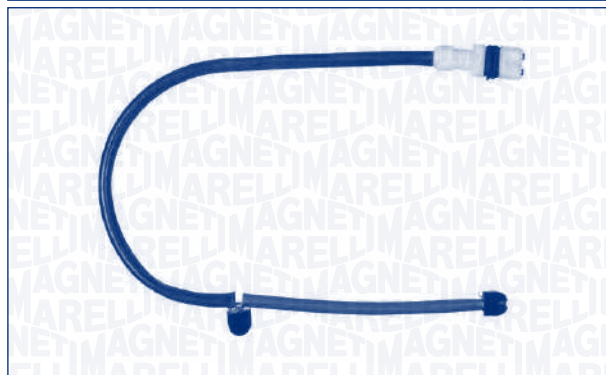


LENGTH
[mm]

A00329

PORSCHE

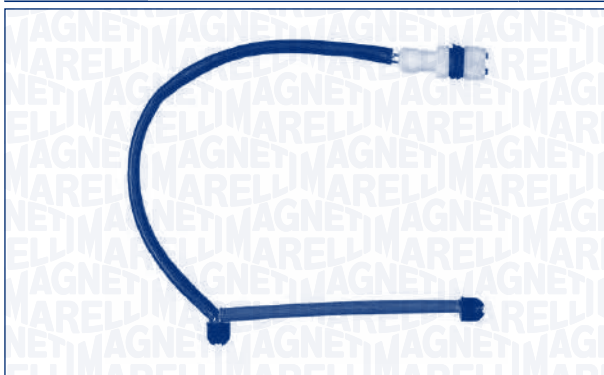
435



A00326

PORSCHE

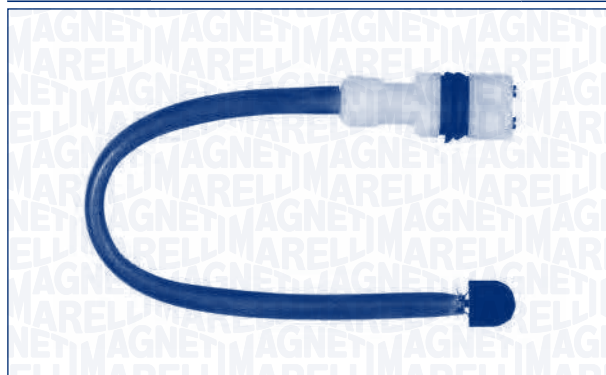
400



A00330

PORSCHE

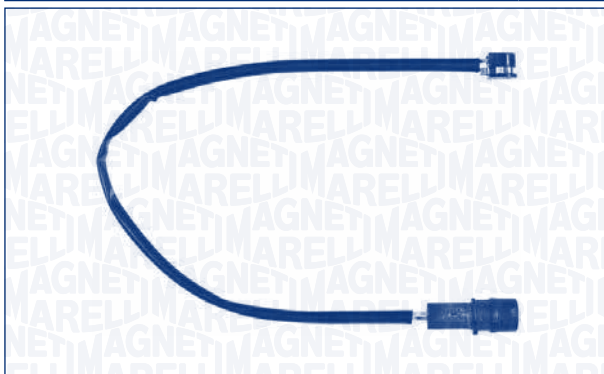
220



A00327

PORSCHE

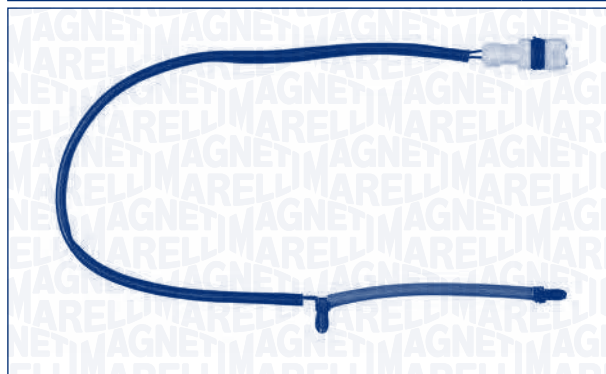
366



A00331

PORSCHE

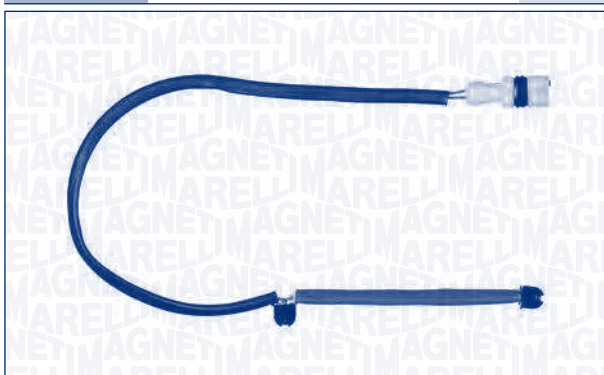
540



A00328

PORSCHE

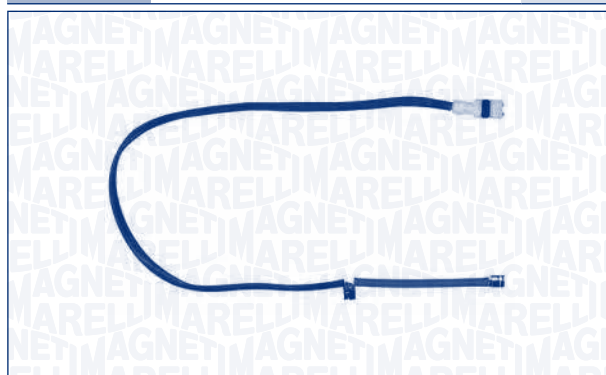
515



A00332

PORSCHE

700



**MAGNETI
MARELLI**



LENGTH
[mm]

A00333

PORSCHE

505



**MAGNETI
MARELLI**

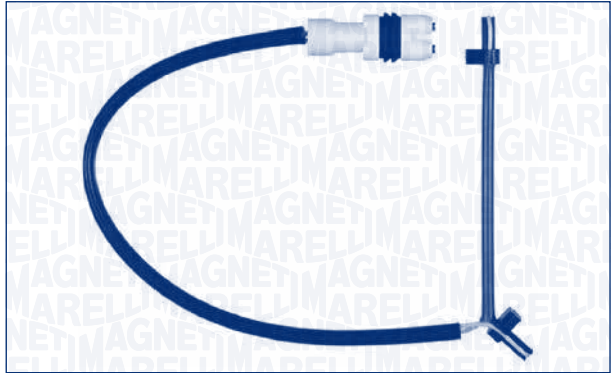


LENGTH
[mm]

A00339

PORSCHE

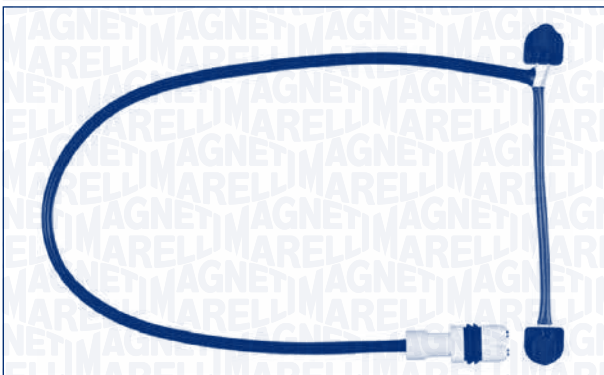
515



A00336

PORSCHE

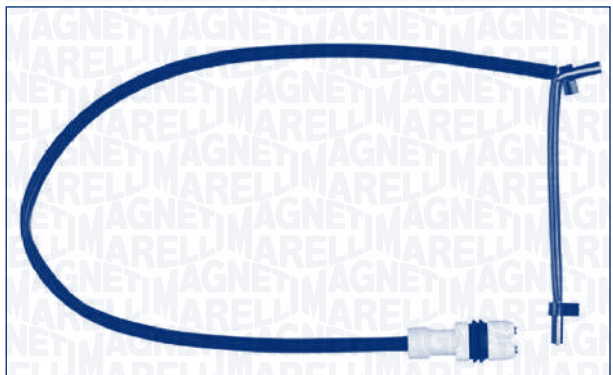
560



A00340

PORSCHE

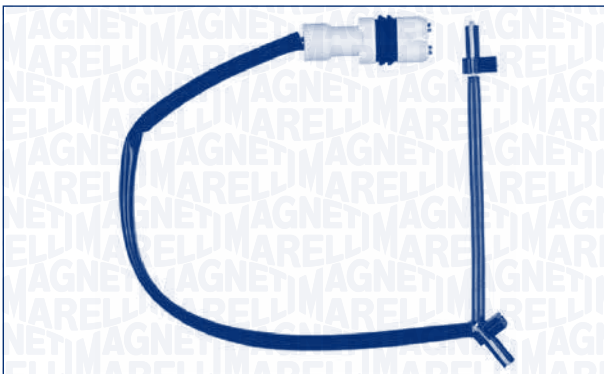
550



A00337

PORSCHE

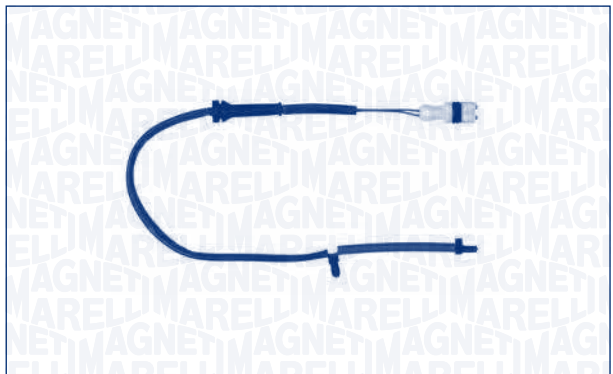
365



A00341

PORSCHE

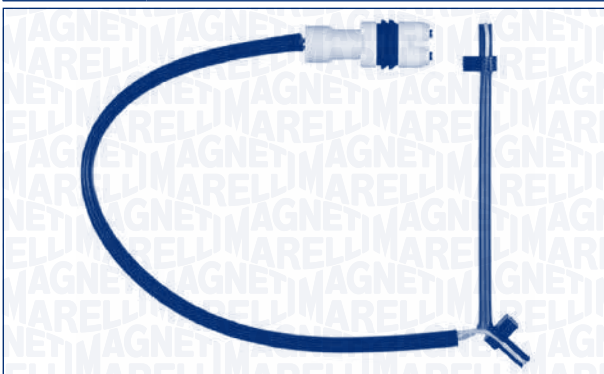
505



A00338

PORSCHE

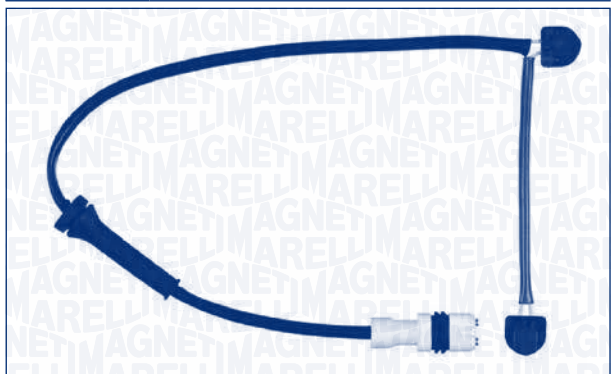
388



A00342

PORSCHE

505



**MAGNETI
MARELLI**

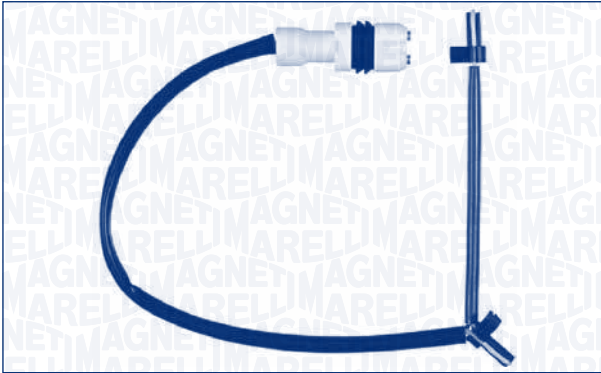


LENGTH
[mm]

A00343

PORSCHE

612



**MAGNETI
MARELLI**

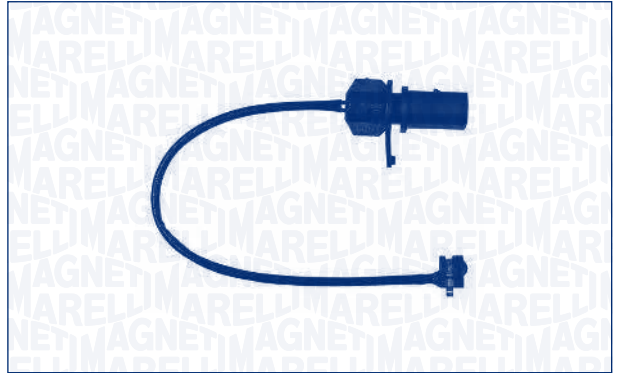


LENGTH
[mm]

A00347

AUDI, SEAT, SKODA, VOLKSWAGEN

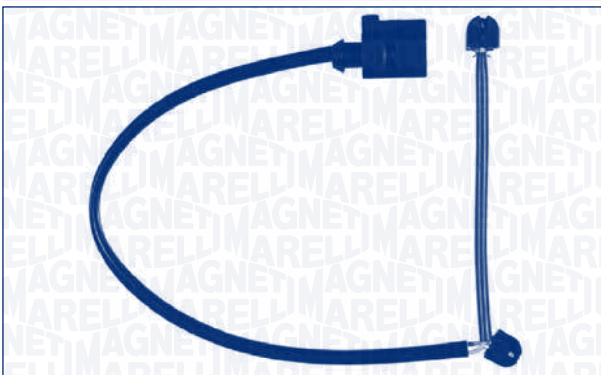
440



A00344

PORSCHE

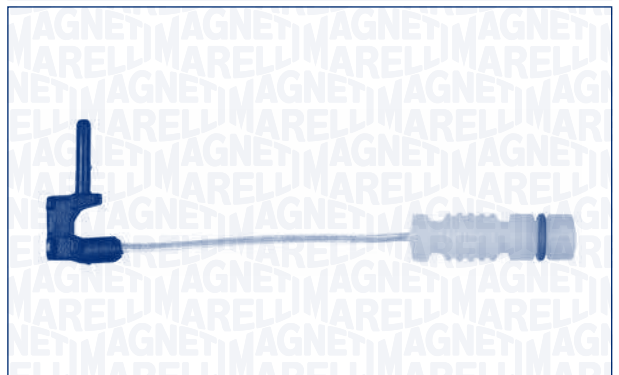
405



A00349

MERCEDES-BENZ

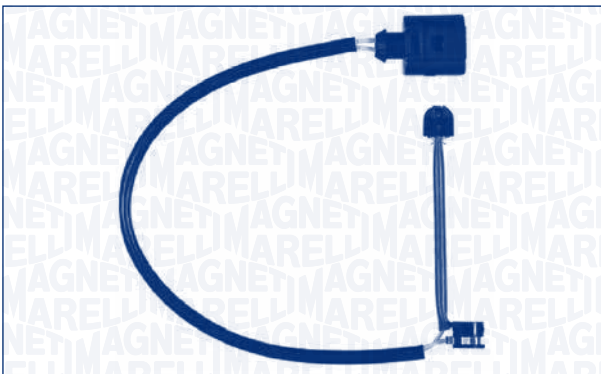
90



A00345

AUDI, PORSCHE, SEAT, SKODA, VOLKSWAGEN

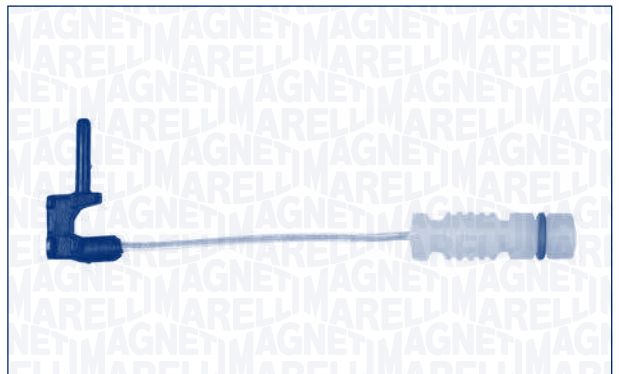
370



A00350

MERCEDES-BENZ

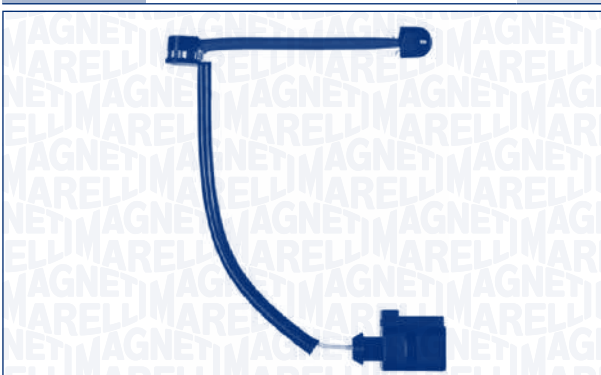
90



A00346

AUDI, PORSCHE, SEAT, SKODA, VOLKSWAGEN

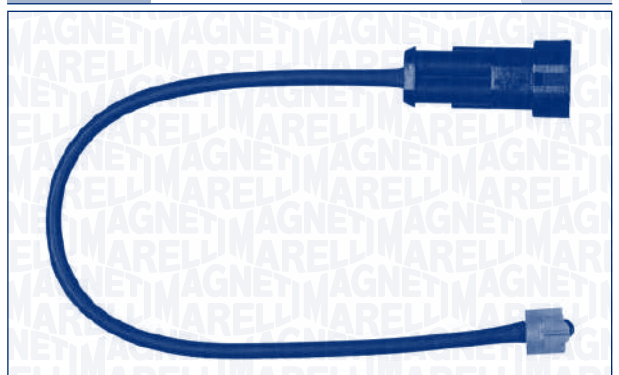
240



A00351

IVECO

300



**MAGNETI
MARELLI**

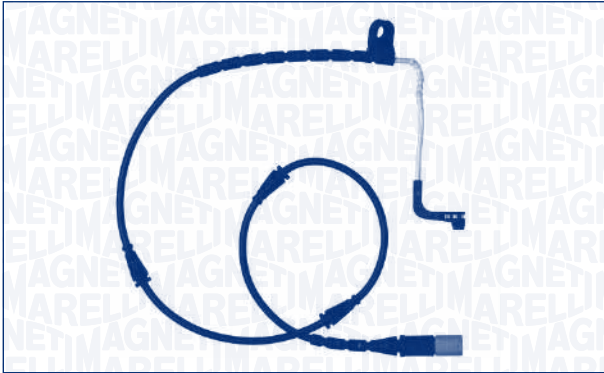


LENGTH
[mm]

A00352

BMW

990



**MAGNETI
MARELLI**



LENGTH
[mm]

A00357

PORSCHE

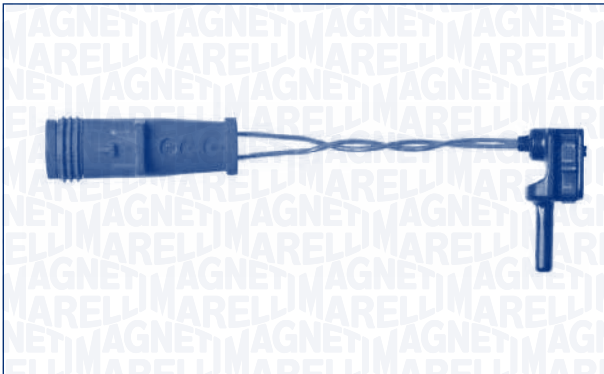
285



A00353

MERCEDES-BENZ

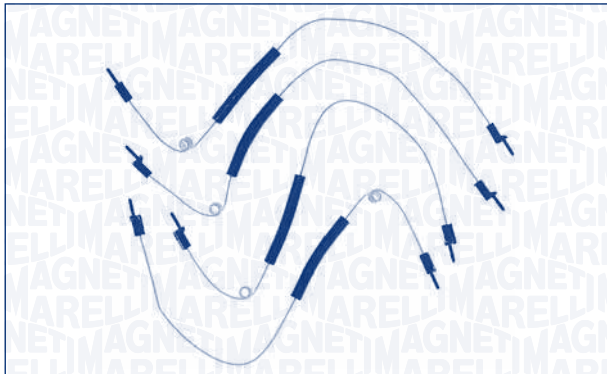
93



A00363

MERCEDES-BENZ

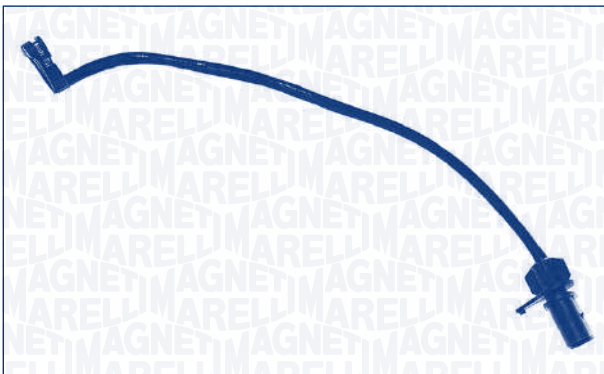
214 / 238



A00354

AUDI

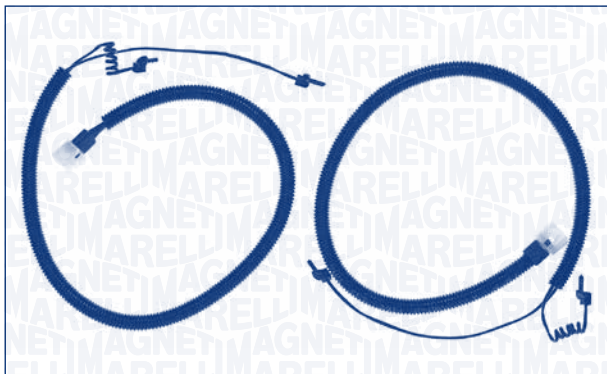
300



A00365

RENAULT TRUCKS

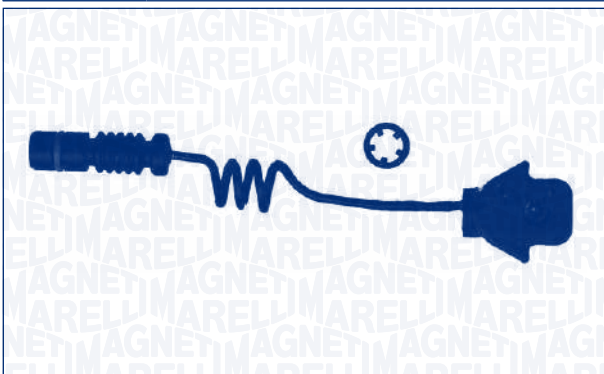
885



A00355

MERCEDES-BENZ

184



A00377

MERCEDES-BENZ

95

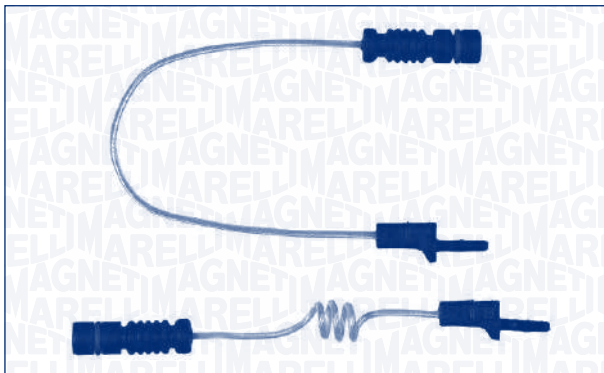


MAGNETI MARELLI



LENGTH [mm]

A00385 MERCEDES-BENZ 185 / 199



MAGNETI MARELLI

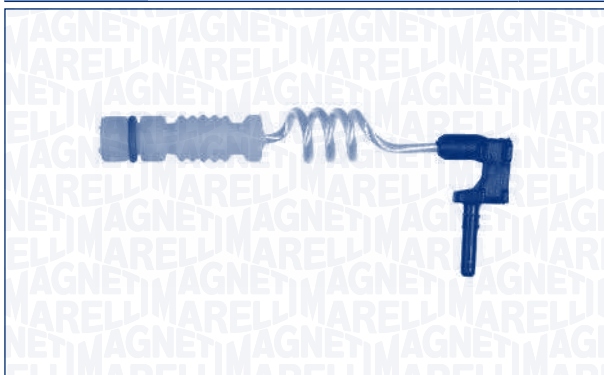


LENGTH [mm]

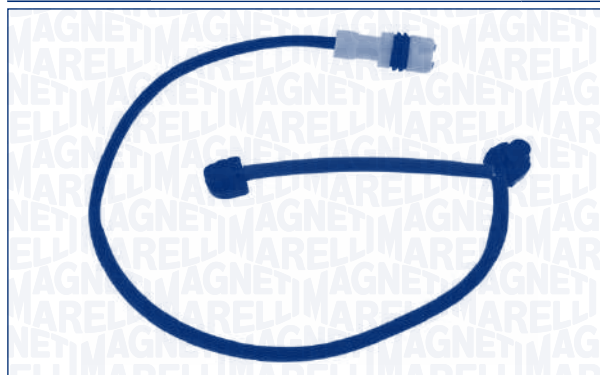
A00398 PORSCHE 375



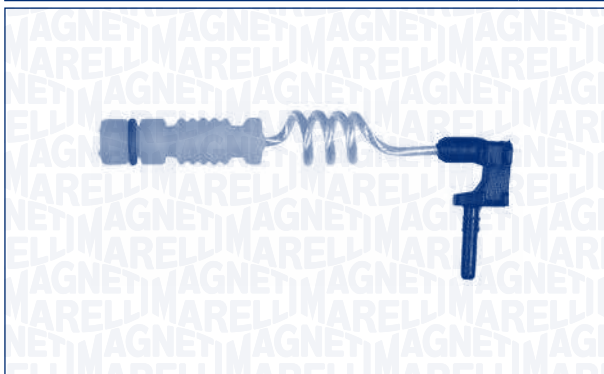
A00386 MERCEDES-BENZ 147



A00406 PORSCHE 358 / 378



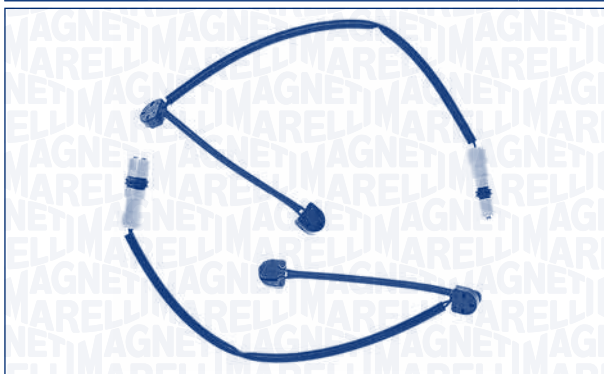
A00387 MERCEDES-BENZ 147



A00408 IVECO 130



A00393 PORSCHE 365



A00409 IVECO 300



**MAGNETI
MARELLI**



LENGTH
[mm]

A00410

IVECO

250



**MAGNETI
MARELLI**

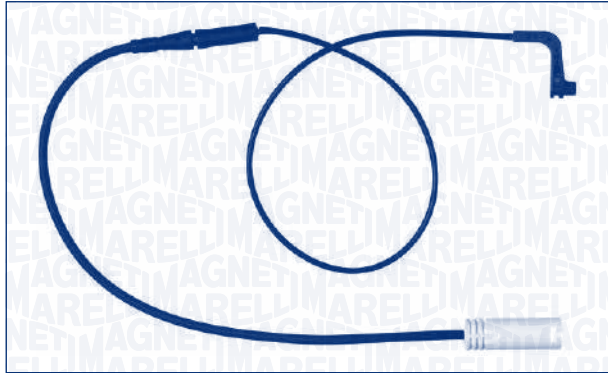


LENGTH
[mm]

A00414

BMW

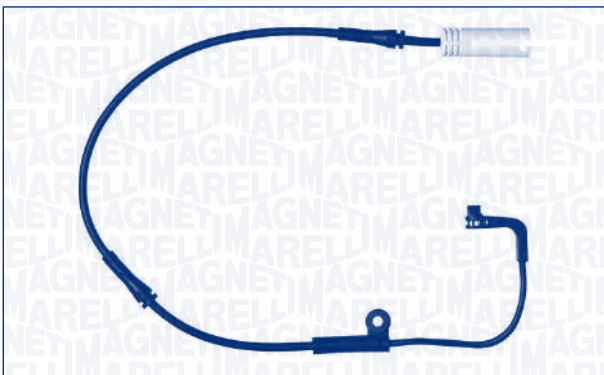
1005



A00411

BMW

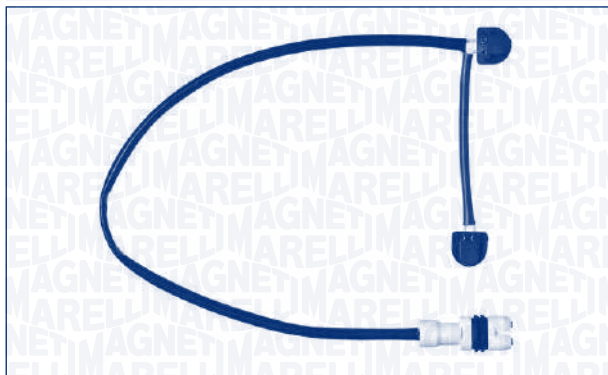
689



A00415

PORSCHE

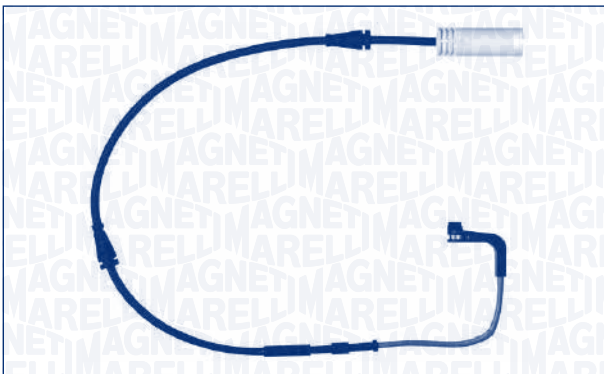
490



A00412

BMW

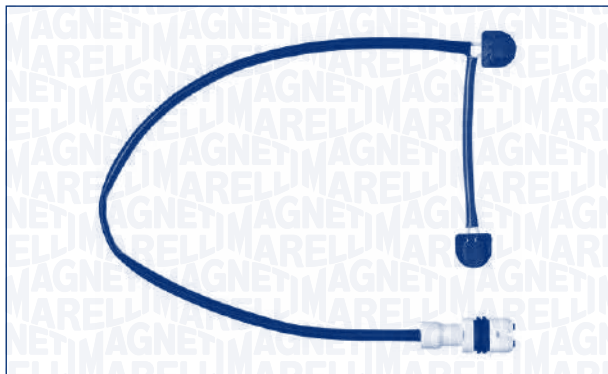
675



A00416

PORSCHE

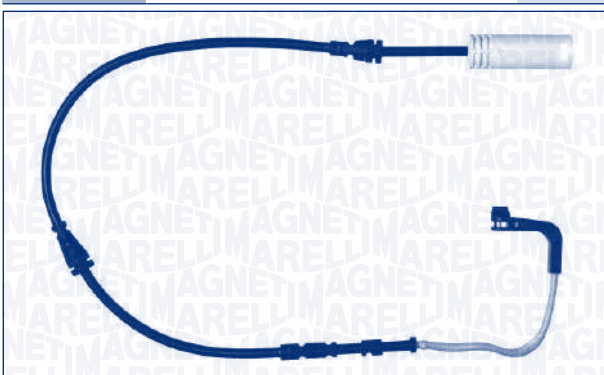
500



A00413

BMW

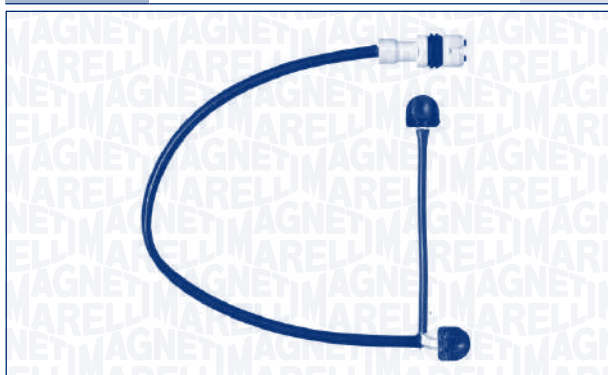
690



A00417

PORSCHE

460



**MAGNETI
MARELLI**

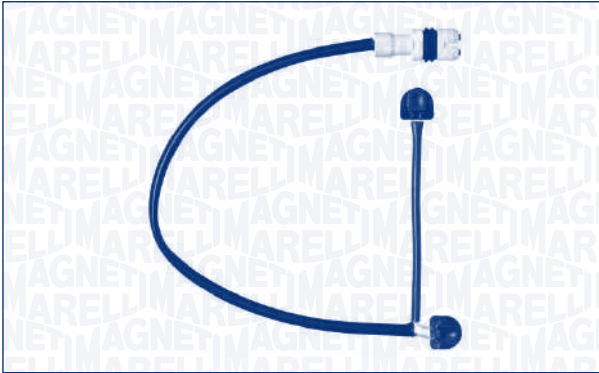


LENGTH
[mm]

A00418

PORSCHE

395



**MAGNETI
MARELLI**



LENGTH
[mm]

A00423

BMW

1066



A00419

AUDI, SEAT, SKODA, VOLKSWAGEN

555



A00424

BMW

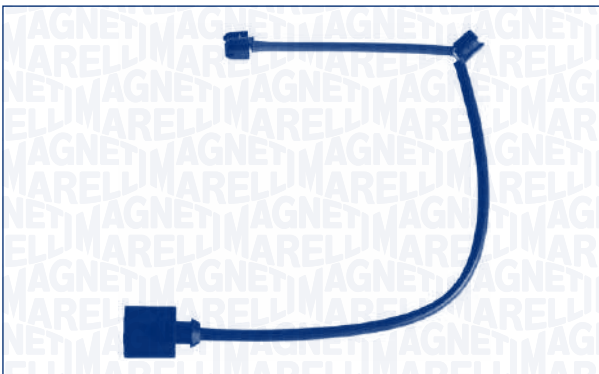
980



A00421

AUDI, SEAT, SKODA, VOLKSWAGEN

370



A00425

BMW

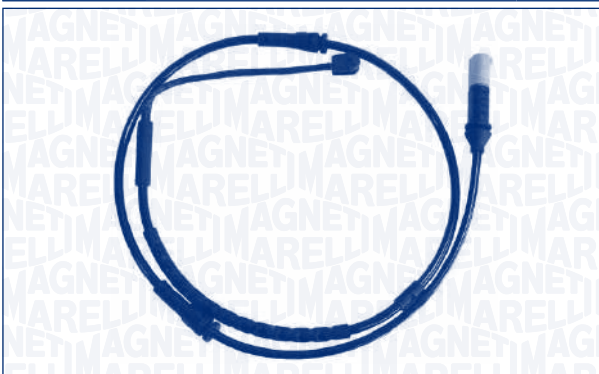
1350



A00422

BMW

1083



A00426

BMW

645



**MAGNETI
MARELLI**



LENGTH
[mm]

A00427

BMW

1130



**MAGNETI
MARELLI**



LENGTH
[mm]

A00431

BMW

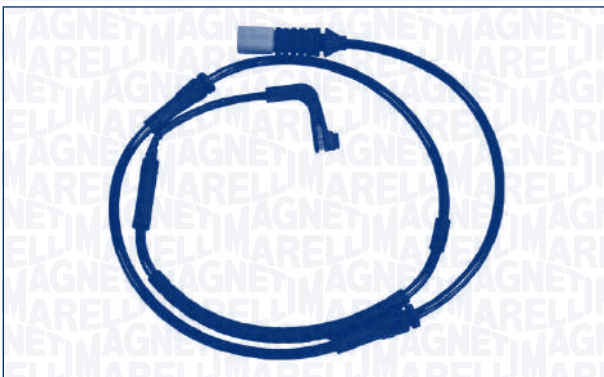
915



A00428

BMW

1055



A00432

BMW

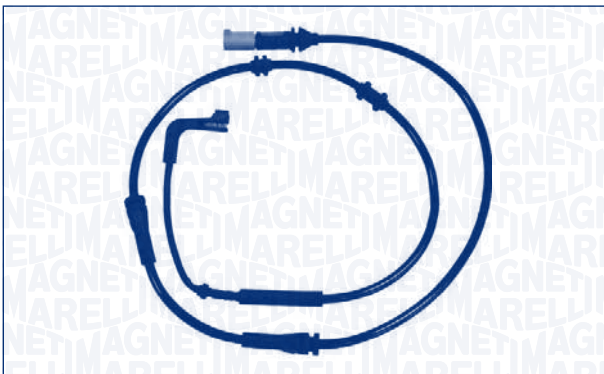
1020



A00429

BMW

1055



A00433

BMW

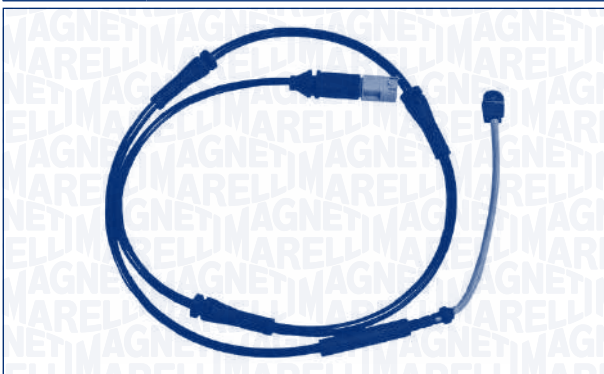
955



A00430

BMW

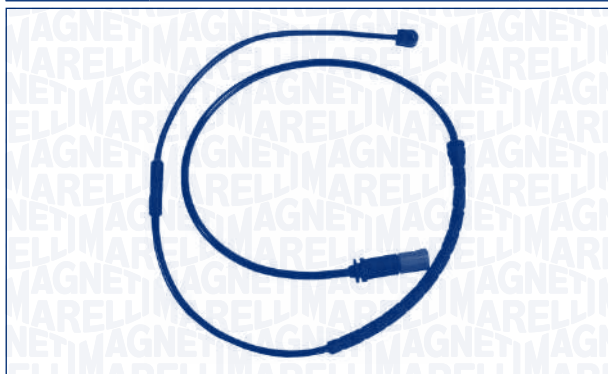
1055



A00434

BMW

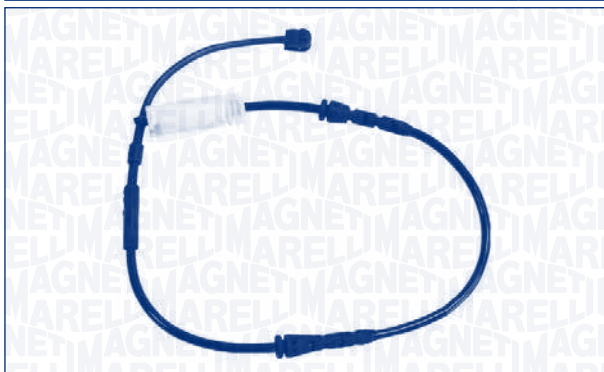
1047



MAGNETI MARELLILENGTH
[mm]**A00435**

BMW

650

**MAGNETI MARELLI**LENGTH
[mm]**A00439**

BMW

1143

**A00436**

BMW

723

**A00440**

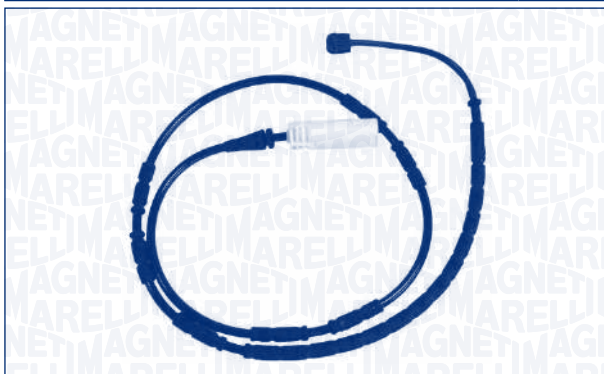
BMW

1360

**A00437**

BMW

1110

**A00441**

BMW

865

**A00438**

BMW

675

**A00442**

BMW

895



**MAGNETI
MARELLI**



LENGTH
[mm]

A00443

BMW

1005



**MAGNETI
MARELLI**



LENGTH
[mm]

A00447

MINI

1140



A00444

MINI

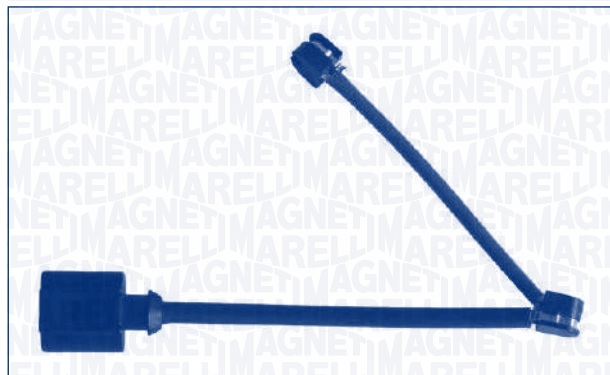
910



A00448

PORSCHE

230



A00445

MINI

960



A00450

PORSCHE

520



A00446

MINI

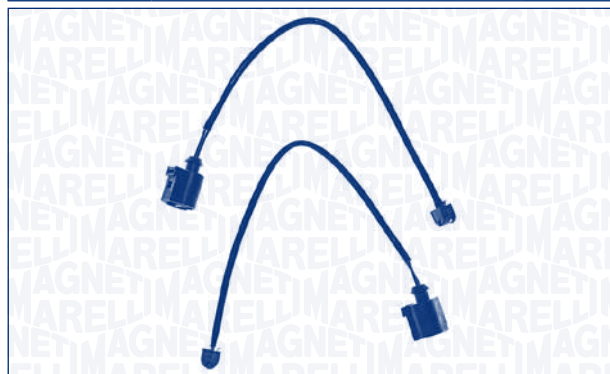
815



A00451

AUDI, PORSCHE, SEAT, SKODA, VOLKSWAGEN

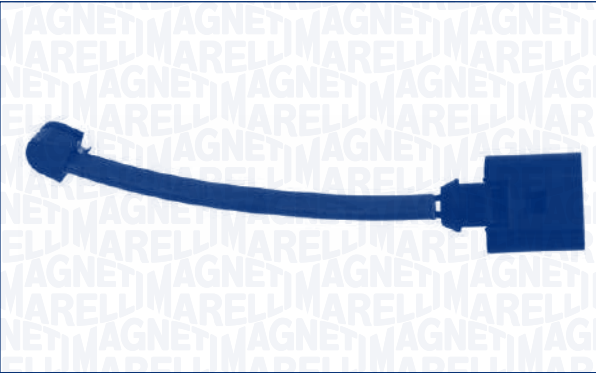
295



LENGTH
[mm]**A00452**

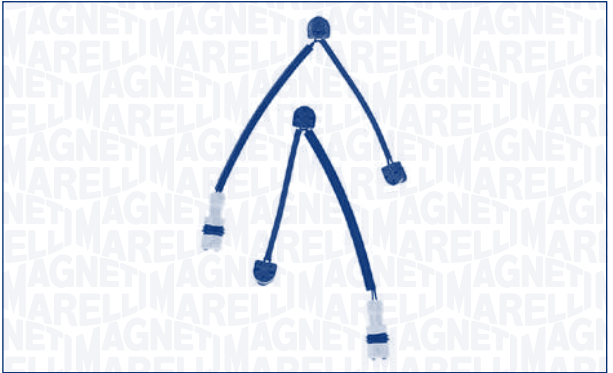
AUDI, PORSCHE, SEAT, SKODA, VOLKSWAGEN

140

LENGTH
[mm]**A00457**

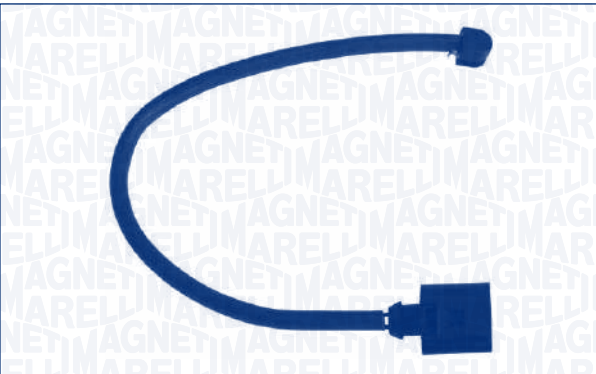
PORSCHE

275

**A00453**

AUDI, SEAT, SKODA, VOLKSWAGEN

325

**A00458**

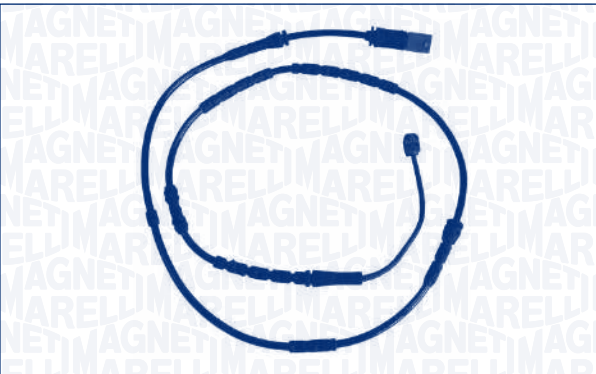
MERCEDES-BENZ

101

**A00455**

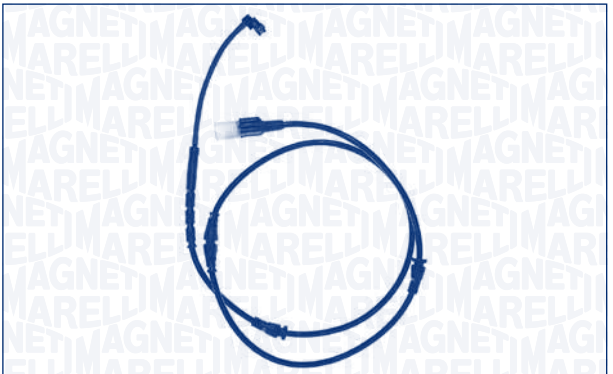
BMW

1243

**A00459**

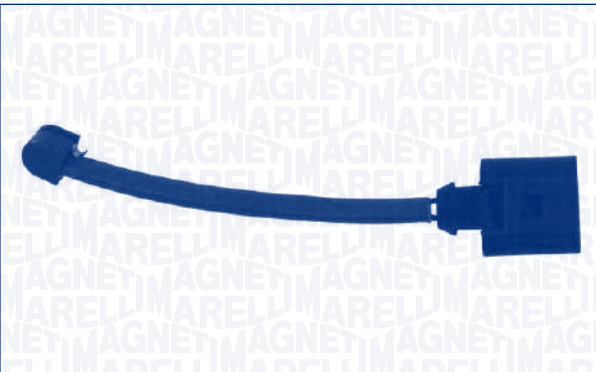
LAND ROVER

1213

**A00456**

PORSCHE

180

**A00460**

JAGUAR

588



**MAGNETI
MARELLI**

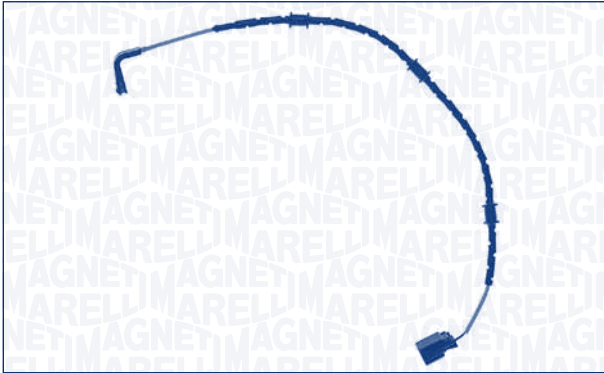


LENGTH
[mm]

A00462

JAGUAR

551



**MAGNETI
MARELLI**



LENGTH
[mm]

A00469

JAGUAR

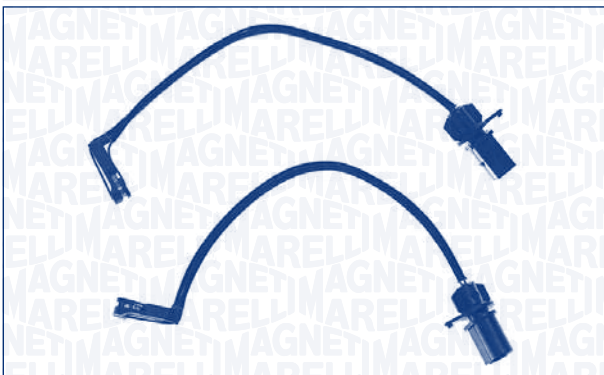
610



A00466

AUDI, SEAT, SKODA, VOLKSWAGEN

264



A00470

MERCEDES-BENZ

120



A00467

AUDI, SEAT, SKODA, VOLKSWAGEN

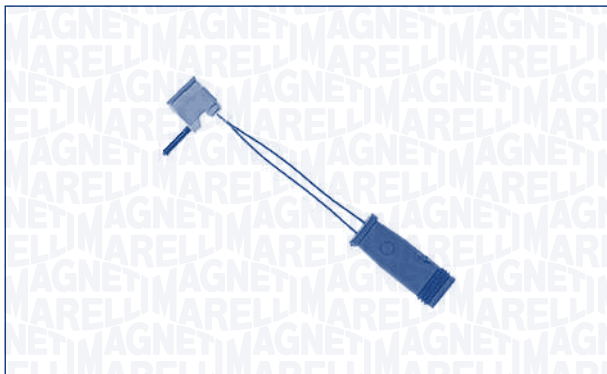
297



A00471

MERCEDES-BENZ

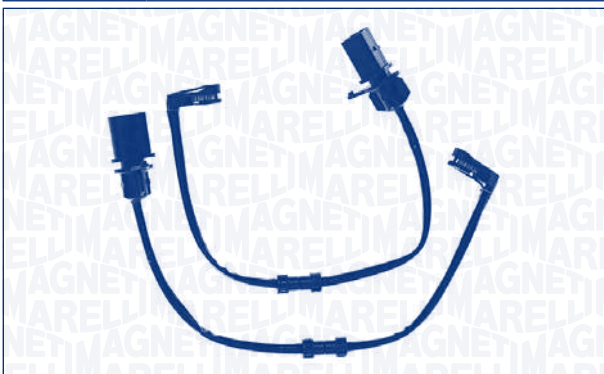
101



A00468

AUDI, SEAT, SKODA, VOLKSWAGEN

312



A00472

BMW

1110



**MAGNETI
MARELLI**



LENGTH
[mm]

A00473

BMW

675



**MAGNETI
MARELLI**

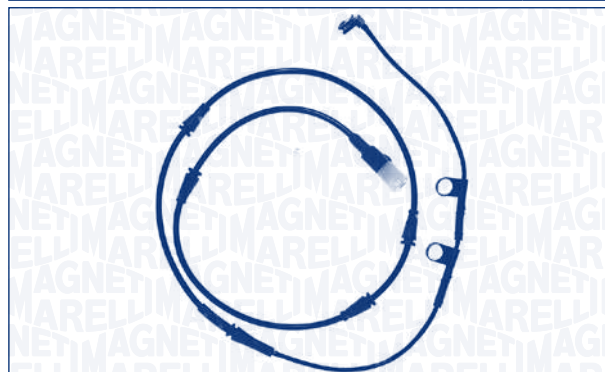


LENGTH
[mm]

A00478

LAND ROVER

1424



A00474

BMW

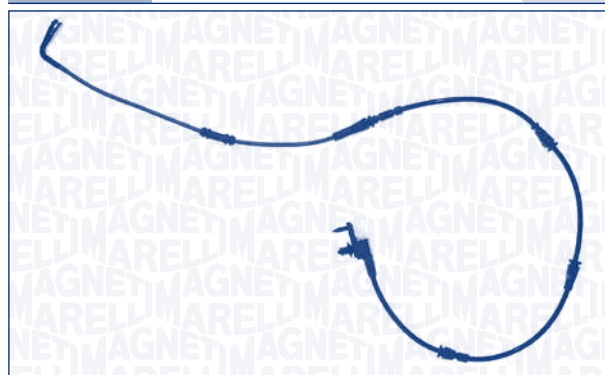
1045



A00479

LAND ROVER

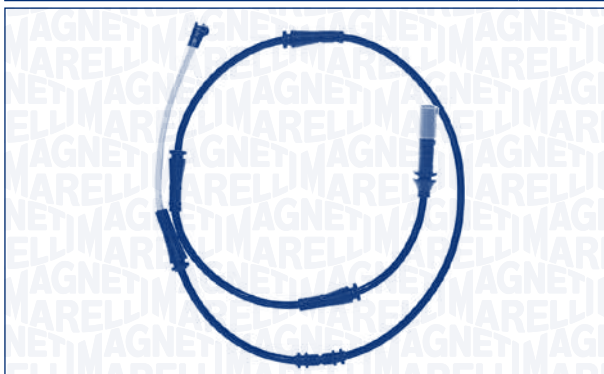
951



A00475

BMW

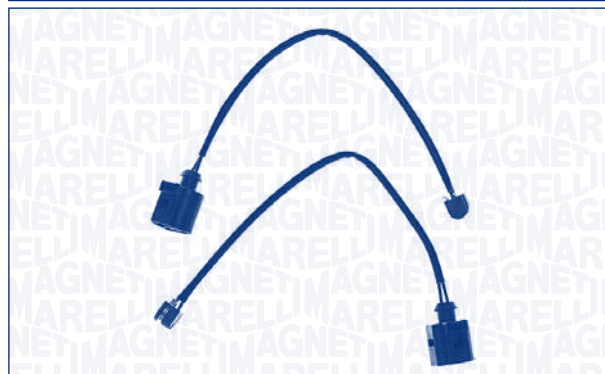
1000



A00480

PORSCHE

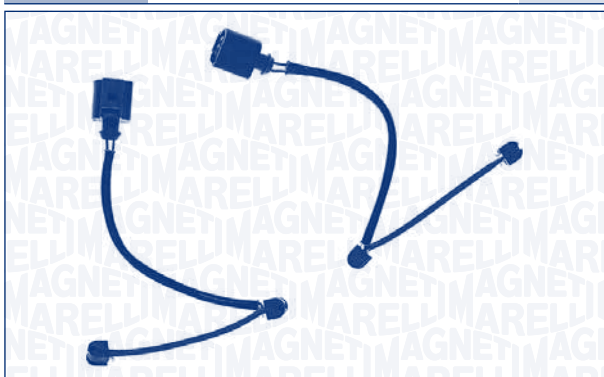
250



A00477

PORSCHE

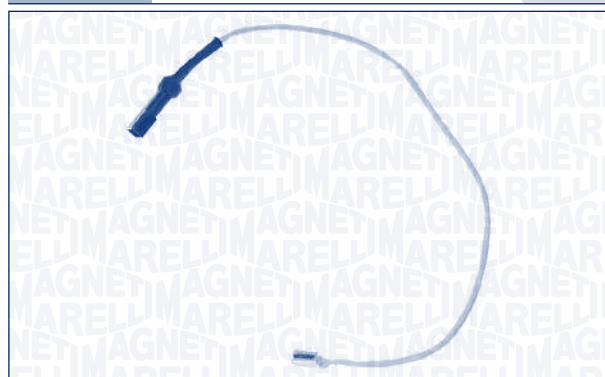
275



A00481

FORD

530



**MAGNETI
MARELLI**

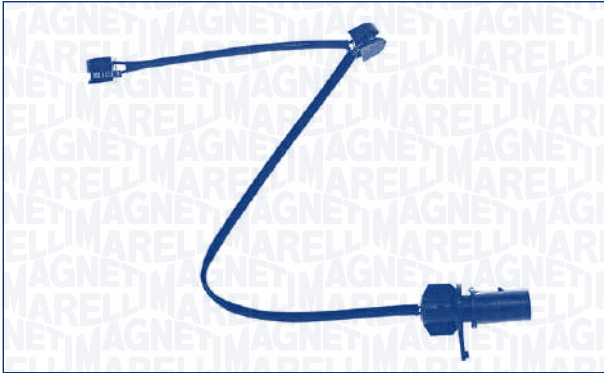


LENGTH
[mm]

A00482

AUDI, SEAT, SKODA, VOLKSWAGEN

342



**MAGNETI
MARELLI**

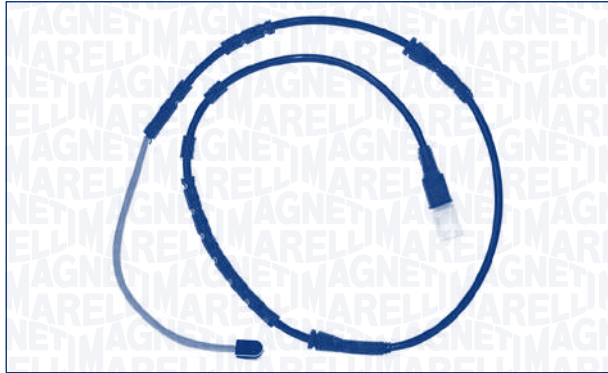


LENGTH
[mm]

A00487

BMW

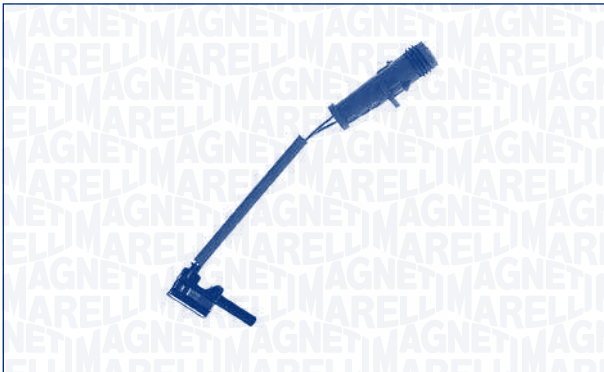
1015



A00483

MERCEDES-BENZ

100



A00488

BMW

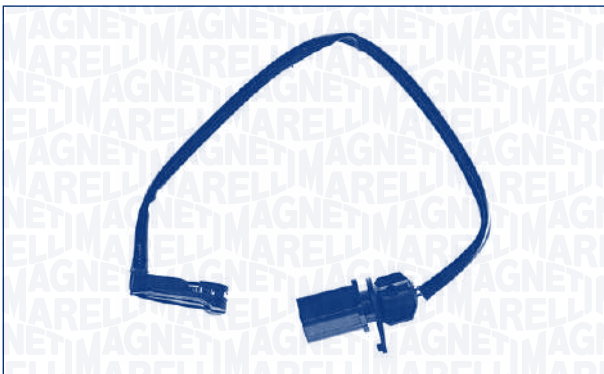
700



A00484

AUDI, SEAT, SKODA, VOLKSWAGEN

300



A00490

LAND ROVER

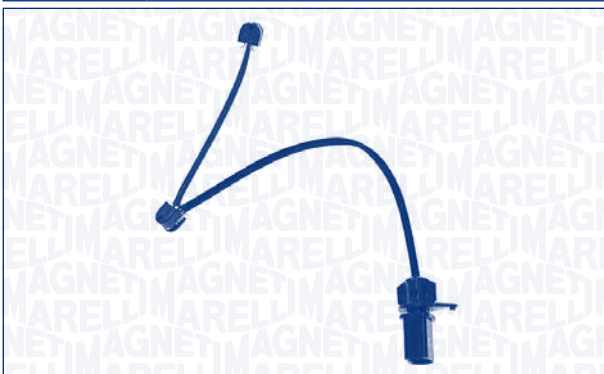
830



A00486

PORSCHE

215



A00492

AUDI, SEAT, SKODA, VOLKSWAGEN

170





LENGTH
[mm]

A00493

AUDI, SEAT, SKODA, VOLKSWAGEN

315

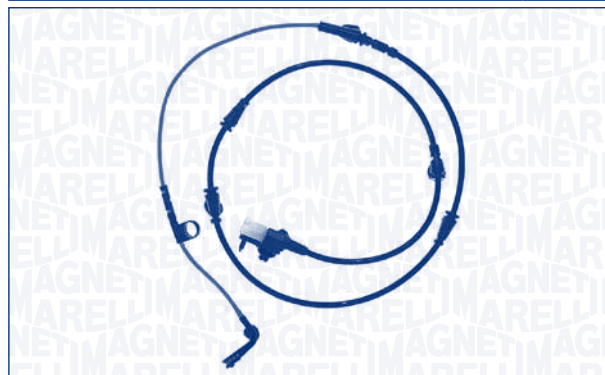



LENGTH
[mm]

A00498

LAND ROVER

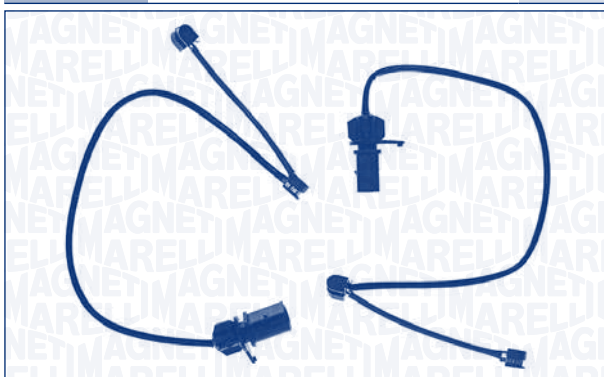
1380



A00494

AUDI, SEAT, SKODA, VOLKSWAGEN

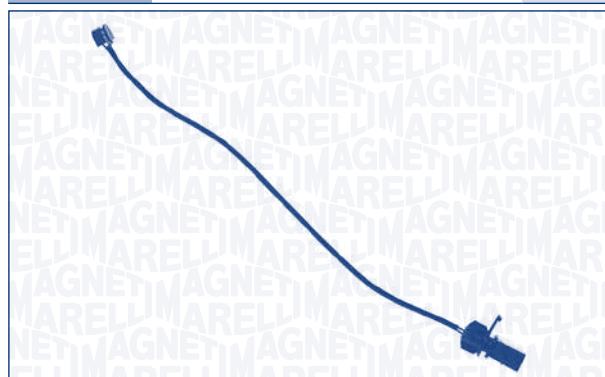
450



A00499

PORSCHE

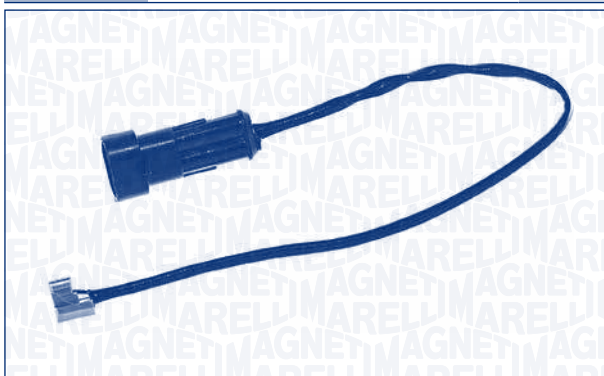
355



A00496

IVECO

295



A00500

AUDI, SEAT, SKODA, VOLKSWAGEN

255



A00497

JAGUAR

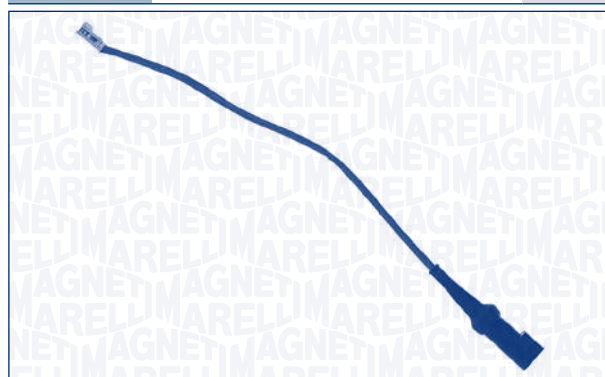
630



A00501

FORD

370



**MAGNETI
MARELLI**

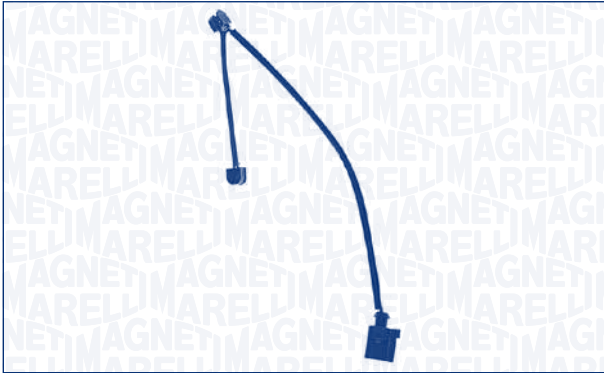


LENGTH
[mm]

A00502

PORSCHE

350



**MAGNETI
MARELLI**

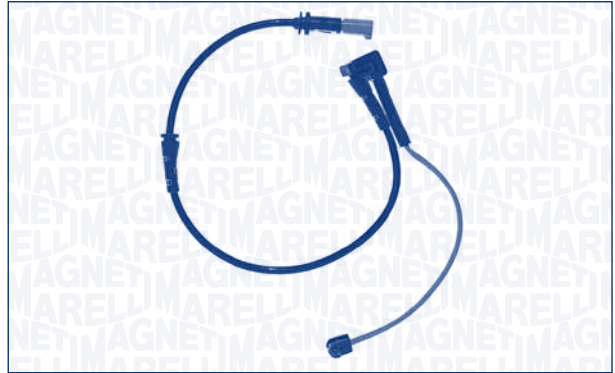


LENGTH
[mm]

A00506

BMW

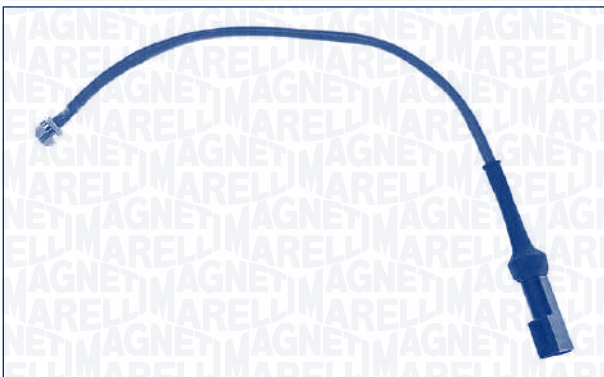
200 / 475



A00503

FORD

313



A00507

BMW

642



A00504

FORD

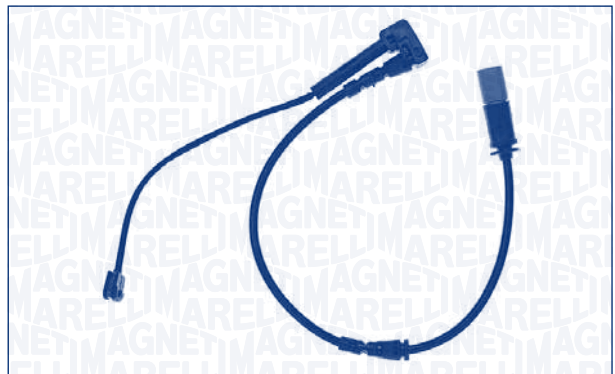
672



A00509

MINI

235 / 430



A00505

FORD

480



Kit di montaggio – Disegni

Fitting kit – Drawings

Montage-kit – Zeichnungen

Kit de montage – Maquettes

Kit de montaje – Diseños

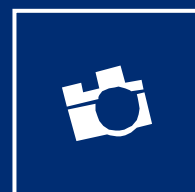
Kit de montagem – Desenhos

Κιτ συναρμολόγησης – Σχεδιαγράμματα

Zestaw montażowy – Rysunki techniczne

Монтажный комплект – Рисунки

Kampana kiti – Resimler



MAGNETI MARELLI



A02200



FORD

MAGNETI MARELLI

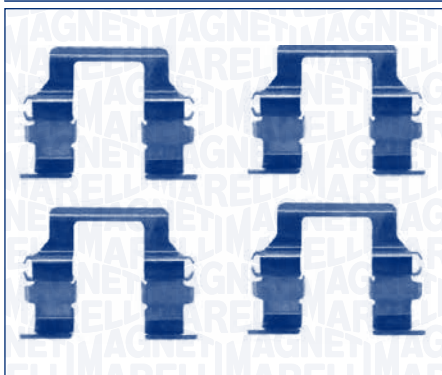


A02205



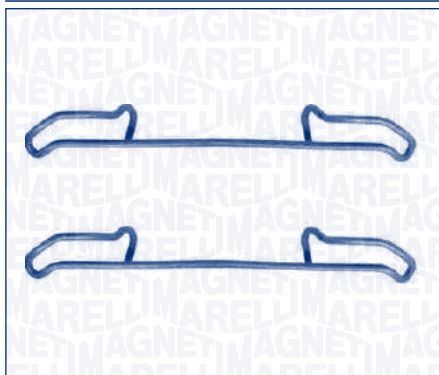
ALFA ROMEO
AUDI
CITROËN
FIAT
FORD
LANCIA
NISSAN
PEUGEOT
RENAULT
SEAT
SKODA
TOYOTA
VOLKSWAGEN

A02201



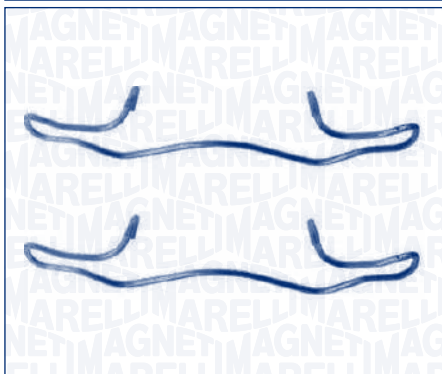
MITSUBISHI

A02211



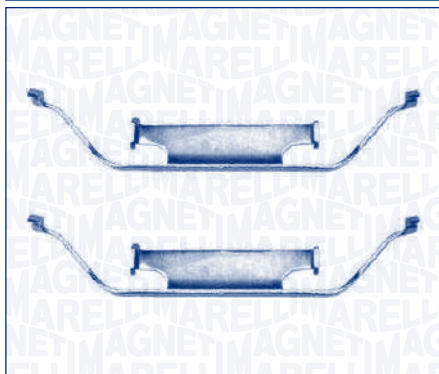
SAAB
VOLKSWAGEN

A02202



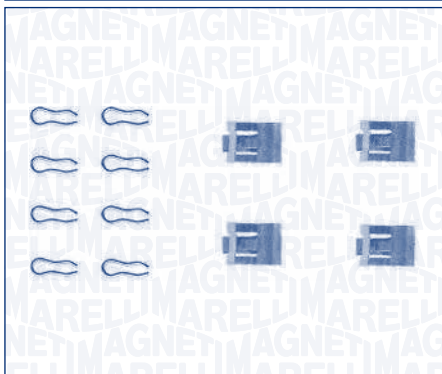
ALFA ROMEO
CHEVROLET
CHRYSLER
CITROËN
DACIA, FIAT
FORD, HONDA
LANCIA, MAZDA
MERCEDES-BENZ
MG, MINI
NISSAN, OPEL
PEUGEOT
RENAULT
ROVER, SAAB
VAUXHALL, VOLVO

A02213



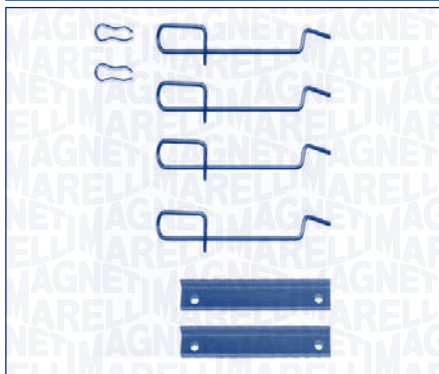
ALFA ROMEO
ALPINA
BMW

A02203



FIAT
FSO
SEAT

A02214

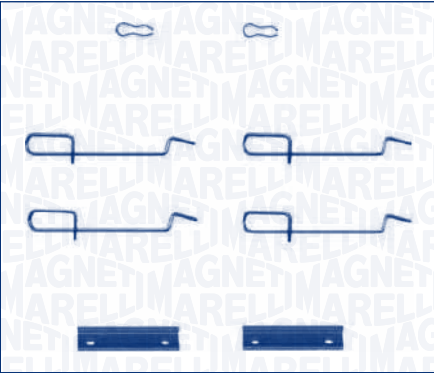


CITROËN
PEUGEOT

**MAGNETI
MARELLI**



A02215

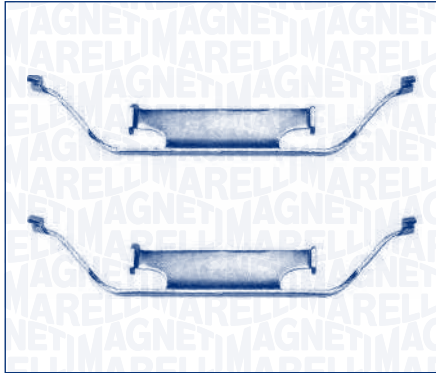


CITROËN
PEUGEOT
RENAULT

**MAGNETI
MARELLI**

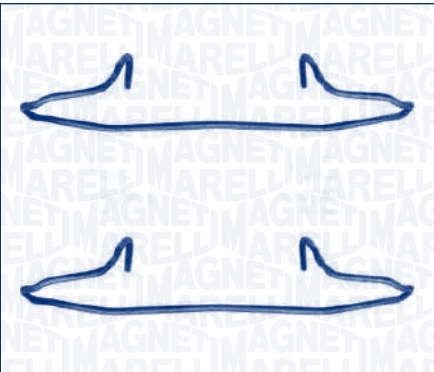


A02223



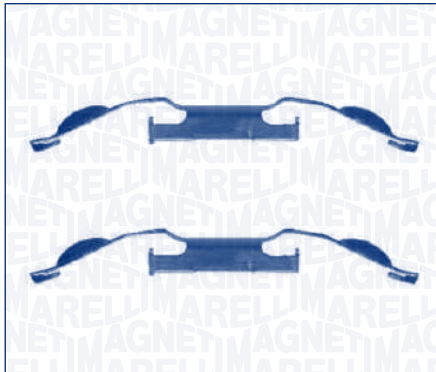
BMW
MG
ROVER

A02217



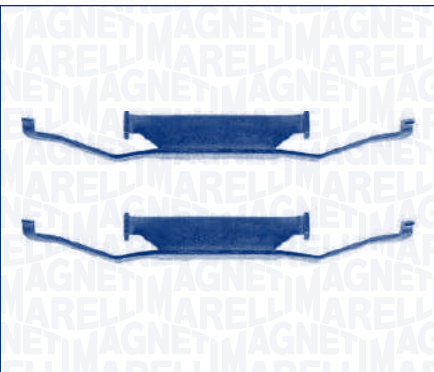
AUDI
DAIHATSU
DAIMLER
FORD
JAGUAR
MAZDA
PEUGEOT
SAAB
SEAT
SKODA
TOYOTA
VOLKSWAGEN
VOLVO

A02224



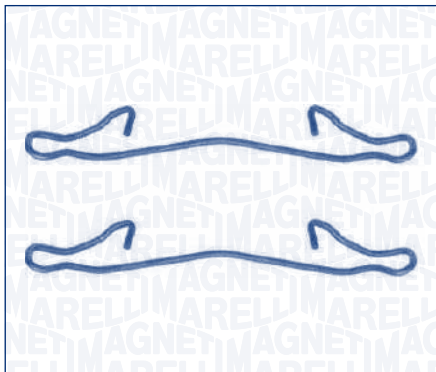
ALPINA
BMW
FORD
LAND ROVER
VOLVO

A02221



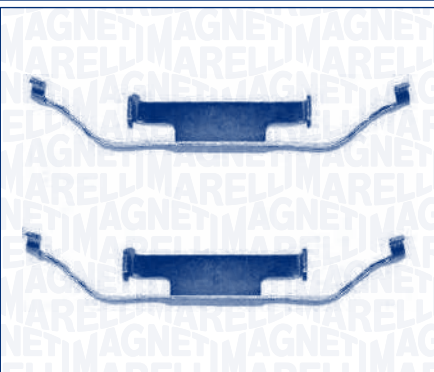
VOLKSWAGEN

A02227



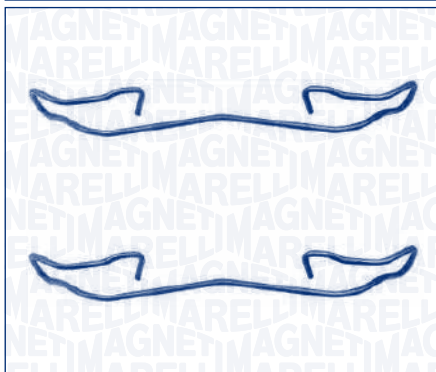
BMW
DACIA
DAIHATSU
FIAT
FORD
KIA
LANCIA
MAZDA
TOYOTA
VOLVO

A02222

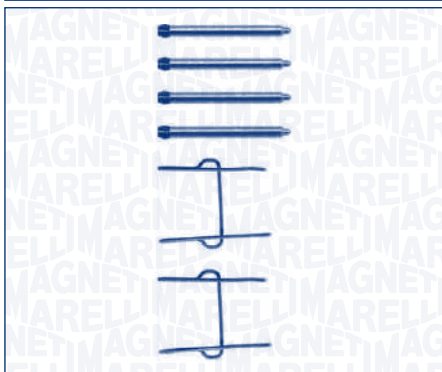
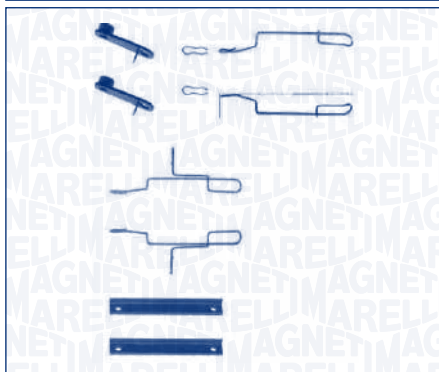


ALPINA
BMW
MG
ROVER

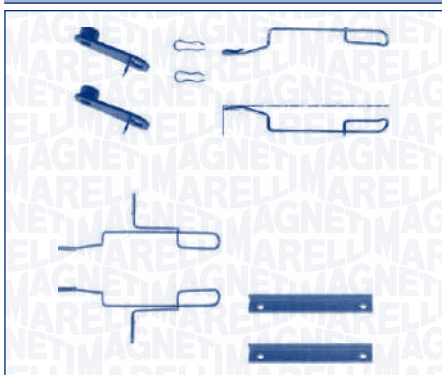
A02228



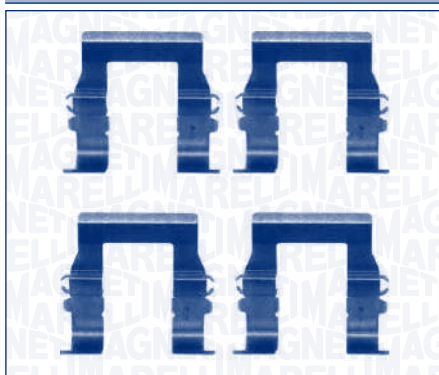
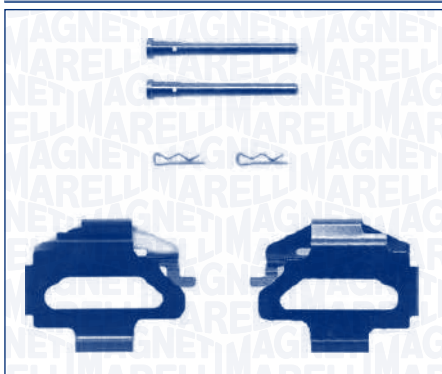
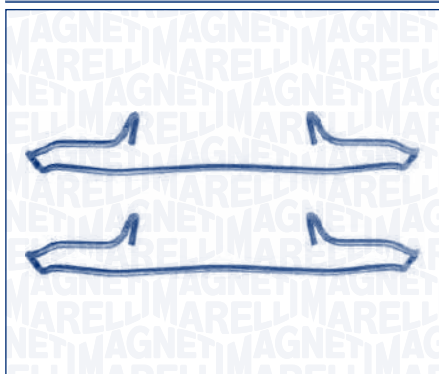
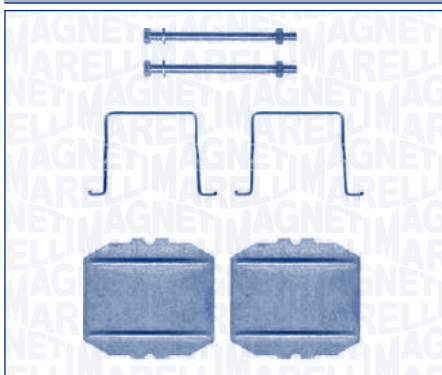
FORD
RENAULT

**A02229**CITROËN
PEUGEOT**A02233**

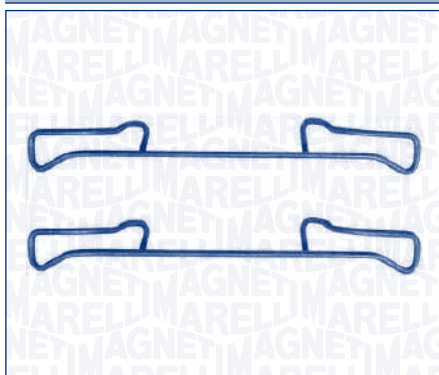
PEUGEOT

A02230

PEUGEOT

A02236CITROËN
MITSUBISHI
PEUGEOT**A02231**CITROËN
FIAT
FORD
PEUGEOT**A02237**CITROËN
FIAT
LANCIA
PEUGEOT**A02232**

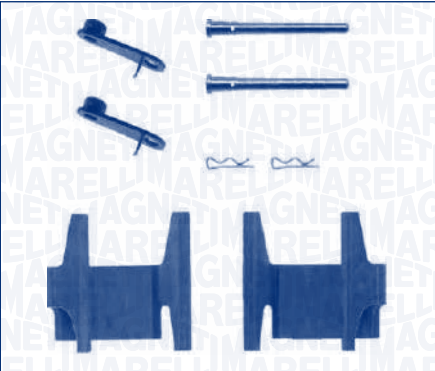
CITROËN

A02238CHEVROLET
CITROËN
KIA
OPEL
PEUGEOT
VAUXHALL

**MAGNETI
MARELLI**



A02240



CITROËN
PEUGEOT

**MAGNETI
MARELLI**

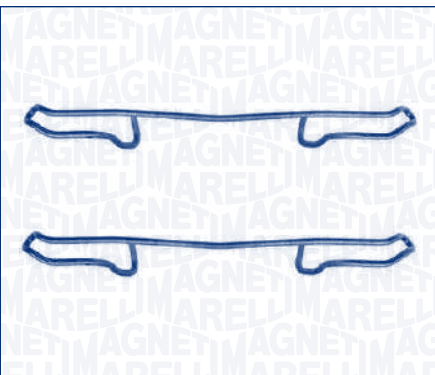


A02244



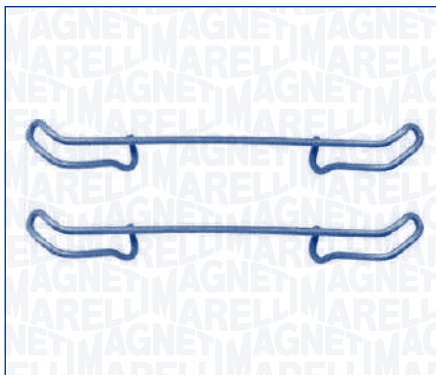
FIAT
LANCIA

A02241



DAEWOO
OPEL
VAUXHALL

A02245



FIAT

A02242



DAIHATSU
MITSUBISHI

A02250



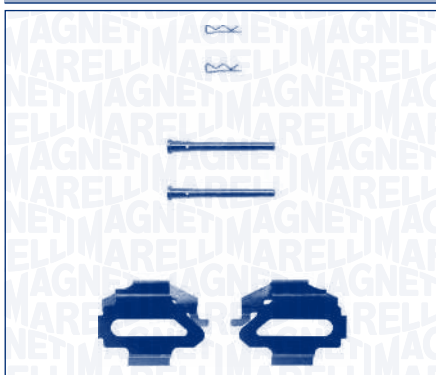
FORD

A02243



MAZDA

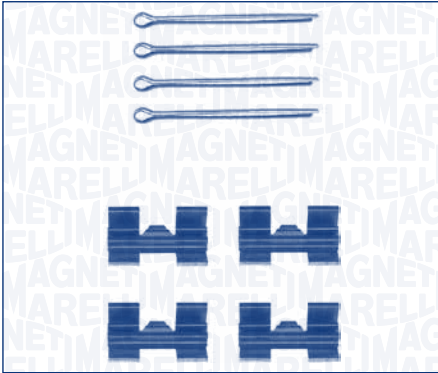
A02253



FORD



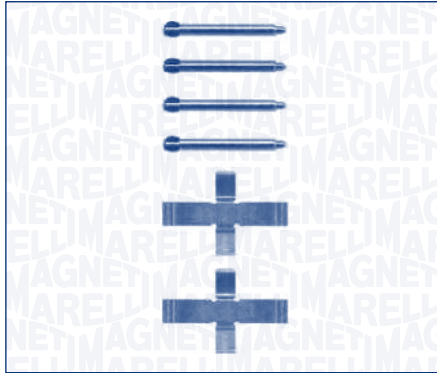
A02257



LAND ROVER

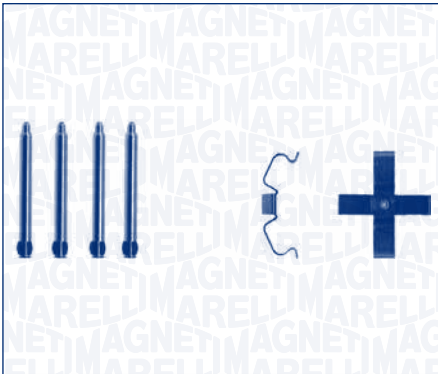


A02269



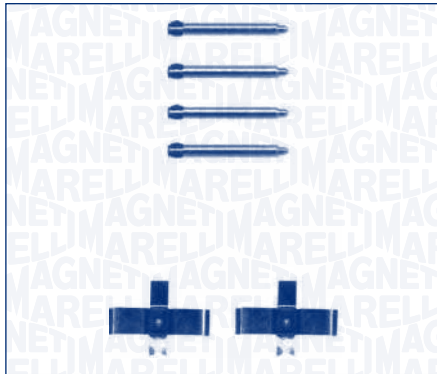
MERCEDES-BENZ

A02258



OPEL
SAAB
VAUXHALL

A02270



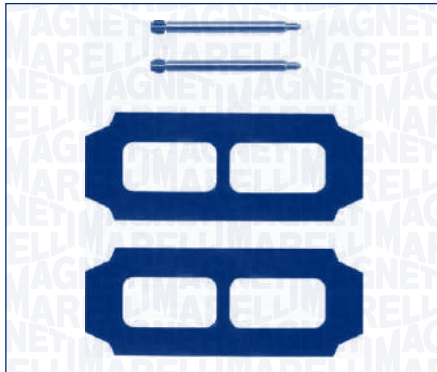
CHRYSLER
MERCEDES-BENZ

A02262



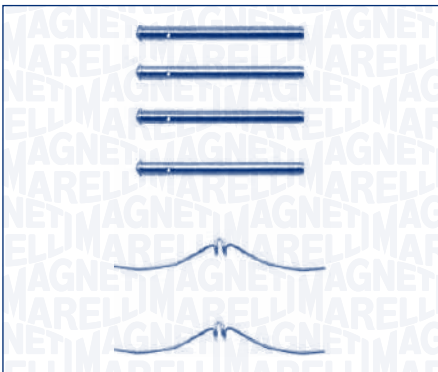
HYUNDAI
MITSUBISHI

A02271



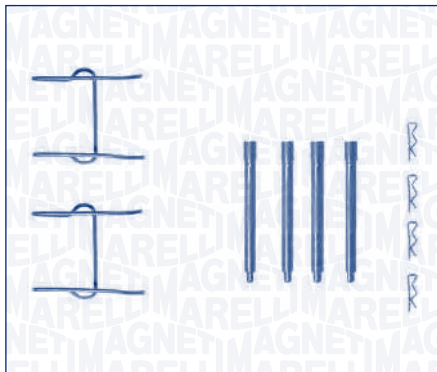
MERCEDES-BENZ
PUCH

A02264



MAZDA

A02281



MERCEDES-BENZ
PEUGEOT



A02290



NISSAN

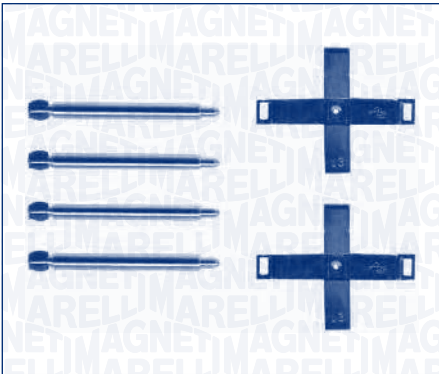


A02303



SEAT
VOLKSWAGEN

A02296



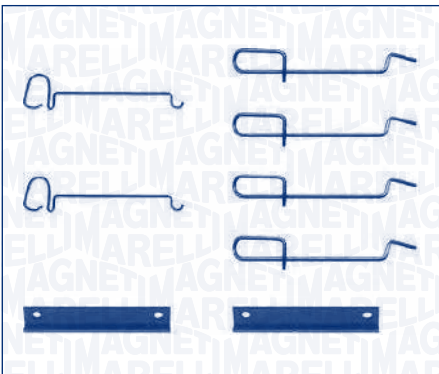
OPEL
VAUXHALL

A02304



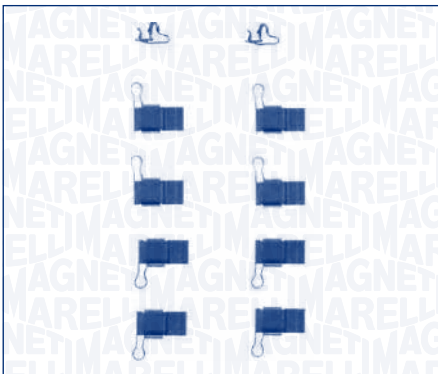
SEAT
VOLKSWAGEN

A02300



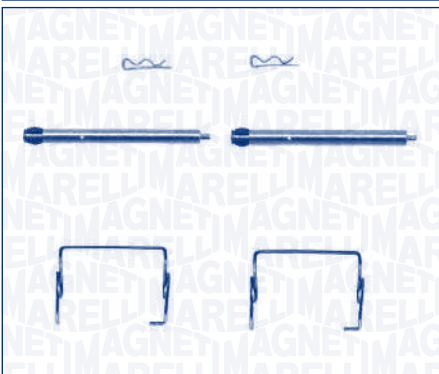
RENAULT

A02312



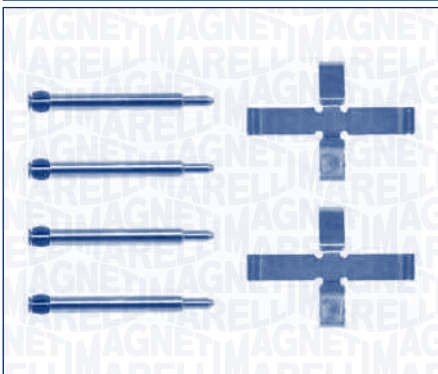
TOYOTA

A02301



RENAULT

A02315

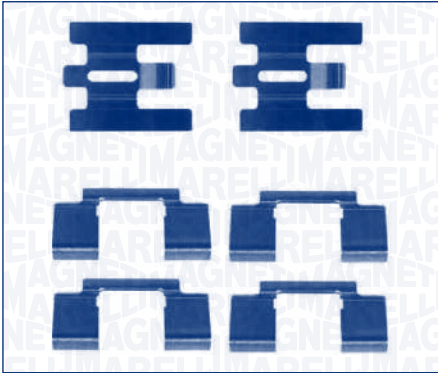


VOLVO

MAGNETI
MARELLI



A02317

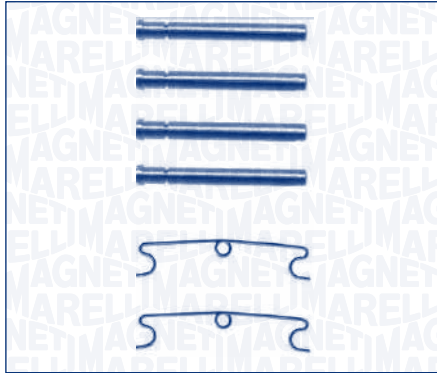


VOLVO

MAGNETI
MARELLI

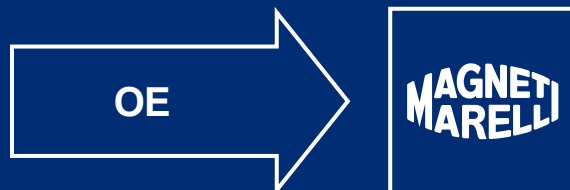


A02323



VOLKSWAGEN

Brake pads – Cross reference guide



OE	MAGNETI MARELLI
----	-----------------

ABARTH	
792489	P23017MM
793330	P23017MM
793460	P23017MM
795121	P23017MM
5741889	P23117MM
5888147	P23017MM
5889089	P23017MM
5892730	P23017MM
5892733	P23017MM
5892738	P23017MM
5983919	P23017MM
5983950	P23017MM
9938109	P68001MM
9947482	P23017MM
9948358	P23017MM
9948417	P23064MM
9949276	P23087MM
9949335	P23064MM
50902169	P23104MM
51928528	P23087MM
60777600	P23017MM
71748385	P23017MM
71752988	P23064MM
71752990	P23087MM
71754803	P23087MM
71770022	P23104MM
71770948	P23017MM
71770981	P23087MM
71772212	P23064MM
71772221	P23108MM
71772222	P23087MM
71772521	P23087MM
71773144	P23104MM
71773152	P23137MM
77362092	P23087MM
77362195	P23087MM
77362268	P23017MM
77362270	P23064MM
77362712	P23087MM
77363445	P23064MM
77363942	P23108MM
77363958	P23087MM
77363959	P23104MM
77363974	P23108MM
77364024	P23064MM

OE	MAGNETI MARELLI
----	-----------------

ABARTH	
77364393	P23108MM
77364394	P23108MM
77364473	P23087MM
77364477	P23108MM
77364517	P23108MM
77364599	P23087MM
77364637	P23108MM
77364716	P23117MM
77364798	P23108MM
77364832	P23108MM
77364874	P23108MM
77364875	P23087MM
77364961	P23064MM
77365026	P23087MM
77365113	P23087MM
77365464	P23142MM
77365468	P23137MM
77365623	P23087MM
77365651	P23108MM
77365716	P23137MM
77365754	P23146MM
77365810	P23087MM
77365865	P23137MM
77365886	P23142MM
77366290	P23139MM
77366528	P23137MM
77366530	P23137MM
77367241	P23146MM

ACURA	
43022S9AA01	P28039MM
43022SPRE01	P28040MM
43022STKA00	P28039MM
43022STKA01	P28039MM
43022TOGA01	P28061MM
45022S0KA12	P28034MM
45022S3VA11	P56040MM
45022S7A000	P28023MM
45022SEPA01	P28034MM
45022SEPA11	P28034MM
45022SHJ405	P28068MM
45022SHJ415	P28068MM
45022SHJA50	P28068MM
45022STKA00	P28068MM
45022SVBA02	P28032MM

OE	MAGNETI MARELLI
----	-----------------

ACURA	
45022SX0J03	P28026MM
45022SZ3A00	P28034MM
45022TR7A02	P28035MM

ALFA ROMEO	
762699	P23014MM
790362	P23017MM
790475	P23002MM
791235	P23013MM
791449	P23017MM
791906	P23013MM
792043	P23017MM
792282	P23017MM
792424	P23017MM
792466	P23017MM
792486	P23017MM
792487	P23017MM
792538	P23013MM
792552	P23013MM
792588	P23017MM
792698	P23017MM
792703	P23032MM
792704	P23032MM
793184	P23017MM
793220	P23017MM
793221	P23017MM
793271	P23017MM
793330	P23017MM
793355	P23017MM
793356	P23017MM
793357	P23017MM
793382	P23017MM
793385	P23017MM
793465	P23017MM
793470	P23017MM
794080	P23026MM
794089	P23026MM
794091	P23017MM
794858	P23017MM
794963	P23017MM
1571571	PA6001MM
2713360	P86002MM
4236416	P23002MM
4290630	P23002MM
4431470	PA6001MM

OE	MAGNETI MARELLI
----	-----------------

ALFA ROMEO	
4432481	PA6003MM
4434879	P23017MM
5015935	PA6001MM
5018908	PA6001MM
5022398	PA6001MM
5888147	P23017MM
5888153	P23017MM
5888546	P23019MM
5888575	P23017MM
5892481	P23017MM
5892549	P23017MM
5892608	P23017MM
5892727	P23017MM
5892728	P23017MM
5892731	P23045MM
5892734	P23017MM
5892735	P23017MM
5893948	P23048MM
5951671	P23013MM
5951868	P23002MM
5983913	P23019MM
5983918	P23017MM
5983924	P23017MM
5983948	P23017MM
5983950	P23017MM
5984031	P23017MM
6077760	P23017MM
6613708	PA6001MM
7663999	PA6006MM
9938205	P23022MM
9938719	P23019MM
9938853	P23017MM
9939353	P23019MM
9939503	P85013MM
9939966	P23026MM
9940082	PA6009MM
9941211	P85013MM
9941605	P23026MM
9941669	P23026MM
9941872	P23066MM
9941873	P85013MM
9942904	P23026MM
9944329	P23066MM
9944678	P23066MM
9945496	P23026MM

OE	MAGNETI MARELLI
ALFA ROMEO	
9945629	P85013MM
9945750	P85013MM
9945775	P23067MM
9945815	P23041MM
9945816	P23041MM
9945821	P23026MM
9945822	P23026MM
9945823	P23026MM
9946023	P23045MM
9946227	P23066MM
9946568	P23067MM
9946750	P23066MM
9947007	P23026MM
9947118	P23057MM
9947124	P23070MM
9947156	P23077MM
9947446	P23057MM
9947629	P23057MM
9947630	P23070MM
9947643	P23074MM
9947776	P23071MM
9947935	P23077MM
9947936	P23075MM
9947938	P23026MM
9947955	P23077MM
9948030	P23078MM
9948092	P23116MM
9948334	P23077MM
9948335	P23075MM
9948337	P23075MM
9948408	P23073MM
9948410	P23073MM
9948557	P23078MM
9948577	P23067MM
9948845	P23077MM
9948887	P23114MM
9949048	P23070MM
9949134	P23077MM
9949173	P23026MM
9949332	P23065MM
9949334	P23065MM
9949412	P23116MM
9949509	P23074MM
9949533	P23074MM
9950479	P23026MM

OE	MAGNETI MARELLI
ALFA ROMEO	
9950550	P23066MM
9950637	P23077MM
9950713	P23057MM
9950714	P23026MM
9950778	P23077MM
9950812	P23074MM
9950821	P23067MM
9950853	P23026MM
9950865	P23026MM
9951050	P23078MM
9951067	P23070MM
9951101	P23116MM
9951155	P23078MM
9951222	P23065MM
9951226	P23114MM
9951243	P23070MM
46602617	P23026MM
60526090	P59001MM
60711958	P59001MM
60711959	P59001MM
60712608	P06001MM
60713601	P23001MM
60714404	P06001MM
60720645	P23012MM
60723584	P23001MM
60723585	P06001MM
60727286	P59001MM
60728433	P59004MM
60728434	P59004MM
60729250	P59001MM
60729251	P59001MM
60735630	P23041MM
60736109	P06002MM
60737389	P06002MM
60740842	P23012MM
60741331	P59004MM
60743417	P23041MM
60743563	P23041MM
60743565	P85013MM
60743578	P85013MM
60749739	P23029MM
60749867	P23029MM
60750413	P23035MM
60750465	P23027MM
60750778	P23027MM

OE	MAGNETI MARELLI
ALFA ROMEO	
60750838	P23035MM
60750868	P23029MM
60750869	P23027MM
60750872	P23027MM
60760106	P23041MM
60760120	P85013MM
60760121	P23041MM
60760124	P23041MM
60760160	P23041MM
60765010	P23026MM
60765018	P23048MM
60765020	P23026MM
60774842	P23012MM
60777263	P23027MM
60777264	P23035MM
60777600	P23017MM
60777601	P23026MM
60778098	P23048MM
60778257	P23012MM
60778263	P59001MM
60778272	P06002MM
60778277	P23029MM
60778283	P23027MM
60778315	P59004MM
60778676	P23048MM
60810239	P23017MM
71712910	P23067MM
71713143	P23077MM
71713144	P23075MM
71738151	P23079MM
71738154	P23055MM
71748384	P23013MM
71748386	P23041MM
71748388	P23077MM
71748391	P23066MM
71752982	P23073MM
71752986	P23081MM
71752987	P23067MM
71752992	P23061MM
71752994	P23017MM
71753039	P23077MM
71753041	P23070MM
71753042	P23070MM
71753044	P23077MM
71753265	P23117MM

OE	MAGNETI MARELLI
ALFA ROMEO	
71765647	P23115MM
71769140	P23081MM
71769141	P23114MM
71770957	P23114MM
71770977	P23078MM
71770978	P23074MM
71770991	P23065MM
71772208	P23077MM
71772214	P23077MM
71772216	P23098MM
71772223	P23089MM
71772522	P23065MM
71772524	P23017MM
71772528	P23077MM
71772531	P23075MM
71772532	P23077MM
71772533	P23074MM
71772534	P23103MM
71779170	P23026MM
77362170	P23073MM
77362178	P23079MM
77362179	P23099MM
77362187	P85013MM
77362196	P23145MM
77362216	P23092MM
77362222	P23077MM
77362225	P23114MM
77362226	P23078MM
77362228	P23116MM
77362229	P23077MM
77362237	P23061MM
77362239	P23074MM
77362242	P23026MM
77362254	P23116MM
77362266	P23013MM
77362275	P23065MM
77362276	P23065MM
77362315	P23055MM
77362316	P23070MM
77362344	P23066MM
77362346	P23041MM
77362354	P23026MM
77362674	P23112MM
77362675	P23065MM
77362692	P23098MM

OE	MAGNETI MARELLI
ALFA ROMEO	
77362722	P23098MM
77363328	P23078MM
77363336	P23078MM
77363545	P23078MM
77363579	P23109MM
77363580	P23089MM
77363599	P23103MM
77363818	P23109MM
77363819	P23089MM
77363992	P23099MM
77364265	P23078MM
77364273	P23089MM
77364516	P23115MM
77364587	P23103MM
77364859	P23092MM
77364862	P23091MM
77364900	P23129MM
77364920	P23065MM
77365188	P23145MM
77365201	P23117MM
77365202	P23129MM
77365354	P23132MM
77365355	P23148MM
77365357	P23133MM
77365490	P23134MM
77365542	P23152MM
77365623	P23087MM
77365672	P23139MM
77365752	P23131MM
77365786	P23065MM
77365808	P23145MM
77365938	P23116MM
77365939	P23026MM
77366135	P23108MM
77366389	P23154MM
77366718	P23162MM
77366753	P23166MM
77367517	P23162MM
82361902	P23019MM
93806190	PA6001MM
99457750	P23067MM
99465680	P23067MM
607408480	P23012MM
773363336	P23078MM
6072064500	P23012MM

OE	MAGNETI MARELLI
ALFA ROMEO	
6072728600	P59001MM
6075041300	P23035MM
9404251518	P23072MM
9404254608	P23082MM
9467529687	P23082MM
105142205203	P59001MM
105142205230	P59001MM
105412205300	P23001MM
105412600310	P23001MM
116332205200	P59001MM
116332205230	P59001MM
10514220520325	P59001MM
10514260040225	P06001MM
10526260030025	P06001MM
10526260030030	P06001MM
10541220530025	P23001MM
10541220530030	P23001MM
10548260030130	P06001MM
11315220390001	P23012MM
11348220520030	P23012MM
11352220450101	P59001MM
11699220520030	P23012MM
11913220390000	P06002MM
11913220390100	P06002MM
ARO	
7797444870	P68004MM
ASTON MARTIN	
4G432C562AA	P02003MM
4G432C562BA	P02001MM
7G432C562AA	P02003MM
7G432D007AA	P02002MM
AUDI	
21165081	P23019MM
114430281	P85006MM
115430261	P85022MM
115430280	P24013MM
115430281	P24013MM
115430284	P85022MM
115430285	P85022MM
191698151	P85019MM
191698451	P85017MM
211698151	P23001MM

OE	MAGNETI MARELLI
AUDI	
251698151	P85002MM
281698151	P85007MM
291698151	P50003MM
311698151	P06001MM
357698151	P85092MM
411698151	P59001MM
437698151	P85016MM
437698451	P85013MM
443498451	P85013MM
443698151	P85092MM
443698451	P85013MM
447698151	P85018MM
447698451	P85013MM
701698151	P85028MM
701698451	P85046MM
803698151	P59001MM
811698151	P85003MM
823698151	P85003MM
853698151	P85093MM
857698451	P85013MM
859698451	P85013MM
861698151	P85003MM
867698151	P85024MM
891698151	P85003MM
895698151	P85018MM
161698451D	P85017MM
171698151E	P85003MM
171698151F	P85012MM
171698151G	P85005MM
191615109H	P85012MM
191615115K	P85019MM
191615415A	P85017MM
191615415D	P85017MM
191698151A	P85019MM
191698151B	P85005MM
191698151C	P85012MM
191698151D	P85012MM
191698151E	P85019MM
191698151F	P85019MM
191698151G	P85005MM
191698151H	P85012MM
191698151J	P85012MM
191698151K	P85012MM
191698451A	P85017MM
191698451B	P85017MM

OE	MAGNETI MARELLI
AUDI	
191698451C	P85017MM
191698451D	P85017MM
1BM698151A	P06001MM
1BM698151B	P06001MM
1E0698451	P85020MM
1E0698451A	P85017MM
1E0698451B	P85020MM
1E0698451D	P85020MM
1E0698451E	P85020MM
1E0698451G	P85020MM
1H0615109	P85012MM
1H0615415	P85020MM
1H0615415A	P85020MM
1H0615415D	P85020MM
1H0698151	P85012MM
1H0698151A	P85030MM
1H0698151B	P85031MM
1H0698451	P85020MM
1H0698451A	P85020MM
1H0698451B	P85017MM
1H0698451C	P85017MM
1H0698451D	P85020MM
1H0698451E	P85017MM
1H0698451F	P85017MM
1H0698451G	P85017MM
1H0698451H	P85017MM
1HM698151	P85032MM
1HM698151A	P85032MM
1J0615115	P85041MM
1J0698151	P85041MM
1J0698151A	P85041MM
1J0698151B	P85041MM
1J0698151C	P85041MM
1J0698151D	P85072MM
1J0698151E	P85072MM
1J0698151F	P85072MM
1J0698151G	P85072MM
1J0698151H	P85041MM
1J0698151J	P85041MM
1J0698151K	P85045MM
1J0698151L	P85035MM
1J0698151M	P85045MM
1J0698451	P85020MM
1J0698451B	P85020MM
1J0698451C	P85020MM

OE	MAGNETI MARELLI
AUDI	
1J0698451D	P85020MM
1J0698451E	P85020MM
1J0698451F	P85020MM
1J0698451G	P85020MM
1J0698451H	P85020MM
1J0698451J	P85020MM
1J0698451K	P85020MM
1J0698451L	P85020MM
1J0698451M	P85020MM
1J0698451N	P85020MM
1J0698451P	P85020MM
1J0698451R	P85020MM
1J0698451S	P85020MM
1JE698151B	P85041MM
1K0698151	P85075MM
1K0698151A	P85072MM
1K0698151B	P85079MM
1K0698151C	P85075MM
1K0698151D	P85072MM
1K0698151E	P85075MM
1K0698151F	P85072MM
1K0698151G	P85072MM
1K0698451	P85073MM
1K0698451A	P85020MM
1K0698451B	P85095MM
1K0698451C	P85020MM
1K0698451D	P85073MM
1K0698451E	P85095MM
1K0698451F	P85073MM
1K0698451G	P85073MM
1K0698451H	P85073MM
1K0698451J	P85020MM
1K0698451K	P85095MM
1K0698451M	P85020MM
1ML698151	P85104MM
1S0698151	P85041MM
211698151A	P23001MM
211698151B	P23001MM
211698151C	P85002MM
211698151D	P23001MM
211698151F	P23001MM
211698151G	P23001MM
251698151A	P85002MM
251698151B	P85002MM
251698151C	P85008MM

OE	MAGNETI MARELLI
AUDI	
251698151D	P85002MM
251698151E	P85002MM
251698151F	P85008MM
251698151G	P85008MM
281698151A	P85007MM
281698151B	P85007MM
291698151A	P50003MM
2D0698151	P50080MM
2D0698151A	P50028MM
2D0698151B	P50028MM
2D0698151C	P50080MM
2D0698451	P50082MM
2D0698451A	P50081MM
2D0698451D	P50081MM
2E0698151	P50085MM
2E0698151A	P50059MM
2E0698151B	P50085MM
2E0698151C	P50059MM
2E0698151E	P50085MM
2E0698151F	P50059MM
2E0698451	P50084MM
2E0698451A	P50060MM
2E0698451B	P50060MM
2H0698151	P85115MM
2H0698151A	P85115MM
2K5698451	P85114MM
311698151A	P06001MM
311698151B	P06001MM
311698151C	P59001MM
311698151D	P06001MM
311698151E	P59001MM
321698151B	P85005MM
321698151C	P85012MM
321698151D	P85005MM
321698151E	P85005MM
321698151F	P85012MM
321698151G	P85012MM
321698151H	P85005MM
357698151A	P85015MM
357698151B	P85011MM
357698151C	P85034MM
357698151D	P85015MM
357698151E	P85032MM
357698151F	P85034MM
357698151H	P85015MM

OE	MAGNETI MARELLI
AUDI	
377698151E	P59034MM
377698151J	P59034MM
377698151K	P59034MM
3A0615116A	P85035MM
3A0615116B	P85035MM
3A0615151	P85035MM
3A0615151A	P85035MM
3A0698151	P85035MM
3A0698151A	P85035MM
3AA698451	P85109MM
3B0698451	P85020MM
3B0698451A	P85020MM
3B7698151	P06019MM
3C0698151	P85075MM
3C0698151A	P85146MM
3C0698151B	P85075MM
3C0698151C	P85146MM
3C0698151D	P85146MM
3C0698151E	P85131MM
3C0698151F	P85131MM
3C0698151G	P85131MM
3C0698151H	P85131MM
3C0698451	P85073MM
3C0698451A	P85108MM
3C0698451B	P85073MM
3C0698451C	P85108MM
3C0698451D	P85073MM
3C0698451E	P85109MM
3C0698451F	P85109MM
3D0698151A	P85078MM
3D0698151B	P85067MM
3D0698451	P85064MM
3D0698451A	P85064MM
411698151B	P59001MM
420698451A	P02001MM
420698451D	P02001MM
431698151D	P85092MM
431698151F	P85092MM
431698151G	P85092MM
440615116A	P85092MM
440698151A	P85092MM
441698151E	P85018MM
441698151G	P85038MM
443398151F	P85016MM
443615415N	P85013MM

OE	MAGNETI MARELLI
AUDI	
443615415P	P85013MM
443615415S	P85013MM
443698151A	P85092MM
443698151C	P85016MM
443698151D	P85016MM
443698151E	P85016MM
443698151F	P85016MM
443698151G	P85016MM
443698151H	P85016MM
443698151J	P85092MM
443698151K	P85092MM
443698451A	P85013MM
443698451B	P85013MM
443698451C	P85013MM
447615115B	P85018MM
447615115E	P61049MM
447615115M	P85018MM
447615116B	P85018MM
447615116E	P61049MM
447615116M	P85018MM
447698151A	P85018MM
447698151B	P85018MM
447698151C	P61049MM
447698151E	P85018MM
447698151F	P85018MM
447698451A	P85013MM
447698451C	P85013MM
480698157R	P85097MM
4A0615415	P85013MM
4A0615415C	P85013MM
4A0698151	P85026MM
4A0698151A	P85026MM
4A0698151B	P85038MM
4A0698151C	P85026MM
4A0698151D	P85038MM
4A0698451	P85013MM
4A0698451A	P85013MM
4B0615116	P85037MM
4B0615116A	P85037MM
4B0615116F	P85037MM
4B0615116G	P85037MM
4B0698151	P85037MM
4B0698151A	P85037MM
4B0698151AB	P85085MM
4B0698151AC	P85056MM

OE	MAGNETI MARELLI
AUDI	
4B0698151AD	P85056MM
4B0698151AE	P85096MM
4B0698151AF	P85037MM
4B0698151B	P85037MM
4B0698151C	P85096MM
4B0698151D	P85067MM
4B0698151E	P85085MM
4B0698151H	P85037MM
4B0698151J	P85085MM
4B0698151K	P85037MM
4B0698151L	P85067MM
4B0698151M	P85085MM
4B0698151N	P85085MM
4B0698151Q	P85056MM
4B0698151R	P85056MM
4B0698151S	P85067MM
4B0698451	P85020MM
4B0698451B	P85020MM
4B0698451E	P85020MM
4B3615118A	P85038MM
4B3698151	P85067MM
4B3698151A	P85078MM
4B3698151B	P85067MM
4B3698451	P85076MM
4B3698451A	P85076MM
4D0615415	P85013MM
4D0698151	P85054MM
4D0698151A	P85036MM
4D0698151AD	P85038MM
4D0698151B	P85054MM
4D0698151E	P85038MM
4D0698151H	P85026MM
4D0698151K	P85054MM
4D0698151L	P85053MM
4D0698151M	P85054MM
4D0698151N	P85054MM
4D0698151P	P85054MM
4D0698151Q	P85053MM
4D0698151R	P85054MM
4D0698151S	P85054MM
4D0698451	P85013MM
4D0698451A	P85013MM
4D0698451B	P85013MM
4D0698451C	P85020MM
4D0698451D	P85020MM

OE	MAGNETI MARELLI
AUDI	
4D0698451E	P85020MM
4D0698451F	P85013MM
4D0698451G	P85013MM
4E0698151	P85102MM
4E0698151A	P85102MM
4E0698151B	P85102MM
4E0698151E	P85087MM
4E0698151F	P85084MM
4E0698151J	P85102MM
4E0698151K	P85087MM
4E0698151M	P85084MM
4E0698451A	P85076MM
4F0698151	P85037MM
4F0698151A	P85084MM
4F0698151D	P85097MM
4F0698151K	P85097MM
4F0698451	P85076MM
4F0698451A	P85073MM
4F0698451B	P85073MM
4F0698451D	P85073MM
4F0698451E	P85073MM
4F0698451F	P85076MM
4F0698451G	P85143MM
4F0698451H	P85076MM
4G0698151	P85145MM
4G0698151AB	P85136MM
4G0698151B	P85127MM
4G0698151D	P85145MM
4G0698151F	P85136MM
4G0698151G	P85127MM
4G0698151L	P85145MM
4G0698151M	P85127MM
4G0698151R	P85127MM
4G0698151S	P85127MM
4G0698451	P85118MM
4G0698451A	P85150MM
4G0698451B	P85119MM
4G0698451C	P85119MM
4G0698451J	P85150MM
4H0698151D	P85127MM
4H0698151E	P85128MM
4H0698151F	P85136MM
4H0698151G	P85127MM
4H0698151H	P85128MM
4H0698151J	P85136MM

OE	MAGNETI MARELLI
AUDI	
4H0698151L	P85128MM
4H0698151N	P85128MM
4H0698151Q	P85136MM
4H0698451A	P85117MM
4H0698451C	P85120MM
4H0698451D	P85120MM
4H0698451K	P85157MM
533698151A	P85093MM
5C0698151	P85105MM
5C0698151A	P85041MM
5C0698451	P85020MM
5C0698451A	P85020MM
5K0698151	P85075MM
5K0698151A	P85105MM
5K0698451	P85114MM
5K0698451A	P85114MM
5K0698451C	P85114MM
5N0698151	P85112MM
5N0698151A	P85112MM
5N0698151B	P85130MM
5N0698451	P85109MM
5Q0698151	P85126MM
5Q0698151B	P85126MM
5Q0698151C	P85137MM
5Q0698451	P85124MM
5Q0698451A	P85020MM
5Q0698451B	P85135MM
5Q0698451C	P85125MM
5Q0698451E	P85020MM
5Q0698451F	P85135MM
5Q0698451N	P85125MM
5Z0698151A	P85041MM
6C0698151	P85041MM
6E0698151	P85055MM
6KL698151	P36020MM
6LL698151	P85134MM
6N0698151	P85025MM
6N0698151A	P85032MM
6N0698151B	P85032MM
6N0698151C	P85025MM
6Q0698151	P85041MM
6Q0698151A	P85057MM
6Q0698151B	P85071MM
6Q0698151C	P85077MM
6Q0698451	P85066MM

OE	MAGNETI MARELLI
AUDI	
6Q0698451B	P85066MM
6R0698151A	P85041MM
6R0698451	P85020MM
6RU698151	P85121MM
6RU698151A	P85121MM
6U0698151	P85022MM
6U0698151A	P85022MM
6U0698151B	P85022MM
6U0698151C	P85022MM
6U0698151D	P85022MM
6U0698151E	P85022MM
6U0698151F	P85022MM
6X0698451	P85066MM
6X0698451A	P85066MM
701698151A	P85027MM
701698151B	P85027MM
701698151C	P85028MM
701698151D	P85029MM
701698151E	P85029MM
701698151F	P85027MM
701698151G	P85027MM
701698151H	P85027MM
701698151J	P85029MM
701698451C	P50011MM
	P85046MM
7B0698151A	P11022MM
7B0698151C	P11022MM
7B0698151D	P11022MM
7B0698151E	P11035MM
7B0698151G	P11035MM
7B0698151J	P11035MM
7B0698151K	P11035MM
7B0698451	P11021MM
7B0698451A	P11021MM
7B0698451C	P11021MM
7B0698451D	P11021MM
7D0698151	P85047MM
7D0698151A	P85052MM
7D0698151B	P85050MM
7D0698151C	P85048MM
7D0698151D	P85049MM
7D0698151E	P85047MM
7D0698151F	P85049MM
7D0698151G	P85050MM
7D0698151H	P85048MM

OE	MAGNETI MARELLI
----	-----------------

AUDI	
7D0698451	P85046MM
7D0698451A	P85046MM
7D0698451B	P85059MM
7D0698451C	P85046MM
7D0698451D	P85046MM
7D0698451E	P85046MM
7D0698451F	P85059MM
7D0698451G	P85046MM
7D0698451J	P85046MM
7D698151B	P85027MM
7E0698151	P85141MM
7E0698151B	P85141MM
7H0698151	P85081MM
7H0698151A	P85082MM
7H0698151B	P85106MM
7H0698151C	P85107MM
7H0698451	P85083MM
7H0698451A	P85076MM
7H0698451B	P85083MM
7H8698451	P85091MM
7L0698151	P85069MM
7L0698151A	P85065MM
7L0698151B	P85069MM
7L0698151C	P85065MM
7L0698151D	P85069MM
7L0698151E	P85065MM
7L0698151F	P85069MM
7L0698151G	P85065MM
7L0698151H	P85069MM
7L0698151J	P85065MM
7L0698151M	P65017MM
7L0698151N	P65017MM
7L0698151P	P85065MM
7L0698151Q	P85069MM
7L0698151R	P85065MM
7L0698151S	P85069MM
7L0698451	P85070MM
7L0698451A	P85070MM
7L0698451B	P85070MM
7L0698451C	P85103MM
7L0698451D	P85103MM
7L0698451E	P85103MM
7L0698451F	P85103MM
7L0698451G	P85070MM
7L0698451H	P85070MM

OE	MAGNETI MARELLI
----	-----------------

AUDI	
7L5698151	P65016MM
7L5698151C	P85069MM
7L5698451	P85088MM
7L5698451B	P85070MM
7L6698151	P85069MM
7L6698151A	P85065MM
7L6698151B	P85090MM
7L6698151C	P85069MM
7L6698151D	P85065MM
7L6698151E	P85110MM
7L6698151F	P85149MM
7L6698151G	P85110MM
7L6698151J	P85110MM
7L6698451	P85068MM
7L6698451A	P85070MM
7L6698451B	P85111MM
7L6698451C	P85068MM
7L6698451D	P85070MM
7M0698151	P85039MM
7M0698151A	P85039MM
7M0698151B	P85039MM
7M0698451	P85020MM
7M3698151	P85060MM
7M3698151A	P85061MM
7M3698151B	P85062MM
7M3698451	P85058MM
7M3698451A	P85020MM
7M3698451B	P85058MM
7M3698451C	P85058MM
7M3698451D	P85059MM
7M3698451E	P85058MM
7M3698451F	P85059MM
7N0698151	P85112MM
7N0698151A	P85131MM
7N0698151B	P85131MM
7N0698151C	P85131MM
7N0698151D	P85131MM
7P0698151	P65021MM
7P0698151B	P65021MM
7P0698151C	P65021MM
7P0698451	P65027MM
7P5698151	P65026MM
7P5698451	P65030MM
7P6698151	P65021MM
7P6698151B	P65021MM

OE	MAGNETI MARELLI
----	-----------------

AUDI	
7P6698151C	P85110MM
7P6698451	P65027MM
803698151A	P59001MM
803698151C	P59001MM
803698151D	P59001MM
803698151F	P59001MM
810698151B	P59001MM
823698151A	P85003MM
853698151A	P85093MM
861698151A	P85003MM
861698151E	P85003MM
895615115B	P85018MM
895615115C	P85018MM
895698151A	P85018MM
895698151B	P85018MM
8A0615115D	P85092MM
8A0615115F	P65005MM
8A0698151	P85016MM
8A0698151A	P85011MM
8A0698151A	P85092MM
8A0698151B	P85011MM
8A0698151B	P85016MM
8A0698151C	P85011MM
8A0698151D	P65005MM
8A0698151E	P65005MM
8A0698151F	P65005MM
8A0698151G	P65006MM
8A0698451	P85094MM
8A0698451A	P85094MM
8A0698451B	P85094MM
8D0615116B	P85036MM
8D0615116D	P85036MM
8D0698151	P85011MM
8D0698151A	P85036MM
8D0698151B	P85096MM
8D0698151C	P85036MM
8D0698151D	P06019MM
8D0698151F	P85036MM
8D0698151L	P85092MM
8D0698451	P85020MM
8D0698451A	P85101MM
8D0698451B	P85101MM
8E0615115B	P85044MM
8E0698151	P85042MM
8E0698151A	P85042MM

OE	MAGNETI MARELLI
----	-----------------

AUDI	
8E0698151B	P85044MM
8E0698151C	P85097MM
8E0698151F	P85085MM
8E0698151G	P85084MM
8E0698151H	P85078MM
8E0698151J	P85085MM
8E0698151K	P85085MM
8E0698151L	P85084MM
8E0698151M	P85044MM
8E0698151N	P85042MM
8E0698451	P85020MM
8E0698451A	P85020MM
8E0698451B	P85017MM
8E0698451C	P85076MM
8E0698451D	P85017MM
8E0698451E	P85017MM
8E0698451F	P85073MM
8E0698451H	P85076MM
8E0698451J	P85073MM
8E0698451K	P85020MM
8E0698451L	P85017MM
8E0698451M	P85073MM
8E0698451N	P85076MM
8E0698451P	P85076MM
8EA698451	P85020MM
8J0698151	P85075MM
8J0698151A	P85129MM
8J0698151C	P85146MM
8J0698151D	P85116MM
8J0698151E	P85116MM
8J0698151F	P85129MM
8J0698151G	P85116MM
8J0698151H	P85116MM
8J0698151K	P85116MM
8K0698151	P85098MM
8K0698151A	P85113MM
8K0698151B	P85098MM
8K0698151C	P85145MM
8K0698151D	P85098MM
8K0698151E	P85098MM
8K0698151F	P85113MM
8K0698151G	P85098MM
8K0698151H	P85098MM
8K0698151J	P85098MM
8K0698151K	P85098MM

OE	MAGNETI MARELLI
AUDI	
8K0698151L	P85145MM
8K0698451	P85100MM
8K0698451A	P85099MM
8K0698451B	P85099MM
8K0698451C	P85099MM
8K0698451D	P85100MM
8K0698451E	P85100MM
8N0698151	P85035MM
8N0698151A	P85045MM
8N0698151C	P85045MM
8N0698151D	P06019MM
8N0698151E	P85045MM
8P0698151	P85129MM
8P0698151A	P85129MM
8R0698151	P85098MM
8R0698151A	P85145MM
8R0698151AB	P85133MM
8R0698151B	P85122MM
8R0698151C	P85123MM
8R0698151D	P85133MM
8R0698151E	P85122MM
8R0698151F	P85128MM
8R0698151G	P85133MM
8R0698151H	P85123MM
8R0698151J	P85133MM
8R0698151K	P85133MM
8R0698151L	P85122MM
8R0698151M	P85123MM
8R0698151R	P85128MM
8U0698151E	P85022MM
8U0698451D	P85142MM
8U0698451E	P85142MM
8U0698451F	P85140MM
8V0698151	P85126MM
8V0698151A	P85126MM
8V0698151B	P85126MM
8V0698151C	P85144MM
8V0698151D	P85126MM
8V0698151G	P85126MM
8V0698451	P85125MM
8V0698451A	P85124MM
8V0698451B	P85125MM
8V0698451D	P85124MM
8X0698151	P85148MM
8Z0698151	P85063MM

OE	MAGNETI MARELLI
AUDI	
J0446535040	P83009MM
J0449135130	P83006MM
J0449135160	P83009MM
J0466535040	P83009MM
JZW698151	P85072MM
JZW698151A	P85041MM
JZW698151B	P85075MM
JZW698151N	P85085MM
JZW698451	P85020MM
JZW698451A	P85020MM
JZW698451B	P85017MM
JZW698451C	P85020MM
JZW698451D	P85073MM
SE0141165081C	P23018MM
SE021165081A	P23013MM
SE021165081B	P23013MM
SE022165081A	P23024MM
SE022165081B	P23013MM
SE022165087	P23005MM
SE127165005A	P23003MM
SE127165081A	P23024MM
SE131165081A	P23013MM
SE141165081A	P23013MM
SE141165081C	P23018MM
SE22165081A	P23018MM
XE02116508113	P23013MM
XE021165081B	P23013MM
ZBC698151A	P23040MM
ZBC698151B	P23040MM
BENTLEY	
3W0698151P	P05003MM
3W0698451B	P85143MM
3W5698451B	P85143MM
BMW	
193100	P06008MM
34111379	P06002MM
3411761242	P06024MM
34106799801	P06075MM
34106799805	P06088MM
34106856191	P06075MM
34106859067	P06088MM
34106859181	P06075MM
34106859182	P06075MM

OE	MAGNETI MARELLI
BMW	
34106860019	P06093MM
34106866072	P06088MM
34106874034	P06092MM
34106876245	P06093MM
34106878878	P06088MM
34106882418	P06093MM
34106884492	P06093MM
34110300361	P06066MM
34110301476	P06026MM
3411102623	P59001MM
3411102966	P59001MM
3411103207	P06002MM
3411103321	P06002MM
3411103726	P06002MM
3411103744	P06002MM
3411108853	P06002MM
3411111649	P06002MM
3411116007	P06003MM
3411116619	P59001MM
3411117002	P59004MM
3411117352	P59004MM
3411117379	P06002MM
3411117878	P06003MM
3411117979	P06002MM
3411118517	P59004MM
3411119117	P06003MM
3411119176	P06003MM
3411119177	P06003MM
34111151081	P06003MM
34111152656	P06003MM
34111153203	P06008MM
34111153910	P06008MM
34111154377	P06010MM
34111154442	P06010MM
34111154443	P06010MM
34111154611	P06008MM
34111154612	P06008MM
34111155076	P06008MM
34111155711	P06003MM
34111155998	P06010MM
34111155999	P06010MM
34111156462	P06008MM
34111156464	P06003MM
34111156898	P06010MM
34111156899	P06010MM

OE	MAGNETI MARELLI
BMW	
34111157039	P06012MM
34111157510	P06008MM
34111157561	P06008MM
34111157562	P06008MM
34111157569	P06012MM
34111157570	P06012MM
34111157624	P06008MM
34111157747	P06010MM
34111157748	P06010MM
34111157813	P06012MM
34111157923	P06008MM
34111157924	P06008MM
34111158265	P06012MM
34111158267	P06012MM
34111158360	P06003MM
34111159257	P06002MM
34111159259	P06012MM
34111159261	P06003MM
34111159263	P06003MM
34111159279	P06012MM
34111159403	P06008MM
34111159415	P06008MM
34111159416	P06008MM
34111160173	P59001MM
34111160175	P06002MM
34111160356	P06024MM
34111160357	P06024MM
34111160450	P06012MM
34111160451	P06012MM
34111160458	P06012MM
34111160459	P06012MM
34111160532	P06024MM
34111161057	P06010MM
34111161347	P06010MM
34111161349	P06010MM
34111161437	P06024MM
34111161438	P06024MM
34111161445	P06024MM
34111161446	P06024MM
34111161717	P06008MM
34111161975	P06018MM
34111162210	P06018MM
34111162481	P06010MM
34111162535	P06012MM
34111162884	P06019MM

OE	MAGNETI MARELLI
----	-----------------

BMW	
34111162900	P06018MM
34111163307	P06021MM
34111163387	P06022MM
34111163850	P06024MM
34111163921	P06018MM
34111163922	P06018MM
34111163923	P06018MM
34111163953	P06022MM
34111164330	P06022MM
34111164331	P06022MM
34111164498	P06024MM
34111164500	P06024MM
34111164627	P06022MM
34111164629	P06065MM
34111165227	P06021MM
34111165555	P06024MM
34111165557	P06024MM
34111165626	P06019MM
34111166161	P06019MM
34111763089	P06054MM
34112157570	P06024MM
34112157571	P06024MM
34112157572	P06024MM
34112157573	P06043MM
34112157586	P06065MM
34112157587	P06022MM
34112157588	P06022MM
34112157589	P06021MM
34112157590	P06065MM
34112157616	P06024MM
34112180419	P06021MM
34112180420	P06028MM
34112226009	P06003MM
34112226081	P06008MM
34112227331	P06018MM
34112227334	P06018MM
34112227863	P06018MM
34112228248	P06012MM
34112229031	P06021MM
34112229935	P06012MM
34112282090	P06021MM
34112282165	P06021MM
34112282166	P06021MM
34112282415	P06042MM
34112282416	P06012MM

OE	MAGNETI MARELLI
----	-----------------

BMW	
34112282554	P06012MM
34112282555	P06012MM
34112282556	P06021MM
34112282995	P06042MM
34112283764	P06046MM
34112283865	P06046MM
34112284065	P06066MM
34112284369	P06079MM
34112284371	P06079MM
34112284869	P06079MM
34112288849	P06035MM
34112288851	P06035MM
34112288854	P06034MM
34112288855	P06034MM
34112288856	P06040MM
34112288857	P06040MM
34112288858	P06055MM
34112288859	P06055MM
34112288861	P06055MM
34112288866	P06055MM
34112288867	P06055MM
34112288868	P06055MM
34112288869	P06055MM
34112288870	P06081MM
34112288871	P06081MM
34112288873	P06081MM
34112288875	P06036MM
34112288876	P06036MM
34112288878	P06036MM
34112288879	P06036MM
34112339267	P06057MM
34112339268	P06057MM
34112339269	P06054MM
34112339270	P06054MM
34112339271	P06054MM
34112339272	P06047MM
34112339273	P06054MM
34112357229	P06043MM
34112357230	P06021MM
34113404362	P06043MM
34114065325	P06073MM
34114073048	P06077MM
34114073936	P06075MM
34114074370	P06049MM
34114398211	P06024MM

OE	MAGNETI MARELLI
----	-----------------

BMW	
34116750148	P06043MM
34116752482	P06024MM
34116752731	P06024MM
34116753668	P06054MM
34116753799	P06019MM
34116754705	P06042MM
34116756128	P06024MM
34116756350	P06028MM
34116761237	P06024MM
34116761242	P06024MM
34116761243	P06043MM
34116761244	P06024MM
34116761246	P06019MM
34116761249	P06018MM
34116761252	P06021MM
34116761277	P06022MM
34116761278	P06065MM
34116761279	P06022MM
34116761280	P06065MM
34116761282	P06028MM
34116761283	P06054MM
34116763089	P06054MM
34116763305	P06026MM
34116763591	P06054MM
34116763617	P06057MM
34116763618	P06057MM
34116763652	P06047MM
34116764312	P06066MM
34116764540	P06054MM
34116767143	P06034MM
34116767144	P06034MM
34116767191	P06054MM
34116767580	P06054MM
34116768287	P06047MM
34116769099	P06036MM
34116769100	P06036MM
34116769763	P06035MM
34116769951	P06035MM
34116770575	P06047MM
34116771837	P06034MM
34116771838	P06034MM
34116771868	P06036MM
34116771972	P06040MM
34116772892	P06034MM
34116774050	P06034MM

OE	MAGNETI MARELLI
----	-----------------

BMW	
34116774258	P06047MM
34116775310	P06060MM
34116775314	P06074MM
34116775318	P06076MM
34116775322	P06076MM
34116775326	P06073MM
34116776161	P06081MM
34116777772	P06040MM
34116778048	P06058MM
34116778403	P06049MM
34116779099	P06036MM
34116779293	P06049MM
34116779652	P06043MM
34116780711	P06055MM
34116781873	P06054MM
34116783542	P06081MM
34116783554	P06073MM
34116784129	P06054MM
34116784807	P06041MM
34116786044	P06041MM
34116789079	P06077MM
34116789157	P06068MM
34116790759	P06055MM
34116790760	P06081MM
34116791514	P06058MM
34116791527	P06073MM
34116792874	P06073MM
34116793021	P06076MM
34116793643	P06077MM
34116794464	P06073MM
34116794880	P06077MM
34116794913	P06054MM
34116794915	P06054MM
34116794916	P06054MM
34116794917	P06081MM
34116794918	P06054MM
34116794919	P06054MM
34116794920	P06081MM
34116796844	P06060MM
34116797859	P06040MM
34116797860	P06041MM
34116798190	P06074MM
34116798857	P06077MM
34116799166	P06036MM
34116799964	P06077MM

OE	MAGNETI MARELLI
----	-----------------

BMW	
34116850567	P06078MM
34116850568	P06070MM
34116850850	P06088MM
34116850885	P06074MM
34116850886	P06074MM
34116851269	P06076MM
34116852253	P06049MM
34116854126	P06075MM
34116856193	P06075MM
34116856591	P06060MM
34116857096	P06049MM
34116857686	P06055MM
34116858047	P06060MM
34116858910	P06078MM
34116859066	P06088MM
34116860017	P06092MM
34116862309	P06091MM
34116865868	P06058MM
34116866072	P06088MM
34116866309	P06093MM
34116871557	P06074MM
34116872632	P06060MM
34116874331	P06070MM
34116877653	P06049MM
34116878876	P06088MM
34119058982	P06010MM
34119058989	P06010MM
34119061081	P06008MM
34119068842	P06024MM
34119070047	P06024MM
34121288889	P06037MM
34121288890	P06037MM
34121288891	P06038MM
34121288892	P06038MM
34121288893	P06038MM
34121288894	P06038MM
34121288895	P06039MM
34121288896	P06039MM
34206799809	P06071MM
34206799813	P06072MM
34206873093	P06071MM
34206873094	P06071MM
34210403290	P06026MM
34211103209	P06001MM
34211103322	P06001MM

OE	MAGNETI MARELLI
----	-----------------

BMW	
34211103746	P06001MM
34211121524	P59004MM
34211153196	P06009MM
34211153913	P06009MM
34211154398	P06009MM
34211154399	P06009MM
34211154613	P06009MM
34211154614	P06009MM
34211155077	P06009MM
34211156744	P06009MM
34211156745	P06009MM
34211156746	P06009MM
34211156747	P06009MM
34211156748	P06009MM
34211156749	P06009MM
34211157044	P06011MM
34211157334	P06011MM
34211157514	P06009MM
34211157563	P06011MM
34211157757	P06009MM
34211157758	P06009MM
34211157814	P06011MM
34211157925	P06009MM
34211157926	P06009MM
34211158108	P06011MM
34211158221	P06011MM
34211158266	P06011MM
34211158270	P06011MM
34211158323	P06009MM
34211158562	P06011MM
34211158642	P06011MM
34211158643	P06009MM
34211158912	P06009MM
34211159003	P06009MM
34211159273	P06009MM
34211159276	P06009MM
34211159344	P06016MM
34211159814	P06011MM
34211159960	P06016MM
34211160175	P06002MM
34211160198	P06011MM
34211160199	P06011MM
34211160340	P06013MM
34211160341	P06013MM
34211160533	P06013MM

OE	MAGNETI MARELLI
----	-----------------

BMW	
34211160685	P06016MM
34211160698	P06016MM
34211161455	P06013MM
34211161456	P06013MM
34211162446	P06013MM
34211162447	P06013MM
34211162536	P06011MM
34211162865	P06016MM
34211162866	P06016MM
34211163324	P06020MM
34211163326	P06020MM
34211163395	P06023MM
34211163833	P06020MM
34211164499	P06025MM
34211164501	P06025MM
34211164581	P06020MM
34211164582	P06020MM
34211165233	P06013MM
34211165235	P06013MM
34212157574	P06025MM
34212157575	P06025MM
34212157576	P06020MM
34212157591	P06023MM
34212157592	P06023MM
34212157617	P06013MM
34212157620	P06025MM
34212157621	P06013MM
34212225860	P06011MM
34212225865	P06011MM
34212226013	P06009MM
34212226092	P06011MM
34212227325	P06016MM
34212227326	P06016MM
34212228429	P06026MM
34212284296	P06026MM
34212284389	P06061MM
34212284766	P06095MM
34212284989	P06095MM
34212339276	P06033MM
34212339277	P06033MM
34212339278	P06033MM
34212339279	P06033MM
34212339290	P06033MM

OE	MAGNETI MARELLI
----	-----------------

BMW	
34212339291	P06026MM
34212339292	P06026MM
34212357231	P06020MM
34212788284	P06064MM
34213403241	P06044MM
34214398213	P06025MM
34216750160	P06044MM
34216750190	P06025MM
34216752632	P06020MM
34216753850	P06029MM
34216757536	P06026MM
34216758870	P06029MM
34216761238	P06013MM
34216761239	P06025MM
34216761240	P06044MM
34216761241	P06025MM
34216761247	P06020MM
34216761248	P06020MM
34216761250	P06020MM
34216761251	P06020MM
34216761253	P06011MM
34216761281	P06023MM
34216761285	P06029MM
34216761286	P06026MM
34216763012	P06026MM
34216763043	P06033MM
34216763044	P06033MM
34216763305	P06026MM
34216767145	P06037MM
34216767146	P06037MM
34216767148	P06038MM
34216767150	P06038MM
34216768471	P06026MM
34216769105	P06039MM
34216770252	P06032MM
34216773161	P06038MM
34216774417	P06037MM
34216774692	P06038MM
34216775342	P06053MM
34216775346	P06061MM
34216775678	P06039MM
34216776937	P06056MM
34216777240	P06037MM
34216778168	P06025MM
34216778327	P06052MM

OE	MAGNETI MARELLI
----	-----------------

BMW	
34216779294	P06037MM
34216783555	P06050MM
34216784135	P06033MM
34216784808	P06059MM
34216788183	P06037MM
34216788275	P06062MM
34216788284	P06064MM
34216790071	P06044MM
34216790761	P06038MM
34216790762	P06039MM
34216790966	P06053MM
34216791421	P06059MM
34216791938	P06039MM
34216793025	P06053MM
34216794879	P06050MM
34216796741	P06064MM
34216797857	P06059MM
34216797863	P06059MM
34216798193	P06064MM
34216798196	P06061MM
34216850569	P06071MM
34216850570	P06072MM
34216855474	P06087MM
34216857108	P06056MM
34216857117	P06026MM
34216857805	P06061MM
34216859917	P06094MM
34216860403	P06094MM
34216862202	P06064MM
34216868497	P06056MM
34216870558	P06064MM
34216870565	P06064MM
34216873093	P06071MM
34216876422	P06087MM
34216885451	P06064MM
34216885452	P06064MM

BMW (BRILLIANCE)	
34116860242	P06060MM

CADILLAC	
12510043	P07002MM
18029644	P59027MM
19152665	P59027MM
19152863	P10052MM

OE	MAGNETI MARELLI
----	-----------------

CADILLAC	
19259588	P10052MM
20887798	P09010MM
20983942	P09010MM
20983943	P09009MM
22791925	P59079MM
22866931	P09004MM
23145627	P59079MM
23271117	P59079MM
88967250	P09011MM
89047725	P09004MM
89047744	P09003MM
89060217	P09007MM

CHEVROLET	
9195146	P59022MM
9195685	P59031MM
9198598	P59031MM
11046156	P59017MM
12321442	P07003MM
12330681	P10052MM
12370005	P07004MM
12370006	P07002MM
12497782	P10009MM
12510001	P07002MM
12510005	P07004MM
12510014	P07003MM
12510027	P07002MM
12510029	P07003MM
12510049	P07003MM
12530681	P10052MM
13237750	P59054MM
13237751	P59055MM
13301207	P59076MM
13301234	P59077MM
13312895	P59054MM
13374966	P59076MM
13404405	P59080MM
13411380	P59080MM
13411383	P59080MM
13412272	P59076MM
13412810	P59077MM
15808204	P10014MM
15855898	P10010MM
18024863	P10016MM
18025475	P10002MM

OE	MAGNETI MARELLI
----	-----------------

CHEVROLET	
18026156	P10002MM
18029844	P59027MM
18029863	P10016MM
19149111	P10010MM
19168899	P10003MM
20881786	P10014MM
20963796	P59054MM
22705327	P10015MM
22731037	P10015MM
22799077	P59077MM
22820406	P10014MM
22846359	P59059MM
22846362	P59060MM
22846363	P59059MM
22850989	P10003MM
23316342	P59054MM
25809846	P10014MM
25894320	P10015MM
25940439	P09003MM
25957440	P10014MM
88935752	P10010MM
88955513	P10052MM
88983915	P10010MM
89047744	P09003MM
92230269	P59055MM
93172950	P59043MM
94566892	P10057MM
94770229	P34007MM
95459513	P10004MM
96245178	P10006MM
96253367	P10006MM
96253382	P10006MM
96253383	P10006MM
96281937	P15002MM
96288629	P15006MM
96391891	P10006MM
96391892	P15005MM
96405129	P15002MM
96405131	P10001MM
96446176	P15006MM
96475027	P10007MM
96475028	P10060MM
96475176	P10006MM
96495227	P15002MM
96496766	P10008MM

OE	MAGNETI MARELLI
----	-----------------

CHEVROLET	
96534653	P24048MM
96626069	P10003MM
96682858	P10054MM
96800089	P10053MM
96952179	P10007MM
133192294	P59080MM
AW346513	P15005MM
EC11046948372	P59011MM
EC11046952012	P59017MM
NP1335	P59017MM
S4510014	P10006MM
S4510018	P10006MM
S4510020	P10006MM
S4521006	P15005MM

CHRYSLER	
4238698	P11001MM
4313238	P11001MM
4383479	P11001MM
4383658	P11001MM
4383928	P11020MM
4383934	P11020MM
4423715	P11006MM
4423725	P11006MM
4423812	P11007MM
4423822	P11007MM
4638634	P37001MM
4713175	P37004MM
4728013	P11020MM
4728124	P11008MM
4728240	P11011MM
4762550	P11009MM
4762669	P11010MM
4762999	P68017MM
4773575	P11006MM
4778058	P37004MM
4798885	P11011MM
4856926	P11011MM
4863784	P11010MM
4874548	P11011MM
4882070	P11011MM
5252531	P37004MM
44237115	P11007MM
00K05139218AB	P50026MM
00K5142560AA	P11040MM

OE	MAGNETI MARELLI
CHRYSLER	
00K5142560AB	P11040MM
00K68052370AB	P37015MM
00K68159138AA	P11021MM
00K68159143AA	P11021MM
04897218AB	P23052MM
04897664AA	P11008MM
04897665AA	P11008MM
04897746AA	P11011MM
05010034AA	P11008MM
05010034AB	P11008MM
05011631AA	P11010MM
05011743AA	P11008MM
05014036AA	P11014MM
05014438AA	P11008MM
05014527AA	P11008MM
05015365AA	P11013MM
05017843AA	P11012MM
05018208AA	P11010MM
05018595AA	P11008MM
05018942AA	P11016MM
05018945AA	P11016MM
05019767AA	P11010MM
05019804AA	P11015MM
05071948AA	P11014MM
05072215AA	P11013MM
05072216AA	P11013MM
05080871AA	P37011MM
05080871AB	P37011MM
05083853AA	P11012MM
05083853AB	P11012MM
05083882AC	P37009MM
05086167AA	P11008MM
05086364AA	P11012MM
05086364AB	P11012MM
05086567AA	P11010MM
05086567AB	P11010MM
05093183AA	P37008MM
05126300AA	P50025MM
05139191AA	P23175MM
05139902AA	P50025MM
05142555AA	P11019MM
05142559AA	P11017MM
05142559AB	P11017MM
05142560AA	P11040MM
05142560AB	P11040MM
05142561AA	P23175MM
05142566AA	P23175MM
05142566AB	P23175MM
05174001AA	P11041MM
05174001AB	P11041MM
05174001AC	P18034MM
05174311AA	P11023MM
05174311AB	P11023MM
05174311AC	P11023MM
05174327AA	P11024MM
05174327AB	P11024MM
05174327AC	P11024MM
05179242AA	P37009MM
05191217AA	P18001MM
05191231AA	P11026MM
68003701AB	P11022MM
68003776AA	P18024MM
68020256AA	P54031MM
68020494AA	P18001MM
68020494AB	P18001MM
68029887AB	P11021MM
68035576AA	P11026MM
68035576AB	P11026MM
68044761AA	P11021MM
68044761AB	P11021MM

OE	MAGNETI MARELLI
CHRYSLER	
05142560AB	P11040MM
05142561AA	P23175MM
05142566AA	P23175MM
05142566AB	P23175MM
05174001AA	P11041MM
05174001AB	P11041MM
05174311AA	P11023MM
05174311AB	P11023MM
05174311AC	P11023MM
05174327AC	P11024MM
0518208AA	P11010MM
05191231AA	P18001MM
05191271AC	P54034MM
4778058AB	P37004MM
4798885AA	P11011MM
4897218AB	P23052MM
4897746AA	P11011MM
5011630AA	P11010MM
5011631AA	P11010MM
5011631AB	P11010MM
5011743AA	P11008MM
5014036AA	P11014MM
5015365AA	P11013MM
5016164AA	P11011MM
5016228AA	P11011MM
5017843AA	P11012MM
5018208AA	P11010MM
5018592AA	P37005MM
5018942AA	P11016MM
5018945AA	P11016MM
5019767AA	P11010MM
5019803AA	P11015MM
5019804AA	P11015MM
5019805AA	P11014MM
5019984AA	P37007MM
5066427AA	P37007MM
5071948AA	P11014MM
5072216AA	P11013MM
5083071AA	P11010MM
5083853AA	P11012MM
5083853AB	P11012MM
5086364AA	P11012MM
5086364AB	P11012MM
5086567AA	P11010MM
5086567AB	P11010MM

OE	MAGNETI MARELLI
CHRYSLER	
5093021AA	P11016MM
5093183AA	P37008MM
5096349AA	P37007MM
5101857AA	P11015MM
5114424AA	P11010MM
5114555AA	P50026MM
5126300AA	P50025MM
5135258AA	P11015MM
5135543AA	P11010MM
5135543AB	P11010MM
5139191AA	P23175MM
5139218AA	P50026MM
5139902AA	P50025MM
5142555AA	P11019MM
5142558AA	P23149MM
5142558AB	P23149MM
5142559AA	P11017MM
5142559AB	P11017MM
5142560AA	P11040MM
5142560AB	P11040MM
5142561AA	P23175MM
5142566AA	P23175MM
5142566AB	P23175MM
5174001AA	P11041MM
5174001AB	P11041MM
5174001AC	P18034MM
5174311AA	P11023MM
5174311AB	P11023MM
5174311AC	P11023MM
5174327AA	P11024MM
5174327AB	P11024MM
5174327AC	P11024MM
5179242AA	P37009MM
5191217AA	P18001MM
5191231AA	P11026MM
68003701AB	P11022MM
68003776AA	P18024MM
68020256AA	P54031MM
68020494AA	P18001MM
68020494AB	P18001MM
68029887AB	P11021MM
68035576AA	P11026MM
68035576AB	P11026MM
68044761AA	P11021MM
68044761AB	P11021MM

OE	MAGNETI MARELLI
CHRYSLER	
68044761AC	P11021MM
68088919AA	P23151MM
68093323AB	P11025MM
68102483AA	P11031MM
68144163AA	P11035MM
68144163AB	P11035MM
68144163AC	P11035MM
68144163AD	P11035MM
68144163AE	P11035MM
68144209AA	P11032MM
68144213AA	P11023MM
68144223AA	P11024MM
68147681AA	P23149MM
68159526AA	P11032MM
68159526AB	P11032MM
68159526AC	P11032MM
68159579AA	P11035MM
68159579AB	P11035MM
68159579AC	P11035MM
K04238698	P11001MM
K04313238	P11001MM
K04383479	P11001MM
K04383658	P11001MM
K04383928	P11020MM
K04383934	P11020MM
K04423715	P11006MM
K04423725	P11006MM
K04423812	P11007MM
K04638634	P37001MM
K04728013	P11020MM
K04773575	P11006MM
K04882070	P11011MM
K04897218AB	P23052MM
K05011630AA	P11010MM
K05012651AA	P11010MM
K05014036AA	P11014MM
K05016164AA	P11011MM
K05017843AA	P11012MM
K05018595AA	P11008MM
K05018945AA	P11016MM
K05019804AA	P11015MM
K05066309AA	P11010MM
K05083853AA	P11012MM
K05083853AB	P11012MM
K05086364AA	P11012MM

OE	MAGNETI MARELLI
----	-----------------

CHRYSLER	
K05086364AB	P11012MM
K05093183AA	P37008MM
K05126300AA	P50025MM
K05135258AA	P11015MM
K05137688AA	P23149MM
K05139902AA	P50025MM
K05142555AA	P11019MM
K05142559AA	P23149MM
K05142559AB	P23149MM
K05174001AA	P11041MM
K05174001AB	P11041MM
K05174311AC	P11023MM
K05174327AC	P11024MM
K05191217AA	P11026MM
K05191229AA	P11026MM
K05191231AA	P11026MM
K05191244AA	P11026MM
K5142560AB	P11040MM
K68003776AA	P18024MM
K68020494AA	P11026MM
K68020494AB	P11026MM
K68020494AB	P18001MM
K68028671AA	P54031MM
K68029264AB	P11022MM
K68035576AA	P11026MM
K68035576AB	P11026MM
K68044761AA	P11021MM
K68053152AA	P11022MM
K68185543AA	P23149MM
MB857259	P54019MM

CITROËN	
172059	P61060MM
172066	P61059MM
172082	P61098MM
172103	P61065MM
172201	P61032MM
245050	P68010MM
415188	P61051MM
424833	P23022MM
424862	P68010MM
424864	P68004MM
424865	P68010MM
424874	P68010MM
424878	P68010MM

OE	MAGNETI MARELLI
----	-----------------

CITROËN	
424891	P06001MM
424895	P59001MM
425010	P68004MM
425012	P61011MM
425017	P68010MM
425018	P68010MM
425019	P61011MM
425028	P23022MM
425032	P68010MM
425033	P68010MM
425034	P68010MM
425035	P68010MM
425036	P68010MM
425037	P61031MM
425039	P61031MM
425041	P68008MM
425043	P68010MM
425047	P23023MM
425049	P68010MM
425050	P68010MM
425051	P68010MM
425052	P68010MM
425054	P23022MM
425055	P61035MM
425057	P68010MM
425058	P23023MM
425067	P68004MM
425069	P68010MM
425070	P68008MM
425071	P61032MM
425072	P68010MM
425074	P50003MM
425078	P61035MM
425081	P61038MM
425082	P61031MM
425085	P61011MM
425087	P61035MM
425088	P68010MM
425089	P61048MM
425090	P61034MM
425091	P61044MM
425092	P61044MM
425094	P61049MM
425095	P61035MM
425097	P68010MM

OE	MAGNETI MARELLI
----	-----------------

CITROËN	
425102	P61044MM
425103	P61054MM
425104	P61032MM
425105	P23023MM
425106	P23022MM
425107	P61050MM
425109	P23061MM
425110	P23061MM
425111	P23062MM
425112	P23062MM
425113	P61053MM
425114	P61052MM
425116	P23068MM
425117	P23068MM
425118	P23069MM
425119	P23069MM
425120	P61044MM
425120	P61099MM
425121	P61051MM
425122	P61054MM
425125	P23072MM
425126	P23072MM
425127	P61044MM
425128	P61059MM
425129	P61019MM
425130	P61058MM
425131	P61056MM
425132	P61057MM
425133	P61055MM
425134	P61051MM
425135	P61035MM
425137	P61097MM
425138	P61051MM
425139	P61051MM
425140	P68010MM
425141	P68010MM
425142	P61051MM
425143	P61057MM
425144	P61057MM
425145	P61061MM
425146	P61032MM
425147	P61097MM
425148	P61032MM
425150	P23072MM
425151	P23072MM

OE	MAGNETI MARELLI
----	-----------------

CITROËN	
425152	P61065MM
425154	P61060MM
425155	P61060MM
425156	P61052MM
425157	P61053MM
425158	P61055MM
425160	P61057MM
425162	P23010MM
425164	P61059MM
425165	P61044MM
425167	P61051MM
425169	P61098MM
425170	P61051MM
425172	P61037MM
425173	P61019MM
425175	P61019MM
425179	P06001MM
425183	P61037MM
425184	P61102MM
425188	P61054MM
425189	P61059MM
425191	P61098MM
425192	P61098MM
425193	P61038MM
425196	P61032MM
425197	P61032MM
425203	P61065MM
425204	P61098MM
425205	P61098MM
425206	P61057MM
425207	P23082MM
425208	P61058MM
425211	P61061MM
425212	P61063MM
425213	P61069MM
425214	P61070MM
425215	P61071MM
425216	P61072MM
425217	P61073MM
425218	P61066MM
425220	P23090MM
425221	P61066MM
425222	P61068MM
425223	P85020MM
425224	P23083MM

OE	MAGNETI MARELLI
CITROËN	
425225	P23084MM
425226	P23083MM
425227	P23084MM
425228	P61063MM
425229	P61067MM
425231	P23090MM
425232	P85020MM
425233	P85020MM
425234	P61069MM
425235	P61068MM
425236	P61074MM
425237	P61075MM
425239	P61082MM
425240	P61082MM
425241	P85020MM
425242	P23091MM
425243	P23091MM
425244	P23092MM
425245	P23092MM
425246	P23093MM
425247	P23093MM
425248	P61071MM
425249	P61072MM
425250	P61068MM
425251	P61064MM
425252	P61068MM
425253	P61068MM
425254	P23082MM
425255	P23082MM
425256	P61032MM
425257	P61032MM
425258	P61074MM
425259	P61066MM
425260	P61076MM
425261	P68010MM
425262	P68010MM
425263	P61044MM
425264	P61044MM
425265	P68010MM
425266	P61058MM
425267	P61051MM
425268	P61056MM
425270	P61035MM
425271	P61032MM
425272	P68010MM

OE	MAGNETI MARELLI
CITROËN	
425273	P68010MM
425274	P61032MM
425275	P68010MM
425276	P61066MM
425278	P61078MM
425279	P61079MM
425282	P61031MM
425284	P61034MM
425285	P61059MM
425286	P61059MM
425287	P61070MM
425288	P61071MM
425289	P61072MM
425290	P61073MM
425291	P61052MM
425292	P61053MM
425293	P61055MM
425294	P61078MM
425295	P61046MM
425301	P61061MM
425302	P61063MM
425303	P61063MM
425305	P61063MM
425306	P61051MM
425310	P68008MM
425311	P61032MM
425312	P61011MM
425314	P61099MM
425315	P61054MM
425316	P61054MM
425319	P61098MM
425320	P61063MM
425321	P61034MM
425322	P61080MM
425323	P61076MM
425325	P61080MM
425326	P61079MM
425327	P61081MM
425328	P61081MM
425329	P61087MM
425330	P61066MM
425331	P61068MM
425333	P61069MM
425334	P61073MM
425336	P61078MM

OE	MAGNETI MARELLI
CITROËN	
425337	P61078MM
425338	P61066MM
425339	P61068MM
425340	P61100MM
425341	P61082MM
425342	P61082MM
425343	P61076MM
425344	P61076MM
425345	P61074MM
425346	P61071MM
425347	P61109MM
425348	P61078MM
425355	P23143MM
425356	P23143MM
425357	P23144MM
425358	P23144MM
425359	P61091MM
425360	P61091MM
425361	P61083MM
425362	P61086MM
425363	P61096MM
425364	P61096MM
425365	P61096MM
425366	P61096MM
425367	P61095MM
425368	P61095MM
425369	P61074MM
425370	P61068MM
425371	P61085MM
425372	P61075MM
425373	P61118MM
425374	P61118MM
425375	P23136MM
425376	P23136MM
425378	P61069MM
425380	P61069MM
425381	P61063MM
425383	P61078MM
425384	P61074MM
425385	P61068MM
425387	P54017MM
425387	P61089MM
425388	P54017MM
425390	P54031MM
425391	P54031MM

OE	MAGNETI MARELLI
CITROËN	
425393	P61101MM
425394	P61104MM
425395	P61104MM
425396	P85020MM
425397	P61086MM
425398	P61080MM
425399	P61080MM
425401	P61100MM
425403	P61106MM
425405	P59042MM
425406	P23140MM
425407	P23140MM
425410	P61078MM
425411	P61078MM
425412	P61083MM
425413	P61083MM
425414	P61084MM
425415	P61084MM
425416	P61085MM
425418	P61068MM
425419	P61100MM
425420	P85020MM
425421	P61079MM
425422	P61109MM
425423	P61066MM
425424	P61106MM
425425	P61083MM
425426	P61101MM
425428	P85020MM
425429	P61084MM
425430	P54017MM
425430	P61089MM
425431	P61103MM
425432	P61085MM
425435	P61114MM
425440	P61100MM
425441	P85020MM
425442	P61032MM
425444	P61114MM
425446	P61114MM
425448	P54031MM
425450	P61051MM
425451	P23068MM
425452	P23069MM
425453	P23061MM

OE	MAGNET MARELLI
CITROËN	
425454	P23072MM
425455	P23083MM
425456	P23084MM
425457	P23090MM
425458	P23091MM
425459	P23092MM
425460	P23082MM
425461	P23143MM
425462	P23144MM
425463	P61118MM
425464	P23136MM
425465	P61083MM
425466	P23062MM
425467	P85020MM
425468	P23093MM
425469	P61091MM
425471	P61068MM
425473	P61107MM
425474	P61081MM
425475	P61066MM
425476	P61080MM
425477	P61117MM
425480	P61119MM
425482	P61051MM
425483	P61097MM
425483	P68010MM
425484	P61065MM
425485	P61060MM
425486	P61066MM
425487	P61063MM
425488	P61076MM
425489	P61068MM
425490	P61032MM
425491	P61079MM
425492	P61068MM
425493	P61059MM
425494	P61063MM
425495	P61104MM
425496	P23140MM
425497	P61095MM
425498	P61097MM
425498	P68010MM
425499	P61044MM
425499	P68010MM
435326	P61081MM

OE	MAGNET MARELLI
CITROËN	
442794	P61047MM
5434279	P61002MM
5462429	P61019MM
9938205	P23023MM
75516219	P61002MM
75516220	P61002MM
75519956	P61062MM
75530830	P23010MM
75531486	P68004MM
95462429	P61019MM
95551761	P61002MM
95565563	P61062MM
95565564	P61019MM
95569340	P61034MM
95587471	P61062MM
95587472	P61062MM
95588498	P61062MM
95588499	P61019MM
95589273	P61029MM
95600561	P23010MM
95611498	P61031MM
95615159	P23022MM
95616818	P61031MM
95619549	P61034MM
95619550	P61034MM
95619601	P61034MM
95619602	P61034MM
95619603	P61034MM
95623223	P23023MM
95624481	P61062MM
95624482	P61019MM
95624484	P61029MM
95624485	P61062MM
95624970	P23022MM
95640895	P23023MM
95646300	P61034MM
95647611	P61034MM
95647733	P61031MM
95650872	P61062MM
95650873	P61062MM
95650890	P61062MM
95650935	P61034MM
95650936	P61034MM
95650937	P61034MM
95650938	P61034MM

OE	MAGNET MARELLI
CITROËN	
95651047	P61037MM
95653061	P61002MM
95654085	P61037MM
95658557	P61043MM
95658617	P61034MM
95658938	P61034MM
95659340	P61099MM
95659341	P61032MM
95659353	P61041MM
95659616	P61044MM
95659616	P61099MM
95659639	P61046MM
95659640	P61046MM
95659642	P61037MM
95661798	P61019MM
95661871	P61031MM
95663076	P68004MM
95666894	P61050MM
95666970	P61099MM
95666971	P61032MM
95666973	P61037MM
95667764	P23022MM
95667765	P23023MM
95667785	P61052MM
95667786	P61052MM
95667787	P61053MM
95667788	P61037MM
96653061	P61002MM
96666971	P61032MM
1606225680	P61108MM
1606294580	P54031MM
1607083180	P61103MM
1607083280	P85020MM
1607690380	P54030MM
1607690480	P54030MM
1608520380	P85020MM
1608520480	P61084MM
1608520680	P61114MM
1608681580	P85020MM
1608681680	P61114MM
1608691380	P61113MM
1609000680	P61122MM
1609000980	P61124MM
1609252980	P61063MM
1609253180	P61106MM

OE	MAGNET MARELLI
CITROËN	
1609253280	P23141MM
1609898380	P61116MM
1609898580	P61123MM
1609899680	P61111MM
1609987980	P61076MM
1610103880	P61106MM
1610104080	P61115MM
1610275680	P61108MM
1610489680	P61066MM
1611140680	P61066MM
1611140780	P23119MM
1611140880	P61091MM
1611140980	P23119MM
1611141080	P61085MM
1611293980	P61066MM
1611334680	P61075MM
1611334980	P61119MM
1611335080	P61060MM
1611456380	P85020MM
1611456480	P61071MM
1611456580	P61109MM
1611456880	P61038MM
1611456880	P61058MM
1611456980	P61081MM
1611457180	P61074MM
1611457480	P61091MM
1611457580	P61078MM
1611457880	P61076MM
1611458180	P23061MM
1611458480	P61051MM
1611458680	P23022MM
1611458780	P61035MM
1611458980	P61119MM
1611460280	P68008MM
1611838880	P61068MM
1611839380	P61107MM
1612433680	P61118MM
1612433780	P23136MM
1612433880	P23143MM
1612433980	P23144MM
1612434180	P61125MM
1613192580	P61103MM
1613704080	P23119MM
1614412180	P61125MM
1616872780	P61114MM

OE	MAGNETI MARELLI
CITROËN	
1617270280	P61075MM
1617272980	P61083MM
1617282980	P61082MM
1618111580	P23141MM
4254A0	P61078MM
4254A1	P61096MM
4254A2	P61096MM
4254A3	P61119MM
4254A4	P23022MM
4254A5	P23023MM
4254A7	P61106MM
4254A9	P61105MM
4254C0	P61083MM
4254C1	P85020MM
4254C5	P85020MM
4254C6	P36020MM
4254C8	P23141MM
E172007	P61034MM
E172007	P61059MM
E172008	P61099MM
E172008	P68010MM
E172009	P61050MM
E172021	P61046MM
E172027	P61052MM
E172028	P61053MM
E172030	P61054MM
E172031	P23068MM
E172032	P23069MM
E172038	P61043MM
E172039	P23061MM
E172041	P61056MM
E172042	P61057MM
E172050	P23072MM
E172058	P61057MM
E172059	P61060MM
E172066	P61059MM
E172073	P61069MM
E172076	P61055MM
E172082	P61063MM
E172083	P61051MM
E172086	P61061MM
E172095	P61064MM
E172103	P61065MM
E172116	P61057MM
E172118	P68008MM

OE	MAGNETI MARELLI
CITROËN	
E172124	P61082MM
E172125	P61068MM
E172131	P61063MM
E172132	P61067MM
E172133	P23091MM
E172134	P23092MM
E172143	P61029MM
E172150	P61097MM
E172150	P68010MM
E172155	P61031MM
E172156	P23023MM
E172164	P23022MM
E172167	P61041MM
E172168	P61035MM
E172169	P61047MM
E172170	P61048MM
E172171	P68008MM
E172172	P61031MM
E172181	P61034MM
E172193	P61037MM
E172198	P61038MM
E172198	P61058MM
E172199	P61019MM
E172201	P61032MM
E172204	P85020MM
E172213	P61062MM
E172219	P61032MM
E172223	P61038MM
E172223	P61058MM
E172223	P61070MM
E172227	P61082MM
E172229	P61071MM
E172230	P61072MM
E172231	P61073MM
E172232	P23090MM
E172232	P61104MM
E172236	P61109MM
E172237	P61119MM
E172240	P61079MM
E172279	P23062MM
E172280	P61038MM
E172280	P61058MM
E172281	P85020MM
E172282	P61075MM
E172283	P61081MM

OE	MAGNETI MARELLI
CITROËN	
E172284	P61068MM
E172285	P61074MM
E172286	P61080MM
E172294	P61106MM
E172295	P61083MM
E172299	P61102MM
E172300	P23082MM
E172302	P61091MM
E172303	P61049MM
E172314	P61078MM
E172315	P61068MM
E172348	P23084MM
E172354	P23083MM
E172357	P23093MM
E172359	P61076MM
E172504	P61099MM
E172504	P68010MM
E172511	P61052MM
E172512	P61053MM
E172513	P61051MM
E172519	P23061MM
E172521	P61056MM
E172522	P61057MM
E172532	P61060MM
E172536	P61069MM
E172537	P61055MM
E172539	P61063MM
E172549	P61065MM
E172549	P61067MM
E172553	P61059MM
E172554	P61057MM
E172558	P61082MM
E172559	P61068MM
E172562	P61063MM
E172562	P61098MM
E172569	P61031MM
E172571	P23022MM
E172574	P61035MM
E172575	P61048MM
E172587	P61032MM
E172590	P61082MM
E172591	P61073MM
E172592	P23090MM
E172592	P61104MM
GX2532601A	P23010MM

OE	MAGNETI MARELLI
CITROËN	
GX2532602A	P23010MM
RP425114	P61052MM
RP425157	P61053MM
ZF09937786	P23022MM
ZF09938205	P23022MM
DACIA	
6001547619	P68008MM
6001547911	P68008MM
6001549803	P68039MM
7701207066	P68008MM
7701208265	P68008MM
7701209164	P68033MM
8455000902	P68001MM
8455200321	P68001MM
8455200355	P68001MM
8455454894	P68001MM
8671000107	P68008MM
410604775R	P68033MM
410605612R	P68059MM
410608481R	P68033MM
410609646R	P68060MM
DAEWOO	
11046148	P59011MM
11046152	P59017MM
32321800	P68014MM
96245178	P15002MM
96245179	P15005MM
96253368	P15005MM
96273708	P15006MM
96281939	P59017MM
96281945	P15006MM
96316582	P15006MM
96319060	P15002MM
96349060	P15002MM
96446742	P10006MM
96496763	P10008MM
96534653	P24048MM
4813005010	P30022MM
4813005011	P30022MM
4813005012	P30022MM
4813005110	P15008MM
4813008152	P15011MM
4841305100	P15009MM

OE	MAGNETI MARELLI
DAEWOO	
11046948322	P59011MM
11046948372	P59011MM
11046952012	P59017MM
48413050A0	P15004MM
583022CA00	P30003MM
PW892497	P24048MM
S3410011	P15002MM
S4510004	P15006MM
S4510011	P15002MM
S4510019	P15002MM
S4521001	P15005MM
S4521006	P15005MM

DAIHATSU	
446528340	P83093MM
446528360	P83093MM
446528370	P83093MM
446528380	P83093MM
446528381	P83093MM
446528390	P83093MM
446528420	P83093MM
446633150	P83015MM
446633170	P83088MM
449160060	P16012MM
449187103	P16005MM
449187104	P16005MM
449187109	P16005MM
449187113	P16003MM
449187226	P16014MM
449187401	P54015MM
449187501	P16003MM
449187503	P16003MM
449187510	P16003MM
449187511	P16003MM
449187606	P16012MM
449187607	P16012MM
449187611	P16010MM
449187612	P16010MM
449187617	P16010MM
449187624	P16010MM
449187625	P16010MM
449187706	P16005MM
449187708	P16005MM
449187710	P16005MM
449187724	P16007MM

OE	MAGNETI MARELLI
DAIHATSU	
449187725	P16007MM
449187727	P16007MM
449187728	P16007MM
449197201	P16008MM
449197202	P16009MM
449197205	P16008MM
449197214	P16011MM
449197217	P79012MM
449197401	P16008MM
449197403	P16008MM
449197404	P79012MM
449287101	P49015MM
449287102	P49015MM
449287705	P49005MM
449287706	P49005MM
449287707	P49005MM
49187727000	P16007MM
449160060000	P16012MM
449187101000	P16005MM
449187102000	P16003MM
449187103000	P16005MM
449187104000	P16005MM
449187105000	P16003MM
449187109000	P16003MM
449187110000	P16003MM
449187112000	P16003MM
449187113000	P16003MM
449187203000	P16003MM
449187208000	P16003MM
449187210000	P16014MM
449187211000	P16003MM
449187212000	P16003MM
449187215000	P16014MM
449187219000	P16014MM
449187222000	P16003MM
449187223000	P16003MM
449187225000	P16003MM
449187226000	P16014MM
449187227000	P16003MM
449187230000	P16014MM
449187233000	P16003MM
449187401000	P54015MM
449187403000	P54015MM
449187501000	P16003MM
449187503000	P16003MM

OE	MAGNETI MARELLI
DAIHATSU	
449187504000	P16003MM
449187510000	P16003MM
449187511000	P16003MM
449187606000	P16012MM
449187607000	P16012MM
449187608000	P16012MM
449187609000	P16012MM
449187610000	P16012MM
449187611000	P16010MM
449187611000	P16012MM
449187612000	P16010MM
449187617000	P16010MM
449187621000	P16010MM
449187623000	P16012MM
449187624000	P16010MM
449187625000	P16010MM
449187706000	P16005MM
449187707000	P16003MM
449187708000	P16005MM
449187710000	P16005MM
449187711000	P16003MM
449187712000	P16005MM
449187715000	P16005MM
449187721000	P16005MM
449187724000	P16007MM
449187725000	P16007MM
449187727000	P16007MM
449187728000	P16007MM
449197201000	P16008MM
449197202000	P16009MM
449197203000	P16011MM
449197205000	P16008MM
449197206000	P16011MM
449197207000	P79012MM
449197209000	P16011MM
449197210000	P79012MM
449197211000	P16011MM
449197212000	P16008MM
449197213000	P16009MM
449197214000	P16011MM
449197216000	P79012MM
449197217000	P79012MM
449197218000	P16011MM
449197401000	P16008MM
449197402000	P79012MM

OE	MAGNETI MARELLI
DAIHATSU	
449197403000	P16008MM
449197404000	P79012MM
449197501000	P16009MM
449197506000	P16009MM
449287101000	P49015MM
449287102000	P49015MM
449287201000	P49005MM
449287202000	P49005MM
449287705000	P49005MM
449287706000	P49005MM
449287707000	P49005MM
449287708000	P49005MM
044650D050000	P83085MM
04465B1010	P79012MM
04465B1010000	P79012MM
04465B1020	P79012MM
04465B1020000	P79012MM
04465B1040	P79012MM
04465B1050000	P79012MM
04465B1100	P79012MM
04465B1190	P16013MM
04465B1191	P16013MM
04465B1310	P24072MM
04465B1360	P83101MM
04465B1380	P16013MM
04465B1380000	P79012MM
04465B2010	P16011MM
04465B2020	P79012MM
04465B2020000	P79012MM
04465B2030	P16011MM
04465B2040	P16011MM
04465B2090	P79012MM
04465B2100	P16011MM
04465B2150	P16011MM
04465B4010	P54015MM
04465B4020	P54015MM
04465B4040	P54015MM
04465B5020	P16009MM
04465B5030	P16009MM
04465B5050	P16009MM
04465B5051	P16009MM
04465B5052	P16009MM
04465B5060	P16009MM
04465B5080	P16009MM
044660D010000	P83087MM

OE	MAGNETI MARELLI
----	-----------------

DAIHATSU

04491B1010	P79012MM
04491B1010000	P79012MM
04491B1030	P24072MM
04491B1031	P24072MM
04491B1052	P79012MM
04491B1071	P79012MM
04491B1100	P79012MM
04491B1112	P79012MM
04491B1120	P16013MM
04491B2010	P79012MM
04491B2010000	P79012MM
04491B2020	P79012MM
04491B2021	P79012MM
04491B5010000	P16009MM
04491L510S000	P16014MM
4491B1121	P16013MM

DAIMLER

JLM21280	P36018MM
JLM21282	P36020MM
MXD1550AA	P36018MM

DODGE

05016227AA	P11011MM
05191244AA	P11026MM
05191271AA	P54034MM
05191271AB	P54034MM
5016227AA	P11011MM
5019804AA	P11015MM
5072216AA	P11013MM
5101857AA	P11015MM
5191244AA	P18001MM
5191271AC	P54034MM
68028671AA	P54031MM
68029263AA	P11025MM
68029264AA	P11022MM
68029887AA	P11021MM
68053152AA	P11025MM
68144163AE	P11035MM
68144163AF	P11035MM
68209532AA	P11017MM
K68003776AA	P18024MM
K68033078AA	P54031MM
MB857837	P54017MM
V1010494AA	P54030MM

OE	MAGNETI MARELLI
----	-----------------

DR

720050006	P99026MM
720060008	P83057MM
T113501080	P99026MM

DS

425423	P61066MM
425425	P61083MM
425431	P61103MM
425444	P61114MM
425446	P61114MM
425477	P61117MM
1607083180	P61103MM
1607083280	P85020MM
1608520680	P61114MM
1608681580	P85020MM
1608681680	P61114MM
1610104080	P61115MM
1611293980	P61066MM
1612293980	P61066MM
1613192580	P61103MM
1614005880	P61066MM
4254C0	P61083MM
4254C1	P85020MM
4254C6	P36020MM
E172295	P61083MM
E172558	P61082MM
E172590	P61082MM

FIAT

425364	P61096MM
790474	P23002MM
790605	P23003MM
791236	P23013MM
791349	P23013MM
791873	P23014MM
792383	P23032MM
792489	P23017MM
792539	P23013MM
792561	P23013MM
792589	P23013MM
792589	P23021MM
792699	P23014MM
792725	P23013MM
793120	P23044MM
793219	P23032MM

OE	MAGNETI MARELLI
----	-----------------

FIAT

793272	P23032MM
793322	P23013MM
793323	P23013MM
793325	P23021MM
793330	P23017MM
793460	P23017MM
793485	P23032MM
793741	P23032MM
793774	P23045MM
794079	P23044MM
794094	P23014MM
794870	P23044MM
794962	P23017MM
795121	P23017MM
795402	P23035MM
795915	P23072MM
994999	P23022MM
1605230	P59057MM
3915580	P23003MM
4174992	P23003MM
4204050	P23003MM
4208932	P41001MM
4218573	P23003MM
4236412	P23003MM
4296669	P23003MM
4309760	P23005MM
4309780	P23003MM
4333335	P23002MM
4349780	P23002MM
4370874	P23003MM
4379298	P23002MM
4379301	P23005MM
4386012	P23003MM
4434816	P23003MM
4434817	P23005MM
4434821	P23005MM
4434823	P23002MM
4434826	P23005MM
4434909	P23003MM
5423521	P23010MM
5741889	P23117MM
5882942	P23040MM
5882984	P23040MM
5882985	P23039MM
5888147	P23017MM

OE	MAGNETI MARELLI
----	-----------------

FIAT

5888148	P23005MM
5888149	P23003MM
5888151	P23003MM
5888152	P23002MM
5888154	P23003MM
5888155	P23002MM
5888528	P23040MM
5888529	P23039MM
5888550	P68004MM
5888573	P23005MM
5888574	P23003MM
5888578	P23014MM
5888781	P23044MM
5888939	P23032MM
5889089	P23017MM
5892309	P23013MM
5892310	P23013MM
5892312	P23013MM
5892313	P23045MM
5892330	P23044MM
5892601	P23014MM
5892729	P23014MM
5892730	P23017MM
5892733	P23017MM
5892736	P23060MM
5892737	P23096MM
5892738	P23017MM
5892786	P23054MM
5892945	P23002MM
5894112	P23055MM
5951660	P23013MM
5951897	P23003MM
5983898	P23010MM
5983919	P23017MM
5983950	P23017MM
7075742	P23055MM
7076375	P23055MM
7076376	P23040MM
7077414	P23039MM
7078947	P23124MM
7087050	P23077MM
7923725	P23013MM
7940890	P23026MM
8847474	P23041MM
9938109	P68001MM

OE	MAGNETI MARELLI
FIAT	
9939028	P23022MM
9939503	P85013MM
9940092	P23022MM
9940566	P23023MM
9940969	P85013MM
9940999	P23022MM
9941175	P23041MM
9941207	P23022MM
9941208	P23023MM
9941211	P85013MM
9941606	P23026MM
9941718	P23024MM
9942433	P23026MM
9943830	P23044MM
9944861	P23023MM
9945070	P23022MM
9945076	P23023MM
9945788	P23068MM
9945810	P23069MM
9945821	P23026MM
9945823	P23026MM
9946016	P23061MM
9947468	P23096MM
9947474	P23041MM
9947482	P23017MM
9947499	P23041MM
9947600	P23057MM
9947630	P23070MM
9947891	P23125MM
9947916	P23067MM
9947917	P23124MM
9947934	P23125MM
9947938	P23026MM
9947954	P23121MM
9947955	P23077MM
9947976	P23096MM
9947996	P23056MM
9948037	P23122MM
9948038	P23123MM
9948045	P23096MM
9948054	P23096MM
9948095	P23077MM
9948131	P23079MM
9948222	P23070MM
9948334	P23077MM

OE	MAGNETI MARELLI
FIAT	
9948358	P23017MM
9948417	P23064MM
9948476	P23077MM
9948557	P23078MM
9948623	P23070MM
9948626	P23083MM
9948629	P23084MM
9948870	P23118MM
9949048	P23070MM
9949124	P23123MM
9949125	P23079MM
9949183	P23096MM
9949273	P23085MM
9949276	P23087MM
9949279	P23145MM
9949280	P23080MM
9949335	P23064MM
9949362	P23092MM
9949407	P23093MM
9949408	P23093MM
9949409	P23091MM
9949412	P23116MM
9949482	P23091MM
9949516	P23091MM
9949517	P23092MM
9949552	P23090MM
9949555	P23081MM
9949556	P23099MM
9950778	P23077MM
9950853	P23026MM
9951030	P23077MM
9951226	P23114MM
46565733	P23054MM
50902169	P23104MM
51928528	P23087MM
51928529	P23130MM
51934099	P23139MM
60728434	P59004MM
60743565	P85013MM
60743578	P85013MM
60760124	P23041MM
60776098	P23048MM
60777600	P23017MM
60777805	P06002MM
60778315	P59004MM

OE	MAGNETI MARELLI
FIAT	
71711135	P23072MM
71737178	P23096MM
71737179	P23096MM
71738134	P23054MM
71738151	P23079MM
71738152	P23079MM
71738153	P23040MM
71738154	P23055MM
71738155	P23123MM
71738156	P23056MM
71738157	P23056MM
71738158	P23123MM
71742853	P23105MM
71748384	P23013MM
71748385	P23017MM
71748387	P23066MM
71750033	P23105MM
71750931	P79027MM
71752295	P23077MM
71752978	P23092MM
71752979	P23091MM
71752980	P23068MM
71752981	P23125MM
71752982	P23073MM
71752983	P23085MM
71752984	P23026MM
71752985	P23093MM
71752986	P23081MM
71752988	P23064MM
71752989	P23057MM
71752990	P23087MM
71752992	P23061MM
71752993	P23069MM
71752995	P23077MM
71753040	P23084MM
71753041	P23070MM
71753042	P23070MM
71753043	P23071MM
71754802	P23085MM
71754803	P23087MM
71765466	P23139MM
71768493	P79027MM
71768576	P79027MM
71769056	P23096MM
71769094	P23080MM

OE	MAGNETI MARELLI
FIAT	
71769140	P23081MM
71769141	P23114MM
71770022	P23104MM
71770028	P61091MM
71770060	P23140MM
71770080	P23119MM
71770082	P23085MM
71770098	P23141MM
71770104	P23108MM
71770106	P23137MM
71770132	P23072MM
71770948	P23017MM
71770949	P23019MM
71770950	P23022MM
71770951	P23044MM
71770952	P23070MM
71770953	P23057MM
71770954	P23113MM
71770955	P23071MM
71770956	P23056MM
71770957	P23075MM
71770958	P23121MM
71770959	P23116MM
71770960	P23122MM
71770961	P23079MM
71770963	P23073MM
71770964	P23118MM
71770965	P23119MM
71770966	P23041MM
71770967	P23045MM
71770968	P23023MM
71770970	P23048MM
71770972	P23068MM
71770973	P23069MM
71770974	P23061MM
71770975	P23066MM
71770976	P23018MM
71770977	P23078MM
71770978	P23074MM
71770979	P23088MM
71770980	P23084MM
71770981	P23087MM
71770982	P23083MM
71770983	P23021MM
71770984	P23054MM

OE	MAGNETI MARELLI
FIAT	
71770985	P23096MM
71770986	P23072MM
71770987	P23032MM
71770988	P85013MM
71770989	P23026MM
71770990	P23067MM
71770991	P23065MM
71771813	P11025MM
71772208	P23077MM
71772209	P23125MM
71772210	P23123MM
71772211	P59043MM
71772212	P23064MM
71772213	P23090MM
71772215	P23097MM
71772216	P23098MM
71772217	P23100MM
71772218	P23103MM
71772219	P23101MM
71772220	P23102MM
71772221	P23108MM
71772222	P23087MM
71772223	P23089MM
71772224	P23085MM
71772225	P23080MM
71772226	P23060MM
71772226	P23160MM
71772521	P23087MM
71772523	P23070MM
71772525	P23092MM
71772526	P23091MM
71772527	P23093MM
71773138	P23109MM
71773139	P23055MM
71773140	P61104MM
71773141	P23040MM
71773142	P23062MM
71773143	P23082MM
71773144	P23104MM
71773145	P23136MM
71773146	P23144MM
71773147	P23105MM
71773148	P85020MM
71773149	P61091MM
71773151	P23107MM

OE	MAGNETI MARELLI
FIAT	
71773152	P23137MM
71796094	P23080MM
77362084	P23057MM
77362087	P23026MM
77362090	P23070MM
77362091	P23085MM
77362092	P23087MM
77362093	P23145MM
77362149	P23081MM
77362170	P23073MM
77362171	P23123MM
77362175	P23056MM
77362177	P23079MM
77362178	P23079MM
77362179	P23099MM
77362180	P23079MM
77362185	P23096MM
77362186	P23070MM
77362187	P85013MM
77362190	P23125MM
77362193	P23077MM
77362194	P23085MM
77362195	P23087MM
77362196	P23145MM
77362199	P23057MM
77362202	P23077MM
77362205	P23118MM
77362209	P23069MM
77362212	P23068MM
77362216	P23092MM
77362219	P23091MM
77362222	P23077MM
77362225	P23114MM
77362226	P23078MM
77362227	P23074MM
77362228	P23116MM
77362231	P23077MM
77362233	P23084MM
77362235	P23083MM
77362236	P23090MM
77362237	P23061MM
77362238	P23072MM
77362242	P23026MM
77362245	P23096MM
77362251	P23075MM

OE	MAGNETI MARELLI
FIAT	
77362254	P23116MM
77362257	P23067MM
77362266	P23013MM
77362267	P23096MM
77362268	P23017MM
77362269	P23081MM
77362270	P23064MM
77362271	P23080MM
77362274	P23093MM
77362276	P23065MM
77362300	P23071MM
77362309	P23017MM
77362310	P23056MM
77362311	P23123MM
77362315	P23055MM
77362316	P23070MM
77362327	P23075MM
77362343	P23067MM
77362351	P23057MM
77362354	P23026MM
77362479	P23096MM
77362548	P23085MM
77362683	P23077MM
77362689	P23097MM
77362691	P23097MM
77362710	P23087MM
77362712	P23087MM
77362743	P23099MM
77362768	P23080MM
77363035	P23099MM
77363321	P23081MM
77363328	P23078MM
77363336	P23078MM
77363341	P23065MM
77363445	P23064MM
77363496	P23118MM
77363518	P23080MM
77363518	P23135MM
77363604	P59043MM
77363607	P23101MM
77363610	P23102MM
77363627	P23100MM
77363782	P68049MM
77363942	P23108MM
77363956	P23090MM

OE	MAGNETI MARELLI
FIAT	
77363958	P23087MM
77363959	P23104MM
77363974	P23108MM
77363992	P23099MM
77364014	P23143MM
77364015	P61118MM
77364016	P61091MM
77364024	P23064MM
77364158	P23085MM
77364160	P23144MM
77364161	P23136MM
77364168	P23101MM
77364169	P23102MM
77364224	P59043MM
77364281	P23119MM
77364318	P61118MM
77364319	P23136MM
77364393	P23108MM
77364394	P23108MM
77364447	P23090MM
77364473	P23087MM
77364477	P23108MM
77364511	P61096MM
77364512	P61096MM
77364513	P61095MM
77364517	P23108MM
77364567	P23065MM
77364587	P23103MM
77364588	P23085MM
77364589	P23145MM
77364590	P23080MM
77364599	P23087MM
77364635	P24147MM
77364636	P23107MM
77364637	P23108MM
77364637	P23140MM
77364716	P23117MM
77364798	P23108MM
77364821	P61104MM
77364832	P23108MM
77364839	P23065MM
77364859	P23092MM
77364860	P23093MM
77364862	P23091MM
77364874	P23108MM

OE	MAGNETI MARELLI
----	-----------------

FIAT	
77364875	P23087MM
77364893	P23085MM
77364897	P23119MM
77364919	P23169MM
77364961	P23064MM
77365026	P23087MM
77365113	P23087MM
77365188	P23145MM
77365191	P24147MM
77365306	P24147MM
77365337	P23096MM
77365396	P23130MM
77365464	P23142MM
77365468	P23137MM
77365543	P23141MM
77365623	P23087MM
77365651	P23108MM
77365672	P23139MM
77365716	P23137MM
77365729	P23138MM
77365752	P23131MM
77365754	P23146MM
77365796	P23163MM
77365808	P23145MM
77365809	P23135MM
77365810	P23087MM
77365811	P23138MM
77365816	P24147MM
77365817	P24150MM
77365830	P23139MM
77365857	P23141MM
77365858	P23131MM
77365865	P23137MM
77365886	P23142MM
77365928	P23072MM
77365938	P23116MM
77365939	P23026MM
77366017	P23143MM
77366018	P23144MM
77366019	P23144MM
77366020	P23144MM
77366021	P61118MM
77366023	P23136MM
77366024	P23136MM
77366134	P23141MM

OE	MAGNETI MARELLI
----	-----------------

FIAT	
77366212	P11031MM
77366270	P23138MM
77366274	P11031MM
77366378	P11031MM
77366388	P23151MM
77366453	P23151MM
77366456	P23150MM
77366481	P59052MM
77366534	P23153MM
77366537	P23138MM
77366538	P23138MM
77366590	P23167MM
77366595	P23156MM
77366679	P61125MM
77366761	P23090MM
77366915	P23155MM
77366993	P23150MM
77367090	P23136MM
77367091	P23144MM
77367092	P23143MM
77367093	P23161MM
77367145	P23177MM
77367213	P23165MM
77367214	P23164MM
77367241	P23146MM
77367327	P23141MM
77367417	P23177MM
77367514	P23151MM
82357469	P23018MM
82444381	P85013MM
82444382	P85013MM
93169177	P59057MM
94333335	P23002MM
98845340	P68049MM
655791873	P23002MM
655792876	P23002MM
6000609714	P54038MM
6000609715	P54038MM
6000611054	P54055MM
6000615057	P49044MM
6000620046	P59082MM
6000620052	P59041MM
9404251248	P23062MM
9404251258	P23072MM
9404252328	P85020MM

OE	MAGNETI MARELLI
----	-----------------

FIAT	
9404254608	P23082MM
9404254668	P23062MM
9467529088	P85020MM
9467529687	P23082MM
9467548887	P61096MM
9467548888	P61096MM
9467548987	P61096MM
9467548988	P61096MM
9467549087	P61095MM
9467648988	P85020MM
00K68159138AA	P11021MM
00K68159143AA	P11021MM
00K68192439AA	P11021MM
00K68192439AB	P11021MM
68088919AA	P23151MM
68102483AA	P11031MM
68190118AA	P59052MM
68211488AA	P23167MM
68211493AA	P23156MM
K05142558AB	P11017MM
K05142561AA	P23175MM
K05142566AB	P23175MM
K68029263AA	P11025MM
K68029887AA	P11021MM
K68029887AB	P11021MM
K68053152AB	P11025MM
K68068762AA	P11025MM
K68093323AA	P11025MM
K68093323AB	P11025MM
K68144163AF	P11035MM
K68159138AA	P11021MM
K68159143AA	P11021MM
K68159526AA	P11032MM
K68159579AA	P11035MM
K68192439AA	P11021MM
K68192439AB	P11021MM

FORD	
118589	P24043MM
178479	P24043MM
341278	P49023MM
571569	P24004MM
710417	P59001MM
800001	P59001MM
1001095	P85039MM

OE	MAGNETI MARELLI
----	-----------------

FORD	
1001096	P85020MM
1010502	P24044MM
1010503	P24043MM
1013843	P24044MM
1015598	P24029MM
1022077	P24069MM
1022078	P24035MM
1022079	P24034MM
1027640	P85020MM
1027650	P85020MM
1027703	P85039MM
1029782	P85020MM
1030601	P24044MM
1030602	P24043MM
1031781	P24029MM
1031843	P85039MM
1039106	P24043MM
1042687	P24044MM
1042688	P24043MM
1048308	P24045MM
1048309	P24029MM
1048310	P24045MM
1064762	P24044MM
1064763	P24043MM
1073731	P24037MM
1073732	P24034MM
1074971	P24049MM
1074972	P24050MM
1075558	P24046MM
1075565	P24047MM
1079347	P24037MM
1079348	P24034MM
1079919	P24044MM
1079920	P24043MM
1088938	P24038MM
1089400	P24038MM
1090276	P24044MM
1095201	P24037MM
1095202	P24034MM
1096940	P24034MM
1096942	P24037MM
1097768	P24069MM
1097769	P24035MM
1101462	P24055MM
1101464	P24055MM

OE	MAGNETI MARELLI
FORD	
1107697	P24046MM
1107698	P24047MM
1109015	P85059MM
1111857	P24054MM
1111858	P24054MM
1115107	P85020MM
1121667	P24045MM
1121892	P24059MM
1121894	P24060MM
1121895	P24059MM
1126718	P24060MM
1128463	P24055MM
1129885	P24070MM
1129886	P24038MM
1129985	P24070MM
1129986	P24038MM
1130120	P24059MM
1130715	P24054MM
1130751	P24029MM
1130753	P24045MM
1130758	P24034MM
1130759	P24037MM
1133445	P85060MM
1133446	P85061MM
1133447	P85058MM
1133448	P85059MM
1134158	P24049MM
1134159	P24050MM
1135167	P24052MM
1136519	P24046MM
1143349	P85060MM
1144288	P24053MM
1145455	P24034MM
1145456	P24035MM
1151049	P24046MM
1151377	P85062MM
1152316	P24059MM
1201124	P85062MM
1203933	P24039MM
1204843	P24060MM
1204845	P24059MM
1204850	P24070MM
1204852	P24038MM
1205557	P85020MM
1205695	P85060MM

OE	MAGNETI MARELLI
FORD	
1205696	P85061MM
1205697	P85059MM
1206062	P24054MM
1206064	P24055MM
1207104	P24059MM
1207518	P85059MM
1207519	P85058MM
1219892	P24059MM
1219894	P24059MM
1219897	P24059MM
1223682	P24061MM
1227108	P24059MM
1230725	P24073MM
1230732	P24073MM
1233679	P59042MM
1236880	P24055MM
1237132	P85060MM
1237133	P85061MM
1250688	P24060MM
1301589	P24049MM
1301592	P24050MM
1318139	P24052MM
1318147	P24053MM
1321517	P24061MM
1324300	P59042MM
1329156	P24073MM
1343513	P85058MM
1343514	P85020MM
1345339	P85059MM
1345340	P85020MM
1355950	P24071MM
1356392	P24063MM
1356600	P24086MM
1359884	P24071MM
1360254	P59042MM
1360290	P24086MM
1360303	P24058MM
1360304	P59042MM
1360305	P24061MM
1360306	P59042MM
1368558	P24057MM
1371402	P24064MM
1371403	P24065MM
1371454	P24066MM
1379971	P24076MM

OE	MAGNETI MARELLI
FORD	
1386603	P85059MM
1405511	P24077MM
1415166	P24052MM
1415168	P24053MM
1423389	P24077MM
1424023	P86001MM
1425406	P24046MM
1425407	P24047MM
1426143	P24078MM
1426144	P24078MM
1431178	P24077MM
1432363	P24076MM
1433952	P24064MM
1433954	P24065MM
1433958	P24066MM
1436498	P24076MM
1437761	P24076MM
1438867	P24075MM
1439866	P24078MM
1439867	P24075MM
1458247	P24076MM
1459016	P59042MM
1459408	P24075MM
1459450	P24078MM
1464435	P24057MM
1465126	P24028MM
1465166	P24052MM
1465167	P24052MM
1465168	P24053MM
1477803	P24075MM
1479223	P24052MM
1487400	P86001MM
1488962	P24064MM
1495951	P24039MM
1500667	P24070MM
1500668	P24038MM
1501265	P24084MM
1503969	P24078MM
1504143	P24038MM
1508074	P24061MM
1519528	P24061MM
1521325	P24034MM
1521326	P24037MM
1521328	P24055MM
1521329	P24063MM

OE	MAGNETI MARELLI
FORD	
1521531	P24060MM
1522062	P24060MM
1522070	P24059MM
1522073	P24063MM
1530602	P24066MM
1534428	P24065MM
1540857	P86001MM
1543375	P24018MM
1550219	P24072MM
1551486	P24074MM
1553797	P24064MM
1554523	P24065MM
1554524	P24066MM
1559697	P23107MM
1559698	P23060MM
1559698	P23160MM
1560014	P24064MM
1560023	P24065MM
1560026	P24066MM
1566093	P24061MM
1566096	P59042MM
1566232	P24076MM
1566233	P24078MM
1566234	P24075MM
1567730	P24074MM
1571569	P24004MM
1571570	PA6001MM
1571571	PA6001MM
1571572	PA6001MM
1575620	P23060MM
1575620	P23160MM
1575800	P24009MM
1577447	P24074MM
1579804	P24009MM
1579806	P24009MM
1579807	P24009MM
1591140	P24009MM
1595523	P24043MM
1619209	P24043MM
1629697	P24019MM
1632792	P24007MM
1637872	P24018MM
1638880	P24018MM
1640755	P24007MM
1642643	P24004MM

OE	MAGNETI MARELLI
FORD	
1647730	P24019MM
1647731	P24007MM
1648236	P24018MM
1652206	P24018MM
1652285	P24037MM
1654620	P24007MM
1655233	P24078MM
1659935	P24043MM
1659936	P24007MM
1659937	P24007MM
1659938	P24028MM
1660384	PA6011MM
1668053	PA6011MM
1669578	P23060MM
1669578	P23160MM
1672938	P24070MM
1672939	P24038MM
1675380	P24074MM
1675620	P23060MM
1675620	P23160MM
1676630	P24072MM
1682005	P24075MM
1682360	P24018MM
1682498	P24046MM
1683374	P24148MM
1695810	P24061MM
1705930	P24074MM
1712024	P24061MM
1718023	P24084MM
1719275	P24072MM
1721086	P24065MM
1721087	P24064MM
1721654	P24161MM
1723410	P24153MM
1723538	P24153MM
1731171	P23107MM
1731172	P24147MM
1736937	P23107MM
1736940	P24147MM
1747043	P24076MM
1749322	P24072MM
1751951	P24151MM
1752093	P24078MM
1753844	P24061MM
1753860	P59042MM

OE	MAGNETI MARELLI
FORD	
1756395	P24075MM
1759370	P24061MM
1763301	P24046MM
1763677	P59042MM
1763678	P24058MM
1763915	P24152MM
1763916	P24160MM
1765066	P24151MM
1765765	P24148MM
1765766	P24061MM
1775091	P24157MM
1775672	P24151MM
1778384	P24150MM
1778385	P24147MM
1780884	P24047MM
1783839	P24055MM
1783849	P24060MM
1785193	P24151MM
1788734	P24072MM
1797211	P24158MM
1802317	P24047MM
1805813	P24148MM
1809256	P24061MM
1809259	P59042MM
1809458	P24148MM
1810990	P24047MM
1816524	P24061MM
1819638	P24066MM
1820122	P24148MM
1824121	P24171MM
1824346	P24064MM
1824347	P24065MM
1824348	P24066MM
1826241	P24061MM
1829395	P24160MM
1829400	P24171MM
1840037	P24160MM
1840479	P24171MM
1842632	P24152MM
1848518	P24072MM
1848532	P24151MM
1855307	P24072MM
1860105	P24173MM
1860476	P24151MM
1891191	P24086MM

OE	MAGNETI MARELLI
FORD	
1916326	P24152MM
1917494	P24173MM
1947389	P24044MM
1954460	P24039MM
1956495	P24039MM
1957042	P24039MM
2039733	P24157MM
3250077	P49010MM
3256541	P49010MM
3395842	P24025MM
3401278	P49023MM
3477468	P24024MM
3521846	P24024MM
3521847	P24024MM
3668591	P24051MM
3787544	P24041MM
3868298	P24036MM
3894048	P49023MM
3894956	P24051MM
3898005	P24036MM
3915220	P49023MM
3922123	P49023MM
3975114	P49023MM
3975890	P24025MM
4077636	P24052MM
4095132	P24053MM
4096346	P24056MM
4099896	P24056MM
4114749	P24053MM
4119192	P24051MM
4182657	P49023MM
4346371	P24058MM
4387361	P24058MM
4387371	P59042MM
4387374	P59042MM
4420000	P24051MM
4427737	P24058MM
4432201	P24086MM
4432234	P24086MM
4509526	P24051MM
4509599	P24051MM
4532488	P24085MM
4592554	P24085MM
4641690	P24159MM
4717737	P24085MM

OE	MAGNETI MARELLI
FORD	
4778223	P24159MM
4780654	P24159MM
4780682	P24085MM
4918698	P24159MM
5010540	P24004MM
5010553	PA6001MM
5015916	P24009MM
5015917	P24016MM
5015919	P24043MM
5015923	P86001MM
5015932	P24004MM
5018192	P24009MM
5018193	P24016MM
5018194	P24043MM
5018897	P24009MM
5018898	P24016MM
5018899	P24043MM
5018901	P86001MM
5018907	P24004MM
5018908	PA6001MM
5018981	P24013MM
5018982	P24014MM
5020817	P24019MM
5020818	P24007MM
5022397	P24004MM
5022398	PA6001MM
5023486	P24023MM
5023993	P24016MM
5023994	P24043MM
5023998	P24019MM
5023999	P24007MM
5025048	P24028MM
5025929	P24028MM
5025948	P24029MM
5026168	P24009MM
5026661	P24029MM
5027604	P24029MM
5028176	P24029MM
5028763	P24032MM
5028764	P24033MM
5029147	P24037MM
5029148	P24034MM
5134101	P24148MM
5181461	P24061MM
5182149	P24173MM

OE	MAGNETI MARELLI
FORD	
6095773	P24043MM
6117992	P24013MM
6117994	P24043MM
6121696	P24043MM
6127520	P24043MM
6127525	P24014MM
6127527	P24019MM
6127528	P24007MM
6128158	P24019MM
6130483	P24043MM
6132471	P24016MM
6132472	P24016MM
6132807	P24043MM
6136892	P24019MM
6136893	P24043MM
6137744	P24013MM
6137745	P24014MM
6141150	P24018MM
6143631	P24013MM
6143632	P24014MM
6143633	P24013MM
6143634	P24014MM
6144685	P24043MM
6147495	P24007MM
6147496	P24043MM
6150947	P24023MM
6150948	P24023MM
6155616	P24007MM
6155619	P24007MM
6155623	P24007MM
6157177	P24007MM
6158945	P24043MM
6162190	P24028MM
6162338	P24018MM
6165965	PA6001MM
6166950	P24013MM
6166951	P24014MM
6166952	P24043MM
6170935	P24007MM
6174117	P24043MM
6174784	P24013MM
6174785	P24014MM
6174786	P24043MM
6174787	P24007MM
6178479	P24043MM

OE	MAGNETI MARELLI
FORD	
6178480	P24043MM
6180371	P24029MM
6184115	P24019MM
6184245	P24023MM
6188427	P24028MM
6189145	P24043MM
6189148	P24007MM
6197738	P24032MM
6197739	P24033MM
6203650	P24028MM
6204677	PA6011MM
6485895	P24079MM
6500951	P24019MM
6500952	P24029MM
6500953	P24029MM
6500954	P24029MM
6500959	P24030MM
6511773	P24043MM
6511774	P24007MM
6511775	P24007MM
6521375	P24007MM
6567001	P24004MM
6567002	PA6001MM
6668587	P24069MM
6669779	P24070MM
6669780	P24038MM
6687176	P24069MM
6704268	P24043MM
6704269	P24019MM
6704270	P24007MM
6704271	P24029MM
6706468	P24007MM
6785599	P24018MM
6827586	P24034MM
6827587	P24035MM
6877835	P24035MM
6877836	P24037MM
6877837	P24034MM
6882582	P24034MM
6882583	P24035MM
6882584	P24037MM
6962492	P24029MM
6965579	P24032MM
6965580	P24033MM
7017948	P24045MM

OE	MAGNETI MARELLI
FORD	
7018202	P24032MM
7018203	P24033MM
7075049	P24029MM
7075050	P24029MM
7114005	P24030MM
7153476	P24070MM
7153477	P24038MM
7204067	P24069MM
7261715	P24034MM
7261716	P24035MM
13071402	P24064MM
15662234	P24075MM
1C152K021AD	P24053MM
1C1J2K021AA	P24053MM
1C1J2K021AB	P24053MM
1C1J2K021AC	P24053MM
1F1Z2001AA	P46001MM
1L2Z2200AA	P24068MM
1L4J2K021AB	P24039MM
1L522001BB	P24081MM
1L5Z2001AA	P24081MM
1M212K021AA	P85062MM
1M212K021BA	P85062MM
1M2J2K021AA	P85061MM
1M2J2K021BA	P85060MM
1S712K021AB	P24060MM
1S712K021AC	P24060MM
1S712M008AD	P24059MM
1S712M008BC	P24059MM
1S712M008BD	P24059MM
1S7J2K021AA	P24060MM
1S7J2M008BA	P24059MM
1W4Z2200AA	P36013MM
26296AA050	P24026MM
26296AA051	P24026MM
2M342001CA	P24086MM
2M342001EA	P24051MM
2M352001BA	P24086MM
2M502K021AA	P24073MM
2M5J2K021BA	P24073MM
2M5O2K021AA	P24073MM
2M5O2K021BA	P24073MM
2M5V2K021AA	P24058MM
2M5Z2001A5	P24058MM
2T142K021AC	P24058MM

OE	MAGNETI MARELLI
FORD	
2T142M008AA	P59042MM
2T1J2K021AA	P24058MM
2T1J2M008AA	P59042MM
3F1Z2001BA	P46001MM
3F2Z2200AA	P24080MM
3L2Z2200BA	P24068MM
3L5Z2001AA	P24081MM
3M342001CA	P24086MM
3M352001AA	P24086MM
3M352001BA	P24086MM
3M512K021AA	P24061MM
3M512K021AB	P24061MM
3M512M008AC	P59042MM
3M5J2K021A1A	P24061MM
3M5J2M008A1A	P59042MM
3W1Z2200BA	P24083MM
4M5J2K021AA	P24071MM
4N512K021AB	P24057MM
4S712M008AB	P24063MM
4W4Z2200AA	P36013MM
5F1Z2001AA	P46001MM
5F2Z2200AA	P24080MM
5L842200AA	P24085MM
5L842200AB	P24085MM
5L8Z2001AA	P24159MM
5L8Z2200AA	P24085MM
5M212M008BB	P85059MM
5M212M008CA	P85020MM
5M2J2M008CA	P85020MM
5S6Y2K021AA	P24071MM
5U2J2C452HA	P24159MM
5U2J2C453HA	P24085MM
6C112K021AB	P24064MM
6C112K021AC	P24064MM
6C112K021AD	P24064MM
6C112K021AE	P24064MM
6C112K021BB	P24065MM
6C112K021BC	P24065MM
6C112K021BD	P24065MM
6C112K021BE	P24065MM
6C112M008AB	P24066MM
6C112M008AC	P24066MM
6C112M008AD	P24066MM
6C112M008AE	P24066MM
6C112M008AF	P24066MM

OE	MAGNETI MARELLI
FORD	
6G9012M008GD	P24075MM
6G912K021A2C	P24076MM
6G912K021A2D	P24076MM
6G912M008FA	P24078MM
6G912M008FB	P24078MM
6G912M008FC	P24078MM
6G912M008FD	P24078MM
6G912M008GA	P24075MM
6G912M008GB	P24075MM
6G912M008GC	P24075MM
6G912M008GD	P24075MM
6G912M008GF	P24075MM
6G912MM08GA	P24075MM
6G912MM08GB	P24075MM
6G912MM08GC	P24075MM
6G9N2K021CA	P24077MM
6G9N2K021CB	P24077MM
6G9N2K021CC	P24077MM
6L842200AA	P24085MM
6L842L361AA	P24159MM
6L8Z2001A	P24159MM
6L8Z2200B	P24085MM
77FB2K023FA	P24009MM
7L2Z2200A	P24068MM
7L842L361AA	P24159MM
7T412200AA	P49041MM
7T432001AA	P49040MM
7T4Z2001A	P49040MM
7T4Z2200A	P49041MM
7T4Z2V001AA	P49040MM
7T4Z2V200AA	P49041MM
7U2J2C452AA	P49040MM
7U2J2C453AA	P49041MM
84FB2K021BA	P24016MM
87FX2K021FA	P24016MM
87FX2K021GA	P24043MM
87FX2K021JA	P24009MM
87GB2M008BA	P24018MM
87GX2M008BB	P24018MM
88GX2K021AA	P24019MM
89BB2K021AB	P24043MM
89FX2K021AA	P24016MM
89GB2K021AB	P24019MM
89GX2K021AA	P24019MM
89VB2K021BA	PA6006MM

OE	MAGNETI MARELLI
FORD	
89VX2K021BA	PA6001MM
89VX2K021CA	P24023MM
89VX2K021AA	P24004MM
8C1V2M008AA	P24084MM
8C1V2M008AB	P24084MM
8C1V2MM008AA	P24084MM
8FX2K021EA	P24009MM
8L842L361AB	P24159MM
8T432200BA	P49040MM
8T4Z2200A	P49040MM
8V412K021AA	P24061MM
8V512K021AA	P24072MM
8V512K021AB	P24072MM
8V512K021BA	P24072MM
8V512K021BB	P24072MM
8V512K021CA	P24072MM
91AB2K021BB	P24029MM
91AB2K021BC	P24029MM
91AB2K021HB	P24029MM
91AB2K021JA	P24029MM
91AB2K021JB	P24029MM
91AB2M008BC	P24030MM
91AB2M008BD	P24030MM
91FX2K021AB	P24028MM
92AX2K021AB	P24029MM
92VB2K021AE	P24049MM
92VB2K021BE	P24050MM
93BB2008BA	P24038MM
93BB2K021BC	P24035MM
93BB2K021DD	P24035MM
93BB2K021EB	P24037MM
93BB2K021FB	P24034MM
93BB2M008BB	P24038MM
93BX2K021BB	P24069MM
93BX2K021DC	P24035MM
93VX2K021AB	P24049MM
93VX2K021BB	P24050MM
94AB2K021AB	P24045MM
94GB2K021AB	P24034MM
95VW2K021AA	P85039MM
95VWX2K021AA	P85039MM
95VWX2K021BA	P85060MM
95WX2M008BA	P85020MM
96AB2K021AA	P24029MM
96AB2K021AB	P24029MM

OE	MAGNETI MARELLI
FORD	
96FB2K021AA	P24044MM
96FB2K021BA	P24043MM
96FX2K021SA	P24043MM
97AG2K021BA	P24045MM
97AX2K021AB	P24045MM
97BG2K021AA	P24034MM
97BG2K021AB	P24034MM
97BG2K021BB	P24037MM
97BX2K021BC	P24037MM
97FB2K021BA	P24043MM
97FU2K021CA	P24044MM
98AB2K021AD	P24046MM
98AB2M008BA	P24047MM
98AX2K021AD	P24046MM
98AX2K021AE	P24046MM
98AX2K021AF	P24046MM
98AX2K021AG	P24046MM
98AX2M008BA	P24047MM
98AX2M008BB	P24047MM
98FB2K021AA	P24044MM
98FB2K021BA	P24043MM
9C112K021AA	P24064MM
9C112K021BA	P24065MM
9M512K021AA	P24074MM
9M512K021BA	P24074MM
9M512K021BB	P24074MM
9M512K021BE	P24161MM
9S512K021A	P23107MM
9S512K021AA	P23107MM
9S512K021B	P23060MM
9S512K021B	P23160MM
9S512K021BA	P23060MM
9S512K021BA	P23160MM
9S512K021BC	P23060MM
9S512K021BC	P23160MM
A91AXT55056DA	P24029MM
AB312001AB	P24153MM
AB312L361AB	P24153MM
AV612K021BA	P24061MM
AV612K021BB	P24061MM
AV612M008AA	P24148MM
AV612M008AB	P24148MM
AV612M008BA	P24148MM
AY112K021BA	P24151MM
AY112K021BB	P24151MM

OE	MAGNETI MARELLI
FORD	
AY112K021BC	P24151MM
AY112K021BD	P24151MM
AY112K021CA	P24151MM
B10749280	P49005MM
BG354928ZA	P49007MM
BG912K021AA	P24076MM
BK212K021AA	P24152MM
BK212K021AB	P24152MM
BK212M008AA	P24160MM
BK212M008AB	P24160MM
BK212M008AC	P24160MM
BK312K021AA	P24171MM
BK312K021AB	P24171MM
BK312K021AC	P24171MM
BS512K021A	P24147MM
BS512K021AA	P23107MM
BS512K021BA	P24147MM
BT432001AB	P49040MM
BT4Z2001B	P49040MM
BV612001B3A	P24061MM
BV612001C3B	P24061MM
BV612001CB	P24061MM
BV612K021AC	P24157MM
BV612M007BA	P24148MM
BV612M007CB	P24148MM
C1BC2M008AA	P24047MM
C1BC2M008AB	P24047MM
C1BC2M008AC	P24047MM
C2S033408	P24059MM
CN152K021AA	P24061MM
CV612001BC	P24061MM
CV612001CB	P24061MM
CV612K021BA	P24158MM
CV6Z2001A	P24061MM
CV6Z2200A	P59042MM
DG9C2001AB	P24173MM
DG9C2K021EC	P24173MM
DG9C2K021ED	P24173MM
E92Z2001A	P24024MM
E92Z2200A	P24025MM
F02Z2200A	P24025MM
F32Z2200B	P24025MM
F3LY2001A	P46001MM
F42Z2200A	P24036MM
F50Y2001A	P46001MM

OE	MAGNETI MARELLI
FORD	
F57Z2001A	P24041MM
F57Z2001AA	P24041MM
F80Z2001BA	P46001MM
F8LZ2001AA	P46001MM
FM2136CSFF	P24159MM
G1FY2K021AB	P24157MM
GAYR3323ZE	P49023MM
GCYD3323ZC	P49023MM
ME1S7J2K021AC	P24060MM
ME1S7J2K021AD	P24060MM
ME2T1J2K021AA	P24058MM
ME2T1J2M008AA	P59042MM
ME3M5J2K021AA	P24061MM
ME3M5J2M008AA	P59042MM
ME3M5J2MM008AA	P59042MM
ME4S7J2M008AB	P24063MM
ME6C1J2K021AA	P24064MM
ME6C1J2K021AB	P24064MM
ME6C1J2K021BA	P24065MM
ME6C1J2K021BB	P24065MM
ME6C1J2M008AA	P24066MM
ME6C1J2M008AB	P24066MM
ME6G9J2K021AA	P24076MM
ME6G9J2M008FA	P24078MM
ME6G9J2M008GA	P24075MM
ME6GJ2M008FA	P24078MM
ME8V5J2K021AA	P24072MM
ME8V5J2K021AB	P24151MM
ME97BX2K021AD	P24034MM
ME97BX2K021BD	P24037MM
ME98AJ2K021AJ	P24046MM
ME9S5J2K021BA	P24147MM
ME9S5J2K021AA	P23107MM
ME9S5J2K021AB	P24150MM
ME9S5J2K021BA	P23060MM
ME9S5J2K021BA	P23160MM
ME9S5J2K021BB	P24147MM
MEAV6J2K021AA	P24061MM
MEAV6J2M008AA	P59042MM
MEAV6J2M008BA	P24148MM
MEAY1J2K021AA	P24151MM
MEBK2J2K021AA	P24152MM
MEBV6J2K021AA	P24157MM
MEY96J2K021DD	P24055MM
MEYS6J2K021DD	P24055MM

OE	MAGNETI MARELLI
FORD	
MEYS6J2K021DE	P24055MM
NFY72648Z	P49044MM
U0Y93323ZA	P24041MM
UMY43323Z	P24086MM
V92AB2K021AA	P24069MM
XF3Z2001CB	P46001MM
XF722200BA	P24038MM
XL2Z2200AA	P24042MM
XL3Z2200AA	P24083MM
XL3Z2200ZZ	P24083MM
XR3Z2001AA	P24082MM
XS712M008AE	P24070MM
XS712M008BB	P24038MM
XS712M008BC	P24038MM
XS712M008BD	P24038MM
XS712M008BE	P24038MM
XS7J2M008AA	P24070MM
XS7J2M008AB	P24070MM
XS7J2M008BA	P24038MM
XW4Z2001AA	P36012MM
XW4Z2200AA	P36013MM
YC152K021AC	P24052MM
YC1J2K021AA	P24052MM
YC1J2K021AB	P24052MM
YC1J2K021AC	P24052MM
YL8Z2001BA	P24056MM
YM212K021AA	P85060MM
YM212K021BA	P85061MM
YM212M008BA	P85059MM
YM212M008CA	P85020MM
YM2J2K021BA	P85061MM
YM2J2M008AA	P85058MM
YM2J2M008BA	P85059MM
YS4Z2001AA	P24046MM
YS612K021AA	P24054MM
YS612K021BA	P24054MM
YS612K021DA	P24055MM
YS6J2K021AA	P24044MM
YS6J2K021AB	P24054MM
YS6J2K021DB	P24055MM
YS6J2K021DC	P24055MM
FSO	
655792725	P23003MM
655793385	P23013MM

OE	MAGNETI MARELLI
GENERAL MOTORS	
542027	P59059MM
1605103	P59059MM
1605104	P59060MM
1605130	P59059MM
1605137	P10011MM
1605179	P59060MM
1605223	P59060MM
1605366	P59060MM
1605367	P59059MM
9194893	P79015MM
9195147	P59031MM
9195157	P59045MM
9214424	P79015MM
13237751	P59055MM
13237765	P59059MM
13237766	P59060MM
13322091	P59042MM
13338368	P59060MM
13343450	P59059MM
13343451	P59060MM
13365958	P59059MM
21018993	P59048MM
92175205	P59056MM
92210619	P59056MM
93169143	P59038MM
93170602	P59038MM
93172190	P59042MM
93173182	P59040MM
93173646	P59041MM
93176115	P59045MM
93176116	P59042MM
93176118	P59038MM
93176120	P59011MM
93176429	P59045MM
93179164	P10013MM
93179707	P59045MM
93179708	P59045MM
93181189	P59045MM
93181525	P59025MM
93186003	P59043MM
93186713	P59045MM
93188112	P10011MM
93189697	P59045MM
93189815	P59051MM
93189816	P59052MM

OE	MAGNETI MARELLI
GENERAL MOTORS	
93189822	P59053MM
93191371	P59026MM
93191698	P59051MM
93192962	P59050MM
93225005	P59018MM
93370275	P59036MM
95511378	P23130MM
95514644	P59060MM
95515498	P59060MM
96626076	P10004MM
HONDA	
430225600000	P28040MM
04466YZZC4	P83049MM
06022SP8000	P28017MM
06430S0AJ00	P28022MM
06430S0KJ01	P28051MM
06430S0NJ00	P28051MM
06430S2A000	P28022MM
06430S2AE50	P28022MM
06430S2XJ00	P28051MM
06430S3NJ00	P28051MM
06430S5AE50	P79027MM
06430S5AJ00	P28022MM
06430S6D000	P28039MM
06430S6DE50	P28022MM
06430S7AJ00	P28051MM
06430S7S000	P28051MM
06430S84A00	P28022MM
06430S9A010	P28051MM
06430SAAJ50	P28017MM
06430SCVA00	P28051MM
06430SED000	P28051MM
06430SEDE50	P28051MM
06430SEDE60	P28039MM
06450S0AJ00	P28026MM
06450S0AJ10	P28032MM
06450S0KJ01	P28034MM
06450S0KJ02	P28034MM
06450S0KJ11	P28026MM
06450S2AE01	P28032MM
06450S2AE10	P28032MM
06450S2G000	P28024MM
06450S2GJ01	P28024MM
06450S2HJ00	P28026MM

OE	MAGNETI MARELLI
HONDA	
06450S34000	P28033MM
06450S3NJ00	P28034MM
06450S3Y000	P28033MM
06450S3YA10	P28008MM
06450S5A010	P28024MM
06450S5AE50	P28023MM
06450S5AG00	P28023MM
06450S5AJ00	P28023MM
06450S5BJ00	P28023MM
06450S5DA00	P28042MM
06450S5DA01	P28042MM
06450S5TE00	P28032MM
06450S5TE50	P28032MM
06450S5TE51	P28032MM
06450S6EE50	P28034MM
06450S6MA00	P28032MM
06450S7AE00	P28047MM
06450S7AE50	P28047MM
06450S7AJ00	P28023MM
06450S7AN00	P28034MM
06450S7H000	P28024MM
06450S7S000	P28026MM
06450S84G00	P28026MM
06450S87A00	P28026MM
06450S9A000	P28042MM
06450S9A010	P28042MM
06450S9AA00	P28035MM
06450S9AA01	P28035MM
06450S9AE50	P28035MM
06450S9AE51	P28035MM
06450SAA000	P28008MM
06450SAA900	P28024MM
06450SAA901	P28024MM
06450SAAE50	P28024MM
06450SAAAG00	P28024MM
06450SCVA02	P28035MM
06450SDDA00	P28034MM
06450SDDA10	P28034MM
06450SEAJ00	P28034MM
06450SEAJ01	P28034MM
06450SEAJ10	P28034MM
06450SELT00	P28024MM
06450SELT01	P28024MM
06450SFEJ10	P28034MM
06450SFEJ20	P28034MM

OE	MAGNETI MARELLI
HONDA	
06450SJFE00	P28047MM
06450SJK010	P56040MM
06450SNB000	P28034MM
064A5SB0670	P28008MM
064A5SB2670	P28008MM
43022S04000	P28017MM
43022S04010	P28017MM
43022S04020	P28017MM
43022S04030	P28017MM
43022S04E01	P28025MM
43022S04E02	P28025MM
43022S04E03	P28025MM
43022S0A000	P28022MM
43022S1AE02	P28030MM
43022S1AE03	P28030MM
43022S1AE30	P28030MM
43022S1AE50	P28030MM
43022S2A000	P28039MM
43022S2AE50	P79027MM
43022S3N000	P28039MM
43022S3NE50	P28039MM
43022S3VA00	P28049MM
43022S3VA01	P28049MM
43022S3VA02	P28049MM
43022S5AE50	P28022MM
43022S5AJ00	P28022MM
43022S6D000	P28022MM
43022S6DE50	P28022MM
43022S7S000	P28051MM
43022S7S010	P28039MM
43022S84A50	P28022MM
43022S9A000	P28051MM
43022S9A010	P28051MM
43022S9A020	P28051MM
43022S9AA00	P28039MM
43022S9AE00	P28051MM
43022S9AE51	P28039MM
43022S9AE52	P28039MM
43022SAAE50	P28017MM
43022SAAJ50	P28017MM
43022SCVA00	P28051MM
43022SD2307	P28017MM
43022SD2317	P28017MM
43022SD2505	P28017MM
43022SD2930	P28017MM

OE	MAGNETI MARELLI
HONDA	
43022SE0505	P28017MM
43022SE0506	P28017MM
43022SE0515	P28017MM
43022SE0525	P28017MM
43022SE0526	P28017MM
43022SE0930	P28017MM
43022SE0931	P28017MM
43022SE0N50	P28017MM
43022SE0S00	P28017MM
43022SEAE01	P28030MM
43022SEAE10	P28030MM
43022SED000	P28022MM
43022SEDE50	P28022MM
43022SEDE60	P28039MM
43022SF1000	P28017MM
43022SF1010	P28017MM
43022SF1305	P28017MM
43022SF1315	P28017MM
43022SF1505	P28017MM
43022SF1515	P28017MM
43022SF1525	P28017MM
43022SF1S00	P28017MM
43022SF1S01	P28017MM
43022SG0000	P28022MM
43022SG0010	P28022MM
43022SG0020	P28022MM
43022SG0G00	P28022MM
43022SG0G01	P28022MM
43022SG0G02	P28022MM
43022SG0G03	P28022MM
43022SG9V00	P28015MM
43022SH3305	P28017MM
43022SH3931	P28017MM
43022SH3932	P28017MM
43022SH3G00	P28017MM
43022SH3G01	P28017MM
43022SH3J00	P28017MM
43022SHJ405	P28062MM
43022SHJA00	P28062MM
43022SHJX00	P28062MM
43022SJAE00	P28078MM
43022SJCA00	P28067MM
43022SJF000	P28051MM
43022SJFE00	P28039MM
43022SK3E00	P28017MM

OE	MAGNETI MARELLI
HONDA	
43022SK7000	P28017MM
43022SL0000	P28040MM
43022SL0010	P28040MM
43022SL0020	P28040MM
43022SL0030	P28040MM
43022SL0E50	P28040MM
43022SL0J00	P28040MM
43022SL0J01	P28040MM
43022SL5000	P28022MM
43022SL5505	P28022MM
43022SL5525	P28022MM
43022SM4505	P28022MM
43022SM4515	P28022MM
43022SM4525	P28022MM
43022SM4950	P28022MM
43022SM4G00	P28022MM
43022SM5A00	P28022MM
43022SMGE00	P28038MM
43022SMGE01	P28038MM
43022SMGE02	P28038MM
43022SMGE03	P28038MM
43022SN7000	P28022MM
43022SN7E50	P28022MM
43022SN7E50HE	P28022MM
43022SO4E02	P28025MM
43022SP0000	P28022MM
43022SP0010	P28051MM
43022SP0020	P28022MM
43022SP0030	P28022MM
43022SP0305	P28051MM
43022SP0E00	P28022MM
43022SP0E01	P28022MM
43022SP0E02	P28022MM
43022SP0E03	P28022MM
43022SPRE01	P28040MM
43022SR2000	P28017MM
43022SR2010	P28025MM
43022SR2030	P28025MM
43022SR3000	P28017MM
43022SR3010	P28017MM
43022SR3020	P28017MM
43022SR3030	P28017MM
43022SR3506	P28017MM
43022SR3G00	P28025MM
43022SR3G01	P28025MM

OE	MAGNETI MARELLI
HONDA	
43022SS1000	P28017MM
43022SS1020	P28017MM
43022ST3E00	P28017MM
43022ST3E01	P28017MM
43022ST3E50	P28017MM
43022ST3E50HE	P28017MM
43022ST7000	P28017MM
43022ST7020	P28017MM
43022ST7A00	P28017MM
43022ST7A02	P28017MM
43022SV4000	P28022MM
43022SV4010	P28022MM
43022SV4020	P28022MM
43022SV4030	P28022MM
43022SV4A00	P28022MM
43022SV4A01	P28022MM
43022SV4A02	P28022MM
43022SV4A03	P28022MM
43022SV4A20	P28039MM
43022SV4A21	P28022MM
43022SV4A22	P28039MM
43022SV4A23	P28039MM
43022SV4E50	P28022MM
43022SV4G00	P28022MM
43022SV4G01	P28022MM
43022SV4G02	P28022MM
43022SV4G20	P28022MM
43022SV4G21	P28022MM
43022SV4G22	P28022MM
43022SWWG00	P28046MM
43022SWWG01	P28046MM
43022SWWG02	P28046MM
43022SWWG03	P28046MM
43022SX0A50	P28039MM
43022SX0A51	P28039MM
43022SX0A52	P28039MM
43022SXS000	P28051MM
43022SY8A00	P28022MM
43022SY8A01	P28022MM
43022SY8E50	P28022MM
43022SZ3A01	P28039MM
43022T1GG00	P28046MM
43022TA0A00	P28072MM
43022TA0A40	P28072MM
43022TA0A51	P28072MM

OE	MAGNETI MARELLI
HONDA	
43022TA0A80	P28072MM
43022TA0A81	P28072MM
43022TARG00	P28025MM
43022TF0305	P28025MM
43022TF0G00	P28025MM
43022TF0G01	P28025MM
43022TK4A00	P28067MM
43022TLOG50	P28061MM
43022TLOG51	P28051MM
43022TLOG52	P28061MM
43022TL1G00	P28072MM
43022TL1G01	P28072MM
43022TL1G02	P28072MM
43022TM8G00	P28022MM
43022TM8G01	P28022MM
43022TP6A00	P28061MM
43022TP6A01	P28051MM
43022TR0A00	P28022MM
43022TR0A01	P28022MM
43022TR0E00	P28022MM
43022TV0E00	P28070MM
43022TV0E01	P28070MM
43022TV8E01	P28070MM
43224SMGE01	P28038MM
45022504G00	P28024MM
45022504V10	P28023MM
4502259AA01	P28035MM
45022S01A02	P28042MM
45022S01A03	P28042MM
45022S04000	P28024MM
45022S04010	P28024MM
45022S04020	P28024MM
45022S04409	P28024MM
45022S04505	P28024MM
45022S04910	P28008MM
45022S04911	P28008MM
45022S04912	P28008MM
45022S04E50	P28024MM
45022S04E60	P28024MM
45022S04G00	P28024MM
45022S04G01	P28024MM
45022S04G02	P28024MM
45022S04J00	P28024MM
45022S04J01	P28024MM
45022S04J02	P28024MM

OE	MAGNETI MARELLI
HONDA	
45022S04V00	P28023MM
45022S04V01	P28023MM
45022S04V02	P28023MM
45022S04V10	P28023MM
45022S04V11	P28023MM
45022S04V12	P28023MM
45022S07000	P28024MM
45022S07010	P28024MM
45022S07020	P28024MM
45022S07030	P28024MM
45022S07408	P28024MM
45022S0A940	P28032MM
45022S0A942	P28032MM
45022S0AJ02	P28026MM
45022S0AJ20	P28034MM
45022S0KA01	P28034MM
45022S0KA11	P28034MM
45022S10000	P28042MM
45022S10010	P28042MM
45022S10020	P28042MM
45022S10A00	P28026MM
45022S10A01	P28026MM
45022S10A02	P28026MM
45022S10E50	P28026MM
45022S10G00	P28026MM
45022S10G01	P28026MM
45022S10G02	P28026MM
45022S1AE00	P28029MM
45022S1AE01	P28029MM
45022S1AE02	P28029MM
45022S1AE20	P28026MM
45022S1AE50	P28029MM
45022S1AE51	P28029MM
45022S1AE61	P28031MM
45022S1AE62	P28031MM
45022S1AE63	P28031MM
45022S1AE70	P28026MM
45022S1AE71	P28026MM
45022S1AE80	P28031MM
45022S2AE01	P28032MM
45022S2AE10	P28032MM
45022S2AE50	P28032MM
45022S2AE51	P28032MM
45022S2G000	P28024MM
45022S30408	P28021MM

OE	MAGNETI MARELLI
HONDA	
45022S30409	P28026MM
45022S30A00	P28026MM
45022S30A01	P28026MM
45022S30A02	P28026MM
45022S30E50	P28026MM
45022S30G10	P28021MM
45022S30G11	P28021MM
45022S30G12	P28021MM
45022S30J00	P28021MM
45022S30J01	P28021MM
45022S30J02	P28021MM
45022S3N000	P28034MM
45022S3VA10	P56040MM
45022S3Y020	P28033MM
45022S3YA01	P28033MM
45022S3YA02	P28033MM
45022S3YA10	P28008MM
45022S3YE50	P28033MM
45022S3YE60	P28033MM
45022S47000	P28026MM
45022S47010	P28026MM
45022S47020	P28026MM
45022S47408	P28026MM
45022S50000	P28008MM
45022S50J50	P28008MM
45022S5A010	P28024MM
45022S5AE50	P28023MM
45022S5AG00	P28023MM
45022S5AG01	P28023MM
45022S5AJ00	P28023MM
45022S5BJ00	P28023MM
45022S5DA00	P28042MM
45022S5DH00	P28042MM
45022S5TE00	P28032MM
45022S5TE50	P28032MM
45022S5TE51	P28032MM
45022S6DE01	P28020MM
45022S6DE50	P28020MM
45022S6DE51	P28020MM
45022S6EE50	P28034MM
45022S6F305	P28031MM
45022S6FE01	P28031MM
45022S6FE50	P28031MM
45022S6MA00	P28032MM
45022S70000	P28026MM

OE	MAGNETI MARELLI
----	-----------------

HONDA	
45022S70010	P28026MM
45022S70020	P28026MM
45022S74E10	P28020MM
45022S74E50	P28020MM
45022S7AD01	P28034MM
45022S7AE00	P28034MM
45022S7AE50	P28034MM
45022S7AN00	P28034MM
45022S7H000	P28024MM
45022S87A01	P28026MM
45022S9A000	P28042MM
45022S9AA00	P28035MM
45022S9AA01	P28035MM
45022S9AE00	P28035MM
45022S9AE50	P28035MM
45022S9AE60	P28035MM
45022S9VA01	P28035MM
45022SA4A11	P28013MM
45022SA4A12	P28013MM
45022SA5000	P28008MM
45022SA5010	P28008MM
45022SA5020	P28008MM
45022SA6600	P30024MM
45022SA6N50	P30024MM
45022SA6N52	P30024MM
45022SA7951	P28006MM
45022SAA000	P28008MM
45022SAA010	P28008MM
45022SAA900	P28024MM
45022SAA901	P28024MM
45022SAAE50	P28024MM
45022SAAE51	P28024MM
45022SAAG00	P28024MM
45022SAAX00	P28008MM
45022SB0505	P28008MM
45022SB0506	P28008MM
45022SB0516	P28008MM
45022SB0526	P28008MM
45022SB0670	P28008MM
45022SB0671	P28008MM
45022SB0672	P28008MM
45022SB2505	P28008MM
45022SB2506	P28006MM
45022SB2515	P28008MM
45022SB2525	P28008MM

OE	MAGNETI MARELLI
----	-----------------

HONDA	
45022SB2526	P28006MM
45022SB2670	P28008MM
45022SB2671	P28008MM
45022SB2672	P28008MM
45022SB2673	P28006MM
45022SB2674	P28008MM
45022SB2675	P28008MM
45022SB2780	P28010MM
45022SB2930	P28006MM
45022SB2931	P28006MM
45022SB2A00	P28008MM
45022SB2G00	P28010MM
45022SB6000	P28006MM
45022SBO671	P28006MM
45022SBO672	P28006MM
45022SCC000	P28023MM
45022SCVA00	P28035MM
45022SCVA01	P28035MM
45022SD2505	P28010MM
45022SD2506	P28010MM
45022SD2507	P28006MM
45022SD2508	P28010MM
45022SD2509	P28010MM
45022SD2518	P28010MM
45022SD2519	P28010MM
45022SD2527	P28006MM
45022SD2528	P28010MM
45022SD2529	P28010MM
45022SD2A00	P28010MM
45022SD2A01	P28010MM
45022SD2A02	P28010MM
45022SD2A03	P28010MM
45022SD2A10	P28010MM
45022SD2A11	P28010MM
45022SD2A12	P28010MM
45022SD2A13	P28010MM
45022SD2J00	P28006MM
45022SD2J01	P28006MM
45022SD2J02	P28006MM
45022SD4000	P28013MM
45022SD4010	P28013MM
45022SD4020	P28013MM
45022SD4508	P28013MM
45022SD4526	P28013MM
45022SD4528	P28013MM

OE	MAGNETI MARELLI
----	-----------------

HONDA	
45022SD4A10	P28013MM
45022SD4A11	P28013MM
45022SD4A12	P28013MM
45022SD4A13	P28013MM
45022SD4E00	P28013MM
45022SDA305	P28035MM
45022SDAA00	P28035MM
45022SDAA10	P28035MM
45022SDAA51	P28035MM
45022SDAC00	P28047MM
45022SDBA00	P28047MM
45022SDBA10	P28047MM
45022SDCA10	P28035MM
45022SDDA00	P28034MM
45022SDDA10	P28047MM
45022SDRA10	P28047MM
45022SDRA11	P28047MM
45022SE0000	P28016MM
45022SE0010	P28016MM
45022SE0020	P28016MM
45022SE0305	P28010MM
45022SE0306	P28010MM
45022SE0307	P28010MM
45022SE0315	P28010MM
45022SE0316	P28010MM
45022SE0325	P28010MM
45022SE0408	P28010MM
45022SE0505	P28010MM
45022SE0507	P28010MM
45022SE0509	P28016MM
45022SE0515	P28010MM
45022SE0517	P28010MM
45022SE0527	P28010MM
45022SE0528	P28021MM
45022SE0910	P28010MM
45022SE0911	P28010MM
45022SE0912	P28010MM
45022SE0930	P28010MM
45022SE0931	P28010MM
45022SE0932	P28010MM
45022SE0A00	P28010MM
45022SE0A01	P28010MM
45022SE0A11	P28010MM
45022SE0A12	P28010MM
45022SE0G00	P28010MM

OE	MAGNETI MARELLI
----	-----------------

HONDA	
45022SE0G10	P28021MM
45022SE1505	P28010MM
45022SE1527	P28010MM
45022SE1910	P28010MM
45022SE1911	P28010MM
45022SEAE01	P28036MM
45022SEAE50	P28024MM
45022SEAEZ1	P28036MM
45022SEAJ00	P28034MM
45022SEAJ01	P28034MM
45022SEAJ11	P28034MM
45022SECA00	P28034MM
45022SELT01	P28024MM
45022SELT02	P28024MM
45022SENH00	P28024MM
45022SEOA01	P28010MM
45022SF1000	P28016MM
45022SF1010	P28016MM
45022SF1020	P28016MM
45022SF1023	P28016MM
45022SF1305	P28016MM
45022SF1505	P28016MM
45022SF1506	P28016MM
45022SF1525	P28016MM
45022SF1526	P28016MM
45022SF4J20	P28006MM
45022SF4J21	P28006MM
45022SF4J23	P28006MM
45022SF9305	P28013MM
45022SF9505	P28013MM
45022SF9525	P28013MM
45022SFEJ10	P28034MM
45022SFEJ20	P28034MM
45022SG0000	P28013MM
45022SG0010	P28013MM
45022SG0020	P28013MM
45022SG0305	P28013MM
45022SG0315	P28013MM
45022SG0325	P28013MM
45022SG0335	P28013MM
45022SG0507	P28013MM
45022SG0517	P28013MM
45022SG0527	P28013MM
45022SG0537	P28013MM
45022SG0G10	P28013MM

OE	MAGNETI MARELLI
HONDA	
45022SG0G11	P28013MM
45022SG0G12	P28013MM
45022SG0G13	P28013MM
45022SG0J00	P28013MM
45022SG9000	P28014MM
45022SG9V00	P28014MM
45022SH2505	P28008MM
45022SH2A00	P28008MM
45022SH2A01	P28008MM
45022SH2A02	P28008MM
45022SH3000	P28006MM
45022SH3010	P28006MM
45022SH3305	P28006MM
45022SH3306	P28006MM
45022SH3317	P28016MM
45022SH3325	P28006MM
45022SH3327	P28016MM
45022SH3505	P28016MM
45022SH3506	P28006MM
45022SH3508	P28006MM
45022SH3515	P28016MM
45022SH3526	P28006MM
45022SH3526	P28008MM
45022SH3528	P28006MM
45022SH3549	P28016MM
45022SH3903	P28006MM
45022SH3930	P28016MM
45022SH3931	P28016MM
45022SH3932	P28016MM
45022SH3933	P28016MM
45022SH3934	P28016MM
45022SH3G00	P28008MM
45022SH3G01	P28006MM
45022SH3G02	P28006MM
45022SH3G03	P28006MM
45022SH3G30	P28016MM
45022SH3G31	P28016MM
45022SH3G32	P28016MM
45022SH3G33	P28016MM
45022SH3G50	P28006MM
45022SH3N30	P28008MM
45022SH3N32	P28008MM
45022SHJA00	P28068MM
45022SJAE00	P28079MM
45022SJF305	P28034MM

OE	MAGNETI MARELLI
HONDA	
45022SJFE00	P28034MM
45022SJFE00	P28047MM
45022SJFJ00	P28034MM
45022SJK010	P56040MM
45022SJK020	P56040MM
45022SJK030	P56040MM
45022SJK040	P56040MM
45022SK3E00	P28020MM
45022SK7010	P28013MM
45022SK7505	P28013MM
45022SK7506	P28013MM
45022SK7518	P28013MM
45022SK7526	P28013MM
45022SL0010	P28026MM
45022SL0020	P28026MM
45022SL0030	P28026MM
45022SL0600	P28026MM
45022SLOE50	P28026MM
45022SLOE60	P28026MM
45022SLOE61	P28026MM
45022SLOG00	P28026MM
45022SLOG01	P28026MM
45022SLOG02	P28026MM
45022SLOJ00	P28026MM
45022SLOJ01	P28026MM
45022SLOJ02	P28026MM
45022SLON00	P28026MM
45022SLON10	P28026MM
45022SL5000	P28021MM
45022SL5010	P28021MM
45022SL5020	P28021MM
45022SL5408	P28021MM
45022SLEJ00	P28034MM
45022SLRG01	P28026MM
45022SLRG02	P28026MM
45022SM4517	P28042MM
45022SM4526	P28041MM
45022SM4A00	P28042MM
45022SM4A01	P28042MM
45022SM4G00	P28042MM
45022SM4G01	P28041MM
45022SM5305	P28026MM
45022SM5505	P28026MM
45022SM5506	P28026MM
45022SM5515	P28026MM

OE	MAGNETI MARELLI
HONDA	
45022SM5525	P28026MM
45022SM5A00	P28026MM
45022SMA000	P28034MM
45022SMGE00	P28037MM
45022SMGE01	P28037MM
45022SMGE50	P28037MM
45022SMGE51	P28037MM
45022SMTE00	P28032MM
45022SMTE50	P28032MM
45022SN7000	P28022MM
45022SN7E50	P28026MM
45022SN7G40	P28021MM
45022SN7G41	P28021MM
45022SN7G42	P28021MM
45022SN7G50	P28026MM
45022SN7Y40	P28021MM
45022SNB000	P28034MM
45022SNBE00	P28034MM
45022SNBE01	P28034MM
45022SNCE00	P28050MM
45022SNEA00	P28042MM
45022SNNM00	P28034MM
45022SO4505	P28024MM
45022SO4V10	P28023MM
45022SO4V11	P28023MM
45022SO4V12	P28023MM
45022SP0010	P28026MM
45022SP0408	P28026MM
45022SP0506	P28026MM
45022SP0516	P28026MM
45022SP0526	P28026MM
45022SP0A00	P28026MM
45022SP0E00	P28026MM
45022SPOA00	P28026MM
45022SR3000	P28024MM
45022SR3505	P28008MM
45022SR3506	P28008MM
45022SR3507	P28013MM
45022SR3516	P28006MM
45022SR3516	P28008MM
45022SR3910	P28008MM
45022SR3920	P28006MM
45022SR3G00	P28024MM
45022SR3G01	P28024MM
45022SR3N30	P28013MM

OE	MAGNETI MARELLI
HONDA	
45022SR3N31	P28013MM
45022SR3V00	P28023MM
45022SR3V01	P28023MM
45022SR3V02	P28023MM
45022SR3V03	P28023MM
45022SR3V10	P28023MM
45022SR3V11	P28023MM
45022SR3V12	P28023MM
45022SR7000	P28024MM
45022SR7010	P28024MM
45022SR7030	P28024MM
45022SS0000	P28021MM
45022SS0408	P28026MM
45022SS0409	P28026MM
45022SS0505	P28021MM
45022SS0508	P28021MM
45022SS0515	P28021MM
45022SS0518	P28021MM
45022SS0525	P28021MM
45022SS0528	P28021MM
45022SS0A00	P28026MM
45022SS0A01	P28026MM
45022SS0A02	P28026MM
45022SS0G00	P28026MM
45022SS0G01	P28026MM
45022SS0G02	P28026MM
45022SS0G10	P28021MM
45022SS2408	P28021MM
45022ST3E00	P28020MM
45022ST3E01	P28020MM
45022ST3E10	P28020MM
45022ST3E11	P28020MM
45022ST3E30	P28020MM
45022ST7000	P28048MM
45022ST7010	P28048MM
45022ST7020	P28048MM
45022ST7406	P28048MM
45022ST7408	P28024MM
45022ST7409	P28048MM
45022ST7416	P28048MM
45022ST7A00	P28048MM
45022ST7A01	P28048MM
45022ST7A02	P28048MM
45022ST7J00	P28024MM
45022ST7J01	P28024MM

OE	MAGNETI MARELLI
----	-----------------

HONDA	
45022ST7J02	P28024MM
45022ST7R00	P28026MM
45022ST7R01	P28026MM
45022ST7R02	P28026MM
45022ST7R03	P28026MM
45022SV5A00	P28026MM
45022SV5A01	P28026MM
45022SWWG00	P28045MM
45022SWWG01	P28045MM
45022SWWG02	P28045MM
45022SX0J00	P28026MM
45022SX0J01	P28026MM
45022SX0J02	P28026MM
45022SX8T00	P28008MM
45022SX8T01	P28008MM
45022SZ3E50	P28026MM
45022SZ3G00	P28034MM
45022SZTG00	P28050MM
45022SZTJ00	P28050MM
45022T0AA00	P28068MM
45022T0AA01	P28068MM
45022T1EG00	P28045MM
45022T1GG00	P28068MM
45022T1GG01	P28068MM
45022T2GA00	P28077MM
45022T2GA01	P28077MM
45022T5BJ00	P28050MM
45022T5CJ00	P28050MM
45022T8MG00	P28077MM
45022TARG00	P28050MM
45022TBAA00	P28035MM
45022TE0A60	P28034MM
45022TF0G00	P28050MM
45022TF0G01	P28050MM
45022TF0G02	P28050MM
45022TF2J00	P28050MM
45022TF2J01	P28050MM
45022TK6A00	P28050MM
45022TK6A01	P28050MM
45022TK8A00	P28068MM
45022TK8A01	P28068MM
45022TLOG50	P28043MM
45022TLOG51	P28043MM
45022TL1G00	P28044MM
45022TL1G01	P28044MM

OE	MAGNETI MARELLI
----	-----------------

HONDA	
45022TM0T00	P28050MM
45022TM8G00	P28050MM
45022TP6A60	P28068MM
45022TR0E00	P28034MM
45022TR0E01	P28034MM
45022TR0E02	P28034MM
45022TR0E50	P28034MM
45022TR0E51	P28034MM
45022TR2A00	P28023MM
45022TR3A01	P28042MM
45022TR7A01	P28035MM
45022TV0E00	P28076MM
45022TV0E01	P28076MM
45022TV0E02	P28076MM
45022TV2E00	P28076MM
45022TV2E01	P28076MM
45022TV2E02	P28076MM
45022TV8E02	P54039MM
45215SG9000	P28014MM
5580080J10	P28022MM
6450S5TE51	P28032MM

HYUNDAI	
5810132300	P30001MM
5810132310	P30001MM
4406086E90	P30003MM
0K52Y3523Z	P30013MM
4841321B10	P30014MM
53302M2A01	P30030MM
5810102A00	P30011MM
5810102A10	P30027MM
5810105A10	P30027MM
5810105A30	P30027MM
581010XA01	P30032MM
581010XA10	P30032MM
581011CA00	P30024MM
581011CA10	P30001MM
581011FA50	P30018MM
581011GA00	P30026MM
581011GE00	P30026MM
581011HA10	P30034MM
581011HA20	P30034MM
581011JA10	P30069MM
581011JA60	P30045MM
581011KA00	P30055MM

OE	MAGNETI MARELLI
----	-----------------

HYUNDAI	
581011RA00	P18025MM
581011RA05	P18025MM
581011YA30	P30053MM
5810122A00	P30024MM
5810122A10	P30024MM
5810124A00	P30001MM
5810124B00	P30024MM
5810124C00	P30024MM
5810125A10	P30024MM
5810126A10	P30013MM
5810126A20	P30013MM
5810126A30	P30013MM
5810128A10	P30024MM
5810128A20	P30022MM
5810129A00	P30022MM
5810129A10	P30022MM
5810129A20	P30022MM
5810129A30	P30022MM
5810129A31	P30022MM
5810129A40	P30022MM
5810129A50	P30022MM
5810129A90	P30022MM
5810129B00	P30022MM
581012BA00	P30036MM
581012BA10	P30036MM
581012CA10	P30018MM
581012CA11	P30018MM
581012CA20	P30018MM
581012DA20	P30022MM
581012DA30	P30020MM
581012DA40	P30020MM
581012DA50	P30029MM
581012EA10	P30018MM
581012EA11	P30018MM
581012HA10	P30018MM
581012PA00	P30036MM
581012SA00	P30055MM
581012SA31	P30020MM
581012SA70	P30056MM
581012SA75	P30056MM
581012VA00	P30073MM
581012VA50	P30073MM
581012VA60	P30073MM
581012VA70	P30065MM
581012WA00	P30036MM

OE	MAGNETI MARELLI
----	-----------------

HYUNDAI	
581012WA70	P30036MM
581012WA90	P30036MM
5810132B00	P30001MM
5810133A00	P30002MM
5810134A00	P30002MM
5810134A10	P30022MM
5810134A20	P30022MM
5810134A21	P30022MM
5810135A10	P30022MM
5810138A40	P30022MM
5810138A50	P30022MM
5810138A60	P30022MM
5810138A81	P30018MM
5810138A90	P30018MM
5810139A20	P30013MM
5810139A40	P30013MM
5810139A60	P30028MM
581013AA20	P30013MM
581013BA02	P30028MM
581013JA50	P30071MM
581013KA20	P30038MM
581013KA40	P30043MM
581013LA10	P30038MM
581013LA11	P30038MM
581013LA20	P30031MM
581013MA10	P30052MM
581013MA11	P30052MM
581013NA02	P30052MM
581013NA50	P30073MM
581013VA50	P30066MM
581013VA70	P30070MM
581013VA90	P30070MM
581013XA20	P30073MM
581013ZA10	P30056MM
581013ZA16	P30056MM
581013ZA70	P30056MM
581013ZA76	P30056MM
5810143A00	P30005MM
5810144A00	P30005MM
5810144A10	P30005MM
581014AA00	P30010MM
581014AA10	P30010MM
581014AA11	P30010MM
581014AA26	P30013MM
581014AA30	P30010MM

OE	MAGNETI MARELLI
----	-----------------

HYUNDAI	
581014AA31	P30010MM
581014AA60	P30010MM
581014AA61	P30010MM
581014AA80	P30010MM
581014AA81	P30010MM
581014BA00	P30005MM
581014DU00	P30036MM
581014FA00	P30010MM
581014HA50	P30041MM
581014LA00	P18025MM
581014WA10	P30056MM
581014ZA00	P30070MM
58101A5A00	P30073MM
58101A6A02	P30073MM
58101A6A20	P30065MM
58101A6A70	P30065MM
58101B1A00	P30070MM
58101B4A00	P30076MM
58101B9A30	P30076MM
58101B9A70	P30076MM
58101C8A00	P18025MM
58101C8A50	P18025MM
58101C8A60	P18025MM
58101H1A00	P30017MM
58101H1A10	P30017MM
58101H1A80	P30028MM
58101M1A00	P54027MM
58101M2A01	P54014MM
5820228A00	P30024MM
583020XA00	P30033MM
5830217A00	P30014MM
583021CA00	P30014MM
583021CA10	P30014MM
583021FA50	P30014MM
583021GA00	P30025MM
583021HA00	P30051MM
583021HA10	P30051MM
583021JA30	P30046MM
583021JA31	P30046MM
583021KA30	P30046MM
583021RA30	P30067MM
583021YA30	P30051MM
5830226A00	P30014MM
5830226A30	P30014MM
5830228A01	P30003MM

OE	MAGNETI MARELLI
----	-----------------

HYUNDAI	
5830229A00	P30003MM
5830229A10	P30003MM
583022BA00	P30037MM
583022BA20	P30037MM
583022BA40	P30037MM
583022DA00	P30003MM
583022DA10	P30003MM
583022EA30	P30014MM
583022EA31	P30047MM
583022FA10	P30003MM
583022HA00	P30014MM
583022HA50	P30047MM
583022MA10	P30074MM
583022MA90	P30081MM
583022PA70	P30063MM
583022SA00	P30051MM
583022SA30	P30051MM
583022SA35	P30051MM
583022SA70	P30051MM
583022WA00	P30063MM
583022WA70	P30063MM
583022WA90	P30081MM
583022YA30	P30051MM
583022YA31	P30051MM
583022YA50	P30051MM
583022YA70	P30051MM
5830238A10	P30014MM
5830238A20	P30014MM
5830238A30	P30014MM
5830239A40	P30014MM
583023AA20	P30014MM
583023CA10	P30014MM
583023JA00	P30035MM
583023JA50	P30080MM
583023KA30	P30014MM
583023KA31	P30047MM
583023KA35	P30067MM
583023KA40	P30014MM
583023KA60	P30014MM
583023KA62	P30047MM
583023LA10	P30054MM
583023NA90	P30081MM
583023NA91	P30063MM
583023RA70	P30067MM
583023XA30	P30067MM

OE	MAGNETI MARELLI
----	-----------------

HYUNDAI	
583023ZA10	P30067MM
583023ZA16	P30067MM
583023ZA70	P30067MM
583023ZA76	P30067MM
583024HA50	P30035MM
583024WA10	P30051MM
58302A5A20	P30067MM
58302A5B30	P30067MM
58302B1A05	P30081MM
58302C1A50	P30067MM
58302C8A30	P30067MM
58302E6A10	P30068MM
58302F2A30	P30047MM
58302H1A00	P30021MM
58302H1A10	P30021MM
58302M0A10	P30068MM
58302M2A00	P30030MM
58302M2A01	P30030MM
58302M2A10	P30030MM
583223FA01	P30047MM
5B1012DA31	P30020MM
S2000100	P54027MM
S581011GE00	P30026MM
S583021GA00	P30025MM
SB000100	P54027MM

INFINITI	
4406060486	P56067MM
410605Y790	P56065MM
41060AM892	P56065MM
41060AR090	P56058MM
41060AT0J	P56094MM
41060CA092	P56051MM
41060CG090	P56051MM
41060CG091	P56051MM
41060EG090	P56058MM
44060AM485	P56046MM
44060EG00J	P56046MM
44060EG085	P56046MM
44060F6686	P56053MM
D10601BN0A	P56094MM
D10601FC0A	P56065MM
D10601NC0A	P56094MM
D10601NC0C	P56094MM
D10601TG1C	P56089MM

OE	MAGNETI MARELLI
----	-----------------

INFINITI	
D10603JA0B	P56103MM
D10604GA0A	P56106MM
D10604GA5A	P56106MM
D1060AM80A	P56065MM
D1060EG51A	P56058MM
D1060EJ20	P56094MM
D1060EJ2CA	P56058MM
D1060JK000	P56080MM
D1060JK00B	P56080MM
D1060JL00A	P56089MM
D1060JL00B	P56089MM
D1060JL00J	P56089MM
D1060JL00K	P56089MM
D40601BN0A	P56087MM
D40601MB0A	P56087MM
D40604GH0A	P56095MM
D4060EG50C	P56046MM
D4060JL00A	P56095MM
D4060JL00J	P56095MM
D4060JL00K	P56095MM
D4M601BN0A	P56087MM
D4M60EG50C	P56087MM

IRISBUS	
2996535	PA6017MM
42561355	PA6026MM

ISUZU	
4317859	P34003MM
4320842	P59008MM
4320862	P59008MM
89040317	P34005MM
94137937	P59008MM
94337743	P59008MM
94362154	P34003MM
94461155	P59015MM
94482223	P34003MM
94483220	P59015MM
94483223	P34003MM
586000975	P28022MM
586005148	P28017MM
586005149	P28017MM
586005260	P28023MM
586005261	P28023MM
586005262	P28024MM

OE	MAGNETI MARELLI
----	-----------------

ISUZU	
586005263	P28024MM
586005264	P28024MM
586009163	P28017MM
586009207	P28023MM
586009208	P28024MM
586009209	P28024MM
586009575	P28017MM
586009576	P28024MM
586011847	P28022MM
586011848	P28026MM
586011849	P28026MM
586012604	P28022MM
586012654	P28032MM
586012655	P28026MM
586014123	P28023MM
586014124	P28024MM
586014125	P28024MM
586014313	P28022MM
586014314	P28026MM
586014456	P28023MM
586014813	P28022MM
586014833	P28032MM
586014834	P28023MM
586014835	P28024MM
586014836	P28026MM
586015191	P28024MM
586015195	P28022MM
586017797	P28017MM
586017798	P28017MM
586019520	P28017MM
586106233	P56056MM
586106234	P24026MM
586106235	P24026MM
586106236	P24026MM
586106238	P24026MM
586116483	P24026MM
586116485	P56056MM
586118655	P56040MM
586121291	P56040MM
586122257	P56040MM
586122492	P56040MM
586122883	P56040MM
586122884	P56040MM
586122917	P24026MM
586122918	P24026MM

OE	MAGNETI MARELLI
----	-----------------

ISUZU	
586122919	P56040MM
586122927	P56056MM
586122928	P24026MM
586124984	P56040MM
586133418	P56056MM
586133648	P24026MM
586134702	P24026MM
586137366	P56040MM
586202984	P28051MM
586203043	P28026MM
586205637	P28026MM
586207073	P28051MM
586207204	P28051MM
586207205	P28026MM
586207370	P28026MM
586207379	P28026MM
894137937	P59008MM
894169620	P59008MM
894242494	P59008MM
894335787	P59015MM
894337741	P59008MM
894337743	P59008MM
894362154	P34003MM
894388198	P59015MM
894461155	P59015MM
894470599	P59008MM
894483220	P59015MM
894483222	P34003MM
894483223	P34003MM
897012880	P59015MM
897035257	P59020MM
897035266	P59021MM
897039269	P59021MM
897041540	P34003MM
897047526	P59020MM
897049429	P59015MM
897066610	P34003MM
897066611	P34003MM
897070079	P59020MM
897070080	P59021MM
897078457	P59008MM
897079638	P59015MM
897102613	P34003MM
897113888	P59020MM
897114300	P59015MM

OE	MAGNETI MARELLI
----	-----------------

ISUZU	
897164183	P59015MM
897175530	P59021MM
897175531	P59020MM
897180525	P59020MM
897191014	P59020MM
897191015	P59021MM
897206862	P59015MM
897206864	P59020MM
897206865	P59015MM
897206866	P59020MM
897206868	P59020MM
897206869	P59020MM
897206870	P59021MM
897206872	P59021MM
897206873	P59021MM
897206874	P34003MM
897206875	P34003MM
897217816	P59021MM
897287263	P54029MM
8124977820	P10009MM
8888924640	P10009MM
8889644230	P10009MM
8889644240	P10009MM
8889829320	P10009MM
8941301450	P59008MM
8941379370	P59008MM
8942424940	P59008MM
8943377400	P59008MM
8943377410	P59008MM
8943377420	P59008MM
8943377430	P59008MM
8943621540	P34003MM
8943659811	P49017MM
8944611550	P59015MM
8944696200	P59008MM
8944832200	P59015MM
8944832201	P59015MM
8944832220	P34003MM
8944832230	P34003MM
8970392691	P59021MM
8970415400	P34003MM
8970475260	P59020MM
8970475261	P59020MM
8970666100	P34003MM
8970666110	P34003MM

OE	MAGNETI MARELLI
----	-----------------

ISUZU	
8970784570	P59008MM
8971143000	P59015MM
8971143001	P59015MM
8973293330	P34005MM
8973682510	P34005MM
8973682520	P34005MM
8979474660	P34007MM
8979475710	P34007MM
8980511160	P34005MM
8980511170	P34005MM
8980791040	P34007MM
IVECO	
1522201	PA6008MM
1902292	PA6003MM
1902469	PA6005MM
1902493	PA6009MM
1903383	PA6005MM
1903488	PA6009MM
1906038	PA6014MM
1906039	PA6012MM
1906040	PA6005MM
1906062	PA6005MM
1906111	PA6006MM
1906144	PA6008MM
1906155	PA6009MM
1906157	PA6006MM
1906158	PA6014MM
1906159	PA6012MM
1906170	PA6015MM
1906183	PA6007MM
1906206	PA6009MM
1906243	PA6013MM
1906264	PA6007MM
1906298	PA6008MM
1906401	PA6017MM
1906416	PA6025MM
1906427	PA6018MM
1906428	PA6014MM
1906428	PA6019MM
1906429	PA6020MM
1906430	PA6005MM
1906430	PA6016MM
1906999	PA6008MM
1908045	PA6013MM

OE	MAGNETI MARELLI
----	-----------------

IVECO	
1908345	PA6013MM
2992339	PA6017MM
2994086	PA6021MM
2995631	PA6021MM
2995633	P56069MM
2995633	PA6017MM
2995693	P56069MM
2995693	PA6017MM
2996091	PA6021MM
2996465	PA6017MM
2996532	PA6022MM
2996535	PA6017MM
2996605	PA6021MM
4856911	PA6015MM
7963999	PA6006MM
42470835	PA6021MM
42470841	PA6023MM
42470846	PA6017MM
42535791	P56069MM
42536101	PA6022MM
42548191	PA6021MM
42548194	PA6017MM
42555406	PA6023MM
42555669	PA6025MM
42555881	PA6026MM
42555917	PA6027MM
42560080	PA6023MM
42561101	PA6023MM
42561102	PA6023MM
42561355	PA6026MM
500028834	P79007MM
500028835	PA6024MM
500029493	PA6024MM
503471004	PA6005MM
504093780	PA6017MM
5801268962	PA6026MM
5801268964	PA6026MM

JAGUAR

02C2C40926	P36027MM
02C2Z14096	P36027MM
2C224018	P36014MM
2C2Z14096	P36027MM
C2C022316	P36013MM
C2C036974	P36027MM

OE	MAGNETI MARELLI
----	-----------------

JAGUAR	
C2C039929	P36022MM
C2C11648	P36014MM
C2C1164B	P36014MM
C2C13800	P02001MM
C2C20585	P36013MM
C2C22316	P36013MM
C2C23786	P36021MM
C2C24016	P36020MM
C2C24018	P36014MM
C2C27271	P59042MM
C2C27290	P36022MM
C2C27291	P36019MM
C2C35440	P36019MM
C2C35612	P36022MM
C2C36974	P36019MM
C2C39929	P36022MM
C2C40194	P36013MM
C2C40926	P36019MM
C2C8342	P36015MM
C2C8361	P36020MM
C2C8365	P36014MM
C2D23143	P59042MM
C2D23150	P36028MM
C2D31788	P36028MM
C2D3792	P36026MM
C2D3801	P36025MM
C2P15991	P36023MM
C2P15994	P36024MM
C2P17595	P59042MM
C2P25493	P36034MM
C2S12638	P24060MM
C2S17129	P24060MM
C2S17362	P24059MM
C2S20893	P24059MM
C2S33408	P24059MM
C2S38068	P24063MM
C2S48022	P24060MM
C2S48024	P24063MM
C2S52079	P24060MM
C2S52081	P24063MM
C2Z14096	P36019MM
C41307	P36003MM
CS217129	P24060MM
CS217362	P24059MM
CS220893	P24059MM

OE	MAGNETI MARELLI
----	-----------------

JAGUAR	
CSC23786	P36021MM
GBP224	P36003MM
JJLM1281	P36005MM
JJLM1282	P36006MM
JJLM1833	P36008MM
JLM001829	P36007MM
JLM021220	P36017MM
JLM11114	P36008MM
JLM1157	P68012MM
JLM11685	P59004MM
JLM11903	P36008MM
JLM1282	P36006MM
JLM1510	P36003MM
JLM1829	P36007MM
JLM1833	P36008MM
JLM20257	P36008MM
JLM20702	P36007MM
JLM21220	P36017MM
JLM21222	P36007MM
JLM21280	P36018MM
JLM21282	P36020MM
JLM21917	P36007MM
JLM21918	P36017MM
JLM536	P36003MM
JLM577	P36005MM
JLM603	P36006MM
JLM9517	P36003MM
JLM9727	P68012MM
MDX2750AA	P78016MM
MJE2001AA	P36007MM
MJE2001AB	P36007MM
MXD1550AA	P36018MM
MXD1550AB	P36018MM
MXD2750AA	P36020MM
T2R22312	P36029MM
T2R7247	P36028MM
T2R7248	P36029MM
T4N9759	P36030MM
XR812435	P36012MM
XR812436	P36013MM
XR813324	P36012MM
XR830139	P36021MM
XR848934	P36013MM
XR858178	P36012MM

OE	MAGNETI MARELLI
----	-----------------

JEEP	
4796344	P37012MM
5252613	P37001MM
5252724	P37001MM
77367145	P23177MM
77367214	P23164MM
77367369	P23165MM
77367417	P23177MM
77367936	P23164MM
77368211	P23164MM
83502200	P37001MM
8983501167	P37001MM
00K68002193AA	P11023MM
00K68052369AB	P37017MM
00K68225170AA	P37019MM
00K68225170AB	P37019MM
00K68225170AC	P37019MM
00K68225301AA	P37020MM
00K68225301AB	P37020MM
00K68225327AA	P37020MM
00K68225327AB	P37020MM
00K68225327AC	P37020MM
00K68273101AA	P37020MM
04883717AA	P37012MM
05011970AA	P37006MM
05011970AB	P37006MM
05018592AA	P37005MM
05019803AA	P11015MM
05019805AA	P11014MM
05019985AB	P37007MM
05080868AA	P37010MM
05080868AB	P37010MM
05080868AC	P37010MM
05080871AA	P37011MM
05083882AB	P37009MM
05093183AB	P37008MM
05093260AA	P37008MM
05179242AA	P37009MM
5011969AA	P37005MM
5011970AA	P37006MM
5011970AB	P37006MM
5019985AB	P37007MM
5069201AA	P37007MM
5069201AB	P37007MM
5080868AA	P37010MM
5080868AB	P37010MM

OE	MAGNETI MARELLI
JEEP	
5080868AC	P37010MM
5080871AA	P37011MM
5080871AB	P37011MM
5083882AC	P37009MM
5083882AE	P37009MM
5093183AB	P37008MM
5191229AA	P11026MM
5191271AA	P54034MM
5191271AB	P54034MM
68002193AA	P11023MM
68003610AA	P11024MM
68003610AB	P11024MM
68003701AA	P11022MM
68003776AA	P18024MM
68034993AA	P11024MM
68044866AC	P11025MM
68052369AA	P37017MM
68052370AA	P37015MM
68052370AB	P37015MM
68052386AA	P37016MM
68144432AA	P30074MM
68225170AA	P37019MM
68225170AB	P37019MM
68225170AC	P37019MM
68225301AA	P37020MM
68225301AB	P37020MM
68225327AA	P37020MM
68225327AB	P37020MM
68225327AC	P37020MM
68273101AA	P37020MM
K05093183AB	P37008MM
K05093260AA	P37008MM
K05252613	P37001MM
K05252724	P37001MM
K68002193AA	P11023MM
K68044866AA	P11022MM
K68225170AA	P37019MM
K68225170AB	P37019MM
K68225170AC	P37019MM
KV1013701AA	P11022MM
V1012369AA	P37017MM
V2010871AB	P37011MM

OE	MAGNETI MARELLI
KIA	
121029	P30030MM
07K1F3328Z	P49010MM
080453323Z	P30015MM
0K011332372	P30006MM
0K0113323Z	P30006MM
0K0453323Z	P30015MM
0K0Y23323Z	P30062MM
0K20A3323Z	P30009MM
0K20H3323Z	P24030MM
0K2393323Z	P30009MM
0K2403323Z	P30009MM
0K2403323ZA	P30009MM
0K2A23323Z	P30062MM
0K2A23323ZA	P30062MM
0K2A23323ZB	P30062MM
0K2A33323Z	P30062MM
0K2A43323Z	P30009MM
0K2FC2628Z	P30008MM
0K2JA3328Z	P30034MM
0K2JA3328ZA	P30034MM
0K2N13328Z	P30016MM
0K2N13328ZA	P30016MM
0K2X33323Z	P30009MM
0K2Y13323Z	P30009MM
0K2Y33323Z	P30009MM
0K2Y33323ZA	P30062MM
0K5533323Z	P37004MM
0K5533323ZA	P37004MM
0K5533323ZB	P37004MM
0K56A3323Z	P30012MM
0K56B3323ZA	P30012MM
0K58A3323Z	P30058MM
0K60A3328Z	P99003MM
0K60A3328ZA	P99003MM
0K70Y3328Z	P49010MM
0K71E3328Z	P49010MM
0K71F3328Z	P99003MM
0K72A3328Z	P30044MM
0K72G3328Z	P30012MM
0K75A3328Z	P30012MM
0K75B3328Z	P30012MM
0K9A02628Z	P30008MM
0K9A03328Z	P30007MM
0K9D03328Z	P30016MM
0K9Y63328Z	P30007MM

OE	MAGNETI MARELLI
KIA	
5810107A10	P30032MM
5810107A20	P30032MM
581010XA01	P30032MM
581010ZA00	P30039MM
581011DA50	P30039MM
581011DE00	P30039MM
581011FE00	P30018MM
581011FE01	P30018MM
581011GA00	P30026MM
581011HA00	P30034MM
581011JA60	P30045MM
581011MA00	P30077MM
581011MA20	P30077MM
581011MA21	P30077MM
581011PA00	P30064MM
581011UA50	P30070MM
581011WA05	P18025MM
581011WA35	P18025MM
581011YA00	P30053MM
581011YA30	P30053MM
5810129B00	P30022MM
581012BA10	P30036MM
581012FA10	P30042MM
581012FA20	P30042MM
581012FA21	P30042MM
581012GB00	P30043MM
581012JA11	P30036MM
581012KA10	P30018MM
581012PA70	P30036MM
581012SA51	P30056MM
581012TA20	P30065MM
581012TA21	P30065MM
581012TA50	P30066MM
581012TA61	P30065MM
581012YA00	P30056MM
581012YA50	P30056MM
581013CA20	P30022MM
581013CA80	P30018MM
581013EE00	P30019MM
581013EE01	P30019MM
581013FA00	P30028MM
581013FA10	P30028MM
581013KA40	P30043MM
581013QA50	P30066MM
581013RA60	P30056MM

OE	MAGNETI MARELLI
KIA	
581013VA50	P30066MM
581014DE00	P30041MM
581014EA00	P30012MM
581014LA00	P18025MM
581014UA00	P30066MM
58101A4A11	P30070MM
58101A6A00	P30073MM
58101A6A01	P30073MM
58101A6A20	P30065MM
58101A7A00	P30073MM
58101A7A20	P30065MM
58101B2A00	P30077MM
58101B2A10	P30055MM
58101B2A60	P30056MM
58101B2A70	P30055MM
58101B2A80	P30056MM
58101B2A90	P30056MM
58101D4A15	P30056MM
58101D4A25	P30056MM
58101D7A50	P30056MM
58101E2A00	P30053MM
58101E4A10	P30056MM
58101M1A00	P54027MM
58115FDB00	P30016MM
58115FDC00	P30016MM
5830207A00	P30033MM
5830207A10	P30033MM
583020XA00	P30033MM
583020ZA00	P30025MM
583021DA00	P30040MM
583021DA01	P30040MM
583021DA50	P30040MM
583021DE00	P30040MM
583021FE00	P30014MM
583021HA00	P30025MM
583021HA00	P30051MM
583021MA40	P30051MM
583021PA30	P59038MM
583021RA30	P30067MM
583021WA35	P30067MM
583021YA30	P30051MM
583021YA50	P30068MM
583022EA00	P30014MM
583022FA10	P30003MM
583022JA00	P30063MM

OE	MAGNETI MARELLI
KIA	
583022KA10	P30047MM
583022PA70	P30063MM
583022SA10	P30051MM
583022TA40	P30054MM
583022TA60	P30054MM
583022TA70	P30054MM
583022YA30	P30051MM
5830238A10	P30014MM
583023CA10	P30014MM
583023CA20	P30014MM
583023ED00	P30023MM
583023ED01	P30023MM
583023EE00	P30023MM
583023EU00	P30057MM
583023EU01	P30057MM
583023FA00	P30014MM
583023FA11	P30047MM
583023KA10	P30014MM
583023QA10	P30054MM
583023RA70	P30067MM
583023ZA00	P30067MM
583024DE00	P30035MM
58302A2A30	P59038MM
58302A3A00	P30068MM
58302A4B10	P30067MM
58302A6A20	P30067MM
58302B2A00	P30067MM
58302B2A50	P30068MM
58302B2A70	P30067MM
58302C1A15	P30068MM
58302C5A00	P30035MM
58302C5A70	P30080MM
58302D4A55	P30067MM
58302D4A65	P30067MM
58302D7A00	P30051MM
58302D7A70	P30067MM
58302E4A10	P30067MM
58302G2A40	P30067MM
58302M2A00	P30030MM
58302M2A01	P30030MM
58302M2A10	P30030MM
DA193328	P49013MM
K5533323ZB	P37004MM
K56B3323Z	P30012MM
KK1503323Z	P49013MM

OE	MAGNETI MARELLI
KIA	
KK1503328Z	P49013MM
KK3253328Z	P49013MM
MDA193323Z	P49013MM
MDA193328Z	P49013MM
LADA	
21013501089	P41001MM
21013501090	P41001MM
21083501080	P41004MM
21083501089	P41003MM
21083501090	P41003MM
21103501080	P41003MM
21103501080	P41004MM
21213501090	P41002MM
21233501090	P41005MM
210135011090	P41001MM
2101350109001	P41001MM
2121350109001	P41002MM
21100350108000	P41003MM
21013501210A	P41001MM
LANCIA	
792488	P23019MM
792698	P23017MM
793219	P23032MM
4728999	P23052MM
5888545	P23008MM
5892601	P23014MM
5892650	P85013MM
5892731	P23045MM
5892732	P23017MM
5892740	P23052MM
9939953	P23019MM
9941174	P23066MM
9941718	P23019MM
9942953	P23026MM
9947891	P23125MM
9948338	P23065MM
9948557	P23078MM
9949203	P23089MM
9949203	P23109MM
9949293	P23088MM
9949412	P23116MM
9951217	P23077MM
9951226	P23114MM

OE	MAGNETI MARELLI
LANCIA	
66777601	P23026MM
71738151	P23079MM
71738154	P23055MM
71748384	P23013MM
71748387	P23066MM
71748390	P23075MM
71752982	P23073MM
71752986	P23081MM
71752991	P23094MM
71752992	P23061MM
71753041	P23070MM
71754804	P23094MM
71769140	P23081MM
71769141	P23114MM
71772213	P23090MM
71772536	P23094MM
71773140	P61104MM
71773143	P23082MM
71773148	P85020MM
71773150	P23128MM
77362141	P23088MM
77362170	P23073MM
77362178	P23079MM
77362179	P23099MM
77362196	P23145MM
77362216	P23092MM
77362225	P23114MM
77362226	P23078MM
77362228	P23116MM
77362237	P23061MM
77362248	P23096MM
77362254	P23116MM
77362257	P23067MM
77362266	P23013MM
77362272	P23088MM
77362273	P23089MM
77362315	P23055MM
77362316	P23070MM
77362354	P23026MM
77362359	P23094MM
77362360	P23095MM
77363328	P23078MM
77363992	P23099MM
77364281	P23119MM
77364331	P23128MM

OE	MAGNETI MARELLI
LANCIA	
77364332	P23127MM
77364587	P23103MM
77364839	P23065MM
77364859	P23092MM
77364862	P23091MM
77364929	P23130MM
77365026	P23087MM
77365217	P23127MM
77365218	P23095MM
77365218	P23128MM
77365266	P23115MM
77365311	P23130MM
77365623	P23087MM
77365752	P23131MM
77365789	P23095MM
77365808	P23145MM
77365809	P23135MM
77365927	P11031MM
77365938	P23116MM
77365939	P23026MM
77365945	P11031MM
77366378	P11031MM
82203073	P23003MM
82303076	P23008MM
82315603	P23008MM
82315997	P86001MM
82357469	P23018MM
82451320	P23041MM
94435009	P23018MM
99939353	P23003MM
9404252328	P85020MM
9404252548	P23082MM
9404254608	P23082MM
9467529687	P23082MM
00K68144163AB	P11035MM
00K68144163AC	P11035MM
00K68144163AD	P11035MM
00K68144163AE	P11035MM
00K68144163AF	P11035MM
K05142558AA	P11017MM
K05142561AB	P23175MM
K05142566AA	P23175MM
K05142566AB	P23175MM
K68020494AC	P11026MM
K68028671AA	P54031MM

OE	MAGNETI MARELLI
----	-----------------

LANCIA	
K68144163AA	P11035MM
K68144163AB	P11035MM
K68144163AC	P11035MM
K68144163AD	P11035MM
K68144163AE	P11035MM
K68144163AF	P11035MM
K68144209AA	P11032MM
K68147681AA	P23149MM
K68159526AA	P11032MM
K68159526AB	P11032MM
K68159526AC	P11032MM
K68185434AA	P23149MM

LAND ROVER

1458247	P24076MM
GBP266	P44001MM
GBP267	PA6001MM
GBP271	P44001MM
LR003655	P44016MM
LR003657	P44017MM
LR004936	P24076MM
LR015519	P44019MM
LR015577	P44025MM
LR015578	P44024MM
LR016684	P44023MM
LR016808	P44013MM
LR016962	P44022MM
LR019618	P44014MM
LR019627	P44013MM
LR020362	P44023MM
LR021253	P44022MM
LR021316	P44013MM
LR021899	P44011MM
LR023888	P44016MM
LR025739	P44025MM
LR026220	P44022MM
LR026221	P44024MM
LR027129	P86021MM
LR027309	P44020MM
LR032060	P44019MM
LR032063	P44022MM
LR032377	P44019MM
LR032954	P44001MM
LR036574	P44021MM
LR043285	P24078MM

OE	MAGNETI MARELLI
----	-----------------

LAND ROVER	
LR043714	P86021MM
LR047859	P44022MM
LR051626	P44022MM
LR055454	P44013MM
LR055454	P44019MM
LR055455	P44019MM
LR064181	P44023MM
LR065492	P44021MM
LR068303	P44021MM
LR079910	P44021MM
LR079935	P44021MM
LR083935	P44023MM
RTC3164	P44001MM
RTC4519	P44003MM
RTC5762	P44003MM
RTC6591	P44003MM
SFC000010	P44012MM
SFC500050	P44012MM
SFC500070	P44012MM
SFC500080	P44012MM
SFC500090	P44012MM
SFP000010	P44011MM
SFP000020	P44011MM
SFP000120	P06044MM
SFP000130	P44006MM
SFP000140	P44015MM
SFP000150	P44001MM
SFP000160	P44007MM
SFP000250	P44006MM
SFP000260	P44005MM
SFP000260	P44015MM
SFP000270	P44001MM
SFP000280	P44007MM
SFP100470	P44009MM
SFP100490	P44009MM
SFP100580	P44008MM
SFP100590	P44008MM
SFP5000010	P44014MM
SFP500010	P44014MM
SFP500020	P44013MM
SFP500021	P44013MM
SFP500022	P44013MM
SFP500040	P44013MM
SFP500045	P44018MM
SFP500070	P44018MM

OE	MAGNETI MARELLI
----	-----------------

LAND ROVER	
SFP500100	P44011MM
SFP500130	P44009MM
SFP500140	P44013MM
SFP500150	P44008MM
SFP500160	P44004MM
SFP500190	P44001MM
SFP500200	P44001MM
SFP500210	P06044MM
SFP500220	PA6006MM
SFP500230	P06044MM
STC1274	P44003MM
STC1275	P44015MM
STC1276	P44001MM
STC1277	P44007MM
STC1601	P44007MM
STC1674	P44003MM
STC1879	P44009MM
STC2953	P44001MM
STC2956	PA6001MM
STC3684	P44009MM
STC8569	P44001MM
STC8570	P44003MM
STC9147	P44001MM
STC9148	P44003MM
STC9149	P44004MM
STC9150	P44004MM
STC9188	P44003MM
STC9189	P44003MM
STC9191	P44004MM

LDV

545990001	PB1002MM
545990027	PB1002MM

LEXUS

446503410	P83072MM
446514081	P83037MM
446522340	P83072MM
446524010	P83027MM
446524020	P83104MM
446524021	P83104MM
446530110	P83037MM
446530270	P83037MM
446530271	P83037MM
446530400	P83072MM

OE	MAGNETI MARELLI
----	-----------------

LEXUS	
446530410	P83131MM
446530450	P83072MM
446530470	P83072MM
446530490	P83072MM
446530491	P83131MM
446530500	P83072MM
446530510	P83072MM
446533230	P83040MM
446533270	P83105MM
446533280	P83105MM
446533340	P83105MM
446548020	P83058MM
446548040	P56050MM
446548050	P56050MM
446548080	P83067MM
446548090	P83058MM
446548110	P83067MM
446548150	P83145MM
446548160	P83145MM
446548170	P83145MM
446548180	P83145MM
446548190	P83145MM
446548210	P83145MM
446550060	P83039MM
446550080	P83027MM
446550170	P83058MM
446550171	P83058MM
446550180	P83058MM
446550190	P83058MM
446550230	P83058MM
446550240	P83058MM
446550250	P83058MM
446550260	P83075MM
446553010	P83037MM
446553020	P83074MM
446553040	P83074MM
446560230	P83048MM
446622190	P83073MM
446630050	P83038MM
446630120	P83045MM
446630121	P83045MM
446630122	P83045MM
446630140	P83038MM
446630161	P83045MM
446630190	P83045MM

OE	MAGNETI MARELLI
LEXUS	
446630240	P83073MM
446630280	P83132MM
446630281	P83132MM
446630290	P83132MM
446630310	P83132MM
446630311	P83132MM
446633090	P83088MM
446633110	P83015MM
446647030	P83133MM
446648010	P83015MM
446648030	P83068MM
446648130	P83152MM
446648140	P83152MM
446650030	P83036MM
446650060	P83036MM
446650090	P83059MM
446650091	P83059MM
446650100	P83059MM
446650120	P83059MM
446650150	P83076MM
446650160	P83076MM
446653010	P83073MM
446653020	P83132MM
446660070	P83049MM
446676010	P83133MM
446676011	P83133MM
446676012	P83133MM
449124041	P83104MM
449124070	P83104MM
449130341	P83037MM
449150011	P83027MM
449224060	P83038MM
449224100	P83038MM
449230161	P83038MM
449250011	P83032MM
449250030	P83036MM
4659028010	P83104MM
44653050079	P83072MM
44653051079	P83131MM
44663031179	P83132MM
044650E010	P83145MM
044660E010	P83152MM
044650E040	P83145MM
044650W06000	P83058MM
044650W070	P83067MM

OE	MAGNETI MARELLI
LEXUS	
044650W110	P83075MM
044650W120	P83146MM
044650W130	P83075MM
044660W010	P83076MM
044660W020	P83076MM
044660W030	P83134MM
044660W031	P83134MM
477460W05000	P83067MM
477460W07000	P83067MM

LOTUS	
A132J0001S	P47001MM
A132J0002S	P47002MM
B117J0084S	P59025MM
B117J0085S	P59026MM

MASERATI	
980157007	P23115MM

MAZDA	
1A002643Z	P28017MM
1A013323Z	P79001MM
1A023323Z	P79012MM
1A023323ZA	P79012MM
1A023323ZB	P79012MM
1A023323ZC	P79012MM
1A053323Z	P79012MM
1A053323ZA	P79012MM
1A053323ZC	P79012MM
1A063323Z	P79012MM
1A073323Z	P79001MM
1A093323Z	P79012MM
1A093323ZA	P79012MM
1A123323Z	P79001MM
1A123323ZA	P79001MM
1A133323Z	P79012MM
1A203323Z	P79012MM
1A503323Z	P79009MM
1A513323Z	P79008MM
1A513323ZA	P79008MM
1A523323Z	P79009MM
1A523323ZA	P79009MM
1A6133280B	P15001MM
1A6133280C	P15001MM
1E033323Z	P24044MM

OE	MAGNETI MARELLI
MAZDA	
1E033323ZA	P24044MM
1E033323ZB	P24044MM
1E033323ZC9C	P24044MM
1E063323Z	P24043MM
1E063323ZA	P24043MM
1E063323ZB	P24043MM
1E123323Z	P24054MM
1F6049280	P24081MM
1N003328ZA	P56027MM
1N013328Z	P56064MM
1N033328Z	P56064MM
1N033328ZA	P56064MM
1N043328Z	P56033MM
1N053328Z	P56033MM
1N063328Z	P56033MM
1N073328Z	P56083MM
1N083328Z	P56083MM
1N093328Z	P56033MM
1N103328Z	P56033MM
1N133328Z	P56083MM
1N143328Z	P56083MM
1N163328Z	P56033MM
1N173328Z	P56083MM
1N183328Z	P56027MM
1N193328Z	P56083MM
1N203328Z	P56033MM
1N213328Z	P56083MM
1N243328Z	P56027MM
1N263328Z	P56088MM
1N283328Z	P56088MM
1V643328Z	P79001MM
A00133625	P15001MM
A0X13323Z	P15001MM
A0X23323Z	P15001MM
A0X23323ZA	P15001MM
A0Y13323Z	P15001MM
A15019K2	P49027MM
B0923328Z	P49007MM
B0923328ZA	P49007MM
B09249280	P49007MM
B09249280A	P49007MM
B0953328Z	P49007MM
B0953328ZA	P49007MM
B09549280	P49007MM
B0Y13323Z	P49022MM

OE	MAGNETI MARELLI
MAZDA	
B0Y13328Z	P49022MM
B0YA2643Z	P49021MM
B0YA2643ZA	P49021MM
B0YW3323Z	P49011MM
B0YW3323ZA	P49011MM
B0YW3323ZC	P49011MM
B0YW3328Z	P49011MM
B0YW3328ZA	P49011MM
B1003328Z	P49007MM
B1003328ZA	P49007MM
B10049280	P49007MM
B10049280A	P49007MM
B1072648Z	P49005MM
B10749480	P49005MM
B2YB3323Z	P49016MM
B2YB3328Z	P49016MM
B2YD3323Z	P49027MM
B2YD3328Z	P49027MM
B2YV3323Z	P49011MM
B2YV3328Z	P49011MM
B3YF3323Z	P24057MM
B3YH3323Z	P24061MM
B3YH3323ZA	P24061MM
B45533292	P49016MM
B4Y02648ZA	P49049MM
B4Y02648ZB	P49049MM
B4Y03328ZB	P49050MM
B4Y12648Z	P49005MM
B4Y53323Z	P49016MM
B4Y53328Z	P49016MM
B4Y63323Z	P49016MM
B4Y63323ZA	P49016MM
B4Y63328Z	P49016MM
B4Y63328ZA	P49016MM
B4Y63328ZB	P49016MM
B4YB3323Z	P24061MM
B5Y02643Z	P49015MM
B5Y02643ZA	P49015MM
B5Y63323Z	P49016MM
B5Y63323Z9A	P49016MM
B5Y63323ZA	P49016MM
B5Y63328Z	P49016MM
B5Y63328Z9A	P49016MM
B5Y63328Z9C	P49016MM
B5Y63328ZA	P49016MM

OE	MAGNETI MARELLI
MAZDA	
B5Y63328ZB	P49016MM
B5Y83323Z	P49016MM
B5Y83323ZA	P49016MM
B5Y83328Z	P49016MM
B5Y83328ZA	P49013MM
B5Y83328ZB	P49016MM
B6Y32643Z	P49005MM
B6Y32643ZA	P49005MM
B6Y32648Z	P49005MM
B6Y82643Z	P49037MM
B6Y82643ZA	P49037MM
B6Y83323Z	P49022MM
B6Y83323ZA	P49022MM
BCYA3323Z	P49011MM
BCYC2643Z	P49021MM
BCYC2643ZA	P49021MM
BCYC2648Z	P49021MM
BCYF2643Z	P49021MM
BCYF2643ZA	P49021MM
BCYF2648Z	P49021MM
BCYW3323Z	P49016MM
BCYW3323ZB	P49016MM
BCYW3323ZC	P49016MM
BCYW3328Z	P49016MM
BCYW3328ZA	P49016MM
BG3449280	P49007MM
BG3449280A	P49007MM
BG3549280	P49007MM
BHY13328ZA	P49050MM
BJYD3323Z	P49027MM
BJYD3328Z	P49027MM
BJYL3323Z	P49027MM
BJYM3323Z	P49027MM
BJYM3328Z	P49027MM
BL533328Z	P49007MM
BL533328Z9A	P49007MM
BL533328ZA	P49007MM
BL782643Z	P49005MM
BL782648Z	P49005MM
BLYM3323Z	P49023MM
BLYM3328Z	P49023MM
BOY13323Z	P49022MM
BOY13323ZA	P49022MM
BOY13328Z	P49022MM
BOYW3323Z	P49011MM

OE	MAGNETI MARELLI
MAZDA	
BOYW3328ZA	P49011MM
BPYK2648Z	P59042MM
BPYK2648ZA	P59042MM
BPYK2648ZA9C	P59042MM
BPYK2648ZB	P59042MM
BPYK3323Z	P24061MM
BPYK3323ZA	P24061MM
BPYK3323ZA9C	P24061MM
BPYK3323ZC	P24061MM
BRY03328Z	P49016MM
BRY03328ZA	P49016MM
BRY43323Z	P49011MM
BRY43323ZA	P49011MM
BRY43328Z	P49011MM
BRY43328ZA	P49011MM
BRY53323Z	P49011MM
BRY53323ZA	P49011MM
BRY63323Z	P49011MM
BRY63323ZA	P49011MM
BRY73323Z	P49016MM
BRY73323ZA	P49016MM
BWYH2643Z	P49015MM
BWYH2648Z	P49015MM
C1Y03323Z	P49023MM
C1Y03323ZA	P49023MM
C1Y03328Z	P49023MM
C1Y03328ZA	P49023MM
C2Y32648Z	P59042MM
C2Y33323Z	P24061MM
C2Y33323ZA	P24061MM
C2Y33323ZB	P24061MM
CBY03328Z	P49023MM
CBY13323ZA	P49023MM
CBY13323ZB	P49023MM
CBY13323ZC	P49023MM
CBY13323ZD	P49023MM
CBY13323ZE	P49023MM
CBY13323ZF	P49023MM
CBY13323ZG	P49023MM
CBY13328ZB	P49023MM
CBY13328ZC	P49023MM
CBY13328ZD	P49023MM
CBY13328ZE	P49023MM
CBY13328ZF	P49023MM
CBY13328ZG	P49023MM

OE	MAGNETI MARELLI
MAZDA	
CBY33328Z	P49026MM
CBY43323Z	P49026MM
CBY43328Z	P49026MM
CBY93323Z	P49023MM
CBY93328Z	P49023MM
CBY93328Z9C	P49023MM
CBZ23322Z	P49028MM
D0013328Z	P49013MM
D0403328Z	P49013MM
D0YN3328Z	P24072MM
D1Y13323Z	P49016MM
D1Y13323ZA	P49016MM
D1Y43323Z	P49016MM
D1Y43328Z	P49016MM
D1Y53323Z	P49016MM
D1Y53323ZA	P49016MM
D1Y53328Z	P49016MM
D1Y53328ZA	P49016MM
D1Y73323Z	P49016MM
D1Y73323ZA	P49016MM
D2Y13328Z	P49016MM
D2Y63323Z	P49016MM
D2Y63328Z	P49016MM
D2Y73323ZA	P49016MM
D2Y73328ZA	P49016MM
D2Y93323ZA	P49016MM
D2Y93328ZA	P49016MM
DA193328Z	P49013MM
DA193328Z9A	P49013MM
DA193328ZA	P49013MM
DA193328ZA9A	P49013MM
DAY32648ZA	P49047MM
DAY53328ZA	P49055MM
DBY13328Z	P49055MM
DCY03323Z	P49016MM
DCY03323ZA	P49016MM
DCY03323ZB	P49016MM
DCY03328Z	P49016MM
DCY13328Z	P49016MM
DCY53323Z	P49016MM
DDY23328Z	P24055MM
DDY23328Z9C	P24055MM
DFY13328Z	P16013MM
DFY13328ZA	P16013MM
DFY13328ZA9C	P16013MM

OE	MAGNETI MARELLI
MAZDA	
DFY13329ZA	P16013MM
DFY13329ZB	P16013MM
E0Y82643Z	P49015MM
E0Y82643ZA	P49015MM
E0Y82643ZB	P49015MM
E0Y92643ZA	P49015MM
E92Z2001B	P24024MM
EC253323ZA	P24056MM
EC253323ZC	P24056MM
EC253323ZD	P24056MM
EFY13323Z	P24056MM
EFY52623Z	P24085MM
EFY53323Z	P24159MM
EFY53323ZA	P24159MM
EFY53323ZB	P24159MM
EHY23328Z	P49040MM
EHY42643Z	P49041MM
EHY42648Z	P49041MM
EHY43328Z	P49040MM
EHY52643ZA	P49041MM
EHY53328ZA	P49040MM
EHY53328ZB	P49040MM
F1Y02648Z	P49035MM
F1Y12634Z	P49035MM
F1Y12643Z	P49035MM
F1Y13323ZB	P49034MM
F1Y13323ZC	P49034MM
F1Y73323ZA	P49034MM
F1Y93323ZA	P49034MM
F1YA2648Z	P49035MM
F1YA3323ZA	P49034MM
F1YA3323ZC	P49034MM
F1YA3328Z	P49034MM
F32Z2001A	P24024MM
FA6749280	P49037MM
FAY63328Z9A	P49037MM
FAY82648Z	P49004MM
FB0649280	P49037MM
FB712628Z	P49037MM
FB712628ZA	P49037MM
FBY12648Z	P49037MM
FDY12643Z	P49037MM
FDY12643ZA	P49037MM
G03049280	P49004MM
G03049280A	P49004MM

OE	MAGNETI MARELLI
MAZDA	
G03049280B	P49004MM
G03249280	P49004MM
G032492809A	P49004MM
G04049280C	P49004MM
G0YG2643Z	P24025MM
G0YG2648Z	P24025MM
G0YK2643Z	P49037MM
G0YK2643ZA	P49037MM
G11349280	P49004MM
G11349280A	P49004MM
G13249280	P49004MM
G1YC3323Z	P49026MM
G1YC3323ZA	P49026MM
G1YC3328Z	P49026MM
G1YC3328ZA	P49026MM
G1YC3328ZB	P49026MM
G1YC3328ZC	P49026MM
G1YH3323Z	P24024MM
G1YH3328Z	P24024MM
G1YN3323Z	P49026MM
G1YN3328Z	P49026MM
G2112648Z	P24025MM
G2113328Z	P24024MM
G2123328ZA	P24024MM
G2253328Z	P24024MM
G2353328Z	P24024MM
G2YD3323Z	P49033MM
G2YS3323Z	P49032MM
G2YS3323ZA	P49032MM
G2YS3323ZB	P49032MM
G2YS3328Z	P49032MM
G3YA3328Z	P49039MM
G4YA3328Z	P49048MM
G4YA3328ZA	P49048MM
G5Y52643Z	P24036MM
G5Y52643ZA	P24036MM
G5Y52643ZB	P24036MM
G5Y52643ZC	P24036MM
G5Y52648Z	P24036MM
G5Y62643Z	P24036MM
G5Y62643ZA	P24036MM
G5Y62643ZB	P24036MM
G5Y62643ZC	P24036MM
G5Y62648Z	P24036MM
G5Y63323Z	P49023MM

OE	MAGNETI MARELLI
MAZDA	
G5Y63323ZC	P49023MM
G5Y63328Z	P49023MM
G5Y63328ZB	P49023MM
G7173328Z	P24024MM
G7183328Z	P24024MM
G7183328ZA	P24024MM
G7Y63323Z	P49023MM
G7Y63323ZA	P49023MM
G7Y63328ZA	P49023MM
G7Y63328ZB	P49023MM
GA9749280A	P49004MM
GAYE2643B	P24036MM
GAYE2643Z	P24036MM
GAYE2643ZA	P24036MM
GAYE2643ZB	P24036MM
GAYE2643ZC	P24036MM
GAYR2323ZB	P49023MM
GAYR2328Z	P49023MM
GAYR2328ZA	P49023MM
GAYR3323Z	P49023MM
GAYR3323ZA	P49023MM
GAYR3323ZB	P49023MM
GAYR3323ZB9A	P49023MM
GAYR3323ZC	P49023MM
GAYR3323ZD	P49023MM
GAYR3328Z9C	P49023MM
GAYR3328ZA	P49023MM
GAYR3328ZB	P49023MM
GAYR3328ZC	P49023MM
GAYR3328ZD	P49023MM
GBYH3323Z	P49023MM
GBYH3323ZA	P49023MM
GCYD3323Z	P49023MM
GCYD3323ZA	P49023MM
GCYD3323ZB	P49023MM
GCYD3323ZD	P49023MM
GCYD3328Z	P49023MM
GCYD3328ZA	P49023MM
GCYD3328ZB	P49023MM
GCYD3328ZC	P49023MM
GCYD3328ZD	P49023MM
GCYD3328ZE	P49023MM
GDYE3323ZA	P49026MM
GDYE3328ZA	P49026MM
GEYC2643Z	P49037MM

OE	MAGNETI MARELLI
MAZDA	
GEYC2643ZA	P49037MM
GEYC2643ZB	P49037MM
GEYC2648Z	P49037MM
GEYC2648ZB	P49037MM
GEYC3323Z	P49023MM
GEYT2643Z	P49037MM
GEYT3323Z	P49023MM
GEYT3323ZA	P49023MM
GEYT3328Z	P49023MM
GEYT3328ZA	P49023MM
GEYT3328ZB	P49023MM
GEYV3323Z	P49023MM
GEYV3328Z9C	P49023MM
GG2949280	P49004MM
GG32492809A	P49004MM
GGY83328Z	P49004MM
GGY83328Z9A	P49004MM
GGY93328Z9A	P49004MM
GGYA3323ZA	P49023MM
GGYA3323ZC	P49023MM
GGYB2643Z	P49036MM
GGYB2648Z	P49037MM
GGYM2643Z	P49036MM
GGYM2648Z	P49036MM
GGYM2648ZA	P49037MM
GHY13328Z	P49048MM
GHY92648Z	P61111MM
GHY92648ZA	P61111MM
GHY92648ZB	P61111MM
GHY92648ZC	P61111MM
GHY93328Z	P49048MM
GHY93328ZA	P49048MM
GHY93328ZB	P49048MM
GHY93328ZC	P49048MM
GHYD3328ZA	P49023MM
GJ213328Z	P24024MM
GJ213328ZA	P24024MM
GJ213328ZB	P24024MM
GJ252648Z	P24025MM
GJ252648ZA	P24025MM
GJ254648ZA	P24025MM
GJ872643Z	P24025MM
GJ872648A	P24025MM
GJ872648Z	P24025MM
GJ872648Z9A	P24025MM

OE	MAGNETI MARELLI
MAZDA	
GJ872648ZA	P24025MM
GJY13328Z	P24024MM
GJY13328Z9A	P24024MM
GJY72648Z	P24025MM
GJY72648Z9A	P24025MM
GJYA2643Z	P49036MM
GJYA2643ZA	P49037MM
GJYA2648Z	P49037MM
GJYA2648ZA	P49037MM
GJYA3323ZA	P49033MM
GJYA3323ZB	P49033MM
GJYA3323ZC	P49033MM
GJYA3323ZD	P49033MM
GJYA3328ZC	P49033MM
GJYA3328ZD	P49033MM
GJYB2643Z	P49036MM
GJYB2643ZA	P49037MM
GJYB2648Z	P49036MM
GJYB2648Z9C	P49036MM
GJYB2648ZA	P49037MM
GJYB3323ZB	P49033MM
GJYB3323ZC	P49033MM
GJYB3323ZD	P49033MM
GJYB3328ZB	P49033MM
GJYB3328ZC	P49033MM
GJYB3328ZD	P49033MM
GJYC3323Z	P49033MM
GJYC3328Z	P49026MM
GJYC3328Z9C	P49033MM
GJYE3323ZA	P49032MM
GJYE3323ZB	P49032MM
GJYE3323ZC	P49032MM
GJYE3323ZD	P49032MM
GJYE3323ZE	P49032MM
GJYE3323ZF	P49032MM
GJYE3328ZC	P49032MM
GJYE3328ZD	P49032MM
GJYE3328ZF	P49032MM
GJYE3329ZD	P49032MM
GJYF3323ZA	P49032MM
GJYF3323ZB	P49032MM
GJYF3323ZC	P49032MM
GJYF3323ZD	P49032MM
GJYF3323ZE	P49032MM
GJYF3328ZA	P49032MM

OE	MAGNETI MARELLI
----	-----------------

MAZDA	
GJYF3328ZB	P49032MM
GJYF3328ZC	P49032MM
GJYF3328ZE	P49032MM
GJYG3323Z	P49032MM
GJYG3323ZA	P49032MM
GJYG3323ZB	P49032MM
GJYG3328Z	P49026MM
GJYG3328Z9C	P49032MM
GN513323Z	P24024MM
GN513328Z	P24024MM
GN513328Z9A	P24024MM
GN603323Z	P24024MM
GPYA2648ZC	P49051MM
GPYA2648ZD	P49051MM
GPYA3323ZB	P49038MM
GPYA3323ZC	P49038MM
GPYA3323ZF	P49038MM
GPYA3323ZG	P49038MM
GPYA3323ZG9C	P49038MM
GPYB2643Z	P49051MM
GPYB2648Z	P49051MM
GPYB3328ZD	P49023MM
GS392623Z	P24036MM
GS392643Z	P49037MM
GSYD3323Z	P49039MM
GSYD3323ZA	P49039MM
GSYD3328Z	P49039MM
GSYD3328ZA	P49039MM
H2662648Z	P49025MM
H2662648ZA	P49025MM
H2912648Z	P49025MM
H4Y02643Z	P49025MM
H4Y02648Z	P49025MM
HE392648ZA	P49025MM
HF392648Z	P49025MM
HF392648ZA	P49025MM
J0V126432B	P49025MM
J0Y12643ZA	P49025MM
J0Y12643ZB	P49025MM
J0Y12648Z	P49025MM
J0Y13323Z	P49022MM
K0Y12648Z	P49047MM
K0Y12648ZA	P49047MM
K0Y12648ZC	P49047MM
K0Y13323Z	P49045MM

OE	MAGNETI MARELLI
----	-----------------

MAZDA	
K0Y13328Z	P49045MM
K0Y13328ZA	P49045MM
KDY93328Z	P49045MM
L0Z13323Z	P49028MM
L0Z13323ZA	P49028MM
L0Z13323ZB	P49028MM
L0Z13328Z	P49028MM
L0Z13328ZA	P49028MM
L0Z13328ZB	P49028MM
L2Y62643Z	P49041MM
L2Y62648Z	P49041MM
L2Y63323Z	P49040MM
L2Y63328Z	P49040MM
L2Y72643Z	P49041MM
L2Y82643ZA	P49041MM
L2Y82643ZB	P49041MM
LAY33328Z	P54029MM
LAY33328ZA	P54029MM
LAZ23328Z	P49025MM
LAZ53328Z	P49028MM
LBY02643Z	P49025MM
LBZ13323Z	P49028MM
LBZ13328Z	P49028MM
LBZ13328ZA	P49028MM
LBZ23323Z	P49028MM
LBZ23328Z	P49028MM
LBZ23328ZA	P49028MM
LBZ33323Z	P49028MM
LCY12643Z	P49025MM
LCY13323Z	P49028MM
LCY13328Z	P49028MM
LCY23323Z	P49028MM
LCY23323ZA	P49028MM
LCY23323ZB	P49028MM
LCY23328Z	P49028MM
LCY23328ZA	P49028MM
LCY43323ZA	P49028MM
LCY43323ZB	P49028MM
LCY43323ZC	P49028MM
LCY43323ZD	P49028MM
LCY43328Z	P49028MM
LCY43328ZB	P49028MM
LDY23323Z	P49028MM
LDY23328Z	P49028MM
LDY33323Z	P49028MM

OE	MAGNETI MARELLI
----	-----------------

MAZDA	
LDY33328Z	P49028MM
LDY53323Z	P49028MM
LDY73323Z	P49028MM
LDY73328Z	P49028MM
LDY73328ZA	P49028MM
LEY42643Z	P49042MM
LEY42643ZA	P49042MM
LEY42648Z	P49042MM
LEY42648ZA	P49042MM
LEY43328Z	P49028MM
LEY53323Z	P49028MM
LEY53328Z	P49028MM
LEY83328Z	P49028MM
LEY93323Z	P49028MM
LEY93328Z	P49028MM
LYC43328ZB	P49028MM
N0Y02648Z	P49021MM
N0Y13323Z	P49017MM
N0Y13323ZA	P49017MM
N0Y13328Z	P49017MM
N0Y13328ZA	P49017MM
N0Y33323Z	P49020MM
N0Y33328Z	P49020MM
N0Y62648Z	P49021MM
N0Y62648ZA	P49021MM
N0Y72648ZA	P49030MM
N0Y72648ZB	P49030MM
N0Y72648ZC	P49030MM
N0Y73328Z	P49029MM
N0Y7648Z	P49031MM
N0Y7648ZA	P49031MM
N0Y82643Z	P49021MM
N0Y82643ZA	P49021MM
N0Y92643ZA	P49030MM
N0Y92643ZB	P49030MM
N0Y93323Z	P49029MM
N0Y952643ZA	P49030MM
N1Y32643ZA	P49044MM
N1Y32648ZA	P49044MM
N2Y32648Z	P49044MM
N7Y73328ZB	P49043MM
NA0133625	P49017MM
NAY02643Z	P49015MM
NAY02643ZA	P49015MM
NAY03323ZA	P49017MM

OE	MAGNETI MARELLI
----	-----------------

MAZDA	
NAY03323ZB	P49017MM
NAY12643Z	P49015MM
NAY12648Z	P49015MM
NAY13323Z	P49017MM
NAY13323ZA	P49017MM
NAY13328Z	P49017MM
NAY52643Z	P49021MM
NAY52643ZA	P49021MM
NAY52648Z	P49021MM
NAY52648ZA	P49021MM
NAY53323Z	P49020MM
NAY53323ZC	P49020MM
NAY53323ZA	P49020MM
NAY53323ZB	P49020MM
NAY53328Z	P49020MM
NAY53328ZB	P49020MM
NAY92643Z	P49015MM
NAY92648Z	P49015MM
NAY02643Z	P49015MM
NAZ02648Z	P49015MM
NAZ03328Z	P49017MM
NCY03323Z	P49020MM
NCY03328Z	P49020MM
NCY12643Z	P49021MM
NCY12643ZA9C	P49021MM
NCY13323Z	P49020MM
NCY32643Z	P49031MM
NCY32643ZA	P49031MM
NCY32648ZA	P49030MM
NCY52643Z	P49021MM
NCY52648Z	P49021MM
NCY53323Z	P49020MM
NCY53328Z	P49020MM
NFY73323Z	P49043MM
NFY73328Z	P49043MM
NFY73328ZB	P49043MM
NFY72446Z	P49044MM
NFY72643Z	P49044MM
NFY72648Z	P49044MM
NFY72648ZA	P49044MM
NFY72649Z	P49044MM
NFY73323Z	P49043MM
NFY73323ZA	P49043MM
NFY73323ZB	P49043MM
NFY73328Z	P49043MM

OE	MAGNETI MARELLI
----	-----------------

MAZDA	
NFY73328ZA	P49043MM
NFY73328ZC	P49043MM
NFZ72643Z	P49044MM
P1X02643Z	P30003MM
PLY13323ZB	P49034MM
S08349280	P49010MM
S08349280A	P49010MM
S0YN2643Z	P49025MM
S0YN2648Z	P49025MM
S1YH2643Z	P49025MM
S23149280	P49010MM
S23149280A	P49010MM
S2YA3323Z	P49010MM
S2YA3328Z	P49010MM
S4Y93328Z	P54029MM
S4Y93328ZA	P54029MM
S4YK3323Z	P49028MM
S4YP3323Z	P54029MM
S4YP3323ZA	P54029MM
S4YP3328Z	P54029MM
S4YP3328ZA	P54029MM
S4YR3323Z	P54029MM
S4YR3323ZA	P54029MM
S4YR3328Z	P54029MM
S4YR3328ZA	P54029MM
SA8349280A	P49010MM
SA94492809A	P49010MM
SAY02643Z	P49015MM
SAY02643ZA	P49015MM
SAY13323Z	P49017MM
SE963325Z	P49010MM
SE963328Z	P49010MM
SE963328Z9A	P49010MM
SF043328Z	P49010MM
SF043328Z9A	P49010MM
SHY33323Z	P49028MM
SHY63328Z	P54029MM
SO8349280	P49010MM
TOY02643Z	P49025MM
TOY02648Z	P49025MM
TOY03323Z	P49019MM
TOY03328Z	P49019MM
TA012648Z	P49025MM
TA013323Z	P49019MM
TA013328Z	P49019MM

OE	MAGNETI MARELLI
----	-----------------

MAZDA	
TAY22643Z	P49025MM
TBY72643Z	P49025MM
TBY72648Z	P49025MM
TBY73323Z	P49019MM
TBY73328Z	P49019MM
TCY13323Z	P49019MM
TCY23323Z	P49019MM
U0Y93323Z	P49019MM
U0Y93328Z	P49019MM
UB3949280	P49014MM
UB7149280	P49014MM
UBY23328Z	P49014MM
UBZ23328Z	P49014MM
UC8649280	P49014MM
UC8649280A	P49014MM
UCYE3323Z	P24153MM
UGY93323Z	P24149MM
UHY13323ZA	P24051MM
UHY13323ZD	P24051MM
UHY13323ZE	P24051MM
UJY63323Z	P24051MM
UMY13323ZA	P24086MM
UMY13328ZB	P24086MM
UMY13329ZA	P24086MM
UMY43323Z	P24086MM
UMY43328Z	P24086MM
UMY43328Z9C	P24086MM
YL872001BA	P24056MM
YLBZ20013A	P24056MM
ZZ603323Z	P49013MM
ZZC02623Z	P24085MM
ZZC33323Z	P24159MM
ZZR049280A	P24041MM

MERCEDES-BENZ	
4200120	P50007MM
4200720	P50008MM
4203400	P50110MM
4204100	P50121MM
4204620	P50006MM
4204720	P50006MM
4205720	P50066MM
4205820	P50066MM
4205920	P50004MM
4206020	P50004MM

OE	MAGNETI MARELLI
----	-----------------

MERCEDES-BENZ	
4206220	P50066MM
4206280	P50066MM
4206320	P50002MM
4206420	P50002MM
4206520	P50002MM
4206620	P23001MM
4206700	P50120MM
4206720	P23001MM
4206820	P50002MM
4207020	P59001MM
4207120	P59001MM
4207620	P50066MM
4207800	P50121MM
4208000	P50120MM
4208200	P50122MM
4208700	P50118MM
4208820	P50007MM
4208920	P50011MM
4209020	P50007MM
4209120	P50011MM
4209420	P50004MM
4209520	P50004MM
4209720	P50020MM
4209820	P50013MM
4209920	P50008MM
4212410	P50081MM
4214110	P50031MM
4214210	P50032MM
4216110	P50050MM
4216210	P50051MM
4230230	P50052MM
4230430	P50061MM
4237110	P50028MM
4320430	P50061MM
5860042	P23001MM
5860542	P23001MM
5860642	P23001MM
5861142	P59001MM
5861442	P59001MM
5861942	P23001MM
5862242	P59001MM
5862542	P59001MM
5862942	P23001MM
5863742	P23001MM
5863842	P23001MM

OE	MAGNETI MARELLI
----	-----------------

MERCEDES-BENZ	
5863942	P59001MM
5864142	P59001MM
5864442	P23001MM
5864642	P59001MM
5867142	P59001MM
5867242	P23001MM
5867542	P50002MM
5867642	P59001MM
5868042	P50002MM
5868942	P50003MM
14200020	P50006MM
14200120	P50007MM
14200220	P50009MM
14200320	P50014MM
14200520	P50004MM
14200620	P50066MM
14200720	P50008MM
14200820	P50014MM
14201020	P50011MM
14201220	P50008MM
14201320	P50009MM
14201420	P50003MM
14201520	P50065MM
14204620	P50006MM
14205420	P50002MM
14206320	P50002MM
14207520	P50004MM
14207620	P50014MM
14207720	P23001MM
14207820	P50002MM
14207920	P59001MM
14208020	P50006MM
14208120	P50011MM
14208520	P50014MM
14209220	P50002MM
14209320	P50066MM
14209420	P50010MM
14209520	P50009MM
14209620	P50011MM
14209820	P50010MM
14209920	P50004MM
14210910	P50050MM
14211010	P50051MM
15860442	P50002MM
15860542	P50002MM

OE	MAGNETI MARELLI
MERCEDES-BENZ	
15861842	P50002MM
15861942	P23001MM
15863142	P23001MM
15863242	P50002MM
15863342	P50002MM
15863642	P50002MM
15866442	P59001MM
15867042	P50003MM
15868242	P50002MM
15868342	P23001MM
15868942	P50003MM
24200020	P50012MM
24200120	P50012MM
24200220	P50011MM
24200420	P50018MM
24200520	P50017MM
24200720	P50004MM
24200999	P50012MM
24201220	P50018MM
24201520	P50010MM
24201620	P50017MM
24201820	P50017MM
24201920	P50022MM
24202120	P06017MM
24202220	P06017MM
24202224	P50004MM
24202320	P50008MM
24202620	P50018MM
24203720	P50022MM
24203820	P50081MM
24203920	P50080MM
24204020	P50082MM
24204120	P50028MM
24204220	P50028MM
24204320	P50004MM
24204420	P50023MM
24204520	P50026MM
24204620	P50017MM
24204820	P50030MM
24205020	P50026MM
24205120	P50024MM
24205220	P50033MM
24205620	P50081MM
24205720	P50065MM
24206020	P50082MM

OE	MAGNETI MARELLI
MERCEDES-BENZ	
24206220	P50065MM
24206920	P50081MM
24207120	P50025MM
24207120	P50072MM
24207420	P50025MM
24207420	P50072MM
24208020	P50017MM
24209620	P50023MM
24209920	P50080MM
25864542	P50004MM
25864642	P50004MM
25864742	P50066MM
25864842	P50066MM
34200020	P50030MM
34200120	P50031MM
34200220	P50032MM
34200520	P50041MM
34200620	P50042MM
34200720	P50003MM
34200820	P50041MM
34201520	P50065MM
34201720	P50028MM
34201820	P50041MM
34201920	P50042MM
34202120	P06019MM
34202420	P50020MM
34202520	P50045MM
34202620	P50046MM
34202720	P50072MM
34202920	P50026MM
34203020	P50017MM
34203320	P50048MM
34204220	P50041MM
34204420	P50065MM
34204520	P50045MM
34204620	P50083MM
34204820	P50017MM
34204920	P50017MM
34205120	P50052MM
34205320	P50062MM
34205420	P50031MM
34205820	P50053MM
34205920	P50045MM
34206020	P50046MM
34206120	P50048MM

OE	MAGNETI MARELLI
MERCEDES-BENZ	
34206220	P50061MM
34206420	P50081MM
34206520	P50049MM
34207120	P50062MM
34207720	P50065MM
34207820	P50050MM
34207910	P50050MM
34208120	P50051MM
34208320	P50026MM
34208920	P50041MM
34209120	P06019MM
34209420	P50077MM
34209520	P50045MM
34209920	P50049MM
44200220	P50023MM
44200320	P50026MM
44200420	P50041MM
44200520	P50053MM
44200620	P50048MM
44200720	P50075MM
44200820	P50041MM
44201420	P50003MM
44201520	P50028MM
44201620	P50017MM
44201720	P50025MM
44201720	P50072MM
44202420	P50028MM
44202520	P50020MM
44202620	P50028MM
44202720	P50082MM
44204020	P50063MM
44204420	P50052MM
44204520	P50062MM
44204620	P50062MM
44204720	P50061MM
44204820	P50065MM
44204920	P50077MM
44205020	P50092MM
44205120	P50073MM
44205220	P50064MM
44205520	P50080MM
44205620	P50081MM
44206220	P50074MM
44206720	P50085MM
44206820	P50059MM

OE	MAGNETI MARELLI
MERCEDES-BENZ	
44206920	P50084MM
44207920	P50049MM
44208020	P50074MM
44208120	P50060MM
44208220	P50059MM
44208320	P50085MM
44208520	P50113MM
44208720	P50049MM
44209020	P50053MM
44209120	P50025MM
44209120	P50072MM
44209220	P50017MM
44209420	P50042MM
44209820	P50079MM
54200124	P50004MM
54200220	P50010MM
54200320	P06017MM
54200520	P50018MM
54200720	P50068MM
54200820	P50067MM
54200920	P50070MM
54201020	P50069MM
54201220	P50067MM
54201320	P50069MM
54201620	P50069MM
54201720	P50009MM
54201820	P50024MM
54201920	P50033MM
54202120	P50085MM
54202220	P50113MM
54202520	P50113MM
54203920	P50092MM
54204120	P50113MM
54204220	P50068MM
54204320	P50068MM
54204420	P50008MM
54204520	P50004MM
54204620	P06017MM
54204720	P50023MM
54204820	P50086MM
54204920	P50104MM
54205120	P50104MM
54205220	P50085MM
54205320	P50059MM
54206220	P50045MM

OE	MAGNETI MARELLI
MERCEDES-BENZ	
54206320	P50086MM
54206720	P50061MM
54207020	P50085MM
54207420	P50060MM
54207720	P50087MM
54207820	P50074MM
54207920	P50052MM
54208120	P50068MM
54208220	P50116MM
54208520	P50087MM
54208620	P50028MM
54209020	P50110MM
54209220	P50086MM
54209320	P50052MM
54209420	P50052MM
54209520	P50053MM
54209620	P50046MM
54209820	P50003MM
64200120	P50052MM
64200520	P50097MM
64201220	P50041MM
64201320	P50068MM
64201620	P50098MM
64202220	P50060MM
64202320	P50091MM
64202420	P50086MM
64202820	P50069MM
64203220	P50053MM
64203320	P50099MM
64203420	P50099MM
64203520	P50101MM
64203620	P50102MM
64203720	P50112MM
64203820	P50109MM
64203920	P50108MM
64204020	P50100MM
64204120	P50100MM
64204320	P50050MM
64204420	P50051MM
64204520	P50060MM
64204620	P50093MM
64204720	P50093MM
64204820	P50094MM
64204920	P50111MM
64205020	P50095MM

OE	MAGNETI MARELLI
MERCEDES-BENZ	
64205620	P50098MM
64206120	P50068MM
64206220	P50046MM
64206320	P50101MM
64206620	P50097MM
64206820	P50099MM
64207220	P50103MM
64207820	P50110MM
64207920	P50091MM
64208020	P50091MM
64208320	P50091MM
64208420	P50085MM
64208520	P50093MM
64208820	P50114MM
64208920	P50097MM
64209220	P50117MM
64209320	P50095MM
64209620	P50128MM
64209720	P50111MM
74200220	P50125MM
74200320	P50125MM
74200520	P50097MM
74200920	P50112MM
74201020	P50052MM
74201220	P50121MM
74201620	P50067MM
74202820	P50117MM
74203120	P50121MM
74203220	P50111MM
74203320	P50114MM
74204020	P50111MM
74204420	P50125MM
74204920	P50087MM
74205520	P50067MM
74205620	P50070MM
74205720	P50067MM
74205820	P50069MM
74206020	P50068MM
74206120	P50104MM
74206320	P50087MM
74206420	P50087MM
74206620	P50086MM
74206720	P50052MM
74206820	P50052MM
74206920	P50097MM

OE	MAGNETI MARELLI
MERCEDES-BENZ	
74207320	P50097MM
74207420	P50086MM
74207520	P50069MM
74207720	P50099MM
74207820	P50099MM
74207920	P50102MM
74208020	P50109MM
74208120	P50108MM
74208220	P50100MM
74208320	P50100MM
74208420	P50097MM
74208520	P50068MM
74208620	P50101MM
74209020	P50099MM
74209320	P50110MM
74209420	P50091MM
74209520	P50091MM
74209820	P50128MM
74209920	P50097MM
84200020	P50102MM
84200120	P50111MM
84200220	P50114MM
84200320	P50093MM
84200420	P50094MM
84200620	P50093MM
84200820	P50117MM
84200920	P50095MM
84201120	P50125MM
84201320	P50122MM
84201420	P50122MM
84201720	P50123MM
84201820	P50120MM
84201920	P50120MM
84202220	P50117MM
84202820	P50124MM
84202920	P50125MM
84203220	P50121MM
84203320	P50095MM
84203420	P50103MM
84203520	P50111MM
84203620	P50118MM
84203720	P50119MM
84203820	P50124MM
84204220	P50080MM
84204320	P50020MM

OE	MAGNETI MARELLI
MERCEDES-BENZ	
84204420	P50020MM
84204620	P50028MM
84204920	P50028MM
84205020	P50085MM
84205320	P50064MM
84206220	P50020MM
424711950	P50040MM
1420122005	P50008MM
1420752005	P50004MM
1420952037	P50009MM
1634200020	P50039MM
1634200120	P50040MM
1634200320	P50039MM
1634200420	P50040MM
1634200520	P50044MM
1634200620	P50041MM
1634200720	P50043MM
1634200820	P50041MM
1634200920	P50043MM
1634201020	P50041MM
1634201120	P50043MM
1634201220	P50039MM
1634201420	P50044MM
1644200820	P50063MM
1644200920	P50105MM
1644201020	P50116MM
1644201320	P50115MM
1644201820	P50063MM
1644202220	P50063MM
1644202320	P50105MM
1644202420	P50116MM
1644202520	P50115MM
1644202620	P50063MM
1684200020	P50036MM
1684200120	P50035MM
1684200420	P50058MM
1684200720	P50035MM
1684200820	P50035MM
1684201120	P50035MM
1684201220	P50036MM
1684201320	P50035MM
1684201420	P50035MM
1684201520	P50036MM
1694200120	P50057MM
1694200220	P50054MM

OE	MAGNETI MARELLI
MERCEDES-BENZ	
1694200320	P50056MM
1694200420	P50090MM
1694200720	P50056MM
1694200820	P50057MM
1694200920	P50056MM
1694201020	P50054MM
1694201120	P50090MM
1694201220	P50057MM
1694201320	P50056MM
1694201420	P50090MM
1694201720	P50090MM
1694201820	P50054MM
1694201920	P50057MM
1694202020	P50056MM
1694202120	P50054MM
1994200220	P50078MM
1994210010	P50062MM
1994210610	P50062MM
2104200120	P06019MM
2420122005	P50018MM
2420152005	P50010MM
2420162005	P50017MM
2420212005	P06017MM
2420222005	P06017MM
2420262005	P50018MM
2420512037	P50024MM
2420712037	P50072MM
3420272037	P50072MM
3420302037	P50017MM
4144200120	P50058MM
4144200220	P50047MM
4154210310	P68044MM
4154210400	P50107MM
4154210410	P50107MM
4154210510	P68033MM
4154210610	P68044MM
4154300022	P68044MM
4163420032	P50039MM
4420022067	P50023MM
4420052067	P50053MM
4420442067	P50052MM
4474200020	P50129MM
4474200120	P50126MM
4474200220	P50129MM
4474200320	P50126MM

OE	MAGNETI MARELLI
MERCEDES-BENZ	
4474210800	P50129MM
4514210010	P50038MM
4604200020	P50003MM
4604200120	P50007MM
5420742028	P50060MM
6014207620	P50003MM
6014208720	P50003MM
6014210408	P50003MM
6014210608	P50003MM
6014217720	P50021MM
6015860042	P50003MM
6071360100	P23001MM
6314200020	P50021MM
6314200120	P50021MM
6314200220	P50021MM
6314200320	P50021MM
6384230110	P50030MM
6694200020	P50065MM
6694200120	P50065MM
6694201520	P50065MM
6694210008	P50003MM
6704202820	P50065MM
9014210410	P50080MM
9014210510	P50080MM
9014210610	P50080MM
9024210110	P50028MM
9024230510	P50082MM
9054200020	P50065MM
9064210010	P50085MM
9064210300	P50059MM
9064210400	P50085MM
42099200005	P50008MM
142001200005	P50007MM
163420062037	P50041MM
163420072037	P50043MM
163420082027	P50041MM
163420092027	P50043MM
164420082028	P50063MM
169420082028	P50057MM
342000200010	P50030MM
9024230510KZ	P50082MM
A0004200120	P50007MM
A0004200720	P50008MM
A0004203400	P50110MM
A0004204100	P50121MM

OE	MAGNETI MARELLI
MERCEDES-BENZ	
A0004204620	P50006MM
A0004204720	P50006MM
A0004205720	P50066MM
A0004205820	P50066MM
A0004205920	P50004MM
A0004206020	P50004MM
A0004206220	P50066MM
A0004206280	P50066MM
A0004206320	P50002MM
A0004206420	P50002MM
A0004206520	P50002MM
A0004206620	P23001MM
A0004206700	P50120MM
A0004206720	P23001MM
A0004206820	P50002MM
A0004207020	P59001MM
A0004207120	P59001MM
A0004207620	P50066MM
A0004207800	P50121MM
A0004208200	P50122MM
A0004208700	P50118MM
A0004208820	P50007MM
A0004208920	P50011MM
A0004209020	P50007MM
A0004209120	P50011MM
A0004209420	P50004MM
A0004209520	P50004MM
A0004209720	P50020MM
A0004209820	P50013MM
A0004209920	P50008MM
A00042099200005	P50008MM
A0004212410	P50081MM
A0004214110	P50031MM
A0004214210	P50032MM
A0004216110	P50050MM
A0004216210	P50051MM
A0004230230	P50052MM
A0004230430	P50061MM
A0004237110	P50028MM
A0004320430	P50061MM
A0005860042	P23001MM
A0005860542	P23001MM
A0005860642	P23001MM
A0005861142	P59001MM
A0005861442	P59001MM

OE	MAGNETI MARELLI
MERCEDES-BENZ	
A0005861942	P23001MM
A0005862242	P59001MM
A0005862542	P59001MM
A0005862942	P23001MM
A0005863742	P23001MM
A0005863842	P23001MM
A0005863942	P59001MM
A0005864142	P59001MM
A0005864442	P23001MM
A0005864642	P59001MM
A0005867142	P59001MM
A0005867242	P23001MM
A0005867542	P50002MM
A0005867642	P59001MM
A0005868042	P50002MM
A0005868942	P50003MM
A0014200020	P50006MM
A0014200120	P50007MM
A00142001200005	P50007MM
A0014200220	P50009MM
A0014200320	P50014MM
A0014200520	P50004MM
A0014200620	P50066MM
A0014200720	P50008MM
A0014200820	P50014MM
A0014201020	P50011MM
A0014201220	P50008MM
A001420122005	P50008MM
A0014201320	P50009MM
A0014201420	P50003MM
A0014201520	P50065MM
A0014204620	P50006MM
A0014205420	P50002MM
A0014206320	P50002MM
A0014207520	P50004MM
A0014207620	P50014MM
A0014207720	P23001MM
A0014207820	P50002MM
A0014207920	P59001MM
A0014208020	P50006MM
A0014208120	P50011MM
A0014208520	P50014MM
A0014209220	P50002MM
A0014209320	P50066MM
A0014209420	P50010MM

OE	MAGNETI MARELLI
MERCEDES-BENZ	
A0014209520	P50009MM
A001420952037	P50009MM
A0014209620	P50011MM
A0014209820	P50010MM
A0014209920	P50004MM
A0014210910	P50050MM
A0014211010	P50051MM
A0015860442	P50002MM
A0015860542	P50002MM
A0015861842	P50002MM
A0015861942	P23001MM
A0015863142	P23001MM
A0015863242	P50002MM
A0015863342	P50002MM
A0015863642	P50002MM
A0015866442	P59001MM
A0015867042	P50003MM
A0015868242	P50002MM
A0015868342	P23001MM
A0015868942	P50003MM
A0024200020	P50012MM
A0024200120	P50012MM
A0024200220	P50011MM
A0024200420	P50018MM
A0024200520	P50017MM
A0024200999	P50012MM
A0024201220	P50018MM
A002420122005	P50018MM
A0024201520	P50010MM
A002420152005	P50010MM
A0024201620	P50017MM
A002420162005	P50017MM
A0024201820	P50017MM
A0024201920	P50022MM
A0024202120	P06017MM
A002420212005	P06017MM
A0024202220	P06017MM
A002420222005	P06017MM
A0024202224	P50004MM
A0024202320	P50008MM
A0024202620	P50018MM
A002420262005	P50018MM
A0024203720	P50022MM
A0024203820	P50081MM
A0024203920	P50080MM

OE	MAGNETI MARELLI
MERCEDES-BENZ	
A0024204020	P50082MM
A0024204120	P50028MM
A0024204220	P50028MM
A0024204320	P50004MM
A0024204420	P50023MM
A0024204520	P50026MM
A0024204620	P50017MM
A0024204820	P50030MM
A0024205020	P50026MM
A0024205120	P50024MM
A002420512037	P50024MM
A0024205220	P50033MM
A0024205620	P50081MM
A0024205720	P50065MM
A0024206020	P50082MM
A0024206220	P50065MM
A0024206920	P50081MM
A0024207120	P50025MM
A0024207120	P50072MM
A002420712037	P50072MM
A0024207420	P50025MM
A0024207420	P50072MM
A0024208020	P50017MM
A0024209620	P50023MM
A0024209920	P50080MM
A0025864542	P50004MM
A0025864642	P50004MM
A0025864742	P50066MM
A0025864842	P50066MM
A0034200020	P50030MM
A00342000200010	P50030MM
A0034200120	P50031MM
A0034200220	P50032MM
A0034200520	P50041MM
A0034200620	P50042MM
A0034200720	P50003MM
A0034200820	P50041MM
A0034201520	P50065MM
A0034201720	P50028MM
A0034201820	P50041MM
A0034201920	P50042MM
A0034202120	P06019MM
A0034202420	P50020MM
A0034202520	P50045MM
A0034202620	P50046MM

OE	MAGNETI MARELLI
MERCEDES-BENZ	
A0034202720	P50072MM
A003420272037	P50072MM
A0034202920	P50026MM
A0034203020	P50017MM
A003420302037	P50017MM
A0034203320	P50048MM
A0034204220	P50041MM
A0034204420	P50065MM
A0034204620	P50083MM
A0034204820	P50017MM
A0034204920	P50017MM
A0034205120	P50052MM
A0034205320	P50062MM
A0034205420	P50031MM
A0034205820	P50053MM
A0034205920	P50045MM
A0034206020	P50046MM
A0034206120	P50048MM
A0034206220	P50061MM
A0034206420	P50081MM
A0034206520	P50049MM
A0034207120	P50062MM
A0034207720	P50065MM
A0034207820	P50050MM
A0034207910	P50050MM
A0034208320	P50026MM
A0034208920	P50041MM
A0034209120	P06019MM
A0034209420	P50077MM
A0034209520	P50045MM
A0034209920	P50049MM
A0044200220	P50023MM
A004420022067	P50023MM
A0044200320	P50026MM
A0044200420	P50041MM
A0044200520	P50053MM
A004420052067	P50053MM
A0044200620	P50048MM
A0044200720	P50075MM
A0044200820	P50041MM
A0044201420	P50003MM
A0044201520	P50028MM
A0044201620	P50017MM
A0044201720	P50025MM
A0044201720	P50072MM

OE	MAGNETI MARELLI
MERCEDES-BENZ	
A0044202420	P50028MM
A0044202520	P50020MM
A0044202620	P50028MM
A0044202720	P50082MM
A0044204020	P50063MM
A0044204420	P50052MM
A004420442067	P50052MM
A0044204520	P50062MM
A0044204620	P50062MM
A0044204720	P50061MM
A0044204820	P50065MM
A0044204920	P50077MM
A0044205020	P50092MM
A0044205120	P50073MM
A0044205220	P50064MM
A0044205520	P50080MM
A0044205620	P50081MM
A0044206220	P50074MM
A0044206820	P50059MM
A0044206920	P50084MM
A0044207920	P50049MM
A0044208020	P50074MM
A0044208120	P50060MM
A0044208220	P50059MM
A0044208320	P50085MM
A0044208520	P50113MM
A0044208720	P50049MM
A0044209020	P50053MM
A0044209120	P50025MM
A0044209120	P50072MM
A0044209220	P50017MM
A0044209420	P50042MM
A0044209820	P50079MM
A0054200124	P50004MM
A0054200220	P50010MM
A0054200320	P06017MM
A0054200520	P50018MM
A0054200720	P50068MM
A0054200820	P50067MM
A0054200920	P50070MM
A0054201020	P50069MM
A0054201220	P50067MM
A0054201320	P50069MM
A0054201620	P50069MM
A0054201720	P50009MM

OE	MAGNETI MARELLI
----	-----------------

MERCEDES-BENZ

A0054201820	P50024MM
A0054201920	P50033MM
A0054202120	P50085MM
A0054202220	P50113MM
A0054202520	P50113MM
A0054203920	P50092MM
A0054204120	P50113MM
A0054204220	P50068MM
A0054204320	P50068MM
A0054204420	P50008MM
A0054204520	P50004MM
A0054204620	P06017MM
A0054204720	P50023MM
A0054204820	P50086MM
A0054204920	P50104MM
A0054205120	P50104MM
A0054205220	P50085MM
A0054205320	P50059MM
A0054206220	P50045MM
A0054206320	P50086MM
A0054206720	P50061MM
A0054207020	P50085MM
A0054207420	P50060MM
A005420742028	P50060MM
A0054207720	P50087MM
A0054207820	P50074MM
A0054207920	P50052MM
A0054208120	P50068MM
A0054208220	P50116MM
A0054208520	P50087MM
A0054208620	P50028MM
A0054209020	P50110MM
A0054209220	P50086MM
A0054209320	P50052MM
A0054209420	P50052MM
A0054209520	P50053MM
A0054209620	P50046MM
A0054209820	P50003MM
A006071360100	P23001MM
A0064200120	P50052MM
A0064200520	P50097MM
A0064201220	P50041MM
A0064201320	P50068MM
A0064201620	P50098MM
A0064202220	P50060MM

OE	MAGNETI MARELLI
----	-----------------

MERCEDES-BENZ

A0064202320	P50091MM
A0064202420	P50086MM
A0064202820	P50069MM
A0064203220	P50053MM
A0064203320	P50099MM
A0064203420	P50099MM
A0064203520	P50101MM
A0064203620	P50102MM
A0064203720	P50112MM
A0064203820	P50109MM
A0064203920	P50108MM
A0064204020	P50100MM
A0064204120	P50100MM
A0064204320	P50050MM
A0064204420	P50051MM
A0064204520	P50060MM
A0064204620	P50093MM
A0064204720	P50093MM
A0064204820	P50094MM
A0064204920	P50111MM
A0064205020	P50095MM
A0064205620	P50098MM
A0064206120	P50068MM
A0064206220	P50046MM
A0064206320	P50101MM
A0064206620	P50097MM
A0064206820	P50099MM
A0064207220	P50103MM
A0064207820	P50110MM
A0064207920	P50091MM
A0064208020	P50091MM
A0064208320	P50091MM
A0064208420	P50085MM
A0064208520	P50093MM
A0064208820	P50114MM
A0064209220	P50117MM
A0064209320	P50095MM
A0064209620	P50128MM
A0064209720	P50111MM
A0074200220	P50125MM
A0074200320	P50125MM
A0074200920	P50112MM
A0074201020	P50052MM
A0074201220	P50121MM
A0074201620	P50067MM

OE	MAGNETI MARELLI
----	-----------------

MERCEDES-BENZ

A0074202820	P50117MM
A0074203120	P50121MM
A0074203220	P50111MM
A0074204020	P50111MM
A0074204420	P50125MM
A0074204920	P50087MM
A0074205520	P50067MM
A0074205620	P50070MM
A0074205720	P50067MM
A0074205820	P50069MM
A0074206020	P50068MM
A0074206120	P50104MM
A0074206320	P50087MM
A0074206420	P50087MM
A0074206620	P50086MM
A0074206720	P50052MM
A0074206820	P50052MM
A0074206920	P50097MM
A0074207320	P50097MM
A0074207420	P50086MM
A0074207520	P50069MM
A0074207720	P50099MM
A0074207820	P50099MM
A0074207920	P50102MM
A0074208020	P50109MM
A0074208120	P50108MM
A0074208220	P50100MM
A0074208320	P50100MM
A0074208520	P50068MM
A0074208620	P50101MM
A0074209020	P50099MM
A0074209320	P50110MM
A0074209420	P50091MM
A0074209520	P50091MM
A0074209820	P50128MM
A0084200020	P50102MM
A0084200220	P50114MM
A0084200320	P50093MM
A0084200420	P50094MM
A0084200620	P50093MM
A0084200820	P50117MM
A0084200920	P50095MM
A0084201120	P50125MM
A0084201320	P50122MM
A0084201420	P50122MM

OE	MAGNETI MARELLI
----	-----------------

MERCEDES-BENZ

A0084201720	P50123MM
A0084201820	P50120MM
A0084201920	P50120MM
A0084202220	P50117MM
A0084202820	P50124MM
A0084202920	P50125MM
A0084203220	P50121MM
A0084203320	P50095MM
A0084203420	P50103MM
A0084203520	P50111MM
A0084203620	P50118MM
A0084203720	P50119MM
A0084203820	P50124MM
A0084204220	P50080MM
A0084204320	P50020MM
A0084204420	P50020MM
A0084204620	P50028MM
A0084204920	P50028MM
A0084205320	P50064MM
A0084206220	P50020MM
A0424711950	P50040MM
A054200320	P06017MM
A1420752005	P50004MM
A1634200020	P50039MM
A1634200120	P50040MM
A1634200320	P50039MM
A1634200420	P50040MM
A1634200520	P50044MM
A1634200620	P50041MM
A163420062037	P50041MM
A1634200720	P50043MM
A163420072037	P50043MM
A1634200820	P50041MM
A163420082027	P50041MM
A1634200920	P50043MM
A163420092027	P50043MM
A1634201020	P50041MM
A1634201120	P50043MM
A1634201220	P50039MM
A1634201420	P50044MM
A1644200820	P50063MM
A164420082028	P50063MM
A1644200920	P50105MM
A1644201020	P50116MM
A1644201320	P50115MM

OE	MAGNETI MARELLI
MERCEDES-BENZ	
A1644201820	P50063MM
A1644202220	P50063MM
A1644202320	P50105MM
A1644202420	P50116MM
A1644202520	P50115MM
A1644202620	P50063MM
A1684200020	P50036MM
A1684200120	P50035MM
A1684200420	P50058MM
A1684200720	P50035MM
A1684201120	P50035MM
A1684201220	P50036MM
A1684201320	P50035MM
A1684201420	P50035MM
A1684201520	P50036MM
A1694200120	P50057MM
A1694200220	P50054MM
A1694200320	P50056MM
A1694200420	P50090MM
A1694200720	P50056MM
A1694200820	P50057MM
A169420082028	P50057MM
A1694200920	P50056MM
A1694201020	P50054MM
A1694201120	P50090MM
A1694201220	P50057MM
A1694201320	P50056MM
A1694201420	P50090MM
A1694201720	P50090MM
A1694201820	P50054MM
A1694201920	P50057MM
A1694202020	P50056MM
A1694202120	P50054MM
A1994200220	P50078MM
A1994210010	P50062MM
A1994210610	P50062MM
A2104200120	P06019MM
A4144200120	P50058MM
A4144200220	P50047MM
A4154210310	P68044MM
A4154210400	P50107MM
A4154210410	P50107MM
A4154210510	P68033MM
A4154210610	P68044MM
A4154300022	P68044MM

OE	MAGNETI MARELLI
MERCEDES-BENZ	
A4163420032	P50039MM
A4420052067	P50053MM
A4420442067	P50052MM
A4474200020	P50129MM
A4474200120	P50126MM
A4474200220	P50129MM
A4474200320	P50126MM
A4474210800	P50129MM
A4514210010	P50038MM
A4604200020	P50003MM
A4604200120	P50007MM
A5420742028	P50060MM
A6014207620	P50003MM
A6014208720	P50003MM
A6014210408	P50003MM
A6014210608	P50003MM
A6014217720	P50021MM
A6015860042	P50003MM
A6314200020	P50021MM
A6314200120	P50021MM
A6314200220	P50021MM
A6314200320	P50021MM
A6384230110	P50030MM
A6694200020	P50065MM
A6694200120	P50065MM
A6694210008	P50003MM
A6704202820	P50065MM
A9014210410	P50080MM
A9014210510	P50080MM
A9014210610	P50080MM
A9024210110	P50028MM
A9024230510	P50082MM
A9024230510KZ	P50082MM
A9054200020	P50065MM
A9064210010	P50085MM
A9064210300	P50059MM
A9064210400	P50085MM
MG	
CP760010	P52018MM
GBP104	P52002MM
GBP108	P52002MM
GBP90313	P28020MM
GBP90325	P28020MM
GBP90346	P28029MM

OE	MAGNETI MARELLI
MG	
GBP90347AF	P28017MM
NAM1015	P06001MM
SEM100020	P52015MM
SFP000070	P28029MM
SFP000080	P28022MM
SFP000170	P52018MM
SFP000310	P52018MM
SFP000370	P28029MM
SFP000390	P28020MM
SFP000410	P28020MM
SFP100511	P52017MM
SFP100520	P06025MM
SFP90005	P06025MM
MINI	
34106860642	P06041MM
34106863293	P06092MM
34111503076	P06030MM
34116761287	P06030MM
34116765446	P06030MM
34116770251	P06086MM
34116770332	P06030MM
34116778320	P06086MM
34116778719	P06068MM
34116784726	P06068MM
34116789157	P06068MM
34116798469	P06051MM
34119804735	P06086MM
34119808705	P06086MM
34211503077	P06032MM
34216761288	P06032MM
34216762871	P06032MM
34216770252	P06032MM
34216772894	P06052MM
34216778325	P06052MM
34216778326	P06052MM
34216778327	P06052MM
34216794059	P06052MM
34216861641	P06090MM
34216864488	P06090MM
34216871299	P06090MM
34216871300	P06090MM
34219804739	P06080MM
34219808172	P06080MM
34219808706	P06080MM

OE	MAGNETI MARELLI
MINI	
34316786873	P06032MM
MITSUBISHI	
33456781	P54023MM
1606294580	P54031MM
04465B1120	P16013MM
1E003323Z	P24044MM
1E033323ZB9C	P24044MM
26296FE040	P54039MM
26296FE041	P54039MM
4605A041	P54029MM
4605A049	P54039MM
4605A050	P56048MM
4605A198	P54038MM
4605A237	P54012MM
4605A261	P54030MM
4605A265	P54031MM
4605A272	P16011MM
4605A284	P54038MM
4605A317	P54030MM
4605A336	P54034MM
4605A337	P54034MM
4605A340	P54049MM
4605A364	P54030MM
4605A389	P83024MM
4605A447	P54031MM
4605A448	P54031MM
4605A458	P83024MM
4605A471	P54029MM
4605A472	P83066MM
4605A479	P54034MM
4605A481	P83066MM
4605A486	P54030MM
4605A487	P54031MM
4605A491	P54030MM
4605A492	P54017MM
4605A493	P54034MM
4605A502	P54031MM
4605A527	P79012MM
4605A530	P54030MM
4605A557	P54030MM
4605A558	P54034MM
4605A562	P54017MM
4605A572	P54039MM
4605A584	P54052MM

OE	MAGNETI MARELLI
----	-----------------

MITSUBISHI	
4605A588	P54019MM
4605A623	P54055MM
4605A644	P78011MM
4605A658	P54036MM
4605A684	P18001MM
4605A694	P54039MM
4605A695	P54052MM
4605A717	P54017MM
4605A730	P54017MM
4605A734	P50055MM
4605A774	P54017MM
4605A783	P54026MM
4605A795	P54030MM
4605A802	P61111MM
4605A879	P54030MM
4605A953	P61108MM
4605A954	P61108MM
4605A998	P61111MM
4605B005	P16011MM
4605B006	P16011MM
4605B070	P61111MM
4605B158	P54055MM
4605B216	P61108MM
4605B233	P54055MM
4605B438	P16011MM
4605B807	P61111MM
5191217AC	P54034MM
58101M1A00	P54027MM
9H0M015	P54030MM
B0Y13323ZA	P49022MM
B0Y13328ZA	P49022MM
B0YW3323ZB	P49011MM
B1072643Z	P49005MM
B2YD3329Z	P49027MM
B4Y12649Z	P49005MM
B4Y53329Z	P49011MM
B5713323Z	P49007MM
B5Y63328Z9C	P49016MM
B5Y83328Z	P49016MM
B5Y83328ZB	P49016MM
B6Y32648ZA	P49005MM
B6Y82648Z	P49037MM
BCYC2643ZB	P49021MM
BCYC3323Z	P49016MM
BCYW3323ZA	P49016MM

OE	MAGNETI MARELLI
----	-----------------

MITSUBISHI	
BCYW3329Z	P49011MM
BF6749280	P49007MM
BG35492809A	P49007MM
BL782649Z	P49005MM
BPYK2648ZA	P59042MM
BPYK3323ZA9C	P24061MM
BPYK3323ZB9C	P24061MM
BRY43323ZA	P49011MM
BRY53328ZA	P49011MM
C2Y32648ZA	P59042MM
CBY03323Z	P49023MM
CBY33323Z	P49026MM
DBP511110	P54015MM
DBP511111	P54008MM
DBP511114	P54015MM
DBP511116	P54021MM
DBP511117	P54022MM
DBP511118	P54017MM
DBP511119	P54020MM
DBP511126	P54033MM
DCY13323Z	P49016MM
DCY93323Z	P49016MM
DFY13328Z	P16013MM
EC253323ZB	P24056MM
EFTT2623Z	P24085MM
F1Y23323Z	P49034MM
F1Y93323Z	P49034MM
F1YA2643Z	P49035MM
F1YA3323ZB	P49034MM
F1YA3328ZA	P49034MM
FB0649280A	P49037MM
FB0649290B	P49037MM
FDY12648Z	P49037MM
G1YN3323ZA	P49026MM
G1YN3328ZA	P49026MM
G2YD3328Z	P49033MM
G5Y62648Z9C	P24036MM
G5Y62648ZA	P24036MM
G5Y63323ZA	P49023MM
G5Y63323ZD	P49023MM
G5Y63328ZA	P49023MM
GAYE2649ZA	P24036MM
GAYR3328ZA9C	P49023MM
GAYR3328ZE	P49023MM
GCYD3323ZE	P49023MM

OE	MAGNETI MARELLI
----	-----------------

MITSUBISHI	
GEYA3323Z	P49023MM
GEYC2643ZA	P49037MM
GEYC2648ZA	P49037MM
GEYV3328Z	P49023MM
GHYD3328Z	P49023MM
GJYA3328ZA	P49033MM
GJYA3329ZA	P49033MM
GJYA3329ZB	P49033MM
GN603328Z	P24024MM
GPYA3323ZD	P49038MM
GSYD3329ZA	P49039MM
L2Y62649Z	P49041MM
L2Y63328Z	P49040MM
L2Y63329Z	P49040MM
L2Y72648Z	P49041MM
LBZ23323ZA	P49028MM
LEY42649Z	P49042MM
LEY52643Z	P49042MM
LEY52643ZA	P49042MM
LEY52648Z	P49042MM
M620770	P54023MM
M850976	P86017MM
M850978	P54023MM
MB058197	P54002MM
MB058916	P54002MM
MB058917	P54003MM
MB082439	P54002MM
MB134729	P54002MM
MB150673	P54002MM
MB150674	P54003MM
MB150958	P54003MM
MB193292	P54002MM
MB193294	P54002MM
MB193295	P54002MM
MB193296	P54002MM
MB193298	P54002MM
MB193299	P54002MM
MB238250	P54003MM
MB238493	P54003MM
MB238509	P54002MM
MB277542	P54009MM
MB295882	P54024MM
MB295883	P54024MM
MB295884	P54024MM
MB295885	P54024MM

OE	MAGNETI MARELLI
----	-----------------

MITSUBISHI	
MB295944	P54024MM
MB295945	P54024MM
MB316166	P54009MM
MB334911	P54017MM
MB366969	P54009MM
MB377823	P54002MM
MB377825	P54003MM
MB389503	P54009MM
MB389549	P54017MM
MB389554	P54002MM
MB407216	P54002MM
MB407460	P54009MM
MB407659	P54012MM
MB407963	P54009MM
MB500812	P54008MM
MB500813	P54008MM
MB500814	P54008MM
MB500815	P54008MM
MB500816	P54008MM
MB500819	P54008MM
MB534583	P54009MM
MB534587	P54009MM
MB534653	P54012MM
MB534903	P54009MM
MB587016	P54002MM
MB597721	P54002MM
MB618109	P54003MM
MB618576	P54009MM
MB668722	P54009MM
MB699056	P54012MM
MB699087	P54008MM
MB699088	P54008MM
MB699089	P54002MM
MB699093	P54009MM
MB699174	P54014MM
MB699266	P54014MM
MB699452	P54017MM
MB699453	P54017MM
MB699463	P54015MM
MB699464	P54015MM
MB699473	P54015MM
MB699474	P54015MM
MB699702	P54014MM
MB699703	P54014MM
MB850978	P54023MM

OE	MAGNETI MARELLI
MITSUBISHI	
MB857335	P54012MM
MB857336	P54012MM
MB857610	P54025MM
MB857611	P54025MM
MB857987	P54017MM
MB858375	P54014MM
MB858377	P54014MM
MB858380	P54012MM
MB858399	P54017MM
MB858400	P54017MM
MB858463	P54018MM
MB858583	P54014MM
MB858584	P54017MM
MB858660	P54014MM
MB858744	P54015MM
MB895072	P54014MM
MB895090	P54017MM
MB895091	P54017MM
MB895162	P54003MM
MB895166	P54002MM
MB895250	P54017MM
MB895303	P54048MM
MB895817	P54019MM
MB911312	P54017MM
MB928035	P54019MM
MB928049	P54017MM
MB928067	P54025MM
MB928314	P54016MM
MB928461	P54015MM
MB928463	P54015MM
MB928695	P54019MM
MB928816	P54015MM
MB928817	P54015MM
MB950350	P54012MM
MB950554	P54015MM
MB950555	P54015MM
MC112081	P54024MM
MC112082	P54024MM
MC112083	P54024MM
MC112088	P54024MM
MC112183	P54024MM
MC112184	P54024MM
MC112185	P54024MM
MC112186	P54024MM
MC112187	P54024MM

OE	MAGNETI MARELLI
MITSUBISHI	
MC112188	P54024MM
MC112192	P54024MM
MC295945	P54024MM
MC837977	P54024MM
MC838358	P54024MM
MC838359	P54024MM
MC838486	P54024MM
MC838487	P54024MM
MC894588	P54024MM
MC894589	P54024MM
MC894601	P54035MM
MC894604	P54035MM
MFR97717	P50055MM
MK328619	P54035MM
MK449107	P54044MM
MK449108	P54043MM
MK499871	P54035MM
MK499872	P54035MM
MK499873	P54024MM
MK528485	P54043MM
MK528944	P54043MM
MK528945	P54044MM
MK528946	P54043MM
MK529355	P54044MM
MK529833	P54043MM
MK529908	P54044MM
MK529909	P54043MM
MK529948	P54044MM
MK529949	P54035MM
MK530830	P54043MM
MN102134	P78010MM
MN102192	P56083MM
MN102605	P54015MM
MN102607	P54014MM
MN102608	P54017MM
MN102609	P54020MM
MN102610	P54017MM
MN102611	P54017MM
MN102615	P54028MM
MN102617	P54037MM
MN102618	P54030MM
MN102622	P54033MM
MN102623	P54018MM
MN102624	P54012MM
MN102625	P54025MM

OE	MAGNETI MARELLI
MITSUBISHI	
MN102626	P54026MM
MN102628	P54031MM
MN105622	P54033MM
MN116286	P78010MM
MN116445	P54029MM
MN116604	P54041MM
MN116764	P54041MM
MN116770	P54053MM
MN116923	P61089MM
MN116929	P54034MM
MN125772	P54023MM
MQ501191	P79023MM
MQ502363	P79023MM
MQ700006	P56088MM
MQ703583	P56088MM
MQ704260	P56102MM
MQ706233	P56058MM
MQ710558	P56058MM
MQ711169	P56058MM
MQ711941	P56058MM
MQ712159	P56058MM
MQ907121	P49028MM
MQ907150	P49028MM
MQ907152	P54029MM
MQ907154	P54029MM
MQ908290	P54029MM
MQ908291	P49028MM
MQ908292	P54029MM
MQ908293	P49028MM
MQ913140	P49028MM
MR128181	P54014MM
MR128312	P54017MM
MR128799	P54008MM
MR129103	P54017MM
MR129104	P54017MM
MR129431	P54014MM
MR129432	P54017MM
MR129434	P54025MM
MR129438	P54012MM
MR129536	P54014MM
MR129537	P54012MM
MR129592	P54014MM
MR162521	P54009MM
MR162523	P54008MM
MR162524	P54008MM

OE	MAGNETI MARELLI
MITSUBISHI	
MR205078	P54014MM
MR205144	P54012MM
MR205256	P54020MM
MR205257	P54020MM
MR205269	P54018MM
MR205377	P54016MM
MR205380	P54017MM
MR235557	P54022MM
MR249060	P54017MM
MR249240	P54021MM
MR249241	P54022MM
MR249779	P54015MM
MR289610	P54017MM
MR290240	P54021MM
MR307250	P54014MM
MR307415	P54026MM
MR334657	P54014MM
MR334911	P54017MM
MR334950	P54028MM
MR334953	P54028MM
MR3889573	P54048MM
MR389503	P54009MM
MR389507	P54015MM
MR389508	P54015MM
MR389510	P54015MM
MR389511	P54015MM
MR389512	P54015MM
MR389514	P54019MM
MR389515	P54019MM
MR389516	P54019MM
MR389519	P54021MM
MR389523	P54008MM
MR389524	P54008MM
MR389526	P54008MM
MR389532	P54014MM
MR389533	P54014MM
MR389534	P54014MM
MR389537	P54014MM
MR389538	P54014MM
MR389539	P54014MM
MR389540	P54014MM
MR389541	P54014MM
MR389542	P54017MM
MR389543	P54017MM
MR389544	P54017MM

OE	MAGNETI MARELLI
----	-----------------

MITSUBISHI	
MR389545	P54017MM
MR389546	P54017MM
MR389547	P54020MM
MR389548	P54017MM
MR389549	P54017MM
MR389550	P54020MM
MR389552	P54017MM
MR389554	P54002MM
MR389555	P54002MM
MR389556	P54002MM
MR389557	P54002MM
MR389560	P54003MM
MR389565	P54016MM
MR389569	P54016MM
MR389571	P54018MM
MR389572	P54018MM
MR389573	P54048MM
MR389574	P54048MM
MR389575	P54026MM
MR389576	P54012MM
MR389577	P54012MM
MR389578	P54012MM
MR389580	P54012MM
MR389581	P54025MM
MR389582	P54025MM
MR389628	P54018MM
MR407376	P54039MM
MR407391	P56048MM
MR407422	P54029MM
MR407944	P54021MM
MR407946	P54022MM
MR449854	P54028MM
MR475244	P54014MM
MR475453	P54028MM
MR475902	P16011MM
MR493985	P54017MM
MR510533	P54028MM
MR510539	P54029MM
MR510544	P54031MM
MR510619	P54029MM
MR510680	P54020MM
MR510925	P54025MM
MR527128	P16011MM
MR527550	P54037MM
MR527656	P86017MM

OE	MAGNETI MARELLI
----	-----------------

MITSUBISHI	
MR527674	P54030MM
MR527675	P54030MM
MR527868	P54029MM
MR569224	P54041MM
MR569225	P54041MM
MR569403	P54030MM
MR569592	P54029MM
MR569597	P61089MM
MR569780	P54012MM
MR569839	P54014MM
MR727674	P54030MM
MR850978	P54023MM
MR955068	P54034MM
MR955351	P54036MM
MR977117	P50055MM
MR977238	P54017MM
MR977345	P54029MM
MR977365	P54033MM
MW30620770	P54023MM
MZ690001	P54014MM
MZ690002	P54008MM
MZ690003	P54008MM
MZ690006	P54017MM
MZ690007	P54017MM
MZ690009	P54018MM
MZ690009EU	P54018MM
MZ690010	P54012MM
MZ690010EU	P54012MM
MZ690016	P54020MM
MZ690017	P54008MM
MZ690019	P61089MM
MZ690021	P54025MM
MZ690023	P54014MM
MZ690025	P54028MM
MZ690027	P54026MM
MZ690030	P54018MM
MZ690036	P54020MM
MZ690037	P54008MM
MZ690039	P54017MM
MZ690041	P54025MM
MZ690043	P54014MM
MZ690045	P54028MM
MZ690047	P54026MM
MZ690050	P54018MM
MZ690051	P54012MM

OE	MAGNETI MARELLI
----	-----------------

MITSUBISHI	
MZ690139	P16011MM
MZ690140	P54029MM
MZ690143	P78010MM
MZ690166	P54012MM
MZ690170	P54018MM
MZ690171	P54016MM
MZ690176	P49028MM
MZ690177	P54029MM
MZ690180	P16011MM
MZ690183	P54031MM
MZ690184	P54029MM
MZ690185	P54041MM
MZ690186	P54030MM
MZ690187	P54034MM
MZ690330	P54015MM
MZ690331	P54014MM
MZ690332	P54017MM
MZ690333	P54021MM
MZ690334	P54008MM
MZ690336	P54022MM
MZ690337	P54009MM
MZ690338	P54020MM
MZ690339	P86017MM
MZ690340	P54029MM
MZ690341	P54012MM
MZ690343	P54016MM
MZ690344	P54018MM
MZ690345	P54023MM
MZ690346	P54031MM
MZ690347	P54029MM
MZ690347C	P54029MM
MZ690348	P54030MM
MZ690349	P61089MM
MZ690350	P54034MM
MZ690355	P83066MM
MZ690356	P54038MM
MZ690565	P54030MM
N0Y12648Z	P49030MM
N0Y92643ZC	P49030MM
NAY03323ZC	P49017MM
NAY52643ZB	P49021MM
NAY53323ZC	P49020MM
NAY53328ZA	P49020MM
NAY92643ZA	P49015MM
NAZ03328ZA	P49017MM

OE	MAGNETI MARELLI
----	-----------------

MITSUBISHI	
NCY12643Z9C	P49021MM
NCY12648Z	P49021MM
NCY13323Z9C	P49020MM
NCY32648Z	P49030MM
NCY33323Z	P49029MM
NCY33328Z	P49029MM
NCY52643ZA	P49021MM
NFY73328ZB	P49043MM
S2000100	P54027MM
S2YA3323ZA	P49010MM
S2YA3328ZA	P49010MM
S4YK3323ZA	P49028MM
SA94492809Z	P49010MM
SB000100	P54027MM
SHY63323Z	P54029MM
TCY22643ZA	P49025MM
TCY23323Z	P49019MM
TCY23323ZA	P49019MM
TCY23328Z	P49019MM
TCY72643Z	P49025MM
TCY73323Z	P49019MM
UHY13323ZB	P24051MM
UHY13328ZA	P24051MM
UHY13329Z	P24051MM
UJY63328Z	P24051MM
X3511001	P54015MM
X3511002	P54014MM
X3511003	P54017MM
X3511004	P54021MM
X3511005	P54008MM
X3511007	P54022MM
X3511008	P54009MM
X3511009	P54020MM
X3511010	P86017MM
X3516001	P54012MM
X3516003	P54016MM
X3516004	P54018MM
X3516005	P54023MM
XB193296	P54002MM

NISSAN	
069052940	P56014MM
069052941	P56019MM
069052941	P68013MM
069052941	PB7001MM

OE	MAGNETI MARELLI
NISSAN	
4106049867	P23029MM
4106050465	P23027MM
4106072025	P56049MM
4106075025	P58001MM
4108075025	P58001MM
4406060486	P56067MM
5000295329	P56019MM
5000815574	P56019MM
7701054772	P59041MM
7701203700	P56019MM
410609E025	P56021MM
4106032E80	P56056MM
4106013E85	P56014MM
4106031E85	P56056MM
4106045E85	P56023MM
4106051E85	P56023MM
4106031E86	P56014MM
4106045E86	P56023MM
4106051E86	P56056MM
4106031E87	P56056MM
4106051E87	P56023MM
4106031E88	P56056MM
4106013E90	P56014MM
4106015E90	P56021MM
4106031E90	P56014MM
4106032E90	P56056MM
4106065E90	P30002MM
4106071E90	P30002MM
4106078E90	P30002MM
4106079E90	P30002MM
4106088E90	P56021MM
4106089E90	P56021MM
4406065E90	P30003MM
4406086E90	P30003MM
4406090E90	P30003MM
4106013E91	P56014MM
4106031E91	P56014MM
4106032E91	P56056MM
4106065E91	P30002MM
4106078E91	P30002MM
4106079E91	P30022MM
4106088E91	P56021MM
4106089E91	P56021MM
4406008E91	P30003MM
4406065E91	P30003MM

OE	MAGNETI MARELLI
NISSAN	
4406086E91	P30003MM
4406088E91	P56020MM
4106013E92	P56014MM
4106031E92	P56014MM
4106032E92	P56056MM
4106065E92	P30002MM
4106071E92	P30002MM
4106079E92	P30022MM
4106088E92	P56021MM
4406061E92	P30003MM
4101031E93	P56014MM
4106031E93	P56014MM
4106032E93	P56056MM
4106031E94	P56014MM
4106032E94	P56056MM
4106088E94	P56021MM
4406061E94	P30003MM
0406001P90	P56010MM
40206V6786	P56053MM
4100010G08	P24026MM
4100056G09	P56056MM
4106000Q0A	P56038MM
4106000Q0K	P68033MM
4106000Q0L	P68062MM
4106000Q1E	P68062MM
4106000Q1H	P59082MM
4106000QAD	P59039MM
4106000QAE	P56061MM
4106000QAF	P56038MM
4106000QAG	P56038MM
4106000QAK	P56038MM
4106001B25	P56013MM
4106001B26	P56013MM
4106001B90	P56013MM
4106001B91	P56013MM
4106001W26	P56014MM
4106002J90	P56015MM
4106002J91	P56015MM
4106003R85	P56056MM
4106003R86	P56056MM
4106004B25	P56013MM
4106004B26	P56013MM
4106004B90	P56057MM
4106004B91	P56057MM
4106004C91	P56014MM

OE	MAGNETI MARELLI
NISSAN	
4106004U90	P56025MM
4106005B25	P56013MM
4106005B26	P56013MM
4106005B90	P56013MM
4106005B91	P56013MM
4106005N90	P24026MM
4106005N91	P24026MM
4106005N92	P56014MM
4106005N93	P24026MM
4106005N94	P24026MM
4106008N90	P24026MM
4106008N91	P24026MM
4106008N92	P24026MM
4106009G90	P24026MM
4106009W25	P56014MM
4106009W26	P56014MM
4106009W27	P56056MM
4106009W92	P56014MM
4106009W93	P56014MM
410600C085	P56023MM
410600C890	P30022MM
410600E590	P30002MM
410600E785	P56023MM
410600E786	P56023MM
410600F025	P24039MM
410600H090	P56056MM
410600H525	P24026MM
410600H590	P24026MM
410600H890	P56056MM
410600M685	P56055MM
410600M890	P56033MM
410600M891	P56033MM
410600M892	P56026MM
410600M893	P56033MM
410600M8SONW	P56033MM
410600M990	P56033MM
410600N685	P56055MM
410600P690	P56045MM
410600P691	P56045MM
410600P692	P56045MM
410600P693	P56045MM
410600P694	P56045MM
410600V090	P56021MM
410600V790	P56058MM
410600W785	P56040MM

OE	MAGNETI MARELLI
NISSAN	
410600W786	P56040MM
4106011P26	P56056MM
4106011P27	P56056MM
4106011P28	P56056MM
4106011P29	P56056MM
4106011P85	P56056MM
4106011P86	P56056MM
4106011P87	P56056MM
4106011P88	P56056MM
4106011P90	P56056MM
4106011P91	P56056MM
4106011P93	P56056MM
4106011P94	P56056MM
4106013V90	P56056MM
4106013V91	P56056MM
4106015U90	P30002MM
4106016C90	P56014MM
4106017B90	P56013MM
4106017B91	P56013MM
4106017V90	P24026MM
4106018V91	P24026MM
4106018V92	P24026MM
4106018V93	P24026MM
4106018V95	P24026MM
4106019V85	P56056MM
410601E590	P56021MM
410601F025	P56031MM
410601N025	P56033MM
410601N060	P56033MM
410601N090	P56033MM
410601N790	P56033MM
410601N890	P56033MM
410601W385	P56040MM
410601W386	P56040MM
410601W387	P56040MM
410601W388	P56040MM
410601W485	P56040MM
410601W486	P56040MM
4106021P92	P56056MM
4106021U90	P56034MM
4106023C90	P24026MM
4106023C91	P24026MM
4106023C92	P24026MM
4106023C93	P24026MM
4106023C94	P24026MM

OE	MAGNETI MARELLI
NISSAN	
4106023G90	P24026MM
4106025N25	P24026MM
4106027N90	P24026MM
4106027N91	P24026MM
4106027N92	P24026MM
4106028B85	P56018MM
4106028B86	P56018MM
4106028N90	P24026MM
4106028N91	P24026MM
410602F025	P56022MM
410602F026	P56022MM
410602F027	P56022MM
410602F525	P56036MM
410602F526	P56036MM
410602F527	P56036MM
410602N290	P56039MM
410602N390	P56039MM
410602N392	P56039MM
410602S790	P24026MM
410602S791	P24026MM
410602T090	P56056MM
410602U090	P56033MM
410602X825	P24039MM
410602Y090	P56021MM
4106030P91	P56025MM
4106030P93	P56025MM
4106031E90KE	P56014MM
4106031P92	P56056MM
4106032G91	P24026MM
4106032G92	P24026MM
4106032G93	P24026MM
4106032G94	P24026MM
4106032J90	P56015MM
4106032R90	P30002MM
4106032R91	P30002MM
4106032R93	P30002MM
4106032R94	P30002MM
4106034Y90	P56039MM
4106035F90	P56018MM
4106035F92	P56018MM
4106035F93	P56018MM
4106037G93	P56014MM
4106037J90	P56072MM
4106037J91	P56072MM
4106037J92	P56072MM

OE	MAGNETI MARELLI
NISSAN	
4106037J93	P56072MM
4106037J94	P56072MM
4106037P90	P56025MM
4106037P91	P56025MM
4106038U90	P54032MM
410603C490	P30022MM
410603H085	P56040MM
410603J190	P30002MM
410603J191	P30002MM
410603N390	P56039MM
410603S590	P24026MM
410603Y690	P56045MM
4106040F90	P56039MM
4106040F91	P56039MM
4106040F92	P56039MM
4106040F93	P56039MM
4106040F94	P56039MM
4106040P90	P56025MM
4106040U90	P56021MM
4106040U92	P56021MM
4106040U93	P56021MM
4106040U95	P56021MM
4106041B91	P56013MM
4106041B92	P56013MM
4106041B93	P56013MM
4106044B90	P56013MM
4106044B91	P56013MM
4106044B92	P56013MM
4106044F91	P30002MM
4106044F92	P30002MM
4106045N90	P24026MM
4106045P90	P56025MM
4106047R91	P30022MM
4106048R91	P30022MM
4106048R92	P30022MM
410604A00B	P79020MM
410604A0A1	P79012MM
410604A0A2	P79012MM
410604A0A3	P79012MM
410604A0A6	P79012MM
410604L090	P56021MM
410604L092	P79030MM
410604M490	P56083MM
410604M525	P56022MM
410604M526	P56022MM

OE	MAGNETI MARELLI
NISSAN	
410604P190	P56045MM
410604U125	P56044MM
410604U126	P56044MM
410604U127	P28029MM
410604Z090	P30002MM
4106050Y90	P56027MM
4106050Y91	P56027MM
4106050Y93	P56027MM
4106050Y94	P56027MM
4106052F90	P56018MM
4106054C85	P56055MM
4106054C86	P56028MM
4106054C87	P56028MM
4106054C88	P56055MM
4106054C91	P56039MM
4106055F90	P56021MM
4106056G85	P56056MM
4106056L25	P56014MM
4106057C90	P56039MM
4106057C91	P56039MM
4106057G90	P24026MM
4106058A86	P56018MM
4106058Y85	P56064MM
4106058Y86	P56064MM
4106058Y87	P56064MM
4106059G85	P24026MM
410605C590	P24026MM
410605L725	P56021MM
410605M026	P56021MM
410605M325	P56036MM
410605M326	P56036MM
410605P090	P56045MM
410605P690	P56045MM
410605T091	P56056MM
410605V090	P56045MM
410605V285	P56040MM
410605V286	P56040MM
410605W585	P56040MM
4106060R90	P56027MM
4106060R91	P56027MM
4106060S85	P56056MM
4106060S87	P56056MM
4106060U90	P56045MM
4106060Y91	P56027MM
4106060Y94	P56027MM

OE	MAGNETI MARELLI
NISSAN	
4106062C90	P56027MM
4106062Y90	P56039MM
4106063C90	P56027MM
4106063Y90	P56027MM
4106064J93	P30002MM
4106064U90	P56045MM
4106064Y85	P56064MM
4106066U90	P56045MM
4106067A85	P56018MM
4106067R85	P56064MM
4106067R86	P56064MM
4106069C85	P56055MM
410606A00A	P16011MM
410606A00C	P54028MM
410606A0A1	P16011MM
410606F625	P56031MM
410606F626	P56031MM
410606J090	P30002MM
410606J091	P30002MM
410606M090	P56021MM
410606N090	P56083MM
410606N091	P56083MM
410606N0X1	P56083MM
410606P085	P56040MM
410606T090	P30002MM
4106070J25	P56023MM
4106070N85	P56023MM
4106071J25	P56022MM
4106071J26	P56022MM
4106072A85	P56018MM
4106072A86	P56018MM
4106072A87	P56018MM
4106072A88	P56018MM
4106072A89	P56018MM
4106072B25	P56027MM
4106072J25	P56023MM
4106073A85	P56018MM
4106073L85	P56021MM
4106073L91	P56021MM
4106073L92	P56021MM
4106073L93	P56021MM
4106074F90	P56034MM
4106074F91	P56034MM
4106074F92	P56034MM
4106074L90	P56034MM

OE	MAGNETI MARELLI
NISSAN	
4106075F90	P56039MM
4106075J25	P56023MM
4106075T90	P56021MM
4106075T91	P56021MM
4106076A86	P56018MM
4106076A87	P56018MM
4106076A89	P56018MM
4106076L91	P30002MM
4106078J90	P30002MM
4106078J91	P30002MM
4106078N90	P30002MM
4106078N91	P30002MM
410607S025	P58001MM
410607S027	P58001MM
410607Z026	P56049MM
4106080N90	P30002MM
4106084L90	P30002MM
4106084L91	P30002MM
4106085F90	P56021MM
4106085V00	P85015MM
4106086R85	P56064MM
4106086R86	P56064MM
4106089EX1	P56021MM
410608H386	P56040MM
410608J090	P56021MM
410608M190	P30002MM
4106091F90	P56025MM
4106091P90	P24026MM
4106094M85	P56018MM
4106094M86	P56018MM
4106095F0A	P56083MM
4106095F0B	P56083MM
4106098P90	P24026MM
4106098P91	P24026MM
4106099B25	P56031MM
4106099B26	P56031MM
410609C025	P56056MM
410609C026	P56056MM
410609C125	P24039MM
410609C525	P24039MM
410609C526	P24039MM
410609E0S0NW	P56021MM
410609F525	P56037MM
410609J425	P56065MM
410609W025	P56056MM

OE	MAGNETI MARELLI
NISSAN	
410609W026	P56056MM
410609W027	P56056MM
410609W092	P56056MM
410609X225	P56042MM
410609X226	P56042MM
41060A1986	P56056MM
41060A1987	P56056MM
41060AA525	P56034MM
41060AA590	P56034MM
41060AA591	P56034MM
41060AC290	P56021MM
41060AD086	P56040MM
41060AD088	P56040MM
41060AL590	P56021MM
41060AM890	P56021MM
41060AM891	P56021MM
41060AR785	P56040MM
41060AU091	P23126MM
41060AV125	P56044MM
41060AV126	P56044MM
41060AX085	P56088MM
41060AX086	P56065MM
41060AX601	P68033MM
41060AX625	P68033MM
41060AZ625	P68033MM
41060BF625	P56031MM
41060BM425	P56022MM
41060BM525	P56036MM
41060C7025	P56015MM
41060C7125	P56015MM
41060C7126	P56012MM
41060C7128	P56012MM
41060C7190	P56015MM
41060C7191	P56015MM
41060C7192	P56012MM
41060C7193	P56012MM
41060C7194	P56015MM
41060C7890	P56015MM
41060C7891	P56015MM
41060C7892	P56015MM
41060C8186	P56015MM
41060CA090	P56051MM
41060CA093	P56051MM
41060CC090	P56058MM
41060CD028	P56047MM

OE	MAGNETI MARELLI
NISSAN	
41060CD094	P56047MM
41060CG00J	P56051MM
41060CK025	P56040MM
41060CN000	P56040MM
41060CN085	P56040MM
41060D4690	P56014MM
41060D6090	P56014MM
41060EA025	P56059MM
41060EB325	P56058MM
41060EB326	P56059MM
41060EE30J	P56088MM
41060F1725	P56022MM
41060F6493	P56056MM
41060F6494	P56056MM
41060G490A	P56019MM
41060G490A	P56056MM
41060G490A	PB7001MM
41060G8190	P30002MM
41060G8191	P30002MM
41060G8192	P30002MM
41060G8193	P30002MM
41060G9500	P56012MM
41060G9501	P56015MM
41060G9701	P56012MM
41060G9725	P56012MM
41060G9800	P56015MM
41060G9825	P56012MM
41060G9825	P56015MM
41060H386	P56040MM
41060HA00A	P24061MM
41060HA00B	P24061MM
41060HA025	P54029MM
41060HA026	P54029MM
41060HA027	P54029MM
41060HA028	P54029MM
41060MB625	PA6022MM
41060P9690	P56012MM
41060RN22A	P56088MM
41060RN26B	P56021MM
41060RN31D	P56040MM
41060RNY40	P56058MM
41060T6490	PB1001MM
41060T7890	P56015MM
41060T7891	PB1001MM
41060T7892	PB1001MM

OE	MAGNETI MARELLI
NISSAN	
41060T7893	P56015MM
41060T7894	P56015MM
41060V0491	P56015MM
41060V4391	P85012MM
41060V4810	P85015MM
41060V4960	P85012MM
41060V4961	P85012MM
41060V4962	P85012MM
41060V4963	P85012MM
41060V5025	P56056MM
41060V5026	P56056MM
41060V5090	P56056MM
41060V5091	P56056MM
41060V5093	P56056MM
41060V5094	P56056MM
41060V5785	P56056MM
41060V5787	P56056MM
41060V6786	P56056MM
41060V6787	P56056MM
41060V6790	P56056MM
41060V6791	P56056MM
41060V6793	P56056MM
41060V6794	P56056MM
41060V7085	P24026MM
41060V7090	P24026MM
41060V7091	P24026MM
41060V7092	P24026MM
41060V7093	P24026MM
41060V7094	P24026MM
41060V7685	P56056MM
41060VB290	P56041MM
41060VB291	P56041MM
41060VC091	P56041MM
41060VC290	P56041MM
41060VC291	P56041MM
41060VE885	P56040MM
41060VE886	P56040MM
41060VH385	P56040MM
41060VJ490	P24026MM
41060VK190	P56049MM
41060VR025	P24026MM
41060VR025	P56056MM
41060VR985	P56056MM
41060WA490	P56083MM
41060WD290	P56083MM

OE	MAGNETI MARELLI
NISSAN	
41060Y9090	P85015MM
41060Y9601	P56014MM
41060ZA525	P56051MM
41060ZB590	P56065MM
41060ZC025	P58001MM
41060ZC027	P58001MM
41060ZG025	P30002MM
41060ZG225	P56021MM
41060ZP00A	P56096MM
41060ZP025	P56059MM
410610M892	P56033MM
4108009W85	P24026MM
410801N026	P56033MM
4108030P26	P56034MM
4108040P27	P56034MM
4108041L27	P24026MM
411202Y028	P56065MM
416099B26	P56031MM
4406000Q0G	P68061MM
4406000Q0H	P68063MM
4406000Q0L	P68063MM
4406000Q0M	P68061MM
4406000Q1J	P68063MM
4406000Q1K	P68061MM
4406000Q2E	P59041MM
4406000QAE	P59040MM
4406000QAF	P59041MM
4406001P25	P56010MM
4406001P90	P56010MM
4406001P92	P56010MM
4406001P93	P56010MM
4406004U85	P56054MM
4406004U86	P56054MM
4406005J86	P56020MM
4406005J87	P56020MM
4406005J88	P56020MM
4406007P93	P56010MM
440600H085	P56053MM
440600M890	P56035MM
440600N690	P56029MM
4406010V85	P56053MM
4406010V87	P56053MM
4406010V88	P56053MM
4406011P90	P56010MM
4406011P93	P56054MM

OE	MAGNETI MARELLI
NISSAN	
4406012U87	P56048MM
4406015A85	P56063MM
4406015A87	P56063MM
4406020J85	P56020MM
4406021P85	P56053MM
4406021P86	P56053MM
4406031U90	P56029MM
4406031U91	P56029MM
4406031UX2	P56029MM
4406032J85	P56020MM
4406032J86	P56020MM
4406035F90	P56010MM
4406035F91	P56010MM
4406035F92	P56010MM
440603F025	P56024MM
440603F085	P56024MM
440603FD85	P56024MM
4406041L85	P56053MM
4406043P85	P56054MM
4406044F85	P56053MM
4406045L85	P56053MM
440604U010	P10005MM
440604U090	P56029MM
4406050A86	P56063MM
4406053F90	P56010MM
4406053F92	P56010MM
4406054C90	P56029MM
4406054C91	P56029MM
4406055F85	P56053MM
4406055F90	P56053MM
4406058S85	P56053MM
4406058Y25	P56063MM
4406058Y85	P56063MM
4406058Y86	P56063MM
440605L325	P56053MM
440605M490	P56029MM
4406060F90	P56010MM
4406061J90	P56029MM
4406061J91	P56029MM
4406061J92	P56029MM
4406063C90	P56029MM
440606E390	P56029MM
440606E391	P56029MM
440606J090	P56029MM
440606Y391	P10005MM

OE	MAGNETI MARELLI
NISSAN	
4406070J25	P56024MM
4406070J26	P56024MM
4406070T85	P56053MM
4406071L85	P56053MM
4406071L86	P56053MM
4406073A85	P56063MM
4406073C90	P56029MM
4406073C91	P56029MM
4406075C90	P56029MM
4406075L86	P56053MM
4406078N90	P56029MM
4406078N91	P56029MM
440607E690	P56029MM
4406085F90	P56010MM
4406085L85	P56053MM
4406085L86	P56053MM
4406085V25	P85017MM
4406087N90	P56029MM
4406087N91	P56029MM
440608H385	P56046MM
4406099B25	P56032MM
4406099B85	P56032MM
440609V590	P56010MM
44060A1185	P56010MM
44060A1190	P56010MM
44060A1588	P56053MM
44060A1690	P30003MM
44060AA585	P56054MM
44060AA586	P56054MM
44060AG089	P56053MM
44060AL585	P56046MM
44060AL586	P56046MM
44060AL587	P56046MM
44060AL588	P56046MM
44060AV625	P59044MM
44060AV725	P59044MM
44060BM425	P56024MM
44060BM426	P56024MM
44060CB10J	P56046MM
44060CD094	P56048MM
44060EA090	P56060MM
44060EA091	P56060MM
44060EB325	P56060MM
44060EG00K	P56046MM
44060P9125	P56010MM

OE	MAGNETI MARELLI
NISSAN	
44060P9194	P56010MM
44060RN14D	P56046MM
44060V4810	P85017MM
44060V4811	P85017MM
44060V4812	P85017MM
44060V4813	P85017MM
44060V6786	P56053MM
44060VB190	P56039MM
44060VB191	P56039MM
44060VB290	P56039MM
44060VC090	P56039MM
44060VC290	P56039MM
44060VC291	P56039MM
44060Y9090	P85017MM
4406553F92	P56029MM
4406609V590	P56010MM
440660M800	P56035MM
4406658Y86	P56063MM
5810128A00	P30022MM
5810133C00	P30022MM
AY040DA003	P16007MM
AY040FJ001	P78004MM
AY040FJ002	P78007MM
AY040FJ004	P78010MM
AY040HN001	P28016MM
AY040HN004	P28016MM
AY040HN005	P28013MM
AY040HN007	P28023MM
AY040HN008	P28008MM
AY040HN009	P28021MM
AY040HN010	P28006MM
AY040HN011	P28024MM
AY040HN012	P28026MM
AY040HN013	P28048MM
AY040KE001	P79001MM
AY040KE004	P15001MM
AY040KE007	P16003MM
AY040KE009	P16014MM
AY040KE022	P78008MM
AY040KE117	P54015MM
AY040KE119	P16011MM
AY040KE121	P79012MM
AY040KE140	P78012MM
AY040MA002	P24024MM
AY040MA004	P49013MM

OE	MAGNETI MARELLI
NISSAN	
AY040MA005	P49016MM
AY040MA007	P49023MM
AY040MA008	P49007MM
AY040MA010	P54029MM
AY040MA011	P49014MM
AY040MA014	P49020MM
AY040MA016	P49019MM
AY040MA031	P24061MM
AY040MT002	P54017MM
AY040MT003	P54015MM
AY040MT004	P54014MM
AY040MT005	P54008MM
AY040MT007	P54009MM
AY040MT008	P54020MM
AY040MT009	P54019MM
AY040MT010	P54019MM
AY040MT012	P54028MM
AY040NS001	P56025MM
AY040NS003	P56025MM
AY040NS005	P56023MM
AY040NS009	P56018MM
AY040NS010	P56039MM
AY040NS011	P30002MM
AY040NS012	P56056MM
AY040NS013	P24026MM
AY040NS014	P24026MM
AY040NS015	P56021MM
AY040NS016	P24026MM
AY040NS017	P24026MM
AY040NS018	P56045MM
AY040NS019	P56013MM
AY040NS020	P56013MM
AY040NS021	P56033MM
AY040NS022	P30022MM
AY040NS023	P24026MM
AY040NS024	P24026MM
AY040NS025	P56034MM
AY040NS026	P56034MM
AY040NS028	P56045MM
AY040NS030	P56039MM
AY040NS031	P30002MM
AY040NS032	P56021MM
AY040NS033	P56021MM
AY040NS034	P30022MM
AY040NS035	P24026MM

OE	MAGNETI MARELLI
NISSAN	
AY040NS036	P56045MM
AY040NS037	P56034MM
AY040NS03701	P56034MM
AY040NS038	P56056MM
AY040NS039	P56033MM
AY040NS040	P56055MM
AY040NS041	P56021MM
AY040NS043	P56040MM
AY040NS045	P56040MM
AY040NS046	P30002MM
AY040NS047	P30002MM
AY040NS048	P56021MM
AY040NS050	P56045MM
AY040NS051	P56040MM
AY040NS052	P30002MM
AY040NS053	P56083MM
AY040NS054	P56021MM
AY040NS055	P56021MM
AY040NS057	P56021MM
AY040NS058	P56058MM
AY040NS059	P56040MM
AY040NS060	P56033MM
AY040NS061	P24026MM
AY040NS062	P56021MM
AY040NS063	P56045MM
AY040NS064	P56027MM
AY040NS067	P56034MM
AY040NS06701	P56034MM
AY040NS068	P56040MM
AY040NS069	P56056MM
AY040NS070	P56056MM
AY040NS071	P56025MM
AY040NS072	P56083MM
AY040NS073	P56083MM
AY040NS074	P56040MM
AY040NS075	P30002MM
AY040NS076	P56045MM
AY040NS078	P56021MM
AY040NS079	P56058MM
AY040NS080	P24026MM
AY040NS082	P56021MM
AY040NS083	P56041MM
AY040NS084	P56083MM
AY040NS085	P56040MM
AY040NS086	P56040MM

OE	MAGNETI MARELLI
NISSAN	
AY040NS087	P56040MM
AY040NS088	P56021MM
AY040NS090	P56021MM
AY040NS091	P56058MM
AY040NS092	P56041MM
AY040NS093	P56040MM
AY040NS094	P56033MM
AY040NS095	P56040MM
AY040NS096	P56083MM
AY040NS098	P56058MM
AY040NS099	P56021MM
AY040NS100	P56083MM
AY040NS101	P23126MM
AY040NS102	P23126MM
AY040NS103	P56021MM
AY040NS104	P56040MM
AY040NS106	P23126MM
AY040NS107	P56025MM
AY040NS10701	P56025MM
AY040NS108	P56083MM
AY040NS110	P56088MM
AY040NS111	P56021MM
AY040NS112	P56040MM
AY040NS113	P24026MM
AY040NS114	P24026MM
AY040NS115	P23126MM
AY040NS116	P56040MM
AY040NS117	P56021MM
AY040NS118	P56021MM
AY040NS119	P56021MM
AY040NS120	P56088MM
AY040NS121	P56051MM
AY040NS122	P56058MM
AY040NS125	P56021MM
AY040NS128	P56021MM
AY040NS129	P56058MM
AY040NS130	P56059MM
AY040NS132	P56062MM
AY040NS133	P56088MM
AY040NS136	P56041MM
AY040NS137	P56059MM
AY040NS138	P56021MM
AY040NS141	P56102MM
AY040NS142	P56088MM
AY040NS144	P56040MM

OE	MAGNETI MARELLI
NISSAN	
AY040NS145	P56058MM
AY040NS147	P56058MM
AY040NS152	P56062MM
AY040NS153	P56040MM
AY040NS155	P23126MM
AY040NS156	P56059MM
AY040NS158	P56102MM
AY040NS159	P56058MM
AY040NS160	P56058MM
AY040NS162	P56021MM
AY040NS163	P56059MM
AY040NS169	P24026MM
AY040NS171	P56058MM
AY040NS801	P56013MM
AY040NS803	P56018MM
AY040NS804	P30002MM
AY040NS805	P56056MM
AY040NS806	P24026MM
AY040NS807	P56015MM
AY040NS809	P56023MM
AY040NS810	P56056MM
AY040NS813	P56013MM
AY040NS814	P24026MM
AY040NS815	P56033MM
AY040NS816	P56033MM
AY040NS817	P56033MM
AY040NS818	P56021MM
AY040NS819	P56027MM
AY040NS820	P24026MM
AY040NS821	P56013MM
AY040NS822	P56021MM
AY040NS823	P30022MM
AY040NS824	P56015MM
AY040NS825	P56018MM
AY040NS827	P24026MM
AY040NS828	P56056MM
AY040NS829	P56064MM
AY040NS830	P30002MM
AY040NS831	P24026MM
AY040NS832	P56040MM
AY040NS834	P56027MM
AY040NS835	P56027MM
AY040NS836	P56039MM
AY040NS837	P24026MM
AY040NS838	P56033MM

OE	MAGNETI MARELLI
NISSAN	
AY040NS839	P30002MM
AY040NS840	P56045MM
AY040NS841	P56021MM
AY040NS843	P56027MM
AY040NS847	P56040MM
AY040NS848	P56021MM
AY040NS849	P56058MM
AY040NS901	P56027MM
AY040NS902	P56027MM
AY040NS903	P56027MM
AY040NS904	P56027MM
AY040NS905	P56064MM
AY040NS906	P56064MM
AY040NS910	P56039MM
AY040NS911	P56039MM
AY040NS912	P56055MM
AY040NS913	P30002MM
AY040NS914	P30002MM
AY040NS915	P30002MM
AY040NS916	P30002MM
AY040NS917	P56025MM
AY040NS918	P56056MM
AY040NS919	P56056MM
AY040NS920	P56056MM
AY040NS921	P24026MM
AY040NS922	P24026MM
AY040NS923	P56015MM
AY040NS924	P56015MM
AY040NS926	P56018MM
AY040NS927	P56023MM
AY040NS928	P56021MM
AY040NS929	P56021MM
AY040NS931	P56056MM
AY040NS932	P24026MM
AY040NS934	P56058MM
AY040NS935	P56051MM
AY040SU001	P79008MM
AY040SU002	P79006MM
AY040SU003	P79004MM
AY040SZ001	P59020MM
AY040SZ002	P59008MM
AY040TY002	P83016MM
AY040TY008	P83013MM
AY040TY009	P83020MM
AY040TY012	P83011MM

OE	MAGNETI MARELLI
NISSAN	
AY040TY013	P83023MM
AY040TY016	P83027MM
AY040TY017	P83009MM
AY040TY019	P83025MM
AY040TY022	P83034MM
AY040TY023	P83037MM
AY040TY024	P83029MM
AY040TY025	P83092MM
AY040TY030	P83006MM
AY040TY031	P83011MM
AY040TY034	P83104MM
AY040TY036	P83039MM
AY040TY037	P83028MM
AY040TY038	P83090MM
AY040TY039	P83031MM
AY040TY042	P83013MM
AY040TY044	P83031MM
AY040TY045	P83029MM
AY040TY046	P83092MM
AY040TY047	P83037MM
AY041NS014	P24026MM
AY041NS038	P56056MM
AY060FJ001	P78005MM
AY060HN002	P28017MM
AY060HN003	P28022MM
AY060HN005	P28051MM
AY060MA001	P49037MM
AY060MA002	P24036MM
AY060MA003	P49025MM
AY060MA004	P49025MM
AY060MA005	P24025MM
AY060MA006	P49015MM
AY060MA007	P49021MM
AY060MA008	P49025MM
AY060MA009	P49021MM
AY060MT002	P54025MM
AY060MT003	P54018MM
AY060MT007	P54016MM
AY060MT008	P54012MM
AY060NS003	P56054MM
AY060NS006	P56063MM
AY060NS008	P56053MM
AY060NS009	P56010MM
AY060NS010	P56029MM
AY060NS011	P56029MM

OE	MAGNETI MARELLI
NISSAN	
AY060NS012	P56029MM
AY060NS013	P56029MM
AY060NS014	P56035MM
AY060NS015	P56029MM
AY060NS017	P56053MM
AY060NS018	P56029MM
AY060NS019	P56029MM
AY060NS020	P56054MM
AY060NS021	P56029MM
AY060NS023	P56053MM
AY060NS024	P56010MM
AY060NS026	P56046MM
AY060NS027	P56053MM
AY060NS028	P10005MM
AY060NS030	P56046MM
AY060NS031	P56029MM
AY060NS032	P56010MM
AY060NS033	P10005MM
AY060NS035	P56053MM
AY060NS036	P56053MM
AY060NS037	P10005MM
AY060NS038	P56046MM
AY060NS039	P56046MM
AY060NS040	P56046MM
AY060NS041	P56046MM
AY060NS043	P56046MM
AY060NS044	P56054MM
AY060NS045	P56046MM
AY060NS047	P56046MM
AY060NS048	P56087MM
AY060NS050	P56046MM
AY060NS051	P56046MM
AY060NS052	P56046MM
AY060NS801	P56053MM
AY060NS802	P56010MM
AY060NS803	P56029MM
AY060NS805	P30003MM
AY060NS806	P56053MM
AY060NS810	P56029MM
AY060NS901	P56053MM
AY060NS902	P56020MM
AY060NS903	P30003MM
AY060NS904	P56054MM
AY060NS906	P56046MM
AY060SZ001	P59021MM

OE	MAGNETI MARELLI
NISSAN	
AY060SZ003	P34003MM
AY060TY002	P83015MM
AY060TY003	P83116MM
AY060TY005	P83032MM
AY060TY006	P83024MM
AY060TY007	P83038MM
AY060TY008	P83015MM
AY060TY010	P83030MM
AY060TY011	P83019MM
AY060TY012	P83036MM
AY060TY013	P83091MM
AY060TY014	P83111MM
D106002J90	P56015MM
D106005N90	P24026MM
D106009W27	P56056MM
D10600H090	P56056MM
D10600M892	P56033MM
D10600M893	P56033MM
D10600N685	P56055MM
D10600P690	P56045MM
D106011P25	P56056MM
D106011P26	P56056MM
D106011P27	P56056MM
D106011P28	P56056MM
D106011P29	P56056MM
D106011P85	P56056MM
D106011P86	P56056MM
D106011P87	P56056MM
D106011P88	P56014MM
D106011P90	P56056MM
D106011P91	P56056MM
D106011P92	P56014MM
D106011P93	P56056MM
D10601AA0A	P56051MM
D10601FE0A	P56065MM
D10601HA0A	P56086MM
D10601HA0B	P56086MM
D10601HL0B	P56070MM
D10601JY00	P56088MM
D10601KA1A	P56065MM
D10601LB0A	P56081MM
D10601LB2A	P56081MM
D10601LB2B	P56081MM
D10601MF0A	P56058MM
D10601N090	P56033MM

OE	MAGNETI MARELLI
NISSAN	
D10601VA8E	P56096MM
D106025Y90	P56033MM
D106028N90	P24026MM
D10602N290	P56039MM
D10602S700	P24026MM
D10602S790	P24026MM
D10602X80A	P24039MM
D10602Y991	P56021MM
D106030P90	P56034MM
D106030P93	P56034MM
D106032E25	P56056MM
D106032E90	P56056MM
D106032E91	P56056MM
D106032E92	P56056MM
D106032E93	P56056MM
D106032E94	P56056MM
D106037G93	P56056MM
D106037G94	P56014MM
D106037J90	P56072MM
D106037J91	P56072MM
D106038U90	P54032MM
D10603C490	P30022MM
D10603N390	P56039MM
D10603S591	P24026MM
D10603ST0A	P56021MM
D10603TA0B	P56065MM
D10603UB0A	P79028MM
D10603Y690	P56045MM
D106040F90	P56039MM
D106040F91	P56039MM
D10604CA0A	P56099MM
D10604CC0A	P56106MM
D10604EA0A	P56100MM
D106050Y90	P56027MM
D106050Y92	P56027MM
D106050Y93	P56027MM
D106057G90	P24026MM
D10605P690	P56045MM
D10605X00A	P56058MM
D10606J091	P30002MM
D10606N091	P56083MM
D10606N0X2	P56083MM
D106072A89	P56018MM
D106072B25	P56027MM
D106074F92	P56034MM

OE	MAGNETI MARELLI
NISSAN	
D106079E92	P30022MM
D106085F90	P56021MM
D106088E85	P56021MM
D106088E86	P56021MM
D106088E87	P56021MM
D106088E88	P56021MM
D106088E89	P56021MM
D106088E90	P56021MM
D106088E91	P56021MM
D106088E92	P56021MM
D106088E93	P79030MM
D106088E94	P56021MM
D10608H785	P56040MM
D10609AJ0A	P56065MM
D10609C00A	P56056MM
D10609N00A	P79028MM
D10609N50A	P79028MM
D10609X60B	P56066MM
D1060AA525	P56025MM
D1060AA591	P56034MM
D1060AC20A	P56065MM
D1060AM80B	P56021MM
D1060AX60A	P68033MM
D1060AX61A	P68033MM
D1060AX61F	P68033MM
D1060BH40A	P68033MM
D1060BM40A	P56022MM
D1060BM50A	P56036MM
D1060C7190	P56015MM
D1060C7191	P56015MM
D1060C7192	P56015MM
D1060CD00C	P56047MM
D1060CN91B	P56040MM
D1060D4690	P56014MM
D1060EB70A	P56096MM
D1060ED500	P56070MM
D1060EE51A	P56070MM
D1060EG00C	P56058MM
D1060EJ20A	P56051MM
D1060EM10A	P56065MM
D1060EM30A	P56065MM
D1060EM30C	P56065MM
D1060ET01A	P56062MM
D1060F6494	P56056MM
D1060G8190	P30002MM

OE	MAGNETI MARELLI
NISSAN	
D1060JA00A	P56021MM
D1060JD00A	P56062MM
D1060JD00A	P79028MM
D1060JD00J	P56062MM
D1060JE00A	P56062MM
D1060JL00E	P56084MM
D1060JN00A	P56065MM
D1060JR70A	P56096MM
D1060JX50B	P56102MM
D1060MB000	P56041MM
D1060MB00A	P56041MM
D1060MB200	P56066MM
D1060MB600	P56066MM
D1060MB60A	P56066MM
D1060T7893	P56015MM
D1060V5025	P56056MM
D1060V6790	P56056MM
D1060V6791	P56056MM
D1060V6793	P56056MM
D1060V6794	P56014MM
D1060V7090	P24026MM
D1060V7091	P24026MM
D1060V7092	P24026MM
D1060VC091	P56041MM
D1060VC290	P56041MM
D1060VK100	P56049MM
D1060VK190	P56049MM
D1060VL32A	P24026MM
D1060VL33A	P24026MM
D1060ZC027	P58001MM
D1060ZP00A	P56096MM
D1061ZX60A	P56021MM
D106M2N290	P56039MM
D106M2Y991	P56021MM
D106M3E25	P56056MM
D106M35F93	P56018MM
D106M37J90	P56072MM
D106M40F25	P56039MM
D106M40F94	P56039MM
D106M50Y93	P56027MM
D106M50Y94	P56027MM
D106M51E87	P56023MM
D106M57G90	P24026MM
D106M65E91	P30002MM
D106M65E92	P30002MM

OE	MAGNETI MARELLI
NISSAN	
D106M72J25	P56023MM
D106M80N90	P30002MM
D106M88E85	P56021MM
D106MB1685	P56013MM
D106MB2885	P56056MM
D106MG8190	P30002MM
D106MN1685	P56013MM
D106MN1887	P56018MM
D106MN2287	P56023MM
D106MN2288	P56039MM
D106MN2289	P56055MM
D106MN2585	P56021MM
D106MN2586	P56025MM
D106MN2588	P56025MM
D106MN2885	P56056MM
D106MN2886	P24026MM
D106MS1685	P56013MM
D106MS1826	P56027MM
D106MS1827	P56018MM
D106MS1828	P56064MM
D106MS2525	P30002MM
D106MS2526	P30022MM
D106MS2825	P56056MM
D106MS2826	P24026MM
D106MS2828	P56056MM
D106MS2885	P56056MM
D106MS3685	P56015MM
D106MS3686	P56072MM
D10F0CD00C	P56047MM
D10F0CD026	P56047MM
D10F0CD028	P56047MM
D1M601AA0K	P56051MM
D1M601HA0B	P56086MM
D1M60CY70B	P56096MM
D406001P90	P56010MM
D40601GZ0C	P56087MM
D40601LB0A	P56082MM
D40601LB8E	P56082MM
D406031U92	P56029MM
D40604BA0B	P56068MM
D40604CA0A	P56098MM
D40604EA0A	P56098MM
D40604U090	P56029MM
D40604U092	P10005MM
D406060F25	P56010MM

OE	MAGNETI MARELLI
NISSAN	
D406060F90	P56010MM
D40608H385	P56046MM
D40609HM0A	P56046MM
D40609HM0B	P56087MM
D40609N00A	P56068MM
D40609N00B	P56046MM
D40609N00C	P56046MM
D4060BM40A	P56024MM
D4060CY025	P56046MM
D4060EB300	P56060MM
D4060EM11A	P56046MM
D4060JA00A	P56046MM
D4060JA00J	P56046MM
D4060JL00E	P56085MM
D4060MB40A	P56069MM
D4060VC090	P56039MM
D4060VC290	P56039MM
D406MN0985	P56053MM
D406MN0986	P56010MM
D406MN0987	P30003MM
D406MN0988	P30003MM
D406MN0989	P56029MM
D406MN1185	P56054MM
D406MN1425	P56053MM
D406MN1426	P56053MM
D406MS2085	P56020MM
D40F0CD00B	P56048MM
D40F0CD01B	P56048MM
D40F0CD026	P56048MM
D40F0CD094	P56048MM
D4M609N00A	P56068MM
D4M609N00B	P56087MM
DA06005B25	P56013MM
DA06011P90	P56014MM
DA06031E86	P56014MM
DA06032E93	P56014MM
DA06032E94	P56014MM
DA060EB325	P56058MM
DA060EB326	P56059MM
DA060T7890	P56015MM
DA06M2Y991	P79030MM
DA06M31E86	P56014MM
DA06M35F93	P56018MM
DD06007P25	P56010MM
DD06021P90	P56053MM

OE	MAGNETI MARELLI
NISSAN	
DD06061E25	P30003MM
DD06MN1425	P56053MM
L106008N91	P24026MM
OPEL	
542039	P59080MM
542040	P59080MM
542115	P59077MM
542120	P59076MM
542125	P59060MM
1604138	P59046MM
1605000	P59030MM
1605001	P23001MM
1605002	P59033MM
1605003	P59019MM
1605004	P59016MM
1605005	P59014MM
1605006	P23001MM
1605007	P23001MM
1605008	P59001MM
1605009	P59045MM
1605017	P59020MM
1605025	P59031MM
1605026	P59014MM
1605031	P59014MM
1605032	P59048MM
1605033	P59016MM
1605034	P59030MM
1605035	P59045MM
1605036	P59022MM
1605037	P59031MM
1605039	P59031MM
1605040	P59031MM
1605047	P59014MM
1605065	P59042MM
1605067	P59028MM
1605070	P59030MM
1605079	P59049MM
1605080	P59045MM
1605081	P59036MM
1605084	P59033MM
1605085	P59037MM
1605086	P59038MM
1605087	P59011MM
1605088	P59043MM

OE	MAGNETI MARELLI
OPEL	
1605089	P59017MM
1605091	P59030MM
1605092	P59036MM
1605093	P59031MM
1605094	P59043MM
1605095	P10011MM
1605098	P59043MM
1605100	P59079MM
1605103	P59059MM
1605104	P59060MM
1605105	P59031MM
1605113	P59043MM
1605117	P59042MM
1605120	P06001MM
1605121	P59030MM
1605122	P59038MM
1605123	P10004MM
1605124	P59001MM
1605125	P59001MM
1605126	P59001MM
1605127	P59001MM
1605128	P10013MM
1605129	P23001MM
1605130	P59059MM
1605131	P23001MM
1605135	P59077MM
1605136	P59043MM
1605137	P10011MM
1605138	P59049MM
1605139	P59043MM
1605140	P59080MM
1605143	P23001MM
1605146	P59001MM
1605147	P06001MM
1605148	P06001MM
1605149	P59001MM
1605150	P59001MM
1605151	P59001MM
1605152	P23001MM
1605153	P23001MM
1605154	P23001MM
1605155	P23001MM
1605156	P23001MM
1605158	P59001MM
1605164	P23130MM

OE	MAGNETI MARELLI
OPEL	
1605169	P59076MM
1605170	P59087MM
1605175	P59079MM
1605176	P59080MM
1605177	P59045MM
1605178	P59077MM
1605179	P59060MM
1605180	P59080MM
1605181	P23087MM
1605182	P23130MM
1605184	P59081MM
1605185	P59054MM
1605186	P59055MM
1605189	P23001MM
1605190	P23001MM
1605191	P23001MM
1605195	P10012MM
1605196	P59042MM
1605198	P56061MM
1605199	P59041MM
1605200	P59042MM
1605202	P59058MM
1605204	P06001MM
1605217	P23001MM
1605218	P59001MM
1605220	P23001MM
1605221	P59059MM
1605223	P59060MM
1605228	P59053MM
1605230	P59057MM
1605231	P59094MM
1605232	P59055MM
1605236	P59054MM
1605252	P59045MM
1605258	P59051MM
1605261	P59076MM
1605262	P59080MM
1605263	P59077MM
1605267	P23137MM
1605268	P23137MM
1605280	P59084MM
1605281	P59083MM
1605282	P59043MM
1605283	P59043MM
1605285	P59086MM

OE	MAGNETI MARELLI
OPEL	
1605291	P59004MM
1605293	P23163MM
1605294	P59080MM
1605295	P59087MM
1605296	P59080MM
1605300	P59004MM
1605301	P59004MM
1605316	P59036MM
1605317	P59036MM
1605319	P59059MM
1605321	P59004MM
1605353	P59051MM
1605354	P59052MM
1605355	P59053MM
1605356	P59057MM
1605357	P59051MM
1605359	P59051MM
1605366	P59060MM
1605367	P59059MM
1605397	P59037MM
1605398	P59004MM
1605434	P59055MM
1605454	P59017MM
1605455	P59011MM
1605456	P59045MM
1605463	P59005MM
1605485	P59005MM
1605496	P59005MM
1605504	P59005MM
1605513	P23001MM
1605531	P59005MM
1605536	P59005MM
1605543	P59001MM
1605544	P59005MM
1605546	P59005MM
1605556	P59004MM
1605557	P59004MM
1605558	P10012MM
1605562	P59005MM
1605563	P59005MM
1605582	P59005MM
1605586	P59005MM
1605587	P59004MM
1605618	P59014MM
1605624	P59054MM

OE	MAGNETI MARELLI
OPEL	
1605625	P59038MM
1605653	P59005MM
1605654	P59005MM
1605670	P59005MM
1605671	P59005MM
1605687	P59014MM
1605688	P59014MM
1605696	P59017MM
1605703	P59005MM
1605704	P59005MM
1605706	P06001MM
1605707	P06001MM
1605713	P59004MM
1605714	P59004MM
1605715	P59004MM
1605719	P23001MM
1605721	P23001MM
1605728	P59018MM
1605731	P28017MM
1605746	P59017MM
1605782	P59016MM
1605783	P59005MM
1605786	P59014MM
1605787	P59005MM
1605788	P59005MM
1605789	P59017MM
1605791	P59005MM
1605795	P59005MM
1605796	P59004MM
1605799	P59014MM
1605808	P59017MM
1605810	P59011MM
1605820	P59005MM
1605824	P59011MM
1605825	P59015MM
1605848	P59020MM
1605851	P59021MM
1605852	P59020MM
1605855	P59019MM
1605870	P59005MM
1605877	P59018MM
1605878	P59014MM
1605879	P59018MM
1605881	P59011MM
1605883	P59014MM

OE	MAGNETI MARELLI
OPEL	
1605907	P59011MM
1605911	P59017MM
1605912	P59022MM
1605913	P59020MM
1605916	P59015MM
1605924	P59010MM
1605924	P59014MM
1605931	P59015MM
1605932	P59016MM
1605939	P59027MM
1605947	P59028MM
1605957	P59045MM
1605959	P59030MM
1605961	P59031MM
1605964	P59036MM
1605965	P59037MM
1605966	P59022MM
1605967	P59038MM
1605972	P59043MM
1605973	P59042MM
1605974	P59036MM
1605975	P59043MM
1605976	P79015MM
1605978	P59033MM
1605979	P68025MM
1605980	P59039MM
1605982	P59040MM
1605984	P59048MM
1605992	P59045MM
1605993	P59042MM
1605994	P59037MM
1605995	P10013MM
1605996	P59045MM
1605997	P59045MM
1605998	P59045MM
1606098	P59043MM
1777990	P59022MM
4295800	P59008MM
4308239	P59050MM
4402993	P59039MM
4403271	P68006MM
4403272	P68006MM
4403467	P59040MM
4404485	P59039MM
4404585	P59039MM

OE	MAGNETI MARELLI
OPEL	
4404777	P68025MM
4406237	P68063MM
4406239	P68061MM
4414021	P56061MM
4414029	P59041MM
4414519	P56061MM
4414520	P59041MM
4419950	P68062MM
4420066	P68063MM
4421289	P68061MM
4423333	P59041MM
4423587	P59082MM
4501150	P68025MM
4502797	P68025MM
4502882	P68063MM
4502883	P68061MM
4507797	P68025MM
4704578	P79015MM
4706748	P79015MM
4706835	P79015MM
4708239	P59050MM
4711040	P59050MM
4801292	P59025MM
4801293	P59026MM
4801664	P59026MM
4801667	P59025MM
4808814	P10015MM
4808861	P10003MM
4810774	P10003MM
4817764	P10003MM
4817791	P10004MM
4819239	P10004MM
9110993	P59039MM
9111271	P68006MM
9111272	P68006MM
9111467	P59040MM
9112585	P59039MM
9112777	P68025MM
9117717	P59031MM
9161450	P68025MM
9162600	P68025MM
9192125	P59014MM
9192126	P23001MM
9192157	P59045MM
9192177	P59020MM

OE	MAGNETI MARELLI
OPEL	
9193251	P59031MM
9193476	P59014MM
9195031	P59014MM
9195058	P59014MM
9195144	P59030MM
9195145	P59045MM
9195146	P59022MM
9195147	P59031MM
9195607	P59030MM
9195685	P59031MM
9198598	P59031MM
9198688	P59022MM
9199257	P56061MM
9199262	P59041MM
9200108	P59036MM
9200132	P59037MM
9201354	P59014MM
9214835	P79015MM
9268709	P59046MM
9739269	P59021MM
12803551	P59043MM
13237750	P59054MM
13237751	P59055MM
13237752	P59058MM
13237765	P59059MM
13237766	P59060MM
13300867	P59080MM
13301207	P59076MM
13301234	P59077MM
13319293	P59080MM
13319294	P59080MM
13329562	P59079MM
13338368	P59060MM
13343450	P59059MM
13343451	P59060MM
13365958	P59059MM
13374966	P59076MM
13411116	P59079MM
13411380	P59080MM
13411383	P59080MM
13412272	P59076MM
13412810	P59077MM
13417473	P59087MM
13473427	P59080MM
13473428	P59080MM

OE	MAGNETI MARELLI
OPEL	
13473429	P59087MM
13478300	P59092MM
13478301	P59091MM
16050650	P59042MM
16586609	P59059MM
16586609	P59060MM
18023377	P59027MM
18024962	P59028MM
18045382	P59028MM
20789468	P10003MM
22705327	P10015MM
22731037	P10015MM
22799077	P59077MM
22846362	P59060MM
22846363	P59059MM
22959104	P59055MM
22959105	P59054MM
39021482	P59059MM
90010585	P59005MM
90017982	P23001MM
90114901	P59005MM
90167334	P59005MM
90167765	P59005MM
90251457	P59014MM
90273260	P59014MM
90273261	P59014MM
90278133	P59018MM
90279383	P59014MM
90297357	P59005MM
90297358	P59005MM
90297400	P06001MM
90297401	P59001MM
90297402	P59004MM
90297407	P59001MM
90297409	P59001MM
90297411	P59004MM
90297537	P59018MM
90297770	P59017MM
90298758	P59005MM
90374747	P59011MM
90374748	P59011MM
90398758	P59005MM
90398759	P59005MM
90398760	P59017MM
90398800	P59005MM

OE	MAGNETI MARELLI
OPEL	
90399437	P59005MM
90399438	P59004MM
90399495	P59017MM
90421528	P59014MM
90425480	P59014MM
90442385	P59005MM
90442995	P59011MM
90443873	P59019MM
90443902	P59005MM
90485133	P59018MM
90485136	P59018MM
90485138	P59014MM
90485140	P59011MM
90487271	P59010MM
90487271	P59014MM
90496733	P59017MM
90496734	P59017MM
90497874	P59014MM
90510331	P59011MM
90511162	P59017MM
90512037	P59022MM
90540177	P59010MM
90540177	P59014MM
90544001	P59045MM
90544025	P59030MM
93166798	P59043MM
93167073	P59051MM
93167551	P68062MM
93167662	P68063MM
93169001	P59014MM
93169002	P59020MM
93169003	P59033MM
93169174	P59051MM
93169175	P59052MM
93169176	P59053MM
93169177	P59057MM
93169254	P59051MM
93171035	P59030MM
93172174	P59043MM
93172261	P59036MM
93172950	P59043MM
93173148	P79015MM
93173154	P59033MM
93173155	P68025MM
93173180	P59039MM

OE	MAGNETI MARELLI
OPEL	
93173182	P59040MM
93173379	P59030MM
93173641	P56061MM
93173646	P59041MM
93175378	P59043MM
93176114	P59036MM
93176116	P59042MM
93176117	P59037MM
93176120	P59011MM
93176121	P59043MM
93176379	P59049MM
93178789	P59037MM
93181189	P59045MM
93181371	P59026MM
93181525	P59025MM
93183140	P59042MM
93183728	P59043MM
93183729	P59043MM
93184269	P59036MM
93184519	P59030MM
93185752	P10011MM
93188031	P10012MM
93188111	P59043MM
93188112	P10011MM
93188113	P59046MM
93188452	P59037MM
93188726	P59030MM
93188727	P59038MM
93189816	P59052MM
93189822	P59053MM
93189823	P59057MM
93190218	P59037MM
93190338	P59042MM
93191697	P59051MM
93191698	P59051MM
93191802	P59022MM
93192063	P56061MM
93192389	P59041MM
93192578	P59045MM
93192623	P59042MM
93192637	P59017MM
93192639	P59011MM
93192895	P59053MM
93196814	P59050MM
93273400	P59034MM

OE	MAGNETI MARELLI
OPEL	
93802167	P59049MM
95459512	P10003MM
95459513	P10004MM
95507110	P68061MM
95507655	P10013MM
95513810	P59081MM
95513821	P68063MM
95513823	P68061MM
95513834	P59030MM
95514416	P59045MM
95514525	P59054MM
95514526	P59055MM
95514644	P59060MM
95515027	P23087MM
95515028	P23130MM
95515197	P59040MM
95515497	P59059MM
95515498	P59060MM
95515503	P59094MM
95516191	P59076MM
95516192	P59080MM
95516193	P59077MM
95517028	P59084MM
95517029	P59083MM
95517078	P59086MM
95518217	P23137MM
95518218	P23137MM
95518219	P23163MM
95518305	P59041MM
95518893	P59082MM
95519746	P59036MM
95520061	P59036MM
95521679	P68063MM
95521680	P68061MM
95522278	P68062MM
95599218	P59039MM
95599219	P56061MM
95599224	P59041MM
96626070	P10003MM
96626075	P10004MM
97039269	P59021MM
97113888	P59020MM
97114300	P59015MM
97180525	P59020MM
97227235	P59033MM

OE	MAGNETI MARELLI
PEUGEOT	
245050	P68010MM
415188	P61051MM
424534	P86001MM
424574	P61011MM
424833	P23022MM
424862	P68010MM
424864	P68004MM
424865	P68010MM
424874	P68010MM
424878	P68010MM
424892	P59001MM
425005	P59001MM
425010	P68004MM
425012	P61011MM
425017	P68010MM
425018	P68010MM
425019	P61011MM
425028	P23022MM
425030	P61011MM
425032	P68010MM
425033	P68010MM
425034	P68010MM
425035	P68010MM
425036	P68010MM
425037	P61031MM
425039	P61031MM
425041	P68008MM
425043	P68010MM
425047	P23023MM
425049	P68010MM
425050	P68010MM
425051	P68010MM
425052	P68010MM
425054	P23022MM
425055	P61035MM
425056	P85017MM
425057	P68010MM
425058	P23023MM
425067	P68004MM
425069	P68010MM
425070	P68008MM
425071	P61032MM
425072	P68010MM
425076	P68010MM
425077	P61031MM

OE	MAGNETI MARELLI
PEUGEOT	
425078	P61035MM
425081	P61038MM
425082	P61031MM
425085	P61011MM
425087	P61035MM
425088	P68010MM
425089	P61048MM
425090	P61034MM
425091	P61044MM
425092	P61044MM
425093	P61035MM
425094	P61049MM
425095	P61035MM
425097	P68010MM
425102	P61099MM
425103	P61054MM
425104	P61032MM
425105	P23023MM
425106	P23022MM
425107	P61050MM
425108	P85017MM
425109	P23061MM
425110	P23061MM
425111	P23062MM
425112	P23062MM
425116	P23068MM
425117	P23068MM
425118	P23069MM
425119	P23069MM
425120	P61044MM
425121	P61051MM
425122	P61054MM
425125	P23072MM
425126	P23072MM
425127	P61044MM
425127	P61099MM
425130	P61058MM
425131	P61056MM
425132	P61057MM
425134	P61051MM
425135	P61035MM
425137	P61097MM
425138	P61051MM
425139	P61051MM
425140	P68010MM

OE	MAGNETI MARELLI
PEUGEOT	
425141	P68010MM
425142	P61051MM
425143	P61057MM
425144	P61057MM
425146	P61032MM
425147	P61097MM
425148	P61032MM
425150	P23072MM
425151	P23072MM
425152	P61065MM
425154	P61060MM
425155	P61060MM
425160	P61057MM
425165	P61044MM
425167	P61051MM
425169	P61098MM
425170	P61051MM
425182	P61064MM
425184	P61102MM
425188	P61054MM
425191	P61098MM
425192	P61098MM
425193	P61038MM
425195	P61064MM
425196	P61032MM
425197	P61032MM
425203	P61065MM
425204	P61098MM
425205	P61098MM
425206	P61057MM
425207	P23082MM
425208	P61058MM
425212	P61063MM
425213	P61069MM
425218	P61066MM
425219	P61064MM
425220	P23090MM
425221	P61066MM
425222	P61068MM
425223	P85020MM
425224	P23083MM
425225	P23084MM
425226	P23083MM
425227	P23084MM
425228	P61063MM

OE	MAGNETI MARELLI
PEUGEOT	
425229	P61067MM
425231	P23090MM
425232	P85020MM
425233	P85020MM
425234	P61069MM
425235	P61068MM
425238	P61066MM
425239	P61082MM
425240	P61082MM
425241	P85020MM
425242	P23091MM
425243	P23091MM
425244	P23092MM
425245	P23092MM
425246	P23093MM
425247	P23093MM
425250	P61068MM
425251	P61064MM
425252	P61068MM
425253	P61068MM
425254	P23082MM
425255	P23082MM
425256	P61032MM
425257	P61032MM
425259	P61066MM
425260	P61076MM
425261	P68010MM
425262	P68010MM
425263	P61044MM
425263	P61099MM
425264	P61044MM
425264	P61099MM
425265	P68010MM
425266	P61058MM
425267	P61051MM
425268	P61056MM
425270	P61035MM
425271	P61032MM
425272	P68010MM
425273	P68010MM
425274	P61032MM
425275	P68010MM
425276	P61066MM
425277	P61109MM
425278	P61078MM

OE	MAGNETI MARELLI
PEUGEOT	
425279	P61079MM
425281	P61048MM
425282	P61031MM
425284	P61034MM
425286	P61059MM
425291	P61052MM
425292	P61053MM
425294	P61078MM
425302	P61063MM
425303	P61063MM
425304	P61051MM
425305	P61063MM
425306	P61051MM
425310	P68008MM
425311	P61032MM
425312	P61011MM
425314	P61044MM
425314	P61099MM
425315	P61054MM
425316	P61054MM
425319	P61098MM
425320	P61063MM
425322	P61080MM
425323	P61076MM
425325	P61080MM
425326	P61079MM
425327	P61081MM
425328	P61081MM
425330	P61066MM
425331	P61068MM
425332	P61109MM
425333	P61069MM
425335	P61109MM
425336	P61078MM
425337	P61078MM
425338	P61066MM
425339	P61068MM
425340	P61100MM
425341	P61082MM
425342	P61082MM
425343	P61076MM
425344	P61076MM
425347	P61109MM
425348	P61078MM
425355	P23143MM

OE	MAGNETI MARELLI
PEUGEOT	
425356	P23143MM
425357	P23144MM
425358	P23144MM
425359	P61091MM
425360	P61091MM
425361	P61083MM
425363	P61096MM
425364	P61096MM
425365	P61096MM
425366	P61096MM
425367	P61095MM
425368	P61095MM
425373	P61118MM
425374	P61118MM
425375	P23136MM
425376	P23136MM
425377	P61078MM
425378	P61069MM
425379	P61069MM
425380	P61069MM
425383	P61078MM
425385	P61068MM
425387	P54017MM
425387	P61089MM
425388	P54017MM
425390	P54031MM
425391	P54031MM
425393	P61101MM
425394	P61104MM
425395	P61104MM
425396	P85020MM
425398	P61080MM
425399	P61080MM
425401	P61100MM
425403	P61106MM
425404	P61079MM
425406	P23140MM
425407	P23140MM
425408	P23087MM
425410	P61078MM
425411	P61078MM
425412	P61083MM
425413	P61083MM
425414	P61084MM
425415	P61084MM

OE	MAGNETI MARELLI
PEUGEOT	
425418	P61068MM
425419	P61100MM
425420	P85020MM
425421	P61079MM
425422	P61109MM
425423	P61066MM
425424	P61106MM
425425	P61083MM
425426	P61101MM
425428	P85020MM
425429	P61084MM
425430	P54017MM
425430	P61089MM
425435	P61114MM
425440	P61100MM
425441	P85020MM
425442	P61032MM
425444	P61114MM
425446	P61114MM
425448	P54031MM
425450	P61051MM
425451	P23068MM
425452	P23069MM
425453	P23061MM
425454	P23072MM
425455	P23083MM
425456	P23084MM
425457	P23090MM
425458	P23091MM
425459	P23092MM
425460	P23082MM
425461	P23143MM
425462	P23144MM
425463	P61118MM
425464	P23136MM
425465	P61083MM
425466	P23062MM
425467	P85020MM
425468	P23093MM
425469	P61091MM
425471	P61068MM
425473	P61107MM
425474	P61081MM
425475	P61066MM
425476	P61080MM

OE	MAGNETI MARELLI
PEUGEOT	
425477	P61117MM
425480	P61119MM
425482	P61051MM
425483	P61097MM
425483	P68010MM
425484	P61065MM
425485	P61060MM
425486	P61066MM
425487	P61063MM
425488	P61076MM
425489	P61068MM
425490	P61032MM
425491	P61079MM
425492	P61068MM
425493	P61059MM
425494	P61063MM
425495	P61104MM
425496	P23085MM
425496	P23140MM
425497	P61095MM
425498	P68010MM
425499	P61044MM
425499	P61099MM
425499	P68010MM
435326	P61081MM
442794	P61034MM
9938205	P23023MM
75531486	P68004MM
95569340	P61034MM
95611498	P61031MM
95615159	P23022MM
95616818	P61031MM
95619549	P61034MM
95619550	P61034MM
95619601	P61034MM
95619602	P61034MM
95619603	P61034MM
95623223	P23023MM
95624970	P23022MM
95640895	P23023MM
95646300	P61034MM
95647611	P61034MM
95647733	P61031MM
95650935	P61034MM
95650936	P61034MM

OE	MAGNETI MARELLI
PEUGEOT	
95650937	P61034MM
95658617	P61034MM
95658938	P61034MM
95659340	P61099MM
95659341	P61032MM
95659616	P61044MM
95659616	P61099MM
95661871	P61031MM
95663076	P68004MM
95666894	P61050MM
95666970	P61099MM
95666971	P61032MM
95667764	P23022MM
95667765	P23023MM
96666971	P61032MM
1606225680	P61108MM
1607083180	P61103MM
1607083280	P85020MM
1607690380	P54030MM
1608520380	P85020MM
1608520480	P61084MM
1608520680	P61114MM
1608681580	P85020MM
1609252980	P61063MM
1609253080	P61101MM
1609253180	P61106MM
1609899680	P61111MM
1609987980	P61076MM
1610100580	P61112MM
1610103580	P61112MM
1610103780	P61106MM
1610104080	P61115MM
1610275680	P61108MM
1610428780	P61120MM
1610489680	P61066MM
1610696480	P36024MM
1610699280	P61113MM
1610814180	P61121MM
1611140580	P61103MM
1611140880	P61091MM
1611293980	P61066MM
1611331480	P61126MM
1611334980	P61078MM
1611334980	P61119MM
1611335080	P61060MM

OE	MAGNETI MARELLI
PEUGEOT	
1611456380	P85020MM
1611456580	P61109MM
1611456880	P61038MM
1611456880	P61058MM
1611456980	P61081MM
1611457280	P61080MM
1611457480	P61091MM
1611457580	P61078MM
1611457780	P23093MM
1611457880	P61076MM
1611457980	P61044MM
1611457980	P61099MM
1611457980	P68010MM
1611458080	P23068MM
1611458180	P23061MM
1611458480	P61051MM
1611458680	P23022MM
1611458780	P61035MM
1611458980	P61119MM
1611460280	P68008MM
1611837880	P61103MM
1611838080	P61114MM
1611839380	P61107MM
1612373080	P61128MM
1612412380	P61127MM
1612433680	P61118MM
1612433780	P23136MM
1612433880	P23143MM
1612433980	P23144MM
1612434180	P61125MM
1613192280	P61066MM
1613192580	P61103MM
1613259380	P61101MM
1613819980	P61081MM
1614412180	P61125MM
1616872680	P85020MM
1617272680	P61114MM
1617274580	P61076MM
1617282980	P61082MM
1617283380	P23141MM
4254A0	P61078MM
4254A1	P61096MM
4254A2	P61096MM
4254A3	P61119MM
4254A5	P23023MM

OE	MAGNETI MARELLI
PEUGEOT	
4254A6	P61112MM
4254A7	P61106MM
4254A8	P61110MM
4254C0	P61083MM
4254C1	P85020MM
4254C5	P85020MM
4254C8	P23141MM
E171587	P61032MM
E172007	P61034MM
E172007	P61059MM
E172008	P61044MM
E172008	P61099MM
E172008	P68010MM
E172009	P61050MM
E172030	P61054MM
E172031	P23068MM
E172039	P23061MM
E172041	P61056MM
E172042	P61057MM
E172050	P23072MM
E172058	P61057MM
E172059	P61060MM
E172083	P61051MM
E172095	P61064MM
E172103	P61065MM
E172116	P61057MM
E172118	P68008MM
E172124	P61082MM
E172125	P61068MM
E172131	P61063MM
E172132	P61067MM
E172133	P23091MM
E172134	P23092MM
E172150	P61076MM
E172150	P61099MM
E172150	P68010MM
E172156	P23023MM
E172164	P23022MM
E172168	P61035MM
E172170	P61048MM
E172171	P68008MM
E172172	P61031MM
E172198	P61038MM
E172198	P61058MM
E172201	P61032MM

OE	MAGNETI MARELLI
PEUGEOT	
E172204	P85020MM
E172219	P61032MM
E172223	P61038MM
E172223	P61058MM
E172232	P23090MM
E172232	P61104MM
E172236	P61109MM
E172237	P61119MM
E172240	P61079MM
E172279	P23062MM
E172280	P61038MM
E172280	P61058MM
E172281	P85020MM
E172283	P61081MM
E172284	P61068MM
E172286	P61080MM
E172294	P61106MM
E172299	P61102MM
E172300	P23082MM
E172302	P61091MM
E172303	P61049MM
E172314	P61078MM
E172315	P61068MM
E172357	P23093MM
E172359	P61076MM
E172361	P61082MM
E172504	P61044MM
E172504	P61099MM
E172504	P68010MM
E172513	P61051MM
E172514	P23068MM
E172519	P23061MM
E172521	P61056MM
E172522	P61057MM
E172536	P61069MM
E172540	P61051MM
E172549	P61065MM
E172549	P61067MM
E172554	P61057MM
E172558	P61082MM
E172562	P61063MM
E172562	P61098MM
E172571	P23022MM
E172574	P61035MM
E172587	P61032MM

OE	MAGNETI MARELLI
PEUGEOT	
E172592	P23090MM
E172592	P61104MM
E172596	P61119MM
ZF09937786	P23022MM
ZF09938205	P23022MM
PIAGGIO	
449187503	P16003MM
PORSCHE	
477698155	P65002MM
90135191212	P59001MM
90135191213	P06001MM
90135191213	P59001MM
90135196301	P59001MM
90135196302	P59001MM
90135196322	P59001MM
90135196325	P59001MM
90135196335	P06001MM
90135199700	P65001MM
90135296301	P06001MM
90135296337	P06001MM
90135299700	P06001MM
91135193800	P65001MM
91135194401	P65001MM
91135194405	P65001MM
91135194901	P65001MM
91135195000	P65001MM
91135195002	P65001MM
91135195006	P65001MM
91135195008	P65001MM
91135290300	P59001MM
91135293901	P06001MM
91135294900	P59001MM
92335190100	P65001MM
92835139304	P65005MM
92835193005	P65005MM
92835193006	P65005MM
92835193016	P65005MM
92835193101	P06008MM
92835193901	P65005MM
92835193902	P65005MM
92835193903	P65005MM
92835193904	P65005MM
92835194002	P65006MM

OE	MAGNETI MARELLI
PORSCHE	
92835194003	P65006MM
92835194902	P65006MM
92835194903	P65006MM
92835195100	P65002MM
92835195102	P65002MM
92835195200	P65003MM
92835199997	P65006MM
92835293416	P65003MM
92835295100	P65003MM
92835295101	P65003MM
92835295102	P65003MM
92835295200	P65003MM
92835295201	P65003MM
93035193802	P85094MM
93035193803	P85094MM
93035193804	P85094MM
93035193805	P85094MM
93035194015	P85094MM
93035194025	P85094MM
94435194101	P65002MM
94435195006	P65001MM
94435195100	P65002MM
94435195101	P65002MM
94435195102	P65002MM
94435294100	P65003MM
94435295100	P65003MM
94435295101	P65003MM
94435295102	P65003MM
95135193005	P85094MM
95135193006	P85094MM
95135193016	P85094MM
95135193901	P85094MM
95135193902	P85094MM
95135193903	P85094MM
95135193904	P85094MM
95135193905	P85094MM
95135193908	P85094MM
95535193900	P85069MM
95535193901	P85069MM
95535193902	P85069MM
95535193903	P85069MM
95535193904	P85069MM
95535193905	P85069MM
95535193906	P85069MM
95535193907	P85069MM

OE	MAGNETI MARELLI
PORSCHE	
95535193910	P85065MM
95535193911	P85065MM
95535193912	P85065MM
95535193913	P85065MM
95535193914	P85065MM
95535193915	P85065MM
95535193916	P85065MM
95535193950	P65016MM
95535193951	P65016MM
95535193952	P65016MM
95535193961	P65017MM
95535193962	P65017MM
95535193963	P65017MM
95535293900	P85070MM
95535293901	P85070MM
95535293902	P85070MM
95535293903	P85070MM
95535293905	P85070MM
95535293906	P85070MM
95535293950	P85088MM
95535293960	P85103MM
95535293961	P85103MM
95535293962	P85103MM
95535293963	P85103MM
95535293964	P85103MM
95835193900	P65021MM
95835193910	P65021MM
95835193920	P65021MM
95835193930	P65026MM
95835293900	P65027MM
95835293950	P65030MM
95935194903	P65005MM
96409435251	P65010MM
96435193002	P85094MM
96435193902	P85094MM
96435193903	P85094MM
96435293000	P85094MM
96435294002	P65010MM
96435294901	P65010MM
96435294903	P65010MM
96535193000	P65005MM
96535193003	P65005MM
96535193004	P65005MM
96535193900	P65005MM
96535193901	P65005MM

OE	MAGNETI MARELLI
----	-----------------

PORSCHE	
96535193902	P65005MM
96535193903	P65005MM
96535193904	P65005MM
96535194902	P65006MM
96535293000	P85094MM
96535293003	P85094MM
96535293004	P85094MM
96535293900	P85094MM
96535293903	P85094MM
97035194901	P65021MM
97035194904	P65021MM
97035194905	P65020MM
97035194906	P65021MM
97035294902	P65020MM
97035294903	P65029MM
97035294904	P65020MM
97035294905	P65020MM
98135193000	P65018MM
98135193809	P65018MM
98135193900	P65019MM
98635139311	P65007MM
98635193911	P65007MM
98635193913	P65007MM
98635193915	P65007MM
98635293910	P65008MM
98735193902	P65007MM
98735193903	P65007MM
98735293900	P65008MM
98735293901	P65028MM
99135193900	P65018MM
99135194902	P65025MM
99135294803	P65020MM
99135294900	P65031MM
99135294901	P65031MM
99135294902	P65031MM
99309435161	P65005MM
99309435166	P65005MM
99309435167	P65006MM
99335193001	P65005MM
99335193060	P65005MM
99335193901	P65005MM
99335193904	P65005MM
99335194000	P65006MM
99335194003	P65006MM
99335194900	P65006MM

OE	MAGNETI MARELLI
----	-----------------

PORSCHE	
99335194903	P65006MM
99335293003	P85094MM
99335293004	P65005MM
99335293903	P85094MM
99635193014	P65009MM
99635193015	P65009MM
99635193914	P65009MM
99635193915	P65009MM
99635193916	P65009MM
99635193930	P65009MM
99635194910	P65011MM
99635194911	P65011MM
99635194912	P65011MM
99635198000	P65009MM
99635293000	P65008MM
99635293003	P65008MM
99635293091	P65009MM
99635293900	P65008MM
99635293903	P65008MM
99635294890	P65009MM
99635294903	P65009MM
99635294930	P65009MM
99635298000	P65008MM
99735193107	P65019MM
99735193109	P65019MM
99735193803	P65019MM
99735193804	P65018MM
99735193805	P65019MM
99735193806	P65018MM
99735193810	P65018MM
99735193811	P65018MM
99735193819	P65018MM
99735193903	P65014MM
99735193904	P65015MM
99735193905	P65014MM
99735193906	P65015MM
99735194800	P65009MM
99735194801	P65009MM
99735194902	P65011MM
99735294900	P65022MM
99735294901	P65022MM
99735294903	P65013MM
99735294904	P65013MM
99735294905	P65022MM

OE	MAGNETI MARELLI
----	-----------------

PORSCHE	
477698151A	P65003MM
477698151B	P65003MM
94435195100TPP	P65002MM
95B698151C	P65021MM
95B698151E	P65033MM
99309435161F	P65005MM
99309435169F	P65006MM
9A769845100	P85150MM

PROTON

MR129433	P54012MM
PC351101	P54015MM
PC351110	P66001MM
PC351641	P66002MM
PW890078	P54022MM
PW890084	P54023MM
PW891172	P66001MM
PW891182	P66002MM

RENAULT

4421289	P68061MM
5000295329	P68013MM
5000295329	PB7001MM
5000815574	P68013MM
5000815574	PB7001MM
5001000478	P68012MM
5001842048	P56019MM
6000000413	P68004MM
6000008018	P68008MM
6000008125	P61029MM
6000008304	P61029MM
6000008895	P68014MM
6000009332	P61046MM
6020013035	P68051MM
6024371662	P56061MM
6025070807	P68008MM
6025071042	P68008MM
6025071042	P68038MM
6025071055	P68002MM
6025170170	P68019MM
6025170586	P68002MM
6025171456	P68019MM
6025308186	P68017MM
6025315867	P68023MM
6025370398	P68023MM

OE	MAGNETI MARELLI
----	-----------------

RENAULT	
6025370851	P68026MM
6025371279	P56061MM
6025371650	P68024MM
6025371662	P68055MM
6025407835	P68023MM
6026170585	P68002MM
7410604386	P68062MM
7485121748	P68062MM
7485121752	P68063MM
7485133241	P68063MM
7700821375	PB7001MM
7701050914	P56061MM
7701050918	P59041MM
7701054771	P56061MM
7701130036	P68008MM
7701200247	P68001MM
7701200355	P68004MM
7701200360	P68002MM
7701200364	P68004MM
7701201044	P68006MM
7701201059	P68005MM
7701201159	P68005MM
7701201183	P68005MM
7701201297	P68004MM
7701201309	P68004MM
7701201311	P68002MM
7701201313	P68004MM
7701201315	P68001MM
7701201321	P68002MM
7701201470	P68001MM
7701201542	P68010MM
7701201622	PA6009MM
7701201669	P68008MM
7701201669	P68038MM
7701201684	P68002MM
7701201716	P68001MM
7701201773	P68008MM
7701201774	P68008MM
7701201775	P68008MM
7701201781	P68002MM
7701202050	P68014MM
7701202057	P68010MM
7701202148	P68002MM
7701202210	P61032MM
7701202213	P68015MM

OE	MAGNETI MARELLI
RENAULT	
7701202216	P68010MM
7701202227	P68020MM
7701202283	P68010MM
7701202284	P68008MM
7701202284	P68038MM
7701202285	P68008MM
7701202285	P68038MM
7701202289	P68008MM
7701202289	P68038MM
7701202302	P68010MM
7701202308	P61032MM
7701202475	P68010MM
7701202481	P68016MM
7701202516	P68008MM
7701202517	P68020MM
7701202518	P68010MM
7701202539	P68008MM
7701202540	P68008MM
7701202635	P68008MM
7701202635	P68038MM
7701202662	P61032MM
7701202709	P68007MM
7701202710	P68015MM
7701202711	P68010MM
7701202712	P68008MM
7701202712	P68038MM
7701202713	P68006MM
7701202785	P68016MM
7701202788	P68002MM
7701202815	P68016MM
7701202833	P68010MM
7701202847	P68010MM
7701202848	P68008MM
7701202890	P68004MM
7701202891	P68015MM
7701202892	P68010MM
7701202893	P68005MM
7701202894	P68008MM
7701202894	P68038MM
7701202895	P68008MM
7701202896	P68014MM
7701202954	P68001MM
7701202956	P68006MM
7701202973	P68014MM
7701203068	P68002MM

OE	MAGNETI MARELLI
RENAULT	
7701203069	P68016MM
7701203070	P68014MM
7701203071	P68012MM
7701203087	P68016MM
7701203124	P68017MM
7701203129	P68008MM
7701203129	P68038MM
7701203213	P68020MM
7701203282	P68008MM
7701203282	P68038MM
7701203633	P68017MM
7701203635	P68017MM
7701203668	P68018MM
7701203700	PB7001MM
7701203726	P68017MM
7701203730	P68014MM
7701203775	P68008MM
7701203775	P68038MM
7701203777	P68004MM
7701203795	P68008MM
7701203795	P68038MM
7701203796	P68008MM
7701203796	P68038MM
7701203797	P68008MM
7701203797	P68038MM
7701203842	P68015MM
7701203895	P68013MM
7701203895	PB7002MM
7701203913	P68006MM
7701203917	P68013MM
7701203918	P68006MM
7701203919	P68018MM
7701203967	P68022MM
7701203968	P68014MM
7701203969	P68017MM
7701204036	P68018MM
7701204066	P68008MM
7701204066	P68038MM
7701204087	P68016MM
7701204220	P68014MM
7701204357	P68010MM
7701204358	P68008MM
7701204358	P68038MM
7701204520	P68010MM
7701204530	P61044MM

OE	MAGNETI MARELLI
RENAULT	
7701204593	P68007MM
7701204626	P61032MM
7701204664	P61032MM
7701204670	P68022MM
7701204708	P68010MM
7701204833	P68008MM
7701204833	P68038MM
7701204845	P61032MM
7701204903	P68010MM
7701205014	P68007MM
7701205015	P68017MM
7701205277	P68015MM
7701205294	P68025MM
7701205317	P68010MM
7701205355	P68008MM
7701205355	P68038MM
7701205491	P68021MM
7701205512	P56038MM
7701205513	P56038MM
7701205995	P56038MM
7701205996	P56038MM
7701206044	P68034MM
7701206082	P68008MM
7701206288	P68014MM
7701206343	P68024MM
7701206369	P68025MM
7701206379	P68027MM
7701206380	P68027MM
7701206598	P68029MM
7701206599	P68030MM
7701206609	P59044MM
7701206727	P59039MM
7701206747	P68032MM
7701206763	P59040MM
7701206784	P85017MM
7701206811	P56038MM
7701207034	P61032MM
7701207166	P68025MM
7701207184	P68034MM
7701207187	P68028MM
7701207339	P59039MM
7701207484	P68024MM
7701207615	P68032MM
7701207672	P68034MM
7701207673	P68031MM

OE	MAGNETI MARELLI
RENAULT	
7701207695	P68024MM
7701207960	P68008MM
7701207968	P59044MM
7701207977	P68032MM
7701207996	P59044MM
7701208122	P68034MM
7701208142	P56038MM
7701208182	P68030MM
7701208183	P68029MM
7701208213	P68024MM
7701208218	P68036MM
7701208265	P68008MM
7701208416	P68024MM
7701208421	P68024MM
7701208422	P68033MM
7701209077	P68014MM
7701209100	P68048MM
7701209101	P68040MM
7701209117	P68042MM
7701209164	P68033MM
7701209380	P68027MM
7701209444	P68034MM
7701209639	P68008MM
7701209639	P68038MM
7701209670	P68048MM
7701209672	P68040MM
7701209697	P68034MM
7701209735	P68024MM
7701209808	P68029MM
7701209809	P68030MM
7701209810	P68032MM
7701209841	P68024MM
7701209864	P68044MM
7701209869	P68043MM
7701210110	P68044MM
7701210127	P68048MM
7701210130	P68008MM
7701210131	P68008MM
7701210142	P68008MM
7701210174	P68058MM
7701348049	P68004MM
7701348071	P68004MM
7701348478	P68007MM
7701348682	P68007MM
7701348683	P68001MM

OE	MAGNETI MARELLI
----	-----------------

RENAULT	
7701348684	P68001MM
7701348689	P68002MM
7701348698	P68004MM
7701348863	P68001MM
7701349049	P68004MM
7701349255	P68012MM
7701349448	P68004MM
7701349751	P68008MM
7701349869	P68010MM
7701349969	P68010MM
7701349970	P68008MM
7701349973	P68008MM
7702202050	P68014MM
7702207615	P68032MM
7702233531	P68008MM
7702233531	P68038MM
7702295181	P68008MM
7704001260	P68004MM
7711130008	P68010MM
7711130034	P68010MM
7711130036	P68008MM
7711130036	P68038MM
7711130071	P68008MM
7711130071	P68038MM
7711130086	P68048MM
8305252531	P37004MM
8671000107	P68008MM
8983502200	P37001MM
410600012R	P68029MM
410600023R	P56058MM
410600032R	P68045MM
410600629R	P68052MM
410600756R	P68040MM
410601061R	P68062MM
410601073R	P59082MM
410601237R	P68048MM
410601241R	P68034MM
410601334R	P68044MM
410601408R	P56046MM
410601531R	P68014MM
410602192R	P68008MM
410602396R	P68060MM
410602581R	P68059MM
410602933R	P68045MM
410603072R	P56058MM

OE	MAGNETI MARELLI
----	-----------------

RENAULT	
410603303R	P54040MM
410603750R	P68044MM
410604076R	P68033MM
410604386R	P68062MM
410604441R	P68027MM
410604EA0A	P56100MM
410605055R	P68047MM
410605612R	P68059MM
410605649R	P68058MM
410605961R	P68050MM
410607115R	P68050MM
410607125R	P68027MM
410607613R	P68030MM
410607690R	P68029MM
410607716R	P68032MM
410608481R	P68033MM
410608638R	P59082MM
410608713R	P68034MM
410609192R	P68031MM
410609342R	P68008MM
440600002R	P59042MM
440600264R	P68063MM
440600295R	P68024MM
440600364R	P68024MM
440600629R	P68052MM
440600819R	P68024MM
440600866R	P68061MM
440600941R	P68061MM
440601147R	P68063MM
440601186R	P68063MM
440601416R	P68054MM
440601689R	P59042MM
440602070R	P68063MM
440602154R	P68057MM
440602466R	P68024MM
440603511R	P68024MM
440603530R	P68024MM
440603734R	P68041MM
440603905R	P68050MM
440604694R	P68041MM
440604876R	P68043MM
440605713R	P68024MM
440605839R	P68024MM
440606133R	P68024MM
440606267R	P68043MM

OE	MAGNETI MARELLI
----	-----------------

RENAULT	
440606633R	P56098MM
440607091R	P59041MM
440607960R	P68024MM
440608061R	P68064MM
440608235R	P68064MM
440608281R	P68057MM
440608697R	P68061MM
440608746R	P68047MM
44060BA00F	P59044MM
440661332R	P68024MM

RENAULT TRUCKS

5000295329	P68013MM
5000823566	P68013MM
5000823566	PB7001MM
5001014694	PA6008MM
5001825638	PA6008MM
5001834527	P68013MM
5001834527	PB7001MM
5001844747	PA6021MM
5001844748	PA6022MM
5001850859	PA6021MM
5001868606	P56066MM
7485116333	P56066MM
410604076R	P68033MM

ROLLS-ROYCE

34116858540	P06077MM
-------------	----------

ROVER

1020321	P06025MM
277942100114	P52019MM
277942100134	P52019MM
AEU1546	P24004MM
CDU3030EVA	P52002MM
EJP1437	P28017MM
GBP223	P86001MM
GBP242	P24004MM
GBP270	PA6001MM
GBP287	PA6006MM
GBP292	PA6006MM
GBP663	PA6006MM
GBP90177	P52002MM
GBP90290	PA6006MM
GBP90302	P28015MM

OE	MAGNETI MARELLI
----	-----------------

ROVER	
GBP90302AF	P28027MM
GBP90307AF	P52002MM
GBP90309	P28014MM
GBP90311	P28014MM
GBP90311AF	P28013MM
GBP90313	P28020MM
GBP90314	P28019MM
GBP90314AF	P28019MM
GBP90315	P28020MM
GBP90315AF	P28020MM
GBP90316	P28017MM
GBP90316AF	P28017MM
GBP90318	P52015MM
GBP90320	P52015MM
GBP90320AF	P52015MM
GBP90321	P52020MM
GBP90323	P28027MM
GBP90323AF	P28027MM
GBP90324	P28020MM
GBP90324AF	P28020MM
GBP90325AF	P28020MM
GBP90328	P28019MM
GBP90328AF	P28019MM
GBP90329	P28026MM
GBP90329AF	P28026MM
GBP90330AF	P28021MM
GBP90331	P28022MM
GBP90331AF	P28022MM
GBP90334	P28014MM
GBP90336	P28020MM
GBP90336AF	P28020MM
GBP90337	P52015MM
GBP90337AF	P52015MM
GBP90338	P28021MM
GBP90338AF	P28021MM
GBP90339	P28022MM
GBP90339AF	P28022MM
GBP90340	P28020MM
GBP90340AF	P28020MM
GBP90341AF	P06025MM
GBP90342AF	P52017MM
GBP90345AF	P52015MM
GBP90347	P28017MM
RTC3163	PA6001MM
RTC4518	PA6006MM

OE	MAGNETI MARELLI
----	-----------------

ROVER	
RTC5574	P44005MM
RTC6781	P44004MM
SEB000290	P28020MM
SFP000040	P06043MM
SFP000041	P06043MM
SFP000210	P44008MM
SFP000390	P28020MM
SFP000410	P28020MM
SFP10012	P28027MM
SFP100220EVA	P28022MM
SFP100260	P28020MM
SFP100360	P44010MM
SFP100460	P44008MM
SFP100480	P44008MM
SFP100511SLP	P52017MM
STC1880	P44008MM
STC2952	P44005MM
STC3195	P44008MM
STC3685	P44008MM
STC8189	P44004MM
STC8571	P44004MM
STC8572	P44004MM
STC9187	PA6006MM
STC9190	P44004MM

SAAB

4196317	P71003MM
4467049	P59019MM
4467072	P59018MM
4467899	P59019MM
4478254	P59022MM
4483723	P59019MM
4646899	P59019MM
4648457	P59019MM
4778254	P59022MM
4836987	P71008MM
4837241	P59014MM
4839700	P71005MM
4839924	P59029MM
4907739	P59029MM
5055371	P59048MM
5055769	P71005MM
5055967	P71003MM
5057336	P71008MM
5058110	P71006MM

OE	MAGNETI MARELLI
----	-----------------

SAAB	
5062203	P59029MM
5062211	P59029MM
5064795	P59048MM
5124078	P59022MM
5232350	P59029MM
5392485	P59048MM
5532544	P59048MM
5533518	P59048MM
7873730	P59001MM
8910499	P06001MM
8961815	P71004MM
8961856	P06001MM
8967077	P71004MM
8967101	P71003MM
8967119	P71003MM
8968018	P71004MM
8968026	P71003MM
8968976	P71005MM
8993230	P06001MM
8993297	P06001MM
8993719	P71004MM
8993768	P71005MM
8993974	P71004MM
8994832	P06001MM
8994980	P06001MM
9101916	P06001MM
9102716	P06001MM
12759808	P59022MM
12765397	P59043MM
12799240	P59042MM
12800120	P59043MM
12802167	P59049MM
13237753	P59054MM
13237767	P59060MM
13237768	P59059MM
13322091	P59042MM
20978663	P59060MM
32006166	P78013MM
32006167	P78013MM
32006220	P78011MM
32017848	P59042MM
33425349	P71003MM
88964423	P10009MM
88964424	P10009MM
88982932	P10009MM

OE	MAGNETI MARELLI
----	-----------------

SAAB	
89027184	P10010MM
93166941	P59046MM
93166942	P59042MM
93166943	P59043MM
93185751	P59043MM
93190340	P59046MM
93192749	P59048MM
93192996	P59022MM
93194192	P71006MM
93195754	P24057MM
99900003	P59042MM
S4837241	P59014MM
S5058110	P71006MM

SANTANA

00000A01225	P79007MM
A850092003	PA6024MM

SEAT

21165081	P23019MM
114430281	P85006MM
115430261	P85022MM
115430280	P24013MM
115430281	P24013MM
115430284	P85022MM
115430285	P85022MM
191698151	P85019MM
191698451	P85017MM
211698151	P23001MM
251698151	P85002MM
281698151	P85007MM
291698151	P50003MM
311698151	P06001MM
357698151	P85092MM
411698151	P59001MM
437698151	P85016MM
437698451	P85013MM
443498451	P85013MM
443698151	P85092MM
443698451	P85013MM
447698151	P85018MM
447698451	P85013MM
701698151	P85028MM
701698451	P85046MM
803698151	P59001MM

OE	MAGNETI MARELLI
----	-----------------

SEAT	
811698151	P85003MM
823698151	P85003MM
857698451	P85013MM
859698451	P85013MM
861698151	P85003MM
867698151	P85024MM
891698151	P85003MM
895698151	P85018MM
161698451D	P85017MM
171698151E	P85003MM
171698151F	P85012MM
171698151G	P85005MM
191615109H	P85012MM
191615115K	P85019MM
191615415A	P85017MM
191615415D	P85017MM
191698151A	P85019MM
191698151B	P85005MM
191698151C	P85012MM
191698151D	P85012MM
191698151E	P85019MM
191698151F	P85019MM
191698151G	P85005MM
191698151H	P85012MM
191698151J	P85012MM
191698151K	P85012MM
191698451A	P85017MM
191698451B	P85017MM
191698451C	P85017MM
191698451D	P85017MM
1BM698151A	P06001MM
1BM698151B	P06001MM
1E0698451	P85020MM
1E0698451A	P85017MM
1E0698451B	P85020MM
1E0698451D	P85020MM
1E0698451E	P85020MM
1E0698451G	P85020MM
1H0615109	P85012MM
1H0615415	P85020MM
1H0615415A	P85020MM
1H0615415D	P85020MM
1H0698151	P85012MM
1H0698151A	P85030MM
1H0698151B	P85031MM

OE	MAGNETI MARELLI
SEAT	
1H0698451	P85020MM
1H0698451A	P85020MM
1H0698451B	P85017MM
1H0698451C	P85017MM
1H0698451D	P85020MM
1H0698451E	P85017MM
1H0698451F	P85017MM
1H0698451G	P85017MM
1H0698451H	P85017MM
1HM698151	P85032MM
1HM698151A	P85032MM
1J0615115	P85041MM
1J0698151	P85041MM
1J0698151A	P85041MM
1J0698151B	P85041MM
1J0698151C	P85041MM
1J0698151D	P85072MM
1J0698151E	P85072MM
1J0698151F	P85072MM
1J0698151G	P85072MM
1J0698151H	P85041MM
1J0698151J	P85041MM
1J0698151K	P85045MM
1J0698151L	P85035MM
1J0698151M	P85045MM
1J0698451	P85020MM
1J0698451B	P85020MM
1J0698451C	P85020MM
1J0698451D	P85020MM
1J0698451E	P85020MM
1J0698451F	P85020MM
1J0698451G	P85020MM
1J0698451H	P85020MM
1J0698451J	P85020MM
1J0698451K	P85020MM
1J0698451L	P85020MM
1J0698451M	P85020MM
1J0698451N	P85020MM
1J0698451P	P85020MM
1J0698451R	P85020MM
1J0698451S	P85020MM
1JE698151B	P85041MM
1K0698151	P85075MM
1K0698151A	P85072MM
1K0698151B	P85079MM

OE	MAGNETI MARELLI
SEAT	
1K0698151C	P85075MM
1K0698151D	P85072MM
1K0698151E	P85075MM
1K0698151F	P85072MM
1K0698151G	P85072MM
1K0698451	P85073MM
1K0698451A	P85020MM
1K0698451B	P85095MM
1K0698451C	P85020MM
1K0698451D	P85073MM
1K0698451E	P85095MM
1K0698451F	P85073MM
1K0698451G	P85073MM
1K0698451H	P85073MM
1K0698451J	P85020MM
1K0698451K	P85095MM
1K0698451M	P85020MM
1ML698151	P85104MM
1S0698151	P85041MM
1S0698151A	P85041MM
211698151A	P23001MM
211698151B	P23001MM
211698151C	P85002MM
211698151D	P23001MM
211698151F	P23001MM
211698151G	P23001MM
251698151A	P85002MM
251698151B	P85002MM
251698151C	P85008MM
251698151D	P85002MM
251698151E	P85002MM
251698151F	P85008MM
251698151G	P85008MM
281698151A	P85007MM
281698151B	P85007MM
291698151A	P50003MM
2D0698151	P50080MM
2D0698151A	P50028MM
2D0698151B	P50028MM
2D0698151C	P50080MM
2D0698451	P50082MM
2D0698451A	P50081MM
2D0698451D	P50081MM
2E0698151	P50085MM
2E0698151A	P50059MM

OE	MAGNETI MARELLI
SEAT	
2E0698151B	P50085MM
2E0698151C	P50059MM
2E0698151E	P50085MM
2E0698151F	P50059MM
2E0698451	P50084MM
2E0698451A	P50060MM
2E0698451B	P50060MM
2H0698151	P85115MM
2H0698151A	P85115MM
2K5698451	P85114MM
311698151A	P06001MM
311698151B	P06001MM
311698151C	P59001MM
311698151D	P06001MM
311698151E	P59001MM
321698151B	P85005MM
321698151C	P85012MM
321698151D	P85005MM
321698151E	P85005MM
321698151F	P85012MM
321698151G	P85012MM
321698151H	P85005MM
357698151A	P85015MM
357698151B	P85011MM
357698151C	P85034MM
357698151D	P85015MM
357698151E	P85032MM
357698151F	P85034MM
357698151H	P85015MM
377698151E	P59034MM
377698151J	P59034MM
377698151K	P59034MM
3A0615116A	P85035MM
3A0615116B	P85035MM
3A0615151	P85035MM
3A0615151A	P85035MM
3A0698151	P85035MM
3A0698151A	P85035MM
3AA698451	P85109MM
3B0698451	P85020MM
3B0698451A	P85020MM
3B7698151	P06019MM
3C0698151	P85075MM
3C0698151A	P85146MM
3C0698151B	P85075MM

OE	MAGNETI MARELLI
SEAT	
3C0698151C	P85146MM
3C0698151D	P85146MM
3C0698151E	P85131MM
3C0698151F	P85131MM
3C0698151G	P85131MM
3C0698151H	P85131MM
3C0698451	P85073MM
3C0698451A	P85108MM
3C0698451B	P85073MM
3C0698451C	P85108MM
3C0698451D	P85073MM
3C0698451E	P85109MM
3C0698451F	P85109MM
3D0698151A	P85078MM
3D0698151B	P85067MM
3D0698451	P85064MM
3D0698451A	P85064MM
411698151B	P59001MM
420698451A	P02001MM
420698451D	P02001MM
431698151D	P85092MM
431698151F	P85092MM
431698151G	P85092MM
440615116A	P85092MM
440698151A	P85092MM
441698151E	P85018MM
441698151G	P85038MM
443398151F	P85016MM
443615415N	P85013MM
443615415P	P85013MM
443615415S	P85013MM
443698151A	P85092MM
443698151C	P85016MM
443698151D	P85016MM
443698151E	P85016MM
443698151F	P85016MM
443698151G	P85016MM
443698151H	P85016MM
443698151J	P85092MM
443698151K	P85092MM
443698451A	P85013MM
443698451B	P85013MM
443698451C	P85013MM
447615115B	P85018MM
447615115E	P61049MM

OE	MAGNETI MARELLI
SEAT	
447615115M	P85018MM
447615116B	P85018MM
447615116E	P61049MM
447615116M	P85018MM
447698151A	P85018MM
447698151B	P85018MM
447698151C	P61049MM
447698151E	P85018MM
447698151F	P85018MM
447698451A	P85013MM
447698451C	P85013MM
480698157R	P85097MM
4A0615415	P85013MM
4A0615415C	P85013MM
4A0698151	P85026MM
4A0698151A	P85026MM
4A0698151B	P85038MM
4A0698151C	P85026MM
4A0698151D	P85038MM
4A0698451	P85013MM
4A0698451A	P85013MM
4B0615116	P85037MM
4B0615116A	P85037MM
4B0615116F	P85037MM
4B0615116G	P85037MM
4B0698151	P85037MM
4B0698151A	P85037MM
4B0698151AB	P85085MM
4B0698151AC	P85056MM
4B0698151AD	P85056MM
4B0698151AE	P85096MM
4B0698151AF	P85037MM
4B0698151B	P85037MM
4B0698151C	P85096MM
4B0698151D	P85067MM
4B0698151E	P85085MM
4B0698151H	P85037MM
4B0698151J	P85085MM
4B0698151K	P85037MM
4B0698151L	P85067MM
4B0698151M	P85085MM
4B0698151N	P85085MM
4B0698151Q	P85056MM
4B0698151R	P85056MM
4B0698151S	P85067MM

OE	MAGNETI MARELLI
SEAT	
4B0698451	P85020MM
4B0698451B	P85020MM
4B0698451E	P85020MM
4B3615118A	P85038MM
4B3698151	P85067MM
4B3698151A	P85078MM
4B3698151B	P85067MM
4B3698451	P85076MM
4B3698451A	P85076MM
4D0615415	P85013MM
4D0698151	P85054MM
4D0698151A	P85036MM
4D0698151AD	P85038MM
4D0698151B	P85054MM
4D0698151E	P85038MM
4D0698151H	P85026MM
4D0698151L	P85053MM
4D0698151P	P85054MM
4D0698151Q	P85053MM
4D0698151R	P85054MM
4D0698151S	P85054MM
4D0698451	P85013MM
4D0698451A	P85013MM
4D0698451B	P85013MM
4D0698451C	P85020MM
4D0698451D	P85020MM
4D0698451F	P85013MM
4D0698451G	P85013MM
4E0698151	P85102MM
4E0698151A	P85102MM
4E0698151E	P85087MM
4E0698151F	P85084MM
4E0698151J	P85102MM
4E0698151K	P85087MM
4E0698151M	P85084MM
4E0698451A	P85076MM
4F0698151A	P85084MM
4F0698151D	P85097MM
4F0698151K	P85097MM
4F0698451	P85076MM
4F0698451A	P85073MM
4F0698451B	P85073MM
4F0698451D	P85073MM
4F0698451E	P85073MM
4F0698451F	P85076MM

OE	MAGNETI MARELLI
SEAT	
4F0698451G	P85143MM
4F0698451H	P85076MM
4G0698151B	P85127MM
4G0698151F	P85136MM
4G0698151G	P85127MM
4G0698151S	P85127MM
4G0698451	P85118MM
4G0698451B	P85119MM
4G0698451C	P85119MM
4H0698151D	P85127MM
4H0698151E	P85128MM
4H0698151F	P85136MM
4H0698151G	P85127MM
4H0698151H	P85128MM
4H0698151J	P85136MM
4H0698451A	P85117MM
4H0698451C	P85120MM
4H0698451D	P85120MM
533698151A	P85093MM
5C0698151	P85105MM
5C0698151A	P85041MM
5C0698451	P85020MM
5C0698451A	P85020MM
5K0698151	P85075MM
5K0698151A	P85105MM
5K0698451	P85114MM
5K0698451A	P85114MM
5K0698451C	P85114MM
5N0698151	P85112MM
5N0698151A	P85112MM
5N0698151B	P85130MM
5N0698451	P85109MM
5Q0698151	P85126MM
5Q0698151B	P85126MM
5Q0698151C	P85137MM
5Q0698451	P85124MM
5Q0698451A	P85020MM
5Q0698451B	P85135MM
5Q0698451C	P85125MM
5Q0698451E	P85020MM
5Q0698451F	P85135MM
5Q0698451M	P85020MM
5Q0698451N	P85125MM
5Z0698151A	P85041MM
6C0698151	P85041MM

OE	MAGNETI MARELLI
SEAT	
6C0698151B	P85041MM
6E0698151	P85055MM
6KL698151	P36020MM
6LL698151	P85134MM
6N0698151	P85025MM
6N0698151A	P85032MM
6N0698151B	P85032MM
6N0698151C	P85025MM
6Q0698151	P85041MM
6Q0698151A	P85057MM
6Q0698151B	P85071MM
6Q0698151C	P85077MM
6Q0698451	P85066MM
6Q0698451B	P85066MM
6R0698151A	P85041MM
6R0698451	P85020MM
6RU698151	P85121MM
6RU698151A	P85121MM
6U0698151	P85022MM
6U0698151A	P85022MM
6U0698151B	P85022MM
6U0698151C	P85022MM
6U0698151D	P85022MM
6U0698151E	P85022MM
6U0698151F	P85022MM
6X0698451	P85066MM
6X0698451A	P85066MM
701698151A	P85027MM
701698151B	P85027MM
701698151C	P85028MM
701698151D	P85029MM
701698151E	P85029MM
701698151F	P85027MM
701698151G	P85027MM
701698151H	P85027MM
701698151J	P85029MM
701698451C	P50011MM
701698451C	P85046MM
7B0698151A	P11022MM
7B0698151C	P11022MM
7B0698151D	P11022MM
7B0698151E	P11035MM
7B0698151G	P11035MM
7B0698151J	P11035MM
7B0698151K	P11035MM

OE	MAGNETI MARELLI
SEAT	
7B0698451	P11021MM
7B0698451A	P11021MM
7B0698451B	P11032MM
7B0698451C	P11021MM
7B0698451D	P11021MM
7D0698151	P85047MM
7D0698151A	P85052MM
7D0698151B	P85050MM
7D0698151C	P85048MM
7D0698151D	P85049MM
7D0698151E	P85047MM
7D0698151F	P85049MM
7D0698151G	P85050MM
7D0698151H	P85048MM
7D0698451	P85046MM
7D0698451A	P85046MM
7D0698451B	P85059MM
7D0698451C	P85046MM
7D0698451D	P85046MM
7D0698451E	P85046MM
7D0698451F	P85059MM
7D0698451G	P85046MM
7D0698451J	P85046MM
7D698151B	P85027MM
7E0698151	P85141MM
7E0698151B	P85141MM
7H0698151	P85081MM
7H0698151A	P85082MM
7H0698151B	P85106MM
7H0698151C	P85107MM
7H0698451	P85083MM
7H0698451A	P85076MM
7H0698451B	P85083MM
7H8698451	P85091MM
7L0698151	P85069MM
7L0698151A	P85065MM
7L0698151B	P85069MM
7L0698151C	P85065MM
7L0698151D	P85069MM
7L0698151E	P85065MM
7L0698151F	P85069MM
7L0698151G	P85065MM
7L0698151H	P85069MM
7L0698151J	P85065MM
7L0698151M	P65017MM

OE	MAGNETI MARELLI
SEAT	
7L0698151N	P65017MM
7L0698151P	P85065MM
7L0698151Q	P85069MM
7L0698151R	P85065MM
7L0698151S	P85069MM
7L0698451	P85070MM
7L0698451A	P85070MM
7L0698451B	P85070MM
7L0698451C	P85103MM
7L0698451D	P85103MM
7L0698451E	P85103MM
7L0698451F	P85103MM
7L0698451H	P85070MM
7L5698151	P65016MM
7L5698151C	P85069MM
7L5698451	P85088MM
7L5698451B	P85070MM
7L6698151	P85069MM
7L6698151A	P85065MM
7L6698151B	P85090MM
7L6698151C	P85069MM
7L6698151D	P85065MM
7L6698151E	P85110MM
7L6698151F	P85149MM
7L6698151G	P85110MM
7L6698151J	P85110MM
7L6698451	P85068MM
7L6698451A	P85070MM
7L6698451B	P85111MM
7L6698451C	P85068MM
7L6698451D	P85070MM
7M0698151	P85039MM
7M0698151A	P85039MM
7M0698151B	P85039MM
7M0698451	P85020MM
7M3698151	P85060MM
7M3698151A	P85061MM
7M3698151B	P85062MM
7M3698451	P85058MM
7M3698451A	P85020MM
7M3698451B	P85058MM
7M3698451C	P85058MM
7M3698451D	P85059MM
7M3698451E	P85058MM
7M3698451F	P85059MM

OE	MAGNETI MARELLI
SEAT	
7N0698151	P85112MM
7N0698151A	P85131MM
7N0698151B	P85131MM
7N0698151C	P85131MM
7N0698151D	P85131MM
7N0698451A	P85140MM
7P0698451	P65027MM
7P5698151	P65026MM
7P5698451	P65030MM
7P6698151C	P85110MM
7P6698451	P65027MM
803698151A	P59001MM
803698151C	P59001MM
803698151D	P59001MM
803698151F	P59001MM
810698151B	P59001MM
823698151A	P85003MM
853698151A	P85093MM
861698151A	P85003MM
861698151E	P85003MM
895615115B	P85018MM
895615115C	P85018MM
895698151A	P85018MM
895698151B	P85018MM
8A0615115D	P85092MM
8A0615115F	P65005MM
8A0698151	P85016MM
8A0698151A	P85011MM
8A0698151A	P85092MM
8A0698151B	P85011MM
8A0698151B	P85016MM
8A0698151C	P85011MM
8A0698151D	P65005MM
8A0698151E	P65005MM
8A0698151F	P65005MM
8A0698151G	P65006MM
8A0698451	P85094MM
8A0698451A	P85094MM
8A0698451B	P85094MM
8D0615116B	P85036MM
8D0615116D	P85036MM
8D0698151	P85011MM
8D0698151A	P85036MM
8D0698151B	P85096MM
8D0698151C	P85036MM

OE	MAGNETI MARELLI
SEAT	
8D0698151D	P06019MM
8D0698151F	P85036MM
8D0698151L	P85092MM
8D0698451	P85020MM
8D0698451A	P85101MM
8D0698451B	P85101MM
8E0615115B	P85044MM
8E0698151	P85042MM
8E0698151A	P85042MM
8E0698151B	P85044MM
8E0698151C	P85097MM
8E0698151F	P85085MM
8E0698151G	P85084MM
8E0698151H	P85078MM
8E0698151J	P85085MM
8E0698151K	P85085MM
8E0698151L	P85084MM
8E0698151M	P85044MM
8E0698151N	P85042MM
8E0698451	P85020MM
8E0698451A	P85020MM
8E0698451B	P85017MM
8E0698451C	P85076MM
8E0698451D	P85017MM
8E0698451E	P85017MM
8E0698451F	P85073MM
8E0698451H	P85076MM
8E0698451J	P85073MM
8E0698451K	P85020MM
8E0698451L	P85017MM
8E0698451M	P85073MM
8E0698451N	P85076MM
8E0698451P	P85076MM
8EA698451	P85020MM
8J0698151	P85075MM
8J0698151A	P85129MM
8J0698151D	P85116MM
8J0698151E	P85116MM
8J0698151F	P85129MM
8J0698151G	P85116MM
8J0698151H	P85116MM
8J0698151K	P85116MM
8K0615151C	P85098MM
8K0698151	P85098MM
8K0698151A	P85113MM

OE	MAGNETI MARELLI
SEAT	
8K0698151B	P85098MM
8K0698151D	P85098MM
8K0698151E	P85098MM
8K0698151F	P85113MM
8K0698151G	P85098MM
8K0698151H	P85098MM
8K0698151J	P85098MM
8K0698151K	P85098MM
8K0698451	P85100MM
8K0698451A	P85099MM
8K0698451B	P85099MM
8K0698451C	P85099MM
8K0698451D	P85100MM
8K0698451E	P85100MM
8N0698151	P85035MM
8N0698151A	P85045MM
8N0698151C	P85045MM
8N0698151D	P06019MM
8P0698151	P85129MM
8R0698151	P85098MM
8R0698151A	P85145MM
8R0698151B	P85122MM
8R0698151C	P85123MM
8R0698151D	P85133MM
8R0698151E	P85122MM
8R0698151F	P85128MM
8R0698151G	P85133MM
8R0698151H	P85123MM
8R0698151K	P85133MM
8R0698151L	P85122MM
8R0698151R	P85128MM
8U0698151E	P85022MM
8V0698151	P85126MM
8V0698151A	P85126MM
8V0698151B	P85126MM
8V0698151C	P85144MM
8V0698151D	P85126MM
8V0698151G	P85126MM
8V0698451	P85125MM
8V0698451A	P85124MM
8V0698451B	P85125MM
8V0698451D	P85124MM
8X0698151	P85148MM
8Z0698151	P85063MM
J0446535040	P83009MM

OE	MAGNETI MARELLI
SEAT	
J0449135130	P83006MM
J0449135160	P83009MM
J0466535040	P83009MM
JZW698151	P85072MM
JZW698151A	P85041MM
JZW698151B	P85075MM
JZW698151N	P85085MM
JZW698451	P85020MM
JZW698451A	P85020MM
JZW698451B	P85017MM
JZW698451C	P85020MM
JZW698451D	P85073MM
SE0141165081C	P23018MM
SE021165081A	P23013MM
SE021165081B	P23013MM
SE022165081A	P23024MM
SE022165081B	P23013MM
SE022165087	P23005MM
SE127165005A	P23003MM
SE127165081A	P23024MM
SE131165081A	P23013MM
SE141165081A	P23013MM
SE141165081C	P23018MM
SE22165081A	P23018MM
XE02116508113	P23013MM
XE021165081B	P23013MM
ZBC698151A	P23040MM
ZBC698151B	P23040MM
SKODA	
21165081	P23019MM
114430280	P85006MM
114430281	P85006MM
115430261	P85022MM
115430280	P24013MM
115430281	P24013MM
115430284	P85022MM
115430285	P85022MM
191698151	P85019MM
191698451	P85017MM
211698151	P23001MM
251698151	P85002MM
281698151	P85007MM
291698151	P50003MM
311698151	P06001MM

OE	MAGNETI MARELLI
SKODA	
357698151	P85092MM
411698151	P59001MM
437698151	P85016MM
437698451	P85013MM
443498451	P85013MM
443698151	P85092MM
443698451	P85013MM
447698151	P85018MM
447698451	P85013MM
701698151	P85028MM
701698451	P85046MM
803698151	P59001MM
811698151	P85003MM
823698151	P85003MM
857698451	P85013MM
859698451	P85013MM
861698151	P85003MM
867698151	P85024MM
891698151	P85003MM
895698151	P85018MM
114430281R	P85006MM
161698451D	P85017MM
171698151E	P85003MM
171698151F	P85012MM
171698151G	P85005MM
191615109H	P85012MM
191615115K	P85019MM
191615415A	P85017MM
191615415D	P85017MM
191698151A	P85019MM
191698151B	P85005MM
191698151C	P85012MM
191698151D	P85012MM
191698151E	P85019MM
191698151F	P85019MM
191698151G	P85005MM
191698151H	P85012MM
191698151J	P85012MM
191698151K	P85012MM
191698451A	P85017MM
191698451B	P85017MM
191698451C	P85017MM
191698451D	P85017MM
1BM698151A	P06001MM
1BM698151B	P06001MM

OE	MAGNETI MARELLI
SKODA	
1E0698451	P85020MM
1E0698451A	P85017MM
1E0698451B	P85020MM
1E0698451D	P85020MM
1E0698451E	P85020MM
1E0698451G	P85020MM
1H0615109	P85012MM
1H0615415	P85020MM
1H0615415A	P85020MM
1H0615415D	P85020MM
1H0698151	P85012MM
1H0698151A	P85030MM
1H0698151B	P85031MM
1H0698451	P85020MM
1H0698451A	P85020MM
1H0698451B	P85017MM
1H0698451C	P85017MM
1H0698451D	P85020MM
1H0698451E	P85017MM
1H0698451F	P85017MM
1H0698451G	P85017MM
1H0698451H	P85017MM
1HM698151	P85032MM
1HM698151A	P85032MM
1J0615115	P85041MM
1J0698151	P85041MM
1J0698151A	P85041MM
1J0698151B	P85041MM
1J0698151C	P85041MM
1J0698151D	P85072MM
1J0698151E	P85072MM
1J0698151F	P85072MM
1J0698151G	P85072MM
1J0698151H	P85041MM
1J0698151J	P85041MM
1J0698151K	P85045MM
1J0698151L	P85035MM
1J0698151M	P85045MM
1J0698451	P85020MM
1J0698451B	P85020MM
1J0698451C	P85020MM
1J0698451D	P85020MM
1J0698451E	P85020MM
1J0698451F	P85020MM
1J0698451G	P85020MM

OE	MAGNETI MARELLI
SKODA	
1J0698451H	P85020MM
1J0698451J	P85020MM
1J0698451K	P85020MM
1J0698451L	P85020MM
1J0698451M	P85020MM
1J0698451N	P85020MM
1J0698451P	P85020MM
1J0698451R	P85020MM
1J0698451S	P85020MM
1JE698151B	P85041MM
1K0698151	P85075MM
1K0698151A	P85072MM
1K0698151B	P85079MM
1K0698151C	P85075MM
1K0698151D	P85072MM
1K0698151E	P85075MM
1K0698151F	P85072MM
1K0698151G	P85072MM
1K0698451	P85073MM
1K0698451A	P85020MM
1K0698451B	P85095MM
1K0698451C	P85020MM
1K0698451D	P85073MM
1K0698451E	P85095MM
1K0698451F	P85073MM
1K0698451G	P85073MM
1K0698451H	P85073MM
1K0698451J	P85020MM
1K0698451K	P85095MM
1K0698451M	P85020MM
1ML698151	P85104MM
1S0698151	P85041MM
211698151A	P23001MM
211698151B	P23001MM
211698151C	P85002MM
211698151D	P23001MM
211698151F	P23001MM
211698151G	P23001MM
251698151A	P85002MM
251698151B	P85002MM
251698151C	P85008MM
251698151D	P85002MM
251698151E	P85002MM
251698151F	P85008MM
251698151G	P85008MM

OE	MAGNETI MARELLI
SKODA	
281698151A	P85007MM
281698151B	P85007MM
291698151A	P50003MM
2D0698151	P50080MM
2D0698151A	P50028MM
2D0698151B	P50028MM
2D0698151C	P50080MM
2D0698451	P50082MM
2D0698451A	P50081MM
2D0698451D	P50081MM
2E0698151	P50085MM
2E0698151A	P50059MM
2E0698151B	P50085MM
2E0698151C	P50059MM
2E0698151E	P50085MM
2E0698151F	P50059MM
2E0698451	P50084MM
2E0698451A	P50060MM
2E0698451B	P50060MM
2H0698151	P85115MM
2H0698151A	P85115MM
2K5698451	P85114MM
311698151A	P06001MM
311698151B	P06001MM
311698151C	P59001MM
311698151D	P06001MM
311698151E	P59001MM
321698151B	P85005MM
321698151C	P85012MM
321698151D	P85005MM
321698151E	P85005MM
321698151F	P85012MM
321698151G	P85012MM
321698151H	P85005MM
357698151A	P85015MM
357698151B	P85011MM
357698151C	P85034MM
357698151D	P85015MM
357698151E	P85032MM
357698151F	P85034MM
357698151H	P85015MM
377698151E	P59034MM
377698151J	P59034MM
377698151K	P59034MM
3A0615116A	P85035MM

OE	MAGNETI MARELLI
SKODA	
3A0615116B	P85035MM
3A0615151	P85035MM
3A0615151A	P85035MM
3A0698151	P85035MM
3A0698151A	P85035MM
3AA698451	P85109MM
3B0698451	P85020MM
3B0698451A	P85020MM
3B7698151	P06019MM
3C0698151	P85075MM
3C0698151A	P85146MM
3C0698151B	P85075MM
3C0698151C	P85146MM
3C0698151D	P85146MM
3C0698151E	P85131MM
3C0698151F	P85131MM
3C0698151G	P85131MM
3C0698151H	P85131MM
3C0698451	P85073MM
3C0698451A	P85108MM
3C0698451B	P85073MM
3C0698451D	P85073MM
3C0698451E	P85109MM
3C0698451F	P85109MM
3D0698151A	P85078MM
3D0698151B	P85067MM
3D0698451	P85064MM
3D0698451A	P85064MM
3Q0698451C	P85124MM
411698151B	P59001MM
420698451A	P02001MM
420698451D	P02001MM
431698151D	P85092MM
431698151F	P85092MM
431698151G	P85092MM
440615116A	P85092MM
440698151A	P85092MM
441698151E	P85018MM
441698151G	P85038MM
443398151F	P85016MM
443615415N	P85013MM
443615415P	P85013MM
443615415S	P85013MM
443698151A	P85092MM
443698151C	P85016MM

OE	MAGNETI MARELLI
SKODA	
443698151D	P85016MM
443698151E	P85016MM
443698151F	P85016MM
443698151G	P85016MM
443698151H	P85016MM
443698151J	P85092MM
443698151K	P85092MM
443698451A	P85013MM
443698451B	P85013MM
443698451C	P85013MM
447615115B	P85018MM
447615115E	P61049MM
447615115M	P85018MM
447615116B	P85018MM
447615116E	P61049MM
447615116M	P85018MM
447698151A	P85018MM
447698151B	P85018MM
447698151C	P61049MM
447698151E	P85018MM
447698151F	P85018MM
447698451A	P85013MM
447698451C	P85013MM
480698157R	P85097MM
4A0615415	P85013MM
4A0615415C	P85013MM
4A0698151	P85026MM
4A0698151A	P85026MM
4A0698151B	P85038MM
4A0698151C	P85026MM
4A0698151D	P85038MM
4A0698451	P85013MM
4A0698451A	P85013MM
4B0615116	P85037MM
4B0615116A	P85037MM
4B0615116F	P85037MM
4B0615116G	P85037MM
4B0698151	P85037MM
4B0698151A	P85037MM
4B0698151AB	P85085MM
4B0698151AC	P85056MM
4B0698151AD	P85056MM
4B0698151AE	P85096MM
4B0698151AF	P85037MM
4B0698151B	P85037MM

OE	MAGNETI MARELLI
SKODA	
4B0698151C	P85096MM
4B0698151D	P85067MM
4B0698151E	P85085MM
4B0698151H	P85037MM
4B0698151J	P85085MM
4B0698151K	P85037MM
4B0698151L	P85067MM
4B0698151M	P85085MM
4B0698151N	P85085MM
4B0698151Q	P85056MM
4B0698151R	P85056MM
4B0698151S	P85067MM
4B0698451	P85020MM
4B0698451B	P85020MM
4B0698451E	P85020MM
4B3615118A	P85038MM
4B3698151	P85067MM
4B3698151A	P85078MM
4B3698151B	P85067MM
4B3698451	P85076MM
4B3698451A	P85076MM
4D0615415	P85013MM
4D0698151	P85054MM
4D0698151A	P85036MM
4D0698151AD	P85038MM
4D0698151B	P85054MM
4D0698151E	P85038MM
4D0698151H	P85026MM
4D0698151L	P85053MM
4D0698151P	P85054MM
4D0698151Q	P85053MM
4D0698151R	P85054MM
4D0698151S	P85054MM
4D0698451	P85013MM
4D0698451A	P85013MM
4D0698451B	P85013MM
4D0698451C	P85020MM
4D0698451D	P85020MM
4D0698451F	P85013MM
4D0698451G	P85013MM
4E0698151	P85102MM
4E0698151A	P85102MM
4E0698151E	P85087MM
4E0698151F	P85084MM
4E0698151J	P85102MM

OE	MAGNETI MARELLI
SKODA	
4E0698151K	P85087MM
4E0698151M	P85084MM
4E0698451A	P85076MM
4F0698151A	P85084MM
4F0698151D	P85097MM
4F0698151K	P85097MM
4F0698451	P85076MM
4F0698451A	P85073MM
4F0698451B	P85073MM
4F0698451D	P85073MM
4F0698451E	P85073MM
4F0698451F	P85076MM
4F0698451G	P85143MM
4F0698451H	P85076MM
4G0698151B	P85127MM
4G0698151F	P85136MM
4G0698151G	P85127MM
4G0698151S	P85127MM
4G0698451	P85118MM
4G0698451B	P85119MM
4G0698451C	P85119MM
4H0698151D	P85127MM
4H0698151E	P85128MM
4H0698151F	P85136MM
4H0698151G	P85127MM
4H0698151H	P85128MM
4H0698151J	P85136MM
4H0698451A	P85117MM
4H0698451C	P85120MM
4H0698451D	P85120MM
533698151A	P85093MM
5C0698151	P85105MM
5C0698151A	P85041MM
5C0698451	P85020MM
5C0698451A	P85020MM
5K0698151	P85075MM
5K0698151A	P85105MM
5K0698451	P85114MM
5K0698451A	P85114MM
5K0698451C	P85114MM
5N0698151	P85112MM
5N0698151A	P85112MM
5N0698151B	P85130MM
5N0698451	P85109MM
5Q0698151	P85126MM

OE	MAGNETI MARELLI
SKODA	
5Q0698151B	P85126MM
5Q0698151C	P85137MM
5Q0698451	P85124MM
5Q0698451A	P85020MM
5Q0698451B	P85135MM
5Q0698451C	P85125MM
5Q0698451E	P85020MM
5Q0698451F	P85135MM
5Q0698451N	P85125MM
5Q0698451P	P85124MM
5Z0698151A	P85041MM
6C0698151	P85041MM
6E0698151	P85055MM
6KL698151	P36020MM
6LL698151	P85134MM
6N0698151	P85025MM
6N0698151A	P85032MM
6N0698151B	P85032MM
6N0698151C	P85025MM
6Q0698151	P85041MM
6Q0698151A	P85057MM
6Q0698151B	P85071MM
6Q0698151C	P85077MM
6Q0698451	P85066MM
6Q0698451B	P85066MM
6R0698151A	P85041MM
6R0698451	P85020MM
6RU698151	P85121MM
6RU698151A	P85121MM
6RU698151B	P85121MM
6U0698151	P85022MM
6U0698151A	P85022MM
6U0698151B	P85022MM
6U0698151C	P85022MM
6U0698151D	P85022MM
6U0698151E	P85022MM
6U0698151F	P85022MM
6X0698451	P85066MM
6X0698451A	P85066MM
701698151A	P85027MM
701698151B	P85027MM
701698151C	P85028MM
701698151D	P85029MM
701698151E	P85029MM
701698151F	P85027MM

OE	MAGNETI MARELLI
SKODA	
701698151G	P85027MM
701698151H	P85027MM
701698151J	P85029MM
701698451C	P50011MM
701698451C	P85046MM
7B0698151A	P11022MM
7B0698151C	P11022MM
7B0698151D	P11022MM
7B0698151E	P11035MM
7B0698151G	P11035MM
7B0698151J	P11035MM
7B0698151K	P11035MM
7B0698451	P11021MM
7B0698451A	P11021MM
7B0698451B	P11032MM
7B0698451C	P11021MM
7B0698451D	P11021MM
7D0698151	P85047MM
7D0698151A	P85052MM
7D0698151B	P85050MM
7D0698151C	P85048MM
7D0698151D	P85049MM
7D0698151E	P85047MM
7D0698151F	P85049MM
7D0698151G	P85050MM
7D0698151H	P85048MM
7D0698451	P85046MM
7D0698451A	P85046MM
7D0698451B	P85059MM
7D0698451C	P85046MM
7D0698451D	P85046MM
7D0698451E	P85046MM
7D0698451F	P85059MM
7D0698451G	P85046MM
7D0698451J	P85046MM
7D698151B	P85027MM
7E0698151	P85141MM
7E0698151B	P85141MM
7H0698151	P85081MM
7H0698151A	P85082MM
7H0698151B	P85106MM
7H0698151C	P85107MM
7H0698451	P85083MM
7H0698451A	P85076MM
7H0698451B	P85083MM

OE	MAGNETI MARELLI
SKODA	
7H8698451	P85091MM
7L0698151	P85069MM
7L0698151A	P85065MM
7L0698151B	P85069MM
7L0698151C	P85065MM
7L0698151D	P85069MM
7L0698151E	P85065MM
7L0698151F	P85069MM
7L0698151G	P85065MM
7L0698151H	P85069MM
7L0698151J	P85065MM
7L0698151M	P65017MM
7L0698151N	P65017MM
7L0698151P	P85065MM
7L0698151Q	P85069MM
7L0698151R	P85065MM
7L0698151S	P85069MM
7L0698451	P85070MM
7L0698451A	P85070MM
7L0698451B	P85070MM
7L0698451C	P85103MM
7L0698451D	P85103MM
7L0698451E	P85103MM
7L0698451F	P85103MM
7L0698451H	P85070MM
7L5698151	P65016MM
7L5698151C	P85069MM
7L5698451	P85088MM
7L5698451B	P85070MM
7L6698151	P85069MM
7L6698151A	P85065MM
7L6698151B	P85090MM
7L6698151C	P85069MM
7L6698151D	P85065MM
7L6698151E	P85110MM
7L6698151F	P85149MM
7L6698151G	P85110MM
7L6698151J	P85110MM
7L6698451	P85068MM
7L6698451A	P85070MM
7L6698451B	P85111MM
7L6698451C	P85068MM
7L6698451D	P85070MM
7M0698151	P85039MM
7M0698151A	P85039MM

OE	MAGNETI MARELLI
SKODA	
7M0698151B	P85039MM
7M0698451	P85020MM
7M3698151	P85060MM
7M3698151A	P85061MM
7M3698151B	P85062MM
7M3698451	P85058MM
7M3698451A	P85020MM
7M3698451B	P85058MM
7M3698451C	P85058MM
7M3698451D	P85059MM
7M3698451E	P85058MM
7M3698451F	P85059MM
7N0698151	P85112MM
7N0698151A	P85131MM
7N0698151B	P85131MM
7N0698151C	P85131MM
7N0698151D	P85131MM
7P0698451	P65027MM
7P5698151	P65026MM
7P5698451	P65030MM
7P6698151C	P85110MM
7P6698451	P65027MM
803698151A	P59001MM
803698151C	P59001MM
803698151D	P59001MM
803698151F	P59001MM
810698151B	P59001MM
823698151A	P85003MM
853698151A	P85093MM
861698151A	P85003MM
861698151E	P85003MM
895615115B	P85018MM
895615115C	P85018MM
895698151A	P85018MM
895698151B	P85018MM
8A0615115D	P85092MM
8A0615115F	P65005MM
8A0698151	P85016MM
8A0698151A	P85011MM
8A0698151A	P85092MM
8A0698151B	P85011MM
8A0698151B	P85016MM
8A0698151C	P85011MM
8A0698151D	P65005MM
8A0698151E	P65005MM

OE	MAGNETI MARELLI
SKODA	
8A0698151F	P65005MM
8A0698151G	P65006MM
8A0698451	P85094MM
8A0698451A	P85094MM
8A0698451B	P85094MM
8D0615116B	P85036MM
8D0615116D	P85036MM
8D0698151	P85011MM
8D0698151A	P85036MM
8D0698151B	P85096MM
8D0698151C	P85036MM
8D0698151D	P06019MM
8D0698151F	P85036MM
8D0698151L	P85092MM
8D0698451	P85020MM
8D0698451A	P85101MM
8D0698451B	P85101MM
8E0615115B	P85044MM
8E0698151	P85042MM
8E0698151A	P85042MM
8E0698151B	P85044MM
8E0698151C	P85097MM
8E0698151F	P85085MM
8E0698151G	P85084MM
8E0698151H	P85078MM
8E0698151J	P85085MM
8E0698151K	P85085MM
8E0698151L	P85084MM
8E0698151M	P85044MM
8E0698151N	P85042MM
8E0698451	P85020MM
8E0698451A	P85020MM
8E0698451B	P85017MM
8E0698451C	P85076MM
8E0698451D	P85017MM
8E0698451E	P85017MM
8E0698451F	P85073MM
8E0698451H	P85076MM
8E0698451J	P85073MM
8E0698451K	P85020MM
8E0698451L	P85017MM
8E0698451M	P85073MM
8E0698451N	P85076MM
8E0698451P	P85076MM
8EA698451	P85020MM

OE	MAGNETI MARELLI
SKODA	
8J0698151	P85075MM
8J0698151A	P85129MM
8J0698151D	P85116MM
8J0698151E	P85116MM
8J0698151F	P85129MM
8J0698151G	P85116MM
8J0698151H	P85116MM
8J0698151K	P85116MM
8K0615151C	P85098MM
8K0698151	P85098MM
8K0698151A	P85113MM
8K0698151B	P85098MM
8K0698151D	P85098MM
8K0698151E	P85098MM
8K0698151F	P85113MM
8K0698151G	P85098MM
8K0698151H	P85098MM
8K0698151J	P85098MM
8K0698151K	P85098MM
8K0698451	P85100MM
8K0698451A	P85099MM
8K0698451B	P85099MM
8K0698451C	P85099MM
8K0698451D	P85100MM
8K0698451E	P85100MM
8N0698151	P85035MM
8N0698151A	P85045MM
8N0698151C	P85045MM
8N0698151D	P06019MM
8P0698151	P85129MM
8R0698151	P85098MM
8R0698151A	P85145MM
8R0698151B	P85122MM
8R0698151C	P85123MM
8R0698151D	P85133MM
8R0698151E	P85122MM
8R0698151F	P85128MM
8R0698151H	P85123MM
8R0698151L	P85122MM
8R0698151R	P85128MM
8U0698151E	P85022MM
8V0698151	P85126MM
8V0698151A	P85126MM
8V0698151B	P85126MM
8V0698151C	P85144MM

OE	MAGNETI MARELLI
----	-----------------

SKODA	
8V0698151D	P85126MM
8V0698151G	P85126MM
8V0698451	P85125MM
8V0698451A	P85124MM
8V0698451B	P85125MM
8V0698451D	P85124MM
8X0698151	P85148MM
8Z0698151	P85063MM
J0446535040	P83009MM
J0449135130	P83006MM
J0449135160	P83009MM
J0466535040	P83009MM
JZW698151	P85072MM
JZW698151A	P85041MM
JZW698151B	P85075MM
JZW698151N	P85085MM
JZW698451	P85020MM
JZW698451A	P85020MM
JZW698451B	P85017MM
JZW698451C	P85020MM
JZW698451D	P85073MM
SE0141165081C	P23018MM
SE021165081A	P23013MM
SE021165081B	P23013MM
SE022165081A	P23024MM
SE022165081B	P23013MM
SE022165087	P23005MM
SE127165005A	P23003MM
SE127165081A	P23024MM
SE131165081A	P23013MM
SE141165081A	P23013MM
SE141165081C	P23018MM
SE22165081A	P23018MM
XE02116508113	P23013MM
XE021165081B	P23013MM
ZBC698151A	P23040MM
ZBC698151B	P23040MM

SMART

4514210010	P50038MM
4514210110	P50038MM
4514210210	P50038MM
4534210010	P68059MM
4534210100	P68059MM
4544200920	P50055MM

OE	MAGNETI MARELLI
----	-----------------

SMART	
4544201020	P54023MM
4544201920	P50055MM
4544210010	P54036MM
0001431V002000000	P50038MM
0001431V003000000	P50038MM
0001431V004000000	P50038MM
A4514210110	P50038MM
C0001431V002	P50038MM
C0001431V002000000	P50038MM
Q0001431V004000000	P50038MM

SSANGYONG

481321110	P30028MM
4813005100	P15003MM
4813008050	P15011MM
4813008150	P15011MM
4813008151	P15011MM
4813008152	P15011MM
4813008260	P30013MM
4841305000	P15004MM
4841305101	P15009MM
4841305102	P15009MM
4841308050	P15010MM
4841308051	P15010MM
48130090A1	P30013MM
48130091A0	P30013MM
48130341A0	P30036MM
4813A21100	P30028MM
48413050A0	P15004MM
48413090A0	P15010MM
48413090A1	P15010MM
48413091A0	P30057MM
48413091A1	P30057MM
4841321A10	P30057MM
4841321B10	P30014MM
4841321B10	P30057MM
48413341A0	P30047MM
48413350B0	P30067MM
48413350D0	P30054MM

SUBARU

32006220	P78014MM
5520061880	P79005MM
04465B1100	P79012MM
04465B2090	P79012MM

OE	MAGNETI MARELLI
----	-----------------

SUBARU	
04465B2100	P16011MM
04465B2150	P16011MM
04465B5020	P16009MM
04465B5051	P16009MM
04465B5052	P16009MM
04465B5060	P16009MM
04465B5080	P16009MM
26290KC000	P78008MM
26290KC020	P78008MM
26290KC070	P78008MM
26296AA000	P78004MM
26296AA020	P78004MM
26296AA030	P78004MM
26296AA040	P78007MM
26296AA041	P78007MM
26296AA060	P78005MM
26296AA061	P78005MM
26296AA062	P78005MM
26296AA080	P78005MM
26296AA081	P78005MM
26296AA082	P78005MM
26296AA100	P78004MM
26296AA101	P78004MM
26296AA120	P78004MM
26296AA121	P78004MM
26296AA130	P78004MM
26296AA131	P78004MM
26296AA141	P78004MM
26296AA142	P78004MM
26296AA143	P78004MM
26296AA160	P78004MM
26296AA161	P78004MM
26296AA162	P78004MM
26296AA163	P78004MM
26296AA180	P78007MM
26296AA181	P78007MM
26296AA182	P78007MM
26296AA183	P78007MM
26296AC000	P78009MM
26296AC010	P78009MM
26296AC011	P78009MM
26296AC020	P78009MM
26296AC021	P78009MM
26296AC030	P78010MM
26296AC040	P78010MM

OE	MAGNETI MARELLI
----	-----------------

SUBARU	
26296AC041	P78010MM
26296AC050	P78010MM
26296AC060	P78010MM
26296AC070	P78010MM
26296AC080	P78009MM
26296AC090	P78009MM
26296AC200	P78010MM
26296AE000	P78009MM
26296AE001	P78009MM
26296AE002	P78009MM
26296AE020	P78010MM
26296AE040	P78009MM
26296AE080	P78010MM
26296AE081	P78010MM
26296AE100	P78010MM
26296AE120	P56025MM
26296AE121	P56025MM
26296AE140	P78010MM
26296AE141	P78010MM
26296AE150	P78015MM
26296AE160	P78013MM
26296AE190	P78015MM
26296AE200	P78015MM
26296AE210	P78010MM
26296AE220	P78010MM
26296AF020	P78010MM
26296AG000	P78017MM
26296AG010	P78017MM
26296AG020	P78013MM
26296AG030	P78017MM
26296AG040	P78013MM
26296AG050	P78017MM
26296AG051	P78017MM
26296AG060	P78013MM
26296AG070	P78013MM
26296AG080	P78017MM
26296AJ000	P78017MM
26296AJ001	P78017MM
26296AJ010	P78017MM
26296AL000	P78017MM
26296AL020	P78017MM
26296AVA00	P78017MM
26296FA000	P78004MM
26296FA001	P78004MM
26296FA020	P78004MM

OE	MAGNETI MARELLI
SUBARU	
26296FA021	P78004MM
26296FA022	P78004MM
26296FA040	P78007MM
26296FA041	P78007MM
26296FA100	P56034MM
26296FA101	P56034MM
26296FA102	P56034MM
26296FA150	P56025MM
26296FA170	P56034MM
26296FE000	P78013MM
26296FE020	P78013MM
26296FE040	P54039MM
26296FE041	P54039MM
26296FE042	P54039MM
26296FE070	P56025MM
26296FE070	P56034MM
26296FE080	P78013MM
26296FE081	P78013MM
26296FE082	P78013MM
26296FE090	P56025MM
26296FE100	P54039MM
26296FE120	P54039MM
26296FG000	P78013MM
26296FG001	P78013MM
26296FG010	P78013MM
26296FJ000	P78015MM
26296FJ010	P78021MM
26296FJ020	P78021MM
26296KG000	P79012MM
26296PA020	P24026MM
26296PA040	P78005MM
26296PA060	P78005MM
26296SA000	P78013MM
26296SA010	P78013MM
26296SA011	P78013MM
26296SA020	P78013MM
26296SA021	P78013MM
26296SA030	P78013MM
26296SA031	P78013MM
26296SC000	P78021MM
26296SC010	P78021MM
26296SC011	P78021MM
26296SC020	P78013MM
26296SC021	P78013MM
26296SG010	P78017MM

OE	MAGNETI MARELLI
SUBARU	
26296TC001	P78012MM
26296TC010	P78012MM
26296TC011	P78012MM
26296TC020	P78012MM
26296TC030	P78012MM
26296TC040	P78012MM
26296TC050	P78012MM
26296TC060	P28008MM
26296VA000	P78017MM
26296XA000	P78017MM
26296XA010	P78017MM
26310AA010	P78004MM
26696AE000	P78011MM
26696AE020	P78011MM
26696AE040	P78011MM
26696AE080	P78011MM
26696AF000	P78011MM
26696AG000	P78017MM
26696AG010	P78020MM
26696AG020	P78011MM
26696AG030	P78020MM
26696AG031	P78020MM
26696AG040	P78017MM
26696AG050	P78020MM
26696AG051	P78020MM
26696CA000	P78018MM
26696FA000	P78016MM
26696FA010	P78011MM
26696FA020	P78016MM
26696FA030	P78011MM
26696FC000	P78011MM
26696FC001	P78011MM
26696FC002	P78011MM
26696FC020	P78011MM
26696FE000	P56048MM
26696FE001	P56048MM
26696FE040	P78014MM
26696FE050	P78014MM
26696FE060	P78016MM
26696FE070	P78016MM
26696FE080	P56048MM
26696FE081	P56048MM
26696FG000	P56048MM
26696FJ000	P78020MM
26696SG000	P78018MM

OE	MAGNETI MARELLI
SUBARU	
26696XA000	P78018MM
26696XA010	P78018MM
26696XA011	P78018MM
29296AA061	P78005MM
29296AG051	P78017MM
29296FE081	P78013MM
5520060B11	P79005MM
SUZUKI	
5520077	P79009MM
5521050	P15001MM
5581083	P79015MM
5581084	P79015MM
55200770	P79009MM
55810840	P79015MM
96496765	P10007MM
449197402	P79012MM
598154611	P79021MM
4491974020	P79012MM
5511077501	P28006MM
5511080000	P79001MM
5511080001	P79001MM
5511080010	P79001MM
5511080020	P79001MM
5520050850	P15001MM
5520051810	P79005MM
5520056820	P79008MM
5520056831	P79008MM
5520056870	P79008MM
5520056871	P79008MM
5520060810	P79006MM
5520060811	P79006MM
5520060820	P79006MM
5520060821	P79006MM
5520060830	P79006MM
5520060831	P79006MM
5520060870	P79005MM
5520060890	P79006MM
5520061810	P56018MM
5520061832	P79004MM
5520061840	P56018MM
5520061850	P79005MM
5520061870	P79006MM
5520061890	P79005MM
5520062810	P56018MM

OE	MAGNETI MARELLI
SUZUKI	
5520062830	P56018MM
5520062840	P79005MM
5520062850	P79004MM
5520062851	P79004MM
5520062852	P79004MM
5520062860	P79005MM
5520063810	P79006MM
5520063811	P79006MM
5520065830	P79008MM
5520070810	P79001MM
5520070811	P79001MM
5520070812	P79001MM
5520070813	P79001MM
5520080810	P79001MM
5520082810	P79003MM
5520082811	P79003MM
5520082820	P79003MM
5520082830	P79003MM
5520082850	P79003MM
5520082860	P79003MM
5520083840	P79015MM
5520085810	P79005MM
5520086810	P79005MM
5520086820	P79005MM
5520086830	P79005MM
5521062850	P79004MM
5521082020	P79003MM
5521082030	P79003MM
5521086010	P79005MM
5521086020	P79005MM
5521086030	P79005MM
5522082020	P79003MM
5522082030	P79003MM
5522086030	P79005MM
5523086030	P79005MM
5525064800	P56018MM
5525160830	P79005MM
5530086810	P79005MM
5530086820	P79005MM
5511080000000	P79001MM
5511080010000	P79001MM
5520051810000	P79005MM
5520051811000	P79005MM
5520056831000	P79008MM
5520060810000	P79001MM

OE	MAGNETI MARELLI
SUZUKI	
5520060820000	P79001MM
5520061870000	P79006MM
5520061880000	P79003MM
5520062810000	P56018MM
5520062811000	P56018MM
5520062851000	P79004MM
5520062852000	P79004MM
5520070810000	P79001MM
5520070812000	P79001MM
5520070813000	P79001MM
5520082830000	P79003MM
5520082850000	P79003MM
5520082860000	P79003MM
5520083840000	P79015MM
5520086810000	P79003MM
5520086820000	P79003MM
5521082020000	P79003MM
5521086030000	P79003MM
5522082020000	P79003MM
5522086030000	P79003MM
5523086030000	P79003MM
5530086810000	P79003MM
5530086820000	P79003MM
5520080000000	P78012MM
00000A00906	P79007MM
00000A01225	P79007MM
00000A0906B00	P79007MM
5511070A00	P79001MM
5511070A00000	P79001MM
5520050J01	P79019MM
5520050J02	P79019MM
5520056870DOM	P79008MM
5520056B41	P79008MM
5520060A41	P79006MM
5520060B10	P79005MM
5520062810B00	P56018MM
5520062810DOM	P56018MM
5520062810TMS	P56018MM
5520062G60	P56018MM
5520063810B00	P79006MM
5520063810DOM	P79006MM
5520065D00	P79008MM
5520065D01	P79008MM
5520065D10	P79009MM
5520065D11	P79009MM

OE	MAGNETI MARELLI
SUZUKI	
5520065D20	P79008MM
5520065D21	P79008MM
5520065D30	P79009MM
5520065D31	P79009MM
5520065D50	P79009MM
5520065J00	P79018MM
5520065J10	P79018MM
5520065J11	P79018MM
5520065J11L00	P79018MM
5520065J23	P49033MM
5520065J23000	P49033MM
5520065J24	P49033MM
5520067D00	P79008MM
5520067D11	P79018MM
5520070812B00	P79001MM
5520070812B01	P79001MM
5520070812DOT	P79001MM
5520070812L00	P79001MM
5520070812L01	P79001MM
5520070AA0	P79001MM
5520077B00	P79009MM
5520077E01000	P79009MM
5520080E10000	P78012MM
5520080E10B00	P78012MM
5520080E10DOM	P78012MM
5520081A10	P79001MM
5520081A30	P79001MM
5520081A31	P79001MM
5520081A31000	P79001MM
5520082830TMS	P79003MM
5520084A00	P79008MM
5520084A00000	P79008MM
5521050Z00	P56059MM
5521050Z10	P56059MM
5521060B50	P79004MM
5521060B80	P79005MM
5521070B00	P15001MM
5521070B10	P15001MM
5521082Z00	P56059MM
5521082Z20	P56059MM
5523060B80	P79005MM
5525060B30	P79005MM
5525060B80	P79005MM
5525060B80000	P79003MM
5525064B00	P56018MM

OE	MAGNETI MARELLI
SUZUKI	
5525064B01	P56018MM
5525064B10	P56018MM
5525064B10000	P56018MM
5525064B20	P56018MM
5525070C10	P79005MM
5525160B30	P79005MM
5525160B80	P79005MM
5525160B80000	P79003MM
5525164B00	P56018MM
5525164B01	P56018MM
5525164B10	P56018MM
5525164B10000	P56018MM
5525164B20	P56018MM
5525170C10	P79005MM
5525170C12	P79005MM
5580050G50	P79005MM
5580050G60	P79005MM
5580057L00	P28022MM
5580057L00000	P28022MM
5580057L50	P28022MM
5580057L50000	P28022MM
5580060G00	P79010MM
5580060G01	P79010MM
5580060G50	P79010MM
5580060J00	P10005MM
5580060J10	P10005MM
5580061G50	P79010MM
5580061G60	P79010MM
5580061G60B00	P79010MM
5580061G70	P79010MM
5580061G71	P79010MM
5580061G72	P79010MM
5580061G73	P79010MM
5580061G74	P79010MM
5580061G74000	P79010MM
5580061M00	P79029MM
5580061M00000	P79029MM
5580062G00	P49015MM
5580062G01	P49015MM
5580062G10	P49015MM
5580062G11	P49015MM
5580062G11000	P49015MM
5580062G60	P79010MM
5580062G60DOM	P79010MM
5580068L00	P79029MM

OE	MAGNETI MARELLI
SUZUKI	
5580068L00000	P79029MM
5580068L10	P79029MM
5580068L20000	P79029MM
5580069D00	P30003MM
5580077K00	P56068MM
5580077K01	P56068MM
5580078G00	P28017MM
5580078G01	P28017MM
5580080J00	P28022MM
5580080J01	P28022MM
5580080J02	P79027MM
5580080J02000	P79027MM
5580080J03	P79027MM
5580080J03000	P79027MM
5581050Z01	P56046MM
5581050Z02	P56046MM
5581050Z10	P56046MM
5581050Z20	P56046MM
5581051Z00	P56059MM
5581054G00	P79014MM
5581054G10	P79014MM
5581054G11	P79021MM
5581054G30	P79014MM
5581054G40	P79014MM
5581054G50	P79014MM
5581054G51	P79014MM
5581054G60	P79014MM
5581054G61	P79014MM
5581057K00	P79023MM
5581057K01	P79023MM
5581057L00	P79028MM
5581057L00000	P79028MM
5581057L50	P79028MM
5581057L50000	P79028MM
5581058J00	P79012MM
5581060F00	P15001MM
5581060F01	P15001MM
5581060F02	P15001MM
5581060F03	P15001MM
5581060F10	P15001MM
5581060J10	P79012MM
5581061M00	P79032MM
5581061M01	P79032MM
5581061M01000	P79032MM
5581061M50	P79032MM

OE	MAGNETI MARELLI
SUZUKI	
5581061M50000	P79032MM
5581062J00	P59050MM
5581062J00L00	P59050MM
5581062J01	P59050MM
5581062J20	P59050MM
5581062J30	P59050MM
5581062J31	P59050MM
5581062J31000	P59050MM
5581062J50	P59050MM
5581062J50000	P59050MM
5581063J00	P79023MM
5581063J01	P79023MM
5581064G00	P79013MM
5581064G00DOM	P79013MM
5581064G01	P79013MM
5581064G10	P79013MM
5581064G11	P79013MM
5581068L00	P16013MM
5581068L00000	P16013MM
5581068L50	P16013MM
5581068L50000	P16013MM
5581071L00	P79023MM
5581071L02	P79031MM
5581071L50	P24072MM
5581071L51	P16013MM
5581074G00	P79012MM
5581074G01	P79012MM
5581074G02	P79012MM
5581074G03	P79012MM
5581076A00	P79012MM
5581076A01	P79012MM
5581076A02	P79012MM
5581076A10	P79012MM
5581076A11	P79012MM
5581076G00	P79012MM
5581076G01	P79012MM
5581076G02	P79012MM
5581076G03	P79012MM
5581076G03000	P79012MM
5581076G10	P79012MM
5581076G10000	P79012MM
5581076G20	P79012MM
5581076G80	P79012MM
5581076G81	P79012MM
5581076G90	P79012MM

OE	MAGNETI MARELLI
SUZUKI	
5581079J00	P23105MM
5581079J00L00	P23105MM
5581079J00PPS	P23105MM
5581079J10	P23105MM
5581080G00	P79012MM
5581080G01	P79012MM
5581080G02	P79012MM
5581080G04	P79012MM
5581080G05	P79012MM
5581080G10	P79012MM
5581080G11	P79012MM
5581080G12	P79012MM
5581080G13	P79012MM
5581080J00	P56021MM
5581080J01	P23126MM
5581080J01000	P79030MM
5581080J02000	P79030MM
5581080J03000	P79030MM
5581080J51	P23126MM
5581080J51L00	P23126MM
5581083E00B00	P79015MM
5581083E00DOM	P79015MM
5581084E01000	P79015MM
5581084M00	P79012MM
5581084M00000	P79012MM
55810M68K00	P79020MM
55810M68K00000	P79020MM
55810M68K00L00	P79020MM
55810M69P50	P16013MM
55810M79F10	P79012MM
5586060B90	P79004MM
5587060B90	P79004MM
55910M68P00	P79029MM
5881080G02	P79012MM
99000990YN003	P79012MM
A00906DOM	P23018MM
TATA	
265442100111	P82001MM
265442100135	P82001MM
265442100141	P82001MM
265442100177	P82001MM
277942100114	P52019MM
277942100134	P52019MM
TT0029999	P82001MM

OE	MAGNETI MARELLI
TESLA	
105506600B	P09004MM
105506800B	P30074MM
TOYOTA	
446028040	P83056MM
446500011	P83108MM
446502010	P83044MM
446502020	P83034MM
446502030	P83042MM
446502038	P59008MM
446502050	P83044MM
446502061	P83064MM
446502070	P83061MM
446502080	P83061MM
446502130	P83064MM
446502140	P83042MM
446502160	P83079MM
446502170	P83079MM
446502200	P83079MM
446502210	P83079MM
446502220	P83082MM
446502230	P83071MM
446502240	P83082MM
446502260	P83079MM
446502270	P83079MM
446502310	P83082MM
446502330	P83079MM
446502340	P83079MM
446502370	P83079MM
446502390	P83150MM
446502391	P83150MM
446502400	P83082MM
446504010	P83009MM
446504030	P83151MM
446504070	P83066MM
446504090	P83102MM
446504630	P83151MM
446505010	P83034MM
446505020	P83041MM
446505030	P83041MM
446505040	P83041MM
446505042	P83041MM
446505050	P83043MM
446505060	P83041MM
446505070	P83043MM

OE	MAGNETI MARELLI
TOYOTA	
446505080	P83043MM
446505090	P83043MM
446505110	P83041MM
446505130	P83046MM
446505131	P83046MM
446505140	P83046MM
446505150	P83046MM
446505170	P83046MM
446505190	P83046MM
446505210	P83046MM
446505220	P83046MM
446505221	P83046MM
446505270	P83046MM
446505280	P83046MM
446505300	P83148MM
446505301	P83148MM
446506010	P83034MM
446506020	P83027MM
446506030	P83062MM
446506070	P83117MM
446506080	P83117MM
446506100	P83117MM
446506110	P83117MM
446506131	P83117MM
446507010	P83117MM
446508030	P83105MM
446510040	P83011MM
446510041	P83011MM
446512010	P83011MM
446512020	P83011MM
446512030	P83011MM
446512040	P83011MM
446512090	P83011MM
446512110	P83034MM
446512140	P83011MM
446512160	P83028MM
446512220	P83011MM
446512240	P83044MM
446512250	P83011MM
446512490	P83011MM
446512500	P83034MM
446512510	P83011MM
446512520	P83044MM
446512530	P83034MM
446512540	P83034MM

OE	MAGNETI MARELLI
TOYOTA	
446512550	P83034MM
446512560	P83011MM
446512580	P83051MM
446512581	P83103MM
446512590	P83051MM
446512591	P83051MM
446512592	P83051MM
446512593	P83034MM
446512600	P83011MM
446512610	P83082MM
446512640	P83141MM
446513010	P83011MM
446513020	P83051MM
446513030	P83054MM
446513040	P83051MM
446513041	P83051MM
446513050	P83051MM
446514030	P83020MM
446514080	P83037MM
446514081	P83037MM
446514100	P83020MM
446514120	P83020MM
446514140	P83020MM
446514150	P83090MM
446514180	P83020MM
446514340	P83020MM
446514360	P83037MM
446514370	P83020MM
446514390	P83090MM
446516010	P83011MM
446516020	P83011MM
446516030	P83011MM
446516031	P83011MM
446516040	P83011MM
446516070	P83011MM
446516120	P83011MM
446517020	P83011MM
446517021	P83011MM
446517050	P83028MM
446517070	P83011MM
446517080	P83011MM
446517100	P83051MM
446517101	P83051MM
446517102	P83103MM
446517140	P83051MM

OE	MAGNETI MARELLI
TOYOTA	
446517150	P83011MM
446517160	P83028MM
446520020	P83011MM
446520030	P83011MM
446520040	P83016MM
446520050	P83016MM
446520060	P83011MM
446520080	P83011MM
446520090	P83016MM
446520100	P83090MM
446520110	P83034MM
446520120	P83034MM
446520130	P83034MM
446520140	P83034MM
446520150	P83016MM
446520160	P83011MM
446520170	P83016MM
446520180	P83011MM
446520200	P83016MM
446520210	P83016MM
446520220	P16012MM
446520230	P83027MM
446520250	P83028MM
446520260	P83027MM
446520300	P83011MM
446520310	P83016MM
446520450	P83034MM
446520470	P83028MM
446520480	P83051MM
446520490	P83034MM
446520500	P83054MM
446520510	P83028MM
446520540	P83054MM
446520550	P83040MM
446520570	P83054MM
446520590	P83027MM
446520600	P83090MM
446521010	P83011MM
446521020	P83105MM
446521040	P83011MM
446522051	P83031MM
446522280	P83034MM
446522300	P83034MM
446522310	P83037MM
446522311	P83037MM

OE	MAGNETI MARELLI
TOYOTA	
446522312	P83037MM
446523040	P83023MM
446524030	P83020MM
446524040	P83027MM
446525040	P83092MM
446525050	P83092MM
446525060	P83092MM
446525090	P83092MM
446526010	P83013MM
446526020	P83092MM
446526030	P83023MM
446526040	P83023MM
446526051	P83023MM
446526060	P83013MM
446526070	P83092MM
446526080	P83013MM
446526090	P83092MM
446526100	P83013MM
446526130	P83092MM
446526140	P83013MM
446526150	P83023MM
446526151	P83023MM
446526160	P83092MM
446526170	P83092MM
446526200	P83013MM
446526210	P83013MM
446526230	P83013MM
446526250	P83092MM
446526260	P83092MM
446526270	P83013MM
446526280	P83013MM
446526300	P83092MM
446526301	P83092MM
446526310	P83092MM
446526320	P83092MM
446526330	P83013MM
446526340	P83092MM
446526350	P83092MM
446526370	P83092MM
446526390	P83092MM
446526420	P83139MM
446526421	P83139MM
446527070	P16012MM
446527080	P83031MM
446528030	P83031MM

OE	MAGNETI MARELLI
TOYOTA	
446528040	P83029MM
446528080	P83029MM
446528160	P83029MM
446528170	P83029MM
446528171	P83029MM
446528340	P83093MM
446528350	P83093MM
446528351	P83093MM
446528360	P83093MM
446528370	P83093MM
446528380	P83093MM
446528381	P83093MM
446528390	P83093MM
446528400	P83040MM
446528410	P83040MM
446528420	P83093MM
446528430	P83100MM
446528460	P83040MM
446528470	P83093MM
446528490	P83070MM
446528510	P83105MM
446528520	P83099MM
446530070	P83020MM
446530080	P83027MM
446530120	P83104MM
446530230	P83037MM
446530231	P83037MM
446530240	P83034MM
446530250	P83034MM
446530272	P83037MM
446530290	P83037MM
446530310	P83037MM
446530320	P83037MM
446530330	P83054MM
446530340	P83062MM
446530430	P83072MM
446530460	P83072MM
446530480	P83054MM
446530510	P83072MM
446532020	P83011MM
446532021	P83011MM
446532040	P16012MM
446532050	P83016MM
446532060	P16012MM
446532070	P16012MM

OE	MAGNETI MARELLI
TOYOTA	
446532090	P16012MM
446532091	P83016MM
446532110	P83016MM
446532150	P83016MM
446532160	P83011MM
446532170	P83016MM
446532191	P83054MM
446532200	P83034MM
446532210	P83051MM
446532220	P83054MM
446532230	P83103MM
446533010	P83027MM
446533020	P83034MM
446533021	P83034MM
446533040	P83034MM
446533050	P83034MM
446533060	P83027MM
446533070	P83027MM
446533090	P83034MM
446533120	P83040MM
446533121	P83040MM
446533130	P83040MM
446533150	P83040MM
446533160	P83034MM
446533170	P83027MM
446533180	P83040MM
446533210	P83034MM
446533220	P83027MM
446533240	P83062MM
446533246	P83062MM
446533250	P83062MM
446533260	P83062MM
446533290	P83040MM
446533320	P83062MM
446533340	P83062MM
446533350	P83105MM
446533440	P83117MM
446533450	P83117MM
446533470	P83117MM
446533471	P83117MM
446535010	P83013MM
446535020	P83013MM
446535030	P83009MM
446535031	P83009MM
446535040	P83009MM

OE	MAGNETI MARELLI
TOYOTA	
446535080	P83009MM
446535090	P83006MM
446535140	P83009MM
446535170	P83006MM
446535180	P83006MM
446535190	P83009MM
446535210	P83006MM
446535220	P83023MM
446535230	P83009MM
446535240	P83009MM
446535250	P83066MM
446535260	P83009MM
446535270	P83023MM
446535280	P83009MM
446535290	P83066MM
446535320	P83013MM
446540010	P83013MM
446542010	P83034MM
446542011	P83034MM
446542012	P83034MM
446542040	P83034MM
446542050	P83034MM
446542060	P83034MM
446542070	P83055MM
446542071	P83055MM
446542080	P83055MM
446542090	P83034MM
446542100	P83034MM
446542110	P83034MM
446542120	P83034MM
446542130	P83055MM
446542140	P83071MM
446542150	P83071MM
446542160	P83082MM
446542180	P83071MM
446542190	P83071MM
446542200	P83082MM
446544020	P83034MM
446544030	P83034MM
446544040	P83034MM
446544050	P83061MM
446544060	P83061MM
446544070	P83034MM
446544090	P83061MM
446544100	P83061MM

OE	MAGNETI MARELLI
TOYOTA	
446544110	P83034MM
446544120	P83034MM
446544130	P83034MM
446544140	P83062MM
446544170	P83062MM
446545020	P83027MM
446545021	P83027MM
446547010	P83034MM
446547030	P83051MM
446547050	P83051MM
446547060	P83106MM
446547070	P83106MM
446547080	P83106MM
446547090	P83106MM
446548010	P83040MM
446548030	P83078MM
446548060	P83040MM
446548100	P83067MM
446550010	P83027MM
446550020	P83027MM
446550040	P83037MM
446550050	P83039MM
446550070	P83039MM
446550130	P83027MM
446550161	P83039MM
446550170	P83058MM
446550220	P83039MM
446552010	P83051MM
446552011	P83051MM
446552021	P83051MM
446552022	P83051MM
446552030	P83050MM
446552031	P83050MM
446552032	P83050MM
446552052	P83050MM
446552060	P83051MM
446552070	P83050MM
446552100	P83051MM
446552110	P83051MM
446552120	P83051MM
446552130	P83050MM
446552140	P83050MM
446552150	P83051MM
446552180	P83086MM
446552190	P83101MM

OE	MAGNETI MARELLI
TOYOTA	
446552200	P83086MM
446552200	P83141MM
446552240	P83101MM
446552260	P83086MM
446552260	P83141MM
446552270	P83101MM
446552290	P83051MM
446552300	P83101MM
446552310	P83101MM
446552320	P83141MM
446553020	P83074MM
446553040	P83074MM
446559020	P83050MM
446560010	P83006MM
446560020	P83025MM
446560030	P83009MM
446560040	P83006MM
446560050	P83026MM
446560060	P83006MM
446560070	P16010MM
446560080	P16010MM
446560110	P83025MM
446560120	P83048MM
446560130	P83009MM
446560140	P83048MM
446560150	P83048MM
446560151	P83048MM
446560160	P83048MM
446560170	P83048MM
446560190	P83048MM
446560210	P83066MM
446560220	P83048MM
446560240	P83048MM
446560250	P83048MM
446560260	P83009MM
446560270	P83066MM
446560280	P83107MM
446560300	P83107MM
446560320	P83102MM
446560330	P83107MM
446560340	P83048MM
446565020	P83105MM
446565021	P83105MM
446568010	P83062MM
446574020	P83097MM

OE	MAGNETI MARELLI
TOYOTA	
446574040	P83141MM
446602010	P83084MM
446602020	P83065MM
446602060	P83084MM
446602070	P83065MM
446602110	P83065MM
446602160	P83065MM
446602170	P83080MM
446602180	P83080MM
446602181	P83080MM
446602182	P83080MM
446602190	P83083MM
446602191	P83083MM
446602210	P83133MM
446602220	P83089MM
446602260	P83083MM
446602270	P83083MM
446602280	P83080MM
446602290	P83080MM
446602291	P83080MM
446605010	P83047MM
446605020	P83047MM
446605040	P83112MM
446605041	P83112MM
446605042	P83112MM
446606010	P83088MM
446606030	P83110MM
446606060	P83089MM
446606070	P83089MM
446606090	P83089MM
446606100	P83089MM
446606200	P83089MM
446607010	P83111MM
446607011	P83111MM
446607020	P83111MM
446612110	P83015MM
446612130	P83083MM
446612140	P83083MM
446612150	P83083MM
446614040	P83091MM
446616010	P83116MM
446617010	P83019MM
446617020	P83019MM
446617030	P83019MM
446617040	P83019MM

OE	MAGNETI MARELLI
TOYOTA	
446617050	P83019MM
446617051	P83019MM
446617070	P83019MM
446617080	P83019MM
446617090	P83019MM
446617100	P83019MM
446618010	P83116MM
446618018	P83116MM
446620010	P83015MM
446620020	P83015MM
446620040	P83015MM
446620050	P83091MM
446620060	P83015MM
446620070	P83015MM
446620080	P83015MM
446620090	P83052MM
446620100	P83015MM
446620110	P83015MM
446620130	P83084MM
446621010	P83088MM
446621020	P83133MM
446622140	P83111MM
446622180	P83045MM
446624010	P83038MM
446624020	P83038MM
446626010	P83036MM
446626020	P83036MM
446628010	P83030MM
446628011	P83030MM
446628020	P83030MM
446628030	P83056MM
446628040	P83056MM
446628050	P83056MM
446628070	P83056MM
446628080	P83056MM
446628090	P83030MM
446628110	P83047MM
446630020	P83038MM
446630030	P83038MM
446630080	P83111MM
446630100	P83038MM
446630130	P83045MM
446630150	P83045MM
446630151	P83045MM
446630160	P83045MM

OE	MAGNETI MARELLI
TOYOTA	
446630170	P83045MM
446630210	P83113MM
446630230	P83113MM
446630300	P83153MM
446630330	P83132MM
446632010	P83015MM
446632030	P83063MM
446632040	P83063MM
446632050	P83015MM
446633010	P83015MM
446633040	P83015MM
446633050	P83015MM
446633060	P83110MM
446633080	P83110MM
446633100	P83088MM
446633130	P83088MM
446633150	P83015MM
446633160	P83089MM
446633170	P83088MM
446633180	P83089MM
446633200	P83089MM
446640040	P83036MM
446641020	P83110MM
446642010	P83057MM
446642020	P83057MM
446642030	P83057MM
446642040	P83057MM
446642050	P83057MM
446642060	P83089MM
446644010	P83056MM
446645010	P83056MM
446645020	P83088MM
446647010	P83063MM
446647020	P83133MM
446647030	P83133MM
446647050	P83153MM
446647060	P83133MM
446647061	P83133MM
446647070	P83152MM
446647071	P83152MM
446647080	P83133MM
446647100	P83083MM
446648020	P83088MM
446648040	P83068MM
446648060	P83068MM

OE	MAGNETI MARELLI
TOYOTA	
446648080	P83088MM
446648090	P83068MM
446648120	P83138MM
446650020	P83036MM
446650030	P83036MM
446650040	P83038MM
446650041	P83038MM
446650050	P83036MM
446650051	P83036MM
446650060	P83036MM
446650070	P83032MM
446650080	P83036MM
446650090	P83059MM
446650110	P83036MM
446650120	P83059MM
446651010	P83045MM
446651011	P83045MM
446651020	P83045MM
446652010	P83052MM
446652020	P83052MM
446652030	P83052MM
446652040	P83052MM
446652050	P83052MM
446652060	P83052MM
446652070	P83083MM
446652090	P83052MM
446652110	P83083MM
446652120	P83083MM
446652121	P83083MM
446652130	P83083MM
446652140	P83083MM
446652141	P83083MM
446652150	P83083MM
446652151	P83083MM
446652160	P83083MM
446652170	P83083MM
446652180	P83152MM
446658010	P83047MM
446660010	P83024MM
446660020	P83024MM
446660030	P83049MM
446660040	P83024MM
446660050	P83024MM
446660060	P83024MM
446660070	P83049MM

OE	MAGNETI MARELLI
TOYOTA	
446660080	P83024MM
446660090	P83024MM
446660100	P83049MM
446660110	P83049MM
446660120	P83098MM
446660140	P83024MM
446660160	P83098MM
446675010	P83089MM
446676010	P83133MM
449101010	P83011MM
449101011	P83011MM
449102010	P83011MM
449105010	P83034MM
449106010	P83034MM
449106020	P83027MM
449106030	P83034MM
449106040	P83027MM
449106060	P83034MM
449106070	P83034MM
449106080	P83027MM
449106100	P83027MM
449107010	P83111MM
449110151	P83011MM
449110160	P83011MM
449110161	P83011MM
449110180	P83011MM
449110210	P83011MM
449110211	P83011MM
449110220	P83011MM
449110230	P83011MM
449110231	P83011MM
449110240	P83011MM
449110241	P83011MM
449112040	P83011MM
449112170	P83011MM
449112230	P83011MM
449112231	P83011MM
449112232	P83011MM
449112240	P83011MM
449112241	P83011MM
449112242	P83011MM
449112250	P83011MM
449112251	P83011MM
449112270	P83011MM
449112271	P83011MM

OE	MAGNETI MARELLI
TOYOTA	
449112280	P83011MM
449112281	P83011MM
449112282	P83011MM
449112290	P83011MM
449112291	P83011MM
449112292	P83011MM
449112300	P83011MM
449112301	P83011MM
449112310	P83011MM
449112311	P83011MM
449112320	P83011MM
449112321	P83011MM
449112322	P83011MM
449112323	P83011MM
449112330	P83011MM
449112331	P83011MM
449112340	P83011MM
449112341	P83011MM
449112342	P83011MM
449112350	P83011MM
449112351	P83011MM
449112352	P83011MM
449112360	P83011MM
449112361	P83011MM
449112370	P83011MM
449112371	P83011MM
449112372	P83011MM
449112390	P83011MM
449112401	P83011MM
449112410	P83011MM
449112421	P83011MM
449112422	P83011MM
449112431	P83011MM
449112432	P83011MM
449112440	P83011MM
449112450	P83011MM
449112461	P83011MM
449112470	P83011MM
449112480	P83011MM
449112490	P83011MM
449112491	P83011MM
449112510	P83011MM
449112540	P83011MM
449112541	P83011MM
449112560	P83011MM

OE	MAGNETI MARELLI
TOYOTA	
449112561	P83011MM
449112580	P83011MM
449112581	P83011MM
449112590	P83028MM
449112610	P83011MM
449112620	P83011MM
449112630	P83011MM
449112640	P83034MM
449112650	P83034MM
449112651	P83034MM
449113010	P83011MM
449113011	P83011MM
449113012	P83011MM
449113020	P83011MM
449114050	P83011MM
449114061	P54002MM
449114171	P83011MM
449114190	P83020MM
449114200	P83020MM
449114201	P83020MM
449114210	P83020MM
449114220	P83020MM
449114221	P83020MM
449114230	P83020MM
449114240	P83020MM
449114250	P83020MM
449114251	P83020MM
449114260	P83020MM
449114270	P83020MM
449114271	P83020MM
449114272	P83020MM
449114280	P83020MM
449114290	P83020MM
449114320	P83037MM
449114330	P83090MM
449114331	P83090MM
449114340	P83020MM
449114360	P83037MM
449116030	P83011MM
449116031	P83011MM
449116040	P83011MM
449116041	P83011MM
449116042	P83011MM
449116050	P83011MM
449116051	P83011MM

OE	MAGNETI MARELLI
TOYOTA	
449116052	P83011MM
449116060	P83011MM
449116061	P83011MM
449116070	P83011MM
449116071	P83011MM
449116080	P83011MM
449116081	P83011MM
449116100	P83011MM
449116101	P83011MM
449116110	P83011MM
449116111	P83011MM
449116120	P83011MM
449116121	P83011MM
449116130	P83011MM
449116131	P83011MM
449116132	P83011MM
449116140	P83011MM
449116150	P83011MM
449116161	P83011MM
449116190	P83011MM
449116191	P83011MM
449116200	P83011MM
449116201	P83011MM
449116210	P83011MM
449116211	P83011MM
449117010	P83011MM
449117011	P83011MM
449117020	P83011MM
449117021	P83011MM
449117022	P83011MM
449117023	P83011MM
449117024	P83011MM
449117030	P83011MM
449117031	P83011MM
449117040	P83011MM
449117050	P83011MM
449117060	P83011MM
449117061	P83011MM
449117070	P83011MM
449117071	P83011MM
449117080	P83011MM
449117081	P83011MM
449117090	P83011MM
449117130	P83011MM
449117160	P83034MM

OE	MAGNETI MARELLI
TOYOTA	
449117170	P83028MM
449120021	P83027MM
449120170	P83011MM
449120171	P83011MM
449120172	P83011MM
449120180	P83011MM
449120181	P83011MM
449120190	P83011MM
449120191	P83011MM
449120192	P83011MM
449120201	P83011MM
449120202	P83011MM
449120203	P83011MM
449120210	P83011MM
449120220	P83011MM
449120221	P83011MM
449120230	P83011MM
449120240	P83011MM
449120250	P83011MM
449120251	P83011MM
449120252	P83011MM
449120260	P83016MM
449120261	P83016MM
449120270	P83011MM
449120271	P83011MM
449120280	P83011MM
449120290	P83011MM
449120291	P83011MM
449120310	P83011MM
449120311	P83011MM
449120312	P83011MM
449120320	P83011MM
449120321	P83011MM
449120350	P83011MM
449120390	P83016MM
449120391	P83016MM
449120400	P83011MM
449120401	P83011MM
449120420	P83011MM
449120430	P16012MM
449120450	P83011MM
449120451	P83011MM
449120460	P83011MM
449120461	P83011MM
449120470	P83011MM

OE	MAGNETI MARELLI
TOYOTA	
449120471	P83011MM
449120480	P83016MM
449120481	P83016MM
449120490	P83011MM
449120491	P83011MM
449120492	P83011MM
449120500	P83011MM
449120501	P83011MM
449120510	P83011MM
449120511	P83011MM
449120512	P83011MM
449120520	P83011MM
449120521	P83011MM
449120522	P83011MM
449120523	P83011MM
449120530	P83016MM
449120531	P83016MM
449120541	P83011MM
449120550	P83011MM
449120551	P83011MM
449120580	P83011MM
449120581	P83011MM
449120590	P83016MM
449120591	P83016MM
449120600	P83011MM
449120610	P83011MM
449120620	P83011MM
449120640	P83016MM
449120660	P83016MM
449120670	P83016MM
449120680	P83016MM
449120690	P83016MM
449120710	P83016MM
449120720	P83016MM
449120750	P83011MM
449120760	P83016MM
449120770	P83011MM
449120790	P83011MM
449120800	P83011MM
449120801	P83011MM
449120820	P83011MM
449120830	P83016MM
449120850	P83016MM
449120860	P16012MM
449120880	P83034MM

OE	MAGNETI MARELLI
TOYOTA	
449120890	P83034MM
449122360	P83027MM
449122370	P83034MM
449124031	P83027MM
449124050	P83020MM
449124060	P83027MM
449124080	P83027MM
449126030	P83013MM
449126040	P83013MM
449126041	P83013MM
449126070	P83013MM
449126071	P83013MM
449126072	P83013MM
449126080	P83013MM
449126090	P83013MM
449126091	P83013MM
449126100	P83092MM
449126110	P83092MM
449126111	P83092MM
449126120	P83013MM
449126130	P83013MM
449126131	P83013MM
449126141	P83013MM
449126150	P83013MM
449126151	P83013MM
449126152	P83013MM
449126160	P83092MM
449126170	P83092MM
449126180	P83092MM
449126190	P83013MM
449126191	P83013MM
449126200	P83013MM
449126210	P83092MM
449126220	P83013MM
449126240	P83023MM
449126250	P83023MM
449126260	P83092MM
449126261	P83092MM
449126262	P83092MM
449126270	P83092MM
449126280	P83023MM
449126300	P83013MM
449126310	P83023MM
449126320	P83092MM
449126340	P83092MM

OE	MAGNETI MARELLI
TOYOTA	
449128082	P83029MM
449128150	P83029MM
449128210	P83029MM
449128220	P83029MM
449128221	P83029MM
449128250	P83029MM
449128251	P83029MM
449128280	P83031MM
449128281	P83031MM
449128340	P83029MM
449128350	P83029MM
449128351	P83029MM
449130160	P83020MM
449130161	P83020MM
449130280	P83104MM
449130281	P83104MM
449130291	P83027MM
449130330	P83037MM
449130331	P83037MM
449130350	P83037MM
449132010	P83011MM
449132011	P83011MM
449132012	P83011MM
449132020	P83011MM
449132030	P83011MM
449132031	P83011MM
449132032	P83011MM
449132040	P83011MM
449132041	P83011MM
449132042	P83011MM
449132050	P83011MM
449132051	P83011MM
449132070	P83011MM
449132080	P83011MM
449132081	P83011MM
449132090	P83011MM
449132100	P83011MM
449132102	P83011MM
449132110	P83011MM
449132120	P83011MM
449132121	P83011MM
449132122	P83011MM
449132123	P83011MM
449132130	P83016MM
449132131	P83016MM

OE	MAGNETI MARELLI
TOYOTA	
449132132	P83016MM
449132140	P83011MM
449132150	P83016MM
449132151	P83016MM
449132152	P83016MM
449132153	P83016MM
449132160	P16012MM
449132170	P16012MM
449132171	P83016MM
449132180	P83011MM
449132181	P83011MM
449132190	P83011MM
449132191	P83011MM
449132200	P83016MM
449132201	P83016MM
449132230	P16012MM
449132231	P16012MM
449132240	P16012MM
449132241	P16012MM
449132250	P16012MM
449132251	P16012MM
449132280	P83016MM
449132281	P16012MM
449132290	P16012MM
449132291	P83016MM
449132300	P83016MM
449132301	P83016MM
449132310	P83011MM
449132320	P16012MM
449132340	P83016MM
449132341	P83016MM
449132350	P83016MM
449132390	P16012MM
449132420	P83034MM
449133010	P83034MM
449133011	P83034MM
449133020	P83027MM
449133021	P83027MM
449133030	P83034MM
449133040	P83027MM
449133041	P83027MM
449133042	P83027MM
449133050	P83027MM
449133051	P83027MM
449133060	P83034MM

OE	MAGNETI MARELLI
TOYOTA	
449133070	P83015MM
449133080	P83034MM
449133091	P83027MM
449133100	P83027MM
449133110	P83027MM
449135050	P83013MM
449135051	P83013MM
449135060	P83013MM
449135061	P83013MM
449135062	P83013MM
449135063	P83013MM
449135070	P83006MM
449135071	P83006MM
449135080	P83006MM
449135081	P83006MM
449135100	P83006MM
449135101	P83006MM
449135111	P83095MM
449135120	P83006MM
449135130	P83013MM
449135160	P83009MM
449135170	P83009MM
449135171	P83009MM
449135180	P83009MM
449135190	P83009MM
449135200	P83013MM
449135240	P83009MM
449135241	P83009MM
449135260	P83009MM
449140030	P83013MM
449140040	P83013MM
449140041	P83013MM
449142010	P83034MM
449142011	P83034MM
449142012	P83034MM
449150010	P83027MM
449150020	P83027MM
449150021	P83027MM
449150030	P83027MM
449150031	P83027MM
449150050	P83027MM
449150060	P83011MM
449150070	P83037MM
449150071	P83037MM
449150080	P83037MM

OE	MAGNETI MARELLI
TOYOTA	
449150090	P83037MM
449150091	P83037MM
449150110	P83037MM
449150111	P83037MM
449150120	P83037MM
449150121	P83037MM
449150130	P83037MM
449150180	P83037MM
449150210	P83039MM
449150240	P83039MM
449160010	P83006MM
449160011	P83006MM
449160030	P83006MM
449160040	P83006MM
449160050	P83006MM
449160051	P83006MM
449160070	P83009MM
449160080	P83009MM
449160090	P83009MM
449160110	P83026MM
449160150	P83025MM
449160160	P83025MM
449160170	P83025MM
449160180	P83025MM
449207010	P83111MM
449210010	P83116MM
449214150	P83038MM
449214160	P83038MM
449214161	P83038MM
449216010	P83116MM
449217010	P83019MM
449217011	P83019MM
449217020	P83019MM
449217030	P83019MM
449217040	P83019MM
449218010	P83116MM
449220010	P83015MM
449220011	P83015MM
449220012	P83015MM
449220020	P83015MM
449220021	P83015MM
449220022	P83015MM
449220030	P83015MM
449220040	P83015MM
449220050	P83015MM

OE	MAGNETI MARELLI
TOYOTA	
449220051	P83015MM
449220060	P83015MM
449220061	P83015MM
449220062	P83015MM
449220070	P83015MM
449220071	P83015MM
449220080	P83015MM
449220090	P83015MM
449220100	P83015MM
449220110	P83091MM
449220140	P83015MM
449220150	P83015MM
449222150	P83111MM
449224070	P83038MM
449224080	P83038MM
449224090	P83038MM
449228010	P83030MM
449228020	P83030MM
449230140	P83038MM
449230150	P83038MM
449230160	P83038MM
449232010	P83015MM
449232011	P83015MM
449232012	P83015MM
449232020	P83015MM
449232060	P83015MM
449232061	P83015MM
449232070	P83015MM
449232080	P83015MM
449233010	P83015MM
449233020	P83015MM
449233030	P83015MM
449233031	P83015MM
449242150	P83111MM
449242160	P83111MM
449250040	P83038MM
449250050	P83036MM
449250051	P83036MM
449250060	P83038MM
449250070	P83036MM
449250071	P83036MM
449250080	P83036MM
449250110	P83037MM
449260010	P83024MM
449260020	P83024MM

OE	MAGNETI MARELLI
----	-----------------

TOYOTA	
449528020	P83030MM
449528022	P83030MM
449528171	P83029MM
4774605010	P83034MM
4774705010	P83034MM
4775705010	P83034MM
44652231279	P83037MM
44653040079	P83072MM
44653041079	P83072MM
44653046079	P83072MM
44653047079	P83072MM
44653048079	P83054MM
44653049079	P83072MM
44653049179	P83072MM
44654216079	P83082MM
44662219079	P83073MM
44663017079	P83045MM
44664206079	P83089MM
44665301079	P83073MM
044650B030	P83093MM
044650C011	P83108MM
044650C012	P83108MM
044650C020	P83107MM
044650D010	P83053MM
044650D020	P83103MM
044650D030	P83103MM
044650D040	P83053MM
044650D050	P83085MM
044650D130	P83101MM
044650D160	P83101MM
044650F010	P83109MM
044650F011	P83109MM
044650H020	P61081MM
044650H030	P61081MM
044650H031	P61081MM
044650K010	P83096MM
044650K020	P83069MM
044650K090	P83066MM
044650K120	P83094MM
044650K130	P83094MM
044650K140	P83069MM
044650K160	P83096MM
044650K210	P83151MM
044650K240	P83140MM
044650K260	P83140MM

OE	MAGNETI MARELLI
----	-----------------

TOYOTA	
044650K290	P83137MM
044650K310	P83094MM
044650K320	P83140MM
044650K340	P83140MM
044650K360	P83102MM
044650K370	P83102MM
044650W030	P83058MM
044650W050	P83051MM
044650W060	P83058MM
044650W080	P83103MM
044650W140	P83106MM
044650W141	P83106MM
044651A010	P83054MM
044652B010	P83054MM
044652B020	P83028MM
044652B030	P83054MM
044652B040	P83054MM
04465B1050	P79012MM
04465B1150	P79012MM
04465B1170	P79012MM
04465B1350	P83141MM
04465B1360	P83101MM
04465B2020	P79012MM
04465B2090	P79012MM
04465B2150	P16011MM
04465B4030	P54015MM
04465B5020	P16009MM
04465B5021	P16009MM
04465B5070	P10054MM
04465B5080	P16009MM
04465D8000	P83082MM
04465WY010	P83101MM
04465WY030	P83072MM
04465YZZOK	P83011MM
04465YZZAA	P83011MM
04465YZZAB	P83034MM
04465YZZAC	P83023MM
04465YZZAD	P83092MM
04465YZZAF	P83009MM
04465YZZAG	P83016MM
04465YZZAJ	P83013MM
04465YZZAK	P83031MM
04465YZZAL	P83025MM
04465YZZAM	P83027MM
04465YZZAX	P83026MM

OE	MAGNETI MARELLI
----	-----------------

TOYOTA	
04465YZZBD	P83009MM
04465YZZBE	P83042MM
04465YZZCA	P83006MM
04465YZZCF	P83028MM
04465YZZCG	P83041MM
04465YZZCH	P83093MM
04465YZZCJ	P83050MM
04465YZZCL	P83040MM
04465YZZCM	P83048MM
04465YZZCN	P83055MM
04465YZZCR	P83053MM
04465YZZCS	P83055MM
04465YZZCT	P83061MM
04465YZZDA	P83051MM
04465YZZDB	P83066MM
04465YZZDF	P83054MM
04465YZZDH	P83009MM
04465YZZDJ	P83009MM
04465YZZDK	P83011MM
04465YZZDR	P83082MM
04465YZZDS	P83085MM
04465YZZDT	P61081MM
04465YZZDU	P83094MM
04465YZZDV	P83069MM
04465YZZDY	P83071MM
04465YZZDZ	P83062MM
04465YZZEA	P83105MM
04465YZZEB	P83046MM
04465YZZEC	P83079MM
04465YZZED	P83148MM
04465YZZEE	P83109MM
04465YZZEF	P83140MM
04465YZZEG	P83117MM
04465YZZEH	P83109MM
04465YZZEM	P83053MM
044660C010	P83098MM
044660D010	P83087MM
044660F010	P83114MM
04466D8000	P83056MM
04466WY010	P83083MM
04466WY020	P83073MM
04466WY030	P83047MM
04466YZZC4	P83049MM
04466YZZC5	P83015MM
04466YZZC6	P83015MM

OE	MAGNETI MARELLI
----	-----------------

TOYOTA	
04466YZZC7	P83030MM
04466YZZC8	P83024MM
04466YZZD3	P83057MM
04466YZZD5	P83052MM
04466YZZD9	P83065MM
04466YZZE1	P83056MM
04466YZZE2	P83047MM
04466YZZE3	P83080MM
04466YZZE5	P83112MM
04466YZZE7	P83114MM
04466YZZE8	P83089MM
044912B010	P83034MM
044912B020	P83011MM
044912B030	P83027MM
044912B040	P83090MM
044912B050	P83034MM
044912B060	P83027MM
044912B070	P83028MM
044912B080	P83034MM
04491B1030	P24072MM
04491B1031	P24072MM
04491B1050	P79012MM
04491B1051	P79012MM
04491B1052	P79012MM
04491B1080	P79012MM
SU001A1065	P61095MM
SU001A1066	P61096MM
SU001A1067	P61096MM
SU00304089	P78021MM
SU00304096	P78011MM
SU00304096	P78017MM
SU00304097	P78020MM
SU00304324	P78013MM
SU00304325	P78018MM
SU00304678	P78021MM

VAUXHALL	
542115	P59077MM
542120	P59076MM
1605095	P10011MM
1605135	P59077MM
1605137	P10011MM
1605139	P59043MM
1605140	P59080MM
1605176	P59080MM

OE	MAGNETI MARELLI
VAUXHALL	
1605178	P59077MM
1605184	P59081MM
1605226	P59051MM
1605281	P59083MM
1605285	P59086MM
1605456	P59045MM
1605617	P59010MM
1605617	P59014MM
1605693	P59018MM
1605877	P59018MM
1777990	P59022MM
4403272	P68006MM
4420066	P68063MM
4423332	P59082MM
4502883	P68061MM
4711040	P59050MM
4810774	P10003MM
4817764	P10003MM
9111272	P68006MM
9192124	P59016MM
9192126	P23001MM
9195064	P59048MM
9195077	P59016MM
9195145	P59045MM
9195146	P59022MM
9195641	P59031MM
9195642	P59031MM
9199058	P59025MM
9199059	P59026MM
9200108	P59036MM
9293345	P59004MM
13300867	P59080MM
13301207	P59076MM
13301234	P59077MM
13319293	P59080MM
13411380	P59080MM
13412810	P59077MM
20789468	P10003MM
22799077	P59077MM
39021482	P59059MM
90010585	P59005MM
90273260	P59014MM
90297412	P59004MM
90297552	P28017MM
90398116	P59016MM

OE	MAGNETI MARELLI
VAUXHALL	
90399495	P59017MM
90421736	P59011MM
90540177	P59014MM
90541293	P59016MM
90544439	P59022MM
91014519	P52002MM
91014594	P24004MM
93166798	P59043MM
93167551	P68062MM
93167662	P68063MM
93169000	P59010MM
93169000	P59014MM
93169174	P59051MM
93172174	P59043MM
93172950	P59043MM
93173154	P59033MM
93173734	P59048MM
93176122	P59017MM
93185752	P10011MM
93188112	P10011MM
93190982	P10012MM
93192389	P59041MM
93192578	P59045MM
93196814	P59050MM
95459512	P10003MM
95507110	P68061MM
95513810	P59081MM
95515197	P59040MM
95515497	P59059MM
95515498	P59060MM
95517029	P59083MM
95517078	P59086MM
95518304	P59082MM
95518305	P59041MM
95518893	P59082MM
95599218	P59039MM
95599219	P56061MM
95599224	P59041MM
96626070	P10003MM
96626076	P10004MM
97047526	P59020MM
97201441	P59033MM
193192578	P59045MM

OE	MAGNETI MARELLI
VOLKSWAGEN	
21165081	P23019MM
114430281	P85006MM
115430261	P85022MM
115430280	P24013MM
115430281	P24013MM
115430284	P85022MM
115430285	P85022MM
175698151	P85012MM
176698151	P85012MM
191698151	P85019MM
191698451	P85017MM
211698151	P23001MM
251698151	P85002MM
281698151	P85007MM
291698151	P50003MM
311698151	P06001MM
357698151	P85092MM
377698451	P24030MM
411698151	P59001MM
437698151	P85016MM
437698451	P85013MM
443498451	P85013MM
443698151	P85092MM
443698451	P85013MM
447698151	P85018MM
447698451	P85013MM
533698151	P85015MM
701698151	P85028MM
701698451	P85046MM
803698151	P59001MM
811698151	P85003MM
823698151	P85003MM
853698151	P85093MM
857698451	P85013MM
859698451	P85013MM
861698151	P85003MM
867698151	P85024MM
891698151	P85003MM
895698151	P85018MM
161698451D	P85017MM
171698151E	P85003MM
171698151F	P85012MM
171698151G	P85005MM
191615109H	P85012MM
191615115K	P85019MM

OE	MAGNETI MARELLI
VOLKSWAGEN	
191615415A	P85017MM
191615415D	P85017MM
191698151A	P85019MM
191698151B	P85005MM
191698151C	P85012MM
191698151D	P85012MM
191698151E	P85019MM
191698151F	P85019MM
191698151G	P85005MM
191698151H	P85012MM
191698151J	P85012MM
191698151K	P85012MM
191698151L	P85005MM
191698451A	P85017MM
191698451B	P85017MM
191698451C	P85017MM
191698451D	P85017MM
1BM698151A	P06001MM
1BM698151B	P06001MM
1E0698451	P85020MM
1E0698451A	P85017MM
1E0698451B	P85020MM
1E0698451C	P85020MM
1E0698451D	P85020MM
1E0698451E	P85020MM
1E0698451G	P85020MM
1H0615109	P85012MM
1H0615415	P85020MM
1H0615415A	P85020MM
1H0615415D	P85020MM
1H0690451	P85017MM
1H0690451A	P85017MM
1H0698151	P85012MM
1H0698151A	P85030MM
1H0698151B	P85031MM
1H0698451	P85020MM
1H0698451A	P85020MM
1H0698451B	P85017MM
1H0698451C	P85017MM
1H0698451D	P85020MM
1H0698451E	P85017MM
1H0698451F	P85017MM
1H0698451G	P85017MM
1H0698451H	P85017MM
1HM698151	P85032MM

OE	MAGNETI MARELLI
-----------	------------------------

VOLKSWAGEN

1HM698151A	P85032MM
1J0615115	P85041MM
1J0698151	P85041MM
1J0698151A	P85041MM
1J0698151B	P85041MM
1J0698151C	P85041MM
1J0698151D	P85072MM
1J0698151E	P85072MM
1J0698151F	P85072MM
1J0698151G	P85072MM
1J0698151H	P85041MM
1J0698151J	P85041MM
1J0698151K	P85045MM
1J0698151L	P85035MM
1J0698151M	P85045MM
1J0698451	P85020MM
1J0698451B	P85020MM
1J0698451C	P85020MM
1J0698451D	P85020MM
1J0698451E	P85020MM
1J0698451F	P85020MM
1J0698451G	P85020MM
1J0698451H	P85020MM
1J0698451J	P85020MM
1J0698451K	P85020MM
1J0698451L	P85020MM
1J0698451M	P85020MM
1J0698451N	P85020MM
1J0698451P	P85020MM
1J0698451R	P85020MM
1J0698451S	P85020MM
1JE698151B	P85041MM
1K0698151	P85075MM
1K0698151A	P85072MM
1K0698151B	P85079MM
1K0698151C	P85075MM
1K0698151D	P85072MM
1K0698151E	P85075MM
1K0698151F	P85072MM
1K0698151G	P85072MM
1K0698151J	P85072MM
1K0698451	P85073MM
1K0698451A	P85020MM
1K0698451B	P85095MM
1K0698451C	P85020MM

OE	MAGNETI MARELLI
-----------	------------------------

VOLKSWAGEN

1K0698451D	P85073MM
1K0698451E	P85095MM
1K0698451F	P85073MM
1K0698451G	P85073MM
1K0698451H	P85073MM
1K0698451J	P85020MM
1K0698451K	P85095MM
1K0698451L	P85109MM
1K0698451M	P85020MM
1ML698151	P85104MM
1S0698151	P85041MM
211698151A	P23001MM
211698151B	P23001MM
211698151C	P85002MM
211698151D	P23001MM
211698151F	P23001MM
211698151G	P23001MM
251698151A	P85002MM
251698151B	P85002MM
251698151C	P85008MM
251698151D	P85002MM
251698151E	P85002MM
251698151F	P85008MM
251698151G	P85008MM
281698151A	P85007MM
281698151B	P85007MM
291698151A	P50003MM
2D0698151	P50080MM
2D0698151A	P50028MM
2D0698151B	P50028MM
2D0698151C	P50080MM
2D0698451	P50082MM
2D0698451A	P50081MM
2D0698451B	P50020MM
2D0698451C	P50081MM
2D0698451D	P50081MM
2E0698151	P50085MM
2E0698151A	P50059MM
2E0698151B	P50085MM
2E0698151C	P50059MM
2E0698151E	P50085MM
2E0698151F	P50059MM
2E0698451	P50084MM
2E0698451A	P50060MM
2E0698451B	P50060MM

OE	MAGNETI MARELLI
-----------	------------------------

VOLKSWAGEN

2H0698151	P85115MM
2H0698151A	P85115MM
2K5698151	P85147MM
2K5698151A	P85147MM
2K5698151B	P85147MM
2K5698451	P85114MM
2K5698451A	P85135MM
311698151A	P06001MM
311698151B	P06001MM
311698151C	P59001MM
311698151D	P06001MM
311698151E	P59001MM
321698151B	P85005MM
321698151C	P85012MM
321698151D	P85005MM
321698151E	P85005MM
321698151F	P85012MM
321698151G	P85012MM
321698151H	P85005MM
321698151J	P85012MM
357698151A	P85015MM
357698151B	P85011MM
357698151C	P85034MM
357698151D	P85015MM
357698151E	P85032MM
357698151F	P85034MM
357698151H	P85015MM
377698151E	P59034MM
377698151J	P59034MM
377698151K	P59034MM
3A0615116A	P85035MM
3A0615116B	P85035MM
3A0615151	P85035MM
3A0615151A	P85035MM
3A0698151	P85035MM
3A0698151A	P85035MM
3AA698451	P85109MM
3B0698451	P85020MM
3B0698451A	P85020MM
3B7698151	P06019MM
3C0698151	P85075MM
3C0698151A	P85146MM
3C0698151B	P85075MM
3C0698151C	P85146MM
3C0698151D	P85146MM

OE	MAGNETI MARELLI
-----------	------------------------

VOLKSWAGEN

3C0698151E	P85131MM
3C0698151F	P85131MM
3C0698151G	P85131MM
3C0698151H	P85131MM
3C0698151J	P85146MM
3C0698451	P85073MM
3C0698451A	P85108MM
3C0698451B	P85073MM
3C0698451C	P85108MM
3C0698451D	P85073MM
3C0698451E	P85109MM
3C0698451F	P85109MM
3D0698151A	P85078MM
3D0698151B	P85067MM
3D0698451	P85064MM
3D0698451A	P85064MM
3Q0698451	P85124MM
3Q0698451B	P85124MM
411698151B	P59001MM
420698451A	P02001MM
420698451D	P02001MM
431698151D	P85092MM
431698151F	P85092MM
431698151G	P85092MM
440615116A	P85092MM
440698151A	P85092MM
441698151E	P85018MM
441698151G	P85038MM
443398151F	P85016MM
443615415N	P85013MM
443615415P	P85013MM
443615415S	P85013MM
443698151A	P85092MM
443698151C	P85016MM
443698151D	P85016MM
443698151E	P85016MM
443698151F	P85016MM
443698151G	P85016MM
443698151H	P85016MM
443698151J	P85092MM
443698151K	P85092MM
443698451A	P85013MM
443698451B	P85013MM
443698451C	P85013MM
447615115B	P85018MM

OE	MAGNETI MARELLI
VOLKSWAGEN	
447615115E	P61049MM
447615115M	P85018MM
447615116B	P85018MM
447615116E	P61049MM
447615116M	P85018MM
447698151A	P85018MM
447698151B	P85018MM
447698151C	P61049MM
447698151E	P85018MM
447698151F	P85018MM
447698451A	P85013MM
447698451C	P85013MM
480698157R	P85097MM
4A0615415	P85013MM
4A0615415C	P85013MM
4A0698151	P85026MM
4A0698151A	P85026MM
4A0698151B	P85038MM
4A0698151C	P85026MM
4A0698151D	P85038MM
4A0698451	P85013MM
4A0698451A	P85013MM
4B0615116	P85037MM
4B0615116A	P85037MM
4B0615116F	P85037MM
4B0615116G	P85037MM
4B0698151	P85037MM
4B0698151A	P85037MM
4B0698151AB	P85085MM
4B0698151AC	P85056MM
4B0698151AD	P85056MM
4B0698151AE	P85096MM
4B0698151AF	P85037MM
4B0698151B	P85037MM
4B0698151C	P85096MM
4B0698151D	P85067MM
4B0698151E	P85085MM
4B0698151H	P85037MM
4B0698151J	P85085MM
4B0698151K	P85037MM
4B0698151L	P85067MM
4B0698151M	P85085MM
4B0698151N	P85085MM
4B0698151Q	P85056MM
4B0698151R	P85056MM

OE	MAGNETI MARELLI
VOLKSWAGEN	
4B0698151S	P85067MM
4B0698451	P85020MM
4B0698451B	P85020MM
4B0698451E	P85020MM
4B3615118A	P85038MM
4B3698151	P85067MM
4B3698151A	P85078MM
4B3698151B	P85067MM
4B3698451	P85076MM
4B3698451A	P85076MM
4D0615415	P85013MM
4D0698151	P85054MM
4D0698151A	P85036MM
4D0698151AD	P85038MM
4D0698151B	P85054MM
4D0698151E	P85038MM
4D0698151H	P85026MM
4D0698151L	P85053MM
4D0698151P	P85054MM
4D0698151Q	P85053MM
4D0698151R	P85054MM
4D0698151S	P85054MM
4D0698451	P85013MM
4D0698451A	P85013MM
4D0698451B	P85013MM
4D0698451C	P85020MM
4D0698451D	P85020MM
4D0698451F	P85013MM
4D0698451G	P85013MM
4E0698151	P85102MM
4E0698151A	P85102MM
4E0698151E	P85087MM
4E0698151F	P85084MM
4E0698151J	P85102MM
4E0698151K	P85087MM
4E0698151M	P85084MM
4E0698451A	P85076MM
4F0698151A	P85084MM
4F0698151D	P85097MM
4F0698151K	P85097MM
4F0698451	P85076MM
4F0698451A	P85073MM
4F0698451B	P85073MM
4F0698451D	P85073MM
4F0698451E	P85073MM

OE	MAGNETI MARELLI
VOLKSWAGEN	
4F0698451F	P85076MM
4F0698451G	P85143MM
4F0698451H	P85076MM
4G0698151B	P85127MM
4G0698151F	P85136MM
4G0698151G	P85127MM
4G0698151S	P85127MM
4G0698451	P85118MM
4G0698451B	P85119MM
4G0698451C	P85119MM
4H0698151D	P85127MM
4H0698151E	P85128MM
4H0698151F	P85136MM
4H0698151G	P85127MM
4H0698151H	P85128MM
4H0698151J	P85136MM
4H0698151Q	P85136MM
4H0698451A	P85117MM
4H0698451C	P85120MM
4H0698451D	P85120MM
533698151A	P85093MM
5C0698151	P85105MM
5C0698151A	P85041MM
5C0698451	P85020MM
5C0698451A	P85020MM
5C0698451B	P85020MM
5G0698451	P85124MM
5K0698151	P85075MM
5K0698151A	P85105MM
5K0698451	P85114MM
5K0698451A	P85114MM
5K0698451C	P85114MM
5N0698151	P85112MM
5N0698151A	P85112MM
5N0698151B	P85130MM
5N0698451	P85109MM
5Q0698151	P85126MM
5Q0698151B	P85126MM
5Q0698151C	P85137MM
5Q0698151D	P85147MM
5Q0698151G	P85131MM
5Q0698451	P85124MM
5Q0698451A	P85020MM
5Q0698451B	P85135MM
5Q0698451C	P85125MM

OE	MAGNETI MARELLI
VOLKSWAGEN	
5Q0698451E	P85020MM
5Q0698451F	P85135MM
5Q0698451G	P85020MM
5Q0698451N	P85125MM
5Z0698151A	P85041MM
6C0698151	P85041MM
6C0698151A	P85041MM
6C0698151C	P85041MM
6E0698151	P85055MM
6KL698151	P36020MM
6LL698151	P85134MM
6N0698151	P85025MM
6N0698151A	P85032MM
6N0698151B	P85032MM
6N0698151C	P85025MM
6Q0698151	P85041MM
6Q0698151A	P85057MM
6Q0698151B	P85071MM
6Q0698151C	P85077MM
6Q0698451	P85066MM
6Q0698451B	P85066MM
6R0698151A	P85041MM
6R0698451	P85020MM
6RU698151	P85121MM
6RU698151A	P85121MM
6U0698151	P85022MM
6U0698151A	P85022MM
6U0698151B	P85022MM
6U0698151C	P85022MM
6U0698151D	P85022MM
6U0698151E	P85022MM
6U0698151F	P85022MM
6X0698451	P85066MM
6X0698451A	P85066MM
701698151A	P85027MM
701698151B	P85027MM
701698151C	P85028MM
701698151D	P85029MM
701698151E	P85029MM
701698151F	P85027MM
701698151G	P85027MM
701698151H	P85027MM
701698151J	P85029MM
701698451C	P50011MM
701698451C	P85046MM

OE	MAGNETI MARELLI
VOLKSWAGEN	
7B0698151A	P11022MM
7B0698151C	P11022MM
7B0698151D	P11022MM
7B0698151E	P11035MM
7B0698151G	P11035MM
7B0698151J	P11035MM
7B0698151K	P11035MM
7B0698151L	P11035MM
7B0698451	P11021MM
7B0698451A	P11021MM
7B0698451B	P11032MM
7B0698451C	P11021MM
7B0698451D	P11021MM
7D0698151	P85047MM
7D0698151A	P85052MM
7D0698151B	P85050MM
7D0698151C	P85048MM
7D0698151D	P85049MM
7D0698151E	P85047MM
7D0698151F	P85049MM
7D0698151G	P85050MM
7D0698151H	P85048MM
7D0698451	P85046MM
7D0698451A	P85046MM
7D0698451B	P85059MM
7D0698451C	P85046MM
7D0698451D	P85046MM
7D0698451E	P85046MM
7D0698451F	P85059MM
7D0698451G	P85046MM
7D0698451J	P85046MM
7D698151B	P85027MM
7E0698151	P85141MM
7E0698151B	P85141MM
7E0698451	P85083MM
7E0698451A	P85083MM
7H0698151	P85081MM
7H0698151A	P85082MM
7H0698151B	P85106MM
7H0698151C	P85107MM
7H0698451	P85083MM
7H0698451A	P85076MM
7H0698451B	P85083MM
7H8698451	P85091MM
7L0698151	P85069MM

OE	MAGNETI MARELLI
VOLKSWAGEN	
7L0698151A	P85065MM
7L0698151B	P85069MM
7L0698151C	P85065MM
7L0698151D	P85069MM
7L0698151E	P85065MM
7L0698151F	P85069MM
7L0698151G	P85065MM
7L0698151H	P85069MM
7L0698151J	P85065MM
7L0698151M	P65017MM
7L0698151N	P65017MM
7L0698151P	P85065MM
7L0698151Q	P85069MM
7L0698151R	P85065MM
7L0698151S	P85069MM
7L0698451	P85070MM
7L0698451A	P85070MM
7L0698451B	P85070MM
7L0698451C	P85103MM
7L0698451D	P85103MM
7L0698451E	P85103MM
7L0698451F	P85103MM
7L0698451G	P85070MM
7L0698451H	P85070MM
7L5698151	P65016MM
7L5698151C	P85069MM
7L5698451	P85088MM
7L5698451B	P85070MM
7L6698151	P85069MM
7L6698151A	P85065MM
7L6698151B	P85090MM
7L6698151C	P85069MM
7L6698151D	P85065MM
7L6698151E	P85110MM
7L6698151F	P85149MM
7L6698151G	P85110MM
7L6698151J	P85110MM
7L6698451	P85068MM
7L6698451A	P85070MM
7L6698451B	P85111MM
7L6698451C	P85068MM
7L6698451D	P85070MM
7M0698151	P85039MM
7M0698151A	P85039MM
7M0698151B	P85039MM

OE	MAGNETI MARELLI
VOLKSWAGEN	
7M0698451	P85020MM
7M3698151	P85060MM
7M3698151A	P85061MM
7M3698151B	P85062MM
7M3698451	P85058MM
7M3698451A	P85020MM
7M3698451B	P85058MM
7M3698451C	P85058MM
7M3698451D	P85059MM
7M3698451E	P85058MM
7M3698451F	P85059MM
7N0698151	P85112MM
7N0698151A	P85131MM
7N0698151B	P85131MM
7N0698151C	P85131MM
7N0698151D	P85131MM
7P0698151	P65021MM
7P0698151B	P65021MM
7P0698151C	P65021MM
7P0698451	P65027MM
7P5698151	P65026MM
7P5698451	P65030MM
7P6698151	P65021MM
7P6698151B	P65021MM
7P6698151C	P85110MM
7P6698451	P65027MM
803698151A	P59001MM
803698151C	P59001MM
803698151D	P59001MM
803698151F	P59001MM
810698151B	P59001MM
823698151A	P85003MM
853698151A	P85093MM
861698151A	P85003MM
861698151E	P85003MM
895615115B	P85018MM
895615115C	P85018MM
895698151A	P85018MM
895698151B	P85018MM
8A0615115D	P85092MM
8A0615115F	P65005MM
8A0698151	P85016MM
8A0698151A	P85011MM
8A0698151A	P85092MM
8A0698151B	P85011MM

OE	MAGNETI MARELLI
VOLKSWAGEN	
8A0698151B	P85016MM
8A0698151C	P85011MM
8A0698151D	P65005MM
8A0698151E	P65005MM
8A0698151F	P65005MM
8A0698151G	P65006MM
8A0698451	P85094MM
8A0698451A	P85094MM
8A0698451B	P85094MM
8D0615116B	P85036MM
8D0615116D	P85036MM
8D0698151	P85011MM
8D0698151A	P85036MM
8D0698151B	P85096MM
8D0698151C	P85036MM
8D0698151D	P06019MM
8D0698151F	P85036MM
8D0698151L	P85092MM
8D0698451	P85020MM
8D0698451A	P85101MM
8D0698451B	P85101MM
8E0615115B	P85044MM
8E0698151	P85042MM
8E0698151A	P85042MM
8E0698151B	P85044MM
8E0698151C	P85097MM
8E0698151E	P50059MM
8E0698151F	P85085MM
8E0698151G	P85084MM
8E0698151H	P85078MM
8E0698151J	P85085MM
8E0698151K	P85085MM
8E0698151L	P85084MM
8E0698151M	P85044MM
8E0698151N	P85042MM
8E0698451	P85020MM
8E0698451A	P85020MM
8E0698451B	P85017MM
8E0698451C	P85076MM
8E0698451D	P85017MM
8E0698451E	P85017MM
8E0698451F	P85073MM
8E0698451H	P85076MM
8E0698451J	P85073MM
8E0698451K	P85020MM

OE	MAGNETI MARELLI
VOLKSWAGEN	
8E0698451L	P85017MM
8E0698451M	P85073MM
8E0698451N	P85076MM
8E0698451P	P85076MM
8EA698451	P85020MM
8J0698151	P85075MM
8J0698151A	P85129MM
8J0698151D	P85116MM
8J0698151E	P85116MM
8J0698151F	P85129MM
8J0698151G	P85116MM
8J0698151H	P85116MM
8J0698151K	P85116MM
8K0615151C	P85098MM
8K0698151	P85098MM
8K0698151A	P85113MM
8K0698151B	P85098MM
8K0698151D	P85098MM
8K0698151E	P85098MM
8K0698151F	P85113MM
8K0698151G	P85098MM
8K0698151H	P85098MM
8K0698151J	P85098MM
8K0698151K	P85098MM
8K0698451	P85100MM
8K0698451A	P85099MM
8K0698451B	P85099MM
8K0698451C	P85099MM
8K0698451D	P85100MM
8K0698451E	P85100MM
8N0698151	P85035MM
8N0698151A	P85045MM
8N0698151C	P85045MM
8N0698151D	P06019MM
8P0698151	P85129MM
8R0698151	P85098MM
8R0698151A	P85145MM
8R0698151B	P85122MM
8R0698151C	P85123MM
8R0698151D	P85133MM
8R0698151E	P85122MM
8R0698151F	P85128MM
8R0698151G	P85133MM
8R0698151H	P85123MM
8R0698151K	P85133MM

OE	MAGNETI MARELLI
VOLKSWAGEN	
8R0698151L	P85122MM
8R0698151R	P85128MM
8U0698151E	P85022MM
8V0698151	P85126MM
8V0698151A	P85126MM
8V0698151B	P85126MM
8V0698151C	P85144MM
8V0698151D	P85126MM
8V0698151G	P85126MM
8V0698451	P85125MM
8V0698451A	P85124MM
8V0698451B	P85125MM
8V0698451D	P85124MM
8V0698451F	P85125MM
8X0698151	P85148MM
8Z0698151	P85063MM
J0446535020	P83013MM
J0446535040	P83009MM
J0446535320	P83013MM
J0449135130	P83006MM
J0449135160	P83009MM
J0449135200	P83013MM
J0466535040	P83009MM
JZW698151	P85072MM
JZW698151A	P85041MM
JZW698151AB	P50085MM
JZW698151B	P85075MM
JZW698151N	P85085MM
JZW698451	P85020MM
JZW698451A	P85020MM
JZW698451B	P85017MM
JZW698451C	P85020MM
JZW698451D	P85073MM
JZW698451F	P85066MM
JZW698451K	P85083MM
JZW698451L	P85076MM
SE0141165081C	P23018MM
SE021165081A	P23013MM
SE021165081B	P23013MM
SE022165081A	P23024MM
SE022165081B	P23013MM
SE022165087	P23005MM
SE127165005A	P23003MM
SE127165081A	P23024MM
SE131165081A	P23013MM

OE	MAGNETI MARELLI
VOLKSWAGEN	
SE141165081A	P23013MM
SE141165081C	P23018MM
SE22165081A	P23018MM
XE02116508113	P23013MM
XE021165081B	P23013MM
ZBC698151A	P23040MM
ZBC698151B	P23040MM
VOLVO	
270163	P86003MM
270164	P86001MM
270166	P86002MM
270530	PA6011MM
270923	P86009MM
271179	P86006MM
271182	P86006MM
271336	P86002MM
271349	P86007MM
271477	P86002MM
271573	P86009MM
271586	P86002MM
271587	P86013MM
271666	P86003MM
271668	P86002MM
271702	P86002MM
271706	P86006MM
271737	P86007MM
271739	P86003MM
271758	P86002MM
271824	P86002MM
271829	P86009MM
271859	P86013MM
271958	P86009MM
271959	P86002MM
271962	P86002MM
271979	P86007MM
272291	P86009MM
272343	P86024MM
272370	P86015MM
272399	P86014MM
272401	P86016MM
272407	P86002MM
272463	P86002MM
272531	P86002MM
272535	P86002MM

OE	MAGNETI MARELLI
VOLVO	
272566	P86003MM
272567	P86001MM
272569	P86002MM
272673	P86003MM
272674	P86001MM
272779	P86003MM
272780	P86001MM
272782	P86002MM
272867	P86003MM
272873	P86003MM
272876	P86001MM
272911	P86002MM
272944	P86014MM
274285	P86022MM
274330	P86019MM
274331	P86018MM
274334	P86014MM
274512	P86019MM
274528	P86019MM
275895	P86001MM
2701639	P86003MM
2701647	P86001MM
2701662	P86002MM
2709236	P86009MM
2711794	P86006MM
2711828	P86006MM
2713360	P86001MM
2713493	P86007MM
2713498	P86007MM
2714772	P86002MM
2715738	P86009MM
2715860	P86002MM
2715878	P86013MM
2717023	P59001MM
2717379	P86007MM
2717395	P86003MM
2717585	P86002MM
2718245	P86002MM
2718294	P86009MM
2719623	P86001MM
2722916	P86009MM
2723435	P86024MM
2723708	P86024MM
2723997	P86014MM
2724011	P86016MM

OE	MAGNETI MARELLI
VOLVO	
2724078	P86002MM
2724631	P86002MM
2725315	P86001MM
2725679	P86001MM
2726735	P86003MM
2726743	P86001MM
2727820	P86002MM
2728700	P86002MM
2729119	P86001MM
2758944	P86003MM
3064838	P86013MM
3079354	P24076MM
3090048	PA6011MM
3090784	PA6011MM
3100021	P06001MM
3342529	P86011MM
3342534	P71003MM
3343433	P86011MM
3343838	P06001MM
3344061	P86010MM
3344787	P86010MM
3345670	P54022MM
3345678	P54023MM
3516916	P86007MM
6779999	PA6011MM
8623861	P86020MM
8623862	P86014MM
8628240	P86002MM
8634921	P86016MM
8634925	P86014MM
8683615	P59042MM
9485267	P86024MM
9485593	P86013MM
30620770	P54023MM

OE	MAGNETI MARELLI
VOLVO	
30623253	P86017MM
30623259	P86017MM
30623264	P54023MM
30630555	P86017MM
30630556	P54023MM
30630612	P86017MM
30630613	P54023MM
30638455	P54023MM
30645135	P23078MM
30646135	P54040MM
30648381	P86013MM
30648382	P86014MM
30648383	P86013MM
30648385	P86016MM
30648386	P86016MM
30648387	P86016MM
30665552	P36020MM
30671574	P86021MM
30671575	P24078MM
30671576	P44017MM
30681739	P24061MM
30683274	P24057MM
30683412	P54040MM
30683554	P24061MM
30683858	P36020MM
30714791	P24057MM
30715023	P24061MM
30736322	P24077MM
30736610	P59042MM
30736923	P24061MM
30742029	P24057MM
30742030	P24061MM
30742031	P24148MM
30742491	P86021MM

OE	MAGNETI MARELLI
VOLVO	
30742516	P24078MM
30748513	P23078MM
30748957	P23078MM
30769122	P86022MM
30769125	P86018MM
30769186	P54023MM
30769199	P86017MM
30776712	P86016MM
30778910	P24076MM
30793093	P86019MM
30793231	P86022MM
30793265	P86022MM
30793539	P24077MM
30793540	P24076MM
30793618	P24061MM
30793799	P86013MM
30793802	P86002MM
30793857	P24077MM
30793941	P24076MM
30793943	P86023MM
30794553	P44017MM
30794554	P86021MM
30794555	P24078MM
30799186	P54023MM
30850976	P86017MM
30850978	P54023MM
30900484	PA6011MM
31200229	P24077MM
31200299	P24077MM
31201839	P86018MM
31212184	P24057MM
31261180	P86003MM
31261183	P86007MM
31261184	P86006MM

OE	MAGNETI MARELLI
VOLVO	
31261185	P86002MM
31261186	P86009MM
31262468	P54023MM
31262503	P86020MM
31262506	P86016MM
31262705	P86018MM
31262795	P86015MM
31277334	P86023MM
31302996	P86007MM
31317482	P24078MM
31317483	P24078MM
31317658	P24057MM
31323501	P24148MM
31341243	P86013MM
31341301	P24061MM
31341327	P24148MM
31341331	P24148MM
31408670	P86021MM
31445796	P86021MM
33425299	P86011MM
33434333	P86011MM
33447871	P86010MM
33456708	P54022MM
86349214	P86016MM
86349255	P86014MM
306207705	P54023MM
308509769	P86017MM
308509785	P54023MM
ZASTAVA	
4423980	P23003MM

Pastiglie freno – Tavole di comparazione

Brake pads – Cross reference guide

Scheibenbremsbeläge – Gegenüberstellung

Plaquettes de freins – Table de correspondance

Pastillas de freno – Tabla de equivalencias

Pastilhas de freio – Tabela de equivalências

Τακάκια φρένων – Πίνακας αντιστοιχιών

Klocki hamulcowe – Tabela porównawcza

Тормозные накладки – Кросс-таблица

Fren balataları – Çapraz referans tablosu

IAM

IAM	MAGNETI MARELLI
ATE	
13046002892	P24026MM
13046026002	P56098MM
13046027012	P85096MM
13046027042	P23088MM
13046027052	P85038MM
13046027062	P61087MM
13046027072	P23089MM
	P23109MM
13046027082	P50057MM
13046027102	P06034MM
13046027112	P50056MM
13046027132	P06037MM
	P06080MM
13046027142	P06052MM
13046027152	P23105MM
13046027162	P06061MM
13046027182	P44011MM
13046027192	P44013MM
13046027202	P44008MM
13046027212	P44009MM
13046027222	P24078MM
13046027232	P24075MM
	P44016MM
13046027242	P23127MM
	P23128MM
	P30040MM
13046027252	P06051MM
	P06086MM
13046027262	P50045MM
	P50046MM
13046027282	P44014MM
13046027292	P36012MM
13046027302	P36013MM
	P36015MM
13046027312	P44019MM
13046027322	P50067MM
13046027332	P50070MM
13046027342	P50069MM
13046027362	P86021MM
13046027372	P44017MM
13046027382	P61096MM
13046027392	P61095MM
13046027412	P68044MM
13046027432	P68058MM

IAM	MAGNETI MARELLI
ATE	
13046027442	P50107MM
	P68043MM
13046027452	P61084MM
13046027462	P85098MM
13046027472	P85099MM
	P85100MM
13046027502	PA6024MM
13046027512	P79007MM
13046027522	P61104MM
13046027542	P59058MM
13046027552	P59060MM
13046027562	P68041MM
13046027572	P68054MM
13046027582	P59059MM
13046027592	P06062MM
13046027602	P06064MM
13046027612	P61114MM
13046027622	P44022MM
	P44024MM
13046027632	P23131MM
13046027642	P85131MM
	P85144MM
13046027652	P85145MM
13046027672	P23133MM
13046027682	P23152MM
13046027692	P85118MM
13046027702	P85119MM
	P85150MM
13046027712	P11021MM
13046027722	P30064MM
13046027742	P56086MM
13046027782	P50094MM
13046027792	P50093MM
13046027802	P50117MM
13046027812	P50100MM
13046027822	P50099MM
13046027832	P23151MM
13046027842	P24151MM
13046027852	P85126MM
	P85147MM
13046027862	P50091MM
13046027892	P23150MM
13046027922	P30069MM
	P50119MM

IAM	MAGNETI MARELLI
ATE	
13046027932	P23156MM
	P59086MM
13046027972	P06090MM
13046028002	P28015MM
13046028022	P28014MM
	P82001MM
13046028032	P28020MM
13046028042	P52015MM
	P52018MM
13046028052	P28019MM
13046028062	P85034MM
13046028092	P23047MM
13046028102	P68019MM
13046028112	P71004MM
13046028122	P86010MM
13046028152	P59016MM
13046028162	P61056MM
13046028172	P61057MM
13046028192	P85039MM
13046028212	P85032MM
13046028222	P85042MM
13046028242	P36003MM
	P68012MM
13046028252	P61031MM
	P61041MM
13046028272	P23067MM
13046028282	P50047MM
13046028292	P61060MM
13046028302	P54022MM
13046028312	P54023MM
13046028322	P68023MM
13046028332	P50035MM
	P50036MM
13046028342	P68038MM
13046028352	P24047MM
13046028362	P68022MM
13046028372	P85044MM
13046028382	P85050MM
13046028392	P85048MM
13046028402	P59041MM
13046028452	P68024MM
13046028462	P86011MM
13046028482	P50006MM
13046028502	P23083MM
13046028522	P23084MM

IAM	MAGNETI MARELLI
ATE	
13046028532	P54036MM
	P86017MM
13046028552	P50058MM
	P50090MM
13046028572	P59036MM
13046028582	P59037MM
13046028592	P85058MM
13046028622	P61069MM
13046028632	P23090MM
13046028672	P23065MM
13046028682	P10013MM
	P59038MM
13046028692	P61050MM
	P56061MM
	P68026MM
13046028702	P68055MM
	P61074MM
13046028722	P85059MM
13046028742	P85046MM
13046028752	P85067MM
13046028762	P85054MM
13046028772	P85066MM
13046028782	P23094MM
	P23095MM
13046028792	P23064MM
	P23146MM
13046028802	P85073MM
	P85095MM
	P85108MM
13046028812	P85109MM
	P61075MM
13046028822	P85083MM
13046028832	P85057MM
13046028842	P85077MM
13046028852	P50054MM
13046028882	P85076MM
	P85143MM
13046028902	P85064MM
13046028912	P61109MM
13046028922	P61078MM
	P61119MM
13046028932	P61079MM
13046028962	P50055MM
13046028982	P36021MM
13046028992	P37007MM

IAM	MAGNET MARELLI
ATE	
13046029012	P23022MM
13046029022	P23023MM
13046029032	P85008MM
13046029122	P24013MM
13046029132	P24014MM
13046029212	P06010MM
13046029232	P50011MM
13046029252	P85016MM
	P85092MM
13046029262	P85015MM
	P85093MM
13046029272	P50008MM
13046029282	P24018MM
13046029352	P86009MM
13046029372	P85017MM
13046029412	P23014MM
13046029482	P23044MM
13046029492	P23017MM
13046029512	P23026MM
	P23113MM
13046029522	P23045MM
13046029532	P86003MM
13046029542	P86001MM
13046029552	P68008MM
13046029582	P85011MM
13046029592	P11012MM
13046029622	P85013MM
13046029632	P85018MM
13046029642	P85022MM
13046029652	P41003MM
	P41004MM
13046029662	P41001MM
13046029672	P68005MM
13046029682	P23048MM
13046029692	P23035MM
13046029712	P61035MM
13046029722	P85028MM
13046029732	P85027MM
13046029752	P06017MM
13046029762	P23068MM
13046029772	P23069MM
13046029782	P23061MM
13046029792	P23066MM
13046029802	P23041MM
13046029812	P61043MM

IAM	MAGNET MARELLI
ATE	
13046029822	P85029MM
13046029832	P68014MM
	P68027MM
13046029842	P85020MM
13046029852	P86007MM
13046029862	P23024MM
13046029892	P23019MM
13046029972	P23018MM
13046030102	P06001MM
13046033062	P71003MM
13046034022	P85006MM
13046034032	P23029MM
13046035042	P50012MM
13046036052	P06013MM
	P06025MM
	P71006MM
13046036122	P65003MM
13046038002	P59039MM
13046038032	P06011MM
	P06016MM
13046038042	P50066MM
	P59001MM
13046038052	P50009MM
13046038062	P59040MM
13046038072	P23096MM
13046038092	P23097MM
13046038102	P23099MM
13046038112	P23119MM
13046038132	P61080MM
	P61100MM
13046038142	P68031MM
13046038152	P68034MM
13046038182	P23140MM
13046038192	P50050MM
13046038212	P50051MM
13046038242	P23100MM
13046038252	P23101MM
	P23102MM
13046038262	P23108MM
13046038272	P23087MM
13046038282	P23104MM
13046038292	P61081MM
13046038312	P24063MM
13046038322	P50084MM
13046038332	P24065MM

IAM	MAGNET MARELLI
ATE	
13046038342	P24064MM
13046038352	P24066MM
13046038362	P61085MM
13046038382	P24147MM
13046038392	P59051MM
	P59081MM
13046038402	P23153MM
	P59052MM
13046038412	P59053MM
13046038422	P50060MM
13046038462	P23107MM
	P24150MM
13046038472	P61101MM
13046038482	P59057MM
13046038492	P68049MM
13046038502	P23169MM
13046038522	P50086MM
13046038532	P83112MM
13046038542	P83114MM
13046038552	P61103MM
13046038562	P56042MM
13046038572	P06075MM
13046038582	P85114MM
13046038592	P06071MM
13046038602	P85115MM
13046038612	P23135MM
13046038622	P23142MM
13046038632	P23141MM
13046038642	P23137MM
13046038662	P06070MM
13046038672	P61113MM
13046038702	P61120MM
13046038712	P61122MM
13046038722	P61124MM
13046039022	P61039MM
13046039042	P23032MM
13046039112	P61044MM
	P68010MM
13046039142	P86006MM
13046039152	P61029MM
13046039162	P61036MM
13046039272	P24009MM
13046039282	P68001MM
	P68004MM
13046039322	P61102MM

IAM	MAGNET MARELLI
ATE	
13046039332	P68016MM
13046039362	P23003MM
13046039372	P23002MM
13046039382	P23005MM
13046039392	P23021MM
13046039402	P23013MM
13046039432	P61099MM
13046039442	P24023MM
13046039452	P50021MM
13046039462	P68025MM
13046039472	P61046MM
13046039482	P61048MM
13046039492	P23054MM
13046039502	P23060MM
13046039512	P23160MM
13046039532	P68020MM
13046039542	P61032MM
	P68018MM
13046039552	P68015MM
13046039562	P61052MM
13046039572	P23072MM
13046039592	P24033MM
	P24050MM
13046039602	P24032MM
	P24049MM
13046039612	P68002MM
13046039622	P61097MM
13046039632	P24070MM
13046039642	P24038MM
13046039652	P24029MM
	P24045MM
13046039662	P61068MM
13046039682	P68007MM
13046039692	P68006MM
13046039702	P61011MM
13046039722	P61053MM
	P61098MM
13046039732	P61055MM
13046039752	P61063MM
13046039762	P59031MM
13046039772	P56038MM
	P68042MM
13046039782	P61065MM
	P61067MM
13046039792	P50038MM

IAM	MAGNETI MARELLI
ATE	
13046039802	P50031MM
13046039822	P23085MM
13046039842	P23145MM
13046039852	P50032MM
13046039862	P61061MM
13046039872	P24060MM
13046039882	P24059MM
	P68028MM
13046039902	P50020MM
13046039912	P23080MM
13046039922	P24053MM
13046039932	P24052MM
13046039942	P61066MM
	P61082MM
13046039952	P79015MM
13046039962	P61070MM
13046039972	P61071MM
13046039982	P61072MM
13046039992	P50049MM
13046040142	P61038MM
	P61058MM
13046040192	P23012MM
13046040282	P85003MM
13046040302	P50007MM
13046040342	P50013MM
	P59018MM
13046040372	P50014MM
13046040392	P59010MM
13046040402	P59014MM
	P71008MM
13046040412	P61034MM
13046040422	P61047MM
13046040442	P86002MM
13046040472	P50017MM
13046040482	P23001MM
	P65001MM
13046040562	P65006MM
13046040582	P24030MM
13046040602	P50024MM
13046040642	P50025MM
	P50072MM
13046040652	P50033MM
13046040662	P61059MM
13046040692	P50042MM
13046040702	P65010MM

IAM	MAGNETI MARELLI
ATE	
13046042012	P50010MM
13046042022	P50022MM
13046044012	P50003MM
13046048002	P85078MM
13046048012	P85104MM
13046048022	P85053MM
13046048042	P54040MM
13046048052	P68036MM
13046048062	P50092MM
13046048072	P23143MM
13046048092	P23144MM
13046048102	P23136MM
13046048112	P61118MM
13046048122	P61091MM
13046048142	P65007MM
13046048162	P65028MM
13046048172	P50074MM
13046048182	P56047MM
13046048192	P50077MM
13046048232	PA6027MM
13046048262	P50085MM
13046048272	P50059MM
13046048282	PA6025MM
13046048302	PA6026MM
13046048322	P24073MM
13046048332	P85110MM
13046048342	P85111MM
13046048372	P44018MM
13046048402	P65016MM
13046048412	P36014MM
13046048422	P65014MM
	P65015MM
13046048472	PA6022MM
13046048482	P06041MM
13046048492	P06059MM
13046048502	P85103MM
13046048512	P23115MM
13046048522	P65017MM
	P65021MM
13046048532	P23117MM
	P23139MM
13046048542	P23134MM
13046048552	P59079MM
13046048562	P68062MM
13046048572	P68061MM

IAM	MAGNETI MARELLI
ATE	
13046048582	P68063MM
13046048622	P24084MM
13046048632	P50087MM
13046048662	P56066MM
13046048672	P23129MM
13046048692	P50111MM
13046048702	P50095MM
	P50114MM
13046048722	P65027MM
13046048732	P85136MM
13046048742	P06087MM
13046048752	P06088MM
13046048792	P85123MM
	P85133MM
13046048802	P50123MM
13046048822	P50126MM
13046048842	P50129MM
13046049062	P61002MM
13046049112	P61019MM
13046049132	PA6014MM
13046049182	PA6020MM
13046049192	PA6019MM
13046049212	P61073MM
13046049532	PA6003MM
13046049542	PA6009MM
13046049552	PA6012MM
13046049562	P61037MM
	P61062MM
13046049572	P59026MM
	P68017MM
13046049582	P23052MM
13046049642	P36020MM
13046049652	P06018MM
13046049662	P56069MM
	PA6017MM
13046049682	P23074MM
13046049692	P61064MM
13046049712	P23078MM
	P23154MM
13046049722	P23082MM
13046049732	P54039MM
13046049742	P56048MM
	P59025MM
13046049752	P50083MM

IAM	MAGNETI MARELLI
ATE	
13046049762	P85070MM
	P85088MM
13046049772	P50043MM
13046049782	P23091MM
13046049792	P23092MM
13046049802	P23093MM
13046049842	P50041MM
13046049852	P15003MM
13046049862	P68021MM
13046049872	P65009MM
13046049882	P65008MM
13046049892	PA6021MM
13046049902	P50053MM
13046049912	P23098MM
13046049922	P85069MM
13046049932	P85065MM
13046049942	P50073MM
13046049962	PA6023MM
13046049972	P50062MM
13046049982	P50061MM
13046049992	P65011MM
13046050302	P59004MM
13046054032	P61049MM
13046054052	P06024MM
13046054092	P23040MM
13046054102	P23039MM
13046054412	P65002MM
	P30039MM
13046056002	P30056MM
	P83079MM
13046056022	P83109MM
13046056042	P83080MM
13046056052	P49041MM
13046056062	P49040MM
13046056072	P83075MM
13046056082	P83076MM
13046056092	P79018MM
13046056102	P49039MM
13046056112	P59054MM
13046056122	P59055MM
13046056142	P83099MM
13046056162	P83096MM
13046056172	P83106MM
13046056182	P83107MM
13046056192	P83098MM

IAM	MAGNET MARELLI
ATE	
13046056202	P28050MM
13046056212	P54049MM
	P61108MM
13046056222	P30028MM
13046056232	P15010MM
13046056252	P49025MM
13046056282	P78014MM
13046056292	P18024MM
13046056312	P54038MM
13046056322	P56049MM
13046056332	P30063MM
13046056342	P83145MM
13046056362	P30080MM
13046056382	P30071MM
13046056392	P30031MM
	P30038MM
13046056402	P56025MM
	P56034MM
13046056412	P30055MM
13046056422	P10054MM
13046056452	P30073MM
13046056462	P18025MM
13046056492	P30053MM
13046057002	P59050MM
13046057012	P85007MM
13046057032	P71005MM
13046057082	P16009MM
13046057092	P16011MM
13046057102	P16014MM
13046057112	P28039MM
13046057122	P30007MM
13046057142	P28036MM
13046057162	P23126MM
	P56065MM
13046057172	P56039MM
13046057182	P30005MM
13046057222	P83092MM
13046057252	P30012MM
	P30058MM
13046057272	P56037MM
13046057312	P28025MM
13046057342	P83068MM
13046057352	P54034MM
13046057362	P49042MM
13046057382	P83088MM

IAM	MAGNET MARELLI
ATE	
13046057392	P10001MM
13046057422	P30034MM
	P30077MM
13046057432	P83062MM
13046057442	P83024MM
13046057452	P83025MM
13046057472	P83066MM
	P83102MM
13046057482	P83045MM
13046057492	P83049MM
13046057502	P83067MM
13046057522	P56062MM
13046057532	P28045MM
13046057542	P28046MM
13046057552	P28032MM
13046057562	P28037MM
13046057572	P28038MM
13046057602	P11026MM
	P54030MM
13046057612	P49043MM
13046057622	P49044MM
13046057632	P79004MM
13046057642	P28072MM
	P83117MM
13046057652	P83089MM
13046057662	P83071MM
13046057672	P83082MM
13046057682	P83086MM
	P83101MM
13046057692	P83083MM
	P83133MM
13046057702	P83074MM
13046057712	P30035MM
13046057722	P30019MM
13046057732	P30023MM
13046057742	P79021MM
13046057752	P30033MM
13046057762	P30032MM
	P30045MM
13046057772	P30036MM
13046057782	P56058MM
	P56094MM
13046057792	P30026MM

IAM	MAGNET MARELLI
ATE	
13046057802	P30025MM
	P30046MM
	P30051MM
13046057822	P30037MM
13046057832	P56059MM
	P56096MM
13046057842	P56060MM
13046057852	P10003MM
13046057862	P30047MM
	P30067MM
13046057872	P78013MM
13046057882	P10004MM
13046057892	P83072MM
	P83131MM
13046057902	P83073MM
13046057912	P30042MM
13046057922	P30010MM
13046057932	P78015MM
13046057942	P16013MM
	P24072MM
13046057952	P24086MM
13046057972	P78017MM
13046057992	P30041MM
13046058002	P83053MM
13046058012	P68033MM
13046058022	P49027MM
13046058032	P30011MM
13046058042	P49036MM
	P49037MM
13046058062	P49010MM
13046058072	P56023MM
	P56036MM
13046058082	P56064MM
13046058092	P83041MM
13046058102	P83051MM
	P83097MM
13046058112	P83050MM
13046058122	P83052MM
13046058132	P83046MM
13046058142	P83047MM
13046058152	P83064MM
13046058162	P16010MM
	P16012MM
13046058172	P83054MM
13046058182	P28042MM

IAM	MAGNET MARELLI
ATE	
13046058192	P83065MM
13046058202	P28023MM
13046058212	P49032MM
13046058222	P49033MM
13046058242	P49005MM
13046058252	P28029MM
	P56044MM
13046058262	P54016MM
13046058272	P28030MM
13046058292	P30027MM
13046058302	P44010MM
13046058312	P49026MM
13046058322	P30013MM
13046058332	P30014MM
13046058342	P49020MM
13046058372	P78012MM
13046058382	P79010MM
13046058392	P79013MM
13046058402	P83015MM
	P83084MM
13046058412	P56035MM
13046058422	P56040MM
13046058432	P56046MM
13046058442	P83043MM
13046058452	P83028MM
13046058462	P83061MM
13046058472	P83056MM
13046058482	P83055MM
13046058492	P83057MM
13046058502	P78005MM
13046058512	P78010MM
13046058522	P16008MM
13046058532	P54029MM
13046058542	P54028MM
13046058552	P54031MM
13046058562	P10005MM
	P49035MM
13046058572	P79009MM
13046058592	P10006MM
	P15002MM
13046058602	P28035MM
13046058612	P28031MM
13046058622	P83030MM
13046058642	P79008MM
13046058652	P49021MM

IAM	MAGNETI MARELLI
ATE	
13046058662	P49030MM P49031MM
13046058672	P49029MM
13046058682	P30016MM
13046058712	P30008MM
13046058722	P30024MM
13046058732	P30018MM P30043MM
13046058742	P30003MM
13046058752	P30020MM
13046058762	P30029MM
13046058772	P49034MM
13046058782	P28034MM P28047MM
13046058792	P56041MM
13046058802	P56045MM P83039MM
13046058812	P56014MM
13046058822	P56050MM P83058MM P83078MM
13046058842	P49028MM
13046058852	P54027MM
13046058862	P30017MM
13046058872	P79012MM P79020MM
13046058882	P79014MM
13046058902	P54020MM
13046058912	P83040MM
13046058922	P83023MM
13046058932	P83026MM
13046058942	P83070MM
13046058962	P30015MM
13046058972	P37004MM
13046058982	P16007MM
13046058992	P10057MM P24048MM
13046059182	P28010MM
13046059192	P28006MM P28008MM
13046059202	P28016MM
13046059212	P28007MM
13046059222	P28013MM P28021MM

IAM	MAGNETI MARELLI
ATE	
13046059232	P30009MM P30062MM
13046059262	P59020MM
13046059272	P59021MM
13046059292	P28022MM P79027MM
13046059312	P49007MM
13046059322	P24024MM
13046059332	P30002MM P30022MM P56021MM
13046059342	P49004MM
13046059352	P83006MM
13046059362	P30001MM
13046059372	P56056MM
13046059382	P83013MM P83016MM
13046059402	P54002MM P54008MM
13046059412	P56027MM
13046059422	P59015MM
13046059432	P28024MM
13046059442	P49016MM
13046059482	P54009MM
13046059502	P56022MM
13046059512	P83034MM
13046059522	P54014MM
13046059532	P54015MM
13046059542	P49023MM
13046059562	P56031MM
13046059582	P54017MM P61089MM
13046059592	P24039MM
13046059602	P56012MM P56015MM
13046059612	P79003MM
13046059622	P56013MM P56057MM
13046059652	P56018MM
13046059662	P79001MM
13046059672	P79006MM
13046059682	P83029MM P83093MM
13046059702	P49013MM
13046059712	P54010MM

IAM	MAGNETI MARELLI
ATE	
13046059722	P49015MM
13046059732	P24036MM
13046059742	P49011MM
13046059762	P83011MM P83044MM
13046059782	P78004MM P78009MM
13046059792	P49017MM
13046059802	P54012MM P54025MM
13046059812	P54018MM
13046059822	P28026MM
13046059832	P56029MM
13046059842	P56063MM
13046059852	P79005MM
13046059862	P56024MM
13046059872	P54021MM
13046059882	P56033MM
13046059892	P56032MM
13046059902	P16005MM
13046059922	P83009MM
13046059932	P15005MM
13046059952	P24025MM
13046059962	P15006MM
13046059982	P28017MM
13046060152	P50065MM
13046060282	P85002MM
13046060332	P06012MM
130460609102	P24004MM
130460609112	PA6001MM
130460609142	P52002MM
130460609162	P44004MM
130460609172	P44003MM
130460609212	P85134MM
130460609232	P44007MM
130460609242	P44006MM
130460609252	P44005MM P44015MM
130460609262	PA6006MM
13046070052	P24016MM
13046070302	P85019MM
13046070322	P85012MM
13046070332	P85005MM
13046070402	P24019MM
13046070412	P24007MM

IAM	MAGNETI MARELLI
ATE	
13046070462	P06008MM
13046070472	P06009MM
13046070482	P59005MM
13046070502	P85026MM
13046070512	P59011MM
13046070522	P59017MM
13046070532	P86013MM P86024MM
13046070552	P23027MM
13046070572	P24037MM
13046070592	P85024MM
13046070602	P24034MM
13046070612	P23062MM
13046070632	P23055MM
13046070642	P23057MM
13046070652	P23070MM
13046070672	P23071MM
13046070692	P23077MM
13046070712	P24043MM
13046070722	P85030MM
13046070732	P24028MM P24044MM
13046070772	P85036MM
13046070782	P06021MM
13046070792	P06020MM P06044MM
13046070802	P59019MM
13046070812	P85035MM
13046070832	P50081MM
13046070842	P50082MM
13046070852	P50030MM
13046070862	P50023MM
13046070872	P50026MM
13046070882	P61051MM P61054MM
13046070892	P06022MM P06065MM
13046070902	P06023MM
13046070912	P59022MM
13046071002	P85025MM
13046071012	P85031MM
13046071022	P85047MM
13046071052	P23075MM
13046071082	P23121MM

IAM	MAGNETI MARELLI
ATE	
13046071102	P85037MM P85085MM
13046071112	P85041MM
13046071122	P23116MM
13046071142	P23125MM
13046071152	P59030MM
13046071172	P85072MM
13046071212	P24046MM
13046071222	P85045MM
13046071232	P85052MM
13046071242	P83152MM P85049MM
13046071252	P23073MM
13046071262	P23079MM
13046071272	P23124MM
13046071282	P23056MM P23122MM
13046071292	P23063MM
13046071322	P23123MM
13046071332	P23081MM
13046071352	P86014MM
13046071372	P59044MM
13046071382	P36007MM
13046071392	P23114MM
13046071402	P23112MM
13046071412	P23118MM
13046071422	P24055MM
13046071432	P85060MM
13046071442	P52017MM
13046071452	P86016MM P86020MM
13046071482	P24054MM
13046071532	P85061MM
13046071542	P85062MM
13046071552	P06043MM
13046071572	P68029MM
13046071582	P68030MM
13046071592	P68032MM
13046071612	P06030MM
13046071622	P06032MM
13046071632	P24035MM
13046071642	P85071MM
13046071652	P24069MM
13046071662	P85056MM

IAM	MAGNETI MARELLI
ATE	
13046071672	P06046MM P06054MM
13046071682	P06029MM
13046071692	P05001MM P06026MM
13046071702	P06028MM
13046071712	P50052MM
13046071722	P10011MM P59043MM
13046071732	P59029MM P59048MM
13046071742	P06033MM
13046071762	P06036MM P06057MM
13046071772	P85055MM
13046071782	P85063MM
13046071792	P59045MM
13046071822	P85087MM P85102MM
13046071832	P06019MM
13046071842	P85075MM P85105MM P85146MM
13046071852	P06042MM
13046071862	P24058MM P24071MM
13046071872	P86022MM
13046071882	P86018MM
13046071892	P86019MM
13046071902	P85068MM
13046071912	P85090MM
13046071932	P24061MM P24158MM
13046071942	P59042MM
13046071952	P24148MM
13046071962	P50080MM
13046071992	P59046MM P59049MM
13046072002	P85079MM
13046072012	P85084MM P85097MM
13046072022	P61076MM
13046072032	P50075MM
13046072042	P24057MM
13046072052	P24056MM

IAM	MAGNETI MARELLI
ATE	
13046072062	P37005MM
13046072072	P11013MM
13046072102	P06047MM
13046072112	P23103MM
13046072132	P83085MM
13046072142	P83087MM
13046072152	P06035MM
13046072162	P06040MM
13046072172	P06038MM
13046072182	P85091MM
13046072192	P50064MM
13046072202	P50063MM
13046072212	P68048MM
13046072222	P68040MM
13046072242	P44012MM
13046072252	P06039MM
13046072272	P85129MM
13046072282	P24076MM P44020MM
13046072292	P61083MM
13046072302	P61086MM P61117MM
13046072312	P06049MM
13046072322	P06056MM
13046072342	P24159MM
13046072352	P24085MM
13046072362	P85081MM P85106MM
13046072372	P06081MM
13046072382	P06055MM
13046072392	P06058MM
13046072402	P85082MM P85107MM
13046072412	P36017MM
13046072422	P85112MM P85130MM
13046072432	P24077MM
13046072442	P50068MM
13046072452	P85149MM
13046072462	P36008MM
13046072492	P68047MM
13046072502	P68045MM P68052MM
13046072522	P61106MM
13046072552	P36026MM

IAM	MAGNETI MARELLI
ATE	
13046072562	P85113MM
13046072572	P50104MM
13046072602	P06050MM
13046072612	P06073MM
13046072622	P59076MM
13046072632	P59077MM
13046072642	P59080MM
13046072652	P23130MM P23163MM
13046072662	P68050MM
13046072672	P06076MM
13046072682	P06060MM
13046072692	P23132MM
13046072702	P68039MM
13046072712	P50115MM
13046072722	P86023MM
13046072732	P23148MM
13046072742	P06053MM
13046072752	P06074MM
13046072762	P61112MM
13046072782	P61110MM
13046072792	P61107MM P61115MM
13046072822	P37015MM P37017MM P50108MM P50109MM
13046072832	P50102MM
13046072842	P28044MM P28076MM
13046072852	P85148MM
13046072872	P68057MM
13046072882	P23138MM
13046072892	P11031MM P68059MM
13046072902	P28070MM
13046072922	P36022MM
13046072932	P85125MM
13046072942	P85124MM
13046072952	P61126MM
13046073002	P61123MM P61127MM
13046073012	P61121MM
13046073022	P23155MM
13046073052	P61116MM

IAM	MAGNETI MARELLI
ATE	
13046073092	P59087MM
13046079032	PA6005MM
	PA6013MM
	PA6016MM
13046079062	PA6007MM
13046079072	PA6018MM
13046079092	P50028MM
13046080022	P59028MM
13046080032	P11008MM
13046080042	P50039MM
13046080052	P50040MM
13046080062	P41002MM
	P41005MM
13046080072	P50044MM
13046080082	P11014MM
13046080092	P11007MM
13046080102	P11010MM
13046080112	P59027MM
13046080132	P11022MM
	P11025MM
13046080142	P24153MM
13046090282	P50002MM
13046090292	P50004MM
13046090302	P06002MM
13046090312	P06003MM
13046090332	P50018MM
13046340162	P85094MM
13047038652	P06078MM

BOSCH	
0986424005	P52002MM
0986424013	P28015MM
0986424016	P86007MM
0986424018	P36005MM
0986424019	P36006MM
0986424025	P23010MM
0986424027	P23062MM
	P36008MM
0986424030	P23068MM
0986424031	P23069MM
0986424033	P23061MM
0986424044	PA6006MM
0986424045	P61011MM
0986424050	P06002MM
0986424053	P65002MM

IAM	MAGNETI MARELLI
BOSCH	
0986424062	P65003MM
0986424080	P56019MM
	P68013MM
	PB7001MM
	PB7002MM
0986424081	P23019MM
0986424092	P52015MM
0986424098	P23013MM
	P23021MM
0986424099	P16003MM
0986424117	P23027MM
0986424119	P65005MM
0986424124	P59060MM
0986424134	P30001MM
	P83025MM
0986424144	PA6012MM
0986424145	PA6009MM
0986424157	P59008MM
0986424167	P23041MM
0986424170	P50022MM
0986424173	P23035MM
0986424176	PA6013MM
	PA6016MM
0986424182	P28014MM
0986424183	P83029MM
0986424184	P23048MM
0986424185	P06016MM
0986424200	P24069MM
0986424204	P24039MM
0986424211	P78007MM
0986424214	P28020MM
0986424215	P15011MM
	P30022MM
0986424217	P68022MM
0986424218	P50080MM
0986424219	P50082MM
0986424223	P61057MM
0986424225	P83023MM
0986424227	P61056MM
0986424232	P83027MM
0986424235	P24030MM
0986424240	PA6014MM
0986424244	P28019MM
0986424246	P23057MM
0986424251	P79008MM

IAM	MAGNETI MARELLI
BOSCH	
0986424254	P56028MM
0986424260	P28013MM
0986424262	P34003MM
0986424266	P24036MM
0986424267	P44003MM
0986424268	P83009MM
0986424271	P11001MM
0986424273	P37001MM
0986424274	P23018MM
	P79007MM
0986424276	P11006MM
0986424278	P61053MM
0986424284	P37004MM
0986424287	P44004MM
0986424289	P28021MM
0986424297	P16010MM
	P16012MM
0986424299	P56063MM
0986424303	P49017MM
0986424313	P83024MM
0986424319	P83092MM
0986424340	P54032MM
	P54037MM
0986424347	P85030MM
0986424348	P30009MM
0986424351	P61049MM
0986424352	P24035MM
0986424358	P50012MM
0986424359	P24034MM
0986424360	P59022MM
0986424362	P23070MM
	P23081MM
0986424363	P11008MM
0986424364	P85041MM
0986424366	P59020MM
0986424367	P59021MM
0986424368	P30005MM
0986424369	P56033MM
0986424370	P54021MM
0986424371	P50055MM
	P54022MM
0986424373	P85022MM
0986424376	P61041MM
0986424379	P23060MM
	P24147MM

IAM	MAGNETI MARELLI
BOSCH	
0986424380	P50006MM
0986424381	P24014MM
0986424382	P83013MM
0986424410	P61051MM
0986424411	P61047MM
	P61059MM
0986424414	P61060MM
0986424415	P23072MM
0986424416	P24044MM
0986424418	P30003MM
0986424427	P54023MM
0986424449	P85031MM
0986424451	P68023MM
0986424455	P56038MM
	P61098MM
0986424456	P59030MM
0986424458	P23055MM
0986424460	P85035MM
0986424462	P24043MM
0986424463	P50081MM
0986424464	P54016MM
0986424465	P79010MM
0986424466	P59028MM
0986424467	P59027MM
0986424469	P50035MM
	P50036MM
0986424470	P50047MM
0986424471	P50038MM
0986424473	P61055MM
0986424474	P10006MM
	P15002MM
0986424481	P85036MM
0986424482	P85037MM
0986424484	P06025MM
0986424485	P06022MM
0986424488	P59029MM
	P59048MM
0986424489	P56039MM
0986424502	P85055MM
0986424507	P23075MM
	P23114MM
0986424510	P23071MM
0986424511	P61061MM
	P61102MM
0986424512	P15006MM

IAM	MAGNETI MARELLI
BOSCH	
0986424514	P23122MM
	P23124MM
0986424515	P23121MM
0986424516	P50020MM
0986424517	P50045MM
	P50046MM
0986424523	P54017MM
	P61089MM
0986424527	P59036MM
0986424528	P59037MM
0986424531	P68026MM
	P68036MM
	P68055MM
0986424532	P68021MM
0986424533	P68027MM
0986424535	P83050MM
0986424537	P85049MM
	P85052MM
0986424539	P86014MM
0986424540	P86016MM
	P86020MM
0986424541	P54036MM
	P86017MM
0986424543	P23056MM
0986424544	P23073MM
	P23125MM
0986424545	P23026MM
0986424551	P15003MM
	P15008MM
	P23074MM
0986424553	P23065MM
0986424554	P23079MM
	P23118MM
	P23123MM
0986424556	P23083MM
	P23084MM
0986424558	P24055MM
	P24071MM
0986424559	P85058MM
	P85101MM
0986424560	P83041MM
0986424561	P15004MM
0986424563	P44001MM
0986424564	P44009MM
0986424565	P44008MM

IAM	MAGNETI MARELLI
BOSCH	
0986424566	P44010MM
0986424567	PA6001MM
0986424568	P28027MM
0986424569	P65008MM
0986424570	P65007MM
0986424571	P61082MM
0986424572	P54020MM
0986424573	P49022MM
0986424575	P30011MM
0986424576	P23116MM
0986424577	P23078MM
0986424578	P23077MM
	P23112MM
0986424579	P23052MM
0986424580	P61073MM
0986424581	P61072MM
0986424582	P61071MM
0986424583	P61069MM
0986424585	P11010MM
0986424590	P16007MM
0986424595	P23145MM
0986424596	P23087MM
0986424597	P23085MM
0986424598	P61070MM
0986424610	P49027MM
0986424611	P50039MM
0986424616	P68032MM
0986424630	P83052MM
0986424632	P85063MM
0986424635	P61075MM
0986424636	P56061MM
0986424639	P83040MM
	P83105MM
0986424640	P83048MM
0986424641	P83049MM
0986424643	P16009MM
0986424644	P24045MM
0986424645	P24054MM
0986424646	P10013MM
	P59038MM
0986424648	P50040MM
0986424649	P06019MM
0986424650	P78011MM
0986424652	P06030MM
0986424655	P24042MM

IAM	MAGNETI MARELLI
BOSCH	
0986424656	P24041MM
0986424658	P61064MM
0986424661	P28030MM
0986424663	P28029MM
0986424664	P85053MM
0986424665	P37006MM
0986424666	P37005MM
0986424667	P71006MM
0986424668	P11013MM
0986424669	P79009MM
0986424670	P30010MM
	P34005MM
0986424671	P68028MM
0986424672	P85050MM
0986424679	P23088MM
0986424683	P36015MM
0986424684	P36003MM
0986424686	P54025MM
0986424687	P44012MM
0986424689	P85054MM
0986424690	P85067MM
0986424691	P24052MM
0986424692	P83044MM
0986424693	P30008MM
0986424695	P79012MM
	P79020MM
0986424696	P30015MM
0986424697	P16008MM
0986424698	P06026MM
0986424699	P50052MM
098642700	P78010MM
0986424701	P24058MM
0986424702	P36013MM
0986424705	P50041MM
	P50053MM
0986424707	P59045MM
0986424708	P50044MM
0986424709	P54029MM
0986424711	P54026MM
0986424713	P54028MM
0986424714	P30012MM
	P30058MM
0986424715	P56040MM
0986424716	P11026MM
	P54030MM

IAM	MAGNETI MARELLI
BOSCH	
0986424717	P54031MM
0986424719	P83055MM
0986424720	P24051MM
0986424721	P44011MM
0986424722	P28034MM
0986424723	P85071MM
0986424724	P83031MM
0986424725	P30007MM
0986424726	P30044MM
0986424727	P54027MM
0986424728	P30057MM
0986424729	P30013MM
0986424730	P83063MM
0986424733	P56055MM
0986424734	P56035MM
0986424735	P83064MM
0986424737	P16014MM
0986424738	P23082MM
0986424739	P85065MM
0986424740	P65016MM
	P85069MM
0986424741	P85070MM
	P85088MM
0986424742	P59025MM
0986424744	P24070MM
0986424745	P24038MM
0986424750	P24084MM
	PA6023MM
0986424753	P49019MM
0986424754	P71008MM
0986424756	P23064MM
0986424757	P15005MM
0986424758	P52017MM
0986424760	P59033MM
0986424761	P83061MM
0986424762	P83056MM
0986424765	P11015MM
0986424766	P06033MM
	P06039MM
0986424767	P06056MM
	P06043MM
0986424768	PA6019MM
0986424769	P23092MM
0986424770	P78009MM
0986424774	P68031MM

IAM	MAGNETI MARELLI
BOSCH	
0986424775	P23089MM P23109MM
0986424777	P85061MM
0986424780	P85062MM
0986424781	P56036MM
0986424783	P41004MM
0986424785	P68034MM
0986424786	P23097MM
0986424788	P83053MM
0986424789	P23090MM
0986424790	P83065MM
0986424791	P56044MM
0986424792	P23094MM
0986424793	P23095MM
0986424794	P24061MM
0986424795	P68033MM P85075MM
0986424797	P85146MM
0986424798	P83047MM
0986424799	P83028MM
0986424800	P56032MM
0986424801	P61065MM P61067MM
0986424803	P83051MM P83103MM
0986424804	P78012MM
0986424808	P83054MM
0986424809	P28035MM
0986424810	P30020MM
0986424811	P30034MM P30077MM
0986424813	P85066MM
0986424814	P54034MM
0986424815	P30018MM P30043MM
0986424816	P11014MM
0986424817	P49036MM
0986424818	P24048MM
0986424821	P06059MM
0986424823	P37008MM
0986424825	P61076MM P85105MM P85148MM
0986424827	P44006MM P44007MM

IAM	MAGNETI MARELLI
BOSCH	
0986424828	P36007MM
0986424829	P85057MM
0986424830	P50042MM
0986424832	P50028MM
0986424833	PA6017MM PA6021MM
0986460002	P50032MM
0986460020	P49010MM
0986460080	P49005MM
0986460101	P06001MM
0986460111	P85002MM
0986460113	P23001MM P65001MM
0986460346	P59001MM
0986460390	P49007MM
0986460736	P23003MM P23024MM
0986460741	P23002MM
0986460881	P86001MM
0986460932	P68012MM
0986460935	P79001MM
0986460936	P28010MM
0986460937	P85026MM
0986460938	P59011MM
0986460939	P59016MM
0986460941	P85028MM
0986460942	P23066MM
0986460943	P85015MM P85093MM
0986460944	P85011MM
0986460946	P68006MM
0986460947	P50021MM
0986460948	P85034MM
0986460949	P24029MM
0986460950	P61039MM
0986460951	P61048MM
0986460953	P68016MM
0986460954	P85027MM
0986460955	P59018MM
0986460956	P61036MM
0986460957	P61046MM
0986460958	P61037MM
0986460959	P50014MM
0986460960	P59015MM
0986460961	P86006MM

IAM	MAGNETI MARELLI
BOSCH	
0986460964	P06013MM
0986460965	P50017MM
0986460966	P50010MM
0986460968	P23054MM
0986460969	P24037MM
0986460970	P61032MM
0986460972	P28006MM P28016MM
0986460973	P23045MM
0986460974	P49011MM
0986460975	P49023MM
0986460976	P50018MM
0986460977	P06017MM
0986460978	P54008MM
0986460979	P54014MM
0986460980	P54015MM
0986460981	P56023MM
0986460983	P61044MM
0986460984	P78004MM
0986460986	P23039MM P23040MM
0986460988	P86011MM
0986460989	P86010MM
0986460992	P28007MM
0986460993	P56024MM
0986460995	P86009MM
0986460996	P71003MM
0986460997	P56026MM P56027MM
0986460998	P23023MM
0986461006	P28022MM P28040MM
0986461115	P85018MM
0986461117	P61043MM P61050MM
0986461119	P23096MM
0986461121	P30002MM
0986461122	P56031MM
0986461123	P83034MM
0986461124	P28042MM
0986461127	P30024MM
0986461129	P59019MM
0986461130	P61034MM
0986461131	P28017MM
0986461133	P56020MM

IAM	MAGNETI MARELLI
BOSCH	
0986461136	P83015MM
0986461138	P24025MM
0986461139	P56021MM
0986461140	P83030MM
0986461141	P49016MM
0986461142	P28026MM
0986461143	P78005MM
0986461144	P56029MM
0986461145	P54012MM P54048MM
0986461146	P49015MM P49037MM
0986461147	P56022MM
0986461148	P68017MM
0986461149	P68018MM
0986461396	P68001MM P68004MM
0986461661	P41001MM
0986461750	P79006MM
0986461751	P79003MM
0986461752	P86013MM P86024MM
0986461753	P85029MM
0986461757	P61052MM
0986461759	P28023MM
0986461760	P56064MM
0986461764	P61054MM
0986461766	P71005MM
0986461767	P24079MM
0986461768	P54018MM
0986461769	P85020MM
0986461770	P23032MM
0986462001	P86003MM
0986462072	P61002MM
0986462282	P85003MM
0986462803	P85007MM
0986462930	P23008MM
0986463232	P59004MM
0986463412	P50004MM
0986463490	P68002MM
0986463641	P24004MM
0986463890	P61019MM
0986463921	P50002MM
0986464221	P24009MM
0986464372	P06003MM

IAM	MAGNETI MARELLI
BOSCH	
0986464801	P68005MM
0986464881	P68007MM
0986465610	P85006MM
0986465751	P61062MM
0986465931	P54003MM
0986466302	P50066MM
	P86002MM
0986466346	P68015MM
	P68020MM
0986466350	P61029MM
0986466471	P23005MM
0986466601	P41002MM
0986466683	P85017MM
0986466693	P85016MM
0986466700	P85092MM
0986466751	P06009MM
0986466871	P50013MM
0986466874	P50007MM
0986467411	P23022MM
0986467570	P06008MM
0986467720	P68008MM
	P68038MM
0986467841	P50003MM
0986468350	P50065MM
0986468380	P23017MM
	P23063MM
0986468411	P23014MM
0986468520	P83006MM
0986468570	P24016MM
0986468613	P24013MM
0986468630	P56012MM
	P56015MM
	PB1001MM
0986468701	P83011MM
0986468871	P85005MM
0986468873	P85012MM
0986468890	P85019MM
0986469070	P24019MM
0986469080	P24007MM
0986469111	P23012MM
0986469191	P68014MM
0986469390	P59005MM
0986469410	P50008MM
0986469570	P56013MM
	P56057MM

IAM	MAGNETI MARELLI
BOSCH	
0986469790	P85008MM
0986469810	P24018MM
0986469860	P68010MM
0986469960	P06011MM
0986490260	P50009MM
0986490410	P49004MM
0986490440	P28008MM
0986490500	P59014MM
0986490510	P59010MM
0986490640	P06012MM
0986490680	P71004MM
0986490800	P61031MM
0986490990	P56014MM
	P56056MM
0986491050	P23044MM
0986491250	P54010MM
0986491260	P54009MM
0986491330	P23029MM
0986491410	P24023MM
0986491441	P85013MM
0986491700	P41003MM
0986491730	P06010MM
0986491900	P59017MM
0986492020	P24028MM
0986492090	P61035MM
0986493340	P79005MM
0986493390	P16005MM
0986493450	P56018MM
0986493480	P24026MM
0986493550	P49013MM
0986493720	P83016MM
0986493790	P24024MM
0986494000	P50030MM
0986494001	P50026MM
	P50075MM
0986494002	P50023MM
0986494003	P85039MM
0986494005	P85025MM
0986494006	P06020MM
	P06044MM
0986494007	P06065MM
0986494008	P85047MM
0986494009	P06023MM
0986494010	P85032MM
0986494011	P24047MM

IAM	MAGNETI MARELLI
BOSCH	
0986494013	P50031MM
0986494014	P59031MM
0986494015	P06024MM
0986494016	P50025MM
	P50072MM
0986494017	P50024MM
0986494018	P85045MM
0986494019	P85072MM
0986494020	P23067MM
0986494021	P85042MM
0986494022	P50033MM
0986494023	P50058MM
	P50090MM
0986494025	P85059MM
0986494026	P24060MM
0986494027	P61066MM
0986494028	P06021MM
0986494029	P11012MM
0986494030	P23080MM
0986494031	P59039MM
0986494032	P59044MM
	P68057MM
0986494033	P68030MM
	P68040MM
0986494034	P68045MM
	P68029MM
0986494035	P68048MM
	P85060MM
0986494036	P06046MM
	P06054MM
0986494037	P24053MM
0986494038	P61068MM
0986494039	P61063MM
0986494040	P59041MM
0986494041	P85048MM
0986494042	P85044MM
0986494043	P59040MM
0986494044	P10011MM
	P59043MM
0986494046	P24059MM
0986494048	P23091MM
0986494049	P23093MM
0986494050	P85085MM
0986494051	P85046MM

IAM	MAGNETI MARELLI
BOSCH	
0986494053	P85073MM
	P85108MM
0986494054	P83046MM
0986494055	P61038MM
	P61058MM
0986494056	P68019MM
0986494057	P85024MM
0986494058	P50011MM
0986494062	P85095MM
0986494063	P06032MM
0986494064	P30032MM
	P30045MM
0986494065	P61081MM
0986494066	P15001MM
0986494067	P23098MM
0986494068	P23100MM
0986494071	P23103MM
0986494074	P23119MM
0986494075	P23127MM
	P23128MM
0986494076	P24063MM
0986494077	P24057MM
0986494078	P49033MM
0986494079	P49026MM
	P49032MM
0986494080	P49020MM
0986494081	P50050MM
0986494082	P50051MM
0986494085	P50057MM
0986494087	P50054MM
0986494090	P56046MM
	P56068MM
0986494092	P59051MM
	P59081MM
0986494095	P61079MM
0986494096	P06035MM
0986494097	P61109MM
0986494098	P61078MM
0986494099	P61080MM
	P61100MM
0986494101	P83085MM
0986494102	P86019MM
0986494103	P85079MM
0986494104	P85097MM
0986494105	P85077MM

IAM	MAGNETI MARELLI
BOSCH	
0986494107	P85081MM
	P85082MM
0986494108	P85083MM
0986494109	P23136MM
	P61118MM
0986494110	P61091MM
0986494111	P23143MM
	P23144MM
0986494113	P23108MM
	P23140MM
	P23141MM
0986494114	P23107MM
0986494115	P23160MM
0986494117	P06040MM
0986494118	P06036MM
	P06057MM
	P06060MM
0986494120	P06034MM
0986494121	P50085MM
0986494122	P50060MM
0986494123	P50084MM
0986494125	P23101MM
0986494126	P23102MM
0986494127	P24148MM
	P59042MM
0986494129	P23105MM
0986494130	P83087MM
0986494131	P23115MM
0986494132	P23169MM
0986494133	P10001MM
	P10053MM
0986494134	P16011MM
0986494135	P28036MM
0986494136	P28037MM
0986494137	P30021MM
0986494138	P30017MM
0986494139	P30026MM
	P30069MM
	P30025MM
0986494140	P30046MM
	P30051MM
	P30068MM
	P36012MM
0986494141	P37011MM
0986494142	P30019MM
0986494143	P30019MM

IAM	MAGNETI MARELLI
BOSCH	
0986494144	P30016MM
0986494145	P30033MM
0986494146	P30042MM
0986494147	P44014MM
0986494148	P44013MM
	P44019MM
0986494149	P49038MM
0986494150	P56041MM
0986494151	P56058MM
	P56059MM
	P56096MM
0986494152	P56049MM
0986494153	P83066MM
	P83102MM
0986494154	P83089MM
0986494155	P30027MM
0986494157	P59052MM
0986494158	P86022MM
0986494159	P86018MM
0986494160	P59050MM
0986494161	P50067MM
	P50070MM
0986494162	P50068MM
	P50104MM
0986494163	P61096MM
0986494164	P85090MM
0986494165	P50063MM
0986494166	P50073MM
0986494167	P50074MM
0986494168	P06051MM
0986494169	P24076MM
0986494170	P24064MM
	P85115MM
0986494171	P24066MM
0986494172	P10008MM
0986494173	P10007MM
0986494174	P83071MM
0986494182	P83080MM
	P83083MM
0986494187	P83109MM
0986494190	P49044MM
0986494191	P06049MM
0986494192	P61095MM
0986494193	PA6007MM
0986494194	P50059MM

IAM	MAGNETI MARELLI
BOSCH	
0986494195	P24072MM
0986494196	P83086MM
	P83101MM
0986494197	P83106MM
	P68039MM
0986494199	P61085MM
0986494200	P85087MM
	P85102MM
0986494201	P85098MM
	P85145MM
0986494202	P85106MM
0986494203	P85107MM
0986494204	P49028MM
0986494205	P85103MM
0986494206	P65017MM
0986494207	P85110MM
0986494209	P36022MM
0986494210	P85111MM
0986494211	P83037MM
0986494212	P83070MM
0986494214	P44016MM
0986494215	P85096MM
0986494216	P85078MM
0986494217	P06028MM
0986494218	P83067MM
0986494219	P85068MM
0986494220	P49034MM
0986494221	P49039MM
0986494222	P23104MM
	P23142MM
0986494223	P59057MM
	P10005MM
0986494224	P49035MM
	P83068MM
0986494225	P49029MM
0986494226	P49031MM
0986494227	P30036MM
0986494228	P23117MM
	P23139MM
0986494229	P56048MM
0986494230	P30037MM
0986494231	P83045MM
0986494232	P78014MM
0986494233	P28051MM
0986494234	P79013MM

IAM	MAGNETI MARELLI
BOSCH	
0986494235	P61083MM
0986494236	P24065MM
0986494237	P15009MM
	P15010MM
0986494238	P79014MM
0986494239	P56069MM
0986494240	P83082MM
0986494241	P79018MM
0986494242	P06052MM
0986494243	P61087MM
0986494245	P24077MM
0986494246	P44020MM
0986494247	P24075MM
	P44017MM
0986494248	P24078MM
	P86021MM
0986494249	P28038MM
0986494250	P10003MM
0986494251	P10004MM
0986494252	P83072MM
0986494253	P83073MM
	P83113MM
0986494254	P85099MM
	P85100MM
0986494255	P83133MM
0986494256	P50064MM
0986494257	PA6025MM
0986494259	P85113MM
0986494260	P83079MM
0986494261	P61101MM
0986494262	P61074MM
0986494263	P50069MM
0986494266	P50083MM
	PA6022MM
0986494267	P85094MM
0986494268	P54038MM
	P54055MM
0986494269	P06037MM
0986494271	P85084MM
0986494272	P06038MM
0986494274	P83084MM
0986494275	P59055MM
0986494276	PA6020MM
0986494277	P56065MM
0986494279	P59054MM

IAM	MAGNETI MARELLI
BOSCH	
0986494280	P59046MM P59049MM
0986494281	P65009MM
0986494282	P06018MM
0986494283	P85056MM
0986494284	P24046MM
0986494285	P50049MM
0986494286	P06029MM
0986494287	P24033MM
0986494288	P68025MM
0986494289	P24050MM
0986494290	P50056MM
0986494291	P44005MM P44015MM
0986494292	P24032MM P24049MM
0986494293	PA6026MM
0986494294	P05001MM
0986494295	P56062MM P56094MM
0986494296	PA6018MM
0986494297	P59059MM
0986494298	P59058MM
0986494299	P28024MM
0986494300	PB1002MM
0986494301	PA6005MM
0986494302	P50086MM
0986494303	P85076MM
0986494304	P61084MM
0986494305	P86023MM
0986494306	P10015MM
0986494307	P06058MM
0986494308	P28068MM
0986494309	P85091MM
0986494310	P56047MM
0986494311	P28032MM
0986494313	P11011MM
0986494314	P99003MM
0986494315	P78013MM
0986494316	P83074MM
0986494319	P49042MM
0986494321	P16013MM
0986494322	P49043MM
0986494323	P24086MM

IAM	MAGNETI MARELLI
BOSCH	
0986494324	P61086MM P61117MM
0986494325	P06050MM
0986494326	P83094MM
0986494327	P30035MM P30080MM
0986494329	P28046MM
0986494331	P68043MM
0986494332	P68044MM
0986494333	P83097MM
0986494334	P56066MM
0986494337	P23126MM
0986494338	P28072MM
0986494339	P06053MM
0986494341	P49021MM
0986494344	P85109MM
0986494345	P59053MM
0986494347	P30028MM
0986494348	P37012MM
0986494349	P06047MM P06066MM P36025MM
0986494350	P83057MM
0986494351	P44018MM
0986494352	P50048MM
0986494353	P36018MM
0986494354	P06055MM
0986494355	P36021MM
0986494356	P50061MM P50077MM
0986494357	P37007MM
0986494358	P28039MM
0986494359	P83088MM
0986494361	P24056MM
0986494362	P54033MM
0986494363	P83062MM
0986494364	P50062MM
0986494366	P56051MM
0986494367	P85104MM
0986494369	P56060MM
0986494370	P37010MM
0986494371	P61106MM
0986494372	P85112MM P85130MM
0986494373	P78015MM

IAM	MAGNETI MARELLI
BOSCH	
0986494374	P30038MM
0986494375	P49040MM
0986494376	P49041MM
0986494377	P30041MM
0986494378	P30031MM
0986494379	P28045MM
0986494380	P83098MM
0986494381	P68052MM
0986494382	P28043MM
0986494383	P28044MM
0986494384	P68041MM
0986494385	P61104MM
0986494387	P68024MM
0986494388	P30023MM
0986494389	P59034MM
0986494392	P28025MM
0986494395	P54039MM P54040MM P59079MM
0986494396	P56037MM
0986494398	P56025MM
0986494400	P30040MM
0986494401	P68047MM
0986494402	P23129MM
0986494403	P83112MM
0986494404	P83114MM
0986494405	P50087MM
0986494408	P44024MM
0986494409	P44025MM
0986494410	P50043MM
0986494411	P50113MM
0986494412	P83019MM
0986494413	P36017MM
0986494414	P28031MM
0986494416	P85114MM
0986494417	P30014MM P30047MM
0986494419	P37009MM
0986494422	P30039MM P30056MM
0986494423	P83075MM
0986494424	P83076MM
0986494425	P83096MM
0986494426	P30029MM
0986494427	P50115MM

IAM	MAGNETI MARELLI
BOSCH	
0986494428	P06041MM
0986494429	P06076MM
0986494430	P83117MM
0986494431	P65020MM P65029MM
0986494432	P06064MM
0986494433	P59076MM
0986494434	P59077MM
0986494435	P59080MM P59087MM
0986494436	P85038MM
0986494437	P61114MM
0986494438	P61103MM
0986494440	P44023MM
0986494441	P68050MM
0986494442	P54035MM
0986494444	P78020MM
0986494446	P85117MM P85120MM
0986494447	P85127MM
0986494448	P36014MM
0986494449	P83107MM
0986494450	P06062MM
0986494452	P68054MM
0986494453	P23130MM
0986494454	P68049MM
0986494456	P24074MM
0986494458	P79015MM
0986494460	PA6027MM
0986494461	P06080MM
0986494463	P23138MM
0986494464	P23137MM
0986494465	P23132MM
0986494466	P23152MM
0986494480	P36026MM
0986494481	P36019MM P36027MM
0986494483	P11017MM
0986494484	P61119MM
0986494485	P83043MM
0986494486	P36020MM
0986494487	P06075MM
0986494488	P85118MM P85119MM P85150MM

IAM	MAGNETI MARELLI
BOSCH	
0986494489	P06086MM
0986494492	P10012MM
0986494493	P11022MM
	P11025MM
0986494496	P11021MM
0986494497	P83069MM
0986494498	P68062MM
0986494499	P68061MM
0986494500	P68063MM
0986494503	P24149MM
0986494526	P61107MM
0986494527	P61112MM
0986494528	P61110MM
0986494536	P23135MM
0986494549	P06074MM
0986494552	P30064MM
0986494553	P85141MM
0986494557	P30067MM
0986494561	P06078MM
0986494562	P28050MM
0986494563	P18025MM
0986494575	P18001MM
0986494660	P85147MM
0986494661	P68059MM
0986494662	P50093MM
0986494669	P85064MM
0986494673	P56102MM
0986494678	P23175MM
0986494680	P23148MM
0986494696	P61123MM
	P61127MM
0986494704	P85144MM
0986494711	P79019MM
0986494717	P23163MM
0986494718	P59094MM
0986494745	P23177MM
0986495122	P83038MM
0986495126	P83078MM
0986495130	P54024MM
0986495132	P83042MM
0986495133	P56088MM
0986495134	P56080MM
0986495138	P83058MM
0986495139	P83059MM
0986495140	P56050MM

IAM	MAGNETI MARELLI
BOSCH	
0986495142	P99026MM
0986495146	P56083MM
0986495147	P56045MM
0986495152	P83139MM
0986495155	P18024MM
0986495158	P54041MM
0986495161	P11016MM
0986495164	P10010MM
0986495166	P83093MM
0986495168	P10060MM
0986495169	P83145MM
0986495171	P56072MM
0986495326	P54053MM
0986495335	P06087MM
0986495358	P61111MM
0986AB2043	P83111MM
0986AB2054	P83036MM
0986AB2088	P83100MM
0986AB2116	P83026MM
0986AB2120	P83104MM
0986AB2121	P83032MM
0986AB2142	P56034MM
0986AB2161	P49030MM
0986AB2167	P78017MM
0986AB2178	P79021MM
0986AB2193	P83099MM
0986AB2607	P78008MM
0986AB2672	P28048MM
0986AB2768	P54049MM
0986AB2771	P83116MM
0986BB0173	P30006MM
FERODO	
FCV627	PB7001MM
FCV770	PA6015MM
FCV879	PA6008MM
FCV1126	PA6025MM
FDB11	P23001MM
FDB22	P23002MM
FDB29	P23003MM
FDB96	P41001MM
FDB98	P23010MM
FDB102	P23008MM
FDB105	P85003MM

IAM	MAGNETI MARELLI
FERODO	
FDB113	P68001MM
	P68004MM
FDB114	P68002MM
FDB116	P59004MM
FDB128	P85007MM
FDB143	P50002MM
FDB149	P24009MM
FDB161	P06002MM
FDB163	P06003MM
FDB165	P65002MM
FDB170	P54002MM
FDB173	P59005MM
FDB176	P68005MM
FDB195	P41002MM
FDB196	P61019MM
FDB221	P23018MM
FDB222	P85013MM
FDB243	P50004MM
FDB252	P54003MM
FDB256	P06008MM
FDB264	P23005MM
FDB275	P24013MM
FDB276	P24007MM
FDB288	P83006MM
FDB289	P24014MM
FDB296	P06009MM
FDB300	P28006MM
FDB301	P28007MM
FDB304	P49004MM
FDB308	P83011MM
FDB316	P56013MM
	P56057MM
FDB318	P83013MM
FDB328	P50007MM
FDB330	P65003MM
FDB340	P56014MM
	P56056MM
FDB346	P23013MM
FDB348	P23012MM
FDB349	P23027MM
FDB351	P23021MM
FDB354	P50006MM
FDB357	P54009MM
FDB359	P23029MM
FDB360	P23014MM

IAM	MAGNETI MARELLI
FERODO	
FDB363	P23019MM
	P23024MM
FDB365	P24016MM
FDB370	P23017MM
FDB372	P49037MM
FDB385	P85019MM
FDB392	P85005MM
FDB393	P61097MM
	P68010MM
FDB396	P79001MM
FDB398	P24018MM
FDB406	P68014MM
FDB415	P50008MM
FDB419	P85012MM
FDB434	P61031MM
FDB435	P30001MM
FDB440	P68015MM
FDB445	P28014MM
FDB451	P85094MM
FDB454	P28010MM
FDB456	P23032MM
FDB458	P65001MM
FDB461	P85006MM
FDB463	P28015MM
FDB468	P36005MM
FDB469	P36006MM
FDB470	P83019MM
FDB471	P44003MM
FDB476	P83020MM
FDB482	P49005MM
FDB484	P56010MM
FDB506	P71003MM
FDB507	P54010MM
FDB509	P23039MM
FDB519	P23040MM
FDB520	P44004MM
FDB524	P23044MM
FDB525	P59014MM
FDB527	P41003MM
FDB528	P79003MM
FDB532	P16012MM
FDB534	P68016MM
FDB535	P61034MM
	P61047MM
FDB536	P86011MM

IAM	MAGNET MARELLI
FERODO	
FDB540	P61035MM
FDB541	P85017MM
FDB542	P23041MM
FDB543	PA6011MM
FDB546	P23035MM
FDB556	P54008MM
FDB558	P61032MM
FDB560	P65005MM
FDB563	P85018MM
FDB576	P24024MM
FDB577	P36007MM
FDB578	P06011MM
FDB579	P24019MM
FDB585	P28008MM
FDB586	P59018MM
FDB588	P79005MM
FDB589	P24028MM
FDB590	P85026MM
FDB595	P23045MM
FDB597	P49013MM
FDB598	P28016MM
FDB600	P30002MM
FDB602	P83016MM
FDB603	P52015MM
FDB604	P56022MM
FDB608	P28019MM
FDB609	P59010MM
FDB610	P85022MM
FDB613	P28020MM
FDB614	P61036MM
FDB615	P61037MM
FDB617	P24029MM
FDB619	P61038MM
FDB621	P28017MM
FDB622	P71004MM
FDB623	P61039MM
FDB627	PB7002MM
FDB628	P86006MM
FDB629	P50014MM
FDB630	P24025MM
FDB632	P36008MM
FDB633	P49014MM
FDB638	P30003MM
FDB643	P56015MM
FDB644	P50009MM

IAM	MAGNET MARELLI
FERODO	
FDB646	P50010MM
FDB647	P23048MM
FDB648	P79004MM
FDB651	P23047MM
FDB653	P49017MM
FDB654	P49015MM
FDB660	P06010MM
FDB667	P56023MM
FDB669	P50011MM
FDB670	P71005MM
FDB671	P86010MM
FDB676	P86009MM
FDB678	P59015MM
FDB679	P34003MM
FDB682	P56053MM
FDB686	P59016MM
FDB687	P61041MM
FDB691	P56021MM
FDB693	P50012MM
FDB704	P86002MM
FDB707	P56024MM
FDB712	P79006MM
FDB714	P49011MM
FDB715	P49016MM
FDB718	P16005MM
FDB719	P61099MM
FDB720	P61043MM
FDB721	P23052MM
FDB729	P61044MM
FDB732	P59011MM
FDB742	P61046MM
FDB746	P61048MM
FDB748	P28013MM
FDB749	P23054MM
FDB759	P54015MM
FDB763	P56027MM
FDB764	P54014MM
	P54017MM
FDB765	P61089MM
	P24034MM
FDB766	P24069MM
FDB767	P24035MM
FDB772	P24030MM
	P85015MM
FDB774	P85093MM

IAM	MAGNET MARELLI
FERODO	
FDB775	P85011MM
FDB776	P28023MM
FDB777	P28024MM
FDB778	P28025MM
	P06012MM
FDB779	P06042MM
FDB780	P56018MM
	P56028MM
FDB788	P56055MM
FDB789	P78004MM
FDB790	P78005MM
	P56029MM
FDB796	P56063MM
FDB797	P83009MM
FDB799	P50017MM
FDB800	P50018MM
FDB803	P54012MM
FDB804	P54018MM
FDB813	P86003MM
FDB817	P36003MM
FDB824	P52002MM
	P44001MM
FDB844	P44015MM
FDB850	P06013MM
FDB854	P06017MM
FDB857	P06016MM
FDB859	P56031MM
FDB867	P83034MM
FDB868	P83027MM
FDB869	P24036MM
FDB871	P44005MM
FDB872	P44007MM
FDB874	P61052MM
FDB875	P61053MM
FDB876	P61054MM
FDB877	P68018MM
FDB878	P68017MM
FDB880	P68019MM
FDB881	P68020MM
FDB884	P24037MM
FDB890	P65010MM
FDB891	P65006MM
FDB896	P23055MM
FDB901	P59019MM

IAM	MAGNET MARELLI
FERODO	
FDB904	P28021MM
	P28042MM
FDB905	P28026MM
FDB909	P24039MM
FDB912	P23056MM
FDB915	P24079MM
FDB917	P28027MM
FDB920	P37001MM
FDB922	P11001MM
	P23060MM
FDB925	P23160MM
	P24147MM
FDB927	P11020MM
FDB928	P83028MM
	P83029MM
FDB930	P83093MM
FDB931	P83030MM
FDB932	P83031MM
FDB937	P56020MM
FDB940	P56064MM
FDB945	P83032MM
FDB947	P28041MM
FDB948	P78007MM
FDB950	P49023MM
FDB951	P85034MM
FDB953	P61049MM
	P85016MM
FDB954	P85092MM
FDB956	P28022MM
FDB969	P85035MM
FDB972	P68022MM
FDB975	P07002MM
FDB976	P11006MM
FDB977	P11007MM
FDB979	P50013MM
FDB980	P44008MM
FDB981	P44009MM
FDB985	P85038MM
FDB985	P85096MM
FDB986	P56025MM
FDB991	P82001MM
FDB992	P56032MM
FDB993	P49007MM
	P23066MM
FDB994	P23116MM

IAM	MAGNETI MARELLI
FERODO	
FDB995	P23067MM
FDB997	P06021MM
FDB998	P06018MM
FDB999	P61050MM
FDB1001	P06019MM
FDB1003	P23062MM
FDB1009	P16007MM
FDB1011	P49020MM
FDB1012	P49021MM
FDB1013	P54016MM
FDB1015	P59020MM
FDB1017	P59021MM
FDB1019	P78008MM
FDB1020	P79008MM
FDB1021	P83024MM
FDB1022	P83090MM
FDB1023	P83091MM
FDB1024	P86007MM
FDB1025	P49019MM
FDB1034	P30006MM
FDB1037	P50022MM
FDB1040	P23057MM
FDB1044	P50030MM
FDB1049	P50023MM
FDB1050	P50026MM
FDB1052	P23112MM
FDB1054	P85030MM
FDB1055	P85039MM
FDB1056	P23070MM
FDB1062	P61056MM
FDB1063	P61057MM
FDB1067	P59017MM
FDB1068	P59022MM
FDB1069	P61055MM
FDB1072	P85024MM
	P06022MM
FDB1073	P06043MM
	P06065MM
FDB1075	P06023MM
FDB1081	P24043MM
FDB1082	P24044MM
FDB1091	P56033MM
FDB1092	P54021MM
FDB1093	P54022MM
FDB1094	P85041MM

IAM	MAGNETI MARELLI
FERODO	
FDB1095	P54023MM
FDB1096	P56036MM
FDB1097	P11009MM
FDB1098	P11008MM
FDB1099	P11010MM
FDB1100	P79010MM
FDB1101	P85025MM
FDB1108	P15001MM
FDB1109	P61059MM
FDB1112	P61060MM
FDB1113	P23026MM
	P23113MM
FDB1114	P61061MM
FDB1116	P15002MM
FDB1117	P71008MM
FDB1121	P23063MM
FDB1124	P68023MM
FDB1125	P30007MM
FDB1129	P24041MM
FDB1130	P24042MM
	P23075MM
FDB1134	P23114MM
FDB1135	P56038MM
FDB1137	P23071MM
FDB1139	P61062MM
FDB1156	P15003MM
FDB1157	P15004MM
	P23073MM
FDB1160	P23125MM
FDB1162	P50038MM
FDB1166	P56039MM
FDB1167	P85036MM
FDB1168	P61051MM
FDB1254	P11011MM
FDB1263	P56040MM
FDB1264	P59027MM
FDB1265	P59028MM
FDB1267	P37004MM
FDB1276	P24045MM
FDB1278	P68021MM
FDB1282	P59025MM
FDB1285	P86013MM
FDB1288	P85031MM
FDB1289	P85042MM
FDB1291	P44010MM

IAM	MAGNETI MARELLI
FERODO	
FDB1293	P59030MM
FDB1294	P59031MM
FDB1297	P85040MM
FDB1299	P23077MM
FDB1300	P06024MM
FDB1301	P06025MM
FDB1303	P50035MM
FDB1307	P65007MM
FDB1308	P65008MM
FDB1310	P50024MM
	P50025MM
FDB1311	P50072MM
FDB1312	P85032MM
FDB1318	P24046MM
FDB1319	P24047MM
FDB1321	P83041MM
FDB1322	P50033MM
FDB1323	P85037MM
FDB1324	P23064MM
FDB1325	P41004MM
FDB1326	P30011MM
FDB1327	P78010MM
FDB1333	P78011MM
FDB1334	P23078MM
FDB1336	P15005MM
FDB1337	P15006MM
FDB1349	P23065MM
FDB1352	PA6019MM
FDB1355	P52017MM
FDB1356	P50047MM
FDB1357	P50036MM
FDB1368	P83050MM
FDB1370	P61065MM
FDB1372	P78016MM
	P23079MM
FDB1376	P23118MM
FDB1377	P23121MM
	P61063MM
FDB1378	P61098MM
FDB1379	P61064MM
FDB1380	P68028MM
	P86016MM
FDB1382	P86020MM
	P86022MM
FDB1383	P86014MM

IAM	MAGNETI MARELLI
FERODO	
FDB1384	P54036MM
	P86017MM
FDB1385	P59034MM
FDB1391	P83042MM
FDB1392	P83051MM
FDB1393	P24054MM
FDB1394	P24055MM
FDB1395	P83052MM
FDB1398	P85072MM
FDB1400	P50039MM
FDB1401	P50040MM
FDB1407	P85056MM
FDB1408	P85064MM
FDB1409	P68031MM
FDB1410	P61070MM
FDB1411	P61071MM
FDB1412	P61072MM
FDB1413	P61073MM
FDB1414	P50049MM
FDB1415	P61058MM
FDB1416	P24059MM
FDB1419	P85057MM
FDB1420	P68027MM
FDB1422	P54020MM
FDB1424	P59036MM
FDB1425	P24060MM
FDB1426	P50041MM
FDB1427	P50042MM
FDB1428	P50045MM
FDB1429	P50046MM
FDB1433	P56034MM
FDB1437	P83040MM
FDB1439	P28029MM
FDB1440	P68029MM
FDB1441	P68030MM
FDB1442	P11012MM
FDB1444	P28032MM
FDB1445	P49028MM
FDB1446	P49025MM
FDB1447	P83043MM
FDB1448	P54019MM
FDB1451	P85044MM
FDB1454	P56035MM
FDB1455	P49027MM
FDB1456	P83048MM

IAM	MAGNET MARELLI
FERODO	
FDB1457	P83049MM
FDB1458	P83044MM
FDB1459	P78012MM
FDB1460	P85068MM
FDB1463	P85045MM
FDB1466	P23085MM
FDB1467	P23087MM
	P23137MM
FDB1468	P23145MM
FDB1469	P23080MM
FDB1470	P23088MM
FDB1471	P23089MM
FDB1472	P59037MM
FDB1473	P44011MM
FDB1474	P11013MM
FDB1475	P11014MM
FDB1476	P61068MM
FDB1477	P61069MM
FDB1481	P85058MM
FDB1482	P85046MM
	P85059MM
FDB1483	P06020MM
	P06044MM
FDB1485	P36012MM
FDB1486	P36013MM
FDB1491	P68024MM
FDB1495	P86015MM
	P86024MM
FDB1496	P85060MM
FDB1497	P85061MM
FDB1499	P06030MM
FDB1501	P16008MM
FDB1502	P83025MM
FDB1503	P49022MM
FDB1504	P83026MM
FDB1506	P28030MM
FDB1507	P54025MM
FDB1508	P23074MM
FDB1509	P85053MM
FDB1510	P11015MM
FDB1511	P59033MM
FDB1512	P50043MM
FDB1513	P83053MM
FDB1514	P83055MM
FDB1517	P85055MM

IAM	MAGNET MARELLI
FERODO	
FDB1520	P10011MM
	P59043MM
FDB1521	P10013MM
	P59038MM
FDB1523	P37005MM
FDB1524	P37006MM
FDB1526	P50052MM
FDB1527	P24051MM
FDB1528	P83054MM
FDB1529	P83061MM
	P83100MM
FDB1530	P83056MM
FDB1531	P83057MM
FDB1532	P79012MM
	P79020MM
FDB1533	P79014MM
FDB1535	P59029MM
	P59048MM
FDB1536	P30015MM
FDB1540	P59044MM
	P61110MM
FDB1541	P68057MM
	P68032MM
FDB1542	P61074MM
FDB1543	P61075MM
FDB1544	P68034MM
FDB1545	P23082MM
FDB1549	P37012MM
FDB1550	P11016MM
FDB1551	P79013MM
FDB1554	P83039MM
FDB1556	P23090MM
FDB1557	P49026MM
FDB1560	P59026MM
FDB1561	P56047MM
FDB1562	P56048MM
FDB1564	P83037MM
FDB1565	P79009MM
FDB1569	P30008MM
FDB1570	P54026MM
FDB1571	P24056MM
FDB1573	P83064MM
FDB1574	P83065MM
FDB1576	P37007MM
FDB1577	P56041MM

IAM	MAGNET MARELLI
FERODO	
FDB1580	P56044MM
FDB1581	P23094MM
FDB1582	P23095MM
FDB1593	P50054MM
FDB1595	P30012MM
FDB1596	P54028MM
FDB1597	P44012MM
FDB1599	P61067MM
FDB1600	P49029MM
FDB1601	P28031MM
FDB1602	P30016MM
FDB1603	P54029MM
FDB1604	P54031MM
FDB1605	P30013MM
FDB1606	P30014MM
FDB1607	P30009MM
FDB1608	P50044MM
FDB1609	P28033MM
FDB1610	P83045MM
FDB1612	P78009MM
FDB1613	P44013MM
FDB1615	P44014MM
FDB1617	P68033MM
FDB1618	P06028MM
FDB1619	P49032MM
FDB1620	P83062MM
FDB1621	P11026MM
	P18001MM
FDB1625	P54030MM
	P85069MM
FDB1626	P85065MM
FDB1627	P85070MM
FDB1628	P06046MM
	P06054MM
FDB1629	P85084MM
	P85097MM
FDB1630	P23096MM
FDB1631	P86018MM
FDB1632	P86019MM
FDB1633	P85063MM
FDB1634	P85071MM
FDB1636	P85073MM
	P85095MM
FDB1637	P85108MM
	P85066MM

IAM	MAGNET MARELLI
FERODO	
FDB1639	P78013MM
FDB1640	P59045MM
FDB1641	P85075MM
	P85105MM
FDB1646	P85146MM
	P54032MM
FDB1648	P54037MM
	P83046MM
FDB1649	P83047MM
FDB1651	P23081MM
FDB1652	P23097MM
FDB1654	P85062MM
FDB1655	P85076MM
	P85143MM
FDB1658	P28035MM
FDB1659	P37008MM
FDB1660	P37009MM
FDB1661	P50053MM
FDB1662	P85077MM
FDB1663	P23098MM
FDB1664	P85078MM
FDB1666	P23099MM
FDB1667	P68036MM
FDB1669	P28034MM
FDB1670	P30017MM
FDB1671	P54027MM
FDB1672	P05001MM
	P06026MM
FDB1673	P06029MM
FDB1674	P56037MM
FDB1676	P06032MM
FDB1679	P28039MM
	P79027MM
FDB1682	P56045MM
FDB1684	P83036MM
FDB1686	P83063MM
FDB1688	P83058MM
FDB1689	P83059MM
FDB1693	P56068MM
FDB1697	P56050MM
FDB1698	P83066MM
	P83102MM
FDB1699	P24048MM
FDB1700	P16009MM
FDB1702	P54033MM

IAM	MAGNETI MARELLI
FERODO	
FDB1703	P83038MM
FDB1704	P28036MM
FDB1706	P10012MM
	P24057MM
FDB1707	P49033MM
FDB1709	P85067MM
FDB1710	P85054MM
FDB1712	P36014MM
FDB1713	P36015MM
FDB1714	P50048MM
FDB1715	P83067MM
FDB1717	P85085MM
FDB1721	P49036MM
FDB1725	P61109MM
FDB1726	P61078MM
	P61119MM
FDB1727	P61079MM
FDB1728	P61076MM
FDB1731	P83068MM
FDB1733	P30018MM
	P30043MM
FDB1735	P30019MM
FDB1736	P30023MM
FDB1737	P30022MM
FDB1738	P50055MM
FDB1742	P65009MM
FDB1745	P56049MM
FDB1747	P06034MM
FDB1748	P06033MM
FDB1749	P50056MM
FDB1750	P50057MM
FDB1751	P06035MM
FDB1753	P24038MM
	P24070MM
FDB1754	P49030MM
FDB1755	P49031MM
FDB1758	P49034MM
FDB1759	P10005MM
	P49035MM
FDB1765	P85079MM
FDB1766	P59042MM
FDB1773	P06036MM
	P06040MM
	P06057MM
	P06060MM

IAM	MAGNETI MARELLI
FERODO	
FDB1781	P68038MM
FDB1782	P50058MM
	P50090MM
FDB1783	P30032MM
FDB1784	P61080MM
	P61100MM
FDB1786	P56051MM
FDB1787	P23100MM
FDB1788	P85020MM
FDB1790	P61081MM
FDB1793	P24068MM
FDB1794	P23115MM
FDB1796	P23109MM
FDB1797	P23101MM
FDB1798	P23102MM
FDB1805	P23103MM
FDB1806	P06037MM
FDB1807	P06038MM
FDB1808	P06039MM
FDB1809	P50061MM
	P50077MM
FDB1810	P50062MM
FDB1811	P79015MM
FDB1812	P54049MM
	P61108MM
FDB1816	P34005MM
FDB1817	P24086MM
FDB1826	P85090MM
FDB1829	P83086MM
FDB1830	P50063MM
FDB1831	P50064MM
FDB1832	P85087MM
	P85102MM
FDB1833	P59046MM
	P59049MM
FDB1835	P85088MM
FDB1836	P83094MM
FDB1838	P61087MM
FDB1839	P54034MM
FDB1840	P30020MM
	P30029MM
FDB1841	P30021MM
FDB1852	P83069MM
FDB1858	P23104MM
FDB1859	P28037MM

IAM	MAGNETI MARELLI
FERODO	
FDB1861	P78014MM
FDB1862	P28038MM
FDB1863	P78015MM
FDB1865	P68040MM
FDB1866	P68048MM
FDB1867	P71006MM
FDB1868	P83070MM
FDB1869	P30034MM
	P30077MM
FDB1875	P23105MM
FDB1877	P85110MM
FDB1878	P85111MM
FDB1881	P56058MM
	P56094MM
FDB1882	P56060MM
FDB1883	P06047MM
	P06066MM
FDB1885	P36025MM
	P24063MM
FDB1886	P54041MM
FDB1887	P83096MM
FDB1889	P10001MM
FDB1890	P83085MM
FDB1891	P83082MM
FDB1892	P83089MM
FDB1893	P49043MM
FDB1894	P49044MM
FDB1895	P83084MM
FDB1896	P85104MM
FDB1897	P24076MM
	P44020MM
FDB1898	P24077MM
FDB1902	P30033MM
FDB1903	P36017MM
FDB1907	P50073MM
FDB1910	P30037MM
FDB1911	P83078MM
FDB1917	P24075MM
FDB1918	P24078MM
FDB1919	P23119MM
	P59052MM
FDB1920	P59051MM
FDB1921	P59053MM
FDB1922	P59057MM
FDB1931	P24148MM

IAM	MAGNETI MARELLI
FERODO	
FDB1932	P44016MM
FDB1933	P44017MM
FDB1934	P10003MM
FDB1935	P10004MM
FDB1936	P83074MM
FDB1937	P15009MM
	P15010MM
FDB1945	P23107MM
FDB1946	P23108MM
	P23140MM
	P23141MM
FDB1947	P23169MM
	P78020MM
FDB1948	P83116MM
FDB1949	P36020MM
FDB1950	P30027MM
FDB1951	P36018MM
FDB1953	P11040MM
	P23175MM
FDB1954	P11019MM
	P18034MM
FDB1955	P30026MM
FDB1956	P30025MM
FDB1957	P24073MM
FDB1968	P54039MM
	P54040MM
FDB1969	P59079MM
	P10006MM
FDB1970	P30030MM
FDB1971	P61083MM
FDB1972	P61086MM
	P61117MM
FDB1973	P61085MM
FDB1975	P06052MM
FDB1976	P23127MM
	P23128MM
FDB1978	P50067MM
FDB1979	P50069MM
FDB1980	P50068MM
FDB1981	P56026MM
FDB1983	P02001MM
FDB1984	P78017MM
FDB1986	P10008MM
FDB1987	P16014MM
FDB1988	P16011MM

IAM	MAGNET MARELLI
FERODO	
FDB1991	P83117MM
FDB1994	P44006MM
FDB1995	P52018MM
FDB1996	P44018MM
FDB1997	P56059MM
FDB1998	P65011MM
FDB1999	P30028MM
FDB4000	P30057MM
FDB4001	P83073MM
FDB4002	P37010MM
FDB4003	P61101MM
FDB4014	P30042MM
FDB4023	P54038MM
	P54055MM
FDB4035	P68039MM
FDB4040	P23117MM
FDB4041	P83087MM
FDB4044	P85098MM
	P85145MM
FDB4045	P85113MM
FDB4046	P83079MM
FDB4048	P83080MM
FDB4050	P85099MM
FDB4051	P56062MM
FDB4052	P06049MM
FDB4055	P50074MM
FDB4056	P65016MM
FDB4057	P85112MM
FDB4058	P85109MM
FDB4060	P79018MM
FDB4062	P49039MM
FDB4064	P65017MM
	P65026MM
FDB4065	P85103MM
FDB4066	P61066MM
	P61082MM
FDB4067	P06056MM
FDB4069	P59050MM
FDB4074	P11022MM
	P11025MM
FDB4075	P37011MM
FDB4076	P30024MM
FDB4077	P79019MM
FDB4078	P11017MM
FDB4079	P06058MM

IAM	MAGNET MARELLI
FERODO	
FDB4080	P06051MM
	P06086MM
FDB4081	P83101MM
FDB4104	P44024MM
FDB4105	P44019MM
FDB4106	P44025MM
FDB4107	P36022MM
FDB4108	P36019MM
	P36027MM
FDB4110	P16013MM
FDB4111	P30036MM
FDB4112	P23126MM
FDB4113	P30041MM
FDB4114	P30035MM
	P30080MM
FDB4136	P83071MM
FDB4148	P56065MM
FDB4154	P61104MM
FDB4161	P28068MM
FDB4163	P50091MM
FDB4171	P49038MM
FDB4176	P56061MM
	P68055MM
FDB4179	P24072MM
FDB4180	P23165MM
	P68050MM
FDB4181	P68047MM
	P68052MM
FDB4182	P68041MM
FDB4184	P23130MM
FDB4185	P68044MM
FDB4186	P68043MM
FDB4187	P78018MM
FDB4189	P50115MM
FDB4190	P85100MM
FDB4191	P06055MM
FDB4193	P30040MM
FDB4194	P30039MM
	P30056MM
FDB4196	P11021MM
FDB4198	P28072MM
FDB4199	P50070MM
FDB4206	P23129MM
FDB4207	P59054MM
FDB4208	P59055MM

IAM	MAGNET MARELLI
FERODO	
FDB4209	P59060MM
FDB4210	P83076MM
FDB4211	P65022MM
FDB4216	P83072MM
FDB4217	P06059MM
FDB4218	P06041MM
FDB4219	P50086MM
FDB4220	P50104MM
FDB4221	P06081MM
FDB4223	P85129MM
FDB4224	P61114MM
FDB4225	PA6024MM
FDB4226	P79007MM
FDB4227	P28051MM
	P28061MM
FDB4228	P28045MM
FDB4229	P83107MM
FDB4230	P83098MM
FDB4233	P28046MM
FDB4234	P30045MM
	P30053MM
FDB4235	P30046MM
	P30051MM
FDB4236	P83097MM
FDB4237	P86021MM
FDB4238	P86023MM
FDB4239	P18024MM
FDB4245	P50093MM
FDB4246	P30031MM
	P30038MM
FDB4249	P68045MM
FDB4250	P61084MM
FDB4252	P59059MM
FDB4258	P06073MM
FDB4259	P06050MM
FDB4261	P50117MM
FDB4262	P59076MM
FDB4264	P59077MM
FDB4265	P59080MM
	P59087MM
FDB4268	P24074MM
	P24161MM
FDB4269	P28044MM
FDB4270	P28043MM
FDB4274	P83015MM

IAM	MAGNET MARELLI
FERODO	
FDB4275	P83114MM
FDB4277	P83075MM
FDB4278	P59058MM
FDB4284	P56084MM
	P56089MM
FDB4285	P06076MM
FDB4286	P06053MM
FDB4288	P61103MM
FDB4289	P50075MM
FDB4295	P10053MM
FDB4299	P34007MM
FDB4304	P10007MM
FDB4305	P10060MM
FDB4307	P23134MM
FDB4308	P23133MM
FDB4310	P83106MM
FDB4312	P56085MM
FDB4313	P61107MM
FDB4316	P85114MM
FDB4319	P24061MM
FDB4320	P23139MM
	P23162MM
FDB4321	P23146MM
FDB4324	P56046MM
FDB4325	P23142MM
FDB4326	P83109MM
FDB4330	P65014MM
	P65015MM
FDB4331	P23148MM
FDB4335	P83083MM
	P83133MM
FDB4336	P61105MM
FDB4337	P23152MM
FDB4338	P23132MM
FDB4339	P30064MM
FDB4340	P68058MM
FDB4346	P50105MM
FDB4351	P06077MM
FDB4353	P23138MM
FDB4354	P83145MM
FDB4358	P06068MM
FDB4365	P49040MM
FDB4366	P49041MM
FDB4376	P06064MM
FDB4379	P44023MM

IAM	MAGNETI MARELLI
FERODO	
FDB4381	P06061MM
FDB4382	P06074MM
FDB4387	P30047MM
FDB4393	P85117MM
	P85120MM
	P85157MM
FDB4394	P06075MM
FDB4397	P85127MM
FDB4400	P11031MM
FDB4401	P06062MM
FDB4403	P37017MM
FDB4404	P28050MM
FDB4405	P61112MM
FDB4406	P10015MM
FDB4410	P85118MM
	P85119MM
	P85150MM
FDB4411	P83112MM
FDB4413	P50116MM
FDB4416	P24157MM
FDB4424	P65027MM
FDB4425	P85144MM
FDB4428	P50094MM
FDB4430	P79029MM
FDB4433	P85126MM
	P85147MM
FDB4434	P85125MM
FDB4435	P68064MM
FDB4446	P49050MM
FDB4447	P30055MM
FDB4454	P85137MM
FDB4455	P44022MM
FDB4458	P23153MM
FDB4459	P23150MM
FDB4464	P23151MM
FDB4468	P85136MM
FDB4485	P85135MM
	P85140MM
FDB4486	P59081MM
FDB4487	P50122MM
FDB4491	P61113MM
FDB4498	P61106MM
FDB4587	P50101MM
FDB4607	P50123MM
FDB4611	P06088MM

IAM	MAGNETI MARELLI
FERODO	
FDB4615	P68059MM
FDB4663	P06087MM
	P06095MM
FDB4679	P61116MM
FDB4680	P61122MM
FDB4688	P23164MM
FDB4689	P06093MM
FDB4695	P61121MM
	P61126MM
FDB4700	P49049MM
FDB4705	P79031MM
FDB4717	P65033MM
FDB4765	P61127MM
FDB4800	P50114MM
FDB2M	P50066MM
	P59001MM
FDB3M	P06001MM
FDB428B	P61029MM
FDB57B	P61002MM
FDB809M	P86001MM
FDB845B	P68008MM
FSL1642	P85106MM
FSL4253	P54043MM
FVR84	P85002MM
FVR179	P68007MM
FVR239	P50003MM
FVR287	P23022MM
FVR302	P61011MM
FVR321	P56012MM
FVR377	PA6003MM
FVR414	P68006MM
FVR418	P59008MM
FVR450	P24023MM
FVR501	P50065MM
FVR510	P23023MM
FVR511	PA6009MM
FVR516	PA6005MM
FVR517	P85008MM
FVR549	P16003MM
FVR641	P24026MM
FVR655	PA6012MM
FVR656	PA6006MM
FVR700	P24032MM
FVR701	P24033MM
FVR709	PA6013MM

IAM	MAGNETI MARELLI
FERODO	
FVR713	PA6014MM
FVR757	P49010MM
FVR785	P85028MM
FVR791	P68013MM
FVR792	P56019MM
FVR805	P68012MM
FVR829	PA6001MM
FVR833	P24004MM
FVR852	PA6007MM
FVR941	P50021MM
FVR949	P83023MM
FVR967	P23068MM
FVR968	P23069MM
FVR970	P85029MM
FVR1000	P23061MM
FVR1002	P23072MM
FVR1014	P30005MM
FVR1038	P50080MM
FVR1039	P50081MM
FVR1044	P50030MM
FVR1102	PA6017MM
FVR1131	P85027MM
FVR1163	P85047MM
FVR1292	P68025MM
FVR1304	P50031MM
FVR1305	P50032MM
FVR1306	P50020MM
FVR1315	PA6021MM
FVR1338	P24049MM
FVR1339	P24050MM
FVR1350	PA6018MM
FVR1351	PA6016MM
FVR1353	PA6020MM
FVR1381	P24052MM
FVR1390	PA6022MM
FVR1396	P23083MM
FVR1397	P23084MM
FVR1405	PA6023MM
FVR1452	P59039MM
FVR1453	P59040MM
FVR1461	P24053MM
FVR1478	P23091MM
FVR1479	P23092MM
FVR1480	P23093MM
FVR1484	P85052MM

IAM	MAGNETI MARELLI
FERODO	
FVR1492	P85048MM
FVR1493	P50050MM
FVR1494	P50051MM
FVR1498	P30010MM
FVR1515	P68026MM
FVR1516	P59041MM
FVR1518	P85049MM
FVR1519	P85050MM
FVR1568	P24058MM
FVR1616	P56042MM
FVR1642	P85081MM
FVR1643	P85082MM
FVR1644	P85083MM
FVR1647	P85091MM
FVR1701	P54024MM
FVR1771	P61096MM
FVR1772	P61095MM
FVR1774	PB1002MM
FVR1777	P50059MM
FVR1778	P50085MM
FVR1779	P50060MM
FVR1780	P50084MM
FVR1791	P50083MM
FVR1876	P50082MM
FVR1879	P50028MM
FVR1884	P83092MM
FVR1906	P54035MM
FVR1924	P23143MM
FVR1925	P23136MM
	P61118MM
FVR1927	P61091MM
FVR1928	P24064MM
	P85115MM
FVR1929	P24065MM
FVR1930	P24066MM
FVR4036	PA6026MM
FVR4037	PA6027MM
FVR4053	P56066MM
FVR4156	P56069MM
FVR4251	P24084MM
FVR4253	P54044MM
FVR4302	P85141MM
FVR4327	P83139MM
FVR4347	P68062MM
FVR4348	P68063MM

IAM	MAGNET MARELLI
FERODO	
FVR4349	P68061MM
FVR4398	P24160MM
FVR4415	P56102MM

TEXTAR	
2000801	P49005MM
2000906	P06001MM
2001102	P23001MM
2001104	P85002MM
2001107	P65001MM
2003101	P49037MM
2003402	P59001MM
2003801	P52002MM
2007304	P23003MM
2007306	P23005MM
2007404	P23002MM
2008701	P28015MM
2008802	P86001MM
2009801	P56020MM
2009902	P28010MM
2012401	P85028MM
2014003	P68004MM
2015302	P86003MM
2016203	P61037MM
2016402	P86007MM
2016501	P02003MM
2016603	P41001MM
2016801	P85015MM
2016804	P85011MM
2016805	P85034MM
2020709	P61002MM
2021701	P44018MM
2021703	P02002MM
2022401	P59049MM
2022803	P85003MM
2023201	P36005MM
2023301	P36006MM
2023602	P68019MM
2026101	P23090MM
2029301	P23008MM
2032303	P59004MM
2032306	P59025MM
2032501	P83072MM
2033201	P23048MM
2033602	P68002MM

IAM	MAGNET MARELLI
TEXTAR	
2034110	P50004MM
2034402	P44001MM
2034501	P68051MM
2034503	P47001MM
2035908	PA6001MM
2036404	P24004MM
2036602	P61011MM
2038001	P36003MM
2038002	P68012MM
2038902	P61019MM
2039204	P50002MM
2039213	P85007MM
2041001	P68017MM
2041003	P59026MM
2042202	P24009MM
2043702	P06003MM
2043703	P06002MM
2048002	P68005MM
2048102	P65002MM
2048201	P65003MM
2048802	P68007MM
2049401	P68001MM
2054701	P59011MM
2056101	P85006MM
2057511	P61062MM
2061005	P02001MM
2062902	P06008MM
2063402	P68020MM
2063503	P61029MM
2064501	P54003MM
2066001	P41002MM
2066703	P23010MM
2066904	P85093MM
2066921	P85092MM
2066922	P85016MM
2066928	P99026MM
2067502	P06009MM
2067602	P85026MM
2068701	P50013MM
2068703	P50007MM
2069901	P54002MM
2070803	P23018MM
2070804	P23019MM
2074101	P23022MM
2074105	PA6024MM

IAM	MAGNET MARELLI
TEXTAR	
2075101	P50006MM
2075506	P86002MM
2078001	P16003MM
2078401	P50003MM
2083302	P23017MM
2084102	P23014MM
2085201	P83006MM
2085702	P24016MM
2086105	P24013MM
2086109	P24014MM
2086301	P56015MM
2086302	P56012MM
2087001	P83011MM
2087708	P85094MM
2088707	P85005MM
2088708	P85024MM
2088710	P85012MM
2088902	P85019MM
2090506	P68010MM
2090602	P61097MM
2090603	P61044MM
2090604	P61099MM
2090702	P24007MM
2090802	P24019MM
2091101	P23012MM
2092602	P68006MM
2093903	P59005MM
2094102	P50008MM
2094401	P23027MM
2094602	P23024MM
2095005	P23021MM
2095006	P23013MM
2095302	P65005MM
2095701	P56013MM
2095702	P56057MM
2095901	P28006MM
2095902	P28008MM
2096801	P06012MM
2097401	P61032MM
2097904	P85008MM
2098101	P24018MM
2098901	P61031MM
2099501	P06011MM
2101003	P86011MM
2101202	P30024MM

IAM	MAGNET MARELLI
TEXTAR	
2101204	P30001MM
2101602	P68016MM
2102404	P50014MM
2103501	P50066MM
2104102	P49004MM
2104302	P28007MM
2104801	PA6003MM
2105002	P59014MM
2105101	P59010MM
2105503	P50011MM
2106804	P71004MM
2108902	P71003MM
2109601	P68015MM
2109901	P56014MM
2109902	P56056MM
2110005	P23044MM
2110701	P23032MM
2111501	P59008MM
2112102	P56010MM
2112503	P54010MM
2112601	P54009MM
2113102	P23029MM
2113802	P85018MM
2114001	P59018MM
2114103	P24023MM
2114202	P79001MM
2114401	P85013MM
2114703	P23041MM
2115305	P50022MM
2115307	P50010MM
2115402	P71005MM
2115801	P83013MM
2116002	PA6006MM
2116301	P65010MM
2116501	P23035MM
2117002	P41003MM
2117105	P24029MM
2117302	P06010MM
2117902	P61034MM
2118204	P23047MM
2118503	P23045MM
2118801	PA6009MM
2119301	P23040MM
2119501	P23039MM
2119701	P50009MM

IAM	MAGNETI MARELLI
TEXTAR	
2120203	P24028MM
2120501	P23023MM
2120909	P61035MM
2121102	P61049MM
2121702	P86010MM
2123302	P86006MM
2123701	P44003MM
2124501	P28014MM
2124502	P82001MM
2125202	P79003MM
2126702	P61047MM
2127304	P86013MM
2127501	P23062MM
2127504	P36008MM
2127702	P49007MM
2127801	P61038MM
2127803	P61058MM
2128002	P56023MM
2128201	P06016MM
2129603	P61036MM
2129802	P61039MM
2130103	P50012MM
2130304	P50018MM
2130501	P50017MM
2130701	P56025MM
2131201	P28017MM
2131501	P49014MM
2131901	P49025MM
2132201	P28016MM
2133301	P79005MM
2133801	P16005MM
2134101	P56053MM
2134401	P56018MM
2134702	P24026MM
2135501	P49013MM
2135803	P24069MM
2136301	P54017MM
2136502	P23054MM
2136801	P59016MM
2137001	P61089MM
2137201	P83016MM
2137301	P54008MM
2137601	P83020MM
2137801	P24024MM
2138102	P36020MM

IAM	MAGNETI MARELLI
TEXTAR	
2138103	P23074MM
2138104	P24073MM
2138201	P23052MM
2138501	P86009MM
2138603	P56028MM
2138604	P56055MM
2138802	P68014MM
2139408	P24037MM
2140201	P65006MM
2141101	P59019MM
2143001	P61054MM
2143602	P23096MM
2143603	P23060MM
2143609	P24147MM
2143905	P06017MM
2144601	P28013MM
2145201	P85038MM
2145401	P85096MM
2145902	P44004MM
2146002	P61043MM
2146304	P68008MM
2146306	P68038MM
2146801	P83092MM
2146901	P24033MM
2146902	P24050MM
2147001	P24032MM
2147002	P24049MM
2147102	P06018MM
2147902	P85029MM
2147903	P85050MM
2148101	P24039MM
2148201	P78007MM
2148401	P06019MM
2148602	P06021MM
2148701	P06020MM
2148703	P06044MM
2149001	P83037MM
2149101	P83038MM
2149201	P86024MM
2149501	P78004MM
2149701	P28042MM
2150001	P79006MM
2150401	P61046MM
2150701	P61048MM
2151503	P28020MM

IAM	MAGNETI MARELLI
TEXTAR	
2151504	P44010MM
2151801	P52015MM
2151901	P44005MM
2151902	P44015MM
2152001	P28019MM
2152601	P30002MM
2153901	P49011MM
2154302	P59015MM
2154501	P56024MM
2154601	P56022MM
2155202	P49017MM
2155301	P30003MM
2155801	P24025MM
2155901	P49015MM
2156101	P56021MM
2156201	P56065MM
2156301	P34003MM
2157101	P49019MM
2157302	P50021MM
2158001	P56048MM
2159502	P68022MM
2159701	P68018MM
2160101	P83034MM
2160601	P23067MM
2160702	P06013MM
2161403	P61041MM
2162402	P85036MM
2162601	P56031MM
2163102	P61052MM
2163201	P61053MM
2163301	P79030MM
2163501	P85027MM
2163702	P23116MM
2163901	P85040MM
2164701	P54014MM
2165001	P54015MM
2165101	P28026MM
2165404	P49016MM
2165701	P56027MM
2166201	P85022MM
2166404	P50023MM
2167001	P50026MM
2167403	P61057MM
2167703	P06022MM
2167901	P83009MM

IAM	MAGNETI MARELLI
TEXTAR	
2168001	P83069MM
2168003	P83151MM
2168202	P28027MM
2168801	P83030MM
2168901	P83023MM
2169103	P06023MM
2169401	P28023MM
2169701	P28024MM
2170301	P78005MM
2170602	P54012MM
2171201	P16012MM
2171301	P56029MM
2171602	P56064MM
2171901	P28022MM
2172001	P79027MM
2172402	P61056MM
2172501	P30022MM
2172502	P15011MM
2172902	P24079MM
2173001	P79004MM
2173401	P56063MM
2173801	P28025MM
2175901	P83019MM
2176603	P24036MM
2177501	P83025MM
2177702	P83026MM
2178401	P83095MM
2178601	P83036MM
2179001	P83032MM
2179101	P83027MM
2179203	P65008MM
2179701	P23068MM
2179901	P23069MM
2180101	P23061MM
2180902	P11020MM
2181001	P11001MM
2181201	P11006MM
2181501	P11007MM
2182001	P37001MM
2182202	P37004MM
2182702	P61051MM
2183201	P24030MM
2183301	P83015MM
2183601	P83029MM
2184002	P54018MM

IAM	MAGNET MARELLI
TEXTAR	
2184501	P59020MM
2184802	P85039MM
2184903	P85060MM
2185401	P56034MM
2185701	P61059MM
2186201	P59017MM
2186601	P85031MM
2186602	P85025MM
2186603	P85030MM
2186801	P85071MM
2187202	P54016MM
2187501	P59021MM
2187901	P28021MM
2188302	P85047MM
2188501	P85049MM
2188801	P68023MM
2189202	P30006MM
2189801	P50033MM
2190003	P50024MM
2190403	P50030MM
2190701	P79008MM
2191003	P24035MM
2191102	P85035MM
2191901	P50072MM
2191903	P50025MM
2192001	P54022MM
2192003	P50055MM
2192701	P23070MM
2192703	P23081MM
2192901	P23071MM
2193002	P23057MM
2193101	P23073MM
2193201	P23113MM
2193402	P06025MM
2193404	P71006MM
2193702	P65007MM
2193801	P85037MM
2194502	P85032MM
2194503	P85042MM
2194504	P85044MM
2194701	P83024MM
2195202	P16007MM
2195501	P83091MM
2195701	P83090MM
2196102	P83028MM

IAM	MAGNET MARELLI
TEXTAR	
2196201	P23055MM
2196502	P68021MM
2196701	P16010MM
2197502	P83041MM
2198003	P56038MM
2198004	P61098MM
2198009	P68042MM
2198302	P86017MM
2198304	P54036MM
2198804	P61102MM
2199003	P06065MM
2199901	P50038MM
2202101	P36034MM
2203101	P50119MM
2203102	P50118MM
2203401	P24171MM
2203501	P85137MM
2204501	P09011MM
2205201	P30077MM
2206101	P50120MM
2206201	P50129MM
2206501	P56100MM
2206503	P56099MM
2207201	P23166MM
2207601	P50124MM
2207701	P09009MM
2208701	P59082MM
2210101	P50126MM
2210301	P68064MM
2211701	P56106MM
2212301	P59083MM
2214301	P59084MM
2216501	P23164MM
2218701	P06092MM
2220901	P11040MM
2221801	P61128MM
2222001	P59086MM
2222201	P11041MM
2223501	P49055MM
2224001	P23165MM
2226901	P24173MM
2227201	P36030MM
2230401	P23177MM
2234201	P59092MM
2234501	P59091MM

IAM	MAGNET MARELLI
TEXTAR	
2241701	P18034MM
2300401	P56033MM
2300501	P56026MM
2300901	P83031MM
2301802	P85085MM
2302001	P50032MM
2302101	P50020MM
2302201	P50031MM
2302301	P56035MM
2303201	P83093MM
2303401	P85052MM
2304201	P23072MM
2304301	P11008MM
2306101	P15001MM
2306302	P59030MM
2307003	P50036MM
2307004	P50035MM
2307005	P50047MM
2307104	P24034MM
2307303	P86016MM
2307401	P86020MM
2307602	P86014MM
2307801	P50042MM
2308001	P54021MM
2308101	P30005MM
2308601	P54032MM
2308602	P54037MM
2308801	P83042MM
2309102	P71008MM
2309201	P23078MM
2309203	P54040MM
2309204	P54039MM
2309401	P28029MM
2309501	P56044MM
2309601	P28031MM
2309902	P56061MM
2309903	P68026MM
2310101	P24044MM
2310301	P24043MM
2310601	P86015MM
2311203	P52017MM
2311502	P59022MM
2311602	P59029MM
2311701	P59048MM
2311901	P85054MM

IAM	MAGNET MARELLI
TEXTAR	
2312401	P61060MM
2312601	P36007MM
2313001	P85041MM
2313101	P85072MM
2313503	P61061MM
2313803	P50058MM
2313805	P50090MM
2313901	P65011MM
2314002	P23075MM
2314101	P23114MM
2314201	P56047MM
2314301	P09003MM
2314401	P50045MM
2314402	P50046MM
2314601	P61055MM
2315402	P24046MM
2315702	P50043MM
2316001	P56037MM
2316803	P23066MM
2316901	P61050MM
2317203	P68027MM
2317602	P85048MM
2317703	P23026MM
2317801	P28032MM
2318101	P23125MM
2318302	P06043MM
2318401	P56045MM
2318902	P50040MM
2319002	P50044MM
2319303	P50039MM
2319701	P28041MM
2320001	P24054MM
2321502	P68029MM
2321801	P23056MM
2321901	P23124MM
2322201	P23112MM
2322416	P85046MM
2322501	P59036MM
2322702	P23121MM
2322901	P23063MM
2323001	P15003MM
2323101	P15008MM
2323401	P15002MM
2323701	P15005MM
2323802	P30011MM

IAM	MAGNETI MARELLI
TEXTAR	
2324102	P15006MM
2324201	P15004MM
2324502	P68030MM
2324802	P68032MM
2325001	P59033MM
2325803	P59031MM
2326903	P85061MM
2327102	P50041MM
2327301	P61072MM
2327601	P61070MM
2327701	P61071MM
2327904	P24060MM
2328001	P85067MM
2328101	P06030MM
2328404	P59037MM
2328501	P50048MM
2328702	P06024MM
2328902	P23077MM
2329002	P54020MM
2329301	P36018MM
2329402	P83044MM
2329501	P49022MM
2329601	P78012MM
2330002	P24045MM
2330201	P68025MM
2330501	P61073MM
2330902	P05001MM
2331207	P06046MM
2331211	P06054MM
2331301	P06055MM
2331303	P06081MM
2331401	P79009MM
2331801	P11011MM
2332501	P09004MM
2332502	P59079MM
2332601	P85076MM
2332602	P85083MM
2332603	P85064MM
2332607	P85143MM
2332902	P65009MM
2333102	P83058MM
2333201	P61067MM
2333403	P50052MM
2333901	P37006MM
2334001	P83053MM

IAM	MAGNETI MARELLI
TEXTAR	
2334602	P61069MM
2334803	P83050MM
2335301	P24047MM
2335404	P49020MM
2335501	P28040MM
2335801	P59028MM
2336101	P59027MM
2337001	PB1001MM
2337301	P54025MM
2337901	P78008MM
2338101	P56054MM
2338102	P78016MM
2338401	P30009MM
2338704	P49021MM
2339201	P85045MM
2339402	P85055MM
2339502	P85063MM
2339602	P61065MM
2339703	P44012MM
2340001	P79010MM
2340404	P59046MM
2340702	P61074MM
2340902	P61075MM
2341007	P24070MM
2341008	P24038MM
2341702	P10013MM
2341703	P59038MM
2341801	P85062MM
2342001	P56040MM
2342301	P36012MM
2342401	P36013MM
2342901	P83045MM
2343401	P24053MM
2343501	P56042MM
2344004	P24058MM
2344007	P24071MM
2344201	P30015MM
2344605	P85059MM
2344702	P06029MM
2344704	P06056MM
2344801	P06028MM
2345001	P30007MM
2345201	P44008MM
2345401	P56032MM
2345501	P30008MM

IAM	MAGNETI MARELLI
TEXTAR	
2345801	P44009MM
2346302	P56036MM
2346901	P85149MM
2347101	P44007MM
2347103	P44006MM
2347201	P24041MM
2347402	P06042MM
2347801	P50061MM
2347802	P50077MM
2348202	P59044MM
2348401	P30044MM
2348701	P54028MM
2348801	P54029MM
2348901	P36014MM
2349002	P49027MM
2349101	P83116MM
2349201	P54048MM
2349402	P16009MM
2349701	P16008MM
2349901	P83039MM
2350101	P54024MM
2350201	P56039MM
2350701	P79012MM
2350801	P79020MM
2351002	P83051MM
2351302	P83040MM
2351501	P49028MM
2351703	P23065MM
2351705	P23131MM
2351801	P54027MM
2352101	P83052MM
2352402	P83048MM
2352701	P28030MM
2353202	P11012MM
2353601	P30010MM
2353902	P83049MM
2354001	P24051MM
2354301	P30014MM
2354601	P59034MM
2354901	P54023MM
2355001	P06039MM
2355202	P23079MM
2355401	P85017MM
2355402	P85020MM
2355403	P85058MM

IAM	MAGNETI MARELLI
TEXTAR	
2355406	P68024MM
2355701	P24059MM
2355702	P68028MM
2355802	P78010MM
2356102	P11010MM
2356501	P56072MM
2356601	P28048MM
2356901	P30013MM
2357202	P78011MM
2357501	P23082MM
2357701	P24052MM
2358101	P85057MM
2358102	P85077MM
2358202	P54031MM
2358401	P54030MM
2358403	P11026MM
2358501	P83055MM
2358701	P85075MM
2358704	P85105MM
2358901	P61076MM
2359001	P86022MM
2359201	P83063MM
2359301	P54026MM
2359703	P61063MM
2360001	P61068MM
2360102	P23064MM
2360201	P23083MM
2360301	P23084MM
2360406	P24055MM
2360501	P79015MM
2360801	P30030MM
2361101	P56041MM
2361301	P59039MM
2361501	P44011MM
2361601	P28033MM
2362002	P83047MM
2362303	P06037MM
2362701	P24042MM
2363101	P37005MM
2363801	P37007MM
2364001	P11015MM
2364601	P83056MM
2364901	P30012MM
2365201	P28039MM
2365601	P83057MM

IAM	MAGNET MARELLI
TEXTAR	
2366301	P10016MM
2366901	P59040MM
2367101	P41004MM
2367301	P15010MM
2367701	P10002MM
2367801	P24149MM
2367901	P52018MM
2369202	P85069MM
2369302	P85065MM
2369402	P85070MM
2369801	P56058MM
2369803	P56094MM
2370201	P83088MM
2370301	P83078MM
2370502	P23085MM
2370503	P23099MM
2370507	P23169MM
2370601	P23141MM
2370802	P23087MM
2370803	P23119MM
2370901	P23137MM
2371104	P23145MM
2371401	P23080MM
2371403	P23135MM
2372001	P28036MM
2372301	P24061MM
2372601	P30028MM
2372901	P28034MM
2373001	P06026MM
2373101	P06053MM
2373201	P06033MM
2373401	P83067MM
2373807	P59043MM
2374001	P11009MM
2374303	P50049MM
2374502	P50053MM
2374601	P85082MM
2374602	P85081MM
2374701	P85107MM
2374702	P85106MM
2374901	P85090MM
2375101	P85078MM
2375301	P61064MM
2375601	P23134MM
2375603	P23154MM

IAM	MAGNET MARELLI
TEXTAR	
2375701	P23115MM
2375901	P83070MM
2376001	P23089MM
2376002	P23109MM
2376101	P23088MM
2376201	P85056MM
2376302	P85084MM
2376601	P83064MM
2376802	P83046MM
2377301	P85053MM
2377501	P23123MM
2377601	P23122MM
2377701	P49026MM
2378001	P78009MM
2378301	P16014MM
2378401	P99003MM
2378701	P24056MM
2379101	P06047MM
2379301	P06057MM
2379401	P06036MM
2379501	P79013MM
2380101	P85079MM
2380401	P83059MM
2380701	P11013MM
2381101	P23152MM
2381301	P30021MM
2381601	P83065MM
2381701	P79014MM
2382201	P05003MM
2382301	P85066MM
2383201	P59045MM
2383601	P83061MM
2384201	P23118MM
2384504	P49023MM
2385501	P83105MM
2386301	P49029MM
2386401	P83054MM
2386501	P78013MM
2386801	P28035MM
2387101	P56046MM
2387301	P30016MM
2387601	P49030MM
2387902	P54033MM
2388101	P50057MM
2388501	P85087MM

IAM	MAGNET MARELLI
TEXTAR	
2389101	P30018MM
2389601	P85102MM
2390101	P50082MM
2390401	P83103MM
2390801	P36021MM
2391201	P24057MM
2391202	P10012MM
2391301	P85129MM
2391401	P85073MM
2391402	P85095MM
2391503	P06034MM
2391508	P06091MM
2391701	P23091MM
2391901	P23092MM
2392101	P23093MM
2392201	P50063MM
2392301	P50064MM
2392701	P06038MM
2392801	P83062MM
2392901	P56050MM
2393001	P68034MM
2393101	P30057MM
2393401	P68031MM
2393501	P06035MM
2394301	P50062MM
2394501	P50073MM
2395001	P85097MM
2395101	P11016MM
2395401	P61066MM
2395501	P50092MM
2395901	P61081MM
2396001	P50074MM
2396101	P65016MM
2396201	P79031MM
2396302	P79023MM
2396601	P30034MM
2396701	P83068MM
2397001	P56049MM
2397301	P68033MM
2397302	P59050MM
2397401	P24048MM
2397406	P10057MM
2397601	P41005MM
2397901	P23108MM
2397903	P23140MM

IAM	MAGNET MARELLI
TEXTAR	
2398001	P59041MM
2398101	P59052MM
2398202	P59051MM
2398301	P83074MM
2398401	P06051MM
2398404	P06086MM
2399002	P50080MM
2399401	P10008MM
2399601	P83043MM
2400201	P49038MM
2400701	P50050MM
2400801	P50051MM
2401001	P85088MM
2401101	P86019MM
2401301	P83084MM
2401401	P54034MM
2402201	P83085MM
2402401	P83066MM
2402403	P83102MM
2402901	P49031MM
2403101	P30020MM
2403601	P11014MM
2403901	P49035MM
2404001	P10005MM
2404201	P49034MM
2404301	P06032MM
2404501	P49036MM
2404601	P49032MM
2404901	P65014MM
2404903	P65015MM
2405001	P15009MM
2405301	P28047MM
2405601	P56051MM
2405801	P30023MM
2405901	P30017MM
2406201	P10006MM
2407101	P10001MM
2407201	P23097MM
2407202	P23107MM
2407301	P23094MM
2407302	P23095MM
2407303	P23127MM
2407304	P23128MM
2407501	P11023MM
2407601	P11024MM

IAM	MAGNETI MARELLI
TEXTAR	
2407701	P50054MM
2407702	P50056MM
2407901	P36019MM
2407903	P36027MM
2408301	P37008MM
2408401	P36022MM
2408601	P28038MM
2408701	P28037MM
2409201	P30019MM
2409601	P06040MM
2409701	P85111MM
2409801	P85110MM
2409803	P85116MM
2410101	P61082MM
2410601	P58001MM
2412201	P83079MM
2412301	P24076MM
2412305	P44020MM
2413301	P61078MM
2413303	P61119MM
2413501	P61079MM
2413701	P59042MM
2414101	P86018MM
2414201	P24077MM
2414301	P85104MM
2415001	P61080MM
2415101	P50115MM
2415501	P10011MM
2415601	P50078MM
2416201	P68036MM
2416202	P23117MM
2416303	P23175MM
2416401	P11017MM
2416601	P11019MM
2417001	P06049MM
2417201	P06058MM
2417501	P61109MM
2417601	P50105MM
2418001	P50116MM
2419001	P36015MM
2419101	P44014MM
2419201	P44013MM
2419204	P44019MM
2419401	P10052MM
2421101	P85101MM

IAM	MAGNETI MARELLI
TEXTAR	
2421501	P49042MM
2421801	P30042MM
2422201	P78017MM
2422701	P56059MM
2422704	P56096MM
2422901	P16011MM
2423101	P28051MM
2424001	P56060MM
2424401	P83076MM
2424501	P83075MM
2424601	P49033MM
2425001	P37010MM
2425301	P50068MM
2425401	P50104MM
2425801	P37011MM
2426001	P24063MM
2426004	P66002MM
2427101	P78020MM
2427301	P23098MM
2427501	P30032MM
2427601	P30033MM
2427701	P30027MM
2428001	P23126MM
2428302	P24072MM
2428303	P16013MM
2428601	P54019MM
2428801	P66001MM
2428901	P06052MM
2429101	P54041MM
2429401	P23100MM
2429701	P49043MM
2429801	P49044MM
2430101	P79019MM
2430201	P72001MM
2430402	P09007MM
2430601	P50067MM
2430602	P50070MM
2430701	P83146MM
2430901	P50079MM
2431001	P50069MM
2431501	P06059MM
2431601	P06041MM
2431701	P30026MM
2432001	P30025MM
2432301	P83073MM

IAM	MAGNETI MARELLI
TEXTAR	
2432801	P06066MM
2433101	P78014MM
2433201	P61106MM
2433301	P85112MM
2433401	P85130MM
2433601	P83082MM
2433701	P83071MM
2433801	P83089MM
2433901	P23103MM
2434001	P23132MM
2434101	P28062MM
2434201	P28068MM
2434601	P79018MM
2434701	P83086MM
2434801	P23101MM
2434802	P23102MM
2434901	P23104MM
2434903	P59057MM
2435001	P83117MM
2435101	P30036MM
2435301	P24086MM
2435501	P37009MM
2435801	PB1002MM
2436701	P85068MM
2436801	P85091MM
2436901	P30029MM
2437001	P34005MM
2437201	P78015MM
2437501	P30038MM
2438101	P24068MM
2438601	P83107MM
2439101	P23105MM
2439301	P68049MM
2439901	P86023MM
2440101	P83134MM
2440301	P56086MM
2440901	P24161MM
2440903	P85145MM
2441201	P59055MM
2441501	P59054MM
2441801	P59058MM
2442101	P59059MM
2442102	P59060MM
2442301	P54049MM
2442302	P61108MM

IAM	MAGNETI MARELLI
TEXTAR	
2443402	P28061MM
2443501	P28072MM
2443601	P06073MM
2443901	P24159MM
2444501	P10010MM
2444801	P10009MM
2445101	P83106MM
2445103	P83141MM
2445201	P83145MM
2445401	P65013MM
2445403	P65022MM
2445801	P06050MM
2445901	P65018MM
2445902	P65019MM
2446201	P61087MM
2446501	P61091MM
2446503	P61125MM
2446701	P23136MM
2446703	P61118MM
2446705	P23161MM
2446901	P23143MM
2446902	P23144MM
2447301	P50113MM
2447401	P36025MM
2447801	P06068MM
2448301	P85109MM
2448302	P85108MM
2448307	P85142MM
2448401	P24064MM
2448404	P85115MM
2448501	P24065MM
2448601	P24066MM
2448701	P36017MM
2448801	P30037MM
2449101	P30040MM
2449601	P86021MM
2449602	P24078MM
2449801	P10004MM
2450101	P30039MM
2450601	P37012MM
2451001	P10003MM
2452201	P83100MM
2452301	P83094MM
2452401	P06077MM
2452901	P54038MM

IAM	MAGNET MARELLI
-----	----------------

TEXTAR

2453501	P68048MM
2453601	P68040MM
2453701	P44016MM
2453702	P44017MM
2453703	P24075MM
2453801	P61083MM
2454001	P61085MM
2454101	P65028MM
2454401	P49040MM
2454501	P49041MM
2454901	P23153MM
2455001	P59053MM
2455301	P65017MM
2455401	P65020MM
2455402	P65029MM
2455501	P52019MM
2455701	P61086MM
2455801	P61117MM
2455901	P06062MM
2456101	P06064MM
2456301	P85114MM
2456501	P30058MM
2456701	P83096MM
2457401	P83087MM
2457801	P61095MM
2458102	P49051MM
2458202	P49039MM
2458301	P18001MM
2458601	P30043MM
2459501	P61096MM
2459701	P30041MM
2459901	P30035MM
2459904	P30080MM
2460101	P83099MM
2460201	P18024MM
2460401	P11025MM
2460402	P11022MM
2460601	P85100MM
2460602	P85099MM
2461001	P83083MM
2461401	P85103MM
2461801	P30031MM
2462301	P85141MM
2463201	P56062MM
2463501	P28046MM

IAM	MAGNET MARELLI
-----	----------------

TEXTAR

2463801	P28045MM
2464701	P56083MM
2465301	P83098MM
2465901	P44023MM
2466001	P61101MM
2466301	P79007MM
2466401	P83080MM
2466801	P83109MM
2467001	P24085MM
2467301	P68039MM
2468001	P83139MM
2468201	P56088MM
2468501	P65026MM
2468701	P23139MM
2468703	P23162MM
2468801	P06074MM
2469201	P68043MM
2469204	P50107MM
2469301	P68044MM
2469306	P68058MM
2469601	P85148MM
2469602	P85146MM
2469701	P06060MM
2470301	P06061MM
2470601	P85113MM
2470801	P83101MM
2471001	P68047MM
2471101	P07004MM
2471401	P07002MM
2471701	P07003MM
2472101	P65027MM
2472102	P65030MM
2472201	P50075MM
2472401	P56070MM
2472701	P23130MM
2472901	P23163MM
2473301	P50110MM
2473701	P61100MM
2473801	P85131MM
2473803	P85144MM
2473901	P50081MM
2474301	P85098MM
2474302	P24074MM
2474401	P10060MM
2475001	P09010MM

IAM	MAGNET MARELLI
-----	----------------

TEXTAR

2475301	P24083MM
2476401	P24150MM
2476501	P61084MM
2476601	P28043MM
2477201	P46001MM
2477601	P24082MM
2477801	P83097MM
2479301	P10015MM
2479601	P28044MM
2479901	P24080MM
2480501	P28049MM
2481301	P83108MM
2481701	P10014MM
2481801	P59056MM
2482001	P68041MM
2482002	P68054MM
2482201	P11021MM
2482501	P56067MM
2482601	P68052MM
2482701	P54052MM
2483001	P79021MM
2483501	P83110MM
2483901	P61104MM
2484401	P83111MM
2484701	P85136MM
2484801	P50091MM
2485001	P36023MM
2485101	P36024MM
2485201	P23129MM
2485401	P78018MM
2485901	P07001MM
2486401	P10007MM
2486701	P50086MM
2486901	P50093MM
2487001	P68045MM
2487101	P56068MM
2488301	P61103MM
2488501	P83112MM
2489201	P83104MM
2490201	P83113MM
2491001	P30045MM
2491401	P68050MM
2491501	P30065MM
2491801	P83152MM
2492001	P56084MM

IAM	MAGNET MARELLI
-----	----------------

TEXTAR

2492101	P56085MM
2492201	P61114MM
2492601	P83114MM
2493001	P56080MM
2493401	P30047MM
2494901	P30046MM
2496501	P83131MM
2497101	P68055MM
2497401	P85134MM
2497601	P50087MM
2497901	P28050MM
2499401	P56089MM
2499501	P56095MM
2499601	P52020MM
2500301	P65025MM
2500601	P83148MM
2500701	P65021MM
2500801	P85125MM
2500901	P85124MM
2501401	P06078MM
2501601	P83133MM
2501901	P30069MM
2502101	P44024MM
2502201	P44022MM
2502801	P06088MM
2502901	P06095MM
2502902	P06087MM
2503101	P59076MM
2503401	P59077MM
2504501	P06076MM
2505401	P28070MM
2506801	P24081MM
2506901	P61107MM
2507001	P61115MM
2507101	P50103MM
2507103	P50117MM
2508501	P44025MM
2508701	P56102MM
2508703	P54055MM
2509501	P59081MM
2509602	P59080MM
2509606	P59087MM
2511001	P85135MM
2511003	P85140MM
2511201	P68063MM

IAM	MAGNETI MARELLI
TEXTAR	
2511401	P36026MM
2511701	P28079MM
2511901	P30071MM
2513301	P06079MM
2513402	P24151MM
2514701	P68062MM
2514901	P34007MM
2515601	P23133MM
2515802	P85127MM
2516002	P85128MM
2516302	P50125MM
2516601	P28078MM
2517201	P68061MM
2517901	P50095MM
2517903	P50114MM
2518001	P23148MM
2518301	P50111MM
2518401	P30064MM
2518701	P30055MM
2519001	P37015MM
2519002	P37017MM
2519201	P50108MM
2519202	P50109MM
2519601	P37016MM
2519901	P06075MM
2520201	P79028MM
2520501	P30056MM
2520901	P83140MM
2521201	P24148MM
2521401	P85117MM
2521402	P85118MM
2521403	P85119MM
2521404	P85120MM
2521405	P85157MM
2521413	P85150MM
2521501	P50099MM
2521502	P50100MM
2521505	P50101MM
2521801	P61110MM
2521901	P50097MM
2521902	P50098MM
2521905	P50121MM
2522001	P61105MM
2522201	P61112MM
2523201	P10053MM

IAM	MAGNETI MARELLI
TEXTAR	
2524001	P56081MM
2524301	P28067MM
2524601	P83137MM
2525001	P61113MM
2525801	P79029MM
2526501	P68057MM
2526801	P10054MM
2527701	P54053MM
2529201	P30051MM
2530701	P06071MM
2532301	P11031MM
2532601	P50094MM
2533101	P06094MM
2533701	P30067MM
2534001	P56082MM
2534701	P23146MM
2534801	P18025MM
2535301	P50122MM
2535701	P23142MM
2536501	P30053MM
2537401	P30062MM
2537601	P11032MM
2537801	P11035MM
2541001	P23151MM
2542901	P23138MM
2547801	P06080MM
2548101	P83138MM
2550501	P50128MM
2550601	P06070MM
2551301	P30052MM
2551401	P06072MM
2552001	P30063MM
2552003	P30081MM
2552501	P83132MM
2552503	P83153MM
2553101	P50102MM
2553103	P50112MM
2554001	P49047MM
2556401	P49045MM
2556403	P37019MM
2558901	P56103MM
2559401	P47002MM
2560201	P24152MM
2560301	P24160MM
2560501	P23149MM

IAM	MAGNETI MARELLI
TEXTAR	
2561701	P06093MM
2563201	P24153MM
2564301	P85123MM
2564302	P85122MM
2564305	P85133MM
2564401	P30066MM
2564701	P30054MM
2565201	P23150MM
2567701	P30068MM
2568101	P85121MM
2568301	P85126MM
2568303	P85147MM
2568801	P61111MM
2569101	P65031MM
2569801	P83150MM
2570101	P65033MM
2570201	P68059MM
2570801	P30073MM
2572001	P44021MM
2572501	P49048MM
2573401	P37020MM
2573601	P24157MM
2573801	P68060MM
2574301	P30074MM
2574801	P24158MM
2575701	P30070MM
2576001	P78021MM
2577801	P56087MM
2579201	P28077MM
2580301	P36028MM
2580401	P28076MM
2582701	P61124MM
2583301	P61123MM
2583401	P61127MM
2583601	P61116MM
2583901	P61122MM
2584101	P61121MM
2587501	P49050MM
2587801	P49049MM
2589501	P61120MM
2590501	P23167MM
2590601	P23155MM
2596501	P56098MM
2596801	P61126MM
2597301	P23156MM

IAM	MAGNETI MARELLI
TEXTAR	
2597601	P30076MM
2597901	P79032MM
2598001	P06090MM
2598201	P36029MM
2599701	P50123MM
2900102	PA6007MM
2901201	PA6013MM
2903203	PA6015MM
2903701	PA6014MM
2904001	PA6005MM
2904101	PA6012MM
2906504	PA6008MM
2907102	PB7001MM
2910701	PA6018MM
2912111	PA6021MM
2912112	PA6017MM
2912113	P56069MM
2912204	PA6025MM
2912303	PA6023MM
2912307	P24084MM
2913801	PA6016MM
2913901	PA6019MM
2914001	PA6020MM
2915301	P50028MM
2916002	PA6022MM
2919001	P50084MM
2919202	P50085MM
2920002	P50059MM
2921701	P50060MM
2922901	PA6026MM
2922902	P56066MM
2923201	PA6027MM
2923701	P50083MM
2924001	P54044MM
2924201	P54035MM
2924901	P54043MM
2930201	PA6011MM
2970602	P68013MM
2983506	P50065MM
2998401	P56019MM
2998501	PB7002MM
25528001	P59094MM

IAM	MAGNET MARELLI
TRW	
GDB100	P23001MM
GDB101	P50066MM
	P59001MM
GDB102	P06001MM
GDB106	P23003MM
GDB107	P23002MM
GDB113	P50018MM
GDB114	P61043MM
GDB127	P61002MM
GDB140	P41001MM
GDB145	P23010MM
	P68001MM
GDB148	P68004MM
	P68002MM
GDB155	P23008MM
GDB164	P61011MM
GDB172	P23029MM
GDB184	P54003MM
GDB199	P59005MM
GDB212	P54002MM
GDB242	P50002MM
GDB243	P68007MM
GDB261	P06003MM
GDB263	P61062MM
GDB264	P50004MM
GDB265	P41002MM
GDB270	P06002MM
GDB297	P23013MM
	P23021MM
GDB298	P06008MM
GDB299	P06009MM
GDB301	P24007MM
GDB303	P56013MM
GDB309	P65002MM
GDB310	P65003MM
GDB311	P24016MM
GDB313	P61029MM
GDB317	P50003MM
GDB318	P56014MM
GDB323	P83011MM
GDB325	P28008MM
GDB327	P68010MM

IAM	MAGNET MARELLI
TRW	
GDB328	P68015MM
	P68020MM
GDB332	P52002MM
GDB340	P24004MM
GDB341	PA6001MM
GDB343	PA6003MM
GDB344	P68006MM
GDB345	P59008MM
GDB349	P24023MM
GDB351	P83013MM
GDB352	P83006MM
GDB353	P23027MM
GDB358	P28006MM
	P23014MM
GDB360	P23032MM
	P23012MM
GDB362	P23012MM
GDB365	P54009MM
GDB367	P56056MM
GDB371	P24019MM
GDB374	P49007MM
GDB375	P49005MM
GDB379	P85094MM
GDB382	P79003MM
GDB383	P79001MM
GDB390	PA6005MM
GDB395	P44005MM
GDB399	P85008MM
GDB404	P85016MM
GDB405	P68005MM
GDB407	P85002MM
GDB417	P23019MM
GDB418	P50006MM
GDB421	P36005MM
GDB422	P23024MM
GDB430	P85093MM
GDB440	P24014MM
GDB442	P86009MM
GDB443	P68012MM
GDB446	P61031MM
GDB447	P23023MM
GDB454	P85012MM
GDB459	P85005MM
GDB460	P71004MM
GDB462	P36006MM
GDB463	P85019MM

IAM	MAGNET MARELLI
TRW	
GDB466	P23113MM
GDB469	P41003MM
GDB472	P24018MM
GDB473	P24013MM
GDB478	PA6012MM
GDB479	P28014MM
GDB483	P23041MM
GDB486	P28015MM
GDB493	P86011MM
GDB496	P28020MM
GDB497	P28019MM
GDB499	P28017MM
GDB533	P86001MM
GDB576	P86003MM
GDB585	P36003MM
GDB611	P59004MM
GDB624	P24009MM
GDB648	P85003MM
GDB657	P23018MM
GDB695	P23022MM
GDB729	P54008MM
GDB733	P28013MM
GDB736	P16003MM
GDB737	P49010MM
GDB745	P56020MM
	P56012MM
GDB747	P56015MM
	PB1001MM
GDB748	PB1001MM
GDB763	P28016MM
GDB766	P24026MM
GDB768	P34003MM
GDB770	P83092MM
GDB773	P49013MM
GDB789	PA6006MM
GDB790	P61041MM
GDB791	P85027MM
GDB793	P61035MM
GDB794	P61047MM
GDB796	P61048MM
GDB798	P83016MM
GDB812	P86010MM
GDB816	P85018MM
GDB817	P50011MM
GDB818	P50008MM
GDB820	P06010MM

IAM	MAGNET MARELLI
TRW	
GDB823	P85017MM
GDB826	P85092MM
GDB827	PB7001MM
	PB7002MM
GDB833	P23044MM
GDB837	P86007MM
GDB859	P52015MM
GDB862	P85028MM
GDB864	P23047MM
GDB870	P59015MM
GDB880	P83020MM
GDB882	P56018MM
GDB883	P79005MM
GDB884	P28007MM
GDB885	P79006MM
GDB887	P49015MM
GDB893	P30001MM
GDB894	P28042MM
GDB897	P24029MM
GDB900	P23035MM
GDB903	P68016MM
GDB905	P68018MM
GDB911	P50013MM
GDB914	P59010MM
GDB915	P59014MM
GDB916	P06012MM
GDB917	P06011MM
GDB918	P65001MM
GDB925	P28010MM
GDB929	P50014MM
GDB939	P85006MM
GDB945	P54010MM
GDB951	P59017MM
GDB952	P59018MM
GDB956	P61036MM
GDB957	P59016MM
GDB958	P23040MM
GDB960	P23039MM
GDB962	P50010MM
GDB966	P65005MM
GDB969	P71005MM
GDB970	P86006MM
GDB974	P44001MM
GDB976	P44003MM
GDB977	P49014MM

IAM	MAGNETI MARELLI
TRW	
GDB981	P24024MM
GDB984	P61039MM
GDB985	P61038MM
GDB987	P50009MM
GDB989	P78004MM
GDB990	P78005MM
GDB1002	P56053MM
GDB1003	P23126MM
GDB1004	P56057MM
GDB1005	P56023MM
GDB1006	P56025MM
GDB1007	P56054MM
GDB1008	P30002MM
GDB1010	P30003MM
GDB1012	P56027MM
GDB1013	P56064MM
GDB1014	P56063MM
GDB1022	P54024MM
GDB1023	P54012MM
GDB1024	P49016MM
GDB1025	P24025MM
GDB1028	P49017MM
GDB1029	P49011MM
GDB1030	P68014MM
GDB1031	P61034MM
GDB1033	P61044MM
GDB1035	P24079MM
GDB1036	P49004MM
GDB1039	P61050MM
GDB1040	P59011MM
GDB1041	P68017MM
GDB1044	P85011MM
GDB1045	P23048MM
GDB1048	P85015MM
GDB1049	P85026MM
GDB1057	P85034MM
GDB1058	P23066MM
GDB1059	P56031MM
GDB1060	P56032MM
GDB1061	P28021MM
GDB1064	P36007MM
GDB1068	P71003MM
GDB1069	P68013MM
GDB1077	P56019MM
GDB1080	P24033MM

IAM	MAGNETI MARELLI
TRW	
GDB1083	P52020MM
GDB1084	P24032MM
GDB1085	P61046MM
GDB1087	P68022MM
GDB1092	P85029MM
GDB1093	P44004MM
GDB1094	P06017MM
GDB1095	P23045MM
GDB1098	P61049MM
GDB1099	P23054MM
GDB1100	P06024MM
GDB1101	P61052MM
GDB1102	P61053MM
GDB1103	P85007MM
GDB1104	P61054MM
GDB1105	P23068MM
GDB1106	P23069MM
GDB1107	P24037MM
GDB1108	P24034MM
GDB1109	P36008MM
GDB1111	PA6014MM
GDB1113	P24039MM
GDB1114	P50021MM
GDB1115	P23096MM
	P23160MM
GDB1118	P83095MM
GDB1119	P06016MM
GDB1123	P50017MM
GDB1124	P24030MM
GDB1126	P54017MM
GDB1127	P54018MM
GDB1128	P54014MM
GDB1130	P50012MM
GDB1133	P83026MM
GDB1134	P16012MM
GDB1135	P16010MM
GDB1137	P28041MM
GDB1138	P83030MM
GDB1139	P49023MM
GDB1140	P24036MM
GDB1141	P56028MM
GDB1142	P83027MM
GDB1143	P83034MM
GDB1145	P83028MM
GDB1147	P23067MM

IAM	MAGNETI MARELLI
TRW	
GDB1148	P23061MM
GDB1152	PA6009MM
GDB1153	P37004MM
GDB1154	P83025MM
GDB1155	P44009MM
GDB1156	P44008MM
GDB1157	P11007MM
GDB1158	P11006MM
GDB1159	P86013MM
GDB1160	P86002MM
GDB1162	P85038MM
GDB1163	P85013MM
GDB1164	P28024MM
GDB1166	P59019MM
GDB1168	P83015MM
GDB1169	P28027MM
GDB1175	P56055MM
GDB1179	P78007MM
GDB1182	P83024MM
GDB1185	P83038MM
GDB1186	P59020MM
GDB1187	P59021MM
GDB1191	P23052MM
GDB1193	P61056MM
GDB1194	P61057MM
GDB1197	P54021MM
GDB1198	P54022MM
GDB1203	P68019MM
GDB1204	P85039MM
GDB1205	P50023MM
GDB1207	P37001MM
GDB1209	P44007MM
GDB1212	P23077MM
GDB1213	P24035MM
GDB1215	P50026MM
GDB1216	P23072MM
GDB1218	P85030MM
GDB1219	P85024MM
GDB1220	P50080MM
GDB1221	P24028MM
	P24044MM
GDB1222	P24043MM
GDB1223	P23017MM
GDB1234	P11010MM
GDB1240	P83036MM

IAM	MAGNETI MARELLI
TRW	
GDB1244	P11008MM
GDB1247	P61037MM
GDB1248	PA6013MM
	PA6016MM
GDB1257	P83032MM
GDB1258	P23062MM
GDB1260	P61060MM
GDB1261	P06021MM
GDB1262	P50081MM
GDB1263	P50082MM
GDB1264	P06022MM
GDB1265	P06023MM
GDB1266	P85042MM
GDB1269	P06018MM
GDB1270	P68023MM
GDB1271	P59022MM
GDB1274	P85025MM
GDB1275	P85035MM
GDB1276	P61058MM
GDB1279	P61059MM
GDB1280	P85022MM
GDB1282	P85047MM
GDB1283	P50024MM
GDB1284	P61019MM
GDB1285	P06019MM
GDB1286	P54020MM
GDB1288	P50028MM
GDB1289	P50030MM
GDB1290	P23070MM
GDB1291	P23057MM
GDB1292	P50036MM
GDB1293	P50035MM
GDB1295	P61069MM
GDB1301	P61055MM
GDB1305	P61032MM
GDB1306	P85031MM
GDB1307	P85037MM
	P85085MM
GDB1308	P59028MM
GDB1309	P59027MM
GDB1313	P86017MM
GDB1314	P54023MM
GDB1318	P50022MM
GDB1319	P44010MM

IAM	MAGNET MARELLI
TRW	
GDB1321	P56038MM P61098MM
GDB1322	P61051MM
GDB1325	P85046MM
GDB1326	P85059MM
GDB1330	P85020MM
GDB1332	P68038MM
GDB1333	P23026MM
GDB1334	P50033MM
GDB1335	P50025MM
GDB1336	P61061MM
GDB1337	P23075MM
GDB1339	P23125MM
GDB1340	P23124MM
GDB1341	P23121MM
GDB1342	P59029MM P59048MM
GDB1343	P06013MM
GDB1344	P06025MM P71006MM
GDB1345	PA6017MM
GDB1346	P71008MM
GDB1347	P23055MM
GDB1349	P24045MM
GDB1351	P59030MM
GDB1352	P59031MM
GDB1353	P68021MM
GDB1354	P24047MM
GDB1356	PA6019MM
GDB1358	P24046MM
GDB1359	P61064MM
GDB1362	P23116MM
GDB1363	P23078MM
GDB1365	P50038MM
GDB1366	P85044MM
GDB1367	P85050MM
GDB1368	P85048MM
GDB1371	P85054MM
GDB1373	P50031MM
GDB1374	P52017MM
GDB1375	P85055MM
GDB1376	P85036MM
GDB1378	P50039MM
GDB1379	P50040MM
GDB1380	P68025MM

IAM	MAGNET MARELLI
TRW	
GDB1381	P85067MM
GDB1382	P23073MM
GDB1383	P23079MM
GDB1384	P23064MM
GDB1385	P61065MM
GDB1386	P85072MM
GDB1388	P86016MM P86020MM
GDB1389	P86014MM
GDB1391	P85049MM
GDB1392	P23074MM
GDB1393	P23056MM P23122MM
GDB1395	P65008MM
GDB1396	P23065MM
GDB1398	P36013MM
GDB1399	P50020MM
GDB1401	P36012MM
GDB1403	P85045MM
GDB1404	P06065MM
GDB1405	P68027MM
GDB1406	P86024MM
GDB1408	P50032MM
GDB1410	P61102MM
GDB1412	P59037MM
GDB1413	P50045MM P50046MM
GDB1414	P85057MM
GDB1415	P85058MM
GDB1417	P85101MM
GDB1418	P24054MM
GDB1419	P24055MM P24071MM
GDB1424	P24052MM
GDB1425	P23083MM
GDB1426	P23084MM
GDB1429	P86015MM
GDB1431	P23082MM
GDB1434	P24060MM
GDB1436	P59033MM
GDB1437	P85032MM
GDB1440	P85060MM
GDB1442	P59039MM
GDB1443	P23118MM
GDB1444	P23114MM

IAM	MAGNET MARELLI
TRW	
GDB1445	P23112MM
GDB1446	P41004MM
GDB1447	P61070MM
GDB1448	P61071MM
GDB1449	P61072MM
GDB1450	P61073MM
GDB1451	P85096MM
GDB1452	P44015MM
GDB1454	P50041MM
GDB1455	P50042MM
GDB1456	P50044MM
GDB1457	P50043MM
GDB1459	P85052MM
GDB1460	P85061MM
GDB1461	P24053MM
GDB1463	P61066MM
GDB1464	P61068MM
GDB1465	P68008MM
GDB1468	P68030MM
GDB1469	P59044MM P68057MM
GDB1470	P59040MM
GDB1472	P85077MM
GDB1473	P44011MM
GDB1474	P85063MM
GDB1475	P85066MM
GDB1476	P06030MM
GDB1477	P06032MM
GDB1478	P56061MM
GDB1479	P59041MM
GDB1480	P50047MM
GDB1481	P50058MM P50090MM
GDB1482	P23085MM P23140MM
GDB1483	P23087MM
GDB1485	P23080MM
GDB1486	P23071MM
GDB1487	P23081MM
GDB1489	P23088MM
GDB1493	P59025MM
GDB1494	P59026MM
GDB1495	P61074MM
GDB1496	P61075MM
GDB1498	P06046MM

IAM	MAGNET MARELLI
TRW	
GDB1499	P06029MM
GDB1500	P61063MM
GDB1501	P61067MM
GDB1502	P05001MM P06026MM
GDB1503	P23090MM
GDB1506	P85053MM
GDB1507	P85078MM
GDB1508	P85064MM
GDB1510	P36021MM
GDB1511	P36015MM
GDB1512	P36014MM
GDB1515	P59038MM
GDB1516	P85076MM
GDB1517	P23091MM
GDB1518	P23092MM
GDB1521	P23093MM
GDB1525	P24059MM P68028MM
GDB1526	P44012MM
GDB1527	P06044MM
GDB1528	P85056MM
GDB1529	P06028MM
GDB1530	P06020MM
GDB1531	P06043MM
GDB1532	P24058MM
GDB1533	P23123MM
GDB1534	PA6021MM
GDB1535	PA6023MM
GDB1536	P36018MM
GDB1537	P36020MM
GDB1538	P85062MM
GDB1540	P68029MM
GDB1541	P50062MM
GDB1542	P50049MM
GDB1543	P50053MM
GDB1544	P50077MM
GDB1545	P50072MM
GDB1546	P50052MM
GDB1547	P85069MM
GDB1548	P85065MM
GDB1550	P85075MM P85146MM
GDB1552	P68034MM
GDB1553	P85102MM

IAM	MAGNETI MARELLI
TRW	
GDB1554	P85097MM
GDB1555	P85081MM
	P85106MM
GDB1556	P85082MM
	P85107MM
GDB1557	P85083MM
GDB1558	P06047MM
	P06066MM
GDB1559	P06036MM
	P06057MM
GDB1560	P06039MM
GDB1563	P61082MM
GDB1565	P86018MM
GDB1566	P86019MM
	P59046MM
GDB1567	P59049MM
	P52018MM
GDB1568	P52018MM
GDB1569	P36017MM
GDB1570	P59036MM
GDB1571	P68031MM
GDB1572	P24049MM
GDB1573	P24050MM
GDB1574	P68055MM
GDB1575	P50048MM
GDB1576	P86022MM
GDB1577	P06042MM
GDB1579	P23099MM
GDB1580	P24070MM
GDB1581	P24038MM
GDB1583	P24061MM
GDB1584	P50055MM
GDB1586	P85071MM
GDB1589	P23097MM
GDB1592	P23094MM
GDB1593	P23095MM
GDB1594	P61109MM
GDB1595	P61078MM
GDB1596	P61079MM
GDB1600	P50050MM
GDB1601	P50051MM
GDB1603	P23098MM
	P61076MM
GDB1605	P85105MM
	P85148MM
GDB1606	P68036MM

IAM	MAGNETI MARELLI
TRW	
GDB1607	P10012MM
	P24057MM
GDB1608	P54040MM
GDB1610	PA6022MM
GDB1611	P06034MM
GDB1612	P06037MM
	P06080MM
GDB1613	P10011MM
	P59043MM
GDB1615	P61097MM
GDB1616	P85079MM
GDB1617	P85084MM
GDB1618	P24069MM
GDB1620	P61080MM
GDB1621	P59042MM
	P61110MM
GDB1622	P85073MM
	P85095MM
GDB1625	P06035MM
GDB1626	P06038MM
GDB1628	P50057MM
GDB1629	P50054MM
GDB1630	P50056MM
GDB1631	P44014MM
GDB1632	P44013MM
	P44019MM
GDB1633	P61081MM
GDB1636	P23100MM
GDB1637	P23101MM
GDB1638	P23102MM
GDB1641	P02001MM
GDB1642	P50063MM
GDB1643	P50064MM
GDB1644	P85104MM
GDB1647	P23103MM
GDB1648	P23154MM
	P23089MM
GDB1649	P23109MM
	P85090MM
GDB1651	P85090MM
GDB1652	P85088MM
GDB1653	P85070MM
GDB1654	P23108MM
GDB1656	P23104MM
GDB1662	P06040MM
GDB1663	P61119MM

IAM	MAGNETI MARELLI
TRW	
GDB1664	P61087MM
GDB1665	P24063MM
GDB1666	P44006MM
GDB1668	P59045MM
GDB1670	P85110MM
GDB1671	P85091MM
GDB1672	P85068MM
GDB1673	P23105MM
GDB1675	P50116MM
GDB1678	P61100MM
GDB1681	P23143MM
	P23144MM
GDB1682	P61091MM
GDB1683	P24076MM
GDB1684	P24077MM
GDB1685	P24078MM
	P86021MM
GDB1687	P68048MM
GDB1689	P85129MM
GDB1690	P61083MM
GDB1691	P61086MM
	P61117MM
GDB1692	P61085MM
GDB1693	P50073MM
GDB1694	P50083MM
GDB1695	P50065MM
GDB1696	P50059MM
GDB1697	P50084MM
GDB1698	P50085MM
GDB1699	P50060MM
	P23169MM
GDB1700	P59051MM
	P59081MM
GDB1701	P23153MM
	P59052MM
GDB1703	P61118MM
GDB1705	P36022MM
GDB1706	P23127MM
GDB1707	P23128MM
GDB1708	P44017MM
GDB1709	P44016MM
GDB1711	P50113MM
GDB1712	P06051MM
	P06086MM
GDB1713	P59053MM

IAM	MAGNETI MARELLI
TRW	
GDB1714	P59057MM
GDB1715	P10003MM
GDB1716	P10004MM
GDB1718	P61096MM
GDB1721	P85149MM
GDB1722	P85111MM
GDB1723	P24065MM
GDB1724	P24064MM
	P85115MM
GDB1725	P24066MM
GDB1726	P06049MM
GDB1727	P06033MM
GDB1728	P06058MM
GDB1729	P06055MM
GDB1730	P06056MM
GDB1732	P24075MM
GDB1733	P50074MM
GDB1735	P50061MM
	P50067MM
GDB1736	P50070MM
	P50069MM
GDB1737	P50068MM
	P50104MM
GDB1738	P50092MM
GDB1739	P50092MM
GDB1740	P61095MM
GDB1742	P65009MM
GDB1743	P44018MM
	PB1002MM
GDB1744	P23060MM
	P24147MM
GDB1745	P23107MM
GDB1746	P23107MM
GDB1747	PA6026MM
GDB1748	PA6027MM
GDB1749	P68039MM
GDB1750	P23119MM
GDB1752	P24159MM
GDB1753	P24056MM
GDB1754	P24085MM
GDB1755	P10014MM
	P10015MM
GDB1756	P65007MM
GDB1759	P59034MM
GDB1760	P68026MM
GDB1761	P61101MM
GDB1762	P85112MM

IAM	MAGNET MARELLI
TRW	
GDB1763	P85108MM P85109MM
GDB1764	P65016MM
GDB1765	P85099MM P85100MM
GDB1766	P06052MM
GDB1768	P85098MM
GDB1769	P85143MM
GDB1772	P24073MM
GDB1774	P65017MM
GDB1775	P85103MM
GDB1777	P65011MM
GDB1781	P59058MM
GDB1782	P59054MM
GDB1783	P59055MM P59059MM
GDB1784	P59060MM
GDB1785	P68044MM
GDB1786	P50107MM P68043MM
GDB1788	P68045MM
GDB1789	P68050MM
GDB1790	P68047MM P68052MM
GDB1791	P68041MM P68054MM
GDB1792	P65013MM P65022MM
GDB1794	P50105MM
GDB1795	P06059MM
GDB1796	P52019MM
GDB1797	P50115MM
GDB1798	P50086MM
GDB1799	P61084MM
GDB1801	P36024MM
GDB1802	P06041MM
GDB1811	P85087MM
GDB1812	P23117MM
GDB1814	P85113MM
GDB1815	P50075MM
GDB1818	P61106MM
GDB1820	P61104MM
GDB1821	P86023MM
GDB1822	P50087MM

IAM	MAGNET MARELLI
TRW	
GDB1823	P68032MM P68040MM
GDB1824	P44025MM
GDB1825	P44024MM
GDB1826	P06077MM
GDB1827	P06062MM
GDB1828	P61114MM
GDB1829	P23137MM
GDB1831	P10013MM
GDB1833	P24074MM P24161MM
GDB1834	P44023MM
GDB1835	P36019MM P36027MM
GDB1836	P65014MM P65015MM
GDB1838	P06076MM
GDB1839	P65029MM
GDB1840	P06064MM
GDB1841	P85114MM
GDB1842	P23141MM
GDB1843	P59076MM
GDB1844	P59080MM P59087MM
GDB1847	P59077MM
GDB1849	P65020MM
GDB1850	P36023MM
GDB1851	P23152MM
GDB1852	P85134MM
GDB1854	P06074MM
GDB1855	P23145MM
GDB1856	P50110MM
GDB1857	P06053MM
GDB1864	P23130MM
GDB1865	P23163MM
GDB1866	P85117MM
GDB1867	P85120MM
GDB1869	P06061MM
GDB1871	P23115MM
GDB1872	P23142MM
GDB1873	P23148MM
GDB1875	P65027MM
GDB1876	P65030MM
GDB1877	P36026MM
GDB1880	P23132MM

IAM	MAGNET MARELLI
TRW	
GDB1881	P23131MM
GDB1882	P06060MM
GDB1883	P85127MM
GDB1884	P85128MM
GDB1885	P68061MM
GDB1887	P85141MM
GDB1888	P23134MM
GDB1889	P61107MM
GDB1892	P06050MM
GDB1894	P23146MM
GDB1898	P44022MM
GDB1900	P23138MM
GDB1901	P24084MM P85118MM
GDB1902	P85119MM P85150MM
GDB1903	P68063MM
GDB1904	P23129MM
GDB1905	P23133MM
GDB1908	P85145MM
GDB1910	P68062MM
GDB1911	P85136MM
GDB1912	P85116MM
GDB1914	P65021MM
GDB1917	P61105MM P85131MM
GDB1918	P85144MM
GDB1919	P06071MM
GDB1920	P50091MM
GDB1921	P11031MM
GDB1923	P79027MM
GDB1925	P44020MM
GDB1926	P61103MM
GDB1929	P61112MM
GDB1932	P50093MM
GDB1933	P50094MM
GDB1934	P06070MM
GDB1935	P06078MM
GDB1936	P11032MM
GDB1937	P06072MM
GDB1938	P24148MM
GDB1940	P61108MM
GDB1941	P68058MM
GDB1942	P06075MM
GDB1943	P06088MM

IAM	MAGNET MARELLI
TRW	
GDB1944	P11035MM
GDB1946	P50109MM
GDB1947	P50099MM P50101MM
GDB1948	P06068MM
GDB1950	P23151MM
GDB1955	P50108MM
GDB1956	P85126MM P85124MM
GDB1957	P85125MM
GDB1959	P24151MM
GDB1961	P65028MM
GDB1963	P36025MM
GDB1964	P06073MM
GDB1967	P24152MM
GDB1968	P24160MM
GDB1970	P50102MM
GDB1972	P50097MM P50098MM
GDB1974	P85123MM
GDB1979	P59094MM
GDB1982	P23136MM
GDB1984	P85041MM P85121MM
GDB1990	P65018MM
GDB1992	P61113MM
GDB2004	P65026MM P65033MM
GDB2005	P24153MM
GDB2008	P68049MM
GDB2009	P24157MM
GDB2013	P50111MM
GDB2014	P50103MM P50117MM
GDB2016	P68059MM
GDB2018	P68060MM
GDB2019	P50095MM
GDB2020	P06079MM
GDB2021	P06054MM
GDB2022	P85122MM P85133MM
GDB2024	P68042MM
GDB2028	P06087MM P06095MM
GDB2029	P44021MM

IAM	MAGNETI MARELLI
TRW	
GDB2032	P23156MM
GDB2034	P61124MM
GDB2035	P61123MM
	P61127MM
GDB2036	P61122MM
GDB2037	P61121MM
GDB2038	P06091MM
GDB2042	P85135MM
	P85140MM
GDB2043	P24158MM
GDB2044	P61120MM
GDB2045	P23139MM
GDB2048	P02002MM
GDB2049	P23162MM
GDB2055	P61126MM
GDB2057	P65025MM
GDB2060	P23155MM
GDB2062	P61116MM
GDB2063	P06094MM
GDB2068	P61125MM
GDB2069	P23161MM
GDB2071	P50122MM
GDB2077	P23166MM
GDB2078	P50123MM
GDB2079	P50125MM
GDB2080	P85137MM
GDB2081	P50120MM
GDB2082	P68064MM
GDB2087	P06092MM
GDB2088	P06090MM
GDB2091	P59083MM
GDB2092	P24173MM
GDB2093	P59086MM
GDB2096	P59082MM
GDB2097	P50124MM
GDB2098	P06093MM
GDB2099	P59084MM
GDB2103	P50129MM
GDB2111	P23165MM
GDB2116	P23177MM
GDB2121	P61128MM
GDB2122	P49055MM
GDB2138	P59092MM
GDB2139	P59091MM
GDB2143	P85147MM

IAM	MAGNETI MARELLI
TRW	
GDB3039	P28040MM
	P28049MM
GDB3045	P54016MM
GDB3058	P83019MM
GDB3068	P78008MM
GDB3071	P16007MM
GDB3086	P83029MM
	P83031MM
GDB3088	P49037MM
GDB3089	P30005MM
GDB3091	P79010MM
GDB3092	P56024MM
GDB3096	P30009MM
GDB3103	P49020MM
GDB3104	P54048MM
GDB3105	P83091MM
GDB3106	P83090MM
GDB3107	P54032MM
GDB3108	P15001MM
GDB3109	P83023MM
GDB3113	P28025MM
GDB3115	P56035MM
GDB3123	P30006MM
GDB3124	P54037MM
GDB3129	P49021MM
GDB3131	P56034MM
GDB3132	P79009MM
GDB3134	P15003MM
GDB3135	P15004MM
GDB3143	P56010MM
GDB3148	P82001MM
GDB3152	P83040MM
GDB3153	P49022MM
GDB3154	P28022MM
GDB3155	P83111MM
GDB3157	P83093MM
GDB3163	P83041MM
GDB3165	P30011MM
GDB3166	P16005MM
GDB3168	P56036MM
GDB3171	P15002MM
GDB3172	P15005MM
GDB3173	P30007MM
GDB3175	P28039MM
GDB3177	P28026MM

IAM	MAGNETI MARELLI
TRW	
GDB3180	P56033MM
GDB3181	P56029MM
GDB3186	P28029MM
GDB3189	P28031MM
GDB3190	P28030MM
GDB3193	P49027MM
GDB3195	P15006MM
	P83048MM
GDB3197	P83108MM
	P83049MM
GDB3198	P83049MM
GDB3199	P54025MM
GDB3200	P61089MM
GDB3201	P30010MM
GDB3202	P79007MM
GDB3203	P30008MM
GDB3204	P83044MM
GDB3205	P78009MM
GDB3208	P56039MM
GDB3214	P54015MM
GDB3215	P78012MM
GDB3217	P78010MM
GDB3218	P83050MM
GDB3219	P16009MM
GDB3220	P16008MM
GDB3222	P56041MM
GDB3223	P78011MM
GDB3225	P83116MM
GDB3226	P83039MM
GDB3227	P56044MM
GDB3230	P49019MM
GDB3232	P54027MM
GDB3233	P83045MM
GDB3235	P83037MM
GDB3236	P79012MM
	P79020MM
GDB3237	P79004MM
GDB3239	P54026MM
GDB3241	P30015MM
GDB3242	P83051MM
GDB3243	P83052MM
GDB3244	P30013MM
GDB3246	P54029MM
GDB3247	P54031MM
GDB3249	P83056MM
GDB3250	P28032MM

IAM	MAGNETI MARELLI
TRW	
GDB3251	P83055MM
GDB3253	P49026MM
GDB3256	P30022MM
GDB3260	P30030MM
GDB3261	P30012MM
GDB3263	P30044MM
GDB3264	P49025MM
	P28034MM
GDB3268	P28047MM
	P54028MM
GDB3270	P54028MM
GDB3271	P56022MM
GDB3272	P56037MM
GDB3273	P56045MM
GDB3275	P79013MM
GDB3278	P83063MM
GDB3279	P83057MM
GDB3281	P15008MM
GDB3284	P30014MM
GDB3285	P30016MM
GDB3286	P83078MM
GDB3287	P11026MM
	P54030MM
GDB3288	P83064MM
GDB3289	P83065MM
GDB3290	P79014MM
GDB3293	P56040MM
GDB3294	P56046MM
	P56068MM
GDB3296	P30021MM
GDB3299	P30017MM
GDB3302	P49029MM
GDB3303	P49030MM
GDB3308	P78016MM
GDB3309	P49033MM
GDB3310	P49032MM
GDB3311	P49036MM
GDB3314	P83062MM
	P83061MM
GDB3315	P83100MM
	P83097MM
GDB3316	P83054MM
	P83103MM
GDB3317	P49031MM
GDB3318	P49031MM
GDB3320	P16014MM
GDB3321	P24149MM

IAM	MAGNET MARELLI
TRW	
GDB3322	P83058MM
GDB3323	P83059MM
GDB3324	P83053MM
GDB3325	P28035MM
GDB3326	P49028MM
GDB3328	P78013MM
GDB3330	P24048MM
GDB3331	P30024MM
GDB3332	P68033MM
GDB3333	P83042MM
GDB3334	P83084MM
GDB3335	P83043MM
GDB3336	P83046MM
GDB3337	P83047MM
GDB3338	P83067MM
GDB3339	P83068MM
GDB3340	P56049MM
GDB3341	P54034MM
GDB3342	P30034MM
GDB3343	P30019MM
GDB3344	P30023MM
GDB3345	P10006MM
GDB3346	P10008MM
GDB3348	P10001MM
GDB3349	P54039MM
	P59079MM
GDB3350	P56048MM
GDB3352	P30018MM
	P30043MM
GDB3353	P24051MM
GDB3354	P56042MM
GDB3355	P28036MM
GDB3356	P49034MM
GDB3357	P10005MM
	P49035MM
GDB3358	P16011MM
GDB3360	P30028MM
GDB3363	P79015MM
GDB3364	P83066MM
	P83102MM
GDB3365	P15011MM
GDB3366	P15010MM
GDB3367	P30042MM
GDB3369	P30032MM
GDB3370	P30033MM

IAM	MAGNET MARELLI
TRW	
GDB3372	P78017MM
GDB3373	P78020MM
GDB3374	P83088MM
GDB3375	P28023MM
GDB3376	P28033MM
GDB3377	P30027MM
GDB3378	P30020MM
GDB3379	P56050MM
GDB3380	P54033MM
GDB3381	P56047MM
GDB3382	P15009MM
GDB3383	P83009MM
GDB3388	P54035MM
GDB3389	P54036MM
GDB3390	P56021MM
GDB3391	P56026MM
GDB3392	P56058MM
	P56094MM
GDB3394	P56072MM
GDB3395	P78014MM
GDB3396	P59050MM
GDB3398	P83072MM
GDB3399	P83073MM
GDB3400	P49038MM
GDB3401	P49043MM
GDB3402	P49044MM
GDB3403	P24086MM
GDB3404	P56059MM
GDB3405	P56060MM
GDB3406	P49042MM
GDB3407	P28037MM
GDB3408	P28038MM
GDB3409	P30031MM
	P30038MM
GDB3410	P83074MM
GDB3411	P54049MM
GDB3413	P30057MM
GDB3414	P83070MM
GDB3416	P56051MM
GDB3418	P30036MM
GDB3419	P30037MM
GDB3420	P30026MM
GDB3421	P30025MM
	P30051MM
GDB3424	P83071MM

IAM	MAGNET MARELLI
TRW	
GDB3425	P83082MM
GDB3426	P83089MM
GDB3427	P83094MM
GDB3428	P83069MM
GDB3429	P83117MM
GDB3431	P30029MM
GDB3433	P30058MM
GDB3434	P99003MM
GDB3435	P54038MM
	P54055MM
GDB3436	P79008MM
GDB3437	P16013MM
GDB3437	P24072MM
GDB3438	P28051MM
GDB3439	P56066MM
GDB3440	P56069MM
GDB3442	P78018MM
GDB3443	P79018MM
GDB3445	P28045MM
GDB3446	P28046MM
GDB3448	P30041MM
GDB3449	P30035MM
	P30080MM
GDB3454	P83083MM
GDB3454	P83133MM
GDB3455	P83099MM
GDB3457	P83085MM
GDB3458	P83087MM
GDB3459	P83086MM
GDB3460	P83101MM
GDB3461	P30039MM
GDB3462	P30040MM
GDB3466	P34005MM
GDB3467	P56062MM
GDB3469	P78015MM
GDB3471	P49040MM
GDB3472	P49041MM
GDB3473	P83075MM
GDB3474	P30046MM
GDB3475	P83076MM
GDB3476	P28044MM
GDB3477	P28043MM
GDB3479	P83109MM
GDB3480	P83080MM
GDB3481	P83079MM

IAM	MAGNET MARELLI
TRW	
GDB3482	P28072MM
GDB3484	P83145MM
GDB3485	P83139MM
GDB3486	P54043MM
GDB3488	P54052MM
GDB3489	P83146MM
GDB3490	P79019MM
GDB3491	P83098MM
GDB3492	P54044MM
GDB3493	P28050MM
GDB3494	P30047MM
	P30054MM
GDB3494	P30067MM
GDB3497	P83152MM
GDB3498	P28079MM
GDB3499	P30063MM
GDB3500	P83096MM
GDB3501	P49039MM
GDB3502	P56102MM
GDB3503	P56080MM
GDB3504	P83134MM
GDB3505	P56084MM
	P56089MM
GDB3509	P30064MM
GDB3510	P30045MM
GDB3512	P28078MM
GDB3515	P56085MM
	P56095MM
GDB3517	P49051MM
GDB3518	P83148MM
GDB3519	P78021MM
GDB3520	P56096MM
GDB3521	P79028MM
GDB3522	P79023MM
	P79031MM
GDB3523	P30077MM
GDB3524	P83107MM
GDB3528	P83140MM
GDB3529	P79029MM
GDB3530	P30056MM
GDB3532	P83137MM
GDB3535	P30053MM
GDB3539	P49047MM
GDB3540	P30066MM
GDB3545	P34007MM

IAM	MAGNETI MARELLI
TRW	
GDB3546	P56086MM
GDB3547	P83114MM
GDB3548	P18025MM
GDB3549	P30070MM
GDB3560	P56081MM
GDB3562	P49045MM
GDB3563	P56083MM
GDB3577	P56088MM
GDB3580	P49048MM
GDB3581	P28068MM
GDB3582	P30065MM
GDB3583	P61111MM
GDB3588	P28070MM
GDB3592	P49050MM
GDB3598	P83150MM
GDB3610	P83105MM
GDB3615	P28077MM
GDB3616	P56065MM
GDB3618	P30076MM
GDB3624	P30081MM
GDB3626	P30069MM

IAM	MAGNETI MARELLI
TRW	
GDB3629	P23164MM
GDB3633	P79032MM
GDB4000	P07002MM
GDB4002	P07004MM
GDB4003	P11001MM
GDB4006	P11009MM
GDB4008	P11020MM
GDB4010	P24041MM
GDB4014	P07003MM
GDB4016	P11011MM
GDB4063	P46001MM
GDB4076	P54019MM
GDB4108	P10052MM
GDB4118	P11012MM
GDB4120	P37005MM
GDB4123	P24042MM
GDB4124	P37012MM
GDB4125	P11016MM
GDB4126	P37007MM
GDB4127	P37006MM
GDB4128	P11013MM

IAM	MAGNETI MARELLI
TRW	
GDB4129	P11015MM
GDB4130	P11014MM
GDB4131	P24081MM
GDB4132	P24068MM
GDB4133	P37008MM
GDB4134	P11017MM
GDB4135	P11040MM
	P23175MM
GDB4136	P37010MM
GDB4137	P37011MM
GDB4139	P37009MM
GDB4140	P11019MM
	P11041MM
	P18034MM
GDB4141	P18001MM
GDB4145	P18024MM
GDB4171	P11024MM
	P30074MM
GDB4172	P10060MM
GDB4173	P83106MM
GDB4175	P83112MM

IAM	MAGNETI MARELLI
TRW	
GDB4176	P11021MM
GDB4178	P10053MM
GDB4179	P10007MM
GDB4448	P37016MM
GDB4449	P11023MM
GDB4603	P37017MM
GDB4605	P11022MM
	P11025MM
GDB4606	P10054MM
GDB5004	PA6008MM
GDB5022	PA6015MM
GDB5056	PA6011MM
GDB5062	PA6007MM
GDB5063	PA6018MM
GDB5068	PA6025MM
GDB7032	P56070MM
GDB7091	P28048MM
GDB7726	P28062MM
GDB7811	P99026MM

Pastiglie freno – Tavole di comparazione

Brake pads – Cross reference guide

Scheibenbremsbeläge – Gegenüberstellung

Plaquettes de freins – Table de correspondance

Pastillas de freno – Tabla de equivalencias

Pastilhas de freio – Tabela de equivalências

Τακάκια φρένων – Πίνακας αντιστοιχιών

Klocki hamulcowe – Tabela porównawcza

Тормозные накладки – Кросс-таблица

Fren balataları – Çapraz referans tablosu

WVA

WVA	MAGNETI MARELLI	Th [mm]	WVA	MAGNETI MARELLI	Th [mm]	WVA	MAGNETI MARELLI	Th [mm]
20905	P68010MM	18	20267	P23090MM	19,3	20784	P50003MM	18
20906	P68010MM	18	20306	P16012MM	14	20787	P23022MM	19,2
23258	P59031MM	16,9	20323	P59025MM	14,5	20833	P23017MM	17,1
23259	P59031MM	16,9	20324	P16012MM	14	20834	P23017MM	17,1
23434	P24053MM	17,7	20325	P83072MM	17,5	20838	P23017MM	17,1
	P56042MM	17,7	20344	P44001MM	15	20852	P83006MM	15,5
23435	P24053MM	17,7	20345	P47001MM	15,7	20863	P56015MM	17,2
	P56042MM	17,7		P68051MM	16,9	20870	P83011MM	15
25340	P56082MM	15	20359	PA6001MM	18	20887	P85005MM	15,3
25341	P56082MM	15		PA6006MM	18		P85012MM	19,7
20002	P49010MM	15	20380	P36003MM	15,6		P85024MM	17,3
20008	P49005MM	13		P68012MM	15,6	20888	P85005MM	15,3
20009	P06001MM	15	20389	P61019MM	16		P85012MM	19,7
20031	P49037MM	13	20410	P59026MM	12,9		P85024MM	17,3
20038	P52002MM	13,8		P68017MM	15	20889	P85019MM	17,3
20073	P23003MM	17,3	20423	P59026MM	12,9	20905	P61044MM	18
20074	P23002MM	10		P68017MM	15		P61097MM	18
20087	P28015MM	14	20465	PA6013MM	18		P61099MM	18
20091	P28015MM	14		PA6016MM	18	20906	P61044MM	18
20098	P56020MM	17	20488	P68007MM	18,5		P61097MM	18
20099	P28010MM	15	20489	P68007MM	18,5		P61099MM	18
20104	P28010MM	15	20494	P68001MM	14	20907	P23079MM	18
20108	P28010MM	15	20495	P68001MM	14		P23118MM	18
20124	P85028MM	19	20547	P36017MM	16		P23121MM	18
20140	P68001MM	14		P59011MM	16,8		P24007MM	18
	P68004MM	14	20570	P68007MM	18,5		P24019MM	18
20141	P68001MM	14	20571	P68007MM	18,5	20908	P24019MM	18
	P68004MM	14	20610	P02001MM	9	20909	P24007MM	18
20162	P61037MM	15,4	20634	P68015MM	15	20919	P68014MM	18,3
20164	P86007MM	18,2		P68020MM	15	20925	PA6024MM	15
20165	P02003MM	15,6	20651	P85027MM	18,2	20926	P68006MM	18,5
20166	P41001MM	16		P85048MM	18,2	20928	P68006MM	18,5
20168	P85011MM	19,6	20660	P41002MM	15,6	20929	P68006MM	18,5
	P85015MM	16,2	20669	P85092MM	19,6	20934	P50021MM	14
	P85034MM	19,6		P99026MM	18	20941	P50008MM	19,3
20180	P06013MM	17,3	20676	P85035MM	20,6	20950	P23013MM	18
20181	P06013MM	17,3		P85036MM	20,4		P23021MM	18
20191	P49010MM	15		P85037MM	20,4	20951	P23013MM	18
20192	P49010MM	15		P85045MM	20,6	20952	P23013MM	18
20198	P02003MM	15,6		P85085MM	20,4	20961	P68024MM	16,2
20201	P02002MM	16,6		P86015MM	18,9		P85017MM	15,2
20217	P02002MM	16,6	20687	P50013MM	15,5		P85020MM	17,2
	P44018MM	17,3	20741	P23022MM	19,2	P85058MM	17,2	
20224	P59049MM	20,9		PA6024MM	15	20968	P36007MM	17,5
20261	P23090MM	19,3	20755	P86002MM	15	20973	P61032MM	11
	P23100MM	19,3	20780	P16003MM	13,4	20974	P61032MM	11

WVA	MAGNETI MARELLI	Th [mm]
20981	P24018MM	13,7
	P24079MM	13,7
20984	P56019MM	17
20985	P56019MM	17
20986	P68010MM	18
20987	P68010MM	18
20989	P61031MM	17,7
20995	P06011MM	17,3
20996	P06011MM	17,3
21012	P30001MM	14,8
	P30024MM	14,8
21022	P61031MM	17,7
21023	P61031MM	17,7
21028	P50008MM	19,3
21048	PA6012MM	18,3
	PA6020MM	18,3
21050	P59014MM	15,2
21051	P59010MM	15,7
21068	P71004MM	17,7
21089	P71003MM	15
21090	P71003MM	15
21096	P68015MM	15
21097	P68015MM	15
21099	P56014MM	17
	P56056MM	17
21100	P23044MM	17
21105	P23044MM	17
21107	P23032MM	12
21110	P68012MM	15,6
21119	P56056MM	17
21121	P56010MM	14
21130	P56056MM	17
21138	P85018MM	19,5
21140	P59018MM	15,7
21142	P79001MM	15,5
21144	P85013MM	16,6
21147	P23041MM	19,3
	P23066MM	19,3
21148	P23041MM	19,3
21153	P50010MM	17,5
	P50022MM	16
21154	P71005MM	19,5
21155	P71005MM	19,5
21158	P83013MM	15,6
21160	PA6006MM	18
21170	P41003MM	17

WVA	MAGNETI MARELLI	Th [mm]
21171	P24029MM	18
21179	P61034MM	16,8
21190	P59017MM	18,3
21191	P61047MM	17
21193	P23039MM	18
	P23040MM	18
	P23055MM	18
21194	P23040MM	18
21195	P23039MM	18
21197	P50009MM	15
21202	P24028MM	17,8
21203	P24028MM	17,8
21211	P61049MM	18,7
21212	P61049MM	18,7
21237	P44003MM	15
21238	P44003MM	15
21245	P28014MM	17,4
	P82001MM	17,4
21246	P28014MM	17,4
21267	P61047MM	17
21273	P86013MM	19,5
21274	P86013MM	19,5
21275	P23062MM	16,9
	P36008MM	16,9
21276	P23062MM	16,9
	P36008MM	16,9
21278	P50030MM	16,9
	P61038MM	17
	P61058MM	17
21279	P61038MM	17
	P61058MM	17
21282	P06016MM	17,3
	P06020MM	17,2
	P06029MM	17,3
	P06044MM	17,2
21283	P06016MM	17,3
21288	P85018MM	19,5
21289	P61034MM	16,8
21301	P50012MM	15,5
21303	P50018MM	18,8
21305	P50017MM	15,5
21307	P56025MM	14,5
21308	P56025MM	14,5
21312	P28017MM	13
21313	P28017MM	13
21314	P28017MM	13

WVA	MAGNETI MARELLI	Th [mm]
21319	P49025MM	13
21320	P49025MM	13
21321	P49025MM	13
21322	P28016MM	15
21323	P28016MM	15
21324	P28016MM	15
21328	P56010MM	14
21329	P56010MM	14
21333	P79005MM	15
21334	P79005MM	15
21335	P79005MM	15
21338	P16005MM	14
21339	P16005MM	14
21340	P16005MM	14
21341	P56053MM	16
21342	P56053MM	16
21343	P56053MM	16
21344	P56018MM	16
21345	P56018MM	16
21346	P56018MM	16
21347	P24026MM	17
21348	P24026MM	17
21349	P24026MM	17
21353	P59011MM	16,8
21355	P49013MM	14,5
21356	P49013MM	14,5
21357	P49013MM	14,5
21358	P24035MM	19,8
	P24069MM	19,8
21363	P54017MM	15,7
21365	P23054MM	17
21366	P85034MM	19,6
21368	P59016MM	18,3
21369	P83029MM	15,5
21370	P61089MM	15,7
21373	P54008MM	16,5
21374	P54008MM	16,5
21375	P54008MM	16,5
21381	P23074MM	18
	P24073MM	14
	P36020MM	15
	P85104MM	15
21385	P86009MM	13,9
21386	P56028MM	15
	P56055MM	15
21388	P68014MM	18,3

VVA	MAGNETI MARELLI	Th [mm]	VVA	MAGNETI MARELLI	Th [mm]	VVA	MAGNETI MARELLI	Th [mm]
21394	P24034MM	18,5	21499	P28042MM	18	21601	P83034MM	17,6
	P24037MM	18,5	21500	P79006MM	14,8	21602	P83034MM	17,6
21411	P59019MM	17,5	21501	P79006MM	14,8	21603	P83034MM	17,6
21413	P59019MM	17,5	21502	P79006MM	14,8	21606	P23067MM	16,6
21430	P61051MM	17,3	21503	P78004MM	17	21607	P06013MM	17,3
	P61054MM	17,3	21504	P61046MM	17	21608	P06013MM	17,3
21432	P61054MM	17,3	21507	P61046MM	17	21613	P61043MM	18
21436	P23060MM	17		P61048MM	17	21624	P85036MM	20,4
	P23096MM	17	21514	P44003MM	15	21626	P56031MM	15,8
	P23160MM	17	21515	P28020MM	18	21631	P61052MM	17
	P24147MM	17		P44010MM	18	21632	P61053MM	16
21439	P06017MM	20,3	21516	P28020MM	18	21633	P56021MM	17
21446	P28013MM	17,5	21517	P28020MM	18		P79030MM	17
21447	P28013MM	17,5	21518	P52015MM	17	21635	P85027MM	18,2
21448	P28013MM	17,5	21519	P44005MM	18		P85048MM	18,2
21452	P85038MM	18,5		P44015MM	17	21637	P23077MM	19
	P85096MM	18,5	21520	P28019MM	18		P23112MM	19
21454	P85038MM	18,5	21521	P28019MM	18	21638	P23116MM	19
	P85096MM	18,5	21522	P28019MM	18		21638	P24034MM
21459	P44004MM	18,5	21526	P30002MM	17	21642	P06021MM	19,3
21460	P61043MM	18	21527	P30002MM	17	21646	P85036MM	20,4
21463	P68008MM	18,2	21528	P30002MM	17	21647	P54014MM	16
	P68038MM	18,2	21539	P49011MM	15	21648	P54014MM	16
21468	P83092MM	15,5	21540	P49011MM	15	21649	P54014MM	16
21469	P24033MM	19	21541	P49011MM	15	21650	P54015MM	15
	P24050MM	19	21543	P59015MM	16,5	21651	P28026MM	17,3
21470	P24032MM	19	21544	P59015MM	16,5	21652	P28026MM	17,3
	P24049MM	19	21545	P56024MM	15,6	21653	P28026MM	17,3
21471	P06018MM	18	21546	P56022MM	17,5	21654	P49016MM	15
21479	P85029MM	19,2	21553	P30003MM	14	21655	P49016MM	15
	P85050MM	19,2	21554	P30003MM	14	21656	P49016MM	15
21481	P24039MM	15,7	21555	P30003MM	14	21662	P85022MM	17,8
21482	P78007MM	17	21559	P49015MM	12,5	21664	P50023MM	19,8
21484	P06019MM	20,8	21561	P56021MM	17	21670	P50026MM	20,3
21485	P06019MM	20,8		P56065MM	17		P50075MM	19
21486	P06021MM	19,3		P79030MM	17	21674	P61057MM	19,3
21487	P06020MM	17,2	21562	P56021MM	17	21676	P06022MM	20,3
	P06044MM	17,2		P56065MM	17		P06042MM	20,3
21490	P83037MM	17,1	21571	P49019MM	17,1		P06043MM	20,3
21491	P83038MM	15,5	21573	P50021MM	14	21677	P06022MM	20,3
21492	P86024MM	19,5	21579	P24069MM	19,8		P06065MM	20,3
21493	P86024MM	19,5	21580	P56048MM	14,3	21679	P83009MM	15
21495	P78004MM	17	21595	P68022MM	18,3		P83069MM	15
21496	P78004MM	17	21596	P68022MM	18,3		P83151MM	17,5
21497	P28042MM	18	21597	P68018MM	11			
21498	P28042MM	18	21600	P68018MM	11			

WVA	MAGNETI MARELLI	Th [mm]
21680	P83009MM	15
	P83069MM	15
	P83151MM	17,5
21682	P28027MM	14,5
21683	P28027MM	14,5
21684	P28027MM	14,5
21688	P83030MM	15,3
21689	P83023MM	15,5
21691	P06023MM	17,3
21694	P28023MM	17,3
21695	P28023MM	17,3
21696	P28023MM	17,3
21697	P28024MM	15,8
21698	P28024MM	15,8
21699	P28024MM	15,8
21703	P78005MM	15
21704	P78005MM	15
21705	P78005MM	15
21706	P54012MM	15,5
21707	P54012MM	15,5
21708	P54012MM	15,5
21712	P16012MM	14
21713	P56029MM	16,4
21714	P56029MM	16,4
21715	P56029MM	16,4
21716	P56064MM	15,9
21717	P56064MM	15,9
21718	P56064MM	15,9
21719	P28022MM	14,6
	P79027MM	14,6
21720	P28022MM	14,6
	P79027MM	14,6
21721	P28022MM	14,6
21724	P61056MM	19,3
21725	P15011MM	15,6
	P30022MM	17
21726	P15011MM	15,6
	P30022MM	17
21727	P15011MM	15,6
	P30022MM	17
21729	P24079MM	13,7
21730	P79004MM	14
21738	P28025MM	13
21749	P61056MM	19,3
21754	P49023MM	16,5
21755	P49023MM	16,5

WVA	MAGNETI MARELLI	Th [mm]
21759	P83019MM	15,3
21760	P83019MM	15,3
21761	P83019MM	15,3
21766	P24036MM	14,8
21768	P54017MM	15,7
21769	P54017MM	15,7
21773	P30024MM	14,8
21774	P30024MM	14,8
21784	P83095MM	15
21785	P83095MM	15
21786	P83036MM	15,5
21787	P83036MM	15,5
21791	P83027MM	17
21792	P65008MM	15,5
21795	P50023MM	19,8
21797	P23068MM	19,7
	P23083MM	19,7
21798	P23068MM	19,7
21799	P23069MM	19,7
	P23084MM	19,7
21800	P23069MM	19,7
21801	P23061MM	19,3
21802	P23061MM	19,3
21820	P37001MM	15,5
21821	P37001MM	15,5
21822	P37004MM	17,2
21823	P37004MM	17,2
21824	P37004MM	17,2
21825	P37004MM	17,2
21827	P61051MM	17,3
21829	P59022MM	19,6
	P59029MM	19,6
21832	P24030MM	15
21833	P83015MM	15,5
21834	P83015MM	15,5
21836	P83029MM	15,5
21837	P83029MM	15,5
21840	P54018MM	14
21841	P54018MM	14
21842	P54018MM	14
21845	P59020MM	16,5
	P59033MM	16,5
21846	P59020MM	16,5
21847	P59020MM	16,5
21848	P85039MM	19,7
	P85060MM	20,6

WVA	MAGNETI MARELLI	Th [mm]
21849	P85039MM	19,7
	P85060MM	20,6
21854	P56034MM	15
21857	P61059MM	17
21861	P54023MM	16,8
21862	P59017MM	18,3
21866	P85025MM	17,2
	P85030MM	19,7
	P85031MM	15,3
21868	P85071MM	17,2
	P85025MM	17,2
	P85030MM	19,7
	P85031MM	15,3
21868	P85071MM	17,2
	P54016MM	14,5
	P54016MM	14,5
21872	P54016MM	14,5
21873	P54016MM	14,5
21874	P54016MM	14,5
21875	P59021MM	15,8
21876	P59021MM	15,8
21877	P59021MM	15,8
21879	P28021MM	18,5
21880	P28021MM	18,5
21881	P28021MM	18,5
21883	P85047MM	19,6
	P85049MM	20,6
21885	P85047MM	19,6
	P85049MM	20,6
21886	P61057MM	19,3
21888	P68023MM	18,4
21889	P68023MM	18,4
21891	P06023MM	17,3
21892	P30006MM	18,4
21893	P30006MM	18,4
21894	P30006MM	18,4
21897	P44004MM	18,5
21898	P50033MM	15,7
21899	P50033MM	15,7
21900	P50024MM	15,8
21904	P50030MM	16,9
21907	P79008MM	15,4
21908	P79008MM	15,4
21909	P79008MM	15,4
21910	P24035MM	19,8
21911	P85035MM	20,6
	P85045MM	20,6

VVA	MAGNETI MARELLI	Th [mm]	VVA	MAGNETI MARELLI	Th [mm]	VVA	MAGNETI MARELLI	Th [mm]
21919	P50025MM	15,7	21980	P56038MM	18	22186	P85142MM	17,2
	P50072MM	15,3		P61098MM	18	22187	P06092MM	18,3
21920	P50055MM	17,4		P68042MM	18	22188	P06092MM	18,3
	P54022MM	15,1	P56038MM	18	22209	P11040MM	17,8	
21927	P23070MM	17,9	21981	P61098MM	18	22218	P61128MM	18,5
	P23071MM	17,9		P68042MM	18	22219	P61128MM	18,5
	P23081MM	17,9	21983	P54036MM	16,5	22220	P59086MM	16,8
21928	P23070MM	17,9		P86017MM	17,3	22221	P59086MM	16,8
	P23081MM	17,9	21988	P61102MM	18	22222	P11041MM	18,8
21929	P23070MM	17,9	21989	P61102MM	18	22235	P49055MM	15,3
	P23071MM	17,9	21990	P06065MM	20,3	22236	P49055MM	15,3
21930	P23057MM	17,9	21999	P50038MM	15,8	22240	P23165MM	19,2
	P23073MM	17,9	22021	P36034MM	16,2	22241	P23165MM	19,2
	P23113MM	17,9	22031	P50118MM	19,3	22272	P36030MM	19,9
	P23125MM	17,9		P50119MM	19,3	22342	P59092MM	19,8
21931	P23057MM	17,9	22032	P50118MM	19,3	22343	P59092MM	19,8
	P23073MM	17,9		P50119MM	19,3	22345	P59091MM	19,4
21932	P23057MM	17,9	22034	P24171MM	17	22346	P59091MM	19,4
	P23113MM	17,9	22035	P85137MM	17,2	22417	P18034MM	19,2
21934	P06025MM	17,3	22036	P85137MM	17,2	23002	P50038MM	15,8
	P71006MM	16,3	22037	P85137MM	17,2	23004	P56033MM	15,5
21935	P06025MM	17,3	22041	P61125MM	18,8	23005	P56026MM	15,5
	P71006MM	16,3	22045	P09011MM	15,3		P56033MM	15,5
21937	P65007MM	15,5	22052	P30077MM	18	23006	P56026MM	15,5
21938	P85037MM	20,4	22061	P50120MM	18,9		P56033MM	15,5
21939	P85037MM	20,4	22062	P50129MM	20,8	23009	P83031MM	15,5
21945	P85032MM	16,2	22065	P56099MM	16,7	23010	P83031MM	15,5
	P85042MM	19,6		P56100MM	17,9	23011	P83031MM	15,5
	P85044MM	19,6	22076	P50124MM	19,4	23018	P85085MM	20,4
21947	P83024MM	15	22077	P09009MM	17,8	23019	P85085MM	20,4
21952	P16007MM	15,6	22087	P59082MM	18,2	23020	P50032MM	17,9
21953	P16007MM	15,6	22097	P50124MM	19,4	23021	P50020MM	18,9
21954	P16007MM	15,6	22101	P50126MM	18,4	23022	P50031MM	20,9
21955	P83091MM	16	22103	P68064MM	15,9	23023	P56035MM	15
21956	P83091MM	16	22117	P56106MM	15,8	23024	P56035MM	15
21957	P83090MM	17	22118	P56106MM	15,8	23025	P56035MM	15
21958	P83090MM	17	22119	P56106MM	15,8	23032	P83093MM	15,5
21961	P83028MM	15,5	22123	P59083MM	17,8	23033	P83093MM	15,5
21962	P23055MM	18		P59084MM	17,4	23034	P85052MM	18,6
21965	P68021MM	15	22124	P59083MM	17,8		P85062MM	19,6
21966	P68021MM	15		P59084MM	17,4	23036	P85052MM	18,6
21967	P16010MM	13,8	22165	P23164MM	20,5	23042	P23072MM	19
21975	P83041MM	18,2	22166	P23164MM	20,5	23043	P11008MM	18,6
21976	P83041MM	18,2	22167	P23164MM	20,5	23044	P11008MM	18,6
21977	P83041MM	18,2	22169	P23177MM	17,2	23061	P15001MM	14
			22170	P23177MM	17,2	23063	P59030MM	17,3

WVA	MAGNETI MARELLI	Th [mm]
23064	P59030MM	17,3
23066	P59030MM	17,3
23067	P59030MM	17,3
23070	P50035MM	16,5
	P50036MM	16,5
	P50047MM	19
23071	P24034MM	18,5
	P24037MM	18,5
23073	P86016MM	18,9
23074	P86016MM	18,9
	P86020MM	18,9
23076	P86014MM	17,5
23077	P86014MM	17,5
23078	P50042MM	15,9
23080	P54021MM	15,1
23081	P30005MM	19
23082	P30005MM	19
23083	P30005MM	19
23086	P54032MM	17
	P54037MM	16
23088	P83042MM	17,6
23089	P83042MM	17,6
23090	P83042MM	17,6
23091	P71008MM	15,2
23092	P23078MM	16
	P23098MM	16
	P23115MM	16
	P23134MM	15,7
	P23154MM	16
	P54039MM	15
23092	P54040MM	16
	P54040MM	16
23093	P56036MM	16,6
23094	P28029MM	17
23095	P56044MM	17
23096	P28031MM	17,2
23099	P56061MM	18,4
	P68026MM	18,4
23100	P68026MM	18,4
23101	P24044MM	17,5
23102	P24044MM	17,5
23103	P24043MM	17,5
23104	P24043MM	17,5
23106	P86015MM	18,9
23107	P86015MM	18,9
23110	P23078MM	16
23111	P23078MM	16

WVA	MAGNETI MARELLI	Th [mm]
23112	P52017MM	19,1
23114	P52017MM	19,1
23115	P59022MM	19,6
23116	P59029MM	19,6
	P59048MM	20,2
23117	P59029MM	19,6
	P59048MM	20,2
23119	P85054MM	18,3/18,5
	P85067MM	18,3/18,5
23123	P59048MM	20,2
23124	P61060MM	19,3
23125	P61060MM	19,3
23126	P36007MM	17,5
23130	P85041MM	19,7
	P85072MM	19,7
23131	P85041MM	19,7
	P85072MM	19,7
23135	P61061MM	18
23137	P61061MM	18
23138	P50058MM	14,6
	P50090MM	14,6
23139	P65011MM	17
23140	P23075MM	19,3
	P23114MM	19,3
23141	P23075MM	19,3
	P23114MM	19,3
23142	P56047MM	14,3
23143	P09003MM	14,3
23144	P50045MM	19,8
	P50046MM	19,8
23145	P50045MM	19,8
	P50046MM	19,8
23146	P61055MM	17
23147	P61055MM	17
23154	P24046MM	19,3
23155	P24046MM	19,3
23157	P50043MM	16
23160	P56037MM	17,3
23163	P85049MM	20,6
23164	P56037MM	17,3
23168	P23066MM	19,3
23169	P61050MM	19,4
23170	P61050MM	19,4
23172	P68027MM	18,3
23176	P85048MM	18,2
23177	P23026MM	14,4

WVA	MAGNETI MARELLI	Th [mm]
23178	P28032MM	16
23181	P23125MM	17,9
23183	P06043MM	20,3
23184	P56045MM	14,5
23185	P56045MM	14,5
23187	P85072MM	19,7
23189	P50040MM	16,7
	P50044MM	16,7
23190	P50040MM	16,7
	P50044MM	16,7
23191	P50040MM	16,7
23192	P50040MM	16,7
	P50044MM	16,7
23193	P50039MM	16,3
23194	P50039MM	16,3
23195	P50039MM	16,3
23200	P24054MM	18,8
23201	P24054MM	18,8
23202	P24055MM	18,8
	P83085MM	17,7
23206	P23074MM	18
23207	P23074MM	18
23215	P68029MM	18,3
	P68048MM	18,3
23217	P68029MM	18,3
23218	P23056MM	18
	P23122MM	18
	P23123MM	18
	P23124MM	18
23219	P23124MM	18
23220	P23056MM	18
23222	P23112MM	19
	P23116MM	19
23224	P85046MM	17,3
	P85059MM	16,5
23225	P59036MM	17
23226	P59036MM	17
23227	P23121MM	18
23228	P23121MM	18
23230	P15003MM	15,8
	P15008MM	15,8
23231	P15003MM	15,8
	P15008MM	15,8
23232	P15003MM	15,8
23233	P15003MM	15,8
23234	P15002MM	16,9

WVA	MAGNETI MARELLI	Th [mm]
23235	P15002MM	16,9
23236	P15002MM	16,9
23237	P15005MM	14,5
23238	P30011MM	16
23239	P30011MM	16
23240	P30011MM	16
23241	P15006MM	16,5
23242	P15004MM	14,2
23243	P15004MM	14,2
23244	P15004MM	14,2
23245	P68030MM	18,3
	P68032MM	18,3
	P68040MM	18,3
23247	P68030MM	18,3
23248	P68032MM	18,3
23249	P86020MM	18,9
23250	P59033MM	16,5
23251	P59033MM	16,5
23262	P59031MM	16,9
23263	P59031MM	16,9
23269	P85061MM	20,1
23270	P85061MM	20,1
23271	P50041MM	17,7
	P50053MM	17,7
23273	P61072MM	18
23276	P61070MM	17,5
23277	P61071MM	17,7
23279	P24060MM	18,4
23280	P85054MM	18,3/18,5
	P85067MM	18,3/18,5
23281	P06030MM	18,3
23284	P59037MM	14
23285	P50048MM	17,3
23287	P06024MM	17,8
23288	P06024MM	17,8
23289	P23077MM	19
23290	P54020MM	15,5
23293	P36018MM	18,2
23294	P83044MM	16,5
23295	P49022MM	15
23296	P78012MM	15
23297	P78012MM	15
23298	P78012MM	15
23299	P78012MM	15
23300	P24045MM	18
23301	P24045MM	18

WVA	MAGNETI MARELLI	Th [mm]
23302	P68025MM	17,5
23305	P61073MM	15,4
23309	P05001MM	17,3
23310	P05001MM	17,3
23312	P06046MM	20,3
	P06054MM	20,3
23313	P06054MM	20,3
	P06055MM	20,3
	P06074MM	19,2/20,3
	P06081MM	20,3
23314	P79009MM	14,5
23316	P54032MM	17
	P54037MM	16
23317	P54032MM	17
	P54037MM	16
23318	P11011MM	15,9
23319	P11011MM	15,9
23320	P11011MM	15,9
23323	P56048MM	14,3
23324	P85060MM	20,6
23325	P09004MM	15
	P54039MM	15
	P59079MM	16
23326	P85064MM	17,7
	P85076MM	17,7
	P85083MM	17,7
	P85143MM	17,7
23329	P65009MM	17
23331	P83058MM	16
23332	P61067MM	18
23333	P61067MM	18
23334	P50052MM	16,8
23335	P50052MM	16,8
23339	P37006MM	17,1
23340	P83053MM	16,8
23341	P83053MM	16,8
23342	P83053MM	16,8
23343	P28025MM	13
23344	P28025MM	13
23346	P61069MM	19,3
23347	P06046MM	20,3
23348	P83050MM	16,5
23349	P83050MM	16,5
23350	P83050MM	16,5
23353	P24047MM	14
23354	P49020MM	14

WVA	MAGNETI MARELLI	Th [mm]
23355	P28040MM	15
23356	P28040MM	15
23357	P28040MM	15
23358	P59028MM	18
23359	P59028MM	18
23360	P59028MM	18
23361	P59027MM	15
23362	P59027MM	15
23363	P59027MM	15
23367	P56067MM	15
23370	PB1001MM	15
23373	P54025MM	15
23374	P54025MM	15
23375	P54025MM	15
23379	P78008MM	14
23380	P78008MM	14
23381	P56054MM	15,5
	P78016MM	17
23382	P56054MM	15,5
	P78016MM	17
23383	P56054MM	15,5
23384	P30009MM	18
23385	P30009MM	18
23386	P30009MM	18
23387	P49021MM	13,3
23388	P49021MM	13,3
23389	P49021MM	13,3
23392	P85045MM	20,6
23393	P85044MM	19,6
23394	P85055MM	14,5
	P85063MM	14,5
23395	P85055MM	14,5
	P85063MM	14,5
23396	P61065MM	18
23397	P44012MM	19,4
23399	P44012MM	19,4
23400	P79010MM	16,5
23404	P59046MM	20,4
23405	P59046MM	20,4
	P59049MM	20,9
23407	P61074MM	19,3
23409	P61075MM	19,3
23410	P24038MM	15,7
	P24070MM	15,7
23411	P24038MM	15,7

WVA	MAGNETI MARELLI	Th [mm]
23417	P10013MM	15,2
	P59038MM	15,2
23418	P85062MM	19,6
23419	P85062MM	19,6
23420	P56040MM	16,5
23421	P56040MM	16,5
23422	P56040MM	16,5
23423	P36012MM	17,8
23424	P36013MM	17,8
23429	P83045MM	15
23436	P56042MM	17,7
23437	P56042MM	17,7
23440	P24058MM	17,6
	P24071MM	17,1
23441	P24058MM	17,6
	P24071MM	17,1
23442	P30015MM	16
23443	P30015MM	16
23444	P30015MM	16
23445	P85050MM	19,2
23446	P85046MM	17,3
	P85059MM	16,5
23447	P06029MM	17,3
	P06056MM	17,3
23448	P06028MM	20,8
23449	P06028MM	20,8
23450	P30007MM	18,3
23451	P30007MM	18,3
23452	P44008MM	19
23454	P56032MM	15
23455	P30008MM	13
23456	P30008MM	13
23457	P30008MM	13
23458	P44009MM	15
23463	P56036MM	16,6
23467	P85106MM	20,1
	P85107MM	18
23469	P85149MM	18,8/20,1
23471	P44006MM	17,9
	P44007MM	15
23472	P24041MM	17
23473	P24041MM	17
23474	P06042MM	20,3
23478	P50061MM	16,5
	P50077MM	14,8
23480	P83046MM	19,2

WVA	MAGNETI MARELLI	Th [mm]
23481	P83046MM	19,2
23482	P59042MM	16,7
	P59044MM	16,8
	P61110MM	16,3
23483	P59044MM	16,8
23484	P30044MM	17
23485	P30044MM	17
23486	P30044MM	17
23487	P54028MM	15,5
23488	P54029MM	16
23489	P36014MM	16,3
23490	P49027MM	15
23491	P83116MM	12,5
23492	P54048MM	16,5
23493	P54048MM	16,5
23494	P16009MM	14
23495	P16009MM	14
23496	P16009MM	14
23497	P16008MM	15,5
23498	P16008MM	15,5
23499	P83039MM	17
23501	P54024MM	17,2
23502	P56039MM	16
23503	P56039MM	16
23504	P56039MM	16
23505	P83093MM	15,5
23506	P83093MM	15,5
23507	P79012MM	15
	P79020MM	17
23508	P79012MM	15
	P79020MM	17
23509	P79012MM	15
23510	P83051MM	15,5
23511	P83051MM	15,5
23512	P83051MM	15,5
23513	P83040MM	17
23515	P49028MM	16
23517	P23065MM	16,5
	P23131MM	17,2
23518	P54027MM	17
23519	P54027MM	17
23520	P54027MM	17
23521	P83052MM	14
23522	P83052MM	14
23523	P83052MM	14
23524	P83048MM	17,7

WVA	MAGNETI MARELLI	Th [mm]
23525	P83048MM	17,7
23527	P28030MM	15
23528	P28031MM	17,2
23529	P28031MM	17,2
23530	P28032MM	16
23531	P28032MM	16
23532	P11012MM	20
23533	P11012MM	20
23534	P11012MM	20
23536	P30010MM	15,5
23537	P30010MM	15,5
23538	P30010MM	15,5
23539	P83049MM	17,5
23540	P24051MM	16,5
23541	P50062MM	17,5
23543	P30014MM	15
23544	P30014MM	15
23545	P30014MM	15
23546	P59034MM	16
23547	P59034MM	16
23549	P54023MM	16,8
23550	P06039MM	17,3
23551	P06039MM	17,3
23552	P23079MM	18
23554	P68024MM	16,2
	P85017MM	15,2
	P85020MM	17,2
	P85058MM	17,2
	P85066MM	17,2
23557	P85101MM	17,2
	P24059MM	17,2
	P68028MM	16,9
23558	P78010MM	17
23559	P78010MM	17
23560	P78010MM	17
23561	P11010MM	17
23562	P11010MM	17
23563	P28029MM	17
23564	P28029MM	17
23565	P56072MM	17,9
23566	P28048MM	17,2
23567	P28048MM	17,2
23568	P28048MM	17,2
23569	P30013MM	17
23570	P30013MM	17
23571	P30013MM	17

WVA	MAGNETI MARELLI	Th [mm]
23572	P78011MM	13,8
23573	P78011MM	13,8
23574	P78011MM	13,8
23575	P23082MM	16
23576	P23082MM	16
23577	P24052MM	18,5
23578	P24052MM	18,5
23579	P24052MM	18,5
23580	P24052MM	18,5
23581	P85057MM	19
	P85077MM	19
23582	P54031MM	15,5
23583	P54031MM	15,5
23584	P11026MM	16
	P54030MM	16
23585	P83055MM	17
23586	P83055MM	17
23587	P85075MM	20,3
	P85105MM	20,3
23588	P85075MM	20,3
23589	P61076MM	19
	P85075MM	20,3
	P85105MM	20,3
23590	P86022MM	19
23591	P86022MM	19
23592	P83063MM	15
23593	P54026MM	15
23594	P54026MM	15
23595	P54026MM	15
23597	P61063MM	18
23598	P61063MM	18
23600	P61068MM	19
23601	P23064MM	13,7
	P23146MM	13,7
23602	P23083MM	19,7
23603	P23084MM	19,7
23604	P24055MM	18,8
23605	P79015MM	15,5
23607	P79015MM	15,5
23608	P30030MM	15
23609	P30030MM	15
23610	P30030MM	15
23611	P56041MM	19
23612	P56041MM	19
23613	P59039MM	17,8
23615	P44011MM	17,5

WVA	MAGNETI MARELLI	Th [mm]
23616	P28033MM	13,3
23617	P28033MM	13,3
23618	P28033MM	13,3
23620	P83047MM	16,6
23621	P83047MM	16,6
23622	P83047MM	16,6
23623	P06037MM	17,4
23624	P06037MM	17,4
23631	P37005MM	17,8
23632	P37005MM	17,8
23633	P37005MM	17,8
23634	P37006MM	17,1
23636	P24041MM	17
23638	P37007MM	17,5
23639	P37007MM	17,5
23640	P11015MM	18
23641	P11015MM	18
23642	P11015MM	18
23646	P83056MM	16
23647	P83056MM	16
23648	P83056MM	16
23649	P30012MM	16,2
23650	P30012MM	16,2
23651	P30012MM	16,2
23652	P28039MM	14,8
23653	P28039MM	14,8
23654	P59038MM	15,2
23655	P59038MM	15,2
23656	P83057MM	14
23657	P83057MM	14
23658	P83057MM	14
23663	P10016MM	15,2
23669	P59040MM	16,8
23671	P41004MM	17
23673	P15010MM	15
23674	P15010MM	15
23675	P15010MM	15
23677	P10002MM	15,5
23678	P24149MM	16
23679	P52018MM	16,1
23692	P85069MM	16,7
23693	P85065MM	16,7
23694	P85070MM	16,7
23698	P56058MM	16
	P56094MM	17

WVA	MAGNETI MARELLI	Th [mm]
23699	P56058MM	16
	P56094MM	17
23702	P83088MM	15,8
23703	P83078MM	18,5
23705	P23085MM	17,8
	P23099MM	17,8
	P23141MM	17,8
	P23169MM	17,8
23706	P23085MM	17,8
	P23141MM	17,8
23708	P23087MM	19
	P23119MM	19
	P23137MM	19
	P59052MM	19,2
23709	P23087MM	19
	P23137MM	19
23711	P23145MM	19,4
23713	P23145MM	19,4
23714	P23080MM	15,5
	P23135MM	17,2
23716	P06032MM	16,3
23718	P50044MM	16,7
23720	P28036MM	17
23723	P24061MM	18,2
	P24158MM	18,2
23724	P24061MM	18,2
23726	P30028MM	16,5
23727	P30028MM	16,5
23728	P30028MM	16,5
23729	P28034MM	17
23730	P06026MM	17,3
23731	P06026MM	17,3
	P06053MM	16,9
23732	P06033MM	17,3
	P06056MM	17,3
23734	P83067MM	17
23736	P28039MM	14,8
23737	P06033MM	17,3
23738	P10011MM	20,6
	P59043MM	20,6
23739	P59043MM	20,6
23740	P11009MM	15,5
23741	P11009MM	15,5
23743	P50049MM	20,5
23744	P50049MM	20,5
23745	P50053MM	17,7

WVA	MAGNETI MARELLI	Th [mm]
23746	P85081MM	20,1
	P85082MM	18
23747	P85081MM	20,1
	P85082MM	18
	P85106MM	20,1
	P85107MM	18
23749	P85081MM	20,1
	P85082MM	18
	P85090MM	18,8/19,8
23751	P85078MM	16,7
23752	P85071MM	17,2
23753	P61064MM	18
23754	P61064MM	18
23756	P23134MM	15,7
	P23154MM	16
23757	P23115MM	16
	P23134MM	15,7
	P23154MM	16
23759	P83070MM	17
23760	P23089MM	17,8
	P23109MM	17,8
	P23152MM	17,8
	P23166MM	17,8
23761	P23088MM	18,8
23762	P85056MM	20,4
23763	P85056MM	20,4
	P85084MM	20,3
23764	P85078MM	16,7
23765	P85078MM	16,7
23766	P83064MM	17,8
23768	P83046MM	19,2
23773	P85053MM	17,5
23774	P85053MM	17,5
23775	P23123MM	18
23776	P23122MM	18
23777	P49026MM	15
23778	P49026MM	15
23779	P49026MM	15
23780	P78009MM	17
23781	P78009MM	17
23782	P78009MM	17
23783	P16014MM	13,8
23784	P99003MM	15,5
23785	P99003MM	15,5
23786	P99003MM	15,5
23787	P24056MM	18,3

WVA	MAGNETI MARELLI	Th [mm]
23788	P24056MM	18,3
23791	P06047MM	20,8
23792	P06047MM	20,8
23793	P06057MM	20,3
23794	P06036MM	20,3
	P06040MM	20,3
	P06057MM	20,3
	P06060MM	19,3/20,3
23795	P79013MM	15
23796	P79013MM	15
23797	P79013MM	15
23801	P10012MM	20,4
	P24057MM	18,5
	P85079MM	20,3
	P85084MM	20,3
	P85097MM	20,3
23804	P83059MM	15
23807	P11013MM	18,5
23813	P30021MM	15,8
23816	P83065MM	15,8
23817	P79014MM	17
23818	P83064MM	17,8
23819	P83064MM	17,8
23822	P05003MM	20,4/20,8
23823	P85066MM	17,2
23824	P85063MM	14,5
23825	P85038MM	18,5
23826	P56055MM	15
23827	P56055MM	15
23828	P85054MM	18,3/18,5
23829	P85096MM	18,5
23830	P85067MM	18,3/18,5
23832	P59045MM	19,6
23833	P59045MM	19,6
23835	P85090MM	18,8/19,8
23836	P83061MM	16,7
23840	P24053MM	17,7
23841	P24053MM	17,7
23842	P23118MM	18
23843	P85077MM	19
23844	P59045MM	19,6
23845	P49023MM	16,5
23848	P83037MM	17,1
23849	P83037MM	17,1
23855	P83105MM	16
23863	P49029MM	15

WVA	MAGNETI MARELLI	Th [mm]
23864	P83054MM	17
23865	P78013MM	16,4
23866	P78013MM	16,4
23867	P78013MM	16,4
23868	P28035MM	16,9
23869	P28035MM	16,9
23870	P28035MM	16,9
23871	P56046MM	13,8
23872	P56046MM	13,8
23873	P30016MM	15
23874	P30016MM	15
23875	P30016MM	15
23876	P49030MM	12
23877	P49030MM	12
23878	P49030MM	12
23879	P54033MM	15,5
23880	P54033MM	15,5
23881	P50057MM	20,1
23885	P85087MM	20,5
23891	P30018MM	16,9
23892	P30018MM	16,9
23893	P30018MM	16,9
23896	P85102MM	20,5
	P85087MM	20,5
23897	P85102MM	20,5
23901	P50082MM	18,8
23902	P50082MM	18,8
23903	P50047MM	19
23904	P83103MM	16,6
23905	P83103MM	16,6
23906	P83103MM	16,6
23907	P83103MM	16,6
23908	P36021MM	17,8
23912	P10012MM	20,4
	P24057MM	18,5
	P85079MM	20,3
	P85129MM	20,3
23913	P85079MM	20,3
	P85129MM	20,3
23914	P85073MM	17,2
	P85095MM	17,2
23915	P06034MM	17,8
	P06091MM	13,6
23916	P06034MM	17,8
	P06091MM	13,6
23917	P23091MM	19,1

WVA	MAGNETI MARELLI	Th [mm]
23918	P23091MM	19,1
23919	P23092MM	19,1
23920	P23092MM	19,1
23921	P23093MM	20,1
23922	P50063MM	21
23923	P50064MM	18
23925	P50063MM	21
23926	P06038MM	17,3
23927	P06038MM	17,3
23928	P83062MM	17
23929	P56050MM	17
23930	P68034MM	18,1
23931	P30057MM	15
23932	P30057MM	15
23933	P30057MM	15
23934	P68031MM	18,1
23935	P06035MM	17,8
23941	P54024MM	17,2
23942	P54024MM	17,2
23943	P50062MM	17,5
23944	P50062MM	17,5
23945	P50073MM	16,5
23950	P85097MM	20,3
23951	P11016MM	20,5
23952	P11016MM	20,5
23953	P11016MM	20,5
23954	P61066MM	19
23955	P50092MM	17,5
23959	P61081MM	17,5
23960	P50074MM	17,8
23961	P65016MM	17
23962	P79023MM	15,5
	P79031MM	15,5
23963	P79023MM	15,5
23965	P85058MM	17,2
23966	P30034MM	16,4
23967	P83068MM	15,2
23968	P06036MM	20,3
23969	P11013MM	18,5
23970	P56049MM	17
23971	P56049MM	17
23972	P56049MM	17
23973	P56086MM	17,3
	P59050MM	17,3
	P68033MM	17,3

WVA	MAGNETI MARELLI	Th [mm]
23974	P10057MM	17,8
	P24048MM	17,8
23976	P41005MM	16
23979	P23108MM	17,8
	P23140MM	17,8
23980	P59041MM	17
23981	P23087MM	19
	P23119MM	19
	P23153MM	19,4
	P59052MM	19,2
23982	P23085MM	17,8
	P23099MM	17,8
	P23108MM	17,8
	P23140MM	17,8
	P59051MM	17,8
	P59081MM	17
23983	P66001MM	17
	P83074MM	17,8
23984	P06051MM	18
	P06086MM	18
23985	P06051MM	18
	P06086MM	18
23987	P30034MM	16,4
23988	P30034MM	16,4
23989	P83067MM	17
23990	P50080MM	20,7
23991	P50080MM	20,7
23993	P30023MM	15,8
23994	P10008MM	14,8
23996	P83043MM	18,3
23997	P30023MM	15,8
23998	P83043MM	18,3
23999	P06035MM	17,8
24002	P49038MM	18,8
24003	P49038MM	18,8
24007	P50050MM	20,2
24008	P50051MM	17,7
24009	P83043MM	18,3
24010	P85088MM	16,7
24011	P86019MM	17,7
24012	P86019MM	17,7
24013	P83084MM	15
24014	P54034MM	15,4
24015	P54034MM	15,4
24020	P83084MM	15
24021	P85129MM	20,3

WVA	MAGNETI MARELLI	Th [mm]
24022	P83085MM	17,7
24023	P83085MM	17,7
24024	P83066MM	17,8
	P83102MM	17
24025	P83066MM	17,8
	P83102MM	17
24026	P83066MM	17,8
	P83102MM	17
24027	P15008MM	15,8
24028	P15008MM	15,8
24029	P49031MM	12,6
24030	P49031MM	12,6
24031	P30020MM	16,8
24032	P30020MM	16,8
24033	P30020MM	16,8
24034	P79014MM	17
24035	P79014MM	17
24036	P11014MM	16
24037	P11014MM	16
24038	P11014MM	16
24039	P10005MM	14,4
	P49035MM	14,4
24040	P10005MM	14,4
	P49035MM	14,4
24041	P10005MM	14,4
	P49035MM	14,4
24042	P49034MM	16,3
24043	P06032MM	16,3
24045	P49036MM	13
24046	P49032MM	18,2
24047	P49032MM	18,2
24048	P49032MM	18,2
24049	P65014MM	17
	P65015MM	17
24050	P15009MM	15,2
24051	P15009MM	15,2
24052	P15009MM	15,2
24053	P28047MM	16,9
24054	P28047MM	16,9
24055	P28047MM	16,9
24056	P56051MM	15,5
24057	P56051MM	15,5
24058	P30023MM	15,8
24059	P30017MM	16,6
24060	P30017MM	16,6
24061	P30017MM	16,6

WVA	MAGNETI MARELLI	Th [mm]
24062	P10006MM	17,6
24063	P10006MM	17,6
24064	P10006MM	17,6
24067	P23112MM	19
24071	P10001MM	14,6
24072	P23097MM	17,7
	P23107MM	17,7
	P24150MM	17,7
24073	P23094MM	16,4
	P23095MM	16,4
	P23127MM	16,4
	P23128MM	16,4
24075	P11023MM	17
24076	P11024MM	14,8
24077	P50054MM	19
	P50056MM	19
24079	P36019MM	18,7
	P36027MM	18,7/20,2
	P36028MM	18,7/20
	P36019MM	18,7
24080	P36027MM	18,7/20,2
	P37008MM	19,2
24084	P36022MM	19
24086	P28038MM	15,7
24087	P28037MM	17,5
24088	P56046MM	13,8
24089	P56026MM	15,5
24090	P28034MM	17
24091	P28034MM	17
24092	P30019MM	17,3
24095	P23114MM	19,3
24096	P06040MM	20,3
24097	P85111MM	17,1
24098	P85110MM	17,1
	P85116MM	16
24101	P61082MM	19
24105	P49038MM	18,8
24106	P58001MM	18
24122	P83079MM	19,2
24123	P24076MM	20,3
	P44020MM	20,3
24124	P24076MM	20,3
	P36030MM	19,9
	P44020MM	20,3
24130	P83038MM	15,5
24131	P83038MM	15,5

WVA	MAGNETI MARELLI	Th [mm]
24132	P56041MM	19
24133	P61078MM	17,7
	P61119MM	18,3
24135	P61079MM	17,8
24137	P59042MM	16,7
24141	P86018MM	19,8
24142	P24077MM	18,5/20
	P86018MM	19,8
24143	P85104MM	15
24150	P61080MM	17,6
24151	P50115MM	20,3
24152	P50115MM	20,3
24153	P61076MM	19
24155	P10011MM	20,6
24156	P50078MM	17,1
24162	P23117MM	15,3
	P23139MM	15,3
	P23162MM	15,3
	P68036MM	15,3
24163	P23175MM	17,8
24164	P11017MM	17,8
24166	P11019MM	18,8
24167	P30028MM	16,5
24170	P06049MM	19,7
24171	P06049MM	19,7
24172	P06058MM	19,7
24173	P06058MM	19,7
24174	P61078MM	17,7
	P61119MM	18,3
24175	P61109MM	18,7
24176	P50105MM	20,8
24177	P05003MM	20,4/20,8
	P50105MM	20,8
24178	P30019MM	17,3
24179	P30019MM	17,3
24180	P50116MM	16,9
24181	P50116MM	16,9
24190	P36015MM	16,5
24191	P44014MM	18,1
24192	P44013MM	17,3
	P44019MM	17,3
24194	P10052MM	15,3
24195	P10052MM	15,3
24196	P10052MM	15,3
24200	P10002MM	15,5
24201	P30021MM	15,8

WVA	MAGNETI MARELLI	Th [mm]
24202	P30021MM	15,8
24211	P85101MM	17,2
24213	P28036MM	17
24214	P28036MM	17
24215	P49042MM	16
24216	P49042MM	16
24218	P30042MM	17,2
24219	P30042MM	17,2
24220	P30042MM	17,2
24222	P78017MM	18
24223	P78017MM	18
24224	P78017MM	18
24225	P78017MM	18
24226	P06038MM	17,3
24227	P56059MM	16,5
	P56096MM	15,4
24228	P56059MM	16,5
	P56096MM	15,4
24229	P16011MM	15,3
24230	P16011MM	15,3
24231	P28051MM	14,9
24232	P28051MM	14,9
24233	P28051MM	14,9
24240	P56060MM	16
24242	P56060MM	16
24243	P56060MM	16
24244	P83076MM	18,5
24245	P83075MM	18,5
24246	P49033MM	17
24248	P49033MM	17
24249	P49033MM	17
24250	P37010MM	18,6
24251	P37010MM	18,6
24252	P37010MM	18,6
24253	P50068MM	17,9
24254	P50068MM	17,9
	P50104MM	17,9
24255	P06055MM	20,3
24258	P37011MM	17,9
24259	P37011MM	17,9
24260	P24063MM	16,3
	P66002MM	16,3
24271	P78020MM	14,7
24273	P23098MM	16
24274	P23098MM	16
24275	P30032MM	16,8

VVA	MAGNETI MARELLI	Th [mm]
24276	P30033MM	14,8
24277	P30027MM	16,5
24280	P23126MM	16
24281	P23126MM	16
24282	P23126MM	16
24283	P16013MM	16,5
	P24072MM	17,6
24284	P16013MM	16,5
24285	P16013MM	16,5
24286	P54019MM	14,7
24287	P54019MM	14,7
24288	P59051MM	17,8
	P59081MM	17
	P66001MM	17
24289	P06052MM	17
24290	P06052MM	17
24291	P54041MM	16
24294	P23100MM	19,3
24296	P85103MM	16,6
24297	P49043MM	15
24298	P49044MM	14
24299	P49044MM	14
24300	P49044MM	14
24301	P79019MM	16,4
24302	P72001MM	15,5
24304	P09007MM	13,7
24306	P50067MM	20,6
	P50070MM	20,6
24307	P83146MM	16,3
24308	P83146MM	16,3
24309	P50079MM	17,6
24310	P50069MM	19,4
24311	P50069MM	19,4
24315	P06059MM	17,1
24316	P06041MM	17
24317	P30026MM	17,5
24320	P30025MM	15,9
	P30051MM	15,9
24321	P30025MM	15,9
24322	P30025MM	15,9
24323	P83073MM	15,5
24324	P83073MM	15,5
24325	P83073MM	15,5
24326	P36022MM	19
24328	P06066MM	20,8
24330	P06066MM	20,8

VVA	MAGNETI MARELLI	Th [mm]
24331	P78014MM	14
24332	P61106MM	17,9/18,8
	P61117MM	18/18,9
	P85112MM	19,9/20,6
	P85113MM	20
24333	P85112MM	19,9/20,6
	P85113MM	20
	P85130MM	19,5/20
24334	P85112MM	19,9/20,6
	P85130MM	19,5/20
24336	P83082MM	17,5
24337	P83071MM	17,6
24338	P83089MM	15,4
24339	P23103MM	20,5
24340	P23103MM	20,5
	P23132MM	20,1/20,4
24341	P28062MM	15,3
24342	P28068MM	17,8
24346	P79018MM	17
24347	P83086MM	18,6
24348	P23101MM	16,8
	P23102MM	16,8
24349	P23104MM	17,5
	P59057MM	17,5
24350	P83117MM	17,6
24351	P30036MM	17,6
24352	P30036MM	17,6
24353	P24086MM	16,9
	P30036MM	17,6
24355	P37009MM	14
24358	PB1002MM	18,4
24359	PB1002MM	18,4
24360	PB1002MM	18,4
24361	PB1002MM	18,4
24367	P85068MM	19
	P85091MM	19
24368	P85068MM	19
	P85091MM	19
24369	P30029MM	17
24370	P34005MM	16,1
24372	P78015MM	17,9
24373	P30029MM	17
24374	P30029MM	17
24375	P30038MM	18
24376	P30038MM	18
24386	P83107MM	17,9

VVA	MAGNETI MARELLI	Th [mm]
24389	P78007MM	17
24390	P78007MM	17
24391	P23105MM	16
24392	P23105MM	16
24393	P68049MM	17,4
24394	P83107MM	17,9
24395	P83107MM	17,9
24396	P83072MM	17,5
24397	P30027MM	16,5
24398	P30027MM	16,5
24399	P86023MM	19,7/20,2
24401	P83134MM	17,5
24402	P83134MM	17,5
24403	P56086MM	17,3
	P59050MM	17,3
24405	P28037MM	17,5
24406	P28037MM	17,5
24408	P24074MM	18,7
	P85098MM	19,4
24409	P24074MM	18,7
	P24161MM	18
	P85098MM	19,4
24410	P85145MM	19,4
	P30032MM	16,8
24411	P30032MM	16,8
24412	P59055MM	19,1
24413	P59055MM	19,1
24414	P59055MM	19,1
24415	P59054MM	19,1
24416	P59054MM	19,1
24417	P59054MM	19,1
24418	P59058MM	17,2
24419	P59058MM	17,2
24420	P59058MM	17,2
24421	P59059MM	16,7
	P59060MM	16,7
24422	P59059MM	16,7
24423	P54049MM	14,7
	P61108MM	14,7
24434	P28061MM	15,6
24435	P28072MM	14,8
24436	P06073MM	19,9
24437	P06073MM	19,9
24439	P24159MM	15
24445	P10010MM	17,5
24446	P10010MM	17,5

WVA	MAGNETI MARELLI	Th [mm]
24447	P10010MM	17,5
24448	P10009MM	16,8
24451	P83106MM	15,6
	P83141MM	17,2
24452	P83145MM	17,5
24453	P56046MM	13,8
24454	P65013MM	17,5
	P65022MM	17
24456	P50069MM	19,4
24458	P06050MM	17,1
24459	P65018MM	18,5
	P65019MM	18,5
24462	P61087MM	16,7
24465	P61091MM	18,8
	P61125MM	18,8
24466	P23136MM	19
	P23161MM	20,8
	P61118MM	19
24467	P23136MM	19
	P23161MM	20,8
24468	P61118MM	19
	P23143MM	19
24469	P23144MM	19
	P23143MM	19
24473	P23144MM	19
	P50113MM	14,8
24474	P36025MM	17,8/19,9
24475	P36025MM	17,8/19,9
24478	P06068MM	14,8
24479	P30033MM	14,8
24480	P30033MM	14,8
24483	P85108MM	17,2
	P85109MM	17,2
	P85142MM	17,2
24484	P24064MM	18,9
	P85115MM	18,9
24485	P24065MM	18,9
24486	P24066MM	17,3
24487	P36017MM	16
24488	P30037MM	16,2
24489	P30037MM	16,2
24490	P30037MM	16,2
24491	P30040MM	16
24492	P30040MM	16
24493	P30040MM	16
24495	P06050MM	17,1

WVA	MAGNETI MARELLI	Th [mm]
24496	P24078MM	16,9
	P86021MM	16,9
24498	P10004MM	15,4
24499	P10004MM	15,4
24500	P10004MM	15,4
24501	P30039MM	16,6
	P30056MM	17,5
24502	P30039MM	16,6
24503	P30039MM	16,6
24506	P37012MM	14,8
24507	P37012MM	14,8
24508	P37012MM	14,8
24509	P37012MM	14,8
24510	P10003MM	16,9
24511	P10003MM	16,9
24512	P10003MM	16,9
24515	P23127MM	16,4
	P23128MM	16,4
24518	P28038MM	15,7
24519	P28038MM	15,7
24521	P24077MM	18,5/20
24522	P83100MM	16,9
24523	P83094MM	16,4
24524	P06077MM	19,4
24529	P54038MM	16
	P54055MM	16
24530	P54038MM	16
	P54055MM	16
24535	P68048MM	18,3
24536	P68040MM	18,3
24537	P24075MM	15,7
	P44016MM	15,7
	P44017MM	15,7
24538	P23148MM	18,5/18,9
	P61083MM	18,3/18,8
24539	P68050MM	18
	P61083MM	18,3/18,8
24540	P61085MM	16,4
24541	P65028MM	15,5
24544	P49040MM	17,5
24545	P49041MM	17,9
24549	P23153MM	19,4
	P59052MM	19,2
24550	P59053MM	20,2
24551	P59053MM	20,2
24553	P65017MM	16,1

WVA	MAGNETI MARELLI	Th [mm]
24554	P65020MM	16
	P65029MM	16
24555	P52019MM	16
24556	P85068MM	19
	P85091MM	19
24557	P61086MM	18,2/19
	P85130MM	19,5/20
24558	P61086MM	18,2/19
	P61117MM	18/18,9
24559	P06062MM	18
24560	P06062MM	18
24561	P06064MM	18
24562	P06064MM	18
24563	P85114MM	17,7
24565	P30058MM	16,2
24566	P30058MM	16,2
24567	P83096MM	15,5
24574	P28070MM	14,6
	P83087MM	15
24575	P83087MM	15
24576	P83087MM	15
24577	P37011MM	17,9
24578	P61095MM	16,6
24581	P49051MM	14,3
24582	P49039MM	18,4
24583	P18001MM	17
24586	P30043MM	17,8
24587	P30043MM	17,8
24588	P30043MM	17,8
24590	P83079MM	19,2
24591	P83079MM	19,2
24595	P34005MM	16,1
	P61096MM	18,3
24597	P30041MM	17,6
24598	P30041MM	17,6
24599	P30035MM	15,5
	P30080MM	15,5
24600	P30035MM	15,5
	P30080MM	15,5
24601	P83099MM	18
24602	P18024MM	16
24603	P18024MM	16
24604	P11022MM	17,5
	P11025MM	18,5
24605	P11022MM	17,5
	P11025MM	18,5

VVA	MAGNETI MARELLI	Th [mm]	VVA	MAGNETI MARELLI	Th [mm]	VVA	MAGNETI MARELLI	Th [mm]
24606	P85099MM	17,5	24671	P24085MM	17,1	24728	P23130MM	20
	P85100MM	17,7	24672	P24086MM	16,9	24729	P23130MM	20
	P85117MM	15,6	24673	P68039MM	18		P23163MM	20
	P85118MM	17,5	24674	P68039MM	18	24733	P50110MM	15,3
	P85119MM	17,5	24679	P28061MM	15,6	24737	P61100MM	18
	P85120MM	17,5	24680	P28061MM	15,6	24738	P85131MM	20
	P85150MM	17,5		P83139MM	15,5		P85144MM	20
	P85157MM	17,5	24682	P56088MM	14,2	24739	P50081MM	17,3
24608	P61096MM	18,3	24683	P56088MM	14,2	24740	P50081MM	17,3
24609	P30041MM	17,6	24684	P56088MM	14,2	24743	P24074MM	18,7
24610	P83083MM	14,3	24685	P65026MM	17,1		P24161MM	18
24611	P83083MM	14,3	24686	P30035MM	15,5		P85098MM	19,4
24612	P83083MM	14,3		P30080MM	15,5	24744	P10060MM	14,7
24618	P30031MM	17,8	24687	P23117MM	15,3	24745	P10060MM	14,7
24619	P30031MM	17,8		P23139MM	15,3	24746	P10060MM	14,7
24620	P30031MM	17,8	24688	P23162MM	15,3	24750	P09010MM	16,7
24623	P85141MM	18,1		P06074MM	19,2/20,3	24751	P09010MM	16,7
24624	P85141MM	18,1	24692	P50107MM	16	24752	P09010MM	16,7
24625	P85141MM	18,1		P68043MM	15	24764	P23107MM	17,7
24629	P49039MM	18,4	24693	P68044MM	18,7		P24150MM	17,7
24630	P49039MM	18,4		P68058MM	17,6	24765	P61084MM	16,6
24632	P56062MM	17	24695	P06053MM	16,9	24766	P28043MM	17,5
24633	P83094MM	16,4	24696	P85146MM	20,3	24778	P83097MM	16,6
24634	P83094MM	16,4		P85148MM	20,3	24779	P83097MM	16,6
24635	P28046MM	16,5	24697	P06060MM	19,3/20,3	24780	P83097MM	16,6
24636	P28046MM	16,5	24703	P06061MM	18	24781	P83097MM	16,6
24637	P28046MM	16,5	24704	P06061MM	18	24785	P28043MM	17,5
24638	P28045MM	19	24706	P85113MM	20	24786	P28043MM	17,5
24639	P28045MM	19	24708	P83101MM	17,6	24788	P23152MM	17,8
24640	P28045MM	19	24709	P68045MM	18	24793	P10015MM	19,5
24647	P56083MM	15,4	24710	P68047MM	18	24794	P10015MM	19,5
24648	P56083MM	15,4		P68052MM	18	24795	P10015MM	19,5
24649	P56083MM	15,4	24714	P07002MM	15,9	24796	P28044MM	17,5
24653	P83098MM	17,4	24715	P07002MM	15,9	24797	P28044MM	17,5
24659	P44023MM	16,9	24716	P07002MM	15,9	24798	P28044MM	17,5
24660	P61101MM	17,8	24717	P07003MM	17,3	24805	P28049MM	18
24661	P28072MM	14,8	24718	P07003MM	17,3	24813	P83108MM	18
24662	P28072MM	14,8	24719	P07003MM	17,3	24814	P83108MM	18
24663	P79007MM	14	24721	P65027MM	17,2	24817	P10014MM	17
24664	P83080MM	16		P65030MM	17,4	24818	P59056MM	18,5
24665	P83080MM	16	24722	P50075MM	19	24819	P59056MM	18,5
24666	P83080MM	16	24723	P50075MM	19	24820	P68041MM	15,7
24667	P56051MM	15,5	24724	P56070MM	14		P68054MM	15,7
24668	P83109MM	18,9	24727	P23130MM	20	24822	P11021MM	17
24669	P83109MM	18,9		P23155MM	20	24823	P11021MM	17
24670	P24085MM	17,1		P23163MM	20	24824	P11021MM	17

WVA	MAGNETI MARELLI	Th [mm]
24825	P56067MM	15
24826	P68047MM	18
	P68052MM	18
24827	P54052MM	14,1
24830	P79021MM	15,5
24831	P79021MM	15,5
24835	P30038MM	18
	P83110MM	15,4
24839	P61104MM	19,4
24840	P61104MM	19,4
24844	P83111MM	17,9
24845	P83111MM	17,9
24846	P83111MM	17,9
24847	P85136MM	17
24848	P50091MM	18,4
24849	P54052MM	14,1
24850	P36023MM	16,6
24851	P36024MM	15,6
24852	P23129MM	15,8
24853	P23129MM	15,8
24854	P78018MM	16
24855	P78018MM	16
24864	P10007MM	17
24865	P10007MM	17
24866	P10007MM	17
24867	P50086MM	20,2
24868	P50086MM	20,2
24869	P50093MM	19
24870	P68045MM	18
24871	P56068MM	13,8
	P56087MM	13,8
24872	P56068MM	13,8
	P56087MM	13,8
24875	P86023MM	19,7/20,2
24883	P61103MM	18
24885	P83112MM	16,5
24886	P83112MM	16,5
24887	P83112MM	16,5
24892	P83104MM	18
24902	P83113MM	15,5
24903	P83113MM	15,5
24904	P83113MM	15,5
24910	P30045MM	16,7
24914	P68050MM	18
24915	P30065MM	17,3
24918	P83152MM	15

WVA	MAGNETI MARELLI	Th [mm]
24920	P56084MM	15,6
	P56089MM	15,9
24921	P56085MM	13,5
	P56095MM	13,8
24922	P61114MM	17,3
24925	P30045MM	16,7
24926	P30045MM	16,7
	P83114MM	16,6
24927	P83114MM	16,6
24928	P83114MM	16,6
24929	P83109MM	18,9
24930	P56080MM	16,4
24932	P56080MM	16,4
24933	P56080MM	16,4
24934	P30047MM	15,5
24935	P30047MM	15,5
24936	P30047MM	15,5
24949	P30046MM	16,5
24950	P30046MM	16,5
24951	P30046MM	16,5
24965	P83131MM	17,5
24971	P68055MM	18,4
24974	P85134MM	16,7
24976	P50087MM	17,5
24979	P28050MM	16,5
24980	P28050MM	16,5
24981	P28050MM	16,5
24994	P56084MM	15,6
	P56089MM	15,9
24995	P56085MM	13,5
	P56095MM	13,8
24996	P52020MM	17,4
24997	P52020MM	17,4
24998	P52020MM	17,4
25003	P65025MM	17,3
25004	P54055MM	16
25006	P83148MM	19,3
25007	P65021MM	17,1
25008	P85125MM	16,4
25009	P85124MM	16,4
25010	P30073MM	17,8/18,4
	P85125MM	16,4
25014	P06078MM	18,3
25016	P83133MM	14,3
25017	P83133MM	14,3
25018	P83133MM	14,3

WVA	MAGNETI MARELLI	Th [mm]
25019	P30069MM	17,5
25020	P30069MM	17,5
25021	P44022MM	18,6
	P44024MM	18,6
25022	P44022MM	18,6
	P44024MM	18,6
25023	P30069MM	17,5
25028	P06088MM	17,7
25029	P06087MM	17
	P06095MM	16,8
25031	P59076MM	18,8
25032	P59076MM	18,8
25033	P59076MM	18,8
25034	P59077MM	18,8
25035	P59077MM	18,8
25036	P59077MM	18,8
25045	P06076MM	19,3
25046	P06076MM	19,3
25047	P83131MM	17,5
25054	P28070MM	14,6
25055	P28070MM	14,6
25069	P61107MM	17
	P61115MM	17
25070	P61107MM	17
	P61115MM	17
25071	P50103MM	18,8
	P50117MM	18,8
25072	P50103MM	18,8
	P50117MM	18,8
25085	P44025MM	17,1
25087	P56102MM	16,8
25088	P56102MM	16,8
25095	P66001MM	17
25096	P59080MM	16,2
	P59087MM	16,2
25097	P59080MM	16,2
	P59087MM	16,2
25098	P59080MM	16,2
	P59087MM	16,2
25110	P85135MM	17,5
	P85140MM	17,5
25112	P68063MM	18,1
25113	P68063MM	18,1
25114	P36026MM	16,2
	P36034MM	16,2
25115	P36026MM	16,2

VVA	MAGNETI MARELLI	Th [mm]	VVA	MAGNETI MARELLI	Th [mm]	VVA	MAGNETI MARELLI	Th [mm]
25117	P28079MM	16	25196	P37016MM	18	25242	P56081MM	17,8
25118	P28079MM	16	25197	P37016MM	18	25243	P28067MM	15,2
25119	P30071MM	17,3	25198	P37016MM	18	25244	P28067MM	15,2
25133	P06079MM	20,4	25199	P06075MM	19,2	25245	P28067MM	15,2
25134	P24151MM	16,7	25201	P79027MM	14,6	25246	P83137MM	15,6
25135	P24151MM	16,7	25202	P79028MM	16,8	25250	P61113MM	18,7
25147	P68062MM	18	25203	P44022MM	18,6	25251	P61113MM	18,7
25149	P34007MM	16,8	25204	P44022MM	18,6	25252	P28062MM	15,3
25150	P34007MM	16,8	25205	P30056MM	17,5	25252	P83153MM	15
25151	P34007MM	16,8	25206	P30056MM	17,5	25253	P28062MM	15,3
25152	P83134MM	17,5	25209	P83140MM	16,8	25254	P56096MM	15,4
25156	P23133MM	17,8	25210	P83140MM	16,8	25258	P79029MM	14,3
25157	P23133MM	17,8	25212	P24148MM	16,1	25259	P79029MM	14,3
25158	P85127MM	20	25213	P24148MM	16,1	25260	P79029MM	14,3
25159	P85127MM	20		P85117MM	15,6	25261	P56086MM	17,3
25160	P85128MM	20		P85118MM	17,5	25263	P83148MM	19,3
25162	P83146MM	16,3	25214	P85119MM	17,5	25264	P83148MM	19,3
25163	P50125MM	18,8		P85120MM	17,5	25265	P68057MM	16,2
25164	P50125MM	18,8		P85150MM	17,5	25266	P68057MM	16,2
25165	P68062MM	18		P85157MM	17,5	25268	P10054MM	17,9
25166	P28078MM	15,9		P50099MM	18,7	25269	P10054MM	17,9
25167	P28078MM	15,9	25215	P50100MM	18,7	25270	P10054MM	17,9
25168	P28078MM	15,9		P50101MM	16,5	25277	P54053MM	14,5
25172	P68061MM	18		P50099MM	18,7	25278	P54053MM	14,5
25173	P68061MM	18	25216	P50100MM	18,7	25279	P54053MM	14,5
	P50095MM	17,8		P50101MM	16,5	25282	P50104MM	17,9
25179	P50114MM	17,5	25217	P85131MM	20	25291	P68058MM	17,6
25180	P23148MM	18,5/18,9		P85144MM	20	25292	P30051MM	15,9
25181	P79023MM	15,5	25218	P61110MM	16,3	25293	P30051MM	15,9
25181	P79031MM	15,5		P50097MM	17,8	25295	P10057MM	17,8
25182	P61119MM	18,3	25219	P50098MM	17,8	25296	P10057MM	17,8
25183	P50111MM	17,8		P50121MM	16,7	25307	P06071MM	17,2
25184	P30064MM	19,4	25220	P61105MM	18,5	25308	P06071MM	17,2
25185	P30064MM	19,4	25221	P61105MM	18,5	25323	P11031MM	17,3
25186	P30064MM	19,4	25222	P61112MM	17	25324	P11031MM	17,3
25187	P30055MM	17,7	25223	P61112MM	17	25326	P50094MM	19,2
25188	P30055MM	17,7		P23139MM	15,3	25331	P06094MM	16,2
25189	P30055MM	17,7	25225	P23162MM	15,3	25332	P06094MM	16,2
	P37015MM	21,3	25229	P30058MM	16,2	25335	P66002MM	16,3
25190	P37017MM	19	25230	P61108MM	14,7	25336	P66002MM	16,3
	P37015MM	21,3	25231	P61108MM	14,7		P30054MM	15,7
25191	P37017MM	19	25232	P10053MM	14,4	25337	P30067MM	15,7
	P37015MM	21,3	25237	P23131MM	17,2	25338	P30067MM	15,7
25192	P37017MM	19	25239	P23132MM	20,1/20,4	25339	P30067MM	15,7
	P50108MM	19	25240	P56081MM	17,8	25342	P56082MM	15
	P50109MM	21,3	25241	P56081MM	17,8	25343	P56082MM	15

WVA	MAGNETI MARELLI	Th [mm]
25347	P23146MM	13,7
25348	P18025MM	17,8
25351	P28068MM	17,8
25352	P28068MM	17,8
25353	P50122MM	16,1
25354	P50122MM	16,1
25357	P23142MM	17,3
25365	P30053MM	16,6
25366	P30053MM	16,6
25367	P30053MM	16,6
25374	P30062MM	18,3
25376	P11032MM	17,6
25377	P11032MM	17,6
25378	P11035MM	18,1
25379	P11035MM	18,1
25410	P23151MM	14,4
25411	P23151MM	14,4
25412	P23151MM	14,4
25429	P23138MM	16,7
25430	P23138MM	16,7
25451	P23142MM	17,3
25478	P06080MM	16,8
25479	P06080MM	16,8
25481	P83138MM	15,2
25505	P50128MM	17,7
25506	P06070MM	18,2
25507	P06070MM	18,2
25511	P79031MM	15,5
25513	P30052MM	17,9
25514	P06072MM	18,3
25515	P06072MM	18,3
25520	P30063MM	15,5
	P30081MM	15,5
25521	P30063MM	15,5
	P30081MM	15,5
25522	P30063MM	15,5
	P30081MM	15,5
25525	P83132MM	16,8
25526	P23135MM	17,2
25527	P23135MM	17,2
25531	P50102MM	19,2
	P50112MM	17,2
25532	P50102MM	19,2
	P50112MM	17,2
25540	P49047MM	14,4
25541	P49047MM	14,4

WVA	MAGNETI MARELLI	Th [mm]
25564	P37019MM	21
	P49045MM	15,8
25589	P56103MM	17
25591	P24173MM	20,2
25592	P24173MM	20,2
25593	P24173MM	20,2
25594	P47002MM	15,9
25602	P24152MM	17
25603	P24160MM	17,8
25604	P24160MM	17,8
25605	P23149MM	18,1
25606	P23149MM	18,1
25617	P06093MM	18,6
25618	P06093MM	18,6
25628	P59094MM	15,1
25629	P59094MM	15,1
25630	P59094MM	15,1
25632	P24153MM	16,4
25633	P24153MM	16,4
25634	P24153MM	16,4
25643	P85122MM	15,6
	P85123MM	16,7
	P85133MM	16,7
25644	P30066MM	17,7
25645	P30066MM	17,7
25646	P30066MM	17,7
25647	P30054MM	15,7
25648	P30054MM	15,7
25652	P23150MM	17,1
25653	P23150MM	17,1
25654	P23150MM	17,1
25677	P30068MM	15,9
25678	P30068MM	15,9
25679	P30068MM	15,9
25681	P85121MM	18
25683	P85126MM	20,3
	P85147MM	20,3
25688	P61111MM	14,3
25689	P61111MM	14,3
25690	P61111MM	14,3
25691	P65031MM	16,2
25698	P83150MM	18,7
25699	P83150MM	18,7
25700	P83150MM	18,7
25701	P65033MM	16,9

WVA	MAGNETI MARELLI	Th [mm]
25702	P68059MM	18
	P68060MM	18
25703	P68059MM	18
25708	P30073MM	17,8/18,4
25709	P30073MM	17,8/18,4
25720	P44021MM	17,3
25725	P49048MM	15,5
25733	P23177MM	17,2
25734	P37020MM	16,9
25735	P37020MM	16,9
25736	P24157MM	17,9
25737	P24157MM	17,9
25738	P68060MM	18
25743	P30074MM	14,7
25744	P30074MM	14,7
25748	P24158MM	18,2
25757	P30070MM	17,8
25758	P30070MM	17,8
25759	P30070MM	17,8
25760	P78021MM	16,7
25761	P78021MM	16,7
25778	P56087MM	13,8
25792	P28077MM	16,8
25793	P28077MM	16,8
25794	P28077MM	16,8
25802	P23153MM	19,4
25803	P36028MM	18,7/20
25804	P28076MM	17
25805	P28076MM	17
25806	P28076MM	17
25827	P61124MM	17,3
25828	P61124MM	17,3
25833	P61123MM	17,1
	P61127MM	17,1
25834	P61123MM	17,1
	P61127MM	17,1
25836	P61116MM	17
25837	P61116MM	17
25839	P61122MM	17,5
25840	P61122MM	17,5
25841	P61121MM	15,4
25842	P61121MM	15,4
25875	P49050MM	15,8
25876	P49050MM	15,8
25877	P49050MM	15,8
25878	P49049MM	13,8

WVA	MAGNETI MARELLI	Th [mm]
25879	P49049MM	13,8
25880	P49049MM	13,8
25889	P30071MM	17,3
25890	P30071MM	17,3
25895	P61120MM	18,5
25896	P61120MM	18,5
25905	P23167MM	20,2
25906	P23155MM	20
25907	P23155MM	20
25965	P56098MM	15,1
25966	P56098MM	15,1
25967	P56098MM	15,1
25968	P61126MM	15,9
25973	P23156MM	16,8
	P59086MM	16,8
25974	P23156MM	16,8
25975	P23156MM	16,8
25976	P30076MM	16,7
25979	P79032MM	15,7
25980	P06090MM	16,6

WVA	MAGNETI MARELLI	Th [mm]
25981	P06090MM	16,6
25982	P36029MM	18,2/19,2
25997	P50123MM	18,7
26924	P50064MM	18
29001	PA6018MM	20
29012	PA6013MM	18
29037	PA6014MM	18,3
	PA6019MM	18,3
29038	PA6014MM	18,3
29041	PA6012MM	18,3
29107	PA6018MM	20
29121	P56069MM	20,3
	PA6017MM	20,3
	PA6021MM	17
29122	PA6025MM	22
29123	P24084MM	20,3
	PA6023MM	20,3
29138	PA6016MM	18
29139	PA6019MM	18,3
29140	PA6020MM	18,3

WVA	MAGNETI MARELLI	Th [mm]
29153	P50028MM	20
29160	PA6022MM	19,9
29190	P50084MM	19
29192	P50085MM	20,9
29200	P50059MM	20,9
29217	P50060MM	20,6
29229	P56066MM	21,4
	PA6026MM	21,4
29232	PA6027MM	21
29237	P50083MM	19,9
29240	P54044MM	17,3
29241	P54044MM	17,3
29242	P54035MM	19,4
29243	P54035MM	19,4
29260	P56069MM	20,3
29706	P56019MM	17
	P68013MM	17
29784	P50003MM	18
29835	P50065MM	22
29947	P68013MM	17

Indicatore di usura – Tavole di comparazione
Wear indicator – Cross reference guide
Verschleissanzeige – Gegenüberstellung
Indicateur de l'usure – Table de correspondance
Indicador de desgaste – Tabla de equivalencias
Indicador de desgaste – Tabela de equivalências
Δείκτης φθοράς – Πίνακας αντιστοιχιών
Wskaźnik zużycia – Tabela porównawcza
Индикатор износа – Кросс-таблица
Aşınma göstergesi – Çapraz referans tablosu

OE

OE	MAGNETI MARELLI
----	-----------------

AUDI	
1J0615121	A00209
2D0919351	A00282
2D0919351A	A00292
2E0906206B	A00288
2E0906206C	A00287
2E0906206G	A00291
3B7615121	A00347
441919351	A00210
441919351A	A00204
447919351A	A00208
4D0615121	A00205
4G0615121A	A00493
4H0615121E	A00467
4H0615121J	A00468
4H0615121P	A00466
4H0615121Q	A00494
7L0907637	A00206
7L0907637B	A00207
7L0907637C	A00207
7L5907637A	A00345
7L5907637B	A00346
7P0907637	A00453
7P0907637A	A00451
7P0907637C	A00452
8D0615121	A00203
8E0615437	A00419
8J0615437	A00421
8K0615121	A00484
8R0615121	A00500
8R0615121A	A00482
8T0907637	A00354
8V0615437	A00492

BMW	
3435678230	A00299
34111118782	A00214
34111152607	A00215
34111180432	A00226
34111180782	A00215
34112225107	A00226
34212225229	A00214
34351153964	A00216
34351163065	A00200
34351163066	A00201
34351163117	A00234

OE	MAGNETI MARELLI
----	-----------------

BMW	
34351163207	A00230
34351164371	A00220
34351164372	A00221
34351165579	A00243
34351165580	A00244
34351165729	A00235
34351166057	A00202
34351179819	A00215
34351179820	A00226
34351179821	A00214
34351180432	A00226
34351180780	A00214
34351180781	A00226
34351180782	A00215
34351181337	A00217
34351181338	A00217
34351181342	A00218
34351181344	A00218
34351181802	A00227
34351181823	A00239
34351181825	A00238
34351182064	A00232
34351182065	A00233
34351182533	A00224
34352227385	A00219
34352229018	A00200
34352229780	A00225
34352282935	A00411
34352283035	A00414
34352283335	A00412
34352283405	A00413
34352284343	A00475
34353411756	A00240
34353411757	A00241
34353414662	A00242
34356751311	A00222
34356755266	A00236
34356755267	A00237
34356757896	A00248
34356761447	A00296
34356761448	A00297
34356762252	A00211
34356762253	A00212
34356764298	A00228
34356764299	A00229

OE	MAGNETI MARELLI
----	-----------------

BMW	
34356764851	A00223
34356768595	A00228
34356768596	A00229
34356768597	A00231
34356771766	A00247
34356772008	A00245
34356773008	A00246
34356773017	A00299
34356775850	A00428
34356775858	A00429
34356776421	A00228
34356776422	A00229
34356776423	A00231
34356777649	A00213
34356777650	A00223
34356778037	A00236
34356778038	A00237
34356778175	A00296
34356779619	A00213
34356780698	A00352
34356780699	A00247
34356783230	A00299
34356789329	A00299
34356789439	A00211
34356789440	A00213
34356789441	A00223
34356789444	A00424
34356789445	A00212
34356789446	A00425
34356789492	A00228
34356789493	A00229
34356789494	A00231
34356789501	A00245
34356789502	A00246
34356789503	A00352
34356789505	A00247
34356790303	A00433
34356790304	A00455
34356790340	A00426
34356790341	A00427
34356791958	A00422
34356791960	A00423
34356791961	A00430
34356791962	A00431
34356791963	A00472

OE	MAGNETI MARELLI
----	-----------------

BMW	
34356792289	A00473
34356792292	A00474
34356792559	A00435
34356792560	A00436
34356792561	A00441
34356792562	A00438
34356792563	A00487
34356792564	A00437
34356792565	A00439
34356792566	A00440
34356792567	A00442
34356792568	A00432
34356792569	A00443
34356792571	A00434
34356794285	A00488
34356799736	A00507
34356854168	A00434
34356860181	A00443
34356865613	A00506
34357836795	A00249
34357836969	A00250
34359058889	A00216
61311180780	A00214
61311361896	A00214

FIAT	
51700153	A00251

FORD	
1763904	A00505
1781726	A00503
1787173	A00505
1792658	A00505
1829401	A00481
1842816	A00505
1843310	A00503
1843313	A00504
1853875	A00501
BK212N248AB	A00503
BK212N248AC	A00503
BK212N248BC	A00505
BK312N248AB	A00501
BK312N248BB	A00504
BK312N248CB	A00481

OE	MAGNETI MARELLI
GENERAL MOTORS	
13139260	A00253
90372058	A00307

IVECO	
1908407	A00351
2992394	A00410
42548196	A00410
42548208	A00351
42555634	A00408
42556205	A00409
42559616	A00410
42567355	A00410
42567357	A00496
42567660	A00351
500054528	A00351
500054695	A00409

JAGUAR	
C2P12722	A00462
C2P17004	A00460
C2P24219	A00497
C2Z16061	A00469
DBC6595	A00257
DBC6596	A00258

LAND ROVER	
LR012824	A00490
LR014568	A00459
LR019401	A00459
LR033275	A00478
LR033295	A00479
LR045959	A00498
SEM000010	A00268
SEM000011	A00268
SEM000012	A00268
SEM500026	A00272
SEM500050	A00270
SEM500062	A00273
SEM500070	A00267
SEM500080	A00273
SEM500090	A00272
SEM5000926	A00272
SOE000011	A00269
SOE000023	A00265
SOE000025	A00265

OE	MAGNETI MARELLI
LAND ROVER	
SOE500030	A00271

MERCEDES-BENZ	
0004200402	A00293
	A00256
0005400217	A00349
	A00350
	A00256
1265402017	A00349
	A00350
1635401317	A00355
1635401417	A00283
1635401517	A00285
1635401717	A00285
1645401017	A00286
1695401617	A00353
	A00277
1715400617	A00470
2015400317	A00275
	A00284
2025400717	A00386
	A00387
2105401117	A00278
	A00279
2115400717	A00471
2115401517	A00458
	A00274
2115401717	A00377
	A00274
2205400617	A00377
	A00274
2205400717	A00377
2205401517	A00286
2319050014	A00483
4605400517	A00281
4605400617	A00281
	A00256
6015401317	A00349
	A00350
6395401417	A00291
6395401517	A00291
6695400417	A00363
6695400517	A00363
6695400917	A00385
6695401117	A00363

OE	MAGNETI MARELLI
MERCEDES-BENZ	
9015400017	A00282
9015400117	A00282
9015400217	A00292
9015400317	A00292
9065401317	A00288
9065401417	A00287
9065401517	A00287
901540011710	A00282
A0004200402	A00293
	A00256
A0005400217	A00349
	A00350
	A00256
A1265402017	A00349
	A00350
A1635401317	A00355
A1635401417	A00283
A1635401517	A00285
A1635401717	A00285
A1645401017	A00286
A1695401617	A00353
	A00277
A1715400617	A00470
A2015400317	A00275
	A00284
A2025400717	A00386
	A00387
A2105401117	A00278
	A00279
A2115400717	A00471
	A00471
A2115401517	A00458
	A00274
A2115401717	A00377
	A00274
A2205400617	A00274
	A00377
A2205400717	A00274
	A00377
A2205401517	A00286
A2319050014	A00483
A4605400517	A00281
A4605400617	A00281
	A00256
A6015401317	A00349
	A00350
A6395401417	A00291

OE	MAGNETI MARELLI
MERCEDES-BENZ	
A6395401517	A00291
A6695400417	A00363
A6695400517	A00363
A6695400917	A00385
A6695401117	A00363
A9015400017	A00282
A9015400117	A00282
A901540011710	A00282
A9015400217	A00292
A9015400317	A00292
A9065401317	A00288
A9065401417	A00287
A9065401517	A00287

MINI	
34356773018	A00298
34356783772	A00298
34356789330	A00298
34356792572	A00446
34356792573	A00447
34356799735	A00509
34356865611	A00509
34356865612	A00507
34359804833	A00444
34359804834	A00445

OPEL	
1238348	A00260
1238349	A00310
1238369	A00305
1238403	A00260
1238421	A00307
1238783	A00303
1238939	A00251
	A00261
1238984	A00262
6235623	A00252
6235647	A00255
6235648	A00253
6235674	A00254
6238075	A00259
6238230	A00251
6238322	A00308
6238323	A00309
6238388	A00264

OE	MAGNETI MARELLI
OPEL	
6238389	A00263
6238399	A00261
	A00262
13116560	A00255
13122323	A00259
13139260	A00253
13153473	A00254
24427919	A00251
90305792	A00260
90335784	A00260
90335785	A00310
90342177	A00305
90345102	A00303
90425491	A00261
90440224	A00251
90497051	A00264
90497052	A00263

PEUGEOT	
652647	A00311

PORSCHE	
92861231100	A00320
92861231300	A00315
92861231302	A00316
92861231303	A00315
92861231304	A00316
92861231502	A00330
92861236301	A00318
92861236500	A00317
92861236501	A00317
92861236600	A00319
93061221100	A00313
93061221102	A00313
94461221100	A00312
94461221101	A00327
94461221102	A00312
94461221103	A00312
94461221104	A00327
94461221200	A00324
94461221201	A00325
94461221206	A00324
94461236500	A00326
94461236501	A00326
94461236502	A00326

OE	MAGNETI MARELLI
PORSCHE	
95161221200	A00357
95561236500	A00206
95561236501	A00206
95561236520	A00207
95561236530	A00207
95561236531	A00207
95561236550	A00344
95561236551	A00344
95561236560	A00345
95561236561	A00345
95561236570	A00346
95561236571	A00346
95861236500	A00451
95861236550	A00452
96461221100	A00328
96461236300	A00328
96461236301	A00328
96461236302	A00328
96461236500	A00329
96461236501	A00329
96461236502	A00329
96561236800	A00331
97060914300	A00345
97060914500	A00448
98061234701	A00457
98160916300	A00477
98661236500	A00341
98761267601	A00342
99160916100	A00480
99160916300	A00456
99160917100	A00209
99160918100	A00502
99361236501	A00332
99361236502	A00332
99361236800	A00331
99361236801	A00331
99361296500	A00314
99361296501	A00314
99361296502	A00314
99661234800	A00416
99661236500	A00333
99761267501	A00418
99761267601	A00339
99761267700	A00336
99761267790	A00336

OE	MAGNETI MARELLI
PORSCHE	
99761267800	A00338
99761267900	A00417
99761268000	A00340
99761275400	A00415
99761275500	A00343
99761275600	A00406
99761275700	A00337
99761275800	A00398
99761275900	A00406
99761276900	A00393
99761277000	A00450
4G0615121	A00486
95B907253	A00499
95B907253A	A00499

ROVER	
SOE100010	A00295
SOM100030	A00294

SEAT	
441919351	A00210
1J0615121	A00209
2D0919351	A00282
2D0919351A	A00292
2E0906206B	A00288
2E0906206C	A00287
2E0906206G	A00291
3B7615121	A00347
441919351A	A00204
447919351A	A00208
4D0615121	A00205
4G0615121A	A00493
4H0615121E	A00467
4H0615121J	A00468
4H0615121P	A00466
4H0615121Q	A00494
7L0907637	A00206
7L0907637B	A00207
7L0907637C	A00207
7L5907637A	A00345
7L5907637B	A00346
7P0907637	A00453
7P0907637A	A00451
7P0907637C	A00452
8D0615121	A00203
8E0615437	A00419
8J0615437	A00421
8K0615121	A00484
8R0615121	A00500
8R0615121A	A00482
8V0615437	A00492

OE	MAGNETI MARELLI
SEAT	
8E0615437	A00419
8J0615437	A00421
8K0615121	A00484
8R0615121	A00500
8R0615121A	A00482
8V0615437	A00492

SKODA	
441919351	A00210
1J0615121	A00209
2D0919351	A00282
2D0919351A	A00292
2E0906206B	A00288
2E0906206C	A00287
2E0906206G	A00291
3B7615121	A00347
441919351A	A00204
447919351A	A00208
4D0615121	A00205
4G0615121A	A00493
4H0615121E	A00467
4H0615121J	A00468
4H0615121P	A00466
4H0615121Q	A00494
7L0907637	A00206
7L0907637B	A00207
7L0907637C	A00207
7L5907637A	A00345
7L5907637B	A00346
7P0907637	A00453
7P0907637A	A00451
7P0907637C	A00452
8D0615121	A00203
8E0615437	A00419
8J0615437	A00421
8K0615121	A00484
8R0615121	A00500
8R0615121A	A00482
8V0615437	A00492

VAUXHALL	
90498321	A00259

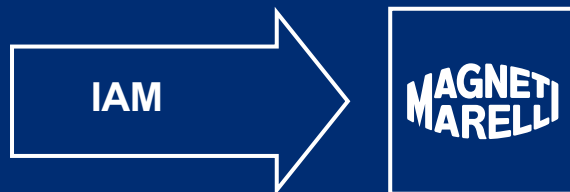
OE	MAGNETI MARELLI
VOLKSWAGEN	
441919351	A00210
1J0615121	A00209
2D0919351	A00282
2D0919351A	A00292
2E0906206B	A00288
2E0906206C	A00287
2E0906206G	A00291
3B7615121	A00347

OE	MAGNETI MARELLI
VOLKSWAGEN	
441919351A	A00204
447919351A	A00208
4D0615121	A00205
4G0615121A	A00493
4H0615121E	A00467
4H0615121J	A00468
4H0615121P	A00466
4H0615121Q	A00494

OE	MAGNETI MARELLI
VOLKSWAGEN	
7L0907637	A00206
7L0907637B	A00207
7L0907637C	A00207
7L5907637A	A00345
7L5907637B	A00346
7P0907637	A00453
7P0907637A	A00451
7P0907637C	A00452

OE	MAGNETI MARELLI
VOLKSWAGEN	
8D0615121	A00203
8E0615437	A00419
8J0615437	A00421
8K0615121	A00484
8R0615121	A00500
8R0615121A	A00482
8V0615437	A00492

Wear indicator – Cross reference guide



IAM	MAGNETI MARELLI
ATE	
24819000052	A00288
24819000062	A00473
24819000072	A00474
24819000082	A00475
24819000092	A00446
24819000102	A00447
24819000132	A00453
24819000142	A00451
24819000152	A00452
24819000162	A00393
24819000172	A00419
24819000182	A00254
24819000192	A00466
24819000202	A00494
24819000212	A00505
24819000232	A00415
24819000262	A00503
24819000272	A00450
24819000282	A00434
24819000652	A00492
24819000662	A00344
24819000672	A00353
24819000682	A00482
	A00500
24819000692	A00480
24819000702	A00477
24819000712	A00443
24819001052	A00204
24819001062	A00209
24819001072	A00347
24819002012	A00216
24819002062	A00218
24819002072	A00217
24819002082	A00232
24819002092	A00233
24819002102	A00219
24819002112	A00224
24819002132	A00215
24819002142	A00226
24819002152	A00214
24819002182	A00201
24819002192	A00200
24819002202	A00220
24819002212	A00221
24819002222	A00230

IAM	MAGNETI MARELLI
ATE	
24819002232	A00238
	A00239
24819002242	A00227
24819002252	A00243
24819002262	A00244
24819002272	A00222
24819002282	A00225
24819002292	A00248
24819002302	A00236
24819002312	A00237
24819002322	A00234
24819002332	A00202
24819002342	A00235
24819002352	A00296
24819002362	A00297
24819002402	A00240
24819002412	A00241
24819002442	A00249
24819002452	A00250
24819002462	A00213
24819002542	A00242
24819002552	A00246
24819002602	A00428
24819002612	A00429
24819002622	A00425
24819002632	A00424
24819002642	A00211
24819002652	A00212
24819002662	A00223
24819002682	A00245
24819002692	A00247
24819002712	A00412
24819002722	A00413
24819002732	A00228
24819002742	A00229
24819002752	A00231
24819002762	A00411
24819002772	A00299
24819002782	A00298
24819002792	A00414
24819002802	A00352
24819002822	A00427
24819002832	A00426
24819002842	A00435
24819002852	A00437

IAM	MAGNETI MARELLI
ATE	
24819002862	A00441
24819002872	A00436
24819002882	A00488
24819002892	A00442
24819002912	A00432
24819002942	A00440
24819002952	A00487
24819002962	A00439
24819002972	A00438
24819002982	A00422
24819002992	A00423
24819003002	A00430
24819003012	A00468
24819003022	A00421
24819003032	A00467
	A00270
24819003042	A00268
24819003052	A00271
24819003062	A00444
24819003072	A00445
24819003082	A00472
24819003092	A00433
24819003102	A00455
24819003112	A00484
24819003122	A00431
24819003132	A00486
	A00349
24819004012	A00256
	A00350
24819004022	A00275
24819004062	A00281
24819004072	A00282
	A00274
24819004102	A00377
	A00284
24819004112	A00386
	A00387
24819004122	A00285
24819004152	A00363
	A00279
24819004162	A00471
24819004172	A00292
24819004182	A00291
24819004192	A00278

IAM	MAGNETI MARELLI
ATE	
24819004202	A00470
	A00277
24819004232	A00385
24819004242	A00287
24819004252	A00286
24819007032	A00305
24819007042	A00310
24819007052	A00260
24819007072	A00261
24819007102	A00308
24819007112	A00309
24819007132	A00262
24819007142	A00264
24819007152	A00263
24819007162	A00303
24819007182	A00259
24819007192	A00251
24819007202	A00255
24819007212	A00252
24819007222	A00253
24819009042	A00312
24819009052	A00327
24819009092	A00330
24819009102	A00316
24819009132	A00325
24819009152	A00317
	A00326
24819009162	A00357
24819009172	A00328
24819009182	A00329
24819009192	A00318
24819009202	A00332
24819009212	A00333
24819009222	A00341
24819009252	A00319
24819009262	A00331
24819009272	A00314
24819009292	A00206
24819009302	A00207
24819009312	A00338
24819009322	A00342
24819009332	A00337
24819009342	A00343
24819009352	A00398
24819009362	A00345

IAM	MAGNETI MARELLI
-----	-----------------

ATE	
24819009372	A00346
24819009412	A00509
24819009422	A00507
24819009452	A00273
24819009472	A00307
24819009502	A00340
24819009522	A00502
24819009552	A00458
24819009592	A00483
24819013022	A00257
24819013042	A00351
24819013062	A00265
24819013072	A00272
24819013082	A00269
24819028012	A00294
24819028022	A00295
24819029012	A00366

BOSCH	
-------	--

1987473000	A00240
1987473001	A00241
1987473002	A00228
1987473003	A00229
1987473004	A00248
1987473005	A00231
1987473006	A00286
1987473007	A00292
1987473008	A00278
1987473009	A00268
1987473010	A00269
1987473011	A00285
1987473012	A00206
1987473013	A00207
1987473015	A00296
1987473016	A00297
1987473017	A00252
1987473018	A00254
1987473019	A00279
	A00471
1987473021	A00242
1987473022	A00273
1987473023	A00406
1987473025	A00344
1987473026	A00247
1987473027	A00245

IAM	MAGNETI MARELLI
-----	-----------------

BOSCH	
1987473028	A00246
1987473029	A00342
1987473030	A00223
1987473031	A00265
1987473033	A00255
1987473034	A00343
1987473035	A00398
1987473036	A00291
1987473037	A00287
1987473038	A00288
1987473039	A00253
1987473040	A00337
1987473041	A00338
1987473042	A00235
1987473043	A00236
1987473044	A00237
1987473045	A00211
1987473046	A00411
1987473047	A00249
1987473048	A00250
1987473049	A00352
1987473050	A00213
1987473051	A00412
1987473052	A00413
1987473053	A00414
1987473054	A00272
1987473055	A00271
1987473056	A00270
1987473057	A00284
	A00386
1987473057	A00387
	A00387
1987473058	A00299
1987473059	A00298
1987473069	A00212
1987473070	A00274
	A00377
1987473500	A00422
1987473501	A00423
1987473502	A00424
1987473503	A00425
1987473504	A00426
1987473505	A00427
1987473506	A00428
1987473507	A00429
1987473508	A00430

IAM	MAGNETI MARELLI
-----	-----------------

BOSCH	
1987473509	A00431
1987473510	A00432
1987473511	A00433
1987473512	A00434
1987473513	A00435
1987473514	A00436
1987473515	A00437
1987473516	A00438
1987473517	A00439
1987473518	A00440
1987473519	A00441
1987473520	A00442
1987473521	A00443
1987473522	A00444
1987473523	A00445
1987473524	A00446
1987473525	A00447
1987473539	A00457
1987473540	A00487
1987473543	A00509
1987473544	A00507
1987473548	A00506
1987473559	A00499
1987473564	A00479
1987473572	A00503
1987473573	A00505
1987473574	A00481
1987473575	A00504
1987473576	A00501
1987473577	A00497
1987473578	A00458
1987473579	A00490
1987473580	A00459
1987473581	A00478
1987473582	A00498
1987473583	A00494
1987474489	A00486
1987474505	A00484
1987474506	A00467
	A00468
1987474507	A00482
1987474509	A00419
1987474512	A00492
1987474513	A00460
1987474514	A00462

IAM	MAGNETI MARELLI
-----	-----------------

BOSCH	
1987474517	A00466
1987474518	A00493
1987474541	A00488
1987474543	A00477
1987474544	A00456
1987474546	A00480
1987474547	A00455
1987474548	A00475
1987474549	A00472
1987474550	A00473
1987474551	A00474
1987474553	A00353
1987474554	A00483
1987474555	A00336
1987474556	A00416
1987474557	A00339
1987474558	A00417
1987474559	A00418
1987474560	A00415
1987474561	A00340
1987474562	A00345
1987474563	A00346
1987474564	A00209
1987474565	A00451
1987474566	A00452
1987474567	A00453
1987474569	A00448
1987474570	A00393
1987474571	A00450
1987474572	A00421
1987474573	A00351
1987474574	A00410
1987474575	A00409
1987474580	A00310
1987474582	A00202
1987474583	A00225
1987474584	A00281
1987474585	A00251
1987474586	A00307
1987474587	A00259
1987474588	A00262
1987474589	A00315
1987474592	A00341
1987474593	A00333
1987474595	A00294

IAM	MAGNETI MARELLI
BOSCH	
1987474901	A00256
	A00349
	A00350
1987474902	A00275
1987474903	A00214
1987474904	A00215
1987474905	A00216
1987474909	A00260
1987474910	A00226
1987474922	A00305
1987474924	A00312
1987474925	A00217
1987474926	A00218
1987474929	A00261
1987474933	A00308
1987474934	A00309
1987474936	A00263
1987474937	A00210
1987474938	A00204
1987474939	A00208
1987474940	A00201
1987474941	A00234
1987474942	A00230
1987474943	A00220
1987474944	A00221
1987474945	A00243
1987474946	A00244
1987474951	A00227
1987474952	A00239
1987474953	A00238
1987474954	A00232
1987474955	A00233
1987474956	A00224
1987474957	A00219
1987474958	A00200
1987474960	A00222
1987474963	A00355
1987474964	A00283
1987474969	A00282
1987474971	A00303
1987474972	A00264
1987474975	A00311
1987474979	A00316
1987474981	A00330
1987474982	A00318

IAM	MAGNETI MARELLI
BOSCH	
1987474983	A00317
1987474985	A00313
1987474986	A00327
1987474987	A00324
1987474988	A00325
1987474989	A00326
1987474990	A00357
1987474991	A00328
1987474992	A00329
1987474995	A00332
1987474996	A00314
1987474998	A00295
FERODO	
FAI100	A00365
FAI103	A00363
FAI106	A00366
FAI115	A00351
FWI201	A00215
FWI202	A00226
FWI203	A00214
FWI204	A00216
FWI205	A00217
FWI207	A00275
FWI208	A00310
FWI209	A00260
FWI211	A00261
FWI221	A00305
FWI224	A00303
FWI226	A00256
	A00349
FWI232	A00218
FWI235	A00204
FWI237	A00238
FWI238	A00239
FWI239	A00219
FWI241	A00232
FWI242	A00308
FWI243	A00309
FWI244	A00227
FWI246	A00282
FWI247	A00234
	A00235
FWI248	A00281
FWI249	A00262

IAM	MAGNETI MARELLI
FERODO	
FWI250	A00264
FWI251	A00263
FWI252	A00200
FWI253	A00201
FWI254	A00224
FWI255	A00341
FWI256	A00333
FWI257	A00259
FWI258	A00220
FWI259	A00221
FWI260	A00230
	A00274
FWI261	A00377
	A00233
FWI262	A00233
FWI263	A00228
FWI264	A00243
FWI265	A00244
FWI266	A00279
FWI267	A00285
FWI268	A00212
FWI269	A00211
FWI270	A00296
FWI271	A00297
FWI272	A00251
FWI273	A00206
FWI274	A00207
FWI275	A00237
FWI276	A00236
FWI277	A00229
FWI278	A00292
FWI279	A00268
FWI280	A00269
FWI282	A00265
FWI283	A00222
FWI284	A00294
FWI285	A00295
FWI286	A00248
FWI287	A00278
FWI288	A00252
FWI289	A00255
FWI290	A00253
FWI291	A00231
FWI292	A00240
FWI293	A00288
FWI294	A00287

IAM	MAGNETI MARELLI
FERODO	
FWI295	A00225
FWI296	A00286
FWI297	A00272
FWI298	A00273
FWI299	A00410
FWI300	A00254
FWI301	A00241
FWI302	A00293
FWI303	A00408
	A00409
FWI305	A00277
	A00470
FWI308	A00291
FWI311	A00291
FWI314	A00258
FWI315	A00271
FWI316	A00299
FWI317	A00246
FWI318	A00245
FWI319	A00242
FWI320	A00213
FWI321	A00247
FWI323	A00307
FWI326	A00283
FWI329	A00428
FWI330	A00429
FWI331	A00223
FWI332	A00298
	A00447
FWI333	A00425
FWI334	A00422
FWI335	A00442
FWI336	A00319
FWI338	A00357
FWI339	A00344
FWI340	A00346
FWI341	A00328
FWI342	A00331
FWI345	A00337
	A00338
FWI346	A00205
FWI347	A00345
FWI349	A00270
FWI353	A00487
FWI354	A00432
FWI355	A00434

IAM	MAGNET MARELLI
FERODO	
FWI356	A00440
FWI357	A00437
FWI358	A00435
FWI359	A00426
	A00438
FWI360	A00488
FWI361	A00436
FWI362	A00441
FWI363	A00427
	A00439
FWI364	A00424
FWI365	A00446
FWI366	A00284
FWI368	A00202
FWI369	A00411
FWI370	A00414
FWI371	A00412
FWI372	A00413
FWI374	A00423
FWI375	A00430
FWI376	A00443
FWI378	A00249
FWI379	A00250
FWI380	A00342
FWI382	A00340
FWI383	A00415
FWI387	A00398
FWI388	A00406
FWI389	A00393
FWI390	A00450
FWI392	A00352
FWI395	A00203
FWI396	A00419
FWI397	A00462
FWI398	A00460
FWI399	A00469
FWI400	A00490
FWI401	A00444
FWI402	A00445
FWI2261	A00350
FWI2661	A00471

IAM	MAGNET MARELLI
TEXTAR	
98008100	A00214
98008200	A00215
98008300	A00216
98008500	A00275
98012100	A00226
98012600	A00260
98013300	A00217
98013400	A00218
98013600	A00312
98013700	A00313
98013800	A00315
98013900	A00324
98014000	A00357
98014100	A00325
98014200	A00316
98014300	A00317
98014400	A00328
98014500	A00329
98014600	A00303
98015700	A00310
98015800	A00261
98015900	A00204
98016000	A00311
98017700	A00210
98018200	A00282
98018500	A00305
98018600	A00330
98018900	A00318
98019000	A00257
98019100	A00258
98019200	A00208
98019300	A00238
98019400	A00239
98019500	A00219
98019600	A00326
98019700	A00331
98019800	A00232
98019900	A00233
98020000	A00308
98020100	A00309
98020200	A00319
98020300	A00227
98020400	A00332
98020500	A00234
98020600	A00200

IAM	MAGNET MARELLI
TEXTAR	
98020700	A00201
98020800	A00224
98020900	A00281
98021000	A00262
98021100	A00264
98021200	A00263
98021300	A00349
98021301	A00350
98021302	A00256
98022000	A00363
98022200	A00365
98022300	A00366
98022600	A00341
98022700	A00333
98023300	A00259
98023900	A00220
98024000	A00221
98024700	A00274
98024701	A00377
98024800	A00351
98024900	A00230
98026000	A00314
98026200	A00283
98026400	A00385
98026500	A00294
98026600	A00295
98026700	A00243
98026800	A00244
98026900	A00222
98027000	A00202
98027100	A00284
98027101	A00386
98027102	A00387
98027200	A00235
98027300	A00225
98028500	A00392
98029100	A00251
98029200	A00236
98029300	A00237
98029400	A00279
98029500	A00209
98029600	A00347
98029700	A00252
98029800	A00254
98029900	A00248

IAM	MAGNET MARELLI
TEXTAR	
98030000	A00285
98030100	A00253
98030200	A00296
98030300	A00297
98030400	A00228
98030500	A00229
98030600	A00240
98030700	A00241
98030800	A00278
98030900	A00206
98031000	A00207
98031100	A00231
98031200	A00211
98031300	A00212
98031400	A00255
98031700	A00292
98033700	A00287
98033800	A00291
98034000	A00273
98034800	A00484
98035000	A00245
98035100	A00246
98035200	A00247
98035300	A00249
98035400	A00250
98035500	A00223
98036100	A00242
98036200	A00299
98036300	A00298
98036400	A00277
98036401	A00470
98036500	A00288
98036600	A00293
98036700	A00320
98037000	A00327
98037200	A00406
98037300	A00344
98037800	A00336
98037900	A00337
98038000	A00338
98038200	A00339
98038300	A00340
98038600	A00203
98038700	A00205
98038800	A00345

IAM	MAGNETI MARELLI
-----	-----------------

TEXTAR	
98038900	A00346
98039200	A00268
98039300	A00269
98039400	A00265
98039500	A00267
98039600	A00270
98039700	A00271
98039900	A00272
98040000	A00307
98040100	A00286
98040200	A00342
98040300	A00343
98040700	A00408
98040800	A00409
98040900	A00410
98041200	A00411
98041300	A00352
98041400	A00412
98041500	A00413
98041600	A00414
98041700	A00415
98041800	A00416
98041900	A00417
98042000	A00418
98042300	A00421
98042400	A00422
98042500	A00423
98042600	A00424
98042700	A00425
98042800	A00426
98042900	A00427
98043000	A00428
98043100	A00429
98043200	A00430
98043300	A00431
98043400	A00432
98043500	A00433
98043600	A00434
98043700	A00435
98043800	A00436
98043900	A00437
98044000	A00438
98044100	A00439
98044200	A00440
98044300	A00441

IAM	MAGNETI MARELLI
-----	-----------------

TEXTAR	
98044400	A00442
98044500	A00443
98044600	A00444
98044700	A00445
98044800	A00446
98044900	A00447
98045000	A00448
98045100	A00393
98045200	A00450
98045300	A00451
98045400	A00452
98045500	A00453
98045900	A00398
98046000	A00213
98046100	A00471
98046200	A00455
98046300	A00456
98046500	A00486
98046800	A00487
98046900	A00488
98047000	A00457
98047100	A00419
98047200	A00458
98047300	A00472
98047500	A00473
98047600	A00474
98047700	A00475
98048000	A00459
98048100	A00490
98048200	A00478
98048300	A00479
98048400	A00460
98048600	A00462
98048700	A00353
98049201	A00466
98049300	A00467
98049400	A00468
98049500	A00355
98049600	A00469
98050100	A00480
98050200	A00477
98050300	A00482
98050400	A00483
98050800	A00492
98050900	A00493

IAM	MAGNETI MARELLI
-----	-----------------

TEXTAR	
98051000	A00494
98051200	A00496
98051300	A00497
98051400	A00481
98051500	A00501
98051600	A00503
98051700	A00504
98051800	A00505
98052000	A00506
98052100	A00507
98052800	A00498
98053800	A00499
98054300	A00500
98054700	A00502

TRW	
GIC101	A00216
GIC102	A00215
GIC103	A00214
GIC104	A00275
GIC106	A00204
GIC107	A00208
GIC109	A00226
GIC111	A00217
GIC112	A00218
GIC113	A00227
GIC114	A00239
GIC115	A00238
GIC116	A00232
GIC117	A00233
GIC118	A00219
GIC124	A00305
GIC125	A00260
GIC126	A00310
GIC132	A00303
GIC133	A00261
	A00262
GIC134	A00308
GIC135	A00309
GIC155	A00257
GIC156	A00258
GIC157	A00224
GIC158	A00200
GIC159	A00201
GIC160	A00264

IAM	MAGNETI MARELLI
-----	-----------------

TRW	
GIC161	A00263
GIC162	A00282
GIC163	A00311
GIC164	A00349
	A00256
GIC165	A00350
GIC166	A00210
GIC168	A00220
GIC169	A00221
GIC170	A00307
GIC171	A00259
GIC172	A00274
	A00377
GIC173	A00294
GIC174	A00295
GIC175	A00222
GIC176	A00244
GIC177	A00243
GIC178	A00230
GIC179	A00202
GIC180	A00225
GIC181	A00235
	A00234
GIC183	A00203
GIC185	A00296
GIC186	A00297
GIC187	A00228
GIC188	A00229
GIC189	A00251
GIC190	A00237
GIC191	A00252
GIC192	A00236
GIC193	A00206
GIC194	A00207
	A00448
	A00346
GIC195	A00278
GIC196	A00209
GIC197	A00254
GIC198	A00279
	A00471
GIC199	A00351
GIC200	A00284
	A00386
	A00387

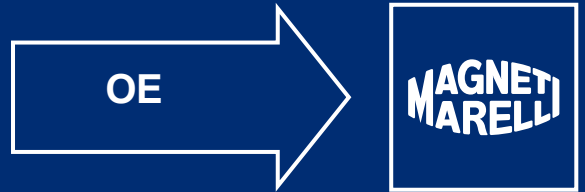
IAM	MAGNETI MARELLI
TRW	
GIC202	A00285
GIC203	A00287
GIC204	A00240
GIC206	A00241
GIC207	A00212
	A00437
GIC208	A00248
GIC209	A00231
GIC210	A00211
	A00435
GIC211	A00292
GIC212	A00253
GIC213	A00268
GIC214	A00269
GIC215	A00255
GIC216	A00223
GIC218	A00265
GIC219	A00270
GIC220	A00271
GIC221	A00272
GIC222	A00273
GIC223	A00288
GIC228	A00286
	A00291
GIC229	A00470
	A00277
GIC231	A00411
GIC233	A00249
GIC234	A00250
GIC235	A00242
GIC236	A00247
GIC237	A00245
GIC238	A00246
GIC239	A00352
GIC240	A00213
GIC241	A00385
GIC242	A00353
GIC244	A00355

IAM	MAGNETI MARELLI
TRW	
GIC245	A00283
GIC247	A00299
GIC248	A00298
GIC249	A00414
GIC254	A00412
GIC255	A00413
GIC256	A00419
GIC257	A00345
	A00344
GIC261	A00329
GIC262	A00341
GIC263	A00333
GIC264	A00431
GIC265	A00432
GIC266	A00433
GIC267	A00434
GIC269	A00436
GIC271	A00438
GIC272	A00439
GIC273	A00440
GIC274	A00441
GIC275	A00442
GIC276	A00443
GIC277	A00455
GIC278	A00281
GIC279	A00363
GIC285	A00444
GIC286	A00445
GIC287	A00446
GIC288	A00447
GIC290	A00312
GIC291	A00327
GIC292	A00313
GIC293	A00315
GIC295	A00330
GIC296	A00324
GIC297	A00357
GIC298	A00325

IAM	MAGNETI MARELLI
TRW	
GIC299	A00316
GIC300	A00317
GIC301	A00326
GIC302	A00318
GIC303	A00332
GIC304	A00319
GIC305	A00331
GIC307	A00343
GIC308	A00337
GIC309	A00398
GIC310	A00342
GIC311	A00336
GIC312	A00416
GIC313	A00339
GIC314	A00417
GIC315	A00406
GIC317	A00338
GIC318	A00418
GIC319	A00415
GIC320	A00340
GIC322	A00393
GIC323	A00450
GIC324	A00451
GIC325	A00452
GIC326	A00453
GIC327	A00422
GIC328	A00423
GIC329	A00424
GIC330	A00425
GIC331	A00426
GIC332	A00427
GIC333	A00428
GIC334	A00429
GIC335	A00430
GIC337	A00488
GIC338	A00487
GIC339	A00472
GIC340	A00473

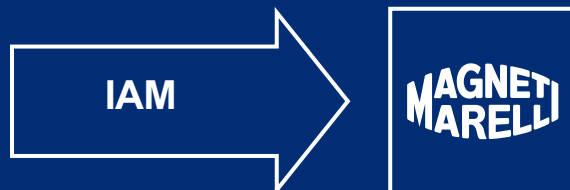
IAM	MAGNETI MARELLI
TRW	
GIC341	A00474
GIC342	A00410
GIC344	A00409
GIC350	A00483
GIC351	A00480
GIC352	A00477
GIC353	A00456
GIC354	A00502
GIC356	A00484
	A00354
GIC357	A00421
GIC359	A00468
	A00467
GIC360	A00482
GIC361	A00486
GIC362	A00493
GIC364	A00494
GIC365	A00466
GIC366	A00492
GIC367	A00475
GIC369	A00496
GIC371	A00462
GIC372	A00460
GIC373	A00469
GIC374	A00490
GIC375	A00459
GIC376	A00478
GIC377	A00479
GIC378	A00500
GIC386	A00497
GIC387	A00498
GIC388	A00457
GIC389	A00499
GIC5002	A00366
GIC5004	A00365

Fitting kit – Cross reference guide



OE**MAGNETI
MARELLI****AUDI**1J0615231 **A02205****CITROËN**441109 **A02236****LAND ROVER**606688 **A02257****MERCEDES-BENZ**0004200402 **A02282**A0004200402 **A02282****OE****MAGNETI
MARELLI****MITSUBISHI**MR389599 **A02236**MR389622 **A02201****PEUGEOT**440720 **A02205**441109 **A02236**442730 **A02218**442760 **A02281****OE****MAGNETI
MARELLI****RENAULT**7701202141 **A02215****SEAT**1J0615231 **A02205****SKODA**1J0615231 **A02205****OE****MAGNETI
MARELLI****VOLKSWAGEN**1J0615231 **A02205****VOLVO**75505 **A02315**1228352 **A02315**

Fitting kit – Cross reference guide



IAM	MAGNETI MARELLI
ATE	
11811600151	A02212
11811600661	A02222
11811600731	A02237
11811600911	A02221
11811600971	A02241
11811601291	A02238
11811601431	A02217
11811602061	A02224
11811602641	A02227
11811602731	A02223
11811602921	A02202
11811603011	A02228
13046000292	A02207
13046000722	A02205
13046000882	A02315
13046001152	A02318
13046001232	A02321
13046001262	A02246
13046001272	A02293
	A02294
13046001312	A02279
13046001322	A02273
13046001502	A02262
13046001572	A02210
13046001582	A02271
13046001712	A02268
13046001842	A02303
13046001862	A02269
13046001982	A02295
13046002062	A02240
13046002152	A02270
13046002172	A02258
13046002332	A02242
	A02284
13046002352	A02236
13046002452	A02243
13046002462	A02296
13046002882	A02282
13046003112	A02264
13046003332	A02305
13046003392	A02263
13046004022	A02214
13046004032	A02230
13046004042	A02300
13046004062	A02233

IAM	MAGNETI MARELLI
ATE	
13046004092	A02281
13046004102	A02203
13046004122	A02231
13046004142	A02257
13046004172	A02255
13046004192	A02304
13046004242	A02229
13046004282	A02253
13046004292	A02314
13046004332	A02298
13046004342	A02244
13046004352	A02215
13046004372	A02232
13046004382	A02301
13046004482	A02290
	A02274
13046009122	A02278
	A02280
BOSCH	
1987474002	A02321
1987474003	A02318
1987474007	A02210
1987474028	A02229
1987474029	A02223
1987474032	A02212
1987474051	A02207
1987474055	A02279
1987474059	A02273
	A02278
1987474062	A02280
1987474071	A02246
	A02214
1987474078	A02215
1987474091	A02315
1987474098	A02227
	A02269
1987474100	A02270
1987474101	A02268
1987474106	A02203
1987474109	A02221
1987474110	A02232
1987474113	A02245
1987474115	A02257
1987474124	A02291

IAM	MAGNETI MARELLI
BOSCH	
1987474126	A02293
	A02294
1987474130	A02295
1987474135	A02218
1987474137	A02303
1987474140	A02264
1987474154	A02222
1987474173	A02241
1987474175	A02228
1987474179	A02238
1987474183	A02271
1987474191	A02314
1987474192	A02211
1987474198	A02240
1987474199	A02231
1987474208	A02263
1987474212	A02253
1987474213	A02202
1987474214	A02230
1987474217	A02213
1987474223	A02281
1987474232	A02242
	A02284
1987474253	A02205
1987474277	A02258
1987474278	A02301
1987474280	A02243
1987474282	A02244
1987474306	A02224
1987474307	A02296
1987474320	A02282
1987474325	A02236
1987474339	A02323
1987474345	A02322
1987474354	A02237
1987474355	A02317
1987474357	A02201
1987474362	A02233
1987474363	A02313
1987474364	A02312
1987474612	A02290

IAM	MAGNETI MARELLI
FERODO	
A02207	FBA402
A02273	FBA402
A02279	FBA402
A02315	FBA402
A02210	FBA403
A02318	FBA409
A02321	FBA418
A02246	FBA423
A02271	FBA433
A02214	FBA436
A02305	FBA451
A02268	FBA454
A02269	FBA454
A02270	FBA454
A02314	FBA456
A02303	FBA458
A02232	FBA460
A02221	FBA461
A02203	FBA462
A02245	FBA463
A02227	FBA464
A02228	FBA464
A02293	FBA468
A02287	FBA471
A02300	FBA473
A02295	FBA476
A02229	FBA477
A02211	FBA478
A02212	FBA486
A02241	FBA488
A02258	FBA489
A02263	FBA503
A02215	FBA504
A02204	FBA506
A02231	FBA512
A02240	FBA513
A02233	FBA516
A02213	FBA517
A02281	FBA518
A02238	FBA519
A02250	FBA522
A02290	FBA524
A02237	FBA526
A02317	FBA527
A02242	FBA528

IAM	MAGNETI MARELLI
FERODO	
A02284	FBA528
A02253	FBA530
A02230	FBA535
A02323	FBA537
A02312	FBA538
A02294	FBA544
A02255	FBA556
A02264	FBA566
A02298	FBA576
A02257	FBA581
A02301	FBA589

TEXTAR	
82011600	A02318
82011800	A02257
82012100	A02207
82012400	A02246
82012800	A02293
82014200	A02278
82014300	A02210
82015100	A02321
82016900	A02322
82017000	A02271
82017500	A02214
82018200	A02279
82018300	A02280
82018600	A02273
82018700	A02274
82019100	A02294
82019200	A02268
82019500	A02269
82020400	A02295
82025700	A02258
82025800	A02296
82026300	A02315
82026500	A02287
82026700	A02303
82026800	A02232
82026900	A02221
82027000	A02203
82027100	A02245
82027300	A02264
82027600	A02291
82027700	A02300

IAM	MAGNETI MARELLI
TEXTAR	
82028000	A02229
82028100	A02314
82028200	A02255
82028300	A02211
82028600	A02223
82028700	A02222
82028800	A02212
82028900	A02241
82029200	A02227
82029300	A02217
82029400	A02263
82029500	A02215
82029700	A02204
82029800	A02305
82029900	A02310
82030000	A02298
82030200	A02231
82030300	A02240
82030400	A02233
82030500	A02213
82030600	A02238
82030700	A02250
82030800	A02290
82030900	A02237
82031000	A02317
82031100	A02262
82031200	A02242
82031300	A02311
82031400	A02201
82031500	A02306
82031600	A02253
82031700	A02307
82031800	A02284
82031900	A02200
82032000	A02202
82032100	A02228
82032200	A02230
82032400	A02323
82032500	A02313
82032600	A02312
82032700	A02236
82032800	A02270
82033000	A02304
82033300	A02301

IAM	MAGNETI MARELLI
TEXTAR	
82033500	A02243
82033600	A02244
82037300	A02205
82039300	A02224
82039600	A02218
82039700	A02281
82055600	A02282
TRW	
PFK112	A02318
PFK113	A02210
PFK128	A02321
PFK130	A02322
PFK131	A02257
PFK152	A02315
PFK159	A02271
PFK168	A02279
PFK17	A02246
PFK172	A02273
PFK174	A02293
PFK177	A02287
PFK195	A02268
PFK204	A02269
PFK206	A02303
PFK210	A02218
PFK211	A02232
PFK212	A02221
PFK213	A02203
PFK214	A02245
PFK219	A02264
PFK223	A02294
PFK226	A02291
PFK228	A02300
PFK234	A02295
PFK238	A02229
PFK241	A02241
PFK244	A02314
PFK246	A02231
PFK247	A02207
PFK263	A02255
PFK264	A02211
PFK274	A02223
PFK275	A02222
PFK276	A02212

IAM	MAGNETI MARELLI
TRW	
PFK279	A02311
PFK285	A02227
PFK286	A02263
PFK287	A02214
	A02215
PFK291	A02305
PFK292	A02310
PFK298	A02240
PFK299	A02204
PFK300	A02217
PFK302	A02202
PFK304	A02238
PFK307	A02290
PFK315	A02284
	A02201
PFK317	A02236
	A02262
PFK319	A02323
PFK320	A02304
PFK324	A02306
PFK337	A02242
PFK342	A02250
PFK343	A02317
PFK344	A02253
PFK347	A02228
PFK349	A02237
PFK350	A02213
PFK351	A02200
PFK354	A02298
PFK356	A02230
	A02233
PFK357	A02281
PFK362	A02258
PFK363	A02312
PFK367	A02243
PFK371	A02301
PFK377	A02313
PFK379	A02270
PFK387	A02296
PFK389	A02244
PFK405	A02205
PFK416	A02224
PFK450	A02282