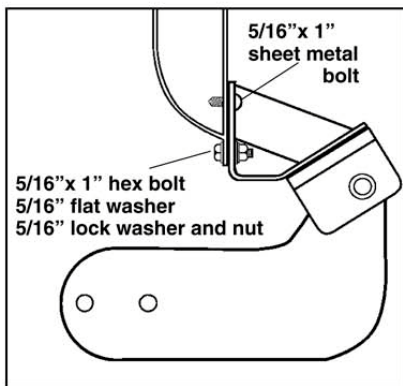


GO RHINO! PRODUCTS

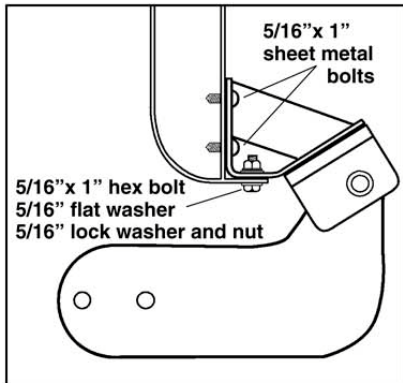
SpringStep™ (part# 220B, 220C, & 220PS) installation instructions

Packing List			
Qty	Description	Qty	Description
6	1/4"x3/4" hex bolts	2	5/16" lock washers
6	1/4" flat washers	4	3/8"x11/4" button head bolts
6	1/4" lock washers	2	220 step brackets
6	1/4" hex nuts	1	2201 bracket
4	5/16"x1" sheet metal bolts	1	2202 bracket
2	5/16" hex nuts	1	12" step tube
2	5/16"x1" hex bolts	1	10" step pad
4	5/16" flat washers		

The Go Rhino! SpringStep™



Late model Dodge/early model Chevy installation diagram



Late model Chevy and Ford installation diagram

