











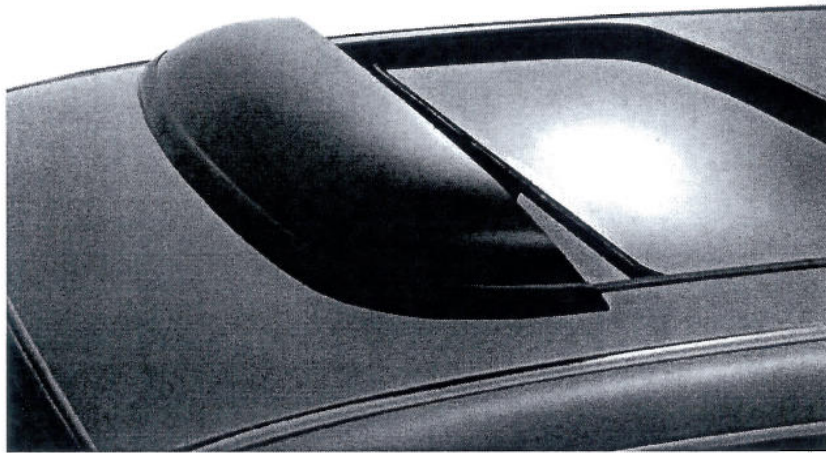


SUNROOF DEFLECTOR - INSTALLATION INSTRUCTIONS

A  1x	B  2x	C1  2x	C2  2x		
D  2x	E  1x	F  2x	G  2x	H SNAP CAPS  2x	I  1x

Tools Required

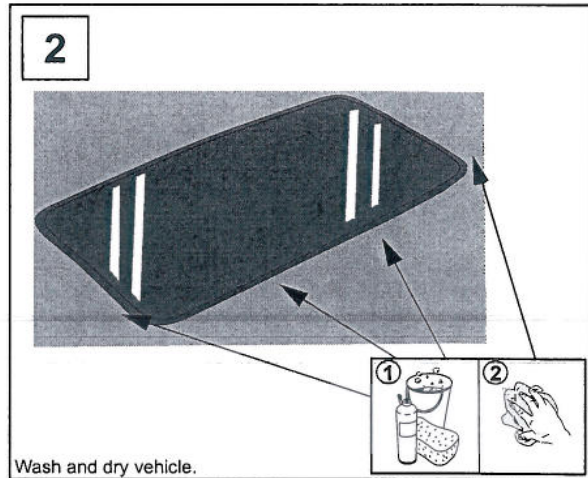
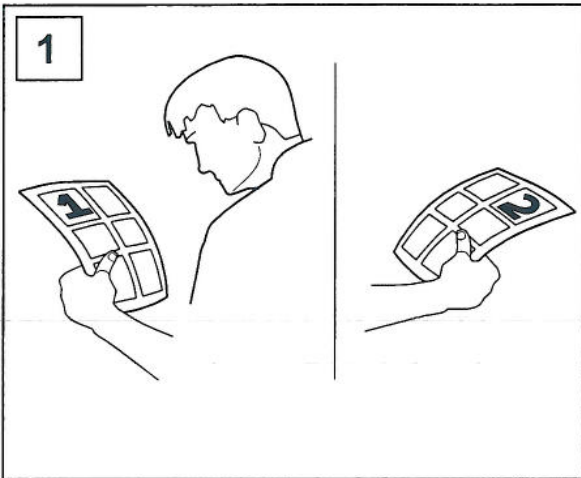
- Phillips head screwdriver
- Pen/Pencil
- Masking tape



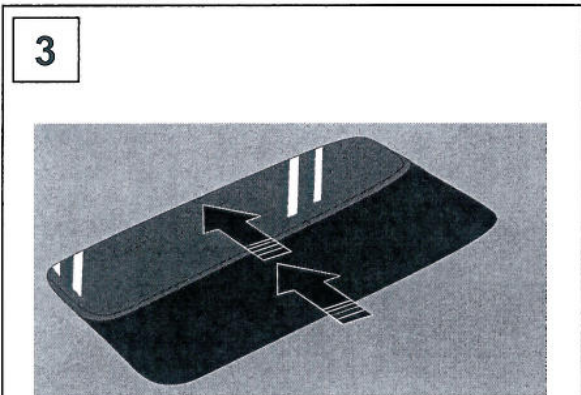
IMPORTANT NOTES

- DO NOT USE SOLVENT BASED CLEANERS ON SUNROOF DEFLECTOR.
- DO NOT USE LOCTITE ON DEFLECTOR ATTACHING SCREWS.
- USE SOAP AND WATER ONLY TO CLEAN SUNROOF DEFLECTOR.

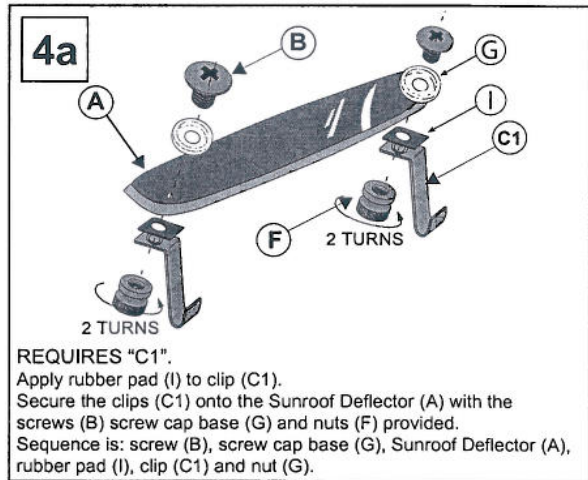
ISSUE 01	DATE 08/07/09	EGR INCORPORATED	
-------------	------------------	------------------	--



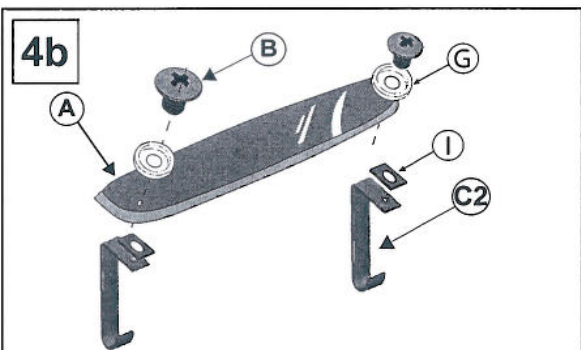
Wash and dry vehicle.



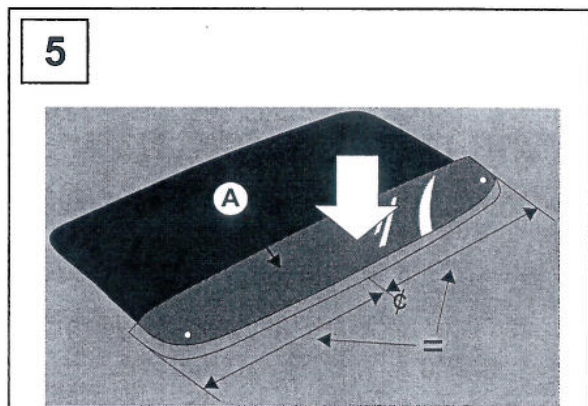
Open sunroof.
If clips match "C1" proceed to step 4a.
If clips match "C2" proceed to step 4b.



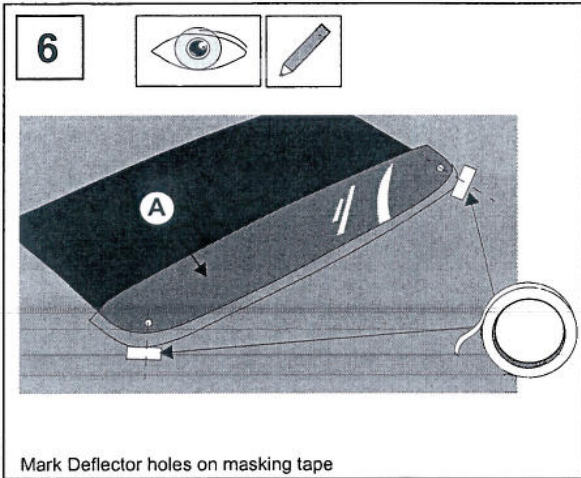
REQUIRES "C1".
Apply rubber pad (I) to clip (C1).
Secure the clips (C1) onto the Sunroof Deflector (A) with the screws (B) screw cap base (G) and nuts (F) provided.
Sequence is: screw (B), screw cap base (G), Sunroof Deflector (A), rubber pad (I), clip (C1) and nut (G).



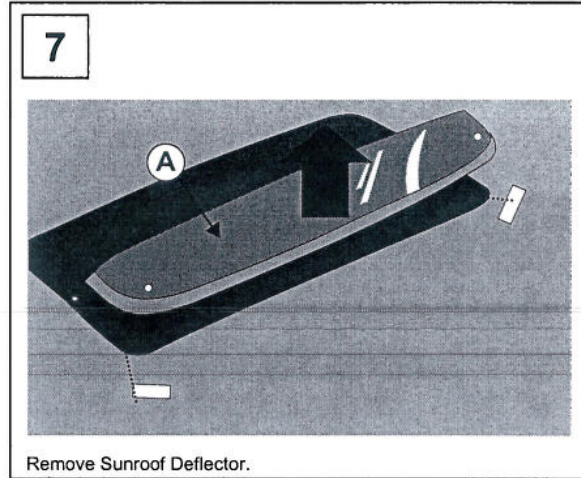
REQUIRES "C2".
Secure the clips (C2) onto the Sunroof Deflector (A) with the screws (B) screw cap base (G) provided.
Sequence is: screw (B), screw cap base (G), Sunroof Deflector (A), rubber pad (I), clip (C2).



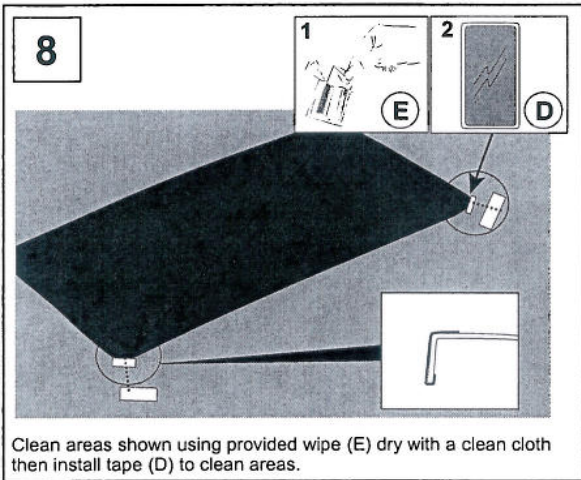
Centralize Sunroof Deflector in position.



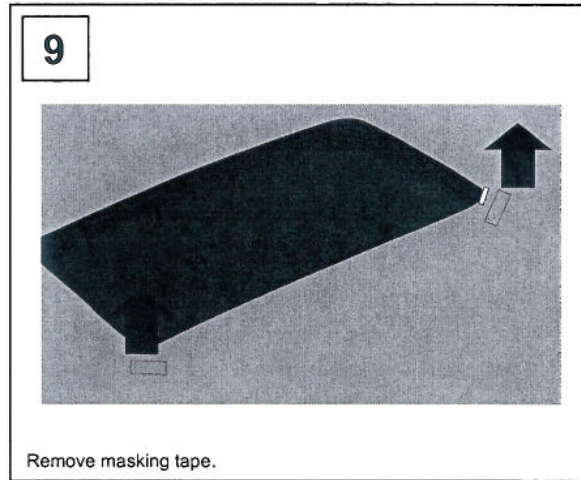
Mark Deflector holes on masking tape



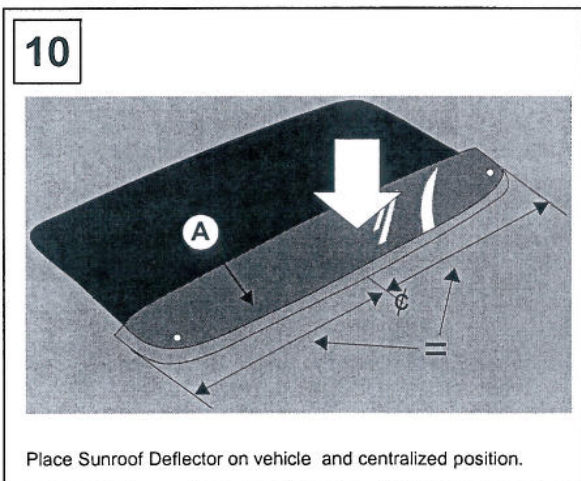
Remove Sunroof Deflector.



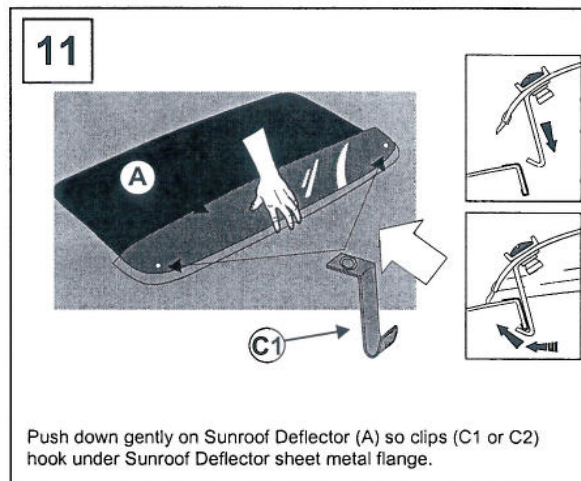
Clean areas shown using provided wipe (E) dry with a clean cloth then install tape (D) to clean areas.



Remove masking tape.



Place Sunroof Deflector on vehicle and centralized position.



Push down gently on Sunroof Deflector (A) so clips (C1 or C2) hook under Sunroof Deflector sheet metal flange.

12a FOR CLIP C1

Before tightening, ensure the rubber seal is flat against the roof and not curling under itself.

12b FOR CLIP C2

Before tightening, ensure the rubber seal is flat against the roof and not curling under itself.

13

Tighten screws and nuts to secure Deflector to roof.

14

Ensure screwhead is sitting flat onto Sunroof Deflector and not in an angle.

15 FOR CLIP C1 FOR CLIP C2

Once aligned properly take top section of the screw cap (H) and snap it onto base around screw head.

DO NOT USE solvent based cleaners on Sunroof Deflector.
USE soap and water only to clean Sunroof Deflector.