



2019 CATALOG



Bendix®

AUTOMOTIVE BRAKE PRODUCTS

BENDIX® PREMIUM

COPPER-FREE* BRAKE PADS

- Comprehensive Coverage for Late Model Vehicles
- 100% Copper-free* Vehicle-Specific Friction Formulas
- Includes Hardware (Where Applicable)
- Tested to Ensure Performance that Meets or Exceeds Industry Standards**
- In Independent Testing, Bendix™ BrakePads Surpassed Stopping Distance Results of OE and Competition



Premium Copper-free* Ceramic and Semi-metallic Friction Formulas

Slots and Chamfers match OE Design to Ensure Effective Heat Dissipation, Performance and Durability

4-Layer Attached Shim to Ensure Noise-free Operation

Nitrile Rubber Layers for Exceptional Heat Resistance and Noise Control

Steel Layer for Superior Strength

Premium Adhesive for Additional Vibration Absorption



PREMIUM

PLATFORM-SPECIFIC CASTINGS & METALLURGY

-  CARBON STANDARD
-  CARBON ENHANCED ALLOY
-  CARBON STANDARD ALLOY
-  CARBON RICH
-  CARBON ENHANCED

- ▶ OEM-driven Machining Specification Ensure Smooth Pad-to-Rotor Contact and Trouble-free Operation
- ▶ OE-specified Design and Vane Configuration for Superior Performance and Durability
- ▶ Premium Corrosion Protection Coating for a Clean Look and Extended Rotor Life
- ▶ Platform-specific Brake Disc Pairs (Where Weight Limit Allows)



COPPER-FREE* BRAKE SHOES

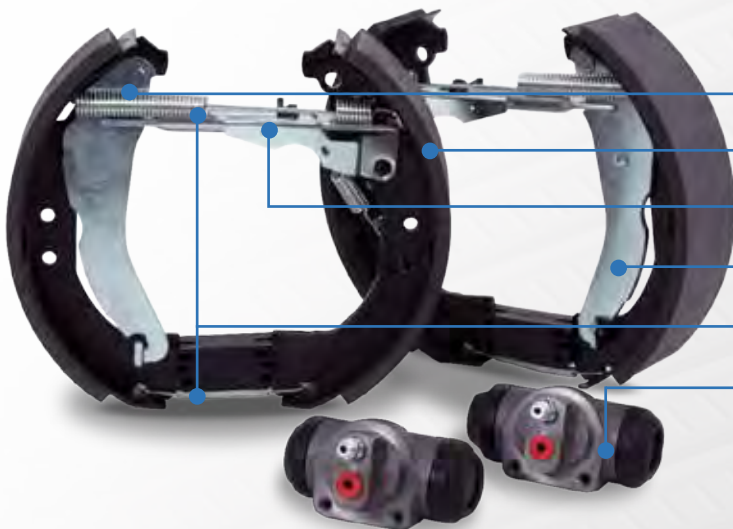
Premium Copper-free* Friction Materials

OE-grade Steel for Maximum Durability

Advanced Adhesive for Superior Strength



PREASSEMBLED BRAKE SHOE KITS SAVE UP TO 50% ON MOUNTING TIME



Adjuster Assembly

Set of Lined Shoes

Adjuster Levers

Parking Brake Levers

Spring Collection

Wheel Cylinders

(Other Included Hardware not Pictured)

KITS INCLUDE:

- ▶ Spreader Springs
- ▶ Wheel Cylinders
- ▶ Installation Hardware
- ▶ Fitting Instructions

BENDIX® FLEET METLOK®

TOUGH JOBS DEMAND EVEN TOUGHER BRAKES

- ▶ Extensive Coverage for Severe-Duty, Fleet and Pursuit Vehicles
- ▶ Burnishing Strips (Where Applicable)
- ▶ Includes Hardware (Where Applicable)
- ▶ Alloyed Carbon Performance Casting - Built to Withstand Severe Duty Performance Demands with Superior Thermal Stability and Strength



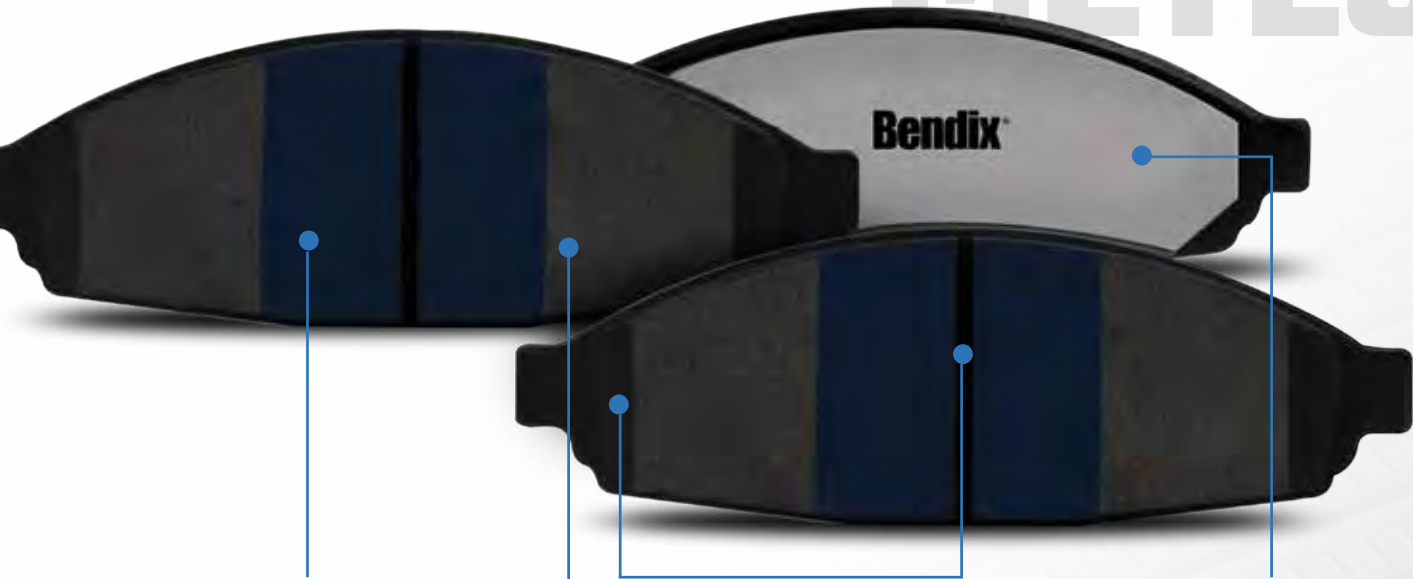
FLEET METLOK[®]

PADS

Excellent Fade and Heat Tolerance Characteristics

Friction Formulas Designed Specifically to Withstand Extreme Braking Conditions

Includes Hardware (Where Applicable)



Burnishing Strips for Quicker Break-in (Where Applicable)

Semi and Low-metallic Formulations Designed for High-friction Applications

Slots and Chamfers follow OE Design to Ensure Effective Heat Dissipation, Performance and Durability

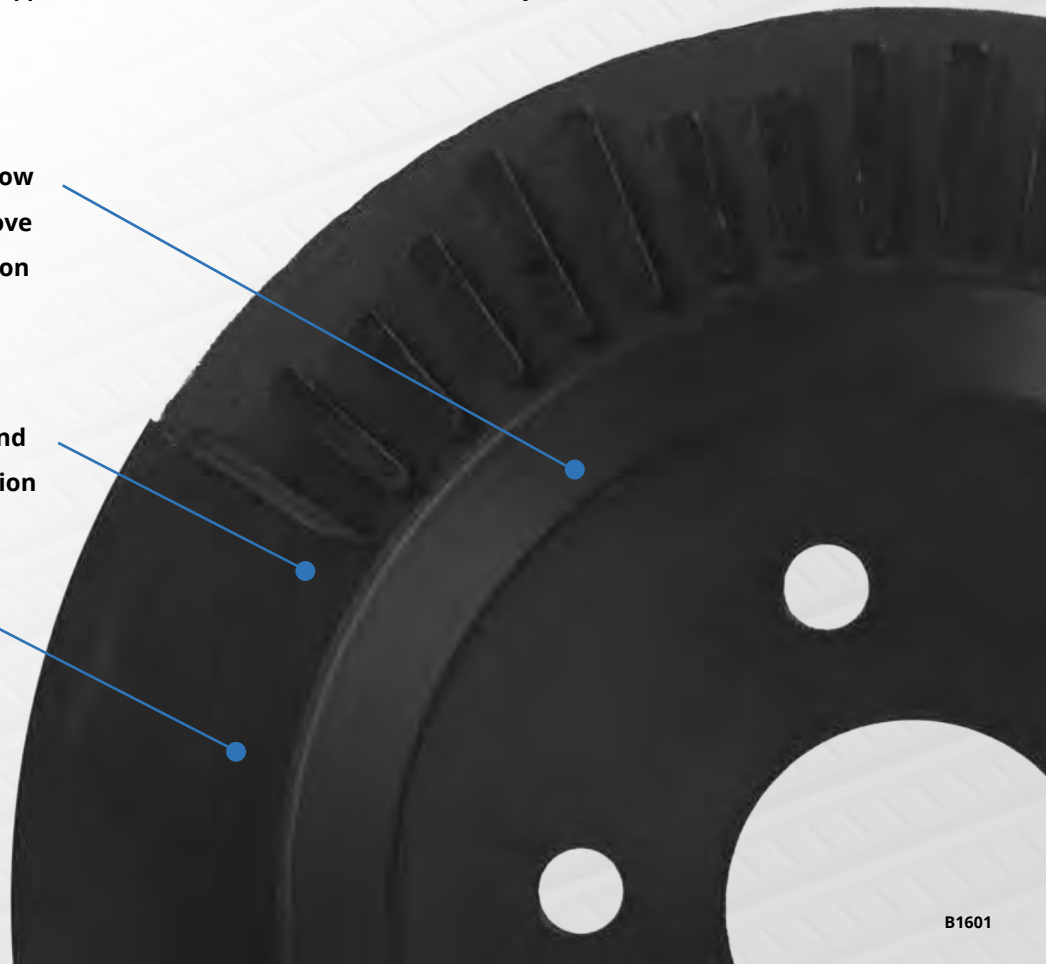
3-Layer Attached Shim to Eliminate Noise

DISCS

OEM-driven Machining Specifications Allow Smooth Pad-to-Rotor Contact that Improve Pedal Response and Ensure Safe Operation in All Driving Conditions

SurfaceLok[™] Coating is Heat Resistant and Extends Rotor Life by Eliminating Corrosion Build-up

Alloyed Carbon Performance Casting: Built to Withstand Severe Duty Performance Demands



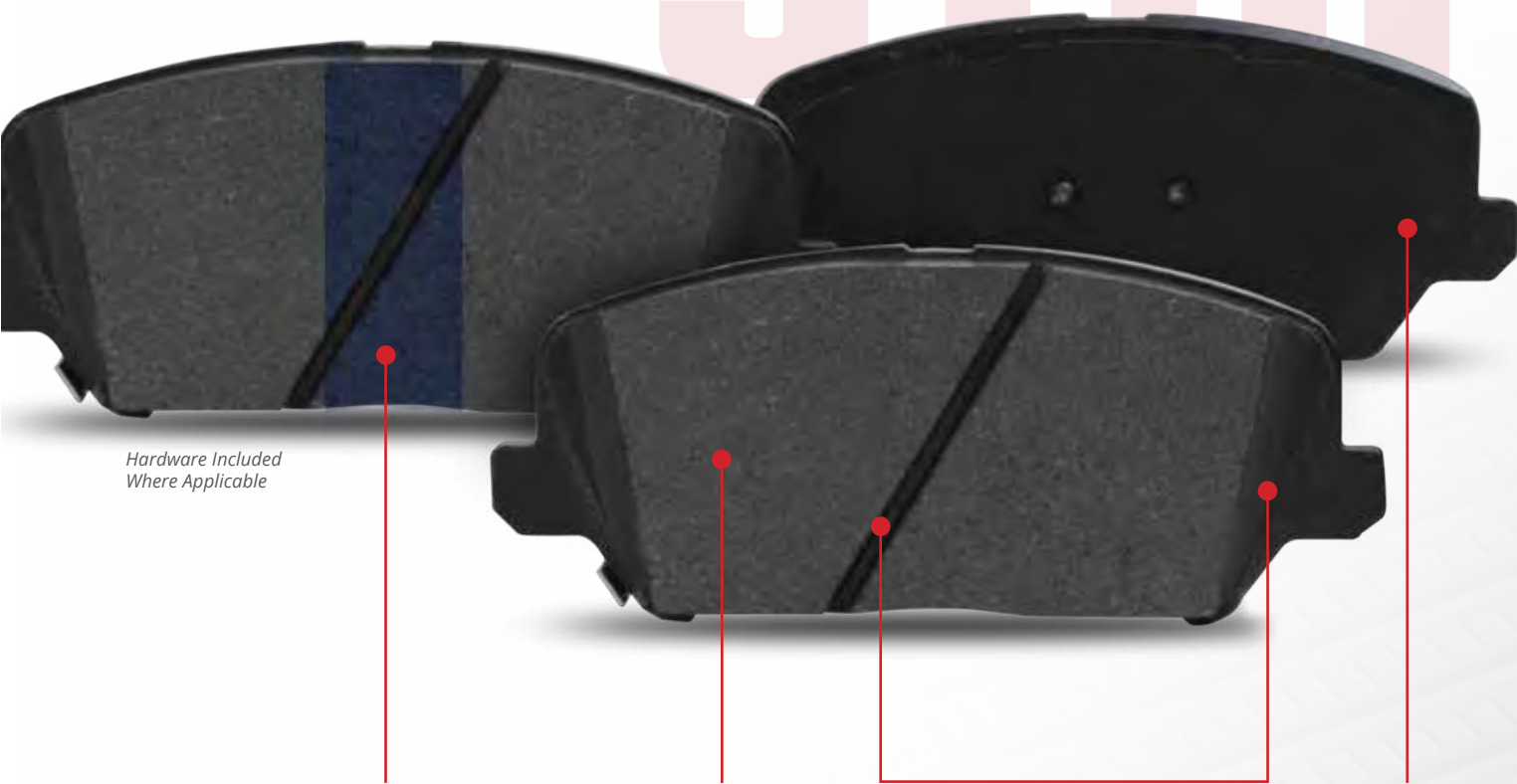
STOP BY BENDIX™

STOP WITH CONFIDENCE™

- Complete Coverage
- Ceramic and Semi-metallic Formulas
- Includes Hardware (Where Applicable)
- In Independent Testing, Stop by Bendix™ Brake Pads Surpassed Stopping Distance Results of OE and Competition



STOP



*Hardware Included
Where Applicable*

Burnishing Strips for
Quicker Break-in (Available
on Select Applications)

Premium Ceramic and
Semi-metallic Friction
Formulas

Slots and Chamfers Follow OE
Design to Ensure OE-Specified Fit
and Performance

3-Layer Attached
Shim to
Eliminate Noise

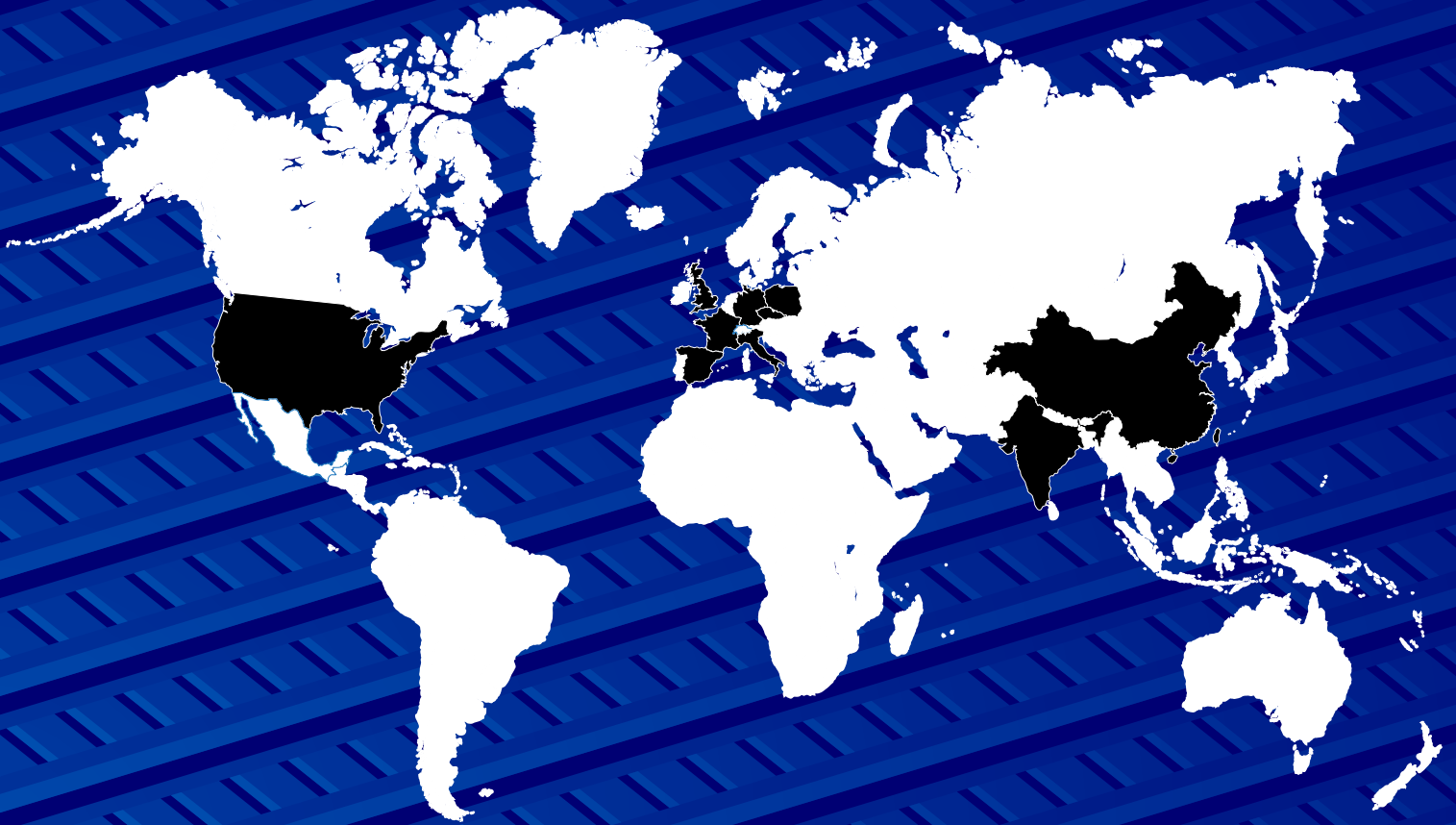


OEM-style Vane Configurations Maximizes
Heat Dissipation, Which Speeds Up the
Cooling Process, Eliminating Noise and
Increasing Performance and Life

Heat-flow Castings for
Consistency and Long Life

Edge-coded with Proper Discard Thickness
which Identifies When the Rotor has
Reached the End of Its Useful Life

Designed to Exacting Specifications and
Tested for Balance, Ensuring Safe Operation



FIRST-TO-MARKET

- ◊ Provide industry leading first-to-market coverage utilizing the latest OE information releases
- ◊ New part numbers announced monthly
- ◊ OE analysis and OE design
- ◊ Dedicated global engineering design and development team

SERVICE

- ◊ Nationwide Sales Force
- ◊ Dedicated Engineering Team
- ◊ Outstanding Customer Service
- ◊ Cataloging Team
- ◊ Marketing Support
- ◊ Technical Line
- ◊ Technical Training

NORTH AMERICA

Headquarters, Engineering,
Manufacturing, Testing

EUROPE

R&D, Engineering,
Manufacturing, Testing

ASIA

Engineering,
Manufacturing, Testing

TABLE OF CONTENTS

Application Guide	1
Buyers Guide.....	541
Rotor Specifications	678
Drum Specifications	685

BENDIX BRAKE PARTS

PART TYPE	YEAR	APPLICATION	PREMIUM NO.	PART NO.	SEVERE DUTY NO.	
Acura						
CL						
Disc Brake Pad Set	2003-01	Front-All Hardware Included	CFC1506	SBC1506		
	1999-98	Front-L4 - 2.3L w/ 18.3mm Overall Thickness	CFC465	SBC465		
	1999-97	Front-V6 - 3.0L Hardware Not Included	CFC503	SBC503		
	1997	Front-L4 - 2.2L w/ 18.3mm Overall Thickness	CFC465	SBC465		
	2003-01	Rear-All Hardware Included	CFC536	SBC536		
	1999-98	Rear-All Hardware Included	CFC365	SBC365		
	1997	Rear-L4 - 2.2L Hardware Included	CFC536	SBC536		
	1997	Rear-V6 - 3.0L Hardware Included	CFC365	SBC365		
	Parking Brake Shoe	2003-01	Rear-All		782	
	Disc Brake Rotor	2003-01	Front-All		PRT5287	
1999-98		Front-L4 - 2.3L		PRT5229		
1999-98		Front-V6 - 3.0L		PRT5230		
1997		Front-L4 - 2.2L		PRT1586		
1997		Front-V6 - 3.0L		PRT1554		
2003-01		Rear-All		PRT5337		
1999-98		Rear-All		PRT5231		
1997		Rear-All		PRT1692		
CSX						
Disc Brake Pad Set	2011	Front-All Hardware Included	CFC829	SBC829		
	2010-07	Front-All Type-S, Hardware Included	CFC829	SBC829		
	2010	Front-All iTech, Hardware Included	CFC1608	SBC1608		
	2009-08	Front-All Technology, Hardware Included	CFC1608	SBC1608		
	2009-07	Front-All Touring, Hardware Included	CFC1608	SBC1608		
	2007	Front-All Premium, Hardware Included	CFC1608	SBC1608		
	2006	Front-All Hardware Included	CFC1608	SBC1608		
	2011-06	Rear-All Hardware Included	CFC365	SBC365		
	Disc Brake Rotor	2011	Front-All Base		PRT5232	
		2010-07	Front-All Type-S		PRT5767	
2006		Front-All		PRT5232		
2011-06		Rear-All		PRT5765		
EL						
Disc Brake Pad Set	2005-04	Front-All w/ 15.9mm Overall Thickness	CFC465AK2	SBC465AK2		
	2003-01	Front-L4 - 1.7L w/ 15.9mm Overall Thickness	CFC465AK2	SBC465AK2		
	2000-97	Front-L4 - 1.6L w/ 15.9mm Overall Thickness	CFC465AK2	SBC465AK2		
	2005-97	Rear-All Hardware Included	CFC365	SBC365		
	Drum Brake Shoe	2000-97	Rear-All w/ 7.87" X 1.38" Brakes		517	
2000-97		Rear-All w/ 7.87" X 1.38" Brakes		576		
Disc Brake Rotor	2005-97	Front-All		PRT1471		
	2005-01	Rear-All		PRT5618 ⁷⁵		
Brake Drum	2000-97	Rear-All		PDR0508		
ILX						
Disc Brake Pad Set	2018-16	Front-All Hardware Included	CFC1625	SBC1625		
	2015-14	Front-All Hardware Included	CFC914	SBC914		
	2013	Front-All Base, Hardware Included	CFC914	SBC914		
	2013	Front-All Dynamic, Hardware Included	CFC914	SBC914		
	2013	Front-All Hybrid, Hardware Included	CFC621	SBC621		
	2018-13	Rear-All Hardware Included	CFC365	SBC365		
	Disc Brake Rotor	2016	Front-All		PRT6223	
2015-14		Front-L4 - 2.0L		PRT5232		
2015-13		Front-L4 - 1.5L 1.5L HYBRID		PRT6145		
2015-13		Front-L4 - 2.4L		PRT5767		
2013		Front-L4 - 2.0L		PRT6222		
2019-16		Rear-All		PRT6208		
2015-13		Rear-All		PRT5765		
Integra						
Disc Brake Pad Set	2001-00	Front-L4 - 1.8L 2 Doors, Hatchback, Hardware Included		SBC617		
	2001-00	Front-L4 - 1.8L 4 Doors, Hardware Included		SBC617		
	2001-00	Front-L4 - 1.8L GS-R, 2 Doors, Hatchback, Hardware Included		SBC617		
	2001-00	Front-L4 - 1.8L GS-R, 4 Doors, Hardware Included		SBC617		
	2001-00	Front-L4 - 1.8L Type R, 2 Doors, Hatchback, Hardware Not Included	CFC503	SBC503		
	1999	Front-All Hardware Included		SBC617		
	1998	Front-L4 - 1.8L GS-R, Hardware Included		SBC617		
	1998	Front-L4 - 1.8L Hardware Included		SBC617		
	1998	Front-L4 - 1.8L Type R, Hardware Not Included	CFC503	SBC503		
	1997-94	Front-All Hardware Included		SBC617		
	1993-90	Front-All Hardware Included		SBC409		
	1989-86	Front-All Hardware Included		SBM334		
	2001-00	Rear-L4 - 1.8L 2 Doors, Hatchback, Hardware Included		SBC374		
	2001-00	Rear-L4 - 1.8L 4 Doors, Hardware Included		SBC374		
	2001-00	Rear-L4 - 1.8L GS-R, 2 Doors, Hatchback, Hardware Included		SBC374		
	2001-00	Rear-L4 - 1.8L GS-R, 4 Doors, Hardware Included		SBC374		

75 Sell out and reorder PRT5764

BENDIX BRAKE PARTS

PART TYPE	YEAR	APPLICATION	PREMIUM NO.	PART NO.	SEVERE DUTY NO.
Acura (Cont'd.)					
Integra (Cont'd.)					
Disc Brake Pad Set (cont'd)	2001-00	Rear-L4 - 1.8L Type R, 2 Doors, Hatchback, Hardware Included	CFC365	SBC365	
	1999	Rear-All Hardware Included		SBC374	
	1998	Rear-L4 - 1.8L GS-R, Hardware Included		SBC374	
	1998	Rear-L4 - 1.8L Hardware Included		SBC374	
	1998	Rear-L4 - 1.8L Type R, Hardware Included	CFC365	SBC365	
	1997-90	Rear-All Hardware Included		SBC374	
1989-86	Rear-All Hardware Not Included		SBC364		
Disc Brake Rotor	2001-00	Front-All GS, GS-R, LS		PRT1471	
	2001-00	Front-All Type R		PRT1513	
	1999	Front-All		PRT1471	
	1998-97	Front-All GS		PRT1471	
	1998-97	Front-All GS-R		PRT1471	
	1998-97	Front-All LS		PRT1471	
	1998-97	Front-All RS		PRT1471	
	1998-97	Front-All Type R		PRT1513	
	1996-90	Front-All		PRT1471	
	1989-86	Front-All		PRT1424	
	2001-00	Rear-All Type R		PRT5193	
	2001-97	Rear-All GS		PRT5060	
	2001-97	Rear-All GS-R		PRT5060	
	2001-97	Rear-All LS		PRT5060	
	1998-97	Rear-All RS		PRT5060	
	1998-97	Rear-All Type R		PRT5193	
	1996-94	Rear-All		PRT5060	
	1993-92	Rear-All GS		PRT1439	
	1993-92	Rear-All GS-R		PRT5060	
	1993-92	Rear-All LS		PRT1439	
	1993-92	Rear-All RS		PRT1439	
	1991-90	Rear-All		PRT1439	
	1989-86	Rear-All Rear Disc		PRT1573	
Legend					
Disc Brake Pad Set	1995-91	Front-All Hardware Not Included	CFC503	SBC503	
	1990-86	Front-All Hardware Included		SBC409	
	1995-91	Rear-All Hardware Included	CFC536	SBC536	
	1990-89	Rear-All Hardware Included	CFC365	SBC365	
	1988-87	Rear-All Coupe, Hardware Included	CFC365	SBC365	
	1988-87	Rear-All Sedan, Hardware Not Included		SBC342	
	1986	Rear-All Hardware Not Included		SBC342	
Disc Brake Rotor	1995-93	Front-All Coupe		PRT1943	
	1995-91	Front-All Sedan		PRT1513	
	1992-91	Front-All Coupe		PRT1513	
	1990-88	Front-All		PRT1528	
	1987	Front-All Coupe		PRT1528	
	1987	Front-All Sedan		PRT1419	
	1986	Front-All		PRT1419	
	1995-91	Rear-All		PRT1514	
	1990-89	Rear-All		PRT1440	
	1988-87	Rear-All Coupe		PRT1440	
	1988-87	Rear-All Sedan		PRT1433	
	1986	Rear-All		PRT1433	
	MDX				
Disc Brake Pad Set	2019-14	Front-All Hardware Included	CFC1723	SBC1723	
	2013-10	Front-All Hardware Included	CFC1378	SBC1378	
	2009-07	Front-V6 - 3.7L Hardware Included	CFC1378	SBC1378	
	2006-05	Front-V6 - 3.5L Hardware Not Included	CFC855	SBC855	
	2004-03	Front-All Hardware Not Included	CFC855	SBC855	
	2002-01	Front-All Hardware Included	CFC793	SBC793	
	2016-14	Rear-All Hardware Included	CFC1724	SBC1724	
	2013-10	Rear-All Hardware Included	CFC1281	SBC1281	
	2009-07	Rear-V6 - 3.7L Hardware Included	CFC1281	SBC1281	
	2006-05	Rear-V6 - 3.5L Hardware Included	CFC865	SBC865	
	2004-01	Rear-All Hardware Included	CFC865	SBC865	
	Parking Brake Shoe	2006-01	Rear-All		858
Disc Brake Rotor	2019	Front-All		PRT6292	
	2018	Front-All Base		PRT6292	
	2018	Front-All SH-AWD		PRT6292	
	2017	Front-All		PRT6292	
	2016-14	Front-All		PRT6296	
	2013-07	Front-All		PRT5783	
	2006-01	Front-All		PRT5287	
	2013-07	Rear-All		PRT5784	
2006-01	Rear-All		PRT5393		

BENDIX BRAKE PARTS

PART TYPE	YEAR	APPLICATION	PREMIUM NO.	PART NO.	SEVERE DUTY NO.	
Acura (Cont'd.)						
NSX						
Disc Brake Pad Set	2005-91	Front-All Hardware Not Included	CFC503	SBC503		
Disc Brake Rotor	2005-97	Front-All		PRT5979		
	1996-91	Front-All		PRT1769		
	2005-97	Rear-All		PRT5980		
	1996-91	Rear-All		PRT1764		
RDX						
Disc Brake Pad Set	2018	Front-All Includes Shims, Pad Springs	CFC1625	SBC1625		
	2017-13	Front-All Hardware Included	CFC1625	SBC1625		
	2012-07	Front-All Hardware Included	CFC1521	SBC1521		
	2018	Rear-All Includes Shims	CFC1086	SBC1086		
	2017-13	Rear-All Hardware Included	CFC1086	SBC1086		
	2012-10	Rear-All AWD, Hardware Included	CFC536	SBC536		
	2012-10	Rear-All FWD, Hardware Included	CFC1086	SBC1086		
	2009-07	Rear-All Hardware Included	CFC536	SBC536		
Parking Brake Shoe	2018-07	Rear-All		928		
Disc Brake Rotor	2018-13	Front-All		PRT6223		
	2012-07	Front-All		PRT5714		
	2018-07	Rear-All		PRT5678		
RL						
Disc Brake Pad Set	2012-10	Front-All Hardware Included	CFC1091			
	2012-10	Front-All Hardware Not Included		SBC1091		
	2009	Front-V6 - 3.7L Hardware Included	CFC1091			
	2009	Front-V6 - 3.7L Hardware Not Included		SBC1091		
	2008-05	Front-V6 - 3.5L Hardware Included	CFC1091			
	2008-05	Front-V6 - 3.5L Hardware Not Included		SBC1091		
	2004-99	Front-All Hardware Included	CFC1506	SBC1506		
	1998-96	Front-All Hardware Not Included	CFC503	SBC503		
	2012-10	Rear-All Hardware Included	CFC1090			
	2012-10	Rear-All Hardware Not Included		SBC1090		
	2009	Rear-V6 - 3.7L Hardware Included	CFC1090			
	2009	Rear-V6 - 3.7L Hardware Not Included		SBC1090		
	2008-05	Rear-V6 - 3.5L Hardware Included	CFC1090			
	2008-05	Rear-V6 - 3.5L Hardware Not Included		SBC1090		
	2004-96	Rear-All Hardware Included	CFC536	SBC536		
	Parking Brake Shoe	2012-05	Rear-All		857	
		2004-96	Rear-All		782	
Disc Brake Rotor	2012-05	Front-All		PRT5951		
	2004-99	Front-All		PRT5289		
	1998-96	Front-All		PRT1513		
	2012-05	Rear-All		PRT5952		
	2004-02	Rear-All		PRT5361		
	2001-99	Rear-All		PRT5295		
	1998-96	Rear-All		PRT1514		
RLX						
Disc Brake Pad Set	2019-16	Front-All Base, Hardware Included	CFC1625	SBC1625		
	2018	Front-All Sport Hybrid SH-AWD, Hardware Included	CFC1378	SBC1378		
	2015	Front-All Hardware Included	CFC1625	SBC1625		
	2014	Front-All Base, Hardware Included	CFC1625	SBC1625		
	2014	Front-All Sport Hybrid SH-AWD, Hardware Included	CFC1378	SBC1378		
	2019	Rear-All Base, Hardware Included	CFC1698	SBC1698		
	2019	Rear-All Sport Hybrid SH-AWD, Hardware Included	CFC1698	SBC1698		
	2018-14	Rear-All Hardware Included	CFC1698	SBC1698		
Disc Brake Rotor	2015-14	Front-All Base		PRT6269		
	2015-14	Rear-All		PRT6267		
RSX						
Disc Brake Pad Set	2006-02	Front-All Base, Hardware Included	CFC621	SBC621		
	2006-02	Front-All Type-S, Hardware Included	CFC829	SBC829		
	2006-02	Rear-All Hardware Included	CFC365	SBC365		
Disc Brake Rotor	2006-02	Front-All Base		PRT5397		
	2006-02	Front-All Type-S		PRT5557		
	2006-02	Rear-All		PRT5233		
SLX						
Disc Brake Pad Set	1999-96	Front-All Hardware Included		SBC579		
	1999	Rear-All Hardware Included		SBC580		
	1998	Rear-All w/o Sensor Wire		SBC580		
	1998	Rear-All w/ Sensor Wire		SBC580		
	1997-96	Rear-All Hardware Included		SBC580		
	Parking Brake Shoe	1999-96	Rear-All		891	
Disc Brake Rotor	1999-96	Front-All		PRT1786		
	1999-96	Rear-All		PRT1785		
TL						
Disc Brake Pad Set	2014-09	Front-All Hardware Included	CFC1584	SBC1584	MKD1584FM	

BENDIX BRAKE PARTS

PART TYPE	YEAR	APPLICATION	PREMIUM NO.	PART NO.	SEVERE DUTY NO.	
Acura (Cont'd.)						
TL (Cont'd.)						
Disc Brake Pad Set (cont'd)	2008-07	Front-V6 - 3.2L Hardware Included	CFC1506	SBC1506		
	2008-07	Front-V6 - 3.5L Hardware Included	CFM1049			
	2008-07	Front-V6 - 3.5L Hardware Not Included		SBC1049		
	2006-05	Front-V6 - 3.2L Automatic Trans, Hardware Included	CFC1506	SBC1506		
	2006-05	Front-V6 - 3.2L Manual Trans, Hardware Included	CFM1049			
	2006-05	Front-V6 - 3.2L Manual Trans, Hardware Not Included		SBC1049		
	2004	Front-All Automatic Trans, Hardware Included	CFC1506	SBC1506		
	2004	Front-All Manual Trans, Hardware Included	CFM1049			
	2004	Front-All Manual Trans, Hardware Not Included		SBC1049		
	2003-99	Front-All Hardware Included	CFC1506	SBC1506		
	1998-95	Front-All Hardware Not Included	CFC503	SBC503		
	2014-09	Rear-All Hardware Included	CFC1103	SBC1103		
	2008-07	Rear-V6 - 3.5L Hardware Included	CFC536	SBC536		
	2008-05	Rear-V6 - 3.2L Hardware Included	CFC536	SBC536		
	2004-99	Rear-All Hardware Included	CFC536	SBC536		
	1998-97	Rear-All Hardware Included	CFC365	SBC365		
	1996-95	Rear-All Hardware Included	CFC536	SBC536		
	Parking Brake Shoe	2014-09	Rear-All		857	
		2008-99	Rear-All		782	
Disc Brake Rotor	2014-09	Front-All		PRT6054		
	2008-07	Front-V6 - 3.2L		PRT5287		
	2008-07	Front-V6 - 3.5L		PRT5745		
	2006-04	Front-All Manual Trans		PRT5745		
	2006	Front-All Automatic Trans		PRT5287		
	2005-04	Front-All Automatic Trans		PRT5540 ⁷⁴		
	2003-99	Front-All		PRT5287		
	1998-96	Front-V6 - 3.2L		PRT1513		
	1998-95	Front-L5 - 2.5L		PRT1591		
	2014-09	Rear-All		PRT6084		
	2008-04	Rear-All		PRT5423		
	2003-99	Rear-All		PRT5290		
	1998-96	Rear-L5 - 2.5L		PRT5087		
	1998-96	Rear-V6 - 3.2L		PRT5092		
	1995	Rear-All		PRT5087		
	TLX					
	Disc Brake Pad Set	2019	Front-All Hardware Included	CFC1584	SBC1584	MKD1584FM
2018		Front-All Includes Shims, Pad Springs	CFC1584	SBC1584	MKD1584FM	
2017-15		Front-All CAN, Hardware Included	CFC1584	SBC1584	MKD1584FM	
2017-15		Front-All USA, Hardware Included	CFC1584	SBC1584	MKD1584FM	
2019		Rear-All Hardware Included	CFC1698	SBC1698		
2018		Rear-All Includes Shims	CFC1698	SBC1698		
2017-15		Rear-All Hardware Included	CFC1698	SBC1698		
Disc Brake Rotor	2019-15	Front-All		PRT6296		
	2019-15	Rear-All		PRT6311		
TSX						
Disc Brake Pad Set	2014-04	Front-All Hardware Included	CFC1506	SBC1506		
	2014-09	Rear-All Hardware Included	CFC1451	SBC1451		
	2008-04	Rear-All Hardware Included	CFC365	SBC365		
Disc Brake Rotor	2014-04	Front-All		PRT5287		
	2014-09	Rear-All		PRT5773		
	2008-04	Rear-All		PRT5405		
Vigor						
Disc Brake Pad Set	1994-92	Front-All Hardware Not Included	CFC503	SBC503		
	1994-92	Rear-All Hardware Included	CFC365	SBC365		
Disc Brake Rotor	1994-92	Front-All		PRT1591		
	1994-92	Rear-All		PRT1593		
ZDX						
Disc Brake Pad Set	2013-10	Front-All Hardware Included	CFC1378	SBC1378		
	2013-10	Rear-All Hardware Included	CFC1281	SBC1281		
Disc Brake Rotor	2013-10	Front-All		PRT5783		
	2013-10	Rear-All		PRT5784		
Alfa Romeo						
4C						
Disc Brake Pad Set	2017-16	Front-All Hardware Not Included		SBM1379		
	2015	Front-All Hardware Not Included		SBM1379A		
164						
Disc Brake Pad Set	1995-91	Rear-All Hardware Not Included		SBC228		
Disc Brake Rotor	1993-91	Front-All		PRT5124		
	1995-91	Rear-All		PRT1909		
Alfetta						
Disc Brake Pad Set	1977	Front-All Hardware Not Included		SBC31		

74 Sell out and reorder PRT5287

BENDIX BRAKE PARTS

PART TYPE	YEAR	APPLICATION	PREMIUM NO.	PART NO.	SEVERE DUTY NO.	
Alfa Romeo (Cont'd.)						
Alfetta (Cont'd.)						
Disc Brake Pad Set (cont'd)	1977	Rear-All Hardware Not Included		SBC21		
Berlina						
Disc Brake Pad Set	1971-69	Rear-All Veloce		SBC21		
Duetto 1600						
Disc Brake Pad Set	1968-66	Rear-All Hardware Not Included		SBC21		
Giulia						
Disc Brake Pad Set	2018	Front-All Base, w/ Sport Package		SBM1116		
	2018	Front-All Quadrifoglio, w/o Ceramic Composite Brakes		SBM1116		
	2018	Front-All TI, w/ Sport Package		SBM1116		
	1968	Rear-All Hardware Not Included		SBC21		
Giulia Sprint						
Disc Brake Pad Set	1968	Rear-All Hardware Not Included		SBC21		
GTC						
Disc Brake Pad Set	1964	Rear-All Hardware Not Included		SBC21		
GTV						
Disc Brake Pad Set	1968-67	Rear-All Hardware Not Included		SBC21		
	1965	Rear-All Hardware Not Included		SBC21		
GTV-6						
Disc Brake Rotor	1986-81	Front-All		PRT1778		
	1986-85	Rear-All		PRT1778		
GTZ						
Disc Brake Pad Set	1964	Rear-All Hardware Not Included		SBC21		
Milano						
Disc Brake Rotor	1989-87	Front-All		PRT1778		
	1989	Rear-V6 - 2.5L Gold		PRT1779		
	1988-87	Rear-All		PRT1778		
Montreal						
Disc Brake Pad Set	1975-71	Rear-All Hardware Not Included		SBC21		
Spider						
Disc Brake Pad Set	2008	Rear-All Hardware Not Included		SBC21		
	1994-91	Rear-All Base, Hardware Not Included		SBC21		
	1990-86	Rear-All Quadrifoglio, Hardware Not Included		SBC21		
	1990-85	Rear-All Graduate, Hardware Not Included		SBC21		
	1969	Rear-All Hardware Not Included		SBC21		
	Disc Brake Rotor	1994-92	Front-All Veloce		PRT1588	
1991-82		Front-All		PRT1588		
1994-82		Rear-All		PRT1589		
Stelvio						
Disc Brake Pad Set	2018	Front-All Quadrifoglio, w/o Ceramic Composite Brakes		SBM1116		
TZ						
Disc Brake Pad Set	1965	Rear-All Hardware Not Included		SBC21		
TZ 2						
Disc Brake Pad Set	1967	Rear-All Hardware Not Included		SBC21		
American Motors						
Ambassador						
Drum Brake Shoe	1974-58	Front-All w/ 10" X 2.56" Brakes		169		
	1974-71	Rear-All 4 Doors, Wagon, w/ 10" X 2-1/2" Brakes		169		
	1974-71	Rear-All Sedan, w/ 10" X 1.81" Brakes		151		
	1974-71	Rear-All Sedan, w/ 10" X 1.81" Brakes		267		
	1973-71	Rear-All Coupe, w/ 10" X 1.81" Brakes		151		
	1973-71	Rear-All Coupe, w/ 10" X 1.81" Brakes		267		
	1970-62	Rear-All w/ 10" X 1.81" Brakes		151		
	1970-62	Rear-All w/ 10" X 1.81" Brakes		267		
	Brake Drum	1969-64	Front-All 9 x 2 1/2" Brakes		PDR0105	
		1974-73	Rear-All		PDR0303	
1968-67		Rear-All 9 x 2" Brakes		PDR0104		
American						
Drum Brake Shoe	1968-66	Front-All w/ 10" X 2.56" Brakes		169		
	1968-66	Rear-All w/ 10" X 1.81" Brakes		151		
	1968-66	Rear-All w/ 10" X 1.81" Brakes		267		
Brake Drum	1968-67	Front-All 6 cyl engine, plain drum		PDR0105		
	1966-64	Front-All		PDR0105		
	1963-58	Front-All Exc. Heavy Duty Brakes		PDR0105		
	1968-58	Rear-All 9 x 2" Brakes		PDR0104		
AMX						
Disc Brake Pad Set	1980-79	Front-All Hardware Not Included		SBM91		
	1978	Front-All w/o Styled Wheels		SBM90		
	1978	Front-All w/ Styled Wheels		SBM91		

BENDIX BRAKE PARTS

PART TYPE	YEAR	APPLICATION	PREMIUM NO.	PART NO.	SEVERE DUTY NO.
American Motors (Cont'd.)					
AMX (Cont'd.)					
Drum Brake Shoe	1970	Front-All		169	
	1969-68	Front-V8 - 4.7L		169	
	1969-68	Front-V8 - 4.8L		169	
	1969-68	Front-V8 - 5.6L		169	
	1969-68	Front-V8 - 6.4L		169	
	1980-78	Rear-All w/ 10" X 1.81" Brakes		151	
	1980-78	Rear-All w/ 10" X 1.81" Brakes		267	
	1970-68	Rear-All w/ 10" X 1.81" Brakes		151	
Disc Brake Rotor and Hub Assembly	1970-68	Rear-All w/ 10" X 1.81" Brakes		267	
	1980-79	Front-All		PRT1191	
Brake Drum	1978	Front-All		PRT1149	
	1980	Rear-All 9 x 2" Brakes		PDR0337	
Brake Drum	1979-78	Rear-All		PDR0303	
	1970-69	Rear-All 9 x 2" Brakes		PDR0104	
Classic					
Drum Brake Shoe	1966-63	Front-All w/ 10" X 2-1/2" Brakes		169	
	1961	Front-All w/ 10" X 2-1/2" Brakes		169	
	1965-63	Rear-All w/ 10" X 1.81" Brakes		151	
	1965-63	Rear-All w/ 10" X 1.81" Brakes		267	
Brake Drum	1966-64	Front-All 6 cyl engine, plain drum		PDR0105	
Concord					
Disc Brake Pad Set	1983-82	Front-All Hardware Not Included		SBM203	
	1981-80	Front-All w/o Styled Wheels		SBM90	
	1981-80	Front-All w/ Styled Wheels		SBM91	
	1979-78	Front-All Hardware Not Included		SBM91	
Drum Brake Shoe	1983-79	Rear-All w/ 10" X 1.81" Brakes		151	
	1983-79	Rear-All w/ 10" X 1.81" Brakes		267	
	1978	Rear-All w/ 10" X 2-1/2" Brakes		169	
Disc Brake Rotor and Hub Assembly	1983-82	Front-All		PRT1191	
	1981-80	Front-L4 - 2.5L 2.0,2.5L		PRT1229	
	1981-79	Front-L6 - 4.2L		PRT1191	
	1979	Front-L4 - 2.0L 2.0,2.5L		PRT1229	
	1979	Front-L6 - 3.8L		PRT1191	
	1979	Front-V8 - 5.0L		PRT1191	
Brake Drum	1978	Front-All		PRT1149	
	1983-80	Rear-All 9 x 2" Brakes		PDR0337	
	1983-80	Rear-All 10 x 1 3/4" Brakes		PDR0407	
	1979	Rear-All		PDR0303	
1978	Rear-All		PDR0407		
Eagle					
Disc Brake Pad Set	1988-82	Front-All Hardware Not Included		SBM203	
	1981-80	Front-All Hardware Not Included		SBM91	
Drum Brake Shoe	1988-80	Rear-All w/ 10" X 1.81" Brakes		151	
	1988-80	Rear-All w/ 10" X 1.81" Brakes		267	
Disc Brake Rotor	1988-80	Front-All		PRT1194	
Brake Drum	1988-80	Rear-All		PDR0407	
Gremlin					
Disc Brake Pad Set	1978-76	Front-All w/o Styled Wheels		SBM90	
	1978-76	Front-All w/ Styled Wheels		SBM91	
Drum Brake Shoe	1976-75	Front-V8 - 5.0L w/ 10" X 2-1/2" Brakes		169	
	1974-72	Front-All w/ 10" X 2.56" Brakes		169	
	1978-72	Rear-All w/ 10" X 1.81" Brakes		151	
	1978-72	Rear-All w/ 10" X 1.81" Brakes		267	
Disc Brake Rotor and Hub Assembly	1978-77	Front-L6 - 3.8L		PRT1149	
	1978-77	Front-L6 - 4.2L		PRT1149	
Brake Drum	1976-73	Front-L6 - 3.8L		PDR0314	
	1976-73	Front-L6 - 4.2L		PDR0314	
	1972-70	Front-All 6 cyl engine, plain drum		PDR0105	
	1978-73	Rear-All 9 x 2" Brakes		PDR0304	
	1978	Rear-L6 - 3.8L		PDR0407	
	1978	Rear-L6 - 4.2L		PDR0407	
	1977-74	Rear-All 10 x 1 3/4" Brakes		PDR0303	
	1972-70	Rear-All 9 x 2" Brakes		PDR0104	
Homet					
Disc Brake Pad Set	1977-76	Front-All Hardware Not Included		SBM91	
	1975	Front-All w/ Styled Wheels		SBM91	
Drum Brake Shoe	1976-75	Front-V8 - 5.0L w/ 10" X 2-1/2" Brakes		169	
	1974-71	Front-V8 - 5.9L		169	
	1974-70	Front-V8 - 5.0L		169	
	1977-75	Rear-All w/ 10" X 1.81" Brakes		151	

BENDIX BRAKE PARTS

PART TYPE	YEAR	APPLICATION	PREMIUM NO.	PART NO.	SEVERE DUTY NO.	
American Motors (Cont'd.)						
Hornet (Cont'd.)						
Drum Brake Shoe (cont'd)	1977-75	Rear-All w/ 10" X 1.81" Brakes		267		
	1976	Rear-All w/ 10" X 2-1/2" Brakes		169		
	1974-71	Rear-V8 - 5.9L		151		
	1974-71	Rear-V8 - 5.9L In Supersession Process, Exhaust Current Inventory		267		
	1974-70	Rear-V8 - 5.0L		151		
	1974-70	Rear-V8 - 5.0L In Supersession Process, Exhaust Current Inventory		267		
Disc Brake Rotor and Hub Assembly	1977	Front-All		PRT1149		
Brake Drum	1976-73	Front-L6 - 3.8L		PDR0314		
	1976-73	Front-L6 - 4.2L		PDR0314		
	1972-70	Front-All 6 cyl engine, plain drum		PDR0105		
	1977-74	Rear-All 10 x 1 3/4" Brakes		PDR0303		
	1976-73	Rear-All 9 x 2" Brakes		PDR0304		
	1972-70	Rear-All 9 x 2" Brakes		PDR0104		
Javelin						
Drum Brake Shoe	1974	Front-All		169		
	1973-71	Front-V8 - 6.6L		169		
	1973-70	Front-V8 - 5.0L		169		
	1973-70	Front-V8 - 5.9L		169		
	1970-68	Front-V8 - 6.4L		169		
	1969-68	Front-V8 - 4.7L		169		
	1969-68	Front-V8 - 5.6L		169		
	1974	Rear-All		151		
	1974	Rear-All In Supersession Process, Exhaust Current Inventory		267		
	1973-71	Rear-V8 - 6.6L		151		
	1973-71	Rear-V8 - 6.6L In Supersession Process, Exhaust Current Inventory		267		
	1973-70	Rear-V8 - 5.0L		151		
	1973-70	Rear-V8 - 5.0L In Supersession Process, Exhaust Current Inventory		267		
	1973-70	Rear-V8 - 5.9L		151		
	1973-70	Rear-V8 - 5.9L In Supersession Process, Exhaust Current Inventory		267		
	1970-68	Rear-V8 - 6.4L		151		
	1970-68	Rear-V8 - 6.4L In Supersession Process, Exhaust Current Inventory		267		
	1969-68	Rear-V8 - 4.7L		151		
	1969-68	Rear-V8 - 4.7L In Supersession Process, Exhaust Current Inventory		267		
	1969-68	Rear-V8 - 5.6L		151		
	1969-68	Rear-V8 - 5.6L In Supersession Process, Exhaust Current Inventory		267		
	Brake Drum	1974-73	Front-L6 - 3.8L		PDR0314	
		1974-73	Front-L6 - 4.2L		PDR0314	
1972-68		Front-All 6 cyl engine, plain drum		PDR0105		
1974-73		Rear-L6 - 3.8L		PDR0304		
1974-73		Rear-L6 - 4.2L		PDR0304		
1974		Rear-V8 - 5.0L		PDR0407		
1974		Rear-V8 - 5.9L		PDR0407		
1974		Rear-V8 - 6.6L		PDR0407		
1972-69		Rear-All 9 x 2" Brakes		PDR0104		
Marlin						
Drum Brake Shoe	1967-65	Front-All w/ 10" X 2.56" Brakes		169		
	1967-65	Rear-All w/ 10" X 1.81" Brakes		151		
	1967-65	Rear-All w/ 10" X 1.81" Brakes		267		
Matador						
Drum Brake Shoe	1974-71	Front-All		169		
	1978	Rear-All w/ 10" X 2.56" Brakes		169		
	1977	Rear-All		169		
	1976-73	Rear-All w/ 10" X 1.81" Brakes		151		
	1976-73	Rear-All w/ 10" X 1.81" Brakes		267		
	1976-73	Rear-All w/ 10" X 2-1/2" Brakes		169		
	1972-71	Rear-All 4 Doors, Wagon, w/ 10" X 2-1/2" Brakes		169		
	1972-71	Rear-All Hardtop, w/ 10" X 1.81" Brakes		151		
	1972-71	Rear-All Hardtop, w/ 10" X 1.81" Brakes		267		
	1972-71	Rear-All Sedan, w/ 10" X 1.81" Brakes		151		
	1972-71	Rear-All Sedan, w/ 10" X 1.81" Brakes		267		
	Brake Drum	1976-75	Rear-All		PDR0303	
		1974	Rear-All 2 Dr.		PDR0407	
		1973	Rear-All		PDR0303	
	Pacer					
Disc Brake Pad Set	1980-76	Front-All Hardware Not Included		SBM91		
Drum Brake Shoe	1976	Front-All w/ 10" X 2.56" Brakes		169		

BENDIX BRAKE PARTS

PART TYPE	YEAR	APPLICATION	PREMIUM NO.	PART NO.	SEVERE DUTY NO.	
American Motors (Cont'd.)						
Pacer (Cont'd.)						
Drum Brake Shoe (cont'd)	1975	Front-All To 12/1/75		169		
	1980-76	Rear-All w/ 10" X 1.81" Brakes		151		
	1980-76	Rear-All w/ 10" X 1.81" Brakes		267		
Disc Brake Rotor and Hub Assembly	1980-79	Front-All		PRT1191		
	1978-77	Front-All		PRT1149		
Brake Drum	1980	Rear-All 9 x 2" Brakes		PDR0337		
	1980	Rear-All 10 x 1 3/4" Brakes		PDR0407		
	1979	Rear-All		PDR0303		
	1978-77	Rear-All		PDR0407		
	1976-75	Rear-All 9" composite drum		PDR0304		
	1976-75	Rear-All 9" fullcast drum		PDR0337		
	1976-75	Rear-All 10 x 1 3/4" Brakes		PDR0407		
Rambler						
Drum Brake Shoe	1969	Front-All w/ 10" X 2-1/2" Brakes		169		
	1969	Rear-All w/ 10" X 1.81" Brakes		151		
	1969	Rear-All w/ 10" X 1.81" Brakes		267		
Brake Drum	1969	Front-All 6 cyl engine, plain drum		PDR0105		
	1969	Rear-All 9 x 2" Brakes		PDR0104		
	1960	Rear-All 9 x 2" Brakes		PDR0104		
Rebel						
Drum Brake Shoe	1970-68	Front-V8 - 6.4L 4 Doors, Wagon		169		
	1970	Front-V8 - 5.0L 4 Doors, Wagon		169		
	1970	Front-V8 - 5.9L 4 Doors, Wagon		169		
	1969-68	Front-V8 - 5.6L 4 Doors, Wagon		169		
	1969	Front-V8 - 4.8L 4 Doors, Wagon		169		
	1969	Front-V8 - 5.1L 4 Doors, Wagon		169		
	1968	Front-V8 - 4.7L 4 Doors, Wagon		169		
	1967	Front-All w/ 10" X 2-1/2" Brakes		169		
	1961-58	Front-All w/ 10" X 2-1/2" Brakes		169		
	1969	Rear-All w/ 10" X 1.81" Brakes		151		
	1969	Rear-All w/ 10" X 1.81" Brakes		267		
	Spirit					
	Disc Brake Pad Set	1983-82	Front-All Hardware Not Included		SBM203	
1981-79		Front-All w/o Styled Wheels		SBM90		
1981-79		Front-All w/ Styled Wheels		SBM91		
Drum Brake Shoe	1983-79	Rear-All w/ 10" X 1.81" Brakes		151		
	1983-79	Rear-All w/ 10" X 1.81" Brakes		267		
Disc Brake Rotor and Hub Assembly	1983-82	Front-All		PRT1191		
	1981-80	Front-L4 - 2.5L 2.0,2.5L		PRT1229		
	1981-79	Front-L6 - 4.2L		PRT1191		
	1979	Front-L4 - 2.0L 2.0,2.5L		PRT1229		
	1979	Front-L6 - 3.8L		PRT1191		
	1979	Front-V8 - 5.0L		PRT1191		
Brake Drum	1983-80	Rear-All 9 x 2" Brakes		PDR0337		
	1979	Rear-All		PDR0303		
AM General						
Hummer						
Disc Brake Pad Set	1998-97	Front-All w/ 12,100 lb. GVW		SBM1025	MKD1025FM	
	1998-97	Rear-All w/ 12,100 lb. GVW		SBM1025	MKD1025FM	
Disc Brake Rotor	2001-99	Front-All		PRT5065		
	1998-96	Front-All 12,100 GVWR		PRT5333		
	1998-96	Front-All Except 12,100 GVWR		PRT5065		
	1995-92	Front-All		PRT5065		
	2001-99	Rear-All		PRT5065		
	1998-96	Rear-All 12,100 GVWR		PRT5333		
	1998-96	Rear-All Except 12,100 GVWR		PRT5065		
	1995-92	Rear-All		PRT5065		
Aston Martin						
DB7						
Disc Brake Pad Set	2004-00	Front-All Hardware Not Included		SBM135		
	1998	Front-All Hardware Not Included		SBM135		
	1997	Front-All w/ ATE Brakes	CFM412	SBM412		
	2004-00	Rear-All w/ 4.8" Overall Length		SBM517A		
	1998-97	Rear-All To VIN #100781		SBM517A		
Asuna						
GT						
Disc Brake Rotor	1993	Front-All		PRT1743		
Brake Drum	1993	Rear-All		PDR0596		

BENDIX BRAKE PARTS

PART TYPE	YEAR	APPLICATION	PREMIUM NO.	PART NO.	SEVERE DUTY NO.
Asuna (Cont'd.)					
SE					
Disc Brake Rotor	1993	Front-All		PRT1743	
Brake Drum	1993	Rear-All		PDR0596	
Sunfire					
Disc Brake Pad Set	1993	Front-All Hardware Included		SBM525	
Disc Brake Rotor	1993	Front-All Vented; 248mm		PRT1546	
	1993	Rear-All		PRT1728	
Sunrunner					
Disc Brake Pad Set	1993-92	Front-All Hardware Included		SBM418	
Drum Brake Shoe	1993	Rear-All w/ 8.66" X 1.39" Brakes		641	
Disc Brake Rotor	1993-92	Front-All		PRT1710	
Brake Drum	1993-92	Rear-All		PDR0544	
Audi					
80					
Disc Brake Pad Set	1992-90	Front-All Hardware Not Included		SBM290	
	1989-88	Front-All Hardware Not Included		SBM227	
	1992-88	Rear-All Hardware Not Included		SBC228	
Disc Brake Rotor	1992-88	Front-All		PRT1238	
	1992-88	Rear-All		PRT1338	
80 Quattro					
Disc Brake Pad Set	1992	Front-All Hardware Not Included		SBM290	
	1991-88	Front-All Hardware Not Included		SBM227	
	1992-88	Rear-All Hardware Not Included		SBC228	
Disc Brake Rotor	1992-88	Front-All		PRT1238	
	1992-88	Rear-All		PRT1484	
90					
Disc Brake Pad Set	1995-93	Front-All Hardware Not Included		SBM419	
	1991-90	Front-All Hardware Not Included		SBM290	
	1989-88	Front-All Hardware Not Included		SBM227	
	1995-93	Rear-All Hardware Not Included		SBC228	
	1991-88	Rear-All Hardware Not Included		SBC228	
Disc Brake Rotor	1995-93	Front-All		PRT1946	
	1991-88	Front-All		PRT1238	
	1995-93	Rear-All		PRT1338	
	1991-88	Rear-All		PRT1338	
90 Quattro					
Disc Brake Pad Set	1995-93	Front-All Hardware Not Included		SBM419	
	1992	Front-All Hardware Not Included		SBM290	
	1991-90	Front-All DOHC, Hardware Not Included		SBM419	
	1989-88	Front-All Hardware Not Included		SBM227	
	1995-88	Rear-All Hardware Not Included		SBC228	
Disc Brake Rotor	1995-93	Front-All		PRT1946	
	1991-90	Front-All With 256mm diameter rotor		PRT1838	
	1991-90	Front-All With 276mm diameter rotor		PRT5529	
	1989-88	Front-All		PRT1238	
	1995-93	Rear-All		PRT1484	
	1991-88	Rear-All		PRT1484	
100					
Disc Brake Pad Set	1994-92	Front-All Hardware Included		SBM555	
	1991-89	Front-All Hardware Not Included		SBM290	
	1994-89	Rear-All Hardware Not Included		SBC228	
Disc Brake Rotor	1994-92	Front-All	BPR5000	PRT5000	
	1991-89	Front-All		PRT1238	
	1994-92	Rear-All 245mm	BPR5002	PRT5002	
	1991-89	Rear-All		PRT5117	
100 Quattro					
Disc Brake Pad Set	1994-92	Front-All Hardware Included		SBM555	
	1991-90	Front-All Hardware Not Included		SBM290	
	1989	Front-All Girling		SBM290	
	1989	Front-All w/ ATE Caliper Design	CFM394A	SBM394A	
	1994-89	Rear-All Hardware Not Included		SBC228	
Disc Brake Rotor	1994-92	Front-All	BPR5000	PRT5000	
	1991-89	Front-All		PRT1238	
	1994-92	Rear-All 245mm Rotor	BPR5002	PRT5002	
	1991-89	Rear-All		PRT5116	
200					
Disc Brake Pad Set	1991-89	Front-All w/ 2 Piston Caliper		SBM419	
	1991-89	Front-All w/ ATE Caliper Design	CFM394A	SBM394A	
	1991-89	Rear-All Hardware Not Included		SBC228	
Disc Brake Rotor	1991-89	Front-All		PRT1887	
	1991-89	Rear-All		PRT1304	

BENDIX BRAKE PARTS

PART TYPE	YEAR	APPLICATION	PREMIUM NO.	PART NO.	SEVERE DUTY NO.
Audi (Cont'd.)					
200 Quattro					
Disc Brake Pad Set	1991-90	Front-All w/ 2 Piston Caliper		SBM419	
	1991-89	Front-All w/ ATE Caliper Design	CFM394A	SBM394A	
	1989	Front-All w/ Girling Caliper Design		SBM419	
	1991-89	Rear-All Hardware Not Included		SBC228	
Disc Brake Rotor	1991-89	Front-All		PRT1887	
	1991-89	Rear-All Solid Rotors; 245mm		PRT5115	
	1991-89	Rear-All Vented Rotors		PRT5114	
4000					
Disc Brake Pad Set	1984	Front-All Hardware Not Included		SBM227	
	1987-84	Rear-All Hardware Not Included		SBC228	
Drum Brake Shoe	1987-84	Rear-All S		495	
	1983-80	Rear-All		495	
Disc Brake Rotor	1987-85	Front-All S, 10.063" Diameter; 256mm Dia.		PRT1500	
	1987-85	Front-All S, 239mm Diameter		PRT1248	
	1984-80	Front-All		PRT1095	
Brake Drum	1987-80	Rear-All		PDR0563	
4000 Quattro					
Disc Brake Pad Set	1987-86	Front-All CS, Hardware Not Included		SBM227	
	1987-84	Front-All S, Hardware Not Included		SBM227	
	1987-85	Rear-All Hardware Not Included		SBC228	
	1984	Rear-All S, Hardware Not Included		SBC228	
Drum Brake Shoe	1985-84	Rear-All w/ 7.87" X 1.58" Brakes		495	
Disc Brake Rotor	1987-86	Front-All CS, 256mm Dia.		PRT1500	
	1985-84	Front-All S, 256mm Dia.		PRT1500	
	1987-86	Rear-All CS		PRT1484	
	1985-84	Rear-All S		PRT1484	
Brake Drum	1985-84	Rear-All S		PDR0563	
5000					
Disc Brake Pad Set	1988-87	Front-All Hardware Not Included		SBM290	
	1986	Front-All CS, 276mm x 25mm		SBM419	
	1986	Front-All CS, 280mm x 22mm		SBM290	
	1986	Front-All S, 256mm x 22mm		SBM290	
	1985	Front-L5 - 2.0L Hardware Not Included		SBM290	
	1985	Front-L5 - 2.2L 256mm x 22mm		SBM290	
	1985	Front-L5 - 2.2L 276mm x 25mm		SBM419	
	1985	Front-L5 - 2.2L 280mm x 22mm		SBM290	
	1984	Front-All Hardware Not Included		SBM290	
	1983-81	Front-All Hardware Not Included		SBM227	
	1988-87	Rear-All Hardware Not Included		SBC228	
	1986	Rear-All 245mm x 10mm		SBC228	
	1985-80	Rear-All Hardware Not Included		SBC228	
	Drum Brake Shoe	1979	Rear-All DIESEL		495
Disc Brake Rotor	1988-84	Front-All 255mm Rotor		PRT1238	
	1988-84	Front-All 276mm Rotor		PRT1887	
	1986-84	Front-All 280mm Rotor		PRT1337	
	1983-81	Front-All Vented, 4 Hole Rotor		PRT1238	
	1983-80	Front-All Vented, 5 Hole Rotor		PRT1337	
	1980	Front-All		PRT1238	
	1979-78	Front-All Vented, 4 Hole Rotor		PRT1238	
	1988-84	Rear-All 245mm Rotor, 4 Stud		PRT1338	
	1988-81	Rear-All 245mm Rotor, 5 Stud		PRT1304	
Brake Drum	1988-78	Rear-All		PDR0468	
5000 Quattro					
Disc Brake Pad Set	1988-87	Front-All Hardware Not Included		SBM419	
	1986	Front-All From Chassis/VIN #44-G-073 363		SBM419	
	1986	Front-All To Chassis/VIN #44-G-073 362		SBM290	
	1988-87	Rear-All Naturally Aspirated, Hardware Not Included		SBC228	
	1988-87	Rear-All Turbocharged, Hardware Not Included		SBC228	
	1986	Rear-All Hardware Not Included		SBC228	
Disc Brake Rotor	1988-86	Front-All 276mm Rotor		PRT1887	
	1986	Front-All 280mm Rotor		PRT1337	
	1988-86	Rear-All 245mm Rotor		PRT5115	
A1					
Disc Brake Pad Set	2017	Front-All Exc. Latin America	CFC768	SBC768	
	2017	Front-All Latin America	CFC1107A	SBC1107A	
	2016-15	Front-All Hardware Included	CFC768	SBC768	
	2014-11	Front-All w/ 256mm Diameter Rotors	CFC768	SBC768	
	2014-11	Front-All w/ Electronic Wear Sensor	CFC1107	SBC1107A	
	2017-15	Rear-All Hardware Included	CFM1017	SBM1017	
	2014-11	Rear-All Hardware Included	CFM1112	SBC340K1	
A3					
Disc Brake Pad Set	2018	Front-All Premium, Hardware Not Included	CFC1760	SBC1760	

BENDIX BRAKE PARTS

PART TYPE	YEAR	APPLICATION	PREMIUM NO.	PART NO.	SEVERE DUTY NO.
Audi (Cont'd.)					
A3 (Cont'd.)					
Disc Brake Pad Set (cont'd)	2018	Front-All Premium Plus, Hardware Not Included	CFC1760	SBC1760	
	2018	Front-All Prestige, Hardware Not Included	CFC1760	SBC1760	
	2016-15	Front-All Hardware Not Included	CFC1760	SBC1760	
	2013	Front-All w/ 312mm Brake Rotors	CFC1107	SBC1107	
	2013	Front-All w/ Electronic Wear Sensor	CFC1107	SBC1107A	
	2012	Front-All Base, w/ Electronic Wear Sensor	CFC1107	SBC1107A	
	2012	Front-All TDI, w/ Electronic Wear Sensor	CFC1107	SBC1107A	
	2011-10	Front-All w/ Electronic Wear Sensor	CFC1107	SBC1107A	
	2009	Front-L4 - 2.0L Base, w/o Sensor	CFC768	SBC768	
	2008	Front-L4 - 2.0L w/ Electronic Wear Sensor	CFC1107	SBC1107A	
	2007-06	Front-All w/ Electronic Wear Sensor	CFC1107	SBC1107A	
	2005	Front-All Hardware Included	CFC768S	SBC768A	
	2000	Front-All Hardware Included		SBM555	
	2018	Rear-All Premium, Hardware Not Included	CFC1761	SBC1761	
	2018	Rear-All Premium Plus, Hardware Not Included	CFC1761	SBC1761	
	2018	Rear-All Prestige, Hardware Not Included	CFC1761	SBC1761	
	2017-15	Rear-All Hardware Not Included	CFC1761	SBC1761	
	2013	Rear-All w/ 253mm Brake Rotors	CFM1017	SBM1017	
	2013	Rear-All w/ 256mm, 282mm Brake Rotors	CFM1108K1	SBC1108K1	
	2013	Rear-All w/ 272mm Brake Rotors	CFM1456	SBC1456	
	2012	Rear-All Base, Hardware Included	CFM1456	SBC1456	
	2012	Rear-All TDI, Hardware Included	CFM1112	SBC340K1	
	2011-10	Rear-All Hardware Included	CFM1108K1	SBC1108K1	
	2009-08	Rear-L4 - 2.0L Hardware Included	CFM1108K1	SBC1108K1	
	2007-06	Rear-All Hardware Included	CFM1108K1	SBC1108K1	
	2000	Rear-All Hardware Not Included		SBC228	
Disc Brake Rotor	2016-10	Front-All TDI	BPR5682	PRT5682	
	2016-06	Front-All exc. TDI	BPR5639	PRT5639	
	2018-15	Rear-All	BPR6086	PRT6086	
	2013-10	Rear-All Base	BPR6086	PRT6086	
	2013-10	Rear-All TDI, TDI	BPR6168	PRT6168	
	2009-06	Rear-All	BPR6059	PRT6059	
	2009	Rear-All		PRT5683	
	2008	Rear-All From Chassis/VIN 8P-8-057 779	BPR6058	PRT5644 ⁷⁶	
	2008	Rear-All To Chassis/VIN 8P-8-057 778		PRT5683 ⁷⁹	
	2007-06	Rear-All		PRT5683 ⁷⁹	
A3 Quattro					
Disc Brake Pad Set	2018	Front-All Premium, Hardware Not Included	CFC1760	SBC1760	
	2018	Front-All Premium Plus, Hardware Not Included	CFC1760	SBC1760	
	2018	Front-All Prestige, Hardware Not Included	CFC1760	SBC1760	
	2017-15	Front-All Hardware Not Included	CFC1760	SBC1760	
	2013	Front-All Hardware Included	CFC1107	SBC1107	
	2012	Front-All w/ Electronic Wear Sensor	CFC1107	SBC1107A	
	2011-10	Front-All Hardware Included	CFC1107	SBC1107	
	2009	Front-L4 - 2.0L w/ Electronic Wear Sensor	CFC1107	SBC1107A	
	2009	Front-V6 - 3.2L w/ Electronic Wear Sensor	CFC1107	SBC1107A	
	2008-06	Front-All w/ Electronic Wear Sensor	CFC1107	SBC1107A	
	2018	Rear-All Premium, Hardware Not Included	CFC1761	SBC1761	
	2018	Rear-All Premium Plus, Hardware Not Included	CFC1761	SBC1761	
	2018	Rear-All Prestige, Hardware Not Included	CFC1761	SBC1761	
	2017-15	Rear-All Hardware Not Included	CFC1761	SBC1761	
	2013-10	Rear-All Hardware Included	CFM1456	SBC1456	
	2009-06	Rear-All Hardware Included	CFM1108K1	SBC1108K1	
Disc Brake Rotor	2018	Front-All		PRT5639	
	2015	Front-All		PRT5639	
	2013-06	Front-All 312mm Diameter		PRT5639	
	2017-15	Rear-All		PRT6086	
	2013-10	Rear-All		PRT6086	
	2009-06	Rear-All		PRT6059	
A3 Sportback e-tron					
Disc Brake Pad Set	2018	Front-All Premium, Hardware Not Included	CFC1760	SBC1760	
	2018	Front-All Premium Plus, Hardware Not Included	CFC1760	SBC1760	
	2018	Front-All Prestige, Hardware Not Included	CFC1760	SBC1760	
	2017-16	Front-All Hardware Not Included	CFC1760	SBC1760	
	2018	Rear-All Premium, Hardware Not Included	CFC1761	SBC1761	
	2018	Rear-All Premium Plus, Hardware Not Included	CFC1761	SBC1761	
	2018	Rear-All Prestige, Hardware Not Included	CFC1761	SBC1761	
	2017-16	Rear-All Hardware Not Included	CFC1761	SBC1761	
Disc Brake Rotor	2018	Front-All		PRT5639	
	2017-16	Rear-All		PRT6086	
A4					
Disc Brake Pad Set	2018	Front-All Premium, CYMC Eng Des, Hardware Included	CFC1897		

⁷⁶ Sell out and reorder PRT6058

⁷⁹ Sell out and reorder PRT6059

BENDIX BRAKE PARTS

PART TYPE	YEAR	APPLICATION	PREMIUM NO.	PART NO.	SEVERE DUTY NO.
Audi (Cont'd.)					
A4 (Cont'd.)					
Disc Brake Pad Set (cont'd)	2018	Front-All Premium Plus, CYMC Eng Des, w/o Red Painted Calipers	CFC1897		
	2018	Front-All Premium Plus, CYMC Eng Des, w/ Red Painted Calipers	CFC1897		
	2018	Front-All Prestige, CYMC Eng Des, w/o Red Painted Calipers	CFC1897		
	2018	Front-All Prestige, CYMC Eng Des, w/ Red Painted Calipers	CFC1897		
	2017	Front-All Exc. Latin America	CFC1897		
	2016-12	Front-All Hardware Included	CFC1322		
	2016-12	Front-All Hardware Not Included		SBC1322	
	2011	Front-All Exc. Latin America	CFC1322	SBC1322	
	2010	Front-All Hardware Included	CFC1322		
	2010	Front-All Hardware Not Included		SBC1322	
	2009	Front-All Base, Hardware Included	CFC1322		
	2009	Front-All Base, Hardware Not Included		SBC1322	
	2009	Front-All Cabriolet, Hardware Included	CFC1111		
	2009	Front-All Cabriolet, Hardware Not Included		SBM1111	
	2008-07	Front-L4 - 2.0L Hardware Included	CFC1111		
	2008-07	Front-L4 - 2.0L Hardware Not Included		SBM1111	
	2008-07	Front-V6 - 3.2L Hardware Included	CFC1111		
	2008-07	Front-V6 - 3.2L Hardware Not Included		SBM1111	
	2006-05	Front-L4 - 2.0L w/ 320mm Brake Rotors	CFC1111	SBM1111	
	2006-05	Front-L4 - 2.0L w/ 345mm Brake Rotors	CFM915	SBM915	
	2006-00	Front-L4 - 1.8L w/ 312mm Brake Rotors	CFM840	SBM840	
	2006	Front-V6 - 3.2L w/ 320mm Brake Rotors	CFC1111	SBM1111	
	2006	Front-V6 - 3.2L w/ 345mm Brake Rotors	CFM915	SBM915	
	2005-02	Front-V6 - 3.0L w/ 312mm Brake Rotors	CFM840	SBM840	
	2001-00	Front-V6 - 2.8L w/ 312mm Brake Rotors	CFM840	SBM840	
	2000-97	Front-L4 - 1.8L Turbocharged, Hardware Included		SBM555A	
	1999	Front-V6 - 2.8L Naturally Aspirated, From 2/99	CFM840	SBM840	
	1999	Front-V6 - 2.8L Naturally Aspirated, To 1/99		SBM555A	
	1998-97	Front-V6 - 2.8L Naturally Aspirated, Hardware Included		SBM555A	
	1996	Front-All w/o Sensor	CFM687	SBM687	
	2018	Rear-All Premium, Hardware Not Included	CFC1898		
	2018	Rear-All Premium Plus, Hardware Not Included	CFC1898		
	2018	Rear-All Prestige, Hardware Not Included	CFC1898		
	2017	Rear-All Hardware Not Included	CFC1898		
	2016-14	Rear-All Hardware Included	CFM1386		
	2016-14	Rear-All Hardware Not Included		SBM1386	
	2013	Rear-All Hardware Included	CFM1018	SBM1018	
	2012-10	Rear-All Hardware Included	CFM1386		
	2012-10	Rear-All Hardware Not Included		SBM1386	
	2009	Rear-All Base, Hardware Included	CFM1386		
	2009	Rear-All Base, Hardware Not Included		SBM1386	
	2009	Rear-All Cabriolet, Hardware Included	CFM1108K1	SBC1108K1	
	2008-07	Rear-L4 - 2.0L Hardware Included	CFM1108K1	SBC1108K1	
	2008-07	Rear-V6 - 3.2L Hardware Included	CFM1108K1	SBC1108K1	
	2006-05	Rear-L4 - 2.0L w/ 288mm Brake Rotors	CFM1108K1	SBC1108K1	
	2006-05	Rear-L4 - 2.0L w/ 300mm Brake Rotors	CFM1018	SBM1018	
	2006	Rear-L4 - 1.8L Cabriolet, Turbocharged, GAS, w/ 245mm, 255mm Brake Rotors		SBC340K2	
	2006	Rear-V6 - 3.2L w/ 288mm Brake Rotors	CFM1108K1	SBC1108K1	
	2006	Rear-V6 - 3.2L w/ 300mm Brake Rotors	CFM1018	SBM1018	
	2005-04	Rear-L4 - 1.8L Avant, Turbocharged, Hardware Included	CFM1112	SBC340K1	
	2005-04	Rear-V6 - 3.0L Cabriolet, Hardware Included	CFM1017	SBM1017	
	2005	Rear-L4 - 1.8L Base, Turbocharged, GAS, Hardware Included		SBC340K2	
	2005	Rear-L4 - 1.8L Cabriolet, Turbocharged, GAS, Hardware Included		SBC340K2	
	2005	Rear-V6 - 3.0L Base, Naturally Aspirated, GAS, Hardware Included		SBC340K2	
	2004	Rear-L4 - 1.8L Base, Turbocharged, GAS, w/ 255mm Brake Rotors		SBC340K2	
	2004	Rear-L4 - 1.8L Base, w/ 245mm Brake Rotors	CFM1017	SBM1017	
	2004	Rear-L4 - 1.8L Cabriolet, Turbocharged, GAS, w/ 255mm Brake Rotors		SBC340K2	
	2004	Rear-L4 - 1.8L Cabriolet, w/ 245mm Brake Rotors	CFM1017	SBM1017	
	2004	Rear-V6 - 3.0L Base, Naturally Aspirated, GAS, From Chassis/VIN #8E-4-180 001		SBC340K2	
	2004	Rear-V6 - 3.0L Base, To Chassis/VIN 8E-4-180 000	CFM1017	SBM1017	
2003	Rear-All FWD, w/o 255mm Brake Rotors	CFM1017	SBM1017		
2003	Rear-L4 - 1.8L w/ 255mm Brake Rotors	CFM1112	SBC340K1		
2003	Rear-V6 - 3.0L w/ 255mm Brake Rotors	CFM1112	SBC340K1		
2002	Rear-All FWD, Exc. 255mm Dia.	CFM1017	SBM1017		
2002	Rear-L4 - 1.8L 255mm Dia.	CFM1112	SBC340K1		
2002	Rear-V6 - 3.0L 255mm Dia.	CFM1112	SBC340K1		

BENDIX BRAKE PARTS

PART TYPE	YEAR	APPLICATION	PREMIUM NO.	PART NO.	SEVERE DUTY NO.
Audi (Cont'd.)					
A4 (Cont'd.)					
Disc Brake Pad Set (cont'd)	2001-98	Rear-All FWD, Hardware Included	CFM1017	SBM1017	
	1997	Rear-All To Chassis/VIN #8D-V-168-351		SBC228	
	1997	Rear-L4 - 1.8L From Chassis/VIN #8D-V-168-351	CFM1112	SBC340K1	
	1997	Rear-V6 - 2.8L From Chassis/VIN #8D-V-168-351	CFM1112	SBC340K1	
	1996	Rear-All Hardware Not Included		SBC228	
Disc Brake Rotor	2016-12	Front-All	BPR6239	PRT6239	
	2011-10	Front-All	BPR6004	PRT6004	
	2009	Front-All Convertible		PRT6305	
	2009	Front-All Convertible, 320mm Rotor	BPR5408	PRT5408	
	2009	Front-All Sedan	BPR6004	PRT6004	
	2008-05	Front-All 320mm Dia.		PRT6305	
	2008-05	Front-All 320mm Rotor	BPR5408	PRT5408	
	2008-96	Front-All 288mm Rotor	BPR5000	PRT5000	
	2006-02	Front-All 312mm Rotor	BPR1945	PRT1945	
	2005	Front-All 288mm dia. rotor		PRT6092	
	2018	Rear-All CYMC Eng Des, Exc. For Red Painted Caliper		PRT6159	
	2017	Rear-All CYMC Eng Des		PRT6159	
	2016	Rear-All w/ 300mm Rotor		PRT5993	
	2015-09	Rear-All 300mm Rotor	BPR5993	PRT5993	
	2009-05	Rear-All 288mm Rotor	BPR6038	PRT6038	
	2006-02	Rear-All 255mm Rotor	BPR5933	PRT5933	
	2006	Rear-All 245mm Rotor	BPR5061	PRT5061	
	2005	Rear-All 245mm Rotor, From VIN 8H5006501	BPR5061	PRT5061	
	2004-02	Rear-All 255mm Rotor		PRT5434 ⁷³	
	2004-96	Rear-All		PRT5154	
A4 allroad					
Disc Brake Pad Set	2018-16	Front-All Hardware Included	CFC1897		
	2015-13	Front-All Hardware Included	CFC1322		
	2015-13	Front-All Hardware Not Included		SBC1322	
	2018-16	Rear-All Hardware Not Included	CFC1898		
	2015-13	Rear-All Hardware Included	CFM1386		
	2015-13	Rear-All Hardware Not Included		SBM1386	
Disc Brake Rotor	2018-17	Rear-All		PRT6159	
A4 Quattro					
Disc Brake Pad Set	2018	Front-All Premium Plus, w/o Red Painted Calipers	CFC1897		
	2018	Front-All Premium Plus, w/ Red Painted Calipers	CFC1897		
	2018	Front-All Prestige, w/o Red Painted Calipers	CFC1897		
	2018	Front-All Prestige, w/ Red Painted Calipers	CFC1897		
	2017	Front-All Hardware Included	CFC1897		
	2016-10	Front-All Hardware Included	CFC1322		
	2016-10	Front-All Hardware Not Included		SBC1322	
	2009	Front-All Avant, Hardware Included	CFC1322		
	2009	Front-All Avant, Hardware Not Included		SBC1322	
	2009	Front-All Base, Hardware Included	CFC1322		
	2009	Front-All Base, Hardware Not Included		SBC1322	
	2009	Front-All Cabriolet, Hardware Included	CFC1111		
	2009	Front-All Cabriolet, Hardware Not Included		SBM1111	
	2008-07	Front-All Hardware Included	CFC1111		
	2008-07	Front-All Hardware Not Included		SBM1111	
	2006-05	Front-L4 - 2.0L w/ 320mm Brake Rotors	CFC1111	SBM1111	
	2006-05	Front-L4 - 2.0L w/ 345mm Brake Rotors	CFM915	SBM915	
	2006-05	Front-V6 - 3.0L w/ 312mm Brake Rotors	CFM840	SBM840	
	2006-05	Front-V6 - 3.2L w/ 320mm Brake Rotors	CFC1111	SBM1111	
	2006-05	Front-V6 - 3.2L w/ 345mm Brake Rotors	CFM915	SBM915	
	2005	Front-L4 - 1.8L w/ 312mm Brake Rotors	CFM840	SBM840	
	2004	Front-All w/ 288mm, 312mm Brake Rotors	CFM840	SBM840	
	2003-02	Front-V6 - 3.0L w/ 312mm Brake Rotors	CFM840	SBM840	
	2003-00	Front-L4 - 1.8L w/ 312mm Brake Rotors	CFM840	SBM840	
	2003	Front-V6 - 3.0L Hardware Included	CFC1111		
	2003	Front-V6 - 3.0L Hardware Not Included		SBM1111	
	2001-00	Front-V6 - 2.8L w/ 312mm Brake Rotors	CFM840	SBM840	
	2000-99	Front-L4 - 1.8L Turbocharged, w/o 288mm Brake Rotors		SBM555A	
	1999	Front-L4 - 1.8L w/ 288mm, 312mm Brake Rotors	CFM840	SBM840	
	1999	Front-V6 - 2.8L Naturally Aspirated, From 2/99	CFM840	SBM840	
	1999	Front-V6 - 2.8L Naturally Aspirated, To 1/99		SBM555A	
	1998-97	Front-L4 - 1.8L Turbocharged, Hardware Included		SBM555A	
	1998-97	Front-V6 - 2.8L Naturally Aspirated, Hardware Included		SBM555A	
	1996	Front-All w/o Sensor	CFM687	SBM687	
	2018	Rear-All Premium, Hardware Not Included	CFC1898		
	2018	Rear-All Premium Plus, Hardware Not Included	CFC1898		
	2018	Rear-All Prestige, Hardware Not Included	CFC1898		
	2017	Rear-All Hardware Not Included	CFC1898		
	2016-14	Rear-All Hardware Included	CFM1386		

BENDIX BRAKE PARTS

PART TYPE	YEAR	APPLICATION	PREMIUM NO.	PART NO.	SEVERE DUTY NO.	
Audi (Cont'd.)						
A4 Quattro (Cont'd.)						
Disc Brake Pad Set (cont'd)	2016-14	Rear-All Hardware Not Included		SBM1386		
	2013	Rear-All Hardware Included	CFM1018	SBM1018		
	2012-09	Rear-All Hardware Included	CFM1386			
	2012-09	Rear-All Hardware Not Included		SBM1386		
	2008-07	Rear-All Hardware Included	CFM1108K1	SBC1108K1		
	2006-05	Rear-L4 - 2.0L w/ 288mm Brake Rotors	CFM1108K1	SBC1108K1		
	2006-05	Rear-L4 - 2.0L w/ 300mm Brake Rotors	CFM1018	SBM1018		
	2006-05	Rear-V6 - 3.0L Cabriolet, Naturally Aspirated, GAS, Hardware Included		SBC340K2		
	2006-05	Rear-V6 - 3.2L w/ 288mm Brake Rotors	CFM1108K1	SBC1108K1		
	2006-05	Rear-V6 - 3.2L w/ 300mm Brake Rotors	CFM1018	SBM1018		
	2005	Rear-L4 - 1.8L Avant, Turbocharged, GAS, Hardware Included		SBC340K2		
	2005	Rear-L4 - 1.8L Base, Turbocharged, GAS, Hardware Included		SBC340K2		
	2005	Rear-V6 - 3.0L Avant, Naturally Aspirated, GAS, Hardware Included		SBC340K2		
	2005	Rear-V6 - 3.0L Base, Naturally Aspirated, GAS, Hardware Included		SBC340K2		
	2004	Rear-All From Chassis/VIN 8E-4-180 001		SBC340K2		
	2004	Rear-All To Chassis/VIN 8E-4-180 000	CFM1017	SBM1017		
	2003	Rear-L4 - 1.8L Avant, Turbocharged, GAS, Hardware Included		SBC340K2		
	2003	Rear-L4 - 1.8L Base, Turbocharged, GAS, Hardware Included		SBC340K2		
	2003	Rear-V6 - 3.0L To VIN #4B-3-048455	CFM1017	SBM1017		
	2002	Rear-All Hardware Included	CFM1017	SBM1017		
	2001	Rear-All Hardware Not Included		SBM851		
	2000-99	Rear-All Hardware Not Included		SBC228		
	1998	Rear-L4 - 1.8L Hardware Not Included		SBC228		
	1998	Rear-V6 - 2.8L Avant, Hardware Not Included		SBM851		
	1998	Rear-V6 - 2.8L Base, Hardware Not Included		SBC228		
	1997-96	Rear-All Hardware Not Included		SBC228		
	Disc Brake Rotor	2016-12	Front-All	BPR6239	PRT6239	
		2011-10	Front-All	BPR6004	PRT6004	
		2009	Front-All 4 Doors, Sedan	BPR6004		
		2009	Front-All 4 Doors, Wagon	BPR6004		
		2009	Front-All Avant		PRT6004	
		2009	Front-All Base		PRT6004	
		2009	Front-All Cabriolet, w/ 320mm Rotor		PRT5408	
		2009	Front-All Convertible	BPR5408		
		2008-06	Front-All 320mm Dia.		PRT6305	
		2008-05	Front-All 320mm Rotor	BPR5408	PRT5408	
		2006-05	Front-All 288mm diameter		PRT6092	
		2006-02	Front-All 312mm Rotor	BPR1945	PRT1945	
		2006-96	Front-All 288mm Rotor	BPR5000		
		2006	Front-All 288mm Rotor		PRT5000	
2004-96		Front-All 288mm Rotor		PRT5000		
2018		Rear-All Exc. For Red Painted Caliper		PRT6159		
2017		Rear-All		PRT6159		
2016-09		Rear-All 300mm Rotor	BPR5993	PRT5993		
2009-05		Rear-All 288mm Rotor	BPR6038	PRT6038		
2006-05		Rear-All 255mm Rotor		PRT5933		
2006-02		Rear-All 255mm Rotor	BPR5933	PRT5434 ⁷³		
2005		Rear-All 245mm Rotor, From VIN 8H5006501	BPR5061	PRT5061		
2001-96		Rear-All	BPR5323	PRT5323		
A5						
Disc Brake Pad Set		2016-11	Front-All Hardware Included	CFC1322		
		2016-11	Front-All Hardware Not Included		SBC1322	
		2010	Front-L4 - 2.0L w/ 17.7mm Pad Thickness	CFC1322	SBC1322	
	2009-08	Front-All w/ 320mm Diameter Rotors	CFC1322	SBC1322		
	2016-14	Rear-All Hardware Included	CFM1386			
	2016-14	Rear-All Hardware Not Included		SBM1386		
	2013	Rear-All Hardware Included	CFM1018	SBM1018		
	2012-10	Rear-All Hardware Included	CFM1386			
	2012-10	Rear-All Hardware Not Included		SBM1386		
	2009-08	Rear-All w/ 300mm Diameter Rotors	CFM1018	SBM1018		
	Disc Brake Rotor	2014-12	Front-All	BPR6239	PRT6239	
		2011-10	Front-All 320mm Diameter	BPR6004	PRT6004	
	2014-10	Rear-All	BPR5993	PRT5993		
A5 Quattro						
Disc Brake Pad Set	2018	Front-All Hardware Included	CFC1897			
	2017-13	Front-All Hardware Included	CFC1322			
	2017-13	Front-All Hardware Not Included		SBC1322		
	2012	Front-All Base, Hardware Included	CFC1322			

73 Sell out and reorder PRT5933

BENDIX BRAKE PARTS

PART TYPE	YEAR	APPLICATION	PREMIUM NO.	PART NO.	SEVERE DUTY NO.
Audi (Cont'd.)					
A5 Quattro (Cont'd.)					
Disc Brake Pad Set (cont'd)	2012	Front-All Base, Hardware Not Included		SBC1322	
	2012	Front-All Cabriolet, Hardware Included	CFC1322		
	2012	Front-All Cabriolet, Hardware Not Included		SBC1322	
	2012	Front-All Premium, Hardware Included	CFC1322		
	2012	Front-All Premium, Hardware Not Included		SBC1322	
	2012	Front-All Premium Plus, Hardware Included	CFC1322		
	2012	Front-All Premium Plus, Hardware Not Included		SBC1322	
	2011	Front-All Hardware Included	CFC1322		
	2011	Front-All Hardware Not Included		SBC1322	
	2010	Front-All w/ 17.7mm Pad Thickness	CFC1322	SBC1322	
	2009	Front-All Hardware Included	CFC1322		
	2009	Front-All Hardware Not Included		SBC1322	
	2008	Front-V6 - 3.2L Hardware Included	CFC1322		
	2008	Front-V6 - 3.2L Hardware Not Included		SBC1322	
	2018	Rear-All Hardware Not Included	CFC1898		
	2017-14	Rear-All Hardware Included	CFM1386		
	2017-14	Rear-All Hardware Not Included		SBM1386	
	2013	Rear-All Hardware Included	CFM1018	SBM1018	
	2012	Rear-All Base, Hardware Included	CFM1386		
	2012	Rear-All Base, Hardware Not Included		SBM1386	
	2012	Rear-All Cabriolet, Hardware Included	CFM1386		
	2012	Rear-All Cabriolet, Hardware Not Included		SBM1386	
	2012	Rear-All Premium, Hardware Included	CFM1386		
	2012	Rear-All Premium, Hardware Not Included		SBM1386	
	2012	Rear-All Premium Plus, Hardware Included	CFM1386		
	2012	Rear-All Premium Plus, Hardware Not Included		SBM1386	
	2011-08	Rear-All Hardware Included	CFM1386		
	2011-08	Rear-All Hardware Not Included		SBM1386	
Disc Brake Rotor	2016-12	Front-All	BPR6239	PRT6239	
	2011-08	Front-All 320mm Diameter	BPR6004	PRT6004	
	2018	Rear-All		PRT6159	
	2017-08	Rear-All	BPR5993	PRT5993	
A5 Sportback					
Disc Brake Pad Set	2018	Front-All Hardware Included	CFC1897		
	2018	Rear-All Hardware Not Included	CFC1898		
Disc Brake Rotor	2018	Rear-All		PRT6159	
A6					
Disc Brake Pad Set	2018-17	Front-All Hardware Included	CFM1549	SBM1549	
	2016	Front-All MEX, Hardware Included	CFC1663		
	2016	Front-All MEX, Hardware Not Included		SBC1663	
	2016	Front-All USA, Hardware Included	CFM1549	SBM1549	
	2015-14	Front-All Hardware Included	CFC1322		
	2015-14	Front-All Hardware Not Included		SBC1322	
	2013	Front-L4 - 2.0L Hardware Included	CFC1322		
	2013	Front-L4 - 2.0L Hardware Not Included		SBC1322	
	2012	Front-All Hardware Included	CFC1322		
	2012	Front-All Hardware Not Included		SBC1322	
	2011	Front-All Hardware Included	CFC1111		
	2011	Front-All Hardware Not Included		SBM1111	
	2010	Front-All w/ 321mm, 347mm Brake Rotors	CFC1111	SBM1111	
	2009-06	Front-V6 - 3.2L w/ 321mm, 347mm Brake Rotors	CFC1111	SBM1111	
	2005	Front-All Hardware Included	CFC1111		
	2005	Front-All Hardware Not Included		SBM1111	
	2004-02	Front-V6 - 3.0L w/ 312mm Brake Rotors	CFM840	SBM840	
	2004-02	Front-V6 - 3.0L w/ 321mm Brake Rotors	CFM915	SBM915	
	2001-00	Front-V6 - 2.8L w/ 288mm, 312mm Brake Rotors	CFM840	SBM840	
	1999	Front-All w/ D Shaped Wear Sensor Connector		SBM555B	
	1999	Front-All w/ Round Wear Sensor Connector		SBM555	
	1998	Front-V6 - 2.8L Base, Hardware Included		SBM555	
	1997-95	Front-All Hardware Included		SBM555	
	2018-12	Rear-All Hardware Included	CFM1547K2		
	2018-12	Rear-All Hardware Not Included		SBM1547	
	2011-10	Rear-All w/ 302mm Brake Rotors	CFM1108K1	SBC1108K1	
	2011-10	Rear-All w/ 330mm Brake Rotors	CFM1018	SBM1018	
	2009-06	Rear-V6 - 3.2L w/ 302mm Brake Rotors	CFM1108K1	SBC1108K1	
	2009-06	Rear-V6 - 3.2L w/ 330mm Brake Rotors	CFM1018	SBM1018	
	2005	Rear-All w/ 330mm Diameter Rotors	CFM1018	SBM1018	
	2004	Rear-All Hardware Included		SBC340K2	
	2003-02	Rear-V6 - 3.0L Base, Naturally Aspirated, GAS, Hardware Included		SBC340K2	
	2003	Rear-All To VIN #4B-3-048 455	CFM1017	SBM1017	
	2003	Rear-V6 - 3.0L From VIN #4B-3-048 456	CFM1017	SBM1017	
	2002	Rear-All To VIN #4B-3-048455	CFM1017	SBM1017	
	2001	Rear-All Hardware Included	CFM1017	SBM1017	

BENDIX BRAKE PARTS

PART TYPE	YEAR	APPLICATION	PREMIUM NO.	PART NO.	SEVERE DUTY NO.
Audi (Cont'd.)					
A6 (Cont'd.)					
Disc Brake Pad Set (cont'd)	2000-99	Rear-All To VIN #4B-3-048455	CFM1017	SBM1017	
	1998	Rear-V6 - 2.8L Hardware Included	CFM1112	SBC340K1	
	1997-95	Rear-All Hardware Not Included		SBC228	
Disc Brake Rotor	2018-16	Front-All		PRT6185	
	2015	Front-All		PRT6264	
	2014	Front-All To 08/05/2013		PRT6264	
	2013	Front-L4 - 2.0L	BPR6239	PRT6239	
	2012	Front-All	BPR6239	PRT6239	
	2011-06	Front-All 321mm Rotor	BPR5761	PRT5761	
	2011-06	Front-All 347mm Rotor	BPR5959	PRT5959	
	2004-02	Front-All 2 Piston Caliper		PRT5555	
	2004-02	Front-All 320mm Dia.		PRT6305	
	2004-00	Front-All 312mm Rotor	BPR1945	PRT1945	
	2001-00	Front-All 288mm Rotor	BPR5000	PRT5000	
	1999-95	Front-All	BPR5000	PRT5000	
	2018	Rear-All		PRT6159	
	2016-14	Rear-All		PRT6159	
	2013-12	Rear-L4 - 2.0L	BPR5993	PRT5993	
	2011-06	Rear-All 302mm Rotor	BPR5785	PRT5785	
	2011-06	Rear-All 330mm Rotor	BPR5985	PRT5985	
	2004-95	Rear-All 245mm Rotor	BPR5002	PRT5002	
A6 Quattro					
Disc Brake Pad Set	2018-16	Front-All Hardware Included	CFM1549	SBM1549	
	2015	Front-All Supercharged, Hardware Included	CFM1549	SBM1549	
	2015	Front-All Turbocharged, Hardware Included	CFC1322		
	2015	Front-All Turbocharged, Hardware Not Included		SBC1322	
	2014	Front-All TDI, Hardware Included	CFC1322		
	2014	Front-All TDI, Hardware Not Included		SBC1322	
	2014	Front-All TDI Premium Plus, Hardware Included	CFC1322		
	2014	Front-All TDI Premium Plus, Hardware Not Included		SBC1322	
	2014	Front-All TDI Prestige, Hardware Included	CFC1322		
	2014	Front-All TDI Prestige, Hardware Not Included		SBC1322	
	2014	Front-L4 - 2.0L Base, Hardware Included	CFC1322		
	2014	Front-L4 - 2.0L Base, Hardware Not Included		SBC1322	
	2014	Front-L4 - 2.0L Premium, Hardware Included	CFC1322		
	2014	Front-L4 - 2.0L Premium, Hardware Not Included		SBC1322	
	2014	Front-L4 - 2.0L Premium Plus, Hardware Included	CFC1322		
	2014	Front-L4 - 2.0L Premium Plus, Hardware Not Included		SBC1322	
	2014	Front-V6 - 3.0L Base, Hardware Included	CFM1549	SBM1549	
	2014	Front-V6 - 3.0L Premium, Hardware Included	CFM1549	SBM1549	
	2014	Front-V6 - 3.0L Premium Plus, Hardware Included	CFM1549	SBM1549	
	2014	Front-V6 - 3.0L Prestige, Hardware Included	CFM1549	SBM1549	
	2013	Front-L4 - 2.0L Hardware Included	CFC1322		
	2013	Front-L4 - 2.0L Hardware Not Included		SBC1322	
	2013	Front-V6 - 3.0L Hardware Included	CFM1549	SBM1549	
	2012	Front-All Hardware Included	CFM1549	SBM1549	
	2011-10	Front-All Hardware Included	CFC1111		
	2011-10	Front-All Hardware Not Included		SBM1111	
	2009-07	Front-V8 - 4.2L w/ 321mm, 347mm Brake Rotors	CFC1111	SBM1111	
	2009	Front-V6 - 3.0L w/ 321mm, 347mm Brake Rotors	CFC1111	SBM1111	
	2008-07	Front-V6 - 3.2L w/ 321mm, 347mm Brake Rotors	CFC1111	SBM1111	
	2006	Front-V6 - 3.2L w/ 321mm Brake Rotors	CFC1111	SBM1111	
	2006	Front-V6 - 3.2L w/ 347mm Brake Rotors	CFM915	SBM915	
	2006	Front-V8 - 4.2L w/ 321mm Brake Rotors	CFC1111	SBM1111	
	2006	Front-V8 - 4.2L w/ 347mm Brake Rotors	CFM915	SBM915	
	2005	Front-V6 - 3.2L Hardware Included	CFM915	SBM915	
	2005	Front-V8 - 4.2L Hardware Included	CFM915	SBM915	
	2004-02	Front-V6 - 2.7L w/ 312mm Brake Rotors	CFM840	SBM840	
	2004-02	Front-V6 - 2.7L w/ 321mm Brake Rotors	CFM915	SBM915	
	2004-02	Front-V6 - 3.0L w/ 312mm Brake Rotors	CFM840	SBM840	
	2004-02	Front-V6 - 3.0L w/ 321mm Brake Rotors	CFM915	SBM915	
	2004-02	Front-V8 - 4.2L w/ 312mm Brake Rotors	CFM840	SBM840	
	2004-02	Front-V8 - 4.2L w/ 321mm Brake Rotors	CFM915	SBM915	
	2001-00	Front-V6 - 2.7L w/ 288mm, 312mm Brake Rotors	CFM840	SBM840	
	2001-00	Front-V6 - 2.8L w/ 288mm, 312mm Brake Rotors	CFM840	SBM840	
	2001-00	Front-V8 - 4.2L w/ 288mm, 312mm Brake Rotors	CFM840	SBM840	
	1999-98	Front-All w/ D Shaped Wear Sensor Connector		SBM555B	
	1999-98	Front-All w/ Round Wear Sensor Connector		SBM555	
	1997-95	Front-All Hardware Included		SBM555	
	2018-12	Rear-All Hardware Included	CFM1547K2		
	2018-12	Rear-All Hardware Not Included		SBM1547	
	2011	Rear-All w/ 302mm Brake Rotors	CFM1108K1	SBC1108K1	
	2011	Rear-All w/ 330mm Brake Rotors	CFM1018	SBM1018	
	2010	Rear-V6 - 3.0L Hardware Included	CFM1108K1	SBC1108K1	

BENDIX BRAKE PARTS

PART TYPE	YEAR	APPLICATION	PREMIUM NO.	PART NO.	SEVERE DUTY NO.	
Audi (Cont'd.)						
A6 Quattro (Cont'd.)						
Disc Brake Pad Set (cont'd)	2010	Rear-V8 - 4.2L Hardware Included	CFM1018	SBM1018		
	2009-06	Rear-V8 - 4.2L w/ 302mm Brake Rotors	CFM1108K1	SBC1108K1		
	2009-06	Rear-V8 - 4.2L w/ 330mm Brake Rotors	CFM1018	SBM1018		
	2009	Rear-V6 - 3.0L w/ 302mm Brake Rotors	CFM1108K1	SBC1108K1		
	2009	Rear-V6 - 3.0L w/ 330mm Brake Rotors	CFM1018	SBM1018		
	2008-06	Rear-V6 - 3.2L w/ 302mm Brake Rotors	CFM1108K1	SBC1108K1		
	2008-06	Rear-V6 - 3.2L w/ 330mm Brake Rotors	CFM1018	SBM1018		
	2005	Rear-V6 - 3.2L Hardware Included	CFM1108K1	SBC1108K1		
	2005	Rear-V8 - 4.2L Hardware Included	CFM1018	SBM1018		
	2004-03	Rear-V6 - 2.7L Base, Turbocharged, GAS, Hardware Included		SBC340K2		
	2004-03	Rear-V6 - 2.7L From Chassis/VIN #4B-3-048 456	CFM1017	SBM1017		
	2004-03	Rear-V6 - 3.0L Base, Naturally Aspirated, GAS, Hardware Included		SBC340K2		
	2004-02	Rear-V6 - 3.0L Avant, Naturally Aspirated, GAS, Hardware Included		SBC340K2		
	2004-02	Rear-V8 - 4.2L Base, Naturally Aspirated, GAS, Hardware Included		SBC340K2		
	2004	Rear-V8 - 4.2L To VIN #4B-3-048455	CFM1017	SBM1017		
	2003-98	Rear-All To VIN #4B-3-048455	CFM1017	SBM1017		
	2003	Rear-V8 - 4.2L From Chassis/VIN #4B-3-048 456	CFM1017	SBM1017		
	2002	Rear-V6 - 2.7L Base, Turbocharged, GAS, w/ 255mm Brake Rotors		SBC340K2		
	2002	Rear-V6 - 3.0L Base, Naturally Aspirated, GAS, w/ 255mm Brake Rotors		SBC340K2		
	1997-95	Rear-All Hardware Not Included		SBC228		
	Disc Brake Rotor	2018-16	Front-All		PRT6185	
		2015-14	Front-V6 - 3.0L DIESEL		PRT6264	
		2015	Front-L4 - 2.0L GAS		PRT6264	
		2015	Front-V6 - 3.0L GAS		PRT6185	
		2014	Front-L4 - 2.0L GAS, To 08/05/2013		PRT6264	
		2013	Front-L4 - 2.0L	BPR6239	PRT6239	
		2013	Front-V6 - 3.0L		PRT6185	
		2012	Front-All		PRT6185	
		2011-05	Front-All 321mm Rotor	BPR5761	PRT5761	
		2011-05	Front-All 347mm Rotor	BPR5959	PRT5959	
		2004-02	Front-All 2 Piston Caliper		PRT5555	
		2004-02	Front-All 320mm Dia.		PRT6305	
		2004-00	Front-All 312mm Rotor	BPR1945	PRT1945	
		2001-00	Front-All 288mm Rotor	BPR5000	PRT5000	
2001-00		Front-All 321mm Rotor		PRT5555		
1999-95		Front-All	BPR5000	PRT5000		
2018-14		Rear-All		PRT6159		
2013-12		Rear-V6 - 3.0L	BPR6159	PRT6159		
2013		Rear-L4 - 2.0L	BPR5993	PRT5993		
2011-05		Rear-All 302mm Rotor	BPR5785	PRT5785		
2011-05		Rear-All 330mm Rotor	BPR5985	PRT5985		
2004-00		Rear-All 255mm Rotor, Except 205/55R16" Tires		PRT5392		
2004-00		Rear-All 255mm Rotor, W/ 205/55R16" Tires	BPR5355	PRT5355		
2004-00		Rear-All 269mm Rotor		PRT5759		
2001-98		Rear-All 245mm Rotor	BPR5386	PRT5386		
1999-98		Rear-All 255mm Rotor	BPR5355	PRT5355		
1997-95		Rear-All 245mm Rotor	BPR5002	PRT5002		
A7						
Disc Brake Pad Set		2017-16	Front-All Hardware Included	CFM1549	SBM1549	
		2017-16	Rear-All Hardware Included	CFM1547K1		
		2017-16	Rear-All Hardware Not Included		SBM1547	
A7 Quattro						
Disc Brake Pad Set		2018-16	Front-All Hardware Included	CFM1549	SBM1549	
		2015	Front-All Supercharged, Hardware Included	CFM1549	SBM1549	
	2015	Front-All Turbocharged, Hardware Included	CFC1322			
	2015	Front-All Turbocharged, Hardware Not Included		SBC1322		
	2014	Front-All Base, Hardware Included	CFM1549	SBM1549		
	2014	Front-All TDI, Hardware Included	CFC1322			
	2014	Front-All TDI, Hardware Not Included		SBC1322		
	2014	Front-All TDI Premium Plus, Hardware Included	CFC1322			
	2014	Front-All TDI Premium Plus, Hardware Not Included		SBC1322		
	2014	Front-All TDI Prestige, Hardware Included	CFC1322			
	2014	Front-All TDI Prestige, Hardware Not Included		SBC1322		
	2013	Front-V6 - 3.0L Hardware Included	CFM1549	SBM1549		
	2012	Front-All Hardware Included	CFM1549	SBM1549		
	2018-12	Rear-All Hardware Included	CFM1547K1			
	2018-12	Rear-All Hardware Not Included		SBM1547		
	Disc Brake Rotor	2018-16	Front-All		PRT6185	
		2015	Front-V6 - 3.0L DIESEL		PRT6264	

BENDIX BRAKE PARTS

PART TYPE	YEAR	APPLICATION	PREMIUM NO.	PART NO.	SEVERE DUTY NO.
Audi (Cont'd.)					
A7 Quattro (Cont'd.)					
Disc Brake Rotor (cont'd)	2015	Front-V6 - 3.0L GAS		PRT6185	
	2014-12	Front-All		PRT6185	
	2018-17	Rear-All		PRT6159	
	2014-12	Rear-All	BPR6159	PRT6159	
A8					
Disc Brake Pad Set	2016-15	Front-All Hardware Not Included	CFM1546	SBC1546	
	2000-97	Front-All Hardware Included		SBM555	
	2016	Rear-All Hardware Included	CFM1547K1		
	2016	Rear-All Hardware Not Included		SBM1547	
	2015	Rear-All Hardware Not Included	CFM1785	SBM1785	
	2000	Rear-All Hardware Not Included		SBC228	
	1999-97	Rear-All Hardware Not Included		SBM851	
Disc Brake Rotor	1999-97	Front-All	BPR1945	PRT1945	
	1999-97	Rear-All 245mm Rotor		PRT5115	
A8 Quattro					
Disc Brake Pad Set	2018-16	Front-All Hardware Not Included	CFM1546	SBC1546	
	2015	Front-All Base, Hardware Not Included	CFM1781	SBM1781	
	2015	Front-All L, Hardware Not Included	CFM1781	SBM1781	
	2015	Front-All L TDI, Hardware Not Included	CFM1781	SBM1781	
	2015	Front-All L W12, Hardware Not Included	CFM1575	SBM1575	
	2014	Front-All Hardware Not Included	CFM1575	SBM1575	
	2013	Front-V6 - 3.0L Hardware Included	CFM1549	SBM1549	
	2013	Front-V8 - 4.0L Hardware Not Included	CFM1546	SBC1546	
	2013	Front-W12 - 6.3L Hardware Not Included	CFM1575	SBM1575	
	2012	Front-All Base, Hardware Not Included	CFM1546	SBC1546	
	2012	Front-All L, Hardware Not Included	CFM1546	SBC1546	
	2012	Front-All L W12, Hardware Not Included	CFM1575	SBM1575	
	2011	Front-All Hardware Included	CFM1549	SBM1549	
	2010	Front-All Hardware Included	CFM1024		
	2010	Front-All Hardware Not Included		SBM1024	
	2009-06	Front-V8 - 4.2L w/ 360mm, 385mm Brake Rotors	CFM1024	SBM1024	
	2009-06	Front-W12 - 6.0L w/ 360mm, 385mm Brake Rotors	CFM1024	SBM1024	
	2005	Front-V8 - 4.2L Base, w/ 360mm Brake Rotors	CFM1024	SBM1024	
	2005	Front-V8 - 4.2L L, Hardware Included	CFM1024		
	2005	Front-V8 - 4.2L L, Hardware Not Included		SBM1024	
	2005	Front-W12 - 6.0L w/ 360mm Brake Rotors	CFM1024	SBM1024	
	2004	Front-V8 - 4.2L Hardware Included	CFM1024		
	2004	Front-V8 - 4.2L Hardware Not Included		SBM1024	
	2003-02	Front-All w/ 323mm Rotors		SBM912	
	2003-02	Front-All w/ 323mm Rotors		SBM912A	
	2003-02	Front-All w/ 345mm Rotors		SBM594	
	2000	Front-V8 - 4.2L w/ 312mm Brake Rotors		SBM555	
	2000	Front-V8 - 4.2L w/ 323mm Rotors		SBM912	
	2000	Front-V8 - 4.2L w/ 323mm Rotors		SBM912A	
	2000	Front-V8 - 4.2L w/ 345mm Brake Rotors		SBM594	
	1999	Front-V8 - 4.2L Hardware Included	CFM840		
	1999	Front-V8 - 4.2L Hardware Not Included		SBM840	
	1998-97	Front-V8 - 4.2L Hardware Included		SBM555	
	2018-16	Rear-All Hardware Included	CFM1547K1		
	2018-16	Rear-All Hardware Not Included		SBM1547	
	2015	Rear-All L TDI, Hardware Not Included	CFM1785	SBM1785	
	2015	Rear-All L W12, Hardware Included	CFM1547K1		
	2015	Rear-All L W12, Hardware Not Included		SBM1547	
	2015	Rear-V6 - 3.0L Base, Hardware Not Included	CFM1785	SBM1785	
	2015	Rear-V6 - 3.0L L, Hardware Not Included	CFM1785	SBM1785	
	2014-13	Rear-All Hardware Included	CFM1547K1		
	2014-13	Rear-All Hardware Not Included		SBM1547	
	2012	Rear-All Base, Hardware Included	CFM1547K1		
	2012	Rear-All Base, Hardware Not Included		SBM1547	
	2012	Rear-All L, Hardware Included	CFM1547K1		
	2012	Rear-All L, Hardware Not Included		SBM1547	
	2012	Rear-All L W12, Hardware Included	CFM1547K1		
	2012	Rear-All L W12, Hardware Not Included		SBM1547	
	2011	Rear-All Hardware Included	CFM1547K1		
	2011	Rear-All Hardware Not Included		SBM1547	
	2010	Rear-All Hardware Included	CFM1018	SBM1018	
	2009-05	Rear-W12 - 6.0L Hardware Included	CFM1018	SBM1018	
	2009-04	Rear-V8 - 4.2L Hardware Included	CFM1018	SBM1018	
	2003-02	Rear-All w/ 232mm Brake Rotors	CFM1017	SBM1017	
	2003-02	Rear-All w/ 256mm Brake Rotors	CFM1017	SBM894	
	2001	Rear-V8 - 4.2L Hardware Included	CFM1112	SBC340K1	
	2000	Rear-All w/ 245mm Brake Rotors		SBM851	
	2000	Rear-All w/ 269mm Brake Rotors	CFM1112	SBC340K1	

BENDIX BRAKE PARTS

PART TYPE	YEAR	APPLICATION	PREMIUM NO.	PART NO.	SEVERE DUTY NO.	
Audi (Cont'd.)						
A8 Quattro (Cont'd.)						
Disc Brake Pad Set (cont'd)	1999-97	Rear-All Hardware Not Included		SBC228		
Disc Brake Rotor	2018-15	Front-All		PRT6359		
	2014	Front-All To 09/02/2013		PRT6359		
	2013-11	Front-All		PRT6359		
	2010	Front-All		PRT6078		
	2009-04	Front-All 360mm Dia.		PRT6078		
	2003-01	Front-All 323mm		PRT6081		
	2000	Front-All 312mm Diameter	BPR1945	PRT1945		
	1999-97	Front-All	BPR1945	PRT1945		
	2018-15	Rear-All		PRT6331		
	2014	Rear-All To 09/02/2013		PRT6331		
	2013-11	Rear-All		PRT6331		
	2010-04	Rear-All 310mm Rotor Diameter		PRT5746		
	2003-01	Rear-All 269mm Rotor		PRT5573		
	2003-01	Rear-All 280mm Rotor		PRT5579		
	2000	Rear-All From VIN # 4D-Y-005 001 (1 Piston Caliper); 269mm		PRT5573		
	2000	Rear-All To VIN # 4D-Y-005 000 (1 Piston Caliper); 245mm		PRT5115		
	1999-97	Rear-All 245mm Rotor		PRT5115		
allroad						
Disc Brake Pad Set	2016-13	Front-All Hardware Included	CFC1322			
	2016-13	Front-All Hardware Not Included		SBC1322		
	2016-14	Rear-All Hardware Included	CFM1386			
	2016-14	Rear-All Hardware Not Included		SBM1386		
	2013	Rear-All Hardware Included	CFM1018	SBM1018		
Disc Brake Rotor	2016-13	Front-All		PRT6239		
	2016-13	Rear-All		PRT5993		
Allroad Quattro						
Disc Brake Pad Set	2005	Front-All w/ 1 Piston Caliper	CFM915	SBM915		
	2004	Front-V6 - 2.7L w/ 1 Piston Caliper	CFM915	SBM915		
	2004	Front-V8 - 4.2L w/ 1 Piston Caliper	CFM915	SBM915		
	2003	Front-V6 - 2.7L ITT	CFM915	SBM915		
	2003	Front-V8 - 4.2L ITT	CFM915	SBM915		
	2002-01	Front-V6 - 2.7L w/ Male D-Shaped Pad Wear Sensor		SBM912		
	2002-01	Front-V6 - 2.7L w/ Male Round Pad Wear Sensor		SBM912A		
	2005	Rear-All Hardware Included	CFM1017	SBM1017		
	2004-03	Rear-V8 - 4.2L Hardware Included	CFM1017	SBM1017		
	2004	Rear-V6 - 2.7L Hardware Included	CFM1017	SBM1017		
	2003	Rear-V6 - 2.7L From Chassis/VIN #4B-3-048 456	CFM1017	SBM1017		
	2003	Rear-V6 - 2.7L To Chassis/VIN #4B-3-048 455	CFM1112	SBC340K1		
	2002-01	Rear-V6 - 2.7L From VIN #4B-01-060001	CFM1112	SBC340K1		
	2002	Rear-All To VIN #4B-01-060000	CFM1017	SBM1017		
	2001	Rear-V6 - 2.7L To VIN #4B-01-060000	CFM1017	SBM1017		
	Disc Brake Rotor	2005-01	Front-All 320mm Rotor		PRT5408	
		2005-01	Rear-All 255mm Rotor		PRT5392	
	Cabriolet					
	Disc Brake Pad Set	1998-97	Front-V6 - 2.8L Hardware Not Included		SBM419	
1996-94		Front-All Hardware Not Included		SBM419		
1998-94		Rear-All Hardware Not Included		SBC228		
Disc Brake Rotor	1998-94	Front-All		PRT1946		
	1998-94	Rear-All		PRT1338		
Coupe						
Disc Brake Pad Set	1987-85	Front-All Hardware Not Included		SBM227		
	1987-83	Rear-All Hardware Not Included		SBC228		
Drum Brake Shoe	1987-81	Rear-All		495		
Disc Brake Rotor	1987	Front-All 239mm Diameter		PRT1248		
	1987	Front-All 256mm Dia.		PRT1500		
	1986-83	Front-All		PRT1248		
	1982-81	Front-All		PRT1095		
	1987	Rear-L5 - 2.3L		PRT1304		
	Brake Drum	1987	Rear-L5 - 2.2L 200 x 40mm - 4/100mmBrakes		PDR0563	
1986-85		Rear-All 200 x 40mm - 4/100mmBrakes		PDR0563		
Coupe Quattro						
Disc Brake Pad Set	1991	Front-All w/ ATE Caliper Design	CFM394A	SBM394A		
	1990	Front-All Hardware Not Included		SBM419		
	1991-90	Rear-All Hardware Not Included		SBC228		
Disc Brake Rotor	1991-90	Front-All		PRT1946		
	1991-90	Rear-All 4 SCREW HOLES		PRT1484		
Fox						
Disc Brake Pad Set	1974	Front-All Hardware Not Included		SBC31A		
	1973	Front-All w/o Semi-Metallic Brakes		SBC31A		
Disc Brake Rotor	1979-73	Front-All		PRT1095		

BENDIX BRAKE PARTS

PART TYPE	YEAR	APPLICATION	PREMIUM NO.	PART NO.	SEVERE DUTY NO.	
Audi (Cont'd.)						
Q3						
Disc Brake Pad Set	2018-13	Front-All Hardware Included	CFM1375	SBC1375		
	2018-16	Rear-All Hardware Not Included	CFM1779	SBC1779		
	2015-13	Rear-All Hardware Included	CFM1108K1	SBC1108K1		
Disc Brake Rotor	2018-15	Front-All		PRT5639		
	2015	Rear-All		PRT6059		
Q3 Quattro						
Disc Brake Pad Set	2018-15	Front-All Hardware Included	CFM1375	SBC1375		
	2018-16	Rear-All Hardware Not Included	CFM1779	SBC1779		
	2015	Rear-All Hardware Included	CFM1108K1	SBC1108K1		
Disc Brake Rotor	2018-15	Front-All		PRT5639		
Q5						
Disc Brake Pad Set	2018	Front-All w/ Conti-Tevs Front Caliper	CFC1897			
	2017	Front-All Hardware Included	CFC1663			
	2017	Front-All Hardware Not Included		SBC1663		
	2016	Front-All Elite, Hardware Included	CFC1663			
	2016	Front-All Elite, Hardware Not Included		SBC1663		
	2016	Front-All Hybrid Prestige, Hardware Included	CFC1322			
	2016	Front-All Hybrid Prestige, Hardware Not Included		SBC1322		
	2016	Front-All Komfort, Hardware Included	CFC1663			
	2016	Front-All Komfort, Hardware Not Included		SBC1663		
	2016	Front-All Luxury, Hardware Included	CFC1663			
	2016	Front-All Luxury, Hardware Not Included		SBC1663		
	2016	Front-All Premium, Hardware Included	CFC1663			
	2016	Front-All Premium, Hardware Not Included		SBC1663		
	2016	Front-All Premium Plus, Hardware Included	CFC1663			
	2016	Front-All Premium Plus, Hardware Not Included		SBC1663		
	2016	Front-All Prestige, Hardware Included	CFC1663			
	2016	Front-All Prestige, Hardware Not Included		SBC1663		
	2016	Front-All Progressiv, Hardware Included	CFC1663			
	2016	Front-All Progressiv, Hardware Not Included		SBC1663		
	2016	Front-All TDI Premium Plus, Hardware Included	CFC1663			
	2016	Front-All TDI Premium Plus, Hardware Not Included		SBC1663		
	2016	Front-All TDI Premium Plus S-Line, Hardware Included	CFC1663			
	2016	Front-All TDI Premium Plus S-Line, Hardware Not Included		SBC1663		
	2016	Front-All TDI Prestige, Hardware Included	CFC1663			
	2016	Front-All TDI Prestige, Hardware Not Included		SBC1663		
	2016	Front-All TDI Prestige S-Line, Hardware Included	CFC1663			
	2016	Front-All TDI Prestige S-Line, Hardware Not Included		SBC1663		
	2016	Front-All TDI Progressiv, Hardware Included	CFC1663			
	2016	Front-All TDI Progressiv, Hardware Not Included		SBC1663		
	2016	Front-All TDI Technik, Hardware Included	CFC1663			
	2016	Front-All TDI Technik, Hardware Not Included		SBC1663		
	2016	Front-All Technik, Hardware Included	CFC1663			
	2016	Front-All Technik, Hardware Not Included		SBC1663		
	2016	Front-All Trendy, Hardware Included	CFC1663			
	2016	Front-All Trendy, Hardware Not Included		SBC1663		
	2015	Front-All DIESEL, Hardware Included	CFC1663			
	2015	Front-All DIESEL, Hardware Not Included		SBC1663		
	2015	Front-All ELECTRIC/GAS, Hardware Included	CFC1322			
	2015	Front-All ELECTRIC/GAS, Hardware Not Included		SBC1322		
	2015	Front-All FLEX, Hardware Included	CFC1663			
	2015	Front-All FLEX, Hardware Not Included		SBC1663		
	2015	Front-All GAS, Hardware Included	CFC1663			
	2015	Front-All GAS, Hardware Not Included		SBC1663		
	2014	Front-All Hardware Not Included	CFM1546		SBC1546	
	2013	Front-All Hardware Included	CFC1663			
	2013	Front-All Hardware Not Included		SBC1663		
	2012-09	Front-All Hardware Included	CFC1322			
	2012-09	Front-All Hardware Not Included		SBC1322		
	2018	Rear-All Hardware Not Included	CFC1898			
	2017	Rear-All Hardware Included	CFM1386			
2017	Rear-All Hardware Not Included		SBM1386			
2016	Rear-All Hybrid Prestige, Hardware Included	CFM1386				
2016	Rear-All Hybrid Prestige, Hardware Not Included		SBM1386			
2015-14	Rear-All Hardware Included	CFM1386				
2015-14	Rear-All Hardware Not Included		SBM1386			
2013	Rear-All Hardware Included	CFM1018		SBM1018		
2012-09	Rear-All Hardware Included	CFM1386				
2012-09	Rear-All Hardware Not Included		SBM1386			
Disc Brake Rotor	2016-13	Front-All		PRT6264		
	2012	Front-All	BPR6239	PRT6239		
	2011-09	Front-All 320mm Diameter	BPR6004	PRT6004		
	2011-09	Front-All 345mm Diameter		PRT5994		

BENDIX BRAKE PARTS

PART TYPE	YEAR	APPLICATION	PREMIUM NO.	PART NO.	SEVERE DUTY NO.
Audi (Cont'd.)					
Q5 (Cont'd.)					
Disc Brake Rotor (cont'd)	2018	Rear-All		PRT6159	
	2017-14	Rear-V6 - 3.0L		PRT6159	
	2017	Rear-All w/ Solid Rotor		PRT5993	
	2016-14	Rear-L4 - 2.0L Hybrid Prestige		PRT6159	
	2016-13	Rear-All Solid Rotor	BPR5993	PRT5993	
	2014-13	Rear-All Vented Rotors	BPR6159		
	2014	Rear-V6 - 3.0L Vented Rotors		PRT6159	
	2013	Rear-All Vented Rotors		PRT6159	
	2012-09	Rear-All 300mm Diameter	BPR5993	PRT5993	
	2010-09	Rear-All 330mm Diameter		PRT6013	
Q7					
Disc Brake Pad Set	2019-16	Front-All Hardware Included	CFC1894		
	2015-13	Front-All Hardware Included	CFM1014		
	2015-13	Front-All Hardware Not Included		SBM1014	
	2012	Front-All Premium, Hardware Included	CFM1014		
	2012	Front-All Premium, Hardware Not Included		SBM1014	
	2012	Front-All Premium Plus, Hardware Included	CFM1014		
	2012	Front-All Premium Plus, Hardware Not Included		SBM1014	
	2012	Front-All Prestige, Hardware Included	CFM1014		
	2012	Front-All Prestige, Hardware Not Included		SBM1014	
	2012	Front-All Sport, Hardware Included	CFM1014		
	2012	Front-All Sport, Hardware Not Included		SBM1014	
	2012	Front-All TDI Premium, Hardware Included	CFM1014		
	2012	Front-All TDI Premium, Hardware Not Included		SBM1014	
	2012	Front-All TDI Premium Plus, Hardware Included	CFM1014		
	2012	Front-All TDI Premium Plus, Hardware Not Included		SBM1014	
	2012	Front-All TDI Prestige, Hardware Included	CFM1014		
	2012	Front-All TDI Prestige, Hardware Not Included		SBM1014	
	2011	Front-All Hardware Included	CFM1014		
	2011	Front-All Hardware Not Included		SBM1014	
	2010-09	Front-V6 - 3.0L Hardware Included	CFM1014		
	2010-09	Front-V6 - 3.0L Hardware Not Included		SBM1014	
	2010-07	Front-V6 - 3.6L Hardware Included	CFM1014		
	2010-07	Front-V6 - 3.6L Hardware Not Included		SBM1014	
	2010-07	Front-V8 - 4.2L Hardware Included	CFM1014		
	2010-07	Front-V8 - 4.2L Hardware Not Included		SBM1014	
	2019-17	Rear-All Hardware Not Included	CFC1895		
	2016	Rear-All Hardware Not Included	CFC1898		
	2015-11	Rear-All Hardware Included	CFM978		
	2015-11	Rear-All Hardware Not Included		SBM978	
	2010-07	Rear-V6 - 3.6L Hardware Included	CFM978		
	2010-07	Rear-V6 - 3.6L Hardware Not Included		SBM978	
	2010-07	Rear-V8 - 4.2L Hardware Included	CFM978		
	2010-07	Rear-V8 - 4.2L Hardware Not Included		SBM978	
	2010	Rear-V6 - 3.0L Hardware Included	CFM978		
	2010	Rear-V6 - 3.0L Hardware Not Included		SBM978	
Parking Brake Shoe	2015	Rear-All		870	
	2012-07	Rear-All		870	
Disc Brake Rotor	2015-07	Front Left-All	BPR5590	PRT5590	
	2015-07	Front Right-All	BPR5589	PRT5589	
	2012-07	Rear-All	BPR5758	PRT5758	
Quattro					
Disc Brake Pad Set	1986	Front-All Hardware Not Included		SBM227	
	1985	Front-All From Chassis/VIN #85-H-900 01		SBM419	
	1985	Front-All To Chassis/VIN #85-D-900 581		SBM290	
	1985	Front-All w/ ATE Brake Design		SBM227	
	1986-83	Rear-All Hardware Not Included		SBC228	
Disc Brake Rotor	1986-83	Front-All 276mm Rotor		PRT1887	
	1986-83	Front-All 280mm Rotor		PRT1337	
	1986-83	Rear-All		PRT1304	
R8					
Disc Brake Pad Set	2018	Front-All w/ Ceramic Rotors		SBM1130	
	2018	Front-All w/ Iron Rotors		SBM1029	
	2017	Front-All w/ Ceramic Composite Brakes		SBM1130	
	2015	Front-All w/ Ceramic Composite Brakes		SBM1130	
	2012	Front-All w/ Ceramic Composite Brakes		SBM1130	
	2011-10	Front-All Hardware Not Included		SBM1029	
Disc Brake Rotor	2012	Front-All exc. Ceramic Composite Brakes		PRT6374	
	2011-08	Front-All		PRT6374	
	2012	Rear-All exc. Ceramic Composite Brakes		PRT6373	
	2011-08	Rear-All		PRT6373	
RS3					
Disc Brake Pad Set	2017	Front-All Hardware Not Included		SBM1029	

BENDIX BRAKE PARTS

PART TYPE	YEAR	APPLICATION	PREMIUM NO.	PART NO.	SEVERE DUTY NO.	
Audi (Cont'd.)						
RS4						
Disc Brake Pad Set	2008-07	Rear-V8 - 4.2L Hardware Included	CFM1018	SBM1018		
RS5						
Disc Brake Pad Set	2018	Front-All w/o Ceramic Composite Brakes	CFC1894			
	2015	Front-All w/ Ceramic Composite Brakes		SBM1130		
	2013	Front-All Hardware Not Included		SBM1130		
	2011	Front-All w/ Iron Rotors		SBM1029		
	2018	Rear-All Hardware Not Included	CFC1898			
	2016-13	Rear-All Hardware Included	CFM1547K1			
	2016-13	Rear-All Hardware Not Included		SBM1547		
	2011	Rear-All w/ 380mm Diameter Carbon Ceramic Rotors	CFM1547K1	SBM1547		
RS6						
Disc Brake Pad Set	2004-03	Front-All w/ 312mm Brake Rotors	CFM840	SBM840		
	2010	Rear-All Hardware Included	CFM1018	SBM1018		
	2004	Rear-V8 - 4.2L Hardware Included	CFM1018	SBM1018		
	2003	Rear-All Hardware Included	CFM1018	SBM1018		
RS7						
Disc Brake Pad Set	2018	Front-All Performance, Hardware Not Included	CFM1781	SBM1781		
	2017-14	Front-All Hardware Not Included		SBM1291		
	2018	Rear-All Base, Includes Clips	CFM1547K1	SBM1547		
	2018	Rear-All Performance, Includes Clips	CFM1785	SBM1785		
	2017-16	Rear-All Hardware Included	CFM1547K1			
	2017-16	Rear-All Hardware Not Included		SBM1547		
	2015	Rear-All Exc. Sportback	CFM1547K1	SBM1547		
	2015	Rear-All Sportback	CFM1785	SBM1785		
	2014	Rear-All Hardware Included	CFM1547K1			
	2014	Rear-All Hardware Not Included		SBM1547		
	S3					
Disc Brake Pad Set	2018-14	Front-All Hardware Not Included	CFC1633	SBC1633		
	2012-11	Front-All Hardware Included	CFC1111			
	2012-11	Front-All Hardware Not Included		SBM1111		
	2010-08	Front-All w/ Electronic Wear Sensor	CFC1107	SBC1107A		
	2001-00	Front-All Hardware Included		SBM555		
	2018	Rear-All Hardware Not Included	CFC1761	SBC1761		
	2017-15	Rear-All w/o Electronic Wear Sensor	CFC1761	SBC1761		
	2014	Rear-All Hardware Not Included	CFC1761	SBC1761		
	2012-08	Rear-All Hardware Included	CFM1108K1	SBC1108K1		
	2001-00	Rear-All Hardware Not Included		SBC228		
Disc Brake Rotor	2018-15	Front-All		PRT6252		
	2018-15	Rear-All		PRT5958		
S4						
Disc Brake Pad Set	2018-17	Front-All Hardware Included	CFC1894			
	2016-10	Front-All Hardware Included	CFC1322			
	2016-10	Front-All Hardware Not Included		SBC1322		
	2009-04	Front-All Hardware Included	CFC1111			
	2009-04	Front-All Hardware Not Included		SBM1111		
	2002	Front-All w/ "D" Shaped Electronic Wear Sensor	CFM840	SBM840		
	1994-92	Front-All Base, w/ Electronic Wear Sensor		SBM419		
	2018-17	Rear-All Hardware Not Included	CFC1898			
	2016-14	Rear-All Hardware Included	CFM1386			
	2016-14	Rear-All Hardware Not Included		SBM1386		
	2013	Rear-All Hardware Included	CFM1018	SBM1018		
	2012	Rear-All Hardware Included	CFM1386			
	2012	Rear-All Hardware Not Included		SBM1386		
	2011	Rear-All Hardware Included	CFM1018	SBM1018		
	2010	Rear-All Hardware Included	CFM1386			
	2010	Rear-All Hardware Not Included		SBM1386		
	2009-04	Rear-All Hardware Included	CFM1018	SBM1018		
	2002	Rear-All Hardware Included	CFM1112	SBC340K1		
	2001-00	Rear-V6 - 2.7L Hardware Included	CFM1112	SBC340K1		
	1994-92	Rear-All Hardware Not Included		SBC228		
	Disc Brake Rotor	2016-13	Front-All		PRT6264	
		2012	Front-All		PRT6185	
		2011-10	Front-All		PRT5994	
2009		Front-All		PRT5876		
2008-04		Front-All 345mm Rotor		PRT5876		
2002		Front-All	BPR1945	PRT6305		
2001-00		Front-All 320mm Rotor		PRT5408		
1994-92		Front-All		PRT1949		
2018		Rear-All		PRT6159		
2016		Rear-All		PRT6159		
2013-11		Rear-All From 11/08/2010	BPR6159	PRT6159		
2011-10	Rear-All To 11/08/2010		PRT6013			

BENDIX BRAKE PARTS

PART TYPE	YEAR	APPLICATION	PREMIUM NO.	PART NO.	SEVERE DUTY NO.	
Audi (Cont'd.)						
S4 (Cont'd.)						
Disc Brake Rotor (cont'd)	2002-00	Rear-All Vented Rotors; 256mm		PRT5415		
	1994-92	Rear-All		PRT5003		
S5						
Disc Brake Pad Set	2018	Front-All Hardware Included	CFC1894			
	2017-08	Front-All Hardware Included	CFC1322			
	2017-08	Front-All Hardware Not Included		SBC1322		
	2018	Rear-All Hardware Not Included	CFC1898			
	2017-14	Rear-All Hardware Included	CFM1386			
	2017-14	Rear-All Hardware Not Included		SBM1386		
	2013	Rear-All Hardware Included	CFM1018	SBM1018		
	2012	Rear-All Hardware Included	CFM1386			
	2012	Rear-All Hardware Not Included		SBM1386		
	2011	Rear-All Hardware Included	CFM1018	SBM1018		
	2010-08	Rear-All Hardware Included	CFM1386			
	2010-08	Rear-All Hardware Not Included		SBM1386		
	Disc Brake Rotor	2017-12	Front-All		PRT6264	
2011-08		Front-All		PRT5994		
2013-11		Rear-All From 11/08/2010	BPR6159	PRT6159		
2011-08		Rear-All To 11/08/2010		PRT6013		
S5 Sportback						
Disc Brake Pad Set	2018	Front-All Hardware Included	CFC1894			
	2018	Rear-All Hardware Not Included	CFC1898			
Disc Brake Rotor	2018	Rear-All		PRT6159		
S6						
Disc Brake Pad Set	2018-13	Front-All Hardware Not Included	CFM1575	SBM1575		
	2011-07	Front-All Hardware Included	CFM1024			
	2011-07	Front-All Hardware Not Included		SBM1024		
	2004	Front-All w/ Electronic Wear Sensor		SBM915		
	2004	Front-All w/ Electronic Wear Sensor	CFM840	SBM840		
	2004	Front-All w/ Electronic Wear Sensor	CFM915			
	2003-02	Front-V8 - 4.2L w/ 312mm Brake Rotors	CFM840	SBM840		
	2003-02	Front-V8 - 4.2L w/ 321mm Brake Rotors	CFM915	SBM915		
	1997-96	Front-All Hardware Not Included		SBM419		
	1995	Front-All Avant, Hardware Not Included		SBM419		
	1995	Front-All Base, w/ Electronic Wear Sensor		SBM419		
	2018	Rear-All w/ Ceramic Rotors	CFM1780	SBM1780		
	2018	Rear-All w/ Iron Rotors	CFM1547K1	SBM1547		
	2017-13	Rear-All Hardware Included	CFM1547K1			
	2017-13	Rear-All Hardware Not Included		SBM1547		
	2011-07	Rear-All Hardware Included	CFM1018	SBM1018		
	2004	Rear-All Hardware Included	CFM1017	SBM1017		
	2003-02	Rear-V8 - 4.2L Avant, Naturally Aspirated, GAS, Hardware Included		SBC340K2		
	2003-02	Rear-V8 - 4.2L From Chassis/VIN #4B-3-048 456	CFM1017	SBM1017		
	2003	Rear-All To VIN #4B-3-048455	CFM1017	SBM1017		
	1997-95	Rear-All Hardware Not Included		SBC228		
	Disc Brake Rotor	2011-07	Front-All		PRT6002	
		2003-02	Front-All		PRT5555	
		1997-95	Front-All		PRT1949	
		2018-13	Rear-All		PRT6331	
		2011-07	Rear-All		PRT6027	
		2003-02	Rear-All	BPR5386	PRT5386	
1997-95		Rear-All		PRT5003		
S7						
Disc Brake Pad Set	2018-13	Front-All Hardware Not Included	CFM1575	SBM1575		
	2018	Rear-All Includes Clips	CFM1547K1	SBM1547		
	2017-13	Rear-All Hardware Included	CFM1547K1			
	2017-13	Rear-All Hardware Not Included		SBM1547		
Disc Brake Rotor	2018-13	Rear-All		PRT6331		
S8						
Disc Brake Pad Set	2017-13	Front-All Hardware Not Included	CFM1575	SBM1575		
	2009-08	Front-All Hardware Included	CFM1024			
	2009-08	Front-All Hardware Not Included		SBM1024		
	2007	Front-All w/ 360mm, 385mm Brake Rotors	CFM1024	SBM1024		
	2003-01	Front-All Hardware Not Included		SBM594		
	2017-13	Rear-All Hardware Included	CFM1547K1			
	2017-13	Rear-All Hardware Not Included		SBM1547		
	2009-07	Rear-All Hardware Included	CFM1018	SBM1018		
	2003	Rear-All Hardware Included	CFM1112	SBC340K1		
	2002-01	Rear-V8 - 4.2L Hardware Included	CFM1112	SBC340K1		
	Disc Brake Rotor	2007	Front-All 360mm Dia.		PRT6078	
2017-13		Rear-All		PRT6331		
2007		Rear-All 310mm Rotor Diameter		PRT5746		

BENDIX BRAKE PARTS

PART TYPE	YEAR	APPLICATION	PREMIUM NO.	PART NO.	SEVERE DUTY NO.	
Audi (Cont'd.)						
SQ5						
Disc Brake Pad Set	2018	Front-All Hardware Included	CFC1894			
	2017-14	Front-All Hardware Not Included	CFM1546	SBC1546		
	2018	Rear-All Hardware Not Included	CFC1898			
	2017-14	Rear-All Hardware Included	CFM1386			
Disc Brake Rotor	2017-14	Rear-All Hardware Not Included		SBM1386		
	2017-16	Front-All		PRT6359		
	2014	Front-All		PRT6359		
2018-15	Rear-All		PRT6159			
Super 90						
Disc Brake Pad Set	1969	Front-All Hardware Not Included		SBC31		
TT						
Disc Brake Pad Set	2017-16	Front-All Hardware Not Included	CFC1760	SBC1760		
	2014	Front-All Hardware Included	CFM1359	SBM1359		
	2013-10	Front-All w/ 340mm Diameter Rotors	CFM1359	SBM1359		
	2013-08	Front-All w/ Electronic Wear Sensor	CFC1107	SBC1107A		
	2007	Front-All Hardware Included	CFM1359	SBM1359		
	2006-02	Front-L4 - 1.8L w/o Sensor	CFM687	SBM687		
	2002	Front-All w/ "D" Shaped Electronic Wear Sensor	CFM687	SBM687		
	2001	Front-All w/o Sensor	CFM687	SBM687		
	2000	Front-All w/ "D" Shaped Electronic Wear Sensor	CFM687	SBM687		
	2000	Front-L4 - 1.8L w/o Sensor	CFM687	SBM687		
	2017-16	Rear-All Hardware Not Included	CFC1761	SBC1761		
	2014-08	Rear-All Hardware Included	CFM1108K1	SBC1108K1		
	2007	Rear-All Convertible, Hardware Included	CFM1108K1	SBC1108K1		
	2007	Rear-All Coupe, PR Code 1KF Located On The Vehicle Build Sticker	CFM1017	SBM1017		
	2006	Rear-All To Chassis/VIN #8N-5-011 000	CFM1017	SBM1017		
	2006	Rear-L4 - 1.8L Base, Turbocharged, GAS, From Chassis/VIN #8N-5-011 001		SBC340K2		
	2005	Rear-All From Chassis/VIN #8N-5-011 001		SBC340K2		
	2005	Rear-All To Chassis/VIN 8N-5-011 000	CFM1017	SBM1017		
	2004-03	Rear-L4 - 1.8L Option Code-PR-1KK, PR-2EK	CFM1112	SBC340K1		
	2002	Rear-All w/ 239mm Brake Rotors	CFM1017	SBM1017		
	2001	Rear-All Hardware Included	CFM1112	SBC340K1		
	2000	Rear-All w/ 239mm Brake Rotors	CFM1017	SBM1017		
	Disc Brake Rotor	2009-08	Front-All 312mm Rotor	BPR5639	PRT5639	
		2009-08	Front-All 340mm Rotor		PRT6194	
		2006-04	Front-L4 - 1.8L	BPR5830	PRT5830	
		2003-99	Front-All	BPR5830	PRT5830	
2011-08		Rear-All Solid Rotor		PRT6014		
2011-08		Rear-All Vented Rotors		PRT6195		
2006-99		Rear-All 232mm Rotor; 232 x 9mm	BPR5238	PRT5238		
TT Quattro						
Disc Brake Pad Set	2018	Front-All Base, Hardware Not Included	CFC1760	SBC1760		
	2018	Front-All RS, Hardware Not Included		SBM1029		
	2018	Front-All S, Hardware Not Included	CFM1876			
	2017	Front-All Hardware Not Included	CFC1760	SBC1760		
	2016	Front-All Base, To 5/13/15	CFC1760	SBC1760		
	2016	Front-All S, Hardware Not Included	CFM1876			
	2015	Front-All Base, Hardware Included	CFC1107	SBC1107		
	2015	Front-All S, Hardware Included	CFM1359	SBM1359		
	2014	Front-All Hardware Included	CFM1108K1	SBC1108K1		
	2013	Front-All w/ 340mm Brake Rotors	CFM1359	SBM1359		
	2013	Front-All w/ Electronic Wear Sensor	CFC1107	SBC1107A		
	2012	Front-All Base, Hardware Included	CFC1107	SBC1107		
	2012	Front-All Premium Plus, w/ Electronic Wear Sensor	CFC1107	SBC1107A		
	2012	Front-All Prestige, w/ Electronic Wear Sensor	CFC1107	SBC1107A		
	2012	Front-All S, D-Shaped w/ Male Sensor	CFC1111	SBM1111		
	2011	Front-All Hardware Included	CFM1359	SBM1359		
	2010-09	Front-L4 - 2.0L S, Hardware Included	CFM1359	SBM1359		
	2010	Front-All Base, Hardware Included	CFM1359	SBM1359		
	2009	Front-L4 - 2.0L Base, w/ Electronic Wear Sensor	CFC1107	SBC1107A		
	2009	Front-V6 - 3.2L Base, w/ Electronic Wear Sensor	CFC1107	SBC1107A		
	2008	Front-V6 - 3.2L Hardware Included	CFM1359	SBM1359		
	2007-04	Front-V6 - 3.2L Hardware Not Included		SBM682		
	2006-00	Front-L4 - 1.8L w/o Sensor	CFM687	SBM687		
	2002-00	Front-All w/ "D" Shaped Electronic Wear Sensor	CFM687	SBM687		
	2018	Rear-All Base, To 11/6/17	CFC1761	SBC1761		
	2018	Rear-All S, Hardware Not Included	CFC1761	SBC1761		
	2018	Rear-All S Line, To 11/6/17	CFC1761	SBC1761		
	2017-16	Rear-All w/o Electronic Wear Sensor	CFC1761	SBC1761		
	2015-13	Rear-All Hardware Included	CFM1108K1	SBC1108K1		
	2012	Rear-All Base, Hardware Included	CFM1108K1	SBC1108K1		
	2012	Rear-All Premium Plus, Hardware Included	CFM1108K1	SBC1108K1		

BENDIX BRAKE PARTS

PART TYPE	YEAR	APPLICATION	PREMIUM NO.	PART NO.	SEVERE DUTY NO.
Audi (Cont'd.)					
TT Quattro (Cont'd.)					
Disc Brake Pad Set (cont'd)	2012	Rear-All Prestige, Hardware Included	CFM1108K1	SBC1108K1	
	2012	Rear-All RS, Hardware Included	CFM1108K1	SBC1108K1	
	2012	Rear-All S, Hardware Included	CFM1108K1	SBC1108K1	
	2011	Rear-All Hardware Included	CFM1108K1	SBC1108K1	
	2010-09	Rear-L4 - 2.0L Hardware Included	CFM1108K1	SBC1108K1	
	2009-08	Rear-V6 - 3.2L Hardware Included	CFM1108K1	SBC1108K1	
	2007	Rear-All Hardware Included	CFM1108K1	SBC1108K1	
	2006	Rear-All To Chassis/VIN #8N-5-011 000	CFM1017	SBM1017	
	2006	Rear-L4 - 1.8L Base, Turbocharged, GAS, From Chassis/VIN #8N-5-011 001		SBC340K2	
	2006	Rear-V6 - 3.2L Base, Naturally Aspirated, GAS, From Chassis/VIN #8N-5-011 001		SBC340K2	
	2006	Rear-V6 - 3.2L Special Edition, Naturally Aspirated, GAS, From Chassis/VIN #8N-5-011 001		SBC340K2	
	2005	Rear-All w/ 232mm Brake Rotors		SBM1017	
	2005	Rear-All w/ 232mm Brake Rotors	CFM1017	SBC340K2	
	2005	Rear-All w/ 256mm Brake Rotors	CFM1017	SBM894	
	2004	Rear-L4 - 1.8L w/ 232mm Brake Rotors	CFM1112	SBC340K1	
	2004	Rear-V6 - 3.2L w/ 232mm Brake Rotors	CFM1112	SBC340K1	
	2003	Rear-L4 - 1.8L w/ 232mm, 256mm Brake Rotors	CFM1112	SBC340K1	
	2002-00	Rear-All w/ 239mm Brake Rotors	CFM1017	SBM1017	
Disc Brake Rotor	2018-15	Front-All		PRT5639	
	2014-13	Front-All Base, 312mm Rotor	BPR5639	PRT5639	
	2014-13	Front-All Base, 340mm Rotor		PRT6194	
	2013-12	Front-All Premium Plus, 312mm Rotor	BPR5639	PRT5639	
	2013-12	Front-All Prestige, 312mm Rotor	BPR5639	PRT5639	
	2013	Front-All Premium Plus, 340mm Rotor		PRT6194	
	2013	Front-All Prestige, 340mm Rotor		PRT6194	
	2013	Front-All RS, 312mm Rotor	BPR5639	PRT5639	
	2013	Front-All RS, 340mm Rotor		PRT6194	
	2012-09	Front-All S, 340mm Rotor		PRT6194	
	2011-09	Front-All Base, 312mm Rotor		PRT5639	
	2011-08	Front-All Base, 312mm Rotor	BPR5639		
	2009-08	Front-All Base, 340mm Rotor		PRT6194	
	2006-04	Front-L4 - 1.8L	BPR5830	PRT5830	
	2003-00	Front-All	BPR5830	PRT5830	
	2015-08	Rear-All Vented Rotors		PRT6195	
	2014-13	Rear-All Solid Rotor		PRT6014	
	2011-08	Rear-All Solid Rotor		PRT6014	
	2006-01	Rear-All 256mm Rotor; 256X22mm	BPR5418	PRT5418	
	2006-00	Rear-All 239mm Diameter; 232X9mm		PRT5430	
V8 Quattro					
Disc Brake Pad Set	1994-90	Front-All Girling		SBM419	
	1994-90	Rear-All Hardware Not Included		SBC228	
Disc Brake Rotor	1994-90	Front-All Vendor-Girling		PRT1949	
	1994-90	Rear-All		PRT5003	
Austin					
Mini Cooper					
Drum Brake Shoe	1967-64	Rear-L4 - 1.0L		216	
Austin Healey					
Sprite					
Drum Brake Shoe	1970-68	Rear-All MK IV		216	
	1966-63	Rear-All Base, MK III		216	
	1966	Rear-All MK IV		216	
Avanti					
Avanti					
Disc Brake Pad Set	2007-05	Front-All Hardware Included	CFC1081	SBC1081	
	2007-05	Rear-All Hardware Included	CFC1465	SBC1465	
II					
Disc Brake Pad Set	1985	Front-All Hardware Not Included	CFC154	SBC154	MKD154FM
	1984-81	Front-V8 - 5.0L Hardware Not Included	CFC154	SBC154	MKD154FM
	1980-79	Front-V8 - 5.7L Hardware Not Included	CFC154	SBC154	MKD154FM
Bentley					
Amage					
Disc Brake Pad Set	2009-06	Front-All Hardware Not Included	CFC1409	SBC1409	
	2005-99	Front-All Hardware Not Included		SBM682	
	2005-99	Rear-All Hardware Included	CFC683		
	2005-99	Rear-All Hardware Not Included		SBC683	
Azure					
Disc Brake Pad Set	2010-06	Front-All Hardware Not Included	CFC1409	SBC1409	
	2006	Rear-All Hardware Included	CFC919		

BENDIX BRAKE PARTS

PART TYPE	YEAR	APPLICATION	PREMIUM NO.	PART NO.	SEVERE DUTY NO.
Bentley (Cont'd.)					
Azure (Cont'd.)					
Disc Brake Pad Set (cont'd)	2006	Rear-All Hardware Not Included		SBM919	
	2003-99	Rear-All Hardware Included	CFC919		
	2003-99	Rear-All Hardware Not Included		SBM919	
Continental					
Disc Brake Pad Set	2012-03	Rear-All w/ 32mm Piston Clip	CFC919	SBM919	
	2002-91	Rear-All Hardware Included	CFM1018	SBM1018	
Blue Bird					
All American FE					
Disc Brake Pad Set	2007	Front-All w/ Bendix Brakes			MKD225AFM
	2004-03	Front-All w/ 73mm Dual Piston Bosch Caliper			MKD786FM
	2004-03	Front-All w/ Bendix Brakes			MKD225AFM
	2000	Front-All w/ 73mm Dual Piston Bosch Caliper			MKD786FM
	2007-06	Rear-All w/ 73mm Dual Piston Bosch Caliper			MKD786FM
	2006	Rear-All w/ Bendix Brakes			MKD225AFM
	2002-01	Rear-All w/ Bendix Brakes			MKD225AFM
	2002	Rear-All w/ 73mm Dual Piston Bosch Caliper			MKD786FM
	1999-98	Rear-All w/ 73mm Dual Piston Bosch Caliper			MKD786FM
Commercial Bus					
Disc Brake Pad Set	2002-99	Front-All w/ 73mm Dual Piston Bosch Caliper			MKD786FM
	2000-94	Front-All w/ Bendix Brakes			MKD225AFM
	2002-98	Rear-All w/ 73mm Dual Piston Bosch Caliper			MKD786FM
	2002-92	Rear-All w/ Bendix Brakes			MKD225AFM
TC1000					
Disc Brake Pad Set	2000-98	Front-All w/ 66mm Dual Piston Bosch Caliper			MKD786AFM
	2000-98	Front-All w/ 73mm Dual Piston Bosch Caliper			MKD786FM
	1997	Front-All w/ 2.60" Dual Piston Calipers			MKD717FM
	1997	Front-All w/ 2.88" Dual Piston Calipers			MKD225AFM
	1997	Front-All w/ 3.88" Single Piston Calipers	CFM149	SBM149	MKD149FM
	2000-98	Rear-All w/ 66mm Dual Piston Bosch Caliper			MKD786AFM
	2000-98	Rear-All w/ 73mm Dual Piston Bosch Caliper			MKD786FM
	1997	Rear-All w/ 2.60" Dual Piston Calipers			MKD717FM
	1997	Rear-All w/ 2.88" Dual Piston Calipers			MKD225AFM
	1997	Rear-All w/ 3.88" Single Piston Calipers	CFM149	SBM149	MKD149FM
TC2000					
Disc Brake Pad Set	2002-98	Front-All w/ Hydraulic Disc Brakes			MKD786AFM
	2002-98	Front-All w/ Hydraulic Disc Brakes			MKD786FM
	2002-94	Front-All w/ Bendix Brakes			MKD225AFM
	2002-98	Rear-All w/ Hydraulic Disc Brakes			MKD786AFM
	2002-98	Rear-All w/ Hydraulic Disc Brakes			MKD786FM
	2002-94	Rear-All w/ Bendix Brakes			MKD225AFM
Disc Brake Rotor	2004-89	Front-All 5 hole rotor		PRT1875	
BMW					
1 Series M					
Disc Brake Pad Set	2011	Rear-All Hardware Included	CFC919		
	2011	Rear-All Hardware Not Included		SBM919	
Parking Brake Shoe	2011	Rear-All		831	
Disc Brake Rotor	2011	Front Left-All		PRT6347	
	2011	Front Right-All		PRT6344	
	2011	Rear Left-All		PRT6345	
	2011	Rear Right-All		PRT6346	
2.8 Bavaria					
Disc Brake Pad Set	1971	Rear-All Hardware Not Included		SBC21	
3.0CS					
Parking Brake Shoe	1974-71	Rear-All w/ 6.3" X 0.99" Brakes		901	
3.0Si					
Parking Brake Shoe	1976-75	Rear-All w/ 6.3" X 0.99" Brakes		901	
Disc Brake Rotor	1976-75	Front-All		PRT5500	
	1971	Front-All		PRT5500	
118i					
Disc Brake Pad Set	2015-12	Rear-All Hardware Included	CFC1613	SBC1613	
120i					
Disc Brake Pad Set	2011	Rear-All Hardware Included	CFM1267		
	2011	Rear-All Hardware Not Included		SBC1267	
125i					
Disc Brake Pad Set	2012	Rear-All Hardware Included	CFM1267		
	2012	Rear-All Hardware Not Included		SBC1267	
	2010-09	Rear-All Hardware Included	CFM1267		
	2010-09	Rear-All Hardware Not Included		SBC1267	

BENDIX BRAKE PARTS

PART TYPE	YEAR	APPLICATION	PREMIUM NO.	PART NO.	SEVERE DUTY NO.	
BMW (Cont'd.)						
128i						
Disc Brake Pad Set	2013-12	Front-All Hardware Included	CFM1061A			
	2013-12	Front-All Hardware Not Included		SBM1061A		
	2011-08	Front-All Hardware Included	CFM1061			
	2011-08	Front-All Hardware Not Included		SBM1061		
	2013-08	Rear-All Hardware Included	CFM1267			
Parking Brake Shoe	2013-08	Rear-All Hardware Not Included		SBC1267		
	2012-08	Rear-All		828		
Disc Brake Rotor	2013-08	Front-All	BPR5861	PRT5861		
	2013-08	Rear-All	BPR6046	PRT6046		
130i						
Disc Brake Pad Set	2010-06	Rear-All Hardware Included	CFM1267			
	2010-06	Rear-All Hardware Not Included		SBC1267		
135i						
Disc Brake Pad Set	2013-08	Front-All Hardware Included	CFC1371	SBM1371		
	2013-08	Rear-All Hardware Included	CFM1372	SBM1372		
Parking Brake Shoe	2012-08	Rear-All		831		
Disc Brake Rotor	2013-11	Front-All exc. Perforated Rotor		PRT6340		
	2013-11	Front-All Perforated Rotor		PRT6350		
	2010-08	Front-All		PRT6340		
	2013-11	Rear-All Slotted Rotor		PRT6045		
	2012-11	Rear-All Exc. Slotted Rotor		PRT6047		
2010-08	Rear-All		PRT6047			
135is						
Disc Brake Pad Set	2013	Front-All Hardware Included	CFC1371	SBM1371		
	2013	Rear-All Hardware Included	CFM1372	SBM1372		
220i						
Disc Brake Pad Set	2015	Front-All Hardware Not Included	CFM1561	SBM1561		
	2015	Rear-All Hardware Included	CFC1613	SBC1613		
228i						
Disc Brake Pad Set	2016-14	Front-All w/ Blue Caliper	CFM1609B	SBM1609B		
	2016-14	Front-All w/o Blue Caliper		SBM1609A		
	2016-14	Front-All w/o Blue Caliper	CFC1609	SBC1609		
	2016-14	Front-All w/o Blue Caliper	CFM1609A			
	2015	Front-All w/o Blue Caliper	CFM1561	SBM1561		
	2014	Front-All w/o Blue Painted Caliper	CFM1561	SBM1561		
	2016	Rear-All w/ Blue Caliper	CFM1656	SBM1656		
	2016	Rear-All w/o Blue Caliper	CFC1613	SBC1613		
	2015	Rear-All w/ Blue Caliper	CFM1609B	SBM1609B		
	2015	Rear-All w/o Blue Caliper		SBM1609A		
	2015	Rear-All w/o Blue Caliper	CFC1609	SBC1609		
	2015	Rear-All w/o Blue Caliper	CFM1609A			
	2014	Rear-All w/ Blue Painted Caliper	CFM1656	SBM1656		
	2014	Rear-All w/o Blue Painted Caliper	CFC1613	SBC1613		
	Parking Brake Shoe	2016-15	Rear-All		828	
	Disc Brake Rotor	2016	Front-All Exc. M Sport Package; Exc. For Blue Painted Caliper		PRT6077	
2015-14		Front-All M Sport Package		PRT6240		
2016		Rear-All Exc. For Blue Painted Caliper		PRT5862		
228i xDrive						
Disc Brake Pad Set	2016-15	Front-All w/ Blue Caliper	CFM1609B	SBM1609B		
	2016-15	Front-All w/o Blue Caliper		SBM1561		
	2016-15	Front-All w/o Blue Caliper		SBM1609A		
	2016-15	Front-All w/o Blue Caliper	CFC1609	SBC1609		
	2016-15	Front-All w/o Blue Caliper	CFM1561			
	2016-15	Front-All w/o Blue Caliper	CFM1609A			
	2016-15	Rear-All w/ Blue Caliper	CFM1656	SBM1656		
	2016-15	Rear-All w/o Blue Caliper	CFC1613	SBC1613		
	Parking Brake Shoe	2016-15	Rear-All		828	
Disc Brake Rotor	2016-15	Front-All exc. for Blue Painted Caliper		PRT6077		
	2016	Rear-All Exc. For Blue Painted Caliper		PRT5862		
230i						
Disc Brake Pad Set	2019-18	Front-All w/ Blue Caliper	CFM1609B	SBM1609B		
	2019-18	Front-All w/o Blue Caliper		SBM1609A		
	2019-18	Front-All w/o Blue Caliper	CFC1609	SBC1609		
	2019-18	Front-All w/o Blue Caliper	CFM1609A			
	2019-18	Front-All w/o Blue Painted Calipers	CFM1561	SBM1561		
	2017	Front-All Hardware Not Included	CFM1561	SBM1561		
	2019-18	Rear-All w/ Blue Painted Calipers	CFM1656	SBM1656		
	2019-18	Rear-All w/o Blue Painted Calipers	CFC1613	SBC1613		
	2017	Rear-All Hardware Included	CFC1613	SBC1613		
Parking Brake Shoe	2018	Rear-All		828		
Disc Brake Rotor	2019-18	Front-All exc. for Blue Painted Caliper		PRT6077		

BENDIX BRAKE PARTS

PART TYPE	YEAR	APPLICATION	PREMIUM NO.	PART NO.	SEVERE DUTY NO.
BMW (Cont'd.)					
230i (Cont'd.)					
Disc Brake Rotor (cont'd)	2019-17	Rear-All Exc. For Blue Painted Caliper		PRT5862	
230i xDrive					
Disc Brake Pad Set	2019-18	Front-All w/ Blue Caliper	CFM1609B	SBM1609B	
	2019-18	Front-All w/o Blue Caliper		SBM1609A	
	2019-18	Front-All w/o Blue Caliper	CFC1609	SBC1609	
	2019-18	Front-All w/o Blue Caliper	CFM1609A		
	2019-18	Front-All w/o Blue Painted Calipers	CFM1561	SBM1561	
	2017	Front-All Hardware Not Included	CFM1561	SBM1561	
	2019-18	Rear-All w/ Blue Painted Calipers	CFM1656	SBM1656	
	2019-18	Rear-All w/o Blue Painted Calipers	CFC1613	SBC1613	
	2017	Rear-All Hardware Included	CFC1613	SBC1613	
Parking Brake Shoe	2018	Rear-All		828	
Disc Brake Rotor	2019-17	Front-All exc. for Blue Painted Caliper		PRT6077	
	2019-17	Rear-All Exc. For Blue Painted Caliper		PRT5862	
318i					
Disc Brake Pad Set	1999	Front-All Hardware Included	CFM781		
	1999	Front-All Hardware Not Included		SBM781	
	1998-93	Front-All Hardware Not Included		SBM558	
	1992	Front-All Convertible, Hardware Not Included		SBM493	
	1992	Front-All Sedan, Hardware Not Included		SBM558	
	1991	Front-All Hardware Not Included		SBM493	
	1985-84	Front-All Hardware Not Included		SBM278	
	1999	Rear-All Hardware Not Included	CFM763	SBM763	
	1998-93	Rear-All Hardware Not Included	CFM692	SBM396	
	1992	Rear-All Convertible, Hardware Not Included		SBM279	
	1992	Rear-All Sedan, Hardware Not Included	CFM692	SBM396	
	1991	Rear-All Hardware Not Included		SBM279	
	Parking Brake Shoe	1998-91	Rear-All		818
Disc Brake Rotor	1999-92	Front-All 5 Hole Rotor	BPR1815	PRT1815	
	1992-91	Front-All 4 Hole Rotor		PRT1346	
	1985-84	Front-All		PRT1344	
	1999-98	Rear-All		PRT1817	
	1999-96	Rear-All		PRT5302 ⁷⁰	
	1999-92	Rear-All 5 Hole Rotor		PRT1817	
	1997-96	Rear-All Sedan		PRT1817	
	1992-91	Rear-All 4 Hole Rotor		PRT1351	
Brake Drum	1985-84	Rear-All		PDR0546	
318is					
Disc Brake Pad Set	1999-98	Front-All Hardware Included	CFM781		
	1999-98	Front-All Hardware Not Included		SBM781	
	1997-92	Front-All Hardware Not Included		SBM558	
	1991	Front-All Hardware Not Included		SBM493	
	1999-98	Rear-All Hardware Not Included	CFM763	SBM763	
	1997-92	Rear-All Hardware Not Included	CFM692	SBM396	
	1991	Rear-All Hardware Not Included		SBM279	
	Parking Brake Shoe	1997-92	Rear-All		818
Disc Brake Rotor	1991	Rear-All w/ 6.3" X 0.99" Brakes		901	
	1999-92	Front-All	BPR1815	PRT1815	
	1991	Front-All		PRT1346	
	1999-97	Rear-All		PRT5302 ⁷⁰	
	1999-92	Rear-All		PRT1817	
1991	Rear-All		PRT1351		
318ti					
Disc Brake Pad Set	1999	Front-All Hardware Included	CFM781		
	1999	Front-All Hardware Not Included		SBM781	
	1998-95	Front-All Hardware Not Included		SBM558	
	1999	Rear-All Hardware Not Included	CFM763	SBM763	
	1998-95	Rear-All Hardware Not Included	CFM692	SBM396	
Parking Brake Shoe	1999-95	Rear-All		818	
Disc Brake Rotor	1999-98	Front-All	BPR1815	PRT1815	
	1997-95	Front-All		PRT5126	
	1999-95	Rear-All		PRT5127	
320i					
Disc Brake Pad Set	2018	Front-All w/ Blue Caliper	CFM1609B	SBM1609B	
	2018	Front-All w/o Blue Caliper		SBM1609A	
	2018	Front-All w/o Blue Caliper	CFC1609	SBC1609	
	2018	Front-All w/o Blue Caliper	CFM1609A		
	2018	Front-All w/o Blue Painted Calipers	CFM1561	SBM1561	
	2017	Front-All MEX, Hardware Not Included	CFM1561	SBM1561	
	2017	Front-All USA, w/ Blue Caliper	CFM1609B	SBM1609B	
	2017	Front-All USA, w/o Blue Caliper		SBM1609A	
	2017	Front-All USA, w/o Blue Caliper	CFC1609	SBC1609	

70 Sell out and reorder PRT1817

BENDIX BRAKE PARTS

PART TYPE	YEAR	APPLICATION	PREMIUM NO.	PART NO.	SEVERE DUTY NO.
BMW (Cont'd.)					
320i (Cont'd.)					
Disc Brake Pad Set (cont'd)	2017	Front-All USA, w/o Blue Caliper	CFM1609A		
	2016	Front-All w/ Blue Caliper	CFM1609B	SBM1609B	
	2016	Front-All w/o Blue Caliper		SBM1561	
	2016	Front-All w/o Blue Caliper		SBM1609A	
	2016	Front-All w/o Blue Caliper	CFC1609	SBC1609	
	2016	Front-All w/o Blue Caliper	CFM1561		
	2016	Front-All w/o Blue Caliper	CFM1609A		
	2015-13	Front-All CAN, Hardware Not Included	CFM1561	SBM1561	
	2015-13	Front-All USA, Hardware Not Included	CFM1561	SBM1561	
	2012	Front-All Hardware Not Included	CFM1561	SBM1561	
	2005-01	Front-All Hardware Included	CFM781		
	2005-01	Front-All Hardware Not Included		SBM781	
	1995-92	Front-All Hardware Not Included		SBM558	
	2018	Rear-All w/ Blue Painted Calipers	CFM1656	SBM1656	
	2018	Rear-All w/o Blue Painted Calipers	CFC1613	SBC1613	
	2017	Rear-All MEX, Hardware Included	CFC1613	SBC1613	
	2017	Rear-All USA, Hardware Included	CFM1656	SBM1656	
	2016	Rear-All w/ Blue Caliper	CFM1656	SBM1656	
	2016	Rear-All w/o Blue Caliper	CFC1613	SBC1613	
	2015-12	Rear-All Hardware Included	CFC1613	SBC1613	
	2005-01	Rear-All Hardware Not Included	CFM763	SBM763	
	1995-92	Rear-All Hardware Not Included	CFM692	SBM396	
Parking Brake Shoe	2018	Rear-All		828	
	2016-15	Rear-All		828	
	1983-77	Rear-All w/ 6.3" X 0.99" Brakes		901	
Disc Brake Rotor	2018-16	Front-All exc. for Blue Painted Calipers		PRT6077	
	2015-13	Front-All	BPR6077	PRT6077	
	2005-01	Front-All 286mm Rotor Diameter	BPR1815	PRT1815	
	2005-01	Front-All 300mm Diameter	BPR5469	PRT5469	
	1995-93	Front-All	BPR1815	PRT1815	
	1983-78	Front-All		PRT1345	
	2018-17	Rear-All		PRT5862	
	2015-13	Rear-All	BPR5862	PRT5862	
	2012	Rear-All		PRT6248 ¹⁰⁰	
	2005-01	Rear-All 276mm Rotor; Vented; 275.8mm	BPR5474	PRT5474	
	1995-93	Rear-All		PRT1817	
Brake Drum	1983-77	Rear-All		PDR0469	
320i xDrive					
Disc Brake Pad Set	2018	Front-All w/ Blue Caliper	CFM1609B	SBM1609B	
	2018	Front-All w/o Blue Caliper		SBM1609A	
	2018	Front-All w/o Blue Caliper	CFC1609	SBC1609	
	2018	Front-All w/o Blue Caliper	CFM1609A		
	2018	Front-All w/o Blue Painted Calipers	CFM1561	SBM1561	
	2017	Front-All Hardware Not Included	CFM1561	SBM1561	
	2016	Front-All w/ Blue Caliper	CFM1609B	SBM1609B	
	2016	Front-All w/o Blue Caliper		SBM1561	
	2016	Front-All w/o Blue Caliper		SBM1609A	
	2016	Front-All w/o Blue Caliper	CFC1609	SBC1609	
	2016	Front-All w/o Blue Caliper	CFM1561		
	2016	Front-All w/o Blue Caliper	CFM1609A		
	2015-13	Front-All Hardware Not Included	CFM1561	SBM1561	
	2018	Rear-All w/ Blue Painted Calipers	CFM1656	SBM1656	
	2018	Rear-All w/o Blue Painted Calipers	CFC1613	SBC1613	
	2017	Rear-All Hardware Included	CFC1613	SBC1613	
	2016	Rear-All w/ Blue Caliper	CFM1656	SBM1656	
	2016	Rear-All w/o Blue Caliper	CFC1613	SBC1613	
	2015-13	Rear-All Hardware Included	CFC1613	SBC1613	
Parking Brake Shoe	2018	Rear-All		831	
	2016-15	Rear-All		831	
Disc Brake Rotor	2018-16	Front-All exc. for Blue Painted Calipers		PRT6077	
	2015-13	Front-All		PRT6077	
	2018-16	Rear-All Exc. For Blue Painted Caliper		PRT6242	
	2015-13	Rear-All		PRT6242	
323Ci					
Disc Brake Pad Set	2000	Front-All Convertible, Hardware Included	CFM781		
	2000	Front-All Convertible, Hardware Not Included		SBM781	
	2000	Front-All Coupe, Hardware Included	CFM781		
	2000	Front-All Coupe, Hardware Not Included		SBM781	
	2000	Rear-All Convertible, Hardware Not Included	CFM763	SBM763	
	2000	Rear-All Coupe, Hardware Not Included	CFM692	SBM396	
Disc Brake Rotor	2000	Front-All Convertible	BPR5469	PRT5469	
	2000	Front-All Coupe	BPR1815	PRT1815	
	2000	Rear-All Convertible	BPR5417	PRT5417	

100 Sell out and reorder PRT5862

BENDIX BRAKE PARTS

PART TYPE	YEAR	APPLICATION	PREMIUM NO.	PART NO.	SEVERE DUTY NO.
BMW (Cont'd.)					
323Ci (Cont'd.)					
Disc Brake Rotor (cont'd)	2000	Rear-All Coupe, Vented; 275.8mm	BPR5474	PRT5474	
323i					
Disc Brake Pad Set	2011-10	Front-All Hardware Included	CFC1260		
	2011-10	Front-All Hardware Not Included		SBM1260	
	2009	Front-All Hardware Included	CFC1371	SBM1371	
	2008	Front-All w/ 312mm Brake Rotors	CFC1371	SBM1371	
	2008	Front-All w/ 338mm Brake Rotors	CFC1260	SBM1260	
	2007-06	Front-All w/ 338mm Brake Rotors	CFC1371	SBM1371	
	2000-99	Front-All Sedan, Hardware Included	CFM781		
	2000-99	Front-All Sedan, Hardware Not Included		SBM781	
	2000	Front-All Wagon, Hardware Included	CFM781		
	2000	Front-All Wagon, Hardware Not Included		SBM781	
	1999	Front-All Convertible, Hardware Included	CFM781		
	1999	Front-All Convertible, Hardware Not Included		SBM781	
	1998	Front-All Hardware Included	CFM781		
	1998	Front-All Hardware Not Included		SBM781	
	2011-06	Rear-All Hardware Included	CFM1267		
	2011-06	Rear-All Hardware Not Included		SBC1267	
	2000-99	Rear-All Sedan, Hardware Not Included	CFM763	SBM763	
	2000	Rear-All Wagon, Hardware Not Included	CFM763	SBM763	
	1999	Rear-All Convertible, Hardware Not Included	CFM763	SBM763	
	1998	Rear-All Hardware Not Included	CFM763	SBM763	
Parking Brake Shoe	2010	Rear-All		828	
	1999	Rear-All		818	
Disc Brake Rotor	2011-08	Front-All 312mm Diameter	BPR6077	PRT6077	
	2007-06	Front-All 300mm Diameter	BPR5861	PRT5861	
	2000	Front-All Sedan	BPR1815	PRT1815	
	1999-98	Front-All 2 Doors, Convertible	BPR1815	PRT1815	
	1999	Front-All 4 Doors, Sedan	BPR1815	PRT1815	
	2011-06	Rear-All 300mm Diameter	BPR5862	PRT5862	
	2000	Rear-All Sedan, Vented; 275.8mm	BPR5474	PRT5474	
	1999-98	Rear-All 2 Doors, Convertible, Vented; 275.8mm	BPR5474	PRT5474	
	1999	Rear-All 4 Doors, Sedan, Vented; 275.8mm	BPR5474	PRT5474	
323is					
Disc Brake Pad Set	1999-98	Front-All Hardware Included	CFM781		
	1999-98	Front-All Hardware Not Included		SBM781	
	1999-98	Rear-All Hardware Not Included	CFM763	SBM763	
Parking Brake Shoe	1999-98	Rear-All		818	
Disc Brake Rotor	1999-98	Front-All	BPR1815	PRT1815	
	1999-98	Rear-All		PRT1817	
	1999-98	Rear-All		PRT5302 ⁷⁰	
325					
Disc Brake Pad Set	1988-86	Front-All Hardware Not Included		SBM493	
	1988-86	Rear-All Hardware Not Included		SBM279	
Parking Brake Shoe	1988-86	Rear-All w/ 6.3" X 0.99" Brakes		901	
Disc Brake Rotor	1988-86	Front-All		PRT1346	
	1988-86	Rear-All		PRT1351	
325Ci					
Disc Brake Pad Set	2006-01	Front-All Hardware Included	CFM781		
	2006-01	Front-All Hardware Not Included		SBM781	
	2006	Rear-All Hardware Not Included	CFM763	SBM763	
	2005-04	Rear-All Hardware Not Included	CFM692	SBM396	
	2003-01	Rear-All Hardware Not Included	CFM763	SBM763	
Parking Brake Shoe	2006-01	Rear-All		828	
Disc Brake Rotor	2006-01	Front-All	BPR5469	PRT5469	
	2006-01	Rear-All	BPR5417	PRT5417	
325e					
Disc Brake Pad Set	1987-84	Front-All Hardware Not Included		SBM493	
	1987-84	Rear-All Hardware Not Included		SBM279	
Parking Brake Shoe	1987-84	Rear-All w/ 6.3" X 0.99" Brakes		901	
Disc Brake Rotor	1987-84	Front-All		PRT1346	
	1987-84	Rear-All		PRT1351	
325es					
Disc Brake Pad Set	1987-86	Front-All Hardware Not Included		SBM493	
	1987-86	Rear-All Hardware Not Included		SBM279	
Parking Brake Shoe	1987-86	Rear-All w/ 6.3" X 0.99" Brakes		901	
Disc Brake Rotor	1987-86	Front-All		PRT1346	
	1987-86	Rear-All		PRT1351	
325i					
Disc Brake Pad Set	2006	Front-All Hardware Included	CFM1061		
	2006	Front-All Hardware Not Included		SBM1061	
	2005-01	Front-All Hardware Included	CFM781		

⁷⁰ Sell out and reorder PRT1817

BENDIX BRAKE PARTS

PART TYPE	YEAR	APPLICATION	PREMIUM NO.	PART NO.	SEVERE DUTY NO.	
BMW (Cont'd.)						
325i (Cont'd.)						
Disc Brake Pad Set (cont'd)	2005-01	Front-All Hardware Not Included		SBM781		
	1997-94	Front-All Hardware Not Included		SBM558		
	1993-92	Front-All M20 Eng Des, Hardware Not Included		SBM493		
	1993	Front-All M50TU Eng Des, Hardware Not Included		SBM558		
	1992	Front-All M50 Eng Des, Hardware Not Included		SBM558		
	1991-87	Front-All Hardware Not Included		SBM493		
	2011	Rear-All Hardware Included		CFM1267		
	2011	Rear-All Hardware Not Included		SBC1267		
	2008-07	Rear-All Hardware Included		CFM1267		
	2008-07	Rear-All Hardware Not Included		SBC1267		
	2006	Rear-L6 - 3.0L Hardware Included		CFM1267		
	2006	Rear-L6 - 3.0L Hardware Not Included		SBC1267		
	2005	Rear-All Hardware Not Included		CFM763	SBM763	
	2004	Rear-All M54 Eng Des, Hardware Not Included		CFM763	SBM763	
	2004	Rear-All M56 Eng Des, Hardware Not Included		CFM763	SBM763	
	2003-01	Rear-All Hardware Not Included		CFM763	SBM763	
	1997-94	Rear-All Hardware Not Included		CFM692	SBM396	
	1993-92	Rear-All M20 Eng Des, Hardware Not Included			SBM279	
	1993	Rear-All M50TU Eng Des, Hardware Not Included		CFM692	SBM396	
	1992	Rear-All M50 Eng Des, Hardware Not Included		CFM692	SBM396	
	1991-87	Rear-All Hardware Not Included			SBM279	
	Parking Brake Shoe	2006-01	Rear-All		828	
		1995-92	Rear-All		818	
		1991-87	Rear-All w/ 6.3" X 0.99" Brakes		901	
	Disc Brake Rotor	2006	Front-All	BPR5861	PRT5861	
		2005-01	Front-All	BPR5469	PRT5469	
		1995-94	Front-All	BPR1815	PRT1815	
1993-92		Front-All 4 Hole Rotor		PRT1346		
1993-92		Front-All 5 Hole Rotor	BPR1815	PRT1815		
1991-87		Front-All		PRT1346		
2006		Rear-All	BPR5862	PRT5862		
2005-01		Rear-All	BPR5417	PRT5417		
1995-92		Rear-All 5 Hole Rotor		PRT1817		
1993-87		Rear-All 4 Hole Rotor		PRT1351		
325is						
Disc Brake Pad Set	1995-92	Front-All Hardware Not Included		SBM558		
	1991-87	Front-All Hardware Not Included		SBM493		
	1995-92	Rear-All Hardware Not Included	CFM692	SBM396		
	1991-87	Rear-All Hardware Not Included		SBM279		
Parking Brake Shoe	1995-92	Rear-All		818		
	1991-87	Rear-All w/ 6.3" X 0.99" Brakes		901		
Disc Brake Rotor	1995-92	Front-All	BPR1815	PRT1815		
	1991-87	Front-All		PRT1346		
	1995-92	Rear-All		PRT1817		
	1991-87	Rear-All		PRT1351		
325iX						
Disc Brake Pad Set	1991-88	Front-All Hardware Not Included		SBM493		
	1991-88	Rear-All Hardware Not Included		SBM279		
Parking Brake Shoe	1991-88	Rear-All		818		
Disc Brake Rotor	1991-88	Front-All		PRT1346		
	1991-88	Rear-All		PRT1626		
325xi						
Disc Brake Pad Set	2006	Front-All Hardware Included	CFM1061			
	2006	Front-All Hardware Not Included		SBM1061		
	2005-01	Front-All Hardware Included	CFM781			
	2005-01	Front-All Hardware Not Included		SBM781		
	2006	Rear-All Hardware Included	CFM1267			
	2006	Rear-All Hardware Not Included		SBC1267		
	2005-01	Rear-All Hardware Not Included	CFM763	SBM763		
Parking Brake Shoe	2006-01	Rear-All		831		
Disc Brake Rotor	2006	Front-All	BPR5861	PRT5861		
	2005-01	Front-All	BPR5469	PRT5469		
	2006	Rear-All	BPR6042	PRT6042		
	2005-01	Rear-All	BPR5873	PRT5873		
328Ci						
Disc Brake Pad Set	2000	Front-All Coupe, Hardware Not Included		SBM558		
	2000	Rear-All Coupe, Hardware Not Included	CFM692	SBM396		
Disc Brake Rotor	2000	Front-All	BPR5469	PRT5469		
	2000	Rear-All	BPR5417	PRT5417		
328d						
Disc Brake Pad Set	2018-14	Front-All Hardware Not Included	CFM1561	SBM1561		
	2018-14	Rear-All Hardware Included	CFC1613	SBC1613		

BENDIX BRAKE PARTS

PART TYPE	YEAR	APPLICATION	PREMIUM NO.	PART NO.	SEVERE DUTY NO.	
BMW (Cont'd.)						
328d (Cont'd.)						
Parking Brake Shoe	2018	Rear-All		828		
	2016-15	Rear-All		828		
Disc Brake Rotor	2018-14	Front-All		PRT6077		
	2018-14	Rear-All		PRT5862		
328d xDrive						
Disc Brake Pad Set	2018-14	Front-All Hardware Not Included	CFM1561	SBM1561		
	2018-14	Rear-All Hardware Included	CFC1613	SBC1613		
Parking Brake Shoe	2018	Rear-All		831		
	2016-15	Rear-All		831		
Disc Brake Rotor	2018-15	Front-All		PRT6077		
	2018-15	Rear-All Exc. For Blue Painted Caliper		PRT6242		
	2014	Rear-All Exc. For Blue Painted Caliper		PRT6242		
328i						
Disc Brake Pad Set	2016-15	Front-All w/ Blue Caliper	CFM1609B	SBM1609B		
	2016-15	Front-All w/o Blue Caliper		SBM1561		
	2016-15	Front-All w/o Blue Caliper		SBM1609A		
	2016-15	Front-All w/o Blue Caliper	CFC1609	SBC1609		
	2016-15	Front-All w/o Blue Caliper	CFM1561			
	2016-15	Front-All w/o Blue Caliper	CFM1609A			
	2014	Front-All Hardware Not Included	CFM1561	SBM1561		
	2013-12	Front-L4 - 2.0L w/ 312mm Brake Rotors	CFM1561	SBM1561		
	2013	Front-L6 - 3.0L w/ 312mm Brake Rotors	CFC1260	SBM1260		
	2013	Front-L6 - 3.0L w/ 338mm Brake Rotors	CFC1371	SBM1371		
	2012	Front-L4 - 2.0L w/ Blue Caliper	CFM1609B	SBM1609B		
	2012	Front-L4 - 2.0L w/o 312mm Brake Rotors	CFC1260	SBM1260		
	2012	Front-L4 - 2.0L w/o Blue Caliper		SBM1609A		
	2012	Front-L4 - 2.0L w/o Blue Caliper	CFC1609	SBC1609		
	2012	Front-L4 - 2.0L w/o Blue Caliper	CFM1609A			
	2011-08	Front-All Hardware Included	CFC1260C			
	2011-08	Front-All Hardware Not Included		SBM1260C		
	2007	Front-All 4 Doors, Hardware Included	CFM1061			
	2007	Front-All 4 Doors, Hardware Not Included		SBM1061		
	2000	Front-All Sedan, Hardware Included	CFM781			
	2000	Front-All Sedan, Hardware Not Included		SBM781		
	1999-98	Front-All Hardware Included	CFM781			
	1999-98	Front-All Hardware Not Included		SBM781		
	1997-96	Front-All Hardware Not Included		SBM558		
	2016	Rear-All Base, w/ Blue Caliper	CFM1656	SBM1656		
	2016	Rear-All Base, w/o Blue Caliper	CFC1613	SBC1613		
	2015	Rear-All w/ Blue Caliper	CFM1656	SBM1656		
	2015	Rear-All w/o Blue Caliper	CFC1613	SBC1613		
	2014	Rear-All Hardware Included	CFC1613	SBC1613		
	2013	Rear-L4 - 2.0L Exc. M Sport Suspension	CFC1613	SBC1613		
	2013	Rear-L6 - 3.0L Hardware Included	CFM1267			
	2013	Rear-L6 - 3.0L Hardware Not Included		SBC1267		
	2012	Rear-All E91, Hardware Included	CFM1267			
	2012	Rear-All E91, Hardware Not Included		SBC1267		
	2012	Rear-All E92, Hardware Included	CFM1267			
	2012	Rear-All E92, Hardware Not Included		SBC1267		
	2012	Rear-All E93, Hardware Included	CFC1613	SBC1613		
	2012	Rear-All F30, Hardware Included	CFC1613	SBC1613		
	2011-07	Rear-All Hardware Included	CFM1267			
	2011-07	Rear-All Hardware Not Included		SBC1267		
	2000	Rear-All Sedan, Hardware Not Included	CFM692	SBM396		
	1999	Rear-All Convertible, Hardware Not Included	CFM763	SBM763		
	1999	Rear-All Sedan, Hardware Not Included	CFM763	SBM763		
	1998-96	Rear-All Hardware Not Included	CFM692	SBM396		
	Parking Brake Shoe	2016	Rear-All		831	
		2015	Rear-All		828	
		2012-07	Rear-All		828	
2000		Rear-All		828		
1999		Rear-All w/ 6.3" X 0.79" Brakes		828		
1999		Rear-All w/ 6.3" X 0.99" Brakes		818		
1998-96		Rear-All		818		
Disc Brake Rotor	2016	Front-All exc. M Sport Package		PRT6077		
	2015	Front-All Exc. M Sport Package; Exc. For Blue Painted Caliper		PRT6077		
	2012-08	Front-All	BPR6077	PRT6077		
	2007	Front-All From 9/2007	BPR6077	PRT6077		
	2007	Front-All To 9/2007	BPR5861	PRT5861		
	2000-99	Front-All	BPR5469	PRT5469		
	1998-96	Front-All	BPR1815	PRT1815		
	2016	Rear-All exc. Blue Painted Caliper; with M Sport Package		PRT6241		

BENDIX BRAKE PARTS

PART TYPE	YEAR	APPLICATION	PREMIUM NO.	PART NO.	SEVERE DUTY NO.	
BMW (Cont'd.)						
328i (Cont'd.)						
Disc Brake Rotor (cont'd)	2016	Rear-All exc. Blue Painted Caliper; without M Sport Package		PRT6242		
	2015-14	Rear-All exc. Blue Painted Calipers		PRT5862		
	2013-12	Rear-L4 - 2.0L exc. Blue Painted Calipers		PRT5862		
	2013-12	Rear-L6 - 3.0L Coupe		PRT5862		
	2013-12	Rear-L6 - 3.0L Wagon, Convertible	BPR6042	PRT6042		
	2011-07	Rear-All Coupe, Sedan	BPR5862	PRT5862		
	2011-07	Rear-All Wagon, Convertible	BPR6042	PRT6042		
	2000	Rear-All	BPR5417	PRT5417		
	1999-96	Rear-All Convertible		PRT5474		
	1999	Rear-All Sedan	BPR5417	PRT5417		
1998-96	Rear-All Sedan		PRT1817			
328i GT xDrive						
Disc Brake Pad Set	2016	Front-All Hardware Not Included	CFM1561	SBM1561		
	2015	Front-All w/o Blue Caliper	CFM1561	SBM1561		
	2014	Front-All Hardware Not Included	CFM1561	SBM1561		
	2016	Rear-All Hardware Included	CFC1613	SBC1613		
	2015	Rear-All w/ Blue Caliper	CFM1656	SBM1656		
	2015	Rear-All w/o Blue Caliper	CFC1613	SBC1613		
	2014	Rear-All Hardware Included	CFC1613	SBC1613		
Parking Brake Shoe	2016-15	Rear-All		831		
Disc Brake Rotor	2016-15	Front-All		PRT6077		
	2016-15	Rear-All Exc. For Blue Painted Caliper		PRT6242		
	2014	Rear-All Exc. For Blue Painted Caliper		PRT6242		
328is						
Disc Brake Pad Set	1999-98	Front-All Hardware Included	CFM781			
	1999-98	Front-All Hardware Not Included		SBM781		
	1997-96	Front-All Hardware Not Included		SBM558		
	1999	Rear-All Hardware Not Included	CFM763	SBM763		
	1998-96	Rear-All Hardware Not Included	CFM692	SBM396		
Parking Brake Shoe	1999-96	Rear-All		818		
Disc Brake Rotor	1999-96	Front-All	BPR1815	PRT1815		
	1997-96	Rear-All		PRT1817		
328i xDrive						
Disc Brake Pad Set	2016-15	Front-All w/ Blue Caliper	CFM1609B	SBM1609B		
	2016-15	Front-All w/o Blue Caliper		SBM1561		
	2016-15	Front-All w/o Blue Caliper		SBM1609A		
	2016-15	Front-All w/o Blue Caliper	CFC1609	SBC1609		
	2016-15	Front-All w/o Blue Caliper	CFM1561			
	2016-15	Front-All w/o Blue Caliper	CFM1609A			
	2014	Front-All Hardware Not Included	CFM1561	SBM1561		
	2013	Front-L4 - 2.0L w/ 312mm Brake Rotors	CFM1561	SBM1561		
	2013	Front-L6 - 3.0L w/ 312mm Brake Rotors	CFC1260	SBM1260		
	2013	Front-L6 - 3.0L w/ 338mm Brake Rotors	CFC1371	SBM1371		
	2012	Front-All Hardware Included	CFC1260			
	2012	Front-All Hardware Not Included		SBM1260		
	2011-10	Front-All Hardware Included	CFC1260C			
	2011-10	Front-All Hardware Not Included		SBM1260C		
	2009	Front-All Hardware Not Included		SBM1260A		
	2016	Rear-All Base, w/ Blue Caliper	CFM1656	SBM1656		
	2016	Rear-All Base, w/o Blue Caliper	CFC1613	SBC1613		
	2015	Rear-All w/ Blue Caliper	CFM1656	SBM1656		
	2015	Rear-All w/o Blue Caliper	CFC1613	SBC1613		
	2014	Rear-All Hardware Included	CFC1613	SBC1613		
	2013	Rear-L4 - 2.0L Exc. M Sport Suspension	CFC1613	SBC1613		
	2013	Rear-L6 - 3.0L Hardware Included	CFM1267			
	2013	Rear-L6 - 3.0L Hardware Not Included		SBC1267		
	2012-09	Rear-All Hardware Included	CFM1267			
	2012-09	Rear-All Hardware Not Included		SBC1267		
	Parking Brake Shoe	2016-15	Rear-All		831	
		2012-09	Rear-All		831	
	Disc Brake Rotor	2016	Front-All N20B20A Eng Des, Exc. For Blue Painted Caliper		PRT6077	
		2016	Front-All N26B20A Eng Des, Exc. For Blue Painted Caliper; Exc. For Blue Painted Caliper		PRT6077	
		2015	Front-All Exc. For Blue Painted Caliper; Exc. For Blue Painted Caliper		PRT6077	
		2015	Front-All w/ M Sport Package; Exc. For Blue Painted Caliper		PRT6240	
		2013-09	Front-All	BPR6077	PRT6077	
		2016-15	Rear-All N20B20A Eng Des, Exc. For Blue Painted Caliper		PRT6242	
2016-15		Rear-All N26B20A Eng Des, Exc. M Sport Package; Exc. For Blue Painted Caliper		PRT6242		
2016-15		Rear-All w/ M Sport Package; Exc. For Blue Painted Caliper		PRT6241		

BENDIX BRAKE PARTS

PART TYPE	YEAR	APPLICATION	PREMIUM NO.	PART NO.	SEVERE DUTY NO.	
BMW (Cont'd.)						
328i xDrive (Cont'd.)						
Disc Brake Rotor (cont'd)	2014	Rear-All Exc.For Blue Painted Caliper		PRT6242		
	2013-09	Rear-All	BPR6042	PRT6042		
328xi						
Disc Brake Pad Set	2008	Front-All Hardware Included	CFC1260C			
	2008	Front-All Hardware Not Included		SBM1260C		
	2007	Front-All From 9-07	CFC1260	SBM1260		
	2007	Front-All To 9-07	CFM1061	SBM1061		
	2008-07	Rear-All Hardware Included	CFM1267			
	2008-07	Rear-All Hardware Not Included		SBC1267		
Parking Brake Shoe	2008-07	Rear-All		831		
Disc Brake Rotor	2008	Front-All	BPR6077	PRT6077		
	2007	Front-All	BPR5861	PRT5861		
	2008-07	Rear-All	BPR6042	PRT6042		
330Ci						
Disc Brake Pad Set	2006-01	Front-All Hardware Included	CFM946			
	2006-01	Front-All Hardware Not Included		SBM946		
	2006-01	Rear-All Hardware Included	CFC683			
	2006-01	Rear-All Hardware Not Included		SBC683		
Parking Brake Shoe	2006-01	Rear-All		831		
Disc Brake Rotor	2006-01	Front-All	BPR5412	PRT5412		
	2006-01	Rear-All	BPR5416	PRT5416		
330e						
Disc Brake Pad Set	2018-16	Front-All Hardware Not Included	CFM1561	SBM1561		
	2018-16	Rear-All Hardware Included	CFC1613	SBC1613		
Parking Brake Shoe	2018	Rear-All		831		
Disc Brake Rotor	2018-16	Front-All		PRT6240		
	2018-17	Rear-All		PRT6242		
330i						
Disc Brake Pad Set	2018	Front-All Base, w/o Blue Caliper	CFM1561			
	2018	Front-All Base, w/o Blue Painted Calipers		SBM1561		
	2018	Front-All Sport Line, w/o Blue Caliper	CFM1561			
	2018	Front-All Sport Line, w/o Blue Painted Calipers		SBM1561		
	2018	Front-All w/ Blue Caliper	CFM1609B	SBM1609B		
	2018	Front-All w/o Blue Caliper		SBM1609A		
	2018	Front-All w/o Blue Caliper	CFC1609	SBC1609		
	2018	Front-All w/o Blue Caliper	CFM1609A			
	2017-16	Front-All Hardware Not Included	CFM1561	SBM1561		
	2006	Front-All Hardware Included	CFM1061			
	2006	Front-All Hardware Not Included		SBM1061		
	2005-01	Front-All Hardware Included	CFM946			
	2005-01	Front-All Hardware Not Included		SBM946		
	2018	Rear-All Base, w/o Blue Caliper	CFC1613			
	2018	Rear-All Base, w/o Blue Painted Calipers		SBC1613		
	2018	Rear-All M Sport, w/o Blue Caliper	CFC1610			
	2018	Rear-All M Sport, w/o Blue Painted Calipers		SBC1610		
	2018	Rear-All Sport Line, w/o Blue Caliper	CFC1613			
	2018	Rear-All Sport Line, w/o Blue Painted Calipers		SBC1613		
	2018	Rear-All w/ Blue Caliper	CFM1656			
	2018	Rear-All w/ Blue Painted Calipers		SBM1656		
	2017-16	Rear-All Hardware Included	CFC1613	SBC1613		
	2006	Rear-L6 - 3.0L Hardware Included	CFM1170			
	2006	Rear-L6 - 3.0L Hardware Not Included		SBM1170		
	2005-01	Rear-All Hardware Included	CFC683			
	2005-01	Rear-All Hardware Not Included		SBC683		
	Parking Brake Shoe	2018	Rear-All		831	
		2006-01	Rear-All		831	
	Disc Brake Rotor	2018-17	Front-All Exc. M Sport Package; Exc. For Blue Painted Caliper		PRT6077	
		2006	Front-All	BPR6079	PRT6079	
		2005-01	Front-All	BPR5412	PRT5412	
		2018-17	Rear-All Exc. M Sport Package; Exc. For Blue Painted Caliper		PRT6242	
2018-17		Rear-All w/ M Sport Package; Exc. For Blue Painted Caliper		PRT6241		
2006		Rear-All	BPR5823	PRT5823		
2005-01	Rear-All	BPR5416	PRT5416			
330i GT xDrive						
Disc Brake Pad Set	2019-17	Front-All Hardware Not Included	CFM1561	SBM1561		
	2019-17	Rear-All Hardware Included	CFC1613	SBC1613		
Parking Brake Shoe	2018	Rear-All		831		
Disc Brake Rotor	2019-17	Front-All		PRT6077		
	2019-17	Rear-All		PRT6242		

BENDIX BRAKE PARTS

PART TYPE	YEAR	APPLICATION	PREMIUM NO.	PART NO.	SEVERE DUTY NO.	
BMW (Cont'd.)						
330i xDrive						
Disc Brake Pad Set	2018	Front-All w/ Blue Caliper	CFM1609B	SBM1609B		
	2018	Front-All w/o Blue Caliper		SBM1609A		
	2018	Front-All w/o Blue Caliper	CFC1609	SBC1609		
	2018	Front-All w/o Blue Caliper	CFM1609A			
	2018	Front-All w/o Blue Painted Calipers	CFM1561	SBM1561		
	2017	Front-All Hardware Not Included	CFM1561	SBM1561		
	2018	Rear-All w/ Blue Painted Calipers	CFM1656	SBM1656		
	2018	Rear-All w/o Blue Painted Calipers		SBC1613		
	2018	Rear-All w/o Blue Painted Calipers	CFC1610	SBC1610		
	2018	Rear-All w/o Blue Painted Calipers	CFC1613			
	2017	Rear-All Hardware Included	CFC1613	SBC1613		
	Parking Brake Shoe	2018	Rear-All		831	
Disc Brake Rotor	2018-17	Front-All Exc. M Sport Package; Exc. For Blue Painted Caliper		PRT6077		
	2018-17	Rear-All Exc. M Sport Package; Exc. For Blue Painted Caliper		PRT6242		
	2018-17	Rear-All w/ M Sport Package; Exc. For Blue Painted Caliper		PRT6241		
330xi						
Disc Brake Pad Set	2006	Front-All Hardware Included	CFM1061			
	2006	Front-All Hardware Not Included		SBM1061		
	2005-01	Front-All Hardware Included	CFM946			
	2005-01	Front-All Hardware Not Included		SBM946		
	2006	Rear-All Hardware Included	CFM1170			
	2006	Rear-All Hardware Not Included		SBM1170		
	2005-01	Rear-All Hardware Included	CFC683			
	2005-01	Rear-All Hardware Not Included		SBC683		
Parking Brake Shoe	2006-01	Rear-All		831		
Disc Brake Rotor	2006	Front-All	BPR6079	PRT6079		
	2005-01	Front-All	BPR5412	PRT5412		
	2006	Rear-All	BPR5823	PRT5823		
	2005-01	Rear-All	BPR5416	PRT5416		
335d						
Disc Brake Pad Set	2011	Front-All Hardware Not Included	CFC1260B	SBM1260B		
	2010	Front-All Hardware Included	CFC1260			
	2010	Front-All Hardware Not Included		SBM1260		
	2011-09	Rear-All Hardware Included	CFM1170			
	2011-09	Rear-All Hardware Not Included		SBM1170		
Parking Brake Shoe	2011-09	Rear-All		831		
Disc Brake Rotor	2011-09	Front-All	BPR5822	PRT5822		
	2011-09	Rear-All	BPR5823	PRT5823		
335i						
Disc Brake Pad Set	2015-14	Front-All w/ Blue Caliper	CFM1609B	SBM1609B		
	2015-14	Front-All w/o Blue Caliper		SBM1609A		
	2015-14	Front-All w/o Blue Caliper	CFC1609	SBC1609		
	2015-14	Front-All w/o Blue Caliper	CFM1609A			
	2013	Front-All Convertible, Hardware Included	CFC1260			
	2013	Front-All Convertible, Hardware Not Included		SBM1260		
	2013	Front-All Coupe, w/ Blue Caliper	CFM1609B	SBM1609B		
	2013	Front-All Coupe, w/o Blue Caliper		SBM1609A		
	2013	Front-All Coupe, w/o Blue Caliper	CFC1609	SBC1609		
	2013	Front-All Coupe, w/o Blue Caliper	CFM1609A			
	2013	Front-All Sedan, w/ Blue Caliper	CFM1609B	SBM1609B		
	2013	Front-All Sedan, w/o Blue Caliper		SBM1609A		
	2013	Front-All Sedan, w/o Blue Caliper	CFC1609	SBC1609		
	2013	Front-All Sedan, w/o Blue Caliper	CFM1609A			
	2012	Front-All w/ Blue Caliper	CFM1609B	SBM1609B		
	2012	Front-All w/o Blue Caliper		SBM1609A		
	2012	Front-All w/o Blue Caliper	CFC1609	SBC1609		
	2012	Front-All w/o Blue Caliper	CFM1609A			
	2011-10	Front-All Hardware Included	CFC1260			
	2011-10	Front-All Hardware Not Included		SBM1260		
	2015	Rear-All w/ Blue Caliper	CFM1656	SBM1656		
	2015	Rear-All w/o Blue Caliper	CFC1610	SBC1610		
	2014	Rear-All Hardware Not Included	CFC1610	SBC1610		
	2013	Rear-All Convertible, w/o Blue Caliper	CFM1170	SBM1170		
	2013	Rear-All Coupe, w/o Blue Caliper	CFC1610	SBC1610		
	2013	Rear-All Sedan, w/o Blue Caliper	CFC1610	SBC1610		
	2013	Rear-All w/ Blue Caliper	CFM1656	SBM1656		
	2012	Rear-All Hardware Not Included	CFC1610	SBC1610		
	2011-07	Rear-All Hardware Included	CFM1170			
	2011-07	Rear-All Hardware Not Included		SBM1170		
	Parking Brake Shoe	2015	Rear-All		831	
		2012-07	Rear-All		831	

BENDIX BRAKE PARTS

PART TYPE	YEAR	APPLICATION	PREMIUM NO.	PART NO.	SEVERE DUTY NO.	
BMW (Cont'd.)						
335i (Cont'd.)						
Disc Brake Rotor	2012-07	Front-All	BPR5822	PRT5822		
	2015	Rear-All Exc. For Blue Painted Caliper		PRT6241		
	2014	Rear-All Exc.For Blue Painted Caliper		PRT6241		
	2013	Rear-All Coupe	BPR5823	PRT5823		
	2013	Rear-All Sedan, Exc.For Blue Painted Caliper		PRT6241		
	2012-07	Rear-All	BPR5823	PRT5823		
335i GT xDrive						
Disc Brake Pad Set	2015-14	Front-All w/ Blue Caliper	CFM1609B	SBM1609B		
	2015-14	Front-All w/o Blue Caliper		SBM1609A		
	2015-14	Front-All w/o Blue Caliper	CFC1609	SBC1609		
	2015-14	Front-All w/o Blue Caliper	CFM1609A			
	2016-15	Rear-All w/ Blue Caliper	CFM1656	SBM1656		
	2016-15	Rear-All w/o Blue Caliper	CFC1610	SBC1610		
	2014	Rear-All Hardware Not Included	CFC1610	SBC1610		
Parking Brake Shoe	2016-15	Rear-All		831		
Disc Brake Rotor	2016-15	Rear-All Exc. For Blue Painted Caliper		PRT6241		
	2014	Rear-All Exc.For Blue Painted Caliper		PRT6241		
335is						
Disc Brake Pad Set	2013	Front-All Hardware Not Included	CFC1260B	SBM1260B		
	2012-11	Front-All Hardware Included	CFC1260			
	2012-11	Front-All Hardware Not Included		SBM1260		
	2013-11	Rear-All Hardware Included	CFM1170			
	2013-11	Rear-All Hardware Not Included		SBM1170		
Parking Brake Shoe	2012-11	Rear-All		831		
Disc Brake Rotor	2013-11	Front-All		PRT5822		
	2012-11	Front-All	BPR5822			
	2013-11	Rear-All		PRT5823		
	2012-11	Rear-All	BPR5823			
335i xDrive						
Disc Brake Pad Set	2015-14	Front-All w/ Blue Caliper	CFM1609B	SBM1609B		
	2015-14	Front-All w/o Blue Caliper		SBM1609A		
	2015-14	Front-All w/o Blue Caliper	CFC1609	SBC1609		
	2015-14	Front-All w/o Blue Caliper	CFM1609A			
	2013	Front-All Coupe, Hardware Included	CFC1260			
	2013	Front-All Coupe, Hardware Not Included		SBM1260		
	2013	Front-All Sedan, w/ Blue Caliper	CFM1609B	SBM1609B		
	2013	Front-All Sedan, w/o Blue Caliper		SBM1609A		
	2013	Front-All Sedan, w/o Blue Caliper	CFC1609	SBC1609		
	2013	Front-All Sedan, w/o Blue Caliper	CFM1609A			
	2012-10	Front-All Hardware Included	CFC1260			
	2012-10	Front-All Hardware Not Included		SBM1260		
	2015	Rear-All w/ Blue Caliper	CFM1656	SBM1656		
	2015	Rear-All w/o Blue Caliper	CFC1610	SBC1610		
	2014	Rear-All Hardware Not Included	CFC1610	SBC1610		
	2013	Rear-All Coupe, Hardware Included	CFM1170			
	2013	Rear-All Coupe, Hardware Not Included		SBM1170		
	2013	Rear-All Sedan, Hardware Not Included	CFC1610	SBC1610		
	2012-09	Rear-All Hardware Included	CFM1170			
	2012-09	Rear-All Hardware Not Included		SBM1170		
	Parking Brake Shoe	2015	Rear-All		831	
		2012-09	Rear-All		831	
	Disc Brake Rotor	2012-09	Front-All	BPR5822	PRT5822	
2015		Rear-All Exc. For Blue Painted Caliper		PRT6241		
2014-13		Rear-All Exc.For Blue Painted Caliper		PRT6241		
2012-09		Rear-All	BPR5823	PRT5823		
335xi						
Disc Brake Pad Set	2007	Front-All Hardware Included	CFM1061			
	2007	Front-All Hardware Not Included		SBM1061		
	2008-07	Rear-All Hardware Included	CFM1170			
	2008-07	Rear-All Hardware Not Included		SBM1170		
Parking Brake Shoe	2008-07	Rear-All		831		
Disc Brake Rotor	2008-07	Front-All	BPR5822	PRT5822		
	2008-07	Rear-All	BPR5823	PRT5823		
340i						
Disc Brake Pad Set	2018	Front-All w/ Blue Caliper	CFM1609B	SBM1609B		
	2018	Front-All w/o Blue Caliper		SBM1609A		
	2018	Front-All w/o Blue Caliper	CFC1609	SBC1609		
	2018	Front-All w/o Blue Caliper	CFM1609A			
	2018	Rear-All w/ Blue Painted Calipers	CFM1656	SBM1656		
	2018	Rear-All w/o Blue Painted Calipers	CFC1610	SBC1610		
	2017	Rear-All Hardware Not Included	CFC1610	SBC1610		
	2016	Rear-All w/ Blue Caliper	CFM1656	SBM1656		

BENDIX BRAKE PARTS

PART TYPE	YEAR	APPLICATION	PREMIUM NO.	PART NO.	SEVERE DUTY NO.
BMW (Cont'd.)					
340i (Cont'd.)					
Disc Brake Pad Set (cont'd)	2016	Rear-All w/o Blue Caliper	CFC1610	SBC1610	
Parking Brake Shoe	2018	Rear-All		831	
	2016	Rear-All		831	
Disc Brake Rotor	2018-16	Rear-All Exc. For Blue Painted Caliper		PRT6241	
340i GT xDrive					
Disc Brake Pad Set	2019-17	Front-All w/ Blue Caliper	CFM1609B	SBM1609B	
	2019-17	Front-All w/o Blue Caliper		SBM1609A	
	2019-17	Front-All w/o Blue Caliper	CFC1609	SBC1609	
	2019-17	Front-All w/o Blue Caliper	CFM1609A		
	2019-17	Rear-All Hardware Not Included	CFC1610	SBC1610	
Parking Brake Shoe	2018	Rear-All		831	
Disc Brake Rotor	2019	Rear-All		PRT6241	
	2018-17	Rear-All Exc. For Blue Painted Caliper		PRT6241	
340i xDrive					
Disc Brake Pad Set	2018	Front-All w/ Blue Caliper	CFM1609B	SBM1609B	
	2018	Front-All w/o Blue Caliper		SBM1609A	
	2018	Front-All w/o Blue Caliper	CFC1609	SBC1609	
	2018	Front-All w/o Blue Caliper	CFM1609A		
	2018	Rear-All w/ Blue Painted Calipers	CFM1656	SBM1656	
	2018	Rear-All w/o Blue Painted Calipers	CFC1610	SBC1610	
	2017	Rear-All Hardware Not Included	CFC1610	SBC1610	
	2016	Rear-All w/ Blue Caliper	CFM1656	SBM1656	
	2016	Rear-All w/o Blue Caliper	CFC1610	SBC1610	
Parking Brake Shoe	2018	Rear-All		831	
	2016	Rear-All		831	
Disc Brake Rotor	2018-16	Rear-All Exc. For Blue Painted Caliper		PRT6241	
428i					
Disc Brake Pad Set	2016-15	Front-All w/ Blue Caliper	CFM1609B	SBM1609B	
	2016-15	Front-All w/o Blue Caliper		SBM1561	
	2016-15	Front-All w/o Blue Caliper		SBM1609A	
	2016-15	Front-All w/o Blue Caliper	CFC1609	SBC1609	
	2016-15	Front-All w/o Blue Caliper	CFM1561		
	2016-15	Front-All w/o Blue Caliper	CFM1609A		
	2014	Front-All Hardware Not Included	CFM1561	SBM1561	
	2016	Rear-All Base, w/ Blue Caliper	CFM1656	SBM1656	
	2016	Rear-All Base, w/o Blue Caliper	CFC1613	SBC1613	
	2016	Rear-All Luxury, w/ Blue Caliper	CFM1656	SBM1656	
	2016	Rear-All Luxury, w/o Blue Caliper	CFC1613	SBC1613	
	2016	Rear-All Sport, w/ Blue Caliper	CFM1656	SBM1656	
	2016	Rear-All Sport, w/o Blue Caliper	CFC1613	SBC1613	
	2015	Rear-All w/ Blue Caliper	CFM1656	SBM1656	
	2015	Rear-All w/o Blue Caliper	CFC1613	SBC1613	
	2014	Rear-All Hardware Included	CFC1613	SBC1613	
Parking Brake Shoe	2016-15	Rear-All Convertible		831	
	2016-15	Rear-All Coupe		828	
Disc Brake Rotor	2016	Front-All		PRT6077	
	2014	Front-All		PRT6077	
	2016	Rear-All Exc. M Sport Package; Exc. For Blue Painted Caliper		PRT6242	
	2015-14	Rear-All exc. Blue Painted Calipers		PRT5862	
428i Gran Coupe					
Disc Brake Pad Set	2016	Front-All w/ Blue Caliper	CFM1609B	SBM1609B	
	2016	Front-All w/o Blue Caliper		SBM1561	
	2016	Front-All w/o Blue Caliper		SBM1609A	
	2016	Front-All w/o Blue Caliper	CFC1609	SBC1609	
	2016	Front-All w/o Blue Caliper	CFM1561		
	2016	Front-All w/o Blue Caliper	CFM1609A		
	2015	Front-All Hardware Not Included	CFM1561	SBM1561	
	2016	Rear-All Base, w/ Blue Caliper	CFM1656	SBM1656	
	2016	Rear-All Base, w/o Blue Caliper	CFC1613	SBC1613	
	2016	Rear-All Luxury, w/ Blue Caliper	CFM1656	SBM1656	
	2016	Rear-All Luxury, w/o Blue Caliper	CFC1613	SBC1613	
	2016	Rear-All Sport, w/ Blue Caliper	CFM1656	SBM1656	
	2016	Rear-All Sport, w/o Blue Caliper	CFC1613	SBC1613	
	2015	Rear-All w/ Blue Caliper	CFM1656	SBM1656	
	2015	Rear-All w/o Blue Caliper	CFC1613	SBC1613	
Parking Brake Shoe	2016-15	Rear-All		828	
Disc Brake Rotor	2016	Front-All Exc. M Sport Package; Exc. For Blue Painted Caliper		PRT6077	
	2015	Rear-All Exc. For Blue Painted Caliper		PRT6241	
428i xDrive					
Disc Brake Pad Set	2016-15	Front-All w/ Blue Caliper	CFM1609B	SBM1609B	
	2016-15	Front-All w/o Blue Caliper		SBM1561	

BENDIX BRAKE PARTS

PART TYPE	YEAR	APPLICATION	PREMIUM NO.	PART NO.	SEVERE DUTY NO.	
BMW (Cont'd.)						
428i xDrive (Cont'd.)						
Disc Brake Pad Set (cont'd)	2016-15	Front-All w/o Blue Caliper		SBM1609A		
	2016-15	Front-All w/o Blue Caliper	CFC1609	SBC1609		
	2016-15	Front-All w/o Blue Caliper	CFM1561			
	2016-15	Front-All w/o Blue Caliper	CFM1609A			
	2014	Front-All Hardware Not Included	CFM1561	SBM1561		
	2016	Rear-All Base, w/ Blue Caliper	CFM1656	SBM1656		
	2016	Rear-All Base, w/o Blue Caliper	CFC1613	SBC1613		
	2015	Rear-All w/ Blue Caliper	CFM1656	SBM1656		
	2015	Rear-All w/o Blue Caliper	CFC1613	SBC1613		
	2014	Rear-All Hardware Included	CFC1613	SBC1613		
	Parking Brake Shoe	2016-15	Rear-All		831	
Disc Brake Rotor	2016	Front-All Exc. M Sport Package; Exc. For Blue Painted Caliper		PRT6077		
	2015	Rear-All Exc. For Blue Painted Caliper		PRT6242		
	2014	Rear-All Exc. For Blue Painted Caliper		PRT6242		
428i xDrive Gran Coupe						
Disc Brake Pad Set	2016	Front-All w/ Blue Caliper	CFM1609B	SBM1609B		
	2016	Front-All w/o Blue Caliper		SBM1561		
	2016	Front-All w/o Blue Caliper		SBM1609A		
	2016	Front-All w/o Blue Caliper	CFC1609	SBC1609		
	2016	Front-All w/o Blue Caliper	CFM1561			
	2016	Front-All w/o Blue Caliper	CFM1609A			
	2015	Front-All Hardware Not Included	CFM1561	SBM1561		
	2016	Rear-All Base, w/ Blue Caliper	CFM1656	SBM1656		
	2016	Rear-All Base, w/o Blue Caliper	CFC1613	SBC1613		
	2015	Rear-All w/ Blue Caliper	CFM1656	SBM1656		
	2015	Rear-All w/o Blue Caliper	CFC1613	SBC1613		
Parking Brake Shoe	2016-15	Rear-All		831		
Disc Brake Rotor	2016	Front-All Exc. M Sport Package; Exc. For Blue Painted Caliper		PRT6077		
	2015	Rear-All Exc. For Blue Painted Caliper		PRT6241		
430i						
Disc Brake Pad Set	2019-18	Front-All w/ Blue Caliper	CFM1609B	SBM1609B		
	2019-18	Front-All w/o Blue Caliper		SBM1609A		
	2019-18	Front-All w/o Blue Caliper	CFC1609	SBC1609		
	2019-18	Front-All w/o Blue Caliper	CFM1609A			
	2019-18	Front-All w/o Blue Painted Calipers	CFM1561	SBM1561		
	2017	Front-All Hardware Not Included	CFM1561	SBM1561		
	2019-18	Rear-All w/ Blue Painted Calipers	CFM1656	SBM1656		
	2019-18	Rear-All w/o Blue Painted Calipers		SBC1613		
	2019-18	Rear-All w/o Blue Painted Calipers	CFC1610	SBC1610		
	2019-18	Rear-All w/o Blue Painted Calipers	CFC1613			
	2017	Rear-All Hardware Included	CFC1613	SBC1613		
	Parking Brake Shoe	2018	Rear-All		831	
	Disc Brake Rotor	2019-17	Front-All Exc. M Sport Package; Exc. For Blue Painted Caliper		PRT6077	
2019-17		Rear-All Exc. M Sport Package; Exc. For Blue Painted Caliper		PRT6242		
2019-17		Rear-All w/ M Sport Package; Exc. For Blue Painted Caliper		PRT6241		
430i Gran Coupe						
Disc Brake Pad Set	2019-18	Front-All w/ Blue Caliper	CFM1609B	SBM1609B		
	2019-18	Front-All w/o Blue Caliper		SBM1609A		
	2019-18	Front-All w/o Blue Caliper	CFC1609	SBC1609		
	2019-18	Front-All w/o Blue Caliper	CFM1609A			
	2019-18	Front-All w/o Blue Painted Calipers	CFM1561	SBM1561		
	2017	Front-All Hardware Not Included	CFM1561	SBM1561		
	2019-18	Rear-All w/ Blue Painted Calipers	CFM1656	SBM1656		
	2019-18	Rear-All w/o Blue Painted Calipers		SBC1613		
	2019-18	Rear-All w/o Blue Painted Calipers	CFC1610	SBC1610		
	2019-18	Rear-All w/o Blue Painted Calipers	CFC1613			
	2017	Rear-All Hardware Included	CFC1613	SBC1613		
Parking Brake Shoe	2018	Rear-All		831		
Disc Brake Rotor	2019-17	Front-All Exc. M Sport Package; Exc. For Blue Painted Caliper		PRT6077		
	2019-17	Rear-All Exc. M Sport Package; Exc. For Blue Painted Caliper		PRT6242		
	2019-17	Rear-All w/ M Sport Package; Exc. For Blue Painted Caliper		PRT6241		
430i xDrive						
Disc Brake Pad Set	2019-18	Front-All w/ Blue Caliper	CFM1609B	SBM1609B		
	2019-18	Front-All w/o Blue Caliper		SBM1609A		
	2019-18	Front-All w/o Blue Caliper	CFC1609	SBC1609		
	2019-18	Front-All w/o Blue Caliper	CFM1609A			
	2019-18	Front-All w/o Blue Painted Calipers	CFM1561	SBM1561		

BENDIX BRAKE PARTS

PART TYPE	YEAR	APPLICATION	PREMIUM NO.	PART NO.	SEVERE DUTY NO.	
BMW (Cont'd.)						
430i xDrive (Cont'd.)						
Disc Brake Pad Set (cont'd)	2017	Front-All Hardware Not Included	CFM1561	SBM1561		
	2019-18	Rear-All w/ Blue Painted Calipers	CFM1656	SBM1656		
	2019-18	Rear-All w/o Blue Painted Calipers		SBC1613		
	2019-18	Rear-All w/o Blue Painted Calipers	CFC1610	SBC1610		
	2019-18	Rear-All w/o Blue Painted Calipers	CFC1613			
	2017	Rear-All Hardware Included	CFC1613	SBC1613		
Parking Brake Shoe	2018	Rear-All		831		
Disc Brake Rotor	2019-17	Front-All Exc. M Sport Package; Exc. For Blue Painted Caliper		PRT6077		
	2019-17	Rear-All Exc. M Sport Package; Exc. For Blue Painted Caliper		PRT6242		
	2019-17	Rear-All w/ M Sport Package; Exc. For Blue Painted Caliper		PRT6241		
430i xDrive Gran Coupe						
Disc Brake Pad Set	2019-18	Front-All w/ Blue Caliper	CFM1609B	SBM1609B		
	2019-18	Front-All w/o Blue Caliper		SBM1609A		
	2019-18	Front-All w/o Blue Caliper	CFC1609	SBC1609		
	2019-18	Front-All w/o Blue Caliper	CFM1609A			
	2019-18	Front-All w/o Blue Painted Calipers	CFM1561	SBM1561		
	2017	Front-All Hardware Not Included	CFM1561	SBM1561		
	2019-18	Rear-All w/ Blue Painted Calipers	CFM1656	SBM1656		
	2019-18	Rear-All w/o Blue Painted Calipers		SBC1613		
	2019-18	Rear-All w/o Blue Painted Calipers	CFC1610	SBC1610		
	2019-18	Rear-All w/o Blue Painted Calipers	CFC1613			
Parking Brake Shoe	2018	Rear-All Hardware Included	CFC1613	SBC1613		
	2018	Rear-All		831		
Disc Brake Rotor	2019-17	Front-All Exc. M Sport Package; Exc. For Blue Painted Caliper		PRT6077		
	2019-17	Rear-All Exc. M Sport Package; Exc. For Blue Painted Caliper		PRT6242		
	2019-17	Rear-All w/ M Sport Package; Exc. For Blue Painted Caliper		PRT6241		
435i						
Disc Brake Pad Set	2015-14	Front-All w/ Blue Caliper	CFM1609B	SBM1609B		
	2015-14	Front-All w/o Blue Caliper		SBM1609A		
	2015-14	Front-All w/o Blue Caliper	CFC1609	SBC1609		
	2015-14	Front-All w/o Blue Caliper	CFM1609A			
	2016-15	Rear-All w/ Blue Caliper	CFM1656	SBM1656		
	2016-15	Rear-All w/o Blue Caliper	CFC1610	SBC1610		
	2014	Rear-All Hardware Included	CFM1656	SBM1656		
	Parking Brake Shoe	2016-15	Rear-All		831	
		2016	Rear-All Exc. For Blue Painted Caliper		PRT6241	
Disc Brake Rotor	2015-14	Rear-All Exc. For Blue Painted Caliper		PRT6241		
	2015-14	Rear-All Exc. For Blue Painted Caliper		PRT6241		
435i Gran Coupe						
Disc Brake Pad Set	2015	Front-All w/ Blue Caliper	CFM1609B	SBM1609B		
	2015	Front-All w/o Blue Caliper		SBM1609A		
	2015	Front-All w/o Blue Caliper	CFC1609	SBC1609		
	2015	Front-All w/o Blue Caliper	CFM1609A			
	2016-15	Rear-All w/ Blue Caliper	CFM1656	SBM1656		
	2016-15	Rear-All w/o Blue Caliper	CFC1610	SBC1610		
Parking Brake Shoe	2016-15	Rear-All		831		
Disc Brake Rotor	2016-15	Rear-All Exc. For Blue Painted Caliper		PRT6241		
435i xDrive						
Disc Brake Pad Set	2015-14	Front-All w/ Blue Caliper	CFM1609B	SBM1609B		
	2015-14	Front-All w/o Blue Caliper		SBM1609A		
	2015-14	Front-All w/o Blue Caliper	CFC1609	SBC1609		
	2015-14	Front-All w/o Blue Caliper	CFM1609A			
	2016-15	Rear-All w/ Blue Caliper	CFM1656	SBM1656		
	2016-15	Rear-All w/o Blue Caliper	CFC1610	SBC1610		
	2014	Rear-All Hardware Not Included	CFC1610	SBC1610		
Parking Brake Shoe	2016-15	Rear-All		831		
Disc Brake Rotor	2016	Rear-All Exc. For Blue Painted Caliper		PRT6241		
	2015-14	Rear-All Exc. For Blue Painted Caliper		PRT6241		
435i xDrive Gran Coupe						
Disc Brake Pad Set	2015	Front-All w/ Blue Caliper	CFM1609B	SBM1609B		
	2015	Front-All w/o Blue Caliper		SBM1609A		
	2015	Front-All w/o Blue Caliper	CFC1609	SBC1609		
	2015	Front-All w/o Blue Caliper	CFM1609A			
	2016-15	Rear-All w/ Blue Caliper	CFM1656	SBM1656		
	2016-15	Rear-All w/o Blue Caliper	CFC1610	SBC1610		
Parking Brake Shoe	2016-15	Rear-All		831		
Disc Brake Rotor	2016-15	Rear-All Exc. For Blue Painted Caliper		PRT6241		
440i						
Disc Brake Pad Set	2019-18	Front-All w/ Blue Caliper	CFM1609B	SBM1609B		

BENDIX BRAKE PARTS

PART TYPE	YEAR	APPLICATION	PREMIUM NO.	PART NO.	SEVERE DUTY NO.	
BMW (Cont'd.)						
440i (Cont'd.)						
Disc Brake Pad Set (cont'd)	2019-18	Front-All w/o Blue Caliper		SBM1609A		
	2019-18	Front-All w/o Blue Caliper	CFC1609	SBC1609		
	2019-18	Front-All w/o Blue Caliper	CFM1609A			
	2019-18	Rear-All w/ Blue Painted Calipers	CFM1656	SBM1656		
	2019-18	Rear-All w/o Blue Painted Calipers	CFC1610	SBC1610		
	2017	Rear-All Hardware Not Included	CFC1610	SBC1610		
Parking Brake Shoe	2018	Rear-All		831		
Disc Brake Rotor	2019-17	Rear-All Exc. For Blue Painted Caliper		PRT6241		
440i Gran Coupe						
Disc Brake Pad Set	2019-18	Front-All w/ Blue Caliper	CFM1609B	SBM1609B		
	2019-18	Front-All w/o Blue Caliper		SBM1609A		
	2019-18	Front-All w/o Blue Caliper	CFC1609	SBC1609		
	2019-18	Front-All w/o Blue Caliper	CFM1609A			
	2019-18	Rear-All w/ Blue Painted Calipers	CFM1656	SBM1656		
	2019-18	Rear-All w/o Blue Painted Calipers	CFC1610	SBC1610		
	2017	Rear-All Hardware Not Included	CFC1610	SBC1610		
Parking Brake Shoe	2018	Rear-All		831		
Disc Brake Rotor	2019-17	Rear-All Exc. For Blue Painted Caliper		PRT6241		
440i xDrive						
Disc Brake Pad Set	2019-18	Front-All w/ Blue Caliper	CFM1609B	SBM1609B		
	2019-18	Front-All w/o Blue Caliper		SBM1609A		
	2019-18	Front-All w/o Blue Caliper	CFC1609	SBC1609		
	2019-18	Front-All w/o Blue Caliper	CFM1609A			
	2019-18	Rear-All w/ Blue Painted Calipers	CFM1656	SBM1656		
	2019-18	Rear-All w/o Blue Painted Calipers	CFC1610	SBC1610		
	2017	Rear-All Hardware Not Included	CFC1610	SBC1610		
Parking Brake Shoe	2018	Rear-All		831		
Disc Brake Rotor	2019-17	Rear-All Exc. For Blue Painted Caliper		PRT6241		
440i xDrive Gran Coupe						
Disc Brake Pad Set	2019-18	Front-All w/ Blue Caliper	CFM1609B	SBM1609B		
	2019-18	Front-All w/o Blue Caliper		SBM1609A		
	2019-18	Front-All w/o Blue Caliper	CFC1609	SBC1609		
	2019-18	Front-All w/o Blue Caliper	CFM1609A			
	2019-18	Rear-All w/ Blue Painted Calipers	CFM1656	SBM1656		
	2019-18	Rear-All w/o Blue Painted Calipers	CFC1610	SBC1610		
	2017	Rear-All Hardware Not Included	CFC1610	SBC1610		
Parking Brake Shoe	2018	Rear-All		831		
Disc Brake Rotor	2019-17	Rear-All Exc. For Blue Painted Caliper		PRT6241		
524td						
Disc Brake Pad Set	1986-85	Front-All Hardware Not Included		SBM253		
	1986-85	Rear-All Hardware Not Included		SBM279		
Parking Brake Shoe	1986-85	Rear-All		817		
Disc Brake Rotor	1986-85	Front-All		PRT1348		
	1986-85	Rear-All		PRT1336		
525i						
Disc Brake Pad Set	2006	Front-L6 - 3.0L Hardware Included	CFC1260			
	2006	Front-L6 - 3.0L Hardware Not Included		SBM1260		
	2004	Front-All Manual Trans, Hardware Included	CFM1061			
	2004	Front-All Manual Trans, Hardware Not Included		SBM1061		
	2003-01	Front-All Hardware Not Included	CFM947		SBM947	
	1995-89	Front-All Hardware Not Included		SBM394		
	2010-09	Rear-All Hardware Included	CFC683			
	2010-09	Rear-All Hardware Not Included		SBC683		
	2007	Rear-L6 - 3.0L From 2/07	CFC683		SBC683	
	2007	Rear-L6 - 3.0L To 2/07	CFC1042		SBM1042	
	2006	Rear-L6 - 3.0L Hardware Included	CFC1042			
	2006	Rear-L6 - 3.0L Hardware Not Included		SBM1042		
	2005-04	Rear-All Hardware Included	CFC1042			
	2005-04	Rear-All Hardware Not Included		SBM1042		
	2002-01	Rear-All Hardware Not Included	CFM692		SBM396	
	1995-89	Rear-All Hardware Not Included	CFM692		SBM396	
	Parking Brake Shoe	2007-03	Rear-All w/ 7.34" X 1.18" Brakes		890	
		2003-01	Rear-All w/ 7.28" X 0.79" Brakes		831	
		1995-89	Rear-All		817	
Disc Brake Rotor	2007	Front-All From 10/06	BPR6080		PRT6080	
	2007	Front-All To 10/06	BPR6012		PRT6012	
	2006	Front-All 310mm Rotor Diameter; Vented; 309.8mm	BPR6080		PRT6080	
	2006	Front-All 323mm Rotor; Vented; 324mm	BPR6012		PRT6012	
	2005-04	Front-All Automatic Trans, Vented; 324mm	BPR6012		PRT6012	
	2005-04	Front-All Manual Trans, Vented; 309.8mm	BPR6080		PRT6080	
	2003-01	Front-All	BPR5371		PRT5371	
	1995-89	Front-All			PRT1667	

BENDIX BRAKE PARTS

PART TYPE	YEAR	APPLICATION	PREMIUM NO.	PART NO.	SEVERE DUTY NO.	
BMW (Cont'd.)						
525i (Cont'd.)						
Disc Brake Rotor (cont'd)	2007-04	Rear-All	BPR5885	PRT5885		
	2003-01	Rear-All	BPR5372	PRT5372		
	1995-89	Rear-All		PRT1624		
525iT						
Disc Brake Pad Set	1993	Front-All Hardware Not Included		SBM394		
	1993	Rear-All Hardware Not Included	CFM692	SBM396		
Disc Brake Rotor	1993	Front-All		PRT1667		
	1993	Rear-All		PRT1624		
525xi						
Disc Brake Pad Set	2007-06	Rear-All Hardware Included	CFC1042			
	2007-06	Rear-All Hardware Not Included		SBM1042		
Parking Brake Shoe	2007-06	Rear-All		890		
Disc Brake Rotor	2007-06	Front-All Vented; 324mm	BPR6012	PRT6012		
	2007-06	Rear-All	BPR5820	PRT5820		
528e						
Disc Brake Pad Set	1988-82	Front-All Hardware Not Included		SBM253		
	1988-82	Rear-All Hardware Not Included		SBM279		
Parking Brake Shoe	1988-82	Rear-All		817		
Disc Brake Rotor	1988-82	Front-All		PRT1348		
	1988-82	Rear-All		PRT1336		
528i						
Disc Brake Pad Set	2016-15	Front-All w/o Performance Brakes	CFC1504	SBC1504		
	2016-15	Front-All w/ Performance Brakes	CFC1597	SBC1597		
	2014	Front-All Hardware Included	CFC1504			
	2014	Front-All Hardware Not Included		SBC1504		
	2013-12	Front-All w/o Performance Brakes	CFC1504	SBC1504		
	2013-12	Front-All w/ Performance Brakes	CFC1409	SBC1409		
	2011	Front-All Hardware Included	CFC1504			
	2011	Front-All Hardware Not Included		SBC1504		
	2000-99	Front-All Sedan, Hardware Not Included	CFM947	SBM947		
	2000-99	Front-All Wagon, Hardware Not Included	CFM947	SBM947		
	1998-97	Front-All Hardware Not Included		SBM725		
	1981-79	Front-All Hardware Not Included		SBM163		
	2016-11	Rear-All Hardware Included	CFC1473			
	2016-11	Rear-All Hardware Not Included		SBM1473		
	2010-08	Rear-All Hardware Included	CFC1042			
	2010-08	Rear-All Hardware Not Included		SBM1042		
	2000-99	Rear-All Sedan, Hardware Not Included	CFM692	SBM396		
	2000-99	Rear-All Wagon, Hardware Not Included	CFM692	SBM396		
	1998-96	Rear-All Hardware Not Included	CFM692	SBM396		
	Parking Brake Shoe	2010-08	Rear-All		890	
		2000-97	Rear-All		831	
		1981-79	Rear-All w/ 6.3" X 0.99" Brakes		901	
	Disc Brake Rotor	2016-11	Front-All		PRT6339	
2010-08		Front-All Vented; 324mm	BPR6012	PRT6012		
2000-97		Front-All	BPR5371	PRT5371		
1981-79		Front-All		PRT1347		
2016-11		Rear-All		PRT6338		
2010		Rear-All	BPR5820	PRT5820		
2009-08		Rear-All	BPR5885	PRT5885		
2000-97		Rear-All	BPR5372	PRT5372		
1981-79	Rear-All		PRT1352			
528i xDrive						
Disc Brake Pad Set	2016-12	Front-All Hardware Included	CFC1504			
	2016-12	Front-All Hardware Not Included		SBC1504		
	2016-12	Rear-All Hardware Included	CFC1473			
	2016-12	Rear-All Hardware Not Included		SBM1473		
	2010-09	Rear-All Hardware Included	CFC1042			
	2010-09	Rear-All Hardware Not Included		SBM1042		
Parking Brake Shoe	2010-09	Rear-All		890		
Disc Brake Rotor	2016-12	Front-All		PRT6339		
	2010-09	Front-All Vented; 324mm	BPR6012	PRT6012		
	2016-12	Rear-All		PRT6338		
	2010-09	Rear-All	BPR5820	PRT5820		
528xi						
Disc Brake Pad Set	2008	Rear-All Hardware Included	CFC1042			
	2008	Rear-All Hardware Not Included		SBM1042		
Parking Brake Shoe	2008	Rear-All		890		
Disc Brake Rotor	2008	Front-All Vented; 324mm	BPR6012	PRT6012		
	2008	Rear-All	BPR5820	PRT5820		
530e						
Disc Brake Pad Set	2019-18	Front-All w/ Blue Painted Calipers	CFC1867			

BENDIX BRAKE PARTS

PART TYPE	YEAR	APPLICATION	PREMIUM NO.	PART NO.	SEVERE DUTY NO.	
BMW (Cont'd.)						
530e (Cont'd.)						
Disc Brake Pad Set (cont'd)	2019-18	Rear-All w/o Blue Painted Calipers	CFC1473	SBM1473		
	2019	Rear-All w/ Blue Painted Calipers	CFC1850			
	2018	Rear-All w/ Blue Painted Caliper	CFC1850			
530e xDrive						
Disc Brake Pad Set	2019-18	Front-All w/ Blue Painted Calipers	CFC1867			
	2019-18	Rear-All w/o Blue Painted Calipers	CFC1473	SBM1473		
	2019	Rear-All w/ Blue Painted Calipers	CFC1850			
	2018	Rear-All w/ Blue Painted Caliper	CFC1850			
530i						
Disc Brake Pad Set	2019	Front-All w/ Blue Painted Calipers	CFC1867			
	2018	Front-All Base, w/ Blue Painted Calipers	CFC1867			
	2017	Front-All Base, Hardware Not Included	CFC1867			
	2007-04	Front-All Hardware Not Included		SBM1260A		
	2003	Front-All Hardware Included	CFM681			
	2003	Front-All Hardware Not Included		SBM681		
	2002-01	Front-All Sedan, Hardware Included	CFM681			
	2002-01	Front-All Sedan, Hardware Not Included		SBM681		
	1995-94	Front-All Hardware Not Included		SBM394		
	1978-77	Front-All Hardware Not Included		SBM163		
	2019	Rear-All w/ Blue Painted Calipers	CFC1850			
	2019	Rear-All w/o Blue Painted Calipers	CFC1473	SBM1473		
	2018	Rear-All w/ Blue Painted Caliper	CFC1850			
	2018	Rear-All w/o Blue Painted Caliper	CFC1473	SBM1473		
	2017	Rear-All Hardware Included	CFC1473			
	2017	Rear-All Hardware Not Included		SBM1473		
	2007-04	Rear-All Hardware Included	CFC1042			
	2007-04	Rear-All Hardware Not Included		SBM1042		
	2002-01	Rear-All Sedan, Hardware Not Included	CFM692	SBM396		
	1995-94	Rear-All Hardware Not Included	CFM692	SBM396		
	Parking Brake Shoe	2007-03	Rear-All w/ 7.34" X 1.18" Brakes		890	
		2003-01	Rear-All w/ 7.28" X 0.79" Brakes		831	
		1995-94	Rear-All		817	
		1978-75	Rear-All w/ 6.3" X 0.99" Brakes		901	
Disc Brake Rotor	2007-04	Front-All Vented; 324mm	BPR6012	PRT6012		
	2003-01	Front-All	BPR5888	PRT5888		
	2003	Front-All Vented; 323.8mm		PRT5404		
	1995-94	Front-All		PRT1667		
	1978-77	Front-All		PRT1347		
	2007-04	Rear-All	BPR5885	PRT5885		
	2003-01	Rear-All	BPR5372	PRT5372		
	1995-94	Rear-All		PRT1624		
	1978-75	Rear-All		PRT1352		
530i xDrive						
Disc Brake Pad Set	2019-18	Front-All w/ Blue Painted Calipers	CFC1867			
	2019	Rear-All w/ Blue Painted Calipers	CFC1850			
	2019	Rear-All w/o Blue Painted Calipers	CFC1473	SBM1473		
	2018	Rear-All w/ Blue Painted Caliper	CFC1850			
	2018	Rear-All w/o Blue Painted Caliper	CFC1473	SBM1473		
	2017	Rear-All Hardware Included	CFC1473			
	2017	Rear-All Hardware Not Included		SBM1473		
530xi						
Disc Brake Pad Set	2007-06	Rear-All Hardware Included	CFC1042			
	2007-06	Rear-All Hardware Not Included		SBM1042		
Parking Brake Shoe	2007-06	Rear-All		890		
Disc Brake Rotor	2007-06	Front-All Vented; 324mm	BPR6012	PRT6012		
	2007-06	Rear-All	BPR5820	PRT5820		
533i						
Disc Brake Pad Set	1984-83	Front-All Hardware Not Included		SBM253		
	1984-83	Rear-All Hardware Not Included		SBM279		
Parking Brake Shoe	1984-83	Rear-All		817		
Disc Brake Rotor	1984-83	Front-All		PRT1348		
	1984-83	Rear-All		PRT1336		
535d						
Disc Brake Pad Set	2016-14	Front-All Hardware Not Included	CFC1597	SBC1597		
	2016-14	Rear-All Hardware Included	CFC1473			
	2016-14	Rear-All Hardware Not Included		SBM1473		
Disc Brake Rotor	2016-14	Front-All		PRT6274		
	2016-14	Rear-All		PRT6338		
535d xDrive						
Disc Brake Pad Set	2016-14	Front-All Hardware Not Included	CFC1597	SBC1597		
	2016-14	Rear-All Hardware Included	CFC1473			
	2016-14	Rear-All Hardware Not Included		SBM1473		

BENDIX BRAKE PARTS

PART TYPE	YEAR	APPLICATION	PREMIUM NO.	PART NO.	SEVERE DUTY NO.
BMW (Cont'd.)					
535d xDrive (Cont'd.)					
Disc Brake Rotor	2016-14	Front-All		PRT6274	
	2016-14	Rear-All		PRT6338	
535i					
Disc Brake Pad Set	2016-12	Front-All Hardware Not Included	CFC1597	SBC1597	
	2011	Front-All From 11/10	CFC1597	SBC1597	
	2011	Front-All To 11/10	CFC1597	SBC1597	
	1993-88	Front-All Hardware Not Included		SBM394	
	1987-85	Front-All Hardware Not Included		SBM253	
	2016-12	Rear-All Hardware Included	CFC1473		
	2016-12	Rear-All Hardware Not Included		SBM1473	
	2011	Rear-All w/ 330mm X 20mm Rotor	CFC1473	SBM1473	
	2011	Rear-All w/ 345mm X 24mm Rotor	CFC1469	SBM1469	
	2010-08	Rear-All Hardware Included	CFC919		
	2010-08	Rear-All Hardware Not Included		SBM919	
	1993-88	Rear-All Hardware Not Included	CFM692	SBM396	
	1987-85	Rear-All Hardware Not Included		SBM279	
	Parking Brake Shoe	2010-08	Rear-All		890
1993-85		Rear-All		817	
Disc Brake Rotor	2016-11	Front-All	BPR6274	PRT6274	
	2010-08	Front-All	BPR5821	PRT5821	
	1993-89	Front-All		PRT1667	
	1988-85	Front-All		PRT1349	
	2016-11	Rear-All		PRT6338	
	2010-08	Rear-All	BPR5945	PRT5945	
	1993-89	Rear-All		PRT1624	
	1988-85	Rear-All		PRT1336	
535i GT					
Disc Brake Pad Set	2017-16	Front-All Hardware Not Included	CFC1409	SBC1409	
	2015	Front-All Hardware Not Included	CFC1597	SBC1597	
	2014-10	Front-All Hardware Not Included	CFC1409	SBC1409	
	2017-16	Rear-All Hardware Included	CFC919		
	2017-16	Rear-All Hardware Not Included		SBM919	
	2015-10	Rear-All Hardware Included	CFC919A		
	2015-10	Rear-All Hardware Not Included		SBM919A	
Disc Brake Rotor	2017-10	Front Left-All		PRT6319	
	2016-10	Front Right-All		PRT6320	
	2017-10	Rear-All		PRT6318	
535i GT xDrive					
Disc Brake Pad Set	2017-16	Front-All Hardware Not Included	CFC1409	SBC1409	
	2015	Front-All Hardware Not Included	CFC1597	SBC1597	
	2014-11	Front-All Hardware Not Included	CFC1409	SBC1409	
	2017-16	Rear-All Hardware Included	CFC919		
	2017-16	Rear-All Hardware Not Included		SBM919	
	2015-11	Rear-All Hardware Included	CFC919A		
	2015-11	Rear-All Hardware Not Included		SBM919A	
Disc Brake Rotor	2017-11	Front Left-All		PRT6319	
	2016-11	Front Right-All		PRT6320	
	2017-11	Rear-All		PRT6318	
535is					
Disc Brake Pad Set	1988	Front-All Hardware Not Included		SBM394	
	1988	Rear-All Hardware Not Included	CFM692	SBM396	
Parking Brake Shoe	1988	Rear-All		817	
Disc Brake Rotor	1988	Front-All		PRT1667	
	1988	Rear-All		PRT1624	
535i xDrive					
Disc Brake Pad Set	2016-14	Front-All Hardware Not Included	CFC1597	SBC1597	
	2013	Front-All Hardware Not Included	CFC1409	SBC1409	
	2012	Front-All Hardware Not Included	CFC1597	SBC1597	
	2016-11	Rear-All Hardware Included	CFC1473		
	2016-11	Rear-All Hardware Not Included		SBM1473	
	2010-09	Rear-All Hardware Included	CFC1042		
	2010-09	Rear-All Hardware Not Included		SBM1042	
	2010-09	Rear-All		890	
Parking Brake Shoe	2010-09	Rear-All		890	
Disc Brake Rotor	2016-11	Front-All		PRT6274	
	2010-09	Front-All Sedan, Vented; 324mm	BPR6012	PRT6012	
	2010-09	Front-All Wagon		PRT6031 ⁹²	
	2016-11	Rear-All		PRT6338	
	2010-09	Rear-All	BPR5820	PRT5820	
535xi					
Disc Brake Pad Set	2008	Rear-All Hardware Included	CFC1042		
	2008	Rear-All Hardware Not Included		SBM1042	
Parking Brake Shoe	2008	Rear-All		890	

92 Sell out and reorder PRT6012

BENDIX BRAKE PARTS

PART TYPE	YEAR	APPLICATION	PREMIUM NO.	PART NO.	SEVERE DUTY NO.
BMW (Cont'd.)					
535xi (Cont'd.)					
Disc Brake Rotor	2008	Front-All Sedan, Vented; 324mm	BPR6012	PRT6012	
	2008	Front-All Wagon	BPR6012	PRT6012	
	2008	Rear-All	BPR5820	PRT5820	
540i					
Disc Brake Pad Set	2019-18	Front-All w/ Blue Painted Calipers	CFC1868		
	2017	Front-All Hardware Not Included	CFC1868		
	2003-97	Front-All Hardware Included	CFM681		
	2003-97	Front-All Hardware Not Included		SBM681	
	1995-94	Front-All Hardware Not Included		SBM394	
	2019	Rear-All Hardware Included	CFC1850		
	2018	Rear-All Includes Clips	CFC1850		
	2017	Rear-All Hardware Included	CFC1469		
	2017	Rear-All Hardware Not Included		SBM1469	
	2003-97	Rear-All Hardware Not Included	CFM692	SBM396	
	1995-94	Rear-All Hardware Not Included	CFM692	SBM396	
Parking Brake Shoe	2003-01	Rear-All		831	
	1999-97	Rear-All		831	
	1995-94	Rear-All		817	
Disc Brake Rotor	2003-01	Front-All		PRT5404	
	2000	Front-All To 3/00	BPR1816	PRT1816	
	1999-97	Front-All	BPR1816	PRT1816	
	1995-94	Front-All		PRT1632	
	2003-97	Rear-All	BPR5372	PRT5372	
	1995-94	Rear-All		PRT5001	
540i xDrive					
Disc Brake Pad Set	2019-18	Front-All w/ Blue Painted Calipers	CFC1868		
	2017	Front-All Hardware Not Included	CFC1868		
	2019	Rear-All Hardware Included	CFC1850		
	2018	Rear-All Includes Clips	CFC1850		
	2017	Rear-All Hardware Included	CFC1469		
	2017	Rear-All Hardware Not Included		SBM1469	
545i					
Disc Brake Pad Set	2006-04	Rear-All Hardware Included	CFC919		
	2006-04	Rear-All Hardware Not Included		SBM919	
Parking Brake Shoe	2005-04	Rear-All		890	
Disc Brake Rotor	2005-04	Front-All	BPR5821	PRT5821	
	2005-04	Rear-All	BPR5945	PRT5945	
550i					
Disc Brake Pad Set	2016-11	Front-All Hardware Not Included	CFC1409	SBC1409	
	2016-12	Rear-All Hardware Included	CFC1469		
	2016-12	Rear-All Hardware Not Included		SBM1469	
	2011-06	Rear-All Hardware Included	CFC919		
	2011-06	Rear-All Hardware Not Included		SBM919	
Parking Brake Shoe	2009-06	Rear-All		890	
Disc Brake Rotor	2016-11	Front Left-All		PRT6319	
	2016-11	Front Right-All		PRT6320	
	2010-06	Front-All	BPR5821	PRT5821	
	2016-11	Rear-All		PRT6318	
	2010-06	Rear-All	BPR5945	PRT5945	
550i GT					
Disc Brake Pad Set	2015-10	Front-All Hardware Not Included	CFC1409	SBC1409	
	2015-10	Rear-All Hardware Included	CFC919A		
	2015-10	Rear-All Hardware Not Included		SBM919A	
Disc Brake Rotor	2015-10	Front Left-All		PRT6358	
	2015-10	Front Right-All		PRT6357	
	2014-10	Rear-All		PRT6048	
550i GT xDrive					
Disc Brake Pad Set	2017-10	Front-All Hardware Not Included	CFC1409	SBC1409	
	2017-16	Rear-All Hardware Included	CFC919		
	2017-16	Rear-All Hardware Not Included		SBM919	
	2015-10	Rear-All Hardware Included	CFC919A		
	2015-10	Rear-All Hardware Not Included		SBM919A	
Disc Brake Rotor	2017-10	Front Left-All		PRT6358	
	2016-10	Front Right-All		PRT6357	
	2017	Rear-All		PRT6048	
	2014-10	Rear-All		PRT6048	
550i xDrive					
Disc Brake Pad Set	2016-11	Front-All Hardware Not Included	CFC1409	SBC1409	
	2016-14	Rear-All Hardware Included	CFC1469		
	2016-14	Rear-All Hardware Not Included		SBM1469	
	2013	Rear-All Hardware Included	CFC919		
	2013	Rear-All Hardware Not Included		SBM919	

BENDIX BRAKE PARTS

PART TYPE	YEAR	APPLICATION	PREMIUM NO.	PART NO.	SEVERE DUTY NO.
BMW (Cont'd.)					
550i xDrive (Cont'd.)					
Disc Brake Pad Set (cont'd)	2012	Rear-All Hardware Included	CFC1469		
	2012	Rear-All Hardware Not Included		SBM1469	
	2011	Rear-All Hardware Included	CFC919		
	2011	Rear-All Hardware Not Included		SBM919	
Disc Brake Rotor	2016-11	Front Left-All		PRT6319	
	2016-11	Front Right-All		PRT6320	
	2016-11	Rear-All		PRT6318	
630CSI					
Disc Brake Pad Set	1978-77	Front-All Hardware Not Included		SBM163	
Parking Brake Shoe	1978-77	Rear-All w/ 6.3" X 0.99" Brakes		901	
Disc Brake Rotor	1978-77	Front-All		PRT1347	
633CSI					
Disc Brake Pad Set	1984-83	Front-All Hardware Not Included		SBM253	
	1982-78	Front-All Hardware Not Included		SBM163	
	1984-83	Rear-All Hardware Not Included		SBM279	
Parking Brake Shoe	1984-78	Rear-All w/ 6.3" X 0.99" Brakes		901	
Disc Brake Rotor	1984-83	Front-All		PRT1349	
	1982-78	Front-All		PRT1347	
	1982-78	Rear-All		PRT5495	
635CSI					
Disc Brake Pad Set	1989-85	Front-All Hardware Not Included		SBM253	
	1989-85	Rear-All Hardware Not Included		SBM279	
Parking Brake Shoe	1989-85	Rear-All		817	
Disc Brake Rotor	1989-85	Front-All		PRT1349	
	1989-85	Rear-All		PRT1336	
640i					
Disc Brake Pad Set	2018-12	Front-All Hardware Not Included	CFC1597	SBC1597	
	2018	Rear-All Includes Clips	CFC1469	SBM1469	
	2017-12	Rear-All Hardware Included	CFC1469		
	2017-12	Rear-All Hardware Not Included		SBM1469	
Disc Brake Rotor	2016-12	Front-All		PRT6274	
	2016-12	Front Left-All		PRT6319	
	2016-12	Front Right-All		PRT6320	
	2018-12	Rear-All		PRT6318	
640i Gran Coupe					
Disc Brake Pad Set	2019-13	Front-All Hardware Not Included	CFC1597	SBC1597	
	2019	Rear-All Hardware Included	CFC1469		
	2019	Rear-All Hardware Not Included		SBM1469	
	2018	Rear-All Includes Clips	CFC1469	SBM1469	
	2017-13	Rear-All Hardware Included	CFC1469		
	2017-13	Rear-All Hardware Not Included		SBM1469	
Disc Brake Rotor	2016-13	Front-All		PRT6274	
	2016-13	Front Left-All		PRT6319	
	2016-13	Front Right-All		PRT6320	
	2019-13	Rear-All		PRT6318	
640i xDrive					
Disc Brake Pad Set	2018-14	Front-All Hardware Not Included	CFC1597	SBC1597	
	2018	Rear-All Includes Clips	CFC1469	SBM1469	
	2017-14	Rear-All Hardware Included	CFC1469		
	2017-14	Rear-All Hardware Not Included		SBM1469	
Disc Brake Rotor	2016-14	Front-All		PRT6274	
	2016-14	Front Left-All		PRT6319	
	2016-14	Front Right-All		PRT6320	
	2018-14	Rear-All		PRT6318	
640i xDrive Gran Coupe					
Disc Brake Pad Set	2019-14	Front-All Hardware Not Included	CFC1597	SBC1597	
	2019	Rear-All Hardware Included	CFC1469		
	2019	Rear-All Hardware Not Included		SBM1469	
	2018	Rear-All Includes Clips	CFC1469	SBM1469	
	2017-14	Rear-All Hardware Included	CFC1469		
	2017-14	Rear-All Hardware Not Included		SBM1469	
Disc Brake Rotor	2016-14	Front-All		PRT6274	
	2016-14	Front Left-All		PRT6319	
	2016-14	Front Right-All		PRT6320	
	2019-14	Rear-All		PRT6318	
640i xDrive Gran Turismo					
Disc Brake Pad Set	2019-18	Rear-All Hardware Included	CFC1850		
645Ci					
Disc Brake Pad Set	2005-04	Front-All Hardware Included	CFC1260		
	2005-04	Front-All Hardware Not Included		SBM1260	
	2005-04	Rear-All Hardware Included	CFC919		

BENDIX BRAKE PARTS

PART TYPE	YEAR	APPLICATION	PREMIUM NO.	PART NO.	SEVERE DUTY NO.
BMW (Cont'd.)					
645Ci (Cont'd.)					
Disc Brake Pad Set (cont'd)	2005-04	Rear-All Hardware Not Included		SBM919	
Parking Brake Shoe	2005-04	Rear-All		890	
Disc Brake Rotor	2005-04	Front-All	BPR5821	PRT5821	
	2005-04	Rear-All	BPR5945	PRT5945	
650Ci					
Disc Brake Pad Set	2010-06	Rear-All Hardware Included	CFC919		
	2010-06	Rear-All Hardware Not Included		SBM919	
650i					
Disc Brake Pad Set	2018-12	Front-All Hardware Not Included	CFC1409	SBC1409	
	2010-06	Front-All Hardware Included	CFC1260		
	2010-06	Front-All Hardware Not Included		SBM1260	
	2018	Rear-All Includes Clips	CFC1469	SBM1469	
	2017-13	Rear-All Hardware Included	CFC1469		
	2017-13	Rear-All Hardware Not Included		SBM1469	
	2012	Rear-All Hardware Included	CFC919		
	2012	Rear-All Hardware Not Included		SBM919	
	2010-06	Rear-All Hardware Included	CFC919		
	2010-06	Rear-All Hardware Not Included		SBM919	
Parking Brake Shoe	2010-06	Rear-All		890	
Disc Brake Rotor	2018-12	Front Left-All		PRT6319	
	2016-12	Front Right-All		PRT6320	
	2010-06	Front-All	BPR5821	PRT5821	
	2018-12	Rear-All		PRT6318	
	2010-06	Rear-All	BPR5945	PRT5945	
650i Gran Coupe					
Disc Brake Pad Set	2019-13	Front-All Hardware Not Included	CFC1409	SBC1409	
	2019	Rear-All Hardware Included	CFC1469		
	2019	Rear-All Hardware Not Included		SBM1469	
	2018	Rear-All Includes Clips	CFC1469	SBM1469	
	2017-13	Rear-All Hardware Included	CFC1469		
	2017-13	Rear-All Hardware Not Included		SBM1469	
Disc Brake Rotor	2019-13	Front Left-All		PRT6319	
	2016-13	Front Right-All		PRT6320	
	2019-13	Rear-All		PRT6318	
650i xDrive					
Disc Brake Pad Set	2018-14	Front-All Hardware Not Included	CFC1409	SBC1409	
	2013	Front-All Hardware Not Included	CFC1597	SBC1597	
	2012	Front-All Hardware Not Included	CFC1409	SBC1409	
	2018	Rear-All Includes Clips	CFC1469	SBM1469	
	2017-12	Rear-All Hardware Included	CFC1469		
	2017-12	Rear-All Hardware Not Included		SBM1469	
Disc Brake Rotor	2018-12	Front Left-All		PRT6319	
	2016-12	Front Right-All		PRT6320	
	2018-12	Rear-All		PRT6318	
650i xDrive Gran Coupe					
Disc Brake Pad Set	2019-13	Front-All Hardware Not Included	CFC1409	SBC1409	
	2019	Rear-All Hardware Included	CFC1469		
	2019	Rear-All Hardware Not Included		SBM1469	
	2018	Rear-All Includes Clips	CFC1469	SBM1469	
	2017-13	Rear-All Hardware Included	CFC1469		
	2017-13	Rear-All Hardware Not Included		SBM1469	
Disc Brake Rotor	2019-13	Front Left-All		PRT6319	
	2016-13	Front Right-All		PRT6320	
	2019-13	Rear-All		PRT6318	
733i					
Disc Brake Pad Set	1984-78	Front-All Hardware Not Included		SBM163	
Parking Brake Shoe	1984-78	Rear-All w/ 6.3" X 0.99" Brakes		901	
Disc Brake Rotor	1984	Front-All		PRT1350	
	1983-78	Front-All		PRT1347	
	1984-82	Rear-All		PRT1353	
	1981-78	Rear-All		PRT5242	
735i					
Disc Brake Pad Set	1992-87	Front-All Hardware Not Included		SBM394	
	1986-85	Front-All Hardware Not Included		SBM163	
	1992-87	Rear-All Hardware Not Included	CFM692	SBM396	
	1986-85	Rear-All Hardware Not Included		SBM279	
Parking Brake Shoe	1992-85	Rear-All		817	
Disc Brake Rotor	1992-88	Front-All		PRT1632	
	1987-85	Front-All		PRT1350	
	1992-85	Rear-All		PRT1601	

BENDIX BRAKE PARTS

PART TYPE	YEAR	APPLICATION	PREMIUM NO.	PART NO.	SEVERE DUTY NO.
BMW (Cont'd.)					
735iL					
Disc Brake Pad Set	1992-88	Front-All Hardware Not Included		SBM394	
	1992-88	Rear-All Hardware Not Included	CFM692	SBM396	
Parking Brake Shoe	1992-88	Rear-All		817	
Disc Brake Rotor	1992-88	Front-All		PRT1632	
	1992-88	Rear-All		PRT1601	
740e xDrive					
Disc Brake Pad Set	2019-18	Front-All w/o Painted Calipers	CFC1867		
	2019-18	Front-All w/ Painted Calipers	CFC1868		
	2017	Front-All Hardware Not Included	CFC1867		
	2019	Rear-All Hardware Included	CFC1850		
	2018	Rear-All Includes Clips	CFC1850		
	2017	Rear-All Hardware Included	CFC1850		
740i					
Disc Brake Pad Set	2019-18	Front-All w/ Painted Calipers	CFC1868		
	2017-16	Front-All Hardware Not Included	CFC1867		
	2015-10	Front-All Hardware Not Included	CFC1409	SBC1409	
	2001-97	Front-All Hardware Included	CFM681		
	2001-97	Front-All Hardware Not Included		SBM681	
	1995	Front-All Hardware Included	CFM681		
	1995	Front-All Hardware Not Included		SBM681	
	1994-93	Front-All Hardware Not Included		SBM394	
	2019	Rear-All Hardware Included	CFC1850		
	2018	Rear-All Includes Clips	CFC1850		
	2017-16	Rear-All Hardware Included	CFC1850		
	2015-11	Rear-All Hardware Included	CFC919A		
	2015-11	Rear-All Hardware Not Included		SBM919A	
	2010	Rear-All Hardware Included	CFC919		
	2010	Rear-All Hardware Not Included		SBM919	
	2001-97	Rear-All Hardware Included	CFC683		
	2001-97	Rear-All Hardware Not Included		SBC683	
	1995	Rear-All Hardware Included	CFC683		
	1995	Rear-All Hardware Not Included		SBC683	
	1994-93	Rear-All Hardware Not Included	CFM692	SBM396	
Parking Brake Shoe	2001-97	Rear-All		817	
	1995-93	Rear-All		817	
Disc Brake Rotor	2015-11	Front Left-All		PRT6319	
	2015-11	Front Right-All		PRT6320	
	2001-97	Front-All	BPR1816	PRT1816	
	1995	Front-All	BPR1816	PRT1816	
	1994-93	Front-All		PRT1632	
	2015-11	Rear-All		PRT6318	
	2001-97	Rear-All		PRT5592	
	1994-93	Rear-All		PRT1668	
740iL					
Disc Brake Pad Set	2001-95	Front-All Hardware Included	CFM681		
	2001-95	Front-All Hardware Not Included		SBM681	
	1994-93	Front-All Hardware Not Included		SBM394	
	2001-95	Rear-All Hardware Included	CFC683		
	2001-95	Rear-All Hardware Not Included		SBC683	
	1994-93	Rear-All Hardware Not Included	CFM692	SBM396	
Parking Brake Shoe	2001-93	Rear-All		817	
Disc Brake Rotor	2001-95	Front-All	BPR1816	PRT1816	
	1994-93	Front-All		PRT1632	
	2001-95	Rear-All		PRT5592	
	1994-93	Rear-All		PRT1668	
740i xDrive					
Disc Brake Pad Set	2019-18	Front-All w/ Painted Calipers	CFC1868		
	2017	Front-All Hardware Not Included	CFC1867		
	2019	Rear-All Hardware Included	CFC1850		
	2018	Rear-All Includes Clips	CFC1850		
	2017	Rear-All Hardware Included	CFC1850		
740Ld xDrive					
Disc Brake Pad Set	2015	Front-All Hardware Not Included	CFC1409	SBC1409	
	2015	Rear-All Hardware Included	CFC919		
	2015	Rear-All Hardware Not Included		SBM919	
Disc Brake Rotor	2015	Front Left-All		PRT6319	
	2015	Front Right-All		PRT6320	
	2015	Rear-All		PRT6318	
740Li					
Disc Brake Pad Set	2015-11	Front-All Hardware Not Included	CFC1409	SBC1409	
	2015-11	Rear-All Hardware Included	CFC919A		
	2015-11	Rear-All Hardware Not Included		SBM919A	

BENDIX BRAKE PARTS

PART TYPE	YEAR	APPLICATION	PREMIUM NO.	PART NO.	SEVERE DUTY NO.
BMW (Cont'd.)					
740Li (Cont'd.)					
Disc Brake Rotor	2015-11	Front Left-All		PRT6319	
	2015-11	Front Right-All		PRT6320	
	2015-11	Rear-All		PRT6318	
740Li xDrive					
Disc Brake Pad Set	2015-13	Front-All Hardware Not Included	CFC1409	SBC1409	
	2015-13	Rear-All Hardware Included	CFC919A		
	2015-13	Rear-All Hardware Not Included		SBM919A	
Disc Brake Rotor	2015-13	Front Left-All		PRT6319	
	2015-13	Front Right-All		PRT6320	
	2015-13	Rear-All		PRT6318	
745i					
Disc Brake Pad Set	2005-02	Rear-All Hardware Included	CFC919		
	2005-02	Rear-All Hardware Not Included		SBM919	
Parking Brake Shoe	2005-02	Rear-All		890	
Disc Brake Rotor	2005-02	Front-All	BPR5561	PRT5561	
	2005-02	Rear-All Vented; 345mm	BPR5560	PRT5560	
745Li					
Disc Brake Pad Set	2005-02	Rear-All Hardware Included	CFC919		
	2005-02	Rear-All Hardware Not Included		SBM919	
Parking Brake Shoe	2005-02	Rear-All		890	
Disc Brake Rotor	2005-02	Front-All	BPR5561	PRT5561	
	2005-02	Rear-All Vented; 345mm	BPR5560	PRT5560	
750i					
Disc Brake Pad Set	2019-18	Front-All w/ Painted Calipers	CFC1868		
	2017-16	Front-All Hardware Not Included	CFC1868		
	2015-09	Front-All Hardware Not Included	CFC1409	SBC1409	
	2019	Rear-All Hardware Included	CFC1850		
	2018	Rear-All Includes Clips	CFC1850		
	2017-16	Rear-All Hardware Included	CFC1850		
	2015-09	Rear-All Hardware Not Included		SBM919A	
	2008-06	Rear-All Hardware Included	CFC919		
	2008-06	Rear-All Hardware Not Included		SBM919	
	Parking Brake Shoe	2008-06	Rear-All		890
Disc Brake Rotor	2015-11	Front Left-All		PRT6358	
	2015-11	Front Right-All		PRT6357	
	2008-06	Front-All	BPR5561	PRT5561	
	2014-09	Rear-All		PRT6048	
	2008-06	Rear-All		PRT6321	
750iL					
Disc Brake Pad Set	2001-95	Front-All Hardware Not Included		SBM682	
	1994-90	Front-All Exc. European Vehicles		SBM394	
	1989-88	Front-All Hardware Not Included		SBM394	
	2001-95	Rear-All Hardware Included	CFC683		
	2001-95	Rear-All Hardware Not Included		SBC683	
	1994-88	Rear-All Hardware Not Included	CFM692	SBM396	
	2001-88	Rear-All		817	
Parking Brake Shoe	2001-88	Rear-All		817	
	2001-00	Front-All		PRT5374	
	1999-95	Front-All		PRT5125	
	1994-88	Front-All		PRT1632	
	2001-95	Rear-All		PRT5131	
Disc Brake Rotor	1994-88	Rear-All		PRT1668	
	1994-88	Rear-All		PRT1668	
750i xDrive					
Disc Brake Pad Set	2019-18	Front-All w/ Painted Calipers	CFC1868		
	2017-16	Front-All Hardware Not Included	CFC1868		
	2015-10	Front-All Hardware Not Included	CFC1409	SBC1409	
	2019	Rear-All Hardware Included	CFC1850		
	2018	Rear-All Includes Clips	CFC1850		
	2017-16	Rear-All Hardware Included	CFC1850		
	2015-10	Rear-All Hardware Included	CFC919A		
	2015-10	Rear-All Hardware Not Included		SBM919A	
Disc Brake Rotor	2015-10	Front Left-All		PRT6358	
	2015-10	Front Right-All		PRT6357	
	2014-10	Rear-All		PRT6048	
750Li					
Disc Brake Pad Set	2017-09	Front-All Hardware Not Included	CFC1409	SBC1409	
	2017-09	Rear-All Hardware Included	CFC919A		
	2017-09	Rear-All Hardware Not Included		SBM919A	
	2008-06	Rear-All Hardware Included	CFC919		
	2008-06	Rear-All Hardware Not Included		SBM919	
Parking Brake Shoe	2008-06	Rear-All		890	
Disc Brake Rotor	2015-09	Front Left-All		PRT6358	

BENDIX BRAKE PARTS

PART TYPE	YEAR	APPLICATION	PREMIUM NO.	PART NO.	SEVERE DUTY NO.
BMW (Cont'd.)					
750Li (Cont'd.)					
Disc Brake Rotor (cont'd)	2015-09	Front Right-All		PRT6357	
	2008-06	Front-All	BPR5561	PRT5561	
	2013-09	Rear-All		PRT6048	
	2008-06	Rear-All		PRT6321	
750Li xDrive					
Disc Brake Pad Set	2015-10	Front-All Hardware Not Included	CFC1409	SBC1409	
	2015-10	Rear-All Hardware Included	CFC919A		
	2015-10	Rear-All Hardware Not Included		SBM919A	
Disc Brake Rotor	2015-10	Front Left-All		PRT6358	
	2015-10	Front Right-All		PRT6357	
	2013-10	Rear-All		PRT6048	
760i					
Disc Brake Pad Set	2006-04	Rear-All Hardware Included	CFC919		
	2006-04	Rear-All Hardware Not Included		SBM919	
Parking Brake Shoe	2006-04	Rear-All		890	
Disc Brake Rotor	2006-04	Front-All	BPR5561	PRT5561	
	2006-05	Rear-All From 03/2005		PRT6321	
	2005	Rear-All To 3/05; Vented; 345mm	BPR5560	PRT5560	
	2004	Rear-All Vented; 345mm	BPR5560	PRT5560	
760Li					
Disc Brake Pad Set	2015-13	Front-All Hardware Not Included	CFM1529	SBM1529	
	2012	Front-All Hardware Not Included	CFC1409	SBC1409	
	2015-10	Rear-All Hardware Included	CFC919A		
	2015-10	Rear-All Hardware Not Included		SBM919A	
	2009-03	Rear-All Hardware Included	CFC919		
	2009-03	Rear-All Hardware Not Included		SBM919	
Parking Brake Shoe	2008-03	Rear-All		890	
Disc Brake Rotor	2015-10	Front Left-All		PRT5970	
	2015-10	Front Right-All		PRT5971	
	2008-03	Front-All	BPR5561	PRT5561	
	2014-10	Rear-All		PRT6048	
	2008-07	Rear-All		PRT6321	
	2006	Rear-All From 03/2005		PRT6321	
	2005	Rear-All To 3/05; Vented; 345mm	BPR5560	PRT5560	
	2004-03	Rear-All Vented; 345mm	BPR5560	PRT5560	
840Ci					
Disc Brake Pad Set	1997-94	Front-All Hardware Not Included		SBM639	
	1997-94	Rear-All Hardware Included	CFC683		
	1997-94	Rear-All Hardware Not Included		SBC683	
Parking Brake Shoe	1997-94	Rear-All		817	
Disc Brake Rotor	1997-94	Front-All		PRT5038	
	1997-94	Rear-All		PRT5592	
850Ci					
Disc Brake Pad Set	1997-95	Front-All Hardware Not Included		SBM639	
	1994	Front-All w/ 2 Piston Caliper		SBM639	
	1997-93	Rear-All Hardware Included	CFC683		
	1997-93	Rear-All Hardware Not Included		SBC683	
Parking Brake Shoe	1997-93	Rear-All		817	
Disc Brake Rotor	1997-95	Front-All		PRT5038	
	1994	Front-All From 8/93		PRT5038	
	1994	Front-All To 8/93	BPR1816	PRT1816	
	1993	Front-All	BPR1816	PRT1816	
	1997-93	Rear-All		PRT5592	
	1994-93	Rear-All		PRT1734 ⁶³	
850CSI					
Disc Brake Pad Set	1995-94	Rear-All Hardware Included	CFC683		
	1995-94	Rear-All Hardware Not Included		SBC683	
Parking Brake Shoe	1995-94	Rear-All		817	
Disc Brake Rotor	1995-94	Front-All	BPR1816	PRT1816	
	1995-94	Rear-All		PRT5592	
850i					
Disc Brake Pad Set	1992-91	Rear-All Hardware Included	CFC683		
	1992-91	Rear-All Hardware Not Included		SBC683	
Parking Brake Shoe	1992-91	Rear-All		817	
Disc Brake Rotor	1992-91	Front-All	BPR1816	PRT1816	
	1992-91	Rear-All		PRT1734 ⁶³	
	1992-91	Rear-All		PRT5592	
1600					
Disc Brake Pad Set	1971-69	Front-All Hardware Not Included		SBC31	
Disc Brake Rotor	1971	Front-All		PRT5513	

63 Sell out and reorder PRT5592

BENDIX BRAKE PARTS

PART TYPE	YEAR	APPLICATION	PREMIUM NO.	PART NO.	SEVERE DUTY NO.
BMW (Cont'd.)					
1600-2					
Disc Brake Pad Set	1971-68	Front-All Hardware Not Included		SBC31	
1602					
Disc Brake Pad Set	1971-67	Front-All Hardware Not Included		SBC31	
2000					
Disc Brake Pad Set	1971-70	Rear-All Hardware Not Included		SBC21	
2000tii					
Disc Brake Rotor	1972	Front-All		PRT5501	
2002					
Disc Brake Rotor	1976-68	Front-All		PRT5513	
2002tii					
Disc Brake Rotor	1974-72	Front-All		PRT5501	
2500					
Disc Brake Rotor	1971-69	Front-All		PRT5500	
2800					
Disc Brake Rotor	1971-69	Front-All		PRT5500	
	1971-69	Rear-All		PRT1352	
ActiveHybrid 3					
Disc Brake Pad Set	2015-13	Front-All w/ Blue Caliper	CFM1609B	SBM1609B	
	2015-13	Front-All w/o Blue Caliper		SBM1609A	
	2015-13	Front-All w/o Blue Caliper	CFC1609	SBC1609	
	2015-13	Front-All w/o Blue Caliper	CFM1609A		
	2015	Rear-All w/ Blue Caliper	CFM1656	SBM1656	
	2015	Rear-All w/o Blue Caliper	CFC1610	SBC1610	
	2014-13	Rear-All Hardware Not Included	CFC1610	SBM1610	
Parking Brake Shoe	2015	Rear-All		831	
Disc Brake Rotor	2015	Rear-All Exc. For Blue Painted Caliper		PRT6241	
	2014	Rear-All Exc. For Blue Painted Caliper		PRT6241	
	2013	Rear-All		PRT6241	
ActiveHybrid 5					
Disc Brake Pad Set	2016-12	Front-All Hardware Not Included	CFC1597	SBC1597	
	2016-12	Rear-All Hardware Not Included	CFC1473		
	2016-12	Rear-All Hardware Not Included		SBM1473	
Disc Brake Rotor	2016-12	Front-All		PRT6274	
	2016-12	Rear-All		PRT6338	
ActiveHybrid 7					
Disc Brake Pad Set	2015-13	Front-All Hardware Not Included	CFC1409	SBC1409	
	2015-13	Rear-All Hardware Included	CFC919		
	2015-13	Rear-All Hardware Not Included		SBM919	
Disc Brake Rotor	2015-13	Front Left-All		PRT6319	
	2015-13	Front Right-All		PRT6320	
	2015-13	Rear-All		PRT6318	
Alpina B6 Gran Coupe					
Disc Brake Pad Set	2016	Front-All Hardware Not Included	CFM1529	SBM1529	
	2016	Rear-All Hardware Included	CFC1469		
	2016	Rear-All Hardware Not Included		SBM1469	
Alpina B6 xDrive Gran Coupe					
Disc Brake Pad Set	2019-15	Front-All Hardware Not Included	CFM1529	SBM1529	
	2019	Rear-All Hardware Included	CFC1469		
	2019	Rear-All Hardware Not Included		SBM1469	
	2018	Rear-All Includes Clips	CFC1469	SBM1469	
	2017-15	Rear-All Hardware Included	CFC1469		
	2017-15	Rear-All Hardware Not Included		SBM1469	
Disc Brake Rotor	2019-15	Front Left-All		PRT5970	
	2016-15	Front Right-All		PRT5971	
	2019-17	Rear-All		PRT6048	
	2015	Rear-All		PRT6318	
Alpina B7					
Disc Brake Pad Set	2019-17	Front-All Hardware Not Included	CFC1868		
	2015-12	Front-All Hardware Not Included	CFM1529	SBM1529	
	2019-17	Rear-All Hardware Included	CFC1850		
	2015-11	Rear-All Hardware Included	CFC919A		
	2015-11	Rear-All Hardware Not Included		SBM919A	
	2008-07	Rear-All Hardware Included	CFC919		
	2008-07	Rear-All Hardware Not Included		SBM919	
Parking Brake Shoe	2008-07	Rear-All		890	
Disc Brake Rotor	2015-11	Front Left-All		PRT5970	
	2015-11	Front Right-All		PRT5971	
	2014-11	Rear-All		PRT6048	

BENDIX BRAKE PARTS

PART TYPE	YEAR	APPLICATION	PREMIUM NO.	PART NO.	SEVERE DUTY NO.	
BMW (Cont'd.)						
Alpina B7L						
Disc Brake Pad Set	2015-12	Front-All Hardware Not Included	CFM1529	SBM1529		
	2015-11	Rear-All Hardware Included	CFC919A			
	2015-11	Rear-All Hardware Not Included		SBM919A		
Disc Brake Rotor	2015-11	Front Left-All		PRT5970		
	2015-11	Front Right-All		PRT5971		
	2014-11	Rear-All		PRT6048		
Alpina B7L xDrive						
Disc Brake Pad Set	2015-12	Front-All Hardware Not Included	CFM1529	SBM1529		
	2015-11	Rear-All Hardware Included	CFC919A			
	2015-11	Rear-All Hardware Not Included		SBM919A		
Disc Brake Rotor	2015-11	Front Left-All		PRT5970		
	2015-11	Front Right-All		PRT5971		
	2014-11	Rear-All		PRT6048		
Alpina B7 xDrive						
Disc Brake Pad Set	2015-12	Front-All Hardware Not Included	CFM1529	SBM1529		
	2015-11	Rear-All Hardware Included	CFC919A			
	2015-11	Rear-All Hardware Not Included		SBM919A		
Disc Brake Rotor	2015-11	Front Left-All		PRT5970		
	2015-11	Front Right-All		PRT5971		
	2014-11	Rear-All		PRT6048		
Bavaria						
Disc Brake Rotor	1974-72	Rear-All		PRT1352		
i3						
Disc Brake Pad Set	2017-14	Front-All Hardware Not Included		SBM1308A		
	2018-14	Rear-All Hardware Not Included	CFM1762	SBM1762		
i3s						
Disc Brake Pad Set	2018	Rear-All Hardware Not Included	CFM1762	SBM1762		
i8						
Disc Brake Pad Set	2014	Front-All w/ Blue Caliper	CFM1609B	SBM1609B		
	2014	Front-All w/o Blue Caliper		SBM1609A		
	2014	Front-All w/o Blue Caliper	CFC1609	SBC1609		
	2014	Front-All w/o Blue Caliper	CFM1609A			
	2019	Rear-All Hardware Included	CFC1473			
	2019	Rear-All Hardware Not Included		SBM1473		
	2017-14	Rear-All Hardware Included	CFC1473			
	2017-14	Rear-All Hardware Not Included		SBM1473		
L6						
Disc Brake Pad Set	1987	Front-All Hardware Not Included		SBM253		
	1987	Rear-All Hardware Not Included		SBM279		
Parking Brake Shoe	1987	Rear-All		817		
Disc Brake Rotor	1987	Front-All		PRT5388		
	1987	Rear-All		PRT1336		
L7						
Disc Brake Pad Set	1987-86	Rear-All Hardware Not Included		SBM279		
Parking Brake Shoe	1987-86	Rear-All		817		
Disc Brake Rotor	1987-86	Front-All		PRT1350		
M2						
Disc Brake Pad Set	2019-16	Rear-All Hardware Included	CFM1656	SBM1656		
Parking Brake Shoe	2018	Rear-All		831		
M3						
Disc Brake Pad Set	2018	Front-All w/ Ceramic Composite Brakes	CFM1648	SBM1648		
	2006-03	Front-All Hardware Included	CFM946A			
	2006-03	Front-All Hardware Not Included		SBM946A		
	2002-01	Front-All Hardware Not Included		SBM394		
	1999-94	Front-All Hardware Not Included		SBM394		
	1991-88	Front-All Hardware Not Included		SBM253		
	2018	Rear-All w/o Ceramic Composite Brakes	CFM1656	SBM1656		
	2017	Rear-All Hardware Included	CFM1656	SBM1656		
	2016	Rear-All w/o Ceramic Brakes	CFM1656	SBM1656		
	2015	Rear-All Hardware Included	CFM1656	SBM1656		
	2013-08	Rear-All Hardware Included	CFC919			
	2013-08	Rear-All Hardware Not Included		SBM919		
	2006-01	Rear-All Hardware Included	CFC683			
	2006-01	Rear-All Hardware Not Included		SBC683		
	1999-94	Rear-All Hardware Not Included	CFM692	SBM396		
	1991-88	Rear-All Hardware Not Included	CFM692	SBM396		
	Parking Brake Shoe	2018	Rear-All		831	
		2016-15	Rear-All		831	
		2012-08	Rear-All		831	
		2006-01	Rear-All		890	
1999-95		Rear-All		817		

BENDIX BRAKE PARTS

PART TYPE	YEAR	APPLICATION	PREMIUM NO.	PART NO.	SEVERE DUTY NO.
BMW (Cont'd.)					
M3 (Cont'd.)					
Parking Brake Shoe (cont'd)	1991-88	Rear-All w/ 6.3" X 0.99" Brakes		901	
Disc Brake Rotor	2013-08	Front Left-All		PRT6347	
	2013-08	Front Right-All		PRT6344	
	2006-05	Front Left-All Exc. Competition Package		PRT6128	
	2006-05	Front Right-All Exc. Competition Package		PRT6129	
	2004-01	Front Left-All		PRT6128	
	2004-01	Front Right-All		PRT6129	
	1999-94	Front Left-All		PRT5084	
	1999-94	Front Right-All		PRT5085	
	1991-88	Front-All		PRT1666	
	2013-08	Rear Left-All		PRT6345	
	2013-08	Rear Right-All		PRT6346	
	2006-05	Rear-All exc. Competition Package		PRT6315	
	2004-01	Rear-All		PRT6315	
	1999-94	Rear Left-All		PRT5082	
	1999-94	Rear Right-All		PRT5083	
	1991-88	Rear-All		PRT1612	
M4					
Disc Brake Pad Set	2019-18	Rear-All w/o Ceramic Composite Brakes	CFM1656	SBM1656	
	2017	Rear-All Hardware Included	CFM1656	SBM1656	
	2016	Rear-All w/o Ceramic Brakes	CFM1656	SBM1656	
	2015	Rear-All Hardware Included	CFM1656	SBM1656	
Parking Brake Shoe	2018	Rear-All		831	
	2016-15	Rear-All		831	
M5					
Disc Brake Pad Set	2017	Front-All Hardware Not Included	CFM1648	SBM1648	
	2016	Front-All w/o Ceramic Brakes	CFM1648	SBM1648	
	2015-14	Front-All Hardware Not Included	CFM1648	SBM1648	
	2013	Front-All Hardware Included	CFC1469		
	2013	Front-All Hardware Not Included		SBM1469	
	2012	Front-All Hardware Not Included	CFM1648	SBM1648	
	2003-00	Front-V8 - 5.0L Hardware Included	CFM681		
	2003-00	Front-V8 - 5.0L Hardware Not Included		SBM681	
	1993-91	Front-All Hardware Not Included		SBM394	
	1988	Front-All Hardware Not Included		SBM163	
	2017-12	Rear-All Hardware Included	CFC1469		
	2017-12	Rear-All Hardware Not Included		SBM1469	
	2010-06	Rear-All Hardware Included	CFC919		
	2010-06	Rear-All Hardware Not Included		SBM919	
	2003-00	Rear-V8 - 5.0L Hardware Included	CFC683		
	2003-00	Rear-V8 - 5.0L Hardware Not Included		SBC683	
	1993-91	Rear-All Hardware Not Included	CFM692	SBM396	
	1988	Rear-All Hardware Not Included		SBM279	
Parking Brake Shoe	2010-06	Rear-All		890	
	2003-01	Rear-All		890	
	1993-91	Rear-All		817	
	1988	Rear-All		817	
Disc Brake Rotor	1988	Front-All		PRT5388	
	2010-06	Rear Left-All		PRT6343	
	2010-06	Rear Right-All		PRT6342	
	2003-01	Rear-All		PRT6315	
	1993-91	Rear-All		PRT5001	
	1988	Rear-All		PRT1336	
M6					
Disc Brake Pad Set	2017	Front-All Hardware Not Included	CFM1648	SBM1648	
	2016	Front-All w/o Ceramic Brakes	CFM1648	SBM1648	
	2015-12	Front-All Hardware Not Included	CFM1648	SBM1648	
	1988-87	Front-All Hardware Not Included		SBM163	
	2018	Rear-All w/o Ceramic Composite Brakes	CFC1469	SBM1469	
	2017-12	Rear-All Hardware Included	CFC1469		
	2017-12	Rear-All Hardware Not Included		SBM1469	
	2010-06	Rear-All Hardware Included	CFC919		
	2010-06	Rear-All Hardware Not Included		SBM919	
Parking Brake Shoe	1988-87	Rear-All Hardware Not Included		SBM279	
	2010-06	Rear-All		890	
Disc Brake Rotor	1988-87	Rear-All		817	
	1988-87	Front-All		PRT5388	
	2010-06	Rear Left-All		PRT6343	
	2010-06	Rear Right-All		PRT6342	
1988-87	Rear-All		PRT1336		
M6 Gran Coupe					
Disc Brake Pad Set	2017	Front-All Hardware Not Included	CFM1648	SBM1648	
	2016	Front-All w/o Ceramic Brakes	CFM1648	SBM1648	

BENDIX BRAKE PARTS

PART TYPE	YEAR	APPLICATION	PREMIUM NO.	PART NO.	SEVERE DUTY NO.
BMW (Cont'd.)					
M6 Gran Coupe (Cont'd.)					
Disc Brake Pad Set (cont'd)	2015-14	Front-All Hardware Not Included	CFM1648	SBM1648	
	2019-18	Rear-All w/o Ceramic Composite Brakes	CFC1469	SBM1469	
	2017-14	Rear-All Hardware Included	CFC1469		
	2017-14	Rear-All Hardware Not Included		SBM1469	
M235i					
Disc Brake Pad Set	2016-14	Front-All w/ Blue Caliper	CFM1609B	SBM1609B	
	2016-14	Front-All w/o Blue Caliper		SBM1609A	
	2016-14	Front-All w/o Blue Caliper	CFC1609	SBC1609	
	2016-14	Front-All w/o Blue Caliper	CFM1609A		
	2016-14	Rear-All Hardware Included	CFM1656	SBM1656	
Parking Brake Shoe	2016-15	Rear-All		828	
M235i xDrive					
Disc Brake Pad Set	2016-15	Front-All w/ Blue Caliper	CFM1609B	SBM1609B	
	2016-15	Front-All w/o Blue Caliper		SBM1609A	
	2016-15	Front-All w/o Blue Caliper	CFC1609	SBC1609	
	2016-15	Front-All w/o Blue Caliper	CFM1609A		
	2016-15	Rear-All Hardware Included	CFM1656	SBM1656	
Parking Brake Shoe	2016-15	Rear-All		828	
M240i					
Disc Brake Pad Set	2019-17	Front-All w/ Blue Caliper	CFM1609B	SBM1609B	
	2019-17	Front-All w/o Blue Caliper		SBM1609A	
	2019-17	Front-All w/o Blue Caliper	CFC1609	SBC1609	
	2019-17	Front-All w/o Blue Caliper	CFM1609A		
	2019-17	Rear-All Hardware Included	CFM1656	SBM1656	
Parking Brake Shoe	2018	Rear-All		828	
M240i xDrive					
Disc Brake Pad Set	2019-17	Front-All w/ Blue Caliper	CFM1609B	SBM1609B	
	2019-17	Front-All w/o Blue Caliper		SBM1609A	
	2019-17	Front-All w/o Blue Caliper	CFC1609	SBC1609	
	2019-17	Front-All w/o Blue Caliper	CFM1609A		
	2019-17	Rear-All Hardware Included	CFM1656	SBM1656	
Parking Brake Shoe	2018	Rear-All		828	
M550i xDrive					
Disc Brake Pad Set	2019-18	Front-All Hardware Not Included	CFC1868		
	2019	Rear-All Hardware Included	CFC1850		
	2018	Rear-All Includes Clips	CFC1850		
M760i xDrive					
Disc Brake Pad Set	2019-17	Front-All Hardware Not Included	CFC1868		
X1					
Disc Brake Pad Set	2018-17	Front-All Hardware Not Included	CFC1892		
	2016	Front-All xDrive28i, Hardware Not Included	CFC1892		
	2015	Front-All sDrive28i, Hardware Not Included		SBM1260A	
	2015	Front-All xDrive28i, Hardware Not Included		SBM1260A	
	2015	Front-All xDrive35i, Hardware Included	CFC1260C		
	2015	Front-All xDrive35i, Hardware Not Included		SBM1260C	
	2014	Front-All Hardware Included	CFC1260		
	2014	Front-All Hardware Not Included		SBM1260	
	2013-12	Front-All xDrive28i, Hardware Included	CFC1260		
	2013-12	Front-All xDrive28i, Hardware Not Included		SBM1260	
	2013	Front-All sDrive28i, Hardware Included	CFC1260		
	2013	Front-All sDrive28i, Hardware Not Included		SBM1260	
	2018-17	Rear-All Hardware Not Included	CFM1762	SBM1762	
	2016	Rear-All xDrive28i, Hardware Not Included	CFM1762	SBM1762	
	2015	Rear-All sDrive28i, Hardware Included	CFM1267		
	2015	Rear-All sDrive28i, Hardware Not Included		SBC1267	
	2015	Rear-All xDrive28i, Hardware Included	CFM1267		
	2015	Rear-All xDrive28i, Hardware Not Included		SBC1267	
	2015	Rear-All xDrive35i, Hardware Included	CFM1170		
	2015	Rear-All xDrive35i, Hardware Not Included		SBM1170	
	2014	Rear-All Hardware Included	CFM1267		
	2014	Rear-All Hardware Not Included		SBC1267	
	2013-12	Rear-All xDrive28i, Hardware Included	CFM1267		
	2013-12	Rear-All xDrive28i, Hardware Not Included		SBC1267	
	2013	Rear-All xDrive35i, Hardware Included	CFM1170		
	2013	Rear-All xDrive35i, Hardware Not Included		SBM1170	
	Parking Brake Shoe	2015	Rear-All sDrive28i		831
2015		Rear-All xDrive28i		831	
2015		Rear-All xDrive35i		831	
Disc Brake Rotor	2015-13	Front-All xDrive35i	BPR5822	PRT5822	
	2015-13	Rear-All xDrive35i	BPR5823	PRT5823	

BENDIX BRAKE PARTS

PART TYPE	YEAR	APPLICATION	PREMIUM NO.	PART NO.	SEVERE DUTY NO.	
BMW (Cont'd.)						
X2						
Disc Brake Pad Set	2018	Front-All Hardware Not Included	CFC1892			
	2018	Rear-All Hardware Not Included	CFM1762	SBM1762		
X3						
Disc Brake Pad Set	2019-18	Front-All M40i, Hardware Not Included	CFC1867			
	2019-18	Front-All xDrive30i, w/ Blue Painted Calipers	CFC1867			
	2019	Front-All sDrive30i, w/ Blue Painted Calipers	CFC1867			
	2018	Front-All xDrive30i X Line, w/ Blue Painted Calipers	CFC1867			
	2017-11	Front-All Hardware Not Included	CFM1561	SBM1561		
	2010	Front-All Hardware Included	CFM946			
	2010	Front-All Hardware Not Included		SBM946		
	2009-06	Front-L6 - 3.0L Hardware Included	CFM946			
	2009-06	Front-L6 - 3.0L Hardware Not Included		SBM946		
	2006	Front-L6 - 2.5L Hardware Included	CFM946			
	2006	Front-L6 - 2.5L Hardware Not Included		SBM946		
	2005-04	Front-All Hardware Included	CFM946			
	2005-04	Front-All Hardware Not Included		SBM946		
	2019-18	Rear-All M40i, Hardware Included	CFC1850			
	2019-18	Rear-All xDrive30i, w/ Blue Painted Calipers	CFC1850			
	2019-18	Rear-All xDrive30i, w/o Blue Painted Calipers	CFC1473	SBM1473		
	2019	Rear-All sDrive30i, w/ Blue Painted Calipers	CFC1850			
	2019	Rear-All sDrive30i, w/o Blue Painted Calipers	CFC1473	SBM1473		
	2018	Rear-All xDrive30i X Line, w/ Blue Painted Calipers	CFC1850			
	2018	Rear-All xDrive30i X Line, w/o Blue Painted Calipers	CFC1473	SBM1473		
	2017-11	Rear-All Hardware Included	CFC1473			
	2017-11	Rear-All Hardware Not Included		SBM1473		
	2010	Rear-All Hardware Included	CFC683			
	2010	Rear-All Hardware Not Included		SBC683		
	2009-06	Rear-L6 - 3.0L Hardware Included	CFC683			
	2009-06	Rear-L6 - 3.0L Hardware Not Included		SBC683		
	2006	Rear-L6 - 2.5L Hardware Included	CFC683			
	2006	Rear-L6 - 2.5L Hardware Not Included		SBC683		
	2005-04	Rear-All Hardware Included	CFC683			
	2005-04	Rear-All Hardware Not Included		SBC683		
	Parking Brake Shoe	2010-04	Rear-All		890	
	Disc Brake Rotor	2017-11	Front-All	BPR6166	PRT6166	
		2010-04	Front-All	BPR5860	PRT5860	
2017-11		Rear-All	BPR6167	PRT6167		
2010-04		Rear-All	BPR5859	PRT5859		
X4						
Disc Brake Pad Set	2019	Front-All M40i, Hardware Not Included	CFC1867			
	2019	Front-All xDrive30i, w/ Blue Painted Calipers	CFC1867			
	2018	Front-All M40i, Hardware Included	CFC1294	SBM1294		
	2018	Front-All xDrive28i, Hardware Not Included	CFM1561	SBM1561		
	2018	Front-All xDrive28i X Line, Hardware Not Included	CFM1561	SBM1561		
	2017	Front-All Hardware Not Included	CFM1561	SBM1561		
	2016	Front-All M40i, Hardware Included	CFC1294	SBM1294		
	2016	Front-All xDrive28i, Hardware Not Included	CFM1561	SBM1561		
	2016	Front-All xDrive35i, Hardware Not Included	CFM1561	SBM1561		
	2015	Front-All Hardware Not Included	CFM1561	SBM1561		
	2019	Rear-All M40i, Hardware Included	CFC1850			
	2019	Rear-All xDrive30i, w/ Blue Painted Calipers	CFC1850			
	2019	Rear-All xDrive30i, w/o Blue Painted Calipers	CFC1473	SBM1473		
	2018	Rear-All M40i, Hardware Included	CFC1473			
	2018	Rear-All M40i, Hardware Not Included		SBM1473		
	2018	Rear-All xDrive28i, Hardware Included	CFC1473			
	2018	Rear-All xDrive28i, Hardware Not Included		SBM1473		
	2018	Rear-All xDrive28i X Line, Hardware Included	CFC1473			
	2018	Rear-All xDrive28i X Line, Hardware Not Included		SBM1473		
	2017-15	Rear-All Hardware Included	CFC1473			
	2017-15	Rear-All Hardware Not Included		SBM1473		
	Disc Brake Rotor	2018-16	Front-All xDrive28i		PRT6166	
		2016	Front-All xDrive35i		PRT6166	
		2015	Front-All		PRT6166	
		2017-15	Rear-All		PRT6167	
	X5					
	Disc Brake Pad Set	2018	Front-All sDrive35i, Hardware Included	CFC1294	SBM1294	
2018		Front-All xDrive35d, Hardware Included	CFC1294	SBM1294		
2018		Front-All xDrive35i, Hardware Included	CFC1294	SBM1294		
2018		Front-All xDrive35i Excellence, Hardware Included	CFC1294	SBM1294		
2018		Front-All xDrive35i M Sport, Hardware Included	CFC1294	SBM1294		
2018		Front-All xDrive40e, Hardware Included	CFC1294	SBM1294		
2018		Front-All xDrive40e Excellence, Hardware Included	CFC1294	SBM1294		
2018		Front-All xDrive50i, Hardware Not Included	CFM1381	SBM1381		

BENDIX BRAKE PARTS

PART TYPE	YEAR	APPLICATION	PREMIUM NO.	PART NO.	SEVERE DUTY NO.
BMW (Cont'd.)					
X5 (Cont'd.)					
Disc Brake Pad Set (cont'd)	2018	Front-All xDrive50i Excellence, Hardware Not Included	CFM1381	SBM1381	
	2018	Front-All xDrive50i M Sport, Hardware Not Included	CFM1381	SBM1381	
	2018	Front-All xDrive50i Security, Hardware Not Included	CFM1381	SBM1381	
	2018	Front-All xDrive50i Security Plus, Hardware Not Included	CFM1381	SBM1381	
	2016-14	Front-All sDrive35i, Hardware Included	CFC1294	SBM1294	
	2016-11	Front-All xDrive35i, Hardware Included	CFC1294	SBM1294	
	2016-11	Front-All xDrive50i, Hardware Not Included	CFM1381	SBM1381	
	2016-10	Front-All xDrive35d, Hardware Included	CFC1294	SBM1294	
	2013-10	Front-All M, Hardware Not Included	CFM1429	SBM1429	
	2010	Front-All xDrive30i, Hardware Included	CFC1294	SBM1294	
	2010	Front-All xDrive48i, Hardware Included	CFC1294	SBM1294	
	2009-07	Front-All Hardware Included	CFC1294	SBM1294	
	2006	Front-All 3.0i, Hardware Included	CFM681		
	2006	Front-All 3.0i, Hardware Not Included		SBM681	
	2006	Front-All 4.4i, Hardware Not Included		SBM920	
	2006	Front-All 4.8is, Hardware Not Included		SBM920	
	2005-04	Front-V8 - 4.8L Hardware Not Included		SBM920	
	2005-02	Front-L6 - 3.0L Hardware Included	CFM681		
	2005-02	Front-L6 - 3.0L Hardware Not Included		SBM681	
	2005-02	Front-V8 - 4.4L Hardware Included	CFM681		
	2005-02	Front-V8 - 4.4L Hardware Not Included		SBM681	
	2003-02	Front-V8 - 4.6L Hardware Not Included		SBM920	
	2001-00	Front-All Hardware Included	CFM681		
	2001-00	Front-All Hardware Not Included		SBM681	
	2018	Rear-All M, Hardware Included	CFM919B		
	2018	Rear-All M, Hardware Not Included		SBM919B	
	2018	Rear-All M Edition Black Fire, Hardware Included	CFM919B		
	2018	Rear-All M Edition Black Fire, Hardware Not Included		SBM919B	
	2018	Rear-All sDrive35i, Hardware Included	CFC1042A		
	2018	Rear-All sDrive35i, Hardware Not Included		SBM1042A	
	2018	Rear-All xDrive35d, Hardware Included	CFC1042A		
	2018	Rear-All xDrive35d, Hardware Not Included		SBM1042A	
	2018	Rear-All xDrive35i, Hardware Included	CFC1042A		
	2018	Rear-All xDrive35i, Hardware Not Included		SBM1042A	
	2018	Rear-All xDrive35i Excellence, Hardware Included	CFC1042A		
	2018	Rear-All xDrive35i Excellence, Hardware Not Included		SBM1042A	
	2018	Rear-All xDrive35i M Sport, Hardware Included	CFC1042A		
	2018	Rear-All xDrive35i M Sport, Hardware Not Included		SBM1042A	
	2018	Rear-All xDrive40e, Hardware Included	CFC1042A		
	2018	Rear-All xDrive40e, Hardware Not Included		SBM1042A	
	2018	Rear-All xDrive40e Excellence, Hardware Included	CFC1042A		
	2018	Rear-All xDrive40e Excellence, Hardware Not Included		SBM1042A	
	2018	Rear-All xDrive50i, Hardware Included	CFC919		
	2018	Rear-All xDrive50i, Hardware Not Included		SBM919	
	2018	Rear-All xDrive50i Excellence, Hardware Included	CFC919		
	2018	Rear-All xDrive50i Excellence, Hardware Not Included		SBM919	
	2018	Rear-All xDrive50i M Sport, Hardware Included	CFC919		
	2018	Rear-All xDrive50i M Sport, Hardware Not Included		SBM919	
	2018	Rear-All xDrive50i Security, Hardware Included	CFC919		
	2018	Rear-All xDrive50i Security, Hardware Not Included		SBM919	
	2018	Rear-All xDrive50i Security Plus, Hardware Included	CFC919		
	2018	Rear-All xDrive50i Security Plus, Hardware Not Included		SBM919	
	2017	Rear-All Hardware Included	CFC919		
	2017	Rear-All Hardware Not Included		SBM919	
	2016-11	Rear-All xDrive50i, Hardware Included	CFC919		
	2016-11	Rear-All xDrive50i, Hardware Not Included		SBM919	
	2016	Rear-All M, Hardware Included	CFC919		
	2016	Rear-All M, Hardware Not Included		SBM919	
	2016	Rear-All M Sport, Hardware Included	CFC919		
	2016	Rear-All M Sport, Hardware Not Included		SBM919	
	2016	Rear-All sDrive35i, Hardware Included	CFC1042		
	2016	Rear-All sDrive35i, Hardware Not Included		SBM1042	
	2016	Rear-All xDrive35d, Hardware Included	CFC1042		
	2016	Rear-All xDrive35d, Hardware Not Included		SBM1042	
	2016	Rear-All xDrive35i, Hardware Included	CFC1042		
	2016	Rear-All xDrive35i, Hardware Not Included		SBM1042	
	2015-14	Rear-All sDrive35i, Hardware Included	CFC1042A		
	2015-14	Rear-All sDrive35i, Hardware Not Included		SBM1042A	
	2015-14	Rear-All xDrive35d, Hardware Included	CFC1042A		
	2015-14	Rear-All xDrive35d, Hardware Not Included		SBM1042A	
	2015-11	Rear-All xDrive35i, Hardware Included	CFC1042A		
	2015-11	Rear-All xDrive35i, Hardware Not Included		SBM1042A	
	2013-10	Rear-All M, Hardware Included	CFM919B		
	2013-10	Rear-All M, Hardware Not Included		SBM919B	

BENDIX BRAKE PARTS

PART TYPE	YEAR	APPLICATION	PREMIUM NO.	PART NO.	SEVERE DUTY NO.
BMW (Cont'd.)					
X5 (Cont'd.)					
Disc Brake Pad Set (cont'd)	2013	Rear-All xDrive35d, Hardware Included	CFC1042		
	2013	Rear-All xDrive35d, Hardware Not Included		SBM1042	
	2012-10	Rear-All xDrive35d, Hardware Included	CFC1042A		
	2012-10	Rear-All xDrive35d, Hardware Not Included		SBM1042A	
	2010-09	Rear-All xDrive48i, Hardware Included	CFC919		
	2010-09	Rear-All xDrive48i, Hardware Not Included		SBM919	
	2010	Rear-All xDrive30i, Hardware Included	CFC1042A		
	2010	Rear-All xDrive30i, Hardware Not Included		SBM1042A	
	2009	Rear-All xDrive30i, Hardware Included	CFC1042		
	2009	Rear-All xDrive30i, Hardware Not Included		SBM1042	
	2009	Rear-All xDrive35d, Hardware Included	CFC1042		
	2009	Rear-All xDrive35d, Hardware Not Included		SBM1042	
	2008-07	Rear-All 3.0si, Hardware Included	CFC1042A		
	2008-07	Rear-All 3.0si, Hardware Not Included		SBM1042A	
	2008-07	Rear-All 4.8i, Hardware Included	CFC919		
	2008-07	Rear-All 4.8i, Hardware Not Included		SBM919	
	2006-05	Rear-L6 - 3.0L Hardware Included	CFC683		
	2006-05	Rear-L6 - 3.0L Hardware Not Included		SBC683	
	2006-05	Rear-V8 - 4.4L Hardware Included	CFC683		
	2006-05	Rear-V8 - 4.4L Hardware Not Included		SBC683	
	2006-05	Rear-V8 - 4.8L Hardware Included	CFC683		
	2006-05	Rear-V8 - 4.8L Hardware Not Included		SBC683	
	2004-00	Rear-All Hardware Included	CFC683		
	2004-00	Rear-All Hardware Not Included		SBC683	
Parking Brake Shoe	2018	Rear-All		890	
	2016-15	Rear-All M		890	
	2016-15	Rear-All M Sport		890	
	2016-15	Rear-All sDrive35i		890	
	2016-15	Rear-All xDrive35d		890	
	2016-15	Rear-All xDrive35i		890	
	2016-15	Rear-All xDrive50i		890	
	2012-00	Rear-All		890	
Disc Brake Rotor	2018-14	Front-All sDrive35i		PRT5968	
	2018-14	Front-All xDrive35d		PRT5968	
	2018-11	Front-All xDrive35i		PRT5968	
	2017-11	Front-All xDrive50i		PRT6039	
	2017	Front-All xDrive40e, To 05/2017		PRT5969	
	2016	Front-All xDrive40e		PRT5969	
	2013-11	Front-All M		PRT6039	
	2013-11	Front-All xDrive35i	BPR5968		
	2013-10	Front Left-All M		PRT6326	
	2013-10	Front Right-All M		PRT6325	
	2013-09	Front-All xDrive35d	BPR5969	PRT5969	
	2010-09	Front-All xDrive30i	BPR5968	PRT5968	
	2010-09	Front-All xDrive48i	BPR5969	PRT5969	
	2008-07	Front-All 3.0si	BPR5968	PRT5968	
	2006-04	Front-V8 - 4.8L		PRT6041	
	2006-02	Front-L6 - 3.0L	BPR5389	PRT5389	
	2006-02	Front-V8 - 4.4L	BPR5389	PRT5389	
	2003-02	Front-V8 - 4.6L		PRT6041	
	2001-00	Front-All	BPR5389	PRT5389	
	2018-16	Rear-All xDrive40e		PRT6091	
	2018-14	Rear-All sDrive35i		PRT6091	
	2018-11	Rear-All xDrive35i		PRT6091	
	2018-11	Rear-All xDrive50i		PRT6044	
	2018-10	Rear-All xDrive35d		PRT6091	
	2013-11	Rear-All xDrive35i	BPR6091		
	2013-10	Rear-All M		PRT6324	
	2013-10	Rear-All xDrive35d	BPR6091		
	2010-09	Rear-All xDrive30i	BPR6091	PRT6091	
	2010-09	Rear-All xDrive48i		PRT6044	
	2009	Rear-All xDrive35d		PRT6044	
	2008-07	Rear-All 3.0si	BPR6091	PRT6091	
	2008-07	Rear-All 4.8i		PRT6044	
	2006-02	Rear-All Vented Rotors		PRT6302	
	2006-00	Rear-All Solid Rotors	BPR5390	PRT5390	
X6					
Disc Brake Pad Set	2019-18	Front-All sDrive35i, Hardware Included	CFC1294	SBM1294	
	2019-18	Front-All xDrive35i, Hardware Included	CFC1294	SBM1294	
	2019-18	Front-All xDrive50i, Hardware Not Included	CFM1381	SBM1381	
	2016-15	Front-All sDrive35i, Hardware Included	CFC1294	SBM1294	
	2016-15	Front-All xDrive35i, Hardware Included	CFC1294	SBM1294	
	2016-15	Front-All xDrive50i, Hardware Not Included	CFM1381	SBM1381	
	2014	Front-All Hardware Included	CFC1294	SBM1294	

BENDIX BRAKE PARTS

PART TYPE	YEAR	APPLICATION	PREMIUM NO.	PART NO.	SEVERE DUTY NO.
BMW (Cont'd.)					
X6 (Cont'd.)					
Disc Brake Pad Set (cont'd)	2013-10	Front-All M, Hardware Not Included	CFM1429	SBM1429	
	2013-10	Front-All xDrive35i, Hardware Included	CFC1294	SBM1294	
	2013-10	Front-All xDrive50i, Hardware Not Included	CFM1381	SBM1381	
	2011-10	Front-All ActiveHybrid, Hardware Not Included	CFM1529	SBM1529	
	2009-08	Front-L6 - 3.0L Hardware Included	CFC1294	SBM1294	
	2009-08	Front-V8 - 4.4L Hardware Not Included	CFM1381	SBM1381	
	2019-18	Rear-All M, Hardware Included	CFM919B		
	2019-18	Rear-All M, Hardware Not Included		SBM919B	
	2019-18	Rear-All sDrive35i, Hardware Included	CFC1042A		
	2019-18	Rear-All sDrive35i, Hardware Not Included		SBM1042A	
	2019-18	Rear-All xDrive35i, Hardware Included	CFC1042A		
	2019-18	Rear-All xDrive35i, Hardware Not Included		SBM1042A	
	2019-18	Rear-All xDrive50i, Hardware Included	CFC919		
	2019-18	Rear-All xDrive50i, Hardware Not Included		SBM919	
	2018	Rear-All M Edition Black Fire, Hardware Included	CFM919B		
	2018	Rear-All M Edition Black Fire, Hardware Not Included		SBM919B	
	2017	Rear-All Hardware Included	CFC919		
	2017	Rear-All Hardware Not Included		SBM919	
	2016-15	Rear-All M, Hardware Included	CFC919		
	2016-15	Rear-All M, Hardware Not Included		SBM919	
	2016-15	Rear-All M Sport, Hardware Included	CFC919		
	2016-15	Rear-All M Sport, Hardware Not Included		SBM919	
	2016-08	Rear-All xDrive50i, Hardware Included	CFC919		
	2016-08	Rear-All xDrive50i, Hardware Not Included		SBM919	
	2016	Rear-All sDrive35i, Hardware Included	CFC1042		
	2016	Rear-All sDrive35i, Hardware Not Included		SBM1042	
	2016	Rear-All xDrive35i, Hardware Included	CFC1042		
	2016	Rear-All xDrive35i, Hardware Not Included		SBM1042	
	2015-09	Rear-All xDrive35i, Hardware Included	CFC1042A		
	2015-09	Rear-All xDrive35i, Hardware Not Included		SBM1042A	
	2015	Rear-All sDrive35i, Hardware Included	CFC1042A		
	2015	Rear-All sDrive35i, Hardware Not Included		SBM1042A	
	2014-10	Rear-All M, Hardware Included	CFM919B		
	2014-10	Rear-All M, Hardware Not Included		SBM919B	
	2011-10	Rear-All ActiveHybrid, Hardware Included	CFC919		
	2011-10	Rear-All ActiveHybrid, Hardware Not Included		SBM919	
	2008	Rear-All xDrive35i, Hardware Included	CFC919		
	2008	Rear-All xDrive35i, Hardware Not Included		SBM919	
Parking Brake Shoe	2018	Rear-All		890	
	2016-15	Rear-All M		890	
	2016-15	Rear-All M Sport		890	
	2016-15	Rear-All sDrive35i		890	
	2016-15	Rear-All xDrive35i		890	
	2016-15	Rear-All xDrive50i		890	
	2012-08	Rear-All		890	
Disc Brake Rotor	2019-15	Front-All sDrive35i		PRT5968	
	2019-15	Front-All xDrive35i		PRT5968	
	2017-08	Front-All xDrive50i		PRT6039	
	2014-12	Front Left-All		PRT6326	
	2014-10	Front Right-All M		PRT6325	
	2013-11	Front-All xDrive35i	BPR5968	PRT5968	
	2011-10	Front Left-All ActiveHybrid		PRT6363	
	2011-10	Front Left-All M		PRT6326	
	2011-10	Front Right-All ActiveHybrid		PRT6364	
	2010-08	Front-All xDrive35i	BPR5969	PRT5969	
	2019-15	Rear-All sDrive35i		PRT6091	
	2019-10	Rear-All xDrive35i		PRT6091	
	2019-08	Rear-All xDrive50i		PRT6044	
	2014-10	Rear-All M		PRT6324	
	2014-10	Rear-All xDrive35i	BPR6091		
	2011-10	Rear-All ActiveHybrid		PRT6044	
	2009-08	Rear-All xDrive35i		PRT6044	
Z3					
Disc Brake Pad Set	2002-01	Front-L6 - 3.0L Hardware Included	CFM781		
	2002-01	Front-L6 - 3.0L Hardware Not Included		SBM781	
	2002-00	Front-L6 - 2.5L Hardware Included	CFM781		
	2002-00	Front-L6 - 2.5L Hardware Not Included		SBM781	
	2002-98	Front-L6 - 3.2L Hardware Not Included		SBM394	
	2000	Front-L6 - 2.8L Hardware Included	CFM781		
	2000	Front-L6 - 2.8L Hardware Not Included		SBM781	
	1999	Front-L6 - 2.5L Hardware Not Included		SBM558	
	1999	Front-L6 - 2.8L Hardware Not Included		SBM558	
	1998-96	Front-L4 - 1.9L Hardware Not Included		SBM558	
	1998	Front-L6 - 2.8L Hardware Included	CFM781		

BENDIX BRAKE PARTS

PART TYPE	YEAR	APPLICATION	PREMIUM NO.	PART NO.	SEVERE DUTY NO.	
BMW (Cont'd.)						
Z3 (Cont'd.)						
Disc Brake Pad Set (cont'd)	1998	Front-L6 - 2.8L Hardware Not Included		SBM781		
	1997	Front-L6 - 2.8L Hardware Not Included		SBM558		
	2002-01	Rear-L6 - 3.0L Hardware Not Included	CFM692	SBM692		
	2002-99	Rear-L6 - 2.5L Hardware Not Included	CFM692	SBM692		
	2002-98	Rear-L6 - 3.2L Hardware Not Included	CFM692	SBM692		
	2000-97	Rear-L6 - 2.8L Hardware Not Included	CFM692	SBM692		
Parking Brake Shoe	1998-96	Rear-L4 - 1.9L Hardware Not Included	CFM692	SBM692		
	2002-96	Rear-All		818		
Disc Brake Rotor	2002-01	Front-L6 - 3.0L	BPR5469	PRT5469		
	2002-99	Front-L6 - 2.5L	BPR1815	PRT1815		
	2002-98	Front Left-L6 - 3.2L		PRT5084		
	2002-98	Front Right-L6 - 3.2L		PRT5085		
	2000	Front-L6 - 2.8L	BPR1815	PRT1815		
	1998-97	Front-L6 - 2.8L	BPR1815	PRT1815		
	1998-96	Front-L4 - 1.9L		PRT5126		
	2002-01	Rear-L6 - 3.0L	BPR5286	PRT5286		
	2002-99	Rear-L6 - 2.5L	BPR5286	PRT5286		
	2002-98	Rear Left-L6 - 3.2L		PRT5082		
	2002-98	Rear Right-L6 - 3.2L		PRT5083		
	2000-97	Rear-L6 - 2.8L	BPR5286	PRT5286		
	1998-96	Rear-L4 - 1.9L	BPR5286	PRT5286		
Z4						
Disc Brake Pad Set	2016-15	Front-All sDrive28i, Hardware Included	CFM1061			
	2016-15	Front-All sDrive28i, Hardware Not Included		SBM1061		
	2016-15	Front-All sDrive35i, Hardware Included	CFM1061			
	2016-15	Front-All sDrive35i, Hardware Not Included		SBM1061		
	2014-13	Front-All Hardware Included	CFM1061			
	2014-13	Front-All Hardware Not Included		SBM1061		
	2012	Front-All sDrive28i, Hardware Included	CFM1061			
	2012	Front-All sDrive28i, Hardware Not Included		SBM1061		
	2012	Front-All sDrive35i, Hardware Included	CFM1061			
	2012	Front-All sDrive35i, Hardware Not Included		SBM1061		
	2011	Front-All sDrive30i, Hardware Included	CFM1061			
	2011	Front-All sDrive30i, Hardware Not Included		SBM1061		
	2010-09	Front-All Hardware Included	CFM1061			
	2010-09	Front-All Hardware Not Included		SBM1061		
	2008-06	Front-L6 - 3.0L Coupe 3.0si, Hardware Included	CFM946			
	2008-06	Front-L6 - 3.0L Coupe 3.0si, Hardware Not Included		SBM946		
	2008-06	Front-L6 - 3.0L Roadster 3.0i, Hardware Included	CFM781			
	2008-06	Front-L6 - 3.0L Roadster 3.0i, Hardware Not Included		SBM781		
	2008-06	Front-L6 - 3.0L Roadster 3.0si, Hardware Included	CFM946			
	2008-06	Front-L6 - 3.0L Roadster 3.0si, Hardware Not Included		SBM946		
	2008-06	Front-L6 - 3.2L Hardware Included	CFM946			
	2008-06	Front-L6 - 3.2L Hardware Not Included		SBM946		
	2005-03	Front-All Hardware Included	CFM781			
	2005-03	Front-All Hardware Not Included		SBM781		
	2016-12	Rear-All sDrive28i, Hardware Included	CFM1433	SBM1433		
	2016-12	Rear-All sDrive35i, Hardware Included	CFM1433	SBM1433		
	2016-12	Rear-All sDrive35is, Hardware Included	CFC1473			
	2016-12	Rear-All sDrive35is, Hardware Not Included		SBM1473		
	2011	Rear-L6 - 3.0L Hardware Included	CFM1433	SBM1433		
	2011	Rear-L6 - 3.0L sDrive35i, Hardware Included	CFM1433	SBM1433		
	2011	Rear-L6 - 3.0L sDrive35is, Hardware Included	CFC1473			
	2011	Rear-L6 - 3.0L sDrive35is, Hardware Not Included		SBM1473		
	2010-09	Rear-All Hardware Included	CFM1433	SBM1433		
	2008-06	Rear-L6 - 3.2L Hardware Included	CFC683			
	2008-06	Rear-L6 - 3.2L Hardware Not Included		SBC683		
	2008-04	Rear-L6 - 3.0L Hardware Not Included	CFM763	SBM763		
	2005-04	Rear-L6 - 2.5L Hardware Not Included	CFM763	SBM763		
	2003	Rear-All Hardware Not Included	CFM763	SBM763		
	Parking Brake Shoe	2008-06	Rear-All Coupe 3.0si		828	
		2008-06	Rear-All M Coupe		890	
2008-06		Rear-All M Roadster		890		
2008-06		Rear-All Roadster 3.0i		828		
2008-06		Rear-All Roadster 3.0si		828		
2005-03		Rear-All		828		
Disc Brake Rotor	2016-12	Front-All sDrive28i		PRT6366		
	2016-11	Front-All sDrive35is		PRT6356		
	2016-09	Front-All sDrive35i		PRT6366		
	2011-09	Front-All sDrive30i		PRT6366		
	2008-06	Front-All 300mm Diameter	BPR5412	PRT5412		
	2008-06	Front-All 325mm Diameter	BPR5469	PRT5469		
	2005-03	Front-L6 - 2.5L	BPR1815	PRT1815		
2005-03	Front-L6 - 3.0L	BPR5469	PRT5469			

BENDIX BRAKE PARTS

PART TYPE	YEAR	APPLICATION	PREMIUM NO.	PART NO.	SEVERE DUTY NO.
BMW (Cont'd.)					
Z4 (Cont'd.)					
Disc Brake Rotor (cont'd)	2012-11	Rear-All sDrive35is		PRT6049	
	2012-09	Rear-All sDrive35i		PRT6043	
	2012	Rear-All sDrive28i		PRT6043	
	2011-09	Rear-All sDrive30i		PRT6043	
	2008-03	Rear-L6 - 3.0L		PRT6107	
	2005-03	Rear-L6 - 2.5L		PRT5924	
Z8					
Disc Brake Pad Set	2003-01	Front-V8 - 5.0L Hardware Not Included		SBM682	
	2003	Front-V8 - 4.8L Hardware Not Included		SBM682	
	2000	Front-All Hardware Not Included		SBM682	
	2003-01	Rear-V8 - 5.0L Hardware Included	CFC683		
	2003-01	Rear-V8 - 5.0L Hardware Not Included		SBC683	
	2003	Rear-V8 - 4.8L Hardware Included	CFC683		
	2003	Rear-V8 - 4.8L Hardware Not Included		SBC683	
	2000	Rear-All Hardware Included	CFC683		
	2000	Rear-All Hardware Not Included		SBC683	
Parking Brake Shoe	2003-00	Rear-All		817	
Disc Brake Rotor	2003-00	Front-All		PRT5125	
	2003-00	Rear-All		PRT5131	
Buick					
Allure					
Disc Brake Pad Set	2010	Front-All Hardware Included	CFC1421	SBC1421	
	2009-05	Front-All Hardware Included	CFC1075	SBC1075	MKD1075FM
	2010	Rear-All Alternate Abutment Hardware Required For Use w/ Solid Rotor Applications		SBC1430VR	
	2010	Rear-All Alternate Abutment Hardware Required For Use w/ Solid Rotor Applications	CFC1430SR	SBC1430SR	
	2010	Rear-All Alternate Abutment Hardware Required For Use w/ Solid Rotor Applications	CFC1430VR		
Parking Brake Shoe	2009-05	Rear-All Hardware Included	CFC999	SBC999	PBD999
	2009-08	Rear-All w/ 6.89" x 0.99" Brakes		770	
	2009-08	Rear-All w/ 6.89" x 0.99" Brakes		925	
Disc Brake Rotor	2009-08	Rear-All w/ 8.07" X 1.73" Brakes		962	
	2010	Front-All		PRT5973	
	2009-08	Front-V8 - 5.3L		PRT5738	SDR5738
	2009-05	Front-V6 - 3.8L		PRT5518	
	2008-05	Front-V6 - 3.6L		PRT5518	
	2010-05	Rear-All CX		PRT5442	SDR5442
	2010-05	Rear-All CXL		PRT5442	SDR5442
	2010	Rear-All CXS		PRT5442	SDR5442
	2009-08	Rear-All Super, Super		PRT5628	SDR5628
	2008-05	Rear-All CXS		PRT5442	SDR5442
Apollo					
Disc Brake Pad Set	1975	Front-All Hardware Included		SBC52	MKD52FM
	1974-73	Front-L6 - 4.1L Hardware Included		SBC52	MKD52FM
	1974-73	Front-V8 - 5.7L Hardware Included		SBC52	MKD52FM
Drum Brake Shoe	1975-73	Rear-All w/ 9.5" X 2.06" Brakes		242	
	1975-73	Rear-All w/ 9.5" X 2.06" Brakes		245	
Disc Brake Rotor and Hub Assembly	1975	Front-All		PRT1040	
	1974-73	Front-All		PRT1039	
Brake Drum	1974-73	Front-All		PDR0059	
	1975	Rear-All		PDR0454	
	1974	Rear-All		PDR0053	
Cascada					
Disc Brake Pad Set	2018	Front-All Hardware Included	CFC924	SBC924	
	2017-16	Front-All Hardware Included	CFC1421	SBC1421	
	2018-16	Rear-All Hardware Included	CFC1468	SBC1468	
Disc Brake Rotor	2017-16	Rear-All		PRT6097	
Centurion					
Disc Brake Pad Set	1973-71	Front-V8 - 7.5L Hardware Included		SBC52	MKD52FM
	1973	Front-V8 - 5.7L Hardware Included		SBC52	MKD52FM
Drum Brake Shoe	1973-71	Rear-All		462	
Disc Brake Rotor and Hub Assembly	1973-71	Front-All		PRT1043	
Brake Drum	1973-71	Rear-All 11" drum (3" deep)		PDR0199	
	1973-71	Rear-All 11" drum (4 1/2" deep)		PDR0201	
	1973-71	Rear-All Rear drum brake 12" x 2"		PDR0200	
Century					
Disc Brake Pad Set	2005-97	Front-All Hardware Included	CFC699K1	SBC699K1	MKD699K2FM
	1996-95	Front-L4 - 2.2L Hardware Not Included		SBC215	
	1996-95	Front-V6 - 3.1L Hardware Not Included		SBC215	
	1994-90	Front-All Hardware Not Included		SBC215	

BENDIX BRAKE PARTS

PART TYPE	YEAR	APPLICATION	PREMIUM NO.	PART NO.	SEVERE DUTY NO.
Buick (Cont'd.)					
Century (Cont'd.)					
Disc Brake Pad Set (cont'd)	1989-86	Front-All Exc. Light Duty Brakes		SBC215	
	1989-86	Front-All w/ Light Duty Brakes		SBM289	
	1985	Front-L4 - 2.5L Exc. Light Duty Brakes		SBC215	
	1985	Front-L4 - 2.5L w/ Light Duty Brakes		SBM289	
	1985	Front-V6 - 2.8L w/ GM Brake Code JA1 Or JA8		SBM159	
	1985	Front-V6 - 2.8L w/ GM Brake Code JA2 Or JA3		SBC215	
	1985	Front-V6 - 3.0L Exc. Light Duty Brakes		SBC215	
	1985	Front-V6 - 3.0L w/ Light Duty Brakes		SBM289	
	1985	Front-V6 - 3.8L Exc. Light Duty Brakes		SBC215	
	1985	Front-V6 - 3.8L w/ Light Duty Brakes		SBM289	
	1985	Front-V6 - 4.3L Exc. Light Duty Brakes		SBC215	
	1985	Front-V6 - 4.3L w/ Light Duty Brakes		SBM289	
	1984-83	Front-All w/ GM Brake Code JA1 Or JA8		SBM159	
	1984-83	Front-All w/ GM Brake Code JA2 Or JA3		SBC215	
	1982	Front-All Hardware Not Included		SBM159	
	1981-78	Front-All Hardware Not Included	CFC154	SBC154	MKD154FM
	1977-75	Front-All Hardware Included		SBC52	MKD52FM
	1974-73	Front-V8 - 5.7L Hardware Included		SBC52	MKD52FM
	1974-73	Front-V8 - 7.5L Hardware Included		SBC52	MKD52FM
	2005-97	Rear-All Hardware Included	CFC698	SBC698	MKD698FM
	2005-97	Rear-All Hardware Included			PBD698
Drum Brake Shoe	1955-54	Front-All w/ 12" X 2.25" Brakes		197	
	2003	Rear-All		636	
	2002-93	Rear-All w/ 8.86" X 1.82" Brakes		636	
	1992-85	Rear-All w/ 8.86" X 1.81" Brakes		552	
	1984-82	Rear-All		521	
	1981-78	Rear-All w/ 9.5" X 2.06" Brakes		514	
	1977-73	Rear-All w/ 11" X 2.12" Brakes		462	
	1975-73	Rear-All 2 Doors, Coupe, w/ 9.5" X 2.06" Brakes		242	
	1975-73	Rear-All 2 Doors, Coupe, w/ 9.5" X 2.06" Brakes		245	
	1975-73	Rear-All 4 Doors, Sedan, w/ 9.5" X 2.06" Brakes		242	
	1975-73	Rear-All 4 Doors, Sedan, w/ 9.5" X 2.06" Brakes		245	
	1958	Rear-All w/ 12" X 2.25" Brakes		197	
	1955-54	Rear-All w/ 12" X 2.25" Brakes		197	
Parking Brake Shoe	2005-03	Rear-All		770	
	2005-03	Rear-All In Supersession Process, Exhaust Current Inventory		925	
Disc Brake Rotor	2005-97	Front-All		PRT5250	
	1996-91	Front-All		PRT1263	
	1990-85	Front-All W/ JA1 Brake System		PRT1220	
	1990-85	Front-All W/ JA2, JA8 Brake System		PRT1263	
	1984	Front-All W/ JA1, JA8 Brake System		PRT1220	
	1984	Front-All W/ JA2, JA3 Brake System		PRT1263	
	1983-82	Front-All Exc. Heavy Duty Brakes		PRT1220	
	1982	Front-All Heavy Duty Brakes		PRT1262	
	2005-04	Rear-All		PRT5628	SDR5628
Disc Brake Rotor and Hub Assembly	1981-79	Front-All		PRT1219	
	1978	Front-All		PRT1167	
	1977-73	Front-All		PRT1040	
Brake Drum	2003-93	Rear-All		PDR0451	
	1992	Rear-All Finned Drum		PDR0451	
	1992	Rear-All Plain Drum		PDR0448	
	1991-85	Rear-All W/ JA1 Brake System		PDR0426	
	1991-84	Rear-All w/ JA3 Brake System		PDR0451	
	1991-84	Rear-All W/ JA2, JA8 Brake System		PDR0448	
	1984	Rear-All W/ JA1, JA8 Brake System		PDR0426	
	1983	Rear-All w/ 100mm Bolt Circle		PDR0426	
	1983	Rear-All w/ 115mm Bolt Circle		PDR0448	
	1982	Rear-All		PDR0426	
	1981	Rear-All Cast iron replacement		PDR0454	
	1980-78	Rear-All		PDR0454	
	1977-76	Rear-All Coupe & Sedan		PDR0274	
	1977-76	Rear-All Station Wagon		PDR0342	
	1975-73	Rear-All 11 x 2" Brakes		PDR0199	
	1975-73	Rear-All Rear drum brake 9 1/2" x 2"		PDR0454	
Commercial Chassis					
Disc Brake Pad Set	1996-91	Front-All Hardware Included		SBC52	MKD52FM
Drum Brake Shoe	1996-91	Rear-All w/ 11" X 2.12" Brakes		462	
Disc Brake Rotor and Hub Assembly	1996-91	Front-All		PRT5012	
Brake Drum	1996-94	Rear-All Heavy Duty Brakes (11 x 2" Brakes)		PDR0201	
	1993-92	Rear-All 3.50" Overall Height		PDR0199	
	1993-92	Rear-All 4.36" OAH		PDR0201	
	1991	Rear-All Heavy Duty Brakes (11 x 2" Brakes)		PDR0201	

BENDIX BRAKE PARTS

PART TYPE	YEAR	APPLICATION	PREMIUM NO.	PART NO.	SEVERE DUTY NO.	
Buick (Cont'd.)						
Electra						
Disc Brake Pad Set	1990	Front-All Hardware Not Included		SBC215		
	1989-88	Front-All FWD, Hardware Not Included		SBC215		
	1987-85	Front-V6 - 3.8L Hardware Not Included		SBC215		
	1987-85	Front-V8 - 5.0L Hardware Included		SBC52	MKD52FM	
	1985	Front-V6 - 3.0L Hardware Not Included		SBC215		
	1985	Front-V6 - 4.3L Hardware Not Included		SBC215		
	1985	Front-V8 - 5.7L Hardware Included		SBC52	MKD52FM	
	1984-71	Front-All Hardware Included		SBC52	MKD52FM	
	1970	Front-V8 - 7.5L Hardware Included		SBC52	MKD52FM	
	Drum Brake Shoe	1970-61	Front-All w/ 12" X 2.25" Brakes		197	
		1990	Rear-All w/ 8.86" X 1.82" Brakes		564	
		1989-87	Rear-All FWD, w/ 8.86" X 1.82" Brakes		564	
		1986	Rear-All FWD, w/ 8.86" X 1.81" Brakes		552	
		1985	Rear-All FWD, Early		521	
1985		Rear-All FWD, Late		552		
1984-80		Rear-V6 - 4.1L w/ 9.5" X 2.06" Brakes		242		
1984-80		Rear-V6 - 4.1L w/ 9.5" X 2.06" Brakes		245		
1984-71		Rear-All w/ 11" X 2.12" Brakes		462		
1979		Rear-All w/ 9.5" X 2.06" Brakes		242		
1979		Rear-All w/ 9.5" X 2.06" Brakes		245		
1961-59		Rear-All w/ 12" X 2.25" Brakes		197		
Disc Brake Rotor		1990-85	Front-All		PRT1263	
Disc Brake Rotor and Hub Assembly		1987-84	Front-All Estate Wagon		PRT1216	
	1983-78	Front-All		PRT1216		
	1977	Front-All		PRT1156		
	1976-71	Front-All		PRT1043		
Brake Drum	1990	Rear-All		PDR0451		
	1989-85	Rear-All Limited		PDR0451		
	1989-85	Rear-All Park Avenue		PDR0451		
	1989-85	Rear-All T-Type		PDR0451		
	1989-80	Rear-All Estate Wagon, 11" drum (3" deep)		PDR0199		
	1989-80	Rear-All Estate Wagon, 11" drum (4 1/2" deep)		PDR0201		
	1989	Rear-All Park Avenue Ultra		PDR0451		
	1979-77	Rear-All Rear drum brake 9 1/2" x 2"		PDR0454		
	1976-71	Rear-All Rear drum brake 12" x 2"		PDR0200		
	Enclave					
Disc Brake Pad Set	2018	Front-All Hardware Included	CFC1378	SBC1378		
	2017-15	Front-All Hardware Included	CFC1169	SBC1169	MKD1169FM	
	2014-08	Front-All Hardware Included	CFC1169A	SBC1169A	MKD1169AFM	
	2017-08	Rear-All Hardware Included	CFC883	SBC883	MKD883FM	
	Parking Brake Shoe	2015	Rear-All		933	
2011-08		Rear-All		933		
Disc Brake Rotor	2017-08	Front-All		PRT5748		
	2017-08	Rear-All		PRT5749		
Encore						
Disc Brake Pad Set	2018-13	Front-All Hardware Included	CFC1467	SBC1467		
	2017-13	Rear-All Hardware Included	CFC1468	SBC1468		
Disc Brake Rotor	2019-13	Front-All		PRT6215		
	2019-13	Rear-All		PRT6062		
Envision						
Disc Brake Pad Set	2018-16	Front-All Hardware Included	CFM1886	SBM1886		
	2018	Rear-All Hardware Included	CFC1923	SBC1923		
	2017	Rear-All Hardware Included		SBM2025		
	2016	Rear-All Hardware Included	CFC1923	SBC1923		
Estate Wagon						
Disc Brake Pad Set	1983-74	Front-All Hardware Included		SBC52	MKD52FM	
	1973-72	Front-V8 - 7.5L Hardware Included		SBC52	MKD52FM	
	1973	Front-V8 - 5.7L Hardware Included		SBC52	MKD52FM	
	1971	Front-All Hardware Included		SBC52	MKD52FM	
	1970	Front-V8 - 5.7L Hardware Included		SBC52	MKD52FM	
	1970	Front-V8 - 7.5L Hardware Included		SBC52	MKD52FM	
Drum Brake Shoe	1983-77	Rear-All w/ 11" X 2.12" Brakes		462		
Disc Brake Rotor and Hub Assembly	1983-78	Front-All		PRT1216		
	1977	Front-All		PRT1156		
	1976-71	Front-All		PRT1043		
Brake Drum	1983-77	Rear-All 11" drum (3" deep)		PDR0199		
	1983-77	Rear-All 11" drum (4 1/2" deep)		PDR0201		
	1976-71	Rear-All 12 x 2" Brakes		PDR0200		
Gran Sport						
Drum Brake Shoe	1967	Front-All w/ 9.5" X 2.56" Brakes		246		
	1967	Rear-All w/ 9.5" X 2.56" Brakes		246		

BENDIX BRAKE PARTS

PART TYPE	YEAR	APPLICATION	PREMIUM NO.	PART NO.	SEVERE DUTY NO.
Buick (Cont'd.)					
Gran Sport (Cont'd.)					
Disc Brake Rotor and Hub Assembly	1967	Front-All		PRT1039	
Brake Drum	1967	Front-All		PDR0005	
	1966-65	Front-All		PDR0037	
GS					
Disc Brake Pad Set	1972-70	Front-V8 - 5.7L Hardware Included		SBC52	MKD52FM
Disc Brake Rotor and Hub Assembly	1972-70	Front-All		PRT1039	
Brake Drum	1970	Front-All		PDR0005	
	1972-70	Rear-All		PDR0454	
GS 350					
Disc Brake Pad Set	1969-68	Front-All Hardware Included		SBC52	MKD52FM
Drum Brake Shoe	1969-68	Rear-All w/ 9.5" X 2.56" Brakes		246	
Disc Brake Rotor and Hub Assembly	1969-68	Front-All		PRT1039	
Brake Drum	1969-68	Front-All		PDR0005	
	1969-68	Rear-All		PDR0454	
GS 400					
Disc Brake Pad Set	1969-68	Front-V8 - 6.6L Hardware Included		SBC52	MKD52FM
Drum Brake Shoe	1969-68	Rear-All w/ 9.5" X 2.56" Brakes		246	
Disc Brake Rotor and Hub Assembly	1969-68	Front-All		PRT1039	
Brake Drum	1969-68	Front-All		PDR0005	
	1969-68	Rear-All		PDR0454	
GS 455					
Disc Brake Pad Set	1972-70	Front-V8 - 7.5L Hardware Included		SBC52	MKD52FM
Drum Brake Shoe	1972-70	Rear-All w/ 9.5" X 2.06" Brakes		242	
	1972-70	Rear-All w/ 9.5" X 2.06" Brakes		245	
Disc Brake Rotor and Hub Assembly	1972-70	Front-All		PRT1039	
Brake Drum	1970	Front-All		PDR0005	
	1972-70	Rear-All		PDR0454	
Invicta					
Drum Brake Shoe	1963-61	Front-All w/ 12" X 2.25" Brakes		197	
	1960-59	Rear-All w/ 12" X 2.25" Brakes		197	
LaCrosse					
Disc Brake Pad Set	2018	Front-All Hardware Included	CFM1886	SBM1886	
	2017	Front-All w/ 16" Wheels	CFC1913	SBC1913	
	2017	Front-All w/ 17" Wheels	CFM1886	SBM1886	
	2016	Front-All Hardware Included	CFM1745		
	2015-10	Front-All Hardware Included	CFC1421	SBC1421	
	2009-08	Front-V6 - 3.8L Hardware Included	CFC1075	SBC1075	MKD1075FM
	2009-08	Front-V8 - 5.3L Hardware Included	CFM1159	SBC1159	MKD1159FM
	2009-08	Front-V8 - 5.3L Hardware Included			PBD1159
	2008	Front-V6 - 3.6L Hardware Included	CFC1075	SBC1075	MKD1075FM
	2007-05	Front-All Hardware Included	CFC1075	SBC1075	MKD1075FM
	2018	Rear-All Hardware Included	CFC1857	SBC1857	
	2017	Rear-All Hardware Included	CFC1915	SBC1915	
	2016	Rear-All w/ Solid Rear Rotors	CFC1430SR		
	2016	Rear-All w/ Solid Rotors		SBC1430SR	
	2016	Rear-All w/ Vented Rear Rotors	CFC1430VR		
	2016	Rear-All w/ Vented Rotors		SBC1430VR	
	2015-10	Rear-All Alternate Abutment Hardware Required For Use w/ Solid Rotor Applications		SBC1430VR	
	2015-10	Rear-All Alternate Abutment Hardware Required For Use w/ Solid Rotor Applications	CFC1430SR	SBC1430SR	
	2015-10	Rear-All Alternate Abutment Hardware Required For Use w/ Solid Rotor Applications	CFC1430VR		
	2009-08	Rear-V6 - 3.8L Hardware Included	CFC999	SBC999	PBD999
	2009-08	Rear-V8 - 5.3L Hardware Included	CFC698	SBC698	MKD698FM
	2009-08	Rear-V8 - 5.3L Hardware Included			PBD698
	2008	Rear-V6 - 3.6L Hardware Included	CFC999	SBC999	PBD999
	2007-05	Rear-All Hardware Included	CFC999	SBC999	PBD999
Parking Brake Shoe	2009-08	Rear-All w/ 8.07" X 1.73" Brakes		962	
Disc Brake Rotor	2016-12	Front-All 16" Wheels		PRT6033	
	2016-12	Front-All 17" Wheels		PRT5973	
	2011-10	Front-All		PRT5973	
	2009-08	Front-V8 - 5.3L		PRT5738	SDR5738
	2009-05	Front-V6 - 3.8L		PRT5518	
	2008-05	Front-V6 - 3.6L		PRT5518	
	2016-12	Rear-All 16" Wheels		PRT6034	
	2016-12	Rear-All 17" Wheels		PRT6073	
	2011-10	Rear-All		PRT6073	
	2009-05	Rear-All		PRT5442	SDR5442

BENDIX BRAKE PARTS

PART TYPE	YEAR	APPLICATION	PREMIUM NO.	PART NO.	SEVERE DUTY NO.	
Buick (Cont'd.)						
LeSabre						
Disc Brake Pad Set	2005-04	Front-All w/ 15" Wheels		SBC699K1	MKD699K1FM	
	2005-04	Front-All w/ 16" Wheels		SBC699K2	MKD699K2FM	
	2005-00	Front-All Hardware Included	CFC699K1			
	2003-00	Front-All Hardware Included		SBC699K1	MKD699K1FM	
	1999-94	Front-All Hardware Not Included		SBC623		
	1993-92	Front-All Hardware Not Included		SBC505		
	1991	Front-All Hardware Not Included		SBC215		
	1990-88	Front-V6 - 3.8L Hardware Not Included		SBC215		
	1990-88	Front-V8 - 5.0L Hardware Included		SBC52	MKD52FM	
	1987	Front-All FWD, Hardware Not Included		SBC215		
	1986	Front-V6 - 3.0L Hardware Not Included		SBC215		
	1986	Front-V6 - 3.8L Hardware Not Included		SBC215		
	1986	Front-V8 - 5.0L Hardware Included		SBC52	MKD52FM	
	1985	Front-All Custom, w/ Heavy Duty Brakes		SBC52	MKD52FM	
	1985	Front-All Estate Wagon, Hardware Included		SBC52	MKD52FM	
	1985	Front-All Limited, w/ Heavy Duty Brakes		SBC52	MKD52FM	
	1984-80	Front-All Hardware Included		SBC52	MKD52FM	
	1979	Front-All Hardware Not Included	CFC154	SBC154	MKD154FM	
	1978-75	Front-All Hardware Included		SBC52	MKD52FM	
	1974-71	Front-V8 - 5.7L Hardware Included		SBC52	MKD52FM	
	1974-71	Front-V8 - 7.5L Hardware Included		SBC52	MKD52FM	
	1970-69	Front-All Hardware Included		SBC52	MKD52FM	
	2005-00	Rear-All Hardware Included		SBM508		
	2005-00	Rear-All Hardware Included	CFM508	SBC508		
	1984-77	Rear-All Hardware Not Included	CFC154	SBC154	MKD154FM	
	Drum Brake Shoe	1970-61	Front-All w/ 12" X 2.25" Brakes		197	
		1999-91	Rear-All w/ 8.86" X 1.82" Brakes		636	
		1990-86	Rear-All FWD		564	
		1990-86	Rear-All RWD		462	
		1985-80	Rear-V6 - 3.8L w/ 9.5" X 2.06" Brakes		242	
		1985-80	Rear-V6 - 3.8L w/ 9.5" X 2.06" Brakes		245	
		1985	Rear-All RWD, w/ 11" X 2" Brakes		462	
		1984-80	Rear-V6 - 4.1L w/ 9.5" X 2.06" Brakes		242	
1984-80		Rear-V6 - 4.1L w/ 9.5" X 2.06" Brakes		245		
1984-71		Rear-All w/ 11" X 2" Brakes		462		
1979		Rear-All 2 Doors, Coupe, w/ 9.5" X 2.06" Brakes		242		
1979		Rear-All 2 Doors, Coupe, w/ 9.5" X 2.06" Brakes		245		
1979		Rear-All 4 Doors, Sedan, w/ 9.5" X 2.06" Brakes		242		
1979		Rear-All 4 Doors, Sedan, w/ 9.5" X 2.06" Brakes		245		
1978-77		Rear-All w/ 9-1/2" X 2" Brakes		242		
1978-77		Rear-All w/ 9-1/2" X 2" Brakes		245		
1960-59		Rear-All w/ 12" X 2.25" Brakes		197		
Disc Brake Rotor		2005-00	Front-All 15" Wheels		PRT5250	
		2005	Front-All 16" Wheels from ser# 1G1HP52K65U129026		PRT6130	
		2005	Front-All 16" Wheels up to ser# 1G1HP52K65U129025		PRT5150	
	2004-00	Front-All 16" Wheels		PRT5150		
	1999-98	Front-All		PRT5250		
	1997-92	Front-All		PRT1868		
	1991-86	Front-All		PRT1263		
	2005-00	Rear-All		PRT5266		
	Disc Brake Rotor and Hub Assembly	1990	Front-All Estate Wagon		PRT1216	
1985-79		Front-All 11" Rotor		PRT1201		
1985-78		Front-All 12" Rotor		PRT1216		
1978-77		Front-All 11" Rotor		PRT1040		
1977		Front-All 12" Rotor		PRT1156		
1976-71		Front-All		PRT1043		
Brake Drum		1999-91	Rear-All 8.86 x 1.77" Brakes		PDR0451	
	1990-88	Rear-All Base		PDR0451		
	1990-88	Rear-All Custom		PDR0451		
	1990-88	Rear-All Estate Wagon, 11 x 2" Brakes		PDR0201		
	1990-88	Rear-All Limited, 8.86 x 1.77" Brakes		PDR0451		
	1987-86	Rear-All 8.86 x 1.77" Brakes		PDR0451		
	1985-83	Rear-All Cast iron replacement		PDR0454		
	1985-71	Rear-All 11" drum (3" deep)		PDR0199		
	1985-71	Rear-All 11" drum (4 1/2" deep)		PDR0201		
	1982	Rear-All Rear drum brake 9 1/2" x 2"		PDR0454		
	1981	Rear-All Cast iron replacement		PDR0454		
	1980	Rear-All w/ 9" Rear Drum Brakes		PDR0454		
	1979-77	Rear-All Rear drum brake 9 1/2" x 2"		PDR0454		
	1976-71	Rear-All Rear drum brake 12" x 2"		PDR0200		
	Limited					
	Drum Brake Shoe	1958	Rear-All w/ 12" X 2.25" Brakes		197	

BENDIX BRAKE PARTS

PART TYPE	YEAR	APPLICATION	PREMIUM NO.	PART NO.	SEVERE DUTY NO.
Buick (Cont'd.)					
Lucerne					
Disc Brake Pad Set	2011-06	Front-All Hardware Included	CFM1159	SBC1159	MKD1159FM
	2011-06	Front-All Hardware Included			PBD1159
	2011-06	Rear-All Hardware Included	CFC1172	SBC1172	
Disc Brake Rotor	2011-06	Front-All 302mm Rotor		PRT5654	SDR5654
	2011-06	Front-All 323mm Rotor		PRT5738	SDR5738
	2011-06	Rear-All		PRT5740	
Park Avenue					
Disc Brake Pad Set	2005-97	Front-All Hardware Included	CFC699K1	SBC699K1	MKD699K2FM
	1996-94	Front-All Hardware Not Included		SBC623	
	1993-91	Front-All Hardware Not Included		SBC505	
	2005-97	Rear-All Hardware Included		SBM508	
	2005-97	Rear-All Hardware Included	CFM508	SBC508	
Drum Brake Shoe	1997-92	Rear-All w/ 8.86" X 1.82" Brakes		636	
	1991	Rear-All w/ 8.86" X 1.82" Brakes		564	
Disc Brake Rotor	2005-97	Front-All		PRT5150	
	1996-91	Front-All		PRT1868	
	2005-03	Rear-All Base		PRT5266	
	2005-03	Rear-All Ultra		PRT5220	
	2002-00	Rear-All		PRT5266	
	1999-97	Rear-All		PRT1792	
Brake Drum	1996-91	Rear-All		PDR0451	
Rainier					
Disc Brake Pad Set	2007-06	Front-All Hardware Included	CFC1169	SBC1169	MKD1169FM
	2005-04	Front-All Hardware Included	CFC882	SBC882	MKD882FM
	2007-04	Rear-All Hardware Included	CFC883	SBC883	MKD883FM
Parking Brake Shoe	2007-04	Rear-All		781	
Disc Brake Rotor	2007-06	Front-L6 - 4.2L		PRT5602	
	2007-04	Front-V8 - 5.3L		PRT5342	
	2005-04	Front-L6 - 4.2L		PRT5304	
	2007-04	Rear-All		PRT5314	
Reatta					
Disc Brake Pad Set	1991-88	Front-All Hardware Not Included		SBM315	
	1991-88	Rear-All Hardware Not Included		SBM316	
Disc Brake Rotor	1991-88	Front-All		PRT1263	
	1991-88	Rear-All		PRT1378	
Regal					
Disc Brake Pad Set	2017-16	Front-All Base, Hardware Included	CFM1745		
	2017-16	Front-All GS, Hardware Included	CFC1836	SBC1836	
	2017-16	Front-All Premium, Hardware Included	CFM1745		
	2017-16	Front-All Sport Touring, Hardware Included	CFM1745		
	2015-14	Front-All Base, Hardware Included	CFC1421	SBC1421	
	2015-14	Front-All GS, Hardware Included	CFM1001		
	2015-14	Front-All GS, Hardware Not Included		SBC1001	
	2015-14	Front-All Premium, Hardware Included	CFC1421	SBC1421	
	2013	Front-All w/ Dual Piston Calipers	CFM1001	SBC1001	
	2013	Front-All w/ Single Piston Calipers	CFC1421	SBC1421	
	2012	Front-All Base, Hardware Included	CFC1421	SBC1421	
	2012	Front-All GS, Hardware Included	CFM1001		
	2012	Front-All GS, Hardware Not Included		SBC1001	
	2012	Front-All Premium, Hardware Included	CFC1421	SBC1421	
	2011	Front-All Hardware Included	CFC1421	SBC1421	
	2004-97	Front-All Hardware Included	CFC699K1	SBC699K1	MKD699K2FM
	1996-95	Front-V6 - 3.1L Hardware Not Included	CFC376	SBC376	
	1996-95	Front-V6 - 3.8L Hardware Not Included	CFC376	SBC376	
	1994-88	Front-All Hardware Not Included	CFC376	SBC376	
	1987-78	Front-All Hardware Not Included	CFC154	SBC154	MKD154FM
	1977-75	Front-All Hardware Included		SBC52	MKD52FM
	1974-73	Front-V8 - 5.7L Hardware Included		SBC52	MKD52FM
	1974-73	Front-V8 - 7.5L Hardware Included		SBC52	MKD52FM
	2017-16	Rear-All w/ Solid Rear Rotors	CFC1430SR		
	2017-16	Rear-All w/ Solid Rotors		SBC1430SR	
	2017-16	Rear-All w/ Vented Rear Rotors	CFC1430VR		
	2017-16	Rear-All w/ Vented Rotors		SBC1430VR	
	2015-11	Rear-All Alternate Abutment Hardware Required For Use w/ Solid Rotor Applications		SBC1430VR	
	2015-11	Rear-All Alternate Abutment Hardware Required For Use w/ Solid Rotor Applications	CFC1430SR	SBC1430SR	
	2015-11	Rear-All Alternate Abutment Hardware Required For Use w/ Solid Rotor Applications	CFC1430VR		
	2004-97	Rear-All Hardware Included	CFC698	SBC698	MKD698FM
	2004-97	Rear-All Hardware Included			PBD698
	1996-95	Rear-V6 - 3.1L Hardware Included		SBM508	
	1996-95	Rear-V6 - 3.1L Hardware Included	CFM508	SBC508	
	1996-95	Rear-V6 - 3.8L Hardware Included		SBM508	

BENDIX BRAKE PARTS

PART TYPE	YEAR	APPLICATION	PREMIUM NO.	PART NO.	SEVERE DUTY NO.	
Buick (Cont'd.)						
Regal (Cont'd.)						
Disc Brake Pad Set (cont'd)	1996-95	Rear-V6 - 3.8L Hardware Included	CFM508	SBC508		
	1994	Rear-All Hardware Included		SBM508		
	1994	Rear-All Hardware Included	CFM508	SBC508		
	1993-88	Rear-All Hardware Not Included		SBC377		
Drum Brake Shoe	1987-78	Rear-All w/ 9.5" X 2.06" Brakes		514		
	1977-73	Rear-All w/ 11" X 2.12" Brakes		462		
Parking Brake Shoe	2004-97	Rear-All w/ 6.89" x 0.99" Brakes		770		
	2004-97	Rear-All w/ 6.89" x 0.99" Brakes		925		
Disc Brake Rotor	2017-16	Front-All Sport Touring		PRT5973		
	2017-15	Front-All Base		PRT5973		
	2017	Front-All Premium		PRT5973		
	2016-15	Front-L4 - 2.0L Premium		PRT5973		
	2016-15	Front-L4 - 2.4L Premium		PRT6033		
	2016-14	Front-All GS		PRT6219		
	2014	Front-All Base		PRT6033		
	2014	Front-All Premium, 321mm Diameter		PRT5973		
	2013-12	Front-All 355 mm Diameter		PRT5999		
	2013-11	Front-All 296mm Diameter		PRT6033		
	2013-11	Front-All 321mm Diameter		PRT5973		
	2004-97	Front-All		PRT5250		
	1996	Front-All		PRT5064FC		
	1995	Front-All 10.5" diameter rotor		PRT1400		
	1995	Front-All 11.25" diameter rotor		PRT5064FC		
	1994-88	Front-All		PRT1400		
	2017	Rear-All		PRT6073		
	2016-15	Rear-All Base		PRT6073		
	2016-15	Rear-All GS		PRT6073		
	2016-15	Rear-L4 - 2.0L Premium		PRT6073		
	2016-15	Rear-L4 - 2.4L Premium		PRT6034		
	2016	Rear-All Sport Touring		PRT6073		
	2014-11	Rear-All W/ 17" & 18" Wheels		PRT6073		
	2013-11	Rear-All 16" Wheels		PRT6034		
	2004-97	Rear-All		PRT5628	SDR5628	
	1996-94	Rear-All		PRT1908FC		
	1993-88	Rear-All		PRT1401		
	Disc Brake Rotor and Hub Assembly	1987-82	Front-All		PRT1233	
		1981-79	Front-All		PRT1219	
		1978	Front-All		PRT1167	
		1977-73	Front-All		PRT1040	
	Brake Drum	1998-97	Rear-All		PDR0451	
		1987-78	Rear-All		PDR0454	
1977-76		Rear-All		PDR0274		
1975-73		Rear-All 11 x 2" Brakes		PDR0274		
1975-73		Rear-All Rear drum brake 9 1/2" x 2"		PDR0454		
Regal TourX						
Disc Brake Pad Set	2018	Front-All Hardware Included	CFM1886	SBM1886		
	2018	Rear-All Hardware Included	CFC1857	SBC1857		
Rendezvous						
Disc Brake Pad Set	2007-02	Front-All Hardware Included	CFC844	SBC844	MKD844FM	
	2007-02	Rear-All Hardware Included	CFC698	SBC698	MKD698FM	
	2007-02	Rear-All Hardware Included			PBD698	
Parking Brake Shoe	2007-02	Rear-All		784		
Disc Brake Rotor	2007	Front-All		PRT5315		
	2006-02	Front-All AWD		PRT5343		
	2006-02	Front-All FWD		PRT5315		
	2007-02	Rear-All		PRT5359		
Riviera						
Disc Brake Pad Set	1999-97	Front-All Hardware Included	CFC699K1	SBC699K1	MKD699K2FM	
	1996-95	Front-All Hardware Not Included		SBC623		
	1993-92	Front-All Hardware Not Included		SBC505		
	1991-86	Front-All Hardware Not Included		SBM315		
	1985-79	Front-All Hardware Not Included	CFC154	SBC154	MKD154FM	
	1978-67	Front-All Hardware Included		SBC52	MKD52FM	
	1999-95	Rear-All Hardware Included		SBM508		
	1999-95	Rear-All Hardware Included	CFM508	SBC508		
	1993-92	Rear-All Hardware Included		SBM508		
	1993-92	Rear-All Hardware Included	CFM508	SBC508		
	1991-86	Rear-All Hardware Not Included		SBM316		
	1985-79	Rear-All Hardware Not Included	CFC154	SBC154	MKD154FM	
	Drum Brake Shoe	1970-63	Front-All w/ 12" X 2.25" Brakes		197	
		1985-79	Rear-All w/ 9.5" X 2.06" Brakes		514	
		1978-71	Rear-All w/ 11" X 2.12" Brakes		462	

BENDIX BRAKE PARTS

PART TYPE	YEAR	APPLICATION	PREMIUM NO.	PART NO.	SEVERE DUTY NO.
Buick (Cont'd.)					
Riviera (Cont'd.)					
Disc Brake Rotor	1999-97	Front-All		PRT5150	
	1996-95	Front-All		PRT1868	
	1993-92	Front-All		PRT1868	
	1991-86	Front-All		PRT1263	
	1985-79	Front-All		PRT1261	
	1999-95	Rear-All		PRT1792	
	1993-92	Rear-All		PRT1792	
	1991-86	Rear-All		PRT1378	
	1985-79	Rear-All		PRT1261	
Disc Brake Rotor and Hub Assembly	1978	Front-All		PRT1216	
	1977	Front-All		PRT1156	
	1976-71	Front-All		PRT1043	
Brake Drum	1985-79	Rear-All		PDR0454	
	1978-77	Rear-All 11" drum (3" deep)		PDR0199	
	1978-77	Rear-All 11" drum (4 1/2" deep)		PDR0201	
	1976-71	Rear-All		PDR0201	
Roadmaster					
Disc Brake Pad Set	1996-91	Front-All Hardware Included		SBC52	MKD52FM
Drum Brake Shoe	1996-91	Rear-All w/ 11" X 2.12" Brakes		462	
	1958	Rear-All w/ 12" X 2.25" Brakes		197	
	1957-52	Rear-All Original Power Brake		197	
	1951-50	Rear-All w/ 12" X 2.25" Brakes		197	
Disc Brake Rotor and Hub Assembly	1996-91	Front-All		PRT5012	
Brake Drum	1996-94	Rear-All Heavy Duty Brakes (11 x 2" Brakes)		PDR0201	
	1993-92	Rear-All 3.50" Overall Height		PDR0199	
	1993-92	Rear-All 4.36" OAH		PDR0201	
	1991	Rear-All Heavy Duty Brakes (11 x 2" Brakes)		PDR0201	
Skyhawk					
Disc Brake Pad Set	1989-82	Front-All Hardware Not Included		SBM289	
Drum Brake Shoe	1989-85	Rear-All w/ 7.87" X 1.82" Brakes		553	
	1989-85	Rear-All w/ 7.87" X 1.82" Brakes		719	
	1984-82	Rear-All w/ 7.87" X 1.82" Brakes		522	
	1980-76	Rear-All w/ 9.5" X 2.06" Brakes		242	
	1980-76	Rear-All w/ 9.5" X 2.06" Brakes		245	
Disc Brake Rotor	1989-85	Front-All		PRT1376	
	1984-83	Front-All		PRT1218	
	1982	Front-All Solid Rotors		PRT1393	
	1982	Front-All Vented Rotors		PRT1218	
Brake Drum	1989-82	Rear-All		PDR0385	
	1980-76	Rear-All		PDR0343	
Skylark					
Disc Brake Pad Set	1998-91	Front-All Hardware Included		SBC506	
	1998-91	Front-All Hardware Included		SBM506	
	1990	Front-All Exc. Special Performance Package		SBM289	
	1990	Front-All w/ Special Performance Package		SBC506	
	1990	Front-All w/ Special Performance Package		SBM506	
	1989-85	Front-All Hardware Not Included		SBM289	
	1984-80	Front-All Hardware Not Included		SBM159	
	1979-75	Front-All Hardware Included		SBC52	MKD52FM
	1972-69	Front-All Hardware Included		SBC52	MKD52FM
Drum Brake Shoe	1972-70	Front-All w/ 9.5" X 2.56" Brakes		246	
	1969-64	Front-All 4 Doors, Wagon		246	
	1998-86	Rear-All w/ 7.87" X 1.82" Brakes		553	
	1998-86	Rear-All w/ 7.87" X 1.82" Brakes		719	
	1985-80	Rear-All w/ 7.87" X 1.82" Brakes		522	
	1979-75	Rear-All w/ 9.5" X 2.06" Brakes		242	
	1979-75	Rear-All w/ 9.5" X 2.06" Brakes		245	
	1972-70	Rear-All w/ 9.5" X 2.06" Brakes		242	
	1972-70	Rear-All w/ 9.5" X 2.06" Brakes		245	
	1972-70	Rear-All w/ 9.5" X 2.56" Brakes		246	
	1969-67	Rear-All 2 Doors, Convertible		242	
	1969-67	Rear-All 2 Doors, Convertible, In Supersession Process, Exhaust Current Inventory		245	
	1969-67	Rear-All 2 Doors, Coupe		242	
	1969-67	Rear-All 2 Doors, Coupe, In Supersession Process, Exhaust Current Inventory		245	
	1969-67	Rear-All 2 Doors, Hardtop		242	
	1969-67	Rear-All 2 Doors, Hardtop, In Supersession Process, Exhaust Current Inventory		245	
	1969-67	Rear-All 4 Doors, Hardtop		242	
1969-67	Rear-All 4 Doors, Hardtop, In Supersession Process, Exhaust Current Inventory		245		

BENDIX BRAKE PARTS

PART TYPE	YEAR	APPLICATION	PREMIUM NO.	PART NO.	SEVERE DUTY NO.
Buick (Cont'd.)					
Skylark (Cont'd.)					
Drum Brake Shoe (cont'd)	1969-67	Rear-All 4 Doors, Sedan		242	
	1969-67	Rear-All 4 Doors, Sedan, In Supersession Process, Exhaust Current Inventory		245	
	1969-64	Rear-All 4 Doors, Wagon		246	
Disc Brake Rotor	1998-91	Front-All		PRT1530	
	1990	Front-All Exc.Special Performance Package		PRT1376	
	1990	Front-All Special Performance Package		PRT1530	
	1989-86	Front-All		PRT1376	
	1985-80	Front-All		PRT1220	
Disc Brake Rotor and Hub Assembly	1979	Front-All		PRT1201	
	1978-75	Front-All		PRT1040	
	1972-71	Front-All Base		PRT1039	
	1972-71	Front-All Custom		PRT1039	
	1972	Front-All 350		PRT1039	
Brake Drum	1972-71	Front-All		PDR0037	
	1970	Front-All 350, Wagon, Station Wagon		PDR0005	
	1970	Front-All Base, Wagon, Station Wagon		PDR0005	
	1970	Front-All Custom, Wagon, Station Wagon		PDR0005	
	1970	Front-All Hatchback		PDR0037	
	1970	Front-All Sedan		PDR0037	
	1969	Front-All		PDR0037	
	1968-67	Front-All Base, Wagon, Station Wagon		PDR0005	
	1968-67	Front-All Hatchback		PDR0037	
	1968-67	Front-All Sedan		PDR0037	
	1968	Front-All Custom, Wagon, Station Wagon		PDR0005	
	1966-64	Front-All		PDR0037	
	1991-80	Rear-All		PDR0385	
	1979-75	Rear-All		PDR0454	
	1972-64	Rear-All		PDR0454	
Somerset					
Disc Brake Pad Set	1987-86	Front-All Hardware Not Included		SBM289	
Drum Brake Shoe	1987-86	Rear-All w/ 7.87" X 1.82" Brakes		553	
	1987-86	Rear-All w/ 7.87" X 1.82" Brakes		719	
Disc Brake Rotor	1987-86	Front-All		PRT1376	
Brake Drum	1987-86	Rear-All		PDR0385	
Somerset Regal					
Disc Brake Pad Set	1985	Front-All Hardware Not Included		SBM289	
Drum Brake Shoe	1985	Rear-All w/ 7.87" X 1.82" Brakes		553	
	1985	Rear-All w/ 7.87" X 1.82" Brakes		719	
	1985	Front-All		PRT1376	
Brake Drum	1985	Rear-All		PDR0385	
Special					
Disc Brake Pad Set	1969	Front-All Hardware Included		SBC52	MKD52FM
	1966-61	Front-All Hardware Not Included		SBM8	
Drum Brake Shoe	1967-62	Front-All 4 Doors, Wagon		246	
	1957-52	Front-All w/ 12" X 2.25" Brakes		197	
	1969-67	Rear-All 2 Doors, Coupe		242	
	1969-67	Rear-All 2 Doors, Coupe, In Supersession Process, Exhaust Current Inventory		245	
	1969-67	Rear-All 2 Doors, Hardtop		242	
	1969-67	Rear-All 2 Doors, Hardtop, In Supersession Process, Exhaust Current Inventory		245	
	1969-67	Rear-All 4 Doors, Sedan		242	
	1969-67	Rear-All 4 Doors, Sedan, In Supersession Process, Exhaust Current Inventory		245	
	1969-62	Rear-All 4 Doors, Wagon		246	
	1958-56	Rear-All w/ 12" X 2.25" Brakes		197	
Disc Brake Rotor and Hub Assembly	1969-67	Front-All		PRT1039	
Brake Drum	1969-68	Front-All Hatchback		PDR0037	
	1969-67	Front-All Sedan		PDR0037	
	1969-67	Front-All Wagon, Station Wagon		PDR0005	
	1966-64	Front-All		PDR0037	
	1969	Rear-All Except station wagon		PDR0454	
	1968-64	Rear-All		PDR0454	
Sportwagon					
Disc Brake Pad Set	1972-71	Front-All Hardware Included		SBC52	MKD52FM
	1970	Front-V8 - 5.7L Hardware Included		SBC52	MKD52FM
	1970	Front-V8 - 7.5L Hardware Included		SBC52	MKD52FM
	1969	Front-All Hardware Included		SBC52	MKD52FM
Drum Brake Shoe	1969-64	Front-All w/ 9.5" X 2.56" Brakes		246	
	1972-64	Rear-All w/ 9.5" X 2.56" Brakes		246	
Disc Brake Rotor and Hub Assembly	1972-71	Front-All		PRT1039	

BENDIX BRAKE PARTS

PART TYPE	YEAR	APPLICATION	PREMIUM NO.	PART NO.	SEVERE DUTY NO.
Buick (Cont'd.)					
Sportwagon (Cont'd.)					
Disc Brake Rotor and Hub Assembly (cont'd)	1970-67	Front-All Front Disc, Rear Drum		PRT1039	
Brake Drum	1972-71	Front-All		PDR0037	
	1970-67	Front-All Front Drum, Rear Drum		PDR0005	
	1966-64	Front-All		PDR0037	
	1972-70	Rear-All		PDR0454	
	1969-64	Rear-All		PDR0046	
Super					
Drum Brake Shoe	1957-52	Front-All w/ 12" X 2.25" Brakes		197	
	1958-53	Rear-All w/ 12" X 2.25" Brakes		197	
Terraza					
Disc Brake Pad Set	2007-05	Front-All Hardware Included	CFC1075	SBC1075	MKD1075FM
	2007-05	Rear-All Hardware Included	CFC1093	SBC1093	MKD1093FM
Disc Brake Rotor	2007-06	Front-All		PRT5686	
	2005	Front-All		PRT5684	
	2007	Rear-All		PRT5625	
	2006	Rear-All AWD, w/ Special Ride Handling Suspension (FE4)		PRT5685	
	2006	Rear-All FWD, W/O Special Suspension (FE4)		PRT5625	
	2006	Rear-All FWD, W/ Special Suspension (FE4)		PRT5685	
	2006	Rear-All FWD, With ride & handling suspension		PRT5931 ⁸⁶	
	2005	Rear-All FWD, W/O Special Suspension (FE4)		PRT5614	
Verano					
Disc Brake Pad Set	2017-12	Front-All Hardware Included	CFC1467	SBC1467	
	2017-12	Rear-All Hardware Included	CFC1468	SBC1468	
Disc Brake Rotor	2017-12	Front-All		PRT6093	
	2017-12	Rear-All		PRT6097	
Wildcat					
Disc Brake Pad Set	1970	Front-V8 - 7.5L Hardware Included		SBC52	MKD52FM
Drum Brake Shoe	1970-63	Front-All w/ 12" X 2.25" Brakes		197	
Cadillac					
60 Special					
Disc Brake Pad Set	1993	Front-All Exc. Heavy Duty Brakes		SBC505	
	1993	Front-All w/ Heavy Duty Brakes	CFM369	SBM369	MKD369FM
Drum Brake Shoe	1993	Rear-All w/ 8.86" X 1.82" Brakes		636	
	1993	Rear-All w/ 11" X 2.12" Brakes		462	
Disc Brake Rotor	1993	Front-All		PRT1868	
Disc Brake Rotor and Hub Assembly	1993	Front-All 4-Wheel ABS		PRT5012	
Brake Drum	1993	Rear-All		PDR0451	
Allante					
Disc Brake Pad Set	1993	Front-All Hardware Not Included		SBC505	
	1992-87	Front-All Hardware Not Included		SBM315	
	1993	Rear-All Hardware Included		SBM508	
	1993	Rear-All Hardware Included	CFM508	SBC508	
	1992-87	Rear-All Hardware Not Included		SBM316	
Disc Brake Rotor	1993	Front-All		PRT1868	
	1992-87	Front-All		PRT1263	
	1993	Rear-All		PRT1792	
	1992-87	Rear-All		PRT1378	
ATS					
Disc Brake Pad Set	2018	Front-All Base, w/o Performance Brakes	CFC1467	SBC1467	
	2018	Front-All Base, w/ Performance Brakes	CFM1001	SBC1001	
	2018	Front-All Luxury, w/o Performance Brakes	CFC1467	SBC1467	
	2018	Front-All Luxury, w/ Performance Brakes	CFM1001	SBC1001	
	2018	Front-All Premium Luxury, w/o Performance Brakes	CFC1467	SBC1467	
	2018	Front-All Premium Luxury, w/ Performance Brakes	CFM1001	SBC1001	
	2018	Front-All Premium Performance, w/o Performance Brakes	CFC1467	SBC1467	
	2018	Front-All Premium Performance, w/ Performance Brakes	CFM1001	SBC1001	
	2018	Front-All V, Hardware Included	CFM1405		
	2018	Front-All V, Hardware Not Included		SBM1405	
	2017-16	Front-All Hardware Included	CFC1836	SBC1836	
	2015	Front-All w/o Performance Brakes	CFC1467	SBC1467	
	2015	Front-All w/ Performance Brakes	CFC1050	SBM1050	
	2014	Front-All w/ Brembo Brakes		SBM1050A	
	2014	Front-All w/ Brembo Brakes	CFC1050A	SBC1050A	
	2013	Front-All w/ Brembo or Performance Brakes		SBM1050A	
	2013	Front-All w/ Brembo or Performance Brakes	CFC1050A	SBC1050A	
	2013	Front-All w/ Standard Brakes	CFC1467	SBC1467	
	2018	Rear-All V, Hardware Not Included	CFC1718	SBC1718	
	2017	Rear-All Hardware Included	CFC1659	SBC1659	
	2016	Rear-All w/ JE2 OES, JE5 Brake Codes	CFC1659	SBC1659	
	2015-13	Rear-All Hardware Included	CFC1659	SBC1659	

86 Sell out and reorder PRT5685

BENDIX BRAKE PARTS

PART TYPE	YEAR	APPLICATION	PREMIUM NO.	PART NO.	SEVERE DUTY NO.	
Cadillac (Cont'd.)						
ATS (Cont'd.)						
Disc Brake Rotor	2017-16	Front-All		PRT6217		
	2015-13	Front-All 300mm Rotor		PRT6216		
	2015-13	Front-All 321mm Rotor		PRT6217		
	2019-18	Rear-All w/ GM Brake Code J55 & JE5		PRT6218		
	2017	Rear-All		PRT6218		
	2016	Rear-All Base		PRT6218		
	2016	Rear-All Luxury		PRT6218		
	2016	Rear-All Performance		PRT6218		
	2016	Rear-All Premium		PRT6218		
	2015-13	Rear-All		PRT6218		
BLS						
Disc Brake Pad Set	2008-07	Front-All w/ 285mm, 302mm Diameter Rotors		SBM972		
	2008-07	Front-All w/ 314mm Diameter Rotors		SBM1257		
	2008-07	Rear-All Hardware Included	CFC1095	SBC1095		
Brougham						
Disc Brake Pad Set	1992-87	Front-All Hardware Included		SBC52	MKD52FM	
Drum Brake Shoe	1992-91	Rear-All w/ 11.16" X 2.81" Brakes		473		
	1992-87	Rear-All w/ 11" Brakes		462		
	1990-87	Rear-All w/ 12" Brakes		366		
Disc Brake Rotor and Hub Assembly	1992-91	Front-All 4-Wheel ABS		PRT5012		
	1990	Front-All 4-Wheel ABS		PRT1646		
	1989-87	Front-All Armored Body Equipment		PRT1043		
	1989-87	Front-All exc. Armored Body Equipment		PRT1216		
Brake Drum	1992-91	Rear-All 11.15 x 2.75" Brakes		PDR0621		
	1992-91	Rear-All 11" x 2" Brakes, 3.50" Overall Height		PDR0199		
	1992-91	Rear-All 11" x 2" Brakes, 4.34" Overall Height		PDR0201		
	1990-87	Rear-All 11 x 2" Brakes		PDR0199		
	1990-87	Rear-All 12 x 2 1/2" Brakes		PDR0063		
Calais						
Disc Brake Pad Set	1976-68	Front-All Hardware Included		SBC52	MKD52FM	
Drum Brake Shoe	1976-71	Rear-All		366		
Disc Brake Rotor and Hub Assembly	1976-72	Front-All		PRT1043		
Catera						
Disc Brake Pad Set	2001-97	Front-V6 - 3.0L Hardware Not Included		SBM720		
	2001-97	Rear-V6 - 3.0L Hardware Not Included		SBM709		
Parking Brake Shoe	2001-97	Rear-All		797		
Disc Brake Rotor	2001-97	Front-All		PRT5157		
	2001	Rear-All w/Vented Rotors		PRT5356		
	2001	Rear-All wo/Vented Rotors		PRT5174		
	2000-97	Rear-All		PRT5174		
Cimarron						
Disc Brake Pad Set	1988-82	Front-All Hardware Not Included		SBM289		
Drum Brake Shoe	1988-85	Rear-All w/ 7.87" X 1.82" Brakes		553		
	1988-85	Rear-All w/ 7.87" X 1.82" Brakes		719		
	1984-82	Rear-All w/ 7.87" X 1.82" Brakes		522		
Disc Brake Rotor	1988-85	Front-All		PRT1376		
	1984-82	Front-All		PRT1218		
Brake Drum	1988-82	Rear-All		PDR0385		
Commercial Chassis						
Disc Brake Pad Set	1996-94	Front-All Hardware Included		SBC52	MKD52FM	
	1993-92	Front-All RWD, Hardware Included		SBC52	MKD52FM	
	1993-92	Front-V8 - 4.9L FWD, Exc. Heavy Duty Brakes		SBC505		
	1993-92	Front-V8 - 4.9L FWD, w/ Heavy Duty Brakes	CFM369	SBM369	MKD369FM	
	1991-90	Front-All w/ Heavy Duty Brakes	CFM369	SBM369	MKD369FM	
	1991	Front-All Exc. Heavy Duty Brakes		SBC505		
	1990	Front-All Exc. Heavy Duty Brakes		SBC215		
	1989-85	Front-All Hardware Not Included		SBC215		
	1984-75	Front-All Hardware Included		SBC52	MKD52FM	
	1974-68	Front-All Sedan, Hardware Included		SBC52	MKD52FM	
	1984-79	Rear-All Hardware Not Included	CFC154	SBC154	MKD154FM	
	Drum Brake Shoe	1996-94	Rear-All w/ 11.16" X 2.81" Brakes		473	
		1996-94	Rear-All w/ 11" X 2.12" Brakes		462	
		1993-92	Rear-All w/ 8.86" X 1.82" Brakes		636	
		1993-90	Rear-All w/ 11" X 2" Brakes		462	
1991-90		Rear-All w/ 8.86" X 1.77" Brakes		564		
1989-87		Rear-All w/ 8.86" X 1.82" Brakes		564		
1986		Rear-All w/ 8.86" X 1.81" Brakes		552		
1985		Rear-All Late Design		552		
1984-77		Rear-All w/ 11" X 2.12" Brakes		462		
1984-75		Rear-All w/ 12" X 2.5" Brakes		366		
Disc Brake Rotor	1993-91	Front-All		PRT1868		

BENDIX BRAKE PARTS

PART TYPE	YEAR	APPLICATION	PREMIUM NO.	PART NO.	SEVERE DUTY NO.
Cadillac (Cont'd.)					
Commercial Chassis (Cont'd.)					
Disc Brake Rotor (cont'd)	1990	Front-All 260mm Rotor		PRT1263	
	1990	Front-All 278mm Diameter		PRT1868	
	1989-86	Front-All		PRT1263	
	1985	Front-All FWD		PRT1263	
Disc Brake Rotor and Hub Assembly	1979-77	Rear-All		PRT1187	
	1996-93	Front-All 4-Wheel ABS		PRT5012	
	1984-77	Front-All Commercial Chassis		PRT1043	
Brake Drum	1976-75	Front-All		PRT1043	
	1996-94	Rear-All 11 5/32 x 2 3/4" Brakes		PDR0621	
	1996-94	Rear-All 11 x 2" Brakes		PDR0201	
	1993-90	Rear-All 8.86 x 1.77" Brakes		PDR0451	
	1993	Rear-All J55 Brake Code; 11 5/32 X 2 3/4" Rear Drum Brakes		PDR0621	
	1993	Rear-All J55 Brake Code; 11" X 2" Rear Drum Brakes		PDR0561	
	1993	Rear-All JM4 Brake Code; w/ 11" X 2" Rear Brakes		PDR0201	
	1992-90	Rear-All 11 x 2" Brakes		PDR0561	
	1989-86	Rear-All		PDR0451	
	1985	Rear-All		PDR0199	
	1984	Rear-V8 - 6.0L FORMAL		PDR0063	
	1983	Rear-All		PDR0199	
	1982-80	Rear-All 11" Drum		PDR0199	
	1982-80	Rear-All 12" Drum		PDR0063	
	1979-77	Rear-All 11" Brakes		PDR0199	
CT6					
Disc Brake Pad Set	2018	Front-All w/ J55 Or J56 Brakes	CFM1474	SBM1474	
	2017-16	Front-All Hardware Included	CFC1836	SBC1836	
	2017-16	Rear-All Hardware Included	CFM1877	SBM1877	
Disc Brake Rotor	2019-16	Rear-All		PRT6073	
CTS					
Disc Brake Pad Set	2017	Front-All Hardware Included	CFC1836	SBC1836	
	2015-14	Front-All Vsport, Hardware Included	CFM1474		
	2015-14	Front-All Vsport, Hardware Not Included		SBM1474	
	2015-14	Front-All Vsport Premium, Hardware Included	CFM1474		
	2015-14	Front-All Vsport Premium, Hardware Not Included		SBM1474	
	2015-09	Front-All V, Hardware Included	CFM1405		
	2015-09	Front-All V, Hardware Not Included		SBM1405	
	2015	Front-All Base, Hardware Included	CFC1050		
	2015	Front-All Base, Hardware Not Included		SBM1050	
	2015	Front-All Luxury, Hardware Included	CFC1050		
	2015	Front-All Luxury, Hardware Not Included		SBM1050	
	2015	Front-All Performance, Hardware Included	CFC1050		
	2015	Front-All Performance, Hardware Not Included		SBM1050	
	2015	Front-All Premium, Hardware Included	CFC1050		
	2015	Front-All Premium, Hardware Not Included		SBM1050	
	2014-10	Front-All Performance, Exc. Heavy Duty Performance Front Brakes	CFC1332	SBC1332	
	2014-10	Front-All Performance, w/ Heavy Duty Performance Front Brakes	CFM1331	SBM1331	
	2014-09	Front-All Base, Exc. Heavy Duty Performance Front Brakes	CFC1332	SBC1332	
	2014-09	Front-All Base, w/ Heavy Duty Performance Front Brakes	CFM1331	SBM1331	
	2014-09	Front-All Luxury, Exc. Heavy Duty Performance Front Brakes	CFC1332	SBC1332	
	2014-09	Front-All Luxury, w/ Heavy Duty Performance Front Brakes	CFM1331	SBM1331	
	2014-09	Front-All Premium, Exc. Heavy Duty Performance Front Brakes	CFC1332	SBC1332	
	2014-09	Front-All Premium, w/ Heavy Duty Performance Front Brakes	CFM1331	SBM1331	
	2014	Front-All Coupe, Exc. Heavy Duty Performance Front Brakes	CFC1332	SBC1332	
	2014	Front-All Coupe, w/ Heavy Duty Performance Front Brakes	CFM1331	SBM1331	
	2013	Front-All V Luxury, Hardware Included	CFM1405		
	2013	Front-All V Luxury, Hardware Not Included		SBM1405	
	2012-11	Front-All Coupe, Exc. Heavy Duty Performance Front Brakes	CFC1332	SBC1332	
	2012-11	Front-All Coupe, w/ Heavy Duty Performance Front Brakes	CFM1331	SBM1331	
	2012	Front-All 3.0L, Exc. Heavy Duty Performance Front Brakes	CFC1332	SBC1332	
	2012	Front-All 3.0L, w/ Heavy Duty Performance Front Brakes	CFM1331	SBM1331	
	2012	Front-All 3.6L, Exc. Heavy Duty Performance Front Brakes	CFC1332	SBC1332	
	2012	Front-All 3.6L, w/ Heavy Duty Performance Front Brakes	CFM1331	SBM1331	
	2008	Front-All Exc. Heavy Duty Performance Front Brakes	CFC1332	SBC1332	
	2008	Front-All w/ Heavy Duty Performance Front Brakes	CFM1331	SBM1331	
	2007-06	Front-All Base, w/o Performance Brake Option JE5	CFC921	SBC921	
	2007-06	Front-All Base, w/ Performance Brake Option JE5	CFC1019	SBC1019	
	2007-06	Front-All V, Hardware Included	CFC1050		

BENDIX BRAKE PARTS

PART TYPE	YEAR	APPLICATION	PREMIUM NO.	PART NO.	SEVERE DUTY NO.
Cadillac (Cont'd.)					
CTS (Cont'd.)					
Disc Brake Pad Set (cont'd)	2007-06	Front-All V, Hardware Not Included		SBM1050	
	2005-04	Front-V6 - 3.6L w/ Ride & Handling Suspension	CFC921	SBC921	
	2005-04	Front-V8 - 5.7L Hardware Included	CFC1050		
	2005-04	Front-V8 - 5.7L Hardware Not Included		SBM1050	
	2005	Front-V6 - 2.8L w/ Ride & Handling Suspension	CFC921	SBC921	
	2004	Front-V6 - 3.2L w/ Ride & Handling Suspension	CFC921	SBC921	
	2003	Front-V6 - 3.2L w/ Soft Ride Suspension	CFC921	SBC921	
	2018	Rear-All Base, Hardware Included	CFC1659	SBC1659	
	2018	Rear-All Luxury, Hardware Included	CFC1659	SBC1659	
	2018	Rear-All Premium, Hardware Included	CFC1659	SBC1659	
	2018	Rear-All Premium Luxury, Hardware Included	CFC1659	SBC1659	
	2018	Rear-All V, Hardware Included	CFM592A		
	2018	Rear-All V, Hardware Not Included		SBM592A	
	2018	Rear-All Vsport, Hardware Included	CFC1659	SBC1659	
	2018	Rear-All Vsport Premium Luxury, Hardware Included	CFC1659	SBC1659	
	2017	Rear-All Hardware Included	CFC1659	SBC1659	
	2016-09	Rear-All V, Hardware Included	CFM592A		
	2016-09	Rear-All V, Hardware Not Included		SBM592A	
	2016	Rear-All Vsport, Hardware Included	CFM592A		
	2016	Rear-All Vsport, Hardware Not Included		SBM592A	
	2016	Rear-All Vsport Premium, Hardware Included	CFM592A		
	2016	Rear-All Vsport Premium, Hardware Not Included		SBM592A	
	2015-14	Rear-All Vsport, Hardware Included	CFC1659	SBC1659	
	2015-14	Rear-All Vsport Premium, Hardware Included	CFC1659	SBC1659	
	2015	Rear-All Base, Hardware Included	CFC1659	SBC1659	
	2015	Rear-All Luxury, Hardware Included	CFC1659	SBC1659	
	2015	Rear-All Performance, Hardware Included	CFC1659	SBC1659	
	2015	Rear-All Premium, Hardware Included	CFC1659	SBC1659	
	2014-09	Rear-All Base, Hardware Included	CFC1337	SBC1337	
	2014	Rear-All Coupe, Hardware Included	CFC1337	SBC1337	
	2014	Rear-All Luxury, Sedan, Hardware Included	CFC1659	SBC1659	
	2014	Rear-All Luxury, Wagon, Hardware Included	CFC1337	SBC1337	
	2014	Rear-All Performance, Coupe, Hardware Included	CFC1337	SBC1337	
	2014	Rear-All Performance, Sedan, Hardware Included	CFC1659	SBC1659	
	2014	Rear-All Performance, Wagon, Hardware Included	CFC1337	SBC1337	
	2014	Rear-All Premium, Coupe, Hardware Included	CFC1337	SBC1337	
	2014	Rear-All Premium, Sedan, Hardware Included	CFC1659	SBC1659	
	2014	Rear-All Premium, Wagon, Hardware Included	CFC1337	SBC1337	
	2013-10	Rear-All Performance, Hardware Included	CFC1337	SBC1337	
	2013-09	Rear-All Luxury, Hardware Included	CFC1337	SBC1337	
	2013-09	Rear-All Premium, Hardware Included	CFC1337	SBC1337	
	2013	Rear-All V Luxury, Hardware Included	CFM592A		
	2013	Rear-All V Luxury, Hardware Not Included		SBM592A	
	2012-11	Rear-All Coupe, Hardware Included	CFC1337	SBC1337	
	2012	Rear-All 3.0L, Hardware Included	CFC1337	SBC1337	
	2012	Rear-All 3.6L, Hardware Included	CFC1337	SBC1337	
	2008	Rear-All Hardware Included	CFC1337	SBC1337	
	2007-06	Rear-All Base, w/o Performance Brake Option JE5		SBC922A	
	2007-06	Rear-All Base, w/o Performance Brake Option JE5	CFC922	SBC922	
	2007-06	Rear-All Base, w/o Performance Brake Option JE5	CFC922A		
	2007-06	Rear-All Base, w/ Performance Brakes Option JE5	CFC1020	SBC1020	
	2007-04	Rear-All V, Hardware Included	CFM592A		
	2007-04	Rear-All V, Hardware Not Included		SBM592A	
	2005-04	Rear-V6 - 3.6L Base, w/ 13.97mm Overall Pad Thickness	CFC922A	SBC922A	
	2005-04	Rear-V6 - 3.6L Base, w/ 16.27mm Overall Pad Thickness	CFC922	SBC922	
	2005	Rear-V6 - 2.8L Base, w/ 13.97mm Overall Pad Thickness	CFC922A	SBC922A	
	2005	Rear-V6 - 2.8L Base, w/ 16.27mm Overall Pad Thickness	CFC922	SBC922	
	2004	Rear-V6 - 3.2L Base, w/ 13.97mm Overall Pad Thickness	CFC922A	SBC922A	
	2004	Rear-V6 - 3.2L Base, w/ 16.27mm Overall Pad Thickness	CFC922	SBC922	
	2003	Rear-V6 - 3.2L w/ 13.97mm Overall Pad Thickness	CFC922A	SBC922A	
	2003	Rear-V6 - 3.2L w/ 16.27mm Overall Pad Thickness	CFC922	SBC922	
Parking Brake Shoe	2015	Rear-All V		948	
	2015	Rear-All Vsport		948	
	2015	Rear-All Vsport Premium		948	
	2014-08	Rear-All		948	
	2007-03	Rear-All		784	
Disc Brake Rotor	2015	Front-All V, one piece design		PRT6323	
	2014	Front-V6 - 3.6L 12.4" diameter rotor		PRT5918	SDR5918
	2014	Front-V8 - 6.2L V, one piece design		PRT6323	
	2013-10	Front-All Luxury, 12.4" diameter rotor		PRT5918	SDR5918
	2013-10	Front-All Luxury, 13.6" diameter rotor		PRT5839	SDR5839
	2013-10	Front-All Performance, 12.4" diameter rotor		PRT5918	SDR5918
	2013-10	Front-All Performance, 13.6" diameter rotor		PRT5839	SDR5839
	2013-10	Front-All Premium, 12.4" diameter rotor		PRT5918	SDR5918

BENDIX BRAKE PARTS

PART TYPE	YEAR	APPLICATION	PREMIUM NO.	PART NO.	SEVERE DUTY NO.
Cadillac (Cont'd.)					
CTS (Cont'd.)					
Disc Brake Rotor (cont'd)	2013-10	Front-All Premium, 13.6" diameter rotor		PRT5839	SDR5839
	2013-08	Front-All Base, 12.4" diameter rotor		PRT5918	SDR5918
	2013-08	Front-All Base, 13.6" diameter rotor		PRT5839	SDR5839
	2013	Front-All V, one piece design		PRT6323	
	2012-09	Front-All V		PRT6323	
	2007-06	Front-All Base, Performance & Handling Suspension (FE5)		PRT5596	
	2007-04	Front-All Base, Ride & Handling Susp. (FE2), Sport Suspension (FE3)		PRT5593	
	2007-04	Front-All V		PRT5742	
	2007	Front-All Base		PRT5449	
	2006-04	Front-All Base, Soft Ride Suspension (FE1)		PRT5449	
	2003	Front-All Ride & Handling Susp. (FE2), Sport Suspension (FE3)		PRT5593	
	2003	Front-All Soft Ride Suspension (FE1)		PRT5449	
	2019-18	Rear-All V		PRT5901	
	2017-15	Rear-V6 - 3.6L		PRT5836	
	2017-14	Rear-L4 - 2.0L		PRT5836	
	2015	Rear-All V		PRT5901	
	2014	Rear-V6 - 3.6L Luxury		PRT5836	
	2014	Rear-V6 - 3.6L Performance, Sedan		PRT5836	
	2014	Rear-V6 - 3.6L Premium, Sedan		PRT5836	
	2014	Rear-V6 - 3.6L Vsport		PRT5836	
	2014	Rear-V6 - 3.6L Vsport Premium		PRT5836	
	2013-10	Rear-All Luxury, 12.4" diameter rotor		PRT5836	
	2013-10	Rear-All Performance, 12.4" diameter rotor		PRT5836	
	2013-10	Rear-All Premium, 12.4" diameter rotor		PRT5836	
	2013-09	Rear-All V		PRT5901	
	2013-08	Rear-All Base, 12.4" diameter rotor		PRT5836	
	2012-10	Rear-All Luxury, 13.3" diameter rotor		PRT5837	
	2012-10	Rear-All Performance, 13.3" diameter rotor		PRT5837	
	2012-10	Rear-All Premium, 13.3" diameter rotor		PRT5837	
	2012-08	Rear-All Base, 13.3" diameter rotor		PRT5837	
	2012	Rear-All 3.0L, 12.4" diameter rotor		PRT5836	
	2012	Rear-All 3.0L, 13.3" diameter rotor		PRT5837	
	2012	Rear-All 3.6L, 12.4" diameter rotor		PRT5836	
	2012	Rear-All 3.6L, 13.3" diameter rotor		PRT5837	
	2007-06	Rear-All Base, 11.7" diameter rotor		PRT5607	
	2007-06	Rear-All Base, 12.6" diameter rotor		PRT5664 ⁷⁷	
	2007-04	Rear-All V		PRT5692	
	2005-04	Rear-All Base		PRT5607	
	2003	Rear-All		PRT5607	
DeVille					
Disc Brake Pad Set	2005-00	Front-All w/ GM Brake Code J55		SBM784	
	2005-00	Front-All w/ GM Brake Code J55	CFC784	SBC784	MKD784FM
	2005-00	Front-All w/ GM Brake Code JL9	CFC699K1	SBC699K1	MKD699K2FM
	1999-97	Front-All Rear Disc, Hardware Included	CFC699K1	SBC699K1	MKD699K2FM
	1999-97	Front-All Rear Drum, Hardware Included	CFM369	SBM369	MKD369FM
	1996-95	Front-V8 - 4.6L Hardware Not Included		SBC623	
	1995	Front-V8 - 4.9L Hardware Not Included		SBC623	
	1994	Front-All Hardware Not Included		SBC623	
	1993-91	Front-All Exc. Heavy Duty Brakes		SBC505	
	1993-90	Front-All w/ Heavy Duty Brakes	CFM369	SBM369	MKD369FM
	1990	Front-All w/ Standard Brakes		SBC215	
	1989-85	Front-All Hardware Not Included		SBC215	
	1984-68	Front-All Hardware Included		SBC52	MKD52FM
	2005-00	Rear-All Exc. Heavy Duty Brakes		SBM508	
	2005-00	Rear-All Exc. Heavy Duty Brakes	CFM508	SBC508	
	2005	Rear-All w/ Heavy Duty Brakes		SBM792HD	
	2005	Rear-All w/ Heavy Duty Brakes	CFC792HD	SBC792HD	MKD792HDFM
	2005	Rear-All w/o Heavy Duty Brakes		SBM792SD	
	2005	Rear-All w/o Heavy Duty Brakes		SBC792SD	MKD792SDFM
	2004-03	Rear-V8 - 4.6L w/ Heavy Duty Brakes		SBM792HD	
	2004-03	Rear-V8 - 4.6L w/ Heavy Duty Brakes	CFC792HD	SBC792HD	MKD792HDFM
	2004-03	Rear-V8 - 4.6L w/o Heavy Duty Brakes		SBM792SD	
	2004-03	Rear-V8 - 4.6L w/o Heavy Duty Brakes		SBC792SD	MKD792SDFM
	2002-00	Rear-V8 - 4.6L Power Brake, w/ Heavy Duty Brakes		SBM792HD	
	2002-00	Rear-V8 - 4.6L Power Brake, w/ Heavy Duty Brakes	CFC792HD	SBC792HD	MKD792HDFM
	2002-00	Rear-V8 - 4.6L Power Brake, w/o Heavy Duty Brakes		SBM792SD	
	2002-00	Rear-V8 - 4.6L Power Brake, w/o Heavy Duty Brakes		SBC792SD	MKD792SDFM
	1999-97	Rear-All Hardware Included		SBM508	
	1999-97	Rear-All Hardware Included	CFM508	SBC508	
	1996-95	Rear-V8 - 4.6L Hardware Included		SBM508	
	1996-95	Rear-V8 - 4.6L Hardware Included	CFM508	SBC508	
	1995	Rear-V8 - 4.9L Hardware Included		SBM508	
	1995	Rear-V8 - 4.9L Hardware Included	CFM508	SBC508	

⁷⁷ Sell out and reorder PRT5902

BENDIX BRAKE PARTS

PART TYPE	YEAR	APPLICATION	PREMIUM NO.	PART NO.	SEVERE DUTY NO.	
Cadillac (Cont'd.)						
DeVille (Cont'd.)						
Disc Brake Pad Set (cont'd)	1994	Rear-All Hardware Included		SBM508		
	1994	Rear-All Hardware Included	CFM508	SBC508		
Drum Brake Shoe	1984-79	Rear-All Hardware Not Included	CFC154	SBC154	MKD154FM	
	2002	Rear-All		636		
	1999-97	Rear-All w/ 11" X 2.12" Brakes		462		
	1993-92	Rear-All w/ 8.86" X 1.77" Brakes		636		
	1993-90	Rear-All w/ 11" X 2" Brakes		462		
	1991-90	Rear-All w/ 8.86" X 1.77" Brakes		564		
	1989-86	Rear-All w/ 8.86" X 1.82" Brakes		564		
	1985	Rear-All Early Design		521		
	1985	Rear-All Late Design		552		
	1984-77	Rear-All w/ 11" X 2.12" Brakes		462		
	1976-71	Rear-All		366		
	Parking Brake Shoe	2005-00	Rear-All		781	
	Disc Brake Rotor	2005-00	Front-All 8 Stud		PRT5261	SDR5261
2005		Front-All From VIN #129029		PRT6130		
2005		Front-All Thru VIN #129028		PRT5150		
2004-97		Front-All 5 Stud Rotor		PRT5150		
1999-97		Front-All 6 Stud; Vented; 295.7mm		PRT5224		
1996-91		Front-All		PRT1868		
1990		Front-All 260mm Rotor		PRT1263		
1990		Front-All 278mm Diameter		PRT1868		
1989-85		Front-All		PRT1263		
2005-00		Rear-All 5 Stud Rotor		PRT5220		
2005-00		Rear-All 8 Stud		PRT5335		
1999-94		Rear-All 5 Stud Rotor		PRT1792		
1979-77		Rear-All		PRT1187		
Disc Brake Rotor and Hub Assembly		1984-78	Front-All		PRT1216	
	1977	Front-All		PRT1156		
	1976-72	Front-All		PRT1043		
	1971-68	Front-All		PRT1021		
Brake Drum	1968-61	Front-All		PDR0063		
	1993-90	Rear-All 10.87" diameter		PDR0451		
	1993-90	Rear-All 13.75" diameter rotor		PDR0561		
	1989-85	Rear-All		PDR0451		
	1984-80	Rear-All		PDR0199		
	1979-77	Rear-All 11" Brakes		PDR0199		
	1976-67	Rear-All Exc. Commercial Chassis		PDR0063		
	DTS					
Disc Brake Pad Set	2011	Front-All 5 Stud Rotors	CFM1159	SBC1159	MKD1159FM	
	2011	Front-All 5 Stud Rotors			PBD1159	
	2011	Front-All 8 Stud Rotors		SBM784		
	2011	Front-All 8 Stud Rotors	CFC784	SBC784	MKD784FM	
	2010-06	Front-All Exc. Heavy Duty Brakes	CFM1159	SBC1159	MKD1159FM	
	2010-06	Front-All Exc. Heavy Duty Brakes			PBD1159	
	2010-06	Front-All w/ Heavy Duty Brakes		SBM784		
	2010-06	Front-All w/ Heavy Duty Brakes	CFC784	SBC784	MKD784FM	
	2011	Rear-All 5 Stud Rotors	CFC1172	SBC1172		
	2011	Rear-All 8 Stud Rotors		SBC792SD		
	2011	Rear-All 8 Stud Rotors		SBM792HD		
	2011	Rear-All 8 Stud Rotors		SBM792SD		
	2011	Rear-All 8 Stud Rotors	CFC792HD	SBC792HD	MKD792HDFM	
	2011	Rear-All 8 Stud Rotors			MKD792SDFM	
	2010-06	Rear-All Exc. Heavy Duty Brakes	CFC1172	SBC1172		
	2010-06	Rear-All w/ Heavy Duty Brakes		SBM792HD		
	2010-06	Rear-All w/ Heavy Duty Brakes	CFC792HD	SBC792HD	MKD792HDFM	
	2010-06	Rear-All w/o Heavy Duty Brakes		SBM792SD		
2010-06	Rear-All w/o Heavy Duty Brakes		SBC792SD	MKD792SDFM		
Parking Brake Shoe	2011-06	Rear-All		781		
Disc Brake Rotor	2011-06	Front-All 323mm Rotor		PRT5738	SDR5738	
	2011-06	Front-All 330mm Diameter		PRT5665		
	2011-06	Rear-All Solid Rotors		PRT5740		
	2011-06	Rear-All Vented Rotors		PRT5335		
Eldorado						
Disc Brake Pad Set	2002-98	Front-All Hardware Included	CFC699K1	SBC699K1	MKD699K2FM	
	1997	Front-V8 - 4.6L Hardware Included	CFC699K1	SBC699K1	MKD699K2FM	
	1996-95	Front-V8 - 4.6L Hardware Not Included		SBC623		
	1994	Front-All Hardware Not Included		SBC623		
	1993-92	Front-All Hardware Not Included		SBC505		
	1991-86	Front-All Hardware Not Included		SBM315		
	1985-79	Front-All Hardware Not Included	CFC154	SBC154	MKD154FM	
	1978-75	Front-All Hardware Included		SBC52	MKD52FM	
	1974-70	Front-V8 - 8.2L Hardware Included		SBC52	MKD52FM	

BENDIX BRAKE PARTS

PART TYPE	YEAR	APPLICATION	PREMIUM NO.	PART NO.	SEVERE DUTY NO.	
Cadillac (Cont'd.)						
Eldorado (Cont'd.)						
Disc Brake Pad Set (cont'd)	1969	Front-V8 - 7.7L Hardware Included		SBC52	MKD52FM	
	2002-97	Rear-All Hardware Included		SBM508		
	2002-97	Rear-All Hardware Included	CFM508	SBC508		
	1996-95	Rear-V8 - 4.6L Hardware Included		SBM508		
	1996-95	Rear-V8 - 4.6L Hardware Included	CFM508	SBC508		
	1994-92	Rear-All Hardware Included		SBM508		
	1994-92	Rear-All Hardware Included	CFM508	SBC508		
	1991-86	Rear-All Hardware Not Included		SBM316		
	1985-79	Rear-All Hardware Not Included	CFC154	SBC154	MKD154FM	
Drum Brake Shoe	1975-71	Rear-All w/ 11" X 2.12" Brakes		462		
Disc Brake Rotor	2002-97	Front-All		PRT5150		
	1996-92	Front-All		PRT1868		
	1991-86	Front-All		PRT1263		
	1985-79	Front-All		PRT1261		
	1978-69	Front-All		PRT1007		
	2002-92	Rear-All		PRT1792		
	1991-86	Rear-All		PRT1378		
	1985-79	Rear-All		PRT1261		
	1978-76	Rear-All		PRT1007		
	1968-67	Front-All		PDR0003		
Brake Drum	1975-67	Rear-All		PDR0003		
ELR						
Disc Brake Pad Set	2016	Front-All CAN, Hardware Included	CFC1421	SBC1421		
	2016	Front-All USA, Hardware Included	CFM1474			
	2016	Front-All USA, Hardware Not Included		SBM1474		
	2015	Front-All w/o Performance Brakes	CFC1421	SBC1421		
	2015	Front-All w/ Performance Brakes	CFM1474	SBM1474		
	2014	Front-All Hardware Included	CFC1421	SBC1421		
	2016-14	Rear-All Hardware Included	CFC1468	SBC1468		
Disc Brake Rotor	2014	Rear-All		PRT6097		
Escalade						
Disc Brake Pad Set	2018-10	Front-All Hardware Included	CFC1363	SBC1363	MKD1363FM	
	2018-10	Front-All Hardware Included			PBD1363	
	2009	Front-V8 - 6.0L Hardware Included	CFC1363	SBC1363	MKD1363FM	
	2009	Front-V8 - 6.0L Hardware Included			PBD1363	
	2009	Front-V8 - 6.2L Hardware Included	CFC1363	SBC1363	MKD1363FM	
	2009	Front-V8 - 6.2L Hardware Included			PBD1363	
	2008	Front-V8 - 6.2L For Use on Vehicles Equipped w/ Hydroboost	CFC1363	SBC1363	MKD1363FM	
	2008	Front-V8 - 6.2L For Use on Vehicles Equipped w/ Hydroboost			PBD1363	
	2008	Front-V8 - 6.2L For Use on Vehicles Equipped w/ Vacuum Booster	CFC1092	SBC1092	MKD1092FM	
	2008	Front-V8 - 6.2L For Use on Vehicles Equipped w/ Vacuum Booster			PBD1092	
	2007	Front-All For Use on Vehicles Equipped w/ Vacuum Booster	CFC1092	SBC1092	MKD1092FM	
	2007	Front-All For Use on Vehicles Equipped w/ Vacuum Booster			PBD1092	
	2006-03	Front-V8 - 6.0L Hardware Included		SBM785		
	2006-03	Front-V8 - 6.0L Hardware Included	CFC785	SBC785	MKD785FM	
	2005-03	Front-V8 - 5.3L Hardware Included		SBM785		
	2005-03	Front-V8 - 5.3L Hardware Included	CFC785	SBC785	MKD785FM	
	2002	Front-All Hardware Included		SBM785		
	2002	Front-All Hardware Included	CFC785	SBC785	MKD785FM	
	2000-99	Front-All Hardware Included	CFM369	SBM369	MKD369FM	
	2018-14	Rear-All Hardware Included	CFC1707	SBC1707	MKD1707FM	
	2013-10	Rear-All Hardware Included	CFC1194	SBC1194	MKD1194FM	
	2013-10	Rear-All Hardware Included			PBD1194	
	2009-08	Rear-V8 - 6.2L Hardware Included	CFC1194	SBC1194	MKD1194FM	
	2009-08	Rear-V8 - 6.2L Hardware Included			PBD1194	
	2009	Rear-V8 - 6.0L Hardware Included	CFC1194	SBC1194	MKD1194FM	
	2009	Rear-V8 - 6.0L Hardware Included			PBD1194	
	2007	Rear-All Hardware Included	CFC1194	SBC1194	MKD1194FM	
	2007	Rear-All Hardware Included			PBD1194	
	2006-03	Rear-All AWD, w/ Caliper Center Rattle Clip	CFC834	SBC834	MKD834FM	
	2006-03	Rear-All RWD, w/o Caliper Center Rattle Clip	CFC974A	SBC974A	MKD974AFM	
	2006-03	Rear-All RWD, w/o Caliper Center Rattle Clip			PBD974A	
	2002	Rear-All w/ Ribbed Caliper Housing	CFC834	SBC834	MKD834FM	
	2002	Rear-All w/ Smooth Caliper Housing	CFC974A	SBC974A	MKD974AFM	
	2002	Rear-All w/ Smooth Caliper Housing			PBD974A	
	2000	Rear-All Hardware Included	CFC1194	SBC1194	MKD1194FM	
	2000	Rear-All Hardware Included			PBD1194	
	Drum Brake Shoe	2000-99	Rear-All w/ 11.16" X 2.81" Brakes		473	
	Parking Brake Shoe	2012-02	Rear-All		781	
	Disc Brake Rotor	2016-07	Front-All		PRT5582	SDR5582

BENDIX BRAKE PARTS

PART TYPE	YEAR	APPLICATION	PREMIUM NO.	PART NO.	SEVERE DUTY NO.	
Cadillac (Cont'd.)						
Escalade (Cont'd.)						
Disc Brake Rotor (cont'd)	2006-02	Front-All		PRT5259	SDR5259	
	2000-99	Front-All		PRT1453FC		
	2019	Rear-All w/ 6 Stud Wheel; w/ 345mm Diameter Rotor		PRT5729		
	2018-07	Rear-All		PRT5729	SDR5729	
	2006	Rear-All 2 Wheel steering		PRT5441 ¹⁰³	SDR5441 ¹⁰⁴	
	2005-02	Rear-All 6 Lug, 330mm diameter rotor		PRT5441 ¹⁰³	SDR5441 ¹⁰⁴	
	2002	Rear-All 325mm Diameter		PRT5265	SDR5265	
Brake Drum	2000-99	Rear-All		PDR0623		
Escalade ESV						
Disc Brake Pad Set	2018-09	Front-All Hardware Included	CFC1363	SBC1363	MKD1363FM	
	2018-09	Front-All Hardware Included			PBD1363	
	2008-07	Front-All For Use on Vehicles Equipped w/ Vacuum Booster	CFC1092	SBC1092	MKD1092FM	
	2008-07	Front-All For Use on Vehicles Equipped w/ Vacuum Booster			PBD1092	
	2008	Front-All For Use on Vehicles Equipped w/ Hydroboost	CFC1363	SBC1363	MKD1363FM	
	2008	Front-All For Use on Vehicles Equipped w/ Hydroboost			PBD1363	
	2006-03	Front-All Hardware Included		SBM785		
	2006-03	Front-All Hardware Included	CFC785	SBC785	MKD785FM	
	2018	Rear-All Hardware Included	CFC1378	SBC1378		
	2017-15	Rear-All Hardware Included	CFC1707	SBC1707	MKD1707FM	
	2014-07	Rear-All Hardware Included	CFC1194	SBC1194	MKD1194FM	
	2014-07	Rear-All Hardware Included			PBD1194	
	2006-03	Rear-All AWD, w/ Caliper Center Rattle Clip	CFC834	SBC834	MKD834FM	
	Parking Brake Shoe	2012-03	Rear-All		781	
Disc Brake Rotor	2019-18	Front-All		PRT5582		
	2016-07	Front-All		PRT5582	SDR5582	
	2006-03	Front-All		PRT5259	SDR5259	
	2019-07	Rear-All		PRT5729		
	2016-07	Rear-All			SDR5729	
	2006	Rear-All 2 Wheel steering		PRT5441 ¹⁰³	SDR5441 ¹⁰⁴	
	2005-03	Rear-All 6 Lug, 330mm diameter rotor		PRT5441 ¹⁰³	SDR5441 ¹⁰⁴	
Escalade EXT						
Disc Brake Pad Set	2013-09	Front-All Hardware Included	CFC1363	SBC1363	MKD1363FM	
	2013-09	Front-All Hardware Included			PBD1363	
	2008-07	Front-All For Use on Vehicles Equipped w/ Vacuum Booster	CFC1092	SBC1092	MKD1092FM	
	2008-07	Front-All For Use on Vehicles Equipped w/ Vacuum Booster			PBD1092	
	2008	Front-All For Use on Vehicles Equipped w/ Hydroboost	CFC1363	SBC1363	MKD1363FM	
	2008	Front-All For Use on Vehicles Equipped w/ Hydroboost			PBD1363	
	2006-02	Front-All Hardware Included		SBM785		
	2006-02	Front-All Hardware Included	CFC785	SBC785	MKD785FM	
	2013-07	Rear-All Hardware Included	CFC1194	SBC1194	MKD1194FM	
	2013-07	Rear-All Hardware Included			PBD1194	
	2006-02	Rear-All AWD, w/ Caliper Center Rattle Clip	CFC834	SBC834	MKD834FM	
	2012-02	Rear-All			781	
Parking Brake Shoe	2013-07	Front-All		PRT5582	SDR5582	
Disc Brake Rotor	2006-02	Front-All		PRT5259	SDR5259	
	2013-07	Rear-All		PRT5729	SDR5729	
	2006	Rear-All 2 Wheel steering		PRT5441 ¹⁰³	SDR5441 ¹⁰⁴	
	2005-02	Rear-All 6 Lug, 330mm diameter rotor		PRT5441 ¹⁰³	SDR5441 ¹⁰⁴	
	Fleetwood					
Disc Brake Pad Set	1996-93	Front-All Hardware Included		SBC52	MKD52FM	
	1992-91	Front-All Exc. Heavy Duty Brakes		SBC505		
	1992-90	Front-All w/ Heavy Duty Brakes	CFM369	SBM369	MKD369FM	
	1990	Front-All Exc. Heavy Duty Brakes		SBC215		
	1989-87	Front-All Hardware Not Included		SBC215		
	1986	Front-V8 - 4.1L Hardware Not Included		SBC215		
	1986	Front-V8 - 5.0L Hardware Included		SBC52	MKD52FM	
	1985	Front-V6 - 4.3L Hardware Not Included		SBC215		
	1985	Front-V8 - 4.1L 75, Hardware Not Included		SBC215		
	1985	Front-V8 - 4.1L 75 Formal, Hardware Not Included		SBC215		
	1985	Front-V8 - 4.1L Base, Hardware Not Included		SBC215		
	1985	Front-V8 - 4.1L Brougham, Hardware Included		SBC52	MKD52FM	
	1985	Front-V8 - 4.1L Brougham d'Elegance, Hardware Included		SBC52	MKD52FM	
	1985	Front-V8 - 4.1L d'Elegance, Hardware Not Included		SBC215		
	1985	Front-V8 - 5.7L Hardware Included		SBC52	MKD52FM	
	1984-68	Front-All Hardware Included		SBC52	MKD52FM	
	1984-79	Rear-All Brougham, Hardware Not Included	CFC154	SBC154	MKD154FM	
	1984-79	Rear-All Brougham d'Elegance, Hardware Not Included	CFC154	SBC154	MKD154FM	
	1981-79	Rear-All Base, Hardware Not Included	CFC154	SBC154	MKD154FM	
	1981-79	Rear-All Formal, Hardware Not Included	CFC154	SBC154	MKD154FM	
	Drum Brake Shoe	1996-94	Rear-All w/ 11.16" X 2.81" Brakes		473	
		1996-94	Rear-All w/ 11" X 2" Brakes		462	

103 PRT5441 replaces PRT5282. Sell out PRT5282 and reorder PRT5441.

104 SDR5441 replaces SDR5282. Sell out SDR5282 and reorder SDR5441.

BENDIX BRAKE PARTS

PART TYPE	YEAR	APPLICATION	PREMIUM NO.	PART NO.	SEVERE DUTY NO.
Cadillac (Cont'd.)					
Fleetwood (Cont'd.)					
Drum Brake Shoe (cont'd)	1993	Rear-All RWD, w/ 11.16" X 2.81" Brakes		473	
	1993	Rear-All w/ 8.86" X 1.82" Brakes		636	
	1992-91	Rear-All FWD, w/ 11" X 2" Brakes		462	
	1992	Rear-All w/ 225mm X 45mm Brakes		636	
	1991-90	Rear-All w/ 225mm X 45mm Brakes		564	
	1990	Rear-All w/ 11" X 2" Brakes		462	
	1989-87	Rear-All w/ 8.86" X 1.82" Brakes		564	
	1986	Rear-All Brougham, RWD, w/ 12" X 2" Brakes		366	
	1986	Rear-All Brougham, w/ 11" X 2" Brakes		462	
	1986	Rear-All Brougham d'Elegance, RWD, w/ 12" X 2" Brakes		366	
	1986	Rear-All Brougham d'Elegance, w/ 11" X 2" Brakes		462	
	1986	Rear-All FWD, w/ 8.86" X 1.81" Brakes		552	
	1985	Rear-All FWD, Early		521	
	1985	Rear-All FWD, Late		552	
	1985	Rear-All RWD, w/ 11" X 2" Brakes		462	
	1984-79	Rear-All Brougham, w/ 11" X 2" Brakes		462	
	1984-79	Rear-All Brougham d'Elegance, w/ 11" X 2" Brakes		462	
	1984-79	Rear-All w/ 12" Brakes		366	
	1978-77	Rear-All w/ 11" X 2.12" Brakes		462	
	1978-71	Rear-All w/ 12" X 2.5" Brakes		366	
	1968	Rear-All w/ 12" X 2.5" Brakes		366	
Disc Brake Rotor	1993-91	Front-All		PRT1868	
	1990	Front-All 260mm Rotor		PRT1263	
	1990	Front-All 278mm Diameter		PRT1868	
	1989-86	Front-All		PRT1263	
	1985	Front-All FWD		PRT1263	
	1979-77	Rear-All		PRT1187	
Disc Brake Rotor and Hub Assembly	1996-93	Front-All 4-Wheel ABS		PRT5012	
	1985	Front-All RWD		PRT1216	
	1984-78	Front-All Exc. Commercial Chassis		PRT1216	
	1984-77	Front-All Commercial Chassis		PRT1043	
	1977	Front-All Exc. Commercial Chassis		PRT1156	
	1976-72	Front-All		PRT1043	
Brake Drum	1968-65	Front-All		PDR0063	
	1996-94	Rear-All 11 5/32 x 2 3/4" Brakes		PDR0621	
	1996-94	Rear-All 11 x 2" Brakes		PDR0201	
	1993	Rear-All J55 Brake Code; 11 5/32 X 2 3/4" Rear Drum Brakes		PDR0621	
	1993	Rear-All JM4 Brake Code; w/ 11" X 2" Rear Brakes		PDR0201	
	1992-90	Rear-All 8.86 x 1.77" Brakes		PDR0451	
	1992-90	Rear-All 11 x 2" Brakes		PDR0561	
	1989-87	Rear-All		PDR0451	
	1986-85	Rear-All RWD		PDR0199	
	1985	Rear-All FWD		PDR0451	
	1984	Rear-V8 - 4.1L Brougham		PDR0199	
	1984	Rear-V8 - 5.7L Brougham		PDR0199	
	1984	Rear-V8 - 6.0L FORMAL		PDR0063	
	1983	Rear-All		PDR0199	
	1982-80	Rear-All 11" Drum		PDR0199	
	1982-80	Rear-All 12" Drum		PDR0063	
	1979-77	Rear-All 11" Brakes		PDR0199	
Seville					
Disc Brake Pad Set	2004-03	Front-V8 - 4.6L Hardware Included	CFC699K1	SBC699K1	MKD699K2FM
	2002-98	Front-All Hardware Included		SBM753	
	1997	Front-V8 - 4.6L Hardware Included	CFC699K1	SBC699K1	MKD699K2FM
	1996-95	Front-V8 - 4.6L Hardware Not Included		SBC623	
	1994	Front-All Hardware Not Included		SBC623	
	1993-92	Front-All Hardware Not Included		SBC505	
	1991-86	Front-All Hardware Not Included		SBM315	
	1985-79	Front-All Hardware Not Included	CFC154	SBC154	MKD154FM
	1978-76	Front-All Hardware Included		SBC52	MKD52FM
	2004-03	Rear-All Hardware Included		SBM508	
	2004-03	Rear-All Hardware Included	CFM508	SBC508	
	2002-98	Rear-All Hardware Included		SBC754	
	1997	Rear-All Hardware Included		SBM508	
	1997	Rear-All Hardware Included	CFM508	SBC508	
	1996-95	Rear-V8 - 4.6L Hardware Included		SBM508	
	1996-95	Rear-V8 - 4.6L Hardware Included	CFM508	SBC508	
	1994-92	Rear-All Hardware Included		SBM508	
	1994-92	Rear-All Hardware Included	CFM508	SBC508	
	1991-86	Rear-All Hardware Not Included		SBM316	
	1985-79	Rear-All Hardware Not Included	CFC154	SBC154	MKD154FM
Drum Brake Shoe	1976	Rear-All w/ 11" X 2.12" Brakes		462	
Disc Brake Rotor	2004-03	Front-All		PRT5593	

BENDIX BRAKE PARTS

PART TYPE	YEAR	APPLICATION	PREMIUM NO.	PART NO.	SEVERE DUTY NO.
Cadillac (Cont'd.)					
Seville (Cont'd.)					
Disc Brake Rotor (cont'd)	2002-97	Front-All		PRT5150	
	1996-92	Front-All		PRT1868	
	1991-86	Front-All		PRT1263	
	1985-80	Front-All		PRT1261	
	2004-98	Rear-All		PRT5220	
	1997-92	Rear-All		PRT1792	
	1991-86	Rear-All		PRT1378	
	1985-80	Rear-All		PRT1261	
Disc Brake Rotor and Hub Assembly	1979-77	Rear-All		PRT1187	
	1979-78	Front-All		PRT1216	
	1977	Front-All		PRT1156	
Brake Drum	1976	Front-All		PRT1040	
	1976	Rear-All		PDR0274	
SRX					
Disc Brake Pad Set	2016-10	Front-All Hardware Included	CFC1422	SBC1422	
	2009-07	Front-All Hardware Included	CFC1019	SBC1019	
	2006-04	Front-V6 - 3.6L Hardware Included	CFC1019	SBC1019	
	2006-04	Front-V8 - 4.6L Hardware Included	CFC1019	SBC1019	
	2016-10	Rear-All Hardware Included	CFC1337	SBC1337	
	2009-07	Rear-All Hardware Included	CFC1020	SBC1020	
	2006-04	Rear-V6 - 3.6L Hardware Included	CFC1020	SBC1020	
	2006-04	Rear-V8 - 4.6L Hardware Included	CFC1020	SBC1020	
Parking Brake Shoe	2009-04	Rear-All		784	
Disc Brake Rotor	2016-10	Front-All		PRT5995	
	2009-04	Front-All		PRT5595	
	2016-10	Rear-All		PRT5972	
	2009-04	Rear-All		PRT5772	
STS					
Disc Brake Pad Set	2011-10	Front-All Exc. Brembo Brakes	CFC1332	SBC1332	
	2011	Front-All w/ GM Brake Code J56	CFC1050	SBM1050	
	2010	Front-All w/ Heavy Duty Brakes	CFC1050	SBM1050	
	2009	Front-V6 - 3.6L Exc. Brembo Brakes	CFC1332	SBC1332	
	2009	Front-V6 - 3.6L w/ Heavy Duty Brakes	CFC1050	SBM1050	
	2009	Front-V8 - 4.4L Hardware Included	CFC1050		
	2009	Front-V8 - 4.4L Hardware Not Included		SBM1050	
	2009	Front-V8 - 4.6L Exc. Brembo Brakes	CFC1332	SBC1332	
	2009	Front-V8 - 4.6L w/ Heavy Duty Brakes	CFC1050	SBM1050	
	2008	Front-All Exc. Heavy Duty Brakes	CFC921	SBC921	
	2008	Front-All w/ Heavy Duty Brembo Brakes	CFC1050	SBM1050	
	2008	Front-All w/ Performance Brakes	CFC1019	SBC1019	
	2007-06	Front-V8 - 4.4L Hardware Included	CFC1050		
	2007-06	Front-V8 - 4.4L Hardware Not Included		SBM1050	
	2007-06	Front-V8 - 4.6L Exc. Performance Brakes	CFC921	SBC921	
	2007-06	Front-V8 - 4.6L w/ Heavy Duty Brakes	CFC1050	SBM1050	
	2007-05	Front-V6 - 3.6L Exc. Performance Brakes	CFC921	SBC921	
	2007-05	Front-V6 - 3.6L w/ Performance Brakes	CFC1019	SBC1019	
	2007-05	Front-V8 - 4.6L w/ Performance Brakes	CFC1019	SBC1019	
	2005	Front-V8 - 4.6L Exc. Performance Brakes	CFC1050	SBM1050	
	2011	Rear-All Exc. Performance Brakes	CFM592A	SBM592A	
	2011	Rear-All w/ Heavy Duty Brakes		SBC922A	
	2011	Rear-All w/ Heavy Duty Brakes	CFC922	SBC922	
	2011	Rear-All w/ Heavy Duty Brakes	CFC922A		
	2010-09	Rear-All w/ Heavy Duty Brakes	CFM592A	SBM592A	
	2010-06	Rear-All Exc. Performance Brakes		SBC922A	
	2010-06	Rear-All Exc. Performance Brakes	CFC922	SBC922	
	2010-06	Rear-All Exc. Performance Brakes	CFC922A		
	2010-06	Rear-All w/ Performance Brakes	CFC1020	SBC1020	
	2008	Rear-All w/ Heavy Duty Brembo Brakes	CFM592A	SBM592A	
	2007-05	Rear-All w/ Heavy Duty Brakes	CFM592A	SBM592A	
	2005	Rear-All Exc. Heavy Duty Brakes		SBC922A	
	2005	Rear-All Exc. Heavy Duty Brakes	CFC922	SBC922	
	2005	Rear-All Exc. Heavy Duty Brakes	CFC922A		
Parking Brake Shoe	2011-09	Rear-All		784	
	2008-05	Rear-All w/ 6.89" x 0.99" Brakes		770	
	2008-05	Rear-All w/ 6.89" x 0.99" Brakes		925	
	2008-05	Rear-All w/ 7.44" x 0.99" Brakes		784	
Disc Brake Rotor	2011-06	Front-All Base, 12.4" diameter rotor, 5 studs		PRT5835	
	2011-06	Front-All Base, 13.9" diameter rotor, 6 studs		PRT5742	
	2011	Front-All Platinum, 12.4" diameter rotor, 5 studs		PRT5835	
	2009-08	Front-All Platinum, 12.4" diameter rotor, 5 studs		PRT5835	
	2009-08	Front-All Platinum, 13.9" diameter rotor, 6 studs		PRT5742	
	2009-06	Front-All V		PRT5742	
	2008-05	Front-All Base, 11.9" diameter rotor, 5 studs		PRT5593	

BENDIX BRAKE PARTS

PART TYPE	YEAR	APPLICATION	PREMIUM NO.	PART NO.	SEVERE DUTY NO.
Cadillac (Cont'd.)					
STS (Cont'd.)					
Disc Brake Rotor (cont'd)	2008-05	Front-All Base, 12.7" diameter rotor, 5 studs		PRT5596	
	2008	Front-All Platinum, 11.9" diameter rotor, 5 studs		PRT5593	
	2008	Front-All Platinum, 12.7" diameter rotor, 5 studs		PRT5596	
	2011-10	Rear-All 11.7" diameter rotor, 5 studs		PRT5607	
	2011-10	Rear-All 12.6" diameter rotor, 5 studs		PRT5902	
	2011-10	Rear-All 14.4" diameter rotor, 6 studs		PRT5692	
	2009-08	Rear-All Platinum, 11.7" diameter rotor, 5 studs		PRT5607	
	2009-08	Rear-All Platinum, 12.6" diameter rotor, 5 studs		PRT5664 ⁷⁷	
	2009-08	Rear-All Platinum, 14.4" diameter rotor, 6 studs		PRT5692	
	2009-06	Rear-All Base, 14.4" diameter rotor, 6 studs		PRT5692	
	2009-06	Rear-All V		PRT5692	
	2009-05	Rear-All Base, 11.7" diameter rotor, 5 studs		PRT5607	
	2009-05	Rear-All Base, 12.6" diameter rotor, 5 studs		PRT5664 ⁷⁷	
	2009	Rear-All Base, 320mm Diameter		PRT5902	
	2009	Rear-All Platinum, 320mm Diameter		PRT5902	
XLR					
Disc Brake Pad Set	2009-08	Front-V8 - 4.4L Hardware Included	CFM731	SBC731	
	2009-08	Front-V8 - 4.6L Hardware Included	CFM731	SBC731	
	2007	Front-All Hardware Included	CFM731	SBC731	
	2006-04	Front-V8 - 4.6L Hardware Included	CFM731	SBC731	
	2006	Front-V8 - 4.4L Hardware Included	CFM731	SBC731	
	2009-07	Rear-All Hardware Included	CFM732	SBC732	
	2006-04	Rear-V8 - 4.6L Hardware Included	CFM732	SBC732	
	2006	Rear-V8 - 4.4L Hardware Included	CFM732	SBC732	
Parking Brake Shoe	2009-04	Rear-All		784	
Disc Brake Rotor	2009-08	Front-All Platinum		PRT5790	
	2009-06	Front-All V		PRT5789	
	2008-04	Front-All Base		PRT5790	
	2009-08	Rear-V8 - 4.6L Platinum		PRT5791	
	2009-06	Rear-All V		PRT5663	
	2008-04	Rear-V8 - 4.6L Base		PRT5791	
XT5					
Disc Brake Pad Set	2018	Front-All Hardware Included	CFC1378	SBC1378	
	2017	Front-All Hardware Included	CFC1896	SBC1896	
	2017	Rear-All Hardware Included	CFM1877	SBM1877	
XTS					
Disc Brake Pad Set	2018	Front-All Hardware Included	CFC1363	SBC1363	MKD1363FM
	2018	Front-All Hardware Included			PBD1363
	2017	Front-All Hardware Included	CFC1896	SBC1896	
	2016	Front-All Hardware Included	CFC1836	SBC1836	
	2015	Front-All w/ Heavy Duty Brakes	CFC1363	SBC1363	MKD1363FM
	2015	Front-All w/ Heavy Duty Brakes			PBD1363
	2015	Front-All w/o Heavy Duty Brakes/Performance Linings	CFM1474A	SBM1474A	
	2014-13	Front-All w/ GM Brake Code J55	CFC1363	SBC1363	MKD1363FM
	2014-13	Front-All w/ GM Brake Code J55			PBD1363
	2014-13	Front-All w/ GM Brake Code J64		SBM1050A	
	2014-13	Front-All w/ GM Brake Code J64	CFC1050A	SBC1050A	
	2018	Rear-All Hardware Included	CFC883	SBC883	MKD883FM
	2017	Rear-All Hardware Included	CFM1877	SBM1877	
	2016	Rear-All w/ Solid Rear Rotors	CFC1430SR		
	2016	Rear-All w/ Solid Rotors		SBC1430SR	
	2016	Rear-All w/ Vented Rear Rotors	CFC1430VR		
	2016	Rear-All w/ Vented Rotors		SBC1430VR	
	2015	Rear-All w/ Heavy Duty Brakes	CFC883	SBC883	MKD883FM
	2015	Rear-All w/o Heavy Duty Brakes		SBC1430VR	
	2015	Rear-All w/o Heavy Duty Brakes	CFC1430SR	SBC1430SR	
	2015	Rear-All w/o Heavy Duty Brakes	CFC1430VR		
	2014-13	Rear-All w/ GM Brake Code J55	CFC883	SBC883	MKD883FM
	2014-13	Rear-All w/ GM Brake Code J64		SBC1430VR	
	2014-13	Rear-All w/ GM Brake Code J64	CFC1430SR	SBC1430SR	
	2014-13	Rear-All w/ GM Brake Code J64	CFC1430VR		
Parking Brake Shoe	2015	Rear-All w/ Heavy Duty Brakes		933	
Disc Brake Rotor	2019-16	Front-All w/ Heavy Duty Brakes		PRT5582	
	2019-15	Front-All Exc. Heavy Duty Brakes		PRT6219	
	2017-15	Front-All Vsport Platinum		PRT6219	
	2017	Front-All Vsport Premium Luxury		PRT6219	
	2016-15	Front-All Vsport Premium		PRT6219	
	2015-13	Front-All 330mm Diameter		PRT5582	SDR5582
	2014	Front-All exc. VSport, exc. HD Brakes		PRT6219	
	2014	Front-All VSport		PRT6219	
	2013	Front-All exc. HD Brakes		PRT6219	
	2019-15	Rear-All Exc. Heavy Duty Brakes		PRT6073	
	2017-15	Rear-All Vsport Platinum		PRT6073	

⁷⁷ Sell out and reorder PRT5902

BENDIX BRAKE PARTS

PART TYPE	YEAR	APPLICATION	PREMIUM NO.	PART NO.	SEVERE DUTY NO.	
Cadillac (Cont'd.)						
XTS (Cont'd.)						
Disc Brake Rotor (cont'd)	2017	Rear-All Vsport Premium Luxury		PRT6073		
	2016-15	Rear-All Vsport Premium		PRT6073		
	2014-13	Rear-All 316mm Diameter		PRT6073		
Checker						
Aerobus						
Disc Brake Pad Set	1974-69	Front-All Hardware Included		SBC52	MKD52FM	
Deluxe						
Disc Brake Pad Set	1970	Front-All Hardware Included		SBC52	MKD52FM	
Marathon						
Disc Brake Pad Set	1982-75	Front-All Hardware Included		SBC52	MKD52FM	
	1974-70	Front-L6 - 4.1L Hardware Included		SBC52	MKD52FM	
	1974-70	Front-V8 - 5.7L Hardware Included		SBC52	MKD52FM	
	1969	Front-All Hardware Included		SBC52	MKD52FM	
Drum Brake Shoe	1980-77	Rear-All w/ 11" X 2.12" Brakes		462		
Disc Brake Rotor and Hub Assembly	1982-71	Front-All		PRT1043		
Brake Drum	1982-72	Rear-All Sedan		PDR0201		
	1971-69	Rear-All Sedan		PDR0076		
Taxicab						
Disc Brake Pad Set	1974-69	Front-All Hardware Included		SBC52	MKD52FM	
Chevrolet						
3B						
Drum Brake Shoe	1959	Front-All w/ 11" X 2.07" Brakes		228		
	1959	Rear-All w/ 11" X 2.07" Brakes		228		
Brake Drum	1959	Front-All 12 x 2" Brakes		PDR0789		
	1959	Front-All Plain Drum		PDR0023		
	1959	Rear-All		PDR0023		
	1959	Rear-All 12 x 2" Brakes		PDR0026		
3100						
Drum Brake Shoe	1959	Front-All w/ 11" X 2.07" Brakes		228		
	1959	Rear-All w/ 11" X 2.07" Brakes		228		
Brake Drum	1959	Front-All Plain Drum		PDR0023		
	1959	Rear-All		PDR0023		
Astra						
Disc Brake Pad Set	2008-07	Front-All w/ 256mm Diameter Rotors		SBC1361		
	2008-06	Rear-All w/ 256mm Diameter Front Rotors		SBM709		
	2008-06	Rear-All w/ 256mm Diameter Front Rotors		SBM1362		
Astro						
Disc Brake Pad Set	2005-03	Front-All Hardware Included		SBM785		
	2005-03	Front-All Hardware Included	CFC785	SBC785	MKD785FM	
	2002-90	Front-All AWD, Hardware Included	CFM369	SBM369	MKD369FM	
	2002-90	Front-All RWD, Hardware Included		SBC52	MKD52FM	
	1989-85	Front-All Hardware Included		SBC52	MKD52FM	
	2005-04	Rear-All Hardware Included	CFC792HD			
	2005-04	Rear-All w/ Heavy Duty Brakes		SBM792HD		
	2005-04	Rear-All w/ Heavy Duty Brakes		SBC792HD	MKD792HDFM	
	2005-03	Rear-All w/o Heavy Duty Brakes		SBM792SD		
	2005-03	Rear-All w/o Heavy Duty Brakes		SBC792SD	MKD792SDFM	
	Drum Brake Shoe	2002-90	Rear-All w/ 9.5" X 2.06" Brakes		514	
		1989-87	Rear-All w/ 9.5" X 2.06" Brakes		242	
		1989-87	Rear-All w/ 9.5" X 2.06" Brakes		245	
1986-85		Rear-All w/ 9.5" X 2.06" Brakes		514		
Parking Brake Shoe	2005-03	Rear-All		781		
Disc Brake Rotor	2005-03	Front-All		PRT5259	SDR5259	
	2002-90	Front-All AWD		PRT1745FC		
	2005-03	Rear-All		PRT5265	SDR5265	
Disc Brake Rotor and Hub Assembly	2002-93	Front-All RWD		PRT1464		
	1992-90	Front-All RWD, 2-Wheel ABS		PRT1216		
	1992-90	Front-All RWD, 4-Wheel ABS		PRT1464		
	1989-85	Front-All		PRT1216		
Brake Drum	2002-85	Rear-All		PDR0484		
Avalanche						
Disc Brake Pad Set	2013-10	Front-All Hardware Included	CFC1363	SBC1363	MKD1363FM	
	2013-10	Front-All Hardware Included			PBD1363	
	2009	Front-V8 - 5.3L Hardware Included	CFC1363	SBC1363	MKD1363FM	
	2009	Front-V8 - 5.3L Hardware Included			PBD1363	
	2009	Front-V8 - 6.0L Hardware Included	CFC1363	SBC1363	MKD1363FM	
	2009	Front-V8 - 6.0L Hardware Included			PBD1363	
	2008	Front-All For Use on Vehicles Equipped w/ Hydroboost	CFC1363	SBC1363	MKD1363FM	
	2008	Front-All For Use on Vehicles Equipped w/ Hydroboost			PBD1363	

BENDIX BRAKE PARTS

PART TYPE	YEAR	APPLICATION	PREMIUM NO.	PART NO.	SEVERE DUTY NO.
Chevrolet (Cont'd.)					
Avalanche (Cont'd.)					
Disc Brake Pad Set (cont'd)	2008	Front-All For Use on Vehicles Equipped w/ Vacuum Booster	CFC1092	SBC1092	MKD1092FM
	2008	Front-All For Use on Vehicles Equipped w/ Vacuum Booster			PBD1092
	2007	Front-V8 - 5.3L For Use on Vehicles Equipped w/ Vacuum Booster	CFC1092	SBC1092	MKD1092FM
	2007	Front-V8 - 5.3L For Use on Vehicles Equipped w/ Vacuum Booster			PBD1092
	2007	Front-V8 - 6.0L For Use on Vehicles Equipped w/ Vacuum Booster	CFC1092	SBC1092	MKD1092FM
	2007	Front-V8 - 6.0L For Use on Vehicles Equipped w/ Vacuum Booster			PBD1092
	2013-10	Rear-All Hardware Included	CFC1194	SBC1194	MKD1194FM
	2013-10	Rear-All Hardware Included			PBD1194
	2009-07	Rear-V8 - 5.3L Hardware Included	CFC1194	SBC1194	MKD1194FM
	2009-07	Rear-V8 - 5.3L Hardware Included			PBD1194
	2009-07	Rear-V8 - 6.0L Hardware Included	CFC1194	SBC1194	MKD1194FM
	2009-07	Rear-V8 - 6.0L Hardware Included			PBD1194
	Parking Brake Shoe	2012-07	Rear-All		781
Disc Brake Rotor	2013-07	Front-All		PRT5582	SDR5582
	2013-07	Rear-All		PRT5729	SDR5729
Avalanche 1500					
Disc Brake Pad Set	2006-02	Front-V8 - 5.3L Hardware Included		SBM785	
	2006-02	Front-V8 - 5.3L Hardware Included	CFC785	SBC785	MKD785FM
	2006-03	Rear-All RWD, w/o Caliper Center Rattle Clip	CFC974A	SBC974A	MKD974AFM
	2006-03	Rear-All RWD, w/o Caliper Center Rattle Clip			PBD974A
	2006-02	Rear-All 4WD, w/ Caliper Center Rattle Clip	CFC834	SBC834	MKD834FM
	2002	Rear-V8 - 5.3L RWD, 2nd Design (Smooth Caliper Housing w/Oval Inspection Port for Pads)	CFC974A	SBC974A	MKD974AFM
	2002	Rear-V8 - 5.3L RWD, 2nd Design (Smooth Caliper Housing w/Oval Inspection Port for Pads)			PBD974A
	Parking Brake Shoe	2006-02	Rear-All		781
Disc Brake Rotor	2006-02	Front-All		PRT5259	SDR5259
	2006-02	Rear-All 6 Lug, 330mm diameter rotor		PRT5441 ¹⁰³	SDR5441 ¹⁰⁴
Avalanche 2500					
Disc Brake Pad Set	2006-02	Front-All Hardware Included		SBM784	
	2006-02	Front-All Hardware Included	CFC784	SBC784	MKD784FM
	2006-03	Rear-All 4WD, Hardware Included		SBM785	
	2006-03	Rear-All 4WD, Hardware Included	CFC785	SBC785	MKD785FM
	2003	Rear-All RWD, Hardware Included		SBM785	
	2003	Rear-All RWD, Hardware Included	CFC785	SBC785	MKD785FM
	2002	Rear-All Hardware Included		SBM785	
	2002	Rear-All Hardware Included	CFC785	SBC785	MKD785FM
Parking Brake Shoe	2006-02	Rear-All w/ 8.07" X 1.73" Brakes		771	
Disc Brake Rotor	2006-05	Front-All		PRT5261	SDR5261
	2004-02	Front-All w/2" Body Raise (HVY)		PRT5316	SDR5316
	2004-02	Front-All wo/2" Body Raise (HVY)		PRT5261	SDR5261
	2006-02	Rear-All		PRT5260	SDR5260
	2004	Rear-All 330mm diameter rotor		PRT5441 ¹⁰³	SDR5441 ¹⁰⁴
	2002	Rear-All 330mm diameter rotor		PRT5441 ¹⁰³	SDR5441 ¹⁰⁴
Aveo					
Disc Brake Pad Set	2017-10	Front-All Hardware Included	CFC1035		
	2017-10	Front-All Hardware Not Included		SBC1035	
	2009-08	Front-L4 - 1.6L Hardware Included	CFC1035		
	2009-08	Front-L4 - 1.6L Hardware Not Included		SBC1035	
	2007-04	Front-All Hardware Included	CFC1035		
	2007-04	Front-All Hardware Not Included		SBC1035	
Drum Brake Shoe	2017-15	Rear-All		814	
	2011-04	Rear-All w/ 7.87" X 1.42" Brakes		814	
Disc Brake Rotor	2014-04	Front-All		PRT5662	
Brake Drum	2014-05	Rear-All W/ Out Hub, Wheel Bearings Not Included		PDR0829	
Aveo5					
Disc Brake Pad Set	2011-06	Front-All Hardware Included	CFC1035		
	2011-06	Front-All Hardware Not Included		SBC1035	
Drum Brake Shoe	2011-06	Rear-All w/ 7.87" X 1.42" Brakes		814	
Disc Brake Rotor	2011-06	Front-All		PRT5662	
Brake Drum	2011-08	Rear-All		PDR0829	
	2007-06	Rear-All W/ Out Hub, Wheel Bearings Not Included		PDR0829	
B7					
Disc Brake Pad Set	2002-01	Front-All 2.50" Dual Piston Dayton Caliper			MKD224FM
	2002-01	Front-All 2.88" Dual Piston Bendix Caliper			MKD225FM
	2000-93	Front-All w/ 2.50" Dia. Dual Piston Dayton Caliper			MKD224FM
	2000-93	Front-All w/ 2.88" Dia. Dual Piston Bendix Caliper			MKD225FM
	2002-01	Rear-All 2.50" Dual Piston Dayton Caliper			MKD224FM
	2002-01	Rear-All 2.88" Dual Piston Bendix Caliper			MKD225FM

103 PRT5441 replaces PRT5282. Sell out PRT5282 and reorder PRT5441.

104 SDR5441 replaces SDR5282. Sell out SDR5282 and reorder SDR5441.

BENDIX BRAKE PARTS

PART TYPE	YEAR	APPLICATION	PREMIUM NO.	PART NO.	SEVERE DUTY NO.
Chevrolet (Cont'd.)					
B7 (Cont'd.)					
Disc Brake Pad Set (cont'd)	2000-93	Rear-All w/ 2.50" Dia. Dual Piston Dayton Caliper			MKD224FM
	2000-93	Rear-All w/ 2.88" Dia. Dual Piston Bendix Caliper			MKD225FM
Disc Brake Rotor	2002-01	Front-All 10 Bolt Holes, Casting #23-123434-005, 19,000# Single rear axle, 11,000# GVW Frt Axle		PRT5763	SDR5763
	2002-93	Front-All 5 Bolt Holes, 5.41" Pilot Hole, W/ Tapped Holes For ABS Exciter Ring		PRT5574	SDR5574
	2002-93	Front-All 5 Bolt Holes, 15,000 LB Rear Axle, Exc. Tapped Holes For ABS		PRT1271	
	2002-93	Front-All 10 Bolt Holes, Exc. 15,000 LB Rear Axle		PRT1272	SDR1272
	1998-97	Front-All 10 Bolt Holes, Casting #23-123434-005, 19,000# Single rear axle, 11,000# GVW Frt Axle		PRT5763	SDR5763
	2002-97	Rear-All Includes Hub Mounting Holes, Rotor Casting # 23-123434-005, 19060S, 19060T Eaton Rear Axle Stamped H		PRT5346	SDR5346
	2002-93	Rear-All 5 Bolt Holes, 5.41" Pilot Hole, W/ Tapped Holes For ABS Exciter Ring		PRT5574	SDR5574
	2002-93	Rear-All 5 Bolt Holes, 15,000 LB Rear Axle, Exc. Tapped Holes For ABS		PRT1271	
Brake Drum	2002-93	Rear-All 10 Bolt Holes, Exc. 15,000 LB Rear Axle		PRT1272	SDR1272
	1998-93	Rear-All .94" Stud Hole		PDR0788	
	1994-93	Rear-All 20" Cast Steel Wheels		PDR0787	
B60					
Disc Brake Pad Set	1991-88	Front-All w/ 2.60" Dia. Dual Piston Bendix Caliper			MKD717FM
	1991-83	Front-All w/ 2.50" Dia. Dual Piston Dayton Caliper			MKD224FM
	1991-83	Front-All w/ 2.88" Dia. Dual Piston Bendix Caliper			MKD225FM
	1982-80	Front-All Hardware Included			MKD225FM
	1991-88	Rear-All w/ 2.60" Dia. Dual Piston Bendix Caliper			MKD717FM
	1991-83	Rear-All w/ 2.50" Dia. Dual Piston Dayton Caliper			MKD224FM
	1991-83	Rear-All w/ 2.88" Dia. Dual Piston Bendix Caliper			MKD225FM
	1982-80	Rear-All Hardware Included			MKD225FM
	Disc Brake Rotor	1991-83	Front-All 5 Hole Hat Rotor, W/Tapped Hole For ABS Ring		PRT5574
1991-80		Front-All 5 Hole Hat Rotor, Except Tapped Holes for ABS Ring		PRT1271	
1991-80		Front-All 10 Hole Rotor Hat Shaped		PRT1272	SDR1272
1991-80		Front-All Hat Shaped 6 Hole Rotor; 5.41" Pilot Hole		PRT1585	
1991-80		Rear-All 5 Hole Hat Rotor, Except Tapped Holes for ABS Ring		PRT1271	
1991-80		Rear-All 5 Hole Hat Rotor, W/Tapped Hole For ABS Ring		PRT5574	SDR5574
1991-80		Rear-All 10 Hole Rotor Hat Shaped		PRT1272	SDR1272
1991-80		Rear-All 10 Hole Rotor U-Shaped		PRT1606	
1991-80	Rear-All Hat Shaped 6 Hole Rotor; 5.41" Pilot Hole		PRT1585		
Bel Air					
Disc Brake Pad Set	1981	Front-All Hardware Included		SBC52	MKD52FM
	1975-71	Front-All Hardware Included		SBC52	MKD52FM
	1970-69	Front-L6 - 4.1L Hardware Included		SBC52	MKD52FM
	1970-69	Front-V8 - 5.7L Hardware Included		SBC52	MKD52FM
	1970	Front-V8 - 6.6L Hardware Included		SBC52	MKD52FM
	1970	Front-V8 - 7.4L Hardware Included		SBC52	MKD52FM
	1969	Front-V8 - 5.3L Hardware Included		SBC52	MKD52FM
	1969	Front-V8 - 6.5L Hardware Included		SBC52	MKD52FM
	1969	Front-V8 - 7.0L Hardware Included		SBC52	MKD52FM
	Drum Brake Shoe	1958-51	Front-All		228
1981		Rear-All w/ 11" X 2.12" Brakes		462	
1975-71		Rear-All w/ 11" X 2.12" Brakes		462	
1970-67		Rear-All Front Drum		228	
1966-59		Rear-All		228	
Disc Brake Rotor and Hub Assembly	1981	Front-All 11" Rotor		PRT1201	
	1981	Front-All 12" Rotor		PRT1216	
	1975-71	Front-All		PRT1043	
Brake Drum	1970-59	Front-All		PDR0042	
	1958-51	Front-All		PDR0022	
	1981	Rear-All 3 1/4" Width; W/ 11" Brakes		PDR0199	
	1981	Rear-All 4" Width; W/ 11" Brakes		PDR0201	
	1981	Rear-All Rear drum brake 9 1/2" x 2"		PDR0454	
	1975-71	Rear-All 11" x 2"		PDR0199	
	1975-71	Rear-All 12" x 2"		PDR0200	
	1970-51	Rear-All		PDR0022	
Beretta					
Disc Brake Pad Set	1996-92	Front-All Hardware Included		SBC506	
	1996-92	Front-All Hardware Included		SBM506	
	1991-87	Front-All Hardware Not Included		SBM289	
Drum Brake Shoe	1996-92	Rear-All Exc. Vehicles Built For United States Market		636	
	1996-92	Rear-All Vehicles Built For United States Market		553	
	1996-92	Rear-All Vehicles Built For United States Market		719	
	1991	Rear-All Late Design		553	

BENDIX BRAKE PARTS

PART TYPE	YEAR	APPLICATION	PREMIUM NO.	PART NO.	SEVERE DUTY NO.	
Chevrolet (Cont'd.)						
Beretta (Cont'd.)						
Drum Brake Shoe (cont'd)	1991	Rear-All Late Design		719		
	1990	Rear-All w/ 7.87" X 1.82" Brakes		553		
	1990	Rear-All w/ 7.87" X 1.82" Brakes		719		
Disc Brake Rotor	1996-92	Front-All		PRT1530		
	1991-87	Front-All		PRT1376		
Brake Drum	1996-87	Rear-All		PDR0385		
Biscayne						
Disc Brake Pad Set	1972-69	Front-All Hardware Included		SBC52	MKD52FM	
Drum Brake Shoe	1958	Front-All		228		
	1972-71	Rear-All w/ 11" X 2.12" Brakes		462		
	1970-59	Rear-All		228		
Disc Brake Rotor and Hub Assembly	1972-71	Front-All		PRT1043		
Brake Drum	1970-59	Front-All		PDR0042		
	1958	Front-All		PDR0022		
	1972-71	Rear-All 11" x 2"		PDR0199		
	1972-71	Rear-All 12" x 2" brakes		PDR0200		
	1970-58	Rear-All		PDR0022		
Blazer						
Disc Brake Pad Set	2005-03	Front-All Hardware Included	CFC726	SBC726	MKD726FM	
	2002-98	Front-V6 - 4.3L Hardware Included	CFC726	SBC726	MKD726FM	
	1997	Front-All RWD, Hardware Not Included	CFC154	SBC767	MKD767FM	
	1997	Front-V6 - 4.3L 4WD, Riveted Linings	CFC154	SBC767	MKD767FM	
	1997	Front-V6 - 4.3L AWD, Hardware Included	CFC726	SBC726	MKD726FM	
	1996	Front-V6 - 4.3L Riveted Linings	CFC154	SBC154	MKD154FM	
	1995	Front-V6 - 4.3L Hardware Not Included	CFC154	SBC154	MKD154FM	
	1994-92	Front-All Hardware Included	CFM369	SBM369	MKD369FM	
	1991-87	Front-All Hardware Included		SBC52	MKD52FM	
	1974-69	Front-L6 - 4.1L Hardware Included		SBC52	MKD52FM	
	1974-69	Front-V8 - 5.7L Hardware Included		SBC52	MKD52FM	
	1973-69	Front-V8 - 5.0L Hardware Included		SBC52	MKD52FM	
	1973	Front-L6 - 4.8L Hardware Included		SBC52	MKD52FM	
	1973	Front-V8 - 7.4L Hardware Included		SBC52	MKD52FM	
	1970	Front-L6 - 4.8L Hardware Included		SBC52	MKD52FM	
	2005-03	Rear-All Hardware Included	CFC729	SBC729		
	2002-97	Rear-V6 - 4.3L Hardware Included	CFC729	SBC729		
	Drum Brake Shoe	1997-95	Rear-All w/ 9.5" X 2.06" Brakes		514	
		1994-92	Rear-All w/ 10" X 2.28" Brakes		593	
		1991-87	Rear-All w/ 11.16" X 2.81" Brakes		473	
2005-97		Rear-All		784		
Parking Brake Shoe	2005-97	Rear-All		784		
Disc Brake Rotor	2005-98	Front-All		PRT5182		
	1997	Front-All 4WD, Rear Disc		PRT5182		
	1997	Front-All 4WD, Rear Drum		PRT1261		
	1996-95	Front-All 4WD		PRT1261		
	1994-92	Front-All		PRT1453FC		
	1991-87	Front-All 4WD		PRT1088		
	1974-71	Front-All 4WD		PRT1088		
	2005-03	Rear-All RWD, 2.86" OAH		PRT5181		
	2005-03	Rear-All RWD, 3.74" OAH		PRT5180		
	2005-97	Rear-All 4WD		PRT5180		
	2002-97	Rear-All RWD		PRT5181		
	Disc Brake Rotor and Hub Assembly	1997-95	Front-All RWD		PRT1631 ⁵⁸	
		1974-71	Front-All RWD		PRT1043	
Brake Drum	1970-69	Front-All RWD		PDR0023		
	1997-95	Rear-All		PDR0610		
	1994-92	Rear-All		PDR0541		
	1991-87	Rear-All		PDR0600		
	1974-71	Rear-All 4WD		PDR0255		
	1974-71	Rear-All RWD		PDR0254		
	1970-69	Rear-All		PDR0023		
Bolt EV						
Disc Brake Pad Set	2018-17	Front-All Hardware Included	CFC1844			
Disc Brake Rotor	2019-17	Front-All		PRT6063		
Brookwood						
Disc Brake Pad Set	1972-69	Front-All Hardware Included		SBC52	MKD52FM	
Drum Brake Shoe	1972-71	Rear-All w/ 11" X 2.12" Brakes		462		
Disc Brake Rotor and Hub Assembly	1972-71	Front-All		PRT1043		
Brake Drum	1970-69	Front-All		PDR0042		
	1961-59	Front-All		PDR0042		
	1958	Front-All		PDR0022		
	1972	Rear-All Rear drum brake 12" x 2"		PDR0200		
	1971	Rear-All 12" x 2"		PDR0200		

58 Sell out and reorder PRT5241

BENDIX BRAKE PARTS

PART TYPE	YEAR	APPLICATION	PREMIUM NO.	PART NO.	SEVERE DUTY NO.
Chevrolet (Cont'd.)					
Brookwood (Cont'd.)					
Brake Drum (cont'd)	1970-69	Rear-All		PDR0022	
	1961-58	Rear-All		PDR0022	
C10					
Disc Brake Pad Set	1986-75	Front-All Hardware Included		SBC52	MKD52FM
Drum Brake Shoe	1986-78	Rear-All w/ 11-5/32" X 2-3/4" Brakes		473	
	1986-76	Rear-All w/ 11" X 2" Brakes		449	
Disc Brake Rotor and Hub Assembly	1986-80	Front-All 4.65" Overall Height		PRT1216	
	1986-80	Front-All 4.95" Overall Height		PRT1043	
	1979-75	Front-All		PRT1043	
Brake Drum	1986-75	Rear-All 11.15 x 2.75" Brakes		PDR0501	
	1986-75	Rear-All 11 x 2" Brakes		PDR0254	
C10 Panel					
Drum Brake Shoe	1967-60	Front-All		228	
	1967-60	Rear-All		228	
Brake Drum	1967-60	Front-All Plain Drum		PDR0023	
	1967-60	Rear-All		PDR0023	
C10 Pickup					
Disc Brake Pad Set	1974-71	Front-All Hardware Included		SBC52	MKD52FM
Drum Brake Shoe	1974-61	Front-All w/ 11" X 2.07" Brakes		228	
	1974-61	Rear-All w/ 11" X 2.07" Brakes		228	
Disc Brake Rotor and Hub Assembly	1974-71	Front-All		PRT1043	
Brake Drum	1970-68	Front-All w/ 11 x 2 3/4" Brakes		PDR0216	
	1970-68	Front-All w/ 11 x 2" Brakes		PDR0023	
	1967-60	Front-All Plain Drum		PDR0023	
	1974-71	Rear-All 11 x 2" Brakes		PDR0254	
	1974	Rear-All 11.15 x 2.75" Brakes		PDR0501	
	1970-60	Rear-All		PDR0023	
C10 Suburban					
Disc Brake Pad Set	1986-71	Front-All Hardware Included		SBC52	MKD52FM
Drum Brake Shoe	1967	Front-All		228	
	1986-78	Rear-All Optional		473	
	1986-76	Rear-All w/ 11" X 2" Brakes		449	
	1967	Rear-All		228	
Disc Brake Rotor and Hub Assembly	1986-80	Front-All 4.65" Overall Height		PRT1216	
	1986-80	Front-All 4.95" Overall Height		PRT1043	
	1979-71	Front-All		PRT1043	
Brake Drum	1986-74	Rear-All 11 x 2 3/4" Brakes		PDR0501	
	1986-71	Rear-All 11 x 2" Brakes		PDR0254	
C15					
Disc Brake Pad Set	1986	Front-All Hardware Included		SBC52	MKD52FM
	1984	Front-All Hardware Included		SBC52	MKD52FM
C20					
Disc Brake Pad Set	1986-85	Front-All w/ 11" Rear Brakes		SBC52	MKD52FM
	1986-85	Front-All w/ 13" x 2 1/2" Rear Brakes		SBM153	MKD153FM
	1984-79	Front-All Hardware Included			MKD153FM
	1984-79	Front-All Hardware Not Included		SBM153	
	1978-75	Front-All Hardware Included		SBC52	MKD52FM
Drum Brake Shoe	1986-82	Rear-All w/ 11" Brakes		473	
	1986-75	Rear-All w/ 13" Brakes		451	
	1981-76	Rear-All w/ 11.16" X 2.81" Brakes		473	
Disc Brake Rotor and Hub Assembly	1986-75	Front-All		PRT1186	
Brake Drum	1986-84	Rear-All 9.50" Ring Gear, (13 x 2 1/2" Brakes)		PDR0449	
	1986-84	Rear-All 10.50" Ring Gear (13 x 2 1/2" Brakes)		PDR0363	
	1986-84	Rear-All 11.15 x 2.75" Brakes		PDR0450	
	1983-81	Rear-All 10.50" Ring Gear		PDR0363	
	1983-81	Rear-All 11 5/32 x 2 3/4" Brakes, 4 5/8" Wide		PDR0408	
	1983	Rear-All 2nd Design (11 x 2 3/4" Brakes)		PDR0450	
	1983	Rear-All 9.5" Ring Gear (2nd design)		PDR0449	
	1980-75	Rear-All 11.15 x 2.75" Brakes		PDR0276	
	1980-75	Rear-All 13 x 2 1/2" Brakes		PDR0363	
C20 Panel					
Brake Drum	1967	Front-All		PDR0024	
	1967	Rear-All		PDR0024	
	1967	Rear-All W/ leaf spring RA		PDR0057	
C20 Pickup					
Disc Brake Pad Set	1974-71	Front-All Hardware Included		SBC52	MKD52FM
Drum Brake Shoe	1974-73	Rear-All w/ 13" X 2.57" Brakes		451	
Disc Brake Rotor and Hub Assembly	1974-71	Front-All		PRT1186	

BENDIX BRAKE PARTS

PART TYPE	YEAR	APPLICATION	PREMIUM NO.	PART NO.	SEVERE DUTY NO.
Chevrolet (Cont'd.)					
C20 Pickup (Cont'd.)					
Brake Drum	1970-61	Front-All		PDR0024	
	1974-73	Rear-All 11.15 x 2.75" Brakes		PDR0276	
	1974-73	Rear-All 13 x 2 1/2" Brakes		PDR0363	
	1972-71	Rear-All W/ leaf spring RA		PDR0253	
	1970-65	Rear-All W/ leaf spring RA		PDR0057	
1970-60	Rear-All w/coil spring RA		PDR0024		
C20 Suburban					
Disc Brake Pad Set	1986-85	Front-All w/ 11" Rear Brakes		SBC52	MKD52FM
	1986-85	Front-All w/ 13" x 2 1/2" Rear Brakes		SBM153	MKD153FM
	1984-79	Front-All Hardware Included			MKD153FM
	1984-79	Front-All Hardware Not Included		SBM153	
	1978-71	Front-All Hardware Included		SBC52	MKD52FM
Drum Brake Shoe	1967	Front-All		228	
	1986-78	Rear-All w/ 11" Brakes		473	
	1986-74	Rear-All w/ 13" Brakes		451	
	1977-76	Rear-All w/ 11.16" X 2.81" Brakes		473	
	1967	Rear-All		228	
Disc Brake Rotor and Hub Assembly	1986-71	Front-All		PRT1186	
Brake Drum	1970-68	Front-All		PDR0024	
	1986-85	Rear-All 11" Brakes		PDR0450	
	1986-85	Rear-All 13 x 2 1/2" Brakes		PDR0449	
	1984-81	Rear-All 10.50" Ring Gear (13 x 2 1/2" Brakes)		PDR0363	
	1984	Rear-All 9.50" Ring Gear, (13 x 2 1/2" Brakes)		PDR0449	
	1983-81	Rear-All 11 5/32 x 2 3/4" Brakes, 4 5/8" Wide		PDR0408	
	1983	Rear-All 2nd Design, 9.50" Ring Gear, 13 x 2 1/2" Brakes		PDR0449	
	1983	Rear-All 2nd Design (11 x 2 3/4" Brakes)		PDR0450	
	1980	Rear-All 11 x 2 3/4" Brakes		PDR0276	
	1980	Rear-All 13 x 2 1/2" Brakes		PDR0363	
	1979-73	Rear-All		PDR0276	
	C30				
Disc Brake Pad Set	1986-79	Front-All w/ 13" x 2 1/2" Rear Brakes		SBM153	MKD153FM
	1986-79	Front-All w/ 13" x 3 1/2" Rear Brakes	CFM149	SBM149	MKD149FM
	1978-75	Front-All Hardware Included	CFM149		MKD149FM
	1978-75	Front-All Hardware Not Included		SBM149	
	1986-75	Rear-All Hardware Included	CFM149		MKD149FM
	1986-75	Rear-All Hardware Not Included		SBM149	
Drum Brake Shoe	1986-75	Rear-All w/ 13" X 2-1/2" Brakes		451	
	1986-75	Rear-All w/ 13" X 3-1/2" Brakes		452	
Disc Brake Rotor and Hub Assembly	1986-80	Front-All Dual Rear Wheels		PRT1130	
	1986-75	Front-All 13 x 3 1/2" Brakes (Single Rear Wheels)		PRT1152	
	1979-75	Front-All 13 x 2 1/2" Brakes		PRT1186	
	1979-75	Front-All 13 x 3 1/2" Brakes (Dual Rear Wheels)		PRT1130	
Brake Drum	1986-75	Rear-All Dual Rear Wheels (13 x 3 1/2" Brakes)		PDR0613	
	1986-75	Rear-All Single Rear Wheels (13 x 2 1/2" Brakes)		PDR0363	
	1978-75	Rear-All Single Rear Wheels (13 x 3 1/2" Brakes)		PDR0387	
C30 Panel					
Brake Drum	1966-61	Front-All		PDR0024	
C30 Pickup					
Disc Brake Pad Set	1974	Front-All Hardware Included	CFM149		MKD149FM
	1974	Front-All Hardware Not Included		SBM149	
	1973-71	Front-All Hardware Included		SBC52	MKD52FM
	1974	Rear-All Hardware Included	CFM149		MKD149FM
	1974	Rear-All Hardware Not Included		SBM149	
Drum Brake Shoe	1974	Rear-All w/ 13" X 2.57" Brakes		451	
	1974	Rear-All w/ 13" X 3.56" Brakes		452	
Disc Brake Rotor and Hub Assembly	1974	Front-All 13 x 2 1/2" Brakes		PRT1186	
	1974	Front-All 13 x 3 1/2" Brakes (Dual Rear Wheels)		PRT1130	
	1974	Front-All 13 x 3 1/2" Brakes (Single Rear Wheels)		PRT1152	
	1973-71	Front-All Single Rear Wheels		PRT1186	
Brake Drum	1970-61	Front-All		PDR0024	
	1974	Rear-All Dual Rear Wheels (13 x 3 1/2" Brakes)		PDR0613	
	1974	Rear-All Single Rear Wheels (13 x 2 1/2" Brakes)		PDR0363	
	1974	Rear-All Single Rear Wheels (13 x 3 1/2" Brakes)		PDR0387	
C35					
Disc Brake Pad Set	2000-95	Front-All w/ Dual Rear Wheels	CFM459	SBM459	MKD459FM
	2000-95	Front-All w/ Single Rear Wheels	CFM370	SBM370	MKD370FM
	1986-83	Front-All w/ 13" x 2.5" Rear Brakes		SBM153	MKD153FM
	1986-83	Front-All w/ 13" x 3.5" Rear Brakes	CFM149	SBM149	MKD149FM
C50					
Disc Brake Pad Set	1990-88	Front-All w/ 2.50" Dia. Dual Piston Dayton Caliper			MKD224FM

BENDIX BRAKE PARTS

PART TYPE	YEAR	APPLICATION	PREMIUM NO.	PART NO.	SEVERE DUTY NO.	
Chevrolet (Cont'd.)						
C50 (Cont'd.)						
Disc Brake Pad Set (cont'd)	1990-88	Front-All w/ 2.60" Dia. Dual Piston Bendix Caliper			MKD717FM	
	1987-83	Front-All 2.50" Dual Piston Dayton Caliper			MKD224FM	
	1987-83	Front-All 2.88" Dual Piston Bendix Caliper			MKD225FM	
	1990-88	Rear-All w/ 2.50" Dia. Dual Piston Dayton Caliper			MKD224FM	
	1990-88	Rear-All w/ 2.60" Dia. Dual Piston Bendix Caliper			MKD717FM	
	1987-83	Rear-All 2.50" Dual Piston Dayton Caliper			MKD224FM	
	1987-83	Rear-All 2.88" Dual Piston Bendix Caliper			MKD225FM	
Disc Brake Rotor	1990-88	Front-All 5 Hole Hat Rotor, 5.41" Pilot Hole, W/Tapped Hole For ABS Ring		PRT5574	SDR5574	
	1990-83	Front-All 10 Hole Rotor Hat Shaped, Exc. Tapped Holes for ABS		PRT1272	SDR1272	
	1990	Front-All 5 Bolt Holes, 5.41" Pilot Hole, W/ out Tapped Holes For ABS Exciter Ring		PRT1271		
	1990-88	Rear-All 5 Hole Hat Rotor, 5.41" Pilot Hole, W/Tapped Hole For ABS Ring		PRT5574	SDR5574	
	1990	Rear-All 5 Bolt Holes, 5.41" Pilot Hole, W/ out Tapped Holes For ABS Exciter Ring		PRT1271		
	1990	Rear-All 10 Hole Rotor Hat Shaped, Exc. Tapped Holes for ABS		PRT1272	SDR1272	
	1990	Rear-All 10 Hole Rotor U-Shaped		PRT1606		
	1990	Rear-All Hat Shaped 6 Hole Rotor; 5.41" Pilot Hole		PRT1585		
	1988-83	Rear-All Hat Shaped 6 Hole Rotor; 5.41" Pilot Hole		PRT1585		
	1987-83	Rear-All 5 Bolt Holes, 5.41" Pilot Hole, W/ out Tapped Holes For ABS Exciter Ring		PRT1271		
	C60					
Disc Brake Pad Set	1990-83	Front-All 2.50" Dual Piston Dayton Caliper			MKD224FM	
	1990-83	Front-All 2.88" Dual Piston Bendix Caliper			MKD225FM	
	1990-83	Rear-All 2.50" Dual Piston Dayton Caliper			MKD224FM	
	1990-83	Rear-All 2.88" Dual Piston Bendix Caliper			MKD225FM	
	Disc Brake Rotor	1990-88	Front-All 4.6" Pilot hole diameter		PRT1489	
1990-88		Front-All 4.6" Pilot hole diameter		PRT1490		
1990-88		Front-All 5 Hole		PRT1584		
1990		Front-All 10 Hole Rotor Hat, Exc. Tapped Holes for ABS Ring, 15.37" Diameter		PRT1272	SDR1272	
1990		Front-All Hat Shaped 5 Hole Rotor		PRT1271		
1989-88		Front-All 5.41" Center Hole; 6 Hole Stepped Hat		PRT1583		
1989-88		Front-All Hat Shaped 6 Hole Rotor; 5.41" Pilot Hole		PRT1585		
1989-83		Front-All 5 Hole Hat Rotor, 5.41" Pilot Hole, W/Tapped Hole For ABS Ring		PRT5574	SDR5574	
1987-83		Front-All 5 Bolt Holes, 5.41" Pilot Hole, W/ out Tapped Holes For ABS Exciter Ring		PRT1271		
1990-88		Rear-All 10 Hole Rotor U-Shaped		PRT1606		
1990		Rear-All 5 Hole Hat Rotor, Except Tapped Holes for ABS Ring		PRT1271		
1990		Rear-All 10 Hole Rotor Hat, Exc. Tapped Holes for ABS Ring, 14.75" Diameter		PRT1874	SDR1874	
1990		Rear-All 10 Hole Rotor Hat, Exc. Tapped Holes for ABS Ring, 15.37" Diameter		PRT1272	SDR1272	
1990		Rear-All 10 Hole Rotor Hat, w/ Tapped Holes for ABS Ring, 14.75" Diameter		PRT5575		
1989-88		Rear-All 5 Bolt Holes, 5.41" Pilot Hole		PRT1271		
1989-88		Rear-All Hat Shaped 6 Hole Rotor; 5.41" Pilot Hole		PRT1585		
1989-83		Rear-All 10 Hole Rotor Hat Shaped		PRT1272	SDR1272	
C60 Kodiak						
Disc Brake Pad Set		1996-90	Front-All w/ 2.50" Dia. Dual Piston Dayton Caliper			MKD224FM
		1996-90	Front-All w/ 2.88" Dia. Dual Piston Bendix Caliper			MKD225FM
	1991-90	Front-All w/ 2.60" Dia. Dual Piston Bendix Caliper			MKD717FM	
	1996-90	Rear-All w/ 2.50" Dia. Dual Piston Dayton Caliper			MKD224FM	
	1996-90	Rear-All w/ 2.88" Dia. Dual Piston Bendix Caliper			MKD225FM	
	1991-90	Rear-All w/ 2.60" Dia. Dual Piston Bendix Caliper			MKD717FM	
	Disc Brake Rotor	1996-90	Front-All 10 Hole Rotor Hat, Exc. Tapped Holes for ABS Ring, 15.37" Diameter		PRT1272	SDR1272
1996-90		Front-All Hat Shaped 5 Hole Rotor		PRT1271		
1996-90		Rear-All 5 Hole Hat Rotor, Except Tapped Holes for ABS Ring		PRT1271		
1996-90		Rear-All 10 Hole Rotor Hat, Exc. Tapped Holes for ABS Ring, 14.75" Diameter		PRT1874	SDR1874	
1996-90		Rear-All 10 Hole Rotor Hat, Exc. Tapped Holes for ABS Ring, 15.37" Diameter		PRT1272	SDR1272	
1996-90		Rear-All 10 Hole Rotor Hat, w/ Tapped Holes for ABS Ring, 14.75" Diameter		PRT5575		
1996-90		Rear-All 10 Hole Rotor U-Shaped		PRT1606		
C70						
Disc Brake Pad Set	1990-88	Front-All w/ 2.50" Dia. Dual Piston Dayton Caliper			MKD224FM	
	1990-88	Front-All w/ 2.88" Dia. Dual Piston Bendix Caliper			MKD225FM	
	1987-83	Front-All 2.50" Dual Piston Dayton Caliper			MKD224FM	
	1987-83	Front-All 2.88" Dual Piston Bendix Caliper			MKD225FM	
	1982-80	Front-All Hardware Included			MKD224FM	

BENDIX BRAKE PARTS

PART TYPE	YEAR	APPLICATION	PREMIUM NO.	PART NO.	SEVERE DUTY NO.
Chevrolet (Cont'd.)					
C70 (Cont'd.)					
Disc Brake Pad Set (cont'd)	1990-88	Rear-All w/ 2.50" Dia. Dual Piston Dayton Caliper			MKD224FM
	1990-88	Rear-All w/ 2.88" Dia. Dual Piston Bendix Caliper			MKD225FM
	1987-83	Rear-All 2.50" Dual Piston Dayton Caliper			MKD224FM
	1987-83	Rear-All 2.88" Dual Piston Bendix Caliper			MKD225FM
	1982-80	Rear-All Hardware Included			MKD224FM
Drum Brake Shoe	1989-84	Rear-All w/ 11" X 2.06" Brakes		449	
Disc Brake Rotor	1990-88	Front-All 5 Hole		PRT1584	
	1990-88	Front-All 6 Hole		PRT1490	
	1990	Front-All 10 Hole Rotor Hat, Exc. Tapped Holes for ABS Ring, 15.37" Diameter		PRT1272	SDR1272
	1990	Front-All Hat Shaped 5 Hole Rotor		PRT1271	
	1989-88	Front-All Hat Shaped 6 Hole Rotor; 5.41" Pilot Hole		PRT1585	
	1989-83	Front-All 5.41" Center Hole; 6 Hole Stepped Hat		PRT1583	
	1989-83	Front-All 5 Bolt Holes, 5.41" Pilot Hole, W/ out Tapped Holes For ABS Exciter Ring		PRT1271	
	1989-83	Front-All 5 Hole Hat Rotor, 5.41" Pilot Hole, W/Tapped Hole For ABS Ring		PRT5574	SDR5574
	1989-83	Front-All 10 Hole Rotor Hat Shaped, 15.37" Diameter		PRT1272	SDR1272
	1990-88	Rear-All 10 Hole Rotor U-Shaped		PRT1606	
	1990	Rear-All 10 Hole Rotor Hat, Exc. Tapped Holes for ABS Ring, 14.75" Diameter		PRT1874	SDR1874
	1990	Rear-All 10 Hole Rotor Hat, Exc. Tapped Holes for ABS Ring, 15.37" Diameter		PRT1272	SDR1272
	1990	Rear-All 10 Hole Rotor Hat, w/ Tapped Holes for ABS Ring, 14.75" Diameter		PRT5575	
	1990	Rear-All Hat Shaped 5 Hole Rotor		PRT1271	
	1989-88	Rear-All Hat Shaped 6 Hole Rotor; 5.41" Pilot Hole		PRT1585	
	1989-83	Rear-All 5.41" Center Hole; 6 Hole Stepped Hat		PRT1583	
	1989-83	Rear-All 5 Bolt Holes, 5.41" Pilot Hole, W/ out Tapped Holes For ABS Exciter Ring		PRT1271	
	1989-83	Rear-All 10 Hole Rotor Hat Shaped, 15.37" Diameter		PRT1272	SDR1272
	C70 Kodiak				
Disc Brake Pad Set	1996-90	Front-All w/ 2.50" Dia. Dual Piston Dayton Caliper			MKD224FM
	1996-90	Front-All w/ 2.88" Dia. Dual Piston Bendix Caliper			MKD225FM
	1996-90	Rear-All w/ 2.50" Dia. Dual Piston Dayton Caliper			MKD224FM
	1996-90	Rear-All w/ 2.88" Dia. Dual Piston Bendix Caliper			MKD225FM
Disc Brake Rotor	1996-90	Front-All 10 Hole Rotor Hat, Exc. Tapped Holes for ABS Ring, 15.37" Diameter		PRT1272	SDR1272
	1996-90	Front-All Hat Shaped 5 Hole Rotor		PRT1271	
	1996-91	Rear-All Dayton Axle #23-122687-006, w/ABS Mounting Holes		PRT5574	SDR5574
	1996-90	Rear-All 10 Hole Rotor Hat, Exc. Tapped Holes for ABS Ring, 14.75" Diameter		PRT1874	SDR1874
	1996-90	Rear-All 10 Hole Rotor Hat, Exc. Tapped Holes for ABS Ring, 15.37" Diameter		PRT1272	SDR1272
	1996-90	Rear-All 10 Hole Rotor Hat, w/ Tapped Holes for ABS Ring, 14.75" Diameter		PRT5575	
	1996-90	Rear-All 10 Hole Rotor U-Shaped		PRT1606	
	1996-90	Rear-All Hat Shaped 5 Hole Rotor		PRT1271	
C1500					
Disc Brake Pad Set	1999-92	Front-All Hardware Included	CFM369	SBM369	MKD369FM
	1991-88	Front-All Exc. Heavy Duty Chassis		SBM368	
	1991-88	Front-All w/ Heavy Duty Chassis	CFM369	SBM369	MKD369FM
Drum Brake Shoe	1999-92	Rear-All w/ 11-5/32" X 2-3/4" Brakes		473	
	1998-93	Rear-All w/ 10" X 2-1/4" Brakes		675	
	1992	Rear-All w/ 10" X 2-1/4" Brakes		593	
	1991-88	Rear-All w/ 10" X 2.28" Brakes		593	
Disc Brake Rotor and Hub Assembly	1999-95	Front-All		PRT1829	
	1994-88	Front-All 4.55" Overall Height		PRT1830	
	1991-88	Front-All 4.185" Overall Height		PRT1482	
Brake Drum	1999-92	Rear-All 10 x 2 1/4" Brakes		PDR0540	
	1996-92	Rear-All 11.15" x 2.75" Brakes		PDR0622	
	1991-88	Rear-All		PDR0540	
C1500 Suburban					
Disc Brake Pad Set	1999-95	Front-V8 - 5.7L Hardware Included	CFM369	SBM369	MKD369FM
	1999-95	Front-V8 - 6.5L Hardware Included	CFM370	SBM370	MKD370FM
	1994-92	Front-All Hardware Included	CFM369	SBM369	MKD369FM
Drum Brake Shoe	1999-98	Rear-All DIESEL		451	
	1999-98	Rear-All GAS		473	
	1997-94	Rear-All w/ 13" X 2.57" Brakes		451	
	1997-92	Rear-All w/ 11.16" X 2.81" Brakes		473	
Disc Brake Rotor and Hub Assembly	1999-95	Front-V8 - 5.7L		PRT1829	
	1999-95	Front-V8 - 6.5L		PRT1818	
	1994-92	Front-All		PRT1829	
Brake Drum	1999-97	Rear-All 11.15" x 2.75" Brakes		PDR0622	

BENDIX BRAKE PARTS

PART TYPE	YEAR	APPLICATION	PREMIUM NO.	PART NO.	SEVERE DUTY NO.	
Chevrolet (Cont'd.)						
C1500 Suburban (Cont'd.)						
Brake Drum (cont'd)	1998-97	Rear-All 10 x 2 1/4" Brakes		PDR0540		
	1996-92	Rear-All		PDR0622		
C2500						
Disc Brake Pad Set	2000	Front-All w/ 6 Lug Wheel	CFM369	SBM369	MKD369FM	
	2000	Front-All w/ 8 Lug Wheel	CFM370	SBM370	MKD370FM	
	1999-96	Front-All w/ 7,200 Lb. GVW	CFM369	SBM369	MKD369FM	
	1999-96	Front-All w/ 8,600 Lb. GVW	CFM370	SBM370	MKD370FM	
	1995-92	Front-All w/ 11.15" x 2.75" Brakes	CFM369	SBM369	MKD369FM	
	1995-92	Front-All w/ 13" x 2 1/2" Brakes	CFM370	SBM370	MKD370FM	
	1991-88	Front-All w/ 7,200 Lb. GVW	CFM369	SBM369	MKD369FM	
	1991-88	Front-All w/ 8,600 Lb. GVW	CFM370	SBM370	MKD370FM	
	2000	Rear-All Hardware Included		SBM785		
	2000	Rear-All Hardware Included		CFC785	MKD785FM	
Drum Brake Shoe	2000-99	Rear-All w/ 11.16" X 2.81" Brakes		473		
	2000-88	Rear-All w/ 8,600 Lb. GVW		451		
	1998-88	Rear-All w/ 7,200 Lb. GVW		473		
Disc Brake Rotor and Hub Assembly	2000	Front-All		PRT1818		
	1999-95	Front-All 7200 Lbs. GVW		PRT5107		
	1999-95	Front-All 8600Lbs. GVW		PRT1818		
	1994-88	Front-All 8600Lbs. GVW; 317.5mm		PRT1807		
	1991-88	Front-All 7200 Lbs. GVW		PRT1806		
Brake Drum	2000-90	Rear-All 8600Lbs. GVWR, Except Full Floating Axle, 6.51" Drum Height		PDR0449		
	2000-90	Rear-All 8600Lbs. GVWR, W/ Full Floating Axle, 5.10" Drum Height		PDR0363		
	1998-90	Rear-All 7200 Lbs. GVWR, Except Full Floating Axle, 5.31" Height		PDR0543		
	1990	Rear-All 8600Lbs. GVWR, W/ Full Floating Axle, 5.25" Drum Height		PDR0536		
	1989-88	Rear-All 6 Holes		PDR0543		
	1989-88	Rear-All 8 Holes		PDR0449		
C2500 Suburban						
Disc Brake Pad Set	1999-92	Front-All Hardware Included	CFM370	SBM370	MKD370FM	
Drum Brake Shoe	1999-97	Rear-All w/ 13" X 2-1/2" Brakes		451		
	1999-92	Rear-All w/ 13" X 3-1/2" Brakes		452		
	1996-92	Rear-All w/ 13" X 2.57" Brakes		451		
Disc Brake Rotor and Hub Assembly	1999-92	Front-All		PRT1818		
Brake Drum	1999	Rear-All 13 x 2 1/2" Brakes		PDR0449		
	1999	Rear-All 13 x 3 1/2" Brakes		PDR0619		
	1998-97	Rear-All 13 x 3 1/2" Brakes, 4.6" Hub Hole		PDR0682		
	1998-97	Rear-All 13 x 3 1/2" Brakes, 4.8" Hub Hole		PDR0619		
	1996-92	Rear-All 13 x 2 1/2" Brakes		PDR0449		
	1996-92	Rear-All 13 x 3 1/2" Brakes		PDR0619		
C3500						
Disc Brake Pad Set	2004-01	Front-All Hardware Not Included			MKD717FM	
	2000-94	Front-All Rear Drum, w/ Single Rear Wheels	CFM370	SBM370	MKD370FM	
	2000-90	Front-All Rear Drum, w/ Dual Rear Wheels	CFM459	SBM459	MKD459FM	
	1993-92	Front-All Cab & Chassis, Rear Drum, w/ Single Rear Wheels	CFM370	SBM370	MKD370FM	
	1993-92	Front-All Crew Cab Pickup, Rear Drum, w/ Single Rear Wheels	CFM370	SBM370	MKD370FM	
	1993-92	Front-All Extended Cab Pickup, Rear Drum, w/ Single Rear Wheels	CFM459	SBM459	MKD459FM	
	1993-92	Front-All Standard Cab Pickup, Rear Drum, w/ Single Rear Wheels	CFM370	SBM370	MKD370FM	
	1991-90	Front-All Rear Drum, w/ Single Rear Wheels	CFM370	SBM370	MKD370FM	
	1989-88	Front-All Hardware Included	CFM370	SBM370	MKD370FM	
	2004-95	Rear-All Hardware Not Included			MKD717FM	
	1994	Rear-All Early	CFM149	SBM149	MKD149FM	
	1994	Rear-All w/ 2.60" Dia. Dual Piston Bendix Caliper			MKD717FM	
	1993-88	Rear-All Hardware Included	CFM149		MKD149FM	
	1993-88	Rear-All Hardware Not Included		SBM149		
	Drum Brake Shoe	2000-97	Rear-All		452	
		1996-90	Rear-All w/ 13" X 2.57" Brakes		451	
		1996-90	Rear-All w/ 13" X 3.56" Brakes		452	
1989-88		Rear-All w/ Dual Rear Wheels		452		
1989-88		Rear-All w/ Single Rear Wheels		451		
2000-95		Front-All 5 Stud Rotor		PRT5027		
Disc Brake Rotor	1994-92	Front-All 5 Stud Rotor; Vented; 361.5mm		PRT1480		
	1991	Front-All Dual Rear Wheels (15,000 Lbs. GVW); Vented; 361.5mm		PRT1480		
	1994	Rear-All From VIN #RJ107932		PRT5028		
	1994	Rear-All Thru VIN #RJ107932		PRT1483		
	2000-95	Front-All 8 Stud, Dual Rear Wheels		PRT5134	SDR5134	
Disc Brake Rotor and Hub Assembly	2000-95	Front-All 8 Stud, Single Rear Wheels		PRT1818		

BENDIX BRAKE PARTS

PART TYPE	YEAR	APPLICATION	PREMIUM NO.	PART NO.	SEVERE DUTY NO.	
Chevrolet (Cont'd.)						
C3500 (Cont'd.)						
Disc Brake Rotor and Hub Assembly (cont'd)	1994-90	Front-All Dual Rear Wheels (Exc.15000 Lbs. GVW); 317.5mm		PRT1866		
	1994-88	Front-All Single Rear Wheels; 317.5mm		PRT1807		
Brake Drum	1989-88	Front-All Dual Rear Wheels; 317.2mm		PRT1630		
	2000-97	Rear-All Single Rear Wheels		PDR0619		
	2000-92	Rear-All Dual Rear Wheels		PDR0613		
	1996-92	Rear-All Single Rear Wheels, w/ 13 x 2 1/2" Brakes, w/ Floating Axle		PDR0363		
	1996-92	Rear-All Single Rear Wheels, w/ 13 x 2 1/2" Brakes, w/o Floating Axle		PDR0449		
	1996-92	Rear-All Single Rear Wheels, w/ 13 x 3 1/2" Brakes		PDR0619		
	1991	Rear-All Dual Rear Wheels (10,000, 11,000 & 12,000 GVW)		PDR0613		
	1991	Rear-All Single Rear Wheels (13 x 2 1/2" Brakes)		PDR0363		
	1991	Rear-All Single Rear Wheels (13 x 3 1/2" Brakes)		PDR0619		
	1990-88	Rear-All Dual Rear Wheels; W/ 13 x 3 1/2" Brakes		PDR0613		
	1990-88	Rear-All Single Rear Wheels; 5.25" Overall Height		PDR0536		
	1990	Rear-All Single Rear Wheels; 5.10" Overall Height		PDR0363		
1989-88	Rear-All Single Rear Wheels; W/ 13 x 2 1/2" Brakes		PDR0449			
C3500HD						
Disc Brake Pad Set	2002-01	Front-All Hardware Not Included			MKD717FM	
	2000-94	Front-All Rear Disc, Hardware Not Included			MKD717FM	
	1993-92	Front-All Cab & Chassis - Long Conventional, w/ Single Rear Wheels	CFM370	SBM370	MKD370FM	
	1993-91	Front-All w/ Dual Rear Wheels	CFM459	SBM459	MKD459FM	
	1991	Front-All w/ Single Rear Wheels	CFM370	SBM370	MKD370FM	
	2002	Rear-V8 - 6.5L Hardware Not Included			MKD717FM	
	2002	Rear-V8 - 8.1L Hardware Not Included			MKD717FM	
	2001-95	Rear-All Hardware Not Included			MKD717FM	
	1994	Rear-All Early	CFM149	SBM149	MKD149FM	
	1994	Rear-All w/ 2.60" Dia. Dual Piston Bendix Caliper			MKD717FM	
	1993-91	Rear-All Hardware Included	CFM149		MKD149FM	
	1993-91	Rear-All Hardware Not Included		SBM149		
	Drum Brake Shoe	2000-97	Rear-All		452	
		1996-91	Rear-All w/ 13" X 2.57" Brakes		451	
		1996-91	Rear-All w/ 13" X 3.56" Brakes		452	
Disc Brake Rotor	2002-95	Front-All 5 Stud Rotor		PRT5027		
	1994	Front-All From VIN #RJ107932; 5 Stud		PRT5027		
	1994	Front-All Thru VIN #RJ107932; Vented; 361.5mm		PRT1480		
	1993-91	Front-All Vented; 361.5mm		PRT1480		
	2002-95	Rear-All Rear Disc		PRT5028		
	1994	Rear-All From VIN #RJ107932		PRT5028		
	1994	Rear-All Thru VIN #RJ107932		PRT1483		
	1993-91	Rear-All		PRT1483		
C4500 Kodiak						
Disc Brake Pad Set	2009-03	Front-All Front Axle Rating 6,250 Lbs.			MKD1010FM	
	2009-03	Front-All Front Axle Rating 7,000 Lbs.			MKD1032FM	
	2009-03	Rear-All 5 Hole Rotor			MKD1010FM	
	2009-03	Rear-All 10 Hole Rear Rotor			MKD1064FM	
	Parking Brake Shoe	2005-03	Rear-All w/ 9.56" x 2.51" Brakes		847	
Disc Brake Rotor	2004-03	Front-All Hat Shaped 5 Hole Rotor		PRT5689	SDR5689	
	2009-03	Rear-All 10 Stud rotor, 380mm dia.		PRT5687		
	2009-03	Rear-All Hat Shaped 5 Hole Rotor		PRT5689	SDR5689	
C5500 Kodiak						
Disc Brake Pad Set	2009-03	Front-All Front Axle Rating 6,250 Lbs.			MKD1010FM	
	2009-03	Front-All Front Axle Rating 7,000 Lbs.			MKD1032FM	
	1991	Front-All w/ 2.50" Dayton Dual Piston Calipers			MKD224FM	
	1990	Front-All C5H042, Dayton			MKD224FM	
	2009-03	Rear-All Front Axle Rating 6,250 Lbs.			MKD1010FM	
	2009-03	Rear-All Front Axle Rating 6,250 Lbs.			MKD1064FM	
	2009-03	Rear-All Front Axle Rating 7,000 Lbs.			MKD1032FM	
	1991	Rear-All w/ 2.50" Dayton Dual Piston Calipers			MKD224FM	
	1990	Rear-All C5H042, Dayton			MKD224FM	
	Parking Brake Shoe	2005-04	Rear-All w/ Drum-In-Hat Parking Brake		847	
Disc Brake Rotor	2009-03	Front-All 10 Hole Rotor Hat Shaped, Cast in ABS Ring		PRT5688		
	2009-03	Front-All Hat Shaped 5 Hole Rotor		PRT5689	SDR5689	
	1991-90	Front-All 5 Bolt Holes, 5.41" Pilot Hole, W/ out Tapped Holes For ABS Exciter Ring		PRT1271		
	1991-90	Front-All 10 Hole Rotor Hat Shaped, Exc. Tapped Holes for ABS		PRT1272	SDR1272	
	1990	Front-All 5 Hole Hat Rotor, 5.41" Pilot Hole, W/Tapped Hole For ABS Ring		PRT5574	SDR5574	
	2009-04	Rear-All 10 Stud rotor		PRT5687		
	2009-03	Rear-All 10 Hole Rotor Hat Shaped, 6" Center Hole		PRT5688		
	2009-03	Rear-All Hat Shaped 5 Hole Rotor		PRT5689	SDR5689	

BENDIX BRAKE PARTS

PART TYPE	YEAR	APPLICATION	PREMIUM NO.	PART NO.	SEVERE DUTY NO.	
Chevrolet (Cont'd.)						
C5500 Kodiak (Cont'd.)						
Disc Brake Rotor (cont'd)	1991-90	Rear-All 5 Bolt Holes, 5.41" Pilot Hole, W/ out Tapped Holes For ABS Exciter Ring		PRT1271		
	1991-90	Rear-All 10 Hole Rotor Hat Shaped, Exc. Tapped Holes for ABS		PRT1272	SDR1272	
	1991-90	Rear-All 10 Hole Rotor U-Shaped		PRT1606		
	1991	Rear-All 10 Hole Rotor Hat, w/ Tapped Holes for ABS Ring		PRT5345	SDR5345	
C6500 Kodiak						
Disc Brake Pad Set	2009-03	Front-All Hardware Included			MKD1032FM	
	2002-97	Front-All 2.50" Dual Piston Dayton Caliper			MKD224FM	
	2002-97	Front-All 2.88" Dual Piston Bendix Caliper			MKD225FM	
	2009-03	Rear-All Hardware Included			MKD1032FM	
	2002-97	Rear-All 2.50" Dual Piston Dayton Caliper			MKD224FM	
	2002-97	Rear-All 2.88" Dual Piston Bendix Caliper			MKD225FM	
Disc Brake Rotor	2009-03	Front-All 10 Hole Rotor Hat Shaped		PRT5688		
	2002-97	Front-All 10 Hole Rotor Hat, Exc. Tapped Holes for ABS Ring, 15.37" Diameter		PRT1272	SDR1272	
	2002-97	Front-All Hat Shaped 5 Hole Rotor		PRT1271		
	2009-03	Rear-All 10 Hole Rotor Hat, 3.20" OAH, Cast in ABS Exciter		PRT5688		
	2002-97	Rear-All 5 Hole Hat Rotor, Except Tapped Holes for ABS Ring		PRT1271		
	2002-97	Rear-All 5 Hole Hat Rotor, W/Tapped Hole For ABS Ring		PRT5574	SDR5574	
	2002-97	Rear-All 10 Hole Rotor Hat, Exc. Tapped Holes for ABS Ring, 14.75" Diameter		PRT1874	SDR1874	
	2002-97	Rear-All 10 Hole Rotor Hat, Exc. Tapped Holes for ABS Ring, 15.37" Diameter		PRT1272	SDR1272	
	2002-97	Rear-All 10 Hole Rotor Hat, w/ Tapped Holes for ABS Ring, 14.75" Diameter		PRT5575		
	2002-97	Rear-All 10 Hole Rotor Hat, w/ Tapped Holes for ABS Ring, 15.39" Diameter		PRT5345	SDR5345	
	2002-97	Rear-All Stepped Hat 10 Hole Rotor, w/ 4 Piston Caliper, 15.37" Diameter		PRT5351		
	C7500 Kodiak					
	Disc Brake Pad Set	2009-03	Front-All Hardware Included			MKD1032FM
2002-97		Front-All 2.50" Dual Piston Dayton Caliper			MKD224FM	
2002-97		Front-All 2.88" Dual Piston Bendix Caliper			MKD225FM	
2009-03		Rear-All Hardware Included			MKD1032FM	
2002-97		Rear-All 2.50" Dual Piston Dayton Caliper			MKD224FM	
2002-97		Rear-All 2.88" Dual Piston Bendix Caliper			MKD225FM	
2002		Rear-All C7H042, 2nd Design			MKD1032FM	
Disc Brake Rotor	2009-03	Front-All 10 Hole Rotor Hat Shaped		PRT5688		
	2002-97	Front-All 10 Hole Rotor Hat, Exc. Tapped Holes for ABS Ring, 15.37" Diameter		PRT1272	SDR1272	
	2002-97	Front-All Hat Shaped 5 Hole Rotor		PRT1271		
	2009-03	Rear-All 19,000 # Axle		PRT5688		
	2002-97	Rear-All 10 Hole Rotor Hat, Exc. Tapped Holes for ABS Ring, 14.75" Diameter		PRT1874	SDR1874	
	2002-97	Rear-All 10 Hole Rotor Hat, Exc. Tapped Holes for ABS Ring, 15.37" Diameter		PRT1272	SDR1272	
	2002-97	Rear-All 10 Hole Rotor Hat, w/ Tapped Holes for ABS Ring, 14.75" Diameter		PRT5575		
2002-97	Rear-All 10 Hole Rotor Hat, w/ Tapped Holes for ABS Ring, 15.39" Diameter		PRT5345	SDR5345		
Camaro						
Disc Brake Pad Set	2017-16	Front-All LT, w/ Brembo Brakes	CFC1050	SBM1050		
	2017-16	Front-All LT, w/o Brembo Brakes	CFM1886	SBM1886		
	2017-16	Front-All SS, Hardware Included	CFM1474			
	2017-16	Front-All SS, Hardware Not Included		SBM1474		
	2015-14	Front-V8 - 7.0L Z/28, Hardware Not Included		SBM1395		
	2015-13	Front-V6 - 3.6L Hardware Included	CFC1404	SBC1404	MKD1404FM	
	2015-13	Front-V6 - 3.6L Hardware Included			PBD1404	
	2015-13	Front-V8 - 6.2L ZL1, Supercharged, Hardware Included	CFM1405			
	2015-13	Front-V8 - 6.2L ZL1, Supercharged, Hardware Not Included		SBM1405		
	2015-12	Front-V8 - 6.2L SS, Hardware Included	CFM1474			
	2015-12	Front-V8 - 6.2L SS, Hardware Not Included		SBM1474		
	2012	Front-V6 - 3.6L LS, Hardware Included	CFC1404	SBC1404	MKD1404FM	
	2012	Front-V6 - 3.6L LS, Hardware Included			PBD1404	
	2012	Front-V6 - 3.6L LT, Hardware Included	CFC1404	SBC1404	MKD1404FM	
	2012	Front-V6 - 3.6L LT, Hardware Included			PBD1404	
	2012	Front-V8 - 6.2L ZL1, Hardware Included	CFM1405			
	2012	Front-V8 - 6.2L ZL1, Hardware Not Included		SBM1405		
	2011-10	Front-V6 - 3.6L Hardware Included	CFC1404	SBC1404	MKD1404FM	
	2011-10	Front-V6 - 3.6L Hardware Included			PBD1404	
	2011-10	Front-V8 - 6.2L Hardware Included	CFM1474			
	2011-10	Front-V8 - 6.2L Hardware Not Included		SBM1474		
	2002-99	Front-V6 - 3.8L Hardware Included		SBC749		
	2002-99	Front-V8 - 5.7L Hardware Included		SBC749		

BENDIX BRAKE PARTS

PART TYPE	YEAR	APPLICATION	PREMIUM NO.	PART NO.	SEVERE DUTY NO.
Chevrolet (Cont'd.)					
Camaro (Cont'd.)					
Disc Brake Pad Set (cont'd)	1998	Front-All Hardware Included		SBC749	
	1997	Front-All Hardware Not Included		SBC623	
	1996-95	Front-V6 - 3.8L Hardware Not Included		SBC623	
	1996-95	Front-V8 - 5.7L Hardware Not Included		SBC623	
	1995	Front-V6 - 3.4L Hardware Not Included		SBC623	
	1994	Front-All Hardware Not Included		SBC623	
	1993	Front-All Hardware Not Included		SBC505	
	1992-88	Front-All w/o Performance Package	CFC154	SBC154	MKD154FM
	1992-88	Front-All w/ Performance Package	CFM412	SBM412	
	1987-82	Front-All Hardware Not Included	CFC154	SBC154	MKD154FM
	1981-70	Front-All Hardware Included		SBC52	MKD52FM
	1974-71	Front-All Rear Disc, Hardware Not Included		SBM8	
	1969	Front-All Rear Disc, Hardware Not Included		SBM8	
	1969	Front-All Rear Drum, Hardware Included		SBC52	MKD52FM
	2018	Rear-All Hardware Included	CFM592A		
	2018	Rear-All Hardware Not Included		SBM592A	
	2017-16	Rear-All LT, Hardware Included	CFM1877	SBM1877	
	2017-16	Rear-All SS, Hardware Not Included	CFC1718	SBC1718	
	2015-14	Rear-V8 - 6.2L SS, Hardware Included	CFM592A		
	2015-14	Rear-V8 - 6.2L SS, Hardware Not Included		SBM592A	
	2015-14	Rear-V8 - 6.2L ZL1, Hardware Included	CFM592A		
	2015-14	Rear-V8 - 6.2L ZL1, Hardware Not Included		SBM592A	
	2015-14	Rear-V8 - 7.0L Z/28, Hardware Included	CFM1129		
	2015-14	Rear-V8 - 7.0L Z/28, Hardware Not Included		SBM1129	
	2015-13	Rear-V6 - 3.6L Hardware Included	CFC1337	SBC1337	
	2013	Rear-V8 - 6.2L Hardware Included	CFM592A		
	2013	Rear-V8 - 6.2L Hardware Not Included		SBM592A	
	2012	Rear-V6 - 3.6L LS, Hardware Included	CFC1337	SBC1337	
	2012	Rear-V6 - 3.6L LT, Hardware Included	CFC1337	SBC1337	
	2012	Rear-V8 - 6.2L SS, Hardware Included	CFM592A		
	2012	Rear-V8 - 6.2L SS, Hardware Not Included		SBM592A	
	2012	Rear-V8 - 6.2L ZL1, Hardware Included	CFM592A		
	2012	Rear-V8 - 6.2L ZL1, Hardware Not Included		SBM592A	
	2011-10	Rear-V6 - 3.6L Hardware Included	CFC1337	SBC1337	
	2011-10	Rear-V8 - 6.2L Hardware Included	CFM592A		
	2011-10	Rear-V8 - 6.2L Hardware Not Included		SBM592A	
	2002-99	Rear-V6 - 3.8L Hardware Included	CFC750	SBC750	
	2002-99	Rear-V8 - 5.7L Hardware Included	CFC750	SBC750	
	1998	Rear-All Hardware Included	CFC750	SBC750	
	1997	Rear-All Hardware Not Included		SBM413	
	1996-95	Rear-V6 - 3.8L Hardware Not Included		SBM413	
	1996-95	Rear-V8 - 5.7L Hardware Not Included		SBM413	
	1995	Rear-V6 - 3.4L Hardware Not Included		SBM413	
	1994-89	Rear-All Hardware Not Included		SBM413	
	1988	Rear-All 1st Design	CFC154	SBC154	MKD154FM
	1988	Rear-All 2nd Design		SBM413	
	1987-82	Rear-All Hardware Not Included	CFC154	SBC154	MKD154FM
	1974-67	Rear-All Hardware Not Included		SBM8	
Drum Brake Shoe	1969-67	Front-All w/ 9.5" X 2.56" Brakes		246	
	1997-82	Rear-All w/ 9.5" X 2.06" Brakes		514	
	1981-67	Rear-All w/ 9.5" X 2.06" Brakes		242	
	1981-67	Rear-All w/ 9.5" X 2.06" Brakes		245	
Parking Brake Shoe	2002-98	Rear-All		784	
Disc Brake Rotor	2015-10	Front-V6 - 3.6L		PRT5973	
	2015-10	Front-V8 - 6.2L		PRT5999	
	2002-98	Front-All		PRT5150	
	1997-93	Front-All		PRT1868	
	2019-17	Rear-All w/ Brake Code J6H		PRT5901	
	2019	Rear-All w/ GM Brake Code J55		PRT6073	
	2018	Rear-All w/ GM Brake Code JL9 or J55		PRT6073	
	2017-16	Rear-All LT		PRT6073	
	2017	Rear-All LS		PRT6073	
	2015-10	Rear-V6 - 3.6L		PRT5836	
	2015-10	Rear-V8 - 6.2L		PRT5901	
	2002-98	Rear-All		PRT5264	
	1997-93	Rear-All		PRT1888FC	
	1992-89	Rear-All		PRT1473	
	1988	Rear-All 10.5" diameter rotor		PRT1287	
	1988	Rear-All 11.65" diameter rotor		PRT1473	
	1987-82	Rear-All		PRT1287	
	1968	Rear-All		PRT1213	
Disc Brake Rotor and Hub Assembly	1992-88	Front-All 10.5" diameter rotor		PRT1233	
	1992-88	Front-All 11.89" diameter rotor; 301.5mm		PRT1603	
	1987-82	Front-All		PRT1233	

BENDIX BRAKE PARTS

PART TYPE	YEAR	APPLICATION	PREMIUM NO.	PART NO.	SEVERE DUTY NO.	
Chevrolet (Cont'd.)						
Camaro (Cont'd.)						
Disc Brake Rotor and Hub Assembly (cont'd)	1981-79	Front-All		PRT1201		
	1978-70	Front-All		PRT1040		
Brake Drum	1969-67	Front-All 1 Piston Caliper		PRT1039		
	1970	Front-All		PDR0059		
	1969-67	Front-All Finned Drum		PDR0059		
	1968-67	Front-All Plain Drum		PDR0052		
	1997-93	Rear-All		PDR0610		
	1992-89	Rear-All		PDR0454		
	1988	Rear-All Rear Drum, Cast iron replacement		PDR0454		
	1987-85	Rear-All Cast iron replacement		PDR0454		
	1984	Rear-All Rear Drum, Cast iron replacement		PDR0454		
	1983	Rear-All Rear Drum, Rear drum brake 9 1/2" x 2"		PDR0454		
	1982	Rear-All Rear drum brake 9 1/2" x 2"		PDR0454		
	1981-80	Rear-All Cast iron replacement		PDR0454		
	1979-75	Rear-All		PDR0454		
	1974-67	Rear-All Finned Drum		PDR0053		
Caprice						
Disc Brake Pad Set	2017-13	Front-All PPV, Hardware Included	CFC1404	SBC1404	MKD1404FM	
	2017-13	Front-All PPV, Hardware Included			PBD1404	
	2012	Front-V6 - 3.6L PPV, Hardware Included	CFC1351	SBC1351	MKD1351FM	
	2012	Front-V6 - 3.6L PPV, Hardware Included			PBD1351	
	2012	Front-V8 - 6.0L PPV, Hardware Included	CFC1404	SBC1404	MKD1404FM	
	2012	Front-V8 - 6.0L PPV, Hardware Included			PBD1404	
	2011	Front-All PPV, Hardware Included	CFC1404	SBC1404	MKD1404FM	
	2011	Front-All PPV, Hardware Included			PBD1404	
	1996-93	Front-All Exc. Police, Taxi		SBC52	MKD52FM	
	1996-93	Front-All Police, Taxi		SBM614A		
	1992-69	Front-All Hardware Included		SBC52	MKD52FM	
	2017-11	Rear-All PPV, Hardware Included	CFC1352	SBC1352	MKD1352FM	
	2017-11	Rear-All PPV, Hardware Included			PBD1352	
	1996-94	Rear-All Hardware Included		SBM628		
	Drum Brake Shoe	1996-92	Rear-All w/ 9-1/2" X 2" Brakes		242	
		1996-92	Rear-All w/ 9-1/2" X 2" Brakes		245	
		1996-92	Rear-All w/ 11" X 2" Brakes		462	
		1991-77	Rear-All 4 Doors, Sedan, Exc. Police Car Or Taxi		242	
		1991-77	Rear-All 4 Doors, Sedan, Exc. Police Car Or Taxi		245	
		1991-77	Rear-All 4 Doors, Sedan, Police Car And Taxi		462	
1991-77		Rear-All 4 Doors, Wagon		462		
1987-84		Rear-All 2 Doors, Coupe, Exc. Police Car Or Taxi		242		
1987-84		Rear-All 2 Doors, Coupe, Exc. Police Car Or Taxi		245		
1982-77		Rear-All 2 Doors, Coupe, Exc. Police Car Or Taxi		242		
1982-77		Rear-All 2 Doors, Coupe, Exc. Police Car Or Taxi		245		
1976-71		Rear-All w/ 11" X 2.12" Brakes		462		
1970-67		Rear-All		228		
Parking Brake Shoe		1966	Rear-All Front Drum		228	
	2015	Rear-All		784		
	2011	Rear-All		784		
	1996-94	Rear-All		881		
Disc Brake Rotor	2017-11	Front-All		PRT5839	SDR5839	
	2017-12	Rear-All		PRT6169	SDR6169	
	2011	Rear-All		PRT5932 ⁸⁷	SDR5932 ⁸⁸	
	1996-94	Rear-All		PRT5033		
Disc Brake Rotor and Hub Assembly	1996-91	Front-All		PRT5012		
	1990-79	Front-All 11" Rotor		PRT1201		
	1990-78	Front-All 12" Rotor		PRT1216		
	1978-77	Front-All 11" Rotor		PRT1040		
	1977	Front-All 12" Rotor		PRT1156		
	1976-71	Front-All		PRT1043		
Brake Drum	1970-66	Front-All		PDR0042		
	1996-94	Rear-All 11 x 2" Brakes		PDR0201		
	1993-76	Rear-All 11" drum (3" deep)		PDR0199		
	1993-76	Rear-All 11" drum (4 1/2" deep)		PDR0201		
	1990-77	Rear-All Rear drum brake 9 1/2" x 2"		PDR0454		
	1976	Rear-All Rear drum brake 12" x 2"		PDR0200		
	1975-71	Rear-All 11" x 2" Brakes		PDR0199		
	1975-71	Rear-All 12" x 2" Brakes		PDR0200		
	1970-66	Rear-All		PDR0022		
	Captiva Sport					
Disc Brake Pad Set	2015-14	Front-All MEX, Hardware Included	CFM1678	SBM1678		
	2015-14	Front-All USA, Hardware Included	CFC1264	SBC1264		
	2013-08	Front-All Hardware Included	CFC1264	SBC1264		
	2015-08	Rear-All Hardware Included	CFC1275	SBC1275		

87 Sell out and reorder PRT6169

88 Sell out and reorder SDR6169

BENDIX BRAKE PARTS

PART TYPE	YEAR	APPLICATION	PREMIUM NO.	PART NO.	SEVERE DUTY NO.
Chevrolet (Cont'd.)					
Captiva Sport (Cont'd.)					
Parking Brake Shoe	2015-12	Rear-All		932	
Disc Brake Rotor	2015-12	Front-All		PRT5693	
	2015-12	Rear-All		PRT5694	
Cavalier					
Disc Brake Pad Set	2005-92	Front-All Hardware Included		SBC506	
	2005-92	Front-All Hardware Included		SBM506	
	1991-82	Front-All Hardware Not Included		SBM289	
Drum Brake Shoe	2005-03	Rear-All w/ 230.1mm X 42.4mm Brakes		795	
	2003-95	Rear-All w/ 225mm X 45mm Brakes		636	
	2002-92	Rear-All w/ 200mm X 45mm Brakes		553	
	2002-92	Rear-All w/ 200mm X 45mm Brakes		719	
	1991-85	Rear-All w/ 7.87" X 1.82" Brakes		553	
	1991-85	Rear-All w/ 7.87" X 1.82" Brakes		719	
Disc Brake Rotor	1984-82	Rear-All w/ 7.87" X 1.82" Brakes		522	
	2005-92	Front-All		PRT1530	
	1991-85	Front-All		PRT1376	
	1984-83	Front-All		PRT1218	
	1982	Front-All Solid Rotors		PRT1393	
Brake Drum	1982	Front-All Vented Rotors		PRT1218	
	2005-03	Rear-All		PDR0762	
Disc Brake Rotor	2002-95	Rear-All 225mm Drum		PDR0426	
	1993-82	Rear-All		PDR0385	
Celebrity					
Disc Brake Pad Set	1990	Front-All Hardware Not Included		SBC215	
	1989-85	Front-All Exc. Light Duty Brakes		SBC215	
	1989-85	Front-All w/ Light Duty Brakes		SBM289	
	1984-83	Front-All w/ GM Brake Code JA1 Or JA8		SBM159	
	1984-83	Front-All w/ GM Brake Code JA2 Or JA3		SBC215	
	1982	Front-All Hardware Not Included		SBM159	
Drum Brake Shoe	1990-83	Rear-All w/ 8.86" X 1.81" Brakes		552	
	1984-83	Rear-All w/o 8.86" X 1.81" Brakes		521	
	1982	Rear-All		521	
Disc Brake Rotor	1990	Front-All		PRT1263	
	1989-83	Front-All 9.75" Rotor Diameter		PRT1220	
	1989-83	Front-All 10.25" diameter rotor		PRT1263	
Brake Drum	1990	Rear-All Heavy Duty Brakes		PDR0451	
	1989-85	Rear-All Wagon, JA2, JA8 brake system		PDR0451	
	1989-83	Rear-All Sedan, JA2, JA8 brake system		PDR0448	
	1989-83	Rear-All Sedan, W/ JA1 Brake System		PDR0426	
	1988-83	Rear-All Coupe, JA2, JA8 brake system		PDR0448	
	1988-83	Rear-All Coupe, W/ JA1 Brake System		PDR0426	
1982	Rear-All		PDR0426		
Chevellé					
Disc Brake Pad Set	1973-69	Front-All Hardware Included		SBC52	MKD52FM
Drum Brake Shoe	1972-64	Front-All w/ 9.5" X 2.56" Brakes		246	
	1973	Rear-All 2 Doors, Convertible, w/ 9.5" X 2.06" Brakes		242	
	1973	Rear-All 2 Doors, Convertible, w/ 9.5" X 2.06" Brakes		245	
	1973	Rear-All 2 Doors, Coupe, w/ 9.5" X 2.06" Brakes		242	
	1973	Rear-All 2 Doors, Coupe, w/ 9.5" X 2.06" Brakes		245	
	1973	Rear-All 2 Doors, Hardtop, w/ 9.5" X 2.06" Brakes		242	
	1973	Rear-All 2 Doors, Hardtop, w/ 9.5" X 2.06" Brakes		245	
	1973	Rear-All 4 Doors, Hardtop, w/ 9.5" X 2.06" Brakes		242	
	1973	Rear-All 4 Doors, Hardtop, w/ 9.5" X 2.06" Brakes		245	
	1973	Rear-All 4 Doors, Sedan, w/ 9.5" X 2.06" Brakes		242	
	1973	Rear-All 4 Doors, Sedan, w/ 9.5" X 2.06" Brakes		245	
	1973	Rear-All w/ 11" X 2.12" Brakes		462	
	1972-66	Rear-All w/ 9.5" X 2.06" Brakes		242	
	1972-66	Rear-All w/ 9.5" X 2.06" Brakes		245	
	1964	Rear-All w/ 9.5" X 2.06" Brakes		242	
	1964	Rear-All w/ 9.5" X 2.06" Brakes		245	
	Disc Brake Rotor and Hub Assembly	1973	Front-All		PRT1040
1972-68		Front-All		PRT1039	
1967		Front-All with single piston caliper		PRT1039	
Brake Drum	1972-68	Front-All finned drum		PDR0059	
	1968-64	Front-All plain drum		PDR0052	
	1973	Rear-All 11" Brakes		PDR0274	
	1973	Rear-All Rear drum brake 9 1/2" x 2"		PDR0454	
	1972-70	Rear-All Chevrolet style round axle cover		PDR0053	
	1969-64	Rear-All		PDR0053	
Chevette					
Drum Brake Shoe	1987-85	Rear-All w/ 7.87" X 1.82" Brakes		553	
	1987-85	Rear-All w/ 7.87" X 1.82" Brakes		719	

BENDIX BRAKE PARTS

PART TYPE	YEAR	APPLICATION	PREMIUM NO.	PART NO.	SEVERE DUTY NO.	
Chevrolet (Cont'd.)						
Chevette (Cont'd.)						
Drum Brake Shoe (cont'd)	1984-80	Rear-All w/ 7.87" X 1.82" Brakes		522		
Disc Brake Rotor and Hub Assembly	1987-78	Front-All		PRT1215		
Brake Drum	1987-76	Rear-All		PDR0341		
Chevy II						
Drum Brake Shoe	1967-64	Front-All w/ 9.5" X 2.56" Brakes		246		
	1968-64	Rear-All w/ 9.5" X 2.06" Brakes		242		
	1968-64	Rear-All w/ 9.5" X 2.06" Brakes		245		
Disc Brake Rotor and Hub Assembly	1968-67	Front-All		PRT1039		
Brake Drum	1968-67	Front-All		PDR0059		
Cheyenne						
Disc Brake Pad Set	2017-15	Front-All Hardware Included	CFC1363	SBC1363	MKD1363FM	
	2017-15	Front-All Hardware Included			PBD1363	
	2013	Front-All Hardware Included	CFC1363	SBC1363	MKD1363FM	
	2013	Front-All Hardware Included			PBD1363	
	2017-15	Rear-All Hardware Included	CFC1707	SBC1707	MKD1707FM	
Citation						
Disc Brake Pad Set	1985-80	Front-All Hardware Not Included		SBM159		
Drum Brake Shoe	1983-80	Rear-All w/ 7.87" X 1.82" Brakes		522		
Disc Brake Rotor	1983-80	Front-All		PRT1220		
Brake Drum	1983-81	Rear-All		PDR0393		
	1980	Rear-All Finned Drum		PDR0393		
	1980	Rear-All Plain Drum		PDR0385		
Citation II						
Disc Brake Pad Set	1985	Front-All Manual Brake, Hardware Not Included		SBM289		
	1985	Front-All Power Brake, Hardware Not Included		SBM289		
	1984	Front-All Hardware Not Included		SBM159		
Drum Brake Shoe	1985	Rear-All w/ 7.87" X 1.82" Brakes		553		
	1985	Rear-All w/ 7.87" X 1.82" Brakes		719		
	1984	Rear-All w/ 7.87" X 1.82" Brakes		522		
Disc Brake Rotor	1985-84	Front-All		PRT1220		
Brake Drum	1985-84	Rear-All		PDR0393		
City Express						
Disc Brake Pad Set	2018-15	Front-All Hardware Included	CFC1094	SBC1094	MKD1094FM	
Disc Brake Rotor	2018-15	Front-All		PRT6120		
Brake Drum	2018-15	Rear-All		PDR0856		
Classic						
Disc Brake Pad Set	2005-04	Front-All Hardware Included	CFC727	SBC727	MKD727FM	
Drum Brake Shoe	2005-04	Rear-All w/ 8.86" X 1.82" Brakes		720		
Disc Brake Rotor	2005-04	Front-All		PRT5158		
Brake Drum	2005-04	Rear-All		PDR0451		
Cobalt						
Disc Brake Pad Set	2010-08	Front-All LS, Hardware Included	CFC956	SBC956		
	2010-08	Front-All LT, Hardware Included	CFC956	SBC956		
	2010-08	Front-All SS, Hardware Not Included		SBM1379		
	2010	Front-All Base, Hardware Included	CFC956	SBC956		
	2010	Front-All LT Team Canada, Hardware Included	CFC956	SBC956		
	2008	Front-All Sport, Hardware Included	CFC1160	SBC1160		
	2007-05	Front-All Rear Disc, Hardware Included	CFC1028	SBC1028		
	2007-05	Front-All Rear Drum, Hardware Included	CFC956	SBC956		
	2010-09	Rear-All Hardware Included	CFC1095	SBC1095		
	2008-06	Rear-L4 - 2.4L Hardware Included	CFC1033	SBC1033		
	2008	Rear-L4 - 2.0L Hardware Included	CFC1095	SBC1095		
	2007-05	Rear-L4 - 2.0L Hardware Included	CFC1033	SBC1033		
	Drum Brake Shoe	2010-09	Rear-All w/ 9.06" X 1.67" Brakes		800	
		2008-05	Rear-All w/ 9.06" X 1.67" Brakes		860	
Disc Brake Rotor	2010-08	Front-L4 - 2.0L SS		PRT5893		
	2010-08	Front-L4 - 2.2L 4 Stud Rotor		PRT5899		
	2010-07	Front-L4 - 2.2L 5 Stud Rotor		PRT5690		
	2008	Front-L4 - 2.4L Sport		PRT5528		
	2007	Front-L4 - 2.0L SS		PRT5528		
	2007	Front-L4 - 2.2L 4 Stud Rotor		PRT5419 ⁷²		
	2007	Front-L4 - 2.4L SS		PRT5528		
	2006-05	Front-All 4 Stud		PRT5419 ⁷²		
	2006-05	Front-All 5 Lug Wheels		PRT5528		
	2010-09	Rear-All		PRT5900		
	2008	Rear-All Solid Rotor		PRT5563		
	2008	Rear-All Vented Rotors		PRT5900		
	2007-06	Rear-All 5 Lug Wheels		PRT5563		
	2005	Rear-All		PRT5563		
Brake Drum	2010-09	Rear-All 4 Stud		PDR0837		
	2010-09	Rear-All 5 Lug Wheels		PDR0838		

72 Sell out and reorder PRT5899

BENDIX BRAKE PARTS

PART TYPE	YEAR	APPLICATION	PREMIUM NO.	PART NO.	SEVERE DUTY NO.
Chevrolet (Cont'd.)					
Cobalt (Cont'd.)					
Brake Drum (cont'd)	2008-06	Rear-All 4 Stud		PDR0766	
	2008-06	Rear-All 5 Lug Wheels		PDR0817	
	2005	Rear-All		PDR0766	
Colorado					
Disc Brake Pad Set	2018-15	Front-All Hardware Included	CFC1802		
	2012-09	Front-All Hardware Included	CFC1169	SBC1169	MKD1169FM
	2008-07	Front-L4 - 2.9L Hardware Included	CFC1039	SBC1039	
	2008-07	Front-L5 - 3.7L Hardware Included	CFC1039	SBC1039	
	2006-04	Front-L4 - 2.8L Hardware Included	CFC1039	SBC1039	
	2006-04	Front-L5 - 3.5L Hardware Included	CFC1039	SBC1039	
	2018-15	Rear-All Hardware Included	CFC1806		
Drum Brake Shoe	2012-09	Rear-All		959	
	2008-04	Rear-All w/ 11.66" X 1.85" Brakes		815	
Disc Brake Rotor	2018-15	Front-All		PRT6383	
	2012-09	Front-All		PRT5906	SDR5906
	2008-04	Front-All		PRT5509	
	2018-15	Rear-All		PRT6382	
Brake Drum	2012-04	Rear-All		PDR0798	
Commercial Chassis					
Disc Brake Pad Set	1994	Front-All Hardware Included		SBM614A	
	1993	Front-All Exc. Police, Taxi		SBC52	MKD52FM
	1993	Front-All Police, Taxi		SBM614A	
	1992-91	Front-All Hardware Included		SBC52	MKD52FM
	1994	Rear-All Hardware Included		SBM628	
Disc Brake Rotor and Hub Assembly	1994-91	Front-All		PRT5012	
Corsica					
Disc Brake Pad Set	1996-92	Front-All Hardware Included		SBC506	
	1996-92	Front-All Hardware Included		SBM506	
	1991-87	Front-All Hardware Not Included		SBM289	
Drum Brake Shoe	1996	Rear-All Exc. Vehicles Built For United States Market		636	
	1996	Rear-All Vehicles Built For United States Market		553	
	1996	Rear-All Vehicles Built For United States Market		719	
	1995-87	Rear-All w/ 7.87" X 1.82" Brakes		553	
	1995-87	Rear-All w/ 7.87" X 1.82" Brakes		719	
Disc Brake Rotor	1996-92	Front-All		PRT1530	
	1991-87	Front-All		PRT1376	
Brake Drum	1993-87	Rear-All		PDR0385	
Corvair					
Drum Brake Shoe	1969-65	Front-All		242	
	1969-65	Front-All In Supersession Process, Exhaust Current Inventory		245	
	1969-65	Rear-All		246	
Brake Drum	1969-65	Rear-All		PDR0052	
Corvair Truck					
Drum Brake Shoe	1964-61	Front-All w/ 11" X 2.07" Brakes		228	
	1964-61	Rear-All w/ 11" X 2.07" Brakes		228	
Brake Drum	1964-61	Front-All		PDR0022	
	1964-61	Rear-All		PDR0022	
Corvette					
Disc Brake Pad Set	2018	Front-All Hardware Included	CFM1474		
	2018	Front-All Hardware Not Included		SBM1474	
	2017	Front-All CAN, Hardware Included	CFM1474		
	2017	Front-All CAN, Hardware Not Included		SBM1474	
	2017	Front-All USA, Hardware Included	CFM1405		
	2017	Front-All USA, Hardware Not Included		SBM1405	
	2016	Front-All w/ JL9 Brakes	CFC1836	SBC1836	
	2016	Front-All w/o JL9 Brakes		SBM1395	
	2015	Front-All Stingray, Exc. Heavy Duty Brakes/Performance Linings	CFM1474A	SBM1474A	
	2015	Front-All Z06, w/ Ceramic Rotor		SBM1395	
	2015	Front-All Z06, w/ Iron Rotor	CFM1405	SBM1405	
	2014	Front-All Hardware Included	CFM1474		
	2014	Front-All Hardware Not Included		SBM1474	
	2013-11	Front-All Base, Hardware Included	CFM731	SBC731	
	2013	Front-All 427, Hardware Included	CFM1419F	SBM1419F	
	2013	Front-All Grand Sport, Hardware Included	CFM1419F	SBM1419F	
	2013	Front-All ZR1, Hardware Not Included		SBM1395	
	2012	Front-All Grand Sport, w/ Carbon Ceramic Disc (J57)		SBM1395	
	2012	Front-All Grand Sport, w/ Heavy Duty Brakes (J56)	CFM1419F	SBM1419F	
	2012	Front-All Z06, w/ Carbon Ceramic Disc (J57)		SBM1395	
	2012	Front-All Z06, w/ Heavy Duty Brakes (J56)	CFM1419F	SBM1419F	
	2012	Front-All ZR1, w/ Carbon Ceramic Disc (J57)		SBM1395	

BENDIX BRAKE PARTS

PART TYPE	YEAR	APPLICATION	PREMIUM NO.	PART NO.	SEVERE DUTY NO.
Chevrolet (Cont'd.)					
Corvette (Cont'd.)					
Disc Brake Pad Set (cont'd)	2012	Front-All ZR1, w/ Heavy Duty Brakes (J56)	CFM1419F	SBM1419F	
	2011	Front-All Grand Sport, Hardware Included	CFM1419F	SBM1419F	
	2011	Front-All Z06, Hardware Included	CFM1419F	SBM1419F	
	2010-09	Front-V8 - 6.2L Base, Hardware Included	CFM731	SBC731	
	2010-09	Front-V8 - 6.2L ZR1, Hardware Not Included		SBM1395	
	2010-09	Front-V8 - 7.0L Z06, Hardware Included	CFM1419F	SBM1419F	
	2010	Front-V8 - 6.2L Grand Sport, Hardware Included	CFM1419F	SBM1419F	
	2008	Front-V8 - 6.2L Hardware Included	CFM731	SBC731	
	2007-05	Front-V8 - 6.0L Hardware Included	CFM731	SBC731	
	2004-97	Front-V8 - 5.7L Hardware Included	CFM731	SBC731	
	1996-95	Front-V8 - 5.7L Hardware Included	CFM412		
	1996-95	Front-V8 - 5.7L Hardware Not Included		SBM412	
	1994-88	Front-All Hardware Included	CFM412		
	1994-88	Front-All Hardware Not Included		SBM412	
	1987-85	Front-All Hardware Not Included		SBM294	
	1982-65	Front-All Hardware Not Included		SBM8	
	2018	Rear-All Hardware Not Included	CFC1718	SBC1718	
	2017	Rear-All CAN, Hardware Not Included	CFC1718	SBC1718	
	2017	Rear-All MEX, Hardware Included	CFM1129		
	2017	Rear-All MEX, Hardware Not Included		SBM1129	
	2017	Rear-All USA, Hardware Not Included	CFC1718	SBC1718	
	2016	Rear-All Hardware Included	CFM1129		
	2016	Rear-All Hardware Not Included		SBM1129	
	2015	Rear-All Stingray, Hardware Not Included	CFC1718	SBC1718	
	2015	Rear-All Z06, w/ Ceramic Brakes	CFM1129	SBM1129	
	2015	Rear-All Z06, w/o Ceramic Brakes	CFC1718	SBC1718	
	2015	Rear-All Z51, Hardware Not Included	CFC1718	SBC1718	
	2014	Rear-All Hardware Not Included	CFC1718	SBC1718	
	2013	Rear-All 427, Hardware Included	CFM1419R	SBM1419R	
	2013	Rear-All Base, w/ GM Brake Code J55	CFM732	SBC732	
	2013	Rear-All Grand Sport, Hardware Included	CFM1419R	SBM1419R	
	2013	Rear-All Z06, w/o Ceramic Composite Brakes	CFM1419R	SBM1419R	
	2012-11	Rear-All Base, Severe Duty Friction Formula	CFM732	SBC732	
	2012	Rear-All Grand Sport, w/ Carbon Ceramic Disc (J57)	CFM1129	SBM1129	
	2012	Rear-All Grand Sport, w/ Heavy Duty Brakes (J56)	CFM1419R	SBM1419R	
	2012	Rear-All Z06, w/ Carbon Ceramic Disc (J57)	CFM1129	SBM1129	
	2012	Rear-All Z06, w/ Heavy Duty Brakes (J56)	CFM1419R	SBM1419R	
	2012	Rear-All ZR1, w/ Carbon Ceramic Disc (J57)	CFM1129	SBM1129	
	2012	Rear-All ZR1, w/ Heavy Duty Brakes (J56)	CFM1419R	SBM1419R	
	2011	Rear-All Grand Sport, Hardware Included	CFM1419R	SBM1419R	
	2011	Rear-All Z06, Hardware Included	CFM1419R	SBM1419R	
	2010-09	Rear-V8 - 6.2L Base, Hardware Included	CFM732	SBC732	
	2010-09	Rear-V8 - 6.2L ZR1, Hardware Included	CFM1129		
	2010-09	Rear-V8 - 6.2L ZR1, Hardware Not Included		SBM1129	
	2010	Rear-V8 - 6.2L Grand Sport, Hardware Included	CFM1419R	SBM1419R	
	2010	Rear-V8 - 7.0L Z06, Hardware Included	CFM1419R	SBM1419R	
	2009-06	Rear-V8 - 7.0L Hardware Included	CFM1419R	SBM1419R	
	2008	Rear-V8 - 6.2L Hardware Included	CFM732	SBC732	
	2007-05	Rear-V8 - 6.0L Hardware Included	CFM732	SBC732	
	2004-97	Rear-V8 - 5.7L Hardware Included	CFM732	SBC732	
	1996-95	Rear-V8 - 5.7L Hardware Not Included		SBM413A	
	1994-88	Rear-All Hardware Not Included		SBM413A	
	1987-86	Rear-All Hardware Not Included		SBM295	
	1982-65	Rear-All Hardware Not Included		SBM8	
Drum Brake Shoe	1962-53	Front-All		228	
	1965-63	Rear-All		228	
Parking Brake Shoe	2012-97	Rear-All		784	
	1982-65	Rear-All		741	
Disc Brake Rotor	2013-10	Front-V8 - 6.2L Grand Sport		PRT6050	
	2013-09	Front-V8 - 6.2L Base, exc. Heavy Duty Brakes		PRT5790	
	2013-09	Front-V8 - 6.2L Base, w/ Heavy Duty Brakes		PRT5789	
	2013-06	Front-V8 - 7.0L Z06		PRT6050	
	2008	Front-V8 - 6.2L Exc.Heavy Duty Brakes		PRT5790	
	2008	Front-V8 - 6.2L Heavy Duty Brakes		PRT5789	
	2007-05	Front-V8 - 6.0L Exc.Heavy Duty Brakes		PRT5790	
	2007-05	Front-V8 - 6.0L Heavy Duty Brakes		PRT5789	
	2004-97	Front Left-All		PRT5168	
	2004-97	Front Right-All		PRT5167	
	1996-88	Front-All Exc.Heavy Duty Brakes		PRT1479	
	1996-88	Front Left-All Heavy Duty Brakes		PRT1897	
	1996-88	Front Right-All Heavy Duty Brakes		PRT1898	
	1987-84	Front-All		PRT1283	
	1982-65	Front-All		PRT1212	
	2013-09	Rear-V8 - 6.2L Base, exc. Heavy Duty Brakes		PRT5791	

BENDIX BRAKE PARTS

PART TYPE	YEAR	APPLICATION	PREMIUM NO.	PART NO.	SEVERE DUTY NO.	
Chevrolet (Cont'd.)						
Corvette (Cont'd.)						
Disc Brake Rotor (cont'd)	2013-09	Rear-V8 - 6.2L Base, w/ Heavy Duty Brakes		PRT5663		
	2010	Rear-V8 - 6.2L Grand Sport		PRT5791		
	2008	Rear-V8 - 6.2L Exc. Heavy Duty Brakes		PRT5791		
	2008	Rear-V8 - 6.2L Heavy Duty Brakes		PRT5663		
	2007-05	Rear-V8 - 6.0L Exc. Heavy Duty Brakes		PRT5791		
	2007-05	Rear-V8 - 6.0L Heavy Duty Brakes		PRT5663		
	2004-97	Rear Left-All		PRT5170		
	2004-97	Rear Right-All		PRT5169		
	1996-88	Rear-All		PRT1478		
	1987-84	Rear-All		PRT1284		
	1982-65	Rear-All		PRT1213		
	Brake Drum	1964-63	Front-All		PDR0042	
		1962-53	Front-All		PDR0022	
1964-53		Rear-All		PDR0022		
Cruze						
Disc Brake Pad Set	2018-17	Front-All Hardware Included	CFC1844			
	2016-11	Front-All GAS, Hardware Included	CFC1522	SBC1522		
	2015-14	Front-All DIESEL, Hardware Included	CFC1467	SBC1467		
	2015-11	Front-All FLEX, Hardware Included	CFC1522	SBC1522		
	2018-16	Rear-All Hardware Included	CFC1857	SBC1857		
	2015-14	Rear-L4 - 2.0L Hardware Included	CFC1468	SBC1468		
	2015-11	Rear-L4 - 1.4L Hardware Included	CFC1468	SBC1468		
	2010	Rear-All Hardware Included	CFC1468	SBC1468		
Disc Brake Rotor	2019-16	Front-All		PRT6063		
	2015-14	Front-All 15" Wheels		PRT6063		
	2015-14	Front-All 16" Wheels		PRT6093		
	2013-11	Front-All		PRT6063		
	2015-13	Rear-All 10.5" diameter rotor		PRT6062		
	2015-13	Rear-All 11.54" diameter rotor		PRT6097		
	2012-11	Rear-All		PRT6062		
Brake Drum	2015-11	Rear-All		PDR0843		
Cruze Limited						
Disc Brake Pad Set	2016	Rear-All Hardware Included	CFC1468	SBC1468		
Disc Brake Rotor	2016	Front-All		PRT6063		
	2016	Rear-All 10.5" diameter rotor		PRT6062		
Brake Drum	2016	Rear-All		PDR0843		
Del Ray						
Brake Drum	1958-57	Front-All		PDR0022		
	1958-57	Rear-All		PDR0022		
El Camino						
Disc Brake Pad Set	1987-78	Front-All Hardware Not Included	CFC154	SBC154	MKD154FM	
	1977-69	Front-All Hardware Included		SBC52	MKD52FM	
Drum Brake Shoe	1972-64	Front-All w/ 9.5" X 2.56" Brakes		246		
	1987-78	Rear-All w/ 9.5" X 2.06" Brakes		514		
	1977-73	Rear-All w/ 11" X 2.12" Brakes		462		
	1975-64	Rear-All w/ 9.5" X 2.06" Brakes		242		
	1975-64	Rear-All w/ 9.5" X 2.06" Brakes		245		
	1965-64	Rear-All w/ 11" X 2.07" Brakes		228		
	1960-59	Rear-All		228		
	Disc Brake Rotor and Hub Assembly	1987-82	Front-All		PRT1233	
1981-79		Front-All		PRT1219		
1978		Front-All		PRT1167		
1977-73		Front-All		PRT1040		
1972-68		Front-All		PRT1039		
1967		Front-All with single piston caliper		PRT1039		
Brake Drum		1972-69	Front-All		PDR0059	
	1968-66	Front-All Finned Drum		PDR0059		
	1968-64	Front-All plain drum		PDR0052		
	1987-78	Rear-All		PDR0454		
	1977-76	Rear-All		PDR0342		
	1975-73	Rear-All		PDR0454		
	1972-70	Rear-All Chevrolet style round axle cover		PDR0053		
	1969-68	Rear-All		PDR0053		
	1967	Rear-All finned drum		PDR0053		
	1966-64	Rear-All		PDR0053		
Epica						
Disc Brake Pad Set	2006-04	Front-All Hardware Not Included		SBC1031		
	2006-04	Rear-All Hardware Not Included		SBC1030		
Disc Brake Rotor	2006-04	Front-All		PRT6131		
Equinox						
Disc Brake Pad Set	2018	Front-All w/ J17 Brakes	CFM1886	SBM1886		

BENDIX BRAKE PARTS

PART TYPE	YEAR	APPLICATION	PREMIUM NO.	PART NO.	SEVERE DUTY NO.
Chevrolet (Cont'd.)					
Equinox (Cont'd.)					
Disc Brake Pad Set (cont'd)	2018	Front-All w/ J60 Brakes	CFC1913	SBC1913	
	2017-16	Front-All CAN, Hardware Included	CFC1421	SBC1421	
	2017-16	Front-All MEX, Hardware Included	CFM1745		
	2017-16	Front-All USA, Hardware Included	CFC1421	SBC1421	
	2015-10	Front-All Hardware Included	CFC1421	SBC1421	
	2009	Front-All Hardware Included	CFC1264	SBC1264	
	2008-07	Front-V6 - 3.4L Hardware Included	CFC1264	SBC1264	
	2008	Front-V6 - 3.6L Hardware Included	CFC1264	SBC1264	
	2006-05	Front-V6 - 3.4L Hardware Included	CFC913	SBC913	MKD913FM
	2018	Rear-All Hardware Included	CFC1915	SBC1915	
	2017-09	Rear-All Hardware Included	CFC1275	SBC1275	
	2008-07	Rear-V6 - 3.4L Hardware Included	CFC1275	SBC1275	
	2008	Rear-V6 - 3.6L Hardware Included	CFC1275	SBC1275	
Parking Brake Shoe	2015-05	Rear-All		932	
Disc Brake Rotor	2017-10	Front-All		PRT5973	
	2009-07	Front-All		PRT5693	
	2006-05	Front-All		PRT5344	
	2017-10	Rear-All		PRT5996	
	2009-07	Rear-All		PRT5694	
Brake Drum	2006-05	Rear-All		PDR0761	
Estate					
Disc Brake Pad Set	1970-69	Front-All Hardware Included		SBC52	MKD52FM
Brake Drum	1970-69	Front-All		PDR0042	
	1970-69	Rear-All		PDR0022	
Express 1500					
Disc Brake Pad Set	2014-09	Front-All Hardware Included	CFC1363	SBC1363	MKD1363FM
	2014-09	Front-All Hardware Included			PBD1363
	2008-03	Front-V6 - 4.3L Hardware Included		SBM785	
	2008-03	Front-V6 - 4.3L Hardware Included	CFC785	SBC785	MKD785FM
	2008-03	Front-V8 - 5.3L Hardware Included		SBM785	
	2008-03	Front-V8 - 5.3L Hardware Included	CFC785	SBC785	MKD785FM
	2002-98	Front-V6 - 4.3L Hardware Included	CFM369	SBM369	MKD369FM
	2002-98	Front-V8 - 5.0L Hardware Included	CFM369	SBM369	MKD369FM
	2002-98	Front-V8 - 5.7L Hardware Included	CFM369	SBM369	MKD369FM
	1997-96	Front-All Hardware Included	CFM369	SBM369	MKD369FM
	2014-12	Rear-All Hardware Included	CFC974A	SBC974A	MKD974AFM
	2014-12	Rear-All Hardware Included			PBD974A
	2011-10	Rear-All w/o Caliper Center Rattle Clip	CFC974A	SBC974A	MKD974AFM
	2011-10	Rear-All w/o Caliper Center Rattle Clip			PBD974A
	2009	Rear-All Hardware Included	CFC974A	SBC974A	MKD974AFM
	2009	Rear-All Hardware Included			PBD974A
	2008-07	Rear-V6 - 4.3L Hardware Included	CFC974A	SBC974A	MKD974AFM
	2008-07	Rear-V6 - 4.3L Hardware Included			PBD974A
	2008-07	Rear-V8 - 5.3L Hardware Included	CFC974A	SBC974A	MKD974AFM
	2008-07	Rear-V8 - 5.3L Hardware Included			PBD974A
	2006-03	Rear-All w/o Caliper Center Rattle Clip	CFC974A	SBC974A	MKD974AFM
	2006-03	Rear-All w/o Caliper Center Rattle Clip			PBD974A
Drum Brake Shoe	2002-96	Rear-All w/ 11.16" X 2.81" Brakes		473	
Parking Brake Shoe	2012-03	Rear-All		781	
Disc Brake Rotor	2014-09	Front-All		PRT5582	SDR5582
	2008-03	Front-All		PRT5259	SDR5259
	2014-03	Rear-All		PRT5441 ¹⁰³	SDR5441 ¹⁰⁴
Disc Brake Rotor and Hub Assembly	2002-96	Front-All		PRT1829	
Brake Drum	2002-96	Rear-All		PDR0622	
Express 2500					
Disc Brake Pad Set	2017-11	Front-All Hardware Included		SBM784	
	2017-11	Front-All Hardware Included	CFC784	SBC784	MKD784FM
	2010	Front-V8 - 4.8L Hardware Included		SBM784	
	2010	Front-V8 - 4.8L Hardware Included	CFC784	SBC784	MKD784FM
	2010	Front-V8 - 6.0L w/ 8,600, 8,800, 9,600, 9,900 Lb. GVW		SBM784	
	2010	Front-V8 - 6.0L w/ 8,600, 8,800, 9,600, 9,900 Lb. GVW	CFC784	SBC784	MKD784FM
	2010	Front-V8 - 6.6L Hardware Included		SBM784	
	2010	Front-V8 - 6.6L Hardware Included	CFC784	SBC784	MKD784FM
	2009-06	Front-All Hardware Included		SBM784	
	2009-06	Front-All Hardware Included	CFC784	SBC784	MKD784FM
	2005-03	Front-All Exc. 7,300 Lb. GVW		SBM784	
	2005-03	Front-All Exc. 7,300 Lb. GVW	CFC784	SBC784	MKD784FM
	2005-03	Front-All w/ 7,300 Lb. GVW		SBM785	
	2005-03	Front-All w/ 7,300 Lb. GVW	CFC785	SBC785	MKD785FM
	2002-01	Front-V6 - 4.3L w/ 7,300 Lb. GVW	CFM369	SBM369	MKD369FM
	2002-01	Front-V6 - 4.3L w/ 7,700, 8,600 Lb. GVW	CFM370	SBM370	MKD370FM
	2002-01	Front-V8 - 5.0L w/ 7,300 Lb. GVW	CFM369	SBM369	MKD369FM
	2002-01	Front-V8 - 5.0L w/ 7,700, 8,600 Lb. GVW	CFM370	SBM370	MKD370FM
	2002-01	Front-V8 - 5.7L w/ 7,300 Lb. GVW	CFM369	SBM369	MKD369FM

103 PRT5441 replaces PRT5282. Sell out PRT5282 and reorder PRT5441.

104 SDR5441 replaces SDR5282. Sell out SDR5282 and reorder SDR5441.

BENDIX BRAKE PARTS

PART TYPE	YEAR	APPLICATION	PREMIUM NO.	PART NO.	SEVERE DUTY NO.
Chevrolet (Cont'd.)					
Express 2500 (Cont'd.)					
Disc Brake Pad Set (cont'd)	2002-01	Front-V8 - 5.7L w/ 7,700, 8,600 Lb. GVW	CFM370	SBM370	MKD370FM
	2002-01	Front-V8 - 6.5L w/ 7,300 Lb. GVW	CFM369	SBM369	MKD369FM
	2002-01	Front-V8 - 6.5L w/ 7,700, 8,600 Lb. GVW	CFM459	SBM459	MKD459FM
	2000	Front-All w/ 7,300 Lb. GVW	CFM369	SBM369	MKD369FM
	2000	Front-All w/ 7,700, 8,600 Lb. GVW	CFM370	SBM370	MKD370FM
	1999	Front-V6 - 4.3L w/ 7,300 Lb. GVW	CFM369	SBM369	MKD369FM
	1999	Front-V6 - 4.3L w/ 7,700, 8,600 Lb. GVW	CFM370	SBM370	MKD370FM
	1999	Front-V8 - 5.0L w/ 7,300 Lb. GVW	CFM369	SBM369	MKD369FM
	1999	Front-V8 - 5.0L w/ 7,700, 8,600 Lb. GVW	CFM370	SBM370	MKD370FM
	1999	Front-V8 - 5.7L w/ 7,300 Lb. GVW	CFM369	SBM369	MKD369FM
	1999	Front-V8 - 5.7L w/ 7,700, 8,600 Lb. GVW	CFM370	SBM370	MKD370FM
	1999	Front-V8 - 6.5L w/ 7,300 Lb. GVW	CFM369	SBM369	MKD369FM
	1999	Front-V8 - 6.5L w/ 7,700, 8,600 Lb. GVW	CFM370	SBM370	MKD370FM
	1998-96	Front-All w/ 7,300 Lb. GVW	CFM369	SBM369	MKD369FM
	1998-96	Front-All w/ 7,700, 8,600 Lb. GVW	CFM370	SBM370	MKD370FM
	2017-03	Rear-All Hardware Included	CFC974	SBC974	MKD974FM
Drum Brake Shoe	2002-96	Rear-All w/ 11-5/32" X 2-3/4" Brakes		473	
	2002-96	Rear-All w/ 13" X 2-1/2" Brakes		451	
	2002-96	Rear-All w/ 13" X 3-1/2" Brakes		452	
Parking Brake Shoe	2015	Rear-All		962	
	2014-09	Rear-All w/ 8.07" X 1.73" Brakes		962	
	2008-03	Rear-All w/ 8.07" X 1.73" Brakes		771	
Disc Brake Rotor	2019-07	Front-All		PRT5261	
	2016-07	Front-All			SDR5261
	2006-03	Front-All 6 Holes		PRT5259	SDR5259
	2006-03	Front-All 8 Holes		PRT5261	SDR5261
	2019-17	Rear-All		PRT5875	
	2016-11	Rear-V8 - 4.8L		PRT5875	
	2016-11	Rear-V8 - 6.0L		PRT5875	
	2016-08	Rear-V8 - 6.6L		PRT5260	SDR5260
	2010	Rear-V8 - 4.8L		PRT5262	
	2010	Rear-V8 - 6.0L		PRT5262	
	2009-08	Rear-V8 - 4.8L 3.37" Overall Height		PRT5875	
	2009-08	Rear-V8 - 4.8L 3.43" Overall Height		PRT5262	
	2009-08	Rear-V8 - 6.0L 3.37" Overall Height		PRT5875	
	2009-08	Rear-V8 - 6.0L 3.43" Overall Height		PRT5262	
	2007-06	Rear-All 4.63" Hub Hole Dia.; 8 Hole Rotor		PRT5262	
	2007-06	Rear-All 4.84" Hub Hole Dia.; 8 Hole Rotor		PRT5260	SDR5260
	2006-03	Rear-All 6 Holes		PRT5594	
	2005-03	Rear-All 8 Holes		PRT5262	
Disc Brake Rotor and Hub Assembly	2002-96	Front-All 6 Stud		PRT5107	
	2002-96	Front-All 8 Stud		PRT1818	
Brake Drum	2002-96	Rear-All 11" Brakes		PDR0543	
	2002-96	Rear-All 13 x 2 1/2" Brakes		PDR0449	
	2002-96	Rear-All 13 x 3 1/2" Brakes		PDR0619	
Express 3500					
Disc Brake Pad Set	2017-11	Front-All Hardware Included		SBM784	
	2017-11	Front-All Hardware Included	CFC784	SBC784	MKD784FM
	2010-09	Front-All w/ 8,600, 8,800, 9,600, 9,900, 10,000, 12,300, 13,980, 14,200 Lb. GVW		SBM784	
	2010-09	Front-All w/ 8,600, 8,800, 9,600, 9,900, 10,000, 12,300, 13,980, 14,200 Lb. GVW	CFC784	SBC784	MKD784FM
	2008-06	Front-V8 - 6.6L Hardware Included		SBM784	
	2008-06	Front-V8 - 6.6L Hardware Included	CFC784	SBC784	MKD784FM
	2008-05	Front-V8 - 4.8L Hardware Included		SBM784	
	2008-05	Front-V8 - 4.8L Hardware Included	CFC784	SBC784	MKD784FM
	2008	Front-V8 - 6.0L Hardware Included		SBM784	
	2008	Front-V8 - 6.0L Hardware Included	CFC784	SBC784	MKD784FM
	2007	Front-V8 - 6.0L w/ 8,600, 8,800, 9,600, 10,000, 12,300, 14,050 Lb. GVW		SBM784	
	2007	Front-V8 - 6.0L w/ 8,600, 8,800, 9,600, 10,000, 12,300, 14,050 Lb. GVW	CFC784	SBC784	MKD784FM
	2006-03	Front-V8 - 6.0L Hardware Included		SBM784	
	2006-03	Front-V8 - 6.0L Hardware Included	CFC784	SBC784	MKD784FM
	2002-01	Front-V8 - 8.1L Cutaway Van, 139.0 / 353.1 Wheel Base, w/ Dual Rear Wheels	CFM459	SBM459	MKD459FM
	2002-01	Front-V8 - 8.1L Cutaway Van, 139.0 / 353.1 Wheel Base, w/ Single Rear Wheels	CFM370	SBM370	MKD370FM
	2002-01	Front-V8 - 8.1L Cutaway Van, 159.0 / 403.9 Wheel Base, Hardware Included	CFM459	SBM459	MKD459FM
	2002-01	Front-V8 - 8.1L Cutaway Van, 177.0 / 449.6 Wheel Base, Hardware Included	CFM459	SBM459	MKD459FM
	2002-01	Front-V8 - 8.1L Extended Cargo Van, Hardware Included	CFM370	SBM370	MKD370FM
	2002-01	Front-V8 - 8.1L Extended Passenger Van, Hardware Included	CFM370	SBM370	MKD370FM
	2002-01	Front-V8 - 8.1L Standard Cargo Van, Hardware Included	CFM370	SBM370	MKD370FM
	2002-01	Front-V8 - 8.1L Standard Passenger Van, Hardware Included	CFM370	SBM370	MKD370FM

BENDIX BRAKE PARTS

PART TYPE	YEAR	APPLICATION	PREMIUM NO.	PART NO.	SEVERE DUTY NO.	
Chevrolet (Cont'd.)						
Express 3500 (Cont'd.)						
Disc Brake Pad Set (cont'd)	2002-98	Front-V8 - 5.7L Cutaway Van, 139.0 / 353.1 Wheel Base, w/ Dual Rear Wheels	CFM459	SBM459	MKD459FM	
	2002-98	Front-V8 - 5.7L Cutaway Van, 139.0 / 353.1 Wheel Base, w/ Single Rear Wheels	CFM370	SBM370	MKD370FM	
	2002-98	Front-V8 - 5.7L Cutaway Van, 159.0 / 403.9 Wheel Base, Hardware Included	CFM459	SBM459	MKD459FM	
	2002-98	Front-V8 - 5.7L Cutaway Van, 177.0 / 449.6 Wheel Base, Hardware Included	CFM459	SBM459	MKD459FM	
	2002-98	Front-V8 - 5.7L Extended Cargo Van, Hardware Included	CFM370	SBM370	MKD370FM	
	2002-98	Front-V8 - 5.7L Extended Passenger Van, Hardware Included	CFM370	SBM370	MKD370FM	
	2002-98	Front-V8 - 5.7L Standard Cargo Van, Hardware Included	CFM370	SBM370	MKD370FM	
	2002-98	Front-V8 - 5.7L Standard Passenger Van, Hardware Included	CFM370	SBM370	MKD370FM	
	2002-98	Front-V8 - 6.5L Cutaway Van, 139.0 / 353.1 Wheel Base, w/ Dual Rear Wheels	CFM459	SBM459	MKD459FM	
	2002-98	Front-V8 - 6.5L Cutaway Van, 139.0 / 353.1 Wheel Base, w/ Single Rear Wheels	CFM370	SBM370	MKD370FM	
	2002-98	Front-V8 - 6.5L Cutaway Van, 159.0 / 403.9 Wheel Base, Hardware Included	CFM459	SBM459	MKD459FM	
	2002-98	Front-V8 - 6.5L Cutaway Van, 177.0 / 449.6 Wheel Base, Hardware Included	CFM459	SBM459	MKD459FM	
	2002-98	Front-V8 - 6.5L Extended Cargo Van, Hardware Included	CFM370	SBM370	MKD370FM	
	2002-98	Front-V8 - 6.5L Extended Passenger Van, Hardware Included	CFM370	SBM370	MKD370FM	
	2002-98	Front-V8 - 6.5L Standard Cargo Van, Hardware Included	CFM370	SBM370	MKD370FM	
	2002-98	Front-V8 - 6.5L Standard Passenger Van, Hardware Included	CFM370	SBM370	MKD370FM	
	2002-97	Front-All Cutaway Van, 135.0 / 342.9 Wheel Base, w/ Single Rear Wheels	CFM370	SBM370	MKD370FM	
	2002-97	Front-All Cutaway Van, 155.0 / 393.7 Wheel Base, w/ Dual Rear Wheels	CFM459	SBM459	MKD459FM	
	2000-98	Front-V8 - 7.4L Cutaway Van, 139.0 / 353.1 Wheel Base, w/ Dual Rear Wheels	CFM459	SBM459	MKD459FM	
	2000-98	Front-V8 - 7.4L Cutaway Van, 139.0 / 353.1 Wheel Base, w/ Single Rear Wheels	CFM370	SBM370	MKD370FM	
	2000-98	Front-V8 - 7.4L Cutaway Van, 159.0 / 403.9 Wheel Base, Hardware Included	CFM459	SBM459	MKD459FM	
	2000-98	Front-V8 - 7.4L Cutaway Van, 177.0 / 449.6 Wheel Base, Hardware Included	CFM459	SBM459	MKD459FM	
	2000-98	Front-V8 - 7.4L Extended Cargo Van, Hardware Included	CFM370	SBM370	MKD370FM	
	2000-98	Front-V8 - 7.4L Extended Passenger Van, Hardware Included	CFM370	SBM370	MKD370FM	
	2000-98	Front-V8 - 7.4L Standard Cargo Van, Hardware Included	CFM370	SBM370	MKD370FM	
	2000-98	Front-V8 - 7.4L Standard Passenger Van, Hardware Included	CFM370	SBM370	MKD370FM	
	1997-96	Front-All Cutaway Van, 139.0 / 353.1 Wheel Base, w/ Dual Rear Wheels	CFM459	SBM459	MKD459FM	
	1997-96	Front-All Cutaway Van, 139.0 / 353.1 Wheel Base, w/ Single Rear Wheels	CFM370	SBM370	MKD370FM	
	1997-96	Front-All Cutaway Van, 159.0 / 403.9 Wheel Base, Hardware Included	CFM459	SBM459	MKD459FM	
	1997-96	Front-All Cutaway Van, 177.0 / 449.6 Wheel Base, Hardware Included	CFM459	SBM459	MKD459FM	
	1997-96	Front-All Extended Cargo Van, Hardware Included	CFM370	SBM370	MKD370FM	
	1997-96	Front-All Extended Passenger Van, Hardware Included	CFM370	SBM370	MKD370FM	
	1997-96	Front-All Standard Cargo Van, Hardware Included	CFM370	SBM370	MKD370FM	
	1997-96	Front-All Standard Passenger Van, Hardware Included	CFM370	SBM370	MKD370FM	
	2017	Rear-All CAN, Hardware Included	CFC974	SBC974	MKD974FM	
	2017	Rear-All USA, Hardware Included	CFC1411	SBC1411	MKD1411FM	
	2016	Rear-All Hardware Included	CFC1565A	SBC1565B	MKD1565BFM	
	2015	Rear-All w/ Dual Rear Wheels	CFC1411	SBC1411	MKD1411FM	
	2015	Rear-All w/ Single Rear Wheels	CFC974	SBC974	MKD974FM	
	2014	Rear-All Hardware Included	CFC974	SBC974	MKD974FM	
	2013-09	Rear-All Extended	CFC1411	SBC1411	MKD1411FM	
	2013-03	Rear-All w/ Single Rear Wheels	CFC974	SBC974	MKD974FM	
	2008-03	Rear-All w/ Dual Rear Wheels	CFC989	SBC989	MKD989FM	
	1996	Rear-All Hardware Included	CFM149		MKD149FM	
	1996	Rear-All Hardware Not Included		SBM149		
	Drum Brake Shoe	2002-96	Rear-All w/ 13" X 3.56" Brakes		452	
	Parking Brake Shoe	2015	Rear-All Exc. 14,040 lb. GVW		962	
		2015	Rear-All w/ 14,040 lb. GVW		973	
		2014-13	Rear-All w/ 9.00" X 2.05" Brakes		973	
		2014-13	Rear-All w/ Single Rear Wheels		962	
2012-11		Rear-All Cutaway Van, w/ 8,600, 10,000 lb. GVW		973		
2012-11		Rear-All w/ 8,600, 10,000 lb. GVW		962		
2010		Rear-All w/ 8.07" X 1.73" Brakes		962		
2009		Rear-All Cutaway Van, w/ 8,600, 10,000 lb. GVW		973		
2009		Rear-All w/ 8,600, 10,000 lb. GVW or w/ Dual Rear Wheels		962		
2008		Rear-All w/ 8.07" X 1.73" Brakes		962		
2008		Rear-All w/ 10,000 lb. GVW		973		

BENDIX BRAKE PARTS

PART TYPE	YEAR	APPLICATION	PREMIUM NO.	PART NO.	SEVERE DUTY NO.
Chevrolet (Cont'd.)					
Express 3500 (Cont'd.)					
Parking Brake Shoe (cont'd)	2007-03	Rear-All w/ 8.07" X 1.73" Brakes		771	
Disc Brake Rotor	2019-18	Front-All w/ GVW 14,040 Lbs.		PRT5317	
	2019-18	Front-All w/ GVW 9900 lbs		PRT5316	
	2017-15	Front-All Base, w/ GVW 14,040 Lbs.		PRT5317	
	2017	Front-All Base, Exc. GVW 14,040 Lbs.		PRT5316	
	2017	Front-All LS		PRT5316	
	2017	Front-All LT		PRT5316	
	2016-14	Front-All exc. GVW 14040 lbs		PRT5316	
	2014-07	Front-All GVW 10000 Lbs. and over		PRT5317	SDR5317
	2013-07	Front-All GVW 9900 Lbs. and under		PRT5316	SDR5316
	2006-03	Front-All GVW 8600 LBS. & 9600 LBS.		PRT5316	SDR5316
	2006-03	Front-All Over 9,600 lb GVW		PRT5317	SDR5317
	2019-18	Rear-All w/ Single Rear Wheels		PRT5875	
	2019-17	Rear-All w/ Dual Rear Wheels		PRT5905	
	2017	Rear-All Base, w/ Single Rear Wheels		PRT5875	
	2017	Rear-All LS		PRT5875	
	2017	Rear-All LT		PRT5875	
	2016-11	Rear-All Dual Rear Wheels, 5.76" Height		PRT5905	SDR5905
	2016-11	Rear-All Single Rear Wheels (4.63" Hub Hole Dia.)		PRT5875	
	2016	Rear-All LS		PRT5260	
	2016	Rear-All LT		PRT5260	
	2016	Rear-V8 - 6.6L Base		PRT5260	
	2015	Rear-V8 - 6.6L		PRT5260	
	2014-11	Rear-All Single Rear Wheels (4.84" Hub Hole Dia.)		PRT5260	SDR5260
	2013-11	Rear-All Cutaway Chassis, Limited Slip Posi-Axle		PRT5262	
	2010	Rear-V8 - 4.8L FLEX		PRT5875	
	2010	Rear-V8 - 6.0L FLEX		PRT5875	
	2010	Rear-V8 - 6.6L DIESEL		PRT5260	SDR5260
	2009-03	Rear-All Dual Rear Wheels, 5.20" Height		PRT5339	SDR5339
	2009	Rear-All Dual Rear Wheels, 5.76" Height		PRT5905	SDR5905
	2009	Rear-All Single Rear Wheels (4.63" Hub Hole Dia.)		PRT5875	
	2009	Rear-All Single Rear Wheels (4.84" Hub Hole Dia.)		PRT5260	SDR5260
	2008-06	Rear-All Single Rear Wheels, 3.43" Height		PRT5262	
	2008-05	Rear-All Single Rear Wheels, 3.37" Height		PRT5875	
	2008-03	Rear-All Single Rear Wheels, 3.64" Height		PRT5260	SDR5260
Disc Brake Rotor and Hub Assembly	2002-01	Front-All Single Rear Wheels, 32.7mm Thickness		PRT1818	
	2002-01	Front-All Single Rear Wheels, 39.1mm Thickness		PRT5360	
	2002-96	Front-All Dual Rear Wheels		PRT5134	SDR5134
	2000-96	Front-All Single Rear Wheels		PRT1818	
Brake Drum	2002-96	Rear-All Dual Rear Wheels		PDR0613	
	2002-96	Rear-All Single Rear Wheels		PDR0619	
Express 4500					
Disc Brake Pad Set	2016	Front-All Hardware Included		SBM784	
	2016	Front-All Hardware Included	CFC784	SBC784	MKD784FM
	2015	Front-All CAN, Hardware Included		SBM784	
	2015	Front-All CAN, Hardware Included	CFC784	SBC784	MKD784FM
	2015	Front-All USA, Hardware Included	CFC1411	SBC1411	MKD1411FM
	2014	Front-All Hardware Included	CFC1411	SBC1411	MKD1411FM
	2013-09	Front-All Hardware Included		SBM784	
	2013-09	Front-All Hardware Included	CFC784	SBC784	MKD784FM
	2016-15	Rear-All Hardware Included	CFC1565A	SBC1565B	MKD1565BFM
	2014-09	Rear-All Hardware Included	CFC1411	SBC1411	MKD1411FM
	Parking Brake Shoe	2014-09	Rear-All w/ 9.00" X 2.05" Brakes		973
Disc Brake Rotor	2017-09	Front-All		PRT5317	
	2016-09	Front-All			SDR5317
	2017-09	Rear-All		PRT5905	
	2016-09	Rear-All			SDR5905
Express Cargo					
Disc Brake Pad Set	2014-10	Rear-All Hardware Included	CFC974	SBC974	MKD974FM
Express Pasajeros					
Disc Brake Pad Set	2014-10	Rear-All Hardware Included	CFC974	SBC974	MKD974FM
Fleetline					
Brake Drum	1952-51	Front-All		PDR0022	
	1952-51	Rear-All		PDR0022	
G10					
Disc Brake Pad Set	1995-75	Front-All Hardware Included		SBC52	MKD52FM
Drum Brake Shoe	1995-90	Rear-All w/ 11.16" X 2.81" Brakes		473	
	1989-75	Rear-All w/ 11-5/32" X 2-3/4" Brakes		473	
	1989-75	Rear-All w/ 11" X 2" Brakes		449	
Disc Brake Rotor and Hub Assembly	1995-93	Front-All w/ Exciter Ring; Hydraulic Brake Booster		PRT5081	
	1995-93	Front-All w/ Exciter Ring; Vacuum Brake Booster		PRT1863	
	1993	Front-All w/ Out Exciter Ring; Vacuum Brake Booster		PRT1043	

BENDIX BRAKE PARTS

PART TYPE	YEAR	APPLICATION	PREMIUM NO.	PART NO.	SEVERE DUTY NO.	
Chevrolet (Cont'd.)						
G10 (Cont'd.)						
Disc Brake Rotor and Hub Assembly (cont'd)	1992-75	Front-All		PRT1043		
Brake Drum	1995-90	Rear-All		PDR0604		
	1989-78	Rear-All 11 x 2 3/4" Brakes		PDR0501		
	1989-78	Rear-All 11 x 2" Brakes		PDR0254		
	1977-75	Rear-All		PDR0254		
G10 Van						
Disc Brake Pad Set	1974-71	Front-All Hardware Included		SBC52	MKD52FM	
Drum Brake Shoe	1970-64	Front-All w/ 9.5" X 2.56" Brakes		246		
	1974	Rear-All w/ 11.16" X 2.81" Brakes		473		
Disc Brake Rotor and Hub Assembly	1974-71	Front-All		PRT1040		
Brake Drum	1971	Front-All		PDR0022		
	1970-64	Front-All		PDR0059		
	1971	Rear-All 9 1/2 x 2" Brakes		PDR0053		
	1971	Rear-All 11" Brakes		PDR0022		
	1970-67	Rear-All		PDR0053		
	1966-64	Rear-All		PDR0059		
G20						
Disc Brake Pad Set	1995-75	Front-All Hardware Included		SBC52	MKD52FM	
Drum Brake Shoe	1995-75	Rear-All w/ 11.16" X 2.81" Brakes		473		
	1977-75	Rear-All w/ 11" X 2.06" Brakes		449		
Disc Brake Rotor and Hub Assembly	1995-93	Front-All w/ Exciter Ring; Hydraulic Brake Booster		PRT5081		
	1995-93	Front-All w/ Exciter Ring; Vacuum Brake Booster		PRT1863		
	1993	Front-All w/ Out Exciter Ring; Hydraulic Brake Booster		PRT1391		
	1993	Front-All w/ Out Exciter Ring; Vacuum Brake Booster		PRT1043		
	1992-83	Front-All Hydraulic Power Brakes		PRT1391		
	1992-83	Front-All Vacuum Power Brakes		PRT1043		
Brake Drum	1982-75	Front-All		PRT1043		
	1995-90	Rear-All		PDR0604		
1989-75	Rear-All		PDR0501			
G20 Van						
Disc Brake Pad Set	1974-71	Front-All Hardware Included		SBC52	MKD52FM	
Drum Brake Shoe	1974	Rear-All w/ 11.16" X 2.81" Brakes		473		
Disc Brake Rotor and Hub Assembly	1974-71	Front-All		PRT1043		
Brake Drum	1974	Rear-All		PDR0501		
	1973-71	Rear-All		PDR0254		
	1973-67	Rear-All 6 Holes		PDR0043		
	1969-67	Rear-All		PDR0023		
G30						
Disc Brake Pad Set	1996	Front-All w/ Dual Rear Wheels	CFM149	SBM149	MKD149FM	
	1996	Front-All w/ Single Rear Wheels		SBM153	MKD153FM	
	1995-79	Front-All w/ 13" x 2 1/2" Rear Brakes		SBM153	MKD153FM	
	1995-79	Front-All w/ 13" x 3 1/2" Rear Brakes	CFM149	SBM149	MKD149FM	
	1978-75	Front-All Hardware Included	CFM149		MKD149FM	
	1978-75	Front-All Hardware Not Included		SBM149		
	1996-75	Rear-All Hardware Included	CFM149		MKD149FM	
	1996-75	Rear-All Hardware Not Included		SBM149		
	Drum Brake Shoe	1996-76	Rear-All w/ 13" X 3-1/2" Brakes		452	
		1995-75	Rear-All w/ 13" X 2-1/2" Brakes		451	
		1984-78	Rear-All w/ 11-5/32" X 2-3/4" Brakes		473	
1977-75		Rear-All w/ 11.16" X 2.81" Brakes		473		
1975		Rear-All w/ 13" X 3.56" Brakes		452		
Disc Brake Rotor and Hub Assembly	1996-93	Front-All 2-Wheel ABS, 5.17" Overall Height		PRT1152		
	1996-93	Front-All 4-Wheel ABS, 4.77" Overall Height		PRT1861		
	1996-93	Front-All 4-Wheel ABS, 5.17" Overall Height; W/Exciter Ring		PRT1859		
	1996-93	Front-All 4-Wheel ABS, 7.69" Overall Height		PRT1862		
	1992-75	Front-All Dual Rear Wheels		PRT1130		
	1992	Front-All Single Rear Wheels (8400 GVWR, AWAL)		PRT1861		
	1992	Front-All Single Rear Wheels (8400 GVWR, RWAL)		PRT1186		
	1992	Front-All Single Rear Wheels (9200 GVWR)		PRT1152		
	1991-75	Front-All Single Rear Wheels		PRT1186		
Brake Drum	1996-92	Rear-All		PDR0449		
	1996-92	Rear-All Single Rear Wheels, 10.50" Ring Gear, 13 x 2 1/2" Brakes		PDR0363		
	1996-92	Rear-All Single Rear Wheels (13 x 3 1/2" Brakes)		PDR0387		
	1996-75	Rear-All Dual Rear Wheels		PDR0613		
	1991-90	Rear-All Single Rear Wheels		PDR0449		
	1989-88	Rear-All Single Rear Wheels (9.50" Ring Gear)		PDR0449		
	1989-88	Rear-All Single Rear Wheels (10.50" Ring Gear)		PDR0363		
1987-83	Rear-All Single Rear Wheels		PDR0449			

BENDIX BRAKE PARTS

PART TYPE	YEAR	APPLICATION	PREMIUM NO.	PART NO.	SEVERE DUTY NO.
Chevrolet (Cont'd.)					
G30 (Cont'd.)					
Brake Drum (cont'd)	1982-81	Rear-All Single Rear Wheels		PDR0363	
	1980-75	Rear-All Single Rear Wheels (11.15 x 2.75" Brakes)		PDR0276	
	1980-75	Rear-All Single Rear Wheels (13 x 2 1/2" Brakes)		PDR0363	
G30 Van					
Disc Brake Pad Set	1974	Front-All Hardware Included	CFM149		MKD149FM
	1974	Front-All Hardware Not Included		SBM149	
	1973-71	Front-All Hardware Included		SBC52	MKD52FM
	1974	Rear-All Hardware Included	CFM149		MKD149FM
	1974	Rear-All Hardware Not Included		SBM149	
Drum Brake Shoe	1974	Rear-All w/ 11.16" X 2.81" Brakes		473	
	1974	Rear-All w/ 13" X 2.57" Brakes		451	
	1974	Rear-All w/ 13" X 3.56" Brakes		452	
Disc Brake Rotor and Hub Assembly	1974	Front-All Dual Rear Wheels		PRT1130	
	1974	Front-All Single Rear Wheels		PRT1186	
	1973-70	Front-All		PRT1186	
Brake Drum	1971-70	Front-All		PDR0024	
	1974	Rear-All Dual Rear Wheels		PDR0613	
	1974	Rear-All Single Rear Wheels (11.15 x 2.75" Brakes)		PDR0276	
	1974	Rear-All Single Rear Wheels (13 x 2 1/2" Brakes)		PDR0363	
HHR					
Disc Brake Pad Set	2011	Front-All Hardware Included	CFC1160	SBC1160	
	2010-08	Front-L4 - 2.0L Exc. Brembo Brakes	CFC1028	SBC1028	
	2010-06	Front-L4 - 2.2L Hardware Included	CFC1160	SBC1160	
	2010-06	Front-L4 - 2.4L Hardware Included	CFC1160	SBC1160	
	2010-08	Rear-L4 - 2.0L Hardware Included	CFC1033	SBC1033	
Drum Brake Shoe	2011-09	Rear-All w/ 9" X 1-3/4" Brakes		800	
	2008-06	Rear-All w/ 9.06" X 1.67" Brakes		860	
Disc Brake Rotor	2011	Front-All		PRT5661	
	2010-08	Front-L4 - 2.0L w/Brembo Brakes		PRT5893	
	2010-08	Front-L4 - 2.0L w/Brembo Brakes		PRT5528	
	2010-06	Front-L4 - 2.2L		PRT5661	
	2010-06	Front-L4 - 2.4L		PRT5661	
	2010-08	Rear-All		PRT5563	
Brake Drum	2011-09	Rear-All		PDR0838	
	2008-06	Rear-All		PDR0817	
Impala					
Disc Brake Pad Set	2018	Front-All Hardware Included	CFC924	SBC924	
	2017	Front-All Hardware Included	CFC1421	SBC1421	
	2016-15	Front-All Exc. Police	CFC1421	SBC1421	
	2016-15	Front-All Police	CFM1159	SBC1159	MKD1159FM
	2016-15	Front-All Police			PBD1159
	2014	Front-All Hardware Included	CFC1421	SBC1421	
	2013-10	Front-All Hardware Included	CFM1159	SBC1159	MKD1159FM
	2013-10	Front-All Hardware Included			PBD1159
	2009-08	Front-All LS, Hardware Included	CFM1159	SBC1159	MKD1159FM
	2009-08	Front-All LS, Hardware Included			PBD1159
	2009-08	Front-All LT, Hardware Included	CFM1159	SBC1159	MKD1159FM
	2009-08	Front-All LT, Hardware Included			PBD1159
	2009-08	Front-All LTZ, Hardware Included	CFM1159	SBC1159	MKD1159FM
	2009-08	Front-All LTZ, Hardware Included			PBD1159
	2009-08	Front-All Police, Hardware Included	CFM1159	SBC1159	MKD1159FM
	2009-08	Front-All Police, Hardware Included			PBD1159
	2009-08	Front-All SS, Hardware Included	CFM1159	SBC1159	MKD1159FM
	2009-08	Front-All SS, Hardware Included			PBD1159
	2008	Front-All 50th Anniversary Edition, Hardware Included	CFM1159	SBC1159	MKD1159FM
	2008	Front-All 50th Anniversary Edition, Hardware Included			PBD1159
	2007-06	Front-All Hardware Included	CFM1159	SBC1159	MKD1159FM
	2007-06	Front-All Hardware Included			PBD1159
	2005-00	Front-All Hardware Included	CFC699K1	SBC699K1	MKD699K2FM
	1996-94	Front-All w/ Heavy Duty Brakes		SBM614A	
	1996-94	Front-All w/ Light Duty Brakes		SBM614	
	1985-69	Front-All Hardware Included		SBC52	MKD52FM
	2018-17	Rear-All w/ Solid Rear Rotors	CFC1430SR		
	2018-17	Rear-All w/ Solid Rotors		SBC1430SR	
	2018-17	Rear-All w/ Vented Rear Rotors	CFC1430VR		
	2018-17	Rear-All w/ Vented Rotors		SBC1430VR	
	2016-15	Rear-All Exc. Police		SBC1430VR	
	2016-15	Rear-All Exc. Police	CFC1430SR	SBC1430SR	
	2016-15	Rear-All Exc. Police	CFC1430VR		
	2016-15	Rear-All Police	CFC999	SBC999	PBD999
	2014	Rear-All Alternate Abutment Hardware Required For Use w/ Solid Rotor Applications		SBC1430VR	
	2014	Rear-All Alternate Abutment Hardware Required For Use w/ Solid Rotor Applications	CFC1430SR	SBC1430SR	

BENDIX BRAKE PARTS

PART TYPE	YEAR	APPLICATION	PREMIUM NO.	PART NO.	SEVERE DUTY NO.
Chevrolet (Cont'd.)					
Impala (Cont'd.)					
Disc Brake Pad Set (cont'd)	2014	Rear-All Alternate Abutment Hardware Required For Use w/ Solid Rotor Applications	CFC1430VR		
	2013-11	Rear-All Hardware Included	CFC999	SBC999	PBD999
	2010-00	Rear-All Hardware Included	CFC698	SBC698	MKD698FM
	2010-00	Rear-All Hardware Included			PBD698
	1996-94	Rear-All Hardware Included		SBM628	
Drum Brake Shoe	1985-83	Rear-All Exc. Police Car Or Taxi		242	
	1985-83	Rear-All Exc. Police Car Or Taxi		245	
	1985-83	Rear-All Police Car And Taxi		462	
	1982-77	Rear-All 4 Doors, Sedan, Exc. Police Car Or Taxi		242	
	1982-77	Rear-All 4 Doors, Sedan, Exc. Police Car Or Taxi		245	
	1982-77	Rear-All 4 Doors, Sedan, Police Car And Taxi		462	
	1982-77	Rear-All 4 Doors, Wagon		462	
	1981-77	Rear-All 2 Doors, Coupe		242	
	1981-77	Rear-All 2 Doors, Coupe, In Supersession Process, Exhaust Current Inventory		245	
	1976-71	Rear-All w/ 11" X 2.12" Brakes		462	
	1970	Rear-All		228	
	1969-67	Rear-All Front Drum		228	
	1966-59	Rear-All		228	
	Parking Brake Shoe	2010-00	Rear-All		770
2010-00		Rear-All In Supersession Process, Exhaust Current Inventory		925	
Disc Brake Rotor	2019-14	Front-All		PRT5973	
	2013-12	Front-All exc. Police		PRT5654	SDR5654
	2013-12	Front-All Police		PRT5738	SDR5738
	2011-06	Front-All		PRT5654	SDR5654
	2005	Front-All From VIN # 59143076		PRT6130	
	2005	Front-All To VIN # 59143075		PRT5150	
	2004-00	Front-All		PRT5150	
	2019-14	Rear-All		PRT6073	
	2013-11	Rear-All		PRT5442	SDR5442
	2010-06	Rear-All		PRT5628	SDR5628
	2005-00	Rear-All		PRT5155	
	1996-94	Rear-All SS		PRT5033	
	Disc Brake Rotor and Hub Assembly	1996-94	Front-All SS		PRT5012
1985-79		Front-All 11" Rotor		PRT1201	
1985-78		Front-All 12" Rotor		PRT1216	
1978-77		Front-All 11" Rotor		PRT1040	
1977		Front-All 12" Rotor		PRT1156	
1976-71		Front-All		PRT1043	
Brake Drum	1970-59	Front-All		PDR0042	
	1958	Front-All		PDR0022	
	1985-77	Rear-All 9 1/2" x 2" Brakes		PDR0454	
	1985-76	Rear-All 11" drum (3" deep)		PDR0199	
	1985-76	Rear-All 11" drum (4 1/2" deep)		PDR0201	
	1976-71	Rear-All 12" x 2" Brakes		PDR0200	
	1975-71	Rear-All 11" x 2" Brakes		PDR0199	
	1970-58	Rear-All		PDR0022	
Impala Limited					
Disc Brake Pad Set	2016-14	Front-All Hardware Included	CFM1159	SBC1159	MKD1159FM
	2016-14	Front-All Hardware Included			PBD1159
	2016-14	Rear-All Hardware Included	CFC999	SBC999	PBD999
Disc Brake Rotor	2016-14	Front-All exc. Police		PRT5654	SDR5654
	2016-14	Front-All Police		PRT5738	SDR5738
	2016-14	Rear-All		PRT5442	SDR5442
K5 Blazer					
Disc Brake Pad Set	1986-75	Front-All Hardware Included		SBC52	MKD52FM
Drum Brake Shoe	1986-80	Rear-All w/ 11" X 2.06" Brakes		449	
	1986-76	Rear-All w/ 11.16" X 2.81" Brakes		473	
Disc Brake Rotor	1986-75	Front-All 4WD		PRT1088	
Disc Brake Rotor and Hub Assembly	1984-75	Front-All RWD		PRT1043	
Brake Drum	1986-85	Rear-All		PDR0600	
	1984-80	Rear-All 4WD, 11" x 2 3/4" Brakes		PDR0600	
	1984-80	Rear-All RWD, 11 5/32 x 2 3/4" Brakes		PDR0501	
	1984-80	Rear-All RWD, 11" x 2" Brakes		PDR0254	
	1979-76	Rear-All 4WD		PDR0600	
	1979-76	Rear-All RWD		PDR0501	
	1975	Rear-All 4WD		PDR0255	
	1975	Rear-All RWD		PDR0254	
K10					
Disc Brake Pad Set	1986-75	Front-All Hardware Included		SBC52	MKD52FM
Drum Brake Shoe	1986-78	Rear-All w/ 11-5/32" X 2-3/4" Brakes		473	

BENDIX BRAKE PARTS

PART TYPE	YEAR	APPLICATION	PREMIUM NO.	PART NO.	SEVERE DUTY NO.
Chevrolet (Cont'd.)					
K10 (Cont'd.)					
Drum Brake Shoe (cont'd)	1986-76	Rear-All w/ 11" X 2" Brakes		449	
Disc Brake Rotor	1986-75	Front-All Rotor Only		PRT1088	
Brake Drum	1986-75	Rear-All		PDR0600	
K10 Pickup					
Disc Brake Pad Set	1974-71	Front-All Hardware Included		SBC52	MKD52FM
Drum Brake Shoe	1963-60	Front-All w/ 11" X 2.07" Brakes		228	
	1974	Rear-All w/ 11.16" X 2.81" Brakes		473	
	1964-60	Rear-All w/ 11" X 2.07" Brakes		228	
Disc Brake Rotor	1974-71	Front-All Rotor Only		PRT1088	
Brake Drum	1963-60	Front-All		PDR0023	
	1974-71	Rear-All 11 x 2 3/4" Brakes		PDR0600	
	1970-60	Rear-All		PDR0023	
K10 Suburban					
Disc Brake Pad Set	1986-71	Front-All Hardware Included		SBC52	MKD52FM
Drum Brake Shoe	1986-78	Rear-All w/ 11-5/32" X 2-3/4" Brakes		473	
	1986-76	Rear-All w/ 11" X 2" Brakes		449	
	1977-74	Rear-All w/ 11.16" X 2.81" Brakes		473	
Disc Brake Rotor	1986-71	Front-All Rotor Only		PRT1088	
Brake Drum	1986-71	Rear-All 11 x 2 3/4" Brakes		PDR0600	
	1970-68	Rear-All		PDR0023	
K20					
Disc Brake Pad Set	1986-85	Front-All w/ 11" Rear Brakes		SBC52	MKD52FM
	1986-85	Front-All w/ 13" x 2 1/2" Rear Brakes		SBM153	MKD153FM
	1984-79	Front-All Hardware Included			MKD153FM
	1984-79	Front-All Hardware Not Included		SBM153	
	1978-75	Front-All Hardware Included		SBC52	MKD52FM
Drum Brake Shoe	1986-78	Rear-All w/ 11-5/32" X 2-3/4" Brakes		473	
	1986-75	Rear-All w/ 13" X 2-1/2" Brakes		451	
Disc Brake Rotor	1986-75	Front-All		PRT1049	
Brake Drum	1986-83	Rear-All 6.52" Overall Height; 13 x 2 1/2" Brakes		PDR0449	
	1986-83	Rear-All 11 5/32 x 2 3/4" Brakes		PDR0450	
	1986-81	Rear-All 5.20" Overall Height; 13 x 2 1/2" Brakes		PDR0363	
	1983-81	Rear-All 11 5/32 x 2 3/4" Brakes, 4 5/8" Wide		PDR0408	
	1980-75	Rear-All 11.15 x 2.75" Brakes		PDR0276	
	1980-75	Rear-All 13 x 2 1/2" Brakes		PDR0363	
K20 Pickup					
Disc Brake Pad Set	1974-71	Front-All Hardware Included		SBC52	MKD52FM
Drum Brake Shoe	1974	Rear-All w/ 13" X 2.57" Brakes		451	
Disc Brake Rotor	1974-71	Front-All		PRT1049	
Brake Drum	1974-73	Rear-All 11.15 x 2.75" Brakes		PDR0276	
	1974-73	Rear-All 13 x 2 1/2" Brakes		PDR0363	
K20 Suburban					
Disc Brake Pad Set	1986-85	Front-All w/ 11" Rear Brakes		SBC52	MKD52FM
	1986-85	Front-All w/ 13" x 2 1/2" Rear Brakes		SBM153	MKD153FM
	1984-79	Front-All Hardware Included			MKD153FM
	1984-79	Front-All Hardware Not Included		SBM153	
	1978-71	Front-All Hardware Included		SBC52	MKD52FM
Drum Brake Shoe	1986-78	Rear-All w/ 11" Brakes		473	
	1986-74	Rear-All w/ 13" Brakes		451	
Disc Brake Rotor	1986-71	Front-All Rotor Only		PRT1049	
Brake Drum	1986-84	Rear-All 11.15 x 2.75" Brakes		PDR0450	
	1986-84	Rear-All 13 x 2 1/2" Brakes (9.50" Ring Gear)		PDR0449	
	1986-84	Rear-All 13 x 2 1/2" Brakes (10.50" Ring Gear)		PDR0363	
	1983-81	Rear-All 5.20" Overall Height; 13 x 2 1/2" Brakes		PDR0363	
	1983-81	Rear-All 11 5/32 x 2 3/4" Brakes, 4 5/8" Wide		PDR0408	
	1983	Rear-All 6.52" Overall Height; 13 x 2 1/2" Brakes		PDR0449	
	1983	Rear-All 11 5/32 x 2 3/4" Brakes		PDR0450	
	1980	Rear-All 11 5/32 x 2 3/4" Brakes		PDR0276	
	1980	Rear-All 13 x 2 1/2" Brakes		PDR0363	
	1979-72	Rear-All		PDR0276	
K30					
Disc Brake Pad Set	1986-77	Front-All Hardware Included	CFM149		MKD149FM
	1986-77	Front-All Hardware Not Included		SBM149	
	1986-77	Rear-All Hardware Included	CFM149		MKD149FM
	1986-77	Rear-All Hardware Not Included		SBM149	
Drum Brake Shoe	1986-77	Rear-All w/ 13" X 3.56" Brakes		452	
Disc Brake Rotor	1986-80	Front-All Dual Rear Wheels; Vented; 327mm		PRT1468	
	1986-80	Front-All Single Rear Wheels; Vented; 327mm		PRT1469	
	1979-77	Front-All Vented; 327mm		PRT1469	
Brake Drum	1986-81	Rear-All Dual Rear Wheels		PDR0613	
	1980-77	Rear-All 13 x 2 1/2" Brakes		PDR0363	
	1980-77	Rear-All Dual Rear Wheels (13 x 3 1/2" Brakes)		PDR0613	

BENDIX BRAKE PARTS

PART TYPE	YEAR	APPLICATION	PREMIUM NO.	PART NO.	SEVERE DUTY NO.
Chevrolet (Cont'd.)					
K30 Pickup					
Disc Brake Pad Set	1974-71	Front-All Hardware Included		SBC52	MKD52FM
K1500					
Disc Brake Pad Set	1999-92	Front-All Hardware Included	CFM369	SBM369	MKD369FM
	1991-88	Front-All w/ 10" x 2.25" Rear Brakes		SBM368	
	1991-88	Front-All w/ 11.15" x 2.75" Rear Brakes	CFM369	SBM369	MKD369FM
Drum Brake Shoe	1999-93	Rear-All w/ 10" Brakes		675	
	1999-92	Rear-All w/ 11-5/32" Brakes		473	
	1992	Rear-All w/ 10" Brakes		593	
	1991-88	Rear-All w/ 10" X 2-1/4" Brakes		593	
	1991-88	Rear-All w/ 11-5/32" X 2-3/4" Brakes		473	
Disc Brake Rotor	1999-92	Front-All		PRT1453FC	
	1991-90	Front-All w/ 10 x 2.25" Rear Brakes		PRT1454FC	
	1991-90	Front-All w/ 11.15 x 2.75" Rear Brakes		PRT1453FC	
	1989-88	Front-All Extended Cab Pickup		PRT1453FC	
	1989-88	Front-All Standard Cab Pickup, W/F44 HD Chassis		PRT1453FC	
	1989-88	Front-All W/o F44 HD Chassis		PRT1454FC	
Brake Drum	1999-88	Rear-All 10 x 2 1/4" Brakes		PDR0541	
	1999-88	Rear-All 11.15 x 2.75" Brakes		PDR0543	
K1500 Suburban					
Disc Brake Pad Set	1999-95	Front-V8 - 5.7L Hardware Included	CFM369	SBM369	MKD369FM
	1999-95	Front-V8 - 6.5L Hardware Included	CFM370	SBM370	MKD370FM
	1994-92	Front-All Hardware Included	CFM369	SBM369	MKD369FM
Drum Brake Shoe	1999-95	Rear-All DIESEL		451	
	1999-95	Rear-All GAS		473	
	1994	Rear-All GAS, w/ 11.16" X 2.81" Brakes		473	
	1994	Rear-All w/ 13" X 2.57" Brakes		451	
	1993-92	Rear-All GAS		473	
Disc Brake Rotor	1999-97	Front-V8 - 5.7L		PRT1453FC	
	1999-97	Front-V8 - 6.5L		PRT1477	
	1996-94	Front-All 6 Hole Rotor		PRT1453FC	
	1996-94	Front-All 8 Hole Rotor		PRT1477	
	1993-92	Front-All		PRT1453FC	
Brake Drum	1999-92	Rear-All		PDR0623	
K2500					
Disc Brake Pad Set	2000-99	Front-All w/ 8 Lug Wheel	CFM370	SBM370	MKD370FM
	2000	Front-All w/ 6 Lug	CFM369	SBM369	MKD369FM
	1999	Front-All w/ 6 Lug Wheel	CFM369	SBM369	MKD369FM
	1998	Front-All w/ 6 Lug	CFM369	SBM369	MKD369FM
	1998	Front-All w/ 8 Lug	CFM370	SBM370	MKD370FM
	1997-96	Front-All w/ 6 Lug Wheels	CFM369	SBM369	MKD369FM
	1997-96	Front-All w/ 8 Lug Wheels	CFM370	SBM370	MKD370FM
	1995-92	Front-All w/ 11.15" x 2.75" Brakes	CFM369	SBM369	MKD369FM
	1995-92	Front-All w/ 13" x 2 1/2" Brakes	CFM370	SBM370	MKD370FM
	1991-88	Front-All w/ 7,200 Lb. GVW	CFM369	SBM369	MKD369FM
	1991-88	Front-All w/ 8,600 Lb. GVW	CFM370	SBM370	MKD370FM
	2000	Rear-All w/ 6 Lug Wheels	CFM369	SBM369	MKD369FM
Drum Brake Shoe	2000-88	Rear-All w/ 8 Lug Wheels		451	
	1998-88	Rear-All w/ 6 Lug Wheels		473	
Disc Brake Rotor	2000-88	Front-All 6 Stud		PRT1453FC	
	2000-88	Front-All 8 Holes		PRT1477	
Brake Drum	2000-90	Rear-All 8600Lbs. GVWR, Except Full Floating Axle, 6.51" Drum Height		PDR0449	
	2000-90	Rear-All 8600Lbs. GVWR, W/ Full Floating Axle, 5.10" Drum Height		PDR0363	
	1998-90	Rear-All 7200 Lbs. GVWR, Except Full Floating Axle, 5.31" Height		PDR0543	
	1990	Rear-All 8600Lbs. GVWR, W/ Full Floating Axle, 5.25" Drum Height		PDR0536	
	1989-88	Rear-All 6 Holes		PDR0543	
	1989-88	Rear-All 8 Holes		PDR0449	
K2500 Suburban					
Disc Brake Pad Set	1999-92	Front-All Hardware Included	CFM370	SBM370	MKD370FM
Drum Brake Shoe	1999-92	Rear-All w/ 13" X 2-1/2" Brakes		451	
	1999-92	Rear-All w/ 13" X 3-1/2" Brakes		452	
Disc Brake Rotor	1999-92	Front-All		PRT1477	
Brake Drum	1999-97	Rear-All 13 x 2 1/2" Brakes, 4.6" Hub Hole		PDR0682	
	1999-97	Rear-All 13 x 2 1/2" Brakes, 4.8" Hub Hole		PDR0619	
	1996-92	Rear-All		PDR0449	
K3500					
Disc Brake Pad Set	2000-98	Front-All Cab & Chassis, Exc. 9,000, 9,200 Lb. GVW	CFM459	SBM459	MKD459FM
	2000-98	Front-All Cab & Chassis, w/ 9,000, 9,200 Lb. GVW	CFM370	SBM370	MKD370FM
	2000-98	Front-All Extended Cab Pickup, w/ Dual Rear Wheels	CFM459	SBM459	MKD459FM
	2000-98	Front-All Extended Cab Pickup, w/ Single Rear Wheels	CFM370	SBM370	MKD370FM
	2000-98	Front-All Fleetside, Crew Cab Pickup, w/ Dual Rear Wheels	CFM459	SBM459	MKD459FM

BENDIX BRAKE PARTS

PART TYPE	YEAR	APPLICATION	PREMIUM NO.	PART NO.	SEVERE DUTY NO.	
Chevrolet (Cont'd.)						
K3500 (Cont'd.)						
Disc Brake Pad Set (cont'd)	2000-98	Front-All Fleetside, Crew Cab Pickup, w/ Single Rear Wheels	CFM370	SBM370	MKD370FM	
	2000-98	Front-All Standard Cab Pickup, w/ Dual Rear Wheels	CFM459	SBM459	MKD459FM	
	2000-98	Front-All Standard Cab Pickup, w/ Single Rear Wheels	CFM370	SBM370	MKD370FM	
	1997-90	Front-All w/ Dual Rear Wheels	CFM459	SBM459	MKD459FM	
	1997-90	Front-All w/ Single Rear Wheels	CFM370	SBM370	MKD370FM	
Drum Brake Shoe	1989-88	Front-All Hardware Included	CFM370	SBM370	MKD370FM	
	2000-90	Rear-All w/ 13" X 3.56" Brakes		452		
	1996-90	Rear-All w/ 13" X 2.57" Brakes		451		
	1989-88	Rear-All w/ Dual Rear Wheels		452		
Disc Brake Rotor	1989-88	Rear-All w/ Single Rear Wheels		451		
	2000-90	Front-All Dual Rear Wheels		PRT1770		
	2000-90	Front-All Single Rear Wheels		PRT1477		
Brake Drum	1989-88	Front-All		PRT1477		
	2000-99	Rear-All 155" Wheelbase, 9000 - 9200 GVW		PDR0619		
	2000-98	Rear-All 131" Wheelbase, 9000 - 9200 GVW		PDR0619		
	2000-98	Rear-All DRW, 11,000 & 12,000 GVW		PDR0613		
	1998	Rear-All 155" Wheelbase, 9200 GVW		PDR0619		
	1997	Rear-All w/ Dual Rear Wheels; w/ 13 x 3.5" - 4.6" Brakes		PDR0613		
	1997	Rear-All w/ Single Rear Wheels; w/ 13 x 3.5" - 4.6" Brakes		PDR0449		
	1997	Rear-All w/ Single Rear Wheels; w/ 13 x 3.5" - 4.8" Brakes		PDR0619		
	1996	Rear-All 135.5 / 344.2 Wheel Base, (GVW 9,000 Lbs.) & (GVW 9,200 Lbs.)		PDR0619		
	1996	Rear-All 135.5 / 344.2 Wheel Base, (GVW 10,000 Lbs.) & (GVW 11,000 Lbs.)		PDR0613		
	1996	Rear-All 155.5 / 395.0 Wheel Base		PDR0613		
	1996	Rear-All 159.5 / 405.1 Wheel Base, (GVW 9,000 Lbs.) & (GVW 9,200 Lbs.)		PDR0619		
	1996	Rear-All 159.5 / 405.1 Wheel Base, (GVW 10,000 Lbs.) & (GVW 11,000 Lbs.)		PDR0613		
	1995-92	Rear-All 135.5 / 344.2 Wheel Base, 9,200 Lbs. GVW, 13 x 2 1/2" Brakes		PDR0363		
	1995-92	Rear-All 135.5 / 344.2 Wheel Base, 9,200 Lbs. GVW, 13 x 3 1/2" Brakes		PDR0387		
	1995-92	Rear-All 135.5 / 344.2 Wheel Base, (10,000, 11,000 & 12,000 GVW)		PDR0613		
	1995-92	Rear-All 159.5 / 405.1 Wheel Base, 9,200 Lbs. GVW, 13 x 2 1/2" Brakes		PDR0363		
	1995-92	Rear-All 159.5 / 405.1 Wheel Base, 9,200 Lbs. GVW, 13 x 3 1/2" Brakes		PDR0387		
	1995-92	Rear-All 159.5 / 405.1 Wheel Base, (10,000, 11,000 & 12,000 GVW)		PDR0613		
	1991-90	Rear-All Single Rear Wheels; 5.10" Overall Height		PDR0363		
	1991	Rear-All Dual Rear Wheels (10,000, 11,000 & 12,000 GVW)		PDR0613		
	1990-88	Rear-All Dual Rear Wheels		PDR0613		
	1990-88	Rear-All Single Rear Wheels; 5.25" Overall Height		PDR0536		
	1989-88	Rear-All Single Rear Wheels; 6.51" Overall Height		PDR0449		
	Kingswood					
	Disc Brake Pad Set	1972-69	Front-All Hardware Included		SBC52	MKD52FM
	Drum Brake Shoe	1970-69	Rear-All		228	
Disc Brake Rotor and Hub Assembly	1972-71	Front-All		PRT1043		
Brake Drum	1972-71	Rear-All Rear drum brake 12" x 2"		PDR0200		
	1970-69	Rear-All		PDR0022		
	1961-59	Rear-All		PDR0022		
Laguna						
Disc Brake Pad Set	1976-73	Front-All Hardware Included		SBC52	MKD52FM	
Drum Brake Shoe	1976-75	Rear-All w/ 11" X 2.12" Brakes		462		
	1973	Rear-All w/ 11" X 2.12" Brakes		462		
Disc Brake Rotor and Hub Assembly	1976-73	Front-All		PRT1040		
Brake Drum	1976	Rear-All Coupe, Coupe & Sedan		PDR0274		
	1975-73	Rear-All 11" Brakes		PDR0274		
	1975-73	Rear-All Rear drum brake 9 1/2" x 2"		PDR0454		
LCF 3500						
Disc Brake Rotor	2017	Front-All		PRT5347		
LCF 4500						
Disc Brake Rotor	2017	Front-All		PRT5558		
	2016	Front-All w/ GVW 14,500 lbs		PRT5558		
LCF 4500HD						
Disc Brake Rotor	2018-17	Front-All		PRT5347		
LCF 4500XD						
Disc Brake Rotor	2018-17	Front-All		PRT5558		
LCF 5500HD						
Disc Brake Rotor	2018-17	Front-All		PRT5558		

BENDIX BRAKE PARTS

PART TYPE	YEAR	APPLICATION	PREMIUM NO.	PART NO.	SEVERE DUTY NO.
Chevrolet (Cont'd.)					
LLV					
Disc Brake Pad Set	1995-87	Front-All Hardware Not Included	CFC154	SBC154	MKD154FM
Drum Brake Shoe	1995-87	Rear-All w/ 9.5" X 2.06" Brakes		514	
Disc Brake Rotor and Hub Assembly	1995-87	Front-All		PRT1233	
Brake Drum	1995-89	Rear-All		PDR0610	
	1988-87	Rear-All With positraction axle stamped PCG, PZT, RNS		PDR0454	
Lumina					
Disc Brake Pad Set	2001-90	Front-All Hardware Not Included	CFC376	SBC376	
	1999-95	Rear-All Hardware Included		SBM508	
	1999-95	Rear-All Hardware Included	CFM508	SBC508	
	1994-90	Rear-All Hardware Not Included		SBC377	
Drum Brake Shoe	2001-94	Rear-All w/ 8.86" X 1.82" Brakes		636	
Disc Brake Rotor	2001-96	Front-All		PRT5064FC	
	1995	Front-All 10.5" diameter rotor		PRT1400	
	1995	Front-All 11.25" diameter rotor		PRT5064FC	
	1994-90	Front-All		PRT1400	
	1999-95	Rear-All		PRT1908FC	
	1994-90	Rear-All		PRT1401	
Brake Drum	2001-95	Rear-All		PDR0451	
Lumina APV					
Disc Brake Pad Set	1996-94	Front-All Hardware Not Included		SBC623	
	1993-92	Front-All Hardware Not Included		SBC505	
	1991-90	Front-All Hardware Not Included		SBC215	
Drum Brake Shoe	1996-92	Rear-All w/ 8.82" X 1.82" Brakes		636	
	1991-90	Rear-All w/ 8.86" X 1.81" Brakes		552	
Disc Brake Rotor	1996-92	Front-All		PRT1868	
	1991-90	Front-All		PRT1263	
Brake Drum	1996-90	Rear-All		PDR0451	
Lumina Van					
Disc Brake Pad Set	1996-95	Front-All Hardware Not Included		SBC623	
LUV					
Disc Brake Pad Set	2005-97	Front-All Hardware Included		SBC363	
Disc Brake Rotor	1980-79	Front-All RWD		PRT1158	
	1978-76	Front-All		PRT1158	
Brake Drum	1982-81	Rear-All		PDR0471	
Malibu					
Disc Brake Pad Set	2018	Front-All Hardware Included	CFC1404	SBC1404	MKD1404FM
	2018	Front-All Hardware Included			PBD1404
	2017-16	Front-All Hardware Included	CFC1913	SBC1913	
	2015-13	Front-All Hardware Included	CFC1421	SBC1421	
	2012-08	Front-All 4-Wheel ABS, Hardware Included	CFC1160	SBC1160	
	2007	Front-All Hardware Included	CFC1160	SBC1160	
	2006-04	Front-All 4-Wheel ABS, Hardware Included	CFC1160	SBC1160	
	2006-04	Front-All Non-ABS, Hardware Included	CFC1028	SBC1028	
	2003-97	Front-All Hardware Included	CFC727	SBC727	MKD727FM
	1983-78	Front-All Hardware Not Included	CFC154	SBC154	MKD154FM
	1977	Front-All Hardware Included		SBC52	MKD52FM
	1975-73	Front-All Hardware Included		SBC52	MKD52FM
	2018	Rear-All Hardware Included	CFM1921	SBM1921	
	2017	Rear-All w/ Solid Rear Rotors	CFC1430SR		
	2017	Rear-All w/ Solid Rotors		SBC1430SR	
	2017	Rear-All w/ Vented Rear Rotors	CFC1430VR		
	2017	Rear-All w/ Vented Rotors		SBC1430VR	
	2016	Rear-All w/Mechanical Parking Brake	CFM1921	SBM1921	
	2016	Rear-All w/ Power Parking Brake	CFC1915	SBC1915	
	2015-13	Rear-All Alternate Abutment Hardware Required For Use w/ Solid Rotor Applications		SBC1430VR	
	2015-13	Rear-All Alternate Abutment Hardware Required For Use w/ Solid Rotor Applications	CFC1430SR	SBC1430SR	
	2015-13	Rear-All Alternate Abutment Hardware Required For Use w/ Solid Rotor Applications	CFC1430VR		
	2012-06	Rear-All Hardware Included	CFC1033	SBC1033	
	2005	Rear-V6 - 3.5L Hardware Included	CFC1033	SBC1033	
	2004	Rear-All Hardware Included	CFC1033	SBC1033	
Drum Brake Shoe	1967-64	Front-All w/ 9.5" X 2.56" Brakes		246	
	1967-64	Front-All w/ 11" X 2.07" Brakes		228	
	2007-06	Rear-All w/ 9.06" X 1.67" Brakes		860	
	2005	Rear-L4 - 2.2L w/ 9.06" X 1.67" Brakes		860	
	2004	Rear-All w/ 9.06" X 1.67" Brakes		860	
	2003-97	Rear-All w/ 8.86" X 1.82" Brakes		720	
	1983-78	Rear-All w/ 9.5" X 2.06" Brakes		514	
	1977-73	Rear-All w/ 11" X 2.12" Brakes		462	
	1967-64	Rear-All		228	
Disc Brake Rotor	2015-13	Front-All 16" Wheels		PRT6033	

BENDIX BRAKE PARTS

PART TYPE	YEAR	APPLICATION	PREMIUM NO.	PART NO.	SEVERE DUTY NO.	
Chevrolet (Cont'd.)						
Malibu (Cont'd.)						
Disc Brake Rotor (cont'd)	2015-13	Front-All 17" Wheels		PRT5973		
	2012-09	Front-All		PRT5528		
	2008-04	Front-All 276mm Diameter		PRT5564		
	2008-04	Front-All 296mm Diameter		PRT5528		
	2003-97	Front-All		PRT5158		
	2015	Rear-L4 - 2.0L		PRT6073		
	2015	Rear-L4 - 2.5L		PRT6034		
	2014-13	Rear-All 16" Wheels		PRT6034		
	2013	Rear-All 17" Wheels		PRT6073		
Disc Brake Rotor and Hub Assembly	2012-04	Rear-All		PRT5563		
	1983-82	Front-All		PRT1233		
	1981-79	Front-All		PRT1219		
	1978	Front-All		PRT1167		
	1977-73	Front-All		PRT1040		
Brake Drum	1967	Front-All		PRT1039		
	2007-05	Rear-All		PDR0809 ¹⁰²		
	2004-97	Rear-All		PDR0451		
	1983-78	Rear-All		PDR0454		
	1977-76	Rear-All Coupe & Sedan		PDR0274		
	1977-76	Rear-All Wagon, Station Wagon		PDR0342		
	1975-73	Rear-All Rear drum brake 9 1/2" x 2"		PDR0454		
	1967-64	Rear-All		PDR0053		
Malibu Limited						
Disc Brake Pad Set	2016	Front-All Hardware Included	CFC1421	SBC1421		
	2016	Rear-All w/ Solid Rear Rotors	CFC1430SR			
	2016	Rear-All w/ Solid Rotors		SBC1430SR		
	2016	Rear-All w/ Vented Rear Rotors	CFC1430VR			
	2016	Rear-All w/ Vented Rotors		SBC1430VR		
Disc Brake Rotor	2016	Front-All		PRT6033		
	2016	Rear-All		PRT6034		
Matiz						
Disc Brake Pad Set	2014-12	Front-All Hardware Not Included		SBM1321		
Meriva						
Disc Brake Pad Set	2008-07	Front-All Hardware Included		SBC1361		
	2008-07	Rear-All Hardware Included		SBM1362		
Metro						
Disc Brake Pad Set	2001-98	Front-All Hardware Included		SBM451		
	1992	Front-All Hardware Included		SBM451		
Drum Brake Shoe	2001-98	Rear-All 4 Doors, Sedan		732		
	2000-98	Rear-All 2 Doors, Hatchback		724		
	1992	Rear-All w/ 7.09" X 1.05" Brakes		608		
	1992	Rear-All w/ 7.87" X 1.24" Brakes		630		
Disc Brake Rotor	2001-98	Front-All		PRT1545		
	1992	Front-All Solid Rotors		PRT1403		
	1992	Front-All Vented Rotors		PRT1545		
Brake Drum	2001	Rear-All 200.2mm		PDR0652		
	2000-98	Rear-All 2 Doors, 4-Wheel ABS		PDR0677		
	2000-98	Rear-All 4 Doors, Sedan, 200.2mm		PDR0652		
	1992	Rear-All 2 Doors		PDR0591		
Monte Carlo						
Disc Brake Pad Set	2007-06	Front-All Hardware Included	CFM1159	SBC1159	MKD1159FM	
	2007-06	Front-All Hardware Included			PBD1159	
	2005-00	Front-All Hardware Included	CFC699K1	SBC699K1	MKD699K2FM	
	1999-95	Front-All Hardware Not Included	CFC376	SBC376		
	1988	Front-All Hardware Not Included	CFC154	SBC154	MKD154FM	
	1987-85	Front-V6 - 3.8L Hardware Not Included	CFC154	SBC154	MKD154FM	
	1987-85	Front-V6 - 4.3L Hardware Not Included	CFC154	SBC154	MKD154FM	
	1987-85	Front-V8 - 5.0L Hardware Not Included	CFC154	SBC154	MKD154FM	
	1984-78	Front-All Hardware Not Included	CFC154	SBC154	MKD154FM	
	1977-70	Front-All Hardware Included		SBC52	MKD52FM	
	2007-00	Rear-All Hardware Included	CFC698	SBC698	MKD698FM	
	2007-00	Rear-All Hardware Included			PBD698	
	1999-95	Rear-All Hardware Included		SBM508		
	1999-95	Rear-All Hardware Included	CFM508	SBC508		
	Drum Brake Shoe	1999-95	Rear-All		636	
		1988-78	Rear-All w/ 9.5" X 2.06" Brakes		514	
		1977-76	Rear-All w/ 11" X 2.12" Brakes		462	
		1975-73	Rear-All w/ 9.5" X 2.06" Brakes		242	
		1975-73	Rear-All w/ 9.5" X 2.06" Brakes		245	
1972-70		Rear-All Front Drum		242		
1972-70		Rear-All Front Drum, In Supersession Process, Exhaust Current Inventory		245		

102 PDR0809 replaces PDR0805. Sell out PDR0805 and reorder PDR0809.

BENDIX BRAKE PARTS

PART TYPE	YEAR	APPLICATION	PREMIUM NO.	PART NO.	SEVERE DUTY NO.
Chevrolet (Cont'd.)					
Monte Carlo (Cont'd.)					
Parking Brake Shoe	2007-00	Rear-All		770	
	2007-00	Rear-All In Supersession Process, Exhaust Current Inventory		925	
Disc Brake Rotor	2007-06	Front-All		PRT5654	SDR5654
	2005	Front-All From VIN # 59143076		PRT6130	
	2005	Front-All To VIN # 59143075		PRT5150	
	2004-00	Front-All		PRT5150	
	1999-96	Front-All		PRT5064FC	
	1995	Front-All 10.5" diameter rotor		PRT1400	
	1995	Front-All 286mm Rotor Diameter		PRT5064FC	
	2007-06	Rear-All		PRT5628	SDR5628
	2005-00	Rear-All		PRT5155	
Disc Brake Rotor and Hub Assembly	1999-95	Rear-All		PRT1908FC	
	1988-82	Front-All		PRT1233	
	1981-79	Front-All		PRT1219	
	1978	Front-All		PRT1167	
	1977-73	Front-All		PRT1040	
Brake Drum	1972-70	Front-All		PRT1039	
	1972-70	Front-All		PDR0059	
	1999-95	Rear-All		PDR0451	
	1988-78	Rear-All		PDR0454	
	1977-76	Rear-All		PDR0274	
	1975-73	Rear-All		PDR0454	
	1972-70	Rear-All Chevrolet style round axle cover		PDR0053	
Monza					
Drum Brake Shoe	1980-76	Rear-All w/ 9.5" X 2.06" Brakes		242	
	1980-76	Rear-All w/ 9.5" X 2.06" Brakes		245	
Brake Drum	1980-76	Rear-All		PDR0343	
Nomad					
Brake Drum	1958-55	Front-All		PDR0022	
	1961-55	Rear-All		PDR0022	
Nova					
Disc Brake Pad Set	1988-85	Front-All Hardware Included		SBC242	
	1979-69	Front-All Hardware Included		SBC52	MKD52FM
Drum Brake Shoe	1974-69	Front-All w/ 9.5" X 2.56" Brakes		246	
	1988-85	Rear-All w/ 7.88" X 1.21" Brakes		551	
	1988-85	Rear-All w/ 7.88" X 1.21" Brakes		597	
	1979-69	Rear-All w/ 9.5" X 2.06" Brakes		242	
	1979-69	Rear-All w/ 9.5" X 2.06" Brakes		245	
	1988-85	Front-All Rear Drum		PRT1384	
Disc Brake Rotor	1988	Front-All Rear Disc		PRT1367	
	1988	Rear-All		PRT1432	
	1979	Front-All		PRT1201	
Disc Brake Rotor and Hub Assembly	1978-75	Front-All		PRT1040	
	1974-69	Front-All		PRT1039	
	1974-69	Front-All		PDR0059	
Brake Drum	1988-85	Rear-All		PDR0437	
	1979-76	Rear-All		PDR0454	
	1975-74	Rear-All		PDR0053	
	1975-74	Rear-All		PDR0053	
One-Fifty Series					
Brake Drum	1957-53	Front-All		PDR0022	
	1957-53	Rear-All		PDR0022	
Optra					
Disc Brake Pad Set	2010-04	Front-All Hardware Included	CFC1035		
	2010-04	Front-All Hardware Not Included		SBC1035	
	2010-07	Rear-All Hardware Not Included		SBC1315	
	2006-04	Rear-All Hardware Included		SBC1036	
Disc Brake Rotor	2007-04	Front-All		PRT5612	
	2007-04	Rear-All 10.15" diameter rotor		PRT5624	
	2007	Rear-All		PRT6032	
	2006-04	Rear-All 258mm diameter rotor		PRT6032	
Orlando					
Disc Brake Pad Set	2014	Front-All Hardware Included	CFC1467	SBC1467	
	2013-12	Front-All Hardware Included	CFC1522	SBC1522	
	2014-12	Rear-All Hardware Included	CFC1468	SBC1468	
Disc Brake Rotor	2013-12	Rear-All		PRT6097	
P10					
Disc Brake Pad Set	1980-75	Front-All Hardware Included		SBC52	MKD52FM
Drum Brake Shoe	1980-78	Rear-All w/ 11.16" X 2.81" Brakes		473	
Disc Brake Rotor and Hub Assembly	1980-75	Front-All		PRT1043	

BENDIX BRAKE PARTS

PART TYPE	YEAR	APPLICATION	PREMIUM NO.	PART NO.	SEVERE DUTY NO.	
Chevrolet (Cont'd.)						
P10 (Cont'd.)						
Brake Drum	1980-76	Rear-All		PDR0501		
	1975	Rear-All 11.15" x 2.75" Brakes		PDR0501		
	1975	Rear-All 11 x 2" Brakes		PDR0254		
P10 Series						
Drum Brake Shoe	1967-60	Front-All w/ 11" X 2.07" Brakes		228		
	1967-60	Rear-All w/ 11" X 2.07" Brakes		228		
Brake Drum	1967-60	Front-All Finned Drum		PDR0216		
	1967	Rear-All		PDR0023		
	1966-65	Rear-All Rear Coil Spring		PDR0023		
	1964-60	Rear-All Wo/ Positraction		PDR0023		
P10 Van						
Disc Brake Pad Set	1974-71	Front-All Hardware Included		SBC52	MKD52FM	
Disc Brake Rotor and Hub Assembly	1974-71	Front-All		PRT1043		
Brake Drum	1970-68	Front-All Finned Drum		PDR0216		
	1970-68	Front-All Plain Drum		PDR0023		
	1974	Rear-All 11.15 x 2.75" Brakes		PDR0501		
	1974	Rear-All 11 x 2" Brakes		PDR0254		
	1973-71	Rear-All		PDR0254		
	1970-68	Rear-All		PDR0023		
P20						
Disc Brake Pad Set	1989-85	Front-All w/ 11" Rear Brakes		SBC52	MKD52FM	
	1989-85	Front-All w/ 13" x 2 1/2" Rear Brakes		SBM153	MKD153FM	
	1984-79	Front-All Hardware Included			MKD153FM	
	1984-79	Front-All Hardware Not Included		SBM153		
	1978-75	Front-All w/ 11 5/32" X 2 3/4" Rear Brakes		SBC52	MKD52FM	
	1978-75	Front-All w/ 13" X 2 1/2" Rear Brakes		SBM153	MKD153FM	
	Drum Brake Shoe	1989-78	Rear-All w/ 11-5/32" X 2-3/4" Brakes		473	
1989-76		Rear-All w/ 13" X 2-1/2" Brakes		451		
1975		Rear-All w/ 13" X 2.57" Brakes		451		
Disc Brake Rotor and Hub Assembly	1989-75	Front-All		PRT1186		
Brake Drum	1989-84	Rear-All 11.15 x 2.75" Brakes		PDR0450		
	1989-84	Rear-All 13 x 2 1/2" Brakes (9.50" Ring Gear)		PDR0449		
	1989-84	Rear-All 13 x 2 1/2" Brakes (10.50" Ring Gear)		PDR0363		
	1983-81	Rear-All 10.50" Ring Gear (13 x 2 1/2" Brakes)		PDR0363		
	1980-75	Rear-All 11.15 x 2.75" Brakes		PDR0276		
	1980-75	Rear-All 13 x 2 1/2" Brakes		PDR0363		
P20 Series						
Brake Drum	1967-60	Rear-All 12 x 2" Brakes		PDR0026		
P20 Van						
Disc Brake Pad Set	1974-71	Front-All Hardware Included		SBC52	MKD52FM	
Drum Brake Shoe	1974	Rear-All w/ 13" X 2.57" Brakes		451		
Disc Brake Rotor and Hub Assembly	1974-71	Front-All		PRT1186		
Brake Drum	1970-68	Front-All		PDR0024		
	1974-73	Rear-All 11.15 x 2.75" Brakes		PDR0276		
	1974-73	Rear-All 13 x 2 1/2" Brakes		PDR0363		
	1970	Rear-All		PDR0024		
P30						
Disc Brake Pad Set	1999-97	Front-All w/ 2.60" Dia. Dual Piston Bendix Caliper			MKD717FM	
	1999-97	Front-All w/ 13" x 3 1/2" Rear Brakes	CFM149	SBM149	MKD149FM	
	1996	Front-All Hardware Included	CFM149		MKD149FM	
	1996	Front-All Hardware Not Included		SBM149		
	1995-79	Front-All w/ 13" x 2 1/2" Rear Brakes		SBM153	MKD153FM	
	1995-79	Front-All w/ 13" x 3 1/2" Rear Brakes	CFM149	SBM149	MKD149FM	
	1978-75	Front-All Hardware Included	CFM149		MKD149FM	
	1978-75	Front-All Hardware Not Included		SBM149		
	1999-97	Rear-All w/ 2.60" Dia. Dual Piston Bendix Caliper			MKD717FM	
	1999-97	Rear-All w/ 13" x 3 1/2" Rear Brakes	CFM149	SBM149	MKD149FM	
	1996-75	Rear-All Hardware Included	CFM149		MKD149FM	
	1996-75	Rear-All Hardware Not Included		SBM149		
	Drum Brake Shoe	1999-76	Rear-All w/ 13" X 3-1/2" Brakes		452	
		1999-75	Rear-All w/ 13" X 2-1/2" Brakes		451	
1999-97		Front-All Exc. Dual Rear Wheels; JF 9 Brake System; 5 Stud		PRT5027		
Disc Brake Rotor	1996-79	Front-All Rear Disc, Dual Rear Wheels (JF-9 brake system); Vented; 361.5mm		PRT1480		
	1999-97	Rear-All		PRT5028		
	1996-76	Rear-All		PRT1483		
Disc Brake Rotor and Hub Assembly	1999	Front-All Dual Rear Wheels (13 x 3 1/2" Brakes)		PRT1862		
	1999	Front-All Dual Rear Wheels (Exc. Solid Front Axle)		PRT1130		

BENDIX BRAKE PARTS

PART TYPE	YEAR	APPLICATION	PREMIUM NO.	PART NO.	SEVERE DUTY NO.
Chevrolet (Cont'd.)					
P30 (Cont'd.)					
Disc Brake Rotor and Hub Assembly (cont'd)	1999	Front-All Exc.Dual Rear Wheels (Solid Front Axle); INCL.HUB		PRT5368	
	1999	Front-All Single Rear Wheels (13 x 3 1/2" Brakes); W/EXCITER RING & SENSOR		PRT1859	
	1998-97	Front-All Dual Rear Wheels; 4000lb and 4600lb Front axle; JB 8 Brake System		PRT1862	
	1998-97	Front-All Single Rear Wheels; JB 8 Brake System; W/EXCITER RING & SENSOR		PRT1859	
	1998-91	Front-All Dual Rear Wheels; 4400lb Front Axle; JB 8 Brake System; INCL.HUB		PRT5368	
	1996-79	Front-All Dual Rear Wheels (Exc.Solid Front Axle)		PRT1130	
	1996-79	Front-All Dual Rear Wheels (Solid Front Axle)		PRT1508	
	1996-75	Front-All Single Rear Wheels (JB-8 brake system)		PRT1152	
	1994-75	Front-All Single Rear Wheels (JB-7 brake system)		PRT1186	
	1978-75	Front-All Dual Rear Wheels; W/ JB8 Brake System		PRT1130	
	Brake Drum	1999-91	Rear-All Single Rear Wheels (13 x 3 1/2" Brakes)		PDR0387
1999-75		Rear-All Dual Rear Wheels (10.50" Ring Gear) (13 x 3.5" Brakes)		PDR0613	
1997-79		Rear-All Single Rear Wheels (13 x 2 1/2" Brakes)		PDR0363	
P30 Van					
Disc Brake Pad Set	1974	Front-All Hardware Included	CFM149		MKD149FM
	1974	Front-All Hardware Not Included		SBM149	
	1973-71	Front-All 178.0 / 452.1 Wheel Base, Hardware Included	CFM149		MKD149FM
	1973-71	Front-All 178.0 / 452.1 Wheel Base, Hardware Not Included		SBM149	
	1972-71	Front-All 158.0 / 401.3 Wheel Base, Hardware Included		SBC52	MKD52FM
	1972-71	Front-All 158.1 / 401.6 Wheel Base, Hardware Included		SBC52	MKD52FM
	1972-71	Front-All 158.5 / 402.6 Wheel Base, Hardware Included		SBC52	MKD52FM
	1972-71	Front-All 158.9 / 403.6 Wheel Base, Hardware Included		SBC52	MKD52FM
	1974	Rear-All Hardware Included	CFM149		MKD149FM
	1974	Rear-All Hardware Not Included		SBM149	
Drum Brake Shoe	1974	Rear-All w/ 13" X 2.57" Brakes		451	
Disc Brake Rotor	1973-71	Front-All Dual Rear Wheels (11,000# RA)		PRT1049	
Disc Brake Rotor and Hub Assembly	1974	Front-All Dual Rear Wheels; W/ JB8 Brake System		PRT1130	
	1974	Front-All Single Rear Wheels (JB-7 brake system)		PRT1186	
	1974	Front-All Single Rear Wheels (JB-8 brake system)		PRT1152	
	1973-71	Front-All Single Rear Wheels		PRT1186	
Brake Drum	1970-68	Front-All		PDR0024	
	1974	Rear-All 13 x 2 1/2" Brakes		PDR0363	
	1974	Rear-All 13 x 3 1/2" Brakes (Dual Rear Wheels)		PDR0613	
	1974	Rear-All 13 x 3 1/2" Brakes (Single Rear Wheels)		PDR0387	
P40					
Disc Brake Pad Set	1990-79	Front-All w/ 2.50" Dayton Dual Piston Calipers			MKD224FM
	1990-79	Front-All w/ 3.38" Single Piston Bendix Calipers			MKD717FM
	1990-85	Rear-All w/ 2.50" Dayton Dual Piston Calipers			MKD224FM
P60					
Disc Brake Pad Set	1990-83	Front-All w/ 2.88" Dual Piston Bendix Calipers			MKD225FM
	1990-83	Rear-All w/ 2.88" Dual Piston Bendix Calipers			MKD225FM
P6000					
Disc Brake Pad Set	1996-92	Front-All w/ 2.50" Dayton Dual Piston Calipers			MKD224FM
	1996-92	Rear-All w/ 2.50" Dayton Dual Piston Calipers			MKD224FM
Disc Brake Rotor	1996-92	Front-All P6S042, 5 Hole Hat Rotor, 5.41" Pilot Hole, W/Tapped Hole For ABS Ring		PRT5574	SDR5574
	1996-92	Rear-All 5 Hole Hat Rotor, 5.41" Pilot Hole, W/Tapped Hole For ABS Ring		PRT5574	SDR5574
	1996-92	Rear-All Forward Control; Hat Shaped 6 Hole Rotor; 5.41" Pilot Hole		PRT1585	
Parkwood					
Brake Drum	1961-59	Rear-All		PDR0022	
Prizm					
Disc Brake Pad Set	2002-98	Front-All Hardware Included	CFC741	SBC741	
Drum Brake Shoe	2002-98	Rear-All w/ 7.88" X 1.21" Brakes		551	
	2002-98	Rear-All w/ 7.88" X 1.21" Brakes		597	
Disc Brake Rotor	2002-98	Front-All		PRT1869	
Brake Drum	2002-98	Rear-All		PDR0661	
R10					
Disc Brake Pad Set	1987	Front-All Hardware Included		SBC52	MKD52FM
Drum Brake Shoe	1987	Rear-All w/ 11-5/32" X 2-3/4" Brakes		473	
	1987	Rear-All w/ 11" X 2" Brakes		449	
Disc Brake Rotor and Hub Assembly	1987	Front-All 4.65" Overall Height		PRT1216	
	1987	Front-All 4.95" Overall Height		PRT1043	
Brake Drum	1987	Rear-All 11.15 x 2.75" Brakes		PDR0501	
	1987	Rear-All 11 x 2" Brakes		PDR0254	

BENDIX BRAKE PARTS

PART TYPE	YEAR	APPLICATION	PREMIUM NO.	PART NO.	SEVERE DUTY NO.
Chevrolet (Cont'd.)					
R10 Suburban					
Disc Brake Pad Set	1988-87	Front-All Hardware Included		SBC52	MKD52FM
Drum Brake Shoe	1988-87	Rear-All w/ 11-5/32" X 2-3/4" Brakes		473	
	1988-87	Rear-All w/ 11" X 2" Brakes		449	
Disc Brake Rotor and Hub Assembly	1988-87	Front-All		PRT1043	
Brake Drum	1988-87	Rear-All 11.15 x 2.75" Brakes		PDR0501	
	1988-87	Rear-All 11 x 2" Brakes		PDR0254	
R20					
Disc Brake Pad Set	1988-87	Front-All w/ 11" Rear Brakes		SBC52	MKD52FM
	1988-87	Front-All w/ 13" x 2 1/2" Rear Brakes		SBM153	MKD153FM
Drum Brake Shoe	1988-87	Rear-All Exc. 13" Rear Brakes		473	
	1988-87	Rear-All w/ 13" Brakes		451	
Disc Brake Rotor and Hub Assembly	1988-87	Front-All		PRT1186	
Brake Drum	1988-87	Rear-All 13 x 2 1/2" Brakes (9.50" Ring Gear)		PDR0449	
	1988-87	Rear-All 13 x 2 1/2" Brakes (10.50" Ring Gear)		PDR0363	
	1987	Rear-All 11.15 x 2.75" Brakes		PDR0450	
R20 Suburban					
Disc Brake Pad Set	1988-87	Front-All w/ 11" Rear Brakes		SBC52	MKD52FM
	1988-87	Front-All w/ 13" x 2 1/2" Rear Brakes		SBM153	MKD153FM
Drum Brake Shoe	1988-87	Rear-All w/ 13" Brakes		451	
	1987	Rear-All Exc. 13" Rear Brakes		473	
Disc Brake Rotor and Hub Assembly	1988-87	Front-All		PRT1186	
Brake Drum	1988-87	Rear-All 13 x 2 1/2" Brakes (9.50" Ring Gear)		PDR0449	
	1988-87	Rear-All 13 x 2 1/2" Brakes (10.50" Ring Gear)		PDR0363	
	1987	Rear-All 11.15 x 2.75" Brakes		PDR0450	
R30					
Disc Brake Pad Set	1988-87	Front-All w/ 13" x 2 1/2" Rear Brakes		SBM153	MKD153FM
	1988-87	Front-All w/ 13" x 3 1/2" Rear Brakes	CFM149	SBM149	MKD149FM
	1988-87	Rear-All Hardware Included	CFM149		MKD149FM
	1988-87	Rear-All Hardware Not Included		SBM149	
Drum Brake Shoe	1988-87	Rear-All w/ 13" X 2-1/2" Brakes		451	
	1988-87	Rear-All w/ 13" X 3-1/2" Brakes		452	
Disc Brake Rotor and Hub Assembly	1988-87	Front-All Dual Rear Wheels		PRT1130	
	1988-87	Front-All Single Rear Wheels		PRT1152	
Brake Drum	1988-87	Rear-All Dual Rear Wheels		PDR0613	
R1500 Suburban					
Disc Brake Pad Set	1991-89	Front-All Hardware Included		SBC52	MKD52FM
Drum Brake Shoe	1991-89	Rear-All		473	
Disc Brake Rotor and Hub Assembly	1991-89	Front-All		PRT1043	
Brake Drum	1991-89	Rear-All		PDR0501	
R2500					
Disc Brake Pad Set	1989	Front-All Hardware Included		SBC52	MKD52FM
Drum Brake Shoe	1989	Rear-All w/ 13" X 2.57" Brakes		451	
Disc Brake Rotor and Hub Assembly	1989	Front-All		PRT1186	
Brake Drum	1989	Rear-All 13 x 2 1/2" Brakes (9.50" Ring Gear)		PDR0449	
	1989	Rear-All 13 x 2 1/2" Brakes (10.50" Ring Gear)		PDR0363	
R2500 Suburban					
Disc Brake Pad Set	1991-89	Front-All Hardware Included		SBC52	MKD52FM
Drum Brake Shoe	1991-89	Rear-All		451	
Disc Brake Rotor and Hub Assembly	1991-89	Front-All		PRT1186	
Brake Drum	1991-90	Rear-All 11 x 2 3/4" Brakes		PDR0450	
	1991-89	Rear-All 13 x 2 1/2" Brakes (9.50" Ring Gear)		PDR0449	
	1991-89	Rear-All 13 x 2 1/2" Brakes (10.50" Ring Gear)		PDR0363	
R3500					
Disc Brake Pad Set	1991-89	Front-All w/ 13" x 2 1/2" Rear Brakes		SBM153	MKD153FM
	1991-89	Front-All w/ 13" x 3 1/2" Rear Brakes	CFM149	SBM149	MKD149FM
	1991-89	Rear-All Hardware Included	CFM149		MKD149FM
	1991-89	Rear-All Hardware Not Included		SBM149	
Drum Brake Shoe	1991-89	Rear-All w/ 13" X 2-1/2" Brakes		451	
	1991-89	Rear-All w/ 13" X 3-1/2" Brakes		452	
Disc Brake Rotor and Hub Assembly	1991-89	Front-All Dual Rear Wheels		PRT1130	
	1991-89	Front-All Single Rear Wheels		PRT1152	
Brake Drum	1991-90	Rear-All Single Rear Wheels		PDR0387	
	1991-89	Rear-All Dual Rear Wheels		PDR0613	
S10					
Disc Brake Pad Set	2004	Front-All Hardware Included	CFC726	SBC726	MKD726FM
	2003-98	Front-All 4WD, Hardware Included	CFC726	SBC726	MKD726FM

BENDIX BRAKE PARTS

PART TYPE	YEAR	APPLICATION	PREMIUM NO.	PART NO.	SEVERE DUTY NO.	
Chevrolet (Cont'd.)						
S10 (Cont'd.)						
Disc Brake Pad Set (cont'd)	2003	Front-All RWD, Exc. High Wider Package		SBC988		
	2003	Front-All RWD, w/ High Wider Package	CFC726	SBC726	MKD726FM	
	2002-98	Front-All RWD, Hardware Not Included	CFC154	SBC154	MKD154FM	
	2000-98	Front-All FWD, Hardware Not Included		SBC202	MKD202FM	
	1997	Front-All Riveted Linings	CFC154	SBC767	MKD767FM	
	1997	Front-L4 - 2.2L 4WD, Hardware Not Included	CFC154	SBC767	MKD767FM	
	1997	Front-L4 - 2.2L RWD, Hardware Not Included	CFC154	SBC767	MKD767FM	
	1997	Front-V6 - 4.3L 4WD, Bonded Linings	CFC154	SBC767	MKD767FM	
	1997	Front-V6 - 4.3L RWD, Hardware Not Included	CFC154	SBC767	MKD767FM	
	1996	Front-L4 - 2.2L Riveted Linings	CFC154	SBC154	MKD154FM	
	1996	Front-V6 - 4.3L Riveted Linings	CFC154	SBC154	MKD154FM	
	1995	Front-L4 - 2.2L Hardware Not Included	CFC154	SBC154	MKD154FM	
	1995	Front-V6 - 4.3L Hardware Not Included	CFC154	SBC154	MKD154FM	
	1994-82	Front-All Hardware Not Included	CFC154	SBC154	MKD154FM	
	2004	Rear-All Hardware Included	CFC729	SBC729		
	2003-98	Rear-L4 - 2.2L Hardware Included	CFC729	SBC729		
	2003-98	Rear-V6 - 4.3L Hardware Included	CFC729	SBC729		
	Drum Brake Shoe	2003-98	Rear-All RWD		514	
		2000-98	Rear-All FWD		514	
		1997-82	Rear-All w/ 9.5" X 2.06" Brakes		514	
Parking Brake Shoe	2004-97	Rear-All		784		
Disc Brake Rotor	2004-98	Front-All 4WD		PRT5182		
	1997-83	Front-All 4WD		PRT1261		
	2004	Rear-All		PRT5180		
	2003-98	Rear-All 4WD		PRT5180		
	2003	Rear-All RWD		PRT5181		
Disc Brake Rotor and Hub Assembly	2003-97	Front-All RWD, (4-Wheel Anti-Lock Brakes)		PRT5241		
	2003-96	Front-All RWD, without ABS Sensor Ring		PRT5477 ⁶⁰		
	1995-94	Front-All RWD, 2-Wheel ABS		PRT1233		
	1995-94	Front-All RWD, 4-Wheel ABS		PRT1631 ⁵⁸		
	1993-83	Front-All RWD		PRT1233		
	1982	Front-All		PRT1233		
Brake Drum	2003-92	Rear-All		PDR0610		
	1991-82	Rear-All		PDR0454		
S10 Blazer						
Disc Brake Pad Set	1994-83	Front-All Hardware Not Included	CFC154	SBC154	MKD154FM	
Drum Brake Shoe	1994-83	Rear-All w/ 9.5" X 2.06" Brakes		514		
Disc Brake Rotor	1994-83	Front-All		PRT1261		
Disc Brake Rotor and Hub Assembly	1994-91	Front-All 4-Wheel ABS		PRT5241		
	1991	Front-All 2-Wheel ABS		PRT1233		
	1990-83	Front-All		PRT1233		
Brake Drum	1994-92	Rear-All		PDR0610		
	1991-83	Rear-All		PDR0454		
Sedan Delivery						
Brake Drum	1958-53	Front-All		PDR0022		
	1951	Front-All		PDR0022		
	1958-53	Rear-All		PDR0022		
	1951	Rear-All		PDR0022		
Silverado						
Disc Brake Pad Set	1996-95	Front-All Hardware Included	CFM369	SBM369	MKD369FM	
Silverado 1500						
Disc Brake Pad Set	2018-10	Front-All Hardware Included	CFC1363	SBC1363	MKD1363FM	
	2018-10	Front-All Hardware Included			PBD1363	
	2009-05	Front-All For Use on Vehicles Equipped w/ Hydroboost	CFC1363	SBC1363	MKD1363FM	
	2009-05	Front-All For Use on Vehicles Equipped w/ Hydroboost			PBD1363	
	2009-05	Front-All For Use on Vehicles Equipped w/ Vacuum Booster	CFC1092	SBC1092	MKD1092FM	
	2009-05	Front-All For Use on Vehicles Equipped w/ Vacuum Booster			PBD1092	
	2006-05	Front-All For Use on Vehicles Equipped w/ Vacuum Booster		SBM785		
	2006-05	Front-All For Use on Vehicles Equipped w/ Vacuum Booster	CFC785	SBC785	MKD785FM	
	2004	Front-V6 - 4.3L Hardware Included		SBM785		
	2004	Front-V6 - 4.3L Hardware Included	CFC785	SBC785	MKD785FM	
	2004	Front-V8 - 4.8L Hardware Included		SBM785		
	2004	Front-V8 - 4.8L Hardware Included	CFC785	SBC785	MKD785FM	
	2004	Front-V8 - 5.3L Hardware Included		SBM785		
	2004	Front-V8 - 5.3L Hardware Included	CFC785	SBC785	MKD785FM	
	2004	Front-V8 - 6.0L Hardware Included		SBM785		
	2004	Front-V8 - 6.0L Hardware Included	CFC785	SBC785	MKD785FM	
	2003	Front-All Hardware Included		SBM785		
	2003	Front-All Hardware Included	CFC785	SBC785	MKD785FM	
	2002	Front-V6 - 4.3L Hardware Included		SBM785		

58 Sell out and reorder PRT5241
60 Sell out and reorder PRT1233

BENDIX BRAKE PARTS

PART TYPE	YEAR	APPLICATION	PREMIUM NO.	PART NO.	SEVERE DUTY NO.
Chevrolet (Cont'd.)					
Silverado 1500 (Cont'd.)					
Disc Brake Pad Set (cont'd)	2002	Front-V6 - 4.3L Hardware Included	CFC785	SBC785	MKD785FM
	2002	Front-V8 - 4.8L Hardware Included		SBM785	
	2002	Front-V8 - 4.8L Hardware Included	CFC785	SBC785	MKD785FM
	2002	Front-V8 - 5.3L Hardware Included		SBM785	
	2002	Front-V8 - 5.3L Hardware Included	CFC785	SBC785	MKD785FM
	2001	Front-All 2 Doors, Standard Cab Pickup, Hardware Included		SBM785	
	2001	Front-All 2 Doors, Standard Cab Pickup, Hardware Included	CFC785	SBC785	MKD785FM
	2001	Front-All 4 Doors, Extended Cab Pickup, Hardware Included		SBM785	
	2001	Front-All 4 Doors, Extended Cab Pickup, Hardware Included	CFC785	SBC785	MKD785FM
	2000-99	Front-All Hardware Included		SBM785	
	2000-99	Front-All Hardware Included	CFC785	SBC785	MKD785FM
	2018-14	Rear-All Hardware Included	CFC1707	SBC1707	MKD1707FM
	2013-07	Rear-All Hardware Included	CFC1194	SBC1194	MKD1194FM
	2013-07	Rear-All Hardware Included			PBD1194
	2006-02	Rear-All w/ Dual Piston Caliper	CFC834	SBC834	MKD834FM
	2006-02	Rear-All w/ Single Piston Caliper		SBC792SD	
	2006-02	Rear-All w/ Single Piston Caliper		SBM792HD	
	2006-02	Rear-All w/ Single Piston Caliper		SBM792SD	
	2006-02	Rear-All w/ Single Piston Caliper	CFC792HD	SBC792HD	MKD792HDFM
	2006-02	Rear-All w/ Single Piston Caliper			MKD792SDFM
	2003	Rear-All Standard Cab Pickup, w/ 2-Wheel Steering	CFC974A	SBC974A	MKD974AFM
	2003	Rear-All Standard Cab Pickup, w/ 2-Wheel Steering			PBD974A
	2001-00	Rear-All Hardware Included	CFC792HD		
	2001-00	Rear-All w/ Heavy Duty Brakes		SBM792HD	
	2001-00	Rear-All w/ Heavy Duty Brakes		SBC792HD	MKD792HDFM
	2001-00	Rear-All w/o Heavy Duty Brakes		SBM792SD	
	2001-00	Rear-All w/o Heavy Duty Brakes		SBC792SD	MKD792SDFM
	1999	Rear-All w/ 16.3mm Overall Thickness		SBC792SD	
	1999	Rear-All w/ 16.3mm Overall Thickness		SBM792HD	
	1999	Rear-All w/ 16.3mm Overall Thickness		SBM792SD	
	1999	Rear-All w/ 16.3mm Overall Thickness	CFC792HD	SBC792HD	MKD792HDFM
	1999	Rear-All w/ 16.3mm Overall Thickness			MKD792SDFM
Drum Brake Shoe	2013-10	Rear-All		960	
	2009-08	Rear-All Exc. Vehicles Using Hold Down Pins		855	
	2009-08	Rear-All Vehicles Using Hold Down Pins		960	
	2007-05	Rear-All		855	
Parking Brake Shoe	2012-07	Rear-All		781	
	2006	Rear-All 2 Doors		781	
	2006	Rear-All 4 Doors, Crew Cab Pickup, w/ 8.07" X 1.73" Brakes		771	
	2006	Rear-All 4 Doors, Extended Cab Pickup		781	
	2005-99	Rear-All		781	
Disc Brake Rotor	2019-07	Front-All		PRT5582	
	2018-07	Front-All			SDR5582
	2006-05	Front-All w/Rear Disc		PRT5259	SDR5259
	2006-05	Front-All w/Rear Drum		PRT5582	SDR5582
	2004-99	Front-All		PRT5259	SDR5259
	2018-14	Rear-All		PRT5729	SDR5729
	2013-07	Rear-All Rear Disc		PRT5729	SDR5729
	2006-01	Rear-All 325mm Diameter		PRT5265	SDR5265
	2006-01	Rear-All 330mm Diameter		PRT5441 ¹⁰³	SDR5441 ¹⁰⁴
	2000-99	Rear-All		PRT5265	SDR5265
Brake Drum	2013-09	Rear-All Rear Drum		PDR0855	
	2008-05	Rear-All Rear Drum		PDR0800	
Silverado 1500 Classic					
Disc Brake Pad Set	2007	Front-All For Use on Vehicles Equipped w/ Hydroboost	CFC1363	SBC1363	MKD1363FM
	2007	Front-All For Use on Vehicles Equipped w/ Hydroboost			PBD1363
	2007	Front-All For Use on Vehicles Equipped w/ Vacuum Booster		SBC1092	
	2007	Front-All For Use on Vehicles Equipped w/ Vacuum Booster		SBM785	
	2007	Front-All For Use on Vehicles Equipped w/ Vacuum Booster	CFC1092		
	2007	Front-All For Use on Vehicles Equipped w/ Vacuum Booster	CFC785	SBC785	MKD785FM
	2007	Front-All For Use on Vehicles Equipped w/ Vacuum Booster			MKD1092FM
	2007	Front-All For Use on Vehicles Equipped w/ Vacuum Booster			PBD1092
	2007	Rear-V6 - 4.3L Hardware Included	CFC1194	SBC1194	MKD1194FM
	2007	Rear-V6 - 4.3L Hardware Included			PBD1194
	2007	Rear-V8 - 4.8L Hardware Included	CFC1194	SBC1194	MKD1194FM
	2007	Rear-V8 - 4.8L Hardware Included			PBD1194
	2007	Rear-V8 - 5.3L ELECTRIC/GAS, Hardware Included	CFC792HD		

103 PRT5441 replaces PRT5282. Sell out PRT5282 and reorder PRT5441.

104 SDR5441 replaces SDR5282. Sell out SDR5282 and reorder SDR5441.

BENDIX BRAKE PARTS

PART TYPE	YEAR	APPLICATION	PREMIUM NO.	PART NO.	SEVERE DUTY NO.
Chevrolet (Cont'd.)					
Silverado 1500 Classic (Cont'd.)					
Disc Brake Pad Set (cont'd)	2007	Rear-V8 - 5.3L ELECTRIC/GAS, w/ Heavy Duty Brakes		SBM792HD	
	2007	Rear-V8 - 5.3L ELECTRIC/GAS, w/ Heavy Duty Brakes		SBC792HD	MKD792HDFM
	2007	Rear-V8 - 5.3L ELECTRIC/GAS, w/o Heavy Duty Brakes		SBM792SD	
	2007	Rear-V8 - 5.3L ELECTRIC/GAS, w/o Heavy Duty Brakes		SBC792SD	MKD792SDFM
	2007	Rear-V8 - 5.3L FLEX, Hardware Included	CFC1194	SBC1194	MKD1194FM
	2007	Rear-V8 - 5.3L FLEX, Hardware Included			PBD1194
	2007	Rear-V8 - 5.3L GAS, Hardware Included	CFC1194	SBC1194	MKD1194FM
	2007	Rear-V8 - 5.3L GAS, Hardware Included			PBD1194
	2007	Rear-V8 - 6.0L Hardware Included	CFC1194	SBC1194	MKD1194FM
	2007	Rear-V8 - 6.0L Hardware Included			PBD1194
Drum Brake Shoe	2007	Rear-All		855	
Parking Brake Shoe	2007	Rear-All		781	
Disc Brake Rotor	2007	Front-All Hybrid		PRT5259	
	2007	Front-V6 - 4.3L LS		PRT5582	SDR5582
	2007	Front-V8 - 4.8L LS		PRT5582	SDR5582
	2007	Front-V8 - 4.8L LT		PRT5582	SDR5582
	2007	Front-V8 - 5.3L			SDR5259
	2007	Front-V8 - 6.0L LT		PRT5582	SDR5582
	2007	Rear-All Rear Disc		PRT5265	SDR5265
	2007	Rear-All Rear Drum		PDR0800	
Silverado 1500 HD					
Disc Brake Pad Set	2006-05	Front-All Hardware Included		SBM784	
	2006-05	Front-All Hardware Included	CFC784	SBC784	MKD784FM
	2003-01	Front-All Hardware Included		SBM784	
	2003-01	Front-All Hardware Included	CFC784	SBC784	MKD784FM
	2006-05	Rear-All Hardware Included		SBM785	
	2006-05	Rear-All Hardware Included	CFC785	SBC785	MKD785FM
	2003-01	Rear-All Hardware Included		SBM785	
	2003-01	Rear-All Hardware Included	CFC785	SBC785	MKD785FM
Parking Brake Shoe	2006	Rear-All 4 Doors, Crew Cab Pickup, w/ 8.07" X 1.73" Brakes		771	
	2005	Rear-All w/ 8.07" X 1.73" Brakes		771	
	2005	Rear-All w/ 8.27" X 1.27" Brakes		781	
	2003-02	Rear-All w/ 8.07" X 1.73" Brakes		771	
	2003	Rear-All w/ 8.27" X 1.27" Brakes		781	
	2001	Rear-All		781	
Disc Brake Rotor	2006-05	Front-All		PRT5261	SDR5261
	2003-01	Front-All		PRT5261	SDR5261
	2006-05	Rear-All w/4-Wheel Steering		PRT5466	
	2006-05	Rear-All wo/4-Wheel Steering		PRT5262	
	2003	Rear-All w/4-Wheel Steering		PRT5466	
	2003	Rear-All wo/4-Wheel Steering		PRT5262	
	2002	Rear-All		PRT5262	
	2001	Rear-All 6 Hole Rotor, 3.36" Overall Height		PRT5265	SDR5265
	2001	Rear-All 6 Hole Rotor, 3.76" Overall Height		PRT5441 ¹⁰³	SDR5441 ¹⁰⁴
	2001	Rear-All 8 Hole Rotor		PRT5262	
Silverado 1500 HD Classic					
Disc Brake Pad Set	2007	Front-All Hardware Included		SBM784	
	2007	Front-All Hardware Included	CFC784	SBC784	MKD784FM
	2007	Rear-All Hardware Included		SBM785	
	2007	Rear-All Hardware Included	CFC785	SBC785	MKD785FM
Parking Brake Shoe	2007	Rear-All w/ 8.07" X 1.73" Brakes		771	
Disc Brake Rotor	2007	Front-All		PRT5261	
	2007	Rear-All		PRT5262	
Silverado 2500					
Disc Brake Pad Set	2017-15	Front-All Hardware Included	CFC1565A	SBC1565B	MKD1565BFM
	2007-99	Front-All Hardware Included		SBM784	
	2007-99	Front-All Hardware Included	CFC784	SBC784	MKD784FM
	2017-15	Rear-All Hardware Included	CFC1565A	SBC1565B	MKD1565BFM
	2014	Rear-All Hardware Included	CFC1411	SBC1411	MKD1411FM
	2005	Rear-All Hardware Included		SBM909	
	2005	Rear-All Hardware Included	CFC909	SBC909	MKD909FM
	2004-99	Rear-All Hardware Included		SBM785	
	2004-99	Rear-All Hardware Included	CFC785	SBC785	MKD785FM
	Parking Brake Shoe	2004	Rear-All w/ 2 Wheel Steering		771
2003-99		Rear-All w/ 8.07" X 1.73" Brakes		771	
Disc Brake Rotor	2006-99	Front-All 8 Hole Rotor		PRT5261	SDR5261
	2003	Front-All 6 Hole Rotor		PRT5259	SDR5259
	2006-99	Rear-All 4.63" Hub Hole Dia.; 8 Hole Rotor		PRT5262	
	2006-99	Rear-All 4.84" Hub Hole Dia.; 8 Hole Rotor		PRT5260	SDR5260
	2003	Rear-All 6 Hole Rotor		PRT5265	SDR5265
Silverado 2500 HD					
Disc Brake Pad Set	2018-11	Front-All Hardware Included	CFC1565A	SBC1565B	MKD1565BFM
	2010-01	Front-All Hardware Included		SBM784	

103 PRT5441 replaces PRT5282. Sell out PRT5282 and reorder PRT5441.

104 SDR5441 replaces SDR5282. Sell out SDR5282 and reorder SDR5441.

BENDIX BRAKE PARTS

PART TYPE	YEAR	APPLICATION	PREMIUM NO.	PART NO.	SEVERE DUTY NO.
Chevrolet (Cont'd.)					
Silverado 2500 HD (Cont'd.)					
Disc Brake Pad Set (cont'd)	2010-01	Front-All Hardware Included	CFC784	SBC784	MKD784FM
	2018-16	Rear-All Hardware Included	CFC1565A	SBC1565B	MKD1565BFM
	2015-14	Rear-All From 8/14	CFC1565A	SBC1565B	MKD1565BFM
	2015-14	Rear-All To 8/14	CFC1411	SBC1411	MKD1411FM
	2013-11	Rear-All Hardware Included	CFC1411	SBC1411	MKD1411FM
	2010-01	Rear-All Hardware Included		SBM785	
Parking Brake Shoe	2010-01	Rear-All Hardware Included	CFC785	SBC785	MKD785FM
	2010	Rear-All w/ 8.07" X 1.73" Brakes		962	
	2009-06	Rear-All w/ 8.07" X 1.73" Brakes		771	
	2005-04	Rear-All w/ 2 Wheel Steering		771	
Disc Brake Rotor	2003-01	Rear-All w/ 8.07" X 1.73" Brakes		771	
	2019-11	Front-All		PRT6074	
	2010-05	Front-All		PRT5316	SDR5316
	2004-01	Front-All w/ Allison Transmission		PRT5316	SDR5316
	2004-01	Front-All w/out Allison Transmission		PRT5261	SDR5261
	2019-11	Rear-All		PRT6075	
	2010-05	Rear-All 4.84" Hub Hole Dia.		PRT5260	SDR5260
	2006-05	Rear-All 4.63" Hub Hole Dia.		PRT5262	
	2004	Rear-All w/ 4 Wheel Steering		PRT5466	
	2004	Rear-All w/o 4 Wheel Steering, 4.63 Dia. Hub Hole		PRT5262	
	2004	Rear-All w/o 4 Wheel Steering, 4.84" Dia. Hub Hole		PRT5260	SDR5260
	2003-01	Rear-All 4.63" Hub Hole Dia.		PRT5262	
	2003-01	Rear-All 4.84" Hub Hole Dia.		PRT5260	SDR5260
Silverado 2500 HD Classic					
Disc Brake Pad Set	2007	Front-All Hardware Included		SBM784	
	2007	Front-All Hardware Included	CFC784	SBC784	MKD784FM
	2007	Rear-All Hardware Included		SBM785	
	2007	Rear-All Hardware Included	CFC785	SBC785	MKD785FM
Parking Brake Shoe	2007	Rear-All w/ 8.07" X 1.73" Brakes		771	
Disc Brake Rotor	2007	Front-All		PRT5316	
	2007	Rear-All 330.4mm Diameter Rotor		PRT5260	
Silverado 3500					
Disc Brake Pad Set	2017-15	Front-All Hardware Included	CFC1565A	SBC1565B	MKD1565BFM
	2013-12	Front-All Hardware Included	CFC1565A	SBC1565B	MKD1565BFM
	2011	Front-All Hardware Included	CFC1411	SBC1411	MKD1411FM
	2009-08	Front-All Hardware Included		SBM784	
	2009-08	Front-All Hardware Included	CFC784	SBC784	MKD784FM
	2007	Front-All w/ 9,900, 12,000 Lb. GVW		SBM784	
	2007	Front-All w/ 9,900, 12,000 Lb. GVW	CFC784	SBC784	MKD784FM
	2006	Front-V8 - 6.0L w/ 9,900, 12,000 Lb. GVW		SBM784	
	2006	Front-V8 - 6.0L w/ 9,900, 12,000 Lb. GVW	CFC784	SBC784	MKD784FM
	2006	Front-V8 - 6.6L w/ 9,900, 12,000 Lb. GVW		SBM784	
	2006	Front-V8 - 6.6L w/ 9,900, 12,000 Lb. GVW	CFC784	SBC784	MKD784FM
	2006	Front-V8 - 8.1L w/ 9,900, 12,000 Lb. GVW		SBM784	
	2006	Front-V8 - 8.1L w/ 9,900, 12,000 Lb. GVW	CFC784	SBC784	MKD784FM
	2005-04	Front-V8 - 6.0L 4WD, w/ 9,900, 12,000 Lb. GVW		SBM784	
	2005-04	Front-V8 - 6.0L 4WD, w/ 9,900, 12,000 Lb. GVW	CFC784	SBC784	MKD784FM
	2005-04	Front-V8 - 6.0L RWD, Hardware Included		SBM784	
	2005-04	Front-V8 - 6.0L RWD, Hardware Included	CFC784	SBC784	MKD784FM
	2005-04	Front-V8 - 6.6L 4WD, w/ 9,900, 12,000 Lb. GVW		SBM784	
	2005-04	Front-V8 - 6.6L 4WD, w/ 9,900, 12,000 Lb. GVW	CFC784	SBC784	MKD784FM
	2005-04	Front-V8 - 6.6L RWD, Hardware Included		SBM784	
	2005-04	Front-V8 - 6.6L RWD, Hardware Included	CFC784	SBC784	MKD784FM
	2005-04	Front-V8 - 8.1L 4WD, w/ 9,900, 12,000 Lb. GVW		SBM784	
	2005-04	Front-V8 - 8.1L 4WD, w/ 9,900, 12,000 Lb. GVW	CFC784	SBC784	MKD784FM
	2005-04	Front-V8 - 8.1L RWD, Hardware Included		SBM784	
	2005-04	Front-V8 - 8.1L RWD, Hardware Included	CFC784	SBC784	MKD784FM
	2003-01	Front-All Hardware Included		SBM784	
	2003-01	Front-All Hardware Included	CFC784	SBC784	MKD784FM
	2017-15	Rear-All Hardware Included	CFC1565A	SBC1565B	MKD1565BFM
	2013-11	Rear-All Hardware Included	CFC1411	SBC1411	MKD1411FM
	2009-08	Rear-All w/ Dual Rear Wheels		SBM909	
	2009-08	Rear-All w/ Dual Rear Wheels	CFC909	SBC909	MKD909FM
	2009-08	Rear-All w/ Single Rear Wheels		SBM785	
	2009-08	Rear-All w/ Single Rear Wheels	CFC785	SBC785	MKD785FM
	2007	Rear-All w/ 9,900 Lb. GVW		SBM785	
	2007	Rear-All w/ 9,900 Lb. GVW	CFC785	SBC785	MKD785FM
	2007	Rear-All w/ 12,000 Lb. GVW		SBM909	
	2007	Rear-All w/ 12,000 Lb. GVW	CFC909	SBC909	MKD909FM
	2006	Rear-V8 - 6.0L w/ 9,900 Lb. GVW		SBM785	
	2006	Rear-V8 - 6.0L w/ 9,900 Lb. GVW	CFC785	SBC785	MKD785FM
	2006	Rear-V8 - 6.0L w/ 12,000 Lb. GVW		SBM909	
	2006	Rear-V8 - 6.0L w/ 12,000 Lb. GVW	CFC909	SBC909	MKD909FM
	2006	Rear-V8 - 6.6L w/ 9,900 Lb. GVW		SBM785	
	2006	Rear-V8 - 6.6L w/ 9,900 Lb. GVW	CFC785	SBC785	MKD785FM
	2006	Rear-V8 - 6.6L w/ 12,000 Lb. GVW		SBM909	

BENDIX BRAKE PARTS

PART TYPE	YEAR	APPLICATION	PREMIUM NO.	PART NO.	SEVERE DUTY NO.	
Chevrolet (Cont'd.)						
Silverado 3500 (Cont'd.)						
Disc Brake Pad Set (cont'd)	2006	Rear-V8 - 6.6L w/ 12,000 Lb. GVW	CFC909	SBC909	MKD909FM	
	2006	Rear-V8 - 8.1L w/ 9,900 Lb. GVW		SBM785		
	2006	Rear-V8 - 8.1L w/ 9,900 Lb. GVW	CFC785	SBC785	MKD785FM	
	2006	Rear-V8 - 8.1L w/ 12,000 Lb. GVW		SBM909		
	2006	Rear-V8 - 8.1L w/ 12,000 Lb. GVW	CFC909	SBC909	MKD909FM	
	2005	Rear-All w/ 9,900 Lb. GVW		SBM785		
	2005	Rear-All w/ 9,900 Lb. GVW	CFC785	SBC785	MKD785FM	
	2005	Rear-All w/ 12,000 Lb. GVW		SBM909		
	2005	Rear-All w/ 12,000 Lb. GVW	CFC909	SBC909	MKD909FM	
	2004	Rear-V8 - 6.0L 4WD, w/ 9,900 Lb. GVW		SBM785		
	2004	Rear-V8 - 6.0L 4WD, w/ 9,900 Lb. GVW	CFC785	SBC785	MKD785FM	
	2004	Rear-V8 - 6.0L 4WD, w/ 12,000 Lb. GVW		SBM909		
	2004	Rear-V8 - 6.0L 4WD, w/ 12,000 Lb. GVW	CFC909	SBC909	MKD909FM	
	2004	Rear-V8 - 6.0L RWD, Hardware Included		SBM909		
	2004	Rear-V8 - 6.0L RWD, Hardware Included	CFC909	SBC909	MKD909FM	
	2004	Rear-V8 - 6.6L 4WD, w/ 9,900 Lb. GVW		SBM785		
	2004	Rear-V8 - 6.6L 4WD, w/ 9,900 Lb. GVW	CFC785	SBC785	MKD785FM	
	2004	Rear-V8 - 6.6L 4WD, w/ 12,000 Lb. GVW		SBM909		
	2004	Rear-V8 - 6.6L 4WD, w/ 12,000 Lb. GVW	CFC909	SBC909	MKD909FM	
	2004	Rear-V8 - 6.6L RWD, Hardware Included		SBM909		
	2004	Rear-V8 - 6.6L RWD, Hardware Included	CFC909	SBC909	MKD909FM	
	2004	Rear-V8 - 8.1L 4WD, w/ 9,900 Lb. GVW		SBM785		
	2004	Rear-V8 - 8.1L 4WD, w/ 9,900 Lb. GVW	CFC785	SBC785	MKD785FM	
	2004	Rear-V8 - 8.1L 4WD, w/ 12,000 Lb. GVW		SBM909		
	2004	Rear-V8 - 8.1L 4WD, w/ 12,000 Lb. GVW	CFC909	SBC909	MKD909FM	
	2004	Rear-V8 - 8.1L RWD, Hardware Included		SBM909		
	2004	Rear-V8 - 8.1L RWD, Hardware Included	CFC909	SBC909	MKD909FM	
	2003-01	Rear-All Hardware Included		SBM909		
	2003-01	Rear-All Hardware Included	CFC909	SBC909	MKD909FM	
	Parking Brake Shoe	2007-04	Rear-All w/ 9,900, 12,000 lb. GVW		771	
		2003-01	Rear-All w/ 8.07" X 1.73" Brakes		771	
	Disc Brake Rotor	2007-04	Front-All Single Rear Wheels		PRT5316	SDR5316
2007-01		Front-All Dual Rear Wheels		PRT5317	SDR5317	
2007-04		Rear-All Single Rear Wheels		PRT5260	SDR5260	
2007-01		Rear-All Dual Rear Wheels		PRT5339	SDR5339	
Silverado 3500 Classic						
Disc Brake Pad Set	2007	Front-All w/ 9,900, 12,000 Lb. GVW		SBM784		
	2007	Front-All w/ 9,900, 12,000 Lb. GVW	CFC784	SBC784	MKD784FM	
	2007	Rear-All w/ 9,900 Lb. GVW		SBM785		
	2007	Rear-All w/ 9,900 Lb. GVW	CFC785	SBC785	MKD785FM	
	2007	Rear-All w/ 12,000 Lb. GVW		SBM909		
	2007	Rear-All w/ 12,000 Lb. GVW	CFC909	SBC909	MKD909FM	
Parking Brake Shoe	2007	Rear-All w/ 9,900, 12,000 lb. GVW		771		
Disc Brake Rotor	2007	Front-All GVW 9,900 Lbs.		PRT5316	SDR5316	
	2007	Front-All GVW 12,000 Lbs.		PRT5317	SDR5317	
	2007	Rear-All 9,900 lb. GVW		PRT5260		
	2007	Rear-All 12,000 lb. GVW		PRT5339		
Silverado 3500 HD						
Disc Brake Pad Set	2018-14	Front-All Hardware Included	CFC1565A	SBC1565B	MKD1565BFM	
	2013	Front-All Hardware Included	CFC1411	SBC1411	MKD1411FM	
	2012	Front-All Hardware Included	CFC1565A	SBC1565B	MKD1565BFM	
	2011	Front-All Hardware Included	CFC1411	SBC1411	MKD1411FM	
	2010-07	Front-All w/ 9,900, 12,000 Lb. GVW		SBM784		
	2010-07	Front-All w/ 9,900, 12,000 Lb. GVW	CFC784	SBC784	MKD784FM	
	2018-16	Rear-All Hardware Included	CFC1565A	SBC1565B	MKD1565BFM	
	2015-14	Rear-All From 8/14	CFC1565A	SBC1565B	MKD1565BFM	
	2015-14	Rear-All To 8/14	CFC1411	SBC1411	MKD1411FM	
	2013-11	Rear-All Hardware Included	CFC1411	SBC1411	MKD1411FM	
	2010-07	Rear-All w/ 9,900 Lb. GVW		SBM785		
	2010-07	Rear-All w/ 9,900 Lb. GVW	CFC785	SBC785	MKD785FM	
	2010-07	Rear-All w/ 12,000 Lb. GVW		SBM909		
	2010-07	Rear-All w/ 12,000 Lb. GVW	CFC909	SBC909	MKD909FM	
	Parking Brake Shoe	2010	Rear-All w/ 9,900, 12,000 lb. GVW		962	
		2009-07	Rear-All w/ 9,900, 12,000 lb. GVW		771	
	Disc Brake Rotor	2019-11	Front-All		PRT6074	
		2010-07	Front-All Dual Rear Wheels		PRT5317	SDR5317
		2010-07	Front-All Single Rear Wheels		PRT5316	SDR5316
		2019-17	Rear-All w/ Single Rear Wheels		PRT6075	
2017		Rear-All w/ Dual Rear Wheels		PRT6076		
2016-11		Rear-All Dual Rear Wheels		PRT6076		
2016-11		Rear-All Single Rear Wheels		PRT6075		
2010-07		Rear-All Dual Rear Wheels		PRT5339	SDR5339	
2010-07		Rear-All Single Rear Wheels		PRT5260	SDR5260	
Sonic						
Disc Brake Pad Set	2015	Front-All Exc. Latin America	CFC1522	SBC1522		

BENDIX BRAKE PARTS

PART TYPE	YEAR	APPLICATION	PREMIUM NO.	PART NO.	SEVERE DUTY NO.
Chevrolet (Cont'd.)					
Sonic (Cont'd.)					
Disc Brake Pad Set (cont'd)	2014-12	Front-All Hardware Included	CFC1522	SBC1522	
	2017-14	Rear-All Hardware Included	CFC1468	SBC1468	
	2013	Rear-All RS, Hardware Included	CFC1468	SBC1468	
Drum Brake Shoe	2014	Rear-All		1011	
	2013	Rear-All LS		1011	
	2013	Rear-All LT		1011	
	2013	Rear-All LTZ		1011	
Disc Brake Rotor	2012	Rear-All		1011	
	2019-12	Front-All		PRT6063	
	2019-18	Rear-All		PRT6062	
Brake Drum	2016-13	Rear-All		PRT6062	
	2017-12	Rear-All		PDR0845	
Sonora					
Disc Brake Pad Set	2006-00	Front-All Hardware Included		SBM785	
	2006-00	Front-All Hardware Included	CFC785	SBC785	MKD785FM
	2006-00	Rear-All Hardware Included	CFC974A	SBC974A	MKD974AFM
	2006-00	Rear-All Hardware Included			PBD974A
Spark					
Disc Brake Pad Set	2018	Front-All Hardware Included		SBC1864	
	2017	Front-All Exc. Latin America		SBC1864	
	2016	Front-All Hardware Included		SBC1864	
	2015	Front-All Hardware Included	CFC1035		
	2015	Front-All Hardware Not Included		SBC1035	
	2014	Front-All CAN, Hardware Included	CFC1035		
	2014	Front-All CAN, Hardware Not Included		SBC1035	
	2014	Front-All USA, Hardware Included	CFC1035		
	2014	Front-All USA, Hardware Not Included		SBC1035	
	2013	Front-All Hardware Included	CFC1035		
	2013	Front-All Hardware Not Included		SBC1035	
Drum Brake Shoe	2017-14	Rear-All		814	
Disc Brake Rotor	2015-13	Front-All		PRT5662	
Brake Drum	2015-13	Rear-All		PDR0829	
Spark Classic					
Disc Brake Pad Set	2017-16	Front-All Hardware Included		SBC1864	
Spark EV					
Disc Brake Pad Set	2016-14	Front-All Hardware Included	CFC1035		
	2016-14	Front-All Hardware Not Included		SBC1035	
	2016-14	Rear-All Hardware Included	CFM1739	SBM1739	
Parking Brake Shoe	2015	Rear-All		888	
Disc Brake Rotor	2016-14	Front-All		PRT5662	
Spectrum					
Disc Brake Rotor	1988-85	Front-All		PRT1385	
Brake Drum	1988-85	Rear-All		PDR0470	
Sprint					
Disc Brake Pad Set	1992	Front-All Convertible, Hardware Included		SBM451	
	1991-90	Front-All CAN, Hardware Included		SBM451	
	1989	Front-All Hardware Not Included		SBM420	
Drum Brake Shoe	1991-89	Rear-All Vehicles Built For Canadian Market		608	
Disc Brake Rotor	1992-85	Front-All		PRT1403	
Brake Drum	1992-89	Rear-L3 - 1.0L Naturally Aspirated, INCL.HUB		PDR0573	
	1992-89	Rear-L3 - 1.0L Turbocharged		PDR0591	
	1988-85	Rear-All		PDR0523	
SS					
Disc Brake Pad Set	2017-14	Front-All Hardware Included	CFM1474		
	2017-14	Front-All Hardware Not Included		SBM1474	
	2017-16	Rear-All Hardware Included	CFC1352	SBC1352	MKD1352FM
	2017-16	Rear-All Hardware Included			PBD1352
	2015	Rear-All Hardware Included	CFM592A		
	2015	Rear-All Hardware Not Included		SBM592A	
	2014	Rear-All Hardware Included	CFC1352	SBC1352	MKD1352FM
	2014	Rear-All Hardware Included			PBD1352
Parking Brake Shoe	2015	Rear-All		784	
Disc Brake Rotor	2016-14	Front-All		PRT5999	
	2017-14	Rear-All			SDR6169
	2016-15	Rear-All		PRT6384	
SSR					
Disc Brake Pad Set	2006-03	Front-All Hardware Included	CFC882	SBC882	MKD882FM
	2006-03	Rear-All Hardware Included	CFC883	SBC883	MKD883FM
Parking Brake Shoe	2006-03	Rear-All		781	
Disc Brake Rotor	2006-03	Front-All		PRT5342	
	2006-03	Rear-All		PRT5314	

BENDIX BRAKE PARTS

PART TYPE	YEAR	APPLICATION	PREMIUM NO.	PART NO.	SEVERE DUTY NO.
Chevrolet (Cont'd.)					
Styleline Deluxe					
Brake Drum	1952-51	Front-All		PDR0022	
	1952-51	Rear-All		PDR0022	
Styleline Special					
Brake Drum	1952-51	Front-All		PDR0022	
	1952-51	Rear-All		PDR0022	
Suburban					
Disc Brake Pad Set	2018-14	Front-All Hardware Included	CFC1363	SBC1363	MKD1363FM
	2018-14	Front-All Hardware Included			PBD1363
	2018-15	Rear-All Hardware Included	CFC1707	SBC1707	MKD1707FM
	2014	Rear-All Hardware Included	CFC1194	SBC1194	MKD1194FM
	2014	Rear-All Hardware Included			PBD1194
Drum Brake Shoe	1966-60	Front-All		228	
	1966-60	Rear-All		228	
Disc Brake Rotor	2019	Front-All w/ 330 mm Rotor Diameter		PRT5582	
	2019	Front-All w/ 355mm Front Brake Rotor		PRT6074	
	2016-15	Front-All		PRT5582	SDR5582
	2019	Rear-All w/ 8 Lug Wheels		PRT6075	
	2018-15	Rear-All		PRT5729	
Suburban 1500					
Disc Brake Pad Set	2014-10	Front-All Hardware Included	CFC1363	SBC1363	MKD1363FM
	2014-10	Front-All Hardware Included			PBD1363
	2009	Front-V8 - 5.3L Hardware Included	CFC1363	SBC1363	MKD1363FM
	2009	Front-V8 - 5.3L Hardware Included			PBD1363
	2009	Front-V8 - 6.0L Hardware Included	CFC1363	SBC1363	MKD1363FM
	2009	Front-V8 - 6.0L Hardware Included			PBD1363
	2008-07	Front-V8 - 5.3L For Use on Vehicles Equipped w/ Hydroboost	CFC1363	SBC1363	MKD1363FM
	2008-07	Front-V8 - 5.3L For Use on Vehicles Equipped w/ Hydroboost			PBD1363
	2008-07	Front-V8 - 5.3L For Use on Vehicles Equipped w/ Vacuum Booster	CFC1092	SBC1092	MKD1092FM
	2008-07	Front-V8 - 5.3L For Use on Vehicles Equipped w/ Vacuum Booster			PBD1092
	2008-07	Front-V8 - 6.0L For Use on Vehicles Equipped w/ Hydroboost	CFC1363	SBC1363	MKD1363FM
	2008-07	Front-V8 - 6.0L For Use on Vehicles Equipped w/ Hydroboost			PBD1363
	2008-07	Front-V8 - 6.0L For Use on Vehicles Equipped w/ Vacuum Booster	CFC1092	SBC1092	MKD1092FM
	2008-07	Front-V8 - 6.0L For Use on Vehicles Equipped w/ Vacuum Booster			PBD1092
	2006-00	Front-All Hardware Included		SBM785	
	2006-00	Front-All Hardware Included	CFC785	SBC785	MKD785FM
	2014-10	Rear-All Hardware Included	CFC1194	SBC1194	MKD1194FM
	2014-10	Rear-All Hardware Included			PBD1194
	2009-07	Rear-V8 - 5.3L Hardware Included	CFC1194	SBC1194	MKD1194FM
	2009-07	Rear-V8 - 5.3L Hardware Included			PBD1194
	2009-07	Rear-V8 - 6.0L Hardware Included	CFC1194	SBC1194	MKD1194FM
	2009-07	Rear-V8 - 6.0L Hardware Included			PBD1194
	2006-03	Rear-All 4WD, 1st Design (Ribbed Caliper Housing w/ Rectangular Inspection Port for Pads)	CFC834	SBC834	MKD834FM
	2006-02	Rear-All RWD, 2nd Design (Smooth Caliper Housing w/ Oval Inspection Port for Pads)	CFC974A	SBC974A	MKD974AFM
	2006-02	Rear-All RWD, 2nd Design (Smooth Caliper Housing w/ Oval Inspection Port for Pads)			PBD974A
	2006	Rear-All AWD, 1st Design (Ribbed Caliper Housing w/ Rectangular Inspection Port for Pads)	CFC834	SBC834	MKD834FM
	2002	Rear-All 1st Design (Ribbed Caliper Housing w/ Rectangular Inspection Port for Pads)	CFC834	SBC834	MKD834FM
	2001-00	Rear-All w/ Dual Piston Rear Caliper	CFC834	SBC834	MKD834FM
	2001-00	Rear-All w/ Single Piston Rear Caliper		SBM792SD	
	2001-00	Rear-All w/ Single Piston Rear Caliper	CFC792HD	SBC792SD	
	2001-00	Rear-All w/ Single Piston Rear Calipers		SBM792HD	
	2001-00	Rear-All w/ Single Piston Rear Calipers		SBC792HD	MKD792HDFM
	2001-00	Rear-All w/ Single Piston Rear Calipers			MKD792SDFM
Parking Brake Shoe	2012-00	Rear-All		781	
Disc Brake Rotor	2014-07	Front-All		PRT5582	SDR5582
	2006-00	Front-All		PRT5259	SDR5259
	2014-07	Rear-All		PRT5729	SDR5729
	2006-00	Rear-All 325mm Diameter		PRT5265	SDR5265
	2006-00	Rear-All 330mm Diameter		PRT5441 ¹⁰³	SDR5441 ¹⁰⁴
Suburban 2500					
Disc Brake Pad Set	2013-10	Front-All Hardware Included		SBM784	
	2013-10	Front-All Hardware Included	CFC784	SBC784	MKD784FM
	2009	Front-V8 - 6.0L Hardware Included		SBM784	
	2009	Front-V8 - 6.0L Hardware Included	CFC784	SBC784	MKD784FM
	2008-00	Front-All Hardware Included		SBM784	

103 PRT5441 replaces PRT5282. Sell out PRT5282 and reorder PRT5441.

104 SDR5441 replaces SDR5282. Sell out SDR5282 and reorder SDR5441.

BENDIX BRAKE PARTS

PART TYPE	YEAR	APPLICATION	PREMIUM NO.	PART NO.	SEVERE DUTY NO.	
Chevrolet (Cont'd.)						
Suburban 2500 (Cont'd.)						
Disc Brake Pad Set (cont'd)	2008-00	Front-All Hardware Included	CFC784	SBC784	MKD784FM	
	2013-10	Rear-All Hardware Included		SBM785		
	2013-10	Rear-All Hardware Included	CFC785	SBC785	MKD785FM	
	2009	Rear-V8 - 6.0L Hardware Included		SBM785		
	2009	Rear-V8 - 6.0L Hardware Included	CFC785	SBC785	MKD785FM	
	2008-00	Rear-All Hardware Included		SBM785		
	2008-00	Rear-All Hardware Included	CFC785	SBC785	MKD785FM	
	Parking Brake Shoe	2013-10	Rear-All w/ 8.07" X 1.73" Brakes		962	
		2009-06	Rear-All w/ 8.07" X 1.73" Brakes		771	
		2005-03	Rear-All w/ 2 Wheel Steering		771	
2005-03		Rear-All w/ 4 Wheel Steering		781		
2002-00		Rear-All w/ 8.07" X 1.73" Brakes		771		
Disc Brake Rotor	2013-00	Front-All		PRT5261	SDR5261	
	2013-08	Rear-All		PRT5260	SDR5260	
	2007	Rear-All		PRT5262		
	2006-04	Rear-All w/4-Wheel Steering		PRT5466		
	2006-03	Rear-All w/o 4 Wheel Steering, 4.63 Dia. Hub Hole		PRT5262		
	2006-03	Rear-All w/o 4 Wheel Steering, 4.84" Dia. Hub Hole		PRT5260	SDR5260	
	2003-00	Rear-All w/ 7,200lb GVW		PRT5441 ¹⁰³	SDR5441 ¹⁰⁴	
	2003	Rear-All w/4-Wheel Steering (w/Limited Slip Differential)		PRT5466		
	2003	Rear-All w/4-Wheel Steering (wo/Limited Slip Differential)		PRT5265	SDR5265	
	2002-01	Rear-All 4.84" Hub Hole Dia.		PRT5260	SDR5260	
	2002-00	Rear-All 4.63" Hub Hole Dia.		PRT5262		
	Suburban 3500 HD					
	Disc Brake Pad Set	2018	Front-All Hardware Included	CFC1565A	SBC1565B	MKD1565BFM
2017-16		Front-All Hardware Included	CFC1411	SBC1411	MKD1411FM	
2018		Rear-All Hardware Included	CFC1565A	SBC1565B	MKD1565BFM	
2017-16		Rear-All Hardware Included	CFC1411	SBC1411	MKD1411FM	
Disc Brake Rotor	2019-16	Front-All		PRT6074		
	2019-17	Rear-All		PRT6075		
T6500						
Disc Brake Pad Set	2009-04	Front-All Hardware Included			MKD1032FM	
	2002-99	Front-All w/ 2.50" Dual Piston Dayton Caliper			MKD224FM	
	2002-99	Front-All w/ 2.88" Dual Piston Bendix Caliper			MKD225FM	
	1998-97	Front-All Hardware Included			MKD225FM	
	2009-04	Rear-All Hardware Included			MKD1032FM	
	2002-99	Rear-All w/ 2.50" Dual Piston Dayton Caliper			MKD224FM	
	2002-99	Rear-All w/ 2.88" Dual Piston Bendix Caliper			MKD225FM	
	2002	Rear-All F6B042, w/ 4 Piston Caliper			MKD1032FM	
	1998	Rear-All Hardware Included			MKD225FM	
	1997	Rear-All w/ 2.88" Dual Piston Bendix Caliper			MKD225FM	
	Disc Brake Rotor	2009-04	Front-All 10 Hole Rotor Hat Shaped		PRT5688	
		1998-97	Front-All 10 Hole Rotor Hat Shaped, 14.75" Diameter		PRT1874	SDR1874
		1998-97	Front-All Hat Shaped 5 Hole Rotor		PRT1271	
2009-04		Rear-All 10 Hole Rotor Hat Shaped		PRT5688		
2002-98		Rear-All 10 Hole Rotor Hat, w/ Tapped Holes for ABS Ring, 15.39" Diameter		PRT5345	SDR5345	
1998-97	Rear-All Hat Shaped 10 Hole Rotor; Dual Piston Calipers; 19,000 lb Single Rear Axle		PRT5575			
T7500						
Disc Brake Pad Set	2009-04	Front-All Hardware Included			MKD1032FM	
	2002-97	Front-All w/ 2.50" Dual Piston Dayton Caliper			MKD224FM	
	2002-97	Front-All w/ 2.88" Dual Piston Bendix Caliper			MKD225FM	
	2009-04	Rear-All Hardware Included			MKD1032FM	
	2002-97	Rear-All w/ 2.50" Dual Piston Dayton Caliper			MKD224FM	
	2002-97	Rear-All w/ 2.88" Dual Piston Bendix Caliper			MKD225FM	
	2002	Rear-All F7B042, w/ 4 Piston Caliper			MKD1032FM	
	Disc Brake Rotor	2009-04	Front-All		PRT5688	
2002-97		Front-All Hat Shaped 5 Hole Rotor		PRT1271		
2009-04		Rear-All 10 Hole Rotor Hat Shaped, 19000lb Axle		PRT5688		
2002-98		Rear-All 10 Hole Rotor Hat, w/ Tapped Holes for ABS Ring, 15.39" Diameter		PRT5345	SDR5345	
2002-97		Rear-All 10 Hole Rotor Hat Shaped, 14.75" Diameter		PRT1874	SDR1874	
2002-97		Rear-All Hat Shaped 10 Hole Rotor; Dual Piston Calipers; 19,000 lb Single Rear Axle		PRT5575		
2002-97		Rear-All Includes Hub Mounting Holes, Rotor Casting # 23-123434-005, 19060S, 19060T Eaton Rear Axle Stamped H		PRT5346	SDR5346	
Tahoe						
Disc Brake Pad Set	2018-17	Front-All Hardware Included	CFC1363	SBC1363	MKD1363FM	
	2018-17	Front-All Hardware Included			PBD1363	
	2016	Front-All w/ Brembo Brake System	CFM1910	SBM1910	MKD1910FM	
	2016	Front-All w/ JL4 Brake System	CFC1363	SBC1363	MKD1363FM	
	2016	Front-All w/ JL4 Brake System			PBD1363	
	2015-09	Front-All Hardware Included	CFC1363	SBC1363	MKD1363FM	

103 PRT5441 replaces PRT5282. Sell out PRT5282 and reorder PRT5441.

104 SDR5441 replaces SDR5282. Sell out SDR5282 and reorder SDR5441.

BENDIX BRAKE PARTS

PART TYPE	YEAR	APPLICATION	PREMIUM NO.	PART NO.	SEVERE DUTY NO.
Chevrolet (Cont'd.)					
Tahoe (Cont'd.)					
Disc Brake Pad Set (cont'd)	2015-09	Front-All Hardware Included			PBD1363
	2008	Front-V8 - 4.8L For Use on Vehicles Equipped w/ Hydroboost	CFC1363	SBC1363	MKD1363FM
	2008	Front-V8 - 4.8L For Use on Vehicles Equipped w/ Hydroboost			PBD1363
	2008	Front-V8 - 4.8L For Use on Vehicles Equipped w/ Vacuum Booster	CFC1092	SBC1092	MKD1092FM
	2008	Front-V8 - 4.8L For Use on Vehicles Equipped w/ Vacuum Booster			PBD1092
	2008	Front-V8 - 5.3L For Use on Vehicles Equipped w/ Hydroboost	CFC1363	SBC1363	MKD1363FM
	2008	Front-V8 - 5.3L For Use on Vehicles Equipped w/ Hydroboost			PBD1363
	2008	Front-V8 - 5.3L For Use on Vehicles Equipped w/ Vacuum Booster	CFC1092	SBC1092	MKD1092FM
	2008	Front-V8 - 5.3L For Use on Vehicles Equipped w/ Vacuum Booster			PBD1092
	2008	Front-V8 - 6.0L For Use on Vehicles Equipped w/ Hydroboost	CFC1363	SBC1363	MKD1363FM
	2008	Front-V8 - 6.0L For Use on Vehicles Equipped w/ Hydroboost			PBD1363
	2008	Front-V8 - 6.0L For Use on Vehicles Equipped w/ Vacuum Booster	CFC1092	SBC1092	MKD1092FM
	2008	Front-V8 - 6.0L For Use on Vehicles Equipped w/ Vacuum Booster			PBD1092
	2007	Front-V8 - 4.8L Exc. Police	CFC1092	SBC1092	MKD1092FM
	2007	Front-V8 - 4.8L Exc. Police			PBD1092
	2007	Front-V8 - 5.3L Exc. Police	CFC1092	SBC1092	MKD1092FM
	2007	Front-V8 - 5.3L Exc. Police			PBD1092
	2006-01	Front-All Hardware Included		SBM785	
	2006-01	Front-All Hardware Included	CFC785	SBC785	MKD785FM
	2000	Front-V8 - 4.8L Hardware Included		SBM785	
	2000	Front-V8 - 4.8L Hardware Included	CFC785	SBC785	MKD785FM
	2000	Front-V8 - 5.3L Hardware Included		SBM785	
	2000	Front-V8 - 5.3L Hardware Included	CFC785	SBC785	MKD785FM
	2000	Front-V8 - 5.7L 4WD, Hardware Included	CFM369	SBM369	MKD369FM
	2000	Front-V8 - 5.7L RWD, Hardware Included	CFM369	SBM369	MKD369FM
	1999-98	Front-V8 - 5.7L Exc. Police	CFM369	SBM369	MKD369FM
	1999-98	Front-V8 - 6.5L Hardware Included	CFM370	SBM370	MKD370FM
	1998	Front-V8 - 5.7L Police	CFM370	SBM370	MKD370FM
	1997	Front-V8 - 5.7L Hardware Included	CFM369	SBM369	MKD369FM
	1997	Front-V8 - 6.5L 2 Doors, Hardware Included	CFM369	SBM369	MKD369FM
	1997	Front-V8 - 6.5L 4 Doors, Hardware Included	CFM370	SBM370	MKD370FM
	1996-95	Front-All Hardware Included	CFM369	SBM369	MKD369FM
	2018-14	Rear-All Hardware Included	CFC1707	SBC1707	MKD1707FM
	2013-08	Rear-All Hardware Included	CFC1194	SBC1194	MKD1194FM
	2013-08	Rear-All Hardware Included			PBD1194
	2007	Rear-V8 - 4.8L Hardware Included	CFC1194	SBC1194	MKD1194FM
	2007	Rear-V8 - 4.8L Hardware Included			PBD1194
	2007	Rear-V8 - 5.3L Hardware Included	CFC1194	SBC1194	MKD1194FM
	2007	Rear-V8 - 5.3L Hardware Included			PBD1194
	2006-03	Rear-All 4WD, w/ Caliper Center Rattle Clip	CFC834	SBC834	MKD834FM
	2006-03	Rear-All RWD, w/o Caliper Center Rattle Clip	CFC974A	SBC974A	MKD974AFM
	2006-03	Rear-All RWD, w/o Caliper Center Rattle Clip			PBD974A
	2002	Rear-All 4WD, w/ Dual Piston Caliper	CFC834	SBC834	MKD834FM
	2002	Rear-All RWD, Ribbed Caliper Housing w/ Rectangular Inspection Port for Pads	CFC834	SBC834	MKD834FM
	2002	Rear-All RWD, Smooth Caliper Housing w/ Oval Inspection Port for Pads	CFC974A	SBC974A	MKD974AFM
	2002	Rear-All RWD, Smooth Caliper Housing w/ Oval Inspection Port for Pads			PBD974A
	2001	Rear-All w/ Dual Piston Caliper	CFC834	SBC834	MKD834FM
	2001	Rear-All w/ Single Piston Caliper		SBC792SD	
	2001	Rear-All w/ Single Piston Caliper		SBM792HD	
	2001	Rear-All w/ Single Piston Caliper		SBM792SD	
	2001	Rear-All w/ Single Piston Caliper	CFC792HD	SBC792HD	MKD792HDFM
	2001	Rear-All w/ Single Piston Caliper			MKD792SDFM
	2000	Rear-V8 - 4.8L w/ Single Piston Caliper		SBC792SD	
	2000	Rear-V8 - 4.8L w/ Single Piston Caliper		SBM792HD	
	2000	Rear-V8 - 4.8L w/ Single Piston Caliper		SBM792SD	
	2000	Rear-V8 - 4.8L w/ Single Piston Caliper	CFC792HD	SBC792HD	MKD792HDFM
	2000	Rear-V8 - 4.8L w/ Single Piston Caliper			MKD792SDFM
	2000	Rear-V8 - 5.3L w/ Dual Piston Caliper	CFC834	SBC834	MKD834FM
	2000	Rear-V8 - 5.3L w/ Single Piston Caliper		SBC792SD	
	2000	Rear-V8 - 5.3L w/ Single Piston Caliper		SBM792HD	
	2000	Rear-V8 - 5.3L w/ Single Piston Caliper		SBM792SD	
	2000	Rear-V8 - 5.3L w/ Single Piston Caliper	CFC792HD	SBC792HD	MKD792HDFM
	2000	Rear-V8 - 5.3L w/ Single Piston Caliper			MKD792SDFM
Drum Brake Shoe	2000-97	Rear-All w/ 10" Brakes		675	
	2000-95	Rear-All w/ 11" Brakes		473	

BENDIX BRAKE PARTS

PART TYPE	YEAR	APPLICATION	PREMIUM NO.	PART NO.	SEVERE DUTY NO.
Chevrolet (Cont'd.)					
Tahoe (Cont'd.)					
Drum Brake Shoe (cont'd)	1996-95	Rear-All w/ 10" Brakes		593	
Parking Brake Shoe	2012-00	Rear-All		781	
Disc Brake Rotor	2019-18	Front-All Standard Duty Design; w/ Holes Around Hat; w/ Police Package		PRT5903	
	2018	Front-All Heavy Duty Design; Exc. Holes Around Hat; Exc. Police Package		PRT5582	
	2017-15	Front-All Exc.Heavy Duty Brakes		PRT5582	
	2017-15	Front-All w/ Heavy Duty Brakes		PRT5903	
	2017-09	Front-All Perforated Rotor Hat (Police)			SDR5903
	2016-09	Front-All Non Perforated Rotor Hat (exc. Police)			SDR5582
	2014-09	Front-All Non Perforated Rotor Hat (exc. Police)		PRT5582	
	2014-09	Front-All Perforated Rotor Hat (Police)		PRT5903	
	2008-07	Front-All		PRT5582	SDR5582
	2006-01	Front-All		PRT5259	SDR5259
	2000-99	Front-V8 - 5.7L 4WD		PRT1453FC	
	2000	Front-V8 - 4.8L		PRT5259	SDR5259
	2000	Front-V8 - 5.3L		PRT5259	SDR5259
	1999	Front-V8 - 6.5L 4WD		PRT1477	
	1998-97	Front-V8 - 5.7L 2 Doors, 4WD		PRT1453FC	
	1998-97	Front-V8 - 5.7L 4 Doors, 4WD		PRT1453FC	
	1998-97	Front-V8 - 6.5L 2 Doors, 4WD		PRT1453FC	
	1998-97	Front-V8 - 6.5L DIESEL, 4 Doors, 4WD		PRT1477	
	1996-95	Front-V8 - 5.7L 4WD		PRT1453FC	
	1996-95	Front-V8 - 6.5L 4WD		PRT1477	
	2017-07	Rear-All		PRT5729	SDR5729
	2006-02	Rear-All 330mm Diameter		PRT5441 ¹⁰³	SDR5441 ¹⁰⁴
	2001-00	Rear-All w/ 330mm Diameter Rotor		PRT5441 ¹⁰³	SDR5441 ¹⁰⁴
2001	Rear-All w/ 325mm Diameter Rotor		PRT5265		
2001	Rear-V8 - 4.8L w/ 325mm Diameter Rotor			SDR5265	
2000	Rear-All w/ 325mm Diameter		PRT5265		
2000	Rear-All w/ 325mm Diameter Rotor			SDR5265	
Disc Brake Rotor and Hub Assembly	2000-95	Front-V8 - 5.7L RWD		PRT1829	
	1999-95	Front-V8 - 6.5L RWD		PRT1818	
Brake Drum	2000-95	Rear-All 4WD, 10" x 2 1/4" Rear Brakes		PDR0541	
	2000-95	Rear-All 4WD, (11 x 2 3/4" Brakes)		PDR0623	
	2000-95	Rear-All RWD, 10" Brakes		PDR0540	
	2000-95	Rear-All RWD, (11 x 2 3/4" Brakes)		PDR0622	
Tigra					
Disc Brake Pad Set	1999	Front-All Hardware Included	CFC699K1	SBC699K1	MKD699K2FM
Townsmen					
Disc Brake Pad Set	1972-69	Front-All Hardware Included		SBC52	MKD52FM
Drum Brake Shoe	1970-69	Rear-All		228	
Disc Brake Rotor and Hub Assembly	1972-71	Front-All		PRT1043	
Brake Drum	1972-71	Rear-All Rear drum brake 12" x 2"		PDR0200	
	1970-69	Rear-All		PDR0022	
Tracker					
Disc Brake Pad Set	2007-05	Front-All Hardware Included		SBC680	
	2004-99	Front-All Hardware Included		SBC556	
	1998	Front-All 2 Doors, Hardware Included		SBM418	
	1998	Front-All 4 Doors, Hardware Included		SBC556	
	1991-89	Front-All Hardware Included		SBM418	
Drum Brake Shoe	2004-99	Rear-All w/ 8.66" X 1.63" Brakes		738	
	1998	Rear-All 2 Doors, w/ Removable Hardtop		710	
	1998	Rear-All 4 Doors		711	
	1991	Rear-All Vehicles Built For Canadian Market		641	
Disc Brake Rotor	2004-00	Front-All		PRT5297	
	1999	Front-All		PRT5281	
	1998	Front-All Solid Rotor		PRT1710	
	1998	Front-All Vented Rotors		PRT1732	
	1991-89	Front-All		PRT1710	
Brake Drum	2004-00	Rear-All		PDR0721	
	1999	Rear-All		PDR0719	
	1998	Rear-All Soft Top		PDR0683	
	1991-89	Rear-All		PDR0544	
Trailblazer					
Disc Brake Pad Set	2009-06	Front-All Hardware Included	CFC1169	SBC1169	MKD1169FM
	2005-02	Front-L6 - 4.2L Hardware Included	CFC882	SBC882	MKD882FM
	2009-08	Rear-All Hardware Included	CFC883	SBC883	MKD883FM
	2007-06	Rear-V8 - 5.3L Hardware Included	CFC883	SBC883	MKD883FM
	2007-06	Rear-V8 - 6.0L Hardware Included	CFC883	SBC883	MKD883FM
	2007-02	Rear-L6 - 4.2L Hardware Included	CFC883	SBC883	MKD883FM
Parking Brake Shoe	2009-02	Rear-All		781	

103 PRT5441 replaces PRT5282. Sell out PRT5282 and reorder PRT5441.

104 SDR5441 replaces SDR5282. Sell out SDR5282 and reorder SDR5441.

BENDIX BRAKE PARTS

PART TYPE	YEAR	APPLICATION	PREMIUM NO.	PART NO.	SEVERE DUTY NO.
Chevrolet (Cont'd.)					
Trailblazer (Cont'd.)					
Disc Brake Rotor	2009-06	Front-V8 - 6.0L SS		PRT5660	
	2009	Front-L6 - 4.2L Exc. SS		PRT5602	
	2008-07	Front-L6 - 4.2L		PRT5602	
	2008-06	Front-V8 - 5.3L		PRT5342	
	2006	Front-L6 - 4.2L LS		PRT5602	
	2006	Front-L6 - 4.2L LT		PRT5602	
	2005-02	Front-All 12.8" diameter rotor		PRT5342	
	2005-02	Front-All 12" diameter rotor		PRT5304	
2009-02	Rear-All		PRT5314		
Trailblazer EXT					
Disc Brake Pad Set	2006	Front-All Hardware Included	CFC1169	SBC1169	MKD1169FM
	2005-02	Front-All Hardware Included	CFC882	SBC882	MKD882FM
	2006-02	Rear-All Hardware Included	CFC883	SBC883	MKD883FM
Parking Brake Shoe	2006-02	Rear-All		781	
Disc Brake Rotor	2006-04	Front-All 12.8" diameter rotor		PRT5342	
	2003-02	Front-All		PRT5342	
	2006-02	Rear-All		PRT5314	
Traverse					
Disc Brake Pad Set	2018	Front-All Hardware Included	CFC1378	SBC1378	
	2017-15	Front-All Hardware Included	CFC1169	SBC1169	MKD1169FM
	2014-09	Front-All Hardware Included	CFC1169A	SBC1169A	MKD1169AFM
	2017-09	Rear-All Hardware Included	CFC883	SBC883	MKD883FM
	Parking Brake Shoe	2015	Rear-All		933
2012-09		Rear-All		933	
Disc Brake Rotor	2017-09	Front-All		PRT5748	
	2017-09	Rear-All		PRT5749	
Trax					
Disc Brake Pad Set	2017-13	Front-All Hardware Included	CFC1467	SBC1467	
	2017-13	Rear-All Hardware Included	CFC1468	SBC1468	
Drum Brake Shoe	2014	Rear-All		1011	
Disc Brake Rotor	2019	Front-All Mexico Built Vehicle		PRT6215	
	2018-15	Front-All		PRT6215	
	2019-15	Rear-All		PRT6062	
Brake Drum	2017-15	Rear-All		PDR0845	
Truck					
Brake Drum	1958-53	Front-All 12 x 2" Brakes		PDR0789	
	1958-51	Front-All Plain Drum		PDR0023	
	1958-53	Rear-All 11 x 2" Brakes		PDR0023	
	1958-53	Rear-All 12 x 2" Brakes		PDR0026	
	1952-51	Rear-All		PDR0023	
Two-Ten Series					
Brake Drum	1957-53	Front-All		PDR0022	
	1957-53	Rear-All		PDR0022	
Uplander					
Disc Brake Pad Set	2009	Front-All Hardware Included	CFC1075	SBC1075	MKD1075FM
	2008-06	Front-V6 - 3.9L Hardware Included	CFC1075	SBC1075	MKD1075FM
	2006-05	Front-V6 - 3.5L Hardware Included	CFC1075	SBC1075	MKD1075FM
	2009	Rear-All Hardware Included	CFC1093	SBC1093	MKD1093FM
	2008-06	Rear-V6 - 3.9L Hardware Included	CFC1093	SBC1093	MKD1093FM
	2006-05	Rear-V6 - 3.5L Hardware Included	CFC1093	SBC1093	MKD1093FM
	Disc Brake Rotor	2009-06	Front-All		PRT5686
2005		Front-All		PRT5684	
2009-07		Rear-All		PRT5625	
2006		Rear-All AWD, w/ Special Ride Handling Suspension (FE4)		PRT5685	
2006		Rear-All FWD, W/O Special Suspension (FE4)		PRT5625	
2006		Rear-All FWD, W/ Special Suspension (FE4)		PRT5685	
2005		Rear-All FWD		PRT5614	
V10					
Disc Brake Pad Set	1987	Front-All Hardware Included		SBC52	MKD52FM
Drum Brake Shoe	1987	Rear-All w/ 11.16" X 2.81" Brakes		473	
Disc Brake Rotor	1987	Front-All Rotor Only		PRT1088	
Brake Drum	1987	Rear-All		PDR0600	
V10 Suburban					
Disc Brake Pad Set	1988-87	Front-All Hardware Included		SBC52	MKD52FM
Drum Brake Shoe	1988-87	Rear-All w/ 11.16" X 2.81" Brakes		473	
Disc Brake Rotor	1988-87	Front-All Rotor Only		PRT1088	
Brake Drum	1988-87	Rear-All		PDR0600	
V20					
Disc Brake Pad Set	1987	Front-All w/ 11" Rear Brakes		SBC52	MKD52FM
	1987	Front-All w/ 13" x 2 1/2" Rear Brakes		SBM153	MKD153FM
Drum Brake Shoe	1987	Rear-All Exc. 13" Rear Brakes		473	
	1987	Rear-All w/ 13" Brakes		451	

BENDIX BRAKE PARTS

PART TYPE	YEAR	APPLICATION	PREMIUM NO.	PART NO.	SEVERE DUTY NO.
Chevrolet (Cont'd.)					
V20 (Cont'd.)					
Disc Brake Rotor	1987	Front-All Rotor Only		PRT1049	
Brake Drum	1987	Rear-All 11 x 2 3/4" Brakes		PDR0450	
	1987	Rear-All 13 x 2 1/2" Brakes		PDR0449	
V20 Suburban					
Disc Brake Pad Set	1988-87	Front-All w/ 11" Rear Brakes		SBC52	MKD52FM
	1988-87	Front-All w/ 13" x 2 1/2" Rear Brakes		SBM153	MKD153FM
Drum Brake Shoe	1988-87	Rear-All w/ 13" Brakes		451	
	1988	Rear-All w/ 11.16" X 2.81" Brakes		473	
	1987	Rear-All Exc. 13" Rear Brakes		473	
Disc Brake Rotor	1988-87	Front-All Rotor Only		PRT1049	
Brake Drum	1988-87	Rear-All 13 x 2 1/2" Brakes		PDR0449	
	1987	Rear-All 11 x 2 3/4" Brakes		PDR0450	
V30					
Disc Brake Pad Set	1988-87	Front-All Hardware Included	CFM149		MKD149FM
	1988-87	Front-All Hardware Not Included		SBM149	
	1988-87	Rear-All Hardware Included	CFM149		MKD149FM
	1988-87	Rear-All Hardware Not Included		SBM149	
Drum Brake Shoe	1988-87	Rear-All w/ 13" X 3.56" Brakes		452	
Disc Brake Rotor	1988-87	Front-All Dual Rear Wheels; Vented; 327mm		PRT1468	
	1988-87	Front-All Single Rear Wheels; Vented; 327mm		PRT1469	
Brake Drum	1988-87	Rear-All Dual Rear Wheels		PDR0613	
V1500 Suburban					
Disc Brake Pad Set	1991-89	Front-All Hardware Included		SBC52	MKD52FM
Drum Brake Shoe	1991-89	Rear-All w/ 11.16" X 2.81" Brakes		473	
Disc Brake Rotor	1991-89	Front-All		PRT1088	
Brake Drum	1991-89	Rear-All		PDR0600	
V2500 Suburban					
Disc Brake Pad Set	1991-89	Front-All Hardware Included		SBC52	MKD52FM
Drum Brake Shoe	1991-89	Rear-All		451	
Disc Brake Rotor	1991-89	Front-All		PRT1049	
Brake Drum	1991-89	Rear-All		PDR0449	
V3500					
Disc Brake Pad Set	1991-89	Front-All Hardware Included	CFM149		MKD149FM
	1991-89	Front-All Hardware Not Included		SBM149	
	1991-89	Rear-All Hardware Included	CFM149		MKD149FM
	1991-89	Rear-All Hardware Not Included		SBM149	
Drum Brake Shoe	1991-89	Rear-All w/ 13" X 3.56" Brakes		452	
Disc Brake Rotor	1991-89	Front-All Dual Rear Wheels; Vented; 327mm		PRT1468	
	1991-89	Front-All Single Rear Wheels; Vented; 327mm		PRT1469	
Brake Drum	1991-89	Rear-All Dual Rear Wheels		PDR0613	
Vectra					
Disc Brake Pad Set	2007	Front-All Hardware Included	CFC699K1	SBC699K1	MKD699K2FM
	2005-03	Front-V6 - 3.2L Hardware Not Included		SBM1257	
	2008-07	Rear-All Hardware Included		SBC973	
	2005-03	Rear-All Hardware Included	CFC1095	SBC1095	
Vega					
Drum Brake Shoe	1977-76	Rear-All w/ 9.5" X 2.06" Brakes		242	
	1977-76	Rear-All w/ 9.5" X 2.06" Brakes		245	
Brake Drum	1977-76	Rear-All		PDR0343	
Venture					
Disc Brake Pad Set	2005	Front-All LS, FWD, Hardware Included	CFC699K1	SBC699K1	MKD699K2FM
	2005	Front-All LT, FWD, Hardware Included	CFC699K1	SBC699K1	MKD699K2FM
	2005	Front-All Plus, FWD, Hardware Included	CFC699K1	SBC699K1	MKD699K2FM
	2004-02	Front-All FWD, Hardware Included	CFC699K1	SBC699K1	MKD699K2FM
	2004-02	Front-V6 - 3.4L AWD, Hardware Included	CFC844	SBC844	MKD844FM
	2001-97	Front-V6 - 3.4L Hardware Included	CFC699K1	SBC699K1	MKD699K2FM
	2005	Rear-All Hardware Included	CFC698	SBC698	MKD698FM
	2005	Rear-All Hardware Included			PBD698
	2004-02	Rear-V6 - 3.4L Hardware Included	CFC698	SBC698	MKD698FM
	2004-02	Rear-V6 - 3.4L Hardware Included			PBD698
	2001-98	Rear-All Hardware Included	CFC698	SBC698	MKD698FM
	2001-98	Rear-All Hardware Included			PBD698
Drum Brake Shoe	2005-02	Rear-All w/ 8.86" X 1.82" Brakes		636	
	2001-97	Rear-All		636	
Parking Brake Shoe	2004-02	Rear-All AWD		784	
	2002	Rear-All FWD		770	
	2002	Rear-All FWD, In Supersession Process, Exhaust Current Inventory		925	
	2001-98	Rear-All		770	
	2001-98	Rear-All In Supersession Process, Exhaust Current Inventory		925	
Disc Brake Rotor	2005	Front-All		PRT5250	
	2004-02	Front-All AWD		PRT5343	

BENDIX BRAKE PARTS

PART TYPE	YEAR	APPLICATION	PREMIUM NO.	PART NO.	SEVERE DUTY NO.	
Chevrolet (Cont'd.)						
Venture (Cont'd.)						
Disc Brake Rotor (cont'd)	2004-02	Front-All FWD		PRT5250		
	2001-97	Front-All		PRT5250		
	2005-02	Rear-All		PRT5359		
Brake Drum	2005-97	Rear-All		PDR0451		
Voit						
Disc Brake Pad Set	2018-16	Front-All Hardware Included	CFC1844			
	2015-14	Front-All Hardware Included	CFC1467	SBC1467		
	2013	Front-All Hardware Included	CFC1522	SBC1522		
	2012	Front-All Hardware Included	CFC1467	SBC1467		
	2011	Front-L4 - 1.4L Base, Naturally Aspirated, ELECTRIC/GAS, Hardware Included	CFC1467	SBC1467		
	2018-16	Rear-All Hardware Included	CFC1857	SBC1857		
Disc Brake Rotor	2015-11	Rear-All Hardware Included	CFC1468	SBC1468		
	2019-16	Front-All		PRT6063		
	2015-11	Front-All		PRT6093		
2015-11	Rear-All			PRT6097		
	W3500 Tiltmaster					
	Disc Brake Pad Set	2009	Front-All w/ 14,000-19,500 lb. GVW			MKD827FM
2008-98		Front-All w/ 10,000-14,000 lb. GVW			MKD825FM	
2007-99		Front-All w/ 14,000-19,500 lb. GVW			MKD827FM	
1997		Front-All w/ 14,000-19,500 lb. GVW			MKD827FM	
Drum Brake Shoe	2007-95	Rear-All		699		
Parking Brake Shoe	2007-04	Rear-All		823		
	2003-99	Rear-All w/ 10.86" X 2.07" Brakes		823		
	1997-95	Rear-All w/ 10.86" X 2.07" Brakes		823		
Disc Brake Rotor	2008-99	Front-All		PRT5347	SDR5347	
W4500 Tiltmaster						
Disc Brake Pad Set	2010	Front-All w/ 10,000-14,000 lb. GVW			MKD825FM	
	2010	Front-All w/ 14,000-19,500 lb. GVW			MKD827FM	
	2009	Front-All DIESEL, w/ 10,000-14,000 lb. GVW			MKD825FM	
	2009	Front-All DIESEL, w/ 14,000-19,500 lb. GVW			MKD827FM	
	2009	Front-All GAS, w/ 14,000-19,500 lb. GVW			MKD827FM	
	2008-99	Front-All w/ 14,000-19,500 lb. GVW			MKD827FM	
	2007-99	Front-All w/ 10,000-14,000 lb. GVW			MKD825FM	
Drum Brake Shoe	2007-98	Rear-All		699		
Parking Brake Shoe	2007-05	Rear-All		823		
	2004-98	Rear-All w/ 10.86" X 2.07" Brakes		823		
Disc Brake Rotor	2010-09	Front-All w/ GVW 16001lb to 19500lb; w/ 263mm Diameter Rotor		PRT5558		
	2010-08	Front-All w/ GVW 14001lb to 16000lb; w/ 293.4mm Diameter Rotor		PRT5347		
	2008-98	Front-All 364 mm Diameter		PRT5558	SDR5558	
	2007-97	Front-All 293mm Rotor		PRT5347	SDR5347	
	1999-97	Front-All 310mm Rotor Diameter		PRT5533	SDR5533	
	1997-87	Front-All		PRT1730	SDR1730	
W5500HD Tiltmaster						
Disc Brake Pad Set	2009-04	Front-All w/ 14,000-19,500 lb. GVW			MKD827FM	
Drum Brake Shoe	2007-04	Rear-All		699		
Disc Brake Rotor	2007	Front-All To 2/07		PRT5558	SDR5558	
	2006-05	Front-All		PRT5558	SDR5558	
W5500 Tiltmaster						
Disc Brake Pad Set	2009-00	Front-All w/ 14,000-19,500 lb. GVW			MKD827FM	
	2007-00	Front-All w/ 10,000-14,000 lb. GVW			MKD825FM	
Drum Brake Shoe	2007-04	Rear-All		699		
Disc Brake Rotor	2007	Front-All To 2/07		PRT5558	SDR5558	
	2006-00	Front-All Hat Shaped 12 Hole Rotor		PRT5558	SDR5558	
	2003	Front-All 10 Hole Rotor Hat Shaped		PRT5688		
	2003	Front-All Hat Shaped 5 Hole Rotor		PRT5689	SDR5689	
	2003	Rear-All		PRT5688		
Yeoman						
Brake Drum	1958	Front-All		PDR0022		
	1958	Rear-All		PDR0022		
Zafira						
Disc Brake Pad Set	2006	Front-All Hardware Included		SBC1361		
	2006	Rear-All Hardware Included		SBM1362		
	2005-02	Rear-All w/ 308mm Diameter Front Rotors		SBM1362		
Chrysler						
200						
Disc Brake Pad Set	2017-16	Front-All w/ Brake Code BRG	CFC1640K2	SBC1640K2		
	2017-15	Front-All w/o Heavy Duty Brakes	CFC1640AK2	SBC1640AK2		
	2015	Front-All w/ Brake Code BRG	CFC1640K1	SBC1640K1		
	2014	Front-All w/ BR1 Brake Code	CFC1058	SBC1058	MKD1058FM	

BENDIX BRAKE PARTS

PART TYPE	YEAR	APPLICATION	PREMIUM NO.	PART NO.	SEVERE DUTY NO.
Chrysler (Cont'd.)					
200 (Cont'd.)					
Disc Brake Pad Set (cont'd)	2014	Front-All w/ BR1 Brake Code			PBD1058
	2014	Front-All w/ BRF, BRG Brake Code	CFC866	SBC866	
	2013	Front-All w/ 294mm Front Rotors	CFC866	SBC866	
	2013	Front-All w/ 340mm Front Rotors	CFC1058	SBC1058	MKD1058FM
	2013	Front-All w/ 340mm Front Rotors			PBD1058
	2012-11	Front-All Hardware Included	CFC866	SBC866	
	2017-15	Rear-All Hardware Included	CFC1734	SBC1734	
	2014	Rear-All w/ BR1, BRG Brake Code	CFC868	SBC868	
	2014	Rear-All w/ BRF Brake Code	CFC1037	SBC1037	
	2013	Rear-All w/ 262mm Rear Rotors	CFC1037	SBC1037	
	2013	Rear-All w/ 302mm Rear Rotors	CFC868	SBC868	
	2012-11	Rear-All w/ 10.313" Rotor Diameter	CFC1037	SBC1037	
	2012-11	Rear-All w/ 11.89" Rotor Diameter	CFC868	SBC868	
Parking Brake Shoe	2012-11	Rear-All		886	
Disc Brake Rotor	2017-15	Front-All Code - BRF		PRT6287	
	2014-13	Front-All 294mm Rotor		PRT5706	
	2014-13	Front-All 340mm Rotor		PRT5920	
	2012-11	Front-All		PRT5706	
	2017-16	Rear-All Code - BRF,BRG		PRT6288	
	2015	Rear-All		PRT6288	
	2014-11	Rear-All 262mm Diameter		PRT5672	
	2014-11	Rear-All 302mm Diameter		PRT5896	
300					
Disc Brake Pad Set	2019-18	Front-V6 - 3.6L RWD, Hardware Included	CFC1056K2	SBC1056K2	
	2017	Front-All CAN, Hardware Included	CFC1058	SBC1058	MKD1058FM
	2017	Front-All CAN, Hardware Included			PBD1058
	2017	Front-All MEX, Hardware Included	CFC1056K2	SBC1056K2	
	2017	Front-All USA, Hardware Included	CFC1058	SBC1058	MKD1058FM
	2017	Front-All USA, Hardware Included			PBD1058
	2016-15	Front-All AWD, Hardware Included	CFC1058	SBC1058	MKD1058FM
	2016-15	Front-All AWD, Hardware Included			PBD1058
	2016	Front-All RWD, w/ 320mm Standard Brakes	CFC1056K2	SBC1056K2	
	2016	Front-All RWD, w/ 345mm Performance Brakes	CFC1058	SBC1058	MKD1058FM
	2016	Front-All RWD, w/ 345mm Performance Brakes			PBD1058
	2015	Front-All RWD, w/ Heavy Duty or Performance Brakes	CFC1058	SBC1058	MKD1058FM
	2015	Front-All RWD, w/ Heavy Duty or Performance Brakes			PBD1058
	2015	Front-All RWD, w/ Standard Brakes	CFC1056K2	SBC1056K2	
	2014-13	Front-All Base, AWD, Hardware Included	CFC1058	SBC1058	MKD1058FM
	2014-13	Front-All Base, AWD, Hardware Included			PBD1058
	2014-13	Front-All C Luxury, AWD, Hardware Included	CFC1058	SBC1058	MKD1058FM
	2014-13	Front-All C Luxury, AWD, Hardware Included			PBD1058
	2014-12	Front-All C, AWD, Hardware Included	CFC1058	SBC1058	MKD1058FM
	2014-12	Front-All C, AWD, Hardware Included			PBD1058
	2014-12	Front-All S, AWD, Hardware Included	CFC1058	SBC1058	MKD1058FM
	2014-12	Front-All S, AWD, Hardware Included			PBD1058
	2014-12	Front-All SRT8, Hardware Included			MKD1149FM
	2014-12	Front-All SRT8, Hardware Not Included		SBM1149	
	2014	Front-All Base, RWD, Hardware Included	CFC1056K2	SBC1056K2	
	2014	Front-All C, RWD, Hardware Included	CFC1056K2	SBC1056K2	
	2014	Front-All C Luxury, RWD, Hardware Included	CFC1056K2	SBC1056K2	
	2014	Front-All S, RWD, Hardware Included	CFC1056K2	SBC1056K2	
	2013-12	Front-V6 - 3.6L Base, RWD, Hardware Included	CFC1056K2	SBC1056K2	
	2013-12	Front-V6 - 3.6L S, RWD, Hardware Included	CFC1056K2	SBC1056K2	
	2013-12	Front-V8 - 5.7L C, RWD, Hardware Included	CFC1058	SBC1058	MKD1058FM
	2013-12	Front-V8 - 5.7L C, RWD, Hardware Included			PBD1058
	2013-12	Front-V8 - 5.7L S, RWD, Hardware Included	CFC1058	SBC1058	MKD1058FM
	2013-12	Front-V8 - 5.7L S, RWD, Hardware Included			PBD1058
	2013	Front-All Touring, AWD, Hardware Included	CFC1058	SBC1058	MKD1058FM
	2013	Front-All Touring, AWD, Hardware Included			PBD1058
	2013	Front-V6 - 3.6L C, RWD, Hardware Included	CFC1056K2	SBC1056K2	
	2013	Front-V6 - 3.6L C Luxury, RWD, Hardware Included	CFC1056K2	SBC1056K2	
	2013	Front-V6 - 3.6L Touring, RWD, Hardware Included	CFC1056K2	SBC1056K2	
	2013	Front-V8 - 5.7L C Luxury, RWD, Hardware Included	CFC1058	SBC1058	MKD1058FM
	2013	Front-V8 - 5.7L C Luxury, RWD, Hardware Included			PBD1058
	2012	Front-All Limited, AWD, Hardware Included	CFC1058	SBC1058	MKD1058FM
	2012	Front-All Limited, AWD, Hardware Included			PBD1058
	2012	Front-V6 - 3.6L Limited, RWD, Hardware Included	CFC1056K2	SBC1056K2	
	2011	Front-All AWD, Hardware Included	CFC1058	SBC1058	MKD1058FM
	2011	Front-All AWD, Hardware Included			PBD1058
	2011	Front-All RWD, w/o Performance Brakes	CFC1056K2	SBC1056K2	
	2011	Front-All RWD, w/ Performance Package	CFC1058	SBC1058	MKD1058FM
	2011	Front-All RWD, w/ Performance Package			PBD1058
	2010-09	Front-All C, AWD, Hardware Included	CFC1058	SBC1058	MKD1058FM
	2010-09	Front-All C, AWD, Hardware Included			PBD1058
	2010-09	Front-All Limited, AWD, Hardware Included	CFC1058	SBC1058	MKD1058FM

BENDIX BRAKE PARTS

PART TYPE	YEAR	APPLICATION	PREMIUM NO.	PART NO.	SEVERE DUTY NO.
Chrysler (Cont'd.)					
300 (Cont'd.)					
Disc Brake Pad Set (cont'd)					
	2010-09	Front-All Limited, AWD, Hardware Included			PBD1058
	2010-09	Front-All Touring, AWD, Hardware Included	CFC1058	SBC1058	MKD1058FM
	2010-09	Front-All Touring, AWD, Hardware Included			PBD1058
	2010	Front-All C, RWD, w/o Performance Package	CFC1056K1	SBC1056K1	
	2010	Front-All C, RWD, w/ Performance Package	CFC1058	SBC1058	MKD1058FM
	2010	Front-All C, RWD, w/ Performance Package			PBD1058
	2010	Front-All C SRT8, Hardware Included			MKD1149FM
	2010	Front-All C SRT8, Hardware Not Included		SBM1149	
	2010	Front-All Limited, RWD, w/o Performance Package	CFC1056K1	SBC1056K1	
	2010	Front-All Limited, RWD, w/ Performance Package	CFC1058	SBC1058	MKD1058FM
	2010	Front-All Limited, RWD, w/ Performance Package			PBD1058
	2010	Front-All S, AWD, Hardware Included	CFC1058	SBC1058	MKD1058FM
	2010	Front-All S, AWD, Hardware Included			PBD1058
	2010	Front-All S, RWD, w/o Performance Package	CFC1056K1	SBC1056K1	
	2010	Front-All S, RWD, w/ Performance Package	CFC1058	SBC1058	MKD1058FM
	2010	Front-All S, RWD, w/ Performance Package			PBD1058
	2010	Front-All Touring, RWD, w/o Performance Package	CFC1056K1	SBC1056K1	
	2010	Front-All Touring, RWD, w/ Performance Package	CFC1058	SBC1058	MKD1058FM
	2010	Front-All Touring, RWD, w/ Performance Package			PBD1058
	2009	Front-All C, RWD, Hardware Included	CFC1056K1	SBC1056K1	
	2009	Front-All Limited, RWD, Hardware Included	CFC1056K1	SBC1056K1	
	2009	Front-All LX, RWD, Hardware Included	CFC1056K1	SBC1056K1	
	2009	Front-All Signature Series, AWD, Hardware Included	CFC1058	SBC1058	MKD1058FM
	2009	Front-All Signature Series, AWD, Hardware Included			PBD1058
	2009	Front-All Signature Series, RWD, Hardware Included	CFC1056K1	SBC1056K1	
	2009	Front-All Touring, RWD, Hardware Included	CFC1056K1	SBC1056K1	
	2008	Front-All C, AWD, Hardware Included			MKD1149FM
	2008	Front-All C, AWD, Hardware Not Included		SBM1149	
	2008	Front-All C, RWD, Exc. Performance Brakes	CFC1056K1	SBC1056K1	
	2008	Front-All C, RWD, w/ Performance Brakes	CFC1058	SBC1058	MKD1058FM
	2008	Front-All C, RWD, w/ Performance Brakes			PBD1058
	2008	Front-All Limited, AWD, Hardware Included			MKD1149FM
	2008	Front-All Limited, AWD, Hardware Not Included		SBM1149	
	2008	Front-All Limited, RWD, Exc. Performance Brakes	CFC1056K1	SBC1056K1	
	2008	Front-All Limited, RWD, w/ Performance Brakes	CFC1058	SBC1058	MKD1058FM
	2008	Front-All Limited, RWD, w/ Performance Brakes			PBD1058
	2008	Front-All LX, RWD, Exc. Performance Brakes	CFC1056K1	SBC1056K1	
	2008	Front-All LX, RWD, w/ Performance Brakes	CFC1058	SBC1058	MKD1058FM
	2008	Front-All LX, RWD, w/ Performance Brakes			PBD1058
	2008	Front-All Touring, AWD, Hardware Included			MKD1149FM
	2008	Front-All Touring, AWD, Hardware Not Included		SBM1149	
	2008	Front-All Touring, RWD, Exc. Performance Brakes	CFC1056K1	SBC1056K1	
	2008	Front-All Touring, RWD, w/ Performance Brakes	CFC1058	SBC1058	MKD1058FM
	2008	Front-All Touring, RWD, w/ Performance Brakes			PBD1058
	2008	Front-All Touring, RWD, w/ Performance Brakes			MKD1058FM
	2007-05	Front-All Base, RWD, Exc. Performance Package	CFC1056K1	SBC1056K1	
	2007-05	Front-All Base, RWD, w/ Performance Package	CFC1058	SBC1058	MKD1058FM
	2007-05	Front-All Base, RWD, w/ Performance Package			PBD1058
	2007-05	Front-All C, AWD, Hardware Included	CFC1058	SBC1058	MKD1058FM
	2007-05	Front-All C, AWD, Hardware Included			PBD1058
	2007-05	Front-All C, RWD, Exc. Performance Package	CFC1056K1	SBC1056K1	
	2007-05	Front-All C, RWD, w/ Performance Package	CFC1058	SBC1058	MKD1058FM
	2007-05	Front-All C, RWD, w/ Performance Package			PBD1058
	2007-05	Front-All Limited, AWD, Hardware Included	CFC1058	SBC1058	MKD1058FM
	2007-05	Front-All Limited, AWD, Hardware Included			PBD1058
	2007-05	Front-All Limited, RWD, Exc. Performance Package	CFC1056K1	SBC1056K1	
	2007-05	Front-All Limited, RWD, w/ Performance Package	CFC1058	SBC1058	MKD1058FM
	2007-05	Front-All Limited, RWD, w/ Performance Package			PBD1058
	2007-05	Front-All Touring, AWD, Hardware Included	CFC1058	SBC1058	MKD1058FM
	2007-05	Front-All Touring, AWD, Hardware Included			PBD1058
	2007-05	Front-All Touring, RWD, Exc. Performance Package	CFC1056K1	SBC1056K1	
	2007-05	Front-All Touring, RWD, w/ Performance Package	CFC1058	SBC1058	MKD1058FM
	2007-05	Front-All Touring, RWD, w/ Performance Package			PBD1058
	2019-14	Rear-All Hardware Included			MKD1057VRFM
	2019-14	Rear-All w/ Solid Rear Rotors	CFC1057SR		
	2019-14	Rear-All w/ Solid Rotors		SBC1057SR	
	2019-14	Rear-All w/ Vented Rear Rotors	CFC1057VR		
	2019-14	Rear-All w/ Vented Rotors		SBC1057VR	
	2013-12	Rear-All Base, Hardware Included			MKD1057VRFM
	2013-12	Rear-All Base, w/ Solid Rear Rotors	CFC1057SR		
	2013-12	Rear-All Base, w/ Solid Rotors		SBC1057SR	
	2013-12	Rear-All Base, w/ Vented Rear Rotors	CFC1057VR		
	2013-12	Rear-All Base, w/ Vented Rotors		SBC1057VR	
	2013-12	Rear-All C, Hardware Included			MKD1057VRFM
	2013-12	Rear-All C, w/ Solid Rear Rotors	CFC1057SR		
	2013-12	Rear-All C, w/ Solid Rotors		SBC1057SR	

BENDIX BRAKE PARTS

PART TYPE	YEAR	APPLICATION	PREMIUM NO.	PART NO.	SEVERE DUTY NO.
Chrysler (Cont'd.)					
300 (Cont'd.)					
Disc Brake Pad Set (cont'd)	2013-12	Rear-All C, w/ Vented Rear Rotors	CFC1057VR		
	2013-12	Rear-All C, w/ Vented Rotors		SBC1057VR	
	2013-12	Rear-All S, Hardware Included			MKD1057VRFM
	2013-12	Rear-All S, w/ Solid Rear Rotors	CFC1057SR		
	2013-12	Rear-All S, w/ Solid Rotors		SBC1057SR	
	2013-12	Rear-All S, w/ Vented Rear Rotors	CFC1057VR		
	2013-12	Rear-All S, w/ Vented Rotors		SBC1057VR	
	2013-12	Rear-All SRT8, Hardware Included	CFM592A		
	2013-12	Rear-All SRT8, Hardware Not Included		SBM592A	
	2013	Rear-All C Luxury, Hardware Included			MKD1057VRFM
	2013	Rear-All C Luxury, w/ Solid Rear Rotors	CFC1057SR		
	2013	Rear-All C Luxury, w/ Solid Rotors		SBC1057SR	
	2013	Rear-All C Luxury, w/ Vented Rear Rotors	CFC1057VR		
	2013	Rear-All C Luxury, w/ Vented Rotors		SBC1057VR	
	2013	Rear-All Touring, Hardware Included			MKD1057VRFM
	2013	Rear-All Touring, w/ Solid Rear Rotors	CFC1057SR		
	2013	Rear-All Touring, w/ Solid Rotors		SBC1057SR	
	2013	Rear-All Touring, w/ Vented Rear Rotors	CFC1057VR		
	2013	Rear-All Touring, w/ Vented Rotors		SBC1057VR	
	2012	Rear-All Limited, Hardware Included			MKD1057VRFM
	2012	Rear-All Limited, w/ Solid Rear Rotors	CFC1057SR		
	2012	Rear-All Limited, w/ Solid Rotors		SBC1057SR	
	2012	Rear-All Limited, w/ Vented Rear Rotors	CFC1057VR		
	2012	Rear-All Limited, w/ Vented Rotors		SBC1057VR	
	2011	Rear-All Hardware Included			MKD1057VRFM
	2011	Rear-All w/ Solid Rear Rotors	CFC1057SR		
	2011	Rear-All w/ Solid Rotors		SBC1057SR	
	2011	Rear-All w/ Vented Rear Rotors	CFC1057VR		
	2011	Rear-All w/ Vented Rotors		SBC1057VR	
	2010-05	Rear-All C, Hardware Included			MKD1057VRFM
	2010-05	Rear-All C, w/ Solid Rear Rotors	CFC1057SR		
	2010-05	Rear-All C, w/ Solid Rotors		SBC1057SR	
	2010-05	Rear-All C, w/ Vented Rear Rotors	CFC1057VR		
	2010-05	Rear-All C, w/ Vented Rotors		SBC1057VR	
	2010-05	Rear-All C SRT8, Hardware Included	CFM592A		
	2010-05	Rear-All C SRT8, Hardware Not Included		SBM592A	
	2010-05	Rear-All Limited, Hardware Included			MKD1057VRFM
	2010-05	Rear-All Limited, w/ Solid Rear Rotors	CFC1057SR		
	2010-05	Rear-All Limited, w/ Solid Rotors		SBC1057SR	
	2010-05	Rear-All Limited, w/ Vented Rear Rotors	CFC1057VR		
	2010-05	Rear-All Limited, w/ Vented Rotors		SBC1057VR	
	2010-05	Rear-All Touring, Hardware Included			MKD1057VRFM
	2010-05	Rear-All Touring, w/ Solid Rear Rotors	CFC1057SR		
	2010-05	Rear-All Touring, w/ Solid Rotors		SBC1057SR	
	2010-05	Rear-All Touring, w/ Vented Rear Rotors	CFC1057VR		
	2010-05	Rear-All Touring, w/ Vented Rotors		SBC1057VR	
	2010	Rear-All S, Hardware Included			MKD1057VRFM
	2010	Rear-All S, w/ Solid Rear Rotors	CFC1057SR		
	2010	Rear-All S, w/ Solid Rotors		SBC1057SR	
	2010	Rear-All S, w/ Vented Rear Rotors	CFC1057VR		
	2010	Rear-All S, w/ Vented Rotors		SBC1057VR	
	2009-08	Rear-All LX, Hardware Included			MKD1057VRFM
	2009-08	Rear-All LX, w/ Solid Rear Rotors	CFC1057SR		
	2009-08	Rear-All LX, w/ Solid Rotors		SBC1057SR	
	2009-08	Rear-All LX, w/ Vented Rear Rotors	CFC1057VR		
	2009-08	Rear-All LX, w/ Vented Rotors		SBC1057VR	
	2009	Rear-All Signature Series, Hardware Included			MKD1057VRFM
	2009	Rear-All Signature Series, w/ Solid Rear Rotors	CFC1057SR		
	2009	Rear-All Signature Series, w/ Solid Rotors		SBC1057SR	
	2009	Rear-All Signature Series, w/ Vented Rear Rotors	CFC1057VR		
2009	Rear-All Signature Series, w/ Vented Rotors		SBC1057VR		
2007-05	Rear-All Base, Hardware Included			MKD1057VRFM	
2007-05	Rear-All Base, w/ Solid Rear Rotors	CFC1057SR			
2007-05	Rear-All Base, w/ Solid Rotors		SBC1057SR		
2007-05	Rear-All Base, w/ Vented Rear Rotors	CFC1057VR			
2007-05	Rear-All Base, w/ Vented Rotors		SBC1057VR		
Parking Brake Shoe	2018	Rear-All		777	
	2015	Rear-All		777	
	2012-05	Rear-All		777	
Disc Brake Rotor	2019-14	Front-V6 - 3.6L RWD		PRT5650	
	2019	Front-V8 - 5.7L		PRT5651	
	2018-14	Front-V6 - 3.6L AWD		PRT5651	
	2017-14	Front-V8 - 5.7L		PRT5651	
	2014	Front-V8 - 6.4L		PRT5733	

BENDIX BRAKE PARTS

PART TYPE	YEAR	APPLICATION	PREMIUM NO.	PART NO.	SEVERE DUTY NO.	
Chrysler (Cont'd.)						
300 (Cont'd.)						
Disc Brake Rotor (cont'd)	2013-12	Front-V6 - 3.6L 345mm Diameter		PRT5651	SDR5651	
	2013-11	Front-V6 - 3.6L 320mm Diameter		PRT5650		
	2012-11	Front-V8 - 5.7L 345mm Diameter		PRT5651	SDR5651	
	2010-05	Front-V6 - 2.7L		PRT5650		
	2010-05	Front-V6 - 3.5L 12.6" diameter rotor		PRT5650		
	2010-05	Front-V6 - 3.5L 13.6" diameter rotor		PRT5651	SDR5651	
	2010-05	Front-V8 - 5.7L 12.6" diameter rotor		PRT5650		
	2010-05	Front-V8 - 5.7L 13.6" diameter rotor		PRT5651	SDR5651	
	2007-05	Front-V8 - 6.1L		PRT5733	SDR5733	
	1969-68	Front-All		PRT1047		
	2019-18	Rear-V6 - 3.6L AWD		PRT5567		
	2019-14	Rear-V6 - 3.6L AWD		PRT5568		
	2019-14	Rear-V8 - 5.7L		PRT5568		
	2017-14	Rear-V6 - 3.6L RWD		PRT5567		
	2014	Rear-V8 - 6.4L		PRT5671		
	2013-11	Rear-All 320mm; Solid		PRT5567		
	2013-11	Rear-All 350mm, Slotted Rotor		PRT5671	SDR5671	
	2013-11	Rear-All VENTED, 320mm Diameter		PRT5568		
	2010-08	Rear-V8 - 6.1L		PRT5739	SDR5739	
	2010-05	Rear-V6 - 2.7L Solid Rotors		PRT5567		
	2010-05	Rear-V6 - 2.7L Vented Rotors		PRT5568		
	2010-05	Rear-V6 - 3.5L Solid Rotors		PRT5567		
	2010-05	Rear-V6 - 3.5L Vented Rotors		PRT5568		
	2010-05	Rear-V8 - 5.7L Solid Rotors		PRT5567		
	2010-05	Rear-V8 - 5.7L Vented Rotors		PRT5568		
	2007-05	Rear-V8 - 6.1L		PRT5671	SDR5671	
	Brake Drum	1969	Front-All 11 x 2 3/4" Brakes		PDR0017	
		1969	Front-All 11 x 3" Brakes		PDR0019	
		1968-65	Front-All		PDR0017	
		1971-66	Rear-All		PDR0365	
	300M					
	Disc Brake Pad Set	2004-02	Front-V6 - 3.5L GAS, Hardware Included	CFC730A	SBC730A	
		2001	Front-V6 - 3.5L Base, GAS, Hardware Included	CFC730A	SBC730A	
2000		Front-V6 - 3.5L Base, GAS, Hardware Included	CFC730	SBC730		
1999		Front-V6 - 3.5L Base, GAS, w/ 15" Wheels	CFC730	SBC730		
1998		Front-All Hardware Included	CFC730	SBC730		
2004-03		Rear-All w/o Touring Suspension	CFM641	SBC641		
2004-02		Rear-V6 - 3.5L w/ Brake Code BR4	CFC658	SBC658		
2001-99		Rear-V6 - 3.5L w/ Performance Suspension	CFC658	SBC658		
2000		Rear-V6 - 3.5L w/o Performance Suspension	CFC658	SBC658		
1998		Rear-All Hardware Included	CFC658	SBC658		
Parking Brake Shoe		2004-99	Rear-All		643	
Disc Brake Rotor		2004-02	Front-All Inboard vented		PRT5198	
	2004-02	Front-All Outboard vented		PRT5263		
	2001-00	Front-All 15" Wheels		PRT5198		
	2001-98	Front-All 16" Wheels; 17" Wheels; W/ Performance Package		PRT5263		
	1999-98	Front-All 15" Wheels		PRT5197		
	1999-98	Front-All 16" Alum. Wheels; Exc. Performance Package		PRT5198		
	2004-98	Rear-All		PRT1849		
Aspen						
Disc Brake Pad Set	2009	Front-All w/ 5 Lug Wheels		SBM1084		
	2009	Front-All w/ 5 Lug Wheels	CFM1084	SBC1084	MKD1084FM	
	2008	Front-V8 - 4.7L w/ 5 Lug Wheels		SBM1084		
	2008	Front-V8 - 4.7L w/ 5 Lug Wheels	CFM1084	SBC1084	MKD1084FM	
	2008	Front-V8 - 5.7L w/ 5 Lug Wheels		SBM1084		
	2008	Front-V8 - 5.7L w/ 5 Lug Wheels	CFM1084	SBC1084	MKD1084FM	
	2007	Front-All w/ 5 Lug Wheels		SBM1084		
	2007	Front-All w/ 5 Lug Wheels	CFM1084	SBC1084	MKD1084FM	
	2009	Rear-All Hardware Included	CFM967	SBC967	MKD967FM	
	2008	Rear-V8 - 4.7L Hardware Included	CFM967	SBC967	MKD967FM	
	2008	Rear-V8 - 5.7L Hardware Included	CFM967	SBC967	MKD967FM	
	2007	Rear-All Hardware Included	CFM967	SBC967	MKD967FM	
Parking Brake Shoe	2009-07	Rear-All		947		
Disc Brake Rotor	2009-07	Front-All		PRT5381	SDR5381	
	2009-07	Rear-All		PRT5365	SDR5365	
Cirrus						
Disc Brake Pad Set	2010-07	Front-All Hardware Included	CFC866	SBC866		
	2006	Front-All Hardware Included	CFC869	SBC869		
	2005-01	Front-All Sedan, Hardware Included	CFC869	SBC869		
	2001	Front-All Coupe, Hardware Included		SBC484		
	2000-99	Front-L4 - 2.4L Hardware Included		SBC650		
	2000-98	Front-V6 - 2.5L Hardware Included		SBC650		
	2000	Front-L4 - 2.0L Hardware Included		SBC650		

BENDIX BRAKE PARTS

PART TYPE	YEAR	APPLICATION	PREMIUM NO.	PART NO.	SEVERE DUTY NO.	
Chrysler (Cont'd.)						
Cirrus (Cont'd.)						
Disc Brake Pad Set (cont'd)	1997	Front-All Hardware Included		SBC650		
	1996	Front-L4 - 2.4L Hardware Included		SBC650		
	1996	Front-V6 - 2.5L Hardware Included		SBC650		
	1995	Front-All Hardware Included		SBC650		
	2010	Rear-All Hardware Included	CFC1037	SBC1037		
	2009-07	Rear-All Hardware Included	CFC868	SBC868		
	2006-95	Rear-All Hardware Included	CFM641	SBC641		
Drum Brake Shoe	2000-95	Rear-All w/ 7.87" X 1.35" Brakes		716		
	1998-95	Rear-All w/ 7.87" X 1.35" Brakes		698		
Parking Brake Shoe	2000-95	Rear-All		643		
Disc Brake Rotor	2010-09	Front-All		PRT5706		
	2000-95	Front-All 14" Wheels		PRT5041		
	2000-95	Front-All 15" Wheels		PRT5043		
	2000-95	Rear-All		PRT5051		
Brake Drum	2000-95	Rear-All		PDR0670		
Concorde						
Disc Brake Pad Set	2004-98	Front-All Hardware Included	CFC730A	SBC730A		
	1997-93	Front-All Hardware Included	CFC591	SBC591	MKD591FM	
	2004-98	Rear-All w/ 15" Wheels	CFC658	SBC658		
	2004-95	Rear-All w/ 16" Wheels	CFC658	SBC658		
	1994-93	Rear-V6 - 3.3L Base, Naturally Aspirated, GAS, Hardware Included		SBM415		
	1994-93	Rear-V6 - 3.5L Base, Naturally Aspirated, GAS, Hardware Included		SBM415		
	1994	Rear-V6 - 3.3L Base, Naturally Aspirated, FLEX, Hardware Included		SBM415		
Drum Brake Shoe	1997-93	Rear-All		657		
Parking Brake Shoe	2004-93	Rear-All		643		
Disc Brake Rotor	2004-01	Front-All Inboard vented		PRT5198		
	2004-01	Front-All Outboard vented		PRT5263		
	2000-98	Front-All Inboard Vented; 282mm Diameter		PRT5197		
	2000-98	Front-All Inboard Vented; 297mm Diameter		PRT5198		
	2000-98	Front-All Outboard Vented; 297mm Diameter		PRT5263		
	1997-96	Front-All		PRT5246		
	1995-93	Front-All		PRT1840		
	2004-93	Rear-All		PRT1849		
	Brake Drum	1997-93	Rear-All		PDR0634	
Conquest						
Disc Brake Rotor	1987	Front-All 4 Stud wheels		PRT1322		
	1989-87	Rear-All 5 STUD		PRT1325		
	1987	Rear-All CANADA		PRT1326		
Cordoba						
Disc Brake Pad Set	1983-78	Front-All Hardware Not Included		SBM84		
	1977-75	Front-All w/ Sliding Calipers		SBM84		
Drum Brake Shoe	1983-78	Rear-All Optional		446		
	1983-76	Rear-All w/ 10" Brakes		445		
	1977-76	Rear-All w/ 11" Brakes		446		
	1975	Rear-All To 4/75		333		
	1975	Rear-All w/ 10" X 2.52" Brakes		445		
	1975	Rear-All w/ 11" X 2.49" Brakes		446		
Disc Brake Rotor and Hub Assembly	1983-80	Front-All		PRT1145		
	1979-76	Front-All		PRT1132		
	1975	Front-All From 12/01/1975		PRT1132		
	1975	Front-All To 12/01/1975		PRT1145		
Brake Drum	1983-75	Rear-All 10 x 2 1/2" Brakes		PDR0556		
	1983-75	Rear-All 11 x 2 1/2" Brakes		PDR0365		
Crossfire						
Disc Brake Pad Set	2008	Front-All Hardware Included	CFM740			
	2008	Front-All Hardware Not Included		SBM740		
	2007-04	Front-V6 - 3.2L Hardware Included	CFM740			
	2007-04	Front-V6 - 3.2L Hardware Not Included		SBM740		
	2005	Front-V6 - 3.2L Hardware Not Included		SBM682		
	2008	Rear-All Hardware Included	CFM779	SBM779		
	2007-04	Rear-V6 - 3.2L Hardware Included	CFM779	SBM779		
	2006-05	Rear-V6 - 3.2L Hardware Not Included		SBC603		
	Parking Brake Shoe	2008-04	Rear-All		816	
	Disc Brake Rotor	2008-07	Front-All	BPR5494	PRT5494	
2006-05		Front-All Base	BPR5494	PRT5494		
2006-05		Front-All Limited	BPR5494	PRT5494		
2006-05		Front-All SRT-6		PRT5828		
2004		Front-All	BPR5494	PRT5494		
2008-07		Rear-All Solid		PRT5459		
2006-05		Rear-All Base, Solid		PRT5459		

BENDIX BRAKE PARTS

PART TYPE	YEAR	APPLICATION	PREMIUM NO.	PART NO.	SEVERE DUTY NO.	
Chrysler (Cont'd.)						
Crossfire (Cont'd.)						
Disc Brake Rotor (cont'd)	2006-05	Rear-All Limited, Solid		PRT5459		
	2006-05	Rear-All SRT-6		PRT5741		
	2004	Rear-All Solid		PRT5459		
Daytona						
Disc Brake Pad Set	1993-91	Front-All w/ 15", 16" Wheels		SBM522		
	1990-84	Front-All Hardware Not Included		SBM219		
	1993-92	Rear-All Hardware Included		SBM415		
Drum Brake Shoe	1993-91	Rear-All w/ 14" Wheels		520		
	1990-89	Rear-All w/ 7.87" X 1.34" Brakes		519		
	1988-84	Rear-All w/ 8.66" X 1.65" Brakes		520		
Parking Brake Shoe	1993	Rear-All w/ 6.77" X 0.87" Brakes		643		
	1992-91	Rear-All		643		
	1990-89	Rear-All w/ 6.77" X 0.87" Brakes		643		
Disc Brake Rotor	1993-92	Front-All (10.25" diameter rotor)		PRT1379		
	1993-89	Front-All 11" Diameter Rotor		PRT1534		
	1991-90	Front-All Rear Drum, (10.25" diameter rotor)		PRT1379		
	1988-87	Front-All		PRT1379		
	1986-85	Front-All 5 Stud Rotor		PRT1379		
	1993-92	Rear-All Solid Rotor		PRT1532		
	1993-92	Rear-All Vented Rotors		PRT1533		
	1991	Rear-All w/ 14" Solid Rotors		PRT1532		
	1991	Rear-All w/ 15" Vented Rotors		PRT1533		
	1990	Rear-All w/ Solid Rotor		PRT1532		
	1990	Rear-All w/ Vented Rotors		PRT1533		
	1989	Rear-All Rear Disc, 14" & 15" wheels (solid)		PRT1532		
	1989	Rear-All W/ 16" wheels (vented)		PRT1533		
	1988-87	Rear-All Rear Disc		PRT1388		
	Brake Drum	1993-92	Rear-All		PDR0489	
		1991-89	Rear-All Rear Drum		PDR0558	
		1988-87	Rear-All Rear Drum		PDR0489	
1986-85		Rear-All 4 Stud Rotor		PDR0410		
1986-85		Rear-All 5 Stud Rotor		PDR0489		
1984		Rear-All		PDR0410		
Dynasty						
Disc Brake Pad Set	1993-91	Front-All Hardware Included		SBC521		
	1990	Front-All Hardware Not Included		SBM478		
	1989-88	Front-All Hardware Not Included		SBM385		
	1993-92	Rear-All Hardware Included		SBM415		
Drum Brake Shoe	1993	Rear-All w/ 8.66" X 1.65" Brakes		657		
	1992-91	Rear-All		629		
	1990	Rear-All w/ 8.66" X 1.65" Brakes		629		
Parking Brake Shoe	1989-88	Rear-All		520		
	1993	Rear-All w/ 6.77" X 0.87" Brakes		643		
	1992-91	Rear-All		643		
Disc Brake Rotor	1990	Rear-All w/ 6.77" X 0.87" Brakes		643		
	1993-88	Front-All		PRT1379		
	1993-91	Rear-All		PRT1532		
	1990	Rear-All Vendor-Bendix		PRT1532		
	1990	Rear-All Vendor-Bosch		PRT1571		
Brake Drum	1989-88	Rear-All		PRT1571		
	1993-88	Rear-All		PDR0534		
E Class						
Disc Brake Pad Set	1984-83	Front-All Hardware Not Included		SBM220		
Drum Brake Shoe	1984-83	Rear-All		520		
Disc Brake Rotor	1983	Front-All		PRT1266		
Brake Drum	1984-83	Rear-All		PDR0410		
Executive Limousine						
Disc Brake Pad Set	1986-85	Front-All Hardware Not Included		SBM219		
Drum Brake Shoe	1985	Rear-All w/ 8.66" X 1.65" Brakes		520		
Disc Brake Rotor	1986-85	Front-All		PRT1379		
Brake Drum	1985	Rear-All w/10" Brakes		PDR0556		
	1985	Rear-All w/11" Brakes		PDR0365		
Executive Sedan						
Disc Brake Pad Set	1984-83	Front-All Hardware Not Included		SBM220		
Drum Brake Shoe	1984-83	Rear-All w/ 8.66" X 1.65" Brakes		520		
Brake Drum	1984	Rear-All		PDR0410		
Fifth Avenue						
Disc Brake Pad Set	1989-83	Front-All Hardware Not Included		SBM84		
Drum Brake Shoe	1989-83	Rear-All Exc. Police Car Or Taxi		445		
	1989-83	Rear-All Police Car And Taxi		446		
Disc Brake Rotor and Hub Assembly	1989-83	Front-All		PRT1145		

BENDIX BRAKE PARTS

PART TYPE	YEAR	APPLICATION	PREMIUM NO.	PART NO.	SEVERE DUTY NO.
Chrysler (Cont'd.)					
Fifth Avenue (Cont'd.)					
Brake Drum	1989-83	Rear-All w/10" drum		PDR0556	
	1989-83	Rear-All w/11" drum		PDR0365	
Grand Voyager					
Disc Brake Pad Set	2000-96	Front-All Hardware Included	CFC591	SBC591	MKD591FM
	1995	Front-All Hardware Included		SBM522	
	2000	Rear-All Hardware Included		SBM751	
Drum Brake Shoe	2000	Rear-All w/ 9.84" X 2.25" Brakes		714	
	2000	Rear-All w/ 9.84" X 2.25" Brakes		841	
Parking Brake Shoe	2000	Rear-All		812	
Disc Brake Rotor	2000	Front-All 14" Wheels		PRT5063	
	2000	Front-All 15" Wheels		PRT5152	
	2000	Rear-All		PRT5153	
Brake Drum	2002	Rear-All		PDR0740	
	2002	Rear-All		PDR0799	
	2000	Rear-All 14" Wheels		PDR0681	
Imperial					
Disc Brake Pad Set	1993	Front-All Exc. Sport Package		SBM478	
	1993	Front-All w/ Sport Package		SBC521	
	1992	Front-All Hardware Included		SBC521	
	1991-90	Front-All Hardware Not Included		SBM478	
	1983-81	Front-All Hardware Not Included		SBM84	
	1975-74	Front-All Hardware Included			MKD86FM
	1975-74	Front-All Hardware Not Included		SBM86	
	1993-91	Rear-V6 - 3.8L Base, Naturally Aspirated, GAS, Hardware Included		SBM415	
	1991	Rear-V6 - 3.3L Base, Naturally Aspirated, GAS, Hardware Included		SBM415	
Drum Brake Shoe	1983-81	Rear-All w/ 10" X 2.52" Brakes		445	
Parking Brake Shoe	1993-90	Rear-All		643	
Disc Brake Rotor	1993-90	Front-All		PRT1379	
	1993-91	Rear-All		PRT1532	
	1990	Rear-All Bendix		PRT1532	
	1990	Rear-All Vendor-Bosch		PRT1571	
Disc Brake Rotor and Hub Assembly	1983-81	Front-All		PRT1145	
	1975-74	Front-All		PRT1146	
Brake Drum	1993-90	Rear-All		PDR0534	
	1983-81	Rear-All		PDR0556	
	1974	Rear-All		PDR0365	
Intrepid					
Disc Brake Pad Set	2004-98	Front-All Hardware Included	CFC730A	SBC730A	
	1997-93	Front-All Hardware Included	CFC730	SBC730	
	2004-02	Rear-All w/o Touring Suspension	CFM641	SBC641	
	2001-95	Rear-All Hardware Included	CFC658	SBC658	
	1994-93	Rear-All Hardware Included		SBM415	
Drum Brake Shoe	2004	Rear-All w/ 8" X 1.52" Brakes		747	
	1997-93	Rear-All		657	
Parking Brake Shoe	2004-98	Rear-All w/ 6.77" X 0.87" Brakes		643	
	1997-93	Rear-All		643	
Disc Brake Rotor	2004-01	Front-All Inboard vented		PRT5198	
	2004-01	Front-All Outboard vented		PRT5263	
	2000-98	Front-All Inboard Vented; 282mm Diameter		PRT5197	
	2000-98	Front-All Inboard Vented; 297mm Diameter		PRT5198	
	2000-98	Front-All Outboard Vented; 297mm Diameter		PRT5263	
	1997-96	Front-All		PRT5246	
	1995-93	Front-All		PRT1840	
	2004-93	Rear-All		PRT1849	
Brake Drum	1997-93	Rear-All		PDR0634	
Laser					
Disc Brake Pad Set	1986-85	Front-All Exc. Brake Pad Wear Indicator		SBM220	
	1986-85	Front-All w/ Brake Pad Wear Indicator		SBM219	
	1984	Front-All Hardware Not Included		SBM219	
Drum Brake Shoe	1986-84	Rear-All		520	
Disc Brake Rotor	1986-85	Front-All 5 Stud Rotor		PRT1379	
Brake Drum	1986-85	Rear-All 4 Stud		PDR0410	
	1986-85	Rear-All 5 Stud Drum		PDR0489	
	1984	Rear-All		PDR0410	
LeBaron					
Disc Brake Pad Set	1995-94	Front-All 2 Doors, Rear Disc, Hardware Included		SBM522	
	1995-94	Front-All Rear Drum, Hardware Included		SBC521	
	1994	Front-All 4 Doors, Rear Disc, w/ Caliper Stamped 122249-01		SBC521	
	1994	Front-All 4 Doors, Rear Disc, w/ Caliper Stamped 12205501, 1239190		SBM522	

BENDIX BRAKE PARTS

PART TYPE	YEAR	APPLICATION	PREMIUM NO.	PART NO.	SEVERE DUTY NO.
Chrysler (Cont'd.)					
LeBaron (Cont'd.)					
Disc Brake Pad Set (cont'd)	1993-92	Front-All w/ 14" Wheels		SBC521	
	1993-92	Front-All w/ 15", 16" Wheels		SBM522	
	1991	Front-All 2 Doors, Rear Disc, w/ 15", 16" Wheels		SBM522	
	1991	Front-All 2 Doors, Rear Drum, w/ 14" Wheels		SBC521	
	1991	Front-All 4 Doors, Rear Disc, w/ 14" Wheels		SBC521	
	1991	Front-All 4 Doors, Rear Disc, w/ 15" Wheels		SBM522	
	1991	Front-All 4 Doors, Rear Drum, Hardware Included		SBC521	
	1990-88	Front-All Hardware Not Included		SBM219	
	1987-86	Front-All Base, 4 Doors, Hardware Not Included		SBM220	
	1987	Front-All Base, 2 Doors, Exc. Digital Message Center		SBM220	
	1987	Front-All Base, 2 Doors, w/ Digital Message Center		SBM219	
	1987	Front-All GTS, Exc. Brake Pad Wear Indicator		SBM220	
	1987	Front-All GTS, w/ Brake Pad Wear Indicator		SBM219	
	1987	Front-All Premium, 2 Doors, Exc. Digital Message Center		SBM220	
	1987	Front-All Premium, 2 Doors, w/ Digital Message Center		SBM219	
	1986	Front-All Base, 2 Doors, Hardware Not Included		SBM219	
	1986	Front-All GTS, w/o Brake Sensors		SBM219	
	1986	Front-All Mark Cross, 2 Doors, Hardware Not Included		SBM219	
	1985	Front-All 2 Doors, Hardware Not Included		SBM219	
	1985	Front-All 4 Doors, Hardware Not Included		SBM220	
	1984	Front-All Hardware Not Included		SBM219	
	1983-82	Front-All Hardware Not Included		SBM220	
	1981-77	Front-All Hardware Not Included		SBM84	
	1995-91	Rear-V6 - 3.0L GTC, Naturally Aspirated, GAS, Hardware Included		SBM415	
	1994-93	Rear-V6 - 3.0L LE, Naturally Aspirated, GAS, Hardware Included		SBM415	
	1994-92	Rear-V6 - 3.0L Landau, Naturally Aspirated, GAS, Hardware Included		SBM415	
	1993-91	Rear-L4 - 2.5L Base, Naturally Aspirated, GAS, Hardware Included		SBM415	
	1993-91	Rear-V6 - 3.0L Base, Naturally Aspirated, GAS, Hardware Included		SBM415	
	1993-91	Rear-V6 - 3.0L LX, Naturally Aspirated, GAS, Hardware Included		SBM415	
	1993	Rear-All FLEX, Hardware Included		SBM415	
	1993	Rear-L4 - 2.5L LE, Naturally Aspirated, GAS, Hardware Included		SBM415	
	1992-91	Rear-L4 - 2.5L Base, Turbocharged, GAS, Hardware Included		SBM415	
	1992-91	Rear-L4 - 2.5L GTC, Turbocharged, GAS, Hardware Included		SBM415	
	1992	Rear-L4 - 2.5L Landau, Naturally Aspirated, GAS, Hardware Included		SBM415	
	1990-89	Rear-All Hardware Included		SBM415	
	1981	Rear-All Hardware Not Included		SBM220	
Drum Brake Shoe	1995-91	Rear-All		657	
	1990	Rear-All 4 Doors		629	
	1989	Rear-All		519	
	1988-87	Rear-All 2 Doors, Convertible		519	
	1988-87	Rear-All 2 Doors, Coupe		519	
	1988-87	Rear-All 4 Doors, Sedan		519	
	1988-85	Rear-All 4 Doors, Hatchback		519	
	1986-85	Rear-All 2 Doors, Convertible, w/ Heavy Duty Brakes		520	
	1986-85	Rear-All 2 Doors, Coupe, w/ Heavy Duty Brakes		520	
	1986-85	Rear-All 4 Doors, Sedan, w/ Heavy Duty Brakes		520	
	1984	Rear-All 2 Doors, Convertible, w/ 8.66" X 1.65" Brakes		520	
	1984	Rear-All 2 Doors, Coupe, w/ 8.66" X 1.65" Brakes		520	
	1984	Rear-All 4 Doors, Sedan, w/ 8.66" X 1.65" Brakes		520	
	1984	Rear-All w/ 7.87" X 1.34" Brakes		519	
	1983	Rear-All 2 Doors, Convertible		519	
	1983	Rear-All 2 Doors, Coupe		519	
	1983	Rear-All 4 Doors, Sedan		519	
	1981	Rear-All Exc. Police Car Or Taxi		445	
	1981	Rear-All Police Car And Taxi		446	
	1980-77	Rear-All w/ 10" X 2.52" Brakes		445	
Parking Brake Shoe	1995-89	Rear-All		643	
Disc Brake Rotor	1995-89	Front-All 10.25" diameter rotor		PRT1379	
	1995	Front-All 11" diameter rotor		PRT1534	
	1994-89	Front-All 11" Diameter Rotor		PRT1534	
	1988-87	Front-All		PRT1379	
	1986-85	Front-All 5 Stud Rotor		PRT1379	
	1983	Front-All		PRT1266	
	1982	Front-All		PRT1267	
	1995-89	Rear-All Solid Rotors		PRT1532	
	1995-89	Rear-All Vented Rotors		PRT1533	

BENDIX BRAKE PARTS

PART TYPE	YEAR	APPLICATION	PREMIUM NO.	PART NO.	SEVERE DUTY NO.
Chrysler (Cont'd.)					
LeBaron (Cont'd.)					
Disc Brake Rotor and Hub Assembly	1981-77	Front-All		PRT1145	
Brake Drum	1995-90	Rear-All		PDR0489	
	1989	Rear-All		PDR0558	
	1988-87	Rear-All Convertible		PDR0558	
	1988-87	Rear-All Coupe		PDR0558	
	1988-87	Rear-All Hatchback		PDR0558	
	1988-87	Rear-All Sedan		PDR0558	
	1986-85	Rear-All 4 Stud, 8.66 x 1.57" Brake Shoes		PDR0410	
	1986-85	Rear-All 5 Stud, 7.87 x 1.28" Brake Shoes		PDR0558	
	1986-85	Rear-All 5 Stud, 8.66 x 1.57" Brake Shoes		PDR0489	
	1984	Rear-All		PDR0410	
	1981-78	Rear-All 10" Finned Drum		PDR0556	
	1981-78	Rear-All 10" Plain Drum		PDR0182	
	1981-78	Rear-All 11" Brakes		PDR0365	
	1977	Rear-All		PDR0182	
LHS					
Disc Brake Pad Set	2001-00	Front-All Hardware Included	CFC730A	SBC730A	
	1999	Front-All w/ 15" Wheels	CFC730A	SBC730A	
	1997-94	Front-All Hardware Included	CFC591	SBC591	MKD591FM
	2001	Rear-All w/ 16" Steel Wheels	CFC658	SBC658	
	2000	Rear-All Hardware Included	CFC658	SBC658	
	1999	Rear-All 4-Wheel ABS, Hardware Included	CFC658	SBC658	
	1997-96	Rear-V6 - 3.5L Hardware Included	CFC658	SBC658	
	1995	Rear-All Hardware Included	CFC658	SBC658	
	1994	Rear-V6 - 3.5L Base, Naturally Aspirated, GAS, Hardware Included		SBM415	
Drum Brake Shoe	1997-94	Rear-All		657	
Parking Brake Shoe	2001-99	Rear-All		643	
	1997-94	Rear-All		643	
Disc Brake Rotor	2001-99	Front-All Inboard Vented; 297mm Diameter		PRT5198	
	2001-99	Front-All Outboard vented		PRT5263	
	2000-99	Front-All Inboard Vented; 282mm Diameter		PRT5197	
	1997-94	Front-All		PRT1840	
	2001-99	Rear-All		PRT1849	
	1997-94	Rear-All		PRT1849	
Neon					
Disc Brake Pad Set	2002-00	Front-All Hardware Included	CFC730A	SBC730A	
	2002-00	Rear-All Hardware Included	CFM641	SBC641	
Drum Brake Shoe	2002-00	Rear-All w/ 7.87" X 1.34" Brakes		519	
Parking Brake Shoe	2002-00	Rear-All w/ 6.77" X 0.87" Brakes		643	
Disc Brake Rotor	2002-00	Front-All		PRT5249	
Brake Drum	2002-00	Rear-All Rear Drum		PDR0558	
Newport					
Disc Brake Pad Set	1981-79	Front-All Hardware Not Included		SBM84	
	1978-74	Front-All Hardware Included			MKD86FM
	1978-74	Front-All Hardware Not Included		SBM86	
Drum Brake Shoe	1981-79	Rear-All w/ 10" X 2-1/2" Brakes		445	
	1981-79	Rear-All w/ 11" X 2-1/2" Brakes		446	
	1978-75	Rear-All w/ 11" X 2.49" Brakes		446	
Disc Brake Rotor	1972	Front-All Early 72		PRT1047	
	1971-70	Front-All Rear Drum		PRT1047	
	1969	Front-All Front disc brakes		PRT1047	
Disc Brake Rotor and Hub Assembly	1981-79	Front-All		PRT1132	
	1978-74	Front-All		PRT1146	
	1973-71	Front-All		PRT1072	
Brake Drum	1969	Front-All w/11 x 3" Brakes		PDR0019	
	1968-65	Front-All		PDR0017	
	1981-80	Rear-All 10 x 2 1/2" Brakes		PDR0556	
	1981-80	Rear-All 11 x 2 1/2" Brakes		PDR0365	
	1979-71	Rear-All		PDR0365	
	1970-66	Rear-All 11 x 2 1/2" Brakes		PDR0365	
New Yorker					
Disc Brake Pad Set	1996-94	Front-All Hardware Included	CFC591	SBC591	MKD591FM
	1993	Front-All Fifth Avenue, Exc. Sport Package		SBM478	
	1993	Front-All Fifth Avenue, w/ Sport Package		SBC521	
	1993	Front-All Salon, Hardware Included		SBC521	
	1992-91	Front-All Hardware Included		SBC521	
	1990	Front-All Hardware Not Included		SBM478	
	1989	Front-All Hardware Not Included		SBM385	
	1988	Front-L4 - 2.2L Hardware Not Included		SBM219	
	1988	Front-V6 - 3.0L Hardware Not Included		SBM385	
	1987-83	Front-All Hardware Not Included		SBM220	

BENDIX BRAKE PARTS

PART TYPE	YEAR	APPLICATION	PREMIUM NO.	PART NO.	SEVERE DUTY NO.	
Chrysler (Cont'd.)						
New Yorker (Cont'd.)						
Disc Brake Pad Set (cont'd)	1982-79	Front-All Hardware Not Included		SBM84		
	1978-74	Front-All Hardware Included			MKD86FM	
	1978-74	Front-All Hardware Not Included		SBM86		
	1996	Rear-All Hardware Included	CFC658	SBC658		
	1995	Rear-V6 - 3.5L Hardware Included	CFC658	SBC658		
	1994	Rear-V6 - 3.5L Base, Naturally Aspirated, GAS, Hardware Included		SBM415		
	1993-91	Rear-V6 - 3.3L Fifth Avenue, Naturally Aspirated, GAS, Hardware Included		SBM415		
	1993-91	Rear-V6 - 3.3L Salon, Naturally Aspirated, GAS, Hardware Included		SBM415		
	1993-91	Rear-V6 - 3.8L Fifth Avenue, Naturally Aspirated, GAS, Hardware Included		SBM415		
Drum Brake Shoe	1996-91	Rear-All		657		
	1990	Rear-All		629		
	1989-83	Rear-All		520		
	1982-79	Rear-All Optional		446		
	1982-79	Rear-All w/ 10" Brakes		445		
	1978-76	Rear-All w/ 11" X 2.49" Brakes		446		
Parking Brake Shoe	1996-90	Rear-All		643		
Disc Brake Rotor	1996	Front-All		PRT5246		
	1995-94	Front-All		PRT1840		
	1993-87	Front-All		PRT1379		
	1986-85	Front-All 5 Stud Rotor		PRT1379		
	1983	Front-All		PRT1266		
	1972	Front-All Rear Drum, Early 72		PRT1047		
	1971	Front-All Rear Drum		PRT1047		
	1969	Front-All Front disc brakes		PRT1047		
	1996-94	Rear-All Rear Disc		PRT1849		
	1993-91	Rear-All Rear Disc		PRT1532		
	1990-88	Rear-All Rear Disc		PRT1571		
	Disc Brake Rotor and Hub Assembly	1982	Front-All		PRT1145	
		1981-79	Front-All		PRT1132	
1978-74		Front-All		PRT1146		
1973		Front-All		PRT1072		
1972		Front-All W/ Disc: 1 pc. assy. (late 1972)		PRT1072		
Brake Drum		1969	Front-All 11 x 2 3/4" Brakes		PDR0017	
	1969	Front-All w/11 x 3" Brakes		PDR0019		
	1968-65	Front-All		PDR0017		
	1993-88	Rear-All Rear Drum		PDR0534		
	1987	Rear-All		PDR0489		
	1986-85	Rear-All 4 Stud Rotor		PDR0410		
	1986-85	Rear-All 5 Stud Rotor		PDR0489		
	1984-83	Rear-All		PDR0410		
	1982-80	Rear-All 10" Brakes		PDR0556		
	1982-80	Rear-All 11" Brakes		PDR0365		
	1979-73	Rear-All		PDR0365		
	1972-69	Rear-All W/ 2.5" brakes (finned)		PDR0365		
	1968-66	Rear-All		PDR0365		
	Pacifica					
	Disc Brake Pad Set	2019-17	Front-All Hardware Included	CFC1589	SBC1589	MKD1589FM
2008-07		Front-All Hardware Included	CFC997	SBC997		
2006-04		Front-V6 - 3.5L Hardware Included	CFC997	SBC997		
2005		Front-V6 - 3.8L Hardware Included	CFC997	SBC997		
2019-17		Rear-All Hardware Not Included	CFC1901	SBC1901	MKD1901FM	
2008-04		Rear-All Hardware Included	CFC998	SBC998		
Parking Brake Shoe	2008-04	Rear-All		777		
Disc Brake Rotor	2018-17	Front-All Code-BRG		PRT6170		
	2008-04	Front-All		PRT5468		
	2008-04	Rear-All		PRT5496		
Phantom						
Disc Brake Pad Set	1990	Front-All Hardware Included		SBM522		
	1990	Rear-All Hardware Included		SBM415		
Prowler						
Disc Brake Pad Set	2002-01	Front-All Hardware Included	CFC730	SBC730		
	2001	Rear-All Hardware Included	CFC730	SBC730		
Disc Brake Rotor	2002-01	Front-All		PRT5152		
PT Cruiser						
Disc Brake Pad Set	2010	Front-All Naturally Aspirated, Hardware Included		SBC841NT		
	2009-03	Front-L4 - 2.4L Turbocharged, Hardware Included		SBC841T		
	2009-01	Front-L4 - 2.4L Naturally Aspirated, Hardware Included		SBC841NT		
	2010	Rear-All Hardware Included	CFM641	SBC641		
	2009-08	Rear-L4 - 2.4L Hardware Included	CFC658	SBC658		

BENDIX BRAKE PARTS

PART TYPE	YEAR	APPLICATION	PREMIUM NO.	PART NO.	SEVERE DUTY NO.	
Chrysler (Cont'd.)						
PT Cruiser (Cont'd.)						
Disc Brake Pad Set (cont'd)	2007-06	Rear-All Exc. Performance Brakes	CFM641	SBC641		
	2007-06	Rear-All w/ Performance Brakes	CFC658	SBC658		
	2005	Rear-All w/ Heavy Duty Brakes	CFC658	SBC658		
	2005	Rear-All w/o Touring Suspension	CFM641	SBC641		
Drum Brake Shoe	2004-01	Rear-All Hardware Included	CFM641	SBC641		
	2009-05	Rear-All		810		
Parking Brake Shoe	2004	Rear-All w/ 9" Brake Drums		810		
	2010-01	Rear-All		643		
Disc Brake Rotor	2010	Front-All 23mm Thick		PRT5301		
	2009-08	Front-L4 - 2.4L Naturally Aspirated, 23mm Thick		PRT5301		
	2009-08	Front-L4 - 2.4L Turbocharged, 28mm Thick		PRT5385		
	2007-04	Front-L4 - 2.4L Naturally Aspirated, Rear Drum, 23mm Thick		PRT5301		
	2007-04	Front-L4 - 2.4L Turbocharged, Rear Disc, 28mm Thick		PRT5385		
	2003	Front-L4 - 2.4L Naturally Aspirated, 23mm Thick		PRT5301		
	2003	Front-L4 - 2.4L Turbocharged, 28mm Thick		PRT5385		
	2002-01	Front-All 23mm Thick		PRT5301		
	2010-07	Rear-All		PRT5051		
	2006-03	Rear-L4 - 2.4L Naturally Aspirated		PRT5026		
	2006-03	Rear-L4 - 2.4L Turbocharged		PRT5384		
	2002-01	Rear-All		PRT5026		
	Brake Drum	2009-05	Rear-All		PDR0794	
		2004	Rear-All 8.66" Brakes		PDR0489	
2004		Rear-All 9" Brakes		PDR0794		
2003-01		Rear-All		PDR0489		
Sebring						
Disc Brake Pad Set	2010-09	Front-All Hardware Included	CFC866	SBC866		
	2008	Front-All Convertible, Hardware Included	CFC866	SBC866		
	2008	Front-All Sedan, Hardware Included	CFC866	SBC866		
	2007	Front-All Hardware Included	CFC866	SBC866		
	2006	Front-All Hardware Included	CFC869	SBC869		
	2005-04	Front-L4 - 2.4L Convertible, Hardware Included	CFC869	SBC869		
	2005-04	Front-L4 - 2.4L Coupe, Hardware Included	CFC869	SBC869		
	2005-04	Front-L4 - 2.4L Sedan, Hardware Included	CFC869	SBC869		
	2005-04	Front-V6 - 2.7L Convertible, Hardware Included	CFC869	SBC869		
	2005-04	Front-V6 - 2.7L Coupe, Hardware Included	CFC869	SBC869		
	2005-04	Front-V6 - 2.7L Sedan, Hardware Included	CFC869	SBC869		
	2005-04	Front-V6 - 3.0L Hardware Included	CFC866	SBC866		
	2005-03	Front-L4 - 2.4L Coupe, Hardware Included		SBC484		
	2003	Front-All Convertible, Hardware Included	CFC869	SBC869		
	2003	Front-All Sedan, Hardware Included	CFC869	SBC869		
	2003	Front-V6 - 2.7L Coupe, Hardware Included		SBC484		
	2003	Front-V6 - 3.0L Coupe, Hardware Included	CFC866	SBC866		
	2002-01	Front-V6 - 2.7L Convertible, Hardware Included	CFC869	SBC869		
	2002-01	Front-V6 - 2.7L Sedan, Hardware Included	CFC869	SBC869		
	2002-01	Front-V6 - 3.0L Hardware Included	CFC866	SBC866		
	2002	Front-L4 - 2.4L G Eng VIN, Coupe, Hardware Included		SBC484		
	2002	Front-L4 - 2.4L X Eng VIN, Convertible, Hardware Included	CFC869	SBC869		
	2002	Front-L4 - 2.4L X Eng VIN, Coupe, Hardware Included		SBC484		
	2002	Front-L4 - 2.4L X Eng VIN, Sedan, Hardware Included	CFC869	SBC869		
	2002	Front-V6 - 2.7L Coupe, Hardware Included	CFC869	SBC869		
	2001	Front-L4 - 2.4L Convertible, Rear Disc, Hardware Included	CFC869	SBC869		
	2001	Front-L4 - 2.4L Coupe, Hardware Included		SBC869		
	2001	Front-L4 - 2.4L Coupe, Hardware Included	CFC869	SBC484		
	2001	Front-L4 - 2.4L Sedan, Rear Disc, Hardware Included	CFC869	SBC869		
	2001	Front-V6 - 2.7L Coupe, Rear Disc, Hardware Included	CFC869	SBC869		
	2001	Front-V6 - 2.7L Coupe, Rear Drum, Hardware Included	CFC869	SBC869		
	2000	Front-All JX, Hardware Included		SBC650		
	2000	Front-All JXi, Hardware Included		SBC650		
	2000	Front-All LX, Hardware Included		SBC484		
	2000	Front-All LXi, Hardware Included		SBC484		
	1999-96	Front-L4 - 2.0L Hardware Included		SBC484		
	1999-96	Front-V6 - 2.5L JX, Hardware Included		SBC650		
	1999-96	Front-V6 - 2.5L JXi, Hardware Included		SBC650		
	1999-96	Front-V6 - 2.5L LX, Hardware Included		SBC484		
	1999-96	Front-V6 - 2.5L LXi, Hardware Included		SBC484		
	1998	Front-L4 - 2.4L Hardware Included		SBC650		
	1997	Front-L4 - 2.4L JX, Hardware Included		SBC650		
	1997	Front-L4 - 2.4L JXi, Hardware Included		SBC650		
	1996	Front-L4 - 2.4L Hardware Included		SBC650		
	1995	Front-All Hardware Included		SBC484		
	2010-08	Rear-All w/ 11.89" Rotor Diameter		CFC868	SBC868	
	2010-07	Rear-All w/ 10.313" Rotor Diameter		CFC1037	SBC1037	

BENDIX BRAKE PARTS

PART TYPE	YEAR	APPLICATION	PREMIUM NO.	PART NO.	SEVERE DUTY NO.
Chrysler (Cont'd.)					
Sebring (Cont'd.)					
Disc Brake Pad Set (cont'd)	2006-04	Rear-L4 - 2.4L Hardware Included	CFM641	SBC641	
	2006-04	Rear-V6 - 2.7L Hardware Included	CFM641	SBC641	
	2005-04	Rear-V6 - 3.0L Hardware Included	CFC383K2	SBC383K2	
	2003	Rear-All Convertible, Hardware Included	CFM641	SBC641	
	2003	Rear-All Coupe, Hardware Included	CFC383K2	SBC383K2	
	2003	Rear-All Sedan, Hardware Included	CFM641	SBC641	
	2002-01	Rear-L4 - 2.4L Hardware Included	CFM641	SBC641	
	2002-01	Rear-V6 - 3.0L Hardware Included	CFC383K2	SBC383K2	
	2002	Rear-L4 - 2.4L Convertible, Hardware Included	CFC658	SBC658	
	2002	Rear-L4 - 2.4L Sedan, Hardware Included	CFC658	SBC658	
	2002	Rear-V6 - 2.7L Hardware Included	CFM641	SBC641	
	2001	Rear-L4 - 2.4L Hardware Included	CFC383K2	SBC383K2	
	2001	Rear-V6 - 2.7L Convertible, Hardware Included	CFM641	SBC641	
	2001	Rear-V6 - 2.7L Sedan, Hardware Included	CFM641	SBC641	
	2000	Rear-All JX, Hardware Included	CFM641	SBC641	
	2000	Rear-All JXi, Hardware Included	CFM641	SBC641	
	2000	Rear-All LX, Hardware Included	CFC383K2	SBC383K2	
	2000	Rear-All LXi, Hardware Included	CFC383K2	SBC383K2	
	1999-97	Rear-L4 - 2.0L Hardware Included	CFC383K2	SBC383K2	
	1999-97	Rear-V6 - 2.5L JXi, Hardware Included	CFM641	SBC641	
	1999-97	Rear-V6 - 2.5L LX, Hardware Included	CFC383K2	SBC383K2	
	1999-97	Rear-V6 - 2.5L LXi, Hardware Included	CFC383K2	SBC383K2	
	1998-97	Rear-L4 - 2.4L Hardware Included	CFM641	SBC641	
	1996	Rear-All Convertible, Hardware Included	CFM641	SBC641	
	1996	Rear-All Coupe, Hardware Included	CFC383K2	SBC383K2	
	1995	Rear-All Hardware Included	CFC383K2	SBC383K2	
Drum Brake Shoe	2009-07	Rear-All w/ 9" X 1.44" Brakes		919	
	2006-03	Rear-All 2 Doors, Convertible		800	
	2006-03	Rear-All 4 Doors, Sedan		800	
	2005-01	Rear-All 2 Doors, Coupe		658	
	2000-96	Rear-All 2 Doors, Convertible		520	
	1999-95	Rear-All 2 Doors, Coupe		658	
Parking Brake Shoe	2010-07	Rear-All		886	
	2006	Rear-All 2 Doors, Convertible		643	
	2006	Rear-All 4 Doors, Sedan		643	
	2005-01	Rear-All 2 Doors, Convertible, w/o 6.69" X 1.25" Brakes		643	
	2005-01	Rear-All 4 Doors, Sedan, w/o 6.69" X 1.25" Brakes		643	
	2005-95	Rear-All w/ 6.69" X 1.25" Brakes		673	
	2005-95	Rear-All w/ 6.69" X 1.25" Brakes		864	
	2000-96	Rear-All w/ 6.77" X 0.87" Brakes		643	
Disc Brake Rotor	2010-07	Front-All		PRT5706	
	2006	Front-All		PRT5043	
	2005-04	Front-All J Eng VIN		PRT5043	
	2005-04	Front-All T Eng VIN		PRT5043	
	2005-02	Front-V6 - 3.0L H Eng VIN		PRT5455	
	2005-01	Front-All G Eng VIN		PRT5247	
	2005-01	Front-All X Eng VIN		PRT5043	
	2005	Front-All R Eng VIN		PRT5043	
	2004	Front-All R Eng VIN, Convertible, Sedan		PRT5043	
	2003-02	Front-All R Eng VIN		PRT5043	
	2003	Front-All T Eng VIN, Convertible, Sedan		PRT5043	
	2001	Front-All H Eng VIN		PRT5455	
	2001	Front-All U Eng VIN		PRT5043	
	2000	Front-All JX		PRT5041	
	2000	Front-All JXi		PRT5041	
	2000	Front-All LX		PRT5247	
	2000	Front-All LXi		PRT5247	
	1999-96	Front-All Convertible		PRT5041	
	1999-96	Front-All Coupe		PRT1658	
	1995	Front-All		PRT1658	
	2010-07	Rear-All 262mm Diameter		PRT5672	
	2010-07	Rear-All 302mm Diameter		PRT5896	
	2006	Rear-L4 - 2.4L X Eng VIN		PRT5051	
	2006	Rear-V6 - 2.7L R Eng VIN		PRT5051	
	2006	Rear-V6 - 2.7L T Eng VIN		PRT5051	
	2005-04	Rear-All J Eng VIN		PRT5051	
	2005-03	Rear-All T Eng VIN		PRT5051	
	2005-02	Rear-All R Eng VIN		PRT5051	
	2005-01	Rear-All G Eng VIN		PRT5047	
	2005-01	Rear-All H Eng VIN		PRT5047	
	2005-01	Rear-All X Eng VIN		PRT5051	
	2001	Rear-All U Eng VIN		PRT5051	
	2000-96	Rear-All Convertible, Rear Disc		PRT5051	
	2000	Rear-All Coupe		PRT5047	

BENDIX BRAKE PARTS

PART TYPE	YEAR	APPLICATION	PREMIUM NO.	PART NO.	SEVERE DUTY NO.
Chrysler (Cont'd.)					
Sebring (Cont'd.)					
Disc Brake Rotor (cont'd)	1999-96	Rear-All Coupe, Rear Disc		PRT5047	
	1995	Rear-All Rear Disc		PRT5047	
Brake Drum	2009-07	Rear-All Rear Drum		PDR0830	
	2006	Rear-All		PDR0765	
	2005-04	Rear-L4 - 2.4L Base, Mitsubishi Eng, G Eng VIN, Rear Drum		PDR0671	
	2005-04	Rear-L4 - 2.4L J Eng VIN, Rear Drum		PDR0765	
	2005-03	Rear-L4 - 2.4L X Eng VIN, Rear Drum		PDR0765	
	2005-03	Rear-V6 - 2.7L R Eng VIN, Rear Drum		PDR0765	
	2005-03	Rear-V6 - 2.7L T Eng VIN, Rear Drum		PDR0765	
	2004	Rear-V6 - 3.0L Rear Drum		PDR0671	
	2003	Rear-L4 - 2.4L Mitsubishi Eng, G Eng VIN, Rear Drum		PDR0671	
	2003	Rear-V6 - 3.0L Mitsubishi Eng, H Eng VIN, Rear Drum		PDR0671	
	2002-01	Rear-All Coupe, Rear Drum		PDR0671	
	2000-96	Rear-All Convertible, Rear Drum		PDR0489	
	1999-96	Rear-All Coupe, Rear Drum		PDR0671	
	1995	Rear-All Rear Drum		PDR0671	
Shadow					
Disc Brake Pad Set	1990-89	Front-All Hardware Not Included		SBM220	
	1990	Rear-All Hardware Included		SBM415	
Spirit					
Disc Brake Pad Set	1991	Rear-All Hardware Included		SBM415	
Stratus					
Drum Brake Shoe	1997-95	Rear-All w/ 7.87" X 1.35" Brakes		698	
	1997-95	Rear-All w/ 7.87" X 1.35" Brakes		716	
Disc Brake Rotor	1997-95	Front-All 14" Wheels		PRT5041	
	1997-95	Rear-All		PRT5051	
Brake Drum	1997-95	Rear-All		PDR0670	
TC Maserati					
Disc Brake Pad Set	1991-89	Front-All Hardware Not Included		SBM220	
Disc Brake Rotor	1991-89	Front-All		PRT1379	
	1991-89	Rear-All		PRT1388	
Town & Country					
Disc Brake Pad Set	2016-12	Front-All Exc. Heavy Duty Brakes	CFC1327	SBC1327	MKD1327FM
	2016-12	Front-All w/ Heavy Duty Brakes	CFC1589	SBC1589	MKD1589FM
	2011-08	Front-All Hardware Included	CFC1327	SBC1327	MKD1327FM
	2007-05	Front-All Rear Drum, Hardware Included		SBM856	
	2007-05	Front-All Rear Drum, Hardware Included	CFC856	SBC856	MKD856FM
	2007-01	Front-All Rear Disc, Hardware Included	CFC857	SBC857	MKD857FM
	2004	Front-All Rear Drum, From 12/2/03		SBM856	
	2004	Front-All Rear Drum, From 12/2/03	CFC856	SBC856	MKD856FM
	2004	Front-All Rear Drum, To 12/1/03	CFC857	SBC857	MKD857FM
	2003	Front-All Rear Drum, Hardware Included		SBM856	
	2003	Front-All Rear Drum, Hardware Included	CFC856	SBC856	MKD856FM
	2000-96	Front-All Hardware Included	CFC591	SBC591	MKD591FM
	1995	Front-All Hardware Included		SBC521	
	1994-91	Front-All w/ 14" Wheels		SBC521	
	1994-91	Front-All w/ 15" Wheels		SBM522	
	1990	Front-All w/ 14" Wheels		SBM259	
	1990	Front-All w/ 15" Wheels		SBM416	
	1988	Front-All Hardware Not Included		SBM219	
	1987-85	Front-All Hardware Not Included		SBM220	
	1984	Front-All Hardware Not Included		SBM259	
	1983-74	Front-All Hardware Included			MKD86FM
	1983-74	Front-All Hardware Not Included		SBM86	
	2016-12	Rear-All Exc. Heavy Duty Brakes	CFC1719	SBC1719	MKD1719FM
	2016-12	Rear-All w/ Heavy Duty Brakes	CFC1596	SBC1596	MKD1596FM
	2012	Rear-All Exc. Heavy Duty Brakes	CFC1326	SBC1326	MKD1326FM
	2011-08	Rear-All w/ Wear Sensor	CFC1326	SBC1326	MKD1326FM
	2007-01	Rear-V6 - 3.3L Hardware Included			MKD858FM
	2007-01	Rear-V6 - 3.3L Hardware Not Included	CFC858	SBC858	
	2007-01	Rear-V6 - 3.8L Hardware Included			MKD858FM
	2007-01	Rear-V6 - 3.8L Hardware Not Included	CFC858	SBC858	
	2000-99	Rear-V6 - 3.3L Hardware Included		SBM751	
	2000-99	Rear-V6 - 3.8L Hardware Included		SBM751	
	1998-97	Rear-All Hardware Included		SBM751	
Drum Brake Shoe	2007-05	Rear-All		841	
	2007-05	Rear-All In Supersession Process, Exhaust Current Inventory		714	
	2004-03	Rear-All w/ Optional Shoes		714	
	2004-03	Rear-All w/ Optional Shoes		841	
	2000-96	Rear-All		841	
	2000-96	Rear-All In Supersession Process, Exhaust Current Inventory		714	

BENDIX BRAKE PARTS

PART TYPE	YEAR	APPLICATION	PREMIUM NO.	PART NO.	SEVERE DUTY NO.	
Chrysler (Cont'd.)						
Town & Country (Cont'd.)						
Drum Brake Shoe (cont'd)	1995	Rear-All AWD		446		
	1995	Rear-All FWD		538		
	1994-91	Rear-All FWD, w/ 14", 15" Wheels		538		
	1994	Rear-All AWD, w/ 14", 15" Wheels		446		
	1993-92	Rear-All AWD		446		
	1990	Rear-All w/ 14", 15" Wheels		538		
	1988-87	Rear-All w/ 7.87" X 1.34" Brakes		519		
	1988-83	Rear-All w/ 8.66" X 1.65" Brakes		520		
	1981-79	Rear-All w/ 11" X 2.49" Brakes		446		
	1981-78	Rear-All w/ 10" X 2.52" Brakes		445		
	1977-76	Rear-All w/ 11" X 2.5" Brakes		446		
	Parking Brake Shoe	2007-97	Rear-All		812	
	Disc Brake Rotor	2016-12	Front-All exc. HD Brakes		PRT5843	SDR5843
2016-12		Front-All HD Brakes		PRT6170	SDR6170	
2011-10		Front-All HD Brakes		PRT6295		
2011-10		Front-All w/o Power Adjustable Pedals		PRT5843	SDR5843	
2009-08		Front-All		PRT5843	SDR5843	
2007-03		Front-All Rear Drum		PRT5308		
2007-01		Front-All Rear Disc		PRT5350		
2000-97		Front-All W/ 15" & 16" wheels		PRT5152		
2000-96		Front-All 14" Wheels		PRT5063		
1996		Front-All W/ 15" & 16" wheels		PRT1576		
1995-91		Front-All w/14" Wheels		PRT1379		
1995-91		Front-All w/15" Wheels		PRT1576		
1990		Front-All w/14" Wheels		PRT1383		
1990		Front-All w/15" Wheels		PRT1392		
1988-84		Front-All 5 Hole Rotor		PRT1379		
1983		Front-All		PRT1266		
1982		Front-All		PRT1267		
1972		Front-All Early 72		PRT1047		
1971-70		Front-All Rear Drum		PRT1047		
1969		Front-All Front disc brakes		PRT1047		
2016-12		Rear-All 305mm Diameter		PRT5844	SDR5844	
2016-12		Rear-All 328mm Diameter		PRT6171	SDR6171	
2011-08		Rear-All		PRT5844	SDR5844	
2007-04		Rear-All Rear Disc		PRT5153		
2003-01		Rear-All		PRT5153		
2000-97		Rear-All Rear Disc		PRT5153		
Disc Brake Rotor and Hub Assembly		1981-78	Front-All		PRT1145	
		1977-74	Front-All		PRT1146	
		1973-71	Front-All		PRT1072	
Brake Drum		1969	Front-All 11 x 2 3/4" Brakes		PDR0017	
	1969	Front-All w/11 x 3" Brakes		PDR0019		
	1968-65	Front-All		PDR0017		
	2007-04	Rear-All Rear Drum		PDR0799		
	2002	Rear-All		PDR0740		
	2002	Rear-All		PDR0799		
	2000-97	Rear-All Rear Drum, 14" Wheels		PDR0681		
	2000-97	Rear-All Rear Drum, 15" and 16" Wheels		PDR0673 ⁵⁰		
	2000-97	Rear-All Rear Drum, 15" and 16" Wheels		PDR0740		
	2000-97	Rear-All Rear Drum, 15" and 16" Wheels		PDR0799		
	1996	Rear-All 14" Wheels		PDR0681		
	1996	Rear-All W/ 15" & 16" wheels		PDR0673 ⁵⁰		
	1996	Rear-All W/ 15" & 16" wheels		PDR0740		
	1996	Rear-All W/ 15" & 16" wheels		PDR0799		
	1995-92	Rear-All AWD		PDR0365		
	1995-92	Rear-All FWD, (14" wheels)		PDR0506		
	1995-92	Rear-All FWD, (15" wheels)		PDR0496		
	1991-90	Rear-All 14" Wheels		PDR0506		
	1991-90	Rear-All 15" Wheels		PDR0496		
	1988-87	Rear-All Heavy Duty (220 x 40mm Brakes)		PDR0489		
	1988-87	Rear-All Standard (200 x 32.5mm Brakes)		PDR0558		
	1986-85	Rear-All 4 Stud, 8.66 x 1.57" Brake Shoes		PDR0410		
	1986-85	Rear-All 5 Stud, 7.87 x 1.28" Brake Shoes		PDR0558		
	1986-85	Rear-All 5 Stud, 8.66 x 1.57" Brake Shoes		PDR0489		
	1984	Rear-All		PDR0410		
	1983	Rear-All Wagon		PDR0410		
	1981-78	Rear-All 10" Finned Drum		PDR0556		
1981-78	Rear-All 10" Plain Drum		PDR0182			
1981-66	Rear-All 11 x 2 1/2" Brakes		PDR0365			
Valiant						
Disc Brake Pad Set	1983-82	Front-All Hardware Not Included		SBM84		
	1980-75	Front-All Hardware Not Included		SBM84		

50 Sell out and reorder PDR0740

BENDIX BRAKE PARTS

PART TYPE	YEAR	APPLICATION	PREMIUM NO.	PART NO.	SEVERE DUTY NO.
Chrysler (Cont'd.)					
Volare					
Disc Brake Pad Set	1984	Front-All Hardware Not Included		SBM220	
Voyager					
Disc Brake Pad Set	2008-05	Front-All Rear Disc, Hardware Included	CFC857	SBC857	MKD857FM
	2008-05	Front-All Rear Drum, Hardware Included		SBM856	
	2008-05	Front-All Rear Drum, Hardware Included	CFC856	SBC856	MKD856FM
	2004-03	Front-All 4-Wheel ABS, Exc. European Built		SBM856	
	2004-03	Front-All 4-Wheel ABS, Exc. European Built	CFC856	SBC856	MKD856FM
	2003	Front-All Non-ABS, Exc. European Built	CFC857	SBC857	MKD857FM
	2002-01	Front-All Exc. European Built		SBM856	
	2002-01	Front-All Exc. European Built	CFC856	SBC856	MKD856FM
	2000	Front-All Exc. European Built	CFC591	SBC591	MKD591FM
	1999-96	Front-All Hardware Included	CFC591	SBC591	MKD591FM
	2008-01	Rear-All Hardware Included			MKD858FM
	2008-01	Rear-All Hardware Not Included	CFC858	SBC858	
	1999-97	Rear-All Hardware Included		SBM751	
	Drum Brake Shoe	2003-00	Rear-All		841
2003-00		Rear-All In Supersession Process, Exhaust Current Inventory		714	
Parking Brake Shoe	2003-00	Rear-All		812	
Disc Brake Rotor	2003	Front-All 4-Wheel ABS		PRT5308	
	2003	Front-All Non-ABS		PRT5350	
	2002-01	Front-All		PRT5308	
	2000	Front-All 14" Wheels		PRT5063	
Brake Drum	2000	Front-All 15" Wheels		PRT5152	
	2002	Rear-All		PDR0740	
	2002	Rear-All		PDR0799	
2000	Rear-All 14" Wheels		PDR0681		
Coda					
Sedan					
Disc Brake Pad Set	2012	Front-All Hardware Not Included		SBC328	
Daewoo					
Lanos					
Disc Brake Pad Set	2002-01	Front-All CAN, To Chassis/VIN #447433		SBM1321	
	2002-01	Front-All USA, From Chassis/VIN #447434 To Chassis/VIN #594051		SBM796	
	2002-01	Front-All USA, From Chassis/VIN #594052		SBM902	
	2000	Front-All From Chassis/VIN #447434 To Chassis/VIN #594051		SBM796	
	2000	Front-All From Chassis/VIN #594052		SBM902	
	2000	Front-All To Chassis/VIN #447433		SBM1321	
	1999	Front-L4 - 1.6L From Chassis/VIN #447434 To Chassis/VIN #594051		SBM796	
	1999	Front-L4 - 1.6L From Chassis/VIN #594052		SBM902	
	1999	Front-L4 - 1.6L To Chassis/VIN #447433		SBM1321	
Drum Brake Shoe	2002-99	Rear-All		740	
Disc Brake Rotor	2002-99	Front-L4 - 1.5L		PRT1743	
	2002-99	Front-L4 - 1.6L		PRT5439	
Brake Drum	2002-99	Rear-All Non-ABS		PDR0737	
	2000-99	Rear-All 4-Wheel ABS		PDR0596	
Leganza					
Disc Brake Pad Set	2002-99	Front-All Hardware Not Included		SBM797	
	2002-99	Rear-All Hardware Included		SBC724	
Parking Brake Shoe	2002-99	Rear-All		882	
Disc Brake Rotor	2002-99	Front-All		PRT5334	
	2002-99	Rear-All		PRT5319	
Nubira					
Disc Brake Pad Set	2002-99	Front-All Hardware Not Included		SBM797	
	2002-99	Rear-All Hardware Included		SBC724	
Parking Brake Shoe	2002-99	Rear-All		882	
Disc Brake Rotor	2002	Front-All		PRT5354	
	2001-99	Front-All		PRT5318	
	2002-99	Rear-All		PRT5327	
Daihatsu					
Charade					
Drum Brake Shoe	1992-89	Rear-L4 - 1.3L		630	
Disc Brake Rotor	1992-89	Front-L4 - 1.3L		PRT1542	
	1989	Front-L3 - 1.0L To 01/89		PRT1556	
	1988	Front-All		PRT1556	
Brake Drum	1992-90	Rear-L4 - 1.3L 4 Doors, Sedan		PDR0559	
	1992-90	Rear-L4 - 1.3L Hatchback		PDR0614	
	1992-89	Rear-L3 - 1.0L		PDR0616	
	1989	Rear-L4 - 1.3L		PDR0614	

BENDIX BRAKE PARTS

PART TYPE	YEAR	APPLICATION	PREMIUM NO.	PART NO.	SEVERE DUTY NO.
Daihatsu (Cont'd.)					
Charade (Cont'd.)					
Brake Drum (cont'd)	1988	Rear-All		PDR0616	
Rocky					
Disc Brake Rotor	1992-90	Front-All		PRT1568	
Brake Drum	1992-90	Rear-All		PDR0615	
DeTomaso					
Pantera					
Disc Brake Pad Set	1989-81	Front-All Hardware Included	CFM1001		
	1989-81	Front-All Hardware Not Included		SBC1001	
Dodge					
330					
Drum Brake Shoe	1964-63	Front-All w/ 10" X 2-1/2" Brakes		169	
	1964-63	Rear-All w/ 10" X 2-1/2" Brakes		169	
400					
Disc Brake Pad Set	1983-82	Front-All Hardware Not Included		SBM220	
Drum Brake Shoe	1983	Rear-All w/ 7.87" X 1.34" Brakes		519	
Disc Brake Rotor	1983	Front-All		PRT1266	
	1982	Front-All		PRT1267	
440					
Drum Brake Shoe	1964-63	Front-All w/ 10" X 2-1/2" Brakes		169	
	1964-63	Rear-All w/ 10" X 2-1/2" Brakes		169	
600					
Disc Brake Pad Set	1988	Front-All Hardware Not Included		SBM219	
	1987	Front-All w/ Heavy Duty Brakes		SBM219	
	1987	Front-All w/ Heavy Duty Brakes		SBM220	
	1986-84	Front-All Hardware Not Included		SBM219	
	1983	Front-All Hardware Not Included		SBM220	
Drum Brake Shoe	1988-87	Rear-All		520	
	1986-85	Rear-All 4 Doors, Sedan		520	
	1986-84	Rear-All 2 Doors, Convertible		520	
	1984	Rear-All ES, 4 Doors, Sedan		520	
	1983	Rear-All		520	
Disc Brake Rotor	1988-87	Front-All		PRT1379	
	1986-85	Front-All 5 Stud Rotor		PRT1379	
	1983	Front-All		PRT1266	
Brake Drum	1988-87	Rear-All		PDR0489	
	1986-85	Rear-All 4 Stud		PDR0410	
	1986-85	Rear-All 5 Stud Drum		PDR0489	
	1984-83	Rear-All		PDR0410	
2000 GTX					
Disc Brake Pad Set	1990-89	Front-All Hardware Not Included		SBC328	
	1989	Rear-All Hardware Not Included		SBC329	
Drum Brake Shoe	1990-89	Rear-All w/ 8" X 1.45" Brakes		610	
	1990-89	Rear-All w/ 8" X 1.45" Brakes		677	
Disc Brake Rotor	1990-89	Front-All Vented; 266.2mm		PRT1320	
	1990-89	Rear-All		PRT1512	
Brake Drum	1990-89	Rear-All		PDR0462	
A100					
Drum Brake Shoe	1968-64	Front-All w/ 10" X 2-1/2" Brakes		169	
	1968-64	Rear-All		169	
Brake Drum	1970	Front-All 10 x 2 1/2" Brakes		PDR0163	
	1970	Front-All 11 x 2 3/4" Brakes		PDR0017	
	1966-64	Front-All 10 x 2 1/2" Brakes		PDR0163	
	1966-64	Front-All 11 x 2 3/4" Brakes		PDR0017	
	1970	Rear-All		PDR0182	
	1966-64	Rear-All		PDR0182	
A100 Pickup					
Drum Brake Shoe	1970-69	Front-All w/ 10" X 2-1/2" Brakes		333	
	1970-69	Rear-All w/ 10" X 2-1/2" Brakes		333	
A100 Truck					
Drum Brake Shoe	1970-69	Front-All w/ 10" X 2-1/2" Brakes		333	
	1970-69	Rear-All w/ 10" X 2-1/2" Brakes		333	
Brake Drum	1970-64	Front-All 10 x 2 1/2" Brakes		PDR0163	
	1970-64	Front-All 11 x 2 3/4" Brakes		PDR0017	
	1970-64	Rear-All		PDR0182	
A108 Van					
Brake Drum	1970-67	Front-All 10 x 2 1/2" Brakes		PDR0163	
	1970-67	Front-All 11 x 2 3/4" Brakes		PDR0017	
	1970-67	Rear-All		PDR0182	

BENDIX BRAKE PARTS

PART TYPE	YEAR	APPLICATION	PREMIUM NO.	PART NO.	SEVERE DUTY NO.	
Dodge (Cont'd.)						
Aries						
Disc Brake Pad Set	1989	Front-All 4 Doors, Sedan, w/ Standard Brakes		SBM170		
	1989	Front-All w/ Heavy Duty Brakes		SBM219		
	1988	Front-All Hardware Not Included		SBM219		
	1987-85	Front-All w/ Heavy Duty Brakes		SBM220		
	1987-85	Front-All w/ Standard Duty Brakes		SBM170		
	1987	Front-All w/ Heavy Duty Brakes		SBM219		
	1984-83	Front-All Rear Drum, w/ 200mm Rear Brakes		SBM170		
	1984-83	Front-All Rear Drum, w/ 220mm Rear Brakes		SBM220		
	1982-81	Front-All Hardware Not Included		SBM170		
Drum Brake Shoe	1989-83	Rear-All w/ 200mm X 32.5mm Brakes		519		
	1989-83	Rear-All w/ 220mm X 38mm Brakes		520		
Disc Brake Rotor	1989-86	Front-All 9.5" Diameter Rotor		PRT1380		
	1989-86	Front-All 10.25" diameter rotor		PRT1379		
	1985-83	Front-All 9.5" Diameter Rotor		PRT1267		
	1985-83	Front-All 10.25" diameter rotor		PRT1266		
	1985	Front-All 5 stud		PRT1379		
	1982-81	Front-All		PRT1267		
Brake Drum	1989-86	Rear-All Heavy Duty Brakes		PDR0489		
	1989-86	Rear-All Standard Duty Brakes		PDR0558		
	1985-83	Rear-All Heavy Duty Brakes		PDR0410		
Aspen						
Disc Brake Pad Set	1980-76	Front-All Hardware Not Included		SBM84		
Drum Brake Shoe	1980-77	Rear-All Exc. Police Car Or Taxi		445		
	1980-77	Rear-All Police Car And Taxi		446		
	1976	Rear-All 4 Doors, Wagon, Early Design		446		
	1976	Rear-All 4 Doors, Wagon, Late Design		445		
	Disc Brake Rotor and Hub Assembly	1980-76	Front-All		PRT1145	
Brake Drum	1980-76	Rear-All 10" Finned Drum		PDR0556		
	1980-76	Rear-All 10" Plain Drum		PDR0182		
	1980-76	Rear-All 11 x 2 1/2" Brakes		PDR0365		
Attitude						
Disc Brake Pad Set	2017-12	Front-All Hardware Included	CFC1593	SBC1593		
	2011-06	Front-All Hardware Included	CFC1156	SBC1156		
	2017-15	Rear-All Hardware Included	CFC1544	SBC1544		
	2014-12	Rear-All Hardware Included	CFC1554			
	2014-12	Rear-All Hardware Not Included		SBM1554		
Avenger						
Disc Brake Pad Set	2014	Front-All Exc. BR1	CFC866	SBC866		
	2014	Front-All w/ BR1 Brake Code	CFC1058	SBC1058	MKD1058FM	
	2014	Front-All w/ BR1 Brake Code			PBD1058	
	2013	Front-All w/ 11.57" Rotor Diameter	CFC866	SBC866		
	2013	Front-All w/ 13.38" Rotor Diameter	CFC1058	SBC1058	MKD1058FM	
	2013	Front-All w/ 13.38" Rotor Diameter			PBD1058	
	2012	Front-L4 - 2.4L Hardware Included	CFC866	SBC866		
	2012	Front-V6 - 3.6L Hardware Included	CFC866	SBC866		
	2011	Front-All Hardware Included	CFC866	SBC866		
	2010-08	Front-V6 - 2.7L Hardware Included	CFC866	SBC866		
	2010	Front-L4 - 2.4L Express, Hardware Included	CFC866	SBC866		
	2010	Front-L4 - 2.4L R/T, Hardware Included	CFC866	SBC866		
	2010	Front-L4 - 2.4L SE, Hardware Included	CFC866	SBC866		
	2010	Front-L4 - 2.4L SXT, Hardware Included	CFC866	SBC866		
	2010	Front-V6 - 3.5L R/T, Hardware Included	CFC866	SBC866		
	2009-08	Front-L4 - 2.4L Hardware Included	CFC866	SBC866		
	2009-08	Front-V6 - 3.5L Hardware Included	CFC866	SBC866		
	2000-95	Front-All Hardware Included		SBC484		
	2014-08	Rear-All w/ 10.313" Rotor Diameter	CFC1037	SBC1037		
	2013-08	Rear-All w/ 11.89" Rotor Diameter	CFC868	SBC868		
	2000-96	Rear-All Hardware Included	CFC383K2	SBC383K2		
	1995	Rear-V6 - 2.5L Hardware Included	CFC383K2	SBC383K2		
	Drum Brake Shoe	2010-08	Rear-All w/ 9" X 1.44" Brakes		919	
		2000-95	Rear-All w/ 9" X 1.63" Brakes		658	
	Parking Brake Shoe	2012-08	Rear-All		886	
		2000-95	Rear-All w/ 6.69" X 1.25" Brakes		673	
		2000-95	Rear-All w/ 6.69" X 1.25" Brakes		864	
Disc Brake Rotor	2014-13	Front-All 294mm Rotor		PRT5706		
	2014-13	Front-All 340mm Rotor		PRT5920		
	2012-08	Front-All		PRT5706		
	2000	Front-All		PRT5247		
	1999-95	Front-All		PRT1658		
	2014-08	Rear-All 262mm Diameter		PRT5672		
	2014-08	Rear-All 302mm Diameter		PRT5896		
	2000-97	Rear-All		PRT5047		
	1996	Rear-All 14" Wheels		PRT5047		

BENDIX BRAKE PARTS

PART TYPE	YEAR	APPLICATION	PREMIUM NO.	PART NO.	SEVERE DUTY NO.
Dodge (Cont'd.)					
Avenger (Cont'd.)					
Disc Brake Rotor (cont'd)	1996	Rear-All 15" Wheels		PRT5046	
	1995	Rear-All		PRT5047	
Brake Drum	2009-08	Rear-All		PDR0830	
	2000-95	Rear-All		PDR0671	
B100					
Disc Brake Pad Set	1980-75	Front-All Hardware Included			MKD86FM
	1980-75	Front-All Hardware Not Included		SBM86	
Drum Brake Shoe	1980-79	Rear-All w/ 11" X 2.49" Brakes		446	
	1980-75	Rear-All w/ 10" X 2-1/2" Brakes		445	
	1978-75	Rear-All w/ 11" X 2-1/2" Brakes		446	
Disc Brake Rotor and Hub Assembly	1980-75	Front-All		PRT1072	
Brake Drum	1980-75	Rear-All 10 x 2 1/2" Brakes w/10" Drum, Finned		PDR0556	
	1980-75	Rear-All 10 x 2 1/2" Brakes w/10" Drum, Plain		PDR0182	
	1980-75	Rear-All 11 x 2 1/2" Brakes with 11" Drum		PDR0365	
B100 Van					
Disc Brake Pad Set	1974-73	Front-All Hardware Included			MKD86FM
	1974-73	Front-All Hardware Not Included		SBM86	
Drum Brake Shoe	1972-71	Front-All w/ 10" X 2.5" Brakes		333	
	1974	Rear-All w/ 10" X 2-1/2" Brakes		445	
	1974	Rear-All w/ 11" X 2-1/2" Brakes		446	
	1973	Rear-All w/ 10" X 2-1/2" Brakes		333	
	1972-71	Rear-All w/ 10" X 2.5" Brakes		333	
Disc Brake Rotor and Hub Assembly	1974-73	Front-All		PRT1072	
Brake Drum	1973-71	Front-All 10 x 2 1/2" Brakes		PDR0163	
	1974-71	Rear-All 10 x 2 1/2" Brakes w/10" Drum, Finned		PDR0556	
	1974-71	Rear-All 10 x 2 1/2" Brakes w/10" Drum, Plain		PDR0182	
	1974-71	Rear-All 11 x 2 1/2" Brakes with 11" Drum		PDR0365	
B150					
Disc Brake Pad Set	1994-90	Front-All Hardware Included			MKD86FM
	1994-90	Front-All Hardware Not Included		SBM86	
	1989-88	Front-All w/ 3,300, 3,600 Lb. Front Axle Rating		SBM86	MKD86FM
	1987-81	Front-All Hardware Included			MKD86FM
	1987-81	Front-All Hardware Not Included		SBM86	
Drum Brake Shoe	1994-84	Rear-All w/ 11" X 2-1/2" Brakes		446	
	1984-81	Rear-All w/ 10" X 2-1/2" Brakes		445	
	1983-81	Rear-All w/ 11" X 2.49" Brakes		446	
Disc Brake Rotor and Hub Assembly	1994	Front-All		PRT1922	
	1993-85	Front-All		PRT1381	
	1984-82	Front-All		PRT1146	
	1981	Front-All		PRT1072	
Brake Drum	1994-85	Rear-All 11 x 2 1/2" Brakes; 279.4mm		PDR0490	
	1984-81	Rear-All 10 x 2 1/2" Brakes w/10" Drum, Finned		PDR0556	
	1984-81	Rear-All 10 x 2 1/2" Brakes w/10" Drum, Plain		PDR0182	
	1984-81	Rear-All 11 x 2 1/2" Brakes with 11" Drum		PDR0365	
B200					
Disc Brake Pad Set	1980-75	Front-All Hardware Included			MKD86FM
	1980-75	Front-All Hardware Not Included		SBM86	
Drum Brake Shoe	1980-75	Rear-All w/ 10" X 2-1/2" Brakes		445	
	1980-75	Rear-All w/ 11" X 2-1/2" Brakes		446	
	1980-75	Rear-All w/ 11" X 2-1/2" Brakes		446	
Disc Brake Rotor and Hub Assembly	1980-75	Front-All		PRT1072	
Brake Drum	1980-75	Rear-All		PDR0365	
B200 Van					
Disc Brake Pad Set	1974-73	Front-All Hardware Included			MKD86FM
	1974-73	Front-All Hardware Not Included		SBM86	
Drum Brake Shoe	1974-73	Rear-All w/ 10" X 2-1/2" Brakes		445	
	1974	Rear-All w/ 11" X 2-1/2" Brakes		446	
	1972-71	Rear-All w/ 10" X 2-1/2" Brakes		333	
Disc Brake Rotor and Hub Assembly	1974-73	Front-All		PRT1072	
Brake Drum	1972-71	Front-All 11" Drum		PDR0365	
	1974-73	Rear-All		PDR0365	
	1972-71	Rear-All 10" Plain Drum		PDR0182	
B250					
Disc Brake Pad Set	1994-90	Front-All Hardware Included			MKD86FM
	1994-90	Front-All Hardware Not Included		SBM86	
	1989-88	Front-All w/ 3,300, 3,600 Lb. Front Axle Rating		SBM86	MKD86FM
	1987-81	Front-All Hardware Included			MKD86FM
	1987-81	Front-All Hardware Not Included		SBM86	
Drum Brake Shoe	1994-81	Rear-All w/ 11" X 2-1/2" Brakes		446	

BENDIX BRAKE PARTS

PART TYPE	YEAR	APPLICATION	PREMIUM NO.	PART NO.	SEVERE DUTY NO.
Dodge (Cont'd.)					
B250 (Cont'd.)					
Drum Brake Shoe (cont'd)	1984-81	Rear-All w/ 10" X 2-1/2" Brakes		445	
Disc Brake Rotor and Hub Assembly	1994	Front-All 5 Studs (1/2" Studs) (2-Wheel ABS)		PRT1381	
	1994	Front-All 5 Studs (1/2" Studs) (4-Wheel ABS)		PRT1922	
	1993-85	Front-All		PRT1381	
	1984-82	Front-All		PRT1146	
	1981	Front-All		PRT1072	
Brake Drum	1994-85	Rear-All 11 x 2 1/2" Brakes; 279.4mm		PDR0490	
	1994	Rear-All Dana Model 60 Axle (12 x 3" Rear Brakes) (12 x 2.5" Rear Brakes) (Inboard Mounted Drum)		PDR0679	
	1994	Rear-All oevhequal "Dana Model 60 Axle (12 x 3" Rear Brakes) (12 x 2.5" Rear Brakes) (Inboard Mounted Drum)"		PDR0267	
	1994	Rear-All Rear Ring Gear 9.25" (12 x 3" Rear Brakes) (12 x 2.5" Rear Brakes)		PDR0685	
	1994	Rear-All w/Dana Model 60 Rear Axle (Axle Code DRD); AXLE CODE (DRD)		PDR0686	
	1984-81	Rear-All 10 x 2 1/2" Brakes w/10" Drum, Finned		PDR0556	
	1984-81	Rear-All 10 x 2 1/2" Brakes w/10" Drum, Plain		PDR0182	
	1984-81	Rear-All 11 x 2 1/2" Brakes with 11" Drum		PDR0365	
B300					
Disc Brake Pad Set	1980-75	Front-All Hardware Included			MKD86FM
	1980-75	Front-All Hardware Not Included		SBM86	
Drum Brake Shoe	1980-75	Rear-All w/ 12" X 2 1/2" Brakes		357	
	1980-75	Rear-All w/ 12" X 3" Brakes		358	
Disc Brake Rotor	1980-78	Front-All w/4000 Lb Front Axle DRW		PRT1089	
	1980-78	Front-All w/4000 Lb Front Axle SRW		PRT1193	
	1977-75	Front-All w/3800 Lb Front Axle DRW		PRT1089	
	1977-75	Front-All w/3800 Lb Front Axle SRW		PRT1193	
Disc Brake Rotor and Hub Assembly	1980-79	Front-All w/3600 Lb Front Axle SRW		PRT1382	
	1980-78	Front-All w/3300 Lb. Axle		PRT5214	
	1977-75	Front-All w/3300 Lb. Axle		PRT1076	
Brake Drum	1980-78	Rear-All 12 x 3" Brakes (Exc.GVW 9,000 Lbs.); 304.9mm		PDR0264	
	1980-78	Rear-All 12 x 3" Brakes (GVW 9,000 Lbs.); 304.8mm		PDR0542	
	1980-75	Rear-All 12 x 2 1/2" Brakes		PDR0267	
	1977-75	Rear-All 12 x 3" Brakes; 304.9mm		PDR0264	
B300 Van					
Disc Brake Pad Set	1974-73	Front-All Hardware Included			MKD86FM
	1974-73	Front-All Hardware Not Included		SBM86	
Drum Brake Shoe	1972-71	Front-All		358	
	1974-73	Rear-All w/ 12" X 3" Brakes		358	
	1974-71	Rear-All w/ 12" X 2 1/2" Brakes		357	
Disc Brake Rotor	1974	Front-All w/3800 Lb Front Axle DRW		PRT1089	
	1974	Front-All w/3800 Lb Front Axle SRW		PRT1193	
	1973	Front-All Dual Rear Wheels		PRT1193	
Disc Brake Rotor and Hub Assembly	1974	Front-All w/3300 Lb. Axle		PRT1076	
	1973	Front-All Single Rear Wheels		PRT1076	
Brake Drum	1974	Rear-All 12 x 2 1/2" Brakes		PDR0267	
	1974	Rear-All 12 x 3" Brakes; 304.9mm		PDR0264	
	1973-72	Rear-All Dual Rear Wheels; 304.9mm		PDR0264	
	1973-72	Rear-All Single Rear Wheels		PDR0267	
	1971	Rear-All		PDR0267	
B350					
Disc Brake Pad Set	1994-81	Front-All Hardware Included			MKD86FM
	1994-81	Front-All Hardware Not Included		SBM86	
Drum Brake Shoe	1994-81	Rear-All w/ 12" X 2 1/2" Brakes		357	
	1994-81	Rear-All w/ 12" X 3" Brakes		358	
Disc Brake Rotor	1994-81	Front-All w/4000 Lb Front Axle DRW		PRT1089	
	1994-81	Front-All w/4000 Lb Front Axle SRW		PRT1193	
Disc Brake Rotor and Hub Assembly	1994	Front-All w/3600 Lb Front Axle AWAL		PRT1924	
	1994	Front-All w/3600 Lb Front Axle RWAL		PRT1382	
	1993-81	Front-All w/3600 Lb Front Axle SRW		PRT1382	
	1981	Front-All w/3300 Lb. Axle		PRT5214	
Brake Drum	1994	Rear-All 8 Holes; 4.0" Overall Height		PDR0267	
	1994	Rear-All 8 Holes; 4.15" Overall Height; 304.8mm		PDR0685	
	1994	Rear-All 8 Holes; 4.45" Overall Height; AXLE CODE (DRC)		PDR0679	
	1994	Rear-All 8 Holes; 5.12" Overall Height; AXLE CODE (DRD)		PDR0686	
	1994	Rear-All 8 Holes; 6.3" Overall Height; 304.9mm		PDR0264	
	1993-88	Rear-All w/12 x 2.5" Rear Brakes (5500lbs Axle)		PDR0267	
	1993-88	Rear-All w/12 x 2.5" Rear Brakes (w/9.25" H.D. Axle)		PDR0547	
	1993-88	Rear-All w/12 x 3" Rear Brakes (w/6200lbs. GVW Cast # 102249); 304.8mm		PDR0542	

BENDIX BRAKE PARTS

PART TYPE	YEAR	APPLICATION	PREMIUM NO.	PART NO.	SEVERE DUTY NO.	
Dodge (Cont'd.)						
B350 (Cont'd.)						
Brake Drum (cont'd)	1987-84	Rear-All 12 x 2 1/2" Brakes (Full Floating Rear Axle)		PDR0267		
	1987-84	Rear-All 12 x 2 1/2" Brakes (Semi Floating Rear Axle)		PDR0547		
	1987-81	Rear-All 12 x 3" Brakes (Exc.GVW 9,000 Lbs.); 304.9mm		PDR0264		
	1987-81	Rear-All 12 x 3" Brakes (GVW 9,000 Lbs.); 304.8mm		PDR0542		
	1983-81	Rear-All 12 x 2 1/2" Brakes		PDR0267		
B1500						
Disc Brake Pad Set	1998	Front-V6 - 3.9L Hardware Included		SBC758	MKD758FM	
	1998	Front-V8 - 5.2L Hardware Included		SBC758	MKD758FM	
	1998	Front-V8 - 5.9L Hardware Included		SBC758	MKD758FM	
	1997-95	Front-V6 - 3.9L Hardware Included			MKD86FM	
	1997-95	Front-V6 - 3.9L Hardware Not Included		SBM86		
	1997-95	Front-V8 - 5.2L Hardware Included			MKD86FM	
Drum Brake Shoe	1998	Rear-All w/ 11.03" X 2.26" Brakes		723		
	1997-95	Rear-All w/ 11" X 2.49" Brakes		446		
Disc Brake Rotor and Hub Assembly	1998	Front-All w/4000 Lb. Axle		PRT5202		
	1997-95	Front-All 2-Wheel ABS		PRT1381		
	1997-95	Front-All 4-Wheel ABS, 5 1/2"STUDS		PRT1922		
Brake Drum	1998	Rear-All 11 x 2 1/2" Brakes; 279.9mm		PDR0724		
	1997-95	Rear-All 279.4mm		PDR0490		
B2500						
Disc Brake Pad Set	1998	Front-V8 - 5.2L w/ 11" X 2 1/4" Brakes		SBM655		
	1998	Front-V8 - 5.2L w/ 11" X 2 1/4" Brakes	CFM655	SBC655	MKD655FM	
	1998	Front-V8 - 5.9L w/ 11" X 2 1/4" Brakes		SBM655		
	1998	Front-V8 - 5.9L w/ 11" X 2 1/4" Brakes	CFM655	SBC655	MKD655FM	
	1997	Front-V6 - 3.9L Hardware Included			MKD86FM	
	1997	Front-V6 - 3.9L Hardware Not Included		SBM86		
	1997	Front-V8 - 5.2L Hardware Included			MKD86FM	
	1997	Front-V8 - 5.2L Hardware Not Included		SBM86		
	1997	Front-V8 - 5.9L Hardware Included			MKD86FM	
	1997	Front-V8 - 5.9L Hardware Not Included		SBM86		
	1996	Front-All Hardware Included			MKD86FM	
	1996	Front-All Hardware Not Included		SBM86		
	1995	Front-V6 - 3.9L Hardware Included			MKD86FM	
	1995	Front-V6 - 3.9L Hardware Not Included		SBM86		
	1995	Front-V8 - 5.2L Hardware Included			MKD86FM	
	1995	Front-V8 - 5.2L Hardware Not Included		SBM86		
	1995	Front-V8 - 5.9L Hardware Included			MKD86FM	
	1995	Front-V8 - 5.9L Hardware Not Included		SBM86		
	Drum Brake Shoe	1998	Rear-All w/ 12.13" X 3.5" Brakes		583	
		1997-95	Rear-All w/ 11" X 2.49" Brakes		446	
Disc Brake Rotor and Hub Assembly	1998	Front-All w/4000 Lb. Axle		PRT5202		
	1997-95	Front-All 2-Wheel ABS		PRT1381		
	1997-95	Front-All 4-Wheel ABS, 5 1/2"STUDS		PRT1922		
Brake Drum	1998-97	Rear-All w/9.25 Ring Gear Axle (12 x 2 1/2" Brakes); 304.8mm		PDR0685		
	1998-97	Rear-All w/Dana Model 60 Rear Axle (Axle Code DRC); AXLE CODE (DRC)		PDR0679		
	1998-97	Rear-All w/Dana Model 60 Rear Axle (Axle Code DRD); AXLE CODE (DRD)		PDR0686		
	1998-97	Rear-All wo/Dana Model 60 Axle, w/ 12 1/8 x 3 1/2" , w/ 12 x 3" Brakes; STAMPED 2339708 (8 STUDS)		PDR0716		
	1998	Rear-All 11 x 2 1/2" Brakes; 279.9mm		PDR0724		
	1997-95	Rear-All 11 x 2 1/2" Brakes; 279.4mm		PDR0490		
1996-95	Rear-All 12 x 2 1/2" Or 12 x 3" Brakes (9.25" Axle); 304.8mm		PDR0685			
B3500						
Disc Brake Pad Set	1998	Front-V8 - 5.2L w/ 11" X 2 1/4" Brakes		SBM655		
	1998	Front-V8 - 5.2L w/ 11" X 2 1/4" Brakes	CFM655	SBC655	MKD655FM	
	1998	Front-V8 - 5.9L w/ 11" X 2 1/4" Brakes		SBM655		
	1998	Front-V8 - 5.9L w/ 11" X 2 1/4" Brakes	CFM655	SBC655	MKD655FM	
	1997-95	Front-V8 - 5.2L Hardware Included			MKD86FM	
	1997-95	Front-V8 - 5.2L Hardware Not Included		SBM86		
	1997-95	Front-V8 - 5.9L Hardware Included			MKD86FM	
	1997-95	Front-V8 - 5.9L Hardware Not Included		SBM86		
Drum Brake Shoe	1998-95	Rear-All w/ 12" X 3" Brakes		358		
	1997-95	Rear-All w/ 12" X 2 1/2" Brakes		357		
Disc Brake Rotor	1997-95	Front-All w/4000 Lb Front Axle DRW		PRT1089		
	1997-95	Front-All w/4000 Lb Front Axle SRW		PRT1193		
Disc Brake Rotor and Hub Assembly	1998	Front-All w/4000 Lb. Axle		PRT5202		
	1997-95	Front-All w/3600 Lb Front Axle AWAL		PRT1924		
	1997-95	Front-All w/3600 Lb Front Axle RWAL		PRT1382		

BENDIX BRAKE PARTS

PART TYPE	YEAR	APPLICATION	PREMIUM NO.	PART NO.	SEVERE DUTY NO.
Dodge (Cont'd.)					
B3500 (Cont'd.)					
Brake Drum	1998-97	Rear-All w/9.25 Ring Gear Axle (12 x 2 1/2" Brakes); 304.8mm		PDR0685	
	1998-97	Rear-All w/Dana Model 60 Rear Axle (Axle Code DRC); AXLE CODE (DRC)		PDR0679	
	1998-97	Rear-All w/Dana Model 60 Rear Axle (Axle Code DRD); AXLE CODE (DRD)		PDR0686	
	1998-97	Rear-All wo/Dana Model 60 Axle (12 1/8 x 3 1/2" Brakes); STAMPED 2339708 (8 STUDS)		PDR0716	
	1998-95	Rear-All 12 x 2 1/2" Or 12 x 3" Brakes (Dana Model 60) (Inboard Mounted) (Cast 95961)		PDR0267	
	1998-95	Rear-All w/12 x 3" Rear Brakes (w/6200lbs. GVW); 304.9mm		PDR0264	
	1996-95	Rear-All 12 x 2 1/2" Or 12 x 3" Brakes (9.25" Axle) (Drum Only); 304.8mm		PDR0685	
	1996-95	Rear-All 12 x 2 1/2" Or 12 x 3" Brakes (Dana Model 60) (Outboard Mounted) (w/DRC Axle); AXLE CODE (DRC)		PDR0679	
	1996-95	Rear-All 12 x 3" Brakes (Dana Model 60) (Outboard Mounted) (w/DRD Axle) (Drum Only); AXLE CODE (DRD)		PDR0686	
Caliber					
Disc Brake Pad Set	2012	Front-All SE, Hardware Included	CFC866	SBC866	
	2012	Front-All SXT, Hardware Included	CFC866	SBC866	
	2012	Front-All SXT Plus, Hardware Included	CFC866	SBC866	
	2011-10	Front-All Hardware Included	CFC866	SBC866	
	2009-08	Front-L4 - 2.4L R/T, Hardware Included	CFC866	SBC866	
	2009-08	Front-L4 - 2.4L SRT-4, Hardware Included	CFC1058	SBC1058	MKD1058FM
	2009-08	Front-L4 - 2.4L SRT-4, Hardware Included			PBD1058
	2009	Front-L4 - 1.8L Hardware Included	CFC866	SBC866	
	2009	Front-L4 - 2.0L Hardware Included	CFC866	SBC866	
	2008	Front-L4 - 1.8L SE, Hardware Included	CFC866	SBC866	
	2008	Front-L4 - 1.8L SXT, Rear Disc, Hardware Included	CFC866	SBC866	
	2008	Front-L4 - 1.8L SXT, Rear Drum, Hardware Included	CFC866	SBC866	
	2008	Front-L4 - 2.0L SE, Hardware Included	CFC866	SBC866	
	2008	Front-L4 - 2.0L SXT, Rear Disc, Hardware Included	CFC866	SBC866	
	2008	Front-L4 - 2.0L SXT, Rear Drum, Hardware Included	CFC866	SBC866	
	2007	Front-L4 - 1.8L Hardware Included	CFC866	SBC866	
	2007	Front-L4 - 2.0L Hardware Included	CFC866	SBC866	
	2007	Front-L4 - 2.4L Hardware Included	CFC866	SBC866	
	2012	Rear-All SXT, w/ 10.313" Rotor Diameter	CFC1037	SBC1037	
	2012	Rear-All SXT Plus, w/ 10.313" Rotor Diameter	CFC1037	SBC1037	
	2011-10	Rear-All w/ 10.313" Rotor Diameter	CFC1037	SBC1037	
	2009-08	Rear-L4 - 2.4L R/T, w/ 10.313" Rotor Diameter	CFC1037	SBC1037	
	2009-07	Rear-L4 - 1.8L w/ 10.313" Rotor Diameter	CFC1037	SBC1037	
	2009-07	Rear-L4 - 2.0L w/ 10.313" Rotor Diameter	CFC1037	SBC1037	
	2009	Rear-L4 - 2.4L SRT-4, w/ 10.313" Rotor Diameter	CFC1037	SBC1037	
	2008	Rear-L4 - 2.4L SRT-4, w/ 10.313" Rotor Diameter	CFC868	SBC868	
	2007	Rear-L4 - 2.4L w/ 10.313" Rotor Diameter	CFC1037	SBC1037	
Drum Brake Shoe	2012-07	Rear-All w/ 9" X 1.44" Brakes		919	
Parking Brake Shoe	2012-07	Rear-All		886	
Disc Brake Rotor	2012-10	Front-All Rear Disc		PRT5706	
	2012-10	Front-All Rear Drum		PRT5705	
	2009-08	Front-All 340mm Rotor		PRT5920	
	2009-07	Front-All 276mm Rotor		PRT5705	
	2009-07	Front-All 294mm Rotor		PRT5706	
	2012-10	Rear-All		PRT5672	
	2009-08	Rear-All 262mm Diameter		PRT5672	
	2009-08	Rear-All 302mm Diameter		PRT5896	
	2007	Rear-All		PRT5672	
Brake Drum	2012-07	Rear-All		PDR0830	
Caravan					
Disc Brake Pad Set	2007-05	Front-All Rear Drum, Hardware Included		SBM856	
	2007-05	Front-All Rear Drum, Hardware Included	CFC856	SBC856	MKD856FM
	2007-01	Front-All Rear Disc, Hardware Included	CFC857	SBC857	MKD857FM
	2004-03	Front-All Rear Drum, 4-Wheel ABS, Hardware Included		SBM856	
	2004-03	Front-All Rear Drum, 4-Wheel ABS, Hardware Included	CFC856	SBC856	MKD856FM
	2004-03	Front-All Rear Drum, Non-ABS, Hardware Included	CFC857	SBC857	MKD857FM
	2002-01	Front-All Rear Drum, Hardware Included		SBM856	
	2002-01	Front-All Rear Drum, Hardware Included	CFC856	SBC856	MKD856FM
	2000-96	Front-All Hardware Included	CFC591	SBC591	MKD591FM
	1995	Front-All Hardware Included		SBC521	
	1994-91	Front-All w/ 14" Wheels		SBC521	
	1994-91	Front-All w/ 15" Wheels		SBM522	
	1990-89	Front-All w/ 14" Wheels		SBM259	
	1990-89	Front-All w/ 15" Wheels		SBM416	
	1988-87	Front-All Kelsey-Hayes		SBM259	
	1988-87	Front-All Teves		SBM367	
	1986-84	Front-All Hardware Not Included		SBM259	

BENDIX BRAKE PARTS

PART TYPE	YEAR	APPLICATION	PREMIUM NO.	PART NO.	SEVERE DUTY NO.
Dodge (Cont'd.)					
Caravan (Cont'd.)					
Disc Brake Pad Set (cont'd)	2007-01	Rear-All Hardware Included			MKD858FM
	2007-01	Rear-All Hardware Not Included	CFC858	SBC858	
	2000	Rear-All Hardware Included		SBM751	
Drum Brake Shoe	2007-05	Rear-All		841	
	2007-05	Rear-All In Supersession Process, Exhaust Current Inventory		714	
	2004-03	Rear-All w/ Optional Shoes		714	
	2004-03	Rear-All w/ Optional Shoes		841	
	2002-96	Rear-All		841	
	2002-96	Rear-All In Supersession Process, Exhaust Current Inventory		714	
	1995	Rear-All w/ 9" X 2.5" Brakes		538	
	1994	Rear-All w/ 11" X 2.49" Brakes		446	
	1994	Rear-All w/ 14", 15" Wheels		538	
	1993-91	Rear-All AWD		446	
	1993-91	Rear-All FWD, w/ 14", 15" Wheels		538	
	1990-84	Rear-All w/ 9" X 2.5" Brakes		538	
Parking Brake Shoe	2007-97	Rear-All		812	
Disc Brake Rotor	2007-01	Front-All Rear Disc		PRT5350	
	2007-01	Front-All Rear Drum		PRT5308	
	2000-97	Front-All 15", 16", 17" Wheels		PRT5152	
	2000-96	Front-All 14" Wheels		PRT5063	
	1996	Front-All 15", 16" wheels		PRT1576	
	1995-91	Front-All 14" Wheels		PRT1379	
	1995-91	Front-All 15" Wheels		PRT1576	
	1990-87	Front-All 14" Wheels		PRT1383	
	1990-87	Front-All 15" Wheels		PRT1392	
	1986	Front-All		PRT1383	
	1985-84	Front-All		PRT1288	
	2007-97	Rear-All		PRT5153	
Brake Drum	2007-04	Rear-All		PDR0799	
	2003-01	Rear-All Rear Drum		PDR0740	
	2003-01	Rear-All Rear Drum		PDR0799	
	2000-96	Rear-All 14" Wheels		PDR0681	
	2000-96	Rear-All 15", 16", 17" Wheels		PDR0673 ⁵⁰	
	2000-96	Rear-All 15", 16", 17" Wheels		PDR0740	
	2000-96	Rear-All 15", 16", 17" Wheels		PDR0799	
	1995-94	Rear-All 14" Wheels		PDR0506	
	1995-94	Rear-All 15" Wheels		PDR0496	
	1993-91	Rear-All AWD		PDR0365	
	1993-91	Rear-All FWD, 14" Wheels		PDR0506	
	1993-91	Rear-All FWD, 15" Wheels		PDR0496	
	1990	Rear-All 14" Wheels		PDR0506	
	1990	Rear-All 15" Wheels		PDR0496	
	1989-87	Rear-All 14" Heavy Duty Drum		PDR0506	
	1989-87	Rear-All 15", Extended Wheelbase, HD Drum		PDR0496	
	1986	Rear-All HD		PDR0506	
	1985-84	Rear-All Exc. Heavy Duty Brakes		PDR0486	
	1985-84	Rear-All Heavy Duty Brakes; 228.6mm		PDR0628	
CB300					
Disc Brake Pad Set	1980-75	Front-All Hardware Included			MKD86FM
	1980-75	Front-All Hardware Not Included		SBM86	
Drum Brake Shoe	1980-76	Rear-All w/ 12" X 2 1/2" Brakes		357	
	1980-76	Rear-All w/ 12" X 3" Brakes		358	
Disc Brake Rotor	1980	Front-All 4,000 Lbs. Axle, Single Rear Wheels		PRT1193	
	1980	Front-All 4,000 Lbs. Front Axle (Dual Rear Wheels)		PRT1089	
	1979-78	Front-All w/4000 Lb Front Axle SRW		PRT1193	
	1978	Front-All w/4000 Lb Front Axle DRW		PRT1089	
Disc Brake Rotor and Hub Assembly	1980-79	Front-All w/3600 Lb Front Axle SRW		PRT1382	
	1980	Front-All 3,600 Lbs. Front Axle		PRT1924	
	1979-78	Front-All w/3300 Lb. Axle		PRT5214	
Challenger					
Disc Brake Pad Set	2018	Front-All Dual Stripes, Hardware Included	CFC1058	SBC1058	MKD1058FM
	2018	Front-All Dual Stripes, Hardware Included			PBD1058
	2018	Front-All Edicion Especial, Hardware Included	CFC1058	SBC1058	MKD1058FM
	2018	Front-All Edicion Especial, Hardware Included			PBD1058
	2018	Front-All Scat Pack, Hardware Included	CFC1058	SBC1058	MKD1058FM
	2018	Front-All Scat Pack, Hardware Included			PBD1058
	2018	Front-All SRT, Hardware Included	CFC1058	SBC1058	MKD1058FM
	2018	Front-All SRT, Hardware Included			PBD1058
	2018	Front-All SXT, Hardware Included	CFC1056K2	SBC1056K2	
	2018	Front-All SXT Plus, w/o High Performance Brakes	CFC1056K2	SBC1056K2	
	2017-16	Front-All SRT 392, Hardware Included	CFM1405		
	2017-16	Front-All SRT 392, Hardware Not Included		SBM1405	

50 Sell out and reorder PDR0740

BENDIX BRAKE PARTS

PART TYPE	YEAR	APPLICATION	PREMIUM NO.	PART NO.	SEVERE DUTY NO.
Dodge (Cont'd.)					
Challenger (Cont'd.)					
Disc Brake Pad Set (cont'd)	2017-15	Front-All SRT Hellcat, Hardware Included	CFM1405		
	2017-15	Front-All SRT Hellcat, Hardware Not Included		SBM1405	
	2017-15	Front-All SXT Plus, Hardware Included	CFC1056K2	SBC1056K2	
	2017	Front-All GT, Hardware Included	CFC1058	SBC1058	MKD1058FM
	2017	Front-All GT, Hardware Included			PBD1058
	2017	Front-All R/T, Hardware Included	CFC1058	SBC1058	MKD1058FM
	2017	Front-All R/T, Hardware Included			PBD1058
	2017	Front-All SXT, Hardware Included	CFC1058	SBC1058	MKD1058FM
	2017	Front-All SXT, Hardware Included			PBD1058
	2017	Front-All T/A 392, Hardware Included	CFM1405		
	2017	Front-All T/A 392, Hardware Not Included		SBM1405	
	2017	Front-All T/A, Hardware Included	CFC1058	SBC1058	MKD1058FM
	2017	Front-All T/A, Hardware Included			PBD1058
	2016-15	Front-All R/T, w/ Performance Package	CFC1058	SBC1058	MKD1058FM
	2016-15	Front-All R/T, w/ Performance Package			PBD1058
	2016-15	Front-All R/T Plus, w/ Performance Package	CFC1058	SBC1058	MKD1058FM
	2016-15	Front-All R/T Plus, w/ Performance Package			PBD1058
	2016-15	Front-All SXT, Hardware Included	CFC1056K2	SBC1056K2	
	2016	Front-All R/T Plus Shaker, w/ Performance Package	CFC1058	SBC1058	MKD1058FM
	2016	Front-All R/T Plus Shaker, w/ Performance Package			PBD1058
	2016	Front-All R/T Scat Pack, w/ Performance Package	CFC1058	SBC1058	MKD1058FM
	2016	Front-All R/T Scat Pack, w/ Performance Package			PBD1058
	2016	Front-All R/T Shaker, w/ Performance Package	CFC1058	SBC1058	MKD1058FM
	2016	Front-All R/T Shaker, w/ Performance Package			PBD1058
	2015	Front-All SRT 392, Hardware Included			MKD1149FM
	2015	Front-All SRT 392, Hardware Not Included		SBM1149	
	2014-13	Front-All R/T, Hardware Included	CFC1058	SBC1058	MKD1058FM
	2014-13	Front-All R/T, Hardware Included			PBD1058
	2014-13	Front-All SXT, w/o Performance Package	CFC1056K2	SBC1056K2	
	2014-13	Front-All SXT, w/ Performance Package	CFC1058	SBC1058	MKD1058FM
	2014-13	Front-All SXT, w/ Performance Package			PBD1058
	2014	Front-All SRT8, Hardware Included			MKD1149FM
	2014	Front-All SRT8, Hardware Not Included		SBM1149	
	2013	Front-All R/T Classic, Hardware Included	CFC1058	SBC1058	MKD1058FM
	2013	Front-All R/T Classic, Hardware Included			PBD1058
	2013	Front-All SXT Plus, w/o Performance Package	CFC1056K2	SBC1056K2	
	2013	Front-All SXT Plus, w/ Performance Package	CFC1058	SBC1058	MKD1058FM
	2013	Front-All SXT Plus, w/ Performance Package			PBD1058
	2012	Front-All R/T, w/ Heavy Duty Brakes	CFC1058	SBC1058	MKD1058FM
	2012	Front-All R/T, w/ Heavy Duty Brakes			PBD1058
	2012	Front-All R/T, w/o Heavy Duty Brakes	CFC1056K2	SBC1056K2	
	2012	Front-All R/T Classic, w/ Heavy Duty Brakes	CFC1058	SBC1058	MKD1058FM
	2012	Front-All R/T Classic, w/ Heavy Duty Brakes			PBD1058
	2012	Front-All R/T Classic, w/o Heavy Duty Brakes	CFC1056K2	SBC1056K2	
	2012	Front-All SXT, w/ Heavy Duty Brakes	CFC1058	SBC1058	MKD1058FM
	2012	Front-All SXT, w/ Heavy Duty Brakes			PBD1058
	2012	Front-All SXT, w/o Heavy Duty Brakes	CFC1056K2	SBC1056K2	
	2012	Front-All SXT Plus, w/ Heavy Duty Brakes	CFC1058	SBC1058	MKD1058FM
	2012	Front-All SXT Plus, w/ Heavy Duty Brakes			PBD1058
	2012	Front-All SXT Plus, w/o Heavy Duty Brakes	CFC1056K2	SBC1056K2	
	2011	Front-All R/T, Hardware Included	CFC1058	SBC1058	MKD1058FM
	2011	Front-All R/T, Hardware Included			PBD1058
	2011	Front-All SE, w/o Performance Package	CFC1056K2	SBC1056K2	
	2011	Front-All SE, w/ Performance Package	CFC1058	SBC1058	MKD1058FM
	2011	Front-All SE, w/ Performance Package			PBD1058
	2011	Front-All SXT, w/o Performance Package	CFC1056K2	SBC1056K2	
	2011	Front-All SXT, w/ Performance Package	CFC1058	SBC1058	MKD1058FM
	2011	Front-All SXT, w/ Performance Package			PBD1058
	2011	Front-All SXT Plus, w/o Performance Package	CFC1056K2	SBC1056K2	
	2011	Front-All SXT Plus, w/ Performance Package	CFC1058	SBC1058	MKD1058FM
	2011	Front-All SXT Plus, w/ Performance Package			PBD1058
	2010-09	Front-V6 - 3.5L Hardware Included	CFC1056K1	SBC1056K1	
	2010-09	Front-V8 - 5.7L Hardware Included	CFC1058	SBC1058	MKD1058FM
	2010-09	Front-V8 - 5.7L Hardware Included			PBD1058
	2008	Front-All Hardware Included			MKD1149FM
	2008	Front-All Hardware Not Included		SBM1149	
	2018	Rear-All GT, Hardware Included			MKD1057VRFM
	2018	Rear-All GT, w/ Solid Rear Rotors	CFC1057SR		
	2018	Rear-All GT, w/ Solid Rotors		SBC1057SR	
	2018	Rear-All GT, w/ Vented Rear Rotors	CFC1057VR		
	2018	Rear-All GT, w/ Vented Rotors		SBC1057VR	
	2018	Rear-All R/T, w/o High Performance Brakes		SBC1057VR	
	2018	Rear-All R/T, w/o High Performance Brakes	CFC1057VR		
	2018	Rear-All R/T, w/o High Performance Brakes	CFC1057SR	SBC1057SR	MKD1057VRFM
	2018	Rear-All SXT, Hardware Included			MKD1057VRFM
	2018	Rear-All SXT, w/ Solid Rear Rotors	CFC1057SR		

BENDIX BRAKE PARTS

PART TYPE	YEAR	APPLICATION	PREMIUM NO.	PART NO.	SEVERE DUTY NO.
Dodge (Cont'd.)					
Challenger (Cont'd.)					
Disc Brake Pad Set (cont'd)	2018	Rear-All SXT, w/ Solid Rotors		SBC1057SR	
	2018	Rear-All SXT, w/ Vented Rear Rotors	CFC1057VR		
	2018	Rear-All SXT, w/ Vented Rotors		SBC1057VR	
	2018	Rear-All SXT Plus, Hardware Included			MKD1057VRFM
	2018	Rear-All SXT Plus, w/ Solid Rear Rotors	CFC1057SR		
	2018	Rear-All SXT Plus, w/ Solid Rotors		SBC1057SR	
	2018	Rear-All SXT Plus, w/ Vented Rear Rotors	CFC1057VR		
	2018	Rear-All SXT Plus, w/ Vented Rotors		SBC1057VR	
	2018	Rear-All T/A, w/o High Performance Brakes		SBC1057VR	
	2018	Rear-All T/A, w/o High Performance Brakes	CFC1057VR		
	2018	Rear-All T/A, w/o High Performance Brakes	CFC1057SR	SBC1057SR	MKD1057VRFM
	2017	Rear-All Hardware Included			MKD1057VRFM
	2017	Rear-All w/ Solid Rear Rotors	CFC1057SR		
	2017	Rear-All w/ Solid Rotors		SBC1057SR	
	2017	Rear-All w/ Vented Rear Rotors	CFC1057VR		
	2017	Rear-All w/ Vented Rotors		SBC1057VR	
	2016-15	Rear-All SRT 392, Hardware Included	CFM592A		
	2016-15	Rear-All SRT 392, Hardware Not Included		SBM592A	
	2016-15	Rear-All SRT Hellcat, Hardware Included	CFM592A		
	2016-15	Rear-All SRT Hellcat, Hardware Not Included		SBM592A	
	2016-15	Rear-All SXT, Hardware Included			MKD1057VRFM
	2016-15	Rear-All SXT, w/ Solid Rear Rotors	CFC1057SR		
	2016-15	Rear-All SXT, w/ Solid Rotors		SBC1057SR	
	2016-15	Rear-All SXT, w/ Vented Rear Rotors	CFC1057VR		
	2016-15	Rear-All SXT, w/ Vented Rotors		SBC1057VR	
	2014	Rear-All Hardware Included			MKD1057VRFM
	2014	Rear-All w/ Solid Rear Rotors	CFC1057SR		
	2014	Rear-All w/ Solid Rotors		SBC1057SR	
	2014	Rear-All w/ Vented Rear Rotors	CFC1057VR		
	2014	Rear-All w/ Vented Rotors		SBC1057VR	
	2013-12	Rear-All R/T Classic, Hardware Included			MKD1057VRFM
	2013-12	Rear-All R/T Classic, w/ Solid Rear Rotors	CFC1057SR		
	2013-12	Rear-All R/T Classic, w/ Solid Rotors		SBC1057SR	
	2013-12	Rear-All R/T Classic, w/ Vented Rear Rotors	CFC1057VR		
	2013-12	Rear-All R/T Classic, w/ Vented Rotors		SBC1057VR	
	2013-11	Rear-All R/T, Hardware Included			MKD1057VRFM
	2013-11	Rear-All R/T, w/ Solid Rear Rotors	CFC1057SR		
	2013-11	Rear-All R/T, w/ Solid Rotors		SBC1057SR	
	2013-11	Rear-All R/T, w/ Vented Rear Rotors	CFC1057VR		
	2013-11	Rear-All R/T, w/ Vented Rotors		SBC1057VR	
	2013-11	Rear-All SRT8, Hardware Included	CFM592A		
	2013-11	Rear-All SRT8, Hardware Not Included		SBM592A	
	2013-11	Rear-All SXT, Hardware Included			MKD1057VRFM
	2013-11	Rear-All SXT, w/ Solid Rear Rotors	CFC1057SR		
	2013-11	Rear-All SXT, w/ Solid Rotors		SBC1057SR	
	2013-11	Rear-All SXT, w/ Vented Rear Rotors	CFC1057VR		
	2013-11	Rear-All SXT, w/ Vented Rotors		SBC1057VR	
	2013-11	Rear-All SXT Plus, Hardware Included			MKD1057VRFM
	2013-11	Rear-All SXT Plus, w/ Solid Rear Rotors	CFC1057SR		
	2013-11	Rear-All SXT Plus, w/ Solid Rotors		SBC1057SR	
	2013-11	Rear-All SXT Plus, w/ Vented Rear Rotors	CFC1057VR		
	2013-11	Rear-All SXT Plus, w/ Vented Rotors		SBC1057VR	
	2011	Rear-All SE, w/ Heavy Duty Brakes		SBC1057VR	
	2011	Rear-All SE, w/ Heavy Duty Brakes	CFC1057VR		
	2011	Rear-All SE, w/ Heavy Duty Brakes	CFC1057SR	SBC1057SR	MKD1057VRFM
	2010-09	Rear-V6 - 3.5L Hardware Included			MKD1057VRFM
	2010-09	Rear-V6 - 3.5L w/ Solid Rear Rotors	CFC1057SR		
	2010-09	Rear-V6 - 3.5L w/ Solid Rotors		SBC1057SR	
	2010-09	Rear-V6 - 3.5L w/ Vented Rear Rotors	CFC1057VR		
	2010-09	Rear-V6 - 3.5L w/ Vented Rotors		SBC1057VR	
	2010-09	Rear-V8 - 5.7L Hardware Included			MKD1057VRFM
	2010-09	Rear-V8 - 5.7L w/ Solid Rear Rotors	CFC1057SR		
	2010-09	Rear-V8 - 5.7L w/ Solid Rotors		SBC1057SR	
	2010-09	Rear-V8 - 5.7L w/ Vented Rear Rotors	CFC1057VR		
	2010-09	Rear-V8 - 5.7L w/ Vented Rotors		SBC1057VR	
	2010-09	Rear-V8 - 6.1L Hardware Included	CFM592A		
	2010-09	Rear-V8 - 6.1L Hardware Not Included		SBM592A	
	2008	Rear-All Hardware Included	CFM592A		
	2008	Rear-All Hardware Not Included		SBM592A	
Drum Brake Shoe	1972-70	Front-All w/ 10" Brakes		333	
	1974-73	Rear-All		333	
	1972-71	Rear-All w/ 11" X 2.49" Brakes		446	
	1972-70	Rear-All w/ 10" Brakes		333	
	1970	Rear-All w/ 10" X 2.52" Brakes		445	

BENDIX BRAKE PARTS

PART TYPE	YEAR	APPLICATION	PREMIUM NO.	PART NO.	SEVERE DUTY NO.
Dodge (Cont'd.)					
Challenger (Cont'd.)					
Parking Brake Shoe	2018	Rear-All		777	
	2015	Rear-All		777	
	2012-08	Rear-All		777	
Disc Brake Rotor	2018-17	Front-All GT		PRT5651	
	2018-17	Front-All SXT Plus, Exc. High Performance Brakes		PRT5650	
	2018-17	Front-All SXT Plus, w/ High Performance Brakes		PRT5651	
	2018	Front-All R/T 392, w/ 4 Piston Caliper		PRT5733	
	2018	Front-All SXT		PRT5650	
	2018	Front-V8 - 5.7L w/ High Performance Brakes		PRT5651	
	2018	Front-V8 - 5.7L w/ High Performance Brakes		PRT5733	
	2017-15	Front-V8 - 5.7L Exc. High Performance Brakes		PRT5651	
	2017	Front-All R/T 392		PRT5733	
	2017	Front-All SXT, Exc. High Performance Brakes		PRT5650	
	2017	Front-All SXT, w/ High Performance Brakes		PRT5651	
	2016-15	Front-V6 - 3.6L Exc. High Performance Brakes		PRT5650	
	2016	Front-All 392 Hemi Scat Pack Shaker		PRT5733	
	2016	Front-All R/T Scat Pack		PRT5733	
	2016	Front-V6 - 3.6L w/ High Performance Brakes		PRT5651	
	2015	Front-V6 - 3.6L		PRT5651	
	2014	Front-All SXT, Exc. Performance Brakes		PRT5650	
	2014	Front-V6 - 3.6L Performance Brakes		PRT5651	
	2014	Front-V8 - 5.7L Exc. Performance Brakes		PRT5651	
	2013-12	Front-V6 - 3.6L 320mm Diameter		PRT5650	
	2013-12	Front-V6 - 3.6L 345mm Diameter		PRT5651	SDR5651
	2013-09	Front-V8 - 5.7L		PRT5651	SDR5651
	2011	Front-V6 - 3.6L		PRT5650	
	2010-09	Front-V6 - 3.5L		PRT5650	
	1983-78	Front-All		PRT1164	
	2018-17	Rear-All GT		PRT5568	
	2018-17	Rear-All SXT Plus, w/ High Performance Brakes		PRT5568	
	2018-15	Rear-V8 - 5.7L		PRT5568	
	2018	Rear-All SXT		PRT5567	
	2018	Rear-All SXT Plus, Exc. High Performance Brakes		PRT5567	
	2017-15	Rear-V6 - 3.6L Exc. High Performance Brakes		PRT5567	
	2017	Rear-All SXT, w/ High Performance Brakes		PRT5568	
	2016-15	Rear-V6 - 3.6L w/ High Performance Brakes		PRT5568	
	2014	Rear-V6 - 3.6L Exc. Performance Brakes		PRT5567	
	2014	Rear-V6 - 3.6L w/ Performance Brakes		PRT5568	
	2014	Rear-V8 - 5.7L w/ Performance Brakes		PRT5568	
	2013-12	Rear-V6 - 3.6L Solid Rotors		PRT5567	
	2013-12	Rear-V6 - 3.6L Vented Rotors		PRT5568	
	2013-11	Rear-V8 - 6.4L		PRT5671	SDR5671
	2013-09	Rear-V8 - 5.7L		PRT5568	
	2011	Rear-V6 - 3.6L		PRT5567	
	2010-09	Rear-V6 - 3.5L		PRT5567	
	2010-08	Rear-V8 - 6.1L		PRT5671	SDR5671
	1983-78	Rear-All Rear Disc		PRT1165	
Disc Brake Rotor and Hub Assembly	1974-73	Front-All		PRT1145	
Brake Drum	1970	Front-All 10" x 2 1/2" brakes		PDR0018	
	1970	Front-All 11" x 3" brakes		PDR0019	
	1983-78	Rear-All 9" x 1 9/16" Brakes		PDR0349 ⁴⁸	
	1983-78	Rear-All 9" x 1 9/16" Brakes		PDR0644 ⁴⁸	
	1980-79	Rear-All 10" Brakes		PDR0556	
	1974-73	Rear-All		PDR0182	
	1972-70	Rear-All Exc. Heavy Duty Brakes		PDR0182	
	1972-70	Rear-All Heavy Duty Brakes		PDR0365	
Charger					
Disc Brake Pad Set	2019	Front-All GT, w/ Brembo Brakes		SBM1149	MKD1149FM
	2019	Front-All R/T, w/ Brembo Brakes		SBM1149	MKD1149FM
	2019	Front-All Scat Pack 392, w/ 4 Piston Caliper		SBM1149	MKD1149FM
	2019	Front-All Scat Pack, w/ 4 Piston Caliper		SBM1149	MKD1149FM
	2019	Front-All SXT, RWD, Hardware Included	CFC1056K2	SBC1056K2	
	2018-17	Front-All Daytona 392, Hardware Included	CFM1405		
	2018-17	Front-All Daytona 392, Hardware Not Included		SBM1405	
	2018-15	Front-All SRT 392, Hardware Included	CFM1405		
	2018-15	Front-All SRT 392, Hardware Not Included		SBM1405	
	2018-15	Front-All SRT Hellcat, Hardware Included	CFM1405		
	2018-15	Front-All SRT Hellcat, Hardware Not Included		SBM1405	
	2018-14	Front-All Pursuit, Hardware Included			PBD1767
	2018-14	Front-All Pursuit, Hardware Not Included		SBM1767	
	2018	Front-All GT, Hardware Included	CFC1058	SBC1058	MKD1058FM
	2018	Front-All GT, Hardware Included			PBD1058
	2018	Front-All GT Plus, Hardware Included	CFC1058	SBC1058	MKD1058FM

48 Sell out and reorder PDR0644

BENDIX BRAKE PARTS

PART TYPE	YEAR	APPLICATION	PREMIUM NO.	PART NO.	SEVERE DUTY NO.
Dodge (Cont'd.)					
Charger (Cont'd.)					
Disc Brake Pad Set (cont'd)	2018	Front-All GT Plus, Hardware Included			PBD1058
	2018	Front-All SXT, Hardware Included	CFC1056K2	SBC1056K2	
	2018	Front-All SXT Plus, Hardware Included	CFC1056K2	SBC1056K2	
	2018	Front-All SXT Plus Leather, Hardware Included	CFC1056K2	SBC1056K2	
	2017-15	Front-All R/T, Hardware Included	CFC1058	SBC1058	MKD1058FM
	2017-15	Front-All R/T, Hardware Included			PBD1058
	2017-15	Front-All SE, RWD, Hardware Included	CFC1056K2	SBC1056K2	
	2017-15	Front-All SXT, RWD, Hardware Included	CFC1056K2	SBC1056K2	
	2017-14	Front-All SE, AWD, Hardware Included	CFC1058	SBC1058	MKD1058FM
	2017-14	Front-All SE, AWD, Hardware Included			PBD1058
	2017-14	Front-All SXT, AWD, Hardware Included	CFC1058	SBC1058	MKD1058FM
	2017-14	Front-All SXT, AWD, Hardware Included			PBD1058
	2017	Front-All Daytona, Hardware Included	CFC1058	SBC1058	MKD1058FM
	2017	Front-All Daytona, Hardware Included			PBD1058
	2016-15	Front-All R/T Road & Track, Hardware Included	CFC1058	SBC1058	MKD1058FM
	2016-15	Front-All R/T Road & Track, Hardware Included			PBD1058
	2016	Front-All R/T Scat Pack, Hardware Included			MKD1149FM
	2016	Front-All R/T Scat Pack, Hardware Not Included		SBM1149	
	2015	Front-All R/T Scat Pack, Hardware Included	CFC1058	SBC1058	MKD1058FM
	2015	Front-All R/T Scat Pack, Hardware Included			PBD1058
	2014	Front-All R/T, AWD, Hardware Included	CFC1058	SBC1058	MKD1058FM
	2014	Front-All R/T, AWD, Hardware Included			PBD1058
	2014	Front-All R/T, RWD, w/ Heavy Duty Brakes	CFC1058	SBC1058	MKD1058FM
	2014	Front-All R/T, RWD, w/ Heavy Duty Brakes			PBD1058
	2014	Front-All R/T, RWD, w/o Heavy Duty Brakes	CFC1056K2	SBC1056K2	
	2014	Front-All SE, RWD, w/ Heavy Duty Brakes	CFC1058	SBC1058	MKD1058FM
	2014	Front-All SE, RWD, w/ Heavy Duty Brakes			PBD1058
	2014	Front-All SE, RWD, w/o Heavy Duty Brakes	CFC1056K2	SBC1056K2	
	2014	Front-All SXT, RWD, w/ Heavy Duty Brakes	CFC1058	SBC1058	MKD1058FM
	2014	Front-All SXT, RWD, w/ Heavy Duty Brakes			PBD1058
	2014	Front-All SXT, RWD, w/o Heavy Duty Brakes	CFC1056K2	SBC1056K2	
	2014	Front-All SXT Plus, AWD, Hardware Included	CFC1058	SBC1058	MKD1058FM
	2014	Front-All SXT Plus, AWD, Hardware Included			PBD1058
	2014	Front-All SXT Plus, RWD, w/ Heavy Duty Brakes	CFC1058	SBC1058	MKD1058FM
	2014	Front-All SXT Plus, RWD, w/ Heavy Duty Brakes			PBD1058
	2014	Front-All SXT Plus, RWD, w/o Heavy Duty Brakes	CFC1056K2	SBC1056K2	
	2013-12	Front-All Pursuit, Hardware Included	CFC1058	SBC1058	MKD1058FM
	2013-12	Front-All Pursuit, Hardware Included			PBD1058
	2013-12	Front-V6 - 3.6L SXT, AWD, Hardware Included	CFC1058	SBC1058	MKD1058FM
	2013-12	Front-V6 - 3.6L SXT, AWD, Hardware Included			PBD1058
	2013-11	Front-All SXT Plus, Hardware Included	CFC1056K2	SBC1056K2	
	2013-11	Front-V6 - 3.6L SE, w/ Heavy Duty Brakes	CFC1058	SBC1058	MKD1058FM
	2013-11	Front-V6 - 3.6L SE, w/ Heavy Duty Brakes			PBD1058
	2013-11	Front-V6 - 3.6L SE, w/o Heavy Duty Brakes	CFC1056K2	SBC1056K2	
	2013-11	Front-V6 - 3.6L SXT, RWD, Hardware Included	CFC1056K2	SBC1056K2	
	2013-11	Front-V8 - 5.7L R/T, Hardware Included	CFC1058	SBC1058	MKD1058FM
	2013-11	Front-V8 - 5.7L R/T, Hardware Included			PBD1058
	2013-11	Front-V8 - 5.7L SE, w/ Heavy Duty Brakes	CFC1058	SBC1058	MKD1058FM
	2013-11	Front-V8 - 5.7L SE, w/ Heavy Duty Brakes			PBD1058
	2013-11	Front-V8 - 5.7L SE, w/o Heavy Duty Brakes	CFC1056K2	SBC1056K2	
	2011	Front-V8 - 5.7L R/T Road and Track, Hardware Included	CFC1058	SBC1058	MKD1058FM
	2011	Front-V8 - 5.7L R/T Road and Track, Hardware Included			PBD1058
	2010	Front-All R/T, Hardware Included	CFC1058	SBC1058	MKD1058FM
	2010	Front-All R/T, Hardware Included			PBD1058
	2010	Front-All SE, w/ Heavy Duty Brakes	CFC1058	SBC1058	MKD1058FM
	2010	Front-All SE, w/ Heavy Duty Brakes			PBD1058
	2010	Front-All SE, w/o Heavy Duty Brakes	CFC1056K1	SBC1056K1	
	2010	Front-All SXT, AWD, Hardware Included	CFC1058	SBC1058	MKD1058FM
	2010	Front-All SXT, AWD, Hardware Included			PBD1058
	2010	Front-All SXT, RWD, Hardware Included	CFC1056K1	SBC1056K1	
	2009-08	Front-V6 - 3.5L RWD, Exc. Heavy Duty Brakes	CFC1056K1	SBC1056K1	
	2009-08	Front-V6 - 3.5L RWD, w/ Heavy Duty Brakes	CFC1058	SBC1058	MKD1058FM
	2009-08	Front-V6 - 3.5L RWD, w/ Heavy Duty Brakes			PBD1058
	2009-08	Front-V8 - 5.7L RWD, Exc. Heavy Duty Brakes	CFC1056K1	SBC1056K1	
	2009-08	Front-V8 - 5.7L RWD, w/ Heavy Duty Brakes	CFC1058	SBC1058	MKD1058FM
	2009-08	Front-V8 - 5.7L RWD, w/ Heavy Duty Brakes			PBD1058
	2009	Front-V6 - 2.7L AWD, Hardware Included	CFC1058	SBC1058	MKD1058FM
	2009	Front-V6 - 2.7L AWD, Hardware Included			PBD1058
	2009	Front-V6 - 2.7L RWD, Exc. Heavy Duty Brakes	CFC1056K1	SBC1056K1	
	2009	Front-V6 - 2.7L RWD, w/ Heavy Duty Brakes	CFC1058	SBC1058	MKD1058FM
	2009	Front-V6 - 2.7L RWD, w/ Heavy Duty Brakes			PBD1058
	2009	Front-V6 - 3.5L AWD, Hardware Included	CFC1058	SBC1058	MKD1058FM
	2009	Front-V6 - 3.5L AWD, Hardware Included			PBD1058
	2009	Front-V8 - 5.7L AWD, Hardware Included	CFC1058	SBC1058	MKD1058FM
	2009	Front-V8 - 5.7L AWD, Hardware Included			PBD1058
	2008-06	Front-V6 - 2.7L Hardware Included	CFC1056K1	SBC1056K1	

BENDIX BRAKE PARTS

PART TYPE	YEAR	APPLICATION	PREMIUM NO.	PART NO.	SEVERE DUTY NO.
Dodge (Cont'd.)					
Charger (Cont'd.)					
Disc Brake Pad Set (cont'd)	2008	Front-V6 - 3.5L AWD, Hardware Included			MKD1149FM
	2008	Front-V6 - 3.5L AWD, Hardware Not Included		SBM1149	
	2008	Front-V8 - 5.7L AWD, Hardware Included			MKD1149FM
	2008	Front-V8 - 5.7L AWD, Hardware Not Included		SBM1149	
	2008	Front-V8 - 5.7L RWD, w/ Performance Brakes	CFC1058	SBC1058	MKD1058FM
	2008	Front-V8 - 5.7L RWD, w/ Performance Brakes			PBD1058
	2007-06	Front-V6 - 3.5L Exc. Heavy Duty Brakes	CFC1056K1	SBC1056K1	
	2007-06	Front-V6 - 3.5L w/ Heavy Duty Brakes	CFC1058	SBC1058	MKD1058FM
	2007-06	Front-V6 - 3.5L w/ Heavy Duty Brakes			PBD1058
	2007-06	Front-V8 - 5.7L Exc. Heavy Duty Brakes	CFC1056K1	SBC1056K1	
	2007-06	Front-V8 - 5.7L w/ Heavy Duty Brakes	CFC1058	SBC1058	MKD1058FM
	2007-06	Front-V8 - 5.7L w/ Heavy Duty Brakes			PBD1058
	1987-85	Front-All Base, Hardware Not Included		SBM221	
	1987	Front-All Shelby, Hardware Not Included		SBM220	
	1986-85	Front-L4 - 2.2L 2.2, Hardware Not Included		SBM221	
	1986-85	Front-L4 - 2.2L Shelby, Hardware Not Included		SBM220	
	1984-83	Front-All Hardware Not Included		SBM221	
	1978	Front-All Hardware Not Included		SBM84	
	1977-75	Front-All w/ Sliding Calipers		SBM84	
	2019-15	Rear-All SXT, Hardware Included			MKD1057VRFM
	2019-15	Rear-All SXT, w/ Solid Rear Rotors	CFC1057SR		
	2019-15	Rear-All SXT, w/ Solid Rotors		SBC1057SR	
	2019-15	Rear-All SXT, w/ Vented Rear Rotors	CFC1057VR		
	2019-15	Rear-All SXT, w/ Vented Rotors		SBC1057VR	
	2019	Rear-All GT, w/ Brembo Brakes	CFM592A	SBM592A	
	2019	Rear-All GT, w/o Brembo Brakes		SBC1057VR	
	2019	Rear-All GT, w/o Brembo Brakes	CFC1057VR		
	2019	Rear-All GT, w/o Brembo Brakes	CFC1057SR	SBC1057SR	MKD1057VRFM
	2019	Rear-All R/T, w/ Brembo Brakes	CFM592A	SBM592A	
	2019	Rear-All R/T, w/o Brembo Brakes		SBC1057VR	
	2019	Rear-All R/T, w/o Brembo Brakes	CFC1057VR		
	2019	Rear-All R/T, w/o Brembo Brakes	CFC1057SR	SBC1057SR	MKD1057VRFM
	2019	Rear-All Scat Pack 392, w/ Brembo Brakes	CFM592A	SBM592A	
	2019	Rear-All Scat Pack, w/ Brembo Brakes	CFM592A	SBM592A	
	2019	Rear-All SRT Hellcat, w/ Brembo Brakes	CFM592A	SBM592A	
	2018-17	Rear-All Daytona 392, Hardware Included	CFM592A		
	2018-17	Rear-All Daytona 392, Hardware Not Included		SBM592A	
	2018-17	Rear-All Daytona, Hardware Included			MKD1057VRFM
	2018-17	Rear-All Daytona, w/ Solid Rear Rotors	CFC1057SR		
	2018-17	Rear-All Daytona, w/ Solid Rotors		SBC1057SR	
	2018-17	Rear-All Daytona, w/ Vented Rear Rotors	CFC1057VR		
	2018-17	Rear-All Daytona, w/ Vented Rotors		SBC1057VR	
	2018-17	Rear-All R/T 392, Hardware Included	CFM592A		
	2018-17	Rear-All R/T 392, Hardware Not Included		SBM592A	
	2018-17	Rear-All SRT 392, Hardware Included	CFM592A		
	2018-17	Rear-All SRT 392, Hardware Not Included		SBM592A	
	2018-17	Rear-All SRT Hellcat, Hardware Included	CFM592A		
	2018-17	Rear-All SRT Hellcat, Hardware Not Included		SBM592A	
	2018-16	Rear-All R/T, Hardware Included			MKD1057VRFM
	2018-16	Rear-All R/T, w/ Solid Rear Rotors	CFC1057SR		
	2018-16	Rear-All R/T, w/ Solid Rotors		SBC1057SR	
	2018-16	Rear-All R/T, w/ Vented Rear Rotors	CFC1057VR		
	2018-16	Rear-All R/T, w/ Vented Rotors		SBC1057VR	
	2018-14	Rear-All Pursuit, Hardware Included			PBD1766
	2018-14	Rear-All Pursuit, Hardware Not Included		SBM1766	
	2018	Rear-All Daytona R/T, Hardware Included			MKD1057VRFM
	2018	Rear-All Daytona R/T, w/ Solid Rear Rotors	CFC1057SR		
	2018	Rear-All Daytona R/T, w/ Solid Rotors		SBC1057SR	
	2018	Rear-All Daytona R/T, w/ Vented Rear Rotors	CFC1057VR		
	2018	Rear-All Daytona R/T, w/ Vented Rotors		SBC1057VR	
	2018	Rear-All GT, Hardware Included			MKD1057VRFM
	2018	Rear-All GT, w/ Solid Rear Rotors	CFC1057SR		
	2018	Rear-All GT, w/ Solid Rotors		SBC1057SR	
	2018	Rear-All GT, w/ Vented Rear Rotors	CFC1057VR		
	2018	Rear-All GT, w/ Vented Rotors		SBC1057VR	
	2018	Rear-All GT Plus, Hardware Included			MKD1057VRFM
	2018	Rear-All GT Plus, w/ Solid Rear Rotors	CFC1057SR		
	2018	Rear-All GT Plus, w/ Solid Rotors		SBC1057SR	
	2018	Rear-All GT Plus, w/ Vented Rear Rotors	CFC1057VR		
	2018	Rear-All GT Plus, w/ Vented Rotors		SBC1057VR	
	2018	Rear-All SXT Plus, Hardware Included			MKD1057VRFM
	2018	Rear-All SXT Plus, w/ Solid Rear Rotors	CFC1057SR		
	2018	Rear-All SXT Plus, w/ Solid Rotors		SBC1057SR	
	2018	Rear-All SXT Plus, w/ Vented Rear Rotors	CFC1057VR		

BENDIX BRAKE PARTS

PART TYPE	YEAR	APPLICATION	PREMIUM NO.	PART NO.	SEVERE DUTY NO.
Dodge (Cont'd.)					
Charger (Cont'd.)					
Disc Brake Pad Set (cont'd)	2018	Rear-All SXT Plus, w/ Vented Rotors		SBC1057VR	
	2018	Rear-All SXT Plus Leather, Hardware Included			MKD1057VRFM
	2018	Rear-All SXT Plus Leather, w/ Solid Rear Rotors	CFC1057SR		
	2018	Rear-All SXT Plus Leather, w/ Solid Rotors		SBC1057SR	
	2018	Rear-All SXT Plus Leather, w/ Vented Rear Rotors	CFC1057VR		
	2018	Rear-All SXT Plus Leather, w/ Vented Rotors		SBC1057VR	
	2017-15	Rear-All SE, Hardware Included			MKD1057VRFM
	2017-15	Rear-All SE, w/ Solid Rear Rotors	CFC1057SR		
	2017-15	Rear-All SE, w/ Solid Rotors		SBC1057SR	
	2017-15	Rear-All SE, w/ Vented Rear Rotors	CFC1057VR		
	2017-15	Rear-All SE, w/ Vented Rotors		SBC1057VR	
	2016-15	Rear-All R/T Scat Pack, Hardware Included	CFM592A		
	2016-15	Rear-All R/T Scat Pack, Hardware Not Included		SBM592A	
	2016-15	Rear-All SRT 392, Hardware Included			MKD1057VRFM
	2016-15	Rear-All SRT 392, w/ Solid Rear Rotors	CFC1057SR		
	2016-15	Rear-All SRT 392, w/ Solid Rotors		SBC1057SR	
	2016-15	Rear-All SRT 392, w/ Vented Rear Rotors	CFC1057VR		
	2016-15	Rear-All SRT 392, w/ Vented Rotors		SBC1057VR	
	2016-15	Rear-All SRT Hellcat, Hardware Included			MKD1057VRFM
	2016-15	Rear-All SRT Hellcat, w/ Solid Rear Rotors	CFC1057SR		
	2016-15	Rear-All SRT Hellcat, w/ Solid Rotors		SBC1057SR	
	2016-15	Rear-All SRT Hellcat, w/ Vented Rear Rotors	CFC1057VR		
	2016-15	Rear-All SRT Hellcat, w/ Vented Rotors		SBC1057VR	
	2016-15	Rear-All SXT Plus, Hardware Included			MKD1057VRFM
	2016-15	Rear-All SXT Plus, w/ Solid Rear Rotors	CFC1057SR		
	2016-15	Rear-All SXT Plus, w/ Solid Rotors		SBC1057SR	
	2016-15	Rear-All SXT Plus, w/ Vented Rear Rotors	CFC1057VR		
	2016-15	Rear-All SXT Plus, w/ Vented Rotors		SBC1057VR	
	2016	Rear-All R/T Road & Track, Hardware Included			MKD1057VRFM
	2016	Rear-All R/T Road & Track, w/ Solid Rear Rotors	CFC1057SR		
	2016	Rear-All R/T Road & Track, w/ Solid Rotors		SBC1057SR	
	2016	Rear-All R/T Road & Track, w/ Vented Rear Rotors	CFC1057VR		
	2016	Rear-All R/T Road & Track, w/ Vented Rotors		SBC1057VR	
	2015	Rear-All R/T, Hardware Included	CFM592A		
	2015	Rear-All R/T, Hardware Not Included		SBM592A	
	2015	Rear-All R/T Road & Track, Hardware Included	CFM592A		
	2015	Rear-All R/T Road & Track, Hardware Not Included		SBM592A	
	2014-12	Rear-All SRT8, Hardware Included	CFM592A		
	2014-12	Rear-All SRT8, Hardware Not Included		SBM592A	
	2014	Rear-All R/T, AWD, Hardware Included			MKD1057VRFM
	2014	Rear-All R/T, AWD, w/ Solid Rear Rotors	CFC1057SR		
	2014	Rear-All R/T, AWD, w/ Solid Rotors		SBC1057SR	
	2014	Rear-All R/T, AWD, w/ Vented Rear Rotors	CFC1057VR		
	2014	Rear-All R/T, AWD, w/ Vented Rotors		SBC1057VR	
	2014	Rear-All R/T, RWD, w/ Heavy Duty Brakes		SBC1057VR	
	2014	Rear-All R/T, RWD, w/ Heavy Duty Brakes	CFC1057VR		
	2014	Rear-All R/T, RWD, w/ Heavy Duty Brakes	CFC1057SR	SBC1057SR	MKD1057VRFM
	2014	Rear-All R/T, RWD, w/o Heavy Duty Brakes		SBC1057AVR	
	2014	Rear-All R/T, RWD, w/o Heavy Duty Brakes	CFM1057AVR		
	2014	Rear-All R/T, RWD, w/o Heavy Duty Brakes	CFM1057ASR	SBC1057ASR	MKD1057AVRFM
	2014	Rear-All R/T, RWD, w/o Heavy Duty Brakes			PBD1057AVR
	2014	Rear-All SE, AWD, Hardware Included			MKD1057VRFM
	2014	Rear-All SE, AWD, w/ Solid Rear Rotors	CFC1057SR		
	2014	Rear-All SE, AWD, w/ Solid Rotors		SBC1057SR	
	2014	Rear-All SE, AWD, w/ Vented Rear Rotors	CFC1057VR		
	2014	Rear-All SE, AWD, w/ Vented Rotors		SBC1057VR	
	2014	Rear-All SE, RWD, w/ Heavy Duty Brakes		SBC1057VR	
	2014	Rear-All SE, RWD, w/ Heavy Duty Brakes	CFC1057VR		
	2014	Rear-All SE, RWD, w/ Heavy Duty Brakes	CFC1057SR	SBC1057SR	MKD1057VRFM
	2014	Rear-All SE, RWD, w/o Heavy Duty Brakes		SBC1057AVR	
	2014	Rear-All SE, RWD, w/o Heavy Duty Brakes	CFM1057AVR		
	2014	Rear-All SE, RWD, w/o Heavy Duty Brakes	CFM1057ASR	SBC1057ASR	MKD1057AVRFM
	2014	Rear-All SE, RWD, w/o Heavy Duty Brakes			PBD1057AVR
	2014	Rear-All SXT, AWD, Hardware Included			MKD1057VRFM
	2014	Rear-All SXT, AWD, w/ Solid Rear Rotors	CFC1057SR		
	2014	Rear-All SXT, AWD, w/ Solid Rotors		SBC1057SR	
	2014	Rear-All SXT, AWD, w/ Vented Rear Rotors	CFC1057VR		
	2014	Rear-All SXT, AWD, w/ Vented Rotors		SBC1057VR	
	2014	Rear-All SXT, RWD, w/ Heavy Duty Brakes		SBC1057VR	
	2014	Rear-All SXT, RWD, w/ Heavy Duty Brakes	CFC1057VR		
	2014	Rear-All SXT, RWD, w/ Heavy Duty Brakes	CFC1057SR	SBC1057SR	MKD1057VRFM
	2014	Rear-All SXT, RWD, w/o Heavy Duty Brakes		SBC1057AVR	
	2014	Rear-All SXT, RWD, w/o Heavy Duty Brakes	CFM1057AVR		
	2014	Rear-All SXT, RWD, w/o Heavy Duty Brakes	CFM1057ASR	SBC1057ASR	MKD1057AVRFM
	2014	Rear-All SXT, RWD, w/o Heavy Duty Brakes			PBD1057AVR

BENDIX BRAKE PARTS

PART TYPE	YEAR	APPLICATION	PREMIUM NO.	PART NO.	SEVERE DUTY NO.
Dodge (Cont'd.)					
Charger (Cont'd.)					
Disc Brake Pad Set (cont'd)	2014	Rear-All SXT Plus, AWD, Hardware Included			MKD1057VRFM
	2014	Rear-All SXT Plus, AWD, w/ Solid Rear Rotors	CFC1057SR		
	2014	Rear-All SXT Plus, AWD, w/ Solid Rotors		SBC1057SR	
	2014	Rear-All SXT Plus, AWD, w/ Vented Rear Rotors	CFC1057VR		
	2014	Rear-All SXT Plus, AWD, w/ Vented Rotors		SBC1057VR	
	2014	Rear-All SXT Plus, RWD, w/ Heavy Duty Brakes		SBC1057VR	
	2014	Rear-All SXT Plus, RWD, w/ Heavy Duty Brakes	CFC1057VR		
	2014	Rear-All SXT Plus, RWD, w/ Heavy Duty Brakes	CFC1057SR	SBC1057SR	MKD1057VRFM
	2014	Rear-All SXT Plus, RWD, w/o Heavy Duty Brakes		SBC1057AVR	
	2014	Rear-All SXT Plus, RWD, w/o Heavy Duty Brakes	CFM1057AVR		
	2014	Rear-All SXT Plus, RWD, w/o Heavy Duty Brakes	CFM1057ASR	SBC1057ASR	MKD1057AVRFM
	2014	Rear-All SXT Plus, RWD, w/o Heavy Duty Brakes			PBD1057AVR
	2013-12	Rear-All Pursuit, Hardware Included			MKD1057AVRFM
	2013-12	Rear-All Pursuit, Hardware Included			PBD1057AVR
	2013-12	Rear-All Pursuit, w/ Solid Rear Rotors	CFM1057ASR		
	2013-12	Rear-All Pursuit, w/ Solid Rotors		SBC1057ASR	
	2013-12	Rear-All Pursuit, w/ Vented Rear Rotors	CFM1057AVR		
	2013-12	Rear-All Pursuit, w/ Vented Rotors		SBC1057AVR	
	2013-12	Rear-All R/T, Exc. Heavy Duty		SBC1057VR	
	2013-12	Rear-All R/T, Exc. Heavy Duty	CFC1057VR		
	2013-12	Rear-All R/T, Exc. Heavy Duty	CFC1057SR	SBC1057SR	MKD1057VRFM
	2013-12	Rear-All R/T, Heavy Duty		SBC1057AVR	
	2013-12	Rear-All R/T, Heavy Duty	CFM1057AVR		
	2013-12	Rear-All R/T, Heavy Duty	CFM1057ASR	SBC1057ASR	MKD1057AVRFM
	2013-12	Rear-All R/T, Heavy Duty			PBD1057AVR
	2013-12	Rear-All SE, Exc. Heavy Duty		SBC1057VR	
	2013-12	Rear-All SE, Exc. Heavy Duty	CFC1057VR		
	2013-12	Rear-All SE, Exc. Heavy Duty	CFC1057SR	SBC1057SR	MKD1057VRFM
	2013-12	Rear-All SE, Heavy Duty		SBC1057AVR	
	2013-12	Rear-All SE, Heavy Duty	CFM1057AVR		
	2013-12	Rear-All SE, Heavy Duty	CFM1057ASR	SBC1057ASR	MKD1057AVRFM
	2013-12	Rear-All SE, Heavy Duty			PBD1057AVR
	2013-12	Rear-All SXT, Exc. Heavy Duty		SBC1057VR	
	2013-12	Rear-All SXT, Exc. Heavy Duty	CFC1057VR		
	2013-12	Rear-All SXT, Exc. Heavy Duty	CFC1057SR	SBC1057SR	MKD1057VRFM
	2013-12	Rear-All SXT, Heavy Duty		SBC1057AVR	
	2013-12	Rear-All SXT, Heavy Duty	CFM1057AVR		
	2013-12	Rear-All SXT, Heavy Duty	CFM1057ASR	SBC1057ASR	MKD1057AVRFM
	2013-12	Rear-All SXT, Heavy Duty			PBD1057AVR
	2013-12	Rear-All SXT Plus, Exc. Heavy Duty		SBC1057VR	
	2013-12	Rear-All SXT Plus, Exc. Heavy Duty	CFC1057VR		
	2013-12	Rear-All SXT Plus, Exc. Heavy Duty	CFC1057SR	SBC1057SR	MKD1057VRFM
	2013-12	Rear-All SXT Plus, Heavy Duty		SBC1057AVR	
	2013-12	Rear-All SXT Plus, Heavy Duty	CFM1057AVR		
	2013-12	Rear-All SXT Plus, Heavy Duty	CFM1057ASR	SBC1057ASR	MKD1057AVRFM
	2013-12	Rear-All SXT Plus, Heavy Duty			PBD1057AVR
	2011-10	Rear-All R/T, Exc. Heavy Duty or Police		SBC1057VR	
	2011-10	Rear-All R/T, Exc. Heavy Duty or Police	CFC1057VR		
	2011-10	Rear-All R/T, Exc. Heavy Duty or Police	CFC1057SR	SBC1057SR	MKD1057VRFM
	2011-10	Rear-All R/T, Heavy Duty or Police		SBC1057AVR	
	2011-10	Rear-All R/T, Heavy Duty or Police	CFM1057AVR		
	2011-10	Rear-All R/T, Heavy Duty or Police	CFM1057ASR	SBC1057ASR	MKD1057AVRFM
	2011-10	Rear-All R/T, Heavy Duty or Police			PBD1057AVR
	2011-10	Rear-All SE, Exc. Heavy Duty or Police		SBC1057VR	
	2011-10	Rear-All SE, Exc. Heavy Duty or Police	CFC1057VR		
	2011-10	Rear-All SE, Exc. Heavy Duty or Police	CFC1057SR	SBC1057SR	MKD1057VRFM
	2011-10	Rear-All SE, Heavy Duty or Police		SBC1057AVR	
	2011-10	Rear-All SE, Heavy Duty or Police	CFM1057AVR		
	2011-10	Rear-All SE, Heavy Duty or Police	CFM1057ASR	SBC1057ASR	MKD1057AVRFM
	2011-10	Rear-All SE, Heavy Duty or Police			PBD1057AVR
	2011-10	Rear-All SXT, Exc. Heavy Duty or Police		SBC1057VR	
	2011-10	Rear-All SXT, Exc. Heavy Duty or Police	CFC1057VR		
	2011-10	Rear-All SXT, Exc. Heavy Duty or Police	CFC1057SR	SBC1057SR	MKD1057VRFM
	2011-10	Rear-All SXT, Heavy Duty or Police		SBC1057AVR	
	2011-10	Rear-All SXT, Heavy Duty or Police	CFM1057AVR		
	2011-10	Rear-All SXT, Heavy Duty or Police	CFM1057ASR	SBC1057ASR	MKD1057AVRFM
	2011-10	Rear-All SXT, Heavy Duty or Police			PBD1057AVR
	2011	Rear-All R/T Road and Track, Exc. Heavy Duty or Police		SBC1057VR	
	2011	Rear-All R/T Road and Track, Exc. Heavy Duty or Police	CFC1057VR		
	2011	Rear-All R/T Road and Track, Exc. Heavy Duty or Police	CFC1057SR	SBC1057SR	MKD1057VRFM
	2011	Rear-All R/T Road and Track, Heavy Duty or Police		SBC1057AVR	
	2011	Rear-All R/T Road and Track, Heavy Duty or Police	CFM1057AVR		
	2011	Rear-All R/T Road and Track, Heavy Duty or Police	CFM1057ASR	SBC1057ASR	MKD1057AVRFM
	2011	Rear-All R/T Road and Track, Heavy Duty or Police			PBD1057AVR
	2011	Rear-All SXT Plus, Exc. Heavy Duty or Police		SBC1057VR	

BENDIX BRAKE PARTS

PART TYPE	YEAR	APPLICATION	PREMIUM NO.	PART NO.	SEVERE DUTY NO.
Dodge (Cont'd.)					
Charger (Cont'd.)					
Disc Brake Pad Set (cont'd)	2011	Rear-All SXT Plus, Exc. Heavy Duty or Police	CFC1057VR		
	2011	Rear-All SXT Plus, Exc. Heavy Duty or Police	CFC1057SR	SBC1057SR	MKD1057VRFM
	2011	Rear-All SXT Plus, Heavy Duty or Police		SBC1057AVR	
	2011	Rear-All SXT Plus, Heavy Duty or Police	CFM1057AVR		
	2011	Rear-All SXT Plus, Heavy Duty or Police	CFM1057ASR	SBC1057ASR	MKD1057AVRFM
	2011	Rear-All SXT Plus, Heavy Duty or Police			PBD1057AVR
	2010-06	Rear-All SRT8, Hardware Included	CFM592A		
	2010-06	Rear-All SRT8, Hardware Not Included		SBM592A	
	2009-08	Rear-All R/T, AWD, Hardware Included			MKD1057VRFM
	2009-08	Rear-All R/T, AWD, w/ Solid Rear Rotors	CFC1057SR		
	2009-08	Rear-All R/T, AWD, w/ Solid Rotors		SBC1057SR	
	2009-08	Rear-All R/T, AWD, w/ Vented Rear Rotors	CFC1057VR		
	2009-08	Rear-All R/T, AWD, w/ Vented Rotors		SBC1057VR	
	2009-08	Rear-All R/T, RWD, w/ Heavy Duty Brakes		SBC1057AVR	
	2009-08	Rear-All R/T, RWD, w/ Heavy Duty Brakes	CFM1057AVR		
	2009-08	Rear-All R/T, RWD, w/ Heavy Duty Brakes	CFM1057ASR	SBC1057ASR	MKD1057AVRFM
	2009-08	Rear-All R/T, RWD, w/ Heavy Duty Brakes			PBD1057AVR
	2009-08	Rear-All R/T, RWD, w/o Heavy Duty Brakes		SBC1057VR	
	2009-08	Rear-All R/T, RWD, w/o Heavy Duty Brakes	CFC1057VR		
	2009-08	Rear-All R/T, RWD, w/o Heavy Duty Brakes	CFC1057SR	SBC1057SR	MKD1057VRFM
	2009-08	Rear-All SE, AWD, Hardware Included			MKD1057VRFM
	2009-08	Rear-All SE, AWD, w/ Solid Rear Rotors	CFC1057SR		
	2009-08	Rear-All SE, AWD, w/ Solid Rotors		SBC1057SR	
	2009-08	Rear-All SE, AWD, w/ Vented Rear Rotors	CFC1057VR		
	2009-08	Rear-All SE, AWD, w/ Vented Rotors		SBC1057VR	
	2009-08	Rear-All SE, RWD, w/ Heavy Duty Brakes		SBC1057AVR	
	2009-08	Rear-All SE, RWD, w/ Heavy Duty Brakes	CFM1057AVR		
	2009-08	Rear-All SE, RWD, w/ Heavy Duty Brakes	CFM1057ASR	SBC1057ASR	MKD1057AVRFM
	2009-08	Rear-All SE, RWD, w/ Heavy Duty Brakes			PBD1057AVR
	2009-08	Rear-All SE, RWD, w/o Heavy Duty Brakes		SBC1057VR	
	2009-08	Rear-All SE, RWD, w/o Heavy Duty Brakes	CFC1057VR		
	2009-08	Rear-All SE, RWD, w/o Heavy Duty Brakes	CFC1057SR	SBC1057SR	MKD1057VRFM
	2009-08	Rear-All SXT, AWD, Hardware Included			MKD1057VRFM
	2009-08	Rear-All SXT, AWD, w/ Solid Rear Rotors	CFC1057SR		
	2009-08	Rear-All SXT, AWD, w/ Solid Rotors		SBC1057SR	
	2009-08	Rear-All SXT, AWD, w/ Vented Rear Rotors	CFC1057VR		
	2009-08	Rear-All SXT, AWD, w/ Vented Rotors		SBC1057VR	
	2009-08	Rear-All SXT, RWD, w/ Heavy Duty Brakes		SBC1057AVR	
	2009-08	Rear-All SXT, RWD, w/ Heavy Duty Brakes	CFM1057AVR		
	2009-08	Rear-All SXT, RWD, w/ Heavy Duty Brakes	CFM1057ASR	SBC1057ASR	MKD1057AVRFM
	2009-08	Rear-All SXT, RWD, w/ Heavy Duty Brakes			PBD1057AVR
	2009-08	Rear-All SXT, RWD, w/o Heavy Duty Brakes		SBC1057VR	
	2009-08	Rear-All SXT, RWD, w/o Heavy Duty Brakes	CFC1057VR		
	2009-08	Rear-All SXT, RWD, w/o Heavy Duty Brakes	CFC1057SR	SBC1057SR	MKD1057VRFM
	2007-06	Rear-All Base, w/ Heavy Duty Brakes		SBC1057AVR	
	2007-06	Rear-All Base, w/ Heavy Duty Brakes	CFM1057AVR		
	2007-06	Rear-All Base, w/ Heavy Duty Brakes	CFM1057ASR	SBC1057ASR	MKD1057AVRFM
	2007-06	Rear-All Base, w/ Heavy Duty Brakes			PBD1057AVR
	2007-06	Rear-All Base, w/o Heavy Duty Brakes		SBC1057VR	
	2007-06	Rear-All Base, w/o Heavy Duty Brakes	CFC1057VR		
	2007-06	Rear-All Base, w/o Heavy Duty Brakes	CFC1057SR	SBC1057SR	MKD1057VRFM
	2007-06	Rear-All R/T, w/ Heavy Duty Brakes		SBC1057AVR	
	2007-06	Rear-All R/T, w/ Heavy Duty Brakes	CFM1057AVR		
	2007-06	Rear-All R/T, w/ Heavy Duty Brakes	CFM1057ASR	SBC1057ASR	MKD1057AVRFM
	2007-06	Rear-All R/T, w/ Heavy Duty Brakes			PBD1057AVR
	2007-06	Rear-All R/T, w/o Heavy Duty Brakes		SBC1057VR	
	2007-06	Rear-All R/T, w/o Heavy Duty Brakes	CFC1057VR		
	2007-06	Rear-All R/T, w/o Heavy Duty Brakes	CFC1057SR	SBC1057SR	MKD1057VRFM
	2007-06	Rear-All SE, w/ Heavy Duty Brakes		SBC1057AVR	
	2007-06	Rear-All SE, w/ Heavy Duty Brakes	CFM1057AVR		
	2007-06	Rear-All SE, w/ Heavy Duty Brakes	CFM1057ASR	SBC1057ASR	MKD1057AVRFM
	2007-06	Rear-All SE, w/ Heavy Duty Brakes			PBD1057AVR
	2007-06	Rear-All SE, w/o Heavy Duty Brakes		SBC1057VR	
	2007-06	Rear-All SE, w/o Heavy Duty Brakes	CFC1057VR		
	2007-06	Rear-All SE, w/o Heavy Duty Brakes	CFC1057SR	SBC1057SR	MKD1057VRFM
	2007-06	Rear-All SXT, w/ Heavy Duty Brakes		SBC1057AVR	
	2007-06	Rear-All SXT, w/ Heavy Duty Brakes	CFM1057AVR		
	2007-06	Rear-All SXT, w/ Heavy Duty Brakes	CFM1057ASR	SBC1057ASR	MKD1057AVRFM
	2007-06	Rear-All SXT, w/ Heavy Duty Brakes			PBD1057AVR
	2007-06	Rear-All SXT, w/o Heavy Duty Brakes		SBC1057VR	
	2007-06	Rear-All SXT, w/o Heavy Duty Brakes	CFC1057VR		
	2007-06	Rear-All SXT, w/o Heavy Duty Brakes	CFC1057SR	SBC1057SR	MKD1057VRFM
	2006	Rear-All Daytona R/T, w/ Heavy Duty Brakes		SBC1057AVR	
	2006	Rear-All Daytona R/T, w/ Heavy Duty Brakes	CFM1057AVR		
	2006	Rear-All Daytona R/T, w/ Heavy Duty Brakes	CFM1057ASR	SBC1057ASR	MKD1057AVRFM

BENDIX BRAKE PARTS

PART TYPE	YEAR	APPLICATION	PREMIUM NO.	PART NO.	SEVERE DUTY NO.
Dodge (Cont'd.)					
Charger (Cont'd.)					
Disc Brake Pad Set (cont'd)	2006	Rear-All Daytona R/T, w/ Heavy Duty Brakes			PBD1057AVR
	2006	Rear-All Daytona R/T, w/o Heavy Duty Brakes		SBC1057VR	
	2006	Rear-All Daytona R/T, w/o Heavy Duty Brakes	CFC1057VR		
	2006	Rear-All Daytona R/T, w/o Heavy Duty Brakes	CFC1057SR	SBC1057SR	MKD1057VRFM
Drum Brake Shoe	1972-69	Front-All w/ 10" X 2-1/2" Brakes		333	
	1987	Rear-All w/ 7.87" X 1.34" Brakes		519	
	1987	Rear-All w/ 8.66" X 1.65" Brakes		520	
	1986-85	Rear-All 2.2		519	
	1986-85	Rear-All Base		519	
	1986-85	Rear-All Shelby		520	
	1984-83	Rear-All w/ 7.87" X 1.34" Brakes		519	
	1978	Rear-All w/ 10" X 2-1/2" Brakes		445	
	1978	Rear-All w/ 11" X 2-1/2" Brakes		446	
	1977-76	Rear-All Special Edition		446	
	1976	Rear-All Base		445	
	1975-70	Rear-All w/ 11" X 2.49" Brakes		446	
	1975	Rear-All To 5/75		333	
	1974-70	Rear-All w/ 10" X 2-1/2" Brakes		333	
	1969	Rear-All Front Disc, Early Design		169	
	1969	Rear-All Front Disc, Late Design		333	
	1969	Rear-All Front Drum, w/ 10" X 2-1/2" Brakes		333	
	1969	Rear-All Front Drum, w/ 11" X 2.49" Brakes		446	
	1968-66	Rear-All w/ 11" X 2.49" Brakes		446	
	1968	Rear-All Front Disc, w/ 10" X 2-1/2" Brakes		169	
	1967	Rear-All w/ 10" X 2-1/2" Brakes		169	
	1966	Rear-All w/ 10" X 2.56" Brakes		169	
Parking Brake Shoe	2018	Rear-All		777	
	2015-14	Rear-All		777	
	2012-06	Rear-All		777	
Disc Brake Rotor	2018-15	Front-All Pursuit		PRT6275	SDR6275
	2016-15	Front-All R/T Scat Pack		PRT5733	SDR5733
	2014-12	Front-V6 - 3.6L SXT, RWD, 320mm Diameter		PRT5650	
	2014-12	Front-V8 - 6.4L SRT8		PRT5733	
	2014	Front-All Pursuit, 14.5" Diameter Rotor (Cast Iron Caliper)		PRT6275	
	2014	Front-V6 - 3.6L Pursuit		PRT5651	
	2014	Front-V6 - 3.6L Pursuit, 345mm Diameter; Exc. High Performance Brakes; w/ 13.6" Brake Rotor (Aluminum Caliper)			SDR5651
	2014	Front-V6 - 3.6L Pursuit, w/ High Performance Brakes; w/ 14.5" Brake Rotor (Cast Iron Caliper)			SDR6275
	2014	Front-V6 - 3.6L SE, 320mm Diameter		PRT5650	
	2014	Front-V6 - 3.6L SXT, AWD		PRT5651	SDR5651
	2014	Front-V8 - 5.7L Pursuit, 345mm Diameter; Exc. High Performance Brakes; w/ 13.6" Brake Rotor (Aluminum Caliper)			SDR5651
	2014	Front-V8 - 5.7L Pursuit, Exc. High Performance Brakes; w/ 13.6" Brake Rotor (Aluminum Caliper)		PRT5651	
	2014	Front-V8 - 5.7L Pursuit, w/ High Performance Brakes; w/ 14.5" Brake Rotor (Cast Iron Caliper)			SDR6275
	2014	Front-V8 - 5.7L R/T		PRT5651	SDR5651
	2014	Front-V8 - 6.4L SRT8			SDR5733
	2013-12	Front-All R/T, 345mm Diameter		PRT5651	
	2013-12	Front-V6 - 3.6L Pursuit, 345mm Diameter		PRT5651	
	2013-12	Front-V8 - 5.7L Pursuit, 345mm Diameter		PRT5651	
	2013-12	Front-V8 - 5.7L SE, 345mm Diameter		PRT5651	
	2013-12	Front-V8 - 6.4L			SDR5733
	2013-11	Front-V6 - 3.6L 345mm Diameter			SDR5651
	2013-06	Front-V8 - 5.7L 345mm Diameter			SDR5651
	2013	Front-V6 - 3.6L SE, AWD, 345mm Diameter		PRT5651	
	2013	Front-V6 - 3.6L SE, RWD, 320mm Diameter		PRT5650	
	2013	Front-V6 - 3.6L SXT, AWD, 345mm Diameter		PRT5651	
	2012	Front-All SXT, AWD, 345mm Diameter		PRT5651	
	2012	Front-All SXT Plus, AWD		PRT5651	
	2012	Front-V6 - 3.6L SE, 320mm Diameter		PRT5650	
	2012	Front-V6 - 3.6L SXT Plus, RWD, 320mm Diameter		PRT5650	
	2011-06	Front-V8 - 5.7L 320mm Diameter		PRT5650	
	2011-06	Front-V8 - 5.7L 345mm Diameter		PRT5651	
	2011	Front-V6 - 3.6L 320mm Diameter		PRT5650	
	2011	Front-V6 - 3.6L 345mm Diameter		PRT5651	
	2010-06	Front-V6 - 2.7L 320mm Diameter		PRT5650	
	2010-06	Front-V6 - 2.7L 345mm Diameter		PRT5651	SDR5651
	2010-06	Front-V6 - 3.5L 320mm Diameter		PRT5650	
	2010-06	Front-V6 - 3.5L 345mm Diameter		PRT5651	SDR5651
	2010-06	Front-V8 - 6.1L		PRT5733	SDR5733
	1987-85	Front-All Shelby		PRT1379	
	1987-83	Front-All Base		PRT1268	

BENDIX BRAKE PARTS

PART TYPE	YEAR	APPLICATION	PREMIUM NO.	PART NO.	SEVERE DUTY NO.
Dodge (Cont'd.)					
Charger (Cont'd.)					
Disc Brake Rotor (cont'd)	1986-83	Front-All 2.2		PRT1268	
	1983	Front-All Shelby		PRT1266	
	2019-15	Rear-V8 - 6.2L		PRT5671	
	2019-15	Rear-V8 - 6.4L		PRT5671	
	2016-15	Rear-All			SDR5739
	2014-11	Rear-V6 - 3.6L VENTED, 350mm Diameter			SDR5739
	2014-06	Rear-V8 - 5.7L VENTED, 350mm Diameter			SDR5739
	2014	Rear-All Pursuit		PRT5739	
	2014	Rear-All R/T, VENTED, 320mm Diameter		PRT5568	
	2014	Rear-All SE		PRT5567	
	2014	Rear-All SRT8, 350mm, Slotted Rotor		PRT5671	
	2014	Rear-All SXT, AWD, VENTED, 320mm Diameter		PRT5568	
	2014	Rear-All SXT, RWD		PRT5567	
	2013-12	Rear-V8 - 6.4L 350mm, Slotted Rotor		PRT5671	SDR5671
	2013-11	Rear-V6 - 3.6L Solid Rotors		PRT5567	
	2013-11	Rear-V6 - 3.6L VENTED, 320mm Diameter		PRT5568	
	2013-11	Rear-V6 - 3.6L VENTED, 350mm Diameter		PRT5739	
	2013	Rear-V8 - 5.7L Pursuit, VENTED, 350mm Diameter		PRT5739	
	2013	Rear-V8 - 5.7L R/T, VENTED, 320mm Diameter		PRT5568	
	2013	Rear-V8 - 5.7L SE		PRT5739	
	2012-06	Rear-V8 - 5.7L Solid Rotors		PRT5567	
	2012-06	Rear-V8 - 5.7L VENTED, 320mm Diameter		PRT5568	
	2012-06	Rear-V8 - 5.7L VENTED, 350mm Diameter		PRT5739	
	2010-06	Rear-V6 - 2.7L Solid Rotors		PRT5567	
	2010-06	Rear-V6 - 2.7L VENTED, 350mm Diameter		PRT5739	SDR5739
	2010-06	Rear-V6 - 3.5L Solid Rotors		PRT5567	
	2010-06	Rear-V6 - 3.5L VENTED, 320mm Diameter		PRT5568	
	2010-06	Rear-V6 - 3.5L VENTED, 350mm Diameter		PRT5739	SDR5739
	2010-06	Rear-V8 - 6.1L 350mm, Slotted Rotor		PRT5671	SDR5671
	2007-06	Rear-All SRT8		PRT5671	
	2007-06	Rear-V8 - 6.1L		PRT6293	
Disc Brake Rotor and Hub Assembly	1978-75	Front-All From 12/01/1975		PRT1132	
	1975-73	Front-All To 12/01/1975		PRT1145	
Brake Drum	1972-66	Front-All 11 x 3" Brakes		PDR0019	
	1970	Front-All Plain drum		PDR0018	
	1969-67	Front-All Cast drum		PDR0018	
	1987-85	Rear-All Shelby		PDR0489	
	1978-75	Rear-All 10" Brakes		PDR0556	
	1978-66	Rear-All 11" Brakes		PDR0365	
	1973-66	Rear-All 10" Brakes		PDR0182	
Colt					
Disc Brake Pad Set	1995	Front-All Hardware Included		SBC602	
	1994-93	Front-L4 - 1.5L Hardware Included		SBC602	
	1994-93	Front-L4 - 1.8L Hardware Included		SBC602	
	1994-93	Front-L4 - 2.4L Hardware Included		SBC484	
	1992	Front-L4 - 1.5L Base, Hardware Included		SBC602	
	1992	Front-L4 - 1.5L GL, Hardware Included		SBC602	
	1991	Front-All Hatchback, Hardware Included		SBC602	
	1991	Front-All Sedan, Hardware Not Included		SBC299	
	1991	Front-All Wagon, Hardware Not Included		SBC328	
	1990-89	Front-L4 - 1.5L Base, 2 Doors, Hatchback, Hardware Not Included		SBC299	
	1990-89	Front-L4 - 1.5L DL, Wagon, 4WD, Hardware Not Included		SBC328	
	1990-89	Front-L4 - 1.5L DL, Wagon, FWD, Hardware Not Included		SBC299	
	1990-89	Front-L4 - 1.5L GT, 2 Doors, Hatchback, Hardware Not Included		SBC299	
	1990-89	Front-L4 - 1.6L GT, 2 Doors, Hatchback, Hardware Not Included		SBC328	
	1990-89	Front-L4 - 1.8L DL, Wagon, 4WD, Hardware Not Included		SBC328	
	1990-89	Front-L4 - 1.8L DL, Wagon, FWD, Hardware Not Included		SBC299	
	1990-89	Front-L4 - 2.0L Vista, 4 Doors, Wagon, FWD, Hardware Not Included		SBC299	
	1990-85	Front-L4 - 1.5L Hardware Not Included		SBC299	
	1990	Front-L4 - 1.5L GL, 2 Doors, Hatchback, Hardware Not Included		SBC299	
	1989	Front-L4 - 1.5L E, 2 Doors, Hatchback, Hardware Not Included		SBC299	
	1988	Front-L4 - 1.6L Hardware Not Included		SBC328	
	1988	Front-L4 - 2.0L Hardware Not Included		SBC328	
	1987	Front-L4 - 1.6L Premier, Hardware Not Included		SBC328	
	1987	Front-L4 - 2.0L Vista, Hardware Not Included		SBC328	
	1986-85	Front-L4 - 1.6L Hardware Not Included		SBC328	
	1986-85	Front-L4 - 2.0L Hardware Not Included		SBC328	
	1990-89	Rear-L4 - 1.5L Hardware Not Included		SBC329	
	1990-89	Rear-L4 - 1.6L Hardware Not Included		SBC329	

BENDIX BRAKE PARTS

PART TYPE	YEAR	APPLICATION	PREMIUM NO.	PART NO.	SEVERE DUTY NO.
Dodge (Cont'd.)					
Colt (Cont'd.)					
Disc Brake Pad Set (cont'd)	1990-89	Rear-L4 - 2.0L Hardware Not Included		SBC329	
Drum Brake Shoe	1995	Rear-All		677	
	1995	Rear-All In Supersession Process, Exhaust Current Inventory		610	
	1994-93	Rear-All 2 Doors, Sedan		644	
	1994-93	Rear-All 4 Doors		677	
	1994-93	Rear-All 4 Doors, In Supersession Process, Exhaust Current Inventory		610	
	1992	Rear-All		644	
	1991	Rear-All w/ 7.09" X 1.38" Brakes		558	
	1990-88	Rear-All 2 Doors, Hatchback		558	
	1988	Rear-All 4 Doors, Sedan		558	
	1987-85	Rear-All		558	
Parking Brake Shoe	1994-93	Rear-All w/ 6.69" X 1.25" Brakes		673	
	1994-93	Rear-All w/ 6.69" X 1.25" Brakes		864	
Disc Brake Rotor	1995-93	Front-L4 - 1.5L Solid Rotors		PRT1847	
	1995-93	Front-L4 - 1.5L Vented Rotors		PRT1848	
	1994-93	Front-L4 - 1.8L Solid Rotors		PRT1847	
	1994-93	Front-L4 - 1.8L Vented Rotors		PRT1848	
	1992-91	Front-L4 - 1.5L Solid Rotors; Solid		PRT1557	
	1992-91	Front-L4 - 1.5L Vented Rotors; Vented		PRT1609	
	1991-85	Front-L4 - 2.0L 4WD, Vented; 266.2mm		PRT1320	
	1991-85	Front-L4 - 2.0L FWD		PRT1324	
	1990-89	Front-L4 - 1.8L Solid Rotors		PRT1323	
	1990-89	Front-L4 - 1.8L Vented Rotors		PRT1324	
	1990-85	Front-L4 - 1.5L Solid Rotors		PRT1323	
	1990-85	Front-L4 - 1.5L Vented Rotors		PRT1324	
	1990-85	Front-L4 - 1.6L Solid Rotors		PRT1323	
	1990-84	Front-L4 - 1.6L Vented Rotors		PRT1324	
	1984	Front-L4 - 1.4L Solid Rotors; Solid; 229mm		PRT1291	
	1984	Front-L4 - 1.4L Vented Rotors		PRT1324	
	1984	Front-L4 - 1.6L Solid Rotors; Solid; 229mm		PRT1291	
	1983-81	Front-All Solid; 229mm		PRT1291	
	1980	Front-All Hatchback, FWD, Solid; 229mm		PRT1291	
	1979-71	Front-All		PRT1116	
	1994-93	Rear-All 2 Doors, Sedan		PRT1852	
	1994-93	Rear-All 4 Doors, Sedan		PRT1852	
	1994-93	Rear-All Wagon		PRT1708	
	1990-89	Rear-L4 - 1.5L		PRT1512	
	1990-89	Rear-L4 - 1.6L		PRT1512	
	1990-89	Rear-L4 - 1.8L		PRT1512	
Brake Drum	1994-93	Rear-All 2 Doors, Sedan		PDR0637	
	1994-93	Rear-All 4 Doors, Sedan		PDR0636	
	1994-93	Rear-All Wagon		PDR0566	
	1992	Rear-L4 - 1.5L Hatchback		PDR0612	
	1992	Rear-L4 - 1.5L Sedan		PDR0612	
	1991-90	Rear-L4 - 2.0L Vista, 4WD		PDR0349 ⁴⁸	
	1991-90	Rear-L4 - 2.0L Vista, 4WD		PDR0644 ⁴⁸	
	1991-90	Rear-L4 - 2.0L Vista, FWD		PDR0462	
	1991	Rear-L4 - 1.5L Base, USA Built Vehicle		PDR0612	
	1991	Rear-L4 - 1.5L GL, USA Built Vehicle		PDR0612	
	1991	Rear-L4 - 1.5L TMMC Plant Built		PDR0549	
	1990	Rear-L4 - 1.5L		PDR0549	
	1990	Rear-L4 - 1.5L DL		PDR0462	
	1990	Rear-L4 - 1.6L		PDR0549	
	1990	Rear-L4 - 1.8L		PDR0549	
	1989-88	Rear-All Vista, 4WD		PDR0349 ⁴⁸	
	1989-88	Rear-All Vista, 4WD		PDR0644 ⁴⁸	
	1989-85	Rear-All Vista, FWD		PDR0462	
	1989	Rear-L4 - 1.5L		PDR0465	
	1989	Rear-L4 - 1.6L		PDR0465	
	1989	Rear-L4 - 1.8L		PDR0465	
	1988	Rear-All DL, Hatchback		PDR0549	
	1988	Rear-All DL, Sedan		PDR0549	
	1988	Rear-All DL, Wagon		PDR0462	
	1988	Rear-All E, Hatchback		PDR0549	
	1988	Rear-All E, Sedan		PDR0549	
	1988	Rear-All Premier, Sedan		PDR0549	
	1987-85	Rear-All DL		PDR0549	
	1987-85	Rear-All E		PDR0549	
	1987-85	Rear-All Premier		PDR0549	
	1986	Rear-All Vista Custom, FWD		PDR0462	
	1985	Rear-All Vista, 4WD		PDR0644	
	1984-81	Rear-All		PDR0401	
	1980	Rear-All Hatchback		PDR0401	

48 Sell out and reorder PDR0644

BENDIX BRAKE PARTS

PART TYPE	YEAR	APPLICATION	PREMIUM NO.	PART NO.	SEVERE DUTY NO.
Dodge (Cont'd.)					
Colt (Cont'd.)					
Brake Drum (cont'd)	1974-73	Rear-All 9" x 1 9/16" Brakes		PDR0349 ⁴⁸	
	1974-73	Rear-All 9" x 1 9/16" Brakes		PDR0644 ⁴⁸	
Conquest					
Disc Brake Rotor	1986-85	Front-All 4 stud		PRT1322	
	1984	Front-All		PRT1322	
	1986-84	Rear-All 5 Holes; 5 STUD		PRT1325	
	1984	Rear-All		PRT1326	
Coronet					
Drum Brake Shoe	1972-70	Front-All w/ 10" X 2-1/2" Brakes		333	
	1969	Front-All 2 Doors, Convertible, w/ 10" X 2-1/2" Brakes		333	
	1969	Front-All 2 Doors, Hardtop, w/ 10" X 2-1/2" Brakes		333	
	1969	Front-All 4 Doors, Sedan, w/ 10" X 2-1/2" Brakes		333	
	1969	Front-All 4 Doors, Wagon, w/ 10" X 2-1/2" Brakes		169	
	1968-65	Front-All w/ 10" X 2-1/2" Brakes		169	
	1976-71	Rear-All w/ 10" X 2-1/2" Brakes		445	
	1976-71	Rear-All w/ 11" X 2.49" Brakes		446	
	1969	Rear-All Early		169	
	1969	Rear-All Front Drum, w/ 10" X 1-3/4" Brakes		331	
	1969	Rear-All Late		333	
	1968	Rear-All w/ 10" X 2-1/2" Rear Brakes		169	
	1967-65	Rear-All w/ 10" X 2-1/2" Brakes		169	
Disc Brake Rotor	1970	Front-All		PRT1047	
Disc Brake Rotor and Hub Assembly	1976	Front-All		PRT1132	
	1975-73	Front-All		PRT1145	
Brake Drum	1970-66	Front-All		PDR0019	
	1970	Front-All Plain drum		PDR0018	
	1969-67	Front-All Cast drum		PDR0018	
	1976-75	Rear-All 10" Brakes		PDR0556	
	1976-70	Rear-All 11" Brakes		PDR0365	
	1974-65	Rear-All 10 x 2 1/2" Brakes		PDR0182	
D50					
Disc Brake Rotor	1982	Front-All 4WD		PRT1290	
	1982	Front-All RWD		PRT1205	
	1981-79	Front-All		PRT1205	
D100					
Disc Brake Pad Set	1989-88	Front-All w/ 3,300, 3,600 Lb. Front Axle Rating		SBM86	MKD86FM
	1987-85	Front-All Hardware Included			MKD86FM
	1987-85	Front-All Hardware Not Included		SBM86	
	1979-75	Front-All Hardware Included			MKD86FM
	1979-75	Front-All Hardware Not Included		SBM86	
Drum Brake Shoe	1989-86	Rear-All w/ 11" X 2-1/2" Brakes		446	
	1979-75	Rear-All w/ 10" X 2-1/2" Brakes		445	
	1979-75	Rear-All w/ 11" X 2-1/2" Brakes		446	
Disc Brake Rotor and Hub Assembly	1989-85	Front-All		PRT1381	
	1979-75	Front-All		PRT1072	
Brake Drum	1989-85	Rear-All 279.4mm		PDR0490	
	1979-75	Rear-All 10 x 2 1/2" Brakes w/10" Drum, Fined		PDR0556	
	1979-75	Rear-All 10 x 2 1/2" Brakes w/10" Drum, Plain		PDR0182	
	1979-75	Rear-All 11 x 2 1/2" Brakes		PDR0365	
D100 Pickup					
Disc Brake Pad Set	1974-73	Front-All Hardware Included			MKD86FM
	1974-73	Front-All Hardware Not Included		SBM86	
Drum Brake Shoe	1972-68	Front-All		263	
	1959	Front-All w/ 11" X 2.31" Brakes		263	
	1974-73	Rear-All w/ 10" X 2-1/2" Brakes		445	
	1974	Rear-All w/ 11" X 2-1/2" Brakes		446	
	1972-70	Rear-All		333	
Disc Brake Rotor and Hub Assembly	1974-73	Front-All		PRT1072	
Brake Drum	1972	Front-All		PDR0017	
	1974	Rear-All 10 x 2 1/2" Brakes w/10" Drum, Fined		PDR0556	
	1974	Rear-All 10 x 2 1/2" Brakes w/10" Drum, Plain		PDR0182	
	1974	Rear-All 11 x 2 1/2" Brakes		PDR0365	
	1973-70	Rear-All		PDR0182	
	1969	Rear-All		PDR0187	
D100 Series					
Drum Brake Shoe	1967-65	Front-All		263	
	1964-60	Front-All w/ 11" X 2.31" Brakes		263	
D150					
Disc Brake Pad Set	1993-90	Front-All Hardware Included			MKD86FM

48 Sell out and reorder PDR0644

BENDIX BRAKE PARTS

PART TYPE	YEAR	APPLICATION	PREMIUM NO.	PART NO.	SEVERE DUTY NO.
Dodge (Cont'd.)					
D150 (Cont'd.)					
Disc Brake Pad Set (cont'd)	1993-90	Front-All Hardware Not Included		SBM86	
	1989-88	Front-All w/ 3,300, 3,600 Lb. Front Axle Rating		SBM86	MKD86FM
	1987-77	Front-All Hardware Included			MKD86FM
	1987-77	Front-All Hardware Not Included		SBM86	
Drum Brake Shoe	1993-84	Rear-All w/ 12" X 2-1/2" Brakes		357	
	1993-84	Rear-All w/ 12" X 3" Brakes		358	
	1993-77	Rear-All w/ 11" X 2-1/2" Brakes		446	
	1983-77	Rear-All w/ 10" X 2-1/2" Brakes		445	
Disc Brake Rotor and Hub Assembly	1993-85	Front-All		PRT1381	
	1984-82	Front-All		PRT1146	
	1981-77	Front-All		PRT1072	
Brake Drum	1993-85	Rear-All 279.4mm		PDR0490	
	1984-77	Rear-All 10 x 2 1/2" Brakes w/10" Drum, Finned		PDR0556	
	1984-77	Rear-All 10 x 2 1/2" Brakes w/10" Drum, Plain		PDR0182	
	1984-77	Rear-All 11 x 2 1/2" Brakes with 11" Drum		PDR0365	
D200					
Disc Brake Pad Set	1980	Front-All RWD, Hardware Included			MKD86FM
	1980	Front-All RWD, Hardware Not Included		SBM86	
	1979-75	Front-All Hardware Included			MKD86FM
	1979-75	Front-All Hardware Not Included		SBM86	
Drum Brake Shoe	1980-75	Rear-All w/ 12" X 2-1/2" Brakes		357	
	1980-75	Rear-All w/ 12" X 3" Brakes		358	
Disc Brake Rotor	1980	Front-L6 - 3.7L 4,000 Lbs. Front Axle		PRT1193	
	1980	Front-L6 - 4.0L		PRT1663	
	1980	Front-V8 - 5.2L 4,000 Lbs. Front Axle		PRT1193	
	1980	Front-V8 - 5.9L 4,000 Lbs. Front Axle		PRT1193	
	1978	Front-All 4,000 Lbs. Front Axle		PRT1193	
	1977-75	Front-All 3,300 Lbs. Front Axle (Dual Rear Wheels)		PRT1089	
	1977-75	Front-All 3,800 Lbs. Front Axle		PRT1193	
	1979	Front-All w/ 3,300 lb Front Axle		PRT1382	
Disc Brake Rotor and Hub Assembly	1977-75	Front-All 3,300 Lbs. Front Axle (Single Rear Wheels)		PRT1076	
	1979	Front-All w/ 3,300 lb Front Axle		PRT1382	
Brake Drum	1980-75	Rear-All 12 x 2 1/2" Brakes		PDR0267	
	1980-75	Rear-All 12 x 3" Brakes; 304.9mm		PDR0264	
D200 Pickup					
Disc Brake Pad Set	1974-73	Front-All Hardware Included			MKD86FM
	1974-73	Front-All Hardware Not Included		SBM86	
Drum Brake Shoe	1972	Front-All w/ 12" X 2-1/2" Brakes		357	
	1972	Front-All w/ 12" X 3.02" Brakes		358	
	1974-72	Rear-All w/ 12" X 2-1/2" Brakes		357	
	1972	Rear-All w/ 12" X 3.02" Brakes		358	
Disc Brake Rotor	1974-73	Front-All 3,800 Lbs. Front Axle		PRT1193	
	1974	Front-All 3,300 Lbs. Front Axle (Dual Rear Wheels)		PRT1089	
Disc Brake Rotor and Hub Assembly	1974	Front-All 3,300 Lbs. Front Axle (Single Rear Wheels)		PRT1076	
	1973	Front-All		PRT1076	
Brake Drum	1973-72	Front-All 12 x 2 1/2" Brakes		PDR0312	
	1974-72	Rear-All 12 x 2 1/2" Brakes		PDR0267	
	1974-72	Rear-All 12 x 3" Brakes; 304.9mm		PDR0264	
	1973	Rear-All Budd type		PDR0181	
	1970-68	Rear-All		PDR0181	
D200 Series					
Brake Drum	1967-61	Rear-All		PDR0181	
D250					
Disc Brake Pad Set	1993-90	Front-All Hardware Included			MKD86FM
	1993-90	Front-All Hardware Not Included		SBM86	
	1989-88	Front-All w/ 3,300 Lb. Front Axle Rating		SBM86	MKD86FM
	1987-82	Front-All Hardware Included			MKD86FM
	1987-82	Front-All Hardware Not Included		SBM86	
	1981	Front-All RWD, Hardware Included			MKD86FM
	1981	Front-All RWD, Hardware Not Included		SBM86	
	1981	Front-All RWD, Hardware Not Included		SBM86	
Drum Brake Shoe	1993-84	Rear-All w/ 12" X 2-1/2" Brakes		357	
	1993-81	Rear-All w/ 12" X 3.02" Brakes		358	
	1983-81	Rear-All w/ 12" X 2.52" Brakes		357	
Disc Brake Rotor	1993-89	Front-L6 - 5.9L DIESEL		PRT1663	
Disc Brake Rotor and Hub Assembly	1993-89	Front-V6 - 3.9L GAS		PRT1382	
	1993-89	Front-V8 - 5.2L GAS		PRT1382	
	1993-89	Front-V8 - 5.9L GAS		PRT1382	
	1988-81	Front-All		PRT1382	
Brake Drum	1993-85	Rear-All 11 x 2 1/2" Brakes; 279.4mm		PDR0490	
	1993-83	Rear-All 12 x 2 1/2" Brakes (Semi Floating Rear Axle)		PDR0547	
	1993-81	Rear-All 12 x 2 1/2" Brakes (Full Floating Rear Axle)		PDR0267	

BENDIX BRAKE PARTS

PART TYPE	YEAR	APPLICATION	PREMIUM NO.	PART NO.	SEVERE DUTY NO.
Dodge (Cont'd.)					
D250 (Cont'd.)					
Brake Drum (cont'd)	1993-81	Rear-All 12 x 3" Brakes; 304.9mm		PDR0264	
D300					
Disc Brake Pad Set	1980-75	Front-All Hardware Included			MKD86FM
	1980-75	Front-All Hardware Not Included		SBM86	
Drum Brake Shoe	1980-78	Rear-All w/ 12" X 2-1/2" Brakes		357	
	1980-78	Rear-All w/ 12" X 3" Brakes		358	
	1977-75	Rear-All w/ 12" X 3.02" Brakes		358	
Disc Brake Rotor	1980-78	Front-All Single Rear Wheels		PRT1193	
	1980-75	Front-All Dual Rear Wheels		PRT1089	
	1977-75	Front-All 3,800 Lbs. Front Axle		PRT1193	
Disc Brake Rotor and Hub Assembly	1977-75	Front-All Single Rear Wheels (3300# Front Axle)		PRT1076	
Brake Drum	1980-75	Rear-All 12 x 2 1/2" Brakes		PDR0267	
	1980-75	Rear-All 12 x 3" Brakes; 304.9mm		PDR0264	
D300 Pickup					
Disc Brake Pad Set	1974-73	Front-All Hardware Included			MKD86FM
	1974-73	Front-All Hardware Not Included		SBM86	
Drum Brake Shoe	1973-72	Front-All w/ 12" X 3.02" Brakes		358	
	1974-72	Rear-All w/ 12" X 3.02" Brakes		358	
Disc Brake Rotor	1974-73	Front-All 3,800 Lbs. Front Axle		PRT1193	
	1974	Front-All Dual Rear Wheels		PRT1089	
	1972	Front-All		PRT1193	
Disc Brake Rotor and Hub Assembly	1974	Front-All Single Rear Wheels (3300# Front Axle)		PRT1076	
Brake Drum	1974-72	Rear-All 12 x 2 1/2" Brakes		PDR0267	
	1974-72	Rear-All 12 x 3" Brakes; 304.9mm		PDR0264	
D350					
Disc Brake Pad Set	1993-81	Front-All Hardware Included			MKD86FM
	1993-81	Front-All Hardware Not Included		SBM86	
Drum Brake Shoe	1993-81	Rear-All w/ 12" X 2-1/2" Brakes		357	
	1993-81	Rear-All w/ 12" X 3" Brakes		358	
Disc Brake Rotor	1993-90	Front-All w/Single Rear Wheels		PRT1663	
	1993-81	Front-All w/Dual Rear Wheels		PRT1089	
	1981	Front-All Single Rear Wheels		PRT1193	
Disc Brake Rotor and Hub Assembly	1989-82	Front-All Single Rear Wheels		PRT1382	
Brake Drum	1993-85	Rear-All 11 x 2 1/2" Brakes; 279.4mm		PDR0490	
	1993-85	Rear-All 12 x 2 1/2" Brakes (Semi Floating Rear Axle)		PDR0547	
	1993-81	Rear-All 12 x 2 1/2" Brakes (Full Floating Rear Axle)		PDR0267	
	1993-81	Rear-All 12 x 3" Brakes; 304.9mm		PDR0264	
D400					
Disc Brake Pad Set	1981-78	Front-All Hardware Included	CFM149		MKD149FM
	1981-78	Front-All Hardware Not Included		SBM149	
	1980-79	Rear-All Hardware Included	CFM149		MKD149FM
	1980-79	Rear-All Hardware Not Included		SBM149	
Drum Brake Shoe	1981-78	Rear-All w/ 12" X 3.02" Brakes		358	
Disc Brake Rotor	1981-80	Front-All		PRT1089	
Brake Drum	1981-80	Rear-All 12 x 2 1/2" Brakes		PDR0267	
	1981-80	Rear-All 12 x 3" Brakes; 304.9mm		PDR0264	
D450					
Disc Brake Pad Set	1981	Front-All Hardware Included			MKD86FM
	1981	Front-All Hardware Not Included		SBM86	
	1980-78	Front-All Hardware Included	CFM149		MKD149FM
	1980-78	Front-All Hardware Not Included		SBM149	
	1980-79	Rear-All Hardware Included	CFM149		MKD149FM
	1980-79	Rear-All Hardware Not Included		SBM149	
Drum Brake Shoe	1981-78	Rear-All w/ 12" X 3.02" Brakes		358	
Disc Brake Rotor	1981-80	Front-All		PRT1089	
Brake Drum	1981-80	Rear-All 12 x 2 1/2" Brakes		PDR0267	
	1981-80	Rear-All 12 x 3" Brakes; 304.9mm		PDR0264	
Dakota					
Disc Brake Pad Set	2010-09	Front-All w/ 5 Lug Wheels		SBM1084	
	2010-09	Front-All w/ 5 Lug Wheels	CFM1084	SBC1084	MKD1084FM
	2008	Front-V6 - 3.7L w/ 5 Lug Wheels		SBM1084	
	2008	Front-V6 - 3.7L w/ 5 Lug Wheels	CFM1084	SBC1084	MKD1084FM
	2008	Front-V8 - 4.7L w/ 5 Lug Wheels		SBM1084	
	2008	Front-V8 - 4.7L w/ 5 Lug Wheels	CFM1084	SBC1084	MKD1084FM
	2007-06	Front-All w/ 5 Lug Wheels		SBM1084	
	2007-06	Front-All w/ 5 Lug Wheels	CFM1084	SBC1084	MKD1084FM
	2005	Front-V6 - 3.7L w/ 5 Lug Wheels		SBM1084	
	2005	Front-V6 - 3.7L w/ 5 Lug Wheels	CFM1084	SBC1084	MKD1084FM
	2005	Front-V8 - 4.7L w/ 5 Lug Wheels		SBM1084	
	2005	Front-V8 - 4.7L w/ 5 Lug Wheels	CFM1084	SBC1084	MKD1084FM

BENDIX BRAKE PARTS

PART TYPE	YEAR	APPLICATION	PREMIUM NO.	PART NO.	SEVERE DUTY NO.	
Dodge (Cont'd.)						
Dakota (Cont'd.)						
Disc Brake Pad Set (cont'd)	2004-03	Front-All Hardware Included	CFC962	SBC962	MKD962FM	
	2002-00	Front-All Hardware Included		SBC820	MKD820FM	
	1999	Front-All Hardware Included		SBM746		
	1998-97	Front-All w/ Anti-Rattle Clips		SBM529		
	1996	Front-L4 - 2.5L w/ Anti-Rattle Clips		SBM529		
	1996	Front-V6 - 3.9L w/ Anti-Rattle Clips		SBM529		
	1996	Front-V8 - 5.2L w/ Anti-Rattle Clips		SBM529		
	1995	Front-All 4WD, w/ Anti-Rattle Clips		SBM529		
	1994-91	Front-All w/ Anti-Rattle Clips		SBM529		
	1990-87	Front-All 4WD, Hardware Not Included		SBM344A		
	1990-87	Front-All RWD, Hardware Not Included		SBM344		
	2005	Rear-All Hardware Included	CFM740			
	2005	Rear-All Hardware Not Included		SBM740		
	2004-03	Rear-All Hardware Included		SBC963	MKD963FM	
	Drum Brake Shoe	2010-07	Rear-All w/ 11.6" X 2.43" Brakes		922	
		2006-05	Rear-All		922	
		2004-03	Rear-All		723	
		2002-00	Rear-All w/ 11" Brakes		723	
		2002-87	Rear-All w/ 9" Brakes		538	
		1999-87	Rear-All w/ 10" Brakes		445	
Parking Brake Shoe		2004-03	Rear-All		803	
		Disc Brake Rotor	2011-05	Front-All	PRT5617	
Disc Brake Rotor	2004-03	Front-All		PRT5454		
	2002-97	Front-All		PRT5147		
	1996-91	Front-All 4WD, Vented; 287.4mm		PRT1577		
	1990-87	Front-All 4WD, Vented; 287.8mm		PRT1389		
	2004-03	Rear-All Rear Disc		PRT5420		
	Disc Brake Rotor and Hub Assembly	1996-93	Front-All RWD, 2-Wheel ABS, 287.5mm		PRT1578	
1996-93		Front-All RWD, (4-Wheel Anti-Lock Brakes)		PRT1925		
1992-91		Front-All RWD, 287.5mm		PRT1578		
1990-89		Front-All RWD, 290mm		PRT1498		
1988-87		Front-All RWD, (14" Wheels); 271.5mm		PRT1415		
1988-87		Front-All RWD, (15" Wheels); 290mm		PRT1498		
Brake Drum	2011-05	Rear-All		PDR0811		
	2004-03	Rear-All Rear Drum		PDR0763		
	2002-00	Rear-All 11" Brakes		PDR0708		
	2002-91	Rear-All 9" Brakes; 228.5mm		PDR0597		
	1999	Rear-All 10" Brakes; 254mm		PDR0725		
	1998-91	Rear-All 10" Brakes		PDR0602		
	1990-87	Rear-All 9" Brakes; 228.5mm		PDR0499		
	1990-87	Rear-All 10" Brakes		PDR0556		
	Dart					
Disc Brake Pad Set	2016	Front-All w/ Brake Code BRD	CFC1640K1	SBC1640K1		
	2016	Front-All w/ Brake Code BRT	CFC1640K2	SBC1640K2		
	2015-13	Front-All Hardware Included	CFC1640K1	SBC1640K1		
	1984	Front-All w/ 200mm Rear Brakes		SBM170		
	1984	Front-All w/ 220mm Rear Brakes		SBM220		
	1976-73	Front-All Hardware Not Included		SBM84		
	1972-65	Front-All Hardware Not Included		SBC11		
	2016-13	Rear-All Hardware Included	CFC1647	SBC1647		
	Drum Brake Shoe	1976	Front-All		445	
		1975-73	Front-All w/ 10" X 2-1/2" Brakes		333	
1972-65		Front-All w/ 10" X 2-1/4" Brakes		332		
1962		Front-All w/ 10" X 2-1/2" Brakes		169		
1962		Front-All w/ 10" X 2-1/4" Brakes		332		
1976		Rear-All w/ 10" X 2.52" Brakes		445		
1975-73		Rear-All Front Disc		333		
1972-66		Rear-All w/ 10" X 1-3/4" Brakes		331		
1965		Rear-All w/ 10" X 1.75" Brakes		331		
1962		Rear-All 4 Doors, Wagon, w/ 10" X 2-1/2" Brakes		169		
1962		Rear-All Exc. Wagon		331		
Disc Brake Rotor		2016-13	Front-All		PRT6179	
	1972-65	Front-All Front disc brakes		PRT1054		
	2016-13	Rear-All		PRT6180		
Disc Brake Rotor and Hub Assembly	1976-73	Front-All		PRT1145		
	Brake Drum	1972-65	Front-All 10 x 2 1/4" Brakes		PDR0174	
1970-63		Front-All 9 x 2 1/2" Brakes- plain drum		PDR0178		
1962		Front-All w/ Serrated wheel bolt		PDR0163		
1976-75		Rear-All		PDR0556		
1974-73		Rear-All		PDR0182		
1969-63		Rear-All		PDR0179		
1962		Rear-All w/ Plain wheel bolt		PDR0182		

BENDIX BRAKE PARTS

PART TYPE	YEAR	APPLICATION	PREMIUM NO.	PART NO.	SEVERE DUTY NO.
Dodge (Cont'd.)					
Dart (Cont'd.)					
Brake Drum (cont'd)	1962	Rear-All w/ Serrated wheel bolt		PDR0163	
Daytona					
Disc Brake Pad Set	1993-91	Front-All Rear Disc, w/ 15", 16" Wheels		SBM522	
	1993-91	Front-All Rear Drum, w/ 14" Wheels		SBC521	
	1990-89	Front-All Hardware Not Included		SBM219	
	1988	Front-L4 - 2.2L Exc. Performance Package		SBM219	
	1988	Front-L4 - 2.5L Hardware Not Included		SBM219	
	1987	Front-L4 - 2.2L Base, Hardware Not Included		SBM220	
	1987	Front-L4 - 2.2L Pacifica, Hardware Not Included		SBM219	
	1987	Front-L4 - 2.2L Shelby Z, Hardware Not Included		SBM219	
	1987	Front-L4 - 2.5L Hardware Not Included		SBM220	
	1986-85	Front-All Exc. Brake Pad Wear Indicator		SBM220	
	1986-85	Front-All w/ Brake Pad Wear Indicator		SBM219	
	1984	Front-All Hardware Not Included		SBM219	
	1993-92	Rear-L4 - 2.2L Iroc R/T, Turbocharged, GAS, Hardware Included		SBM415	
	1993-91	Rear-L4 - 2.5L Base, Naturally Aspirated, GAS, Hardware Included		SBM415	
	1993-91	Rear-L4 - 2.5L ES, Naturally Aspirated, GAS, Hardware Included		SBM415	
	1993-91	Rear-V6 - 3.0L Base, Naturally Aspirated, GAS, Hardware Included		SBM415	
	1993-91	Rear-V6 - 3.0L ES, Naturally Aspirated, GAS, Hardware Included		SBM415	
	1993-91	Rear-V6 - 3.0L Iroc, Naturally Aspirated, GAS, Hardware Included		SBM415	
	1992-91	Rear-L4 - 2.5L Iroc, Turbocharged, GAS, Hardware Included		SBM415	
	1991	Rear-L4 - 2.5L Shelby, Turbocharged, GAS, Hardware Included		SBM415	
	1990	Rear-L4 - 2.2L Hardware Included		SBM415	
	1990	Rear-L4 - 2.5L Hardware Included		SBM415	
	1989	Rear-All Hardware Included		SBM415	
Drum Brake Shoe	1993-91	Rear-All w/ 14" Wheels		520	
	1990-89	Rear-All w/ 7.87" X 1.34" Brakes		519	
	1988-84	Rear-All w/ 8.66" X 1.65" Brakes		520	
Parking Brake Shoe	1993	Rear-All w/ 6.77" X 0.87" Brakes		643	
	1992-91	Rear-All w/ 14" Wheels		643	
	1990-89	Rear-All w/ 6.77" X 0.87" Brakes		643	
Disc Brake Rotor	1993-89	Front-All Rear Disc, 11" Diameter Rotor		PRT1534	
	1993-89	Front-All Rear Drum, (10.25" diameter rotor)		PRT1379	
	1988-87	Front-All Base		PRT1379	
	1988-87	Front-All Pacifica		PRT1379	
	1988-87	Front-All Shelby Z		PRT1379	
	1986-85	Front-All 5 Stud Rotor		PRT1379	
	1993-92	Rear-All Solid Rotor		PRT1532	
	1993-92	Rear-All Vented Rotors		PRT1533	
	1991-89	Rear-All Rear Disc, 14" & 15" wheels (solid)		PRT1532	
	1991-89	Rear-All W/ 16" wheels (vented)		PRT1533	
	1988-87	Rear-All Rear Disc		PRT1388	
Brake Drum	1993-92	Rear-All		PDR0489	
	1991-89	Rear-All Rear Drum		PDR0558	
	1988-87	Rear-All Rear Drum		PDR0489	
	1986-85	Rear-All 4 Stud Rotor		PDR0410	
	1986-85	Rear-All 5 Stud Rotor		PDR0489	
	1984	Rear-All		PDR0410	
Diplomat					
Disc Brake Pad Set	1989-77	Front-All Hardware Not Included		SBM84	
Drum Brake Shoe	1989-77	Rear-All Exc. Police Car Or Taxi		445	
	1989-77	Rear-All Police Car And Taxi		446	
Disc Brake Rotor and Hub Assembly	1989-77	Front-All		PRT1145	
Brake Drum	1989-77	Rear-All 10 x 2 1/2" Brakes (Finned)		PDR0556	
	1989-77	Rear-All 10 x 2 1/2" Brakes w/10" Drum, Plain		PDR0182	
	1989-77	Rear-All 11 x 2 1/2" Brakes		PDR0365	
Durango					
Disc Brake Pad Set	2019-18	Front-All Citadel, w/ Heavy Duty Brakes		SBM1904	
	2019-18	Front-All Citadel, w/ Heavy Duty Brakes	CFM1904		
	2019-18	Front-All Citadel, w/ Heavy Duty Brakes	CFC1904A	SBC1904A	MKD1904AFM
	2019-18	Front-All Citadel, w/ Heavy Duty Brakes			MKD1904FM
	2019-18	Front-All Citadel, w/o Heavy Duty Brakes	CFC1904A	SBC1904A	MKD1904AFM
	2019-18	Front-All GT, w/ Heavy Duty Brakes		SBM1904	
	2019-18	Front-All GT, w/ Heavy Duty Brakes	CFM1904		
	2019-18	Front-All GT, w/ Heavy Duty Brakes	CFC1904A	SBC1904A	MKD1904AFM
	2019-18	Front-All GT, w/ Heavy Duty Brakes			MKD1904FM
	2019-18	Front-All GT, w/o Heavy Duty Brakes	CFC1904A	SBC1904A	MKD1904AFM

BENDIX BRAKE PARTS

PART TYPE	YEAR	APPLICATION	PREMIUM NO.	PART NO.	SEVERE DUTY NO.
Dodge (Cont'd.)					
Durango (Cont'd.)					
Disc Brake Pad Set (cont'd)	2019-18	Front-All Pursuit, w/ BR6 Brake Code	CFC1904A	SBC1904A	MKD1904AFM
	2019-18	Front-All Pursuit, w/ BR8 Brake Code	CFM1904	SBM1904	MKD1904FM
	2019-18	Front-All R/T, w/ Heavy Duty Brakes		SBM1904	
	2019-18	Front-All R/T, w/ Heavy Duty Brakes	CFM1904		
	2019-18	Front-All R/T, w/ Heavy Duty Brakes	CFC1904A	SBC1904A	MKD1904AFM
	2019-18	Front-All R/T, w/ Heavy Duty Brakes			MKD1904FM
	2019-18	Front-All R/T, w/o Heavy Duty Brakes	CFC1904A	SBC1904A	MKD1904AFM
	2019-18	Front-All SRT, Hardware Included	CFM1405		
	2019-18	Front-All SRT, Hardware Not Included		SBM1405	
	2019-18	Front-All SXT, w/ Heavy Duty Brakes		SBM1904	
	2019-18	Front-All SXT, w/ Heavy Duty Brakes	CFM1904		
	2019-18	Front-All SXT, w/ Heavy Duty Brakes	CFC1904A	SBC1904A	MKD1904AFM
	2019-18	Front-All SXT, w/ Heavy Duty Brakes			MKD1904FM
	2019-18	Front-All SXT, w/o Heavy Duty Brakes	CFC1904A	SBC1904A	MKD1904AFM
	2019	Front-All Citadel Platinum, w/ Heavy Duty Brakes		SBM1904	
	2019	Front-All Citadel Platinum, w/ Heavy Duty Brakes	CFM1904		
	2019	Front-All Citadel Platinum, w/ Heavy Duty Brakes	CFC1904A	SBC1904A	MKD1904AFM
	2019	Front-All Citadel Platinum, w/ Heavy Duty Brakes			MKD1904FM
	2019	Front-All Citadel Platinum, w/o Heavy Duty Brakes	CFC1904A	SBC1904A	MKD1904AFM
	2018	Front-All Special Service, w/ BR6 Brake Code	CFC1904A	SBC1904A	MKD1904AFM
	2018	Front-All Special Service, w/ BR8 Brake Code	CFM1904	SBM1904	MKD1904FM
	2017	Front-All w/ Heavy Duty Brakes	CFC1904A	SBC1904A	MKD1904AFM
	2017	Front-All w/o Heavy Duty Brakes	CFM1904	SBM1904	MKD1904FM
	2016	Front-All Hardware Not Included	CFM1904	SBM1904	MKD1904FM
	2015-12	Front-All w/ Heavy Duty Brakes	CFM1629A	SBM1629A	MKD1629AFM
	2015-12	Front-All w/o Heavy Duty Brakes	CFC1629	SBC1629	MKD1629FM
	2011	Front-All Hardware Included	CFC1629	SBC1629	MKD1629FM
	2009-07	Front-All w/ 5 Lug Wheels		SBM1084	
	2009-07	Front-All w/ 5 Lug Wheels	CFM1084	SBC1084	MKD1084FM
	2006-03	Front-All Hardware Included	CFM966	SBC966	MKD966FM
	2002-00	Front-All Hardware Included		SBC820	MKD820FM
	1999-98	Front-All Hardware Included		SBM746	
	2019-18	Rear-All Citadel, Includes Clips	CFC1498	SBC1498	MKD1498FM
	2019-18	Rear-All GT, Includes Clips	CFC1498	SBC1498	MKD1498FM
	2019-18	Rear-All R/T, Includes Clips	CFC1498	SBC1498	MKD1498FM
	2019-18	Rear-All SXT, Includes Clips	CFC1498	SBC1498	MKD1498FM
	2019	Rear-All Citadel Platinum, Includes Clips	CFC1498	SBC1498	MKD1498FM
	2018	Rear-All Pursuit, Includes Clips	CFC1498	SBC1498	MKD1498FM
	2018	Rear-All Special Service, Includes Clips	CFC1498	SBC1498	MKD1498FM
	2018	Rear-All SRT, Hardware Included	CFM592A		
	2018	Rear-All SRT, Hardware Not Included		SBM592A	
	2017-11	Rear-All Hardware Included	CFC1498		MKD1498FM
	2017-11	Rear-All Hardware Not Included		SBC1498	
	2009-03	Rear-All Hardware Included	CFM967	SBC967	MKD967FM
Drum Brake Shoe	2002-98	Rear-All		723	
Parking Brake Shoe	2009-03	Rear-All		947	
Disc Brake Rotor	2019-18	Front-All Pursuit		PRT6100	
	2019-18	Front-All w/ Heavy Duty Brakes		PRT6100	
	2019-17	Front-All Exc. Heavy Duty Brakes; w/ Brake Code BRY		PRT6102	
	2018-17	Front-All Special Service		PRT6100	
	2017	Front-All		PRT6100	
	2016-15	Front-All 330mm Diameter (Brake Code BRY)		PRT6102	
	2016-11	Front-All 350mm Diameter		PRT6100	
	2014-11	Front-All 330mm Diameter		PRT6102	
	2009-04	Front-All		PRT5381	SDR5381
	2003	Front-All		PRT5382	
	2002-98	Front-All		PRT5147	
	2019-18	Rear-All Pursuit		PRT6101	
	2019-18	Rear-All SRT		PRT6173	
	2019-17	Rear-All Exc. Heavy Duty Brakes; w/ Brake Code-BR2		PRT6101	
	2019-17	Rear-All w/ Heavy Duty Brakes		PRT6101	
	2018-17	Rear-All Special Service		PRT6101	
	2017	Rear-All Exc. Heavy Duty Brakes; w/ Brake Code-BRY		PRT6103	
	2016-11	Rear-All Solid Rotors		PRT6103	
	2016-11	Rear-All Vented Rotors		PRT6101	
	2009-04	Rear-All		PRT5365	SDR5365
	2003	Rear-All		PRT5523	
Brake Drum	2002-98	Rear-All		PDR0708	
Dynasty					
Disc Brake Pad Set	1993-91	Front-All Hardware Included		SBC521	
	1990	Front-All Hardware Not Included		SBM478	
	1989-88	Front-All Hardware Not Included		SBM385	
	1993-91	Rear-L4 - 2.5L Base, Naturally Aspirated, GAS, Hardware Included		SBM415	
	1993-91	Rear-V6 - 3.0L Base, Naturally Aspirated, GAS, Hardware Included		SBM415	

BENDIX BRAKE PARTS

PART TYPE	YEAR	APPLICATION	PREMIUM NO.	PART NO.	SEVERE DUTY NO.		
Dodge (Cont'd.)							
Dynasty (Cont'd.)							
Disc Brake Pad Set (cont'd)	1993-91	Rear-V6 - 3.3L Base, Naturally Aspirated, GAS, Hardware Included		SBM415			
Drum Brake Shoe	1993	Rear-All w/ 8.66" X 1.65" Brakes		657			
	1992-91	Rear-All		657			
	1990	Rear-All w/ 8.66" X 1.65" Brakes		629			
	1989-88	Rear-All		520			
Parking Brake Shoe	1993-90	Rear-All		643			
Disc Brake Rotor	1993-88	Front-All		PRT1379			
	1993-91	Rear-All		PRT1532			
	1990	Rear-All Vendor-Bendix		PRT1532			
	1990	Rear-All Vendor-Bosch		PRT1571			
	1989-88	Rear-All		PRT1571			
Brake Drum	1993-88	Rear-All		PDR0534			
Grand Caravan							
Disc Brake Pad Set	2019-17	Front-All Hardware Included	CFC1589	SBC1589	MKD1589FM		
	2016-12	Front-All Exc. Heavy Duty Brakes	CFC1327	SBC1327	MKD1327FM		
	2016-12	Front-All w/ Heavy Duty Brakes	CFC1589	SBC1589	MKD1589FM		
	2011-08	Front-All Hardware Included	CFC1327	SBC1327	MKD1327FM		
	2007-06	Front-All Hardware Included	CFC857	SBC857	MKD857FM		
	2005-01	Front-All Rear Disc, Hardware Included	CFC857	SBC857	MKD857FM		
	2005-01	Front-All Rear Drum, Hardware Included		SBM856			
	2005-01	Front-All Rear Drum, Hardware Included	CFC856	SBC856	MKD856FM		
	2000-96	Front-All Hardware Included	CFC591	SBC591	MKD591FM		
	1995	Front-All Hardware Included		SBC521			
	1994-91	Front-All w/ 14" Wheels		SBC521			
	1994-91	Front-All w/ 15" Wheels		SBM522			
	1990-89	Front-All w/ 14" Wheels		SBM259			
	1990-89	Front-All w/ 15" Wheels		SBM416			
	1988	Front-All Kelsey-Hayes		SBM259			
	1988	Front-All Teves		SBM367			
	1987	Front-All w/ 14" Wheels		SBM259			
	2019-17	Rear-All Hardware Included	CFC1596	SBC1596	MKD1596FM		
	2016-12	Rear-All Exc. Heavy Duty Brakes	CFC1719	SBC1719	MKD1719FM		
	2016-12	Rear-All w/ Heavy Duty Brakes	CFC1596	SBC1596	MKD1596FM		
	2012	Rear-All Exc. Heavy Duty Brakes	CFC1326	SBC1326	MKD1326FM		
	2011-08	Rear-All w/ Wear Sensor	CFC1326	SBC1326	MKD1326FM		
	2007-01	Rear-All Hardware Included			MKD858FM		
	2007-01	Rear-All Hardware Not Included	CFC858	SBC858			
	2000-97	Rear-All Hardware Included		SBM751			
	Drum Brake Shoe	2005	Rear-All		841		
		2005	Rear-All In Supersession Process, Exhaust Current Inventory		714		
		2004-03	Rear-All w/ Optional Shoes		714		
		2004-03	Rear-All w/ Optional Shoes		841		
		2002-96	Rear-All		841		
		2002-96	Rear-All In Supersession Process, Exhaust Current Inventory		714		
		1995	Rear-All AWD		446		
		1995	Rear-All FWD		538		
		1994-91	Rear-All FWD, w/ 14", 15" Wheels		538		
		1994	Rear-All AWD, w/ 14", 15" Wheels		446		
		1993-91	Rear-All AWD		446		
		1990-87	Rear-All w/ 9" X 2.5" Brakes		538		
		Parking Brake Shoe	2007-97	Rear-All		812	
		Disc Brake Rotor	2017-12	Front-All 302mm Diameter		PRT5843	SDR5843
2017-12	Front-All 330mm Diameter			PRT6170	SDR6170		
2011-10	Front-All HD Brakes			PRT6295			
2011-10	Front-All w/o Power Adjustable Pedals			PRT5843	SDR5843		
2009-08	Front-All			PRT5843	SDR5843		
2007-06	Front-All			PRT5350			
2005-01	Front-All Rear Disc			PRT5350			
2005-01	Front-All Rear Drum			PRT5308			
2000-97	Front-All 15", 16", 17" Wheels			PRT5152			
2000-96	Front-All 14" Wheels			PRT5063			
1996	Front-All 15", 16" wheels			PRT1576			
1995-91	Front-All 14" Wheels			PRT1379			
1995-91	Front-All 15" Wheels			PRT1576			
1990-87	Front-All 14" Wheels			PRT1383			
1990-87	Front-All 15" Wheels			PRT1392			
2019-18	Rear-All			PRT6171			
2017-12	Rear-All 328mm Diameter			PRT6171	SDR6171		
2015-12	Rear-All 305mm Diameter			PRT5844	SDR5844		
2011-08	Rear-All			PRT5844	SDR5844		
2007-97	Rear-All			PRT5153			
Brake Drum	2005-04		Rear-All		PDR0799		
	2003-01		Rear-All Rear Drum		PDR0740		

BENDIX BRAKE PARTS

PART TYPE	YEAR	APPLICATION	PREMIUM NO.	PART NO.	SEVERE DUTY NO.
Dodge (Cont'd.)					
Grand Caravan (Cont'd.)					
Brake Drum (cont'd)	2003-01	Rear-All Rear Drum		PDR0799	
	2000-96	Rear-All 14" Wheels		PDR0681	
	2000-96	Rear-All 15", 16", 17" Wheels		PDR0673 ⁵⁰	
	2000-96	Rear-All 15", 16", 17" Wheels		PDR0740	
	2000-96	Rear-All 15", 16", 17" Wheels		PDR0799	
	1995-91	Rear-All AWD		PDR0365	
	1995-91	Rear-All FWD, (15" wheels)		PDR0496	
	1995-91	Rear-All FWD, w/o ABS, w/ 14" Wheels		PDR0506	
	1990	Rear-All Non-ABS		PDR0506	
	1990	Rear-All Non-ABS, 15" Wheels (9 x 2 1/2" Brakes)		PDR0496	
	1989-87	Rear-All 14" Wheels (Heavy Duty Brakes)		PDR0506	
	1989-87	Rear-All 15", Extended Wheelbase, HD Drum		PDR0496	
Intrepid					
Disc Brake Pad Set	2004-00	Front-All Hardware Included	CFC730A	SBC730A	
	1999-98	Front-All w/ 15" Wheels	CFC730A	SBC730A	
	1997-93	Front-All Hardware Included	CFC591	SBC591	MKD591FM
	2004-02	Rear-All w/o Touring Suspension	CFM641	SBC641	
	2004	Rear-All ES, w/ Heavy Duty or Performance Brakes	CFC658	SBC658	
	2004	Rear-All Police, w/ Heavy Duty or Performance Brakes	CFC658	SBC658	
	2004	Rear-All SE, w/ Heavy Duty or Performance Brakes	CFC658	SBC658	
	2004	Rear-All SXT, w/ Heavy Duty or Performance Brakes	CFC658	SBC658	
	2003	Rear-All w/ Heavy Duty Brakes	CFC658	SBC658	
	2002	Rear-All w/ Performance Suspension	CFC658	SBC658	
	2001	Rear-V6 - 2.7L w/ 16" Steel Wheels	CFC658	SBC658	
	2001	Rear-V6 - 3.5L w/ 16" Steel Wheels	CFC658	SBC658	
	2000-99	Rear-V6 - 2.7L Hardware Included	CFC658	SBC658	
	2000-99	Rear-V6 - 3.2L Hardware Included	CFC658	SBC658	
	2000	Rear-V6 - 3.5L Hardware Included	CFC658	SBC658	
	1998	Rear-V6 - 2.7L 4-Wheel ABS, Hardware Included	CFC658	SBC658	
	1998	Rear-V6 - 3.2L 4-Wheel ABS, Hardware Included	CFC658	SBC658	
	1997-95	Rear-All Hardware Included	CFC658	SBC658	
	1994-93	Rear-V6 - 3.3L Base, Naturally Aspirated, GAS, Hardware Included		SBM415	
	1994-93	Rear-V6 - 3.3L ES, Naturally Aspirated, GAS, Hardware Included		SBM415	
	1994-93	Rear-V6 - 3.5L Base, Naturally Aspirated, GAS, Hardware Included		SBM415	
	1994-93	Rear-V6 - 3.5L ES, Naturally Aspirated, GAS, Hardware Included		SBM415	
	1994	Rear-V6 - 3.3L Base, Naturally Aspirated, FLEX, Hardware Included		SBM415	
Drum Brake Shoe	1997-93	Rear-All		657	
Parking Brake Shoe	2004-93	Rear-All		643	
Disc Brake Rotor	2004-01	Front-All Inboard vented		PRT5198	
	2004-01	Front-All Outboard vented		PRT5263	
	2000-98	Front-All Inboard Vented; 282mm Diameter		PRT5197	
	2000-98	Front-All Inboard Vented; 297mm Diameter		PRT5198	
	2000-98	Front-All Outboard Vented; 297mm Diameter		PRT5263	
	1997-96	Front-All		PRT5246	
	1995-93	Front-All		PRT1840	
	2004-93	Rear-All		PRT1849	
Brake Drum	1997-93	Rear-All		PDR0634	
Journey					
Disc Brake Pad Set	2018-14	Front-All Hardware Included	CFC1589	SBC1589	MKD1589FM
	2013-12	Front-All w/ Brake Code BRF	CFC1327	SBC1327	MKD1327FM
	2013	Front-All w/ Brake Code BRE	CFC1589	SBC1589	MKD1589FM
	2012	Front-All w/ 330mm Brake Rotors	CFC1589	SBC1589	MKD1589FM
	2011-09	Front-All Hardware Included	CFC1327	SBC1327	MKD1327FM
	2018-14	Rear-All Hardware Included	CFC1596	SBC1596	MKD1596FM
	2013-12	Rear-All w/ Brake Code BRE	CFC1596	SBC1596	MKD1596FM
	2013	Rear-All w/ Brake Code BRF	CFC1719	SBC1719	MKD1719FM
	2012-09	Rear-All w/ Wear Sensor	CFC1326	SBC1326	MKD1326FM
Disc Brake Rotor	2018-13	Front-All		PRT6170	SDR6170
	2012-09	Front-All w/o Power Adjustable Pedals		PRT5843	SDR5843
	2012	Front-All HD Brakes		PRT6170	
	2011-09	Front-All HD Brakes		PRT6295	
	2018-12	Rear-All 328mm Diameter		PRT6171	SDR6171
	2013	Rear-All 305mm Diameter		PRT5844	SDR5844
	2012-09	Rear-All		PRT5844	SDR5844
Lancer					
Disc Brake Pad Set	1989-88	Front-All Hardware Not Included		SBM219	
	1987-85	Front-All Exc. Brake Pad Wear Indicator		SBM220	
	1987-85	Front-All w/ Brake Pad Wear Indicator		SBM219	
Drum Brake Shoe	1989-85	Rear-All w/ 7.87" X 1.34" Brakes		519	
Disc Brake Rotor	1989-85	Front-All		PRT1379	

50 Sell out and reorder PDR0740

BENDIX BRAKE PARTS

PART TYPE	YEAR	APPLICATION	PREMIUM NO.	PART NO.	SEVERE DUTY NO.
Dodge (Cont'd.)					
Lancer (Cont'd.)					
Brake Drum	1989-85	Rear-All		PDR0558	
M300					
Drum Brake Shoe	1974	Rear-All		358	
Magnum					
Disc Brake Pad Set	2008-06	Front-All R/T, AWD, Hardware Included	CFC1058	SBC1058	MKD1058FM
	2008-06	Front-All R/T, AWD, Hardware Included			PBD1058
	2008-06	Front-All R/T, RWD, Exc. Police, Performance Package	CFC1056K1	SBC1056K1	
	2008-06	Front-All R/T, RWD, w/ Police or Performance Package	CFC1058	SBC1058	MKD1058FM
	2008-06	Front-All R/T, RWD, w/ Police or Performance Package			PBD1058
	2008-06	Front-All SE, RWD, Exc. Police, Performance Package	CFC1056K1	SBC1056K1	
	2008-06	Front-All SE, RWD, w/ Police or Performance Package	CFC1058	SBC1058	MKD1058FM
	2008-06	Front-All SE, RWD, w/ Police or Performance Package			PBD1058
	2008-06	Front-All SXT, AWD, Hardware Included	CFC1058	SBC1058	MKD1058FM
	2008-06	Front-All SXT, AWD, Hardware Included			PBD1058
	2008-06	Front-All SXT, RWD, Exc. Police, Performance Package	CFC1056K1	SBC1056K1	
	2008-06	Front-All SXT, RWD, w/ Police or Performance Package	CFC1058	SBC1058	MKD1058FM
	2008-06	Front-All SXT, RWD, w/ Police or Performance Package			PBD1058
	2005	Front-All AWD, Hardware Included	CFC1058	SBC1058	MKD1058FM
	2005	Front-All AWD, Hardware Included			PBD1058
	2005	Front-All RWD, Exc. Performance Package	CFC1056K1	SBC1056K1	
	2005	Front-All RWD, w/ Performance Package	CFC1058	SBC1058	MKD1058FM
	2005	Front-All RWD, w/ Performance Package			PBD1058
	1988-84	Front-All w/ Heavy Duty Brakes		SBM220	
	1988-84	Front-All w/ Light Duty Brakes		SBM170	
	1979-78	Front-All XE, Hardware Not Included		SBM84	
	2008-07	Rear-All R/T, AWD, Exc. Police		SBC1057VR	
	2008-07	Rear-All R/T, AWD, Exc. Police	CFC1057VR		
	2008-07	Rear-All R/T, AWD, Exc. Police	CFC1057SR	SBC1057SR	MKD1057VRFM
	2008-07	Rear-All R/T, RWD, Exc. Police		SBC1057VR	
	2008-07	Rear-All R/T, RWD, Exc. Police	CFC1057VR		
	2008-07	Rear-All R/T, RWD, Exc. Police	CFC1057SR	SBC1057SR	MKD1057VRFM
	2008-07	Rear-All R/T, RWD, Police		SBC1057AVR	
	2008-07	Rear-All R/T, RWD, Police	CFM1057AVR		
	2008-07	Rear-All R/T, RWD, Police	CFM1057ASR	SBC1057ASR	MKD1057AVRFM
	2008-07	Rear-All R/T, RWD, Police		SBC1057AVR	PBD1057AVR
	2008-07	Rear-All SE, RWD, Exc. Police		SBC1057VR	
	2008-07	Rear-All SE, RWD, Exc. Police	CFC1057VR		
	2008-07	Rear-All SE, RWD, Exc. Police	CFC1057SR	SBC1057SR	MKD1057VRFM
	2008-07	Rear-All SE, RWD, Police		SBC1057AVR	
	2008-07	Rear-All SE, RWD, Police	CFM1057AVR		
	2008-07	Rear-All SE, RWD, Police	CFM1057ASR	SBC1057ASR	MKD1057AVRFM
	2008-07	Rear-All SE, RWD, Police		SBC1057VR	PBD1057AVR
	2008-07	Rear-All SXT, AWD, Exc. Police		SBC1057VR	
	2008-07	Rear-All SXT, AWD, Exc. Police	CFC1057VR		
	2008-07	Rear-All SXT, AWD, Exc. Police	CFC1057SR	SBC1057SR	MKD1057VRFM
	2008-07	Rear-All SXT, RWD, Exc. Police		SBC1057VR	
	2008-07	Rear-All SXT, RWD, Exc. Police	CFC1057VR		
	2008-07	Rear-All SXT, RWD, Exc. Police	CFC1057SR	SBC1057SR	MKD1057VRFM
	2008-07	Rear-All SXT, RWD, Police		SBC1057AVR	
	2008-07	Rear-All SXT, RWD, Police	CFM1057AVR		
	2008-07	Rear-All SXT, RWD, Police	CFM1057ASR	SBC1057ASR	MKD1057AVRFM
	2008-07	Rear-All SXT, RWD, Police			PBD1057AVR
	2008-06	Rear-All SRT8, Hardware Included	CFM592A		
	2008-06	Rear-All SRT8, Hardware Not Included		SBM592A	
	2007	Rear-All SE, AWD, Exc. Police		SBC1057VR	
	2007	Rear-All SE, AWD, Exc. Police	CFC1057VR		
	2007	Rear-All SE, AWD, Exc. Police	CFC1057SR	SBC1057SR	MKD1057VRFM
	2006	Rear-All R/T, Exc. Police		SBC1057VR	
	2006	Rear-All R/T, Exc. Police	CFC1057VR		
	2006	Rear-All R/T, Exc. Police	CFC1057SR	SBC1057SR	MKD1057VRFM
	2006	Rear-All R/T, Police		SBC1057AVR	
	2006	Rear-All R/T, Police	CFM1057AVR		
	2006	Rear-All R/T, Police	CFM1057ASR	SBC1057ASR	MKD1057AVRFM
	2006	Rear-All R/T, Police		SBC1057VR	PBD1057AVR
	2006	Rear-All SE, Exc. Police		SBC1057VR	
	2006	Rear-All SE, Exc. Police	CFC1057VR		
	2006	Rear-All SE, Exc. Police	CFC1057SR	SBC1057SR	MKD1057VRFM
	2006	Rear-All SE, Police		SBC1057AVR	
	2006	Rear-All SE, Police	CFM1057AVR		
	2006	Rear-All SE, Police	CFM1057ASR	SBC1057ASR	MKD1057AVRFM
	2006	Rear-All SE, Police		SBC1057VR	PBD1057AVR
	2006	Rear-All SXT, Exc. Police		SBC1057VR	
	2006	Rear-All SXT, Exc. Police	CFC1057VR		
	2006	Rear-All SXT, Exc. Police	CFC1057SR	SBC1057SR	MKD1057VRFM
	2006	Rear-All SXT, Police		SBC1057AVR	

BENDIX BRAKE PARTS

PART TYPE	YEAR	APPLICATION	PREMIUM NO.	PART NO.	SEVERE DUTY NO.	
Dodge (Cont'd.)						
Magnum (Cont'd.)						
Disc Brake Pad Set (cont'd)	2006	Rear-All SXT, Police	CFM1057AVR			
		Rear-All SXT, Police	CFM1057ASR	SBC1057ASR	MKD1057AVRFM	
	2006	Rear-All SXT, Police			PBD1057AVR	
	2005	Rear-All Hardware Included			MKD1057VRFM	
	2005	Rear-All w/ Solid Rear Rotors	CFC1057SR			
	2005	Rear-All w/ Solid Rotors		SBC1057SR		
	2005	Rear-All w/ Vented Rear Rotors	CFC1057VR			
Drum Brake Shoe	1979-78	Rear-All w/ 10" X 2-1/2" Brakes		445		
	1979-78	Rear-All w/ 11" X 2-1/2" Brakes		446		
Parking Brake Shoe	2008-05	Rear-All		777		
Disc Brake Rotor	2008-05	Front-V6 - 2.7L		PRT5650		
	2008-05	Front-V6 - 3.5L 12.6" diameter rotor		PRT5650		
	2008-05	Front-V6 - 3.5L 13.6" diameter rotor		PRT5651	SDR5651	
	2008-05	Front-V8 - 5.7L 12.6" diameter rotor		PRT5650		
	2008-05	Front-V8 - 5.7L 13.6" diameter rotor		PRT5651	SDR5651	
	2007-06	Front-V8 - 6.1L		PRT5733	SDR5733	
	2008-07	Rear-All SE, w/ 350mm Rotor (Vented); w/ Heavy Duty Brakes		PRT5739		
	2008-07	Rear-V6 - 2.7L SE, Solid Rotor		PRT5567		
	2008-06	Rear-All R/T, VENTED, 350mm Dia., exc. SRT8			SDR5739	
	2008-06	Rear-All SE, VENTED, 350mm Dia., exc. SRT8			SDR5739	
	2008-06	Rear-All SRT8		PRT5671		
	2008-06	Rear-All SRT8		PRT6293		
	2008-06	Rear-All SRT8, VENTED, 350mm Dia., SRT8		PRT5671	SDR5671	
	2008-06	Rear-All SXT, VENTED, 350mm Dia., exc. SRT8			SDR5739	
	2008	Rear-All R/T		PRT5568		
	2008	Rear-All SXT, AWD, w/ 320mm Rotor (Vented)		PRT5568		
	2008	Rear-All SXT, RWD		PRT5567		
	2008	Rear-V6 - 3.5L SE, Exc. Heavy Duty Brakes		PRT5567		
	2007-06	Rear-All SXT, RWD, Solid Rotor		PRT5567		
	2007	Rear-All R/T, w/ 320mm Rotor (Vented)		PRT5568		
	2007	Rear-All SE, w/ Performance Brakes		PRT5568		
	2007	Rear-All SXT, AWD		PRT5568		
	2007	Rear-V6 - 3.5L SE, w/ Solid Rotor; Exc. Performance Brakes; Exc. Heavy Duty Brakes		PRT5567		
	2006	Rear-All R/T		PRT5568		
	2006	Rear-All SE		PRT5567		
	2006	Rear-All SXT, AWD, VENTED, 320mm Diameter		PRT5568		
	2005	Rear-All Solid Rotor		PRT5567		
	2005	Rear-All Vented Rotors		PRT5568		
	Disc Brake Rotor and Hub Assembly	1979-78	Front-All		PRT1132	
	Brake Drum	1979-78	Rear-All 10 x 2 1/2" Brakes		PDR0556	
		1979-78	Rear-All 11 x 2 1/2" Brakes		PDR0365	
	Mini Ram					
	Disc Brake Pad Set	1988-87	Front-All Kelsey-Hayes		SBM259	
1988-87		Front-All Teves		SBM367		
1986-84		Front-All Hardware Not Included		SBM259		
Drum Brake Shoe	1988-84	Rear-All w/ 9" X 2.5" Brakes		538		
Disc Brake Rotor	1988-87	Front-All 14" Wheels		PRT1383		
	1988-87	Front-All 15" Wheels		PRT1392		
	1986	Front-All		PRT1383		
	1985-84	Front-All		PRT1288		
Brake Drum	1988	Rear-All Extended Wheelbase		PDR0496		
	1988	Rear-All Standard Wheelbase		PDR0506		
	1986	Rear-All Exc. Heavy Duty		PDR0506		
	1985-84	Rear-All Exc. Heavy Duty Brakes		PDR0486		
	1985-84	Rear-All Heavy Duty Brakes; 228.6mm		PDR0628		
Mirada						
Disc Brake Pad Set	1983-80	Front-All Hardware Not Included		SBM84		
	1983	Rear-All Hardware Not Included		SBM84		
	1981	Rear-All Hardware Not Included		SBM84		
Drum Brake Shoe	1983-80	Rear-All w/ 10" X 2-1/2" Brakes		445		
	1983-80	Rear-All w/ 11" X 2-1/2" Brakes		446		
Disc Brake Rotor and Hub Assembly	1983-80	Front-All		PRT1145		
Brake Drum	1983-80	Rear-All 10" Finned Drum		PDR0556		
	1983-80	Rear-All 10" Plain Drum		PDR0182		
	1983-80	Rear-All 11" Drum		PDR0365		
Monaco						
Disc Brake Pad Set	1992-90	Rear-All Hardware Not Included		SBM491		
Drum Brake Shoe	1992-90	Rear-All w/ 8.86" X 1.58" Brakes		599		
	1978-77	Rear-All w/ 10" X 2-1/2" Brakes		445		

BENDIX BRAKE PARTS

PART TYPE	YEAR	APPLICATION	PREMIUM NO.	PART NO.	SEVERE DUTY NO.	
Dodge (Cont'd.)						
Monaco (Cont'd.)						
Drum Brake Shoe (cont'd)	1978-77	Rear-All w/ 11" X 2-1/2" Brakes		446		
	1976	Rear-All Taxi		446		
Disc Brake Rotor	1992-91	Front-All		PRT1891		
	1990	Front-All		PRT1430FC		
	1969	Front-All Front disc brakes		PRT1047		
	1992-90	Rear-All Rear Disc		PRT1579		
Disc Brake Rotor and Hub Assembly	1978-77	Front-All		PRT1132		
	1976-74	Front-All		PRT1146		
	1973-71	Front-All		PRT1072		
Brake Drum	1969-65	Front-All 11 x 2 3/4" Brakes		PDR0017		
	1969-65	Front-All 11 x 3" Brakes		PDR0019		
	1992-90	Rear-All Rear Drum		PDR0592		
	1978-76	Rear-All 10 x 2 1/2" Brakes		PDR0556		
	1978-69	Rear-All 11 x 2 1/2" Brakes		PDR0365		
	1975-70	Rear-All 11 x 2" Brakes		PDR0187		
	1969	Rear-All		PDR0187		
Neon						
Disc Brake Pad Set	2005-03	Front-All SE, Hardware Included	CFC730A	SBC730A		
	2005-03	Front-All SXT, Hardware Included	CFC730A	SBC730A		
	2005-03	Front-L4 - 2.4L SRT-4, Turbocharged, Hardware Included		SBC841T		
	2004-03	Front-All R/T, Hardware Included	CFC730A	SBC730A		
	2002-00	Front-All Hardware Included	CFC730A	SBC730A		
	1999-97	Front-All Hardware Included		SBC642		
	1996-95	Front-All w/ 4 Stud Brake Rotors		SBM633		
	1996-95	Front-All w/ 5 Stud Brake Rotors		SBC642		
	2005-03	Rear-L4 - 2.4L Hardware Included	CFC658	SBC658		
	2004-03	Rear-L4 - 2.0L R/T, Hardware Included	CFM641	SBC641		
	2004-03	Rear-L4 - 2.0L SE, Hardware Included	CFM641	SBC641		
	2004-03	Rear-L4 - 2.0L SXT, Hardware Included	CFM641	SBC641		
	2002-95	Rear-All Hardware Included	CFM641	SBC641		
	Drum Brake Shoe	2005-95	Rear-All		519	
	Parking Brake Shoe	2005-95	Rear-All		643	
Disc Brake Rotor	2005-03	Front-All SE, Exc. SRT-4		PRT5249		
	2005-03	Front-All SRT-4, 28mm Thick		PRT5385		
	2005-03	Front-All SXT, Exc. SRT-4		PRT5249		
	2004-03	Front-All R/T, Exc. SRT-4		PRT5249		
	2002-00	Front-All		PRT5249		
	1999-98	Front-All Vented; 257mm		PRT5023		
	1997-95	Front-All 4 Stud Rotor		PRT1926		
	1997-95	Front-All 5 Stud Rotor; Vented; 257mm		PRT5023		
	2005-04	Rear-All SE, Exc. SRT-4		PRT5051		
	2005-04	Rear-All SXT, Exc. SRT-4		PRT5051		
	2005-03	Rear-All SRT-4		PRT5384		
	2004	Rear-All R/T, Exc. SRT-4		PRT5051		
	2003	Rear-All R/T		PRT5026		
	2003	Rear-All SE		PRT5026		
	2003	Rear-All SXT		PRT5026		
	2002-95	Rear-All		PRT5026		
	Brake Drum	2005-04	Rear-All SE, Exc. SRT-4		PDR0558	
2005-04		Rear-All SXT, Exc. SRT-4		PDR0558		
2004		Rear-All R/T, Exc. SRT-4		PDR0558		
2003-98		Rear-All		PDR0558		
1997-95		Rear-All 5 Stud Drum		PDR0558		
Nitro						
Disc Brake Pad Set	2011-09	Front-All w/ Heavy Duty Brakes	CFC1327	SBC1327	MKD1327FM	
	2011-09	Front-All w/o Heavy Duty Brakes	CFC1327	SBC1327	MKD1327FM	
	2008-07	Front-All Hardware Included	CFC1327	SBC1327	MKD1327FM	
	2011-09	Rear-All Hardware Included	CFC1274	SBC1274		
	2008-07	Rear-V6 - 3.7L Hardware Included	CFC1274	SBC1274		
	2008-07	Rear-V6 - 4.0L Hardware Included	CFC1274	SBC1274		
Parking Brake Shoe	2011-07	Rear-All		941		
Disc Brake Rotor	2011-08	Front-All 11.89" diameter rotor		PRT5707		
	2011-08	Front-All 13.07" diameter rotor		PRT5917		
	2007	Front-All		PRT5707		
	2011-07	Rear-All		PRT5708		
Omni						
Disc Brake Pad Set	1990-88	Front-All Hardware Not Included		SBM221		
	1987	Front-L4 - 2.2L Hardware Not Included		SBM221		
	1986-85	Front-All Base, Hardware Not Included		SBM221		
	1986-85	Front-All GLH, Hardware Not Included		SBM220		
	1986-85	Front-All SE, Hardware Not Included		SBM221		
	1984-83	Front-All Hardware Not Included		SBM221		
Drum Brake Shoe	1990	Rear-All Base		519		

BENDIX BRAKE PARTS

PART TYPE	YEAR	APPLICATION	PREMIUM NO.	PART NO.	SEVERE DUTY NO.
Dodge (Cont'd.)					
Omni (Cont'd.)					
Drum Brake Shoe (cont'd)	1989-87	Rear-All America, Base Model		519	
	1986-85	Rear-All GLH		520	
	1986-84	Rear-All SE		519	
	1986-83	Rear-All Base		519	
	1983	Rear-All Custom		519	
Disc Brake Rotor	1990-87	Front-All		PRT1268	
	1986-85	Front-All GLH		PRT1379	
	1986-84	Front-All Base		PRT1268	
	1986-84	Front-All SE		PRT1268	
	1983-78	Front-All		PRT1268	
Brake Drum	1986-85	Rear-All GLH		PDR0489	
P200					
Drum Brake Shoe	1972	Rear-All w/ 12" X 2-1/2" Brakes		357	
Brake Drum	1972	Rear-All 12 x 2 1/2" Brakes		PDR0267	
	1972	Rear-All 12 x 3" Brakes; 304.9mm		PDR0264	
P200 Van					
Drum Brake Shoe	1974-72	Rear-All w/ 12" X 2-1/2" Brakes		357	
P300					
Drum Brake Shoe	1972	Rear-All w/ 12" X 3.02" Brakes		358	
Polara					
Drum Brake Shoe	1964-62	Front-All w/ 10" X 2-1/2" Brakes		169	
	1962	Rear-All w/ 10" X 2-1/2" Brakes		169	
Disc Brake Rotor	1972	Front-All Early 72		PRT1047	
	1969	Front-All Front disc brakes		PRT1047	
Disc Brake Rotor and Hub Assembly	1973-71	Front-All		PRT1072	
Brake Drum	1972-69	Front-All 11 x 2 3/4" Brakes (finned, marked MW)		PDR0191	
	1969-65	Front-All 11 x 2 3/4" Brakes		PDR0017	
	1969-65	Front-All 11 x 3" Brakes		PDR0019	
	1973-69	Rear-All 11 x 2 1/2" Brakes		PDR0365	
	1973-69	Rear-All 11 x 2" Brakes		PDR0187	
1964-62	Rear-All 10" Brakes		PDR0163		
Power Ram 50					
Drum Brake Shoe	1986-85	Rear-All w/ 10" Rotor Diameter		524	
	1984-83	Rear-All 4WD, w/ 10" Rotor Diameter		524	
Disc Brake Rotor	1986-83	Front-All 4WD		PRT1290	
Brake Drum	1986-85	Rear-All 9" Brakes		PDR0420	
R300					
Disc Brake Pad Set	1974-73	Front-All Hardware Included			MKD86FM
	1974-73	Front-All Hardware Not Included		SBM86	
Raider					
Disc Brake Pad Set	1989-88	Front-All Hardware Included		SBC349	
Drum Brake Shoe	1989-87	Rear-All w/ 10" X 1.98" Brakes		524	
Disc Brake Rotor	1989	Front-L4 - 2.6L		PRT1539	
	1989	Front-V6 - 3.0L Vented; 277mm		PRT1460	
	1988	Front-All		PRT1539	
	1987	Front-All		PRT1290	
Brake Drum	1989-87	Rear-All		PDR0463	
	1989-87	Rear-All		PDR0497	
Ram 50					
Disc Brake Pad Set	1993-87	Front-All Hardware Included		SBC349	
Drum Brake Shoe	1993-87	Rear-All w/ 10" X 1.98" Brakes		524	
	1986-85	Rear-All w/ 10" Rotor Diameter		524	
	1984-83	Rear-All w/ 10" X 1.98" Brakes		524	
Disc Brake Rotor	1993-87	Front-All 4WD, Vented; 277mm		PRT1460	
	1993-87	Front-All RWD, Vented; 258.1mm		PRT1390	
	1986-83	Front-All RWD		PRT1205	
Brake Drum	1993-87	Rear-All		PDR0463	
	1993-87	Rear-All		PDR0497	
	1986-85	Rear-All 9" Brakes		PDR0420	
Ram 1500					
Disc Brake Pad Set	2010-07	Front-All w/ 5 Lug Wheels		SBM1084	
	2010-07	Front-All w/ 5 Lug Wheels	CFM1084	SBC1084	MKD1084FM
	2008-07	Front-All w/ 8 Lug Wheels	CFM965	SBM965	MKD965FM
	2006	Front-All Laramie, Crew Cab Pickup, w/ 5 Lug Wheels		SBM1084	
	2006	Front-All Laramie, Crew Cab Pickup, w/ 5 Lug Wheels	CFM1084	SBC1084	MKD1084FM
	2006	Front-All Laramie, Extended Crew Cab Pickup, w/ 8 Lug Wheels	CFM965	SBM965	MKD965FM
	2006	Front-All Laramie, Standard Cab Pickup, w/ 5 Lug Wheels		SBM1084	
	2006	Front-All Laramie, Standard Cab Pickup, w/ 5 Lug Wheels	CFM1084	SBC1084	MKD1084FM
	2006	Front-All SLT, Crew Cab Pickup, w/ 5 Lug Wheels		SBM1084	
	2006	Front-All SLT, Crew Cab Pickup, w/ 5 Lug Wheels	CFM1084	SBC1084	MKD1084FM

BENDIX BRAKE PARTS

PART TYPE	YEAR	APPLICATION	PREMIUM NO.	PART NO.	SEVERE DUTY NO.	
Dodge (Cont'd.)						
Ram 1500 (Cont'd.)						
Disc Brake Pad Set (cont'd)	2006	Front-All SLT, Extended Crew Cab Pickup, w/ 8 Lug Wheels	CFM965	SBM965	MKD965FM	
	2006	Front-All SLT, Standard Cab Pickup, w/ 5 Lug Wheels		SBM1084		
	2006	Front-All SLT, Standard Cab Pickup, w/ 5 Lug Wheels	CFM1084	SBC1084	MKD1084FM	
	2006	Front-All Sport, Crew Cab Pickup, w/ 5 Lug Wheels		SBM1084		
	2006	Front-All Sport, Crew Cab Pickup, w/ 5 Lug Wheels	CFM1084	SBC1084	MKD1084FM	
	2006	Front-All Sport, Standard Cab Pickup, w/ 5 Lug Wheels		SBM1084		
	2006	Front-All Sport, Standard Cab Pickup, w/ 5 Lug Wheels	CFM1084	SBC1084	MKD1084FM	
	2006	Front-All SRT-10, Hardware Not Included		SBM1085		
	2006	Front-All ST, Crew Cab Pickup, w/ 5 Lug Wheels		SBM1084		
	2006	Front-All ST, Crew Cab Pickup, w/ 5 Lug Wheels	CFM1084	SBC1084	MKD1084FM	
	2006	Front-All ST, Standard Cab Pickup, w/ 5 Lug Wheels		SBM1084		
	2006	Front-All ST, Standard Cab Pickup, w/ 5 Lug Wheels	CFM1084	SBC1084	MKD1084FM	
	2006	Front-All TRX4, Crew Cab Pickup, w/ 5 Lug Wheels		SBM1084		
	2006	Front-All TRX4, Crew Cab Pickup, w/ 5 Lug Wheels	CFM1084	SBC1084	MKD1084FM	
	2006	Front-All TRX4, Standard Cab Pickup, w/ 5 Lug Wheels		SBM1084		
	2006	Front-All TRX4, Standard Cab Pickup, w/ 5 Lug Wheels	CFM1084	SBC1084	MKD1084FM	
	2005	Front-V6 - 3.7L ST, Hardware Included	CFM966	SBC966	MKD966FM	
	2005	Front-V8 - 4.7L SLT, Hardware Included	CFM966	SBC966	MKD966FM	
	2005	Front-V8 - 4.7L ST, Hardware Included	CFM966	SBC966	MKD966FM	
	2005	Front-V8 - 5.7L Laramie, Hardware Included	CFM966	SBC966	MKD966FM	
	2005	Front-V8 - 5.7L SLT, Hardware Included	CFM966	SBC966	MKD966FM	
	2005	Front-V8 - 5.7L ST, Hardware Included	CFM966	SBC966	MKD966FM	
	2005	Front-V10 - 8.3L Hardware Not Included		SBM1085		
	2004	Front-All Laramie, Hardware Included	CFM966	SBC966	MKD966FM	
	2004	Front-All SLT, Hardware Included	CFM966	SBC966	MKD966FM	
	2004	Front-All SRT-10, Hardware Included		SBM1054		
	2004	Front-All ST, Hardware Included	CFM966	SBC966	MKD966FM	
	2003	Front-V6 - 3.7L Hardware Included	CFM966	SBC966	MKD966FM	
	2003	Front-V8 - 4.7L Hardware Included	CFM966	SBC966	MKD966FM	
	2003	Front-V8 - 5.7L Hardware Included	CFM966	SBC966	MKD966FM	
	2003	Front-V8 - 5.9L Hardware Included	CFM966	SBC966	MKD966FM	
	2002	Front-All Hardware Included	CFM966	SBC966	MKD966FM	
	2001	Front-All Hardware Included		SBC702K2	MKD702K2FM	
	2000	Front-All 4WD, Hardware Included		SBC758	MKD758FM	
	2000	Front-All RWD, Hardware Included		SBC702K2	MKD702K2FM	
	1999-95	Front-V6 - 3.9L Hardware Included	CFM369	SBM369	MKD369FM	
	1999-95	Front-V8 - 5.2L Hardware Included	CFM369	SBM369	MKD369FM	
	1999-95	Front-V8 - 5.9L Hardware Included	CFM369	SBM369	MKD369FM	
	1994	Front-All Hardware Included	CFM369	SBM369	MKD369FM	
	2010-09	Rear-All Hardware Included	CFM967	SBC967	MKD967FM	
	2008-07	Rear-All w/ 5 Lug Wheels	CFM967	SBC967	MKD967FM	
	2008-07	Rear-All w/ 8 Lug Wheels	CFM702A	SBM702A	MKD702AFM	
	2006	Rear-All Laramie, Crew Cab Pickup, Hardware Included	CFM967	SBC967	MKD967FM	
	2006	Rear-All Laramie, Extended Crew Cab Pickup, Hardware Included	CFM702A	SBM702A	MKD702AFM	
	2006	Rear-All Laramie, Standard Cab Pickup, Hardware Included	CFM967	SBC967	MKD967FM	
	2006	Rear-All SLT, Crew Cab Pickup, Hardware Included	CFM967	SBC967	MKD967FM	
	2006	Rear-All SLT, Extended Crew Cab Pickup, Hardware Included	CFM702A	SBM702A	MKD702AFM	
	2006	Rear-All SLT, Standard Cab Pickup, Hardware Included	CFM967	SBC967	MKD967FM	
	2006	Rear-All Sport, Crew Cab Pickup, Hardware Included	CFM967	SBC967	MKD967FM	
	2006	Rear-All Sport, Standard Cab Pickup, Hardware Included	CFM967	SBC967	MKD967FM	
	2006	Rear-All SRT-10, Hardware Included	CFM702A	SBM702A	MKD702AFM	
	2006	Rear-All ST, Crew Cab Pickup, Hardware Included	CFM967	SBC967	MKD967FM	
	2006	Rear-All ST, Standard Cab Pickup, Hardware Included	CFM967	SBC967	MKD967FM	
	2006	Rear-All TRX4, Crew Cab Pickup, Hardware Included	CFM967	SBC967	MKD967FM	
	2006	Rear-All TRX4, Standard Cab Pickup, Hardware Included	CFM967	SBC967	MKD967FM	
	2005-04	Rear-V10 - 8.3L Hardware Included		SBM1077		
	2005-03	Rear-V6 - 3.7L Hardware Included	CFM967	SBC967	MKD967FM	
	2005-03	Rear-V8 - 4.7L Hardware Included	CFM967	SBC967	MKD967FM	
	2005-03	Rear-V8 - 5.7L Hardware Included	CFM967	SBC967	MKD967FM	
	2003	Rear-V8 - 5.9L Hardware Included	CFM967	SBC967	MKD967FM	
	2002	Rear-All Hardware Included	CFM967	SBC967	MKD967FM	
	Drum Brake Shoe	2002-00	Rear-All		723	
		1999-94	Rear-All w/ 11" X 2.12" Brakes		462	
	Parking Brake Shoe	2010-03	Rear-All w/ 8.08" X 1.74" Brakes		947	
		2008-06	Rear-All 8.07" X 1.73"		854	
		2002	Rear-All		947	
	Disc Brake Rotor	2010-09	Front-All		PRT5381	SDR5381
		2008-07	Front-V8 - 4.7L 5 Stud Rotor		PRT5381	
		2008-07	Front-V8 - 5.7L 5 Stud Rotor		PRT5381	
		2008-07	Front-V8 - 5.7L 8 Stud		PRT5456	
	2008-06	Front-V6 - 3.7L 5 Stud Rotor		PRT5381	SDR5381	
	2008-06	Front-V8 - 4.7L 5 Stud Rotor			SDR5381	
	2008-06	Front-V8 - 5.7L 5 Stud Rotor			SDR5381	
	2008-06	Front-V8 - 5.7L 8 Stud			SDR5456	

BENDIX BRAKE PARTS

PART TYPE	YEAR	APPLICATION	PREMIUM NO.	PART NO.	SEVERE DUTY NO.
Dodge (Cont'd.)					
Ram 1500 (Cont'd.)					
Disc Brake Rotor (cont'd)	2006	Front-V6 - 3.7L ST		PRT5381	
	2006	Front-V8 - 4.7L Laramie, 5 Stud Rotor		PRT5381	
	2006	Front-V8 - 4.7L SLT, w/ 5 Stud Rotor; Exc. Extended Crew Cab		PRT5381	
	2006	Front-V8 - 4.7L ST		PRT5381	
	2006	Front-V8 - 4.7L TRX4		PRT5381	
	2006	Front-V8 - 5.7L Laramie, 8 Stud		PRT5456	
	2006	Front-V8 - 5.7L Laramie, w/ 5 Stud Rotor; Exc. Extended Crew Cab		PRT5381	
	2006	Front-V8 - 5.7L SLT, w/ 5 Stud Rotor; Exc. Extended Crew Cab		PRT5381	
	2006	Front-V8 - 5.7L SLT, w/ Extended Crew Cab		PRT5456	
	2006	Front-V8 - 5.7L Sport		PRT5381	
	2006	Front-V8 - 5.7L ST		PRT5381	
	2006	Front-V8 - 5.7L TRX4		PRT5381	
	2006	Front-V10 - 8.3L SRT-10		PRT5743	
	2005-04	Front-All SLT		PRT5381	SDR5381
	2005-04	Front-All SRT-10		PRT5743	
	2005-04	Front-All ST		PRT5381	SDR5381
	2005	Front-All Laramie		PRT5381	SDR5381
	2003-02	Front-All		PRT5381	SDR5381
	2001-00	Front-All 4WD, Vented; 307.8mm		PRT5305	
	2001-00	Front-All RWD, Vented; 304mm		PRT5306	
	1999-94	Front-All 4WD, EXC.HUB		PRT1940	
	2010-09	Rear-All		PRT5365	SDR5365
	2008-06	Rear-V6 - 3.7L 5 Stud Rotor		PRT5365	SDR5365
	2008-06	Rear-V8 - 4.7L 5 Stud Rotor		PRT5365	SDR5365
	2008-06	Rear-V8 - 5.7L 5 Stud Rotor		PRT5365	SDR5365
	2008-06	Rear-V8 - 5.7L 8 Stud		PRT5452	
	2006	Rear-V10 - 8.3L		PRT5750	
	2005-04	Rear-All SLT		PRT5365	SDR5365
	2005-04	Rear-All SRT-10		PRT5750	
	2005-04	Rear-All ST		PRT5365	SDR5365
	2005	Rear-All Laramie		PRT5365	SDR5365
	2003-02	Rear-All		PRT5365	SDR5365
Disc Brake Rotor and Hub Assembly	1999-94	Front-All RWD		PRT1921	
Brake Drum	2001-00	Rear-All 11 x 2 1/4" Brakes		PDR0728	
	1999-94	Rear-All		PDR0660	
Ram 1500 Van					
Disc Brake Pad Set	2003	Front-All Hardware Included	CFM966	SBC966	MKD966FM
	2002-98	Front-All Hardware Included		SBC758	MKD758FM
	1997-95	Front-All Hardware Included			MKD86FM
	1997-95	Front-All Hardware Not Included		SBM86	
	2003	Rear-All Hardware Included	CFM967	SBC967	MKD967FM
Drum Brake Shoe	2003-99	Rear-All		723	
Parking Brake Shoe	2003	Rear-All		947	
Disc Brake Rotor	2003	Rear-All		PRT6087	
Disc Brake Rotor and Hub Assembly	2003	Front-All		PRT5670	
	2002-00	Front-All		PRT1922	
	1999	Front-All w/4000 Lb. Axle		PRT5202	
	1997-95	Front-All 5 1/2" STUDS		PRT1922	
Brake Drum	2003	Rear-All 12 1/4 x 3 1/2" Brakes; STAMPED 2339708 (8 STUDS)		PDR0716	
	2002-99	Rear-All 279.9mm		PDR0724	
	1998	Rear-All 11 x 2 1/2" Brakes; 279.9mm		PDR0724	
	1997-95	Rear-All 279.4mm		PDR0490	
Ram 2500					
Disc Brake Pad Set	2010-09	Front-All Hardware Included	CFM1399	SBM1399	MKD1399FM
	2008-03	Front-All w/ 8 Lug Wheels	CFM965	SBM965	MKD965FM
	2002-00	Front-All w/o Wear Sensor	CFM859	SBM859	MKD859FM
	2002-00	Front-All w/ Wear Sensor	CFM859	SBM859	MKD859FM
	1999	Front-All w/ 7,500 lb. GVW	CFM370	SBM370	MKD370FM
	1999	Front-All w/ 8,800 Lb. GVW	CFM459	SBM459	MKD459FM
	1998-97	Front-All 4WD, w/ 7,500 lb. GVW	CFM370	SBM370	MKD370FM
	1998-97	Front-All 4WD, w/ 8,800 Lb. GVW	CFM459	SBM459	MKD459FM
	1998-97	Front-All RWD, Hardware Included	CFM370	SBM370	MKD370FM
	1996-95	Front-L6 - 5.9L 4WD, w/ 7,700 Lb. GVW	CFM370	SBM370	MKD370FM
	1996-95	Front-L6 - 5.9L 4WD, w/ 8,800 Lb. GVW	CFM459	SBM459	MKD459FM
	1996-95	Front-L6 - 5.9L RWD, Hardware Included	CFM370	SBM370	MKD370FM
	1996-95	Front-V8 - 5.2L 4WD, w/ 7,700 Lb. GVW	CFM370	SBM370	MKD370FM
	1996-95	Front-V8 - 5.2L 4WD, w/ 8,800 Lb. GVW	CFM459	SBM459	MKD459FM
	1996-95	Front-V8 - 5.2L RWD, Hardware Included	CFM370	SBM370	MKD370FM
	1996-95	Front-V8 - 5.9L 4WD, w/ 7,700 Lb. GVW	CFM370	SBM370	MKD370FM
	1996-95	Front-V8 - 5.9L 4WD, w/ 8,800 Lb. GVW	CFM459	SBM459	MKD459FM
	1996-95	Front-V8 - 5.9L RWD, Hardware Included	CFM370	SBM370	MKD370FM

BENDIX BRAKE PARTS

PART TYPE	YEAR	APPLICATION	PREMIUM NO.	PART NO.	SEVERE DUTY NO.
Dodge (Cont'd.)					
Ram 2500 (Cont'd.)					
Disc Brake Pad Set (cont'd)	1996-95	Front-V10 - 8.0L 4WD, w/ 7,700 Lb. GVW	CFM370	SBM370	MKD370FM
	1996-95	Front-V10 - 8.0L 4WD, w/ 8,800 Lb. GVW	CFM459	SBM459	MKD459FM
	1996-95	Front-V10 - 8.0L RWD, Hardware Included	CFM370	SBM370	MKD370FM
	1994	Front-All 4WD, w/ 7,700 Lb. GVW	CFM370	SBM370	MKD370FM
	1994	Front-All 4WD, w/ 8,800 Lb. GVW	CFM459	SBM459	MKD459FM
	1994	Front-All RWD, Hardware Included	CFM370	SBM370	MKD370FM
	2010-09	Rear-All Hardware Included	CFM1400	SBM1400	MKD1400FM
	2008-01	Rear-All Hardware Included	CFM702A	SBM702A	MKD702AFM
Drum Brake Shoe	2002	Rear-All		583	
	2001-00	Rear-All w/ 12.13" X 3.5" Brakes		583	
	1999-94	Rear-All		451	
Parking Brake Shoe	2010-06	Rear-All 8.07" X 1.73"		854	
	2005-01	Rear-All w/ 8.07" X 1.73" Brakes		771	
Disc Brake Rotor	2010-09	Front-All		PRT5909	SDR5909
	2008-03	Front-All		PRT5456	SDR5456
	2002-00	Front-All		PRT5283	
	1999-96	Front-All 4WD, (w/7500 Lb GVW)		PRT1477	
	1999	Front-All (w/8800Lbs GVW)		PRT1770	
	1998-96	Front-All 4WD, (w/8800Lbs GVW)		PRT1770	
	1995-94	Front-All 4WD, w/ 7500 Lb GVW		PRT1477	
	1995	Front-All 4WD, w/ 8800 Lbs GVW		PRT1770	
	1994	Front-All 4WD, w/ 8800Lbs GVW		PRT1770	
	2010-09	Rear-All		PRT5910	SDR5910
	2008-03	Rear-All		PRT5452	
	2002-01	Rear-All		PRT5357	
Disc Brake Rotor and Hub Assembly	1999-94	Front-All RWD, HUB & ROTOR		PRT1923	
Brake Drum	2001-00	Rear-All		PDR0722	
	1999-94	Rear-All		PDR0658	
Ram 2500 Van					
Disc Brake Pad Set	2003	Front-All w/ 11" X 2 1/4" Brakes		SBM655	
	2003	Front-All w/ 11" X 2 1/4" Brakes	CFM655	SBC655	MKD655FM
	2002-99	Front-V8 - 5.2L w/ 11" X 2 1/4" Brakes		SBM655	
	2002-99	Front-V8 - 5.2L w/ 11" X 2 1/4" Brakes	CFM655	SBC655	MKD655FM
	2002-99	Front-V8 - 5.9L w/ 11" X 2 1/4" Brakes		SBM655	
	2002-99	Front-V8 - 5.9L w/ 11" X 2 1/4" Brakes	CFM655	SBC655	MKD655FM
	2001	Front-V6 - 3.9L w/ 11" X 2 1/4" Brakes		SBM655	
	2001	Front-V6 - 3.9L w/ 11" X 2 1/4" Brakes	CFM655	SBC655	MKD655FM
	1998-96	Front-All Hardware Included			MKD86FM
	1998-96	Front-All Hardware Not Included		SBM86	
	2003-01	Rear-All Hardware Included	CFM702A	SBM702A	MKD702AFM
Drum Brake Shoe	2003-99	Rear-All w/ 12-1/8" X 3-1/2" Brakes		583	
Parking Brake Shoe	2003-01	Rear-All w/ 8.07" X 1.73" Brakes		771	
Disc Brake Rotor and Hub Assembly	2003-00	Front-All		PRT5202	
	1999-98	Front-All w/4000 Lb. Axle		PRT5202	
	1997-96	Front-All 5 1/2"STUDS		PRT1922	
Brake Drum	2003-01	Rear-All 12 1/4 x 3 1/2" Brakes; STAMPED 2339708 (8 STUDS)		PDR0716	
	2003-99	Rear-All 11 x 2 1/4" Brakes; 279.9mm		PDR0724	
	2000	Rear-All 12 1/8 x 3 1/2" Brakes; STAMPED 2339708 (8 STUDS)		PDR0716	
	1999	Rear-All w/9.25 Ring Gear Axle (12 x 2 1/2" Brakes); 304.8mm		PDR0685	
	1999	Rear-All w/Dana Model 60 Rear Axle (Axle Code DRC); AXLE CODE (DRC)		PDR0679	
	1999	Rear-All w/Dana Model 60 Rear Axle (Axle Code DRD); AXLE CODE (DRD)		PDR0686	
	1999	Rear-All wo/Dana Model 60 Axle; STAMPED 2339708 (8 STUDS)		PDR0716	
	1998	Rear-All 11 x 2 1/2" Brakes; 279.9mm		PDR0724	
	1997-96	Rear-All 3.77" Overall Height; 12 x 2 1/2" Brakes		PDR0267	
	1997-96	Rear-All 4.14" Overall Height; 12 x 2 1/2" Brakes; 304.8mm		PDR0685	
	1997-96	Rear-All 4.48" Overall Height; 11 x 2 1/2" Brakes; 279.4mm		PDR0490	
Ram 3500					
Disc Brake Pad Set	2010-09	Front-All Hardware Included	CFM1399	SBM1399	MKD1399FM
	2008-03	Front-All w/ 8 Lug Wheels	CFM965	SBM965	MKD965FM
	2002-00	Front-All w/o Wear Sensor	CFM859	SBM859	MKD859FM
	2002-00	Front-All w/ Wear Sensor	CFM859	SBM859	MKD859FM
	1999	Front-All Hardware Included	CFM459	SBM459	MKD459FM
	1998-95	Front-L6 - 5.9L Hardware Included	CFM459	SBM459	MKD459FM
	1998-95	Front-V8 - 5.9L Hardware Included	CFM459	SBM459	MKD459FM
	1998-95	Front-V10 - 8.0L Hardware Included	CFM459	SBM459	MKD459FM
	1994	Front-All Hardware Included	CFM459	SBM459	MKD459FM
	2010-09	Rear-All Hardware Included	CFM1400	SBM1400	MKD1400FM
	2008-01	Rear-All Hardware Included	CFM702A	SBM702A	MKD702AFM

BENDIX BRAKE PARTS

PART TYPE	YEAR	APPLICATION	PREMIUM NO.	PART NO.	SEVERE DUTY NO.
Dodge (Cont'd.)					
Ram 3500 (Cont'd.)					
Drum Brake Shoe	2003-01	Rear-All		583	
	2000	Rear-All w/ 12.13" X 3.5" Brakes		583	
	1999-94	Rear-All w/ 13" X 3.56" Brakes		452	
Parking Brake Shoe	2010-06	Rear-All 8.07" X 1.73"		854	
	2005-01	Rear-All w/ 8.07" X 1.73" Brakes		771	
Disc Brake Rotor	2010-09	Front-All		PRT5909	SDR5909
	2008-03	Front-All		PRT5456	SDR5456
	2002-00	Front-All		PRT5283	
	1999-94	Front-All 4WD		PRT1770	
	1997-95	Front-All RWD, over 8800 lb. GVW		PRT1770	
	2010-09	Rear-All		PRT5910	SDR5910
	2008-03	Rear-All		PRT5452	
	2002-01	Rear-All		PRT5357	
Disc Brake Rotor and Hub Assembly	1999-98	Front-All RWD, 2-Wheel ABS		PRT1927	
	1999-98	Front-All RWD, 4-Wheel ABS		PRT5108	
	1997-95	Front-All RWD, 2-Wheel ABS, under 8800 lb. GVW		PRT1927	
	1997-95	Front-All RWD, 4-Wheel ABS, under 8800 lb. GVW		PRT5108	
	1994	Front-All RWD, 2-Wheel ABS		PRT1927	
	1994	Front-All RWD, 4-Wheel ABS		PRT5108	
Brake Drum	2001-00	Rear-All 12 1/8 x 3 1/2" Brakes		PDR0729	
	1999-94	Rear-All 13 x 3 1/2" Brakes		PDR0657	
Ram 3500 Van					
Disc Brake Pad Set	2003	Front-All w/ 11" X 2 1/4" Brakes		SBM655	
	2003	Front-All w/ 11" X 2 1/4" Brakes	CFM655	SBC655	MKD655FM
	2002-99	Front-V8 - 5.2L w/ 11" X 2 1/4" Brakes		SBM655	
	2002-99	Front-V8 - 5.2L w/ 11" X 2 1/4" Brakes	CFM655	SBC655	MKD655FM
	2002-99	Front-V8 - 5.9L w/ 11" X 2 1/4" Brakes		SBM655	
	2002-99	Front-V8 - 5.9L w/ 11" X 2 1/4" Brakes	CFM655	SBC655	MKD655FM
	1997-96	Front-All Hardware Included			MKD86FM
	1997-96	Front-All Hardware Not Included		SBM86	
	2003-01	Rear-All Hardware Included	CFM702A	SBM702A	MKD702AFM
Drum Brake Shoe	2003-99	Rear-All w/ 12-1/8" X 3-1/2" Brakes		583	
Disc Brake Rotor	1997-96	Front-All w/4000 Lb Front Axle DRW		PRT1089	
	1997-96	Front-All w/4000 Lb Front Axle SRW		PRT1193	
Disc Brake Rotor and Hub Assembly	2003-00	Front-All		PRT5202	
	1999	Front-All w/4000 Lb. Axle		PRT5202	
	1997-96	Front-All w/3600 Lb Front Axle AWAL		PRT1924	
	1997-96	Front-All w/3600 Lb Front Axle RWAL		PRT1382	
Brake Drum	2003-02	Rear-All 12 1/4 x 3 1/2" Brakes; STAMPED 2339708 (8 STUDS)		PDR0716	
	2002	Rear-All 11 x 2 1/4" Brakes; 279.9mm		PDR0724	
	2001	Rear-All 12 x 3 1/2" Brakes; STAMPED 2339708 (8 STUDS)		PDR0716	
	2000	Rear-All 12 1/8 x 3 1/2" Brakes; STAMPED 2339708 (8 STUDS)		PDR0716	
	1999	Rear-All w/9.25 Ring Gear Axle (12 x 2 1/2" Brakes); 304.8mm		PDR0685	
	1999	Rear-All w/Dana Model 60 Rear Axle (Axle Code DRC); AXLE CODE (DRC)		PDR0679	
	1999	Rear-All w/Dana Model 60 Rear Axle (Axle Code DRD); AXLE CODE (DRD)		PDR0686	
	1999	Rear-All wo/Dana Model 60 Axle (12 1/8 x 3 1/2" Brakes); STAMPED 2339708 (8 STUDS)		PDR0716	
	1997-96	Rear-All 12 x 2 1/2" Or 12 x 3" Brakes (Dana Model 60) (Inboard Mounted) (Cast 95961)		PDR0267	
	1997-96	Rear-All w/12 x 3" Rear Brakes (w/6200lbs. GVW); 304.9mm		PDR0264	
	1997	Rear-All w/9.25 Ring Gear Axle (12 x 2 1/2" Brakes); 304.8mm		PDR0685	
	1997	Rear-All w/Dana Model 60 Rear Axle (Axle Code DRC); AXLE CODE (DRC)		PDR0679	
	1997	Rear-All w/Dana Model 60 Rear Axle (Axle Code DRD); AXLE CODE (DRD)		PDR0686	
	1997	Rear-All wo/Dana Model 60 Axle (12 1/8 x 3 1/2" Brakes); STAMPED 2339708 (8 STUDS)		PDR0716	
	1996	Rear-All 12 x 2 1/2" Or 12 x 3" Brakes (9.25" Axle) (Drum Only); 304.8mm		PDR0685	
	1996	Rear-All 12 x 2 1/2" Or 12 x 3" Brakes (Dana Model 60) (Outboard Mounted) (w/DRC Axle); AXLE CODE (DRC)		PDR0679	
	1996	Rear-All 12 x 3" Brakes (Dana Model 60) (Outboard Mounted) (w/DRD Axle) (Drum Only); AXLE CODE (DRD)		PDR0686	
Ram 4000					
Disc Brake Pad Set	2009	Front-All Hardware Included	CFM1399	SBM1399	MKD1399FM
	2008-05	Front-All Hardware Included	CFM965	SBM965	MKD965FM
	2002	Front-All w/o Wear Sensor	CFM859	SBM859	MKD859FM
	2002	Front-All w/ Wear Sensor	CFM859	SBM859	MKD859FM
	2009	Rear-All Hardware Included	CFM1400	SBM1400	MKD1400FM

BENDIX BRAKE PARTS

PART TYPE	YEAR	APPLICATION	PREMIUM NO.	PART NO.	SEVERE DUTY NO.	
Dodge (Cont'd.)						
Ram 4000 (Cont'd.)						
Disc Brake Pad Set (cont'd)	2008-05	Rear-All Hardware Included	CFM702A	SBM702A	MKD702AFM	
	2002	Rear-All Hardware Included	CFM702A	SBM702A	MKD702AFM	
Ram 4500						
Disc Brake Pad Set	2010-08	Front-All Hardware Included		SBM1335	MKD1335FM	
	2010-08	Rear-All Hardware Included		SBM1335	MKD1335FM	
Parking Brake Shoe	2010-08	Rear-All		847		
Disc Brake Rotor	2010-08	Front-All		PRT5911		
	2010-09	Rear-All		PRT5731		
Ram 5500						
Disc Brake Pad Set	2010-08	Front-All Hardware Included		SBM1335	MKD1335FM	
	2010-08	Rear-All Hardware Included		SBM1335	MKD1335FM	
Parking Brake Shoe	2010-08	Rear-All		847		
Disc Brake Rotor	2010-08	Front-All		PRT5911		
	2010-09	Rear-All		PRT5731		
Ramcharger						
Disc Brake Pad Set	1996-95	Front-All Hardware Included			MKD86FM	
	1996-95	Front-All Hardware Not Included		SBM86		
	1993-90	Front-All Hardware Included			MKD86FM	
	1993-90	Front-All Hardware Not Included		SBM86		
	1989-88	Front-All 4WD, Hardware Included			MKD86FM	
	1989-88	Front-All 4WD, Hardware Not Included		SBM86		
	1989-88	Front-All RWD, w/ 3,000, 3,500 Lb. Front Axle Rating		SBM86	MKD86FM	
	1987-84	Front-All Hardware Included			MKD86FM	
	1987-84	Front-All Hardware Not Included		SBM86		
	1983-75	Front-All 4WD, Hardware Included			MKD86FM	
	1983-75	Front-All 4WD, Hardware Not Included		SBM86		
	1974	Front-All Hardware Included			MKD86FM	
		1974	Front-All Hardware Not Included		SBM86	
	Drum Brake Shoe	1993-84	Rear-All w/ 11" X 2.49" Brakes		446	
1983-78		Rear-All w/ 10" X 2-1/2" Brakes		445		
1981-74		Rear-All w/ 11" X 2.49" Brakes		446		
Disc Brake Rotor	1993-84	Front-All 4WD, ROTOR		PRT1289		
	1983-82	Front-All 4WD, Rotor Only		PRT1289		
	1981-80	Front-All 4WD, Exc. Locking Hub, Rotor Only		PRT1151		
	1981-80	Front-All 4WD, w/ Locking Hub, Rotor Only		PRT1289		
	1979-74	Front-All 4WD, Rotor Only		PRT1151		
Disc Brake Rotor and Hub Assembly	1993-82	Front-All RWD		PRT1381		
	1981-74	Front-All RWD		PRT1072		
Brake Drum	1993-85	Rear-All 279.4mm		PDR0490		
	1984-82	Rear-All 4WD, 10 x 2 1/2" Brakes; 254mm		PDR0510		
	1984-80	Rear-All RWD, Plain Drum, 10 X 2 1/2" Brakes		PDR0182		
	1984	Rear-All 11 x 2 1/2" Brakes; 279.4mm		PDR0490		
	1981-80	Rear-All 4WD, 254mm		PDR0510		
	1981-80	Rear-All RWD, 11 X 2 1/2" Brakes		PDR0365		
	1981-80	Rear-All RWD, Finned Drum, 10 X 2 1/2" Brakes		PDR0556		
	1979-78	Rear-All 10 x 2 1/2" Brakes		PDR0556		
	1979-78	Rear-All 11 x 2 1/2" Brakes		PDR0365		
1977-74	Rear-All		PDR0365			
Rampage						
Disc Brake Pad Set	1984-83	Front-All Hardware Not Included		SBM221		
Drum Brake Shoe	1984-83	Rear-All w/ 7.87" X 1.34" Brakes		519		
Disc Brake Rotor	1984-82	Front-All		PRT1268		
RD200						
Disc Brake Pad Set	1980-78	Front-All Hardware Included			MKD86FM	
	1980-78	Front-All Hardware Not Included		SBM86		
Disc Brake Rotor	1980	Front-All Standard		PRT1664		
Brake Drum	1980	Rear-All 12 x 2 1/2" Brakes		PDR0267		
	1980	Rear-All 12 x 3" Brakes; 304.9mm		PDR0264		
Royal Monaco						
Drum Brake Shoe	1977	Rear-All w/ 10" X 2.52" Brakes		445		
	1977	Rear-All w/ 11" X 2.49" Brakes		446		
Disc Brake Rotor and Hub Assembly	1977-75	Front-All		PRT1146		
Brake Drum	1977-75	Rear-All 11 x 2 1/2" Brakes		PDR0365		
	1977-75	Rear-All 11 x 2" Brakes		PDR0187		
Shadow						
Disc Brake Pad Set	1994-91	Front-All Hardware Included		SBC521		
	1990	Front-All Hardware Not Included		SBM219		
	1989-88	Front-All Kelsey-Hayes		SBM219		
	1989-88	Front-All Teves		SBM170		
	1987	Front-All Exc. Brake Pad Wear Indicator		SBM220		

BENDIX BRAKE PARTS

PART TYPE	YEAR	APPLICATION	PREMIUM NO.	PART NO.	SEVERE DUTY NO.	
Dodge (Cont'd.)						
Shadow (Cont'd.)						
Disc Brake Pad Set (cont'd)	1987	Front-All w/ Brake Pad Wear Indicator		SBM219		
	1994-93	Rear-L4 - 2.2L Base, Naturally Aspirated, GAS, Hardware Included		SBM415		
	1994-93	Rear-L4 - 2.5L Base, Naturally Aspirated, GAS, Hardware Included		SBM415		
	1994-93	Rear-L4 - 2.5L ES, Naturally Aspirated, GAS, Hardware Included		SBM415		
	1994-93	Rear-V6 - 3.0L ES, Naturally Aspirated, GAS, Hardware Included		SBM415		
	1993	Rear-L4 - 2.2L High Line, Naturally Aspirated, GAS, Hardware Included		SBM415		
	1993	Rear-L4 - 2.5L High Line, Naturally Aspirated, GAS, Hardware Included		SBM415		
	1993	Rear-V6 - 3.0L High Line, Naturally Aspirated, GAS, Hardware Included		SBM415		
	1990	Rear-All Hardware Included		SBM415		
	1989	Rear-All w/ 14", 15" Wheels		SBM415		
	1988	Rear-All Hardware Included		SBM415		
	Drum Brake Shoe	1994-91	Rear-All w/ 7.87" X 1.34" Brakes		519	
		1990-89	Rear-All		519	
1988-87		Rear-All w/ 7.87" X 1.34" Brakes		519		
Parking Brake Shoe	1993	Rear-All w/ 6.77" X 0.87" Brakes		643		
	1990-89	Rear-All		643		
Disc Brake Rotor	1994-90	Front-All		PRT1379		
	1989-88	Front-All 260mm Rotor		PRT1379		
	1989-87	Front-All 241mm Diameter Rotor		PRT1380		
	1994-90	Rear-All		PRT1532		
Brake Drum	1994-87	Rear-All		PDR0558		
Spirit						
Disc Brake Pad Set	1995	Front-All Hardware Included		SBC521		
	1994-91	Front-All w/ 14" Wheels		SBC521		
	1994-91	Front-All w/ 15" Wheels		SBM522		
	1990-89	Front-All Hardware Not Included		SBM219		
	1995	Rear-All Hardware Included		SBM415		
	1994	Rear-L4 - 2.5L Base, Naturally Aspirated, FLEX, Hardware Included		SBM415		
	1994	Rear-L4 - 2.5L Base, Naturally Aspirated, GAS, Hardware Included		SBM415		
	1994	Rear-V6 - 3.0L Base, Naturally Aspirated, GAS, Hardware Included		SBM415		
	1993-91	Rear-V6 - 3.0L ES, Naturally Aspirated, GAS, Hardware Included		SBM415		
	1993	Rear-L4 - 2.5L ES, Naturally Aspirated, GAS, Hardware Included		SBM415		
	1993	Rear-L4 - 2.5L High Line, Naturally Aspirated, FLEX, Hardware Included		SBM415		
	1993	Rear-L4 - 2.5L High Line, Naturally Aspirated, GAS, Hardware Included		SBM415		
	1993	Rear-V6 - 3.0L High Line, Naturally Aspirated, GAS, Hardware Included		SBM415		
	1992-91	Rear-L4 - 2.2L R/T, Turbocharged, GAS, Hardware Included		SBM415		
	1992-91	Rear-L4 - 2.5L Base, Naturally Aspirated, GAS, Hardware Included		SBM415		
	1992-91	Rear-L4 - 2.5L ES, Turbocharged, GAS, Hardware Included		SBM415		
	1992-91	Rear-L4 - 2.5L LE, Naturally Aspirated, GAS, Hardware Included		SBM415		
	1992-91	Rear-L4 - 2.5L LE, Turbocharged, GAS, Hardware Included		SBM415		
	1992-91	Rear-V6 - 3.0L Base, Naturally Aspirated, GAS, Hardware Included		SBM415		
	1992-91	Rear-V6 - 3.0L LE, Naturally Aspirated, GAS, Hardware Included		SBM415		
	1990	Rear-All Hardware Included		SBM415		
	Drum Brake Shoe	1995	Rear-All		657	
		1994-91	Rear-All w/ 14" Wheels		657	
		1990	Rear-All		629	
		1989	Rear-All		520	
	Parking Brake Shoe	1995-93	Rear-All		643	
1992-91		Rear-All w/ 14" Wheels		643		
1990		Rear-All		643		
Disc Brake Rotor	1995-91	Front-All 14" Wheels		PRT1379		
	1995-91	Front-All 15" Wheels; 11" Diameter Rotor		PRT1534		
	1990	Front-All		PRT1379		
	1989	Front-All		PRT1383		
	1995-91	Rear-All 14" Wheels		PRT1532		
	1995-91	Rear-All 15" Wheels		PRT1533		
Brake Drum	1990	Rear-All Rear Disc		PRT1532		
	1995-89	Rear-All		PDR0489		

BENDIX BRAKE PARTS

PART TYPE	YEAR	APPLICATION	PREMIUM NO.	PART NO.	SEVERE DUTY NO.	
Dodge (Cont'd.)						
Sprinter 2500						
Disc Brake Pad Set	2009	Front-V6 - 3.0L Hardware Included		SBM1693	MKD1693FM	
	2008-07	Front-All Hardware Included		SBM1693	MKD1693FM	
	2006-03	Front-All Bosch, Wabco, Perrot		SBM949	MKD949FM	
	2006	Front-All w/ Teves/Jurid Brakes		SBM950	MKD950FM	
	2005	Front-All w/ Teves Brakes		SBM950	MKD950FM	
	2004-03	Front-All Jurid, Teves		SBM950	MKD950FM	
	2009	Rear-V6 - 3.0L Hardware Included	CFM1317	SBM1317	MKD1317FM	
	2008-07	Rear-All Hardware Included	CFM1317	SBM1317	MKD1317FM	
	2006-05	Rear-All w/ 272mm Brake Rotors		SBM1006		
	2006-05	Rear-All w/ 272mm Brake Rotors		SBM928	MKD928FM	
	2006-05	Rear-All w/ 272mm Brake Rotors			MKD1006FM	
	2006-05	Rear-All w/ 285mm Brake Rotors		SBM949	MKD949FM	
	2004	Rear-All w/ Bosch Brake System		SBM928	MKD928FM	
	2004	Rear-All w/ Teves Brakes		SBM1006	MKD1006FM	
	2003	Rear-All w/ 272mm Brake Rotors		SBM1006		
	Parking Brake Shoe	2009-07	Rear-All w/ 6.32" X 1.58" Brakes		938	
		2006-04	Rear-All		866	
Disc Brake Rotor	2009-07	Front-All		PRT5825	SDR5825	
	2006-03	Front-All 15" Wheels (From Axle # S 482214/Y422060); Vented; 275.8mm		PRT5431	SDR5431	
	2006-03	Front-All 15" Wheels (To Axle # S 482213/Y422059); Vented; 275.7mm		PRT5424	SDR5424	
	2006-03	Front-All 16" Wheels		PRT5669	SDR5669	
	2009-07	Rear-All		PRT5826	SDR5826	
	2006-03	Rear-All Solid Rotors		PRT5432	SDR5432	
	2006-03	Rear-All Vented Rotors		PRT5768	SDR5768	
	2003	Rear-All To axle #L874988, X304860, Z16213		PRT5704		
Sprinter 3500						
Disc Brake Pad Set	2009-07	Front-All Hardware Included	CFM1699	SBM1699	MKD1699FM	
	2006-05	Front-All w/ Teves/Jurid Brakes		SBM950	MKD950FM	
	2006-03	Front-All Bosch, Wabco, Perrot		SBM949	MKD949FM	
	2004-03	Front-All Jurid, Teves		SBM950	MKD950FM	
	2009	Rear-V6 - 3.0L Hardware Included	CFM1318	SBM1318	MKD1318FM	
	2008-07	Rear-All w/ Dual Rear Wheels	CFM1318	SBM1318	MKD1318FM	
	2006-05	Rear-All w/ 272mm Brake Rotors		SBM1006		
	2006-05	Rear-All w/ 272mm Brake Rotors		SBM928	MKD928FM	
	2006-05	Rear-All w/ 272mm Brake Rotors			MKD1006FM	
	2006-05	Rear-All w/ 285mm Brake Rotors		SBM949	MKD949FM	
	2004	Rear-All w/ Bosch, Wabco Brake System		SBM949	MKD949FM	
	2003	Rear-All w/ 285mm Brake Rotors		SBM949	MKD949FM	
	Parking Brake Shoe	2009-07	Rear-All w/ 6.32" X 1.58" Brakes		938	
2009-07		Rear-All w/ 6.82" X 1.65" Brakes		940		
2006-04		Rear-All w/ 6.63" X 1.58" Brakes		865		
2005-03		Rear-All w/ 6.32" X 1.58" Brakes		866		
Disc Brake Rotor	2009-07	Front-All		PRT5825	SDR5825	
	2006-03	Front-All 15" Wheels (From Axle # S 482214/Y422060); Vented; 275.8mm		PRT5431	SDR5431	
	2006-03	Front-All 15" Wheels (To Axle # S 482213/Y422059); Vented; 275.7mm		PRT5424	SDR5424	
	2006-03	Front-All 16" Wheels		PRT5669	SDR5669	
	2009-07	Rear-All		PRT5827	SDR5827	
	2006-03	Rear-All Solid Rotors		PRT5432	SDR5432	
	2006-03	Rear-All Vented Rotors		PRT5768	SDR5768	
St. Regis						
Disc Brake Pad Set	1981-79	Front-All Hardware Not Included		SBM84		
Drum Brake Shoe	1981-79	Rear-All w/ 10" X 2-1/2" Brakes		445		
	1981-79	Rear-All w/ 11" X 2-1/2" Brakes		446		
Disc Brake Rotor and Hub Assembly	1981-79	Front-All		PRT1132		
Brake Drum	1981-79	Rear-All 10 x 2 1/2" Brakes		PDR0556		
	1981-79	Rear-All 11 x 2 1/2" Brakes		PDR0365		
Stealth						
Disc Brake Pad Set	1996-91	Front-All AWD, Hardware Not Included		SBC531		
	1996-91	Front-All FWD, w/ 2 Piston Caliper		SBC530		
	1996-95	Rear-All AWD, Hardware Not Included		SBC631		
	1996-94	Rear-All FWD, w/ 1 Piston Caliper	CFC383K2	SBC383K1		
	1994	Rear-All AWD, w/ 2 Piston Caliper		SBC631		
	1993-91	Rear-All AWD, Hardware Included		SBC532		
	1993-91	Rear-All FWD, Hardware Included	CFC383K2	SBC383K1		
Parking Brake Shoe	1995-93	Rear-All w/ 6.69" X 1.25" Brakes		673		
	1995-93	Rear-All w/ 6.69" X 1.25" Brakes		864		
Disc Brake Rotor	1996-94	Front-All AWD, Vented; 313.8mm		PRT1910		
	1996-94	Front-All FWD		PRT1574		

BENDIX BRAKE PARTS

PART TYPE	YEAR	APPLICATION	PREMIUM NO.	PART NO.	SEVERE DUTY NO.
Dodge (Cont'd.)					
Stealth (Cont'd.)					
Disc Brake Rotor (cont'd)	1993-91	Front-All AWD, Vented; 295.9mm		PRT1795	
	1993-91	Front-V6 - 3.0L FWD, 4-Wheel ABS		PRT1574	
	1993-91	Front-V6 - 3.0L FWD, Non-ABS		PRT1574	
	1996-95	Rear-All FWD, Vented; 266mm		PRT1773	
	1996-94	Rear-All AWD		PRT1904	
	1994-91	Rear-All FWD, w/ vented rotors; Vented; 266mm		PRT1773	
	1993-91	Rear-All AWD		PRT1796	
Stratus					
Disc Brake Pad Set	2006-01	Front-V6 - 2.7L Hardware Included	CFC869	SBC869	
	2006	Front-L4 - 2.4L Hardware Included	CFC869	SBC869	
	2005-02	Front-V6 - 3.0L Hardware Included	CFC866	SBC866	
	2005-01	Front-L4 - 2.4L Coupe, Hardware Included		SBC484	
	2005-01	Front-L4 - 2.4L Hardware Included		SBC484	
	2005-01	Front-L4 - 2.4L Sedan, Hardware Included	CFC869	SBC869	
	2001	Front-V6 - 3.0L Coupe, Hardware Included	CFC866	SBC866	
	2001	Front-V6 - 3.0L Sedan, Hardware Included	CFC869	SBC869	
	2000-98	Front-L4 - 2.0L Hardware Included		SBC650	
	2000-98	Front-L4 - 2.4L Hardware Included		SBC650	
	2000-98	Front-V6 - 2.5L Hardware Included		SBC650	
	1997-95	Front-All Hardware Included		SBC650	
	2006-01	Rear-L4 - 2.4L Hardware Included	CFM641	SBC641	
	2006-01	Rear-V6 - 2.7L Hardware Included	CFM641	SBC641	
	2005-02	Rear-V6 - 3.0L Hardware Included	CFC383K2	SBC383K2	
	2001	Rear-V6 - 3.0L Coupe, Hardware Included	CFC383K2	SBC383K2	
	2000-95	Rear-All Hardware Included	CFM641	SBC641	
Drum Brake Shoe	2006	Rear-All w/ 9" X 1-3/4" Brakes		800	
	2005-03	Rear-All 4 Doors, Sedan, w/ 9" X 1-3/4" Brakes		800	
	2005-01	Rear-All 2 Doors, Coupe, w/ 9" X 1.63" Brakes		658	
	2000-95	Rear-All w/ 7.87" X 1.35" Brakes		716	
	1998-95	Rear-All w/ 7.87" X 1.35" Brakes		698	
Parking Brake Shoe	2006-95	Rear-All w/ 6.77" X 0.87" Brakes		643	
	2005-01	Rear-All w/ 6.69" X 1.25" Brakes		673	
	2005-01	Rear-All w/ 6.69" X 1.25" Brakes		864	
Disc Brake Rotor	2006	Front-All		PRT5043	
	2005-01	Front-All Sedan		PRT5043	
	2005-01	Front-L4 - 2.4L Coupe		PRT5247	
	2005	Front-V6 - 3.0L Coupe, Coupe		PRT5455	
	2004-01	Front-V6 - 3.0L Coupe		PRT5455	
	2000-95	Front-All 14" Wheels		PRT5041	
	2000-95	Front-All 15" Wheels		PRT5043	
	2006-03	Rear-V6 - 2.7L		PRT5026	
	2006-01	Rear-L4 - 2.4L X Eng VIN		PRT5051	
	2005-01	Rear-L4 - 2.4L G Eng VIN		PRT5047	
	2005-01	Rear-V6 - 3.0L		PRT5047	
	2004	Rear-L4 - 2.4L J Eng VIN		PRT5051	
	2002-01	Rear-V6 - 2.7L		PRT5051	
	2000-95	Rear-All		PRT5051	
Brake Drum	2006-03	Rear-L4 - 2.4L X Eng VIN		PDR0765	
	2006-03	Rear-V6 - 2.7L		PDR0765	
	2005-04	Rear-L4 - 2.4L J Eng VIN		PDR0765	
	2005-01	Rear-L4 - 2.4L G Eng VIN		PDR0671	
	2001	Rear-V6 - 3.0L		PDR0671	
	2000-95	Rear-All		PDR0670	
SX 2.0					
Disc Brake Pad Set	2005-03	Front-All Hardware Included	CFC730A	SBC730A	
	2005-03	Rear-All Hardware Included	CFC658	SBC658	
Drum Brake Shoe	2005-03	Rear-All w/ 7.87" X 1.34" Brakes		519	
Disc Brake Rotor	2005-03	Front-All		PRT5249	
	2005-03	Rear-All		PRT5026	
Brake Drum	2005-03	Rear-All		PDR0558	
Verna					
Disc Brake Pad Set	2006-04	Front-All Hardware Included		SBM440	
Viper					
Disc Brake Pad Set	2017	Front-All w/ TA Special Edition Package	CFC1050	SBM1050	
	2015	Front-All w/ Black Caliper	CFC1050	SBM1050	
	2002-92	Front-All Hardware Not Included		SBM592	
	2017	Rear-All w/ TA Special Edition Package	CFC1050	SBM1050	
	2015	Rear-All w/ Black Caliper	CFC1050	SBM1050	
	2000-99	Rear-All ACR, Hardware Not Included		SBM491	
	2000-98	Rear-All R/T-10, Hardware Not Included		SBM491	
	2000-96	Rear-All GTS, Hardware Not Included		SBM491	
	1998	Rear-All GT2, Hardware Not Included		SBM491	
	1997-92	Rear-All Base, Hardware Not Included		SBM491	

BENDIX BRAKE PARTS

PART TYPE	YEAR	APPLICATION	PREMIUM NO.	PART NO.	SEVERE DUTY NO.
Dodge (Cont'd.)					
Viper (Cont'd.)					
Disc Brake Rotor	2017-16	Front-All Base, Exc. For Anodized Black Caliper		PRT5787	
	2017-16	Front-All GTC, Exc. Ceramic Composite Brakes; Exc. For Anodized Black Caliper		PRT5787	
	2015	Front-All Exc. For Anodized Black Caliper		PRT5787	
	2010-08	Front-All		PRT5787	
	2006-03	Front-All		PRT5787	
	2002-92	Front-All		PRT1850	
	2017-16	Rear-All Base, Exc. For Anodized Black Caliper		PRT5786	
	2017-16	Rear-All GTC, Exc. Ceramic Composite Brakes; Exc. For Anodized Black Caliper		PRT5786	
	2015	Rear-All Exc. For Anodized Black Caliper		PRT5786	
	2010-08	Rear-All		PRT5786	
2006-03	Rear-All		PRT5786		
2002-92	Rear-All		PRT1851		
W100					
Disc Brake Pad Set	1989-84	Front-All Hardware Included			MKD86FM
	1989-84	Front-All Hardware Not Included		SBM86	
	1977-75	Front-All Hardware Included			MKD86FM
	1977-75	Front-All Hardware Not Included		SBM86	
Drum Brake Shoe	1989-86	Rear-All w/ 11" X 2-1/2" Brakes		446	
	1977-75	Rear-All w/ 10" X 2.52" Brakes		445	
	1977-75	Rear-All w/ 11" X 2-1/2" Brakes		446	
Disc Brake Rotor	1989-86	Front-All 5 Stud (3500lbs. Axle); ROTOR		PRT1289	
	1989-86	Front-All 8 Stud (3500lbs. Axle)		PRT1664	
	1977-75	Front-All		PRT1151	
	1977	Front-All hub & rotor		PRT5515	
	1976-75	Front-All 2 Piece hub & rotor		PRT5515	
Brake Drum	1977-75	Front-All		PDR0118	
	1989-86	Rear-All 11 x 2 1/2" Brakes; 279.4mm		PDR0490	
	1987-86	Rear-All 12 x 2 1/2" Brakes		PDR0547	
	1987-86	Rear-All 12 x 3" Brakes; 304.9mm		PDR0264	
1977-75	Rear-All 11 x 2 1/2" Brakes		PDR0365		
W100 Pickup					
Disc Brake Pad Set	1974	Front-All Hardware Included			MKD86FM
	1974	Front-All Hardware Not Included		SBM86	
Drum Brake Shoe	1974	Rear-All w/ 10" X 2.52" Brakes		445	
Disc Brake Rotor	1974	Front-All		PRT1151	
Brake Drum	1974	Front-All		PDR0118	
	1974-71	Rear-All 11 x 2 1/2" Brakes		PDR0365	
	1973-69	Rear-All 11 x 2" Brakes		PDR0250	
	1968	Rear-All		PDR0181	
W100 Series					
Brake Drum	1967-61	Rear-All		PDR0181	
W150					
Disc Brake Pad Set	1993-77	Front-All Hardware Included			MKD86FM
	1993-77	Front-All Hardware Not Included		SBM86	
Drum Brake Shoe	1993-84	Rear-All w/ 11" X 2.49" Brakes		446	
	1993-84	Rear-All w/ 12" X 2-1/2" Brakes		357	
	1993-84	Rear-All w/ 12" X 3" Brakes		358	
	1983-77	Rear-All w/ 10" X 2.52" Brakes		445	
	1981-80	Rear-All w/ 11" X 2.49" Brakes		446	
	1978-77	Rear-All w/ 11" X 2.49" Brakes		446	
Disc Brake Rotor	1993-82	Front-All ROTOR		PRT1289	
	1981-80	Front-All Rotors		PRT1151	
	1981-80	Front-All W/ Locking hubs; ROTOR		PRT1289	
	1981-77	Front-All 2 Piece hub & rotor		PRT5515	
	1979-77	Front-All Rotor Only		PRT1151	
Brake Drum	1993-84	Rear-All 11 x 2 1/2" Brakes; 279.4mm		PDR0490	
	1984-82	Rear-All 10 x 2 1/2" Brakes; 254mm		PDR0510	
	1983-77	Rear-All 11 x 2 1/2" Brakes		PDR0365	
	1981-80	Rear-All 10" Brakes (exc. Locking Hubs)		PDR0556	
	1981-80	Rear-All W/ Locking hubs; 254mm		PDR0510	
	1979-78	Rear-All 10 x 2 1/2" Brakes		PDR0556	
W200					
Disc Brake Pad Set	1980-75	Front-All w/ 13" x 3 1/2" Rear Brakes	CFM149	SBM149	MKD149FM
	1980-75	Rear-All Hardware Included	CFM149		MKD149FM
	1980-75	Rear-All Hardware Not Included		SBM149	
Drum Brake Shoe	1980-78	Rear-All w/ 12" X 3" Brakes		358	
	1980-75	Rear-All w/ 12" X 2-1/2" Brakes		357	
	1980	Rear-All w/ 10" X 2.52" Brakes		445	
	1980	Rear-All w/ 11" X 2.49" Brakes		446	
Disc Brake Rotor	1980-76	Front-All 4,500 Lbs. Front Axle; Vented; 327mm		PRT1397	
	1980	Front-All 3,500 Lbs. Front Axle		PRT1664	

BENDIX BRAKE PARTS

PART TYPE	YEAR	APPLICATION	PREMIUM NO.	PART NO.	SEVERE DUTY NO.	
Dodge (Cont'd.)						
W200 (Cont'd.)						
Disc Brake Rotor (cont'd)	1975	Front-All Vented; 327mm		PRT1397		
Brake Drum	1980-75	Rear-All 12 x 2 1/2" Brakes		PDR0267		
	1980-75	Rear-All 12 x 3" Brakes; 304.9mm		PDR0264		
W200 Pickup						
Drum Brake Shoe	1974-72	Front-All w/ 12" X 3.02" Brakes		358		
	1974-72	Rear-All w/ 12" X 2-1/2" Brakes		357		
Disc Brake Rotor	1974-72	Front-All Vented; 327mm		PRT1397		
Brake Drum	1973-72	Front-All 12 x 3" Brakes		PDR0312		
	1974-72	Rear-All 12 x 2 1/2" Brakes		PDR0267		
	1974-69	Rear-All 12 x 3" Brakes; 304.9mm		PDR0264		
	1971-69	Rear-All		PDR0181		
W250						
Disc Brake Pad Set	1993-90	Front-All w/ 3,500 Lb. Axle		SBM86	MKD86FM	
	1993-90	Front-All w/ 4,500 Lb. Axle	CFM149	SBM149	MKD149FM	
	1989-88	Front-All Hardware Included	CFM149		MKD149FM	
	1989-88	Front-All Hardware Not Included		SBM149		
	1987-85	Front-All w/ 3,500 Lb. Front Axle Rating		SBM86	MKD86FM	
	1987-85	Front-All w/ 4,500 Lb. Axle	CFM149	SBM149	MKD149FM	
	1984	Front-All Hardware Included	CFM149		MKD149FM	
	1984	Front-All Hardware Not Included		SBM149		
	1983-81	Front-All w/ 13" x 3 1/2" Rear Brakes	CFM149	SBM149	MKD149FM	
	1993-81	Rear-All Hardware Included	CFM149		MKD149FM	
	1993-81	Rear-All Hardware Not Included		SBM149		
	Drum Brake Shoe	1993-84	Rear-All w/ 11" X 2.49" Brakes		446	
		1993-81	Rear-All w/ 12" X 2-1/2" Brakes		357	
1993-81		Rear-All w/ 12" X 3" Brakes		358		
1981		Rear-All w/ 11" X 2.49" Brakes		446		
Disc Brake Rotor	1993-90	Front-All 3.09" Overall Height; Vented; 327mm		PRT1469		
	1993-81	Front-All 2.8" Overall Height; Vented; 327mm		PRT1397		
	1993-81	Front-All 3.2" Overall Height		PRT1664		
Brake Drum	1993-84	Rear-All 3.91" Overall Height; 12 x 2 1/2" Brakes		PDR0547		
	1993-84	Rear-All 4.48" Overall Height; 11 x 2 1/2" Brakes; 279.4mm		PDR0490		
	1993-81	Rear-All 3.77" Overall Height; 12 x 2 1/2" Brakes		PDR0267		
	1993-81	Rear-All 6.29" Overall Height; W/ 12 x 3" Brakes; 304.9mm		PDR0264		
W300						
Disc Brake Pad Set	1980-75	Front-All Hardware Included	CFM149		MKD149FM	
	1980-75	Front-All Hardware Not Included		SBM149		
	1980-75	Rear-All Hardware Included	CFM149		MKD149FM	
	1980-75	Rear-All Hardware Not Included		SBM149		
	1980-75	Rear-All w/ 12" X 3.02" Brakes		358		
Drum Brake Shoe	1980-75	Front-All Dual Rear Wheels		PRT1414		
Disc Brake Rotor	1980-75	Front-All Single Rear Wheels; Vented; 327mm		PRT1397		
Brake Drum	1980-75	Rear-All 12 x 2 1/2" Brakes		PDR0267		
	1980-75	Rear-All 12 x 3" Brakes; 304.9mm		PDR0264		
W300 Pickup						
Disc Brake Pad Set	1974	Front-All Hardware Included	CFM149		MKD149FM	
	1974	Front-All Hardware Not Included		SBM149		
	1974	Rear-All Hardware Included	CFM149		MKD149FM	
	1974	Rear-All Hardware Not Included		SBM149		
Drum Brake Shoe	1974-72	Rear-All w/ 12" X 3.02" Brakes		358		
Disc Brake Rotor	1974	Front-All Dual Rear Wheels		PRT1414		
	1974	Front-All Single Rear Wheels; Vented; 327mm		PRT1397		
Brake Drum	1974-72	Rear-All 12 x 2 1/2" Brakes		PDR0267		
	1974-72	Rear-All 12 x 3" Brakes; 304.9mm		PDR0264		
W350						
Disc Brake Pad Set	1993-90	Front-All Hardware Included	CFM149		MKD149FM	
	1993-90	Front-All Hardware Not Included		SBM149		
	1989-88	Front-All w/ 4,000 Lb. Axle		SBM86	MKD86FM	
	1989-85	Front-All w/ 4,500 Lb. Axle	CFM149	SBM149	MKD149FM	
	1987-85	Front-All w/ 3,500 Lb. Front Axle Rating		SBM86	MKD86FM	
	1984	Front-All Hardware Included	CFM149		MKD149FM	
	1984	Front-All Hardware Not Included		SBM149		
	1983-82	Front-All w/ 13" x 3 1/2" Rear Brakes	CFM149	SBM149	MKD149FM	
	1981	Front-All Hardware Included	CFM149		MKD149FM	
	1981	Front-All Hardware Not Included		SBM149		
	1993-81	Rear-All Hardware Included	CFM149		MKD149FM	
	1993-81	Rear-All Hardware Not Included		SBM149		
	Drum Brake Shoe	1993-84	Rear-All w/ 11" X 2.49" Brakes		446	
		1993-82	Rear-All w/ 12" X 2-1/2" Brakes		357	
		1993-81	Rear-All w/ 12" X 3" Brakes		358	
	Disc Brake Rotor	1993-90	Front-All 1/2" Studs, 2.8" Overall Height; Vented; 327mm		PRT1397	
1993-90		Front-All 1/2" Studs, 3.09" Overall Height; Vented; 327mm		PRT1469		

BENDIX BRAKE PARTS

PART TYPE	YEAR	APPLICATION	PREMIUM NO.	PART NO.	SEVERE DUTY NO.
Dodge (Cont'd.)					
W350 (Cont'd.)					
Disc Brake Rotor (cont'd)	1993-90	Front-All 5/8" Studs, 2.8" Overall Height		PRT1414	
	1993-90	Front-All 5/8" Studs, 3.09" Overall Height; Vented; 327mm		PRT1468	
	1989-86	Front-All 8 Stud (4500lbs. Axle); w/ 9/16" Stud; (Dual Rear Wheels)		PRT1414	
	1989-86	Front-All 8 Stud (4500lbs. Axle); w/ 9/16" Studs; Vented; 327mm		PRT1397	
	1989-85	Front-All 8 Stud (3500lbs. Axle)		PRT1664	
	1987-85	Front-All 5 Stud Hub (3500lbs Axle); ROTOR		PRT1289	
	1985	Front-All 4500lbs. Axle; Vented; 327mm		PRT1397	
	1985	Front-All 4500lbs. Axle (Dual Rear Wheels)		PRT1414	
	1984	Front-All 3,500 Lbs. Front Axle (5 Stud); ROTOR		PRT1289	
	1984	Front-All 3,500 Lbs. Front Axle (8 studs)		PRT1664	
	1984	Front-All 4,500 Lbs. Front Axle (Dual Rear Wheels)		PRT1414	
	1984	Front-All 4,500 Lbs. Front Axle (Single Rear Wheels); Vented; 327mm		PRT1397	
	1983	Front-All 4,000 Lbs. Axle, Single Rear Wheels		PRT1193	
	1983	Front-All 4,000 Lbs. Axle (Dual Rear Wheels)		PRT1089	
	1982	Front-All 3,500 Lbs. Front Axle		PRT1664	
	1982	Front-All 4,500 Lbs. Front Axle (Dual Rear Wheels); Vented; 327mm		PRT1397	
	1982	Front-All 4,500 Lbs. Front Axle (Single Rear Wheels)		PRT1414	
	1981	Front-All Dual Rear Wheels		PRT1414	
	1981	Front-All Single Rear Wheels; Vented; 327mm		PRT1397	
Disc Brake Rotor and Hub Assembly	1983	Front-All 3,300 Lbs. Axle		PRT1924	
Brake Drum	1993-84	Rear-All DRW; 304.9mm		PDR0264	
	1993-84	Rear-All SRW, full floating axle		PDR0267	
	1993-84	Rear-All SRW, semi floating axle		PDR0547	
	1983-81	Rear-All 12 x 2 1/2" Brakes		PDR0267	
	1983-81	Rear-All 12 x 3" Drum; 304.9mm		PDR0264	
Eagle					
2000 GTX					
Disc Brake Pad Set	1993-91	Front-All Hardware Included		SBC484	
	1993-91	Rear-All Hardware Not Included		SBC329	
Drum Brake Shoe	1993-91	Rear-All FWD		677	
	1993-91	Rear-All FWD, In Supersession Process, Exhaust Current Inventory		610	
Disc Brake Rotor	1993	Front-All		PRT1543	
	1992-91	Front-All 10 5/64" diameter rotor		PRT1543	
	1992-91	Front-All 10 7/8" diameter rotor		PRT1872	
	1993-91	Rear-All		PRT1512	
Brake Drum	1993-91	Rear-All		PDR0462	
Medallion					
Disc Brake Rotor	1989-88	Front-All		PRT1714	
Premier					
Disc Brake Pad Set	1992-88	Rear-All Hardware Not Included		SBM491	
Drum Brake Shoe	1992-88	Rear-All w/ 8.86" X 1.58" Brakes		599	
Disc Brake Rotor	1992-91	Front-All		PRT1891	
	1990-88	Front-All		PRT1430FC	
	1992-88	Rear-All Rear Disc		PRT1579	
Brake Drum	1989	Rear-All Rear Drum		PDR0592	
	1988	Rear-All		PDR0609	
Summit					
Disc Brake Pad Set	1996-93	Front-All Coupe, Hardware Included		SBC602	
	1996-93	Front-All Sedan, Hardware Included		SBC602	
	1996-92	Front-All Wagon, Hardware Included		SBC484	
	1992-91	Front-All Hatchback, Hardware Included		SBC602	
	1990-89	Front-All Hardware Not Included		SBC328	
	1996-93	Rear-All Wagon, Hardware Included	CFC383K2	SBC383K2	
	1992-91	Rear-All Hardware Included	CFC383K2	SBC383K2	
	1990-89	Rear-All Hardware Not Included		SBC329	
Drum Brake Shoe	1996	Rear-All 2 Doors, Coupe, w/ 7.09" X 1.38" Brakes		644	
	1996	Rear-All 4 Doors, Sedan, w/ 8" X 1.45" Brakes		610	
	1996	Rear-All 4 Doors, Sedan, w/ 8" X 1.45" Brakes		677	
	1996	Rear-All w/ 9" X 1.63" Brakes		658	
	1995-93	Rear-All 2 Doors, Coupe		644	
	1995-93	Rear-All 4 Doors, Sedan		677	
	1995-93	Rear-All 4 Doors, Sedan, In Supersession Process, Exhaust Current Inventory		610	
	1995-92	Rear-All 3 Doors, Wagon, 4WD		658	
	1995-92	Rear-All 3 Doors, Wagon, FWD		677	
	1995-92	Rear-All 3 Doors, Wagon, FWD, In Supersession Process, Exhaust Current Inventory		610	
	1992-91	Rear-All 2 Doors, Hatchback		644	

BENDIX BRAKE PARTS

PART TYPE	YEAR	APPLICATION	PREMIUM NO.	PART NO.	SEVERE DUTY NO.	
Eagle (Cont'd.)						
Summit (Cont'd.)						
Drum Brake Shoe (cont'd)	1992-91	Rear-All 4 Doors, Sedan		644		
	1990-89	Rear-L4 - 1.5L		558		
Parking Brake Shoe	1994-92	Rear-All w/ 6.69" X 1.25" Brakes		673		
	1994-92	Rear-All w/ 6.69" X 1.25" Brakes		864		
Disc Brake Rotor	1996-95	Front-All 3 Doors, Wagon, Non-ABS		PRT1543		
	1996-93	Front-All Coupe		PRT1847		
	1996-93	Front-All Sedan		PRT1848		
	1995	Front-All 3 Doors, Wagon, 4-Wheel ABS		PRT1709 ⁶²		
	1995	Front-All 3 Doors, Wagon, 4-Wheel ABS		PRT1881		
	1992	Front-All 3 Doors, Wagon, Solid		PRT1557		
	1992	Front-All 3 Doors, Wagon, Vented		PRT1609		
	1992	Front-All Vented		PRT1609		
	1991	Front-All 2 Doors, Hatchback, Solid		PRT1557		
	1991	Front-All 2 Doors, Hatchback, Vented		PRT1609		
	1990-89	Front-All 241mm Diameter Rotor		PRT1324		
	1990-89	Front-All 265mm Dia.		PRT1750		
	1996-95	Rear-All Sedan		PRT1852		
	1996-92	Rear-All 3 Doors, Wagon		PRT1708		
	1994-93	Rear-All 2 Doors, Coupe		PRT1852		
	1991-89	Rear-All		PRT1512		
	Brake Drum	1996-95	Rear-All Base, Wagon		PDR0349 ⁴⁸	
		1996-95	Rear-All Coupe		PDR0636	
		1996-94	Rear-All Sedan		PDR0636	
		1996-93	Rear-All Base, Wagon		PDR0644 ⁴⁸	
1996		Rear-All Wagon		PDR0566		
1996		Rear-L4 - 1.5L DL		PDR0636		
1996		Rear-L4 - 1.8L DL		PDR0566		
1996		Rear-L4 - 2.4L DL		PDR0566		
1995-93		Rear-All DL, Wagon		PDR0566		
1995-93		Rear-All LX, Wagon		PDR0566		
1994-92		Rear-All Wagon, 4WD		PDR0349 ⁴⁸		
1994		Rear-All Coupe		PDR0637		
1993		Rear-All DL, Coupe		PDR0637		
1993		Rear-All DL, Sedan		PDR0636		
1993		Rear-All ES, Coupe		PDR0637		
1993		Rear-All ES, Sedan		PDR0636		
1992		Rear-All Hatchback		PDR0612		
1992		Rear-All Sedan		PDR0612		
1992		Rear-All Wagon, 4WD		PDR0644 ⁴⁸		
1992		Rear-All Wagon, FWD		PDR0566		
1991-89		Rear-All		PDR0465		
Talon						
Disc Brake Pad Set		1998-95	Front-All w/o 2 Piston Caliper		SBC484	
		1998-95	Front-L4 - 2.0L AWD, w/ 2 Piston Caliper		SBC530	
		1994-93	Front-All AWD, w/ 2 Piston Caliper		SBC530	
	1994-93	Front-All FWD, w/ 1 Piston Caliper		SBC484		
	1992-90	Front-All Hardware Included		SBC484		
	1998-97	Rear-All Hardware Included	CFC383K2	SBC383K2		
	1996-95	Rear-L4 - 2.0L FWD, Hardware Included		SBC567		
	1996-95	Rear-L4 - 2.0L Hardware Included		SBC567		
	1996	Rear-L4 - 2.0L AWD, Hardware Included	CFC383K2	SBC383K2		
	1995	Rear-L4 - 2.0L AWD, From 11/94	CFC383K2	SBC383K2		
	1995	Rear-L4 - 2.0L AWD, To 11/94		SBC532		
	1994-92	Rear-All FWD, Hardware Not Included		SBC329		
	1994	Rear-All AWD, Hardware Included		SBC532		
	1991	Rear-All Special Sport Series		SBC329		
	1990	Rear-All Hardware Not Included		SBC329		
	Drum Brake Shoe	1998-97	Rear-All FWD		658	
		1996	Rear-All w/ 9" X 1.63" Brakes		658	
Parking Brake Shoe	1998-95	Rear-All w/ 6.69" X 1.25" Brakes		673		
	1998-95	Rear-All w/ 6.69" X 1.25" Brakes		864		
Disc Brake Rotor	1998-92	Front-All FWD		PRT1658		
	1998	Front-All AWD		PRT5185		
	1997-92	Front-All AWD		PRT1574		
	1991-90	Front-All		PRT1658		
	1990	Front-All To 4/1/89		PRT1672		
	1998-97	Rear-All		PRT5047		
	1996-95	Rear-All AWD		PRT5046		
	1996-95	Rear-All FWD		PRT5047		
Brake Drum	1994-90	Rear-All		PRT1575		
	1998-97	Rear-All		PDR0671		
Vision						
Disc Brake Pad Set	1997-93	Front-All Hardware Included	CFC591	SBC591	MKD591FM	

48 Sell out and reorder PDR0644

62 Sell out and reorder PRT1881

BENDIX BRAKE PARTS

PART TYPE	YEAR	APPLICATION	PREMIUM NO.	PART NO.	SEVERE DUTY NO.
Eagle (Cont'd.)					
Vision (Cont'd.)					
Disc Brake Pad Set (cont'd)	1997-95	Rear-All Hardware Included	CFC658	SBC658	
	1994-93	Rear-V6 - 3.3L ESI, Naturally Aspirated, GAS, Hardware Included		SBM415	
	1994-93	Rear-V6 - 3.5L TSi, Naturally Aspirated, GAS, Hardware Included		SBM415	
Drum Brake Shoe	1997-96	Rear-All w/ 8.66" X 1.65" Brakes		657	
	1995-93	Rear-All		657	
Parking Brake Shoe	1997-93	Rear-All		643	
Disc Brake Rotor	1997-95	Front-All		PRT5246	
	1994-93	Front-All		PRT1840	
	1997-93	Rear-All		PRT1849	
Brake Drum	1997-93	Rear-All		PDR0634	
Vista					
Disc Brake Pad Set	1992	Front-All Hardware Included		SBC484	
	1991-89	Front-All Wagon, Hardware Not Included		SBC328	
	1992-88	Rear-All Hardware Included	CFC383K2	SBC383K2	
Disc Brake Rotor	1992	Front-All		PRT1543	
	1991-89	Front-All FWD		PRT1313	
Brake Drum	1991-90	Rear-All 4x4, 4WD		PDR0349 ⁴⁸	
	1991-90	Rear-All 4x4, 4WD		PDR0644 ⁴⁸	
	1991-90	Rear-All Base, FWD		PDR0462	
	1991-90	Rear-All DL, FWD		PDR0462	
	1991-90	Rear-All GT, FWD		PDR0462	
	1990	Rear-All LX, FWD		PDR0462	
	1989	Rear-All Base, 4WD		PDR0349 ⁴⁸	
	1989	Rear-All Base, 4WD		PDR0644 ⁴⁸	
1988	Rear-All Base, FWD		PDR0462		
Edsel					
Bermuda					
Drum Brake Shoe	1958	Rear-All		228	
Citation					
Drum Brake Shoe	1958	Rear-All w/ 11" X 2.07" Brakes		228	
Corsair					
Drum Brake Shoe	1959	Rear-All		228	
	1958	Rear-All w/ 11" X 2.07" Brakes		228	
Pacer					
Drum Brake Shoe	1958	Rear-All		228	
Ranger					
Drum Brake Shoe	1959-58	Rear-All		228	
Roundup					
Drum Brake Shoe	1958	Rear-All		228	
Villager					
Drum Brake Shoe	1959-58	Rear-All		228	
Fargo					
A100 Van					
Brake Drum	1970-64	Front-All 11 x 2 3/4" Brakes		PDR0017	
	1970-64	Rear-All		PDR0182	
A108 Van					
Brake Drum	1970-67	Front-All 11 x 2 3/4" Brakes		PDR0017	
	1970-67	Rear-All		PDR0182	
B200 Van					
Brake Drum	1972-71	Rear-All		PDR0182	
B300 Van					
Brake Drum	1972-71	Rear-All Single Rear Wheels		PDR0267	
D100 Pickup					
Brake Drum	1972-70	Rear-All		PDR0182	
	1969	Rear-All		PDR0187	
D200 Pickup					
Brake Drum	1972	Rear-All 12 x 2 1/2" Brakes		PDR0267	
	1972	Rear-All 12 x 3" Brakes; 304.9mm		PDR0264	
W100 Pickup					
Brake Drum	1972-71	Rear-All		PDR0365	
W200 Pickup					
Brake Drum	1972-69	Rear-All 12 x 3" Brakes; 304.9mm		PDR0264	
	1972	Rear-All 12 x 2 1/2" Brakes		PDR0267	

48 Sell out and reorder PDR0644

BENDIX BRAKE PARTS

PART TYPE	YEAR	APPLICATION	PREMIUM NO.	PART NO.	SEVERE DUTY NO.
Ferrari					
308 GTB					
Disc Brake Pad Set	1985-82	Rear-All Hardware Not Included		SBC31	
	1980	Rear-All Hardware Not Included		SBC31	
308 GTBi					
Disc Brake Pad Set	1982-81	Rear-All Hardware Not Included		SBC31	
308 GTS					
Disc Brake Pad Set	1985-82	Rear-All Hardware Not Included		SBC31	
	1980	Rear-All Hardware Not Included		SBC31	
308 GTSi					
Disc Brake Pad Set	1982-81	Rear-All Hardware Not Included		SBC31	
360					
Disc Brake Pad Set	2005	Rear-All Hardware Not Included		SBM592	
	2004-00	Rear-All Hardware Included	CFM1129		
	2004-00	Rear-All Hardware Not Included		SBM1129	
512 M					
Disc Brake Pad Set	1995	Front-All Hardware Not Included		SBM561	
512 TR					
Disc Brake Pad Set	1994-92	Front-All Hardware Not Included		SBM561	
550 Maranello					
Disc Brake Pad Set	2002-97	Front-All Hardware Not Included		SBM639	
	2002-97	Rear-All Hardware Not Included		SBM639	
California					
Disc Brake Pad Set	2013-09	Rear-All Hardware Included	CFM1129		
	2013-09	Rear-All Hardware Not Included		SBM1129	
F430					
Disc Brake Pad Set	2009-06	Rear-All Hardware Included	CFM592A		
	2009-06	Rear-All Hardware Not Included		SBM592A	
Mondial					
Disc Brake Pad Set	1985-83	Rear-All Hardware Not Included		SBM649	
Mondial 3.2					
Disc Brake Pad Set	1988-86	Rear-All Hardware Not Included		SBM649	
Mondial 8					
Disc Brake Pad Set	1985-82	Rear-All Hardware Not Included		SBM649	
Mondial t					
Disc Brake Pad Set	1993-89	Rear-All Hardware Not Included		SBM649	
Fiat					
124					
Disc Brake Rotor	1983-68	Front-All		PRT1099	
	1983-68	Rear-All		PRT1099	
124 Spider					
Disc Brake Pad Set	2019-18	Front-All Abarth, w/o Red Painted Calipers	CFC1903		
	2019-18	Front-All Classica, Hardware Not Included	CFC1903		
	2019-18	Front-All Lusso, Hardware Not Included	CFC1903		
	2017	Front-All Hardware Not Included	CFC1903		
	2019-17	Rear-All Hardware Included	CFC1180	SBC1180	
128					
Disc Brake Rotor	1979-71	Front-All		PRT1099	
131					
Disc Brake Rotor	1978-75	Front-All		PRT1099	
500					
Disc Brake Pad Set	2017-13	Front-All Abarth Cabrio, Hardware Included	CFM1778	SBM1778	
	2017-13	Front-All E, Hardware Included	CFC1720	SBC1720	
	2017-12	Front-All Abarth, Hardware Included	CFM1778	SBM1778	
	2017-12	Front-All c Lounge, Hardware Included	CFC1568	SBC1568	
	2017-12	Front-All c Pop, Hardware Included	CFC1568	SBC1568	
	2017-12	Front-All Lounge, Hardware Included	CFC1568	SBC1568	
	2017-12	Front-All Pop, Hardware Included	CFC1568	SBC1568	
	2016-13	Front-All Turbo, Hardware Included	CFC1568	SBC1568	
	2016-12	Front-All Sport, Hardware Included	CFC1568	SBC1568	
	2016	Front-All c Easy, Hardware Included	CFC1568	SBC1568	
	2016	Front-All Easy, Hardware Included	CFC1568	SBC1568	
	2012	Front-All c Gucci, Hardware Included	CFC1568	SBC1568	
	2012	Front-All Gucci, Hardware Included	CFC1568	SBC1568	
	2017-13	Rear-All Abarth, Hardware Included	CFC1569	SBC1569	
	2017-13	Rear-All Abarth Cabrio, Hardware Included	CFC1569	SBC1569	
	2017-13	Rear-All c Lounge, Hardware Included	CFC1569	SBC1569	
	2017-13	Rear-All c Pop, Hardware Included	CFC1569	SBC1569	
	2017-13	Rear-All E, Hardware Included	CFC1744	SBC1744	

BENDIX BRAKE PARTS

PART TYPE	YEAR	APPLICATION	PREMIUM NO.	PART NO.	SEVERE DUTY NO.	
Fiat (Cont'd.)						
500 (Cont'd.)						
Disc Brake Pad Set (cont'd)	2017-13	Rear-All Lounge, Hardware Included	CFC1569	SBC1569		
	2017-13	Rear-All Pop, Hardware Included	CFC1569	SBC1569		
	2016-13	Rear-All Sport, Hardware Included	CFC1569	SBC1569		
	2016-13	Rear-All Turbo, Hardware Included	CFC1569	SBC1569		
	2016	Rear-All c Easy, Hardware Included	CFC1569	SBC1569		
	2016	Rear-All Easy, Hardware Included	CFC1569	SBC1569		
	2012	Rear-All Hardware Included	CFC1569	SBC1569		
	2010-09	Rear-All Exc. Latin America	CFC1569	SBC1569		
	Disc Brake Rotor	2017-16	Front-All Naturally Aspirated, GAS		PRT6122	
		2017-14	Front-All ELECTRIC		PRT6224	
2017-14		Front-All Turbocharged, GAS		PRT6224		
2015-14		Front-All Rotor Diameter - 10 7/64"		PRT6122		
2015-12		Front-All Rotor Diameter - 10 7/64"	BPR6122			
2013		Front-All Abarth		PRT6224		
2013		Front-All Abarth Cabrio		PRT6224		
2013		Front-All c Lounge		PRT6122		
2013		Front-All c Pop, Rotor Diameter - 10 7/64"		PRT6122		
2013		Front-All E		PRT6224		
2013		Front-All Lounge		PRT6122		
2013		Front-All Pop		PRT6122		
2013		Front-All Sport		PRT6122		
2013		Front-All Turbo		PRT6224		
2012		Front-All Rotor Diameter - 10 7/64"		PRT6122		
2017-16		Rear-All GAS		PRT6121		
2015-14		Rear-All exc. Hybrid		PRT6121		
2013-12		Rear-All	BPR6121	PRT6121		
500L						
Disc Brake Pad Set	2019-14	Front-All Hardware Not Included	CFC1721	SBC1721		
	2019-14	Rear-All Hardware Included	CFC1722	SBC1722		
Disc Brake Rotor	2019-14	Rear-All		PRT6329		
500X						
Disc Brake Pad Set	2018-16	Front-All Hardware Included	CFC1811			
	2018-16	Rear-All Hardware Included	CFC1809			
850						
Disc Brake Rotor	1973-68	Front-All		PRT1099		
Brava						
Disc Brake Rotor	1981-78	Front-All		PRT1099		
Ducato						
Disc Brake Pad Set	2014-11	Front-All Hardware Included		SBM1540	MKD1540FM	
	2014-11	Rear-All Hardware Included	CFM1490			
	2014-11	Rear-All Hardware Not Included		SBM1490	MKD1490FM	
Strada						
Disc Brake Rotor	1982-79	Front-All		PRT1099		
X-1/9						
Disc Brake Rotor	1983-74	Front-All		PRT1099		
	1983-74	Rear-All		PRT1099		
Ford						
300						
Drum Brake Shoe	1963	Front-All w/ 11-1/32" X 2-1/2" Brakes		264		
	1963	Front-All w/ 11-1/32" X 3" Brakes		265		
	1963	Rear-All w/ 11-1/32" X 2-1/2" Brakes		264		
Aerostar						
Disc Brake Pad Set	1997-93	Front-All w/ 14.1mm, 14.9mm Pad Thickness		SBC205	MKD205FM	
	1997-93	Front-All w/ 14.3mm, 15.1mm Pad Thickness		SBC205	MKD205FM	
	1992-88	Front-All Hardware Included		SBC205	MKD205FM	
	1987	Front-All From 3/87		SBC205	MKD205FM	
	1987	Front-All To 3/87		SBM326		
	1986	Front-All Hardware Not Included		SBM326		
Drum Brake Shoe	1997-87	Rear-All w/ 10" Brakes		581		
	1989-86	Rear-All w/ 9" X 1-3/4" Brakes		474		
	1989-86	Rear-All w/ 9" X 1-3/4" Brakes		569		
	1986	Rear-All w/ 10" Brakes		169		
Disc Brake Rotor	1997-92	Front Left-All AWD		PRT1821		
	1997-92	Front Right-All AWD		PRT1820		
	1991-90	Front-All AWD		PRT1727		
Disc Brake Rotor and Hub Assembly	1997-92	Front Left-All RWD		PRT1757		
	1997-92	Front Right-All RWD		PRT1758		
	1991-90	Front-All RWD		PRT1264		
	1989-86	Front-All		PRT1264		
Brake Drum	1997-92	Rear-All		PDR0611		

BENDIX BRAKE PARTS

PART TYPE	YEAR	APPLICATION	PREMIUM NO.	PART NO.	SEVERE DUTY NO.
Ford (Cont'd.)					
Aerostar (Cont'd.)					
Brake Drum (cont'd)	1991-90	Rear-All		PDR0452	
	1989-86	Rear-All 9 x 1 3/4" Brakes		PDR0461	
	1989-86	Rear-All 10 x 2 1/2" Brakes		PDR0452	
Aspire					
Disc Brake Pad Set	1997-94	Front-All Hardware Included		SBC466	
Drum Brake Shoe	1997-94	Rear-All		688	
Disc Brake Rotor	1997-94	Front-All Automatic Trans		PRT1918	
	1997-94	Front-All Manual Trans		PRT1916	
Brake Drum	1997	Rear-All		PDR0705	
	1996-94	Rear-All		PDR0655	
B600					
Disc Brake Pad Set	1989-84	Front-All Hardware Included			MKD224FM
	1989-84	Rear-All Hardware Included			MKD224FM
Disc Brake Rotor	1989-86	Front-All U Shaped 6 Hole Rotor, 8 3/4" Bolt Circle		PRT1276	
	1989-86	Front-All U Shaped 6 Hole Rotor Hat, 11 1/4" Bolt Circle		PRT1270	
	1989-84	Front-All Hat Shaped 6 Hole Rotor		PRT1269	
Brake Drum	1989-84	Rear-All 5 x 5" Brakes 15,000 GVWR		PDR0776	
B700					
Disc Brake Pad Set	1989-84	Front-All Hardware Included			MKD224FM
	1989-84	Rear-All Hardware Included			MKD224FM
Disc Brake Rotor	1989-84	Front-All Hat Shaped 6 Hole Rotor		PRT1269	
	1989-84	Front-All U Shaped 6 Hole Rotor, 8 3/4" Bolt Circle		PRT1276	
	1989-84	Front-All U Shaped 6 Hole Rotor Hat, 11 1/4" Bolt Circle		PRT1270	
B7000					
Disc Brake Pad Set	1987-84	Front-All Hardware Included			MKD224FM
	1987-84	Rear-All Hardware Included			MKD224FM
Bronco					
Disc Brake Pad Set	1996-94	Front-All Hardware Included		SBM632	MKD632FM
	1993-87	Front-All Hardware Included		SBM360	
	1986-76	Front-All Hardware Included		SBM50	
Drum Brake Shoe	1996-87	Rear-All w/ 11.03" X 2.26" Brakes		582	
	1986-76	Rear-All w/ 11" X 2.31" Brakes		263	
	1975-66	Rear-All w/ 10" X 2-1/2" Brakes		169	
Disc Brake Rotor	1996-94	Front-All Rotor Only; Vented; 297.6mm		PRT1905	
	1993-89	Front-All		PRT1214	
	1988-87	Front-All Automatic Locking Hubs		PRT1214	
	1986-76	Front-All		PRT1214	
Disc Brake Rotor and Hub Assembly	1995-94	Front-All Up to 5/01/95 (hub and rotor assy. w/AWAL)		PRT5486	
	1988-87	Front-All Manual Locking Hubs; 297.7mm		PRT1452	
Brake Drum	1975-70	Front-All		PDR0013	
	1969	Front-All From serial# F30001		PDR0013	
	1968-66	Front-All Composite		PDR0118	
	1996-87	Rear-All		PDR0532	
	1986-76	Rear-All		PDR0479	
	1975-66	Rear-All 10" Brakes		PDR0296	
1975-66	Rear-All 11" Brakes		PDR0115		
Bronco II					
Disc Brake Pad Set	1990-87	Front-All Hardware Included		SBC205	MKD205FM
	1986	Front-All From 10/86		SBC205	MKD205FM
	1986	Front-All To 10/86		SBM326	
	1985-84	Front-All Hardware Included		SBC205	MKD205FM
Drum Brake Shoe	1990-84	Rear-All w/ 9" X 1-3/4" Brakes		474	
	1990-84	Rear-All w/ 9" X 1-3/4" Brakes		569	
Disc Brake Rotor and Hub Assembly	1990	Front-All 4WD, 2.2" Overall Height; 276mm		PRT1265	
	1990	Front-All 4WD, 2.5" Overall Height		PRT1860	
	1990	Front-All RWD		PRT1264	
	1989-87	Front-All 4WD, 276mm		PRT1265	
	1989-87	Front-All RWD		PRT1519	
	1986-84	Front-All 276mm		PRT1265	
Brake Drum	1990-84	Rear-All 9 x 1 3/4" Brakes		PDR0461	
	1989-84	Rear-All 10 x 2 1/2" Brakes		PDR0452	
C600					
Disc Brake Pad Set	1986-84	Front-All Hardware Included			MKD224FM
	1986-84	Rear-All Hardware Included			MKD224FM
Disc Brake Rotor	1986-84	Front-All 6 Hole Hat Rotor, 14 3/4" Diameter Rotor		PRT1269	
C700					
Disc Brake Pad Set	1986-84	Front-All Hardware Included			MKD224FM
	1986-84	Rear-All Hardware Included			MKD224FM
Disc Brake Rotor	1986-84	Front-All Hat Shaped 6 Hole Rotor		PRT1269	
	1986-84	Front-All U Shaped 6 Hole Rotor, 8 3/4" Bolt Circle		PRT1276	

BENDIX BRAKE PARTS

PART TYPE	YEAR	APPLICATION	PREMIUM NO.	PART NO.	SEVERE DUTY NO.	
Ford (Cont'd.)						
C700 (Cont'd.)						
Disc Brake Rotor (cont'd)	1986-84	Front-All U Shaped 6 Hole Rotor Hat, 11 1/4" Bolt Circle		PRT1270		
C800						
Disc Brake Pad Set	1986-84	Front-All Hardware Included			MKD224FM	
	1986-84	Rear-All Hardware Included			MKD224FM	
Disc Brake Rotor	1986-84	Front-All Hat Shaped 6 Hole Rotor		PRT1269		
	1986-84	Front-All U Shaped 6 Hole Rotor, 8 3/4" Bolt Circle		PRT1276		
	1986-84	Front-All U Shaped 6 Hole Rotor Hat, 11 1/4" Bolt Circle		PRT1270		
C7000						
Disc Brake Pad Set	1986-84	Front-All Hardware Included			MKD224FM	
	1986-84	Rear-All Hardware Included			MKD224FM	
C8000						
Disc Brake Pad Set	1989-84	Front-All Hardware Included			MKD224FM	
	1989-84	Rear-All Hardware Included			MKD224FM	
Disc Brake Rotor	1989-84	Front-All Hat Shaped 6 Hole Rotor		PRT1269		
	1989-84	Front-All U Shaped 6 Hole Rotor, 8 3/4" Bolt Circle		PRT1276		
	1989-84	Front-All U Shaped 6 Hole Rotor Hat, 11 1/4" Bolt Circle		PRT1270		
CF6000						
Disc Brake Pad Set	1990-86	Front-All Hardware Included			MKD224FM	
	1990-86	Rear-All Hardware Included			MKD224FM	
Disc Brake Rotor	1990-86	Front-All 8 Hole		PRT1450		
CF7000						
Disc Brake Pad Set	1997-86	Front-All Hardware Included			MKD224FM	
	1997-86	Rear-All Hardware Included			MKD224FM	
Disc Brake Rotor	1996-90	Front-All		PRT1276		
	1996-90	Front-All 8 Hole		PRT1450		
	1996-90	Front-All Hat Shaped 10 hole rotor; 15.38" Rotor Diameter; 6.07" Overall Height		PRT5197		
	1996-90	Front-All U Shaped 6 Hole Rotor Hat, 11 1/4" Bolt Circle		PRT1270		
CF8000						
Disc Brake Pad Set	1997-87	Front-All Hardware Included			MKD224FM	
	1997-87	Rear-All Hardware Included			MKD224FM	
Disc Brake Rotor	1997-87	Front-All 8 Hole		PRT1450		
	1997-87	Front-All U Shaped 6 Hole Rotor Hat, 11 1/4" Bolt Circle		PRT1270		
Brake Drum	1995-93	Front-All		PDR0696		
CFT8000						
Brake Drum	1995-93	Front-All		PDR0696		
Club Wagon						
Drum Brake Shoe	1967-65	Rear-All w/ 11" X 2.31" Brakes		263		
	1967-62	Rear-All w/ 11" X 2.57" Brakes		264		
C-Max						
Disc Brake Pad Set	2018-13	Front-All Hardware Included	CFC1044	SBC1044	MKD1044FM	
	2018	Rear-All Hardware Included	CFM1564A			
	2017-14	Rear-All Hardware Included	CFC1564	SBC1564	MKD1564FM	
	2013	Rear-All w/o Wear Sensor	CFC1564	SBC1564	MKD1564FM	
	2013	Rear-All w/ Wear Sensor	CFM1564A			
Disc Brake Rotor	2018-13	Front-All		PRT6132		
	2018-13	Rear-All		PRT6200		
	2017-13	Rear-All			SDR6200	
Contour						
Disc Brake Pad Set	2000-98	Front-All LX, w/o Pad Wear Sensor		SBC648		
	2000-98	Front-All LX, w/ Pad Wear Sensor		SBM801		
	2000-98	Front-All SE, w/o Pad Wear Sensor		SBC648		
	2000-98	Front-All SE, w/ Pad Wear Sensor		SBM801		
	2000-98	Front-All SVT, w/o Pad Wear Sensor		SBM762		
	2000-98	Front-All SVT, w/ Pad Wear Sensor		SBM762		
	1998	Front-All Base, w/o Pad Wear Sensor		SBC648		
	1998	Front-All Base, w/ Pad Wear Sensor		SBM801		
	1998	Front-All GL, w/o Pad Wear Sensor		SBC648		
	1998	Front-All GL, w/ Pad Wear Sensor		SBM801		
	1997	Front-L4 - 2.0L Hardware Not Included		SBC648		
	1997	Front-V6 - 2.5L Hardware Not Included		SBC648		
	1996-95	Front-All Hardware Not Included		SBC648		
	2000-97	Rear-L4 - 2.0L Hardware Not Included		SBC661		
	2000-97	Rear-V6 - 2.5L Hardware Not Included		SBC661		
	1996-95	Rear-All Hardware Not Included		SBC661		
	Drum Brake Shoe	2000-97	Rear-All w/ 8" Brakes		696	
		2000-97	Rear-All w/ 9" Brakes		736	
		1996-95	Rear-All		696	
Disc Brake Rotor	2000-98	Front-All LX		PRT5044		
	2000-98	Front-All SE		PRT5044		
	2000-98	Front-All SVT, 278mm		PRT5196		

BENDIX BRAKE PARTS

PART TYPE	YEAR	APPLICATION	PREMIUM NO.	PART NO.	SEVERE DUTY NO.
Ford (Cont'd.)					
Contour (Cont'd.)					
Disc Brake Rotor (cont'd)	1998	Front-All Base		PRT5044	
	1998	Front-All GL		PRT5044	
	1997-95	Front-All		PRT5044	
	2000-95	Rear-All		PRT5069	
Brake Drum	2000-97	Rear-All 8" Brakes		PDR0669	
	2000-97	Rear-All 9" Brakes		PDR0704	
	1996-95	Rear-All		PDR0669	
Cougar					
Disc Brake Pad Set	1995-90	Front-All Hardware Not Included		SBM417	
	1988-85	Front-All Hardware Not Included		SBM417	
	1995-93	Rear-All Hardware Not Included		SBC599	
	1992-90	Rear-All Hardware Included		SBC347	
Country Sedan					
Disc Brake Pad Set	1974-73	Front-All Hardware Included		SBM50	
Drum Brake Shoe	1972-65	Front-All w/ 11-1/32" X 2-1/2" Brakes		264	
	1972-61	Front-All w/ 11-1/32" X 3" Brakes		265	
	1959	Front-All w/ 11" X 2-1/4" Brakes		263	
	1974-73	Rear-All w/ 11-1/32" X 2-1/2" Brakes		264	
	1974-69	Rear-All w/ 11" X 2.31" Brakes		263	
	1968-65	Rear-All w/ 11-1/32" X 2-1/4" Brakes		263	
	1964-61	Rear-All w/ 11-1/32" X 2-1/2" Brakes		264	
	1959	Rear-All w/ 11" X 2" Brakes		228	
Disc Brake Rotor	1968	Front-All		PRT1023	
Disc Brake Rotor and Hub Assembly	1974	Front-All		PRT1079	
	1973	Front-All		PRT1070	
	1972-70	Front-All		PRT1016	
Brake Drum	1972-69	Front-All 11 1/32 x 2 1/4" Brakes		PDR0137	
	1974-73	Rear-All 11 1/32 x 2 1/2" Brakes		PDR0273	
	1974-73	Rear-All 11 1/32 x 2 1/4" Brakes		PDR0272	
	1972-69	Rear-All 11 1/32 x 2 1/4" Brakes		PDR0137	
Country Squire					
Disc Brake Pad Set	1991-90	Front-All Hardware Not Included		SBM150	
	1989-87	Front-All w/ Phenolic Piston Caliper		SBM199	
	1974	Front-All Hardware Included		SBM50	
	1973	Front-All w/o Heavy Duty Brakes		SBM50	
Drum Brake Shoe	1972-65	Front-All w/ 11-1/32" X 2-1/2" Brakes		264	
	1972-61	Front-All w/ 11-1/32" X 3" Brakes		265	
	1959	Front-All w/ 11" X 2-1/4" Brakes		263	
	1954	Front-All w/ 10" X 2-1/4" Brakes		154	
	1991-87	Rear-All w/ 10" X 2.56" Brakes		481	
	1974-65	Rear-All w/ 11-1/32" X 2-1/4" Brakes		263	
	1974-61	Rear-All w/ 11-1/32" X 2-1/2" Brakes		264	
1959	Rear-All w/ 11" X 2" Brakes		228		
Disc Brake Rotor	1968	Front-All		PRT1023	
Disc Brake Rotor and Hub Assembly	1991-87	Front-All		PRT1176	
	1974	Front-All		PRT1079	
	1973	Front-All		PRT1070	
	1972-70	Front-All		PRT1016	
Brake Drum	1991-87	Rear-All 10 x 2 1/2" Brakes		PDR0569	
	1991-87	Rear-All 11 1/32 x 2 1/4" Brakes		PDR0383	
	1974-73	Rear-All 11 1/32 x 2 1/2" Brakes		PDR0273	
	1974-73	Rear-All 11 1/32 x 2 1/4" Brakes		PDR0272	
Courier					
Disc Brake Pad Set	2011-06	Front-All Hardware Not Included		SBM649	
	2005-04	Front-All Exc. Latin America		SBM649	
	2005-04	Front-All Latin America		SBM649	
Disc Brake Rotor	1982-77	Front-All		PRT1171	
Brake Drum	1976-72	Front-All		PDR0700	
	1982-72	Rear-All		PDR0700	
Crestline					
Drum Brake Shoe	1954	Front-All 4 Doors, Wagon, w/ 11" X 2" Brakes		228	
	1954	Front-All w/ 10" X 2-1/4" Brakes		154	
	1953-52	Front-All 2 Doors, Sedan		154	
	1953-52	Front-All 4 Doors, Wagon		228	
Crown Victoria					
Disc Brake Pad Set	2011-10	Front-All Base, Hardware Included		SBM931	
	2011-10	Front-All Base, Hardware Included	CFM931	SBC931	MKD931FM
	2011-10	Front-All Base, Hardware Included			PBD931
	2011-03	Front-All LX, Hardware Included		SBM931	
	2011-03	Front-All LX, Hardware Included	CFM931	SBC931	MKD931FM
	2011-03	Front-All LX, Hardware Included			PBD931

BENDIX BRAKE PARTS

PART TYPE	YEAR	APPLICATION	PREMIUM NO.	PART NO.	SEVERE DUTY NO.
Ford (Cont'd.)					
Crown Victoria (Cont'd.)					
Disc Brake Pad Set (cont'd)	2011-03	Front-All Police Interceptor, Hardware Included		SBM931	
	2011-03	Front-All Police Interceptor, Hardware Included	CFM931	SBC931	MKD931FM
	2011-03	Front-All Police Interceptor, Hardware Included			PBD931
	2008-03	Front-All Base, Hardware Included		SBM931	
	2008-03	Front-All Base, Hardware Included	CFM931	SBC931	MKD931FM
	2008-03	Front-All Base, Hardware Included			PBD931
	2006-04	Front-All LX Sport, Hardware Included		SBM931	
	2006-04	Front-All LX Sport, Hardware Included	CFM931	SBC931	MKD931FM
	2006-04	Front-All LX Sport, Hardware Included			PBD931
	2005	Front-All S, Hardware Included		SBM931	
	2005	Front-All S, Hardware Included	CFM931	SBC931	MKD931FM
	2005	Front-All S, Hardware Included			PBD931
	2005	Front-All Special Edition, Hardware Included		SBM931	
	2005	Front-All Special Edition, Hardware Included	CFM931	SBC931	MKD931FM
	2005	Front-All Special Edition, Hardware Included			PBD931
	2003	Front-All LWB, Hardware Included		SBM931	
	2003	Front-All LWB, Hardware Included	CFM931	SBC931	MKD931FM
	2003	Front-All LWB, Hardware Included			PBD931
	2003	Front-All S, Hardware Included		SBM931	
	2003	Front-All S, Hardware Included	CFM931	SBC931	MKD931FM
	2003	Front-All S, Hardware Included			PBD931
	2002-98	Front-All Hardware Included		SBC748	MKD748FM
	1997-95	Front-All Base, Hardware Included		SBC659	MKD659FM
	1997-95	Front-All LX, Hardware Included		SBC659	MKD659FM
	1997-95	Front-All S, Hardware Included		SBC659	MKD659FM
	1997	Front-All Police Interceptor, Hardware Included		SBC659	MKD659FM
	1994	Front-All Base, w/ Phenolic Piston Caliper		SBM199	
	1994	Front-All Base, w/ Steel Piston Caliper		SBM499	
	1994	Front-All LX, w/ Phenolic Piston Caliper		SBM199	
	1994	Front-All LX, w/ Steel Piston Caliper		SBM499	
	1994	Front-All Police Interceptor, w/ Steel Piston Caliper		SBM499	
	1994	Front-All S, w/ Phenolic Piston Caliper		SBM199	
	1994	Front-All S, w/ Steel Piston Caliper		SBM499	
	1993	Front-All Base, Sedan, w/ Phenolic Piston Caliper		SBM199	
	1993	Front-All LX, Sedan, w/ Phenolic Piston Caliper		SBM199	
	1993	Front-All Police Interceptor, From 6/10/93		SBM499	
	1993	Front-All Police Interceptor, To 6/10/93		SBM150	
	1993	Front-All S, Sedan, w/ Phenolic Piston Caliper		SBM199	
	1992	Front-All Police		SBM150	
	1992	Front-All Sedan, Exc. Police		SBM199	
	2011	Rear-All Hardware Included	CFC1040	SBC1040	MKD1040FM
	2010	Rear-All Base, w/o Anti-Rattle Clips	CFC1040	SBC1040	MKD1040FM
	2010	Rear-All LX, w/o Anti-Rattle Clips	CFC1040	SBC1040	MKD1040FM
	2010	Rear-All Police Interceptor, Hardware Included		SBM932	
	2010	Rear-All Police Interceptor, Hardware Included	CFC932A	SBC932A	MKD932AFM
	2010	Rear-All Police Interceptor, Hardware Included			PBD932
	2009-07	Rear-All Hardware Included	CFC1040	SBC1040	MKD1040FM
	2006-05	Rear-All w/o Anti-Rattle Clips	CFC1040	SBC1040	MKD1040FM
	2004	Rear-All Base, Extended Wheelbase	CFC1040	SBC1040	MKD1040FM
	2004	Rear-All LX, Extended Wheelbase	CFC1040	SBC1040	MKD1040FM
	2004	Rear-All LX Sport, Extended Wheelbase	CFC1040	SBC1040	MKD1040FM
	2004	Rear-All Police Interceptor, Hardware Included	CFC1040	SBC1040	MKD1040FM
	2003	Rear-All w/o Anti-Rattle Clips	CFC1040	SBC1040	MKD1040FM
	2002-97	Rear-All w/ 1 3/4" Inboard Piston Clip		SBM674	MKD674FM
	2002-97	Rear-All w/ 1" Inboard Piston Clip		SBM674A	MKD674AFM
	1996	Rear-All Base, Hardware Included		SBM674A	MKD674AFM
	1996	Rear-All Base, w/ 1 3/4" Inboard Piston Clip		SBM674	MKD674FM
	1996	Rear-All Base, w/ 1" Inboard Piston Clip		SBM674A	MKD674AFM
	1996	Rear-All LX, Hardware Included		SBM674A	MKD674AFM
	1996	Rear-All LX, w/ 1 3/4" Inboard Piston Clip		SBM674	MKD674FM
	1996	Rear-All LX, w/ 1" Inboard Piston Clip		SBM674A	MKD674AFM
	1996	Rear-All Police Interceptor, w/ 1 3/4" Inboard Piston Clip		SBM674	MKD674FM
	1996	Rear-All S, Hardware Included		SBM674A	MKD674AFM
	1996	Rear-All S, w/ 1 3/4" Inboard Piston Clip		SBM674	MKD674FM
	1996	Rear-All S, w/ 1" Inboard Piston Clip		SBM674A	MKD674AFM
	1995-93	Rear-All Base, Hardware Included		SBC544	
	1995-93	Rear-All LX, Hardware Included		SBC544	
	1995-93	Rear-All Police Interceptor, Hardware Included		SBC662	
	1995-93	Rear-All S, Hardware Included		SBC544	
	1992	Rear-All Exc. Police		SBC544	
	1992	Rear-All Police		SBC662	
Parking Brake Shoe	2011-03	Rear-All		920	
	2002-96	Rear-All		745	
	1995-92	Rear-All		725	
Disc Brake Rotor	2011-03	Front-All		PRT5326	SDR5326

BENDIX BRAKE PARTS

PART TYPE	YEAR	APPLICATION	PREMIUM NO.	PART NO.	SEVERE DUTY NO.
Ford (Cont'd.)					
Crown Victoria (Cont'd.)					
Disc Brake Rotor (cont'd)	2002-98	Front-All		PRT5191	SDR5191
	1997-95	Front-All		PRT5048	
	1994-92	Front-All		PRT1621	SDR1621
	2011-03	Rear-All		PRT5353	SDR5353
	2002-96	Rear-All		PRT5109	
	1995-92	Rear-All		PRT1547	
Custom					
Disc Brake Pad Set	1972	Front-All w/o Heavy Duty Brakes		SBM50	
Drum Brake Shoe	1972-64	Front-All w/ 11-1/32" X 2-1/2" Brakes		264	
	1972-64	Front-All w/ 11-1/32" X 3" Brakes		265	
	1949	Front-All		154	
	1972	Rear-All w/ 11-1/32" X 2-1/4" Brakes		263	
	1971-65	Rear-All		263	
	1964	Rear-All		264	
Disc Brake Rotor	1968	Front-All		PRT1023	
Disc Brake Rotor and Hub Assembly	1972-70	Front-All		PRT1016	
Brake Drum	1972-69	Front-All 11 1/32 x 2 1/4" Brakes		PDR0137	
	1968-64	Front-All		PDR0124	
	1972-69	Rear-All 11 1/32 x 2 1/4" Brakes		PDR0137	
	1968-65	Rear-All		PDR0124	
Custom 500					
Disc Brake Pad Set	1977-73	Front-All Hardware Included		SBM50	
	1972	Front-All w/o Heavy Duty Brakes		SBM50	
Drum Brake Shoe	1972-64	Front-All w/ 11-1/32" X 2-1/2" Brakes		264	
	1972-64	Front-All w/ 11-1/32" X 3" Brakes		265	
	1977-76	Rear-All		264	
	1975-72	Rear-All w/ 11-1/32" X 2-1/2" Brakes		264	
	1975-72	Rear-All w/ 11-1/32" X 2-1/4" Brakes		263	
	1971-65	Rear-All		263	
	1964	Rear-All		264	
Disc Brake Rotor	1977-76	Rear Left-All		PRT1124	
	1977-76	Rear Right-All		PRT1125	
Disc Brake Rotor and Hub Assembly	1977-74	Front-All		PRT1079	
	1972-70	Front-All		PRT1016	
Brake Drum	1972-69	Front-All 11 1/32 x 2 1/4" Brakes		PDR0137	
	1968-64	Front-All		PDR0124	
	1976-73	Rear-All 11 x 2 1/2" Brakes		PDR0273	
	1975-73	Rear-All 11 1/32 x 2 1/4" Brakes		PDR0272	
	1972-69	Rear-All 11 1/32 x 2 1/4" Brakes		PDR0137	
	1968-65	Rear-All		PDR0124	
Deluxe					
Drum Brake Shoe	1951-49	Front-All 4 Doors, Wagon		154	
E-100 Econoline					
Disc Brake Pad Set	1983-75	Front-All Hardware Included		SBM50	
Drum Brake Shoe	1974-72	Front-All		169	
	1971	Front-All w/ 10" X 2-1/2" Brakes		169	
	1970-69	Front-All		169	
	1983-75	Rear-All w/ 11" X 2.31" Brakes		263	
	1974-72	Rear-All		151	
	1974-72	Rear-All In Supersession Process, Exhaust Current Inventory		267	
	1971-69	Rear-All w/ 10" X 1.81" Brakes		151	
	1971-69	Rear-All w/ 10" X 1.81" Brakes		267	
	1970-69	Rear-All w/ 10" X 2-1/2" Brakes		169	
Disc Brake Rotor and Hub Assembly	1983-75	Front-All		PRT1067	
Brake Drum	1974-69	Front-All		PDR0144	
	1983-76	Rear-All		PDR0479	
	1975	Rear-All From serial# A25000		PDR0479	
	1975	Rear-All To Serial# A25000		PDR0141	
E-100 Econoline Club Wagon					
Disc Brake Pad Set	1983-75	Front-All Hardware Included		SBM50	
Drum Brake Shoe	1983-75	Rear-All w/ 11" X 2.31" Brakes		263	
Disc Brake Rotor and Hub Assembly	1983-75	Front-All 297.7mm		PRT1067	
Brake Drum	1983-76	Rear-All		PDR0479	
	1975	Rear-All From serial# A25000		PDR0479	
	1975	Rear-All To Serial# A25000		PDR0141	
E-150					
Disc Brake Pad Set	2014-13	Front-All Hardware Included	CFM1328	SBM1328	MKD1328FM
	2012	Front-V8 - 4.6L Hardware Included	CFM1328	SBM1328	MKD1328FM
	2012	Front-V8 - 5.4L Hardware Included	CFM1328	SBM1328	MKD1328FM

BENDIX BRAKE PARTS

PART TYPE	YEAR	APPLICATION	PREMIUM NO.	PART NO.	SEVERE DUTY NO.
Ford (Cont'd.)					
E-150 (Cont'd.)					
Disc Brake Pad Set (cont'd)	2011-08	Front-All Hardware Included	CFM1328	SBM1328	MKD1328FM
	2007	Front-All Exc. Latin America		SBM655	
	2007	Front-All Exc. Latin America	CFM655	SBC655	MKD655FM
	2007	Front-All Latin America	CFM1045	SBM1045	MKD1045FM
	2006-04	Front-All Hardware Included	CFM1045	SBM1045	MKD1045FM
	2003	Front-All Hardware Included		SBM632	MKD632FM
	2014-13	Rear-All Hardware Included	CFM1329	SBM1329	MKD1329FM
	2012	Rear-V8 - 4.6L Hardware Included	CFM1329	SBM1329	MKD1329FM
	2012	Rear-V8 - 5.4L Hardware Included	CFM1329	SBM1329	MKD1329FM
	2011-08	Rear-All Hardware Included	CFM1329	SBM1329	MKD1329FM
	2007	Rear-All Exc. Latin America	CFM802	SBM802	MKD802FM
	2007	Rear-All Latin America	CFM1046	SBM1046	MKD1046FM
	2006-04	Rear-All Hardware Included	CFM1046	SBM1046	MKD1046FM
Drum Brake Shoe	2003	Rear-All		723	
Parking Brake Shoe	2012-08	Rear-All		952	
	2007-04	Rear-All		947	
Disc Brake Rotor	2014-08	Rear-All		PRT5916	SDR5916
	2007-04	Rear-All		PRT5697	
Disc Brake Rotor and Hub Assembly	2014-08	Front-All		PRT5915	SDR5915
	2007	Front-All		PRT5057	
	2006-04	Front-All		PRT5793	
	2003	Front-All 4-Wheel ABS, 297.7mm		PRT1906	
Brake Drum	2006-03	Rear-All		PDR0756	
E-150 Club Wagon					
Disc Brake Pad Set	2005-03	Front-All Hardware Included	CFM1045	SBM1045	MKD1045FM
	2005-04	Rear-All Hardware Included	CFM1046	SBM1046	MKD1046FM
Drum Brake Shoe	2005-03	Rear-All		723	
Parking Brake Shoe	2005-04	Rear-All		947	
Disc Brake Rotor	2005-04	Rear-All		PRT5697	
Disc Brake Rotor and Hub Assembly	2005-04	Front-All		PRT5793	
	2003	Front-All 4-Wheel ABS, 297.7mm		PRT1906	
Brake Drum	2005-03	Rear-All		PDR0756	
E-150 Econoline					
Disc Brake Pad Set	2008	Front-All Hardware Included	CFM1328	SBM1328	MKD1328FM
	2007	Front-All Hardware Included	CFM1045	SBM1045	MKD1045FM
	2002	Front-All Hardware Included		SBM632	MKD632FM
	2001-97	Front-V6 - 4.2L Hardware Included		SBM632	MKD632FM
	2001-97	Front-V8 - 4.6L Hardware Included		SBM632	MKD632FM
	2001-97	Front-V8 - 5.4L Hardware Included		SBM632	MKD632FM
	1996-94	Front-All Hardware Included		SBM632	MKD632FM
	1993-87	Front-All Hardware Included		SBM375	
	1986-75	Front-All Hardware Included		SBM50	
	2008	Rear-All Hardware Included	CFM1329	SBM1329	MKD1329FM
	2007	Rear-All From 10/17/06	CFM802	SBM802	MKD802FM
	2007	Rear-All To 10/16/06	CFM1046	SBM1046	MKD1046FM
Drum Brake Shoe	2002-97	Rear-All		723	
	1996-87	Rear-All w/ 11.03" X 2.26" Brakes		582	
	1986-75	Rear-All w/ 11" X 2.31" Brakes		263	
Disc Brake Rotor and Hub Assembly	2002-94	Front-All 4-Wheel ABS, 297.7mm		PRT1906	
	2001-94	Front-All 2-Wheel ABS, 297.7mm		PRT1907	
	1993-75	Front-All 297.7mm		PRT1067	
Brake Drum	2002-00	Rear-All		PDR0756	
	1999-87	Rear-All		PDR0532	
	1986-76	Rear-All		PDR0479	
	1975	Rear-All From serial# A25000		PDR0479	
	1975	Rear-All To Serial# A25000		PDR0141	
E-150 Econoline Club Wagon					
Disc Brake Pad Set	2002-94	Front-All Hardware Included		SBM632	MKD632FM
	1993-87	Front-All Hardware Included		SBM375	
	1986-75	Front-All Hardware Included		SBM50	
Drum Brake Shoe	2002-97	Rear-All		723	
	1996-87	Rear-All w/ 11.03" X 2.26" Brakes		582	
	1986-75	Rear-All w/ 11" X 2.31" Brakes		263	
Disc Brake Rotor and Hub Assembly	2002-94	Front-All 4-Wheel ABS, 297.7mm		PRT1906	
	1993-75	Front-All 297.7mm		PRT1067	
Brake Drum	2002-00	Rear-All		PDR0756	
	1999-87	Rear-All		PDR0532	
	1986-76	Rear-All		PDR0479	
	1975	Rear-All From serial# A25000		PDR0479	
	1975	Rear-All To Serial# A25000		PDR0141	

BENDIX BRAKE PARTS

PART TYPE	YEAR	APPLICATION	PREMIUM NO.	PART NO.	SEVERE DUTY NO.	
Ford (Cont'd.)						
E-200 Econoline						
Drum Brake Shoe	1974-69	Front-All		265		
	1974-69	Rear-All		263		
Brake Drum	1974-69	Front-All		PDR0016		
	1974-69	Rear-All		PDR0141		
E-250						
Disc Brake Pad Set	2014-13	Front-All Hardware Included	CFM1328	SBM1328	MKD1328FM	
	2012	Front-V8 - 4.6L Hardware Included	CFM1328	SBM1328	MKD1328FM	
	2012	Front-V8 - 5.4L Hardware Included	CFM1328	SBM1328	MKD1328FM	
	2011-08	Front-All Hardware Included	CFM1328	SBM1328	MKD1328FM	
	2007-03	Front-All Hardware Included		SBM655		
	2007-03	Front-All Hardware Included	CFM655	SBC655	MKD655FM	
	2014-13	Rear-All Hardware Included	CFM1329	SBM1329	MKD1329FM	
	2012	Rear-V8 - 4.6L Hardware Included	CFM1329	SBM1329	MKD1329FM	
	2012	Rear-V8 - 5.4L Hardware Included	CFM1329	SBM1329	MKD1329FM	
	2011-08	Rear-All Hardware Included	CFM1329	SBM1329	MKD1329FM	
	2007-03	Rear-All Hardware Included	CFM802	SBM802	MKD802FM	
	Drum Brake Shoe	2007-06	Rear-All w/ 12" X 2.52" Brakes		357	
	Parking Brake Shoe	2012-08	Rear-All		952	
2007-06		Rear-All 8.07" X 1.73"		854		
2005-03		Rear-All w/ 8.07" X 1.73" Brakes		771		
Disc Brake Rotor	2014-08	Rear-All		PRT5916	SDR5916	
	2007-03	Rear-All		PRT5251		
Disc Brake Rotor and Hub Assembly	2014-08	Front-All		PRT5915	SDR5915	
	2007-06	Front-All		PRT5057		
	2005-03	Front-All 4-Wheel ABS		PRT5057		
Brake Drum	2006-03	Rear-All		PDR0675		
E-250 Econoline						
Disc Brake Pad Set	2002-01	Front-All Hardware Included		SBM655		
	2002-01	Front-All Hardware Included	CFM655	SBC655	MKD655FM	
	2000-97	Front-V6 - 4.2L Hardware Included		SBM655		
	2000-97	Front-V6 - 4.2L Hardware Included	CFM655	SBC655	MKD655FM	
	2000-97	Front-V8 - 5.4L Hardware Included		SBM655		
	2000-97	Front-V8 - 5.4L Hardware Included	CFM655	SBC655	MKD655FM	
	1996-95	Front-All Hardware Included		SBM655		
	1996-95	Front-All Hardware Included	CFM655	SBC655	MKD655FM	
	1994-92	Front-All Hardware Included		SBM557	MKD557FM	
	1991-76	Front-All Hardware Included			MKD120FM	
	1991-76	Front-All Hardware Not Included		SBM120		
	2002-01	Rear-All Hardware Included	CFM802	SBM802	MKD802FM	
	2000-99	Rear-V6 - 4.2L Hardware Included	CFM802	SBM802	MKD802FM	
	2000-99	Rear-V8 - 5.4L Hardware Included	CFM802	SBM802	MKD802FM	
	Drum Brake Shoe	2002-75	Rear-All w/ 12" X 2-1/2" Brakes		357	
		2002	Rear-All w/ 12" X 3.02" Brakes		358	
		2001-84	Rear-All w/ 12" X 3" Brakes		358	
	Parking Brake Shoe	2002-99	Rear-All w/ 8.07" X 1.73" Brakes		771	
	Disc Brake Rotor	2002-99	Rear-All		PRT5251	
	Disc Brake Rotor and Hub Assembly	2002-95	Front-All 4-Wheel ABS		PRT5057	
1999-95		Front-All 2-Wheel ABS		PRT5049	SDR5049	
1994		Front-All 2-Wheel ABS		PRT1934		
1994		Front-All 4-Wheel ABS		PRT1917		
1993-92		Front-All		PRT1798		
1991-86		Front-All		PRT1487		
1985-83		Front-All Over 8500 Lb GVW		PRT1867		
1985-83		Front-All Under 8500 Lb GVW		PRT1930		
1982		Front-All		PRT1930		
1981		Front-All From 11/80		PRT1930		
1981		Front-All To 11/80		PRT1154		
1980-76		Front-All		PRT1154		
Brake Drum		2002-95	Rear-All		PDR0675	
		1994-92	Rear-All		PDR0493	
	1991-90	Rear-All Full Floating Rear Axle		PDR0504		
	1991-90	Rear-All Semi Floating Rear Axle		PDR0520		
	1989-87	Rear-All 12 x 3" Brakes		PDR0504		
	1989-86	Rear-All 8.8" Rear (12 x 2 1/2" Brakes)		PDR0520		
	1989-86	Rear-All 9.75" Rear (12 x 2 1/2" Brakes)		PDR0397		
	1986-84	Rear-All 12 x 3" Brakes		PDR0344		
	1985-84	Rear-All 12 x 2 1/2" Brakes		PDR0397		
	1983-81	Rear-All		PDR0397		
1980-75	Rear-All		PDR0012			
E-250 Econoline Club Wagon						
Disc Brake Pad Set	1991-76	Front-All Hardware Included			MKD120FM	
	1991-76	Front-All Hardware Not Included		SBM120		
Drum Brake Shoe	1991-87	Rear-All w/ 12" X 3.02" Brakes		358		

BENDIX BRAKE PARTS

PART TYPE	YEAR	APPLICATION	PREMIUM NO.	PART NO.	SEVERE DUTY NO.	
Ford (Cont'd.)						
E-250 Econoline Club Wagon (Cont'd.)						
Drum Brake Shoe (cont'd)	1991-75	Rear-All w/ 12" X 2 1/2" Brakes		357		
Disc Brake Rotor and Hub Assembly	1991-86	Front-All		PRT1487		
	1985-83	Front-All Over 8500 Lb GVW		PRT1867		
	1985-83	Front-All Under 8500 Lb GVW		PRT1930		
	1982	Front-All		PRT1930		
	1981	Front-All From 11/80		PRT1930		
	1981	Front-All To 11/80		PRT1154		
	1980-76	Front-All		PRT1154		
Brake Drum	1991-90	Rear-All Full Floating Rear Axle		PDR0504		
	1991-90	Rear-All Semi Floating Rear Axle		PDR0520		
	1989-87	Rear-All 12 x 3" Brakes		PDR0504		
	1989-86	Rear-All 8.8" Rear (12 x 2 1/2" Brakes)		PDR0520		
	1989-86	Rear-All 9.75" Rear (12 x 2 1/2" Brakes)		PDR0397		
	1986-84	Rear-All 12 x 3" Brakes		PDR0344		
	1985-84	Rear-All 12 x 2 1/2" Brakes		PDR0397		
	1983-81	Rear-All		PDR0397		
	1980-75	Rear-All		PDR0012		
E-300 Econoline						
Drum Brake Shoe	1974-69	Rear-All w/ 12" X 2-1/2" Brakes		357		
	1974-69	Rear-All w/ 12" X 3.02" Brakes		358		
Brake Drum	1974	Front-All Dual Rear Wheels		PDR0278		
	1972-69	Front-All		PDR0014		
	1974-73	Rear-All Dual Rear Wheels		PDR0278		
	1974-73	Rear-All Single Rear Wheels		PDR0012		
	1972-69	Rear-All		PDR0012		
E-350 Club Wagon						
Disc Brake Pad Set	2005-03	Front-All Hardware Included		SBM655		
	2005-03	Front-All Hardware Included	CFM655	SBC655	MKD655FM	
	2005-03	Rear-All Hardware Included	CFM802	SBM802	MKD802FM	
Parking Brake Shoe	2003	Rear-All w/ 8.07" X 1.73" Brakes		771		
Disc Brake Rotor	2005-03	Rear-All Dual Rear Wheels with Drum in Hat Parking Brake		PRT5268	SDR5268	
	2005-03	Rear-All Single Rear Wheels		PRT5251		
Disc Brake Rotor and Hub Assembly	2005-03	Front-All Single Rear Wheels		PRT5057		
	2005	Front-All Dual Rear Wheels		PRT5071	SDR5071	
	2004-03	Front-All 4-Wheel ABS, Dual Rear Wheels		PRT5071	SDR5071	
Brake Drum	2005-03	Rear-All 4.9" Overall Height		PDR0675		
	2004-03	Rear-All 6.9" Overall Height; 308mm		PDR0545		
E-350 Econoline						
Disc Brake Pad Set	2008	Front-All Hardware Included	CFM1328	SBM1328	MKD1328FM	
	2007	Front-All Hardware Included		SBM655		
	2007	Front-All Hardware Included	CFM655	SBC655	MKD655FM	
	2000-95	Front-All Hardware Included		SBM655		
	2000-95	Front-All Hardware Included	CFM655	SBC655	MKD655FM	
	1994-92	Front-All Hardware Included		SBM557	MKD557FM	
	1991-76	Front-All Hardware Included			MKD120FM	
	1991-76	Front-All Hardware Not Included		SBM120		
	2007	Rear-All Hardware Included	CFC702K1	SBC702K1	MKD702K1FM	
	2000-99	Rear-All Hardware Included	CFM802	SBM802	MKD802FM	
Drum Brake Shoe	2000-75	Rear-All w/ 12" X 3" Brakes		358		
	1998-92	Rear-All w/ 12-1/8" X 3-1/2" Brakes		583		
	1991-87	Rear-All w/ Dual Rear Wheels		583		
	2000-99	Rear-All w/ 8.07" X 1.73" Brakes		771		
Parking Brake Shoe	1994-76	Front-All Dual Rear Wheels		PRT1505		
	1975	Front-All Dual Rear Wheels		PRT1084		
	2000-99	Rear-All Dual Rear Wheels with Drum in Hat Parking Brake		PRT5268	SDR5268	
	2000-96	Rear-All Single Rear Wheels		PRT5251		
Disc Brake Rotor	1998-96	Rear-All Dual Rear Wheels		PRT5268	SDR5268	
	2000-95	Front-All 4-Wheel ABS, Dual Rear Wheels		PRT5071	SDR5071	
	2000	Front-All Single Rear Wheels		PRT5057		
	1999-95	Front-All 4-Wheel ABS, Single Rear Wheels		PRT5057		
Disc Brake Rotor and Hub Assembly	1994	Front-All 4-Wheel ABS, Single Rear Wheels		PRT1917		
	1993-92	Front-All Single Rear Wheels		PRT1934		
	1991-86	Front-All Single Rear Wheels		PRT1487		
	1985-80	Front-All Single Rear Wheels after 11/30/80		PRT1867		
	1980-76	Front-All Single Rear Wheels before 11/30/80; 319.7mm		PRT1153		
	1975	Front-All Single Rear Wheels		PRT1128		
	Brake Drum	2000-95	Rear-All 4.9" Overall Height		PDR0675	
		2000-94	Rear-All 5.7" Overall Height		PDR0620	
		1998-94	Rear-All 6.9" Overall Height; 308mm		PDR0545	
		1993-92	Rear-All Single Rear Wheels		PDR0620	

BENDIX BRAKE PARTS

PART TYPE	YEAR	APPLICATION	PREMIUM NO.	PART NO.	SEVERE DUTY NO.	
Ford (Cont'd.)						
E-350 Econoline (Cont'd.)						
Brake Drum (cont'd)	1993-90	Rear-All Dual Rear Wheels; 308mm		PDR0545		
	1991-87	Rear-All Single Rear Wheels		PDR0504		
	1989-86	Rear-All Dual Rear Wheels (10.5" Rear); 308mm		PDR0545		
	1989-86	Rear-All Dual Rear Wheels (Exc.10.5" Rear)		PDR0278		
	1986-76	Rear-All Single Rear Wheels		PDR0344		
	1985-81	Rear-All Dual Rear Wheels		PDR0278		
	1980-76	Rear-All Dual Rear Wheels		PDR0362		
	1975	Rear-All		PDR0278		
E-350 Econoline Club Wagon						
Disc Brake Pad Set	2002-95	Front-All Hardware Included		SBM655		
	2002-95	Front-All Hardware Included	CFM655	SBC655	MKD655FM	
	1994-92	Front-All Hardware Included		SBM557	MKD557FM	
	1991-77	Front-All Hardware Included			MKD120FM	
	1991-77	Front-All Hardware Not Included		SBM120		
	2002-99	Rear-All Hardware Included	CFM802	SBM802	MKD802FM	
Drum Brake Shoe	1998-87	Rear-All w/ 12.13" X 3.5" Brakes		583		
	1998-77	Rear-All w/ 12" X 3.02" Brakes		358		
Parking Brake Shoe	2002-99	Rear-All w/ 8.07" X 1.73" Brakes		771		
Disc Brake Rotor	1994-77	Front-All Dual Rear Wheels		PRT1505		
	2002-99	Rear-All Dual Rear Wheels with Drum in Hat Parking Brake		PRT5268	SDR5268	
	2002-96	Rear-All Single Rear Wheels		PRT5251		
	1998-96	Rear-All Dual Rear Wheels		PRT5268	SDR5268	
Disc Brake Rotor and Hub Assembly	2002-00	Front-All Single Rear Wheels		PRT5057		
	2002-95	Front-All 4-Wheel ABS, Dual Rear Wheels		PRT5071	SDR5071	
	1999-95	Front-All 4-Wheel ABS, Single Rear Wheels		PRT5057		
	1994	Front-All 4-Wheel ABS, Single Rear Wheels		PRT1917		
	1993-92	Front-All Single Rear Wheels		PRT1934		
	1991-86	Front-All Single Rear Wheels		PRT1487		
	1985-80	Front-All Single Rear Wheels after 11/30/80		PRT1867		
	1980-77	Front-All Single Rear Wheels before 11/30/80; 319.7mm		PRT1153		
Brake Drum	2002-95	Rear-All 4.9" Overall Height		PDR0675		
	2002-94	Rear-All 5.7" Overall Height		PDR0620		
	2002	Rear-All 6.9" Overall Height; 308mm		PDR0545		
	1998-94	Rear-All 6.9" Overall Height; 308mm		PDR0545		
	1993-92	Rear-All Single Rear Wheels		PDR0620		
	1993-90	Rear-All Dual Rear Wheels; 308mm		PDR0545		
	1991-87	Rear-All Single Rear Wheels		PDR0504		
	1989-86	Rear-All Dual Rear Wheels (10.5" Rear); 308mm		PDR0545		
	1989-86	Rear-All Dual Rear Wheels (Exc.10.5" Rear)		PDR0278		
	1986-77	Rear-All Single Rear Wheels		PDR0344		
	1985-81	Rear-All Dual Rear Wheels		PDR0278		
	1980-77	Rear-All Dual Rear Wheels		PDR0362		
	E-350 Super Duty					
	Disc Brake Pad Set	2018-13	Front-All Hardware Included	CFM1328	SBM1328	MKD1328FM
		2012	Front-V8 - 5.4L Hardware Included	CFM1328	SBM1328	MKD1328FM
2012		Front-V10 - 6.8L Hardware Included	CFM1328	SBM1328	MKD1328FM	
2011-08		Front-All Hardware Included	CFM1328	SBM1328	MKD1328FM	
2007-99		Front-All Hardware Included		SBM655		
2007-99		Front-All Hardware Included	CFM655	SBC655	MKD655FM	
2018-13		Rear-All Hardware Included	CFM1329	SBM1329	MKD1329FM	
2012		Rear-V8 - 5.4L Hardware Included	CFM1329	SBM1329	MKD1329FM	
2012		Rear-V10 - 6.8L Hardware Included	CFM1329	SBM1329	MKD1329FM	
2011-08		Rear-All Hardware Included	CFM1329	SBM1329	MKD1329FM	
2007-99		Rear-All Hardware Included	CFM802	SBM802	MKD802FM	
Drum Brake Shoe		2007-06	Rear-All w/ 12" X 3" Brakes		358	
		2002-01	Rear-All w/ 12" X 3" Brakes		358	
		2007-04	Rear-All Police		952	
Parking Brake Shoe		2015	Rear-All		952	
	2012-08	Rear-All		952		
	2007-04	Rear-All 8.07" X 1.73"		854		
	2003-01	Rear-All w/ 8.07" X 1.73" Brakes		771		
	2003-01	Rear-All w/ 8.07" X 1.73" Brakes		771		
Disc Brake Rotor	2017-08	Rear-All Dual Rear Wheels		PRT5914	SDR5914	
	2017-08	Rear-All Single Rear Wheels		PRT5916	SDR5916	
	2007-04	Rear-All Single Rear Wheels		PRT5251		
	2007-99	Rear-All Dual Rear Wheels		PRT5268	SDR5268	
	2003-99	Rear-All Single Rear Wheels exc. Cutaway Chassis, exc. Stripped Chassis		PRT5251		
	2003-99	Rear-All Single Rear Wheels with Cutaway Chassis or with Stripped chassis		PRT5268		
	2003	Rear-All Single Rear Wheels with Cutaway Chassis or with Stripped chassis			SDR5268	
Disc Brake Rotor and Hub Assembly	2018-08	Front-All Dual Rear Wheels			SDR5840	
	2017-08	Front-All Dual Rear Wheels		PRT5840		

BENDIX BRAKE PARTS

PART TYPE	YEAR	APPLICATION	PREMIUM NO.	PART NO.	SEVERE DUTY NO.	
Ford (Cont'd.)						
E-350 Super Duty (Cont'd.)						
Disc Brake Rotor and Hub Assembly (cont'd)	2017-08	Front-All Single Rear Wheels		PRT5915	SDR5915	
	2007-04	Front-All 4-Wheel ABS, Dual Rear Wheels		PRT5071	SDR5071	
	2007-00	Front-All 4-Wheel ABS, Single Rear Wheels		PRT5057		
	1999	Front-All Single Rear Wheels		PRT5049		
Brake Drum	2006-04	Rear-All 4.9" Overall Height		PDR0675		
	2004	Rear-All 6.9" Overall Height; 308mm		PDR0545		
E-450 Econoline Super Duty						
Disc Brake Pad Set	2002	Front-All Hardware Included	CFM411	SBM411	MKD411FM	
	2001-00	Front-All Hardware Included		SBM655		
	2001-00	Front-All Hardware Included	CFM655	SBC655	MKD655FM	
	2002-00	Rear-All Hardware Included	CFM411	SBM411	MKD411FM	
Parking Brake Shoe	2002-00	Rear-All w/ 8.07" X 1.73" Brakes		771		
Disc Brake Rotor	2002	Rear-All 6340 Lb. Rear Axle Capacity		PRT5251		
	2002	Rear-All 8000 Lb. Rear Axle Capacity		PRT5268	SDR5268	
	2002	Rear-All W/ 11,000 Lb. Rear Axle		PRT5162	SDR5162	
	2001-00	Rear-All Dual Rear Wheels with Driveline Mounted Parking Brake		PRT5162	SDR5162	
	2001-00	Rear-All Single Rear Wheels		PRT5251		
Disc Brake Rotor and Hub Assembly	2002-00	Front-All 4-Wheel ABS, Dual Rear Wheels		PRT5071	SDR5071	
	2002-00	Front-All 4-Wheel ABS, Single Rear Wheels		PRT5057		
Brake Drum	2002	Rear-All		PDR0620		
E-450 Super Duty						
Disc Brake Pad Set	2017-08	Front-All Hardware Included	CFM1328	SBM1328	MKD1328FM	
	2007-03	Front-All Hardware Included		SBM655		
	2007-03	Front-All Hardware Included	CFM655	SBC655	MKD655FM	
	2017-11	Rear-All Hardware Included	CFM1330	SBM1330	MKD1330FM	
	2010-09	Rear-All DIESEL, Hardware Included	CFM1329	SBM1329	MKD1329FM	
	2010-09	Rear-All FLEX, Hardware Included	CFM1330	SBM1330	MKD1330FM	
	2010-09	Rear-All GAS, Hardware Included	CFM1330	SBM1330	MKD1330FM	
	2010	Rear-All CNG, Hardware Included	CFM1330	SBM1330	MKD1330FM	
	2010	Rear-All LPG, Hardware Included	CFM1330	SBM1330	MKD1330FM	
	2008	Rear-All Naturally Aspirated, Hardware Included	CFM1330	SBM1330	MKD1330FM	
	2008	Rear-All Turbocharged, Hardware Included	CFM1329	SBM1329	MKD1329FM	
	2007-03	Rear-All Hardware Included	CFM411	SBM411	MKD411FM	
	Parking Brake Shoe	2016	Rear-All Police		952	
		2015	Rear-All		952	
		2012-08	Rear-All		952	
		2007	Rear-All w/ 8.07" X 1.73" Brakes		771	
2006-03		Rear-All Exc. Transmission Mounted Parking Brake		771		
Disc Brake Rotor	2017-08	Rear-All		PRT5841		
	2007	Rear-All		PRT5162	SDR5162	
	2006-03	Rear-All 6340 Lb. Rear Axle Capacity		PRT5251		
	2006-03	Rear-All 8000 Lb. Rear Axle Capacity		PRT5268	SDR5268	
	2006-03	Rear-All W/ 11,000 Lb. Rear Axle		PRT5162	SDR5162	
Disc Brake Rotor and Hub Assembly	2017-11	Front-All		PRT5840		
	2016-11	Front-All			SDR5840	
	2010	Front-All Dual Rear Wheels		PRT5840	SDR5840	
	2010	Front-All Single Rear Wheels		PRT5915	SDR5915	
	2009-08	Front-All		PRT5840	SDR5840	
	2007-06	Front-All		PRT5071	SDR5071	
	2005-03	Front-All 4-Wheel ABS		PRT5071	SDR5071	
E-550 Econoline Super Duty						
Disc Brake Pad Set	2002	Front-All Hardware Included	CFM411	SBM411	MKD411FM	
	2002	Rear-All Hardware Included	CFM411	SBM411	MKD411FM	
Parking Brake Shoe	2002	Rear-All		772		
Disc Brake Rotor	2002	Front-All 8 hole 14.53" od		PRT5258		
	2002	Front-All 8 hole 14.53" od		PRT5309		
	2002	Rear-All 10 Hole Rotor Hat Shaped;		PRT5325		
Disc Brake Rotor and Hub Assembly	2002	Front-All 4-Wheel ABS, Dual Rear Wheels		PRT5071	SDR5071	
	2002	Front-All 4-Wheel ABS, Single Rear Wheels		PRT5057		
E-550 Super Duty						
Disc Brake Pad Set	2003	Front-All Hardware Included			MKD777FM	
	2003	Rear-All Hardware Included			MKD777FM	
Parking Brake Shoe	2003	Rear-All		772		
Disc Brake Rotor	2003	Front-All 8 hole 14.53" od		PRT5258		
	2003	Front-All 8 hole 14.53" od		PRT5309		
	2003	Rear-All 10 Hole Rotor Hat Shaped;		PRT5325		
Econoline						
Disc Brake Pad Set	2006-04	Front-All Hardware Included	CFM1045	SBM1045	MKD1045FM	
Drum Brake Shoe	1967-61	Front-All w/ 10" X 2.56" Brakes		169		
	1967-63	Rear-All w/ 10" X 1.81" Brakes		151		

BENDIX BRAKE PARTS

PART TYPE	YEAR	APPLICATION	PREMIUM NO.	PART NO.	SEVERE DUTY NO.
Ford (Cont'd.)					
Econoline (Cont'd.)					
Drum Brake Shoe (cont'd)	1967-63	Rear-All w/ 10" X 1.81" Brakes		267	
	1967-61	Rear-All w/ 10" X 2.56" Brakes		169	
Econoline Super Duty					
Disc Brake Pad Set	1999-96	Front-All Hardware Included	CFM411	SBM411	MKD411FM
	1999-96	Rear-All Hardware Included	CFM411	SBM411	MKD411FM
Parking Brake Shoe	1999	Rear-All w/ 8.07" X 1.73" Brakes		771	
Disc Brake Rotor	1999-96	Rear-All Dual Rear Wheels with Driveline Mounted Parking Brake		PRT5162	SDR5162
	1999-96	Rear-All Single Rear Wheels		PRT5251	
Disc Brake Rotor and Hub Assembly	1999-96	Front-All 4-Wheel ABS, Dual Rear Wheels		PRT5071	SDR5071
	1999-96	Front-All 4-Wheel ABS, Single Rear Wheels		PRT5057	
	1998-96	Front-All 2-Wheel ABS, Dual Rear Wheels		PRT5192	
	1998-96	Front-All 2-Wheel ABS, Single Rear Wheels		PRT5049	SDR5049
Brake Drum	1998-96	Rear-All 4.9" Overall Height		PDR0675	
	1998-96	Rear-All 5.7" Overall Height		PDR0620	
	1998-96	Rear-All 6.9" Overall Height; 308mm		PDR0545	
Econoline Van					
Disc Brake Pad Set	2014-10	Front-All Hardware Included	CFM1328	SBM1328	MKD1328FM
	2014-10	Rear-All Hardware Included	CFM1329	SBM1329	MKD1329FM
Econoline Wagon					
Disc Brake Pad Set	2014-10	Front-All Hardware Included	CFM1328	SBM1328	MKD1328FM
	2014-10	Rear-All Hardware Included	CFM1329	SBM1329	MKD1329FM
EcoSport					
Disc Brake Pad Set	2018	Front-L3 - 1.0L Hardware Included	CFC1044	SBC1044	MKD1044FM
	2018	Front-L4 - 2.0L Hardware Included	CFC1044	SBC1044	MKD1044FM
	2015-13	Front-All Hardware Included	CFC1044	SBC1044	MKD1044FM
	2012-11	Front-All Automatic Trans, Hardware Included	CFC1044	SBC1044	MKD1044FM
	2019-18	Rear-L4 - 2.0L Hardware Included	CFM1564A		
Edge					
Disc Brake Pad Set	2019	Front-All SE, Hardware Not Included	CFC1818		
	2019	Front-All SEL, Hardware Not Included	CFC1818		
	2019	Front-All Titanium, Hardware Not Included	CFC1818		
	2018-17	Front-All Hardware Not Included	CFC1818		
	2016-15	Front-All w/ 16" Wheels	CFC1258	SBC1258	
	2016-15	Front-All w/ 17", 18" Wheels	CFC1818		
	2014-07	Front-All Hardware Included	CFC1258	SBC1258	
	2019	Rear-All SE, Hardware Included		SBC1833	
	2019	Rear-All SEL, Hardware Included		SBC1833	
	2019	Rear-All ST, w/o Red Painted Caliper		SBC1833	
	2019	Rear-All Titanium, Hardware Included		SBC1833	
	2018	Rear-All Hardware Included		SBC1833	
	2017	Rear-All w/o Wear Sensor	CFC1665	SBC1665	
	2016	Rear-All Hardware Included		SBC1833	
	2015	Rear-All w/ 17", 18" Wheels		SBC1833	
	2015	Rear-All w/o 17", 18" Wheels	CFC1754	SBC1754	MKD1754FM
	2015	Rear-All w/o 17", 18" Wheels			PBD1754
	2014-11	Rear-All Hardware Included	CFC1754	SBC1754	MKD1754FM
	2014-11	Rear-All Hardware Included			PBD1754
	Parking Brake Shoe	2010-07	Rear-All Hardware Included	CFC1259	SBC1259
2010-07		Rear-All		880	
Disc Brake Rotor	2010-07	Rear-All In Supersession Process, Exhaust Current Inventory		957	
	2018-15	Front-All AWD		PRT6392	
Disc Brake Rotor	2018-15	Front-All FWD		PRT6393	
	2018	Front-All Sport		PRT6392	
	2018	Front-All Titanium		PRT6392	
	2014-10	Front-All		PRT5702	
	2009-07	Front-All AWD		PRT5702	
	2009-07	Front-All FWD		PRT5701	
	2019-15	Rear-All		PRT6226	
	2014-11	Rear-All		PRT5898	SDR5898
	2010-07	Rear-All		PRT5703	
	2010-07	Rear-All		PRT5703	
Elite					
Disc Brake Pad Set	1976-75	Front-All Hardware Included		SBM50	
Drum Brake Shoe	1976-75	Rear-All w/ 11-1/32" X 2-1/2" Brakes		264	
	1976-75	Rear-All w/ 11-1/32" X 2-1/4" Brakes		263	
Disc Brake Rotor and Hub Assembly	1976-75	Front-All exc. Police, HD		PRT1078	
Brake Drum	1976-75	Rear-All 11 1/32 x 2 1/2" Brakes		PDR0273	
	1976	Rear-All 11 1/32 x 2 1/4" Brakes		PDR0345	
	1975	Rear-All 10 x 2 1/2" Brakes		PDR0236	
Escape					
Disc Brake Pad Set	2019-18	Front-All SE, AWD, Hardware Included		SBC2039	MKD2039FM

BENDIX BRAKE PARTS

PART TYPE	YEAR	APPLICATION	PREMIUM NO.	PART NO.	SEVERE DUTY NO.
Ford (Cont'd.)					
Escape (Cont'd.)					
Disc Brake Pad Set (cont'd)	2019-18	Front-All SEL, AWD, Hardware Included		SBC2039	MKD2039FM
	2019-18	Front-All Titanium, Hardware Included		SBC2039	MKD2039FM
	2019-17	Front-All S, Hardware Included	CFC1044	SBC1044	MKD1044FM
	2019	Front-All SE, FWD, Hardware Included	CFC1044	SBC1044	MKD1044FM
	2019	Front-All SEL, FWD, Hardware Included	CFC1044	SBC1044	MKD1044FM
	2018	Front-All SE, FWD, Exc. Parcel Delivery	CFC1044	SBC1044	MKD1044FM
	2018	Front-All SEL, FWD, Exc. Parcel Delivery	CFC1044	SBC1044	MKD1044FM
	2018	Front-All S Plus, Hardware Included	CFC1044	SBC1044	MKD1044FM
	2017	Front-L4 - 1.5L SE, FWD, Hardware Included	CFC1044	SBC1044	MKD1044FM
	2017	Front-L4 - 1.5L Titanium, FWD, Hardware Included	CFC1044	SBC1044	MKD1044FM
	2016-13	Front-All AWD, Hardware Included	CFC1645		MKD1645FM
	2016-13	Front-All AWD, Hardware Not Included		SBC1645	
	2016-13	Front-L4 - 1.6L FWD, Hardware Included	CFC1044	SBC1044	MKD1044FM
	2016-13	Front-L4 - 2.0L FWD, Hardware Included	CFC1645		MKD1645FM
	2016-13	Front-L4 - 2.0L FWD, Hardware Not Included		SBC1645	
	2016-13	Front-L4 - 2.5L FWD, Hardware Included	CFC1044	SBC1044	MKD1044FM
	2012	Front-L4 - 2.5L Hybrid, ELECTRIC/GAS, w/ Large Piston Clip	CFC1047A	SBC1047A	
	2012	Front-L4 - 2.5L Hybrid, ELECTRIC/GAS, w/ Small Piston Clip	CFC1047C	SBC1047C	
	2012	Front-L4 - 2.5L Limited, GAS, Hardware Included	CFC1047B	SBC1047B	MKD1047BFM
	2012	Front-L4 - 2.5L Limited Hybrid, ELECTRIC/GAS, w/ Large Piston Clip	CFC1047A	SBC1047A	
	2012	Front-L4 - 2.5L Limited Hybrid, ELECTRIC/GAS, w/ Small Piston Clip	CFC1047C	SBC1047C	
	2012	Front-L4 - 2.5L XLS, GAS, Hardware Included	CFC1047B	SBC1047B	MKD1047BFM
	2012	Front-L4 - 2.5L XLT, GAS, Hardware Included	CFC1047B	SBC1047B	MKD1047BFM
	2012	Front-V6 - 3.0L Limited, FLEX, Hardware Included	CFC1047B	SBC1047B	MKD1047BFM
	2012	Front-V6 - 3.0L XLT, FLEX, Hardware Included	CFC1047B	SBC1047B	MKD1047BFM
	2011-10	Front-All XLS, w/ Large 2.40" Inner Pad Piston Clip	CFC1047	SBC1047	
	2011-10	Front-All XLT, w/ Large 2.40" Inner Pad Piston Clip	CFC1047	SBC1047	
	2011	Front-All Hybrid, w/ Large 2.40" Inner Pad Piston Clip	CFC1047	SBC1047	
	2011	Front-All w/ Small 1.54" Inner Pad Piston Clip	CFC1047B	SBC1047B	MKD1047BFM
	2010	Front-All Hybrid, w/ Large Piston Clip	CFC1047A	SBC1047A	
	2010	Front-All Hybrid, w/ Small Piston Clip	CFC1047C	SBC1047C	
	2010	Front-All Limited, w/ Large 2.40" Inner Pad Piston Clip	CFC1047	SBC1047	
	2010	Front-All Limited Hybrid, w/ Large Piston Clip	CFC1047A	SBC1047A	
	2010	Front-All Limited Hybrid, w/ Small Piston Clip	CFC1047C	SBC1047C	
	2009-08	Front-All Limited, GAS, Hardware Included	CFC1047	SBC1047	
	2009-08	Front-All XLS, GAS, Hardware Included	CFC1047	SBC1047	
	2009-08	Front-All XLT, GAS, Hardware Included	CFC1047	SBC1047	
	2009-06	Front-All Hybrid, ELECTRIC/GAS, w/ Large Piston Clip	CFC1047A	SBC1047A	
	2009-06	Front-All Hybrid, ELECTRIC/GAS, w/ Small Piston Clip	CFC1047C	SBC1047C	
	2009	Front-All Limited Hybrid, ELECTRIC/GAS, w/ Large Piston Clip	CFC1047A	SBC1047A	
	2009	Front-All Limited Hybrid, ELECTRIC/GAS, w/ Small Piston Clip	CFC1047C	SBC1047C	
	2007	Front-All Limited, GAS, Rear Drum, Hardware Included	CFC843	SBC843	MKD843FM
	2007	Front-All Limited, Rear Disc, Hardware Included	CFC1047	SBC1047	
	2007	Front-All XLS, GAS, Rear Drum, Hardware Included	CFC843	SBC843	MKD843FM
	2007	Front-All XLT, GAS, Rear Drum, Hardware Included	CFC843	SBC843	MKD843FM
	2007	Front-All XLT, Rear Disc, Hardware Included	CFC1047	SBC1047	
	2006	Front-L4 - 2.3L XLS, GAS, Rear Drum, Hardware Included	CFC843	SBC843	MKD843FM
	2006	Front-L4 - 2.3L XLT, GAS, Rear Disc, Hardware Included	CFC1047	SBC1047	
	2006	Front-L4 - 2.3L XLT, GAS, Rear Drum, Hardware Included	CFC843	SBC843	MKD843FM
	2006	Front-V6 - 3.0L Limited, GAS, Rear Disc, Hardware Included	CFC1047	SBC1047	
	2006	Front-V6 - 3.0L Limited, GAS, Rear Drum, Hardware Included	CFC843	SBC843	MKD843FM
	2006	Front-V6 - 3.0L XLT, GAS, Rear Disc, Hardware Included	CFC1047	SBC1047	
	2006	Front-V6 - 3.0L XLT, GAS, Rear Drum, Hardware Included	CFC843	SBC843	MKD843FM
	2005	Front-All 4WD, Hardware Included	CFC1047	SBC1047	
	2005	Front-All FWD, Hardware Included	CFC843	SBC843	MKD843FM
	2004-03	Front-L4 - 2.0L Hardware Included	CFC843	SBC843	MKD843FM
	2004-03	Front-V6 - 3.0L Hardware Included	CFC843	SBC843	MKD843FM
	2002	Front-All Hardware Included	CFC843	SBC843	MKD843FM
	2001	Front-L4 - 2.0L Hardware Included	CFC843	SBC843	MKD843FM
	2001	Front-V6 - 3.0L Hardware Included	CFC843	SBC843	MKD843FM
	2019-18	Rear-All S, Hardware Included		SBC1833	
	2019-18	Rear-All SE, Hardware Included		SBC1833	
	2019-18	Rear-All SEL, Hardware Included		SBC1833	
	2019-18	Rear-All Titanium, Hardware Included		SBC1833	
	2018	Rear-All S Plus, Hardware Included		SBC1833	
	2017	Rear-All Hardware Included		SBC1833	
	2016-15	Rear-All Hardware Included	CFC1564	SBC1564	MKD1564FM
	2014	Rear-All w/o Wear Sensor	CFC1564	SBC1564	MKD1564FM
	2014	Rear-All w/ Wear Sensor	CFM1564A		
	2013	Rear-All Hardware Included	CFC1564	SBC1564	MKD1564FM
	2008	Rear-L4 - 2.3L Hardware Included	CFC1055		

BENDIX BRAKE PARTS

PART TYPE	YEAR	APPLICATION	PREMIUM NO.	PART NO.	SEVERE DUTY NO.	
Ford (Cont'd.)						
Escape (Cont'd.)						
Disc Brake Pad Set (cont'd)	2008	Rear-L4 - 2.3L Hardware Not Included		SBC1055		
	2007	Rear-All Hardware Included	CFC1055			
	2007	Rear-All Hardware Not Included		SBC1055		
	2006	Rear-L4 - 2.3L Hardware Included	CFC1055			
	2006	Rear-L4 - 2.3L Hardware Not Included		SBC1055		
	2006	Rear-V6 - 3.0L Hardware Included	CFC1055			
	2006	Rear-V6 - 3.0L Hardware Not Included		SBC1055		
	2005	Rear-All Hardware Included	CFC1055			
Drum Brake Shoe	2012-08	Rear-All w/ 10" X 2.17" Brakes		936		
	2007	Rear-All From 1/8/07		936		
	2007	Rear-All To 1/7/07		760		
	2006-01	Rear-All w/ 9" X 1.58" Brakes		760		
Parking Brake Shoe	2010-04	Rear-All		877		
Disc Brake Rotor	2019-18	Front-All Titanium		PRT6283		
	2019-13	Front-All AWD		PRT6283		
	2019-13	Front-All FWD		PRT6221		
	2016	Front-All AWD, To 09/04/2015			SDR6283	
	2015-13	Front-All AWD			SDR6283	
	2012-08	Front-All		PRT5583		
	2007-05	Front-All Rear Disc		PRT5583		
	2007-05	Front-All Rear Drum		PRT5313		
	2004-01	Front-All		PRT5313		
	2019-17	Rear-All		PRT6226		
	2016-13	Rear-All		PRT6200	SDR6200	
	2008	Rear-All Rear Disc		PRT5566		
	2007	Rear-All Hybrid		PRT5566		
	2006-05	Rear-All Rear Disc		PRT5566		
	Brake Drum	2012-11	Rear-All		PDR0826	
		2010-08	Rear-All Rear Drum		PDR0826	
		2007	Rear-All From 1/8/07		PDR0826	
2007		Rear-All To 1/8/07		PDR0743		
2006-05		Rear-All Rear Drum		PDR0743		
2004-01		Rear-All		PDR0743		
Escort						
Disc Brake Pad Set	2003-00	Front-All Hardware Included	CFC473	SBC473		
	1999-97	Front-L4 - 2.0L Hardware Included	CFC473	SBC473		
	1996-95	Front-L4 - 1.8L Hardware Included	CFC473	SBC473		
	1996-95	Front-L4 - 1.9L Hardware Included	CFC473	SBC473		
	1994	Front-All Hardware Included	CFC473	SBC473		
	1993-91	Front-L4 - 1.8L Hardware Included	CFC473	SBC473		
	1993-91	Front-L4 - 1.9L Hardware Included		SBC466		
	1990-88	Front-All Hardware Not Included		SBM257		
	2003	Rear-All Hardware Included		SBC636		
	2002-98	Rear-L4 - 2.0L Hardware Included		SBC636		
	1997	Rear-All Hardware Included		SBC636		
	1996-94	Rear-L4 - 1.8L Hardware Not Included		SBC458		
	1993-92	Rear-All Hardware Not Included		SBC458		
	1991	Rear-L4 - 1.8L Hardware Not Included		SBC458		
	Drum Brake Shoe	2003-97	Rear-All w/ 9" X 1.22" Brakes		721	
		1996-93	Rear-All w/ 7.88" X 1.41" Brakes		659	
		1992-91	Rear-All w/ 9" X 1.24" Brakes		598	
		1992-91	Rear-All w/ 9" X 1.24" Brakes		721	
		1990-81	Rear-All w/ 8" Brakes		501	
Disc Brake Rotor	2003-99	Front-All		PRT1635		
	1998-91	Front-All 9.25" Diameter Rotor		PRT1634		
	1998-91	Front-All 10.25" diameter rotor		PRT1635		
	1990-81	Front-All		PRT1195		
	2003-97	Rear-All Rear Disc		PRT1504		
	1996-91	Rear-All		PRT1504		
Brake Drum	2003-97	Rear-All Rear Drum		PDR0699		
	1996-93	Rear-All		PDR0629		
	1992-91	Rear-All		PDR0576		
	1990-85	Rear-All 8" Brakes; INCL.HUB		PDR0453		
	1990-84	Rear-All 7" Brakes; INCL.HUB		PDR0456		
	1984-82	Rear-All 8" Brakes		PDR0429		
	1983	Rear-All Early 83		PDR0390		
	1983	Rear-All From 2/83: 7" brakes		PDR0428		
	1983	Rear-All Up to 2/83: 7" brakes		PDR0416		
	1982-81	Rear-All 7" Brakes		PDR0416		
	1982-81	Rear-All Rear drum brake 8"		PDR0390		
Excursion						
Disc Brake Pad Set	2005-00	Front-All Hardware Included	CFC824	SBC824	MKD824FM	
	2005-00	Rear-All Hardware Included	CFM757	SBM757	MKD757FM	

BENDIX BRAKE PARTS

PART TYPE	YEAR	APPLICATION	PREMIUM NO.	PART NO.	SEVERE DUTY NO.	
Ford (Cont'd.)						
Excursion (Cont'd.)						
Parking Brake Shoe	2005-00	Rear-All w/ 8.07" X 1.73" Brakes		771		
Disc Brake Rotor	2005-01	Front-All 4WD		PRT5274	SDR5274	
	2000	Front-All 4WD, (M12 Wheel Bolts) (2 Piston Caliper)		PRT5245		
	2000	Front-All 4WD, (M14 Wheel Bolts) (2 Piston Caliper)		PRT5274	SDR5274	
	2005-00	Rear-All		PRT5258	SDR5258	
Disc Brake Rotor and Hub Assembly	2005	Front-All RWD		PRT5796	SDR5796	
	2004-03	Front-All RWD, HUB & ROTOR		PRT5480	SDR5480	
	2002-00	Front-All RWD		PRT5255		
EXP						
Disc Brake Pad Set	1988	Front-All Hardware Not Included		SBM257		
Drum Brake Shoe	1988-82	Rear-All w/ 8" X 1.41" Brakes		501		
Disc Brake Rotor	1988-82	Front-All		PRT1195		
Brake Drum	1988-85	Rear-All 8" Brakes; INCL.HUB		PDR0453		
	1984-82	Rear-All 8" Brakes		PDR0429		
	1983	Rear-All Early 83		PDR0390		
	1982	Rear-All Rear drum brake 8"		PDR0390		
Expedition						
Disc Brake Pad Set	2019-18	Front-All Hardware Included	CFC2087	SBC2087	MKD2087FM	
	2017-13	Front-All Hardware Included	CFC1770	SBC1770	MKD1770FM	
	2012	Front-V8 - 5.4L Hardware Included	CFC1770	SBC1770	MKD1770FM	
	2011-10	Front-All Hardware Included	CFC1770	SBC1770	MKD1770FM	
	2009	Front-All Hardware Included	CFM1278	SBM1278	MKD1278FM	
	2008-07	Front-V8 - 5.4L Hardware Included	CFM1278	SBM1278	MKD1278FM	
	2006-03	Front-V8 - 5.4L Hardware Included	CFM934	SBM934	MKD934FM	
	2004-03	Front-V8 - 4.6L Hardware Included	CFM934	SBM934	MKD934FM	
	2002-98	Front-V8 - 4.6L Hardware Included	CFC702K1	SBC702K1	MKD702K1FM	
	2002-98	Front-V8 - 5.4L Hardware Included	CFC702K1	SBC702K1	MKD702K1FM	
	1997	Front-All Hardware Included	CFC702K1	SBC702K1	MKD702K1FM	
	2019-18	Rear-All Hardware Not Included	CFC1790	SBC1790	MKD1790FM	
	2017-13	Rear-All Hardware Included	CFC1279		MKD1279FM	
	2017-13	Rear-All Hardware Not Included		SBM1279		
	2012	Rear-V8 - 5.4L Hardware Included	CFC1279		MKD1279FM	
	2012	Rear-V8 - 5.4L Hardware Not Included		SBM1279		
	2011-09	Rear-All Hardware Included	CFC1279		MKD1279FM	
	2011-09	Rear-All Hardware Not Included		SBM1279		
	2008-07	Rear-V8 - 5.4L Hardware Included	CFC1279		MKD1279FM	
	2008-07	Rear-V8 - 5.4L Hardware Not Included		SBM1279		
	2006-03	Rear-V8 - 5.4L Hardware Included	CFM935		MKD935FM	
	2006-03	Rear-V8 - 5.4L Hardware Not Included		SBM935		
	2004-03	Rear-V8 - 4.6L Hardware Included	CFM935		MKD935FM	
	2004-03	Rear-V8 - 4.6L Hardware Not Included		SBM935		
	2002-00	Rear-All Hardware Included	CFC711	SBC711	MKD711FM	
	1999	Rear-V8 - 4.6L 6 Eng VIN, Hardware Included	CFC711	SBC711	MKD711FM	
	1999	Rear-V8 - 4.6L W Eng VIN, Hardware Included	CFC711	SBC711	MKD711FM	
	1999	Rear-V8 - 5.4L L Eng VIN, Hardware Included	CFC711	SBC711	MKD711FM	
	1998	Rear-V8 - 4.6L Hardware Included	CFC711	SBC711	MKD711FM	
	1998	Rear-V8 - 5.4L Hardware Included	CFC711	SBC711	MKD711FM	
	1997	Rear-All Hardware Included	CFC711	SBC711	MKD711FM	
	Parking Brake Shoe	2016-15	Rear-All		811	
		2012-03	Rear-All		811	
2002-97		Rear-All		752		
Disc Brake Rotor	2018-07	Front-All		PRT5698	SDR5698	
	2006-03	Front-All		PRT5367	SDR5367	
	2002-01	Front-All 4WD, ROTOR ONLY		PRT5275	SDR5275	
	2000-99	Front-All 4WD, (M12 Wheel Bolts) (2 Piston Caliper)		PRT5142		
	2000-99	Front-All 4WD, (M14 Wheel Bolts) (2 Piston Caliper); ROTOR ONLY		PRT5275	SDR5275	
	1998-97	Front-All 4WD		PRT5142		
	2017-07	Rear-All		PRT5699	SDR5699	
	2006-03	Rear-All		PRT5414	SDR5414	
	2002-99	Rear-All M12 Wheel Bolts		PRT5140		
	2002-99	Rear-All M14 Wheel Bolts		PRT5299	SDR5299	
	1998-97	Rear-All		PRT5140		
Disc Brake Rotor and Hub Assembly	2002-01	Front-All RWD, HUB & ROTOR		PRT5303	SDR5303	
	2000-99	Front-All RWD, (M12 Wheel Bolts) (2 Piston Caliper)		PRT5141		
	2000-99	Front-All RWD, (M14 Wheel Bolts) (2 Piston Caliper); HUB & ROTOR		PRT5303	SDR5303	
	1998-97	Front-All RWD		PRT5141		
Explorer						
Disc Brake Pad Set	2019-18	Front-All Base, Hardware Included	CFC1508	SBC1508		
	2019-18	Front-All Limited, Hardware Included	CFC1611C	SBC1611C	MKD1611CFM	
	2019-18	Front-All Limited, Hardware Included			PBD1611C	
	2019-18	Front-All Platinum, Hardware Included	CFC1611C	SBC1611C	MKD1611CFM	
	2019-18	Front-All Platinum, Hardware Included			PBD1611C	

BENDIX BRAKE PARTS

PART TYPE	YEAR	APPLICATION	PREMIUM NO.	PART NO.	SEVERE DUTY NO.
Ford (Cont'd.)					
Explorer (Cont'd.)					
Disc Brake Pad Set (cont'd)	2019-18	Front-All Sport, Hardware Included	CFC1611C	SBC1611C	MKD1611CFM
	2019-18	Front-All Sport, Hardware Included			PBD1611C
	2019-18	Front-All XLT, Hardware Included	CFC1611C	SBC1611C	MKD1611CFM
	2019-18	Front-All XLT, Hardware Included			PBD1611C
	2017-16	Front-All w/ Heavy Duty Brakes	CFC1611	SBC1611	MKD1611FM
	2017-16	Front-All w/o Heavy Duty Brakes	CFC1508	SBC1508	
	2015	Front-All Base, Hardware Included	CFC1508	SBC1508	
	2015	Front-All Limited, Hardware Included	CFC1611B	SBC1611B	MKD1611BFM
	2015	Front-All Limited, Hardware Included			PBD1611B
	2015	Front-All Sport, Hardware Included	CFC1611B	SBC1611B	MKD1611BFM
	2015	Front-All Sport, Hardware Included			PBD1611B
	2015	Front-All XLT, Hardware Included	CFC1611B	SBC1611B	MKD1611BFM
	2015	Front-All XLT, Hardware Included			PBD1611B
	2014-13	Front-All w/o Heavy Duty Brakes	CFC1508	SBC1508	
	2014-12	Front-All w/ Heavy Duty Brakes	CFC1611	SBC1611	MKD1611FM
	2012	Front-L4 - 2.0L w/o Heavy Duty Brakes	CFC1508	SBC1508	
	2012	Front-V6 - 3.5L w/o Heavy Duty Brakes	CFC1508	SBC1508	
	2011	Front-All Hardware Included	CFC1508	SBC1508	
	2010-09	Front-All Hardware Included	CFC1158	SBC1158	
	2008-06	Front-V6 - 4.0L Hardware Included	CFC1158	SBC1158	
	2008-06	Front-V8 - 4.6L Hardware Included	CFC1158	SBC1158	
	2005-04	Front-V6 - 4.0L Hardware Included	CFC833	SBC833	MKD833FM
	2005-04	Front-V8 - 4.6L Hardware Included	CFC833	SBC833	MKD833FM
	2003-02	Front-All Hardware Included	CFC833	SBC833	MKD833FM
	2001	Front-All Hardware Included	CFC652	SBC652	MKD652FM
	2000-99	Front-V6 - 4.0L Hardware Included	CFC652	SBC652	MKD652FM
	2000-99	Front-V8 - 5.0L Hardware Included	CFC652	SBC652	MKD652FM
	1998-95	Front-All Hardware Included	CFC652	SBC652	MKD652FM
	1994-91	Front-All Hardware Included		SBC205	MKD205FM
	2019-18	Rear-All Hardware Included	CFC1754	SBC1754	MKD1754FM
	2019-18	Rear-All Hardware Included			PBD1754
	2017-15	Rear-All w/ Heavy Duty Brakes	CFC1754	SBC1754	MKD1754FM
	2017-15	Rear-All w/ Heavy Duty Brakes			PBD1754
	2017-13	Rear-All w/o Heavy Duty Brakes	CFC1754	SBC1754	MKD1754FM
	2017-13	Rear-All w/o Heavy Duty Brakes			PBD1754
	2014-13	Rear-All w/ Heavy Duty Brakes	CFM1612	SBM1612	MKD1612FM
	2014-13	Rear-All w/ Heavy Duty Brakes			PBD1612
	2012-11	Rear-All Hardware Included	CFC1754	SBC1754	MKD1754FM
	2012-11	Rear-All Hardware Included			PBD1754
	2010-09	Rear-All Hardware Included	CFC1109	SBC1109	
	2008-06	Rear-V6 - 4.0L Hardware Included	CFC1109	SBC1109	
	2008-06	Rear-V8 - 4.6L Hardware Included	CFC1109	SBC1109	
	2005-04	Rear-V6 - 4.0L Hardware Not Included	CFC881	SBC881	MKD881FM
	2005-04	Rear-V8 - 4.6L Hardware Not Included	CFC881	SBC881	MKD881FM
	2003-02	Rear-All Hardware Not Included	CFC881	SBC881	MKD881FM
	2001	Rear-All Hardware Included		SBM667	MKD667FM
	2000-99	Rear-V6 - 4.0L Hardware Included		SBM667	MKD667FM
	2000-99	Rear-V8 - 5.0L Hardware Included		SBM667	MKD667FM
	1998-95	Rear-All Hardware Included		SBM667	MKD667FM
Drum Brake Shoe	1994-91	Rear-All w/ 10" X 2.51" Brakes		581	
Parking Brake Shoe	2010-02	Rear-All		791	
	2001-95	Rear-All		701	
Disc Brake Rotor	2019-17	Front-All Base		PRT6124	
	2017-13	Front-All Police Interceptor		PRT6201	
	2016-13	Front-All Except Police Interceptor		PRT6124	SDR6124
	2016-13	Front-All Police Interceptor			SDR6201
	2012-11	Front-All		PRT6124	SDR6124
	2010-06	Front-All		PRT5734	
	2005-04	Front-All ROTOR ONLY		PRT5311	
	2003-02	Front-All All exc. Sport		PRT5311	
	2001	Front-All Eddie Bauer, 4WD		PRT5075	
	2001	Front-All Limited, 4WD		PRT5075	
	2001	Front-All Postal, 4WD		PRT5075	
	2001	Front-All XL Fleet, 4WD		PRT5075	
	2001	Front-All XLS, 4WD		PRT5075	
	2001	Front-All XLT, 4WD		PRT5075	
	2000-95	Front-All 4WD		PRT5075	
	2019-18	Rear-All Base		PRT5898	
	2019-17	Rear-All Limited		PRT6202	
	2019-17	Rear-All Platinum		PRT6202	
	2019-17	Rear-All Sport		PRT6202	
	2019-17	Rear-All XLT		PRT6202	
	2017-13	Rear-All Except Police Interceptor		PRT5898	SDR5898
	2016-13	Rear-All Police Interceptor		PRT6202	SDR6202
	2012-11	Rear-All		PRT5898	SDR5898
	2010-02	Rear-All		PRT5358	

BENDIX BRAKE PARTS

PART TYPE	YEAR	APPLICATION	PREMIUM NO.	PART NO.	SEVERE DUTY NO.	
Ford (Cont'd.)						
Explorer (Cont'd.)						
Disc Brake Rotor (cont'd)	2001-95	Rear-All		PRT5052		
Disc Brake Rotor and Hub Assembly	2001	Front-All Eddie Bauer, RWD		PRT5076		
	2001	Front-All Limited, RWD		PRT5076		
	2001	Front-All Postal, RWD		PRT5076		
	2001	Front-All XL Fleet, RWD		PRT5076		
	2001	Front-All XLS, RWD		PRT5076		
	2001	Front-All XLT, RWD		PRT5076		
	2000-95	Front-All RWD		PRT5076		
	1994-93	Front-All 4WD, 275.9mm		PRT1900		
	1994-93	Front-All RWD, 4-Wheel ABS, 261mm		PRT1857		
	1992-91	Front-All 4WD		PRT1860		
	1992-91	Front-All RWD		PRT1519		
Brake Drum	2003-01	Rear-All		PDR0742		
	1994-91	Rear-All		PDR0697 ⁵³		
Explorer Sport						
Disc Brake Pad Set	2003-01	Front-All Hardware Included	CFC833	SBC833	MKD833FM	
	2003-01	Rear-All Hardware Included		SBM667	MKD667FM	
Disc Brake Rotor	2003-01	Front-All 4WD		PRT5341		
	2003	Rear-All		PRT5422		
	2002	Rear-All		PRT5052		
Disc Brake Rotor and Hub Assembly	2003-01	Front-All RWD		PRT5340		
Explorer Sport Trac						
Disc Brake Pad Set	2010	Front-All Hardware Included	CFC1158	SBC1158		
	2009-07	Front-V6 - 4.0L Hardware Included	CFC1158	SBC1158		
	2009-07	Front-V8 - 4.6L Hardware Included	CFC1158	SBC1158		
	2005-01	Front-All Hardware Included	CFC833	SBC833	MKD833FM	
	2010	Rear-All Hardware Included	CFC1109	SBC1109		
	2009-07	Rear-V6 - 4.0L Hardware Included	CFC1109	SBC1109		
	2009-07	Rear-V8 - 4.6L Hardware Included	CFC1109	SBC1109		
	2005-04	Rear-All Hardware Included		SBM667A	MKD667AFM	
	2003	Rear-All Hardware Not Included	CFC881	SBC881	MKD881FM	
	2002	Rear-All Hardware Included		SBM667A	MKD667AFM	
Drum Brake Shoe	2002-01	Rear-All		723		
Parking Brake Shoe	2010-07	Rear-All		791		
	2005-03	Rear-All		701		
Disc Brake Rotor	2010-07	Front-All		PRT5734		
	2005-01	Front-All 4WD		PRT5341		
	2010-07	Rear-All		PRT5358		
	2005-03	Rear-All		PRT5422		
	2002-01	Rear-All		PRT5052		
Disc Brake Rotor and Hub Assembly	2005-01	Front-All RWD		PRT5340		
Brake Drum	2003-01	Rear-All		PDR0742		
F1						
Drum Brake Shoe	1952-48	Front-All		228		
F53						
Disc Brake Pad Set	2018	Front-All w/ 16,000, 18,000, 20,500, 22,000 lb. GVW	CFM1066	SBM1066	MKD1066FM	
	2018	Front-All w/ 24,000, 26,000 lb. GVW			MKD786FM	
	2017-16	Front-All CAN, Hardware Included	CFM1066	SBM1066	MKD1066FM	
	2017	Front-All USA, w/ 66mm Dual Piston Bosch Caliper			MKD786AFM	
	2016	Front-All USA, w/ 24,000-26,000 lb. GVW			MKD786FM	
	2015	Front-All w/ 16,000-22,000 lb. GVW	CFM1066	SBM1066	MKD1066FM	
	2015	Front-All w/ 24,000-26,000 lb. GVW			MKD786FM	
	2014-11	Front-All Hardware Included	CFM1066	SBM1066	MKD1066FM	
	2009-06	Front-All Hardware Included	CFM1066	SBM1066	MKD1066FM	
	2004-99	Front-All Hardware Included			MKD777FM	
	1997-88	Front-All Hardware Included	CFM411	SBM411	MKD411FM	
	2018	Rear-All w/ 24,000, 26,000 lb. GVW	CFM1066	SBM1066	MKD1066FM	
	2017-16	Rear-All Hardware Included	CFM1066	SBM1066	MKD1066FM	
	2015	Rear-All w/ 16,000-22,000 lb. GVW	CFM1066	SBM1066	MKD1066FM	
	2014-11	Rear-All Hardware Included	CFM1066	SBM1066	MKD1066FM	
	2009-06	Rear-All Hardware Included	CFM1066	SBM1066	MKD1066FM	
	2004-99	Rear-All Hardware Included			MKD777FM	
	1997-88	Rear-All Hardware Included	CFM411	SBM411	MKD411FM	
	Parking Brake Shoe	2011	Rear-All		854	
		2004-99	Rear-All		772	
Disc Brake Rotor	2018-16	Front-All GVW 16,000 Lbs, GVW 18,000 Lbs, GVW 20,500 Lbs or GVW 22,000 Lbs		PRT5325		
	2018-15	Front-All GVW 24,000 Lbs or GVW 26,000 Lbs		PRT5348		
	2015	Front-All 10 Hole Rotor Hat Shaped, 15.55" Diameter, w/o ABS ring;		PRT5325		
	2014-13	Front-All GVW Over 24,000 Lbs.		PRT5348		
	2014-12	Front-All GVW Under 23,999 Lbs.		PRT5325		

BENDIX BRAKE PARTS

PART TYPE	YEAR	APPLICATION	PREMIUM NO.	PART NO.	SEVERE DUTY NO.
Ford (Cont'd.)					
F53 (Cont'd.)					
Disc Brake Rotor (cont'd)	2012-11	Front-All 10 Hole Rotor Hat; 15" Diameter; W/ ABS Ring		PRT5348	
	2011	Front-All 10 Hole Rotor Hat Shaped, 15.55" Diameter, w/o ABS ring;		PRT5325	
	2009-08	Front-All 10 Hole Rotor Hat; 15" Diameter; W/ ABS Ring		PRT5348	
	2009-06	Front-All 10 Hole Rotor Hat Shaped, 15.55" Diameter, w/o ABS ring;		PRT5325	
	2004-99	Front-All 10 Hole Rotor Hat Shaped, 15.55" Diameter, w/o ABS ring;		PRT5325	
	1997-88	Front-All		PRT1455	
	2018-16	Rear-All GVW 16,000 Lbs or GVW 18,000 Lbs		PRT5325	
	2018-16	Rear-All GVW 20,500 Lbs or GVW 22,000 Lbs		PRT5565	
	2015	Rear-All 15.55" diameter rotor		PRT5565	
	2014-12	Rear-All GVW Under 23,999 Lbs.		PRT5565	
	2011	Rear-All 15.55" diameter rotor		PRT5565	
	2009	Rear-All 15.55" diameter rotor		PRT5565	
	2008-06	Rear-All w/ ABS Ring		PRT5565	
	2004-02	Rear-All w/ ABS Ring		PRT5565	
	2001	Rear-All		PRT5565	
	2000-99	Rear-All		PRT5325	
	1997-88	Rear-All		PRT1455	
F59					
Disc Brake Pad Set	2017-15	Front-All Hardware Included	CFM1066	SBM1066	MKD1066FM
	2014-12	Front-All w/ Dana 80, 110, Or 130 Rear Axle	CFM1066	SBM1066	MKD1066FM
	2014-12	Front-All w/ Dana 17060S Rear Axle			MKD786FM
	2011	Front-All Hardware Included	CFM1066	SBM1066	MKD1066FM
	1997-88	Front-All Hardware Included	CFM411	SBM411	MKD411FM
	2017-15	Rear-All Hardware Included	CFM1066	SBM1066	MKD1066FM
	2014-12	Rear-All w/ Dana 80, 110, Or 130 Rear Axle	CFM1066	SBM1066	MKD1066FM
	2014-12	Rear-All w/ Dana 17060S Rear Axle			MKD786AFM
	2011	Rear-All Hardware Included	CFM1066	SBM1066	MKD1066FM
	1997-88	Rear-All Hardware Included	CFM411	SBM411	MKD411FM
Parking Brake Shoe	2018	Rear-All w/ 16,000, 19,500 lb. GVW		847	
Disc Brake Rotor	2018-15	Front-All		PRT5325	
	1994-88	Front-All		PRT1455	
	2018-17	Rear-All GVW 16,000 or GVW 19,500		PRT5325	
	2018-17	Rear-All GVW 22,000 Lbs		PRT5565	
	2016-15	Rear-All		PRT5565	
	1994-88	Rear-All		PRT1455	
F600					
Disc Brake Pad Set	1994-84	Front-All Hardware Included			MKD224FM
	1994-84	Rear-All Hardware Included			MKD224FM
Disc Brake Rotor	1994-90	Front-All U Shaped 6 Hole Rotor Hat, 11 1/4" Bolt Circle		PRT1270	
	1994-84	Front-All		PRT1276	
	1994-84	Front-All 10 Hole Rotor Hat Shaped		PRT5346	SDR5346
	1994-84	Front-All Hat Shaped 6 Hole Rotor		PRT1269	
	1994	Front-All 10 Hole Rotor Hat Shaped, 14.75" Diameter		PRT5058	
Brake Drum	1994-93	Front-All 15" x 5" Rear axle		PDR0772	
	1993-84	Rear-All 5 x 5" Brakes 15,000 GVWR		PDR0776	
F650					
Disc Brake Pad Set	2017-15	Front-All Hardware Included			MKD1032FM
	2009-06	Front-All w/ 66mm Dual Piston Bosch Caliper			MKD786AFM
	2009-04	Front-All w/ 73mm Dual Piston Bosch Caliper			MKD786FM
	2017-15	Rear-All Hardware Included			MKD1032FM
	2009-06	Rear-All w/ 66mm Dual Piston Bosch Caliper			MKD786AFM
	2009-00	Rear-All w/ 73mm Dual Piston Bosch Caliper			MKD786FM
Disc Brake Rotor	2008-04	Front-All 10 Hole Rotor Hat, ABS Exciter Ring, 3.21" OAH		PRT5348	
	2006-04	Front-All ABS Exciter Ring, 5 Hole Rotor Hat		PRT5349	
	2003-00	Front-All 9000 Pound Front Axle		PRT6082	
	2007-05	Rear-All 10 Hole Rotor Hat, ABS Exciter Ring, 3.21" OAH		PRT5348	
	2007-05	Rear-All ABS Exciter Ring, 5 Hole Rotor Hat		PRT5349	
	2003-00	Rear-All 17,000 # Axle		PRT6083	
F700					
Disc Brake Pad Set	1998-84	Front-All Hardware Included			MKD224FM
	1998-84	Rear-All Hardware Included			MKD224FM
Disc Brake Rotor	1998-84	Front-All		PRT1276	
	1998-84	Front-All U Shaped 6 Hole Rotor Hat, 11 1/4" Bolt Circle		PRT1270	
	1994-84	Front-All Hat Shaped 6 Hole Rotor		PRT1269	
Brake Drum	1998-94	Front-All 10 hole		PDR0694	
	1998-94	Front-All 10 hole		PDR0695	
	1998-94	Front-All 15" x 4"		PDR0772	
	1993	Front-All 8 Hole, 440mm outside diameter		PDR0772	
	1993	Front-All 10 Hole, 442mm outside diameter		PDR0774	
	1992	Front-All 10 Hole; 15" x 4"		PDR0774	

BENDIX BRAKE PARTS

PART TYPE	YEAR	APPLICATION	PREMIUM NO.	PART NO.	SEVERE DUTY NO.
Ford (Cont'd.)					
F750					
Disc Brake Pad Set	2017-15	Front-All Hardware Included			MKD1032FM
	2007-04	Front-All w/ 66mm Dual Piston Bosch Caliper			MKD786AFM
	2007-04	Front-All w/ 73mm Dual Piston Bosch Caliper			MKD786FM
	2001-00	Front-All w/ 73mm Dual Piston Bosch Caliper			MKD786FM
	2017-15	Rear-All Hardware Included			MKD1032FM
	2007-04	Rear-All w/ 66mm Dual Piston Bosch Caliper			MKD786AFM
	2007-00	Rear-All w/ 73mm Dual Piston Bosch Caliper			MKD786FM
	2003-00	Rear-All w/ 2.50" Dayton Dual Piston Calipers			MKD224FM
Disc Brake Rotor	2008-04	Front-All 10 Hole Rotor Hat, ABS Exciter Ring, 3.21" OAH		PRT5348	
	2003-00	Front-All 9000 Pound Front Axle		PRT6082	
	2008-04	Rear-All 10 Hole Rotor Hat, ABS Exciter Ring, 3.21" OAH		PRT5348	
	2003-00	Rear-All 10 Hole Rotor with 17,000#, 19,000# Axle		PRT6083	
F800					
Disc Brake Pad Set	1999	Front-All Optional			MKD224FM
	1998-84	Front-All Hardware Included			MKD224FM
	1998-84	Rear-All Hardware Included			MKD224FM
Disc Brake Rotor	1999-93	Front-All 10 Hole Rotor Hat Shaped, 15.37" Diameter, 3.40" Overall Height		PRT5346	SDR5346
	1999-84	Front-All		PRT1276	
	1999	Front-All U Shaped 6 Hole Rotor Hat, 11 1/4" Bolt Circle		PRT1270	
	1997	Front-All 10 Stud		PRT1275	
	1993-84	Front-All Hat Shaped 6 Hole Rotor		PRT1269	
	1995	Front-All 10 hole		PDR0695	
Brake Drum	1995	Rear-All Premium Brake Drum		PDR0693	
F7000					
Disc Brake Pad Set	1987-84	Front-All Hardware Included			MKD224FM
	1987-84	Rear-All Hardware Included			MKD224FM
Disc Brake Rotor	1987-84	Front-All Hat Shaped 6 Hole Rotor		PRT1269	
	1987-84	Front-All U Shaped 6 Hole Rotor Hat, 11 1/4" Bolt Circle		PRT1270	
F8000					
Disc Brake Pad Set	1987-84	Front-All Hardware Included			MKD224FM
	1987-84	Rear-All Hardware Included			MKD224FM
F-100					
Disc Brake Pad Set	1983	Front-All Hardware Included		SBM50	
	1982-80	Front-All w/ 4,600, 4,700 Lb. Front Axle		SBM91	
	1982-80	Front-All w/ 5,000 GVW Lb. Front Axle		SBM50	
	1979-73	Front-All Hardware Included		SBM50	
	1979-73	Front-All Hardware Included		SBM50	
Drum Brake Shoe	1972-68	Front-All RWD		265	
	1966-53	Front-All		228	
	1983	Rear-All		263	
	1982-80	Rear-All w/ 10" X 2-1/2" Brakes		169	
	1982-80	Rear-All w/ 11-1/32" X 2-1/4" Brakes		263	
	1979-68	Rear-All		263	
	1979-68	Rear-All		263	
Disc Brake Rotor	1976	Front-All 4WD		PRT1214	
Disc Brake Rotor and Hub Assembly	1983-80	Front-All exc. Power Brakes (4600-4700 GVW)		PRT1067	
	1983-80	Front-All Power Brakes (4600-4700 GVW)		PRT1196	
	1979-78	Front-All 297.7mm		PRT1067	
	1977-75	Front-All RWD, 297.7mm		PRT1067	
	1974-73	Front-All RWD		PRT1067	
	1974-73	Front-All RWD		PRT1067	
Brake Drum	1975-73	Front-All 4WD, Fullcast		PDR0013	
	1973	Front-All 4WD, Composite Drum		PDR0118	
	1972-71	Front-All Fullcast		PDR0013	
	1972-68	Front-All RWD		PDR0209	
	1972-61	Front-All 4WD		PDR0118	
	1970	Front-All 4WD		PDR0013	
	1967-65	Front-All Fullcast		PDR0013	
	1964	Front-All RWD, Fullcast		PDR0013	
	1963-57	Front-All		PDR0112	
	1983-80	Rear-All 10 x 2 1/2" Brakes; 254mm		PDR0391	
	1983-80	Rear-All 11 1/32 x 2 1/4" Brakes		PDR0479	
	1979-76	Rear-All		PDR0479	
	1975	Rear-All From serial# A25000		PDR0479	
	1975	Rear-All To Serial# A25000		PDR0141	
	1974-68	Rear-All		PDR0141	
	1967-57	Rear-All		PDR0115	
	F-150				
Disc Brake Pad Set	2018	Front-All Hardware Included	CFC2087	SBC2087	MKD2087FM
	2017-12	Front-All Hardware Included	CFC1770	SBC1770	MKD1770FM
	2011-10	Front-V8 - 6.2L Hardware Included	CFC1770	SBC1770	MKD1770FM
	2011	Front-V6 - 3.5L Hardware Included	CFC1770	SBC1770	MKD1770FM
	2011	Front-V6 - 3.7L Hardware Included	CFC1770	SBC1770	MKD1770FM
	2011	Front-V8 - 5.0L Hardware Included	CFC1770	SBC1770	MKD1770FM
	2011	Front-V8 - 5.0L Hardware Included	CFC1770	SBC1770	MKD1770FM

BENDIX BRAKE PARTS

PART TYPE	YEAR	APPLICATION	PREMIUM NO.	PART NO.	SEVERE DUTY NO.
Ford (Cont'd.)					
F-150 (Cont'd.)					
Disc Brake Pad Set (cont'd)	2010	Front-V8 - 4.6L Hardware Included	CFC1770	SBC1770	MKD1770FM
	2010	Front-V8 - 5.4L Hardware Included	CFC1770	SBC1770	MKD1770FM
	2009-08	Front-V8 - 4.6L Hardware Included		SBM1083	
	2009-08	Front-V8 - 4.6L Hardware Included	CFM1083	SBC1083	MKD1083FM
	2009	Front-V8 - 5.4L Hardware Included		SBM1083	
	2009	Front-V8 - 5.4L Hardware Included	CFM1083	SBC1083	MKD1083FM
	2008	Front-V6 - 4.2L Hardware Included		SBM1083	
	2008	Front-V6 - 4.2L Hardware Included	CFM1083	SBC1083	MKD1083FM
	2008	Front-V8 - 5.4L FX2, Hardware Included		SBM1083	
	2008	Front-V8 - 5.4L FX2, Hardware Included	CFM1083	SBC1083	MKD1083FM
	2008	Front-V8 - 5.4L FX4, Hardware Included		SBM1083	
	2008	Front-V8 - 5.4L FX4, Hardware Included	CFM1083	SBC1083	MKD1083FM
	2008	Front-V8 - 5.4L Harley-Davidson Edition, Hardware Included		SBM1083	
	2008	Front-V8 - 5.4L Harley-Davidson Edition, Hardware Included	CFM1083	SBC1083	MKD1083FM
	2008	Front-V8 - 5.4L King Ranch, Hardware Included		SBM1083	
	2008	Front-V8 - 5.4L King Ranch, Hardware Included	CFM1083	SBC1083	MKD1083FM
	2008	Front-V8 - 5.4L Lariat, FLEX, Hardware Included		SBM1083	
	2008	Front-V8 - 5.4L Lariat, FLEX, Hardware Included	CFM1083	SBC1083	MKD1083FM
	2008	Front-V8 - 5.4L Lariat, GAS, Hardware Included		SBM1083	
	2008	Front-V8 - 5.4L Lariat, GAS, Hardware Included	CFM1083	SBC1083	MKD1083FM
	2008	Front-V8 - 5.4L Limited, Hardware Included		SBM1083	
	2008	Front-V8 - 5.4L Limited, Hardware Included	CFM1083	SBC1083	MKD1083FM
	2008	Front-V8 - 5.4L XL, Hardware Included		SBM1083	
	2008	Front-V8 - 5.4L XL, Hardware Included	CFM1083	SBC1083	MKD1083FM
	2008	Front-V8 - 5.4L XLT, Hardware Included		SBM1083	
	2008	Front-V8 - 5.4L XLT, Hardware Included	CFM1083	SBC1083	MKD1083FM
	2008	Front-V8 - 5.4L XTR, Hardware Included		SBM1083	
	2008	Front-V8 - 5.4L XTR, Hardware Included	CFM1083	SBC1083	MKD1083FM
	2007	Front-All Hardware Included		SBM1083	
	2007	Front-All Hardware Included	CFM1083	SBC1083	MKD1083FM
	2006-05	Front-V6 - 4.2L Hardware Included		SBM1083	
	2006-05	Front-V6 - 4.2L Hardware Included	CFM1083	SBC1083	MKD1083FM
	2006-05	Front-V8 - 5.4L Hardware Included		SBM1083	
	2006-05	Front-V8 - 5.4L Hardware Included	CFM1083	SBC1083	MKD1083FM
	2006-04	Front-V8 - 4.6L Hardware Included		SBM1083	
	2006-04	Front-V8 - 4.6L Hardware Included	CFM1083	SBC1083	MKD1083FM
	2004	Front-V8 - 5.4L FX4, Hardware Included		SBM1083	
	2004	Front-V8 - 5.4L FX4, Hardware Included	CFM1083	SBC1083	MKD1083FM
	2004	Front-V8 - 5.4L Lariat, Hardware Included		SBM1083	
	2004	Front-V8 - 5.4L Lariat, Hardware Included	CFM1083	SBC1083	MKD1083FM
	2004	Front-V8 - 5.4L XL, Hardware Included		SBM1083	
	2004	Front-V8 - 5.4L XL, Hardware Included	CFM1083	SBC1083	MKD1083FM
	2004	Front-V8 - 5.4L XLT, Hardware Included		SBM1083	
	2004	Front-V8 - 5.4L XLT, Hardware Included	CFM1083	SBC1083	MKD1083FM
	2003-02	Front-V8 - 5.4L Harley-Davidson Edition, Hardware Included		SBM679	
	2003-02	Front-V8 - 5.4L Harley-Davidson Edition, Hardware Included	CFC679	SBC679	MKD679FM
	2003-01	Front-V6 - 4.2L Exc. 7,700 Lb. GVW		SBM679	
	2003-01	Front-V6 - 4.2L Exc. 7,700 Lb. GVW	CFC679	SBC679	MKD679FM
	2003-01	Front-V6 - 4.2L w/ 7,700 Lb. GVW	CFC702K1	SBC702K1	MKD702K1FM
	2003-01	Front-V8 - 4.6L Exc. 7,700 Lb. GVW		SBM679	
	2003-01	Front-V8 - 4.6L Exc. 7,700 Lb. GVW	CFC679	SBC679	MKD679FM
	2003-01	Front-V8 - 4.6L w/ 7,700 Lb. GVW	CFC702K1	SBC702K1	MKD702K1FM
	2003-01	Front-V8 - 5.4L King Ranch, Exc. 7,700 Lb. GVW		SBM679	
	2003-01	Front-V8 - 5.4L King Ranch, Exc. 7,700 Lb. GVW	CFC679	SBC679	MKD679FM
	2003-01	Front-V8 - 5.4L King Ranch, w/ 7,700 Lb. GVW	CFC702K1	SBC702K1	MKD702K1FM
	2003-01	Front-V8 - 5.4L Lariat, Exc. 7,700 Lb. GVW		SBM679	
	2003-01	Front-V8 - 5.4L Lariat, Exc. 7,700 Lb. GVW	CFC679	SBC679	MKD679FM
	2003-01	Front-V8 - 5.4L Lariat, w/ 7,700 Lb. GVW	CFC702K1	SBC702K1	MKD702K1FM
	2003-01	Front-V8 - 5.4L XL, Exc. 7,700 Lb. GVW		SBM679	
	2003-01	Front-V8 - 5.4L XL, Exc. 7,700 Lb. GVW	CFC679	SBC679	MKD679FM
	2003-01	Front-V8 - 5.4L XL, w/ 7,700 Lb. GVW	CFC702K1	SBC702K1	MKD702K1FM
	2003-01	Front-V8 - 5.4L XLT, Exc. 7,700 Lb. GVW		SBM679	
	2003-01	Front-V8 - 5.4L XLT, Exc. 7,700 Lb. GVW	CFC679	SBC679	MKD679FM
	2003-01	Front-V8 - 5.4L XLT, w/ 7,700 Lb. GVW	CFC702K1	SBC702K1	MKD702K1FM
	2003-00	Front-V8 - 5.4L Lightning, Hardware Included	CFC702K1	SBC702K1	MKD702K1FM
	2001	Front-V8 - 5.4L Harley-Davidson Edition, Hardware Included	CFC702K1	SBC702K1	MKD702K1FM
	2000-97	Front-V6 - 4.2L Hardware Included		SBM679	
	2000-97	Front-V6 - 4.2L Hardware Included	CFC679	SBC679	MKD679FM
	2000-97	Front-V8 - 4.6L Hardware Included		SBM679	
	2000-97	Front-V8 - 4.6L Hardware Included	CFC679	SBC679	MKD679FM
	2000	Front-V8 - 5.4L Base, Hardware Included		SBM679	
	2000	Front-V8 - 5.4L Base, Hardware Included	CFC679	SBC679	MKD679FM
	2000	Front-V8 - 5.4L Harley-Davidson Edition, Hardware Included		SBM679	

BENDIX BRAKE PARTS

PART TYPE	YEAR	APPLICATION	PREMIUM NO.	PART NO.	SEVERE DUTY NO.
Ford (Cont'd.)					
F-150 (Cont'd.)					
Disc Brake Pad Set (cont'd)	2000	Front-V8 - 5.4L Harley-Davidson Edition, Hardware Included	CFC679	SBC679	MKD679FM
	2000	Front-V8 - 5.4L Lariat, Hardware Included		SBM679	
	2000	Front-V8 - 5.4L Lariat, Hardware Included	CFC679	SBC679	MKD679FM
	2000	Front-V8 - 5.4L XL, Hardware Included		SBM679	
	2000	Front-V8 - 5.4L XL, Hardware Included	CFC679	SBC679	MKD679FM
	2000	Front-V8 - 5.4L XLT, Hardware Included		SBM679	
	2000	Front-V8 - 5.4L XLT, Hardware Included	CFC679	SBC679	MKD679FM
	1999-97	Front-V8 - 5.4L Hardware Included		SBM679	
	1999-97	Front-V8 - 5.4L Hardware Included	CFC679	SBC679	MKD679FM
	1996-95	Front-L6 - 4.9L Hardware Included		SBM632	MKD632FM
	1996-95	Front-V8 - 5.0L Hardware Included		SBM632	MKD632FM
	1996-95	Front-V8 - 5.8L Hardware Included		SBM632	MKD632FM
	1994	Front-All Hardware Included		SBM632	MKD632FM
	1993-87	Front-All Hardware Included		SBM375	
	1986	Front-All Power Brake, Hardware Included		SBM375	
	1985-83	Front-All Hardware Included		SBM50	
	1982-80	Front-All 4WD, Hardware Included		SBM50	
	1982-80	Front-All RWD, Hardware Not Included		SBM91	
	1979-75	Front-All Hardware Included		SBM50	
	2018	Rear-All King Ranch, w/ Manually Operated Parking Brake	CFC1602	SBC1602	MKD1602FM
	2018	Rear-All King Ranch, w/ Power Operated Parking Brake	CFC1790	SBC1790	MKD1790FM
	2018	Rear-All Lariat, w/ Manually Operated Parking Brake	CFC1602	SBC1602	MKD1602FM
	2018	Rear-All Lariat, w/ Power Operated Parking Brake	CFC1790	SBC1790	MKD1790FM
	2018	Rear-All Limited, w/ Manually Operated Parking Brake	CFC1602	SBC1602	MKD1602FM
	2018	Rear-All Limited, w/ Power Operated Parking Brake	CFC1790	SBC1790	MKD1790FM
	2018	Rear-All Platinum, w/ Manually Operated Parking Brake	CFC1602	SBC1602	MKD1602FM
	2018	Rear-All Platinum, w/ Power Operated Parking Brake	CFC1790	SBC1790	MKD1790FM
	2018	Rear-All Police Responder, Hardware Not Included	CFC1790	SBC1790	MKD1790FM
	2018	Rear-All Raptor, w/ Manually Operated Parking Brake	CFC1602	SBC1602	MKD1602FM
	2018	Rear-All Raptor, w/ Power Operated Parking Brake	CFC1790	SBC1790	MKD1790FM
	2018	Rear-All SSV, w/ Manually Operated Parking Brake	CFC1602	SBC1602	MKD1602FM
	2018	Rear-All SSV, w/ Power Operated Parking Brake	CFC1790	SBC1790	MKD1790FM
	2018	Rear-All XL, w/ Manually Operated Parking Brake	CFC1602	SBC1602	MKD1602FM
	2018	Rear-All XL, w/ Power Operated Parking Brake	CFC1790	SBC1790	MKD1790FM
	2018	Rear-All XLT, w/ Manually Operated Parking Brake	CFC1602	SBC1602	MKD1602FM
	2018	Rear-All XLT, w/ Power Operated Parking Brake	CFC1790	SBC1790	MKD1790FM
	2017-15	Rear-All w/ Electronic Parking Brake	CFC1790	SBC1790	MKD1790FM
	2017-15	Rear-All w/ Mechanical Parking Brake	CFC1602	SBC1602	MKD1602FM
	2014-12	Rear-All Hardware Included	CFC1602	SBC1602	MKD1602FM
	2011-10	Rear-V8 - 6.2L Hardware Included		SBM1012	
	2011-10	Rear-V8 - 6.2L Hardware Included	CFM1012	SBC1012	MKD1012FM
	2011	Rear-V6 - 3.5L Hardware Included		SBM1012	
	2011	Rear-V6 - 3.5L Hardware Included	CFM1012	SBC1012	MKD1012FM
	2011	Rear-V6 - 3.7L Hardware Included		SBM1012	
	2011	Rear-V6 - 3.7L Hardware Included	CFM1012	SBC1012	MKD1012FM
	2011	Rear-V8 - 5.0L Hardware Included		SBM1012	
	2011	Rear-V8 - 5.0L Hardware Included	CFM1012	SBC1012	MKD1012FM
	2010-08	Rear-V8 - 4.6L Hardware Included		SBM1012	
	2010-08	Rear-V8 - 4.6L Hardware Included	CFM1012	SBC1012	MKD1012FM
	2010-08	Rear-V8 - 5.4L Hardware Included		SBM1012	
2010-08	Rear-V8 - 5.4L Hardware Included	CFM1012	SBC1012	MKD1012FM	
2008	Rear-V6 - 4.2L Hardware Included		SBM1012		
2008	Rear-V6 - 4.2L Hardware Included	CFM1012	SBC1012	MKD1012FM	
2007	Rear-All Hardware Included		SBM1012		
2007	Rear-All Hardware Included	CFM1012	SBC1012	MKD1012FM	
2006-05	Rear-V6 - 4.2L Hardware Included		SBM1012		
2006-05	Rear-V6 - 4.2L Hardware Included	CFM1012	SBC1012	MKD1012FM	
2006-05	Rear-V8 - 5.4L Hardware Included		SBM1012		
2006-05	Rear-V8 - 5.4L Hardware Included	CFM1012	SBC1012	MKD1012FM	
2006-04	Rear-V8 - 4.6L Hardware Included		SBM1012		
2006-04	Rear-V8 - 4.6L Hardware Included	CFM1012	SBC1012	MKD1012FM	
2004	Rear-V8 - 5.4L FX4, Hardware Included		SBM1012		
2004	Rear-V8 - 5.4L FX4, Hardware Included	CFM1012	SBC1012	MKD1012FM	
2004	Rear-V8 - 5.4L Lariat, Hardware Included		SBM1012		
2004	Rear-V8 - 5.4L Lariat, Hardware Included	CFM1012	SBC1012	MKD1012FM	
2004	Rear-V8 - 5.4L XL, Hardware Included		SBM1012		
2004	Rear-V8 - 5.4L XL, Hardware Included	CFM1012	SBC1012	MKD1012FM	
2004	Rear-V8 - 5.4L XLT, Hardware Included		SBM1012		
2004	Rear-V8 - 5.4L XLT, Hardware Included	CFM1012	SBC1012	MKD1012FM	
2003-97	Rear-All Hardware Included	CFC711	SBC711	MKD711FM	
Drum Brake Shoe	2002-97	Rear-All		723	
	1996-87	Rear-All w/ 11.03" X 2.26" Brakes		582	
	1986-83	Rear-All		263	
	1982-80	Rear-All w/ 10" X 2-1/2" Brakes		169	
	1982-80	Rear-All w/ 11-1/32" X 2-1/4" Brakes		263	
	1979-75	Rear-All		263	

BENDIX BRAKE PARTS

PART TYPE	YEAR	APPLICATION	PREMIUM NO.	PART NO.	SEVERE DUTY NO.	
Ford (Cont'd.)						
F-150 (Cont'd.)						
Parking Brake Shoe	2011-09	Rear-All		961		
	2008-97	Rear-All		752		
Disc Brake Rotor	2017-15	Front-All		PRT5698	SDR5698	
	2014-10	Front-All 6 Stud		PRT5698	SDR5698	
	2014-10	Front-All 7 Stud		PRT6053	SDR6053	
	2009	Front-All 6 Stud		PRT6000		
	2009	Front-All 7 Stud		PRT5938		
	2008-05	Front-All 4WD, 6 Stud		PRT5527	SDR5527	
	2008-05	Front-All RWD, 7 Stud		PRT5544	SDR5544	
	2004	Front-All FX4, 4WD, 6 Stud		PRT5527	SDR5527	
	2004	Front-All FX4, 4WD, 7 Stud		PRT5544	SDR5544	
	2004	Front-All Lariat, 4WD, 6 Stud		PRT5527	SDR5527	
	2004	Front-All Lariat, 4WD, 7 Stud		PRT5544	SDR5544	
	2004	Front-All STX, 4WD, 6 Stud		PRT5527	SDR5527	
	2004	Front-All STX, 4WD, 7 Stud		PRT5544	SDR5544	
	2004	Front-All XL, 4WD, 6 Stud		PRT5527	SDR5527	
	2004	Front-All XL, 4WD, 7 Stud		PRT5544	SDR5544	
	2004	Front-All XLT, 4WD, 6 Stud		PRT5527	SDR5527	
	2004	Front-All XLT, 4WD, 7 Stud		PRT5544	SDR5544	
	2003-01	Front-All King Ranch, 4WD, 5 Stud		PRT5146		
	2003-01	Front-All King Ranch, 4WD, 7 Stud		PRT5145	SDR5145	
	2003-00	Front-All Lariat, 4WD, 5 Stud		PRT5146		
	2003-00	Front-All Lariat, 4WD, 7 Stud		PRT5145	SDR5145	
	2003-00	Front-All XL, 4WD, 5 Stud		PRT5146		
	2003-00	Front-All XL, 4WD, 7 Stud		PRT5145	SDR5145	
	2003-00	Front-All XLT, 4WD, 5 Stud		PRT5146		
	2003-00	Front-All XLT, 4WD, 7 Stud		PRT5145	SDR5145	
	2000	Front-All Base, 4WD, 5 Stud		PRT5146		
	2000	Front-All Base, 4WD, 7 Stud		PRT5145	SDR5145	
	1999	Front-All Base, 4WD		PRT5146		
	1999	Front-All Lariat, 4WD		PRT5146		
	1999	Front-All XL, 4WD		PRT5146		
	1999	Front-All XLT, 4WD		PRT5146		
	1998-97	Front-All 4WD		PRT5146		
	1996-94	Front-All 4WD, (Rotor Only); Vented; 297.6mm		PRT1905		
	1993-89	Front-All 4WD		PRT1214		
	1988-87	Front-All 4WD, (Automatic Locking Hubs)		PRT1214		
	1986-77	Front-All 4WD		PRT1214		
	2017-15	Rear-All with Power Operated Parking Brake		PRT6381		
	2015	Rear-All 6 stud, with Manually Operated Parking Brake		PRT6177	SDR6177	
	2014-12	Rear-All 6 Stud		PRT6177	SDR6177	
	2014-12	Rear-All 7 Stud		PRT6178	SDR6178	
	2011-04	Rear-All 6 Stud		PRT5521	SDR5521	
	2011-04	Rear-All 7 Stud		PRT5522	SDR5522	
	2004-01	Rear-All 5 Hole Rotor		PRT5299	SDR5299	
	2003-97	Rear-All 7 Stud		PRT5139	SDR5139	
	2000-97	Rear-All 5 Bolt Holes, M12 Wheel Bolts		PRT5140		
	2000-97	Rear-All 5 Bolt Holes, M14 Wheel Bolts		PRT5299	SDR5299	
	Disc Brake Rotor and Hub Assembly	2008-05	Front-All RWD, 6 Stud		PRT5519	SDR5519
		2008-05	Front-All RWD, 7 Stud		PRT5520	SDR5520
		2004	Front-All Lariat, RWD, 6 Stud		PRT5519	SDR5519
		2004	Front-All Lariat, RWD, 7 Stud		PRT5520	SDR5520
2004		Front-All STX, RWD, 6 Stud		PRT5519	SDR5519	
2004		Front-All STX, RWD, 7 Stud		PRT5520	SDR5520	
2004		Front-All XL, RWD, 6 Stud		PRT5519	SDR5519	
2004		Front-All XL, RWD, 7 Stud		PRT5520	SDR5520	
2004		Front-All XLT, RWD, 6 Stud		PRT5519	SDR5519	
2004		Front-All XLT, RWD, 7 Stud		PRT5520	SDR5520	
2003-02		Front-All Harley-Davidson Edition, HARLEY-DAVIDSON EDITION		PRT5310	SDR5310	
2003-02		Front-All King Ranch, RWD, 5 Stud		PRT5310	SDR5310	
2003-02		Front-All King Ranch, RWD, 7 Stud		PRT5143		
2003-02		Front-All Lariat, RWD, 5 Stud		PRT5310	SDR5310	
2003-02		Front-All XL, RWD, 5 Stud		PRT5310	SDR5310	
2003-02		Front-All XLT, RWD, 5 Stud		PRT5310	SDR5310	
2003-99		Front-All Lariat, RWD, 7 Stud		PRT5143		
2003-99		Front-All XL, RWD, 7 Stud		PRT5143		
2003-99		Front-All XLT, RWD, 7 Stud		PRT5143		
2003		Front-All King Ranch, RWD, 7 Stud			SDR5143	
2003		Front-All Lariat, RWD, 7 Stud			SDR5143	
2003		Front-All XL, RWD, 7 Stud			SDR5143	
2003		Front-All XLT, RWD, 7 Stud			SDR5143	
2002-01		Front-All Lariat, RWD, 7 Stud, with ABS ring			SDR5143	
2002-01		Front-All Lightning		PRT5303		

BENDIX BRAKE PARTS

PART TYPE	YEAR	APPLICATION	PREMIUM NO.	PART NO.	SEVERE DUTY NO.	
Ford (Cont'd.)						
F-150 (Cont'd.)						
Disc Brake Rotor and Hub Assembly (cont'd)	2002-01	Front-All XL, RWD, 7 Stud, with ABS ring			SDR5143	
	2002-01	Front-All XLT, RWD, 7 Stud, with ABS ring			SDR5143	
	2002	Front-All King Ranch, RWD, 7 Stud, with ABS ring			SDR5143	
	2001-00	Front-All Harley-Davidson Edition, RWD, 5 Stud, M12 Studs		PRT5235		
	2001-99	Front-All Lariat, RWD, 5 Stud, M12 Studs		PRT5235		
	2001-99	Front-All Lariat, RWD, 5 Stud, M14 Studs		PRT5310	SDR5310	
	2001-99	Front-All XL, RWD, 5 Stud, M12 Studs		PRT5235		
	2001-99	Front-All XL, RWD, 5 Stud, M14 Studs		PRT5310	SDR5310	
	2001-99	Front-All XLT, RWD, 5 Stud, M12 Studs		PRT5235		
	2001-99	Front-All XLT, RWD, 5 Stud, M14 Studs		PRT5310	SDR5310	
	2001	Front-All Harley-Davidson Edition, Exc.NASCAR Edition		PRT5310	SDR5310	
	2001	Front-All Harley-Davidson Edition, NASCAR Edition; HUB & ROTOR		PRT5303	SDR5303	
	2001	Front-All King Ranch, RWD, 5 Stud, M14 Studs		PRT5310	SDR5310	
	2001	Front-All King Ranch, RWD, 7 stud, with ABS ring			SDR5143	
	2000-99	Front-All Base, RWD, 5 Stud, M12 Studs		PRT5235		
	2000-99	Front-All Base, RWD, 5 Stud, M14 Studs		PRT5310	SDR5310	
	2000-99	Front-All Base, RWD, 7 Stud		PRT5143	SDR5143	
	2000-99	Front-All Lariat, RWD, 7 Stud			SDR5143	
	2000-99	Front-All XL, RWD, 7 Stud			SDR5143	
	2000-99	Front-All XLT, RWD, 7 Stud			SDR5143	
	2000	Front-All Lightning, FROM 11/29/99; HUB & ROTOR		PRT5303	SDR5303	
	2000	Front-All Lightning, TO 11/29/99		PRT5141		
	1999	Front-All Lightning, 5 Studs, M12 Stud Holes		PRT5141		
	1999	Front-All Lightning, 5 Studs, M14 Stud Holes; HUB & ROTOR		PRT5303	SDR5303	
	1998-97	Front-All RWD, 2-Wheel ABS, 5 Stud; 308mm		PRT5240		
	1998-97	Front-All RWD, 4-Wheel ABS, 5 Stud		PRT5235		
	1998-97	Front-All RWD, 7 Studs		PRT5143	SDR5143	
	1996-94	Front-All RWD, 297.7mm		PRT1907		
	1995-94	Front-All 4WD up to 5/01/95 (hub and rotor assy. w/AWAL)		PRT5486		
	1993-77	Front-All RWD, 297.7mm		PRT1067		
	1988-87	Front-All 4WD, (Manual Locking Hubs); 297.7mm		PRT1452		
	1976-75	Front-All 297.7mm		PRT1067		
	Brake Drum	1975	Front-All		PDR0013	
		2001-00	Rear-All 5 Bolt Holes, M14 Wheel Bolts; 280mm		PDR0752	
		2001-00	Rear-All 7 Stud		PDR0712	
		2000-97	Rear-All 5 Bolt Holes, M12 Wheel Bolts		PDR0690	
		1996-87	Rear-All		PDR0532	
		1986-75	Rear-All From serial# A25000		PDR0479	
		1975	Rear-All To Serial# A25000		PDR0141	
		F-150 Heritage				
	Disc Brake Pad Set	2004	Front-All Exc. 7,700 Lb. GVW		SBM679	
		2004	Front-All Exc. 7,700 Lb. GVW	CFC679	SBC679	MKD679FM
		2004	Front-All w/ 7,700 Lb. GVW	CFC702K1	SBC702K1	MKD702K1FM
		2004	Rear-All 11th Digit of VIN Is "C"	CFC711	SBC711	MKD711FM
	Parking Brake Shoe	2004	Rear-All		752	
	Disc Brake Rotor	2004	Front-All 4WD, 5 Stud, Heritage Model		PRT5146	
		2004	Front-All 4WD, 7 Stud, Heritage Model		PRT5145	SDR5145
2004		Rear-All 5 Hole Rotor		PRT5299	SDR5299	
Disc Brake Rotor and Hub Assembly	2004	Front-All RWD, 5 Stud, Heritage Model		PRT5310	SDR5310	
	2004	Front-All RWD, 7 Stud, Heritage Model		PRT5143	SDR5143	
F-250						
Disc Brake Pad Set	2007-00	Front-All Hardware Included		SBM679		
	2007-00	Front-All Hardware Included	CFC679	SBC679	MKD679FM	
	1999	Front-All Hardware Included	CFC702K1	SBC702K1	MKD702K1FM	
	1998	Front-V8 - 4.6L Hardware Included	CFC702K1	SBC702K1	MKD702K1FM	
	1998	Front-V8 - 5.4L Hardware Included	CFC702K1	SBC702K1	MKD702K1FM	
	1997	Front-All Over 8,500 Lb. GVW		SBM655		
	1997	Front-All Over 8,500 Lb. GVW	CFM655	SBC655	MKD655FM	
	1997	Front-All Under 8,500 Lb. GVW	CFC702K1	SBC702K1	MKD702K1FM	
	1996-95	Front-All Hardware Included		SBM655		
	1996-95	Front-All Hardware Included	CFM655	SBC655	MKD655FM	
	1994-87	Front-All Hardware Included			MKD120FM	
	1994-87	Front-All Hardware Not Included		SBM120		
	1986-85	Front-All Power Brake, Hardware Included			MKD120FM	
	1986-85	Front-All Power Brake, Hardware Not Included		SBM120		
	1985	Front-All w/ 1 Piston Caliper		SBM50		
	1984	Front-All Power Brake, w/ Single Piston Calipers		SBM120	MKD120FM	
	1983	Front-All w/ Dual Piston Calipers		SBM120	MKD120FM	
	1983	Front-All w/ Single Piston Calipers		SBM50		
	1982	Front-All Power Brake, w/ Dual Piston Calipers		SBM120	MKD120FM	
	1982	Front-All Power Brake, w/ Single Piston Calipers		SBM50		

BENDIX BRAKE PARTS

PART TYPE	YEAR	APPLICATION	PREMIUM NO.	PART NO.	SEVERE DUTY NO.	
Ford (Cont'd.)						
F-250 (Cont'd.)						
Disc Brake Pad Set (cont'd)	1981-79	Front-All Power Brake, w/ Single Piston Calipers		SBM120	MKD120FM	
	1978	Front-All Power Brake, w/ Dual Piston Calipers		SBM120	MKD120FM	
	1978	Front-All Power Brake, w/ Single Piston Calipers		SBM50		
	1977-76	Front-All Power Brake, w/ Single Piston Calipers		SBM120	MKD120FM	
	1974-73	Front-All Manual Brake, Hardware Included		SBM50		
	1999	Rear-All Hardware Included	CFC711	SBC711	MKD711FM	
	1998	Rear-V8 - 4.6L Hardware Included	CFC711	SBC711	MKD711FM	
	1998	Rear-V8 - 5.4L Hardware Included	CFC711	SBC711	MKD711FM	
	1997	Rear-All Hardware Included	CFC711	SBC711	MKD711FM	
Drum Brake Shoe	1972-66	Front-All w/ 12" X 2-1/2" Brakes		357		
	1972-66	Front-All w/ 12" X 3" Brakes		358		
	1959-56	Front-All		228		
	1999-66	Rear-All w/ 12" X 2-1/2" Brakes		357		
	1999-66	Rear-All w/ 12" X 3" Brakes		358		
Parking Brake Shoe	1999-97	Rear-All		752		
Disc Brake Rotor	1999	Front-All 4WD		PRT5145	SDR5145	
	1998-97	Front-All 4WD, 7 Hole Rotor			SDR5145	
	1998-97	Front-All 4WD, (Over GVW 8,500 Lbs.)		PRT1237		
	1998-97	Front-All 4WD, Under GVW 8,500 Lbs.		PRT5145		
	1996-95	Front-All 4WD, (3,850Lb. Front Axle)		PRT1237		
	1996-95	Front-All 4WD, (4,600Lb. Front Axle)		PRT5055		
	1994-77	Front-All 4WD		PRT1237		
	1976	Front-All 4WD, Before serial number Y20001		PRT1173		
	1976	Front-All 4WD, From serial number Y20001		PRT1237		
	1999-97	Rear-All		PRT5139	SDR5139	
	Disc Brake Rotor and Hub Assembly	1999	Front-All RWD		PRT5144	SDR5144
		1998-97	Front-All 4-Wheel ABS, 4-Wheel Anti-Lock Brakes; 7 Stud Rotor			SDR5143
1998-97		Front-All RWD, 2-Wheel ABS, 2-Wheel Anti-Lock Brakes; 7 Stud Rotor			SDR5144	
1998-97		Front-All RWD, 2-Wheel ABS, 2-Wheel Anti-Lock Brakes; 8 Stud Rotor			SDR5049	
1998		Front-All RWD, 2-Wheel ABS, Under GVW 8,500 Lbs.		PRT5144		
1998		Front-All RWD, 4-Wheel ABS, 4-Wheel Anti-Lock Brakes; 8 Stud Rotor		PRT5057		
1998		Front-All RWD, 4-Wheel ABS, Under GVW 8,500 Lbs.		PRT5143		
1998		Front-All RWD, Over GVW 8,500 Lbs.		PRT5049		
1997		Front-All RWD, 2-Wheel ABS, 2-Wheel Anti-Lock Brakes; 8 Stud Rotor		PRT5049		
1997		Front-All RWD, 2-Wheel ABS, 7 Stud Rotor; Under GVW 8,500 Lbs.		PRT5144		
1997		Front-All RWD, 4-Wheel ABS, 4-Wheel Anti-Lock Brakes; 8 Stud Rotor; Under GVW 8,500 Lbs.		PRT5057		
1997		Front-All RWD, 4-Wheel ABS, 7 Stud Rotor; Under GVW 8,500 Lbs.		PRT5143		
1996-95		Front-All RWD		PRT5049	SDR5049	
1994-86		Front-All RWD		PRT1487		
1985-80		Front-All RWD, (over 8500 Lbs. GVW)		PRT1867		
1985-80		Front-All RWD, (under 8500 Lbs. GVW - 1 piston caliper); 324.5mm		PRT1197		
1985-80		Front-All RWD, (under 8500 Lbs. GVW - 2 piston caliper)		PRT1930		
1979-76		Front-All RWD, (1 piston Caliper)		PRT1065		
1979-76		Front-All RWD, (2 Piston Caliper)		PRT1154		
1975-73		Front-All 1 Piston Caliper		PRT1065		
1975		Front-All 2 Piston Caliper (to serial# V80001)		PRT1052		
1974-68	Front-All 2 Piston Caliper		PRT1052			
Brake Drum	1975	Front-All RWD		PDR0015		
	1974-73	Front-All RWD, 12 x 2 1/2" brakes		PDR0015		
	1972-60	Front-All 12 x 2 1/2" brakes		PDR0015		
	1999-97	Rear-All 7 Stud		PDR0712		
	1999-97	Rear-All 8 Stud		PDR0504		
	1996-90	Rear-All Full Floating Rear Axle		PDR0504		
	1996-90	Rear-All Semi Floating Rear Axle		PDR0520		
	1989-86	Rear-All 9.75" Rear (12 x 2 1/2" Brakes)		PDR0397		
	1989-86	Rear-All 12 x 2 1/2" Brakes		PDR0520		
	1989-86	Rear-All Exc. 10.25" Ring Gear (12 x 3" Brakes)		PDR0344		
	1989-85	Rear-All 10.25" Ring Gear (12 x 3" Brakes)		PDR0504		
	1985-84	Rear-All 12 x 3" Brakes (Full Floating Rear Axle)		PDR0344		
	1985-80	Rear-All 12 x 2 1/2" Brakes (Semi Floating Rear Axle)		PDR0397		
	1983-80	Rear-All (12 x 3" Brakes) (Full Floating Rear Axle)		PDR0344		
	1983	Rear-All (12 x 3" Brakes) (Full Floating Rear Axle)		PDR0493		
	1979-67	Rear-All 12 x 2 1/2" Brakes		PDR0012		
	F-250 HD					
	Disc Brake Pad Set	1997	Front-All Over 8,500 Lb. GVW		SBM655	
		1997	Front-All Over 8,500 Lb. GVW	CFM655	SBC655	MKD655FM
		1997	Front-All Under 8,500 Lb. GVW	CFC702K1	SBC702K1	MKD702K1FM

BENDIX BRAKE PARTS

PART TYPE	YEAR	APPLICATION	PREMIUM NO.	PART NO.	SEVERE DUTY NO.
Ford (Cont'd.)					
F-250 HD (Cont'd.)					
Disc Brake Pad Set (cont'd)	1997	Rear-All Hardware Included	CFC711	SBC711	MKD711FM
F-250 Super Duty					
Disc Brake Pad Set	2019-18	Front-All King Ranch, Hardware Included	CFM1680	SBM1680	MKD1680FM
	2019-18	Front-All Lariat, Hardware Included	CFM1680	SBM1680	MKD1680FM
	2019-18	Front-All Limited, Hardware Included	CFM1680	SBM1680	MKD1680FM
	2019-18	Front-All Platinum, Hardware Included	CFM1680	SBM1680	MKD1680FM
	2019-18	Front-All XL, Hardware Included	CFM1680	SBM1680	MKD1680FM
	2019-18	Front-All XLT, Hardware Included	CFM1680	SBM1680	MKD1680FM
	2017-13	Front-All Hardware Included	CFM1680	SBM1680	MKD1680FM
	2012-05	Front-All Hardware Included		SBM1631A	MKD1631AFM
	2004-99	Front-All Hardware Included	CFC824	SBC824	MKD824FM
	2019-18	Rear-All King Ranch, Hardware Included	CFM1691	SBM1691	MKD1691FM
	2019-18	Rear-All Lariat, Hardware Included	CFM1691	SBM1691	MKD1691FM
	2019-18	Rear-All Limited, Hardware Included	CFM1691	SBM1691	MKD1691FM
	2019-18	Rear-All Platinum, Hardware Included	CFM1691	SBM1691	MKD1691FM
	2019-18	Rear-All XL, Hardware Included	CFM1691	SBM1691	MKD1691FM
	2019-18	Rear-All XLT, Hardware Included	CFM1691	SBM1691	MKD1691FM
	2017-13	Rear-All Hardware Included	CFM1691	SBM1691	MKD1691FM
	2012	Rear-V8 - 6.2L Hardware Included	CFM1334	SBM1334	MKD1334FM
	2012	Rear-V8 - 6.7L Hardware Included	CFM1334	SBM1334	MKD1334FM
	2011-08	Rear-All Hardware Included	CFM1334	SBM1334	MKD1334FM
	2007-05	Rear-All Hardware Included	CFM1068	SBM1068	MKD1068FM
	2004-99	Rear-All Hardware Included	CFM757	SBM757	MKD757FM
Parking Brake Shoe	2017-16	Rear-All		847	
	2012-05	Rear-All 8.07" X 1.73"		854	
	2004-99	Rear-All w/ 8.07" X 1.73" Brakes		771	
Disc Brake Rotor	2016-13	Front-All 4WD		PRT6228	SDR6228
	2012-05	Front-All 4WD		PRT5584	SDR5584
	2004-00	Front-All 4WD, 14.5" Dia.		PRT5309	
	2004-00	Front-All 13" Dia			SDR5274
	2004	Front-All 4WD, 13" Dia		PRT5274	
	2004	Front-All 4WD, 14.5" Dia.		PRT5258	
	2003-02	Front-All 4WD, 14.5" Dia.; w/ 4.88 or 5.38 Drive Ratio		PRT5258	
	2003-00	Front-All RWD, w/ I-Beam Suspension		PRT5257	
	2003	Front-All 4WD, 13" Dia; w/ 3.73, 4.10 or 4.30 Drive Ratio		PRT5274	
	2002	Front-V8 - 5.4L 4WD, 4-Wheel ABS, 13" Dia; w/ 4.10 or 4.30 Drive Ratio; w/ Single Rear Wheels		PRT5274	
	2002	Front-V8 - 7.3L 4WD, w/ 3.73, 4.10 or 4.30 Drive Ratio		PRT5274	
	2002	Front-V10 - 6.8L 4WD, w/ 3.73, 4.10 or 4.30 Drive Ratio		PRT5274	
	2001-00	Front-All 4WD, 2-Wheel ABS, 13" Dia; w/ 3.73, 4.10 or 4.30 Drive Ratio		PRT5274	
	2001	Front-All 4WD, 14.5" Dia.		PRT5258	
	2000	Front-All 4WD, 14.5" Dia.; w/ 4.88 or 5.38 Drive Ratio		PRT5258	
	1999	Front-All 4WD, 13.03" Rotor Diameter, From 3/22/99		PRT5274	SDR5274
	1999	Front-All 4WD, 13.03" Rotor Diameter, Thru 3/21/99		PRT5245	
	1999	Front-All 4WD, 14.53" Rotor Diameter, From 3/22/99		PRT5258	
	1999	Front-All 4WD, 14.53" Rotor Diameter, From 3/22/99		PRT5309	
	1999	Front-All 4WD, 14.53" Rotor Diameter, Thru 3/21/99		PRT5257	
	2016-13	Rear-All		PRT6229	
	2012-05	Rear-All		PRT5730	SDR5730
	2004-99	Rear-All		PRT5258	SDR5258
Disc Brake Rotor and Hub Assembly	2016-13	Front-All RWD, Single Rear Wheels		PRT6284	SDR6284
	2012-11	Front-All RWD, Dual Rear Wheels		PRT5813	
	2012-11	Front-All RWD, Single Rear Wheels		PRT5829	SDR5829
	2010-08	Front-All RWD		PRT5829	SDR5829
	2007-05	Front-All RWD		PRT5796	SDR5796
	2004-03	Front-All RWD, 4-Wheel ABS, HUB & ROTOR			SDR5480
	2004-03	Front-All RWD, HUB & ROTOR; w/ Twin I-Beam Suspension		PRT5480	
	2002	Front-All RWD, w/ Twin I-Beam Suspension; w/ Single Rear Wheels		PRT5255	
	2001-00	Front-All RWD, 2-Wheel ABS, w/ Twin I-Beam Suspension		PRT5256	
	2001-00	Front-All RWD, 4-Wheel ABS, w/ Twin I-Beam Suspension		PRT5255	
	1999	Front-All RWD, 2-Wheel ABS		PRT5256	
	1999	Front-All RWD, 4-Wheel ABS		PRT5255	
F-350					
Disc Brake Pad Set	2016-13	Front-All Hardware Included	CFM1680	SBM1680	MKD1680FM
	2012-11	Front-All w/ Dual Rear Wheels		SBM1631A	MKD1631AFM
	2012	Front-All w/ Dual Rear Wheels	CFM1631A		
	2012	Front-All w/ Single Rear Wheels	CFM1631	SBM1631	MKD1631FM
	2009-05	Front-All Hardware Included		SBM1631A	MKD1631AFM
	2004-99	Front-All Hardware Included	CFC824	SBC824	MKD824FM
	1997-95	Front-V8 - 5.8L Hardware Included		SBM655	
	1997-95	Front-V8 - 5.8L Hardware Included	CFM655	SBC655	MKD655FM
	1997-95	Front-V8 - 7.3L Hardware Included		SBM655	
	1997-95	Front-V8 - 7.3L Hardware Included	CFM655	SBC655	MKD655FM

BENDIX BRAKE PARTS

PART TYPE	YEAR	APPLICATION	PREMIUM NO.	PART NO.	SEVERE DUTY NO.	
Ford (Cont'd.)						
F-350 (Cont'd.)						
Disc Brake Pad Set (cont'd)	1997-95	Front-V8 - 7.5L Hardware Included		SBM655		
	1997-95	Front-V8 - 7.5L Hardware Included	CFM655	SBC655	MKD655FM	
	1996-95	Front-L6 - 4.9L Hardware Included		SBM655		
	1996-95	Front-L6 - 4.9L Hardware Included	CFM655	SBC655	MKD655FM	
	1994-93	Front-All Hardware Included			MKD120FM	
	1994-93	Front-All Hardware Not Included		SBM120		
	1992	Front-L6 - 4.9L Hardware Included			MKD120FM	
	1992	Front-L6 - 4.9L Hardware Not Included		SBM120		
	1992	Front-V8 - 5.8L Hardware Included			MKD120FM	
	1992	Front-V8 - 5.8L Hardware Not Included		SBM120		
	1992	Front-V8 - 7.3L Hardware Included			MKD120FM	
	1992	Front-V8 - 7.3L Hardware Not Included		SBM120		
	1992	Front-V8 - 7.5L Hardware Included			MKD120FM	
	1992	Front-V8 - 7.5L Hardware Not Included		SBM120		
	1991-76	Front-All Hardware Included			MKD120FM	
	1991-76	Front-All Hardware Not Included		SBM120		
	2016-13	Rear-All Hardware Included	CFM1691	SBM1691	MKD1691FM	
	2012-11	Rear-All Hardware Included	CFM1334	SBM1334	MKD1334FM	
	Drum Brake Shoe	1972-67	Front-All w/ 12" X 3.02" Brakes		358	
		1959-56	Front-All		228	
		1997-87	Rear-All w/ Dual Rear Wheels		583	
		1997-73	Rear-All w/ 12" X 3" Brakes		358	
		1979	Rear-All w/ 12" X 2 1/2" Brakes		357	
1972-68		Rear-All w/ 12" X 3.02" Brakes		358		
1967		Rear-All w/ 12" X 3" Brakes		358		
Disc Brake Rotor	1997-95	Front-All 4WD, (Dual Rear Wheels)		PRT5279		
	1997-95	Front-All 4WD, (Single Rear Wheels)		PRT5055		
	1994-86	Front-All 4WD, (Dual Rear Wheels); Vented; 319mm		PRT1808		
	1994-86	Front-All 4WD, (Single Rear Wheels)		PRT1237		
	1994-86	Front-All RWD, (Dual Rear Wheels)		PRT1505		
	1985-80	Front-All RWD, Dual Rear Wheels		PRT1505		
	1985-79	Front-All 4WD		PRT1237		
	1979-76	Front-All RWD, (Dual Rear Wheels)		PRT1505		
	1975-68	Front-All Dual Rear Wheels		PRT1084		
	Disc Brake Rotor and Hub Assembly	1997-95	Front-All RWD, (Single Rear Wheels)		PRT5049	SDR5049
1997-95		Front-All RWD, Dual Rear Wheels		PRT5054		
1994-86		Front-All RWD, (Single Rear Wheels)		PRT1487		
1985-80		Front-All RWD, (Single Rear Wheels)		PRT1867		
1979-76		Front-All RWD, (Single Rear Wheels); 319.7mm		PRT1153		
1975		Front-All Single Rear Wheels		PRT1128		
1974-68		Front-All Single Rear Wheels		PRT1066		
Brake Drum	1972-67	Front-All Single Rear Wheels		PDR0014		
	1997-90	Rear-All Single Rear Wheels		PDR0504		
	1997-87	Rear-All Dual Rear Wheels; 308mm		PDR0545		
	1989-85	Rear-All Single Rear Wheels (10.25" Ring Gear) (12 x 3" Brakes)		PDR0504		
	1989-85	Rear-All Single Rear Wheels (Exc. 10.25" Ring Gear) (12 x 3" Brakes)		PDR0344		
	1986-85	Rear-All Dual Rear Wheels; 304.5mm		PDR0550		
	1984-80	Rear-All Dual Rear Wheels		PDR0278		
	1984-80	Rear-All Single Rear Wheels		PDR0344		
	1983	Rear-All Single Rear Wheels		PDR0493		
	1979-75	Rear-All RWD		PDR0278		
	1979-75	Rear-All RWD, Exc. Super Cab		PDR0344		
	1979	Rear-All 4WD		PDR0012		
	F-350 Super Duty					
	Disc Brake Pad Set	2019-18	Front-All Limited, Hardware Included	CFM1680	SBM1680	MKD1680FM
2019-18		Front-All Platinum, Hardware Included	CFM1680	SBM1680	MKD1680FM	
2019		Front-All King Ranch, Hardware Included	CFM1680	SBM1680	MKD1680FM	
2019		Front-All Lariat, Hardware Included	CFM1680	SBM1680	MKD1680FM	
2019		Front-All XL, Hardware Included	CFM1680	SBM1680	MKD1680FM	
2019		Front-All XL Plus, Hardware Included	CFM1680	SBM1680	MKD1680FM	
2019		Front-All XLT, Hardware Included	CFM1680	SBM1680	MKD1680FM	
2018		Front-All King Ranch, 4WD, Hardware Included	CFM1680	SBM1680	MKD1680FM	
2018		Front-All Lariat, 4WD, Hardware Included	CFM1680	SBM1680	MKD1680FM	
2018		Front-All XL, 4WD, Hardware Included	CFM1680	SBM1680	MKD1680FM	
2018		Front-All XLT, 4WD, Hardware Included	CFM1680	SBM1680	MKD1680FM	
2017-13		Front-All Hardware Included	CFM1680	SBM1680	MKD1680FM	
2012-11		Front-All w/ Dual Rear Wheels	CFM1631A	SBM1631A	MKD1631AFM	
2012-11		Front-All w/ Single Rear Wheels	CFM1631	SBM1631	MKD1631FM	
2010-08		Front-All Hardware Included		SBM1631A	MKD1631AFM	
2007-05		Front-V8 - 5.4L Hardware Included		SBM1631A	MKD1631AFM	
2007-05		Front-V8 - 6.0L Hardware Included		SBM1631A	MKD1631AFM	
2007-05		Front-V10 - 6.8L Hardware Included		SBM1631A	MKD1631AFM	
2004-03		Front-V8 - 6.0L Hardware Included	CFC824	SBC824	MKD824FM	

BENDIX BRAKE PARTS

PART TYPE	YEAR	APPLICATION	PREMIUM NO.	PART NO.	SEVERE DUTY NO.	
Ford (Cont'd.)						
F-350 Super Duty (Cont'd.)						
Disc Brake Pad Set (cont'd)	2004-02	Front-V8 - 5.4L Hardware Included	CFC824	SBC824	MKD824FM	
	2004-02	Front-V10 - 6.8L Hardware Included	CFC824	SBC824	MKD824FM	
	2003-02	Front-V8 - 7.3L Hardware Included	CFC824	SBC824	MKD824FM	
	2001-99	Front-All Hardware Included	CFC824	SBC824	MKD824FM	
	2019-18	Rear-All King Ranch, Hardware Included	CFM1691	SBM1691	MKD1691FM	
	2019-18	Rear-All Lariat, Hardware Included	CFM1691	SBM1691	MKD1691FM	
	2019-18	Rear-All Limited, Hardware Included	CFM1691	SBM1691	MKD1691FM	
	2019-18	Rear-All Platinum, Hardware Included	CFM1691	SBM1691	MKD1691FM	
	2019-18	Rear-All XL, Hardware Included	CFM1691	SBM1691	MKD1691FM	
	2019-18	Rear-All XL Plus, Hardware Included	CFM1691	SBM1691	MKD1691FM	
	2019-18	Rear-All XLT, Hardware Included	CFM1691	SBM1691	MKD1691FM	
	2017-13	Rear-All Hardware Included	CFM1691	SBM1691	MKD1691FM	
	2012-08	Rear-All Hardware Included	CFM1334	SBM1334	MKD1334FM	
	2007-05	Rear-V8 - 5.4L w/ Dual Rear Wheels	CFM1334	SBM1334	MKD1334FM	
	2007-05	Rear-V8 - 5.4L w/ Single Rear Wheels	CFM1068	SBM1068	MKD1068FM	
	2007-05	Rear-V8 - 6.0L w/ Dual Rear Wheels	CFM1334	SBM1334	MKD1334FM	
	2007-05	Rear-V8 - 6.0L w/ Single Rear Wheels	CFM1068	SBM1068	MKD1068FM	
	2007-05	Rear-V10 - 6.8L w/ Dual Rear Wheels	CFM1334	SBM1334	MKD1334FM	
	2007-05	Rear-V10 - 6.8L w/ Single Rear Wheels	CFM1068	SBM1068	MKD1068FM	
	2004-03	Rear-V8 - 6.0L Hardware Included	CFM757	SBM757	MKD757FM	
	2004-02	Rear-V8 - 5.4L Hardware Included	CFM757	SBM757	MKD757FM	
	2004-02	Rear-V10 - 6.8L Hardware Included	CFM757	SBM757	MKD757FM	
	2003-02	Rear-V8 - 7.3L Hardware Included	CFM757	SBM757	MKD757FM	
	2001-99	Rear-All Hardware Included	CFM757	SBM757	MKD757FM	
	Parking Brake Shoe	2012-05	Rear-All 8.07" X 1.73"		854	
		2004-99	Rear-All w/ 8.07" X 1.73" Brakes		771	
	Disc Brake Rotor	2015	Front-All 4WD, with Widetrack Suspension		PRT5615	
		2014-13	Front-All 4WD, (Single Rear Wheels)		PRT6228	SDR6228
		2013-05	Front-All 4WD, (Dual Rear Wheels)		PRT5626	SDR5626
		2012-05	Front-All 4WD, (Single Rear Wheels)		PRT5584	SDR5584
		2004-00	Front-All 4WD, 14.5" Dia.		PRT5309	
		2004-00	Front-All 13" Dia			SDR5274
		2004	Front-All 4WD, 13" Dia		PRT5274	
		2004	Front-All 4WD, 14.5" Dia.		PRT5258	
2003-02		Front-All 4WD, 14.5" Dia.; w/ 4.88 or 5.38 Drive Ratio		PRT5258		
2003-00		Front-All RWD, w/ I-Beam Suspension		PRT5257		
2003		Front-All 4WD, 13" Dia; w/ 3.73, 4.10 or 4.30 Drive Ratio		PRT5274		
2002		Front-All 4WD, 13" Dia; w/ 4.88 or 5.38; w/ Dual Rear Wheels		PRT5274		
2001-00		Front-All 4WD, 4-Wheel ABS, Exc. 4.88 or 5.38 Drive Ratio; w/ Single Rear Wheels		PRT5274		
2001-00		Front-All 4WD, 13" Dia; w/ 4.88 or 5.38 Drive Ratio; w/ Dual Rear Wheels		PRT5274		
2001		Front-All 4WD, 2-Wheel ABS, 13" Dia; Exc. 4.88 or 5.38 Drive Ratio; w/ Single Rear Wheels		PRT5274		
2001		Front-All 4WD, 14.5" Dia.		PRT5258		
2000		Front-All 4WD, 2-Wheel ABS, Exc. 4.88 or 5.38 Drive Ratio; w/ Single Rear Wheels		PRT5274		
2000		Front-All 4WD, 14.5" Dia.; w/ 4.88 or 5.38 Drive Ratio		PRT5258		
1999		Front-All 4WD, 13.03" Rotor Diameter, From 3/22/99		PRT5274	SDR5274	
1999		Front-All 4WD, 13.03" Rotor Diameter, Thru 3/21/99		PRT5245		
1999		Front-All 4WD, 14.53" Rotor Diameter, From 3/22/99		PRT5258		
1999		Front-All 4WD, 14.53" Rotor Diameter, From 3/22/99		PRT5309		
1999		Front-All 4WD, 14.53" Rotor Diameter, Thru 3/21/99		PRT5257		
2016-14		Rear-All Dual Rear Wheels		PRT6231		
2016-14		Rear-All Single Rear Wheels		PRT6229		
2013		Rear-All RWD, DRW		PRT6231		
2012-05		Rear-All Dual Rear Wheels		PRT5630	SDR5630	
2012-05		Rear-All Single Rear Wheels		PRT5730	SDR5730	
2004-99		Rear-All Dual Rear Wheels; Vented; 325.8mm		PRT5280		
2004-99		Rear-All Single Rear Wheels (2 Piston Caliper)		PRT5258	SDR5258	
Disc Brake Rotor and Hub Assembly		2018-17	Front-All RWD, w/ Dual Rear Wheels		PRT6230	
		2016-14	Front-All King Ranch, RWD, Single Rear Wheels		PRT6284	SDR6284
		2016-14	Front-All Lariat, RWD, exc. Cab and Chassis		PRT6284	SDR6284
		2016-14	Front-All Platinum, RWD, Single Rear Wheels		PRT6284	SDR6284
	2016-14	Front-All XL, RWD, exc. Cab and Chassis		PRT6284	SDR6284	
	2016-14	Front-All XLT, RWD, exc. Cab and Chassis		PRT6284	SDR6284	
	2016-13	Front-All RWD, (Dual Rear Wheels)		PRT6230		
	2015	Front-All 4WD, except Widetrack Suspension		PRT6284		
	2014-13	Front-All RWD			SDR6230	
	2013-08	Front-All RWD, (Single Rear Wheels)		PRT5829	SDR5829	
	2013	Front-All RWD, Single Rear Wheels		PRT6284	SDR6284	
	2012-08	Front-All RWD, (Dual Rear Wheels)		PRT5813		
	2007-05	Front-All RWD, (Dual Rear Wheels)		PRT5797		
	2007-05	Front-All RWD, (Single Rear Wheels)		PRT5796	SDR5796	
	2004-03	Front-All RWD, 4-Wheel ABS, DRW; HUB & ROTOR			SDR5480	
	2004-03	Front-All RWD, Dual Rear Wheels			SDR5762	

BENDIX BRAKE PARTS

PART TYPE	YEAR	APPLICATION	PREMIUM NO.	PART NO.	SEVERE DUTY NO.	
Ford (Cont'd.)						
F-350 Super Duty (Cont'd.)						
Disc Brake Rotor and Hub Assembly (cont'd)	2004-03	Front-All RWD, HUB & ROTOR; w/ Twin I-Beam Suspension; w/ Single Rear Wheels		PRT5480		
	2004-03	Front-All RWD, w/ Dual Rear Wheels; w/ Twin I-Beam Suspension		PRT5762		
	2003	Front-All RWD, w/ Twin I-Beam Suspension; w/ Single Rear Wheels		PRT5255		
	2002-99	Front-All RWD, Dual Rear Wheels; HUB & ROTOR			SDR5267	
	2002	Front-All RWD, 4-Wheel ABS, DRW		PRT5255		
	2002	Front-All RWD, w/ Dual Rear Wheels; HUB & ROTOR; w/ Twin I-Beam Suspension		PRT5267		
	2001-00	Front-All RWD, 2-Wheel ABS, w/ Single Rear Wheels; w/ Twin I-Beam Suspension		PRT5256		
	2001-00	Front-All RWD, 4-Wheel ABS, w/ Single Rear Wheels; w/ Twin I-Beam Suspension		PRT5255		
	2001-99	Front-All RWD, Dual Rear Wheels; HUB & ROTOR		PRT5267		
	1999	Front-All RWD, 2-Wheel ABS, SRW		PRT5256		
	1999	Front-All RWD, 4-Wheel ABS, DRW		PRT5255		
F-450 Super Duty						
Disc Brake Pad Set	2018-17	Front-All Hardware Included			MKD2018FM	
	2016	Front-All Cab & Chassis - Crew Cab, Hardware Included	CFM1066	SBM1066	MKD1066FM	
	2016	Front-All Cab & Chassis - Extended Cab, Hardware Included	CFM1066	SBM1066	MKD1066FM	
	2016	Front-All Cab & Chassis - Long Conventional, Hardware Included	CFM1066	SBM1066	MKD1066FM	
	2015-13	Front-All w/ 8-Lug Wheels	CFM1680	SBM1680	MKD1680FM	
	2015-13	Front-All w/ 10-Lug Wheels	CFM1066	SBM1066	MKD1066FM	
	2012	Front-V8 - 6.7L w/ Narrow Frame	CFM1066	SBM1066	MKD1066FM	
	2012	Front-V8 - 6.7L w/ Wide Frame	CFM1631A	SBM1631A	MKD1631AFM	
	2012	Front-V10 - 6.8L w/ Narrow Frame	CFM1066	SBM1066	MKD1066FM	
	2012	Front-V10 - 6.8L w/ Wide Frame	CFM1631A	SBM1631A	MKD1631AFM	
	2011	Front-All Cab & Chassis - Crew Cab, Hardware Included	CFM1066	SBM1066	MKD1066FM	
	2011	Front-All Cab & Chassis - Extended Cab, Hardware Included	CFM1066	SBM1066	MKD1066FM	
	2011	Front-All Cab & Chassis - Long Conventional, Hardware Included	CFM1066	SBM1066	MKD1066FM	
	2011	Front-All Crew Cab Pickup, Hardware Included		SBM1631A	MKD1631AFM	
	2010	Front-All Hardware Included	CFM1066	SBM1066	MKD1066FM	
	2009	Front-All From 12/1/08	CFM1066	SBM1066	MKD1066FM	
	2009	Front-All To 12/1/08		SBM1631A	MKD1631AFM	
	2008-05	Front-All Hardware Included	CFM1066	SBM1066	MKD1066FM	
	2004-99	Front-All Hardware Included			MKD777FM	
	1997	Front-All Hardware Included	CFM411	SBM411	MKD411FM	
	2018-17	Rear-All Hardware Included			MKD2018FM	
	2016	Rear-All Hardware Included	CFM1066	SBM1066	MKD1066FM	
	2015	Rear-All Cab & Chassis - Crew Cab, Hardware Included	CFM1066	SBM1066	MKD1066FM	
	2015	Rear-All Cab & Chassis - Long Conventional, Hardware Included	CFM1066	SBM1066	MKD1066FM	
	2015	Rear-All Crew Cab Pickup, Hardware Included	CFM1691	SBM1691	MKD1691FM	
	2015	Rear-All Extended Cab Pickup, Hardware Included	CFM1691	SBM1691	MKD1691FM	
	2014-13	Rear-All w/ 8-Lug Wheels	CFM1691	SBM1691	MKD1691FM	
	2014-13	Rear-All w/ 10-Lug Wheels	CFM1066	SBM1066	MKD1066FM	
	2012	Rear-V8 - 6.7L w/ Narrow Frame	CFM1066	SBM1066	MKD1066FM	
	2012	Rear-V8 - 6.7L w/ Wide Frame	CFM1334	SBM1334	MKD1334FM	
	2012	Rear-V10 - 6.8L w/ Narrow Frame	CFM1066	SBM1066	MKD1066FM	
	2012	Rear-V10 - 6.8L w/ Wide Frame	CFM1334	SBM1334	MKD1334FM	
	2011	Rear-All Cab & Chassis - Crew Cab, Hardware Included	CFM1066	SBM1066	MKD1066FM	
	2011	Rear-All Cab & Chassis - Extended Cab, Hardware Included	CFM1066	SBM1066	MKD1066FM	
	2011	Rear-All Cab & Chassis - Long Conventional, Hardware Included	CFM1066	SBM1066	MKD1066FM	
	2011	Rear-All Crew Cab Pickup, Hardware Included	CFM1334	SBM1334	MKD1334FM	
	2010	Rear-All Hardware Included	CFM1066	SBM1066	MKD1066FM	
	2009	Rear-All From 12/1/08	CFM1066	SBM1066	MKD1066FM	
	2009	Rear-All To 12/1/08		SBM1631A	MKD1631AFM	
	2008-05	Rear-All Hardware Included	CFM1066	SBM1066	MKD1066FM	
	2004-99	Rear-All Hardware Included			MKD777FM	
	1997	Rear-All Hardware Included	CFM411	SBM411	MKD411FM	
	Parking Brake Shoe	2018	Rear-All		847	
		2015	Rear-All Cab & Chassis - Crew Cab		847	
		2015	Rear-All Cab & Chassis - Long Conventional		847	
		2014	Rear-All 8.07" X 1.73"		854	
		2012-11	Rear-All 8.07" X 1.73"		854	
2009-05		Rear-All		847		
2004-99		Rear-All		772		
Disc Brake Rotor		2016-13	Front-All Exc. Cab & Chassis		PRT6228	
	2016-13	Front-All King Ranch		PRT6228		
	2016-13	Front-All Platinum		PRT6228		
	2016	Front-All w/ Cab & Chassis		PRT5615		
	2015-11	Front-All 10 Hole Rotor		PRT5615		

BENDIX BRAKE PARTS

PART TYPE	YEAR	APPLICATION	PREMIUM NO.	PART NO.	SEVERE DUTY NO.	
Ford (Cont'd.)						
F-450 Super Duty (Cont'd.)						
Disc Brake Rotor (cont'd)	2013-11	Front-All 8 Holes		PRT5626	SDR5626	
	2013-11	Front-All 10 Hole Rotor			SDR5615	
	2010-05	Front-All		PRT5615	SDR5615	
	2004-03	Front-All 13" Dia		PRT5274		
	2004-00	Front-All 13" Dia			SDR5274	
	2002-01	Front-All 4 X 2		PRT5257		
	2002-01	Front-All 4 X 4, 13" Dia; Exc. 4.88 & 5.38 Drive Ratio		PRT5274		
	2002-01	Front-All 4 X 4, w/ 4.88 or 5.38 Drive Ratio		PRT5258		
	2000	Front-All 13" Dia		PRT5274		
	1999	Front-All 4 X 2, To 03/1999		PRT5257		
	1999	Front-All 4 X 4			SDR5274	
	1999	Front-All 4 X 4, exc. 4.88 & 5.38 Drive Ratio; To 03/1999		PRT5245		
	1999	Front-All 4 X 4, Exc. 4.88 & 5.38 Drive Ratio; From 03/1999		PRT5274		
	1999	Front-All 4 X 4, w/ 4.88 or 5.38 Drive Ratio; From 03/1999		PRT5258		
	1999	Front-All 4 X 4, w/ 4.88 or 5.38 Drive Ratio; To 03/1999		PRT5257		
	1999	Front-All From 3/99, 14.5" Dia.		PRT5309		
	1999	Front-All From 3/99, 14.5" Dia.; w/ RWD		PRT5258		
	2016-15	Rear-All		PRT5731		
	2014-11	Rear-All 10 Hole Rotor		PRT5731		
	2012-11	Rear-All 8 Holes		PRT5630	SDR5630	
	2010-05	Rear-All		PRT5731		
	2004-02	Rear-All 10 Hole Rotor Hat, Exc. ABS Brakes, Drum In Hat Parking Brake;		PRT5325		
	2004-02	Rear-All 10 Hole Rotor with ABS Ring		PRT5565		
	2001-99	Rear-All		PRT5325		
	Disc Brake Rotor and Hub Assembly	2018-17	Front-All Base, 4 X 2		PRT6230	
	F-550 Super Duty					
Disc Brake Pad Set	2018-17	Front-All Hardware Included			MKD2018FM	
	2016-13	Front-All Hardware Included	CFM1066	SBM1066	MKD1066FM	
	2012	Front-V8 - 6.7L Hardware Included	CFM1066	SBM1066	MKD1066FM	
	2012	Front-V10 - 6.8L Hardware Included	CFM1066	SBM1066	MKD1066FM	
	2011	Front-All Narrow Frame	CFM1066	SBM1066	MKD1066FM	
	2011	Front-All Wide Frame		SBM1631A	MKD1631AFM	
	2010-05	Front-All Hardware Included	CFM1066	SBM1066	MKD1066FM	
	2004-99	Front-All Hardware Included			MKD777FM	
	2018-17	Rear-All Hardware Included			MKD2018FM	
	2016-13	Rear-All Hardware Included	CFM1066	SBM1066	MKD1066FM	
	2012	Rear-V8 - 6.7L Hardware Included	CFM1066	SBM1066	MKD1066FM	
	2012	Rear-V10 - 6.8L Hardware Included	CFM1066	SBM1066	MKD1066FM	
	2011	Rear-All Narrow Frame	CFM1066	SBM1066	MKD1066FM	
	2010-05	Rear-All Hardware Included	CFM1066	SBM1066	MKD1066FM	
	2004-99	Rear-All Hardware Included			MKD777FM	
	Parking Brake Shoe	2018	Rear-All		847	
		2015	Rear-All		847	
		2014-08	Rear-All 8.07" X 1.73"		854	
		2007-05	Rear-All		847	
		2004-99	Rear-All		772	
2016-12		Front-All		PRT5615		
Disc Brake Rotor	2015-05	Front-All			SDR5615	
	2011	Front-All 8 Stud		PRT5626	SDR5626	
	2011	Front-All 10 Hole Rotor Hat Shaped		PRT5615		
	2010-05	Front-All		PRT5615		
	2004	Front-All 8 hole 13.03" od		PRT5274	SDR5274	
	2004	Front-All 8 hole 14.53" od		PRT5258		
	2004	Front-All 8 hole 14.53" od		PRT5309		
	2003-00	Front-All 4 X 2		PRT5257		
	1999	Front-All 4 X 2, w/ I-Beam Suspension		PRT5257		
	1999	Front-All 4 X 4, 13" Dia; w/ I-Beam Suspension; Exc. 4.88 & 5.38 Drive Ratio		PRT5245		
	1999	Front-All 4 X 4, w/ I-Beam Suspension; w/ 4.88 or 5.38 Drive Ratio		PRT5258		
	2016-12	Rear-All		PRT5731		
	2011	Rear-All 8 Stud		PRT5630	SDR5630	
	2011	Rear-All 10 Hole Rotor Hat Shaped		PRT5731		
	2010-05	Rear-All		PRT5731		
	2004-02	Rear-All 10 Hole Rotor with ABS Ring		PRT5565		
	2001-99	Rear-All		PRT5325		
Disc Brake Rotor and Hub Assembly	2018	Front-All RWD		PRT6230		
	2017	Front-All 4 X 2		PRT6230		
Fairlane						
Disc Brake Pad Set	1970-68	Front-All Hardware Not Included		SBC34		
	1967	Front-All Hardware Not Included		SBC11		
Drum Brake Shoe	1970-62	Front-All w/ 10" X 2-1/2" Brakes		169		

BENDIX BRAKE PARTS

PART TYPE	YEAR	APPLICATION	PREMIUM NO.	PART NO.	SEVERE DUTY NO.
Ford (Cont'd.)					
Fairlane (Cont'd.)					
Drum Brake Shoe (cont'd)	1970-62	Front-All w/ 10" X 2-1/4" Brakes		154	
	1970-66	Rear-All w/ 10" X 2-1/2" Brakes		169	
	1970-62	Rear-All w/ 10" X 2" Brakes		152	
	1969	Rear-All w/ 10" X 1.81" Brakes		151	
	1969	Rear-All w/ 10" X 1.81" Brakes		267	
	1968-62	Rear-All w/ 10" X 1-3/4" Brakes		151	
Disc Brake Rotor and Hub Assembly	1968-62	Rear-All w/ 10" X 1-3/4" Brakes		267	
	1970	Front-All		PRT1019	
Brake Drum	1969-68	Front-All		PRT1018	
	1967	Front-All		PRT1017	
	1970-65	Front-All		PDR0010	
Brake Drum	1970-62	Rear-All 10 x 2" Brakes		PDR0136	
	1969-62	Rear-All 10 x 1 3/4" Brakes		PDR0127	
Fairmont					
Disc Brake Pad Set	1983	Front-All Hardware Not Included		SBM310	
	1982-78	Front-All Hardware Not Included		SBM152	
Drum Brake Shoe	1983-78	Rear-All w/ 9" X 1-3/4" Brakes		474	
	1983-78	Rear-All w/ 9" X 1-3/4" Brakes		569	
	1983-78	Rear-All w/ 10" X 1-3/4" Brakes		151	
	1983-78	Rear-All w/ 10" X 1-3/4" Brakes		267	
Disc Brake Rotor and Hub Assembly	1983-78	Front-All		PRT1169	
Brake Drum	1983-78	Rear-All 9 x 1 3/4" Brakes		PDR0371	
	1983-78	Rear-All 10 x 1 3/4" Brakes		PDR0372	
Falcon					
Disc Brake Pad Set	1970-68	Front-All Hardware Not Included		SBC34	
	1967-65	Front-All Hardware Not Included		SBC11	
Drum Brake Shoe	1970-63	Front-All w/ 10" X 2-1/4" Brakes		154	
	1970-62	Front-All w/ 10" X 2-1/2" Brakes		169	
	1970-67	Rear-All w/ 10" X 2" Brakes		152	
	1969	Rear-All w/ 10" X 1.81" Brakes		151	
	1969	Rear-All w/ 10" X 1.81" Brakes		267	
	1968-67	Rear-All w/ 10" X 1-3/4" Brakes		151	
	1968-67	Rear-All w/ 10" X 1-3/4" Brakes		267	
	1966-65	Rear-All Front Drum, w/ 10" X 1-3/4" Rear Brakes		151	
	1966-65	Rear-All Front Drum, w/ 10" X 1-3/4" Rear Brakes		267	
	1966	Rear-All Front Drum, w/ 10" X 2" Rear Brakes		152	
	1965	Rear-All Front Drum, w/ 10" X 2-1/2" Rear Brakes		169	
	1964-63	Rear-All w/ 10" X 1-3/4" Brakes		151	
	1964-63	Rear-All w/ 10" X 1-3/4" Brakes		267	
	1964-60	Rear-All w/ 10" X 2-1/2" Brakes		169	
	Disc Brake Rotor and Hub Assembly	1970	Front-All From 01/70		PRT1019
Brake Drum	1970	Front-All 10" brakes		PDR0010	
	1969-66	Front-All 9" Brakes		PDR0140	
	1969	Front-All 10" Brakes		PDR0010	
	1965-60	Front-All 9" Brakes		PDR0138	
	1970-66	Rear-All 10 x 2" Brakes		PDR0136	
	1970-60	Rear-All 9 x 1 1/2" Brakes		PDR0139	
	1970-60	Rear-All 10 x 1 3/4" Brakes		PDR0127	
	1965-60	Rear-All 9 x 2 1/4" Brakes		PDR0138	
Falcon Sedan Delivery					
Disc Brake Pad Set	1965	Front-All Hardware Not Included		SBC11	
Drum Brake Shoe	1965-63	Front-All w/ 10" X 2-1/4" Brakes		154	
	1965-63	Rear-All w/ 10" X 1.81" Brakes		151	
	1965-63	Rear-All w/ 10" X 1.81" Brakes		267	
Brake Drum	1965-61	Rear-All 10 x 1 3/4" Brakes		PDR0127	
Festiva					
Disc Brake Pad Set	1993	Front-All Hardware Not Included		SBM402	
	1992-91	Front-L4 - 1.3L Hardware Not Included		SBM402	
	1990-88	Front-All Hardware Not Included		SBM402	
	1992-91	Rear-All Hardware Not Included		SBM402	
Drum Brake Shoe	1993-88	Rear-All w/ 6.69" X 1.02" Brakes		595	
Disc Brake Rotor	1993-88	Front-All		PRT1526	
Brake Drum	1993-88	Rear-All		PDR0507	
Fiesta					
Disc Brake Pad Set	2019-18	Front-All ST, Hardware Included	CFM1730	SBM1730	
	2019-14	Front-All S, Hardware Included	CFM1454	SBC1454	
	2019-14	Front-All SE, Hardware Included	CFM1454	SBC1454	
	2019	Front-All ST Line, Hardware Included	CFM1454	SBC1454	
	2018-14	Front-All Titanium, Hardware Included	CFM1454	SBC1454	
	2017	Front-All ST, Hardware Included	CFC1508	SBC1508	

BENDIX BRAKE PARTS

PART TYPE	YEAR	APPLICATION	PREMIUM NO.	PART NO.	SEVERE DUTY NO.	
Ford (Cont'd.)						
Fiesta (Cont'd.)						
Disc Brake Pad Set (cont'd)	2016-14	Front-All ST, Hardware Included	CFM1730	SBM1730		
	2013	Front-All Hardware Included	CFM1454	SBC1454		
	2012	Front-L4 - 1.6L Hardware Included	CFM1454	SBC1454		
	2011	Front-All CAN, Hardware Included	CFM1454	SBC1454		
	2011	Front-All USA, Hardware Included	CFM1454	SBC1454		
	1999	Front-All Exc. Latin America		SBM649		
	1998	Front-All Hardware Not Included		SBM649		
	2019-15	Rear-All ST, Hardware Included	CFM886			
	2019-15	Rear-All ST, Hardware Not Included		SBM886		
	2014	Rear-All Hardware Included	CFM886			
	2014	Rear-All Hardware Not Included		SBM886		
	Drum Brake Shoe	2016-11	Rear-All		984	
	Disc Brake Rotor	2019-18	Front-All Naturally Aspirated		PRT6061	
		2018	Front-All Turbocharged		PRT6250	
2017-16		Front-All S		PRT6061		
2017-16		Front-All SE		PRT6061		
2017-16		Front-All ST		PRT6250		
2017-16		Front-All Titanium		PRT6061		
2015-14		Front-All		PRT6250		
2013-11		Front-All		PRT6061		
1980-78		Front-All		PRT1159		
2018		Rear-All Turbocharged		PRT5312		
2017-16		Rear-All Rear Disc		PRT5312		
2015-14		Rear-All		PRT5312		
Brake Drum		2019-18	Rear-All Naturally Aspirated		PDR0841	
		2017-16	Rear-All Rear Drum		PDR0841	
	2015-11	Rear-All		PDR0841		
	1980-78	Rear-All		PDR0381		
Fiesta Ikon						
Disc Brake Pad Set	2011	Front-All Exc. Latin America	CFM1454	SBC1454		
Figo						
Disc Brake Pad Set	2016	Front-All Hardware Included	CFM1454	SBC1454		
Five Hundred						
Disc Brake Pad Set	2007-05	Front-V6 - 3.0L Hardware Included	CFC1070	SBC1070		
	2007-05	Rear-V6 - 3.0L Hardware Included	CFC1071	SBC1071		
Disc Brake Rotor	2007-05	Front-All		PRT5666		
	2007-05	Front-All		PRT5907 ³⁵		
	2007-05	Rear-All		PRT5667	SDR5667	
Flex						
Disc Brake Pad Set	2019-18	Front-All w/ Heavy Duty Brakes	CFC1611C	SBC1611C	MKD1611CFM	
	2019-18	Front-All w/ Heavy Duty Brakes			PBD1611C	
	2019-18	Front-All w/ Standard Duty Brakes	CFC1508	SBC1508		
	2017	Front-All CAN, Hardware Included	CFC1508	SBC1508		
	2017	Front-All USA, Hardware Included	CFC1611	SBC1611	MKD1611FM	
	2016	Front-All w/ Heavy Duty Brakes	CFC1611C	SBC1611C	MKD1611CFM	
	2016	Front-All w/ Heavy Duty Brakes			PBD1611C	
	2015-12	Front-All w/ Heavy Duty Brakes	CFC1611	SBC1611	MKD1611FM	
	2015	Front-All w/o Heavy Duty Brakes	CFC1508	SBC1508		
	2014-13	Front-All w/ Standard Brakes	CFC1508	SBC1508		
	2012	Front-V6 - 3.5L w/o Heavy Duty Brakes	CFC1508	SBC1508		
	2011-09	Front-All Hardware Included	CFC1508	SBC1508		
	2019-15	Rear-All Hardware Included	CFC1754	SBC1754	MKD1754FM	
	2019-15	Rear-All Hardware Included			PBD1754	
	2014-13	Rear-All w/ Standard Brakes	CFC1754	SBC1754	MKD1754FM	
	2014-13	Rear-All w/ Standard Brakes			PBD1754	
	2014-12	Rear-All w/ Heavy Duty Brakes	CFM1612	SBM1612	MKD1612FM	
	2014-12	Rear-All w/ Heavy Duty Brakes			PBD1612	
	2012	Rear-V6 - 3.5L w/o Heavy Duty Brakes	CFC1754	SBC1754	MKD1754FM	
	2012	Rear-V6 - 3.5L w/o Heavy Duty Brakes			PBD1754	
	2011-09	Rear-All Hardware Included	CFC1754	SBC1754	MKD1754FM	
	2011-09	Rear-All Hardware Included			PBD1754	
	Disc Brake Rotor	2019	Front-All w/ Standard Duty Brakes		PRT6124	
		2018-13	Front-All Standard Duty Brakes		PRT6124	
		2016-13	Front-All Heavy Duty Brakes		PRT6201	
		2015-13	Front-All Standard Duty Brakes			SDR6124
		2014-13	Front-All Heavy Duty Brakes			SDR6201
		2012	Front-All		PRT6124	SDR6124
		2011-09	Front-All		PRT5842	
		2019-17	Rear-All w/ Heavy Duty Brakes		PRT6202	
		2019-17	Rear-All w/ Standard Duty Brakes		PRT5898	
2018-13		Rear-All Standard Duty Brakes			SDR5898	
2016-13		Rear-All Heavy Duty Brakes		PRT6202		
2016-13		Rear-All Standard Duty Brakes		PRT5898		

35 Sell out and reorder PRT5666

BENDIX BRAKE PARTS

PART TYPE	YEAR	APPLICATION	PREMIUM NO.	PART NO.	SEVERE DUTY NO.
Ford (Cont'd.)					
Flex (Cont'd.)					
Disc Brake Rotor (cont'd)	2015-13	Rear-All Heavy Duty Brakes			SDR6202
	2012-09	Rear-All		PRT5898	SDR5898
Focus					
Disc Brake Pad Set	2018-17	Front-All SEL, Hardware Included	CFC1044	SBC1044	MKD1044FM
	2018-16	Front-All Electric, Hardware Included	CFC1044	SBC1044	MKD1044FM
	2018-16	Front-All RS, Hardware Included	CFM1977		
	2018-13	Front-All S, Hardware Included	CFC1044	SBC1044	MKD1044FM
	2018-13	Front-All SE, Hardware Included	CFC1044	SBC1044	MKD1044FM
	2018-13	Front-All Titanium, Hardware Included	CFC1044	SBC1044	MKD1044FM
	2018	Front-All ST, Hardware Included	CFC1668	SBM1668	
	2017	Front-All ST, Hardware Included	CFC1044	SBC1044	MKD1044FM
	2016	Front-All SE Luxury, Hardware Included	CFC1044	SBC1044	MKD1044FM
	2014-13	Front-All Electric, Hardware Included	CFC1044	SBC1044	MKD1044FM
	2014-13	Front-All ST, Hardware Included	CFC1668	SBM1668	
	2012	Front-All Hardware Included	CFC1044	SBC1044	MKD1044FM
	2011-10	Front-All Hardware Included	CFC1339	SBC1339	
	2009-08	Front-L4 - 2.0L Hardware Included	CFC1339	SBC1339	
	2007-05	Front-L4 - 2.0L Hardware Included	CFC1044	SBC1044	MKD1044FM
	2007-05	Front-L4 - 2.3L Hardware Included	CFC1044	SBC1044	MKD1044FM
	2004-03	Front-L4 - 2.3L Hardware Included	CFC816	SBC816	
	2004-02	Front-L4 - 2.0L LX, Hardware Included	CFC816	SBC816	
	2004-02	Front-L4 - 2.0L SE, Hardware Included	CFC816	SBC816	
	2004-02	Front-L4 - 2.0L SVT, Hardware Included	CFC970		MKD970FM
	2004-02	Front-L4 - 2.0L SVT, Hardware Not Included		SBC970	
	2004-02	Front-L4 - 2.0L ZTS, Hardware Included	CFC816	SBC816	
	2004-02	Front-L4 - 2.0L ZX3, Hardware Included	CFC816	SBC816	
	2004-02	Front-L4 - 2.0L ZX5, Hardware Included	CFC816	SBC816	
	2003-02	Front-L4 - 2.0L ZTW, Hardware Included	CFC816	SBC816	
	2001-00	Front-All Hardware Included	CFC816	SBC816	
	2018	Rear-All Electric, Hardware Included	CFM1564A		
	2018	Rear-All SEL, Hardware Included	CFC1564	SBC1564	MKD1564FM
	2018	Rear-All ST, Hardware Included	CFC1564	SBC1564	MKD1564FM
	2018	Rear-All Titanium, Hardware Included	CFC1564	SBC1564	MKD1564FM
	2018	Rear-L3 - 1.0L SE, Rear Disc, Hardware Included	CFC1564	SBC1564	MKD1564FM
	2018	Rear-L4 - 2.0L SE, Rear Disc, Hardware Included	CFC1564	SBC1564	MKD1564FM
	2017-15	Rear-All Hardware Included	CFC1564	SBC1564	MKD1564FM
	2014-13	Rear-All SE, Hardware Included	CFC1564	SBC1564	MKD1564FM
	2014-13	Rear-All ST, Hardware Included	CFC1095	SBC1095	
	2014-13	Rear-All Titanium, Hardware Included	CFC1564	SBC1564	MKD1564FM
	2013	Rear-All Electric, Hardware Included	CFC1564	SBC1564	MKD1564FM
	2013	Rear-All S, Hardware Included	CFC1564	SBC1564	MKD1564FM
	2012	Rear-All w/o Wear Sensor	CFC1564	SBC1564	MKD1564FM
	2012	Rear-All w/ Wear Sensor	CFM1564A		
	2007-03	Rear-L4 - 2.3L Hardware Included	CFM886		
	2007-03	Rear-L4 - 2.3L Hardware Not Included		SBM886	
	2007	Rear-L4 - 2.0L Hardware Included	CFM886		
	2007	Rear-L4 - 2.0L Hardware Not Included		SBM886	
	2005-00	Rear-L4 - 2.0L Hardware Included	CFM886		
	2005-00	Rear-L4 - 2.0L Hardware Not Included		SBM886	
Drum Brake Shoe	2018	Rear-All S		1004	
	2018	Rear-All SE		1004	
	2016	Rear-All		1004	
	2015-12	Rear-All w/ 9.00" X 1.63" Brakes		1004	
	2011-00	Rear-All w/ 8" X 1.52" Brakes		747	
Disc Brake Rotor	2018	Front-All 2 Eng VIN		PRT6132	
	2018	Front-All 4 Eng VIN		PRT6132	
	2018	Front-All E Eng VIN		PRT6132	
	2017-14	Front-All Electric		PRT6132	
	2017-14	Front-All S		PRT6132	
	2017-14	Front-All SE		PRT6132	
	2017-14	Front-All Titanium		PRT6132	
	2017	Front-All SEL		PRT6132	
	2014-13	Front-All ST		PRT6283	SDR6283
	2013	Front-All Electric, exc. ST model		PRT6132	
	2013	Front-All S, exc. ST model		PRT6132	
	2013	Front-All SE, exc. ST model		PRT6132	
	2013	Front-All Titanium, exc. ST model		PRT6132	
	2012	Front-All		PRT6132	
	2011-08	Front-All		PRT5800	
	2007-05	Front-All		PRT5652	
	2004-02	Front-All LX		PRT5273	
	2004-02	Front-All SE		PRT5273	
	2004-02	Front-All SVT		PRT5443	
	2004-02	Front-All ZTS		PRT5273	
	2004-02	Front-All ZTW		PRT5273	

BENDIX BRAKE PARTS

PART TYPE	YEAR	APPLICATION	PREMIUM NO.	PART NO.	SEVERE DUTY NO.	
Ford (Cont'd.)						
Focus (Cont'd.)						
Disc Brake Rotor (cont'd)	2004-02	Front-All ZX3		PRT5273		
	2004-02	Front-All ZX5		PRT5273		
	2001-00	Front-All		PRT5273		
	2018	Rear-All 2 Eng VIN, Rear Disc		PRT6133		
	2018	Rear-All 4 Eng VIN, Rear Disc		PRT6133		
	2018	Rear-All 9 Eng VIN, Rear Disc		PRT6133		
	2018	Rear-All E Eng VIN, Rear Disc		PRT6133		
	2017	Rear-All Rear Disc		PRT6133		
	2014-12	Rear-All		PRT6133		
	2007-05	Rear-All		PRT5312		
	2004-02	Rear-All LX		PRT5312		
	2004-02	Rear-All SE		PRT5312		
	2004-02	Rear-All SVT		PRT5421		
	2004-02	Rear-All ZTS		PRT5312		
	2004-02	Rear-All ZTW		PRT5312		
	2004-02	Rear-All ZX3		PRT5312		
	2004-02	Rear-All ZX5		PRT5312		
	2001-00	Rear-All		PRT5312		
	Brake Drum	2018	Rear-All 2 Eng VIN, Rear Drum		PDR0844	
		2018	Rear-All E Eng VIN, Rear Drum		PDR0844	
2017		Rear-All Rear Drum		PDR0844		
2016-12		Rear-All		PDR0844		
2011-09		Rear-All		PDR0833		
2008-00		Rear-All Contains Wheel Bearing, W/out ABS Ring		PDR0767		
2007		Rear-All		PDR0801 ⁵⁵		
Ford						
Drum Brake Shoe	1949	Front-All w/ 10" X 2-1/4" Brakes		154		
Freestar						
Disc Brake Pad Set	2007-04	Front-V6 - 3.9L Hardware Included	CFC1022	SBC1022		
	2007-04	Front-V6 - 4.2L Hardware Included	CFC1022	SBC1022		
	2007-04	Rear-V6 - 3.9L Hardware Included	CFC1021	SBC1021		
	2007-04	Rear-V6 - 4.2L Hardware Included	CFC1021	SBC1021		
Disc Brake Rotor	2007-04	Front-All		PRT5473		
	2007-04	Rear-All		PRT5478		
Freestyle						
Disc Brake Pad Set	2007-05	Front-All Hardware Included	CFC1070	SBC1070		
	2007-05	Rear-All Hardware Included	CFC1071	SBC1071		
Disc Brake Rotor	2007-05	Front-All		PRT5666		
	2007-05	Front-All		PRT5907 ³⁵		
	2007-05	Rear-All		PRT5667	SDR5667	
F Series						
Drum Brake Shoe	1955-48	Front-All		228		
F Super Duty						
Disc Brake Pad Set	1997-88	Front-All Hardware Included	CFM411	SBM411	MKD411FM	
	1997-88	Rear-All Hardware Included	CFM411	SBM411	MKD411FM	
Disc Brake Rotor	1997-88	Front-All		PRT1455		
	1997-88	Rear-All		PRT1455		
FT800						
Disc Brake Pad Set	1990-88	Front-All Hardware Included			MKD224FM	
	1986-84	Front-All Hardware Included			MKD224FM	
	1983	Front-All w/ 2.50" Dayton Dual Piston Calipers			MKD224FM	
	1990-88	Rear-All Hardware Included			MKD224FM	
	1986-84	Rear-All Hardware Included			MKD224FM	
Disc Brake Rotor	1990-88	Front-All 6 bolt holes		PRT1276		
	1990-88	Front-All 10 bolt holes		PRT1275		
	1986-84	Front-All 6 bolt holes		PRT1276		
	1986-84	Front-All 10 bolt holes		PRT1275		
Fusion						
Disc Brake Pad Set	2019-18	Front-All Energi Titanium, Hardware Included	CFC1653	SBC1653		
	2019-18	Front-All S, Hardware Included	CFC1653	SBC1653		
	2019-18	Front-All SE, Hardware Included	CFC1653	SBC1653		
	2019-18	Front-All SE Hybrid, Hardware Included	CFC1653	SBC1653		
	2019-18	Front-All SE LUX Hybrid, Hardware Included	CFC1653	SBC1653		
	2019-18	Front-All Titanium, Hardware Included	CFC1653	SBC1653		
	2019-18	Front-All Titanium Hybrid, Hardware Included	CFC1653	SBC1653		
	2019	Front-All SEL, Hardware Included	CFC1653	SBC1653		
	2019	Front-All SEL Hybrid, Hardware Included	CFC1653	SBC1653		
	2018	Front-All Energi Platinum, Hardware Included	CFC1653	SBC1653		
	2018	Front-All Energi SE, Hardware Included	CFC1653	SBC1653		
	2018	Front-All Energi SE Luxury, Hardware Included	CFC1653	SBC1653		
	2018	Front-All Platinum, Hardware Included	CFC1653	SBC1653		
	2018	Front-All Platinum Hybrid, Hardware Included	CFC1653	SBC1653		

35 Sell out and reorder PRT5666

55 Sell out and reorder PDR0767

BENDIX BRAKE PARTS

PART TYPE	YEAR	APPLICATION	PREMIUM NO.	PART NO.	SEVERE DUTY NO.
Ford (Cont'd.)					
Fusion (Cont'd.)					
Disc Brake Pad Set (cont'd)	2018	Front-All S Hybrid, Hardware Included	CFC1653	SBC1653	
	2017-16	Front-All Hardware Included	CFC1653	SBC1653	
	2015	Front-All Energi SE Luxury, Hardware Included	CFC1653	SBC1653	
	2015	Front-All Energi Titanium, Hardware Included	CFC1653	SBC1653	
	2015	Front-All S, Hardware Included	CFC1653	SBC1653	
	2015	Front-All SE, Hardware Included	CFC1653	SBC1653	
	2015	Front-All SE Hybrid, Hardware Included	CFC1653	SBC1653	
	2015	Front-All S Hybrid, Hardware Included	CFC1653	SBC1653	
	2015	Front-All Titanium, Hardware Included	CFC1653	SBC1653	
	2015	Front-All Titanium Hybrid, Hardware Included	CFC1653	SBC1653	
	2014-13	Front-All Hardware Included	CFC1653	SBC1653	
	2012	Front-L4 - 2.5L Hardware Included	CFC1164	SBC1164	
	2012	Front-V6 - 3.0L Hardware Included	CFC1164	SBC1164	
	2012	Front-V6 - 3.5L Hardware Included	CFC1164	SBC1164	
	2011-10	Front-All Hardware Included	CFC1164	SBC1164	
	2009-06	Front-L4 - 2.3L Hardware Included	CFC1164	SBC1164	
	2009-06	Front-V6 - 3.0L Hardware Included	CFC1164	SBC1164	
	2019-18	Rear-All Energi Titanium, Hardware Included		SBC1833	
	2019-18	Rear-All S, Hardware Included		SBC1833	
	2019-18	Rear-All SE, Hardware Included		SBC1833	
	2019-18	Rear-All SE Hybrid, Hardware Included		SBC1833	
	2019-18	Rear-All SE LUX Hybrid, Hardware Included		SBC1833	
	2019-18	Rear-All Sport, Hardware Included		SBC1833	
	2019-18	Rear-All Titanium, Hardware Included		SBC1833	
	2019-18	Rear-All Titanium Hybrid, Hardware Included		SBC1833	
	2019	Rear-All SEL Hybrid, Hardware Included		SBC1833	
	2018	Rear-All Energi Platinum, Hardware Included		SBC1833	
	2018	Rear-All Energi SE, Hardware Included		SBC1833	
	2018	Rear-All Energi SE Luxury, Hardware Included		SBC1833	
	2018	Rear-All Platinum, Hardware Included		SBC1833	
	2018	Rear-All Platinum Hybrid, Hardware Included		SBC1833	
	2018	Rear-All S Hybrid, Hardware Included		SBC1833	
	2017	Rear-All Hardware Included		SBC1833	
	2016	Rear-All ELECTRIC/GAS, w/o Wear Sensor	CFC1665	SBC1665	
	2016	Rear-All GAS, Hardware Included		SBC1833	
	2015	Rear-All S, w/o Wear Sensor	CFC1665	SBC1665	
	2015	Rear-All SE, w/o Wear Sensor	CFC1665	SBC1665	
	2015	Rear-All Titanium, w/o Wear Sensor	CFC1665	SBC1665	
	2014-13	Rear-All w/o Wear Sensor	CFC1665	SBC1665	
	2012	Rear-L4 - 2.5L Hardware Included	CFC1161	SBC1161	
	2012	Rear-V6 - 3.0L Hardware Included	CFC1161	SBC1161	
	2012	Rear-V6 - 3.5L Hardware Included	CFC1161	SBC1161	
	2011-10	Rear-All Hardware Included	CFC1161	SBC1161	
	2009-06	Rear-L4 - 2.3L Hardware Included	CFC1161	SBC1161	
	2009-06	Rear-V6 - 3.0L Hardware Included	CFC1161	SBC1161	
Disc Brake Rotor	2019-18	Front-L4 - 2.0L SE		PRT6204	
	2019-18	Front-L4 - 2.0L SE Hybrid		PRT6204	
	2019-18	Front-L4 - 2.0L Titanium		PRT6204	
	2019-18	Front-L4 - 2.0L Titanium Hybrid		PRT6204	
	2019-17	Front-L4 - 1.5L		PRT6204	
	2019-17	Front-L4 - 2.5L		PRT6204	
	2019	Front-L4 - 2.0L SEL		PRT6204	
	2019	Front-L4 - 2.0L SEL Hybrid		PRT6204	
	2018	Front-L4 - 2.0L Platinum		PRT6204	
	2018	Front-L4 - 2.0L Platinum Hybrid		PRT6204	
	2018	Front-L4 - 2.0L S Hybrid		PRT6204	
	2017	Front-All Energi Platinum		PRT6225	
	2017	Front-All Energi SE Luxury		PRT6225	
	2017	Front-All Energi Titanium		PRT6225	
	2017	Front-L4 - 2.0L		PRT6204	
	2016	Front-All		PRT6204	
	2015-14	Front-All Energi SE Luxury		PRT6225	
	2015-14	Front-All S		PRT6204	
	2015-13	Front-All Energi Titanium		PRT6225	
	2015-13	Front-All SE		PRT6204	
	2015-13	Front-All SE Hybrid		PRT6204	
	2015-13	Front-All Titanium		PRT6204	
	2015-13	Front-All Titanium Hybrid		PRT6204	
	2013	Front-All Energi SE, 316mm Diameter		PRT6225	
	2013	Front-All S, 300mm Diameter		PRT6204	
	2012-06	Front-All		PRT5668	
	2019-18	Rear-L4 - 2.0L Energi Titanium		PRT6226	
	2019-18	Rear-V6 - 2.7L Sport		PRT6226	
	2018	Rear-L4 - 2.0L Energi Platinum		PRT6226	

BENDIX BRAKE PARTS

PART TYPE	YEAR	APPLICATION	PREMIUM NO.	PART NO.	SEVERE DUTY NO.
Ford (Cont'd.)					
Fusion (Cont'd.)					
Disc Brake Rotor (cont'd)	2018	Rear-L4 - 2.0L Energi SE Luxury		PRT6226	
	2017	Rear-All Energi Platinum		PRT6226	
	2017	Rear-All Energi SE Luxury		PRT6226	
	2017	Rear-All Energi Titanium		PRT6226	
	2016-15	Rear-All		PRT6205	
	2014	Rear-All Energi SE Luxury		PRT6226	
	2014	Rear-All Energi Titanium		PRT6226	
	2013	Rear-All		PRT6205	
2012-06	Rear-All		PRT5499		
Galaxie					
Drum Brake Shoe	1967-61	Front-All w/ 11-1/32" X 2-1/2" Brakes		264	
	1967-61	Front-All w/ 11-1/32" X 3" Brakes		265	
	1959	Front-All w/ 11" X 2-1/4" Brakes		263	
	1967-65	Rear-All w/ 11-1/32" X 2-1/4" Brakes		263	
	1964-61	Rear-All w/ 11-1/32" X 2-1/2" Brakes		264	
	1959	Rear-All w/ 11" X 2" Brakes		228	
Galaxie 500					
Disc Brake Pad Set	1974-73	Front-All Hardware Included		SBM50	
Drum Brake Shoe	1972-62	Front-All w/ 11-1/32" X 2-1/2" Brakes		264	
	1972-62	Front-All w/ 11-1/32" X 3" Brakes		265	
	1974-71	Rear-All w/ 11-1/32" X 2-1/2" Brakes		264	
	1974-65	Rear-All w/ 11-1/32" X 2-1/4" Brakes		263	
	1964-62	Rear-All w/ 11-1/32" X 2-1/2" Brakes		264	
Disc Brake Rotor and Hub Assembly	1974	Front-All		PRT1079	
	1973	Front-All		PRT1070	
	1972-70	Front-All		PRT1016	
Brake Drum	1972-69	Front-All 11 1/32 x 2 1/4" Brakes		PDR0137	
	1968-62	Front-All		PDR0124	
	1974-73	Rear-All 11 1/32 x 2 1/2" Brakes		PDR0273	
	1974-73	Rear-All 11 1/32 x 2 1/4" Brakes		PDR0272	
	1972-69	Rear-All 11 1/32 x 2 1/4" Brakes		PDR0137	
Granada					
Disc Brake Pad Set	1982-81	Front-All Hardware Not Included		SBM152	
	1980-75	Front-All Hardware Not Included		SBM91	
Drum Brake Shoe	1982	Rear-All w/ 9" X 1-3/4" Brakes		474	
	1982	Rear-All w/ 9" X 1-3/4" Brakes		569	
	1981	Rear-L4 - 2.3L w/ 9" X 1-3/4" Brakes		474	
	1981	Rear-L4 - 2.3L w/ 9" X 1-3/4" Brakes		569	
	1981	Rear-L6 - 3.3L w/ 9" X 1-3/4" Brakes		474	
	1981	Rear-L6 - 3.3L w/ 9" X 1-3/4" Brakes		569	
	1981	Rear-V8 - 4.2L		151	
	1981	Rear-V8 - 4.2L In Supersession Process, Exhaust Current Inventory		267	
	1980-75	Rear-All w/ 10" X 2.06" Brakes		152	
Disc Brake Rotor	1980-75	Rear Left-All		PRT1120	
	1980-75	Rear Right-All		PRT1121	
Disc Brake Rotor and Hub Assembly	1982-81	Front-All		PRT1169	
	1980-75	Front-All		PRT1086	
Brake Drum	1982-81	Rear-All 9 x 1 3/4" Brakes		PDR0371	
	1982-81	Rear-All 10 x 1 3/4" Brakes		PDR0372	
Grand Marquis					
Disc Brake Pad Set	2004-03	Front-All Hardware Included		SBM931	
	2004-03	Front-All Hardware Included	CFM931	SBC931	MKD931FM
	2004-03	Front-All Hardware Included			PBD931
	2002-98	Front-All Hardware Included		SBC748	MKD748FM
	1997-95	Front-All Hardware Included		SBC659	MKD659FM
	2004-03	Rear-All w/ Extended Wheelbase	CFC1040	SBC1040	MKD1040FM
	2002-96	Rear-All w/ 1 3/4" Inboard Piston Clip		SBM674	MKD674FM
	2002-96	Rear-All w/ 1" Inboard Piston Clip		SBM674A	MKD674AFM
	1995	Rear-All Hardware Included		SBC544	
	Disc Brake Rotor	2004-03	Front-All		PRT5326
2004-03		Rear-All		PRT5353	SDR5353
Gran Torino					
Disc Brake Pad Set	1976-72	Front-All Hardware Included		SBM50	
Drum Brake Shoe	1976-73	Rear-All w/ 11-1/32" X 2-1/4" Brakes		263	
	1976	Rear-All w/ 11-1/32" X 2-1/2" Brakes		264	
	1975-72	Rear-All w/ 10" X 2-1/2" Brakes		169	
	1972	Rear-All w/ 10" X 2" Brakes		152	
Disc Brake Rotor and Hub Assembly	1976-74	Front-All 272mm Rotor		PRT1078	
	1976-74	Front-All 300mm Diameter		PRT1079	
Brake Drum	1976-73	Rear-All 11 x 2 1/4" Brakes		PDR0273	

BENDIX BRAKE PARTS

PART TYPE	YEAR	APPLICATION	PREMIUM NO.	PART NO.	SEVERE DUTY NO.	
Ford (Cont'd.)						
Gran Torino (Cont'd.)						
Brake Drum (cont'd)	1976-72	Rear-All 10 x 2 1/2" Brakes		PDR0236		
GT						
Disc Brake Pad Set	2006-05	Front-All Hardware Included	CFC1050			
	2006-05	Front-All Hardware Not Included		SBM1050		
	2006-05	Rear-All Hardware Included	CFC1050			
	2006-05	Rear-All Hardware Not Included		SBM1050		
Ikon						
Disc Brake Pad Set	2007-03	Front-All Hardware Not Included		SBM649		
L800						
Disc Brake Pad Set	1985-84	Front-All Hardware Included			MKD224FM	
	1985-84	Rear-All Hardware Included			MKD224FM	
Disc Brake Rotor	1984	Front-All		PRT1276		
	1984	Front-All Hat Shaped 6 Hole Rotor		PRT1269		
	1984	Front-All U Shaped 6 Hole Rotor Hat, 11 1/4" Bolt Circle		PRT1270		
LA8000F						
Brake Drum	1995-93	Front-All		PDR0696		
LCF						
Disc Brake Pad Set	2010-06	Front-All Hardware Included	CFM1066	SBM1066	MKD1066FM	
	2010-06	Rear-All Hardware Included	CFM1066	SBM1066	MKD1066FM	
Disc Brake Rotor	2007-06	Front-All		PRT5731		
	2010	Rear-All		PRT5731		
	2007-06	Rear-All		PRT5731		
LN600						
Disc Brake Pad Set	1985-84	Front-All Hardware Included			MKD224FM	
	1985-84	Rear-All Hardware Included			MKD224FM	
Disc Brake Rotor	1985-84	Front-All		PRT1276		
	1985-84	Front-All Hat Shaped 6 Hole Rotor		PRT1269		
	1985-84	Front-All U Shaped 6 Hole Rotor Hat, 11 1/4" Bolt Circle		PRT1270		
LN700						
Disc Brake Pad Set	1985-84	Front-All Hardware Included			MKD224FM	
	1985-84	Rear-All Hardware Included			MKD224FM	
Disc Brake Rotor	1985-84	Front-All		PRT1276		
	1985-84	Front-All Hat Shaped 6 Hole Rotor		PRT1269		
	1985-84	Front-All U Shaped 6 Hole Rotor Hat, 11 1/4" Bolt Circle		PRT1270		
LN800						
Disc Brake Pad Set	1985-84	Front-All Hardware Included			MKD224FM	
	1985-84	Rear-All Hardware Included			MKD224FM	
Disc Brake Rotor	1984	Front-All		PRT1276		
	1984	Front-All Hat Shaped 6 Hole Rotor		PRT1269		
	1984	Front-All U Shaped 6 Hole Rotor Hat, 11 1/4" Bolt Circle		PRT1270		
LN7000						
Disc Brake Pad Set	1997-84	Front-All Hardware Included			MKD224FM	
	1997-84	Rear-All Hardware Included			MKD224FM	
Disc Brake Rotor	1997-90	Front-All		PRT1276		
	1997-87	Front-All Hat Shaped 6 Hole Rotor		PRT1269		
	1997-81	Front-All U Shaped 6 Hole Rotor Hat, 11 1/4" Bolt Circle		PRT1270		
LN8000						
Disc Brake Pad Set	1997-84	Front-All Hardware Included			MKD224FM	
	1997-84	Rear-All Hardware Included			MKD224FM	
Disc Brake Rotor	1997-90	Front-All		PRT1276		
	1997-84	Front-All Hat Shaped 6 Hole Rotor		PRT1269		
	1997-84	Front-All U Shaped 6 Hole Rotor Hat, 11 1/4" Bolt Circle		PRT1270		
Brake Drum	1995-93	Front-All		PDR0696		
	1993	Rear-All		PDR0779		
Lobo						
Disc Brake Pad Set	2016-10	Front-All Hardware Included	CFC1770	SBC1770	MKD1770FM	
	2008-06	Front-All Hardware Included		SBM1631A	MKD1631AFM	
	2005-04	Front-All Hardware Included		SBM1083		
	2005-04	Front-All Hardware Included	CFM1083	SBC1083	MKD1083FM	
	2002-01	Front-All Hardware Included		SBM679		
	2002-01	Front-All Hardware Included	CFC679	SBC679	MKD679FM	
	2016-15	Rear-All Hardware Included	CFC1602	SBC1602	MKD1602FM	
	2014-09	Rear-All Hardware Included		SBM1012		
	2014-09	Rear-All Hardware Included	CFM1012	SBC1012	MKD1012FM	
	2008-06	Rear-All Hardware Included	CFM1334	SBM1334	MKD1334FM	
	2005-03	Rear-All Hardware Included		SBM1012		
	2005-03	Rear-All Hardware Included	CFM1012	SBC1012	MKD1012FM	
	LTD					
	Disc Brake Pad Set	1986-85	Front-L4 - 2.3L Hardware Not Included		SBM310	
1986-85		Front-V6 - 3.8L Hardware Not Included		SBM310		
1986		Front-V8 - 5.0L w/o Police Package		SBM199		

BENDIX BRAKE PARTS

PART TYPE	YEAR	APPLICATION	PREMIUM NO.	PART NO.	SEVERE DUTY NO.	
Ford (Cont'd.)						
LTD (Cont'd.)						
Disc Brake Pad Set (cont'd)	1986	Front-V8 - 5.8L w/o Police Package		SBM199		
	1985	Front-V8 - 5.0L w/ Phenolic Piston Caliper		SBM199		
	1985	Front-V8 - 5.8L w/ Phenolic Piston Caliper		SBM199		
	1984-83	Front-All Base, Hardware Not Included		SBM152		
	1984-83	Front-All Brougham, Hardware Not Included		SBM310		
	1984-83	Front-All Country Squire, w/ Phenolic Piston Caliper		SBM199		
	1984-83	Front-All Crown Victoria, Police		SBM150		
	1984-83	Front-All Crown Victoria, Sedan, w/o Police Package		SBM199		
	1982-79	Front-All Police		SBM150		
	1982-79	Front-All Sedan, w/o Police Package		SBM199		
	1978-73	Front-All Hardware Included		SBM50		
	Drum Brake Shoe	1972-65	Front-All w/ 11-1/32" X 2-1/2" Brakes		264	
		1972-65	Front-All w/ 11-1/32" X 3" Brakes		265	
		1986-84	Rear-All 4 Doors, Sedan, Vehicles Built For Canadian Market		151	
		1986-84	Rear-All 4 Doors, Sedan, Vehicles Built For Canadian Market		267	
		1986-83	Rear-All 4 Doors, Sedan, Exc. Police Package		474	
		1986-83	Rear-All 4 Doors, Sedan, Exc. Police Package		569	
1985-84		Rear-All 4 Doors, Wagon, Vehicles Built For Canadian Market		151		
1985-84		Rear-All 4 Doors, Wagon, Vehicles Built For Canadian Market		267		
1983		Rear-All 4 Doors, Sedan, Police Package		151		
1983		Rear-All 4 Doors, Sedan, Police Package		267		
1983		Rear-All 4 Doors, Wagon		151		
1983		Rear-All 4 Doors, Wagon, In Supersession Process, Exhaust Current Inventory		267		
1982-79		Rear-All 2 Doors, Sedan, Exc. Police Car Or Taxi		481		
1982-79		Rear-All 4 Doors, Sedan, Exc. Police Car Or Taxi		481		
1978-72		Rear-All w/ 11-1/32" X 2-1/2" Brakes		264		
1977-65		Rear-All w/ 11-1/32" X 2-1/4" Brakes		263		
Disc Brake Rotor		1978-76	Rear Left-All		PRT1124	
	1978-76	Rear Right-All		PRT1125		
Disc Brake Rotor and Hub Assembly	1986-79	Front-All 4 Stud Rotor		PRT1169		
	1986-79	Front-All 5 Stud Rotor		PRT1176		
	1978-74	Front-All		PRT1079		
Brake Drum	1986-83	Rear-All 9 x 1 3/4" Brakes		PDR0371		
	1986-79	Rear-All 10 x 2 1/2" Brakes		PDR0569		
	1986-79	Rear-All 11 1/32 x 2 1/4" Brakes		PDR0383		
	1985-83	Rear-All 10 x 1 3/4" Brakes		PDR0372		
	1978-73	Rear-All		PDR0273		
LTD Crown Victoria						
Disc Brake Pad Set	1991-90	Front-All Sedan, Exc. Police		SBM199		
	1991-90	Front-All Sedan, Police		SBM150		
	1991-90	Front-All Wagon, Hardware Not Included		SBM150		
	1989-87	Front-All Police		SBM150		
	1989-87	Front-All Sedan, w/o Police Package		SBM199		
	1991-90	Rear-All Hardware Included		SBC544		
	Drum Brake Shoe	1991-87	Rear-All w/ 10" X 2.56" Brakes		481	
Disc Brake Rotor and Hub Assembly	1991-87	Front-All		PRT1176		
Brake Drum	1991-87	Rear-All 10 x 2 1/2" Brakes		PDR0569		
	1991-87	Rear-All 11 x 2 1/4" Brakes		PDR0383		
LTD II						
Disc Brake Pad Set	1979-77	Front-All Hardware Included		SBM50		
Drum Brake Shoe	1979-78	Rear-All w/ 11" X 2.31" Brakes		263		
	1979	Rear-All w/ 10" X 2.56" Brakes		481		
	1978	Rear-All w/ 11-1/32" X 2-1/2" Brakes		264		
	1977	Rear-All 4 Doors, Wagon		264		
	Disc Brake Rotor and Hub Assembly	1979-77	Front-All exc. Police, HD		PRT1078	
Brake Drum	1979-77	Rear-All 10" Brakes		PDR0236		
	1979-77	Rear-All 11 1/32 x 2 1/2" Brakes		PDR0273		
	1979-77	Rear-All 11 1/32 x 2 1/4" Brakes		PDR0345		
Maverick						
Disc Brake Pad Set	1977-74	Front-All Hardware Not Included		SBM91		
Drum Brake Shoe	1975-74	Front-All		169		
	1973	Front-All w/ 10" X 2.56" Brakes		169		
	1972	Front-L6 - 4.1L w/ 10" X 2.56" Brakes		169		
	1972	Front-V8 - 5.0L w/ 10" X 2.56" Brakes		169		
	1971	Front-L6 - 4.1L		154		
	1971	Front-V8 - 5.0L		154		
	1977-74	Rear-All		151		

BENDIX BRAKE PARTS

PART TYPE	YEAR	APPLICATION	PREMIUM NO.	PART NO.	SEVERE DUTY NO.
Ford (Cont'd.)					
Maverick (Cont'd.)					
Drum Brake Shoe (cont'd)	1977-74	Rear-All In Supersession Process, Exhaust Current Inventory		267	
	1973	Rear-All w/ 10" X 1.81" Brakes		151	
	1973	Rear-All w/ 10" X 1.81" Brakes		267	
	1972	Rear-L6 - 2.8L w/ 10" Brakes		151	
	1972	Rear-L6 - 2.8L w/ 10" Brakes		267	
	1972	Rear-L6 - 3.3L w/ 10" Brakes		151	
	1972	Rear-L6 - 3.3L w/ 10" Brakes		267	
	1972	Rear-L6 - 4.1L w/ 10" Brakes		151	
	1972	Rear-L6 - 4.1L w/ 10" Brakes		267	
	1972	Rear-V8 - 5.0L w/ 10" Brakes		151	
	1972	Rear-V8 - 5.0L w/ 10" Brakes		267	
	1971	Rear-All w/ 10" Brakes		151	
	1971	Rear-All w/ 10" Brakes		267	
Disc Brake Rotor and Hub Assembly	1977-74	Front-All		PRT1086	
Brake Drum	1973-70	Front-All 10" Brakes		PDR0010	
	1972-70	Front-All 9" Brakes		PDR0140	
	1973-70	Rear-All 10 x 1 3/4" Brakes		PDR0127	
	1972-70	Rear-All 9 x 1 1/2" Brakes		PDR0139	
Mondeo					
Disc Brake Pad Set	2007-01	Front-All Hardware Not Included	CFM910	SBM910	
	2007-06	Rear-All Hardware Included	CFC1071	SBC1071	
	2005-02	Rear-All Hardware Not Included		SBM911	
Mustang					
Disc Brake Pad Set	2019	Front-All w/ Brembo Package	CFM1792	SBM1792	
	2019	Front-All w/o Brembo Package	CFM1784		
	2018	Front-All EcoBoost, w/ Performance Package	CFC1791A	SBC1791A	
	2018	Front-All EcoBoost, w/ Performance Package	CFM1784		
	2018	Front-All EcoBoost Premium, w/ Performance Package	CFC1791A	SBC1791A	
	2018	Front-All EcoBoost Premium, w/ Performance Package	CFM1784		
	2018	Front-All GT, w/ Brembo Package	CFM1792	SBM1792	
	2018	Front-All GT, w/o Brembo Package	CFM1784		
	2018	Front-All GT Premium, w/ Brembo Package	CFM1792	SBM1792	
	2018	Front-All GT Premium, w/o Brembo Package	CFM1784		
	2017	Front-All w/ 15.8mm, 16.4mm Overall Thickness		SBC1791A	
	2017	Front-All w/ 15.8mm, 16.4mm Overall Thickness	CFC1791	SBC1791	
	2017	Front-All w/ 15.8mm, 16.4mm Overall Thickness	CFC1791A		
	2016-15	Front-All EcoBoost, w/ 15.8mm, 16.4mm Overall Thickness		SBC1791A	
	2016-15	Front-All EcoBoost, w/ 15.8mm, 16.4mm Overall Thickness	CFC1791	SBC1791	
	2016-15	Front-All EcoBoost, w/ 15.8mm, 16.4mm Overall Thickness	CFC1791A		
	2016-15	Front-All EcoBoost Premium, w/ 15.8mm, 16.4mm Overall Thickness		SBC1791A	
	2016-15	Front-All EcoBoost Premium, w/ 15.8mm, 16.4mm Overall Thickness	CFC1791	SBC1791	
	2016-15	Front-All EcoBoost Premium, w/ 15.8mm, 16.4mm Overall Thickness	CFC1791A		
	2016-15	Front-All V6, w/ 15.8mm, 16.4mm Overall Thickness		SBC1791A	
	2016-15	Front-All V6, w/ 15.8mm, 16.4mm Overall Thickness	CFC1791	SBC1791	
	2016-15	Front-All V6, w/ 15.8mm, 16.4mm Overall Thickness	CFC1791A		
	2016	Front-All GT, w/ 15.8mm, 16.4mm Overall Thickness		SBC1791A	
	2016	Front-All GT, w/ 15.8mm, 16.4mm Overall Thickness	CFC1791	SBC1791	
	2016	Front-All GT Premium, w/ 15.8mm, 16.4mm Overall Thickness		SBC1791A	
	2016	Front-All GT Premium, w/ 15.8mm, 16.4mm Overall Thickness	CFC1791	SBC1791	
	2016	Front-All GT Premium, w/ 15.8mm, 16.4mm Overall Thickness	CFC1791A		
	2015	Front-All EcoBoost, w/ Performance Package	CFM1784		
	2015	Front-All EcoBoost Premium, w/ Performance Package	CFM1784		
	2015	Front-All GT 50 Years Limited Edition, Hardware Not Included	CFM1792	SBM1792	
	2015	Front-All GT, w/ Brembo Package	CFM1792	SBM1792	
	2015	Front-All GT, w/o Brembo Package	CFM1784		
	2015	Front-All GT Premium, w/ Brembo Package	CFM1792	SBM1792	
	2015	Front-All GT Premium, w/o Brembo Package	CFM1784		
	2014-13	Front-All Base, Hardware Included	CFC1464	SBC1464	
	2014-13	Front-All Shelby GT500, Hardware Not Included	CFM1666	SBM1666	
	2014	Front-All GT, w/ Brembo Brakes		SBM1050	
	2014	Front-All GT, w/ Brembo Brakes	CFC1050	SBC1001	
	2014	Front-All GT, w/ Brembo Brakes	CFM1001		
	2013-12	Front-All Boss 302, Hardware Included	CFC1050		
	2013-12	Front-All Boss 302, Hardware Not Included		SBM1050	

BENDIX BRAKE PARTS

PART TYPE	YEAR	APPLICATION	PREMIUM NO.	PART NO.	SEVERE DUTY NO.
Ford (Cont'd.)					
Mustang (Cont'd.)					
Disc Brake Pad Set (cont'd)	2013	Front-All GT, From 5/3/12	CFC1463	SBC1463	
	2012	Front-All Base, Hardware Included	CFC1463	SBC1463	
	2012	Front-All GT, Hardware Included	CFC1463	SBC1463	
	2012	Front-All Shelby GT500, Hardware Included	CFC1050		
	2012	Front-All Shelby GT500, Hardware Not Included		SBM1050	
	2011-07	Front-V8 - 5.4L Hardware Included	CFC1050		
	2011-07	Front-V8 - 5.4L Hardware Not Included		SBM1050	
	2011	Front-V6 - 3.7L Hardware Included	CFC1464	SBC1464	
	2011	Front-V8 - 5.0L w/o Performance Brakes	CFC1463	SBC1463	
	2011	Front-V8 - 5.0L w/ Performance Brakes	CFC1050	SBM1050	
	2010-05	Front-V6 - 4.0L Hardware Included	CFC1081	SBC1081	
	2010-05	Front-V8 - 4.6L Hardware Included	CFC1081	SBC1081	
	2004	Front-V6 - 3.8L Hardware Included	CFC804	SBC804	
	2004	Front-V6 - 3.9L Hardware Included	CFC804	SBC804	
	2004	Front-V8 - 4.6L GT, Hardware Included	CFC804	SBC804	
	2004	Front-V8 - 4.6L Mach I, Hardware Included	CFM412		
	2004	Front-V8 - 4.6L Mach I, Hardware Not Included		SBM412	
	2004	Front-V8 - 4.6L SVT Cobra, Hardware Included	CFM412		
	2004	Front-V8 - 4.6L SVT Cobra, Hardware Not Included		SBM412	
	2003	Front-All Base, Hardware Included	CFC804	SBC804	
	2003	Front-All GT, Hardware Included	CFC804	SBC804	
	2003	Front-All Mach I, Hardware Included	CFM412		
	2003	Front-All Mach I, Hardware Not Included		SBM412	
	2003	Front-All SVT Cobra 10th Anniversary, Hardware Included	CFM412		
	2003	Front-All SVT Cobra 10th Anniversary, Hardware Not Included		SBM412	
	2003	Front-All SVT Cobra, Hardware Included	CFM412		
	2003	Front-All SVT Cobra, Hardware Not Included		SBM412	
	2002-99	Front-V6 - 3.8L Hardware Included	CFC804	SBC804	
	2002	Front-V8 - 4.6L Hardware Included	CFC804	SBC804	
	2001	Front-V8 - 4.6L GT, Hardware Included	CFC804	SBC804	
	2001	Front-V8 - 4.6L GT Bullitt, Hardware Included	CFM412		
	2001	Front-V8 - 4.6L GT Bullitt, Hardware Not Included		SBM412	
	2001	Front-V8 - 4.6L SVT Cobra, Hardware Included	CFM412		
	2001	Front-V8 - 4.6L SVT Cobra, Hardware Not Included		SBM412	
	2000	Front-V8 - 4.6L Hardware Included	CFC804	SBC804	
	2000	Front-V8 - 5.4L Hardware Included	CFM412		
	2000	Front-V8 - 5.4L Hardware Not Included		SBM412	
	1999-96	Front-V8 - 4.6L SVT Cobra, Hardware Included	CFM412		
	1999-96	Front-V8 - 4.6L SVT Cobra, Hardware Not Included		SBM412	
	1999	Front-V8 - 4.6L GT, Hardware Included	CFC804	SBC804	
	1998-96	Front-V8 - 4.6L GT, Hardware Included		SBC600	
	1998-94	Front-V6 - 3.8L Hardware Included		SBC600	
	1995-94	Front-V8 - 5.0L GT, Hardware Included		SBC600	
	1995-94	Front-V8 - 5.0L SVT Cobra, Hardware Included	CFM412		
	1995-94	Front-V8 - 5.0L SVT Cobra, Hardware Not Included		SBM412	
	1995	Front-V8 - 5.0L GTS, Hardware Included		SBC600	
	1993-90	Front-L4 - 2.3L Hardware Not Included		SBM310	
	1993-87	Front-V8 - 5.0L Hardware Not Included	CFM431	SBM431	
	1989-87	Front-L4 - 2.3L Semi-Metallic		SBM310	
	1986-83	Front-All Hardware Not Included		SBM310	
	1982	Front-All Base, Hardware Not Included		SBM150	
	1982	Front-All Ghia, Hardware Not Included		SBM152	
	1982	Front-All GL, Hardware Not Included		SBM150	
	1982	Front-All GLX, Hardware Not Included		SBM150	
	1982	Front-All GT, Hardware Not Included		SBM152	
	1982	Front-All L, Hardware Not Included		SBM150	
	1981-80	Front-V8 - 4.2L Ghia, Hardware Not Included		SBM152	
	1979	Front-V8 - 5.0L Base, Hardware Not Included		SBM152	
	1979	Front-V8 - 5.0L Ghia, Hardware Not Included		SBM152	
	1973-68	Front-All Hardware Not Included		SBC34	
	1967-64	Front-All Hardware Not Included		SBC11	
	2019	Rear-All Hardware Not Included	CFC1793	SBC1793	
	2018	Rear-All EcoBoost, Hardware Not Included	CFC1793	SBC1793	
	2018	Rear-All EcoBoost Premium, Hardware Not Included	CFC1793	SBC1793	
	2018	Rear-All GT, Hardware Not Included	CFC1793	SBC1793	
	2018	Rear-All GT Premium, Hardware Not Included	CFC1793	SBC1793	
	2017	Rear-All CAN, Hardware Not Included	CFC1793	SBC1793	
	2017	Rear-All MEX, Hardware Not Included	CFC1793	SBC1793	
	2017	Rear-All USA, Hardware Not Included	CFC1793	SBC1793	
	2016	Rear-All EcoBoost, Hardware Not Included	CFC1793	SBC1793	
	2016	Rear-All EcoBoost Premium, Hardware Not Included	CFC1793	SBC1793	
	2016	Rear-All GT, Hardware Not Included	CFC1793	SBC1793	
	2016	Rear-All GT Premium, Hardware Not Included	CFC1793	SBC1793	

BENDIX BRAKE PARTS

PART TYPE	YEAR	APPLICATION	PREMIUM NO.	PART NO.	SEVERE DUTY NO.
Ford (Cont'd.)					
Mustang (Cont'd.)					
Disc Brake Pad Set (cont'd)	2016	Rear-All V6, Hardware Not Included	CFC1793	SBC1793	
	2015	Rear-All Hardware Not Included	CFC1793	SBC1793	
	2014-12	Rear-All Hardware Included	CFC1465	SBC1465	
	2011	Rear-V6 - 3.7L Hardware Included	CFC1465	SBC1465	
	2011	Rear-V8 - 5.0L Hardware Included	CFC1465	SBC1465	
	2011	Rear-V8 - 5.4L Hardware Included	CFC1465	SBC1465	
	2010	Rear-All Hardware Included	CFC1465	SBC1465	
	2009-07	Rear-V8 - 5.4L Hardware Included	CFC1465	SBC1465	
	2009-05	Rear-V6 - 4.0L Hardware Included	CFC1465	SBC1465	
	2009-05	Rear-V8 - 4.6L Hardware Included	CFC1465	SBC1465	
	2004-03	Rear-All Base, Hardware Included	CFC627	SBC627	
	2004-03	Rear-All GT, Hardware Included	CFC627	SBC627	
	2004-03	Rear-All SVT Cobra, Hardware Included	CFC627A	SBC627A	
	2004	Rear-All Mach I, Hardware Included	CFC627	SBC627	
	2003	Rear-All Mach I, Hardware Included	CFC627A	SBC627A	
	2003	Rear-All SVT Cobra 10th Anniversary, Hardware Included	CFC627A	SBC627A	
	2002	Rear-All Hardware Included	CFC627	SBC627	
	2001-95	Rear-V6 - 3.8L Hardware Included	CFC627	SBC627	
	2001	Rear-V8 - 4.6L GT, Hardware Included	CFC627	SBC627	
	2001	Rear-V8 - 4.6L GT Bullitt, Hardware Included	CFC627	SBC627	
	2001	Rear-V8 - 4.6L SVT Cobra, Hardware Included	CFC627A	SBC627A	
	2000	Rear-V8 - 4.6L Hardware Included	CFC627	SBC627	
	2000	Rear-V8 - 5.4L Hardware Included	CFC627A	SBC627A	
	1999-96	Rear-V8 - 4.6L GT, Hardware Included	CFC627	SBC627	
	1999-96	Rear-V8 - 4.6L SVT Cobra, Hardware Included	CFC627A	SBC627A	
	1995	Rear-V8 - 5.0L GT, Hardware Included	CFC627	SBC627	
	1995	Rear-V8 - 5.0L GTS, Hardware Included	CFC627	SBC627	
	1995	Rear-V8 - 5.0L SVT Cobra, Hardware Included	CFC627A	SBC627A	
	1995	Rear-V8 - 5.8L Hardware Included	CFC627A	SBC627A	
	1994	Rear-All Base, Hardware Included	CFC627	SBC627	
	1994	Rear-All GT, Hardware Included	CFC627	SBC627	
	1994	Rear-All SVT Cobra, Hardware Included	CFC627A	SBC627A	
	1993	Rear-All Hardware Included		SBC347	
Drum Brake Shoe	1973-72	Front-All		169	
	1971-67	Front-All w/ 10" X 2-1/2" Brakes		169	
	1971-66	Front-All w/ 10" X 2-1/4" Brakes		154	
	1965-64	Front-V8 - 4.3L		154	
	1965-64	Front-V8 - 4.7L		154	
	1993-87	Rear-L4 - 2.3L w/ 9" X 1-3/4" Brakes		474	
	1993-87	Rear-L4 - 2.3L w/ 9" X 1-3/4" Brakes		569	
	1993-87	Rear-V8 - 5.0L w/ 9" X 1-3/4" Brakes		474	
	1993-87	Rear-V8 - 5.0L w/ 9" X 1-3/4" Brakes		569	
	1986-79	Rear-All w/ 9" X 1-3/4" Brakes		474	
	1986-79	Rear-All w/ 9" X 1-3/4" Brakes		569	
	1982	Rear-All w/ 10" X 1-3/4" Brakes		151	
	1982	Rear-All w/ 10" X 1-3/4" Brakes		267	
	1981-80	Rear-All w/ 10" X 1.81" Brakes		151	
	1981-80	Rear-All w/ 10" X 1.81" Brakes		267	
	1973-67	Rear-All w/ 10" X 2" Brakes		152	
	1972-64	Rear-All w/ 10" X 1-3/4" Brakes		151	
	1972-64	Rear-All w/ 10" X 1-3/4" Brakes		267	
	1968	Rear-All w/ 10" X 2-1/2" Brakes		169	
Disc Brake Rotor	2017	Front-L4 - 2.3L exc. Performance Package		PRT6301	
	2017	Front-L4 - 2.3L Performance Package		PRT6300	
	2017	Front-V6 - 3.7L		PRT6301	
	2017	Front-V8 - 5.0L Brembo Package		PRT6317	
	2017	Front-V8 - 5.0L exc. Brembo Package		PRT6300	
	2016-15	Front-All EcoBoost, exc. Performance Package		PRT6301	
	2016-15	Front-All EcoBoost, with Performance Package		PRT6300	
	2016-15	Front-All EcoBoost Premium, exc. Performance Package		PRT6301	
	2016-15	Front-All EcoBoost Premium, with Performance Package		PRT6300	
	2016-15	Front-All GT, Brembo Package		PRT6317	
	2016-15	Front-All GT, exc. Brembo Package		PRT6300	
	2016-15	Front-All GT Premium, Brembo Package		PRT6317	
	2016-15	Front-All GT Premium, exc. Brembo Package		PRT6300	
	2016-15	Front-All V6		PRT6301	
	2015	Front-All GT 50 Years Limited Edition		PRT6317	
	2013-11	Front-All 336mm Diameter		PRT6035	
	2013-11	Front-All 355 mm Diameter		PRT5700	
	2012-11	Front-All 316mm Diameter		PRT5658	
	2010-07	Front-All Shelby GT500, SHELBY GT500		PRT5700	
	2010-05	Front-All Base		PRT5616	
	2010-05	Front-All GT		PRT5658	
	2007	Front-All Shelby GT		PRT5658	

BENDIX BRAKE PARTS

PART TYPE	YEAR	APPLICATION	PREMIUM NO.	PART NO.	SEVERE DUTY NO.
Ford (Cont'd.)					
Mustang (Cont'd.)					
Disc Brake Rotor (cont'd)	2004-03	Front-All Base		PRT1911	
	2004-03	Front-All GT		PRT1911	
	2004-03	Front-All Mach I		PRT5271	
	2004-03	Front-All SVT Cobra		PRT5271	
	2003	Front-All SVT Cobra 10th Anniversary		PRT5271	
	2002	Front-All		PRT1911	
	2001-94	Front-All Base, Exc. Cobra		PRT1911	
	2001-94	Front-All GT, Exc. Cobra		PRT1911	
	2001	Front-All SVT Cobra		PRT5271	
	2000	Front-All SVT Cobra R		PRT5271	
	1999-94	Front-All SVT Cobra		PRT5271	
	1995	Front-All SVT Cobra R		PRT5271	
	2019-18	Rear-L4 - 2.3L w/ Performance Package		PRT6299	
	2019-17	Rear-V8 - 5.0L		PRT6299	
	2017	Rear-L4 - 2.3L exc. Performance Package		PRT6306	
	2017	Rear-L4 - 2.3L Performance Package		PRT6299	
	2017	Rear-V6 - 3.7L		PRT6306	
	2016	Rear-All EcoBoost, exc. Performance Package		PRT6306	
	2016	Rear-All EcoBoost, with Performance Package		PRT6299	
	2016	Rear-All EcoBoost Premium, exc. Performance Package		PRT6306	
	2016	Rear-All EcoBoost Premium, with Performance Package		PRT6299	
	2016	Rear-All GT, with Performance Package		PRT6299	
	2016	Rear-All GT Premium, with Performance Package		PRT6299	
	2016	Rear-All V6		PRT6306	
	2015	Rear-L4 - 2.3L		PRT6299	
	2015	Rear-V6 - 3.7L		PRT6306	
	2015	Rear-V8 - 5.0L		PRT6299	
	2014-13	Rear-All Base		PRT5653	
	2014-13	Rear-All GT		PRT5653	
	2013	Rear-All Boss 302		PRT5653	
	2013	Rear-All Shelby GT500		PRT6214	
	2012-05	Rear-All		PRT5653	
	2004-94	Rear-All Solid Rotors; Solid; 267mm		PRT1902	
	2004-94	Rear-All Vented Rotors; Vented; 296mm		PRT5035	
	1993	Rear-All Rear Disc		PRT1527FC	
	1986-84	Rear-All		PRT1752	
Disc Brake Rotor and Hub Assembly	1993-87	Front-L4 - 2.3L		PRT1169	
	1993	Front-V8 - 5.0L GT		PRT1398	
	1993	Front-V8 - 5.0L LX		PRT1398	
	1993	Front-V8 - 5.0L SVT Cobra, INCL.HUB		PRT1885	
	1993	Front-V8 - 5.0L SVT Cobra R, INCL.HUB		PRT1885	
	1992-87	Front-V8 - 5.0L		PRT1398	
	1986-84	Front-All GT		PRT1169	
	1986-84	Front-All LX		PRT1169	
	1986-84	Front-All SVO, 277.9mm		PRT1281	
	1983-82	Front-All		PRT1169	
	1981-80	Front-All		PRT1175	
	1979	Front-All		PRT1169	
	1973-72	Front-All		PRT1019	
	1971-70	Front-All exc. Boss 302		PRT1019	
	1969	Front-All exc. Boss 302, Boss 429		PRT1018	
	1968	Front-All		PRT1018	
	1967-66	Front-All		PRT1017	
Brake Drum	1973-64	Front-All 10" Brakes		PDR0010	
	1970-67	Front-All 9" Brakes		PDR0140	
	1966-65	Front-All 9" Brakes		PDR0138	
	1993-87	Rear-All Finned Drum		PDR0371	
	1986-85	Rear-All		PDR0371	
	1984-79	Rear-All 9" Brakes		PDR0371	
	1984-79	Rear-All 10" Brakes		PDR0372	
	1973	Rear-All		PDR0136	
	1972-64	Rear-All 10 x 1 3/4" Brakes		PDR0127	
	1972-64	Rear-All 10 x 2" Brakes		PDR0136	
	1970-65	Rear-All 9 x 1 1/2" Brakes		PDR0139	
	1966-65	Rear-All 9 x 2 1/4" Brakes		PDR0138	
Mustang II					
Disc Brake Pad Set	1978-75	Front-All Base, Hardware Included		SBM90	
	1978-74	Front-All Ghia, Hardware Included		SBM90	
	1978-74	Front-All Mach I, Hardware Included		SBM90	
Drum Brake Shoe	1978-75	Rear-All w/ 9" X 1-3/4" Brakes		474	
	1978-75	Rear-All w/ 9" X 1-3/4" Brakes		569	
Disc Brake Rotor and Hub Assembly	1978-74	Front-All		PRT1077	

BENDIX BRAKE PARTS

PART TYPE	YEAR	APPLICATION	PREMIUM NO.	PART NO.	SEVERE DUTY NO.	
Ford (Cont'd.)						
Mustang II (Cont'd.)						
Brake Drum	1978-74	Rear-All		PDR0371		
Mystique						
Disc Brake Pad Set	2000-99	Front-All Hardware Not Included		SBM762		
	1998-95	Front-All Hardware Not Included		SBC648		
	2000-95	Rear-All Hardware Not Included		SBC661		
Disc Brake Rotor	2000-95	Front-All		PRT5044		
P-100						
Drum Brake Shoe	1966-64	Front-All w/ 11" X 2" Brakes		228		
Brake Drum	1967-64	Front-All Fullcast		PDR0013		
	1966-64	Front-All Composite		PDR0118		
	1967-64	Rear-All		PDR0115		
P-350						
Drum Brake Shoe	1976-75	Rear-All w/ 10" X 1.81" Brakes		151		
	1976-75	Rear-All w/ 10" X 1.81" Brakes		267		
	1976	Rear-All w/ 12" X 3.02" Brakes		358		
	1974	Rear-All w/ 12" X 3" Brakes		358		
	1973-69	Rear-All w/ 12" X 3.02" Brakes		358		
Brake Drum	1976-57	Front-All		PDR0122		
	1976	Rear-All		PDR0278		
	1975-67	Rear-All 12 x 2 1/2" Brakes		PDR0012		
	1975-67	Rear-All 12 x 3" Brakes		PDR0278		
	1966-57	Rear-All 12 1/8 x 2" Brakes		PDR0123		
P-400						
Drum Brake Shoe	1976-75	Rear-All w/ 10" X 1.81" Brakes		151		
	1976-75	Rear-All w/ 10" X 1.81" Brakes		267		
	1976-75	Rear-All w/ 12" X 3.02" Brakes		358		
Brake Drum	1976-75	Rear-All 12 x 2 1/2" Brakes		PDR0012		
	1976-75	Rear-All 12 x 3" Brakes		PDR0278		
Pinto						
Disc Brake Pad Set	1980-74	Front-All Hardware Included		SBM90		
Drum Brake Shoe	1980-75	Rear-All w/ 9" X 1-3/4" Brakes		474		
	1980-75	Rear-All w/ 9" X 1-3/4" Brakes		569		
Disc Brake Rotor and Hub Assembly	1980-74	Front-All		PRT1077		
Brake Drum	1973-71	Front-All		PDR0207		
	1980-74	Rear-All		PDR0371		
	1973-71	Rear-All		PDR0207		
Police Interceptor Sedan						
Disc Brake Pad Set	2019-18	Front-All Hardware Included	CFM1611A	SBM1611A	MKD1611AFM	
	2019-18	Front-All Hardware Included			PBD1611A	
	2017	Front-All CAN, Hardware Included	CFM1611A	SBM1611A	MKD1611AFM	
	2017	Front-All CAN, Hardware Included			PBD1611A	
	2017	Front-All USA, Hardware Included	CFC1611B	SBC1611B	MKD1611BFM	
	2017	Front-All USA, Hardware Included			PBD1611B	
	2016-13	Front-All w/ Heavy Duty Brakes	CFC1611B	SBC1611B	MKD1611BFM	
	2016-13	Front-All w/ Heavy Duty Brakes			PBD1611B	
	2016-13	Front-All w/o Heavy Duty Brakes	CFM1611A	SBM1611A	MKD1611AFM	
	2016-13	Front-All w/o Heavy Duty Brakes			PBD1611A	
	2019-13	Rear-All Hardware Included	CFM1612	SBM1612	MKD1612FM	
	2019-13	Rear-All Hardware Included			PBD1612	
	Disc Brake Rotor	2018-13	Front-All		PRT6201	SDR6201
		2019-13	Rear-All		PRT6202	
2018-13		Rear-All			SDR6202	
Police Interceptor Utility						
Disc Brake Pad Set	2019-18	Front-All Hardware Included	CFC1611C	SBC1611C	MKD1611CFM	
	2019-18	Front-All Hardware Included			PBD1611C	
	2017	Front-All Hardware Included	CFC1611B	SBC1611B	MKD1611BFM	
	2017	Front-All Hardware Included			PBD1611B	
	2016-13	Front-All w/ Heavy Duty Brakes	CFC1611B	SBC1611B	MKD1611BFM	
	2016-13	Front-All w/ Heavy Duty Brakes			PBD1611B	
	2016-13	Front-All w/o Heavy Duty Brakes	CFM1611A	SBM1611A	MKD1611AFM	
	2016-13	Front-All w/o Heavy Duty Brakes			PBD1611A	
	2019-16	Rear-All Hardware Included	CFC1754	SBC1754	MKD1754FM	
	2019-16	Rear-All Hardware Included			PBD1754	
	2015-13	Rear-All w/ Heavy Duty Brakes	CFC1754	SBC1754	MKD1754FM	
	2015-13	Rear-All w/ Heavy Duty Brakes			PBD1754	
	2015-13	Rear-All w/o Heavy Duty Brakes	CFM1612	SBM1612	MKD1612FM	
	2015-13	Rear-All w/o Heavy Duty Brakes			PBD1612	
Disc Brake Rotor	2018-13	Front-All		PRT6201	SDR6201	
	2019-13	Rear-All		PRT6202		
	2018-13	Rear-All			SDR6202	
Probe						
Disc Brake Pad Set	1997-94	Front-All Hardware Included		SBC637		

BENDIX BRAKE PARTS

PART TYPE	YEAR	APPLICATION	PREMIUM NO.	PART NO.	SEVERE DUTY NO.
Ford (Cont'd.)					
Probe (Cont'd.)					
Disc Brake Pad Set (cont'd)	1993	Front-All Hardware Not Included		SBC583	
	1992-89	Front-All Hardware Included		SBM399	
	1997-93	Rear-All Hardware Included		SBC584	
	1992-89	Rear-All Hardware Not Included		SBC400	
Drum Brake Shoe	1997-93	Rear-All w/ 9" X 1.26" Brakes		667	
	1992-89	Rear-All w/ 9" X 1.24" Brakes		598	
	1992-89	Rear-All w/ 9" X 1.24" Brakes		721	
Disc Brake Rotor	1997-93	Front-All		PRT1845	
	1992-89	Front-All		PRT1610	
	1997-93	Rear-All		PRT1846	
Disc Brake Rotor and Hub Assembly	1989	Rear-All		PRT1670	
Brake Drum	1997-93	Rear-All		PDR0632	
	1992-89	Rear-All		PDR0531	
Ranchero					
Disc Brake Pad Set	1979-72	Front-All Hardware Included		SBM50	
	1971-68	Front-All Hardware Not Included		SBC34	
	1967	Front-All Hardware Not Included		SBC11	
Drum Brake Shoe	1971-69	Front-All		169	
	1968-66	Front-All w/ 10" X 2-1/2" Brakes		169	
	1968-60	Front-All w/ 10" X 2-1/4" Brakes		154	
	1979-75	Rear-All w/ 11" X 2.31" Brakes		263	
	1974-73	Rear-L6 - 4.1L Front Disc		169	
	1974-73	Rear-V8 - 5.0L Front Disc		169	
	1974-73	Rear-V8 - 5.8L Front Disc		263	
	1974-73	Rear-V8 - 6.6L Front Disc		263	
	1974	Rear-V8 - 7.5L Front Disc		263	
	1973	Rear-V8 - 7.0L Front Disc		263	
	1972	Rear-All w/ 11-1/32" X 2-1/4" Brakes		263	
	1972	Rear-L6 - 4.1L Front Disc, w/ 10" X 2.06" Brakes		152	
	1972	Rear-V8 - 5.0L Front Disc, w/ 10" X 2.06" Brakes		152	
	1972	Rear-V8 - 5.8L Front Disc, w/ 10" X 2-1/2" Brakes		169	
	1972	Rear-V8 - 6.6L Front Disc, w/ 10" X 2-1/2" Brakes		169	
	1972	Rear-V8 - 7.0L Front Disc, w/ 10" X 2-1/2" Brakes		169	
	1971-70	Rear-V8 - 7.0L Front Disc		169	
	1971-69	Rear-L6 - 4.1L Front Disc		152	
	1971-69	Rear-L6 - 4.1L Front Drum		152	
	1971-69	Rear-V8 - 5.0L		152	
	1971-69	Rear-V8 - 5.8L Front Disc		169	
	1969	Rear-V8 - 6.4L Front Drum		169	
	1969	Rear-V8 - 7.0L Front Drum		169	
	1968-67	Rear-L6 - 3.3L Front Disc, w/ 10" X 2.06" Brakes		152	
	1968-67	Rear-V8 - 6.4L Front Drum, w/ 10" X 2-1/2" Brakes		169	
	1968-66	Rear-L6 - 3.3L Front Drum, w/ 10" X 2.06" Brakes		152	
	1968-62	Rear-All w/ 10" X 1.81" Brakes		151	
1968-62	Rear-All w/ 10" X 1.81" Brakes		267		
1968	Rear-V8 - 7.0L Front Drum, w/ 10" X 2-1/2" Brakes		169		
1967	Rear-V8 - 4.7L w/ 10" X 2-1/2" Brakes		169		
1966	Rear-V8 - 4.7L Front Drum, w/ 10" X 2-1/2" Brakes		169		
Disc Brake Rotor and Hub Assembly	1979-74	Front-All		PRT1078	
	1973-72	Front-All exc. Police, HD		PRT1036	
	1971-70	Front-All		PRT1019	
	1969-68	Front-All		PRT1018	
	1967	Front-All		PRT1017	
Brake Drum	1971-67	Front-All		PDR0010	
	1965-60	Front-All 9" Brakes		PDR0138	
	1979-76	Rear-All 11 1/32 x 2 1/2" Brakes		PDR0273	
	1979-76	Rear-All 11 1/32 x 2 1/4" Brakes		PDR0345	
	1975-74	Rear-All 10 x 2 1/2" Brakes		PDR0236	
	1975-73	Rear-All 11 1/32 x 2 1/4" Brakes		PDR0202	
	1973	Rear-All 11 1/32 x 2 1/2" Brakes		PDR0273	
	1972	Rear-All 10 x 2 1/2" Brakes		PDR0236	
	1971-66	Rear-All 10 x 2" Brakes		PDR0136	
	1969-60	Rear-All 10 x 1 3/4" Brakes		PDR0127	
	1966-60	Rear-All 9 x 1 1/2" Brakes		PDR0139	
	1965-60	Rear-All 9 x 2 1/4" Brakes		PDR0138	
	Ranch Wagon				
Disc Brake Pad Set	1974-73	Front-All Hardware Included		SBM50	
	1972	Front-All Late		SBM50	
Drum Brake Shoe	1974-72	Front-All w/ 11-1/32" X 2-1/2" Brakes		264	
	1972-69	Front-All w/ 11-1/32" X 3" Brakes		265	
	1964-63	Front-All w/ 10" X 2-1/4" Brakes		154	
	1962-61	Front-All w/ 11-1/32" X 3" Brakes		265	

BENDIX BRAKE PARTS

PART TYPE	YEAR	APPLICATION	PREMIUM NO.	PART NO.	SEVERE DUTY NO.
Ford (Cont'd.)					
Ranch Wagon (Cont'd.)					
Drum Brake Shoe (cont'd)	1959-55	Front-All w/ 11" X 2-1/4" Brakes		263	
	1972-69	Rear-All w/ 11-1/32" X 2-1/4" Brakes		263	
	1964-63	Rear-All w/ 10" X 1.81" Brakes		151	
	1964-63	Rear-All w/ 10" X 1.81" Brakes		267	
	1964-63	Rear-All w/ 10" X 2.06" Brakes		152	
	1964-63	Rear-All w/ 10" X 2.56" Brakes		169	
	1962-61	Rear-All w/ 11-1/32" X 2-1/2" Brakes		264	
	1959-55	Rear-All w/ 11" X 2" Brakes		228	
Disc Brake Rotor	1968	Front-All		PRT1023	
Disc Brake Rotor and Hub Assembly	1974	Front-All		PRT1079	
	1972-70	Front-All		PRT1016	
	1967	Front-All		PRT1017	
Brake Drum	1972-69	Front-All 11 1/32 x 2 1/4" Brakes		PDR0137	
	1968-62	Front-All		PDR0124	
	1974-73	Rear-All 11 1/32 x 2 1/4" Brakes		PDR0272	
	1974-73	Rear-All 11 x 2 1/2" Brakes		PDR0273	
	1972-69	Rear-All 11 1/32 x 2 1/4" Brakes		PDR0137	
	1968-65	Rear-All		PDR0124	
Ranger					
Disc Brake Pad Set	2011-09	Front-All Hardware Included	CFC833	SBC833	MKD833FM
	2008-03	Front-L4 - 2.3L Hardware Included	CFC833	SBC833	MKD833FM
	2008-03	Front-V6 - 3.0L Hardware Included	CFC833	SBC833	MKD833FM
	2008-03	Front-V6 - 4.0L Hardware Included	CFC833	SBC833	MKD833FM
	2002	Front-All EV, ELECTRIC, Hardware Included	CFC652	SBC652	MKD652FM
	2002	Front-L4 - 2.3L Hardware Included	CFC652	SBC652	MKD652FM
	2002	Front-V6 - 3.0L Hardware Included	CFC652	SBC652	MKD652FM
	2002	Front-V6 - 4.0L Hardware Included	CFC652	SBC652	MKD652FM
	2001-95	Front-All Hardware Included	CFC652	SBC652	MKD652FM
	1994-88	Front-All Hardware Included		SBC205	MKD205FM
	1987	Front-All From 10/86		SBC205	MKD205FM
	1987	Front-All To 10/86		SBM326	
	1986	Front-All Hardware Not Included		SBM326	
	1985-83	Front-All Hardware Included		SBC205	MKD205FM
	2011-10	Rear-All Hardware Included	CFC932A	SBC932A	MKD932AFM
	2002-98	Rear-All Hardware Included		SBM667	MKD667FM
	Drum Brake Shoe	2009-95	Rear-All w/ 9" Brakes		704
2009-95		Rear-All w/ 10" Brakes		705	
1994-87		Rear-All w/ 10" Brakes		581	
1994-83		Rear-All w/ 9" X 1-3/4" Brakes		474	
1994-83		Rear-All w/ 9" X 1-3/4" Brakes		569	
1986-84		Rear-All w/ 10" X 2.56" Brakes		169	
Parking Brake Shoe	2011-10	Rear-All		920	
	2004-98	Rear-All		745	
Disc Brake Rotor	2011-04	Front-All 4WD		PRT5341	
	2003	Front-All 4WD, 11.25" Dia.		PRT5075	
	2003	Front-All 4WD, 12" Dia.		PRT5341	
	2002-98	Front-All 4WD		PRT5075	
	2011-10	Rear-All		PRT6052	
	2002-98	Rear-All		PRT5052	
Disc Brake Rotor and Hub Assembly	2011-10	Front-All RWD		PRT6051	
	2009-04	Front-All RWD		PRT5076	
	2003-98	Front-All RWD, 4-Wheel ABS, 261mm Diameter Rotor		PRT5216	
	2003-98	Front-All RWD, 4-Wheel ABS, 286mm Diameter Rotor		PRT5076	
	2001-98	Front-All RWD, 2-Wheel ABS, 261mm Diameter Rotor		PRT5189	
	2001-98	Front-All RWD, 2-Wheel ABS, 286mm Diameter Rotor; HUB & ROTOR		PRT5366 ⁵⁹	
	1997-95	Front-All 4WD, (Exc.3.45 Final Drive Ratio)		PRT5059	
	1997-95	Front-All 4WD, (Final Drive Ratio 3.45); 285.5mm		PRT5272	
	1997-95	Front-All RWD, 2-Wheel ABS		PRT5067	
	1997-95	Front-All RWD, 4-Wheel ABS		PRT5062	
	1994-91	Front-All 4WD, (Exc.3.45 Final Drive Ratio)		PRT1860	
	1994-91	Front-All 4WD, (Final Drive Ratio 3.45); 276mm		PRT1265	
	1994-83	Front-All RWD		PRT1264	
	1990-83	Front-All 4WD, 276mm		PRT1265	
	Brake Drum	2009-07	Rear-All With 10" rear brakes		PDR0810
2009-98		Rear-All 9" Brakes		PDR0713	
2009-98		Rear-All 10" Brakes		PDR0697 ⁵³	
1997-83		Rear-All 9" Brakes		PDR0461	
1997-83		Rear-All 10" Brakes		PDR0452	
Sable					
Disc Brake Pad Set	2000-95	Front-All Hardware Included		SBM601	
	2000-95	Front-All Hardware Included	CFC601	SBC601	

53 Sell out and reorder PDR0810

59 Sell out and reorder PRT5076

BENDIX BRAKE PARTS

PART TYPE	YEAR	APPLICATION	PREMIUM NO.	PART NO.	SEVERE DUTY NO.	
Ford (Cont'd.)						
Skyliner						
Drum Brake Shoe	1954	Front-All w/ 10" X 2-1/4" Brakes		154		
Special Service Police Sedan						
Disc Brake Pad Set	2018	Front-All Hardware Included	CFM1611A	SBM1611A	MKD1611AFM	
	2018	Front-All Hardware Included			PBD1611A	
	2017	Front-All Hardware Included	CFC1611B	SBC1611B	MKD1611BFM	
	2017	Front-All Hardware Included			PBD1611B	
	2016	Front-All Hardware Included	CFC1611C	SBC1611C	MKD1611CFM	
	2016	Front-All Hardware Included			PBD1611C	
	2015	Front-All Hardware Included	CFC1611B	SBC1611B	MKD1611BFM	
	2015	Front-All Hardware Included			PBD1611B	
	2014	Front-All Hardware Included	CFM1611A	SBM1611A	MKD1611AFM	
	2014	Front-All Hardware Included			PBD1611A	
	2018-14	Rear-All Hardware Included	CFM1612	SBM1612	MKD1612FM	
	2018-14	Rear-All Hardware Included			PBD1612	
	Disc Brake Rotor	2017-14	Front-All		PRT6201	
		2016-15	Front-All			SDR6201
2018-14		Rear-All		PRT6202		
2016-15		Rear-All			SDR6202	
Sprint						
Drum Brake Shoe	1964-63	Front-All w/ 10" X 2-1/4" Brakes		154		
	1964-63	Rear-All w/ 10" X 1.81" Brakes		151		
	1964-63	Rear-All w/ 10" X 1.81" Brakes		267		
Brake Drum	1964-63	Front-All 9" Brakes		PDR0138		
	1964-63	Rear-All 9 x 1 1/2" Brakes		PDR0139		
	1964-63	Rear-All 9 x 2 1/4" Brakes		PDR0138		
	1964-63	Rear-All 10 x 1 3/4" Brakes		PDR0127		
Sunliner						
Drum Brake Shoe	1954	Front-All w/ 10" X 2-1/4" Brakes		154		
Taurus						
Disc Brake Pad Set	2019-18	Front-All SHO, w/o Performance Package	CFC1611C	SBC1611C	MKD1611CFM	
	2019-18	Front-All SHO, w/o Performance Package			PBD1611C	
	2019-13	Front-All Limited, Hardware Included	CFC1508	SBC1508		
	2019-13	Front-All SE, Hardware Included	CFC1508	SBC1508		
	2019-13	Front-All SEL, Hardware Included	CFC1508	SBC1508		
	2017	Front-All SHO, w/o Performance Package	CFC1611B	SBC1611B	MKD1611BFM	
	2017	Front-All SHO, w/o Performance Package			PBD1611B	
	2017	Front-All SHO, w/ Performance Package	CFM1611A	SBM1611A	MKD1611AFM	
	2017	Front-All SHO, w/ Performance Package			PBD1611A	
	2016-13	Front-All SHO, Hardware Included	CFC1611	SBC1611	MKD1611FM	
	2012	Front-V6 - 3.5L Limited, Naturally Aspirated, Hardware Included	CFC1508	SBC1508		
	2012	Front-V6 - 3.5L SE, Naturally Aspirated, Hardware Included	CFC1508	SBC1508		
	2012	Front-V6 - 3.5L SEL, Naturally Aspirated, Hardware Included	CFC1508	SBC1508		
	2012	Front-V6 - 3.5L SHO, Turbocharged, Hardware Included	CFC1158	SBC1158		
	2011-10	Front-All Limited, Hardware Included	CFC1508	SBC1508		
	2011-10	Front-All SE, Hardware Included	CFC1508	SBC1508		
	2011-10	Front-All SEL, Hardware Included	CFC1508	SBC1508		
	2011-10	Front-All SHO, Hardware Included	CFC1158	SBC1158		
	2009-08	Front-All Hardware Included	CFC1070	SBC1070		
	2007-01	Front-All w/o Police Package	CFC598	SBC598		
	2002-01	Front-All w/ Police Package		SBM601		
	2002-01	Front-All w/ Police Package	CFC601	SBC601		
	2000	Front-All Hardware Included		SBM601		
	2000	Front-All Hardware Included	CFC601	SBC601		
	1999-98	Front-All SE, Hardware Included		SBM601		
	1999-98	Front-All SE, Hardware Included	CFC601	SBC601		
	1999-95	Front-All SHO, Hardware Included	CFC598	SBC598		
	1999-94	Front-All LX, Hardware Included		SBM601		
	1999-94	Front-All LX, Hardware Included	CFC601	SBC601		
	1998	Front-All SE Comfort, Hardware Included		SBM601		
	1998	Front-All SE Comfort, Hardware Included	CFC601	SBC601		
	1997-96	Front-All G, Hardware Included		SBM601		
	1997-96	Front-All G, Hardware Included	CFC601	SBC601		
	1997-94	Front-All GL, Hardware Included		SBM601		
	1997-94	Front-All GL, Hardware Included	CFC601	SBC601		
	1995	Front-All SE, Hardware Included		SBM601		
	1995	Front-All SE, Hardware Included	CFC601	SBC601		
	1994	Front-All SHO, Hardware Included		SBM601		
	1994	Front-All SHO, Hardware Included	CFC601	SBC601		
	1993	Front-All GL, Police		SBM421A		
	1993	Front-All LX, Police		SBM421A		
	1993	Front-All SHO, Hardware Included		SBM421A		

BENDIX BRAKE PARTS

PART TYPE	YEAR	APPLICATION	PREMIUM NO.	PART NO.	SEVERE DUTY NO.
Ford (Cont'd.)					
Taurus (Cont'd.)					
Disc Brake Pad Set (cont'd)	1993	Front-V6 - 3.0L GL, Exc. Police		SBM421	
	1993	Front-V6 - 3.0L LX, Exc. Police		SBM421	
	1993	Front-V6 - 3.8L GL, Exc. Police		SBM421	
	1993	Front-V6 - 3.8L LX, Exc. Police		SBM421	
	1992-86	Front-All Hardware Included		SBM421	
	2019-18	Rear-All SHO, w/o Performance Package	CFC1754	SBC1754	MKD1754FM
	2019-18	Rear-All SHO, w/o Performance Package			PBD1754
	2019-18	Rear-All SHO, w/ Performance Package	CFM1612	SBM1612	MKD1612FM
	2019-18	Rear-All SHO, w/ Performance Package			PBD1612
	2019-13	Rear-All Limited, Hardware Included	CFC1754	SBC1754	MKD1754FM
	2019-13	Rear-All Limited, Hardware Included			PBD1754
	2019-13	Rear-All SE, Hardware Included	CFC1754	SBC1754	MKD1754FM
	2019-13	Rear-All SE, Hardware Included			PBD1754
	2019-13	Rear-All SEL, Hardware Included	CFC1754	SBC1754	MKD1754FM
	2019-13	Rear-All SEL, Hardware Included			PBD1754
	2017	Rear-All SHO, Hardware Included	CFM1612	SBM1612	MKD1612FM
	2017	Rear-All SHO, Hardware Included			PBD1612
	2016	Rear-All SHO, w/ Performance Package	CFC1754	SBC1754	MKD1754FM
	2016	Rear-All SHO, w/ Performance Package			PBD1754
	2015	Rear-All SHO, Hardware Included	CFC1754	SBC1754	MKD1754FM
	2015	Rear-All SHO, Hardware Included			PBD1754
	2014-13	Rear-All SHO, Hardware Included	CFM1612	SBM1612	MKD1612FM
	2014-13	Rear-All SHO, Hardware Included			PBD1612
	2012-10	Rear-All Hardware Included	CFC1754	SBC1754	MKD1754FM
	2012-10	Rear-All Hardware Included			PBD1754
	2009-08	Rear-All Hardware Included	CFC1071	SBC1071	
	2005-93	Rear-All Hardware Included	CFM610	SBC610	
	1992-89	Rear-All Hardware Included		SBC347	
Drum Brake Shoe	2007-00	Rear-All w/ 8.86" X 1.58" Brakes		599	
	2000	Rear-All w/ 9.84" X 1.85" Brakes		618	
	1999-93	Rear-All 4 Doors, Sedan		599	
	1999-93	Rear-All 4 Doors, Wagon		618	
	1992-89	Rear-All w/ 9" Brakes		566	
	1992-89	Rear-All w/ 10" Brakes		567	
	1992	Rear-All 4 Doors, Sedan, From 3/15/92		599	
	1992	Rear-All 4 Doors, Wagon, From 3/15/92		618	
	1988-86	Rear-All 4 Doors, Sedan		566	
	1988-86	Rear-All 4 Doors, Wagon		567	
Disc Brake Rotor	2019-18	Front-All Naturally Aspirated		PRT6124	
	2018-17	Front-All SHO		PRT6201	
	2017-13	Front-All Limited, Except Police Interceptor		PRT6124	
	2017-13	Front-All SE, Except Police Interceptor		PRT6124	
	2017-13	Front-All SEL, Except Police Interceptor		PRT6124	
	2016-13	Front-All SHO, Police Interceptor		PRT6201	
	2015-13	Front-All Limited, Except Police Interceptor			SDR6124
	2015-13	Front-All SE, Except Police Interceptor			SDR6124
	2015-13	Front-All SEL, Except Police Interceptor			SDR6124
	2015-13	Front-All SHO, Police Interceptor			SDR6201
	2012-11	Front-All		PRT6124	SDR6124
	2010	Front-All		PRT5842	
	2009-08	Front-All		PRT5666	
	2009-08	Front-All		PRT5907 ³⁵	
	2007-01	Front-All		PRT5050	
	2000	Front-All		PRT1903	
	1999-98	Front-All SE		PRT1903	
	1999-96	Front-All LX		PRT1903	
	1999-96	Front-All SHO		PRT5050	
	1998	Front-All SE Comfort		PRT1903	
	1997-96	Front-All G		PRT1903	
	1997-96	Front-All GL		PRT1903	
	1995-94	Front-All		PRT1903	
	1993-92	Front-All		PRT1741	
	1991	Front-All From 2/91		PRT1741	
	1991	Front-All To 2/91		PRT1399	
	1990-86	Front-All		PRT1399	
	2019-18	Rear-All Naturally Aspirated		PRT5898	
	2019-18	Rear-All Turbocharged		PRT6202	
	2017-13	Rear-All Limited, Except Police Interceptor		PRT5898	SDR5898
	2017-13	Rear-All SE, Except Police Interceptor		PRT5898	SDR5898
	2017-13	Rear-All SEL, Except Police Interceptor		PRT5898	SDR5898
	2017	Rear-All SHO		PRT6202	
	2016	Rear-All SHO, Police Interceptor		PRT6202	
	2015	Rear-All SHO		PRT6202	
	2014-13	Rear-All SHO, Police Interceptor		PRT6202	SDR6202
	2012-08	Rear-All		PRT5898	SDR5898

35 Sell out and reorder PRT5666

BENDIX BRAKE PARTS

PART TYPE	YEAR	APPLICATION	PREMIUM NO.	PART NO.	SEVERE DUTY NO.	
Ford (Cont'd.)						
Taurus (Cont'd.)						
Disc Brake Rotor (cont'd)	2007-93	Rear-All		PRT1893		
	1992-90	Rear-All		PRT1467FC		
	1989	Rear-All		PRT1399		
Brake Drum	2007-02	Rear-All		PDR0731		
	2001	Rear-All 9" Brakes		PDR0731		
	2001	Rear-All 10" Brakes; INC. HUB		PDR0718		
	2000-86	Rear-All Sedan		PDR0502		
	2000-86	Rear-All Wagon, Station Wagon; INC. HUB		PDR0718		
Taurus X						
Disc Brake Pad Set	2009-08	Front-All Hardware Included	CFC1070	SBC1070		
	2009-08	Rear-All Hardware Included	CFC1071	SBC1071		
Disc Brake Rotor	2009-08	Front-All		PRT5666		
	2009-08	Front-All		PRT5907 ³⁵		
	2009-08	Rear-All		PRT5898	SDR5898	
Tempo						
Disc Brake Pad Set	1994-88	Front-All Hardware Not Included		SBM257		
Drum Brake Shoe	1994-84	Rear-All w/ 8" X 1.41" Brakes		501		
Disc Brake Rotor	1994-84	Front-All		PRT1195		
Brake Drum	1994-84	Rear-All INCL.HUB		PDR0453		
Thunderbird						
Disc Brake Pad Set	2005-02	Front-All Hardware Included		SBC805		
	1997-96	Front-All w/o Sport Package		SBC600		
	1997-96	Front-All w/ Sport Package	CFC598	SBC598		
	1995-93	Front-All Hardware Included		SBC600		
	1992-89	Front-All Hardware Not Included		SBM417		
	1988-87	Front-All Naturally Aspirated, Hardware Not Included		SBM310		
	1988-87	Front-All Turbocharged, Hardware Not Included	CFM431	SBM431		
	1986-85	Front-L4 - 2.3L Organic Brakes	CFM431	SBM431		
	1986-85	Front-L4 - 2.3L Semi-Metallic		SBM310		
	1986-85	Front-V6 - 3.8L Hardware Not Included		SBM310		
	1986-85	Front-V8 - 5.0L Hardware Not Included		SBM310		
	1984-83	Front-All Hardware Not Included		SBM310		
	1982-80	Front-All Hardware Not Included		SBM152		
	1979-72	Front-All Hardware Included		SBM50		
	2005-04	Rear-All Hardware Included		SBC806		
	2003	Rear-V8 - 3.9L Hardware Included		SBC806		
	2002	Rear-All Hardware Included		SBC806		
	1997-93	Rear-All Hardware Not Included		SBC599		
	1992-87	Rear-All Hardware Included		SBC347		
	1978-77	Rear-All Hardware Included		SBM50		
	Drum Brake Shoe	1962	Front-All		265	
		1961	Front-All Late		265	
		1956-55	Front-All		263	
		1997-89	Rear-All w/ 9.84" X 1.85" Brakes		618	
		1988-80	Rear-All w/ 9" X 1-3/4" Brakes		474	
		1988-80	Rear-All w/ 9" X 1-3/4" Brakes		569	
		1988-80	Rear-All w/ 10" Brakes		151	
1988-80		Rear-All w/ 10" Brakes		267		
1979-77		Rear-All		263		
1976-73		Rear-All		264		
1972		Rear-All w/ 11-1/32" X 2-1/4" Brakes		263		
1971-67		Rear-All		263		
1966-65		Rear-All w/ 11.09" X 2.5" Brakes		183		
1964-61		Rear-All		264		
1958-57		Rear-All		228		
Disc Brake Rotor		2005-02	Front-All 300mm		PRT5270	
		1997-96	Front-All Sport Suspension		PRT5050	
		1997-96	Front-All Standard Suspension		PRT1903	
		1995-93	Front-All		PRT1903	
	1992-91	Front-All Base		PRT1903		
	1992-91	Front-All LX		PRT1903		
	1992-91	Front-All Super Coupe		PRT1903		
	1990	Front-All Base		PRT1470		
	1990	Front-All LX		PRT1470		
	1990	Front-All Super Coupe		PRT1470		
	1989	Front-All Base		PRT1399		
	1989	Front-All LX		PRT1399		
	1968	Front-All		PRT1023		
	2005-02	Rear-All		PRT5269		
	1997-93	Rear-All		PRT1880		
	1992-90	Rear-All Super Coupe		PRT1713FC		
	1992-89	Rear-All Base		PRT1713FC		
	1992-89	Rear-All LX		PRT1713FC		

BENDIX BRAKE PARTS

PART TYPE	YEAR	APPLICATION	PREMIUM NO.	PART NO.	SEVERE DUTY NO.
Ford (Cont'd.)					
Thunderbird (Cont'd.)					
Disc Brake Rotor (cont'd)	1988-87	Rear-All Base		PRT1527FC	
	1988-87	Rear-All LX		PRT1527FC	
	1988-87	Rear-All Sport		PRT1527FC	
	1976-73	Rear Left-All		PRT1124	
Disc Brake Rotor and Hub Assembly	1976-73	Rear Right-All		PRT1125	
	1988-87	Front-All 4-Wheel ABS		PRT1582	
	1988-87	Front-All Non-ABS, Non-ABS		PRT1169	
	1986-80	Front-All		PRT1169	
	1979-77	Front-All		PRT1078	
	1976-74	Front-All		PRT1079	
	1973	Front-All		PRT1070	
Brake Drum	1971-70	Front-All		PRT1016	
	1997-93	Rear-All INC. HUB		PDR0718	
	1992-90	Rear-All Base, INC. HUB		PDR0718	
	1992-90	Rear-All LX, INC. HUB		PDR0718	
	1992-90	Rear-All Super Coupe, INC. HUB		PDR0718	
	1989-85	Rear-All 9 x 1 3/4" Brakes		PDR0371	
	1989-80	Rear-All 10 x 1 3/4" Brakes		PDR0372	
	1984-83	Rear-All 9 x 1 3/4" Brakes		PDR0427	
	1982-80	Rear-All 9 x 1 3/4" Brakes		PDR0371	
	1979-77	Rear-All		PDR0345	
	1976-73	Rear-All		PDR0273	
	Torino				
Disc Brake Pad Set	1976-72	Front-All Hardware Included		SBM50	
	1971-68	Front-All Hardware Not Included		SB34	
Drum Brake Shoe	1971-68	Front-All w/ 10" X 2-1/2" Brakes		169	
	1971-68	Front-All w/ 10" X 2-1/4" Brakes		154	
	1976-72	Rear-All w/ 11-1/32" X 2-1/4" Brakes		263	
	1976	Rear-All w/ 11-1/32" X 2-1/2" Brakes		264	
	1975-68	Rear-All w/ 10" X 2-1/2" Brakes		169	
	1972-68	Rear-All w/ 10" X 2" Brakes		152	
	1968	Rear-All w/ 10" X 1-3/4" Brakes		151	
	1968	Rear-All w/ 10" X 1-3/4" Brakes		267	
Disc Brake Rotor and Hub Assembly	1976-74	Front-All exc. Police, HD		PRT1078	
	1973-72	Front-All exc. Police, HD		PRT1036	
	1971-70	Front-All		PRT1019	
	1969-68	Front-All		PRT1018	
Brake Drum	1971-68	Front-All		PDR0010	
	1976-73	Rear-All 11 1/32 x 2 1/2" Brakes		PDR0273	
	1976	Rear-All 11 1/32 x 2 1/4" Brakes		PDR0345	
	1975-73	Rear-All 11 1/32 x 2 1/4" Brakes		PDR0202	
	1975-72	Rear-All 10 x 2 1/2" Brakes		PDR0236	
	1971-68	Rear-All 10 x 2" Brakes		PDR0136	
	1969-68	Rear-All 10 x 1 3/4" Brakes		PDR0127	
Transit-150					
Disc Brake Pad Set	2018-15	Front-All Hardware Included	CFM1774	SBM1774	MKD1774FM
	2018-17	Rear-All Hardware Included	CFM1775	SBM1775	MKD1775FM
	2016-15	Rear-All Exc. Custom (Latin America)	CFM1775	SBM1775	MKD1775FM
Disc Brake Rotor	2019-15	Front-All		PRT6279	
	2018-15	Front-All			SDR6279
	2019-15	Rear-All		PRT6280	
	2018-15	Rear-All			SDR6280
Transit-250					
Disc Brake Pad Set	2018-15	Front-All Hardware Included	CFM1774	SBM1774	MKD1774FM
	2018-17	Rear-All Hardware Included	CFM1775	SBM1775	MKD1775FM
	2016-15	Rear-All Exc. Custom (Latin America)	CFM1775	SBM1775	MKD1775FM
Disc Brake Rotor	2019-15	Front-All		PRT6279	
	2018-15	Front-All			SDR6279
	2019-15	Rear-All		PRT6280	
	2018-15	Rear-All			SDR6280
Transit-350					
Disc Brake Pad Set	2018-15	Front-All Hardware Included	CFM1774	SBM1774	MKD1774FM
	2018-17	Rear-All Hardware Included	CFM1775	SBM1775	MKD1775FM
	2016-15	Rear-All Exc. Custom (Latin America)	CFM1775	SBM1775	MKD1775FM
Disc Brake Rotor	2019-15	Front-All		PRT6279	
	2018-15	Front-All			SDR6279
	2019-15	Rear-All		PRT6280	
	2018-15	Rear-All			SDR6280
Transit-350 HD					
Disc Brake Pad Set	2018-15	Front-All Hardware Included	CFM1774	SBM1774	MKD1774FM
	2018-17	Rear-All Hardware Included	CFM1775	SBM1775	MKD1775FM
	2016-15	Rear-All Exc. Custom (Latin America)	CFM1775	SBM1775	MKD1775FM

BENDIX BRAKE PARTS

PART TYPE	YEAR	APPLICATION	PREMIUM NO.	PART NO.	SEVERE DUTY NO.	
Ford (Cont'd.)						
Transit-350 HD (Cont'd.)						
Disc Brake Rotor	2019	Front-All		PRT6281		
	2018-15	Front-All Dual Rear Wheels		PRT6281	SDR6281	
	2019	Rear-All		PRT6282		
	2018-15	Rear-All Dual Rear Wheels		PRT6282	SDR6282	
Transit Connect						
Disc Brake Pad Set	2019-18	Front-All Hardware Included	CFC1645		MKD1645FM	
	2019-18	Front-All Hardware Not Included		SBC1645		
	2017	Front-All Hardware Included		SBC2039	MKD2039FM	
	2016-15	Front-All Hardware Included	CFC1645		MKD1645FM	
	2016-15	Front-All Hardware Not Included		SBC1645		
	2014	Front-All Exc. Custom (Latin America)	CFC1645	SBC1645	MKD1645FM	
	2013	Front-All Hardware Included	CFC970		MKD970FM	
	2013	Front-All Hardware Not Included		SBC970		
	2012	Front-All Electric, ELECTRIC, Hardware Included	CFC970		MKD970FM	
	2012	Front-All Electric, ELECTRIC, Hardware Not Included		SBC970		
	2012	Front-L4 - 2.0L XL, Hardware Included	CFC970		MKD970FM	
	2012	Front-L4 - 2.0L XL, Hardware Not Included		SBC970		
	2012	Front-L4 - 2.0L XLT, Hardware Included	CFC970		MKD970FM	
	2012	Front-L4 - 2.0L XLT, Hardware Not Included		SBC970		
	2012	Front-L4 - 2.0L XLT Premium, Hardware Included	CFC970		MKD970FM	
	2012	Front-L4 - 2.0L XLT Premium, Hardware Not Included		SBC970		
	2011-10	Front-All Hardware Included	CFC970		MKD970FM	
	2011-10	Front-All Hardware Not Included		SBC970		
	2019-16	Rear-All Hardware Included	CFC1564	SBC1564	MKD1564FM	
	2015-14	Rear-All Exc. Custom (Latin America)	CFC1564	SBC1564	MKD1564FM	
Drum Brake Shoe	2013-10	Rear-All w/ 9" x 2.25" Brakes		974		
Disc Brake Rotor	2018-14	Front-All		PRT6283		
	2016-14	Front-All			SDR6283	
	2013-10	Front-All		PRT5988	SDR5988	
	2018-14	Rear-All		PRT6200		
	2016-14	Rear-All			SDR6200	
Brake Drum	2013-10	Rear-All		PDR0840		
Victoria						
Drum Brake Shoe	1954	Front-All w/ 10" X 2-1/4" Brakes		154		
Windstar						
Disc Brake Pad Set	2003-99	Front-V6 - 3.8L Hardware Included	CFC803	SBC803		
	2000-99	Front-V6 - 3.0L Hardware Included	CFC803	SBC803		
	1998-95	Front-All Hardware Included		SBM601		
	1998-95	Front-All Hardware Included	CFC601	SBC601		
	2003-95	Rear-V6 - 3.8L Hardware Included		SBM664		
	2000-95	Rear-V6 - 3.0L Hardware Included		SBM664		
	2003-95	Rear-All		665		
Drum Brake Shoe	2003-95	Rear-All		701		
Parking Brake Shoe	2003-95	Rear-All		701		
Disc Brake Rotor	2003-99	Front-All		PRT5244		
	1998-95	Front-All		PRT1903		
	2003-95	Rear-All Rear Disc		PRT5053		
Brake Drum	2003-95	Rear-All Rear Drum, 15" X 5.5"		PDR0659		
Freightliner						
Business Class M2						
Disc Brake Pad Set	2007-04	Front-All w/ 66mm Dual Piston Bosch Caliper			MKD786AFM	
	2007-04	Front-All w/ 73mm Dual Piston Bosch Caliper			MKD786FM	
FL50						
Disc Brake Pad Set	2005-00	Front-All w/ 73mm Dual Piston Bosch Caliper			MKD786FM	
	2004-00	Front-All w/ 66mm Dual Piston Bosch Caliper			MKD786AFM	
	2004-95	Front-All w/ 2.60" Dual Piston Rail Slide Bendix Calipers			MKD717FM	
	2004-95	Front-All w/ 2.88" Dual Piston Bendix Calipers			MKD225AFM	
	2005-00	Rear-All w/ 73mm Dual Piston Bosch Caliper			MKD786FM	
	2004-00	Rear-All w/ 66mm Dual Piston Bosch Caliper			MKD786AFM	
	2004-95	Rear-All w/ 2.60" Dual Piston Rail Slide Bendix Calipers			MKD717FM	
	2004-95	Rear-All w/ 2.88" Dual Piston Bendix Calipers			MKD225AFM	
	Disc Brake Rotor	2004-98	Front-All w/ ABS Ring, 10 Hole Rotor Hat		PRT5348	
		2004-98	Rear-All w/ ABS Ring, 10 Hole Rotor Hat		PRT5348	
FL60						
Disc Brake Pad Set	2004-00	Front-All w/ 66mm Dual Piston Bosch Caliper			MKD786AFM	
	2004-00	Front-All w/ 73mm Dual Piston Bosch Caliper			MKD786FM	
	2004-92	Front-All w/ 2.60" Dual Piston Rail Slide Bendix Calipers			MKD717FM	
	2004-91	Front-All w/ 2.88" Dual Piston Bendix Calipers			MKD225AFM	
	2004-00	Rear-All w/ 66mm Dual Piston Bosch Caliper			MKD786AFM	
	2004-00	Rear-All w/ 73mm Dual Piston Bosch Caliper			MKD786FM	
	2004-92	Rear-All w/ 2.60" Dual Piston Rail Slide Bendix Calipers			MKD717FM	
	2004-92	Rear-All w/ 2.88" Dual Piston Bendix Calipers			MKD225AFM	
Disc Brake Rotor	2004-98	Front-All w/ ABS Ring, 10 Hole Rotor Hat		PRT5348		

BENDIX BRAKE PARTS

PART TYPE	YEAR	APPLICATION	PREMIUM NO.	PART NO.	SEVERE DUTY NO.
Freightliner (Cont'd.)					
FL60 (Cont'd.)					
Disc Brake Rotor (cont'd)	2004-98	Rear-All w/ ABS Ring, 10 Hole Rotor Hat		PRT5348	
FL70					
Disc Brake Pad Set	2004-00	Front-All w/ 66mm Dual Piston Bosch Caliper			MKD786AFM
	2004-00	Front-All w/ 73mm Dual Piston Bosch Caliper			MKD786FM
	2004-92	Front-All w/ 2.60" Dual Piston Rail Slide Bendix Calipers			MKD717FM
	2004-91	Front-All w/ 2.88" Dual Piston Bendix Calipers			MKD225AFM
	2004-00	Rear-All w/ 66mm Dual Piston Bosch Caliper			MKD786AFM
	2004-00	Rear-All w/ 73mm Dual Piston Bosch Caliper			MKD786FM
	2004-92	Rear-All w/ 2.60" Dual Piston Rail Slide Bendix Calipers			MKD717FM
	2004-91	Rear-All w/ 2.88" Dual Piston Bendix Calipers			MKD225AFM
Disc Brake Rotor	2004-98	Front-All w/ ABS Ring, 10 Hole Rotor Hat		PRT5348	
	2004-98	Rear-All w/ ABS Ring, 10 Hole Rotor Hat		PRT5348	
FS65					
Disc Brake Pad Set	2006-99	Front-All w/ 66mm Dual Piston Bosch Caliper			MKD786AFM
	1999	Front-All w/ 73mm Dual Piston Bosch Caliper			MKD786FM
	1998-97	Front-All w/ 2.88" Calipers			MKD225AFM
	2006-99	Rear-All w/ 66mm Dual Piston Bosch Caliper			MKD786AFM
	1999	Rear-All w/ 73mm Dual Piston Bosch Caliper			MKD786FM
	1998-97	Rear-All w/ 2.88" Calipers			MKD225AFM
M2 106					
Disc Brake Pad Set	2013-03	Front-All w/ 66mm Dual Piston Bosch Caliper			MKD786AFM
	2013	Front-All w/ 73mm Dual Piston Bosch Caliper			MKD786FM
	2010-03	Front-All w/ 73mm Dual Piston Bosch Caliper			MKD786FM
	2013-03	Rear-All w/ 66mm Dual Piston Bosch Caliper			MKD786AFM
	2013	Rear-All w/ 73mm Dual Piston Bosch Caliper			MKD786FM
	2010-03	Rear-All w/ 73mm Dual Piston Bosch Caliper			MKD786FM
	Disc Brake Rotor	2006-04	Front-All 5 Hole Hat Rotor, Cast in ABS Ring		PRT5349
2006-04		Front-All w/ ABS Ring, 10 Hole Rotor Hat, 3.21" OAH		PRT5348	
2006-04		Front-All w/out ABS Brakes, Hat Shaped 6 Hole Rotor		PRT1475	SDR1475
2006-04		Rear-All 5 Hole Hat Rotor, Cast in ABS Ring		PRT5349	
2006-04		Rear-All w/ ABS Ring, 10 Hole Rotor Hat, 3.21" OAH		PRT5348	
2006-04		Rear-All w/out ABS Brakes, Hat Shaped 6 Hole Rotor		PRT1475	SDR1475
M2 112					
Disc Brake Pad Set	2012-09	Front-All w/ 66mm Dual Piston Bosch Caliper			MKD786AFM
	2012-09	Rear-All w/ 66mm Dual Piston Bosch Caliper			MKD786AFM
MB60					
Disc Brake Pad Set	1994-92	Front-All w/ 2.60" Bendix Dual Piston Rail Side Calipers			MKD717FM
	1994-92	Front-All w/ 2.88" Dual Piston Bendix Calipers			MKD225AFM
	1994-92	Rear-All w/ 2.60" Bendix Dual Piston Rail Side Calipers			MKD717FM
	1994-92	Rear-All w/ 2.88" Dual Piston Bendix Calipers			MKD225AFM
MB70					
Disc Brake Pad Set	1994-92	Front-All w/ 2.60" Bendix Dual Piston Rail Side Calipers			MKD717FM
	1994-92	Front-All w/ 2.88" Dual Piston Bendix Calipers			MKD225AFM
	1994-92	Rear-All w/ 2.60" Bendix Dual Piston Rail Side Calipers			MKD717FM
	1994-92	Rear-All w/ 2.88" Dual Piston Bendix Calipers			MKD225AFM
MB Line					
Disc Brake Pad Set	2013-10	Front-All w/ 66mm Dual Piston Bosch Caliper			MKD786AFM
	2013-10	Front-All w/ 73mm Dual Piston Bosch Caliper			MKD786FM
	2013-10	Rear-All w/ 66mm Dual Piston Bosch Caliper			MKD786AFM
	2013-10	Rear-All w/ 73mm Dual Piston Bosch Caliper			MKD786FM
MC Line					
Disc Brake Pad Set	2012-06	Front-All w/ 66mm Dual Piston Bosch Caliper			MKD786AFM
	2012-06	Front-All w/ 73mm Dual Piston Bosch Caliper			MKD786FM
	2012-06	Rear-All w/ 66mm Dual Piston Bosch Caliper			MKD786AFM
	2012-06	Rear-All w/ 73mm Dual Piston Bosch Caliper			MKD786FM
MT35					
Disc Brake Pad Set	2009-06	Front-All w/ 66mm Dual Piston Bosch Caliper			MKD786AFM
	2005-00	Front-All w/ Bendix Calipers			MKD717FM
	2005-00	Front-All w/ Dayton Calipers			MKD224FM
	2009-06	Rear-All w/ 66mm Dual Piston Bosch Caliper			MKD786AFM
	2005-00	Rear-All w/ Bendix Calipers			MKD717FM
	2005-00	Rear-All w/ Dayton Calipers			MKD224FM
MT45					
Disc Brake Pad Set	2011-06	Front-All w/ 66mm Dual Piston Bosch Caliper			MKD786AFM
	2009-07	Front-All w/ 73mm Dual Piston Bosch Caliper			MKD786FM
	2005-00	Front-All w/ Bendix Calipers			MKD717FM
	2005-00	Front-All w/ Dayton Calipers			MKD224FM
	2011-06	Rear-All w/ 66mm Dual Piston Bosch Caliper			MKD786AFM
	2009-07	Rear-All w/ 73mm Dual Piston Bosch Caliper			MKD786FM
	2005-00	Rear-All w/ Bendix Calipers			MKD717FM
	2005-00	Rear-All w/ Dayton Calipers			MKD224FM

BENDIX BRAKE PARTS

PART TYPE	YEAR	APPLICATION	PREMIUM NO.	PART NO.	SEVERE DUTY NO.	
Freightliner (Cont'd.)						
MT45 (Cont'd.)						
Disc Brake Rotor	2008-07	Front-All 10 Hole Rotor Hat, w/ ABS Brakes, Cast in ABS Exciter Ring		PRT5348		
	2008-04	Front-All 5 Hole Hat Rotor, Cast in ABS Ring		PRT5349		
	2008-07	Rear-All 5 Hole Hat Rotor, Cast in ABS Ring		PRT5349		
	2008-07	Rear-All 10 Hole Rotor Hat, w/ ABS Brakes, Cast in ABS Exciter Ring		PRT5348		
MT55						
Disc Brake Pad Set	2015-06	Front-All w/ 66mm Dual Piston Bosch Caliper			MKD786AFM	
	2009-07	Front-All w/ 73mm Dual Piston Bosch Caliper			MKD786FM	
	2005-00	Front-All w/ Bendix Calipers			MKD717FM	
	2005-00	Front-All w/ Dayton Calipers			MKD224FM	
	2003-99	Front-All w/ 2.88" Calipers			MKD225AFM	
	2015-06	Rear-All w/ 66mm Dual Piston Bosch Caliper			MKD786AFM	
	2009-07	Rear-All w/ 73mm Dual Piston Bosch Caliper			MKD786FM	
	2005-00	Rear-All w/ Bendix Calipers			MKD717FM	
	2005-00	Rear-All w/ Dayton Calipers			MKD224FM	
	2003-99	Rear-All w/ 2.88" Calipers			MKD225AFM	
Disc Brake Rotor	2008-07	Front-All 5 Hole Hat Rotor, Cast in ABS Ring		PRT5349		
	2008-07	Front-All 10 Hole Rotor Hat, w/ ABS Brakes, Cast in ABS Exciter Ring		PRT5348		
	2008-07	Rear-All 5 Hole Hat Rotor, Cast in ABS Ring		PRT5349		
	2008-07	Rear-All 10 Hole Rotor Hat, w/ ABS Brakes, Cast in ABS Exciter Ring		PRT5348		
S2						
Disc Brake Pad Set	2011	Front-All w/ 73mm Dual Piston Bosch Caliper			MKD786FM	
	2011	Rear-All w/ 73mm Dual Piston Bosch Caliper			MKD786FM	
S2C						
Disc Brake Pad Set	2013	Front-All w/ 73mm Dual Piston Bosch Caliper			MKD786FM	
	2013	Rear-All w/ 73mm Dual Piston Bosch Caliper			MKD786FM	
Sprinter 2500						
Disc Brake Pad Set	2017-13	Front-All Hardware Included		SBM1693	MKD1693FM	
	2012-10	Front-V6 - 3.0L DIESEL, Hardware Included		SBM1693	MKD1693FM	
	2009-07	Front-V6 - 3.0L Hardware Included		SBM1693	MKD1693FM	
	2008-07	Front-V6 - 3.5L Hardware Included		SBM1693	MKD1693FM	
	2006	Front-All Hardware Included			MKD949FM	
	2006	Front-All Hardware Not Included		SBM949		
	2005-02	Front-All w/ Bosch System		SBM949	MKD949FM	
	2005-02	Front-All w/ Teves Brake System		SBM950	MKD950FM	
	2017-13	Rear-All Hardware Included	CFM1317	SBM1317	MKD1317FM	
	2012-10	Rear-V6 - 3.0L DIESEL, Hardware Included	CFM1317	SBM1317	MKD1317FM	
	2009-07	Rear-V6 - 3.0L Hardware Included	CFM1317	SBM1317	MKD1317FM	
	2008-07	Rear-V6 - 3.5L Hardware Included	CFM1317	SBM1317	MKD1317FM	
	2006-02	Rear-All w/ 272mm Rear Brake Rotors		SBM928	MKD928FM	
	2006-02	Rear-All w/ 285mm Rear Brake Rotors		SBM949	MKD949FM	
	Parking Brake Shoe	2014-07	Rear-All w/ 6.82" X 1.65" Brakes		940	
		2012-11	Rear-All w/ 6.32" X 1.58" Brakes		938	
		2006-02	Rear-All w/ 6.32" X 1.58" Brakes		866	
	Disc Brake Rotor	2012-07	Front-All		PRT5825	SDR5825
		2006-02	Front-All 276mm Rotor Diameter, Counter Sunk Hole In Rotor Hat; Vented; 275.7mm		PRT5424	SDR5424
2006-02		Front-All 276mm Rotor Diameter, Stepped Hole In Rotor Hat; Vented; 275.8mm		PRT5431	SDR5431	
2006-02		Front-All 285mm Rotor Diameter		PRT5669	SDR5669	
2009-07		Rear-All		PRT5827	SDR5827	
2006-02		Rear-All Solid Rotors		PRT5432	SDR5432	
2006-02		Rear-All Vented Rotors		PRT5768	SDR5768	
2003		Rear-All To axle #L874988, X304860, Z16213		PRT5704		
Sprinter 3500						
Disc Brake Pad Set	2017-13	Front-All Hardware Included	CFM1699	SBM1699	MKD1699FM	
	2012-10	Front-V6 - 3.0L DIESEL, Hardware Included	CFM1699	SBM1699	MKD1699FM	
	2009-07	Front-V6 - 3.0L Hardware Included	CFM1699	SBM1699	MKD1699FM	
	2008-07	Front-V6 - 3.5L Hardware Included	CFM1699	SBM1699	MKD1699FM	
	2006-02	Front-All w/ Bosch System		SBM949	MKD949FM	
	2006-02	Front-All w/ Teves Brake System		SBM950	MKD950FM	
	2017-15	Rear-All Hardware Included	CFM1317	SBM1317	MKD1317FM	
	2014-13	Rear-All w/ Dual Rear Wheels	CFM1318	SBM1318	MKD1318FM	
	2014-13	Rear-All w/ Single Rear Wheels	CFM1317	SBM1317	MKD1317FM	
	2012-10	Rear-V6 - 3.0L DIESEL, w/ Dual Rear Wheels	CFM1318	SBM1318	MKD1318FM	
	2012-10	Rear-V6 - 3.0L DIESEL, w/ Single Rear Wheels	CFM1317	SBM1317	MKD1317FM	
	2009-07	Rear-V6 - 3.0L Hardware Included	CFM1318	SBM1318	MKD1318FM	
	2008-07	Rear-V6 - 3.5L Hardware Included	CFM1318	SBM1318	MKD1318FM	
	2006-02	Rear-All w/ Bosch System		SBM928	MKD928FM	
	2006-02	Rear-All w/ WABCO, Perrot System		SBM949	MKD949FM	
	Parking Brake Shoe	2014-07	Rear-All w/ 6.82" X 1.65" Brakes		940	
		2006-02	Rear-All w/ 6.32" X 1.58" Brakes		866	

BENDIX BRAKE PARTS

PART TYPE	YEAR	APPLICATION	PREMIUM NO.	PART NO.	SEVERE DUTY NO.	
Freightliner (Cont'd.)						
Sprinter 3500 (Cont'd.)						
Parking Brake Shoe (cont'd)	2006-02	Rear-All w/ 6.63" X 1.58" Brakes		865		
Disc Brake Rotor	2016-12	Front-All		PRT5825		
	2009-07	Front-All		PRT5825	SDR5825	
	2006-02	Front-All 276mm Rotor Diameter, Counter Sunk Hole In Rotor Hat; Vented; 275.7mm		PRT5424	SDR5424	
	2006-02	Front-All 276mm Rotor Diameter, Stepped Hole In Rotor Hat; Vented; 275.8mm		PRT5431	SDR5431	
	2006-02	Front-All 285mm Rotor Diameter		PRT5669	SDR5669	
	2009-07	Rear-All		PRT5827	SDR5827	
	2006-02	Rear-All 10.71" Outside Diameter		PRT5432	SDR5432	
	2006-02	Rear-All 285mm Rotor Diameter		PRT5768	SDR5768	
Genesis						
G80						
Disc Brake Pad Set	2018	Front-All 3.8, Hardware Included	CFC2101			
	2018	Front-All Sport, Hardware Included	CFC1799			
	2017	Front-All Hardware Included	CFC1975			
	2017	Rear-All Hardware Included	CFC1976			
Disc Brake Rotor	2017	Front-V6 - 3.8L		PRT6095		
	2017	Front-V8 - 5.0L		PRT6158		
	2018	Rear-V6 - 3.8L		PRT6126		
	2018	Rear-V8 - 5.0L		PRT6126		
	2017	Rear-All		PRT6126		
G90						
Disc Brake Pad Set	2018-17	Front-All Hardware Included	CFC1975			
	2017	Rear-All Hardware Included	CFC1976			
Geo						
Metro						
Disc Brake Pad Set	1997-95	Front-All Hardware Included		SBM451		
	1994	Front-All CAN, Hardware Included		SBM451		
	1994	Front-L3 - 1.0L USA, Hardware Not Included		SBM420		
	1993-92	Front-L3 - 1.0L XFi, Hardware Not Included		SBM420		
	1993-92	Front-L4 - 1.3L Hardware Included		SBM451		
	1993	Front-L3 - 1.0L Base, Hardware Not Included		SBM420		
	1993	Front-L3 - 1.0L LSi, Hardware Not Included		SBM420		
	1992	Front-L3 - 1.0L Base, Hatchback, Hardware Not Included		SBM420		
	1992	Front-L3 - 1.0L LSi, Hatchback, Hardware Not Included		SBM420		
	1992	Front-L3 - 1.0L LSi, Sedan, Hardware Not Included		SBM420		
	1991-90	Front-All Base, Hatchback, Hardware Not Included		SBM420		
	1991-90	Front-All Convertible, Hardware Included		SBM451		
	1991-90	Front-All LSi, Hatchback, Hardware Not Included		SBM420		
	1991-90	Front-All XFi, Hatchback, Hardware Not Included		SBM420		
	1989	Front-All Hardware Included		SBM451		
	Drum Brake Shoe	1997	Rear-All 2 Doors, Hatchback		724	
		1997	Rear-All 4 Doors, Sedan		732	
		1996-95	Rear-All 2 Doors, Hatchback		608	
		1996-95	Rear-All 4 Doors, Sedan		630	
		1994-92	Rear-All w/ 7.87" X 1.24" Brakes		630	
1994-89		Rear-All w/ 7.09" X 1.05" Brakes		608		
Disc Brake Rotor	1997-95	Front-All		PRT1545		
	1994-89	Front-All Solid Rotors		PRT1403		
	1994-89	Front-All Vented Rotors		PRT1545		
Brake Drum	1997-95	Rear-All 2 Doors, 4-Wheel ABS		PDR0677		
	1997-95	Rear-All 2 Doors, Non-ABS		PDR0591		
	1997-95	Rear-All 4 Doors, Sedan, 200.2mm		PDR0652		
	1994	Rear-All INCL.HUB		PDR0573		
	1993-90	Rear-All 2 Doors		PDR0591		
	1993-90	Rear-All 4 Doors, Hatchback, INCL.HUB		PDR0573		
	1989	Rear-All INCL.HUB		PDR0573		
Prizm						
Disc Brake Pad Set	1997-93	Front-All Hardware Included	CFC562			
	1997-93	Front-All Hardware Not Included		SBC562		
	1992-89	Front-All Hardware Included		SBC242		
Drum Brake Shoe	1997-93	Rear-All w/ 7.88" X 1.21" Brakes		551		
	1997-93	Rear-All w/ 7.88" X 1.21" Brakes		597		
	1992-91	Rear-All LSi		597		
	1992-91	Rear-All LSi, In Supersession Process, Exhaust Current Inventory		551		
	1992-90	Rear-All Base		597		
	1992-90	Rear-All Base, In Supersession Process, Exhaust Current Inventory		551		
	1989	Rear-All w/ 7.88" X 1.21" Brakes		551		
	1989	Rear-All w/ 7.88" X 1.21" Brakes		597		
Disc Brake Rotor	1997-93	Front-All		PRT1869		

BENDIX BRAKE PARTS

PART TYPE	YEAR	APPLICATION	PREMIUM NO.	PART NO.	SEVERE DUTY NO.
Geo (Cont'd.)					
Prizm (Cont'd.)					
Disc Brake Rotor (cont'd)	1992-89	Front-All Vented; 238mm		PRT1486	
Brake Drum	1997-93	Rear-All		PDR0661	
	1992-89	Rear-All 200mm		PDR0515	
Spectrum					
Disc Brake Rotor	1989	Front-All		PRT1385	
Brake Drum	1989	Rear-All		PDR0470	
Storm					
Disc Brake Pad Set	1993-90	Front-All Hardware Included		SBM525	
Disc Brake Rotor	1993-90	Front-All Vented; 248mm		PRT1546	
Brake Drum	1993-90	Rear-All 2+2		PDR0601	
	1993-90	Rear-All Base		PDR0601	
Tracker					
Disc Brake Pad Set	1997-96	Front-All 2 Doors, Hardware Included		SBM418	
	1997-96	Front-All 4 Doors, Hardware Included		SBC556	
	1995-89	Front-All Hardware Included		SBM418	
Drum Brake Shoe	1997-96	Rear-All 2 Doors		710	
	1997-96	Rear-All 4 Doors		711	
	1995-91	Rear-All w/ 8.66" X 1.39" Brakes		641	
Disc Brake Rotor	1997-96	Front-All Solid Rotor		PRT1710	
	1997-96	Front-All Vented Rotors		PRT1732	
	1995-89	Front-All		PRT1710	
Brake Drum	1997-96	Rear-All Soft Top		PDR0683	
	1995-89	Rear-All		PDR0544	
GMC					
100					
Drum Brake Shoe	1959-58	Front-All 4WD		228	
	1957-51	Front-All		228	
	1959-58	Rear-All 4WD		228	
1000 Series					
Drum Brake Shoe	1965-64	Front-All w/ 11" X 2" Brakes		228	
	1963-60	Front-All RWD, w/ 11" X 2" Brakes		228	
	1965-64	Rear-All 4WD, Rear Coil Spring		228	
	1963-60	Rear-All		228	
Brake Drum	1965-60	Front-All		PDR0023	
	1965-60	Rear-All		PDR0023	
Acadia					
Disc Brake Pad Set	2018-17	Front-All Hardware Included	CFC1896	SBC1896	
	2016-15	Front-All Hardware Included	CFC1169	SBC1169	MKD1169FM
	2014-07	Front-All Hardware Included	CFC1169A	SBC1169A	MKD1169AFM
	2018-17	Rear-All Hardware Included	CFM1877	SBM1877	
	2016-10	Rear-All Hardware Included	CFC883	SBC883	MKD883FM
	2009-07	Rear-V6 - 3.6L Hardware Included	CFC883	SBC883	MKD883FM
Parking Brake Shoe	2015	Rear-All		933	
	2012-07	Rear-All		933	
Disc Brake Rotor	2016-07	Front-All		PRT5748	
	2016-07	Rear-All		PRT5749	
Acadia Limited					
Disc Brake Pad Set	2017	Front-All Hardware Included	CFC1896	SBC1896	
	2017	Rear-All Hardware Included	CFM1877	SBM1877	
Disc Brake Rotor	2017	Front-All		PRT5748	
	2017	Rear-All		PRT5749	
B7					
Disc Brake Pad Set	2002-93	Front-All B7T042, School Bus Chassis			MKD224FM
	1999-93	Front-All B7T042, School Bus Chassis			MKD225FM
	2002-93	Rear-All B7T042, School Bus Chassis			MKD224FM
	1999-93	Rear-All B7T042, School Bus Chassis			MKD225FM
Disc Brake Rotor	2002-93	Front-All 5 Bolt Holes, 15,000 LB Rear Axle, Exc. Tapped Holes For ABS		PRT1271	
	2002-93	Front-All 10 Bolt Holes, Exc. 15,000 LB Rear Axle		PRT1272	SDR1272
	2000-99	Front-All 15,000# Rear Axle, Exc. Tapped Holes for ABS		PRT1271	
	2000-99	Front-All Rotor Casting # 23-123434-005, 11,000# GVW Frt. Axle		PRT5763	SDR5763
	2000-99	Front-All w/ ABS Mounting Holes, 15,000 GVWR		PRT5574	SDR5574
	1998-97	Front-All 10 Bolt Holes, Casting #23-123434-005, 19,000# Single rear axle, 11,000# GVW Frt Axle		PRT5763	SDR5763
	1998-93	Front-All 5 Bolt Holes, 5.41" Pilot Hole, W/ Tapped Holes For ABS Exciter Ring		PRT5574	SDR5574
	2002-93	Rear-All 5 Bolt Holes, 15,000 LB Rear Axle, Exc. Tapped Holes For ABS		PRT1271	
	2002-93	Rear-All 10 Bolt Holes, Exc. 15,000 LB Rear Axle		PRT1272	SDR1272
	1998-97	Rear-All Includes Hub Mounting Holes, Rotor Casting # 23-123434-005, 19060S, 19060T Eaton Rear Axle Stamped H		PRT5346	SDR5346

BENDIX BRAKE PARTS

PART TYPE	YEAR	APPLICATION	PREMIUM NO.	PART NO.	SEVERE DUTY NO.
GMC (Cont'd.)					
B7 (Cont'd.)					
Disc Brake Rotor (cont'd)	1998-93	Rear-All 5 Bolt Holes, 5.41" Pilot Hole, W/ Tapped Holes For ABS Exciter Ring		PRT5574	SDR5574
Brake Drum	1994-93	Rear-All 20" Cast Steel Wheels		PDR0787	
B6000					
Disc Brake Pad Set	1991-88	Front-All w/ 2.50" Dayton Dual Piston Calipers			MKD224FM
	1991-88	Front-All w/ 2.88" Dual Piston Bendix Calipers			MKD225FM
	1987-85	Front-All B6P042, School Bus Chassis			MKD224FM
	1987-85	Front-All B6P042, School Bus Chassis			MKD225FM
	1984-83	Front-All w/ 2.50" Dayton Dual Piston Calipers			MKD224FM
	1991-88	Rear-All w/ 2.50" Dayton Dual Piston Calipers			MKD224FM
	1991-88	Rear-All w/ 2.88" Dual Piston Bendix Calipers			MKD225FM
	1987-85	Rear-All B6P042, School Bus Chassis			MKD224FM
	1987-85	Rear-All B6P042, School Bus Chassis			MKD225FM
	1984-83	Rear-All w/ 2.50" Dayton Dual Piston Calipers			MKD224FM
Disc Brake Rotor	1991-83	Front-All 5 Hole Hat Rotor, W/Tapped Hole For ABS Ring		PRT5574	SDR5574
	1991-80	Front-All 5 Hole Hat Rotor, Except Tapped Holes for ABS Ring		PRT1271	
	1991-80	Front-All 10 Hole Rotor Hat Shaped		PRT1272	SDR1272
	1991-80	Front-All Hat Shaped 6 Hole Rotor; 5.41" Pilot Hole		PRT1585	
	1991-80	Rear-All 5 Hole Hat Rotor, Except Tapped Holes for ABS Ring		PRT1271	
	1991-80	Rear-All 5 Hole Hat Rotor, W/Tapped Hole For ABS Ring		PRT5574	SDR5574
	1991-80	Rear-All 10 Hole Rotor Hat Shaped		PRT1272	SDR1272
	1991-80	Rear-All 10 Hole Rotor U-Shaped		PRT1606	
C15					
Disc Brake Pad Set	1978-75	Front-All Hardware Included		SBC52	MKD52FM
	1975	Rear-All Hardware Included		SBC52	MKD52FM
Drum Brake Shoe	1978-76	Rear-All w/ 11" X 2.06" Brakes		449	
	1978	Rear-All w/ 11.16" X 2.81" Brakes		473	
Disc Brake Rotor and Hub Assembly	1978-75	Front-All		PRT1043	
Brake Drum	1978-75	Rear-All 11 x 2 3/4" Brakes		PDR0501	
	1978-75	Rear-All 11 x 2" Brakes		PDR0254	
C15/C1500 Pickup					
Disc Brake Pad Set	1974-71	Front-All Hardware Included		SBC52	MKD52FM
Drum Brake Shoe	1974-70	Front-All w/ 11" X 2" Brakes		228	
	1969-67	Front-All Front Leaf Spring, w/ 11" X 2" Brakes		228	
Disc Brake Rotor and Hub Assembly	1974-71	Front-All		PRT1043	
Brake Drum	1970-67	Front-All w/ 11 x 2 3/4" Brakes		PDR0216	
	1970-67	Front-All w/ 11 x 2" Brakes		PDR0023	
	1974-71	Rear-All 11 x 2" Brakes		PDR0254	
	1974	Rear-All 11 x 2 3/4" Brakes		PDR0501	
	1970-67	Rear-All		PDR0023	
C15/C1500 Suburban					
Disc Brake Pad Set	1974-71	Front-All Hardware Included		SBC52	MKD52FM
Drum Brake Shoe	1967	Front-All		228	
	1967	Rear-All		228	
Disc Brake Rotor and Hub Assembly	1974-71	Front-All		PRT1043	
Brake Drum	1970-68	Front-All		PDR0023	
	1974-71	Rear-All 11 x 2" Brakes		PDR0254	
	1974	Rear-All 11 x 2 3/4" Brakes		PDR0501	
	1970-68	Rear-All		PDR0023	
C15 Suburban					
Disc Brake Pad Set	1978-75	Front-All Hardware Included		SBC52	MKD52FM
Drum Brake Shoe	1978-76	Rear-All w/ 11" X 2.06" Brakes		449	
	1978	Rear-All w/ 11.16" X 2.81" Brakes		473	
Disc Brake Rotor and Hub Assembly	1978-75	Front-All		PRT1043	
Brake Drum	1978-75	Rear-All 11 x 2 3/4" Brakes		PDR0501	
	1978-75	Rear-All 11 x 2" Brakes		PDR0254	
C25					
Disc Brake Pad Set	1978-75	Front-All Hardware Included		SBC52	MKD52FM
Drum Brake Shoe	1978-75	Rear-All w/ 13" X 2.57" Brakes		451	
	1978	Rear-All w/ 11.16" X 2.81" Brakes		473	
Disc Brake Rotor and Hub Assembly	1978-75	Front-All		PRT1186	
Brake Drum	1978-75	Rear-All		PDR0276	
C25/C2500 Pickup					
Disc Brake Pad Set	1974-71	Front-All Hardware Included		SBC52	MKD52FM
Drum Brake Shoe	1974	Rear-All w/ 13" X 2.57" Brakes		451	
	1972	Rear-All w/ Leaf Springs		419	
	1971	Rear-All w/ 12" X 2.5" Brakes		419	

BENDIX BRAKE PARTS

PART TYPE	YEAR	APPLICATION	PREMIUM NO.	PART NO.	SEVERE DUTY NO.
GMC (Cont'd.)					
C25/C2500 Pickup (Cont'd.)					
Disc Brake Rotor and Hub Assembly	1974-71	Front-All		PRT1186	
Brake Drum	1970-67	Front-All		PDR0024	
	1974-73	Rear-All		PDR0276	
	1972-71	Rear-All W/ leaf spring RA		PDR0253	
	1970-67	Rear-All W/ leaf spring RA		PDR0057	
C25/C2500 Suburban					
Disc Brake Pad Set	1974-71	Front-All Hardware Included		SBC52	MKD52FM
Drum Brake Shoe	1967	Front-All		228	
	1974	Rear-All w/ 13" X 2.57" Brakes		451	
	1972-71	Rear-All w/ Leaf Springs		419	
	1967	Rear-All		228	
Disc Brake Rotor and Hub Assembly	1974-71	Front-All		PRT1186	
Brake Drum	1970-68	Front-All		PDR0024	
	1974-73	Rear-All		PDR0276	
C25 Suburban					
Disc Brake Pad Set	1978-75	Front-All Hardware Included		SBC52	MKD52FM
Drum Brake Shoe	1978-75	Rear-All w/ 13" X 2.57" Brakes		451	
	1978	Rear-All w/ 11.16" X 2.81" Brakes		473	
Disc Brake Rotor and Hub Assembly	1978-75	Front-All		PRT1186	
Brake Drum	1978-75	Rear-All		PDR0276	
C35					
Disc Brake Pad Set	1978-75	Front-All Hardware Included	CFM149		MKD149FM
	1978-75	Front-All Hardware Not Included		SBM149	
	1978-75	Rear-All Hardware Included	CFM149		MKD149FM
	1978-75	Rear-All Hardware Not Included		SBM149	
Drum Brake Shoe	1978-75	Rear-All w/ 13" X 2.57" Brakes		451	
	1978-75	Rear-All w/ 13" X 3.56" Brakes		452	
Disc Brake Rotor and Hub Assembly	1978-75	Front-All 13 x 2 1/2" Brakes		PRT1186	
	1978-75	Front-All 13 x 3 1/2" Brakes (Dual Rear Wheels)		PRT1130	
	1978-75	Front-All 13 x 3 1/2" Brakes (Single Rear Wheels)		PRT1152	
Brake Drum	1978-75	Rear-All Dual Rear Wheels (13 x 3 1/2" Brakes)		PDR0613	
	1978-75	Rear-All Single Rear Wheels (13 x 2 1/2" Brakes)		PDR0363	
	1978-75	Rear-All Single Rear Wheels (13 x 3 1/2" Brakes)		PDR0387	
C35/C3500 Pickup					
Disc Brake Pad Set	1974	Front-All Hardware Included	CFM149		MKD149FM
	1974	Front-All Hardware Not Included		SBM149	
	1973-71	Front-All Hardware Included		SBC52	MKD52FM
	1974	Rear-All Hardware Included	CFM149		MKD149FM
	1974	Rear-All Hardware Not Included		SBM149	
Drum Brake Shoe	1974	Rear-All w/ 13" X 2.57" Brakes		451	
	1974	Rear-All w/ 13" X 3.56" Brakes		452	
Disc Brake Rotor and Hub Assembly	1974	Front-All 13 x 2 1/2" Brakes		PRT1186	
	1974	Front-All 13 x 3 1/2" Brakes (Dual Rear Wheels)		PRT1130	
	1974	Front-All 13 x 3 1/2" Brakes (Single Rear Wheels)		PRT1152	
	1973-71	Front-All		PRT1186	
Brake Drum	1970-67	Front-All		PDR0024	
	1974	Rear-All Dual Rear Wheels (13 x 3 1/2" Brakes)		PDR0613	
	1974	Rear-All Single Rear Wheels (13 x 2 1/2" Brakes)		PDR0363	
	1974	Rear-All Single Rear Wheels (13 x 3 1/2" Brakes)		PDR0387	
C1500					
Disc Brake Pad Set	1999-92	Front-All Hardware Included	CFM369	SBM369	MKD369FM
	1991-88	Front-All Exc. Heavy Duty Chassis		SBM368	
	1991-88	Front-All w/ Heavy Duty Chassis	CFM369	SBM369	MKD369FM
	1986-79	Front-All Hardware Included		SBC52	MKD52FM
Drum Brake Shoe	1999-93	Rear-All w/ 10" X 2-1/4" Brakes		675	
	1999-92	Rear-All w/ 11-5/32" X 2-3/4" Brakes		473	
	1992	Rear-All w/ 10" X 2-1/4" Brakes		593	
	1991-88	Rear-All w/ 10" X 2.28" Brakes		593	
	1986-79	Rear-All w/ 11-5/32" X 2-3/4" Brakes		473	
	1986-79	Rear-All w/ 11" X 2" Brakes		449	
Disc Brake Rotor and Hub Assembly	1999-95	Front-All		PRT1829	
	1994-88	Front-All 4.55" Overall Height		PRT1830	
	1991-88	Front-All 4.185" Overall Height		PRT1482	
	1986-80	Front-All 4.65" Overall Height		PRT1216	
	1986-80	Front-All 4.95" Overall Height		PRT1043	
	1979	Front-All		PRT1043	
Brake Drum	1999-97	Rear-All		PDR0540	
	1996-92	Rear-All 10 x 2 1/4" Brakes		PDR0540	

BENDIX BRAKE PARTS

PART TYPE	YEAR	APPLICATION	PREMIUM NO.	PART NO.	SEVERE DUTY NO.	
GMC (Cont'd.)						
C1500 (Cont'd.)						
Brake Drum (cont'd)	1996-92	Rear-All 11.15" x 2.75" Brakes		PDR0622		
	1991-88	Rear-All		PDR0540		
	1986-79	Rear-All 11 x 2 3/4" Brakes		PDR0501		
	1986-79	Rear-All 11 x 2" Brakes		PDR0254		
C1500 Suburban						
Disc Brake Pad Set	1999-95	Front-V8 - 5.7L Hardware Included	CFM369	SBM369	MKD369FM	
	1999-95	Front-V8 - 6.5L Hardware Included	CFM370	SBM370	MKD370FM	
	1994-92	Front-All Hardware Included	CFM369	SBM369	MKD369FM	
	1986-79	Front-All Hardware Included		SBC52	MKD52FM	
Drum Brake Shoe	1999-98	Rear-All DIESEL		451		
	1999-98	Rear-All GAS, w/ 11.16" X 2.81" Brakes		473		
	1997-92	Rear-All w/ 11.16" X 2.81" Brakes		473		
	1986-79	Rear-All w/ 11-5/32" X 2-3/4" Brakes		473		
	1986-79	Rear-All w/ 11" X 2" Brakes		449		
Disc Brake Rotor and Hub Assembly	1999-95	Front-V8 - 5.7L		PRT1829		
	1999-95	Front-V8 - 6.5L		PRT1818		
	1994-92	Front-All		PRT1829		
	1986-82	Front-V8 - 6.2L		PRT1043		
	1986-81	Front-V8 - 5.0L 11 x 2" Brakes		PRT1216		
	1986-81	Front-V8 - 5.7L 11 x 2" Brakes		PRT1216		
	1986-80	Front-V8 - 5.0L 11.15 x 2.75" Brakes		PRT1043		
	1986-80	Front-V8 - 5.7L 11.15 x 2.75" Brakes		PRT1043		
	1980	Front-L6 - 4.1L 11.15 x 2.75" Brakes		PRT1043		
	1980	Front-V8 - 7.4L 11.15 x 2.75" Brakes		PRT1043		
Brake Drum	1999-97	Rear-All 11.15" x 2.75" Brakes		PDR0622		
	1998-97	Rear-All 10 x 2 1/4" Brakes		PDR0540		
	1996-92	Rear-All		PDR0622		
	1986-79	Rear-All 11 x 2 3/4" Brakes		PDR0501		
	1986-79	Rear-All 11 x 2" Brakes		PDR0254		
C2500						
Disc Brake Pad Set	2000	Front-All w/ 6 Lug Wheel	CFM369	SBM369	MKD369FM	
	2000	Front-All w/ 8 Lug Wheel	CFM370	SBM370	MKD370FM	
	1999-96	Front-All w/ 7,200 Lb. GVW	CFM369	SBM369	MKD369FM	
	1999-96	Front-All w/ 8,600 Lb. GVW	CFM370	SBM370	MKD370FM	
	1995-92	Front-All w/ 11.15" x 2.75" Brakes	CFM369	SBM369	MKD369FM	
	1995-92	Front-All w/ 13" x 2 1/2" Brakes	CFM370	SBM370	MKD370FM	
	1991-88	Front-All w/ 7,200 Lb. GVW	CFM369	SBM369	MKD369FM	
	1991-88	Front-All w/ 8,600 Lb. GVW	CFM370	SBM370	MKD370FM	
	1986-85	Front-All Hardware Included		SBC52	MKD52FM	
	1984-79	Front-All Hardware Included			MKD153FM	
	1984-79	Front-All Hardware Not Included		SBM153		
	2000	Rear-All Hardware Included		SBM785		
	2000	Rear-All Hardware Included	CFC785	SBC785	MKD785FM	
	Drum Brake Shoe	2000-88	Rear-All w/ 8,600 Lb. GVW		451	
		1998-88	Rear-All w/ 7,200 Lb. GVW		473	
		1986-79	Rear-All w/ 11" Brakes		473	
1986-79		Rear-All w/ 13" Brakes		451		
Disc Brake Rotor and Hub Assembly	2000	Front-All		PRT1818		
	1999-95	Front-All 7200 Lbs. GVW		PRT5107		
	1999-95	Front-All 8600Lbs. GVW		PRT1818		
	1994-88	Front-All 8600Lbs. GVW; 317.5mm		PRT1807		
	1991-88	Front-All 7200 Lbs. GVW		PRT1806		
Brake Drum	1986-79	Front-All		PRT1186		
	2000-90	Rear-All 8600Lbs. GVWR, Except Full Floating Axle, 6.51" Drum Height		PDR0449		
		Rear-All 8600Lbs. GVWR, W/ Full Floating Axle, 5.10" Drum Height		PDR0363		
	1998-90	Rear-All 7200 Lbs. GVWR, Except Full Floating Axle, 5.31" Height		PDR0543		
	1990	Rear-All 8600Lbs. GVWR, W/ Full Floating Axle, 5.25" Drum Height		PDR0536		
	1989-88	Rear-All 6 Holes		PDR0543		
	1989-88	Rear-All 8 Holes		PDR0449		
	1986-84	Rear-All 9.50" Ring Gear, (13 x 2 1/2" Brakes)		PDR0449		
	1986-84	Rear-All 10.50" Ring Gear (13 x 2 1/2" Brakes)		PDR0363		
	1986-84	Rear-All 11.15 x 2.75" Brakes		PDR0450		
	1983-81	Rear-All 10.50" Ring Gear		PDR0363		
	1983-81	Rear-All 11 5/32 x 2 3/4" Brakes, 4 5/8" Wide		PDR0408		
	1983	Rear-All 2nd Design (11 x 2 3/4" Brakes)		PDR0450		
	1983	Rear-All 9.5" Ring Gear (2nd design)		PDR0449		
	1980	Rear-All 11 x 2 3/4" Brakes		PDR0276		
	1980	Rear-All 13 x 2 1/2" Brakes		PDR0363		
	1979	Rear-All		PDR0276		

BENDIX BRAKE PARTS

PART TYPE	YEAR	APPLICATION	PREMIUM NO.	PART NO.	SEVERE DUTY NO.	
GMC (Cont'd.)						
C2500 Suburban						
Disc Brake Pad Set	1999-92	Front-All Hardware Included	CFM370	SBM370	MKD370FM	
	1986-85	Front-All Hardware Included		SBC52	MKD52FM	
	1984-79	Front-All Hardware Included			MKD153FM	
	1984-79	Front-All Hardware Not Included		SBM153		
Drum Brake Shoe	1999-97	Rear-All w/ 13" X 2-1/2" Brakes		451		
	1999-92	Rear-All w/ 13" X 3-1/2" Brakes		452		
	1986-79	Rear-All w/ 11" Brakes		473		
	1986-79	Rear-All w/ 13" Brakes		451		
Disc Brake Rotor and Hub Assembly	1999-92	Front-All		PRT1818		
	1986-79	Front-All		PRT1186		
Brake Drum	1999	Rear-All 13 x 2 1/2" Brakes		PDR0449		
	1999	Rear-All 13 x 3 1/2" Brakes		PDR0619		
	1998-97	Rear-All 13 x 3 1/2" Brakes, 4.6" Hub Hole		PDR0682		
	1998-97	Rear-All 13 x 3 1/2" Brakes, 4.8" Hub Hole		PDR0619		
	1996-92	Rear-All 13 x 2 1/2" Brakes		PDR0449		
	1996-92	Rear-All 13 x 3 1/2" Brakes		PDR0619		
	1986-85	Rear-All 11" Brakes		PDR0450		
	1986-85	Rear-All 13 x 2 1/2" Brakes		PDR0449		
	1984-81	Rear-All 10.50" Ring Gear (13 x 2 1/2" Brakes)		PDR0363		
	1984	Rear-All 9.50" Ring Gear, (13 x 2 1/2" Brakes)		PDR0449		
	1983-81	Rear-All 11 5/32 x 2 3/4" Brakes, 4 5/8" Wide		PDR0408		
	1983	Rear-All 2nd Design, 9.50" Ring Gear, 13 x 2 1/2" Brakes		PDR0449		
	1983	Rear-All 2nd Design (11 x 2 3/4" Brakes)		PDR0450		
	1980	Rear-All 11 x 2 3/4" Brakes		PDR0276		
	1980	Rear-All 13 x 2 1/2" Brakes		PDR0363		
	1979	Rear-All		PDR0276		
	C3500					
	Disc Brake Pad Set	2000-94	Front-All Rear Drum, w/ Single Rear Wheels	CFM370	SBM370	MKD370FM
2000-90		Front-All Rear Drum, w/ Dual Rear Wheels	CFM459	SBM459	MKD459FM	
1993-92		Front-All Cab & Chassis, Rear Drum, w/ Single Rear Wheels	CFM370	SBM370	MKD370FM	
1993-92		Front-All Crew Cab Pickup, Rear Drum, w/ Single Rear Wheels	CFM370	SBM370	MKD370FM	
1993-92		Front-All Extended Cab Pickup, Rear Drum, w/ Single Rear Wheels	CFM459	SBM459	MKD459FM	
1993-92		Front-All Standard Cab Pickup, Rear Drum, w/ Single Rear Wheels	CFM370	SBM370	MKD370FM	
1991-90		Front-All Rear Drum, w/ Single Rear Wheels	CFM370	SBM370	MKD370FM	
1989-88		Front-All Hardware Included	CFM459	SBM459	MKD459FM	
1986-79		Front-All Hardware Included	CFM149		MKD149FM	
1986-79		Front-All Hardware Not Included		SBM149		
2000		Rear-V8 - 5.7L GAS, Cab & Chassis, Hardware Not Included			MKD717FM	
2000		Rear-V8 - 6.5L DIESEL, Cab & Chassis, Hardware Not Included			MKD717FM	
2000		Rear-V8 - 7.4L GAS, Cab & Chassis, Hardware Not Included			MKD717FM	
1999-95		Rear-All Hardware Not Included			MKD717FM	
1994-88		Rear-All Hardware Included	CFM149		MKD149FM	
1994-88		Rear-All Hardware Not Included		SBM149		
1986-79		Rear-All Hardware Included	CFM149		MKD149FM	
1986-79		Rear-All Hardware Not Included		SBM149		
Drum Brake Shoe		2000-99	Rear-All w/ 13" X 3.56" Brakes		452	
		1998	Rear-All		452	
		1997-90	Rear-All w/ 13" X 2.57" Brakes		451	
	1997-90	Rear-All w/ 13" X 3.56" Brakes		452		
	1989-88	Rear-All w/ Dual Rear Wheels		452		
	1989-88	Rear-All w/ Single Rear Wheels		451		
	1986-79	Rear-All w/ 13" X 2-1/2" Brakes		451		
	1986-79	Rear-All w/ 13" X 3-1/2" Brakes		452		
	Disc Brake Rotor and Hub Assembly	2000-95	Front-All 8 Stud, Dual Rear Wheels		PRT5134	SDR5134
		2000-95	Front-All 8 Stud, Single Rear Wheels		PRT1818	
1994-90		Front-All Dual Rear Wheels (Exc. 15000 Lbs. GVW); 317.5mm		PRT1866		
1994-88		Front-All Single Rear Wheels; 317.5mm		PRT1807		
1989-88		Front-All Dual Rear Wheels; 317.2mm		PRT1630		
1986-80		Front-All Dual Rear Wheels		PRT1130		
1986-80		Front-All Single Rear Wheels		PRT1152		
1979		Front-All 13 x 2 1/2" Brakes		PRT1186		
1979		Front-All 13 x 3 1/2" Brakes (Dual Rear Wheels)		PRT1130		
1979		Front-All 13 x 3 1/2" Brakes (Single Rear Wheels)		PRT1152		
Brake Drum		2000-97	Rear-All Single Rear Wheels		PDR0619	
	2000-92	Rear-All Dual Rear Wheels		PDR0613		
	1996-92	Rear-All Single Rear Wheels, w/ 13 x 2 1/2" Brakes, w/ Floating Axle		PDR0363		

BENDIX BRAKE PARTS

PART TYPE	YEAR	APPLICATION	PREMIUM NO.	PART NO.	SEVERE DUTY NO.	
GMC (Cont'd.)						
C3500 (Cont'd.)						
Brake Drum (cont'd)	1996-92	Rear-All Single Rear Wheels, w/ 13 x 2 1/2" Brakes, w/o Floating Axle		PDR0449		
	1996-92	Rear-All Single Rear Wheels, w/ 13 x 3 1/2" Brakes		PDR0619		
	1991	Rear-All Dual Rear Wheels (10,000, 11,000 & 12,000 GVW)		PDR0613		
	1991	Rear-All Single Rear Wheels (13 x 2 1/2" Brakes)		PDR0363		
	1991	Rear-All Single Rear Wheels (13 x 3 1/2" Brakes)		PDR0619		
	1990-88	Rear-All Dual Rear Wheels; W/ 13 x 3 1/2" Brakes		PDR0613		
	1990-88	Rear-All Single Rear Wheels; 5.25" Overall Height		PDR0536		
	1990	Rear-All Single Rear Wheels; 5.10" Overall Height		PDR0363		
	1989-88	Rear-All Single Rear Wheels; W/ 13 x 2 1/2" Brakes		PDR0449		
	1986-79	Rear-All Dual Rear Wheels (13 x 3 1/2" Brakes)		PDR0613		
1986-79	Rear-All Single Rear Wheels (13 x 2 1/2" Brakes)		PDR0363			
C3500HD						
Disc Brake Pad Set	2002-01	Front-All Hardware Not Included			MKD717FM	
	2000-94	Front-All Rear Disc, Hardware Not Included			MKD717FM	
	1993-91	Front-All w/ Dual Rear Wheels	CFM459	SBM459	MKD459FM	
	1991	Front-All w/ Single Rear Wheels	CFM370	SBM370	MKD370FM	
	2002-95	Rear-All Hardware Not Included			MKD717FM	
	1994-91	Rear-All Hardware Included	CFM149		MKD149FM	
	1994-91	Rear-All Hardware Not Included		SBM149		
	Drum Brake Shoe	2000-99	Rear-All w/ 13" X 3.56" Brakes		452	
		1998	Rear-All		452	
		1997-91	Rear-All w/ 13" X 2.57" Brakes		451	
1997-91		Rear-All w/ 13" X 3.56" Brakes		452		
Disc Brake Rotor	2002-95	Front-All 5 Stud Rotor		PRT5027		
	1994-92	Front-All 5 Stud Rotor; Vented; 361.5mm		PRT1480		
	1991	Front-All Dual Rear Wheels (15,000 Lbs. GVW); Vented; 361.5mm		PRT1480		
	2002-95	Rear-All Rear Disc		PRT5028		
	1994	Rear-All From VIN #RJ107932		PRT5028		
	1994	Rear-All Thru VIN #RJ107932		PRT1483		
	1993-91	Rear-All Rear Disc		PRT1483		
C4500 Topkick						
Disc Brake Pad Set	2009-03	Front-All Front Axle Rating 6,250 Lbs.			MKD1010FM	
	2009-03	Front-All Front Axle Rating 7,000 Lbs.			MKD1032FM	
	2009-07	Rear-All Hardware Included			MKD1064FM	
	2006-03	Rear-All w/ 2.60" TRW Dual Piston Calipers			MKD1064FM	
	2006-03	Rear-All w/o Drum In Hat Rear Rotors			MKD1010FM	
Parking Brake Shoe	2008-07	Rear-All w/ 9.56" x 2.51" Brakes		847		
	2005-03	Rear-All w/ 9.56" x 2.51" Brakes		847		
Disc Brake Rotor	2009-05	Front-All 4 X 2, 5 Hole Rotor		PRT5689	SDR5689	
	2004-03	Front-All Hat Shaped 5 Hole Rotor		PRT5689	SDR5689	
	2009-03	Rear-All 10 Stud rotor, 380mm dia.		PRT5687		
	2009-03	Rear-All Hat Shaped 5 Hole Rotor		PRT5689	SDR5689	
C5000						
Disc Brake Pad Set	1990-88	Front-All w/ 2.88" Dual Piston Bendix Calipers			MKD225FM	
	1990-88	Front-All w/ Single Piston Calipers			MKD717FM	
	1990-83	Front-All w/ 2.50" Dayton Dual Piston Calipers			MKD224FM	
	1987-83	Front-All w/ 2.88" Bendix Dual Piston Calipers			MKD225FM	
	1990-88	Rear-All w/ 2.88" Dual Piston Bendix Calipers			MKD225FM	
	1990-83	Rear-All w/ 2.50" Dayton Dual Piston Calipers			MKD224FM	
	1987-83	Rear-All w/ 2.88" Bendix Dual Piston Calipers			MKD225FM	
Disc Brake Rotor	1990	Front-All 5 Bolt Holes, 5.41" Pilot Hole		PRT1271		
	1989-88	Front-All 5 Hole Hat Rotor, 5.41" Pilot Hole, W/Tapped Hole For ABS Ring		PRT5574	SDR5574	
	1990	Rear-All 5 Bolt Holes, 5.41" Pilot Hole		PRT1271		
	1990	Rear-All 10 Hole Rotor Hat Shaped, Exc. Tapped Holes for ABS		PRT1272	SDR1272	
	1990	Rear-All 10 Hole Rotor U-Shaped		PRT1606		
	1989-88	Rear-All 5 Hole Hat Rotor, 5.41" Pilot Hole, W/Tapped Hole For ABS Ring		PRT5574	SDR5574	
	1989-83	Rear-All Hat Shaped 6 Hole Rotor; 5.41" Pilot Hole		PRT1585		
	1987-83	Rear-All 5 Bolt Holes, 5.41" Pilot Hole, W/ out Tapped Holes For ABS Exciter Ring		PRT1271		
C5000 Topkick						
Disc Brake Pad Set	1991	Front-All w/ 2.50" Dayton Dual Piston Calipers			MKD224FM	
	1990	Front-All C5H042, Dayton			MKD224FM	
	1991	Rear-All w/ 2.50" Dayton Dual Piston Calipers			MKD224FM	
	1990	Rear-All C5H042, Dayton			MKD224FM	
Disc Brake Rotor	1991-90	Front-All 5 Bolt Holes, 5.41" Pilot Hole		PRT1271		
	1991-90	Rear-All 5 Bolt Holes, 5.41" Pilot Hole		PRT1271		
	1991-90	Rear-All 10 Hole Rotor Hat Shaped, Exc. Tapped Holes for ABS		PRT1272	SDR1272	
	1991-90	Rear-All 10 Hole Rotor U-Shaped		PRT1606		

BENDIX BRAKE PARTS

PART TYPE	YEAR	APPLICATION	PREMIUM NO.	PART NO.	SEVERE DUTY NO.	
GMC (Cont'd.)						
C5000 Topkick (Cont'd.)						
Disc Brake Rotor (cont'd)	1991	Rear-All 10 Hole Rotor Hat, w/ Tapped Holes for ABS Ring		PRT5345	SDR5345	
C5500 Topkick						
Disc Brake Pad Set	2009-03	Front-All Front Axle Rating 6,250 Lbs.			MKD1010FM	
	2009-03	Front-All Front Axle Rating 7,000 Lbs.			MKD1032FM	
	2009-03	Rear-All Front Axle Rating 6,250 Lbs.			MKD1010FM	
	2009-03	Rear-All Front Axle Rating 6,250 Lbs.			MKD1064FM	
	2009-03	Rear-All Front Axle Rating 7,000 Lbs.			MKD1032FM	
Parking Brake Shoe	2008-07	Rear-All w/ Drum-In-Hat Parking Brake		847		
	2005-04	Rear-All w/ Drum-In-Hat Parking Brake		847		
Disc Brake Rotor	2009-03	Front-All 5 Mounting Holes		PRT5689	SDR5689	
	2009-03	Front-All 10 Hole Rotor Hat Shaped, Cast in ABS Ring		PRT5688		
	2009-04	Rear-All With (11,000 pounds) Rear axle		PRT5687		
	2009-03	Rear-All 5 Mounting Holes		PRT5689	SDR5689	
	2009-03	Rear-All 10 Hole Rotor Hat Shaped, 6" Center Hole		PRT5688		
	2008	Rear-All 10 Stud rotor		PRT5687		
C6000						
Disc Brake Pad Set	1990-88	Front-All C6D042, For Caliper 15608854, 15615220			MKD225FM	
	1990	Front-All C6D042, For Caliper 15622036			MKD224FM	
	1988-83	Front-All C6D042, Front Axle Rating 7,000, 7,500 Lbs.			MKD224FM	
	1987-83	Front-All C6D042, For Caliper 15501012, 15514583			MKD225FM	
	1990-88	Rear-All C6D042, For Caliper 15608854, 15615220			MKD225FM	
	1990	Rear-All C6D042, For Caliper 15622036			MKD224FM	
	1987-83	Rear-All C6D042, For Caliper 15501012, 15514583			MKD225FM	
	1987-83	Rear-All C6D042, Rear Axle Rating 15,000 Lbs.			MKD224FM	
	Disc Brake Rotor	1990-88	Front-All 4.6" Pilot hole diameter		PRT1489	
		1990-88	Front-All 4.6" Pilot hole diameter		PRT1490	
		1990-88	Front-All 5 Hole		PRT1584	
		1990	Front-All 10 Hole Rotor Hat, Exc. Tapped Holes for ABS Ring, 15.37" Diameter		PRT1272	SDR1272
		1990	Front-All Hat Shaped 5 Hole Rotor		PRT1271	
		1989-88	Front-All 5.41" Center Hole; 6 Hole Stepped Hat		PRT1583	
1989-88		Front-All Hat Shaped 6 Hole Rotor; 5.41" Pilot Hole		PRT1585		
1989-83		Front-All 5 Hole Hat Rotor, 5.41" Pilot Hole, W/Tapped Hole For ABS Ring		PRT5574	SDR5574	
1987-83		Front-All 5 Bolt Holes, 5.41" Pilot Hole, W/ out Tapped Holes For ABS Exciter Ring		PRT1271		
1990-88		Rear-All 10 Hole Rotor U-Shaped		PRT1606		
1990		Rear-All 5 Hole Hat Rotor, Except Tapped Holes for ABS Ring		PRT1271		
1990		Rear-All 10 Hole Rotor Hat, Exc. Tapped Holes for ABS Ring, 14.75" Diameter		PRT1874	SDR1874	
1990		Rear-All 10 Hole Rotor Hat, Exc. Tapped Holes for ABS Ring, 15.37" Diameter		PRT1272	SDR1272	
1990		Rear-All 10 Hole Rotor Hat, w/ Tapped Holes for ABS Ring, 14.75" Diameter		PRT5575		
1989-88		Rear-All 5 Bolt Holes, 5.41" Pilot Hole		PRT1271		
1989-83		Rear-All 10 Hole Rotor Hat Shaped		PRT1272	SDR1272	
C6000 Topkick						
Disc Brake Pad Set		1996-91	Front-All C6H042, Front Axle Rating 8,100 Lbs.			MKD224FM
	1996-91	Front-All C6H042, Front Axle Rating 11,000, 12,000 Lbs.			MKD225FM	
	1990	Front-All w/ 2.50" Dayton Dual Piston Calipers			MKD224FM	
	1996-95	Rear-All C6H042, w/o 4 Piston Caliper			MKD224FM	
	1996-91	Rear-All C6H042, Rear Axle Rating 16,900, 17,850, 19,000, 21,000, 22,000, 23,000 Lbs.			MKD225FM	
	1994-91	Rear-All C6H042, Rear Axle Rating 15,000, 16,900, 17,850, 19,000 Lbs.			MKD224FM	
	1990	Rear-All w/ 2.50" Dayton Dual Piston Calipers			MKD224FM	
	Disc Brake Rotor	1996-90	Front-All 10 Hole Rotor Hat, Exc. Tapped Holes for ABS Ring, 15.37" Diameter		PRT1272	SDR1272
1996-90		Front-All Hat Shaped 5 Hole Rotor		PRT1271		
1996-95		Rear-All Casting# 23-123440-005		PRT5351		
1996-90		Rear-All 5 Hole Hat Rotor, Except Tapped Holes for ABS Ring		PRT1271		
1996-90		Rear-All 10 Hole Rotor Hat, Exc. Tapped Holes for ABS Ring, 14.75" Diameter		PRT1874	SDR1874	
1996-90		Rear-All 10 Hole Rotor Hat, Exc. Tapped Holes for ABS Ring, 15.37" Diameter		PRT1272	SDR1272	
1996-90		Rear-All 10 Hole Rotor Hat, w/ Tapped Holes for ABS Ring, 14.75" Diameter		PRT5575		
1996-90		Rear-All 10 Hole Rotor U-Shaped		PRT1606		
C6500 Topkick						
Disc Brake Pad Set	2009-07	Front-All Hardware Included			MKD1032FM	
	2006-03	Front-All C6C042, Hardware Included			MKD1032FM	
	2006-03	Front-All C6V042, Hardware Included			MKD1032FM	
	2002-01	Front-All C6H042, Front Axle Rating 8,100 Lbs.			MKD224FM	
	2000-97	Front-All w/ 2.50" Dia. Dual Piston Dayton Caliper			MKD224FM	
	2000-97	Front-All w/ 2.88" Dia. Dual Piston Bendix Caliper			MKD225FM	

BENDIX BRAKE PARTS

PART TYPE	YEAR	APPLICATION	PREMIUM NO.	PART NO.	SEVERE DUTY NO.	
GMC (Cont'd.)						
C6500 Topkick (Cont'd.)						
Disc Brake Pad Set (cont'd)	2009-07	Rear-All Hardware Included			MKD1032FM	
	2006-03	Rear-All C6C042, Hardware Included			MKD1032FM	
	2006-03	Rear-All C6V042, Hardware Included			MKD1032FM	
	2002-01	Rear-All C6H042, w/o 4 Piston Caliper			MKD224FM	
	2002	Rear-All C6H042, 2nd Design			MKD1032FM	
	2000-97	Rear-All w/ 2.50" Dia. Dual Piston Dayton Caliper			MKD224FM	
	2000-97	Rear-All w/ 2.88" Dia. Dual Piston Bendix Caliper			MKD225FM	
	Disc Brake Rotor	2009-03	Front-All 10 Hole Rotor Hat Shaped		PRT5688	
		2002-97	Front-All 10 Hole Rotor Hat, Exc. Tapped Holes for ABS Ring, 15.37" Diameter		PRT1272	SDR1272
		2002-97	Front-All Hat Shaped 5 Hole Rotor		PRT1271	
2009-03		Rear-All 10 Hole Rotor Hat Shaped		PRT5688		
2002-97		Rear-All 5 Hole Hat Rotor, Except Tapped Holes for ABS Ring		PRT1271		
2002-97		Rear-All 5 Hole Hat Rotor, W/Tapped Hole For ABS Ring		PRT5574	SDR5574	
2002-97		Rear-All 10 Hole Rotor Hat, Exc. Tapped Holes for ABS Ring, 14.75" Diameter		PRT1874	SDR1874	
2002-97		Rear-All 10 Hole Rotor Hat, Exc. Tapped Holes for ABS Ring, 15.37" Diameter		PRT1272	SDR1272	
2002-97		Rear-All 10 Hole Rotor Hat, w/ Tapped Holes for ABS Ring, 14.75" Diameter		PRT5575		
2002-97		Rear-All 10 Hole Rotor Hat, w/ Tapped Holes for ABS Ring, 15.39" Diameter		PRT5345	SDR5345	
2002-97		Rear-All 10 Hole Rotor U-Shaped		PRT1606		
2002-97		Rear-All Casting# 23-123440-005		PRT5351		
2002-97		Rear-All Stepped Hat 10 Hole Rotor, w/ 4 Piston Caliper, 15.37" Diameter		PRT5351		
C7000						
Disc Brake Pad Set		1990-88	Front-All C7D042, For Caliper 15608854, 15615220			MKD225FM
	1990	Front-All C7D042, For Caliper 15622036			MKD224FM	
	1988-83	Front-All C7D042, Front Axle Rating 7,000, 7,500 Lbs.			MKD224FM	
	1987-83	Front-All C7D042, For Caliper 15501012, 15514583			MKD225FM	
	1983	Front-All C7D044, For Caliper 15501012, 15514583			MKD225FM	
	1983	Front-All C7D044, Front Axle Rating 7,000, 7,500 Lbs.			MKD224FM	
	1983	Front-All C7D064, For Caliper 15501012, 15514583			MKD225FM	
	1983	Front-All C7D064, Front Axle Rating 7,000, 7,500 Lbs.			MKD224FM	
	1990-88	Rear-All C7D042, For Caliper 15608854, 15615220			MKD225FM	
	1990	Rear-All C7D042, For Caliper 15622036			MKD224FM	
	1987-83	Rear-All C7D042, For Caliper 15501012, 15514583			MKD225FM	
	1987-83	Rear-All C7D042, Rear Axle Rating 15,000 Lbs.			MKD224FM	
	1983	Rear-All C7D044, For Caliper 15501012, 15514583			MKD225FM	
	1983	Rear-All C7D044, Rear Axle Rating 15,000 Lbs.			MKD224FM	
	1983	Rear-All C7D064, For Caliper 15501012, 15514583			MKD225FM	
	1983	Rear-All C7D064, Rear Axle Rating 15,000 Lbs.			MKD224FM	
	Disc Brake Rotor	1990-88	Front-All 5 Hole		PRT1584	
		1990-88	Front-All 6 Hole		PRT1490	
		1990	Front-All 10 Hole Rotor Hat, Exc. Tapped Holes for ABS Ring, 15.37" Diameter		PRT1272	SDR1272
		1990	Front-All Hat Shaped 5 Hole Rotor		PRT1271	
1989-88		Front-All Hat Shaped 6 Hole Rotor; 5.41" Pilot Hole		PRT1585		
1989-83		Front-All 5.41" Center Hole; 6 Hole Stepped Hat		PRT1583		
1989-83		Front-All 5 Bolt Holes, 5.41" Pilot Hole, W/ out Tapped Holes For ABS Exciter Ring		PRT1271		
1989-83		Front-All 5 Hole Hat Rotor, 5.41" Pilot Hole, W/Tapped Hole For ABS Ring		PRT5574	SDR5574	
1989-83		Front-All 10 Hole Rotor Hat Shaped, 15.37" Diameter		PRT1272	SDR1272	
1990-83		Rear-All 10 Hole Rotor Hat, Exc. Tapped Holes for ABS Ring, 15.37" Diameter		PRT1272	SDR1272	
1990		Rear-All 10 Hole Rotor Hat, Exc. Tapped Holes for ABS Ring, 14.75" Diameter		PRT1874	SDR1874	
1990		Rear-All 10 Hole Rotor Hat, w/ Tapped Holes for ABS Ring, 14.75" Diameter		PRT5575		
1990		Rear-All 10 Hole Rotor U-Shaped		PRT1606		
1990		Rear-All Hat Shaped 5 Hole Rotor		PRT1271		
1989-88		Rear-All Hat Shaped 6 Hole Rotor; 5.41" Pilot Hole		PRT1585		
1989-83		Rear-All 5.41" Center Hole; 6 Hole Stepped Hat		PRT1583		
1989-83		Rear-All 5 Bolt Holes, 5.41" Pilot Hole, W/ out Tapped Holes For ABS Exciter Ring		PRT1271		
C7000 Topkick						
Disc Brake Pad Set	1996-90	Front-All C7H042, Front Axle Rating 8,100 Lbs.			MKD224FM	
	1996-90	Front-All C7H042, Front Axle Rating 11,000, 12,000 Lbs.			MKD225FM	
	1996-95	Rear-All C7H042, w/o 4 Piston Caliper			MKD224FM	
	1996-90	Rear-All C7H042, Rear Axle Rating 16,900, 17,850, 19,000, 21,000, 22,000, 23,000 Lbs.			MKD225FM	
	1994-90	Rear-All C7H042, Rear Axle Rating 15,000, 16,900, 17,850, 19,000 Lbs.			MKD224FM	
	Disc Brake Rotor	1996-90	Front-All 10 Hole Rotor Hat, Exc. Tapped Holes for ABS Ring, 15.37" Diameter		PRT1272	SDR1272

BENDIX BRAKE PARTS

PART TYPE	YEAR	APPLICATION	PREMIUM NO.	PART NO.	SEVERE DUTY NO.	
GMC (Cont'd.)						
C7000 Topkick (Cont'd.)						
Disc Brake Rotor (cont'd)	1996-90	Front-All Hat Shaped 5 Hole Rotor		PRT1271		
	1996-90	Rear-All 10 Hole Rotor Hat, Exc. Tapped Holes for ABS Ring, 14.75" Diameter		PRT1874	SDR1874	
	1996-90	Rear-All 10 Hole Rotor Hat, Exc. Tapped Holes for ABS Ring, 15.37" Diameter		PRT1272	SDR1272	
	1996-90	Rear-All 10 Hole Rotor Hat, w/ Tapped Holes for ABS Ring, 14.75" Diameter		PRT5575		
	1996-90	Rear-All 10 Hole Rotor U-Shaped		PRT1606		
	1996-90	Rear-All Hat Shaped 5 Hole Rotor		PRT1271		
C7500 Topkick						
Disc Brake Pad Set	2009-07	Front-All Hardware Included			MKD1032FM	
	2006-03	Front-All C7C042, Hardware Included			MKD1032FM	
	2006-03	Front-All C7E042, Hardware Included			MKD1032FM	
	2006-03	Front-All C7H042, Hardware Included			MKD1032FM	
	2006	Front-All C7V042, Hardware Included			MKD1032FM	
	2004-03	Front-All C7V042, Hardware Included			MKD1032FM	
	2002-01	Front-All C7H042, Front Axle Rating 8,100 Lbs.			MKD224FM	
	2000-97	Front-All w/ 2.50" Dia. Dual Piston Dayton Caliper			MKD224FM	
	2000-97	Front-All w/ 2.88" Dia. Dual Piston Bendix Caliper			MKD225FM	
	2009-07	Rear-All Hardware Included			MKD1032FM	
	2006-03	Rear-All C7C042, Hardware Included			MKD1032FM	
	2006-03	Rear-All C7E042, Hardware Included			MKD1032FM	
	2006-03	Rear-All C7H042, Hardware Included			MKD1032FM	
	2006	Rear-All C7V042, Hardware Included			MKD1032FM	
	2004-03	Rear-All C7V042, Hardware Included			MKD1032FM	
	2002-01	Rear-All C7H042, w/o 4 Piston Caliper			MKD224FM	
	2002	Rear-All C7H042, 2nd Design			MKD1032FM	
	2000-97	Rear-All w/ 2.50" Dia. Dual Piston Dayton Caliper			MKD224FM	
	2000-97	Rear-All w/ 2.88" Dia. Dual Piston Bendix Caliper			MKD225FM	
	Disc Brake Rotor	2009-03	Front-All 10 Hole Rotor Hat Shaped		PRT5688	
		2002-99	Front-All W/ School Bus Pkg, Casting #23-123434-005, 19,000# Single, 34,000# Tandem Rear Axle, 11,000# GVW Front Axle		PRT5763	SDR5763
		2002-97	Front-All 10 Hole Rotor Hat, Exc. Tapped Holes for ABS Ring, 15.37" Diameter		PRT1272	SDR1272
		2002-97	Front-All Hat Shaped 5 Hole Rotor		PRT1271	
2009-03		Rear-All 19,000 # Axle		PRT5688		
2002-97		Rear-All 10 Hole Rotor Hat, Exc. Tapped Holes for ABS Ring, 14.75" Diameter		PRT1874	SDR1874	
2002-97		Rear-All 10 Hole Rotor Hat, Exc. Tapped Holes for ABS Ring, 15.37" Diameter		PRT1272	SDR1272	
2002-97		Rear-All 10 Hole Rotor Hat, w/ Tapped Holes for ABS Ring		PRT5345	SDR5345	
2002-97		Rear-All 10 Hole Rotor Hat, w/ Tapped Holes for ABS Ring, 14.75" Diameter		PRT5575		
2002-97		Rear-All 10 Hole Rotor U-Shaped		PRT1606		
2002-97		Rear-All Hat Shaped 5 Hole Rotor		PRT1271		
2000-97		Rear-All Dayton Axle #23-122687-006, w/ABS Mounting Holes		PRT5574	SDR5574	
Caballero						
Disc Brake Pad Set		1987-78	Front-All Hardware Not Included	CFC154	SBC154	MKD154FM
Drum Brake Shoe	1987-78	Rear-All w/ 9.5" X 2.06" Brakes		514		
Disc Brake Rotor and Hub Assembly	1987-82	Front-All		PRT1233		
	1981-79	Front-All		PRT1219		
	1978	Front-All		PRT1167		
Brake Drum	1987-78	Rear-All		PDR0454		
Canyon						
Disc Brake Pad Set	2017-15	Front-All Hardware Included	CFC1802			
	2012-09	Front-All Hardware Included	CFC1169	SBC1169	MKD1169FM	
	2008-07	Front-L4 - 2.9L Hardware Included	CFC1039	SBC1039		
	2008-07	Front-L5 - 3.7L Hardware Included	CFC1039	SBC1039		
	2006-04	Front-All Hardware Included	CFC1039	SBC1039		
	2017-15	Rear-All Hardware Included	CFC1806			
	Drum Brake Shoe	2012-09	Rear-All		959	
2008-04		Rear-All w/ 11.66" X 1.85" Brakes		815		
Disc Brake Rotor	2018-15	Front-All		PRT6383		
	2012-09	Front-All		PRT5906	SDR5906	
	2008-04	Front-All		PRT5509		
	2018-15	Rear-All		PRT6382		
Brake Drum	2012-04	Rear-All		PDR0798		
Envoy						
Disc Brake Pad Set	2009-06	Front-All Hardware Included	CFC1169	SBC1169	MKD1169FM	
	2005-02	Front-All Hardware Included	CFC882	SBC882	MKD882FM	
	2009-02	Rear-All Hardware Included	CFC883	SBC883	MKD883FM	
Parking Brake Shoe	2009-02	Rear-All		781		
Disc Brake Rotor	2009-06	Front-All 12" Rotor		PRT5602		

BENDIX BRAKE PARTS

PART TYPE	YEAR	APPLICATION	PREMIUM NO.	PART NO.	SEVERE DUTY NO.
GMC (Cont'd.)					
Envoy (Cont'd.)					
Disc Brake Rotor (cont'd)	2009-02	Front-All 12.8" diameter rotor		PRT5342	
	2005-02	Front-All 12" diameter rotor		PRT5304	
	2009-02	Rear-All		PRT5314	
Envoy XL					
Disc Brake Pad Set	2006	Front-All Hardware Included	CFC1169	SBC1169	MKD1169FM
	2005-02	Front-All Hardware Included	CFC882	SBC882	MKD882FM
	2006-02	Rear-All Hardware Included	CFC883	SBC883	MKD883FM
Parking Brake Shoe	2006-02	Rear-All		781	
Disc Brake Rotor	2006-02	Front-All		PRT5342	
	2006-02	Rear-All		PRT5314	
Envoy XUV					
Disc Brake Pad Set	2005-04	Front-All Hardware Included	CFC882	SBC882	MKD882FM
	2005-04	Rear-All Hardware Included	CFC883	SBC883	MKD883FM
Parking Brake Shoe	2005-04	Rear-All		781	
Disc Brake Rotor	2005-04	Front-All 12.8" diameter rotor		PRT5342	
	2005-04	Rear-All		PRT5314	
G15					
Disc Brake Pad Set	1978-75	Front-All Hardware Included		SBC52	MKD52FM
Drum Brake Shoe	1978-75	Rear-All w/ 11.16" X 2.81" Brakes		473	
	1978-75	Rear-All w/ 11" X 2.06" Brakes		449	
Disc Brake Rotor and Hub Assembly	1978-75	Front-All		PRT1043	
Brake Drum	1978	Rear-All 11 x 2 3/4" Brakes		PDR0501	
	1978	Rear-All 11 x 2" Brakes		PDR0254	
	1977-75	Rear-All		PDR0254	
G15/G1500 Van					
Disc Brake Pad Set	1974-72	Front-L6 - 4.1L Hardware Included		SBC52	MKD52FM
	1974-72	Front-V8 - 5.7L Hardware Included		SBC52	MKD52FM
	1973-72	Front-V8 - 5.0L Hardware Included		SBC52	MKD52FM
	1971	Front-All Hardware Included		SBC52	MKD52FM
Drum Brake Shoe	1970-67	Front-All w/ 9.5" X 2.56" Brakes		246	
	1974	Rear-All w/ 11.16" X 2.81" Brakes		473	
Disc Brake Rotor and Hub Assembly	1974-71	Front-All		PRT1040	
Brake Drum	1971	Front-All		PDR0022	
	1970-67	Front-All		PDR0059	
	1971-67	Rear-All w/HO 24 Rear Axle		PDR0053	
G25					
Disc Brake Pad Set	1978-75	Front-All Hardware Included		SBC52	MKD52FM
Drum Brake Shoe	1978	Rear-All w/ 11.16" X 2.81" Brakes		473	
Disc Brake Rotor and Hub Assembly	1978-75	Front-All		PRT1043	
Brake Drum	1978-75	Rear-All		PDR0501	
G25/G2500 Van					
Disc Brake Pad Set	1974-71	Front-All Hardware Included		SBC52	MKD52FM
Disc Brake Rotor and Hub Assembly	1974-71	Front-All		PRT1043	
Brake Drum	1974	Rear-All		PDR0501	
	1973-71	Rear-All		PDR0254	
	1973-67	Rear-All 6 Holes		PDR0043	
	1970-67	Rear-All		PDR0023	
G35					
Disc Brake Pad Set	1978-75	Front-All Hardware Included	CFM149		MKD149FM
	1978-75	Front-All Hardware Not Included		SBM149	
	1978-75	Rear-All Hardware Included	CFM149		MKD149FM
	1978-75	Rear-All Hardware Not Included		SBM149	
Drum Brake Shoe	1978-76	Rear-All w/ 11.16" X 2.81" Brakes		473	
	1978-75	Rear-All w/ 13" X 2.57" Brakes		451	
	1978-75	Rear-All w/ 13" X 3.56" Brakes		452	
Disc Brake Rotor and Hub Assembly	1978-75	Front-All Dual Rear Wheels		PRT1130	
	1978-75	Front-All Single Rear Wheels		PRT1186	
Brake Drum	1978-75	Rear-All Dual Rear Wheels		PDR0613	
	1978-75	Rear-All Single Rear Wheels (11.15 x 2.75" Brakes)		PDR0276	
	1978-75	Rear-All Single Rear Wheels (13 x 2 1/2" Brakes)		PDR0363	
G35/G3500 Van					
Disc Brake Pad Set	1974	Front-All Hardware Included	CFM149		MKD149FM
	1974	Front-All Hardware Not Included		SBM149	
	1973	Front-All Hardware Included		SBC52	MKD52FM
	1972-71	Front-All Rally, Hardware Included		SBC52	MKD52FM
	1972-71	Front-All Vandura, Hardware Included		SBC52	MKD52FM
	1971	Front-All Base, Hardware Included		SBC52	MKD52FM
	1974	Rear-All Hardware Included	CFM149		MKD149FM

BENDIX BRAKE PARTS

PART TYPE	YEAR	APPLICATION	PREMIUM NO.	PART NO.	SEVERE DUTY NO.
GMC (Cont'd.)					
G35/G3500 Van (Cont'd.)					
Disc Brake Pad Set (cont'd)	1974	Rear-All Hardware Not Included		SBM149	
Drum Brake Shoe	1974	Rear-All w/ 13" X 2.57" Brakes		451	
	1974	Rear-All w/ 13" X 3.56" Brakes		452	
Disc Brake Rotor and Hub Assembly	1974	Front-All Dual Rear Wheels		PRT1130	
	1974	Front-All Single Rear Wheels		PRT1186	
	1973-71	Front-All		PRT1186	
Brake Drum	1971	Front-All		PDR0024	
	1974	Rear-All Dual Rear Wheels		PDR0613	
	1974	Rear-All Single Rear Wheels (11.15 x 2.75" Brakes)		PDR0276	
	1974	Rear-All Single Rear Wheels (13 x 2 1/2" Brakes)		PDR0363	
G1000 Series					
Drum Brake Shoe	1966-64	Front-All w/ 9.5" X 2.56" Brakes		246	
Brake Drum	1966-64	Rear-All w/HO 24 Axle		PDR0053	
	1966-64	Rear-All w/HO 29 Axle		PDR0059	
G1500					
Disc Brake Pad Set	1995-79	Front-All Hardware Included		SBC52	MKD52FM
Drum Brake Shoe	1995-92	Rear-All		473	
	1991-90	Rear-All Power Brake		473	
	1989-79	Rear-All w/ 11-5/32" X 2-3/4" Brakes		473	
	1989-79	Rear-All w/ 11" X 2" Brakes		449	
Disc Brake Rotor and Hub Assembly	1995-93	Front-All w/ Exciter Ring; Hydraulic Brake Booster		PRT5081	
	1995-93	Front-All w/ Exciter Ring; Vacuum Brake Booster		PRT1863	
	1993	Front-All w/ Out Exciter Ring; Vacuum Brake Booster		PRT1043	
	1992-79	Front-All		PRT1043	
Brake Drum	1995-90	Rear-All		PDR0604	
	1989-79	Rear-All 11 x 2 3/4" Brakes		PDR0501	
	1989-79	Rear-All 11 x 2" Brakes		PDR0254	
G2500					
Disc Brake Pad Set	1995-79	Front-All Hardware Included		SBC52	MKD52FM
Drum Brake Shoe	1995-79	Rear-All		473	
Disc Brake Rotor and Hub Assembly	1995-93	Front-All w/ Exciter Ring; Hydraulic Brake Booster		PRT5081	
	1995-93	Front-All w/ Exciter Ring; Vacuum Brake Booster		PRT1863	
	1993	Front-All w/ Out Exciter Ring; Hydraulic Brake Booster		PRT1391	
	1993	Front-All w/ Out Exciter Ring; Vacuum Brake Booster		PRT1043	
	1992-83	Front-All Hydraulic Power Brakes		PRT1391	
	1992-83	Front-All Vacuum Power Brakes		PRT1043	
	1982-79	Front-All		PRT1043	
Brake Drum	1995-90	Rear-All		PDR0604	
	1989-79	Rear-All		PDR0501	
G3500					
Disc Brake Pad Set	1996-79	Front-All w/ 13" x 2 1/2" Rear Brakes	CFM149	SBM149	MKD149FM
	1996-79	Front-All w/ 13" x 3 1/2" Rear Brakes		SBM153	MKD153FM
	1994-79	Rear-All Hardware Included	CFM149		MKD149FM
	1994-79	Rear-All Hardware Not Included		SBM149	
Drum Brake Shoe	1996-85	Rear-All w/ 13" X 2-1/2" Brakes		451	
	1996-85	Rear-All w/ 13" X 3-1/2" Brakes		452	
	1984-82	Rear-All Exc. 13" Brakes		473	
	1984-79	Rear-All Optional		451	
	1984-79	Rear-All Optional		452	
	1981-79	Rear-All w/ 11.16" X 2.81" Brakes		473	
Disc Brake Rotor and Hub Assembly	1996-94	Front-All 2-Wheel ABS, 5.17" Overall Height		PRT1152	
	1996-93	Front-All 4-Wheel ABS, 4.77" Overall Height		PRT1861	
	1996-93	Front-All 4-Wheel ABS, 5.17" Overall Height; W/EXCITER RING & SENSOR		PRT1859	
	1996-93	Front-All 4-Wheel ABS, 7.69" Overall Height		PRT1862	
	1992	Front-All Single Rear Wheels (8400 GVWR, AWAL)		PRT1861	
	1992	Front-All Single Rear Wheels (8400 GVWR, RWAL)		PRT1186	
	1992	Front-All Single Rear Wheels (9200 GVWR)		PRT1152	
	1992	Front-All w/Dual Rear Wheels		PRT1130	
	1991-79	Front-All Dual Rear Wheels		PRT1130	
	1991-79	Front-All Single Rear Wheels		PRT1186	
Brake Drum	1996-92	Rear-All		PDR0449	
	1996-92	Rear-All Single Rear Wheels, 10.50" Ring Gear, 13 x 2 1/2" Brakes		PDR0363	
	1996-92	Rear-All Single Rear Wheels (13 x 3 1/2" Brakes)		PDR0387	
	1996-79	Rear-All Dual Rear Wheels		PDR0613	
	1991-88	Rear-All Single Rear Wheels (9.50" Ring Gear)		PDR0449	
	1989-88	Rear-All Single Rear Wheels (10.50" Ring Gear)		PDR0363	
	1987-83	Rear-All Single Rear Wheels		PDR0449	
	1982-81	Rear-All Single Rear Wheels		PDR0363	

BENDIX BRAKE PARTS

PART TYPE	YEAR	APPLICATION	PREMIUM NO.	PART NO.	SEVERE DUTY NO.
GMC (Cont'd.)					
G3500 (Cont'd.)					
Brake Drum (cont'd)	1980-79	Rear-All Single Rear Wheels (11.15 x 2.75" Brakes)		PDR0276	
	1980-79	Rear-All Single Rear Wheels (13 x 2 1/2" Brakes)		PDR0363	
I1000					
Brake Drum	1966-64	Front-All		PDR0023	
	1966-64	Rear-All		PDR0023	
I1500					
Brake Drum	1966-65	Front-All		PDR0023	
	1966-65	Rear-All		PDR0023	
Jimmy					
Disc Brake Pad Set	2005-97	Front-All Rear Disc, Hardware Included	CFC726	SBC726	MKD726FM
	1997	Front-All Rear Drum, Hardware Not Included	CFC154	SBC767	MKD767FM
	1996	Front-All Riveted Linings	CFC154	SBC154	MKD154FM
	1995-92	Front-All Hardware Not Included	CFC154	SBC154	MKD154FM
	1991-85	Front-All Hardware Included		SBC52	MKD52FM
	1984-82	Front-All Hardware Not Included	CFC154	SBC154	MKD154FM
	1981-71	Front-All Hardware Included		SBC52	MKD52FM
	2005-97	Rear-All Hardware Included	CFC729	SBC729	
Drum Brake Shoe	1997-92	Rear-All w/ 9.5" X 2.06" Brakes		514	
	1991-78	Rear-All		473	
Parking Brake Shoe	2005-97	Rear-All		784	
Disc Brake Rotor	2005-98	Front-All		PRT5182	
	1997	Front-All 4WD, Rear Disc		PRT5182	
	1997	Front-All 4WD, Rear Drum		PRT1261	
	1996-92	Front-All 4WD		PRT1261	
	1991-71	Front-All 4WD		PRT1088	
	2005-03	Rear-All		PRT5180	
	2002-98	Rear-All RWD		PRT5181	
	2002-97	Rear-All 4WD		PRT5180	
Disc Brake Rotor and Hub Assembly	1996-95	Front-All RWD		PRT1631 ⁵⁸	
	1994-92	Front-All 4-Wheel ABS		PRT5241	
	1984-71	Front-All RWD		PRT1043	
Brake Drum	1970	Front-All		PDR0023	
	1997-92	Rear-All		PDR0610	
	1991-85	Rear-All 4WD		PDR0600	
	1987-85	Rear-All Cast iron replacement		PDR0454	
	1984-76	Rear-All 4WD, 11" x 2 3/4" Brakes		PDR0600	
	1984-76	Rear-All RWD, 11" x 2 3/4" Brakes		PDR0501	
	1984-76	Rear-All RWD, 11" x 2" Brakes		PDR0254	
	1975-71	Rear-All		PDR0254	
	1970	Rear-All		PDR0023	
	K15				
Disc Brake Pad Set	1978-75	Front-All Hardware Included		SBC52	MKD52FM
Drum Brake Shoe	1978-75	Rear-All w/ 11.16" X 2.81" Brakes		473	
Disc Brake Rotor	1978-75	Front-All Rotor Only		PRT1088	
Brake Drum	1978-75	Rear-All 11 x 2 3/4" Brakes		PDR0600	
K15/K1500 Pickup					
Disc Brake Pad Set	1974-71	Front-All Hardware Included		SBC52	MKD52FM
Drum Brake Shoe	1974-70	Front-All		228	
	1969-67	Front-All Front Leaf Spring, w/ 11" X 2" Brakes		228	
	1966	Front-All		228	
	1974-71	Front-All Rotor Only		PRT1088	
Brake Drum	1974-71	Rear-All 11 x 2 3/4" Brakes		PDR0600	
	1970-67	Rear-All		PDR0023	
K15/K1500 Suburban					
Disc Brake Pad Set	1974-71	Front-All Hardware Included		SBC52	MKD52FM
Disc Brake Rotor	1974-71	Front-All Rotor Only		PRT1088	
Brake Drum	1974-71	Rear-All 11 x 2 3/4" Brakes		PDR0600	
	1970-68	Rear-All		PDR0023	
K15 Suburban					
Disc Brake Pad Set	1978-75	Front-All Hardware Included		SBC52	MKD52FM
Drum Brake Shoe	1978-75	Rear-All w/ 13" X 2.57" Brakes		451	
	1978	Rear-All w/ 11.16" X 2.81" Brakes		473	
Disc Brake Rotor	1978-75	Front-All Rotor Only		PRT1088	
Brake Drum	1978-75	Rear-All 11 x 2 3/4" Brakes		PDR0600	
K25					
Disc Brake Pad Set	1978-75	Front-All Hardware Included		SBC52	MKD52FM
Drum Brake Shoe	1978-75	Rear-All w/ 13" X 2.57" Brakes		451	
	1978	Rear-All w/ 11.16" X 2.81" Brakes		473	
	1978-75	Front-All Rotor Only		PRT1049	
Brake Drum	1978-75	Rear-All		PDR0276	

58 Sell out and reorder PRT5241

BENDIX BRAKE PARTS

PART TYPE	YEAR	APPLICATION	PREMIUM NO.	PART NO.	SEVERE DUTY NO.
GMC (Cont'd.)					
K25/K2500 Pickup					
Disc Brake Pad Set	1974-71	Front-All Hardware Included		SBC52	MKD52FM
Drum Brake Shoe	1974-73	Rear-All w/ 13" X 2.57" Brakes		451	
	1970	Rear-All w/ 12" X 2.5" Brakes		419	
Disc Brake Rotor	1974-71	Front-All Rotor Only		PRT1049	
Brake Drum	1974-72	Rear-All		PDR0276	
K25/K2500 Suburban					
Disc Brake Pad Set	1974-71	Front-All Hardware Included		SBC52	MKD52FM
Drum Brake Shoe	1974	Rear-All w/ 13" X 2.57" Brakes		451	
	1972-71	Rear-All w/ Leaf Springs		419	
Disc Brake Rotor	1974-71	Front-All		PRT1049	
Brake Drum	1974-72	Rear-All		PDR0276	
K25 Suburban					
Disc Brake Pad Set	1978-75	Front-All Hardware Included		SBC52	MKD52FM
Drum Brake Shoe	1978	Rear-All w/ 11.16" X 2.81" Brakes		473	
Disc Brake Rotor	1978-75	Front-All		PRT1049	
Brake Drum	1978-75	Rear-All		PDR0276	
K35					
Disc Brake Pad Set	1978-77	Front-All Hardware Included	CFM149		MKD149FM
	1978-77	Front-All Hardware Not Included		SBM149	
	1978-77	Rear-All Hardware Included	CFM149		MKD149FM
	1978-77	Rear-All Hardware Not Included		SBM149	
Drum Brake Shoe	1978-77	Rear-All w/ 13" X 3.56" Brakes		452	
Disc Brake Rotor	1978	Front-All Vented; 327mm		PRT1469	
Brake Drum	1978-77	Rear-All 13 x 2 1/2" Brakes		PDR0363	
	1978-77	Rear-All Dual Rear Wheels (13 x 3 1/2" Brakes)		PDR0613	
K35/K3500 Pickup					
Disc Brake Pad Set	1974	Front-All Hardware Included	CFM149		MKD149FM
	1974	Front-All Hardware Not Included		SBM149	
	1973-71	Front-All Hardware Included		SBC52	MKD52FM
K1500					
Disc Brake Pad Set	1999-92	Front-All Hardware Included	CFM369	SBM369	MKD369FM
	1991-88	Front-All w/ 10" x 2.25" Rear Brakes		SBM368	
	1991-88	Front-All w/ 11.15" x 2.75" Rear Brakes	CFM369	SBM369	MKD369FM
	1986-79	Front-All Hardware Included		SBC52	MKD52FM
Drum Brake Shoe	1999	Rear-All w/ 10" Rear Brakes		675	
	1999	Rear-All w/ 11.16" X 2.81" Brakes		473	
	1998-93	Rear-All w/ 10" Brakes		675	
	1998-88	Rear-All w/ 11-5/32" X 2-3/4" Brakes		473	
	1992	Rear-All w/ 10" Brakes		593	
	1991-88	Rear-All w/ 10" X 2-1/4" Brakes		593	
	1986-79	Rear-All w/ 11-5/32" X 2-3/4" Brakes		473	
	1986-79	Rear-All w/ 11" X 2" Brakes		449	
Disc Brake Rotor	1999-92	Front-All		PRT1453FC	
	1991-90	Front-All w/ 10 x 2.25" Rear Brakes		PRT1454FC	
	1991-90	Front-All w/ 11.15 x 2.75" Rear Brakes		PRT1453FC	
	1989-88	Front-All Extended Cab Pickup, w/ Extended Cab		PRT1453FC	
	1989-88	Front-All Standard Cab Pickup, W/F44 HD Chassis		PRT1453FC	
	1989-88	Front-All W/o F44 HD Chassis		PRT1454FC	
	1986-79	Front-All Rotor Only		PRT1088	
Brake Drum	1999-88	Rear-All 10 x 2 1/4" Brakes		PDR0541	
	1999-88	Rear-All 11.15 x 2.75" Brakes		PDR0543	
	1986-80	Rear-All		PDR0600	
	1979	Rear-All 11 x 2 3/4" Brakes		PDR0600	
K1500 Suburban					
Disc Brake Pad Set	1999-95	Front-V8 - 5.7L Hardware Included	CFM369	SBM369	MKD369FM
	1999-95	Front-V8 - 6.5L Hardware Included	CFM370	SBM370	MKD370FM
	1994-92	Front-All Hardware Included	CFM369	SBM369	MKD369FM
	1986-79	Front-All Hardware Included		SBC52	MKD52FM
Drum Brake Shoe	1999-98	Rear-All DIESEL		451	
	1999-98	Rear-All GAS		473	
	1997-92	Rear-All		473	
	1986-79	Rear-All w/ 11-5/32" X 2-3/4" Brakes		473	
	1986-79	Rear-All w/ 11" X 2" Brakes		449	
Disc Brake Rotor	1999-97	Front-V8 - 5.7L		PRT1453FC	
	1999-97	Front-V8 - 6.5L		PRT1477	
	1996-94	Front-All 6 Hole Rotor		PRT1453FC	
	1996-94	Front-All 8 Hole Rotor		PRT1477	
	1993-92	Front-All		PRT1453FC	
	1986-79	Front-All Rotor Only		PRT1088	
Brake Drum	1999-92	Rear-All		PDR0623	
	1986-80	Rear-All		PDR0600	
	1979	Rear-All 11 x 2 3/4" Brakes		PDR0600	

BENDIX BRAKE PARTS

PART TYPE	YEAR	APPLICATION	PREMIUM NO.	PART NO.	SEVERE DUTY NO.	
GMC (Cont'd.)						
K2500						
Disc Brake Pad Set	2000-96	Front-All w/ 6 Lug Wheel	CFM369	SBM369	MKD369FM	
	2000-96	Front-All w/ 8 Lug Wheel	CFM370	SBM370	MKD370FM	
	1995-92	Front-All w/ 11.15" x 2.75" Brakes	CFM369	SBM369	MKD369FM	
	1995-92	Front-All w/ 13" x 2 1/2" Brakes	CFM370	SBM370	MKD370FM	
	1991-88	Front-All w/ 7,200 Lb. GVW	CFM369	SBM369	MKD369FM	
	1991-88	Front-All w/ 8,600 Lb. GVW	CFM370	SBM370	MKD370FM	
	1986-85	Front-All Hardware Included		SBC52	MKD52FM	
	1984-79	Front-All Hardware Included			MKD153FM	
	1984-79	Front-All Hardware Not Included		SBM153		
	2000	Rear-All Hardware Included		SBM785		
	2000	Rear-All Hardware Included	CFC785	SBC785	MKD785FM	
	Drum Brake Shoe	2000-88	Rear-All w/ 8,600 Lb. GVW		451	
		1998-88	Rear-All w/ 7,200 Lb. GVW		473	
		1986-79	Rear-All w/ 11" Brakes		473	
1986-79		Rear-All w/ 13" Brakes		451		
Disc Brake Rotor	2000-88	Front-All 6 Stud		PRT1453FC		
	2000-88	Front-All 8 Stud		PRT1477		
	1991-88	Front-All Rotor Only		PRT1049		
	1986-79	Front-All Rotor Only		PRT1049		
Brake Drum	2000-90	Rear-All 8600Lbs. GVWR, Except Full Floating Axle, 6.51" Drum Height		PDR0449		
	2000-90	Rear-All 8600Lbs. GVWR, W/ Full Floating Axle, 5.10" Drum Height		PDR0363		
	1998-90	Rear-All 7200 Lbs. GVWR, Except Full Floating Axle, 5.31" Height		PDR0543		
	1990	Rear-All 8600Lbs. GVWR, W/ Full Floating Axle, 5.25" Drum Height		PDR0536		
	1989-88	Rear-All 6 Holes		PDR0543		
	1989-88	Rear-All 8 Holes		PDR0449		
	1986-83	Rear-All 6.52" Overall Height; 13 x 2 1/2" Brakes		PDR0449		
	1986-83	Rear-All 11 5/32 x 2 3/4" Brakes		PDR0450		
	1984-81	Rear-All 5.20" Overall Height; 13 x 2 1/2" Brakes		PDR0363		
	1983-81	Rear-All 11 5/32 x 2 3/4" Brakes, 4 5/8" Wide		PDR0408		
	1980	Rear-All 11 x 2 3/4" Brakes		PDR0276		
	1980	Rear-All 13 x 2 1/2" Brakes		PDR0363		
	1979	Rear-All		PDR0276		
K2500 Suburban						
Disc Brake Pad Set	1999-92	Front-All Hardware Included	CFM370	SBM370	MKD370FM	
	1986-85	Front-All Hardware Included		SBC52	MKD52FM	
	1984-79	Front-All Hardware Included			MKD153FM	
	1984-79	Front-All Hardware Not Included		SBM153		
	Drum Brake Shoe	1999-97	Rear-All w/ 13" X 2-1/2" Brakes		451	
1999-92		Rear-All w/ 13" X 3-1/2" Brakes		452		
1986-79		Rear-All w/ 11" Brakes		473		
1986-79		Rear-All w/ 13" Brakes		451		
Disc Brake Rotor	1999-92	Front-All		PRT1477		
	1986-79	Front-All		PRT1049		
Brake Drum	1999-97	Rear-All 13 x 2 1/2" Brakes, 4.6" Hub Hole		PDR0682		
	1999-97	Rear-All 13 x 2 1/2" Brakes, 4.8" Hub Hole		PDR0619		
	1996-92	Rear-All		PDR0449		
	1986-84	Rear-All 6.52" Overall Height; 13 x 2 1/2" Brakes		PDR0449		
	1986-83	Rear-All 11 5/32 x 2 3/4" Brakes		PDR0450		
	1984-81	Rear-All 5.20" Overall Height; 13 x 2 1/2" Brakes		PDR0363		
	1983-81	Rear-All 11 5/32 x 2 3/4" Brakes, 4 5/8" Wide		PDR0408		
	1980	Rear-All 11 5/32 x 2 3/4" Brakes		PDR0276		
	1980	Rear-All 13 x 2 1/2" Brakes		PDR0363		
1979	Rear-All		PDR0276			
K3500						
Disc Brake Pad Set	2000-99	Front-All Cab & Chassis, Exc. 9,000, 9,200 Lb. GVW	CFM459	SBM459	MKD459FM	
	2000-99	Front-All Cab & Chassis, w/ 9,000, 9,200 Lb. GVW	CFM370	SBM370	MKD370FM	
	2000-98	Front-All Extended Cab Pickup, w/ Dual Rear Wheels	CFM459	SBM459	MKD459FM	
	2000-98	Front-All Extended Cab Pickup, w/ Single Rear Wheels	CFM370	SBM370	MKD370FM	
	2000-98	Front-All Fleetside, Crew Cab Pickup, w/ Dual Rear Wheels	CFM459	SBM459	MKD459FM	
	2000-98	Front-All Fleetside, Crew Cab Pickup, w/ Single Rear Wheels	CFM370	SBM370	MKD370FM	
	2000-98	Front-All Standard Cab Pickup, w/ Dual Rear Wheels	CFM459	SBM459	MKD459FM	
	2000-98	Front-All Standard Cab Pickup, w/ Single Rear Wheels	CFM370	SBM370	MKD370FM	
	1998	Front-All Cab & Chassis, Exc. 9,200 Lb. GVW	CFM459	SBM459	MKD459FM	
	1998	Front-All Cab & Chassis, w/ 9,200 Lb. GVW	CFM370	SBM370	MKD370FM	
	1997-90	Front-All w/ Dual Rear Wheels	CFM459	SBM459	MKD459FM	
	1997-90	Front-All w/ Single Rear Wheels	CFM370	SBM370	MKD370FM	
	1989-88	Front-All Hardware Included	CFM370	SBM370	MKD370FM	
	1986-79	Front-All Hardware Included	CFM149		MKD149FM	
	1986-79	Front-All Hardware Not Included		SBM149		
	1986-79	Rear-All Hardware Included	CFM149		MKD149FM	

BENDIX BRAKE PARTS

PART TYPE	YEAR	APPLICATION	PREMIUM NO.	PART NO.	SEVERE DUTY NO.
GMC (Cont'd.)					
K3500 (Cont'd.)					
Disc Brake Pad Set (cont'd)	1986-79	Rear-All Hardware Not Included		SBM149	
Drum Brake Shoe	2000-90	Rear-All w/ 13" X 2.57" Brakes		451	
	2000-90	Rear-All w/ 13" X 3.56" Brakes		452	
	1989-88	Rear-All w/ Dual Rear Wheels		452	
	1989-88	Rear-All w/ Single Rear Wheels		451	
	1986-79	Rear-All w/ 13" X 3.56" Brakes		452	
Disc Brake Rotor	2000-90	Front-All Dual Rear Wheels		PRT1770	
	2000-90	Front-All Single Rear Wheels		PRT1477	
	1989-88	Front-All		PRT1477	
	1986-80	Front-All Dual Rear Wheels; Vented; 327mm		PRT1468	
	1986-80	Front-All Single Rear Wheels; Vented; 327mm		PRT1469	
	1979	Front-All Vented; 327mm		PRT1469	
Brake Drum	2000-99	Rear-All 155" Wheelbase, 9000 - 9200 GVW		PDR0619	
	2000-98	Rear-All 131" Wheelbase, 9000 - 9200 GVW		PDR0619	
	2000-98	Rear-All DRW, 11,000 & 12,000 GVW		PDR0613	
	1998	Rear-All 155" Wheelbase, 9200 GVW		PDR0619	
	1997	Rear-All w/ Dual Rear Wheels; w/ 13 x 3.5" - 4.6" Brakes		PDR0613	
	1997	Rear-All w/ Single Rear Wheels; w/ 13 x 3.5" - 4.6" Brakes		PDR0449	
	1997	Rear-All w/ Single Rear Wheels; w/ 13 x 3.5" - 4.8" Brakes		PDR0619	
	1996	Rear-All 135.5 / 344.2 Wheel Base, (GVW 9,000 Lbs.) & (GVW 9,200 Lbs.)		PDR0619	
	1996	Rear-All 135.5 / 344.2 Wheel Base, (GVW 11,000 Lbs.) & (GVW 10,000 Lbs.)		PDR0613	
	1996	Rear-All 155.5 / 395.0 Wheel Base		PDR0613	
	1996	Rear-All 159.5 / 405.1 Wheel Base, (GVW 9,000 Lbs.) & (GVW 9,200 Lbs.)		PDR0619	
	1996	Rear-All 159.5 / 405.1 Wheel Base, (GVW 11,000 Lbs.) & (GVW 10,000 Lbs.)		PDR0613	
	1995-92	Rear-All 135.5 / 344.2 Wheel Base, 9,200 Lbs. GVW, 13 x 2 1/2" Brakes		PDR0363	
	1995-92	Rear-All 135.5 / 344.2 Wheel Base, 9,200 Lbs. GVW, 13 x 3 1/2" Brakes		PDR0387	
	1995-92	Rear-All 135.5 / 344.2 Wheel Base, (10,000, 11,000 & 12,000 GVW)		PDR0613	
	1995-92	Rear-All 159.5 / 405.1 Wheel Base, 9,200 Lbs. GVW, 13 x 2 1/2" Brakes		PDR0363	
	1995-92	Rear-All 159.5 / 405.1 Wheel Base, 9,200 Lbs. GVW, 13 x 3 1/2" Brakes		PDR0387	
	1995-92	Rear-All 159.5 / 405.1 Wheel Base, (10,000, 11,000 & 12,000 GVW)		PDR0613	
	1991-90	Rear-All Single Rear Wheels; 5.10" Overall Height		PDR0363	
	1991	Rear-All Dual Rear Wheels (10,000, 11,000 & 12,000 GVW)		PDR0613	
	1990-88	Rear-All Dual Rear Wheels		PDR0613	
	1990-88	Rear-All Single Rear Wheels; 5.25" Overall Height		PDR0536	
	1989-88	Rear-All Single Rear Wheels; 6.51" Overall Height		PDR0449	
	1986-81	Rear-All Dual Rear Wheels		PDR0613	
	1980-79	Rear-All 13 x 2 1/2" Brakes		PDR0363	
	1980-79	Rear-All Dual Rear Wheels (13 x 3 1/2" Brakes)		PDR0613	
P15					
Disc Brake Pad Set	1978-75	Front-All Hardware Included		SBC52	MKD52FM
Drum Brake Shoe	1978-76	Rear-All w/ 11.16" X 2.81" Brakes		473	
Disc Brake Rotor and Hub Assembly	1978-75	Front-All		PRT1043	
Brake Drum	1978-75	Rear-All 11.15" x 2.75" Brakes		PDR0501	
	1978-75	Rear-All 11 x 2" Brakes		PDR0254	
P15/P1500 Van					
Disc Brake Pad Set	1974-71	Front-All Hardware Included		SBC52	MKD52FM
Disc Brake Rotor and Hub Assembly	1974-71	Front-All		PRT1043	
Brake Drum	1970-67	Front-All		PDR0023	
	1974	Rear-All 11.15" x 2.75" Brakes		PDR0501	
	1974	Rear-All 11 x 2" Brakes		PDR0254	
	1973-71	Rear-All		PDR0254	
	1970-67	Rear-All		PDR0023	
P25					
Disc Brake Pad Set	1978-75	Front-All Hardware Included		SBC52	MKD52FM
Drum Brake Shoe	1978-75	Rear-All w/ 13" X 2.57" Brakes		451	
	1978	Rear-All w/ 11.16" X 2.81" Brakes		473	
Disc Brake Rotor and Hub Assembly	1978-75	Front-All		PRT1186	
Brake Drum	1978-75	Rear-All 11.15 x 2.75" Brakes		PDR0276	
	1978-75	Rear-All 13 x 2 1/2" Brakes		PDR0363	
P25/P2500 Van					
Disc Brake Pad Set	1974-71	Front-All Hardware Included		SBC52	MKD52FM
Drum Brake Shoe	1974-73	Rear-All w/ 13" X 2.57" Brakes		451	

BENDIX BRAKE PARTS

PART TYPE	YEAR	APPLICATION	PREMIUM NO.	PART NO.	SEVERE DUTY NO.
GMC (Cont'd.)					
P25/P2500 Van (Cont'd.)					
Disc Brake Rotor and Hub Assembly	1974-71	Front-All		PRT1186	
Brake Drum	1970-68	Front-All		PDR0024	
	1974-73	Rear-All 11.15 x 2.75" Brakes		PDR0276	
	1974-73	Rear-All 13 x 2 1/2" Brakes		PDR0363	
	1970-68	Rear-All		PDR0024	
	1967	Rear-All 12 x 2" Brakes		PDR0026	
P35					
Disc Brake Pad Set	1978-77	Front-All Hardware Included	CFM149		MKD149FM
	1978-77	Front-All Hardware Not Included		SBM149	
	1976-75	Front-All w/ Hydro-Boost Brakes	CFM149	SBM149	MKD149FM
	1976-75	Front-All w/ Vacuum Booster		SBC52	MKD52FM
	1978-75	Rear-All Hardware Included	CFM149		MKD149FM
	1978-75	Rear-All Hardware Not Included		SBM149	
Drum Brake Shoe	1978-75	Rear-All w/ 13" X 2.57" Brakes		451	
	1978-75	Rear-All w/ 13" X 3.56" Brakes		452	
Disc Brake Rotor	1978-76	Rear-All		PRT1483	
Disc Brake Rotor and Hub Assembly	1978-75	Front-All Dual Rear Wheels		PRT1130	
	1978-75	Front-All Single Rear Wheels (13 x 2 1/2" Brakes)		PRT1186	
Brake Drum	1978-75	Rear-All Dual Rear Wheels (10.50" Ring Gear) (13 x 3.5" Brakes)		PDR0613	
P35/P3500 Van					
Disc Brake Pad Set	1974	Front-All w/ 13 x 2 1/2" Rear Brakes		SBC52	MKD52FM
	1974	Front-All w/ 13 x 3 1/2" Rear Brakes	CFM149	SBM149	MKD149FM
	1973-71	Front-All 158.0 / 401.3 Wheel Base, w/ Motor Home & 13" Rear Drum		SBC52	MKD52FM
	1973-71	Front-All 178.0 / 452.1 Wheel Base, w/ Motor Home & 15" Rear Drum	CFM149	SBM149	MKD149FM
	1973-71	Front-All w/o Motor Home & 13" & 15" Rear Drum		SBC52	MKD52FM
Drum Brake Shoe	1974	Rear-All w/ 13" X 2.57" Brakes		451	
	1974	Rear-All w/ 13" X 3.56" Brakes		452	
Disc Brake Rotor	1973	Front-All Dual Rear Wheels (11,000# RA)		PRT1049	
	1972-71	Front-All W/ 11,000 Lb. Rear Axle		PRT1049	
Disc Brake Rotor and Hub Assembly	1974	Front-All Dual Rear Wheels		PRT1130	
	1974	Front-All Single Rear Wheels (13 x 2 1/2" Brakes)		PRT1186	
	1973-71	Front-All Single Rear Wheels		PRT1186	
Brake Drum	1970-68	Front-All		PDR0024	
	1974	Rear-All Dual Rear Wheels (10.50" Ring Gear) (13 x 3.5" Brakes)		PDR0613	
P60					
Disc Brake Pad Set	1990-83	Front-All w/ 2.88" Dual Piston Bendix Calipers			MKD225FM
	1990-83	Rear-All w/ 2.88" Dual Piston Bendix Calipers			MKD225FM
P1000					
Drum Brake Shoe	1966	Front-All		228	
	1966	Rear-All Rear Coil Spring, Conventional Chassis		228	
Brake Drum	1966	Front-All		PDR0023	
	1966	Rear-All		PDR0023	
P1500					
Disc Brake Pad Set	1980-79	Front-All Hardware Included		SBC52	MKD52FM
Drum Brake Shoe	1980-79	Rear-All		473	
Disc Brake Rotor and Hub Assembly	1980-79	Front-All		PRT1043	
Brake Drum	1980	Rear-All		PDR0501	
	1979	Rear-All 11.15" x 2.75" Brakes		PDR0501	
	1979	Rear-All 11 x 2" Brakes		PDR0254	
P2500					
Disc Brake Pad Set	1989-85	Front-All Hardware Included		SBC52	MKD52FM
	1984-79	Front-All Hardware Included			MKD153FM
	1984-79	Front-All Hardware Not Included		SBM153	
Drum Brake Shoe	1989-79	Rear-All Exc. 13" Rear Brakes		473	
	1989-79	Rear-All w/ 13" Brakes		451	
Disc Brake Rotor and Hub Assembly	1989-79	Front-All		PRT1186	
Brake Drum	1989-84	Rear-All 11.15" x 2.75" Brakes		PDR0450	
	1989-84	Rear-All 13 x 2 1/2" Brakes (10.50" Ring Gear)		PDR0363	
	1987-84	Rear-All 13 x 2 1/2" Brakes (9.50" Ring Gear)		PDR0449	
	1983-81	Rear-All 11.15 x 2.75" Brakes		PDR0450	
	1980-79	Rear-All 11.15 x 2.75" Brakes		PDR0276	
	1980-79	Rear-All 13 x 2 1/2" Brakes		PDR0363	
P3500					
Disc Brake Pad Set	1999-97	Front-All Rear Drum, w/ 13" x 3 1/2" Rear Brakes	CFM149	SBM149	MKD149FM
	1999-97	Front-All w/ Motorhome Chassis			MKD717FM

BENDIX BRAKE PARTS

PART TYPE	YEAR	APPLICATION	PREMIUM NO.	PART NO.	SEVERE DUTY NO.	
GMC (Cont'd.)						
P3500 (Cont'd.)						
Disc Brake Pad Set (cont'd)	1996	Front-All Hardware Included	CFM149		MKD149FM	
	1996	Front-All Hardware Not Included		SBM149		
	1995-94	Front-All Rear Drum, w/ 13" x 3 1/2" Rear Brakes	CFM149	SBM149	MKD149FM	
	1995-87	Front-All w/ 13" x 2 1/2" Rear Brakes		SBM153	MKD153FM	
	1993-90	Front-All w/ 13" x 3 1/2" Rear Brakes	CFM149	SBM149	MKD149FM	
	1989-87	Front-All Rear Drum, w/ 13" x 3 1/2" Rear Brakes	CFM149	SBM149	MKD149FM	
	1986	Front-All Hardware Included			MKD153FM	
	1986	Front-All Hardware Not Included		SBM153		
	1985-79	Front-All Hardware Included	CFM149		MKD149FM	
	1985-79	Front-All Hardware Not Included		SBM149		
	1999-97	Rear-All w/ Motor Home Chassis			MKD717FM	
	1996-79	Rear-All Hardware Included	CFM149		MKD149FM	
	1996-79	Rear-All Hardware Not Included		SBM149		
	Drum Brake Shoe	1999-79	Rear-All w/ 13" X 2-1/2" Brakes		451	
		1999-79	Rear-All w/ 13" X 3-1/2" Brakes		452	
Disc Brake Rotor	1999-97	Front-All Exc.Dual Rear Wheels; JF 9 Brake System; 5 Stud		PRT5027		
	1996-79	Front-All Rear Disc, Dual Rear Wheels (JF-9 brake system); Vented; 361.5mm		PRT1480		
	1999-97	Rear-All		PRT5028		
	1996-79	Rear-All		PRT1483		
Disc Brake Rotor and Hub Assembly	1999	Front-All Dual Rear Wheels (13 x 3 1/2" Brakes)		PRT1862		
	1999	Front-All Dual Rear Wheels (Exc.Solid Front Axle)		PRT1130		
	1999	Front-All Exc.Dual Rear Wheels (Solid Front Axle); INCL.HUB		PRT5368		
	1999	Front-All Single Rear Wheels (13 x 3 1/2" Brakes); W/EXCITER RING & SENSOR		PRT1859		
	1998-97	Front-All Dual Rear Wheels; 4000lb and 4600lb Front axle; JB 8 Brake System		PRT1862		
	1998-97	Front-All Single Rear Wheels; JB 8 Brake System; W/EXCITER RING & SENSOR		PRT1859		
	1998-91	Front-All Dual Rear Wheels; 4400lb Front Axle; JB 8 Brake System; INCL.HUB		PRT5368		
	1996-79	Front-All Dual Rear Wheels (Exc.Solid Front Axle)		PRT1130		
	1996-79	Front-All Dual Rear Wheels (Solid Front Axle)		PRT1508		
	1996-79	Front-All Single Rear Wheels (JB-8 brake system)		PRT1152		
Brake Drum	1994-79	Front-All Single Rear Wheels (JB-7 brake system)		PRT1186		
	1999-91	Rear-All Single Rear Wheels (13 x 3 1/2" Brakes)		PDR0387		
	1999-79	Rear-All Dual Rear Wheels (10.50" Ring Gear) (13 x 3.5" Brakes)		PDR0613		
	1998-79	Rear-All Single Rear Wheels (13 x 2 1/2" Brakes)		PDR0363		
	P4500					
	Disc Brake Pad Set	1990-79	Front-All w/ 2.50" Dayton Dual Piston Calipers			MKD224FM
		1990-79	Front-All w/ 3.38" Single Piston Bendix Calipers			MKD717FM
1990-79		Rear-All w/ 2.50" Dayton Dual Piston Calipers			MKD224FM	
1990-79		Rear-All w/ 3.38" Single Piston Bendix Calipers			MKD717FM	
Disc Brake Rotor	1990-88	Rear-All Forward Control; Hat Shaped 6 Hole Rotor; 5.41" Pilot Hole		PRT1585		
P6500						
Disc Brake Pad Set	1996-92	Front-All w/ 2.50" Dayton Dual Piston Calipers			MKD224FM	
	1996-92	Rear-All w/ 2.50" Dayton Dual Piston Calipers			MKD224FM	
R1500						
Disc Brake Pad Set	1987	Front-All Hardware Included		SBC52	MKD52FM	
Drum Brake Shoe	1987	Rear-All w/ 11-5/32" X 2-3/4" Brakes		473		
	1987	Rear-All w/ 11" X 2" Brakes		449		
Disc Brake Rotor and Hub Assembly	1987	Front-All 4.65" Overall Height		PRT1216		
	1987	Front-All 4.95" Overall Height		PRT1043		
Brake Drum	1987	Rear-All 11 x 2 3/4" Brakes		PDR0501		
	1987	Rear-All 11 x 2" Brakes		PDR0254		
R1500 Suburban						
Disc Brake Pad Set	1991-87	Front-All Hardware Included		SBC52	MKD52FM	
Drum Brake Shoe	1991-88	Rear-All		473		
	1987	Rear-All w/ 11-5/32" X 2-3/4" Brakes		473		
	1987	Rear-All w/ 11" X 2" Brakes		449		
Disc Brake Rotor and Hub Assembly	1991-87	Front-All		PRT1043		
Brake Drum	1991-88	Rear-All		PDR0501		
	1987	Rear-All 11.15" x 2.75" Brakes		PDR0501		
	1987	Rear-All 11 x 2" Brakes		PDR0254		
R2500						
Disc Brake Pad Set	1989-87	Front-All Hardware Included		SBC52	MKD52FM	
Drum Brake Shoe	1989-87	Rear-All w/ 13" Brakes		451		
	1988-87	Rear-All Exc. 13" Brakes		473		

BENDIX BRAKE PARTS

PART TYPE	YEAR	APPLICATION	PREMIUM NO.	PART NO.	SEVERE DUTY NO.
GMC (Cont'd.)					
R2500 (Cont'd.)					
Disc Brake Rotor and Hub Assembly	1989-87	Front-All		PRT1186	
Brake Drum	1989-87	Rear-All 13 x 2 1/2" Brakes (9.50" Ring Gear)		PDR0449	
	1989-87	Rear-All 13 x 2 1/2" Brakes (10.50" Ring Gear)		PDR0363	
	1987	Rear-All 11.15 x 2.75" Brakes		PDR0450	
R2500 Suburban					
Disc Brake Pad Set	1991-87	Front-All Hardware Included		SBC52	MKD52FM
Drum Brake Shoe	1991-88	Rear-All		451	
	1987	Rear-All Exc. 13" Rear Brakes		473	
	1987	Rear-All w/ 13" Brakes		451	
Disc Brake Rotor and Hub Assembly	1991-87	Front-All		PRT1186	
Brake Drum	1991-87	Rear-All 9.50" Ring Gear		PDR0449	
	1991-87	Rear-All 10.50" Ring Gear		PDR0363	
R3500					
Disc Brake Pad Set	1991-87	Front-All Hardware Included	CFM149		MKD149FM
	1991-87	Front-All Hardware Not Included		SBM149	
	1991-87	Rear-All Hardware Included	CFM149		MKD149FM
	1991-87	Rear-All Hardware Not Included		SBM149	
Drum Brake Shoe	1991-87	Rear-All w/ 13" X 2-1/2" Brakes		451	
	1991-87	Rear-All w/ 13" X 3-1/2" Brakes		452	
Disc Brake Rotor and Hub Assembly	1991-87	Front-All Dual Rear Wheels		PRT1130	
	1991-87	Front-All Single Rear Wheels		PRT1152	
Brake Drum	1991-87	Rear-All Dual Rear Wheels		PDR0613	
S15					
Disc Brake Pad Set	1990-82	Front-All Hardware Not Included	CFC154	SBC154	MKD154FM
Drum Brake Shoe	1990-82	Rear-All w/ 9.5" X 2.06" Brakes		514	
Disc Brake Rotor	1990-83	Front-All 4WD		PRT1261	
Disc Brake Rotor and Hub Assembly	1990-82	Front-All RWD		PRT1233	
Brake Drum	1990-88	Rear-All		PDR0454	
	1987-85	Rear-All Cast iron replacement		PDR0454	
	1984-82	Rear-All		PDR0454	
S15 Jimmy					
Disc Brake Pad Set	1991-83	Front-All Hardware Not Included	CFC154	SBC154	MKD154FM
Drum Brake Shoe	1991-83	Rear-All w/ 9.5" X 2.06" Brakes		514	
Disc Brake Rotor	1991-83	Front-All 4WD		PRT1261	
Disc Brake Rotor and Hub Assembly	1991	Front-All 2-Wheel ABS		PRT1233	
	1991	Front-All 4-Wheel ABS		PRT5241	
	1990-83	Front-All RWD		PRT1233	
Brake Drum	1991-88	Rear-All		PDR0454	
	1987-85	Rear-All Cast iron replacement		PDR0454	
	1984-83	Rear-All		PDR0454	
Safari					
Disc Brake Pad Set	2005-03	Front-All Hardware Included		SBM785	
	2005-03	Front-All Hardware Included	CFC785	SBC785	MKD785FM
	2002-90	Front-All AWD, Hardware Included	CFM369	SBM369	MKD369FM
	2002-90	Front-All RWD, Hardware Included		SBC52	MKD52FM
	1989-85	Front-All Hardware Included		SBC52	MKD52FM
	2005-03	Rear-All Hardware Included	CFC792HD		
	2005-03	Rear-All w/ Heavy Duty Brakes		SBM792HD	
	2005-03	Rear-All w/ Heavy Duty Brakes		SBC792HD	MKD792HDFM
	2005-03	Rear-All w/o Heavy Duty Brakes		SBM792SD	
	2005-03	Rear-All w/o Heavy Duty Brakes		SBC792SD	MKD792SDFM
Drum Brake Shoe	2002-90	Rear-All w/ 9.5" X 2.06" Brakes		514	
	1989	Rear-All Power Brake		242	
	1989	Rear-All Power Brake, In Supersession Process, Exhaust Current Inventory		245	
	1988-87	Rear-All w/ 9.5" X 2.06" Brakes		242	
	1988-87	Rear-All w/ 9.5" X 2.06" Brakes		245	
	1986-85	Rear-All w/ 9.5" X 2.06" Brakes		514	
Parking Brake Shoe	2005-03	Rear-All		781	
Disc Brake Rotor	2005-03	Front-All		PRT5259	SDR5259
	2002-90	Front-All AWD		PRT1745FC	
	2005-03	Rear-All		PRT5265	SDR5265
Disc Brake Rotor and Hub Assembly	2002-93	Front-All RWD		PRT1464	
	1992-90	Front-All RWD, 2-Wheel ABS		PRT1216	
	1992-90	Front-All RWD, (4-Wheel Anti-Lock Brakes)		PRT1464	
	1989-85	Front-All		PRT1216	
Brake Drum	2002-85	Rear-All		PDR0484	

BENDIX BRAKE PARTS

PART TYPE	YEAR	APPLICATION	PREMIUM NO.	PART NO.	SEVERE DUTY NO.	
GMC (Cont'd.)						
Savana 1500						
Disc Brake Pad Set	2014-09	Front-All Hardware Included	CFC1363	SBC1363	MKD1363FM	
	2014-09	Front-All Hardware Included			PBD1363	
	2008-03	Front-All Hardware Included		SBM785		
	2008-03	Front-All Hardware Included	CFC785	SBC785	MKD785FM	
	2002-96	Front-All Hardware Included	CFM369	SBM369	MKD369FM	
	2014	Rear-All Hardware Included	CFC974	SBC974	MKD974FM	
	2013-12	Rear-All Hardware Included	CFC974A	SBC974A	MKD974AFM	
	2013-12	Rear-All Hardware Included			PBD974A	
	2011	Rear-All w/o Caliper Center Rattle Clip	CFC974A	SBC974A	MKD974AFM	
	2011	Rear-All w/o Caliper Center Rattle Clip			PBD974A	
	2010-07	Rear-All Hardware Included	CFC974A	SBC974A	MKD974AFM	
	2010-07	Rear-All Hardware Included			PBD974A	
	2006-03	Rear-All w/o Caliper Center Rattle Clip	CFC974A	SBC974A	MKD974AFM	
	2006-03	Rear-All w/o Caliper Center Rattle Clip			PBD974A	
	Drum Brake Shoe	2002-96	Rear-All w/ 11.16" X 2.81" Brakes		473	
	Parking Brake Shoe	2012-03	Rear-All		781	
	Disc Brake Rotor	2014-09	Front-All		PRT5582	SDR5582
2008-03		Front-All		PRT5259	SDR5259	
2014-03		Rear-All		PRT5441 ¹⁰³	SDR5441 ¹⁰⁴	
Disc Brake Rotor and Hub Assembly	2002-96	Front-All		PRT1829		
Brake Drum	2002-96	Rear-All		PDR0622		
Savana 2500						
Disc Brake Pad Set	2017-13	Front-All Hardware Included		SBM784		
	2017-13	Front-All Hardware Included	CFC784	SBC784	MKD784FM	
	2012	Front-V8 - 4.8L Hardware Included		SBM784		
	2012	Front-V8 - 4.8L Hardware Included	CFC784	SBC784	MKD784FM	
	2012	Front-V8 - 6.0L Hardware Included		SBM784		
	2012	Front-V8 - 6.0L Hardware Included	CFC784	SBC784	MKD784FM	
	2012	Front-V8 - 6.6L Hardware Included		SBM784		
	2012	Front-V8 - 6.6L Hardware Included	CFC784	SBC784	MKD784FM	
	2011	Front-All Hardware Included		SBM784		
	2011	Front-All Hardware Included	CFC784	SBC784	MKD784FM	
	2010	Front-V8 - 4.8L w/ 8,600, 8,800, 9,600, 9,900 Lb. GVW		SBM784		
	2010	Front-V8 - 4.8L w/ 8,600, 8,800, 9,600, 9,900 Lb. GVW	CFC784	SBC784	MKD784FM	
	2010	Front-V8 - 6.0L Hardware Included		SBM784		
	2010	Front-V8 - 6.0L Hardware Included	CFC784	SBC784	MKD784FM	
	2010	Front-V8 - 6.6L Hardware Included		SBM784		
	2010	Front-V8 - 6.6L Hardware Included	CFC784	SBC784	MKD784FM	
	2009-06	Front-All Hardware Included		SBM784		
	2009-06	Front-All Hardware Included	CFC784	SBC784	MKD784FM	
	2005-03	Front-All Exc. 7,300 Lb. GVW		SBM784		
	2005-03	Front-All Exc. 7,300 Lb. GVW	CFC784	SBC784	MKD784FM	
	2005-03	Front-All w/ 7,300 Lb. GVW		SBM785		
	2005-03	Front-All w/ 7,300 Lb. GVW	CFC785	SBC785	MKD785FM	
	2002-01	Front-V6 - 4.3L w/ 7,300 Lb. GVW	CFM369	SBM369	MKD369FM	
	2002-01	Front-V6 - 4.3L w/ 7,700, 8,600 Lb. GVW	CFM370	SBM370	MKD370FM	
	2002-01	Front-V8 - 5.0L w/ 7,300 Lb. GVW	CFM369	SBM369	MKD369FM	
	2002-01	Front-V8 - 5.0L w/ 7,700, 8,600 Lb. GVW	CFM370	SBM370	MKD370FM	
	2002-01	Front-V8 - 5.7L w/ 7,300 Lb. GVW	CFM369	SBM369	MKD369FM	
	2002-01	Front-V8 - 5.7L w/ 7,700, 8,600 Lb. GVW	CFM370	SBM370	MKD370FM	
	2002-01	Front-V8 - 6.5L w/ 7,300 Lb. GVW	CFM369	SBM369	MKD369FM	
	2002-01	Front-V8 - 6.5L w/ 7,700, 8,600 Lb. GVW	CFM459	SBM459	MKD459FM	
	2000-96	Front-All w/ 7,300 Lb. GVW	CFM369	SBM369	MKD369FM	
	2000-96	Front-All w/ 7,700, 8,600 Lb. GVW	CFM370	SBM370	MKD370FM	
	2017-03	Rear-All Hardware Included	CFC974	SBC974	MKD974FM	
	Drum Brake Shoe	2002-96	Rear-All w/ 11-5/32" X 2-3/4" Brakes		473	
		2002-96	Rear-All w/ 13" X 2-1/2" Brakes		451	
		2002-96	Rear-All w/ 13" X 3-1/2" Brakes		452	
	Parking Brake Shoe	2015	Rear-All		962	
		2013-09	Rear-All w/ 8.07" X 1.73" Brakes		962	
		2008-03	Rear-All w/ 8.07" X 1.73" Brakes		771	
		2019-07	Front-All		PRT5261	
Disc Brake Rotor	2014-07	Front-All			SDR5261	
	2006-03	Front-All 6 Holes		PRT5259	SDR5259	
	2006-03	Front-All 8 Holes		PRT5261	SDR5261	
	2019-18	Rear-All RPO Code GU6		PRT5875		
	2017	Rear-All		PRT5875		
	2016-11	Rear-V8 - 4.8L		PRT5875		
	2016-11	Rear-V8 - 6.0L		PRT5875		
	2016-10	Rear-V8 - 6.6L		PRT5260		
	2013-08	Rear-V8 - 6.6L			SDR5260	
	2010	Rear-V8 - 4.8L		PRT5262		
	2010	Rear-V8 - 6.0L		PRT5262		
	2009-08	Rear-V8 - 4.8L 3.37" Overall Height		PRT5875		
2009-08	Rear-V8 - 4.8L 3.43" Overall Height		PRT5262			

103 PRT5441 replaces PRT5282. Sell out PRT5282 and reorder PRT5441.

104 SDR5441 replaces SDR5282. Sell out SDR5282 and reorder SDR5441.

BENDIX BRAKE PARTS

PART TYPE	YEAR	APPLICATION	PREMIUM NO.	PART NO.	SEVERE DUTY NO.	
GMC (Cont'd.)						
Savana 2500 (Cont'd.)						
Disc Brake Rotor (cont'd)	2009-08	Rear-V8 - 6.0L 3.37" Overall Height		PRT5875		
	2009-08	Rear-V8 - 6.0L 3.43" Overall Height		PRT5262		
	2009-08	Rear-V8 - 6.6L 3.65" Overall Height		PRT5260		
	2007-06	Rear-All 4.63" Hub Hole Dia.; 8 Hole Rotor		PRT5262		
	2007-06	Rear-All 4.84" Hub Hole Dia.; 8 Hole Rotor		PRT5260	SDR5260	
	2006-03	Rear-All 6 Holes		PRT5594		
Disc Brake Rotor and Hub Assembly	2005-03	Rear-All 8 Holes		PRT5262		
	2002-96	Front-All 6 Stud		PRT5107		
Brake Drum	2002-96	Front-All 8 Stud		PRT1818		
	2002-96	Rear-All 11" Brakes		PDR0543		
	2002-96	Rear-All 13 x 2 1/2" Brakes		PDR0449		
	2002-96	Rear-All 13 x 3 1/2" Brakes		PDR0619		
Savana 3500						
Disc Brake Pad Set	2017-11	Front-All Hardware Included		SBM784		
	2017-11	Front-All Hardware Included	CFC784	SBC784	MKD784FM	
	2010-09	Front-All w/ 8,600, 8,800, 9,600, 9,900, 10,000, 12,300, 13,980, 14,200 Lb. GVW		SBM784		
	2010-09	Front-All w/ 8,600, 8,800, 9,600, 9,900, 10,000, 12,300, 13,980, 14,200 Lb. GVW	CFC784	SBC784	MKD784FM	
	2008-03	Front-All Hardware Included		SBM784		
	2008-03	Front-All Hardware Included	CFC784	SBC784	MKD784FM	
	2002-97	Front-All Cutaway Van, 135.0 / 342.9 Wheel Base, Hardware Included	CFM370	SBM370	MKD370FM	
	2002-97	Front-All Cutaway Van, 155.0 / 393.7 Wheel Base, Hardware Included	CFM459	SBM459	MKD459FM	
	2002-96	Front-All Cutaway Van, 139.0 / 353.1 Wheel Base, w/ Dual Rear Wheels	CFM459	SBM459	MKD459FM	
	2002-96	Front-All Cutaway Van, 139.0 / 353.1 Wheel Base, w/ Single Rear Wheels	CFM370	SBM370	MKD370FM	
	2002-96	Front-All Cutaway Van, 159.0 / 403.9 Wheel Base, Hardware Included	CFM459	SBM459	MKD459FM	
	2002-96	Front-All Cutaway Van, 177.0 / 449.6 Wheel Base, Hardware Included	CFM459	SBM459	MKD459FM	
	2002-96	Front-All Extended Cargo Van, Hardware Included	CFM370	SBM370	MKD370FM	
	2002-96	Front-All Extended Passenger Van, Hardware Included	CFM370	SBM370	MKD370FM	
	2002-96	Front-All Standard Cargo Van, Hardware Included	CFM370	SBM370	MKD370FM	
	2002-96	Front-All Standard Passenger Van, Hardware Included	CFM370	SBM370	MKD370FM	
	2017-14	Rear-All w/ Dual Rear Wheels	CFC1411	SBC1411	MKD1411FM	
	2017-03	Rear-All w/ Single Rear Wheels	CFC974	SBC974	MKD974FM	
	2013-09	Rear-All Extended	CFC1411	SBC1411	MKD1411FM	
	2008-03	Rear-All w/ Dual Rear Wheels	CFC989	SBC989	MKD989FM	
	Drum Brake Shoe	2002-96	Rear-All w/ 13" X 3-1/2" Brakes		452	
	Parking Brake Shoe	2015	Rear-All Cutaway Van, w/ Dual Rear Wheels		962	
		2015	Rear-All Cutaway Van, w/o Dual Rear Wheels		973	
		2015	Rear-All Extended Cargo Van		962	
2015		Rear-All Extended Passenger Van		962		
2015		Rear-All Standard Cargo Van		962		
2015		Rear-All Standard Passenger Van		962		
2014-13		Rear-All w/ 9.00" X 2.05" Brakes		973		
2013		Rear-All Cutaway Van, w/ 8.07" X 1.73" Brakes		962		
2012-11		Rear-All Cutaway Van, w/ 8,600, 10,000 lb. GVW		973		
2012-11		Rear-All w/ 8,600, 10,000 lb. GVW		962		
2010		Rear-All w/ 8.07" X 1.73" Brakes		962		
2009-08		Rear-All w/ 10,000 lb. GVW		973		
2009		Rear-All w/ 8,600 lb. GVW or w/ Dual Rear Wheels		962		
2008		Rear-All w/ 8.07" X 1.73" Brakes		962		
2007-03		Rear-All w/ 8.07" X 1.73" Brakes		771		
Disc Brake Rotor		2019-18	Front-All w/ 9900lb GVW		PRT5316	
		2019-18	Front-All w/ 14050lb GVW		PRT5317	
		2017	Front-All Base, Exc. GVW 14,040 Lbs.		PRT5316	
		2017	Front-All Base, GVW 14,040 Lbs.		PRT5317	
		2017	Front-All LS		PRT5316	
		2017	Front-All LT		PRT5316	
		2016-15	Front-All GVW 14040 lbs		PRT5317	
		2016-14	Front-All exc. GVW 14040 lbs		PRT5316	
		2014-07	Front-All GVW 10000 Lbs. and over		PRT5317	SDR5317
	2013-07	Front-All GVW 9900 Lbs. and under		PRT5316	SDR5316	
	2006-03	Front-All GVW 8600 LBS. & 9600 LBS.		PRT5316	SDR5316	
	2006-03	Front-All Over 9,600 lb GVW		PRT5317	SDR5317	
	2019-18	Rear-All w/ Single Rear Wheels		PRT5875		
	2019-17	Rear-All w/ Dual Rear Wheels		PRT5905		
	2017	Rear-All Base, w/ Single Rear Wheels		PRT5875		
	2017	Rear-All LS		PRT5875		
	2017	Rear-All LT		PRT5875		
	2016-11	Rear-All Dual Rear Wheels, 5.76" Height		PRT5905	SDR5905	
	2016-11	Rear-All Single Rear Wheels (4.63" Hub Hole Dia.)		PRT5875		

BENDIX BRAKE PARTS

PART TYPE	YEAR	APPLICATION	PREMIUM NO.	PART NO.	SEVERE DUTY NO.
GMC (Cont'd.)					
Savana 3500 (Cont'd.)					
Disc Brake Rotor (cont'd)	2014-11	Rear-All Single Rear Wheels (4.84" Hub Hole Dia.)		PRT5260	SDR5260
	2013-11	Rear-All Cutaway Chassis, Limited Slip Posi-Axle		PRT5262	
	2010	Rear-V8 - 4.8L FLEX		PRT5875	
	2010	Rear-V8 - 6.0L FLEX		PRT5875	
	2010	Rear-V8 - 6.6L DIESEL		PRT5260	SDR5260
	2009-03	Rear-All Dual Rear Wheels, 5.20" Height		PRT5339	SDR5339
	2009	Rear-All Dual Rear Wheels, 5.76" Height		PRT5905	SDR5905
	2009	Rear-All Single Rear Wheels (4.63" Hub Hole Dia.)		PRT5875	
	2009	Rear-All Single Rear Wheels (4.84" Hub Hole Dia.)		PRT5260	SDR5260
	2008-06	Rear-All Single Rear Wheels, 3.43" Height		PRT5262	
	2008-05	Rear-All Single Rear Wheels, 3.37" Height		PRT5875	
	2008-03	Rear-All Single Rear Wheels, 3.64" Height		PRT5260	SDR5260
	Disc Brake Rotor and Hub Assembly	2002-01	Front-All Single Rear Wheels, 32.7mm Thickness		PRT1818
2002-01		Front-All Single Rear Wheels, 39.1mm Thickness		PRT5360	
2002-96		Front-All Dual Rear Wheels		PRT5134	SDR5134
2000-96		Front-All Single Rear Wheels		PRT1818	
Brake Drum	2002-96	Rear-All Dual Rear Wheels		PDR0613	
	2002-96	Rear-All Single Rear Wheels		PDR0619	
	1996	Rear-All Single Rear Wheels, 10.50" Ring Gear, 13 x 2 1/2" Brakes		PDR0363	
Savana 4500					
Disc Brake Pad Set	2016-09	Front-All Hardware Included		SBM784	
	2016-09	Front-All Hardware Included	CFC784	SBC784	MKD784FM
	2016-15	Rear-All w/ Dual Rear Wheels	CFC1411	SBC1411	MKD1411FM
	2016-15	Rear-All w/ Single Rear Wheels	CFC974	SBC974	MKD974FM
	2014-09	Rear-All Hardware Included	CFC1411	SBC1411	MKD1411FM
	2014-09	Rear-All w/ 9.00" X 2.05" Brakes		973	
Parking Brake Shoe	2017-09	Front-All		PRT5317	
Disc Brake Rotor	2016-09	Front-All			SDR5317
	2017-09	Rear-All		PRT5905	
	2016-09	Rear-All			SDR5905
Sierra					
Disc Brake Pad Set	2017-15	Front-All Hardware Included	CFC1363	SBC1363	MKD1363FM
	2017-15	Front-All Hardware Included			PBD1363
	2017-15	Rear-All Hardware Included	CFC1707	SBC1707	MKD1707FM
Sierra 1500					
Disc Brake Pad Set	2018-09	Front-All Hardware Included	CFC1363	SBC1363	MKD1363FM
	2018-09	Front-All Hardware Included			PBD1363
	2008	Front-All For Use on Vehicles Equipped w/ Hydroboost	CFC1363	SBC1363	MKD1363FM
	2008	Front-All For Use on Vehicles Equipped w/ Hydroboost			PBD1363
	2008	Front-All For Use on Vehicles Equipped w/ Vacuum Booster	CFC1092	SBC1092	MKD1092FM
	2008	Front-All For Use on Vehicles Equipped w/ Vacuum Booster			PBD1092
	2007	Front-All Denali, For Use on Vehicles Equipped w/ Hydroboost	CFC1363	SBC1363	MKD1363FM
	2007	Front-All Denali, For Use on Vehicles Equipped w/ Hydroboost			PBD1363
	2007	Front-All SLE, For Use on Vehicles Equipped w/ Vacuum Booster	CFC1092	SBC1092	MKD1092FM
	2007	Front-All SLE, For Use on Vehicles Equipped w/ Vacuum Booster			PBD1092
	2007	Front-All SLT, For Use on Vehicles Equipped w/ Vacuum Booster	CFC1092	SBC1092	MKD1092FM
	2007	Front-All SLT, For Use on Vehicles Equipped w/ Vacuum Booster			PBD1092
	2007	Front-All WT, For Use on Vehicles Equipped w/ Vacuum Booster	CFC1092	SBC1092	MKD1092FM
	2007	Front-All WT, For Use on Vehicles Equipped w/ Vacuum Booster			PBD1092
	2006-05	Front-All For Use on Vehicles Equipped w/ Hydroboost	CFC1363	SBC1363	MKD1363FM
	2006-05	Front-All For Use on Vehicles Equipped w/ Hydroboost			PBD1363
	2006-05	Front-All For Use on Vehicles Equipped w/ Vacuum Booster		SBC1092	
	2006-05	Front-All For Use on Vehicles Equipped w/ Vacuum Booster		SBM785	
	2006-05	Front-All For Use on Vehicles Equipped w/ Vacuum Booster	CFC1092		
	2006-05	Front-All For Use on Vehicles Equipped w/ Vacuum Booster	CFC785	SBC785	MKD785FM
	2006-05	Front-All For Use on Vehicles Equipped w/ Vacuum Booster			MKD1092FM
	2006-05	Front-All For Use on Vehicles Equipped w/ Vacuum Booster			PBD1092
	2004-03	Front-All Hardware Included		SBM785	
	2004-03	Front-All Hardware Included	CFC785	SBC785	MKD785FM
	2002	Front-All w/ 2-Wheel Steering		SBM785	
	2002	Front-All w/ 2-Wheel Steering	CFC785	SBC785	MKD785FM

BENDIX BRAKE PARTS

PART TYPE	YEAR	APPLICATION	PREMIUM NO.	PART NO.	SEVERE DUTY NO.
GMC (Cont'd.)					
Sierra 1500 (Cont'd.)					
Disc Brake Pad Set (cont'd)	2002	Front-All w/ 4-Wheel Steering		SBM784	
	2002	Front-All w/ 4-Wheel Steering	CFC784	SBC784	MKD784FM
	2001-99	Front-All Hardware Included		SBM785	
	2001-99	Front-All Hardware Included	CFC785	SBC785	MKD785FM
	2018-14	Rear-All Hardware Included	CFC1707	SBC1707	MKD1707FM
	2013-10	Rear-All Hardware Included	CFC1194	SBC1194	MKD1194FM
	2013-10	Rear-All Hardware Included			PBD1194
	2009	Rear-V8 - 4.8L Hardware Included	CFC1194	SBC1194	MKD1194FM
	2009	Rear-V8 - 4.8L Hardware Included			PBD1194
	2009	Rear-V8 - 5.3L Hardware Included	CFC1194	SBC1194	MKD1194FM
	2009	Rear-V8 - 5.3L Hardware Included			PBD1194
	2009	Rear-V8 - 6.0L Hardware Included	CFC1194	SBC1194	MKD1194FM
	2009	Rear-V8 - 6.0L Hardware Included			PBD1194
	2009	Rear-V8 - 6.2L Hardware Included	CFC1194	SBC1194	MKD1194FM
	2009	Rear-V8 - 6.2L Hardware Included			PBD1194
	2008-07	Rear-All Hardware Included	CFC1194	SBC1194	MKD1194FM
	2008-07	Rear-All Hardware Included			PBD1194
	2006-05	Rear-All Hybrid, Hardware Included	CFC792HD		
	2006-05	Rear-All Hybrid, w/ Heavy Duty Brakes		SBM792HD	
	2006-05	Rear-All Hybrid, w/ Heavy Duty Brakes		SBC792HD	MKD792HDFM
	2006-05	Rear-All Hybrid, w/o Heavy Duty Brakes		SBM792SD	
	2006-05	Rear-All Hybrid, w/o Heavy Duty Brakes		SBC792SD	MKD792SDFM
	2006	Rear-All Denali, w/ Caliper Center Rattle Clip	CFC834	SBC834	MKD834FM
	2006	Rear-All SL, Hardware Included	CFC792HD		
	2006	Rear-All SL, w/ Heavy Duty Brakes		SBM792HD	
	2006	Rear-All SL, w/ Heavy Duty Brakes		SBC792HD	MKD792HDFM
	2006	Rear-All SL, w/o Heavy Duty Brakes		SBM792SD	
	2006	Rear-All SL, w/o Heavy Duty Brakes		SBC792SD	MKD792SDFM
	2006	Rear-All SLE, Hardware Included	CFC792HD		
	2006	Rear-All SLE, w/ Heavy Duty Brakes		SBM792HD	
	2006	Rear-All SLE, w/ Heavy Duty Brakes		SBC792HD	MKD792HDFM
	2006	Rear-All SLE, w/o Heavy Duty Brakes		SBM792SD	
	2006	Rear-All SLE, w/o Heavy Duty Brakes		SBC792SD	MKD792SDFM
	2006	Rear-All WT, Hardware Included	CFC792HD		
	2006	Rear-All WT, w/ Heavy Duty Brakes		SBM792HD	
	2006	Rear-All WT, w/ Heavy Duty Brakes		SBC792HD	MKD792HDFM
	2006	Rear-All WT, w/o Heavy Duty Brakes		SBM792SD	
	2006	Rear-All WT, w/o Heavy Duty Brakes		SBC792SD	MKD792SDFM
	2005	Rear-All Base, w/ Single Piston Caliper		SBC792SD	
	2005	Rear-All Base, w/ Single Piston Caliper		SBM792HD	
	2005	Rear-All Base, w/ Single Piston Caliper		SBM792SD	
	2005	Rear-All Base, w/ Single Piston Caliper	CFC792HD	SBC792HD	MKD792HDFM
	2005	Rear-All Base, w/ Single Piston Caliper			MKD792SDFM
	2005	Rear-All Denali, Automatic Trans, w/ Positraction Rear Axle	CFC834	SBC834	MKD834FM
	2005	Rear-All Denali, For Use on Vehicles Equipped w/ Vacuum Booster	CFC834	SBC834	MKD834FM
	2005	Rear-All Denali, w/ Hydraulic Brakes		SBM785	
	2005	Rear-All Denali, w/ Hydraulic Brakes	CFC785	SBC785	MKD785FM
	2005	Rear-All SLE, Crew Cab Pickup, w/ Single Piston Rear Calipers		SBC792SD	
	2005	Rear-All SLE, Crew Cab Pickup, w/ Single Piston Rear Calipers		SBC974A	
	2005	Rear-All SLE, Crew Cab Pickup, w/ Single Piston Rear Calipers		SBM792HD	
	2005	Rear-All SLE, Crew Cab Pickup, w/ Single Piston Rear Calipers		SBM792SD	
	2005	Rear-All SLE, Crew Cab Pickup, w/ Single Piston Rear Calipers	CFC974A		
	2005	Rear-All SLE, Crew Cab Pickup, w/ Single Piston Rear Calipers	CFC792HD	SBC792HD	MKD792HDFM
	2005	Rear-All SLE, Crew Cab Pickup, w/ Single Piston Rear Calipers			MKD792SDFM
	2005	Rear-All SLE, Crew Cab Pickup, w/ Single Piston Rear Calipers			MKD974AFM
	2005	Rear-All SLE, Crew Cab Pickup, w/ Single Piston Rear Calipers			PBD974A
	2005	Rear-All SLE, Extended Cab Pickup, w/ Single Piston Caliper		SBC792SD	
	2005	Rear-All SLE, Extended Cab Pickup, w/ Single Piston Caliper		SBM792HD	
	2005	Rear-All SLE, Extended Cab Pickup, w/ Single Piston Caliper		SBM792SD	
	2005	Rear-All SLE, Extended Cab Pickup, w/ Single Piston Caliper	CFC792HD	SBC792HD	MKD792HDFM
	2005	Rear-All SLE, Extended Cab Pickup, w/ Single Piston Caliper			MKD792SDFM
	2005	Rear-All SLE, Standard Cab Pickup, w/ Single Piston Caliper		SBC792SD	

BENDIX BRAKE PARTS

PART TYPE	YEAR	APPLICATION	PREMIUM NO.	PART NO.	SEVERE DUTY NO.	
GMC (Cont'd.)						
Sierra 1500 (Cont'd.)						
Disc Brake Pad Set (cont'd)	2005	Rear-All SLE, Standard Cab Pickup, w/ Single Piston Caliper		SBM792HD		
	2005	Rear-All SLE, Standard Cab Pickup, w/ Single Piston Caliper		SBM792SD		
	2005	Rear-All SLE, Standard Cab Pickup, w/ Single Piston Caliper	CFC792HD	SBC792HD	MKD792HDFM	
	2005	Rear-All SLE, Standard Cab Pickup, w/ Single Piston Caliper			MKD792SDFM	
	2005	Rear-All SLT, Crew Cab Pickup, w/ Dual Piston Rear Calipers	CFC834	SBC834	MKD834FM	
	2005	Rear-All SLT, Extended Cab Pickup, w/ Single Piston Caliper		SBC792SD		
	2005	Rear-All SLT, Extended Cab Pickup, w/ Single Piston Caliper		SBM792HD		
	2005	Rear-All SLT, Extended Cab Pickup, w/ Single Piston Caliper		SBM792SD		
	2005	Rear-All SLT, Extended Cab Pickup, w/ Single Piston Caliper	CFC792HD	SBC792HD	MKD792HDFM	
	2005	Rear-All SLT, Extended Cab Pickup, w/ Single Piston Caliper			MKD792SDFM	
	2005	Rear-All WT, w/ Single Piston Caliper		SBC792SD		
	2005	Rear-All WT, w/ Single Piston Caliper		SBM792HD		
	2005	Rear-All WT, w/ Single Piston Caliper		SBM792SD		
	2005	Rear-All WT, w/ Single Piston Caliper	CFC792HD	SBC792HD	MKD792HDFM	
	2005	Rear-All WT, w/ Single Piston Caliper			MKD792SDFM	
	2004-02	Rear-All w/ Dual Piston Caliper	CFC834	SBC834	MKD834FM	
	2004-02	Rear-All w/ Single Piston Caliper		SBC792SD		
	2004-02	Rear-All w/ Single Piston Caliper		SBM792HD		
	2004-02	Rear-All w/ Single Piston Caliper		SBM792SD		
	2004-02	Rear-All w/ Single Piston Caliper	CFC792HD	SBC792HD	MKD792HDFM	
	2004-02	Rear-All w/ Single Piston Caliper			MKD792SDFM	
	2003	Rear-All Standard Cab Pickup, w/ 2-Wheel Steering	CFC974A	SBC974A	MKD974AFM	
	2003	Rear-All Standard Cab Pickup, w/ 2-Wheel Steering			PBD974A	
	2001-00	Rear-All Hardware Included	CFC792HD			
	2001-00	Rear-All w/ Heavy Duty Brakes		SBM792HD		
	2001-00	Rear-All w/ Heavy Duty Brakes		SBC792HD	MKD792HDFM	
	2001-00	Rear-All w/o Heavy Duty Brakes		SBM792SD		
	2001-00	Rear-All w/o Heavy Duty Brakes		SBC792SD	MKD792SDFM	
	1999	Rear-All w/ 16.3mm Overall Thickness		SBC792SD		
	1999	Rear-All w/ 16.3mm Overall Thickness		SBM792HD		
	1999	Rear-All w/ 16.3mm Overall Thickness		SBM792SD		
	1999	Rear-All w/ 16.3mm Overall Thickness	CFC792HD	SBC792HD	MKD792HDFM	
	1999	Rear-All w/ 16.3mm Overall Thickness			MKD792SDFM	
	Drum Brake Shoe	2013-10	Rear-All		960	
		2009-08	Rear-All Exc. Vehicles Using Hold Down Pins		855	
		2009-08	Rear-All Vehicles Using Hold Down Pins		960	
		2007-05	Rear-All		855	
		1999	Rear-All w/ 11-5/32" X 2-3/4" Brakes		473	
		2012-07	Rear-All		781	
	Parking Brake Shoe	2006	Rear-All 2 Doors		781	
2006		Rear-All 4 Doors, Crew Cab Pickup, w/ 8.07" X 1.73" Brakes		771		
2006		Rear-All 4 Doors, Extended Cab Pickup		781		
2005-00		Rear-All		781		
1999		Rear-All w/ 11-5/32" X 2-3/4" Brakes		781		
2019-07		Front-All		PRT5582		
Disc Brake Rotor	2015-07	Front-All			SDR5582	
	2006-05	Front-All w/Rear Disc		PRT5259	SDR5259	
	2006-05	Front-All w/Rear Drum		PRT5582	SDR5582	
	2004-99	Front-All		PRT5259	SDR5259	
	2016-07	Rear-All Rear Disc		PRT5729		
	2014-08	Rear-All Rear Disc			SDR5729	
	2007	Rear-V6 - 4.3L			SDR5729	
	2007	Rear-V8 - 4.8L			SDR5729	
	2007	Rear-V8 - 6.0L			SDR5729	
	2006-01	Rear-All 325mm Diameter		PRT5265	SDR5265	
	2006-01	Rear-All 330mm Diameter		PRT5441 ¹⁰³	SDR5441 ¹⁰⁴	
	2000-99	Rear-All		PRT5265	SDR5265	
	Brake Drum	2013-09	Rear-All Rear Drum		PDR0855	
		2008-05	Rear-All Rear Drum		PDR0800	
	Sierra 1500 Classic					
Disc Brake Pad Set	2007	Front-All Denali, For Use on Vehicles Equipped w/ Vacuum Booster		SBM785		
	2007	Front-All Denali, For Use on Vehicles Equipped w/ Vacuum Booster	CFC785	SBC785	MKD785FM	
	2007	Front-All For Use on Vehicles Equipped w/ Hydroboost	CFC1363	SBC1363	MKD1363FM	
	2007	Front-All For Use on Vehicles Equipped w/ Hydroboost			PBD1363	

103 PRT5441 replaces PRT5282. Sell out PRT5282 and reorder PRT5441.

104 SDR5441 replaces SDR5282. Sell out SDR5282 and reorder SDR5441.

BENDIX BRAKE PARTS

PART TYPE	YEAR	APPLICATION	PREMIUM NO.	PART NO.	SEVERE DUTY NO.
GMC (Cont'd.)					
Sierra 1500 Classic (Cont'd.)					
Disc Brake Pad Set (cont'd)	2007	Front-All For Use on Vehicles Equipped w/ Vacuum Booster	CFC1092	SBC1092	MKD1092FM
	2007	Front-All For Use on Vehicles Equipped w/ Vacuum Booster			PBD1092
	2007	Front-All Hybrid, For Use on Vehicles Equipped w/ Vacuum Booster		SBM785	
	2007	Front-All Hybrid, For Use on Vehicles Equipped w/ Vacuum Booster	CFC785	SBC785	MKD785FM
	2007	Front-All SL, For Use on Vehicles Equipped w/ Vacuum Booster		SBM785	
	2007	Front-All SL, For Use on Vehicles Equipped w/ Vacuum Booster	CFC785	SBC785	MKD785FM
	2007	Front-All SLE, For Use on Vehicles Equipped w/ Vacuum Booster		SBM785	
	2007	Front-All SLE, For Use on Vehicles Equipped w/ Vacuum Booster	CFC785	SBC785	MKD785FM
	2007	Front-All SLT, For Use on Vehicles Equipped w/ Vacuum Booster		SBM785	
	2007	Front-All SLT, For Use on Vehicles Equipped w/ Vacuum Booster	CFC785	SBC785	MKD785FM
	2007	Front-All WT, For Use on Vehicles Equipped w/ Vacuum Booster		SBM785	
	2007	Front-All WT, For Use on Vehicles Equipped w/ Vacuum Booster	CFC785	SBC785	MKD785FM
	2007	Rear-All Denali, Hardware Included	CFC792HD		
	2007	Rear-All Denali, w/ Heavy Duty Brakes		SBM792HD	
	2007	Rear-All Denali, w/ Heavy Duty Brakes		SBC792HD	MKD792HDFM
	2007	Rear-All Denali, w/o Heavy Duty Brakes		SBM792SD	
	2007	Rear-All Denali, w/o Heavy Duty Brakes		SBC792SD	MKD792SDFM
	2007	Rear-All Hybrid, Hardware Included	CFC1194	SBC1194	MKD1194FM
	2007	Rear-All Hybrid, Hardware Included			PBD1194
	2007	Rear-All SL, Hardware Included	CFC1194	SBC1194	MKD1194FM
	2007	Rear-All SL, Hardware Included			PBD1194
	2007	Rear-All SLE, Hardware Included	CFC1194	SBC1194	MKD1194FM
	2007	Rear-All SLE, Hardware Included			PBD1194
	2007	Rear-All SLT, Hardware Included	CFC1194	SBC1194	MKD1194FM
	2007	Rear-All SLT, Hardware Included			PBD1194
	2007	Rear-All WT, Hardware Included	CFC1194	SBC1194	MKD1194FM
	2007	Rear-All WT, Hardware Included			PBD1194
Drum Brake Shoe	2007	Rear-All		855	
Parking Brake Shoe	2007	Rear-All		781	
Disc Brake Rotor	2007	Front-All Hybrid		PRT5259	
	2007	Rear-All		PRT5265	
Brake Drum	2007	Rear-All Rear Drum		PDR0800	
Sierra 1500 HD					
Disc Brake Pad Set	2006-05	Front-All Hardware Included		SBM784	
	2006-05	Front-All Hardware Included	CFC784	SBC784	MKD784FM
	2003-01	Front-All Hardware Included		SBM784	
	2003-01	Front-All Hardware Included	CFC784	SBC784	MKD784FM
	2006-05	Rear-All Hardware Included		SBM785	
	2006-05	Rear-All Hardware Included	CFC785	SBC785	MKD785FM
	2003-01	Rear-All Hardware Included		SBM785	
	2003-01	Rear-All Hardware Included	CFC785	SBC785	MKD785FM
Parking Brake Shoe	2006-05	Rear-All w/ 8.27" X 1.27" Brakes		781	
	2005	Rear-All w/ 8.07" X 1.73" Brakes		771	
	2003-01	Rear-All w/ 8.07" X 1.73" Brakes		771	
	2003	Rear-All w/ 8.27" X 1.27" Brakes		781	
Disc Brake Rotor	2006-05	Front-All		PRT5261	SDR5261
	2003-01	Front-All		PRT5261	SDR5261
	2006-05	Rear-All w/4 Wheel Steering		PRT5262	
	2003	Rear-All 330mm x 95.25mm diameter rotor		PRT5441 ¹⁰³	SDR5441 ¹⁰⁴
	2003	Rear-All w/4-Wheel Steering		PRT5466	
	2003	Rear-All w/4-Wheel Steering		PRT5262	
	2002	Rear-All Hydraulic Power Brakes		PRT5262	
	2001	Rear-All 9.50" Ring Gear		PRT5262	
	2001	Rear-All w/8.50/8.625 Ring Gear (w/Limited Slip Axle G80)		PRT5441 ¹⁰³	SDR5441 ¹⁰⁴
	2001	Rear-All w/8.50/8.625 Ring Gear (wo/Limited Slip Axle G80)		PRT5265	SDR5265
Sierra 1500 HD Classic					
Disc Brake Pad Set	2007	Front-All Hardware Included		SBM784	
	2007	Front-All Hardware Included	CFC784	SBC784	MKD784FM
	2007	Rear-All Hardware Included		SBM785	
	2007	Rear-All Hardware Included	CFC785	SBC785	MKD785FM
Parking Brake Shoe	2007	Rear-All w/ 8.07" X 1.73" Brakes		771	
Disc Brake Rotor	2007	Front-All		PRT5261	
	2007	Rear-All		PRT5262	

103 PRT5441 replaces PRT5282. Sell out PRT5282 and reorder PRT5441.

104 SDR5441 replaces SDR5282. Sell out SDR5282 and reorder SDR5441.

BENDIX BRAKE PARTS

PART TYPE	YEAR	APPLICATION	PREMIUM NO.	PART NO.	SEVERE DUTY NO.
GMC (Cont'd.)					
Sierra 1500 Limited					
Disc Brake Rotor	2019	Front-All		PRT5582	
Sierra 2500					
Disc Brake Pad Set	2004-99	Front-All Hardware Included		SBM784	
	2004-99	Front-All Hardware Included	CFC784	SBC784	MKD784FM
	2004-99	Rear-All Hardware Included		SBM785	
	2004-99	Rear-All Hardware Included	CFC785	SBC785	MKD785FM
Drum Brake Shoe	2000-99	Rear-All w/ 7,200 Lb. GVW		473	
Parking Brake Shoe	2004-99	Rear-All w/ 8.07" X 1.73" Brakes		771	
Disc Brake Rotor	2004-99	Front-All 8 Hole Rotor		PRT5261	SDR5261
	2003	Front-All 6 Hole Rotor		PRT5259	SDR5259
	2004-99	Rear-All 4.63" Hub Hole Dia.; 8 Hole Rotor		PRT5262	
	2004-99	Rear-All 4.84" Hub Hole Dia.; 8 Hole Rotor		PRT5260	SDR5260
	2003	Rear-All 6 Hole Rotor		PRT5265	SDR5265
Sierra 2500 HD					
Disc Brake Pad Set	2018-14	Front-All Hardware Included	CFC1565A	SBC1565B	MKD1565BFM
	2013	Front-All Hardware Included	CFC1411	SBC1411	MKD1411FM
	2012	Front-All Hardware Included	CFC1565A	SBC1565B	MKD1565BFM
	2011	Front-All Hardware Included	CFC1411	SBC1411	MKD1411FM
	2010-01	Front-All Hardware Included		SBM784	
	2010-01	Front-All Hardware Included	CFC784	SBC784	MKD784FM
	2018-16	Rear-All Hardware Included	CFC1565A	SBC1565B	MKD1565BFM
	2015-14	Rear-All From 8/14	CFC1565A	SBC1565B	MKD1565BFM
	2015-14	Rear-All To 8/14	CFC1411	SBC1411	MKD1411FM
	2013-11	Rear-All Hardware Included	CFC1411	SBC1411	MKD1411FM
	2010-01	Rear-All Hardware Included		SBM785	
	2010-01	Rear-All Hardware Included	CFC785	SBC785	MKD785FM
Parking Brake Shoe	2010	Rear-All w/ 8.07" X 1.73" Brakes		962	
	2009-06	Rear-All w/ 8.07" X 1.73" Brakes		771	
	2005-04	Rear-All w/ 2 Wheel Steering		771	
	2004	Rear-All w/ 8.27" X 1.27" Brakes		781	
	2003-01	Rear-All w/ 8.07" X 1.73" Brakes		771	
Disc Brake Rotor	2019-11	Front-All		PRT6074	
	2010-05	Front-All		PRT5316	SDR5316
	2004-01	Front-All w/ Allison Transmission		PRT5316	SDR5316
	2004-01	Front-All w/out Allison Transmission		PRT5261	SDR5261
	2019-11	Rear-All		PRT6075	
	2010-05	Rear-All 4.84" Hub Hole Dia.		PRT5260	SDR5260
	2006-05	Rear-All 4.63" Hub Hole Dia.		PRT5262	
	2004	Rear-All w/ 4 Wheel Steering		PRT5466	
	2004	Rear-All w/o 4 Wheel Steering, 4.63 Dia. Hub Hole		PRT5262	
	2004	Rear-All w/o 4 Wheel Steering, 4.84" Dia. Hub Hole		PRT5260	SDR5260
	2003-01	Rear-All 4.63" Hub Hole Dia.		PRT5262	
	2003-01	Rear-All 4.84" Hub Hole Dia.		PRT5260	SDR5260
Sierra 2500 HD Classic					
Disc Brake Pad Set	2007	Front-All Hardware Included		SBM784	
	2007	Front-All Hardware Included	CFC784	SBC784	MKD784FM
	2007	Rear-All Hardware Included		SBM785	
	2007	Rear-All Hardware Included	CFC785	SBC785	MKD785FM
Parking Brake Shoe	2007	Rear-All w/ 8.07" X 1.73" Brakes		771	
Disc Brake Rotor	2007	Front-All		PRT5316	
	2007	Rear-All 330.4mm Diameter Rotor		PRT5260	
Sierra 3500					
Disc Brake Pad Set	2006	Front-All w/ 9,900, 12,000 Lb. GVW		SBM784	
	2006	Front-All w/ 9,900, 12,000 Lb. GVW	CFC784	SBC784	MKD784FM
	2005-04	Front-All 4WD, w/ 9,900, 12,000 Lb. GVW		SBM784	
	2005-04	Front-All 4WD, w/ 9,900, 12,000 Lb. GVW	CFC784	SBC784	MKD784FM
	2005-04	Front-All RWD, Hardware Included		SBM784	
	2005-04	Front-All RWD, Hardware Included	CFC784	SBC784	MKD784FM
	2003-01	Front-All Hardware Included		SBM784	
	2003-01	Front-All Hardware Included	CFC784	SBC784	MKD784FM
	2006	Rear-All w/ 9,900 Lb. GVW		SBM785	
	2006	Rear-All w/ 9,900 Lb. GVW	CFC785	SBC785	MKD785FM
	2006	Rear-All w/ 12,000 Lb. GVW		SBM909	
	2006	Rear-All w/ 12,000 Lb. GVW	CFC909	SBC909	MKD909FM
	2005	Rear-V8 - 6.0L 4WD, w/ 9,900 Lb. GVW		SBM785	
	2005	Rear-V8 - 6.0L 4WD, w/ 9,900 Lb. GVW	CFC785	SBC785	MKD785FM
	2005	Rear-V8 - 6.0L 4WD, w/ 12,000 Lb. GVW		SBM909	
	2005	Rear-V8 - 6.0L 4WD, w/ 12,000 Lb. GVW	CFC909	SBC909	MKD909FM
	2005	Rear-V8 - 6.0L RWD, Hardware Included		SBM909	
	2005	Rear-V8 - 6.0L RWD, Hardware Included	CFC909	SBC909	MKD909FM
	2005	Rear-V8 - 6.6L 4WD, w/ 9,900 Lb. GVW		SBM785	
	2005	Rear-V8 - 6.6L 4WD, w/ 9,900 Lb. GVW	CFC785	SBC785	MKD785FM
	2005	Rear-V8 - 6.6L 4WD, w/ 12,000 Lb. GVW		SBM909	
	2005	Rear-V8 - 6.6L 4WD, w/ 12,000 Lb. GVW	CFC909	SBC909	MKD909FM
	2005	Rear-V8 - 6.6L RWD, Hardware Included		SBM909	

BENDIX BRAKE PARTS

PART TYPE	YEAR	APPLICATION	PREMIUM NO.	PART NO.	SEVERE DUTY NO.	
GMC (Cont'd.)						
Sierra 3500 (Cont'd.)						
Disc Brake Pad Set (cont'd)	2005	Rear-V8 - 6.6L RWD, Hardware Included	CFC909	SBC909	MKD909FM	
	2005	Rear-V8 - 8.1L 4WD, w/ 12,000 Lb. GVW		SBM909		
	2005	Rear-V8 - 8.1L 4WD, w/ 12,000 Lb. GVW	CFC909	SBC909	MKD909FM	
	2005	Rear-V8 - 8.1L RWD, Hardware Included		SBM909		
	2005	Rear-V8 - 8.1L RWD, Hardware Included	CFC909	SBC909	MKD909FM	
	2004	Rear-All 4WD, w/ 9,900 Lb. GVW		SBM785		
	2004	Rear-All 4WD, w/ 9,900 Lb. GVW	CFC785	SBC785	MKD785FM	
	2004	Rear-All 4WD, w/ 12,000 Lb. GVW		SBM909		
	2004	Rear-All 4WD, w/ 12,000 Lb. GVW	CFC909	SBC909	MKD909FM	
	2004	Rear-All RWD, Hardware Included		SBM909		
	2004	Rear-All RWD, Hardware Included	CFC909	SBC909	MKD909FM	
	2003-01	Rear-All Hardware Included		SBM909		
	2003-01	Rear-All Hardware Included	CFC909	SBC909	MKD909FM	
	Parking Brake Shoe	2006-04	Rear-All w/ 9,900, 12,000 lb. GVW		771	
		2003-01	Rear-All w/ 8.07" X 1.73" Brakes		771	
Disc Brake Rotor	2006-04	Front-All Single Rear Wheels		PRT5316	SDR5316	
	2006-01	Front-All Dual Rear Wheels		PRT5317	SDR5317	
	2006-04	Rear-All Single Rear Wheels		PRT5260	SDR5260	
	2006-01	Rear-All Dual Rear Wheels		PRT5339	SDR5339	
Sierra 3500 Classic						
Disc Brake Pad Set	2007	Front-All w/ 9,900, 12,000 Lb. GVW		SBM784		
	2007	Front-All w/ 9,900, 12,000 Lb. GVW	CFC784	SBC784	MKD784FM	
	2007	Rear-All w/ 9,900 Lb. GVW		SBM785		
	2007	Rear-All w/ 9,900 Lb. GVW	CFC785	SBC785	MKD785FM	
	2007	Rear-All w/ 12,000 Lb. GVW		SBM909		
	2007	Rear-All w/ 12,000 Lb. GVW	CFC909	SBC909	MKD909FM	
Parking Brake Shoe	2007	Rear-All w/ 9,900, 12,000 lb. GVW		771		
Disc Brake Rotor	2007	Front-All GVW 9,900 Lbs.		PRT5316		
	2007	Front-All GVW 12,000 Lbs.		PRT5317		
	2007	Rear-All 9,900 lb. GVW		PRT5260		
Sierra 3500 HD						
Disc Brake Pad Set	2018-14	Front-All Hardware Included	CFC1565A	SBC1565B	MKD1565BFM	
	2013	Front-All Hardware Included	CFC1411	SBC1411	MKD1411FM	
	2012	Front-All Hardware Included	CFC1565A	SBC1565B	MKD1565BFM	
	2011	Front-All Hardware Included	CFC1411	SBC1411	MKD1411FM	
	2010-07	Front-All w/ 9,900, 12,000 Lb. GVW		SBM784		
	2010-07	Front-All w/ 9,900, 12,000 Lb. GVW	CFC784	SBC784	MKD784FM	
	2018-16	Rear-All Hardware Included	CFC1565A	SBC1565B	MKD1565BFM	
	2015-14	Rear-All From 8/14	CFC1565A	SBC1565B	MKD1565BFM	
	2015-14	Rear-All To 8/14	CFC1411	SBC1411	MKD1411FM	
	2013-11	Rear-All Hardware Included	CFC1411	SBC1411	MKD1411FM	
	2010-07	Rear-All w/ 9,900 Lb. GVW		SBM785		
	2010-07	Rear-All w/ 9,900 Lb. GVW	CFC785	SBC785	MKD785FM	
	2010-07	Rear-All w/ 12,000 Lb. GVW		SBM909		
	2010-07	Rear-All w/ 12,000 Lb. GVW	CFC909	SBC909	MKD909FM	
	Parking Brake Shoe	2010	Rear-All w/ 9,900, 12,000 lb. GVW		962	
		2009-07	Rear-All w/ 9,900, 12,000 lb. GVW		771	
	Disc Brake Rotor	2019-11	Front-All		PRT6074	
		2010-07	Front-All Dual Rear Wheels		PRT5317	SDR5317
		2010-07	Front-All Single Rear Wheels		PRT5316	SDR5316
		2019-17	Rear-All w/ Single Rear Wheels		PRT6075	
2017		Rear-All w/ Dual Rear Wheels		PRT6076		
2016-11		Rear-All Dual Rear Wheels		PRT6076		
2016-11		Rear-All Single Rear Wheels		PRT6075		
2010-07		Rear-All Dual Rear Wheels		PRT5339	SDR5339	
2010-07		Rear-All Single Rear Wheels		PRT5260	SDR5260	
Sonoma						
Disc Brake Pad Set	2004	Front-All Hardware Included	CFC726	SBC726	MKD726FM	
	2003	Front-L4 - 2.2L Exc. High Wider Package		SBC988		
	2003	Front-L4 - 2.2L w/ High Wider Package	CFC726	SBC726	MKD726FM	
	2003	Front-V6 - 4.3L 4WD, Hardware Included	CFC726	SBC726	MKD726FM	
	2003	Front-V6 - 4.3L RWD, Exc. High Wider Package		SBC988		
	2003	Front-V6 - 4.3L RWD, w/ High Wider Package	CFC726	SBC726	MKD726FM	
	2002-98	Front-All 4WD, Hardware Included	CFC726	SBC726	MKD726FM	
	2002-98	Front-All RWD, Hardware Not Included	CFC154	SBC154	MKD154FM	
	1997	Front-L4 - 2.2L 4WD, Hardware Not Included	CFC154	SBC767	MKD767FM	
	1997	Front-L4 - 2.2L RWD, Hardware Not Included	CFC154	SBC767	MKD767FM	
	1997	Front-V6 - 4.3L 4WD, Bonded Linings	CFC154	SBC767	MKD767FM	
	1997	Front-V6 - 4.3L RWD, Hardware Not Included	CFC154	SBC767	MKD767FM	
	1996	Front-All Riveted Linings	CFC154	SBC154	MKD154FM	
	1995-91	Front-All Hardware Not Included	CFC154	SBC154	MKD154FM	
	2004	Rear-All Hardware Included	CFC729	SBC729		
	2003-00	Rear-L4 - 2.2L Hardware Included	CFC729	SBC729		
	2003-00	Rear-V6 - 4.3L Hardware Included	CFC729	SBC729		
	1999-98	Rear-All Hardware Included	CFC729	SBC729		

BENDIX BRAKE PARTS

PART TYPE	YEAR	APPLICATION	PREMIUM NO.	PART NO.	SEVERE DUTY NO.	
GMC (Cont'd.)						
Sonoma (Cont'd.)						
Drum Brake Shoe	2003-98	Rear-All RWD		514		
	1997-91	Rear-All w/ 9.5" X 2.06" Brakes		514		
Parking Brake Shoe	2004-98	Rear-All		784		
Disc Brake Rotor	2004	Front-All		PRT5182		
	2003-98	Front-All 4WD		PRT5182		
	1997-91	Front-All 4WD		PRT1261		
	2004-98	Rear-All		PRT5180		
Disc Brake Rotor and Hub Assembly	2003-96	Front-All RWD, 4-Wheel ABS		PRT5241		
	2003-96	Front-All RWD, without ABS Sensor Ring		PRT5477 ⁶⁰		
	1995-94	Front-All RWD, 4-Wheel ABS		PRT1631 ⁵⁸		
	1995-91	Front-All RWD, 2-Wheel ABS		PRT1233		
	1991	Front-All RWD, 4-Wheel ABS		PRT1631 ⁵⁸		
Brake Drum	2003-92	Rear-All		PDR0610		
	1991	Rear-All		PDR0454		
Sprint						
Disc Brake Pad Set	1977-71	Front-All Hardware Included		SBC52	MKD52FM	
Drum Brake Shoe	1972-71	Front-All w/ 9.5" X 2.56" Brakes		246		
	1977-75	Rear-All w/ 11" X 2.12" Brakes		462		
	1975-71	Rear-All w/ 9.5" X 2.06" Brakes		242		
	1975-71	Rear-All w/ 9.5" X 2.06" Brakes		245		
Disc Brake Rotor and Hub Assembly	1977-73	Front-All		PRT1040		
	1972-71	Front-All		PRT1039		
Brake Drum	1972-71	Front-All		PDR0059		
	1977-76	Rear-All		PDR0342		
	1975-73	Rear-All		PDR0454		
	1972-71	Rear-All		PDR0053		
Syclone						
Disc Brake Pad Set	1991	Front-All Hardware Not Included	CFC154	SBC154	MKD154FM	
Drum Brake Shoe	1991	Rear-All w/ 9.5" X 2.06" Brakes		514		
Disc Brake Rotor and Hub Assembly	1991	Front-All		PRT1233		
Brake Drum	1991	Rear-All		PDR0454		
T6500						
Disc Brake Pad Set	2009-07	Front-All Hardware Included			MKD1032FM	
	2006-04	Front-All T6F042, Hardware Included			MKD1032FM	
	2002-01	Front-All F6B042, Front Axle Rating 8,100 Lbs.			MKD224FM	
	2000-97	Front-All w/ 2.50" Dia. Dual Piston Dayton Caliper			MKD224FM	
	2000-97	Front-All w/ 2.88" Dia. Dual Piston Bendix Caliper			MKD225FM	
	2008-04	Rear-All T6F042, Hardware Included			MKD1032FM	
	2002-01	Rear-All F6B042, Rear Axle Rating 15,000 Lbs.			MKD224FM	
	2002-01	Rear-All F6B042, Rear Axle Rating 16,900, 17,850, 19,000 Lbs.			MKD224FM	
	2002	Rear-All F6B042, w/ 4 Piston Caliper			MKD1032FM	
	2000-97	Rear-All w/ 2.50" Dia. Dual Piston Dayton Caliper			MKD224FM	
	2000-97	Rear-All w/ 2.88" Dia. Dual Piston Bendix Caliper			MKD225FM	
	Disc Brake Rotor	2009-04	Front-All 10 Hole Rotor Hat Shaped		PRT5688	
		1998-97	Front-All Hat Shaped 5 Hole Rotor		PRT1271	
		2009-04	Rear-All 10 Hole Rotor Hat Shaped		PRT5688	
2002-98		Rear-All 10 Hole Rotor Hat, w/ Tapped Holes for ABS Ring, 15.39" Diameter		PRT5345	SDR5345	
1998-97		Rear-All 10 Hole Rotor Hat Shaped, 14.75" Diameter		PRT1874	SDR1874	
1998-97		Rear-All Hat Shaped 10 Hole Rotor; Dual Piston Calipers; 19,000 lb Single Rear Axle		PRT5575		
T7500						
Disc Brake Pad Set	2009-07	Front-All Hardware Included			MKD1032FM	
	2006-04	Front-All T7F042, Hardware Included			MKD1032FM	
	2002-01	Front-All F7B042, Front Axle Rating 8,100 Lbs.			MKD224FM	
	2000-97	Front-All w/ 2.50" Dia. Dual Piston Dayton Caliper			MKD224FM	
	2000-97	Front-All w/ 2.88" Dia. Dual Piston Bendix Caliper			MKD225FM	
	2008-04	Rear-All T7F042, Hardware Included			MKD1032FM	
	2002-01	Rear-All F7B042, Rear Axle Rating 15,000 Lbs.			MKD224FM	
	2002-01	Rear-All F7B042, Rear Axle Rating 16,900, 17,850, 19,000 Lbs.			MKD224FM	
	2002	Rear-All F7B042, w/ 4 Piston Caliper			MKD1032FM	
	2000-97	Rear-All w/ 2.50" Dia. Dual Piston Dayton Caliper			MKD224FM	
	2000-97	Rear-All w/ 2.88" Dia. Dual Piston Bendix Caliper			MKD225FM	
	Disc Brake Rotor	2009-04	Front-All		PRT5688	
		2002-97	Front-All Hat Shaped 5 Hole Rotor		PRT1271	
		2002-97	Front-All W/ School Bus Pkg. Casting #23-123434-005, 19,000# Single, 34,000# Tandem Rear Axle, 11,000# GVW Front Axle		PRT5763	SDR5763
2009-04		Rear-All 10 Hole Rotor Hat Shaped, 19000lb Axle		PRT5688		

58 Sell out and reorder PRT5241
60 Sell out and reorder PRT1233

BENDIX BRAKE PARTS

PART TYPE	YEAR	APPLICATION	PREMIUM NO.	PART NO.	SEVERE DUTY NO.
GMC (Cont'd.)					
T7500 (Cont'd.)					
Disc Brake Rotor (cont'd)	2002-99	Rear-All w/ Tilt Cab, Casting #23-123485-005, w/ ABS Mounting Holes, 19,000# Single 34,000# Tandem Rear Axle		PRT5345	SDR5345
	2002-97	Rear-All 10 Hole Rotor Hat Shaped, 14.75" Diameter		PRT1874	SDR1874
	2002-97	Rear-All Hat Shaped 10 Hole Rotor; Dual Piston Calipers; 19,000 lb Single Rear Axle		PRT5575	
	2002-97	Rear-All Includes Hub Mounting Holes, Rotor Casting # 23-123434-005, 19060S, 19060T Eaton Rear Axle Stamped H		PRT5346	SDR5346
	1998	Rear-All 10 Hole Rotor Hat, w/ Tapped Holes for ABS Ring, 15.39" Diameter		PRT5345	SDR5345
Terrain					
Disc Brake Pad Set	2018	Front-All Hardware Included	CFC1913	SBC1913	
	2017-16	Front-All Hardware Included	CFC1421	SBC1421	
	2015-14	Front-All Exc. Latin America	CFC1421	SBC1421	
	2015-14	Front-All Latin America	CFM1745		
	2013-10	Front-All Hardware Included	CFC1421	SBC1421	
	2018	Rear-All Hardware Included	CFC1857	SBC1857	
	2017-10	Rear-All Hardware Included	CFC1275	SBC1275	
Parking Brake Shoe	2015-10	Rear-All		932	
Disc Brake Rotor	2017-10	Front-All		PRT5973	
	2017-10	Rear-All		PRT5996	
Tracker					
Disc Brake Pad Set	1991-89	Front-All Hardware Included		SBM418	
Drum Brake Shoe	1991	Rear-All w/ 8.66" X 1.39" Brakes		641	
Disc Brake Rotor	1991-89	Front-All		PRT1710	
Brake Drum	1991-89	Rear-All		PDR0544	
Typhoon					
Disc Brake Pad Set	1993-92	Front-All Hardware Not Included	CFC154	SBC154	MKD154FM
Drum Brake Shoe	1993-92	Rear-All w/ 9.5" X 2.06" Brakes		514	
Disc Brake Rotor and Hub Assembly	1993-92	Front-All		PRT1233	
Brake Drum	1993-92	Rear-All		PDR0610	
V1500					
Disc Brake Pad Set	1987	Front-All Hardware Included		SBC52	MKD52FM
Drum Brake Shoe	1987	Rear-All w/ 11.16" X 2.81" Brakes		473	
Disc Brake Rotor	1987	Front-All Rotor Only		PRT1088	
Brake Drum	1987	Rear-All		PDR0600	
V1500 Suburban					
Disc Brake Pad Set	1991-87	Front-All Hardware Included		SBC52	MKD52FM
Drum Brake Shoe	1991-87	Rear-All w/ 11.16" X 2.81" Brakes		473	
Disc Brake Rotor	1991-87	Front-All Rotor Only		PRT1088	
Brake Drum	1991-87	Rear-All		PDR0600	
V2500					
Disc Brake Pad Set	1987	Front-All Hardware Included		SBC52	MKD52FM
Drum Brake Shoe	1987	Rear-All Exc. 13" Brakes		473	
	1987	Rear-All w/ 13" Brakes		451	
Disc Brake Rotor	1987	Front-All Rotor Only		PRT1049	
Brake Drum	1987	Rear-All 11 5/32 x 2 3/4" Brakes		PDR0450	
	1987	Rear-All 13 x 2 1/2" Brakes (9.50" Ring Gear)		PDR0449	
V2500 Suburban					
Disc Brake Pad Set	1991-87	Front-All Hardware Included		SBC52	MKD52FM
Drum Brake Shoe	1991-88	Rear-All		451	
	1987	Rear-All Exc. 13" Brakes		473	
	1987	Rear-All w/ 13" Brakes		451	
Disc Brake Rotor	1991-87	Front-All Rotor Only		PRT1049	
Brake Drum	1991-88	Rear-All 13 x 2 1/2" Brakes (9.50" Ring Gear)		PDR0449	
	1987	Rear-All 11 5/32 x 2 3/4" Brakes		PDR0450	
	1987	Rear-All 13 x 2 1/2" Brakes		PDR0449	
V3500					
Disc Brake Pad Set	1991-87	Front-All Hardware Included	CFM149		MKD149FM
	1991-87	Front-All Hardware Not Included		SBM149	
	1991-87	Rear-All Hardware Included	CFM149		MKD149FM
	1991-87	Rear-All Hardware Not Included		SBM149	
Drum Brake Shoe	1991-87	Rear-All w/ 13" X 3.56" Brakes		452	
Disc Brake Rotor	1991-90	Front-All Dual Rear Wheels; Vented; 327mm		PRT1468	
	1991-87	Front-All Single Rear Wheels; Vented; 327mm		PRT1469	
Brake Drum	1991-90	Rear-All 13 x 2 1/2" Brakes		PDR0387	
	1991-87	Rear-All Dual Rear Wheels		PDR0613	
W3500 Forward					
Disc Brake Pad Set	2008-98	Front-All w/ 10,000-14,000 lb. GVW			MKD825FM
	2007-99	Front-All w/ 14,000-19,500 lb. GVW			MKD827FM
Drum Brake Shoe	2007-95	Rear-All		699	

BENDIX BRAKE PARTS

PART TYPE	YEAR	APPLICATION	PREMIUM NO.	PART NO.	SEVERE DUTY NO.
GMC (Cont'd.)					
W3500 Forward (Cont'd.)					
Parking Brake Shoe	2007-04	Rear-All		823	
	2003-95	Rear-All w/ 10.86" X 2.07" Brakes		823	
Disc Brake Rotor	2008-00	Front-All		PRT5347	SDR5347
W4500 Forward					
Disc Brake Pad Set	2009-99	Front-All w/ 10,000-14,000 lb. GVW			MKD825FM
	2009-99	Front-All w/ 14,000-19,500 lb. GVW			MKD827FM
Drum Brake Shoe	2007-98	Rear-All		699	
Disc Brake Rotor	2008-00	Front-All 293mm Rotor		PRT5347	SDR5347
	1999-98	Front-All 364 mm Diameter		PRT5558	SDR5558
	1997-92	Front-All			SDR1730
W5500 Forward					
Disc Brake Pad Set	2009-00	Front-All w/ 10,000-14,000 lb. GVW			MKD825FM
	2007-00	Front-All w/ 14,000-19,500 lb. GVW			MKD827FM
Drum Brake Shoe	2007-04	Rear-All		699	
Disc Brake Rotor	2007	Front-All To 2/07		PRT5558	SDR5558
	2006-00	Front-All Hat Shaped 12 Hole Rotor		PRT5558	SDR5558
	2003	Front-All 10 Hole Rotor Hat Shaped		PRT5688	
	2003	Front-All Hat Shaped 5 Hole Rotor		PRT5689	SDR5689
	2003	Rear-All		PRT5688	
W5500HD Forward					
Disc Brake Pad Set	2009-04	Front-All w/ 14,000-19,500 lb. GVW			MKD827FM
Drum Brake Shoe	2007-04	Rear-All		699	
Disc Brake Rotor	2007	Front-All To 2/07		PRT5558	SDR5558
	2006-05	Front-All		PRT5558	SDR5558
Yukon					
Disc Brake Pad Set	2018-17	Front-All Hardware Included	CFC1363	SBC1363	MKD1363FM
	2018-17	Front-All Hardware Included			PBD1363
	2016	Front-All w/ Brembo Brake System	CFM1910	SBM1910	MKD1910FM
	2016	Front-All w/ JL4 Brake System	CFC1363	SBC1363	MKD1363FM
	2016	Front-All w/ JL4 Brake System			PBD1363
	2015-10	Front-All Hardware Included	CFC1363	SBC1363	MKD1363FM
	2015-10	Front-All Hardware Included			PBD1363
	2009	Front-V8 - 4.8L Hardware Included	CFC1363	SBC1363	MKD1363FM
	2009	Front-V8 - 4.8L Hardware Included			PBD1363
	2009	Front-V8 - 5.3L Hardware Included	CFC1363	SBC1363	MKD1363FM
	2009	Front-V8 - 5.3L Hardware Included			PBD1363
	2009	Front-V8 - 6.0L Hardware Included	CFC1363	SBC1363	MKD1363FM
	2009	Front-V8 - 6.0L Hardware Included			PBD1363
	2009	Front-V8 - 6.2L Hardware Included	CFC1363	SBC1363	MKD1363FM
	2009	Front-V8 - 6.2L Hardware Included			PBD1363
	2008-07	Front-V8 - 4.8L For Use on Vehicles Equipped w/ Vacuum Booster	CFC1092	SBC1092	MKD1092FM
	2008-07	Front-V8 - 4.8L For Use on Vehicles Equipped w/ Vacuum Booster			PBD1092
	2008-07	Front-V8 - 5.3L For Use on Vehicles Equipped w/ Vacuum Booster	CFC1092	SBC1092	MKD1092FM
	2008-07	Front-V8 - 5.3L For Use on Vehicles Equipped w/ Vacuum Booster			PBD1092
	2008-07	Front-V8 - 6.2L For Use on Vehicles Equipped w/ Vacuum Booster	CFC1092	SBC1092	MKD1092FM
	2008-07	Front-V8 - 6.2L For Use on Vehicles Equipped w/ Vacuum Booster			PBD1092
	2008	Front-V8 - 4.8L For Use on Vehicles Equipped w/ Hydroboost	CFC1363	SBC1363	MKD1363FM
	2008	Front-V8 - 4.8L For Use on Vehicles Equipped w/ Hydroboost			PBD1363
	2008	Front-V8 - 5.3L For Use on Vehicles Equipped w/ Hydroboost	CFC1363	SBC1363	MKD1363FM
	2008	Front-V8 - 5.3L For Use on Vehicles Equipped w/ Hydroboost			PBD1363
	2008	Front-V8 - 6.0L For Use on Vehicles Equipped w/ Hydroboost	CFC1363	SBC1363	MKD1363FM
	2008	Front-V8 - 6.0L For Use on Vehicles Equipped w/ Hydroboost			PBD1363
	2008	Front-V8 - 6.0L For Use on Vehicles Equipped w/ Vacuum Booster	CFC1092	SBC1092	MKD1092FM
	2008	Front-V8 - 6.0L For Use on Vehicles Equipped w/ Vacuum Booster			PBD1092
	2008	Front-V8 - 6.2L For Use on Vehicles Equipped w/ Hydroboost	CFC1363	SBC1363	MKD1363FM
	2008	Front-V8 - 6.2L For Use on Vehicles Equipped w/ Hydroboost			PBD1363
	2006-01	Front-All Hardware Included		SBM785	
	2006-01	Front-All Hardware Included	CFC785	SBC785	MKD785FM
	2000	Front-All Denali, Hardware Included	CFM369	SBM369	MKD369FM
	2000	Front-All SLE, Hardware Included		SBM785	
	2000	Front-All SLE, Hardware Included	CFC785	SBC785	MKD785FM
	2000	Front-All SLT, Hardware Included		SBM785	

BENDIX BRAKE PARTS

PART TYPE	YEAR	APPLICATION	PREMIUM NO.	PART NO.	SEVERE DUTY NO.
GMC (Cont'd.)					
Yukon (Cont'd.)					
Disc Brake Pad Set (cont'd)	2000	Front-All SLT, Hardware Included	CFC785	SBC785	MKD785FM
	1999-98	Front-All Exc. Police	CFM369	SBM369	MKD369FM
	1998	Front-All Police	CFM370	SBM370	MKD370FM
	1997	Front-V8 - 5.7L Hardware Included	CFM369	SBM369	MKD369FM
	1997	Front-V8 - 6.5L 2 Doors, Hardware Included	CFM369	SBM369	MKD369FM
	1997	Front-V8 - 6.5L 4 Doors, Hardware Included	CFM370	SBM370	MKD370FM
	1996-92	Front-All Hardware Included	CFM369	SBM369	MKD369FM
	2018-15	Rear-All Hardware Included	CFC1707	SBC1707	MKD1707FM
	2014-10	Rear-All Hardware Included	CFC1194	SBC1194	MKD1194FM
	2014-10	Rear-All Hardware Included			PBD1194
	2009-08	Rear-V8 - 6.0L Hardware Included	CFC1194	SBC1194	MKD1194FM
	2009-08	Rear-V8 - 6.0L Hardware Included			PBD1194
	2009-07	Rear-V8 - 4.8L Hardware Included	CFC1194	SBC1194	MKD1194FM
	2009-07	Rear-V8 - 4.8L Hardware Included			PBD1194
	2009-07	Rear-V8 - 5.3L Hardware Included	CFC1194	SBC1194	MKD1194FM
	2009-07	Rear-V8 - 5.3L Hardware Included			PBD1194
	2009-07	Rear-V8 - 6.2L Hardware Included	CFC1194	SBC1194	MKD1194FM
	2009-07	Rear-V8 - 6.2L Hardware Included			PBD1194
	2006-03	Rear-All 4WD, w/ Caliper Center Rattle Clip	CFC834	SBC834	MKD834FM
	2006-03	Rear-All AWD, w/ Caliper Center Rattle Clip	CFC834	SBC834	MKD834FM
	2006-03	Rear-All RWD, w/o Caliper Center Rattle Clip	CFC974A	SBC974A	MKD974AFM
	2006-03	Rear-All RWD, w/o Caliper Center Rattle Clip			PBD974A
	2002	Rear-All 1st Design (Ribbed Caliper Housing w/ Rectangular Inspection Port for Pads)	CFC834	SBC834	MKD834FM
	2002	Rear-All RWD, 2nd Design (Smooth Caliper Housing w/ Oval Inspection Port for Pads)	CFC974A	SBC974A	MKD974AFM
	2002	Rear-All RWD, 2nd Design (Smooth Caliper Housing w/ Oval Inspection Port for Pads)			PBD974A
	2001-00	Rear-All w/ Dual Piston Caliper	CFC834	SBC834	MKD834FM
	2001-00	Rear-All w/ Single Piston Caliper		SBC792SD	
	2001-00	Rear-All w/ Single Piston Caliper		SBM792HD	
	2001-00	Rear-All w/ Single Piston Caliper		SBM792SD	
	2001-00	Rear-All w/ Single Piston Caliper	CFC792HD	SBC792HD	MKD792HDFM
	2001-00	Rear-All w/ Single Piston Caliper			MKD792SDFM
Drum Brake Shoe	2000-97	Rear-All w/ 10" Brakes		675	
	2000-92	Rear-All w/ 11" Brakes		473	
	1996-92	Rear-All w/ 10" Brakes		593	
Parking Brake Shoe	2011-00	Rear-All		781	
Disc Brake Rotor	2018-07	Front-All		PRT5582	
	2018	Front-All Standard Duty Design with Holes around Hat		PRT5903	
	2015-07	Front-All			SDR5582
	2006-01	Front-All		PRT5259	SDR5259
	2000	Front-V8 - 4.8L		PRT5259	SDR5259
	2000	Front-V8 - 5.3L		PRT5259	SDR5259
	2000	Front-V8 - 5.7L 4WD, (Old Style) (1 Piston Caliper)		PRT1453FC	
	1999-95	Front-V8 - 5.7L 4WD		PRT1453FC	
	1997	Front-V8 - 6.5L 2 Doors, 4WD		PRT1453FC	
	1997	Front-V8 - 6.5L 4 Doors, 4WD		PRT1477	
	1996-95	Front-V8 - 6.5L 4WD		PRT1477	
	1994-92	Front-All 4WD		PRT1453FC	
	2019	Rear-All 6 Stud Wheel; 345 mm Diameter Rotor		PRT5729	
	2018	Rear-All 6 Stud Wheel; 345mm Diameter Rotor		PRT5729	
	2017-07	Rear-All		PRT5729	
	2013-07	Rear-All			SDR5729
	2006-02	Rear-All 330mm diameter rotor		PRT5441 ¹⁰³	SDR5441 ¹⁰⁴
	2001-00	Rear-All w/ 325mm Dia. Rotor		PRT5265	SDR5265
	2001-00	Rear-All w/ 330mm Dia. Rotor		PRT5441 ¹⁰³	SDR5441 ¹⁰⁴
Disc Brake Rotor and Hub Assembly	1999-96	Front-V8 - 5.7L RWD		PRT1829	
	1997-96	Front-V8 - 6.5L RWD		PRT1818	
	1995-92	Front-All RWD		PRT1818	
Brake Drum	2000-95	Rear-All 4WD, 10" x 2 1/4" Rear Brakes		PDR0541	
	2000-95	Rear-All 4WD, (11 x 2 3/4" Brakes)		PDR0623	
	2000-95	Rear-All RWD, 10" Brakes		PDR0540	
	2000-95	Rear-All RWD, (11 x 2 3/4" Brakes)		PDR0622	
	1994-92	Rear-All		PDR0541	
Yukon XL					
Disc Brake Pad Set	2018	Front-All Hardware Included	CFC1363	SBC1363	MKD1363FM
	2018	Front-All Hardware Included			PBD1363
	2017	Front-All Exc. Brembo	CFC1363	SBC1363	MKD1363FM
	2017	Front-All Exc. Brembo			PBD1363
	2016-15	Front-All Hardware Included	CFC1363	SBC1363	MKD1363FM
	2016-15	Front-All Hardware Included			PBD1363
	2018-15	Rear-All Hardware Included	CFC1707	SBC1707	MKD1707FM
Disc Brake Rotor	2019-15	Front-All		PRT5582	
	2015	Front-All			SDR5582

103 PRT5441 replaces PRT5282. Sell out PRT5282 and reorder PRT5441.

104 SDR5441 replaces SDR5282. Sell out SDR5282 and reorder SDR5441.

BENDIX BRAKE PARTS

PART TYPE	YEAR	APPLICATION	PREMIUM NO.	PART NO.	SEVERE DUTY NO.
GMC (Cont'd.)					
Yukon XL (Cont'd.)					
Disc Brake Rotor (cont'd)	2016-15	Rear-All		PRT5729	
Yukon XL 1500					
Disc Brake Pad Set	2014-09	Front-All Hardware Included	CFC1363	SBC1363	MKD1363FM
	2014-09	Front-All Hardware Included			PBD1363
	2008-07	Front-All For Use on Vehicles Equipped w/ Vacuum Booster	CFC1092	SBC1092	MKD1092FM
	2008-07	Front-All For Use on Vehicles Equipped w/ Vacuum Booster			PBD1092
	2008	Front-All For Use on Vehicles Equipped w/ Hydroboost	CFC1363	SBC1363	MKD1363FM
	2008	Front-All For Use on Vehicles Equipped w/ Hydroboost			PBD1363
	2006-00	Front-All Hardware Included		SBM785	
	2006-00	Front-All Hardware Included	CFC785	SBC785	MKD785FM
	2014-07	Rear-All Hardware Included	CFC1194	SBC1194	MKD1194FM
	2014-07	Rear-All Hardware Included			PBD1194
	2006-05	Rear-All Denali, w/o Caliper Center Rattle Clip	CFC834	SBC834	MKD834FM
	2006-05	Rear-All SLE, 4WD, w/ Caliper Center Rattle Clip	CFC834	SBC834	MKD834FM
	2006-05	Rear-All SLE, RWD, w/o Caliper Center Rattle Clip	CFC974A	SBC974A	MKD974AFM
	2006-05	Rear-All SLE, RWD, w/o Caliper Center Rattle Clip			PBD974A
	2006-05	Rear-All SLT, 4WD, w/ Caliper Center Rattle Clip	CFC834	SBC834	MKD834FM
	2006-05	Rear-All SLT, RWD, w/o Caliper Center Rattle Clip	CFC974A	SBC974A	MKD974AFM
	2006-05	Rear-All SLT, RWD, w/o Caliper Center Rattle Clip			PBD974A
	2006	Rear-All SL, 4WD, w/ Caliper Center Rattle Clip	CFC834	SBC834	MKD834FM
	2006	Rear-All SL, RWD, w/o Caliper Center Rattle Clip	CFC974A	SBC974A	MKD974AFM
	2006	Rear-All SL, RWD, w/o Caliper Center Rattle Clip			PBD974A
	2004-03	Rear-All RWD, w/o Caliper Center Rattle Clip	CFC974A	SBC974A	MKD974AFM
	2004-03	Rear-All RWD, w/o Caliper Center Rattle Clip			PBD974A
	2004-02	Rear-All 4WD, w/ Caliper Center Rattle Clip	CFC834	SBC834	MKD834FM
	2004-02	Rear-All AWD, w/ Caliper Center Rattle Clip	CFC834	SBC834	MKD834FM
	2002	Rear-All RWD, 2nd Design (Smooth Caliper Housing w/Oval Inspection Port for Pads)	CFC974A	SBC974A	MKD974AFM
	2002	Rear-All RWD, 2nd Design (Smooth Caliper Housing w/Oval Inspection Port for Pads)			PBD974A
	2001-00	Rear-All w/ Dual Piston Caliper	CFC834	SBC834	MKD834FM
	2001-00	Rear-All w/ Single Piston Caliper		SBC792SD	
	2001-00	Rear-All w/ Single Piston Caliper		SBM792HD	
	2001-00	Rear-All w/ Single Piston Caliper		SBM792SD	
	2001-00	Rear-All w/ Single Piston Caliper	CFC792HD	SBC792HD	MKD792HDFM
	2001-00	Rear-All w/ Single Piston Caliper			MKD792SDFM
Parking Brake Shoe	2011-00	Rear-All		781	
Disc Brake Rotor	2014-07	Front-All		PRT5582	SDR5582
	2006-00	Front-All		PRT5259	SDR5259
	2014-07	Rear-All		PRT5729	
	2013-07	Rear-All			SDR5729
	2006-00	Rear-All 325mm Diameter		PRT5265	SDR5265
	2006-00	Rear-All 330mm Diameter			SDR5441 ¹⁰⁴
	2006-00	Rear-All 330mm diameter rotor		PRT5441 ¹⁰³	
Yukon XL 2500					
Disc Brake Pad Set	2013-00	Front-All Hardware Included		SBM784	
	2013-00	Front-All Hardware Included	CFC784	SBC784	MKD784FM
	2013-00	Rear-All Hardware Included		SBM785	
	2013-00	Rear-All Hardware Included	CFC785	SBC785	MKD785FM
Parking Brake Shoe	2012-10	Rear-All w/ 8.07" X 1.73" Brakes		962	
	2009-06	Rear-All w/ 8.07" X 1.73" Brakes		771	
	2005-03	Rear-All w/ 2 Wheel Steering		771	
	2005-03	Rear-All w/ 4 Wheel Steering		781	
	2002-00	Rear-All w/ 8.07" X 1.73" Brakes		771	
Disc Brake Rotor	2013-00	Front-All 8 Hole Rotor		PRT5261	SDR5261
	2003	Front-All 6 Hole Rotor		PRT5259	SDR5259
	2013-08	Rear-All		PRT5260	SDR5260
	2007	Rear-All		PRT5262	
	2006-04	Rear-All w/4-Wheel Steering		PRT5466	
	2006-03	Rear-All w/o 4 Wheel Steering, 4.63 Dia. Hub Hole		PRT5262	
	2006-03	Rear-All w/o 4 Wheel Steering, 4.84" Dia. Hub Hole		PRT5260	SDR5260
	2003	Rear-All 6 Hole Rotor		PRT5265	SDR5265
	2002-01	Rear-All 4.84" Hub Hole Dia.		PRT5260	SDR5260
	2002-00	Rear-All 4.63" Hub Hole Dia.		PRT5262	
	2000	Rear-All 4.84 Hub Hole Dia.		PRT5441 ¹⁰³	SDR5441 ¹⁰⁴
Hino					
185					
Disc Brake Pad Set	2010-09	Rear-All Hardware Included			MKD1032FM
238					
Disc Brake Pad Set	2012-07	Front-All Hardware Included			MKD1032FM
	2012-07	Rear-All Hardware Included			MKD1032FM
Disc Brake Rotor	2010-05	Front-All 10 Hole Rotor Hat Shaped		PRT5688	
	2010-05	Rear-All 10 Hole Rotor Hat Shaped		PRT5688	

103 PRT5441 replaces PRT5282. Sell out PRT5282 and reorder PRT5441.

104 SDR5441 replaces SDR5282. Sell out SDR5282 and reorder SDR5441.

BENDIX BRAKE PARTS

PART TYPE	YEAR	APPLICATION	PREMIUM NO.	PART NO.	SEVERE DUTY NO.
Hino (Cont'd.)					
258ALP					
Disc Brake Pad Set	2012-08	Front-All Hardware Included			MKD1032FM
	2012-08	Rear-All Hardware Included			MKD1032FM
258LP					
Disc Brake Pad Set	2012-07	Front-All Hardware Included			MKD1032FM
	2012-07	Rear-All Hardware Included			MKD1032FM
Disc Brake Rotor	2010-06	Front-All 10 Hole Rotor Hat Shaped		PRT5688	
	2010-06	Rear-All 10 Hole Rotor Hat Shaped		PRT5688	
268					
Disc Brake Rotor	2010-05	Front-All		PRT5688	
	2010-05	Rear-All 10 Hole Rotor Hat Shaped		PRT5688	
308					
Disc Brake Pad Set	2007	Front-All Hardware Included			MKD1032FM
	2007	Rear-All Hardware Included			MKD1032FM
Honda					
600					
Drum Brake Shoe	1972-69	Rear-All w/ 7.09" X 1.38" Brakes		428	
Accord					
Disc Brake Pad Set	2018	Front-L4 - 1.5L EX, Hardware Included	CFC1654	SBC1654	
	2018	Front-L4 - 1.5L EX-L, Hardware Included	CFC1654	SBC1654	
	2018	Front-L4 - 1.5L LX, Hardware Included	CFC1654	SBC1654	
	2017	Front-All EX, USA, Hardware Included	CFC1654	SBC1654	
	2017	Front-All EX-L, CAN, Hardware Included	CFC1654	SBC1654	
	2017	Front-All EX-L, USA, Hardware Included	CFC1654	SBC1654	
	2017	Front-All Hybrid, CAN, Hardware Included	CFC1654	SBC1654	
	2017	Front-All Hybrid, USA, Hardware Included	CFC1654	SBC1654	
	2017	Front-All Hybrid EX-L, USA, Hardware Included	CFC1654	SBC1654	
	2017	Front-All Hybrid Touring, CAN, Hardware Included	CFC1654	SBC1654	
	2017	Front-All Hybrid Touring, USA, Hardware Included	CFC1654	SBC1654	
	2017	Front-All LX, CAN, Hardware Included	CFC914	SBC914	
	2017	Front-All LX, USA, Hardware Included	CFC914	SBC914	
	2017	Front-All LX-S, USA, Hardware Included	CFC1860	SBC1860	
	2017	Front-All MEX, Hardware Included	CFC1860	SBC1860	
	2017	Front-All Sport, CAN, Hardware Included	CFC1625	SBC1625	
	2017	Front-All Sport, USA, Hardware Included	CFC1625	SBC1625	
	2017	Front-All Sport Special Edition, USA, Hardware Included	CFC1625	SBC1625	
	2017	Front-All Touring, CAN, Hardware Included	CFC1625	SBC1625	
	2017	Front-All Touring, USA, Hardware Included	CFC1625	SBC1625	
	2016-14	Front-All EX, Hardware Included	CFC1654	SBC1654	
	2016-14	Front-All EX-L, Hardware Included	CFC1654	SBC1654	
	2016-14	Front-All LX, Hardware Included	CFC914	SBC914	
	2016	Front-All LX-S, Hardware Included	CFC1860	SBC1860	
	2016	Front-All Sport, Hardware Included	CFC1625	SBC1625	
	2016	Front-All Touring, Hardware Included	CFC1625	SBC1625	
	2015-14	Front-All Hybrid, Hardware Included	CFC1654	SBC1654	
	2015-14	Front-All Hybrid EX-L, Hardware Included	CFC1654	SBC1654	
	2015-14	Front-All Hybrid Touring, Hardware Included	CFC1654	SBC1654	
	2015-14	Front-All LX-S, Hardware Included	CFC914	SBC914	
	2015-14	Front-All Sport, Hardware Included	CFC1654	SBC1654	
	2015-14	Front-All Touring, Hardware Included	CFC1654	SBC1654	
	2014	Front-All Plug-In, Hardware Included	CFC1654	SBC1654	
	2013-12	Front-All LX, Exc. Latin America	CFC914	SBC914	
	2013-12	Front-All LX-S, Exc. Latin America	CFC914	SBC914	
	2013	Front-All EX, Exc. Latin America	CFC1654	SBC1654	
	2013	Front-All EX-L, Exc. Latin America	CFC1654	SBC1654	
	2013	Front-All Sport, Exc. Latin America	CFC1654	SBC1654	
	2013	Front-All Touring, Exc. Latin America	CFC1654	SBC1654	
	2012-11	Front-All SE, Exc. Latin America	CFC914	SBC914	
	2012	Front-All EX, Exc. Latin America	CFC1506	SBC1506	
	2012	Front-All EX-L, Exc. Latin America	CFC1506	SBC1506	
	2012	Front-All HFP, Exc. Latin America	CFC914	SBC914	
	2012	Front-All LX-P, Exc. Latin America	CFC914	SBC914	
	2011-08	Front-L4 - 2.4L EX, Exc. Latin America	CFC1506	SBC1506	
	2011-08	Front-L4 - 2.4L EX-L, Exc. Latin America	CFC1506	SBC1506	
	2011-08	Front-L4 - 2.4L LX, Exc. Latin America	CFC914	SBC914	
2011-08	Front-L4 - 2.4L LX-P, Exc. Latin America	CFC914	SBC914		
2011-08	Front-L4 - 2.4L LX-S, Exc. Latin America	CFC914	SBC914		
2011	Front-V6 - 3.5L EX, Exc. Latin America	CFC1506	SBC1506		
2011	Front-V6 - 3.5L EX-L, Exc. Latin America	CFC1506	SBC1506		
2010-08	Front-V6 - 3.5L Exc. Latin America	CFC1506	SBC1506		
2007	Front-L4 - 2.4L Exc. Latin America	CFC914	SBC914		
2007	Front-V6 - 3.0L Automatic Trans, Exc. Latin America	CFC1608	SBC1608		
2007	Front-V6 - 3.0L Manual Trans, Exc. Latin America	CFC1506	SBC1506		

BENDIX BRAKE PARTS

PART TYPE	YEAR	APPLICATION	PREMIUM NO.	PART NO.	SEVERE DUTY NO.
Honda (Cont'd.)					
Accord (Cont'd.)					
Disc Brake Pad Set (cont'd)	2006-05	Front-V6 - 3.0L EX, 2 Doors, Manual Trans, Exc. Latin America	CFC1506	SBC1506	
	2006-05	Front-V6 - 3.0L EX, 4 Doors, Exc. Latin America	CFC1608	SBC1608	
	2006	Front-L4 - 2.4L Canada Built	CFC1608	SBC1608	
	2006	Front-L4 - 2.4L EX, 2 Doors, Automatic Trans, US Built	CFC914	SBC914	
	2006	Front-L4 - 2.4L EX, 2 Doors, Manual Trans, US Built	CFC914	SBC914	
	2006	Front-L4 - 2.4L EX, 4 Doors, Automatic Trans, US Built	CFC914	SBC914	
	2006	Front-L4 - 2.4L EX, 4 Doors, Manual Trans, US Built	CFC914	SBC914	
	2006	Front-L4 - 2.4L LX, 2 Doors, Automatic Trans, US Built	CFC914	SBC914	
	2006	Front-L4 - 2.4L LX, 2 Doors, Manual Trans, US Built	CFC914	SBC914	
	2006	Front-L4 - 2.4L LX, 4 Doors, Automatic Trans, US Built	CFC914	SBC914	
	2006	Front-L4 - 2.4L LX, 4 Doors, Manual Trans, US Built	CFC914	SBC914	
	2006	Front-L4 - 2.4L LX Special Edition, 4 Doors, Automatic Trans, US Built	CFC914	SBC914	
	2006	Front-L4 - 2.4L LX Special Edition, 4 Doors, Manual Trans, US Built	CFC914	SBC914	
	2006	Front-L4 - 2.4L Value Package, 4 Doors, Automatic Trans, US Built	CFC914	SBC914	
	2006	Front-L4 - 2.4L Value Package, 4 Doors, Manual Trans, US Built	CFC914	SBC914	
	2006	Front-V6 - 3.0L EX, 2 Doors, Automatic Trans, Exc. Latin America	CFC1608	SBC1608	
	2006	Front-V6 - 3.0L Hybrid, Exc. Latin America	CFC1506	SBC1506	
	2006	Front-V6 - 3.0L LX, Exc. Latin America	CFC1608	SBC1608	
	2005-03	Front-L4 - 2.4L US Built	CFC914	SBC914	
	2005	Front-L4 - 2.4L Canada Built	CFC914	SBC914	
	2005	Front-V6 - 3.0L EX, 2 Doors, Automatic Trans, Exc. Latin America	CFC914	SBC914	
	2005	Front-V6 - 3.0L Hybrid, Exc. Latin America	CFC914	SBC914	
	2005	Front-V6 - 3.0L LX, Exc. Latin America	CFC914	SBC914	
	2005	Front-V6 - 3.0L SE, Exc. Latin America	CFC914	SBC914	
	2004-03	Front-L4 - 2.4L Canada Built	CFC1608	SBC1608	
	2004	Front-V6 - 3.0L Canada Built	CFC1608	SBC1608	
	2004	Front-V6 - 3.0L EX, Automatic Trans, US Built	CFC1608	SBC1608	
	2004	Front-V6 - 3.0L EX, Manual Trans, US Built	CFC1506	SBC1506	
	2004	Front-V6 - 3.0L LX, US Built	CFC1608	SBC1608	
	2003	Front-V6 - 3.0L EX, 2 Doors, Automatic Trans, Hardware Included	CFC1608	SBC1608	
	2003	Front-V6 - 3.0L EX, 2 Doors, Manual Trans, Hardware Included	CFC1506	SBC1506	
	2003	Front-V6 - 3.0L EX, 4 Doors, Hardware Included	CFC1608	SBC1608	
	2003	Front-V6 - 3.0L LX, Hardware Included	CFC1608	SBC1608	
	2002-00	Front-L4 - 2.3L 2 Doors, Coupe, w/ 18.3mm Overall Thickness	CFC465	SBC465	
	2002-00	Front-L4 - 2.3L 4 Doors, Sedan, w/ 15.9mm Overall Thickness	CFC465AK1	SBC465AK1	
	2002-99	Front-V6 - 3.0L Hardware Not Included	CFC503	SBC503	
	1999	Front-L4 - 2.3L 2 Doors, w/ 18.3mm Overall Thickness	CFC465	SBC465	
	1999	Front-L4 - 2.3L 4 Doors, w/ 15.9mm Overall Thickness	CFC465AK1	SBC465AK1	
	1998	Front-All 2 Doors, Coupe, w/ 15.9mm Overall Thickness	CFC465	SBC465	
	1998	Front-L4 - 2.3L 4 Doors, Sedan, w/ 15.9mm Overall Thickness	CFC465AK1	SBC465AK1	
	1998	Front-V6 - 3.0L Sedan, Hardware Not Included	CFC503	SBC503	
	1997-95	Front-L4 - 2.2L Coupe, 138mm	CFC465	SBC465	
	1997-95	Front-L4 - 2.2L Sedan, 138mm	CFC465	SBC465	
	1997-95	Front-L4 - 2.2L Wagon, Hardware Not Included	CFC503	SBC503	
	1997-95	Front-V6 - 2.7L Coupe, 138mm	CFC465	SBC465	
	1997-95	Front-V6 - 2.7L Sedan, Hardware Not Included	CFC503	SBC503	
	1997-95	Front-V6 - 2.7L Wagon, Hardware Not Included	CFC503	SBC503	
	1994-92	Front-All Wagon, Hardware Not Included	CFC503	SBC503	
	1994	Front-All Coupe, 138mm	CFC465	SBC465	
	1994	Front-All Sedan, 138mm	CFC465	SBC465	
	1993-92	Front-All Sedan, Akebono	CFC465	SBC465	
	1993-92	Front-All Sedan, Nissin		SBM496	
	1993	Front-All Coupe, w/ 18.3mm Overall Thickness	CFC465	SBC465	
	1992	Front-All Coupe, Hardware Included		SBM496	
	1991	Front-L4 - 2.2L Coupe, Hardware Included		SBM496	
	1991	Front-L4 - 2.2L Sedan, Akebono	CFC465	SBC465	
	1991	Front-L4 - 2.2L Sedan, Nissin		SBM496	
	1991	Front-L4 - 2.2L Wagon, Hardware Not Included	CFC503	SBC503	
	1990	Front-All Coupe, Hardware Included		SBM496	
	1990	Front-All Sedan, Akebono	CFC465	SBC465	
	1990	Front-All Sedan, Nissin		SBM496	
	1989-88	Front-All DX, Hardware Included		SBM334	
	1989-88	Front-All LX, Hardware Included		SBM334	
	1989-88	Front-All LXi, Hardware Included		SBC409	
	1989-88	Front-All S, Hardware Included		SBM334	

BENDIX BRAKE PARTS

PART TYPE	YEAR	APPLICATION	PREMIUM NO.	PART NO.	SEVERE DUTY NO.
Honda (Cont'd.)					
Accord (Cont'd.)					
Disc Brake Pad Set (cont'd)	1989	Front-All EXi, Hardware Included		SBM334	
	1989	Front-All SEi, Hardware Included		SBC409	
	1987	Front-L4 - 2.0L Hardware Included		SBM334	
	1986	Front-All Hardware Included		SBM334	
	1985-84	Front-All Hardware Included		SBC273	
	2018	Rear-All Hardware Not Included	CFC2102	SBC2102	
	2017-10	Rear-All Hardware Included	CFC1451	SBC1451	
	2009-08	Rear-All EX, Hardware Included	CFC1451	SBC1451	
	2009-08	Rear-All EX-L, Hardware Included	CFC1451	SBC1451	
	2009-08	Rear-All LX, Hardware Included	CFC1451	SBC1451	
	2009-08	Rear-All LX-P, Hardware Included	CFC1451	SBC1451	
	2009-08	Rear-All LX-S, Hardware Included	CFC1451	SBC1451	
	2007-97	Rear-All Hardware Included	CFC365	SBC365	
	1996-95	Rear-L4 - 2.2L Coupe, Hardware Included	CFC536	SBC536	
	1996-95	Rear-L4 - 2.2L Sedan, Hardware Included	CFC536	SBC536	
	1996-95	Rear-L4 - 2.2L Wagon, Hardware Included	CFC365	SBC365	
	1996-95	Rear-V6 - 2.7L Coupe, Hardware Included	CFC536	SBC536	
	1996-95	Rear-V6 - 2.7L Sedan, Hardware Included	CFC536	SBC536	
	1996-95	Rear-V6 - 2.7L Wagon, Hardware Included	CFC365	SBC365	
	1994	Rear-All Coupe, Hardware Included	CFC536	SBC536	
	1994	Rear-All Sedan, Hardware Included	CFC365	SBC365	
	1994	Rear-All Wagon, Hardware Included	CFC365	SBC365	
	1993-90	Rear-All Hardware Included	CFC365	SBC365	
	1989	Rear-All SEi, 4 Doors, Sedan, Hardware Not Included		SBC364	
Drum Brake Shoe	2009-08	Rear-All US Built		801	
	2007-90	Rear-All w/ 8.66" X 1.4" Brakes		627	
	1989-88	Rear-All DX, 2 Doors, Coupe		576	
	1989-88	Rear-All DX, 2 Doors, Coupe, In Supersession Process, Exhaust Current Inventory		517	
	1989-88	Rear-All DX, 2 Doors, Hatchback		576	
	1989-88	Rear-All DX, 2 Doors, Hatchback, In Supersession Process, Exhaust Current Inventory		517	
	1989-88	Rear-All DX, 4 Doors, Sedan		576	
	1989-88	Rear-All DX, 4 Doors, Sedan, In Supersession Process, Exhaust Current Inventory		517	
	1989-88	Rear-All LX, 4 Doors, Sedan		576	
	1989-88	Rear-All LX, 4 Doors, Sedan, In Supersession Process, Exhaust Current Inventory		517	
	1989-88	Rear-All LXi		576	
	1989-88	Rear-All LXi, In Supersession Process, Exhaust Current Inventory		517	
	1987-82	Rear-All w/ 7.87" X 1.38" Brakes		517	
	1987-82	Rear-All w/ 7.87" X 1.38" Brakes		576	
	1981-76	Rear-All w/ 7.09" X 1.38" Brakes		428	
Disc Brake Rotor	2018	Front-L4 - 1.5L EX		PRT6206	
	2018	Front-L4 - 1.5L EX-L		PRT6206	
	2018	Front-L4 - 1.5L LX		PRT6206	
	2017-13	Front-L4 - 2.4L EX-L		PRT6206	
	2017	Front-All LX		PRT6222	
	2017	Front-L4 - 2.4L EX		PRT6206	
	2016-15	Front-All EX		PRT6206	
	2016-13	Front-V6 - 3.5L EX-L		PRT6207	
	2015-13	Front-V6 - 3.5L Touring		PRT6207	
	2015	Front-All LX		PRT6222	
	2015	Front-All LX-S		PRT6222	
	2014-13	Front-L4 - 2.4L EX		PRT6206	
	2014-13	Front-L4 - 2.4L Sport		PRT6206	
	2014-11	Front-All LX		PRT5232	
	2014	Front-All LX-S		PRT5232	
	2014	Front-L4 - 2.0L Hybrid		PRT6206	
	2014	Front-L4 - 2.0L Hybrid EX-L		PRT6206	
	2014	Front-L4 - 2.0L Hybrid Touring		PRT6206	
	2014	Front-L4 - 2.0L Plug-In		PRT6206	
	2014	Front-L4 - 2.4L LX		PRT6222	
	2014	Front-L4 - 2.4L LX-S		PRT6222	
	2012-11	Front-All EX		PRT5287	
	2012-11	Front-All EX-L		PRT5287	
	2012-11	Front-All LX-P		PRT5232	
	2012-11	Front-All LX-S		PRT5232	
	2012-11	Front-All SE		PRT5232	
	2010-08	Front-L4 - 2.4L EX		PRT5287	
	2010-08	Front-L4 - 2.4L EX-L		PRT5287	
	2010-08	Front-V6 - 3.5L EX, Except Japan Built		PRT5287	
	2010-08	Front-V6 - 3.5L EX-L, Except Japan Built		PRT5287	
	2010	Front-L4 - 2.4L LX		PRT5232	
	2010	Front-L4 - 2.4L LX-P		PRT5232	

BENDIX BRAKE PARTS

PART TYPE	YEAR	APPLICATION	PREMIUM NO.	PART NO.	SEVERE DUTY NO.	
Honda (Cont'd.)						
Accord (Cont'd.)						
Disc Brake Rotor (cont'd)	2010	Front-L4 - 2.4L LX-S		PRT5232		
	2009-08	Front-All LX		PRT5232		
	2009-08	Front-All LX-P		PRT5232		
	2009-08	Front-All LX-S		PRT5232		
	2007-03	Front-All 282mm Rotor		PRT5232		
	2007-03	Front-All 300mm Diameter		PRT5287		
	2002-98	Front-L4 - 2.3L		PRT5229		
	2002-98	Front-V6 - 3.0L		PRT5232		
	1997-95	Front-L4 - 2.2L Coupe, Coupe & Sedan		PRT1586		
	1997-95	Front-L4 - 2.2L Sedan, Coupe & Sedan		PRT1586		
	1997-95	Front-L4 - 2.2L Wagon		PRT1554		
	1997-95	Front-V6 - 2.7L Coupe, Coupe & Sedan		PRT1554		
	1997-95	Front-V6 - 2.7L Sedan, Coupe & Sedan		PRT1554		
	1997-95	Front-V6 - 2.7L Wagon		PRT1554		
	1994-91	Front-All Wagon		PRT1554		
	1994-90	Front-All Coupe, Coupe & Sedan		PRT1586		
	1994-90	Front-All Sedan, Coupe & Sedan		PRT1586		
	1989-88	Front-All DX, Vented; 241.5mm		PRT1301		
	1989-88	Front-All LXi, Vented; 261.6mm		PRT1402		
	1989	Front-All LX, Vented; 261.6mm		PRT1402		
	1989	Front-All SEi, Vented; 261.6mm		PRT1402		
	1988	Front-All LX, Vented; 241.5mm		PRT1301		
	1987-84	Front-All Vented; 241.5mm		PRT1301		
	1983-82	Front-All		PRT1225		
	1981-76	Front-All		PRT1184		
	2017	Rear-All exc. Hybrid		PRT6208		
	2016-15	Rear-All		PRT6208		
	2014	Rear-All EX		PRT6208		
	2014	Rear-All EX-L		PRT6208		
	2014	Rear-All Hybrid		PRT6208		
	2014	Rear-All Hybrid EX-L		PRT6208		
	2014	Rear-All Hybrid Touring		PRT6208		
	2014	Rear-All LX		PRT6208		
	2014	Rear-All LX-S		PRT6208		
	2014	Rear-All Plug-In		PRT5773		
	2014	Rear-All Sport		PRT6208		
	2014	Rear-All Touring		PRT6208		
	2013	Rear-All		PRT6208		
	2012-08	Rear-All		PRT5773		
	2007-06	Rear-L4 - 2.4L Value Package, 2.4L, 3.0L		PRT5405		
	2007-05	Rear-L4 - 2.4L EX, 2.4L, 3.0L		PRT5405		
	2007-05	Rear-L4 - 2.4L LX, 2.4L, 3.0L		PRT5405		
	2007-05	Rear-V6 - 3.0L EX, 2.4L, 3.0L		PRT5405		
	2007-05	Rear-V6 - 3.0L Hybrid, Hybrid		PRT5773		
	2007-05	Rear-V6 - 3.0L LX, 2.4L, 3.0L		PRT5405		
	2007	Rear-L4 - 2.4L Special Edition, 2.4L, 3.0L		PRT5405		
	2007	Rear-V6 - 3.0L Special Edition, 2.4L, 3.0L		PRT5405		
	2006	Rear-L4 - 2.4L LX Special Edition, 2.4L, 3.0L		PRT5405		
	2005	Rear-L4 - 2.4L DX, 2.4L, 3.0L		PRT5405		
	2005	Rear-L4 - 2.4L SE, 2.4L, 3.0L		PRT5405		
	2005	Rear-V6 - 3.0L SE, 2.4L, 3.0L		PRT5405		
	2004-03	Rear-All		PRT5405		
	2002-98	Rear-L4 - 2.3L		PRT5231		
	2002-98	Rear-V6 - 3.0L LX		PRT5233		
	1997-91	Rear-All		PRT1692		
	1989	Rear-All		PRT1439		
	Brake Drum	2007-06	Rear-L4 - 2.4L Value Package, 2.4L, 3.0L		PDR0758	
		2007-05	Rear-L4 - 2.4L EX, 2.4L, 3.0L		PDR0758	
		2007-05	Rear-L4 - 2.4L LX, 2.4L, 3.0L		PDR0758	
		2007-05	Rear-V6 - 3.0L EX, 2.4L, 3.0L		PDR0758	
2007-05		Rear-V6 - 3.0L LX, 2.4L, 3.0L		PDR0758		
2007		Rear-L4 - 2.4L Special Edition, 2.4L, 3.0L		PDR0758		
2007		Rear-V6 - 3.0L Special Edition, 2.4L, 3.0L		PDR0758		
2006		Rear-L4 - 2.4L LX Special Edition, 2.4L, 3.0L		PDR0758		
2005		Rear-L4 - 2.4L DX, 2.4L, 3.0L		PDR0758		
2005		Rear-L4 - 2.4L SE, 2.4L, 3.0L		PDR0758		
2005		Rear-V6 - 3.0L SE, 2.4L, 3.0L		PDR0758		
2004-03		Rear-All		PDR0758		
2002-01		Rear-All Value Package		PDR0557		
2002-98		Rear-All DX		PDR0557		
2002-98		Rear-All LX		PDR0557		
2002		Rear-All SE		PDR0557		
2000		Rear-All SE		PDR0557		
1997-90		Rear-All		PDR0557		

BENDIX BRAKE PARTS

PART TYPE	YEAR	APPLICATION	PREMIUM NO.	PART NO.	SEVERE DUTY NO.
Honda (Cont'd.)					
Accord (Cont'd.)					
Brake Drum (cont'd)	1989-86	Rear-All		PDR0508	
	1985-82	Rear-All		PDR0402	
	1981-76	Rear-All		PDR0378	
Accord Crosstour					
Disc Brake Pad Set	2011-10	Front-All Hardware Included	CFC1521	SBC1521	
	2011-10	Rear-All Hardware Included	CFC1086	SBC1086	
Parking Brake Shoe	2011-10	Rear-All		857	
Disc Brake Rotor	2011-10	Front-All		PRT5714	
	2011-10	Rear-All		PRT6017	
City					
Disc Brake Pad Set	2015-12	Rear-All Hardware Included		SBC374	
	2011-10	Rear-All Hardware Included		SBC273	
Drum Brake Shoe	2017-15	Rear-All		913	
Civic					
Disc Brake Pad Set	2018	Front-All EX, Hardware Included	CFC914	SBC914	
	2018	Front-All EX-L, Hardware Included	CFC914	SBC914	
	2018	Front-All EX-T, Hardware Included	CFC914	SBC914	
	2018	Front-All LX, Hardware Included	CFC914	SBC914	
	2018	Front-All LX-P, Hardware Included	CFC914	SBC914	
	2018	Front-All Si, Hardware Included	CFC1625	SBC1625	
	2018	Front-All Sport, Hardware Included	CFC914	SBC914	
	2018	Front-All Sport Touring, Hardware Included	CFC914	SBC914	
	2018	Front-All Touring, Hardware Included	CFC914	SBC914	
	2018	Front-All Type R, Hardware Included	CFC1050A		
	2018	Front-All Type R, Hardware Not Included		SBC1050A	
	2018	Front-All Type R, Hardware Not Included		SBM1050A	
	2017	Front-All Hardware Included	CFC914	SBC914	
	2016	Front-All Exc. Latin America	CFC914	SBC914	
	2015-14	Front-All LX, Automatic CVT Trans, Exc. Latin America	CFC914	SBC914	
	2015-14	Front-All Touring, Exc. Latin America	CFC1578	SBC1578	
	2015-13	Front-All DX, Exc. Latin America	CFC1578	SBC1578	
	2015-13	Front-All EX, Exc. Latin America	CFC914	SBC914	
	2015-13	Front-All EX-L, Exc. Latin America	CFC914	SBC914	
	2015-13	Front-All HF, Exc. Latin America	CFC1578	SBC1578	
	2015-13	Front-All Hybrid, Exc. Latin America	CFC621	SBC621	
	2015-13	Front-All Hybrid-L, Exc. Latin America	CFC621	SBC621	
	2015-13	Front-All LX, Manual Trans, Exc. Latin America	CFC1578	SBC1578	
	2015-13	Front-All Si, Exc. Latin America	CFC914	SBC914	
	2015	Front-All Natural Gas, Exc. Latin America	CFC1578	SBC1578	
	2015	Front-All SE, Exc. Latin America	CFC1578	SBC1578	
	2013	Front-All LX, Automatic Trans, Exc. Latin America	CFC914	SBC914	
	2013	Front-All Natural Gas, Exc. Latin America	CFC1608	SBC1608	
	2012	Front-All GX, Hardware Included	CFC1608	SBC1608	
	2012	Front-All Hybrid, Hardware Included	CFC621	SBC621	
	2012	Front-All Hybrid-L, Hardware Included	CFC621	SBC621	
	2012	Front-All Si, Hardware Included	CFC914	SBC914	
	2012	Front-All Si HFP, Hardware Included	CFC914	SBC914	
	2012	Front-L4 - 1.8L DX, Hardware Included	CFC1578	SBC1578	
	2012	Front-L4 - 1.8L EX, Hardware Included	CFC1578	SBC1578	
	2012	Front-L4 - 1.8L EX-L, Hardware Included	CFC1578	SBC1578	
	2012	Front-L4 - 1.8L HF, Hardware Included	CFC1578	SBC1578	
	2012	Front-L4 - 1.8L LX, Hardware Included	CFC1578	SBC1578	
	2011-06	Front-L4 - 1.3L Hardware Included	CFC621	SBC621	
	2011-06	Front-L4 - 2.0L Hardware Included	CFC829	SBC829	
	2011	Front-L4 - 1.8L DX, w/ 15.9mm Overall Thickness	CFC465AK2	SBC465AK2	
	2011	Front-L4 - 1.8L DX-G, w/ 15.9mm Overall Thickness	CFC465AK2	SBC465AK2	
	2011	Front-L4 - 1.8L EX, w/ 15.9mm Overall Thickness	CFC465AK2	SBC465AK2	
	2011	Front-L4 - 1.8L EX-L, w/ 15.9mm Overall Thickness	CFC465AK2	SBC465AK2	
	2011	Front-L4 - 1.8L GX, w/ 15.9mm Overall Thickness	CFC465AK2	SBC465AK2	
	2011	Front-L4 - 1.8L LX, w/ 15.9mm Overall Thickness	CFC465AK2	SBC465AK2	
	2010-06	Front-L4 - 1.8L GX, Hardware Included	CFC1608	SBC1608	
	2010	Front-L4 - 1.8L DX, 2 Doors, w/ 15.9mm Overall Thickness	CFC465AK2	SBC465AK2	
	2010	Front-L4 - 1.8L DX, 4 Doors, w/ 15.9mm Overall Thickness	CFC465AK2	SBC465AK2	
	2010	Front-L4 - 1.8L DX-G, 2 Doors, w/ 15.9mm Overall Thickness	CFC465AK2	SBC465AK2	
	2010	Front-L4 - 1.8L DX-G, 4 Doors, w/ 15.9mm Overall Thickness	CFC465AK2	SBC465AK2	
	2010	Front-L4 - 1.8L EX, 2 Doors, w/ 15.9mm Overall Thickness	CFC465AK2	SBC465AK2	
	2010	Front-L4 - 1.8L EX, 4 Doors, w/ 15.9mm Overall Thickness	CFC465AK2	SBC465AK2	
	2010	Front-L4 - 1.8L EX-L, 2 Doors, w/ 15.9mm Overall Thickness	CFC465AK2	SBC465AK2	
	2010	Front-L4 - 1.8L EX-L, 4 Doors, w/ 15.9mm Overall Thickness	CFC465AK2	SBC465AK2	
	2010	Front-L4 - 1.8L LX, 2 Doors, w/ 15.9mm Overall Thickness	CFC465AK2	SBC465AK2	

BENDIX BRAKE PARTS

PART TYPE	YEAR	APPLICATION	PREMIUM NO.	PART NO.	SEVERE DUTY NO.
Honda (Cont'd.)					
Civic (Cont'd.)					
Disc Brake Pad Set (cont'd)	2010	Front-L4 - 1.8L LX, 4 Doors, w/ 15.9mm Overall Thickness	CFC465AK2	SBC465AK2	
	2010	Front-L4 - 1.8L Sport, 4 Doors, w/ 15.9mm Overall Thickness	CFC465AK2	SBC465AK2	
	2009-08	Front-L4 - 1.8L DX-G, w/ 15.9mm Overall Thickness	CFC465AK2	SBC465AK2	
	2009-06	Front-L4 - 1.8L DX, w/ 15.9mm Overall Thickness	CFC465AK2	SBC465AK2	
	2009-06	Front-L4 - 1.8L EX, w/ 15.9mm Overall Thickness	CFC465AK2	SBC465AK2	
	2009-06	Front-L4 - 1.8L LX, w/ 15.9mm Overall Thickness	CFC465AK2	SBC465AK2	
	2009	Front-L4 - 1.8L Sport, w/ 15.9mm Overall Thickness	CFC465AK2	SBC465AK2	
	2005-04	Front-All Value Package, GAS, w/ 15.9mm Overall Thickness	CFC465AK2	SBC465AK2	
	2005-04	Front-L4 - 2.0L Si, Hardware Included	CFC621	SBC621	
	2005-03	Front-L4 - 1.3L Hybrid, ELECTRIC/GAS, Hardware Included	CFC621	SBC621	
	2005-01	Front-All DX, GAS, w/ 15.9mm Overall Thickness	CFC465AK2	SBC465AK2	
	2005-01	Front-All EX, GAS, w/ 15.9mm Overall Thickness	CFC465AK2	SBC465AK2	
	2005-01	Front-All GX, CNG, w/ 15.9mm Overall Thickness	CFC465AK2	SBC465AK2	
	2005-01	Front-All HX, GAS, w/ 15.9mm Overall Thickness	CFC465AK2	SBC465AK2	
	2005-01	Front-All LX, GAS, w/ 15.9mm Overall Thickness	CFC465AK2	SBC465AK2	
	2005	Front-All EX Special Edition, GAS, w/ 15.9mm Overall Thickness	CFC465AK2	SBC465AK2	
	2005	Front-All LX Special Edition, GAS, w/ 15.9mm Overall Thickness	CFC465AK2	SBC465AK2	
	2004	Front-L4 - 2.0L SiR, Hardware Included	CFC621	SBC621	
	2003-02	Front-All Si, GAS, w/ 15.9mm Overall Thickness	CFC465AK2	SBC465AK2	
	2003-02	Front-All SiR, GAS, w/ 15.9mm Overall Thickness	CFC465AK2	SBC465AK2	
	2000-98	Front-All GX, Hardware Included		SBC273	
	2000-97	Front-All EX, w/ 15.9mm Overall Thickness	CFC465AK2	SBC465AK2	
	2000-96	Front-All CX, Hardware Included		SBC273	
	2000-96	Front-All DX, Hardware Included		SBC273	
	2000-96	Front-All HX, Hardware Included		SBC273	
	2000-96	Front-All LX, Hardware Included		SBC273	
	2000-96	Front-All Si, w/ 15.9mm Overall Thickness	CFC465AK2	SBC465AK2	
	1999	Front-All Value Package, Hardware Included		SBC273	
	1996	Front-L4 - 1.6L EX, 2 Doors, w/ 18.3mm Overall Thickness	CFC465	SBC465	
	1996	Front-L4 - 1.6L EX, 4 Doors, w/ 18.3mm Overall Thickness	CFC465	SBC465	
	1995-94	Front-All 4 Doors, 4-Wheel ABS, Hardware Included		SBC617	
	1995-94	Front-L4 - 1.5L CX, 2 Doors, Hatchback, Hardware Included		SBC273	
	1995-94	Front-L4 - 1.5L DX, 2 Doors, Coupe, Hardware Included		SBC273	
	1995-94	Front-L4 - 1.5L DX, 2 Doors, Hatchback, Hardware Included		SBC273	
	1995-94	Front-L4 - 1.5L VX, 2 Doors, Hatchback, Hardware Included		SBC273	
	1995-94	Front-L4 - 1.6L EX, 2 Doors, Coupe, 4-Wheel ABS, Hardware Included		SBC617	
	1995-94	Front-L4 - 1.6L EX, 2 Doors, Coupe, Non-ABS, Hardware Included	CFC621	SBC621	
	1995-94	Front-L4 - 1.6L Si, 2 Doors, Hatchback, 4-Wheel ABS, Hardware Included		SBC617	
	1995-94	Front-L4 - 1.6L Si, 2 Doors, Hatchback, Non-ABS, Hardware Included		SBC273	
	1995	Front-All 4 Doors, Manual Trans, Non-ABS, Hardware Included		SBC273	
	1994	Front-All 4 Doors, Non-ABS, Hardware Included		SBC273	
	1993-92	Front-All VX, Hardware Included		SBC273	
	1993-90	Front-All CX, Hardware Included		SBC273	
	1993-90	Front-All DX, Hardware Included		SBC273	
	1993-90	Front-All LX, Hardware Included		SBC273	
	1993-90	Front-All Si, Hardware Included		SBC273	
	1993	Front-L4 - 1.6L EX, 2 Doors, Hardware Included	CFC621	SBC621	
	1993	Front-L4 - 1.6L EX, 4 Doors, Hardware Included		SBC409	
	1992-90	Front-All EX, Hardware Included		SBC409	
	1991-90	Front-All Base, Hardware Included		SBC273	
	1991-90	Front-L4 - 1.6L RT 4WD, Hardware Not Included		SBM373	
	1989-88	Front-All Hardware Included		SBC273	
	1987	Front-All 1500 S, Hatchback, Hardware Not Included		SBC276	
	1987	Front-All Base, Hatchback, Hardware Not Included		SBC276	
	1987	Front-All Base, Sedan, Hardware Not Included		SBC276	
	1987	Front-All Base, Wagon, Hardware Included		SBM256	
	1987	Front-All CRX, Hardware Not Included		SBC281	
	1987	Front-All CRX HF, Hardware Not Included		SBC281	
	1987	Front-All CRX Si, Hardware Not Included		SBC281	
	1987	Front-All DX, Hatchback, Hardware Not Included		SBC276	
	1987	Front-All Si, Hatchback, Hardware Not Included		SBC276	
	1986-85	Front-All CRX Si, Hardware Included		SBM256	
	1986-85	Front-L4 - 1.5L CRX HF, Hardware Not Included		SBC281	
	1986-84	Front-All Base, 4 Doors, Wagon, Hardware Included		SBM256	
	1986-84	Front-All CRX, Hardware Included		SBM256	

BENDIX BRAKE PARTS

PART TYPE	YEAR	APPLICATION	PREMIUM NO.	PART NO.	SEVERE DUTY NO.
Honda (Cont'd.)					
Civic (Cont'd.)					
Disc Brake Pad Set (cont'd)	1986	Front-L4 - 1.3L 4 Doors, Hardware Not Included		SBC276	
	1986	Front-L4 - 1.3L Base, 2 Doors, Hatchback, Hardware Not Included		SBC276	
	1986	Front-L4 - 1.3L DX, 2 Doors, Hatchback, Hardware Not Included		SBC276	
	1986	Front-L4 - 1.5L 4 Doors, Hardware Not Included		SBC276	
	1986	Front-L4 - 1.5L Base, 2 Doors, Hatchback, Hardware Not Included		SBC276	
	1986	Front-L4 - 1.5L DX, 2 Doors, Hatchback, Hardware Not Included		SBC276	
	1986	Front-L4 - 1.5L Si, Hardware Not Included		SBC276	
	1985-84	Front-All 1500 S, 2 Doors, Hatchback, Hardware Not Included		SBC276	
	1985-84	Front-All Base, 2 Doors, Hatchback, Hardware Not Included		SBC276	
	1985-84	Front-All DX, 2 Doors, Hatchback, Hardware Not Included		SBC276	
	1985	Front-L4 - 1.3L Base, 4 Doors, Sedan, Hardware Not Included		SBC276	
	1985	Front-L4 - 1.5L Base, 4 Doors, Sedan, Hardware Not Included		SBC276	
	1984	Front-All Base, 4 Doors, Sedan, Hardware Not Included		SBC276	
	1984	Front-All CRX 1.5, 2 Doors, Coupe, Hardware Included		SBM256	
	1983-82	Front-All 2 Doors, Hatchback, Manual Trans, Hardware Not Included		SBC281	
	1981-80	Front-All 2 Doors, Hatchback, Hardware Not Included		SBC281	
	1981	Front-All 4 Doors, Sedan, Hardware Included		SBC176	
	2018	Rear-All EX, Hardware Not Included	CFC1878	SBC1878	
	2018	Rear-All EX-L, Hardware Not Included	CFC1878	SBC1878	
	2018	Rear-All EX-T, Hardware Not Included	CFC1878	SBC1878	
	2018	Rear-All LX, Hardware Not Included	CFC1878	SBC1878	
	2018	Rear-All LX-P, Hardware Not Included	CFC1878	SBC1878	
	2018	Rear-All Si, Hardware Not Included	CFC1878	SBC1878	
	2018	Rear-All Sport, Hardware Not Included	CFC1878	SBC1878	
	2018	Rear-All Sport Touring, Hardware Not Included	CFC1878	SBC1878	
	2018	Rear-All Touring, Hardware Not Included	CFC1878	SBC1878	
	2018	Rear-All Type R, Hardware Not Included	CFC1878	SBC1878	
	2017	Rear-All Hardware Not Included	CFC1878	SBC1878	
	2016	Rear-All Exc. Latin America	CFC1878	SBC1878	
	2015-14	Rear-All Exc. Latin America	CFC365	SBC365	
	2013-12	Rear-All Rear Disc, Exc. Latin America	CFC365	SBC365	
	2011-05	Rear-All Rear Disc, Hardware Included	CFC365	SBC365	
	2004-03	Rear-All Rear Disc, Hardware Included	CFC536	SBC536	
	2002	Rear-All Hardware Included	CFC536	SBC536	
	2000-99	Rear-All Rear Disc, Hardware Included		SBC374	
	1995-92	Rear-All Rear Disc, Hardware Included		SBC374	
Drum Brake Shoe	2015	Rear-All DX, GAS, Manual Trans		913	
	2015	Rear-All EX, GAS, Automatic CVT Trans		913	
	2015	Rear-All EX, GAS, Manual Trans		913	
	2015	Rear-All EX-L, GAS, Automatic CVT Trans		913	
	2015	Rear-All HF, GAS, Automatic CVT Trans		913	
	2015	Rear-All Hybrid, ELECTRIC/GAS		627	
	2015	Rear-All Hybrid-L, ELECTRIC/GAS		627	
	2015	Rear-All LX, GAS, Automatic CVT Trans		913	
	2015	Rear-All LX, GAS, Manual Trans		913	
	2015	Rear-All Natural Gas, CNG		627	
	2015	Rear-All SE, GAS, Automatic CVT Trans		913	
	2015	Rear-All SE, GAS, Manual Trans		913	
	2015	Rear-All Si, GAS, Manual Trans		913	
	2015	Rear-All Touring, GAS, Automatic CVT Trans		913	
	2013-12	Rear-All DX		913	
	2013-12	Rear-All Hybrid		627	
	2013-12	Rear-All Hybrid-L		627	
	2013-12	Rear-All LX		913	
	2013	Rear-All HF		913	
	2013	Rear-All Natural Gas		627	
	2012	Rear-All EX		913	
	2012	Rear-All EX-L		913	
	2012	Rear-All GX		627	
	2011	Rear-All w/ 8.66" X 1.4" Brakes		627	
	2011	Rear-All w/o 8.66" X 1.4" Brakes		913	
	2010-09	Rear-All GX		627	
	2010-09	Rear-All LX-S		913	
	2010-08	Rear-All DX-G		913	
	2010-06	Rear-All DX		913	
	2010-06	Rear-All LX		913	
	2008-06	Rear-All Hybrid		627	
	2007-06	Rear-All GX		627	

BENDIX BRAKE PARTS

PART TYPE	YEAR	APPLICATION	PREMIUM NO.	PART NO.	SEVERE DUTY NO.
Honda (Cont'd.)					
Civic (Cont'd.)					
Drum Brake Shoe (cont'd)	2005-03	Rear-All 2 Doors, Coupe		576	
	2005-03	Rear-All 2 Doors, Coupe, In Supersession Process, Exhaust Current Inventory		517	
	2005-03	Rear-All DX, 4 Doors, Sedan		576	
	2005-03	Rear-All DX, 4 Doors, Sedan, In Supersession Process, Exhaust Current Inventory		517	
	2005-03	Rear-All EX, 4 Doors, Sedan		576	
	2005-03	Rear-All EX, 4 Doors, Sedan, In Supersession Process, Exhaust Current Inventory		517	
	2005-03	Rear-All GX, 4 Doors, Sedan		576	
	2005-03	Rear-All GX, 4 Doors, Sedan, In Supersession Process, Exhaust Current Inventory		517	
	2005-03	Rear-All Hybrid, 4 Doors, Sedan		627	
	2005-03	Rear-All LX, 4 Doors, Sedan		576	
	2005-03	Rear-All LX, 4 Doors, Sedan, In Supersession Process, Exhaust Current Inventory		517	
	2005	Rear-All Value Package, 4 Doors, Sedan		576	
	2005	Rear-All Value Package, 4 Doors, Sedan, In Supersession Process, Exhaust Current Inventory		517	
	2002-96	Rear-All w/ 7.87" X 1.38" Brakes		517	
	2002-96	Rear-All w/ 7.87" X 1.38" Brakes		576	
	1995-93	Rear-All 2 Doors, Coupe		576	
	1995-93	Rear-All 2 Doors, Coupe, In Supersession Process, Exhaust Current Inventory		517	
	1995-92	Rear-All 4 Doors, Sedan, Automatic Trans		576	
	1995-92	Rear-All 4 Doors, Sedan, Automatic Trans, In Supersession Process, Exhaust Current Inventory		517	
	1995-92	Rear-All 4 Doors, Sedan, Manual Trans		639	
	1995-92	Rear-All 4 Doors, Sedan, Manual Trans, In Supersession Process, Exhaust Current Inventory		546	
	1995-84	Rear-All 2 Doors, Hatchback		639	
	1995-84	Rear-All 2 Doors, Hatchback, In Supersession Process, Exhaust Current Inventory		546	
	1991-84	Rear-All 4 Doors, Sedan		639	
	1991-84	Rear-All 4 Doors, Sedan, In Supersession Process, Exhaust Current Inventory		546	
	1979-73	Rear-All w/ 7.09" X 1.38" Brakes		428	
Disc Brake Rotor	2015-14	Front-All LX, Manual Trans		PRT6145	
	2015-13	Front-All EX-L		PRT5232	
	2015-13	Front-All HF		PRT6145	
	2015-13	Front-All Hybrid		PRT6145	
	2015-13	Front-All Hybrid-L		PRT6145	
	2015-06	Front-All Si		PRT5767	
	2015	Front-All EX, Coupe		PRT5232	
	2015	Front-All EX, Sedan		PRT6206	
	2015	Front-All LX, CVT Trans		PRT5232	
	2015	Front-All Natural Gas		PRT6222	
	2015	Front-All SE, CVT Trans		PRT5232	
	2015	Front-All SE, Manual Trans		PRT6145	
	2014-13	Front-All EX		PRT5232	
	2014	Front-All LX, Automatic CVT Trans		PRT5232	
	2013	Front-All LX		PRT6145	
	2012	Front-All DX, DX, EX, LX, HYBRID		PRT6145	
	2012	Front-All EX, DX, EX, LX, HYBRID		PRT6145	
	2012	Front-All EX-L, DX, EX, LX, HYBRID		PRT6145	
	2012	Front-All GX		PRT6222	
	2012	Front-All HF, DX, EX, LX, HYBRID		PRT6145	
	2012	Front-All Hybrid, DX, EX, LX, HYBRID		PRT6145	
	2012	Front-All Hybrid-L, DX, EX, LX, HYBRID		PRT6145	
	2012	Front-All LX, DX, EX, LX, HYBRID		PRT6145	
	2011-10	Front-All DX, DX, EX, LX, HYBRID		PRT5397	
	2011-10	Front-All DX-G, DX, EX, LX, HYBRID		PRT5397	
	2011-10	Front-All EX, DX, EX, LX, HYBRID		PRT5397	
	2011-10	Front-All Hybrid, DX, EX, LX, HYBRID		PRT5397	
	2011-10	Front-All LX, DX, EX, LX, HYBRID		PRT5397	
	2011-10	Front-All LX-S, DX, EX, LX, HYBRID		PRT5397	
	2011-06	Front-All GX		PRT5232	
	2009-08	Front-All DX-G		PRT5397	
	2009-06	Front-All DX		PRT5397	
	2009-06	Front-All EX		PRT5397	
	2009-06	Front-All Hybrid		PRT5397	
	2009-06	Front-All LX		PRT5397	
	2009	Front-All EX-L		PRT5397	
	2008	Front-All MUGEN Si		PRT5767	
	2005-04	Front-All 4 Hole Rotor		PRT1471	
	2005-04	Front-All 5 Hole Rotor		PRT5397	
	2003-01	Front-All		PRT1471	

BENDIX BRAKE PARTS

PART TYPE	YEAR	APPLICATION	PREMIUM NO.	PART NO.	SEVERE DUTY NO.	
Honda (Cont'd.)						
Civic (Cont'd.)						
Disc Brake Rotor (cont'd)	2000-92	Front-All 239mm Diameter		PRT1581		
	2000-92	Front-All 262mm Diameter		PRT1471		
	1991-90	Front-All Base, FWD		PRT1581		
	1991-90	Front-All DX, FWD		PRT1581		
	1991-90	Front-All EX, FWD		PRT1471		
	1991-90	Front-All LX, FWD		PRT1581		
	1991-90	Front-All RT 4WD, 4WD		PRT1424		
	1991-90	Front-All Si, FWD		PRT1424		
	1989-88	Front-All		PRT1424		
	1989	Front-L4 - 1.5L Base, Vented; 231mm		PRT1299		
	1989	Front-L4 - 1.5L DX		PRT1424		
	1987-84	Front-All Solid Rotors		PRT1298		
	1987-84	Front-All Solid Rotors; Solid; 215mm		PRT1300		
	1987-84	Front-All Vented Rotors; Vented; 231mm		PRT1299		
	1983	Front-All 4 Speeds, Solid; 215mm		PRT1211		
	1983	Front-All 5 Speeds, Solid; 230.8mm		PRT1260		
	1982	Front-L4 - 1.3L Solid; 215mm		PRT1211		
	1982	Front-L4 - 1.5L Solid; 230.8mm		PRT1260		
	1981-80	Front-All 5 Doors, Wagon, Sedan, Wagon; Solid; 230.8mm		PRT1260		
	1981	Front-All 4 Doors, Sedan, Sedan, Wagon; Solid; 230.8mm		PRT1260		
	2014-13	Rear-All EX, EX, EX-L, Si		PRT5765		
	2014-13	Rear-All EX-L, EX, EX-L, Si		PRT5765		
	2014-13	Rear-All Si, EX, EX-L, Si		PRT5765		
	2012-09	Rear-All EX-L		PRT5765		
	2012-06	Rear-All EX		PRT5765		
	2012-06	Rear-All Si		PRT5765		
	2005-04	Rear-L4 - 2.0L Si		PRT5517		
	2003-02	Rear-L4 - 2.0L Si		PRT5764		
	2000-92	Rear-All		PRT5060		
	1991-90	Rear-L4 - 1.6L Si		PRT1439		
	Brake Drum	2015-14	Rear-All HF		PDR0808	
		2015	Rear-All SE		PDR0808	
		2014-13	Rear-All Hybrid, Natural Gas, HYBRID		PDR0814	
		2014-13	Rear-All Hybrid-L, Natural Gas, HYBRID		PDR0814	
		2014-13	Rear-All Natural Gas, Natural Gas, HYBRID		PDR0814	
		2014	Rear-All LX		PDR0808	
		2013	Rear-All HF, HF, LX		PDR0808	
		2013	Rear-All LX, HF, LX		PDR0808	
		2012-09	Rear-All Hybrid-L		PDR0814	
		2012-06	Rear-All DX		PDR0808	
		2012-06	Rear-All GX		PDR0814	
		2012-06	Rear-All Hybrid		PDR0814	
2012-06		Rear-All LX		PDR0808		
2012		Rear-All HF		PDR0808		
2005-03		Rear-L4 - 1.3L Hybrid, Hybrid		PDR0757		
2005-02		Rear-L4 - 1.7L DX		PDR0746		
2005-02		Rear-L4 - 1.7L EX		PDR0746		
2005-02		Rear-L4 - 1.7L GX		PDR0746		
2005-02		Rear-L4 - 1.7L HX		PDR0746		
2005-02		Rear-L4 - 1.7L LX		PDR0746		
2005		Rear-L4 - 1.7L Value Package		PDR0746		
2001		Rear-All DX		PDR0746		
2001		Rear-All EX		PDR0746		
2001		Rear-All GX		PDR0508		
2001		Rear-All HX		PDR0746		
2001		Rear-All LX		PDR0746		
2000-96		Rear-All		PDR0508		
1995-92		Rear-All Automatic Trans		PDR0508		
1995-92		Rear-All Manual Trans, 180mm		PDR0474		
1991-88		Rear-All Wagon		PDR0606		
1991-84		Rear-All Hatchback, 180mm		PDR0474		
1991-84		Rear-All Sedan, 180mm		PDR0474		
1987-86		Rear-All CRX HF, Premium Brake Drum		PDR0651		
1987-84		Rear-All Wagon, 200mm		PDR0473		
1984		Rear-All 180mm		PDR0474		
1983-81		Rear-All Sedan		PDR0403		
1983-80	Rear-All Wagon, Station Wagon		PDR0404			
Civic del Sol						
Disc Brake Pad Set	1997-96	Front-All S, Hardware Included		SBC273		
	1997-96	Front-All Si, Hardware Included		SBC273		
	1997-96	Front-All VTEC, Hardware Included		SBC617		
	1995-94	Front-L4 - 1.5L Hardware Included		SBC273		
	1995-94	Front-L4 - 1.6L VTEC, Hardware Included	CFC621	SBC621		
	1993	Front-All Hardware Included		SBC273		

BENDIX BRAKE PARTS

PART TYPE	YEAR	APPLICATION	PREMIUM NO.	PART NO.	SEVERE DUTY NO.	
Honda (Cont'd.)						
Civic del Sol (Cont'd.)						
Disc Brake Pad Set (cont'd)	1997-96	Rear-All Hardware Included		SBC374		
	1995-93	Rear-L4 - 1.6L Hardware Included		SBC374		
Drum Brake Shoe	1997-93	Rear-All w/ 7.09" X 1.2" Brakes		546		
	1997-93	Rear-All w/ 7.09" X 1.2" Brakes		639		
Disc Brake Rotor	1997	Front-All		PRT1581		
	1996-94	Front-All 4-Wheel ABS		PRT1471		
	1996-93	Front-All Non-ABS		PRT1581		
	1997-93	Rear-All		PRT5060		
Brake Drum	1997-93	Rear-All 180mm		PDR0474		
Crosstour						
Disc Brake Pad Set	2015-12	Front-All Hardware Included	CFC1521	SBC1521		
	2015-13	Rear-All Hardware Included	CFC1086	SBC1086		
	2012	Rear-L4 - 2.4L Hardware Included	CFC1086	SBC1086		
	2012	Rear-V6 - 3.5L Hardware Included	CFC1086	SBC1086		
Parking Brake Shoe	2015-12	Rear-All		857		
Disc Brake Rotor	2015-12	Front-All		PRT5714		
	2015-12	Rear-All		PRT6017		
CR-V						
Disc Brake Pad Set	2018-17	Front-All Hardware Included	CFC2036	SBC2036		
	2016-12	Front-All FWD, CAN, Hardware Included	CFC914	SBC914		
	2016-12	Front-All FWD, USA, Hardware Included	CFC914	SBC914		
	2015-12	Front-All AWD, CAN, Hardware Included	CFC1521	SBC1521		
	2015-12	Front-All AWD, USA, Hardware Included	CFC1521	SBC1521		
	2011-07	Front-All CAN, Hardware Included	CFC1521	SBC1521		
	2011-07	Front-All USA, Hardware Included	CFC1521	SBC1521		
	2006-02	Front-All Hardware Included	CFC914	SBC914		
	2001-97	Front-All Hardware Not Included	CFC503	SBC503		
	2018-17	Rear-All Hardware Included	CFC2037	SBC2037		
	2016	Rear-All AWD, CAN, Hardware Included	CFC1086	SBC1086		
	2016	Rear-All AWD, USA, Hardware Included	CFC1086	SBC1086		
	2015-07	Rear-All CAN, Hardware Included	CFC1086	SBC1086		
	2015-07	Rear-All USA, Hardware Included	CFC1086	SBC1086		
	2006-05	Rear-All Hardware Included	CFC1086	SBC1086		
	2004-02	Rear-All Hardware Included	CFC536	SBC536		
	Drum Brake Shoe	2001-97	Rear-All w/ 8.66" X 1.4" Brakes		627	
	Parking Brake Shoe	2015	Rear-All		928	
		2013-05	Rear-All		928	
		2006	Rear-All In Supersession Process, Exhaust Current Inventory		912	
2005		Rear-All In Supersession Process, Exhaust Current Inventory		863		
Disc Brake Rotor	2004-02	Rear-All		782		
	2016-12	Front-All FWD		PRT6184		
	2015-12	Front-All AWD		PRT5714		
	2011-07	Front-All		PRT5714		
	2006-05	Front-All		PRT5767		
	2004-02	Front-All		PRT5400		
	2001-97	Front-All		PRT1513		
	2018-17	Rear-All		PRT6311		
	2016-05	Rear-All		PRT5678		
Brake Drum	2004-02	Rear-All		PRT5399		
	2001-97	Rear-All		PDR0702		
CRX						
Disc Brake Pad Set	1991-90	Front-L4 - 1.6L Si, Hardware Not Included		SBM373		
	1991-89	Front-All Base, Hardware Included		SBC273		
	1991-88	Front-All HF, Hardware Included		SBM256		
	1989-88	Front-All Si, Hardware Included		SBC273		
	1988	Front-All DX, Hardware Included		SBC273		
	1991-90	Rear-All Hardware Included		SBC374		
Drum Brake Shoe	1991-88	Rear-All w/ 7.09" X 1.20" Brakes		546		
	1991-88	Rear-All w/ 7.09" X 1.20" Brakes		639		
Disc Brake Rotor	1991-89	Front-All Base, Vented; 231mm		PRT1299		
	1991-88	Front-All HF, Vented; 231mm		PRT1299		
	1991-88	Front-All Si		PRT1424		
	1988	Front-All DX		PRT1424		
	1991-90	Rear-L4 - 1.6L Si		PRT1439		
	1991	Rear-L4 - 1.5L		PRT1439		
Brake Drum	1991-88	Rear-L4 - 1.5L 180mm		PDR0474		
CR-Z						
Disc Brake Pad Set	2016	Front-All Hardware Included	CFC914	SBC914		
	2015-14	Front-All Hardware Included	CFC1394			
	2015-14	Front-All Hardware Not Included		SBC1394		
	2013	Front-All Hardware Included	CFC621	SBC621		

BENDIX BRAKE PARTS

PART TYPE	YEAR	APPLICATION	PREMIUM NO.	PART NO.	SEVERE DUTY NO.	
Honda (Cont'd.)						
CR-Z (Cont'd.)						
Disc Brake Pad Set (cont'd)	2012-11	Front-All Hardware Included	CFC1394			
	2012-11	Front-All Hardware Not Included		SBC1394		
	2016	Rear-All Hardware Included	CFC1841	SBC1841		
	2015-11	Rear-All Hardware Included	CFC365	SBC365		
Disc Brake Rotor	2015-11	Front-All		PRT5397		
	2015-11	Rear-All		PRT6125 ⁹⁶		
	2013	Rear-All		PRT6213		
Element						
Disc Brake Pad Set	2011-03	Front-All Hardware Included	CFC914	SBC914		
	2011-03	Rear-All Hardware Included	CFC536	SBC536		
Parking Brake Shoe	2011-03	Rear-All		782		
Disc Brake Rotor	2011-03	Front-All		PRT5232		
	2011-03	Rear-All		PRT5423		
EV Plus						
Disc Brake Pad Set	1999-98	Front-All Hardware Not Included	CFC503	SBC503		
Fit						
Disc Brake Pad Set	2019-15	Front-All Hardware Included	CFC1394			
	2019-15	Front-All Hardware Not Included		SBC1394		
	2014-13	Front-All DX, Hardware Included	CFC1394			
	2014-13	Front-All DX, Hardware Not Included		SBC1394		
	2014-13	Front-All EV, Hardware Included	CFC914	SBC914		
	2014-13	Front-All LX, Hardware Included	CFC1394			
	2014-13	Front-All LX, Hardware Not Included		SBC1394		
	2014-13	Front-All Sport, Hardware Included	CFC1394			
	2014-13	Front-All Sport, Hardware Not Included		SBC1394		
	2013	Front-All Base, Hardware Included	CFC1394			
	2013	Front-All Base, Hardware Not Included		SBC1394		
	2012	Front-L4 - 1.5L Hardware Included	CFC1394			
	2012	Front-L4 - 1.5L Hardware Not Included		SBC1394		
	2011-09	Front-All Hardware Included	CFC1394			
	2011-09	Front-All Hardware Not Included		SBC1394		
	2008-07	Front-All Hardware Included	CFC621	SBC621		
	2014-10	Rear-All Rear Disc, MEX, Hardware Included		SBC374		
	Drum Brake Shoe	2019-18	Rear-All w/ 7.87" X 1.21" Brakes		913	
		2017-15	Rear-All		913	
		2014-10	Rear-All CAN, w/ 7.87" X 1.21" Brakes		913	
2014-10		Rear-All USA, w/ 7.87" X 1.21" Brakes		913		
2009		Rear-All w/ 7.87" X 1.21" Brakes		913		
2008-07		Rear-All w/ 7.87" X 1.38" Brakes		517		
2008-07		Rear-All w/ 7.87" X 1.38" Brakes		576		
Disc Brake Rotor	2019-15	Front-All		PRT6394		
	2014-13	Front-All EV		PRT5232		
	2013	Front-All Base		PRT1471		
	2013	Front-All Sport		PRT1471		
	2012-07	Front-All		PRT1471		
Brake Drum	2014-13	Rear-All EV		PDR0814		
	2013	Rear-All Base		PDR0746		
	2013	Rear-All Sport		PDR0746		
	2012-09	Rear-All		PDR0746		
	2008-07	Rear-All		PDR0815		
HR-V						
Disc Brake Pad Set	2018-16	Front-All Hardware Included	CFC1654	SBC1654		
	2018-16	Rear-All Hardware Included	CFC1841	SBC1841		
Disc Brake Rotor	2019-16	Front-All		PRT6207		
	2019-16	Rear-All		PRT6208		
Insight						
Disc Brake Pad Set	2014-13	Front-All w/ 15.9mm Overall Thickness	CFC465AK2	SBC465AK2		
	2012	Front-L4 - 1.3L w/ 15.9mm Overall Thickness	CFC465AK2	SBC465AK2		
	2011-10	Front-All w/ 15.9mm Overall Thickness	CFC465AK2	SBC465AK2		
	2006-01	Front-All Automatic CVT Trans, Hardware Included		SBM256		
	2006-01	Front-All Manual Trans, Hardware Not Included		SBC832		
	2000	Front-All Hardware Not Included		SBC832		
Drum Brake Shoe	2012-10	Rear-All w/ 7.87" X 1.21" Brakes		913		
	2006-00	Rear-All w/ 7.09" X 1.06" Brakes		755		
Disc Brake Rotor	2014-10	Front-All		PRT1471		
	2006-00	Front-All Vented; 231mm		PRT1299		
Brake Drum	2014-10	Rear-All		PDR0746		
Odyssey						
Disc Brake Pad Set	2019-18	Front-All Hardware Not Included	CFC2089	SBC2089		
	2017-05	Front-All Hardware Included	CFC1521	SBC1521		
	2004-99	Front-All Hardware Included	CFC793	SBC793		
	1998-95	Front-All Hardware Not Included	CFC503	SBC503		

96 Sell out and reorder PRT6213

BENDIX BRAKE PARTS

PART TYPE	YEAR	APPLICATION	PREMIUM NO.	PART NO.	SEVERE DUTY NO.
Honda (Cont'd.)					
Odyssey (Cont'd.)					
Disc Brake Pad Set (cont'd)	2017-11	Rear-All Hardware Included	CFC1281	SBC1281	
	2010-09	Rear-All Hardware Included	CFC1088	SBC1088	
	2008-05	Rear-V6 - 3.5L Hardware Included	CFC1088	SBC1088	
	2004-02	Rear-V6 - 3.5L Hardware Included	CFC865	SBC865	
	1998-95	Rear-All Hardware Included	CFC536	SBC536	
Parking Brake Shoe	2012-05	Rear-All		856	
	2004-02	Rear-All		858	
	2001-99	Rear-All w/ 10" X 1.83" Brakes		744	
	1997-95	Rear-All		782	
Disc Brake Rotor	2019-11	Front-All		PRT6292	
	2010-05	Front-All		PRT5604	
	2004-99	Front-All		PRT5287	
	1998-95	Front-All		PRT1513	
	2017-11	Rear-All		PRT5784	
	2010-05	Rear-All		PRT5709	
	2004-02	Rear-All		PRT5429	
	1998-95	Rear-All EX		PRT1514	
Brake Drum	2001-99	Rear-All		PDR0720	
Passport					
Disc Brake Pad Set	2002	Front-All Hardware Included		SBC867	
	2001-97	Front-All Hardware Included		SBC579	
	1996-94	Front-V6 - 3.2L Hardware Included		SBC579	
	1996	Front-L4 - 2.6L From 12/95		SBC579	
	1996	Front-L4 - 2.6L To 11/95		SBC363	
	1995-94	Front-L4 - 2.6L Hardware Included		SBC363	
	2002-00	Rear-All 4WD, Hardware Included		SBC580	
	2002-00	Rear-All RWD, Hardware Included		SBC580	
	1999-95	Rear-All Hardware Included		SBC580	
	1994	Rear-V6 - 3.2L Hardware Included		SBC580	
	Drum Brake Shoe	2002-98	Rear-All RWD		735
1997-94		Rear-All w/ 10" X 2.03" Brakes		619	
Parking Brake Shoe	2002-96	Rear-All		858	
Disc Brake Rotor	2002	Front-All		PRT5402	
	2001-96	Front-All		PRT1786	
	1995-94	Front-L4 - 2.6L		PRT1673	
	1995-94	Front-V6 - 3.2L		PRT1786	
	2002-94	Rear-All		PRT1785	
Brake Drum	2002-01	Rear-All		PDR0739	
	2000	Rear-All From 11/99		PDR0739	
	2000	Rear-All To 10/99		PDR0707	
	1999-98	Rear-All		PDR0707	
	1997-94	Rear-All		PDR0471	
Pilot					
Disc Brake Pad Set	2019-16	Front-All Hardware Included	CFC1723	SBC1723	
	2015-10	Front-All Hardware Included	CFC1378	SBC1378	
	2009	Front-V6 - 3.5L Hardware Included	CFC1378	SBC1378	
	2008-03	Front-All Hardware Included	CFC943	SBC943	
	2018-16	Rear-All Hardware Included	CFC1724	SBC1724	
	2015-10	Rear-All Hardware Included	CFC1281	SBC1281	
	2009	Rear-V6 - 3.5L Hardware Included	CFC1281	SBC1281	
	2008-03	Rear-V6 - 3.5L Hardware Included	CFC865	SBC865	
	Parking Brake Shoe	2008-03	Rear-All		849
Disc Brake Rotor	2019-16	Front-All		PRT6292	
	2015-09	Front-All		PRT5783	
	2008-03	Front-All		PRT5287	
	2015-09	Rear-All		PRT5784	
	2008-03	Rear-All		PRT5393	
Prelude					
Disc Brake Pad Set	2001-97	Front-All Hardware Not Included	CFC503	SBC503	
	1996-93	Front-All S, Hardware Included		SBC568	
	1996-93	Front-All Si, Hardware Included		SBC568	
	1996-93	Front-All VTEC, Hardware Not Included	CFC503	SBC503	
	1995	Front-All SE, Hardware Included		SBC568	
	1994-93	Front-All Si 4WS, Hardware Included		SBC568	
	1992	Front-All Hardware Included		SBC568	
	1991	Front-All Hardware Included		SBC409	
	1990-88	Front-All 2.0 S, Hardware Not Included		SBM373	
	1990	Front-All Si 4WS, Hardware Included		SBC409	
	1989-88	Front-All 2.0 Si 4WS, Hardware Included		SBC409	
	1989-88	Front-All 2.0 Si, Hardware Included		SBC409	
	1987-85	Front-L4 - 1.8L Hardware Included		SBM256	
	1987-85	Front-L4 - 2.0L Hardware Included		SBM334	
	1984-82	Front-All Hardware Included		SBM256	

BENDIX BRAKE PARTS

PART TYPE	YEAR	APPLICATION	PREMIUM NO.	PART NO.	SEVERE DUTY NO.	
Honda (Cont'd.)						
Prelude (Cont'd.)						
Disc Brake Pad Set (cont'd)	1981-79	Front-All Hardware Included		SBC176		
	2001-92	Rear-All Hardware Included	CFC365	SBC365		
	1991-90	Rear-L4 - 2.0L Hardware Included		SBC374		
	1991-90	Rear-L4 - 2.1L Hardware Included		SBC374		
	1989-88	Rear-All Hardware Included		SBC374		
	1987-85	Rear-L4 - 2.0L FI, Hardware Not Included		SBC364		
Drum Brake Shoe	1987-83	Rear-All w/ 7.87" X 1.38" Brakes		517		
	1987-83	Rear-All w/ 7.87" X 1.38" Brakes		576		
Disc Brake Rotor	2001-97	Front-All		PRT1513		
	1996-93	Front-L4 - 2.2L S		PRT1731		
	1996-93	Front-L4 - 2.2L VTEC		PRT1844		
	1996-93	Front-L4 - 2.3L Si		PRT1731		
	1995	Front-L4 - 2.3L SE		PRT1731		
	1994-93	Front-L4 - 2.3L Si 4WS		PRT1731		
	1992	Front-All		PRT1731		
	1991	Front-All Vented; 261.6mm		PRT1402		
	1990-88	Front-L4 - 2.0L CARB, Vented; 241.5mm		PRT1301		
	1990-88	Front-L4 - 2.0L FI, Vented; 261.6mm		PRT1402		
	1990	Front-L4 - 2.1L FI, Vented; 261.6mm		PRT1402		
	1987-86	Front-L4 - 1.8L		PRT1258		
	1987-86	Front-L4 - 2.0L Vented; 241.5mm		PRT1301		
	1985-83	Front-All		PRT1258		
	1982-79	Front-All Solid; 230.8mm		PRT1260		
	2001-97	Rear-All		PRT5159		
	1996-92	Rear-All Solid; 259.8mm		PRT1433		
	1991-88	Rear-All		PRT1439		
	Disc Brake Rotor and Hub Assembly	1987-84	Rear-All		PRT1358	
	Brake Drum	1987-83	Rear-All		PDR0402	
Ridgeline						
Disc Brake Pad Set	2019-17	Front-All Hardware Included	CFC1723	SBC1723		
	2014-10	Front-All Hardware Included	CFC1584	SBC1584	MKD1584FM	
	2009-07	Front-V6 - 3.5L Hardware Included	CFC1584	SBC1584	MKD1584FM	
	2006	Front-All Hardware Included	CFC1584	SBC1584	MKD1584FM	
	2019-17	Rear-All Hardware Included	CFC1724	SBC1724		
	2014-13	Rear-All Hardware Included	CFC1103	SBC1103		
	2012	Rear-V6 - 3.5L Hardware Included	CFC1103	SBC1103		
	2011-10	Rear-All Hardware Included	CFC1103	SBC1103		
	2009-07	Rear-V6 - 3.5L Hardware Included	CFC1103	SBC1103		
	2006	Rear-All Hardware Included	CFC1103	SBC1103		
	Parking Brake Shoe	2012-06	Rear-All		849	
	Disc Brake Rotor	2019-17	Front-All		PRT6292	
		2014-06	Front-All		PRT5676	
2014-06		Rear-All		PRT5679		
S2000						
Disc Brake Pad Set	2009-00	Front-All Hardware Included	CFC829	SBC829		
	2009-00	Rear-All Hardware Included	CFC365	SBC365		
Parking Brake Shoe	2006-00	Rear-All		782		
Disc Brake Rotor	2009-00	Front-All		PRT5462		
	2009-00	Rear-All		PRT5461		
Wagovan						
Disc Brake Pad Set	1987-86	Front-All Hardware Included		SBM256		
	1984	Front-All Hardware Included		SBM256		
Disc Brake Rotor	1987-86	Front-All Vented; 231mm		PRT1299		
Brake Drum	1987-86	Rear-All 200mm		PDR0473		
	1984	Rear-All 200mm		PDR0473		
Hudson						
Homet						
Drum Brake Shoe	1957-55	Front-All		264		
Wasp						
Drum Brake Shoe	1956	Front-All w/ 10" X 2-1/2" Brakes		169		
	1955	Front-All w/ 10" X 2-1/4" Brakes		154		
Hummer						
H1						
Disc Brake Pad Set	2006	Front-All Hardware Included			MKD1025FM	
	2006	Front-All Hardware Not Included		SBM1025		
	2003-02	Front-All Hardware Included			MKD1025FM	
	2003-02	Front-All Hardware Not Included		SBM1025		
	2006	Rear-All Hardware Included			MKD1025FM	
	2006	Rear-All Hardware Not Included		SBM1025		
	2003-02	Rear-All Hardware Included			MKD1025FM	
	2003-02	Rear-All Hardware Not Included		SBM1025		

BENDIX BRAKE PARTS

PART TYPE	YEAR	APPLICATION	PREMIUM NO.	PART NO.	SEVERE DUTY NO.	
Hummer (Cont'd.)						
H1 (Cont'd.)						
Disc Brake Rotor	2006	Front-All		PRT5333		
	2004-02	Front-All 10.5" diameter rotor		PRT5065		
	2004-02	Front-All 12" diameter rotor		PRT5333		
	2006	Rear-All		PRT5333		
	2004-02	Rear-All 10.5" diameter rotor		PRT5065		
	2004-02	Rear-All 12" diameter rotor		PRT5333		
H2						
Disc Brake Pad Set	2009-08	Front-V8 - 6.2L Hardware Included		SBM784		
	2009-08	Front-V8 - 6.2L Hardware Included	CFC784	SBC784	MKD784FM	
	2007	Front-All Hardware Included		SBM784		
	2007	Front-All Hardware Included	CFC784	SBC784	MKD784FM	
	2006-05	Front-V8 - 6.0L Hardware Included		SBM784		
	2006-05	Front-V8 - 6.0L Hardware Included	CFC784	SBC784	MKD784FM	
	2004-03	Front-All Hardware Included		SBM784		
	2004-03	Front-All Hardware Included	CFC784	SBC784	MKD784FM	
	2009-08	Rear-V8 - 6.2L Hardware Included		SBM785		
	2009-08	Rear-V8 - 6.2L Hardware Included	CFC785	SBC785	MKD785FM	
	2007	Rear-All Hardware Included		SBM785		
	2007	Rear-All Hardware Included	CFC785	SBC785	MKD785FM	
	2006-05	Rear-V8 - 6.0L Hardware Included		SBM785		
	2006-05	Rear-V8 - 6.0L Hardware Included	CFC785	SBC785	MKD785FM	
	2004-03	Rear-All Hardware Included		SBM785		
	2004-03	Rear-All Hardware Included	CFC785	SBC785	MKD785FM	
	Parking Brake Shoe	2009-08	Rear-All w/ 8.07" X 1.73" Brakes		962	
2007-03		Rear-All w/ 8.07" X 1.73" Brakes		771		
Disc Brake Rotor	2009-03	Front-All		PRT5261	SDR5261	
	2009-03	Rear-All		PRT5262		
H3						
Disc Brake Pad Set	2010-08	Front-L5 - 3.7L Hardware Included	CFC1119	SBC1119		
	2010-08	Front-V8 - 5.3L Hardware Included	CFC1119	SBC1119		
	2007	Front-All Hardware Included	CFC1119	SBC1119		
	2006	Front-L5 - 3.5L Hardware Included	CFC1119	SBC1119		
	2010-08	Rear-L5 - 3.7L Hardware Included		SBC1120		
	2010-08	Rear-V8 - 5.3L Hardware Included		SBC1120		
	2007	Rear-All Hardware Included		SBC1120		
	2006	Rear-L5 - 3.5L Hardware Included		SBC1120		
	Parking Brake Shoe	2010-06	Rear-All		908	
	Disc Brake Rotor	2010-06	Front-All		PRT5608	
2010-06		Rear-All		PRT5609		
H3T						
Disc Brake Pad Set	2010-09	Front-All Hardware Included	CFC1119	SBC1119		
	2010-09	Rear-All Hardware Included		SBC1120		
Parking Brake Shoe	2010-09	Rear-All		908		
Disc Brake Rotor	2010-09	Front-All		PRT5608		
	2010-09	Rear-All		PRT5609		
Hyundai						
Accent						
Disc Brake Pad Set	2017-12	Front-All Hardware Included	CFC1593	SBC1593		
	2011-07	Front-All Hardware Included	CFC1156	SBC1156		
	2006	Front-L4 - 1.6L Hardware Included	CFC1156	SBC1156		
	2005-04	Front-All Hardware Included		SBM440		
	2003	Front-L4 - 1.5L Hardware Included		SBM440		
	2003	Front-L4 - 1.6L Hardware Included		SBM440		
	2002-95	Front-All Hardware Included		SBM440		
	2019-18	Rear-All Limited, Hardware Included	CFC1812	SBC1812		
	2019-18	Rear-All SEL, Hardware Included	CFC1812	SBC1812		
	2017-13	Rear-All Hardware Included	CFC1544	SBC1544		
	2012	Rear-All GL, Hardware Included	CFC1544	SBC1544		
	2012	Rear-All GLS, Hardware Included	CFC1313	SBC1313		
	2012	Rear-All GS, Hardware Included	CFC1313	SBC1313		
	2012	Rear-All L, Hardware Included	CFC1544	SBC1544		
	2012	Rear-All SE, Hardware Included	CFC1313	SBC1313		
	2008-07	Rear-All Hardware Included	CFC1157	SBC1157		
	2006	Rear-L4 - 1.6L Hardware Included	CFC1157	SBC1157		
	Drum Brake Shoe	2011-07	Rear-All w/ 7.98" X 1.24" Brakes		910	
		2006	Rear-All From 10/01/05		910	
		2006	Rear-All To 9/30/05		715	
2005-03		Rear-All w/ 8" X 1.46" Brakes		715		
2003-00		Rear-All w/ 7.09" X 1.43" Brakes		749		
1999-95		Rear-All w/ 7.09" X 1.17" Brakes		707		
2010-06		Rear-All		914		
Parking Brake Shoe	2010-06	Rear-All		914		
Disc Brake Rotor	2017-12	Front-All		PRT6146		
	2011-06	Front-All		PRT5756		

BENDIX BRAKE PARTS

PART TYPE	YEAR	APPLICATION	PREMIUM NO.	PART NO.	SEVERE DUTY NO.
Hyundai (Cont'd.)					
Accent (Cont'd.)					
Disc Brake Rotor (cont'd)	2005-03	Front-All Vented; 241mm		PRT5498	
	2002	Front-All From 3/12/02; Vented; 241mm		PRT5498	
	2002	Front-All To 3/12/02; Vented; 240.8mm		PRT5472	
	2001-00	Front-All Vented; 240.8mm		PRT5472	
	1999-95	Front-All Vented; 242mm		PRT1405	
	2019-18	Rear-All		PRT6147	
	2017-14	Rear-All Rear Disc		PRT6147	
	2013-12	Rear-All		PRT6147	
	2008-06	Rear-All		PRT5757	
	Brake Drum	2011-06	Rear-All		PDR0818
2005-03		Rear-All		PDR0781	
2002-00		Rear-All		PDR0745	
1999-96		Rear-All		PDR0701	
1995		Rear-All Base		PDR0680	
1995		Rear-All L		PDR0680	
Azera					
Disc Brake Pad Set	2017-13	Front-All Hardware Included	CFC1432	SBC1432	
	2012	Front-V6 - 3.3L Hardware Included	CFC1432	SBC1432	
	2011-06	Front-All Hardware Included	CFC1125	SBC1125	
	2017-13	Rear-All Hardware Included	CFC1445	SBC1445	
	2012	Rear-V6 - 3.3L Hardware Included	CFC1445	SBC1445	
	2011-10	Rear-All Hardware Included	CFC1313	SBC1313	
	2009-06	Rear-All Hardware Included	CFC813	SBC813	
Parking Brake Shoe	2009-06	Rear-All		873	
Disc Brake Rotor	2017-12	Front-All		PRT6127	
	2011-06	Front-All		PRT5674	
	2017-16	Rear-All Base		PRT5846	
	2017-16	Rear-All Limited		PRT6285	
	2015-13	Rear-All		PRT5846	
	2009-06	Rear-All		PRT5852	
Creta					
Disc Brake Pad Set	2017	Front-All Hardware Included	CFC2094	SBC2094	
	2017	Rear-All Hardware Not Included	CFC2034	SBC2034	
Elantra					
Disc Brake Pad Set	2019-18	Front-All SEL, Hardware Included	CFC1912	SBC1912	
	2019-17	Front-All Eco, Hardware Included	CFC1912	SBC1912	
	2019-17	Front-All Limited, Hardware Included	CFC1912	SBC1912	
	2019-17	Front-All SE, Hardware Included	CFC1912	SBC1912	
	2019-17	Front-All Value Edition, Hardware Included	CFC1912	SBC1912	
	2019	Front-All Limited Tech, Hardware Included	CFC1912	SBC1912	
	2019	Front-All Sport, Hardware Included	CFC1912	SBC1912	
	2018-17	Front-All Sport, Hardware Included	CFC1847	SBC1847	
	2018	Front-All Sport Tech, Hardware Included	CFC1847	SBC1847	
	2017	Front-All GL, Hardware Included	CFC1912	SBC1912	
	2017	Front-All GLS, Hardware Included	CFC1912	SBC1912	
	2017	Front-All GLS Premium, Hardware Included	CFC1912	SBC1912	
	2017	Front-All L, Hardware Included	CFC1912	SBC1912	
	2017	Front-All LE, Hardware Included	CFC1912	SBC1912	
	2017	Front-All Limited Tech, Hardware Included	CFC1912	SBC1912	
	2017	Front-All Ultimate, Hardware Included	CFC1912	SBC1912	
	2016-13	Front-All Hardware Included	CFC1595	SBC1595	
	2012-11	Front-All GL, Hardware Included	CFC1595	SBC1595	
	2012-11	Front-All GLS, Hardware Included	CFC1595	SBC1595	
	2012-11	Front-All L, Hardware Included	CFC1595	SBC1595	
	2012-11	Front-All Limited, Hardware Included	CFC1595	SBC1595	
	2012-10	Front-All Touring GL, Hardware Included	CFC1397K1		
	2012-10	Front-All Touring GL, Hardware Not Included		SBC1397	
	2012-10	Front-All Touring GLS, Hardware Included	CFC1397K1		
	2012-10	Front-All Touring GLS, Hardware Not Included		SBC1397	
	2012-10	Front-All Touring L, Hardware Included	CFC1397K1		
	2012-10	Front-All Touring L, Hardware Not Included		SBC1397	
	2012-10	Front-All Touring SE, Hardware Included	CFC1397K1		
	2012-10	Front-All Touring SE, Hardware Not Included		SBC1397	
	2010-09	Front-All GL, Hardware Included	CFC924	SBC924	
	2010-09	Front-All GLS, Hardware Included	CFC924	SBC924	
	2010-09	Front-All L, Hardware Included	CFC924	SBC924	
	2010-09	Front-All Limited, Hardware Included	CFC924	SBC924	
	2010-09	Front-All SE, Hardware Included	CFC924	SBC924	
	2010	Front-All Blue, Hardware Included	CFC924	SBC924	
	2009	Front-All Touring, Hardware Included	CFC1397K1		
	2009	Front-All Touring, Hardware Not Included		SBC1397	
	2008-07	Front-All Hardware Included	CFC924	SBC924	
	2006	Front-All Hardware Included	CFC887	SBC887	

BENDIX BRAKE PARTS

PART TYPE	YEAR	APPLICATION	PREMIUM NO.	PART NO.	SEVERE DUTY NO.
Hyundai (Cont'd.)					
Elantra (Cont'd.)					
Disc Brake Pad Set (cont'd)	2005	Front-All From 2/05	CFC887	SBC887	
	2005	Front-All To 2/05	CFC941	SBC941	
	2004-02	Front-All Hardware Included	CFC941	SBC941	
	2001-95	Front-All Hardware Included		SBC449	
	1994	Front-All Base, Hardware Included		SBC449	
	1994	Front-All GL, Hardware Included		SBC449	
	1994	Front-All GLS, Hardware Included		SBC449	
	1993-92	Front-All Hardware Included		SBC449	
	2019-18	Rear-All Limited, Hardware Included	CFC1812	SBC1812	
	2019-18	Rear-All SEL, Hardware Included	CFC1812	SBC1812	
	2019-18	Rear-All Sport, Hardware Included	CFC1812	SBC1812	
	2019-18	Rear-All Value Edition, Hardware Included	CFC1812	SBC1812	
	2019	Rear-All Limited Tech, Hardware Included	CFC1812	SBC1812	
	2017-13	Rear-All Hardware Included	CFC1812	SBC1812	
	2012-11	Rear-All GL, Hardware Included	CFC1812	SBC1812	
	2012-11	Rear-All GLS, Hardware Included	CFC1812	SBC1812	
	2012-11	Rear-All L, Hardware Included	CFC1812	SBC1812	
	2012-11	Rear-All Limited, Hardware Included	CFC1812	SBC1812	
	2012-11	Rear-All Touring GL, Hardware Included	CFC1157	SBC1157	
	2012-11	Rear-All Touring GLS, Hardware Included	CFC1157	SBC1157	
	2012-11	Rear-All Touring L, Hardware Included	CFC1157	SBC1157	
	2012-11	Rear-All Touring SE, Hardware Included	CFC1157	SBC1157	
	2010	Rear-All Hatchback, Hardware Included	CFC1157	SBC1157	
	2010	Rear-All Sedan, From 10/20/09	CFC1313	SBC1313	
	2010	Rear-All Sedan, To 10/19/09	CFC813	SBC813	
	2009	Rear-All GL, Hardware Included	CFC813	SBC813	
	2009	Rear-All GLS, Hardware Included	CFC813	SBC813	
	2009	Rear-All L, Hardware Included	CFC813	SBC813	
	2009	Rear-All Limited, Hardware Included	CFC813	SBC813	
	2009	Rear-All SE, Hardware Included	CFC813	SBC813	
	2009	Rear-All Touring, Hardware Included	CFC1157	SBC1157	
	2008-07	Rear-All Hardware Included	CFC813	SBC813	
	2006-97	Rear-All Hardware Included		SBC429	
	1996-95	Rear-All Base, Hardware Included		SBC429	
	1996-95	Rear-All GLS, Hardware Included		SBC429	
	1994-92	Rear-All Hardware Included		SBC429	
Drum Brake Shoe	2010-96	Rear-All w/ 8" X 1.46" Brakes		715	
	1995-92	Rear-All		661	
Parking Brake Shoe	2011	Rear-All Touring GL		964	
	2011	Rear-All Touring GLS		964	
	2011	Rear-All Touring L		964	
	2011	Rear-All Touring SE		964	
	2010-09	Rear-All 4 Doors, Sedan		845	
	2010-09	Rear-All Hatchback		964	
	2008-07	Rear-All		845	
Disc Brake Rotor	2019	Front-All		PRT6148	
	2018	Front-L4 - 1.4L		PRT6148	
	2018	Front-L4 - 2.0L		PRT6148	
	2017-13	Front-All		PRT6148	
	2012-11	Front-L4 - 1.8L		PRT6148	
	2012-11	Front-L4 - 2.0L		PRT5831	
	2010-09	Front-All Sedan		PRT5921	
	2008-07	Front-All		PRT5921	
	2006-01	Front-All		PRT5576	
	2000-99	Front-All		PRT5338	
	1998	Front-All From 8/16/98		PRT5338	
	1998	Front-All To 8/16/98		PRT1715	
	1997-92	Front-All		PRT1715	
	2019-18	Rear-All Limited		PRT6149	
	2019-18	Rear-All SEL		PRT6149	
	2018	Rear-All Value Edition		PRT6149	
	2017-13	Rear-All		PRT6149	
	2012-11	Rear-L4 - 1.8L		PRT6149	
	2012-11	Rear-L4 - 2.0L		PRT6019	
	2010-09	Rear-All Sedan		PRT5976	
	2008-07	Rear-All		PRT5976	
	2006-96	Rear-All		PRT5138	
	1995-94	Rear-All		PRT5022	
Brake Drum	2010-07	Rear-All		PDR0834	
	2006-02	Rear-All		PDR0791	
	2001-96	Rear-All		PDR0698	
	1995-92	Rear-All		PDR0578	
Elantra Coupe					
Disc Brake Pad Set	2014-13	Front-All Hardware Included	CFC1595	SBC1595	

BENDIX BRAKE PARTS

PART TYPE	YEAR	APPLICATION	PREMIUM NO.	PART NO.	SEVERE DUTY NO.	
Hyundai (Cont'd.)						
Elantra Coupe (Cont'd.)						
Disc Brake Pad Set (cont'd)	2014-13	Rear-All Hardware Included	CFC1812	SBC1812		
Disc Brake Rotor	2014-13	Front-All		PRT6148		
	2014-13	Rear-All		PRT6149		
Elantra GT						
Disc Brake Pad Set	2018	Front-All Base, Hardware Included	CFC2094	SBC2094		
	2018	Front-All Sport, Hardware Included	CFC1855	SBC1855		
	2018	Front-All Sport Ultimate, Hardware Included	CFC1855	SBC1855		
	2016-15	Front-All From 6/29/15	CFC1828			
	2016-15	Front-All To 6/29/15	CFC1595	SBC1595		
	2014-13	Front-All Hardware Included	CFC1595	SBC1595		
	2018-17	Rear-All Hardware Included	CFC1813	SBC1813		
	2016-15	Rear-All From 6/29/15	CFC1813	SBC1813		
	2016-15	Rear-All To 6/29/15	CFC1594	SBC1594		
	2014	Rear-All Hardware Included	CFC1594	SBC1594		
Disc Brake Rotor	2013	Rear-All Hardware Included	CFC1544	SBC1544		
	2018-13	Front-All		PRT6148		
	2018	Rear-All Manual Operated Parking Brake		PRT6149		
	2018	Rear-All with Power Operated Parking Brake		PRT6285		
2017-13	Rear-All		PRT6149			
Entourage						
Disc Brake Pad Set	2010-07	Front-All Hardware Included	CFC1202	SBC1202		
	2010-08	Rear-All Hardware Included	CFC1284	SBC1284		
	2007	Rear-All From 4/28/06	CFC1284	SBC1284		
	2007	Rear-All To 4/27/06	CFC954	SBC954		
Parking Brake Shoe	2008-07	Rear-All		918		
Disc Brake Rotor	2008-07	Front-All		PRT5881		
	2008-07	Rear-All		PRT5780		
Equus						
Disc Brake Pad Set	2016-12	Front-All Hardware Included	CFC1576	SBC1576		
	2011	Front-All Hardware Included	CFC1396			
	2011	Front-All Hardware Not Included		SBC1396		
	2016-11	Rear-All Hardware Included	CFC1284E	SBC1284E		
Disc Brake Rotor	2016-12	Front-All		PRT6158		
	2011	Front-All		PRT6095		
	2016-11	Rear-All		PRT6096		
Excel						
Disc Brake Pad Set	1994-89	Front-All Hardware Included		SBM440		
Drum Brake Shoe	1994-93	Rear-All Vehicles Built For United States Market		663		
	1992	Rear-All		663		
	1991-90	Rear-All Vehicles Built For Canadian Market		663		
Disc Brake Rotor	1994-88	Front-All Vented; 242mm		PRT1405		
	1987-86	Front-All Solid; 229mm		PRT1291		
Brake Drum	1994-92	Rear-All 180.3mm		PDR0642		
	1991	Rear-All From 6/26/91; 180.3mm		PDR0642		
	1991	Rear-All To 6/26/91; 180mm		PDR0539		
	1990	Rear-All 180mm		PDR0539		
	1989-86	Rear-All		PDR0401		
Genesis						
Disc Brake Pad Set	2016-15	Front-All Hardware Included	CFC1799			
	2014-12	Front-All Hardware Included	CFC1396			
	2014-12	Front-All Hardware Not Included		SBC1396		
	2011-09	Front-V6 - 3.8L Hardware Included	CFC1384	SBC1384		
	2011-09	Front-V8 - 4.6L Hardware Included	CFC1396			
	2011-09	Front-V8 - 4.6L Hardware Not Included		SBC1396		
	2016-14	Rear-All Hardware Included	CFC1551	SBC1551		
	2013	Rear-All 4 Doors, Sedan, Hardware Included	CFC1551	SBC1551		
	2012	Rear-All 5.0, Hardware Included	CFC1551	SBC1551		
	2012	Rear-V6 - 3.8L 3.8, Hardware Included	CFC1551	SBC1551		
	2012	Rear-V8 - 4.6L 4.6, Hardware Included	CFC1551	SBC1551		
	2012	Rear-V8 - 5.0L 5.0 R-Spec, Hardware Included	CFC1551	SBC1551		
	2011	Rear-All w/ 17" Wheels	CFC1284	SBC1284		
	2011	Rear-All w/ 18" Wheels	CFC1551	SBC1551		
	2010-09	Rear-All Hardware Included	CFC1284	SBC1284		
	Disc Brake Rotor	2016-15	Front-V6 - 3.8L		PRT6095	
		2014-13	Front-V8 - 5.0L		PRT6095	
		2014	Front-V6 - 3.8L		PRT5856	
2013		Front-All 4 Doors, Sedan, 330mm rotor		PRT5856		
2012		Front-V6 - 3.8L 330mm rotor		PRT5856		
2012		Front-V8 - 4.6L 345mm Diameter		PRT6095		
2012		Front-V8 - 5.0L 345mm Diameter		PRT6095		
2011-10		Front-All 3.8, 320mm diameter		PRT5855		
2011-10		Front-All 4.6, 330mm rotor		PRT5856		

BENDIX BRAKE PARTS

PART TYPE	YEAR	APPLICATION	PREMIUM NO.	PART NO.	SEVERE DUTY NO.		
Hyundai (Cont'd.)							
Genesis (Cont'd.)							
Disc Brake Rotor (cont'd)	2009	Front-All 320mm diameter		PRT5855			
	2009	Front-All 330mm Diameter		PRT5856			
	2016-13	Rear-All		PRT6126			
	2012	Rear-All 4 Doors, Sedan		PRT6126			
	2011-10	Rear-All 4 Doors, Sedan		PRT5857 ⁸⁵			
2009	Rear-All		PRT5857 ⁸⁵				
Genesis Coupe							
Disc Brake Pad Set	2016-14	Front-All Hardware Included	CFC1413	SBC1413			
	2013-11	Front-All 3.8 R-Spec, Hardware Included	CFC1413	SBC1413			
	2013-10	Front-All 2.0T, Hardware Included	CFC1413	SBC1413			
	2013-10	Front-All 2.0T Premium, Hardware Included	CFC1413	SBC1413			
	2013-10	Front-All 2.0T R-Spec, Hardware Included	CFC1413	SBC1413			
	2013-10	Front-All 3.8 Grand Touring, Hardware Included	CFC1413	SBC1413			
	2013-10	Front-All 3.8 GT, Hardware Included	CFC1413	SBC1413			
	2012-10	Front-All 2.0T GT, Hardware Included	CFC1413	SBC1413			
	2012	Front-All 3.8, Hardware Included	CFC1413	SBC1413			
	2010	Front-All 2.0T Track, Hardware Included	CFC1050B				
	2010	Front-All 2.0T Track, Hardware Not Included		SBC1050B			
	2010	Front-All 3.8, Hardware Included	CFC1413	SBC1413			
	2010	Front-All 3.8 Track, Hardware Included	CFC1050B				
	2010	Front-All 3.8 Track, Hardware Not Included		SBC1050B			
	2016-14	Rear-All Hardware Included	CFC1284	SBC1284			
	2013-11	Rear-All 3.8 R-Spec, Hardware Included	CFC1284	SBC1284			
	2013-10	Rear-All 2.0T, Hardware Included	CFC1284	SBC1284			
	2013-10	Rear-All 2.0T Premium, Hardware Included	CFC1284	SBC1284			
	2013-10	Rear-All 2.0T R-Spec, Hardware Included	CFC1284	SBC1284			
	2013-10	Rear-All 3.8 Grand Touring, Hardware Included	CFC1284	SBC1284			
	2013-10	Rear-All 3.8 GT, Hardware Included	CFC1284	SBC1284			
	2013-10	Rear-All 3.8 Track, Hardware Included	CFC1428				
	2013-10	Rear-All 3.8 Track, Hardware Not Included		SBC1428			
	2012-10	Rear-All 2.0T GT, Hardware Included	CFC1284	SBC1284			
	2012	Rear-All 3.8, Hardware Included	CFC1284	SBC1284			
	2010	Rear-All 2.0T Track, Hardware Included	CFC1428				
	2010	Rear-All 2.0T Track, Hardware Not Included		SBC1428			
	2010	Rear-All 3.8, Hardware Included	CFC1284	SBC1284			
	Disc Brake Rotor	2016	Front-All 3.8		PRT6303		
		2016	Front-All 3.8 R-Spec		PRT5975		
		2016	Front-All 3.8 Ultimate		PRT5975		
		2015-10	Front-All 320mm diameter		PRT6303		
		2015-10	Front-All 340mm Diameter		PRT5975		
		2016-15	Rear-All 3.8		PRT6018		
		2016-14	Rear-All 3.8 R-Spec		PRT5997		
		2016-14	Rear-All 3.8 Ultimate		PRT5997		
		2014	Rear-All 2.0T		PRT6018		
		2014	Rear-All 2.0T Premium		PRT6018		
		2014	Rear-All 2.0T R-Spec		PRT5997		
		2014	Rear-All 3.8 Grand Touring		PRT6018		
		2013-10	Rear-All 2 Doors, Solid Rotor		PRT6018		
		2013-10	Rear-All 2 Doors, Vented Rotor		PRT5997		
		Ioniq					
		Disc Brake Pad Set	2019	Front-All Electric, Hardware Included	CFC1912	SBC1912	
			2019	Front-All Electric Limited, Hardware Included	CFC1912	SBC1912	
	2019		Front-All Electric Preferred, Hardware Included	CFC1912	SBC1912		
	2019		Front-All Electric Ultimate, Hardware Included	CFC1912	SBC1912		
2019	Front-All Hybrid Blue, Hardware Included		CFC1912	SBC1912			
2019	Front-All Hybrid Essential, Hardware Included		CFC1912	SBC1912			
2019	Front-All Hybrid Limited, Hardware Included		CFC1912	SBC1912			
2019	Front-All Hybrid Luxury, Hardware Included		CFC1912	SBC1912			
2019	Front-All Hybrid Preferred, Hardware Included		CFC1912	SBC1912			
2019	Front-All Hybrid SEL, Hardware Included		CFC1912	SBC1912			
2019	Front-All Hybrid Ultimate, Hardware Included		CFC1912	SBC1912			
2019	Front-All Plug-In Hybrid, Hardware Included		CFC1912	SBC1912			
2019	Front-All Plug-In Hybrid Limited, Hardware Included		CFC1912	SBC1912			
2018-17	Front-All Hardware Included		CFC1912	SBC1912			
2019-18	Rear-All Plug-In Hybrid, Hardware Included		CFC1812	SBC1812			
2019-18	Rear-All Plug-In Hybrid Limited, Hardware Included		CFC1812	SBC1812			
2019-17	Rear-All Hybrid Blue, Hardware Included		CFC1812	SBC1812			
2019-17	Rear-All Hybrid Limited, Hardware Included		CFC1812	SBC1812			
2019-17	Rear-All Hybrid SEL, Hardware Included		CFC1812	SBC1812			
2019	Rear-All Hybrid Essential, Hardware Included		CFC1812	SBC1812			
2019	Rear-All Hybrid Luxury, Hardware Included		CFC1812	SBC1812			
2019	Rear-All Hybrid Preferred, Hardware Included		CFC1812	SBC1812			
2019	Rear-All Hybrid Ultimate, Hardware Included		CFC1812	SBC1812			

85 Sell out and reorder PRT6126

BENDIX BRAKE PARTS

PART TYPE	YEAR	APPLICATION	PREMIUM NO.	PART NO.	SEVERE DUTY NO.	
Hyundai (Cont'd.)						
Ioniq (Cont'd.)						
Disc Brake Pad Set (cont'd)	2018	Rear-All Hybrid SE, Hardware Included	CFC1812	SBC1812		
Disc Brake Rotor	2019-17	Front-All		PRT5831		
Ix35						
Disc Brake Pad Set	2015	Rear-All Hardware Included	CFC1157	SBC1157		
Kona						
Disc Brake Pad Set	2018	Front-All Limited, Hardware Included	CFC1855	SBC1855		
	2018	Front-All SE, AWD, Hardware Included	CFC1855	SBC1855		
	2018	Front-All SE, FWD, Hardware Included	CFC2094	SBC2094		
	2018	Front-All SEL, AWD, Hardware Included	CFC1855	SBC1855		
	2018	Front-All SEL, FWD, Hardware Included	CFC2094	SBC2094		
	2018	Front-All Ultimate, Hardware Included	CFC1855	SBC1855		
	2018	Rear-All Limited, Hardware Not Included	CFC2034	SBC2034		
	2018	Rear-All SE, Hardware Not Included	CFC2034	SBC2034		
	2018	Rear-All SEL, Hardware Not Included	CFC2034	SBC2034		
	2018	Rear-All Ultimate, Hardware Not Included	CFC2034	SBC2034		
Disc Brake Rotor	2018	Front-All SE, FWD		PRT6148		
	2018	Front-All SEL, FWD		PRT6148		
	2018	Rear-All SE, FWD		PRT6149		
	2018	Rear-All SEL, FWD		PRT6149		
Pony						
Disc Brake Rotor	1987-83	Front-All		PRT1116		
Santa Fe						
Disc Brake Pad Set	2018	Front-All Hardware Included	CFC1917	SBC1917		
	2017	Front-V6 - 3.3L Hardware Included	CFC1917	SBC1917		
	2016-13	Front-All Hardware Included	CFC1202	SBC1202		
	2012-10	Front-All Hardware Included	CFC1432	SBC1432		
	2009-07	Front-All Hardware Included	CFC1202	SBC1202		
	2006-05	Front-L4 - 2.4L w/ 11.57" Rotor Diameter	CFC864	SBC864		
	2006-05	Front-V6 - 2.7L Hardware Included	CFC864	SBC864		
	2006-05	Front-V6 - 3.5L Hardware Included	CFC864	SBC864		
	2004-01	Front-L4 - 2.4L Hardware Included	CFC864	SBC864		
	2018	Rear-All Includes Clips, Shims	CFC1916	SBC1916		
	2017	Rear-All Hardware Included	CFC1916	SBC1916		
	2016-10	Rear-All Hardware Included	CFC1439	SBC1439		
	2009-07	Rear-All Hardware Included	CFC1297	SBC1297		
	2006-01	Rear-All Hardware Included	CFC813	SBC813		
	Drum Brake Shoe	2004-02	Rear-All		765	
		2004-02	Rear-All In Supersession Process, Exhaust Current Inventory		787	
2001		Rear-All w/ 10" X 1.83" Brakes		765		
Parking Brake Shoe	2009-07	Rear-All		873		
	2006-01	Rear-All		773		
Disc Brake Rotor	2018-13	Front-All		PRT6234		
	2012-10	Front-All		PRT6036		
	2009-07	Front-All		PRT5777		
	2006-03	Front-V6 - 3.5L		PRT5403		
	2006-01	Front-L4 - 2.4L		PRT5505		
	2006-01	Front-V6 - 2.7L		PRT5403		
	2018-10	Rear-All		PRT6037		
	2009-07	Rear-All		PRT5778		
	2006-01	Rear-All		PRT5534		
Brake Drum	2004-02	Rear-All		PDR0792		
	2001	Rear-All		PDR0797		
Santa Fe Sport						
Disc Brake Pad Set	2018	Front-All Hardware Included		SBC1815		
	2016-13	Front-All Hardware Included	CFC1432	SBC1432		
	2018	Rear-All Includes Clips, Shims	CFC1916	SBC1916		
	2016-13	Rear-All Hardware Included	CFC1284	SBC1284		
Disc Brake Rotor	2018-13	Front-All		PRT6234		
	2018-13	Rear-All		PRT6037		
Santa Fe XL						
Disc Brake Pad Set	2019	Front-All Hardware Included	CFC1917	SBC1917		
	2017	Front-All Hardware Included	CFC1917	SBC1917		
	2016-15	Front-All Hardware Included	CFC1202	SBC1202		
	2014-13	Front-All Hardware Included	CFC1432	SBC1432		
	2019	Rear-All Hardware Included	CFC1916	SBC1916		
	2017	Rear-All Hardware Included	CFC1916	SBC1916		
	2016-13	Rear-All Hardware Included	CFC1439	SBC1439		
	2016-13	Rear-All Hardware Included	CFC1439	SBC1439		
Disc Brake Rotor	2019	Front-All		PRT6234		
	2019	Rear-All		PRT6037		
Scoupe						
Disc Brake Pad Set	1995-93	Front-All Hardware Included		SBM440		

BENDIX BRAKE PARTS

PART TYPE	YEAR	APPLICATION	PREMIUM NO.	PART NO.	SEVERE DUTY NO.
Hyundai (Cont'd.)					
Scoupe (Cont'd.)					
Disc Brake Pad Set (cont'd)	1991	Front-All To 1/91		SBM440	
Drum Brake Shoe	1995-93	Rear-All		663	
Disc Brake Rotor	1995-91	Front-All Vented; 242mm		PRT1405	
Brake Drum	1995-94	Rear-All 180.3mm		PDR0642	
	1993	Rear-All From 8/1/92; 180.3mm		PDR0642	
	1993	Rear-All To 8/1/92; 180mm		PDR0539	
	1992-91	Rear-All 180mm		PDR0539	
Sonata					
Disc Brake Pad Set	2019-18	Front-All Eco, Hardware Included	CFC1803		
	2019-18	Front-All Hybrid SE, Hardware Included	CFC1803		
	2019-18	Front-All Limited 2.0T, Hardware Included	CFC1855	SBC1855	
	2019-18	Front-All SE, Hardware Included	CFC1803		
	2019-18	Front-All SEL, w/ Manually Operated Parking Brake	CFC1803		
	2019-18	Front-All SEL, w/ Power Operated Parking Brake	CFC1855	SBC1855	
	2019	Front-All Hybrid Limited, Hardware Included	CFC1855	SBC1855	
	2019	Front-All Limited, Hardware Included	CFC1855	SBC1855	
	2019	Front-All Sport, w/ Manually Operated Parking Brake	CFC1803		
	2019	Front-All Sport, w/ Power Operated Parking Brake	CFC1855	SBC1855	
	2018	Front-All Hybrid Limited, Hardware Included	CFC1803		
	2018	Front-All Limited, w/ Manually Operated Parking Brake	CFC1803		
	2018	Front-All Limited, w/ Power Operated Parking Brake	CFC1855	SBC1855	
	2018	Front-All Sport 2.0T, Hardware Included	CFC1855	SBC1855	
	2018	Front-All Sport, Hardware Included	CFC1803		
	2016	Front-All ELECTRIC/GAS, Hardware Included	CFC1803		
	2016	Front-All GAS, w/ Electric Parking Brake	CFC1855	SBC1855	
	2016	Front-All GAS, w/ Manual Parking Brake	CFC1803		
	2015	Front-All Eco, w/ Manual Parking Brake	CFC1803		
	2015	Front-All Eco, w/ Power Parking Brake	CFC1295	SBC1295	
	2015	Front-All GL, w/ Manual Parking Brake	CFC1803		
	2015	Front-All GL, w/ Power Parking Brake	CFC1295	SBC1295	
	2015	Front-All GLS, w/ Manual Parking Brake	CFC1803		
	2015	Front-All GLS, w/ Power Parking Brake	CFC1295	SBC1295	
	2015	Front-All Hybrid, ELECTRIC/GAS, Hardware Included	CFC1444	SBC1444	
	2015	Front-All Hybrid Limited, ELECTRIC/GAS, Hardware Included	CFC1444	SBC1444	
	2015	Front-All Limited 2.0T, w/ Manual Parking Brake	CFC1803		
	2015	Front-All Limited 2.0T, w/ Power Parking Brake	CFC1295	SBC1295	
	2015	Front-All Limited, w/ Manual Parking Brake	CFC1803		
	2015	Front-All Limited, w/ Power Parking Brake	CFC1295	SBC1295	
	2015	Front-All SE, w/ Manual Parking Brake	CFC1803		
	2015	Front-All SE, w/ Power Parking Brake	CFC1295	SBC1295	
	2015	Front-All Sport 2.0T, w/ Manual Parking Brake	CFC1803		
	2015	Front-All Sport 2.0T, w/ Power Parking Brake	CFC1295	SBC1295	
	2015	Front-All Sport, w/ Manual Parking Brake	CFC1803		
	2015	Front-All Sport, w/ Power Parking Brake	CFC1295	SBC1295	
	2015	Front-All Ultimate 2.0T, w/ Manual Parking Brake	CFC1803		
	2015	Front-All Ultimate 2.0T, w/ Power Parking Brake	CFC1295	SBC1295	
	2014-11	Front-All Hardware Included	CFC1444	SBC1444	
	2010-06	Front-L4 - 2.4L Hardware Included	CFC924	SBC924	
	2010-06	Front-V6 - 3.3L Hardware Included	CFC1125	SBC1125	
	2005	Front-All Hardware Included	CFC924	SBC924	
	2004-03	Front-All From 9/14/03	CFC924	SBC924	
	2004-03	Front-All To 9/4/03		SBC449	
	2002-89	Front-All Hardware Included		SBC449	
	2019-18	Rear-All Eco, Hardware Included	CFC1829		
	2019-18	Rear-All Hybrid SE, Hardware Included	CFC1829		
	2019-18	Rear-All Limited 2.0T, Hardware Included	CFC1813	SBC1813	
	2019-18	Rear-All SE, Hardware Included	CFC1829		
	2019-18	Rear-All SEL, w/ Manually Operated Parking Brake	CFC1829		
	2019-18	Rear-All SEL, w/ Power Operated Parking Brake	CFC1813	SBC1813	
	2019	Rear-All Hybrid Limited, Hardware Included	CFC1813	SBC1813	
	2019	Rear-All Limited, Hardware Included	CFC1813	SBC1813	
	2019	Rear-All Sport, w/ Manually Operated Parking Brake	CFC1829		
	2019	Rear-All Sport, w/ Power Operated Parking Brake	CFC1813	SBC1813	
	2018	Rear-All Hybrid Limited, w/ Manually Operated Parking Brake	CFC1829		
	2018	Rear-All Hybrid Limited, w/ Power Operated Parking Brake	CFC1813	SBC1813	
	2018	Rear-All Limited, w/ Manually Operated Parking Brake	CFC1829		
	2018	Rear-All Limited, w/ Power Operated Parking Brake	CFC1813	SBC1813	
	2018	Rear-All Sport 2.0T, Hardware Included	CFC1829		
	2018	Rear-All Sport, Hardware Included	CFC1829		
	2017	Rear-All MEX, Hardware Included	CFC1813	SBC1813	
	2017	Rear-All USA, Hardware Included	CFC1829		
	2016	Rear-All ELECTRIC/GAS, Hardware Included	CFC1829		

BENDIX BRAKE PARTS

PART TYPE	YEAR	APPLICATION	PREMIUM NO.	PART NO.	SEVERE DUTY NO.	
Hyundai (Cont'd.)						
Sonata (Cont'd.)						
Disc Brake Pad Set (cont'd)	2016	Rear-All GAS, w/ Electric Parking Brake	CFC1813	SBC1813		
	2016	Rear-All GAS, w/ Manual Parking Brake	CFC1829			
	2015	Rear-All Eco, GAS, w/ Power Parking Brake	CFC1594	SBC1594		
	2015	Rear-All GL, GAS, w/ Power Parking Brake	CFC1594	SBC1594		
	2015	Rear-All GLS, GAS, w/ Power Parking Brake	CFC1594	SBC1594		
	2015	Rear-All Hybrid, ELECTRIC/GAS, Hardware Included	CFC1445	SBC1445		
	2015	Rear-All Hybrid Limited, ELECTRIC/GAS, Hardware Included	CFC1445	SBC1445		
	2015	Rear-All Limited 2.0T, GAS, w/ Power Parking Brake	CFC1594	SBC1594		
	2015	Rear-All Limited, GAS, w/ Power Parking Brake	CFC1594	SBC1594		
	2015	Rear-All Premium, GAS, w/ Power Parking Brake	CFC1594	SBC1594		
	2015	Rear-All SE, GAS, w/ Power Parking Brake	CFC1594	SBC1594		
	2015	Rear-All Sport 2.0T, GAS, w/ Power Parking Brake	CFC1594	SBC1594		
	2015	Rear-All Sport, GAS, w/ Power Parking Brake	CFC1594	SBC1594		
	2015	Rear-All Ultimate 2.0T, GAS, w/ Power Parking Brake	CFC1594	SBC1594		
	2014-11	Rear-All Hardware Included	CFC1445	SBC1445		
	2010-09	Rear-All Hardware Included	CFC1313	SBC1313		
	2008	Rear-L4 - 2.4L From 1/22/08	CFC1313	SBC1313		
	2008	Rear-L4 - 2.4L To 1/21/08	CFC813	SBC813		
	2008	Rear-V6 - 3.3L From 3/1/08	CFC1313	SBC1313		
	2008	Rear-V6 - 3.3L To 2/28/08	CFC813	SBC813		
	2007-99	Rear-All Hardware Included	CFC813	SBC813		
	1998	Rear-V6 - 3.0L Hardware Not Included		SBC1262		
	1997-95	Rear-All Hardware Not Included		SBC1262		
	1994-92	Rear-All Hardware Not Included		SBC538		
	1991	Rear-V6 - 3.0L Hardware Not Included		SBC538		
	Drum Brake Shoe	2002-99	Rear-All		746	
		1993-91	Rear-All w/ 8.86" X 1.58" Brakes		599	
	Parking Brake Shoe	2015	Rear-All Eco, GAS, w/ Manual Parking Brake		882	
		2015	Rear-All GL, GAS, w/ Manual Parking Brake		882	
		2015	Rear-All GLS, GAS, w/ Manual Parking Brake		882	
		2015	Rear-All Limited 2.0T, GAS, w/ Manual Parking Brake		882	
		2015	Rear-All Limited, GAS, w/ Manual Parking Brake		882	
		2015	Rear-All Premium, GAS, w/ Manual Parking Brake		882	
2015		Rear-All SE, GAS, w/ Manual Parking Brake		882		
2015		Rear-All Sport 2.0T, GAS, w/ Manual Parking Brake		882		
2015		Rear-All Sport, GAS, w/ Manual Parking Brake		882		
2015		Rear-All Ultimate 2.0T, GAS, w/ Manual Parking Brake		882		
2010-07		Rear-All		845		
2006		Rear-All w/ 6.60" X 1.05" Brakes		845		
2005-99		Rear-All		889		
Disc Brake Rotor		2019-18	Front-All Limited 2.0T		PRT6127	
		2019-18	Front-All SEL, w/ Power Operated Parking Brake		PRT6127	
	2019	Front-All Limited		PRT6127		
	2019	Front-All Sport, w/ Power Operated Parking Brake		PRT6127		
	2018	Front-All Limited, w/ Power Operated Parking Brake		PRT6127		
	2018	Front-All Sport 2.0T		PRT6127		
	2017-16	Front-All Power Operated Parking Brake		PRT6127		
	2015	Front-All		PRT6127		
	2014-11	Front-All		PRT5832		
	2010-06	Front-L4 - 2.4L		PRT5831		
	2010-06	Front-V6 - 3.3L		PRT5832		
	2005	Front-All From 9/03		PRT5581		
	2004	Front-All		PRT5581		
	2003	Front-All		PRT5338		
	2002-99	Front-All To 8/03		PRT5338		
	1998-89	Front-All		PRT1600		
	2019-18	Rear-All Eco		PRT5846		
	2019-18	Rear-All SE		PRT5846		
	2019-18	Rear-All SEL, w/ Manual Operated Parking Brake		PRT5846		
	2019	Rear-All Sport, w/ Manual Operated Parking Brake		PRT5846		
	2018	Rear-All Hybrid Limited, w/ Manual Operated Parking Brake		PRT5846		
	2018	Rear-All Hybrid SE		PRT5846		
	2018	Rear-All Limited		PRT6285		
	2018	Rear-All Limited, w/ Manual Operated Parking Brake		PRT5846		
	2018	Rear-All Plug-In Hybrid		PRT5846		
	2018	Rear-All SEL, w/ Power Operated Parking Brake		PRT6285		
	2018	Rear-All Sport		PRT5846		
	2018	Rear-All Sport 2.0T		PRT5846		
	2018	Rear-All Sport 2.0T		PRT6285		
	2018	Rear-All Sport, w/ Power Operated Parking Brake		PRT6285		
	2017-15	Rear-All with Manual Operated Parking Brake		PRT5846		
	2017	Rear-All Hybrid Limited, w/ Power Operated Parking Brake		PRT6285		
	2017	Rear-All Limited 2.0T		PRT6285		

BENDIX BRAKE PARTS

PART TYPE	YEAR	APPLICATION	PREMIUM NO.	PART NO.	SEVERE DUTY NO.	
Hyundai (Cont'd.)						
Sonata (Cont'd.)						
Disc Brake Rotor (cont'd)	2017	Rear-All Limited, w/ Power Operated Parking Brake		PRT6285		
	2017	Rear-All Plug-In Hybrid Limited		PRT6285		
	2016-15	Rear-All with Power Operated Parking Brake		PRT6285		
	2014	Rear-All		PRT5846		
	2013	Rear-All with Manual Operated Parking Brake		PRT5846		
	2012-11	Rear-All		PRT5846		
	2010-06	Rear-L4 - 2.4L		PRT5535		
	2010-06	Rear-V6 - 3.3L Solid; 284mm		PRT5846		
	2005	Rear-All From 3/1/2005		PRT5535		
	2005	Rear-All Thru 2/28/2005		PRT5532		
	2004-99	Rear-All		PRT5532		
	1998-94	Rear-All		PRT5020		
	1993-92	Rear-All		PRT1511		
	1991	Rear-All Exc. Korea Built		PRT1511		
	1990-89	Rear-All		PRT1511		
	Brake Drum	2002-99	Rear-All		PDR0749	
		1998-94	Rear-All		PDR0663	
1993-92		Rear-All 225mm		PDR0589		
1991		Rear-All Korea Built		PDR0589		
1991		Rear-All Korea Built (To 9/5/90)		PDR0607		
1990-89		Rear-All 228.6mm		PDR0607		
Stellar						
Disc Brake Pad Set	1987	Front-All Hardware Included		SBM440		
Disc Brake Rotor	1987-85	Front-All		PRT1106		
Tiburon						
Disc Brake Pad Set	2008-07	Front-All SE, Hardware Included		SBC1104		
	2008-06	Front-All GS, Hardware Included	CFC924	SBC924		
	2008	Front-All GT, FWD, Hardware Included	CFC924	SBC924		
	2008	Front-All GT Limited, FWD, Hardware Included		SBC1104		
	2008	Front-All GTP, Hardware Included		SBC1104		
	2007-06	Front-All GT, Hardware Included	CFC924	SBC924		
	2007	Front-All GT Limited, Hardware Included	CFC924	SBC924		
	2006	Front-All SE, w/ Deluxe Package		SBC1104		
	2005	Front-L4 - 2.0L Hardware Included	CFC924	SBC924		
	2005	Front-V6 - 2.7L GT, Hardware Included	CFC924	SBC924		
	2005	Front-V6 - 2.7L SE, Hardware Included		SBC1104		
	2004-03	Front-All Hardware Included	CFC924	SBC924		
	2001	Front-All Hardware Included	CFC887	SBC887		
	2000-97	Front-All Hardware Included		SBC449		
	2008-05	Rear-All Hardware Included		SBC429		
	2004-03	Rear-All Base, Hardware Included		SBC429		
	2004-03	Rear-All GT, Hardware Included		SBC429		
	2001-97	Rear-All Hardware Included		SBC429		
	Drum Brake Shoe	2001-97	Rear-All w/ 8" X 1.46" Brakes		715	
	Disc Brake Rotor	2008-07	Front-All 302mm Rotor		PRT5891	
2008-03		Front-All 280mm Rotor		PRT5504		
2001-00		Front-All		PRT5338		
1999-98		Front-All From 8/16/98		PRT5338		
1998		Front-All To 8/16/98		PRT1715		
1997		Front-All		PRT1715		
2008-07		Rear-All 282mm Rotor		PRT5779		
2008-03		Rear-All 258mm Rotor		PRT5545		
2001-97		Rear-All		PRT5138		
2001-97		Rear-All		PDR0698		
Brake Drum						
Tucson						
Disc Brake Pad Set	2018-17	Front-All Hardware Included	CFC1847	SBC1847		
	2016	Front-All To 5/1/15	CFC1847	SBC1847		
	2015-13	Front-All Hardware Included	CFC1295	SBC1295		
	2012-10	Front-All AWD, Hardware Included	CFC1295	SBC1295		
	2012-10	Front-All FWD, Hardware Included	CFC1447	SBC1447		
	2009-08	Front-All Hardware Included	CFC924	SBC924		
	2007	Front-All 4WD, Hardware Included	CFC924	SBC924		
	2007	Front-All FWD, Hardware Included	CFC924	SBC924		
	2006-05	Front-All Hardware Included	CFC924	SBC924		
	2018-16	Rear-All Hardware Included	CFC1848	SBC1848		
	2015-10	Rear-All Hardware Included	CFC1157	SBC1157		
	2009-05	Rear-All Hardware Included	CFC813	SBC813		
	Parking Brake Shoe	2016	Rear-All Fuel Cell		882	
		2015-10	Rear-All AWD, w/ 7.40" X 1.55" Brakes		988	
2015-10		Rear-All FWD		964		
2009-05		Rear-All 4WD		773		
2009-05		Rear-All FWD		845		
Disc Brake Rotor	2015-13	Front-All		PRT5832		

BENDIX BRAKE PARTS

PART TYPE	YEAR	APPLICATION	PREMIUM NO.	PART NO.	SEVERE DUTY NO.
Hyundai (Cont'd.)					
Tucson (Cont'd.)					
Disc Brake Rotor (cont'd)	2012-10	Front-All AWD		PRT5832	
	2012-10	Front-All FWD		PRT5831	
	2009-05	Front-All		PRT5504	
	2017-16	Rear-All Fuel Cell		PRT5846	
	2015-10	Rear-All AWD		PRT5534	
	2013-10	Rear-All FWD		PRT6019	
	2009-05	Rear-All 4WD		PRT5534	
	2009-05	Rear-All FWD		PRT5535	
Veloster					
Disc Brake Pad Set	2017	Front-All Hardware Included	CFC1828		
	2016	Front-All GDI	CFC1828		
	2015-14	Front-All RE:FLEX, Hardware Included	CFC1595	SBC1595	
	2015-14	Front-All Turbo R-Spec, Hardware Included	CFC1675	SBC1675	
	2015-13	Front-All Base, Hardware Included	CFC1595	SBC1595	
	2015-13	Front-All Turbo, Hardware Included	CFC1675	SBC1675	
	2015	Front-All SE, Hardware Included	CFC1595	SBC1595	
	2015	Front-All Tech, Hardware Included	CFC1595	SBC1595	
	2012	Front-All Hardware Included	CFC1595	SBC1595	
	2017-16	Rear-All Hardware Included	CFC1813	SBC1813	
	2015-14	Rear-All Hardware Included	CFC1594	SBC1594	
	2013	Rear-All Hardware Included	CFC1313	SBC1313	
	2012	Rear-All Hardware Included	CFC1594	SBC1594	
	Parking Brake Shoe	2012	Rear-All		914
Disc Brake Rotor	2019	Front-L4 - 2.0L		PRT6148	
	2017-14	Front-All		PRT6148	
	2013	Front-All Base		PRT6148	
	2012	Front-All		PRT6148	
	2017-12	Rear-All		PRT6149	
Veracruz					
Disc Brake Pad Set	2012	Front-V6 - 3.8L Hardware Included	CFC1301	SBC1301	
	2011-07	Front-All Hardware Included	CFC1301	SBC1301	
	2012	Rear-V6 - 3.8L Hardware Included	CFC1302	SBC1302	
	2011-07	Rear-All Hardware Included	CFC1302	SBC1302	
	Parking Brake Shoe	2012-07	Rear-All		946
Disc Brake Rotor	2012-07	Front-All		PRT5775	
	2012-07	Rear-All		PRT5776	
XG300					
Disc Brake Pad Set	2001	Front-All Hardware Included	CFC864	SBC864	
	2001	Rear-All Hardware Included	CFC813	SBC813	
Parking Brake Shoe	2001	Rear-All		889	
Disc Brake Rotor	2001	Front-All		PRT5525	
	2001	Rear-All		PRT5535	
XG350					
Disc Brake Pad Set	2005-04	Front-All Hardware Included	CFC1013	SBC1013	
	2003	Front-All From 2/12/03	CFC1013	SBC1013	
	2003	Front-All To 2/12/03	CFC864	SBC864	
	2002	Front-All Hardware Included	CFC864	SBC864	
	2005-02	Rear-All Hardware Included	CFC813	SBC813	
	Parking Brake Shoe	2005-02	Rear-All		889
Disc Brake Rotor	2005-04	Front-All		PRT5674	
	2003	Front-All From 3/12/03		PRT5674	
	2003	Front-All To 3/12/03		PRT5525	
	2002	Front-All		PRT5525	
	2005-02	Rear-All		PRT5535	
IC Corporation					
AC Commercial Bus					
Disc Brake Pad Set	2016-12	Front-All Hardware Included	CFM1066	SBM1066	MKD1066FM
	2016-12	Rear-All Hardware Included	CFM1066	SBM1066	MKD1066FM
BE Commercial Bus					
Disc Brake Pad Set	2008	Front-All w/ 66mm Dual Piston Bosch Caliper			MKD786AFM
	2008	Rear-All w/ 66mm Dual Piston Bosch Caliper			MKD786AFM
BE School Bus					
Disc Brake Pad Set	2009-08	Front-All w/ 66mm Dual Piston Bosch Caliper			MKD786AFM
	2009-08	Front-All w/ 73mm Dual Piston Bosch Caliper			MKD786FM
	2009-08	Rear-All w/ 66mm Dual Piston Bosch Caliper			MKD786AFM
	2009-08	Rear-All w/ 73mm Dual Piston Bosch Caliper			MKD786FM
CE Commercial					
Disc Brake Pad Set	2008-03	Front-All w/ 66mm Dual Piston Bosch Caliper			MKD786AFM
	2008-03	Front-All w/ 73mm Dual Piston Bosch Caliper			MKD786FM
	2008-03	Rear-All w/ 66mm Dual Piston Bosch Caliper			MKD786AFM
	2008-03	Rear-All w/ 73mm Dual Piston Bosch Caliper			MKD786FM

BENDIX BRAKE PARTS

PART TYPE	YEAR	APPLICATION	PREMIUM NO.	PART NO.	SEVERE DUTY NO.	
IC Corporation (Cont'd.)						
CE Integrated						
Disc Brake Pad Set	2009-05	Front-All w/ 66mm Dual Piston Bosch Caliper			MKD786AFM	
	2009-05	Front-All w/ 73mm Dual Piston Bosch Caliper			MKD786FM	
	2009-05	Rear-All w/ 66mm Dual Piston Bosch Caliper			MKD786AFM	
	2009-05	Rear-All w/ 73mm Dual Piston Bosch Caliper			MKD786FM	
CE School Bus						
Disc Brake Pad Set	2004-03	Front-All w/ 66mm Dual Piston Bosch Caliper			MKD786AFM	
	2004-03	Front-All w/ 73mm Dual Piston Bosch Caliper			MKD786FM	
	2004-03	Rear-All w/ 66mm Dual Piston Bosch Caliper			MKD786AFM	
	2004-03	Rear-All w/ 73mm Dual Piston Bosch Caliper			MKD786FM	
HC Integrated Commercial						
Disc Brake Pad Set	2009-07	Front-All w/ 66mm Dual Piston Bosch Caliper			MKD786AFM	
	2009-07	Front-All w/ 73mm Dual Piston Bosch Caliper			MKD786FM	
	2009-07	Rear-All w/ 66mm Dual Piston Bosch Caliper			MKD786AFM	
	2009-07	Rear-All w/ 73mm Dual Piston Bosch Caliper			MKD786FM	
Infiniti						
EX35						
Disc Brake Pad Set	2012	Front-V6 - 3.5L Hardware Included	CFC888	SBC888		
	2011-08	Front-All Hardware Included	CFC888	SBC888		
	2012	Rear-V6 - 3.5L Hardware Included	CFC1415	SBC1415		
	2011	Rear-All Hardware Included	CFC1415	SBC1415		
	2010	Rear-All From 8/09	CFC1415	SBC1415		
	2010	Rear-All To 8/09	CFC1288	SBC1288		
	2009-08	Rear-All Hardware Included	CFC1288	SBC1288		
Parking Brake Shoe	2012-08	Rear-All		783		
Disc Brake Rotor	2012-08	Front-All		PRT5611		
	2012-08	Rear-All		PRT5845		
EX37						
Disc Brake Pad Set	2013	Front-All Hardware Included	CFC888	SBC888		
	2013	Rear-All Hardware Included	CFC1415	SBC1415		
Disc Brake Rotor	2013	Front-All		PRT5611		
	2013	Rear-All		PRT5845		
FX35						
Disc Brake Pad Set	2012	Front-V6 - 3.5L Hardware Included	CFC888	SBC888		
	2011-07	Front-All Hardware Included	CFC888	SBC888		
	2006	Front-All From 11/05	CFC888	SBC888		
	2006	Front-All To 11/05	CFC969	SBC969		
	2005-03	Front-All Hardware Included	CFC969	SBC969		
	2012	Rear-V6 - 3.5L Hardware Included	CFC1415	SBC1415		
	2011-10	Rear-All Hardware Included	CFC1415	SBC1415		
	2009	Rear-All Hardware Included	CFC1288	SBC1288		
	2008-03	Rear-All Hardware Included	CFC905	SBC905		
	Parking Brake Shoe	2011-09	Rear-All		869	
		2008-03	Rear-All w/ 7.46" X 0.85" Brakes		867	
2005-03		Rear-All w/ 6.75" X 0.85" Brakes		783		
Disc Brake Rotor	2012-06	Front-All From 11/05		PRT5950		
	2006-03	Front-All To 11/05		PRT5506		
	2012-03	Rear-All		PRT5537		
FX37						
Disc Brake Pad Set	2013	Front-All Hardware Included	CFC888	SBC888		
	2013	Rear-All Hardware Included	CFC905	SBC905		
Disc Brake Rotor	2013	Front-All		PRT5950		
	2013	Rear-All		PRT5537		
FX45						
Disc Brake Pad Set	2008-07	Front-All Hardware Included	CFC888	SBC888		
	2006	Front-All From 11/05	CFC888	SBC888		
	2006	Front-All To 11/05	CFC969	SBC969		
	2005-03	Front-All Hardware Included	CFC969	SBC969		
	2008-03	Rear-All Hardware Included	CFC905	SBC905		
Parking Brake Shoe	2008-03	Rear-All w/ 7.46" X 0.85" Brakes		867		
	2005	Rear-All w/ 6.75" X 0.85" Brakes		783		
	2004-03	Rear-All w/ 6.75" X 0.85" Brakes		783		
Disc Brake Rotor	2008-06	Front-All From 11/05		PRT5950		
	2006-03	Front-All To 11/05		PRT5506		
	2008-03	Rear-All		PRT5537		
FX50						
Disc Brake Pad Set	2013	Front-All Hardware Included	CFC1346			
	2013	Front-All Hardware Not Included		SBC1346		
	2012	Front-V8 - 5.0L Hardware Included	CFC1346			
	2012	Front-V8 - 5.0L Hardware Not Included		SBC1346		
	2011-09	Front-All Hardware Included	CFC1346			
	2011-09	Front-All Hardware Not Included		SBC1346		

BENDIX BRAKE PARTS

PART TYPE	YEAR	APPLICATION	PREMIUM NO.	PART NO.	SEVERE DUTY NO.	
Infiniti (Cont'd.)						
FX50 (Cont'd.)						
Disc Brake Pad Set (cont'd)	2013	Rear-All Hardware Included	CFC1347			
	2013	Rear-All Hardware Not Included		SBC1347		
	2012	Rear-V8 - 5.0L Hardware Included	CFC1347			
	2012	Rear-V8 - 5.0L Hardware Not Included		SBC1347		
	2011-09	Rear-All Hardware Included	CFC1347			
	2011-09	Rear-All Hardware Not Included		SBC1347		
Parking Brake Shoe	2011-09	Rear-All		869		
Disc Brake Rotor	2013-09	Front-All		PRT5814		
	2013-09	Rear-All		PRT6016		
G20						
Disc Brake Pad Set	2002-99	Front-All Hardware Included	CFC430	SBC430		
	1996-91	Front-All Hardware Included		SBC485		
	2002-01	Rear-All Hardware Included	CFC900	SBC900		
	2000-99	Rear-All Hardware Included	CFC540	SBC540		
	1996-95	Rear-All Hardware Included		SBC595		
	1994	Rear-All Base, Hardware Included	CFC540	SBC540		
	1994	Rear-All T, Hardware Included		SBC595		
	1993-91	Rear-All Hardware Included	CFC540	SBC540		
	Disc Brake Rotor	2002-99	Front-All		PRT1892	
1996-91		Front-All Vented; 256.5mm		PRT1656		
2002-99		Rear-All		PRT1502		
1996-91		Rear-All		PRT1502		
G25						
Disc Brake Pad Set	2012-11	Front-All Hardware Included	CFC888	SBC888		
	2012-11	Rear-All Hardware Included	CFC1415	SBC1415		
Parking Brake Shoe	2012-11	Rear-All		783		
Disc Brake Rotor	2012-11	Front-All		PRT5611		
	2012-11	Rear-All		PRT5845		
G35						
Disc Brake Pad Set	2008-07	Front-All Base, Hardware Included	CFC888	SBC888		
	2008-07	Front-All Journey, Hardware Included	CFC888	SBC888		
	2008-07	Front-All Sport, Hardware Included	CFC1287	SBC1287		
	2008-07	Front-All X, Hardware Included	CFC888	SBC888		
	2008	Front-All X Sport, Hardware Included	CFC1287	SBC1287		
	2006	Front-All Hardware Included	CFC888	SBC888		
	2005	Front-All AWD, Hardware Included	CFC430A	SBC430A		
	2005	Front-All RWD, Hardware Included	CFC888	SBC888		
	2004	Front-All Exc. Brembo Brakes	CFC430A	SBC430A		
	2004	Front-All w/ Brembo Brakes	CFM960	SBM960		
	2003	Front-All Hardware Included	CFC430A	SBC430A		
	2008	Rear-All Hardware Included	CFC1288	SBC1288		
	2007	Rear-All VQ35DE Eng Des, Hardware Included	CFC905	SBC905		
	2007	Rear-All VQ35HR Eng Des, Hardware Included	CFC1288	SBC1288		
	2006-05	Rear-All Hardware Included	CFC905	SBC905		
	2004	Rear-All Exc. Brembo Brakes	CFC905	SBC905		
	2004	Rear-All w/ Brembo Brakes	CFM961	SBM961		
	2003	Rear-All Hardware Included	CFC905	SBC905		
	Parking Brake Shoe	2008-03	Rear-All		783	
	Disc Brake Rotor	2008-07	Front-All 12.5" diameter rotor		PRT5611	
2008-07		Front-All 12.9" diameter rotor		PRT5815		
2006		Front-V6 - 3.5L		PRT5611		
2005-04		Front-All AWD		PRT5559		
2005		Front-All RWD		PRT5611		
2004		Front-All RWD, exc. Brembo Brakes		PRT5559		
2004		Front-All RWD, w/ Brembo Brakes		PRT6085		
2003		Front-All Automatic Trans		PRT5559		
2003		Front-All Manual Trans		PRT6085		
2008-07		Rear-All 12.9" diameter rotor		PRT5816		
2008-07		Rear-All 12" Rotor		PRT5845		
2006		Rear-All		PRT5845		
2005		Rear-All AWD		PRT5536		
2005		Rear-All RWD		PRT5845		
2004-03		Rear-All W/ Brembo Brakes		PRT5978		
2004-03	Rear-All wo/Brembo Brakes		PRT5536			
G37						
Disc Brake Pad Set	2013-11	Front-All Sport, Sedan, w/o Brembo Brakes	CFC888	SBC888		
	2013-11	Front-All X Sport, Sedan, w/o Brembo Brakes	CFC888	SBC888		
	2013-11	Front-All X Sport, w/ Brembo Brakes	CFC1346	SBC1346		
	2013-10	Front-All X, Coupe, Hardware Included	CFC1287	SBC1287		
	2013-10	Front-All X, Sedan, Hardware Included	CFC888	SBC888		
	2013-09	Front-All Base, Convertible, Hardware Included	CFC1287	SBC1287		
	2013-09	Front-All Base, Coupe, Hardware Included	CFC1287	SBC1287		
	2013-09	Front-All Base, Sedan, Hardware Included	CFC888	SBC888		

BENDIX BRAKE PARTS

PART TYPE	YEAR	APPLICATION	PREMIUM NO.	PART NO.	SEVERE DUTY NO.
Infiniti (Cont'd.)					
G37 (Cont'd.)					
Disc Brake Pad Set (cont'd)	2013-09	Front-All Journey, Coupe, Hardware Included	CFC1287	SBC1287	
	2013-09	Front-All Journey, Sedan, Hardware Included	CFC888	SBC888	
	2013-08	Front-All Sport, w/ Brembo Brakes	CFC1346	SBC1346	
	2013	Front-All IPL, Convertible, Hardware Included	CFC1287	SBC1287	
	2013	Front-All IPL, Coupe, Hardware Included	CFC1287	SBC1287	
	2012-11	Front-All Sport, Coupe, w/o Brembo Brakes	CFC1287	SBC1287	
	2012	Front-All Premier, Convertible, Hardware Included	CFC1287	SBC1287	
	2011	Front-All IPL, Coupe, Hardware Included	CFC1287	SBC1287	
	2011	Front-All X Sport, Coupe, w/o Brembo Brakes	CFC1287	SBC1287	
	2010	Front-All Journey, Convertible, Hardware Included	CFC1287	SBC1287	
	2009	Front-All X, Hardware Included	CFC888	SBC888	
	2008	Front-All Base, Hardware Included	CFC1287	SBC1287	
	2008	Front-All Journey, Hardware Included	CFC1287	SBC1287	
	2013-11	Rear-All IPL, Coupe, Hardware Included	CFC1288	SBC1288	
	2013-11	Rear-All X Sport, w/ Brembo Brakes	CFC1347	SBC1347	
	2013-10	Rear-All X, Coupe, Hardware Included	CFC1288	SBC1288	
	2013-10	Rear-All X, Sedan, Hardware Included	CFC1415	SBC1415	
	2013-09	Rear-All Base, Convertible, Hardware Included	CFC1288	SBC1288	
	2013-09	Rear-All Base, Coupe, Hardware Included	CFC1288	SBC1288	
	2013-09	Rear-All Base, Sedan, Hardware Included	CFC1415	SBC1415	
	2013-09	Rear-All Journey, Coupe, Hardware Included	CFC1288	SBC1288	
	2013-09	Rear-All Journey, Sedan, Hardware Included	CFC1415	SBC1415	
	2013-08	Rear-All Sport, w/ Brembo Brakes	CFC1347	SBC1347	
	2013	Rear-All IPL, Convertible, Hardware Included	CFC1288	SBC1288	
	2013	Rear-All Sport, Sedan, w/o Brembo Brakes	CFC1415	SBC1415	
	2013	Rear-All X Sport, Sedan, w/o Brembo Brakes	CFC1415	SBC1415	
	2012-11	Rear-All Sport, Coupe, w/o Brembo Brakes	CFC1288	SBC1288	
	2012-11	Rear-All X Sport, Coupe, w/o Brembo Brakes	CFC1288	SBC1288	
	2012	Rear-All Premier, Convertible, Hardware Included	CFC1288	SBC1288	
	2011	Rear-All Sport, Sedan, w/o Brembo Brakes	CFC1415	SBC1415	
	2011	Rear-All X Sport, Sedan, w/o Brembo Brakes	CFC1415	SBC1415	
	2010	Rear-All Journey, Convertible, Hardware Included	CFC1288	SBC1288	
	2009	Rear-All X, Hardware Included	CFC1288	SBC1288	
	2008	Rear-All Base, Hardware Included	CFC1288	SBC1288	
	2008	Rear-All Journey, Hardware Included	CFC1288	SBC1288	
Parking Brake Shoe	2012-08	Rear-All		783	
Disc Brake Rotor	2013-08	Front-All 12.9" diameter rotor		PRT5815	
	2013-08	Front-All w/ 13.9" Dia. Rotor		PRT5814	
	2012-08	Front-All 12.5" diameter rotor		PRT5611	
	2013-09	Rear-All 12" Rotor		PRT5845	
	2013-08	Rear-All 12.9" diameter rotor		PRT5816	
	2013-08	Rear-All 13.6" diameter rotor		PRT5817	
I30					
Disc Brake Pad Set	2001-00	Front-All Hardware Included	CFC430A	SBC430A	
	1999-98	Front-V6 - 3.0L Hardware Included	CFC430	SBC430	
	1997-96	Front-All Hardware Included	CFC430	SBC430	
	2001	Rear-V6 - 3.0L From 10/00	CFC900	SBC900	
	2001	Rear-V6 - 3.0L To 10/00	CFC540	SBC540	
	2000-98	Rear-V6 - 3.0L Hardware Included	CFC540	SBC540	
	1997-96	Rear-All Hardware Included	CFC540	SBC540	
Disc Brake Rotor	2001-00	Front-All		PRT5300	
	1999-96	Front-All		PRT1441	
	2001-96	Rear-All		PRT5040	
I35					
Disc Brake Pad Set	2004-02	Front-All Hardware Included	CFC815A	SBC815A	
	2004-02	Rear-All Hardware Included	CFC900	SBC900	
Disc Brake Rotor	2004-02	Front-All		PRT5362	
	2004-02	Rear-All		PRT5040	
J30					
Disc Brake Pad Set	1997-93	Front-All Hardware Not Included		SBC587	
	1997-93	Rear-All Hardware Included		SBC588	
Disc Brake Rotor	1997-93	Front-All		PRT1595	
	1997-93	Rear-All		PRT1787	
JX35					
Disc Brake Pad Set	2013	Front-All Hardware Included	CFC1649	SBC1649	
	2013	Rear-All Hardware Included	CFC1415	SBC1415	
Disc Brake Rotor	2013	Front-All		PRT6232	
	2013	Rear-All		PRT5537	
M30					
Disc Brake Pad Set	1992-90	Front-All Hardware Included		SBC266	
Disc Brake Rotor	1992-90	Front-All		PRT1499	
	1992-90	Rear-All		PRT1491	

BENDIX BRAKE PARTS

PART TYPE	YEAR	APPLICATION	PREMIUM NO.	PART NO.	SEVERE DUTY NO.	
Infiniti (Cont'd.)						
M35						
Disc Brake Pad Set	2010-06	Front-All Hardware Included	CFC888	SBC888		
	2010	Rear-All Hardware Included	CFC1288	SBC1288		
	2009-06	Rear-All Hardware Included	CFC905	SBC905		
Parking Brake Shoe	2010-06	Rear-All		783		
Disc Brake Rotor	2010-06	Front-All		PRT5611		
	2010-06	Rear-All		PRT5845		
M35h						
Disc Brake Pad Set	2013-12	Front-All Hardware Included	CFC888	SBC888		
	2013-12	Rear-All Hardware Included	CFC1415	SBC1415		
Parking Brake Shoe	2012	Rear-All		869		
Disc Brake Rotor	2013-12	Front-All		PRT5611		
	2013-12	Rear-All		PRT5537		
M37						
Disc Brake Pad Set	2013	Front-All w/o Sport Package	CFC888	SBC888		
	2013	Front-All w/ Sport Package	CFC1346	SBC1346		
	2012-11	Front-All Base, w/o Sport Package	CFC888	SBC888		
	2012-11	Front-All Base, w/ Sport Package	CFC1346	SBC1346		
	2012-11	Front-All X, Hardware Included	CFC888	SBC888		
	2013	Rear-All w/o Sport Package	CFC905	SBC905		
	2013	Rear-All w/ Sport Package	CFC1347	SBC1347		
	2012	Rear-V6 - 3.7L Base, w/o Sport Package	CFC1415	SBC1415		
	2012	Rear-V6 - 3.7L Base, w/ Sport Package	CFC1347	SBC1347		
	2012	Rear-V6 - 3.7L X, Hardware Included	CFC1415	SBC1415		
	2011	Rear-All Base, w/ Sport Package	CFC1347	SBC1347		
	2011	Rear-All X, Hardware Included	CFC905	SBC905		
	Parking Brake Shoe	2012-11	Rear-All		869	
	Disc Brake Rotor	2013-11	Front-All Exc. Sport Package		PRT5611	
2013-11		Front-All SPORT		PRT5814		
2013		Rear-All		PRT6016		
2012-11		Rear-All Exc. Sport Package		PRT5537		
2012-11		Rear-All SPORT		PRT6016		
M45						
Disc Brake Pad Set	2010-06	Front-All Hardware Included	CFC888	SBC888		
	2004-03	Front-All Hardware Included	CFC888	SBC888		
	2010	Rear-All Hardware Included	CFC1288	SBC1288		
	2009-06	Rear-All Hardware Included	CFC905	SBC905		
	2004-03	Rear-All Hardware Included		SBC588		
	Parking Brake Shoe	2010-06	Rear-All		783	
Disc Brake Rotor	2010-06	Front-All		PRT5611		
	2004-03	Front-All		PRT5673		
	2010-06	Rear-All		PRT5845		
	2004-03	Rear-All		PRT5948		
M56						
Disc Brake Pad Set	2013-11	Front-All w/o Sport Package	CFC888	SBC888		
	2013-11	Front-All w/ Sport Package	CFC1346	SBC1346		
	2013	Rear-All w/o Sport Package	CFC905	SBC905		
	2013	Rear-All w/ Sport Package	CFC1347	SBC1347		
	2012	Rear-All Hardware Included	CFC1347			
	2012	Rear-All Hardware Not Included		SBC1347		
	2011	Rear-All w/ Sport Package	CFC1347	SBC1347		
Parking Brake Shoe	2012-11	Rear-All		869		
Disc Brake Rotor	2013-11	Front-All Exc. Sport Package		PRT5611		
	2013-11	Front-All SPORT		PRT5814		
	2013	Rear-All		PRT6016		
	2012-11	Rear-All Exc. Sport Package		PRT5537		
	2012-11	Rear-All SPORT		PRT6016		
Q40						
Disc Brake Pad Set	2015	Front-All Hardware Included	CFC888	SBC888		
	2015	Rear-All Hardware Included	CFC1415	SBC1415		
Parking Brake Shoe	2015	Rear-All		783		
Disc Brake Rotor	2015	Front-All		PRT5611		
	2015	Rear-All		PRT5845		
Q45						
Disc Brake Pad Set	2006-02	Front-All Hardware Included	CFC888	SBC888		
	2001-00	Front-All Hardware Not Included	CFC855	SBC855		
	1996-90	Front-All Hardware Not Included		SBM486		
	2006	Rear-All Hardware Included		SBC588		
	2005-02	Rear-V8 - 4.5L Hardware Included		SBC588		
	2001-97	Rear-V8 - 4.1L Hardware Included		SBC588		
	1996	Rear-All Hardware Included		SBC588		
	1995	Rear-V8 - 4.5L Hardware Included		SBC588		
	1994	Rear-All From 3/94		SBC588		

BENDIX BRAKE PARTS

PART TYPE	YEAR	APPLICATION	PREMIUM NO.	PART NO.	SEVERE DUTY NO.	
Infiniti (Cont'd.)						
Q45 (Cont'd.)						
Disc Brake Pad Set (cont'd)	1994	Rear-All To 3/94		SBM481		
	1993-90	Rear-All Hardware Not Included		SBM481		
Parking Brake Shoe	2006-02	Rear-All		783		
	1996-90	Rear-All		896		
Disc Brake Rotor	2006-02	Front-All		PRT5673		
	2001-97	Front-All		PRT5194		
	1996-90	Front-All		PRT1595		
	2006-02	Rear-All		PRT5948		
	2001-97	Rear-All		PRT1787		
	1996-90	Rear-All		PRT1594		
Q50						
Disc Brake Pad Set	2019-18	Front-All Luxe, Hardware Not Included	CFC1736	SBC1736		
	2019-18	Front-All Pure, Hardware Not Included	CFC1736	SBC1736		
	2018	Front-All 400 Sport, w/o Performance Package	CFC1736	SBC1736		
	2018	Front-All Hybrid Luxe, Hardware Not Included	CFC1736	SBC1736		
	2018	Front-All Sport, w/o Performance Package	CFC1736	SBC1736		
	2017-16	Front-All Red Sport, Hardware Included	CFC1346			
	2017-16	Front-All Red Sport, Hardware Not Included		SBC1346		
	2017-15	Front-All Hybrid, Hardware Not Included	CFC1736	SBC1736		
	2017-14	Front-All Base, Hardware Not Included	CFC1736	SBC1736		
	2017-14	Front-All Hybrid Premium, Hardware Not Included	CFC1736	SBC1736		
	2017-14	Front-All Premium, Hardware Not Included	CFC1736	SBC1736		
	2017-14	Front-All Sport, Hardware Included	CFC1346			
	2017-14	Front-All Sport, Hardware Not Included		SBC1346		
	2015-14	Front-All Hybrid Sport, Hardware Included	CFC1346			
	2015-14	Front-All Hybrid Sport, Hardware Not Included		SBC1346		
	2018-16	Rear-All Red Sport, Hardware Included	CFC1347			
	2018-16	Rear-All Red Sport, Hardware Not Included		SBC1347		
	2018	Rear-All 400 Sport, w/o Performance Package	CFC1415	SBC1415		
	2018	Rear-All 400 Sport, w/ Performance Package	CFC1347	SBC1347		
	2018	Rear-All Hybrid Luxe, Hardware Included	CFC1415	SBC1415		
	2018	Rear-All Luxe, Hardware Included	CFC1415	SBC1415		
	2018	Rear-All Pure, Hardware Included	CFC1415	SBC1415		
	2018	Rear-All Sport, w/o Performance Package	CFC1415	SBC1415		
	2018	Rear-All Sport, w/ Performance Package	CFC1347	SBC1347		
	2017-15	Rear-All Hybrid, Hardware Included	CFC1415	SBC1415		
	2017-14	Rear-All Base, Hardware Included	CFC1415	SBC1415		
	2017-14	Rear-All Hybrid Premium, Hardware Included	CFC1415	SBC1415		
	2017-14	Rear-All Premium, Hardware Included	CFC1415	SBC1415		
	2017-14	Rear-All Sport, Hardware Included	CFC1347			
	2017-14	Rear-All Sport, Hardware Not Included		SBC1347		
	2015-14	Rear-All Hybrid Sport, Hardware Included	CFC1347			
	2015-14	Rear-All Hybrid Sport, Hardware Not Included		SBC1347		
	Parking Brake Shoe	2015	Rear-All		869	
	Disc Brake Rotor	2019-18	Front-All Luxe		PRT6232	
		2019-18	Front-All Pure		PRT6232	
		2019-17	Front-All Red Sport		PRT5814	
		2019	Front-All Sport		PRT5814	
		2018	Front-All Hybrid Luxe		PRT6232	
		2018	Front-All Sport, Exc. Performance Package		PRT6232	
		2018	Front-All Sport, w/ Performance Package		PRT5814	
		2017-16	Front-All exc. Sport, Red Sport		PRT6232	
		2017	Front-All Sport		PRT5814	
2016		Front-All Sport, Red Sport		PRT5814		
2015-14		Front-All Base		PRT6232		
2015-14		Front-All Hybrid Premium		PRT6232		
2015-14		Front-All Hybrid Sport		PRT5814		
2015-14		Front-All Premium		PRT6232		
2015-14		Front-All Sport		PRT5814		
2019-18		Rear-All Luxe		PRT5537		
2019-18		Rear-All Pure		PRT5537		
2019-18		Rear-All Red Sport		PRT6016		
2019-18		Rear-All Sport		PRT6016		
2018		Rear-All Hybrid Luxe		PRT5537		
2018		Rear-All Sport, Exc. Performance Package		PRT5537		
2017-16		Rear-All exc. Sport, Red Sport		PRT5537		
2017-16		Rear-All Sport, Red Sport		PRT6016		
2015-14		Rear-All Base		PRT5537		
2015-14		Rear-All Hybrid Premium		PRT5537		
2015-14		Rear-All Hybrid Sport		PRT6016		
2015-14		Rear-All Premium		PRT5537		
2015-14		Rear-All Sport		PRT6016		

BENDIX BRAKE PARTS

PART TYPE	YEAR	APPLICATION	PREMIUM NO.	PART NO.	SEVERE DUTY NO.	
Infiniti (Cont'd.)						
Q60						
Disc Brake Pad Set	2018	Front-All Luxe, Hardware Not Included	CFC1736	SBC1736		
	2018	Front-All Pure, Hardware Not Included	CFC1736	SBC1736		
	2017	Front-All 400 Sport, Hardware Included	CFC1346			
	2017	Front-All 400 Sport, Hardware Not Included		SBC1346		
	2017	Front-All Base, Hardware Not Included	CFC1736	SBC1736		
	2017	Front-All Premium, Hardware Not Included	CFC1736	SBC1736		
	2017	Front-All Red Sport, Hardware Included	CFC1346			
	2017	Front-All Red Sport, Hardware Not Included		SBC1346		
	2017	Front-All Sport, Hardware Included	CFC1346			
	2017	Front-All Sport, Hardware Not Included		SBC1346		
	2016	Front-All Hardware Not Included	CFC1736	SBC1736		
	2015-14	Front-All Base, Hardware Included	CFC1287	SBC1287		
	2015-14	Front-All IPL, Hardware Included	CFC1287	SBC1287		
	2015-14	Front-All Journey, Hardware Included	CFC1287	SBC1287		
	2015-14	Front-All Premier Edition, Hardware Included	CFC1287	SBC1287		
	2015-14	Front-All S, Hardware Included	CFC1287	SBC1287		
	2015-14	Front-All Sport, Hardware Included	CFC1346			
	2015-14	Front-All Sport, Hardware Not Included		SBC1346		
	2015	Front-All S Limited, Hardware Included	CFC1287	SBC1287		
	2015	Front-All Sport Limited, Hardware Included	CFC1346			
	2015	Front-All Sport Limited, Hardware Not Included		SBC1346		
	2014	Front-All Premium, Hardware Included	CFC1287	SBC1287		
	2014	Front-All Premium Sport, Hardware Included	CFC1346			
	2014	Front-All Premium Sport, Hardware Not Included		SBC1346		
	2018-17	Rear-All 400 Sport, Hardware Included	CFC1347			
	2018-17	Rear-All 400 Sport, Hardware Not Included		SBC1347		
	2018-17	Rear-All Red Sport, Hardware Included	CFC1347			
	2018-17	Rear-All Red Sport, Hardware Not Included		SBC1347		
	2018-17	Rear-All Sport, Hardware Included	CFC1347			
	2018-17	Rear-All Sport, Hardware Not Included		SBC1347		
	2018	Rear-All Luxe, Hardware Included	CFC1415	SBC1415		
	2018	Rear-All Pure, Hardware Included	CFC1415	SBC1415		
	2017	Rear-All Base, Hardware Included	CFC1415	SBC1415		
	2017	Rear-All Premium, Hardware Included	CFC1415	SBC1415		
	2016	Rear-All Hardware Not Included	CFC1736	SBC1736		
	2015-14	Rear-All Base, Hardware Included	CFC1288	SBC1288		
	2015-14	Rear-All IPL, Hardware Included	CFC1288	SBC1288		
	2015-14	Rear-All Journey, Hardware Included	CFC1288	SBC1288		
	2015-14	Rear-All Premier Edition, Hardware Included	CFC1288	SBC1288		
	2015-14	Rear-All S, Hardware Included	CFC1288	SBC1288		
	2015-14	Rear-All Sport, Hardware Included	CFC1347			
	2015-14	Rear-All Sport, Hardware Not Included		SBC1347		
	2015	Rear-All S Limited, Hardware Included	CFC1288	SBC1288		
	2015	Rear-All Sport Limited, Hardware Included	CFC1347			
	2015	Rear-All Sport Limited, Hardware Not Included		SBC1347		
	2014	Rear-All Premium, Hardware Included	CFC1288	SBC1288		
	2014	Rear-All Premium Sport, Hardware Included	CFC1347			
	2014	Rear-All Premium Sport, Hardware Not Included		SBC1347		
	Parking Brake Shoe	2015	Rear-All		783	
	Disc Brake Rotor	2018-17	Front-All Red Sport		PRT5814	
2018-17		Front-All Sport		PRT5814		
2018		Front-All Luxe		PRT6232		
2018		Front-All Pure		PRT6232		
2017		Front-All Base		PRT6232		
2017		Front-All Premium		PRT6232		
2015-14		Front-All		PRT6232		
2018-17		Rear-All Red Sport		PRT6016		
2018-17		Rear-All Sport		PRT6016		
2018		Rear-All Luxe		PRT5537		
2018		Rear-All Pure		PRT5537		
2017		Rear-All Base		PRT5537		
2017		Rear-All Premium		PRT5537		
2014		Rear-All		PRT5537		
Q70						
Disc Brake Pad Set		2019	Front-All w/o 20" Wheels	CFC888	SBC888	
		2018	Front-All 5.6 Luxe, w/o Sport Package	CFC888	SBC888	
	2018	Front-All Hybrid, Hardware Included	CFC888	SBC888		
	2018	Front-All Luxe, w/o Sport Package	CFC888	SBC888		
	2017-14	Front-All w/o Sport Package	CFC888	SBC888		
	2017-14	Front-All w/ Sport Package	CFC1346	SBC1346		
	2019	Rear-All w/ 20" Wheels	CFC1347	SBC1347		
	2019	Rear-All w/o 20" Wheels	CFC1415	SBC1415		
	2019	Rear-All w/ Sport Package	CFC1347	SBC1347		
	2018	Rear-All 5.6 Luxe, w/o Sport Package		SBC1415		

BENDIX BRAKE PARTS

PART TYPE	YEAR	APPLICATION	PREMIUM NO.	PART NO.	SEVERE DUTY NO.
Infiniti (Cont'd.)					
Q70 (Cont'd.)					
Disc Brake Pad Set (cont'd)	2018	Rear-All 5.6 Luxe, w/o Sport Package	CFC1347	SBC1347	
	2018	Rear-All 5.6 Luxe, w/o Sport Package	CFC1415		
	2018	Rear-All 5.6 Luxe, w/ Sport Package	CFC1347	SBC1347	
	2018	Rear-All Hybrid, Hardware Included	CFC1415	SBC1415	
	2018	Rear-All Luxe, w/o Sport Package		SBC1415	
	2018	Rear-All Luxe, w/o Sport Package	CFC1347	SBC1347	
	2018	Rear-All Luxe, w/o Sport Package	CFC1415		
	2018	Rear-All Luxe, w/ Sport Package	CFC1347	SBC1347	
	2017	Rear-All MEX, Hardware Included	CFC1415	SBC1415	
	2017	Rear-All USA, Hardware Included	CFC1347		
	2017	Rear-All USA, Hardware Not Included		SBC1347	
	2016	Rear-All CAN, Hardware Included	CFC1415	SBC1415	
	2016	Rear-All MEX, Hardware Included	CFC1347		
	2016	Rear-All MEX, Hardware Not Included		SBC1347	
	2016	Rear-All USA, Hardware Included	CFC1415	SBC1415	
	2015-14	Rear-All w/o Sport Package	CFC1415	SBC1415	
	2015-14	Rear-All w/ Sport Package	CFC1347	SBC1347	
	Parking Brake Shoe	2015	Rear-All		869
Disc Brake Rotor	2019-18	Front-All Exc. Sport Package; w/ 20" Wheels		PRT5814	
	2019-18	Front-All w/ Sport Package		PRT5814	
	2019-16	Front-All Exc. Sport Package; Exc. 20" Wheels		PRT5611	
	2018-16	Front-All Hybrid		PRT5611	
	2017-14	Front-All with Sport Package		PRT5814	
	2015-14	Front-All exc. Sport Package		PRT5611	
	2019-16	Rear-All Exc. Sport Package; Exc. 20" Wheels		PRT5537	
	2019-16	Rear-All Exc. Sport Package; w/ 20" Wheels		PRT6016	
	2019-16	Rear-All w/ Sport Package		PRT6016	
	2018-16	Rear-All Hybrid		PRT5537	
	2015-14	Rear-All exc. Sport Package		PRT5537	
	2015-14	Rear-All with Sport Package		PRT6016	
	Q70L				
Disc Brake Pad Set	2019-15	Front-All w/o Sport Package	CFC888	SBC888	
	2017-15	Front-All w/ Sport Package	CFC1346	SBC1346	
	2019-17	Rear-All w/o Sport Package	CFC1415	SBC1415	
	2019-17	Rear-All w/ Sport Package	CFC1347	SBC1347	
	2016	Rear-All CAN, Hardware Included	CFC1347		
	2016	Rear-All CAN, Hardware Not Included		SBC1347	
	2016	Rear-All USA, Hardware Included	CFC1415	SBC1415	
	2015	Rear-All w/o Sport Package	CFC1415	SBC1415	
	2015	Rear-All w/ Sport Package	CFC1347	SBC1347	
	Parking Brake Shoe	2015	Rear-All		869
Disc Brake Rotor	2019-16	Front-All Exc. Sport Package		PRT5611	
	2018	Front-All w/ Sport Package		PRT5814	
	2017-15	Front-All Sport Package		PRT5814	
	2015	Front-All exc. Sport Package		PRT5611	
	2019-16	Rear-All Exc. Sport Package		PRT5537	
	2018-16	Rear-All w/ Sport Package		PRT6016	
	2015	Rear-All exc. Sport Package		PRT5537	
	2015	Rear-All Sport Package		PRT6016	
QX4					
Disc Brake Pad Set	2003-02	Front-All Hardware Not Included	CFC855	SBC855	
Drum Brake Shoe	2003-97	Rear-All w/ 11.61" X 1.95" Brakes		631	
Disc Brake Rotor	2003-98	Front-All		PRT5227	
	1997	Front-All		PRT5112	
Brake Drum	2003-02	Rear-All		PDR0759	
	2001-97	Rear-All		PDR0692	
QX30					
Disc Brake Pad Set	2018-17	Front-All Hardware Not Included	CFC1694	SBC1694	
	2018-17	Rear-All Hardware Not Included	CFM1646	SBM1646	
QX50					
Disc Brake Pad Set	2017-16	Front-All Hardware Not Included	CFC1736	SBC1736	
	2015-14	Front-All Hardware Included	CFC888	SBC888	
	2017-14	Rear-All Hardware Included	CFC1415	SBC1415	
Parking Brake Shoe	2015	Rear-All		783	
Disc Brake Rotor	2017-16	Front-All		PRT6232	
	2015-14	Front-All		PRT5611	
	2017-14	Rear-All		PRT5845	
QX56					
Disc Brake Pad Set	2013	Front-All Hardware Included	CFC1509	SBC1509	
	2012	Front-V8 - 5.6L Hardware Included	CFC1509	SBC1509	
	2011-07	Front-All Hardware Included	CFC1509	SBC1509	
	2006	Front-All From 12/05	CFC1509	SBC1509	

BENDIX BRAKE PARTS

PART TYPE	YEAR	APPLICATION	PREMIUM NO.	PART NO.	SEVERE DUTY NO.
Infiniti (Cont'd.)					
QX56 (Cont'd.)					
Disc Brake Pad Set (cont'd)	2006	Front-All To 12/05	CFC1015	SBC1015	MKD1015FM
	2005-04	Front-All Hardware Included	CFC1015	SBC1015	MKD1015FM
	2013	Rear-All Hardware Included	CFC1510	SBC1510	
	2012	Rear-V8 - 5.6L Hardware Included	CFC1510	SBC1510	
	2011	Rear-All Hardware Included	CFC1510	SBC1510	
	2010-04	Rear-All Hardware Included	CFC1041	SBC1041	
Parking Brake Shoe	2010-04	Rear-All		868	
Disc Brake Rotor	2013-11	Front-All		PRT6099	
	2010-08	Front-All		PRT5808 ⁸⁴	
	2007-06	Front-All 350mm Diameter		PRT5724	
	2006	Front-All 320mm Diameter		PRT5735 ⁸⁰	
	2005	Front-All From 3/05		PRT5735 ⁸⁰	
	2005	Front-All To 3/05		PRT5507	
	2004	Front-All		PRT5507	
	2013-11	Rear-All		PRT6098	
	2010-04	Rear-All		PRT5475	
	QX60				
Disc Brake Pad Set	2019-14	Front-All Hardware Included	CFC1649	SBC1649	
	2019-14	Rear-All Hardware Included	CFC1415	SBC1415	
Parking Brake Shoe	2015	Rear-All		869	
Disc Brake Rotor	2019-14	Front-All		PRT6232	
	2019-14	Rear-All		PRT5537	
QX70					
Disc Brake Pad Set	2017-15	Front-All Hardware Included	CFC888	SBC888	
	2014	Front-V6 - 3.7L Hardware Included	CFC888	SBC888	
	2014	Front-V8 - 5.0L Hardware Included	CFC1346		
	2014	Front-V8 - 5.0L Hardware Not Included		SBC1346	
	2017-15	Rear-All Hardware Included	CFC1415	SBC1415	
	2014	Rear-V6 - 3.7L Hardware Included	CFC1415	SBC1415	
	2014	Rear-V8 - 5.0L Hardware Included	CFC1347		
	2014	Rear-V8 - 5.0L Hardware Not Included		SBC1347	
Parking Brake Shoe	2015	Rear-All		869	
Disc Brake Rotor	2017-15	Front-All		PRT5611	
	2017-14	Rear-All		PRT5537	
QX80					
Disc Brake Pad Set	2019-14	Front-All Hardware Included	CFC1509	SBC1509	
	2019-14	Rear-All Hardware Included	CFC1510	SBC1510	
Disc Brake Rotor	2019-14	Front-All		PRT6099	
	2019-14	Rear-All		PRT6098	
International					
200					
Disc Brake Pad Set	1975-74	Front-All w/ 13" x 3 1/2" Rear Brakes	CFM149	SBM149	MKD149FM
	1975-74	Rear-All Hardware Included	CFM149		MKD149FM
	1975-74	Rear-All Hardware Not Included		SBM149	
Drum Brake Shoe	1975-74	Rear-All w/ 12" X 2.52" Brakes		357	
	1975-74	Rear-All w/ 12" X 3.02" Brakes		358	
1000A					
Drum Brake Shoe	1966	Front-All		263	
1000B					
Drum Brake Shoe	1967	Front-All		263	
1000C					
Drum Brake Shoe	1968	Front-All		263	
1000D					
Drum Brake Shoe	1970-69	Front-All w/ 11" X 3.07" Brakes		265	
	1970-69	Rear-All w/ 11-1/32" X 2-1/4" Brakes		263	
1010					
Drum Brake Shoe	1973-71	Front-All w/ 11" X 3.07" Brakes		265	
	1973-71	Rear-All w/ 11-1/32" X 2-1/4" Brakes		263	
1100A					
Drum Brake Shoe	1966	Front-All 4WD		228	
1100B					
Drum Brake Shoe	1967	Front-All		228	
1100C					
Drum Brake Shoe	1968	Front-All 4WD		228	
Brake Drum	1968	Front-All		PDR0195	
1100D					
Brake Drum	1970-69	Front-All 2WD		PDR0195	
	1970-69	Front-All 4WD		PDR0189	

80 Sell out and reorder PRT5507

84 Sell out and reorder PRT6099

BENDIX BRAKE PARTS

PART TYPE	YEAR	APPLICATION	PREMIUM NO.	PART NO.	SEVERE DUTY NO.	
International (Cont'd.)						
1110						
Brake Drum	1973-71	Front-All		PDR0195		
1200D						
Drum Brake Shoe	1970-69	Rear-All w/ 12" X 2 1/2" Brakes		357		
1210						
Drum Brake Shoe	1973	Front-All w/ 12" X 2-1/2" Brakes		357		
	1973	Front-All w/ 12" X 3" Brakes		358		
	1972-71	Front-All w/ 12" X 2.52" Brakes		357		
	1973-71	Rear-All w/ 12" X 2.52" Brakes		357		
	1973-71	Rear-All w/ 12" X 3" Brakes		358		
1300D						
Drum Brake Shoe	1970-69	Front-All w/ 12" X 3" Brakes		358		
	1970-69	Rear-All w/ 12" X 3" Brakes		358		
1310						
Drum Brake Shoe	1973-71	Front-All w/ 12" X 3" Brakes		358		
	1973-71	Rear-All w/ 12" X 3" Brakes		358		
1452SC						
Disc Brake Pad Set	1992-87	Front-All w/ 2.60" Dia. Dual Piston Bendix Caliper			MKD184FM	
	1992-87	Front-All w/ 2.88" Dia. Dual Piston Bendix Caliper			MKD225AFM	
	1992-87	Rear-All w/ 2.60" Dia. Dual Piston Bendix Caliper			MKD184FM	
	1992-87	Rear-All w/ 2.88" Dia. Dual Piston Bendix Caliper			MKD225AFM	
Disc Brake Rotor	1992-87	Front-All U Shaped 5 Hole Rotor; .663" Hole Diameter		PRT1274		
	1992-87	Front-All U Shaped 5 Hole Rotor; .781" Hole Diameter; 4.5" Overall Height		PRT1493		
	1992-87	Front-All w/out ABS Brakes, Hat Shaped 6 Hole Rotor		PRT1475	SDR1475	
	1991	Front-All 10 Hole Rotor Hat Shaped			SDR1494	
	1992-87	Rear-All w/out ABS Brakes, Hat Shaped 6 Hole Rotor		PRT1475	SDR1475	
	1991-87	Rear-All Rear Axle Codes 141300, 14ADB, 10 Hole Rotor Hat			SDR1494	
1552SC						
Disc Brake Pad Set	1998-96	Front-All w/ 2.60" Dia. Dual Piston Bendix Caliper			MKD184FM	
	1998-96	Front-All w/ 2.88" Dia. Dual Piston Bendix Caliper			MKD225AFM	
	1998-96	Rear-All w/ 2.60" Dia. Dual Piston Bendix Caliper			MKD184FM	
	1998-96	Rear-All w/ 2.88" Dia. Dual Piston Bendix Caliper			MKD225AFM	
1652SC						
Disc Brake Pad Set	2006-01	Front-All w/ 66mm Dual Piston Bosch Caliper			MKD786AFM	
	2006-01	Front-All w/ 73mm Dual Piston Bosch Caliper			MKD786FM	
	2000-99	Front-All w/ 2.60" Dia. Dual Piston Bendix Caliper			MKD184FM	
	2000-99	Front-All w/ 2.88" Dia. Dual Piston Bendix Caliper			MKD225AFM	
	1998	Front-All w/ 66mm Dual Piston Bosch Caliper			MKD786AFM	
	1998	Front-All w/ 73mm Dual Piston Bosch Caliper			MKD786FM	
	1997-86	Front-All w/ 2.60" Dia. Dual Piston Bendix Caliper			MKD184FM	
	1997-86	Front-All w/ 2.88" Dia. Dual Piston Bendix Caliper			MKD225AFM	
	2006-01	Rear-All w/ 66mm Dual Piston Bosch Caliper			MKD786AFM	
	2006-01	Rear-All w/ 73mm Dual Piston Bosch Caliper			MKD786FM	
	2000-99	Rear-All w/ 2.60" Dia. Dual Piston Bendix Caliper			MKD184FM	
	2000-99	Rear-All w/ 2.88" Dia. Dual Piston Bendix Caliper			MKD225AFM	
	1998	Rear-All w/ 66mm Dual Piston Bosch Caliper			MKD786AFM	
	1998	Rear-All w/ 73mm Dual Piston Bosch Caliper			MKD786FM	
	1997-86	Rear-All w/ 2.60" Dia. Dual Piston Bendix Caliper			MKD184FM	
	1997-86	Rear-All w/ 2.88" Dia. Dual Piston Bendix Caliper			MKD225AFM	
	Disc Brake Rotor	2004-98	Front-All 4-Wheel ABS, w/ ABS ring, 5 Hole Rotor Hat		PRT5349	
		2004-98	Front-All w/ ABS Brakes, 10 Holes, 3.20" oah		PRT5348	
		2001-86	Front-All w/out ABS Brakes, Hat Shaped 6 Hole Rotor		PRT1475	SDR1475
		1998	Front-All w/out ABS Brakes, 10 Hole Rotor Hat, 4.43" OAH			SDR1494
1997-87		Front-All 10 Hole Rotor Hat, 4.43" OAH			SDR1494	
1997-86		Front-All U Shaped 5 Hole Rotor; 4.5" OAH; .663" Hole Diameter		PRT1274		
1997-86		Front-All U Shaped 5 Hole Rotor; 4.25" Overall Height		PRT1585		
1997-86		Front-All U Shaped 5 Hole Rotor; .781" Hole Diameter; 4.5" Overall Height		PRT1493		
2004-98		Rear-All 4-Wheel ABS, w/ ABS ring, 5 Hole Rotor Hat		PRT5349		
2004-98		Rear-All 4-Wheel ABS, w/ ABS ring, 10 Hole Rotor Hat, 3.21" oah		PRT5348		
1997-87		Rear-All 10 Hole Rotor Hat, 4.43" OAH			SDR1494	
1997-86		Rear-All U Shaped 5 Hole Rotor; 4.25" Overall Height		PRT1585		
1997-86	Rear-All w/out ABS Brakes, Hat Shaped 6 Hole Rotor		PRT1475	SDR1475		
1652UPS						
Disc Brake Pad Set	1997-95	Front-All w/ 2.60" Dia. Dual Piston Bendix Caliper			MKD184FM	
	1997-95	Front-All w/ 2.88" Dia. Dual Piston Bendix Caliper			MKD225AFM	
	1993	Front-All w/ 2.60" Dia. Dual Piston Bendix Caliper			MKD184FM	
	1993	Front-All w/ 2.88" Dia. Dual Piston Bendix Caliper			MKD225AFM	
	1991-90	Front-All w/ 2.60" Dia. Dual Piston Bendix Caliper			MKD184FM	
	1991-90	Front-All w/ 2.88" Dia. Dual Piston Bendix Caliper			MKD225AFM	

BENDIX BRAKE PARTS

PART TYPE	YEAR	APPLICATION	PREMIUM NO.	PART NO.	SEVERE DUTY NO.
International (Cont'd.)					
1652UPS (Cont'd.)					
Disc Brake Pad Set (cont'd)	1997-95	Rear-All w/ 2.60" Dia. Dual Piston Bendix Caliper			MKD184FM
	1997-95	Rear-All w/ 2.88" Dia. Dual Piston Bendix Caliper			MKD225AFM
	1993	Rear-All w/ 2.60" Dia. Dual Piston Bendix Caliper			MKD184FM
	1993	Rear-All w/ 2.88" Dia. Dual Piston Bendix Caliper			MKD225AFM
	1991-90	Rear-All w/ 2.60" Dia. Dual Piston Bendix Caliper			MKD184FM
	1991-90	Rear-All w/ 2.88" Dia. Dual Piston Bendix Caliper			MKD225AFM
1654					
Disc Brake Pad Set	1989-86	Front-All w/ 2.60" Dia. Dual Piston Bendix Caliper			MKD184FM
	1989-86	Front-All w/ 2.88" Dia. Dual Piston Bendix Caliper			MKD225AFM
	1985-80	Front-All w/ 2.88" Dual Piston Bendix Calipers			MKD225AFM
	1985-80	Front-All w/ 3.38" Single Piston Bendix Calipers Or 2.60" Dual Piston Bendix Calipers			MKD184FM
	1989-86	Rear-All w/ 2.60" Dia. Dual Piston Bendix Caliper			MKD184FM
	1989-86	Rear-All w/ 2.88" Dia. Dual Piston Bendix Caliper			MKD225AFM
1724					
Disc Brake Pad Set	1985-79	Front-All w/ 2.88" Dual Piston Bendix Calipers			MKD225AFM
	1985-79	Front-All w/ 3.38" Single Piston Bendix Calipers Or 2.60" Dual Piston Bendix Calipers			MKD184FM
Disc Brake Rotor	1984-80	Front-All 10 Hole Rotor Hat Shaped			SDR1494
	1984-79	Front-All U Shaped 5 Hole Rotor; .781" Hole Diameter; 4.5" Overall Height		PRT1493	
	1984-79	Front-All w/out ABS Brakes, Hat Shaped 6 Hole Rotor		PRT1475	SDR1475
	1984	Rear-All w/out ABS Brakes, Hat Shaped 6 Hole Rotor		PRT1475	SDR1475
1754					
Disc Brake Pad Set	1989-86	Front-All w/ 2.60" Dia. Dual Piston Bendix Caliper			MKD184FM
	1989-86	Front-All w/ 2.88" Dia. Dual Piston Bendix Caliper			MKD225AFM
	1985-79	Front-All w/ 2.88" Dual Piston Bendix Calipers			MKD225AFM
	1985-79	Front-All w/ 3.38" Single Piston Or 2.60" Dual Piston Bendix Calipers			MKD184FM
	1989-86	Rear-All w/ 2.60" Dia. Dual Piston Bendix Caliper			MKD184FM
	1989-86	Rear-All w/ 2.88" Dia. Dual Piston Bendix Caliper			MKD225AFM
Disc Brake Rotor	1989-81	Front-All 10 Hole Rotor Hat Shaped			SDR1494
	1989-79	Front-All U Shaped 5 Hole Rotor; .781" Hole Diameter; 4.5" Overall Height		PRT1493	
	1989-79	Front-All w/out ABS Brakes, Hat Shaped 6 Hole Rotor		PRT1475	SDR1475
	1989-84	Rear-All w/out ABS Brakes, Hat Shaped 6 Hole Rotor		PRT1475	SDR1475
1824					
Disc Brake Pad Set	1984-79	Front-All w/ 2.88" Dual Piston Bendix Calipers			MKD225AFM
	1984-79	Front-All w/ 3.38" Single Piston Or 2.60" Dual Piston Bendix Calipers			MKD184FM
1854					
Disc Brake Pad Set	1989-86	Front-All w/ 2.60" Dia. Dual Piston Bendix Caliper			MKD184FM
	1989-86	Front-All w/ 2.88" Dia. Dual Piston Bendix Caliper			MKD225AFM
	1985-79	Front-All w/ 2.88" Dual Piston Bendix Calipers			MKD225AFM
	1985-79	Front-All w/ 3.38" Single Piston Or 2.60" Dual Piston Bendix Calipers			MKD184FM
	1989-86	Rear-All w/ 2.60" Dia. Dual Piston Bendix Caliper			MKD184FM
	1989-86	Rear-All w/ 2.88" Dia. Dual Piston Bendix Caliper			MKD225AFM
1924 S					
Disc Brake Pad Set	1982-79	Front-All w/ 2.88" Dual Piston Bendix Calipers			MKD225AFM
	1982-79	Front-All w/ 3.38" Single Piston Or 2.60" Dual Piston Bendix Calipers			MKD184FM
1925 S					
Disc Brake Pad Set	1982-79	Front-All w/ 2.88" Dual Piston Bendix Calipers			MKD225AFM
	1982-79	Front-All w/ 3.38" Single Piston Or 2.60" Dual Piston Bendix Calipers			MKD184FM
1954					
Disc Brake Pad Set	1989-86	Front-All w/ 2.60" Dia. Dual Piston Bendix Caliper			MKD184FM
	1989-86	Front-All w/ 2.88" Dia. Dual Piston Bendix Caliper			MKD225AFM
	1985-79	Front-All w/ 2.88" Dual Piston Bendix Calipers			MKD225AFM
	1985-79	Front-All w/ 3.38" Single Piston Or 2.60" Dual Piston Bendix Calipers			MKD184FM
	1989-86	Rear-All w/ 2.60" Dia. Dual Piston Bendix Caliper			MKD184FM
	1989-86	Rear-All w/ 2.88" Dia. Dual Piston Bendix Caliper			MKD225AFM
1955					
Disc Brake Pad Set	1989-86	Front-All w/ 2.60" Dia. Dual Piston Bendix Caliper			MKD184FM
	1989-86	Front-All w/ 2.88" Dia. Dual Piston Bendix Caliper			MKD225AFM
	1985-79	Front-All w/ 2.88" Dual Piston Bendix Calipers			MKD225AFM
	1985-79	Front-All w/ 3.38" Single Piston Or 2.60" Dual Piston Bendix Calipers			MKD184FM
	1989-86	Rear-All w/ 2.60" Dia. Dual Piston Bendix Caliper			MKD184FM
	1989-86	Rear-All w/ 2.88" Dia. Dual Piston Bendix Caliper			MKD225AFM
2155					
Disc Brake Pad Set	1989-79	Front-All w/ 2.88" Dual Piston Bendix Calipers			MKD225AFM

BENDIX BRAKE PARTS

PART TYPE	YEAR	APPLICATION	PREMIUM NO.	PART NO.	SEVERE DUTY NO.
International (Cont'd.)					
2155 (Cont'd.)					
Disc Brake Pad Set (cont'd)	1989-79	Front-All w/ 3.38" Single Piston Or 2.60" Dual Piston Bendix Calipers			MKD184FM
2275					
Disc Brake Pad Set	1989-85	Front-All w/ 2.88" Dual Piston Bendix Calipers			MKD225AFM
	1989-85	Rear-All w/ 2.88" Dual Piston Bendix Calipers			MKD225AFM
2276 S					
Disc Brake Pad Set	1989-85	Front-All w/ 2.88" Dual Piston Bendix Calipers			MKD225AFM
	1989-85	Rear-All w/ 2.88" Dual Piston Bendix Calipers			MKD225AFM
2375 S					
Disc Brake Pad Set	1989-85	Front-All w/ 2.88" Dual Piston Bendix Calipers			MKD225AFM
	1989-85	Rear-All w/ 2.88" Dual Piston Bendix Calipers			MKD225AFM
2554					
Disc Brake Pad Set	2000-86	Front-All w/ 2.60" Dia. Dual Piston Bendix Caliper			MKD184FM
	2000-86	Front-All w/ 2.88" Dia. Dual Piston Bendix Caliper			MKD225AFM
	2000-86	Rear-All w/ 2.60" Dia. Dual Piston Bendix Caliper			MKD184FM
	2000-86	Rear-All w/ 2.88" Dia. Dual Piston Bendix Caliper			MKD225AFM
2574					
Disc Brake Pad Set	2000-86	Front-All w/ 2.60" Dia. Dual Piston Bendix Caliper			MKD184FM
	2000-86	Front-All w/ 2.88" Dia. Dual Piston Bendix Caliper			MKD225AFM
	2000-86	Rear-All w/ 2.60" Dia. Dual Piston Bendix Caliper			MKD184FM
	2000-86	Rear-All w/ 2.88" Dia. Dual Piston Bendix Caliper			MKD225AFM
2575					
Disc Brake Pad Set	1989-86	Front-All w/ 2.60" Dia. Dual Piston Bendix Caliper			MKD184FM
	1989-86	Front-All w/ 2.88" Dia. Dual Piston Bendix Caliper			MKD225AFM
	1989-86	Rear-All w/ 2.60" Dia. Dual Piston Bendix Caliper			MKD184FM
	1989-86	Rear-All w/ 2.88" Dia. Dual Piston Bendix Caliper			MKD225AFM
2654					
Disc Brake Pad Set	2000-96	Front-All w/ 2.60" Dia. Dual Piston Bendix Caliper			MKD184FM
	2000-96	Front-All w/ 2.88" Dia. Dual Piston Bendix Caliper			MKD225AFM
	1993-89	Front-All w/ 2.60" Dia. Dual Piston Bendix Caliper			MKD184FM
	1993-89	Front-All w/ 2.88" Dia. Dual Piston Bendix Caliper			MKD225AFM
	2000-96	Rear-All w/ 2.60" Dia. Dual Piston Bendix Caliper			MKD184FM
	2000-96	Rear-All w/ 2.88" Dia. Dual Piston Bendix Caliper			MKD225AFM
	1993-89	Rear-All w/ 2.60" Dia. Dual Piston Bendix Caliper			MKD184FM
	1993-89	Rear-All w/ 2.88" Dia. Dual Piston Bendix Caliper			MKD225AFM
2674					
Disc Brake Pad Set	2000-86	Front-All w/ 2.60" Dia. Dual Piston Bendix Caliper			MKD184FM
	2000-86	Front-All w/ 2.88" Dia. Dual Piston Bendix Caliper			MKD225AFM
	2000-86	Rear-All w/ 2.60" Dia. Dual Piston Bendix Caliper			MKD184FM
	2000-86	Rear-All w/ 2.88" Dia. Dual Piston Bendix Caliper			MKD225AFM
3000					
Disc Brake Pad Set	2002	Front-All w/ 6K, 8K lb. GVW Front Axle			MKD786AFM
	2002	Front-All w/ 10K, 12K lb. GVW Front Axle			MKD786FM
	2001	Front-All w/ 66mm Dual Piston Bosch Caliper			MKD786AFM
	2001	Front-All w/ 73mm Dual Piston Bosch Caliper			MKD786FM
	2000-96	Front-All w/ 2.60" Dia. Dual Piston Bendix Caliper			MKD184FM
	2000-96	Front-All w/ 2.88" Dia. Dual Piston Bendix Caliper			MKD225AFM
	2002	Rear-All w/ 6K, 8K lb. GVW Front Axle			MKD786AFM
	2002	Rear-All w/ 10K, 12K lb. GVW Front Axle			MKD786FM
	2001	Rear-All w/ 66mm Dual Piston Bosch Caliper			MKD786AFM
	2001	Rear-All w/ 73mm Dual Piston Bosch Caliper			MKD786FM
	2000-96	Rear-All w/ 2.60" Dia. Dual Piston Bendix Caliper			MKD184FM
	2000-96	Rear-All w/ 2.88" Dia. Dual Piston Bendix Caliper			MKD225AFM
Disc Brake Rotor	2001-98	Front-All 5 Hole Hat Rotor, Cast in ABS Ring		PRT5349	
	2001-98	Front-All 10 Hole Rotor Hat, Cast in ABS Exciter Ring, 3.21" OAH		PRT5348	
	2001-98	Rear-All 10 Hole Rotor Hat, Cast in ABS Exciter Ring, 3.21" OAH		PRT5348	
3000FE					
Disc Brake Pad Set	1999-97	Front-All w/ 2.60" Dia. Dual Piston Bendix Caliper			MKD184FM
	1999-97	Front-All w/ 2.88" Dia. Dual Piston Bendix Caliper			MKD225AFM
	1999-97	Rear-All w/ 2.60" Dia. Dual Piston Bendix Caliper			MKD184FM
	1999-97	Rear-All w/ 2.88" Dia. Dual Piston Bendix Caliper			MKD225AFM
3000IC					
Disc Brake Pad Set	2002-01	Front-All w/ 6K, 8K lb. GVW Front Axle			MKD786AFM
	2002-01	Front-All w/ 10K, 12K lb. GVW Front Axle			MKD786FM
	2000	Front-All w/ 2.60" Dia. Dual Piston Bendix Caliper			MKD184FM
	2000	Front-All w/ 2.88" Dia. Dual Piston Bendix Caliper			MKD225AFM
	2002-01	Rear-All w/ 6K, 8K lb. GVW Front Axle			MKD786AFM
	2002-01	Rear-All w/ 10K, 12K lb. GVW Front Axle			MKD786FM
	2000	Rear-All w/ 2.60" Dia. Dual Piston Bendix Caliper			MKD184FM

BENDIX BRAKE PARTS

PART TYPE	YEAR	APPLICATION	PREMIUM NO.	PART NO.	SEVERE DUTY NO.
International (Cont'd.)					
3000IC (Cont'd.)					
Disc Brake Pad Set (cont'd)	2000	Rear-All w/ 2.88" Dia. Dual Piston Bendix Caliper			MKD225AFM
3000RE					
Disc Brake Pad Set	2005	Front-All w/ 6K, 8K lb. GVW Front Axle			MKD786AFM
	2005	Front-All w/ 10K, 12K lb. GVW Front Axle			MKD786FM
	2002	Front-All w/ 6K, 8K lb. GVW Front Axle			MKD786AFM
	2002	Front-All w/ 10K, 12K lb. GVW Front Axle			MKD786FM
	2005	Rear-All w/ 6K, 8K lb. GVW Front Axle			MKD786AFM
	2005	Rear-All w/ 10K, 12K lb. GVW Front Axle			MKD786FM
	2002	Rear-All w/ 6K, 8K lb. GVW Front Axle			MKD786AFM
	2002	Rear-All w/ 10K, 12K lb. GVW Front Axle			MKD786FM
3200					
Disc Brake Pad Set	2011-04	Front-All w/ 6K, 8K lb. GVW Front Axle			MKD786AFM
	2011-04	Front-All w/ 10K, 12K lb. GVW Front Axle			MKD786FM
	2003-02	Front-All w/ 73mm Dual Piston Bosch Caliper			MKD786FM
	2011-04	Rear-All w/ 6K, 8K lb. GVW Front Axle			MKD786AFM
	2011-04	Rear-All w/ 10K, 12K lb. GVW Front Axle			MKD786FM
	2003-02	Rear-All w/ 73mm Dual Piston Bosch Caliper			MKD786FM
3300					
Disc Brake Pad Set	2011-05	Front-All w/ 6K, 8K lb. GVW Front Axle			MKD786AFM
	2011-05	Front-All w/ 10K, 12K lb. GVW Front Axle			MKD786FM
	2011-05	Rear-All w/ 6K, 8K lb. GVW Front Axle			MKD786AFM
	2011-05	Rear-All w/ 10K, 12K lb. GVW Front Axle			MKD786FM
Disc Brake Rotor	2005	Front-All 5 Hole Hat Rotor, Cast in ABS Ring		PRT5349	
	2005	Front-All 10 Hole Rotor Hat, Cast in ABS Exciter Ring, 3.21" OAH		PRT5348	
	2005	Rear-All 10 Hole Rotor Hat, Cast in ABS Exciter Ring, 3.21" OAH		PRT5348	
3400					
Disc Brake Pad Set	2002-01	Front-All w/ 66mm Dual Piston Bosch Caliper			MKD786AFM
	2000-96	Front-All w/ 2.60" Dia. Dual Piston Bendix Caliper			MKD184FM
	2000-96	Front-All w/ 2.88" Dia. Dual Piston Bendix Caliper			MKD225AFM
	2002-01	Rear-All w/ 66mm Dual Piston Bosch Caliper			MKD786AFM
	2000-96	Rear-All w/ 2.60" Dia. Dual Piston Bendix Caliper			MKD184FM
	2000-96	Rear-All w/ 2.88" Dia. Dual Piston Bendix Caliper			MKD225AFM
3600					
Disc Brake Pad Set	2001	Front-All w/ 6K, 8K lb. GVW Front Axle			MKD786AFM
	2001	Front-All w/ 10K, 12K lb. GVW Front Axle			MKD786FM
	1999-92	Front-All w/ 2.60" Dia. Dual Piston Bendix Caliper			MKD184FM
	1999-92	Front-All w/ 2.88" Dia. Dual Piston Bendix Caliper			MKD225AFM
	2001	Rear-All w/ 6K, 8K lb. GVW Front Axle			MKD786AFM
	2001	Rear-All w/ 10K, 12K lb. GVW Front Axle			MKD786FM
	1999-92	Rear-All w/ 2.60" Dia. Dual Piston Bendix Caliper			MKD184FM
	1999-92	Rear-All w/ 2.88" Dia. Dual Piston Bendix Caliper			MKD225AFM
3700					
Disc Brake Pad Set	1994-90	Front-All w/ 2.60" Dia. Dual Piston Bendix Caliper			MKD184FM
	1994-90	Front-All w/ 2.88" Dia. Dual Piston Bendix Caliper			MKD225AFM
	1994-90	Rear-All w/ 2.60" Dia. Dual Piston Bendix Caliper			MKD184FM
	1994-90	Rear-All w/ 2.88" Dia. Dual Piston Bendix Caliper			MKD225AFM
3800					
Disc Brake Pad Set	2004-02	Front-All w/ 6K, 8K lb. GVW Front Axle			MKD786AFM
	2004-01	Front-All w/ 10K, 12K lb. GVW Front Axle			MKD786FM
	2001-99	Front-All w/ 66mm Dual Piston Bosch Caliper			MKD786AFM
	2000-99	Front-All w/ 73mm Dual Piston Bosch Caliper			MKD786FM
	1998-90	Front-All w/ 2.60" Dia. Dual Piston Bendix Caliper			MKD184FM
	1998-90	Front-All w/ 2.88" Dia. Dual Piston Bendix Caliper			MKD225AFM
	1987	Front-All w/ 2.60" Dia. Dual Piston Bendix Caliper			MKD184FM
	1987	Front-All w/ 2.88" Dia. Dual Piston Bendix Caliper			MKD225AFM
	2004-01	Rear-All w/ 6K, 8K lb. GVW Front Axle			MKD786AFM
	2004-01	Rear-All w/ 10K, 12K lb. GVW Front Axle			MKD786FM
	2000-99	Rear-All w/ 66mm Dual Piston Bosch Caliper			MKD786AFM
	2000-99	Rear-All w/ 73mm Dual Piston Bosch Caliper			MKD786FM
	1998-90	Rear-All w/ 2.60" Dia. Dual Piston Bendix Caliper			MKD184FM
	1998-90	Rear-All w/ 2.88" Dia. Dual Piston Bendix Caliper			MKD225AFM
	1987	Rear-All w/ 2.60" Dia. Dual Piston Bendix Caliper			MKD184FM
	1987	Rear-All w/ 2.88" Dia. Dual Piston Bendix Caliper			MKD225AFM
3900FC					
Disc Brake Pad Set	1996	Front-All w/ 2.60" Dia. Dual Piston Bendix Caliper			MKD184FM
	1996	Front-All w/ 2.88" Dia. Dual Piston Bendix Caliper			MKD225AFM
	1994-91	Front-All w/ 2.60" Dia. Dual Piston Bendix Caliper			MKD184FM
	1994-91	Front-All w/ 2.88" Dia. Dual Piston Bendix Caliper			MKD225AFM
	1996	Rear-All w/ 2.60" Dia. Dual Piston Bendix Caliper			MKD184FM
	1996	Rear-All w/ 2.88" Dia. Dual Piston Bendix Caliper			MKD225AFM

BENDIX BRAKE PARTS

PART TYPE	YEAR	APPLICATION	PREMIUM NO.	PART NO.	SEVERE DUTY NO.	
International (Cont'd.)						
3900FC (Cont'd.)						
Disc Brake Pad Set (cont'd)	1994-91	Rear-All w/ 2.60" Dia. Dual Piston Bendix Caliper			MKD184FM	
	1994-91	Rear-All w/ 2.88" Dia. Dual Piston Bendix Caliper			MKD225AFM	
Disc Brake Rotor	1994-93	Front-All w/ ABS Brakes, 10 Holes, 3.20" oah		PRT5348		
	1994-91	Front-All 10 Hole Rotor Hat, 4.43" OAH			SDR1494	
	1994-91	Front-All w/out ABS Brakes, Hat Shaped 6 Hole Rotor		PRT1475	SDR1475	
	1993-91	Front-All U Shaped 5 Hole Rotor		PRT1493		
4100						
Disc Brake Pad Set	2012-08	Front-All w/ 6K, 8K lb. GVW Front Axle			MKD786AFM	
	2012-08	Front-All w/ 10K, 12K lb. GVW Front Axle			MKD786FM	
	2007-06	Front-All w/ 66mm Dual Piston Bosch Caliper			MKD786AFM	
	2007-06	Front-All w/ 73mm Dual Piston Bosch Caliper			MKD786FM	
	2012-08	Rear-All w/ 6K, 8K lb. GVW Front Axle			MKD786AFM	
	2012-08	Rear-All w/ 10K, 12K lb. GVW Front Axle			MKD786FM	
	2007-06	Rear-All w/ 66mm Dual Piston Bosch Caliper			MKD786AFM	
	2007-06	Rear-All w/ 73mm Dual Piston Bosch Caliper			MKD786FM	
4100 SBA						
Disc Brake Pad Set	2008	Front-All w/ 6K, 8K lb. GVW Front Axle			MKD786AFM	
	2008	Front-All w/ 10K, 12K lb. GVW Front Axle			MKD786FM	
	2007-06	Front-All w/ 66mm Dual Piston Bosch Caliper			MKD786AFM	
	2007-06	Front-All w/ 73mm Dual Piston Bosch Caliper			MKD786FM	
	2008	Rear-All w/ 6K, 8K lb. GVW Front Axle			MKD786AFM	
	2008	Rear-All w/ 10K, 12K lb. GVW Front Axle			MKD786FM	
	2007-06	Rear-All w/ 66mm Dual Piston Bosch Caliper			MKD786AFM	
	2007-06	Rear-All w/ 73mm Dual Piston Bosch Caliper			MKD786FM	
4200						
Disc Brake Pad Set	2008	Front-All w/ 6K, 8K lb. GVW Front Axle			MKD786AFM	
	2008	Front-All w/ 10K, 12K lb. GVW Front Axle			MKD786FM	
	2007-05	Front-All w/ 66mm Dual Piston Bosch Caliper			MKD786AFM	
	2007-05	Front-All w/ 73mm Dual Piston Bosch Caliper			MKD786FM	
	2004-02	Front-All w/ 6K, 8K lb. GVW Front Axle			MKD786AFM	
	2004-02	Front-All w/ 10K, 12K lb. GVW Front Axle			MKD786FM	
	2008	Rear-All w/ 6K, 8K lb. GVW Front Axle			MKD786AFM	
	2008	Rear-All w/ 10K, 12K lb. GVW Front Axle			MKD786FM	
	2007-05	Rear-All w/ 66mm Dual Piston Bosch Caliper			MKD786AFM	
	2007-05	Rear-All w/ 73mm Dual Piston Bosch Caliper			MKD786FM	
	2004-02	Rear-All w/ 6K, 8K lb. GVW Front Axle			MKD786AFM	
	2004-02	Rear-All w/ 10K, 12K lb. GVW Front Axle			MKD786FM	
	Disc Brake Rotor	2007-02	Front-All 5 Hole Hat Rotor, Cast in ABS Ring		PRT5349	
		2007-02	Front-All 10 Hole Rotor Hat, 3.20" OAH, Cast in ABS Exciter		PRT5348	
2007-02		Rear-All 5 Hole Hat Rotor, Cast in ABS Ring		PRT5349		
2007-02		Rear-All 10 Hole Rotor Hat, 3.20" OAH, Cast in ABS Exciter		PRT5348		
4200LP						
Disc Brake Pad Set	2007-05	Front-All w/ 66mm Dual Piston Bosch Caliper			MKD786AFM	
	2007-05	Front-All w/ 73mm Dual Piston Bosch Caliper			MKD786FM	
	2004-03	Front-All w/ 6K, 8K lb. GVW Front Axle			MKD786AFM	
	2004-03	Front-All w/ 10K, 12K lb. GVW Front Axle			MKD786FM	
	2007-05	Rear-All w/ 66mm Dual Piston Bosch Caliper			MKD786AFM	
	2007-05	Rear-All w/ 73mm Dual Piston Bosch Caliper			MKD786FM	
	2004-03	Rear-All w/ 6K, 8K lb. GVW Front Axle			MKD786AFM	
	2004-03	Rear-All w/ 10K, 12K lb. GVW Front Axle			MKD786FM	
	Disc Brake Rotor	2007-03	Front-All 5 Hole Hat Rotor, Cast in ABS Ring		PRT5349	
		2007-03	Front-All 10 Hole Rotor Hat, 3.20" OAH, Cast in ABS Exciter		PRT5348	
2007-03		Rear-All 5 Hole Hat Rotor, Cast in ABS Ring		PRT5349		
2007-03		Rear-All 10 Hole Rotor Hat, 3.20" OAH, Cast in ABS Exciter		PRT5348		
4300						
Disc Brake Pad Set	2012-08	Front-All w/ 6K, 8K lb. GVW Front Axle			MKD786AFM	
	2012-08	Front-All w/ 10K, 12K lb. GVW Front Axle			MKD786FM	
	2007-05	Front-All w/ 66mm Dual Piston Bosch Caliper			MKD786AFM	
	2007-05	Front-All w/ 73mm Dual Piston Bosch Caliper			MKD786FM	
	2004	Front-All w/ 6K, 8K lb. GVW Front Axle			MKD786AFM	
	2004	Front-All w/ 10K, 12K lb. GVW Front Axle			MKD786FM	
	2003	Front-All w/ 66mm Dual Piston Bosch Caliper			MKD786AFM	
	2003	Front-All w/ 73mm Dual Piston Bosch Caliper			MKD786FM	
	2002	Front-All w/ 6K, 8K lb. GVW Front Axle			MKD786AFM	
	2002	Front-All w/ 10K, 12K lb. GVW Front Axle			MKD786FM	
	2012-08	Rear-All w/ 6K, 8K lb. GVW Front Axle			MKD786AFM	
	2012-08	Rear-All w/ 10K, 12K lb. GVW Front Axle			MKD786FM	
	2007-05	Rear-All w/ 66mm Dual Piston Bosch Caliper			MKD786AFM	
	2007-05	Rear-All w/ 73mm Dual Piston Bosch Caliper			MKD786FM	

BENDIX BRAKE PARTS

PART TYPE	YEAR	APPLICATION	PREMIUM NO.	PART NO.	SEVERE DUTY NO.	
International (Cont'd.)						
4300 (Cont'd.)						
Disc Brake Pad Set (cont'd)	2004	Rear-All w/ 6K, 8K lb. GVW Front Axle			MKD786AFM	
	2004	Rear-All w/ 10K, 12K lb. GVW Front Axle			MKD786FM	
	2003	Rear-All w/ 66mm Dual Piston Bosch Caliper			MKD786AFM	
	2003	Rear-All w/ 73mm Dual Piston Bosch Caliper			MKD786FM	
	2002	Rear-All w/ 6K, 8K lb. GVW Front Axle			MKD786AFM	
	2002	Rear-All w/ 10K, 12K lb. GVW Front Axle			MKD786FM	
Disc Brake Rotor	2007-02	Front-All w/ ABS Brakes, 10 Holes, 3.20" oah		PRT5348		
	2007-02	Front-All w/ ABS Brakes, Hat Shaped 5 Hole Rotor		PRT5349		
	2007-02	Rear-All w/ ABS Brakes, 10 Holes, 3.20" oah		PRT5348		
	2007-02	Rear-All w/ ABS Brakes, Hat Shaped 5 Hole Rotor		PRT5349		
4300LP						
Disc Brake Pad Set	2012-08	Front-All w/ 6K, 8K lb. GVW Front Axle			MKD786AFM	
	2012-08	Front-All w/ 10K, 12K lb. GVW Front Axle			MKD786FM	
	2007-05	Front-All w/ 66mm Dual Piston Bosch Caliper			MKD786AFM	
	2007-05	Front-All w/ 73mm Dual Piston Bosch Caliper			MKD786FM	
	2004	Front-All w/ 6K, 8K lb. GVW Front Axle			MKD786AFM	
	2004	Front-All w/ 10K, 12K lb. GVW Front Axle			MKD786FM	
	2003	Front-All w/ 66mm Dual Piston Bosch Caliper			MKD786AFM	
	2003	Front-All w/ 73mm Dual Piston Bosch Caliper			MKD786FM	
	2002	Front-All w/ 6K, 8K lb. GVW Front Axle			MKD786AFM	
	2002	Front-All w/ 10K, 12K lb. GVW Front Axle			MKD786FM	
	2012-08	Rear-All w/ 6K, 8K lb. GVW Front Axle			MKD786AFM	
	2012-08	Rear-All w/ 10K, 12K lb. GVW Front Axle			MKD786FM	
	2007-05	Rear-All w/ 66mm Dual Piston Bosch Caliper			MKD786AFM	
	2007-05	Rear-All w/ 73mm Dual Piston Bosch Caliper			MKD786FM	
	2004	Rear-All w/ 6K, 8K lb. GVW Front Axle			MKD786AFM	
	2004	Rear-All w/ 10K, 12K lb. GVW Front Axle			MKD786FM	
	2003	Rear-All w/ 66mm Dual Piston Bosch Caliper			MKD786AFM	
	2003	Rear-All w/ 73mm Dual Piston Bosch Caliper			MKD786FM	
	2002	Rear-All w/ 6K, 8K lb. GVW Front Axle			MKD786AFM	
	2002	Rear-All w/ 10K, 12K lb. GVW Front Axle			MKD786FM	
	Disc Brake Rotor	2007-02	Front-All w/ ABS Brakes, 10 Holes, 3.20" oah		PRT5348	
		2007-02	Front-All w/ ABS Brakes, Hat Shaped 5 Hole Rotor		PRT5349	
2007-02		Rear-All w/ ABS Brakes, 10 Holes, 3.20" oah		PRT5348		
2007-02		Rear-All w/ ABS Brakes, Hat Shaped 5 Hole Rotor		PRT5349		
4400						
Disc Brake Pad Set	2012-08	Front-All w/ 6K, 8K lb. GVW Front Axle			MKD786AFM	
	2012-08	Front-All w/ 10K, 12K lb. GVW Front Axle			MKD786FM	
	2007-05	Front-All w/ 66mm Dual Piston Bosch Caliper			MKD786AFM	
	2007-05	Front-All w/ 73mm Dual Piston Bosch Caliper			MKD786FM	
	2004-02	Front-All w/ 6K, 8K lb. GVW Front Axle			MKD786AFM	
	2004-02	Front-All w/ 10K, 12K lb. GVW Front Axle			MKD786FM	
	2012-08	Rear-All w/ 6K, 8K lb. GVW Front Axle			MKD786AFM	
	2012-08	Rear-All w/ 10K, 12K lb. GVW Front Axle			MKD786FM	
	2007-05	Rear-All w/ 66mm Dual Piston Bosch Caliper			MKD786AFM	
	2007-05	Rear-All w/ 73mm Dual Piston Bosch Caliper			MKD786FM	
	2004-02	Rear-All w/ 6K, 8K lb. GVW Front Axle			MKD786AFM	
	2004-02	Rear-All w/ 10K, 12K lb. GVW Front Axle			MKD786FM	
	Disc Brake Rotor	2007-02	Front-All w/ ABS Brakes, 10 Holes, 3.20" oah		PRT5348	
		2007-02	Front-All w/ ABS Brakes, Hat Shaped 5 Hole Rotor		PRT5349	
2007-02		Rear-All w/ ABS Brakes, 10 Holes, 3.20" oah		PRT5348		
2007-02		Rear-All w/ ABS Brakes, Hat Shaped 5 Hole Rotor		PRT5349		
4400LP						
Disc Brake Pad Set	2012-08	Front-All w/ 6K, 8K lb. GVW Front Axle			MKD786AFM	
	2012-08	Front-All w/ 10K, 12K lb. GVW Front Axle			MKD786FM	
	2007-05	Front-All w/ 66mm Dual Piston Bosch Caliper			MKD786AFM	
	2007-05	Front-All w/ 73mm Dual Piston Bosch Caliper			MKD786FM	
	2004-02	Front-All w/ 6K, 8K lb. GVW Front Axle			MKD786AFM	
	2004-02	Front-All w/ 10K, 12K lb. GVW Front Axle			MKD786FM	
	2012-08	Rear-All w/ 6K, 8K lb. GVW Front Axle			MKD786AFM	
	2012-08	Rear-All w/ 10K, 12K lb. GVW Front Axle			MKD786FM	
	2007-05	Rear-All w/ 66mm Dual Piston Bosch Caliper			MKD786AFM	
	2007-05	Rear-All w/ 73mm Dual Piston Bosch Caliper			MKD786FM	
	2004-02	Rear-All w/ 6K, 8K lb. GVW Front Axle			MKD786AFM	
	2004-02	Rear-All w/ 10K, 12K lb. GVW Front Axle			MKD786FM	
	Disc Brake Rotor	2007-02	Front-All w/ ABS Brakes, 10 Holes, 3.20" oah		PRT5348	
		2007-02	Front-All w/ ABS Brakes, Hat Shaped 5 Hole Rotor		PRT5349	
2007-02		Rear-All w/ ABS Brakes, 10 Holes, 3.20" oah		PRT5348		
2007-02		Rear-All w/ ABS Brakes, Hat Shaped 5 Hole Rotor		PRT5349		
4600						
Disc Brake Pad Set	1995	Front-All w/ 2.88" Dual Piston Bendix Calipers			MKD225AFM	
	1994-90	Front-All w/ 2.60" Dia. Dual Piston Bendix Caliper			MKD184FM	
	1994-90	Front-All w/ 2.88" Dia. Dual Piston Bendix Caliper			MKD225AFM	

BENDIX BRAKE PARTS

PART TYPE	YEAR	APPLICATION	PREMIUM NO.	PART NO.	SEVERE DUTY NO.	
International (Cont'd.)						
4600 (Cont'd.)						
Disc Brake Pad Set (cont'd)	1994-90	Rear-All w/ 2.60" Dia. Dual Piston Bendix Caliper			MKD184FM	
	1994-90	Rear-All w/ 2.88" Dia. Dual Piston Bendix Caliper			MKD225AFM	
Disc Brake Rotor	1994-93	Front-All w/ ABS Brakes, Hat Shaped 5 Hole Rotor		PRT5349		
	1994-90	Front-All 10 Hole Rotor Hat, 4.43" OAH			SDR1494	
	1994-90	Front-All w/out ABS Brakes, Hat Shaped 6 Hole Rotor		PRT1475	SDR1475	
	1993-90	Front-All U Shaped 5 Hole Rotor; .781" Hole Diameter; 4.5" Overall Height		PRT1493		
	1994-90	Rear-All 10 Hole Rotor Hat, 4.43" OAH			SDR1494	
4600LP						
Disc Brake Pad Set	1994-90	Front-All w/ 2.60" Dia. Dual Piston Bendix Caliper			MKD184FM	
	1994-90	Front-All w/ 2.88" Dia. Dual Piston Bendix Caliper			MKD225AFM	
	1994-90	Rear-All w/ 2.60" Dia. Dual Piston Bendix Caliper			MKD184FM	
	1994-90	Rear-All w/ 2.88" Dia. Dual Piston Bendix Caliper			MKD225AFM	
Disc Brake Rotor	1994-93	Front-All w/ ABS Brakes, Hat Shaped 5 Hole Rotor		PRT5349		
	1994-90	Front-All 10 Hole Rotor Hat, 4.43" OAH			SDR1494	
	1994-90	Front-All w/out ABS Brakes, Hat Shaped 6 Hole Rotor		PRT1475	SDR1475	
	1993-90	Front-All U Shaped 5 Hole Rotor; .781" Hole Diameter; 4.5" Overall Height		PRT1493		
	1994-90	Rear-All 10 Hole Rotor Hat, 4.43" OAH			SDR1494	
4600UH						
Disc Brake Pad Set	1990	Front-All w/ 2.60" Dia. Dual Piston Bendix Caliper			MKD184FM	
	1990	Front-All w/ 2.88" Dia. Dual Piston Bendix Caliper			MKD225AFM	
	1990	Rear-All w/ 2.60" Dia. Dual Piston Bendix Caliper			MKD184FM	
	1990	Rear-All w/ 2.88" Dia. Dual Piston Bendix Caliper			MKD225AFM	
4700						
Disc Brake Pad Set	2005	Front-All w/ 66mm Dual Piston Bosch Caliper			MKD786AFM	
	2005	Front-All w/ 73mm Dual Piston Bosch Caliper			MKD786FM	
	2003-98	Front-All w/ 66mm Dual Piston Bosch Caliper			MKD786AFM	
	2003-98	Front-All w/ 73mm Dual Piston Bosch Caliper			MKD786FM	
	1997-90	Front-All w/ 2.60" Dia. Dual Piston Bendix Caliper			MKD184FM	
	1997-90	Front-All w/ 2.88" Dia. Dual Piston Bendix Caliper			MKD225AFM	
	2005	Rear-All w/ 66mm Dual Piston Bosch Caliper			MKD786AFM	
	2005	Rear-All w/ 73mm Dual Piston Bosch Caliper			MKD786FM	
	2003-98	Rear-All w/ 66mm Dual Piston Bosch Caliper			MKD786AFM	
	2003-98	Rear-All w/ 73mm Dual Piston Bosch Caliper			MKD786FM	
	1997-90	Rear-All w/ 2.60" Dia. Dual Piston Bendix Caliper			MKD184FM	
	1997-90	Rear-All w/ 2.88" Dia. Dual Piston Bendix Caliper			MKD225AFM	
	Disc Brake Rotor	2002-98	Front-All 10 Hole Rotor Hat, 3.20" OAH, Cast in ABS Exciter		PRT5348	
		2001-93	Front-All w/ ABS Brakes, Hat Shaped 5 Hole Rotor		PRT5349	
2001-90		Front-All w/out ABS Brakes, Hat Shaped 6 Hole Rotor		PRT1475	SDR1475	
1997-90		Front-All 10 Hole Rotor Hat, 4.43" OAH			SDR1494	
1993-90		Front-All U Shaped 5 Hole Rotor; .781" Hole Diameter; 4.5" Overall Height		PRT1493		
2002-98		Rear-All 10 Hole Rotor Hat, 3.20" OAH, Cast in ABS Exciter		PRT5348		
2002-93		Rear-All w/ ABS Brakes, Hat Shaped 5 Hole Rotor		PRT5349		
1997-90		Rear-All 10 Hole Rotor Hat, 4.43" OAH			SDR1494	
4700LP						
Disc Brake Pad Set		2002-98	Front-All w/ 66mm Dual Piston Bosch Caliper			MKD786AFM
	2002-98	Front-All w/ 73mm Dual Piston Bosch Caliper			MKD786FM	
	1997-90	Front-All w/ 2.60" Dia. Dual Piston Bendix Caliper			MKD184FM	
	1997-90	Front-All w/ 2.88" Dia. Dual Piston Bendix Caliper			MKD225AFM	
	2002-98	Rear-All w/ 66mm Dual Piston Bosch Caliper			MKD786AFM	
	2002-98	Rear-All w/ 73mm Dual Piston Bosch Caliper			MKD786FM	
	1997-90	Rear-All w/ 2.60" Dia. Dual Piston Bendix Caliper			MKD184FM	
	1997-90	Rear-All w/ 2.88" Dia. Dual Piston Bendix Caliper			MKD225AFM	
	Disc Brake Rotor	2002-98	Front-All 10 Hole Rotor Hat, 3.20" OAH, Cast in ABS Exciter		PRT5348	
2002-93		Front-All w/ ABS Brakes, Hat Shaped 5 Hole Rotor		PRT5349		
2001-91		Front-All w/out ABS Brakes, Hat Shaped 6 Hole Rotor		PRT1475	SDR1475	
1997-91		Front-All 10 Hole Rotor Hat, 4.43" OAH			SDR1494	
1993-91		Front-All U Shaped 5 Hole Rotor; .781" Hole Diameter; 4.5" Overall Height		PRT1493		
2002-98		Rear-All 10 Hole Rotor Hat, 3.20" OAH, Cast in ABS Exciter		PRT5348		
2002-98		Rear-All w/ ABS Brakes, Hat Shaped 5 Hole Rotor		PRT5349		
1997-91		Rear-All 10 Hole Rotor Hat, 4.43" OAH			SDR1494	
4700LPX						
Disc Brake Pad Set	2002-98	Front-All w/ 66mm Dual Piston Bosch Caliper			MKD786AFM	
	2002-98	Front-All w/ 73mm Dual Piston Bosch Caliper			MKD786FM	
	1997-95	Front-All w/ 2.60" Dia. Dual Piston Bendix Caliper			MKD184FM	
	1997-95	Front-All w/ 2.88" Dia. Dual Piston Bendix Caliper			MKD225AFM	
	2002-98	Rear-All w/ 66mm Dual Piston Bosch Caliper			MKD786AFM	
	2002-98	Rear-All w/ 73mm Dual Piston Bosch Caliper			MKD786FM	

BENDIX BRAKE PARTS

PART TYPE	YEAR	APPLICATION	PREMIUM NO.	PART NO.	SEVERE DUTY NO.	
International (Cont'd.)						
4700LPX (Cont'd.)						
Disc Brake Pad Set (cont'd)	1997-95	Rear-All w/ 2.60" Dia. Dual Piston Bendix Caliper			MKD184FM	
	1997-95	Rear-All w/ 2.88" Dia. Dual Piston Bendix Caliper			MKD225AFM	
Disc Brake Rotor	2002-98	Front-All 10 Hole Rotor Hat, 3.20" OAH, Cast in ABS Exciter		PRT5348		
	2002-96	Front-All w/ ABS Brakes, Hat Shaped 5 Hole Rotor		PRT5349		
	2001-96	Front-All w/out ABS Brakes, Hat Shaped 6 Hole Rotor		PRT1475	SDR1475	
	1997-96	Front-All 10 Hole Rotor Hat, 4.43" OAH			SDR1494	
	2002-98	Rear-All 10 Hole Rotor Hat, 3.20" OAH, Cast in ABS Exciter		PRT5348		
	2002-98	Rear-All w/ ABS Brakes, Hat Shaped 5 Hole Rotor		PRT5349		
	1997-96	Rear-All 10 Hole Rotor Hat, 4.43" OAH			SDR1494	
4800						
Disc Brake Pad Set	2003-01	Front-All w/ 6K, 8K lb. GVW Front Axle			MKD786AFM	
	2003-01	Front-All w/ 10K, 12K lb. GVW Front Axle			MKD786FM	
	2000-90	Front-All w/ 2.60" Dia. Dual Piston Bendix Caliper			MKD184FM	
	2000-90	Front-All w/ 2.88" Dia. Dual Piston Bendix Caliper			MKD225AFM	
	2003-01	Rear-All w/ 6K, 8K lb. GVW Front Axle			MKD786AFM	
	2003-01	Rear-All w/ 10K, 12K lb. GVW Front Axle			MKD786FM	
	2000-90	Rear-All w/ 2.60" Dia. Dual Piston Bendix Caliper			MKD184FM	
	2000-90	Rear-All w/ 2.88" Dia. Dual Piston Bendix Caliper			MKD225AFM	
	Disc Brake Rotor	2001-98	Front-All 10 Hole Rotor Hat, 3.20" OAH, Cast in ABS Exciter		PRT5348	
		2001-93	Front-All w/ ABS Brakes, Hat Shaped 5 Hole Rotor		PRT5349	
2001-90		Front-All w/out ABS Brakes, Hat Shaped 6 Hole Rotor		PRT1475	SDR1475	
1997-90		Front-All 10 Hole Rotor Hat, 4.43" OAH			SDR1494	
1993-90		Front-All U Shaped 5 Hole Rotor; .781" Hole Diameter; 4.5" Overall Height		PRT1493		
2001-98		Rear-All 10 Hole Rotor Hat, 3.20" OAH, Cast in ABS Exciter		PRT5348		
2001-93		Rear-All w/ ABS Brakes, Hat Shaped 5 Hole Rotor		PRT5349		
1997-90		Rear-All 10 Hole Rotor Hat, 4.43" OAH			SDR1494	
4900						
Disc Brake Pad Set	2003-01	Front-All w/ 6K, 8K lb. GVW Front Axle			MKD786AFM	
	2003-01	Front-All w/ 10K, 12K lb. GVW Front Axle			MKD786FM	
	2000-90	Front-All w/ 2.60" Dia. Dual Piston Bendix Caliper			MKD184FM	
	2000-90	Front-All w/ 2.88" Dia. Dual Piston Bendix Caliper			MKD225AFM	
	2003-01	Rear-All w/ 6K, 8K lb. GVW Front Axle			MKD786AFM	
	2003-01	Rear-All w/ 10K, 12K lb. GVW Front Axle			MKD786FM	
	2000-90	Rear-All w/ 2.60" Dia. Dual Piston Bendix Caliper			MKD184FM	
	2000-90	Rear-All w/ 2.88" Dia. Dual Piston Bendix Caliper			MKD225AFM	
	Disc Brake Rotor	2002-98	Front-All 10 Hole Rotor Hat, 3.20" OAH, Cast in ABS Exciter		PRT5348	
		2001-93	Front-All w/ ABS Brakes, Hat Shaped 5 Hole Rotor		PRT5349	
2001-90		Front-All w/out ABS Brakes, Hat Shaped 6 Hole Rotor		PRT1475	SDR1475	
1997-90		Front-All 10 Hole Rotor Hat, 4.43" OAH			SDR1494	
1993-90		Front-All U Shaped 5 Hole Rotor; .781" Hole Diameter; 4.5" Overall Height		PRT1493		
2002-98		Rear-All 10 Hole Rotor Hat, 3.20" OAH, Cast in ABS Exciter		PRT5348		
2001-93		Rear-All w/ ABS Brakes, Hat Shaped 5 Hole Rotor		PRT5349		
1997-90		Rear-All 10 Hole Rotor Hat, 4.43" OAH			SDR1494	
7100						
Disc Brake Pad Set	1992-90	Front-All Hardware Included			MKD225AFM	
	1992-90	Rear-All Hardware Included			MKD225AFM	
Disc Brake Rotor	1992-90	Front-All 10 Hole Rotor Hat, 4.43" OAH			SDR1494	
	1992-90	Front-All U Shaped 5 Hole Rotor; .781" Hole Diameter; 4.5" Overall Height		PRT1493		
	1992-90	Front-All w/out ABS Brakes, Hat Shaped 6 Hole Rotor		PRT1475	SDR1475	
	1992-90	Rear-All 10 Hole Rotor Hat, 4.43" OAH			SDR1494	
A100 Truck						
Drum Brake Shoe	1958-57	Front-All		228		
AM80						
Drum Brake Shoe	1962-61	Front-All w/ 11" X 2.07" Brakes		228		
	1958-57	Front-All w/ 11" X 2.07" Brakes		228		
B100						
Drum Brake Shoe	1960-59	Front-All		228		
C100						
Drum Brake Shoe	1962-61	Front-All		263		
C110						
Drum Brake Shoe	1962	Front-All w/ 11" X 2" Brakes		228		
C900						
Drum Brake Shoe	1964	Front-All		228		

BENDIX BRAKE PARTS

PART TYPE	YEAR	APPLICATION	PREMIUM NO.	PART NO.	SEVERE DUTY NO.
International (Cont'd.)					
C1000					
Drum Brake Shoe	1964-63	Front-All		263	
C1100					
Drum Brake Shoe	1964-63	Front-All w/ 11" X 2" Brakes		228	
Cargostar					
Disc Brake Pad Set	1986-85	Front-All CO1950B, w/ 2.60" Dia. Dual Piston Bendix Caliper			MKD184FM
	1986-85	Front-All CO1950B, w/ 2.88" Dia. Dual Piston Bendix Caliper			MKD225AFM
	1986-84	Front-All CO1650B, w/ 2.60" Dia. Dual Piston Bendix Caliper			MKD184FM
	1986-84	Front-All CO1650B, w/ 2.88" Dia. Dual Piston Bendix Caliper			MKD225AFM
	1986-84	Front-All CO1750B, w/ 2.60" Dia. Dual Piston Bendix Caliper			MKD184FM
	1986-84	Front-All CO1750B, w/ 2.88" Dia. Dual Piston Bendix Caliper			MKD225AFM
	1986-81	Front-All CO1850B, w/ 2.60" Dia. Dual Piston Bendix Caliper			MKD184FM
	1986-81	Front-All CO1850B, w/ 2.88" Dia. Dual Piston Bendix Caliper			MKD225AFM
	1984-83	Front-All CO1610B, w/ 2.60" Dia. Dual Piston Bendix Caliper			MKD184FM
	1984-83	Front-All CO1610B, w/ 2.88" Dia. Dual Piston Bendix Caliper			MKD225AFM
	1984-81	Front-All CO1710B, w/ 2.60" Dia. Dual Piston Bendix Caliper			MKD184FM
	1984-81	Front-All CO1710B, w/ 2.88" Dia. Dual Piston Bendix Caliper			MKD225AFM
	1984-81	Front-All CO1810B, w/ 2.60" Dia. Dual Piston Bendix Caliper			MKD184FM
	1984-81	Front-All CO1810B, w/ 2.88" Dia. Dual Piston Bendix Caliper			MKD225AFM
	1980	Front-All w/ 2.60" Bendix Dual Piston Calipers Or 3.38" Single Piston Bendix Calipers			MKD184FM
	1980	Front-All w/ 2.88" Dual Piston Bendix Calipers			MKD225AFM
	1986-85	Rear-All CO1950B, w/ 2.60" Dia. Dual Piston Bendix Caliper			MKD184FM
	1986-85	Rear-All CO1950B, w/ 2.88" Dia. Dual Piston Bendix Caliper			MKD225AFM
	1986-84	Rear-All CO1650B, w/ 2.60" Dia. Dual Piston Bendix Caliper			MKD184FM
	1986-84	Rear-All CO1650B, w/ 2.88" Dia. Dual Piston Bendix Caliper			MKD225AFM
	1986-84	Rear-All CO1750B, w/ 2.60" Dia. Dual Piston Bendix Caliper			MKD184FM
	1986-84	Rear-All CO1750B, w/ 2.88" Dia. Dual Piston Bendix Caliper			MKD225AFM
	1986-81	Rear-All CO1850B, w/ 2.60" Dia. Dual Piston Bendix Caliper			MKD184FM
	1986-81	Rear-All CO1850B, w/ 2.88" Dia. Dual Piston Bendix Caliper			MKD225AFM
	1984-83	Rear-All CO1610B, w/ 2.60" Dia. Dual Piston Bendix Caliper			MKD184FM
	1984-83	Rear-All CO1610B, w/ 2.88" Dia. Dual Piston Bendix Caliper			MKD225AFM
	1984-81	Rear-All CO1710B, w/ 2.60" Dia. Dual Piston Bendix Caliper			MKD184FM
	1984-81	Rear-All CO1710B, w/ 2.88" Dia. Dual Piston Bendix Caliper			MKD225AFM
	1984-81	Rear-All CO1810B, w/ 2.60" Dia. Dual Piston Bendix Caliper			MKD184FM
	1984-81	Rear-All CO1810B, w/ 2.88" Dia. Dual Piston Bendix Caliper			MKD225AFM
	1980	Rear-All w/ 2.60" Bendix Dual Piston Calipers			MKD184FM
	1980	Rear-All w/ 2.88" Dual Piston Bendix Calipers			MKD225AFM
Disc Brake Rotor	1986-84	Front-All CO1750B, U Shaped 5 Hole Rotor		PRT1274	
	1986-83	Front-All CO1850B, U Shaped 5 Hole Rotor		PRT1274	
	1984-83	Front-All CO1610B, 10 Hole Rotor Hat Shaped			SDR1494
	1984-83	Front-All CO1610B, U Shaped 5 Hole Rotor		PRT1274	
	1985	Rear-All CO1650B, w/out ABS Brakes, Hat Shaped 6 Hole Rotor		PRT1475	SDR1475
CF500					
Disc Brake Pad Set	2009	Front-All Hardware Included	CFM1066	SBM1066	MKD1066FM
	2008-05	Front-All w/ 2.36" Dual Piston Calipers	CFM1066	SBM1066	MKD1066FM
	2009	Rear-All Hardware Included	CFM1066	SBM1066	MKD1066FM
	2008-05	Rear-All w/ 2.36" Dual Piston Calipers	CFM1066	SBM1066	MKD1066FM
CF600					
Disc Brake Pad Set	2009	Front-All Hardware Included	CFM1066	SBM1066	MKD1066FM
	2008-05	Front-All w/ 2.36" Dual Piston Calipers	CFM1066	SBM1066	MKD1066FM
	2009	Rear-All Hardware Included	CFM1066	SBM1066	MKD1066FM
	2008-05	Rear-All w/ 2.36" Dual Piston Calipers	CFM1066	SBM1066	MKD1066FM

BENDIX BRAKE PARTS

PART TYPE	YEAR	APPLICATION	PREMIUM NO.	PART NO.	SEVERE DUTY NO.	
International (Cont'd.)						
CM75						
Drum Brake Shoe	1965-62	Front-All w/ 11" X 2.07" Brakes		228		
CM80						
Drum Brake Shoe	1965-62	Front-All w/ 11" X 2.07" Brakes		228		
CM110						
Drum Brake Shoe	1965-62	Front-All w/ 11" X 2.07" Brakes		228		
CXT						
Disc Brake Pad Set	2007-06	Front-All w/ 73mm Dual Piston Bosch Caliper			MKD786FM	
	2007-06	Rear-All w/ 66mm Dual Piston Bosch Caliper			MKD786AFM	
D900						
Drum Brake Shoe	1965	Front-All		228		
D1000						
Drum Brake Shoe	1965	Front-All w/ 11" X 2-1/4" Brakes		263		
	1965	Front-All w/ 11" X 3" Brakes		265		
D1100						
Drum Brake Shoe	1965	Front-All w/ 11" X 2" Brakes		228		
F1954						
Disc Brake Pad Set	1986	Front-All w/ 2.60" Dia. Dual Piston Bendix Caliper			MKD184FM	
	1986	Front-All w/ 2.88" Dia. Dual Piston Bendix Caliper			MKD225AFM	
	1986	Rear-All w/ 2.60" Dia. Dual Piston Bendix Caliper			MKD184FM	
	1986	Rear-All w/ 2.88" Dia. Dual Piston Bendix Caliper			MKD225AFM	
G1904						
Disc Brake Pad Set	1984	Front-All w/ 2.88" Dual Piston Bendix Calipers			MKD225AFM	
	1984	Rear-All w/ 2.88" Dual Piston Bendix Calipers			MKD225AFM	
G1954						
Disc Brake Pad Set	1987	Front-All w/ 2.60" Dia. Dual Piston Bendix Caliper			MKD184FM	
	1987	Front-All w/ 2.88" Dia. Dual Piston Bendix Caliper			MKD225AFM	
	1987	Rear-All w/ 2.60" Dia. Dual Piston Bendix Caliper			MKD184FM	
	1987	Rear-All w/ 2.88" Dia. Dual Piston Bendix Caliper			MKD225AFM	
G2105						
Disc Brake Pad Set	1984	Front-All w/ 2.88" Dual Piston Bendix Calipers			MKD225AFM	
	1984	Rear-All w/ 2.88" Dual Piston Bendix Calipers			MKD225AFM	
Genesis RE						
Disc Brake Pad Set	2002-01	Front-All w/ 66mm Dual Piston Bosch Caliper			MKD786AFM	
	2002-01	Front-All w/ 73mm Dual Piston Bosch Caliper			MKD786FM	
	2000-96	Front-All w/ 2.60" Dia. Dual Piston Bendix Caliper			MKD184FM	
	2000-96	Front-All w/ 2.88" Dia. Dual Piston Bendix Caliper			MKD225AFM	
	2002-01	Rear-All w/ 66mm Dual Piston Bosch Caliper			MKD786AFM	
	2002-01	Rear-All w/ 73mm Dual Piston Bosch Caliper			MKD786FM	
	2000-96	Rear-All w/ 2.60" Dia. Dual Piston Bendix Caliper			MKD184FM	
	2000-96	Rear-All w/ 2.88" Dia. Dual Piston Bendix Caliper			MKD225AFM	
M700						
Drum Brake Shoe	1967-66	Front-All w/ 11" X 2.07" Brakes		228		
M1100						
Drum Brake Shoe	1968-66	Front-All w/ 11" X 2" Brakes		228		
M1400 Metro II						
Disc Brake Pad Set	1990	Front-All w/ 2.60" & 3.38" Single Piston Calipers			MKD184FM	
	1990	Front-All w/ 2.88" Dual Piston Bendix Calipers			MKD225AFM	
	1989-88	Front-All w/ 2.60" Dia. Dual Piston Bendix Caliper			MKD184FM	
	1989-88	Front-All w/ 2.88" Dia. Dual Piston Bendix Caliper			MKD225AFM	
	1987	Front-All w/ 2.60" & 3.38" Single Piston Calipers			MKD184FM	
	1987	Front-All w/ 2.88" Dual Piston Bendix Calipers			MKD225AFM	
	1990	Rear-All w/ 2.60" & 3.38" Single Piston Calipers			MKD184FM	
	1990	Rear-All w/ 2.88" Dual Piston Bendix Calipers			MKD225AFM	
	1989-88	Rear-All w/ 2.60" Dia. Dual Piston Bendix Caliper			MKD184FM	
	1989-88	Rear-All w/ 2.88" Dia. Dual Piston Bendix Caliper			MKD225AFM	
	1987	Rear-All w/ 2.60" & 3.38" Single Piston Calipers			MKD184FM	
	1987	Rear-All w/ 2.88" Dual Piston Bendix Calipers			MKD225AFM	
	Disc Brake Rotor	1989-87	Front-All Stripped Chassis, U Shaped 5 Hole Rotor		PRT1493	
		1989-87	Rear-All Rear Axle Codes 141300, 14ADB			SDR1494
1989-87		Rear-All w/out ABS Brakes, Hat Shaped 6 Hole Rotor		PRT1475	SDR1475	
M1600 Metro II						
Disc Brake Pad Set	1990	Front-All w/ 2.60" & 3.38" Single Piston Calipers			MKD184FM	
	1990	Front-All w/ 2.88" Dual Piston Bendix Calipers			MKD225AFM	
	1989-87	Front-All w/ 2.60" Dia. Dual Piston Bendix Caliper			MKD184FM	
	1989-87	Front-All w/ 2.88" Dia. Dual Piston Bendix Caliper			MKD225AFM	
	1990	Rear-All w/ 2.60" & 3.38" Single Piston Calipers			MKD184FM	
	1990	Rear-All w/ 2.88" Dual Piston Bendix Calipers			MKD225AFM	
	1989-87	Rear-All w/ 2.60" Dia. Dual Piston Bendix Caliper			MKD184FM	
	1989-87	Rear-All w/ 2.88" Dia. Dual Piston Bendix Caliper			MKD225AFM	

BENDIX BRAKE PARTS

PART TYPE	YEAR	APPLICATION	PREMIUM NO.	PART NO.	SEVERE DUTY NO.
International (Cont'd.)					
M1600 Metro II (Cont'd.)					
Disc Brake Rotor	1989-87	Front-All 10 Hole Rotor Hat Shaped			SDR1494
	1989-87	Front-All U Shaped 5 Hole Rotor; 4.5" OAH; .663" Hole Diameter		PRT1274	
	1989-87	Front-All U Shaped 5 Hole Rotor; 4.25" Overall Height		PRT1585	
	1989-87	Front-All U Shaped 5 Hole Rotor; .781" Hole Diameter; 4.5" Overall Height		PRT1493	
	1989-87	Front-All w/out ABS Brakes, Hat Shaped 6 Hole Rotor		PRT1475	SDR1475
	1989-87	Rear-All 10 Hole Rotor Hat Shaped			SDR1494
	1989-87	Rear-All U Shaped 5 Hole Rotor; 4.25" Overall Height		PRT1585	
	1987	Rear-All w/out ABS Brakes, Hat Shaped 6 Hole Rotor		PRT1475	SDR1475
MHC1310					
Drum Brake Shoe	1974	Front-All		358	
	1974	Rear-All w/ 12" X 3" Brakes		358	
MS1210					
Drum Brake Shoe	1974-73	Front-All w/ 12" X 3" Brakes		358	
	1973-72	Front-All w/ 12" X 2-1/2" Brakes		357	
	1974-72	Rear-All w/ 12" X 2-1/2" Brakes		357	
MXT					
Disc Brake Pad Set	2009-07	Front-All w/ 66mm Dual Piston Bosch Caliper			MKD786AFM
	2009-07	Rear-All w/ 66mm Dual Piston Bosch Caliper			MKD786AFM
R100					
Drum Brake Shoe	1955	Front-All w/ 11" X 2.07" Brakes		228	
	1954	Front-All		228	
RXT					
Disc Brake Pad Set	2008-06	Front-All w/ 66mm Dual Piston Bosch Caliper			MKD786AFM
	2008-06	Rear-All w/ 66mm Dual Piston Bosch Caliper			MKD786AFM
S100					
Drum Brake Shoe	1957-56	Front-All		228	
S1624					
Disc Brake Rotor	1982-80	Front-All 10 Hole Rotor Hat Shaped			SDR1494
	1982-80	Front-All U Shaped 5 Hole Rotor; 4.5" OAH; .663" Hole Diameter		PRT1274	
	1982-80	Front-All U Shaped 5 Hole Rotor; 4.25" Overall Height		PRT1585	
	1982-80	Front-All U Shaped 5 Hole Rotor; .781" Hole Diameter; 4.5" Overall Height		PRT1493	
	1982-80	Front-All w/out ABS Brakes, Hat Shaped 6 Hole Rotor		PRT1475	SDR1475
	1982-80	Rear-All 10 Hole Rotor Hat Shaped			SDR1494
	1982-80	Rear-All U Shaped 5 Hole Rotor; 4.25" Overall Height		PRT1585	
	1982-80	Rear-All w/out ABS Brakes, Hat Shaped 6 Hole Rotor		PRT1475	SDR1475
	1982	Rear-All 5 Hole U-Shaped Disc; 6.1" Overall Height		PRT1627	
	1982	Rear-All 5 Stud wheels		PRT1629	
S1654					
Disc Brake Pad Set	1989-84	Front-All w/ 2.60" Dia. Dual Piston Bendix Caliper			MKD184FM
	1989-84	Front-All w/ 2.88" Dia. Dual Piston Bendix Caliper			MKD225AFM
	1989-84	Rear-All w/ 2.60" Dia. Dual Piston Bendix Caliper			MKD184FM
	1989-84	Rear-All w/ 2.88" Dia. Dual Piston Bendix Caliper			MKD225AFM
Disc Brake Rotor	1989-84	Front-All U Shaped 5 Hole Rotor; 4.5" OAH; .663" Hole Diameter		PRT1274	
	1989-84	Front-All U Shaped 5 Hole Rotor; 4.25" Overall Height		PRT1585	
	1989-84	Front-All w/out ABS Brakes, Hat Shaped 6 Hole Rotor		PRT1475	SDR1475
	1986-84	Front-All U Shaped 5 Hole Rotor; .781" Hole Diameter; 4.5" Overall Height		PRT1493	
	1989-84	Rear-All 5 Hole U-Shaped Disc; 6.1" Overall Height		PRT1627	
	1989-84	Rear-All U Shaped 5 Hole Rotor; 4.25" Overall Height		PRT1585	
	1989-84	Rear-All w/out ABS Brakes, Hat Shaped 6 Hole Rotor		PRT1475	SDR1475
	1988-84	Rear-All 5 Stud wheels		PRT1629	
S1654LP					
Disc Brake Pad Set	1989-88	Front-All w/ 2.60" Dia. Dual Piston Bendix Caliper			MKD184FM
	1989-88	Front-All w/ 2.88" Dia. Dual Piston Bendix Caliper			MKD225AFM
	1989-88	Rear-All w/ 2.60" Dia. Dual Piston Bendix Caliper			MKD184FM
	1989-88	Rear-All w/ 2.88" Dia. Dual Piston Bendix Caliper			MKD225AFM
S1723					
Disc Brake Pad Set	1985-81	Front-All w/ 2.60" Dia. Dual Piston Bendix Caliper			MKD184FM
	1985-81	Front-All w/ 2.88" Dia. Dual Piston Bendix Caliper			MKD225AFM
	1980	Front-All w/ 2.88" Dual Piston Bendix Calipers			MKD225AFM
	1985-81	Rear-All w/ 2.60" Dia. Dual Piston Bendix Caliper			MKD184FM
	1985-81	Rear-All w/ 2.88" Dia. Dual Piston Bendix Caliper			MKD225AFM
	1980	Rear-All w/ 2.88" Dual Piston Bendix Calipers			MKD225AFM
	Disc Brake Rotor	1985-80	Front-All 10 Hole Rotor Hat Shaped		
1985-80		Front-All U Shaped 5 Hole Rotor; 4.5" OAH; .663" Hole Diameter		PRT1274	
1985-80		Front-All U Shaped 5 Hole Rotor; 4.25" Overall Height		PRT1585	

BENDIX BRAKE PARTS

PART TYPE	YEAR	APPLICATION	PREMIUM NO.	PART NO.	SEVERE DUTY NO.
International (Cont'd.)					
S1723 (Cont'd.)					
Disc Brake Rotor (cont'd)	1985-80	Front-All U Shaped 5 Hole Rotor; .781" Hole Diameter; 4.5" Overall Height		PRT1493	
	1985-80	Front-All w/out ABS Brakes, Hat Shaped 6 Hole Rotor		PRT1475	SDR1475
	1985-84	Rear-All 5 Hole U-Shaped Disc; 6.1" Overall Height		PRT1627	
	1985-84	Rear-All 5 Stud wheels		PRT1629	
	1985-84	Rear-All w/out ABS Brakes, Hat Shaped 6 Hole Rotor		PRT1475	SDR1475
	1985-80	Rear-All U Shaped 5 Hole Rotor; 4.25" Overall Height		PRT1585	
S1724					
Disc Brake Pad Set	1984-81	Front-All w/ 2.60" Dia. Dual Piston Bendix Caliper			MKD184FM
	1984-81	Front-All w/ 2.88" Dia. Dual Piston Bendix Caliper			MKD225AFM
	1980	Front-All w/ 2.60" Bendix Dual Piston Calipers Or 3.38" Single Piston Bendix Calipers			MKD184FM
	1980	Front-All w/ 2.88" Dual Piston Bendix Calipers			MKD225AFM
	1984-81	Rear-All w/ 2.60" Dia. Dual Piston Bendix Caliper			MKD184FM
	1984-81	Rear-All w/ 2.88" Dia. Dual Piston Bendix Caliper			MKD225AFM
	1980	Rear-All w/ 2.60" Bendix Dual Piston Calipers Or 3.38" Single Piston Bendix Calipers			MKD184FM
	1980	Rear-All w/ 2.88" Dual Piston Bendix Calipers			MKD225AFM
Disc Brake Rotor	1984	Rear-All 5 Hole U-Shaped Disc; 6.1" Overall Height		PRT1627	
	1984	Rear-All 5 Stud wheels		PRT1629	
S1753					
Disc Brake Pad Set	1989-84	Front-All w/ 2.60" Dia. Dual Piston Bendix Caliper			MKD184FM
	1989-84	Front-All w/ 2.88" Dia. Dual Piston Bendix Caliper			MKD225AFM
	1989-84	Rear-All w/ 2.60" Dia. Dual Piston Bendix Caliper			MKD184FM
	1989-84	Rear-All w/ 2.88" Dia. Dual Piston Bendix Caliper			MKD225AFM
Disc Brake Rotor	1989-84	Front-All 10 Hole Rotor Hat Shaped			SDR1494
	1989-84	Front-All U Shaped 5 Hole Rotor; 4.5" OAH; .663" Hole Diameter		PRT1274	
	1989-84	Front-All U Shaped 5 Hole Rotor; 4.25" Overall Height		PRT1585	
	1989-84	Front-All U Shaped 5 Hole Rotor; .781" Hole Diameter; 4.5" Overall Height		PRT1493	
	1989-84	Front-All w/out ABS Brakes, Hat Shaped 6 Hole Rotor		PRT1475	SDR1475
	1989-84	Rear-All 5 Hole U-Shaped Disc; 6.1" Overall Height		PRT1627	
	1989-84	Rear-All 5 Stud wheels		PRT1629	
	1989-84	Rear-All w/out ABS Brakes, Hat Shaped 6 Hole Rotor		PRT1475	SDR1475
	1988-84	Rear-All U Shaped 5 Hole Rotor; 4.25" Overall Height		PRT1585	
	S1754				
Disc Brake Pad Set	1989-81	Front-All w/ 2.60" Dia. Dual Piston Bendix Caliper			MKD184FM
	1989-81	Front-All w/ 2.88" Dia. Dual Piston Bendix Caliper			MKD225AFM
	1989-81	Rear-All w/ 2.60" Dia. Dual Piston Bendix Caliper			MKD184FM
	1989-81	Rear-All w/ 2.88" Dia. Dual Piston Bendix Caliper			MKD225AFM
Disc Brake Rotor	1989-84	Rear-All 5 Hole U-Shaped Disc; 6.1" Overall Height		PRT1627	
	1989-84	Rear-All 5 Stud wheels		PRT1629	
S1823					
Disc Brake Pad Set	1982-81	Front-All w/ 2.60" Dia. Dual Piston Bendix Caliper			MKD184FM
	1982-81	Front-All w/ 2.88" Dia. Dual Piston Bendix Caliper			MKD225AFM
	1980	Front-All w/ 2.88" Dual Piston Bendix Calipers			MKD225AFM
	1982-81	Rear-All w/ 2.60" Dia. Dual Piston Bendix Caliper			MKD184FM
	1982-81	Rear-All w/ 2.88" Dia. Dual Piston Bendix Caliper			MKD225AFM
	1980	Rear-All w/ 2.88" Dual Piston Bendix Calipers			MKD225AFM
Disc Brake Rotor	1982-80	Front-All U Shaped 5 Hole Rotor; 4.25" Overall Height		PRT1585	
	1982	Front-All U Shaped 5 Hole Rotor; 4.5" OAH; .663" Hole Diameter		PRT1274	
S1824					
Disc Brake Pad Set	1985-81	Front-All w/ 2.60" Dia. Dual Piston Bendix Caliper			MKD184FM
	1985-81	Front-All w/ 2.88" Dia. Dual Piston Bendix Caliper			MKD225AFM
	1980	Front-All w/ 2.88" Dual Piston Bendix Calipers			MKD225AFM
	1985-81	Rear-All w/ 2.60" Dia. Dual Piston Bendix Caliper			MKD184FM
	1985-81	Rear-All w/ 2.88" Dia. Dual Piston Bendix Caliper			MKD225AFM
	1980	Rear-All w/ 2.88" Dual Piston Bendix Calipers			MKD225AFM
Disc Brake Rotor	1985-84	Front-All w/out ABS Brakes, Hat Shaped 6 Hole Rotor		PRT1475	SDR1475
	1985-83	Front-All 10 Hole Rotor Hat Shaped			SDR1494
	1985-83	Front-All U Shaped 5 Hole Rotor; .781" Hole Diameter; 4.5" Overall Height		PRT1493	
	1985-82	Front-All U Shaped 5 Hole Rotor; 4.5" OAH; .663" Hole Diameter		PRT1274	
	1982-80	Front-All U Shaped 5 Hole Rotor; 4.25" Overall Height		PRT1585	
	1985-84	Rear-All 5 Hole U-Shaped Disc; 6.1" Overall Height		PRT1627	
	1985-84	Rear-All 5 Stud wheels		PRT1629	
	S1853				
Disc Brake Pad Set	1989-81	Front-All w/ 2.60" Dia. Dual Piston Bendix Caliper			MKD184FM
	1989-81	Front-All w/ 2.88" Dia. Dual Piston Bendix Caliper			MKD225AFM
	1989-81	Rear-All w/ 2.60" Dia. Dual Piston Bendix Caliper			MKD184FM
	1989-81	Rear-All w/ 2.88" Dia. Dual Piston Bendix Caliper			MKD225AFM

BENDIX BRAKE PARTS

PART TYPE	YEAR	APPLICATION	PREMIUM NO.	PART NO.	SEVERE DUTY NO.
International (Cont'd.)					
S1853 (Cont'd.)					
Disc Brake Rotor	1989-84	Front-All w/out ABS Brakes, Hat Shaped 6 Hole Rotor		PRT1475	SDR1475
	1989-83	Front-All 10 Hole Rotor Hat Shaped			SDR1494
	1989-83	Front-All U Shaped 5 Hole Rotor; .781" Hole Diameter; 4.5" Overall Height		PRT1493	
	1989-82	Front-All U Shaped 5 Hole Rotor; 4.5" OAH; .663" Hole Diameter		PRT1274	
	1982-81	Front-All U Shaped 5 Hole Rotor; 4.25" Overall Height		PRT1585	
	1989-84	Rear-All 5 Hole U-Shaped Disc; 6.1" Overall Height		PRT1627	
	1989-84	Rear-All 5 Stud wheels		PRT1629	
S1853FC					
Disc Brake Pad Set	1989-87	Front-All w/ 2.60" Dia. Dual Piston Bendix Caliper			MKD184FM
	1989-87	Front-All w/ 2.88" Dia. Dual Piston Bendix Caliper			MKD225AFM
	1989-87	Rear-All w/ 2.60" Dia. Dual Piston Bendix Caliper			MKD184FM
	1989-87	Rear-All w/ 2.88" Dia. Dual Piston Bendix Caliper			MKD225AFM
S1854					
Disc Brake Pad Set	1989-81	Front-All w/ 2.60" Dia. Dual Piston Bendix Caliper			MKD184FM
	1989-81	Front-All w/ 2.88" Dia. Dual Piston Bendix Caliper			MKD225AFM
	1989-81	Rear-All w/ 2.60" Dia. Dual Piston Bendix Caliper			MKD184FM
	1989-81	Rear-All w/ 2.88" Dia. Dual Piston Bendix Caliper			MKD225AFM
	Disc Brake Rotor	1989-84	Rear-All 5 Hole U-Shaped Disc; 6.1" Overall Height		PRT1627
1989-84		Rear-All 5 Stud wheels		PRT1629	
S1924					
Disc Brake Pad Set	1982-80	Front-All w/ 2.88" Dual Piston Bendix Calipers			MKD225AFM
	1982-80	Rear-All w/ 2.88" Dual Piston Bendix Calipers			MKD225AFM
S1925					
Disc Brake Pad Set	1982-80	Front-All w/ 2.88" Dual Piston Bendix Calipers			MKD225AFM
	1982-80	Rear-All w/ 2.88" Dual Piston Bendix Calipers			MKD225AFM
S1954					
Disc Brake Pad Set	1989-85	Front-All w/ 2.60" Dia. Dual Piston Bendix Caliper			MKD184FM
	1989-85	Front-All w/ 2.88" Dia. Dual Piston Bendix Caliper			MKD225AFM
	1984-81	Front-All w/ 2.88" Dual Piston Bendix Calipers			MKD225AFM
	1989-85	Rear-All w/ 2.60" Dia. Dual Piston Bendix Caliper			MKD184FM
	1989-85	Rear-All w/ 2.88" Dia. Dual Piston Bendix Caliper			MKD225AFM
	1984-81	Rear-All w/ 2.88" Dual Piston Bendix Calipers			MKD225AFM
Disc Brake Rotor	1989-84	Front-All w/out ABS Brakes, 6 Holes, Hat Shaped Marmon Disc Style Wheels		PRT1475	SDR1475
	1988-83	Front-All w/ 2.88" Piston; 10,800 & 12,000 LB Frt Axle; Bendix Frt Brakes; U Shaped 5 Hole Rotor; 4.5" Overall Height		PRT1274	
	1982	Front-All 10,800 & 12,000 lb Frt Axle; U Shaped 5 Hole; 4.5" Overall Height		PRT1274	
S1955					
Disc Brake Pad Set	1989-85	Front-All w/ 2.60" Dia. Dual Piston Bendix Caliper			MKD184FM
	1989-85	Front-All w/ 2.88" Dia. Dual Piston Bendix Caliper			MKD225AFM
	1984-81	Front-All w/ 2.88" Dual Piston Bendix Calipers			MKD225AFM
	1989-85	Rear-All w/ 2.60" Dia. Dual Piston Bendix Caliper			MKD184FM
	1989-85	Rear-All w/ 2.88" Dia. Dual Piston Bendix Caliper			MKD225AFM
	1984-81	Rear-All w/ 2.88" Dual Piston Bendix Calipers			MKD225AFM
S2125					
Disc Brake Pad Set	1981-80	Front-All w/ 2.88" Dual Piston Bendix Calipers			MKD225AFM
	1981-80	Rear-All w/ 2.88" Dual Piston Bendix Calipers			MKD225AFM
S2155					
Disc Brake Pad Set	1989-84	Front-All w/ 2.88" Dual Piston Bendix Calipers			MKD225AFM
	1989-84	Rear-All w/ 2.88" Dual Piston Bendix Calipers			MKD225AFM
S2276					
Disc Brake Pad Set	1987	Front-All w/ 2.88" Dual Piston Bendix Calipers			MKD225AFM
	1987	Rear-All w/ 2.88" Dual Piston Bendix Calipers			MKD225AFM
S2375					
Disc Brake Pad Set	1988	Front-All w/ 2.88" Dual Piston Bendix Calipers			MKD225AFM
	1986	Front-All w/ 2.88" Dual Piston Bendix Calipers			MKD225AFM
	1984	Front-All w/ 2.88" Dual Piston Bendix Calipers			MKD225AFM
	1988	Rear-All w/ 2.88" Dual Piston Bendix Calipers			MKD225AFM
	1986	Rear-All w/ 2.88" Dual Piston Bendix Calipers			MKD225AFM
	1984	Rear-All w/ 2.88" Dual Piston Bendix Calipers			MKD225AFM
S2524					
Disc Brake Pad Set	1980	Front-All w/ 2.88" Dual Piston Bendix Calipers			MKD225AFM
	1980	Rear-All w/ 2.88" Dual Piston Bendix Calipers			MKD225AFM
Scout					
Disc Brake Rotor	1971	Front-All		PRT1155	
Brake Drum	1963-61	Front-All 9 x 2" Brakes		PDR0082	
	1968-61	Rear-All 9 x 2" Brakes		PDR0082	

BENDIX BRAKE PARTS

PART TYPE	YEAR	APPLICATION	PREMIUM NO.	PART NO.	SEVERE DUTY NO.
International (Cont'd.)					
Scout II					
Disc Brake Rotor	1980-71	Front-All		PRT1155	
TerraStar					
Disc Brake Pad Set	2015-10	Front-All Hardware Included	CFM1066	SBM1066	MKD1066FM
	2015-10	Rear-All Hardware Included	CFM1066	SBM1066	MKD1066FM
Travelall					
Disc Brake Pad Set	1975	Front-All w/ 12" x 3" Rear Brakes	CFM149	SBM149	MKD149FM
Isuzu					
Amigo					
Disc Brake Pad Set	2000-98	Front-All Hardware Included		SBC579	
	1994	Front-All From 7/93		SBC579	
	1994	Front-All To 7/93		SBC363	
	1993-89	Front-All Hardware Included		SBC363	
	2000-98	Rear-All Hardware Included		SBC580	
	1994	Rear-All Hardware Included		SBC580	
	1993	Rear-All Hardware Included		SBC398	
	1992-90	Rear-L4 - 2.3L Hardware Included		SBC398	
	1992-90	Rear-L4 - 2.6L Hardware Included		SBC398	
	1989	Rear-All Hardware Included		SBC398	
Drum Brake Shoe	2000-98	Rear-All RWD		735	
	1994	Rear-All w/ 10" X 2.03" Brakes		619	
	1993-89	Rear-L4 - 2.3L		619	
Parking Brake Shoe	2000-98	Rear-All		858	
Disc Brake Rotor	2000-98	Front-All		PRT1786	
	1994	Front-All		PRT1786	
	1993-89	Front-All		PRT1673	
	2000-98	Rear-All		PRT1785	
	1994	Rear-All		PRT1785	
	1993-89	Rear-All		PRT1416	
Brake Drum	2000	Rear-All RWD, From 11/99		PDR0739	
	2000	Rear-All RWD, To 10/99		PDR0707	
	1999-98	Rear-All		PDR0707	
	1993-89	Rear-All		PDR0471	
Ascender					
Disc Brake Pad Set	2008-06	Front-All Hardware Included	CFC1169	SBC1169	MKD1169FM
	2005-03	Front-All Hardware Included	CFC882	SBC882	MKD882FM
	2008-03	Rear-All Hardware Included	CFC883	SBC883	MKD883FM
Parking Brake Shoe	2008-03	Rear-All		781	
Disc Brake Rotor	2008-07	Front-All		PRT5602	
	2006-04	Front-All Exc.Extended Wheelbase		PRT5304	
	2006-04	Front-All Extended Wheelbase		PRT5342	
	2003	Front-All		PRT5342	
	2008-03	Rear-All		PRT5314	
Axiom					
Disc Brake Pad Set	2004-03	Front-All Hardware Included		SBC867	
	2002	Front-All From 11/01		SBC867	
	2002	Front-All To 10/01		SBC579	
	2004-03	Rear-All Hardware Included		SBC580	
	2002	Rear-All 4WD, Hardware Included		SBC580	
	2002	Rear-All RWD, Hardware Included		SBC580	
Drum Brake Shoe	2004-02	Rear-All RWD		735	
Parking Brake Shoe	2004-02	Rear-All		858	
Disc Brake Rotor	2004-03	Front-All		PRT5402	
	2002	Front-All From 11/01		PRT5402	
	2002	Front-All To 10/01		PRT1786	
	2004-02	Rear-All		PRT1785	
Brake Drum	2004-02	Rear-All		PDR0739	
FRR					
Disc Brake Pad Set	2002-00	Front-All w/ 2.50" Dayton Dual Piston Calipers			MKD224FM
	1998-96	Front-All w/ 2.50" Dayton Dual Piston Calipers			MKD224FM
	2002-00	Rear-All w/ 2.50" Dayton Dual Piston Calipers			MKD224FM
	1998-96	Rear-All w/ 2.50" Dayton Dual Piston Calipers			MKD224FM
FSR					
Disc Brake Pad Set	2002-96	Front-All w/ 2.50" Dual Piston Dayton Calipers			MKD224FM
	2002-96	Rear-All w/ 2.50" Dual Piston Dayton Calipers			MKD224FM
Disc Brake Rotor	2002-97	Front-All		PRT1271	
	2002-98	Rear-All 4 Piston Caliper		PRT5346	SDR5346
	2002-97	Rear-All 15,000# Rear Axle, Axle Code RFQ		PRT5574	SDR5574
	2002-97	Rear-All 19,000# Single or 34,000# Tandem Rear Axle, Axle Code RFS		PRT5345	SDR5345
FTR					
Disc Brake Pad Set	2002-96	Front-All w/ 2.50" Dayton Dual Piston Calipers			MKD224FM
	2002-96	Front-All w/ 2.88" Dual Piston Bendix Calipers			MKD225AFM

BENDIX BRAKE PARTS

PART TYPE	YEAR	APPLICATION	PREMIUM NO.	PART NO.	SEVERE DUTY NO.	
Isuzu (Cont'd.)						
FTR (Cont'd.)						
Disc Brake Pad Set (cont'd)	2002-96	Rear-All w/ 2.50" Dayton Dual Piston Calipers			MKD224FM	
	2002-96	Rear-All w/ 2.88" Dual Piston Bendix Calipers			MKD225AFM	
Disc Brake Rotor	2009-04	Front-All 10 Hole Rotor Hat Shaped		PRT5688		
	2003	Front-All 10 Hole Rotor Hat Shaped, From 4/03		PRT5688		
	2002-97	Front-All 5 Hole Rotor		PRT1271		
	2002-97	Front-All 10 Hole Rotor Hat Shaped		PRT5763	SDR5763	
	2009-03	Rear-All 10 Hole Rotor Hat Shaped, Exc. 21000lb Axle		PRT5688		
	2002-99	Rear-All 4 Piston Caliper		PRT5346	SDR5346	
	2002-97	Rear-All Hat Shaped 10 Hole Rotor; Dual Piston Calipers; 19,000 lb Single Rear Axle		PRT5575		
FVR						
Disc Brake Pad Set	2002-96	Front-All w/ 2.50" Dayton Dual Piston Calipers			MKD224FM	
	2002-96	Front-All w/ 2.88" Dual Piston Bendix Calipers			MKD225AFM	
	2002-96	Rear-All w/ 2.50" Dayton Dual Piston Calipers			MKD224FM	
	2002-96	Rear-All w/ 2.88" Dual Piston Bendix Calipers			MKD225AFM	
Disc Brake Rotor	2009-03	Front-All		PRT5688		
	2002-97	Front-All 5 Hole Rotor		PRT1271		
	2009-03	Rear-All 10 Hole Rotor Hat Shaped, 19000lb Axle		PRT5688		
	2002-97	Rear-All Hat Shaped 10 Hole Rotor; Dual Piston Calipers; 19,000 lb Single Rear Axle		PRT5575		
Hombre						
Disc Brake Pad Set	2000	Front-All Hardware Not Included	CFC154	SBC154	MKD154FM	
	1999-98	Front-All 4WD, w/ 2 Piston Caliper	CFC726	SBC726	MKD726FM	
	1999-98	Front-All RWD, w/ 1 Piston Caliper	CFC154	SBC154	MKD154FM	
	1997-96	Front-All Hardware Not Included	CFC154			
	1997	Front-All Hardware Not Included		SBC767	MKD767FM	
	1996	Front-All Hardware Not Included		SBC154	MKD154FM	
	2000	Rear-L4 - 2.2L Hardware Included	CFC729	SBC729		
	2000	Rear-V6 - 4.3L Hardware Included	CFC729	SBC729		
	1999-98	Rear-L4 - 2.2L 4WD, Hardware Included	CFC729	SBC729		
	1999-98	Rear-L4 - 2.2L RWD, Hardware Included	CFC729	SBC729		
	1999-98	Rear-V6 - 4.3L 4WD, Hardware Included	CFC729	SBC729		
	1999-98	Rear-V6 - 4.3L RWD, Hardware Included	CFC729	SBC729		
	Drum Brake Shoe	2000-98	Rear-All RWD		514	
		1997-96	Rear-All w/ 9.5" X 2.06" Brakes		514	
Parking Brake Shoe	2000-97	Rear-All		784		
Disc Brake Rotor	1999-98	Front-All 4WD		PRT5182		
	2000-98	Rear-All		PRT5180		
Disc Brake Rotor and Hub Assembly	2000	Front-All		PRT5241		
	1999-98	Front-All RWD		PRT5241		
	1997-96	Front-All		PRT5241		
Brake Drum	2000-96	Rear-All		PDR0610		
HTR						
Disc Brake Rotor	2008-05	Front-All		PRT5688		
	2008-05	Rear-All		PRT5688		
HVR						
Disc Brake Rotor	2008-05	Front-All		PRT5688		
	2008-05	Rear-All 19,000 # Axle		PRT5688		
i-280						
Disc Brake Pad Set	2006	Front-All Hardware Included	CFC1039	SBC1039		
Drum Brake Shoe	2006	Rear-All w/ 11.66" X 1.85" Brakes		815		
Disc Brake Rotor	2006	Front-All		PRT5509		
Brake Drum	2006	Rear-All		PDR0798		
i-290						
Disc Brake Pad Set	2008-07	Front-All Hardware Included	CFC1039	SBC1039		
Drum Brake Shoe	2008-07	Rear-All w/ 11.66" X 1.85" Brakes		815		
Disc Brake Rotor	2008-07	Front-All		PRT5509		
Brake Drum	2008-07	Rear-All		PDR0798		
i-350						
Disc Brake Pad Set	2006	Front-All Hardware Included	CFC1039	SBC1039		
Drum Brake Shoe	2006	Rear-All w/ 11.66" X 1.85" Brakes		815		
Disc Brake Rotor	2006	Front-All		PRT5509		
Brake Drum	2006	Rear-All		PDR0798		
i-370						
Disc Brake Pad Set	2008-07	Front-All Hardware Included	CFC1039	SBC1039		
Drum Brake Shoe	2008-07	Rear-All w/ 11.66" X 1.85" Brakes		815		
Disc Brake Rotor	2008-07	Front-All		PRT5509		
Brake Drum	2008-07	Rear-All		PDR0798		
I-Mark						
Disc Brake Rotor	1989-86	Front-All w/Sport Suspension		PRT1810		
	1989-86	Front-All wo/Sport Suspension		PRT1385		

BENDIX BRAKE PARTS

PART TYPE	YEAR	APPLICATION	PREMIUM NO.	PART NO.	SEVERE DUTY NO.	
Isuzu (Cont'd.)						
I-Mark (Cont'd.)						
Disc Brake Rotor (cont'd)	1985	Front-All FWD, w/Sport Suspension		PRT1810		
	1985	Front-All FWD, wo/Sport Suspension		PRT1385		
	1984-81	Front-All		PRT1256		
Brake Drum	1989-85	Rear-All		PDR0470		
	1984-81	Rear-All		PDR0366		
Impulse						
Disc Brake Pad Set	1992-90	Front-All Hardware Included		SBM525		
Disc Brake Rotor	1992-90	Front-All Rear Disc, Vented; 248mm		PRT1546		
	1987	Front-All To 5/87		PRT1458		
	1986-83	Front-All		PRT1458		
	1992-90	Rear-All		PRT1728		
	1989-83	Rear-All		PRT1329		
NPR						
Disc Brake Pad Set	2017	Front-All Hardware Included			MKD825FM	
	2016-11	Front-All GAS, Class 3		SBC1732		
	2016-11	Front-All GAS, w/ 14,000-19,500 lb. GVW			MKD827FM	
	2015-11	Front-All DIESEL, w/ 12.6" X 3.01" Rear Brakes		SBC1732		
	2010	Front-All Hardware Included		SBC1732		
	2009-08	Front-All DIESEL, w/ 12.6" X 4.02" Rear Brakes		SBC1732		
	2009-08	Front-All w/ 10,000-14,000 lb. GVW			MKD825FM	
	2009-05	Front-All GAS, Class 3		SBC1732		
	2007-06	Front-All DIESEL, Hardware Included		SBC1732		
	2007-04	Front-All GAS, w/ 14,000-19,500 lb. GVW			MKD827FM	
	2005-04	Front-All DIESEL, w/ 10,000-14,000 lb. GVW			MKD825FM	
	2005	Front-All DIESEL, 4HK1-TCS		SBC1732		
	2004	Front-All GAS, w/ 10,000-14,000 lb. GVW			MKD825FM	
	2003-99	Front-All w/ 14,000-19,500 lb. GVW			MKD827FM	
	2003-98	Front-All w/ 10,000-14,000 lb. GVW			MKD825FM	
	1994-93	Front-All Hardware Included			MKD225AFM	
	1986	Front-All Hardware Included			MKD225AFM	
	2000-96	Rear-All w/ 2.50" Dia. Dual Piston Dayton Caliper			MKD224FM	
	2000-96	Rear-All w/ 2.88" Dia. Dual Piston Bendix Caliper			MKD225AFM	
	1995-92	Rear-All Hardware Included			MKD225AFM	
	1990-86	Rear-All Hardware Included			MKD225AFM	
	Drum Brake Shoe	2012-87	Rear-All w/ 12 5/8" x 4" Brakes		699	
	Parking Brake Shoe	2008-95	Rear-All		823	
Disc Brake Rotor	2017	Front-All w/ 12,000 lb. GVW; w/ 13,000 lb. GVW		PRT5347		
	2016-07	Front-All w/ 10,001-14,000 lb. GVWR		PRT5347		
	2008-07	Front-All w/ 10,001-14,000 lb. GVWR			SDR5347	
	2007-06	Front-All w/ 14,001-16,000 lb. GVWR		PRT5558	SDR5558	
	2005-98	Front-All w/ 14,001-19,500 lb. GVWR; 225/70/R19.5 Tires		PRT5558	SDR5558	
	2003-98	Front-All w/ 10,001-16,000 lb. GVWR; 215/85/R16 Tires		PRT5347	SDR5347	
	1999-97	Front-All 310mm Rotor Diameter		PRT5533	SDR5533	
	1997	Front-All 294mm Rotor		PRT5347	SDR5347	
	1989-86	Front-All		PRT1730	SDR1730	
	NPR-HD					
Disc Brake Pad Set	2016-12	Front-All GAS, Class 3		SBC1732		
	2016-12	Front-All GAS, w/ 14,000-19,500 lb. GVW			MKD827FM	
	2016-11	Front-All DIESEL, w/ 12.6" X 3.01" Rear Brakes		SBC1732		
	2010-08	Front-All w/ 14,000-19,500 lb. GVW			MKD827FM	
	2010-08	Front-All w/o Superlong Chassis		SBC1732		
	2009-08	Front-All w/ 10,000-14,000 lb. GVW			MKD825FM	
	2007-04	Front-All DIESEL, Class 4		SBC1732		
	2007-04	Front-All GAS, Class 3		SBC1732		
	2007-01	Front-All DIESEL, w/ 14,000-19,500 lb. GVW			MKD827FM	
	2007-01	Front-All GAS, w/ 14,000-19,500 lb. GVW			MKD827FM	
	2003-01	Front-All DIESEL, w/ 10,000-14,000 lb. GVW			MKD825FM	
	2003-01	Front-All GAS, w/ 10,000-14,000 lb. GVW			MKD825FM	
	2000-99	Front-All w/ 2.50" Dia. Dual Piston Dayton Caliper			MKD224FM	
	2000-99	Front-All w/ 2.88" Dia. Dual Piston Bendix Caliper			MKD225AFM	
	2000-99	Rear-All w/ 2.50" Dia. Dual Piston Dayton Caliper			MKD224FM	
	2000-99	Rear-All w/ 2.88" Dia. Dual Piston Bendix Caliper			MKD225AFM	
	Drum Brake Shoe	2012-99	Rear-All w/ 12 5/8" x 4" Brakes		699	
	Parking Brake Shoe	2008-99	Rear-All		823	
	Disc Brake Rotor	2018-17	Front-All BI-FUEL		PRT5558	
		2018-13	Front-All GAS		PRT5558	
2018		Front-All DIESEL		PRT5347		
2016-13		Front-All CNG		PRT5558		
2012		Front-All		PRT5558		
2011-10		Front-All		PRT5347	SDR5347	
NPR-XD						
Disc Brake Pad Set	2018-17	Front-All Hardware Included			MKD825FM	

BENDIX BRAKE PARTS

PART TYPE	YEAR	APPLICATION	PREMIUM NO.	PART NO.	SEVERE DUTY NO.	
Isuzu (Cont'd.)						
NQR						
Disc Brake Pad Set	2016	Front-All w/ 14,000-19,500 lb. GVW			MKD827FM	
	2015-14	Front-All Class 4, 5		SBC1732		
	2013-01	Front-All w/ 14,000-19,500 lb. GVW			MKD827FM	
	2010-04	Front-All Class 4		SBC1732		
	2003-01	Front-All w/ 10,000-14,000 lb. GVW			MKD825FM	
	2000-96	Front-All w/ 2.50" Dia. Dual Piston Dayton Caliper			MKD224FM	
	2000-96	Front-All w/ 2.88" Dia. Dual Piston Bendix Caliper			MKD225AFM	
	1995-94	Front-All Hardware Included			MKD225AFM	
	2000-96	Rear-All w/ 2.50" Dia. Dual Piston Dayton Caliper			MKD224FM	
	2000-96	Rear-All w/ 2.88" Dia. Dual Piston Bendix Caliper			MKD225AFM	
	1995-94	Rear-All Hardware Included			MKD225AFM	
	Drum Brake Shoe	2008-95	Rear-All		699	
	Parking Brake Shoe	2008-95	Rear-All		823	
Disc Brake Rotor	2018-11	Front-All		PRT5558		
	2010-07	Front-All w/ 14,001-16,000 lb. GVWR			SDR5347	
	2010-04	Front-All w/ 14,001-16,000 lb. GVWR		PRT5347		
	2010-03	Front-All w/ 16,001-19,500 lb. GVWR		PRT5558		
	2006-03	Front-All w/ 16,001-19,500 lb. GVWR			SDR5558	
	2003-95	Front-All		PRT1730		
	2003	Front-All w/ 14,001-16,000 lb. GVWR			SDR5347	
	1999	Front-All Hat Shaped 12 Hole Rotor; 300mm Diameter; Thru 12/98		PRT5533	SDR5533	
NRR						
Disc Brake Pad Set	2016-05	Front-All w/ 14,000-19,500 lb. GVW			MKD827FM	
	1994-88	Front-All Hardware Included			MKD225AFM	
	1994-88	Rear-All Hardware Included			MKD225AFM	
Drum Brake Shoe	2008-05	Rear-All		699		
Parking Brake Shoe	2008-05	Rear-All		823		
Disc Brake Rotor	2010-08	Front-All		PRT5558		
	2007-05	Front-All To 2/07		PRT5558	SDR5558	
Oasis						
Disc Brake Pad Set	1999-96	Front-All Hardware Not Included	CFC503	SBC503		
	1999-96	Rear-All Hardware Included	CFC536	SBC536		
Parking Brake Shoe	1999-96	Rear-All		782		
Disc Brake Rotor	1999-96	Front-All		PRT1513		
	1999-96	Rear-All		PRT1514		
Pickup						
Disc Brake Pad Set	1995-88	Front-All Hardware Included		SBC363		
	1995-92	Rear-All Hardware Included		SBC398		
Drum Brake Shoe	1995-84	Rear-All w/ 10" X 2.03" Brakes		619		
Disc Brake Rotor	1995-88	Front-All		PRT1673		
	1987-85	Front-All 4WD		PRT1459		
	1987-85	Front-All RWD		PRT1459		
	1984	Front-All		PRT1459		
	1995-88	Rear-All		PRT1416		
Brake Drum	1995-81	Rear-All		PDR0471		
Reach						
Disc Brake Pad Set	2015-14	Front-All Hardware Included		SBC1732		
	2013	Front-All w/ 10,000-14,000 lb. GVW			MKD825FM	
	2012	Front-All w/ 14,000-19,500 lb. GVW			MKD827FM	
	2011	Front-All w/ 10,000-14,000 lb. GVW			MKD825FM	
Rodeo						
Disc Brake Pad Set	2004-02	Front-All Hardware Included		SBC867		
	2001-96	Front-All Hardware Included		SBC579		
	1995-93	Front-L4 - 2.6L Hardware Included		SBC363		
	1995-93	Front-V6 - 3.2L Hardware Included		SBC579		
	1992-91	Front-All Hardware Included		SBC363		
	2004	Rear-All Hardware Included		SBC580		
	2003-01	Rear-L4 - 2.2L Hardware Included		SBC580		
	2003-01	Rear-V6 - 3.2L Hardware Included		SBC580		
	2000-96	Rear-All Hardware Included		SBC580		
	1995-93	Rear-V6 - 3.2L Hardware Included		SBC580		
	Drum Brake Shoe	2004-01	Rear-All w/ 10" X 2.03" Brakes		735	
		2000-98	Rear-All RWD		735	
		1997-96	Rear-All w/ 10" X 2.03" Brakes		619	
1995-93		Rear-L4 - 2.6L		619		
1992-91		Rear-All w/ 10" X 2.03" Brakes		619		
Parking Brake Shoe	2004-94	Rear-All		858		
	1993	Rear-All		891		
Disc Brake Rotor	2004-01	Front-All From 7/01		PRT5402		
	2001-96	Front-All To 6/01		PRT1786		
	1995-94	Front-L4 - 2.6L		PRT1673		
	1995-93	Front-V6 - 3.2L		PRT1786		

BENDIX BRAKE PARTS

PART TYPE	YEAR	APPLICATION	PREMIUM NO.	PART NO.	SEVERE DUTY NO.
Isuzu (Cont'd.)					
Rodeo (Cont'd.)					
Disc Brake Rotor (cont'd)	1993	Front-L4 - 2.6L From 10/92		PRT1786	
	1993	Front-L4 - 2.6L To 10/92		PRT1673	
	1992-91	Front-All		PRT1673	
	2004-93	Rear-All		PRT1785	
Brake Drum	2004-00	Rear-All		PDR0739	
	1999-98	Rear-All		PDR0707	
	1997-91	Rear-All		PDR0471	
Rodeo Sport					
Disc Brake Pad Set	2003-02	Front-All Hardware Included		SBC867	
	2001	Front-All Hardware Included		SBC579	
	2003	Rear-V6 - 3.2L Hardware Included		SBC580	
	2002-01	Rear-All Hardware Included		SBC580	
Drum Brake Shoe	2003-01	Rear-All RWD		735	
Parking Brake Shoe	2003-01	Rear-All		858	
Disc Brake Rotor	2003-02	Front-All		PRT5402	
	2001	Front-All		PRT1786	
	2003-01	Rear-V6 - 3.2L		PRT1785	
Brake Drum	2003-01	Rear-L4 - 2.2L		PDR0739	
Stylus					
Disc Brake Pad Set	1993-91	Front-All Hardware Included		SBM525	
Disc Brake Rotor	1993	Front-All Vented; 248mm		PRT1546	
	1992-91	Front-All Rear Disc, Vented; 248mm		PRT1546	
	1993-91	Rear-All		PRT1728	
Brake Drum	1993-91	Rear-All		PDR0601	
Trooper					
Disc Brake Pad Set	2002-92	Front-All Hardware Included		SBC579	
	1991-87	Front-All Hardware Included		SBC363	
	2002-92	Rear-All Hardware Included		SBC580	
	1991-88	Rear-All w/o Anti-Rattle Clip Attached to Brake Pad		SBC398	
Drum Brake Shoe	1991-84	Rear-All w/ 10" X 2.03" Brakes		619	
Parking Brake Shoe	2002-92	Rear-All		891	
Disc Brake Rotor	2002-92	Front-All		PRT1786	
	1991-88	Front-All		PRT1673	
	1987	Front-All From 11/86		PRT1673	
	1987	Front-All To 10/86		PRT1459	
	1986-84	Front-All		PRT1459	
	2002-92	Rear-All		PRT1785	
	1991-87	Rear-All		PRT1416	
	1987-84	Rear-All		PDR0471	
Brake Drum					
VehiCROSS					
Disc Brake Pad Set	2001-99	Front-All Hardware Included		SBC579	
	2001-99	Rear-All Hardware Included		SBC580	
Parking Brake Shoe	2001-99	Rear-All		891	
Disc Brake Rotor	2001-99	Front-All		PRT1786	
	2001-99	Rear-All		PRT1785	
Jaguar					
E-Pace					
Disc Brake Pad Set	2018	Front-All Base, w/ 325mm Front Rotor	CFC1838		
	2018	Front-All First Edition, w/ 325mm Front Rotor	CFC1838		
	2018	Front-All S, Hardware Not Included	CFC1838		
	2018	Front-All SE, Hardware Not Included	CFC1838		
	2018	Rear-All Base, Hardware Not Included	CFC1821		
	2018	Rear-All First Edition, Hardware Not Included	CFC1821		
	2018	Rear-All R-Dynamic HSE, Hardware Not Included	CFC1821		
	2018	Rear-All R-Dynamic S, Hardware Not Included	CFC1821		
	2018	Rear-All R-Dynamic SE, Hardware Not Included	CFC1821		
	2018	Rear-All S, Hardware Not Included	CFC1821		
	2018	Rear-All SE, Hardware Not Included	CFC1821		
F-Pace					
Disc Brake Pad Set	2018-17	Front-L4 - 2.0L Hardware Not Included	CFC1838A		
	2018	Rear-L4 - 2.0L Hardware Not Included	CFC1821		
	2018	Rear-V6 - 3.0L Hardware Not Included	CFC1821		
	2017	Rear-All Hardware Not Included	CFC1821		
F-Type					
Disc Brake Pad Set	2019	Front-L4 - 2.0L Base, Turbocharged, Hardware Not Included	CFM1751		
	2018	Front-L4 - 2.0L Base, Hardware Not Included	CFM1751		
	2018	Front-V6 - 3.0L Base, w/o Ceramic Composite Brakes	CFM1751		
	2017	Front-All Hardware Not Included	CFM1751		
	2016	Front-All w/o Ceramic Brakes	CFM1751		
	2014	Front-All w/o Red Caliper	CFM1751		
	2019-18	Rear-All R, w/o Ceramic Composite Brakes	CFM1753		

BENDIX BRAKE PARTS

PART TYPE	YEAR	APPLICATION	PREMIUM NO.	PART NO.	SEVERE DUTY NO.
Jaguar (Cont'd.)					
F-Type (Cont'd.)					
Disc Brake Pad Set (cont'd)	2019-18	Rear-All R-Dynamic, w/o Ceramic Composite Brakes	CFM1752		
	2019-18	Rear-All R-Dynamic, w/o Ceramic Composite Brakes	CFM1753		
	2019-18	Rear-All SVR, w/o Ceramic Composite Brakes	CFM1753		
	2019-18	Rear-V6 - 3.0L Base, w/o Ceramic Composite Brakes	CFM1752		
	2019-18	Rear-V6 - 3.0L Base, w/o Ceramic Composite Brakes	CFM1753		
	2019	Rear-L4 - 2.0L Base, Turbocharged, Hardware Not Included	CFM1752		
	2018	Rear-All 400 Sport, w/o Ceramic Composite Brakes	CFM1753		
	2018	Rear-L4 - 2.0L Base, Hardware Not Included	CFM1752		
	2017	Rear-All Hardware Not Included	CFM1752		
	2016	Rear-All w/o Ceramic Brakes	CFM1752		
	2016	Rear-All w/o Ceramic Brakes	CFM1753		
	2015-14	Rear-All w/ Black Caliper	CFM1752		
	2015-14	Rear-All w/ Red Caliper	CFM1753		
S-Type					
Disc Brake Pad Set	2008-07	Front-V8 - 4.2L R, Hardware Not Included	CFM1472	SBM1472	
	2006	Front-All Base, Hardware Included	CFM1241		
	2006	Front-All Base, Hardware Not Included		SBM1241	
	2006	Front-All R, Hardware Not Included	CFM1472	SBM1472	
	2006	Front-All VDP Edition, Hardware Included	CFM1241		
	2006	Front-All VDP Edition, Hardware Not Included		SBM1241	
	2005-03	Front-V6 - 3.0L Hardware Not Included		SBM1065	
	2005	Front-V8 - 4.2L R, To Chassis/VIN #N52047		SBM938	
	2005	Front-V8 - 4.2L Sport, To Chassis/VIN #N52047		SBM1065	
	2004-03	Front-V8 - 4.2L Base, Hardware Not Included		SBM1065	
	2004-03	Front-V8 - 4.2L R, Hardware Not Included		SBM938	
	2002-00	Front-All Hardware Included		SBC805	
	2008-06	Rear-All Hardware Included	CFC1095	SBC1095	
	2005-03	Rear-V6 - 3.0L Hardware Included		SBC806	
	2005-03	Rear-V8 - 4.2L R, w/ Manual Operated Parking Brake	CFM592A	SBM592A	
	2005	Rear-V8 - 4.2L R, w/ Manual Operated Parking Brake	CFC1095	SBC1095	
	2005	Rear-V8 - 4.2L Sport, From Chassis/VIN #N52047	CFC1095	SBC1095	
	2005	Rear-V8 - 4.2L Sport, To Chassis/VIN #N52047		SBC806	
	2004-03	Rear-V8 - 4.2L Base, Hardware Included		SBC806	
	2002-00	Rear-All Hardware Included		SBC806	
Disc Brake Rotor	2008-05	Front-All 326mm Diameter		PRT6023	
	2008-05	Front-All 355 mm Diameter	BPR6026	PRT6026	
	2005-03	Front-All 320mm Diameter	BPR6247	PRT6247	
	2004-99	Front-All 302mm Diameter		PRT5270	
	2008-07	Rear-All	BPR6022	PRT6022	
	2006-05	Rear-All 288mm Rotor		PRT5269	
	2006-05	Rear-All 326mm Diameter	BPR6022	PRT6022	
	2004-99	Rear-All		PRT5269	
Super V8					
Disc Brake Pad Set	2009-06	Front-All Hardware Not Included	CFM1472	SBM1472	
	2005	Front-V8 - 4.2L To Chassis/VIN #G49700		SBM938	
	2009-06	Rear-All Hardware Included	CFC1095	SBC1095	
	2005	Rear-All From Chassis/VIN #G49701	CFC1095	SBC1095	
	2005	Rear-All To Chassis/VIN #G49700	CFM592A	SBM592A	
Disc Brake Rotor	2009-05	Front-All	BPR6026	PRT6026	
	2009-05	Rear-All	BPR6022	PRT6022	
Vanden Plas					
Disc Brake Pad Set	2009-06	Front-All Hardware Included	CFM1241		
	2009-06	Front-All Hardware Not Included		SBM1241	
	2005	Front-V8 - 4.2L To Chassis/VIN #G49700		SBM1065	
	2004	Front-V8 - 4.2L Hardware Not Included		SBM1065	
	2003	Front-All Hardware Included	CFM394A		
	2003	Front-All Hardware Not Included		SBM394A	
	2002-00	Front-All Supercharged, Hardware Included	CFM394A		
	2002-00	Front-All Supercharged, Hardware Not Included		SBM394A	
	2002	Front-All Naturally Aspirated, From Chassis/VIN #F40673	CFM394A	SBM394A	
	1999-90	Front-All w/o ATE Caliper Design	CFM394A	SBM394A	
	1987-85	Front-All w/ 4 Piston Caliper		SBM135	
	1984-82	Front-All Hardware Not Included		SBM135	
	2009-06	Rear-All Hardware Included	CFC1095	SBC1095	
	2005	Rear-All From Chassis/VIN #G49701	CFC1095	SBC1095	
	2005	Rear-All To Chassis/VIN #G49700		SBC806	
	2004	Rear-All Hardware Included		SBC806	
	1999-98	Rear-All Hardware Included		SBM1701	
	1994-90	Rear-All Hardware Not Included		SBM517	
Parking Brake Shoe	2003-90	Rear-All w/ 7.09" X 1.18" Brakes		826	
Disc Brake Rotor	2009-06	Front-All		PRT6023	
	2005-04	Front-All 320mm Diameter / To Chassis #G49700	BPR6247	PRT6247	

BENDIX BRAKE PARTS

PART TYPE	YEAR	APPLICATION	PREMIUM NO.	PART NO.	SEVERE DUTY NO.
Jaguar (Cont'd.)					
Vanden Plas (Cont'd.)					
Disc Brake Rotor (cont'd)	2005	Front-All From Chassis #G49701		PRT6023	
	2003-00	Front-All 305mm Diameter		PRT5179	
	1999-98	Front-All		PRT5179	
	1997-90	Front-All Vented; 291.2mm		PRT1843	
	1989-88	Front-All		PRT1569	
	1985	Front-All		PRT1515	
	2009-06	Rear-All	BPR6022	PRT6022	
	2005	Rear-All From Chassis / VIN # G49701	BPR6022	PRT6022	
	2005	Rear-All To Chassis / VIN # G49700		PRT5269	
	2004	Rear-All		PRT5269	
	2003-95	Rear-All wo/Brembo Brakes		PRT5104	
	1994-90	Rear-All		PRT5161	
	1987-85	Rear-All Dana Axle		PRT1611	
XE					
Disc Brake Pad Set	2018	Front-L4 - 2.0L Base, DIESEL, AWD, Hardware Not Included	CFC1838A		
	2018	Front-L4 - 2.0L Base, DIESEL, RWD, Hardware Not Included	CFC1869		
	2018	Front-L4 - 2.0L Base, GAS, Hardware Not Included	CFC1838A		
	2018	Front-L4 - 2.0L Portfolio, GAS, Hardware Not Included	CFC1838A		
	2018	Front-L4 - 2.0L Premium, DIESEL, AWD, Hardware Not Included	CFC1838A		
	2018	Front-L4 - 2.0L Premium, DIESEL, RWD, Hardware Not Included	CFC1869		
	2018	Front-L4 - 2.0L Premium, GAS, Hardware Not Included	CFC1838A		
	2018	Front-L4 - 2.0L Prestige, DIESEL, AWD, Hardware Not Included	CFC1838A		
	2018	Front-L4 - 2.0L Prestige, DIESEL, RWD, Hardware Not Included	CFC1869		
	2018	Front-L4 - 2.0L Prestige, GAS, Hardware Not Included	CFC1838A		
	2018	Front-L4 - 2.0L Pure, GAS, Hardware Not Included	CFC1838A		
	2018	Front-L4 - 2.0L R-Sport, DIESEL, AWD, Hardware Not Included	CFC1838A		
	2018	Front-L4 - 2.0L R-Sport, DIESEL, RWD, Hardware Not Included	CFC1869		
	2018	Front-L4 - 2.0L R-Sport, GAS, Hardware Not Included	CFC1838A		
	2017	Front-All AWD, Hardware Not Included	CFC1838A		
	2017	Front-All RWD, Hardware Not Included	CFC1869		
	2016	Front-All w/ 16.5" Wheels	CFC1869		
	2016	Front-All w/ 17" Wheels	CFC1838		
	2018-16	Rear-All Hardware Not Included	CFC1821		
XF					
Disc Brake Pad Set	2018	Front-All Base, Hardware Not Included	CFC1838A		
	2018	Front-L4 - 2.0L Premium, Hardware Not Included	CFC1838A		
	2018	Front-L4 - 2.0L Prestige, Hardware Not Included	CFC1838A		
	2018	Front-L4 - 2.0L R-Sport, Hardware Not Included	CFC1838A		
	2015-10	Front-All Supercharged, Hardware Not Included	CFM1448	SBM1448	
	2015	Front-All 2.0T, Hardware Not Included	CFM1472	SBM1472	
	2015	Front-All 2.0T Luxury, Hardware Not Included	CFM1472	SBM1472	
	2015	Front-All 3.0L AWD, Hardware Not Included	CFM1472	SBM1472	
	2015	Front-All 3.0L AWD Luxury, Hardware Not Included	CFM1472	SBM1472	
	2015	Front-All 3.0L AWD Sport, Hardware Not Included	CFM1472	SBM1472	
	2015	Front-All Portfolio, Hardware Not Included	CFM1472	SBM1472	
	2015	Front-All Premium, Hardware Not Included	CFM1472	SBM1472	
	2015	Front-All Sport, Hardware Not Included	CFM1472	SBM1472	
	2014-13	Front-All 3.0L, RWD, Hardware Included	CFM1241		
	2014-13	Front-All 3.0L, RWD, Hardware Not Included		SBM1241	
	2014-13	Front-All 3.0L AWD, AWD, Hardware Not Included	CFM1472	SBM1472	
	2014-13	Front-All Base, Hardware Included	CFM1241		
	2014-13	Front-All Base, Hardware Not Included		SBM1241	
	2013-12	Front-All Portfolio, Hardware Not Included	CFM1472	SBM1472	
	2012-11	Front-All Base, Hardware Not Included	CFM1472	SBM1472	
	2011	Front-All Premium, Hardware Not Included	CFM1472	SBM1472	
	2010	Front-All Base, Hardware Included	CFM1241		
	2010	Front-All Base, Hardware Not Included		SBM1241	
	2010	Front-All Premium, Hardware Included	CFM1241		
	2010	Front-All Premium, Hardware Not Included		SBM1241	
	2009	Front-All Naturally Aspirated, Hardware Included	CFM1241		
	2009	Front-All Naturally Aspirated, Hardware Not Included		SBM1241	
	2009	Front-All Supercharged, Hardware Not Included		SBM938	
	2018	Rear-All Base, Hardware Not Included	CFC1821		
	2018	Rear-All Portfolio, Hardware Not Included	CFC1821		
	2018	Rear-All Premium, Hardware Not Included	CFC1821		
	2018	Rear-All Prestige, Hardware Not Included	CFC1821		
	2018	Rear-All R-Sport, Hardware Not Included	CFC1821		
	2018	Rear-All S, Hardware Not Included	CFC1821		

BENDIX BRAKE PARTS

PART TYPE	YEAR	APPLICATION	PREMIUM NO.	PART NO.	SEVERE DUTY NO.
Jaguar (Cont'd.)					
XF (Cont'd.)					
Disc Brake Pad Set (cont'd)	2018	Rear-All Sportbrake First Edition, Hardware Not Included	CFC1821		
	2018	Rear-All Sportbrake S, Hardware Not Included	CFC1821		
	2017-16	Rear-All Hardware Not Included	CFC1821		
	2015-13	Rear-All 3.0L AWD, Hardware Included	CFC1095	SBC1095	
	2015-10	Rear-All Supercharged, Hardware Not Included	CFM1449	SBM1449	
	2015	Rear-All 2.0T, Hardware Included	CFC1095	SBC1095	
	2015	Rear-All 2.0T Luxury, Hardware Included	CFC1095	SBC1095	
	2015	Rear-All 3.0L AWD Luxury, Hardware Included	CFC1095	SBC1095	
	2015	Rear-All 3.0L AWD Sport, Hardware Included	CFC1095	SBC1095	
	2015	Rear-All Portfolio, Hardware Included	CFC1095	SBC1095	
	2015	Rear-All Premium, Hardware Included	CFC1095	SBC1095	
	2015	Rear-All Sport, Hardware Included	CFC1095	SBC1095	
	2014-13	Rear-All 3.0L, Hardware Included	CFC1095	SBC1095	
	2014-10	Rear-All Base, Hardware Included	CFC1095	SBC1095	
	2012	Rear-All Portfolio, Hardware Included	CFC1095	SBC1095	
	2011-10	Rear-All Premium, Hardware Included	CFC1095	SBC1095	
	2010	Rear-All Luxury, Hardware Included	CFC1095	SBC1095	
	2010	Rear-All Premium Luxury, Hardware Included	CFC1095	SBC1095	
	2009	Rear-All Hardware Included	CFC1095	SBC1095	
	Disc Brake Rotor	2015-13	Front-All 326mm Diameter		PRT6023
2013-11		Front-All 380 mm Diameter		PRT6025	
2013-09		Front-All 355 mm Diameter	BPR6026	PRT6026	
2010-09		Front-All 326mm Diameter		PRT6023	
2015-14		Rear-All 326mm Diameter		PRT6022	
2013-10		Rear-All 376 mm Diameter		PRT6024	
2012-09		Rear-All 326mm Diameter	BPR6022	PRT6022	
XFR					
Disc Brake Pad Set	2015-14	Front-All Hardware Not Included	CFM1448	SBM1448	
	2013	Front-All Hardware Not Included	CFM1472	SBM1472	
	2012-10	Front-V8 - 5.0L Base, Supercharged, GAS, Hardware Not Included	CFM1448	SBM1448	
	2015-10	Rear-All Hardware Not Included	CFM1449	SBM1449	
Disc Brake Rotor	2015-10	Front-All		PRT6025	
	2015-10	Rear-All		PRT6024	
XFR-S					
Disc Brake Pad Set	2015-13	Front-All Hardware Not Included	CFM1448	SBM1448	
	2015-13	Rear-All Hardware Not Included	CFM1449	SBM1449	
Disc Brake Rotor	2015-13	Front-All		PRT6025	
	2015-13	Rear-All		PRT6024	
XJ					
Disc Brake Pad Set	2018	Front-V8 - 5.0L Hardware Not Included	CFM1448	SBM1448	
	2017	Front-All CAN, Hardware Not Included	CFM1472	SBM1472	
	2017	Front-All USA, Hardware Not Included	CFM1448	SBM1448	
	2016	Front-V8 - 5.0L Hardware Not Included	CFM1448	SBM1448	
	2015-14	Front-All Base, Hardware Not Included	CFM1472	SBM1472	
	2015-14	Front-All L Portfolio, Hardware Not Included	CFM1472	SBM1472	
	2015-14	Front-All L Supercharged, Hardware Not Included	CFM1448	SBM1448	
	2015-14	Front-All Supercharged, Hardware Not Included	CFM1448	SBM1448	
	2013	Front-V6 - 3.0L Base, Supercharged, AWD, Hardware Not Included	CFM1472	SBM1472	
	2013	Front-V6 - 3.0L Base, Supercharged, RWD, Hardware Not Included	CFM1472	SBM1472	
	2013	Front-V6 - 3.0L L Portfolio, Supercharged, Hardware Not Included	CFM1472	SBM1472	
	2013	Front-V8 - 5.0L Naturally Aspirated, Hardware Not Included	CFM1472	SBM1472	
	2013	Front-V8 - 5.0L Supercharged, Hardware Not Included	CFM1448	SBM1448	
	2012	Front-All Base, Hardware Not Included	CFM1472	SBM1472	
	2012	Front-All L Portfolio, Hardware Not Included	CFM1448	SBM1448	
	2012	Front-All L Supercharged, Supercharged, Hardware Not Included	CFM1448	SBM1448	
	2012	Front-All L Supersport, Supercharged, Hardware Not Included	CFM1448	SBM1448	
	2012	Front-All Supercharged, Supercharged, Hardware Not Included	CFM1448	SBM1448	
	2012	Front-All Supersport, Supercharged, Hardware Not Included	CFM1448	SBM1448	
	2011	Front-All Naturally Aspirated, Hardware Not Included	CFM1472	SBM1472	
	2011	Front-All Supercharged, Hardware Not Included	CFM1448	SBM1448	
	2010	Front-All Hardware Not Included	CFM1472	SBM1472	
	2018	Rear-V6 - 3.0L Hardware Not Included	CFM1752		
	2018	Rear-V8 - 5.0L Hardware Not Included	CFM1753		
	2016	Rear-All CAN, Hardware Included	CFC1095	SBC1095	
	2016	Rear-All USA, Hardware Not Included	CFM1449	SBM1449	
	2015	Rear-All Hardware Included	CFC1095	SBC1095	
	2014	Rear-All Base, Hardware Included	CFC1095	SBC1095	

BENDIX BRAKE PARTS

PART TYPE	YEAR	APPLICATION	PREMIUM NO.	PART NO.	SEVERE DUTY NO.	
Jaguar (Cont'd.)						
XJ (Cont'd.)						
Disc Brake Pad Set (cont'd)	2014	Rear-All L Portfolio, Hardware Included	CFC1095	SBC1095		
	2014	Rear-All L Supercharged, Hardware Not Included	CFM1449	SBM1449		
	2014	Rear-All Supercharged, Hardware Not Included	CFM1449	SBM1449		
	2013	Rear-V6 - 3.0L Hardware Included	CFC1095	SBC1095		
	2013	Rear-V8 - 5.0L Naturally Aspirated, Hardware Included	CFC1095	SBC1095		
	2013	Rear-V8 - 5.0L Supercharged, Hardware Not Included	CFM1449	SBM1449		
	2012-11	Rear-All Base, Hardware Included	CFC1095	SBC1095		
	2012-11	Rear-All L Supercharged, Hardware Not Included	CFM1449	SBM1449		
	2012-11	Rear-All L Supersport, Hardware Not Included	CFM1449	SBM1449		
	2012-11	Rear-All Supercharged, Hardware Not Included	CFM1449	SBM1449		
	2012-11	Rear-All Supersport, Hardware Not Included	CFM1449	SBM1449		
	2012	Rear-All L Portfolio, Hardware Included	CFC1095	SBC1095		
	2011	Rear-All L, Hardware Included	CFC1095	SBC1095		
	2010	Rear-All Hardware Included	CFC1095	SBC1095		
	Disc Brake Rotor	2018-16	Front-V6 - 3.0L		PRT6026	
		2018-14	Front-All Supercharged		PRT6025	
		2015-14	Front-All Base, 355 mm Diameter		PRT6026	
		2015-14	Front-All L Portfolio, 355 mm Diameter		PRT6026	
		2013	Front-All 355 mm Diameter	BPR6026	PRT6026	
		2013	Front-All 380 mm Diameter		PRT6025	
2012-11		Front-All Base	BPR6026	PRT6026		
2012-11		Front-All L Supercharged, SUPERCHARGED		PRT6025		
2012-11		Front-All L Supersport, SUPERCHARGED		PRT6025		
2012-11		Front-All Supercharged, SUPERCHARGED		PRT6025		
2012-11		Front-All Supersport, SUPERCHARGED		PRT6025		
2012		Front-All L Portfolio	BPR6026	PRT6026		
2011		Front-All L	BPR6026	PRT6026		
2010		Front-All Naturally Aspirated		PRT6026		
2010		Front-All Supercharged		PRT6025		
2018-14		Rear-All Supercharged		PRT6024		
2016		Rear-V6 - 3.0L To Chassis/VIN V90865		PRT6022		
2015		Rear-All Base		PRT6022		
2015		Rear-All L Portfolio		PRT6022		
2013		Rear-All		PRT6024		
2012-11		Rear-All Base	BPR6022	PRT6022		
2012-11		Rear-All L Supercharged, SUPERCHARGED		PRT6024		
2012-11		Rear-All L Supersport, SUPERCHARGED		PRT6024		
2012-11		Rear-All Supercharged, SUPERCHARGED		PRT6024		
2012-11		Rear-All Supersport, SUPERCHARGED		PRT6024		
2012		Rear-All L Portfolio	BPR6022	PRT6022		
2011		Rear-All L	BPR6022	PRT6022		
2010		Rear-All Naturally Aspirated		PRT6022		
2010		Rear-All Supercharged		PRT6024		
XJ6						
Disc Brake Pad Set		1997-90	Front-All w/o ATE Caliper Design	CFM394A	SBM394A	
		1987-85	Front-L6 - 4.2L Hardware Not Included		SBM135	
	1987-85	Front-L6 - 4.2L w/ 4 Piston Caliper		SBM135		
	1987	Front-L6 - 3.6L Hardware Not Included		SBM135		
	1984-76	Front-All Hardware Not Included		SBM135		
	1994-93	Rear-All Hardware Not Included		SBM517		
	1992-90	Rear-L6 - 4.0L Hardware Not Included		SBM517		
	Parking Brake Shoe	1997-90	Rear-All w/ 7.09" X 1.18" Brakes		826	
Disc Brake Rotor	1997	Front-All		PRT5171 ⁶⁵		
	1996-93	Front-All Vented; 291.2mm		PRT1843		
	1992-91	Front-All Sovereign		PRT1569		
	1992-90	Front-All Base, Vented; 291.2mm		PRT1843		
	1990	Front-All Sovereign, exc. Teves Brakes		PRT1569		
	1990	Front-All Sovereign, SOVEREIGN, w/ Teves Brakes; Vented; 291.2mm		PRT1843		
	1989-88	Front-All		PRT1569		
	1985	Front-All		PRT1515		
	1997-95	Rear-All		PRT5104		
	1994-93	Rear-All		PRT5161		
	1992-91	Rear-All Sovereign		PRT1570		
	1992-90	Rear-All Base		PRT5161		
	1990	Rear-All Sovereign, exc. Teves Brakes		PRT1570		
	1990	Rear-All Sovereign, SOVEREIGN, w/ Teves Brakes		PRT5161		
	1987-85	Rear-L6 - 4.2L Dana Axle		PRT1611		
	XJ8					
	Disc Brake Pad Set	2009-06	Front-All Hardware Included	CFM1241		
2009-06		Front-All Hardware Not Included		SBM1241		
2005		Front-All To Chassis/VIN #G49700		SBM1065		
2004		Front-All Hardware Not Included		SBM1065		
2003		Front-All Hardware Included	CFM394A			

65 Sell out and reorder PRT1843

BENDIX BRAKE PARTS

PART TYPE	YEAR	APPLICATION	PREMIUM NO.	PART NO.	SEVERE DUTY NO.	
Jaguar (Cont'd.)						
XJ8 (Cont'd.)						
Disc Brake Pad Set (cont'd)	2003	Front-All Hardware Not Included		SBM394A		
	2002	Front-All From Chassis/VIN #F40673	CFM394A	SBM394A		
	1999-98	Front-All w/o ATE Caliper Design	CFM394A	SBM394A		
	2009-06	Rear-All Hardware Included	CFC1095	SBC1095		
	2005	Rear-All From Chassis/VIN #G49701	CFC1095	SBC1095		
	2005	Rear-All To Chassis/VIN #G49700		SBC806		
	2004	Rear-All Hardware Included		SBC806		
	1999-98	Rear-All w/ Large Piston Clip		SBM1701		
	Parking Brake Shoe	2003-98	Rear-All w/ 7.09" X 1.18" Brakes		826	
	Disc Brake Rotor	2009-07	Front-All		PRT6023	
2006-05		Front-All 326mm Diameter / From Chassis #G49701		PRT6023		
2005		Front-All 320mm Diameter / To Chassis #G49700	BPR6247	PRT6247		
2004		Front-All	BPR6247	PRT6247		
2003-98		Front-All		PRT5179		
2009-06		Rear-All	BPR6022	PRT6022		
2005-04		Rear-All		PRT5269		
2003-98		Rear-All		PRT5104		
XJ12						
Disc Brake Pad Set	1996-94	Front-All From Chassis Serial #720125	CFM394A	SBM394A		
	1992-90	Front-All Vanden Plas, Hardware Included	CFM394A			
	1992-90	Front-All Vanden Plas, Hardware Not Included		SBM394A		
	1987-81	Front-All Hardware Not Included		SBM135		
	1979-75	Front-All Hardware Not Included		SBM135		
	1994	Rear-All Hardware Not Included		SBM517		
	Parking Brake Shoe	1996-94	Rear-All w/ 7.09" X 1.18" Brakes		826	
Disc Brake Rotor	1996-95	Front-All Vented; 291.2mm		PRT1843		
	1994	Front-All		PRT5103		
	1996-95	Rear-All		PRT5104		
	1994	Rear-All		PRT5161		
XJR						
Disc Brake Pad Set	2017-14	Front-All Hardware Not Included	CFM1448	SBM1448		
	2009-06	Front-All Hardware Not Included	CFM1472	SBM1472		
	2005	Front-V8 - 4.2L To Chassis/VIN #G49700		SBM938		
	2004	Front-V8 - 4.2L Hardware Not Included		SBM938		
	1999-98	Front-All Hardware Included	CFM394A			
	1999-98	Front-All Hardware Not Included		SBM394A		
	1997-95	Front-All w/o ATE Caliper Design	CFM394A	SBM394A		
	2017-16	Rear-All CAN, Hardware Not Included	CFM1753			
	2017-16	Rear-All USA, Hardware Not Included	CFM1449	SBM1449		
	2015-14	Rear-All Hardware Not Included	CFM1449	SBM1449		
	2009	Rear-All Hardware Included	CFC1095	SBC1095		
	2008-06	Rear-All w/o 42mm Piston	CFC1095	SBC1095		
	2008-01	Rear-All w/ 42mm Piston		SBM1701		
	2005	Rear-V8 - 4.2L From Chassis/VIN #G49701	CFC1095	SBC1095		
	2005	Rear-V8 - 4.2L To Chassis/VIN #G49700	CFM592A	SBM592A		
	2004	Rear-V8 - 4.2L w/ Manual Operated Parking Brake	CFM592A	SBM592A		
	2000	Rear-All Hardware Included	CFM592A			
	2000	Rear-All Hardware Not Included		SBM592A		
	1999-98	Rear-All Hardware Included		SBM1701		
	Parking Brake Shoe	2003-95	Rear-All w/ 7.09" X 1.18" Brakes		826	
	Disc Brake Rotor	2017-16	Front-All		PRT6025	
		2015-14	Front-All 380 mm Diameter		PRT6025	
		2009-05	Front-All From Chassis / VIN # G49701	BPR6026	PRT6026	
2003-02		Front-All exc. Brembo Brakes		PRT6451		
2001-97		Front-All		PRT6451		
1996-95		Front-All Vented; 291.2mm		PRT1843		
2017-15		Rear-All		PRT6024		
2009-05		Rear-All From Chassis / VIN # G49701	BPR6022	PRT6022		
2003-02		Rear-All exc. Brembo Brakes		PRT5104		
2001-95		Rear-All		PRT5104		
XJR575						
Disc Brake Pad Set	2018	Front-All Hardware Not Included	CFM1448	SBM1448		
	2018	Rear-All Hardware Not Included	CFM1753			
Disc Brake Rotor	2018	Front-All		PRT6025		
	2018	Rear-All		PRT6024		
XJRS						
Disc Brake Pad Set	1993	Front-All Hardware Not Included		SBM135		
Disc Brake Rotor	1993	Front-All		PRT1515		
	1993	Rear-All		PRT5161		
XJS						
Disc Brake Pad Set	1996-93	Front-All w/ 4 Piston Caliper		SBM135		
	1992-91	Front-V12 - 5.3L w/ 4 Piston Caliper		SBM135		

BENDIX BRAKE PARTS

PART TYPE	YEAR	APPLICATION	PREMIUM NO.	PART NO.	SEVERE DUTY NO.
Jaguar (Cont'd.)					
XJS (Cont'd.)					
Disc Brake Pad Set (cont'd)	1992	Front-L6 - 4.0L Hardware Not Included		SBM135	
	1991	Front-V12 - 5.3L Hardware Not Included		SBM135	
	1990	Front-All w/ 4 Piston Caliper		SBM135	
	1988-85	Front-V12 - 5.3L Hardware Not Included		SBM135	
	1984-76	Front-All Hardware Not Included		SBM135	
	1994-93	Rear-All Hardware Not Included		SBM517	
Parking Brake Shoe	1996-93	Rear-All w/ 7.09" X 1.18" Brakes		826	
Disc Brake Rotor	1996-94	Front-All 2+2		PRT1515	
	1995-76	Front-All Base		PRT1515	
	1991-90	Front-All Classic Collection		PRT1515	
	1990-89	Front-All Collection Rouge		PRT1515	
	1988-87	Front-All C		PRT1515	
	1996-94	Rear-All 2+2		PRT5161	
	1995-93	Rear-All Base		PRT5161	
	1992-87	Rear-All Base		PRT1611	
	1991-90	Rear-All Classic Collection		PRT1611	
	1990-89	Rear-All Collection Rouge		PRT1611	
	1988-87	Rear-All C		PRT1611	
	1986-80	Rear-All Base, Dana Axle		PRT1611	
XK					
Disc Brake Pad Set	2015-12	Front-All Hardware Not Included	CFM1472	SBM1472	
	2011	Front-All Hardware Not Included		SBM938	
	2010	Front-All Hardware Not Included	CFM1472	SBM1472	
	2009	Front-All Hardware Included	CFM1241		
	2009	Front-All Hardware Not Included		SBM1241	
	2008	Front-All Hardware Not Included		SBM1355	
	2007	Front-All Hardware Included	CFM1241		
	2007	Front-All Hardware Not Included		SBM1241	
	2015-11	Rear-All Hardware Included	CFC1095	SBC1095	
	2010	Rear-All Hardware Not Included		SBM1356	
	2009-07	Rear-All Hardware Included	CFC1095	SBC1095	
Disc Brake Rotor	2015-10	Front-All		PRT6026	
	2013-10	Front-All	BPR6026		
	2009-07	Front-All		PRT6023	
	2015-14	Rear-All		PRT6022	
	2012-07	Rear-All	BPR6022	PRT6022	
XK8					
Disc Brake Pad Set	2006-05	Front-All Hardware Included	CFM394A		
	2006-05	Front-All Hardware Not Included		SBM394A	
	2004-03	Front-V8 - 4.2L Hardware Included	CFM394A		
	2004-03	Front-V8 - 4.2L Hardware Not Included		SBM394A	
	2002	Front-All Hardware Included	CFM394A		
	2002	Front-All Hardware Not Included		SBM394A	
	2001-97	Front-All w/o ATE Caliper Design	CFM394A	SBM394A	
Parking Brake Shoe	2006-97	Rear-All w/ 7.09" X 1.18" Brakes		826	
Disc Brake Rotor	2006-00	Front-All		PRT6451	
	1999	Front-All From Chassis/VIN 037348		PRT6451	
	1999	Front-All To VIN # 037347		PRT5179	
	1998-97	Front-All		PRT5179	
	2006-97	Rear-All		PRT5104	
XKR					
Disc Brake Pad Set	2015-13	Front-All Hardware Not Included	CFM1448	SBM1448	
	2012-10	Front-V8 - 5.0L Base, Supercharged, GAS, w/o Alcon Brakes	CFM1448	SBM1448	
	2010	Front-All w/ Alcon Brakes		SBM1355	
	2009-08	Front-All Base, Hardware Not Included	CFM1472	SBM1472	
	2009	Front-All Portfolio, Exc. Alcon Brakes	CFM1472	SBM1472	
	2009	Front-All Portfolio, w/ Alcon Brakes		SBM1355	
	2008	Front-All Portfolio, Hardware Not Included		SBM1355	
	2007	Front-All Hardware Not Included	CFM1472	SBM1472	
	2013	Rear-All Hardware Not Included	CFM1449	SBM1449	
	2012	Rear-V8 - 5.0L Exc. Alcon Brakes	CFM1449	SBM1449	
	2012	Rear-V8 - 5.0L w/ Alcon Brakes		SBM1356	
	2011	Rear-All Hardware Not Included	CFM1449	SBM1449	
	2010	Rear-All Exc. Alcon Brakes	CFM1449	SBM1449	
	2010	Rear-All w/ Alcon Brakes		SBM1356	
	2009-07	Rear-All Hardware Included	CFC1095	SBC1095	
	2006-05	Rear-All Hardware Included	CFM592A		
	2006-05	Rear-All Hardware Not Included		SBM592A	
	2004-03	Rear-V8 - 4.2L Hardware Included	CFM592A		
	2004-03	Rear-V8 - 4.2L Hardware Not Included		SBM592A	
	2002-00	Rear-All Hardware Included	CFM592A		
	2002-00	Rear-All Hardware Not Included		SBM592A	

BENDIX BRAKE PARTS

PART TYPE	YEAR	APPLICATION	PREMIUM NO.	PART NO.	SEVERE DUTY NO.	
Jaguar (Cont'd.)						
XKR (Cont'd.)						
Parking Brake Shoe	2006-00	Rear-All w/ 7.09" X 1.18" Brakes		826		
Disc Brake Rotor	2015-14	Front-All		PRT6025		
	2013-10	Front-All 380 mm Diameter		PRT6025		
	2009-07	Front-All 355 mm Diameter	BPR6026	PRT6026		
	2002	Front-All exc. Brembo Brakes		PRT6451		
	2001-00	Front-All		PRT6451		
	2015	Rear-All		PRT6024		
	2014-10	Rear-All 376 mm Diameter		PRT6024		
	2009-07	Rear-All 326mm Diameter	BPR6022	PRT6022		
	2002-00	Rear-All		PRT5104		
	XKR-S					
Disc Brake Pad Set	2015-13	Front-All Hardware Not Included	CFM1448	SBM1448		
	2012	Front-V8 - 5.0L Base, Supercharged, GAS, w/o Alcon Brakes	CFM1448	SBM1448		
	2013	Rear-All Hardware Not Included	CFM1449	SBM1449		
	2012	Rear-All Exc. Alcon Brakes	CFM1449	SBM1449		
	2012	Rear-All w/ Alcon Brakes		SBM1356		
Disc Brake Rotor	2015-12	Front-All 380 mm Diameter		PRT6025		
	2015	Rear-All 376 mm Diameter		PRT6024		
	2013-12	Rear-All 376 mm Diameter		PRT6024		
X-Type						
Disc Brake Pad Set	2008	Front-All Hardware Not Included	CFM910	SBM910		
	2007-02	Front-V6 - 3.0L Hardware Not Included	CFM910	SBM910		
	2005-02	Front-V6 - 2.5L Hardware Not Included	CFM910	SBM910		
	2008	Rear-All Hardware Included	CFC1071	SBC1071		
	2007-06	Rear-V6 - 3.0L Hardware Included	CFC1071	SBC1071		
	2005	Rear-V6 - 2.5L From Chassis/VIN #E24054	CFC1071	SBC1071		
	2005	Rear-V6 - 2.5L To Chassis/VIN #E24053		SBM911		
	2005	Rear-V6 - 3.0L From Chassis/VIN #E24054	CFC1071	SBC1071		
	2005	Rear-V6 - 3.0L To Chassis/VIN #E24053		SBM911		
	2004-02	Rear-V6 - 2.5L Hardware Not Included		SBM911		
	2004-02	Rear-V6 - 3.0L Hardware Not Included		SBM911		
	Disc Brake Rotor	2008-01	Front-All To Chassis/VIN J31224	BPR5572	PRT5572	
		2008-01	Rear-All	BPR5541	PRT5541	
Jeep						
Cherokee						
Disc Brake Pad Set	2019	Front-All w/o Heavy Duty Brakes	CFC1640AK2	SBC1640AK2		
	2018	Front-All w/o Heavy Duty Brakes	CFC1640AK1	SBC1640AK1		
	2017	Front-All CAN, Hardware Included	CFC1640AK1	SBC1640AK1		
	2016	Front-All w/ Single Piston Caliper	CFC1640AK1	SBC1640AK1		
	2015-14	Front-All w/ Dual Piston Caliper	CFC1709	SBC1709		
	2015-14	Front-All w/o Heavy Duty Brakes	CFC1640AK1	SBC1640AK1		
	2001-94	Front-All Hardware Included	CFC477	SBC477	MKD477FM	
	1993-90	Front-All 4WD, Hardware Included	CFC477	SBC477	MKD477FM	
	1993-90	Front-All RWD, Hardware Not Included		SBM203		
	1989-84	Front-All Hardware Not Included		SBM203		
	1983-74	Front-All Hardware Included		SBC52	MKD52FM	
	2019-17	Rear-All Hardware Included	CFC1734	SBC1734		
	2016	Rear-All w/ BRF, BRG, or Heavy Duty Brakes	CFC1734	SBC1734		
	2015-14	Rear-All Hardware Included	CFC1734	SBC1734		
	Drum Brake Shoe	2001-00	Rear-All w/ 9" Brakes		769	
		2001-91	Rear-All w/ 10" Brakes		670	
		2001	Rear-All w/ 9" X 2.5" Brakes		538	
		2000-90	Rear-All w/ 9" Brakes		538	
		1990-86	Rear-All w/ 10" X 2-1/2" Brakes		481	
		1989-84	Rear-All w/ 10" X 1.81" Brakes		151	
1989-84		Rear-All w/ 10" X 1.81" Brakes		267		
1983-74		Rear-All w/ 11" X 2.12" Brakes		462		
Disc Brake Rotor		2018	Front-All		PRT6287	
		2017	Front-All exc. Heavy Duty Brakes		PRT6287	
	2016-14	Front-All		PRT6287		
	2001-00	Front-All		PRT5276		
	1999	Front-All OEM Composite Rotor (Fullcast Replacement), 1 1/8" Wheel Stud Length		PRT1602FC		
	1999	Front-All OEM Fullcast Rotor (Fullcast Replacement), 1 1/2" Wheel Stud Length		PRT5276		
	1998-93	Front-All Full Cast Rotor		PRT1602FC		
	1992-90	Front-All 4WD, Full Cast Rotor		PRT1602FC		
	1989-85	Front-All 4WD, (2 pc hub&rotor)		PRT1194		
	1989-85	Front-All RWD, (2 pc hub&rotor)		PRT1194		
	1989-84	Front-All		PRT1194		
	1983-80	Front-All		PRT1263		
	1979-77	Front-All Rotor Only (7/8" drive flange)		PRT1088		
	1976-74	Front-All		PRT1088		

BENDIX BRAKE PARTS

PART TYPE	YEAR	APPLICATION	PREMIUM NO.	PART NO.	SEVERE DUTY NO.
Jeep (Cont'd.)					
Cherokee (Cont'd.)					
Disc Brake Rotor (cont'd)	2018	Rear-All w/ Brake Code BRG		PRT6289	
	2017-14	Rear-All Code - BRF		PRT6288	
	2017-14	Rear-All Code - BRG		PRT6289	
Disc Brake Rotor and Hub Assembly	1992-85	Front-All RWD, (1 pc hub&rotor)		PRT1481	
Brake Drum	2001-91	Rear-All 10 x 2 1/2" Brakes; 254mm		PDR0631	
	2001-90	Rear-All 9 x 2 1/2" Brakes; 228.6mm		PDR0570	
	1990-84	Rear-All 10 x 2 1/2" Brakes; 253.8mm		PDR0535	
	1989-84	Rear-All 10 x 1 3/4" Brakes		PDR0303	
	1978-74	Rear-All		PDR0396	
CJ5					
Disc Brake Pad Set	1983-82	Front-All Hardware Not Included		SBM203	
	1981-79	Front-All Hardware Not Included		SBM91	
	1978	Front-All Early Model Production		SBM91	
Drum Brake Shoe	1977-72	Front-All w/ 11" X 2.07" Brakes		228	
	1983-78	Rear-All w/ 10" X 1.81" Brakes		151	
	1983-78	Rear-All w/ 10" X 1.81" Brakes		267	
	1978	Rear-All Early		228	
	1977-72	Rear-All w/ 11" X 2.07" Brakes		228	
	Disc Brake Rotor	1983-78	Front-All		PRT1257
	1977	Front-All		PRT1155	
Brake Drum	1978-74	Front-All		PDR0364	
	1973-62	Front-All 9 x 2" Brakes		PDR0082	
	1983-79	Rear-All 10 x 1 3/4" Brakes		PDR0398	
	1973	Rear-All 9 x 2" Brakes		PDR0082	
	1971-62	Rear-All 9 x 2" Brakes		PDR0082	
CJ5A					
Brake Drum	1968-66	Front-All 9 x 2" Brakes		PDR0082	
	1968-66	Rear-All 9 x 2" Brakes		PDR0082	
CJ6					
Drum Brake Shoe	1975-72	Front-All w/ 11" X 2.07" Brakes		228	
	1975-72	Rear-All w/ 11" X 2.07" Brakes		228	
Brake Drum	1973-62	Front-All 9 x 2" Brakes		PDR0082	
	1973	Rear-All 9 x 2" Brakes		PDR0082	
	1971-62	Rear-All 9 x 2" Brakes		PDR0082	
CJ6A					
Brake Drum	1968-66	Front-All 9 x 2" Brakes		PDR0082	
	1968-66	Rear-All 9 x 2" Brakes		PDR0082	
CJ7					
Disc Brake Pad Set	1986-82	Front-All Hardware Not Included		SBM203	
	1981-79	Front-All Hardware Not Included		SBM91	
	1978	Front-All Early Model Production		SBM91	
Drum Brake Shoe	1977-76	Front-All w/ 11" X 2.07" Brakes		228	
	1986-78	Rear-All w/ 10" X 1.81" Brakes		151	
	1986-78	Rear-All w/ 10" X 1.81" Brakes		267	
	1978	Rear-All Early		228	
	1977-76	Rear-All w/ 11" X 2.07" Brakes		228	
	Disc Brake Rotor	1986-81	Front-All		PRT1257
	1980-78	Front-All 5 Hole Rotor; Steering Knuckle Has 2 Bolts		PRT1257	
	1980-78	Front-All 5 Hole Rotor; Steering Knuckle Has 6 Bolts		PRT1155	
	1980-78	Front-All 6 Hole Rotor		PRT1088	
	1977	Front-All		PRT1155	
Brake Drum	1978-76	Front-All		PDR0364	
	1986-79	Rear-All		PDR0398	
	1978-76	Rear-All		PDR0364	
Comanche					
Disc Brake Pad Set	1992-90	Front-All 4WD, Hardware Included	CFC477	SBC477	MKD477FM
	1992-90	Front-All RWD, Hardware Not Included		SBM203	
	1989-86	Front-All Hardware Not Included		SBM203	
Drum Brake Shoe	1992-90	Rear-All w/ 9" Brakes		538	
	1992-86	Rear-All w/ 10" X 2-1/2" Brakes		481	
	1989-86	Rear-All w/ 10" X 1.81" Brakes		151	
	1989-86	Rear-All w/ 10" X 1.81" Brakes		267	
	1989-86	Rear-All w/ 10" X 1.81" Brakes		267	
Disc Brake Rotor	1992-90	Front-All 4WD, Full Cast Rotor		PRT1602FC	
	1989-86	Front-All 4WD, (2 pc hub&rotor)		PRT1194	
	1989-86	Front-All RWD, (2 pc hub&rotor)		PRT1194	
Disc Brake Rotor and Hub Assembly	1992-86	Front-All RWD, (1 pc hub&rotor)		PRT1481	
Brake Drum	1992-90	Rear-All 9 x 2 1/2" Brakes; 228.6mm		PDR0570	
	1992-86	Rear-All 10 x 2 1/2" Brakes; 253.8mm		PDR0535	
	1989-86	Rear-All 10 x 1 3/4" Brakes		PDR0303	

BENDIX BRAKE PARTS

PART TYPE	YEAR	APPLICATION	PREMIUM NO.	PART NO.	SEVERE DUTY NO.	
Jeep (Cont'd.)						
Commander						
Disc Brake Pad Set	2010-09	Front-All Hardware Included	CFC1080	SBC1080	MKD1080FM	
	2008	Front-V6 - 3.7L Hardware Included	CFC1080	SBC1080	MKD1080FM	
	2008	Front-V8 - 4.7L Hardware Included	CFC1080	SBC1080	MKD1080FM	
	2008	Front-V8 - 5.7L Hardware Included	CFC1080	SBC1080	MKD1080FM	
	2007	Front-All Hardware Included	CFC1080	SBC1080	MKD1080FM	
	2006	Front-V6 - 3.7L Hardware Included	CFC1080	SBC1080	MKD1080FM	
	2006	Front-V8 - 4.7L Hardware Included	CFC1080	SBC1080	MKD1080FM	
	2006	Front-V8 - 5.7L Hardware Included	CFC1080	SBC1080	MKD1080FM	
	2010-09	Rear-All Hardware Included	CFC1041	SBC1041		
	2008	Rear-V6 - 3.7L Hardware Included	CFC1041	SBC1041		
	2008	Rear-V8 - 4.7L Hardware Included	CFC1041	SBC1041		
	2008	Rear-V8 - 5.7L Hardware Included	CFC1041	SBC1041		
	2007	Rear-All Hardware Included	CFC1041	SBC1041		
	2006	Rear-V6 - 3.7L Hardware Included	CFC1041	SBC1041		
	2006	Rear-V8 - 4.7L Hardware Included	CFC1041	SBC1041		
	2006	Rear-V8 - 5.7L Hardware Included	CFC1041	SBC1041		
	Parking Brake Shoe	2010-06	Rear-All w/ 1 Hole Removed in Web Plate		1038	
		2010-06	Rear-All w/ Extra Hole in Web Plate		843	
	Disc Brake Rotor	2010-06	Front-All		PRT5655	
		2010-06	Rear-All		PRT5656	
Commando						
Drum Brake Shoe	1972	Front-All w/ 11" X 2" Brakes		228		
	1972	Rear-All w/ 11" X 2" Brakes		228		
Brake Drum	1973-66	Front-All 10 x 2" Brakes		PDR0091		
	1973-66	Rear-All 10 x 2" Brakes		PDR0091		
Compass						
Disc Brake Pad Set	2019	Front-All Hardware Included	CFC1811			
	2018	Front-All w/ BR3 Brake Code	CFC1811			
	2017	Front-All To 9/22/16	CFC866	SBC866		
	2016-13	Front-All Hardware Included	CFC866	SBC866		
	2012	Front-L4 - 2.0L Latitude, Hardware Included	CFC866	SBC866		
	2012	Front-L4 - 2.0L North Edition, Hardware Included	CFC866	SBC866		
	2012	Front-L4 - 2.0L Sport, Hardware Included	CFC866	SBC866		
	2012	Front-L4 - 2.4L Latitude, Hardware Included	CFC866	SBC866		
	2012	Front-L4 - 2.4L Limited, Hardware Included	CFC866	SBC866		
	2012	Front-L4 - 2.4L North Edition, Hardware Included	CFC866	SBC866		
	2012	Front-L4 - 2.4L Sport, Hardware Included	CFC866	SBC866		
	2011-10	Front-All Hardware Included	CFC866	SBC866		
	2009-08	Front-L4 - 2.0L Hardware Included	CFC866	SBC866		
	2009-08	Front-L4 - 2.4L Hardware Included	CFC866	SBC866		
	2007	Front-All Hardware Included	CFC866	SBC866		
	2019-18	Rear-All Hardware Included	CFC2081	SBC2081		
	2017	Rear-All CAN, Hardware Included	CFC868	SBC868		
	2017	Rear-All MEX, Hardware Included	CFC1037	SBC1037		
	2016	Rear-All w/ BR1, BRG Brakes	CFC868	SBC868		
	2016	Rear-All w/ BRF Brakes	CFC1037	SBC1037		
	2015	Rear-All w/ Brake Code BRF	CFC1037	SBC1037		
	2015	Rear-All w/o Brake Code BRF	CFC868	SBC868		
	2014-13	Rear-All w/ 10.313" Rotor Diameter	CFC1037	SBC1037		
	2014-13	Rear-All w/ 11.89" Rotor Diameter	CFC868	SBC868		
	2012	Rear-L4 - 2.0L Latitude, w/ 10.313" Rotor Diameter	CFC1037	SBC1037		
	2012	Rear-L4 - 2.0L Latitude, w/ 11.89" Rotor Diameter	CFC868	SBC868		
	2012	Rear-L4 - 2.0L North Edition, w/ 10.313" Rotor Diameter	CFC1037	SBC1037		
	2012	Rear-L4 - 2.0L Sport, w/ 10.313" Rotor Diameter	CFC1037	SBC1037		
	2012	Rear-L4 - 2.0L Sport, w/ 11.89" Rotor Diameter	CFC868	SBC868		
	2012	Rear-L4 - 2.4L Latitude, w/ 10.313" Rotor Diameter	CFC1037	SBC1037		
	2012	Rear-L4 - 2.4L Latitude, w/ 11.89" Rotor Diameter	CFC868	SBC868		
	2012	Rear-L4 - 2.4L Limited, w/ 10.313" Rotor Diameter	CFC1037	SBC1037		
	2012	Rear-L4 - 2.4L Limited, w/ 11.89" Rotor Diameter	CFC868	SBC868		
	2012	Rear-L4 - 2.4L North Edition, w/ 10.313" Rotor Diameter	CFC1037	SBC1037		
	2012	Rear-L4 - 2.4L Sport, w/ 10.313" Rotor Diameter	CFC1037	SBC1037		
	2012	Rear-L4 - 2.4L Sport, w/ 11.89" Rotor Diameter	CFC868	SBC868		
	2011-10	Rear-All w/ 10.313" Rotor Diameter	CFC1037	SBC1037		
	2010	Rear-All w/ 11.89" Rotor Diameter	CFC868	SBC868		
	2009-08	Rear-L4 - 2.0L w/ 10.313" Rotor Diameter	CFC1037	SBC1037		
	2009-08	Rear-L4 - 2.4L w/ 10.313" Rotor Diameter	CFC1037	SBC1037		
	2007	Rear-All w/ 10.313" Rotor Diameter	CFC1037	SBC1037		
	2007	Rear-All w/ 11.89" Rotor Diameter	CFC868	SBC868		
	Drum Brake Shoe	2017	Rear-All		919	
		2016	Rear-All Sport		919	
		2015-08	Rear-All w/ 9" X 1.44" Brakes		919	
	Parking Brake Shoe	2016-15	Rear-All w/ BRF Brakes		886	
		2012-07	Rear-All		886	
	Disc Brake Rotor	2017-07	Front-All		PRT5706	

BENDIX BRAKE PARTS

PART TYPE	YEAR	APPLICATION	PREMIUM NO.	PART NO.	SEVERE DUTY NO.
Jeep (Cont'd.)					
Compass (Cont'd.)					
Disc Brake Rotor (cont'd)	2016-15	Rear-All Brake Code BRF		PRT5672	
	2014-07	Rear-All 262mm Diameter		PRT5672	
	2014-07	Rear-All 302mm Diameter		PRT5896	
Brake Drum	2017-08	Rear-All		PDR0830	
DJ5					
Drum Brake Shoe	1981-78	Front-All Postal Vehicle		228	
	1974-72	Front-All w/ 11" X 2.07" Brakes		228	
	1981-78	Rear-All Postal Vehicle		228	
	1974-72	Rear-All w/ 11" X 2.07" Brakes		228	
Brake Drum	1973-65	Front-All 9 x 2" Brakes		PDR0082	
	1973	Rear-All 9 x 2" Brakes		PDR0082	
	1971-65	Rear-All 9 x 2" Brakes		PDR0082	
DJ6					
Brake Drum	1968-65	Front-All 9 x 2" Brakes		PDR0082	
	1968-65	Rear-All 9 x 2" Brakes		PDR0082	
FC150					
Brake Drum	1964-60	Front-All		PDR0087	
FC170					
Brake Drum	1964-60	Front-All		PDR0087	
Gladiator					
Drum Brake Shoe	1967-65	Front-All		228	
	1967-65	Rear-All		228	
Brake Drum	1969-63	Front-All		PDR0088	
	1966-63	Front-All 3.75" Hub hole		PDR0087	
	1969-63	Rear-All		PDR0088	
	1964-63	Rear-All Rear drum brake 11" x 2"		PDR0087	
Grand Cherokee					
Disc Brake Pad Set	2018	Front-All Altitude, w/ Heavy Duty Brakes	CFC1904A	SBC1904A	MKD1904AFM
	2018	Front-All Altitude, w/o Heavy Duty Brakes		SBM1904	
	2018	Front-All Altitude, w/o Heavy Duty Brakes	CFM1904		
	2018	Front-All Altitude, w/o Heavy Duty Brakes	CFC1904A	SBC1904A	MKD1904AFM
	2018	Front-All Altitude, w/o Heavy Duty Brakes			MKD1904FM
	2018	Front-All Blindada, w/ Heavy Duty Brakes	CFC1904A	SBC1904A	MKD1904AFM
	2018	Front-All Blindada, w/o Heavy Duty Brakes		SBM1904	
	2018	Front-All Blindada, w/o Heavy Duty Brakes	CFM1904		
	2018	Front-All Blindada, w/o Heavy Duty Brakes	CFC1904A	SBC1904A	MKD1904AFM
	2018	Front-All Blindada, w/o Heavy Duty Brakes			MKD1904FM
	2018	Front-All High Altitude, w/ Heavy Duty Brakes	CFC1904A	SBC1904A	MKD1904AFM
	2018	Front-All High Altitude, w/o Heavy Duty Brakes		SBM1904	
	2018	Front-All High Altitude, w/o Heavy Duty Brakes	CFM1904		
	2018	Front-All High Altitude, w/o Heavy Duty Brakes	CFC1904A	SBC1904A	MKD1904AFM
	2018	Front-All High Altitude, w/o Heavy Duty Brakes			MKD1904FM
	2018	Front-All Laredo, w/ Heavy Duty Brakes	CFC1904A	SBC1904A	MKD1904AFM
	2018	Front-All Laredo, w/o Heavy Duty Brakes		SBM1904	
	2018	Front-All Laredo, w/o Heavy Duty Brakes	CFM1904		
	2018	Front-All Laredo, w/o Heavy Duty Brakes	CFC1904A	SBC1904A	MKD1904AFM
	2018	Front-All Laredo, w/o Heavy Duty Brakes			MKD1904FM
	2018	Front-All Limited, w/ Heavy Duty Brakes	CFC1904A	SBC1904A	MKD1904AFM
	2018	Front-All Limited, w/o Heavy Duty Brakes		SBM1904	
	2018	Front-All Limited, w/o Heavy Duty Brakes	CFM1904		
	2018	Front-All Limited, w/o Heavy Duty Brakes	CFC1904A	SBC1904A	MKD1904AFM
	2018	Front-All Limited, w/o Heavy Duty Brakes			MKD1904FM
	2018	Front-All Limited Lujo, w/ Heavy Duty Brakes	CFC1904A	SBC1904A	MKD1904AFM
	2018	Front-All Limited Lujo, w/o Heavy Duty Brakes		SBM1904	
	2018	Front-All Limited Lujo, w/o Heavy Duty Brakes	CFM1904		
	2018	Front-All Limited Lujo, w/o Heavy Duty Brakes	CFC1904A	SBC1904A	MKD1904AFM
	2018	Front-All Limited Lujo, w/o Heavy Duty Brakes			MKD1904FM
	2018	Front-All Limited Lujo Advance, w/ Heavy Duty Brakes	CFC1904A	SBC1904A	MKD1904AFM
	2018	Front-All Limited Lujo Advance, w/o Heavy Duty Brakes		SBM1904	
	2018	Front-All Limited Lujo Advance, w/o Heavy Duty Brakes	CFM1904		
	2018	Front-All Limited Lujo Advance, w/o Heavy Duty Brakes	CFC1904A	SBC1904A	MKD1904AFM
	2018	Front-All Limited Lujo Advance, w/o Heavy Duty Brakes			MKD1904FM
	2018	Front-All Limited Lujo V8, w/ Heavy Duty Brakes	CFC1904A	SBC1904A	MKD1904AFM
	2018	Front-All Limited Lujo V8, w/o Heavy Duty Brakes		SBM1904	
	2018	Front-All Limited Lujo V8, w/o Heavy Duty Brakes	CFM1904		
	2018	Front-All Limited Lujo V8, w/o Heavy Duty Brakes	CFC1904A	SBC1904A	MKD1904AFM
	2018	Front-All Limited Lujo V8, w/o Heavy Duty Brakes			MKD1904FM
	2018	Front-All Limited Lujo V8, w/o Heavy Duty Brakes	CFM1904		
	2018	Front-All Overland, w/ Heavy Duty Brakes	CFC1904A	SBC1904A	MKD1904AFM
	2018	Front-All Overland, w/o Heavy Duty Brakes		SBM1904	
	2018	Front-All Overland, w/o Heavy Duty Brakes	CFM1904		
	2018	Front-All Overland, w/o Heavy Duty Brakes	CFC1904A	SBC1904A	MKD1904AFM
	2018	Front-All Overland, w/o Heavy Duty Brakes			MKD1904FM
	2018	Front-All SRT, Hardware Included		CFM1405	

BENDIX BRAKE PARTS

PART TYPE	YEAR	APPLICATION	PREMIUM NO.	PART NO.	SEVERE DUTY NO.
Jeep (Cont'd.)					
Grand Cherokee (Cont'd.)					
Disc Brake Pad Set (cont'd)	2018	Front-All SRT, Hardware Not Included		SBM1405	
	2018	Front-All Summit, w/ Heavy Duty Brakes	CFC1904A	SBC1904A	MKD1904AFM
	2018	Front-All Summit, w/o Heavy Duty Brakes		SBM1904	
	2018	Front-All Summit, w/o Heavy Duty Brakes	CFM1904		
	2018	Front-All Summit, w/o Heavy Duty Brakes	CFC1904A	SBC1904A	MKD1904AFM
	2018	Front-All Summit, w/o Heavy Duty Brakes			MKD1904FM
	2018	Front-All Summit Elite Platinum, w/ Heavy Duty Brakes	CFC1904A	SBC1904A	MKD1904AFM
	2018	Front-All Summit Elite Platinum, w/o Heavy Duty Brakes		SBM1904	
	2018	Front-All Summit Elite Platinum, w/o Heavy Duty Brakes	CFM1904		
	2018	Front-All Summit Elite Platinum, w/o Heavy Duty Brakes	CFC1904A	SBC1904A	MKD1904AFM
	2018	Front-All Summit Elite Platinum, w/o Heavy Duty Brakes			MKD1904FM
	2018	Front-All Trailhawk, w/ Heavy Duty Brakes	CFC1904A	SBC1904A	MKD1904AFM
	2018	Front-All Trailhawk, w/o Heavy Duty Brakes		SBM1904	
	2018	Front-All Trailhawk, w/o Heavy Duty Brakes	CFM1904		
	2018	Front-All Trailhawk, w/o Heavy Duty Brakes	CFC1904A	SBC1904A	MKD1904AFM
	2018	Front-All Trailhawk, w/o Heavy Duty Brakes			MKD1904FM
	2017	Front-All Blindada, w/ BR1, BR3 Brake Code	CFM1904	SBM1904	MKD1904FM
	2017	Front-All Blindada, w/ BRY Brake Code	CFC1904A	SBC1904A	MKD1904AFM
	2017	Front-All Laredo, w/ BR1, BR3 Brake Code	CFM1904	SBM1904	MKD1904FM
	2017	Front-All Laredo, w/ BRY Brake Code	CFC1904A	SBC1904A	MKD1904AFM
	2017	Front-All Limited, w/ BR1, BR3 Brake Code	CFM1904	SBM1904	MKD1904FM
	2017	Front-All Limited, w/ BRY Brake Code	CFC1904A	SBC1904A	MKD1904AFM
	2017	Front-All Limited Lujo, w/ BR1, BR3 Brake Code	CFM1904	SBM1904	MKD1904FM
	2017	Front-All Limited Lujo, w/ BRY Brake Code	CFC1904A	SBC1904A	MKD1904AFM
	2017	Front-All Limited Lujo Advance, w/ BR1, BR3 Brake Code	CFM1904	SBM1904	MKD1904FM
	2017	Front-All Limited Lujo Advance, w/ BRY Brake Code	CFC1904A	SBC1904A	MKD1904AFM
	2017	Front-All Overland, w/ BR1, BR3 Brake Code	CFM1904	SBM1904	MKD1904FM
	2017	Front-All Overland, w/ BRY Brake Code	CFC1904A	SBC1904A	MKD1904AFM
	2017	Front-All SRT, w/ Brembo Brakes	CFM1405	SBM1405	
	2017	Front-All Summit, w/ BR1, BR3 Brake Code	CFM1904	SBM1904	MKD1904FM
	2017	Front-All Summit, w/ BRY Brake Code	CFC1904A	SBC1904A	MKD1904AFM
	2017	Front-All Summit Elite Platinum, w/ BR1, BR3 Brake Code	CFM1904	SBM1904	MKD1904FM
	2017	Front-All Summit Elite Platinum, w/ BRY Brake Code	CFC1904A	SBC1904A	MKD1904AFM
	2017	Front-All Trailhawk, w/ BR1, BR3 Brake Code	CFM1904	SBM1904	MKD1904FM
	2017	Front-All Trailhawk, w/ BRY Brake Code	CFC1904A	SBC1904A	MKD1904AFM
	2016-14	Front-All SRT, Hardware Included	CFM1405		
	2016-14	Front-All SRT, Hardware Not Included		SBM1405	
	2016	Front-All 75th Anniversary, w/ BR1 Brake Option	CFM1904	SBM1904	MKD1904FM
	2016	Front-All Laredo, w/ BR1 Brake Option	CFM1904	SBM1904	MKD1904FM
	2016	Front-All Limited, w/ BR1 Brake Option	CFM1904	SBM1904	MKD1904FM
	2016	Front-All Overland, w/ BR1 Brake Option	CFM1904	SBM1904	MKD1904FM
	2016	Front-All Summit, w/ BR1 Brake Option	CFM1904	SBM1904	MKD1904FM
	2015	Front-All Laredo, w/ Axle Code BR1, BR3	CFC1629	SBC1629	MKD1629FM
	2015	Front-All Laredo, w/ Axle Code BR2, BR6, BRY	CFC1629	SBC1629	MKD1629FM
	2015	Front-All Limited, w/ Axle Code BR1, BR3	CFC1629	SBC1629	MKD1629FM
	2015	Front-All Limited, w/ Axle Code BR2, BR6, BRY	CFC1629	SBC1629	MKD1629FM
	2015	Front-All Overland, w/ Axle Code BR1, BR3	CFC1629	SBC1629	MKD1629FM
	2015	Front-All Overland, w/ Axle Code BR2, BR6, BRY	CFC1629	SBC1629	MKD1629FM
	2015	Front-All SRT8, Hardware Included	CFM1405		
	2015	Front-All SRT8, Hardware Not Included		SBM1405	
	2015	Front-All Summit, w/ Axle Code BR1, BR3	CFC1629	SBC1629	MKD1629FM
	2015	Front-All Summit, w/ Axle Code BR2, BR6, BRY	CFC1629	SBC1629	MKD1629FM
	2014-13	Front-All Laredo, w/ Axle Code BR1	CFM1629A	SBM1629A	MKD1629AFM
	2014-13	Front-All Laredo, w/o Axle Code BR1	CFC1629	SBC1629	MKD1629FM
	2014-13	Front-All Limited, w/ Axle Code BR1	CFM1629A	SBM1629A	MKD1629AFM
	2014-13	Front-All Limited, w/o Axle Code BR1	CFC1629	SBC1629	MKD1629FM
	2014-13	Front-All Overland, w/ Axle Code BR1	CFM1629A	SBM1629A	MKD1629AFM
	2014-13	Front-All Overland, w/o Axle Code BR1	CFC1629	SBC1629	MKD1629FM
	2014	Front-All Summit, w/ Axle Code BR1	CFM1629A	SBM1629A	MKD1629AFM
	2014	Front-All Summit, w/o Axle Code BR1	CFC1629	SBC1629	MKD1629FM
	2013	Front-All Laredo E, w/ Axle Code BR1	CFM1629A	SBM1629A	MKD1629AFM
	2013	Front-All Laredo E, w/o Axle Code BR1	CFC1629	SBC1629	MKD1629FM
	2013	Front-All Laredo X, w/ Axle Code BR1	CFM1629A	SBM1629A	MKD1629AFM
	2013	Front-All Laredo X, w/o Axle Code BR1	CFC1629	SBC1629	MKD1629FM
	2013	Front-All SRT8, Hardware Included	CFM1405		
	2013	Front-All SRT8, Hardware Not Included		SBM1405	
	2012	Front-V6 - 3.6L Laredo, Hardware Included	CFC1629	SBC1629	MKD1629FM
	2012	Front-V6 - 3.6L Laredo E, Hardware Included	CFC1629	SBC1629	MKD1629FM
	2012	Front-V6 - 3.6L Laredo X, Hardware Included	CFC1629	SBC1629	MKD1629FM
	2012	Front-V6 - 3.6L Limited, Hardware Included	CFC1629	SBC1629	MKD1629FM
	2012	Front-V6 - 3.6L Overland, Hardware Included	CFC1629	SBC1629	MKD1629FM
	2012	Front-V6 - 3.6L Overland Summit, Hardware Included	CFC1629	SBC1629	MKD1629FM
	2012	Front-V8 - 5.7L Laredo, Hardware Included	CFC1629	SBC1629	MKD1629FM
	2012	Front-V8 - 5.7L Laredo X, Hardware Included	CFC1629	SBC1629	MKD1629FM
	2012	Front-V8 - 5.7L Limited, Hardware Included	CFC1629	SBC1629	MKD1629FM
	2012	Front-V8 - 5.7L Overland, Hardware Included	CFC1629	SBC1629	MKD1629FM
	2012	Front-V8 - 5.7L Overland Summit, Hardware Included	CFC1629	SBC1629	MKD1629FM
	2012	Front-V8 - 6.4L SRT8, Hardware Included	CFM1405		

BENDIX BRAKE PARTS

PART TYPE	YEAR	APPLICATION	PREMIUM NO.	PART NO.	SEVERE DUTY NO.
Jeep (Cont'd.)					
Grand Cherokee (Cont'd.)					
Disc Brake Pad Set (cont'd)	2012	Front-V8 - 6.4L SRT8, Hardware Not Included		SBM1405	
	2011	Front-V6 - 3.6L Hardware Included	CFC1629	SBC1629	MKD1629FM
	2011	Front-V8 - 5.7L Hardware Included	CFC1629	SBC1629	MKD1629FM
	2010-05	Front-V6 - 3.7L Hardware Included	CFC1080	SBC1080	MKD1080FM
	2010-05	Front-V8 - 5.7L Hardware Included	CFC1080	SBC1080	MKD1080FM
	2009-07	Front-V6 - 3.0L Hardware Included	CFC1080	SBC1080	MKD1080FM
	2009-05	Front-V8 - 4.7L Hardware Included	CFC1080	SBC1080	MKD1080FM
	2004-03	Front-L6 - 4.0L Hardware Included	CFM945	SBC945	MKD945FM
	2004-03	Front-V8 - 4.7L Hardware Included	CFM945	SBC945	MKD945FM
	2002-99	Front-All w/ Akebono Caliper Design	CFM945	SBC945	MKD945FM
	2002-99	Front-All w/ ATE Caliper Design	CFC790	SBC790	MKD790FM
	1998-93	Front-All Hardware Included	CFC477	SBC477	MKD477FM
	2018-17	Rear-All Blindada, Includes Clips	CFC1498	SBC1498	MKD1498FM
	2018-17	Rear-All Laredo, Includes Clips	CFC1498	SBC1498	MKD1498FM
	2018-17	Rear-All Limited, Includes Clips	CFC1498	SBC1498	MKD1498FM
	2018-17	Rear-All Limited Lujo, Includes Clips	CFC1498	SBC1498	MKD1498FM
	2018-17	Rear-All Limited Lujo Advance, Includes Clips	CFC1498	SBC1498	MKD1498FM
	2018-17	Rear-All Overland, Includes Clips	CFC1498	SBC1498	MKD1498FM
	2018-17	Rear-All Summit, Includes Clips	CFC1498	SBC1498	MKD1498FM
	2018-17	Rear-All Summit Elite Platinum, Includes Clips	CFC1498	SBC1498	MKD1498FM
	2018-17	Rear-All Trailhawk, Includes Clips	CFC1498	SBC1498	MKD1498FM
	2018	Rear-All Altitude, Includes Clips	CFC1498	SBC1498	MKD1498FM
	2018	Rear-All High Altitude, Includes Clips	CFC1498	SBC1498	MKD1498FM
	2018	Rear-All Limited Lujo V8, Includes Clips	CFC1498	SBC1498	MKD1498FM
	2018	Rear-All SRT, Hardware Included	CFM592A		
	2018	Rear-All SRT, Hardware Not Included		SBM592A	
	2018	Rear-All Trackhawk, Hardware Included	CFM592A		
	2018	Rear-All Trackhawk, Hardware Not Included		SBM592A	
	2017	Rear-All SRT, w/ Brembo Brakes	CFM592A	SBM592A	
	2016	Rear-All SRT, Hardware Included	CFM592A		
	2016	Rear-All SRT, Hardware Not Included		SBM592A	
	2015-14	Rear-All Laredo, Hardware Included	CFC1498		MKD1498FM
	2015-14	Rear-All Laredo, Hardware Not Included		SBC1498	
	2015-14	Rear-All Limited, Hardware Included	CFC1498		MKD1498FM
	2015-14	Rear-All Limited, Hardware Not Included		SBC1498	
	2015-14	Rear-All Overland, Hardware Included	CFC1498		MKD1498FM
	2015-14	Rear-All Overland, Hardware Not Included		SBC1498	
	2015-14	Rear-All Summit, Hardware Included	CFC1498		MKD1498FM
	2015-14	Rear-All Summit, Hardware Not Included		SBC1498	
	2014	Rear-All SRT, Hardware Included	CFM592A		
	2014	Rear-All SRT, Hardware Not Included		SBM592A	
	2013-12	Rear-V8 - 6.4L SRT8, Hardware Included	CFM592A		
	2013-12	Rear-V8 - 6.4L SRT8, Hardware Not Included		SBM592A	
	2013	Rear-V6 - 3.6L Hardware Included	CFC1498		MKD1498FM
	2013	Rear-V6 - 3.6L Hardware Not Included		SBC1498	
	2013	Rear-V8 - 5.7L Hardware Included	CFC1498		MKD1498FM
	2013	Rear-V8 - 5.7L Hardware Not Included		SBC1498	
	2012	Rear-V6 - 3.6L Laredo, Hardware Included	CFC1498		MKD1498FM
	2012	Rear-V6 - 3.6L Laredo, Hardware Not Included		SBC1498	
	2012	Rear-V6 - 3.6L Laredo E, Hardware Included	CFC1498		MKD1498FM
	2012	Rear-V6 - 3.6L Laredo E, Hardware Not Included		SBC1498	
	2012	Rear-V6 - 3.6L Laredo X, Hardware Included	CFC1498		MKD1498FM
	2012	Rear-V6 - 3.6L Laredo X, Hardware Not Included		SBC1498	
	2012	Rear-V6 - 3.6L Limited, Hardware Included	CFC1498		MKD1498FM
	2012	Rear-V6 - 3.6L Limited, Hardware Not Included		SBC1498	
	2012	Rear-V6 - 3.6L Overland, Hardware Included	CFC1498		MKD1498FM
	2012	Rear-V6 - 3.6L Overland, Hardware Not Included		SBC1498	
	2012	Rear-V6 - 3.6L Overland Summit, Hardware Included	CFC1498		MKD1498FM
	2012	Rear-V6 - 3.6L Overland Summit, Hardware Not Included		SBC1498	
	2012	Rear-V8 - 5.7L Laredo, Hardware Included	CFC1498		MKD1498FM
	2012	Rear-V8 - 5.7L Laredo, Hardware Not Included		SBC1498	
	2012	Rear-V8 - 5.7L Laredo X, Hardware Included	CFC1498		MKD1498FM
	2012	Rear-V8 - 5.7L Laredo X, Hardware Not Included		SBC1498	
	2012	Rear-V8 - 5.7L Limited, Hardware Included	CFC1498		MKD1498FM
	2012	Rear-V8 - 5.7L Limited, Hardware Not Included		SBC1498	
	2012	Rear-V8 - 5.7L Overland, Hardware Included	CFC1498		MKD1498FM
	2012	Rear-V8 - 5.7L Overland, Hardware Not Included		SBC1498	
	2012	Rear-V8 - 5.7L Overland Summit, Hardware Included	CFC1498		MKD1498FM
	2012	Rear-V8 - 5.7L Overland Summit, Hardware Not Included		SBC1498	
	2011	Rear-All Hardware Included	CFC1498		MKD1498FM
	2011	Rear-All Hardware Not Included		SBC1498	
	2010-06	Rear-V8 - 6.1L Hardware Included	CFM592A		
	2010-06	Rear-V8 - 6.1L Hardware Not Included		SBM592A	
	2010-05	Rear-V6 - 3.7L Hardware Included	CFC1041	SBC1041	
	2010-05	Rear-V8 - 5.7L Hardware Included	CFC1041	SBC1041	
	2009-07	Rear-V6 - 3.0L Hardware Included	CFC1041	SBC1041	

BENDIX BRAKE PARTS

PART TYPE	YEAR	APPLICATION	PREMIUM NO.	PART NO.	SEVERE DUTY NO.	
Jeep (Cont'd.)						
Grand Cherokee (Cont'd.)						
Disc Brake Pad Set (cont'd)	2009-05	Rear-V8 - 4.7L Hardware Included	CFC1041	SBC1041		
	2004-03	Rear-L6 - 4.0L Hardware Included	CFM791	SBM791		
	2004-03	Rear-V8 - 4.7L Hardware Included	CFM791	SBM791		
	2002-99	Rear-All Hardware Included	CFM791	SBM791		
	1998	Rear-All Hardware Included		SBC666		
	1997-95	Rear-L6 - 4.0L Hardware Included		SBC666		
	1997-95	Rear-V8 - 5.2L Hardware Included		SBC666		
	1994	Rear-All From Chassis/VIN #358321		SBC666		
	1994	Rear-All To Chassis/VIN #358320		SBM625		
Drum Brake Shoe	1996-93	Rear-All		670		
Parking Brake Shoe	2010-05	Rear-All w/ 1 Hole Removed in Web Plate		1038		
	2010-05	Rear-All w/ Extra Hole in Web Plate		843		
	2004-99	Rear-All		807		
	1998-95	Rear-All		701		
	1994	Rear-All From VIN #358322		701		
	1994	Rear-All To VIN #358321		700		
Disc Brake Rotor	2019-18	Front-All SRT		PRT6172		
	2017-11	Front-All 330mm Diameter		PRT6102		
	2017-11	Front-All 350mm Diameter		PRT6100		
	2014-12	Front-All 380 mm Diameter		PRT6172		
	2010-06	Front-All Laredo		PRT5655		
	2010-06	Front-All Limited		PRT5655		
	2010-06	Front-All SRT8		PRT5732		
	2010	Front-All North Edition		PRT5655		
	2010	Front-All S Limited		PRT5655		
	2009-06	Front-All Overland		PRT5655		
	2006	Front-All 65th Anniversary Edition		PRT5655		
	2005	Front-All		PRT5655		
	2004-99	Front-All		PRT5254		
	1998-93	Front-All Full Cast Rotor		PRT1602FC		
	2017-11	Rear-All 330mm Diameter; Solid Rotor		PRT6103		
	2017-11	Rear-All 330 mm Diameter; Vented Rotor		PRT6101		
	2016-12	Rear-All 350 mm Diameter; Vented Rotor		PRT6173		
	2010-06	Rear-All Laredo		PRT5656		
	2010-06	Rear-All Limited		PRT5656		
	2010-06	Rear-All SRT8		PRT5736		
	2010	Rear-All North Edition		PRT5656		
	2010	Rear-All S Limited		PRT5656		
	2009-06	Rear-All Overland		PRT5656		
	2006	Rear-All 65th Anniversary Edition		PRT5656		
	2005	Rear-All		PRT5656		
	2004-99	Rear-All		PRT5253		
	1998-94	Rear-All		PRT1901		
	Brake Drum	1996-93	Rear-All 254mm		PDR0631	
	Grand Wagoneer					
	Disc Brake Pad Set	1993	Front-All Hardware Included		SBC52	MKD52FM
		1991-84	Front-All Hardware Included		SBC52	MKD52FM
	Drum Brake Shoe	1993	Rear-All w/ 11" X 2.12" Brakes		670	
		1991-84	Rear-All w/ 11" X 2.12" Brakes		462	
Disc Brake Rotor	1993	Front-All		PRT1088		
	1991-84	Front-All Rotor Only		PRT1088		
J10						
Disc Brake Pad Set	1988-74	Front-All Hardware Included		SBC52	MKD52FM	
Drum Brake Shoe	1988-74	Rear-All w/ 11" X 2.12" Brakes		462		
Disc Brake Rotor	1988-77	Front-All Rotor Only		PRT1088		
	1976-74	Front-All		PRT1088		
Brake Drum	1978-74	Rear-All		PDR0396		
J20						
Disc Brake Pad Set	1988-74	Front-All Hardware Included		SBC52	MKD52FM	
Disc Brake Rotor	1988-77	Front-All Rotor Only		PRT1049		
	1976-74	Front-All		PRT1049		
Brake Drum	1988-74	Rear-All		PDR0253		
J-100						
Brake Drum	1973-63	Front-All		PDR0088		
	1973-63	Rear-All		PDR0088		
J-200						
Brake Drum	1964-63	Front-All		PDR0088		
	1964-63	Rear-All		PDR0088		
J-210						
Brake Drum	1964-63	Front-All		PDR0088		
	1964-63	Rear-All		PDR0088		

BENDIX BRAKE PARTS

PART TYPE	YEAR	APPLICATION	PREMIUM NO.	PART NO.	SEVERE DUTY NO.
Jeep (Cont'd.)					
J-220					
Brake Drum	1964-63	Front-All		PDR0088	
	1964-63	Rear-All		PDR0088	
J-230					
Brake Drum	1964-63	Front-All		PDR0088	
	1964-63	Rear-All		PDR0088	
J-300					
Drum Brake Shoe	1965	Front-All w/ 11" X 2" Brakes		228	
	1965	Rear-All w/ 11" X 2" Brakes		228	
Brake Drum	1964-63	Front-All		PDR0088	
	1964-63	Rear-All		PDR0088	
J-310					
Brake Drum	1964-63	Front-All		PDR0088	
	1964-63	Rear-All		PDR0088	
J-320					
Brake Drum	1964-63	Front-All		PDR0088	
	1964-63	Rear-All		PDR0088	
J-330					
Brake Drum	1964-63	Front-All		PDR0088	
	1964-63	Rear-All		PDR0088	
J-2500					
Drum Brake Shoe	1970-65	Front-All w/ 11" X 2" Brakes		228	
	1973-72	Rear-All		228	
	1970-65	Rear-All w/ 11" X 2" Brakes		228	
Brake Drum	1973-65	Front-All		PDR0088	
	1973-65	Rear-All		PDR0088	
J-2600					
Drum Brake Shoe	1970-65	Front-All w/ 11" X 2" Brakes		228	
	1970-65	Rear-All w/ 11" X 2" Brakes		228	
Brake Drum	1973-72	Front-All		PDR0088	
	1970-65	Front-All		PDR0088	
	1973-72	Rear-All		PDR0088	
	1970-65	Rear-All		PDR0088	
J-2700					
Brake Drum	1970-65	Front-All		PDR0088	
	1970-65	Rear-All		PDR0088	
J-2800					
Brake Drum	1968-65	Front-All		PDR0088	
	1968-65	Rear-All		PDR0088	
J-3500					
Brake Drum	1970-65	Front-All		PDR0088	
	1970-65	Rear-All		PDR0088	
J-3600					
Drum Brake Shoe	1970-65	Front-All w/ 11" X 2" Brakes		228	
	1970-65	Rear-All w/ 11" X 2" Brakes		228	
Brake Drum	1970-65	Front-All		PDR0088	
	1970-65	Rear-All		PDR0088	
J-3700					
Brake Drum	1970-68	Front-All		PDR0088	
	1966-65	Front-All		PDR0088	
	1970-68	Rear-All		PDR0088	
	1966-65	Rear-All		PDR0088	
J-3800					
Drum Brake Shoe	1970-65	Front-All w/ 11" X 2" Brakes		228	
Brake Drum	1971-65	Front-All		PDR0088	
	1971-65	Rear-All		PDR0088	
J-4500					
Drum Brake Shoe	1973-72	Front-All w/ 11" X 2" Brakes		228	
	1970	Front-All w/ 11" X 2" Brakes		228	
	1973-72	Rear-All w/ 11" X 2" Brakes		228	
Brake Drum	1973-70	Front-All		PDR0088	
	1973-70	Rear-All		PDR0088	
J-4600					
Drum Brake Shoe	1970	Front-All w/ 11" X 2" Brakes		228	
Brake Drum	1973-70	Front-All		PDR0088	
	1973-70	Rear-All		PDR0088	
J-4700					
Brake Drum	1973-70	Front-All		PDR0088	
	1973-70	Rear-All		PDR0088	

BENDIX BRAKE PARTS

PART TYPE	YEAR	APPLICATION	PREMIUM NO.	PART NO.	SEVERE DUTY NO.
Jeep (Cont'd.)					
J-4800					
Brake Drum	1973-71	Front-All		PDR0088	
	1973-71	Rear-All		PDR0088	
Jeepster					
Drum Brake Shoe	1971-67	Front-All w/ 11" X 2" Brakes		228	
	1971-67	Rear-All w/ 11" X 2" Brakes		228	
Brake Drum	1971-66	Front-All 10 x 2" Brakes		PDR0091	
	1971-66	Rear-All 10 x 2" Brakes		PDR0091	
Liberty					
Disc Brake Pad Set	2012-08	Front-All w/ Heavy Duty Brakes	CFC1327	SBC1327	MKD1327FM
	2012-08	Front-All w/o Heavy Duty Brakes	CFC1327	SBC1327	MKD1327FM
	2007-06	Front-All Hardware Included		SBM856	
	2007-06	Front-All Hardware Included	CFC856	SBC856	MKD856FM
	2005-02	Front-All w/o Staked-On Wear Sensor	CFC856		
	2005-02	Front-All w/ Staked-On Wear Sensor		SBM856	
	2005-02	Front-All w/ Staked-On Wear Sensor	CFC856	SBC856	MKD856FM
	2012	Rear-V6 - 3.7L Hardware Included	CFC1274	SBC1274	
	2011-09	Rear-All Hardware Included	CFC1274	SBC1274	
	2008	Rear-V6 - 3.7L Hardware Included	CFC1274	SBC1274	
	2007	Rear-All Hardware Included	CFC981	SBC981	
	2006-05	Rear-L4 - 2.8L Hardware Included	CFC981	SBC981	
	2006-03	Rear-V6 - 3.7L Hardware Included	CFC981	SBC981	
	2005-03	Rear-L4 - 2.4L Hardware Included	CFC981	SBC981	
Drum Brake Shoe	2002	Rear-All w/ 10" X 1.82" Brakes		774	
Parking Brake Shoe	2012-08	Rear-All		941	
	2007-03	Rear-All		862	
Disc Brake Rotor	2012-08	Front-All 11.89" diameter rotor		PRT5707	
	2012-08	Front-All 13.07" diameter rotor		PRT5917	
	2007-02	Front-All		PRT5329	
	2012-08	Rear-All		PRT5708	
	2007-03	Rear-All		PRT5383	
Brake Drum	2002	Rear-All		PDR0741	
Patriot					
Disc Brake Pad Set	2017-13	Front-All Hardware Included	CFC866	SBC866	
	2012	Front-L4 - 2.0L Latitude, Hardware Included	CFC866	SBC866	
	2012	Front-L4 - 2.0L North Edition, Hardware Included	CFC866	SBC866	
	2012	Front-L4 - 2.0L Sport, Hardware Included	CFC866	SBC866	
	2012	Front-L4 - 2.4L Latitude, Hardware Included	CFC866	SBC866	
	2012	Front-L4 - 2.4L Limited, Hardware Included	CFC866	SBC866	
	2012	Front-L4 - 2.4L North Edition, Hardware Included	CFC866	SBC866	
	2012	Front-L4 - 2.4L Sport, Hardware Included	CFC866	SBC866	
	2011-10	Front-All Hardware Included	CFC866	SBC866	
	2009-08	Front-L4 - 2.0L Hardware Included	CFC866	SBC866	
	2009-08	Front-L4 - 2.4L Hardware Included	CFC866	SBC866	
	2007	Front-All Hardware Included	CFC866	SBC866	
	2017	Rear-All w/ BR1, BRG Brake Codes	CFC868	SBC868	
	2017	Rear-All w/ BRF, BRJ Brake Codes	CFC1037	SBC1037	
	2016	Rear-All w/ BR1, BRG Brakes	CFC868	SBC868	
	2016	Rear-All w/ BRF Brakes	CFC1037	SBC1037	
	2015-13	Rear-All w/ 10.313" Rotor Diameter	CFC1037	SBC1037	
	2015-13	Rear-All w/ 11.89" Rotor Diameter	CFC868	SBC868	
	2012	Rear-L4 - 2.0L Latitude, w/ 10.313" Rotor Diameter	CFC1037	SBC1037	
	2012	Rear-L4 - 2.0L Latitude, w/ 11.89" Rotor Diameter	CFC868	SBC868	
	2012	Rear-L4 - 2.0L North Edition, w/ 10.313" Rotor Diameter	CFC1037	SBC1037	
	2012	Rear-L4 - 2.0L Sport, w/ 10.313" Rotor Diameter	CFC1037	SBC1037	
	2012	Rear-L4 - 2.0L Sport, w/ 11.89" Rotor Diameter	CFC868	SBC868	
	2012	Rear-L4 - 2.4L Latitude, w/ 10.313" Rotor Diameter	CFC1037	SBC1037	
	2012	Rear-L4 - 2.4L Latitude, w/ 11.89" Rotor Diameter	CFC868	SBC868	
	2012	Rear-L4 - 2.4L Limited, w/ 10.313" Rotor Diameter	CFC1037	SBC1037	
	2012	Rear-L4 - 2.4L Limited, w/ 11.89" Rotor Diameter	CFC868	SBC868	
	2012	Rear-L4 - 2.4L North Edition, w/ 10.313" Rotor Diameter	CFC1037	SBC1037	
	2012	Rear-L4 - 2.4L Sport, w/ 10.313" Rotor Diameter	CFC1037	SBC1037	
	2012	Rear-L4 - 2.4L Sport, w/ 11.89" Rotor Diameter	CFC868	SBC868	
	2011-10	Rear-All w/ 10.313" Rotor Diameter	CFC1037	SBC1037	
	2011	Rear-All CAN, w/ 11.89" Rotor Diameter	CFC868	SBC868	
	2010	Rear-All w/ 11.89" Rotor Diameter	CFC868	SBC868	
	2009-08	Rear-L4 - 2.0L w/ 10.313" Rotor Diameter	CFC1037	SBC1037	
	2009-08	Rear-L4 - 2.0L w/ 11.89" Rotor Diameter	CFC868	SBC868	
	2009-08	Rear-L4 - 2.4L w/ 10.313" Rotor Diameter	CFC1037	SBC1037	
	2009-08	Rear-L4 - 2.4L w/ 11.89" Rotor Diameter	CFC868	SBC868	
	2007	Rear-All w/ 10.313" Rotor Diameter	CFC1037	SBC1037	
	2007	Rear-All w/ 11.89" Rotor Diameter	CFC868	SBC868	
Drum Brake Shoe	2017	Rear-All		919	
	2016	Rear-All Sport		919	

BENDIX BRAKE PARTS

PART TYPE	YEAR	APPLICATION	PREMIUM NO.	PART NO.	SEVERE DUTY NO.
Jeep (Cont'd.)					
Patriot (Cont'd.)					
Drum Brake Shoe (cont'd)	2015-08	Rear-All w/ 9" X 1.44" Brakes		919	
Parking Brake Shoe	2016-15	Rear-All w/ BRF Brakes		886	
	2012-07	Rear-All		886	
Disc Brake Rotor	2017-07	Front-All		PRT5706	
	2016-15	Rear-All Brake Code BRF		PRT5672	
	2014-07	Rear-All 262mm Diameter		PRT5672	
	2014-07	Rear-All 302mm Diameter		PRT5896	
Brake Drum	2017-08	Rear-All		PDR0830	
Renegade					
Disc Brake Pad Set	2018-15	Front-All Hardware Included	CFC1811		
	2018-15	Rear-All Hardware Included	CFC1809		
Scrambler					
Disc Brake Pad Set	1985-82	Front-All Hardware Not Included		SBM203	
	1981	Front-All Hardware Not Included		SBM91	
Drum Brake Shoe	1985-81	Rear-All w/ 10" X 1.81" Brakes		151	
	1985-81	Rear-All w/ 10" X 1.81" Brakes		267	
Disc Brake Rotor	1985-81	Front-All		PRT1257	
Brake Drum	1985-81	Rear-All		PDR0398	
TJ					
Disc Brake Pad Set	2006-97	Front-All Hardware Included	CFC477	SBC477	MKD477FM
	2006-04	Rear-All Hardware Included	CFC981	SBC981	
	2003	Rear-All Hardware Included	CFC964	SBC964	
Drum Brake Shoe	2006-03	Rear-All		769	
	2002-01	Rear-All w/ 9" X 2.51" Brakes		769	
	2000-97	Rear-All w/ 9" X 2.5" Brakes		538	
Parking Brake Shoe	2006-03	Rear-All		745	
Disc Brake Rotor	2006-00	Front-All		PRT5276	
	1999	Front-All OEM Composite Rotor (Fullcast Replacement), 1 1/8" Wheel Stud Length		PRT1602FC	
	1999	Front-All OEM Fullcast Rotor (Fullcast Replacement), 1 1/2" Wheel Stud Length		PRT5276	
	1998-97	Front-All Full Cast Rotor		PRT1602FC	
	2006-03	Rear-All		PRT5383	
Brake Drum	2006-97	Rear-All 228.6mm		PDR0570	
Wagoneer					
Disc Brake Pad Set	1990	Front-All Hardware Included	CFC477	SBC477	MKD477FM
	1989-84	Front-All Hardware Not Included		SBM203	
	1983-74	Front-All Hardware Included		SBC52	MKD52FM
Drum Brake Shoe	1973-63	Front-All w/ 11" X 2" Brakes		228	
	1990	Rear-All 4WD, w/ 9" X 2-1/2" Brakes		538	
	1990	Rear-All 4WD, w/ 10" X 2-1/2" Brakes		481	
	1989-86	Rear-All w/ 10" X 2-1/2" Brakes		481	
	1989-84	Rear-All w/ 10" X 1.81" Brakes		151	
	1989-84	Rear-All w/ 10" X 1.81" Brakes		267	
	1983-74	Rear-All w/ 11" X 2.12" Brakes		462	
	1964-63	Rear-All w/ 11" X 2" Brakes		228	
Disc Brake Rotor	1990	Front-All Full Cast Rotor		PRT1602FC	
	1989-84	Front-All		PRT1194	
	1983-74	Front-All		PRT1088	
Brake Drum	1973-65	Front-All		PDR0088	
	1964-63	Front-All w/ 4.1" Hub Hole		PDR0088	
	1990-84	Rear-All 10 x 2 1/2" Brakes; 253.8mm		PDR0535	
	1990	Rear-All 9 1/2 x 2" Brakes; 228.6mm		PDR0570	
	1989-84	Rear-All 10 x 1 3/4" Brakes		PDR0303	
	1973-65	Rear-All		PDR0088	
1964-63	Rear-All w/ 4.1" Hub Hole		PDR0088		
Willys					
Brake Drum	1952-47	Front-All		PDR0087	
	1952-48	Rear-All		PDR0087	
Wrangler					
Disc Brake Pad Set	2017-07	Front-All Hardware Included	CFC1327	SBC1327	MKD1327FM
	2006	Front-All To 10/18/05	CFC477	SBC477	MKD477FM
	2005-98	Front-All Hardware Included	CFC477	SBC477	MKD477FM
	1997	Front-All Standard	CFC477	SBC477	MKD477FM
	1995-90	Front-All Hardware Included	CFC477	SBC477	MKD477FM
	1989-87	Front-All Hardware Not Included		SBM203	
	2018-07	Rear-All Hardware Included	CFC1274	SBC1274	
	2006-05	Rear-L4 - 2.4L SE, w/o Anti-Rattle Clip	CFC964	SBC964	
	2006-05	Rear-L6 - 4.0L Hardware Included	CFC981	SBC981	
	2006-04	Rear-L4 - 2.4L SE, w/ Anti-Rattle Clip	CFC1109	SBC1109	
	2004	Rear-All Sport, Hardware Included	CFC964	SBC964	
	2004	Rear-L6 - 4.0L Rubicon, Hardware Included	CFC964	SBC964	
	2004	Rear-L6 - 4.0L Sahara, Hardware Included	CFC964	SBC964	

BENDIX BRAKE PARTS

PART TYPE	YEAR	APPLICATION	PREMIUM NO.	PART NO.	SEVERE DUTY NO.	
Jeep (Cont'd.)						
Wrangler (Cont'd.)						
Disc Brake Pad Set (cont'd)	2004	Rear-L6 - 4.0L Unlimited, Hardware Included	CFC981	SBC981		
	2003	Rear-All Hardware Included	CFC964	SBC964		
Drum Brake Shoe	2006-03	Rear-All		769		
	2002-01	Rear-All w/ 9" X 2.51" Brakes		769		
	2000-97	Rear-All w/ 9" X 2-1/2" Brakes		538		
	1995-90	Rear-All w/ 9" X 2-1/2" Brakes		538		
	1990-87	Rear-All w/ 10" X 2-1/2" Brakes		481		
	1989-87	Rear-All w/ 10" X 1.81" Brakes		151		
	1989-87	Rear-All w/ 10" X 1.81" Brakes		267		
Parking Brake Shoe	2018	Rear-All		941		
	2016-07	Rear-All		941		
	2006-03	Rear-All		862		
Disc Brake Rotor	2017-07	Front-All		PRT5725		
	2006-02	Front-All COMPOSITE ROTOR		PRT5276		
	2001-00	Front-All		PRT5276		
	1999	Front-All OEM Composite Rotor (Fullcast Replacement), 1 1/8" Wheel Stud Length		PRT1602FC		
	1999	Front-All OEM Fullcast Rotor (Fullcast Replacement), 1 1/2" Wheel Stud Length		PRT5276		
	1998-97	Front-All Full Cast Rotor		PRT1602FC		
	1995-90	Front-All Full Cast Rotor		PRT1602FC		
	1989-87	Front-All		PRT1194		
	2017-14	Rear-All		PRT5726		
	2013	Rear-All Solid Rotor		PRT5726		
	2012-07	Rear-All		PRT5726		
	2006-03	Rear-All		PRT5383		
	Brake Drum	2006-97	Rear-All 9 x 2 1/2" Brakes; 228.6mm		PDR0570	
		1995-90	Rear-All 9 x 2 1/2" Brakes; 228.6mm		PDR0570	
1990-87		Rear-All 10 x 2 1/2" Brakes; 253.8mm		PDR0535		
1989-87		Rear-All 10 x 1 3/4" Brakes		PDR0303		
Wrangler JK						
Disc Brake Pad Set	2018	Rear-All Hardware Included	CFC1274	SBC1274		
Parking Brake Shoe	2018	Rear-All		941		
Kenworth						
K300						
Disc Brake Pad Set	2004-00	Front-All w/ 66mm Dual Piston Bosch Caliper			MKD786AFM	
	2004-00	Front-All w/ 73mm Dual Piston Bosch Caliper			MKD786FM	
	2000-94	Front-All w/ 2.60" Bendix Dual Piston Calipers			MKD717FM	
	2000-94	Front-All w/ 2.88" Bendix Dual Piston Calipers			MKD225AFM	
	2004-00	Rear-All w/ 66mm Dual Piston Bosch Caliper			MKD786AFM	
	2004-00	Rear-All w/ 73mm Dual Piston Bosch Caliper			MKD786FM	
	2000-94	Rear-All w/ 2.60" Bendix Dual Piston Calipers			MKD717FM	
	2000-94	Rear-All w/ 2.88" Bendix Dual Piston Calipers			MKD225AFM	
T170						
Disc Brake Pad Set	2012-09	Front-All w/ 66mm Dual Piston Bosch Caliper			MKD786AFM	
	2012-09	Front-All w/ 73mm Dual Piston Bosch Caliper			MKD786FM	
	2008	Front-All Hardware Included			MKD1032FM	
	2012-09	Rear-All w/ 66mm Dual Piston Bosch Caliper			MKD786AFM	
	2012-09	Rear-All w/ 73mm Dual Piston Bosch Caliper			MKD786FM	
	2008	Rear-All Hardware Included			MKD1032FM	
	Disc Brake Rotor	2008	Front-All Hat Shaped 5 Hole Rotor		PRT5349	
2008		Front-All Hat Shaped 10 Hole Rotor; 3.21" Overall Height		PRT5348		
2008		Front-All w/out ABS Brakes, Hat Shaped 6 Hole Rotor		PRT1475	SDR1475	
2008		Rear-All Hat Shaped 5 Hole Rotor		PRT5349		
2008		Rear-All Hat Shaped 10 Hole Rotor; 3.21" Overall Height		PRT5348		
2008		Rear-All w/out ABS Brakes, Hat Shaped 6 Hole Rotor		PRT1475	SDR1475	
T270						
Disc Brake Pad Set	2015-08	Front-All w/ 66mm Dual Piston Bosch Caliper			MKD786AFM	
	2012-08	Front-All w/ 73mm Dual Piston Bosch Caliper			MKD786FM	
	2015-08	Rear-All w/ 66mm Dual Piston Bosch Caliper			MKD786AFM	
	2012-08	Rear-All w/ 73mm Dual Piston Bosch Caliper			MKD786FM	
Disc Brake Rotor	2008	Front-All Hat Shaped 5 Hole Rotor		PRT5349		
	2008	Front-All Hat Shaped 10 Hole Rotor; 3.21" Overall Height		PRT5348		
	2008	Front-All w/out ABS Brakes, Hat Shaped 6 Hole Rotor		PRT1475	SDR1475	
	2008	Rear-All Hat Shaped 5 Hole Rotor		PRT5349		
	2008	Rear-All Hat Shaped 10 Hole Rotor; 3.21" Overall Height		PRT5348		
	2008	Rear-All w/out ABS Brakes, Hat Shaped 6 Hole Rotor		PRT1475	SDR1475	
T300						
Disc Brake Pad Set	2008-00	Front-All w/ 73mm Dual Piston Bosch Caliper			MKD786FM	
	2007-00	Front-All w/ 66mm Dual Piston Bosch Caliper			MKD786AFM	
	2000-98	Front-All w/ 2.60" Bendix Dual Piston Calipers			MKD717FM	
	2000-98	Front-All w/ 2.88" Bendix Dual Piston Calipers			MKD225AFM	

BENDIX BRAKE PARTS

PART TYPE	YEAR	APPLICATION	PREMIUM NO.	PART NO.	SEVERE DUTY NO.	
Kenworth (Cont'd.)						
T300 (Cont'd.)						
Disc Brake Pad Set (cont'd)	2008-00	Rear-All w/ 73mm Dual Piston Bosch Caliper			MKD786FM	
	2007-00	Rear-All w/ 66mm Dual Piston Bosch Caliper			MKD786AFM	
	2000-98	Rear-All w/ 2.60" Bendix Dual Piston Calipers			MKD717FM	
	2000-98	Rear-All w/ 2.88" Bendix Dual Piston Calipers			MKD225AFM	
T370						
Disc Brake Pad Set	2012-09	Front-All w/ 66mm Dual Piston Bosch Caliper			MKD786AFM	
	2012-09	Front-All w/ 73mm Dual Piston Bosch Caliper			MKD786FM	
	2008	Front-All Hardware Included			MKD1032FM	
	2012-09	Rear-All w/ 66mm Dual Piston Bosch Caliper			MKD786AFM	
	2012-09	Rear-All w/ 73mm Dual Piston Bosch Caliper			MKD786FM	
	2008	Rear-All Hardware Included			MKD1032FM	
Disc Brake Rotor	2008	Front-All Hat Shaped 5 Hole Rotor		PRT5349		
	2008	Front-All Hat Shaped 10 Hole Rotor; 3.21" Overall Height		PRT5348		
	2008	Front-All w/out ABS Brakes, Hat Shaped 6 Hole Rotor		PRT1475	SDR1475	
	2008	Rear-All Hat Shaped 5 Hole Rotor		PRT5349		
	2008	Rear-All Hat Shaped 10 Hole Rotor; 3.21" Overall Height		PRT5348		
	2008	Rear-All w/out ABS Brakes, Hat Shaped 6 Hole Rotor		PRT1475	SDR1475	
Kia						
Amanti						
Disc Brake Pad Set	2009-07	Front-All Hardware Included	CFC1125	SBC1125		
	2006-04	Front-All Hardware Included	CFC1013	SBC1013		
	2009-07	Rear-All Hardware Included	CFC1313	SBC1313		
	2006-04	Rear-All Hardware Included	CFC813	SBC813		
Parking Brake Shoe	2009-07	Rear-All		873		
Disc Brake Rotor	2009-04	Front-All		PRT5674		
	2009-07	Rear-All		PRT5852		
	2006-04	Rear-All		PRT5622		
Borrego						
Disc Brake Pad Set	2011-09	Front-All Hardware Included	CFC1385	SBC1385		
	2011-09	Rear-All Hardware Included	CFC1284	SBC1284		
Disc Brake Rotor	2011-09	Front-All		PRT5850		
	2011-09	Rear-All		PRT5851		
Cadenza						
Disc Brake Pad Set	2017	Front-All Hardware Included	CFC2049	SBC2049		
	2016-14	Front-All Hardware Included	CFC1295	SBC1295		
	2017	Rear-All Base, Hardware Included	CFC2050	SBC2050		
	2017	Rear-All Limited, To 1/16/17	CFC2050	SBC2050		
	2017	Rear-All Premium, Hardware Included	CFC2050	SBC2050		
	2017	Rear-All Technology, To 1/16/17	CFC2050	SBC2050		
	2016	Rear-All CAN, Hardware Included	CFC1157	SBC1157		
	2016	Rear-All USA, Hardware Included	CFC1594	SBC1594		
	2015-14	Rear-All w/ Manual Parking Brake	CFC1157	SBC1157		
	2015-14	Rear-All w/ Power Parking Brake	CFC1594	SBC1594		
	Parking Brake Shoe	2015	Rear-All w/ Manual Parking Brake		882	
	Disc Brake Rotor	2016-14	Front-All		PRT6127	
		2016-14	Rear-All Manual Operated Parking Brake		PRT5846	
2016-14		Rear-All Power Operated Parking Brake		PRT6285		
Forte						
Disc Brake Pad Set	2017-15	Front-All Hardware Included	CFC1595	SBC1595		
	2014	Front-All EX, Hardware Included	CFC1595	SBC1595		
	2014	Front-All LX, Hardware Included	CFC1595	SBC1595		
	2014	Front-All SX, Hardware Included	CFC1735	SBC1735		
	2013	Front-All Hardware Included	CFC1397K1			
	2013	Front-All Hardware Not Included		SBC1397		
	2012	Front-L4 - 2.0L EX, Hardware Included	CFC1397K1			
	2012	Front-L4 - 2.0L EX, Hardware Not Included		SBC1397		
	2012	Front-L4 - 2.0L LX, Hardware Included	CFC1397K1			
	2012	Front-L4 - 2.0L LX, Hardware Not Included		SBC1397		
	2012	Front-L4 - 2.4L SX, Hardware Included	CFC1397K1			
	2012	Front-L4 - 2.4L SX, Hardware Not Included		SBC1397		
	2012	Front-L4 - 2.4L SX Luxury, Hardware Included	CFC1397K1			
	2012	Front-L4 - 2.4L SX Luxury, Hardware Not Included		SBC1397		
	2011-10	Front-All Hardware Included	CFC1397K1			
	2011-10	Front-All Hardware Not Included		SBC1397		
	2017-14	Rear-All Hardware Included	CFC1594	SBC1594		
	2013	Rear-All Hardware Included	CFC1157	SBC1157		
	2012	Rear-L4 - 2.0L EX, Hardware Included	CFC1157	SBC1157		
	2012	Rear-L4 - 2.0L LX, Hardware Included	CFC1157	SBC1157		
	2012	Rear-L4 - 2.4L SX, Hardware Included	CFC1157	SBC1157		
	2012	Rear-L4 - 2.4L SX Luxury, Hardware Included	CFC1157	SBC1157		
	2011-10	Rear-All Hardware Included	CFC1157	SBC1157		
	Parking Brake Shoe	2012-10	Rear-All		914	

BENDIX BRAKE PARTS

PART TYPE	YEAR	APPLICATION	PREMIUM NO.	PART NO.	SEVERE DUTY NO.
Kia (Cont'd.)					
Forte (Cont'd.)					
Disc Brake Rotor	2016-14	Front-All		PRT6148	
	2013-10	Front-L4 - 2.0L		PRT5991	
	2012-10	Front-L4 - 2.4L		PRT5832	
	2016-14	Rear-All		PRT6149	
	2013-10	Rear-All		PRT5998	
Forte5					
Disc Brake Pad Set	2017	Front-All CAN, Hardware Included	CFC1595	SBC1595	
	2017	Front-All USA, Hardware Included	CFC1735	SBC1735	
	2016-15	Front-All Hardware Included	CFC1595	SBC1595	
	2014	Front-All Hardware Included	CFC1735	SBC1735	
	2013-12	Front-All Hardware Included	CFC1397K1		
	2013-12	Front-All Hardware Not Included		SBC1397	
	2017-14	Rear-All Hardware Included	CFC1594	SBC1594	
Disc Brake Rotor	2013-12	Rear-All Hardware Included	CFC1157	SBC1157	
	2016-15	Front-All		PRT6148	
2016-14	Rear-All		PRT6149		
Forte Koup					
Disc Brake Pad Set	2016-15	Front-All EX, w/ 15" Front Wheels	CFC1595	SBC1595	
	2016-15	Front-All w/ 16" Front Wheels	CFC1735	SBC1735	
	2014	Front-All w/ 15" Wheels	CFC1595	SBC1595	
	2014	Front-All w/o 15" Wheels	CFC1735	SBC1735	
	2013-10	Front-All Hardware Included	CFC1397K1		
	2013-10	Front-All Hardware Not Included		SBC1397	
	2016-15	Rear-All EX, w/ 15" Front Wheels	CFC1594	SBC1594	
	2016-15	Rear-All w/ 16" Front Wheels	CFC1594	SBC1594	
	2014	Rear-All Hardware Included	CFC1594	SBC1594	
	2013-10	Rear-All Hardware Included	CFC1157	SBC1157	
	Disc Brake Rotor	2016-14	Front-All		PRT6148
2013-10		Front-L4 - 2.0L		PRT5991	
2012-10		Front-L4 - 2.4L		PRT5832	
2016-14		Rear-All		PRT6149	
2013-10		Rear-All		PRT5998	
K900					
Disc Brake Pad Set	2017	Front-All Hardware Included	CFC1576	SBC1576	
	2016	Front-All CAN, Hardware Included	CFC1576	SBC1576	
	2016	Front-All USA, Hardware Included	CFC1799		
	2015	Front-V6 - 3.8L Hardware Included	CFC1799		
	2015	Front-V8 - 5.0L Hardware Included	CFC1576	SBC1576	
	2017	Rear-V6 - 3.8L Hardware Included	CFC1551	SBC1551	
	2017	Rear-V8 - 5.0L Hardware Included	CFC1284	SBC1284	
	2016	Rear-All CAN, Hardware Included	CFC1284	SBC1284	
	2016	Rear-All USA, Hardware Included	CFC1551	SBC1551	
	2015	Rear-V6 - 3.8L Hardware Included	CFC1551	SBC1551	
	2015	Rear-V8 - 5.0L Hardware Included	CFC1284	SBC1284	
Disc Brake Rotor	2016-15	Front-All		PRT6158	
Magentis					
Disc Brake Pad Set	2010-03	Front-All Hardware Included	CFC924	SBC924	
	2002-01	Front-All Hardware Included	CFC887	SBC887	
	2010-01	Rear-All Hardware Included	CFC813	SBC813	
Drum Brake Shoe	2001	Rear-All		746	
Disc Brake Rotor	2010-07	Front-All		PRT5831	
	2006	Front-All 4 Hole Rotor		PRT5581	
	2006	Front-All 5 Hole Rotor		PRT5831	
	2005-03	Front-All		PRT5581	
	2002	Front-All From 7/02/02		PRT5581	
	2002	Front-All To 7/01/02		PRT5364	
	2001	Front-All		PRT5364	
	2010-07	Rear-All		PRT5535	
	2006	Rear-All 4 Hole Rotor		PRT5532	
	2006	Rear-All 5 Hole Rotor		PRT5535	
	2005-01	Rear-All		PRT5532	
Brake Drum	2006-01	Rear-All		PDR0749	
Niro					
Disc Brake Pad Set	2018-17	Front-All Hardware Included	CFC1912	SBC1912	
	2017	Rear-All Hardware Included	CFC1812	SBC1812	
Optima					
Disc Brake Pad Set	2016	Front-All ELECTRIC/GAS, Hardware Included	CFC1803		
	2016	Front-All GAS, w/ Electric Parking Brake	CFC1855	SBC1855	
	2016	Front-All GAS, w/ Manual Parking Brake	CFC1803		
	2015	Front-All EX, Hardware Included	CFC1444	SBC1444	
	2015	Front-All EX Luxury, Hardware Included	CFC1444	SBC1444	
	2015	Front-All Hybrid EX, Hardware Included	CFC1444	SBC1444	

BENDIX BRAKE PARTS

PART TYPE	YEAR	APPLICATION	PREMIUM NO.	PART NO.	SEVERE DUTY NO.
Kia (Cont'd.)					
Optima (Cont'd.)					
Disc Brake Pad Set (cont'd)	2015	Front-All Hybrid LX, Hardware Included	CFC1444	SBC1444	
	2015	Front-All Limited, Hardware Included	CFC1413	SBC1413	
	2015	Front-All LX, Hardware Included	CFC1444	SBC1444	
	2015	Front-All SX, Hardware Included	CFC1444	SBC1444	
	2015	Front-All SX Turbo, Hardware Included	CFC1413	SBC1413	
	2014-11	Front-L4 - 2.0L Hardware Included	CFC1413	SBC1413	
	2014-11	Front-L4 - 2.4L Hardware Included	CFC1444	SBC1444	
	2010-03	Front-All Hardware Included	CFC924	SBC924	
	2002-01	Front-All Hardware Included	CFC887	SBC887	
	2018-17	Rear-All w/ Power Parking Brake	CFC1544	SBC1544	
	2018	Rear-All w/ Electric Parking Brake	CFC1813	SBC1813	
	2017	Rear-All w/ Manual Parking Brake	CFC1829		
	2016	Rear-All ELECTRIC/GAS, w/ Power Parking Brake	CFC1544	SBC1544	
	2016	Rear-All GAS, w/ Electric Parking Brake	CFC1813	SBC1813	
	2016	Rear-All GAS, w/ Manual Parking Brake	CFC1829		
	2015	Rear-All ELECTRIC/GAS, Hardware Included	CFC1445	SBC1445	
	2015	Rear-All GAS, w/ Manual Parking Brake	CFC1445	SBC1445	
	2015	Rear-All GAS, w/ Power Parking Brake	CFC1544	SBC1544	
	2014	Rear-All EX, Hardware Included	CFC1544	SBC1544	
	2014	Rear-All EX Luxury, Hardware Included	CFC1544	SBC1544	
	2014	Rear-All Hybrid EX, Hardware Included	CFC1544	SBC1544	
	2014	Rear-All Hybrid EX Premium, Hardware Included	CFC1544	SBC1544	
	2014	Rear-All Hybrid LX, Hardware Included	CFC1445	SBC1445	
	2014	Rear-All Limited, Hardware Included	CFC1544	SBC1544	
	2014	Rear-All LX, Hardware Included	CFC1445	SBC1445	
	2014	Rear-All SX, Hardware Included	CFC1445	SBC1445	
	2014	Rear-All SX Turbo, Hardware Included	CFC1445	SBC1445	
	2013-11	Rear-All Hardware Included	CFC1445	SBC1445	
	2010-03	Rear-All Hardware Included	CFC813	SBC813	
	2002-01	Rear-L4 - 2.4L Hardware Included	CFC813	SBC813	
	2002	Rear-V6 - 2.7L Hardware Included	CFC813	SBC813	
	2001	Rear-V6 - 2.5L Hardware Included	CFC813	SBC813	
Drum Brake Shoe	2001	Rear-All		746	
Parking Brake Shoe	2016	Rear-All Hybrid, ELECTRIC/GAS, w/ Manual Parking Brake		882	
	2016	Rear-All Hybrid EX, ELECTRIC/GAS, w/ Manual Parking Brake		882	
	2016	Rear-All Hybrid EX Premium, ELECTRIC/GAS, w/ Manual Parking Brake		882	
	2016	Rear-All Hybrid LX, ELECTRIC/GAS, w/ Manual Parking Brake		882	
	2016	Rear-L4 - 1.6L LX 1.6T, GAS		882	
	2016	Rear-L4 - 1.6L LX, GAS		882	
	2016	Rear-L4 - 2.0L SX, GAS		882	
	2016	Rear-L4 - 2.0L SXL, GAS		882	
	2016	Rear-L4 - 2.0L SX Limited, GAS		882	
	2010-07	Rear-All		845	
	2006-01	Rear-All		889	
Disc Brake Rotor	2015-11	Front-L4 - 2.4L		PRT5832	
	2014-11	Front-L4 - 2.0L		PRT6127	
	2010-07	Front-All		PRT5831	
	2006	Front-All 4 Hole Rotor		PRT5581	
	2006	Front-All 5 Hole Rotor		PRT5831	
	2005-03	Front-All		PRT5581	
	2002	Front-All From 7/02/02		PRT5581	
	2002	Front-All To 7/01/02		PRT5364	
	2001	Front-All		PRT5364	
	2016	Rear-All		PRT5846	
	2015-13	Rear-All with Manual Operated Parking Brake		PRT5846	
	2015-13	Rear-All with Power Operated Parking Brake		PRT6285	
	2012-11	Rear-All		PRT5846	
	2010-07	Rear-All		PRT5535	
	2006	Rear-All 4 Hole Rotor		PRT5532	
	2006	Rear-All 5 Hole Rotor		PRT5535	
	2005-03	Rear-All		PRT5532	
	2002	Rear-V6 - 2.7L V6		PRT5532	
	2001	Rear-V6 - 2.5L V6		PRT5532	
Brake Drum	2002-01	Rear-L4 - 2.4L		PDR0749	
Rio					
Disc Brake Pad Set	2017-12	Front-All Hardware Included	CFC1593	SBC1593	
	2011-06	Front-All Hardware Included	CFC1156	SBC1156	
	2005	Front-All Hardware Not Included		SBC889	
	2004-03	Front-L4 - 1.6L Hardware Not Included		SBC889	
	2002-01	Front-All Hardware Included		SBC466	
	2018-13	Rear-All Hardware Included	CFC1544	SBC1544	

BENDIX BRAKE PARTS

PART TYPE	YEAR	APPLICATION	PREMIUM NO.	PART NO.	SEVERE DUTY NO.
Kia (Cont'd.)					
Rio (Cont'd.)					
Disc Brake Pad Set (cont'd)	2012	Rear-All Hardware Included	CFC1313	SBC1313	
	2011-07	Rear-All Hardware Included	CFC1157	SBC1157	
	2006	Rear-All 4-Wheel ABS, Hardware Included	CFC1157	SBC1157	
	2006	Rear-All Non-ABS, Hardware Included	CFC1157	SBC1157	
Drum Brake Shoe	2011-06	Rear-All w/ 7.98" X 1.24" Brakes		910	
	2005-03	Rear-All w/ 7.87" X 1.23" Brakes		806	
	2002-01	Rear-All w/ 7.87" X 1.02" Brakes		775	
Parking Brake Shoe	2010-06	Rear-All		914	
Disc Brake Rotor	2016-12	Front-All 10.5" Diameter		PRT6146	
	2016-12	Front-All 280mm Rotor		PRT6181	
	2011-06	Front-All		PRT5756	
	2005-03	Front-All		PRT5562	
	2002-01	Front-All		PRT1918	
	2016-12	Rear-All		PRT6147	
	2011-10	Rear-All		PRT5757	
	2007-06	Rear-All		PRT5757	
Brake Drum	2011-06	Rear-All		PDR0818	
	2005-03	Rear-All 4-Wheel ABS		PDR0824	
	2005-03	Rear-All Non-ABS, Non-ABS		PDR0825	
	2002-01	Rear-All 4-Wheel ABS		PDR0822	
2002-01	Rear-All Non-ABS, Non-ABS		PDR0748		
Rio5					
Disc Brake Pad Set	2011-06	Front-All Hardware Included	CFC1156	SBC1156	
	2011	Rear-All Hardware Included	CFC1544	SBC1544	
	2010-07	Rear-All Hardware Included	CFC1157	SBC1157	
	2006	Rear-All 4-Wheel ABS, Hardware Included	CFC1157	SBC1157	
	2006	Rear-All Non-ABS, Hardware Included	CFC1157	SBC1157	
Drum Brake Shoe	2011-06	Rear-All w/ 7.98" X 1.24" Brakes		910	
Parking Brake Shoe	2010-06	Rear-All		914	
Disc Brake Rotor	2011-06	Front-All		PRT5756	
	2011-10	Rear-All		PRT5757	
	2007-06	Rear-All		PRT5757	
Brake Drum	2011-06	Rear-All		PDR0818	
Rondo					
Disc Brake Pad Set	2016-14	Front-All Hardware Included	CFC1432	SBC1432	
	2012-07	Front-All Hardware Included	CFC1295	SBC1295	
	2017-14	Rear-All w/ Electric Parking Brake	CFC1813	SBC1813	
	2017-14	Rear-All w/o Electric Parking Brake	CFC1812	SBC1812	
	2012-07	Rear-All Hardware Included	CFC1296	SBC1296	
Parking Brake Shoe	2010-07	Rear-All		935	
Disc Brake Rotor	2012-10	Front-All		PRT5831	
	2009-07	Front-All		PRT5866	
	2012-07	Rear-All		PRT5868	
Sedona					
Disc Brake Pad Set	2017-15	Front-All Hardware Included	CFC1814		
	2014	Front-All Hardware Included	CFC1202	SBC1202	
	2012-06	Front-All Hardware Included	CFC1202	SBC1202	
	2005	Front-All Hardware Included	CFC1097	SBC1097	
	2004	Front-All From 12/1/03	CFC1097	SBC1097	
	2004	Front-All To 12/1/03	CFC864	SBC864	
	2003	Front-All Hardware Included	CFC864	SBC864	
	2002	Front-All w/ 11.57" Rotor Diameter	CFC864	SBC864	
	2017-15	Rear-All Hardware Included	CFC1302	SBC1302	
	2014	Rear-All Hardware Included	CFC1284	SBC1284	
	2012-07	Rear-All Hardware Included	CFC1284	SBC1284	
	2006	Rear-All Hardware Included	CFC954		
	2006	Rear-All Hardware Not Included		SBC954	
	2004	Rear-All To 11/30/03		789	
	Drum Brake Shoe	2003-02	Rear-All w/ 10" X 2.17" Brakes		789
2012-06		Rear-All		918	
Parking Brake Shoe	2005	Rear-All		872	
	2004	Rear-All From 12/1/03		872	
	2014	Rear-All		PRT5780	
Disc Brake Rotor	2014	Front-All		PRT5881	
	2012-06	Front-All		PRT5881	
	2005	Front-All		PRT5605	
	2004	Front-All From 12/1/03		PRT5605	
	2004	Front-All To 12/1/03		PRT5524	
	2003-02	Front-All		PRT5524	
	2016-15	Rear-All		PRT6037	
	2014	Rear-All		PRT5780	
	2012-06	Rear-All		PRT5780	
Brake Drum	2005	Rear-All		PDR0831	
	2004	Rear-All From 12/1/03		PDR0831	

BENDIX BRAKE PARTS

PART TYPE	YEAR	APPLICATION	PREMIUM NO.	PART NO.	SEVERE DUTY NO.
Kia (Cont'd.)					
Sedona (Cont'd.)					
Brake Drum (cont'd)	2004	Rear-All To 12/1/03		PDR0793	
	2003-02	Rear-All		PDR0793	
Sephia					
Disc Brake Pad Set	2001	Front-All Hardware Not Included		SBC889	
	2000	Front-All From 7/15/00		SBC889	
	2000	Front-All To 7/14/00		SBM649	
	1999-97	Front-All Hardware Not Included		SBC925	
	1996	Front-L4 - 1.6L 3 Eng VIN, w/o Rotor Vents Thru Axle Side w/o Groove At Wheel Side Hat Base		SBM649	
	1996	Front-L4 - 1.6L 3 Eng VIN, w/ Rotor Vents Thru Axle Side w/o Groove At Wheel Side Hat Base		SBC925	
	1996	Front-L4 - 1.6L 4 Eng VIN, Hardware Not Included		SBC925	
	1996	Front-L4 - 1.8L Hardware Not Included		SBC925	
	1995-94	Front-All Hardware Not Included		SBC925	
	2001-98	Rear-All Hardware Included		SBM775	
	1997	Rear-L4 - 1.8L Hardware Not Included		SBM693	
	1996-95	Rear-All Hardware Not Included		SBM693	
Drum Brake Shoe	2001-95	Rear-All w/ 7.87" X 1.42" Brakes		763	
	1994	Rear-All w/ 7.95" X 1.42" Brakes		697	
Disc Brake Rotor	2001	Front-All 241mm Diameter Rotor		PRT5021	
	2001	Front-All 258mm Rotor		PRT5401	
	2000-94	Front-All Inboard vented		PRT5890	
	2000-94	Front-All Outboard vented		PRT5021	
	2001-98	Rear-All		PRT5203	
	1997-95	Rear-All		PRT5205	
Brake Drum	2001-94	Rear-All		PDR0664	
Sorento					
Disc Brake Pad Set	2017-15	Front-All CAN, Hardware Included		SBC1815	
	2017-15	Front-All USA, Hardware Included		SBC1815	
	2014	Front-All CAN, Hardware Included	CFC1432	SBC1432	
	2014	Front-All USA, Hardware Included	CFC1432	SBC1432	
	2013-11	Front-All Hardware Included	CFC1432	SBC1432	
	2009-03	Front-All Hardware Included	CFC955	SBC955	
	2017-16	Rear-All CAN, Hardware Included	CFC1439	SBC1439	
	2017-16	Rear-All USA, Hardware Included	CFC1439	SBC1439	
	2015-11	Rear-All Hardware Included	CFC1439	SBC1439	
	2009-03	Rear-All Hardware Included	CFC954		
	2009-03	Rear-All Hardware Not Included		SBC954	
Parking Brake Shoe	2009-03	Rear-All		873	
Disc Brake Rotor	2015-14	Front-All		PRT6234	
	2013-11	Front-All		PRT6036	
	2009-07	Front-All		PRT5895	
	2006-03	Front-All		PRT5606	
	2016-11	Rear-All		PRT6037	
	2009-07	Rear-All		PRT5894	
	2006-03	Rear-All		PRT5847	
Soul					
Disc Brake Pad Set	2017	Front-All Hardware Included	CFC2094	SBC2094	
	2016-14	Front-All Hardware Included	CFC1397K1		
	2016-14	Front-All Hardware Not Included		SBC1397	
	2013	Front-All Hardware Included	CFC924	SBC924	
	2012	Front-All 2u, Hardware Included	CFC924	SBC924	
	2012	Front-All 4u, Hardware Included	CFC924	SBC924	
	2012	Front-All 4u Burner, Hardware Included	CFC924	SBC924	
	2012	Front-All 4u Luxury, Hardware Included	CFC924	SBC924	
	2012	Front-All 4u Retro, Hardware Included	CFC924	SBC924	
	2012	Front-All !, Hardware Included	CFC924	SBC924	
	2012	Front-All +, Hardware Included	CFC924	SBC924	
	2012	Front-All Base, Hardware Included	CFC924	SBC924	
	2011	Front-All Hardware Included	CFC924	SBC924	
	2010	Front-All Rear Disc, Hardware Included	CFC924	SBC924	
	2010	Front-All Rear Drum, Hardware Included	CFC1595	SBC1595	
	2017-14	Rear-All Hardware Included	CFC1594	SBC1594	
	2013	Rear-All Hardware Included	CFC1313	SBC1313	
	2012	Rear-All 2u, Hardware Included	CFC1313	SBC1313	
	2012	Rear-All 4u, Hardware Included	CFC1313	SBC1313	
	2012	Rear-All 4u Burner, Hardware Included	CFC1313	SBC1313	
	2012	Rear-All 4u Luxury, Hardware Included	CFC1313	SBC1313	
	2012	Rear-All 4u Retro, Hardware Included	CFC1313	SBC1313	
	2012	Rear-All !, Hardware Included	CFC1313	SBC1313	
	2012	Rear-All +, Hardware Included	CFC1313	SBC1313	
	2012	Rear-All Base, Hardware Included	CFC1313	SBC1313	
	2011-10	Rear-All Hardware Included	CFC1313	SBC1313	
Parking Brake Shoe	2012-10	Rear-All		889	

BENDIX BRAKE PARTS

PART TYPE	YEAR	APPLICATION	PREMIUM NO.	PART NO.	SEVERE DUTY NO.	
Kia (Cont'd.)						
Soul (Cont'd.)						
Disc Brake Rotor	2016-14	Front-All		PRT6148		
	2013-12	Front-All		PRT5831		
	2011-10	Front-L4 - 1.6L		PRT5990		
	2011-10	Front-L4 - 2.0L		PRT5991		
	2016-14	Rear-All		PRT6149		
	2013-10	Rear-All		PRT5998		
Soul EV						
Disc Brake Pad Set	2016-15	Front-All Hardware Included	CFC1295	SBC1295		
	2017-15	Rear-All Hardware Included	CFC1594	SBC1594		
Disc Brake Rotor	2016-15	Rear-All		PRT6285		
Spectra						
Disc Brake Pad Set	2009-05	Front-All Hardware Included	CFC1074	SBC1074		
	2004	Front-L4 - 1.8L Hardware Not Included		SBC889		
	2004	Front-L4 - 2.0L Hardware Included	CFC1074	SBC1074		
	2003-01	Front-All Hardware Not Included		SBC889		
	2000	Front-All Hardware Not Included		SBC925		
	2009-05	Rear-All Hardware Included		SBC429		
	2004	Rear-L4 - 1.8L Hardware Included		SBM775		
	2004	Rear-L4 - 2.0L Hardware Included		SBC429		
	2003-00	Rear-All Hardware Included		SBM775		
	Drum Brake Shoe	2009-07	Rear-All		934	
2004		Rear-L4 - 1.8L		763		
2003-00		Rear-All w/ 7.87" X 1.42" Brakes		763		
Disc Brake Rotor	2009-05	Front-All		PRT5677		
	2004	Front-L4 - 1.8L		PRT5401		
	2004	Front-L4 - 2.0L		PRT5677		
	2003-01	Front-All		PRT5401		
	2000	Front-All		PRT5890		
	2009-05	Rear-All		PRT5755		
	2004	Rear-L4 - 1.8L		PRT5203		
	2004	Rear-L4 - 2.0L		PRT5755		
	2003-00	Rear-All		PRT5203		
	Brake Drum	2009-07	Rear-All		PDR0857	
2004		Rear-L4 - 1.8L		PDR0664		
2004		Rear-L4 - 2.0L		PDR0664		
2003-00		Rear-All		PDR0664		
Spectra5						
Disc Brake Pad Set	2009-05	Front-All Hardware Included	CFC1074	SBC1074		
	2009-05	Rear-All Hardware Included		SBC429		
Drum Brake Shoe	2008	Rear-All w/ 8" X 1.42" Brakes		934		
Disc Brake Rotor	2009-05	Front-All		PRT5677		
	2009-05	Rear-All		PRT5755		
Sportage						
Disc Brake Pad Set	2017	Front-All Hardware Included	CFC1847	SBC1847		
	2016-12	Front-All Hardware Included	CFC1295	SBC1295		
	2011	Front-All AWD, Hardware Included	CFC1295	SBC1295		
	2011	Front-All FWD, Hardware Included	CFC1447	SBC1447		
	2010-05	Front-All Hardware Included	CFC924	SBC924		
	2002-98	Front-All Hardware Included		SBC774		
	1997-95	Front-All Hardware Not Included		SBM670		
	2017	Rear-All Hardware Included	CFC1848	SBC1848		
	2016-13	Rear-All Hardware Included	CFC1157	SBC1157		
	2012	Rear-All Base, FWD, Hardware Included	CFC1157	SBC1157		
	2012	Rear-All EX, AWD, Hardware Included	CFC1157	SBC1157		
	2012	Rear-All EX, FWD, Hardware Included	CFC1157	SBC1157		
	2012	Rear-All LX, AWD, Hardware Included	CFC1157	SBC1157		
	2012	Rear-All LX, FWD, Hardware Included	CFC1157	SBC1157		
	2012	Rear-All SX, Hardware Included	CFC1157	SBC1157		
	2011	Rear-All Hardware Included	CFC1157	SBC1157		
	2010-05	Rear-All Hardware Included	CFC813	SBC813		
	Drum Brake Shoe	2002-98	Rear-All w/ 10.24" X 1.82" Brakes		737	
		1997-95	Rear-All		706	
Parking Brake Shoe	2015	Rear-All AWD		988		
	2015	Rear-All FWD		882		
	2014-11	Rear-All AWD, w/ 7.40" X 1.55" Brakes		988		
	2012-11	Rear-All w/ 6.57" x 0.99" Brakes		882		
	2010-05	Rear-All AWD		773		
	2010-05	Rear-All FWD		845		
Disc Brake Rotor	2016-13	Front-All		PRT5832		
	2014-12	Front-All SX		PRT5832		
	2014-12	Front-All SX		PRT6123 ⁹⁵		
	2012	Front-L4 - 2.4L		PRT5832		
	2011	Front-L4 - 2.0L		PRT5832		

BENDIX BRAKE PARTS

PART TYPE	YEAR	APPLICATION	PREMIUM NO.	PART NO.	SEVERE DUTY NO.	
Kia (Cont'd.)						
Sportage (Cont'd.)						
Disc Brake Rotor (cont'd)	2011	Front-L4 - 2.0L		PRT6123 ⁹⁵		
	2011	Front-L4 - 2.4L AWD		PRT5832		
	2011	Front-L4 - 2.4L FWD		PRT5831		
	2010-05	Front-All		PRT5504		
	2002-95	Front-All		PRT5066		
	2016-05	Rear-All AWD		PRT5534		
	2015-11	Rear-All FWD		PRT6019		
	2010-05	Rear-All FWD		PRT5535		
Brake Drum	2002-98	Rear-All		PDR0710		
	1997-95	Rear-All		PDR0674		
Stinger						
Disc Brake Pad Set	2018	Front-All Hardware Not Included	CFC2117			
Lamborghini						
Gallardo						
Disc Brake Pad Set	2005-04	Front-All Hardware Not Included		SBM1029		
Land Rover						
Defender 90						
Disc Brake Pad Set	1997	Front-All Hardware Not Included		SBM671		
	1995-94	Front-All Hardware Not Included		SBM671		
Disc Brake Rotor	1997	Front-All		PRT1755		
	1995-94	Front-All		PRT1755		
	1997	Rear-All		PRT1756		
	1995-94	Rear-All		PRT1756		
Defender 110						
Disc Brake Pad Set	1993	Front-All Hardware Not Included		SBM671		
Disc Brake Rotor	1993	Front-All		PRT1754		
Discovery						
Disc Brake Pad Set	2017	Front-All Hardware Included	CFM1479			
	2017	Front-All Hardware Not Included		SBM1479		
	2004-03	Front-V8 - 4.6L Hardware Not Included	CFM676	SBM676		
	2002-00	Front-All Hardware Not Included	CFM676	SBM676		
	1999	Front-All SD, Hardware Not Included		SBM520		
	1999	Front-All Series II, Hardware Not Included	CFM676	SBM676		
	1998-94	Front-All Hardware Not Included		SBM520		
	2018	Rear-All DIESEL, Hardware Included	CFM1692	SBM1692		
	2017	Rear-All Hardware Included	CFM1692	SBM1692		
	2004-03	Rear-V8 - 4.6L Hardware Not Included		SBM493A		
	2002-00	Rear-All Hardware Not Included		SBM493A		
	1999	Rear-All SD, Hardware Not Included		SBM518		
	1999	Rear-All Series II, Hardware Not Included		SBM493A		
	Disc Brake Rotor	2017	Front-All		PRT5956	
		2004-00	Front-All	BPR5577	PRT5577	
		1999	Front-All SD		PRT1754	
1999		Front-All Series II	BPR5577	PRT5577		
1998-94		Front-All		PRT1754		
2004-00		Rear-All	BPR5121	PRT5121		
1999		Rear-All SD		PRT1756		
1999		Rear-All Series II	BPR5121	PRT5121		
1998-94		Rear-All		PRT1756		
Discovery Sport						
Disc Brake Pad Set	2018	Front-All HSE, w/ 325mm Front Rotor	CFC1838			
	2018	Front-All HSE Luxury, w/ 325mm Front Rotor	CFC1838			
	2018	Front-All SE, Hardware Not Included	CFC1838			
	2017-15	Front-All Hardware Not Included	CFC1838			
	2018	Rear-All HSE, To Chassis/VIN #JH736745	CFC1821			
	2018	Rear-All HSE Luxury, To Chassis/VIN #JH736745	CFC1821			
	2018	Rear-All SE, To Chassis/VIN #JH736745	CFC1821			
	2017-15	Rear-All Hardware Not Included	CFC1821			
Freelander						
Disc Brake Pad Set	2006	Front-All Hardware Not Included		SBM926		
	2005-02	Front-V6 - 2.5L Hardware Not Included		SBM926		
Drum Brake Shoe	2005-02	Rear-All w/ 8.13" X 1.19" Brakes		788		
Disc Brake Rotor	2005-02	Front-All		PRT5580		
Brake Drum	2005-02	Rear-All		PDR0796		
LR2						
Disc Brake Pad Set	2015-10	Front-All Hardware Included	CFM1306			
	2015-10	Front-All Hardware Not Included		SBC1306		
	2009-08	Front-L6 - 3.2L Hardware Included	CFM1306			
	2009-08	Front-L6 - 3.2L Hardware Not Included		SBC1306		
	2015-14	Rear-All w/ Solid Rear Rotors	CFM1307SR			

95 Sell out and reorder PRT5832

BENDIX BRAKE PARTS

PART TYPE	YEAR	APPLICATION	PREMIUM NO.	PART NO.	SEVERE DUTY NO.	
Land Rover (Cont'd.)						
LR2 (Cont'd.)						
Disc Brake Pad Set (cont'd)	2015-14	Rear-All w/ Solid Rotors		SBM1307SR		
	2015-14	Rear-All w/ Vented Rear Rotors	CFM1307VR			
	2015-14	Rear-All w/ Vented Rotors		SBM1307VR		
	2013	Rear-All Hardware Included	CFM1099			
	2013	Rear-All Hardware Not Included		SBM1099		
	2012-10	Rear-All Hardware Included		SBM1314LR		
	2009-08	Rear-L6 - 3.2L Hardware Included		SBM1314LR		
Parking Brake Shoe	2011-08	Rear-All		937		
Disc Brake Rotor	2015-08	Front-All	BPR6007	PRT6007		
	2015-13	Rear-All		PRT6253		
	2012-08	Rear-All		PRT6060		
LR3						
Disc Brake Pad Set	2009	Front-All Hardware Included	CFM1098	SBM1098		
	2008-05	Front-V6 - 4.0L Hardware Included	CFM1098	SBM1098		
	2008-05	Front-V8 - 4.4L Hardware Included	CFM1098	SBM1098		
	2009	Rear-All Hardware Included	CFM1099			
	2009	Rear-All Hardware Not Included		SBM1099		
	2008-05	Rear-V6 - 4.0L Hardware Included	CFM1099			
	2008-05	Rear-V6 - 4.0L Hardware Not Included		SBM1099		
	2008-05	Rear-V8 - 4.4L Hardware Included	CFM1099			
	2008-05	Rear-V8 - 4.4L Hardware Not Included		SBM1099		
	Parking Brake Shoe	2009-07	Rear-All		944	
		2006-05	Rear-All		876	
Disc Brake Rotor	2009-05	Front-V8 - 4.4L	BPR5967	PRT5967		
	2007-05	Front-V6 - 4.0L		PRT5966		
	2009-05	Rear-V8 - 4.4L	BPR5989	PRT5989		
	2007-05	Rear-V6 - 4.0L		PRT5947		
LR4						
Disc Brake Pad Set	2016-10	Front-All Hardware Included	CFM1479			
	2016-10	Front-All Hardware Not Included		SBM1479		
	2016-10	Rear-All Hardware Included	CFM1099			
	2016-10	Rear-All Hardware Not Included		SBM1099		
Parking Brake Shoe	2015	Rear-All		944		
	2012-10	Rear-All		944		
Disc Brake Rotor	2016-10	Front-All		PRT5956		
	2015-10	Front-All	BPR5956			
	2015-10	Rear-All	BPR5989	PRT5989		
Range Rover						
Disc Brake Pad Set	2018	Front-All Autobiography, Hardware Included	CFM1426			
	2018	Front-All Autobiography, Hardware Not Included		SBM1426		
	2018	Front-All HSE, GAS, Hardware Included	CFM1426			
	2018	Front-All HSE, GAS, Hardware Not Included		SBM1426		
	2018	Front-All Supercharged, Hardware Included	CFM1426			
	2018	Front-All Supercharged, Hardware Not Included		SBM1426		
	2018	Front-All SV Autobiography, Hardware Included	CFM1426			
	2018	Front-All SV Autobiography, Hardware Not Included		SBM1426		
	2018	Front-All SV Autobiography Dynamic, Hardware Included	CFM1426			
	2018	Front-All SV Autobiography Dynamic, Hardware Not Included		SBM1426		
	2017-15	Front-All Hardware Included	CFM1479			
	2017-15	Front-All Hardware Not Included		SBM1479		
	2014	Front-All Autobiography, Hardware Included	CFM1426			
	2014	Front-All Autobiography, Hardware Not Included		SBM1426		
	2014	Front-All Autobiography Black, Hardware Included	CFM1426			
	2014	Front-All Autobiography Black, Hardware Not Included		SBM1426		
	2014	Front-All Base, Hardware Included	CFM1479			
	2014	Front-All Base, Hardware Not Included		SBM1479		
	2014	Front-All HSE, Hardware Included	CFM1479			
	2014	Front-All HSE, Hardware Not Included		SBM1479		
	2014	Front-All Supercharged, Hardware Included	CFM1426			
	2014	Front-All Supercharged, Hardware Not Included		SBM1426		
	2013	Front-All Hardware Included	CFM1426			
	2013	Front-All Hardware Not Included		SBM1426		
	2012-11	Front-All Hardware Included	CFM1425			
	2012-11	Front-All Hardware Not Included		SBM1425		
	2010	Front-All HSE, Hardware Included	CFM1425			
	2010	Front-All HSE, Hardware Not Included		SBM1425		
	2010	Front-All Supercharged, Hardware Included	CFM1426			
	2010	Front-All Supercharged, Hardware Not Included		SBM1426		
	2009-06	Front-All Naturally Aspirated, Hardware Included	CFM1098	SBM1098		
	2009-06	Front-All Supercharged, Hardware Included	CFM1263			
	2009-06	Front-All Supercharged, Hardware Not Included		SBM1263		
	2005	Front-All Hardware Included	CFM992			

BENDIX BRAKE PARTS

PART TYPE	YEAR	APPLICATION	PREMIUM NO.	PART NO.	SEVERE DUTY NO.
Land Rover (Cont'd.)					
Range Rover (Cont'd.)					
Disc Brake Pad Set (cont'd)	2005	Front-All Hardware Not Included		SBM992	
	2004-03	Front-V8 - 4.4L Hardware Included	CFM992		
	2004-03	Front-V8 - 4.4L Hardware Not Included		SBM992	
	2002	Front-All Hardware Not Included	CFM676	SBM676	
	2001-97	Front-V8 - 4.6L Hardware Not Included	CFM676	SBM676	
	2000-97	Front-V8 - 4.0L Hardware Not Included	CFM676	SBM676	
	1996-95	Front-All Hardware Not Included	CFM676	SBM676	
	1994-90	Front-All w/ 4 Piston Caliper		SBM520	
	1989-87	Front-All w/ 4 Piston Caliper		SBM519	
	2018	Rear-All Base, DIESEL, Hardware Included	CFM1692	SBM1692	
	2018	Rear-All HSE, DIESEL, Hardware Included	CFM1692	SBM1692	
	2018	Rear-All SV Autobiography Dynamic, Hardware Included	CFM1692	SBM1692	
	2017-16	Rear-All Hardware Included	CFM1692	SBM1692	
	2015	Rear-All Autobiography, Hardware Included	CFM1692	SBM1692	
	2015	Rear-All Base, Hardware Included	CFM1692	SBM1692	
	2015	Rear-All HSE, Hardware Included	CFM1692	SBM1692	
	2015	Rear-All Supercharged, Hardware Included	CFM1692	SBM1692	
	2014	Rear-All Hardware Included	CFM1692	SBM1692	
	2013	Rear-All Autobiography, Hardware Included	CFM1692	SBM1692	
	2013	Rear-All Base, Hardware Included	CFM1692	SBM1692	
	2013	Rear-All HSE, Hardware Included	CFM1692	SBM1692	
	2013	Rear-All Supercharged, Hardware Included	CFM1692	SBM1692	
	2012-10	Rear-All HSE, Hardware Included	CFM1099		
	2012-10	Rear-All HSE, Hardware Not Included		SBM1099	
	2012-10	Rear-All Supercharged, Hardware Included	CFM1427	SBM1427	
	2009	Rear-All Hardware Included	CFM1099		
	2009	Rear-All Hardware Not Included		SBM1099	
	2008	Rear-V8 - 4.2L Hardware Included	CFM1099		
	2008	Rear-V8 - 4.2L Hardware Not Included		SBM1099	
	2008	Rear-V8 - 4.4L Hardware Included	CFM1099		
	2008	Rear-V8 - 4.4L Hardware Not Included		SBM1099	
	2007	Rear-All Hardware Included	CFM1099		
	2007	Rear-All Hardware Not Included		SBM1099	
	2006	Rear-V8 - 4.2L Hardware Included	CFM1099		
	2006	Rear-V8 - 4.2L Hardware Not Included		SBM1099	
	2006	Rear-V8 - 4.4L Hardware Included	CFM1099		
	2006	Rear-V8 - 4.4L Hardware Not Included		SBM1099	
	2005	Rear-All Hardware Included	CFC683		
	2005	Rear-All Hardware Not Included		SBC683	
	2004-03	Rear-V8 - 4.4L Hardware Included	CFC683		
	2004-03	Rear-V8 - 4.4L Hardware Not Included		SBC683	
	2002	Rear-All Hardware Not Included		SBM493A	
	2001-97	Rear-V8 - 4.6L Hardware Not Included		SBM493A	
	2000-97	Rear-V8 - 4.0L Hardware Not Included		SBM493A	
	1996-95	Rear-All Hardware Not Included		SBM493A	
	1994-87	Rear-All Hardware Not Included		SBM518	
Parking Brake Shoe	2012-03	Rear-All		870	
Disc Brake Rotor	2016	Front-All DIESEL		PRT5956	
	2016	Front-All GAS		PRT6064	
	2013	Front-All		PRT6064	
	2012-10	Front-All HSE		PRT5935	
	2012	Front-All Supercharged		PRT6186	
	2009-06	Front-All Supercharged		PRT5935	
	2005-03	Front-All		PRT5599	
	2002-95	Front-All		PRT5120	
	1994-90	Front-All		PRT1755	
	1989-87	Front-All		PRT1754	
	2017-14	Rear-All		PRT6328	
	2015-14	Rear-V8 - 5.0L		PRT6238	
	2013	Rear-All		PRT6238	
	2012-10	Rear-All HSE		PRT5939	
	2012-10	Rear-All Supercharged		PRT6065	
	2009-06	Rear-All		PRT5939	
	2005-03	Rear-All		PRT5598	
	2002-95	Rear-All	BPR5121	PRT5121	
	1994-87	Rear-All		PRT1756	
Range Rover Evoque					
Disc Brake Pad Set	2018	Front-All Autobiography, w/ 325mm Front Rotor	CFC1838		
	2018	Front-All HSE, Hardware Not Included	CFC1838		
	2018	Front-All HSE Dynamic, w/ 325mm Front Rotor	CFC1838		
	2018	Front-All Landmark Edition, Hardware Not Included	CFC1838		
	2018	Front-All SE, Hardware Not Included	CFC1838		
	2018	Front-All SE Dynamic, Hardware Not Included	CFC1838		
	2018	Front-All SE Premium, Hardware Not Included	CFC1838		

BENDIX BRAKE PARTS

PART TYPE	YEAR	APPLICATION	PREMIUM NO.	PART NO.	SEVERE DUTY NO.	
Land Rover (Cont'd.)						
Range Rover Evoque (Cont'd.)						
Disc Brake Pad Set (cont'd)	2017-16	Front-All Hardware Not Included	CFC1838			
	2015-12	Front-All Hardware Included	CFM1306			
	2015-12	Front-All Hardware Not Included		SBC1306		
	2018	Rear-All Autobiography, To Chassis/VIN #JH283607	CFC1821			
	2018	Rear-All HSE, To Chassis/VIN #JH283607	CFC1821			
	2018	Rear-All HSE Dynamic, To Chassis/VIN #JH283607	CFC1821			
	2018	Rear-All Landmark Edition, To Chassis/VIN #JH283607	CFC1821			
	2018	Rear-All SE, To Chassis/VIN #JH283607	CFC1821			
	2018	Rear-All SE Dynamic, To Chassis/VIN #JH283607	CFC1821			
	2018	Rear-All SE Premium, To Chassis/VIN #JH283607	CFC1821			
	2017-16	Rear-All Hardware Not Included	CFC1821			
	2015-12	Rear-All w/ Solid Rear Rotors	CFM1307SR			
	2015-12	Rear-All w/ Solid Rotors		SBM1307SR		
	2015-12	Rear-All w/ Vented Rear Rotors	CFM1307VR			
	2015-12	Rear-All w/ Vented Rotors		SBM1307VR		
	Disc Brake Rotor	2015-12	Front-All		PRT6015	
		2013-12	Front-All	BPR6015		
2015-12		Rear-All		PRT6188		
Range Rover Sport						
Disc Brake Pad Set	2018	Front-All Autobiography Dynamic, Hardware Included	CFM1426			
	2018	Front-All Autobiography Dynamic, Hardware Not Included		SBM1426		
	2018	Front-All HSE Dynamic, Hardware Included	CFM1426			
	2018	Front-All HSE Dynamic, Hardware Not Included		SBM1426		
	2018	Front-All Supercharged, Hardware Included	CFM1426			
	2018	Front-All Supercharged, Hardware Not Included		SBM1426		
	2018	Front-All Supercharged Dynamic, Hardware Included	CFM1426			
	2018	Front-All Supercharged Dynamic, Hardware Not Included		SBM1426		
	2018	Front-All SVR, Hardware Included	CFM1426			
	2018	Front-All SVR, Hardware Not Included		SBM1426		
	2017	Front-All Hardware Included	CFM1479			
	2017	Front-All Hardware Not Included		SBM1479		
	2016-12	Front-All Supercharged, w/ 20" Wheels	CFM1426	SBM1426		
	2016-12	Front-All w/ 19" Wheels	CFM1479	SBM1479		
	2016	Front-All Supercharged Dynamic, w/ 20" Wheels	CFM1426	SBM1426		
	2011-10	Front-All HSE, Hardware Included	CFM1425			
	2011-10	Front-All HSE, Hardware Not Included		SBM1425		
	2011-10	Front-All Supercharged, Hardware Included	CFM1426			
	2011-10	Front-All Supercharged, Hardware Not Included		SBM1426		
	2009-06	Front-All Naturally Aspirated, Hardware Included	CFM1098	SBM1098		
	2009-06	Front-All Supercharged, Hardware Included	CFM1263			
	2009-06	Front-All Supercharged, Hardware Not Included		SBM1263		
	2018	Rear-All HSE, DIESEL, Hardware Included	CFM1692	SBM1692		
	2018	Rear-All SE, DIESEL, Hardware Included	CFM1692	SBM1692		
	2018	Rear-All SVR, Hardware Included	CFM1692	SBM1692		
	2017-16	Rear-All Hardware Included	CFM1692	SBM1692		
	2015-14	Rear-All Autobiography, Hardware Included	CFM1692	SBM1692		
	2015-14	Rear-All HSE, Hardware Included	CFM1692	SBM1692		
	2015-14	Rear-All SE, Hardware Included	CFM1692	SBM1692		
	2015-14	Rear-All Supercharged, Hardware Included	CFM1692	SBM1692		
	2013	Rear-All Autobiography, Hardware Included	CFM1099			
	2013	Rear-All Autobiography, Hardware Not Included		SBM1099		
	2013	Rear-All GT Limited Edition, Hardware Included	CFM1099			
	2013	Rear-All GT Limited Edition, Hardware Not Included		SBM1099		
	2013	Rear-All HSE, Hardware Included	CFM1099			
	2013	Rear-All HSE, Hardware Not Included		SBM1099		
	2013	Rear-All HSE Lux, Hardware Included	CFM1099			
	2013	Rear-All HSE Lux, Hardware Not Included		SBM1099		
	2013	Rear-All Supercharged, Hardware Included	CFM1427	SBM1427		
	2012	Rear-V8 - 5.0L HSE, Hardware Included	CFM1099			
	2012	Rear-V8 - 5.0L HSE, Hardware Not Included		SBM1099		
	2012	Rear-V8 - 5.0L Supercharged, Supercharged, Hardware Included	CFM1427	SBM1427		
	2011	Rear-All Hardware Included	CFM1099			
	2011	Rear-All Hardware Not Included		SBM1099		
	2010	Rear-All HSE, Hardware Included	CFM1099			
	2010	Rear-All HSE, Hardware Not Included		SBM1099		
	2010	Rear-All Supercharged, Hardware Included	CFM1427	SBM1427		
	2009	Rear-All Hardware Included	CFM1099			
	2009	Rear-All Hardware Not Included		SBM1099		
	2008-06	Rear-V8 - 4.2L Hardware Included	CFM1099			
	2008-06	Rear-V8 - 4.2L Hardware Not Included		SBM1099		
	2008-06	Rear-V8 - 4.4L Hardware Included	CFM1099			
	2008-06	Rear-V8 - 4.4L Hardware Not Included		SBM1099		
Parking Brake Shoe	2012-07	Rear-All		944		

BENDIX BRAKE PARTS

PART TYPE	YEAR	APPLICATION	PREMIUM NO.	PART NO.	SEVERE DUTY NO.
Land Rover (Cont'd.)					
Range Rover Sport (Cont'd.)					
Parking Brake Shoe (cont'd)	2006	Rear-All		876	
Disc Brake Rotor	2017-14	Front-V6 - 3.0L		PRT5956	
	2017-14	Front-V8 - 5.0L		PRT6064	
	2013-10	Front-All HSE	BPR5956	PRT5956	
	2013-10	Front-All Supercharged, SUPERCHARGED		PRT6064	
	2009-06	Front-All HSE	BPR5967	PRT5967	
	2009-06	Front-All Supercharged, SUPERCHARGED	BPR5956	PRT5956	
	2015-14	Rear-All		PRT6238	
	2013-10	Rear-All HSE	BPR5989	PRT5989	
	2013-10	Rear-All Supercharged, SUPERCHARGED		PRT6187	
2009-06	Rear-All	BPR5989	PRT5989		
Range Rover Velar					
Disc Brake Pad Set	2018	Front-L4 - 2.0L Hardware Not Included	CFC1838A		
	2018	Rear-All Hardware Not Included	CFC1821		
Lexus					
CT200h					
Disc Brake Pad Set	2017	Front-All CAN, Hardware Included	CFC1184	SBC1184	
	2017	Front-All USA, Hardware Included	CFC1184A	SBC1184A	
	2016-11	Front-All Hardware Included	CFC1184A	SBC1184A	
	2017-15	Rear-All Hardware Included	CFC1423	SBC1423	
	2014-11	Rear-All Hardware Included	CFC1354	SBC1354	
Disc Brake Rotor	2016-11	Front-All		PRT5944	
	2016-11	Rear-All 279mm diameter rotor		PRT6142	
	2013-11	Rear-All 259mm Rotor		PRT5854	
ES250					
Disc Brake Pad Set	1991-90	Front-All Hardware Included		SBC356	
	1991-90	Rear-All Hardware Included	CFC325	SBC325	
Disc Brake Rotor	1991-90	Front-All		PRT1535	
	1991-90	Rear-All		PRT1492	
ES300					
Disc Brake Pad Set	2003-02	Front-All Hardware Included	CFC906	SBC906	MKD906FM
	2001-97	Front-All Hardware Included	CFC707	SBC707	
	1996-94	Front-All Hardware Included	CFC476	SBC476	
	1993-92	Front-All Hardware Included	CFC562		
	1993-92	Front-All Hardware Not Included		SBC562	
	2003-02	Rear-All Hardware Included	CFC885	SBC885	
	2001-00	Rear-All Hardware Included	CFC835	SBC835	
	1999-92	Rear-All Hardware Included	CFC325	SBC325	
Parking Brake Shoe	2003-92	Rear-All		859	
Disc Brake Rotor	2003-02	Front-All		PRT5324	
	2001-97	Front-All		PRT5234	
	1996-92	Front-All		PRT1723	
	2003-02	Rear-All		PRT5411	
	2001-97	Rear-All		PRT1726	
	1996-92	Rear-All		PRT1800	
ES300h					
Disc Brake Pad Set	2018	Front-All Hardware Included	CFC1293	SBC1293	
	2013	Front-All Hardware Included	CFC1293	SBC1293	
	2018-13	Rear-All Hardware Included	CFC1212	SBC1212	
Disc Brake Rotor	2016-13	Front-All		PRT6155	
	2016-13	Rear-All		PRT6156	
ES330					
Disc Brake Pad Set	2006-04	Front-All Hardware Included	CFC906	SBC906	MKD906FM
	2006-04	Rear-All Hardware Included	CFC885	SBC885	
Parking Brake Shoe	2006-04	Rear-All		859	
Disc Brake Rotor	2006-04	Front-All		PRT5324	
	2006-04	Rear-All		PRT5411	
ES350					
Disc Brake Pad Set	2018	Front-All Hardware Included	CFC1293	SBC1293	
	2013-07	Front-All Hardware Included	CFC1293	SBC1293	
	2018-07	Rear-All Hardware Included	CFC1212	SBC1212	
Parking Brake Shoe	2012-07	Rear-All		859	
Disc Brake Rotor	2017-13	Front-All		PRT6155	
	2012-07	Front-All		PRT5713	
	2017-13	Rear-All		PRT6156	
	2012-07	Rear-All		PRT5712	
GS200t					
Disc Brake Pad Set	2016	Front-All Base, USA, Hardware Included	CFC1586	SBC1586	
	2016	Front-All F Sport, USA, Hardware Included	CFM1686	SBM1686	
	2016	Rear-All Hardware Included	CFC1391	SBC1391	

BENDIX BRAKE PARTS

PART TYPE	YEAR	APPLICATION	PREMIUM NO.	PART NO.	SEVERE DUTY NO.
Lexus (Cont'd.)					
GS300					
Disc Brake Pad Set	2018	Front-All Base, Hardware Included	CFC1586	SBC1586	
	2018	Front-All F Sport, Hardware Included	CFM1686	SBM1686	
	2006	Front-All Hardware Included	CFC908	SBC908	
	2005-93	Front-All Hardware Included	CFC619	SBC619	
	2018	Rear-All Hardware Included	CFC1391	SBC1391	
	2006	Rear-All Hardware Included	CFC1113	SBC1113	
	2005-98	Rear-All Hardware Included	CFC771	SBC771	
	1997-93	Rear-All Hardware Not Included		SBC572	
Parking Brake Shoe	2005-93	Rear-All		846	
	1997-93	Rear-All In Supersession Process, Exhaust Current Inventory		851	
Disc Brake Rotor	2006	Front Left-All		PRT5981	
	2006	Front Right-All		PRT5982	
	2005-03	Front-All		PRT6055	
	2002-93	Front-All		PRT1947	
	2006	Rear-All		PRT5940	
	2005-98	Rear-All		PRT5200	
1997-93	Rear-All		PRT1948		
GS350					
Disc Brake Pad Set	2018	Front-All Base, Hardware Included	CFC1586	SBC1586	
	2018	Front-All F Sport, AWD, Hardware Included	CFC1586	SBC1586	
	2018	Front-All F Sport, RWD, Hardware Included	CFM1686	SBM1686	
	2017-16	Front-All Hardware Included	CFC1586	SBC1586	
	2015	Front-All Base, Hardware Included	CFC1586	SBC1586	
	2015	Front-All F Sport, RWD, Hardware Included	CFM1686	SBM1686	
	2014	Front-All Hardware Included	CFC1586	SBC1586	
	2013	Front-All Base, Hardware Included	CFC1586	SBC1586	
	2013	Front-All F Sport, Hardware Included	CFM1686	SBM1686	
	2011-07	Front-All Hardware Included	CFC1586	SBC1586	
	2018-13	Rear-All Hardware Included	CFC1391	SBC1391	
	2011-07	Rear-All Hardware Included	CFC1113	SBC1113	
	Parking Brake Shoe	2011-07	Rear-All		907
Disc Brake Rotor	2013	Front Left-All AWD		PRT6143	
	2013	Front Left-All RWD		PRT5992	
	2013	Front Right-All AWD		PRT6144	
	2013	Front Right-All RWD		PRT5930	
	2011	Front Left-All From 1/2011		PRT6143	
	2011	Front Left-All To 1/2011		PRT5954 ⁸⁹	
	2011	Front Right-All From 1/2011		PRT6144	
	2010-09	Front Left-All		PRT5954 ⁸⁹	
	2008-07	Front Left-All AWD		PRT6297	
	2008-07	Front Left-All RWD		PRT5992	
	2008-07	Front Right-All AWD		PRT5937	
	2008-07	Front Right-All RWD		PRT5930	
	2015-13	Rear-All		PRT6237	
2011-07	Rear-All		PRT5940		
GS400					
Disc Brake Pad Set	2000-98	Front-All Hardware Included	CFC619	SBC619	
	2000-98	Rear-All Hardware Included	CFC771	SBC771	
Parking Brake Shoe	2000-98	Rear-All		846	
Disc Brake Rotor	2000-98	Front-All		PRT1947	
	2000-98	Rear-All		PRT5200	
GS430					
Disc Brake Pad Set	2007-06	Front-All Hardware Included	CFC1586	SBC1586	
	2005-01	Front-All Hardware Included	CFC619	SBC619	
	2007-06	Rear-All Hardware Included	CFC1113	SBC1113	
	2005-01	Rear-All Hardware Included	CFC771	SBC771	
Parking Brake Shoe	2007	Rear-All		907	
	2005-01	Rear-All		846	
Disc Brake Rotor	2007-06	Front Left-All		PRT5992	
	2007-06	Front Right-All		PRT5930	
	2005-03	Front-All		PRT6055	
	2002-01	Front-All		PRT1947	
	2007-06	Rear-All		PRT5940	
2005-01	Rear-All		PRT5200		
GS450h					
Disc Brake Pad Set	2018	Front-All Base, Hardware Included	CFC1586	SBC1586	
	2018	Front-All F Sport, Hardware Included	CFM1686	SBM1686	
	2017	Front-All Hardware Included	CFC1586	SBC1586	
	2016	Front-All CAN, Hardware Included	CFC1586	SBC1586	
	2016	Front-All USA, Hardware Included	CFM1686	SBM1686	
	2015	Front-All Base, Hardware Included	CFC1586	SBC1586	
	2015	Front-All F Sport, Hardware Included	CFM1686	SBM1686	

89 Sell out and reorder PRT6143

BENDIX BRAKE PARTS

PART TYPE	YEAR	APPLICATION	PREMIUM NO.	PART NO.	SEVERE DUTY NO.
Lexus (Cont'd.)					
GS450h (Cont'd.)					
Disc Brake Pad Set (cont'd)	2014-13	Front-All Hardware Included	CFC1586	SBC1586	
	2011-07	Front-All Hardware Included	CFC1586	SBC1586	
	2018-17	Rear-All Hardware Included	CFC1391	SBC1391	
	2016	Rear-All CAN, Hardware Included	CFC1391	SBC1391	
	2016	Rear-All USA, Hardware Included	CFC1391	SBC1391	
	2015-13	Rear-All Hardware Included	CFC1391	SBC1391	
	2011-07	Rear-All Hardware Included	CFC1113	SBC1113	
Parking Brake Shoe	2011-07	Rear-All		907	
Disc Brake Rotor	2011	Front Left-All To 01/2011		PRT5954 ⁸⁹	
	2010-09	Front Left-All		PRT5954 ⁸⁹	
	2008-07	Front Left-All		PRT5992	
	2008-07	Front Right-All		PRT5930	
	2015-13	Rear-All		PRT6237	
	2011-07	Rear-All		PRT5940	
GS460					
Disc Brake Pad Set	2011-08	Front-All Hardware Included	CFC1586	SBC1586	
	2011-08	Rear-All Hardware Included	CFC1113	SBC1113	
Parking Brake Shoe	2011-08	Rear-All		907	
Disc Brake Rotor	2011-09	Front Left-All		PRT5954 ⁸⁹	
	2008	Front Left-All		PRT5992	
	2008	Front Right-All		PRT5930	
	2011-08	Rear-All		PRT5940	
GS F					
Disc Brake Pad Set	2019-17	Front-All Hardware Not Included	CFM1440	SBM1440	
	2016	Front-All Wear Sensors Not Included	CFM1440	SBM1440	
GS Turbo					
Disc Brake Pad Set	2017	Front-All Base, USA, Hardware Included	CFC1586	SBC1586	
	2017	Front-All F Sport, USA, Hardware Included	CFM1686	SBM1686	
	2017	Rear-All Hardware Included	CFC1391	SBC1391	
GX460					
Disc Brake Pad Set	2019-10	Front-All Hardware Included	CFC976	SBC976	MKD976FM
	2019-10	Rear-All Hardware Included	CFC606	SBC606	
Parking Brake Shoe	2016-15	Rear-All		850	
	2012-10	Rear-All		850	
Disc Brake Rotor	2016-10	Front-All		PRT6066	
	2016-10	Rear-All		PRT6067	
GX470					
Disc Brake Pad Set	2009-03	Front-All Hardware Included	CFC976	SBC976	MKD976FM
	2009-03	Rear-All Hardware Included	CFC606	SBC606	
Parking Brake Shoe	2009-03	Rear-All		850	
Disc Brake Rotor	2009-03	Front-All		PRT5457	
	2009-03	Rear-All		PRT5330	
HS250h					
Disc Brake Pad Set	2012-10	Front-All Hardware Included	CFC1210	SBC1210	MKD1210FM
	2012-10	Rear-All Hardware Included	CFC1212	SBC1212	
Parking Brake Shoe	2012-10	Rear-All		916	
Disc Brake Rotor	2012-10	Front-All		PRT5886	
	2012-10	Rear-All		PRT5922	
IS200t					
Disc Brake Pad Set	2016	Front-All Base, Hardware Included	CFC1586	SBC1586	
	2016	Front-All F Sport, Hardware Included	CFC1586	SBC1586	
	2016	Rear-All Hardware Included	CFC1391	SBC1391	
Disc Brake Rotor	2016	Rear-All		PRT6237	
IS250					
Disc Brake Pad Set	2015-14	Front-All Base, AWD, w/ F-Sport Package	CFC1733	SBC1733	
	2015-14	Front-All Base, RWD, w/ F-Sport Package	CFM1178	SBM1178	
	2015-14	Front-All Base, w/o F-Sport Package	CFC1733	SBC1733	
	2015-14	Front-All C, Hardware Included	CFC908	SBC908	
	2015-14	Front-All C F Sport, Hardware Included	CFC908	SBC908	
	2015-14	Front-All F Sport, AWD, Hardware Included	CFC1733	SBC1733	
	2015-14	Front-All F Sport, RWD, Hardware Included	CFM1178	SBM1178	
	2013	Front-All CAN, Hardware Included	CFM1178	SBM1178	
	2013	Front-All USA, Hardware Included	CFC908	SBC908	
	2012	Front-All Base, Hardware Included	CFC908	SBC908	
	2012	Front-All C, Hardware Included	CFC908	SBC908	
	2011	Front-All Hardware Included	CFC908	SBC908	
	2010-09	Front-All CAN, Hardware Included	CFM1178	SBM1178	
	2010-09	Front-All USA, Hardware Included	CFC908	SBC908	
	2008-06	Front-All Hardware Included	CFM1178	SBM1178	
	2015-14	Rear-All Hardware Included	CFC1391	SBC1391	
	2013	Rear-All Hardware Included	CFC1113	SBC1113	

⁸⁹ Sell out and reorder PRT6143

BENDIX BRAKE PARTS

PART TYPE	YEAR	APPLICATION	PREMIUM NO.	PART NO.	SEVERE DUTY NO.	
Lexus (Cont'd.)						
IS250 (Cont'd.)						
Disc Brake Pad Set (cont'd)	2012	Rear-All Base, Hardware Included	CFC1113	SBC1113		
	2012	Rear-All C, Hardware Included	CFC1113	SBC1113		
	2011-06	Rear-All Hardware Included	CFC1113	SBC1113		
Parking Brake Shoe	2015	Rear-All		907		
	2012-06	Rear-All		907		
Disc Brake Rotor	2015-14	Front-All		PRT5848		
	2013-09	Front-All Canada Only Vehicles		PRT5848		
	2013-09	Front Left-All US Only Vehicles		PRT5981		
	2013-09	Front Right-All US Only Vehicles		PRT5982		
	2008-06	Front-All		PRT5848		
	2015-14	Rear-All		PRT5941		
	2013-10	Rear-All Solid Rotor		PRT5941		
	2013-10	Rear-All Vented Rotors		PRT5940		
	2009-06	Rear-All		PRT5941		
IS300						
Disc Brake Pad Set	2018	Front-All Base, Hardware Included	CFC1586	SBC1586		
	2018	Front-L4 - 2.0L F Sport, Hardware Included	CFC1586	SBC1586		
	2018	Front-V6 - 3.5L F Sport, Hardware Included	CFC1586	SBC1586		
	2017-16	Front-All Hardware Included	CFC1586	SBC1586		
	2005-01	Front-All Hardware Included	CFC619	SBC619		
	2018	Rear-All Base, Hardware Included	CFC1391	SBC1391		
	2018	Rear-L4 - 2.0L F Sport, Hardware Included	CFC1391	SBC1391		
	2018	Rear-V6 - 3.5L F Sport, Hardware Included	CFC1391	SBC1391		
	2017-16	Rear-All Hardware Included	CFC1391	SBC1391		
	2005-01	Rear-All Hardware Included	CFC771	SBC771		
Parking Brake Shoe	2005-01	Rear-All		846		
	2002-01	Rear-All In Supersession Process, Exhaust Current Inventory		851		
Disc Brake Rotor	2005-01	Front-All		PRT1947		
	2016	Rear-All		PRT6237		
	2005-01	Rear-All		PRT5200		
IS350						
Disc Brake Pad Set	2018	Front-All Base, Hardware Included	CFC1586	SBC1586		
	2018	Front-All F Sport, AWD, Hardware Included	CFC1586	SBC1586		
	2018	Front-All F Sport, RWD, Hardware Included	CFC1586	SBC1586		
	2017	Front-All Hardware Included	CFC1586	SBC1586		
	2016	Front-All AWD, Hardware Included	CFC1586	SBC1586		
	2016	Front-All RWD, Hardware Included	CFC1586	SBC1586		
	2015	Front-All Hardware Included	CFC1586	SBC1586		
	2014	Front-All AWD, Hardware Included	CFC1586	SBC1586		
	2014	Front-All Base, RWD, Hardware Included	CFC1586	SBC1586		
	2014	Front-All C, RWD, Hardware Included	CFC1586	SBC1586		
	2014	Front-All C F Sport, RWD, Hardware Included	CFC1586	SBC1586		
	2014	Front-All F Sport, RWD, Hardware Included	CFC1586	SBC1586		
	2013-06	Front-All Hardware Included	CFC1586	SBC1586		
	2018	Rear-All Base, Hardware Included	CFC1391	SBC1391		
	2018	Rear-All F Sport, Hardware Included	CFC1391	SBC1391		
	2017-14	Rear-All Hardware Included	CFC1391	SBC1391		
	2013-06	Rear-All Hardware Included	CFC1113	SBC1113		
	Parking Brake Shoe	2015	Rear-All C		907	
		2015	Rear-All C F Sport		907	
		2012-06	Rear-All		907	
Disc Brake Rotor	2013	Front Left-All		PRT5981		
	2013	Front Right-All		PRT5982		
	2012-09	Front Left-All		PRT5954 ⁸⁹		
	2010	Front Left-All		PRT6143		
	2010	Front Right-All		PRT6144		
	2008-06	Front Left-All		PRT5992		
	2008-06	Front Right-All		PRT5930		
	2016-14	Rear-All		PRT6237		
	2013-06	Rear-All		PRT5940		
IS F						
Disc Brake Pad Set	2014-08	Front-All Hardware Not Included		SBM1365		
	2014-08	Rear-All Hardware Not Included		SBM1366		
Parking Brake Shoe	2012-08	Rear-All		907		
Disc Brake Rotor	2014-08	Front-All		PRT5943		
	2014-08	Rear-All		PRT6106		
IS Turbo						
Disc Brake Pad Set	2017	Front-All Hardware Included	CFC1586	SBC1586		
	2017	Rear-All Hardware Included	CFC1391	SBC1391		
LC500						
Disc Brake Pad Set	2019	Rear-All Hardware Included	CFC1283	SBC1283		

89 Sell out and reorder PRT6143

BENDIX BRAKE PARTS

PART TYPE	YEAR	APPLICATION	PREMIUM NO.	PART NO.	SEVERE DUTY NO.	
Lexus (Cont'd.)						
LFA						
Disc Brake Pad Set	2012	Front-All Hardware Included	CFM1479			
	2012	Front-All Hardware Not Included		SBM1479		
	2012	Rear-All Hardware Included	CFM1099			
	2012	Rear-All Hardware Not Included		SBM1099		
LS400						
Disc Brake Pad Set	2000-95	Front-All w/ 4 Piston Caliper		SBC665		
	1994-93	Front-All Hardware Included		SBC612		
	1992-91	Front-All w/ 4 Piston Caliper	CFC476	SBC476		
	1990	Front-All Hardware Included	CFC476	SBC476		
	2000-93	Rear-All Hardware Not Included		SBC613		
	1992-90	Rear-All Hardware Not Included		SBC488		
Parking Brake Shoe	2000-90	Rear-All		846		
	2000-90	Rear-All In Supersession Process, Exhaust Current Inventory		851		
Disc Brake Rotor	2000-95	Front-All		PRT5073		
	1994-93	Front-All		PRT1947		
	1992	Front-All To 8/92		PRT1642		
	1991	Front-All From 8/90		PRT1642		
	1991	Front-All To 8/90		PRT1643		
	1990	Front-All		PRT1643		
	2000-93	Rear-All		PRT1948		
	1992	Rear-All From 8/92		PRT1948		
	1992	Rear-All To 8/92		PRT1644		
	1991-90	Rear-All		PRT1644		
LS430						
Disc Brake Pad Set	2006-01	Front-All Hardware Included	CFC870	SBC870		
	2006-01	Rear-All Hardware Included	CFC871	SBC871		
Parking Brake Shoe	2006-01	Rear-All		907		
	2006-01	Rear-All In Supersession Process, Exhaust Current Inventory		884		
Disc Brake Rotor	2006-01	Front-All		PRT5788		
	2006-01	Rear-All		PRT5849		
LS460						
Disc Brake Pad Set	2017	Front-All CAN, Hardware Included	CFC1282	SBC1282		
	2017	Front-All USA, Hardware Not Included	CFM1440	SBM1440		
	2016-13	Front-All Base, Hardware Included	CFC1282	SBC1282		
	2016-13	Front-All F Sport, Hardware Not Included	CFM1440	SBM1440		
	2016-13	Front-All L, Hardware Included	CFC1282	SBC1282		
	2012	Front-All w/o Sport Package	CFC1282	SBC1282		
	2012	Front-All w/ Sport Package	CFM1440	SBM1440		
	2011	Front-All Base, Hardware Included	CFC1586	SBC1586		
	2011	Front-All L, w/o Sport Package	CFC1586	SBC1586		
	2011	Front-All L, w/ Sport Package	CFM1440	SBM1440		
	2010	Front-All RWD, w/ Sport Package	CFC1282	SBC1282		
	2010	Front-All w/o Sport Package	CFC1282	SBC1282		
	2009-07	Front-All Hardware Included	CFC1282	SBC1282		
	2017-10	Rear-All Hardware Included	CFC1283	SBC1283		
	2009-07	Rear-All Base, Hardware Included	CFC1283	SBC1283		
	2009-07	Rear-All L, Hardware Included	CFC1283	SBC1283		
	Disc Brake Rotor	2015	Front Left-All w/ F Sport Package		PRT6134	
		2014-09	Front-All RWD, Exc. Sports Package		PRT5929	
		2013-10	Front Left-All AWD		PRT5802	
		2013-10	Front Left-All RWD, w/ Sport Package		PRT6134	
		2013-10	Front Right-All AWD		PRT5801	
		2013-10	Front Right-All RWD, w/ Sport Package		PRT6135	
		2009	Front Left-All AWD, w/ Sport Package		PRT5802	
		2009	Front Left-All RWD, w/ Sport Package		PRT5802	
		2009	Front Right-All AWD, w/ Sport Package		PRT5801	
		2009	Front Right-All RWD, w/ Sport Package		PRT5801	
		2008-07	Front-All Exc.Sport Package		PRT5929	
		2008-07	Front Left-All Sport Package		PRT5802	
		2008-07	Front Right-All Sport Package		PRT5801	
2015		Rear Left-All Base, AWD, Exc. F Sport Package		PRT5804		
2015		Rear Left-All Base, w/ F Sport Package		PRT5804		
2015		Rear Left-All F Sport		PRT5804		
2015		Rear Left-All L, AWD		PRT5804		
2014-09		Rear-All RWD, Exc. Sports Package		PRT6136		
2013-09		Rear Left-All AWD, w/ Sport Package		PRT5804		
2013-09		Rear Left-All RWD, w/ Sport Package		PRT5804		
2013-09		Rear Right-All AWD, w/ Sport Package		PRT5803		
2013-09		Rear Right-All RWD, w/ Sport Package		PRT5803		
2008-07		Rear-All Exc.Sport Package		PRT6136		
2008-07		Rear Left-All Sport Package		PRT5804		
2008-07		Rear Right-All Sport Package		PRT5803		

BENDIX BRAKE PARTS

PART TYPE	YEAR	APPLICATION	PREMIUM NO.	PART NO.	SEVERE DUTY NO.
Lexus (Cont'd.)					
LS500					
Disc Brake Pad Set	2019-18	Rear-All Base, Hardware Included	CFC1283	SBC1283	
LS500h					
Disc Brake Pad Set	2018	Rear-All Hardware Included	CFC1283	SBC1283	
LS600h					
Disc Brake Pad Set	2016-12	Front-All Hardware Included	CFC1282	SBC1282	
	2011	Front-All Hardware Included	CFC1586	SBC1586	
	2010-08	Front-All Hardware Included	CFC1282	SBC1282	
	2016-12	Rear-All Hardware Included	CFC1283	SBC1283	
	2011-09	Rear-V8 - 5.0L Hardware Included	CFC1283	SBC1283	
	2008	Rear-All Hardware Included	CFC1283	SBC1283	
Disc Brake Rotor	2015-08	Front Left-All		PRT5802	
	2013-08	Front Right-All		PRT5801	
	2015-08	Rear Left-All		PRT5804	
	2013-08	Rear Right-All		PRT5803	
LX450					
Disc Brake Pad Set	1997-96	Front-All w/ 4 Piston Caliper		SBC502	
	1997-96	Rear-All Hardware Included	CFC606	SBC606	
Parking Brake Shoe	1997-96	Rear-All		844	
Disc Brake Rotor	1997-96	Front-All		PRT1879	
	1997-96	Rear-All		PRT1878	
LX470					
Disc Brake Pad Set	2007-98	Front-All Hardware Included	CFC772	SBC772	
	2007-98	Rear-All Hardware Included	CFC773	SBC773	
Parking Brake Shoe	2007-98	Rear-All		844	
Disc Brake Rotor	2007-98	Front-All		PRT5222	
	2007-98	Rear-All		PRT5370	
LX570					
Disc Brake Pad Set	2019-13	Front-All Hardware Included	CFC1303	SBC1303	MKD1303FM
	2011-08	Front-All Hardware Included	CFC1303	SBC1303	MKD1303FM
	2019-13	Rear-All Hardware Included	CFC1304		
	2019-13	Rear-All Hardware Not Included		SBC1304	
	2011-08	Rear-All Hardware Included	CFC1304		
	2011-08	Rear-All Hardware Not Included		SBC1304	
Parking Brake Shoe	2016-15	Rear-All		943	
	2011-08	Rear-All		943	
Disc Brake Rotor	2015-13	Front-All		PRT5908	
	2011-08	Front-All		PRT5908	
	2015-13	Rear-All		PRT5719	
	2013	Rear-All			SDR5719
2011-08	Rear-All		PRT5719	SDR5719	
NX200t					
Disc Brake Pad Set	2017-15	Front-All Hardware Included	CFC1324	SBC1324	
	2017-15	Rear-All Hardware Included	CFC1805		
Disc Brake Rotor	2017-15	Front-All		PRT5798	
	2017-15	Rear-All		PRT6316	
NX300					
Disc Brake Pad Set	2019-18	Front-All Hardware Included	CFC1324	SBC1324	
	2019-18	Rear-All Hardware Included	CFC1805		
NX300h					
Disc Brake Pad Set	2019-15	Front-All Hardware Included	CFC1324	SBC1324	
	2019-15	Rear-All Hardware Included	CFC1805		
Disc Brake Rotor	2016-15	Front-All		PRT5798	
	2016-15	Rear-All		PRT6316	
RC200t					
Disc Brake Pad Set	2016	Front-All Hardware Included	CFC1586	SBC1586	
	2016	Rear-All Hardware Included	CFC1391	SBC1391	
RC300					
Disc Brake Pad Set	2018	Front-All Base, Hardware Included	CFC1586	SBC1586	
	2018	Front-All F Sport, Hardware Included	CFM1686	SBM1686	
	2017-16	Front-All F Sport, RWD, Hardware Included	CFC1586	SBC1586	
	2018	Rear-All Base, Hardware Included	CFC1391	SBC1391	
	2018	Rear-All F Sport, Hardware Included	CFC1391	SBC1391	
	2017-16	Rear-All Hardware Included	CFC1391	SBC1391	
RC350					
Disc Brake Pad Set	2018	Front-All Base, Hardware Included	CFC1586	SBC1586	
	2018	Front-All F Sport, AWD, Hardware Included	CFC1586	SBC1586	
	2018	Front-All F Sport, RWD, Hardware Included	CFM1686	SBM1686	
	2017-16	Front-All Hardware Included	CFC1586	SBC1586	
	2015	Front-All Base, Hardware Included	CFC1586	SBC1586	
	2015	Front-All F Sport, Hardware Included	CFM1686	SBM1686	

BENDIX BRAKE PARTS

PART TYPE	YEAR	APPLICATION	PREMIUM NO.	PART NO.	SEVERE DUTY NO.	
Lexus (Cont'd.)						
RC350 (Cont'd.)						
Disc Brake Pad Set (cont'd)	2018	Rear-All Hardware Included	CFC1391	SBC1391		
	2017-16	Rear-All CAN, Hardware Included	CFC1391	SBC1391		
	2017-16	Rear-All USA, Hardware Included	CFC1391	SBC1391		
	2015	Rear-All Hardware Included	CFC1391	SBC1391		
Disc Brake Rotor	2015	Rear-All		PRT6237		
RC F						
Disc Brake Pad Set	2019-15	Front-All Hardware Not Included	CFM1440	SBM1440		
RC Turbo						
Disc Brake Pad Set	2017	Front-All Hardware Included	CFC1586	SBC1586		
	2017	Rear-All Hardware Included	CFC1391	SBC1391		
RX300						
Disc Brake Pad Set	2003-02	Front-All Hardware Included	CFC930	SBC930		
	2001-99	Front-All Hardware Included	CFC707	SBC707		
	2003-99	Rear-All Hardware Included	CFC325	SBC325		
Parking Brake Shoe	2003-99	Rear-All		859		
Disc Brake Rotor	2003-99	Front-All		PRT5324		
	2003-99	Rear-All AWD, 4WD		PRT5221		
	2003-99	Rear-All FWD		PRT1800		
RX330						
Disc Brake Pad Set	2006-04	Front-All Hardware Included	CFC1005	SBC1005		
	2006-04	Rear-All Hardware Included	CFC996			
	2006-04	Rear-All Hardware Not Included		SBC996		
Parking Brake Shoe	2006-04	Rear-All		846		
	2006-04	Rear-All In Supersession Process, Exhaust Current Inventory		851		
Disc Brake Rotor	2006-04	Front-All Exc. Japan Built Vehicle		PRT5613		
	2006-04	Front-All Japan Built Vehicle		PRT5613		
	2006	Front-All USA Built Vehicles		PRT5974 ⁹¹		
	2006-04	Rear-All		PRT5549		
RX350						
Disc Brake Pad Set	2018-10	Front-All Hardware Included	CFC1324	SBC1324		
	2009-07	Front-All Hardware Included	CFC1005	SBC1005		
	2018-16	Rear-All Hardware Included	CFC1805			
	2015	Rear-All w/ 15.2mm Overall Pad Thickness	CFC1391	SBC1391		
	2015	Rear-All w/ 16.7mm Overall Pad Thickness	CFC1391	SBC1391		
	2014-10	Rear-All Hardware Included	CFC1391	SBC1391		
	2009-07	Rear-All Hardware Included	CFC996			
	2009-07	Rear-All Hardware Not Included		SBC996		
	Parking Brake Shoe	2015-10	Rear-All w/ 8.13" X 1.19" Brakes		906	
		2009-07	Rear-All		846	
2009-07		Rear-All In Supersession Process, Exhaust Current Inventory		851		
Disc Brake Rotor	2015-14	Front-All exc. Japan Built Vehicle		PRT5798		
	2013-10	Front-All		PRT5798		
	2009-07	Front-All Japan Built Vehicles		PRT5613		
	2009-07	Front-All USA Built Vehicles		PRT5974 ⁹¹		
	2015-14	Rear-All Exc. Japan Built Vehicle		PRT6001		
	2013-10	Rear-All		PRT6001		
2009-07	Rear-All		PRT5549			
RX350L						
Disc Brake Pad Set	2018	Front-All Hardware Included	CFC1324	SBC1324		
	2018	Rear-All Hardware Included	CFC1805			
RX400h						
Disc Brake Pad Set	2008-06	Front-All Hardware Included	CFC1005	SBC1005		
	2008-06	Rear-All Hardware Included	CFC996			
	2008-06	Rear-All Hardware Not Included		SBC996		
Parking Brake Shoe	2008-06	Rear-All		846		
	2008-06	Rear-All In Supersession Process, Exhaust Current Inventory		851		
Disc Brake Rotor	2008-06	Front-All		PRT5613		
	2008-06	Rear-All		PRT5549		
RX450h						
Disc Brake Pad Set	2018-10	Front-All Hardware Included	CFC1324	SBC1324		
	2018-16	Rear-All Hardware Included	CFC1805			
	2015-10	Rear-All Hardware Included	CFC1391	SBC1391		
Parking Brake Shoe	2015-10	Rear-All w/ 8.13" X 1.19" Brakes		906		
Disc Brake Rotor	2015	Front-All exc. Japan Built Vehicle		PRT5798		
	2014-10	Front-All		PRT5798		
	2015	Rear-All Exc. Japan Built Vehicle		PRT6001		
2013-10	Rear-All		PRT6001			
RX450hL						
Disc Brake Pad Set	2018	Front-All Hardware Included	CFC1324	SBC1324		

91 Sell out and reorder PRT5613

BENDIX BRAKE PARTS

PART TYPE	YEAR	APPLICATION	PREMIUM NO.	PART NO.	SEVERE DUTY NO.	
Lexus (Cont'd.)						
RX450hL (Cont'd.)						
Disc Brake Pad Set (cont'd)	2018	Rear-All Hardware Included	CFC1805			
SC300						
Disc Brake Pad Set	2000-99	Front-All Hardware Not Included		SBC571		
	1998-96	Front-All Hardware Included	CFC476	SBC476		
	1995	Front-All To 3/95	CFC476	SBC476		
	1994-92	Front-All Hardware Included	CFC476	SBC476		
	2000-92	Rear-All Hardware Not Included		SBC572		
Parking Brake Shoe	2000-92	Rear-All		846		
	2000-92	Rear-All In Supersession Process, Exhaust Current Inventory		851		
Disc Brake Rotor	2000	Front-All		PRT1947		
	1999-92	Front-All		PRT1797		
	2000-99	Rear-All		PRT1948		
	1998-95	Rear-All		PRT5074		
	1998-95	Rear-All Vented; 291mm		PRT1799 ⁶⁴		
	1994	Rear-All From 1/94		PRT5074		
	1994	Rear-All From 1/94; Vented; 291mm		PRT1799 ⁶⁴		
	1994	Rear-All To 1/94; Vented; 291mm		PRT1799 ⁶⁴		
1993-92	Rear-All Vented; 291mm		PRT1799 ⁶⁴			
SC400						
Disc Brake Pad Set	2000-92	Front-All Hardware Not Included		SBC571		
	2000-92	Rear-All Hardware Not Included		SBC572		
Parking Brake Shoe	2000-92	Rear-All		846		
	2000-92	Rear-All In Supersession Process, Exhaust Current Inventory		851		
Disc Brake Rotor	2000-92	Front-All		PRT1947		
	2000-95	Rear-All		PRT1948		
	1994-92	Rear-All		PRT1823		
SC430						
Disc Brake Pad Set	2010-02	Front-All Hardware Included	CFC619	SBC619		
	2010-02	Rear-All Hardware Included	CFC771	SBC771		
Parking Brake Shoe	2010-02	Rear-All		846		
Disc Brake Rotor	2010-03	Front-All		PRT6055		
	2002	Front-All		PRT1947		
	2010-02	Rear-All		PRT5200		
Lincoln						
Aviator						
Disc Brake Pad Set	2005-03	Front-V8 - 4.6L Hardware Included	CFC953	SBC953		
	2005-03	Rear-V8 - 4.6L Hardware Included	CFC952	SBC952		
Parking Brake Shoe	2005-03	Rear-All		791		
Disc Brake Rotor	2005-03	Front-All		PRT5444		
	2005-03	Rear-All		PRT5453		
Blackwood						
Disc Brake Pad Set	2003-02	Front-All Hardware Included		SBM679		
	2003-02	Front-All Hardware Included	CFC679	SBC679	MKD679FM	
	2003-02	Rear-All Hardware Included	CFC711	SBC711	MKD711FM	
Parking Brake Shoe	2002	Rear-All		752		
Disc Brake Rotor	2003-02	Rear-All		PRT5299	SDR5299	
Disc Brake Rotor and Hub Assembly	2003-02	Front-All		PRT5310	SDR5310	
Continental						
Disc Brake Pad Set	2018	Front-All Hardware Not Included	CFC1818			
	2017	Front-All Hardware Included	CFC1818A	SBC1818A		
	2002-95	Front-All Hardware Included	CFC598	SBC598		
	1994-93	Front-All Hardware Included		SBM601		
	1994-93	Front-All Hardware Included	CFC601	SBC601		
	1992-88	Front-All Hardware Included		SBM421		
	1987-82	Front-All Hardware Not Included		SBM199		
	1980	Front-All Exc. Police		SBM199		
	1980	Front-All Police		SBM150		
	1979-73	Front-All Hardware Included		SBM50		
	2019-17	Rear-All Hardware Included		SBC1833		
	2002-00	Rear-All Hardware Included	CFM610	SBC610		
	1999-97	Rear-V8 - 4.6L Hardware Included	CFM610	SBC610		
	1996-93	Rear-All Hardware Included	CFM610	SBC610		
	1992-88	Rear-All Hardware Included		SBC347		
	Drum Brake Shoe	1962-61	Front-All w/ 11" X 3.07" Brakes		265	
		1980	Rear-All w/ 10" X 2.56" Brakes		481	
1979-70		Rear-All w/ 11" X 2.57" Brakes		264		
1962-61		Rear-All w/ 11" X 3.07" Brakes		265		
Disc Brake Rotor	2002-95	Front-All		PRT5050		
	1994-93	Front-All		PRT1903		

64 Sell out and reorder PRT5074

BENDIX BRAKE PARTS

PART TYPE	YEAR	APPLICATION	PREMIUM NO.	PART NO.	SEVERE DUTY NO.
Lincoln (Cont'd.)					
Continental (Cont'd.)					
Disc Brake Rotor (cont'd)	1992	Front-All		PRT1741	
	1991	Front-All From 2/91		PRT1741	
	1991	Front-All To 2/91		PRT1399	
	1990-88	Front-All		PRT1399	
	2017	Rear-All		PRT6226	
	2002-93	Rear-All		PRT1893	
	1992-90	Rear-All		PRT1467FC	
	1989-88	Rear-All		PRT1399	
	1987-82	Rear-All		PRT1752	
	1979-73	Rear Left-All		PRT1124	
1979-73	Rear Right-All		PRT1125		
Disc Brake Rotor and Hub Assembly	1987	Front-All 4-Wheel ABS, From 2/15/1987; INCL.HUB		PRT1503	
	1987	Front-All 4-Wheel ABS, To 2/15/87; 277.4mm		PRT1636	
	1986-85	Front-All 4-Wheel ABS, 277.4mm		PRT1636	
	1984-82	Front-All Non-ABS, 277.9mm		PRT1281	
	1980	Front-All		PRT1176	
	1979-74	Front-All		PRT1079	
	1973	Front-All		PRT1070	
Brake Drum	1980	Rear-All 10" Brakes		PDR0569	
	1980	Rear-All 11" Brakes		PDR0383	
	1979-73	Rear-All		PDR0273	
LS					
Disc Brake Pad Set	2006-00	Front-All Hardware Included		SBC805	
	2006-01	Rear-All Hardware Included		SBC806	
	2000	Rear-V6 - 3.0L Hardware Included		SBC806	
	2000	Rear-V8 - 3.9L Hardware Included		SBC806	
Disc Brake Rotor	2006-00	Front-All 300mm		PRT5270	
	2006-00	Rear-All		PRT5269	
Mark III					
Drum Brake Shoe	1971-68	Rear-All w/ 11" X 2.31" Brakes		263	
Disc Brake Rotor	1968	Front-All		PRT1023	
Disc Brake Rotor and Hub Assembly	1971-70	Front-All		PRT1016	
Mark IV					
Disc Brake Pad Set	1976-72	Front-All Hardware Included		SBM50	
Drum Brake Shoe	1974-73	Rear-All w/ 11" X 2.57" Brakes		264	
	1972	Rear-All w/ 11" X 2.31" Brakes		263	
Disc Brake Rotor	1976-73	Rear Left-All		PRT1124	
	1976-73	Rear Right-All		PRT1125	
Disc Brake Rotor and Hub Assembly	1976-74	Front-All		PRT1079	
	1973	Front-All		PRT1070	
Brake Drum	1976-73	Rear-All		PDR0273	
Mark LT					
Disc Brake Pad Set	2014-10	Front-All Hardware Included	CFC1770	SBC1770	MKD1770FM
	2008-06	Front-V8 - 5.4L Hardware Included		SBM1392	
	2008-06	Front-V8 - 5.4L Hardware Included	CFM1083	SBC1392	MKD1392FM
	2014-12	Rear-All Hardware Included	CFC1602	SBC1602	MKD1602FM
	2008-06	Rear-V8 - 5.4L Hardware Included		SBM1012	
	2008-06	Rear-V8 - 5.4L Hardware Included	CFM1012	SBC1012	MKD1012FM
Parking Brake Shoe	2008-06	Rear-All		752	
Disc Brake Rotor	2008-06	Front-All 4WD, 6 Hole Rotor		PRT5527	SDR5527
	2008-06	Front-All 4WD, 7 Hole Rotor		PRT5544	SDR5544
	2008-06	Rear-All 6 Hole Rotor		PRT5521	SDR5521
	2008-06	Rear-All 7 Hole Rotor		PRT5522	SDR5522
Disc Brake Rotor and Hub Assembly	2008-06	Front-All RWD, 6 Stud		PRT5519	SDR5519
	2008-06	Front-All RWD, 7 Stud		PRT5520	SDR5520
Mark V					
Disc Brake Pad Set	1979-77	Front-All Hardware Included		SBM50	
Disc Brake Rotor	1979-77	Rear Left-All		PRT1124	
	1979-77	Rear Right-All		PRT1125	
Disc Brake Rotor and Hub Assembly	1979-77	Front-All		PRT1079	
Brake Drum	1979-77	Rear-All		PDR0273	
Mark VI					
Disc Brake Pad Set	1983-82	Front-All w/ Phenolic Piston Caliper		SBM199	
	1981-80	Front-All Police		SBM150	
	1981-80	Front-All Sedan, Exc. Police		SBM199	
Drum Brake Shoe	1983-80	Rear-All w/ 10" X 2.56" Brakes		481	
Disc Brake Rotor and Hub Assembly	1983-80	Front-All		PRT1176	

BENDIX BRAKE PARTS

PART TYPE	YEAR	APPLICATION	PREMIUM NO.	PART NO.	SEVERE DUTY NO.
Lincoln (Cont'd.)					
Mark VI (Cont'd.)					
Brake Drum	1983-80	Rear-All 10" Brakes		PDR0569	
	1983-80	Rear-All 11" Brakes		PDR0383	
Mark VII					
Disc Brake Pad Set	1992-84	Front-All Hardware Not Included		SBM199	
	1992-91	Rear-All Hardware Included		SBC347	
Disc Brake Rotor	1992-91	Rear-All		PRT1822	
	1990-84	Rear-All		PRT1752	
Disc Brake Rotor and Hub Assembly	1992-88	Front-All INCL.HUB		PRT1503	
	1987	Front-All 4-Wheel ABS, From 2/15/87; INCL.HUB		PRT1503	
	1987	Front-All 4-Wheel ABS, To 2/15/87; 277.4mm		PRT1636	
	1986-85	Front-All 277.4mm		PRT1636	
Mark VIII					
Disc Brake Pad Set	1998-93	Front-All Hardware Included	CFC598	SBC598	
	1998-93	Rear-All Hardware Not Included		SBC599	
Disc Brake Rotor	1998-96	Front-All		PRT5050	
	1998-93	Rear-All		PRT1880	
MKC					
Disc Brake Pad Set	2019-18	Front-L4 - 2.0L AWD, Hardware Included	CFC1668	SBM1668	
	2019-18	Front-L4 - 2.0L FWD, Hardware Included		SBC2039	MKD2039FM
	2019-18	Front-L4 - 2.3L Hardware Included	CFC1668	SBM1668	
	2015	Front-All Hardware Included	CFC1668	SBM1668	
	2019	Rear-All Hardware Included	CFC1665	SBC1665	
	2018	Rear-L4 - 2.0L Hardware Included	CFC1665	SBC1665	
	2018	Rear-L4 - 2.3L Hardware Included	CFC1665	SBC1665	
	2017-15	Rear-All w/o Wear Sensor	CFC1665	SBC1665	
Disc Brake Rotor	2018-15	Rear-All		PRT6226	
MKS					
Disc Brake Pad Set	2016	Front-All Hardware Included	CFC1611C	SBC1611C	MKD1611CFM
	2016	Front-All Hardware Included			PBD1611C
	2015	Front-All Hardware Included	CFC1611B	SBC1611B	MKD1611BFM
	2015	Front-All Hardware Included			PBD1611B
	2014	Front-All Hardware Included	CFC1611	SBC1611	MKD1611FM
	2013	Front-All Hardware Included	CFC1611B	SBC1611B	MKD1611BFM
	2013	Front-All Hardware Included			PBD1611B
	2012	Front-V6 - 3.5L Hardware Included	CFC1508	SBC1508	
	2012	Front-V6 - 3.7L Hardware Included	CFC1508	SBC1508	
	2011-09	Front-All Hardware Included	CFC1508	SBC1508	
	2016-15	Rear-All Hardware Included	CFC1754	SBC1754	MKD1754FM
	2016-15	Rear-All Hardware Included			PBD1754
	2014-13	Rear-All Hardware Included	CFM1612	SBM1612	MKD1612FM
	2014-13	Rear-All Hardware Included			PBD1612
	2012	Rear-V6 - 3.5L Hardware Included	CFC1754	SBC1754	MKD1754FM
	2012	Rear-V6 - 3.5L Hardware Included			PBD1754
	2012	Rear-V6 - 3.7L Hardware Included	CFC1754	SBC1754	MKD1754FM
	2012	Rear-V6 - 3.7L Hardware Included			PBD1754
	2011-09	Rear-All Hardware Included	CFC1754	SBC1754	MKD1754FM
	2011-09	Rear-All Hardware Included			PBD1754
Disc Brake Rotor	2016-13	Front-All		PRT6201	SDR6201
	2012-11	Front-All		PRT6124	SDR6124
	2010-09	Front-All		PRT5842	
	2016-13	Rear-All		PRT6202	SDR6202
	2012-09	Rear-All		PRT5898	SDR5898
MKT					
Disc Brake Pad Set	2019-18	Front-All w/o Painted Calipers		SBC1611C	
	2019-18	Front-All w/o Painted Calipers	CFC1611C		
	2019-18	Front-All w/o Painted Calipers	CFC1508	SBC1508	MKD1611CFM
	2019-18	Front-All w/o Painted Calipers			PBD1611C
	2019-18	Front-All w/ Painted Calipers	CFM1611A	SBM1611A	MKD1611AFM
	2019-18	Front-All w/ Painted Calipers			PBD1611A
	2017	Front-All w/ Heavy Duty Brakes	CFC1611B	SBC1611B	MKD1611BFM
	2017	Front-All w/ Heavy Duty Brakes			PBD1611B
	2017	Front-All w/ Standard Brakes	CFC1508	SBC1508	
	2016	Front-All w/ Heavy Duty or Performance Brakes	CFC1611C	SBC1611C	MKD1611CFM
	2016	Front-All w/ Heavy Duty or Performance Brakes			PBD1611C
	2016	Front-All w/o Heavy Duty or Performance Brakes	CFC1508	SBC1508	
	2015	Front-All w/o Painted Caliper		SBC1611B	
	2015	Front-All w/o Painted Caliper	CFC1611B		
	2015	Front-All w/o Painted Caliper	CFC1508	SBC1508	MKD1611BFM
	2015	Front-All w/o Painted Caliper			PBD1611B
	2015	Front-All w/ Painted Caliper	CFM1611A	SBM1611A	MKD1611AFM
	2015	Front-All w/ Painted Caliper			PBD1611A
	2014	Front-All w/ Heavy Duty Brakes	CFC1611B	SBC1611B	MKD1611BFM
	2014	Front-All w/ Heavy Duty Brakes			PBD1611B

BENDIX BRAKE PARTS

PART TYPE	YEAR	APPLICATION	PREMIUM NO.	PART NO.	SEVERE DUTY NO.
Lincoln (Cont'd.)					
MKT (Cont'd.)					
Disc Brake Pad Set (cont'd)	2014	Front-All w/ Painted Calipers	CFM1611A	SBM1611A	MKD1611AFM
	2014	Front-All w/ Painted Calipers			PBD1611A
	2014	Front-All w/ Standard Brakes	CFC1508	SBC1508	
	2013	Front-All w/ 12.80" Rotor Diameter	CFC1508	SBC1508	
	2013	Front-All w/ 13.86" Rotor Diameter	CFM1611A	SBM1611A	MKD1611AFM
	2013	Front-All w/ 13.86" Rotor Diameter			PBD1611A
	2012	Front-V6 - 3.5L Hardware Included	CFC1508	SBC1508	
	2012	Front-V6 - 3.7L Hardware Included	CFC1508	SBC1508	
	2011-10	Front-All Hardware Included	CFC1508	SBC1508	
	2019-18	Rear-All w/o Painted Calipers	CFC1754	SBC1754	MKD1754FM
	2019-18	Rear-All w/o Painted Calipers			PBD1754
	2019-18	Rear-All w/ Painted Calipers	CFC1279	SBM1279	MKD1279FM
	2017	Rear-All w/o Heavy Duty Brakes	CFC1754	SBC1754	MKD1754FM
	2017	Rear-All w/o Heavy Duty Brakes			PBD1754
	2017	Rear-All w/ Standard Brakes	CFC1279	SBM1279	MKD1279FM
	2016	Rear-All Hardware Included	CFC1754	SBC1754	MKD1754FM
	2016	Rear-All Hardware Included			PBD1754
	2015	Rear-All w/o Painted Caliper	CFC1754	SBC1754	MKD1754FM
	2015	Rear-All w/o Painted Caliper			PBD1754
	2015	Rear-All w/ Painted Caliper	CFC1279	SBM1279	MKD1279FM
	2014	Rear-All w/ Heavy Duty Brakes	CFM1612	SBM1612	MKD1612FM
	2014	Rear-All w/ Heavy Duty Brakes			PBD1612
	2014	Rear-All w/ Painted Calipers	CFC1279	SBM1279	MKD1279FM
	2014	Rear-All w/ Standard Brakes	CFC1754	SBC1754	MKD1754FM
	2014	Rear-All w/ Standard Brakes			PBD1754
	2013	Rear-All w/ 13.47" Rotor Diameter	CFC1279	SBM1279	MKD1279FM
	2013	Rear-All w/ 13.58" Rotor Diameter	CFM1612	SBM1612	MKD1612FM
	2013	Rear-All w/ 13.58" Rotor Diameter			PBD1612
	2013	Rear-All w/ 13" Rotor Diameter	CFC1754	SBC1754	MKD1754FM
	2013	Rear-All w/ 13" Rotor Diameter			PBD1754
	2012	Rear-V6 - 3.5L Hardware Included	CFC1754	SBC1754	MKD1754FM
	2012	Rear-V6 - 3.5L Hardware Included			PBD1754
	2012	Rear-V6 - 3.7L Hardware Included	CFC1754	SBC1754	MKD1754FM
	2012	Rear-V6 - 3.7L Hardware Included			PBD1754
	2011-10	Rear-All Hardware Included	CFC1754	SBC1754	MKD1754FM
	2011-10	Rear-All Hardware Included			PBD1754
Parking Brake Shoe	2018	Rear-All w/ Painted Calipers		811	
	2015	Rear-All		811	
Disc Brake Rotor	2015-12	Front-All		PRT6124	SDR6124
	2011-10	Front-All		PRT5842	
	2018-10	Rear-All			SDR5898
	2015-14	Rear-All HD Brakes, Non-Painted Calipers		PRT6202	
	2015-14	Rear-All Standard Brakes, Non-Painted Calipers		PRT5898	
	2013-10	Rear-All		PRT5898	
	2013	Rear-All w/ Heavy Duty Brakes		PRT6227	
MKX					
Disc Brake Pad Set	2018-16	Front-All Hardware Not Included	CFC1818		
	2015-07	Front-All Hardware Included	CFC1258	SBC1258	
	2018-16	Rear-All Hardware Included		SBC1833	
	2015-13	Rear-All Hardware Included	CFC1754	SBC1754	MKD1754FM
	2015-13	Rear-All Hardware Included			PBD1754
	2012	Rear-V6 - 3.7L Hardware Included	CFC1754	SBC1754	MKD1754FM
	2012	Rear-V6 - 3.7L Hardware Included			PBD1754
	2011	Rear-All Hardware Included	CFC1754	SBC1754	MKD1754FM
	2011	Rear-All Hardware Included			PBD1754
	2010-07	Rear-All Hardware Included	CFC1259	SBC1259	
Parking Brake Shoe	2010-07	Rear-All		880	
	2010-07	Rear-All In Supersession Process, Exhaust Current Inventory		957	
Disc Brake Rotor	2018-16	Front-All		PRT6392	
	2016	Front-All FWD		PRT6393	
	2015-10	Front-All		PRT5702	
	2009-07	Front-All AWD		PRT5702	
	2009-07	Front-All FWD		PRT5701	
	2018-16	Rear-All		PRT6226	
	2015-11	Rear-All		PRT5898	SDR5898
	2010-09	Rear-All 22" Wheels		PRT5703	
	2010-09	Rear-All Exc. 22" Wheels		PRT5703	
	2008-07	Rear-All		PRT5703	
MKZ					
Disc Brake Pad Set	2019	Front-All Hardware Included	CFC1653	SBC1653	
	2018	Front-All Black Label Hybrid, Hardware Included	CFC1653	SBC1653	
	2018	Front-All Hybrid, Hardware Included	CFC1653	SBC1653	
	2018	Front-All Premiere, Hardware Included	CFC1653	SBC1653	
	2018	Front-All Premiere Hybrid, Hardware Included	CFC1653	SBC1653	

BENDIX BRAKE PARTS

PART TYPE	YEAR	APPLICATION	PREMIUM NO.	PART NO.	SEVERE DUTY NO.
Lincoln (Cont'd.)					
MKZ (Cont'd.)					
Disc Brake Pad Set (cont'd)	2018	Front-All Reserve Hybrid, Hardware Included	CFC1653	SBC1653	
	2018	Front-All Select, Hardware Included	CFC1653	SBC1653	
	2018	Front-All Select Hybrid, Hardware Included	CFC1653	SBC1653	
	2018	Front-L4 - 2.0L Black Label, Hardware Included	CFC1653	SBC1653	
	2018	Front-L4 - 2.0L Reserve, Hardware Included	CFC1653	SBC1653	
	2017	Front-L4 - 2.0L Hardware Included	CFC1653	SBC1653	
	2017	Front-V6 - 3.0L Hardware Included	CFC1818A	SBC1818A	
	2016-13	Front-All Hardware Included	CFC1653	SBC1653	
	2012	Front-L4 - 2.5L Hardware Included	CFC1164	SBC1164	
	2012	Front-V6 - 3.5L Hardware Included	CFC1164	SBC1164	
	2011-10	Front-All Hardware Included	CFC1164	SBC1164	
	2009-07	Front-V6 - 3.5L Hardware Included	CFC1164	SBC1164	
	2019	Rear-All Hardware Included		SBC1833	
	2018	Rear-All Black Label Hybrid, Hardware Included		SBC1833	
	2018	Rear-All Hybrid, Hardware Included		SBC1833	
	2018	Rear-All Premiere, Hardware Included		SBC1833	
	2018	Rear-All Premiere Hybrid, Hardware Included		SBC1833	
	2018	Rear-All Reserve Hybrid, Hardware Included		SBC1833	
	2018	Rear-All Select, Hardware Included		SBC1833	
	2018	Rear-All Select Hybrid, Hardware Included		SBC1833	
	2018	Rear-L4 - 2.0L Black Label, Hardware Included		SBC1833	
	2018	Rear-L4 - 2.0L Reserve, Hardware Included		SBC1833	
	2018	Rear-V6 - 3.0L Black Label, Hardware Included		SBC1833	
	2018	Rear-V6 - 3.0L Reserve, Hardware Included		SBC1833	
	2017	Rear-All ELECTRIC/GAS, Hardware Included		SBC1833	
	2017	Rear-All GAS, Hardware Included		SBC1833	
	2016	Rear-All Base, w/o Wear Sensor	CFC1665	SBC1665	
	2016	Rear-All Black Label, w/o Wear Sensor	CFC1665	SBC1665	
	2016	Rear-All Black Label Hybrid, Hardware Included		SBC1833	
	2016	Rear-All Hybrid, Hardware Included		SBC1833	
	2015-13	Rear-All w/o Wear Sensor	CFC1665	SBC1665	
	2012	Rear-L4 - 2.5L Hardware Included	CFC1161	SBC1161	
	2012	Rear-V6 - 3.5L Hardware Included	CFC1161	SBC1161	
	2011-10	Rear-All Hardware Included	CFC1161	SBC1161	
	2009-07	Rear-V6 - 3.5L Hardware Included	CFC1161	SBC1161	
Disc Brake Rotor	2016-13	Front-All		PRT6225	
	2012-07	Front-All		PRT5668	
	2017	Rear-All		PRT6226	
	2016-15	Rear-All		PRT6205	
	2014-13	Rear-All		PRT6226	
	2012-07	Rear-All		PRT5499	
Nautilus					
Disc Brake Pad Set	2019	Front-L4 - 2.0L Hardware Not Included	CFC1818		
	2019	Front-V6 - 2.7L FWD, Hardware Not Included	CFC1818		
	2019	Rear-All Hardware Included		SBC1833	
Navigator					
Disc Brake Pad Set	2019-18	Front-All Hardware Included	CFC2087	SBC2087	MKD2087FM
	2017-13	Front-All Hardware Included	CFC1770	SBC1770	MKD1770FM
	2012	Front-V8 - 5.4L Hardware Included	CFC1770	SBC1770	MKD1770FM
	2011-10	Front-All Hardware Included	CFC1770	SBC1770	MKD1770FM
	2009	Front-All Hardware Included	CFM1278	SBM1278	MKD1278FM
	2008-07	Front-V8 - 5.4L Hardware Included	CFM1278	SBM1278	MKD1278FM
	2006	Front-V8 - 5.4L Hardware Included	CFM934	SBM934	MKD934FM
	2005	Front-All Hardware Included	CFM934	SBM934	MKD934FM
	2004-03	Front-V8 - 5.4L Hardware Included	CFM934	SBM934	MKD934FM
	2002-98	Front-V8 - 5.4L Hardware Included	CFC702K1	SBC702K1	MKD702K1FM
	2019-18	Rear-All Hardware Not Included	CFC1790	SBC1790	MKD1790FM
	2017-13	Rear-All Hardware Included	CFC1279		MKD1279FM
	2017-13	Rear-All Hardware Not Included		SBM1279	
	2012	Rear-V8 - 5.4L Hardware Included	CFC1279		MKD1279FM
	2012	Rear-V8 - 5.4L Hardware Not Included		SBM1279	
	2011-09	Rear-All Hardware Included	CFC1279		MKD1279FM
	2011-09	Rear-All Hardware Not Included		SBM1279	
	2008-07	Rear-V8 - 5.4L Hardware Included	CFC1279		MKD1279FM
	2008-07	Rear-V8 - 5.4L Hardware Not Included		SBM1279	
	2006	Rear-V8 - 5.4L Hardware Included	CFM935		MKD935FM
	2006	Rear-V8 - 5.4L Hardware Not Included		SBM935	
	2005	Rear-All Hardware Included	CFM935		MKD935FM
	2005	Rear-All Hardware Not Included		SBM935	
	2004-03	Rear-V8 - 5.4L Hardware Included	CFM935		MKD935FM
	2004-03	Rear-V8 - 5.4L Hardware Not Included		SBM935	
	2002-00	Rear-All Hardware Included	CFC711	SBC711	MKD711FM
	1999-98	Rear-V8 - 5.4L Hardware Included	CFC711	SBC711	MKD711FM
Parking Brake Shoe	2016-15	Rear-All		811	

BENDIX BRAKE PARTS

PART TYPE	YEAR	APPLICATION	PREMIUM NO.	PART NO.	SEVERE DUTY NO.	
Lincoln (Cont'd.)						
Navigator (Cont'd.)						
Parking Brake Shoe (cont'd)	2012-07	Rear-All		811		
	2006-02	Rear-All w/ 230mm X 30mm Brakes		811		
	2001-98	Rear-All		752		
Disc Brake Rotor	2018-07	Front-All		PRT5698	SDR5698	
	2006-03	Front-All		PRT5367	SDR5367	
	2002-01	Front-All 4WD, ROTOR ONLY		PRT5275	SDR5275	
	2000	Front-All 4WD, From 11/29/99, M14 Studs; ROTOR ONLY		PRT5275	SDR5275	
	2000	Front-All 4WD, To 11/29/99, M12mm Studs		PRT5142		
	1999-98	Front-All 4WD		PRT5142		
	2018-07	Rear-All		PRT5699	SDR5699	
	2006-03	Rear-All		PRT5414	SDR5414	
Disc Brake Rotor and Hub Assembly	2002-98	Rear-All		PRT5140		
	2002-01	Front-All RWD, HUB & ROTOR		PRT5303	SDR5303	
	2000	Front-All RWD, From 11/29/99, M14 Studs; HUB & ROTOR		PRT5303	SDR5303	
	2000	Front-All RWD, To 11/29/99, M12mm Studs		PRT5141		
1999-98	Front-All RWD		PRT5141			
Town Car						
Disc Brake Pad Set	2011-08	Front-All Hardware Included		SBM931		
	2011-08	Front-All Hardware Included	CFM931	SBC931	MKD931FM	
	2011-08	Front-All Hardware Included			PBD931	
	2007-06	Front-V8 - 4.6L Hardware Included		SBM931		
	2007-06	Front-V8 - 4.6L Hardware Included	CFM931	SBC931	MKD931FM	
	2007-06	Front-V8 - 4.6L Hardware Included			PBD931	
	2005-03	Front-All Hardware Included		SBM931		
	2005-03	Front-All Hardware Included	CFM931	SBC931	MKD931FM	
	2005-03	Front-All Hardware Included			PBD931	
	2002-98	Front-V8 - 4.6L Hardware Included		SBC748	MKD748FM	
	1997-95	Front-All Limousine, Hardware Included		SBC659	MKD659FM	
	1997-95	Front-V8 - 4.6L Sedan, Hardware Included		SBC659	MKD659FM	
	1994	Front-All Limousine, w/ Steel Piston Caliper		SBM499		
	1994	Front-All Sedan, w/ Phenolic Piston Caliper		SBM199		
	1994	Front-All Sedan, w/ Steel Piston Caliper		SBM499		
	1993-82	Front-All w/ Phenolic Piston Caliper		SBM199		
	1993	Front-All w/ Steel Piston Caliper		SBM499		
	1981	Front-All Police		SBM150		
	1981	Front-All Sedan, Exc. Police		SBM199		
	2011	Rear-All Hardware Included	CFC1040	SBC1040	MKD1040FM	
	2010-08	Rear-All Limousine, Hardware Included	CFC711	SBC711	MKD711FM	
	2010-08	Rear-All Sedan, w/o Anti-Rattle Clips	CFC1040	SBC1040	MKD1040FM	
	2007-06	Rear-V8 - 4.6L Limousine, Hardware Included	CFC711	SBC711	MKD711FM	
	2007	Rear-V8 - 4.6L Sedan, w/o Anti-Rattle Clips	CFC1040	SBC1040	MKD1040FM	
	2006	Rear-V8 - 4.6L Sedan, Extended Wheelbase	CFC1040	SBC1040	MKD1040FM	
	2005-03	Rear-All Limousine, Hardware Included	CFC711	SBC711	MKD711FM	
	2005	Rear-All Sedan, w/o Anti-Rattle Clips	CFC1040	SBC1040	MKD1040FM	
	2004	Rear-All Sedan, Hardware Included	CFC1040	SBC1040	MKD1040FM	
	2003	Rear-All Sedan, Hardware Included		SBM932		
	2003	Rear-All Sedan, Hardware Included	CFC932A	SBC932A	MKD932AFM	
	2003	Rear-All Sedan, Hardware Included			PBD932	
	2002-96	Rear-All w/ 1 3/4" Inboard Piston Clip		SBM674	MKD674FM	
	2002-96	Rear-All w/ 1" Inboard Piston Clip		SBM674A	MKD674AFM	
	1995-90	Rear-All Hardware Included		SBC544		
	Drum Brake Shoe	2005-03	Rear-All Limousine, w/ E/F150 Axle		723	
		2002-98	Rear-All Limousine		723	
		1990-88	Rear-All w/ 10" Brakes		481	
		1987-86	Rear-All		481	
		1985-82	Rear-All w/ 10" Brakes		481	
		1981	Rear-All		481	
Parking Brake Shoe	2011-07	Rear-All Sedan		920		
	2011-03	Rear-All Limousine		752		
	2006	Rear-All Sedan, w/ 7.24" X 1.22" Shoes		920		
	2005-03	Rear-All Sedan, w/ 7.24" X 1.22" Brakes		920		
	2002-96	Rear-All		745		
	1995-91	Rear-All		725		
Disc Brake Rotor	2011-03	Front-All		PRT5326	SDR5326	
	2002-98	Front-All		PRT5191	SDR5191	
	1997-95	Front-All		PRT5048		
	1994-91	Front-All		PRT1621	SDR1621	
	2011-03	Rear-All Limousine, Solid; 333.9mm		PRT5380		
	2011-03	Rear-All Sedan, Vented; 295.1mm		PRT5379		
	2002-96	Rear-All		PRT5109		
	1995-91	Rear-All		PRT1547		
1990	Rear-All		PRT1467FC			
Disc Brake Rotor and Hub Assembly	1990	Front-All 4-Wheel ABS		PRT1553		

BENDIX BRAKE PARTS

PART TYPE	YEAR	APPLICATION	PREMIUM NO.	PART NO.	SEVERE DUTY NO.
Lincoln (Cont'd.)					
Town Car (Cont'd.)					
Disc Brake Rotor and Hub Assembly (cont'd)	1990	Front-All Non-ABS, Non-ABS		PRT1176	
	1989-81	Front-All		PRT1176	
Brake Drum	2003-91	Rear-All 11 1/32 x 2 1/4" Brakes		PDR0383	
	1990	Rear-All Exc. Limousine Prep Package		PDR0569	
	1990	Rear-All w/ Limousine Prep Package		PDR0383	
	1989-81	Rear-All 10" Brakes		PDR0569	
	1989-81	Rear-All 11 1/32 x 2 1/4" Brakes		PDR0383	
Versailles					
Disc Brake Pad Set	1980-77	Front-All Hardware Not Included		SBM91	
Disc Brake Rotor	1980-77	Rear Left-All		PRT1120	
	1980-77	Rear Right-All		PRT1121	
Disc Brake Rotor and Hub Assembly	1980-77	Front-All		PRT1086	
Zephyr					
Disc Brake Pad Set	2006	Front-V6 - 3.0L Hardware Included	CFC1164	SBC1164	
	2006	Rear-V6 - 3.0L Hardware Included	CFC1161	SBC1161	
Disc Brake Rotor	2006	Front-All		PRT5668	
	2006	Rear-All		PRT5499	
Lotus					
Elise					
Disc Brake Pad Set	2011-04	Rear-All Hardware Not Included		SBM491	
Esprit					
Disc Brake Pad Set	2004-97	Front-All Hardware Not Included		SBM592	
	2004-97	Rear-All Hardware Not Included		SBM491	
	1995-94	Rear-All Hardware Not Included		SBM491	
Exige					
Disc Brake Pad Set	2010-06	Rear-All Hardware Not Included		SBM491	
Maserati					
425					
Disc Brake Pad Set	1987	Front-All Hardware Not Included		SBM163	
Ghibli					
Disc Brake Pad Set	2017-16	Front-All w/ 350mm Diameter Front Rotors		SBM1116	
	2015	Front-All w/ 6-Piston Front Caliper		SBM1116	
	2014	Front-All w/ 350mm Diameter Front Rotors		SBM1116	
	2016	Rear-All RWD, w/ 6-Piston Caliper	CFM592A	SBM592A	
	2014	Rear-All RWD, w/ 6-Piston Caliper	CFM592A	SBM592A	
Quattroporte					
Disc Brake Pad Set	2017	Front-All w/ 360mm Diameter Front Rotors		SBM1116	
	2016	Front-All AWD, w/ 360mm Diameter Front Rotors		SBM1116	
	2015-14	Front-All w/ 360mm Diameter Front Rotors		SBM1116	
	2006-04	Front-All Hardware Not Included		SBM639	
	2012-04	Rear-All Hardware Not Included		SBM874	
Spyder					
Disc Brake Pad Set	2006-02	Rear-All Hardware Not Included		SBM253	
Mazda					
2					
Disc Brake Pad Set	2017-16	Front-All Hardware Included	CFC1852		
	2017-16	Front-All Hardware Not Included		SBC1852	
	2015	Front-All Hardware Included	CFM1454	SBC1454	
	2014-11	Front-All Hardware Included	CFC1454A	SBC1454A	
	2014-11	Front-All		PRT6104	
Disc Brake Rotor	2014-11	Front-All		PRT6104	
Brake Drum	2014-11	Rear-All		PDR0842	
3					
Disc Brake Pad Set	2018	Front-All Exc. Mexico Built Vehicle	CFC1728	SBC1728	
	2018	Front-All Mexico Built Vehicle	CFC1759	SBC1759	
	2017	Front-All Hardware Included	CFC1728	SBC1728	
	2016-14	Front-All Exc. Mexico Built	CFC1728	SBC1728	
	2016-14	Front-All Mexico Built	CFC1759	SBC1759	
	2013-12	Front-All GS-SKY, Hardware Included	CFC1044	SBC1044	MKD1044FM
	2013-11	Front-All GT, Hardware Included	CFC1044	SBC1044	MKD1044FM
	2013-11	Front-All GX, Hardware Included	CFC1044	SBC1044	MKD1044FM
	2013-11	Front-All i, Hardware Included	CFC1044	SBC1044	MKD1044FM
	2013-11	Front-All Mazdaspeed, Hardware Included	CFM915A		
	2013-11	Front-All Mazdaspeed, Hardware Not Included		SBM915A	
	2013-11	Front-All S, Hardware Included	CFC1044	SBC1044	MKD1044FM
	2012-11	Front-All GS, Hardware Included	CFC1044	SBC1044	MKD1044FM
	2011	Front-All Sport GS, Hardware Included	CFC1044	SBC1044	MKD1044FM
	2011	Front-All Sport GT, Hardware Included	CFC1044	SBC1044	MKD1044FM
	2011	Front-All Sport GX, Hardware Included	CFC1044	SBC1044	MKD1044FM

BENDIX BRAKE PARTS

PART TYPE	YEAR	APPLICATION	PREMIUM NO.	PART NO.	SEVERE DUTY NO.	
Mazda (Cont'd.)						
3 (Cont'd.)						
Disc Brake Pad Set (cont'd)	2010-09	Front-L4 - 2.3L Mazdaspeed, Hardware Included	CFM915A			
	2010-09	Front-L4 - 2.3L Mazdaspeed, Hardware Not Included		SBM915A		
	2010	Front-L4 - 2.0L Hardware Included	CFC1044	SBC1044	MKD1044FM	
	2010	Front-L4 - 2.5L Hardware Included	CFC1044	SBC1044	MKD1044FM	
	2009	Front-L4 - 2.0L GS, Hardware Included	CFC1044	SBC1044	MKD1044FM	
	2009	Front-L4 - 2.0L GX, Hardware Included	CFC1044	SBC1044	MKD1044FM	
	2009	Front-L4 - 2.0L i, Hardware Included	CFC1044	SBC1044	MKD1044FM	
	2009	Front-L4 - 2.3L GT, Hardware Included	CFC1044	SBC1044	MKD1044FM	
	2009	Front-L4 - 2.3L S, Hardware Included	CFC1044	SBC1044	MKD1044FM	
	2008	Front-All GS, Hardware Included	CFC1044	SBC1044	MKD1044FM	
	2008	Front-All GT, Hardware Included	CFC1044	SBC1044	MKD1044FM	
	2008	Front-All GX, Hardware Included	CFC1044	SBC1044	MKD1044FM	
	2008	Front-All i, Hardware Included	CFC1044	SBC1044	MKD1044FM	
	2008	Front-All Mazdaspeed, Hardware Included	CFM915A			
	2008	Front-All Mazdaspeed, Hardware Not Included		SBM915A		
	2008	Front-All S, Hardware Included	CFC1044	SBC1044	MKD1044FM	
	2007	Front-L4 - 2.0L i, Hardware Included	CFC1044	SBC1044	MKD1044FM	
	2007	Front-L4 - 2.3L Mazdaspeed, Hardware Included	CFM915A			
	2007	Front-L4 - 2.3L Mazdaspeed, Hardware Not Included		SBM915A		
	2007	Front-L4 - 2.3L S, Hardware Included	CFC1044	SBC1044	MKD1044FM	
	2006	Front-L4 - 2.0L To 9/05	CFC1044	SBC1044	MKD1044FM	
	2006	Front-L4 - 2.3L To 9/05	CFC1044	SBC1044	MKD1044FM	
	2005-04	Front-All Hardware Included	CFC1044	SBC1044	MKD1044FM	
	2018-17	Rear-All Hardware Not Included		SBC2042		
	2016-14	Rear-All Exc. Mexico Built	CFC1729	SBC1729		
	2016-14	Rear-All Mexico Built	CFC1679	SBC1679		
	2013	Rear-All Hardware Included	CFC1095	SBC1095		
	2012	Rear-All GS, Hardware Included	CFC1095	SBC1095		
	2012	Rear-All GS-SKY, Hardware Included	CFC1095	SBC1095		
	2012	Rear-All GT, Hardware Included	CFC1095	SBC1095		
	2012	Rear-All GX, Hardware Included	CFC1095	SBC1095		
	2012	Rear-All i, Hardware Included	CFC1095	SBC1095		
	2012	Rear-All Mazdaspeed, Hardware Included	CFC1095	SBC1095		
	2012	Rear-All S, Hardware Included	CFC1095	SBC1095		
	2011-10	Rear-All Hardware Included	CFC1095	SBC1095		
	2009	Rear-L4 - 2.0L Hardware Included	CFC1095	SBC1095		
	2009	Rear-L4 - 2.3L Hardware Included	CFC1095	SBC1095		
	2008	Rear-All Hardware Included	CFC1095	SBC1095		
	2007-06	Rear-L4 - 2.0L Hardware Included	CFC1095	SBC1095		
	2007-06	Rear-L4 - 2.3L Hardware Included	CFC1095	SBC1095		
	2005	Rear-All From 2/11/05	CFC1095	SBC1095		
	2005	Rear-All To 2/10/05		SBC973		
	2004	Rear-All Hardware Included		SBC973		
	Disc Brake Rotor	2018-17	Front-All		PRT6258	
		2016-15	Front-L4 - 2.0L exc. Mexico Built Vehicle		PRT6259	
		2016-14	Front-L4 - 2.5L		PRT6258	
		2014	Front-L4 - 2.0L		PRT6259	
		2013-10	Front-L4 - 2.3L		PRT5711	
		2013-10	Front-L4 - 2.5L		PRT5603	
		2013-04	Front-L4 - 2.0L		PRT5585	
2009-07		Front-L4 - 2.3L Naturally Aspirated		PRT5603		
2009-07		Front-L4 - 2.3L Turbocharged		PRT5711		
2006-04		Front-L4 - 2.3L		PRT5603		
2018-14		Rear-All		PRT6256		
2013-04		Rear-L4 - 2.0L		PRT5619		
2012-10		Rear-L4 - 2.5L		PRT5620		
2012-04		Rear-L4 - 2.3L		PRT5620		
3 Sport						
Disc Brake Pad Set		2017-15	Front-All Hardware Included	CFC1728	SBC1728	
	2014	Front-All Exc. Mexico Built	CFC1728	SBC1728		
	2014	Front-All Mexico Built	CFC1759	SBC1759		
	2013-12	Front-All Hardware Included	CFC1044	SBC1044	MKD1044FM	
	2010-09	Front-All Hardware Included	CFC1044	SBC1044	MKD1044FM	
	2017	Rear-All Hardware Not Included		SBC2042		
	2016-15	Rear-All Hardware Included	CFC1729	SBC1729		
	2014	Rear-All Exc. Mexico Built	CFC1729	SBC1729		
	2014	Rear-All Mexico Built	CFC1679	SBC1679		
	2013-12	Rear-All Hardware Included	CFC1095	SBC1095		
2010-09	Rear-All Hardware Included	CFC1095	SBC1095			
5						
Disc Brake Pad Set	2017	Front-All Hardware Included	CFC1044	SBC1044	MKD1044FM	
	2015-12	Front-All Hardware Included	CFC1044	SBC1044	MKD1044FM	
	2010	Front-All Hardware Included	CFC1044	SBC1044	MKD1044FM	
	2009-07	Front-L4 - 2.3L Hardware Included	CFC1044	SBC1044	MKD1044FM	
	2006	Front-All Hardware Included	CFC1044	SBC1044	MKD1044FM	

BENDIX BRAKE PARTS

PART TYPE	YEAR	APPLICATION	PREMIUM NO.	PART NO.	SEVERE DUTY NO.	
Mazda (Cont'd.)						
5 (Cont'd.)						
Disc Brake Pad Set (cont'd)	2017	Rear-All Hardware Included	CFC1095	SBC1095		
	2015-12	Rear-All Hardware Included	CFC1095	SBC1095		
	2010	Rear-All Hardware Included	CFC1095	SBC1095		
	2009-07	Rear-L4 - 2.3L Hardware Included	CFC1095	SBC1095		
	2006	Rear-All From 2/06	CFC1095	SBC1095		
	2006	Rear-All To 1/06		SBC973		
Disc Brake Rotor	2015-12	Front-All		PRT5603		
	2010-06	Front-All		PRT5603		
	2015-12	Rear-All		PRT5977		
	2010-06	Rear-All		PRT5977		
6						
Disc Brake Pad Set	2018-14	Front-All Hardware Included	CFM1711	SBM1711		
	2013	Front-All Hardware Included	CFC1164	SBC1164		
	2012	Front-L4 - 2.5L GS, Hardware Included	CFC1164	SBC1164		
	2012	Front-L4 - 2.5L i, Hardware Included	CFC1164	SBC1164		
	2012	Front-V6 - 3.7L GT, Hardware Included	CFC1164	SBC1164		
	2012	Front-V6 - 3.7L S, Hardware Included	CFC1164	SBC1164		
	2011-10	Front-All Hardware Included	CFC1164	SBC1164		
	2009	Front-L4 - 2.5L Hardware Included	CFC1164	SBC1164		
	2009	Front-V6 - 3.7L Hardware Included	CFC1164	SBC1164		
	2008-06	Front-V6 - 3.0L Hardware Included	CFC1164	SBC1164		
	2008	Front-L4 - 2.3L Hardware Included	CFC1164	SBC1164		
	2007-06	Front-L4 - 2.3L i, Hardware Included	CFC1164	SBC1164		
	2007-06	Front-L4 - 2.3L Mazdaspeed, Hardware Included		SBM1186		
	2005-03	Front-All Hardware Included	CFM957	SBC957		
	2018-16	Rear-All Hardware Not Included	CFC1874	SBC1874		
	2015-14	Rear-All Hardware Included	CFC1679	SBC1679		
	2013	Rear-All Hardware Included	CFC1161	SBC1161		
	2012	Rear-L4 - 2.5L GS, Hardware Included	CFC1161	SBC1161		
	2012	Rear-L4 - 2.5L i, Hardware Included	CFC1161	SBC1161		
	2012	Rear-V6 - 3.7L GT, Hardware Included	CFC1161	SBC1161		
	2012	Rear-V6 - 3.7L S, Hardware Included	CFC1161	SBC1161		
	2011-10	Rear-All Hardware Included	CFC1161	SBC1161		
	2009	Rear-L4 - 2.5L Hardware Included	CFC1161	SBC1161		
	2009	Rear-V6 - 3.7L Hardware Included	CFC1161	SBC1161		
	2008-06	Rear-L4 - 2.3L Hardware Included	CFC1161	SBC1161		
	2008-06	Rear-V6 - 3.0L Hardware Included	CFC1161	SBC1161		
	2005-03	Rear-All Hardware Included		SBC332		
	Disc Brake Rotor	2014	Front-All Grand Touring		PRT6211	
		2014	Front-All Sport		PRT6211	
		2014	Front-All Touring		PRT6211	
		2013-08	Front-All		PRT5668	
		2007-06	Front-All i		PRT5668	
		2007-06	Front-All Mazdaspeed		PRT5880	
2007-06		Front-All S		PRT5668		
2005-03		Front-All		PRT5597		
2017-14		Rear-All		PRT6257		
2013-08		Rear-All		PRT5499		
2007-06		Rear-All i		PRT5499		
2007-06		Rear-All Mazdaspeed		PRT6089		
2007-06		Rear-All S		PRT5499		
2005-03		Rear-All		PRT5499		
323						
Disc Brake Pad Set	1995	Front-All Hardware Included		SBC466		
	1994-93	Front-L4 - 1.8L Hardware Included		SBC466		
	1994-90	Front-L4 - 1.6L Hardware Included		SBC466		
	1989	Front-All Hardware Not Included		SBM319		
	1988-87	Front-All 2 Doors, Hatchback, Hardware Not Included		SBM319		
	1988-87	Front-All 4 Doors, Sedan, Hardware Not Included		SBM319		
	1986	Front-All Hardware Not Included		SBM319		
	1989-86	Rear-All Hardware Not Included		SBC366		
	Drum Brake Shoe	1994-92	Rear-All w/ 7.88" X 1.41" Brakes		659	
		1991-90	Rear-All w/ 9" X 1.24" Brakes		598	
1991-90		Rear-All w/ 9" X 1.24" Brakes		721		
Disc Brake Rotor	1995-90	Front-All		PRT1634		
	1989-88	Front-All Hatchback, Rear Disc		PRT1596		
	1989-88	Front-All Wagon, Rear Drum		PRT1436		
	1988	Front-All Sedan, Rear Disc		PRT1596		
	1987-86	Front-All		PRT1436		
Disc Brake Rotor and Hub Assembly	1989-88	Rear-All Hatchback		PRT1501		
	1989-88	Rear-All Sedan		PRT1501		
Brake Drum	1995-92	Rear-All		PDR0629		
	1991-90	Rear-All		PDR0576		

BENDIX BRAKE PARTS

PART TYPE	YEAR	APPLICATION	PREMIUM NO.	PART NO.	SEVERE DUTY NO.
Mazda (Cont'd.)					
323 (Cont'd.)					
Brake Drum (cont'd)	1989-87	Rear-All Wagon		PDR0599	
	1989-86	Rear-All Hatchback		PDR0528	
	1989-86	Rear-All Sedan		PDR0528	
626					
Disc Brake Pad Set	2002-98	Front-L4 - 2.0L Hardware Included		SBC637	
	2002-98	Front-V6 - 2.5L Hardware Included		SBC755	
	1997-94	Front-All Hardware Included		SBC637	
	1993	Front-All Hardware Not Included		SBC583	
	1992-88	Front-All Hardware Included		SBM399	
	1987-83	Front-All Hardware Not Included		SBM264	
	2002-00	Rear-L4 - 2.0L Hardware Included		SBC584	
	2002-00	Rear-V6 - 2.5L Hardware Included		SBC584	
	1999-93	Rear-All Hardware Included		SBC584	
	1992-90	Rear-L4 - 2.2L Hardware Not Included		SBC400	
	1989-88	Rear-All Hardware Not Included		SBC400	
Drum Brake Shoe	2002-93	Rear-All w/ 9" X 1.26" Brakes		667	
	1992-88	Rear-All Naturally Aspirated		721	
	1992-88	Rear-All Naturally Aspirated, In Supersession Process, Exhaust Current Inventory		598	
	1991-88	Rear-All Turbocharged		721	
Disc Brake Rotor	2002-98	Front-L4 - 2.0L		PRT1845	
	1997-93	Front-All		PRT1845	
	1992-88	Front-All		PRT1610	
	1987-86	Front-All		PRT1354	
	1985-83	Front-All Solid Rotors		PRT1279	
	1985-83	Front-All Vented Rotors		PRT1354	
	2002-00	Rear-V6 - 2.5L		PRT5190	
	1999-98	Rear-All		PRT5190	
	1997-93	Rear-All		PRT1846	
	1987-83	Rear-All		PRT1725	
Disc Brake Rotor and Hub Assembly	1982-79	Front-All		PRT1207	
	1992-90	Rear-All		PRT1670	
	1989-88	Rear-All 2 Wheel Steering		PRT1670	
Brake Drum	2002-00	Rear-L4 - 2.0L		PDR0632	
	1999-93	Rear-All		PDR0632	
	1992-88	Rear-All		PDR0531	
	1987-83	Rear-All		PDR0475	
	1982-79	Rear-All		PDR0511	
808					
Disc Brake Rotor	1976-74	Front-All		PRT1171	
929					
Disc Brake Pad Set	1991-88	Front-All Hardware Included		SBC433	MKD433FM
	1995-92	Rear-All Hardware Included		SBC553	
	1991-88	Rear-All Hardware Included		SBC390	
Disc Brake Rotor	1995-92	Front-All		PRT1705	
	1995-92	Rear-All		PRT1706	
	1991-90	Rear-All		PRT1721	
	1989-88	Rear-All		PRT1736	
Disc Brake Rotor and Hub Assembly	1991-88	Front-All 4-Wheel ABS		PRT1637	
	1991-88	Front-All Non-ABS		PRT1638	
B1600					
Disc Brake Rotor	1976-74	Front-All		PRT1171	
Brake Drum	1974-72	Front-L4 - 1.6L		PDR0700	
	1976-75	Rear-All		PDR0700	
	1974-72	Rear-L4 - 1.6L		PDR0700	
B1800					
Disc Brake Rotor	1978-77	Front-All		PRT1171	
Brake Drum	1978-77	Rear-All		PDR0700	
B2000					
Disc Brake Pad Set	1987-86	Front-All Hardware Not Included		SBC320	
Drum Brake Shoe	1987-86	Rear-All w/ 10.24" X 1.8" Brakes		565	
Disc Brake Rotor	1987-86	Front-All		PRT1438	
	1984-79	Front-All		PRT1171	
Brake Drum	1987-86	Rear-All		PDR0527	
	1984-79	Rear-All		PDR0700	
B2200					
Disc Brake Pad Set	1993	Front-L4 - 2.2L Hardware Not Included		SBC320	
	1992-87	Front-All Hardware Not Included		SBC320	
Drum Brake Shoe	1993-87	Rear-All w/ 10.24" X 1.8" Brakes		565	
Disc Brake Rotor	1993-87	Front-All		PRT1438	
	1984-82	Front-All		PRT1355	

BENDIX BRAKE PARTS

PART TYPE	YEAR	APPLICATION	PREMIUM NO.	PART NO.	SEVERE DUTY NO.
Mazda (Cont'd.)					
B2200 (Cont'd.)					
Brake Drum	1993-87	Rear-All		PDR0527	
	1984-82	Rear-All		PDR0700	
B2300					
Disc Brake Pad Set	2010-04	Front-All Hardware Included	CFC833	SBC833	MKD833FM
	2003	Front-All From 8/5/02	CFC833	SBC833	MKD833FM
	2003	Front-All To 8/5/02	CFC652	SBC652	MKD652FM
	2002-01	Front-All Hardware Included	CFC652	SBC652	MKD652FM
	1997-95	Front-All Hardware Included	CFC652	SBC652	MKD652FM
	1994	Front-All Hardware Included		SBC205	MKD205FM
	2010	Rear-All Hardware Included	CFC932A	SBC932A	MKD932AFM
Drum Brake Shoe	2009-01	Rear-All w/ 9" Brakes		704	
	2009-01	Rear-All w/ 10" Brakes		705	
	1997-95	Rear-All w/ 9" Brakes		704	
	1997-95	Rear-All w/ 10" Brakes		705	
	1994	Rear-All w/ 9" X 1-3/4" Brakes		474	
	1994	Rear-All w/ 9" X 1-3/4" Brakes		569	
	1994	Rear-All w/ 10" Brakes		581	
Disc Brake Rotor	2010	Rear-All		PRT6052	
Disc Brake Rotor and Hub Assembly	2010	Front-All		PRT6051	
	2009-01	Front-All 4-Wheel ABS, 261mm Rotor Diameter		PRT5216	
	2009-01	Front-All 4-Wheel ABS, 286mm Rotor Diameter		PRT5076	
	1997-95	Front-All RWD, 2-Wheel ABS		PRT5067	
	1997-95	Front-All RWD, 4-Wheel ABS		PRT5062	
	1996-95	Front-All 4WD		PRT5059	
	1994	Front-All		PRT1264	
Brake Drum	2009-01	Rear-All 9" Brakes		PDR0713	
	2009-01	Rear-All 10" Brakes		PDR0697 ⁵³	
	1997-94	Rear-All 9" Brakes		PDR0461	
	1997-94	Rear-All 10" Brakes		PDR0452	
B2500					
Disc Brake Pad Set	2001-98	Front-All Hardware Included	CFC652	SBC652	MKD652FM
Drum Brake Shoe	2001-98	Rear-All w/ 9" Brakes		704	
	2001-98	Rear-All w/ 10" Brakes		705	
Disc Brake Rotor and Hub Assembly	2001	Front-All 4-Wheel ABS, 261mm Diameter Rotor		PRT5216	
	2001	Front-All 4-Wheel ABS, 286mm Diameter Rotor		PRT5076	
	2000-98	Front-All		PRT5189	
Brake Drum	2001-98	Rear-All 9" Brakes		PDR0713	
	2001-98	Rear-All 10" Brakes		PDR0697 ⁵³	
B2600					
Disc Brake Pad Set	1993-87	Front-All Hardware Not Included		SBC320	
Drum Brake Shoe	1993-87	Rear-All RWD		565	
Disc Brake Rotor	1993-90	Front-All 4WD		PRT1695	
	1993-90	Front-All RWD		PRT1438	
	1989	Front-All		PRT1695	
	1988-87	Front-All 4WD		PRT1695	
	1988-87	Front-All RWD		PRT1438	
Brake Drum	1993-90	Rear-All 4WD		PDR0641	
	1993-90	Rear-All RWD		PDR0527	
	1989	Rear-All		PDR0641	
	1988-87	Rear-All 4WD		PDR0641	
	1988-87	Rear-All RWD		PDR0527	
B3000					
Disc Brake Pad Set	2008-04	Front-All Hardware Included	CFC833	SBC833	MKD833FM
	2003	Front-All From 8/5/02	CFC833	SBC833	MKD833FM
	2003	Front-All To 8/5/02	CFC652	SBC652	MKD652FM
	2002-95	Front-All Hardware Included	CFC652	SBC652	MKD652FM
	1994	Front-All Hardware Included		SBC205	MKD205FM
Drum Brake Shoe	2008-95	Rear-All w/ 9" Brakes		704	
	2008-95	Rear-All w/ 10" Brakes		705	
	1994	Rear-All w/ 9" X 1-3/4" Brakes		474	
	1994	Rear-All w/ 9" X 1-3/4" Brakes		569	
	1994	Rear-All w/ 10" Brakes		581	
Disc Brake Rotor	2002-98	Front-All 4WD		PRT5075	
Disc Brake Rotor and Hub Assembly	2008-03	Front-All 4-Wheel ABS, 261mm Diameter Rotor		PRT5216	
	2008-03	Front-All 4-Wheel ABS, 286mm Diameter Rotor		PRT5076	
	2002-01	Front-All RWD, 4-Wheel ABS, 261mm Diameter Rotor		PRT5216	
	2002-01	Front-All RWD, 4-Wheel ABS, 286mm Diameter Rotor		PRT5076	
	2000-98	Front-All RWD, 2-Wheel ABS, 261mm Diameter Rotor		PRT5189	
	1997-95	Front-All 4WD		PRT5059	
	1997-95	Front-All RWD, 2-Wheel ABS		PRT5067	
	1997-95	Front-All RWD, 4-Wheel ABS		PRT5062	

BENDIX BRAKE PARTS

PART TYPE	YEAR	APPLICATION	PREMIUM NO.	PART NO.	SEVERE DUTY NO.
Mazda (Cont'd.)					
B3000 (Cont'd.)					
Disc Brake Rotor and Hub Assembly (cont'd)	1994	Front-All 4WD		PRT1860	
	1994	Front-All RWD		PRT1264	
Brake Drum	2008-98	Rear-All 9" Brakes		PDR0713	
	2008-98	Rear-All 10" Brakes		PDR0697 ⁵³	
	1997-94	Rear-All 9" Brakes		PDR0461	
	1997-94	Rear-All 10" Brakes		PDR0452	
B4000					
Disc Brake Pad Set	2010-04	Front-All Hardware Included	CFC833	SBC833	MKD833FM
	2003	Front-All From 8/5/02	CFC833	SBC833	MKD833FM
	2003	Front-All To 8/5/02	CFC652	SBC652	MKD652FM
	2002-95	Front-All Hardware Included	CFC652	SBC652	MKD652FM
	1994	Front-All Hardware Included		SBC205	MKD205FM
	2010	Rear-All Hardware Included	CFC932A	SBC932A	MKD932AFM
Drum Brake Shoe	2009-95	Rear-All w/ 9" Brakes		704	
	2009-95	Rear-All w/ 10" Brakes		705	
	1994	Rear-All w/ 9" X 1-3/4" Brakes		474	
	1994	Rear-All w/ 9" X 1-3/4" Brakes		569	
	1994	Rear-All w/ 10" Brakes		581	
Disc Brake Rotor	2009-06	Front-All 4WD		PRT5341	
	2005	Front-All		PRT5341	
	2004-03	Front-All 4WD		PRT5341	
	2002-98	Front-All 4WD		PRT5075	
	2010	Rear-All		PRT6052	
Disc Brake Rotor and Hub Assembly	2010	Front-All		PRT6051	
	2009-01	Front-All RWD, 4-Wheel ABS, 286mm Diameter Rotor		PRT5076	
	2009-98	Front-All RWD, 4-Wheel ABS, 261mm Diameter Rotor		PRT5216	
	2000-98	Front-All RWD, 2-Wheel ABS, 261mm Diameter Rotor		PRT5189	
	1997-95	Front-All 4WD		PRT5059	
	1997-95	Front-All RWD, 2-Wheel ABS		PRT5067	
	1997-95	Front-All RWD, 4-Wheel ABS		PRT5062	
	1994	Front-All 4WD		PRT1860	
	1994	Front-All RWD		PRT1264	
Brake Drum	2009-98	Rear-All 9" Brakes		PDR0713	
	2009-98	Rear-All 10" Brakes		PDR0697 ⁵³	
	1997-94	Rear-All 9" Brakes		PDR0461	
	1997-94	Rear-All 10" Brakes		PDR0452	
Cosmo					
Disc Brake Rotor	1976	Front-All		PRT1171	
CX-3					
Disc Brake Pad Set	2019	Front-All Hardware Included	CFC1728	SBC1728	
	2017-16	Front-All Hardware Included	CFC1728	SBC1728	
	2019	Rear-All Hardware Not Included		SBC2042	
	2018-16	Rear-All Hardware Included	CFC1624	SBC1624	
Disc Brake Rotor	2017-16	Front-All AWD		PRT6258	
	2017-16	Front-All FWD		PRT6259	
CX-5					
Disc Brake Pad Set	2018-13	Front-All Hardware Included	CFC1623	SBC1623	
	2018-16	Rear-All Hardware Not Included	CFC1846	SBC1846	
	2015-13	Rear-All Hardware Included	CFC1624	SBC1624	
Disc Brake Rotor	2015-13	Front-All		PRT6211	
	2017-13	Rear-All		PRT6212	
CX-7					
Disc Brake Pad Set	2012-07	Front-All Hardware Included	CFC1258	SBC1258	
	2012	Rear-L4 - 2.3L Hardware Included	CFC1259	SBC1259	
	2012	Rear-L4 - 2.5L Hardware Included	CFC1259	SBC1259	
	2011-10	Rear-All Hardware Included	CFC1259	SBC1259	
	2009-07	Rear-L4 - 2.3L Hardware Included	CFC1259	SBC1259	
Parking Brake Shoe	2011-07	Rear-All		880	
	2011-07	Rear-All In Supersession Process, Exhaust Current Inventory		957	
Disc Brake Rotor	2012-07	Front-All		PRT5897	
	2012-07	Rear-All		PRT5867	
CX-9					
Disc Brake Pad Set	2017-16	Front-All Hardware Not Included	CFC1934	SBC1934	
	2015-07	Front-All Hardware Included	CFC1258	SBC1258	
	2019-16	Rear-All Hardware Not Included	CFC1934	SBC1934	
	2015-13	Rear-All Hardware Included	CFC1259	SBC1259	
	2012	Rear-All Hardware Included	CFC1259A	SBC1259A	
	2011-07	Rear-All Hardware Included	CFC1259	SBC1259	
Parking Brake Shoe	2012-07	Rear-All		880	

53 Sell out and reorder PDR0810

BENDIX BRAKE PARTS

PART TYPE	YEAR	APPLICATION	PREMIUM NO.	PART NO.	SEVERE DUTY NO.	
Mazda (Cont'd.)						
CX-9 (Cont'd.)						
Parking Brake Shoe (cont'd)	2012-07	Rear-All In Supersession Process, Exhaust Current Inventory		957		
Disc Brake Rotor	2015-07	Front-All		PRT5781		
	2015-07	Rear-All		PRT5782		
GLC						
Disc Brake Rotor	1985-81	Front-All		PRT1252		
	1980	Front-All Hatchback		PRT1177		
	1979	Front-All 207mm dia. rotor		PRT1177		
	1978-77	Front-All		PRT1177		
Brake Drum	1985-81	Rear-All Hatchback		PDR0445		
	1985-81	Rear-All Sedan		PDR0445		
	1981	Rear-All Wagon		PDR0647		
	1980	Rear-All		PDR0647		
	1979-77	Rear-All		PDR0512		
Miata						
Disc Brake Pad Set	2005-04	Front-L4 - 1.8L Exc. Sport Suspension		SBC635		
	2005-04	Front-L4 - 1.8L Hardware Not Included		SBC890		
	2005-04	Front-L4 - 1.8L w/ Sport Suspension		SBC890		
	2003-01	Front-All Exc. Sport Suspension		SBC635		
	2003-01	Front-All w/ Sport Suspension		SBC890		
	2000-99	Front-All Hardware Included		SBC635		
	1997-94	Front-All Hardware Included		SBC635		
	1993-90	Front-All Hardware Included		SBM525		
	2005-04	Rear-L4 - 1.8L Exc. Sport Suspension		SBC636		
	2005-04	Rear-L4 - 1.8L Hardware Included	CFC891			
	2005-04	Rear-L4 - 1.8L Hardware Not Included		SBC891		
	2005-04	Rear-L4 - 1.8L w/ Sport Suspension	CFC891	SBC891		
	2003-01	Rear-All Exc. Sport Suspension		SBC636		
	2003-01	Rear-All w/ Sport Suspension	CFC891	SBC891		
	2000-99	Rear-All Hardware Included		SBC636		
	1997-94	Rear-All Hardware Included		SBC636		
	1993-90	Rear-All Hardware Not Included		SBC458		
	Disc Brake Rotor	2005-01	Front-All 255mm Rotor		PRT1937	
		2005-01	Front-All 269mm Rotor		PRT5887	
		2000-99	Front-All		PRT1937	
1997-94		Front-All		PRT1937		
1993-90		Front-All		PRT1171		
2005-01		Rear-All Exc. Sport Suspension		PRT1504		
2005-01		Rear-All Sport Suspension		PRT5949		
2000-99		Rear-All		PRT1504		
1997-94		Rear-All		PRT1504		
1993-90		Rear-All		PRT1694		
Millenia						
Disc Brake Pad Set	2002-95	Front-All Hardware Included		SBC643		
	2002-95	Rear-All Hardware Included		SBC553		
Parking Brake Shoe	2002-95	Rear-All		892		
Disc Brake Rotor	2002-01	Front-All		PRT5889		
	2000-95	Front-All		PRT5010		
	1996-95	Rear-All		PRT5011		
Mizer						
Disc Brake Rotor	1976	Front-All		PRT1171		
MPV						
Disc Brake Pad Set	2006-03	Front-All Hardware Included	CFC1038			
	2006-03	Front-All Hardware Not Included		SBC1038		
	2002	Front-All From VIN Number #324961		SBC551		
	2002	Front-All To VIN #324960	CFC1038	SBC1038		
	2001-00	Front-All Hardware Included		SBC551		
	1998-94	Front-All Hardware Included		SBC551		
	1993-92	Front-All 4WD, Hardware Included		SBC551		
	1993-92	Front-All RWD, Hardware Included		SBC550		
	1991-89	Front-All Hardware Not Included		SBM428		
	2006-04	Rear-All Hardware Included		SBC1073		
	1998-93	Rear-All Hardware Included		SBC553		
	Drum Brake Shoe	2003	Rear-All		748	
		2002	Rear-All To VIN #324960		748	
		2001-00	Rear-All w/ 10" X 2.03" Brakes		748	
Parking Brake Shoe	2006-05	Rear-All		880		
	2006-05	Rear-All In Supersession Process, Exhaust Current Inventory		957		
Disc Brake Rotor	2006-00	Front-All		PRT5010		
	1998-96	Front-All		PRT5132		
	1995-92	Front-All 276mm Rotor; Vented; 275.8mm		PRT1803		
	1994-92	Front-All 10.063" Diameter; Vented; 255.6mm		PRT1688		

BENDIX BRAKE PARTS

PART TYPE	YEAR	APPLICATION	PREMIUM NO.	PART NO.	SEVERE DUTY NO.
Mazda (Cont'd.)					
MPV (Cont'd.)					
Disc Brake Rotor (cont'd)	1991-89	Front-All		PRT1774	
	2006-04	Rear-All		PRT5569	
	1998-94	Rear-All		PRT1706	
Brake Drum	2003-00	Rear-All		PDR0735	
	1994-89	Rear-All		PDR0603	
MX-3					
Disc Brake Pad Set	1996	Front-All Hardware Included	CFC473	SBC473	
	1995	Front-L4 - 1.6L Hardware Included	CFC473	SBC473	
	1994	Front-All Hardware Included	CFC473	SBC473	
	1993-92	Front-L4 - 1.6L Hardware Included	CFC473	SBC473	
	1993-92	Front-V6 - 1.8L Hardware Included	CFC473	SBC473	
	1996	Rear-All Hardware Not Included		SBC366	
	1995	Rear-L4 - 1.6L Hardware Not Included		SBC366	
	1994	Rear-All Hardware Not Included		SBC366	
	1993-92	Rear-V6 - 1.8L Hardware Not Included		SBC366	
Drum Brake Shoe	1996	Rear-All Vehicles Built For Canadian Market		659	
	1995-92	Rear-All w/ 7.88" X 1.41" Brakes		659	
Disc Brake Rotor	1996-92	Front-All		PRT1635	
	1996-92	Rear-All		PRT1504	
Brake Drum	1996-92	Rear-All		PDR0629	
MX-5					
Disc Brake Pad Set	2016-15	Front-All Hardware Not Included	CFC1903		
	2014-10	Front-All Hardware Included	CFM1179	SBC1179	
	2008-06	Front-All Hardware Included	CFM1179	SBC1179	
	2016-10	Rear-All Hardware Included	CFC1180	SBC1180	
	2008-06	Rear-All Hardware Included	CFC1180	SBC1180	
MX-5 Miata					
Disc Brake Pad Set	2018	Front-All Club, w/o Brembo Front Brakes	CFC1903		
	2018	Front-All Grand Touring, Hardware Not Included	CFC1903		
	2018	Front-All RF Club, w/o Brembo Front Brakes	CFC1903		
	2018	Front-All RF Grand Touring, Hardware Not Included	CFC1903		
	2018	Front-All Sport, Hardware Not Included	CFC1903		
	2017	Front-All Hardware Not Included		SBM1379	
	2016	Front-All Hardware Not Included	CFC1903		
	2015-13	Front-All Hardware Included	CFM1179	SBC1179	
	2012	Front-L4 - 2.0L Hardware Included	CFM1179	SBC1179	
	2011-06	Front-All Hardware Included	CFM1179	SBC1179	
	2018	Rear-All Club, Hardware Included	CFC1180	SBC1180	
	2018	Rear-All Grand Touring, Hardware Included	CFC1180	SBC1180	
	2018	Rear-All RF Club, Hardware Included	CFC1180	SBC1180	
	2018	Rear-All RF Grand Touring, Hardware Included	CFC1180	SBC1180	
	2018	Rear-All Sport, Hardware Included	CFC1180	SBC1180	
	2017-13	Rear-All Hardware Included	CFC1180	SBC1180	
	2012	Rear-L4 - 2.0L Hardware Included	CFC1180	SBC1180	
Disc Brake Rotor	2011-06	Rear-All Hardware Included	CFC1180	SBC1180	
	2014-06	Front-All		PRT5805	
	2015-14	Rear-All		PRT5190	
	2014-08	Rear-All		PRT5806 ⁸³	
	2007-06	Rear-All		PRT5190	
MX-6					
Disc Brake Pad Set	1997-94	Front-All Hardware Included		SBC637	
	1993	Front-All Hardware Not Included		SBC583	
	1992-88	Front-All Hardware Included		SBM399	
	1997-93	Rear-All Hardware Included		SBC584	
	1992	Rear-L4 - 2.2L Hardware Not Included		SBC400	
	1991-88	Rear-All Hardware Not Included		SBC400	
	Drum Brake Shoe	1997-93	Rear-All w/ 9" X 1.26" Brakes		667
1992-88		Rear-All Naturally Aspirated		721	
1992-88		Rear-All Naturally Aspirated, In Supersession Process, Exhaust Current Inventory		598	
1992-88		Rear-All Turbocharged		721	
Disc Brake Rotor	1997-93	Front-All		PRT1845	
	1992-88	Front-All		PRT1610	
	1997-93	Rear-All		PRT1846	
Disc Brake Rotor and Hub Assembly	1992-88	Rear-All wo/4 Wheel Steering		PRT1670	
Brake Drum	1997-93	Rear-All		PDR0632	
	1992-88	Rear-All		PDR0531	
Navajo					
Disc Brake Pad Set	1994-91	Front-All Hardware Included		SBC205	MKD205FM
Drum Brake Shoe	1994-91	Rear-All w/ 10" X 2.51" Brakes		581	
Disc Brake Rotor and Hub Assembly	1994-93	Front-All 4WD, 275.9mm		PRT1900	

83 Sell out and reorder PRT5190

BENDIX BRAKE PARTS

PART TYPE	YEAR	APPLICATION	PREMIUM NO.	PART NO.	SEVERE DUTY NO.	
Mazda (Cont'd.)						
Navajo (Cont'd.)						
Disc Brake Rotor and Hub Assembly (cont'd)	1994-93	Front-All RWD, 4-Wheel ABS, 261mm		PRT1857		
	1992	Front-All 4WD		PRT1860		
	1992	Front-All RWD, 2-Wheel ABS, 261mm		PRT1857		
	1991	Front-All		PRT1860		
Brake Drum	1994-91	Rear-All		PDR0697 ⁵³		
Protege						
Disc Brake Pad Set	2003-01	Front-L4 - 2.0L Hardware Included	CFC893	SBC893		
	2003-99	Front-L4 - 1.6L Hardware Included		SBC798		
	2003	Front-L4 - 2.0L Mazdaspeed, Hardware Included		SBC755		
	2000-99	Front-L4 - 1.8L Hardware Included		SBC637		
	1998-95	Front-L4 - 1.5L Hardware Included		SBC466		
	1998-95	Front-L4 - 1.8L Hardware Included	CFC473	SBC473		
	1994-92	Front-All DOHC, Hardware Included	CFC473	SBC473		
	1994-92	Front-All SOHC, Hardware Included		SBC466		
	1991-90	Front-L4 - 1.8L FWD, Hardware Included		SBC466		
	1991	Front-L4 - 1.8L 4WD, Hardware Included	CFC473	SBC473		
	1990	Front-L4 - 1.8L AWD, Hardware Included	CFC473	SBC473		
	2003-01	Rear-L4 - 2.0L Hardware Included		SBC892		
	2003	Rear-L4 - 2.0L Mazdaspeed, Hardware Included		SBC332		
	1998-95	Rear-L4 - 1.8L Hardware Included		SBC636		
	1994-92	Rear-All Hardware Not Included		SBC458		
	1991-90	Rear-L4 - 1.8L Hardware Not Included		SBC458		
	Drum Brake Shoe	2003-01	Rear-All w/ 7.87" X 1.39" Brakes		739	
		2000-99	Rear-L4 - 1.6L		739	
		2000-99	Rear-L4 - 1.8L		739	
1998-95		Rear-L4 - 1.5L		659		
1998-95		Rear-L4 - 1.8L		659		
1994-92		Rear-All w/ 7.88" X 1.41" Brakes		659		
1991-90		Rear-All w/ 9" X 1.24" Brakes		598		
1991-90		Rear-All w/ 9" X 1.24" Brakes		721		
Disc Brake Rotor		2003	Front-All DX		PRT5237	
	2003	Front-All ES		PRT1845		
	2003	Front-All LX		PRT5237		
	2003	Front-All SE		PRT5236		
	2002-01	Front-L4 - 2.0L Rear Disc		PRT1845		
	2002-01	Front-L4 - 2.0L Rear Drum		PRT5237		
	2002-99	Front-L4 - 1.6L		PRT5236		
	2000-99	Front-L4 - 1.8L		PRT5237		
	1998-95	Front-L4 - 1.5L		PRT1634		
	1998-95	Front-L4 - 1.8L		PRT1635		
	1994-92	Front-All 235mm Rotor		PRT1634		
	1994-92	Front-All 257mm Rotor		PRT1635		
	1991-90	Front-All FWD		PRT1634		
	1990	Front-All AWD		PRT1635		
	2003	Rear-All ES		PRT1846		
	2003	Rear-All Mazdaspeed		PRT5499		
	2002-01	Rear-L4 - 2.0L		PRT1846		
	1998-90	Rear-All		PRT1504		
	Brake Drum	2003	Rear-All DX		PDR0629	
2003		Rear-All LX		PDR0629		
2002-01		Rear-L4 - 2.0L		PDR0629		
2002-99		Rear-L4 - 1.6L		PDR0629		
2000-99		Rear-L4 - 1.8L		PDR0629		
1998-92		Rear-All		PDR0629		
1991-90		Rear-All		PDR0576		
Protege5						
Disc Brake Pad Set	2003-02	Front-All Hardware Included	CFC893	SBC893		
	2003-02	Rear-All Hardware Included		SBC892		
Drum Brake Shoe	2003	Rear-All		739		
	2002	Rear-All w/ 7.87" X 1.39" Brakes		739		
Disc Brake Rotor	2003-02	Front-All		PRT1845		
	2003-02	Rear-All		PRT1846		
Brake Drum	2003-02	Rear-All		PDR0629		
Rotary Pickup						
Disc Brake Rotor	1977-74	Front-All		PRT1171		
RX-2						
Disc Brake Rotor	1974	Front-All		PRT1171		
RX-3						
Disc Brake Rotor	1976-74	Front-All		PRT1171		
RX-4						
Disc Brake Rotor	1976-74	Front-All		PRT1171		

BENDIX BRAKE PARTS

PART TYPE	YEAR	APPLICATION	PREMIUM NO.	PART NO.	SEVERE DUTY NO.
Mazda (Cont'd.)					
RX-7					
Disc Brake Pad Set	1995-93	Rear-All Hardware Included		SBC332	
	1991-86	Rear-All Hardware Included		SBC332	
	1985	Rear-R2 - 1.3L Hardware Included		SBC332	
	1984	Rear-All FI, Hardware Included		SBC332	
Disc Brake Rotor	1995-93	Front-All		PRT1805	
	1991-89	Front-All		PRT1737	
	1988-86	Front-All 4 Hole Rotor		PRT1437	
	1988-86	Front-All 5 Holes		PRT1737	
	1995-93	Rear-All		PRT1804	
	1991-89	Rear-All		PRT1552	
	1991-89	Rear-All 273mm Diameter		PRT1738	
	1988-86	Rear-All 4 Hole Rotor		PRT1435	
	1988-86	Rear-All 5 Holes		PRT1738	
	1985-84	Rear-All Solid Rotors		PRT1253	
Disc Brake Rotor and Hub Assembly	1985-84	Front-R2 - 1.1L		PRT1317	
	1985-84	Front-R2 - 1.3L		PRT1302	
	1983-79	Front-All		PRT1206	
Brake Drum	1980-79	Rear-All		PDR0647	
RX-8					
Disc Brake Pad Set	2011-08	Front-All Hardware Included	CFC1009	SBM1009	
	2007	Front-All w/ Sport Suspension	CFC1009	SBM1009	
	2006	Front-All Hardware Included	CFC1009	SBM1009	
	2005	Front-All To 10/11/04	CFC1009	SBM1009	
	2004	Front-All Hardware Included	CFC1009	SBM1009	
	2011-04	Rear-All Hardware Included	CFC1008	SBC1008	
Disc Brake Rotor	2011-08	Front-All		PRT5882	
	2007-04	Front-All Sport Suspension		PRT5882	
	2007-04	Front-All Standard Suspension		PRT5883	
	2011-04	Rear-All		PRT5833	
Tribute					
Disc Brake Pad Set	2011-08	Front-All Hardware Included	CFC1047	SBC1047	
	2006-05	Front-L4 - 2.3L Hardware Included	CFC843	SBC843	MKD843FM
	2006-05	Front-V6 - 3.0L Hardware Included	CFC1047	SBC1047	
	2004-01	Front-All Hardware Included	CFC843	SBC843	MKD843FM
	2010	Rear-All Hardware Included	CFC1055		
	2010	Rear-All Hardware Not Included		SBC1055	
	2009	Rear-L4 - 2.5L Hardware Included	CFC1055		
	2009	Rear-L4 - 2.5L Hardware Not Included		SBC1055	
	2008	Rear-L4 - 2.3L Hardware Included	CFC1055		
	2008	Rear-L4 - 2.3L Hardware Not Included		SBC1055	
	2006-05	Rear-V6 - 3.0L Hardware Included	CFC1055		
	2006-05	Rear-V6 - 3.0L Hardware Not Included		SBC1055	
	2005	Rear-L4 - 2.3L Hardware Included	CFC1055		
	2005	Rear-L4 - 2.3L Hardware Not Included		SBC1055	
	Drum Brake Shoe	2008	Rear-All w/ 9" X 1.58" Brakes		760
2006-01		Rear-All		760	
Parking Brake Shoe	2008	Rear-All		877	
	2006-05	Rear-All		877	
Disc Brake Rotor	2011-08	Front-All		PRT5583	
	2006-05	Front-All Rear Disc		PRT5583	
	2006-05	Front-All Rear Drum		PRT5313	
	2004-01	Front-All		PRT5313	
	2010-08	Rear-All		PRT5566	
Brake Drum	2006-05	Rear-All		PRT5566	
	2011-08	Rear-All		PDR0826	
	2006-01	Rear-All		PDR0743	
Mercedes-Benz					
190D					
Disc Brake Pad Set	1989-86	Front-All Hardware Not Included		SBM493	
	1985-84	Front-All Hardware Not Included		SBM278	
	1984	Rear-All Hardware Not Included		SBM335	
Parking Brake Shoe	1989-85	Rear-All		816	
Disc Brake Rotor	1989-88	Front-All Solid; 261.8mm		PRT1426	
	1987	Front-All 2.5, Vented Rotors; Vented; 262mm		PRT1520	
	1987	Front-All 2.5 Turbo, Vented; 262mm		PRT1520	
	1987	Front-All Solid Rotors; Solid; 261.8mm		PRT1426	
	1986-84	Front-All Solid; 261.8mm		PRT1426	
	1989-84	Rear-All Solid; 258mm		PRT1427	
	1987	Rear-All 2.5 Turbo, Solid; 258mm		PRT1427	
190E					
Disc Brake Pad Set	1993-88	Front-All Hardware Not Included		SBM493	

BENDIX BRAKE PARTS

PART TYPE	YEAR	APPLICATION	PREMIUM NO.	PART NO.	SEVERE DUTY NO.
Mercedes-Benz (Cont'd.)					
190E (Cont'd.)					
Disc Brake Pad Set (cont'd)	1987	Front-L4 - 2.3L 2.3-16, Hardware Not Included		SBM423	
	1987	Front-L4 - 2.3L 2.3, Hardware Not Included		SBM493	
	1987	Front-L6 - 2.6L 2.6, Hardware Not Included		SBM493	
	1986	Front-All 2.3-16, Hardware Not Included		SBM423	
	1986	Front-All 2.3, Hardware Not Included		SBM493	
	1985-84	Front-All Hardware Not Included		SBM278	
	1987	Rear-L4 - 2.3L 2.3-16, Hardware Not Included		SBM335	
	1986	Rear-All 2.3-16, Hardware Not Included		SBM335	
	1984	Rear-All Hardware Not Included		SBM335	
Parking Brake Shoe	1993-85	Rear-All		816	
Disc Brake Rotor	1993-89	Front-All Vented; 262mm		PRT1520	
	1988-87	Front-L6 - 2.6L 2.6, Vented; 262mm		PRT1520	
	1988-86	Front-L4 - 2.3L 2.3, Solid; 261.8mm		PRT1426	
	1987-86	Front-L4 - 2.3L 2.3-16		PRT1425	
	1985-84	Front-All Solid; 261.8mm		PRT1426	
	1993-85	Rear-All Solid; 258mm		PRT1427	
220					
Disc Brake Pad Set	1973	Rear-All Hardware Not Included		SBC31	
Parking Brake Shoe	1973-68	Rear-All w/ 6.3" X 0.99" Brakes		875	
Disc Brake Rotor	1973-68	Front-All		PRT1649	
	1973	Rear-All Solid; 279mm		PRT1448	
220D					
Disc Brake Pad Set	1973	Rear-All Hardware Not Included		SBC31	
Disc Brake Rotor	1973-71	Front-All		PRT1625	
	1970-68	Front-All		PRT1649	
	1973-68	Rear-All Solid; 279mm		PRT1448	
230					
Parking Brake Shoe	1978-74	Rear-All w/ 6.3" X 0.99" Brakes		875	
Disc Brake Rotor	1978-75	Front-All Solid; 277.9mm		PRT1387	
	1969-67	Front-All		PRT1649	
	1976-74	Rear-All Solid; 279mm		PRT1448	
230S					
Disc Brake Rotor	1967	Front-All		PRT1649	
240D					
Disc Brake Pad Set	1983-80	Front-All Hardware Not Included		SBC145	
	1979	Front-All From Chassis #150315		SBC145	
	1979	Front-All To Chassis #150314		SBC145	
	1979	Rear-All Hardware Not Included		SBC31	
Parking Brake Shoe	1983-74	Rear-All w/ 6.3" X 0.99" Brakes		875	
Disc Brake Rotor	1983-77	Front-All Solid; 277.9mm		PRT1387	
	1976	Front-All 115 Chassis w/ 5-104mm bolt pattern		PRT1625	
	1976	Front-All 123 Chassis w/ 5-112mm bolt pattern; Solid; 277.9mm		PRT1387	
	1975-74	Front-All		PRT1625	
	1983-74	Rear-All Solid; 279mm		PRT1448	
250					
Parking Brake Shoe	1973-68	Rear-All w/ 6.3" X 0.99" Brakes		875	
Disc Brake Rotor	1972-68	Front-All		PRT1649	
	1972-68	Rear-All Solid; 279mm		PRT1448	
250C					
Disc Brake Pad Set	1973	Rear-All Hardware Not Included		SBC31	
	1969	Rear-All Hardware Not Included		SBC31	
Disc Brake Rotor	1972-70	Front-All		PRT1649	
	1972-70	Rear-All Solid; 279mm		PRT1448	
250S					
Disc Brake Rotor	1967-66	Front-All		PRT1649	
	1967-66	Rear-All Solid; 279mm		PRT1448	
250SE					
Disc Brake Rotor	1967-66	Front-All		PRT1649	
	1967-66	Rear-All Solid; 279mm		PRT1448	
250SL					
Disc Brake Rotor	1967	Front-All		PRT1649	
	1967	Rear-All Solid; 279mm		PRT1448	
260E					
Disc Brake Pad Set	1989-87	Front-All Hardware Not Included		SBM423	
	1989-87	Rear-All Hardware Not Included		SBM335	
Parking Brake Shoe	1989-87	Rear-All		816	
Disc Brake Rotor	1989-87	Front-All		PRT1425	
	1989-87	Rear-All Solid; 258mm		PRT1427	

BENDIX BRAKE PARTS

PART TYPE	YEAR	APPLICATION	PREMIUM NO.	PART NO.	SEVERE DUTY NO.
Mercedes-Benz (Cont'd.)					
280					
Parking Brake Shoe	1976-73	Rear-All w/ 6.3" X 0.99" Brakes		875	
Disc Brake Rotor	1976-73	Front-All Solid; 277.9mm		PRT1387	
	1976-73	Rear-All Solid; 279mm		PRT1448	
280C					
Parking Brake Shoe	1976-73	Rear-All w/ 6.3" X 0.99" Brakes		875	
Disc Brake Rotor	1976-73	Front-All Solid; 277.9mm		PRT1387	
	1976-73	Rear-All Solid; 279mm		PRT1448	
280CE					
Disc Brake Pad Set	1981-78	Front-All Hardware Not Included		SBC145	
Parking Brake Shoe	1981-78	Rear-All w/ 6.3" X 0.99" Brakes		875	
Disc Brake Rotor	1981-78	Front-All Solid; 277.9mm		PRT1387	
	1981-78	Rear-All Solid; 279mm		PRT1448	
280E					
Disc Brake Pad Set	1981-77	Front-All Hardware Not Included		SBC145	
Parking Brake Shoe	1981-77	Rear-All w/ 6.3" X 0.99" Brakes		875	
Disc Brake Rotor	1981-77	Front-All Solid; 277.9mm		PRT1387	
	1981-77	Rear-All Solid; 279mm		PRT1448	
280S					
Parking Brake Shoe	1976-75	Rear-All w/ 6.3" X 0.99" Brakes		875	
Disc Brake Rotor	1976-75	Front-All		PRT1622	
	1971-68	Front-All		PRT1649	
	1976-75	Rear-All Solid; 279mm		PRT1448	
280SE					
Parking Brake Shoe	1980-77	Rear-All w/ 6.3" X 0.99" Brakes		875	
	1973-72	Rear-All w/ 6.3" X 0.99" Brakes		875	
Disc Brake Rotor	1980-77	Front-All From Serial # 150400		PRT1622	
	1980-77	Front-All To Serial # 150399		PRT1517	
	1971-68	Front-All		PRT1649	
	1980-77	Rear-All Solid; 279mm		PRT1448	
	1973-72	Rear-All Solid; 279mm		PRT1448	
280SEL					
Parking Brake Shoe	1973	Rear-All w/ 6.3" X 0.99" Brakes		875	
Disc Brake Rotor	1971-68	Front-All		PRT1649	
	1973-72	Rear-All Solid; 279mm		PRT1448	
280SL					
Disc Brake Rotor	1971-68	Front-All		PRT1649	
300CD					
Disc Brake Pad Set	1985-81	Front-All Hardware Not Included		SBC145	
	1985	Rear-All Hardware Not Included		SBC31	
Parking Brake Shoe	1985-78	Rear-All w/ 6.3" X 0.99" Brakes		875	
Disc Brake Rotor	1985-80	Front-All Solid; 277.9mm		PRT1387	
	1985-78	Rear-All Solid; 279mm		PRT1448	
300CE					
Disc Brake Pad Set	1993	Front-All Convertible, Hardware Not Included		SBM561	
	1993	Front-All Coupe, Hardware Not Included		SBM561	
	1992-90	Front-All Hardware Not Included		SBM561	
	1989-88	Front-All Hardware Not Included		SBM423	
	1993	Rear-All Convertible, Hardware Not Included		SBM495	
	1993	Rear-All Coupe, Hardware Not Included		SBM495	
	1992	Rear-All Hardware Not Included		SBM495	
	1991-90	Rear-All Hardware Not Included		SBM335	
	1993-88	Rear-All		816	
Parking Brake Shoe	1993	Front-All From Chassis # B862122; Vented; 294mm		PRT5037	
	1993	Front-All To Chassis # B862121; Vented; 294.8mm		PRT5243	
	1992-90	Front-All Vented; 294.8mm		PRT5243	
	1989-88	Front-All		PRT1425	
	1993-90	Rear-All Solid		PRT5459	
	1989-88	Rear-All Solid; 258mm		PRT1427	
300D					
Disc Brake Pad Set	1993-90	Front-All Hardware Not Included		SBM423	
	1987	Front-All Hardware Not Included		SBM423	
	1985-81	Front-All Hardware Not Included		SBC145	
	1993-92	Rear-All Hardware Not Included		SBM335	
	1985	Rear-All Hardware Not Included		SBC31	
	Parking Brake Shoe	1993-90	Rear-All		816
1987		Rear-All		816	
1985-75		Rear-All w/ 6.3" X 0.99" Brakes		875	
Disc Brake Rotor	1993-90	Front-All		PRT1425	
	1987	Front-All Solid Rotors		PRT5209	
	1987	Front-All Vented Rotors		PRT1425	
	1985-75	Front-All Solid; 277.9mm		PRT1387	

BENDIX BRAKE PARTS

PART TYPE	YEAR	APPLICATION	PREMIUM NO.	PART NO.	SEVERE DUTY NO.
Mercedes-Benz (Cont'd.)					
300D (Cont'd.)					
Disc Brake Rotor (cont'd)	1993-90	Rear-All Solid; 258mm		PRT1427	
	1987	Rear-All Solid; 258mm		PRT1427	
	1985-75	Rear-All Solid; 279mm		PRT1448	
300E					
Disc Brake Pad Set	1993	Front-L6 - 2.8L Hardware Not Included		SBM423	
	1993	Front-L6 - 3.0L Hardware Not Included		SBM423	
	1993	Front-L6 - 3.2L Hardware Not Included		SBM561	
	1992-86	Front-All Hardware Not Included		SBM423	
	1993	Rear-L6 - 2.8L Exc. Traction Control		SBM335	
	1993	Rear-L6 - 2.8L w/ Traction Control		SBM620	
	1993	Rear-L6 - 3.0L Hardware Not Included		SBM495	
	1993	Rear-L6 - 3.2L Hardware Not Included		SBM495	
	1992-90	Rear-All Exc. Traction Control		SBM335	
	1992-90	Rear-All w/ Traction Control		SBM620	
Parking Brake Shoe	1993-86	Rear-All		816	
Disc Brake Rotor	1993-86	Front-All		PRT1425	
	1993	Front-All From Chassis # B864308; Vented; 294mm		PRT5037	
	1993	Front-All To Chassis # B864307; Vented; 294.8mm		PRT5243	
	1993	Rear-L6 - 2.8L 2.8, Solid; 258mm		PRT1427	
	1993	Rear-L6 - 3.2L Base, Solid		PRT5459	
	1992-86	Rear-All Solid; 258mm		PRT1427	
300SD					
Disc Brake Pad Set	1993-92	Front-All Late		SBM577	
	1985-84	Front-All Hardware Not Included		SBC145	
	1983	Front-All w/ Semi-Metallic Brakes		SBC145	
	1982-81	Front-All Hardware Not Included		SBC145	
	1993-92	Rear-All Hardware Not Included		SBC603	
	1985	Rear-All Hardware Not Included		SBC31	
Parking Brake Shoe	1985	Rear-All w/ 6.3" X 0.99" Brakes		875	
Disc Brake Rotor	1985	Front-All		PRT1517	
	1980-79	Front-All From Serial # 014084		PRT1517	
	1980-78	Front-All To Serial # 014083		PRT1622	
	1993-92	Rear-All		PRT5248	
	1985-79	Rear-All Solid; 279mm		PRT1448	
300SDL					
Disc Brake Pad Set	1987	Front-All Turbocharged, DIESEL, w/ Semi-Metallic Brakes		SBC145	
	1986	Front-All Hardware Not Included		SBC145	
	1987-86	Rear-All Hardware Not Included		SBC31	
Parking Brake Shoe	1987-86	Rear-All w/ 6.3" X 0.99" Brakes		875	
Disc Brake Rotor	1987-86	Front-All		PRT1648	
	1987-86	Rear-All Solid; 279mm		PRT1448	
300SE					
Disc Brake Pad Set	1993-92	Front-All Late		SBM577	
	1991	Front-All w/ Semi-Metallic Brakes		SBC145	
	1990-89	Front-All Hardware Not Included		SBC145	
	1988	Front-All 126.024, w/ Semi-Metallic Brakes		SBC145	
	1993-92	Rear-All Hardware Not Included		SBC603	
	1991-88	Rear-All Hardware Not Included		SBC31	
Parking Brake Shoe	1991-88	Rear-All w/ 6.3" X 0.99" Brakes		875	
Disc Brake Rotor	1991-88	Front-All		PRT1648	
	1993-92	Rear-All		PRT5248	
	1991-88	Rear-All Solid; 279mm		PRT1448	
300SEL					
Disc Brake Pad Set	1991-88	Front-All Hardware Not Included		SBC145	
	1991-88	Rear-All Hardware Not Included		SBC31	
Parking Brake Shoe	1991-88	Rear-All w/ 6.3" X 0.99" Brakes		875	
Disc Brake Rotor	1991-88	Front-All		PRT1648	
	1991-88	Rear-All Solid; 279mm		PRT1448	
	1973-68	Rear-All Solid; 279mm		PRT1448	
300SL					
Disc Brake Pad Set	1993-90	Front-All Hardware Not Included		SBM561	
	1993-92	Rear-All Hardware Not Included		SBM495	
	1991-90	Rear-All Hardware Not Included		SBM335	
Parking Brake Shoe	1993-90	Rear-All		816	
Disc Brake Rotor	1993-90	Front-L6 - 3.0L		PRT1650	
	1993-90	Rear-All		PRT1655	
300TD					
Disc Brake Pad Set	1987	Front-All Hardware Not Included		SBM423	
	1985	Front-All Early		SBC145	
	1984	Front-All Turbocharged, DIESEL, w/ Semi-Metallic Brakes		SBC145	
	1983-82	Front-All Hardware Not Included		SBC145	
	1981	Front-All Turbocharged, DIESEL, w/ Semi-Metallic Brakes		SBC145	

BENDIX BRAKE PARTS

PART TYPE	YEAR	APPLICATION	PREMIUM NO.	PART NO.	SEVERE DUTY NO.
Mercedes-Benz (Cont'd.)					
300TD (Cont'd.)					
Disc Brake Pad Set (cont'd)	1987	Rear-All Hardware Not Included		SBM495	
	1985	Rear-All Hardware Not Included		SBC31	
Parking Brake Shoe	1987	Rear-All		816	
	1985	Rear-All w/ 6.3" X 0.99" Brakes		875	
Disc Brake Rotor	1987	Front-All		PRT1425	
	1985-79	Front-All Solid; 277.9mm		PRT1387	
	1987	Rear-All		PRT1676	
	1985-79	Rear-All Solid; 279mm		PRT1448	
300TE					
Disc Brake Pad Set	1993-88	Front-All Hardware Not Included		SBM423	
	1993-88	Rear-All Hardware Not Included		SBM495	
Parking Brake Shoe	1993-88	Rear-All		816	
Disc Brake Rotor	1993	Front-All 4Matic, Vented; 283.8mm		PRT5208	
	1993	Front-All Base		PRT1425	
	1992-88	Front-All		PRT1425	
	1993-90	Rear-All Solid		PRT5459	
	1993	Rear-All Vented		PRT5459	
	1989-88	Rear-All		PRT1676	
350SD					
Disc Brake Pad Set	1991	Front-All Hardware Not Included		SBC145	
	1991	Rear-All Hardware Not Included		SBC31	
Parking Brake Shoe	1991	Rear-All w/ 6.3" X 0.99" Brakes		875	
Disc Brake Rotor	1991	Front-All		PRT1648	
	1991	Rear-All Solid; 279mm		PRT1448	
350SDL					
Disc Brake Pad Set	1991	Front-All Hardware Not Included		SBC145	
	1990	Front-All 126.135, w/ Semi-Metallic Brakes		SBC145	
	1991-90	Rear-All Hardware Not Included		SBC31	
Parking Brake Shoe	1991-90	Rear-All w/ 6.3" X 0.99" Brakes		875	
Disc Brake Rotor	1991-90	Front-All		PRT1648	
	1991-90	Rear-All Solid; 279mm		PRT1448	
350SL					
Disc Brake Pad Set	1972	Front-All Hardware Not Included		SBC145	
	1972	Rear-All Hardware Not Included		SBC31	
Parking Brake Shoe	1973-72	Rear-All w/ 6.3" X 0.99" Brakes		875	
380SE					
Disc Brake Pad Set	1985	Front-All 126.032, w/ Semi-Metallic Brakes		SBC145	
	1985	Rear-All Hardware Not Included		SBC31	
Parking Brake Shoe	1985-84	Rear-All w/ 6.3" X 0.99" Brakes		875	
Disc Brake Rotor	1985-84	Front-All		PRT1517	
	1985-84	Rear-All Solid; 279mm		PRT1448	
380SEC					
Parking Brake Shoe	1983-82	Rear-All w/ 6.3" X 0.99" Brakes		875	
Disc Brake Rotor	1982	Front-All Vented; 285.6mm		PRT1678	
	1982	Rear-All Solid; 279mm		PRT1448	
380SEL					
Disc Brake Pad Set	1983	Front-All Hardware Not Included		SBC145	
	1982	Front-All 126.033, w/ Semi-Metallic Brakes		SBC145	
	1981	Front-All Hardware Not Included		SBC145	
Parking Brake Shoe	1983-81	Rear-All w/ 6.3" X 0.99" Brakes		875	
Disc Brake Rotor	1983-81	Front-All		PRT1517	
	1983-81	Rear-All Solid; 279mm		PRT1448	
380SL					
Disc Brake Pad Set	1985-82	Front-All Hardware Not Included		SBC145	
	1981	Front-All w/ Semi-Metallic Brakes		SBC145	
	1985	Rear-All Hardware Not Included		SBC31	
Parking Brake Shoe	1985-81	Rear-All w/ 6.3" X 0.99" Brakes		875	
Disc Brake Rotor	1985-81	Front-All		PRT1517	
	1985-81	Rear-All Solid; 279mm		PRT1448	
380SLC					
Disc Brake Rotor	1981	Front-All		PRT1517	
	1981	Rear-All Solid; 279mm		PRT1448	
400E					
Disc Brake Pad Set	1993-92	Front-All From Chassis Serial #B862122		SBM561	
	1993-92	Front-All To Chassis Serial #B864307		SBM561	
	1993-92	Rear-All Hardware Not Included		SBM495	
Parking Brake Shoe	1993-92	Rear-All		816	
Disc Brake Rotor	1993-92	Front-All Vented; 294.8mm		PRT5243	
	1993-92	Rear-All Vented; 278.2mm		PRT1842	

BENDIX BRAKE PARTS

PART TYPE	YEAR	APPLICATION	PREMIUM NO.	PART NO.	SEVERE DUTY NO.
Mercedes-Benz (Cont'd.)					
400SE					
Disc Brake Pad Set	1992	Front-All Hardware Not Included		SBM577	
	1992	Rear-All Hardware Not Included		SBC603	
Disc Brake Rotor	1992	Front-All		PRT5373	
	1992	Rear-All Vented; 300mm		PRT1813	
400SEL					
Disc Brake Pad Set	1993	Front-All Hardware Not Included		SBM577	
	1993	Rear-All Hardware Not Included		SBC603	
Disc Brake Rotor	1993	Front-All		PRT5373	
	1993	Rear-All Vented; 300mm		PRT1813	
420SEL					
Disc Brake Pad Set	1991-86	Front-All Hardware Not Included		SBC145	
	1991-86	Rear-All Hardware Not Included		SBC31	
Parking Brake Shoe	1991-86	Rear-All w/ 6.3" X 0.99" Brakes		875	
Disc Brake Rotor	1991-86	Front-All		PRT1648	
	1991-86	Rear-All Solid; 279mm		PRT1448	
450SE					
Parking Brake Shoe	1976-73	Rear-All w/ 6.3" X 0.99" Brakes		875	
Disc Brake Rotor	1976-73	Front-All		PRT1622	
	1976-73	Rear-All Solid; 279mm		PRT1448	
450SEL					
Disc Brake Pad Set	1980-76	Front-All Hardware Not Included		SBC145	
Parking Brake Shoe	1980-73	Rear-All w/ 6.3" X 0.99" Brakes		875	
Disc Brake Rotor	1980	Front-All		PRT1517	
	1979-73	Front-All		PRT1622	
	1980-73	Rear-All Solid; 279mm		PRT1448	
450SL					
Parking Brake Shoe	1980-73	Rear-All w/ 6.3" X 0.99" Brakes		875	
Disc Brake Rotor	1980	Front-All		PRT1517	
	1979-75	Front-All		PRT1622	
	1974-73	Front-All		PRT1647	
	1980-73	Rear-All Solid; 279mm		PRT1448	
450SLC					
Disc Brake Pad Set	1980	Front-All Hardware Not Included		SBC145	
Parking Brake Shoe	1980-73	Rear-All w/ 6.3" X 0.99" Brakes		875	
Disc Brake Rotor	1980	Front-All		PRT1517	
	1979-75	Front-All		PRT1622	
	1980-73	Rear-All Solid; 279mm		PRT1448	
500E					
Disc Brake Pad Set	1993-92	Front-All Hardware Not Included		SBM561	
	1993-92	Rear-All Hardware Not Included		SBM495	
Parking Brake Shoe	1993-92	Rear-All		816	
Disc Brake Rotor	1993-92	Front-All 300mm Diameter		PRT1650	
	1993-92	Rear-All		PRT1841	
500SEC					
Disc Brake Pad Set	1993	Front-All Hardware Not Included		SBM577	
	1993	Rear-All Hardware Not Included		SBC603	
	1985	Rear-All Hardware Not Included		SBC31	
Parking Brake Shoe	1985-84	Rear-All w/ 6.3" X 0.99" Brakes		875	
Disc Brake Rotor	1985-84	Front-All		PRT1517	
	1993	Rear-All Vented; 300mm		PRT1813	
	1985-84	Rear-All Solid; 279mm		PRT1448	
500SEL					
Disc Brake Pad Set	1993-92	Front-All Hardware Not Included		SBM577	
	1985-84	Front-All Hardware Not Included		SBC145	
	1993-92	Rear-All Hardware Not Included		SBC603	
	1985	Rear-All Hardware Not Included		SBC31	
Parking Brake Shoe	1985-84	Rear-All w/ 6.3" X 0.99" Brakes		875	
Disc Brake Rotor	1993-92	Front-All		PRT5373	
	1985-84	Front-All		PRT1517	
	1993-92	Rear-All Vented; 300mm		PRT1813	
	1985-84	Rear-All Solid; 279mm		PRT1448	
500SL					
Disc Brake Pad Set	1993-90	Front-All Hardware Not Included		SBM561	
	1993-90	Rear-All Hardware Not Included		SBM495	
Parking Brake Shoe	1993-90	Rear-All		816	
Disc Brake Rotor	1993-90	Front-All 300mm Diameter		PRT1650	
	1993	Rear-All Solid Rotor		PRT1655	
	1993	Rear-All Vented Rotors		PRT5493	
	1992-90	Rear-All		PRT1655	

BENDIX BRAKE PARTS

PART TYPE	YEAR	APPLICATION	PREMIUM NO.	PART NO.	SEVERE DUTY NO.
Mercedes-Benz (Cont'd.)					
560SEC					
Disc Brake Pad Set	1991-86	Front-All Hardware Not Included		SBC145	
	1991-86	Rear-All Hardware Not Included		SBC31	
Parking Brake Shoe	1991-86	Rear-All w/ 6.3" X 0.99" Brakes		875	
Disc Brake Rotor	1991-86	Front-All		PRT1648	
	1991-86	Rear-All Solid; 279mm		PRT1448	
560SEL					
Disc Brake Pad Set	1988-87	Front-All Hardware Not Included		SBC145	
	1991-86	Rear-All Hardware Not Included		SBC31	
Parking Brake Shoe	1991-86	Rear-All w/ 6.3" X 0.99" Brakes		875	
Disc Brake Rotor	1991-86	Front-All		PRT1648	
	1991-86	Rear-All Solid; 279mm		PRT1448	
560SL					
Disc Brake Pad Set	1989-86	Front-All Hardware Not Included		SBM424	
	1989-86	Rear-All Hardware Not Included		SBC31	
Parking Brake Shoe	1989-86	Rear-All w/ 6.3" X 0.99" Brakes		875	
Disc Brake Rotor	1989-86	Front-All		PRT1425	
	1989-86	Rear-All Solid; 279mm		PRT1448	
600SEC					
Disc Brake Pad Set	1993	Front-All Hardware Not Included		SBM577	
	1993	Rear-All Hardware Not Included		SBC603	
Disc Brake Rotor	1993	Rear-All Vented; 300mm		PRT1813	
600SEL					
Disc Brake Pad Set	1993-92	Front-All Hardware Not Included		SBM577	
	1993-92	Rear-All Hardware Not Included		SBC603	
Disc Brake Rotor	1993-92	Front-All		PRT5373	
	1993-92	Rear-All Vented; 300mm		PRT1813	
600SL					
Disc Brake Pad Set	1993	Front-All Hardware Not Included		SBM561	
	1993	Rear-All Hardware Not Included		SBC603	
Parking Brake Shoe	1993	Rear-All		816	
Disc Brake Rotor	1993	Rear-V12 - 6.0L		PRT5493	
A180					
Disc Brake Pad Set	2014-13	Front-All Hardware Not Included	CFC1694	SBC1694	
	2014	Rear-All Hardware Not Included	CFM1646	SBM1646	
A200					
Disc Brake Pad Set	2014-13	Front-All Hardware Not Included	CFC1694	SBC1694	
	2014	Rear-All Hardware Not Included	CFM1646	SBM1646	
AMG GT					
Disc Brake Pad Set	2018-17	Rear-All Hardware Not Included	CFM1681	SBM1681	
AMG GT C					
Disc Brake Pad Set	2018	Front-All w/o Ceramic Composite Brakes		SBM1291	
	2018	Rear-All w/o Ceramic Composite Brakes	CFM1681	SBM1681	
AMG GT R					
Disc Brake Pad Set	2018	Front-All w/o Ceramic Composite Brakes		SBM1291	
	2018	Rear-All w/o Ceramic Composite Brakes	CFM1681	SBM1681	
AMG GT S					
Disc Brake Pad Set	2018	Front-All w/o Ceramic Composite Brakes		SBM1291	
	2017	Front-All Hardware Not Included		SBM1291	
	2016	Front-All w/o Ceramic Brakes		SBM1291	
	2018	Rear-All w/o Ceramic Composite Brakes	CFM1681	SBM1681	
	2017-16	Rear-All Hardware Not Included	CFM1681	SBM1681	
B180					
Disc Brake Pad Set	2013-12	Front-All Hardware Not Included	CFC1694	SBC1694	
	2014-12	Rear-All Hardware Not Included	CFM1646	SBM1646	
B250					
Disc Brake Pad Set	2017-16	Front-All Hardware Not Included	CFC1694	SBC1694	
	2015	Front-All Hardware Included	CFC1586	SBC1586	
	2014-13	Front-All Hardware Not Included	CFC1694	SBC1694	
	2017-16	Rear-All Hardware Not Included	CFM1646	SBM1646	
	2015	Rear-All Hardware Included	CFC1391	SBC1391	
	2014-13	Rear-All Hardware Not Included	CFM1646	SBM1646	
B250e					
Disc Brake Pad Set	2017-16	Front-All Hardware Not Included	CFC1694	SBC1694	
	2017-16	Rear-All Hardware Not Included	CFM1646	SBM1646	
B Electric Drive					
Disc Brake Pad Set	2015-14	Front-All Hardware Not Included	CFC1694	SBC1694	
	2015-14	Rear-All Hardware Not Included	CFM1646	SBM1646	
Disc Brake Rotor	2015-14	Rear-All		PRT6312	

BENDIX BRAKE PARTS

PART TYPE	YEAR	APPLICATION	PREMIUM NO.	PART NO.	SEVERE DUTY NO.	
Mercedes-Benz (Cont'd.)						
C32 AMG						
Disc Brake Pad Set	2004-02	Front-All Pad 1 Drilled	CFM847K1	SBM847		
	2004-02	Front-All Pads 1 & 2 Drilled, Drill Offset Between Pads 1 & 2	CFM847AK3			
	2004-02	Front-All Pads 1 & 2 Drilled, Drill Offset Difference Between Pads 1 & 2		SBM847A		
	2004-02	Rear-All Exc. Sport Package		SBC603		
	2004-02	Rear-All w/ Sport Package		SBM876		
Parking Brake Shoe	2004-02	Rear-All		816		
Disc Brake Rotor	2004-02	Front-All Vented; 345mm		PRT6109		
	2002	Front-All		PRT5928		
	2004-02	Rear-All		PRT5741		
C36 AMG						
Disc Brake Pad Set	1997-95	Front-All Hardware Not Included		SBM561		
	1997-96	Rear-L6 - 3.6L Hardware Not Included		SBC603		
	1995	Rear-All Hardware Not Included		SBM495		
Parking Brake Shoe	1997-95	Rear-All		816		
Disc Brake Rotor	1997-96	Front-All		PRT5394		
	1997-96	Rear-All Solid; 289.7mm	BPR5277	PRT5277		
	1995	Rear-All Vented; 278.2mm		PRT1842		
C43 AMG						
Disc Brake Pad Set	2018-17	Front-All Hardware Not Included	CFC1871			
	2000-98	Front-All Hardware Not Included		SBM682		
	2018-17	Rear-All Hardware Included		SBM1872		
	2018-17	Rear-All Hardware Not Included	CFM1872			
	2000-98	Rear-V8 - 4.3L Hardware Not Included		SBC603		
Parking Brake Shoe	2000-98	Rear-All		816		
Disc Brake Rotor	2000-98	Rear-All		PRT5741		
C55 AMG						
Disc Brake Pad Set	2007-05	Front-All Pad 1 Drilled	CFM847K1	SBM847		
	2007-05	Front-All Pads 1 & 2 Drilled, Drill Offset Between Pads 1 & 2	CFM847AK1			
	2007-05	Front-All Pads 1 & 2 Drilled, Drill Offset Difference Between Pads 1 & 2		SBM847A		
	2007	Rear-All Hardware Not Included		SBM427		
	2006-05	Rear-All Hardware Not Included		SBC603		
	2006-05	Rear-All		816		
Parking Brake Shoe	2006-05	Rear-All		PRT5928		
Disc Brake Rotor	2006-05	Front-All		PRT6109		
	2006-05	Front-All Vented; 345mm		PRT6109		
	2006-05	Rear-All		PRT5741		
C63 AMG						
Disc Brake Pad Set	2018	Front-All Optional		SBM1291		
	2015-13	Front-All Hardware Not Included		SBM1291		
	2012	Front-All Base, Hardware Not Included		SBM1291		
	2012	Front-All Black Series, Hardware Not Included		SBM1291		
	2011-08	Front-All Hardware Not Included		SBM1291		
	2018-16	Rear-All Hardware Included	CFM1907	SBM1907		
	2015-14	Rear-All Hardware Not Included		SBM1450		
	2013	Rear-All Hardware Not Included		SBM1373		
	2012	Rear-All Base, Hardware Not Included		SBM1373		
	2012	Rear-All Black Series, Hardware Not Included		SBM1450		
	2010-08	Rear-All Hardware Not Included		SBM1373		
	Disc Brake Rotor	2012-08	Front-All Exc. Performance Package		PRT6265	
		2016	Rear-All		PRT6370	
		2015-08	Rear-All		PRT6349	
C63 AMG S						
Disc Brake Pad Set	2017-15	Front-All Hardware Not Included		SBM1291		
	2018-15	Rear-All Hardware Included	CFM1907	SBM1907		
Disc Brake Rotor	2016	Rear-All		PRT6370		
C220						
Disc Brake Pad Set	1997-94	Front-All Hardware Not Included		SBM645		
	1996-94	Rear-All Hardware Not Included		SBM335		
Parking Brake Shoe	1996-94	Rear-All		816		
Disc Brake Rotor	1996-94	Front-All		PRT5119		
	1996-94	Rear-All Solid; 258mm		PRT5118		
C230						
Disc Brake Pad Set	2009-08	Front-All Hardware Included	CFC1340	SBC1340		
	2007-06	Front-All Hardware Included	CFM1121			
	2007-06	Front-All Hardware Not Included		SBM1121		
	2005-03	Front-All Exc. Sport Package	CFM872	SBM872		
	2005-03	Front-All w/ Sport Package	CFM1121	SBM1121		
	2004-03	Front-All w/ Sport Package		SBM847A		
	2004-03	Front-All w/ Sport Package	CFM847AK1	SBM847		
	2004-03	Front-All w/ Sport Package	CFM847K1			

BENDIX BRAKE PARTS

PART TYPE	YEAR	APPLICATION	PREMIUM NO.	PART NO.	SEVERE DUTY NO.	
Mercedes-Benz (Cont'd.)						
C230 (Cont'd.)						
Disc Brake Pad Set (cont'd)	2002	Front-All Hardware Included	CFM872	SBM872		
	2000-99	Front-All Hardware Included		SBM710		
	1998-97	Front-All Hardware Not Included		SBM645		
	2009-08	Rear-All Hardware Included	CFC1341			
	2009-08	Rear-All Hardware Not Included		SBM1341		
	2007-03	Rear-All Exc. Sport Package	CFM779	SBM779		
	2007-03	Rear-All w/ Sport Package	CFM876	SBM876		
	2002	Rear-All Hardware Included	CFM779	SBM779		
	2000-99	Rear-All Mexico Built	CFM779	SBM779		
	2000-99	Rear-All USA Built		SBM495		
	1998-97	Rear-All Hardware Not Included		SBM739		
	Parking Brake Shoe	2007-02	Rear-All		816	
		2000-97	Rear-All		816	
	Disc Brake Rotor	2009-08	Front-All Exc. Sport	BPR6072	PRT6072	
2009-08		Front-All SPORT	BPR6071	PRT6071		
2007-06		Front-All	BPR5858	PRT5858		
2005-02		Front-All Exc.Sport Package; Vented; 288mm		PRT5413		
2005-02		Front-All Sport Package	BPR5858	PRT5858		
2000-99		Front-All		PRT5492		
1997		Front-All		PRT5119		
2009-08		Rear-All	BPR6070	PRT6070		
2007-06		Rear-All Solid		PRT5459		
2005-03		Rear-All Sport Package; Solid; 289.7mm	BPR5277	PRT5277		
2005-02		Rear-All Exc.Sport Package; Solid		PRT5459		
2000-99		Rear-All Exc.Sport Package; Solid		PRT5459		
1998-97		Rear-All Solid; 258mm		PRT5118		
C240						
Disc Brake Pad Set	2005	Front-All Hardware Included	CFM872	SBM872		
	2004-03	Front-All 4Matic, Hardware Included	CFM872	SBM872		
	2004-03	Front-All Base, Exc. Sport Package	CFM872	SBM872		
	2004-03	Front-All Base, w/ Sport Package		SBM847A		
	2004-03	Front-All Base, w/ Sport Package		SBM1121		
	2004-03	Front-All Base, w/ Sport Package	CFM847AK1	SBM847		
	2004-03	Front-All Base, w/ Sport Package	CFM847K1			
	2004-03	Front-All Base, w/ Sport Package	CFM1121			
	2002	Front-All Exc. Sport Package	CFM872	SBM872		
	2002	Front-All w/ Sport Package		SBM847A		
	2002	Front-All w/ Sport Package		SBM1121		
	2002	Front-All w/ Sport Package	CFM847AK1	SBM847		
	2002	Front-All w/ Sport Package	CFM847K1			
	2002	Front-All w/ Sport Package	CFM1121			
	2001	Front-All Hardware Included	CFM872	SBM872		
	2005-03	Rear-All 4Matic, Hardware Included	CFM876	SBM876		
	2005-03	Rear-All Base, Sedan, Exc. Sport Package	CFM779	SBM779		
	2005-03	Rear-All Base, Sedan, w/ Sport Package	CFM876	SBM876		
	2005-03	Rear-All Base, Wagon, Hardware Included	CFM876	SBM876		
	2002-01	Rear-All Hardware Included	CFM779	SBM779		
	Parking Brake Shoe	2005-03	Rear-All		816	
	Disc Brake Rotor	2005-03	Front-All Sedan	BPR5494	PRT5494	
2005-03		Front-All Wagon, Vented; 288mm		PRT5413		
2002-01		Front-All Vented; 288mm		PRT5413		
2005-03		Rear-All Sedan, Solid		PRT5459		
2005-03		Rear-All Wagon, Solid; 289.7mm	BPR5277	PRT5277		
2002-01		Rear-All Solid		PRT5459		
C250						
Disc Brake Pad Set	2015	Front-All Base, Hardware Included	CFC1340	SBC1340		
	2015	Front-All Sport, Hardware Included	CFC1342	SBC1342		
	2014-13	Front-All Hardware Included	CFC1340	SBC1340		
	2012	Front-All Base, Hardware Included	CFC1340	SBC1340		
	2012	Front-All Luxury, Hardware Included	CFC1340	SBC1340		
	2012	Front-All Sport, Hardware Included	CFC1342	SBC1342		
	2011-10	Front-All Hardware Included	CFC1340	SBC1340		
	2015-10	Rear-All Hardware Included	CFC1341			
	2015-10	Rear-All Hardware Not Included		SBM1341		
	Disc Brake Rotor	2015	Front-All Exc. Performance Package; Exc.Sport Package		PRT6072	
		2014-13	Front-All Exc. Sport Package; Exc.Performance Package		PRT6072	
		2014	Front-All with Performance Package		PRT6029	
		2014	Front-All with Sport Package		PRT6071	
		2013-10	Front-All Exc. Sport	BPR6072		
2012-10		Front-All Exc. Sport		PRT6072		
2012-10		Front-All SPORT	BPR6071			
2012		Front-All with Sport Package		PRT6071		
2011-10	Front-All SPORT		PRT6071			

BENDIX BRAKE PARTS

PART TYPE	YEAR	APPLICATION	PREMIUM NO.	PART NO.	SEVERE DUTY NO.	
Mercedes-Benz (Cont'd.)						
C250 (Cont'd.)						
Disc Brake Rotor (cont'd)	2015-13	Rear-All Solid Rotor		PRT6070		
	2014-13	Rear-All Vented Rotors		PRT6021		
	2013	Rear-All Solid Rotor	BPR6070			
	2013	Rear-All Vented Rotors	BPR6021			
	2012-10	Rear-All	BPR6070	PRT6070		
C280						
Disc Brake Pad Set	2007-06	Front-All Hardware Included	CFM872	SBM872		
	2000-96	Front-All Hardware Included		SBM710		
	1995	Front-L6 - 2.8L Hardware Not Included		SBM645		
	1994	Front-All Hardware Not Included		SBM645		
	2007-06	Rear-All Hardware Included	CFM876	SBM876		
	2000-99	Rear-All Hardware Not Included		SBM495		
	1998	Rear-All w/ 1 Retaining Pin	CFM779	SBM779		
	1998	Rear-All w/ 2 Retaining Pins		SBM495		
	1997-96	Rear-All Exc. Traction Control		SBM620		
	1997-96	Rear-All w/ Traction Control		SBM495		
	1995	Rear-L6 - 2.8L Exc. Traction Control		SBM620		
	1995	Rear-L6 - 2.8L w/ Traction Control		SBM335		
	1994	Rear-All Exc. Traction Control		SBM620		
	1994	Rear-All w/ Traction Control		SBM335		
	Parking Brake Shoe	2007-06	Rear-All		816	
2000-94		Rear-All		816		
Disc Brake Rotor	2007-06	Front-All	BPR5494	PRT5494		
	2000-96	Front-All		PRT5492		
	1995-94	Front-All		PRT5119		
	2007-06	Rear-All Solid; 289.7mm	BPR5277	PRT5277		
	2000-96	Rear-All Solid		PRT5459		
	1995-94	Rear-All Solid Rotors; Solid; 258mm		PRT5118		
	1994	Rear-All Vented Rotors; Vented; 278.2mm		PRT1842		
C300						
Disc Brake Pad Set	2018	Front-All w/o AMG Package	CFC1794	SBC1794		
	2016-15	Front-All w/ AMG Package	CFC1796	SBC1796		
	2016-15	Front-All w/o AMG Package	CFC1794	SBC1794		
	2014-13	Front-All Hardware Included	CFC1342	SBC1342		
	2012	Front-All 4Matic Luxury, Hardware Included	CFC1340	SBC1340		
	2012	Front-All 4Matic Sport, Hardware Included	CFC1340	SBC1340		
	2011-08	Front-All Hardware Included	CFC1340	SBC1340		
	2018-15	Rear-All Hardware Not Included	CFC1795			
	2014-13	Rear-All Hardware Included	CFC1341			
	2014-13	Rear-All Hardware Not Included		SBM1341		
	2012	Rear-All 4Matic Luxury, Hardware Included	CFC1341			
	2012	Rear-All 4Matic Luxury, Hardware Not Included		SBM1341		
	2012	Rear-All 4Matic Sport, Hardware Included	CFC1341			
	2012	Rear-All 4Matic Sport, Hardware Not Included		SBM1341		
	2011-08	Rear-All Hardware Included	CFC1341			
	2011-08	Rear-All Hardware Not Included		SBM1341		
	Disc Brake Rotor	2014	Front-All Exc. Sport Package		PRT6003	
		2012-08	Front-All Exc. Sport Package	BPR6072	PRT6072	
2012-08		Front-All Sport Package	BPR6071	PRT6071		
2014-13		Rear-All		PRT6021		
2013		Rear-All	BPR6021			
2012-08		Rear-All	BPR6070	PRT6070		
C320						
Disc Brake Pad Set	2005-03	Front-All 4Matic, Hardware Included	CFM872	SBM872		
	2005-03	Front-All Base, Exc. Sport Package	CFM872	SBM872		
	2005-03	Front-All Base, w/ Sport Package	CFM1121	SBM1121		
	2004-03	Front-All Base, w/ Sport Package		SBM847A		
	2004-03	Front-All Base, w/ Sport Package	CFM847AK1	SBM847		
	2004-03	Front-All Base, w/ Sport Package	CFM847K1			
	2002-01	Front-All Exc. Sport Package	CFM872	SBM872		
	2002-01	Front-All w/ Sport Package		SBM847A		
	2002-01	Front-All w/ Sport Package	CFM847AK1	SBM847		
	2002-01	Front-All w/ Sport Package	CFM847K1			
	2002	Front-All w/ Sport Package	CFM1121	SBM1121		
	2005-01	Rear-All Hardware Included	CFM876	SBM876		
	2005-01	Front-All Exc. Sport Package	BPR5494	PRT5494		
	2005-01	Front-All Sport Package	BPR5858	PRT5858		
	2005-01	Rear-All Solid; 289.7mm	BPR5277	PRT5277		
C350						
Disc Brake Pad Set	2016-13	Front-All Hardware Included	CFC1342	SBC1342		
	2012	Front-All 4Matic, Hardware Included	CFC1342	SBC1342		
	2012	Front-All Base, Hardware Included	CFC1342	SBC1342		
	2012	Front-All Sport, Hardware Included	CFC1342	SBC1342		

BENDIX BRAKE PARTS

PART TYPE	YEAR	APPLICATION	PREMIUM NO.	PART NO.	SEVERE DUTY NO.	
Mercedes-Benz (Cont'd.)						
C350 (Cont'd.)						
Disc Brake Pad Set (cont'd)	2011	Front-All Hardware Included	CFC1340	SBC1340		
	2010-08	Front-All Hardware Included	CFC1342	SBC1342		
	2007-06	Front-All 4Matic, Hardware Included	CFM872	SBM872		
	2007-06	Front-All Luxury, Hardware Included	CFM872	SBM872		
	2007-06	Front-All Sport, Pad 1 Drilled	CFM847K1	SBM847		
	2007-06	Front-All Sport, Pads 1 & 2 Drilled, Drill Offset Between Pads 1 & 2	CFM847AK1			
	2007-06	Front-All Sport, Pads 1 & 2 Drilled, Drill Offset Difference Between Pads 1 & 2		SBM847A		
	2016-13	Rear-All Hardware Included	CFC1341			
	2016-13	Rear-All Hardware Not Included		SBM1341		
	2012	Rear-All Base, Hardware Included	CFC1341			
	2012	Rear-All Base, Hardware Not Included		SBM1341		
	2012	Rear-All Sport, Hardware Included	CFC1341			
	2012	Rear-All Sport, Hardware Not Included		SBM1341		
	2011-08	Rear-All Hardware Included	CFC1341			
	2011-08	Rear-All Hardware Not Included		SBM1341		
	2007-06	Rear-All Hardware Included	CFM876	SBM876		
	Parking Brake Shoe	2007-06	Rear-All		816	
	Disc Brake Rotor	2015-14	Front-All		PRT6028	
		2012-10	Front-All Exc. Sport Package	BPR6003	PRT6003	
		2012-10	Front-All Sport Package	BPR6028	PRT6028	
2009-08		Front-All	BPR6028	PRT6028		
2007-06		Front-All Exc. Sport	BPR5494	PRT5494		
2007-06		Front-All SPORT; Vented; 345mm		PRT6109		
2006		Front-All Sport		PRT5928		
2015-08		Rear-All		PRT6021		
2013-08		Rear-All	BPR6021			
2007-06		Rear-All Solid; 289.7mm	BPR5277	PRT5277		
C350e						
Disc Brake Pad Set	2018-16	Front-All Hardware Not Included	CFC1796	SBC1796		
	2018-16	Rear-All Hardware Not Included	CFC1795			
C400						
Disc Brake Pad Set	2015	Front-All Hardware Not Included	CFC1796	SBC1796		
	2015	Rear-All Hardware Not Included	CFC1795			
C450 AMG						
Disc Brake Pad Set	2016	Front-All Hardware Not Included	CFC1871			
	2016	Rear-All Hardware Included		SBM1872		
	2016	Rear-All Hardware Not Included	CFM1872			
CL55 AMG						
Disc Brake Pad Set	2006-03	Front-All Hardware Not Included		SBM983		
	2002-01	Front-All Pad 1 Drilled	CFM847K1	SBM847		
	2002-01	Front-All Pads 1 & 2 Drilled, Drill Offset Between Pads 1 & 2	CFM847AK1			
	2002-01	Front-All Pads 1 & 2 Drilled, Drill Offset Difference Between Pads 1 & 2		SBM847A		
	2002-01	Rear-All Hardware Not Included		SBM848		
Parking Brake Shoe	2006-01	Rear-All		822		
Disc Brake Rotor	2002-01	Front-All		PRT5447		
	2002-01	Rear-All		PRT5426		
CL63 AMG						
Disc Brake Pad Set	2014-12	Front-All Hardware Not Included		SBM1289		
	2011	Front-All Hardware Not Included		SBM1291		
	2010-08	Front-All Hardware Not Included		SBM1289		
	2014-08	Rear-All Hardware Not Included		SBM1290		
CL65 AMG						
Disc Brake Pad Set	2014-12	Front-All Hardware Not Included		SBM1289		
	2010-08	Front-All Hardware Not Included		SBM1289		
	2006-05	Front-All Hardware Not Included		SBM983		
	2014-08	Rear-All Hardware Not Included		SBM1290		
CL500						
Disc Brake Pad Set	2006-04	Front-All Pad 1 Drilled	CFM847K1	SBM847		
	2006-04	Front-All Pads 1 & 2 Drilled, Drill Offset Between Pads 1 & 2	CFM847AK1			
	2006-04	Front-All Pads 1 & 2 Drilled, Drill Offset Difference Between Pads 1 & 2		SBM847A		
	2003-01	Front-V8 - 5.0L Pad 1 Drilled	CFM847K1	SBM847		
	2003-01	Front-V8 - 5.0L Pads 1 & 2 Drilled, Drill Offset Between Pads 1 & 2	CFM847AK1			
	2003-01	Front-V8 - 5.0L Pads 1 & 2 Drilled, Drill Offset Difference Between Pads 1 & 2		SBM847A		
	2000	Front-All Pad 1 Drilled	CFM847K1	SBM847		
	2000	Front-All Pads 1 & 2 Drilled, Drill Offset Between Pads 1 & 2	CFM847AK1			

BENDIX BRAKE PARTS

PART TYPE	YEAR	APPLICATION	PREMIUM NO.	PART NO.	SEVERE DUTY NO.
Mercedes-Benz (Cont'd.)					
CL500 (Cont'd.)					
Disc Brake Pad Set (cont'd)	2000	Front-All Pads 1 & 2 Drilled, Drill Offset Difference Between Pads 1 & 2		SBM847A	
	1999-98	Front-V8 - 5.0L Hardware Not Included		SBM577	
	2003	Rear-V8 - 5.0L To Chassis/VIN #A 028699		SBM848	
	2002-01	Rear-V8 - 5.0L Hardware Not Included		SBM848	
	2000	Rear-All Hardware Not Included		SBM848	
	1999-98	Rear-V8 - 5.0L Hardware Not Included		SBC603	
Parking Brake Shoe	2006-00	Rear-All		822	
Disc Brake Rotor	2006-04	Front-All Vented; 312mm	BPR6273		
	2003	Front-All From Chassis # A 028700; Vented; 312mm	BPR6273		
	2003	Front-All To Chassis # A 028699	BPR5470	PRT5470	
	2002-00	Front-All Cross Drilled Rotor	BPR5470	PRT6310	
	2002-00	Front-All exc. Cross Drilled Rotor		PRT5470	
	2006-04	Rear-All Solid; 300mm	BPR5479	PRT5479	
	2003	Rear-All From Chassis # A 028700; Solid; 300mm	BPR5479	PRT5479	
	2003	Rear-All To Chassis # A 028699; Vented; 300mm	BPR5435	PRT5435	
	2002-00	Rear-All Vented; 300mm	BPR5435	PRT5435	
	1999-98	Rear-All Vented; 300mm		PRT1813	
CL550					
Disc Brake Pad Set	2014-12	Front-All Hardware Included	CFM1223	SBM1223	
	2011	Front-All Pad 1 Drilled	CFM847K1	SBM847	
	2011	Front-All Pads 1 & 2 Drilled, Drill Offset Between Pads 1 & 2	CFM847AK1		
	2011	Front-All Pads 1 & 2 Drilled, Drill Offset Difference Between Pads 1 & 2		SBM847A	
	2010-07	Front-All Hardware Included	CFM1223	SBM1223	
	2014-13	Rear-All Hardware Included	CFC1424		
	2014-13	Rear-All Hardware Not Included		SBM986	
Disc Brake Rotor	2014-09	Front-All		PRT6263	
	2013-09	Front-All	BPR6263		
	2008-07	Front-All	BPR6271	PRT6271	
	2013-07	Rear-All	BPR6272		
CL600					
Disc Brake Pad Set	2014-07	Front-All Hardware Included	CFM1223	SBM1223	
	2006-04	Front-All Pad 1 Drilled	CFM847K2	SBM847	
	2006-04	Front-All Pads 1 & 2 Drilled, Drill Offset Between Pads 1 & 2	CFM847AK2		
	2006-04	Front-All Pads 1 & 2 Drilled, Drill Offset Difference Between Pads 1 & 2		SBM847A	
	2003	Front-V12 - 5.5L Pad 1 Drilled	CFM847K2	SBM847	
	2003	Front-V12 - 5.5L Pads 1 & 2 Drilled, Drill Offset Between Pads 1 & 2	CFM847AK2		
	2003	Front-V12 - 5.5L Pads 1 & 2 Drilled, Drill Offset Difference Between Pads 1 & 2		SBM847A	
	2002-01	Front-V12 - 5.8L Pad 1 Drilled	CFM847K2	SBM847	
	2002-01	Front-V12 - 5.8L Pads 1 & 2 Drilled, Drill Offset Between Pads 1 & 2	CFM847AK2		
	2002-01	Front-V12 - 5.8L Pads 1 & 2 Drilled, Drill Offset Difference Between Pads 1 & 2		SBM847A	
	1999-98	Front-V12 - 6.0L Hardware Not Included		SBM577	
	2014-13	Rear-All Hardware Included	CFC1424		
	2014-13	Rear-All Hardware Not Included		SBM986	
	2002-01	Rear-V12 - 5.8L Hardware Not Included		SBM848	
	1999-98	Rear-V12 - 6.0L Hardware Not Included		SBC603	
	Parking Brake Shoe	2006-01	Rear-All		822
Disc Brake Rotor	2014-07	Front-All		PRT6263	
	2013-07	Front-All	BPR6263		
	2006-01	Front-All		PRT5447	
	1999-98	Front-All		PRT5373	
	2013-07	Rear-All	BPR6272		
	2006-03	Rear-All		PRT5447	
	2002-01	Rear-All		PRT5426	
	1999-98	Rear-All Vented; 300mm		PRT1813	
CLA45 AMG					
Disc Brake Pad Set	2017-14	Front-All Hardware Not Included	CFM1634	SBM1634A	
	2019-18	Rear-All Hardware Included	CFC1630	SBC1630	
	2017-16	Rear-All CAN, w/ Vented Rotors	CFC1630	SBC1630	
	2017-16	Rear-All MEX, w/ Solid Rotors	CFM1630A	SBM1630A	
	2017-16	Rear-All USA, w/ Solid Rotors	CFM1630A	SBM1630A	
	2015-14	Rear-All w/ Solid Rotors	CFM1630A	SBM1630A	
Disc Brake Rotor	2016-14	Rear-All		PRT6379	
CLA250					
Disc Brake Pad Set	2019	Front-All Hardware Not Included	CFC1694	SBC1694	
	2018	Front-All 4Matic, Hardware Not Included	CFC1694	SBC1694	
	2018	Front-All Base, Hardware Not Included	CFC1694	SBC1694	

BENDIX BRAKE PARTS

PART TYPE	YEAR	APPLICATION	PREMIUM NO.	PART NO.	SEVERE DUTY NO.
Mercedes-Benz (Cont'd.)					
CLA250 (Cont'd.)					
Disc Brake Pad Set (cont'd)	2017-14	Front-All Hardware Not Included		CFC1694	SBC1694
	2019	Rear-All Hardware Not Included		CFM1646	SBM1646
	2018	Rear-All 4Matic, Hardware Not Included		CFM1646	SBM1646
	2018	Rear-All Base, Hardware Not Included		CFM1646	SBM1646
	2017	Rear-All Hardware Not Included		CFM1646	SBM1646
	2016-15	Rear-All 4Matic, Hardware Not Included		CFM1646	SBM1646
	2016-15	Rear-All Base, Hardware Not Included		CFM1646	SBM1646
	2014	Rear-All Hardware Not Included		CFM1646	SBM1646
Disc Brake Rotor	2016-14	Rear-All exc. Sport Package			PRT6312
CLK55 AMG					
Disc Brake Pad Set	2006-05	Front-All Hardware Not Included			SBM1116
	2004-03	Front-All Pad 1 Drilled		CFM847K1	SBM847
	2004-03	Front-All Pads 1 & 2 Drilled, Drill Offset Between Pads 1 & 2		CFM847AK1	
	2004-03	Front-All Pads 1 & 2 Drilled, Drill Offset Difference Between Pads 1 & 2			SBM847A
	2002-01	Front-All Hardware Not Included			SBM682
	2004-01	Rear-All Hardware Not Included			SBC603
Parking Brake Shoe	2006-01	Rear-All			816
Disc Brake Rotor	2005	Front-All			PRT5928
	2005	Front-All To 1/6/04; Vented; 345mm			PRT6109
	2004-03	Front-All Vented; 345mm			PRT6109
	2006-05	Rear-All			PRT6290
2004-01	Rear-All			PRT5741	
CLK63 AMG					
Disc Brake Pad Set	2009	Front-All Hardware Not Included			SBM1116
	2008	Front-All Base, Hardware Not Included			SBM1116
	2008	Front-All Black Series, Hardware Not Included			SBM1291
	2007	Front-All Hardware Not Included			SBM1116
Parking Brake Shoe	2009-07	Rear-All			816
Disc Brake Rotor	2008-07	Rear-All			PRT6290
CLK320					
Disc Brake Pad Set	2005-04	Front-All Hardware Included		CFM872	SBM872
	2003	Front-All 112.940 Eng Des, Hardware Included		CFM740	
	2003	Front-All 112.940 Eng Des, Hardware Not Included			SBM740
	2003	Front-All 112.955 Eng Des, Hardware Included		CFM872	SBM872
	2002-98	Front-All Hardware Included		CFM740	
	2002-98	Front-All Hardware Not Included			SBM740
	2005-00	Rear-All Hardware Included		CFM876	SBM876
	1999-98	Rear-All Hardware Not Included			SBC603
	1999-98	Rear-All			816
Parking Brake Shoe	2005-98	Rear-All			816
Disc Brake Rotor	2005-98	Front-All		BPR5494	PRT5494
	2005-98	Rear-All Solid; 289.7mm		BPR5277	PRT5277
CLK350					
Disc Brake Pad Set	2009-06	Front-All Exc. Sport Package		CFM872	SBM872
	2009-06	Front-All w/ Sport Package		CFM1121	SBM1121
	2009-06	Rear-All Hardware Included		CFM876	SBM876
Parking Brake Shoe	2009-06	Rear-All			816
Disc Brake Rotor	2009-08	Front-All Exc. Sport		BPR5494	PRT5494
	2009-06	Front-All SPORT		BPR5858	PRT5858
	2009	Front-All			PRT5928
	2007-06	Front-All Exc. Sport Package		BPR5494	PRT5494
	2006	Front-All Sport Package			PRT5928
	2009-06	Rear-All Solid; 289.7mm		BPR5277	PRT5277
CLK430					
Disc Brake Pad Set	2003-99	Front-All Hardware Included		CFM740	
	2003-99	Front-All Hardware Not Included			SBM740
	2003-00	Rear-All Hardware Included		CFM876	SBM876
	1999	Rear-All Hardware Not Included			SBC603
Parking Brake Shoe	2003-99	Rear-All			816
Disc Brake Rotor	2003-99	Front-All		BPR5494	PRT5494
	2003-99	Rear-All Solid; 289.7mm		BPR5277	PRT5277
CLK500					
Disc Brake Pad Set	2006-03	Front-All Pad 1 Drilled		CFM847K1	SBM847
	2006-03	Front-All Pads 1 & 2 Drilled, Drill Offset Between Pads 1 & 2		CFM847AK1	
	2006-03	Front-All Pads 1 & 2 Drilled, Drill Offset Difference Between Pads 1 & 2			SBM847A
	2006-03	Rear-All Hardware Not Included			SBC603
Parking Brake Shoe	2006-03	Rear-All			816
Disc Brake Rotor	2006-03	Front-All Exc. Sport Package			PRT6109
	2006-03	Front-All Sport Package; Vented; 345mm			PRT6109
	2006-03	Rear-All			PRT5741

BENDIX BRAKE PARTS

PART TYPE	YEAR	APPLICATION	PREMIUM NO.	PART NO.	SEVERE DUTY NO.	
Mercedes-Benz (Cont'd.)						
CLK550						
Disc Brake Pad Set	2009-07	Front-All Pad 1 Drilled	CFM847K1	SBM847		
	2009-07	Front-All Pads 1 & 2 Drilled, Drill Offset Between Pads 1 & 2	CFM847AK1			
	2009-07	Front-All Pads 1 & 2 Drilled, Drill Offset Difference Between Pads 1 & 2		SBM847A		
	2009-07	Rear-All Hardware Not Included		SBC603		
Parking Brake Shoe	2009-07	Rear-All		816		
Disc Brake Rotor	2009-07	Front-All		PRT5928		
	2009-07	Front-All Vented; 345mm		PRT6109		
	2009-07	Rear-All		PRT5741		
CLS55 AMG						
Disc Brake Pad Set	2006	Front-All Hardware Not Included		SBM983		
Disc Brake Rotor	2006	Front-All exc. Performance Package		PRT6353		
	2006	Rear-All		PRT6352		
CLS63 AMG						
Disc Brake Pad Set	2014-13	Front-All Hardware Not Included		SBM1291		
	2012	Front-All w/o Ceramic Composite Brakes		SBM1291		
	2011	Front-All 12-11-13		SBM1291		
	2010-07	Front-All Exc. Performance Package		SBM1291		
	2010-07	Front-All w/ Performance Package		SBM1320		
	2014	Rear-All Hardware Not Included		SBM1450		
	2013	Rear-All Hardware Not Included		SBM1373		
	2012	Rear-All w/o Ceramic Composite Brakes		SBM1450		
	2011-07	Rear-All Hardware Not Included		SBM1373		
	Parking Brake Shoe	2011-07	Rear-All		874	
	Disc Brake Rotor	2013-12	Rear-All		PRT6262	
2011-07		Rear-All		PRT6352		
CLS63 AMG S						
Disc Brake Pad Set	2018	Front-All w/o Ceramic Composite Brakes		SBM1291		
	2017	Front-All Hardware Not Included		SBM1291		
	2016-15	Front-All w/o Ceramic Brakes		SBM1291		
	2014	Front-All Hardware Not Included		SBM1291		
	2018	Rear-All w/o Ceramic Composite Brakes		SBM1450		
	2016-15	Rear-All w/o Ceramic Brakes		SBM1450		
	2014	Rear-All Hardware Not Included		SBM1450		
CLS400						
Disc Brake Pad Set	2017-15	Front-All Hardware Included	CFC1342	SBC1342		
	2017-15	Rear-All Hardware Included	CFC1424			
	2017-15	Rear-All Hardware Not Included		SBM986		
Disc Brake Rotor	2015	Rear-All		PRT5543		
CLS500						
Disc Brake Pad Set	2017-15	Front-All Hardware Not Included	CFM1634	SBM1634		
	2006	Front-All Pad 1 Drilled	CFM847K2	SBM847		
	2006	Front-All Pads 1 & 2 Drilled, Drill Offset Between Pads 1 & 2	CFM847AK2			
	2006	Front-All Pads 1 & 2 Drilled, Drill Offset Difference Between Pads 1 & 2		SBM847A		
	2017-15	Rear-All Hardware Included	CFC1424			
	2017-15	Rear-All Hardware Not Included		SBM986		
Disc Brake Rotor	2006	Front-All	BPR6020	PRT6020		
	2006	Rear-All	BPR5543	PRT5543		
CLS550						
Disc Brake Pad Set	2018-14	Front-All Hardware Not Included	CFM1634	SBM1634		
	2012	Front-All Hardware Not Included	CFM1634	SBM1634		
	2011-07	Front-All Pad 1 Drilled	CFM847K1	SBM847		
	2011-07	Front-All Pads 1 & 2 Drilled, Drill Offset Between Pads 1 & 2	CFM847AK1			
	2011-07	Front-All Pads 1 & 2 Drilled, Drill Offset Difference Between Pads 1 & 2		SBM847A		
	2018-14	Rear-All Hardware Included	CFC1424			
	2018-14	Rear-All Hardware Not Included		SBM986		
Parking Brake Shoe	2011-07	Rear-All		874		
Disc Brake Rotor	2011-07	Front-All	BPR6020	PRT6020		
	2015-12	Rear-All		PRT6030		
	2011-07	Rear-All	BPR5543	PRT5543		
E43 AMG						
Disc Brake Pad Set	2018-17	Front-All Hardware Not Included	CFC1871			
E55 AMG						
Disc Brake Pad Set	2006-03	Front-All Hardware Not Included		SBM983		
	2002-99	Front-All Hardware Not Included		SBM682		
	2002-01	Rear-All Hardware Not Included		SBC603		
	2000-99	Rear-V8 - 5.5L Hardware Not Included		SBC603		
Parking Brake Shoe	2006-03	Rear-All		874		

BENDIX BRAKE PARTS

PART TYPE	YEAR	APPLICATION	PREMIUM NO.	PART NO.	SEVERE DUTY NO.	
Mercedes-Benz (Cont'd.)						
E55 AMG (Cont'd.)						
Parking Brake Shoe (cont'd)	2002-99	Rear-All		816		
Disc Brake Rotor	2006-03	Front-All		PRT6353		
	2006-05	Rear-All Sport Package	BPR5543	PRT5543		
	2006-03	Rear-All		PRT6352		
	2002-99	Rear-All		PRT5741		
E63 AMG						
Disc Brake Pad Set	2016-14	Front-All Hardware Not Included		SBM1291		
	2013	Front-All w/o Ceramic Rotors		SBM1291		
	2012	Front-All w/o Ceramic Composite Brakes		SBM1291		
	2011-10	Front-All w/o Ceramic Rotors		SBM1291		
	2009-07	Front-All Hardware Not Included		SBM1291		
	2016-14	Rear-All Hardware Not Included		SBM1450		
	2012	Rear-All w/o Ceramic Composite Brakes		SBM1450		
	2010	Rear-V8 - 6.3L Base, Naturally Aspirated, GAS, w/o Ceramic Composite Brakes		SBM1450		
	2009-07	Rear-All Hardware Not Included		SBM1373		
Parking Brake Shoe	2009-07	Rear-All		874		
Disc Brake Rotor	2015	Rear-All 4Matic		PRT6262		
	2014-10	Rear-All		PRT6262		
	2009-07	Rear-All		PRT6352		
E63 AMG S						
Disc Brake Pad Set	2016-15	Front-All w/o Ceramic Brakes		SBM1291		
	2014	Front-All Hardware Not Included		SBM1291		
	2016-15	Rear-All w/o Ceramic Brakes		SBM1450		
	2014	Rear-All Hardware Not Included		SBM1450		
Disc Brake Rotor	2015-14	Rear-All		PRT6262		
E250						
Disc Brake Pad Set	2017	Front-All Hardware Included	CFC1342	SBC1342		
	2016	Front-All w/ OE # Sport Package 007 420 75 20	CFC1342	SBC1342		
	2015-14	Front-All Hardware Included	CFC1342	SBC1342		
	2017-14	Rear-All Hardware Included	CFC1424			
	2017-14	Rear-All Hardware Not Included		SBM986		
Disc Brake Rotor	2015	Front-All Blueteq 4Matic, Exc. Sport Package		PRT6003		
	2015	Front-All Blueteq, Exc. Sport Package		PRT6003		
	2014	Front-All w/ Sport Package		PRT6028		
	2015	Rear-All Blueteq		PRT5482		
	2015	Rear-All Blueteq 4Matic		PRT5482		
	2014	Rear-All w/ Solid Rotors		PRT5482		
E280						
Disc Brake Pad Set	2007	Front-All Hardware Included	CFM872	SBM872		
	2007	Rear-All Hardware Included	CFM876	SBM876		
E300						
Disc Brake Pad Set	2019	Front-All w/o Sport Package	CFC1794	SBC1794		
	2019	Front-All w/ Sport Package	CFC1871			
	2018	Front-All 4Matic, w/o Sport Package	CFC1794	SBC1794		
	2018	Front-All 4Matic, w/ Sport Package	CFC1871			
	2018	Front-All Base, w/o Sport Package	CFC1794	SBC1794		
	2018	Front-All Base, w/ Sport Package	CFC1871			
	2015	Front-All Hardware Not Included	CFC1694	SBC1694		
	2013-12	Front-All Hardware Included	CFC1342	SBC1342		
	1999-98	Front-All Hardware Included	CFM740			
	1999-98	Front-All Hardware Not Included		SBM740		
	1997-96	Front-All Hardware Included		SBM710		
	1995	Front-All From Chassis Serial #B862122		SBM561		
	1995	Front-All To Chassis Serial #B862122		SBM423		
	2019	Rear-All Hardware Not Included	CFC1936			
	2018	Rear-All 4Matic, Hardware Not Included	CFC1936			
	2018	Rear-All Base, Hardware Not Included	CFC1936			
	2017	Rear-All Hardware Not Included	CFC1936			
	2015	Rear-All Hardware Not Included	CFM1646	SBM1646		
	2013	Rear-All Hardware Included	CFC1424			
	2013	Rear-All Hardware Not Included		SBM986		
	1999-98	Rear-All Hardware Not Included		SBC603		
	1997-96	Rear-All Hardware Not Included		SBM495		
	1995	Rear-All Hardware Not Included		SBM335		
	Parking Brake Shoe	1999-95	Rear-All		816	
	Disc Brake Rotor	2009-08	Front-All Vented; 303.9mm	BPR5957	PRT5957	
		1999-98	Front-All	BPR5494	PRT5494	
		1997-96	Front-All		PRT5492	
		1995	Front-All		PRT1425	
		2009-08	Rear-All SOLID	BPR5482	PRT5482	
		1999	Rear-All Solid		PRT5459	
		1998	Rear-All Solid; 289.7mm	BPR5277	PRT5277	

BENDIX BRAKE PARTS

PART TYPE	YEAR	APPLICATION	PREMIUM NO.	PART NO.	SEVERE DUTY NO.	
Mercedes-Benz (Cont'd.)						
E300 (Cont'd.)						
Disc Brake Rotor (cont'd)	1997-96	Rear-All Solid		PRT5459		
	1995	Rear-All Solid; 258mm		PRT1427		
E320						
Disc Brake Pad Set	2009-06	Front-All Hardware Included	CFC987			
	2009-06	Front-All Hardware Not Included		SBC987		
	2005	Front-L6 - 3.2L CDI, Hardware Included	CFC987			
	2005	Front-L6 - 3.2L CDI, Hardware Not Included		SBC987		
	2005	Front-V6 - 3.2L 4Matic, Hardware Included	CFM740			
	2005	Front-V6 - 3.2L 4Matic, Hardware Not Included		SBM740		
	2004-03	Front-All 4Matic, Hardware Included	CFM740			
	2004-03	Front-All 4Matic, Hardware Not Included		SBM740		
	2004-03	Front-All Base, Hardware Included	CFC987			
	2004-03	Front-All Base, Hardware Not Included		SBC987		
	2002-00	Front-All Hardware Included	CFM740			
	2002-00	Front-All Hardware Not Included		SBM740		
	1999-98	Front-All Base, Hardware Included	CFM740			
	1999-98	Front-All Base, Hardware Not Included		SBM740		
	1999	Front-All 4Matic, Hardware Included	CFM740			
	1999	Front-All 4Matic, Hardware Not Included		SBM740		
	1998	Front-All 4Matic, Sedan, Hardware Included	CFM740			
	1998	Front-All 4Matic, Sedan, Hardware Not Included		SBM740		
	1998	Front-All 4Matic, Wagon, Hardware Included	CFM740			
	1998	Front-All 4Matic, Wagon, Hardware Not Included		SBM740		
	1997-96	Front-All Sedan, Hardware Included	CFM740			
	1997-96	Front-All Sedan, Hardware Not Included		SBM740		
	1995-94	Front-All From Chassis Serial #B862122		SBM561		
	1995-94	Front-All w/ 4 Piston Caliper		SBM561		
	2003	Rear-All 112.941 Eng Des, Hardware Not Included		SBC603		
	2002-00	Rear-All Sedan, Hardware Included	CFM876	SBM876		
	2002-00	Rear-All Wagon, Hardware Not Included		SBC603		
	1999-98	Rear-All 4Matic, Wagon, Hardware Not Included		SBC603		
	1999-98	Rear-All Base, Sedan, w/ 1 Retaining Pin	CFM876	SBM876		
	1999-98	Rear-All Base, Sedan, w/ 2 Retaining Pins		SBC603		
	1999-98	Rear-All Base, Wagon, Hardware Not Included		SBC603		
	1999	Rear-All 4Matic, Sedan, From 6/99	CFM876	SBM876		
	1999	Rear-All 4Matic, Sedan, w/ 2 Retaining Pins		SBC603		
	1998	Rear-All 4Matic, Sedan, Hardware Not Included		SBC603		
	1997-96	Rear-All Sedan, w/ 1 Retaining Pin	CFM876	SBM876		
	1997-96	Rear-All Sedan, w/ 2 Retaining Pins		SBC603		
	1995	Rear-All Convertible, Hardware Not Included		SBM495		
	1995	Rear-All Coupe, Hardware Not Included		SBM495		
	1995	Rear-All Sedan, Hardware Not Included		SBM495		
	1995	Rear-All Wagon, Hardware Not Included		SBC603		
	1994	Rear-All Hardware Not Included		SBM495		
	Parking Brake Shoe	2009-03	Rear-All		874	
		2002-94	Rear-All		816	
	Disc Brake Rotor	2009-06	Front-All Vented; 295.2mm	BPR5483	PRT5483	
		2006-05	Front-All CDI, Vented; 295.2mm	BPR5483	PRT5483	
		2005-04	Front-All 4Matic, Vented; 303.9mm	BPR5957	PRT5957	
		2005-04	Front-All Base, Vented; 295.2mm	BPR5483	PRT5483	
		2003-96	Front-All	BPR5494	PRT5494	
		1995-94	Front-All 2 Doors, From Chassis # B862122; Vented; 294mm		PRT5037	
		1995-94	Front-All 2 Doors, Thru Chassis # B862121; Vented; 294.8mm		PRT5243	
		1995-94	Front-All 4 Doors, Sedan, From Chassis # B864308; Vented; 294mm		PRT5037	
		1995-94	Front-All 4 Doors, Sedan, Thru Chassis # B864307; Vented; 294.8mm		PRT5243	
		1995-94	Front-All 4 Doors, Wagon, From Chassis # F242722; Vented; 294mm		PRT5037	
		1995-94	Front-All 4 Doors, Wagon, Thru Chassis # F242721; Vented; 294.8mm		PRT5243	
		2009-06	Rear-All SOLID	BPR5482	PRT5482	
		2006-05	Rear-All CDI, SOLID	BPR5482	PRT5482	
		2005-04	Rear-All Solid Rotors; SOLID	BPR5482	PRT5482	
2005-03		Rear-All Vented Rotors	BPR5543	PRT5543		
2003		Rear-All Solid Rotors; Solid; 290mm	BPR5436	PRT5436		
2002-98		Rear-All Sedan, Solid; 289.7mm	BPR5277	PRT5277		
2002-98		Rear-All Wagon, Solid; 290mm	BPR5436	PRT5436		
1997-96		Rear-All Solid; 289.7mm	BPR5277	PRT5277		
1995		Rear-All Coupe, Solid		PRT5459		
1995		Rear-All Wagon, Solid; 289.7mm	BPR5277	PRT5277		
1995		Rear-All Wagon, Vented		PRT5459		
1994		Rear-All Solid		PRT5459		

BENDIX BRAKE PARTS

PART TYPE	YEAR	APPLICATION	PREMIUM NO.	PART NO.	SEVERE DUTY NO.	
Mercedes-Benz (Cont'd.)						
E350						
Disc Brake Pad Set	2016-13	Front-All Hardware Included	CFC1342	SBC1342		
	2012-11	Front-V6 - 3.0L Bluetec, Hardware Included	CFC1342	SBC1342		
	2012-11	Front-V6 - 3.5L 4Matic, AWD, Hardware Included	CFC1342	SBC1342		
	2012-11	Front-V6 - 3.5L Base, Convertible, Hardware Included	CFC1342	SBC1342		
	2012-11	Front-V6 - 3.5L Base, Coupe, Hardware Included	CFC1342	SBC1342		
	2012-11	Front-V6 - 3.5L Base, Sedan, Hardware Included	CFC1342	SBC1342		
	2010	Front-All Hardware Included	CFC1342	SBC1342		
	2009-06	Front-All 4Matic, w/o Sport Package	CFM740	SBM740		
	2009-06	Front-All 4Matic, w/ Sport Package	CFM1123	SBM1123		
	2009-06	Front-All Base, w/o Sport Package	CFC987	SBC987		
	2009-06	Front-All Base, w/ Sport Package		SBM847A		
	2009-06	Front-All Base, w/ Sport Package	CFM847AK2	SBM847		
	2009-06	Front-All Base, w/ Sport Package	CFM847K2			
	2006	Front-All 4Matic, w/ Sport Package		SBM682		
	2016-14	Rear-All Hardware Included	CFC1424			
	2016-14	Rear-All Hardware Not Included		SBM986		
	2013	Rear-All 2 Doors, Convertible, Hardware Included	CFC1341			
	2013	Rear-All 2 Doors, Convertible, Hardware Not Included		SBM1341		
	2012-11	Rear-V6 - 3.5L Base, Convertible, Hardware Included	CFC1341			
	2012-11	Rear-V6 - 3.5L Base, Convertible, Hardware Not Included		SBM1341		
	2012-11	Rear-V6 - 3.5L Base, Coupe, Hardware Included	CFC1341			
	2012-11	Rear-V6 - 3.5L Base, Coupe, Hardware Not Included		SBM1341		
	2012-11	Rear-V6 - 3.5L Base, Sedan, Hardware Included	CFC1424			
	2012-11	Rear-V6 - 3.5L Base, Sedan, Hardware Not Included		SBM986		
	2010	Rear-All Coupe, Hardware Included	CFC1341			
	2010	Rear-All Coupe, Hardware Not Included		SBM1341		
	Parking Brake Shoe	2009-06	Rear-All		874	
	Disc Brake Rotor	2016-12	Front-All SPORT; 322mm Diameter		PRT6028	
		2016-10	Front-All Exc. Sport Package		PRT6003	
		2012-10	Front-All Exc. Sport Package	BPR6003		
		2012	Front-All SPORT; 322mm Diameter	BPR6028		
		2012	Front-All SPORT; 345mm Diameter		PRT6029	
		2011-10	Front-All Sport Package	BPR6028	PRT6028	
2009-06		Front-All 4Matic, 4MATIC, Exc. Sport Series; Vented; 303.9mm	BPR5957	PRT5957		
2009-06		Front-All 4Matic, 4MATIC, Sport Series; Vented; 330mm		PRT5874		
2009-06		Front-All Base, 4MATIC, Exc. Sport Series; Vented; 303.9mm	BPR5957	PRT5957		
2009-06		Front-All Exc. Sport Package; Vented; 295.2mm	BPR5483	PRT5483		
2016-15		Rear-All		PRT5543		
2014		Rear-All		PRT6021		
2012-07		Rear-All	BPR5543			
2012		Rear-All		PRT5543		
2011		Rear-All Coupe, Convertible		PRT6021		
2011		Rear-All Sedan, Station Wagon		PRT5543		
2010-07		Rear-All		PRT5543		
2006		Rear-All Solid Rotors; SOLID	BPR5482	PRT5482		
2006		Rear-All Vented Rotors	BPR5543	PRT5543		
E400						
Disc Brake Pad Set	2018	Front-All 4Matic, Hardware Not Included	CFC1871			
	2018	Front-All 4Matic Exclusive, Hardware Not Included	CFC1871			
	2018	Front-All 4Matic Sport, Hardware Not Included	CFC1871			
	2018	Front-All Base, Hardware Not Included	CFC1871			
	2017-13	Front-All Hardware Included	CFC1342	SBC1342		
	2017	Rear-All Hardware Included	CFC1341			
	2017	Rear-All Hardware Not Included		SBM1341		
	2016	Rear-All Convertible, Hardware Included	CFC1341			
	2016	Rear-All Convertible, Hardware Not Included		SBM1341		
	2016	Rear-All Coupe, Hardware Included	CFC1341			
	2016	Rear-All Coupe, Hardware Not Included		SBM1341		
	2016	Rear-All Sedan, Hardware Included	CFC1424			
	2016	Rear-All Sedan, Hardware Not Included		SBM986		
	2015-13	Rear-All Hardware Included	CFC1424			
	2015-13	Rear-All Hardware Not Included		SBM986		
	Disc Brake Rotor	2015	Front-All 4Matic, Coupe, Exc. Sport Package		PRT6003	
		2015	Front-All Base, Convertible, Exc. Sport Package		PRT6003	
		2015	Front-All Base, Coupe, Exc. Sport Package		PRT6003	
		2015	Front-All Hybrid, Exc. Sport Package		PRT6003	
		2014-13	Front-All		PRT6028	
2015-13		Rear-All		PRT5543		
E420						
Disc Brake Pad Set	1997	Front-All w/ 4 Piston Caliper	CFM740	SBM740		
	1995-94	Front-All From Chassis Serial #B862122		SBM561		
	1995	Front-V8 - 4.2L w/ 4 Piston Caliper		SBM561		

BENDIX BRAKE PARTS

PART TYPE	YEAR	APPLICATION	PREMIUM NO.	PART NO.	SEVERE DUTY NO.	
Mercedes-Benz (Cont'd.)						
E420 (Cont'd.)						
Disc Brake Pad Set (cont'd)	1994	Front-All w/ 4 Piston Caliper		SBM561		
	1997	Rear-All From Chassis/VIN #A379347	CFM876	SBM876		
	1997	Rear-All To Chassis/VIN #A379346		SBC603		
	1995	Rear-V8 - 4.2L Hardware Not Included		SBM495		
Parking Brake Shoe	1994	Rear-All Hardware Not Included		SBM495		
	1997	Rear-All		816		
Disc Brake Rotor	1995-94	Rear-All		816		
	1997	Front-All	BPR5494	PRT5494		
	1995-94	Front-All Vented; 294mm		PRT5037		
	1997	Rear-All Solid; 289.7mm	BPR5277	PRT5277		
	1995-94	Rear-All Vented; 278.2mm		PRT1842		
E430						
Disc Brake Pad Set	2002-00	Front-All 4Matic, Hardware Not Included		SBM682		
	2002-00	Front-All Base, Hardware Included	CFM740			
	2002-00	Front-All Base, Hardware Not Included		SBM740		
	1999-98	Front-All Hardware Included	CFM740			
	1999-98	Front-All Hardware Not Included		SBM740		
	2002-00	Rear-All 4Matic, Hardware Not Included		SBC603		
	2002-00	Rear-All Base, w/ 1 Retaining Pin	CFM876	SBM876		
	1999-98	Rear-All w/ 1 Retaining Pin	CFM876	SBM876		
	1999-98	Rear-All w/ 2 Retaining Pins		SBC603		
	Parking Brake Shoe	2002-98	Rear-All		816	
Disc Brake Rotor	2002-98	Front-All	BPR5494	PRT5494		
	2002-01	Rear-All		PRT5741		
	2000-98	Rear-All Solid; 289.7mm	BPR5277	PRT5277		
E500						
Disc Brake Pad Set	2006	Front-All 4Matic, From Chassis/VIN #X 196565	CFM1123	SBM1123		
	2006	Front-All 4Matic, To Chassis/VIN #X 196564		SBM682		
	2006	Front-All Base, Pad 1 Drilled	CFM847K1	SBM847		
	2006	Front-All Base, Pads 1 & 2 Drilled, Drill Offset Between Pads 1 & 2	CFM847AK3			
	2006	Front-All Base, Pads 1 & 2 Drilled, Drill Offset Difference Between Pads 1 & 2		SBM847A		
	2005-04	Front-V8 - 5.0L Pad 1 Drilled	CFM847K1	SBM847		
	2005-04	Front-V8 - 5.0L Pads 1 & 2 Drilled, Drill Offset Between Pads 1 & 2	CFM847AK3			
	2005-04	Front-V8 - 5.0L Pads 1 & 2 Drilled, Drill Offset Difference Between Pads 1 & 2		SBM847A		
	2005	Front-V8 - 5.0L From Chassis/VIN #X 196565	CFM1123	SBM1123		
	2005	Front-V8 - 5.0L To Chassis/VIN #X 196564		SBM682		
	2004	Front-V8 - 5.0L Hardware Not Included		SBM682		
	2003	Front-All Pad 1 Drilled	CFM847K1	SBM847		
	2003	Front-All Pads 1 & 2 Drilled, Drill Offset Between Pads 1 & 2	CFM847AK3			
	2003	Front-All Pads 1 & 2 Drilled, Drill Offset Difference Between Pads 1 & 2		SBM847A		
	1994	Front-All From Chassis Serial #B862122		SBM561		
	1994	Front-All w/ 4 Piston Caliper		SBM561		
	1994	Rear-All Hardware Not Included		SBM495		
	Parking Brake Shoe	2006-03	Rear-All		874	
		1994	Rear-All		816	
	Disc Brake Rotor	2006-04	Front-All 4MATIC, Exc. Sport Series		PRT6110	
2006-04		Front-All 4MATIC, Sport Series; Vented; 330mm		PRT5874		
2006-04		Front-All Exc. 4Matic, Exc. Sport Series; Vented; 312mm		PRT5551		
2006-04		Front-All Exc. 4Matic, Sport Series	BPR6113	PRT6113		
2003		Front-All Exc. Sport Package; Vented; 312mm		PRT5551		
2003		Front-All Sport Package	BPR6113	PRT6113		
1994		Front-All 300mm Diameter		PRT1650		
1994		Front Left-All 320mm Diameter		PRT5437		
1994		Front Right-All 320mm Diameter		PRT5438		
2006-03		Rear-All Exc. Sport Package; SOLID	BPR5482	PRT5482		
2006-03		Rear-All Sport Package	BPR5543	PRT5543		
1994		Rear-All		PRT1841		
E550						
Disc Brake Pad Set	2017	Front-All Hardware Included	CFC1342	SBC1342		
	2016-15	Front-All Convertible, Hardware Included	CFC1342	SBC1342		
	2016-15	Front-All Coupe, Hardware Included	CFC1342	SBC1342		
	2016-15	Front-All Sedan, Hardware Included		SBC1420		
	2014-12	Front-All 4Matic, Hardware Not Included	CFM1634	SBM1634		
	2014-12	Front-All Base, Hardware Included	CFC1652	SBC1652		
	2011-10	Front-All Coupe, Hardware Included	CFC1342	SBC1342		
	2011-10	Front-All Sedan, Hardware Included		SBC1420		
	2011	Front-All Convertible, Hardware Included	CFC1342	SBC1342		
	2009-07	Front-All 4Matic, Hardware Included	CFM1123			
	2009-07	Front-All 4Matic, Hardware Not Included		SBM1123		

BENDIX BRAKE PARTS

PART TYPE	YEAR	APPLICATION	PREMIUM NO.	PART NO.	SEVERE DUTY NO.
Mercedes-Benz (Cont'd.)					
E550 (Cont'd.)					
Disc Brake Pad Set (cont'd)	2009-07	Front-All Base, Pad 1 Drilled	CFM847K2	SBM847	
	2009-07	Front-All Base, Pads 1 & 2 Drilled, Drill Offset Between Pads 1 & 2	CFM847AK2		
	2009-07	Front-All Base, Pads 1 & 2 Drilled, Drill Offset Difference Between Pads 1 & 2		SBM847A	
	2017	Rear-All Hardware Included	CFC1341		
	2017	Rear-All Hardware Not Included		SBM1341	
	2016-15	Rear-All Convertible, Hardware Included	CFC1341		
	2016-15	Rear-All Convertible, Hardware Not Included		SBM1341	
	2016-15	Rear-All Coupe, Hardware Included	CFC1341		
	2016-15	Rear-All Coupe, Hardware Not Included		SBM1341	
	2016-15	Rear-All Sedan, Hardware Included	CFC1424		
	2016-15	Rear-All Sedan, Hardware Not Included		SBM986	
	2014-12	Rear-All 4Matic, Hardware Included	CFC1424		
	2014-12	Rear-All 4Matic, Hardware Not Included		SBM986	
	2014-12	Rear-All Base, Hardware Included	CFC1341		
	2014-12	Rear-All Base, Hardware Not Included		SBM1341	
	2011-10	Rear-All Coupe, Hardware Included	CFC1341		
	2011-10	Rear-All Coupe, Hardware Not Included		SBM1341	
	2011-10	Rear-All Sedan, Hardware Included	CFC1424		
	2011-10	Rear-All Sedan, Hardware Not Included		SBM986	
	2011	Rear-All Convertible, Hardware Included	CFC1341		
	2011	Rear-All Convertible, Hardware Not Included		SBM1341	
Parking Brake Shoe				874	
Disc Brake Rotor	2015	Front-All Base		PRT6029	
	2013-12	Front-All		PRT6265	
	2011-10	Front-All 2 Doors, Coupe		PRT6029	
	2011-10	Front-All 4 Doors, Sedan		PRT6029	
	2009-07	Front-All Cross Drilled Rotor	BPR6113	PRT6113	
	2009-07	Front-All Exc. Sport Package	BPR6020	PRT6020	
	2009-07	Front-All SPORT		PRT6110	
	2015	Rear-All Base, 300mm Diameter		PRT6021	
	2014-10	Rear-All 300mm Diameter		PRT6021	
	2013-10	Rear-All 300mm Diameter	BPR6021		
	2012-10	Rear-All 320mm Diameter		PRT6030	
	2009-07	Rear-All	BPR5543	PRT5543	
G55 AMG					
Disc Brake Pad Set	2011-03	Front-All Hardware Not Included	CFM927	SBM927	
	2011	Rear-All w/ Axle #741.144		SBM928	MKD928FM
	2011	Rear-All w/ Axle #742.606	CFM1122	SBM1122	
	2010	Rear-All Incl. Wear Indicator		SBM928	MKD928FM
	2009-03	Rear-All Hardware Included			MKD928FM
	2009-03	Rear-All Hardware Not Included		SBM928	
Parking Brake Shoe	2011-03	Rear-All w/ 6.32" X 1.58" Brakes		866	
Disc Brake Rotor	2010-05	Front-All From Axle # R 163869		PRT6115	
	2010-03	Rear-All		PRT5432	SDR5432
G63 AMG					
Disc Brake Pad Set	2018-13	Front-All Hardware Not Included		SBM1291	
	2018-13	Rear-All Hardware Included	CFM1122	SBM1122	
Parking Brake Shoe	2018	Rear-All		866	
	2015	Rear-All		866	
Disc Brake Rotor	2016-13	Rear-All		PRT6286	
G65 AMG					
Disc Brake Pad Set	2018-15	Front-All Hardware Not Included		SBM1291	
	2018-15	Rear-All Hardware Included	CFM1122	SBM1122	
Parking Brake Shoe	2018	Rear-All		866	
G500					
Disc Brake Pad Set	2008-02	Front-All Hardware Not Included	CFM927	SBM927	
	2008-02	Rear-All Hardware Included			MKD928FM
	2008-02	Rear-All Hardware Not Included		SBM928	
Parking Brake Shoe	2008-02	Rear-All w/ 6.32" X 1.58" Brakes		866	
Disc Brake Rotor	2008-02	Front-All From Axle # R 163869		PRT6115	
	2008-02	Rear-All		PRT5432	SDR5432
G550					
Disc Brake Pad Set	2018-12	Front-All Hardware Not Included	CFM927	SBM927	
	2011	Front-All Hardware Included	CFM1123		
	2011	Front-All Hardware Not Included		SBM1123	
	2010-09	Front-All Hardware Not Included	CFM927	SBM927	
	2018-11	Rear-All Hardware Included			MKD928FM
	2018-11	Rear-All Hardware Not Included		SBM928	
	2010	Rear-All Incl. Wear Indicator		SBM928	MKD928FM
	2009	Rear-All Hardware Included			MKD928FM
	2009	Rear-All Hardware Not Included		SBM928	

BENDIX BRAKE PARTS

PART TYPE	YEAR	APPLICATION	PREMIUM NO.	PART NO.	SEVERE DUTY NO.	
Mercedes-Benz (Cont'd.)						
G550 (Cont'd.)						
Parking Brake Shoe	2018	Rear-All		866		
	2015	Rear-All		866		
	2011-09	Rear-All w/ 6.32" X 1.58" Brakes		866		
Disc Brake Rotor	2014-09	Front-All		PRT6115		
	2015-09	Rear-All		PRT5432	SDR5432	
G550 4x4						
Disc Brake Pad Set	2018	Front-All Hardware Included	CFM1007			
	2018	Front-All Hardware Not Included		SBM1007		
GL63 AMG						
Disc Brake Pad Set	2016-13	Front-All Hardware Not Included		SBM1291		
	2016	Rear-All w/ Vented Rotors	CFC1630	SBC1630		
	2015-13	Rear-All w/ Solid Rotors	CFM1630A	SBM1630A		
GL320						
Disc Brake Pad Set	2009	Front-All Hardware Not Included	CFM1272	SBM1272		
	2008-07	Front-All w/ 18" Wheels	CFM1123	SBM1123		
	2008-07	Front-All w/ 19" Wheels	CFM1272	SBM1272		
	2009-07	Rear-All Hardware Included	CFM1122	SBM1122		
Parking Brake Shoe	2009-07	Rear-All		870		
Disc Brake Rotor	2009	Front-All		PRT6365		
	2008-07	Front-All 19" Wheels		PRT6365		
	2008-07	Front-All w/18" Wheels; Vented; 350.2mm	BPR5871	PRT5871		
	2009-07	Rear-All Vented; 330mm		PRT5872		
GL350						
Disc Brake Pad Set	2016-14	Front-All Hardware Included	CFC1629	SBC1629	MKD1629FM	
	2013	Front-All Heavy Duty	CFM1272	SBM1272		
	2013	Front-All Standard Duty	CFM1123	SBM1123		
	2012-11	Front-All Hardware Included	CFM1123			
	2012-11	Front-All Hardware Not Included		SBM1123		
	2010	Front-All Hardware Not Included	CFM1272	SBM1272		
	2016	Rear-All w/ Vented Rotors	CFC1630	SBC1630		
	2015-14	Rear-All w/ Solid Rotors	CFM1630A	SBM1630A		
	2013-10	Rear-All Hardware Included	CFM1122	SBM1122		
	Parking Brake Shoe	2011-10	Rear-All		870	
	Disc Brake Rotor	2015-13	Front-All		PRT6243	
2012-10		Front-All Vented; 350.2mm	BPR5871	PRT5871		
2015-13		Rear-All		PRT6245		
2012-10		Rear-All Vented; 330mm		PRT5872		
GL450						
Disc Brake Pad Set	2016-14	Front-All Hardware Included	CFC1629	SBC1629	MKD1629FM	
	2013	Front-All Hardware Not Included	CFC1636A	SBC1636A		
	2012-07	Front-All Hardware Included	CFM1123			
	2012-07	Front-All Hardware Not Included		SBM1123		
	2016	Rear-All w/ Vented Rotors	CFC1630	SBC1630		
	2015-13	Rear-All w/ Solid Rotors	CFM1630A	SBM1630A		
	2012-07	Rear-All Hardware Included	CFM1122	SBM1122		
	Parking Brake Shoe	2011-07	Rear-All		870	
Disc Brake Rotor	2015-14	Front-All		PRT6243		
	2013	Front-All		PRT6244		
	2012-07	Front-All Vented; 350.2mm	BPR5871	PRT5871		
	2015-14	Rear-All		PRT6245		
	2013	Rear-All		PRT6246		
	2012-07	Rear-All Vented; 330mm		PRT5872		
GL500						
Disc Brake Pad Set	2015	Front-All 4Matic	CFC1636	SBC1636		
	2015	Rear-All 4Matic	CFC1630	SBC1630		
GL550						
Disc Brake Pad Set	2016-15	Front-All Hardware Not Included	CFC1636	SBC1636		
	2014-13	Front-All w/ 16.2mm Overall Pad Thickness	CFC1636	SBC1636		
	2014-13	Front-All w/ 18.1mm Overall Pad Thickness	CFC1636A	SBC1636A		
	2012-08	Front-All Hardware Included	CFM1123			
	2012-08	Front-All Hardware Not Included		SBM1123		
	2016	Rear-All w/ Vented Rotors	CFC1630	SBC1630		
	2015-14	Rear-All w/ Solid Rotors	CFM1630A	SBM1630A		
	2013-08	Rear-All Hardware Included	CFM1122	SBM1122		
	Parking Brake Shoe	2011-08	Rear-All		870	
Disc Brake Rotor	2015-13	Front-All		PRT6244		
	2012-08	Front-All Vented; 350.2mm	BPR5871	PRT5871		
	2015-14	Rear-All		PRT6245		
	2012-08	Rear-All Vented; 330mm		PRT5872		
GLA45 AMG						
Disc Brake Pad Set	2017-15	Front-All Hardware Not Included	CFM1634	SBM1634A		

BENDIX BRAKE PARTS

PART TYPE	YEAR	APPLICATION	PREMIUM NO.	PART NO.	SEVERE DUTY NO.
Mercedes-Benz (Cont'd.)					
GLA45 AMG (Cont'd.)					
Disc Brake Pad Set (cont'd)	2019-18	Rear-All Hardware Included	CFC1630	SBC1630	
	2017-16	Rear-All w/ Vented Rotors	CFC1630	SBC1630	
	2015	Rear-All w/ Solid Rotors	CFM1630A	SBM1630A	
Disc Brake Rotor	2015	Rear-All		PRT6379	
GLA250					
Disc Brake Pad Set	2019-15	Front-All Hardware Not Included	CFC1694	SBC1694	
	2019-15	Rear-All Hardware Not Included	CFM1646	SBM1646	
Disc Brake Rotor	2016-15	Rear-All		PRT6312	
GLC43 AMG					
Disc Brake Pad Set	2018-17	Front-All Hardware Not Included	CFC1871		
	2018-17	Rear-All Hardware Included		SBM1872	
	2018-17	Rear-All Hardware Not Included	CFM1872		
GLC300					
Disc Brake Pad Set	2019-18	Front-All w/ Sport Package	CFC1871		
	2016	Front-All 4Matic, Hardware Not Included	CFC1796	SBC1796	
	2016	Front-All Base, Hardware Not Included	CFC1796	SBC1796	
	2016	Front-All Sport, Hardware Not Included	CFC1871		
	2019-16	Rear-All Hardware Included		SBM1872	
	2019-16	Rear-All Hardware Not Included	CFM1872		
GLC350e					
Disc Brake Pad Set	2019-18	Front-All Hardware Not Included	CFC1871		
	2019-18	Rear-All Hardware Included		SBM1872	
	2019-18	Rear-All Hardware Not Included	CFM1872		
GLE43 AMG					
Disc Brake Pad Set	2018	Front-All Hardware Not Included	CFC1636A	SBC1636A	
	2017	Front-All Hardware Not Included	CFC1871		
	2018	Rear-All Hardware Included	CFC1630	SBC1630	
	2017	Rear-All Hardware Included		SBM1872	
	2017	Rear-All Hardware Not Included	CFM1872		
GLE63 AMG					
Disc Brake Pad Set	2017-16	Front-All Hardware Not Included		SBM1291	
	2018	Rear-All Hardware Included	CFM1630A	SBM1630A	
	2017-16	Rear-All w/ Vented Rotors	CFC1630	SBC1630	
GLE63 AMG S					
Disc Brake Pad Set	2017-16	Front-All Hardware Not Included		SBM1291	
	2018	Rear-All Hardware Included	CFM1630A	SBM1630A	
	2017-16	Rear-All w/ Vented Rotors	CFC1630	SBC1630	
GLE300d					
Disc Brake Pad Set	2016	Front-All Hardware Included	CFC1629	SBC1629	MKD1629FM
	2016	Rear-All w/ Vented Rotors	CFC1630	SBC1630	
GLE350					
Disc Brake Pad Set	2018-16	Front-All Hardware Included	CFC1629	SBC1629	MKD1629FM
	2018	Rear-All Hardware Included	CFC1630	SBC1630	
	2017-16	Rear-All w/ Vented Rotors	CFC1630	SBC1630	
Disc Brake Rotor	2016	Front-All Exc. sport package		PRT6189	
	2016	Front-All Sport Package		PRT6210	
GLE350d					
Disc Brake Pad Set	2016	Front-All Hardware Included	CFC1629	SBC1629	MKD1629FM
	2016	Rear-All w/ Vented Rotors	CFC1630	SBC1630	
GLE400					
Disc Brake Pad Set	2017-16	Front-All Hardware Included	CFC1629	SBC1629	MKD1629FM
	2017-16	Rear-All w/ Vented Rotors	CFC1630	SBC1630	
GLE450 AMG					
Disc Brake Pad Set	2017-16	Front-All Hardware Not Included	CFC1636	SBC1636	
	2017-16	Rear-All w/ Vented Rotors	CFC1630	SBC1630	
GLE550					
Disc Brake Pad Set	2017	Front-All Hardware Not Included	CFC1636	SBC1636	
	2016	Front-All w/ Vented Rotors	CFC1630	SBC1630	
	2017	Rear-All w/ Vented Rotors	CFC1630	SBC1630	
	2016	Rear-All Hardware Not Included	CFC1636	SBC1636	
GLE550e					
Disc Brake Pad Set	2018	Front-All Hardware Not Included	CFC1636A	SBC1636A	
	2017-16	Front-All Hardware Not Included	CFC1636	SBC1636	
	2018	Rear-All Hardware Included	CFC1630	SBC1630	
	2017-16	Rear-All w/ Vented Rotors	CFC1630	SBC1630	
GLK250					
Disc Brake Pad Set	2015-13	Front-All Hardware Included	CFC1406	SBC1406	
	2015-13	Rear-All Hardware Included	CFC1341		
	2015-13	Rear-All Hardware Not Included		SBM1341	

BENDIX BRAKE PARTS

PART TYPE	YEAR	APPLICATION	PREMIUM NO.	PART NO.	SEVERE DUTY NO.
Mercedes-Benz (Cont'd.)					
GLK250 (Cont'd.)					
Disc Brake Rotor	2015-13	Front-All		PRT6020	
	2015-13	Rear-All		PRT5543	
GLK280					
Disc Brake Pad Set	2009	Front-All Hardware Included	CFC1406	SBC1406	
	2009	Rear-All Hardware Included	CFC1341		
	2009	Rear-All Hardware Not Included		SBM1341	
GLK300					
Disc Brake Pad Set	2012-10	Front-All Hardware Included	CFC1406	SBC1406	
	2012-10	Rear-All Hardware Included	CFC1341		
	2012-10	Rear-All Hardware Not Included		SBM1341	
GLK350					
Disc Brake Pad Set	2015-10	Front-All Hardware Included	CFC1406	SBC1406	
	2015-09	Rear-All Hardware Included	CFC1341		
	2015-09	Rear-All Hardware Not Included		SBM1341	
Disc Brake Rotor	2015-10	Front-All		PRT6020	
	2013-10	Front-All	BPR6020		
	2015-10	Rear-All		PRT5543	
	2012-10	Rear-All	BPR5543		
GLS63 AMG					
Disc Brake Pad Set	2017	Front-All Hardware Not Included		SBM1291	
	2018	Rear-All Hardware Included	CFM1630A	SBM1630A	
	2017	Rear-All w/ Vented Rotors	CFC1630	SBC1630	
GLS450					
Disc Brake Pad Set	2019-17	Front-All Hardware Included	CFC1629	SBC1629	MKD1629FM
	2019-18	Rear-All Hardware Included	CFC1630	SBC1630	
	2017	Rear-All w/ Vented Rotors	CFC1630	SBC1630	
Disc Brake Rotor	2017	Front-All		PRT6243	
	2017	Rear-All		PRT6245	
GLS550					
Disc Brake Pad Set	2019-18	Front-All Hardware Not Included	CFC1636A	SBC1636A	
	2017	Front-All Hardware Not Included	CFC1636	SBC1636	
	2019-18	Rear-All Hardware Included	CFC1630	SBC1630	
	2017	Rear-All w/ Vented Rotors	CFC1630	SBC1630	
Maybach S550					
Disc Brake Pad Set	2017	Front-All Hardware Not Included		SBM1291	
	2017	Rear-All Hardware Not Included	CFM1681	SBM1681	
Maybach S560					
Disc Brake Pad Set	2019-18	Front-All Hardware Not Included	CFM1688	SBM1688	
	2019-18	Rear-All Hardware Not Included	CFM1689	SBM1689	
Maybach S600					
Disc Brake Pad Set	2017-16	Front-All Hardware Not Included		SBM1291	
	2017-16	Rear-All Hardware Not Included	CFM1681	SBM1681	
Maybach S650					
Disc Brake Pad Set	2018	Front-All Hardware Not Included		SBM1291	
	2018	Rear-All Hardware Not Included	CFM1681	SBM1681	
Metris					
Disc Brake Pad Set	2019-17	Front-All Hardware Included		SBM1693	MKD1693FM
	2016	Front-All Exc. Latin America		SBM1693	MKD1693FM
	2019-16	Rear-All Hardware Not Included			MKD1893FM
ML55 AMG					
Disc Brake Pad Set	2003-00	Front-All Pad 1 Drilled	CFM847K1	SBM847	
	2003-00	Front-All Pads 1 & 2 Drilled, Drill Offset Between Pads 1 & 2	CFM847AK1		
	2003-00	Front-All Pads 1 & 2 Drilled, Drill Offset Difference Between Pads 1 & 2		SBM847A	
	2003-00	Rear-All Hardware Not Included		SBM874	
Parking Brake Shoe	2003-00	Rear-All		777	
Disc Brake Rotor	2003-00	Front-All		PRT5332	
	2003-00	Rear-All		PRT5331	
ML63 AMG					
Disc Brake Pad Set	2015-12	Front-All Hardware Not Included		SBM1291	
	2011-07	Front-All Hardware Not Included		SBM1271	
	2015-12	Rear-All w/ Solid Rotors	CFM1630A	SBM1630A	
	2011-07	Rear-All Hardware Not Included		SBM1290	
Parking Brake Shoe	2010-07	Rear-All		870	
Disc Brake Rotor	2011-07	Front-All		PRT6372	
	2011-07	Rear-All		PRT6371	
ML250					
Disc Brake Pad Set	2015	Front-All Hardware Included	CFC1629	SBC1629	MKD1629FM
	2015	Rear-All w/ Solid Rotors	CFM1630A	SBM1630A	

BENDIX BRAKE PARTS

PART TYPE	YEAR	APPLICATION	PREMIUM NO.	PART NO.	SEVERE DUTY NO.
Mercedes-Benz (Cont'd.)					
ML250 (Cont'd.)					
Disc Brake Rotor	2015	Front-All Exc. Sport Package		PRT6189	
	2015	Rear-All Exc. Sport Package		PRT6190	
ML320					
Disc Brake Pad Set	2009-08	Front-All Hardware Included	CFM1123		
	2009-08	Front-All Hardware Not Included		SBM1123	
	2007	Front-All w/ 17", 18" Wheels	CFM1123	SBM1123	
	2003-98	Front-All Hardware Included	CFM760	SBM760	
	2009-07	Rear-All Hardware Included	CFM1122	SBM1122	
	2003-99	Rear-All Hardware Included	CFM875	SBM875	
	1998	Rear-All From 12/98	CFM875	SBM875	
	1998	Rear-All To 12/98		SBM761	
Parking Brake Shoe	2009-07	Rear-All		870	
	2003-98	Rear-All		777	
Disc Brake Rotor	2009-07	Front-All Vented; 330mm	BPR5869	PRT5869	
	2003-98	Rear-All	BPR5201	PRT5201	
	2009-07	Rear-All Solid Rotors; Solid; 330.2mm	BPR5870	PRT5870	
	2009-07	Rear-All Vented Rotors; Vented; 330mm		PRT5872	
	2003-98	Rear-All	BPR5199	PRT5199	
ML350					
Disc Brake Pad Set	2015-14	Front-All Hardware Included	CFC1629	SBC1629	MKD1629FM
	2013-12	Front-All Base, Hardware Included	CFC1629	SBC1629	MKD1629FM
	2013-12	Front-All Bluetec 4Matic, Hardware Included	CFC1629	SBC1629	MKD1629FM
	2013	Front-All 4Matic, Hardware Included	CFC1629	SBC1629	MKD1629FM
	2011-06	Front-All Hardware Included	CFM1123		
	2011-06	Front-All Hardware Not Included		SBM1123	
	2005-03	Front-All Hardware Included	CFM760	SBM760	
	2015-14	Rear-All w/ Solid Rotors	CFM1630A	SBM1630A	
	2015	Rear-All w/ Vented Rotors	CFC1630	SBC1630	
	2013-12	Rear-All w/ Vented Rotors	CFC1630	SBC1630	
	2011-06	Rear-All Hardware Included	CFM1122	SBM1122	
	2005-03	Rear-All Hardware Included	CFM875	SBM875	
Parking Brake Shoe	2011-06	Rear-All		870	
	2005-03	Rear-All		777	
Disc Brake Rotor	2015-13	Front-All Exc. sport package		PRT6189	
	2013-12	Front-All Sport Package		PRT6210	
	2012	Front-All Except sport package		PRT6189	
	2011-06	Front-All Vented; 330mm	BPR5869	PRT5869	
	2005-03	Front-All	BPR5201	PRT5201	
	2015-13	Rear-All Exc. sport package		PRT6190	
	2013-12	Rear-All Sport Package		PRT6191	
	2012	Rear-All Except sport package		PRT6190	
	2011-10	Rear-All Solid; 330.2mm	BPR5870	PRT5870	
	2009-06	Rear-All Exc. 18" Wheels; Solid; 330.2mm	BPR5870	PRT5870	
	2006	Rear-All 18" Wheels; Vented; 330mm		PRT5872	
	2005-03	Rear-All	BPR5199	PRT5199	
ML400					
Disc Brake Pad Set	2015	Front-All Hardware Included	CFC1629	SBC1629	MKD1629FM
	2015	Rear-All w/ Solid Rotors	CFM1630A	SBM1630A	
Disc Brake Rotor	2015	Front-All Exc. Sport Package		PRT6243	
ML430					
Disc Brake Pad Set	2001-00	Front-All Pad 1 Drilled	CFM847K1	SBM847	
	2001-00	Front-All Pads 1 & 2 Drilled, Drill Offset Between Pads 1 & 2	CFM847AK1		
	2001-00	Front-All Pads 1 & 2 Drilled, Drill Offset Difference Between Pads 1 & 2		SBM847A	
	1999-98	Front-All Hardware Included	CFM760	SBM760	
	2001-00	Rear-All Hardware Not Included		SBM874	
	1999	Rear-All Hardware Included	CFM875	SBM875	
	1998	Rear-All w/ Electronic Wear Sensor	CFM875	SBM875	
Parking Brake Shoe	2001-99	Rear-All		777	
Disc Brake Rotor	2001-00	Front-All		PRT5332	
	1999	Front-All	BPR5201	PRT5201	
	2001-00	Rear-All		PRT5331	
	1999	Rear-All	BPR5199	PRT5199	
ML450					
Disc Brake Pad Set	2011-10	Front-All Hardware Included	CFM1123		
	2011-10	Front-All Hardware Not Included		SBM1123	
	2011-10	Rear-All Hardware Included	CFM1122	SBM1122	
Parking Brake Shoe	2011-10	Rear-All		870	
Disc Brake Rotor	2011-10	Front-All Vented; 330mm	BPR5869	PRT5869	
	2011-10	Rear-All Solid; 330.2mm	BPR5870	PRT5870	
ML500					
Disc Brake Pad Set	2007-06	Front-All Hardware Included	CFM1123		

BENDIX BRAKE PARTS

PART TYPE	YEAR	APPLICATION	PREMIUM NO.	PART NO.	SEVERE DUTY NO.
Mercedes-Benz (Cont'd.)					
ML500 (Cont'd.)					
Disc Brake Pad Set (cont'd)	2007-06	Front-All Hardware Not Included		SBM1123	
	2005-02	Front-All Pad 1 Drilled	CFM847K1	SBM847	
	2005-02	Front-All Pads 1 & 2 Drilled, Drill Offset Between Pads 1 & 2	CFM847AK1		
	2005-02	Front-All Pads 1 & 2 Drilled, Drill Offset Difference Between Pads 1 & 2		SBM847A	
	2007-06	Rear-All Hardware Included	CFM1122	SBM1122	
	2005-02	Rear-All Hardware Not Included		SBM874	
Parking Brake Shoe	2007-06	Rear-All		870	
	2005-02	Rear-All		777	
Disc Brake Rotor	2007-06	Front-All Exc. 18" Wheels; Vented; 330mm	BPR5869	PRT5869	
	2006	Front-All 18" Wheels; Vented; 350.2mm	BPR5871	PRT5871	
	2005-02	Front-All		PRT5332	
	2007-06	Rear-All Solid Rotors; Solid; 330.2mm	BPR5870	PRT5870	
	2007-06	Rear-All Vented Rotors; Vented; 330mm		PRT5872	
	2005-02	Rear-All		PRT5331	
ML550					
Disc Brake Pad Set	2015	Front-All Hardware Included	CFC1629	SBC1629	MKD1629FM
	2014-12	Front-All w/ 16.2mm Overall Pad Thickness	CFC1636	SBC1636	
	2014-12	Front-All w/ 18.1mm Overall Pad Thickness	CFC1636A	SBC1636A	
	2011-08	Front-All Hardware Included	CFM1123		
	2011-08	Front-All Hardware Not Included		SBM1123	
	2015-14	Rear-All w/ Solid Rotors	CFM1630A	SBM1630A	
	2013-08	Rear-All Hardware Included	CFM1122	SBM1122	
Parking Brake Shoe	2011-08	Rear-All		870	
Disc Brake Rotor	2014-12	Front-All		PRT6244	
	2011-08	Front-All Vented; 350.2mm	BPR5871	PRT5871	
	2013-12	Rear-All		PRT6191	
	2011-08	Rear-All Vented; 330mm		PRT5872	
R63 AMG					
Disc Brake Pad Set	2007	Front-All Hardware Not Included		SBM1271	
	2007	Rear-All Hardware Not Included		SBM1290	
Parking Brake Shoe	2007	Rear-All		870	
Disc Brake Rotor	2007	Front-All		PRT6372	
	2007	Rear-All		PRT6371	
R320					
Disc Brake Pad Set	2009-07	Front-All Hardware Included	CFM1123		
	2009-07	Front-All Hardware Not Included		SBM1123	
	2009-07	Rear-All Hardware Included	CFM1122	SBM1122	
Parking Brake Shoe	2009-07	Rear-All		870	
Disc Brake Rotor	2009-07	Front-All Vented; 330mm	BPR5869	PRT5869	
	2009-07	Rear-All Solid Rotors; Solid; 330.2mm	BPR5870	PRT5870	
	2009-07	Rear-All Vented Rotors; Vented; 330mm		PRT5872	
R350					
Disc Brake Pad Set	2013-06	Front-All Hardware Included	CFM1123		
	2013-06	Front-All Hardware Not Included		SBM1123	
	2013-06	Rear-All Hardware Included	CFM1122	SBM1122	
Parking Brake Shoe	2011-06	Rear-All		870	
Disc Brake Rotor	2012-11	Front-All Vented; 330mm	BPR5869	PRT5869	
	2010	Front-All Exc. 7 Passenger; Vented; 330mm	BPR5869	PRT5869	
	2009-06	Front-All Vented; 330mm	BPR5869	PRT5869	
	2012-10	Rear-All Vented; 330mm		PRT5872	
	2009-06	Rear-All Solid Rotors; Solid; 330.2mm	BPR5870	PRT5870	
	2009-06	Rear-All Vented Rotors; Vented; 330mm		PRT5872	
R500					
Disc Brake Pad Set	2007-06	Front-All Hardware Included	CFM1123		
	2007-06	Front-All Hardware Not Included		SBM1123	
	2007-06	Rear-All Hardware Included	CFM1122	SBM1122	
Parking Brake Shoe	2007-06	Rear-All		870	
Disc Brake Rotor	2007-06	Front-All Vented; 330mm	BPR5869	PRT5869	
	2007-06	Rear-All Solid; 330.2mm	BPR5870	PRT5870	
S55 AMG					
Disc Brake Pad Set	2006-03	Front-All Hardware Not Included		SBM983	
	2002-01	Front-All Pad 1 Drilled	CFM847K1	SBM847	
	2002-01	Front-All Pads 1 & 2 Drilled, Drill Offset Between Pads 1 & 2	CFM847AK1		
	2002-01	Front-All Pads 1 & 2 Drilled, Drill Offset Difference Between Pads 1 & 2		SBM847A	
	2003	Rear-V8 - 5.5L To Chassis/VIN #A 315856		SBM848	
	2002-01	Rear-All Hardware Not Included		SBM848	
Parking Brake Shoe	2006-05	Rear-All		822	
	2002-01	Rear-All		822	
Disc Brake Rotor	2002-01	Front-All 4 Piston Caliper		PRT5447	

BENDIX BRAKE PARTS

PART TYPE	YEAR	APPLICATION	PREMIUM NO.	PART NO.	SEVERE DUTY NO.
Mercedes-Benz (Cont'd.)					
S55 AMG (Cont'd.)					
Disc Brake Rotor (cont'd)	2002-01	Rear-All		PRT5426	
S63 AMG					
Disc Brake Pad Set	2017	Front-All Hardware Not Included		SBM1291	
	2016	Front-All w/o Ceramic Brakes		SBM1291	
	2015-14	Front-All Hardware Not Included		SBM1291	
	2013-08	Front-All Hardware Not Included		SBM1289	
	2019-18	Rear-All w/o Ceramic Composite Brakes	CFM1907	SBM1907	
	2017-14	Rear-All Hardware Included	CFM1907	SBM1907	
	2013-08	Rear-All Hardware Not Included		SBM1290	
Disc Brake Rotor	2012-09	Rear-All		PRT6262	
S65 AMG					
Disc Brake Pad Set	2016-15	Front-All w/o Ceramic Brakes		SBM1291	
	2013-07	Front-All Hardware Not Included		SBM1289	
	2006	Front-All Hardware Not Included		SBM983	
	2018	Rear-All w/o Ceramic Composite Brakes	CFM1907	SBM1907	
	2017	Rear-All Hardware Not Included	CFM1681	SBM1681	
	2016	Rear-All Hardware Included	CFM1907	SBM1907	
	2015	Rear-All w/ Ceramic Brakes	CFM1681	SBM1681	
	2013-07	Rear-All Hardware Not Included		SBM1290	
Parking Brake Shoe	2006	Rear-All		822	
S65L AMG					
Disc Brake Pad Set	2016	Rear-All Hardware Included	CFM1907	SBM1907	
S320					
Disc Brake Pad Set	1999-95	Front-All Hardware Not Included		SBM577	
	1994	Front-All Late		SBM577	
	1999-94	Rear-All Hardware Not Included		SBC603	
Disc Brake Rotor	1999-94	Front-All 310mm Rotor Diameter		PRT1812	
	1999-94	Front-All 320mm Rotor Diameter		PRT5373	
	1999-94	Rear-All		PRT5248	
S350					
Disc Brake Pad Set	2013-12	Front-All Hardware Included	CFM1223	SBM1223	
	2006	Front-All Pad 1 Drilled	CFM847K1	SBM847	
	2006	Front-All Pads 1 & 2 Drilled, Drill Offset Between Pads 1 & 2	CFM847AK1		
	2006	Front-All Pads 1 & 2 Drilled, Drill Offset Difference Between Pads 1 & 2		SBM847A	
	1995	Front-All Hardware Not Included		SBM577	
	1994	Front-All Late		SBM577	
	1995-94	Rear-All Hardware Not Included		SBC603	
Parking Brake Shoe	2006	Rear-All		822	
Disc Brake Rotor	2013-12	Front-All		PRT6263	
	2012	Front-All	BPR6263		
	2006	Front-All Vented; 312mm	BPR6273		
	1995	Front-All 310mm Rotor Diameter		PRT1812	
	2013	Rear-All		PRT6108	
	2012	Rear-All Exc. Sport		PRT6108	
	2012	Rear-All SPORT	BPR6272		
	2006	Rear-All Solid; 300mm	BPR5479	PRT5479	
	1995-94	Rear-All		PRT5248	
S400					
Disc Brake Pad Set	2013	Front-All Hardware Included	CFM1223	SBM1223	
	2012	Front-V6 - 3.5L Hybrid, ELECTRIC/GAS, Hardware Included	CFM1223	SBM1223	
	2011-10	Front-All Hardware Included	CFM1223	SBM1223	
	2011	Rear-All Hardware Included	CFC1424		
	2011	Rear-All Hardware Not Included		SBM986	
Disc Brake Rotor	2013-10	Front-All Exc. Sport	BPR6271		
	2013	Front-All		PRT6271	
	2012-10	Front-All exc. Sport Package		PRT6271	
	2012-10	Front-All SPORT	BPR6263	PRT6263	
	2012-10	Rear-All Exc. Sport	BPR6270		
	2012-10	Rear-All Hybrid, exc. Sport Package		PRT6270	
	2012-10	Rear-All SPORT	BPR6272		
S420					
Disc Brake Pad Set	1999-98	Front-All Hardware Not Included		SBM577	
	1997-96	Front-V8 - 4.2L Hardware Not Included		SBM577	
	1995-94	Front-All Hardware Not Included		SBM577	
	1999-98	Rear-All Hardware Not Included		SBC603	
	1997-96	Rear-V8 - 4.2L Hardware Not Included		SBC603	
	1995-94	Rear-All Hardware Not Included		SBC603	
Disc Brake Rotor	1999-94	Rear-All Vented; 300mm		PRT1813	

BENDIX BRAKE PARTS

PART TYPE	YEAR	APPLICATION	PREMIUM NO.	PART NO.	SEVERE DUTY NO.	
Mercedes-Benz (Cont'd.)						
S430						
Disc Brake Pad Set	2006-05	Front-All Base, Pad 1 Drilled	CFM847K2	SBM847		
	2006-05	Front-All Base, Pads 1 & 2 Drilled, Drill Offset Between Pads 1 & 2	CFM847AK2			
	2006-05	Front-All Base, Pads 1 & 2 Drilled, Drill Offset Difference Between Pads 1 & 2		SBM847A		
	2006-03	Front-All 4Matic, Hardware Not Included		SBM682		
	2004-03	Front-All Base, RWD, Pad 1 Drilled	CFM847K2	SBM847		
	2004-03	Front-All Base, RWD, Pads 1 & 2 Drilled, Drill Offset Between Pads 1 & 2	CFM847AK2			
	2004-03	Front-All Base, RWD, Pads 1 & 2 Drilled, Drill Offset Difference Between Pads 1 & 2		SBM847A		
	2002-00	Front-All Pad 1 Drilled	CFM847K2	SBM847		
	2002-00	Front-All Pads 1 & 2 Drilled, Drill Offset Between Pads 1 & 2	CFM847AK2			
	2002-00	Front-All Pads 1 & 2 Drilled, Drill Offset Difference Between Pads 1 & 2		SBM847A		
	2002-00	Rear-All Hardware Not Included		SBM848		
	Parking Brake Shoe	2006-00	Rear-All		822	
Disc Brake Rotor	2006-03	Front-All 4Matic, Vented; 330mm		PRT5874		
	2006-03	Front-All Base, Vented; 312mm	BPR6273			
	2002-00	Front-All Cross Drilled Rotor	BPR5470	PRT6310		
	2002-00	Front-All exc. Cross Drilled Rotor		PRT5470		
	2006-03	Rear-All 4Matic, Vented; 300mm	BPR5435	PRT5435		
	2006-03	Rear-All Base, Solid; 300mm	BPR5479	PRT5479		
	2002-00	Rear-All Vented; 300mm	BPR5435	PRT5435		
S450						
Disc Brake Pad Set	2019-18	Front-All Hardware Not Included	CFM1688	SBM1688		
	2011-08	Front-All Hardware Included	CFM1223	SBM1223		
	2019-18	Rear-All Hardware Not Included	CFM1689	SBM1689		
Disc Brake Rotor	2010-08	Front-All	BPR6263	PRT6263		
	2010-08	Rear-All	BPR6272			
S500						
Disc Brake Pad Set	2006-03	Front-All 4Matic, Hardware Not Included		SBM682		
	2006-03	Front-All Base, Exc. Armored Body Equipment		SBM847A		
	2006-03	Front-All Base, Exc. Armored Body Equipment	CFM847AK2	SBM847		
	2006-03	Front-All Base, Exc. Armored Body Equipment	CFM847K2			
	2006-03	Front-All Base, w/ Armored Body Equipment		SBM985		
	2002-00	Front-All Exc. Armored Body Equipment		SBM847A		
	2002-00	Front-All Exc. Armored Body Equipment	CFM847AK2	SBM847		
	2002-00	Front-All Exc. Armored Body Equipment	CFM847K2			
	2002-00	Front-All w/ Armored Body Equipment		SBM985		
	1999-97	Front-All Hardware Not Included		SBM577		
	1996	Front-V8 - 5.0L Hardware Not Included		SBM577		
	1995-94	Front-All Hardware Not Included		SBM577		
	2006-03	Rear-All Base, w/ Armored Body Equipment		SBC603		
	2002-00	Rear-All Exc. Armored Body Equipment		SBM848		
	2002-00	Rear-All w/ Armored Body Equipment		SBC603		
	1999-97	Rear-All Hardware Not Included		SBC603		
	1996	Rear-V8 - 5.0L Hardware Not Included		SBC603		
	1995-94	Rear-All Hardware Not Included		SBC603		
	Parking Brake Shoe	2006-00	Rear-All		822	
	Disc Brake Rotor	2006-03	Front-All AWD, Vented; 330mm		PRT5874	
		2006-03	Front-All RWD, (wo/Armored Body Equipment); Vented; 312mm	BPR6273		
		2002-01	Front-All cross drilled rotor		PRT6310	
		2002-01	Front-All plain rotor		PRT5470	
2002-01		Front-All with Armored Body Equipment		PRT6336		
2002-00		Front-All wo/Armored Body Equipment	BPR5470			
2000		Front-All		PRT6310		
2000		Front-All wo/Armored Body Equipment		PRT5470		
2006-05		Rear-All wo/Armored Body Equipment; Solid; 300mm	BPR5479	PRT5479		
2005		Rear-All w/Armored Body Equipment; Vented; 300mm		PRT1813		
2004-03		Rear-All AWD, (wo/Armored Body Equipment); Vented; 300mm	BPR5435	PRT5435		
2004-03		Rear-All RWD, (w/Armored Body Equipment); Vented; 300mm		PRT1813		
2004		Rear-All RWD, (wo/Armored Body Equipment); Solid; 300mm	BPR5479	PRT5479		
2003		Rear-All RWD, (wo/Armored Body Equipment); Vented; 300mm	BPR5435	PRT5435		
2002-00		Rear-All w/Armored Body Equipment; Vented; 300mm		PRT1813		
2002-00		Rear-All wo/Armored Body Equipment; Vented; 300mm	BPR5435	PRT5435		
1999-94	Rear-All Vented; 300mm		PRT1813			
S550						
Disc Brake Pad Set	2017-16	Front-All Hardware Not Included	CFM1688	SBM1688		
	2013	Front-All Hardware Not Included	CFM1634	SBM1634		

BENDIX BRAKE PARTS

PART TYPE	YEAR	APPLICATION	PREMIUM NO.	PART NO.	SEVERE DUTY NO.
Mercedes-Benz (Cont'd.)					
S550 (Cont'd.)					
Disc Brake Pad Set (cont'd)	2012-07	Front-All Hardware Included	CFM1223	SBM1223	
	2017-16	Rear-All Hardware Not Included	CFM1689	SBM1689	
	2015-14	Rear-All Hardware Not Included	CFM1681	SBM1681	
	2013	Rear-All Hardware Included	CFC1424		
	2013	Rear-All Hardware Not Included		SBM986	
Disc Brake Rotor	2012	Front-All	BPR6263	PRT6263	
	2011-07	Front-All exc. Sport Package	BPR6271	PRT6271	
	2011-07	Front-All SPORT	BPR6263	PRT6263	
	2013-12	Rear-All	BPR6272		
	2011-08	Rear-All exc. Sport Package	BPR6270		
	2011-07	Rear-All exc. Sport Package		PRT6270	
	2011-07	Rear-All SPORT	BPR6272		
2007	Rear-All	BPR6270			
S550e					
Disc Brake Pad Set	2017-15	Front-All Hardware Not Included	CFM1688	SBM1688	
	2017-15	Rear-All Hardware Not Included	CFM1689	SBM1689	
S560					
Disc Brake Pad Set	2019-18	Front-All Hardware Not Included	CFM1688	SBM1688	
	2019-18	Rear-All Hardware Not Included	CFM1689	SBM1689	
S600					
Disc Brake Pad Set	2017-15	Front-All Hardware Not Included		SBM1291	
	2013	Front-All w/o Sport Performance Package	CFM1223	SBM1223	
	2012-07	Front-All Hardware Included	CFM1223	SBM1223	
	2006-01	Front-All Pad 1 Drilled	CFM847K1	SBM847	
	2006-01	Front-All Pads 1 & 2 Drilled, Drill Offset Between Pads 1 & 2	CFM847AK1		
	2006-01	Front-All Pads 1 & 2 Drilled, Drill Offset Difference Between Pads 1 & 2		SBM847A	
	1999-97	Front-All Hardware Not Included		SBM577	
	1996	Front-V12 - 6.0L Hardware Not Included		SBM577	
	1995-94	Front-All Hardware Not Included		SBM577	
	2017-15	Rear-All Hardware Not Included	CFM1681	SBM1681	
	2013	Rear-All Hardware Included	CFC1424		
	2013	Rear-All Hardware Not Included		SBM986	
	2011	Rear-All Hardware Included	CFC1424		
	2011	Rear-All Hardware Not Included		SBM986	
	2002-01	Rear-All Hardware Not Included		SBM848	
	1999-97	Rear-All Hardware Not Included		SBC603	
	1996	Rear-V12 - 6.0L Hardware Not Included		SBC603	
	1995-94	Rear-All Hardware Not Included		SBC603	
	Parking Brake Shoe	2005-01	Rear-All		822
Disc Brake Rotor	2013-07	Front-All		PRT6263	
	2012-07	Front-All	BPR6263		
	2006-01	Front-All		PRT5447	
	2012-07	Rear-All	BPR6272		
	2002-01	Rear-All		PRT5426	
	1999-94	Rear-All Vented; 300mm		PRT1813	
SL55 AMG					
Disc Brake Pad Set	2008-07	Front-All Exc. Performance Package		SBM1291	
	2008-07	Front-All w/ Performance Package		SBM1320	
	2006-03	Front-All Hardware Not Included		SBM983	
Parking Brake Shoe	2008-03	Rear-All		874	
Disc Brake Rotor	2008-07	Front-All wo/Performance Package; Vented; 345mm		PRT6109	
	2006	Front-All exc. Performance Package		PRT6353	
	2005-03	Front-All		PRT6353	
	2008-03	Rear-All		PRT6348	
SL63 AMG					
Disc Brake Pad Set	2019-18	Front-All w/o Ceramic Composite Brakes		SBM1291	
	2017-16	Front-All Hardware Not Included		SBM1291	
	2015	Front-All w/o Ceramic Brakes		SBM1291	
	2014-09	Front-All Hardware Not Included		SBM1291	
	2019-18	Rear-All w/o Ceramic Composite Brakes		SBM1669	
	2017-16	Rear-All Hardware Not Included		SBM1669	
	2015	Rear-All w/ Ceramic Brakes	CFM1681	SBM1681	
	2015	Rear-All w/o Ceramic Brakes		SBM1669	
	2013	Rear-All w/o Ceramic Brakes		SBM1669	
	2012	Rear-All Hardware Not Included		SBM1373	
	2010-09	Rear-All Hardware Not Included		SBM1373	
	Parking Brake Shoe	2012-11	Rear-All		874
2009		Rear-All		874	
Disc Brake Rotor	2015-13	Rear-All exc. Ceramic Composite Brakes		PRT6370	
	2012-09	Rear-All		PRT6348	

BENDIX BRAKE PARTS

PART TYPE	YEAR	APPLICATION	PREMIUM NO.	PART NO.	SEVERE DUTY NO.	
Mercedes-Benz (Cont'd.)						
SL65 AMG						
Disc Brake Pad Set	2018	Front-All w/o Ceramic Composite Brakes		SBM1291		
	2017-16	Front-All Hardware Not Included		SBM1291		
	2015	Front-All w/o Ceramic Brakes		SBM1291		
	2014-13	Front-All Hardware Not Included		SBM1291		
	2011	Front-All w/o Performance Package		SBM1320		
	2011	Front-All w/ Performance Package		SBM1291		
	2010	Front-All Hardware Not Included		SBM1291		
	2009	Front-All Base, Hardware Not Included		SBM1320		
	2009	Front-All Black Series, Hardware Not Included		SBM1291		
	2008-07	Front-All Hardware Not Included		SBM1320		
	2006-05	Front-All Hardware Not Included		SBM983		
	2018	Rear-All w/o Ceramic Composite Brakes		SBM1669		
	2017-16	Rear-All Hardware Not Included		SBM1669		
	2015	Rear-All w/ Ceramic Brakes	CFM1681	SBM1681		
	2015	Rear-All w/o Ceramic Brakes		SBM1669		
	2013	Rear-All Hardware Not Included		SBM1290		
	2010-07	Rear-All Hardware Not Included		SBM1373		
	Parking Brake Shoe	2011	Rear-All		874	
		2009-05	Rear-All		874	
	Disc Brake Rotor	2011	Front-All Performance Brakes		PRT6353	
2015-13		Rear-All exc. Ceramic Composite Brakes		PRT6370		
2011		Rear-All Performance Brakes		PRT6348		
2009		Rear-All Black Series		PRT6348		
SL320						
Disc Brake Pad Set	1997-96	Front-L6 - 3.2L Hardware Not Included		SBM561		
	1995-94	Front-All Hardware Not Included		SBM561		
	1997-96	Rear-L6 - 3.2L Hardware Not Included		SBC603		
	1995-94	Rear-All Hardware Not Included		SBM495		
Parking Brake Shoe	1997-94	Rear-All		816		
Disc Brake Rotor	1997-94	Front-All		PRT1650		
	1997	Rear-All		PRT6294		
	1996-95	Rear-All		PRT1655		
	1994	Rear-All		PRT6294		
SL400						
Disc Brake Pad Set	2016-15	Front-All Hardware Included	CFM1670	SBM1670		
	2016-15	Rear-All Hardware Not Included	CFM1689	SBM1689		
Disc Brake Rotor	2016-15	Front-All		PRT6388		
	2016-15	Rear-All exc. Sport Package		PRT6380		
SL450						
Disc Brake Pad Set	2019-17	Front-All Hardware Included	CFM1670	SBM1670		
	2019-17	Rear-All Hardware Not Included	CFM1689	SBM1689		
SL500						
Disc Brake Pad Set	2017-15	Front-All Hardware Included	CFM1670	SBM1670		
	2006-99	Front-All Pad 1 Drilled	CFM847K2	SBM847		
	2006-99	Front-All Pads 1 & 2 Drilled, Drill Offset Between Pads 1 & 2	CFM847AK2			
	2006-99	Front-All Pads 1 & 2 Drilled, Drill Offset Difference Between Pads 1 & 2		SBM847A		
	1998-96	Front-V8 - 5.0L Hardware Not Included		SBM561		
	1995-94	Front-All Hardware Not Included		SBM561		
	2017-15	Rear-All Hardware Not Included	CFM1689	SBM1689		
	2002-99	Rear-All Hardware Not Included		SBC603		
	1998-96	Rear-V8 - 5.0L Hardware Not Included		SBC603		
	1995-94	Rear-All Hardware Not Included		SBM495		
	Parking Brake Shoe	2006-03	Rear-All		874	
		2002-94	Rear-All		816	
	Disc Brake Rotor	2002-00	Front-All exc. Silver Arrow Edition		PRT6362	
		1999	Front-All		PRT6362	
		1996-95	Front-All		PRT1650	
1994		Front-All 300mm Diameter		PRT1650		
2006-04		Rear-All		PRT6337		
2003		Rear-All Vented Rotors		PRT6108		
2002-00		Rear-All Silver Arrow Edition		PRT6354		
2002-99		Rear-All		PRT5493		
1998		Rear-All exc. Electronic Stability Package		PRT6294		
1998		Rear-All Vented Rotors		PRT5493		
1997		Rear-All		PRT6294		
1996-95		Rear-All		PRT1655		
1994		Rear-All Solid Rotors		PRT1655		
1994		Rear-All Vented Rotors		PRT5493		
SL550						
Disc Brake Pad Set	2019-16	Front-All Hardware Included	CFM1670	SBM1670		
	2015	Front-All w/o Sport Package	CFM1670	SBM1670		

BENDIX BRAKE PARTS

PART TYPE	YEAR	APPLICATION	PREMIUM NO.	PART NO.	SEVERE DUTY NO.
Mercedes-Benz (Cont'd.)					
SL550 (Cont'd.)					
Disc Brake Pad Set (cont'd)	2015	Front-All w/ Sport Package	CFM1688	SBM1688	
	2014	Front-All Hardware Included	CFM1670	SBM1670	
	2013	Front-All w/o Sport Package	CFM1670	SBM1670	
	2013	Front-All w/ Sport Package	CFM1688	SBM1688	
	2012	Front-All Base, w/o Sport Package		SBM847A	
	2012	Front-All Base, w/o Sport Package	CFM847AK2	SBM847	
	2012	Front-All Base, w/o Sport Package	CFM847K2		
	2012	Front-All Base, w/ Sport Package	CFM1223	SBM1223	
	2011	Front-All Pad 1 Drilled	CFM847K2	SBM847	
	2011	Front-All Pads 1 & 2 Drilled, Drill Offset Between Pads 1 & 2	CFM847AK2		
	2011	Front-All Pads 1 & 2 Drilled, Drill Offset Difference Between Pads 1 & 2		SBM847A	
	2010	Front-All Hardware Included	CFM1223	SBM1223	
	2009-07	Front-All Pad 1 Drilled	CFM847K2	SBM847	
	2009-07	Front-All Pads 1 & 2 Drilled, Drill Offset Between Pads 1 & 2	CFM847AK2		
	2009-07	Front-All Pads 1 & 2 Drilled, Drill Offset Difference Between Pads 1 & 2		SBM847A	
	2019-13	Rear-All Hardware Not Included	CFM1689	SBM1689	
	2012	Rear-All Avantgarde, Hardware Included	CFC1424		
	2012	Rear-All Avantgarde, Hardware Not Included		SBM986	
	2012	Rear-All Grand Edition, Hardware Included	CFC1424		
	2012	Rear-All Grand Edition, Hardware Not Included		SBM986	
	2011-10	Rear-All Hardware Included	CFC1424		
	2011-10	Rear-All Hardware Not Included		SBM986	
Parking Brake Shoe	2012-11	Rear-All		874	
	2009-07	Rear-All		874	
Disc Brake Rotor	2016	Front-All		PRT6388	
	2015-13	Front-All exc. Sport Package		PRT6388	
	2012-11	Front-All Exc. Sport Package	BPR6113	PRT6113	
	2012-11	Front-All SPORT	BPR6263	PRT6263	
	2010-07	Front-All	BPR6113	PRT6113	
	2016-13	Rear-All exc. Sport Package		PRT6380	
	2012-09	Rear-All exc. Sport Package	BPR6270	PRT6270	
	2012-09	Rear-All Sport Package		PRT6367	
	2008-07	Rear-All	BPR6270	PRT6270	
SL600					
Disc Brake Pad Set	2011-08	Front-All Hardware Not Included		SBM1291	
	2007-04	Front-All Hardware Not Included		SBM983	
	2002-00	Front-All Pad 1 Drilled	CFM847K1	SBM847	
	2002-00	Front-All Pads 1 & 2 Drilled, Drill Offset Between Pads 1 & 2	CFM847AK1		
	2002-00	Front-All Pads 1 & 2 Drilled, Drill Offset Difference Between Pads 1 & 2		SBM847A	
	1999	Front-All Hardware Not Included		SBM561	
	1998-96	Front-V12 - 6.0L Hardware Not Included		SBM561	
	1995-94	Front-All Hardware Not Included		SBM561	
	2002-99	Rear-All Hardware Not Included		SBC603	
	1998-96	Rear-V12 - 6.0L Hardware Not Included		SBC603	
	1995-94	Rear-All Hardware Not Included		SBC603	
Parking Brake Shoe	2009-04	Rear-All		874	
	2002-94	Rear-All		816	
Disc Brake Rotor	2009-04	Front-All		PRT6353	
	2002-00	Front-All exc. Silver Arrow Edition		PRT6362	
	1999	Front-All		PRT6362	
	1996-95	Front Left-All		PRT5437	
	1996-95	Front Right-All		PRT5438	
	2009-04	Rear-All		PRT6351	
	2002-00	Rear-All Silver Arrow Edition		PRT6354	
	2002-94	Rear-All WO/CODE: 30		PRT5493	
SLC43 AMG					
Disc Brake Pad Set	2018-17	Front-All Hardware Not Included	CFM1634	SBM1634	
	2018	Rear-All Hardware Included	CFC1630	SBC1630	
	2017	Rear-All w/ Vented Rotors	CFC1630	SBC1630	
SLC300					
Disc Brake Pad Set	2019-17	Front-All Hardware Included	CFC1342	SBC1342	
	2019-17	Rear-All Hardware Not Included	CFM1646	SBM1646	
SLK32 AMG					
Disc Brake Pad Set	2004-02	Front-All Hardware Not Included		SBM682	
	2004-02	Rear-All Hardware Not Included		SBC603	
Parking Brake Shoe	2004-02	Rear-All		816	
Disc Brake Rotor	2004-02	Rear-All		PRT5741	

BENDIX BRAKE PARTS

PART TYPE	YEAR	APPLICATION	PREMIUM NO.	PART NO.	SEVERE DUTY NO.
Mercedes-Benz (Cont'd.)					
SLK55 AMG					
Disc Brake Pad Set	2016-15	Front-All Hardware Not Included	CFM1634	SBM1634	
	2014	Front-All Hardware Not Included	CFM1688	SBM1688	
	2013-12	Front-All Hardware Not Included	CFM1634	SBM1634	
	2011	Front-All Hardware Not Included		SBM1116	
	2010-05	Front-All Exc. Performance Package		SBM847A	
	2010-05	Front-All Exc. Performance Package	CFM847AK1	SBM847	
	2010-05	Front-All Exc. Performance Package	CFM847K1		
	2016-12	Rear-All w/ Vented Rotors	CFC1630	SBC1630	
	2010-07	Rear-All Exc. Performance Package		SBC603	
	Parking Brake Shoe	2010-05	Rear-All		816
Disc Brake Rotor	2016-12	Front-All exc. Performance Package		PRT6353	
	2010-07	Front-All Exc.Performance Package; Vented; 345mm		PRT6109	
	2010	Front-All Without performance package		PRT5928	
	2009-08	Front-All		PRT5928	
	2016-12	Rear-All		PRT6379	
	2010-07	Rear-All Exc.Performance Package		PRT5741	
	2010-05	Rear-All		PRT6290	
SLK230					
Disc Brake Pad Set	2004-98	Front-All Hardware Included		SBM710	
	2004-98	Rear-All Hardware Included	CFM779	SBM779	
Parking Brake Shoe	2004-98	Rear-All		816	
Disc Brake Rotor	2004-98	Front-All		PRT5492	
	2004-98	Rear-All Solid		PRT5459	
SLK250					
Disc Brake Pad Set	2015	Front-All w/o Sport Package	CFC1340	SBC1340	
	2015	Front-All w/ Sport Package	CFC1342	SBC1342	
	2014-13	Front-All Hardware Included	CFC1340	SBC1340	
	2012	Front-All w/ Sport Package	CFC1342	SBC1342	
	2015-12	Rear-All Hardware Not Included	CFM1646	SBM1646	
Disc Brake Rotor	2015	Front-All Exc. Sport Package		PRT6072	
	2014-12	Rear-All		PRT6193	
SLK280					
Disc Brake Pad Set	2008-06	Front-All Hardware Included	CFM872	SBM872	
	2008-06	Rear-All Hardware Included	CFM779	SBM779	
Parking Brake Shoe	2008-06	Rear-All		816	
Disc Brake Rotor	2008-06	Front-All	BPR5494	PRT5494	
	2008-06	Rear-All Solid		PRT5459	
SLK300					
Disc Brake Pad Set	2016	Front-All Hardware Included	CFC1342	SBC1342	
	2011	Front-All w/o Sports Package	CFM872	SBM872	
	2011	Front-All w/ Sports Package	CFM1121	SBM1121	
	2010-09	Front-All Hardware Included	CFM872	SBM872	
	2016	Rear-All Hardware Not Included	CFM1646	SBM1646	
	2011-09	Rear-All Hardware Included	CFM779	SBM779	
	Parking Brake Shoe	2011-09	Rear-All		816
Disc Brake Rotor	2011	Front-All Exc. Sport Package; Vented; 350.2mm	BPR5871	PRT5871	
	2011	Front-All SPORT; Vented; 330mm	BPR5869	PRT5869	
	2010-09	Front-All Vented; 350.2mm	BPR5871	PRT5871	
	2009	Front-All		PRT5928	
	2011-09	Rear-All Exc. Sport; Solid		PRT5459	
	2011-09	Rear-All SPORT; Solid; 289.7mm	BPR5277	PRT5277	
SLK320					
Disc Brake Pad Set	2004-01	Front-All Hardware Included	CFM740		
	2004-01	Front-All Hardware Not Included		SBM740	
	2004-01	Rear-All Hardware Included	CFM779	SBM779	
Disc Brake Rotor	2004-01	Front-All	BPR5494	PRT5494	
	2004-01	Rear-All Solid		PRT5459	
SLK350					
Disc Brake Pad Set	2016-12	Front-All Hardware Included	CFC1342	SBC1342	
	2011-07	Front-All Hardware Included	CFM1121		
	2011-07	Front-All Hardware Not Included		SBM1121	
	2006	Front-All From 1/3/06	CFM1121	SBM1121	
	2006	Front-All To 1/3/06		SBM847A	
	2006	Front-All To 1/3/06	CFM847AK1	SBM847	
	2006	Front-All To 1/3/06	CFM847K1		
	2005	Front-All Pad 1 Drilled	CFM847K1	SBM847	
	2005	Front-All Pads 1 & 2 Drilled, Drill Offset Between Pads 1 & 2	CFM847AK1		
	2005	Front-All Pads 1 & 2 Drilled, Drill Offset Difference Between Pads 1 & 2		SBM847A	
	2016-12	Rear-All Hardware Not Included	CFM1646	SBM1646	
	2011-05	Rear-All Hardware Included	CFM876	SBM876	
	Parking Brake Shoe	2011-05	Rear-All		816

BENDIX BRAKE PARTS

PART TYPE	YEAR	APPLICATION	PREMIUM NO.	PART NO.	SEVERE DUTY NO.
Mercedes-Benz (Cont'd.)					
SLK350 (Cont'd.)					
Disc Brake Rotor	2015-12	Front-All		PRT6192	
	2011-05	Front-All	BPR5858	PRT5858	
	2014-12	Rear-All		PRT6193	
	2011-05	Rear-All Solid; 289.7mm	BPR5277	PRT5277	
SLR McLaren					
Disc Brake Pad Set	2009-05	Front-All Hardware Not Included		SBM983	
Parking Brake Shoe	2009-05	Rear-All		874	
SLS AMG					
Disc Brake Pad Set	2015	Front-All w/o Ceramic Brakes		SBM1291	
	2014-13	Front-All Hardware Not Included		SBM1291	
	2012-11	Front-All w/o Ceramic Composite Brakes		SBM1291	
Disc Brake Rotor	2015-11	Rear-All exc. Ceramic Composite Brakes		PRT6369	
Sprinter					
Disc Brake Pad Set	2014-07	Front-All Hardware Included	CFM1699	SBM1699	MKD1699FM
	2006-04	Front-All Hardware Included			MKD950FM
	2006-04	Front-All Hardware Not Included		SBM950	
	2006-04	Rear-All Hardware Not Included		SBM951	MKD951FM
Sprinter 2500					
Disc Brake Pad Set	2017-13	Front-All Hardware Included		SBM1693	MKD1693FM
	2012-10	Front-V6 - 3.0L DIESEL, Hardware Included		SBM1693	MKD1693FM
	2017-13	Rear-All Hardware Included	CFM1317	SBM1317	MKD1317FM
	2012-11	Rear-V6 - 3.0L DIESEL, Hardware Included	CFM1317	SBM1317	MKD1317FM
	2010	Rear-All Hardware Included	CFM1317	SBM1317	MKD1317FM
Parking Brake Shoe	2015	Rear-All		938	
	2012	Rear-All w/ 6.32" X 1.58" Brakes		938	
	2011	Rear-All w/ 6.32" X 1.58" Brakesw/ 6.32" X 1.58" Brakes		938	
	2010	Rear-All w/ 6.32" X 1.58" Brakes		938	
Disc Brake Rotor	2012-10	Front-All		PRT5825	SDR5825
	2015-10	Rear-All		PRT5826	
	2012-10	Rear-All			SDR5826
Sprinter 3500					
Disc Brake Pad Set	2016-13	Front-All Hardware Included	CFM1699	SBM1699	MKD1699FM
	2012-10	Front-V6 - 3.0L DIESEL, Hardware Included	CFM1699	SBM1699	MKD1699FM
	2017	Rear-All Hardware Included	CFM1317	SBM1317	MKD1317FM
	2016-15	Rear-All Hardware Included	CFM1318	SBM1318	MKD1318FM
	2014-13	Rear-All w/ Dual Rear Wheels	CFM1318	SBM1318	MKD1318FM
	2014-13	Rear-All w/ Single Rear Wheels	CFM1317	SBM1317	MKD1317FM
	2012-10	Rear-V6 - 3.0L DIESEL, w/ Dual Rear Wheels	CFM1318	SBM1318	MKD1318FM
	2012-10	Rear-V6 - 3.0L DIESEL, w/ Single Rear Wheels	CFM1317	SBM1317	MKD1317FM
Parking Brake Shoe	2015	Rear-All w/ Dual Rear Wheels		940	
	2014-10	Rear-All w/ 6.82" X 1.65" Brakes		940	
Disc Brake Rotor	2016-10	Front-All		PRT5825	
	2012-10	Front-All			SDR5825
	2015-10	Rear-All Solid Rotors		PRT5826	SDR5826
	2012-10	Rear-All Vented Rotors		PRT5827	SDR5827
Mercury					
Bobcat					
Disc Brake Pad Set	1980-75	Front-All Hardware Included		SBM90	
Drum Brake Shoe	1980-75	Rear-All w/ 9" X 1-3/4" Brakes		474	
	1980-75	Rear-All w/ 9" X 1-3/4" Brakes		569	
Disc Brake Rotor and Hub Assembly	1980-75	Front-All		PRT1077	
Brake Drum	1980-75	Rear-All		PDR0371	
Brougham					
Drum Brake Shoe	1967	Rear-All w/ 11" X 2.31" Brakes		263	
Caliente					
Disc Brake Rotor and Hub Assembly	1967-66	Front-All		PRT1017	
Brake Drum	1967-66	Front-All		PDR0010	
	1965-64	Front-All 9" Brakes		PDR0138	
	1967-66	Rear-All 10 x 2" Brakes		PDR0136	
	1967-64	Rear-All 10 x 1 3/4" Brakes		PDR0127	
	1965-64	Rear-All 9 x 1 1/2" Brakes		PDR0139	
	1965-64	Rear-All 9 x 2 1/4" Brakes		PDR0138	
Capri					
Disc Brake Pad Set	1994-91	Front-All Hardware Not Included		SBM319	
	1986-84	Front-All Hardware Not Included		SBM310	
	1983-82	Front-All Hardware Not Included		SBM152	
	1994-91	Rear-All Hardware Not Included		SBC366	
Drum Brake Shoe	1986-79	Rear-All w/ 9" X 1-3/4" Brakes		474	
	1986-79	Rear-All w/ 9" X 1-3/4" Brakes		569	
Disc Brake Rotor	1994-91	Front-All		PRT1596	

BENDIX BRAKE PARTS

PART TYPE	YEAR	APPLICATION	PREMIUM NO.	PART NO.	SEVERE DUTY NO.
Mercury (Cont'd.)					
Capri (Cont'd.)					
Disc Brake Rotor (cont'd)	1977-71	Front-All		PRT1106	
Disc Brake Rotor and Hub Assembly	1986-84	Front-All		PRT1169	
	1983	Front-L4 - 2.3L		PRT1169	
	1983	Front-V6 - 3.8L		PRT1169	
	1982	Front-All		PRT1169	
	1981-80	Front-All		PRT1175	
	1979	Front-All		PRT1169	
	1994-91	Rear-All		PRT1501	
Brake Drum	1986-79	Rear-All 9 x 1 3/4" Brakes		PDR0371	
	1983-81	Rear-All 10 x 1 3/4" Brakes		PDR0372	
Colony Park					
Disc Brake Pad Set	1991-90	Front-All Hardware Not Included		SBM150	
	1989-87	Front-All w/ Phenolic Piston Caliper		SBM199	
	1974-73	Front-All Hardware Included		SBM50	
	1991-90	Rear-All Hardware Included		SBC662	
Drum Brake Shoe	1968-67	Front-All		265	
	1968-67	Rear-All		263	
Disc Brake Rotor	1991-90	Front-All Wagon		PRT1621	SDR1621
	1991	Rear-All Wagon		PRT1547	
Disc Brake Rotor and Hub Assembly	1991-87	Front-All Wagon		PRT1176	
	1974	Front-All		PRT1079	
	1973	Front-All		PRT1070	
	1972-70	Front-All		PRT1016	
Brake Drum	1991-90	Rear-All Wagon		PDR0383	
	1989-87	Rear-All Wagon, 10" Brakes		PDR0569	
	1989-87	Rear-All Wagon, 11 1/32 X 2 1/4" Brakes		PDR0383	
	1974-73	Rear-All w/Finned Drum		PDR0273	
Comet					
Disc Brake Pad Set	1977-74	Front-All Hardware Not Included		SBM91	
	1972	Front-All Hardware Included		SBM50	
	1971	Front-All Hardware Not Included		SBC34	
	1969-68	Front-All Hardware Not Included		SBC34	
	1967	Front-All Hardware Not Included		SBC11	
	Drum Brake Shoe	1971	Front-L6 - 4.1L w/ 10" X 2-1/4" Brakes		154
1971		Front-V8 - 5.0L w/ 10" X 2-1/4" Brakes		154	
1969-68		Front-V8 - 5.0L Sedan		154	
1969		Front-L6 - 4.1L Sedan		154	
1968-67		Front-L6 - 3.3L Sedan		154	
1968-65		Front-V8 - 4.7L Sedan		154	
1967		Front-L6 - 2.8L Sedan		154	
1965		Front-V8 - 4.3L 4 Doors, Wagon		154	
1965		Front-V8 - 4.7L 4 Doors, Wagon		154	
1965		Front-V8 - 7.0L 4 Doors, Wagon		154	
1964		Front-V8 - 4.3L 2 Doors		154	
1964		Front-V8 - 4.3L 4 Doors		154	
1964		Front-V8 - 4.7L 2 Doors		154	
1964		Front-V8 - 4.7L 4 Doors		154	
1964		Front-V8 - 7.0L 2 Doors		154	
1964		Front-V8 - 7.0L 4 Doors		154	
1977-73		Rear-All w/ 10" X 1.81" Brakes		151	
1977-73		Rear-All w/ 10" X 1.81" Brakes		267	
1972-71		Rear-L6 - 4.1L Front Drum, w/ 10" X 1.81" Brakes		151	
1972-71		Rear-L6 - 4.1L Front Drum, w/ 10" X 1.81" Brakes		267	
1972-71		Rear-V8 - 5.0L Front Drum, w/ 10" X 1.81" Brakes		151	
1972-71		Rear-V8 - 5.0L Front Drum, w/ 10" X 1.81" Brakes		267	
1972		Rear-V8 - 5.0L Front Disc, Exc. Police Package		152	
1972		Rear-V8 - 5.0L Front Disc, Police Package		263	
1971		Rear-V8 - 5.0L Front Disc		152	
1969-68		Rear-V8 - 5.0L 4 Doors, Wagon, Front Drum		152	
1969-66		Rear-V8 - 6.4L Sedan, Front Drum		152	
1969		Rear-All Front Disc		152	
1969		Rear-L6 - 4.1L 4 Doors, Wagon, Front Drum		152	
1969		Rear-L6 - 4.1L Sedan, Front Drum		152	
1969		Rear-V8 - 5.0L Sedan, Front Drum		152	
1969		Rear-V8 - 5.8L Sedan, Front Drum		152	
1968-67		Rear-L6 - 3.3L 4 Doors, Wagon, Front Drum		152	
1968-67		Rear-L6 - 3.3L Sedan, Front Drum		151	
1968-67		Rear-L6 - 3.3L Sedan, Front Drum, In Supersession Process, Exhaust Current Inventory		267	
1968-67		Rear-V8 - 4.7L 4 Doors, Wagon, Front Drum		152	
1968-67		Rear-V8 - 4.7L Sedan, Front Drum		151	
1968-67		Rear-V8 - 4.7L Sedan, Front Drum, In Supersession Process, Exhaust Current Inventory		267	

BENDIX BRAKE PARTS

PART TYPE	YEAR	APPLICATION	PREMIUM NO.	PART NO.	SEVERE DUTY NO.
Mercury (Cont'd.)					
Comet (Cont'd.)					
Drum Brake Shoe (cont'd)	1968-67	Rear-V8 - 6.4L Front Disc		152	
	1968	Rear-V8 - 5.0L Front Disc		151	
	1968	Rear-V8 - 5.0L Front Disc, In Supersession Process, Exhaust Current Inventory		267	
	1968	Rear-V8 - 5.0L Sedan, Front Drum		151	
	1968	Rear-V8 - 5.0L Sedan, Front Drum, In Supersession Process, Exhaust Current Inventory		267	
	1967	Rear-L6 - 2.8L 4 Doors, Wagon, Front Drum		152	
	1967	Rear-L6 - 2.8L Front Disc		151	
	1967	Rear-L6 - 2.8L Front Disc, In Supersession Process, Exhaust Current Inventory		267	
	1967	Rear-L6 - 2.8L Sedan, Front Drum		151	
	1967	Rear-L6 - 2.8L Sedan, Front Drum, In Supersession Process, Exhaust Current Inventory		267	
	1967	Rear-L6 - 3.3L Front Disc		151	
	1967	Rear-L6 - 3.3L Front Disc, In Supersession Process, Exhaust Current Inventory		267	
	1967	Rear-V8 - 4.7L Front Disc		151	
	1967	Rear-V8 - 4.7L Front Disc, In Supersession Process, Exhaust Current Inventory		267	
	1966-65	Rear-V8 - 4.7L Sedan		151	
	1966-65	Rear-V8 - 4.7L Sedan, In Supersession Process, Exhaust Current Inventory		267	
	1966	Rear-V8 - 4.7L 4 Doors, Wagon		152	
	1965	Rear-V8 - 4.3L 4 Doors, Wagon		151	
	1965	Rear-V8 - 4.3L 4 Doors, Wagon, In Supersession Process, Exhaust Current Inventory		267	
	1965	Rear-V8 - 4.7L 4 Doors, Wagon		151	
	1965	Rear-V8 - 4.7L 4 Doors, Wagon, In Supersession Process, Exhaust Current Inventory		267	
	1965	Rear-V8 - 7.0L 4 Doors, Wagon		151	
	1965	Rear-V8 - 7.0L 4 Doors, Wagon, In Supersession Process, Exhaust Current Inventory		267	
	1964	Rear-V8 - 4.3L 2 Doors		151	
	1964	Rear-V8 - 4.3L 2 Doors, In Supersession Process, Exhaust Current Inventory		267	
	1964	Rear-V8 - 4.3L 4 Doors		151	
	1964	Rear-V8 - 4.3L 4 Doors, In Supersession Process, Exhaust Current Inventory		267	
	1964	Rear-V8 - 4.7L 2 Doors		151	
	1964	Rear-V8 - 4.7L 2 Doors, In Supersession Process, Exhaust Current Inventory		267	
	1964	Rear-V8 - 4.7L 4 Doors		151	
	1964	Rear-V8 - 4.7L 4 Doors, In Supersession Process, Exhaust Current Inventory		267	
	1964	Rear-V8 - 7.0L 2 Doors		151	
	1964	Rear-V8 - 7.0L 2 Doors, In Supersession Process, Exhaust Current Inventory		267	
	1964	Rear-V8 - 7.0L 4 Doors		151	
	1964	Rear-V8 - 7.0L 4 Doors, In Supersession Process, Exhaust Current Inventory		267	
Disc Brake Rotor and Hub Assembly	1977-74	Front-All		PRT1086	
	1972-71	Front-All		PRT1019	
	1969-68	Front-All		PRT1018	
	1967-66	Front-All		PRT1017	
Brake Drum	1973	Front-All		PDR0010	
	1972-71	Front-All 9" Brakes		PDR0140	
	1972-71	Front-All 10" Brakes		PDR0010	
	1969-66	Front-All		PDR0010	
	1965-60	Front-All 9" Brakes		PDR0138	
	1973-71	Rear-All 10 x 1 3/4" Brakes		PDR0127	
	1972-71	Rear-All 9 x 1 1/2" Brakes		PDR0139	
	1969-66	Rear-All 10 x 2" Brakes		PDR0136	
	1969-62	Rear-All 10 x 1 3/4" Brakes		PDR0127	
	1965-60	Rear-All 9 x 1 1/2" Brakes		PDR0139	
	1965-60	Rear-All 9 x 2 1/4" Brakes		PDR0138	
Commuter					
Drum Brake Shoe	1968-65	Front-All Police Package		265	
	1964	Front-All		265	
	1961	Front-All		265	
	1968-66	Rear-All Front Disc		263	
	1968-65	Rear-All Front Drum, Police Package		263	
	1964	Rear-All		264	
	1961	Rear-All		264	
Disc Brake Rotor	1968	Front-All		PRT1023	
Cougar					
Disc Brake Pad Set	2002-00	Front-All 4-Wheel ABS, Hardware Not Included		SBM801	

BENDIX BRAKE PARTS

PART TYPE	YEAR	APPLICATION	PREMIUM NO.	PART NO.	SEVERE DUTY NO.	
Mercury (Cont'd.)						
Cougar (Cont'd.)						
Disc Brake Pad Set (cont'd)	2002-00	Front-All Non-ABS, Hardware Not Included		SBC648		
	1999	Front-All Hardware Not Included		SBC648		
	1997	Front-All Rear Disc, Hardware Included		SBC600		
	1996	Front-All Rear Disc, Hardware Included	CFC598	SBC598		
	1996	Front-All Rear Drum, Hardware Included		SBC600		
	1995-93	Front-All Hardware Included		SBC600		
	1992-89	Front-All Hardware Not Included		SBM417		
	1988-87	Front-All Organic Brakes		SBM310		
	1986-85	Front-L4 - 2.3L Organic Brakes	CFM431	SBM431		
	1986-85	Front-L4 - 2.3L Semi-Metallic		SBM310		
	1986-85	Front-V6 - 3.8L Hardware Not Included		SBM310		
	1986-85	Front-V8 - 5.0L Hardware Not Included		SBM310		
	1984-83	Front-All Hardware Not Included		SBM310		
	1982-80	Front-All Hardware Not Included		SBM152		
	1979-74	Front-All Hardware Included		SBM50		
	1973-68	Front-All Hardware Not Included		SBC34		
	1967	Front-All w/ Optional Heavy Duty Brakes		SBC34		
	1967	Front-All w/ Standard Brakes		SBC11		
	2002-01	Rear-All w/o Electronic Wear Sensor		SBM899		
	2002-99	Rear-All w/ Electronic Wear Sensor		SBM899A		
	2000-99	Rear-V6 - 2.5L Hardware Not Included		SBC661		
	1997-93	Rear-All Hardware Not Included		SBC599		
	1992-87	Rear-All Hardware Included		SBC347		
	Drum Brake Shoe	1975-74	Front-All		169	
		1972-70	Front-All		169	
		1969-68	Front-V8 - 5.0L		154	
		1969-67	Front-V8 - 6.4L		169	
		1969	Front-V8 - 7.0L		169	
		1968-67	Front-V8 - 4.7L		154	
		1968	Front-V8 - 7.0L		154	
		2002-99	Rear-All w/ 8" Brakes		742	
		2002-99	Rear-All w/ 9" Brakes		736	
		1997-89	Rear-All w/ 9.84" X 1.85" Brakes		618	
		1988-81	Rear-All w/ 10" Brakes		151	
		1988-81	Rear-All w/ 10" Brakes		267	
1988-80		Rear-All w/ 9" X 1-3/4" Brakes		474		
1988-80		Rear-All w/ 9" X 1-3/4" Brakes		569		
1979-78		Rear-All w/ 11" X 2.31" Brakes		263		
1977		Rear-All 2 Doors, Hardtop		263		
1977		Rear-All 4 Doors, Wagon		264		
1976		Rear-All w/ 11" X 2.31" Brakes		263		
1973-72		Rear-All Front Disc		152		
1971-70		Rear-All		152		
1969-68		Rear-V8 - 5.0L Front Drum		151		
1969-68		Rear-V8 - 5.0L Front Drum, In Supersession Process, Exhaust Current Inventory		267		
1969		Rear-V8 - 5.8L Front Disc		152		
1969		Rear-V8 - 6.4L Front Drum		152		
1969		Rear-V8 - 7.0L		169		
1968-67		Rear-V8 - 4.7L Front Drum		151		
1968-67		Rear-V8 - 4.7L Front Drum, In Supersession Process, Exhaust Current Inventory		267		
1968-67		Rear-V8 - 6.4L Front Drum		169		
1968		Rear-V8 - 6.4L Front Disc		151		
1968		Rear-V8 - 6.4L Front Disc, In Supersession Process, Exhaust Current Inventory		267		
1968		Rear-V8 - 7.0L Front Disc		169		
1968		Rear-V8 - 7.0L Front Drum		151		
1968		Rear-V8 - 7.0L Front Drum, In Supersession Process, Exhaust Current Inventory		267		
Disc Brake Rotor		2002-00	Front-All 15" Wheels		PRT5044	
		2002-00	Front-All 16" Wheels; 278mm		PRT5196	
		1999	Front-L4 - 2.0L		PRT5044	
		1999	Front-V6 - 2.5L 260mm Rotor		PRT5044	
		1999	Front-V6 - 2.5L 278mm Diameter		PRT5196	
		1997-96	Front-All 276mm Rotor		PRT1903	
		1997-96	Front-All 294mm Rotor		PRT5050	
	1995-91	Front-All		PRT1903		
	1990-89	Front-All		PRT1470		
	2002-99	Rear-All		PRT5069		
	1997-96	Rear-V6 - 3.8L		PRT1880		
	1997	Rear-V8 - 4.6L		PRT1880		
	1995-93	Rear-All		PRT1880		
	1992-89	Rear-All		PRT1713FC		
	1988-87	Rear-All		PRT1527FC		

BENDIX BRAKE PARTS

PART TYPE	YEAR	APPLICATION	PREMIUM NO.	PART NO.	SEVERE DUTY NO.
Mercury (Cont'd.)					
Cougar (Cont'd.)					
Disc Brake Rotor and Hub Assembly	1988-80	Front-All		PRT1169	
	1979-74	Front-All		PRT1078	
	1973-70	Front-All		PRT1019	
	1969-68	Front-All		PRT1018	
	1967	Front-All		PRT1017	
Brake Drum	1973-67	Front-All		PDR0010	
	2002-00	Rear-L4 - 2.0L 8 x 1.42" Brakes		PDR0669	
	2002-00	Rear-V6 - 2.5L 9 x 1.42" Brakes		PDR0704	
	1999	Rear-L4 - 2.0L 8" Brakes		PDR0669	
	1999	Rear-V6 - 2.5L 9" Brakes		PDR0704	
	1997-90	Rear-All INC. HUB		PDR0718	
	1989-80	Rear-All 10 x 1 3/4" Brakes		PDR0372	
	1988-85	Rear-All 9 x 1 3/4" Brakes		PDR0371	
	1984-83	Rear-All 9 x 1 3/4" Brakes		PDR0427	
	1982-80	Rear-All 9 x 1 3/4" Brakes		PDR0371	
	1979-76	Rear-All 11 1/32 x 2 1/2" Brakes (Police, HD)		PDR0273	
	1979-76	Rear-All 11 1/32 x 2 1/4" Brakes		PDR0345	
	1975-74	Rear-All 10 x 2" Brakes		PDR0236	
	1973-67	Rear-All 10 x 2" Brakes		PDR0136	
	1971-67	Rear-All 10 x 1 3/4" Brakes		PDR0127	
	Country Cruiser				
Brake Drum	1963	Front-All		PDR0010	
	1963	Rear-All 10 x 1 3/4" Brakes		PDR0127	
	1963	Rear-All 10 x 2" or 10 x 2 1/2" Brakes		PDR0136	
Cyclone					
Disc Brake Pad Set	1971-68	Front-All Hardware Not Included		SBC34	
	1967	Front-All Hardware Not Included		SBC11	
Drum Brake Shoe	1970	Front-All w/ 10" X 2-1/4" Brakes		154	
	1967	Front-All w/ 10" X 2.56" Brakes		169	
	1971-70	Rear-All Front Disc		152	
	1971-69	Rear-All Front Drum, w/ 10" X 2" Rear Brakes		152	
	1968-67	Rear-All w/ 10" X 1-3/4" Brakes		151	
	1968-67	Rear-All w/ 10" X 1-3/4" Brakes		267	
	1968-67	Rear-All w/ 10" X 2" Brakes		152	
	1967	Rear-All w/ 10" X 2.56" Brakes		169	
Disc Brake Rotor and Hub Assembly	1971-70	Front-All		PRT1019	
	1969-68	Front-All		PRT1018	
	1967	Front-All		PRT1017	
Brake Drum	1971-68	Front-All		PDR0010	
	1971-67	Rear-All 10 x 2" Brakes w/Plain Drum		PDR0136	
	1969-67	Rear-All 10 x 1 3/4" Brakes		PDR0127	
Grand Marquis					
Disc Brake Pad Set	2011-03	Front-All Hardware Included		SBM931	
	2011-03	Front-All Hardware Included	CFM931	SBC931	MKD931FM
	2011-03	Front-All Hardware Included			PBD931
	2002-98	Front-All Hardware Included		SBC748	MKD748FM
	1997	Front-All Hardware Included		SBC659	MKD659FM
	1996-95	Front-All Exc. Police		SBC659	MKD659FM
	1994	Front-All w/ Phenolic Piston Caliper		SBM199	
	1994	Front-All w/ Steel Piston Caliper		SBM499	
	1993-92	Front-All Sedan, Exc. Police		SBM199	
	1993-86	Front-All Police		SBM150	
	1993	Front-All Police		SBM499	
	1991-86	Front-All Sedan, w/o Police Package		SBM199	
	1985-83	Front-All w/o Police Package		SBM199	
	1982-81	Front-All w/ Phenolic Piston Caliper		SBM199	
	1980-79	Front-All Hardware Not Included		SBM150	
	1978-75	Front-All Hardware Included		SBM50	
	2011	Rear-All Hardware Included	CFC1040	SBC1040	MKD1040FM
	2010	Rear-All w/o Anti-Rattle Clips	CFC1040	SBC1040	MKD1040FM
	2009	Rear-All Hardware Included	CFC1040	SBC1040	MKD1040FM
	2008	Rear-All Hardware Included		SBM932	
	2008	Rear-All Hardware Included	CFC932	SBC932	MKD932FM
	2008	Rear-All Hardware Included			PBD932
	2007	Rear-All Hardware Included	CFC1040	SBC1040	MKD1040FM
	2006-04	Rear-All w/o Anti-Rattle Clips	CFC1040	SBC1040	MKD1040FM
	2003	Rear-All Hardware Included	CFC1040	SBC1040	MKD1040FM
	2002-97	Rear-All w/ 1 3/4" Inboard Piston Clip		SBM674	MKD674FM
	2002-96	Rear-All w/ 1" Inboard Piston Clip		SBM674A	MKD674AFM
	1996	Rear-All Exc. Police		SBM674A	MKD674AFM
	1996	Rear-All Police or w/ 1 3/4" Inboard Piston Clip		SBM674	MKD674FM
	1995-92	Rear-All Exc. Police		SBC544	

BENDIX BRAKE PARTS

PART TYPE	YEAR	APPLICATION	PREMIUM NO.	PART NO.	SEVERE DUTY NO.
Mercury (Cont'd.)					
Grand Marquis (Cont'd.)					
Disc Brake Pad Set (cont'd)	1995-92	Rear-All Police		SBC662	
	1991-90	Rear-All Hardware Included		SBC544	
Drum Brake Shoe	1991-79	Rear-All w/ 10" Brakes		481	
Parking Brake Shoe	2011-06	Rear-All		920	
	2005-03	Rear-All w/ 7.24" X 1.22" Brakes		920	
	2002-96	Rear-All		745	
	1995-91	Rear-All		725	
Disc Brake Rotor	2011-03	Front-All		PRT5326	SDR5326
	2002-98	Front-All		PRT5191	SDR5191
	1997-95	Front-All		PRT5048	
	1994-92	Front-All		PRT1621	SDR1621
	2011-03	Rear-All		PRT5353	SDR5353
	2002-96	Rear-All		PRT5109	
	1995-92	Rear-All		PRT1547	
	1978-75	Rear Left-All w/Rear Disc LH		PRT1124	
	1978-75	Rear Right-All w/Rear Disc RH		PRT1125	
Disc Brake Rotor and Hub Assembly	1991-79	Front-All 4 Doors, Sedan		PRT1176	
	1989-80	Front-All 2 Doors, Sedan		PRT1176	
	1978-75	Front-All		PRT1079	
Brake Drum	1991-79	Rear-All 10 x 2 1/2" Brakes		PDR0569	
	1991-79	Rear-All 11 1/32 x 2 1/4" Brakes		PDR0383	
	1978	Rear-All		PDR0273	
	1977-75	Rear-All 11 1/32 x 2 1/2" Brakes		PDR0273	
	1977-75	Rear-All 11 1/32 x 2 1/4" Brakes		PDR0272	
LN7					
Drum Brake Shoe	1983-82	Rear-All w/ 8" X 1.41" Brakes		501	
Disc Brake Rotor	1983-82	Front-All		PRT1195	
Brake Drum	1983	Rear-All 8" Brakes		PDR0429	
	1983	Rear-All To 2/83		PDR0390	
	1982	Rear-All		PDR0390	
Lynx					
Drum Brake Shoe	1987-81	Rear-All 4 Doors, Wagon		501	
	1986-82	Rear-All 4 Doors, Hatchback		501	
Disc Brake Rotor	1987-81	Front-All		PRT1195	
Brake Drum	1987-86	Rear-All 8" Brakes; INCL.HUB		PDR0453	
	1987-84	Rear-All 7" Brakes; INCL.HUB		PDR0456	
	1985	Rear-All (8" Brakes)		PDR0453	
	1984-82	Rear-All 8" Brakes		PDR0429	
	1983	Rear-All To 2/83		PDR0390	
1982-81	Rear-All Rear drum brake 8"		PDR0390		
Marauder					
Disc Brake Pad Set	2004-03	Front-All Hardware Included		SBM931	
	2004-03	Front-All Hardware Included	CFM931	SBC931	MKD931FM
	2004-03	Front-All Hardware Included			PBD931
	2004-03	Rear-All Hardware Included		SBM932	
	2004-03	Rear-All Hardware Included	CFC932A	SBC932A	MKD932AFM
	2004-03	Rear-All Hardware Included			PBD932
Parking Brake Shoe	2004-03	Rear-All		920	
Disc Brake Rotor	2004-03	Front-All		PRT5326	SDR5326
	2004-03	Rear-All Vented; 295.1mm		PRT5379	
Mariner					
Disc Brake Pad Set	2011-10	Front-All w/ Large Piston Clip	CFC1047	SBC1047	
	2011-10	Front-All w/ Small Piston Clip	CFC1047B	SBC1047B	MKD1047BFM
	2009-08	Front-All Base, GAS, Hardware Included	CFC1047	SBC1047	
	2009-08	Front-All Premier, GAS, Hardware Included	CFC1047	SBC1047	
	2009-06	Front-All Hybrid, ELECTRIC/GAS, w/ Large Piston Clip	CFC1047A	SBC1047A	
	2009-06	Front-All Hybrid, ELECTRIC/GAS, w/ Small Piston Clip	CFC1047C	SBC1047C	
	2007-06	Front-All Convenience, Hardware Included	CFC843	SBC843	MKD843FM
	2007-06	Front-All Luxury, Rear Disc, Hardware Included	CFC1047	SBC1047	
	2007-06	Front-All Luxury, Rear Drum, Hardware Included	CFC843	SBC843	MKD843FM
	2007-06	Front-All Premier, Rear Disc, Hardware Included	CFC1047	SBC1047	
	2007-06	Front-All Premier, Rear Drum, Hardware Included	CFC843	SBC843	MKD843FM
	2005	Front-L4 - 2.3L Hardware Included	CFC843	SBC843	MKD843FM
	2005	Front-V6 - 3.0L Hardware Included	CFC1047	SBC1047	
	2010-09	Rear-L4 - 2.5L Hardware Included	CFC1055		
	2010-09	Rear-L4 - 2.5L Hardware Not Included		SBC1055	
	2008	Rear-L4 - 2.3L Hardware Included	CFC1055		
	2008	Rear-L4 - 2.3L Hardware Not Included		SBC1055	
	2007-06	Rear-All Hardware Included	CFC1055		
	2007-06	Rear-All Hardware Not Included		SBC1055	
	2005	Rear-L4 - 2.3L Hardware Included	CFC1055		
	2005	Rear-L4 - 2.3L Hardware Not Included		SBC1055	
	2005	Rear-V6 - 3.0L Hardware Included	CFC1055		

BENDIX BRAKE PARTS

PART TYPE	YEAR	APPLICATION	PREMIUM NO.	PART NO.	SEVERE DUTY NO.
Mercury (Cont'd.)					
Mariner (Cont'd.)					
Disc Brake Pad Set (cont'd)	2005	Rear-V6 - 3.0L Hardware Not Included		SBC1055	
Drum Brake Shoe	2011-08	Rear-All w/ 10" X 2.17" Brakes		936	
	2007	Rear-All From 1/8/07		936	
	2007	Rear-All To 1/7/07		760	
	2006-05	Rear-All w/ 9" X 1.58" Brakes		760	
Parking Brake Shoe	2010	Rear-All		877	
	2008-05	Rear-All		877	
Disc Brake Rotor	2011-08	Front-All		PRT5583	
	2007	Front-L4 - 2.3L		PRT5313	
	2007	Front-V6 - 3.0L 4WD		PRT5583	
	2007	Front-V6 - 3.0L FWD		PRT5313	
	2006-05	Front-All 4WD		PRT5583	
	2006-05	Front-All FWD		PRT5313	
	2010-05	Rear-All		PRT5566	
Brake Drum	2011-08	Rear-All		PDR0826	
	2007	Rear-All From 1/8/07		PDR0826	
	2007	Rear-All To 1/8/07		PDR0743	
	2006-05	Rear-All		PDR0743	
Marquis					
Disc Brake Pad Set	1986-84	Front-All Hardware Not Included		SBM310	
	1983	Front-All Hardware Not Included		SBM152	
	1982-81	Front-All Exc. Police		SBM199	
	1982-79	Front-All Police		SBM150	
	1980-79	Front-All Sedan, Exc. Police		SBM199	
	1978-73	Front-All Hardware Included		SBM50	
Drum Brake Shoe	1971-69	Front-All w/ 11-1/32" X 3" Brakes		265	
	1970-69	Front-All w/ 11-1/32" X 2-1/2" Brakes		264	
	1968-67	Front-All 2 Doors, Hardtop, Police Package		265	
	1968-67	Front-All 4 Doors, Wagon		265	
	1986-83	Rear-All w/ 9" X 1-3/4" Brakes		474	
	1986-83	Rear-All w/ 9" X 1-3/4" Brakes		569	
	1986-83	Rear-All w/ 10" X 1-3/4" Brakes		151	
	1986-83	Rear-All w/ 10" X 1-3/4" Brakes		267	
	1982-79	Rear-All Sedan, Exc. Police Package		481	
	1978-76	Rear-All		264	
	1975-74	Rear-All 2 Doors, Hardtop		263	
	1975-73	Rear-All 4 Doors, Wagon		264	
	1974	Rear-All 4 Doors, Sedan		263	
	1973	Rear-All 2 Doors, Hardtop, Front Disc		263	
	1973	Rear-All 4 Doors, Hardtop, Front Disc		263	
	1973	Rear-All 4 Doors, Sedan, Front Disc		263	
	1972	Rear-All Front Disc		263	
	1971-69	Rear-All		263	
	1968-67	Rear-All Front Drum		263	
Disc Brake Rotor	1978-75	Rear Left-All w/Rear Disc LH		PRT1124	
	1978-75	Rear Right-All w/Rear Disc RH		PRT1125	
Disc Brake Rotor and Hub Assembly	1986-83	Front-All		PRT1169	
	1982-79	Front-All		PRT1176	
	1978-74	Front-All		PRT1079	
	1973	Front-All		PRT1070	
	1972-70	Front-All		PRT1016	
Brake Drum	1969	Front-All 11 1/32 x 2 1/4" Brakes		PDR0137	
	1986-83	Rear-All 9 x 1 3/4" Brakes		PDR0371	
	1986-83	Rear-All 10 x 1 3/4" Brakes		PDR0372	
	1986-79	Rear-All 10 x 2 1/2" Brakes		PDR0569	
	1986-79	Rear-All 11 1/32 x 2 1/4" Brakes		PDR0383	
	1978	Rear-All w/Rear Drum		PDR0273	
	1977-73	Rear-All 11 1/32 x 2 1/2" Brakes		PDR0273	
	1977-73	Rear-All 11 1/32 x 2 1/4" Brakes		PDR0272	
	1972-69	Rear-All 11 1/32 x 2 1/4" Brakes		PDR0137	
Medalist					
Drum Brake Shoe	1958	Rear-All		228	
Mercury					
Drum Brake Shoe	1951-49	Front-All w/ 11" X 2.07" Brakes		228	
Meteor					
Drum Brake Shoe	1963-62	Front-All w/ 10" X 2-1/4" Brakes		154	
	1963-62	Rear-All w/ 10" X 1-3/4" Brakes		151	
	1963-62	Rear-All w/ 10" X 1-3/4" Brakes		267	
	1963-62	Rear-All w/ 10" X 2" Brakes		152	
Brake Drum	1963-62	Front-All		PDR0010	
	1963-62	Rear-All 10 x 1 3/4" Brakes		PDR0127	
	1963-62	Rear-All 10 x 2" or 10 x 2 1/2" Brakes		PDR0136	

BENDIX BRAKE PARTS

PART TYPE	YEAR	APPLICATION	PREMIUM NO.	PART NO.	SEVERE DUTY NO.	
Mercury (Cont'd.)						
Milan						
Disc Brake Pad Set	2011-06	Front-All Hardware Included	CFC1164	SBC1164		
	2011-06	Rear-All Hardware Included	CFC1161	SBC1161		
Disc Brake Rotor	2011-06	Front-All		PRT5668		
	2011-06	Rear-All		PRT5499		
Monarch						
Disc Brake Pad Set	1980-75	Front-All Hardware Not Included		SBM91		
Drum Brake Shoe	1980-75	Rear-All w/ 10" X 2.06" Brakes		152		
Disc Brake Rotor	1980-75	Rear Left-All		PRT1120		
	1980-75	Rear Right-All		PRT1121		
Disc Brake Rotor and Hub Assembly	1980-75	Front-All		PRT1086		
Montclair						
Drum Brake Shoe	1968-65	Front-All Exc. Police Package		264		
	1968-65	Front-All Police Package		265		
	1964	Front-All w/ 11" X 2.57" Brakes		264		
	1968-65	Rear-All		263		
	1964	Rear-All w/ 11" X 2.57" Brakes		264		
	1956-55	Rear-All		228		
Montego						
Disc Brake Pad Set	2007-05	Front-V6 - 3.0L Hardware Included	CFC1070	SBC1070		
	1976-72	Front-All Hardware Included		SBM50		
	1971-68	Front-All Hardware Not Included		SBC34		
	2007-05	Rear-V6 - 3.0L Hardware Included	CFC1071	SBC1071		
Drum Brake Shoe	1971-68	Front-All w/ 10" X 2-1/4" Brakes		154		
	1975-74	Rear-All 4 Doors, Hardtop, Police Package		263		
	1975-73	Rear-All w/ 10" X 2.56" Brakes		169		
	1974-72	Rear-All 4 Doors, Sedan, Police Package		263		
	1972	Rear-All 4 Doors, Sedan, Exc. Police Package		152		
	1971-68	Rear-All w/ 10" X 2" Brakes		152		
	1968	Rear-All w/ 10" X 1-3/4" Brakes		151		
	1968	Rear-All w/ 10" X 1-3/4" Brakes		267		
	2007-05	Front-All		PRT5666		
Disc Brake Rotor	2007-05	Front-All		PRT5907 ³⁵		
	2007-05	Rear-All		PRT5667	SDR5667	
	1976-74	Front-All		PRT1078		
Disc Brake Rotor and Hub Assembly	1973-72	Front-All exc. Police, HD		PRT1036		
	1971-70	Front-All		PRT1019		
	1969-68	Front-All		PRT1018		
	1971-68	Front-All		PDR0010		
Brake Drum	1976-75	Rear-All 10 x 2 1/2" Brakes		PDR0236		
	1976-75	Rear-All 11 1/32 x 2 1/4" Brakes (exc. Police, SW)		PDR0345		
	1976-75	Rear-All 11 1/32 x 2 1/4" Brakes (Police)		PDR0273		
	1974-73	Rear-All 11 1/32 x 2 1/4" Brakes		PDR0202		
	1974	Rear-All 10 x 2 1/2" Brakes (Exc. SW & Police)		PDR0236		
	1974	Rear-All 11 1/32 x 2 1/2" Brakes (Police, HD)		PDR0273		
	1973	Rear-All 10 x 2 1/2" with 10" Brakes		PDR0236		
	1973	Rear-All 11 1/32 x 2 1/2" Brakes		PDR0273		
	1972	Rear-All 10 x 2 1/2" with 429" Eng. & SW		PDR0236		
	1971-70	Rear-All 10 x 2 with 2" Brakes (Plain Drum)		PDR0136		
	1969-68	Rear-All 10 x 1 3/4" Brakes		PDR0127		
	1969-68	Rear-All 10 x 2" Brakes w/Plain Drum		PDR0136		
	Monterey					
	Disc Brake Pad Set	2007-04	Front-All Hardware Included	CFC1022	SBC1022	
1974-73		Front-All Hardware Included		SBM50		
2007-04		Rear-All Hardware Included	CFC1021	SBC1021		
Drum Brake Shoe	1971-61	Front-All w/ 11-1/32" X 3" Brakes		265		
	1970-61	Front-All w/ 11-1/32" X 2-1/2" Brakes		264		
	1954-50	Front-All w/ 11" X 2.07" Brakes		228		
	1974-73	Rear-All 4 Doors, Hardtop		263		
	1974-73	Rear-All 4 Doors, Sedan		263		
	1974-73	Rear-All 4 Doors, Wagon		264		
	1972	Rear-All Front Disc		263		
	1971-65	Rear-All		263		
	1964-61	Rear-All		264		
	1956-55	Rear-All		228		
Disc Brake Rotor	2007-04	Front-All		PRT5473		
	2007-04	Rear-All		PRT5478		
Brake Drum	1974-73	Rear-All		PDR0273		
Mountaineer						
Disc Brake Pad Set	2010-06	Front-All Hardware Included	CFC1158	SBC1158		
	2005-02	Front-All Hardware Included	CFC833	SBC833	MKD833FM	
	2001-97	Front-All Hardware Included	CFC652	SBC652	MKD652FM	

35 Sell out and reorder PRT5666

BENDIX BRAKE PARTS

PART TYPE	YEAR	APPLICATION	PREMIUM NO.	PART NO.	SEVERE DUTY NO.	
Mercury (Cont'd.)						
Mountaineer (Cont'd.)						
Disc Brake Pad Set (cont'd)	2010-06	Rear-All Hardware Included	CFC1109	SBC1109		
	2005-02	Rear-All Hardware Not Included	CFC881	SBC881	MKD881FM	
	2001-97	Rear-All Hardware Included		SBM667	MKD667FM	
Parking Brake Shoe	2010-08	Rear-All		791		
	2007-02	Rear-All w/ 184mm X 32mm Brakes		791		
	2001-97	Rear-All w/ 7.24" x 1.23" Brakes		701		
Disc Brake Rotor	2010-06	Front-All		PRT5734		
	2005-02	Front-All ROTOR ONLY		PRT5311		
	2001-97	Front-All 4WD		PRT5075		
	2010-02	Rear-All		PRT5358		
Disc Brake Rotor and Hub Assembly	2001-97	Rear-All		PRT5052		
	2001-97	Front-All RWD		PRT5076		
Mystique						
Disc Brake Pad Set	2000-98	Front-All w/ Wear Sensor		SBM801		
	2000-95	Front-All w/o Wear Sensor		SBC648		
	2000-95	Rear-All Hardware Not Included		SBC661		
Drum Brake Shoe	2000-97	Rear-All w/ 8" Brakes		696		
	2000-97	Rear-All w/ 9" Brakes		736		
	1996-95	Rear-All		696		
Disc Brake Rotor	2000-95	Front-All		PRT5044		
	2000-97	Rear-L4 - 2.0L		PRT5069		
	2000-97	Rear-V6 - 2.5L		PRT5069		
	1996-95	Rear-All		PRT5069		
Brake Drum	2000-97	Rear-L4 - 2.0L		PDR0669		
	2000-97	Rear-V6 - 2.5L		PDR0704		
	1996-95	Rear-All		PDR0669		
Sable						
Disc Brake Pad Set	2009-08	Front-All Hardware Included	CFC1070	SBC1070		
	2005-01	Front-All w/o Police Package	CFC598	SBC598		
	2001	Front-All w/ Police Package		SBM601		
	2001	Front-All w/ Police Package	CFC601	SBC601		
	2000-94	Front-All Hardware Included		SBM601		
	2000-94	Front-All Hardware Included	CFC601	SBC601		
	1993	Front-All Exc. Police		SBM421		
	1993	Front-All Police		SBM421A		
	1992-86	Front-All Hardware Included		SBM421		
	2009-08	Rear-All Hardware Included	CFC1071	SBC1071		
	2005-93	Rear-All Hardware Included	CFM610	SBC610		
	1992-90	Rear-All Hardware Included		SBC347		
	Drum Brake Shoe	2005-00	Rear-All w/ 8.86" X 1.58" Brakes		599	
		2000	Rear-All w/ 9.84" X 1.85" Brakes		618	
1999-93		Rear-All 4 Doors, Sedan		599		
1999-93		Rear-All 4 Doors, Wagon		618		
1992-89		Rear-All w/ 10" Brakes		567		
1992		Rear-All 4 Doors, Sedan, From 3/16/92		599		
1992		Rear-All 4 Doors, Wagon, From 3/16/92		618		
1992		Rear-All w/ 9" Brakes		566		
1991-86		Rear-All w/ 8.86" X 1.58" Brakes		566		
1988-86		Rear-All 4 Doors, Wagon, w/ 10" Brakes		567		
Disc Brake Rotor	2009-08	Front-All		PRT5666		
	2009-08	Front-All		PRT5907 ³⁵		
	2005-01	Front-All		PRT5050		
	2000-94	Front-All		PRT1903		
	1993-92	Front-All		PRT1741		
	1991	Front-All From 2/91		PRT1741		
	1991	Front-All To 2/91		PRT1399		
	1990-86	Front-All		PRT1399		
	2009-08	Rear-All		PRT5898	SDR5898	
	2005-93	Rear-All		PRT1893		
	1992-90	Rear-All		PRT1467FC		
Brake Drum	1989-88	Rear-All		PRT1399		
	2005-01	Rear-All		PDR0731		
	2000-86	Rear-All Sedan		PDR0502		
	2000-86	Rear-All Wagon, Station Wagon; INC. HUB		PDR0718		
Topaz						
Disc Brake Pad Set	1994-88	Front-All Hardware Not Included		SBM257		
Drum Brake Shoe	1994-84	Rear-All w/ 8" X 1.41" Brakes		501		
Disc Brake Rotor	1994-84	Front-All		PRT1195		
Brake Drum	1994-84	Rear-All INCL.HUB		PDR0453		
Tracer						
Disc Brake Pad Set	1999-94	Front-All Hardware Included	CFC473	SBC473		
	1993-91	Front-L4 - 1.8L Hardware Included	CFC473	SBC473		

35 Sell out and reorder PRT5666

BENDIX BRAKE PARTS

PART TYPE	YEAR	APPLICATION	PREMIUM NO.	PART NO.	SEVERE DUTY NO.	
Mercury (Cont'd.)						
Tracer (Cont'd.)						
Disc Brake Pad Set (cont'd)	1993-91	Front-L4 - 1.9L Hardware Included		SBC466		
	1990	Front-All Hatchback, Hardware Not Included		SBM319		
	1989-88	Front-All 2 Doors, Hatchback, Hardware Not Included		SBM319		
	1989-88	Front-All 4 Doors, Hatchback, Hardware Not Included		SBM319		
	1987	Front-All Hardware Not Included		SBM319		
	1999-97	Rear-All Hardware Included		SBC636		
	1996-91	Rear-All Hardware Not Included		SBC458		
	1989-87	Rear-All Hardware Not Included		SBC366		
	Drum Brake Shoe	1999-97	Rear-All w/ 9" X 1.22" Brakes		721	
		1996-93	Rear-All w/ 7.88" X 1.41" Brakes		659	
1992-91		Rear-All w/ 9" X 1.24" Brakes		598		
1992-91		Rear-All w/ 9" X 1.24" Brakes		721		
Disc Brake Rotor	1999-91	Front-All 9.25" Diameter Rotor		PRT1634		
	1999-91	Front-All 10.15" diameter rotor		PRT1635		
	1990-87	Front-All		PRT1436		
	1999-91	Rear-All		PRT1504		
Brake Drum	1999-97	Rear-All		PDR0699		
	1996-93	Rear-All		PDR0629		
	1992-91	Rear-All		PDR0576		
	1990-87	Rear-All Hatchback		PDR0528		
1989-88	Rear-All Wagon		PDR0599			
Villager						
Disc Brake Pad Set	2002-93	Front-All Hardware Included	CFC576	SBC576		
Drum Brake Shoe	2002-93	Rear-All w/ 9.84" X 2.24" Brakes		665		
Disc Brake Rotor	2002-93	Front-All		PRT1811		
Disc Brake Rotor and Hub Assembly	1967-66	Front-All		PRT1017		
Brake Drum	1967-66	Front-All		PDR0010		
	1965-62	Front-All 9" Brakes		PDR0138		
	2002-93	Rear-All		PDR0630		
	1967-62	Rear-All 10 x 1 3/4" Brakes		PDR0127		
	1965-62	Rear-All 9 x 1 1/2" Brakes		PDR0139		
1965-62	Rear-All 9 x 2 1/4" Brakes		PDR0138			
Zephyr						
Disc Brake Pad Set	1983-78	Front-All Hardware Not Included		SBM152		
Drum Brake Shoe	1983-82	Rear-All Police Car And Taxi		151		
	1983-82	Rear-All Police Car And Taxi		267		
	1983-78	Rear-All w/ 9" X 1-3/4" Brakes		474		
	1983-78	Rear-All w/ 9" X 1-3/4" Brakes		569		
	1981-78	Rear-All 4 Doors, Sedan, Police Car And Taxi		151		
	1981-78	Rear-All 4 Doors, Sedan, Police Car And Taxi		267		
	1981-78	Rear-All 4 Doors, Wagon, w/ 10" X 1-3/4" Brakes		151		
	1981-78	Rear-All 4 Doors, Wagon, w/ 10" X 1-3/4" Brakes		267		
	1981-78	Rear-All 4 Doors, Wagon, w/ 10" X 1-3/4" Brakes		267		
Disc Brake Rotor and Hub Assembly	1983-78	Front-All		PRT1169		
Brake Drum	1983-78	Rear-All 9 x 1 3/4" Brakes		PDR0371		
	1983-78	Rear-All 10 x 1 3/4" Brakes		PDR0372		
Merkur						
Scorpio						
Disc Brake Rotor	1989-88	Front-All		PRT5005		
	1989-88	Rear-All		PRT1718		
XR4TI						
Disc Brake Rotor	1989-85	Front-All		PRT1749		
Brake Drum	1989-85	Rear-All		PDR0687		
MG						
MGB						
Disc Brake Rotor	1980-64	Front-All		PRT1105		
Brake Drum	1980-64	Rear-All		PDR0626		
Midget						
Drum Brake Shoe	1979-63	Front-All		216		
	1979-63	Rear-All		216		
Mini						
Cooper						
Disc Brake Pad Set	2019-18	Front-All S, Hardware Not Included	CFC1801			
	2019-17	Front-All John Cooper Works, Hardware Included	CFM1875	SBM1875		
	2019	Front-All Base, Hardware Included	CFC1308	SBC1308		
	2018	Front-All Base, 2 Doors, Hardware Included	CFC1308	SBC1308		
	2018	Front-All Base, 4 Doors, Hardware Included	CFC1308	SBC1308		
	2018	Front-All John Cooper Works Hot Chili, Hardware Included	CFM1875	SBM1875		
	2018	Front-All John Cooper Works Salt, Hardware Included	CFM1875	SBM1875		
	2018	Front-All S Chili, Hardware Not Included	CFC1801			

BENDIX BRAKE PARTS

PART TYPE	YEAR	APPLICATION	PREMIUM NO.	PART NO.	SEVERE DUTY NO.
Mini (Cont'd.)					
Cooper (Cont'd.)					
Disc Brake Pad Set (cont'd)	2018	Front-All S Hot Chili, Hardware Not Included	CFC1801		
	2018	Front-All S Salt, Hardware Not Included	CFC1801		
	2016-12	Front-All Base, Hardware Included	CFC1308	SBC1308	
	2016	Front-All S, Hardware Not Included	CFC1801		
	2015-14	Front-L4 - 1.6L Coupe S, Hardware Included	CFC1204	SBM1204	
	2015-14	Front-L4 - 1.6L Roadster S, Hardware Included	CFC1204	SBM1204	
	2015-14	Front-L4 - 1.6L S, Hardware Included	CFC1204	SBM1204	
	2015-12	Front-All Coupe John Cooper Works, Hardware Not Included	CFM1403	SBM1403	
	2015-12	Front-All John Cooper Works, Hardware Not Included	CFM1403	SBM1403	
	2015-12	Front-All Roadster John Cooper Works, Hardware Not Included	CFM1403	SBM1403	
	2015	Front-L4 - 1.6L Coupe, Hardware Included	CFC1308	SBC1308	
	2015	Front-L4 - 1.6L Roadster, Hardware Included	CFC1308	SBC1308	
	2014-12	Front-All Clubman, Hardware Included	CFC1308	SBC1308	
	2014-12	Front-All Coupe, Hardware Included	CFC1308	SBC1308	
	2014-12	Front-All John Cooper Works Clubman, Hardware Not Included	CFM1403	SBM1403	
	2014-12	Front-All Roadster, Hardware Included	CFC1308	SBC1308	
	2014	Front-L4 - 1.6L S Clubman, Hardware Included	CFC1204	SBM1204	
	2014	Front-L4 - 2.0L S, Hardware Not Included	CFC1801		
	2013-12	Front-All Coupe S, Hardware Included	CFC1204	SBM1204	
	2013-12	Front-All Roadster S, Hardware Included	CFC1204	SBM1204	
	2013-12	Front-All S, Hardware Included	CFC1204	SBM1204	
	2013-12	Front-All S Clubman, Hardware Included	CFC1204	SBM1204	
	2013	Front-All John Cooper Works GP, Hardware Not Included	CFM1403	SBM1403	
	2011	Front-All Hardware Included	CFC1308	SBC1308	
	2010-09	Front-All S, Hardware Included	CFC1204	SBM1204	
	2010-09	Front-All S Clubman, Hardware Included	CFC1204	SBM1204	
	2010	Front-All Base, Hardware Included	CFC1308	SBC1308	
	2010	Front-All Clubman, Hardware Included	CFC1308	SBC1308	
	2010	Front-All John Cooper Works, Hardware Included	CFC1308	SBC1308	
	2010	Front-All John Cooper Works Clubman, Hardware Included	CFC1204	SBM1204	
	2009-08	Front-L4 - 1.6L Clubman, Hardware Included	CFC1308	SBC1308	
	2009-07	Front-L4 - 1.6L Base, Hardware Included	CFC1308	SBC1308	
	2009	Front-All John Cooper Works, Hardware Included	CFC1204	SBM1204	
	2009	Front-All John Cooper Works Clubman, Hardware Included	CFC1308	SBC1308	
	2008-07	Front-L4 - 1.6L S, Hardware Included	CFC1204	SBM1204	
	2008-04	Front-L4 - 1.6L Exc. John Cooper Works Brakes	CFM939	SBC939	
	2008	Front-L4 - 1.6L S Clubman, Hardware Included	CFC1204	SBM1204	
	2003-02	Front-All Exc. John Cooper Works Brakes	CFM939	SBC939	
	2019-18	Rear-All John Cooper Works, Hardware Included	CFC1800	SBC1800	
	2019-18	Rear-All S, Hardware Included	CFC1800	SBC1800	
	2019	Rear-All Base, Hardware Included	CFC1800	SBC1800	
	2018	Rear-All Base, 2 Doors, Hardware Included	CFC1800	SBC1800	
	2018	Rear-All Base, 4 Doors, Hardware Included	CFC1800	SBC1800	
	2018	Rear-All John Cooper Works Hot Chili, Hardware Included	CFC1800	SBC1800	
	2018	Rear-All John Cooper Works Salt, Hardware Included	CFC1800	SBC1800	
	2018	Rear-All S Chili, Hardware Included	CFC1800	SBC1800	
	2018	Rear-All S Hot Chili, Hardware Included	CFC1800	SBC1800	
	2018	Rear-All S Salt, Hardware Included	CFC1800	SBC1800	
	2017	Rear-All Hardware Included	CFC1800	SBC1800	
	2016	Rear-All Base, To 10/15	CFC1800	SBC1800	
	2016	Rear-All Chili, 2 Doors, Hardware Included	CFC1309		
	2016	Rear-All Chili, 2 Doors, Hardware Not Included		SBC1309	
	2016	Rear-All Hot Chili, 2 Doors, Hardware Included	CFC1309		
	2016	Rear-All Hot Chili, 2 Doors, Hardware Not Included		SBC1309	
	2016	Rear-All John Cooper Works, Hardware Included	CFC1309		
	2016	Rear-All John Cooper Works, Hardware Not Included		SBC1309	
	2016	Rear-All Pepper, 2 Doors, Hardware Included	CFC1309		
	2016	Rear-All Pepper, 2 Doors, Hardware Not Included		SBC1309	
	2016	Rear-All S, Hardware Included	CFC1800	SBC1800	
	2016	Rear-All Salt, 2 Doors, Hardware Included	CFC1309		
	2016	Rear-All Salt, 2 Doors, Hardware Not Included		SBC1309	
	2016	Rear-All S Chili, 2 Doors, Hardware Included	CFC1309		
	2016	Rear-All S Chili, 2 Doors, Hardware Not Included		SBC1309	
	2016	Rear-All S HighGate, 2 Doors, Hardware Included	CFC1309		
	2016	Rear-All S HighGate, 2 Doors, Hardware Not Included		SBC1309	
	2016	Rear-All S Hot Chili, 2 Doors, Hardware Included	CFC1309		
	2016	Rear-All S Hot Chili, 2 Doors, Hardware Not Included		SBC1309	
	2016	Rear-All S Salt, 2 Doors, Hardware Included	CFC1309		
	2016	Rear-All S Salt, 2 Doors, Hardware Not Included		SBC1309	
	2016	Rear-All S Sport, 2 Doors, Hardware Included	CFC1309		
	2016	Rear-All S Sport, 2 Doors, Hardware Not Included		SBC1309	

BENDIX BRAKE PARTS

PART TYPE	YEAR	APPLICATION	PREMIUM NO.	PART NO.	SEVERE DUTY NO.	
Mini (Cont'd.)						
Cooper (Cont'd.)						
Disc Brake Pad Set (cont'd)	2015-14	Rear-L4 - 1.6L S, Hardware Included	CFC1309			
	2015-14	Rear-L4 - 1.6L S, Hardware Not Included		SBC1309		
	2015-14	Rear-L4 - 2.0L S, Hardware Included	CFC1800	SBC1800		
	2015	Rear-L3 - 1.5L Hardware Included	CFC1800	SBC1800		
	2015	Rear-L4 - 1.6L Base, Hardware Included	CFC1309			
	2015	Rear-L4 - 1.6L Base, Hardware Not Included		SBC1309		
	2015	Rear-L4 - 1.6L Coupe, Hardware Included	CFC1309			
	2015	Rear-L4 - 1.6L Coupe, Hardware Not Included		SBC1309		
	2015	Rear-L4 - 1.6L Coupe John Cooper Works, Hardware Included	CFC1309			
	2015	Rear-L4 - 1.6L Coupe John Cooper Works, Hardware Not Included		SBC1309		
	2015	Rear-L4 - 1.6L Coupe S, Hardware Included	CFC1309			
	2015	Rear-L4 - 1.6L Coupe S, Hardware Not Included		SBC1309		
	2015	Rear-L4 - 1.6L John Cooper Works, Hardware Included	CFC1309			
	2015	Rear-L4 - 1.6L John Cooper Works, Hardware Not Included		SBC1309		
	2015	Rear-L4 - 1.6L Roadster, Hardware Included	CFC1309			
	2015	Rear-L4 - 1.6L Roadster, Hardware Not Included		SBC1309		
	2015	Rear-L4 - 1.6L Roadster John Cooper Works, Hardware Included	CFC1309			
	2015	Rear-L4 - 1.6L Roadster John Cooper Works, Hardware Not Included		SBC1309		
	2015	Rear-L4 - 1.6L Roadster S, Hardware Included	CFC1309			
	2015	Rear-L4 - 1.6L Roadster S, Hardware Not Included		SBC1309		
	2014	Rear-All Base, Hardware Included	CFC1309			
	2014	Rear-All Base, Hardware Not Included		SBC1309		
	2014	Rear-All Clubman, Hardware Included	CFC1309			
	2014	Rear-All Clubman, Hardware Not Included		SBC1309		
	2014	Rear-All Coupe, Hardware Included	CFC1309			
	2014	Rear-All Coupe, Hardware Not Included		SBC1309		
	2014	Rear-All Coupe John Cooper Works, Hardware Included	CFC1309			
	2014	Rear-All Coupe John Cooper Works, Hardware Not Included		SBC1309		
	2014	Rear-All Coupe S, Hardware Included	CFC1309			
	2014	Rear-All Coupe S, Hardware Not Included		SBC1309		
	2014	Rear-All John Cooper Works, Hardware Included	CFC1309			
	2014	Rear-All John Cooper Works, Hardware Not Included		SBC1309		
	2014	Rear-All John Cooper Works Clubman, Hardware Included	CFC1309			
	2014	Rear-All John Cooper Works Clubman, Hardware Not Included		SBC1309		
	2014	Rear-All Roadster, Hardware Included	CFC1309			
	2014	Rear-All Roadster, Hardware Not Included		SBC1309		
	2014	Rear-All Roadster John Cooper Works, Hardware Included	CFC1309			
	2014	Rear-All Roadster John Cooper Works, Hardware Not Included		SBC1309		
	2014	Rear-All Roadster S, Hardware Included	CFC1309			
	2014	Rear-All Roadster S, Hardware Not Included		SBC1309		
	2014	Rear-All S Clubman, Hardware Included	CFC1309			
	2014	Rear-All S Clubman, Hardware Not Included		SBC1309		
	2013-10	Rear-All Hardware Included	CFC1309			
	2013-10	Rear-All Hardware Not Included		SBC1309		
	2009	Rear-L4 - 1.6L Hardware Included	CFC1309			
	2009	Rear-L4 - 1.6L Hardware Not Included		SBC1309		
	2008-07	Rear-All Convertible, Hardware Included	CFC1060	SBC1060		
	2008-07	Rear-All Hatchback, Hardware Included	CFC1309			
	2008-07	Rear-All Hatchback, Hardware Not Included		SBC1309		
	2008	Rear-All Wagon, Hardware Included	CFC1309			
	2008	Rear-All Wagon, Hardware Not Included		SBC1309		
	2006-04	Rear-L4 - 1.6L Hardware Included	CFC1060	SBC1060		
	2003-02	Rear-All Hardware Included	CFC1060	SBC1060		
	Disc Brake Rotor	2015	Front-All Base, 280mm Rotor, 4 hole		PRT5926	
		2015	Front-All Coupe, 280mm Rotor, 4 hole		PRT5926	
		2015	Front-All Roadster, 280mm Rotor, 4 hole		PRT5926	
2014-13		Front-All John Cooper Works		PRT6209		
2014-11		Front-All 280mm Rotor, 4 hole	BPR5926			
2014		Front-All 280mm Rotor, 4 hole		PRT5926		
2013-11		Front-All 294mm Rotor, 4 hole	BPR5927			
2013		Front-All 280mm Rotor		PRT5926		
2013		Front-All 294mm 4 Bolt Hole Rotor		PRT5927		
2013		Front-All 294mm 5 Bolt Hole Rotor		PRT6160		
2013		Front-All 307mm Rotor		PRT6162		
2013		Front-All 316mm rotor		PRT6164		
2013		Front-All 330mm Rotor		PRT6368		
2013		Front-All Coupe John Cooper Works		PRT6209		
2013		Front-All John Cooper Works Clubman		PRT6209		

BENDIX BRAKE PARTS

PART TYPE	YEAR	APPLICATION	PREMIUM NO.	PART NO.	SEVERE DUTY NO.
Mini (Cont'd.)					
Cooper (Cont'd.)					
Disc Brake Rotor (cont'd)	2013	Front-All Roadster John Cooper Works		PRT6209	
	2012-11	Front-All 280mm Rotor, 4 hole		PRT5926	
	2012-11	Front-All 294mm Rotor, 4 hole		PRT5927	
	2012-09	Front-All John Cooper Works, 316mm Diameter		PRT6164 ⁹⁹	
	2012-09	Front-All John Cooper Works Clubman, 316mm Diameter		PRT6164 ⁹⁹	
	2012	Front-All Coupe John Cooper Works, 316mm Diameter		PRT6164 ⁹⁹	
	2012	Front-All Roadster John Cooper Works, 316mm Diameter		PRT6164 ⁹⁹	
	2011-09	Front-All John Cooper Works, 294mm Rotor		PRT5963	
	2011-09	Front-All John Cooper Works Clubman, 294mm Rotor		PRT5963	
	2010-07	Front-All 280mm Rotor	BPR5926	PRT5926	
	2010-07	Front-All 294mm Rotor	BPR5927	PRT5927	
	2008-07	Front-All 276mm Rotor		PRT5925	
	2006-05	Front-All 294mm Rotor	BPR5984		
	2006-02	Front-All 276mm Rotor	BPR5445	PRT5445	
	2006-02	Front-All 294mm Rotor		PRT5984	
	2006	Front-All From 7/06; 276mm Rotor		PRT5925	
	2015	Rear-All Base		PRT5964	
	2015	Rear-All Coupe		PRT5964	
	2015	Rear-All Coupe S		PRT5964	
	2015	Rear-All Roadster		PRT5964	
	2015	Rear-All Roadster S		PRT5964	
	2015	Rear-All S		PRT5964	
	2014-07	Rear-All 259mm Rotor		PRT5964	
	2013	Rear-All 280mm Rotor		PRT6165	
	2012-09	Rear-All John Cooper Works		PRT6165	
	2012-09	Rear-All John Cooper Works Clubman		PRT6165	
	2012	Rear-All Coupe John Cooper Works		PRT6165	
	2012	Rear-All Roadster John Cooper Works		PRT6165	
	2006-02	Rear-All To 6/06	BPR5446	PRT5446	
	2006	Rear-All From 7/06		PRT5964	
Cooper Clubman					
Disc Brake Pad Set	2018	Front-All ALL4, Hardware Not Included	CFC1801		
	2018	Front-All Base, Hardware Not Included	CFC1801		
	2018	Front-All John Cooper Works ALL4, Hardware Included	CFM1875	SBM1875	
	2018	Front-All S, Hardware Not Included	CFC1892		
	2018	Front-All S ALL4, Hardware Not Included	CFC1892		
	2017	Front-L3 - 1.5L Hardware Not Included	CFC1801		
	2017	Front-L4 - 2.0L Hardware Not Included	CFC1892		
	2016	Front-All Base, Hardware Not Included	CFC1801		
	2018	Rear-All ALL4, Hardware Not Included	CFM1762	SBM1762	
	2018	Rear-All Base, Hardware Not Included	CFM1762	SBM1762	
	2018	Rear-All John Cooper Works ALL4, Hardware Not Included	CFM1762	SBM1762	
	2018	Rear-All S, Hardware Not Included	CFM1762	SBM1762	
	2018	Rear-All S ALL4, Hardware Not Included	CFM1762	SBM1762	
	2017	Rear-All Hardware Not Included	CFM1762	SBM1762	
	2016	Rear-All Base, Hardware Not Included	CFM1762	SBM1762	
	2016	Rear-All S, Hardware Not Included	CFM1762	SBM1762	
Cooper Countryman					
Disc Brake Pad Set	2018	Front-All ALL4, Hardware Not Included	CFC1892		
	2018	Front-All Base, Hardware Not Included	CFC1892		
	2018	Front-All John Cooper Works ALL4, Hardware Included	CFM1875	SBM1875	
	2018	Front-All S, Hardware Not Included	CFC1892		
	2018	Front-All S ALL4, Hardware Not Included	CFC1892		
	2018	Front-All S E ALL4, Hardware Not Included	CFC1892		
	2016-13	Front-All Hardware Included	CFC1204	SBM1204	
	2012	Front-L4 - 1.6L Base, Hardware Included	CFC1204	SBM1204	
	2012	Front-L4 - 1.6L S, Turbocharged, Hardware Included	CFC1204	SBM1204	
	2012	Front-L4 - 1.6L S ALL4, Turbocharged, Hardware Included	CFC1204	SBM1204	
	2011	Front-All Hardware Included	CFC1204	SBM1204	
	2018	Rear-All ALL4, Hardware Not Included	CFM1762	SBM1762	
	2018	Rear-All Base, Hardware Not Included	CFM1762	SBM1762	
	2018	Rear-All John Cooper Works ALL4, Hardware Not Included	CFM1762	SBM1762	
	2018	Rear-All S, Hardware Not Included	CFM1762	SBM1762	
	2018	Rear-All S ALL4, Hardware Not Included	CFM1762	SBM1762	
	2018	Rear-All S E ALL4, Hardware Not Included	CFM1762	SBM1762	
	2016-13	Rear-All Hardware Included	CFC1554		
	2016-13	Rear-All Hardware Not Included		SBM1554	
	2012	Rear-L4 - 1.6L Base, Hardware Included	CFC1554		
	2012	Rear-L4 - 1.6L Base, Hardware Not Included		SBM1554	
	2012	Rear-L4 - 1.6L S, Turbocharged, Hardware Included	CFC1554		
	2012	Rear-L4 - 1.6L S, Turbocharged, Hardware Not Included		SBM1554	
	2012	Rear-L4 - 1.6L S ALL4, Turbocharged, Hardware Included	CFC1554		

BENDIX BRAKE PARTS

PART TYPE	YEAR	APPLICATION	PREMIUM NO.	PART NO.	SEVERE DUTY NO.
Mini (Cont'd.)					
Cooper Countryman (Cont'd.)					
Disc Brake Pad Set (cont'd)	2012	Rear-L4 - 1.6L S ALL4, Turbocharged, Hardware Not Included		SBM1554	
	2011	Rear-All Hardware Included	CFC1554		
	2011	Rear-All Hardware Not Included		SBM1554	
Disc Brake Rotor	2015-11	Front-All 307mm Rotor, 5 Hole		PRT6162	
	2012-11	Front-All 294mm Rotor, 5 hole		PRT6160	
	2012-11	Front-All 307mm Rotor, 5 Hole	BPR6162		
	2016-13	Rear-All exc. John Cooper Works		PRT6161	
	2014	Rear-All John Cooper Works ALL4		PRT6249	
	2013	Rear-All John Cooper Works ALL4, From 10/2012		PRT6249	
	2012-11	Rear-All 280mm Rotor	BPR6161	PRT6161	
Cooper Paceman					
Disc Brake Pad Set	2016-13	Front-All Hardware Included	CFC1204	SBM1204	
	2016-13	Rear-All Hardware Included	CFC1554		
	2016-13	Rear-All Hardware Not Included		SBM1554	
Disc Brake Rotor	2015	Front-All John Cooper Works ALL4		PRT6162	
	2015	Front-All S		PRT6162	
	2015	Front-All S ALL4		PRT6162	
	2015	Rear-All Base		PRT6161	
	2015	Rear-All S		PRT6161	
	2015	Rear-All S ALL4		PRT6161	
	2014	Rear-All John Cooper Works ALL4		PRT6249	
	2013	Rear-All exc. John Cooper Works		PRT6161	
	2013	Rear-All John Cooper Works ALL4, From 10/2012		PRT6249	
Mitsubishi					
3000GT					
Disc Brake Pad Set	1999-94	Front-All FWD, Hardware Not Included		SBC530	
	1999-91	Front-All AWD, Hardware Not Included		SBC531	
	1993	Front-All Base, FWD, Hardware Not Included		SBC530	
	1993	Front-All SL, FWD, Hardware Not Included		SBC530	
	1992-91	Front-All FWD, Hardware Not Included		SBC530	
	1999-94	Rear-All AWD, Hardware Not Included		SBC631	
	1999-91	Rear-All Hardware Included	CFC383K2	SBC383K1	
Parking Brake Shoe	1999-92	Rear-All w/ 6.69" X 1.25" Brakes		673	
	1999-92	Rear-All w/ 6.69" X 1.25" Brakes		864	
Disc Brake Rotor	1999-94	Front-All VR-4, From 6/93; Vented; 313.8mm		PRT1910	
	1999-92	Front-All Base, Non-ABS		PRT1574	
	1999-92	Front-All SL, 4-Wheel ABS		PRT1574	
	1998-97	Front-All SL, Non-ABS		PRT1574	
	1996-95	Front-All Spyder VR-4, From 6/93; Vented; 313.8mm		PRT1910	
	1993	Front-All VR-4, From 6/93		PRT1910	
	1993	Front-All VR-4, To 5/93		PRT1795	
	1992-91	Front-All VR-4, To 5/93; Vented; 295.9mm		PRT1795	
	1992	Front-All Base, 4-Wheel ABS		PRT1574	
	1991	Front-All Base		PRT1574	
	1991	Front-All SL		PRT1574	
	1999-94	Rear-All AWD		PRT1904	
	1999	Rear-All Base, Vented; 266mm		PRT1773	
	1999	Rear-All SL, Vented; 266mm		PRT1773	
	1998-91	Rear-All FWD, Vented; 266mm		PRT1773	
	1993	Rear-All AWD, (To 5/93)		PRT1796	
1992-91	Rear-All AWD		PRT1796		
ASX					
Disc Brake Pad Set	2015-14	Front-All Hardware Included	CFC866	SBC866	
	2015-14	Rear-All Hardware Included	CFC1679	SBC1679	
Disc Brake Rotor	2014-13	Front-All		PRT5706	
Cordia					
Disc Brake Pad Set	1988-84	Front-All Hardware Not Included		SBC328	
Disc Brake Rotor	1988-86	Front-L4 - 1.8L		PRT1750	
	1988-86	Front-L4 - 2.0L		PRT1324	
	1985-84	Front-All		PRT1324	
	1983	Front-All		PRT1323	
Brake Drum	1988-84	Rear-All		PDR0462	
Diamante					
Disc Brake Pad Set	2004-92	Front-All Hardware Not Included		SBC530	
	2004-97	Rear-All Hardware Included		SBC724	
	1996-92	Rear-All Hardware Included	CFC383K2	SBC383K1	
Parking Brake Shoe	2004-97	Rear-All		882	
	1996-92	Rear-All w/ 6.69" X 1.25" Brakes		673	
	1996-92	Rear-All w/ 6.69" X 1.25" Brakes		864	
Disc Brake Rotor	2004-98	Front-All		PRT1574	
	1997-92	Front-All 4-Wheel ABS		PRT1574	

BENDIX BRAKE PARTS

PART TYPE	YEAR	APPLICATION	PREMIUM NO.	PART NO.	SEVERE DUTY NO.	
Mitsubishi (Cont'd.)						
Diamante (Cont'd.)						
Disc Brake Rotor (cont'd)	1997-92	Front-All Non-ABS		PRT1574		
	2004-97	Rear-All		PRT5163		
	1996	Rear-All Vented; 266mm		PRT1773		
	1995	Rear-All Sedan, Vented; 266mm		PRT1773		
	1995	Rear-All Wagon, Vented; 284mm		PRT5042		
	1994-92	Rear-All Vented; 266mm		PRT1773		
Eclipse						
Disc Brake Pad Set	2012-10	Front-All Hardware Included	CFC866	SBC866		
	2009-06	Front-L4 - 2.4L Hardware Included	CFC866	SBC866		
	2009-06	Front-V6 - 3.8L Hardware Included	CFC866	SBC866		
	2005-02	Front-All Hardware Included	CFC866	SBC866		
	2001	Front-L4 - 2.4L From 6/01	CFC866	SBC866		
	2001	Front-L4 - 2.4L To 6/01		SBC484		
	2001	Front-V6 - 3.0L Hardware Included	CFC866	SBC866		
	2000	Front-L4 - 2.4L Hardware Included		SBC484		
	2000	Front-V6 - 3.0L From 6/00	CFC866	SBC866		
	2000	Front-V6 - 3.0L To 5/00		SBC530		
	1999	Front-L4 - 2.0L AWD, Hardware Not Included		SBC530		
	1999	Front-L4 - 2.0L FWD, Hardware Included		SBC484		
	1999	Front-L4 - 2.0L Hardware Included		SBC484		
	1999	Front-L4 - 2.4L Hardware Not Included		SBC530		
	1998-95	Front-L4 - 2.0L GST, Turbocharged, Hardware Included		SBC484		
	1998-95	Front-L4 - 2.0L GSX, Turbocharged, Hardware Not Included		SBC530		
	1998-95	Front-L4 - 2.0L Naturally Aspirated, Hardware Included		SBC484		
	1997-96	Front-L4 - 2.0L Spyder GST, Turbocharged, Hardware Included		SBC484		
	1997-96	Front-L4 - 2.4L Hardware Included		SBC484		
	1994-93	Front-L4 - 1.8L Hardware Included		SBC484		
	1994-93	Front-L4 - 2.0L GS, Hardware Included		SBC484		
	1994-93	Front-L4 - 2.0L GSX, Hardware Not Included		SBC530		
	1992-90	Front-All Hardware Included		SBC484		
	2012	Rear-All Hardware Included	CFC383K2	SBC383K2		
	2011	Rear-All GS, Hardware Included	CFC383K2	SBC383K2		
	2011	Rear-All GS Sport, Hardware Included	CFC383K2	SBC383K2		
	2011	Rear-All GT, Hardware Included		SBC532		
	2011	Rear-All GT-P, Hardware Included		SBC532		
	2011	Rear-All Spyder GS, Hardware Included	CFC383K2	SBC383K2		
	2011	Rear-All Spyder GT, Hardware Included		SBC532		
	2011	Rear-All Spyder GT-P, Hardware Included		SBC532		
	2010-06	Rear-L4 - 2.4L Hardware Included	CFC383K2	SBC383K2		
	2010-06	Rear-V6 - 3.8L Hardware Included		SBC532		
	2005-00	Rear-V6 - 3.0L Hardware Included	CFC383K2	SBC383K2		
	2004	Rear-L4 - 2.4L Hardware Included	CFC383K2	SBC383K2		
	1999-96	Rear-All Hardware Included	CFC383K2	SBC383K2		
	1995	Rear-All GS, Hardware Included	CFC383K2	SBC383K2		
	1995	Rear-All GST, Hardware Included	CFC383K2	SBC383K2		
	1995	Rear-All GSX, From 11/94	CFC383K2	SBC383K2		
	1994-90	Rear-All Hardware Not Included		SBC329		
	Drum Brake Shoe	2005-00	Rear-L4 - 2.4L		658	
		1999-95	Rear-All FWD		658	
		1994	Rear-All FWD		677	
		1994	Rear-All FWD, In Supersession Process, Exhaust Current Inventory		610	
	Parking Brake Shoe	2012-06	Rear-All		886	
		2005-94	Rear-All w/ 6.69" X 1.25" Brakes		673	
		2005-94	Rear-All w/ 6.69" X 1.25" Brakes		864	
	Disc Brake Rotor	2005-02	Front-All		PRT5455	
		2001-00	Front-L4 - 2.4L		PRT5247	
		2001-00	Front-V6 - 3.0L		PRT5455	
		1999-98	Front-All AWD		PRT5185	
		1999-96	Front-All FWD		PRT1658	
		1997-91	Front-All AWD		PRT1574	
1995		Front-All Turbocharged, FWD		PRT1658		
1994-91		Front-All FWD		PRT1658		
1990		Front-All		PRT1658		
2012-06		Rear-L4 - 2.4L		PRT5547		
2012-06		Rear-V6 - 3.8L 3.8L		PRT5878		
2005-96		Rear-All		PRT5047		
1995-94		Rear-All From 11/94		PRT5047		
1995		Rear-All Thru 10/94		PRT5046		
1994		Rear-All AWD, Thru 10/94		PRT5046		
1994		Rear-All FWD		PRT1575		
1993-90		Rear-All		PRT1575		
Brake Drum		2005-96	Rear-All		PDR0671	

BENDIX BRAKE PARTS

PART TYPE	YEAR	APPLICATION	PREMIUM NO.	PART NO.	SEVERE DUTY NO.
Mitsubishi (Cont'd.)					
Eclipse (Cont'd.)					
Brake Drum (cont'd)	1995	Rear-All From 1/95		PDR0671	
	1995	Rear-All To 1/95; 203mm		PDR0672	
Endeavor					
Disc Brake Pad Set	2011-10	Front-All Hardware Included		SBC867	
	2008-04	Front-V6 - 3.8L Hardware Included		SBC867	
	2011-10	Rear-All w/ 11.89" Rotor Diameter	CFC868	SBC868	
	2008-04	Rear-V6 - 3.8L w/ 11.89" Rotor Diameter	CFC868	SBC868	
Parking Brake Shoe	2011-10	Rear-All		887	
	2008-04	Rear-All		887	
Disc Brake Rotor	2011-10	Front-All		PRT5538	
	2008-04	Front-All		PRT5538	
	2011-10	Rear-All		PRT5546	
	2008-04	Rear-All		PRT5546	
Expo					
Disc Brake Pad Set	1995-92	Front-All Hardware Included		SBC484	
	1995-92	Rear-All Hardware Included	CFC383K2	SBC383K2	
Drum Brake Shoe	1995-92	Rear-All w/ 9" X 1.63" Brakes		658	
Parking Brake Shoe	1995-93	Rear-All w/ 6.69" X 1.25" Brakes		673	
	1995-93	Rear-All w/ 6.69" X 1.25" Brakes		864	
Disc Brake Rotor	1995-93	Front-All 4-Wheel ABS		PRT1881	
	1995-92	Front-All Non-ABS		PRT1543	
	1995	Front-All 4-Wheel ABS		PRT1709 ⁶²	
	1993	Front-All 4-Wheel ABS, from 9/92		PRT1709 ⁶²	
	1993	Front-All 4-Wheel ABS, from 9/92		PRT1881	
	1995	Rear-All		PRT1708	
	1993-92	Rear-All		PRT1708	
Brake Drum	1994	Rear-All		PDR0644	
	1993-92	Rear-All Rear Drum		PDR0644	
Expo LRV					
Disc Brake Pad Set	1994-92	Front-All Hardware Included		SBC484	
	1994	Rear-All Hardware Included	CFC383K2	SBC383K2	
	1993	Rear-L4 - 2.4L Hardware Included	CFC383K2	SBC383K2	
	1992	Rear-All Hardware Included	CFC383K2	SBC383K2	
Drum Brake Shoe	1994	Rear-All From 6/94		658	
	1994	Rear-All FWD, To 5/94		610	
	1994	Rear-All FWD, To 5/94		677	
	1993-92	Rear-All AWD		658	
	1993-92	Rear-All FWD		677	
	1993-92	Rear-All FWD, In Supersession Process, Exhaust Current Inventory		610	
Parking Brake Shoe	1994-92	Rear-All w/ 6.69" X 1.25" Brakes		673	
	1994-92	Rear-All w/ 6.69" X 1.25" Brakes		864	
Disc Brake Rotor	1994	Front-All		PRT1543	
	1993	Front-All 4-Wheel ABS		PRT1709 ⁶²	
	1993	Front-All 4-Wheel ABS		PRT1881	
	1993	Front-All Non-ABS		PRT1543	
	1992	Front-All AWD, Rear Disc, AWD (Rear Disc Brakes)		PRT1543	
	1992	Front-All AWD, Rear Drum, AWD (Rear Drum Brakes)		PRT1709 ⁶²	
	1992	Front-All AWD, Rear Drum, AWD (Rear Drum Brakes)		PRT1881	
	1992	Front-All FWD, 4-Wheel ABS		PRT1709 ⁶²	
	1992	Front-All FWD, 4-Wheel ABS		PRT1881	
	1992	Front-All FWD, Non-ABS		PRT1543	
	1993-92	Rear-All		PRT1708	
Brake Drum	1994-92	Rear-All FWD		PDR0566	
	1993-92	Rear-All AWD		PDR0644	
Galant					
Disc Brake Pad Set	2012-10	Front-All Hardware Included	CFC866	SBC866	
	2009	Front-L4 - 2.4L Hardware Included	CFC866	SBC866	
	2009	Front-V6 - 3.8L Hardware Included	CFC866	SBC866	
	2008	Front-All Hardware Included	CFC866	SBC866	
	2007-04	Front-L4 - 2.4L Hardware Included	CFC866	SBC866	
	2007-04	Front-V6 - 3.8L Hardware Included	CFC866	SBC866	
	2003-02	Front-All Hardware Included	CFC866	SBC866	
	2001	Front-All To 6/01		SBC484	
	2001	Front-L4 - 2.4L From 6/01	CFC866	SBC866	
	2001	Front-L4 - 2.4L To 5/01		SBC484	
	2001	Front-V6 - 3.0L From 6/01	CFC866	SBC866	
	2000-99	Front-L4 - 2.4L Hardware Included		SBC484	
	2000	Front-V6 - 3.0L From 6/00	CFC866	SBC866	
	2000	Front-V6 - 3.0L To 5/00		SBC530	
	1999	Front-V6 - 3.0L Hardware Not Included		SBC530	
	1998-93	Front-All Hardware Included		SBC484	
	1992-91	Front-All Base, Hardware Included		SBC484	

62 Sell out and reorder PRT1881

BENDIX BRAKE PARTS

PART TYPE	YEAR	APPLICATION	PREMIUM NO.	PART NO.	SEVERE DUTY NO.
Mitsubishi (Cont'd.)					
Galant (Cont'd.)					
Disc Brake Pad Set (cont'd)	1992-91	Front-All GS, Hardware Included		SBC484	
	1992-91	Front-All GSR, Hardware Included		SBC484	
	1992-91	Front-All GSX, Hardware Included		SBC484	
	1992-91	Front-All LS, Hardware Included		SBC484	
	1992-91	Front-All VR-4, Hardware Not Included		SBC530	
	1990	Front-All Hardware Included		SBC484	
	1989	Front-All Rear Drum, From 11/89		SBC484	
	1987-85	Front-All Hardware Not Included		SBC328	
	2012-10	Rear-All Hardware Included	CFC383K2	SBC383K2	
	2009-99	Rear-L4 - 2.4L Hardware Included	CFC383K2	SBC383K2	
	2009	Rear-V6 - 3.8L GT, Hardware Included	CFC383K2	SBC383K2	
	2009	Rear-V6 - 3.8L Ralliart, Hardware Included		SBC532	
	2009	Rear-V6 - 3.8L Sport V6, Hardware Included	CFC383K2	SBC383K2	
	2008	Rear-V6 - 3.8L Hardware Included		SBC532	
	2007	Rear-V6 - 3.8L GTS, Hardware Included	CFC383K2	SBC383K2	
	2007	Rear-V6 - 3.8L Ralliart, Hardware Included		SBC532	
	2006-04	Rear-V6 - 3.8L Hardware Included	CFC383K2	SBC383K2	
	2003-99	Rear-V6 - 3.0L Hardware Included	CFC383K2	SBC383K2	
	1998-94	Rear-All Hardware Included	CFC383K2	SBC383K2	
	1992-89	Rear-All Hardware Not Included		SBC329	
	1988	Rear-All Hardware Included	CFC383K2	SBC383K2	
	1987-85	Rear-All Hardware Not Included		SBC329	
Drum Brake Shoe	2003-99	Rear-L4 - 2.4L		658	
	1998-95	Rear-All w/ 9" X 1.63" Brakes		658	
	1994	Rear-All Exc. Electronic Control Power Steering		658	
	1993-89	Rear-All FWD		677	
	1993-89	Rear-All FWD, In Supersession Process, Exhaust Current Inventory		610	
Parking Brake Shoe	2012-04	Rear-All		886	
	2003-99	Rear-All w/ 6.69" X 1.25" Brakes		673	
	2003-99	Rear-All w/ 6.69" X 1.25" Brakes		864	
	1996-94	Rear-All w/ 6.69" X 1.25" Brakes		673	
	1996-94	Rear-All w/ 6.69" X 1.25" Brakes		864	
Disc Brake Rotor	2012-10	Front-All		PRT5455	
	2009-04	Front-L4 - 2.4L		PRT5455	
	2005-04	Front-V6 - 3.8L		PRT5526	
	2003-02	Front-All		PRT5455	
	2001-00	Front-V6 - 3.0L		PRT5455	
	2001	Front-L4 - 2.4L FROM 6/01;		PRT5455	
	2001	Front-L4 - 2.4L To 05/01		PRT5247	
	2000-99	Front-L4 - 2.4L		PRT5247	
	1999	Front-V6 - 3.0L		PRT1574	
	1998	Front-All		PRT5460	
	1997-94	Front-All		PRT1543	
	1993	Front-All From 9/92		PRT1543	
	1993	Front-All To 9/92		PRT5460	
	1992-91	Front-All AWD		PRT1872	
	1992-91	Front-All FWD		PRT5460	
	1990	Front-All From 11/89		PRT5460	
	1990	Front-All To 10/89; Vented; 266.2mm		PRT1320	
	1989	Front-All Vented; 266.2mm		PRT1320	
	1988	Front-All		PRT1543	
	1987-85	Front-All 14" Wheels; Vented; 266.2mm		PRT1320	
	1987-85	Front-All 15" Wheels		PRT1932	
	2012-10	Rear-All		PRT5547	
	2009-07	Rear-All Vented Rotors		PRT5878	
	2009-04	Rear-All Solid Rotors		PRT5547	
	2003-99	Rear-V6 - 3.0L		PRT5047	
	1998-94	Rear-All		PRT1708	
	1993-89	Rear-All		PRT1512	
	1988	Rear-All		PRT1559	
	1987-85	Rear-All		PRT1801	
Brake Drum	2003-99	Rear-L4 - 2.4L		PDR0671	
	1998-94	Rear-All		PDR0644	
	1993-85	Rear-All		PDR0462	
Grandis					
Disc Brake Pad Set	2008-07	Front-All Hardware Included		SBC867	
	2008-07	Rear-All Hardware Included	CFC868	SBC868	
i-MIEV					
Disc Brake Pad Set	2016	Front-All Hardware Not Included	CFC1658	SBC1658	
	2014	Front-All Hardware Not Included	CFC1658	SBC1658	
	2012	Front-All Hardware Not Included	CFC1658	SBC1658	
	2016	Rear-All Hardware Included	CFC924	SBC924	
	2014	Rear-All w/ Vented Rotors	CFC1630	SBC1630	

BENDIX BRAKE PARTS

PART TYPE	YEAR	APPLICATION	PREMIUM NO.	PART NO.	SEVERE DUTY NO.
Mitsubishi (Cont'd.)					
i-MiEV (Cont'd.)					
Disc Brake Pad Set (cont'd)	2012	Rear-All Hardware Not Included	CFC1658	SBC1658	
Disc Brake Rotor	2014	Front-All		PRT6260	
	2012	Front-All		PRT6260	
Lancer					
Disc Brake Pad Set	2017-16	Front-All GTS, Hardware Included	CFC866	SBC866	
	2017-15	Front-All SE Limited Edition, Hardware Included	CFC866	SBC866	
	2017-12	Front-All SE, Hardware Included	CFC866	SBC866	
	2017-11	Front-All ES, Hardware Included	CFC866	SBC866	
	2016-15	Front-All DE, Hardware Included	CFC866	SBC866	
	2016-11	Front-All GT, Hardware Included	CFC866	SBC866	
	2015-12	Front-All SE Sportback, Hardware Included	CFC866	SBC866	
	2015-11	Front-All Evolution GSR, Hardware Included	CFM1001		
	2015-11	Front-All Evolution GSR, Hardware Not Included		SBC1001	
	2015-11	Front-All Evolution MR, Hardware Included	CFM1001		
	2015-11	Front-All Evolution MR, Hardware Not Included		SBC1001	
	2015-11	Front-All GT Sportback, Hardware Included	CFC866	SBC866	
	2015-11	Front-All Ralliart, Hardware Not Included		SBC530	
	2015	Front-All Evolution Final Edition, Hardware Included	CFM1001		
	2015	Front-All Evolution Final Edition, Hardware Not Included		SBC1001	
	2015	Front-All SE Limited Edition Sportback, Hardware Included	CFC866	SBC866	
	2014-11	Front-All ES Sportback, Hardware Included	CFC866	SBC866	
	2013-11	Front-All DE, Hardware Included	CFC866	SBC866	
	2013	Front-All GTS, Hardware Included	CFC866	SBC866	
	2011	Front-All Evolution MR Touring, Hardware Included	CFM1001		
	2011	Front-All Evolution MR Touring, Hardware Not Included		SBC1001	
	2011	Front-All Ralliart Sportback, Hardware Not Included		SBC530	
	2010-09	Front-L4 - 2.0L DE, Hardware Included	CFC866	SBC866	
	2010-09	Front-L4 - 2.0L ES, Hardware Included	CFC866	SBC866	
	2010-09	Front-L4 - 2.0L Evolution GSR, Hardware Included	CFM1001		
	2010-09	Front-L4 - 2.0L Evolution GSR, Hardware Not Included		SBC1001	
	2010-09	Front-L4 - 2.0L Evolution MR, Hardware Included	CFM1001		
	2010-09	Front-L4 - 2.0L Evolution MR, Hardware Not Included		SBC1001	
	2010-09	Front-L4 - 2.0L Ralliart, Hardware Not Included		SBC530	
	2010-09	Front-L4 - 2.0L SE, Hardware Included	CFC866	SBC866	
	2010-09	Front-L4 - 2.4L Hardware Included	CFC866	SBC866	
	2010	Front-L4 - 2.0L Evolution MR Touring, Hardware Included	CFM1001		
	2010	Front-L4 - 2.0L Evolution MR Touring, Hardware Not Included		SBC1001	
	2010	Front-L4 - 2.0L Ralliart Sportback, Hardware Not Included		SBC530	
	2009	Front-L4 - 2.0L Evolution RS, Hardware Included	CFM1001		
	2009	Front-L4 - 2.0L Evolution RS, Hardware Not Included		SBC1001	
	2008	Front-All DE, Hardware Included	CFC866	SBC866	
	2008	Front-All ES, Hardware Included	CFC866	SBC866	
	2008	Front-All Evolution GSR, Hardware Included	CFM1001		
	2008	Front-All Evolution GSR, Hardware Not Included		SBC1001	
	2008	Front-All Evolution MR, Hardware Included	CFM1001		
	2008	Front-All Evolution MR, Hardware Not Included		SBC1001	
	2008	Front-All GTS, Hardware Included	CFC866	SBC866	
	2007-05	Front-L4 - 2.0L Hardware Included		SBC904	
	2006-05	Front-L4 - 2.0L Hardware Included	CFM1001		
	2006-05	Front-L4 - 2.0L Hardware Not Included		SBC1001	
	2006-04	Front-L4 - 2.4L Hardware Included	CFC866	SBC866	
	2004-03	Front-L4 - 2.0L Naturally Aspirated, Hardware Included		SBC904	
	2004-03	Front-L4 - 2.0L Turbocharged, Hardware Included	CFM1001		
	2004-03	Front-L4 - 2.0L Turbocharged, Hardware Not Included		SBC1001	
	2002	Front-All Hardware Included		SBC904	
	2017	Rear-All SE, Hardware Included	CFC1037	SBC1037	
	2016-15	Rear-All ES, Hardware Included	CFC1037	SBC1037	
	2016	Rear-All GT, Hardware Included	CFC868	SBC868	
	2015-13	Rear-All Evolution GSR, Hardware Included		SBM1368	
	2015-13	Rear-All Evolution MR, Hardware Included		SBM1368	
	2015	Rear-All DE, Hardware Included	CFC1037	SBC1037	
	2015	Rear-All Evolution Final Edition, Hardware Included		SBM1368	
	2015	Rear-All GT, CAN, Hardware Included	CFC1037	SBC1037	
	2015	Rear-All GT, USA, Hardware Included	CFC868	SBC868	
	2015	Rear-All GT Sportback, Hardware Included	CFC1037	SBC1037	
	2015	Rear-All Ralliart, Hardware Included	CFC868	SBC868	
	2015	Rear-All SE, Hardware Included	CFC1037	SBC1037	
	2015	Rear-All SE Limited Edition, Hardware Included	CFC1037	SBC1037	
	2015	Rear-All SE Limited Edition Sportback, Hardware Included	CFC1037	SBC1037	
	2015	Rear-All SE Sportback, Hardware Included	CFC1037	SBC1037	
	2014-13	Rear-All SE, w/ 10.313" Rotor Diameter	CFC1037	SBC1037	
	2014	Rear-All GT, w/ 11.89" Rotor Diameter	CFC868	SBC868	
	2014	Rear-All GT Sportback, w/ 11.89" Rotor Diameter	CFC868	SBC868	

BENDIX BRAKE PARTS

PART TYPE	YEAR	APPLICATION	PREMIUM NO.	PART NO.	SEVERE DUTY NO.
Mitsubishi (Cont'd.)					
Lancer (Cont'd.)					
Disc Brake Pad Set (cont'd)	2014	Rear-All Ralliart, w/ 11.89" Rotor Diameter	CFC868	SBC868	
	2013	Rear-All DE, w/ 10.313" Rotor Diameter	CFC1037	SBC1037	
	2013	Rear-All ES, w/ 10.313" Rotor Diameter	CFC1037	SBC1037	
	2013	Rear-All ES Sportback, w/ 10.313" Rotor Diameter	CFC1037	SBC1037	
	2013	Rear-All GT, Hardware Included	CFC868	SBC868	
	2013	Rear-All GTS, Hardware Included	CFC868	SBC868	
	2013	Rear-All GT Sportback, Hardware Included	CFC868	SBC868	
	2013	Rear-All Ralliart, Hardware Included	CFC868	SBC868	
	2013	Rear-All SE Sportback, w/ 10.313" Rotor Diameter	CFC1037	SBC1037	
	2012-11	Rear-L4 - 2.0L SE Sportback, w/ 10.313" Rotor Diameter	CFC1037	SBC1037	
	2012-09	Rear-L4 - 2.0L ES, w/ 10.313" Rotor Diameter	CFC1037	SBC1037	
	2012-09	Rear-L4 - 2.0L SE, w/ 10.313" Rotor Diameter	CFC1037	SBC1037	
	2012	Rear-L4 - 2.0L ES Sportback, w/ 10.313" Rotor Diameter	CFC1037	SBC1037	
	2012	Rear-L4 - 2.0L Evolution GSR, Turbocharged, Hardware Included		SBM1368	
	2012	Rear-L4 - 2.0L Evolution MR, Turbocharged, Hardware Included		SBM1368	
	2012	Rear-L4 - 2.0L GT, w/ 10.313" Rotor Diameter	CFC1037	SBC1037	
	2012	Rear-L4 - 2.0L GT Sportback, w/ 10.313" Rotor Diameter	CFC1037	SBC1037	
	2012	Rear-L4 - 2.0L Ralliart, Turbocharged, w/ 11.89" Rotor Diameter	CFC868	SBC868	
	2012	Rear-L4 - 2.4L GT, w/ 11.89" Rotor Diameter	CFC868	SBC868	
	2012	Rear-L4 - 2.4L GT Sportback, w/ 11.89" Rotor Diameter	CFC868	SBC868	
	2012	Rear-L4 - 2.4L SE, w/ 10.313" Rotor Diameter	CFC1037	SBC1037	
	2011-10	Rear-L4 - 2.0L Evolution MR Touring, Hardware Included		SBM1368	
	2011-10	Rear-L4 - 2.0L Ralliart Sportback, w/ 11.89" Rotor Diameter	CFC868	SBC868	
	2011-09	Rear-L4 - 2.0L DE, w/ 10.313" Rotor Diameter	CFC1037	SBC1037	
	2011-09	Rear-L4 - 2.0L Evolution GSR, Hardware Included		SBM1368	
	2011-09	Rear-L4 - 2.0L Evolution MR, Hardware Included		SBM1368	
	2011-09	Rear-L4 - 2.0L Ralliart, w/ 11.89" Rotor Diameter	CFC868	SBC868	
	2011-09	Rear-L4 - 2.4L w/ 11.89" Rotor Diameter	CFC868	SBC868	
	2009	Rear-L4 - 2.0L Evolution RS, Hardware Included		SBM1368	
	2008	Rear-All DE, w/ 10.313" Rotor Diameter	CFC1037	SBC1037	
	2008	Rear-All ES, w/ 10.313" Rotor Diameter	CFC1037	SBC1037	
	2008	Rear-All Evolution GSR, Hardware Included		SBM1368	
	2008	Rear-All Evolution MR, Hardware Included		SBM1368	
	2008	Rear-All GTS, w/ 11.89" Rotor Diameter	CFC868	SBC868	
	2006-04	Rear-L4 - 2.4L w/ 10.313" Rotor Diameter	CFC1037	SBC1037	
	2006-03	Rear-L4 - 2.0L Hardware Included	CFM961		
	2006-03	Rear-L4 - 2.0L Hardware Not Included		SBM961	
Drum Brake Shoe	2014	Rear-All ES, w/ 8.06" X 1.24" Brakes		924	
	2011	Rear-All		778	
	2010-08	Rear-All w/ 8.06" X 1.24" Brakes		924	
	2007-02	Rear-All w/ 8.00" X 1.24" Brakes		778	
Parking Brake Shoe	2012-08	Rear-All Naturally Aspirated		886	
	2011-08	Rear-All Turbocharged, Intercooled		887	
	2004-03	Rear-All w/ 6.69" X 1.25" Brakes		673	
	2004-03	Rear-All w/ 6.69" X 1.25" Brakes		864	
Disc Brake Rotor	2017	Front-All		PRT5706	
	2014-12	Front-All GT		PRT5706	
	2014-12	Front-All GT Sportback		PRT5706	
	2012-10	Front-All DE		PRT6068	
	2012-10	Front-All ES		PRT6068	
	2012-10	Front-All Ralliart		PRT6068	
	2011-10	Front-All Evolution GSR		PRT6090	
	2011-10	Front-All Evolution MR		PRT5705	
	2011-10	Front-All Evolution MR Touring		PRT5705	
	2011-10	Front-All Ralliart Sportback		PRT6068	
	2011-08	Front-All GTS		PRT5706	
	2009-08	Front-All DE		PRT5705	
	2009-08	Front-All ES		PRT5705	
	2009	Front-All Ralliart		PRT5946	
	2009	Front-All SE		PRT5705	
	2008	Front-All Evolution GSR		PRT6090	
	2007	Front-All		PRT5460	
	2006-04	Front-L4 - 2.4L 4 Hole Rotor		PRT5508	
	2006-04	Front-L4 - 2.4L 5 Hole Rotor;		PRT5455	
	2006-03	Front-L4 - 2.0L 5 Holes		PRT5539	
	2006-02	Front-L4 - 2.0L 4 Holes, 14" Wheels; 14"		PRT5377	
	2006-02	Front-L4 - 2.0L 4 Holes, 15" Wheels		PRT5460	
	2014-12	Rear-All SE		PRT6094 ⁹⁴	
	2013-10	Rear-All ES		PRT6094 ⁹⁴	
	2013	Rear-All DE		PRT6094 ⁹⁴	
	2013	Rear-All ES Sportback		PRT6094 ⁹⁴	

BENDIX BRAKE PARTS

PART TYPE	YEAR	APPLICATION	PREMIUM NO.	PART NO.	SEVERE DUTY NO.	
Mitsubishi (Cont'd.)						
Lancer (Cont'd.)						
Disc Brake Rotor (cont'd)	2013	Rear-All Ralliart		PRT6094 ⁹⁴		
	2013	Rear-All SE Sportback		PRT6094 ⁹⁴		
	2012	Rear-All 262mm Diameter		PRT5672		
	2012	Rear-All 302mm Diameter		PRT5934		
	2011-10	Rear-All GTS Sportback		PRT5896		
	2011-10	Rear-All Ralliart Sportback		PRT5934		
	2011-09	Rear-All Ralliart		PRT5934		
	2011-09	Rear-All SE		PRT5672		
	2011-08	Rear-All DE		PRT5672		
	2011-08	Rear-All ES		PRT5672		
	2011-08	Rear-All Evolution GSR		PRT6069		
	2011-08	Rear-All Evolution MR		PRT6069		
	2011-08	Rear-All GTS		PRT5896		
	2011	Rear-All ES Sportback		PRT5672		
	2011	Rear-All GT		PRT5672		
	2011	Rear-All GT Sportback		PRT5672		
	2011	Rear-All SE Sportback		PRT5672		
	2006-04	Rear-All SOLID; 4 Hole Rotor		PRT1708		
	2006-04	Rear-All SOLID; 5 Hole Rotor		PRT5047		
	2006-03	Rear-All VENTED; 5 Hole Rotor		PRT5570		
	Brake Drum	2011-08	Rear-All DE		PDR0852	
		2011-08	Rear-All ES		PDR0852	
		2007-02	Rear-All 14" Wheels		PDR0802	
2007-02		Rear-All 15" Wheels		PDR0755		
Mighty Max						
Disc Brake Pad Set	1996-95	Front-All Hardware Included		SBC349		
	1994-92	Front-L4 - 2.4L Hardware Included		SBC349		
	1994-92	Front-V6 - 3.0L Hardware Included		SBC349		
	1991-87	Front-All Hardware Included		SBC349		
Drum Brake Shoe	1996-87	Rear-All w/ 10" X 1.98" Brakes		524		
	1986-83	Rear-All w/ 10" Brakes		524		
Disc Brake Rotor	1996	Front-All Vented; 258.1mm		PRT1390		
	1995	Front-All 14" Wheels; Vented; 258.1mm		PRT1390		
	1995	Front-All 15" Wheels; Vented; 277mm		PRT1460		
	1994-90	Front-L4 - 2.4L 4WD; Vented; 277mm		PRT1460		
	1994-90	Front-L4 - 2.4L RWD; Vented; 258.1mm		PRT1390		
	1994-90	Front-V6 - 3.0L Vented; 277mm		PRT1460		
	1989-87	Front-L4 - 2.0L Vented; 258.1mm		PRT1390		
	1989-87	Front-L4 - 2.6L 4WD; Vented; 277mm		PRT1460		
	1989-87	Front-L4 - 2.6L RWD; Vented; 258.1mm		PRT1390		
	1986-83	Front-All 4WD		PRT1290		
	1986-83	Front-All RWD		PRT1205		
	1985-83	Front-L4 - 2.3L 4WD		PRT1290		
	1985-83	Front-L4 - 2.3L RWD		PRT1205		
	Brake Drum	1996-87	Rear-All		PDR0463	
1996-87		Rear-All		PDR0497		
1986-83		Rear-L4 - 2.6L 9 1/2 x 2" Brakes		PDR0420		
1985-83		Rear-L4 - 2.3L 9 1/2 x 2" Brakes		PDR0420		
Mirage						
Disc Brake Pad Set	2017-14	Front-All Hardware Included	CFC1731			
	2017-14	Front-All Hardware Not Included		SBC1731		
	2002-01	Front-All Hardware Included		SBC484		
	2000-99	Front-L4 - 1.5L w/ 13" Wheels		SBC602		
	2000-99	Front-L4 - 1.8L w/ 14" Wheels		SBC484		
	2000	Front-L4 - 1.5L w/ 14" Wheels		SBC484		
	1998-93	Front-All Hardware Included		SBC602		
	1992-91	Front-All Hardware Included		SBC484		
	1990	Front-All 2 Doors, Hatchback, Hardware Not Included		SBC299		
	1990	Front-All Sedan, Hardware Not Included		SBC328		
	1989	Front-L4 - 1.5L 2 Doors, Hatchback, Hardware Not Included		SBC299		
	1989	Front-L4 - 1.5L Sedan, Hardware Not Included		SBC328		
	1989	Front-L4 - 1.6L 2 Doors, Hatchback, Rear Disc, Hardware Not Included		SBC328		
	1988-85	Front-L4 - 1.5L Hardware Not Included		SBC299		
	1988-85	Front-L4 - 1.6L Hardware Not Included		SBC328		
	1992-91	Rear-L4 - 1.6L Hardware Not Included		SBC329		
	1989-88	Rear-L4 - 1.6L Hardware Not Included		SBC329		
	Drum Brake Shoe	2002-01	Rear-All w/ 8" X 1.45" Brakes		610	
		2002-01	Rear-All w/ 8" X 1.45" Brakes		677	
		2000-99	Rear-L4 - 1.5L 2 Doors, Coupe		677	
2000-99		Rear-L4 - 1.5L 2 Doors, Coupe, In Supersession Process, Exhaust Current Inventory		610		
2000-99		Rear-L4 - 1.5L 4 Doors, Sedan		677		

94 Sell out and reorder PRT5672

BENDIX BRAKE PARTS

PART TYPE	YEAR	APPLICATION	PREMIUM NO.	PART NO.	SEVERE DUTY NO.	
Mitsubishi (Cont'd.)						
Mirage (Cont'd.)						
Drum Brake Shoe (cont'd)	2000-99	Rear-L4 - 1.5L 4 Doors, Sedan, In Supersession Process, Exhaust Current Inventory		610		
	2000-99	Rear-L4 - 1.8L 2 Doors, Coupe		677		
	2000-99	Rear-L4 - 1.8L 2 Doors, Coupe, In Supersession Process, Exhaust Current Inventory		610		
	2000-99	Rear-L4 - 1.8L 4 Doors, Sedan		677		
	2000-99	Rear-L4 - 1.8L 4 Doors, Sedan, In Supersession Process, Exhaust Current Inventory		610		
	1998-96	Rear-All w/ 8" X 1.45" Brakes		610		
	1998-96	Rear-All w/ 8" X 1.45" Brakes		677		
	1995-93	Rear-All 2 Doors, Coupe		644		
	1995-93	Rear-L4 - 1.5L 4 Doors, Sedan		677		
	1995-93	Rear-L4 - 1.5L 4 Doors, Sedan, In Supersession Process, Exhaust Current Inventory		610		
	1995-93	Rear-L4 - 1.8L 4 Doors, Sedan		677		
	1995-93	Rear-L4 - 1.8L 4 Doors, Sedan, In Supersession Process, Exhaust Current Inventory		610		
	1992-91	Rear-L4 - 1.5L 2 Doors, Hatchback, Japan Built		644		
	1992-91	Rear-L4 - 1.5L 4 Doors, Sedan		644		
	1990-89	Rear-L4 - 1.5L		558		
	1988-85	Rear-All		558		
	Disc Brake Rotor	2002-01	Front-All 14"		PRT5377	
		2000-99	Front-All 13" Wheels		PRT1848	
2000-99		Front-All 14" Wheels; 14"		PRT5377		
1998-97		Front-L4 - 1.5L		PRT1848		
1998-93		Front-L4 - 1.8L		PRT1848		
1996-93		Front-L4 - 1.5L 2 Doors, Coupe		PRT1847		
1996-93		Front-L4 - 1.5L 4 Doors, Sedan		PRT1848		
1992-91		Front-L4 - 1.5L 2 Doors, Hatchback		PRT1557		
1992-91		Front-L4 - 1.5L 4 Doors, Sedan		PRT1609		
1992		Front-All GS, 4 Doors, Sedan		PRT1544		
1991		Front-L4 - 1.6L 4 Doors, Sedan		PRT1544		
1990		Front-All 2 Doors		PRT1323		
1989-85		Front-All Solid Rotor		PRT1323		
1989-85		Front-All Vented Rotors		PRT1324		
1994-93		Rear-All		PRT1852		
1992-89		Rear-All		PRT1512		
Brake Drum		2002-95	Rear-All		PDR0636	
		1994-93	Rear-L4 - 1.5L 4 Doors, Sedan		PDR0636	
	1994-93	Rear-L4 - 1.8L		PDR0636		
	1992-89	Rear-All		PDR0612		
1988-85	Rear-All		PDR0549			
Mirage G4						
Disc Brake Pad Set	2017	Front-All Hardware Included	CFC1731			
	2017	Front-All Hardware Not Included		SBC1731		
Drum Brake Shoe	2017	Rear-All		924		
Montero						
Disc Brake Pad Set	2015-10	Front-All Hardware Included	CFC976	SBC976	MKD976FM	
	2008	Front-All Hardware Included		SBC867		
	2006-04	Front-V6 - 3.8L Hardware Included		SBC867		
	2003-01	Front-All Hardware Included		SBC867		
	2000-92	Front-All Hardware Not Included		SBC530		
	1991-88	Front-All Hardware Included		SBC349		
	2015-10	Rear-All Hardware Included	CFC606	SBC606		
	2008	Rear-All Hardware Included	CFC606	SBC606		
	2006-04	Rear-V6 - 3.8L w/ 11.89" Rotor Diameter	CFC868	SBC868		
	2003-01	Rear-All w/ 11.89" Rotor Diameter	CFC868	SBC868		
	2000-92	Rear-All Hardware Included		SBC567		
	Drum Brake Shoe	1991-83	Rear-All w/ 10" X 1.98" Brakes		524	
Parking Brake Shoe	2005-01	Rear-All		767		
Disc Brake Rotor	2006-01	Front-All		PRT5378		
	2000-97	Front-All		PRT5215		
	1996-94	Front-V6 - 3.0L LS, Vented; 276mm		PRT1776		
	1996-94	Front-V6 - 3.5L		PRT5215		
	1993-92	Front-All Vented; 276mm		PRT1776		
	1991-90	Front-All Base, Vented; 277mm		PRT1460		
	1991-90	Front-All LS, Vented; 277mm		PRT1460		
	1991	Front-All RS, Vented; 277mm		PRT1460		
	1990	Front-All Sport, Vented; 277mm		PRT1460		
	1989	Front-L4 - 2.6L		PRT1539		
	1989	Front-V6 - 3.0L Vented; 277mm		PRT1460		
	1988	Front-All		PRT1539		
	1987-83	Front-All		PRT1290		
	2006-01	Rear-All		PRT5336		
	2000-92	Rear-All		PRT1777		

BENDIX BRAKE PARTS

PART TYPE	YEAR	APPLICATION	PREMIUM NO.	PART NO.	SEVERE DUTY NO.
Mitsubishi (Cont'd.)					
Montero (Cont'd.)					
Brake Drum	1991-90	Rear-All		PDR0463	
	1991-90	Rear-All		PDR0497	
	1988-87	Rear-All		PDR0463	
	1988-87	Rear-All		PDR0497	
	1986	Rear-All From 1/86		PDR0463	
	1986	Rear-All From 1/86		PDR0497	
Montero Sport					
Disc Brake Pad Set	2008-05	Front-All Hardware Not Included		SBM350	
	2004-03	Front-V6 - 3.5L Hardware Not Included		SBC530	
	2003	Front-V6 - 3.0L Hardware Not Included		SBC530	
	2002	Front-All Hardware Not Included		SBC530	
	2001	Front-V6 - 3.0L Hardware Not Included		SBC530	
	2001	Front-V6 - 3.5L Hardware Not Included		SBC530	
	2000-97	Front-All Hardware Not Included		SBC530	
	2004	Rear-V6 - 3.5L Hardware Included		SBC733	
	2003-00	Rear-All Hardware Included		SBC733	
	1999-97	Rear-V6 - 3.0L Hardware Included		SBC733	
	1999	Rear-V6 - 3.5L Hardware Included		SBC733	
Drum Brake Shoe	2004-97	Rear-All w/ 10.63" X 2.05" Brakes		728	
Disc Brake Rotor	2004-00	Front-All 16" Wheels; Vented; 314mm		PRT5320	
	2004-99	Front-All 15" Wheels; Vented; 276mm		PRT1776	
	1998-97	Front-All Vented; 276mm		PRT1776	
	2004-97	Rear-All		PRT1777	
Brake Drum	2004-97	Rear-All		PDR0709	
Outlander					
Disc Brake Pad Set	2017-09	Front-All Hardware Included	CFC866	SBC866	
	2008-07	Front-V6 - 3.0L w/ Standard Brakes	CFC866	SBC866	
	2008-06	Front-All w/ Optional Brake Package	CFC866	SBC866	
	2008	Front-L4 - 2.4L w/ Standard Brakes	CFC866	SBC866	
	2006	Front-L4 - 2.4L w/ Standard Brakes		SBC530	
	2005	Front-L4 - 2.4L Hardware Not Included		SBC530	
	2004	Front-L4 - 2.4L Hardware Included	CFC866	SBC866	
	2003	Front-All Hardware Included	CFC866	SBC866	
	2017	Rear-All To 5/17	CFC1679	SBC1679	
	2016-14	Rear-All Hardware Included	CFC1679	SBC1679	
	2013-09	Rear-All w/ 11.89" Rotor Diameter	CFC868	SBC868	
	2008-07	Rear-V6 - 3.0L w/ 11.89" Rotor Diameter	CFC868	SBC868	
	2008	Rear-L4 - 2.4L w/ 11.89" Rotor Diameter	CFC868	SBC868	
	2006-05	Rear-L4 - 2.4L w/ 10.313" Rotor Diameter	CFC1037	SBC1037	
	2004	Rear-All w/ 10.313" Rotor Diameter	CFC1037	SBC1037	
Drum Brake Shoe	2004-03	Rear-All		798	
Parking Brake Shoe	2012-07	Rear-All w/ 7.49" X 1.24" Brakes		887	
	2011	Rear-All w/ 6.69" X 1.2" Brakes		886	
	2010-07	Rear-V6 - 3.0L w/ 6.69" X 1.2" Brakes		886	
	2006-05	Rear-All w/ 6.69" X 1.25" Brakes		673	
	2006-05	Rear-All w/ 6.69" X 1.25" Brakes		864	
Disc Brake Rotor	2018-07	Front-All		PRT5706	
	2006-05	Front-All		PRT5946	
	2004-03	Front-All		PRT5455	
	2012-09	Rear-All 7 Passenger Seating		PRT5934	
	2012-09	Rear-All Exc. 7 Passenger		PRT5896	
	2008	Rear-L4 - 2.4L		PRT5896	
	2008	Rear-V6 - 3.0L		PRT5934	
	2007	Rear-All		PRT5934	
	2006-05	Rear-All		PRT5047	
Brake Drum	2004-03	Rear-All		PDR0780	
Outlander Sport					
Disc Brake Pad Set	2017-11	Front-All Hardware Included	CFC866	SBC866	
	2017-13	Rear-All Hardware Included	CFC1679	SBC1679	
	2012-11	Rear-All w/ 11.89" Rotor Diameter	CFC868	SBC868	
Parking Brake Shoe	2011	Rear-All		886	
Disc Brake Rotor	2018-11	Front-All		PRT5706	
	2012-11	Rear-All		PRT5896	
Precis					
Disc Brake Pad Set	1994-90	Front-All Hardware Included		SBM440	
Drum Brake Shoe	1994-92	Rear-All		663	
	1991	Rear-All From 6/26/91		663	
Disc Brake Rotor	1994-90	Front-All Vented; 242mm		PRT1405	
	1989-87	Front-All Solid Rotors; Solid; 229mm		PRT1291	
	1989-87	Front-All Vented Rotors; Vented; 242mm		PRT1405	
Brake Drum	1994-91	Rear-All 180.3mm		PDR0642	
	1990	Rear-All From 4/1/90; 180.3mm		PDR0642	
	1989	Rear-All From 9/1/88		PDR0571	

BENDIX BRAKE PARTS

PART TYPE	YEAR	APPLICATION	PREMIUM NO.	PART NO.	SEVERE DUTY NO.
Mitsubishi (Cont'd.)					
Precis (Cont'd.)					
Brake Drum (cont'd)	1989	Rear-All To 9/1/88		PDR0401	
	1988-87	Rear-All		PDR0401	
Raider					
Disc Brake Pad Set	2009-06	Front-All w/ 5 Lug Wheels		SBM1084	
	2009-06	Front-All w/ 5 Lug Wheels	CFM1084	SBC1084	MKD1084FM
Drum Brake Shoe	2009-07	Rear-All w/ 11.6" X 2.43" Brakes		922	
	2006	Rear-All		922	
Disc Brake Rotor	2009-06	Front-All		PRT5617	
Brake Drum	2009-06	Rear-All		PDR0811	
RVR					
Disc Brake Pad Set	2016-11	Front-All Hardware Included	CFC866	SBC866	
	2016-14	Rear-All Hardware Included	CFC1679	SBC1679	
	2013	Rear-All w/ 11.89" Rotor Diameter	CFC1679	SBC1679	
	2012-11	Rear-All w/ 11.89" Rotor Diameter	CFC868	SBC868	
Disc Brake Rotor	2014-11	Front-All		PRT5706	
Sigma					
Disc Brake Pad Set	1990-89	Rear-All Hardware Included	CFC383K2	SBC383K2	
Disc Brake Rotor	1990-89	Front-All		PRT5460	
	1990-89	Rear-All		PRT1559	
Space Star					
Disc Brake Pad Set	2004-03	Front-All Hardware Included	CFC866	SBC866	
	2004-03	Rear-All Hardware Not Included		SBM838	
Starion					
Disc Brake Rotor	1989-86	Front-All		PRT1322	
	1985	Front-All 4 Bolt rotor		PRT1322	
	1984-83	Front-All		PRT1322	
	1989-83	Rear-All 5 STUD		PRT1325	
	1987	Rear-All Without intercooler		PRT1326	
	1985	Rear-All 4 Bolt rotor		PRT1326	
	1984-83	Rear-All		PRT1326	
Tredia					
Disc Brake Pad Set	1988-85	Front-All Hardware Not Included		SBC328	
Disc Brake Rotor	1988-86	Front-L4 - 1.8L		PRT1750	
	1988-86	Front-L4 - 2.0L		PRT1324	
	1985-84	Front-All		PRT1324	
	1983	Front-All		PRT1323	
Brake Drum	1988-85	Rear-All		PDR0462	
	1984	Rear-All Base		PDR0462	
	1984	Rear-All L		PDR0462	
	1984	Rear-All LS		PDR0462	
Van					
Disc Brake Pad Set	1990-87	Front-All Hardware Included		SBC349	
Drum Brake Shoe	1990-87	Rear-All w/ 10" X 1.98" Brakes		524	
Disc Brake Rotor	1990-87	Front-All		PRT1775	
Brake Drum	1990-87	Rear-All		PDR0625	
Mitsubishi Fuso					
Canter FE125					
Disc Brake Pad Set	2013-12	Front-All Hardware Included			MKD1682FM
	2013-12	Rear-All Hardware Included			MKD1682FM
Canter FE160					
Disc Brake Pad Set	2013-12	Front-All Hardware Included			MKD1682FM
	2013-12	Rear-All Hardware Included			MKD1682FM
Canter FE180					
Disc Brake Pad Set	2013-12	Front-All Hardware Included			MKD1682FM
	2013-12	Rear-All Hardware Included			MKD1682FM
FE					
Disc Brake Pad Set	1995-90	Front-All w/ 2.01" Akebono Dual Piston Calipers	CFC433A	SBC433A	MKD433AFM
FE120					
Disc Brake Pad Set	2005	Front-All Hardware Included			MKD1265FM
	2005	Rear-All Hardware Included			MKD1265FM
FE125					
Disc Brake Pad Set	2011-08	Front-All Hardware Included			MKD1265FM
	2011-08	Rear-All Hardware Included			MKD1265FM
FE140					
Disc Brake Pad Set	2007-06	Front-All Hardware Included			MKD1265FM
	2007-06	Rear-All Hardware Included			MKD1265FM
FE145					
Disc Brake Pad Set	2011-05	Front-All Hardware Included			MKD1265FM
	2011-05	Rear-All Hardware Included			MKD1265FM

BENDIX BRAKE PARTS

PART TYPE	YEAR	APPLICATION	PREMIUM NO.	PART NO.	SEVERE DUTY NO.	
Mitsubishi Fuso (Cont'd.)						
FE145CC						
Disc Brake Pad Set	2011-05	Front-All Hardware Included			MKD1265FM	
	2011-05	Rear-All Hardware Included			MKD1265FM	
FE180						
Disc Brake Pad Set	2011-05	Front-All Hardware Included			MKD1265FM	
	2011-05	Rear-All Hardware Included			MKD1265FM	
FE-HD						
Disc Brake Pad Set	2002	Front-All w/ 2.01" Akebono Single Piston Calipers	CFC433A	SBC433A	MKD433AFM	
	1999-96	Front-All w/ 2.01" Akebono Single Piston Calipers	CFC433A	SBC433A	MKD433AFM	
	2002	Rear-All w/ 2.01" Akebono Single Piston Calipers	CFC433A	SBC433A	MKD433AFM	
	1999-96	Rear-All w/ 2.01" Akebono Single Piston Calipers	CFC433A	SBC433A	MKD433AFM	
FG						
Disc Brake Pad Set	2001-98	Front-All Hardware Not Included		SBM682		
	2001-98	Rear-All Hardware Not Included		SBM682		
FG140						
Disc Brake Pad Set	2009-05	Front-All Hardware Included			MKD1265FM	
	2009-05	Rear-All Hardware Included			MKD1265FM	
FK200						
Disc Brake Pad Set	2009-05	Front-All Hardware Included			MKD1265FM	
	2009-05	Rear-All Hardware Included			MKD1265FM	
FK260						
Disc Brake Pad Set	2009-08	Front-All Hardware Included			MKD1265FM	
	2009-08	Rear-All Hardware Included			MKD1265FM	
FM260						
Disc Brake Pad Set	2007-05	Front-All Hardware Included			MKD1265FM	
	2007-05	Rear-All Hardware Included			MKD1265FM	
FM330						
Disc Brake Pad Set	2009-05	Front-All Hardware Included			MKD1265FM	
	2009-05	Rear-All Hardware Included			MKD1265FM	
Mobility Ventures						
MV-1						
Disc Brake Pad Set	2016-14	Front-All Hardware Included	CFC1075	SBC1075	MKD1075FM	
	2016-14	Rear-All Hardware Included	CFC1093	SBC1093	MKD1093FM	
Morris						
Minor						
Drum Brake Shoe	1966-63	Rear-All		216		
Nash						
Ambassador Custom						
Drum Brake Shoe	1954-52	Front-All w/ 10" X 2-1/2" Brakes		169		
Ambassador Super						
Drum Brake Shoe	1954-52	Front-All w/ 10" X 2-1/2" Brakes		169		
Statesman						
Drum Brake Shoe	1956	Front-All w/ 10" X 2-1/2" Brakes		169		
	1955	Front-All		332		
Nissan						
200SX						
Disc Brake Pad Set	1998-95	Front-All Hardware Included		SBC668		
	1988-87	Front-V6 - 3.0L Hardware Included		SBC266		
	1983	Front-All Hardware Not Included		SBC244		
	1982	Front-All Late Model Year Production		SBC244		
	1998-95	Rear-All Hardware Included		SBC669		
	1987	Rear-L4 - 2.0L Hardware Included		SBC272		
	1987	Rear-V6 - 3.0L Hardware Included		SBC272		
	1986-84	Rear-All Hardware Included		SBC272		
	Drum Brake Shoe	1998-95	Rear-L4 - 1.6L		638	
	Disc Brake Rotor	1998-96	Front-L4 - 1.6L Base, Vented; 232mm		PRT5079	
		1998-96	Front-L4 - 1.6L SE, Vented; 232mm		PRT5079	
		1998	Front-All SE-R, Vented; 247mm		PRT5080	
		1997-96	Front-L4 - 2.0L SE-R, Vented; 247mm		PRT5080	
		1995	Front-L4 - 1.6L Vented; 232mm		PRT5079	
1995		Front-L4 - 2.0L Vented; 247mm		PRT5080		
1988		Front-All		PRT1310		
1987		Front-L4 - 1.8L		PRT1222		
1987		Front-L4 - 2.0L		PRT1310		
1987		Front-V6 - 3.0L		PRT1310		
1986-84	Front-All		PRT1222			
1983-80	Front-All		PRT1254			
1979-77	Front-All		PRT1144			
1998-95	Rear-All		PRT1555			

BENDIX BRAKE PARTS

PART TYPE	YEAR	APPLICATION	PREMIUM NO.	PART NO.	SEVERE DUTY NO.	
Nissan (Cont'd.)						
200SX (Cont'd.)						
Disc Brake Rotor (cont'd)	1988-87	Rear-L4 - 2.0L		PRT1308		
	1988-87	Rear-V6 - 3.0L		PRT1335		
	1986-82	Rear-All		PRT1308		
	1981-80	Rear-All		PRT1181		
Brake Drum	1998-95	Rear-All		PDR0583		
	1988-87	Rear-L4 - 2.0L 228.6mm		PDR0324		
	1986-77	Rear-All 228.6mm		PDR0324		
210						
Disc Brake Rotor	1982-79	Front-All		PRT1144		
Brake Drum	1982-79	Rear-All		PDR0321		
240SX						
Disc Brake Pad Set	1998-97	Front-All Hardware Included		SBC485		
	1996-95	Front-All Hardware Included		SBC422		
	1994-91	Front-All 4-Wheel ABS, Hardware Included		SBC485		
	1994-91	Front-All Non-ABS, Hardware Included		SBC422		
	1990-89	Front-L4 - 2.4L 4-Wheel ABS, Hardware Included		SBC485		
	1990-89	Front-L4 - 2.4L Non-ABS, Hardware Included		SBC422		
	1998	Rear-L4 - 2.4L Hardware Included		SBC272		
	1997-91	Rear-All Hardware Included		SBC272		
	1990-89	Rear-L4 - 2.4L Hardware Included		SBC272		
	Disc Brake Rotor	1998-97	Front-All Base, Exc. SE; Vented; 256.5mm		PRT1656	
1998-97		Front-All LE, Exc. SE; Vented; 256.5mm		PRT1656		
1998-97		Front-All SE, Vented; 256.3mm		PRT5160		
1996-95		Front-All Base, Exc. SE; Vented; 251mm		PRT1443		
1996-95		Front-All SE, Vented; 252mm		PRT5039		
1994-89		Front-All 4-Wheel ABS, Vented; 256.5mm		PRT1656		
1994-89		Front-All Non-ABS, Non-ABS; Vented; 251mm		PRT1443		
1998-95		Rear-All SE		PRT5029		
240Z						
Disc Brake Rotor	1973-70	Front-All		PRT1097		
260Z						
Disc Brake Rotor	1975-74	Front-All		PRT1141		
280Z						
Disc Brake Rotor	1978-75	Front-All		PRT1141		
280ZX						
Disc Brake Rotor	1983-79	Front-All		PRT1180		
	1983-82	Rear-All		PRT1308		
	1981-79	Rear-All		PRT1181		
300ZX						
Disc Brake Pad Set	1996	Front-V6 - 3.0L Hardware Not Included		SBM647		
	1995-94	Front-All Hardware Not Included		SBM647		
	1993-90	Front-All Hardware Not Included		SBM460		
	1989	Front-All Naturally Aspirated, Hardware Included		SBC266		
	1988-87	Front-V6 - 3.0L Naturally Aspirated, Hardware Included		SBC266		
	1986-84	Front-All Hardware Included		SBC266		
	1996	Rear-V6 - 3.0L Hardware Not Included		SBM461		
	1995-90	Rear-All Hardware Not Included		SBM461		
	1989	Rear-All From 12/88		SBM461		
	1989	Rear-All To 12/88		SBC272		
	1988-85	Rear-V6 - 3.0L Hardware Included		SBC272		
	1984	Rear-All Hardware Included		SBC272		
	Parking Brake Shoe	1996-89	Rear-All		896	
	Disc Brake Rotor	1996-91	Front-All		PRT1536	
1990		Front-V6 - 3.0L Naturally Aspirated		PRT1759		
1990		Front-V6 - 3.0L Turbocharged		PRT1536		
1989-88		Front-All Turbocharged		PRT1689		
1987		Front-All		PRT1310		
1986		Front-All CAN		PRT1314		
1986		Front-All USA		PRT1310		
1985-84		Front-All Turbocharged		PRT1314		
1985-84		Front-V6 - 3.0L Naturally Aspirated		PRT1313		
1985-84		Front-V6 - 3.0L Turbocharged		PRT1310		
1996-90		Rear-All		PRT1657		
1989-88		Rear-All		PRT1446		
1987		Rear-All From 9/86		PRT1446		
1987		Rear-All To 9/86		PRT1335		
1986		Rear-All From 9/85		PRT1335		
1986	Rear-All To 9/85		PRT1312			
1985-84	Rear-All		PRT1312			
310						
Disc Brake Rotor	1982-79	Front-All		PRT1143		

BENDIX BRAKE PARTS

PART TYPE	YEAR	APPLICATION	PREMIUM NO.	PART NO.	SEVERE DUTY NO.	
Nissan (Cont'd.)						
310 (Cont'd.)						
Brake Drum	1982-79	Rear-All		PDR0392		
350Z						
Disc Brake Pad Set	2009-06	Front-All Enthusiast, Hardware Included	CFC888	SBC888		
	2009-06	Front-All Grand Touring, Hardware Included	CFM960			
	2009-06	Front-All Grand Touring, Hardware Not Included		SBM960		
	2009-06	Front-All Touring, Hardware Included	CFC888	SBC888		
	2008-07	Front-All Nismo, Hardware Included	CFM960			
	2008-07	Front-All Nismo, Hardware Not Included		SBM960		
	2008-06	Front-All Base, Hardware Included	CFC888	SBC888		
	2006	Front-All Track, Hardware Included	CFM960			
	2006	Front-All Track, Hardware Not Included		SBM960		
	2005-03	Front-All Exc. Brembo Brakes	CFC430A	SBC430A		
	2005-03	Front-All Track, w/ Brembo Brakes	CFM960	SBM960		
	2009-07	Rear-All Enthusiast, Hardware Included	CFC905	SBC905		
	2009-07	Rear-All Grand Touring, Hardware Included	CFM961			
	2009-07	Rear-All Grand Touring, Hardware Not Included		SBM961		
	2009-07	Rear-All Touring, Hardware Included	CFC905	SBC905		
	2008-07	Rear-All Base, Hardware Included	CFC905	SBC905		
	2008-07	Rear-All Nismo, Hardware Included	CFM961			
	2008-07	Rear-All Nismo, Hardware Not Included		SBM961		
	2006	Rear-All Hardware Included	CFC905	SBC905		
	2005-04	Rear-All Exc. Brembo Brakes	CFC905	SBC905		
	2005-04	Rear-All w/ Brembo Brakes	CFM961	SBM961		
	2003	Rear-V6 - 3.5L Exc. Brembo Brakes	CFC905	SBC905		
	2003	Rear-V6 - 3.5L w/ Brembo Brakes	CFM961	SBM961		
	Parking Brake Shoe	2009-03	Rear-All		783	
	Disc Brake Rotor	2009-06	Front-All Grand Touring		PRT6085	
		2008-07	Front-All Nismo		PRT6085	
		2005-03	Front-All w/Brembo Brakes		PRT6085	
		2005-03	Front-All wo/Brembo Brakes		PRT5559	
		2009-06	Rear-All wo/Brembo Brakes		PRT5845	
		2009-03	Rear-All W/ Brembo Brakes		PRT5978	
2005-03		Rear-All wo/Brembo Brakes		PRT5536		
370Z						
Disc Brake Pad Set	2019-15	Front-All Base, Hardware Included	CFC888	SBC888		
	2019-15	Front-All Touring, Hardware Included	CFC888	SBC888		
	2019	Front-All Heritage Edition, Hardware Included	CFC888	SBC888		
	2017-15	Front-All Nismo, Hardware Included	CFC888	SBC888		
	2017-15	Front-All Nismo Tech, Hardware Included	CFC888	SBC888		
	2017-15	Front-All Sport, Hardware Included	CFC1346			
	2017-15	Front-All Sport, Hardware Not Included		SBC1346		
	2017-15	Front-All Sport Tech, Hardware Included	CFC1346			
	2017-15	Front-All Sport Tech, Hardware Not Included		SBC1346		
	2017-15	Front-All Touring Sport, Hardware Included	CFC1346			
	2017-15	Front-All Touring Sport, Hardware Not Included		SBC1346		
	2014-11	Front-All w/ Sport Package	CFC1346	SBC1346		
	2014-10	Front-All Base, w/o Sport Package	CFC888	SBC888		
	2014-10	Front-All Touring, w/o Sport Package	CFC888	SBC888		
	2010-09	Front-All Base, w/ Sport Package	CFC1346	SBC1346		
	2010-09	Front-All Nismo, Hardware Included	CFC1346			
	2010-09	Front-All Nismo, Hardware Not Included		SBC1346		
	2010-09	Front-All Touring, w/ Sport Package	CFC1346	SBC1346		
	2010	Front-All 40th Anniversary Edition, Hardware Included	CFC1346			
	2010	Front-All 40th Anniversary Edition, Hardware Not Included		SBC1346		
	2009	Front-All Base, Exc. Sport Package	CFC888	SBC888		
	2009	Front-All Touring, Exc. Sport Package	CFC888	SBC888		
	2019-15	Rear-All Base, Hardware Included	CFC1415	SBC1415		
	2019-15	Rear-All Sport, Hardware Included	CFC1347			
	2019-15	Rear-All Sport, Hardware Not Included		SBC1347		
	2019-15	Rear-All Touring, Hardware Included	CFC1415	SBC1415		
	2019	Rear-All Heritage Edition, Hardware Included	CFC1415	SBC1415		
	2019	Rear-All Nismo, Hardware Included	CFC1347			
	2019	Rear-All Nismo, Hardware Not Included		SBC1347		
	2019	Rear-All Sport Touring, Hardware Included	CFC1347			
	2019	Rear-All Sport Touring, Hardware Not Included		SBC1347		
	2018-15	Rear-All Touring Sport, Hardware Included	CFC1347			
	2018-15	Rear-All Touring Sport, Hardware Not Included		SBC1347		
	2018	Rear-All Nismo Tech, Hardware Included	CFC1347			
	2018	Rear-All Nismo Tech, Hardware Not Included		SBC1347		
	2017-15	Rear-All Nismo, Hardware Included	CFC1415	SBC1415		
	2017-15	Rear-All Nismo Tech, Hardware Included	CFC1415	SBC1415		
	2017-15	Rear-All Sport Tech, Hardware Included	CFC1347			
	2017-15	Rear-All Sport Tech, Hardware Not Included		SBC1347		

BENDIX BRAKE PARTS

PART TYPE	YEAR	APPLICATION	PREMIUM NO.	PART NO.	SEVERE DUTY NO.	
Nissan (Cont'd.)						
370Z (Cont'd.)						
Disc Brake Pad Set (cont'd)	2014	Rear-All w/o Sport Package	CFC1415	SBC1415		
	2014	Rear-All w/ Sport Package	CFC1347	SBC1347		
	2013	Rear-All w/o Sport Suspension	CFC1415	SBC1415		
	2013	Rear-All w/ Sport Suspension	CFC1347	SBC1347		
	2012-10	Rear-All w/o Sport Package	CFC1415	SBC1415		
	2012-10	Rear-All w/ Sport Package	CFC1347	SBC1347		
	2009	Rear-All Base, Exc. Sport Package	CFC1288	SBC1288		
	2009	Rear-All Base, w/ Sport Package	CFC1347	SBC1347		
	2009	Rear-All Nismo, Hardware Included	CFC1347			
	2009	Rear-All Nismo, Hardware Not Included		SBC1347		
	2009	Rear-All Touring, Exc. Sport Package	CFC1288	SBC1288		
	2009	Rear-All Touring, w/ Sport Package	CFC1347	SBC1347		
	Parking Brake Shoe	2018	Rear-All		783	
2016-15		Rear-All		783		
2012-09		Rear-All		783		
Disc Brake Rotor	2018-15	Front-All Nismo		PRT5814		
	2018-15	Front-All Sport		PRT5814		
	2018-15	Front-All Sport Tech		PRT5814		
	2018-15	Front-All Touring Sport		PRT5814		
	2017-15	Front-All Nismo Tech		PRT5814		
	2014-09	Front-All SPORT		PRT5814		
	2014-09	Rear-All SPORT		PRT5817		
	2014-09	Rear-All Without Sport Package		PRT5845		
510						
Disc Brake Rotor	1981-78	Front-All		PRT1144		
Brake Drum	1981-78	Rear-All 228.6mm		PDR0324		
	1973-68	Rear-All 228.6mm		PDR0324		
521 Pickup						
Brake Drum	1972-69	Rear-All		PDR0374		
610						
Disc Brake Rotor	1976-75	Front-All		PRT1144		
	1974-73	Front-All		PRT1096		
Brake Drum	1976-73	Rear-All 228.6mm		PDR0324		
620						
Disc Brake Rotor	1979-78	Front-All		PRT1179		
	1977	Front-All FROM 8/77		PRT1179		
Brake Drum	1977	Front-All To 8/77		PDR0374		
	1976-75	Front-All		PDR0374		
	1979-75	Rear-All		PDR0374		
620 Pickup						
Brake Drum	1974-72	Front-All		PDR0374		
	1974-72	Rear-All		PDR0374		
710						
Disc Brake Rotor	1977-76	Front-All		PRT1144		
	1975-74	Front-All		PRT1096		
Brake Drum	1977-74	Rear-All 228.6mm		PDR0324		
720						
Disc Brake Pad Set	1986	Front-All Cab & Chassis, 4WD, Hardware Included		SBC333		
	1986	Front-All Cab & Chassis, RWD, Hardware Included		SBC266		
	1986	Front-All Extended Cab Pickup, 4WD, Hardware Included		SBC333		
	1986	Front-All Extended Cab Pickup, RWD, Hardware Included		SBC266		
	1986	Front-All Standard Cab Pickup, 4WD, Hardware Included		SBC333		
	1986	Front-All Standard Cab Pickup, RWD, Hardware Included		SBC266		
	1985-84	Front-All Hardware Included		SBC266		
	1983	Front-All Late Model Year Production		SBC266		
	Drum Brake Shoe	1986	Rear-All 4WD		572	
		1986	Rear-All RWD, w/ Single Rear Wheels		571	
1986		Rear-All RWD, w/ Single Rear Wheels		574		
1985-82		Rear-All w/ 10" X 1.77" Brakes		571		
Disc Brake Rotor	1986-83	Front-All 4WD, Vented; 266.7mm		PRT1306		
	1986-83	Front-All RWD, Vented; 250mm		PRT1307		
	1982-80	Front-All RWD		PRT1179		
Brake Drum	1986-85	Rear-All Exc. Heavy Duty Dual Wheel		PDR0431		
	1986-85	Rear-All From 4/85		PDR0768 ⁵⁴		
	1986-83	Rear-All Heavy Duty Dual Wheel; 220mm		PDR0457		
	1981-80	Rear-All		PDR0374		
810						
Disc Brake Rotor	1981	Front-All		PRT1222		
	1980-77	Front-All		PRT1228		
	1981	Rear-All		PRT1308		
Brake Drum	1981-77	Rear-All 228.6mm		PDR0324		

BENDIX BRAKE PARTS

PART TYPE	YEAR	APPLICATION	PREMIUM NO.	PART NO.	SEVERE DUTY NO.	
Nissan (Cont'd.)						
Altima						
Disc Brake Pad Set	2019	Front-All Edition ONE, Hardware Included	CFC1650	SBC1650		
	2019	Front-L4 - 2.0L Platinum, Hardware Included	CFC1650	SBC1650		
	2019	Front-L4 - 2.0L SR, Hardware Included	CFC1650	SBC1650		
	2018	Front-All Base, Hardware Included	CFC1650	SBC1650		
	2018	Front-All S, Hardware Included	CFC1650	SBC1650		
	2018	Front-All SL, Hardware Included	CFC1650	SBC1650		
	2018	Front-All SR, Hardware Included	CFC1650	SBC1650		
	2018	Front-All SV, Hardware Included	CFC1650	SBC1650		
	2017-14	Front-All Hardware Included	CFC1650	SBC1650		
	2013	Front-All Coupe, w/ 16.4mm Overall Thickness	CFC430A	SBC430A		
	2013	Front-All Sedan, w/ 15.5mm Overall Thickness	CFC1650	SBC1650		
	2012-07	Front-All Hardware Included	CFC430A	SBC430A		
	2006-05	Front-L4 - 2.5L Hardware Included	CFC815A	SBC815A		
	2006-05	Front-V6 - 3.5L SE, Hardware Included	CFC815A	SBC815A		
	2006-05	Front-V6 - 3.5L SE-R, Hardware Included	CFC969	SBC969		
	2006-05	Front-V6 - 3.5L SL, Hardware Included	CFC815A	SBC815A		
	2006	Front-V6 - 3.5L S, Hardware Included	CFC815A	SBC815A		
	2004-02	Front-All Hardware Included	CFC815A	SBC815A		
	2001	Front-L4 - 2.4L Hardware Included	CFC430	SBC430		
	2000-98	Front-All Hardware Included	CFC430	SBC430		
	1997-96	Front-L4 - 2.4L GLE, Hardware Included	CFC430	SBC430		
	1997-96	Front-L4 - 2.4L GXE, Automatic Trans, Hardware Included	CFC430	SBC430		
	1997-96	Front-L4 - 2.4L GXE, Manual Trans, Hardware Included	CFC430A	SBC430A		
	1997-96	Front-L4 - 2.4L SE, Automatic Trans, Hardware Included	CFC430	SBC430		
	1997-96	Front-L4 - 2.4L SE, Manual Trans, Hardware Included	CFC430A	SBC430A		
	1997-96	Front-L4 - 2.4L XE, Automatic Trans, Hardware Included	CFC430	SBC430		
	1997-96	Front-L4 - 2.4L XE, Manual Trans, Hardware Included	CFC430A	SBC430A		
	1995-94	Front-All GLE, Hardware Included	CFC430	SBC430		
	1995-94	Front-All GXE, Automatic Trans, Hardware Included	CFC430	SBC430		
	1995-94	Front-All GXE, Manual Trans, Hardware Included	CFC430A	SBC430A		
	1995-94	Front-All SE, Automatic Trans, Hardware Included	CFC430	SBC430		
	1995-94	Front-All SE, Manual Trans, Hardware Included	CFC430A	SBC430A		
	1995-94	Front-All XE, Automatic Trans, Hardware Included	CFC430	SBC430		
	1995-94	Front-All XE, Manual Trans, Hardware Included	CFC430A	SBC430A		
	1993	Front-L4 - 2.4L GLE, 4-Wheel ABS, Hardware Included	CFC430A	SBC430A		
	1993	Front-L4 - 2.4L GLE, Non-ABS, Hardware Included	CFC430	SBC430		
	1993	Front-L4 - 2.4L GXE, Hardware Included	CFC430A	SBC430A		
	1993	Front-L4 - 2.4L SE, 4-Wheel ABS, Hardware Included	CFC430A	SBC430A		
	1993	Front-L4 - 2.4L SE, Non-ABS, Hardware Included	CFC430	SBC430		
	1993	Front-L4 - 2.4L XE, Hardware Included	CFC430A	SBC430A		
	2018	Rear-All Base, Hardware Included	CFC1415	SBC1415		
	2018	Rear-All S, Hardware Included	CFC1415	SBC1415		
	2018	Rear-All SL, Hardware Included	CFC1415	SBC1415		
	2018	Rear-All SR, Hardware Included	CFC1415	SBC1415		
	2018	Rear-All SV, Hardware Included	CFC1415	SBC1415		
	2017-11	Rear-All Hardware Included	CFC1415	SBC1415		
	2010	Rear-All From 10/1/09	CFC905	SBC905		
	2010	Rear-All To 9/30/09	CFC1288	SBC1288		
	2009-07	Rear-All Hardware Included	CFC1288	SBC1288		
	2006-02	Rear-All Hardware Included	CFC905	SBC905		
	2001-98	Rear-All Hardware Included	CFC540	SBC540		
	1997-96	Rear-All Hardware Included		SBC595		
	1995-93	Rear-All Hardware Included	CFC540	SBC540		
	Drum Brake Shoe	2001-99	Rear-All w/ 9" X 1.41" Brakes		756	
		1998-96	Rear-All w/ 9" X 1.41" Brakes		671	
		1995-93	Rear-All GLE, Non-ABS		671	
		1995-93	Rear-All GXE, Non-ABS		671	
		1995-93	Rear-All XE, Non-ABS		671	
	Parking Brake Shoe	2018	Rear-All Base		783	
		2018	Rear-All S		783	
		2018	Rear-All SL		783	
		2018	Rear-All SR		783	
		2018	Rear-All SV		783	
		2015	Rear-All		783	
		2012-02	Rear-All		783	
	Disc Brake Rotor	2017-14	Front-All		PRT6203	
2013		Front-L4 - 2.5L Coupe		PRT5720		
2013		Front-L4 - 2.5L Sedan		PRT6203		
2013		Front-V6 - 3.5L		PRT6203		
2012-07		Front-All		PRT5720		
2006-05		Front-All S		PRT5362		
2006-05		Front-All SE		PRT5362		
2006-05		Front-All SE-R		PRT5571		
2006-05	Front-All SL		PRT5362			

BENDIX BRAKE PARTS

PART TYPE	YEAR	APPLICATION	PREMIUM NO.	PART NO.	SEVERE DUTY NO.
Nissan (Cont'd.)					
Altima (Cont'd.)					
Disc Brake Rotor (cont'd)	2006	Front-All Base		PRT5362	
	2004-02	Front-All		PRT5362	
	2001-93	Front-All		PRT1892	
	2017-02	Rear-All		PRT5398	
	2001-93	Rear-All		PRT1502	
Brake Drum	2001-93	Rear-All 228.6mm		PDR0324	
Altra EV					
Disc Brake Pad Set	2001-99	Front-All Hardware Included	CFC430	SBC430	
	2001-00	Rear-All Hardware Included	CFC900	SBC900	
	1999	Rear-All Hardware Included	CFC540	SBC540	
Armada					
Disc Brake Pad Set	2019-18	Front-All Hardware Included	CFC1509	SBC1509	
	2015-07	Front-All Hardware Included	CFC1509	SBC1509	
	2006	Front-All From 3/06	CFC1509	SBC1509	
	2006	Front-All To 2/06	CFC1015	SBC1015	MKD1015FM
	2005	Front-All Hardware Included	CFC1015	SBC1015	MKD1015FM
	2019-17	Rear-All Hardware Included	CFC1510	SBC1510	
	2015-05	Rear-All Hardware Included	CFC1041	SBC1041	
	Parking Brake Shoe	2015	Rear-All		868
2012-05		Rear-All		868	
Disc Brake Rotor	2015-13	Front-All		PRT5808	
	2012-08	Front-All		PRT5808 ⁸⁴	
	2007	Front-All		PRT5724	
	2006	Front-All From 03/06		PRT5724	
	2006	Front-All To 3/06		PRT5735 ⁸⁰	
	2005	Front-All From 3/05		PRT5735 ⁸⁰	
	2005	Front-All To 3/05		PRT5507	
	2015-05	Rear-All		PRT5475	
Axxess					
Disc Brake Pad Set	1995-91	Front-All Hardware Included		SBC485	
	1990	Front-All From 1/90 To 7/90		SBC485	
Drum Brake Shoe	1993-91	Rear-All FWD, Vehicles Built For Canadian Market		575	
	1990	Rear-All FWD, 2 Seat		575	
Disc Brake Rotor	1995-90	Front-All Vented; 256.5mm		PRT1656	
Brake Drum	1995	Rear-All exc. 3rd Row Seating; 228.6mm		PDR0324	
	1995	Rear-All w/ 3rd Row Seating; 260.1mm		PDR0587	
	1994-90	Rear-All FWD, Exc. 3rd Row Seat; 228.6mm		PDR0324	
	1994-90	Rear-All FWD, W/3rd Row Seating; 260.1mm		PDR0587	
	1990	Rear-All AWD, W/3rd Row Seating; 260.1mm		PDR0587	
B210					
Disc Brake Rotor	1978-76	Front-All		PRT1144	
Brake Drum	1978-74	Rear-All		PDR0321	
Cube					
Disc Brake Pad Set	2014-09	Front-All Hardware Included	CFC815A	SBC815A	
Drum Brake Shoe	2014-09	Rear-All w/ 9" X 1.44" Brakes		919	
Disc Brake Rotor	2014-09	Front-All		PRT5721	
Brake Drum	2014-09	Rear-All		PDR0820	
D21					
Disc Brake Pad Set	1994-86	Front-All 4WD, Hardware Included		SBC333	
	1994-86	Front-All RWD, Hardware Included		SBC266	
Drum Brake Shoe	1994-90	Rear-All 4WD		631	
	1994-90	Rear-All RWD		574	
	1989-88	Rear-All RWD, w/ 10" X 1.77" Brakes		571	
	1989-86	Rear-All 4WD		572	
	1989-86	Rear-All RWD, w/ Single Rear Wheels		574	
	1987-86	Rear-All RWD, w/ Single Rear Wheels		571	
	Disc Brake Rotor	1994-86	Front-L4 - 2.4L RWD, Vented; 249.4mm		PRT1442
1994-86		Front-V6 - 3.0L RWD		PRT1451	
1994		Front-L4 - 2.4L 4WD, 2.4L, 3.0L		PRT1447	
1994		Front-V6 - 3.0L 4WD, 2.4L, 3.0L		PRT1447	
1993-86		Front-L4 - 2.4L 4WD		PRT1447	
1993-86		Front-V6 - 3.0L 4WD		PRT1447	
1989-86		Front-V6 - 3.0L RWD, Vented; 249.4mm		PRT1442	
Brake Drum		1994-91	Rear-All 4WD		PDR0564
	1994-86	Rear-All RWD, 260mm		PDR0526	
	1990	Rear-All 4WD, From 8/89		PDR0564	
	1990	Rear-All 4WD, To 8/89		PDR0525	
	1989-86	Rear-All 4WD		PDR0525	
F10					
Disc Brake Rotor	1978-76	Front-All		PRT1143	

80 Sell out and reorder PRT5507

84 Sell out and reorder PRT6099

BENDIX BRAKE PARTS

PART TYPE	YEAR	APPLICATION	PREMIUM NO.	PART NO.	SEVERE DUTY NO.	
Nissan (Cont'd.)						
Frontier						
Disc Brake Pad Set	2019-16	Front-All Hardware Included	CFC1094	SBC1094	MKD1094FM	
	2015	Front-All CAN, Hardware Included	CFC1094	SBC1094	MKD1094FM	
	2015	Front-All USA, Hardware Included	CFC1094	SBC1094	MKD1094FM	
	2014-13	Front-All Hardware Included	CFC1094	SBC1094	MKD1094FM	
	2012	Front-L4 - 2.5L Hardware Included	CFC1094	SBC1094	MKD1094FM	
	2012	Front-V6 - 4.0L Hardware Included	CFC1094	SBC1094	MKD1094FM	
	2011-08	Front-All Hardware Included	CFC1094	SBC1094	MKD1094FM	
	2007-06	Front-L4 - 2.5L Hardware Included	CFC1094	SBC1094	MKD1094FM	
	2007-06	Front-V6 - 4.0L Hardware Included	CFC1094	SBC1094	MKD1094FM	
	2005	Front-All Hardware Included	CFC1094	SBC1094	MKD1094FM	
	2004-03	Front-L4 - 2.4L Hardware Included		SBC333		
	2004-03	Front-V6 - 3.3L Hardware Included	CFC830	SBC830	MKD830FM	
	2002-98	Front-All Hardware Included		SBC333		
	2019-08	Rear-All Hardware Included	CFC1100	SBC1100		
	2007-06	Rear-L4 - 2.5L Hardware Included	CFC1100	SBC1100		
	2007-06	Rear-V6 - 4.0L Hardware Included	CFC1100	SBC1100		
	2005	Rear-All Hardware Included	CFC1100	SBC1100		
	Drum Brake Shoe	2004-01	Rear-L4 - 2.4L		574	
		2004-00	Rear-V6 - 3.3L		631	
		2000	Rear-L4 - 2.4L 4WD		631	
2000		Rear-L4 - 2.4L RWD		574		
1999-98		Rear-All 4WD		631		
1999-98		Rear-All RWD		574		
Parking Brake Shoe	2018	Rear-All		869		
	2015	Rear-All		869		
	2012-05	Rear-All		869		
Disc Brake Rotor	2017-05	Front-L4 - 2.5L		PRT5715		
	2017-05	Front-V6 - 4.0L		PRT5675		
	2004-03	Front-V6 - 3.3L		PRT5112		
	2004-01	Front-L4 - 2.4L		PRT5187		
	2002-99	Front-V6 - 3.3L		PRT1447		
	2000-99	Front-L4 - 2.4L 4WD		PRT1447		
	2000-99	Front-L4 - 2.4L RWD		PRT5187		
	1998	Front-All 4WD		PRT1447		
	1998	Front-All RWD		PRT5187		
	2017-05	Rear-All		PRT5716		
Brake Drum	2004-01	Rear-L4 - 2.4L 260mm		PDR0526		
	2004-01	Rear-V6 - 3.3L		PDR0564		
	2000-98	Rear-All 4WD		PDR0564		
	2000-98	Rear-All RWD, 260mm		PDR0526		
GT-R						
Parking Brake Shoe	2016-15	Rear-All		869		
	2012-09	Rear-All		869		
Juke						
Disc Brake Pad Set	2017-16	Front-All Hardware Included	CFC430A	SBC430A		
	2015-14	Front-All Nismo RS, Hardware Not Included	CFC1374	SBC1374		
	2015-14	Front-All S, Hardware Included	CFC430A	SBC430A		
	2015-14	Front-All SL, Hardware Included	CFC430A	SBC430A		
	2015-14	Front-All SV, Hardware Included	CFC430A	SBC430A		
	2015	Front-All Nismo, Hardware Not Included	CFC1374	SBC1374		
	2014	Front-All Nismo, Hardware Included	CFC430A	SBC430A		
	2013-11	Front-All Hardware Included	CFC430A	SBC430A		
	2017-16	Rear-All Hardware Included	CFC1415	SBC1415		
	2015-14	Rear-All Nismo RS, Hardware Included	CFC1288	SBC1288		
	2015-14	Rear-All S, Hardware Included	CFC1415	SBC1415		
	2015-14	Rear-All SL, Hardware Included	CFC1415	SBC1415		
	2015-14	Rear-All SV, Hardware Included	CFC1415	SBC1415		
	2015	Rear-All Nismo, Hardware Included	CFC1288	SBC1288		
	2014	Rear-All Nismo, Hardware Included	CFC1415	SBC1415		
	2013-12	Rear-All Hardware Included	CFC905	SBC905		
	2011	Rear-L4 - 1.6L Turbocharged, Hardware Included	CFC1415	SBC1415		
	Parking Brake Shoe	2015	Rear-All		916	
		2012-11	Rear-All		916	
	Disc Brake Rotor	2017	Front-All Nismo		PRT6105	
2017		Front-All Nismo RS		PRT5722		
2017		Front-All S		PRT6105		
2017		Front-All SL		PRT6105		
2017		Front-All SV		PRT6105		
2016-11		Front-All		PRT6105		
2017		Rear-All		PRT5536		
2016		Rear-All Solid Rotor		PRT5398		
2016		Rear-All Vented Rotor		PRT5536		
2015-11	Rear-All		PRT5398			

BENDIX BRAKE PARTS

PART TYPE	YEAR	APPLICATION	PREMIUM NO.	PART NO.	SEVERE DUTY NO.	
Nissan (Cont'd.)						
Leaf						
Disc Brake Pad Set	2017-14	Front-All Hardware Included	CFC1650	SBC1650		
	2013-11	Front-All Hardware Included	CFC1094	SBC1094	MKD1094FM	
	2019-18	Rear-All S, Hardware Included	CFC1415	SBC1415		
	2019-18	Rear-All SL, w/ Manually Operated Parking Brake	CFC1415	SBC1415		
	2019-18	Rear-All SV, w/ Manually Operated Parking Brake	CFC1415	SBC1415		
	2017-14	Rear-All Hardware Included	CFC1415	SBC1415		
Parking Brake Shoe	2013-11	Rear-All Hardware Included	CFC905	SBC905		
	2015	Rear-All		916		
Disc Brake Rotor	2012-11	Rear-All		916		
	2017-15	Front-All		PRT5723		
	2014-13	Front-All Japan Built		PRT6120		
	2014	Front-All exc. Japan Built		PRT5723		
	2012-11	Front-All		PRT6120		
	2016-14	Rear-All		PRT5536		
	2013	Rear-All Japan Built		PRT5536		
2012-11	Rear-All		PRT5536			
Lucino						
Disc Brake Pad Set	1998-96	Front-L4 - 1.6L Hardware Included		SBC668		
	2000-99	Rear-L4 - 2.0L Hardware Included		SBC669		
	1998-96	Rear-All Hardware Included		SBC669		
March						
Disc Brake Pad Set	2017-15	Front-All Hardware Included	CFC1592			
	2017-15	Front-All Hardware Not Included		SBC1592		
Maxima						
Disc Brake Pad Set	2018-09	Front-All Hardware Not Included	CFC1374	SBC1374		
	2008-04	Front-V6 - 3.5L Hardware Included	CFC969	SBC969		
	2003	Front-All Hardware Included	CFC815A	SBC815A		
	2002	Front-All w/ 2 Wear Sensors (1 Left, 1 Right)		SBC815K2		
	2002	Front-All w/ 4 Wear Sensors (2 Left, 2 Right)	CFC815A	SBC815A		
	2001-00	Front-All Hardware Included	CFC430A	SBC430A		
	1999-89	Front-All Hardware Included	CFC430	SBC430		
	1988-85	Front-All Hardware Included		SBC266		
	2018-14	Rear-All Hardware Included	CFC1415	SBC1415		
	2013	Rear-All Hardware Included	CFC905	SBC905		
	2012	Rear-V6 - 3.5L Hardware Included	CFC1415	SBC1415		
	2011-09	Rear-All Hardware Included	CFC1415	SBC1415		
	2008-04	Rear-All Hardware Included	CFC905	SBC905		
	2003-02	Rear-All Hardware Included	CFC900	SBC900		
	2001-00	Rear-All From 10/1/00	CFC900	SBC900		
	2001-00	Rear-All To 9/20/00	CFC540	SBC540		
	1999-95	Rear-All Hardware Included	CFC540	SBC540		
	1994-92	Rear-All Hardware Included		SBC595		
	1991	Rear-All From 9/90	CFC540	SBC540		
	1990-85	Rear-All Hardware Included		SBC323		
	Drum Brake Shoe	1994-89	Rear-All w/ 9" X 1.61" Brakes		575	
	Parking Brake Shoe	2018	Rear-All		783	
		2016	Rear-All		783	
2012-03		Rear-All		783		
Disc Brake Rotor	2018-09	Front-All		PRT5953		
	2008-04	Front-All		PRT5571		
	2003-02	Front-All		PRT5362		
	2001-00	Front-All		PRT5300		
	1999-89	Front-All		PRT1441		
	1988-85	Front-All Vented; 274mm		PRT1328		
	1984-82	Front-All		PRT1222		
	2017-09	Rear-All		PRT5955		
	2008-04	Rear-All		PRT5398		
	2003-95	Rear-All		PRT5040		
	1994-91	Rear-All Solid; 257.6mm		PRT1645		
	1990	Rear-All To 9/90; Solid; 257.9mm		PRT1466		
	1989	Rear-All Solid; 257.9mm		PRT1466		
	1984-82	Rear-All		PRT1308		
	Disc Brake Rotor and Hub Assembly	1988	Rear-All		PRT1434	
1987-85		Rear-All		PRT1327		
Brake Drum	1994-89	Rear-All		PDR0608		
	1984-82	Rear-All 228.6mm		PDR0324		
Micra						
Disc Brake Pad Set	2017-15	Front-All Hardware Included	CFC1592			
	2017-15	Front-All Hardware Not Included		SBC1592		
Disc Brake Rotor	1989-84	Front-All		PRT5659		
Multi						
Disc Brake Pad Set	1988-86	Front-All CAN, Hardware Included		SBC266		

BENDIX BRAKE PARTS

PART TYPE	YEAR	APPLICATION	PREMIUM NO.	PART NO.	SEVERE DUTY NO.
Nissan (Cont'd.)					
Multi (Cont'd.)					
Disc Brake Pad Set (cont'd)	1988-86	Rear-All Hardware Included		SBC266	
Drum Brake Shoe	1988-87	Rear-All w/ 9" X 1.61" Brakes		575	
	1986	Rear-All FWD, w/ 9" X 1.61" Brakes		575	
	1986	Rear-All w/ 10.24" X 1.96" Brakes		574	
Disc Brake Rotor	1988-86	Front-All		PRT1357	
Brake Drum	1988-86	Rear-All FWD		PDR0477	
	1986	Rear-All 4WD		PDR0585	
Murano					
Disc Brake Pad Set	2018-15	Front-All Hardware Included	CFC1649	SBC1649	
	2014-13	Front-All Hardware Included	CFC888	SBC888	
	2012-11	Front-All CrossCabriolet, Hardware Included	CFC888	SBC888	
	2012-11	Front-All LE, From 6/11/11	CFC888	SBC888	
	2012-11	Front-All LE, To 6/11/11	CFC969	SBC969	
	2012-11	Front-All S, From 6/11/11	CFC888	SBC888	
	2012-11	Front-All S, To 6/11/11	CFC969	SBC969	
	2012-11	Front-All SL, From 6/11/11	CFC888	SBC888	
	2012-11	Front-All SL, To 6/11/11	CFC969	SBC969	
	2012-11	Front-All SV, From 6/11/11	CFC888	SBC888	
	2012-11	Front-All SV, To 6/11/11	CFC969	SBC969	
	2010-03	Front-All Hardware Included	CFC969	SBC969	
	2018-08	Rear-All Hardware Included	CFC1415	SBC1415	
	2007-03	Rear-All Hardware Included	CFC905	SBC905	
Parking Brake Shoe	2015	Rear-All		869	
	2012-09	Rear-All		869	
	2007-03	Rear-All		867	
Disc Brake Rotor	2017-15	Front-All		PRT6232	
	2014	Front-All		PRT5571	
	2013-12	Front-All		PRT5611	
	2011-08	Front-All		PRT5953	
	2007-05	Front-All		PRT5611	
	2004-03	Front-All		PRT5571	
2017-03	Rear-All		PRT5537		
Note					
Disc Brake Pad Set	2017-14	Front-All Hardware Included	CFC1592		
	2017-14	Front-All Hardware Not Included		SBC1592	
NP300					
Disc Brake Pad Set	2014-09	Front-All Hardware Included		SBC333	
NV200					
Disc Brake Pad Set	2019-13	Front-All Hardware Included	CFC1094	SBC1094	MKD1094FM
Disc Brake Rotor	2017-13	Front-All		PRT6120	
Brake Drum	2017-13	Rear-All		PDR0856	
NV350 Urvan					
Drum Brake Shoe	2017-15	Rear-All		574	
NV1500					
Disc Brake Pad Set	2018-12	Front-All Hardware Included	CFC1565A	SBC1565A	MKD1565AFM
	2018-12	Rear-All Hardware Included		SBC1565	MKD1565FM
Parking Brake Shoe	2015	Rear-All		952	
	2012	Rear-All		952	
Disc Brake Rotor	2017-12	Front-All		PRT6196	
	2017-12	Rear-All		PRT6197	
NV2500					
Disc Brake Pad Set	2018-12	Front-All Hardware Included	CFC1565A	SBC1565A	MKD1565AFM
	2018-12	Rear-All Hardware Included		SBC1565	MKD1565FM
Parking Brake Shoe	2015	Rear-All		952	
	2012	Rear-All		952	
Disc Brake Rotor	2017-12	Front-All		PRT6196	
	2017-12	Rear-All		PRT6197	
NV3500					
Disc Brake Pad Set	2018-12	Front-All Hardware Included	CFC1565A	SBC1565A	MKD1565AFM
	2018-12	Rear-All Hardware Included		SBC1565	MKD1565FM
Parking Brake Shoe	2015	Rear-All		952	
	2012	Rear-All		952	
Disc Brake Rotor	2017-12	Front-All		PRT6196	
	2017-12	Rear-All		PRT6197	
NX					
Disc Brake Pad Set	1993-91	Front-L4 - 1.6L Hardware Included		SBM510	
	1991	Front-L4 - 2.0L Hardware Included		SBM509	
	1993-91	Rear-All Hardware Not Included		SBC511	
Drum Brake Shoe	1993-91	Rear-L4 - 1.6L Non-ABS		638	
Disc Brake Rotor	1993-91	Front-L4 - 1.6L		PRT1445	
	1993-91	Front-L4 - 2.0L 250mm Rotor		PRT1537	

BENDIX BRAKE PARTS

PART TYPE	YEAR	APPLICATION	PREMIUM NO.	PART NO.	SEVERE DUTY NO.
Nissan (Cont'd.)					
NX (Cont'd.)					
Disc Brake Rotor (cont'd)	1993-91	Front-L4 - 2.0L 257mm Rotor		PRT1794	
	1993-91	Rear-L4 - 1.6L		PRT1555	
	1993-91	Rear-L4 - 2.0L		PRT1555	
Brake Drum	1993-91	Rear-L4 - 1.6L		PDR0583	
Pathfinder					
Disc Brake Pad Set	2019-13	Front-All Hardware Included	CFC1649	SBC1649	
	2012-08	Front-V6 - 4.0L Hardware Included	CFC1094	SBC1094	MKD1094FM
	2012-08	Front-V8 - 5.6L Hardware Included	CFC888	SBC888	
	2007-05	Front-All Hardware Included	CFC1094	SBC1094	MKD1094FM
	2004	Front-All Hardware Not Included	CFC855	SBC855	
	2003	Front-V6 - 3.5L Hardware Not Included	CFC855	SBC855	
	2002	Front-All Hardware Not Included	CFC855	SBC855	
	2001	Front-All From 7/01	CFC855	SBC855	
	1995-87	Front-All Hardware Included		SBC333	
	2019-13	Rear-All Hardware Included	CFC1415	SBC1415	
	2012-05	Rear-All Hardware Included	CFC1101	SBC1101	
	2004	Rear-All Hardware Included	CFC1041	SBC1041	
	1995-93	Rear-All Hardware Included		SBM401	
	1992-91	Rear-V6 - 3.0L Hardware Included		SBM401	
	1990-87	Rear-All Hardware Included		SBM401	
Drum Brake Shoe	2004	Rear-All		631	
	2003-96	Rear-All w/ 11.61" X 1.95" Brakes		631	
	1995-89	Rear-All w/ 10.24" X 1.96" Brakes		574	
	1988-87	Rear-All		572	
Parking Brake Shoe	2015-05	Rear-All		869	
	2004	Rear-All		868	
	1995-88	Rear-All		635	
Disc Brake Rotor	2018-17	Front-All		PRT6232	
	2016	Front-All From: 11/2015		PRT5673	
	2016	Front-All To: 11/2015		PRT6232	
	2015-13	Front-All		PRT6232	
	2015	Front-All from 11/2015		PRT5673	
	2012-11	Front-V6 - 4.0L		PRT5675	
	2012-11	Front-V8 - 5.6L 5.6L		PRT5807	
	2010-09	Front-All 4WD		PRT5807	
	2010-09	Front-All RWD		PRT5675	
	2008	Front-V6 - 4.0L		PRT5675	
	2008	Front-V8 - 5.6L		PRT5807	
	2007-05	Front-All		PRT5675	
	2004-99	Front-All		PRT5227	
	1998-96	Front-All		PRT5112	
	1995-87	Front-All		PRT1447	
	2018-13	Rear-All		PRT5537	
	2012-05	Rear-All		PRT5774	
1995-87	Rear-All		PRT1597		
Brake Drum	2004-02	Rear-All		PDR0759	
	2001-96	Rear-All		PDR0692	
	1995-89	Rear-All 260mm		PDR0526	
	1988-87	Rear-All		PDR0525	
Pathfinder Armada					
Disc Brake Pad Set	2004	Front-All Hardware Included	CFC1015	SBC1015	MKD1015FM
	2004	Rear-All Hardware Included	CFC1041	SBC1041	
Pickup					
Disc Brake Pad Set	2009-98	Front-All Hardware Included		SBC333	
	1997-96	Front-All RWD, Hardware Included		SBC266	
	1997-95	Front-All 4WD, Hardware Included		SBC333	
	1995	Front-L4 - 2.4L RWD, Hardware Included		SBC266	
	1995	Front-V6 - 3.0L RWD, Hardware Included		SBC333	
Drum Brake Shoe	1997-95	Rear-All w/ 10.24" X 1.96" Brakes		574	
	1997-95	Rear-All w/ 11.61" X 1.95" Brakes		631	
Disc Brake Rotor	1997	Front-All 4WD		PRT1447	
	1997	Front-All RWD, Vented; 249.4mm		PRT1442	
	1996-95	Front-L4 - 2.4L 4WD, 2.4L, 3.0L		PRT1447	
	1996-95	Front-L4 - 2.4L RWD, Vented; 249.4mm		PRT1442	
	1995	Front-V6 - 3.0L 4WD, 2.4L, 3.0L		PRT1447	
	1995	Front-V6 - 3.0L RWD		PRT1451	
Brake Drum	1997-95	Rear-All 4WD		PDR0564	
	1997-95	Rear-All RWD, 260mm		PDR0526	
Pulsar					
Disc Brake Pad Set	1983	Front-All Naturally Aspirated, Hardware Not Included		SBM233	
Disc Brake Rotor	1983	Front-All		PRT1231	
Brake Drum	1983	Rear-All		PDR0460	

BENDIX BRAKE PARTS

PART TYPE	YEAR	APPLICATION	PREMIUM NO.	PART NO.	SEVERE DUTY NO.	
Nissan (Cont'd.)						
Pulsar NX						
Disc Brake Pad Set	1990	Front-All Hardware Included		SBC275		
	1989-88	Front-L4 - 1.6L Hardware Included		SBC275		
	1989	Front-L4 - 1.8L To 10/88		SBM357		
	1988	Front-L4 - 1.8L Hardware Not Included		SBM357		
	1987-86	Front-All Hardware Included		SBC275		
	1985-83	Front-All Naturally Aspirated, Hardware Not Included		SBM233		
Drum Brake Shoe	1984-83	Front-All Turbocharged, Hardware Included		SBC275		
	1990-85	Rear-All w/ 8" X 1.4" Brakes		533		
Disc Brake Rotor	1984-83	Rear-All Turbocharged		533		
	1990-88	Front-L4 - 1.6L		PRT1423		
Brake Drum	1989-88	Front-L4 - 1.8L		PRT1537		
	1987	Front-All Solid Rotors		PRT1423		
	1987	Front-All Vented Rotors		PRT1445		
	1986-83	Front-All		PRT1231		
	1990-87	Rear-All		PDR0524		
	1986-85	Rear-All		PDR0476		
Quest	1984-83	Rear-L4 - 1.5L		PDR0476		
	1984-83	Rear-L4 - 1.6L		PDR0460		
	1984-83	Rear-L4 - 1.6L		PDR0460		
Quest						
Disc Brake Pad Set	2017-13	Front-All Hardware Included	CFC1552	SBC1552		
	2012	Front-V6 - 3.5L Hardware Included	CFC1552	SBC1552		
	2011	Front-All Hardware Included	CFC1552	SBC1552		
	2009-04	Front-All Hardware Not Included	CFC855	SBC855		
	2002-93	Front-All Hardware Included	CFC576	SBC576		
	2017-11	Rear-All Hardware Included	CFC1415	SBC1415		
	2009-04	Rear-All Hardware Included	CFC905	SBC905		
	2002-93	Rear-All w/ 9.84" X 2.24" Brakes		665		
Drum Brake Shoe	2015	Rear-All		869		
	2012-11	Rear-All		869		
Parking Brake Shoe	2009-08	Rear-All		869		
	2007-06	Rear-All w/ 6.75" X 0.85" Brakes		783		
	2007-04	Rear-All w/ 7.46" X 0.85" Brakes		867		
	2017-11	Front-All		PRT5673		
	2009-04	Front-All		PRT5673		
Disc Brake Rotor	2002-93	Front-All		PRT1811		
	2017-11	Rear-All		PRT5537		
	2009-04	Rear-All		PRT5537		
	2002-93	Rear-All		PDR0630		
Brake Drum	2002-93	Rear-All		PDR0630		
	2002-93	Rear-All		PDR0630		
Rogue						
Disc Brake Pad Set	2018	Front-All S, Hardware Not Included	CFC1737	SBC1737		
	2018	Front-All SL, Hardware Not Included	CFC1737	SBC1737		
	2018	Front-All SL Hybrid, Hardware Not Included	CFC1736	SBC1736		
	2018	Front-All SV, Hardware Not Included	CFC1737	SBC1737		
	2018	Front-All SV Hybrid, Hardware Not Included	CFC1736	SBC1736		
	2017-14	Front-All w/ 2-Row Seating	CFC1737	SBC1737		
	2017-14	Front-All w/ 3-Row Seating	CFC1736	SBC1736		
	2013-08	Front-All Hardware Not Included	CFC1374	SBC1374		
	2018	Rear-All S, Hardware Included	CFC1415	SBC1415		
	2018	Rear-All SL, Japan Built Vehicle	CFC1415	SBC1415		
	2018	Rear-All SL, Korea Built Vehicle	CFC1415	SBC1415		
	2018	Rear-All SL Hybrid, Hardware Included	CFC1415	SBC1415		
	2018	Rear-All SV, Hardware Included	CFC1415	SBC1415		
	2018	Rear-All SV Hybrid, Hardware Included	CFC1415	SBC1415		
	2017-14	Rear-All Hardware Included	CFC1415	SBC1415		
	2013-09	Rear-All Hardware Included	CFC1288	SBC1288		
	2008	Rear-L4 - 2.5L Hardware Included	CFC1288	SBC1288		
	Parking Brake Shoe	2012-08	Rear-All		916	
	Disc Brake Rotor	2018	Front-All exc. Hybrid		PRT5723	
		2017-14	Front-All exc. 3rd row seating		PRT5723	
2013-08		Front-All		PRT5723		
2018		Rear-All Manual Operated Parking Brake		PRT5536		
2017-08		Rear-All		PRT5536		
Rogue Select						
Disc Brake Pad Set	2015-14	Front-All Hardware Not Included	CFC1374	SBC1374		
	2015-14	Rear-All Hardware Included	CFC1288	SBC1288		
Parking Brake Shoe	2015	Rear-All		916		
Disc Brake Rotor	2015-14	Front-All		PRT5723		
	2015-14	Rear-All		PRT5536		
Rogue Sport						
Disc Brake Pad Set	2018	Front-All Hardware Not Included	CFC1737	SBC1737		
	2017	Front-All w/ 2 Row Seating	CFC1737	SBC1737		
	2017	Front-All w/ 3 Row Seating	CFC1736	SBC1736		
	2018-17	Rear-All Hardware Included	CFC1415	SBC1415		

BENDIX BRAKE PARTS

PART TYPE	YEAR	APPLICATION	PREMIUM NO.	PART NO.	SEVERE DUTY NO.
Nissan (Cont'd.)					
Rogue Sport (Cont'd.)					
Disc Brake Rotor	2018-17	Front-All		PRT5723	
Sentra					
Disc Brake Pad Set	2019-18	Front-All Nismo, Hardware Included	CFC430A	SBC430A	
	2019-18	Front-All S, Hardware Included	CFC815A	SBC815A	
	2019-18	Front-All SL, Hardware Included	CFC815A	SBC815A	
	2019-18	Front-All SR, Hardware Included	CFC815A	SBC815A	
	2019-18	Front-All SR Turbo, Hardware Included	CFC430A	SBC430A	
	2019-18	Front-All SV, Hardware Included	CFC815A	SBC815A	
	2017-15	Front-All Hardware Included	CFC430A	SBC430A	
	2014-13	Front-All Hardware Included	CFC815A	SBC815A	
	2012-09	Front-All Base, Hardware Included	CFC815A	SBC815A	
	2012-09	Front-All S, Hardware Included	CFC815A	SBC815A	
	2012-09	Front-All SE-R, Hardware Included	CFC430A	SBC430A	
	2012-09	Front-All SE-R Spec V, Hardware Not Included	CFC1374	SBC1374	
	2012-09	Front-All SL, Hardware Included	CFC815A	SBC815A	
	2012-09	Front-All SR, Hardware Included	CFC815A	SBC815A	
	2008-07	Front-L4 - 2.0L Hardware Included	CFC815A	SBC815A	
	2008-07	Front-L4 - 2.5L SE-R, Hardware Included	CFC430A	SBC430A	
	2008-07	Front-L4 - 2.5L SE-R Spec V, Hardware Not Included	CFC1374	SBC1374	
	2006-04	Front-L4 - 2.5L SE-R, Hardware Included	CFC430	SBC430	
	2006-04	Front-L4 - 2.5L SE-R Spec V, Exc. Brembo Brakes	CFC430	SBC430	
	2006-04	Front-L4 - 2.5L SE-R Spec V, w/ Brembo Brakes	CFM960	SBM960	
	2006-00	Front-L4 - 1.8L Hardware Included		SBC485	
	2004	Front-L4 - 2.5L S, Hardware Included	CFC430	SBC430	
	2003-02	Front-L4 - 2.5L Hardware Included	CFC430	SBC430	
	2001-00	Front-L4 - 2.0L Hardware Included	CFC430	SBC430	
	1999-95	Front-All Hardware Included		SBC668	
	1994-92	Front-L4 - 2.0L 4-Wheel ABS, Exc. Japan Built Vehicle		SBM509	
	1994-92	Front-L4 - 2.0L Non-ABS, Hardware Included		SBM509	
	1994-91	Front-L4 - 1.6L Hardware Included		SBM510	
	1991	Front-L4 - 2.0L SE-R, 4-Wheel ABS, Exc. Japan Built Vehicle		SBM509	
	1991	Front-L4 - 2.0L SE-R, Non-ABS, Hardware Included		SBM509	
	1990	Front-L4 - 1.6L Coupe, Hardware Included		SBC275	
	1990	Front-L4 - 1.6L Sedan, Hardware Included		SBC275	
	1990	Front-L4 - 1.6L Wagon, Hardware Not Included		SBM357	
	1989-88	Front-All Coupe, Hardware Included		SBC275	
	1989-88	Front-All Sedan, Hardware Included		SBC275	
	1989-88	Front-All Wagon, Hardware Not Included		SBM357	
	1988	Front-All Hatchback, Hardware Included		SBC275	
	1987	Front-L4 - 1.6L Coupe, Hardware Included		SBC275	
	1987	Front-L4 - 1.6L Hatchback, Hardware Included		SBC275	
	1987	Front-L4 - 1.6L Sedan, Hardware Included		SBC275	
	1987	Front-L4 - 1.6L Wagon, Hardware Not Included		SBM357	
	1987	Front-L4 - 1.7L Hardware Included		SBC275	
	1986	Front-All Hardware Included		SBC275	
	1985-84	Front-All GAS, Hardware Included		SBC275	
	1983	Front-All GAS, Hardware Not Included		SBM233	
	1982	Front-All Hardware Not Included		SBM233	
	2019-18	Rear-All Nismo, Hardware Included	CFC1415	SBC1415	
	2019-18	Rear-All SL, Hardware Included	CFC1415	SBC1415	
	2019-18	Rear-All SR, Hardware Included	CFC1415	SBC1415	
	2019-18	Rear-All SR Turbo, Hardware Included	CFC1415	SBC1415	
	2017-13	Rear-All Hardware Included	CFC1415	SBC1415	
	2012	Rear-All Base, 14.2mm Overall Thickness	CFC1415	SBC1415	
	2012	Rear-All S, 14.2mm Overall Thickness	CFC1415	SBC1415	
	2012	Rear-All SE-R, Hardware Included	CFC1288	SBC1288	
	2012	Rear-All SE-R Spec V, Hardware Included	CFC1288	SBC1288	
	2012	Rear-All SL, 14.2mm Overall Thickness	CFC1415	SBC1415	
	2012	Rear-All SR, 14.2mm Overall Thickness	CFC1415	SBC1415	
	2011	Rear-All 14.2mm Overall Thickness	CFC1415	SBC1415	
	2010	Rear-L4 - 2.5L 13.7mm Overall Thickness	CFC1288	SBC1288	
	2010	Rear-L4 - 2.5L 14.2mm Overall Thickness	CFC1415	SBC1415	
	2009-07	Rear-L4 - 2.5L Hardware Included	CFC1288	SBC1288	
	2006-02	Rear-L4 - 2.5L Hardware Included	CFC900	SBC900	
	2001-00	Rear-L4 - 2.0L Hardware Included	CFC540	SBC540	
	1999-98	Rear-L4 - 2.0L Hardware Included		SBC669	
	1999-96	Rear-L4 - 1.6L Hardware Included		SBC669	
	1995	Rear-All Hardware Included		SBC669	
	1994	Rear-All Hardware Not Included		SBC511	
	1993-91	Rear-L4 - 1.6L Hardware Not Included		SBC511	
	1993-91	Rear-L4 - 2.0L Hardware Not Included		SBC511	
Drum Brake Shoe	2012-07	Rear-All w/ 9" X 1.44" Brakes		919	
	2006-02	Rear-L4 - 1.8L		779	

BENDIX BRAKE PARTS

PART TYPE	YEAR	APPLICATION	PREMIUM NO.	PART NO.	SEVERE DUTY NO.	
Nissan (Cont'd.)						
Sentra (Cont'd.)						
Drum Brake Shoe (cont'd)	2001-00	Rear-All GXE		762		
	2001-00	Rear-All XE		762		
	1999-95	Rear-All w/ 7.09" X 1.23" Brakes		638		
	1994-91	Rear-L4 - 1.6L Non-ABS		638		
	1990-87	Rear-All 2 Doors, Coupe		533		
	1990-87	Rear-All 4 Doors, Wagon, FWD		533		
	1990-86	Rear-All 2 Doors, Sedan		533		
	1990-86	Rear-All 4 Doors, Sedan		533		
	1989-87	Rear-All 4 Doors, Wagon, 4WD		575		
	1988-86	Rear-All 2 Doors, Hatchback		533		
	1985	Rear-All w/ 8" X 1.4" Brakes		533		
	1984-83	Rear-All DIESEL		533		
	Parking Brake Shoe	2015	Rear-All		916	
		2012-07	Rear-All		916	
Disc Brake Rotor	2017-13	Front-All		PRT6233		
	2012-07	Front-All SE-R		PRT5723		
	2012-07	Front-L4 - 2.0L		PRT5721		
	2012-07	Front-L4 - 2.5L SE-R Spec V		PRT5722		
	2006-04	Front-L4 - 2.5L wo/Brembo Brakes		PRT1892		
	2006-00	Front-L4 - 1.8L		PRT5363		
	2003-02	Front-L4 - 2.5L		PRT1892		
	2001-00	Front-L4 - 2.0L		PRT1892		
	1999-98	Front-L4 - 1.6L GXE, Vented; 247mm		PRT5080		
	1999-98	Front-L4 - 1.6L XE, Vented; 232mm		PRT5079		
	1999-98	Front-L4 - 2.0L Vented; 247mm		PRT5080		
	1998	Front-L4 - 1.6L GLE, Vented; 247mm		PRT5080		
	1997-95	Front-All Vented; 232mm		PRT5079		
	1994-91	Front-L4 - 1.6L		PRT1445		
	1994-91	Front-L4 - 2.0L 4-Wheel ABS, Japan Built		PRT1794		
	1994-91	Front-L4 - 2.0L Non-ABS, Japan Built		PRT1537		
	1990-87	Front-All Solid Rotors		PRT1423		
	1990-87	Front-All Vented Rotors		PRT1445		
	1986-83	Front-L4 - 1.6L GAS		PRT1231		
	1986-83	Front-L4 - 1.7L DIESEL		PRT1334		
	1983-82	Front-L4 - 1.5L GAS		PRT1231		
	2015-13	Rear-All		PRT5398		
	2012-07	Rear-L4 - 2.5L		PRT5398		
	2006-03	Rear-All 258mm Rotor		PRT5554		
	2006-00	Rear-All 278mm Diameter		PRT1502		
	1999-95	Rear-All		PRT1555		
	1994-91	Rear-All 234mm Rotor		PRT1555		
	1994-91	Rear-All 258mm Rotor		PRT1685		
	Brake Drum	2012-07	Rear-L4 - 2.0L		PDR0820	
		2006-00	Rear-All		PDR0732	
		1999-91	Rear-All		PDR0583	
		1990-88	Rear-All 4WD		PDR0586	
		1990-88	Rear-All FWD		PDR0524	
		1987-86	Rear-All		PDR0586	
1987		Rear-L4 - 1.6L FWD		PDR0524		
1986-85		Rear-L4 - 1.6L		PDR0476		
1986-84		Rear-L4 - 1.7L Manual Trans		PDR0476		
1984-83		Rear-L4 - 1.6L		PDR0460		
1983		Rear-L4 - 1.5L		PDR0460		
1983		Rear-L4 - 1.7L		PDR0476		
1982		Rear-All From 08/82		PDR0460		
Stanza						
Disc Brake Pad Set		1992-91	Front-All Non-ABS, Hardware Included		SBC485	
		1990	Front-All Hardware Included		SBC485	
	1989-86	Front-All Hardware Included		SBC266		
	1992-90	Rear-All Hardware Included		SBC323		
Drum Brake Shoe	1992-90	Rear-All w/ 9" X 1.61" Brakes		575		
	1989	Rear-All 4 Doors, Hatchback		575		
	1989	Rear-All 4 Doors, Sedan		575		
	1988-87	Rear-All w/ 9" X 1.61" Brakes		575		
	1986	Rear-All 4 Doors, Sedan, From 10/86		575		
	1986	Rear-All 4 Doors, Wagon, FWD, w/ 9" X 1.61" Brakes		575		
	1986	Rear-All w/ 10.24" X 1.96" Brakes		574		
Disc Brake Rotor	1992-90	Front-All Vented; 256.5mm		PRT1656		
	1989-86	Front-All		PRT1357		
	1985-82	Front-All		PRT1316		
	1992-90	Rear-All		PRT1707		
Brake Drum	1992-90	Rear-All 228.6mm		PDR0324		
	1989-87	Rear-All		PDR0477		
	1987-86	Rear-All Wagon, 4WD		PDR0585		

BENDIX BRAKE PARTS

PART TYPE	YEAR	APPLICATION	PREMIUM NO.	PART NO.	SEVERE DUTY NO.
Nissan (Cont'd.)					
Stanza (Cont'd.)					
Brake Drum (cont'd)	1986	Rear-All Sedan, FWD, From 1/86		PDR0598	
	1986	Rear-All Sedan, FWD, To 1/86		PDR0458	
	1986	Rear-All Wagon, FWD		PDR0477	
	1985-82	Rear-All		PDR0458	
Tiida					
Disc Brake Pad Set	2017-16	Front-All Hardware Included	CFC1345	SBC1345	
	2015-14	Front-All Hardware Included	CFC430A	SBC430A	
	2011-07	Front-All Hardware Included	CFC1345	SBC1345	
Drum Brake Shoe	2017-15	Rear-All		924	
Titan					
Disc Brake Pad Set	2019-18	Front-All Hardware Included	CFC1509	SBC1509	
	2015-10	Front-All Hardware Included	CFC1509	SBC1509	
	2009-08	Front-V8 - 5.6L Hardware Included	CFC1509	SBC1509	
	2007	Front-All From 4/1/07	CFC1509	SBC1509	
	2007	Front-All To 3/31/07	CFC1015	SBC1015	MKD1015FM
	2006-04	Front-All Hardware Included	CFC1015	SBC1015	MKD1015FM
	2019-17	Rear-All Hardware Included	CFC2032	SBC2032	MKD2032FM
	2015-10	Rear-All Hardware Included	CFC1041	SBC1041	
	2009-04	Rear-V8 - 5.6L Hardware Included	CFC1041	SBC1041	
Parking Brake Shoe	2015	Rear-All		868	
	2012-04	Rear-All		868	
Disc Brake Rotor	2015-13	Front-All		PRT5808	
	2012-08	Front-All		PRT5808 ⁸⁴	
	2007-06	Front-All		PRT5735 ⁸⁰	
	2005	Front-All From 03/05		PRT5735 ⁸⁰	
	2005	Front-All To 3/05		PRT5507	
	2004	Front-All		PRT5507	
	2015-04	Rear-All		PRT5475	
Titan XD					
Disc Brake Pad Set	2019-17	Front-All Hardware Included	CFC1565A	SBC1565A	MKD1565AFM
	2016	Front-All Hardware Included		SBC1565	MKD1565FM
	2019-18	Rear-All Hardware Included		SBC1565	MKD1565FM
	2017-16	Rear-All Hardware Included	CFC1565A	SBC1565A	MKD1565AFM
Tsuru					
Disc Brake Pad Set	2012-97	Front-All Hardware Included		SBM510	
	1991-84	Front-All Hardware Not Included		SBM233	
Urvan					
Disc Brake Pad Set	2001-00	Front-All Hardware Included		SBC333	
Van					
Disc Brake Pad Set	1988-87	Front-All Hardware Included		SBC333	
Drum Brake Shoe	1988	Rear-All 3 Doors, Standard Passenger Van		574	
	1987	Rear-All w/ 10.24" X 1.96" Brakes		574	
Disc Brake Rotor	1988-87	Front-All		PRT1538	
Versa					
Disc Brake Pad Set	2019-13	Front-All Hardware Included	CFC1592		
	2019-13	Front-All Hardware Not Included		SBC1592	
	2012	Front-L4 - 1.6L Hardware Included	CFC1592		
	2012	Front-L4 - 1.6L Hardware Not Included		SBC1592	
	2012	Front-L4 - 1.8L Hardware Included	CFC815A	SBC815A	
	2011-08	Front-All 4-Wheel ABS, Hardware Included	CFC1345	SBC1345	
	2011-08	Front-All Non-ABS, Hardware Included	CFC815A	SBC815A	
	2007	Front-All Hardware Included	CFC815A	SBC815A	
Drum Brake Shoe	2012-09	Rear-L4 - 1.8L		919	
	2011-09	Rear-L4 - 1.6L		924	
	2008-07	Rear-All w/ 9" X 1.44" Brakes		919	
	2008	Rear-All w/ 8.06" X 1.24" Brakes		924	
Disc Brake Rotor	2018-13	Front-All		PRT6150	
	2012-09	Front-L4 - 1.8L		PRT5721	
	2012	Front-L4 - 1.6L		PRT6150	
	2011-09	Front-L4 - 1.6L		PRT5983	
	2008-07	Front-All		PRT5721	
Brake Drum	2015	Rear-All		PDR0847 ⁵⁷	
	2014-13	Rear-All		PDR0853	
	2012-09	Rear-L4 - 1.8L		PDR0820	
	2012	Rear-L4 - 1.6L		PDR0853	
	2011-09	Rear-L4 - 1.6L		PDR0839	
	2008-07	Rear-All		PDR0820	
Versa Note					
Disc Brake Pad Set	2019-14	Front-All Hardware Included	CFC1592		
	2019-14	Front-All Hardware Not Included		SBC1592	
Disc Brake Rotor	2018-14	Front-All		PRT6150	
Brake Drum	2015-14	Rear-All		PDR0853	

57 Sell out and reorder PDR0853

80 Sell out and reorder PRT5507

84 Sell out and reorder PRT6099

BENDIX BRAKE PARTS

PART TYPE	YEAR	APPLICATION	PREMIUM NO.	PART NO.	SEVERE DUTY NO.
Nissan (Cont'd.)					
Versa Note (Cont'd.)					
Brake Drum (cont'd)	2015	Rear-All		PDR0847 ⁵⁷	
Xterra					
Disc Brake Pad Set	2015-13	Front-All Hardware Included	CFC1094	SBC1094	MKD1094FM
	2012	Front-V6 - 4.0L Hardware Included	CFC1094	SBC1094	MKD1094FM
	2011-06	Front-All Hardware Included	CFC1094	SBC1094	MKD1094FM
	2005	Front-V6 - 4.0L Hardware Included	CFC1094	SBC1094	MKD1094FM
	2004-00	Front-L4 - 2.4L Hardware Included	CFC830	SBC830	MKD830FM
	2004-00	Front-V6 - 3.3L Hardware Included	CFC830	SBC830	MKD830FM
	2015-08	Rear-All Hardware Included	CFC1100	SBC1100	
	2007-06	Rear-All Hardware Included	CFC1101	SBC1101	
	2005	Rear-V6 - 4.0L Hardware Included	CFC1100	SBC1100	
	Drum Brake Shoe	2004-00	Rear-All w/ 11.61" X 1.95" Brakes		631
Parking Brake Shoe	2015	Rear-All		869	
	2012-05	Rear-All		869	
Disc Brake Rotor	2015-05	Front-All		PRT5675	
	2004-00	Front-All		PRT5112	
	2015-05	Rear-All		PRT5716	
Brake Drum	2004-00	Rear-All		PDR0564	
X-Trail					
Disc Brake Pad Set	2016	Front-All Hardware Not Included	CFC1374	SBC1374	
	2015	Front-All w/ 3 Row Seating	CFC1736	SBC1736	
	2013-10	Front-All Hardware Not Included	CFC1374	SBC1374	
	2006-05	Front-All Hardware Not Included	CFC855	SBC855	
	2015	Rear-All Hardware Included	CFC1415	SBC1415	
	2014	Rear-All Hardware Included	CFC1288	SBC1288	
	2013-12	Rear-All Hardware Included	CFC905	SBC905	
	2011-10	Rear-All Hardware Included	CFC1288	SBC1288	
	2008-02	Rear-All Hardware Included	CFC905	SBC905	
	Parking Brake Shoe	2008-05	Rear-All		783
Disc Brake Rotor	2006-05	Rear-All		PRT5536	
Oldsmobile					
88					
Disc Brake Pad Set	1999-94	Front-All Hardware Not Included		SBC623	
	1993-92	Front-All Hardware Not Included		SBC505	
Drum Brake Shoe	1999-92	Rear-All w/ 8.86" X 1.82" Brakes		636	
	1956-54	Rear-All w/ 11" X 2.07" Brakes		228	
	1950	Rear-All w/ 11" X 2.07" Brakes		228	
Disc Brake Rotor	1999-98	Front-All		PRT5250	
	1997-92	Front-All		PRT1868	
Brake Drum	1999-92	Rear-All		PDR0451	
98					
Disc Brake Pad Set	1996-94	Front-All Hardware Not Included		SBC623	
	1993-91	Front-All Hardware Not Included		SBC505	
	1990-85	Front-All Hardware Not Included		SBC215	
	1984-75	Front-All Hardware Included		SBC52	MKD52FM
	1974-71	Front-V8 - 7.5L Hardware Included		SBC52	MKD52FM
	1970-69	Front-All Hardware Included		SBC52	MKD52FM
Drum Brake Shoe	1964-62	Front-All w/ 11-1/32" X 2-1/2" Brakes		264	
	1996-92	Rear-All w/ 8.86" X 1.82" Brakes		636	
	1991-87	Rear-All w/ 8.86" X 1.82" Brakes		564	
	1986	Rear-All w/ 8.86" X 1.81" Brakes		552	
	1985	Rear-All Early		521	
	1985	Rear-All Late		552	
	1984-77	Rear-All w/ 11" X 2.12" Brakes		462	
	1975-71	Rear-All w/ 11" X 2.12" Brakes		462	
	1975-71	Rear-All w/ 12" X 2-1/2" Brakes		366	
	1964-50	Rear-All w/ 11" X 2.07" Brakes		228	
Disc Brake Rotor	1996-91	Front-All		PRT1868	
	1990-85	Front-All		PRT1263	
Disc Brake Rotor and Hub Assembly	1984-79	Front-All 11" Rotor		PRT1201	
	1984-79	Front-All 12" Rotor		PRT1216	
	1978	Front-All		PRT1216	
	1977	Front-All		PRT1156	
	1976-71	Front-All		PRT1043	
Brake Drum	1996-85	Rear-All		PDR0451	
	1984-71	Rear-All 11" drum (3" deep)		PDR0199	
	1984-71	Rear-All 11" drum (4 1/2" deep)		PDR0201	
	1979	Rear-All Rear drum brake 9 1/2" x 2"		PDR0454	
442					
Disc Brake Pad Set	1971-69	Front-All Hardware Included		SBC52	MKD52FM
Drum Brake Shoe	1971-65	Front-All w/ 9.5" X 2.56" Brakes		246	
	1971-68	Rear-All w/ 9.5" X 2.06" Brakes		242	

57 Sell out and reorder PDR0853

BENDIX BRAKE PARTS

PART TYPE	YEAR	APPLICATION	PREMIUM NO.	PART NO.	SEVERE DUTY NO.
Oldsmobile (Cont'd.)					
442 (Cont'd.)					
Drum Brake Shoe (cont'd)	1971-68	Rear-All w/ 9.5" X 2.06" Brakes		245	
Disc Brake Rotor and Hub Assembly	1971-70	Front-All		PRT1039	
Brake Drum	1971-68	Front-All		PDR0059	
	1971-70	Rear-All Rear drum brake 9 1/2" x 2 1/2"		PDR0046	
	1971-70	Rear-All Rear drum brake 9 1/2" x 2"		PDR0454	
	1969-65	Rear-All		PDR0454	
Achieva					
Disc Brake Pad Set	1998-92	Front-All Hardware Included		SBC506	
	1998-92	Front-All Hardware Included		SBM506	
Drum Brake Shoe	1998	Rear-All		719	
	1998	Rear-All In Supersession Process, Exhaust Current Inventory		553	
	1997-92	Rear-All w/ 7.87" X 1.82" Brakes		553	
	1997-92	Rear-All w/ 7.87" X 1.82" Brakes		719	
Parking Brake Shoe	1998	Rear-All		770	
	1998	Rear-All In Supersession Process, Exhaust Current Inventory		925	
Disc Brake Rotor	1998-92	Front-All		PRT1530	
Brake Drum	1993-92	Rear-All		PDR0385	
Alero					
Disc Brake Pad Set	2004-99	Front-All Hardware Included	CFC727	SBC727	MKD727FM
	2004	Rear-L4 - 2.2L Hardware Included	CFC698	SBC698	MKD698FM
	2004	Rear-L4 - 2.2L Hardware Included			PBD698
	2004	Rear-V6 - 3.4L Hardware Included	CFC698	SBC698	MKD698FM
	2004	Rear-V6 - 3.4L Hardware Included			PBD698
	2003-99	Rear-All Hardware Included	CFC698	SBC698	MKD698FM
	2003-99	Rear-All Hardware Included			PBD698
Drum Brake Shoe	2004-03	Rear-All		720	
Parking Brake Shoe	2004-99	Rear-All		770	
	2004-99	Rear-All In Supersession Process, Exhaust Current Inventory		925	
Disc Brake Rotor	2004-99	Front-All		PRT5158	
	2004-99	Rear-All		PRT5155	
Brake Drum	2004-03	Rear-All		PDR0451	
Aurora					
Disc Brake Pad Set	2003-01	Front-All Hardware Included	CFC699K1	SBC699K1	MKD699K2FM
	1999-97	Front-All Hardware Included	CFC699K1	SBC699K1	MKD699K2FM
	1996-95	Front-All Hardware Not Included		SBC623	
	2003-01	Rear-All Hardware Included		SBM508	
	2003-01	Rear-All Hardware Included	CFM508	SBC508	
	1999-95	Rear-All Hardware Included		SBM508	
	1999-95	Rear-All Hardware Included	CFM508	SBC508	
	1999-95	Rear-All Hardware Included		SBC508	
Disc Brake Rotor	2003-01	Front-All		PRT5150	
	1999-97	Front-All		PRT5150	
	1996-95	Front-All		PRT1868	
	2003-01	Rear-All		PRT5266	
	1999-95	Rear-All		PRT1792	
Bravada					
Disc Brake Pad Set	2004-02	Front-All Hardware Included	CFC882	SBC882	MKD882FM
	2001-97	Front-All Hardware Included	CFC726	SBC726	MKD726FM
	1996	Front-All Riveted Linings	CFC154	SBC154	MKD154FM
	1994-91	Front-All Hardware Not Included	CFC154	SBC154	MKD154FM
	2004-02	Rear-All Hardware Included	CFC883	SBC883	MKD883FM
	2001-97	Rear-All Hardware Included	CFC729	SBC729	
Drum Brake Shoe	1996	Rear-All w/ 9.5" X 2.06" Brakes		514	
	1994-91	Rear-All w/ 9.5" X 2.06" Brakes		514	
Parking Brake Shoe	2004-02	Rear-All		781	
	2001-97	Rear-All		784	
Disc Brake Rotor	2004-02	Front-All		PRT5304	
	2001-97	Front-All		PRT5182	
	1996	Front-All		PRT1261	
	1994-91	Front-All		PRT1261	
	2004-02	Rear-All		PRT5314	
	2001-97	Rear-All		PRT5180	
Brake Drum	1996	Rear-All		PDR0610	
	1994-92	Rear-All		PDR0610	
	1991	Rear-All		PDR0454	
Calais					
Disc Brake Pad Set	1987-85	Front-All Hardware Not Included		SBM289	
Drum Brake Shoe	1987-85	Rear-All Exc. Special Performance Package		553	
	1987-85	Rear-All Exc. Special Performance Package		719	
Disc Brake Rotor	1987-85	Front-All		PRT1376	
Brake Drum	1987-85	Rear-All		PDR0385	

BENDIX BRAKE PARTS

PART TYPE	YEAR	APPLICATION	PREMIUM NO.	PART NO.	SEVERE DUTY NO.
Oldsmobile (Cont'd.)					
Custom Cruiser					
Disc Brake Pad Set	1992-71	Front-All Hardware Included		SBC52	MKD52FM
Drum Brake Shoe	1992-86	Rear-All		462	
	1985-81	Rear-All w/ 11" Brakes		462	
	1985-77	Rear-All w/ 9" Brakes		242	
	1985-77	Rear-All w/ 9" Brakes		245	
	1980-77	Rear-All Optional		462	
	1976-73	Rear-All w/ 11" X 2.12" Brakes		462	
	1976-71	Rear-All w/ 12" X 2-1/2" Brakes		366	
Disc Brake Rotor and Hub Assembly	1992-91	Front-All		PRT5012	
	1990-78	Front-All		PRT1216	
	1977	Front-All		PRT1156	
	1976-71	Front-All		PRT1043	
Brake Drum	1992-86	Rear-All		PDR0201	
	1985-77	Rear-All 11" drum (3" deep)		PDR0199	
	1985-77	Rear-All 11" drum (4 1/2" deep)		PDR0201	
	1979-77	Rear-All Rear drum brake 9 1/2" x 2"		PDR0454	
	1976-71	Rear-All Rear drum brake 12" x 2"		PDR0200	
Cutlass					
Disc Brake Pad Set	1999-97	Front-All Hardware Included	CFC727	SBC727	MKD727FM
	1996-95	Front-All Hardware Not Included		SBC215	
	1987-85	Front-All Hardware Not Included	CFC154	SBC154	MKD154FM
	1981	Front-All Brougham, Hardware Not Included	CFC154	SBC154	MKD154FM
	1981	Front-All LS, Hardware Not Included	CFC154	SBC154	MKD154FM
	1981	Front-All Supreme, Hardware Not Included	CFC154	SBC154	MKD154FM
	1980-78	Front-All Hardware Not Included	CFC154	SBC154	MKD154FM
	1977-75	Front-All Hardware Included		SBC52	MKD52FM
	1974-73	Front-V8 - 5.7L Hardware Included		SBC52	MKD52FM
	1974-73	Front-V8 - 7.5L Hardware Included		SBC52	MKD52FM
	1972-67	Front-All Hardware Included		SBC52	MKD52FM
Drum Brake Shoe	1967-64	Front-All w/ 9.5" X 2.56" Brakes		246	
	1999-97	Rear-All w/ 8.86" X 1.82" Brakes		720	
	1987-85	Rear-All w/ 9.5" X 2.06" Brakes		514	
	1981-79	Rear-All w/ 9.5" X 2.06" Brakes		514	
	1979-76	Rear-All w/ 11" Brakes		462	
	1978	Rear-All w/ 9-1/2" Brakes		514	
	1975-68	Rear-All 4 Doors		242	
	1975-68	Rear-All 4 Doors, In Supersession Process, Exhaust Current Inventory		245	
	1967-64	Rear-All w/ 9.5" X 2.56" Brakes		246	
	1967	Rear-All 4 Doors, Sedan, w/ 9.5" X 2.06" Brakes		242	
	1967	Rear-All 4 Doors, Sedan, w/ 9.5" X 2.06" Brakes		245	
Disc Brake Rotor	1999-97	Front-All		PRT5158	
Disc Brake Rotor and Hub Assembly	1987-85	Front-All		PRT1233	
	1981-79	Front-All		PRT1219	
	1978	Front-All		PRT1167	
	1977-73	Front-All		PRT1040	
	1972-70	Front-All		PRT1039	
Brake Drum	1972-68	Front-All Loose drum		PDR0059	
	1972-68	Front-All Swaged drum		PDR0037	
	1967-64	Front-All		PDR0037	
	1999-97	Rear-All		PDR0451	
	1981	Rear-All Rear drum brake 9 1/2" x 2"		PDR0454	
	1980-78	Rear-All		PDR0454	
	1977-76	Rear-All Coupe, Coupe & Sedan		PDR0274	
	1977-76	Rear-All Sedan, Coupe & Sedan		PDR0274	
	1975-73	Rear-All 11 x 2" Brakes		PDR0274	
	1975-70	Rear-All Rear drum brake 9 1/2" x 2"		PDR0454	
	1972-70	Rear-All Rear drum brake 9 1/2" x 2 1/2"		PDR0046	
	1969-64	Rear-All exc. Wagon		PDR0454	
	1969-64	Rear-All Wagon		PDR0046	
Cutlass Calais					
Disc Brake Pad Set	1991	Front-All Hardware Included		SBC506	
	1991	Front-All Hardware Included		SBM506	
	1990	Front-All Exc. Special Performance Package		SBM289	
	1990	Front-All w/ Special Performance Package		SBC506	
	1990	Front-All w/ Special Performance Package		SBM506	
	1989-88	Front-All Hardware Not Included		SBM289	
	1984-78	Front-All Hardware Not Included	CFC154	SBC154	MKD154FM
Drum Brake Shoe	1991-88	Rear-All w/ 7.87" X 1.82" Brakes		553	
	1991-88	Rear-All w/ 7.87" X 1.82" Brakes		719	
	1984-78	Rear-All w/ 9.5" X 2.06" Brakes		514	
Disc Brake Rotor	1991	Front-All		PRT1530	
	1990-88	Front-All		PRT1376	

BENDIX BRAKE PARTS

PART TYPE	YEAR	APPLICATION	PREMIUM NO.	PART NO.	SEVERE DUTY NO.	
Oldsmobile (Cont'd.)						
Cutlass Calais (Cont'd.)						
Brake Drum	1991-88	Rear-All		PDR0385		
	1984	Rear-All Rear drum brake 9 1/2" x 2"		PDR0454		
	1983	Rear-All Cast iron replacement		PDR0454		
	1982	Rear-All Rear drum brake 9 1/2" x 2"		PDR0454		
	1981	Rear-All		PDR0454		
	1979	Rear-All		PDR0454		
	1978	Rear-All Rear drum brake 9 1/2" x 2"		PDR0454		
Cutlass Ciera						
Disc Brake Pad Set	1996-90	Front-All Hardware Not Included		SBC215		
	1989-87	Front-All w/ Light Duty Brakes		SBM159		
	1989-86	Front-All Exc. Light Duty Brakes		SBC215		
	1986	Front-All w/ Light Duty Brakes		SBM289		
	1985	Front-L4 - 2.5L Exc. Light Duty Brakes		SBC215		
	1985	Front-L4 - 2.5L w/ Light Duty Brakes		SBM289		
	1985	Front-V6 - 2.8L Hardware Not Included		SBC215		
	1985	Front-V6 - 3.0L Exc. Light Duty Brakes		SBC215		
	1985	Front-V6 - 3.0L w/ Light Duty Brakes		SBM289		
	1985	Front-V6 - 3.8L Exc. Light Duty Brakes		SBC215		
	1985	Front-V6 - 3.8L w/ Light Duty Brakes		SBM289		
	1985	Front-V6 - 4.3L Exc. Light Duty Brakes		SBC215		
	1985	Front-V6 - 4.3L w/ Light Duty Brakes		SBM289		
	1984	Front-All Coupe, Exc. Heavy Duty		SBC215		
	1984	Front-All Coupe, Heavy Duty		SBM159		
	1984	Front-All Sedan, Exc. Heavy Duty		SBC215		
	1984	Front-All Sedan, Heavy Duty		SBM159		
	1984	Front-All Wagon, Hardware Not Included		SBM159		
	1983-82	Front-All Hardware Not Included		SBM159		
	Drum Brake Shoe	1996-93	Rear-All w/ 8.86" X 1.81" Brakes		636	
		1992-85	Rear-All w/ 8.86" X 1.81" Brakes		552	
		1984-82	Rear-All		521	
	Disc Brake Rotor	1996-91	Front-All		PRT1263	
1990-85		Front-All W/ JA1 Brake System		PRT1220		
1990-85		Front-All W/ JA2, JA8 Brake System		PRT1263		
1984		Front-All W/ JA1, JA8 Brake System		PRT1220		
1984		Front-All W/ JA2, JA3 Brake System		PRT1263		
1983		Front-L4 - 2.5L		PRT1220		
1983		Front-V6 - 3.0L		PRT1220		
1983		Front-V6 - 4.3L		PRT1263		
Brake Drum	1996-92	Rear-All		PDR0451		
	1991-90	Rear-All Plain Drum		PDR0448		
	1991	Rear-All Finned Drum		PDR0451		
	1989-85	Rear-All Coupe, JA2, JA8 brake system		PDR0448		
	1989-85	Rear-All Sedan, JA2, JA8 brake system		PDR0448		
	1989-83	Rear-All Coupe, W/ JA1 Brake System		PDR0426		
	1989-83	Rear-All Sedan, W/ JA1 Brake System		PDR0426		
	1986-85	Rear-All Wagon, JA2, JA8 brake system		PDR0451		
	1982	Rear-All		PDR0426		
	Cutlass Cruiser					
Disc Brake Pad Set	1994-90	Front-All Hardware Not Included		SBC215		
	1989-87	Front-All Exc. Light Duty Brakes		SBC215		
	1989-87	Front-All w/ Light Duty Brakes		SBM159		
	1983-80	Front-All Hardware Included		SBC52	MKD52FM	
Drum Brake Shoe	1994-93	Rear-All w/ 8.86" X 1.82" Brakes		636		
	1992-87	Rear-All w/ 8.86" X 1.81" Brakes		552		
	1983-80	Rear-All w/ 9.5" X 2.06" Brakes		514		
Disc Brake Rotor	1994-91	Front-All		PRT1263		
	1990-87	Front-All W/ JA1 Brake System		PRT1220		
	1990-87	Front-All W/ JA2, JA8 Brake System		PRT1263		
Brake Drum	1994-92	Rear-All		PDR0451		
	1991-90	Rear-All Finned Drum		PDR0451		
	1989-87	Rear-All Wagon, JA2, JA8 brake system		PDR0451		
	1982	Rear-All Rear drum brake 9 1/2" x 2"		PDR0454		
	1981-80	Rear-All		PDR0454		
Cutlass Salon						
Disc Brake Pad Set	1987-85	Front-All Hardware Not Included	CFC154	SBC154	MKD154FM	
	1980	Front-All Hardware Not Included	CFC154	SBC154	MKD154FM	
	1979-78	Front-All 442, Hardware Not Included	CFC154	SBC154	MKD154FM	
	1979-78	Front-All Base, Hardware Included		SBC52	MKD52FM	
	1979-78	Front-All Brougham, Hardware Not Included	CFC154	SBC154	MKD154FM	
	1979	Front-All Hurst, Hardware Included		SBC52	MKD52FM	
	1977-75	Front-All Hardware Included		SBC52	MKD52FM	
	Drum Brake Shoe	1987-85	Rear-All w/ 9.5" X 2.06" Brakes		514	
1980-78		Rear-All w/ 9.5" X 2.06" Brakes		514		

BENDIX BRAKE PARTS

PART TYPE	YEAR	APPLICATION	PREMIUM NO.	PART NO.	SEVERE DUTY NO.	
Oldsmobile (Cont'd.)						
Cutlass Salon (Cont'd.)						
Drum Brake Shoe (cont'd)	1979-76	Rear-All w/ 11" X 2.12" Brakes		462		
Disc Brake Rotor and Hub Assembly	1987-85	Front-All		PRT1233		
	1980-79	Front-All		PRT1219		
	1978	Front-All		PRT1167		
	1977-75	Front-All		PRT1040		
Brake Drum	1987-85	Rear-All Rear drum brake 9 1/2" x 2"		PDR0454		
	1977-76	Rear-All Coupe, Coupe & Sedan		PDR0274		
	1975	Rear-All 11 x 2" Brakes		PDR0274		
Cutlass Supreme						
Disc Brake Pad Set	1997	Front-All w/o Steel Clip Attachment	CFC727	SBC727	MKD727FM	
	1997	Front-All w/ Steel Clip Attachment	CFC376	SBC376		
	1996-89	Front-All Hardware Not Included	CFC376	SBC376		
	1988-85	Front-V8 - 5.0L Hardware Not Included	CFC154	SBC154	MKD154FM	
	1988	Front-V6 - 2.8L Hardware Not Included	CFC376	SBC376		
	1987-85	Front-V6 - 3.8L Hardware Not Included	CFC154	SBC154	MKD154FM	
	1985	Front-V8 - 5.7L Hardware Not Included	CFC154	SBC154	MKD154FM	
	1984-78	Front-All Hardware Not Included	CFC154	SBC154	MKD154FM	
	1977-75	Front-All Hardware Included		SBC52	MKD52FM	
	1974-71	Front-V8 - 7.5L Hardware Included		SBC52	MKD52FM	
	1974-70	Front-V8 - 5.7L Hardware Included		SBC52	MKD52FM	
	1969	Front-All Hardware Included		SBC52	MKD52FM	
	1997-94	Rear-All Hardware Included		SBM508		
	1997-94	Rear-All Hardware Included	CFM508	SBC508		
	1993-89	Rear-All Hardware Not Included		SBC377		
	1988	Rear-V6 - 2.8L Hardware Not Included		SBC377		
	Drum Brake Shoe	1972-67	Front-All w/ 9.5" X 2.56" Brakes		246	
		1997	Rear-All w/ 8.86" X 1.82" Brakes		720	
		1988	Rear-All RWD		514	
		1987-79	Rear-All w/ 9.5" X 2.06" Brakes		514	
1978		Rear-All w/ 9-1/2" Brakes		514		
1977-76		Rear-All w/ 11" X 2.12" Brakes		462		
1975-73		Rear-All 4 Doors		242		
1975-73		Rear-All 4 Doors, In Supersession Process, Exhaust Current Inventory		245		
1972-67		Rear-All 4 Doors, Sedan, w/ 9.5" X 2.06" Brakes		242		
1972-67		Rear-All 4 Doors, Sedan, w/ 9.5" X 2.06" Brakes		245		
1972-67		Rear-All w/ 9.5" X 2.56" Brakes		246		
Disc Brake Rotor	1997-96	Front-All		PRT5064FC		
	1995	Front-All 10.5" diameter rotor		PRT1400		
	1995	Front-All 11.25" diameter rotor		PRT5064FC		
	1994-88	Front-All		PRT1400		
	1997-94	Rear-All		PRT1908FC		
	1993-88	Rear-All		PRT1401		
Disc Brake Rotor and Hub Assembly	1987-82	Front-All		PRT1233		
	1981-79	Front-All		PRT1219		
	1978	Front-All		PRT1167		
	1977-73	Front-All		PRT1040		
	1972-70	Front-All		PRT1039		
Brake Drum	1972-68	Front-All Loose drum		PDR0059		
	1972-68	Front-All Swaged drum		PDR0037		
	1988	Rear-All RWD, Cast iron replacement		PDR0454		
	1987-85	Rear-All Rear drum brake 9 1/2" x 2"		PDR0454		
	1984	Rear-All Cast iron replacement		PDR0454		
	1983-82	Rear-All Rear drum brake 9 1/2" x 2"		PDR0454		
	1981-79	Rear-All		PDR0454		
	1978	Rear-All Rear drum brake 9 1/2" x 2"		PDR0454		
	1977-76	Rear-All Coupe, Coupe & Sedan		PDR0274		
	1977-76	Rear-All Sedan, Coupe & Sedan		PDR0274		
	1975-70	Rear-All Rear drum brake 9 1/2" x 2"		PDR0454		
	1972-70	Rear-All Rear drum brake 9 1/2" x 2 1/2"		PDR0046		
	1969-68	Rear-All		PDR0454		
	1969-67	Rear-All Wagon		PDR0046		
1967	Rear-All exc. Wagon		PDR0454			
Cutlass Tiara						
Disc Brake Pad Set	1976	Front-All Hardware Included		SBC52	MKD52FM	
Drum Brake Shoe	1976	Rear-All w/ 11" X 2.12" Brakes		462		
Disc Brake Rotor and Hub Assembly	1976	Front-All		PRT1040		
Brake Drum	1976	Rear-All Coupe, Coupe & Sedan		PDR0274		
Delmont 88						
Disc Brake Pad Set	1968-67	Front-All Hardware Included		SBC52	MKD52FM	

BENDIX BRAKE PARTS

PART TYPE	YEAR	APPLICATION	PREMIUM NO.	PART NO.	SEVERE DUTY NO.
Oldsmobile (Cont'd.)					
Delta 88					
Disc Brake Pad Set	1991-86	Front-All Hardware Not Included		SBC215	
	1985-67	Front-All Hardware Included		SBC52	MKD52FM
Drum Brake Shoe	1991-83	Rear-All w/ 11" X 2.12" Brakes		462	
	1991	Rear-All w/ 8.86" X 1.82" Brakes		636	
	1990-86	Rear-All w/ 8.86" X 1.82" Brakes		564	
	1983-77	Rear-All w/ 9" Brakes		242	
	1983-77	Rear-All w/ 9" Brakes		245	
	1982-81	Rear-All w/ 11" Brakes		462	
	1980-77	Rear-All Optional		462	
	1976-71	Rear-All w/ 11" X 2.12" Brakes		462	
	1976-71	Rear-All w/ 12" X 2-1/2" Brakes		366	
Disc Brake Rotor	1991-86	Front-All		PRT1263	
Disc Brake Rotor and Hub Assembly	1985-79	Front-All 11" Rotor		PRT1201	
	1985-78	Front-All 12" Rotor		PRT1216	
	1978-77	Front-All 11" Rotor		PRT1040	
	1977	Front-All 12" Rotor		PRT1156	
	1976-71	Front-All		PRT1043	
Brake Drum	1991-86	Rear-All		PDR0451	
	1985-83	Rear-All Cast iron replacement		PDR0454	
	1985-71	Rear-All 11" drum (3" deep)		PDR0199	
	1985-71	Rear-All 11" drum (4 1/2" deep)		PDR0201	
	1982-81	Rear-All Rear drum brake 9 1/2" x 2"		PDR0454	
	1980	Rear-All Cast iron replacement		PDR0454	
	1979-77	Rear-All Rear drum brake 9 1/2" x 2"		PDR0454	
	1976-71	Rear-All Rear drum brake 12" x 2"		PDR0200	
	Dynamic				
Drum Brake Shoe	1964-62	Front-All w/ 11-1/32" X 2-1/2" Brakes		264	
	1964-58	Rear-All w/ 11" X 2.07" Brakes		228	
F85					
Disc Brake Pad Set	1972-69	Front-V8 - 5.7L Hardware Included		SBC52	MKD52FM
	1972	Front-V8 - 7.5L Hardware Included		SBC52	MKD52FM
	1971-69	Front-L6 - 4.1L Hardware Included		SBC52	MKD52FM
	1970	Front-V8 - 7.5L Hardware Included		SBC52	MKD52FM
	1966	Front-L6 - 4.1L Ceramic Composite Brakes		SBM8	
	1966	Front-V8 - 5.4L Ceramic Composite Brakes		SBM8	
	1966	Front-V8 - 6.6L Ceramic Composite Brakes		SBM8	
	Drum Brake Shoe	1972-64	Front-All w/ 9.5" X 2.56" Brakes		246
1972-71		Rear-All 4 Doors, Sedan, Front Drum, w/ 9.5" X 2.06" Brakes		242	
1972-71		Rear-All 4 Doors, Sedan, Front Drum, w/ 9.5" X 2.06" Brakes		245	
1972-71		Rear-All Front Disc, w/ 9.5" X 2.06" Brakes		242	
1972-71		Rear-All Front Disc, w/ 9.5" X 2.06" Brakes		245	
1970-69		Rear-All Front Disc		242	
1970-69		Rear-All Front Disc, In Supersession Process, Exhaust Current Inventory		245	
1968-67		Rear-All 4 Doors, Sedan, Front Drum, w/ 9.5" X 2.06" Brakes		242	
1968-67		Rear-All 4 Doors, Sedan, Front Drum, w/ 9.5" X 2.06" Brakes		245	
1968-67		Rear-All Front Disc, w/ 9.5" X 2.06" Brakes		242	
1968-67		Rear-All Front Disc, w/ 9.5" X 2.06" Brakes		245	
1968-64		Rear-All w/ 9.5" X 2.56" Brakes		246	
1966-64		Rear-All 4 Doors, Sedan, w/ 9.5" X 2.06" Brakes		242	
1966-64		Rear-All 4 Doors, Sedan, w/ 9.5" X 2.06" Brakes		245	
Disc Brake Rotor and Hub Assembly		1972-70	Front-All		PRT1039
Brake Drum	1972-68	Front-All		PDR0059	
	1972-70	Rear-All Rear drum brake 9 1/2" x 2 1/2"		PDR0046	
	1972-70	Rear-All Rear drum brake 9 1/2" x 2"		PDR0454	
	1969-64	Rear-All		PDR0454	
Fiesta					
Drum Brake Shoe	1963-62	Rear-All		228	
Firenza					
Disc Brake Pad Set	1988-82	Front-All Hardware Not Included		SBM289	
Drum Brake Shoe	1988-85	Rear-All w/ 7.87" X 1.82" Brakes		553	
	1988-85	Rear-All w/ 7.87" X 1.82" Brakes		719	
	1984-82	Rear-All w/ 7.87" X 1.82" Brakes		522	
Disc Brake Rotor	1988-85	Front-All		PRT1376	
	1984-83	Front-All		PRT1218	
	1982	Front-All Solid Rotors		PRT1393	
	1982	Front-All Vented Rotors		PRT1218	
Brake Drum	1988-82	Rear-All		PDR0385	

BENDIX BRAKE PARTS

PART TYPE	YEAR	APPLICATION	PREMIUM NO.	PART NO.	SEVERE DUTY NO.
Oldsmobile (Cont'd.)					
Intrigue					
Disc Brake Pad Set	2002-98	Front-All Hardware Included	CFC699K1	SBC699K1	MKD699K2FM
	2002-98	Rear-All Hardware Included	CFC698	SBC698	MKD698FM
	2002-98	Rear-All Hardware Included			PBD698
Parking Brake Shoe	2002-98	Rear-All		770	
	2002-98	Rear-All In Supersession Process, Exhaust Current Inventory		925	
Disc Brake Rotor	2002-00	Front-All		PRT5250	
	1999-98	Front-All Exc.Heavy Duty Brakes		PRT5250	
	1999-98	Front-All Heavy Duty Brakes		PRT5150	
	2002-98	Rear-All		PRT5155	
Jetstar 88					
Drum Brake Shoe	1966-64	Front-All		246	
	1966-64	Rear-All		242	
	1966-64	Rear-All In Supersession Process, Exhaust Current Inventory		245	
LSS					
Disc Brake Pad Set	1999-96	Front-All Hardware Not Included		SBC623	
Drum Brake Shoe	1999-96	Rear-All w/ 8.86" X 1.82" Brakes		636	
Disc Brake Rotor	1999-98	Front-All		PRT5250	
	1997-96	Front-All		PRT1868	
Brake Drum	1999-96	Rear-All		PDR0451	
Omega					
Disc Brake Pad Set	1984-80	Front-All Hardware Not Included		SBM159	
	1979-73	Front-All Hardware Included		SBC52	MKD52FM
Drum Brake Shoe	1974-73	Front-All w/ 9.5" X 2.56" Brakes		246	
	1984-80	Rear-All w/ 7.87" X 1.82" Brakes		522	
	1979	Rear-All w/ 9.5" X 2.06" Brakes		242	
	1979	Rear-All w/ 9.5" X 2.06" Brakes		245	
	1978-77	Rear-All w/ 9-1/2" X 2" Brakes		242	
	1978-77	Rear-All w/ 9-1/2" X 2" Brakes		245	
	1978-77	Rear-All w/ 11" X 2" Brakes		462	
	1976-73	Rear-All w/ 9.5" X 2.06" Brakes		242	
	1976-73	Rear-All w/ 9.5" X 2.06" Brakes		245	
	1976	Rear-All w/ 11" X 2.12" Brakes		462	
Disc Brake Rotor	1984-80	Front-All		PRT1220	
Disc Brake Rotor and Hub Assembly	1979	Front-All		PRT1201	
	1978-74	Front-All		PRT1040	
	1973	Front-All		PRT1039	
Brake Drum	1973	Front-All		PDR0059	
	1980	Rear-All		PDR0385	
	1979-76	Rear-All 11 x 2" Brakes		PDR0274	
	1979	Rear-All		PDR0454	
	1978-76	Rear-All Rear drum brake 9 1/2" x 2"		PDR0454	
	1975	Rear-All		PDR0053	
Regency					
Disc Brake Pad Set	1998-97	Front-All Hardware Not Included		SBC623	
Drum Brake Shoe	1998-97	Rear-All w/ 8.86" X 1.82" Brakes		636	
Disc Brake Rotor	1998	Front-All		PRT5250	
	1997	Front-All		PRT1868	
Brake Drum	1998-97	Rear-All		PDR0451	
Silhouette					
Disc Brake Pad Set	2004-02	Front-All AWD, Hardware Included	CFC844	SBC844	MKD844FM
	2004-02	Front-All FWD, Rear Disc, Hardware Included	CFC844	SBC844	MKD844FM
	2004-02	Front-All FWD, Rear Drum, Hardware Included	CFC699K1	SBC699K1	MKD699K2FM
	2001-97	Front-All Hardware Included	CFC699K1	SBC699K1	MKD699K2FM
	1996-94	Front-All Hardware Not Included		SBC623	
	1993-92	Front-All Hardware Not Included		SBC505	
	1991-90	Front-All Hardware Not Included		SBC215	
	2004-02	Rear-All Hardware Included	CFC698	SBC698	MKD698FM
	2004-02	Rear-All Hardware Included			PBD698
	Drum Brake Shoe	2004	Rear-All w/ 8.86" X 1.82" Brakes		636
2003-02		Rear-All w/ 6.89" x 0.99" Brakes		636	
2001-92		Rear-All w/ 8.86" X 1.82" Brakes		636	
1991-90		Rear-All w/ 8.86" X 1.81" Brakes		552	
Parking Brake Shoe	2004-02	Rear-All w/ 6.89" x 0.99" Brakes		770	
	2004-02	Rear-All w/ 6.89" x 0.99" Brakes		925	
	2004-02	Rear-All w/ 7.44" x 0.99" Brakes		784	
Disc Brake Rotor	2004-02	Front-All AWD		PRT5343	
	2004-02	Front-All FWD		PRT5250	
	2001-97	Front-All		PRT5250	
	1996-92	Front-All		PRT1868	
	1991-90	Front-All		PRT1263	
	2004-02	Rear-All		PRT5359	

BENDIX BRAKE PARTS

PART TYPE	YEAR	APPLICATION	PREMIUM NO.	PART NO.	SEVERE DUTY NO.
Oldsmobile (Cont'd.)					
Silhouette (Cont'd.)					
Brake Drum	2004-90	Rear-All		PDR0451	
Starfire					
Drum Brake Shoe	1980-76	Rear-All w/ 9.5" X 2.06" Brakes		242	
	1980-76	Rear-All w/ 9.5" X 2.06" Brakes		245	
	1964-62	Rear-All		228	
Super 88					
Drum Brake Shoe	1964-62	Front-All w/ 11-1/32" X 2-1/2" Brakes		264	
	1964-51	Rear-All w/ 11" X 2.07" Brakes		228	
Toronado					
Disc Brake Pad Set	1992	Front-All Hardware Not Included		SBC505	
	1991-86	Front-All Hardware Not Included		SBM315	
	1985-79	Front-All Hardware Not Included	CFC154	SBC154	MKD154FM
	1978-69	Front-All Hardware Included		SBC52	MKD52FM
	1992	Rear-All Hardware Included		SBM508	
	1992	Rear-All Hardware Included	CFM508	SBC508	
	1991-86	Rear-All Hardware Not Included		SBM316	
	1985-79	Rear-All Hardware Not Included	CFC154	SBC154	MKD154FM
	1976	Rear-All Hardware Included		SBC52	MKD52FM
Drum Brake Shoe	1983-79	Rear-All w/ 9.5" X 2.06" Brakes		514	
	1978-71	Rear-All w/ 11" X 2.12" Brakes		462	
Disc Brake Rotor	1992	Front-All		PRT1868	
	1991-86	Front-All		PRT1263	
	1985-79	Front-All		PRT1261	
	1978-69	Front-All		PRT1007	
	1992	Rear-All		PRT1792	
	1991-86	Rear-All		PRT1378	
	1985-79	Rear-All		PRT1261	
Brake Drum	1969-66	Front-All		PDR0003	
	1985-80	Rear-All Cast iron replacement		PDR0454	
	1979	Rear-All Rear Drum		PDR0454	
	1978-66	Rear-All		PDR0003	
Vista Cruiser					
Disc Brake Pad Set	1975-69	Front-All Hardware Included		SBC52	MKD52FM
	1966-64	Front-All Ceramic Composite Brakes		SBM8	
Drum Brake Shoe	1970-64	Front-All w/ 9.5" X 2.56" Brakes		246	
	1975-73	Rear-All w/ 11" X 2.12" Brakes		462	
	1972-64	Rear-All w/ 9.5" X 2.56" Brakes		246	
Disc Brake Rotor and Hub Assembly	1975-73	Front-All		PRT1040	
	1972-70	Front-All		PRT1039	
Brake Drum	1972-68	Front-All		PDR0059	
	1975-73	Rear-All 11 x 2" Brakes		PDR0274	
	1975-70	Rear-All Rear drum brake 9 1/2" x 2"		PDR0454	
	1972-70	Rear-All Rear drum brake 9 1/2" x 2 1/2"		PDR0046	
	1966-64	Rear-All		PDR0046	
Opel					
1900					
Disc Brake Rotor	1975-71	Front-All		PRT1061	
Deluxe					
Disc Brake Pad Set	1971	Front-All Hardware Not Included		SBC31	
Kadett					
Disc Brake Rotor	1972-66	Front-All		PRT1061	
Manta					
Disc Brake Pad Set	1972-71	Front-All Hardware Not Included		SBC31	
Disc Brake Rotor	1975-73	Front-All		PRT1061	
Opel					
Disc Brake Pad Set	1968	Front-All Hardware Not Included		SBC31	
Disc Brake Rotor	1973-69	Front-All GT		PRT1061	
Rallye					
Disc Brake Pad Set	1968	Front-All Hardware Not Included		SBC31	
Packard					
Clipper					
Drum Brake Shoe	1956-54	Front-All		264	
Panoz					
AIV Roadster					
Disc Brake Pad Set	1999	Front-All Hardware Included	CFM412		
	1999	Front-All Hardware Not Included		SBM412	
	1999	Rear-All Hardware Included	CFC627	SBC627	

BENDIX BRAKE PARTS

PART TYPE	YEAR	APPLICATION	PREMIUM NO.	PART NO.	SEVERE DUTY NO.	
Panoz (Cont'd.)						
Esperante						
Disc Brake Pad Set	2007-01	Front-All Hardware Included	CFM412			
	2007-01	Front-All Hardware Not Included		SBM412		
	2007-01	Rear-All Hardware Included	CFC627	SBC627		
Peterbilt						
200						
Disc Brake Pad Set	2000-94	Front-All w/ 2.60" Bendix Dual Piston Calipers			MKD717FM	
	2000-94	Front-All w/ 2.88" Bendix Dual Piston Calipers			MKD225AFM	
	2000-94	Rear-All w/ 2.60" Bendix Dual Piston Calipers			MKD717FM	
	2000-94	Rear-All w/ 2.88" Bendix Dual Piston Calipers			MKD225AFM	
270						
Disc Brake Pad Set	2003-01	Front-All w/ 66mm Dual Piston Bosch Caliper			MKD786AFM	
	2003-01	Front-All w/ 73mm Dual Piston Bosch Caliper			MKD786FM	
	2003-01	Rear-All w/ 66mm Dual Piston Bosch Caliper			MKD786AFM	
	2003-01	Rear-All w/ 73mm Dual Piston Bosch Caliper			MKD786FM	
325						
Disc Brake Pad Set	2010-08	Front-All w/ 66mm Dual Piston Bosch Caliper			MKD786AFM	
	2010-08	Front-All w/ 73mm Dual Piston Bosch Caliper			MKD786FM	
	2010-08	Rear-All w/ 66mm Dual Piston Bosch Caliper			MKD786AFM	
	2010-08	Rear-All w/ 73mm Dual Piston Bosch Caliper			MKD786FM	
330						
Disc Brake Pad Set	2012-07	Front-All w/ 66mm Dual Piston Bosch Caliper			MKD786AFM	
	2012-07	Front-All w/ 73mm Dual Piston Bosch Caliper			MKD786FM	
	2005-00	Front-All w/ 66mm Dual Piston Bosch Caliper			MKD786AFM	
	2005-00	Front-All w/ 73mm Dual Piston Bosch Caliper			MKD786FM	
	2000-95	Front-All w/ 2.60" Bendix Dual Piston Calipers			MKD717FM	
	2000-95	Front-All w/ 2.88" Bendix Dual Piston Calipers			MKD225AFM	
	2012-07	Rear-All w/ 66mm Dual Piston Bosch Caliper			MKD786AFM	
	2012-07	Rear-All w/ 73mm Dual Piston Bosch Caliper			MKD786FM	
	2005-00	Rear-All w/ 66mm Dual Piston Bosch Caliper			MKD786AFM	
	2005-00	Rear-All w/ 73mm Dual Piston Bosch Caliper			MKD786FM	
	2000-95	Rear-All w/ 2.60" Bendix Dual Piston Calipers			MKD717FM	
	2000-95	Rear-All w/ 2.88" Bendix Dual Piston Calipers			MKD225AFM	
	Disc Brake Rotor	2008	Front-All Hat Shaped 5 Hole Rotor		PRT5349	
		2008	Front-All Hat Shaped 10 Hole Rotor; 3.21" Overall Height		PRT5348	
2008		Front-All w/out ABS Brakes, Hat Shaped 6 Hole Rotor		PRT1475	SDR1475	
2008		Rear-All Hat Shaped 5 Hole Rotor		PRT5349		
2008		Rear-All Hat Shaped 10 Hole Rotor; 3.21" Overall Height		PRT5348		
2008		Rear-All w/out ABS Brakes, Hat Shaped 6 Hole Rotor		PRT1475	SDR1475	
335						
Disc Brake Pad Set	2010-08	Front-All w/ 66mm Dual Piston Bosch Caliper			MKD786AFM	
	2010-08	Front-All w/ 73mm Dual Piston Bosch Caliper			MKD786FM	
	2010-08	Rear-All w/ 66mm Dual Piston Bosch Caliper			MKD786AFM	
	2010-08	Rear-All w/ 73mm Dual Piston Bosch Caliper			MKD786FM	
Disc Brake Rotor	2008	Front-All Hat Shaped 5 Hole Rotor		PRT5349		
	2008	Front-All Hat Shaped 10 Hole Rotor; 3.21" Overall Height		PRT5348		
	2008	Front-All w/out ABS Brakes, Hat Shaped 6 Hole Rotor		PRT1475	SDR1475	
	2008	Rear-All Hat Shaped 5 Hole Rotor		PRT5349		
	2008	Rear-All Hat Shaped 10 Hole Rotor; 3.21" Overall Height		PRT5348		
	2008	Rear-All w/out ABS Brakes, Hat Shaped 6 Hole Rotor		PRT1475	SDR1475	
337						
Disc Brake Pad Set	2012-10	Front-All w/ 66mm Dual Piston Bosch Caliper			MKD786AFM	
	2012-10	Front-All w/ 73mm Dual Piston Bosch Caliper			MKD786FM	
	2012-10	Rear-All w/ 66mm Dual Piston Bosch Caliper			MKD786AFM	
	2012-10	Rear-All w/ 73mm Dual Piston Bosch Caliper			MKD786FM	
Peugeot						
208						
Disc Brake Pad Set	2014	Front-All Hardware Included	CFM1479			
	2014	Front-All Hardware Not Included		SBM1479		
208 GT						
Disc Brake Pad Set	2015-14	Front-All Hardware Included	CFM1479			
	2015-14	Front-All Hardware Not Included		SBM1479		
307						
Disc Brake Pad Set	2010-04	Rear-All Hardware Included	CFM1112	SBC340K1		
405						
Disc Brake Pad Set	1991-89	Rear-All Hardware Included	CFM1112	SBC340K1		
Disc Brake Rotor	1990-89	Front-All		PRT1790		
	1991-89	Rear-All		PRT1791		
504						
Disc Brake Rotor	1983-70	Front-All		PRT1933		

BENDIX BRAKE PARTS

PART TYPE	YEAR	APPLICATION	PREMIUM NO.	PART NO.	SEVERE DUTY NO.	
Peugeot (Cont'd.)						
505						
Disc Brake Rotor	1990-80	Front-All Solid Rotors		PRT1933		
508						
Disc Brake Pad Set	2015-13	Rear-All Hardware Included	CFC1095	SBC1095		
604						
Disc Brake Rotor	1984-82	Front-All		PRT1933		
Manager						
Disc Brake Pad Set	2015-11	Front-L4 - 3.0L Hardware Included		SBM1540	MKD1540FM	
	2010-09	Front-All Exc. Latin America		SBM1540	MKD1540FM	
	2015-11	Rear-L4 - 3.0L Hardware Included	CFM1490			
	2015-11	Rear-L4 - 3.0L Hardware Not Included		SBM1490	MKD1490FM	
	2010-09	Rear-All Hardware Included	CFM1490			
	2010-09	Rear-All Hardware Not Included		SBM1490	MKD1490FM	
Plymouth						
Acclaim						
Disc Brake Pad Set	1995	Front-All Hardware Included		SBC521		
	1994-92	Front-All Rear Disc, Stamped 122055-01		SBM522		
	1994-92	Front-All Rear Disc, Stamped 122249-01		SBC521		
	1994-92	Front-All Rear Drum, w/ 15" Wheels		SBM522		
	1994-92	Front-All Rear Drum, w/o 15" Wheels		SBC521		
	1991	Front-All w/ 14" Wheels		SBC521		
	1991	Front-All w/ 15" Wheels		SBM522		
	1990-89	Front-All Hardware Not Included		SBM219		
	1995-91	Rear-V6 - 3.0L Base, Naturally Aspirated, GAS, Hardware Included		SBM415		
	1994-93	Rear-L4 - 2.5L Base, Naturally Aspirated, FLEX, Hardware Included		SBM415		
	1994-91	Rear-L4 - 2.5L Base, Naturally Aspirated, GAS, Hardware Included		SBM415		
	1991	Rear-L4 - 2.5L LE, Naturally Aspirated, GAS, Hardware Included		SBM415		
	1991	Rear-V6 - 3.0L LE, Naturally Aspirated, GAS, Hardware Included		SBM415		
	1991	Rear-V6 - 3.0L LX, Naturally Aspirated, GAS, Hardware Included		SBM415		
	1990	Rear-All Hardware Included		SBM415		
	Drum Brake Shoe	1995	Rear-All w/ 8.66" X 1.65" Brakes		657	
1994-91		Rear-All w/ 14" Wheels		657		
1990		Rear-All		629		
1989		Rear-All		520		
Parking Brake Shoe	1995-90	Rear-All		643		
Disc Brake Rotor	1995-91	Front-All 10.25" Brakes		PRT1379		
	1995-91	Front-All 15" Wheels; 11" Diameter Rotor		PRT1534		
	1990	Front-All		PRT1379		
	1989	Front-L4 - 2.5L		PRT1383		
	1989	Front-V6 - 3.0L		PRT1383		
	1995-91	Rear-All Solid Rotors		PRT1532		
	1995-91	Rear-All Vented Rotors		PRT1533		
	1995-89	Rear-All		PDR0489		
Arrow						
Disc Brake Rotor	1980-76	Front-All All Exc. Pickup		PRT1116		
Brake Drum	1980-76	Rear-All		PDR0349 ⁴⁸		
	1980-76	Rear-All		PDR0644 ⁴⁸		
Arrow Pickup						
Disc Brake Rotor	1982-79	Front-All Solid Rotors		PRT1205		
	1982-79	Front-All Vented Rotors		PRT1290		
Barracuda						
Disc Brake Pad Set	1969-65	Front-All Hardware Not Included		SBC11		
Drum Brake Shoe	1972-70	Front-All w/ 10" X 2-1/2" Brakes		333		
	1969-64	Front-All w/ 10" X 2-1/4" Brakes		332		
	1974-70	Rear-All Front Disc		333		
	1972	Rear-All Front Drum, w/ 10" X 2-1/2" Rear Brakes		333		
	1971	Rear-All Front Drum, w/ 10" X 2-1/2" Brakes		333		
	1970	Rear-All Front Drum, w/ 10" X 2-1/2" Rear Brakes		333		
	1969	Rear-All Front Disc		331		
	1969	Rear-V8 - 5.2L Front Drum		331		
	1969	Rear-V8 - 5.6L Front Drum		331		
	1969	Rear-V8 - 6.3L Front Drum		331		
	1969	Rear-V8 - 7.0L Front Drum		331		
	1968-64	Rear-All w/ 10" X 1.75" Brakes		331		
	Disc Brake Rotor	1969	Front-All Front disc brakes		PRT1054	
		1968-65	Front-All When replacing left hand rotor on the 1969-1965 models, use five 142038 nuts		PRT1054	
		1964	Front-All Front disc brakes		PRT1054	

48 Sell out and reorder PDR0644

BENDIX BRAKE PARTS

PART TYPE	YEAR	APPLICATION	PREMIUM NO.	PART NO.	SEVERE DUTY NO.
Plymouth (Cont'd.)					
Barracuda (Cont'd.)					
Disc Brake Rotor and Hub Assembly	1974-73	Front-All		PRT1145	
Brake Drum	1970	Front-All		PDR0019	
	1970	Front-All Drum / drum brakes 10" x 2 1/2"		PDR0018	
	1969-65	Front-All 9 x 2 1/2" Brakes		PDR0178	
	1969-65	Front-All 10 x 2 1/4" Brakes		PDR0174	
	1974-70	Rear-All 10 x 2 1/2" Brakes		PDR0182	
	1974-70	Rear-All 11 x 2 1/2" Brakes Finned Drum		PDR0365	
Belvedere					
Drum Brake Shoe	1970-69	Front-All w/ 10" X 2-1/2" Brakes		333	
	1970	Rear-All w/ 10" X 2-1/2" Brakes		333	
	1969	Rear-All Front Drum, w/ 10" X 1-3/4" Brakes		331	
	1969	Rear-All w/ 10" X 2-1/2" Rear Brakes		333	
Brake Drum	1970-66	Front-All 11" x 3" Brakes; Full Cast		PDR0019	
	1970	Front-All Drum / drum brakes 10" x 2 1/2"		PDR0018	
	1969-67	Front-All Full cast		PDR0018	
	1966-62	Front-All Plain drum		PDR0018	
	1970-69	Rear-All 11 x 2 1/2" Brakes Finned Drum		PDR0365	
	1970-65	Rear-All 10 x 2 1/2" Brakes		PDR0182	
	1964-62	Rear-All w/ Serrated wheel bolt		PDR0163	
Belvedere II					
Brake Drum	1967-65	Rear-All 10 x 2 1/2" Brakes		PDR0182	
Breeze					
Disc Brake Pad Set	2000-97	Front-All Hardware Included		SBC650	
	1996	Front-L4 - 2.0L Hardware Included		SBC650	
	1996	Front-L4 - 2.4L Hardware Included		SBC650	
	2000-96	Rear-All Hardware Included	CFM641	SBC641	
Drum Brake Shoe	2000-96	Rear-All w/ 7.87" X 1.35" Brakes		716	
	1998-96	Rear-All w/ 7.87" X 1.35" Brakes		698	
Disc Brake Rotor	2000-96	Front-All 14" Wheels		PRT5041	
	2000-96	Front-All 15" Wheels		PRT5043	
	2000-96	Rear-All		PRT5051	
Brake Drum	2000-96	Rear-All 7.87 x 1.28" Brakes		PDR0670	
Caravelle					
Disc Brake Pad Set	1989-88	Front-All Hardware Not Included		SBM219	
	1987-86	Front-L4 - 2.5L Hardware Not Included		SBM220	
	1987-85	Front-L4 - 2.2L Hardware Not Included		SBM220	
	1987-85	Front-V8 - 5.2L Hardware Not Included		SBM220	
	1985	Front-L4 - 2.6L Hardware Not Included		SBM220	
	1984-78	Front-All Hardware Not Included		SBM84	
Drum Brake Shoe	1989-85	Rear-All		520	
	1984-83	Rear-All Vehicles Built For Canadian Market		446	
	1982	Rear-All Vehicles Built For Canadian Market		445	
	1981	Rear-All w/ 10" X 2.52" Brakes		445	
	1981	Rear-All w/ 11" X 2.49" Brakes		446	
	1980-79	Rear-All Vehicles Built For Canadian Market		446	
	1980-79	Rear-All Vehicles Built For United States Market		445	
	1978	Rear-All w/ 10" X 2.52" Brakes		445	
	1978	Rear-All w/ 11" X 2.49" Brakes		446	
Disc Brake Rotor	1988-87	Front-All Base, FWD		PRT1379	
	1988-87	Front-All SE, FWD		PRT1379	
	1986-85	Front-All Base, FWD, 5 wheel studs		PRT1379	
	1986-85	Front-All SE, FWD, 5 wheel studs		PRT1379	
	1983	Front-All FWD		PRT1266	
Disc Brake Rotor and Hub Assembly	1988	Front-All Salon, RWD		PRT1145	
	1982-78	Front-All		PRT1145	
Brake Drum	1989	Rear-All 10" Brakes		PDR0556	
	1989	Rear-All 11" Brakes		PDR0365	
	1988-87	Rear-All Base, FWD		PDR0489	
	1988-87	Rear-All SE, FWD		PDR0489	
	1988	Rear-All RWD, 10" Brakes		PDR0556	
	1988	Rear-All RWD, 11" Brakes		PDR0365	
	1986-85	Rear-All FWD, 4 wheel studs		PDR0410	
	1986-85	Rear-All FWD, 5 wheel studs		PDR0489	
	1984-78	Rear-All 10" Brakes		PDR0556	
	1984-78	Rear-All 11" Brakes		PDR0365	
Champ					
Disc Brake Rotor	1982-79	Front-All Solid; 229mm		PRT1291	
Brake Drum	1982-79	Rear-All		PDR0401	
Colt					
Disc Brake Pad Set	1995	Front-All Hardware Included		SBC602	
	1994	Front-L4 - 1.5L Base, Hardware Included		SBC602	

BENDIX BRAKE PARTS

PART TYPE	YEAR	APPLICATION	PREMIUM NO.	PART NO.	SEVERE DUTY NO.
Plymouth (Cont'd.)					
Colt (Cont'd.)					
Disc Brake Pad Set (cont'd)	1994	Front-L4 - 1.5L GL, Hardware Included		SBC602	
	1994	Front-L4 - 1.5L Vista SE, Hardware Included		SBC602	
	1994	Front-L4 - 1.8L Base, Hardware Included		SBC602	
	1994	Front-L4 - 1.8L GL, Hardware Included		SBC602	
	1994	Front-L4 - 1.8L Vista, Hardware Included		SBC484	
	1994	Front-L4 - 1.8L Vista SE, Hardware Included		SBC602	
	1994	Front-L4 - 2.4L Base, Hardware Included		SBC602	
	1994	Front-L4 - 2.4L Vista, Hardware Included		SBC484	
	1994	Front-L4 - 2.4L Vista SE, Hardware Included		SBC484	
	1993	Front-All Base, Hardware Included		SBC602	
	1993	Front-All GL, Hardware Included		SBC602	
	1993	Front-All Vista, Hardware Included		SBC484	
	1993	Front-All Vista SE, Hardware Included		SBC484	
	1992	Front-L4 - 1.5L Base, Hardware Included		SBC602	
	1992	Front-L4 - 1.5L GL, Hardware Included		SBC602	
	1992	Front-L4 - 1.8L Base, Hardware Included		SBC602	
	1992	Front-L4 - 1.8L Vista, Hardware Included		SBC484	
	1992	Front-L4 - 1.8L Vista SE, Hardware Included		SBC484	
	1992	Front-L4 - 2.4L Hardware Included		SBC484	
	1991-85	Front-L4 - 1.5L Hardware Not Included		SBC299	
	1991	Front-L4 - 2.0L Hardware Included		SBC602	
	1990-89	Front-L4 - 1.5L Base, 2 Doors, Hatchback, Hardware Not Included		SBC299	
	1990-89	Front-L4 - 1.5L DL, Wagon, 4WD, Hardware Not Included		SBC328	
	1990-89	Front-L4 - 1.5L DL, Wagon, FWD, Hardware Not Included		SBC299	
	1990-89	Front-L4 - 1.5L GT, 2 Doors, Hatchback, Hardware Not Included		SBC299	
	1990-89	Front-L4 - 1.6L GT, 2 Doors, Hatchback, FWD, Hardware Not Included		SBC299	
	1990-89	Front-L4 - 1.8L DL, Wagon, 4WD, Hardware Not Included		SBC328	
	1990-89	Front-L4 - 1.8L DL, Wagon, FWD, Hardware Not Included		SBC299	
	1990-89	Front-L4 - 2.0L Vista, 4 Doors, Wagon, FWD, Hardware Not Included		SBC299	
	1990	Front-L4 - 1.5L Base, Wagon, 4WD, Hardware Not Included		SBC328	
	1990	Front-L4 - 1.5L Base, Wagon, FWD, Hardware Not Included		SBC299	
	1990	Front-L4 - 1.5L GL, 2 Doors, Hatchback, Hardware Not Included		SBC299	
	1989	Front-L4 - 1.5L E, 2 Doors, Hatchback, Hardware Not Included		SBC299	
	1988-85	Front-L4 - 2.0L Hardware Not Included		SBC299	
	1988	Front-L4 - 1.6L Hardware Not Included		SBC328	
	1987	Front-L4 - 1.6L Premier, Hardware Not Included		SBC328	
	1986-85	Front-L4 - 1.6L Hardware Not Included		SBC328	
	1994	Rear-L4 - 1.8L Vista, Hardware Included	CFC383K2	SBC383K2	
	1994	Rear-L4 - 2.4L Vista, Hardware Included	CFC383K2	SBC383K2	
	1993	Rear-All Vista, Hardware Included	CFC383K2	SBC383K2	
	1993	Rear-All Vista SE, Hardware Included	CFC383K2	SBC383K2	
	1992	Rear-L4 - 1.8L Hardware Included	CFC383K2	SBC383K2	
	1992	Rear-L4 - 2.4L Hardware Included	CFC383K2	SBC383K2	
	1990-89	Rear-L4 - 1.5L Hardware Not Included		SBC329	
	1990-89	Rear-L4 - 1.8L Hardware Not Included		SBC329	
	1990-88	Rear-L4 - 1.6L Hardware Not Included		SBC329	
Drum Brake Shoe	1995	Rear-All w/ 7.09" X 1.38" Brakes		644	
	1994-93	Rear-All 2 Doors, Sedan		644	
	1994-93	Rear-All 4 Doors		677	
	1994-93	Rear-All 4 Doors, In Supersession Process, Exhaust Current Inventory		610	
	1992	Rear-All w/ 7.09" X 1.38" Brakes		644	
	1992	Rear-All w/ 8" X 1.45" Brakes		610	
	1992	Rear-All w/ 8" X 1.45" Brakes		677	
	1991	Rear-All		644	
	1990-88	Rear-All 2 Doors, Hatchback		558	
	1988	Rear-All 4 Doors, Sedan		558	
	1987-85	Rear-All		558	
Parking Brake Shoe	1994-92	Rear-All w/ 6.69" X 1.25" Brakes		673	
	1994-92	Rear-All w/ 6.69" X 1.25" Brakes		864	
Disc Brake Rotor	1995-93	Front-All Solid Rotors		PRT1847	
	1995-93	Front-All Vented Rotors		PRT1848	
	1994-93	Front-All 4-Wheel ABS		PRT1709 ⁶²	
	1994-93	Front-All 4-Wheel ABS		PRT1881	
	1994-93	Front-All Non-ABS		PRT1543	
	1994-93	Front-All Vista		PRT1881	
	1992	Front-All Hatchback, Solid Rotors; Solid		PRT1557	
	1992	Front-All Sedan, Vented Rotors; Vented		PRT1609	
	1992	Front-All Wagon		PRT1543	

BENDIX BRAKE PARTS

PART TYPE	YEAR	APPLICATION	PREMIUM NO.	PART NO.	SEVERE DUTY NO.	
Plymouth (Cont'd.)						
Colt (Cont'd.)						
Disc Brake Rotor (cont'd)	1991-85	Front-L4 - 2.0L 4WD, Vented; 266.2mm		PRT1320		
	1991-85	Front-L4 - 2.0L FWD		PRT1324		
	1991	Front-All Solid Rotors; Solid		PRT1557		
	1991	Front-All Vented Rotors; Vented		PRT1609		
	1990-85	Front-All Solid Rotors		PRT1323		
	1990-84	Front-All Vented Rotors		PRT1324		
	1984	Front-All Solid Rotors; Solid; 229mm		PRT1291		
	1983	Front-All FWD, Solid; 229mm		PRT1291		
	1994-92	Rear-L4 - 1.8L		PRT1708		
	1994-92	Rear-L4 - 2.4L		PRT1708		
	1990-89	Rear-All		PRT1512		
	Brake Drum	1994-93	Rear-All 4 Doors, Wagon, FWD		PDR0566	
		1994-93	Rear-All Vista, Wagon, AWD		PDR0644	
		1994-93	Rear-L4 - 1.5L 2 Doors, Sedan, FWD		PDR0637	
		1994-93	Rear-L4 - 1.5L 4 Doors, Sedan, FWD		PDR0636	
1994-93		Rear-L4 - 1.8L 2 Doors, Sedan, FWD		PDR0637		
1994-93		Rear-L4 - 1.8L 4 Doors, Sedan, FWD		PDR0636		
1992		Rear-L4 - 1.5L Base, FWD		PDR0566		
1992		Rear-L4 - 1.5L Base, Hatchback, USA Built Vehicle		PDR0612		
1992		Rear-L4 - 1.5L GL, FWD		PDR0566		
1992		Rear-L4 - 1.5L GL, Hatchback, USA Built Vehicle		PDR0612		
1992		Rear-L4 - 1.8L Vista, USA Built Vehicle; Exc. Wagon		PDR0612		
1992		Rear-L4 - 1.8L Vista, Wagon, AWD		PDR0644		
1992		Rear-L4 - 1.8L Vista, Wagon, FWD		PDR0566		
1992		Rear-L4 - 1.8L Vista SE, USA Built Vehicle; Exc. Wagon		PDR0612		
1992		Rear-L4 - 1.8L Vista SE, Wagon, FWD		PDR0566		
1992		Rear-L4 - 2.4L Vista, USA Built Vehicle; Exc. Wagon		PDR0612		
1992		Rear-L4 - 2.4L Vista, Wagon, AWD		PDR0644		
1992		Rear-L4 - 2.4L Vista, Wagon, FWD		PDR0566		
1992		Rear-L4 - 2.4L Vista SE, Exc. Wagon; USA Built		PDR0612		
1992		Rear-L4 - 2.4L Vista SE, Wagon, FWD		PDR0566		
1991		Rear-L4 - 1.5L Base, FWD, DSM Plant Built (USA Built Vehicle)		PDR0612		
1991		Rear-L4 - 1.5L Base, FWD, TMMC Plant Built (Canada Built Vehicle)		PDR0549		
1991		Rear-L4 - 1.5L GL, FWD, DSM Plant Built (USA Built Vehicle)		PDR0612		
1991		Rear-L4 - 1.5L GL, FWD, TMMC Plant Built (Canada Built Vehicle)		PDR0549		
1991		Rear-L4 - 2.0L Vista, 4WD		PDR0349 ⁴⁸		
1991		Rear-L4 - 2.0L Vista, 4WD		PDR0644 ⁴⁸		
1991		Rear-L4 - 2.0L Vista, FWD		PDR0462		
1990		Rear-L4 - 1.5L		PDR0549		
1990		Rear-L4 - 1.6L		PDR0549		
1990		Rear-L4 - 1.8L		PDR0549		
1990		Rear-L4 - 2.0L		PDR0462		
1989-86		Rear-All Vista, 4WD		PDR0349 ⁴⁸		
1989-86		Rear-All Vista, 4WD		PDR0644 ⁴⁸		
1989-84		Rear-All Vista, FWD		PDR0462		
1989		Rear-All		PDR0465		
1988		Rear-All DL, Hatchback		PDR0549		
1988		Rear-All DL, Sedan		PDR0549		
1988		Rear-All DL, Wagon		PDR0462		
1988		Rear-All E, Hatchback		PDR0549		
1988		Rear-All E, Sedan		PDR0549		
1988	Rear-All Premier, Sedan		PDR0549			
1987-85	Rear-All DL		PDR0549			
1987-85	Rear-All E		PDR0549			
1987-85	Rear-All Premier		PDR0549			
1984	Rear-All DL		PDR0401			
1984	Rear-All E		PDR0401			
Conquest						
Disc Brake Rotor	1986-85	Front-All 4 Stud wheels		PRT1322		
	1984	Front-All		PRT1322		
	1986-84	Rear-All 5 Hole Rotor; 5 STUD		PRT1325		
	1984	Rear-All		PRT1326		
Cuda						
Drum Brake Shoe	1974-70	Rear-All		333		
Disc Brake Rotor and Hub Assembly	1974-73	Front-All		PRT1145		
Brake Drum	1970	Front-All		PDR0019		
	1974-70	Rear-All 10 x 2 1/2" Brakes		PDR0182		
	1974-70	Rear-All 11 x 2 1/2" Brakes Finned Drum		PDR0365		

48 Sell out and reorder PDR0644

BENDIX BRAKE PARTS

PART TYPE	YEAR	APPLICATION	PREMIUM NO.	PART NO.	SEVERE DUTY NO.
Plymouth (Cont'd.)					
Duster					
Disc Brake Pad Set	1976-73	Front-All Hardware Not Included		SBM84	
	1972-70	Front-All Hardware Not Included		SBC11	
Drum Brake Shoe	1976	Front-All w/ 10" X 2.52" Brakes		445	
	1975-74	Front-All		333	
	1973	Front-All Late		333	
	1972-70	Front-V8 - 5.2L w/ 10" X 2-1/4" Brakes		332	
	1972-70	Front-V8 - 5.6L w/ 10" X 2-1/4" Brakes		332	
	1970	Front-L6 - 3.2L Early		332	
	1970	Front-L6 - 3.7L Early		332	
	1976	Rear-All w/ 10" X 2.52" Brakes		445	
	1975-73	Rear-All Front Disc		333	
	1972-70	Rear-All Front Disc		331	
	1972-70	Rear-V8 - 5.2L Front Drum		331	
	1972-70	Rear-V8 - 5.6L Front Drum		331	
	1970	Rear-L6 - 3.2L Front Drum, Early		331	
1970	Rear-L6 - 3.7L Front Drum, Early		331		
Disc Brake Rotor	1972-71	Front-All		PRT1054	
Disc Brake Rotor and Hub Assembly	1976-73	Front-All		PRT1145	
Brake Drum	1972-70	Front-All 10 x 2 1/4" Brakes		PDR0174	
	1976-75	Rear-All w/10" & FRONT DISC		PDR0556	
	1974-73	Rear-All w/10" & FRONT DISC		PDR0182	
Expo					
Disc Brake Pad Set	1989-87	Front-All Hardware Not Included		SBM221	
Disc Brake Rotor	1989-87	Front-All		PRT1268	
Fury					
Disc Brake Pad Set	1974	Front-All Hardware Included			MKD86FM
	1974	Front-All Hardware Not Included		SBM86	
Drum Brake Shoe	1964-62	Front-All w/ 10" X 2-1/2" Brakes		169	
	1978-77	Rear-All Optional		446	
	1978-77	Rear-All w/ 10" Brakes		445	
	1976	Rear-All 2 Doors, Hardtop, w/ 10" X 2.52" Brakes		445	
	1976	Rear-All 4 Doors, Sedan, w/ 10" X 2.52" Brakes		445	
	1976	Rear-All 4 Doors, Wagon, w/ 11" X 2.49" Brakes		446	
	1975	Rear-All 2 Doors, Hardtop, w/ 10" Brakes		333	
	1975	Rear-All 4 Doors, Sedan, w/ 10" Brakes		333	
	1964-62	Rear-All w/ 10" X 2-1/2" Brakes		169	
	Disc Brake Rotor	1969	Front-All Front disc brakes		PRT1047
Disc Brake Rotor and Hub Assembly	1978-76	Front-All		PRT1132	
	1975	Front-All Std.		PRT1132	
	1975	Front-All To 12/1/75		PRT1145	
	1974	Front-All		PRT1146	
	1973-71	Front-All		PRT1072	
Brake Drum	1972-69	Front-All 11 x 2 3/4" Brakes (finned, marked MW)		PDR0191	
	1969-65	Front-All 11 x 2 3/4" Brakes		PDR0017	
	1969-65	Front-All 11 x 3" Brakes		PDR0019	
	1978-75	Rear-All 10 x 2 1/2" Brakes (Finned)		PDR0556	
	1978-75	Rear-All 11 x 2 1/2" Brakes		PDR0365	
	1974-69	Rear-All 11 x 2 1/2" Brakes Finned Drum		PDR0365	
	1964-62	Rear-All w/ Serrated wheel bolt		PDR0163	
Fury I					
Disc Brake Pad Set	1974	Front-All Hardware Included			MKD86FM
	1974	Front-All Hardware Not Included		SBM86	
Disc Brake Rotor and Hub Assembly	1972-71	Front-All		PRT1072	
Brake Drum	1972-69	Front-All 11 x 2 3/4" Brakes (finned, marked MW)		PDR0191	
	1969-68	Front-All 11 x 3" Brakes		PDR0019	
	1974-69	Rear-All 11 x 2 1/2" Brakes Finned Drum		PDR0365	
Fury II					
Disc Brake Rotor and Hub Assembly	1972-71	Front-All		PRT1072	
Brake Drum	1972-69	Front-All 11 x 2 3/4" Brakes (finned, marked MW)		PDR0191	
	1969-65	Front-All 11 x 3" Brakes		PDR0019	
	1974-69	Rear-All 11 x 2 1/2" Brakes Finned Drum		PDR0365	
Fury III					
Disc Brake Rotor and Hub Assembly	1972-71	Front-All		PRT1072	
Brake Drum	1972-69	Front-All 11 x 2 3/4" Brakes (finned, marked MW)		PDR0191	
	1969-65	Front-All 11 x 3" Brakes		PDR0019	
	1974-69	Rear-All 11 x 2 1/2" Brakes Finned Drum		PDR0365	
Grand Voyager					
Disc Brake Pad Set	2000-96	Front-All Hardware Included	CFC591	SBC591	MKD591FM
	1995	Front-All Hardware Included		SBC521	

BENDIX BRAKE PARTS

PART TYPE	YEAR	APPLICATION	PREMIUM NO.	PART NO.	SEVERE DUTY NO.
Plymouth (Cont'd.)					
Grand Voyager (Cont'd.)					
Disc Brake Pad Set (cont'd)	1994-91	Front-All w/ 14" Wheels		SBC521	
	1994-91	Front-All w/ 15" Wheels		SBM522	
	1990-89	Front-All w/ 14" Wheels		SBM259	
	1990-89	Front-All w/ 15" Wheels		SBM416	
	1988	Front-All Kelsey-Hayes		SBM259	
	1988	Front-All Teves		SBM367	
	1987	Front-All Hardware Not Included		SBM259	
	1997	Rear-All Hardware Included		SBM751	
Drum Brake Shoe	2000-96	Rear-All		841	
	2000-96	Rear-All In Supersession Process, Exhaust Current Inventory		714	
	1995	Rear-All AWD		446	
	1995	Rear-All FWD		538	
	1994-91	Rear-All FWD, w/ 14", 15" Wheels		538	
	1994	Rear-All AWD, w/ 14", 15" Wheels		446	
	1993-91	Rear-All AWD		446	
	1990-88	Rear-All w/ 9" X 2.5" Brakes		538	
Parking Brake Shoe	2000-97	Rear-All		812	
Disc Brake Rotor	2000-96	Front-All 14" Wheels		PRT5063	
	2000-96	Front-All 15" Wheels		PRT5152	
	1995-92	Front-All w/14" Wheels		PRT1379	
	1995-92	Front-All w/15" Wheels		PRT1576	
	1991	Front-All w/14" Wheels (10.25" Brakes)		PRT1379	
	1991	Front-All w/15" Wheels (11" Brakes)		PRT1576	
	1990-89	Front-All w/14" Wheels		PRT1383	
	1990-89	Front-All w/15" Wheels		PRT1392	
	1988-87	Front-All Extended Wheelbase		PRT1392	
	1999-97	Rear-All		PRT5153	
	Brake Drum	2000-96	Rear-All 14" Wheels		PDR0681
1995-91		Rear-All AWD		PDR0365	
1995-91		Rear-All FWD, (15" wheels)		PDR0496	
1995-91		Rear-All FWD, w/o ABS, w/ 14" Wheels		PDR0506	
1990-88		Rear-All 15" Wheels		PDR0496	
1990-87		Rear-All 14" Wheels		PDR0506	
Gran Fury					
Disc Brake Pad Set	1989-80	Front-All Hardware Not Included		SBM84	
	1977-74	Front-All Hardware Included			MKD86FM
	1977-74	Front-All Hardware Not Included		SBM86	
Drum Brake Shoe	1989-83	Rear-All Exc. Police Car Or Taxi		445	
	1989-83	Rear-All Police Car And Taxi		446	
	1982-80	Rear-All Optional		446	
	1982-80	Rear-All w/ 10" X 2.52" Brakes		445	
	1977-76	Rear-All w/ 11" X 2.49" Brakes		446	
	1977	Rear-All w/ 10" X 2.52" Brakes		445	
Disc Brake Rotor and Hub Assembly	1989-82	Front-All		PRT1145	
	1981-80	Front-All		PRT1132	
	1977-75	Front-All		PRT1146	
Brake Drum	1989-85	Rear-All 11" Brakes		PDR0365	
	1989-85	Rear-All w/10" Brakes		PDR0556	
	1984-80	Rear-All 10 x 2 1/2" Brakes		PDR0556	
	1984-80	Rear-All 11 x 2 1/2" Brakes		PDR0365	
	1977-75	Rear-All		PDR0187	
	1977-73	Rear-All 11 x 2 1/2" Brakes		PDR0365	
GTX					
Drum Brake Shoe	1971-69	Front-All w/ 10" X 2-1/2" Brakes		333	
	1971-69	Rear-All w/ 10" X 2-1/2" Brakes		333	
Brake Drum	1970-69	Front-All		PDR0019	
	1970	Front-All Drum / drum brakes 10" x 2 1/2"		PDR0018	
	1969-67	Front-All Full cast		PDR0018	
	1971-67	Rear-All 10" Brakes		PDR0182	
	1971-67	Rear-All 11" Brakes		PDR0365	
Horizon					
Disc Brake Pad Set	1990-83	Front-All Hardware Not Included		SBM221	
Drum Brake Shoe	1990-83	Rear-All w/ 7.87" X 1.34" Brakes		519	
Disc Brake Rotor	1990-78	Front-All		PRT1268	
Brake Drum	1985	Rear-All 5 Lug Wheels		PDR0558	
Laser					
Disc Brake Pad Set	1994-93	Front-All AWD, w/ 2 Piston Caliper		SBC530	
	1994-93	Front-All FWD, w/ 1 Piston Caliper		SBC484	
	1992-90	Front-All Hardware Included		SBC484	
	1994-92	Rear-All FWD, Hardware Not Included		SBC329	
	1991	Rear-All Special Sport Series		SBC329	

BENDIX BRAKE PARTS

PART TYPE	YEAR	APPLICATION	PREMIUM NO.	PART NO.	SEVERE DUTY NO.
Plymouth (Cont'd.)					
Laser (Cont'd.)					
Disc Brake Pad Set (cont'd)	1990	Rear-All Hardware Not Included		SBC329	
Disc Brake Rotor	1994-93	Front-All FWD		PRT1658	
	1994-92	Front-L4 - 2.0L FWD, Non-ABS		PRT5247	
	1994-91	Front-L4 - 1.8L		PRT5247	
	1992-90	Front-All		PRT1658	
	1991	Front-L4 - 2.0L Non-ABS		PRT5247	
	1990	Front-All From 4/1/89		PRT5247	
	1990	Front-All To 4/1/89		PRT1672	
	1994-90	Rear-All		PRT1575	
Neon					
Disc Brake Pad Set	2001-00	Front-All Hardware Included	CFC730A	SBC730A	
	1999-97	Front-All Hardware Included		SBC642	
	1996-95	Front-All w/ 4 Stud Brake Rotors		SBM633	
	1996-95	Front-All w/ 5 Stud Brake Rotors		SBC642	
	2001-95	Rear-All Hardware Included	CFM641	SBC641	
Drum Brake Shoe	2001-97	Rear-All		519	
	1996-95	Rear-All w/ 7.87" X 1.34" Brakes		519	
Parking Brake Shoe	2001-95	Rear-All		643	
Disc Brake Rotor	2001-00	Front-All		PRT5249	
	1999-98	Front-All Vented; 257mm		PRT5023	
	1997-95	Front-All 4 Stud Rotor		PRT1926	
	1997-95	Front-All 5 Stud Rotor; Vented; 257mm		PRT5023	
	2001-95	Rear-All Rear Disc		PRT5026	
Brake Drum	2001-98	Rear-All		PDR0558	
	1997-95	Rear-All 5 Stud Drum		PDR0558	
PB100					
Disc Brake Pad Set	1980-75	Front-All Hardware Included			MKD86FM
	1980-75	Front-All Hardware Not Included		SBM86	
Drum Brake Shoe	1980-76	Rear-All w/ 10" Brakes		445	
	1979	Rear-All w/ 11" X 2.49" Brakes		446	
	1978-76	Rear-All w/ 11" Brakes		446	
	1975	Rear-All w/ 10" Brakes		333	
	1975	Rear-All w/ 10" X 2.52" Brakes		445	
	1975	Rear-All w/ 11" X 2.49" Brakes		446	
Disc Brake Rotor and Hub Assembly	1980	Front-All 3,300 Lbs. Front Axle		PRT1146	
	1980	Front-All Exc. 3,300 Lbs. Front Axle		PRT1072	
	1979-75	Front-All		PRT1072	
Brake Drum	1980-75	Rear-All 10" Finned Drum		PDR0556	
	1980-75	Rear-All 10" Plain Drum		PDR0182	
	1980-75	Rear-All 11 x 2 1/2" Brakes		PDR0365	
PB100 Van					
Disc Brake Pad Set	1974	Front-All Hardware Included			MKD86FM
	1974	Front-All Hardware Not Included		SBM86	
Drum Brake Shoe	1974	Rear-All w/ 10" Brakes		333	
Disc Brake Rotor and Hub Assembly	1974	Front-All		PRT1072	
Brake Drum	1974	Rear-All 10" Plain Drum		PDR0182	
	1974	Rear-All 11 x 2 1/2" Brakes		PDR0365	
PB150					
Disc Brake Pad Set	1983-81	Front-All Hardware Included			MKD86FM
	1983-81	Front-All Hardware Not Included		SBM86	
Drum Brake Shoe	1983-81	Rear-All w/ 10" Brakes		445	
Disc Brake Rotor and Hub Assembly	1983-82	Front-All 3,300 Lbs. Axle		PRT1146	
	1981	Front-All 3,300 Lbs. Front Axle		PRT1146	
	1981	Front-All Exc. 3,300 Lbs. Front Axle		PRT1072	
Brake Drum	1983-81	Rear-All 10" Finned Drum		PDR0556	
	1983-81	Rear-All 10" Plain Drum		PDR0182	
	1983-81	Rear-All 11 x 2 1/2" Brakes		PDR0365	
PB200					
Disc Brake Pad Set	1980-75	Front-All Hardware Included			MKD86FM
	1980-75	Front-All Hardware Not Included		SBM86	
Drum Brake Shoe	1980-75	Rear-All w/ 10" X 2.52" Brakes		445	
	1979-75	Rear-All w/ 11" X 2.49" Brakes		446	
Disc Brake Rotor and Hub Assembly	1980	Front-All 3,300 Lbs. Front Axle		PRT1146	
	1980	Front-All Exc. 3,300 Lbs. Front Axle		PRT1072	
	1979-75	Front-All		PRT1072	
Brake Drum	1980-75	Rear-All 10" Finned Drum		PDR0556	
	1980-75	Rear-All 10" Plain Drum		PDR0182	
	1980-75	Rear-All 11" Drum		PDR0365	

BENDIX BRAKE PARTS

PART TYPE	YEAR	APPLICATION	PREMIUM NO.	PART NO.	SEVERE DUTY NO.
Plymouth (Cont'd.)					
PB200 Van					
Disc Brake Pad Set	1974	Front-All Hardware Included			MKD86FM
	1974	Front-All Hardware Not Included		SBM86	
Disc Brake Rotor and Hub Assembly	1974	Front-All		PRT1072	
Brake Drum	1974	Rear-All 10" Finned Drum		PDR0556	
	1974	Rear-All 10" Plain Drum		PDR0182	
	1974	Rear-All 11" Drum		PDR0365	
PB250					
Disc Brake Pad Set	1983-81	Front-All Hardware Included			MKD86FM
	1983-81	Front-All Hardware Not Included		SBM86	
Drum Brake Shoe	1983-81	Rear-All w/ 10" X 2.52" Brakes		445	
Disc Brake Rotor and Hub Assembly	1983-81	Front-All 3,300 Lbs. Axle		PRT1146	
	1981	Front-All Exc. 3,300 Lbs. Front Axle		PRT1072	
Brake Drum	1983-81	Rear-All 10" Finned Drum		PDR0556	
	1983-81	Rear-All 10" Plain Drum		PDR0182	
	1983-81	Rear-All 11 x 2 1/2" Brakes		PDR0365	
PB300					
Disc Brake Pad Set	1980-75	Front-All Hardware Included			MKD86FM
	1980-75	Front-All Hardware Not Included		SBM86	
Drum Brake Shoe	1980-75	Rear-All w/ 12" X 2-1/2" Brakes		357	
	1980-75	Rear-All w/ 12" X 3" Brakes		358	
Disc Brake Rotor	1980-78	Front-All Dual Rear Wheels (4000# Front Axle)		PRT1089	
	1980-78	Front-All Single Rear Wheels (4000# Front Axle)		PRT1193	
	1977-75	Front-All Dual Rear Wheels		PRT1089	
	1977-75	Front-All Single Rear Wheels (3800# Front Axle)		PRT1193	
Disc Brake Rotor and Hub Assembly	1980	Front-All 3,600 Lbs. Front Axle		PRT1924	
	1977-75	Front-All Single Rear Wheels (3300# Front Axle)		PRT1076	
Brake Drum	1980-78	Rear-All 12 x 2 1/2" Brakes		PDR0267	
	1980-78	Rear-All 12 x 3" Brakes (Exc.GVW 9,000 Lbs.); 304.9mm		PDR0264	
	1980	Rear-All 12 x 3" Brakes (GVW 9,000 Lbs.); 304.8mm		PDR0542	
	1977-75	Rear-All Dual Rear Wheels; 304.9mm		PDR0264	
	1977-75	Rear-All Single Rear Wheels		PDR0267	
PB300 Van					
Disc Brake Pad Set	1974	Front-All Hardware Included			MKD86FM
	1974	Front-All Hardware Not Included		SBM86	
Drum Brake Shoe	1974	Rear-All w/ 12" X 2-1/2" Brakes		357	
	1974	Rear-All w/ 12" X 3.02" Brakes		358	
Disc Brake Rotor	1974	Front-All Dual Rear Wheels		PRT1089	
	1974	Front-All Single Rear Wheels (3800# Front Axle)		PRT1193	
Disc Brake Rotor and Hub Assembly	1974	Front-All Single Rear Wheels (3300# Front Axle)		PRT1076	
Brake Drum	1974	Rear-All Dual Rear Wheels; 304.9mm		PDR0264	
	1974	Rear-All Single Rear Wheels		PDR0267	
PB350					
Disc Brake Pad Set	1983-81	Front-All Hardware Included			MKD86FM
	1983-81	Front-All Hardware Not Included		SBM86	
Drum Brake Shoe	1983-81	Rear-All w/ 12" X 2-1/2" Brakes		357	
	1983-81	Rear-All w/ 12" X 3" Brakes		358	
Disc Brake Rotor	1983-81	Front-All Dual Rear Wheels (4000# Front Axle)		PRT1089	
	1983-81	Front-All Single Rear Wheels (4000# Front Axle)		PRT1193	
Disc Brake Rotor and Hub Assembly	1983-81	Front-All 3,600 Lbs. Axle		PRT1924	
Brake Drum	1983-81	Rear-All 12 x 2 1/2" Brakes		PDR0267	
	1983-81	Rear-All 12 x 3" Brakes (Exc.GVW 9,000 Lbs.); 304.9mm		PDR0264	
	1983-81	Rear-All 12 x 3" Brakes (GVW 9,000 Lbs.); 304.8mm		PDR0542	
Prowler					
Disc Brake Pad Set	2001-99	Front-All Hardware Included	CFC730	SBC730	
	1997	Front-All Hardware Included	CFC730A	SBC730A	
	2001-99	Rear-All Hardware Included	CFC730	SBC730	
	1997	Rear-All Hardware Included	CFC730	SBC730	
Disc Brake Rotor	2001-99	Front-All		PRT5152	
	1997	Front-All		PRT5152	
Reliant					
Disc Brake Pad Set	1989-88	Front-All 2 Doors, Sedan, Hardware Not Included		SBM170	
	1989	Front-All 4 Doors, Sedan, w/ Heavy Duty Brakes		SBM219	
	1989	Front-All 4 Doors, Sedan, w/ Standard Brakes		SBM170	
	1989	Front-All 4 Doors, Wagon, Hardware Not Included		SBM219	
	1988	Front-All 4 Doors, Sedan, w/ Standard Brakes		SBM219	
	1988	Front-All Wagon, w/ Standard, Heavy Duty Brakes		SBM219	
	1987-85	Front-All w/ Heavy Duty Brakes		SBM220	
	1987-85	Front-All w/ Standard Duty Brakes		SBM170	

BENDIX BRAKE PARTS

PART TYPE	YEAR	APPLICATION	PREMIUM NO.	PART NO.	SEVERE DUTY NO.
Plymouth (Cont'd.)					
Reliant (Cont'd.)					
Disc Brake Pad Set (cont'd)	1987	Front-All w/ Heavy Duty Brakes		SBM219	
	1984-83	Front-All Rear Drum, w/ 200mm Rear Brakes		SBM170	
	1984-83	Front-All Rear Drum, w/ 220mm Rear Brakes		SBM220	
	1982-81	Front-All Hardware Not Included		SBM170	
Drum Brake Shoe	1989-83	Rear-All w/ 200mm X 32.5mm Brakes		519	
	1989-83	Rear-All w/ 220mm X 38mm Brakes		520	
Disc Brake Rotor	1989-86	Front-All 9.5" Diameter Rotor		PRT1380	
	1989-86	Front-All 10.25" diameter rotor		PRT1379	
	1985-83	Front-All 9.5" Diameter Rotor		PRT1267	
	1985-83	Front-All 10.25" diameter rotor		PRT1266	
Brake Drum	1982-81	Front-All		PRT1267	
	1989-86	Rear-All 200 x 32.5mm Brakes		PDR0558	
	1989-86	Rear-All 220 x 40mm Brakes		PDR0489	
	1985-83	Rear-All 220 x 38mm Brakes		PDR0410	
Road Runner					
Drum Brake Shoe	1972-69	Front-All w/ 10" X 2-1/2" Brakes		333	
	1975-71	Rear-All w/ 11" X 2.49" Brakes		446	
	1972-70	Rear-All w/ 10" X 2-1/2" Brakes		333	
	1969	Rear-All Front Drum, w/ 10" X 1-3/4" Brakes		331	
	1969	Rear-All w/ 10" X 2-1/2" Rear Brakes		333	
Disc Brake Rotor and Hub Assembly	1974-73	Front-All		PRT1145	
Brake Drum	1970-69	Front-All		PDR0019	
	1970	Front-All Drum / drum brakes 10" x 2 1/2"		PDR0018	
	1969-68	Front-All Full cast		PDR0018	
	1974-68	Rear-All 10" Brakes		PDR0182	
	1974-68	Rear-All 11" Brakes		PDR0365	
Sapporo					
Disc Brake Rotor	1983-78	Front-All		PRT1164	
	1983-80	Rear-All		PRT1165	
	1979-78	Rear-All Rear Disc		PRT1165	
Brake Drum	1983-78	Rear-All		PDR0349 ⁴⁸	
	1983-78	Rear-All		PDR0644 ⁴⁸	
Satellite					
Drum Brake Shoe	1972-69	Front-All w/ 10" X 2-1/2" Brakes		333	
	1974-70	Rear-All w/ 10" X 2-1/2" Brakes		333	
	1969	Rear-All Front Drum, w/ 10" X 1-3/4" Brakes		331	
	1969	Rear-All w/ 10" X 2-1/2" Rear Brakes		333	
Disc Brake Rotor and Hub Assembly	1974-73	Front-All		PRT1145	
Brake Drum	1970-69	Front-All 10 x 2 1/2" Brakes		PDR0018	
	1970-69	Front-All 11 x 3" Brakes		PDR0019	
	1968-67	Front-All Full cast		PDR0018	
	1966-65	Front-All Plain drum		PDR0018	
	1974-67	Rear-All 11" Brakes		PDR0365	
	1974-65	Rear-All 10" Brakes		PDR0182	
Scamp					
Disc Brake Pad Set	1983	Front-All Hardware Not Included		SBM221	
	1976-73	Front-All Hardware Not Included		SBM84	
	1972-71	Front-All Hardware Not Included		SBC11	
Drum Brake Shoe	1976	Front-L6 - 3.7L		445	
	1975-74	Front-All		333	
	1973	Front-All Late		333	
	1972-71	Front-V8 - 5.2L		332	
	1983	Rear-All w/ 7.83" X 1.34" Brakes		519	
	1976	Rear-All		445	
	1975	Rear-All Front Disc		333	
	1974	Rear-All Front Disc, w/ 10" X 2-1/2" Brakes		333	
	1973	Rear-All Front Disc		333	
	1972-71	Rear-All Front Disc		331	
	1972-71	Rear-V8 - 5.2L Front Drum		331	
Disc Brake Rotor	1983	Front-All		PRT1268	
	1972-71	Front-All		PRT1054	
Disc Brake Rotor and Hub Assembly	1976-73	Front-All		PRT1145	
Brake Drum	1972-71	Front-All 10 x 2 1/4" Brakes		PDR0174	
	1976-75	Rear-All		PDR0556	
	1974-73	Rear-All		PDR0182	
Sundance					
Disc Brake Pad Set	1994-93	Front-All Hardware Included		SBC521	
	1992	Front-L4 - 2.2L Hardware Included		SBC521	
	1992	Front-L4 - 2.5L Hardware Included		SBC521	
	1992	Front-V6 - 3.0L Hardware Included		SBC521	

48 Sell out and reorder PDR0644

BENDIX BRAKE PARTS

PART TYPE	YEAR	APPLICATION	PREMIUM NO.	PART NO.	SEVERE DUTY NO.
Plymouth (Cont'd.)					
Sundance (Cont'd.)					
Disc Brake Pad Set (cont'd)	1991	Front-All Hardware Included		SBC521	
	1990	Front-All Hardware Not Included		SBM219	
	1989-88	Front-All Kelsey-Hayes		SBM219	
	1989-88	Front-All Teves		SBM170	
	1987	Front-All Exc. Brake Pad Wear Indicator		SBM220	
	1987	Front-All w/ Brake Pad Wear Indicator		SBM219	
	1994-93	Rear-L4 - 2.2L Base, Naturally Aspirated, GAS, Hardware Included		SBM415	
	1994-93	Rear-L4 - 2.5L Base, Naturally Aspirated, GAS, Hardware Included		SBM415	
	1994-93	Rear-L4 - 2.5L Duster, Naturally Aspirated, GAS, Hardware Included		SBM415	
	1994-93	Rear-V6 - 3.0L Duster, Naturally Aspirated, GAS, Hardware Included		SBM415	
	1990	Rear-All Hardware Included		SBM415	
	1989	Rear-All w/ 14", 15" Wheels		SBM415	
	Drum Brake Shoe	1994-87	Rear-All w/ 7.87" X 1.34" Brakes		519
Parking Brake Shoe	1994	Rear-All		643	
	1990-89	Rear-All		643	
Disc Brake Rotor	1994-90	Front-All		PRT1379	
	1989-87	Front-All 239mm Diameter		PRT1380	
	1989-87	Front-All 260mm Rotor		PRT1379	
	1994-90	Rear-All		PRT1532	
Brake Drum	1994-87	Rear-All		PDR0558	
Superbird					
Brake Drum	1970	Front-All		PDR0019	
	1970	Front-All Drum / drum brakes 10" x 2 1/2"		PDR0018	
	1970	Rear-All 10" Brakes		PDR0182	
	1970	Rear-All 11" Brakes		PDR0365	
Trailduster					
Disc Brake Pad Set	1981-74	Front-All Hardware Included			MKD86FM
	1981-74	Front-All Hardware Not Included		SBM86	
Drum Brake Shoe	1981-79	Rear-All w/ 10" X 2.52" Brakes		445	
	1978-74	Rear-All w/ 11" X 2.49" Brakes		446	
Disc Brake Rotor	1981-80	Front-All 4WD, w/ Locking Hub; ROTOR		PRT1289	
	1981-80	Front-All RWD, Exc. Locking Hub		PRT1151	
	1979-75	Front-All 4WD, hub & rotor		PRT5515	
	1979-74	Front-All 4WD		PRT1151	
	1974	Front-All 4WD		PRT5515	
Disc Brake Rotor and Hub Assembly	1981-74	Front-All RWD		PRT1072	
Brake Drum	1981-80	Rear-All 4WD, 10" x 2 1/2" Rear Brakes; 254mm		PDR0510	
	1981-80	Rear-All RWD, Finned Drum, 10 x 2 1/2" Rear Brakes		PDR0556	
	1981-80	Rear-All RWD, Plain Drum, 10 x 2 1/2" Rear Brakes		PDR0182	
	1981-80	Rear-All RWD, w/ 11 x 2 1/2" Brakes		PDR0365	
	1979-78	Rear-All 10 x 2 1/2" Brakes (Finned)		PDR0556	
	1979-78	Rear-All 11 x 2 1/2" Brakes Finned Drum		PDR0365	
1977-74	Rear-All		PDR0365		
Turismo					
Disc Brake Pad Set	1985-83	Front-All Hardware Not Included		SBM221	
Drum Brake Shoe	1985-83	Rear-All w/ 7.87" X 1.34" Brakes		519	
Disc Brake Rotor	1985-83	Front-All		PRT1268	
Brake Drum	1985	Rear-All 5 Lug Wheels		PDR0558	
Turismo 2.2					
Disc Brake Rotor	1985	Front-All		PRT1268	
Brake Drum	1986	Rear-All 5 Lug Wheels		PDR0558	
Valiant					
Disc Brake Pad Set	1976-73	Front-All Hardware Not Included		SBM84	
	1972-65	Front-All Hardware Not Included		SBC11	
Drum Brake Shoe	1976-73	Front-All w/ 10" X 2-1/2" Brakes		333	
	1976	Front-L6 - 3.7L w/ 10" X 2.52" Brakes		445	
	1972-71	Front-All w/ 10" X 2-1/4" Brakes		332	
	1969-65	Front-All w/ 10" X 2-1/4" Brakes		332	
	1976	Rear-All Front Disc, w/ 10" X 2.52" Brakes		445	
	1976	Rear-All w/ 10" X 2-1/2" Brakes		333	
	1975-73	Rear-All Front Disc		333	
	1972-69	Rear-All w/ 10" X 1-3/4" Brakes		331	
	1970	Rear-All w/ 10" X 2-1/4" Brakes		332	
	Disc Brake Rotor	1972-65	Front-All		PRT1054
Disc Brake Rotor and Hub Assembly	1976-73	Front-All		PRT1145	
Brake Drum	1972-62	Front-All 10 x 2 1/4" Brakes		PDR0174	
	1970-60	Front-All 9 x 2 1/2" Brakes- plain drum		PDR0178	
	1976-75	Rear-All		PDR0556	

BENDIX BRAKE PARTS

PART TYPE	YEAR	APPLICATION	PREMIUM NO.	PART NO.	SEVERE DUTY NO.
Plymouth (Cont'd.)					
Valiant (Cont'd.)					
Brake Drum (cont'd)	1974-73	Rear-All		PDR0182	
	1970-60	Rear-All		PDR0179	
Volare					
Disc Brake Pad Set	1980-76	Front-All Hardware Not Included		SBM84	
Drum Brake Shoe	1980-77	Rear-All w/ 10" Brakes		445	
	1980-77	Rear-All w/ 11" Brakes		446	
	1976	Rear-All 4 Doors, Wagon, Early		446	
	1976	Rear-All 4 Doors, Wagon, Late		445	
	1976	Rear-All Sedan		445	
Disc Brake Rotor and Hub Assembly	1980-76	Front-All		PRT1145	
Brake Drum	1980-76	Rear-All 10 x 2 1/2" Brakes (Heavy Duty Brakes)		PDR0556	
	1980-76	Rear-All 10 x 2 1/2" Brakes (Standard Duty Brakes)		PDR0182	
	1980-76	Rear-All 11 x 2 1/2" Brakes		PDR0365	
Voyager					
Disc Brake Pad Set	2000-96	Front-All Hardware Included	CFC591	SBC591	MKD591FM
	1995	Front-All Hardware Included		SBC521	
	1994-91	Front-All w/ 14" Wheels		SBC521	
	1994-91	Front-All w/ 15" Wheels		SBM522	
	1990-89	Front-All w/ 14" Wheels		SBM259	
	1990-89	Front-All w/ 15" Wheels		SBM416	
	1988-87	Front-All Kelsey-Hayes		SBM259	
	1988-87	Front-All Teves		SBM367	
	1986-84	Front-All Hardware Not Included		SBM259	
	2000-98	Rear-All Hardware Included		SBM751	
Drum Brake Shoe	2000-96	Rear-All		841	
	2000-96	Rear-All In Supersession Process, Exhaust Current Inventory		714	
	1995	Rear-All w/ 9" X 2.5" Brakes		538	
	1994	Rear-All w/ 14", 15" Wheels		538	
	1993-92	Rear-All AWD		446	
	1993-92	Rear-All FWD, w/ 14", 15" Wheels		538	
	1991	Rear-All w/ 14", 15" Wheels		538	
	1990-84	Rear-All w/ 9" X 2.5" Brakes		538	
Parking Brake Shoe	2000-97	Rear-All		812	
Disc Brake Rotor	2000-97	Front-All 14" Wheels (1 Piston Caliper)		PRT5063	
	2000-96	Front-All 15", 16" wheels		PRT5152	
	1996	Front-All 14" Wheels		PRT5063	
	1995-91	Front-All 14" Wheels		PRT1379	
	1995-91	Front-All 15" Wheels		PRT1576	
	1990-87	Front-All w/14" Wheels		PRT1383	
	1990-87	Front-All w/15" Wheels		PRT1392	
	1986	Front-All		PRT1383	
	1985-84	Front-All		PRT1288	
	2000-97	Rear-All		PRT5153	
Brake Drum	2000-96	Rear-All 14" Wheels		PDR0681	
	2000-96	Rear-All 15", 16" wheels		PDR0673 ⁵⁰	
	2000-96	Rear-All 15", 16" wheels		PDR0740	
	2000-96	Rear-All 15", 16" wheels		PDR0799	
	1995-94	Rear-All 14" Wheels		PDR0506	
	1995-94	Rear-All 15" Wheels		PDR0496	
	1993-91	Rear-All AWD		PDR0365	
	1993-91	Rear-All FWD, 4-Wheel ABS		PDR0496	
	1993-91	Rear-All FWD, Non-ABS, 14" Wheels		PDR0506	
	1993-91	Rear-All FWD, Non-ABS, 15" Wheels		PDR0496	
	1990	Rear-All Non-ABS		PDR0506	
	1990	Rear-All Non-ABS, 15", 9 x 2 1/2"		PDR0496	
	1989	Rear-All Extended Wheelbase		PDR0496	
	1989	Rear-All Standard Wheelbase		PDR0506	
	1988-87	Rear-All 14" Wheels		PDR0506	
	1988-87	Rear-All 15" Wheels		PDR0496	
	1986	Rear-All		PDR0506	
	1985-84	Rear-All Exc. Heavy Duty Brakes		PDR0486	
	1985-84	Rear-All Heavy Duty Brakes; 228.6mm		PDR0628	
Pontiac					
6000					
Disc Brake Pad Set	1991-90	Front-All Hardware Not Included		SBC215	
	1989-85	Front-All Exc. Light Duty Brakes		SBC215	
	1989-85	Front-All w/ Light Duty Brakes		SBM289	
	1984-83	Front-All w/ 9.68" Rotor Diameter		SBM159	
	1984-83	Front-All w/ 10.26" Rotor Diameter		SBC215	
	1982	Front-All Hardware Not Included		SBM159	
Drum Brake Shoe	1991-85	Rear-All w/ 8.86" X 1.81" Brakes		552	

50 Sell out and reorder PDR0740

BENDIX BRAKE PARTS

PART TYPE	YEAR	APPLICATION	PREMIUM NO.	PART NO.	SEVERE DUTY NO.	
Pontiac (Cont'd.)						
6000 (Cont'd.)						
Drum Brake Shoe (cont'd)	1984-82	Rear-All		521		
Disc Brake Rotor	1991	Front-All		PRT1263		
	1990-85	Front-All JA1 brake system		PRT1220		
	1990-85	Front-All JA2, JA8, JM4, J65 Brake System		PRT1263		
	1984-82	Front-All Exc.Heavy Duty Brakes		PRT1220		
	1982	Front-All Heavy Duty Brakes		PRT1262		
	1990-88	Rear-All AWD, (F73)		PRT1566		
	1988-84	Rear-All Solid; 261mm		PRT1377		
Brake Drum	1991-90	Rear-All Sedan		PDR0448		
	1991-88	Rear-All Wagon, Station Wagon		PDR0451		
	1989-88	Rear-All Sedan, Light Duty Brakes		PDR0426		
	1989-88	Rear-All Sedan, Medium, Heavy Duty Brakes		PDR0448		
	1987-84	Rear-All Finned Drum		PDR0451		
	1987-83	Rear-All Exc. Heavy Duty Brakes		PDR0426		
	1987-83	Rear-All Heavy Duty Brakes		PDR0448		
	1982	Rear-All		PDR0426		
Acadian						
Disc Brake Pad Set	1971-69	Front-All Hardware Included		SBC52	MKD52FM	
Drum Brake Shoe	1987-85	Rear-All w/ 7.87" X 1.82" Brakes		553		
	1987-85	Rear-All w/ 7.87" X 1.82" Brakes		719		
	1984-80	Rear-All w/ 7.87" X 1.82" Brakes		522		
Disc Brake Rotor and Hub Assembly	1987-78	Front-All		PRT1215		
Astre						
Drum Brake Shoe	1977-76	Rear-All w/ 9.5" X 2.06" Brakes		242		
	1977-76	Rear-All w/ 9.5" X 2.06" Brakes		245		
Aztek						
Disc Brake Pad Set	2005-01	Front-V6 - 3.4L Hardware Included	CFC844	SBC844	MKD844FM	
	2005-01	Rear-V6 - 3.4L Hardware Included	CFC698	SBC698	MKD698FM	
	2005-01	Rear-V6 - 3.4L Hardware Included			PBD698	
Parking Brake Shoe	2005-01	Rear-All		784		
Disc Brake Rotor	2005-01	Front-All AWD		PRT5343		
	2005-01	Front-All FWD		PRT5315		
	2005-01	Rear-All AWD		PRT5359		
Brake Drum	2005-01	Rear-All FWD		PDR0761		
Bonneville						
Disc Brake Pad Set	2005-04	Front-V6 - 3.8L Hardware Included	CFC699K1	SBC699K1	MKD699K2FM	
	2005-04	Front-V8 - 4.6L Hardware Included	CFC1019	SBC1019		
	2003-00	Front-All Hardware Included	CFC699K1	SBC699K1	MKD699K2FM	
	1999-94	Front-All Hardware Not Included		SBC623		
	1993-92	Front-All Hardware Not Included		SBC505		
	1991-87	Front-All Hardware Not Included		SBC215		
	1986-82	Front-All Hardware Not Included	CFC154	SBC154	MKD154FM	
	1981-72	Front-All Hardware Included		SBC52	MKD52FM	
	1971	Front-V8 - 5.7L Hardware Included		SBC52	MKD52FM	
	1971	Front-V8 - 6.6L Hardware Included		SBC52	MKD52FM	
	1971	Front-V8 - 7.5L Hardware Included		SBC52	MKD52FM	
	1970-69	Front-All Hardware Included		SBC52	MKD52FM	
	2005-00	Rear-All Hardware Included		SBM508		
	2005-00	Rear-All Hardware Included	CFM508	SBC508		
	Drum Brake Shoe	1964-62	Front-All w/ 11-1/32" X 2-1/2" Brakes		264	
		1999-91	Rear-All w/ 8.86" X 1.82" Brakes		636	
		1990-87	Rear-All w/ 8.86" X 1.82" Brakes		564	
		1986-82	Rear-All w/ 9.5" X 2.06" Brakes		514	
		1981-77	Rear-All 2 Doors, Coupe, w/ 9-1/2" X 2" Brakes		242	
		1981-77	Rear-All 2 Doors, Coupe, w/ 9-1/2" X 2" Brakes		245	
1981-77		Rear-All 2 Doors, Coupe, w/ 11" X 2" Brakes		462		
1981-77		Rear-All 4 Doors, Sedan, w/ 9-1/2" X 2" Brakes		242		
1981-77		Rear-All 4 Doors, Sedan, w/ 9-1/2" X 2" Brakes		245		
1981-77		Rear-All 4 Doors, Sedan, w/ 11" X 2" Brakes		462		
1981-77		Rear-All 4 Doors, Wagon		462		
1976-71		Rear-All w/ 11" X 2.12" Brakes		462		
Disc Brake Rotor		2005-04	Front-All GXP		PRT5596	
		2005	Front-All SE, SE, SLE, From VIN # 129027		PRT6130	
		2005	Front-All SE, SE, To VIN # 129027		PRT5250	
		2005	Front-All SLE, SE, SLE, From VIN # 129027		PRT6130	
		2005	Front-All SLE, SLE, To VIN # 129027		PRT5150	
	2004-00	Front-All SE		PRT5250		
	2004	Front-All SLE, SLE		PRT6130		
	2003-01	Front-All SLE, SLE, SSEI		PRT5150		
	2003-01	Front-All SSEi, SLE, SSEI		PRT5150		
	2000	Front-All SLE, SLE, SSE, SSEI		PRT5150		
	2000	Front-All SSEi, SLE, SSE, SSEI		PRT5150		

BENDIX BRAKE PARTS

PART TYPE	YEAR	APPLICATION	PREMIUM NO.	PART NO.	SEVERE DUTY NO.	
Pontiac (Cont'd.)						
Bonneville (Cont'd.)						
Disc Brake Rotor (cont'd)	1999-98	Front-All		PRT5250		
	1997-92	Front-All		PRT1868		
	1991-87	Front-All		PRT1263		
	2005-04	Rear-V8 - 4.6L		PRT5220		
	2005-00	Rear-V6 - 3.8L		PRT5266		
Disc Brake Rotor and Hub Assembly	1986-82	Front-All		PRT1233		
	1981-79	Front-All 11" Rotor		PRT1201		
	1981-78	Front-All 12" Rotor		PRT1216		
	1978	Front-All 11" Rotor		PRT1040		
	1977	Front-All All: w/5: bolt circle		PRT1156		
	1977	Front-All w/4 3/4" bolt circle		PRT1040		
	1976-71	Front-All		PRT1043		
	1970-65	Front-All		PDR0004		
Brake Drum	1999-87	Rear-All		PDR0451		
	1986-85	Rear-All Cast iron replacement		PDR0454		
	1984	Rear-All Rear drum brake 9 1/2" x 2"		PDR0454		
	1983-80	Rear-All Cast iron replacement		PDR0454		
	1981-71	Rear-All 11" drum (3" deep)		PDR0199		
	1981-71	Rear-All 11" drum (4 1/2" deep)		PDR0201		
	1979-77	Rear-All Rear drum brake 9 1/2" x 2"		PDR0454		
	1976-72	Rear-All Rear drum brake 12" x 2 1/2"		PDR0200		
	1970-64	Rear-All		PDR0076		
	Catalina					
	Disc Brake Pad Set	1981-75	Front-All Hardware Included		SBC52	MKD52FM
		1974	Front-L6 - 4.1L Hardware Included		SBC52	MKD52FM
		1974	Front-V8 - 5.7L Hardware Included		SBC52	MKD52FM
1974		Front-V8 - 6.6L Hardware Included		SBC52	MKD52FM	
1974		Front-V8 - 7.5L Hardware Included		SBC52	MKD52FM	
1973-69		Front-All Hardware Included		SBC52	MKD52FM	
Drum Brake Shoe		1981-77	Rear-All 2 Doors, Coupe, w/ 9-1/2" X 2" Brakes		242	
	1981-77	Rear-All 2 Doors, Coupe, w/ 9-1/2" X 2" Brakes		245		
	1981-77	Rear-All 2 Doors, Coupe, w/ 11" X 2" Brakes		462		
	1981-77	Rear-All 4 Doors, Sedan, w/ 9-1/2" X 2" Brakes		242		
	1981-77	Rear-All 4 Doors, Sedan, w/ 9-1/2" X 2" Brakes		245		
	1981-77	Rear-All 4 Doors, Sedan, w/ 11" X 2" Brakes		462		
	1981-77	Rear-All 4 Doors, Wagon		462		
	1976-71	Rear-All w/ 11" X 2.12" Brakes		462		
	1964-62	Rear-All w/ 11" X 2" Brakes		228		
	Disc Brake Rotor and Hub Assembly	1981-79	Front-All 11" Rotor		PRT1201	
1981-78		Front-All 12" Rotor		PRT1216		
1978		Front-All 11" Rotor		PRT1040		
1977		Front-All All: w/5: bolt circle		PRT1156		
1977		Front-All w/4 3/4" bolt circle		PRT1040		
1976-71		Front-All		PRT1043		
Brake Drum		1970-65	Front-All		PDR0004	
	1981-77	Rear-All Rear drum brake 9 1/2" x 2"		PDR0454		
	1981-71	Rear-All 11" drum (3" deep)		PDR0199		
	1981-71	Rear-All 11" drum (4 1/2" deep)		PDR0201		
	1976-72	Rear-All Rear drum brake 12" x 2 1/2"		PDR0200		
	1970-64	Rear-All		PDR0076		
Executive						
Disc Brake Pad Set	1970-69	Front-All Hardware Included		SBC52	MKD52FM	
Fiero						
Disc Brake Pad Set	1987-84	Front-All Hardware Not Included		SBM261		
Disc Brake Rotor	1988	Front-All		PRT1619		
	1988	Rear-All		PRT1619		
	1987-84	Rear-All		PRT1285		
Disc Brake Rotor and Hub Assembly	1987-84	Front-All		PRT1286		
Firebird						
Disc Brake Pad Set	2002	Front-All Hardware Included		SBC749		
	2001-98	Front-V6 - 3.8L Hardware Included		SBC749		
	2001-98	Front-V8 - 5.7L Hardware Included		SBC749		
	1997-95	Front-V6 - 3.8L Hardware Not Included		SBC623		
	1997-95	Front-V8 - 5.7L Hardware Not Included		SBC623		
	1995	Front-V6 - 3.4L Hardware Not Included		SBC623		
	1994	Front-All Hardware Not Included		SBC623		
	1993	Front-All Hardware Not Included		SBC505		
	1992-88	Front-All Exc. Performance Package	CFC154	SBC154	MKD154FM	
	1992-88	Front-All w/ Performance Package	CFM412	SBM412		
	1987-82	Front-All Hardware Not Included	CFC154	SBC154	MKD154FM	
	1981-69	Front-All Hardware Included		SBC52	MKD52FM	

BENDIX BRAKE PARTS

PART TYPE	YEAR	APPLICATION	PREMIUM NO.	PART NO.	SEVERE DUTY NO.
Pontiac (Cont'd.)					
Firebird (Cont'd.)					
Disc Brake Pad Set (cont'd)	2002	Rear-All Hardware Included	CFC750	SBC750	
	2001-98	Rear-V6 - 3.8L Hardware Included	CFC750	SBC750	
	2001-98	Rear-V8 - 5.7L Hardware Included	CFC750	SBC750	
	1997-95	Rear-V6 - 3.8L Hardware Not Included		SBM413	
	1997-95	Rear-V8 - 5.7L Hardware Not Included		SBM413	
	1995	Rear-V6 - 3.4L Hardware Not Included		SBM413	
	1994-89	Rear-All Hardware Not Included		SBM413	
	1988	Rear-All 1st Design	CFC154	SBC154	MKD154FM
	1988	Rear-All 2nd Design		SBM413	
	1987-82	Rear-All Hardware Not Included	CFC154	SBC154	MKD154FM
	1981-80	Rear-All Base, Hardware Not Included	CFC154	SBC154	MKD154FM
	1981-80	Rear-All Esprit, Hardware Not Included	CFC154	SBC154	MKD154FM
	1981-80	Rear-All Formula, Hardware Not Included	CFC154	SBC154	MKD154FM
	1981-80	Rear-All Trans Am, Hardware Not Included	CFC154	SBC154	MKD154FM
	1979-78	Rear-All Hardware Not Included	CFC154	SBC154	MKD154FM
	1975	Rear-All Hardware Not Included	CFC154	SBC154	MKD154FM
Drum Brake Shoe	1970-67	Front-All w/ 9.5" X 2.56" Brakes		246	
	1997-82	Rear-All w/ 9.5" X 2.06" Brakes		514	
	1981-67	Rear-All w/ 9.5" X 2.06" Brakes		242	
	1981-67	Rear-All w/ 9.5" X 2.06" Brakes		245	
Parking Brake Shoe	2002-98	Rear-All		784	
Disc Brake Rotor	2002-98	Front-All		PRT5150	
	1997-93	Front-All		PRT1868	
	2002-98	Rear-All		PRT5264	
	1997-93	Rear-All		PRT1888FC	
	1992-89	Rear-All		PRT1473	
	1988	Rear-All Exc.Performance Package		PRT1287	
	1987-82	Rear-All		PRT1287	
	1981-79	Rear-All		PRT5206	
Disc Brake Rotor and Hub Assembly	1992-91	Front-All Base, Exc. 1LE		PRT1233	
	1992-91	Front-All Formula, Exc. 1LE		PRT1233	
	1992-91	Front-All Trans Am, Exc. 1LE		PRT1233	
	1992-91	Front-All Trans Am GTA, W/ 1LE; 301.5mm		PRT1603	
	1990-89	Front-All 1LE performance package; 301.5mm		PRT1603	
	1990-89	Front-All Exc. 1LE Performance Package		PRT1233	
	1988-82	Front-All		PRT1233	
	1981-79	Front-All		PRT1201	
	1978-70	Front-All		PRT1040	
	1969	Front-All		PRT1039	
Brake Drum	1969	Front-All 2.78" Hub Hole		PDR0206	
	1968-67	Front-All		PDR0005	
	1997-93	Rear-All Base		PDR0610	
	1997-93	Rear-All Formula		PDR0610	
	1997-93	Rear-All Trans Am		PDR0610	
	1992-90	Rear-All Rear Drum, Cast iron replacement		PDR0454	
	1988	Rear-All Rear Drum, Cast iron replacement		PDR0454	
	1987	Rear-All Cast iron replacement		PDR0454	
	1986-84	Rear-All Rear Drum, Cast iron replacement		PDR0454	
	1983-82	Rear-All Rear Drum, Rear drum brake 9 1/2" x 2"		PDR0454	
	1981-80	Rear-All Rear Drum, CANADA		PDR0454	
	1979	Rear-All Rear Drum		PDR0454	
	1978-74	Rear-All		PDR0454	
	1969-67	Rear-All		PDR0039 ⁴⁷	
Firefly					
Disc Brake Pad Set	2000-94	Front-All Hardware Included		SBM451	
	1991-90	Front-All Hardware Included		SBM451	
	1989	Front-All Hardware Not Included		SBM420	
Drum Brake Shoe	2000-94	Rear-All w/ 7.87" X 1.24" Brakes		630	
	1991-89	Rear-All w/ 7.09" X 1.05" Brakes		608	
Disc Brake Rotor	2000-94	Front-All		PRT1545	
	1991-85	Front-All Solid Rotors		PRT1403	
	1991-85	Front-All Vented Rotors		PRT1545	
Brake Drum	2000-94	Rear-L3 - 1.0L		PDR0591	
	2000	Rear-L4 - 1.3L 200.2mm		PDR0652	
	1999-94	Rear-L4 - 1.3L 2-Wheel ABS		PDR0677	
	1999-94	Rear-L4 - 1.3L 4-Wheel ABS		PDR0677	
	1999-94	Rear-L4 - 1.3L Non-ABS, 200.2mm		PDR0652	
	1991-89	Rear-All INCL.HUB		PDR0573	
	1988-85	Rear-All		PDR0523	
G3					
Disc Brake Pad Set	2010	Front-All Hardware Included	CFC1035		
	2010	Front-All Hardware Not Included		SBC1035	
	2009	Front-L4 - 1.6L Hardware Included	CFC1035		

47 Sell out and reorder PDR0454

BENDIX BRAKE PARTS

PART TYPE	YEAR	APPLICATION	PREMIUM NO.	PART NO.	SEVERE DUTY NO.	
Pontiac (Cont'd.)						
G3 (Cont'd.)						
Disc Brake Pad Set (cont'd)	2009	Front-L4 - 1.6L Hardware Not Included		SBC1035		
	2008-07	Front-All Hardware Included	CFC1035			
	2008-07	Front-All Hardware Not Included		SBC1035		
Drum Brake Shoe	2010-09	Rear-All w/ 7.87" X 1.42" Brakes		814		
Disc Brake Rotor	2010-09	Front-All		PRT5662		
Brake Drum	2010-09	Rear-All		PDR0829		
G3 Wave						
Disc Brake Pad Set	2009	Front-All Hardware Included	CFC1035			
	2009	Front-All Hardware Not Included		SBC1035		
Disc Brake Rotor	2009	Front-All		PRT5662		
G4						
Disc Brake Pad Set	2006	Front-All Rear Disc, Hardware Included	CFC1028	SBC1028		
	2006	Front-All Rear Drum, Hardware Included	CFC956	SBC956		
	2005	Front-All Hardware Included	CFC956	SBC956		
	2006	Rear-All Hardware Included	CFC1033	SBC1033		
G5						
Disc Brake Pad Set	2010	Front-All Hardware Included	CFC956	SBC956		
	2009	Front-All Base, Hardware Included	CFC956	SBC956		
	2009	Front-All GT, Hardware Included	CFC1160	SBC1160		
	2009	Front-All SE, Hardware Included	CFC956	SBC956		
	2008-07	Front-L4 - 2.2L Hardware Included	CFC956	SBC956		
	2008	Front-L4 - 2.4L Hardware Included	CFC1160	SBC1160		
	2007	Front-L4 - 2.4L Hardware Included	CFC1028	SBC1028		
	2010	Rear-All Hardware Included	CFC1033	SBC1033		
	2009	Rear-L4 - 2.2L Hardware Included	CFC1033	SBC1033		
	2008-07	Rear-L4 - 2.4L Hardware Included	CFC1033	SBC1033		
	Drum Brake Shoe	2010-09	Rear-All w/ 9" X 1-3/4" Brakes		800	
		2008-07	Rear-All w/ 9.06" X 1.67" Brakes		795	
	Disc Brake Rotor	2010-08	Front-All Base, w/ 15" Wheels		PRT5899	
		2010-08	Front-All SE, w/ 15" Wheels		PRT5899	
2009		Front-All Base, w/ 16" Wheels		PRT5690		
2009		Front-All GT		PRT5528		
2009		Front-All SE, w/ 16" Wheels		PRT5690		
2008-07		Front-L4 - 2.2L 16" Wheels		PRT5690		
2008-07		Front-L4 - 2.4L		PRT5528		
2007		Front-L4 - 2.2L 15" Wheels		PRT5419 ⁷²		
2010-09		Rear-All		PRT5563		
2008-07		Rear-L4 - 2.4L		PRT5563		
Brake Drum	2010-09	Rear-All 4 Stud		PDR0837		
	2010-09	Rear-All 5 Mounting Holes		PDR0838		
	2008-07	Rear-L4 - 2.2L 15" Wheels		PDR0766		
	2008-07	Rear-L4 - 2.2L 16" Wheels		PDR0817		
G6						
Disc Brake Pad Set	2010-06	Front-All Hardware Included	CFC1160	SBC1160		
	2005	Front-All Hardware Included	CFC1028	SBC1028		
	2010	Rear-All Hardware Included	CFC1033	SBC1033		
	2009-07	Rear-V6 - 3.6L Hardware Included	CFC1033	SBC1033		
	2009-06	Rear-L4 - 2.4L Hardware Included	CFC1033	SBC1033		
	2009-06	Rear-V6 - 3.9L Hardware Included	CFC1033	SBC1033		
	2009-05	Rear-V6 - 3.5L Hardware Included	CFC1033	SBC1033		
	Drum Brake Shoe	2007	Rear-All w/ 9.06" X 1.67" Brakes		860	
Disc Brake Rotor	2010-08	Front-All		PRT5528		
	2007-06	Front-All 10.86" diameter rotor; Vented; 276mm		PRT5564		
	2007-06	Front-All 11.65" diameter rotor		PRT5528		
	2005	Front-All		PRT5528		
	2010-05	Rear-All		PRT5563		
G8						
Disc Brake Pad Set	2009	Front-V6 - 3.6L Hardware Included	CFC1351	SBC1351	MKD1351FM	
	2009	Front-V6 - 3.6L Hardware Included			PBD1351	
	2009	Front-V8 - 6.0L Hardware Included	CFC1351	SBC1351	MKD1351FM	
	2009	Front-V8 - 6.0L Hardware Included			PBD1351	
	2009	Front-V8 - 6.2L Hardware Included	CFC1050			
	2009	Front-V8 - 6.2L Hardware Not Included		SBM1050		
	2008	Front-All Hardware Included	CFC1351	SBC1351	MKD1351FM	
	2008	Front-All Hardware Included			PBD1351	
	2009-08	Rear-All Hardware Included	CFC1352	SBC1352	MKD1352FM	
	2009-08	Rear-All Hardware Included			PBD1352	
	Parking Brake Shoe	2009-08	Rear-All		784	
	Disc Brake Rotor	2009-08	Front-V6 - 3.6L		PRT5904	
		2009-08	Front-V8 - 6.0L		PRT5865	
2009		Front-V8 - 6.2L		PRT5999		
2009-08		Rear-V6 - 3.6L		PRT5919		
2009-08		Rear-V8 - 6.0L		PRT5932 ⁸⁷	SDR5932 ⁸⁸	

72 Sell out and reorder PRT5899

87 Sell out and reorder PRT6169

88 Sell out and reorder SDR6169

BENDIX BRAKE PARTS

PART TYPE	YEAR	APPLICATION	PREMIUM NO.	PART NO.	SEVERE DUTY NO.
Pontiac (Cont'd.)					
G8 (Cont'd.)					
Disc Brake Rotor (cont'd)	2009	Rear-V8 - 6.2L		PRT5932 ⁸⁷	SDR5932 ⁸⁸
Grand Am					
Disc Brake Pad Set	2005-99	Front-All Hardware Included	CFC752	SBC752	MKD752FM
	1998-91	Front-All Hardware Included		SBC506	
	1998-91	Front-All Hardware Included		SBM506	
	1990	Front-All Exc. Special Performance Package		SBM289	
	1990	Front-All w/ Special Performance Package		SBC506	
	1990	Front-All w/ Special Performance Package		SBM506	
	1989-85	Front-All Hardware Not Included		SBM289	
	1980-78	Front-All Hardware Not Included	CFC154	SBC154	MKD154FM
	1975-73	Front-All Hardware Included		SBC52	MKD52FM
	2005-99	Rear-V6 - 3.4L Hardware Included	CFC698	SBC698	MKD698FM
	2005-99	Rear-V6 - 3.4L Hardware Included			PBD698
	2004-02	Rear-L4 - 2.2L Hardware Included	CFC698	SBC698	MKD698FM
	2004-02	Rear-L4 - 2.2L Hardware Included			PBD698
	2001-99	Rear-L4 - 2.4L Hardware Included	CFC698	SBC698	MKD698FM
	2001-99	Rear-L4 - 2.4L Hardware Included			PBD698
Drum Brake Shoe	2005-99	Rear-All		720	
	1998-85	Rear-All w/ 7.87" X 1.82" Brakes		553	
	1998-85	Rear-All w/ 7.87" X 1.82" Brakes		719	
	1980-78	Rear-All w/ 9.5" X 2.06" Brakes		514	
	1975-73	Rear-All w/ 9.5" X 2.06" Brakes		242	
	1975-73	Rear-All w/ 9.5" X 2.06" Brakes		245	
Parking Brake Shoe	2005-99	Rear-All		770	
	2005-99	Rear-All In Supersession Process, Exhaust Current Inventory		925	
Disc Brake Rotor	2005-99	Front-All		PRT5158	
	1998-91	Front-All		PRT1530	
	1990	Front-All Exc.Special Performance Package		PRT1376	
	1990	Front-All Special Performance Package		PRT1530	
	1989-85	Front-All		PRT1376	
Disc Brake Rotor and Hub Assembly	2005-99	Rear-All		PRT5628	SDR5628
	1980-79	Front-All		PRT1219	
Brake Drum	1978	Front-All		PRT1167	
	1975-73	Front-All		PRT1040	
	2005-99	Rear-All		PDR0451	
Disc Brake Rotor and Hub Assembly	1993-85	Rear-All		PDR0385	
	1980	Rear-All Cast iron replacement		PDR0454	
	1979-78	Rear-All		PDR0454	
	1975-73	Rear-All 11 x 2" Brakes		PDR0274	
	1975-73	Rear-All Rear drum brake 9 1/2" x 2"		PDR0454	
Grand LeMans					
Disc Brake Pad Set	1983-78	Front-All Hardware Not Included	CFC154	SBC154	MKD154FM
	1977-75	Front-All Hardware Included		SBC52	MKD52FM
Drum Brake Shoe	1983-78	Rear-All w/ 9.5" X 2.06" Brakes		514	
	1977-76	Rear-All w/ 11" X 2.12" Brakes		462	
Disc Brake Rotor and Hub Assembly	1983-82	Front-All		PRT1233	
	1981-79	Front-All		PRT1219	
	1978	Front-All		PRT1167	
	1977-75	Front-All		PRT1040	
Brake Drum	1981-80	Rear-All Rear drum brake 9 1/2" x 2"		PDR0454	
	1977-76	Rear-All Coupe, Coupe & Sedan		PDR0274	
	1977-76	Rear-All Sedan, Coupe & Sedan		PDR0274	
	1977-76	Rear-All Wagon, Station Wagon		PDR0342	
	1975	Rear-All 11 x 2" Brakes		PDR0274	
	1975	Rear-All Rear drum brake 9 1/2" x 2"		PDR0454	
Grand Prix					
Disc Brake Pad Set	2008-05	Front-V6 - 3.8L Hardware Included	CFC1075	SBC1075	MKD1075FM
	2008-05	Front-V8 - 5.3L Hardware Included	CFC921	SBC921	
	2004	Front-All Hardware Included		SBC1000	
	2003-02	Front-All Hardware Included	CFC699K1	SBC699K1	MKD699K2FM
	2001-97	Front-V6 - 3.1L Hardware Included	CFC699K1	SBC699K1	MKD699K2FM
	2001-97	Front-V6 - 3.8L Hardware Included	CFC699K1	SBC699K1	MKD699K2FM
	1996-88	Front-All Hardware Not Included	CFC376	SBC376	
	1987-78	Front-All Hardware Not Included	CFC154	SBC154	MKD154FM
	1977-75	Front-All Hardware Included		SBC52	MKD52FM
	1974-72	Front-V8 - 6.6L Hardware Included		SBC52	MKD52FM
	1974-72	Front-V8 - 7.5L Hardware Included		SBC52	MKD52FM
	1971	Front-All Hardware Included		SBC52	MKD52FM
	1970-69	Front-V8 - 6.6L Hardware Included		SBC52	MKD52FM
	1970	Front-V8 - 7.5L Hardware Included		SBC52	MKD52FM
	1969	Front-V8 - 7.0L Hardware Included		SBC52	MKD52FM
	1966	Front-All Ceramic Composite Brakes		SBM8	

87 Sell out and reorder PRT6169
88 Sell out and reorder SDR6169

BENDIX BRAKE PARTS

PART TYPE	YEAR	APPLICATION	PREMIUM NO.	PART NO.	SEVERE DUTY NO.
Pontiac (Cont'd.)					
Grand Prix (Cont'd.)					
Disc Brake Pad Set (cont'd)	2008-05	Rear-V6 - 3.8L Hardware Included	CFC999	SBC999	PBD999
	2008-05	Rear-V8 - 5.3L w/ 13.97mm Overall Pad Thickness	CFC922A	SBC922A	
	2008-05	Rear-V8 - 5.3L w/ 16.27mm Overall Pad Thickness	CFC922	SBC922	
	2004	Rear-All Hardware Included	CFC999	SBC999	PBD999
	2003-02	Rear-All Hardware Included	CFC698	SBC698	MKD698FM
	2003-02	Rear-All Hardware Included			PBD698
	2001-97	Rear-V6 - 3.1L Hardware Included	CFC698	SBC698	MKD698FM
	2001-97	Rear-V6 - 3.1L Hardware Included			PBD698
	2001-97	Rear-V6 - 3.8L Hardware Included	CFC698	SBC698	MKD698FM
	2001-97	Rear-V6 - 3.8L Hardware Included			PBD698
	1996-94	Rear-All Hardware Included		SBM508	
	1996-94	Rear-All Hardware Included	CFM508	SBC508	
	1993-88	Rear-All Hardware Not Included		SBC377	
	1975	Rear-All Hardware Included		SBC52	MKD52FM
Drum Brake Shoe	1969	Front-All w/ 9.5" X 2.56" Brakes		246	
	1964-62	Front-All w/ 11-1/32" X 2-1/2" Brakes		264	
	1987-78	Rear-All w/ 9.5" X 2.06" Brakes		514	
	1977-73	Rear-All w/ 11" X 2.12" Brakes		462	
	1975-69	Rear-All w/ 9.5" X 2.06" Brakes		242	
	1975-69	Rear-All w/ 9.5" X 2.06" Brakes		245	
Parking Brake Shoe	2008-05	Rear-All		770	
	2008-05	Rear-All In Supersession Process, Exhaust Current Inventory		925	
	2003-97	Rear-All		770	
	2003-97	Rear-All In Supersession Process, Exhaust Current Inventory		925	
Disc Brake Rotor	2008-05	Front-V6 - 3.8L		PRT5518	
	2008-05	Front-V8 - 5.3L		PRT5737	
	2004	Front-All		PRT5518	
	2003-97	Front-All		PRT5250	
	1996-95	Front-All 11.25" diameter rotor		PRT5064FC	
	1995-88	Front-All 10.5" diameter rotor		PRT1400	
	2008-05	Rear-V6 - 3.8L		PRT5442	SDR5442
	2008-05	Rear-V8 - 5.3L		PRT5747	
	2004	Rear-All		PRT5442	SDR5442
	2003-97	Rear-All		PRT5628	SDR5628
	1996-94	Rear-All		PRT1908FC	
	1993-88	Rear-All		PRT1401	
Disc Brake Rotor and Hub Assembly	1987-82	Front-All		PRT1233	
	1981-79	Front-All		PRT1219	
	1978	Front-All		PRT1167	
	1977-73	Front-All		PRT1040	
	1972-69	Front-All		PRT1039	
Brake Drum	1970	Front-All		PDR0206	
	1969	Front-All 2.78" Hub Hole		PDR0206	
	1968-65	Front-All		PDR0004	
	1987	Rear-All Rear drum brake 9 1/2" x 2"		PDR0454	
	1986-83	Rear-All Cast iron replacement		PDR0454	
	1982-81	Rear-All Rear drum brake 9 1/2" x 2"		PDR0454	
	1980	Rear-All Cast iron replacement		PDR0454	
	1979-78	Rear-All		PDR0454	
	1977-76	Rear-All		PDR0274	
	1975-73	Rear-All		PDR0454	
	1972-69	Rear-All		PDR0039 ⁴⁷	
	1968-64	Rear-All		PDR0076	
Grand Safari					
Disc Brake Pad Set	1978-71	Front-All Hardware Included		SBC52	MKD52FM
Drum Brake Shoe	1978-71	Rear-All w/ 11" X 2.12" Brakes		462	
Disc Brake Rotor and Hub Assembly	1978	Front-All 11" Rotor		PRT1040	
	1978	Front-All 12" Rotor		PRT1216	
	1977	Front-All All: w/5: bolt circle		PRT1156	
	1977	Front-All w/4 3/4" bolt circle		PRT1040	
	1976	Front-All		PRT1043	
Brake Drum	1978-77	Rear-All 11" drum (4 1/2" deep)		PDR0201	
	1978	Rear-All		PDR0454	
	1975-73	Rear-All Rear drum brake 9 1/2" x 2"		PDR0454	
Grandville					
Disc Brake Pad Set	1975-73	Front-All Hardware Included		SBC52	MKD52FM
	1972	Front-V8 - 6.6L Hardware Included		SBC52	MKD52FM
	1972	Front-V8 - 7.5L Hardware Included		SBC52	MKD52FM
	1971	Front-All Hardware Included		SBC52	MKD52FM
Drum Brake Shoe	1975-71	Rear-All w/ 11" X 2.12" Brakes		462	

47 Sell out and reorder PDR0454

BENDIX BRAKE PARTS

PART TYPE	YEAR	APPLICATION	PREMIUM NO.	PART NO.	SEVERE DUTY NO.
Pontiac (Cont'd.)					
Grandville (Cont'd.)					
Disc Brake Rotor and Hub Assembly	1975-71	Front-All		PRT1043	
Brake Drum	1975-72	Rear-All Rear drum brake 12" x 2 1/2"		PDR0200	
GTO					
Disc Brake Pad Set	2006-05	Front-All Hardware Included	CFM731	SBC731	
	2004	Front-All Hardware Included		SBC1043	
	1973-69	Front-All Hardware Included		SBC52	MKD52FM
	2006-04	Rear-All Hardware Included	CFM1048		
Drum Brake Shoe	2006-04	Rear-All Hardware Not Included		SBC1048	
	1969-64	Front-All w/ 9.5" X 2.56" Brakes		246	
	1971-67	Rear-All w/ 9.5" X 2.06" Brakes		242	
Parking Brake Shoe	1971-67	Rear-All w/ 9.5" X 2.06" Brakes		245	
	2006-04	Rear-All		880	
Disc Brake Rotor	2006-04	Rear-All In Supersession Process, Exhaust Current Inventory		957	
	2006-05	Front-All		PRT5863	
Disc Brake Rotor and Hub Assembly	2004	Front-All		PRT5410	
	2006-05	Rear-All		PRT5864	
	2004	Rear-All		PRT5427	
	1973	Front-All		PRT1040	
Brake Drum	1972-69	Front-All		PRT1039	
	1971-70	Front-All		PDR0206	
	1969	Front-All 2.78" Hub Hole		PDR0206	
	1968-66	Front-All		PDR0005	
	1973	Rear-All 11 x 2" Brakes		PDR0274	
	1973	Rear-All Rear drum brake 9 1/2" x 2"		PDR0454	
J2000					
Disc Brake Pad Set	1983-82	Front-All Hardware Not Included		SBM289	
Drum Brake Shoe	1983-82	Rear-All w/ 7.87" X 1.82" Brakes		522	
Disc Brake Rotor	1983	Front-All		PRT1218	
	1982	Front-All Solid Rotors		PRT1393	
	1982	Front-All Vented Rotors		PRT1218	
Brake Drum	1983-82	Rear-All		PDR0385	
J2000 Sunbird					
Disc Brake Pad Set	1985-84	Front-All Hardware Not Included		SBM289	
Drum Brake Shoe	1985	Rear-All w/ 8" X 1.4" Brakes		533	
	1984	Rear-All		522	
Disc Brake Rotor	1985	Front-All		PRT1376	
	1984	Front-All		PRT1218	
Brake Drum	1985-84	Rear-All		PDR0385	
Laurentian					
Disc Brake Pad Set	1981-76	Front-All Hardware Included		SBC52	MKD52FM
	1974-71	Front-All Hardware Included		SBC52	MKD52FM
Drum Brake Shoe	1981-76	Rear-All w/ 11" X 2.12" Brakes		462	
LeMans					
Disc Brake Pad Set	1981-78	Front-All Hardware Not Included	CFC154	SBC154	MKD154FM
	1977-69	Front-All Hardware Included		SBC52	MKD52FM
Drum Brake Shoe	1972-64	Front-All w/ 9.5" X 2.56" Brakes		246	
	1981-78	Rear-All w/ 9.5" X 2.06" Brakes		514	
	1977-76	Rear-All w/ 11" X 2.12" Brakes		462	
	1975	Rear-All		242	
	1975	Rear-All In Supersession Process, Exhaust Current Inventory		245	
	1974-73	Rear-All 2 Doors, Coupe, w/ 9.5" X 2.06" Brakes		242	
	1974-73	Rear-All 2 Doors, Coupe, w/ 9.5" X 2.06" Brakes		245	
	1974-73	Rear-All 2 Doors, Sedan, w/ 9.5" X 2.06" Brakes		242	
	1974-73	Rear-All 2 Doors, Sedan, w/ 9.5" X 2.06" Brakes		245	
	1974-73	Rear-All 4 Doors, Sedan, w/ 9.5" X 2.06" Brakes		242	
	1974-73	Rear-All 4 Doors, Sedan, w/ 9.5" X 2.06" Brakes		245	
	1974-73	Rear-All w/ 11" X 2.12" Brakes		462	
	1972-70	Rear-All w/ 9.5" X 2.06" Brakes		242	
	1972-70	Rear-All w/ 9.5" X 2.06" Brakes		245	
Disc Brake Rotor	1993-90	Front-L4 - 1.6L		PRT1743	
	1990-89	Front-L4 - 2.0L		PRT1659	
	1989-88	Front-L4 - 1.6L		PRT1418	
	1981-79	Front-All		PRT1219	
Disc Brake Rotor and Hub Assembly	1978	Front-All		PRT1167	
	1977-73	Front-All		PRT1040	
	1972-69	Front-All		PRT1039	
	1972-70	Front-All		PDR0206	
Brake Drum	1969-66	Front-All		PDR0005	
	1993-88	Rear-All		PDR0596	

BENDIX BRAKE PARTS

PART TYPE	YEAR	APPLICATION	PREMIUM NO.	PART NO.	SEVERE DUTY NO.
Pontiac (Cont'd.)					
LeMans (Cont'd.)					
Brake Drum (cont'd)	1981-80	Rear-All Rear drum brake 9 1/2" x 2"		PDR0454	
	1977-76	Rear-All Coupe, Coupe & Sedan		PDR0274	
	1977-76	Rear-All Sedan, Coupe & Sedan		PDR0274	
	1977-76	Rear-All Wagon, Station Wagon		PDR0342	
	1975-73	Rear-All 11 x 2" Brakes		PDR0274	
	1975-73	Rear-All Rear drum brake 9 1/2" x 2"		PDR0454	
	1972-67	Rear-All		PDR0039 ⁴⁷	
	1966-64	Rear-All w/finned drum		PDR0039 ⁴⁷	
Matiz					
Disc Brake Pad Set	2010-04	Front-All Hardware Not Included		SBM1321	
Montana					
Disc Brake Pad Set	2009-07	Front-All SV6, Hardware Included	CFC1075	SBC1075	MKD1075FM
	2006-05	Front-V6 - 3.5L SV6, Hardware Included	CFC1075	SBC1075	MKD1075FM
	2006	Front-V6 - 3.9L SV6, Hardware Included	CFC1075	SBC1075	MKD1075FM
	2005	Front-V6 - 3.4L Base, Hardware Included	CFC699K1	SBC699K1	MKD699K2FM
	2004-02	Front-All AWD, Hardware Included	CFC844	SBC844	MKD844FM
	2004-02	Front-All FWD, Hardware Included	CFC699K1	SBC699K1	MKD699K2FM
	2001-99	Front-All Hardware Included	CFC699K1	SBC699K1	MKD699K2FM
	2009-07	Rear-All SV6, Hardware Included	CFC1093	SBC1093	MKD1093FM
	2006-05	Rear-V6 - 3.5L SV6, Hardware Included	CFC1093	SBC1093	MKD1093FM
	2006	Rear-V6 - 3.9L SV6, Hardware Included	CFC1093	SBC1093	MKD1093FM
	2005	Rear-V6 - 3.4L Base, Hardware Included	CFC698	SBC698	MKD698FM
	2005	Rear-V6 - 3.4L Base, Hardware Included			PBD698
	2004-99	Rear-All Hardware Included	CFC698	SBC698	MKD698FM
	2004-99	Rear-All Hardware Included			PBD698
Drum Brake Shoe	2005-99	Rear-All		636	
Parking Brake Shoe	2005-02	Rear-All		784	
	2001-99	Rear-All		770	
	2001-99	Rear-All In Supersession Process, Exhaust Current Inventory		925	
Disc Brake Rotor	2009-06	Front-All SV6		PRT5686	
	2005	Front-All Base		PRT5250	
	2005	Front-All SV6		PRT5684	
	2004-02	Front-All AWD		PRT5343	
	2004-02	Front-All FWD		PRT5250	
	2001-99	Front-All		PRT5250	
	2009-07	Rear-All		PRT5625	
	2009	Rear-All FWD w/Special Ride & Handling Suspension or AWD		PRT5931 ⁸⁶	
	2006	Rear-All SV6, W/o Special Ride Handling Suspension (FE4) or (FE5)		PRT5625	
	2006	Rear-All SV6, W/ Special Ride Handling Suspension (FE4) or (FE5)		PRT5685	
	2005-02	Rear-All		PRT5359	
	2005	Rear-All SV6, W/o Special Ride Handling Suspension (FE4) or (FE5)		PRT5614	
	2001-99	Rear-All		PRT5155	
Brake Drum	2005-99	Rear-All		PDR0451	
Parisienne					
Disc Brake Pad Set	1986-76	Front-All Hardware Included		SBC52	MKD52FM
	1974-69	Front-All Hardware Included		SBC52	MKD52FM
Drum Brake Shoe	1986-80	Rear-All 4 Doors, Sedan		242	
	1986-80	Rear-All 4 Doors, Sedan, In Supersession Process, Exhaust Current Inventory		245	
	1986-80	Rear-All 4 Doors, Wagon		462	
	1979-77	Rear-All 2 Doors, Coupe, w/ 9-1/2" X 2" Brakes		242	
	1979-77	Rear-All 2 Doors, Coupe, w/ 9-1/2" X 2" Brakes		245	
	1979-77	Rear-All 2 Doors, Coupe, w/ 11" X 2" Brakes		462	
	1979-77	Rear-All 4 Doors, Sedan, w/ 9-1/2" X 2" Brakes		242	
	1979-77	Rear-All 4 Doors, Sedan, w/ 9-1/2" X 2" Brakes		245	
	1979-77	Rear-All 4 Doors, Sedan, w/ 11" X 2" Brakes		462	
	1976	Rear-All w/ 11" X 2.12" Brakes		462	
Disc Brake Rotor and Hub Assembly	1986-79	Front-All 11" Rotor		PRT1201	
	1986-78	Front-All 12" Rotor		PRT1216	
	1978	Front-All 11" Rotor		PRT1040	
	1977	Front-All All: w/5: bolt circle		PRT1156	
	1977	Front-All w/4 3/4" bolt circle		PRT1040	
	1976	Front-All		PRT1043	
Brake Drum	1986-83	Rear-All Rear drum brake 9 1/2" x 2"		PDR0454	
	1986-76	Rear-All 11" drum (3" deep)		PDR0199	
	1986-76	Rear-All 11" drum (4 1/2" deep)		PDR0201	
	1974-71	Rear-All 11" drum (3" deep)		PDR0199	
	1974-71	Rear-All 11" drum (4 1/2" deep)		PDR0201	

47 Sell out and reorder PDR0454

86 Sell out and reorder PRT5685

BENDIX BRAKE PARTS

PART TYPE	YEAR	APPLICATION	PREMIUM NO.	PART NO.	SEVERE DUTY NO.
Pontiac (Cont'd.)					
Pathfinder					
Drum Brake Shoe	1958-55	Front-All w/ 12" Brakes		197	
Phoenix					
Disc Brake Pad Set	1984-80	Front-All Hardware Not Included		SBM159	
	1979-77	Front-All Hardware Included		SBC52	MKD52FM
Drum Brake Shoe	1984-80	Rear-All w/ 7.87" X 1.82" Brakes		522	
	1979-78	Rear-All w/ 9.5" X 2.06" Brakes		242	
	1979-78	Rear-All w/ 9.5" X 2.06" Brakes		245	
	1977	Rear-All Optional		462	
	1977	Rear-All w/ 9-1/2" X 2" Brakes		242	
	1977	Rear-All w/ 9-1/2" X 2" Brakes		245	
Disc Brake Rotor	1984-80	Front-All		PRT1220	
Disc Brake Rotor and Hub Assembly	1979	Front-All		PRT1201	
	1978-77	Front-All		PRT1040	
Brake Drum	1980	Rear-All 1st Design		PDR0385	
	1979	Rear-All		PDR0454	
	1978	Rear-All Rear drum brake 9 1/2" x 2"		PDR0454	
	1977	Rear-All 11 x 2" Brakes		PDR0274	
Pursuit					
Disc Brake Pad Set	2006-05	Front-All Rear Drum, Hardware Included	CFC956	SBC956	
	2006	Front-All Rear Disc, Hardware Included	CFC1028	SBC1028	
	2006	Rear-All Hardware Included	CFC1033	SBC1033	
Drum Brake Shoe	2006-05	Rear-All w/ 9.06" X 1.67" Brakes		860	
Disc Brake Rotor	2006-05	Front-All w/Rear Disc		PRT5528	
	2006-05	Front-All w/Rear Drum		PRT5419 ⁷²	
	2006-05	Rear-All		PRT5563	
Brake Drum	2006-05	Rear-All		PDR0766	
Safari					
Disc Brake Pad Set	1989-87	Front-All Hardware Included		SBC52	MKD52FM
Drum Brake Shoe	1989-87	Rear-All w/ 11" X 2.12" Brakes		462	
Disc Brake Rotor and Hub Assembly	1989-87	Front-All 11" Rotor		PRT1201	
	1989-87	Front-All 12" Rotor		PRT1216	
Brake Drum	1989-87	Rear-All		PDR0201	
Solstice					
Disc Brake Pad Set	2009-06	Front-All Hardware Included	CFC1028	SBC1028	
	2009-06	Rear-All Hardware Included	CFC1095	SBC1095	
Disc Brake Rotor	2009-06	Front-All		PRT5691	
	2009-06	Rear-All		PRT5792	
Star Chief					
Drum Brake Shoe	1964-62	Front-All w/ 11-1/32" X 2-1/2" Brakes		264	
	1958-55	Front-All w/ 12" Brakes		197	
Sunbird					
Disc Brake Pad Set	1994-92	Front-All Hardware Included		SBC506	
	1994-92	Front-All Hardware Included		SBM506	
	1991-86	Front-All Hardware Not Included		SBM289	
Drum Brake Shoe	1994-86	Rear-All w/ 7.87" X 1.82" Brakes		553	
	1994-86	Rear-All w/ 7.87" X 1.82" Brakes		719	
	1980-76	Rear-All w/ 9.5" X 2.06" Brakes		242	
	1980-76	Rear-All w/ 9.5" X 2.06" Brakes		245	
Disc Brake Rotor	1994-92	Front-All		PRT1530	
	1991-86	Front-All		PRT1376	
Brake Drum	1993-86	Rear-All		PDR0385	
Sunburst					
Disc Brake Rotor	1988-87	Front-L4 - 1.5L Naturally Aspirated		PRT1385	
	1986-85	Front-All		PRT1385	
Brake Drum	1988-87	Rear-All		PDR0470	
Sunfire					
Disc Brake Pad Set	2005-04	Front-L4 - 2.2L Hardware Included		SBC506	
	2005-04	Front-L4 - 2.2L Hardware Included		SBM506	
	2003	Front-All Hardware Included		SBC506	
	2003	Front-All Hardware Included		SBM506	
	2002-99	Front-L4 - 2.2L Hardware Included		SBC506	
	2002-99	Front-L4 - 2.2L Hardware Included		SBM506	
	2002-99	Front-L4 - 2.4L Hardware Included		SBC506	
	2002-99	Front-L4 - 2.4L Hardware Included		SBM506	
	1998	Front-All Hardware Included		SBC506	
	1998	Front-All Hardware Included		SBM506	
	1997	Front-L4 - 2.2L Hardware Included		SBC506	
	1997	Front-L4 - 2.2L Hardware Included		SBM506	
	1997	Front-L4 - 2.4L Hardware Included		SBC506	
	1997	Front-L4 - 2.4L Hardware Included		SBM506	

BENDIX BRAKE PARTS

PART TYPE	YEAR	APPLICATION	PREMIUM NO.	PART NO.	SEVERE DUTY NO.
Pontiac (Cont'd.)					
Sunfire (Cont'd.)					
Disc Brake Pad Set (cont'd)	1996-95	Front-All Hardware Included		SBC506	
	1996-95	Front-All Hardware Included		SBM506	
Drum Brake Shoe	2005-03	Rear-All w/ 9.06" X 1.67" Brakes		795	
	2002-95	Rear-All w/ 7.87" X 1.82" Brakes		553	
	2002-95	Rear-All w/ 7.87" X 1.82" Brakes		719	
Disc Brake Rotor	2005-95	Front-All		PRT1530	
Brake Drum	2005-03	Rear-All		PDR0762	
	1998-96	Rear-All 225mm Drum		PDR0426	
Sunrunner					
Disc Brake Pad Set	1997-94	Front-All Hardware Included		SBM418	
Disc Brake Rotor	1997-94	Front-All		PRT1710	
Brake Drum	1997-94	Rear-All		PDR0544	
Super Chief					
Drum Brake Shoe	1958-57	Front-All w/ 12" Brakes		197	
T1000					
Drum Brake Shoe	1987-85	Rear-All w/ 7.87" X 1.82" Brakes		553	
	1987-85	Rear-All w/ 7.87" X 1.82" Brakes		719	
	1984-81	Rear-All w/ 7.87" X 1.82" Brakes		522	
Disc Brake Rotor and Hub Assembly	1987-81	Front-All		PRT1215	
Brake Drum	1987-81	Rear-All		PDR0341	
Tempest					
Disc Brake Pad Set	1991-87	Front-All Hardware Not Included		SBM289	
	1970-69	Front-All Hardware Included		SBC52	MKD52FM
Drum Brake Shoe	1969-64	Front-All w/ 9.5" X 2.56" Brakes		246	
	1991-87	Rear-All w/ 7.87" X 1.82" Brakes		553	
	1991-87	Rear-All w/ 7.87" X 1.82" Brakes		719	
	1970-64	Rear-All w/ 9.5" X 2.06" Brakes		242	
	1970-64	Rear-All w/ 9.5" X 2.06" Brakes		245	
	1970-64	Rear-All w/ 9.5" X 2.06" Brakes		242	
Disc Brake Rotor	1991-87	Front-All		PRT1376	
Disc Brake Rotor and Hub Assembly	1970-69	Front-All		PRT1039	
Brake Drum	1970-69	Front-All 2.78" Hub Hole		PDR0206	
	1968-66	Front-All		PDR0005	
	1991-87	Rear-All		PDR0385	
Torrent					
Disc Brake Pad Set	2009	Front-All Hardware Included	CFC1264	SBC1264	
	2008-07	Front-V6 - 3.4L Hardware Included	CFC1264	SBC1264	
	2008	Front-V6 - 3.6L Hardware Included	CFC1264	SBC1264	
	2006	Front-V6 - 3.4L Hardware Included	CFC913	SBC913	MKD913FM
	2009	Rear-All Hardware Included	CFC1275	SBC1275	
	2008-07	Rear-V6 - 3.4L Hardware Included	CFC1275	SBC1275	
	2008	Rear-V6 - 3.6L Hardware Included	CFC1275	SBC1275	
	2008	Rear-V6 - 3.6L Hardware Included	CFC1275	SBC1275	
Parking Brake Shoe	2009-06	Rear-All		932	
Disc Brake Rotor	2009-07	Front-All		PRT5693	
	2006	Front-All		PRT5344	
	2009-07	Rear-All		PRT5694	
Brake Drum	2006	Rear-All		PDR0761	
Trans Sport					
Disc Brake Pad Set	1999-97	Front-All Hardware Included	CFC699K1	SBC699K1	MKD699K2FM
	1996-94	Front-All Hardware Not Included		SBC623	
	1993-92	Front-All Hardware Not Included		SBC505	
	1991-90	Front-All Hardware Not Included		SBC215	
	1999-97	Rear-All Hardware Included	CFC698	SBC698	MKD698FM
	1999-97	Rear-All Hardware Included			PBD698
	1999-97	Rear-All		636	
Drum Brake Shoe	1996-92	Rear-All w/ 8.86" X 1.82" Brakes		636	
	1991-90	Rear-All w/ 8.86" X 1.81" Brakes		552	
	1998-97	Rear-All		770	
Parking Brake Shoe	1998-97	Rear-All		770	
	1998-97	Rear-All In Supersession Process, Exhaust Current Inventory		925	
Disc Brake Rotor	1999-97	Front-All		PRT5250	
	1996-90	Front-All		PRT1868	
	1999-97	Rear-All		PRT5155	
Brake Drum	1999-90	Rear-All		PDR0451	
Ventura					
Disc Brake Pad Set	1977-71	Front-All Hardware Included		SBC52	MKD52FM
Drum Brake Shoe	1974-71	Front-All w/ 9.5" X 2.56" Brakes		246	
	1977-76	Rear-All w/ 9-1/2" X 2" Brakes		242	
	1977-76	Rear-All w/ 9-1/2" X 2" Brakes		245	
	1977	Rear-All w/ 11" X 2" Brakes		462	
	1976	Rear-All w/ 11" X 2.12" Brakes		462	
	1975-73	Rear-All w/ 9.5" X 2.06" Brakes		242	

BENDIX BRAKE PARTS

PART TYPE	YEAR	APPLICATION	PREMIUM NO.	PART NO.	SEVERE DUTY NO.
Pontiac (Cont'd.)					
Ventura (Cont'd.)					
Drum Brake Shoe (cont'd)	1975-73	Rear-All w/ 9.5" X 2.06" Brakes		245	
Disc Brake Rotor and Hub Assembly	1977-75	Front-All		PRT1040	
	1974-71	Front-All		PRT1039	
Brake Drum	1974-71	Front-All		PDR0059	
	1977-76	Rear-All 11 x 2" Brakes		PDR0274	
	1977	Rear-All		PDR0454	
	1976	Rear-All Rear drum brake 9 1/2" x 2"		PDR0454	
	1975	Rear-All		PDR0053	
Vibe					
Disc Brake Pad Set	2010-09	Front-L4 - 1.8L Hardware Included	CFC1210	SBC1210	MKD1210FM
	2010-09	Front-L4 - 2.4L Hardware Included	CFC1211	SBC1211	
	2008-03	Front-All Hardware Included	CFC923	SBC923	
	2010-09	Rear-L4 - 1.8L Hardware Included	CFC1354	SBC1354	
	2010-09	Rear-L4 - 2.4L AWD, Hardware Included	CFC1212	SBC1212	
	2010-09	Rear-L4 - 2.4L Base, Hardware Included	CFC1354	SBC1354	
	2010-09	Rear-L4 - 2.4L GT, Hardware Included	CFC1212	SBC1212	
	2006-03	Rear-L4 - 1.8L Hardware Included	CFC823		
Drum Brake Shoe	2006-03	Rear-L4 - 1.8L Hardware Not Included		SBC823	
	2008-07	Rear-All w/ 9" X 1.64" Brakes		785	
	2006-03	Rear-All AWD		790	
Parking Brake Shoe	2006-03	Rear-All FWD		785	
	2010-09	Rear-All		916	
	2007-06	Rear-All		796	
Disc Brake Rotor	2005-03	Rear-All GT, FWD		796	
	2010-09	Front-L4 - 1.8L		PRT5818	
	2010-09	Front-L4 - 2.4L		PRT5713	
	2008-03	Front-All		PRT5294	
	2010-09	Rear-L4 - 1.8L Base		PRT5854	
	2010-09	Rear-L4 - 2.4L AWD, AWD		PRT5834	
	2010-09	Rear-L4 - 2.4L Base, FWD		PRT5853	
Brake Drum	2010-09	Rear-L4 - 2.4L GT		PRT5834	
	2006-03	Rear-All		PRT5293	
	2008-07	Rear-All		PDR0747	
	2006-03	Rear-All AWD		PDR0823	
	2006-03	Rear-All FWD		PDR0747	
Wave					
Disc Brake Pad Set	2008-05	Front-All Hardware Included	CFC1035		
	2008-05	Front-All Hardware Not Included		SBC1035	
Drum Brake Shoe	2008-05	Rear-All w/ 7.87" X 1.42" Brakes		814	
Disc Brake Rotor	2008-05	Front-All		PRT5662	
Brake Drum	2008-05	Rear-All W/ Out Hub, Wheel Bearings Not Included		PDR0829	
Wave5					
Disc Brake Pad Set	2007-05	Front-All Hardware Included	CFC1035		
	2007-05	Front-All Hardware Not Included		SBC1035	
Drum Brake Shoe	2007-05	Rear-All w/ 7.87" X 1.42" Brakes		814	
Brake Drum	2007-05	Rear-All W/ Out Hub, Wheel Bearings Not Included		PDR0829	
Porsche					
718 Boxster					
Disc Brake Pad Set	2018	Rear-All Base, w/o Ceramic Composite Brakes		SBM1134	
	2018	Rear-All GTS, w/o Ceramic Composite Brakes		SBM1134	
	2018	Rear-All S, w/o Ceramic Composite Brakes		SBM1134	
	2018	Rear-All w/ Ceramic Composite Brakes		SBM994	
	2017	Rear-All Hardware Not Included		SBM1134	
718 Cayman					
Disc Brake Pad Set	2018	Rear-All Base, w/o Ceramic Composite Brakes		SBM1134	
	2018	Rear-All GTS, w/o Ceramic Composite Brakes		SBM1134	
	2018	Rear-All S, w/o Ceramic Composite Brakes		SBM1134	
	2018	Rear-All w/ Ceramic Composite Brakes		SBM994	
	2017	Rear-All Hardware Not Included		SBM1134	
911					
Disc Brake Pad Set	2012	Front-All Carrera 4, w/ Ceramic Composite Brakes		SBM991	
	2012	Front-All Carrera 4 GTS, w/ Ceramic Composite Brakes		SBM991	
	2012	Front-All Carrera 4 GTS, w/o Ceramic Composite Brakes		SBM916	
	2012	Front-All Carrera 4S, w/ Ceramic Composite Brakes		SBM991	
	2012	Front-All Carrera 4S, w/o Ceramic Composite Brakes		SBM916	
	2012	Front-All Carrera, w/ Ceramic Composite Brakes		SBM991	
	2012	Front-All Carrera GTS, w/ Ceramic Composite Brakes		SBM991	
	2012	Front-All Carrera GTS, w/o Ceramic Composite Brakes		SBM916	
	2012	Front-All Carrera S, w/ Ceramic Composite Brakes		SBM991	
	2012	Front-All Carrera S, w/o Ceramic Composite Brakes		SBM916	
	2012	Front-All Targa 4, w/ Ceramic Composite Brakes		SBM991	

BENDIX BRAKE PARTS

PART TYPE	YEAR	APPLICATION	PREMIUM NO.	PART NO.	SEVERE DUTY NO.
Porsche (Cont'd.)					
911 (Cont'd.)					
Disc Brake Pad Set (cont'd)	2012	Front-All Targa 4S, w/ Ceramic Composite Brakes		SBM991	
	2012	Front-All Targa 4S, w/o Ceramic Composite Brakes		SBM916	
	2012	Front-All Turbo, w/ Ceramic Composite Brakes		SBM991	
	2012	Front-All Turbo S, w/ Ceramic Composite Brakes		SBM991	
	2010	Front-All Carrera 4S, w/ Ceramic Composite Brakes		SBM991	
	2010	Front-All Carrera S, Hardware Not Included		SBM916	
	2010	Front-All Targa 4, w/ Ceramic Composite Brakes		SBM991	
	2010	Front-All Targa 4S, Hardware Not Included		SBM916	
	2010	Front-All Turbo, w/ Ceramic Composite Brakes		SBM991	
	2010	Front-H6 - 3.8L GT3, w/o Ceramic Composite Brakes		SBM1431	
	2009-06	Front-H6 - 3.6L w/ Ceramic Composite Brakes		SBM991	
	2009-06	Front-H6 - 3.8L Exc. Ceramic Composite Brakes		SBM916	
	2009-06	Front-H6 - 3.8L w/ Ceramic Composite Brakes		SBM991	
	2008-07	Front-H6 - 3.6L Carrera 4, Exc. Ceramic Composite Brakes		SBM1135	
	2008-07	Front-H6 - 3.6L Carrera 4, w/ Ceramic Composite Brakes		SBM991	
	2008-07	Front-H6 - 3.6L Carrera, Exc. Ceramic Composite Brakes		SBM1135	
	2008-07	Front-H6 - 3.6L Carrera, w/ Ceramic Composite Brakes		SBM991	
	2008-07	Front-H6 - 3.6L Targa 4, Exc. Ceramic Composite Brakes		SBM1135	
	2008-07	Front-H6 - 3.6L Targa 4, w/ Ceramic Composite Brakes		SBM991	
	2008-07	Front-H6 - 3.6L Turbo, w/ Ceramic Composite Brakes		SBM991	
	2008	Front-H6 - 3.6L GT2, w/ Ceramic Composite Brakes		SBM991	
	2006	Front-H6 - 3.6L Exc. Ceramic Composite Brakes		SBM1135	
	2005	Front-All Carrera 4S, 996, Hardware Not Included		SBM917	
	2005	Front-All Carrera S, 997, Hardware Not Included		SBM917	
	2005	Front-All GT2, 996t, Hardware Not Included		SBM917	
	2005	Front-All GT3, 996, Hardware Not Included		SBM917	
	2005	Front-All Turbo, 996t, Hardware Not Included		SBM917	
	2005	Front-All Turbo S, 996t, Hardware Not Included		SBM917	
	2005	Front-H6 - 3.6L Carrera, 996, Hardware Not Included		SBM917	
	2005	Front-H6 - 3.6L Carrera, 997, Exc. Ceramic Composite Brakes		SBM917	
	2004	Front-All Carrera 4, Hardware Not Included		SBM917	
	2004	Front-All Carrera 4S, Hardware Not Included		SBM917	
	2004	Front-All Carrera, Hardware Not Included		SBM917	
	2004	Front-All GT2, Hardware Not Included		SBM917	
	2004	Front-All GT3, Hardware Not Included		SBM917	
	2004	Front-All Turbo, Hardware Not Included		SBM917	
	2004	Front-H6 - 3.6L 40th Anniversary Edition, Hardware Not Included		SBM917	
	2003-02	Front-H6 - 3.6L Carrera 4, Hardware Not Included		SBM917	
	2003	Front-H6 - 3.6L Carrera 4S, Hardware Not Included		SBM917	
	2003	Front-H6 - 3.6L Carrera, Hardware Not Included		SBM917	
	2003	Front-H6 - 3.6L GT2, Hardware Not Included		SBM917	
	2003	Front-H6 - 3.6L Turbo, Hardware Not Included		SBM917	
	2002	Front-All Carrera 4S, Hardware Not Included		SBM917	
	2002	Front-All Carrera, Hardware Not Included		SBM917	
	2002	Front-All GT2, Hardware Not Included		SBM917	
	2002	Front-All Turbo, Hardware Not Included		SBM917	
	2001	Front-H6 - 3.4L w/ 4 Piston Caliper		SBM917	
	2001	Front-H6 - 3.6L Hardware Not Included		SBM917	
	1973-72	Front-All w/ M Type Front Caliper		SBC31	
	1967-65	Front-All Hardware Not Included		SBC31	
	2012	Rear-All Carrera 4, w/ Ceramic Composite Brakes		SBM994	
	2012	Rear-All Carrera 4 GTS, w/ Ceramic Composite Brakes		SBM994	
	2012	Rear-All Carrera 4 GTS, w/o Ceramic Composite Brakes		SBM1135	
	2012	Rear-All Carrera 4S, w/ Ceramic Composite Brakes		SBM994	
	2012	Rear-All Carrera 4S, w/o Ceramic Composite Brakes		SBM1135	
	2012	Rear-All Carrera, w/ Ceramic Composite Brakes		SBM1135	
	2012	Rear-All Carrera GTS, w/ Ceramic Composite Brakes		SBM994	
	2012	Rear-All Carrera GTS, w/o Ceramic Composite Brakes		SBM1135	
	2012	Rear-All Carrera S, w/ Ceramic Composite Brakes		SBM994	
	2012	Rear-All Carrera S, w/o Ceramic Composite Brakes		SBM1135	
	2012	Rear-All Targa 4, w/ Ceramic Composite Brakes		SBM994	
	2012	Rear-All Targa 4S, w/ Ceramic Composite Brakes		SBM994	
	2012	Rear-All Targa 4S, w/o Ceramic Composite Brakes		SBM1135	
	2011	Rear-All Hardware Not Included		SBM994	
	2010-09	Rear-H6 - 3.6L w/ Ceramic Composite Brakes		SBM994	
	2010	Rear-H6 - 3.8L Carrera 4S, w/ Ceramic Composite Brakes		SBM994	
	2010	Rear-H6 - 3.8L Carrera 4S, w/o Ceramic Composite Brakes		SBM1135	
	2010	Rear-H6 - 3.8L Carrera S, w/ Ceramic Composite Brakes		SBM994	
	2010	Rear-H6 - 3.8L Carrera S, w/o Ceramic Composite Brakes		SBM1135	
	2010	Rear-H6 - 3.8L Targa 4S, w/ Ceramic Composite Brakes		SBM994	
	2010	Rear-H6 - 3.8L Targa 4S, w/o Ceramic Composite Brakes		SBM1135	

BENDIX BRAKE PARTS

PART TYPE	YEAR	APPLICATION	PREMIUM NO.	PART NO.	SEVERE DUTY NO.
Porsche (Cont'd.)					
911 (Cont'd.)					
Disc Brake Pad Set (cont'd)	2009-06	Rear-H6 - 3.8L w/ Ceramic Composite Brakes		SBM994	
	2008-07	Rear-H6 - 3.6L Carrera 4, Exc. Ceramic Composite Brakes	CFM738	SBM738	
	2008-07	Rear-H6 - 3.6L Carrera 4, w/ Ceramic Composite Brakes		SBM994	
	2008-07	Rear-H6 - 3.6L Carrera, Exc. Ceramic Composite Brakes	CFM738	SBM738	
	2008-07	Rear-H6 - 3.6L Carrera, w/ Ceramic Composite Brakes		SBM994	
	2008-07	Rear-H6 - 3.6L Targa 4, Exc. Ceramic Composite Brakes	CFM738	SBM738	
	2008-07	Rear-H6 - 3.6L Targa 4, w/ Ceramic Composite Brakes		SBM994	
	2008-06	Rear-H6 - 3.8L Exc. Ceramic Composite Brakes		SBM1135	
	2006	Rear-H6 - 3.6L Exc. Ceramic Composite Brakes	CFM738	SBM738	
	2006	Rear-H6 - 3.6L w/ Ceramic Composite Brakes		SBM994	
	2005-04	Rear-H6 - 3.6L Carrera 4S, Exc. Ceramic Composite Brakes		SBM917	
	2005-04	Rear-H6 - 3.6L GT3, Exc. Ceramic Composite Brakes		SBM917	
	2005-04	Rear-H6 - 3.6L Turbo, Exc. Ceramic Composite Brakes		SBM917	
	2005	Rear-H6 - 3.6L Carrera, Hardware Not Included		SBM1134	
	2005	Rear-H6 - 3.6L GT2, Hardware Not Included		SBM994	
	2005	Rear-H6 - 3.8L Exc. Ceramic Composite Brakes		SBM917	
	2004-02	Rear-All Carrera, Hardware Not Included	CFM738	SBM738	
	2004	Rear-All 40th Anniversary Edition, Hardware Not Included	CFM738	SBM738	
	2004	Rear-All Carrera 4, Hardware Not Included		SBM994	
	2003-02	Rear-H6 - 3.6L Carrera 4S, Hardware Not Included		SBM917	
	2003-02	Rear-H6 - 3.6L Turbo, w/o Ceramic Composite Brakes		SBM917	
	2003	Rear-H6 - 3.6L Carrera 4, Hardware Not Included		SBM917	
	2002	Rear-All Carrera 4, Hardware Not Included		SBM917	
	2001	Rear-All w/o Ceramic Composite Brakes	CFM738	SBM738	
	2000-99	Rear-All Hardware Not Included	CFM738	SBM738	
	1973-70	Rear-All Hardware Not Included		SBC31	
Disc Brake Rotor	2016-09	Front Left-All exc. Ceramic Composite Brakes		PRT6377	
	2016-09	Front Right-All exc. Ceramic Composite Brakes		PRT6378	
	2008-07	Front Left-All Targa 4, exc. Ceramic Composite Brakes		PRT6308	
	2008-07	Front Right-All Targa 4, exc. Ceramic Composite Brakes		PRT6309	
	2008-06	Front Left-All Carrera 4, exc. Ceramic Composite Brakes		PRT6308	
	2008-06	Front Right-All Carrera 4, exc. Ceramic Composite Brakes		PRT6309	
	2008-05	Front Left-All Carrera, exc. Ceramic Composite Brakes		PRT6308	
	2008-05	Front Right-All Carrera, exc. Ceramic Composite Brakes		PRT6309	
	2004-02	Front Left-All Carrera 4S, exc. Ceramic Composite Brakes		PRT6308	
	2004-02	Front Right-All Carrera 4S, exc. Ceramic Composite Brakes		PRT6309	
	2004-99	Front Left-All Carrera		PRT6308	
	2004-99	Front Left-All Carrera 4, exc. Ceramic Composite Brakes		PRT6308	
	2004-99	Front Right-All Carrera		PRT6309	
	2004-99	Front Right-All Carrera 4, exc. Ceramic Composite Brakes		PRT6309	
	1998-96	Front Left-All Targa		PRT5090	
	1998-95	Front Left-All Carrera		PRT5090	
	1998-94	Front Left-All Carrera 4		PRT5090	
	1994	Front Left-All Carrera 2		PRT5090	
	1994	Front Left-All Targa		PRT5090	
	1989-86	Front Left-H6 - 3.2L Carrera		PRT1781	
	1989-86	Front Left-H6 - 3.3L		PRT1781	
	1989-86	Front Right-H6 - 3.2L Carrera		PRT1782	
	1989-86	Front Right-H6 - 3.3L		PRT1782	
	1983-75	Front-All		PRT1780	
	1994-90	Rear-All 3.93" Overall Height		PRT1783	
	1994-90	Rear Left-All 2.90" OAH		PRT5099	
	1994-90	Rear Right-All 2.90" OAH		PRT5100	
	1989	Rear-H6 - 3.6L Carrera 4		PRT1783	
	1989	Rear Left-H6 - 3.6L Carrera 4		PRT5099	
	1989	Rear Right-H6 - 3.6L Carrera 4		PRT5100	
	1983-81	Rear-H6 - 3.0L EXC.ASBESTOS		PRT1771	
	1980-75	Rear-All EXC.ASBESTOS		PRT1771	
912					
Disc Brake Pad Set	1969-65	Front-All Ceramic Composite Brakes		SBC31	
914					
Disc Brake Pad Set	1976-73	Front-All Hardware Not Included		SBC31A	
	1976-75	Rear-All Hardware Not Included		SBC31A	
Disc Brake Rotor	1976-73	Front-All		PRT1094	
	1972-70	Front-H6 - 2.0L		PRT1780	
924					
Drum Brake Shoe	1982-77	Rear-All w/ 9.06" X 1.58" Brakes		315	
Disc Brake Rotor	1988-87	Front-All		PRT1780	
	1988-87	Rear-All		PRT1665	
	1982-80	Rear-All		PRT1665	
Disc Brake Rotor and Hub Assembly	1982-77	Front-All		PRT1765	

BENDIX BRAKE PARTS

PART TYPE	YEAR	APPLICATION	PREMIUM NO.	PART NO.	SEVERE DUTY NO.
Porsche (Cont'd.)					
928					
Disc Brake Pad Set	1985-82	Front-All Hardware Not Included		SBM253	
Disc Brake Rotor	1995-93	Front Left-All		PRT5097	
	1995-93	Front Right-All		PRT5098	
	1991-86	Front Left-All		PRT5097	
	1991	Front Right-All		PRT5098	
	1990	Front Right-All Base		PRT5098	
	1989-86	Front Right-All		PRT5098	
	1995-93	Rear-All		PRT5369	
	1991-86	Rear-All		PRT5369	
	1985-80	Rear-All		PRT1665	
944					
Disc Brake Rotor	1991-90	Front-All S2, exc. Adjustable Suspension		PRT1836	
	1991-90	Front Left-L4 - 3.0L w/ Adjustable Suspension		PRT5097	
	1991-90	Front Right-L4 - 3.0L w/ Adjustable Suspension		PRT5098	
	1989-87	Front-All Turbo, 237mm Diameter Rotor		PRT1836	
	1989	Front-All S2		PRT1836	
	1989	Front-L4 - 2.7L		PRT1767	
	1988-87	Front-All 11.14" diameter rotor		PRT1767	
	1986	Front-L4 - 2.5L Naturally Aspirated		PRT1780	
	1986	Front-L4 - 2.5L Turbocharged		PRT5213	
	1985-83	Front-All		PRT1780	
	1991-90	Rear-All		PRT1783	
	1989-87	Rear-L4 - 2.5L Turbocharged		PRT1783	
	1989	Rear-L4 - 3.0L Naturally Aspirated		PRT5102	
	1988-87	Rear-L4 - 2.5L Naturally Aspirated		PRT5102	
	1986	Rear-L4 - 2.5L Naturally Aspirated		PRT1665	
	1986	Rear-L4 - 2.5L Turbocharged		PRT5369	
	1985-83	Rear-All		PRT1665	
968					
Disc Brake Rotor	1995-92	Front-All exc. Adjustable Suspension		PRT1836	
	1995-92	Front Left-All Exc.Sport Suspension		PRT5097	
	1995-92	Front Right-All Exc.Sport Suspension		PRT5098	
	1995-92	Rear-All Exc.Sport Suspension		PRT1783	
Boxster					
Disc Brake Pad Set	2012	Front-H6 - 2.9L Base, w/o Ceramic Composite Brakes		SBM1135	
	2012	Front-H6 - 3.4L S, w/ Ceramic Composite Brakes		SBM991	
	2012	Front-H6 - 3.4L S, w/o Ceramic Composite Brakes		SBM1135	
	2012	Front-H6 - 3.4L S Black Edition, w/ Ceramic Composite Brakes		SBM991	
	2012	Front-H6 - 3.4L S Black Edition, w/o Ceramic Composite Brakes		SBM1135	
	2012	Front-H6 - 3.4L Spyder, w/ Ceramic Composite Brakes		SBM991	
	2012	Front-H6 - 3.4L Spyder, w/o Ceramic Composite Brakes		SBM1135	
	2011	Front-All w/o Ceramic Composite Brakes		SBM1135	
	2010	Front-H6 - 2.9L w/o Ceramic Composite Brakes		SBM1135	
	2010	Front-H6 - 3.4L w/ Ceramic Composite Brakes		SBM991	
	2009	Front-All w/ Ceramic Composite Brakes		SBM991	
	2008-00	Front-H6 - 2.7L Hardware Not Included	CFM737	SBM737	
	2008	Front-H6 - 3.4L w/ 4 Piston Caliper	CFM737	SBM737	
	2008	Front-H6 - 3.4L w/ Ceramic Composite Brakes		SBM991	
	2008	Front-H6 - 3.4L w/o Ceramic Composite Brakes		SBM1135	
	2006-00	Front-H6 - 3.2L Hardware Not Included		SBM917	
	1999	Front-H6 - 2.5L w/ 4 Piston Caliper	CFM737	SBM737	
	1998-97	Front-All w/ 4 Piston Caliper	CFM737	SBM737	
	2016-15	Rear-All w/ Ceramic Brakes		SBM994	
	2016-15	Rear-All w/o Ceramic Brakes		SBM1134	
	2014-13	Rear-All Hardware Not Included		SBM1134	
	2012	Rear-H6 - 2.9L Base, Hardware Not Included		SBM1134	
	2012	Rear-H6 - 3.4L S, w/ Ceramic Composite Brakes		SBM994	
	2012	Rear-H6 - 3.4L S, w/o Ceramic Composite Brakes	CFM738	SBM738	
	2012	Rear-H6 - 3.4L S Black Edition, w/ Ceramic Composite Brakes		SBM994	
	2012	Rear-H6 - 3.4L S Black Edition, w/o Ceramic Composite Brakes	CFM738	SBM738	
	2012	Rear-H6 - 3.4L Spyder, w/ Ceramic Composite Brakes		SBM994	
	2012	Rear-H6 - 3.4L Spyder, w/o Ceramic Composite Brakes	CFM738	SBM738	
	2011	Rear-All Hardware Not Included		SBM1134	
	2010-09	Rear-H6 - 2.9L Hardware Not Included		SBM1134	
	2010-07	Rear-H6 - 3.4L w/ Ceramic Composite Brakes		SBM994	
	2009	Rear-H6 - 3.4L Exc. Ceramic Composite Brakes		SBM1134	
	2008-07	Rear-H6 - 3.4L Exc. Ceramic Composite Brakes	CFM738	SBM738	
	2008-05	Rear-H6 - 2.7L Hardware Not Included		SBM1134	
	2006-05	Rear-H6 - 3.2L Exc. Ceramic Composite Brakes	CFM738	SBM738	
	2006-05	Rear-H6 - 3.2L w/ Ceramic Composite Brakes		SBM994	

BENDIX BRAKE PARTS

PART TYPE	YEAR	APPLICATION	PREMIUM NO.	PART NO.	SEVERE DUTY NO.
Porsche (Cont'd.)					
Boxster (Cont'd.)					
Disc Brake Pad Set (cont'd)	2004-97	Rear-All Hardware Not Included	CFM738	SBM738	
Disc Brake Rotor	2016-13	Front Left-All exc. Ceramic Composite Brakes		PRT6377	
	2016-13	Front Right-All exc. Ceramic Composite Brakes		PRT6378	
	2012-00	Front Left-All exc. Ceramic Composite Brakes		PRT6308	
	2012-00	Front Right-All exc. Ceramic Composite Brakes		PRT6309	
	2008-05	Front Left-H6 - 2.7L		PRT6111	
	2008-05	Front Right-H6 - 2.7L		PRT6112	
	2004-00	Front-H6 - 2.7L	BPR5172	PRT5172	
	1999-97	Front-All	BPR5172	PRT5172	
	2013-10	Rear-All w/Ceramic Composite Brake System		PRT6163	
	2012	Rear-All Except Ceramic Composite Rotor		PRT6152	
	2011-09	Rear-All		PRT6152	
	2009	Rear-H6 - 2.9L		PRT6163	
	2008-05	Rear-H6 - 2.7L		PRT6163	
	2004-00	Rear-H6 - 2.7L	BPR5173	PRT5173	
	1999-97	Rear-All	BPR5173	PRT5173	
Carrera GT					
Disc Brake Pad Set	2005-04	Front-All w/ Ceramic Composite Brakes		SBM991	
	2005	Rear-All Hardware Included	CFM992		
	2005	Rear-All Hardware Not Included		SBM992	
	2004	Rear-All w/ Ceramic Composite Brakes		SBM991	
Cayenne					
Disc Brake Pad Set	2017	Front-All w/ Ceramic Brakes	CFM1349A	SBM1349A	
	2016	Front-All Base, w/ Ceramic Brakes	CFM1349A	SBM1349A	
	2016	Front-All Diesel, w/ Ceramic Brakes	CFM1349A	SBM1349A	
	2016	Front-All GTS, w/ Ceramic Brakes	CFM1349A	SBM1349A	
	2016	Front-All S, w/ Ceramic Brakes	CFM1349A	SBM1349A	
	2016	Front-All S E-Hybrid, w/ Ceramic Brakes	CFM1349A	SBM1349A	
	2016	Front-All Turbo, w/ Ceramic Brakes	CFM1349A	SBM1349A	
	2015-14	Front-All w/ Ceramic Brakes	CFM1349A	SBM1349A	
	2015-14	Front-All w/o Ceramic Brakes	CFM1577	SBM1577	
	2013	Front-All Exc. Ceramic Composite Brakes	CFM1577	SBM1577	
	2013	Front-All w/ Ceramic Composite Brakes	CFM1349A	SBM1349A	
	2012	Front-V6 - 3.0L S Hybrid, Exc. Ceramic Composite Brakes	CFM1349A	SBM1349A	
	2012	Front-V6 - 3.6L Base, Exc. Ceramic Composite Brakes		SBM1452	
	2012	Front-V8 - 4.8L S, Exc. Ceramic Composite Brakes	CFM1349A	SBM1349A	
	2012	Front-V8 - 4.8L Turbo, Turbocharged, Exc. Ceramic Composite Brakes	CFM1349A	SBM1349A	
	2011	Front-All w/ 18" Wheels		SBM1452	
	2011	Front-All w/o 18" Wheels	CFM1349A	SBM1349A	
	2010-09	Front-V8 - 4.8L Turbo, Hardware Not Included		SBM1130	
	2010-09	Front-V8 - 4.8L Turbo S, Hardware Not Included		SBM1349	
	2010	Front-All Base, Hardware Included	CFM1007		
	2010	Front-All Base, Hardware Not Included		SBM1007	
	2009	Front-V6 - 3.6L Hardware Included	CFM1007		
	2009	Front-V6 - 3.6L Hardware Not Included		SBM1007	
	2009	Front-V8 - 4.8L GTS, Hardware Included	CFM1014		
	2009	Front-V8 - 4.8L GTS, Hardware Not Included		SBM1014	
	2009	Front-V8 - 4.8L S, Hardware Included	CFM1014		
	2009	Front-V8 - 4.8L S, Hardware Not Included		SBM1014	
	2008	Front-All w/ 19" Wheels		SBM1130	
	2008	Front-V6 - 3.6L w/ Black Painted Brake Calipers	CFM1007	SBM1007	
	2008	Front-V8 - 4.8L w/ Silver, Red Painted Brake Calipers	CFM1014	SBM1014	
	2006-05	Front-V8 - 4.5L S, w/ Black Painted Brake Calipers	CFM1007	SBM1007	
	2006-05	Front-V8 - 4.5L S, w/ Silver, Red Painted Brake Calipers	CFM1014	SBM1014	
	2006-05	Front-V8 - 4.5L Turbo, Exc. E81 Power Package	CFM1014	SBM1014	
	2006-05	Front-V8 - 4.5L Turbo, w/ E81 Power Package		SBM1130	
	2006-04	Front-V6 - 3.2L w/ Black Painted Brake Calipers	CFM1007	SBM1007	
	2006-04	Front-V6 - 3.2L w/ Silver, Red Painted Brake Calipers	CFM1014	SBM1014	
	2006	Front-V8 - 4.5L Turbo S, Hardware Not Included		SBM1130	
	2004-03	Front-All w/ 19" Wheels		SBM1130	
	2004	Front-V8 - 4.5L w/ Black Painted Brake Calipers	CFM1007	SBM1007	
	2004	Front-V8 - 4.5L w/ Silver, Red Painted Brake Calipers	CFM1014	SBM1014	
	2003	Front-V8 - 4.5L S, w/ Black Painted Brake Calipers	CFM1007	SBM1007	
	2003	Front-V8 - 4.5L S, w/ Silver, Red Painted Brake Calipers	CFM1014	SBM1014	
	2003	Front-V8 - 4.5L Turbo, w/ Silver, Red Painted Brake Calipers	CFM1014	SBM1014	
	2017-16	Rear-All Hardware Not Included	CFC1453	SBC1453	
	2015	Rear-All w/ Ceramic Brakes	CFM1390	SBM1390	
	2015	Rear-All w/o Ceramic Brakes	CFC1453	SBC1453	
	2014-13	Rear-All Hardware Not Included	CFC1453	SBC1453	
	2012	Rear-V6 - 3.0L S Hybrid, Exc. Ceramic Composite Brakes	CFC1453	SBC1453	
	2012	Rear-V6 - 3.6L Base, Exc. Ceramic Composite Brakes	CFC1453	SBC1453	
	2012	Rear-V8 - 4.8L S, Exc. Ceramic Composite Brakes	CFC1453	SBC1453	

BENDIX BRAKE PARTS

PART TYPE	YEAR	APPLICATION	PREMIUM NO.	PART NO.	SEVERE DUTY NO.	
Porsche (Cont'd.)						
Cayenne (Cont'd.)						
Disc Brake Pad Set (cont'd)	2012	Rear-V8 - 4.8L Turbo, Turbocharged, Exc. Ceramic Composite Brakes	CFC1453	SBC1453		
	2011	Rear-All w/ 18" Wheels	CFC1453	SBC1453		
	2011	Rear-All w/o 18" Wheels	CFM1390	SBM1390		
	2010	Rear-All Base, Hardware Included	CFM978			
	2010	Rear-All Base, Hardware Not Included		SBM978		
	2010	Rear-All Turbo, Hardware Not Included		SBM1350		
	2010	Rear-All Turbo S, Hardware Not Included	CFM1390	SBM1390		
	2009	Rear-V6 - 3.6L Hardware Included	CFM978			
	2009	Rear-V6 - 3.6L Hardware Not Included		SBM978		
	2009	Rear-V8 - 4.8L GTS, Hardware Included	CFM978			
	2009	Rear-V8 - 4.8L GTS, Hardware Not Included		SBM978		
	2009	Rear-V8 - 4.8L S, Hardware Included	CFM978			
	2009	Rear-V8 - 4.8L S, Hardware Not Included		SBM978		
	2009	Rear-V8 - 4.8L Turbo, Hardware Not Included		SBM1350		
	2009	Rear-V8 - 4.8L Turbo S, Hardware Not Included	CFM1390	SBM1390		
	2008	Rear-All w/ 19" Wheels		SBM1350		
	2008	Rear-V6 - 3.6L w/o 19" Wheels	CFM978	SBM978		
	2008	Rear-V8 - 4.8L w/o 19" Wheels	CFM978	SBM978		
	2006-05	Rear-V8 - 4.5L S, Hardware Included	CFM978			
	2006-05	Rear-V8 - 4.5L S, Hardware Not Included		SBM978		
	2006-05	Rear-V8 - 4.5L Turbo, Exc. E81 Power Package	CFM978	SBM978		
	2006-04	Rear-V6 - 3.2L Hardware Included	CFM978			
	2006-04	Rear-V6 - 3.2L Hardware Not Included		SBM978		
	2006	Rear-V8 - 4.5L Turbo S, Hardware Included	CFM978			
	2006	Rear-V8 - 4.5L Turbo S, Hardware Not Included		SBM978		
	2004-03	Rear-V8 - 4.5L Hardware Included	CFM978			
	2004-03	Rear-V8 - 4.5L Hardware Not Included		SBM978		
	Parking Brake Shoe	2010-08	Rear-All		870	
		2006-04	Rear-All		870	
	Disc Brake Rotor	2013	Front Left-V6 - 3.0L wo/Ceramic Composite Brake System	BPR5590	PRT5590	
		2013	Front Right-V6 - 3.0L wo/Ceramic Composite Brake System	BPR5589	PRT5589	
		2012-11	Front Left-V6 - 3.6L Naturally Aspirated, wo/Ceramic Composite Brake System	BPR5590	PRT5590	
2012-11		Front Right-V6 - 3.6L Naturally Aspirated, wo/Ceramic Composite Brake System	BPR5589	PRT5589		
2010-08		Front Left-V6 - 3.6L		PRT5587		
2010-08		Front Left-V8 - 4.8L Naturally Aspirated	BPR5590	PRT5590		
2010-08		Front Right-V6 - 3.6L		PRT5588		
2010-08		Front Right-V8 - 4.8L Naturally Aspirated	BPR5589	PRT5589		
2008		Front-V8 - 4.8L 358 mm Diameter		PRT6114		
2006-03		Front Left-All 330mm;		PRT5587		
2006-03		Front Left-All 350mm Diameter	BPR5590	PRT5590		
2006-03		Front Right-All 330mm		PRT5588		
2006-03		Front Right-All 350mm Diameter	BPR5589	PRT5589		
2015-11		Rear-All Turbo, exc. Ceramic Composite Brakes		PRT6307		
2015		Rear-All GTS, exc. Ceramic Composite Brakes		PRT6307		
2014-13		Rear-All Turbo S, exc. Ceramic Composite Brakes		PRT6307		
2013		Rear-All wo/Ceramic Composite Brake System	BPR5758	PRT5758		
2012-11		Rear-V6 - 3.0L	BPR5758	PRT5758		
2012-08		Rear-V6 - 3.6L	BPR5758	PRT5758		
2012-08		Rear-V8 - 4.8L Naturally Aspirated	BPR5758	PRT5758		
2010-08		Rear-All Turbo		PRT6307		
2006-05		Rear-All 330mm Diameter	BPR5758	PRT5758		
2006-05		Rear-All Turbo, E81 Power Package		PRT6307		
2006		Rear-All Turbo S		PRT6307		
2004-03		Rear-All	BPR5758	PRT5758		
Cayman						
Disc Brake Pad Set		2012	Front-H6 - 2.9L Base, w/o Ceramic Composite Brakes		SBM1135	
		2012	Front-H6 - 3.4L R, Exc. Ceramic Composite Brakes		SBM1135	
		2012	Front-H6 - 3.4L R, w/ Ceramic Composite Brakes		SBM991	
		2012	Front-H6 - 3.4L S, Exc. Ceramic Composite Brakes		SBM1135	
	2012	Front-H6 - 3.4L S, w/ Ceramic Composite Brakes		SBM991		
	2011	Front-All w/o Ceramic Composite Brakes		SBM1135		
	2010	Front-H6 - 2.9L w/o Ceramic Composite Brakes		SBM1135		
	2010	Front-H6 - 3.4L w/ Ceramic Composite Brakes		SBM991		
	2010	Front-H6 - 3.4L w/o Ceramic Composite Brakes		SBM1135		
	2009	Front-All w/ Ceramic Composite Brakes		SBM991		
	2008-07	Front-H6 - 2.7L Hardware Not Included	CFM737	SBM737		
	2008-07	Front-H6 - 3.4L Hardware Not Included		SBM917		
	2006	Front-H6 - 3.4L Exc. Ceramic Composite Brakes		SBM917		
	2016	Rear-All Hardware Not Included		SBM1134		
	2015	Rear-All w/ Ceramic Brakes		SBM994		
	2015	Rear-All w/o Ceramic Brakes		SBM1134		

BENDIX BRAKE PARTS

PART TYPE	YEAR	APPLICATION	PREMIUM NO.	PART NO.	SEVERE DUTY NO.	
Porsche (Cont'd.)						
Cayman (Cont'd.)						
Disc Brake Pad Set (cont'd)	2014	Rear-All Hardware Not Included		SBM1134		
	2012	Rear-H6 - 2.9L Base, Hardware Not Included		SBM1134		
	2012	Rear-H6 - 3.4L R, Exc. Ceramic Composite Brakes		SBM1134		
	2012	Rear-H6 - 3.4L R, w/ Ceramic Composite Brakes		SBM994		
	2012	Rear-H6 - 3.4L S, Exc. Ceramic Composite Brakes	CFM738	SBM738		
	2012	Rear-H6 - 3.4L S, w/ Ceramic Composite Brakes		SBM994		
	2011	Rear-All Hardware Not Included		SBM1134		
	2010-09	Rear-H6 - 2.9L Hardware Not Included		SBM1134		
	2010-06	Rear-H6 - 3.4L w/ Ceramic Composite Brakes		SBM994		
	2010	Rear-H6 - 3.4L w/o Ceramic Composite Brakes		SBM1134		
	2009	Rear-H6 - 3.4L Exc. Ceramic Composite Brakes		SBM1134		
	2008-07	Rear-H6 - 2.7L Hardware Not Included		SBM1134		
	2008-06	Rear-H6 - 3.4L Exc. Ceramic Composite Brakes	CFM738	SBM738		
	Disc Brake Rotor	2016-14	Front Left-All S, exc. Ceramic Composite Brakes		PRT6377	
		2016-14	Front Right-All S, exc. Ceramic Composite Brakes		PRT6378	
		2012-06	Front Left-All exc. Ceramic Composite Brakes		PRT6308	
		2012-06	Front Right-All exc. Ceramic Composite Brakes		PRT6309	
		2008-07	Front Left-H6 - 2.7L		PRT6111	
		2008-07	Front Right-H6 - 2.7L		PRT6112	
		2012-09	Rear-H6 - 2.9L		PRT6163	
2012		Rear-H6 - 3.4L Except Ceramic Composite Rotor		PRT6152		
2010-07		Rear-H6 - 3.4L w/o Ceramic Composite Rotor		PRT6152		
2008-07		Rear-H6 - 2.7L		PRT6163		
Macan						
Disc Brake Pad Set	2018	Front-All GTS, w/o Ceramic Composite Brakes	CFM1577	SBM1577		
	2018	Front-All S, w/o Ceramic Composite Brakes		SBM1769		
	2018	Front-All Turbo, w/o Ceramic Composite Brakes		SBM1577		
	2018	Front-All Turbo, w/o Ceramic Composite Brakes	CFM1349A	SBM1349A		
	2018	Front-All Turbo, w/o Ceramic Composite Brakes	CFM1577			
	2017	Front-All Hardware Not Included		SBM1349		
	2016	Front-All Base, w/o Ceramic Brakes		SBM1769		
	2016	Front-All S, w/o Ceramic Brakes		SBM1769		
	2016	Front-All Turbo, w/o Ceramic Brakes	CFM1577	SBM1577		
	2016	Front-All w/ Ceramic Brakes		SBM1349		
	2015	Front-All Hardware Not Included		SBM1769		
	2018	Rear-All GTS, w/ Ceramic Composite Brakes	CFM1785	SBM1785		
	2018	Rear-All S, w/ Ceramic Composite Brakes	CFM1785	SBM1785		
	2018	Rear-All Turbo, w/ Ceramic Composite Brakes	CFM1785	SBM1785		
	2018	Rear-All Turbo, w/o Ceramic Composite Brakes	CFM1780	SBM1780		
	2017	Rear-All Hardware Included	CFM1547K1			
	2017	Rear-All Hardware Not Included		SBM1547		
	2016	Rear-All w/ Ceramic Brakes	CFM1785	SBM1785		
	2016	Rear-All w/o Ceramic Brakes	CFM1780	SBM1780		
	2015	Rear-All Turbo, Hardware Not Included	CFM1780	SBM1780		
Panamera						
Disc Brake Pad Set	2017-16	Front-All Hardware Not Included	CFM1349A	SBM1349A		
	2013	Front-All Hardware Not Included	CFM1577	SBM1577		
	2012	Front-V6 - 3.0L S Hybrid, w/ Ceramic Composite Brakes		SBM1349		
	2012	Front-V6 - 3.0L S Hybrid, w/o Ceramic Composite Brakes	CFM1577	SBM1577		
	2012	Front-V6 - 3.6L 4, w/ Ceramic Composite Brakes		SBM1349		
	2012	Front-V6 - 3.6L 4, w/o Ceramic Composite Brakes	CFM1577	SBM1577		
	2012	Front-V6 - 3.6L Base, w/ Ceramic Composite Brakes		SBM1349		
	2012	Front-V6 - 3.6L Base, w/o Ceramic Composite Brakes	CFM1577	SBM1577		
	2012	Front-V8 - 4.8L 4S, w/ Ceramic Composite Brakes		SBM1349		
	2012	Front-V8 - 4.8L S, w/ Ceramic Composite Brakes		SBM1349		
	2012	Front-V8 - 4.8L Turbo, Turbocharged, w/ Ceramic Composite Brakes		SBM1349		
	2012	Front-V8 - 4.8L Turbo S, w/ Ceramic Composite Brakes		SBM1349		
	2012	Front-V8 - 4.8L w/o Ceramic Composite Brakes	CFM1577	SBM1577		
	2011	Front-All w/ Ceramic Composite Brakes		SBM1349		
	2011	Front-All w/o Ceramic Composite Brakes	CFM1577	SBM1577		
	2010	Front-All Hardware Not Included		SBM1349		
	Disc Brake Rotor	2016-10	Rear Left-All exc. Ceramic Composite Brakes		PRT6375	
		2016-10	Rear Right-All exc. Ceramic Composite Brakes		PRT6376	
	Qvale					
	Mangusta					
Disc Brake Pad Set	2002-01	Front-All Hardware Not Included		SBM639		
Ram						
700						
Disc Brake Pad Set	2018-17	Front-All Hardware Included		SBM1335	MKD1335FM	
	2018-15	Rear-All Hardware Included		SBM1335	MKD1335FM	

BENDIX BRAKE PARTS

PART TYPE	YEAR	APPLICATION	PREMIUM NO.	PART NO.	SEVERE DUTY NO.	
Ram (Cont'd.)						
1500						
Disc Brake Pad Set	2018-15	Front-All Hardware Included		SBM1084		
	2018-15	Front-All Hardware Included	CFM1084	SBC1084	MKD1084FM	
	2014-13	Front-All w/ 5 Lug Wheels		SBM1084		
	2014-13	Front-All w/ 5 Lug Wheels	CFM1084	SBC1084	MKD1084FM	
	2012	Front-All w/ 8 Lug Wheels	CFM1399	SBM1399	MKD1399FM	
	2012	Front-V6 - 3.7L w/ 5 Lug Wheels		SBM1084		
	2012	Front-V6 - 3.7L w/ 5 Lug Wheels	CFM1084	SBC1084	MKD1084FM	
	2012	Front-V8 - 4.7L w/ 5 Lug Wheels		SBM1084		
	2012	Front-V8 - 4.7L w/ 5 Lug Wheels	CFM1084	SBC1084	MKD1084FM	
	2012	Front-V8 - 5.7L w/ 5 Lug Wheels		SBM1084		
	2012	Front-V8 - 5.7L w/ 5 Lug Wheels	CFM1084	SBC1084	MKD1084FM	
	2011	Front-All w/ 5 Lug Wheels		SBM1084		
	2011	Front-All w/ 5 Lug Wheels	CFM1084	SBC1084	MKD1084FM	
	2018-13	Rear-All Hardware Included	CFM967	SBC967	MKD967FM	
	2012	Rear-All w/ 5 Lug Wheels	CFM967	SBC967	MKD967FM	
	2012	Rear-All w/ 8 Lug Wheels	CFM1400	SBM1400	MKD1400FM	
	2011	Rear-All Hardware Included	CFM967	SBC967	MKD967FM	
	Parking Brake Shoe	2018	Rear-All		947	
		2015	Rear-All		947	
		2012-11	Rear-All		947	
Disc Brake Rotor	2018-11	Front-All		PRT5381	SDR5381	
	2017-11	Rear-All		PRT5365	SDR5365	
1500 Classic						
Disc Brake Pad Set	2019	Front-All Hardware Included		SBM1084		
	2019	Front-All Hardware Included	CFM1084	SBC1084	MKD1084FM	
	2019	Rear-All Hardware Included	CFM967	SBC967	MKD967FM	
2500						
Disc Brake Pad Set	2018-13	Front-All Hardware Included	CFM1399	SBM1399	MKD1399FM	
	2012	Front-L6 - 6.7L Hardware Included	CFM1399	SBM1399	MKD1399FM	
	2012	Front-V8 - 5.7L Hardware Included	CFM1399	SBM1399	MKD1399FM	
	2011-10	Front-All Hardware Included	CFM1399	SBM1399	MKD1399FM	
	2018-13	Rear-All Hardware Included	CFM1400	SBM1400	MKD1400FM	
	2012	Rear-L6 - 6.7L Hardware Included	CFM1400	SBM1400	MKD1400FM	
	2012	Rear-V8 - 5.7L Hardware Included	CFM1400	SBM1400	MKD1400FM	
	2011-10	Rear-All Hardware Included	CFM1400	SBM1400	MKD1400FM	
	Parking Brake Shoe	2018	Rear-All		854	
2015		Rear-All		854		
2012-11		Rear-All 8.07" X 1.73"		854		
Disc Brake Rotor	2018-11	Front-All		PRT5909	SDR5909	
	2015-11	Rear-All		PRT5910	SDR5910	
3500						
Disc Brake Pad Set	2018-13	Front-All Hardware Included	CFM1399	SBM1399	MKD1399FM	
	2012	Front-L6 - 6.7L Hardware Included	CFM1399	SBM1399	MKD1399FM	
	2012	Front-V8 - 5.7L Hardware Included	CFM1399	SBM1399	MKD1399FM	
	2011	Front-All Hardware Included	CFM1399	SBM1399	MKD1399FM	
	2018-13	Rear-All Hardware Included	CFM1400	SBM1400	MKD1400FM	
	2012	Rear-L6 - 6.7L Hardware Included	CFM1400	SBM1400	MKD1400FM	
	2012	Rear-V8 - 5.7L Hardware Included	CFM1400	SBM1400	MKD1400FM	
	2011	Rear-All Hardware Included	CFM1400	SBM1400	MKD1400FM	
	Parking Brake Shoe	2018	Rear-All		854	
		2015	Rear-All		854	
2012-11		Rear-All 8.07" X 1.73"		854		
Disc Brake Rotor	2018-11	Front-All		PRT5909	SDR5909	
	2015-11	Rear-All		PRT5910	SDR5910	
4000						
Disc Brake Pad Set	2018-15	Front-All Hardware Included		SBM1335	MKD1335FM	
	2018-15	Rear-All Hardware Included		SBM1335	MKD1335FM	
4500						
Disc Brake Pad Set	2018-11	Front-All Hardware Included		SBM1335	MKD1335FM	
	2018-11	Rear-All Hardware Included		SBM1335	MKD1335FM	
Parking Brake Shoe	2018	Rear-All		847		
	2015	Rear-All		847		
Disc Brake Rotor	2017-11	Front-All		PRT5911		
	2017-11	Rear-All		PRT5731		
5500						
Disc Brake Pad Set	2018-11	Front-All Hardware Included		SBM1335	MKD1335FM	
	2018-11	Rear-All Hardware Included		SBM1335	MKD1335FM	
Parking Brake Shoe	2018	Rear-All		847		
	2015	Rear-All		847		
Disc Brake Rotor	2017-11	Front-All		PRT5911		
	2017-11	Rear-All		PRT5731		
C/V						
Disc Brake Pad Set	2015	Front-All w/ BR1 or Heavy Duty Brakes	CFC1589	SBC1589	MKD1589FM	
	2015	Front-All w/ BRE Brakes	CFC1327	SBC1327	MKD1327FM	

BENDIX BRAKE PARTS

PART TYPE	YEAR	APPLICATION	PREMIUM NO.	PART NO.	SEVERE DUTY NO.	
Ram (Cont'd.)						
C/V (Cont'd.)						
Disc Brake Pad Set (cont'd)	2014-12	Front-All w/ Heavy Duty Brakes	CFC1589	SBC1589	MKD1589FM	
	2014-12	Front-All w/o Heavy Duty Brakes	CFC1327	SBC1327	MKD1327FM	
	2015-12	Rear-All w/ Heavy Duty Brakes	CFC1596	SBC1596	MKD1596FM	
	2015	Rear-All w/ BR1 or BRE Brakes	CFC1719	SBC1719	MKD1719FM	
	2014	Rear-All w/o Heavy Duty Brakes	CFC1719	SBC1719	MKD1719FM	
	2013-12	Rear-All Exc. Heavy Duty Brakes	CFC1719	SBC1719	MKD1719FM	
	2013-12	Rear-All w/ Wear Sensor	CFC1719	SBC1719	MKD1719FM	
	2012	Rear-All w/ Wear Sensor	CFC1326	SBC1326	MKD1326FM	
Disc Brake Rotor	2015-13	Front-All 330mm Diameter			SDR6170	
	2015-12	Front-All 302mm Diameter		PRT5843	SDR5843	
	2015-12	Front-All 330mm Diameter		PRT6170		
	2012	Front-All			SDR6170	
	2015-13	Rear-All 328mm Diameter			SDR6171	
	2015-12	Rear-All 305mm Diameter		PRT5844	SDR5844	
	2015-12	Rear-All 328mm Diameter		PRT6171		
Dakota						
Disc Brake Pad Set	2011	Front-All w/ 5 Lug Wheels		SBM1084		
	2011	Front-All w/ 5 Lug Wheels	CFM1084	SBC1084	MKD1084FM	
Drum Brake Shoe	2011	Rear-All w/ 11.6" X 2.43" Brakes		922		
Disc Brake Rotor	2011	Front-All		PRT5617		
Brake Drum	2011	Rear-All		PDR0811		
ProMaster 1500						
Disc Brake Pad Set	2018	Front-All w/ Heavy Duty Brakes		SBM1540	MKD1540FM	
	2018	Front-All w/o Heavy Duty Brakes		SBM1540	MKD1540FM	
	2017-14	Front-All Hardware Included		SBM1540	MKD1540FM	
	2018	Rear-All w/ Heavy Duty Brakes		SBM1746	MKD1746FM	
	2018	Rear-All w/o Heavy Duty Brakes	CFM1490	SBM1490	MKD1490FM	
	2017	Rear-All w/ Solid Rear Rotors	CFM1490	SBM1490	MKD1490FM	
	2017	Rear-All w/ Vented Rear Rotors		SBM1746	MKD1746FM	
	2016	Rear-All Hardware Not Included		SBM1746	MKD1746FM	
	2015	Rear-All Hardware Included	CFM1490			
	2015	Rear-All Hardware Not Included		SBM1490	MKD1490FM	
	2014	Rear-All w/ Heavy Duty Rear Brakes		SBM1746	MKD1746FM	
	2014	Rear-All w/o Heavy Duty Rear Brakes	CFM1490	SBM1490	MKD1490FM	
	Disc Brake Rotor	2017-14	Front-All		PRT6276	
		2016-14	Front-All			SDR6276
2014		Rear-All		PRT6277	SDR6277	
ProMaster 2500						
Disc Brake Pad Set	2018-14	Front-All Hardware Included		SBM1540	MKD1540FM	
	2018-17	Rear-All w/ Solid Rear Rotors	CFM1490	SBM1490	MKD1490FM	
	2018-17	Rear-All w/ Vented Rear Rotors		SBM1746	MKD1746FM	
	2016-14	Rear-All Hardware Not Included		SBM1746	MKD1746FM	
	Disc Brake Rotor	2017-14	Front-All		PRT6276	
2016-14		Front-All			SDR6276	
2018-14		Rear-All Exc. Heavy Duty Brakes		PRT6277		
2018-14		Rear-All w/ Heavy Duty Brakes		PRT6278		
2015-14		Rear-All			SDR6278	
ProMaster 3500						
Disc Brake Pad Set	2018-14	Front-All Hardware Included		SBM1540	MKD1540FM	
	2018-17	Rear-All w/ Solid Rear Rotors	CFM1490	SBM1490	MKD1490FM	
	2018-17	Rear-All w/ Vented Rear Rotors		SBM1746	MKD1746FM	
	2016-14	Rear-All Hardware Not Included		SBM1746	MKD1746FM	
Disc Brake Rotor	2017-14	Front-All		PRT6276		
	2016-14	Front-All			SDR6276	
	2018-14	Rear-All Exc. Heavy Duty Brakes		PRT6277		
	2018-14	Rear-All w/ Heavy Duty Brakes		PRT6278		
	2015-14	Rear-All			SDR6278	
ProMaster City						
Disc Brake Rotor	2015	Rear-All Exc. Heavy Duty Brakes		PRT6277		
	2015	Rear-All w/ Heavy Duty Brakes		PRT6278		
Renault						
Alliance						
Drum Brake Shoe	1987-83	Rear-All w/ 8" X 1.41" Brakes		501		
Disc Brake Rotor	1987-83	Front-All		PRT1318		
Brake Drum	1987-83	Rear-All		PDR0414		
Clio						
Disc Brake Pad Set	2009-02	Rear-All Hardware Included	CFM1112	SBC340K1		
Encore						
Drum Brake Shoe	1986-84	Rear-All w/ 8" X 1.41" Brakes		501		
Disc Brake Rotor	1986-84	Front-All		PRT1318		
Brake Drum	1986-84	Rear-All		PDR0414		

BENDIX BRAKE PARTS

PART TYPE	YEAR	APPLICATION	PREMIUM NO.	PART NO.	SEVERE DUTY NO.
Renault (Cont'd.)					
Euro Clio					
Disc Brake Pad Set	2008-07	Rear-All Hardware Included	CFM1112	SBC340K1	
Fuego					
Disc Brake Rotor	1985-84	Front-L4 - 2.2L		PRT1761	
	1984-82	Front-L4 - 1.6L		PRT1760	
	1983-82	Front-L4 - 1.6L		PRT1761	
Brake Drum	1985	Rear-All Early		PDR0414	
Koleos					
Disc Brake Pad Set	2015-13	Front-All Hardware Included	CFC888	SBC888	
	2010	Front-All Hardware Included	CFC888	SBC888	
	2015-13	Rear-All Hardware Included	CFC905	SBC905	
	2012-09	Rear-All Hardware Included	CFC1288	SBC1288	
Laguna					
Disc Brake Pad Set	2005-03	Rear-All Hardware Included	CFC1095	SBC1095	
Megane					
Disc Brake Pad Set	2010-04	Rear-All Hardware Included	CFM1017	SBM1017	
R18i					
Disc Brake Rotor	1986-85	Front-All		PRT1760	
Safrane					
Disc Brake Pad Set	2015-13	Front-All w/ 296mm Diameter Rotors	CFC815A	SBC815A	
	2012-10	Rear-All Hardware Included	CFC1288	SBC1288	
Scenic					
Disc Brake Pad Set	2004-01	Rear-All Hardware Included	CFM1017	SBM1017	
Scenic II					
Disc Brake Pad Set	2008-05	Rear-All Hardware Included	CFM1017	SBM1017	
Rolls-Royce					
Ghost					
Disc Brake Pad Set	2014-12	Front-All Hardware Not Included	CFM1429	SBM1429	
Park Ward					
Disc Brake Pad Set	2002	Rear-All Hardware Not Included	CFM692	SBM396	
Phantom					
Disc Brake Pad Set	2015-04	Rear-All Hardware Included	CFC919		
	2015-04	Rear-All Hardware Not Included		SBM919	
Silver Seraph					
Disc Brake Pad Set	2002-99	Front-All Hardware Not Included	CFC1409	SBC1409	
Saab					
9-2X					
Disc Brake Pad Set	2006-05	Front-All Hardware Included	CFC929	SBC929	
	2006-05	Rear-All Hardware Included	CFC1004	SBC1004	
Parking Brake Shoe	2006-05	Rear-All		794	
Disc Brake Rotor	2006-05	Front-All 276mm Rotor		PRT5207	
	2006-05	Front-All 294mm Rotor		PRT5406	
	2006-05	Rear-All		PRT1474	
9-3					
Disc Brake Pad Set	2011	Front-All w/ 285mm, 302mm Diameter Front Rotor		SBM972	
	2011	Front-All w/ 314mm Diameter Front Rotor		SBM1257	
	2011	Front-All w/ 345mm Diameter Front Rotor	CFM915	SBM915	
	2010	Front-All w/ 11.2" Diameter Rotor		SBM972	
	2010	Front-All w/ 13.58" Diameter Rotor	CFM915B	SBM915B	
	2009	Front-All w/ 285mm, 302mm Diameter Front Rotor		SBM972	
	2009	Front-All w/ 314mm Diameter Front Rotor		SBM1257	
	2009	Front-All w/ 345mm Diameter Front Rotor	CFM915B	SBM915B	
	2008	Front-All w/ 11.2" Diameter Rotor		SBM972	
	2008	Front-All w/ 13.58" Diameter Rotor	CFM915B	SBM915B	
	2007-06	Front-L4 - 2.0L w/ 11.2", 11.89" Diameter Rotor		SBM972	
	2007-06	Front-V6 - 2.8L w/ 12.36" Diameter Rotor		SBM1257	
	2005-04	Front-L4 - 2.0L Arc, w/ 16" Wheels		SBM972	
	2005-04	Front-L4 - 2.0L Arc, w/ 17" Wheels		SBM1257	
	2005	Front-L4 - 2.0L Aero, Hardware Not Included		SBM1257	
	2005	Front-L4 - 2.0L Linear, w/ 16" Wheels		SBM972	
	2004	Front-L4 - 2.0L Aero, w/ 16" Wheels		SBM972	
	2004	Front-L4 - 2.0L Aero, w/ 17" Wheels		SBM1257	
	2004	Front-L4 - 2.0L Linear, Hardware Not Included		SBM972	
	2003	Front-L4 - 2.0L Arc, Hardware Not Included		SBM800	
	2003	Front-L4 - 2.0L Linear, Hardware Not Included		SBM800	
	2003	Front-L4 - 2.0L SE, Hardware Not Included	CFM819	SBM819	
	2003	Front-L4 - 2.0L Vector, Hardware Not Included		SBM800	
	2002-99	Front-All Hardware Not Included	CFM819	SBM819	
	2011-09	Rear-All Hardware Included	CFC1095	SBC1095	

BENDIX BRAKE PARTS

PART TYPE	YEAR	APPLICATION	PREMIUM NO.	PART NO.	SEVERE DUTY NO.	
Saab (Cont'd.)						
9-3 (Cont'd.)						
Disc Brake Pad Set (cont'd)	2008-06	Rear-V6 - 2.8L Hardware Included	CFC1095	SBC1095		
	2008-04	Rear-L4 - 2.0L Hardware Included	CFC1095	SBC1095		
	2003	Rear-All 2 Doors, Convertible, Hardware Not Included		SBM709		
	2003	Rear-L4 - 2.0L 4 Doors, Sedan, Hardware Included		SBC973		
	2002-99	Rear-All Hardware Not Included		SBM709		
Parking Brake Shoe	2003-99	Rear-All		797		
Disc Brake Rotor	2011-08	Front-All 345mm Rotor Dia.		PRT6322		
	2011-03	Front-All 285mm Rotor Diameter		PRT5623		
	2011-03	Front-All 302mm Diameter; Vented		PRT5600		
	2011-03	Front-All Vented; 314mm		PRT5809		
	2007-03	Front-All 287mm Diameter		PRT5285		
	2002-99	Front-L4 - 2.0L		PRT5285		
	2002-99	Front-L4 - 2.3L		PRT5556		
	2011-08	Rear-All AWD		PRT6153		
	2011-08	Rear-All FWD, Solid Rotor		PRT5601		
	2011-08	Rear-All FWD, Vented Rotor		PRT5810		
	2007-04	Rear-All Solid Rotors		PRT5601		
	2007-04	Rear-All Vented Rotors		PRT5810		
	2003	Rear-All Arc, 10.9" Dia. Rotor		PRT5601		
	2003	Rear-All Arc, 11.5" Dia. Rotor		PRT5810		
	2003	Rear-All Linear, 10.9" Dia. Rotor		PRT5601		
	2003	Rear-All Linear, 11.5" Dia. Rotor		PRT5810		
	2003	Rear-All SE		PRT5284		
	2003	Rear-All Vector, 10.9" Dia. Rotor		PRT5601		
	2003	Rear-All Vector, 11.5" Dia. Rotor		PRT5810		
	2002-99	Rear-All		PRT5284		
	9-3 Griffin					
	Disc Brake Pad Set	2012	Front-All Hardware Not Included	CFC1658	SBC1658	
	9-3X					
Disc Brake Pad Set	2011-10	Front-All w/ 13.58" Diameter Rotor	CFM915B	SBM915B		
	2011	Front-All w/ 12.36" Diameter Rotor		SBM1257		
	2010	Front-All w/ 11.2" Diameter Rotor		SBM972		
	2011-10	Rear-All Hardware Included	CFC1095	SBC1095		
	Disc Brake Rotor	2011-10	Front-All 302mm Diameter; Vented		PRT5600	
2011-10		Front-All 345mm Rotor Dia.		PRT6322		
2011-10		Rear-All		PRT6153		
9-4X						
Disc Brake Pad Set	2011	Front-All Hardware Included	CFC1422	SBC1422		
	2011	Rear-All Hardware Included	CFC1337	SBC1337		
9-5						
Disc Brake Pad Set	2011	Front-All w/ 296mm Front Rotors	CFC1421	SBC1421		
	2011	Front-All w/ 321mm Front Rotors	CFC1404	SBC1404	MKD1404FM	
	2011	Front-All w/ 321mm Front Rotors			PBD1404	
	2011	Front-All w/ 337mm Front Rotors	CFM1558	SBM1558		
	2010	Front-All Aero, w/ 296mm Front Rotors	CFC1421	SBC1421		
	2010	Front-All Aero, w/ 321mm Front Rotors	CFC1404	SBC1404	MKD1404FM	
	2010	Front-All Aero, w/ 321mm Front Rotors			PBD1404	
	2010	Front-All Aero, w/ 337mm Front Rotors	CFM1558	SBM1558		
	2009-06	Front-All w/ 288mm Front Rotor	CFM819	SBM819		
	2009-06	Front-All w/ 308mm Front Rotor		SBM840A		
	2005-00	Front-L4 - 2.3L Hardware Not Included	CFM819	SBM819		
	2003-02	Front-V6 - 3.0L Hardware Not Included	CFM819	SBM819		
	2001-00	Front-V6 - 3.0L Hardware Not Included		SBM800		
	1999	Front-All From Chassis Serial #X3020001		SBM800		
	1999	Front-All To Chassis Serial #X3020000	CFM819	SBM819		
	2011	Rear-All Alternate Abutment Hardware Required For Use w/ Solid Rotor Applications			SBC1430VR	
	2011	Rear-All Alternate Abutment Hardware Required For Use w/ Solid Rotor Applications	CFC1430SR	SBC1430SR		
	2011	Rear-All Alternate Abutment Hardware Required For Use w/ Solid Rotor Applications	CFC1430VR			
	2010	Rear-All Aero, Alternate Abutment Hardware Required For Use w/ Solid Rotor Applications			SBC1430VR	
	2010	Rear-All Aero, Alternate Abutment Hardware Required For Use w/ Solid Rotor Applications	CFC1430SR	SBC1430SR		
	2010	Rear-All Aero, Alternate Abutment Hardware Required For Use w/ Solid Rotor Applications	CFC1430VR			
	2009-07	Rear-All Hardware Not Included	CFM763	SBM763		
	2006-01	Rear-L4 - 2.3L Hardware Not Included	CFM763	SBM763		
	2003-01	Rear-V6 - 3.0L Hardware Not Included	CFM763	SBM763		
	2000	Rear-All Hardware Not Included	CFM763	SBM763		
	1999	Rear-All From Chassis/VIN #X3025752	CFM763	SBM763		
	1999	Rear-All To Chassis/VIN #X3025751			SBM709	
	Parking Brake Shoe	2009-99	Rear-All		797	
	Disc Brake Rotor	2011-10	Front-All 321mm Diameter		PRT5973	

BENDIX BRAKE PARTS

PART TYPE	YEAR	APPLICATION	PREMIUM NO.	PART NO.	SEVERE DUTY NO.	
Saab (Cont'd.)						
9-5 (Cont'd.)						
Disc Brake Rotor (cont'd)	2009-06	Front-All		PRT5556		
	2005-04	Front-All Aero		PRT5556		
	2005-04	Front-All Arc		PRT5285		
	2005-04	Front-All Linear		PRT5285		
	2003-02	Front-All AERO, ARC		PRT5556		
	2003-02	Front-All Linear, LINEAR		PRT5285		
	2001-00	Front-All		PRT5556		
	2001-00	Front-All exc. AERO		PRT5285		
	1999	Front-All		PRT5285		
	2011-10	Rear-All 321mm Diameter		PRT6073		
	2009-02	Rear-All Vented Rotors		PRT5936		
	2005-02	Rear-All Solid Rotor		PRT5396		
	2001-00	Rear-All		PRT5396		
	1999	Rear-All From Chassis # X3025752		PRT5396		
	1999	Rear-All To Chassis # X3025751		PRT5284		
9-7x						
Disc Brake Pad Set	2009-06	Front-All Hardware Included	CFC1169	SBC1169	MKD1169FM	
	2005	Front-All Hardware Included	CFC882	SBC882	MKD882FM	
	2009-05	Rear-All Hardware Included	CFC883	SBC883	MKD883FM	
Parking Brake Shoe	2009-05	Rear-All		781		
Disc Brake Rotor	2009-08	Front-V8 - 6.0L		PRT5660		
	2009-05	Front-L6 - 4.2L		PRT5342		
	2009-05	Front-V8 - 5.3L		PRT5342		
	2009-05	Rear-All		PRT5314		
99						
Disc Brake Rotor	1980-75	Front-All		PRT1762		
	1980-75	Rear-All		PRT1763		
900						
Disc Brake Pad Set	1998-97	Front-All Hardware Not Included		SBM800		
	1996-94	Front-All Hardware Not Included		SBC644		
	1993-92	Front-All Hardware Not Included		SBM439		
	1991	Front-L4 - 2.0L Hardware Not Included		SBM278		
	1991	Front-L4 - 2.1L Hardware Not Included		SBM439		
	1990	Front-All Hardware Not Included		SBM439		
	1989-88	Front-All Hardware Not Included		SBM278		
	1998-97	Rear-All Hardware Not Included		SBM709		
	1996-94	Rear-All Hardware Not Included		SBM427		
	1993-92	Rear-All Hardware Not Included		SBM322		
	1991	Rear-L4 - 2.0L Hardware Not Included		SBM322		
	1991	Rear-L4 - 2.1L Hardware Not Included		SBM322		
	1990-88	Rear-All Hardware Not Included		SBM322		
	1987	Rear-All Hardware Not Included		SBC21		
	1986-85	Rear-All Late		SBC21		
	Parking Brake Shoe	1998-94	Rear-All		797	
	Disc Brake Rotor	1998-97	Front-All		PRT5285	
1996-94		Front-All		PRT5032		
1993-88		Front-All		PRT1497		
1987-86		Front-All VENTED		PRT1682		
1987-81		Front-All EXC.VENTED		PRT1681		
1980-79		Front-All		PRT1762		
1998-97		Rear-All		PRT5284		
1996-94		Rear-All		PRT5031		
1993-88		Rear-All		PRT1496		
1987-79		Rear-All		PRT1763		
9000						
Disc Brake Pad Set	1989-86	Front-All Hardware Not Included		SBM278		
	1998-92	Rear-All Hardware Not Included		SBM322		
	1991-90	Rear-L4 - 2.3L Hardware Not Included		SBM322		
	1990-89	Rear-L4 - 2.0L Hardware Not Included		SBM322		
	1988-86	Rear-All Hardware Not Included		SBM322		
Disc Brake Rotor	1998-90	Front-All		PRT1587		
	1989	Front-L4 - 2.0L		PRT1497		
	1988	Front-L4 - 2.0L Naturally Aspirated		PRT1587		
	1988	Front-L4 - 2.0L Turbocharged		PRT1497		
	1987	Front-All		PRT1497		
	1986	Front-All		PRT1702 ⁶¹		
	1998-86	Rear-All		PRT1496		
Saturn						
Astra						
Disc Brake Pad Set	2009-08	Front-All Hardware Included		SBC1361		
	2009-08	Rear-All Hardware Included		SBM1362		
Disc Brake Rotor	2009-08	Front-All		PRT5556		

61 Sell out and reorder PRT1497

BENDIX BRAKE PARTS

PART TYPE	YEAR	APPLICATION	PREMIUM NO.	PART NO.	SEVERE DUTY NO.
Saturn (Cont'd.)					
Astra (Cont'd.)					
Disc Brake Rotor (cont'd)	2009-08	Rear-All		PRT5838	
Aura					
Disc Brake Pad Set	2009-07	Front-All Hardware Included	CFC1160	SBC1160	
	2009-07	Rear-All Hardware Included	CFC1033	SBC1033	
Disc Brake Rotor	2009-07	Front-All		PRT5528	
	2009-07	Rear-All		PRT5563	
Ion					
Disc Brake Pad Set	2007-04	Front-All 2, Hardware Included	CFC956	SBC956	
	2007-04	Front-All 3, Hardware Included	CFC956	SBC956	
	2007-04	Front-All Red Line, Hardware Included	CFC1028	SBC1028	
	2005-04	Front-All 1, Hardware Included	CFC956	SBC956	
	2003	Front-All Hardware Included	CFC956	SBC956	
	2007-04	Rear-All Hardware Included	CFC1033	SBC1033	
Drum Brake Shoe	2007-05	Rear-All w/ 9.06" X 1.67" Brakes		860	
	2004-03	Rear-All w/ 9.06" X 1.67" Brakes		795	
Disc Brake Rotor	2007-04	Front-All 2		PRT5419 ⁷²	
	2007-04	Front-All Red Line		PRT5528	
	2007	Front-All 3		PRT5419 ⁷²	
	2006	Front-All 3		PRT5419	
	2005-04	Front-All 1		PRT5419 ⁷²	
	2005-04	Front-All 3		PRT5419 ⁷²	
	2003	Front-All		PRT5419 ⁷²	
	2007-03	Rear-All		PRT5563	
Brake Drum	2007-03	Rear-All		PDR0766	
L100					
Disc Brake Pad Set	2002-01	Front-All Hardware Not Included	CFM819	SBM819	
	2002-01	Rear-All Hardware Not Included		SBM709	
Drum Brake Shoe	2002-01	Rear-All w/ 9.06" X 1.65" Brakes		751	
Parking Brake Shoe	2002-01	Rear-All		797	
Disc Brake Rotor	2002-01	Front-All		PRT5285	
	2002-01	Rear-All		PRT5284	
Brake Drum	2002-01	Rear-All		PDR0738	
L200					
Disc Brake Pad Set	2003-01	Front-All Hardware Not Included	CFM819	SBM819	
	2003-01	Rear-All Hardware Not Included		SBM709	
Drum Brake Shoe	2003-01	Rear-All w/ 9.06" X 1.65" Brakes		751	
Parking Brake Shoe	2003-01	Rear-All		797	
Disc Brake Rotor	2003-01	Front-All		PRT5285	
	2003-01	Rear-All		PRT5284	
Brake Drum	2003-01	Rear-All		PDR0738	
L300					
Disc Brake Pad Set	2005-01	Front-All Hardware Not Included	CFM819	SBM819	
	2005-01	Rear-All Hardware Not Included		SBM709	
Drum Brake Shoe	2003-01	Rear-All w/ 9.06" X 1.65" Brakes		751	
Parking Brake Shoe	2005-01	Rear-All		797	
Disc Brake Rotor	2005-01	Front-All		PRT5285	
	2005-01	Rear-All		PRT5284	
Brake Drum	2005-01	Rear-All		PDR0738	
LS					
Disc Brake Pad Set	2000	Front-All Hardware Not Included	CFM819	SBM819	
	2000	Rear-All Hardware Not Included		SBM709	
Drum Brake Shoe	2000	Rear-All w/ 9.06" X 1.65" Brakes		751	
Parking Brake Shoe	2000	Rear-All		797	
Disc Brake Rotor	2000	Front-All		PRT5285	
	2000	Rear-All		PRT5284	
Brake Drum	2000	Rear-All		PDR0738	
LS1					
Disc Brake Pad Set	2000	Front-All Hardware Not Included	CFM819	SBM819	
	2000	Rear-All Hardware Not Included		SBM709	
Drum Brake Shoe	2000	Rear-All w/ 9.06" X 1.65" Brakes		751	
Parking Brake Shoe	2000	Rear-All		797	
Disc Brake Rotor	2000	Front-All		PRT5285	
	2000	Rear-All		PRT5284	
Brake Drum	2000	Rear-All		PDR0738	
LS2					
Disc Brake Pad Set	2000	Front-All Hardware Not Included	CFM819	SBM819	
	2000	Rear-All Hardware Not Included		SBM709	
Drum Brake Shoe	2000	Rear-All w/ 9.06" X 1.65" Brakes		751	
Parking Brake Shoe	2000	Rear-All		797	
Disc Brake Rotor	2000	Front-All		PRT5285	
	2000	Rear-All		PRT5284	

BENDIX BRAKE PARTS

PART TYPE	YEAR	APPLICATION	PREMIUM NO.	PART NO.	SEVERE DUTY NO.
Saturn (Cont'd.)					
LS2 (Cont'd.)					
Brake Drum	2000	Rear-All		PDR0738	
LW1					
Disc Brake Pad Set	2000	Front-All Hardware Not Included	CFM819	SBM819	
	2000	Rear-All Hardware Not Included		SBM709	
Drum Brake Shoe	2000	Rear-All w/ 9.06" X 1.65" Brakes		751	
Parking Brake Shoe	2000	Rear-All		797	
Disc Brake Rotor	2000	Front-All		PRT5285	
	2000	Rear-All		PRT5284	
Brake Drum	2000	Rear-All		PDR0738	
LW2					
Disc Brake Pad Set	2000	Front-All Hardware Not Included	CFM819	SBM819	
	2000	Rear-All Hardware Not Included		SBM709	
Drum Brake Shoe	2000	Rear-All w/ 9.06" X 1.65" Brakes		751	
Parking Brake Shoe	2000	Rear-All		797	
Disc Brake Rotor	2000	Front-All		PRT5285	
	2000	Rear-All		PRT5284	
Brake Drum	2000	Rear-All		PDR0738	
LW200					
Disc Brake Pad Set	2003-01	Front-All Hardware Not Included	CFM819	SBM819	
	2003-01	Rear-All Hardware Not Included		SBM709	
Drum Brake Shoe	2003-01	Rear-All w/ 9.06" X 1.65" Brakes		751	
Parking Brake Shoe	2003-01	Rear-All		797	
Disc Brake Rotor	2003-01	Front-All		PRT5285	
	2003-01	Rear-All		PRT5284	
Brake Drum	2003-01	Rear-All		PDR0738	
LW300					
Disc Brake Pad Set	2003-01	Front-All Hardware Not Included	CFM819	SBM819	
	2003-01	Rear-All Hardware Not Included		SBM709	
Drum Brake Shoe	2003-01	Rear-All w/ 9.06" X 1.65" Brakes		751	
Parking Brake Shoe	2003-01	Rear-All		797	
Disc Brake Rotor	2003-01	Front-All		PRT5285	
	2003-01	Rear-All		PRT5284	
Brake Drum	2003-01	Rear-All		PDR0738	
Outlook					
Disc Brake Pad Set	2010-07	Front-All Hardware Included	CFC1169A	SBC1169A	MKD1169AFM
	2010-07	Rear-All Hardware Included	CFC883	SBC883	MKD883FM
Parking Brake Shoe	2010-07	Rear-All		933	
Disc Brake Rotor	2010-07	Front-All		PRT5748	
	2010-07	Rear-All		PRT5749	
Relay					
Disc Brake Pad Set	2007-05	Front-All Hardware Included	CFC1075	SBC1075	MKD1075FM
	2007-05	Rear-All Hardware Included	CFC1093	SBC1093	MKD1093FM
Disc Brake Rotor	2007-06	Front-All		PRT5686	
	2005	Front-All		PRT5684	
	2007	Rear-All		PRT5625	
	2006	Rear-All AWD		PRT5685	
	2006	Rear-All FWD		PRT5625	
	2005	Rear-All FWD		PRT5614	
SC					
Disc Brake Pad Set	1992-91	Front-All Hardware Included	CFC507	SBC507	
	1992-91	Rear-All Hardware Included		SBM508	
	1992-91	Rear-All Hardware Included	CFM508	SBC508	
Drum Brake Shoe	1992-91	Rear-All w/ 7.87" X 1.24" Brakes		637	
Disc Brake Rotor	1992-91	Front-All		PRT1604	
	1992-91	Rear-All		PRT1605	
Brake Drum	1992-91	Rear-All		PDR0676	
SC1					
Disc Brake Pad Set	2002-93	Front-All Hardware Included	CFC507	SBC507	
	2002-93	Rear-All Hardware Included		SBM508	
	2002-93	Rear-All Hardware Included	CFM508	SBC508	
Drum Brake Shoe	2002-93	Rear-All w/ 7.87" X 1.24" Brakes		637	
Disc Brake Rotor	2002-93	Front-All		PRT1604	
	1998-93	Rear-All		PRT1605	
Brake Drum	2002-93	Rear-All		PDR0676	
SC2					
Disc Brake Pad Set	2002-93	Front-All Hardware Included	CFC507	SBC507	
	2002-93	Rear-All Hardware Included		SBM508	
	2002-93	Rear-All Hardware Included	CFM508	SBC508	
Drum Brake Shoe	2002-93	Rear-All w/ 7.87" X 1.24" Brakes		637	
Disc Brake Rotor	2002-93	Front-All		PRT1604	
	1998-93	Rear-All		PRT1605	

BENDIX BRAKE PARTS

PART TYPE	YEAR	APPLICATION	PREMIUM NO.	PART NO.	SEVERE DUTY NO.
Saturn (Cont'd.)					
SC2 (Cont'd.)					
Brake Drum	2002-93	Rear-All		PDR0676	
Sky					
Disc Brake Pad Set	2010-07	Front-All Hardware Included	CFC1028	SBC1028	
	2010-07	Rear-All Hardware Included	CFC1095	SBC1095	
Disc Brake Rotor	2010-07	Front-All		PRT5691	
	2010-07	Rear-All		PRT5792	
SL					
Disc Brake Pad Set	2002-91	Front-All Hardware Included	CFC507	SBC507	
	1998-91	Rear-All Hardware Included		SBM508	
	1998-91	Rear-All Hardware Included	CFM508	SBC508	
Drum Brake Shoe	2002-91	Rear-All w/ 7.87" X 1.24" Brakes		637	
Disc Brake Rotor	2002-91	Front-All		PRT1604	
	1998-91	Rear-All		PRT1605	
Brake Drum	2002-91	Rear-All		PDR0676	
SL1					
Disc Brake Pad Set	2002-91	Front-All Hardware Included	CFC507	SBC507	
	1998-91	Rear-All Hardware Included		SBM508	
	1998-91	Rear-All Hardware Included	CFM508	SBC508	
Drum Brake Shoe	2002-91	Rear-All w/ 7.87" X 1.24" Brakes		637	
Disc Brake Rotor	2002-91	Front-All		PRT1604	
	1998-91	Rear-All		PRT1605	
Brake Drum	2002-91	Rear-All		PDR0676	
SL2					
Disc Brake Pad Set	2002-91	Front-All Hardware Included	CFC507	SBC507	
	1998-91	Rear-All Hardware Included		SBM508	
	1998-91	Rear-All Hardware Included	CFM508	SBC508	
Drum Brake Shoe	2002-91	Rear-All w/ 7.87" X 1.24" Brakes		637	
Disc Brake Rotor	2002-91	Front-All		PRT1604	
	1998-91	Rear-All		PRT1605	
Brake Drum	2002-91	Rear-All		PDR0676	
SW1					
Disc Brake Pad Set	1999-93	Front-All Hardware Included	CFC507	SBC507	
	1998-93	Rear-All Hardware Included		SBM508	
	1998-93	Rear-All Hardware Included	CFM508	SBC508	
Drum Brake Shoe	1999-93	Rear-All w/ 7.87" X 1.24" Brakes		637	
Disc Brake Rotor	1999-93	Front-All		PRT1604	
	1998-93	Rear-All		PRT1605	
Brake Drum	1999-93	Rear-All		PDR0676	
SW2					
Disc Brake Pad Set	2001-93	Front-All Hardware Included	CFC507	SBC507	
	1998-93	Rear-All Hardware Included		SBM508	
	1998-93	Rear-All Hardware Included	CFM508	SBC508	
Drum Brake Shoe	2001-93	Rear-All w/ 7.87" X 1.24" Brakes		637	
Disc Brake Rotor	2001-93	Front-All		PRT1604	
	1998-93	Rear-All		PRT1605	
Brake Drum	2001-93	Rear-All		PDR0676	
Vue					
Disc Brake Pad Set	2010-08	Front-All Hardware Included	CFC1264	SBC1264	
	2007-02	Front-All Hardware Included	CFC913	SBC913	MKD913FM
	2010-08	Rear-All Hardware Included	CFC1275	SBC1275	
Parking Brake Shoe	2010-08	Rear-All		932	
Disc Brake Rotor	2010-08	Front-All		PRT5693	
	2007-02	Front-All		PRT5344	
	2010-08	Rear-All		PRT5694	
Brake Drum	2007-02	Rear-All		PDR0761	
Scion					
FR-S					
Disc Brake Pad Set	2016-13	Front-All Hardware Included	CFC1539	SBC1539	
	2016-14	Rear-All Hardware Included	CFC1124	SBC1124	
	2013	Rear-All w/ Solid Rotors	CFC1114	SBC1114	
	2013	Rear-All w/ Vented Rotors	CFC1124	SBC1124	
Disc Brake Rotor	2016-13	Front-All		PRT5657	
	2016-13	Rear-All		PRT6116	
iA					
Disc Brake Pad Set	2016	Front-All Hardware Included	CFC1852		
	2016	Front-All Hardware Not Included		SBC1852	
iM					
Disc Brake Pad Set	2016	Front-All Hardware Included	CFC1211	SBC1211	
	2016	Rear-All Hardware Included	CFC1423	SBC1423	
Disc Brake Rotor	2016	Front-All		PRT5713	

BENDIX BRAKE PARTS

PART TYPE	YEAR	APPLICATION	PREMIUM NO.	PART NO.	SEVERE DUTY NO.
Scion (Cont'd.)					
iM (Cont'd.)					
Disc Brake Rotor (cont'd)	2016	Rear-All		PRT5853	
iQ					
Disc Brake Pad Set	2015-13	Front-All Hardware Included	CFC990		
	2015-13	Front-All Hardware Not Included		SBC990	
	2012	Front-All Hardware Included	CFC822		
	2012	Front-All Hardware Not Included		SBC822	
Drum Brake Shoe	2015-12	Rear-All		1010	
Disc Brake Rotor	2015-12	Front-All		PRT6198	
Brake Drum	2015-14	Rear-All		PDR0851	
	2013	Rear-All Base		PDR0851	
	2013	Rear-All EV		PDR0849	
	2012	Rear-All		PDR0851	
tC					
Disc Brake Pad Set	2016-11	Front-All Hardware Included	CFC1211	SBC1211	
	2010-05	Front-All Hardware Included	CFC817		
	2010-05	Front-All Hardware Not Included		SBC817	
	2016-11	Rear-All Hardware Included	CFC1354	SBC1354	
	2010-05	Rear-All Hardware Included	CFC835	SBC835	
Parking Brake Shoe	2010-05	Rear-All		796	
Disc Brake Rotor	2016-11	Front-All		PRT5713	
	2010-05	Front-All		PRT5294	
	2016-11	Rear-All		PRT6118	
	2010-05	Rear-All		PRT5293	
xA					
Disc Brake Pad Set	2006-05	Front-All Hardware Included	CFC1249		
	2006-05	Front-All Hardware Not Included		SBC1249	
	2004	Front-All Hardware Included	CFC990		
	2004	Front-All Hardware Not Included		SBC990	
Disc Brake Rotor	2006-04	Front-All		PRT5476	
Brake Drum	2006-04	Rear-All		PDR0821	
xB					
Disc Brake Pad Set	2015-08	Front-All Hardware Included	CFC1210	SBC1210	MKD1210FM
	2006-05	Front-All Hardware Included	CFC1249		
	2006-05	Front-All Hardware Not Included		SBC1249	
	2004	Front-All Hardware Included	CFC990		
	2004	Front-All Hardware Not Included		SBC990	
	2015-08	Rear-All Hardware Included	CFC1354	SBC1354	
Disc Brake Rotor	2015-08	Front-All		PRT5886	
	2006-04	Front-All		PRT5476	
	2015-08	Rear-All		PRT5853	
Brake Drum	2006-04	Rear-All		PDR0821	
xD					
Disc Brake Pad Set	2014-08	Front-All Hardware Included	CFC1210	SBC1210	MKD1210FM
Drum Brake Shoe	2012-08	Rear-All		945	
Disc Brake Rotor	2014-08	Front-All		PRT5818	
Brake Drum	2014-08	Rear-All		PDR0828	
Seat					
Alhambra					
Disc Brake Pad Set	2002	Rear-All Hardware Included	CFM1017	SBM894	
Altea					
Disc Brake Pad Set	2011-10	Front-All w/ Electronic Wear Sensor	CFC1107	SBC1107A	
	2006-05	Front-All w/ Electronic Wear Sensor	CFC1107	SBC1107A	
	2011-10	Rear-All Hardware Included	CFM1108K1	SBC1108K1	
	2006-05	Rear-All Hardware Included	CFM1108K1	SBC1108K1	
Cordoba					
Disc Brake Pad Set	2005-01	Front-All Hardware Not Included		SBM704	
	2007-01	Rear-All Hardware Included	CFM1112	SBC340K1	
Freerack					
Disc Brake Pad Set	2010	Front-All w/ Electronic Wear Sensor	CFC1107	SBC1107A	
	2010	Rear-All Hardware Included	CFM1108K1	SBC1108K1	
Ibiza					
Disc Brake Pad Set	2017-15	Front-All Hardware Included	CFC768	SBC768	
	2012-09	Front-All w/ Electronic Wear Sensor	CFC1107	SBC1107A	
	2001	Front-All Hardware Not Included		SBM704	
	2014	Rear-All Hardware Included	CFM1112	SBC340K1	
	2012-11	Rear-All Hardware Included	CFM1108K1	SBC1108K1	
	2010-09	Rear-L4 - 1.6L Hardware Included	CFM1112	SBC340K1	
	2010-09	Rear-L4 - 2.0L Hardware Included	CFM1108K1	SBC1108K1	
	2008-07	Rear-All Hardware Included	CFM1112	SBC340K1	

BENDIX BRAKE PARTS

PART TYPE	YEAR	APPLICATION	PREMIUM NO.	PART NO.	SEVERE DUTY NO.
Seat (Cont'd.)					
Leon					
Disc Brake Pad Set	2017-15	Front-All Hardware Not Included	CFC1760	SBC1760	
	2011-07	Front-All w/ Electronic Wear Sensor	CFC1107	SBC1107A	
	2006-02	Front-All Naturally Aspirated, Hardware Included	CFC768S	SBC768A	
	2006-02	Front-All Turbocharged, w/ Electronic Wear Sensor		SBM555A	
	2001	Front-All w/ Electronic Wear Sensor		SBM555A	
	2017-15	Rear-All Hardware Included	CFM1017	SBM1017	
	2010-06	Rear-All Hardware Included	CFM1108K1	SBC1108K1	
Toledo					
Disc Brake Pad Set	2017-15	Front-All Hardware Not Included	CFC1760	SBC1760	
	2006	Front-All w/ Electronic Wear Sensor	CFC1107	SBC1107A	
	2005-01	Front-All Hardware Included	CFC768S	SBC768A	
	2017-15	Rear-All Hardware Included	CFM1017	SBM1017	
Shelby					
Series 1					
Disc Brake Pad Set	2000-99	Front-All Hardware Included	CFM412		
	2000-99	Front-All Hardware Not Included		SBM412	
Smart					
Cabrio					
Disc Brake Pad Set	2005	Front-All Hardware Included	CFM1252		
	2005	Front-All Hardware Not Included		SBC1252	
Crossblade					
Disc Brake Pad Set	2004	Front-All Hardware Included	CFM1252		
	2004	Front-All Hardware Not Included		SBC1252	
Forfour					
Disc Brake Pad Set	2007-05	Front-All Brabus		SBM837	
	2007-05	Rear-All Hardware Not Included		SBM838	
Fortwo					
Disc Brake Pad Set	2015-13	Front-All Hardware Included	CFM1252		
	2015-13	Front-All Hardware Not Included		SBC1252	
	2012	Front-All Electric Drive, ELECTRIC, Hardware Included	CFM1252		
	2012	Front-All Electric Drive, ELECTRIC, Hardware Not Included		SBC1252	
	2012	Front-All Passion, Hardware Included	CFM1252		
	2012	Front-All Passion, Hardware Not Included		SBC1252	
	2012	Front-All Passion Cabrio, Hardware Included	CFM1252		
	2012	Front-All Passion Cabrio, Hardware Not Included		SBC1252	
	2012	Front-All Pure, Hardware Included	CFM1252		
	2012	Front-All Pure, Hardware Not Included		SBC1252	
	2011-05	Front-All Hardware Included	CFM1252		
	2011-05	Front-All Hardware Not Included		SBC1252	
	Drum Brake Shoe	2015	Rear-All		956
2011-08		Rear-All		956	
Disc Brake Rotor	2015-05	Front-All		PRT5987	
Brake Drum	2016-08	Rear-All		PDR0850	
Roadster					
Disc Brake Pad Set	2004	Front-All Hardware Included	CFM1252		
	2004	Front-All Hardware Not Included		SBC1252	
SRT					
Viper					
Disc Brake Pad Set	2014	Front-All w/ Black Anodized Calipers	CFC1050	SBM1050	
	2014	Rear-All w/ Black Anodized Calipers	CFC1050	SBM1050	
Disc Brake Rotor	2013	Front-All		PRT5787	
	2014-13	Rear-All Exc. For Anodized Black Caliper		PRT5786	
Sterling					
825					
Disc Brake Rotor	1988-87	Front-All		PRT1675	
	1988-87	Rear-All		PRT1677	
827					
Disc Brake Rotor	1991-89	Front-All		PRT1675	
	1991-89	Rear-All		PRT1677	
Sterling Truck					
360					
Disc Brake Pad Set	2009-07	Front-All Hardware Included			MKD1265FM
	2009-07	Rear-All Hardware Included			MKD1265FM
Acterra					
Disc Brake Pad Set	2007-03	Front-All w/ 66mm Dual Piston Bosch Caliper			MKD786AFM
	2007-03	Front-All w/ 73mm Dual Piston Bosch Caliper			MKD786FM
	2007-03	Rear-All w/ 66mm Dual Piston Bosch Caliper			MKD786AFM

BENDIX BRAKE PARTS

PART TYPE	YEAR	APPLICATION	PREMIUM NO.	PART NO.	SEVERE DUTY NO.
Sterling Truck (Cont'd.)					
Acterra (Cont'd.)					
Disc Brake Pad Set (cont'd)	2007-03	Rear-All w/ 73mm Dual Piston Bosch Caliper			MKD786FM
Acterra 5500					
Disc Brake Pad Set	2007-01	Front-All w/ 66mm Dual Piston Bosch Caliper			MKD786AFM
	2007-01	Front-All w/ 73mm Dual Piston Bosch Caliper			MKD786FM
	2007-01	Rear-All w/ 66mm Dual Piston Bosch Caliper			MKD786AFM
	2007-01	Rear-All w/ 73mm Dual Piston Bosch Caliper			MKD786FM
Acterra 6500					
Disc Brake Pad Set	2007-01	Front-All w/ 66mm Dual Piston Bosch Caliper			MKD786AFM
	2007-01	Front-All w/ 73mm Dual Piston Bosch Caliper			MKD786FM
	2007-01	Rear-All w/ 66mm Dual Piston Bosch Caliper			MKD786AFM
	2007-01	Rear-All w/ 73mm Dual Piston Bosch Caliper			MKD786FM
Acterra 7500					
Disc Brake Pad Set	2007-01	Front-All w/ 66mm Dual Piston Bosch Caliper			MKD786AFM
	2007-01	Front-All w/ 73mm Dual Piston Bosch Caliper			MKD786FM
	2007-01	Rear-All w/ 66mm Dual Piston Bosch Caliper			MKD786AFM
	2007-01	Rear-All w/ 73mm Dual Piston Bosch Caliper			MKD786FM
Acterra 8500					
Disc Brake Pad Set	2003-01	Front-All w/ 66mm Dual Piston Bosch Caliper			MKD786AFM
	2003-01	Front-All w/ 73mm Dual Piston Bosch Caliper			MKD786FM
	2003-01	Rear-All w/ 66mm Dual Piston Bosch Caliper			MKD786AFM
	2003-01	Rear-All w/ 73mm Dual Piston Bosch Caliper			MKD786FM
Bullet 45					
Disc Brake Pad Set	2009-08	Front-All Hardware Included		SBM1335	MKD1335FM
	2009-08	Rear-All Hardware Included		SBM1335	MKD1335FM
Bullet 55					
Disc Brake Pad Set	2009-08	Front-All Hardware Included		SBM1335	MKD1335FM
	2009-08	Rear-All Hardware Included		SBM1335	MKD1335FM
L7500					
Disc Brake Pad Set	2006-02	Front-All w/ 66mm Dual Piston Bosch Caliper			MKD786AFM
	2006-02	Front-All w/ 73mm Dual Piston Bosch Caliper			MKD786FM
	2006-02	Rear-All w/ 66mm Dual Piston Bosch Caliper			MKD786AFM
	2006-02	Rear-All w/ 73mm Dual Piston Bosch Caliper			MKD786FM
Studebaker					
3E7					
Drum Brake Shoe	1958	Front-All 4WD		228	
3E12					
Drum Brake Shoe	1958	Front-All 4WD		228	
3E13					
Drum Brake Shoe	1958	Front-All 4WD		228	
4E2					
Drum Brake Shoe	1959	Front-All 4WD		228	
4E7					
Drum Brake Shoe	1959	Front-All 4WD		228	
4E11					
Drum Brake Shoe	1959	Front-All 4WD		228	
4E12					
Drum Brake Shoe	1959	Front-All 4WD		228	
4E13					
Drum Brake Shoe	1959	Front-All 4WD		228	
4E14					
Drum Brake Shoe	1959	Front-All 4WD		228	
Deluxe					
Drum Brake Shoe	1959	Front-All		228	
Scotsman					
Drum Brake Shoe	1959	Front-All		228	
Subaru					
B9 Tribeca					
Disc Brake Pad Set	2007-06	Front-All Hardware Included	CFC1078	SBC1078	
	2007-06	Rear-All Hardware Included	CFC1124	SBC1124	
Parking Brake Shoe	2007-06	Rear-All w/ 8.13" X 1.19" Brakes		906	
Disc Brake Rotor	2007-06	Front-All		PRT5795	
	2007-06	Rear-All		PRT5794	
Baja					
Disc Brake Pad Set	2006-03	Front-All Hardware Included	CFC929	SBC929	
	2006-03	Rear-All Hardware Included	CFC770	SBC770	
Parking Brake Shoe	2006-03	Rear-All		758	

BENDIX BRAKE PARTS

PART TYPE	YEAR	APPLICATION	PREMIUM NO.	PART NO.	SEVERE DUTY NO.	
Subaru (Cont'd.)						
Baja (Cont'd.)						
Disc Brake Rotor	2006-04	Front-H4 - 2.5L Naturally Aspirated		PRT5406		
	2006-04	Front-H4 - 2.5L Turbocharged		PRT5657		
	2003	Front-All		PRT5406		
	2006-03	Rear-All		PRT5298		
Brat						
Disc Brake Rotor	1987-84	Front-All		PRT1249		
	1983	Front-All From 07/83		PRT1249		
	1983	Front-All To 06/83		PRT1204		
	1982	Front-All		PRT1204		
	1981-79	Front-All		PRT1217		
	1978	Front-All Rear drum brake 7.09 x 1.18		PRT1217		
BRZ						
Disc Brake Pad Set	2018	Front-All w/ Brembo Brakes	CFM1001	SBC1001		
	2018	Front-All w/o Brembo Brakes	CFC1539	SBC1539		
	2017-13	Front-All Hardware Included	CFC1539	SBC1539		
	2018	Rear-All w/ Brembo Brakes	CFM961	SBM961		
	2018	Rear-All w/o Brembo Brakes	CFC1124	SBC1124		
	2017	Rear-All Hardware Included	CFC1124	SBC1124		
	2016	Rear-All w/ Solid Rotors	CFC1114	SBC1114		
	2016	Rear-All w/ Vented Rotors	CFC1124	SBC1124		
	2015-14	Rear-All Hardware Included	CFC1124	SBC1124		
	2013	Rear-All w/ Solid Rotors	CFC1114	SBC1114		
	Disc Brake Rotor	2015-13	Front-All 277mm Dia. Rotor		PRT5207	
		2015-13	Front-All 292mm Dia. Rotor		PRT5657	
		2015-13	Rear-All Solid Rotor		PRT5811	
		2015-13	Rear-All Vented Rotor		PRT6116	
Crosstrek						
Disc Brake Pad Set	2018	Front-All Hardware Not Included		SBC2045		
	2017-16	Front-All Hardware Included	CFC1539	SBC1539		
	2018-16	Rear-All Hardware Included	CFC1114	SBC1114		
DL						
Disc Brake Pad Set	1989-86	Front-All Sedan, Hardware Not Included		SBC311		
	1989-86	Front-All Wagon, Hardware Not Included		SBC311		
	1985	Front-All Hardware Not Included		SBC311		
Disc Brake Rotor	1989-85	Front-All		PRT1372		
	1984	Front-All		PRT1249		
	1983	Front-All From 07/83		PRT1249		
	1983	Front-All To 06/83		PRT1204		
	1982-80	Front-All		PRT1204		
	1979	Front-All		PRT1217		
	1978	Front-All Rear drum brake 7.09 x 1.18		PRT1217		
	1977	Front-All		PRT1217		
	1976	Front-All Rear drum brake 7.09 x 1.18		PRT1217		
	1975-74	Front-All		PRT1217		
	Brake Drum	1989-85	Rear-All w/Rear Disc		PRT1370	
		1989-86	Rear-All Coupe, FWD		PDR0481	
		1989-85	Rear-All Sedan, FWD		PDR0481	
		1989-85	Rear-All Wagon, FWD		PDR0481	
1979-76		Rear-All FWD		PDR0483		
FE						
Disc Brake Rotor	1979	Front-All		PRT1217		
Forester						
Disc Brake Pad Set	2018	Front-H4 - 2.0L Hardware Included	CFC1078	SBC1078		
	2018	Front-H4 - 2.5L Hardware Included	CFC1539	SBC1539		
	2017	Front-All Hardware Included	CFC1539	SBC1539		
	2016	Front-H4 - 2.0L Hardware Included	CFC1078	SBC1078		
	2016	Front-H4 - 2.5L Hardware Included	CFC1539	SBC1539		
	2015	Front-All 2.0XT Premium, Hardware Included	CFC1078	SBC1078		
	2015	Front-All 2.0XT Touring, Hardware Included	CFC1078	SBC1078		
	2015	Front-H4 - 2.5L 2.5i, Hardware Included	CFC1539	SBC1539		
	2015	Front-H4 - 2.5L 2.5i Limited, Hardware Included	CFC1539	SBC1539		
	2015	Front-H4 - 2.5L 2.5i Premium, Hardware Included	CFC1539	SBC1539		
	2015	Front-H4 - 2.5L 2.5i Touring, Hardware Included	CFC1539	SBC1539		
	2014	Front-H4 - 2.0L Hardware Included	CFC1078	SBC1078		
	2014	Front-H4 - 2.5L Hardware Included	CFC1539	SBC1539		
	2013-11	Front-All Hardware Included	CFC1539	SBC1539		
	2010	Front-All Hardware Included	CFC929	SBC929		
	2009	Front-H4 - 2.5L Hardware Included	CFC929	SBC929		
	2008	Front-All Hardware Included	CFC929	SBC929		
	2007	Front-H4 - 2.5L Hardware Included	CFC929	SBC929		
	2006-03	Front-All Hardware Included	CFC929	SBC929		

BENDIX BRAKE PARTS

PART TYPE	YEAR	APPLICATION	PREMIUM NO.	PART NO.	SEVERE DUTY NO.
Subaru (Cont'd.)					
Forester (Cont'd.)					
Disc Brake Pad Set (cont'd)	2002-98	Front-All Hardware Included	CFC721	SBC721	
	2018	Rear-H4 - 2.0L Hardware Included	CFC1124	SBC1124	
	2018	Rear-H4 - 2.5L Hardware Included	CFC1114	SBC1114	
	2017	Rear-All Hardware Included	CFC1114	SBC1114	
	2016	Rear-All Naturally Aspirated, Hardware Included	CFC1114	SBC1114	
	2016	Rear-All Turbocharged, Hardware Included	CFC1124	SBC1124	
	2015-14	Rear-All 2.0XT Premium, Hardware Included	CFC1124	SBC1124	
	2015-14	Rear-All 2.0XT Touring, Hardware Included	CFC1124	SBC1124	
	2015-14	Rear-H4 - 2.5L 2.5i, Hardware Included	CFC1114	SBC1114	
	2015-14	Rear-H4 - 2.5L 2.5i Limited, Hardware Included	CFC1114	SBC1114	
	2015-14	Rear-H4 - 2.5L 2.5i Premium, Hardware Included	CFC1114	SBC1114	
	2015-14	Rear-H4 - 2.5L 2.5i Touring, Hardware Included	CFC1114	SBC1114	
	2014	Rear-H4 - 2.5L 2.5i Convenience, Hardware Included	CFC1114	SBC1114	
	2013-09	Rear-All Hardware Included	CFC1114	SBC1114	
	2008	Rear-All 2.5 XT, Hardware Included	CFC1004	SBC1004	
	2008	Rear-All Anniversary Edition, Rear Disc, Hardware Included	CFC1004	SBC1004	
	2008	Rear-All Sports 2.5 XT, Hardware Included	CFC1004	SBC1004	
	2008	Rear-All X, Rear Disc, Hardware Included	CFC1004	SBC1004	
	2008	Rear-All X L.L. Bean Edition, Hardware Included	CFC1004	SBC1004	
	2008	Rear-All XT Limited, Hardware Included	CFC1004	SBC1004	
	2007	Rear-H4 - 2.5L Hardware Included	CFC1004	SBC1004	
	2006	Rear-All Hardware Included	CFC1004	SBC1004	
	2005-04	Rear-All XS, Hardware Included	CFC1004	SBC1004	
	2005-04	Rear-All XT, Hardware Included	CFC1004	SBC1004	
	2005	Rear-All XS L.L. Bean Edition, Hardware Included	CFC1004	SBC1004	
	2005	Rear-All XT Premium, Hardware Included	CFC1004	SBC1004	
	2003-98	Rear-All Hardware Included	CFC770	SBC770	
Drum Brake Shoe	2008	Rear-All 2.5 X, w/ 9" X 1.46" Brakes		676	
	2008	Rear-All 2.5 XS, w/ 9" X 1.46" Brakes		676	
	2008	Rear-All 2.5 XS Premium, w/ 9" X 1.46" Brakes		676	
	2008	Rear-All Anniversary Edition, w/ 9" X 1.46" Brakes		676	
	2008	Rear-All Sports 2.5 X, w/ 9" X 1.46" Brakes		676	
	2008	Rear-All X, w/ 9" X 1.46" Brakes		676	
	2007-06	Rear-All w/ 9" X 1.46" Brakes		676	
	2005-04	Rear-All X, w/ 9" X 1.46" Brakes		676	
	2003-98	Rear-All w/ 9" X 1.46" Brakes		676	
Parking Brake Shoe	2012-09	Rear-All		887	
	2008-98	Rear-All		794	
Disc Brake Rotor	2015-09	Front-All		PRT5657	
	2008-03	Front-All		PRT5406	
	2002-98	Front-All		PRT5207	
	2015-14	Rear-All		PRT6157	
	2015-14	Rear-H4 - 2.0L		PRT6333	
	2013-09	Rear-All		PRT5811	
	2008-98	Rear-All		PRT1474	
Brake Drum	2008-03	Rear-All		PDR0703	
	2002-98	Rear-All 4-Wheel ABS		PDR0703	
	2002-98	Rear-All Non-ABS		PDR0645	
GF					
Disc Brake Rotor	1979	Front-All		PRT1217	
	1978	Front-All Rear drum brake 7.09 x 1.18		PRT1217	
	1977	Front-All		PRT1217	
	1976	Front-All Rear drum brake 7.09 x 1.18		PRT1217	
GL					
Disc Brake Pad Set	1989-87	Front-All 4 Doors, Hardware Not Included		SBC311	
	1986	Front-All Naturally Aspirated, 3 Doors, Coupe, Hardware Not Included		SBC311	
	1986	Front-All Naturally Aspirated, 4 Doors, Sedan, Hardware Not Included		SBC311	
	1986	Front-All Naturally Aspirated, 4 Doors, Wagon, Hardware Not Included		SBC311	
	1986	Front-All Turbocharged, Hardware Not Included		SBC311	
	1985	Front-All 4 Doors, Sedan, Hardware Not Included		SBC311	
	1985	Front-All 4 Doors, Wagon, Hardware Not Included		SBC311	
Disc Brake Rotor	1989-85	Front-All		PRT1372	
	1984	Front-All		PRT1249	
	1983	Front-All From 07/83		PRT1249	
	1983	Front-All To 06/83		PRT1204	
	1982-80	Front-All		PRT1204	
	1979	Front-All		PRT1217	
	1975-73	Front-All		PRT1217	
	1989-85	Rear-All w/Rear Disc		PRT1370	
Brake Drum	1989-86	Rear-All Coupe, FWD		PDR0481	
	1989-85	Rear-All Sedan, FWD		PDR0481	

BENDIX BRAKE PARTS

PART TYPE	YEAR	APPLICATION	PREMIUM NO.	PART NO.	SEVERE DUTY NO.
Subaru (Cont'd.)					
GL (Cont'd.)					
Brake Drum (cont'd)	1989-85	Rear-All Wagon, FWD		PDR0481	
	1983-80	Rear-All FWD		PDR0481	
	1979	Rear-All FWD		PDR0483	
GL-10					
Disc Brake Pad Set	1989-85	Front-All 4 Doors, Hardware Not Included		SBC311	
Disc Brake Rotor	1989-85	Front-All		PRT1372	
	1989-85	Rear-All w/Rear Disc		PRT1370	
Brake Drum	1989-85	Rear-All Sedan, FWD		PDR0481	
	1989-85	Rear-All Wagon, FWD		PDR0481	
GLF					
Disc Brake Rotor	1982-80	Front-All		PRT1204	
Brake Drum	1982-80	Rear-All		PDR0481	
Impreza					
Disc Brake Pad Set	2018	Front-All w/ 11" Brakes		SBC2045	
	2017	Front-All w/o Eyesight Package		SBC2045	
	2016-15	Front-All Exc. Latin America	CFC1539	SBC1539	
	2014-12	Front-All Base, Exc. Latin America	CFC1539	SBC1539	
	2014-12	Front-All Limited, Exc. Latin America	CFC1539	SBC1539	
	2014-12	Front-All Premium, Exc. Latin America	CFC1539	SBC1539	
	2014-12	Front-All Sport, Exc. Latin America	CFC1539	SBC1539	
	2014-12	Front-All Sport Limited, Exc. Latin America	CFC1539	SBC1539	
	2014-12	Front-All Sport Premium, Exc. Latin America	CFC1539	SBC1539	
	2014-12	Front-All Touring, Exc. Latin America	CFC1539	SBC1539	
	2014-12	Front-All WRX, Exc. Latin America	CFC1539	SBC1539	
	2014-12	Front-All WRX Limited, Exc. Latin America	CFC1539	SBC1539	
	2014-12	Front-All WRX Premium, Exc. Latin America	CFC1539	SBC1539	
	2014-12	Front-All WRX STI, Exc. Latin America	CFM1001	SBC1001	
	2014-12	Front-All WRX STI Limited, Exc. Latin America	CFM1001	SBC1001	
	2011-10	Front-All 2.5i Premium, Hardware Included	CFC929	SBC929	
	2011-10	Front-All WRX Limited, Hardware Included	CFC929	SBC929	
	2011-10	Front-All WRX Premium, Hardware Included	CFC929	SBC929	
	2011-09	Front-All 2.5i, Hardware Included	CFC929	SBC929	
	2011-09	Front-All Outback Sport, Hardware Included	CFC929	SBC929	
	2011-09	Front-All WRX, Hardware Included	CFC929	SBC929	
	2011-09	Front-All WRX STI, Hardware Included	CFM1001		
	2011-09	Front-All WRX STI, Hardware Not Included		SBC1001	
	2011	Front-All WRX STI Limited, Hardware Included	CFM1001		
	2011	Front-All WRX STI Limited, Hardware Not Included		SBC1001	
	2010-09	Front-All 2.5 GT, Hardware Included	CFC929	SBC929	
	2010	Front-All 2.5i Limited, Hardware Included	CFC929	SBC929	
	2010	Front-All WRX STI Special Edition, Hardware Included	CFC929	SBC929	
	2009-08	Front-All Sport, Hardware Included	CFC929	SBC929	
	2009	Front-All WRX Premium, Hardware Included	CFM1001		
	2009	Front-All WRX Premium, Hardware Not Included		SBC1001	
	2008	Front-H4 - 2.5L 2.5i, Hardware Included	CFC929	SBC929	
	2008	Front-H4 - 2.5L Outback Sport, Hardware Included	CFC929	SBC929	
	2008	Front-H4 - 2.5L WRX, Hardware Included	CFC929	SBC929	
	2008	Front-H4 - 2.5L WRX STI, Hardware Included	CFM1001		
	2008	Front-H4 - 2.5L WRX STI, Hardware Not Included		SBC1001	
	2007-06	Front-All 2.5i, Hardware Included	CFC929	SBC929	
	2007-06	Front-All Outback Sport, Hardware Included	CFC929	SBC929	
	2007-06	Front-All WRX, Hardware Included	CFM1182		
	2007-06	Front-All WRX, Hardware Not Included		SBM1182	
	2007-06	Front-All WRX Limited, Hardware Included	CFM1182		
	2007-06	Front-All WRX Limited, Hardware Not Included		SBM1182	
	2007-06	Front-All WRX STI, Hardware Included	CFM1001		
	2007-06	Front-All WRX STI, Hardware Not Included		SBC1001	
	2007-06	Front-All WRX TR, Hardware Included	CFM1182		
	2007-06	Front-All WRX TR, Hardware Not Included		SBM1182	
	2007	Front-All WRX STI Limited, Hardware Included	CFM1001		
	2007	Front-All WRX STI Limited, Hardware Not Included		SBC1001	
	2005-04	Front-H4 - 2.0L Hardware Included	CFC929	SBC929	
	2005-04	Front-H4 - 2.5L RS, Hardware Included	CFC929	SBC929	
	2005-04	Front-H4 - 2.5L WRX STI, Hardware Included	CFM1001		
	2005-04	Front-H4 - 2.5L WRX STI, Hardware Not Included		SBC1001	
	2005	Front-H4 - 2.5L Outback Sport, Hardware Included	CFC929	SBC929	
	2004	Front-H4 - 2.5L Outback, Hardware Included	CFC929	SBC929	
	2004	Front-H4 - 2.5L TS, Hardware Included	CFC929	SBC929	
	2003-02	Front-All Outback, Hardware Included	CFC929	SBC929	
	2003-02	Front-All RS, Hardware Included	CFC929	SBC929	
	2003-02	Front-All TS, Hardware Included	CFC929	SBC929	
	2003	Front-All WRX, From 7/03	CFC929	SBC929	
	2003	Front-All WRX, To 6/03	CFC721	SBC721	

BENDIX BRAKE PARTS

PART TYPE	YEAR	APPLICATION	PREMIUM NO.	PART NO.	SEVERE DUTY NO.
Subaru (Cont'd.)					
Impreza (Cont'd.)					
Disc Brake Pad Set (cont'd)	2002	Front-All WRX, Hardware Included	CFC721	SBC721	
	2001-98	Front-H4 - 2.2L Hardware Included		SBC722	
	2001-98	Front-H4 - 2.5L Hardware Included	CFC721	SBC721	
	1997	Front-All Hardware Included		SBC722	
	1996-93	Front-All Rear Disc, Hardware Included		SBC470	
	1996-93	Front-All Rear Drum, Hardware Included		SBC563K1	
	2018-14	Rear-All Hardware Included	CFC1114	SBC1114	
	2014-13	Rear-All WRX STI, Turbocharged, Intercooled	CFM961	SBM961	
	2014-13	Rear-All WRX STI Limited, Turbocharged, Intercooled	CFM961	SBM961	
	2013	Rear-All Base, Hardware Included	CFC1114	SBC1114	
	2013	Rear-All Limited, Hardware Included	CFC1114	SBC1114	
	2013	Rear-All Premium, Hardware Included	CFC1114	SBC1114	
	2013	Rear-All Sport, Hardware Included	CFC1114	SBC1114	
	2013	Rear-All Sport Limited, Hardware Included	CFC1114	SBC1114	
	2013	Rear-All Sport Premium, Hardware Included	CFC1114	SBC1114	
	2013	Rear-All Touring, Hardware Included	CFC1114	SBC1114	
	2013	Rear-All WRX, Turbocharged, Intercooled	CFC1114	SBC1114	
	2013	Rear-All WRX Limited, Turbocharged, Intercooled	CFC1114	SBC1114	
	2013	Rear-All WRX Premium, Turbocharged, Intercooled	CFC1114	SBC1114	
	2012	Rear-All WRX Premium, Hardware Included	CFM961		
	2012	Rear-All WRX Premium, Hardware Not Included		SBM961	
	2012	Rear-H4 - 2.0L Base, Hardware Included	CFC1114	SBC1114	
	2012	Rear-H4 - 2.0L Limited, Hardware Included	CFC1114	SBC1114	
	2012	Rear-H4 - 2.0L Premium, Hardware Included	CFC1114	SBC1114	
	2012	Rear-H4 - 2.0L Sport, Hardware Included	CFC1114	SBC1114	
	2012	Rear-H4 - 2.0L Sport Limited, Hardware Included	CFC1114	SBC1114	
	2012	Rear-H4 - 2.0L Sport Premium, Hardware Included	CFC1114	SBC1114	
	2012	Rear-H4 - 2.0L Touring, Hardware Included	CFC1114	SBC1114	
	2012	Rear-H4 - 2.5L WRX, Turbocharged, Hardware Included	CFC1114	SBC1114	
	2012	Rear-H4 - 2.5L WRX Limited, Turbocharged, Hardware Included	CFC1114	SBC1114	
	2012	Rear-H4 - 2.5L WRX STI, Turbocharged, Hardware Included	CFM961		
	2012	Rear-H4 - 2.5L WRX STI, Turbocharged, Hardware Not Included		SBM961	
	2012	Rear-H4 - 2.5L WRX STI Limited, Turbocharged, Hardware Included	CFM961		
	2012	Rear-H4 - 2.5L WRX STI Limited, Turbocharged, Hardware Not Included		SBM961	
	2011-10	Rear-All 2.5i Premium, Hardware Included	CFC1114	SBC1114	
	2011-10	Rear-All WRX Limited, Hardware Included	CFC1114	SBC1114	
	2011-10	Rear-All WRX Premium, Hardware Included	CFC1114	SBC1114	
	2011-09	Rear-All 2.5i, Hardware Included	CFC1114	SBC1114	
	2011-09	Rear-All Outback Sport, Hardware Included	CFC1114	SBC1114	
	2011-09	Rear-All WRX, Hardware Included	CFC1114	SBC1114	
	2011-09	Rear-All WRX STI, Hardware Included	CFM961		
	2011-09	Rear-All WRX STI, Hardware Not Included		SBM961	
	2011	Rear-All WRX STI Limited, Hardware Included	CFM961		
	2011	Rear-All WRX STI Limited, Hardware Not Included		SBM961	
	2010-09	Rear-All 2.5 GT, Hardware Included	CFC1114	SBC1114	
	2010	Rear-All 2.5i Limited, Hardware Included	CFC1114	SBC1114	
	2010	Rear-All WRX STI Special Edition, Hardware Included	CFC1114	SBC1114	
	2009-08	Rear-All Sport, Hardware Included	CFC1114	SBC1114	
	2009	Rear-All WRX Premium, Hardware Included	CFM961		
	2009	Rear-All WRX Premium, Hardware Not Included		SBM961	
	2008	Rear-H4 - 2.5L 2.5i, Hardware Included	CFC1114	SBC1114	
	2008	Rear-H4 - 2.5L Outback Sport, Hardware Included	CFC1114	SBC1114	
	2008	Rear-H4 - 2.5L WRX, Hardware Included	CFC1114	SBC1114	
	2008	Rear-H4 - 2.5L WRX STI, Hardware Included	CFM961		
	2008	Rear-H4 - 2.5L WRX STI, Hardware Not Included		SBM961	
	2007-06	Rear-All 2.5i, Hardware Included	CFC1004	SBC1004	
	2007-06	Rear-All Outback Sport, Hardware Included	CFC1004	SBC1004	
	2007-06	Rear-All WRX, Hardware Not Included		SBM461	
	2007-06	Rear-All WRX Limited, Hardware Not Included		SBM461	
	2007-06	Rear-All WRX STI, Hardware Included	CFM961		
	2007-06	Rear-All WRX STI, Hardware Not Included		SBM961	
	2007-06	Rear-All WRX TR, Hardware Not Included		SBM461	
	2007	Rear-All WRX STI Limited, Hardware Included	CFM961		
	2007	Rear-All WRX STI Limited, Hardware Not Included		SBM961	
	2005-04	Rear-H4 - 2.0L Hardware Included	CFC1004	SBC1004	
	2005-04	Rear-H4 - 2.5L RS, Hardware Included	CFC1004	SBC1004	
	2005-04	Rear-H4 - 2.5L WRX STI, Hardware Included	CFM961		
	2005-04	Rear-H4 - 2.5L WRX STI, Hardware Not Included		SBM961	
	2005	Rear-H4 - 2.5L Outback Sport, Hardware Included	CFC1004	SBC1004	
	2004	Rear-H4 - 2.5L Outback, Hardware Included	CFC1004	SBC1004	
	2004	Rear-H4 - 2.5L TS, Hardware Included	CFC1004	SBC1004	

BENDIX BRAKE PARTS

PART TYPE	YEAR	APPLICATION	PREMIUM NO.	PART NO.	SEVERE DUTY NO.
Subaru (Cont'd.)					
Impreza (Cont'd.)					
Disc Brake Pad Set (cont'd)	2003-02	Rear-All Hardware Included	CFC770	SBC770	
	2001-00	Rear-H4 - 2.2L Hardware Included	CFC770	SBC770	
	2001-99	Rear-H4 - 2.5L Hardware Included	CFC770	SBC770	
	1999	Rear-H4 - 2.2L Hardware Included		SBC471	
Drum Brake Shoe	1998-93	Rear-All Hardware Included		SBC471	
	2008	Rear-All w/ 9.96" X 1.63" Brakes		949	
Parking Brake Shoe	2004-93	Rear-All w/ 9" X 1.46" Brakes		676	
	2012	Rear-All w/ 7.49" X 1.24" Brakes		887	
Disc Brake Rotor	2011-08	Rear-All		887	
	2007-06	Rear-All 2.5i, w/ 6.64" X 1.25" Brakes		794	
	2007-06	Rear-All WRX Limited, w/ 6.64" X 1.25" Brakes		794	
	2007-06	Rear-All WRX TR, w/ 6.64" X 1.25" Brakes		794	
	2007-05	Rear-All Outback Sport, w/ 6.64" X 1.25" Brakes		794	
	2007-05	Rear-All w/ 7.54" X 1.25" Brakes		848	
	2007-04	Rear-All WRX, w/ 6.64" X 1.25" Brakes		794	
	2005-04	Rear-All RS, w/ 6.64" X 1.25" Brakes		794	
	2004	Rear-All TS, w/ 6.64" X 1.25" Brakes		794	
	2003-93	Rear-All w/ 6.64" X 1.25" Brakes		794	
	2002-93	Rear-All w/ 7.54" X 1.25" Brakes		848	
	2015-14	Front-All		PRT5207	
	2014-10	Front-All WRX Limited		PRT5657	
	2014-09	Front-All WRX Premium		PRT5657	
	2014-08	Front-All WRX		PRT5657	
2013-11	Front-All WRX STI Limited		PRT5753		
2013-08	Front-All WRX STI		PRT5753		
2012	Front-All Base		PRT5207		
2012	Front-All Limited		PRT5207		
2012	Front-All Premium		PRT5207		
2012	Front-All Sport		PRT5207		
2012	Front-All Sport Limited		PRT5207		
2012	Front-All Sport Premium		PRT5207		
2012	Front-All Touring		PRT5207		
2011-10	Front-All 2.5i Premium		PRT5207		
2011-06	Front-All 2.5i		PRT5207		
2011-05	Front-All Outback Sport		PRT5207		
2010-09	Front-All 2.5 GT		PRT5657		
2009-08	Front-All Sport		PRT5207		
2007-06	Front-All WRX, WRX, WRX LIMITED, WRX TR		PRT5406		
2007-06	Front-All WRX Limited, WRX, WRX LIMITED, WRX TR		PRT5406		
2007-06	Front-All WRX TR, WRX, WRX LIMITED, WRX TR		PRT5406		
2007	Front-All WRX STI, WRX STI, WRX STI LIMITED		PRT5753		
2007	Front-All WRX STI Limited, WRX STI, WRX STI LIMITED		PRT5753		
2006-05	Front-All WRX STI		PRT5753		
2005-04	Front-All RS		PRT5207		
2005-04	Front-All WRX		PRT5406		
2004	Front-All Outback		PRT5207		
2004	Front-All TS		PRT5207		
2004	Front-All WRX STI		PRT6056		
2003-02	Front-H4 - 2.0L		PRT5406		
2003-98	Front-H4 - 2.5L		PRT5207		
2001-98	Front-H4 - 2.2L Vented; 260mm		PRT1698		
1997-93	Front-All 4-Wheel ABS, Vented; 260mm		PRT1698		
1997-93	Front-All Non-ABS, Vented; 242.5mm		PRT1883		
2015	Rear-All		PRT6157		
2014	Rear-All Base		PRT6157		
2014	Rear-All Limited		PRT6157		
2014	Rear-All Premium		PRT6157		
2014	Rear-All Sport Limited		PRT6157		
2014	Rear-All Sport Premium		PRT6157		
2013-12	Rear-H4 - 2.0L Solid Rotors		PRT6157		
2013-12	Rear-H4 - 2.5L Solid Rotors		PRT5811		
2013-12	Rear-H4 - 2.5L Vented Rotors		PRT5892		
2011-08	Rear-All Solid Rotor		PRT5811		
2011-08	Rear-All Vented Rotors		PRT5892		
2007-06	Rear-All VENTED; 290mm Diameter		PRT5744		
2007-05	Rear-All WRX STI		PRT5754 ⁸¹		
2007-04	Rear-All Solid Rotors		PRT1474		
2004	Rear-All Vented Rotors		PRT6057		
2003-93	Rear-All		PRT1474		
Brake Drum	2008	Rear-All		PDR0827	
	2003-96	Rear-All 278mm Diameter		PDR0703	
	2001-93	Rear-All 270mm Diameter		PDR0645	
Justy					
Disc Brake Pad Set	1995	Front-All Hardware Not Included		SBM480	

81 Sell out and reorder PRT5744

BENDIX BRAKE PARTS

PART TYPE	YEAR	APPLICATION	PREMIUM NO.	PART NO.	SEVERE DUTY NO.
Subaru (Cont'd.)					
Justy (Cont'd.)					
Disc Brake Pad Set (cont'd)	1994-90	Front-All w/ 13" Wheels		SBM498	
	1994-89	Front-All w/ 12" Wheels		SBM480	
	1989	Front-All w/ 13" Wheels		SBM233	
	1988-87	Front-All Hardware Not Included		SBM233	
Disc Brake Rotor	1995	Front-All Vented; 211.8mm		PRT1549	
	1994	Front-All DL, Vented; 211.8mm		PRT1549	
	1994	Front-All GL, Vented; 240mm		PRT1735	
	1993-91	Front-All Vented; 240mm		PRT1735	
	1990	Front-All Vented; 211.8mm		PRT1549	
	1989	Front-All DL, Vented; 211.8mm		PRT1549	
	1989	Front-All GL, 240mm; Vented; 240mm		PRT1735	
	1989	Front-All RS, 240mm; Vented; 240mm		PRT1735	
	1988-87	Front-All Vented; 211.8mm		PRT1549	
	Brake Drum	1994-88	Rear-All 4WD		PDR0635
1994-87		Rear-All FWD, 180mm		PDR0519	
Legacy					
Disc Brake Pad Set	2018	Front-H4 - 2.5L Hardware Included	CFC1521	SBC1521	
	2018	Front-H6 - 3.6L Hardware Included	CFC1078	SBC1078	
	2017	Front-All Hardware Included	CFC1521	SBC1521	
	2016-15	Front-All 3.6R Limited, Hardware Included	CFC1078	SBC1078	
	2016-15	Front-All 3.6R Touring, Hardware Included	CFC1078	SBC1078	
	2016	Front-All 2.5i, Hardware Included	CFC1521	SBC1521	
	2016	Front-All 2.5i Limited, Hardware Included	CFC1521	SBC1521	
	2016	Front-All 2.5i Premium, Hardware Included	CFC1521	SBC1521	
	2015	Front-All 2.5i, Hardware Included	CFC1078	SBC1078	
	2015	Front-All 2.5i Limited, Hardware Included	CFC1078	SBC1078	
	2015	Front-All 2.5i Premium, Hardware Included	CFC1078	SBC1078	
	2015	Front-All 2.5i Touring, Hardware Included	CFC1078	SBC1078	
	2014-13	Front-H4 - 2.5L Hardware Included	CFC1539	SBC1539	
	2014-13	Front-H6 - 3.6L Hardware Included	CFC1078	SBC1078	
	2012-10	Front-All 2.5GT, Hardware Included	CFC1078	SBC1078	
	2012-10	Front-All 2.5i, Hardware Included	CFC929	SBC929	
	2012-10	Front-All 2.5i Limited, Hardware Included	CFC929	SBC929	
	2012-10	Front-All 2.5i Premium, Hardware Included	CFC929	SBC929	
	2012-10	Front-All 3.6R, Hardware Included	CFC1078	SBC1078	
	2012-10	Front-All 3.6R Limited, Hardware Included	CFC1078	SBC1078	
	2012-10	Front-All 3.6R Premium, Hardware Included	CFC1078	SBC1078	
	2012	Front-All 2.5i Touring, Hardware Included	CFC929	SBC929	
	2009-08	Front-H4 - 2.5L 2.5i, Hardware Included	CFC929	SBC929	
	2009-08	Front-H4 - 2.5L 2.5i Limited, Hardware Included	CFC929	SBC929	
	2009-08	Front-H4 - 2.5L 2.5i Special Edition, Hardware Included	CFC929	SBC929	
	2009-08	Front-H4 - 2.5L GT Limited, Hardware Included	CFC1078	SBC1078	
	2009-08	Front-H4 - 2.5L GT spec.B, Hardware Included	CFC1078	SBC1078	
	2009-08	Front-H6 - 3.0L Hardware Included	CFC1078	SBC1078	
	2009	Front-H4 - 2.5L 2.5i Touring, Hardware Included	CFC929	SBC929	
	2008	Front-H4 - 2.5L GT, Hardware Included	CFC1078	SBC1078	
	2008	Front-H4 - 2.5L Limited, Hardware Included	CFC1078	SBC1078	
	2008	Front-H4 - 2.5L Touring, Hardware Included	CFC929	SBC929	
	2007-06	Front-All 2.5i, Hardware Included	CFC929	SBC929	
	2007-06	Front-All GT spec.B, Hardware Included	CFC1078	SBC1078	
	2007	Front-All 2.5i Limited, Hardware Included	CFC929	SBC929	
	2007	Front-All 2.5i Special Edition, Hardware Included	CFC929	SBC929	
	2007	Front-All GT Limited, Hardware Included	CFC1078	SBC1078	
	2006	Front-All GT, Hardware Included	CFC1078	SBC1078	
	2005	Front-All Naturally Aspirated, Hardware Included	CFC929	SBC929	
	2005	Front-All Turbocharged, Hardware Included	CFC1078	SBC1078	
	2004-03	Front-All Hardware Included	CFC929	SBC929	
	2002	Front-All From 10/01	CFC929	SBC929	
	2002	Front-All To 9/01	CFC721	SBC721	
	2001	Front-All Hardware Included	CFC721	SBC721	
	2000-99	Front-All Brighton, Hardware Included		SBC722	
	2000-99	Front-All GT, Hardware Included	CFC721	SBC721	
	2000	Front-All GT Limited, Hardware Included	CFC721	SBC721	
	2000	Front-All L, Hardware Included	CFC721	SBC721	
	1999	Front-All L 30th Anniversary, Hardware Included		SBC722	
	1999	Front-All L, Hardware Included		SBC722	
	1999	Front-All Limited 30th Anniversary, Hardware Included	CFC721	SBC721	
	1999	Front-All Outback, Hardware Included	CFC721	SBC721	
	1999	Front-All Outback Limited, Hardware Included	CFC721	SBC721	
	1999	Front-All SUS 30th Anniversary, Hardware Included	CFC721	SBC721	
	1998-97	Front-All w/ 2 Piston Caliper	CFC721	SBC721	
	1998-97	Front-All w/ 14" Wheels		SBC722	
1996	Front-All w/ 14" Wheels		SBC470		
1996	Front-All w/ 15" Wheels		SBC563K2		

BENDIX BRAKE PARTS

PART TYPE	YEAR	APPLICATION	PREMIUM NO.	PART NO.	SEVERE DUTY NO.
Subaru (Cont'd.)					
Legacy (Cont'd.)					
Disc Brake Pad Set (cont'd)	1995	Front-All Hardware Included		SBC470	
	1994-92	Front-H4 - 2.2L w/ 15" Wheels		SBC563K2	
	1994-91	Front-All w/ 14" Wheels		SBC470	
	1991	Front-All w/ 15" Wheels		SBC563K2	
	1990	Front-All Hardware Included		SBC470	
	2018-15	Rear-All Hardware Not Included	CFC1808		
	2014-13	Rear-H4 - 2.5L Hardware Included	CFC1114	SBC1114	
	2014-13	Rear-H6 - 3.6L Hardware Included	CFC1124	SBC1124	
	2012-10	Rear-All 2.5GT, Hardware Included	CFC1124	SBC1124	
	2012-10	Rear-All 2.5i, Hardware Included	CFC1114	SBC1114	
	2012-10	Rear-All 2.5i Limited, Hardware Included	CFC1114	SBC1114	
	2012-10	Rear-All 2.5i Premium, Hardware Included	CFC1114	SBC1114	
	2012-10	Rear-All 3.6R, Hardware Included	CFC1124	SBC1124	
	2012-10	Rear-All 3.6R Limited, Hardware Included	CFC1124	SBC1124	
	2012-10	Rear-All 3.6R Premium, Hardware Included	CFC1124	SBC1124	
	2012	Rear-All 2.5i Touring, Hardware Included	CFC1114	SBC1114	
	2009-08	Rear-H4 - 2.5L 2.5i, Hardware Included	CFC1114	SBC1114	
	2009-08	Rear-H4 - 2.5L 2.5i Limited, Hardware Included	CFC1114	SBC1114	
	2009-08	Rear-H4 - 2.5L 2.5i Special Edition, Hardware Included	CFC1114	SBC1114	
	2009-08	Rear-H4 - 2.5L GT Limited, Hardware Included	CFC770	SBC770	
	2009-08	Rear-H4 - 2.5L GT spec.B, Hardware Included	CFC770	SBC770	
	2009-08	Rear-H6 - 3.0L Hardware Included	CFC770	SBC770	
	2009	Rear-H4 - 2.5L 2.5i Touring, Hardware Included	CFC1114	SBC1114	
	2008	Rear-H4 - 2.5L GT, Hardware Included	CFC770	SBC770	
	2008	Rear-H4 - 2.5L Limited, Hardware Included	CFC770	SBC770	
	2008	Rear-H4 - 2.5L Touring, Hardware Included	CFC1114	SBC1114	
	2007-06	Rear-All 2.5i, Hardware Included	CFC1114	SBC1114	
	2007-06	Rear-All GT spec.B, Hardware Included	CFC770	SBC770	
	2007	Rear-All 2.5i Limited, Hardware Included	CFC1114	SBC1114	
	2007	Rear-All 2.5i Special Edition, Hardware Included	CFC1114	SBC1114	
	2007	Rear-All GT Limited, Hardware Included	CFC770	SBC770	
	2006	Rear-All GT, Hardware Included	CFC770	SBC770	
	2005	Rear-All Naturally Aspirated, Hardware Included	CFC1114	SBC1114	
	2005	Rear-All Turbocharged, Hardware Included	CFC770	SBC770	
	2004-02	Rear-All Hardware Included	CFC770	SBC770	
	2001	Rear-All GT, Hardware Included	CFC770	SBC770	
	2001	Rear-All GT Limited, Hardware Included	CFC770	SBC770	
	2001	Rear-All L, Hardware Included	CFC770	SBC770	
	2000	Rear-All Hardware Included	CFC770	SBC770	
	1999-90	Rear-All Hardware Included		SBC471	
Drum Brake Shoe	2002-00	Rear-All w/ 9" X 1.45" Brakes		757	
	1999-95	Rear-All w/ 9" X 1.46" Brakes		676	
	1993	Rear-All w/ 9" X 1.46" Brakes		676	
Parking Brake Shoe	2009-01	Rear-All w/ 6.69" X 1.41" Brakes		758	
	2000	Rear-All		758	
	1999-90	Rear-All		794	
Disc Brake Rotor	2017-15	Front-H4 - 2.5L		PRT6395	
	2017-15	Front-H6 - 3.6L		PRT6464	
	2014-06	Front-All 293mm Rotor		PRT5657	
	2014-05	Front-All 316mm Diameter		PRT5751	
	2005-00	Front-All 293mm Rotor		PRT5406	
	2005-95	Front-All 276mm Rotor		PRT5207	
	2001-95	Front-All 260mm Rotor; Vented; 260mm		PRT1698	
	1994-91	Front-H4 - 2.2L Naturally Aspirated, Vented; 260mm		PRT1698	
	1994-91	Front-H4 - 2.2L Turbocharged		PRT5207	
	1990	Front-All Vented; 260mm		PRT1698	
	2014-10	Rear-All Solid Rotors		PRT5811	
	2014-10	Rear-All Vented Rotor		PRT6116	
	2009-05	Rear-All Solid Rotors		PRT5752	
	2009-05	Rear-All Vented Rotors		PRT5744	
	2004-00	Rear-All		PRT5298	
	1999-95	Rear-All Rear Disc		PRT1474	
	1994-90	Rear-All Solid Rotors		PRT1474	
	1994-90	Rear-All Vented Rotors		PRT1748	
Brake Drum	2001-00	Rear-All		PDR0726	
	1999-95	Rear-All Rear Drum		PDR0645	
Loyale					
Disc Brake Pad Set	1994-90	Front-All Hardware Not Included		SBC311	
Disc Brake Rotor	1994-90	Front-All		PRT1372	
	1994	Rear-All		PRT1370	
	1993-90	Rear-All 4WD		PRT1370	
	1993-90	Rear-All FWD		PRT1370	
Brake Drum	1993-90	Rear-All FWD		PDR0481	

BENDIX BRAKE PARTS

PART TYPE	YEAR	APPLICATION	PREMIUM NO.	PART NO.	SEVERE DUTY NO.
Subaru (Cont'd.)					
Outback					
Disc Brake Pad Set	2018-15	Front-All Hardware Included	CFC1078	SBC1078	
	2014-13	Front-H4 - 2.5L Hardware Included	CFC1539	SBC1539	
	2014-13	Front-H6 - 3.6L Hardware Included	CFC1078	SBC1078	
	2012	Front-H4 - 2.5L 2.5i, Hardware Included	CFC929	SBC929	
	2012	Front-H4 - 2.5L 2.5i Limited, Hardware Included	CFC929	SBC929	
	2012	Front-H4 - 2.5L 2.5i Premium, Hardware Included	CFC929	SBC929	
	2012	Front-H4 - 2.5L 2.5i Touring, Hardware Included	CFC929	SBC929	
	2012	Front-H6 - 3.6L 3.6R, Hardware Included	CFC1078	SBC1078	
	2012	Front-H6 - 3.6L 3.6R Limited, Hardware Included	CFC1078	SBC1078	
	2012	Front-H6 - 3.6L 3.6R Premium, Hardware Included	CFC1078	SBC1078	
	2011-10	Front-H4 - 2.5L Hardware Included	CFC929	SBC929	
	2011-10	Front-H6 - 3.6L Hardware Included	CFC1078	SBC1078	
	2009	Front-All Hardware Included	CFC929	SBC929	
	2008-06	Front-H4 - 2.5L Hardware Included	CFC929	SBC929	
	2008-06	Front-H6 - 3.0L Hardware Included	CFC929	SBC929	
	2005-03	Front-All Hardware Included	CFC929	SBC929	
	2002-01	Front-All From 10/1/01	CFC929	SBC929	
	2002-01	Front-All To 9/30/01	CFC721	SBC721	
	2000	Front-All Hardware Included	CFC721	SBC721	
	2018-15	Rear-All Hardware Not Included	CFC1808		
	2014	Rear-H4 - 2.5L Hardware Included	CFC1114	SBC1114	
	2014	Rear-H6 - 3.6L Hardware Included	CFC1124	SBC1124	
	2013	Rear-All 2.5i, Hardware Included	CFC1114	SBC1114	
	2013	Rear-All 2.5i Convenience, Hardware Included	CFC1114	SBC1114	
	2013	Rear-All 2.5i Limited, Hardware Included	CFC1114	SBC1114	
	2013	Rear-All 2.5i Premium, Hardware Included	CFC1114	SBC1114	
	2013	Rear-All 2.5i Touring, Hardware Included	CFC1114	SBC1114	
	2013	Rear-All 3.6R, Hardware Included	CFC1124	SBC1124	
	2013	Rear-All 3.6R Limited, Hardware Included	CFC1124	SBC1124	
	2012	Rear-H4 - 2.5L 2.5i, Hardware Included	CFC1114	SBC1114	
	2012	Rear-H4 - 2.5L 2.5i Limited, Hardware Included	CFC1114	SBC1114	
	2012	Rear-H4 - 2.5L 2.5i Premium, Hardware Included	CFC1114	SBC1114	
	2012	Rear-H4 - 2.5L 2.5i Touring, Hardware Included	CFC1114	SBC1114	
	2012	Rear-H6 - 3.6L 3.6R, Hardware Included	CFC1124	SBC1124	
	2012	Rear-H6 - 3.6L 3.6R Limited, Hardware Included	CFC1124	SBC1124	
	2012	Rear-H6 - 3.6L 3.6R Premium, Hardware Included	CFC1124	SBC1124	
	2011-10	Rear-H4 - 2.5L Hardware Included	CFC1114	SBC1114	
	2011-10	Rear-H6 - 3.6L Hardware Included	CFC1124	SBC1124	
	2009	Rear-All Hardware Included	CFC1114	SBC1114	
	2008-06	Rear-H4 - 2.5L Hardware Included	CFC1114	SBC1114	
	2008-06	Rear-H6 - 3.0L Hardware Included	CFC1114	SBC1114	
	2005	Rear-All Hardware Included	CFC1114	SBC1114	
	2004-00	Rear-All Hardware Included	CFC770	SBC770	
Drum Brake Shoe	2002-00	Rear-All w/ 9" X 1.46" Brakes		676	
Parking Brake Shoe	2009-03	Rear-All w/ 6.69" X 1.41" Brakes		758	
	2002-00	Rear-All		758	
Disc Brake Rotor	2017-15	Front-All		PRT6464	
	2014-10	Front-H4 - 2.5L		PRT5657	
	2013-10	Front-H6 - 3.6L		PRT5751	
	2009-06	Front-All		PRT5657	
	2005	Front-H4 - 2.5L		PRT5657	
	2005	Front-H6 - 3.0L		PRT5406	
	2004-01	Front-All		PRT5406	
	2000	Front-All		PRT5207	
	2014-10	Rear-H4 - 2.5L		PRT5811	
	2013-10	Rear-H6 - 3.6L		PRT6116	
	2009-05	Rear-All		PRT5752	
	2004-00	Rear-All		PRT5298	
RX					
Disc Brake Pad Set	1989-86	Front-All 4 Doors, Hardware Not Included		SBC311	
	1985	Front-All Hardware Not Included		SBC311	
Disc Brake Rotor	1989-88	Front-All 3 Doors		PRT1372	
	1989-86	Front-All 4 Doors		PRT1372	
	1989-86	Rear-All		PRT1370	
Standard					
Disc Brake Rotor	1987-85	Front-All 2 Doors		PRT1249	
	1984	Front-All		PRT1249	
	1983	Front-All From 07/83		PRT1249	
	1983	Front-All To 06/83		PRT1204	
	1982-80	Front-All		PRT1204	
	1979	Front-All		PRT1217	
	1978	Front-All Rear drum brake 7.09 x 1.18		PRT1217	
	1977-76	Front-All		PRT1217	

BENDIX BRAKE PARTS

PART TYPE	YEAR	APPLICATION	PREMIUM NO.	PART NO.	SEVERE DUTY NO.	
Subaru (Cont'd.)						
Standard (Cont'd.)						
Disc Brake Rotor (cont'd)	1987-86	Rear-H4 - 1.6L		PRT1370		
	1987	Rear-H4 - 1.8L		PRT1370		
	1985	Rear-All		PRT1370		
Brake Drum	1987	Rear-H4 - 1.6L 2 Doors, FWD		PDR0481		
	1987	Rear-H4 - 1.8L 2 Doors, FWD		PDR0481		
	1986-85	Rear-All 2 Doors, FWD		PDR0481		
	1984	Rear-All FWD, To 05/84		PDR0481		
	1983-80	Rear-All FWD		PDR0481		
SVX						
Disc Brake Pad Set	1997-92	Front-All Hardware Included		SBC333		
	1997-92	Rear-All Hardware Included		SBC471		
Disc Brake Rotor	1997-92	Front-All		PRT1697		
	1997-92	Rear-All		PRT1696		
Tribeca						
Disc Brake Pad Set	2014-08	Front-All Hardware Included	CFC1078	SBC1078		
	2014-13	Rear-All Hardware Included	CFC1124	SBC1124		
	2012	Rear-H6 - 3.6L Hardware Included	CFC1124	SBC1124		
	2011-09	Rear-All Hardware Included	CFC1124	SBC1124		
	2008	Rear-H6 - 3.6L Hardware Included	CFC1124	SBC1124		
Parking Brake Shoe	2014-08	Rear-All w/ 8.13" X 1.19" Brakes		906		
Disc Brake Rotor	2014-08	Front-All		PRT5795		
	2014-08	Rear-All		PRT5794		
WRX						
Disc Brake Pad Set	2018-14	Front-All Hardware Included	CFC1078	SBC1078		
	2013-12	Front-All Hardware Included	CFC1539	SBC1539		
	2018	Rear-All w/ Eyesight	CFC1808			
	2018	Rear-All w/o Eyesight	CFC1114	SBC1114		
	2017-16	Rear-All w/ EyeSight Technology	CFC1808			
	2017-16	Rear-All w/o EyeSight Technology	CFC1114	SBC1114		
	2015-12	Rear-All Hardware Included	CFC1114	SBC1114		
Disc Brake Rotor	2017-15	Front-All		PRT6464		
	2015	Rear-All		PRT6385		
WRX STI						
Disc Brake Pad Set	2018-13	Front-All Hardware Included	CFM1001			
	2018-13	Front-All Hardware Not Included		SBC1001		
	2017-13	Rear-All Hardware Included	CFM961			
	2017-13	Rear-All Hardware Not Included		SBM961		
XT						
Disc Brake Pad Set	1991-85	Front-All Hardware Not Included		SBC311		
Disc Brake Rotor	1991-88	Front-H4 - 1.8L GL		PRT1372		
	1991-88	Front-H6 - 2.7L XT6		PRT1733		
	1987-85	Front-H4 - 1.8L		PRT1372		
	1991-89	Rear-H6 - 2.7L 4WD		PRT1548		
	1991-89	Rear-H6 - 2.7L XT6, FWD		PRT1550		
	1991-85	Rear-H4 - 1.8L Rear Disc, (solid rotor)		PRT1370		
	1988	Rear-H6 - 2.7L XT6		PRT1550		
	Brake Drum	1991-89	Rear-H4 - 1.8L w/Rear Drum		PDR0481	
		1988	Rear-H4 - 1.8L Rear Drum, w/Rear Drum		PDR0481	
		1987-85	Rear-H4 - 1.8L w/Rear Drum		PDR0481	
XV						
Disc Brake Pad Set	2016-13	Front-All Hardware Included	CFC1539	SBC1539		
	2016-13	Rear-All Hardware Included	CFC1114	SBC1114		
XV Crosstrek						
Disc Brake Pad Set	2015-13	Front-All Hardware Included	CFC1539	SBC1539		
	2015-13	Rear-All Hardware Included	CFC1114	SBC1114		
Disc Brake Rotor	2015-13	Front-All		PRT5657		
	2015-13	Rear-All		PRT6157		
Suzuki						
Aerio						
Disc Brake Pad Set	2007-06	Front-L4 - 2.3L Hardware Included		SBC1195		
	2005-02	Front-All Hardware Included		SBC937		
Drum Brake Shoe	2007-02	Rear-All w/ 7.87" X 1.24" Brakes		630		
Disc Brake Rotor	2007-02	Front-All		PRT5425		
Brake Drum	2007-02	Rear-All		PDR0744		
Equator						
Disc Brake Pad Set	2012-09	Front-All Hardware Included	CFC1094	SBC1094	MKD1094FM	
	2012-09	Rear-All Hardware Included	CFC1100	SBC1100		
Parking Brake Shoe	2011-09	Rear-All		869		
Disc Brake Rotor	2012	Front-All		PRT5715		
	2011-09	Front-L4 - 2.5L		PRT5715		
	2011-09	Front-V6 - 4.0L		PRT5675		

BENDIX BRAKE PARTS

PART TYPE	YEAR	APPLICATION	PREMIUM NO.	PART NO.	SEVERE DUTY NO.
Suzuki (Cont'd.)					
Equator (Cont'd.)					
Disc Brake Rotor (cont'd)	2011-09	Rear-All		PRT5716	
Esteem					
Disc Brake Pad Set	2002	Front-All Hardware Not Included		SBC677	
	2001	Front-L4 - 1.6L Hardware Not Included		SBC677	
	2001	Front-L4 - 1.8L Hardware Not Included		SBC677	
	2000-95	Front-All Hardware Not Included		SBC677	
Drum Brake Shoe	2002-95	Rear-All w/ 7.87" X 1.24" Brakes		630	
Disc Brake Rotor	2002	Front-All		PRT5425	
	2001-99	Front-L4 - 1.6L		PRT5113	
	2001-99	Front-L4 - 1.8L		PRT5425	
	1998-95	Front-All		PRT5113	
Brake Drum	2002-99	Rear-All		PDR0744	
	1998-95	Rear-All		PDR0688 ⁵¹	
Forenza					
Disc Brake Pad Set	2008-04	Front-All Hardware Included	CFC1035		
	2008-04	Front-All Hardware Not Included		SBC1035	
	2008-07	Rear-All Hardware Not Included		SBC1315	
	2006-04	Rear-All Hardware Included		SBC1036	
Parking Brake Shoe	2008-04	Rear-All		888	
Disc Brake Rotor	2008-04	Front-All		PRT5612	
	2008-04	Rear-All		PRT6032	
Forsa					
Disc Brake Rotor	1988-85	Front-All		PRT1403	
Grand Vitara					
Disc Brake Pad Set	2013	Front-All Hardware Included	CFC1188	SBC1188	
	2012	Front-L4 - 2.4L Hardware Included	CFC1188	SBC1188	
	2011-10	Front-All Hardware Included	CFC1188	SBC1188	
	2009	Front-L4 - 2.4L Hardware Included	CFC1188	SBC1188	
	2009	Front-V6 - 3.2L Hardware Included	CFC1188	SBC1188	
	2008-06	Front-V6 - 2.7L Hardware Included	CFC1188	SBC1188	
	2005-99	Front-All Hardware Included		SBC680	
	2013-09	Rear-All Hardware Included	CFC1415	SBC1415	
Drum Brake Shoe	2008-06	Rear-All w/ 9.92" X 2.17" Brakes		921	
	2005-99	Rear-All w/ 8.66" X 1.63" Brakes		738	
Parking Brake Shoe	2013-09	Rear-All w/ 7.90" X 1.24" Brakes		971	
Disc Brake Rotor	2012-06	Front-All		PRT5879	
	2005-99	Front-All		PRT5296	
	1999	Front-All		PRT5288 ⁶⁹	
	2013-09	Rear-All		PRT6141	
Brake Drum	2008-06	Rear-All		PDR0846	
	2005-00	Rear-All		PDR0721	
	1999	Rear-All		PDR0719	
Kizashi					
Disc Brake Pad Set	2013-10	Front-All Hardware Not Included	CFC1374	SBC1374	
	2013	Rear-All Hardware Included	CFC365	SBC365	
	2012	Rear-L4 - 2.4L Hardware Included	CFC365	SBC365	
	2011-10	Rear-All Hardware Included	CFC365	SBC365	
Disc Brake Rotor	2013-10	Front-All		PRT6119	
	2013-10	Rear-All		PRT6117	
Reno					
Disc Brake Pad Set	2008-05	Front-All Hardware Included	CFC1035		
	2008-05	Front-All Hardware Not Included		SBC1035	
	2008-07	Rear-All Hardware Not Included		SBC1315	
	2006-05	Rear-All Hardware Included		SBC1036	
Parking Brake Shoe	2008-05	Rear-All		888	
Disc Brake Rotor	2008-05	Front-All		PRT5612	
	2008-05	Rear-All		PRT6032	
SA310					
Disc Brake Rotor	1985	Front-All		PRT1403	
Samurai					
Drum Brake Shoe	1995-86	Rear-All w/ 8.66" X 1.58" Brakes		600	
Disc Brake Rotor	1995-85	Front-All		PRT1420	
Brake Drum	1995-85	Rear-All		PDR0584	
Sidekick					
Disc Brake Pad Set	1998-97	Front-All JS Sport, 4 Doors, Hardware Included		SBC680	
	1998-96	Front-All 2 Doors, Hardware Included		SBM418	
	1998-96	Front-All JLX Sport, 4 Doors, Hardware Included		SBC680	
	1998-96	Front-All JS, 4 Doors, Hardware Included		SBC556	
	1998-96	Front-All JX, 4 Doors, Hardware Included		SBC556	
	1998-96	Front-All JX Sport, 4 Doors, Hardware Included		SBC680	
	1995-91	Front-All 2 Doors, w/ Removable Top		SBM418	

51 Sell out and reorder PDR0744

69 Sell out and reorder PRT5296

BENDIX BRAKE PARTS

PART TYPE	YEAR	APPLICATION	PREMIUM NO.	PART NO.	SEVERE DUTY NO.
Suzuki (Cont'd.)					
Sidekick (Cont'd.)					
Disc Brake Pad Set (cont'd)	1995-91	Front-All 4 Doors, w/o Removable Top		SBC556	
	1990-89	Front-All Hardware Included		SBM418	
Drum Brake Shoe	1998-96	Rear-All 2 Doors, w/ Removable Hardtop		710	
	1998-96	Rear-All 4 Doors		711	
	1995-91	Rear-All 2 Doors		641	
	1995-91	Rear-All 4 Doors		660	
Disc Brake Rotor	1998-97	Front-All 2 Doors		PRT1710	
	1998-97	Front-All 4 Doors		PRT1732	
	1996	Front-L4 - 1.6L		PRT1732	
	1996	Front-L4 - 1.8L		PRT5123	
	1995-91	Front-All Vented Rotors		PRT1732	
	1995-89	Front-All Solid Rotor		PRT1710	
Brake Drum	1998-96	Rear-All		PDR0684	
	1998-96	Rear-All 2 Dr.		PDR0683	
	1995	Rear-All Soft Top		PDR0544	
	1994-92	Rear-All 2 Doors, Soft Top		PDR0544	
	1994-92	Rear-All 4 Doors, Hardtop		PDR0588	
	1991	Rear-All		PDR0588	
	1991	Rear-All Soft Top		PDR0544	
	1990-89	Rear-All		PDR0544	
SJ410					
Disc Brake Rotor	1985	Front-All		PRT1420	
Brake Drum	1985	Rear-All		PDR0584	
SJ413					
Disc Brake Rotor	1985	Front-All		PRT1420	
Swift					
Disc Brake Pad Set	2008-07	Front-All Hardware Included		SBM451	
	2001-95	Front-All Hardware Included		SBM451	
	1994-91	Front-L4 - 1.3L GA, Hardware Included		SBM451	
	1994-91	Front-L4 - 1.3L GS, Hardware Included		SBM451	
	1990-89	Front-All GLX, Hardware Included		SBM451	
	1990	Front-All GA, Hardware Included		SBM451	
	1990	Front-All GL, Hardware Included		SBM451	
	1990	Front-All GS, Hardware Included		SBM451	
	1990	Front-All L, Hardware Included		SBM451	
	1990	Front-All S, Hardware Included		SBM451	
Drum Brake Shoe	2001-97	Rear-All		724	
	1996-95	Rear-All w/ 7.09" X 1.05" Brakes		608	
	1994-90	Rear-All GA, 2 Doors, Hatchback		608	
	1994-90	Rear-All GA, 4 Doors, Sedan		630	
	1994-90	Rear-All GS, 4 Doors, Sedan		630	
	1992	Rear-All L, 2 Doors, Hatchback, Limited		608	
	1990	Rear-All GL, 2 Doors, Hatchback		608	
	1990	Rear-All GL, 4 Doors, Sedan		630	
Disc Brake Rotor	1989	Rear-All GLX, 4 Doors, Hatchback		608	
	2001-95	Front-All		PRT1545	
	1994-90	Front-All GA		PRT1545	
	1994-90	Front-All GS		PRT1545	
	1994-90	Front-All GT, Vented; 250mm		PRT1562	
	1993-89	Front-All GLX		PRT1545	
Brake Drum	1994-89	Rear-All Rear Disc		PRT1784	
	2001-97	Rear-All		PDR0677	
	1996-95	Rear-All 4-Wheel ABS		PDR0677	
	1996-95	Rear-All Non-ABS, wo/4 Wheel ABS		PDR0591	
1994-89	Rear-All Rear Drum Brakes exc. 4-Door		PDR0591		
Swift+					
Disc Brake Pad Set	2009-07	Front-All Hardware Included	CFC1035		
	2009-07	Front-All Hardware Not Included		SBC1035	
	2006-04	Front-All Hardware Not Included		SBM797	
Drum Brake Shoe	2009-04	Rear-All w/ 7.87" X 1.42" Brakes		814	
Disc Brake Rotor	2009-04	Front-All		PRT5662	
Brake Drum	2009-04	Rear-All		PDR0829	
SX4					
Disc Brake Pad Set	2013	Front-All Hardware Included	CFC815A	SBC815A	
	2012-08	Front-All Hardware Included		SBC815K1	
	2007	Front-All Hardware Included	CFC430	SBC430	
	2013	Rear-All Hardware Included	CFC365	SBC365	
	2012	Rear-All LE, Hardware Included	CFC365	SBC365	
	2012	Rear-L4 - 2.0L Crossover, Hardware Included	CFC365	SBC365	
	2012	Rear-L4 - 2.0L JA, Hardware Included	CFC365	SBC365	
	2012	Rear-L4 - 2.0L JE, Hardware Included	CFC365	SBC365	
	2012	Rear-L4 - 2.0L JX, Hardware Included	CFC365	SBC365	

BENDIX BRAKE PARTS

PART TYPE	YEAR	APPLICATION	PREMIUM NO.	PART NO.	SEVERE DUTY NO.	
Suzuki (Cont'd.)						
SX4 (Cont'd.)						
Disc Brake Pad Set (cont'd)	2012	Rear-L4 - 2.0L Sport, Hardware Included	CFC365	SBC365		
	2012	Rear-L4 - 2.0L Sportback, Hardware Included	CFC365	SBC365		
	2012	Rear-L4 - 2.0L Sport SE, Hardware Included	CFC365	SBC365		
	2011-10	Rear-All Hardware Included	CFC365	SBC365		
	2009-08	Rear-L4 - 2.0L Hardware Included	CFC365	SBC365		
	2007	Rear-All Hardware Included	CFC365	SBC365		
Drum Brake Shoe	2012-08	Rear-All		954		
Disc Brake Rotor	2013-07	Front-All		PRT6088		
	2013-12	Rear-All		PRT5942		
	2011-07	Rear-All w/Rear Disc		PRT5942		
Brake Drum	2011-07	Rear-All w/Rear Drum		PDR0854		
SX4 Crossover						
Disc Brake Pad Set	2012	Front-All Hardware Included	CFC815A	SBC815A		
	2012	Rear-All Hardware Included	CFC365	SBC365		
Verona						
Disc Brake Pad Set	2006-04	Front-All Hardware Not Included		SBC1031		
	2006-04	Rear-All Hardware Not Included		SBC1030		
Parking Brake Shoe	2006-04	Rear-All		888		
Disc Brake Rotor	2006-04	Front-All		PRT6131		
	2006-04	Rear-All		PRT5624		
Vitara						
Disc Brake Pad Set	2004-99	Front-All Hardware Included		SBC556		
Drum Brake Shoe	2004-99	Rear-All w/ 8.66" X 1.63" Brakes		738		
Disc Brake Rotor	2004-99	Front-All		PRT5297		
Brake Drum	2004-00	Rear-All		PDR0721		
	1999	Rear-All		PDR0719		
X-90						
Disc Brake Pad Set	1998-96	Front-All Hardware Included		SBM418		
Drum Brake Shoe	1998-96	Rear-All		710		
Disc Brake Rotor	1998-96	Front-All		PRT1710		
Brake Drum	1998-96	Rear-All		PDR0683		
XL-7						
Disc Brake Pad Set	2009-07	Front-All Hardware Included	CFC1264	SBC1264		
	2006-05	Front-All Hardware Included		SBC1105		
	2004	Front-All 4WD, From Chassis/VIN #44106616		SBC1105		
	2004	Front-All 4WD, To Chassis/VIN #44106615		SBC680		
	2004	Front-All RWD, From Chassis/VIN #44103257		SBC1105		
	2004	Front-All RWD, To Chassis/VIN #44103256		SBC680		
	2003-02	Front-All Hardware Included		SBC680		
	2009-07	Rear-All Hardware Included	CFC1275	SBC1275		
	Drum Brake Shoe	2006-02	Rear-All w/ 10" X 2.15" Brakes		786	
		2006-02	Rear-All w/ 10" X 2.15" or 10" X 2.22" Brakes		861	
Parking Brake Shoe	2009-07	Rear-All		932		
Disc Brake Rotor	2009-07	Front-All		PRT5693		
	2006-02	Front-All		PRT5296		
	2009-07	Rear-All		PRT5694		
Brake Drum	2006-02	Rear-All		PDR0807		
Tesla						
Roadster						
Disc Brake Pad Set	2011-08	Rear-All Hardware Not Included		SBM491		
S						
Disc Brake Pad Set	2016	Front-All Hardware Included	CFM1474			
	2016	Front-All Hardware Not Included		SBM1474		
	2015-12	Front-All Hardware Included	CFM1474A			
	2015-12	Front-All Hardware Not Included		SBM1474A		
	2016-12	Rear-All Hardware Included	CFC1428			
	2016-12	Rear-All Hardware Not Included		SBC1428		
Toyota						
4Runner						
Disc Brake Pad Set	2019-13	Front-All Hardware Included	CFC976	SBC976	MKD976FM	
	2012	Front-V6 - 4.0L Hardware Included	CFC976	SBC976	MKD976FM	
	2011-03	Front-All Hardware Included	CFC976	SBC976	MKD976FM	
	2002-01	Front-All Hardware Included	CFC436A	SBC436A	MKD436AFM	
	2000-96	Front-All Hardware Included		SBC436	MKD436FM	
	1995	Front-All Hardware Included		SBC611		
	1994-92	Front-All w/ 4 Piston Caliper		SBC611		
	1991-90	Front-All w/ 4 Piston Caliper		SBC436	MKD436FM	
	1989	Front-L4 - 2.4L Hardware Included		SBC137		
	1989	Front-V6 - 3.0L Hardware Included		SBC436	MKD436FM	
	1988	Front-L4 - 2.4L DLX, Hardware Included		SBC137		
	1988	Front-L4 - 2.4L SR5, Hardware Included		SBC137		

BENDIX BRAKE PARTS

PART TYPE	YEAR	APPLICATION	PREMIUM NO.	PART NO.	SEVERE DUTY NO.	
Toyota (Cont'd.)						
4Runner (Cont'd.)						
Disc Brake Pad Set (cont'd)	1988	Front-V6 - 3.0L SR5, Hardware Included		SBC436	MKD436FM	
	1987-84	Front-All Hardware Included		SBC137		
	2019-13	Rear-All Hardware Included	CFC606	SBC606		
	2012	Rear-V6 - 4.0L Hardware Included	CFC606	SBC606		
	2011-03	Rear-All Hardware Included	CFC606	SBC606		
Drum Brake Shoe	2002-01	Rear-All w/ 11.61" X 1.99" Brakes		764		
	2000-87	Rear-All w/ 11.61" X 2" Brakes		589		
	1986	Rear-All w/ 11.61" X 2" Brakes		568		
	1985-84	Rear-All w/ 10" X 2.21" Brakes		523		
Parking Brake Shoe	2016-15	Rear-All		850		
	2012-03	Rear-All		850		
Disc Brake Rotor	2018-10	Front-All		PRT6066		
	2009-03	Front-All 12.5" diameter rotor		PRT5458		
	2009-03	Front-All 13.3" diameter rotor		PRT5457		
	2009	Front-All		PRT5819		
	2008	Front-All Except 17" wheels		PRT5819		
	2002-96	Front-All w/16" Wheels		PRT5137		
	2002-96	Front-All wo/16" Wheels		PRT5078		
	1995-92	Front-All		PRT1744		
	1991	Front-All From 6/91		PRT1744		
	1991	Front-All To 6/91		PRT1408		
	1990-86	Front-All		PRT1408		
	1985-84	Front-All		PRT1244		
	2018-10	Rear-All		PRT6067		
	2009-03	Rear-All		PRT5330		
	Brake Drum	2002-95	Rear-All		PDR0751	
		1994-86	Rear-All		PDR0517	
1985-84		Rear-All		PDR0434		
86						
Disc Brake Pad Set	2017	Front-All Hardware Included	CFC1539	SBC1539		
	2019-18	Rear-All Base, Hardware Included	CFC1124	SBC1124		
	2019-18	Rear-All GT, Hardware Included	CFC1124	SBC1124		
	2017	Rear-All Hardware Included	CFC1124	SBC1124		
Disc Brake Rotor	2017	Front-All		PRT5657		
	2017	Rear-All		PRT6116		
Avalon						
Disc Brake Pad Set	2019	Front-All Hardware Included	CFC2076	SBC2076		
	2018	Front-All Hardware Included	CFC1293	SBC1293		
	2013-08	Front-All Hardware Included	CFC1293	SBC1293		
	2007-05	Front-All Hardware Included	CFC906	SBC906	MKD906FM	
	2004-98	Front-All Hardware Included	CFC707	SBC707		
	1997	Front-All Hardware Included	CFC476	SBC476		
	1996	Front-All 4-Wheel ABS, Hardware Included	CFC476	SBC476		
	1996	Front-All Non-ABS, w/ 1 Piston Caliper	CFC476	SBC476		
	1995	Front-All Hardware Included	CFC476	SBC476		
	2019	Rear-All Hardware Included	CFC1805			
	2018-08	Rear-All Hardware Included	CFC1212	SBC1212		
	2007-00	Rear-All Hardware Included	CFC828	SBC828		
	1999-95	Rear-All Hardware Included		SBC672		
	Parking Brake Shoe	2012-95	Rear-All		859	
Disc Brake Rotor	2018-12	Front-All		PRT6155		
	2011-08	Front-All		PRT5713		
	2007-05	Front-All		PRT5471		
	2004-98	Front-All		PRT5234		
	1997-95	Front-All		PRT1723		
	2018-13	Rear-All		PRT6156		
	2012-08	Rear-All		PRT5712		
	2007-05	Rear-All		PRT5411		
	2004-00	Rear-All		PRT5292		
	1999-95	Rear-All		PRT5070		
Camry						
Disc Brake Pad Set	2019	Front-All Hybrid LE, Hardware Included	CFC2076	SBC2076		
	2019	Front-All Hybrid SE, Hardware Included	CFC2076	SBC2076		
	2019	Front-All Hybrid XLE, Hardware Included	CFC2076	SBC2076		
	2019	Front-All L, Hardware Included	CFC2076	SBC2076		
	2019	Front-All LE, Hardware Included	CFC2076	SBC2076		
	2019	Front-All SE, Hardware Included	CFC2076	SBC2076		
	2019	Front-All XLE, Hardware Included	CFC2076	SBC2076		
	2019	Front-All XSE, Hardware Included	CFC2076	SBC2076		
	2018	Front-All Hardware Included	CFC2076	SBC2076		
	2013	Front-All Hardware Included	CFC1293	SBC1293		
	2012	Front-L4 - 2.5L Hardware Included	CFC1293	SBC1293		
	2012	Front-V6 - 3.5L Hardware Included	CFC1293	SBC1293		

BENDIX BRAKE PARTS

PART TYPE	YEAR	APPLICATION	PREMIUM NO.	PART NO.	SEVERE DUTY NO.
Toyota (Cont'd.)					
Camry (Cont'd.)					
Disc Brake Pad Set (cont'd)	2011-07	Front-All Hardware Included	CFC1293	SBC1293	
	2006-05	Front-L4 - 2.4L Base, Hardware Included	CFC908	SBC908	
	2006-05	Front-L4 - 2.4L LE, Hardware Included	CFC908	SBC908	
	2006-05	Front-L4 - 2.4L SE, Hardware Included	CFC908	SBC908	
	2006-05	Front-L4 - 2.4L XLE, Hardware Included	CFC908	SBC908	
	2006-05	Front-V6 - 3.0L LE, w/ 15" Wheels	CFC908	SBC908	
	2006-05	Front-V6 - 3.0L XLE, w/o 15" Wheels	CFC906	SBC906	MKD906FM
	2006-05	Front-V6 - 3.3L SE, w/o 15" Wheels	CFC906	SBC906	MKD906FM
	2005	Front-V6 - 3.0L LE, w/o 15" Wheels	CFC906	SBC906	MKD906FM
	2005	Front-V6 - 3.0L XLE, w/ 15" Wheels	CFC908	SBC908	
	2004-02	Front-L4 - 2.4L Hardware Included	CFC908	SBC908	
	2004-02	Front-V6 - 3.0L LE, Hardware Included	CFC908	SBC908	
	2004-02	Front-V6 - 3.0L XLE, Hardware Included	CFC908	SBC908	
	2004	Front-V6 - 3.3L SE, Hardware Included	CFC908	SBC908	
	2003-02	Front-V6 - 3.0L SE, Hardware Included	CFC908	SBC908	
	2001-00	Front-L4 - 2.2L w/ 14" Wheels	CFC562	SBC562	
	2001-00	Front-L4 - 2.2L w/ 15" Wheels	CFC476	SBC476	
	2001-00	Front-V6 - 3.0L To 6/30/01	CFC707	SBC707	
	1999-97	Front-L4 - 2.2L Hardware Included	CFC562		
	1999-97	Front-L4 - 2.2L Hardware Not Included		SBC562	
	1999-97	Front-V6 - 3.0L Hardware Included	CFC707	SBC707	
	1996	Front-L4 - 2.2L Japan Built	CFC562	SBC562	
	1996	Front-V6 - 3.0L Hardware Included	CFC476	SBC476	
	1995-94	Front-V6 - 3.0L 4-Wheel ABS, Hardware Included	CFC476	SBC476	
	1995-94	Front-V6 - 3.0L Non-ABS, w/ 1 Piston Caliper	CFC476	SBC476	
	1995-92	Front-L4 - 2.2L Hardware Included	CFC562		
	1995-92	Front-L4 - 2.2L Hardware Not Included		SBC562	
	1993-92	Front-V6 - 3.0L Hardware Included	CFC476	SBC476	
	1991	Front-L4 - 2.0L Hardware Included		SBC356	
	1991	Front-V6 - 2.5L Hardware Included	CFC476	SBC476	
	1990-87	Front-All Hardware Included		SBC356	
	1986-83	Front-All Hardware Included		SBC242	
	2019-18	Rear-All Hybrid LE, Hardware Included	CFC1805		
	2019-18	Rear-All Hybrid SE, Hardware Included	CFC1805		
	2019-18	Rear-All Hybrid XLE, Hardware Included	CFC1805		
	2019-18	Rear-All L, Hardware Included	CFC1212	SBC1212	
	2019-18	Rear-All LE, Hardware Included	CFC1212	SBC1212	
	2019-18	Rear-All SE, Hardware Included	CFC1212	SBC1212	
	2019-18	Rear-All XLE, Hardware Included	CFC1805		
	2019-18	Rear-All XSE, Hardware Included	CFC1805		
	2017-13	Rear-All Hardware Included	CFC1212	SBC1212	
	2012	Rear-L4 - 2.5L Hardware Included	CFC1212	SBC1212	
	2012	Rear-V6 - 3.5L Hardware Included	CFC1212	SBC1212	
	2011-10	Rear-All Hardware Included	CFC1212	SBC1212	
	2009-07	Rear-L4 - 2.4L Hardware Included	CFC1212	SBC1212	
	2009-07	Rear-V6 - 3.5L Hardware Included	CFC1212	SBC1212	
	2006-05	Rear-All Japan Built Vehicle	CFC885	SBC885	
	2006-05	Rear-All USA Built Vehicle	CFC828	SBC828	
	2004-02	Rear-All Japan Built	CFC885	SBC885	
	2004-00	Rear-All USA Built	CFC828	SBC828	
	2001-00	Rear-All Japan Built	CFC835	SBC835	
	1999-92	Rear-L4 - 2.2L Hardware Included	CFC325	SBC325	
	1999-92	Rear-V6 - 3.0L Hardware Included	CFC325	SBC325	
	1991-90	Rear-L4 - 2.0L Hardware Included	CFC325	SBC325	
	1991-90	Rear-V6 - 2.5L Hardware Included	CFC325	SBC325	
	1989	Rear-L4 - 2.0L From 6/89	CFC325	SBC325	
	1989	Rear-V6 - 2.5L From 6/89	CFC325	SBC325	
	1988	Rear-All 4-Wheel ABS, Hardware Included	CFC325	SBC325	
	1988	Rear-All Non-ABS, Hardware Included	CFC325	SBC325	
Drum Brake Shoe	2006-05	Rear-All Japan Built		528	
	2006-05	Rear-All Japan Built		587	
	2006-04	Rear-All USA Built		911	
	2004	Rear-All To 5/04		528	
	2004	Rear-All To 5/04		587	
	2003-02	Rear-All		587	
	2003-02	Rear-All In Supersession Process, Exhaust Current Inventory		528	
	2001-97	Rear-All w/ 9" X 1.59" Brakes		528	
	2001-97	Rear-All w/ 9" X 1.59" Brakes		587	
	1996	Rear-L4 - 2.2L		587	
	1996	Rear-L4 - 2.2L In Supersession Process, Exhaust Current Inventory		528	
	1996	Rear-V6 - 3.0L		587	
	1996	Rear-V6 - 3.0L In Supersession Process, Exhaust Current Inventory		528	

BENDIX BRAKE PARTS

PART TYPE	YEAR	APPLICATION	PREMIUM NO.	PART NO.	SEVERE DUTY NO.	
Toyota (Cont'd.)						
Camry (Cont'd.)						
Drum Brake Shoe (cont'd)	1995-87	Rear-All w/ 9" X 1.59" Brakes		528		
	1995-87	Rear-All w/ 9" X 1.59" Brakes		587		
	1986-83	Rear-All w/ 7.88" X 1.41" Brakes		529		
	1986-83	Rear-All w/ 7.88" X 1.41" Brakes		588		
Parking Brake Shoe	2011-92	Rear-All w/ 6.69" X 1.57" Brakes		859		
	1991-90	Rear-All Non-ABS		859		
Disc Brake Rotor	2017-13	Front-All		PRT6155		
	2012-07	Front-All		PRT5713		
	2006-05	Front-All 296mm Diameter		PRT5471		
	2006-02	Front-All 276mm Rotor		PRT1723		
	2004-02	Front-All 296mm Diameter		PRT5324		
	2001-00	Front-L4 - 2.2L 14" Wheels		PRT1724		
	2001-00	Front-L4 - 2.2L 15" Wheels		PRT5234		
	2001-98	Front-V6 - 3.0L		PRT5234		
	1999-92	Front-L4 - 2.2L		PRT1724		
	1997	Front-L4 - 2.2L Japan Built Vehicle		PRT5234		
	1997	Front-V6 - 3.0L Japan Built Vehicle		PRT5234		
	1997	Front-V6 - 3.0L USA Built		PRT1723		
	1996-92	Front-V6 - 3.0L		PRT1723		
	1991-88	Front-All 4-Wheel ABS		PRT1535		
	1991-88	Front-All Non-ABS		PRT1431		
	1987	Front-All From 5/87		PRT1431		
	1987	Front-All To 5/87		PRT1507		
	1986-83	Front-All		PRT1369		
	2017-12	Rear-All		PRT6156		
	2011-07	Rear-All		PRT5712		
	2006-02	Rear-All		PRT5411		
	2001-00	Rear-V6 - 3.0L		PRT1726		
	1999-97	Rear-All		PRT1726		
	1996-94	Rear-All Coupe, Rear Disc		PRT1726		
	1996-92	Rear-All Wagon, Rear Disc		PRT1800		
	1996	Rear-All Sedan, Rear Disc		PRT1726		
	1995	Rear-All Sedan, Rear Disc, exc. Wagon		PRT1726		
	1994-92	Rear-All Sedan, Rear Disc		PRT1726		
	1991-88	Rear-All 4WD, Rear Disc		PRT1652		
	1991-88	Rear-All FWD, Rear Disc		PRT1492		
	Brake Drum	2006	Rear-All		PDR0795	
		2005-02	Rear-All		PDR0760	
		2005-02	Rear-All Japan Built Vehicle		PDR0795	
		2001-99	Rear-L4 - 2.2L		PDR0581	
		1998-92	Rear-All Rear Drum		PDR0581	
		1991-88	Rear-All Rear Drum		PDR0516	
		1987	Rear-All		PDR0516	
		1986-83	Rear-All		PDR0419	
		Carina				
	Drum Brake Shoe	1973-71	Rear-All		407	
	Disc Brake Rotor	1973-72	Front-All		PRT1064	
	Brake Drum	1973-72	Rear-All		PDR0438	
Celica						
Disc Brake Pad Set	2005-01	Front-All Hardware Included	CFC817			
	2005-01	Front-All Hardware Not Included		SBC817		
	2000	Front-L4 - 1.8L Hardware Included	CFC817			
	2000	Front-L4 - 1.8L Hardware Included	CFC822			
	2000	Front-L4 - 1.8L Hardware Not Included		SBC817		
	2000	Front-L4 - 1.8L Hardware Not Included		SBC822		
	1999-98	Front-All Hardware Included	CFC476	SBC476		
	1997-94	Front-L4 - 1.8L Hardware Included	CFC562			
	1997-94	Front-L4 - 1.8L Hardware Not Included		SBC562		
	1997	Front-L4 - 2.2L Hardware Included	CFC476	SBC476		
	1996-95	Front-L4 - 2.2L Hardware Included	CFC562			
	1996-95	Front-L4 - 2.2L Hardware Not Included		SBC562		
	1994	Front-L4 - 2.2L Hardware Included	CFC476	SBC476		
	1993-92	Front-All Hardware Included		SBC356		
	1991-90	Front-All All Trac, Hardware Included		SBC356		
	1991-90	Front-All GT, Hardware Included		SBC356		
	1991-90	Front-All GTS, Hardware Included		SBC356		
	1991-90	Front-All ST, FWD, Non-ABS, Hardware Included		SBC242		
	1989-88	Front-All FWD, 4-Wheel ABS, Hardware Included		SBC242		
	1989-88	Front-All FWD, Non-ABS, Hardware Included		SBC356		
	1987-86	Front-All Hardware Included		SBC242		
	1985-82	Front-All Hardware Included		SBM527		
	2005-00	Rear-L4 - 1.8L Hardware Included	CFC823			
	2005-00	Rear-L4 - 1.8L Hardware Not Included		SBC823		

BENDIX BRAKE PARTS

PART TYPE	YEAR	APPLICATION	PREMIUM NO.	PART NO.	SEVERE DUTY NO.	
Toyota (Cont'd.)						
Celica (Cont'd.)						
Disc Brake Pad Set (cont'd)	1999-97	Rear-All Hardware Included	CFC325	SBC325		
	1996	Rear-All GT, Hardware Included	CFC325	SBC325		
	1996	Rear-All ST, 2 Doors, Coupe, To 10/95	CFC325	SBC325		
	1996	Rear-All ST, 2 Doors, Hatchback, To 10/95	CFC325	SBC325		
	1996	Rear-All ST, From 10/95	CFC325	SBC325		
	1995-90	Rear-L4 - 2.2L Hardware Included	CFC325	SBC325		
	1993-89	Rear-L4 - 2.0L Hardware Included	CFC325	SBC325		
	1988	Rear-All All Trac, Hardware Included	CFC325	SBC325		
	1988	Rear-All GTS, To 6/88	CFC325	SBC325		
	1987-86	Rear-L4 - 2.0L Hardware Included	CFC325	SBC325		
	1986	Rear-L6 - 2.8L Hardware Included	CFC325	SBC325		
	Drum Brake Shoe	2005-00	Rear-All GT, w/ 7.88" X 1.21" Brakes		753	
		1997-94	Rear-All ST		588	
		1997-94	Rear-All ST, In Supersession Process, Exhaust Current Inventory		529	
1995-94		Rear-All GT		588		
1995-94		Rear-All GT, In Supersession Process, Exhaust Current Inventory		529		
1993-86		Rear-All w/ 7.88" X 1.41" Brakes		529		
1993-86		Rear-All w/ 7.88" X 1.41" Brakes		588		
1985-84		Rear-All GT		407		
1983		Rear-All w/ 9" X 1.59" Brakes		528		
1983		Rear-All w/ 9" X 1.59" Brakes		587		
1983		Rear-All w/ 9" X 1.63" Brakes		407		
1982-71		Rear-All		407		
Parking Brake Shoe		2005-00	Rear-All		796	
		1999-90	Rear-All		859	
		1986-85	Rear-All Supra, w/ 6.58" X 1.58" Brakes		894	
		1984	Rear-All w/ 6.58" X 1.58" Brakes		894	
		1983-82	Rear-All Supra, w/ 6.58" X 1.58" Brakes		894	
Disc Brake Rotor	2005-02	Front-All		PRT5294		
	2001-00	Front-All GT		PRT5009		
	2001-00	Front-All GTS		PRT5294		
	1999-98	Front-All		PRT5004		
	1997-94	Front-L4 - 1.8L		PRT5009		
	1997-94	Front-L4 - 2.2L		PRT5004		
	1993	Front-L4 - 2.0L Hatchback, Vented; 276.6mm		PRT1687		
	1993	Front-L4 - 2.2L Convertible, Vented; 255.1mm		PRT1739		
	1993	Front-L4 - 2.2L Coupe, Vented; 276.6mm		PRT1687		
	1993	Front-L4 - 2.2L Hatchback, Vented; 276.6mm		PRT1687		
	1992-91	Front-All GTS, Hatchback, Vented; 276.6mm		PRT1687		
	1992-86	Front-All		PRT1412		
	1992	Front-All All Trac, Hatchback, Vented; 276.6mm		PRT1687		
	1992	Front-All GT, Convertible, FROM 9/91; Vented; 255.1mm		PRT1739		
	1992	Front-All GT, Convertible, TO 9/91; Vented; 255mm		PRT1633		
	1992	Front-All GT, Coupe, Vented; 276.6mm		PRT1687		
	1992	Front-All GT, Hatchback, Vented; 276.6mm		PRT1687		
	1992	Front-All ST, Coupe, Vented; 255.1mm		PRT1739		
	1991-90	Front-All All Trac, Vented; 276.6mm		PRT1687		
	1991-90	Front-All GT, Vented; 255mm		PRT1633		
	1991-90	Front-All ST, Vented; 238mm		PRT1462		
	1990	Front-All GTS, Vented; 255mm		PRT1633		
	1989-88	Front-All All Trac, Vented; 255.1mm		PRT1739		
	1989-88	Front-All GTS, 4-Wheel ABS, Vented; 255.1mm		PRT1739		
	1989-88	Front-All GTS, Non-ABS, Vented; 257.7mm		PRT1509		
	1989-86	Front-All GT, Vented; 243mm		PRT1506		
	1989-86	Front-All ST, Vented; 243mm		PRT1506		
	1987-86	Front-All GTS, w/ 257mm rotors; Vented; 257.7mm		PRT1509		
	1985	Front-All		PRT1236		
	1981-79	Front-All Supra		PRT1209		
	1981-76	Front-All		PRT1135		
	1975-71	Front-All		PRT1064		
	Disc Brake Rotor	2005-00	Rear-All		PRT5293	
		1999-97	Rear-All Solid; 269mm		PRT5128	
		1996	Rear-All Convertible, FROM 10/95; Solid; 269mm		PRT5128	
		1996	Rear-All Convertible, To 10/95; Solid; 269mm		PRT5008	
		1996	Rear-All Coupe		PRT5128	
		1996	Rear-All Hatchback		PRT5128	
		1995-94	Rear-All Solid; 269mm		PRT5008	
		1993-90	Rear-All GT		PRT1492	
		1993-90	Rear-All GTS		PRT1492	
		1993	Rear-All GTS All Trac, Solid; 287.7mm		PRT1686	
		1992-90	Rear-All Solid; 287.7mm		PRT1686	
		1989-88	Rear-All FWD		PRT1492	
		1987-86	Rear-All		PRT1492	

BENDIX BRAKE PARTS

PART TYPE	YEAR	APPLICATION	PREMIUM NO.	PART NO.	SEVERE DUTY NO.
Toyota (Cont'd.)					
Celica (Cont'd.)					
Disc Brake Rotor (cont'd)	1985-82	Rear-All		PRT1245	
	1981-79	Rear-All		PRT1679	
Brake Drum	2005-02	Rear-All		PDR0753 ¹⁰¹	
	1997	Rear-All		PDR0662	
	1996	Rear-L4 - 1.8L		PDR0662	
	1995-94	Rear-All		PDR0662	
	1993-92	Rear-All ST		PDR0568	
	1991-90	Rear-All GT		PDR0568	
	1991-90	Rear-All ST, 200mm		PDR0515	
	1989-88	Rear-All FWD, 200mm		PDR0515	
	1987-86	Rear-All 200mm		PDR0515	
	1985	Rear-All		PDR0438	
	1984-83	Rear-All Coupe		PDR0438	
	1984-83	Rear-All Hatchback		PDR0438	
	1983	Rear-All GTS		PDR0439	
1982-71	Rear-All		PDR0438		
C-HR					
Disc Brake Pad Set	2019-18	Front-All Hardware Included	CFC2065	SBC2065	
	2019-18	Rear-All Japan Built Vehicle To 6/18	CFC1805		
Disc Brake Rotor	2018	Rear-All		PRT6316	
Corolla					
Disc Brake Pad Set	2019-18	Front-All L, Hardware Included	CFC1210	SBC1210	MKD1210FM
	2019-18	Front-All LE, Hardware Included	CFC1210	SBC1210	MKD1210FM
	2019-18	Front-All LE Eco, Hardware Included	CFC1210	SBC1210	MKD1210FM
	2019-18	Front-All XLE, Hardware Included	CFC1210	SBC1210	MKD1210FM
	2019	Front-L4 - 1.8L SE, Hardware Included	CFC1210	SBC1210	MKD1210FM
	2019	Front-L4 - 1.8L XSE, Hardware Included	CFC1210	SBC1210	MKD1210FM
	2018	Front-All SE, Hardware Included	CFC1210	SBC1210	MKD1210FM
	2018	Front-All SE Plus, Hardware Included	CFC1210	SBC1210	MKD1210FM
	2018	Front-All XSE, Hardware Included	CFC1210	SBC1210	MKD1210FM
	2017-13	Front-All Hardware Included	CFC1210	SBC1210	MKD1210FM
	2012	Front-L4 - 1.8L Hardware Included	CFC1210	SBC1210	MKD1210FM
	2011-09	Front-All Exc. Latin America	CFC1210	SBC1210	MKD1210FM
	2008-07	Front-All Exc. Latin America	CFC923	SBC923	
	2006	Front-All Hardware Included	CFC923	SBC923	
	2005-03	Front-L4 - 1.8L Hardware Included	CFC923	SBC923	
	2002-98	Front-All Hardware Included	CFC741	SBC741	
	1997	Front-All Hardware Included	CFC562		
	1997	Front-All Hardware Not Included		SBC562	
	1996	Front-L4 - 1.6L Hardware Included	CFC562		
	1996	Front-L4 - 1.6L Hardware Not Included		SBC562	
	1996	Front-L4 - 1.8L Hardware Included	CFC562		
	1996	Front-L4 - 1.8L Hardware Not Included		SBC562	
	1995-94	Front-All Hardware Included	CFC562		
	1995-94	Front-All Hardware Not Included		SBC562	
	1993	Front-L4 - 1.6L Hardware Included	CFC562		
	1993	Front-L4 - 1.6L Hardware Not Included		SBC562	
	1993	Front-L4 - 1.8L Hardware Included	CFC562		
	1993	Front-L4 - 1.8L Hardware Not Included		SBC562	
	1992-88	Front-All Hardware Included		SBC242	
	1987-86	Front-All DLX, Hatchback, Bendix		SBC242	
	1987-86	Front-All DLX, Sedan, Bendix		SBC242	
	1987-86	Front-All LE, Bendix		SBC242	
	1987-86	Front-All Sport GTS, Hatchback, Bendix		SBC242	
	1987-86	Front-All Sport SR5, Hatchback, Bendix		SBC242	
	1987	Front-All FX16, Hatchback, Bendix		SBC242	
	1987	Front-All FX16 GTS, Hatchback, Bendix		SBC242	
	1987	Front-All FX, Bendix		SBC242	
	1986	Front-All LE Limited, Bendix		SBC242	
	1985	Front-All DLX, Hatchback, Hardware Included		SBC242	
	1985	Front-All DLX, Sedan, Hardware Included		SBC242	
	1985	Front-All LE, Hardware Included		SBC242	
	1985	Front-All LE Limited, Hardware Included		SBC242	
	1985	Front-All Sport GTS, Hatchback, Hardware Included		SBC242	
	1985	Front-All Sport SR5, Hatchback, Hardware Included		SBC242	
	1984	Front-All FWD, Hardware Included		SBC242	
	2019	Rear-L4 - 1.8L SE, Hardware Included	CFC1354	SBC1354	
	2019	Rear-L4 - 1.8L XSE, Hardware Included	CFC1354	SBC1354	
	2018	Rear-All SE, Hardware Included	CFC1354	SBC1354	
	2018	Rear-All SE Plus, Hardware Included	CFC1354	SBC1354	
	2018	Rear-All XSE, Hardware Included	CFC1354	SBC1354	
	2017	Rear-All Hardware Included	CFC1423	SBC1423	
	2016-15	Rear-All S, Hardware Included	CFC1354	SBC1354	
	2016-15	Rear-All S Plus, Hardware Included	CFC1354	SBC1354	

101 PDR0753 replaces PDR0733. Sell out PDR0733 and reorder PDR0753.

BENDIX BRAKE PARTS

PART TYPE	YEAR	APPLICATION	PREMIUM NO.	PART NO.	SEVERE DUTY NO.	
Toyota (Cont'd.)						
Corolla (Cont'd.)						
Disc Brake Pad Set (cont'd)	2014	Rear-All Hardware Included	CFC1354	SBC1354		
	2013-12	Rear-All Hardware Included	CFC1423	SBC1423		
	2011	Rear-All CAN, Hardware Included	CFC1354	SBC1354		
	2011	Rear-All USA, Hardware Included	CFC1354	SBC1354		
	2010	Rear-L4 - 2.4L CAN, Hardware Included	CFC1354	SBC1354		
	2010	Rear-L4 - 2.4L USA, Hardware Included	CFC1354	SBC1354		
	2009	Rear-All CAN, Hardware Included	CFC1354	SBC1354		
	2009	Rear-All USA, Hardware Included	CFC1354	SBC1354		
	2006	Rear-All Hardware Included	CFC823			
	2006	Rear-All Hardware Not Included		SBC823		
	2005	Rear-L4 - 1.8L Hardware Included	CFC823			
	2005	Rear-L4 - 1.8L Hardware Not Included		SBC823		
	Drum Brake Shoe	2019-18	Rear-All L		945	
		2019-18	Rear-All LE		945	
		2019-18	Rear-All LE Eco		945	
		2019-18	Rear-All XLE		945	
2017-15		Rear-All		945		
2012		Rear-All		945		
2011-10		Rear-All Base		945		
2011-10		Rear-All LE		945		
2011-10		Rear-All S		945		
2010		Rear-All XLE		945		
2009		Rear-All		945		
2008-03		Rear-All North American Production Identified By 1st Digit Of VIN 1, 2, 4 Or 5		801		
2002		Rear-All From 4/02		801		
2002		Rear-All To 3/02		750		
2001-99		Rear-All w/ 7.87" X 1.21" Brakes		750		
1998-93		Rear-All w/ 7.88" X 1.21" Brakes		551		
1998-93		Rear-All w/ 7.88" X 1.21" Brakes		597		
1992-88		Rear-All 5 Doors, Wagon, FWD, Japan Built		529		
1992-88		Rear-All 5 Doors, Wagon, FWD, Japan Built		588		
1992		Rear-All 4 Doors, Sedan, FWD		597		
1992		Rear-All 4 Doors, Sedan, FWD, In Supersession Process, Exhaust Current Inventory		551		
1992		Rear-All 4 Doors, Wagon, FWD, Japan Built		529		
1992		Rear-All 4 Doors, Wagon, FWD, Japan Built		588		
1991-90		Rear-All SR5, 2 Doors, Coupe, USA Built		551		
1991-90		Rear-All SR5, 2 Doors, Coupe, USA Built		597		
1991-89		Rear-All 4 Doors, Sedan, FWD, USA Built		551		
1991-89		Rear-All 4 Doors, Sedan, FWD, USA Built		597		
1991-89		Rear-All 5 Doors, Wagon, FWD, USA Built		551		
1991-89		Rear-All 5 Doors, Wagon, FWD, USA Built		597		
1989-88		Rear-All SR5, 2 Doors, Coupe		597		
1989-88		Rear-All SR5, 2 Doors, Coupe, In Supersession Process, Exhaust Current Inventory		551		
1988		Rear-All 4 Doors, Sedan, FWD		597		
1988		Rear-All 4 Doors, Sedan, FWD, In Supersession Process, Exhaust Current Inventory		551		
1988		Rear-All FX, 2 Doors, Hatchback		597		
1988		Rear-All FX, 2 Doors, Hatchback, In Supersession Process, Exhaust Current Inventory		551		
1987		Rear-All FX		597		
1987		Rear-All FX, In Supersession Process, Exhaust Current Inventory		551		
1987		Rear-All Sport SR5		407		
1986-85		Rear-All Sport SR5, RWD, w/ 9" X 1.63" Brakes		407		
1986-84		Rear-All FWD, w/ 7.88" X 1.21" Brakes		551		
1986-84		Rear-All FWD, w/ 7.88" X 1.21" Brakes		597		
1984		Rear-All RWD, w/ 9" X 1.63" Brakes		407		
1983-80	Rear-All		407			
1979-71	Rear-L4 - 1.6L		407			
Parking Brake Shoe	2006-05	Rear-All		796		
Disc Brake Rotor	2018-10	Front-All		PRT5818		
	2009	Front-L4 - 1.8L		PRT5818		
	2009	Front-L4 - 2.4L		PRT5713		
	2008-03	Front-All		PRT5294		
	2002-93	Front-All		PRT1869		
	1992	Front-All Vented; 238mm		PRT1486		
	1991-90	Front-All 238mm Rotor; Vented; 238mm		PRT1486		
	1991-90	Front-All 258mm Rotor		PRT1669		
	1989	Front-All Vented; 238mm		PRT1486		
	1988	Front-All Solid Rotors		PRT1384		
	1988	Front-All VENTED, 238mm Dia.; Vented; 238mm		PRT1486		
	1988	Front-All VENTED, 243mm Dia.		PRT1367		
	1987-84	Front-All Coupe, Vented; 234mm		PRT1295		

BENDIX BRAKE PARTS

PART TYPE	YEAR	APPLICATION	PREMIUM NO.	PART NO.	SEVERE DUTY NO.	
Toyota (Cont'd.)						
Corolla (Cont'd.)						
Disc Brake Rotor (cont'd)	1987-84	Front-All Hatchback		PRT1384		
	1987-84	Front-All Sedan		PRT1384		
	1983-80	Front-All		PRT1198		
	1979-77	Front-L4 - 1.2L		PRT1136		
	1979-77	Front-L4 - 1.6L		PRT1064		
	1976-75	Front-All		PRT1064		
	1974	Front-L4 - 1.6L		PRT1136		
	1973-71	Front-L4 - 1.6L		PRT1064		
	2018-09	Rear-All w/Rear Disc		PRT5854		
	2006-05	Rear-All		PRT5293		
	1990-88	Rear-All GTS		PRT1432		
	1988	Rear-All FX		PRT1432		
	1988	Rear-All FX16		PRT1432		
	1988	Rear-All FX16 GTS		PRT1432		
	1987-85	Rear-All Sport GTS		PRT1364		
	1987	Rear-All FX16 GTS		PRT1364		
	1987	Rear-All Hatchback		PRT1432		
	1987	Rear-All Sedan		PRT1432		
	Brake Drum	2016-14	Rear-All with rear drum		PDR0836	
		2013-09	Rear-All Japan Built		PDR0835 ⁵⁶	
2011		Rear-All Vehicles Built in North America		PDR0836		
2010-09		Rear-All Made in U.S.A.		PDR0836		
2008-03		Rear-All		PDR0753 ¹⁰¹		
2002-93		Rear-All		PDR0661		
1992-91		Rear-All DLX All Trac		PDR0646		
1992-90		Rear-All Base, 200mm		PDR0515		
1992-90		Rear-All LE, 200mm		PDR0515		
1992-89		Rear-All DLX, 200mm		PDR0515		
1992-89		Rear-All SR5, 200mm		PDR0515		
1992		Rear-All LSX, 200mm		PDR0515		
1992		Rear-All SR5 All Trac		PDR0646		
1991		Rear-All GTS, 200mm		PDR0515		
1990		Rear-All SR5 All Trac, AWD		PDR0478		
1989-88		Rear-All DLX All Trac		PDR0478		
1989-88		Rear-All SR5 All Trac, AWD, 200mm		PDR0515		
1989		Rear-All GTS, 200mm		PDR0515		
1988		Rear-All FX		PDR0437		
1988		Rear-All LE		PDR0437		
1988		Rear-All SR5, Coupe, 200mm		PDR0515		
1987-84		Rear-All Coupe		PDR0438		
1987-84		Rear-All Hatchback		PDR0437		
1987-84		Rear-All Sedan		PDR0437		
1981-80		Rear-All		PDR0438		
1979-75		Rear-L4 - 1.2L		PDR0375		
1979-71		Rear-L4 - 1.6L		PDR0438		
Corolla iM						
Disc Brake Pad Set	2018-17	Front-All Hardware Included	CFC1211	SBC1211		
	2018	Rear-All Hardware Included	CFC1354	SBC1354		
	2017	Rear-All Hardware Included	CFC1423	SBC1423		
Disc Brake Rotor	2018-17	Front-All		PRT5713		
	2018-17	Rear-All		PRT5853		
Corona						
Drum Brake Shoe	1982-81	Rear-L4 - 2.4L		407		
	1980-79	Rear-L4 - 2.2L		407		
	1978-76	Rear-All		407		
	1975	Rear-All SR5		407		
	1974	Rear-L4 - 2.0L		407		
	Disc Brake Rotor	1982-74	Front-All		PRT1108	
1973		Front-All 9" Brakes		PRT1064		
1973		Front-All 10.5" diameter rotor		PRT1108		
1972-71		Front-All		PRT1064		
1971-69		Front-All Mark II		PRT1098		
Brake Drum	1982-74	Rear-All		PDR0438		
	1973-68	Rear-All		PDR0328		
Cressida						
Disc Brake Pad Set	1992-89	Front-All Hardware Included		SBC433	MKD433FM	
	1988-81	Front-All Hardware Included		SBC207		
	1992-88	Rear-All Hardware Not Included		SBC337		
	1987	Rear-All To 1/87		SBC337		
	1986-85	Rear-All Hardware Not Included		SBC337		
	Drum Brake Shoe	1987-84	Rear-All 4 Doors, Wagon		407	
1983-78		Rear-All		407		
Parking Brake Shoe	1988-85	Rear-All w/ 6.58" X 1.58" Brakes		894		

56 Sell out and reorder PDR0836

101 PDR0753 replaces PDR0733. Sell out PDR0733 and reorder PDR0753.

BENDIX BRAKE PARTS

PART TYPE	YEAR	APPLICATION	PREMIUM NO.	PART NO.	SEVERE DUTY NO.	
Toyota (Cont'd.)						
Cressida (Cont'd.)						
Parking Brake Shoe (cont'd)	1984	Rear-All Wagon, w/ 6.58" X 1.58" Brakes		894		
	1983	Rear-All w/ 6.58" X 1.58" Brakes		894		
Disc Brake Rotor	1992-89	Front-All		PRT1693		
	1988-86	Front-All Sedan, Vented; 272.1mm		PRT1410		
	1987-86	Front-All Wagon, Vented; 247.8mm		PRT1368		
	1985	Front-All Vented; 247.8mm		PRT1368		
	1984-83	Front-All		PRT1296		
	1982-81	Front-All		PRT1247		
	1980-78	Front-All		PRT1108		
	1992-89	Rear-All		PRT1699		
	1988	Rear-L6 - 2.8L		PRT1363		
	1987-85	Rear-All		PRT1363		
Brake Drum	1984-83	Rear-All		PRT1246		
	1988-78	Rear-All		PDR0438		
Echo						
Disc Brake Pad Set	2005-03	Front-All Hardware Included	CFC990			
	2005-03	Front-All Hardware Not Included		SBC990		
	2002-01	Front-All Hardware Included	CFC822			
	2002-01	Front-All Hardware Not Included		SBC822		
	2000	Front-All Hardware Included		SBC831		
Drum Brake Shoe	2005-00	Rear-All w/ 7.17" X 1.02" Brakes		754		
Disc Brake Rotor	2005-01	Front-All		PRT5376		
	2000	Front-All		PRT5321		
Brake Drum	2005-01	Rear-All		PDR0750		
	2000	Rear-All		PDR0734		
FJ Cruiser						
Disc Brake Pad Set	2014-07	Front-All Hardware Included	CFC976	SBC976	MKD976FM	
	2014-07	Rear-All Hardware Included	CFC606	SBC606		
Parking Brake Shoe	2012-07	Rear-All		850		
Disc Brake Rotor	2014-08	Front-All		PRT5819		
	2007	Front-All		PRT5458		
	2014-10	Rear-All		PRT6067		
	2009-07	Rear-All		PRT5330		
Hiace						
Drum Brake Shoe	2017-15	Rear-All		871		
Highlander						
Disc Brake Pad Set	2019-09	Front-All Hardware Included	CFC1324	SBC1324		
	2008	Front-V6 - 3.3L Hardware Included	CFC1324	SBC1324		
	2008	Front-V6 - 3.5L Hardware Included	CFC1324	SBC1324		
	2007-06	Front-L4 - 2.4L Hardware Included	CFC884	SBC884		
	2007-06	Front-V6 - 3.3L Base, Hardware Included	CFC884	SBC884		
	2007-06	Front-V6 - 3.3L Hybrid, Hardware Included	CFC1005	SBC1005		
	2007-06	Front-V6 - 3.3L Hybrid Limited, Hardware Included	CFC1005	SBC1005		
	2007-06	Front-V6 - 3.3L Limited, Hardware Included	CFC884	SBC884		
	2007-06	Front-V6 - 3.3L Sport, Hardware Included	CFC884	SBC884		
	2005-01	Front-All Hardware Included	CFC884	SBC884		
	2019-14	Rear-All Hardware Included	CFC1391	SBC1391		
	2013-09	Rear-All Hardware Included	CFC1325	SBC1325		
	2008	Rear-V6 - 3.3L Hardware Included	CFC1325	SBC1325		
	2008	Rear-V6 - 3.5L Hardware Included	CFC1325	SBC1325		
	2007-04	Rear-All Hardware Included	CFC996			
	2007-04	Rear-All Hardware Not Included		SBC996		
	2003-01	Rear-All Hardware Included	CFC885	SBC885		
	Parking Brake Shoe	2016	Rear-All		906	
		2015-14	Rear-All w/ 8.13" X 1.19" Brakes		906	
		2012-04	Rear-All		846	
2012-04		Rear-All In Supersession Process, Exhaust Current Inventory		851		
2003-01		Rear-All		859		
Disc Brake Rotor	2017-08	Front-All		PRT5798		
	2007-06	Front-L4 - 2.4L GAS		PRT5497		
	2007-06	Front-V6 - 3.3L ELECTRIC/GAS		PRT5613		
	2007-06	Front-V6 - 3.3L GAS		PRT5497		
	2005-01	Front-All		PRT5497		
	2018-14	Rear-All		PRT6001		
	2013-08	Rear-All		PRT5799		
	2007-04	Rear-All		PRT5549		
	2003-01	Rear-All AWD, 4WD		PRT5221		
	2003-01	Rear-All FWD		PRT1800		
Hilux						
Disc Brake Pad Set	2004	Front-All Hardware Included	CFC436A	SBC436A	MKD436AFM	
	2007-04	Rear-All Hardware Included	CFC606	SBC606		
Drum Brake Shoe	2017-16	Rear-All		709		

BENDIX BRAKE PARTS

PART TYPE	YEAR	APPLICATION	PREMIUM NO.	PART NO.	SEVERE DUTY NO.	
Toyota (Cont'd.)						
Hilux (Cont'd.)						
Drum Brake Shoe (cont'd)	2015	Rear-All Latin America		709		
Disc Brake Rotor	2008-04	Front-All 16" Wheels		PRT5458		
	2008-04	Front-All 17" Wheels		PRT5457		
Hi-Lux						
Drum Brake Shoe	1974-73	Rear-All w/ 10" X 2.21" Brakes		523		
Brake Drum	1974-72	Front-All		PDR0335		
	1974	Rear-All		PDR0335		
Land Cruiser						
Disc Brake Pad Set	2018-13	Front-All Hardware Included	CFC1303	SBC1303	MKD1303FM	
	2011-10	Front-All Hardware Included	CFC1303	SBC1303	MKD1303FM	
	2009-08	Front-V8 - 5.7L Hardware Included	CFC1303	SBC1303	MKD1303FM	
	2007-04	Front-V8 - 4.7L Hardware Included	CFC772	SBC772		
	2003-98	Front-All Hardware Included	CFC772	SBC772		
	1997-91	Front-All w/ 4 Piston Caliper		SBC502		
	1990-72	Front-All Hardware Included		SBC137		
	1966-65	Front-All Hardware Included		SBC390		
	2018-13	Rear-All Hardware Included	CFC1304			
	2018-13	Rear-All Hardware Not Included		SBC1304		
	2011-10	Rear-All Hardware Included	CFC1304			
	2011-10	Rear-All Hardware Not Included		SBC1304		
	2009-08	Rear-V8 - 5.7L Hardware Included	CFC1304			
	2009-08	Rear-V8 - 5.7L Hardware Not Included		SBC1304		
	2007-04	Rear-V8 - 4.7L Hardware Included	CFC773	SBC773		
	2003-98	Rear-All Hardware Included	CFC773	SBC773		
	1997-93	Rear-All Hardware Included	CFC606	SBC606		
	Parking Brake Shoe	2016-15	Rear-All		943	
		2011-08	Rear-All		943	
		2007-91	Rear-All		844	
Disc Brake Rotor	2013	Front-All		PRT5908		
	2011-08	Front-All		PRT5908		
	2007-98	Front-All		PRT5222		
	1997-93	Front-All		PRT1879		
	1992-90	Front-All From 1/90		PRT1661		
	1990	Front-All To 01/90		PRT1510		
	1989-81	Front-All		PRT1510		
	1980-76	Front-All		PRT5210 ⁶⁶		
	2018-13	Rear-All		PRT5719		
	2013	Rear-All			SDR5719	
	2011-08	Rear-All		PRT5719	SDR5719	
	2007-98	Rear-All		PRT5370		
	1997-93	Rear-All		PRT1878		
Brake Drum	1995-91	Rear-All From 1/90; 295mm		PDR0580		
	1990-81	Rear-All To 1/90		PDR0639		
	1990	Rear-All From 1/90		PDR0580		
Mark II						
Drum Brake Shoe	1976-74	Rear-All w/ 9" X 1.63" Brakes		407		
Disc Brake Rotor	1976-73	Front-All		PRT1108		
Brake Drum	1976-72	Rear-All		PDR0328		
Matrix						
Disc Brake Pad Set	2014	Front-All Hardware Included	CFC1210	SBC1210	MKD1210FM	
	2013	Front-L4 - 1.8L Hardware Included	CFC1210	SBC1210	MKD1210FM	
	2013	Front-L4 - 2.4L Hardware Included	CFC1211	SBC1211		
	2012	Front-L4 - 1.8L Base, Hardware Included	CFC1210	SBC1210	MKD1210FM	
	2012	Front-L4 - 2.4L AWD, Hardware Included	CFC1211	SBC1211		
	2012	Front-L4 - 2.4L S, Hardware Included	CFC1211	SBC1211		
	2012	Front-L4 - 2.4L XRS, Hardware Included	CFC1211	SBC1211		
	2011-09	Front-L4 - 1.8L Hardware Included	CFC1210	SBC1210	MKD1210FM	
	2011-09	Front-L4 - 2.4L Hardware Included	CFC1211	SBC1211		
	2008-03	Front-L4 - 1.8L Hardware Included	CFC923	SBC923		
	2014	Rear-All Hardware Included	CFC1354	SBC1354		
	2013	Rear-All AWD, Hardware Included	CFC1212	SBC1212		
	2013	Rear-All Base, FWD, Hardware Included	CFC1354	SBC1354		
	2013	Rear-All S, AWD, Hardware Included	CFC1212	SBC1212		
	2013	Rear-All S, FWD, Hardware Included	CFC1354	SBC1354		
	2013	Rear-All XRS, FWD, Hardware Included	CFC1354	SBC1354		
	2012	Rear-L4 - 1.8L Base, FWD, Hardware Included	CFC1354	SBC1354		
	2012	Rear-L4 - 2.4L AWD, AWD, Hardware Included	CFC1212	SBC1212		
	2012	Rear-L4 - 2.4L S, AWD, Hardware Included	CFC1212	SBC1212		
	2012	Rear-L4 - 2.4L S, FWD, Hardware Included	CFC1354	SBC1354		
	2012	Rear-L4 - 2.4L XRS, FWD, Hardware Included	CFC1354	SBC1354		
	2011-09	Rear-L4 - 1.8L Hardware Included	CFC1354	SBC1354		
	2011	Rear-L4 - 2.4L AWD, Hardware Included	CFC1212	SBC1212		
	2011	Rear-L4 - 2.4L FWD, Hardware Included	CFC1354	SBC1354		

66 Sell out and reorder PRT1510

BENDIX BRAKE PARTS

PART TYPE	YEAR	APPLICATION	PREMIUM NO.	PART NO.	SEVERE DUTY NO.
Toyota (Cont'd.)					
Matrix (Cont'd.)					
Disc Brake Pad Set (cont'd)	2010-09	Rear-L4 - 2.4L S, AWD, Hardware Included	CFC1212	SBC1212	
	2010-09	Rear-L4 - 2.4L S, FWD, Hardware Included	CFC1354	SBC1354	
	2010-09	Rear-L4 - 2.4L XR, AWD, Hardware Included	CFC1212	SBC1212	
	2010-09	Rear-L4 - 2.4L XR, FWD, Hardware Included	CFC1354	SBC1354	
	2010	Rear-L4 - 2.4L XRS, Hardware Included	CFC1354	SBC1354	
	2009	Rear-L4 - 2.4L XRS, Hardware Included	CFC1212	SBC1212	
	2008-07	Rear-All XR, Hardware Included	CFC823		
	2008-07	Rear-All XR, Hardware Not Included		SBC823	
	2006-03	Rear-L4 - 1.8L Hardware Included	CFC823		
	2006-03	Rear-L4 - 1.8L Hardware Not Included		SBC823	
Drum Brake Shoe	2008-07	Rear-All w/ 9" X 1.64" Brakes		785	
	2006-03	Rear-All AWD		790	
	2006-03	Rear-All Base, FWD		785	
	2006-03	Rear-All XR, FWD		785	
Parking Brake Shoe	2011-10	Rear-All		916	
	2009	Rear-All w/ 6.64" X 1.10" Brakes		916	
	2009	Rear-All w/ 6.86" X 1.26" Brakes		796	
	2008-03	Rear-All		796	
Disc Brake Rotor	2013-09	Front-L4 - 1.8L		PRT5818	
	2013-09	Front-L4 - 2.4L		PRT5713	
	2008-03	Front-All		PRT5294	
	2013-09	Rear-All AWD		PRT6332	
	2013-09	Rear-L4 - 1.8L		PRT5854	
	2013-09	Rear-L4 - 2.4L FWD		PRT5853	
	2008-07	Rear-All XR		PRT5293	
	2006-03	Rear-All XRS		PRT5293	
Brake Drum	2008-07	Rear-All		PDR0747	
	2006-03	Rear-All Base, AWD		PDR0823	
	2006-03	Rear-All Base, FWD		PDR0747	
	2006-03	Rear-All XR, AWD		PDR0823	
	2006-03	Rear-All XR, FWD		PDR0747	
Mirai					
Disc Brake Pad Set	2018-16	Front-All Hardware Included	CFC1211	SBC1211	
	2018-16	Rear-All Hardware Included	CFC1391	SBC1391	
Disc Brake Rotor	2017-16	Front-All		PRT5713	
	2017-16	Rear-All		PRT6174	
MR2					
Disc Brake Pad Set	1995-91	Front-L4 - 2.2L Hardware Included		SBC242	
	1992	Front-L4 - 2.0L To 1/92		SBM489	
	1991	Front-L4 - 2.0L Hardware Not Included		SBM489	
	1989-85	Front-All Hardware Included		SBC242	
	1995-93	Rear-L4 - 2.0L Hardware Not Included		SBC309	
	1995-93	Rear-L4 - 2.2L Hardware Not Included		SBC309	
	1992-91	Rear-All Hardware Not Included		SBC309	
	1989-85	Rear-All Hardware Not Included		SBC309	
Disc Brake Rotor	1995-93	Front-L4 - 2.0L		PRT1870	
	1995-93	Front-L4 - 2.2L		PRT1653	
	1992	Front-L4 - 2.0L From 1/92		PRT1870	
	1992	Front-L4 - 2.0L To 01/92		PRT1653	
	1992	Front-L4 - 2.2L To 01/92		PRT1653	
	1991	Front-L4 - 2.0L		PRT1653	
	1991	Front-L4 - 2.2L		PRT1653	
	1989-87	Front-All		PRT1669	
	1986-85	Front-All		PRT1367	
	1995-93	Rear-L4 - 2.0L		PRT5025	
	1995-92	Rear-L4 - 2.2L		PRT1683	
	1992	Rear-L4 - 2.0L From 1/92		PRT5025	
	1992	Rear-L4 - 2.0L To 1/92		PRT1683	
	1991	Rear-All		PRT1683	
	1989-87	Rear-All		PRT1521	
	1986-85	Rear-All		PRT1362	
MR2 Spyder					
Disc Brake Pad Set	2005-02	Front-All Hardware Included	CFC990		
	2005-02	Front-All Hardware Not Included		SBC990	
	2001-00	Front-All Hardware Included	CFC822		
	2001-00	Front-All Hardware Not Included		SBC822	
	2005-00	Rear-All Hardware Not Included		SBC309	
Disc Brake Rotor	2005-00	Front-All		PRT5376	
	2005-00	Rear-All		PRT5375	
Paseo					
Disc Brake Pad Set	1999-92	Front-All Hardware Included		SBC242	
Drum Brake Shoe	1999-92	Rear-All w/ 7.09" X 1.02" Brakes		642	
Disc Brake Rotor	1999-96	Front-All		PRT1711	

BENDIX BRAKE PARTS

PART TYPE	YEAR	APPLICATION	PREMIUM NO.	PART NO.	SEVERE DUTY NO.	
Toyota (Cont'd.)						
Paseo (Cont'd.)						
Disc Brake Rotor (cont'd)	1995-92	Front-All		PRT1704		
Brake Drum	1996-93	Rear-All 4-Wheel ABS		PDR0648		
	1996-93	Rear-All Non-ABS		PDR0643		
	1992	Rear-All		PDR0590		
Pickup						
Disc Brake Pad Set	1995-93	Front-V6 - 3.0L RWD, w/ Dual Rear Wheels		SBM434		
	1995-93	Front-V6 - 3.0L RWD, w/ Single Rear Wheels		SBC433	MKD433FM	
	1995-92	Front-L4 - 2.4L Base, Manual Trans, RWD, w/ 1 Piston Caliper		SBC207		
	1995-92	Front-L4 - 2.4L DLX, RWD, w/ 1 Piston Caliper		SBC433	MKD433FM	
	1995-89	Front-L4 - 2.4L 4WD, w/ 4 Piston Caliper		SBC436	MKD436FM	
	1995-89	Front-V6 - 3.0L 4WD, w/ 4 Piston Caliper		SBC436	MKD436FM	
	1992-89	Front-V6 - 3.0L Extended Cab Pickup, RWD, 1/2 Ton		SBC433	MKD433FM	
	1992-89	Front-V6 - 3.0L Standard Cab Pickup, RWD, 1/2 Ton		SBC433	MKD433FM	
	1992	Front-V6 - 3.0L Extended Cab Pickup, RWD, 1 Ton		SBM434		
	1992	Front-V6 - 3.0L Standard Cab Pickup, RWD, 1 Ton		SBM434		
	1991-89	Front-All RWD, 1/2 Ton		SBC433		
	1991-89	Front-All RWD, 1/2 Ton		SBC207	MKD433FM	
	1991-89	Front-L4 - 2.4L RWD, Exc. Standard		SBC433	MKD433FM	
	1991-89	Front-L4 - 2.4L RWD, Standard		SBC207		
	1991-89	Front-V6 - 3.0L Extended Cab Pickup, RWD, 1/2 Ton		SBM434		
	1991-89	Front-V6 - 3.0L Standard Cab Pickup, RWD, 1/2 Ton		SBM434		
	1989	Front-All 4WD, Early		SBC436	MKD436FM	
	1988-85	Front-L4 - 2.4L RWD, 1/2 Ton		SBC207		
	1988-85	Front-L4 - 2.4L RWD, 1 Ton		SBM303		
	1988	Front-L4 - 2.4L 4WD, w/ 4 Piston Caliper		SBC137		
	1988	Front-V6 - 3.0L 4WD, Hardware Included		SBC436	MKD436FM	
	1988	Front-V6 - 3.0L RWD, Hardware Included		SBC436	MKD436FM	
	1987-86	Front-All 4WD, Hardware Included		SBC137		
	1987-84	Front-All RWD, w/ Short Bed		SBC207		
	1985	Front-L4 - 2.4L 4WD, w/ 4 Piston Caliper		SBC137		
	1984-79	Front-All 4WD, Hardware Included		SBC137		
	Drum Brake Shoe	1995-94	Rear-All Base, RWD, 1/2 Ton		505	
		1995-94	Rear-All DLX, RWD, 1/2 Ton		505	
		1995-94	Rear-All SR5, RWD, 1/2 Ton		505	
		1995-93	Rear-All RWD, w/ Dual Rear Wheels		523	
		1995-87	Rear-All 4WD		589	
		1993-91	Rear-All 2 Doors, Cab & Chassis, RWD, 1/2 Ton		523	
		1993-91	Rear-All Base, Standard Cab Pickup, RWD, 1/2 Ton		505	
		1993-91	Rear-All DLX, Extended Cab Pickup, RWD, 1/2 Ton		505	
		1993-91	Rear-All DLX, Standard Cab Pickup, RWD, 1/2 Ton		505	
		1993-91	Rear-All SR5, Extended Cab Pickup, RWD, 1/2 Ton		505	
		1992-91	Rear-All RWD, 1 Ton w/ Single Rear Wheels		523	
		1990	Rear-L4 - 2.4L Base, RWD, 1/2 Ton		505	
		1990	Rear-L4 - 2.4L DLX, RWD, 1/2 Ton		505	
		1990	Rear-L4 - 2.4L SR5, RWD, 1/2 Ton		505	
		1990	Rear-V6 - 3.0L RWD, 1 Ton w/ Dual Rear Wheels		523	
		1989	Rear-All Manual Trans, RWD, w/ Single Rear Wheels		505	
		1989	Rear-All RWD, 1 Ton		523	
		1988-80	Rear-All RWD, 1/2 Ton		505	
		1988	Rear-V6 - 3.0L RWD, 1 Ton		523	
		1987	Rear-All RWD, w/ 10" X 2.21" Brakes		523	
		1986	Rear-All 4WD		568	
1985-79		Rear-All 4WD		523		
1983-80		Rear-All RWD, 3/4 Ton		523		
1979		Rear-All RWD		505		
1978		Rear-All Early		523		
1978		Rear-All Late		505		
1977-71		Rear-All w/ 10" X 2.21" Brakes		523		
Disc Brake Rotor		1995-90	Front-All RWD, w/ 10" Diameter Rotor		PRT1680	
		1995-86	Front-All 4WD		PRT1408	
		1995-84	Front-All RWD, w/ 9.75" Diameter Rotor		PRT1292	
		1994-90	Front-All RWD, 261mm Rotor		PRT1640	
		1994-84	Front-All RWD, 257mm diameter rotor, 5 Hole Rotor		PRT1365	
		1988-85	Front-All 6 Hole Rotor, 257mm Diameter Rotor; Vented		PRT1660	
		1985-81	Front-All 4WD		PRT1244	
		1983-79	Front-All RWD, Solid Rotor; Solid; 265.8mm		PRT1137	
		1983-79	Front-All RWD, Vented Rotor		PRT1242	
		1980-79	Front-All 4WD		PRT1463	
	1978-75	Front-All Solid; 265.8mm		PRT1137		
	Brake Drum	1974-72	Front-All		PDR0335	
		1995-92	Rear-All RWD, (Single Rear Wheels)		PDR0582	
1995-89		Rear-All 4WD		PDR0751		
1995-86		Rear-All RWD, (Dual Rear Wheels)		PDR0711		

BENDIX BRAKE PARTS

PART TYPE	YEAR	APPLICATION	PREMIUM NO.	PART NO.	SEVERE DUTY NO.
Toyota (Cont'd.)					
Pickup (Cont'd.)					
Brake Drum (cont'd)	1992-80	Rear-All RWD, (1 Ton Chassis); 254mm		PDR0769	
	1991-89	Rear-All RWD, (1/2 Ton Chassis)		PDR0582	
	1988-87	Rear-All 4WD		PDR0517	
	1988-84	Rear-All RWD, (1/2 Ton Chassis)		PDR0513	
	1986-79	Rear-All 4WD		PDR0434	
	1983-82	Rear-All RWD, HD brakes		PDR0335	
	1983-82	Rear-All RWD, Standard Brakes		PDR0424	
	1981-79	Rear-All RWD standard brakes		PDR0424	
	1981	Rear-All RWD HD brakes		PDR0335	
	1978-74	Rear-All		PDR0335	
Previa					
Disc Brake Pad Set	1997	Front-All Hardware Included		SBC716	
	1996-95	Front-All LE, 4-Wheel ABS, Hardware Included		SBM500	
	1996-95	Front-All LE, Non-ABS, Hardware Included		SBM527	
	1996	Front-All DX, 4-Wheel ABS, w/ 2 Piston Caliper		SBM500	
	1995	Front-All DX, Hardware Included		SBM527	
	1994	Front-All 4-Wheel ABS, Hardware Included		SBM500	
	1994	Front-All Non-ABS, Hardware Included		SBM527	
	1993	Front-All 4-Wheel ABS, w/ Dual Piston Caliper		SBM500	
	1993	Front-All Rear Disc, Non-ABS, w/ Single Piston Caliper		SBM527	
	1993	Front-All Rear Drum, Non-ABS, Hardware Included		SBM500	
	1992-91	Front-All 4-Wheel ABS, Hardware Included		SBM500	
	1992-91	Front-All Non-ABS, Hardware Included		SBM527	
	1997-91	Rear-All Hardware Not Included		SBC501	
Drum Brake Shoe	1997-96	Rear-All		709	
	1995	Rear-All From 8/94		709	
	1995	Rear-All To 8/94		505	
	1994-91	Rear-All w/ 10" X 1.99" Brakes		505	
Parking Brake Shoe	1997-94	Rear-All		846	
	1997-94	Rear-All In Supersession Process, Exhaust Current Inventory		851	
Disc Brake Rotor	1997	Front-All		PRT1561	
	1996-95	Front-All Non-ABS		PRT1561	
	1996-91	Front-All Rear Disc, 4-Wheel ABS		PRT1722	
	1994-91	Front-All Rear Disc, Non-ABS		PRT1561	
	1994-91	Front-All Rear Drum		PRT1654	
	1997-91	Rear-All		PRT1411	
Brake Drum	1997-91	Rear-All		PDR0605	
Prius					
Disc Brake Pad Set	2018	Front-All Hardware Included	CFC1184A	SBC1184A	
	2017	Front-All Hardware Included	CFC1184	SBC1184	
	2016-10	Front-All Hardware Included	CFC1184A	SBC1184A	
	2009-03	Front-All Hardware Included	CFC990		
	2009-03	Front-All Hardware Not Included		SBC990	
	2002-01	Front-All Hardware Included	CFC822		
	2002-01	Front-All Hardware Not Included		SBC822	
	2018	Rear-All Hardware Included	CFC1354	SBC1354	
	2017-15	Rear-All Hardware Included	CFC1423	SBC1423	
	2014-10	Rear-All Hardware Included	CFC1354	SBC1354	
Drum Brake Shoe	2009	Rear-All w/ 7.88" X 1.21" Brakes		917	
	2003-01	Rear-All w/ 7.88" X 1.21" Brakes		753	
Disc Brake Rotor	2015-10	Front-All		PRT5944	
	2009-04	Front-All		PRT5586	
	2003-01	Front-All		PRT5322	
	2017-10	Rear-All		PRT5854	
Brake Drum	2009	Rear-All		PDR0832	
	2008-04	Rear-All		PDR0753 ¹⁰¹	
	2003-01	Rear-All		PDR0736	
Prius C					
Disc Brake Pad Set	2019-12	Front-All Hardware Included	CFC1184	SBC1184	
Drum Brake Shoe	2017-15	Rear-All		945	
	2012	Rear-All		945	
Disc Brake Rotor	2018-12	Front-All		PRT5710	
Brake Drum	2018-12	Rear-All		PDR0849	
Prius Plug-In					
Disc Brake Pad Set	2015-12	Front-All Hardware Included	CFC1184A	SBC1184A	
	2015-12	Rear-All Hardware Included	CFC1423	SBC1423	
Disc Brake Rotor	2015-12	Front-All		PRT5944	
	2015-12	Rear-All		PRT5854	
Prius Prime					
Disc Brake Pad Set	2018	Front-All Hardware Included	CFC1184A	SBC1184A	
	2017	Front-All Hardware Included	CFC1184	SBC1184	
	2018-17	Rear-All Hardware Included	CFC1354	SBC1354	

101 PDR0753 replaces PDR0733. Sell out PDR0733 and reorder PDR0753.

BENDIX BRAKE PARTS

PART TYPE	YEAR	APPLICATION	PREMIUM NO.	PART NO.	SEVERE DUTY NO.	
Toyota (Cont'd.)						
Prius Prime (Cont'd.)						
Disc Brake Rotor	2017	Rear-All		PRT5854		
Prius V						
Disc Brake Pad Set	2017-12	Front-All Hardware Included	CFC1210	SBC1210	MKD1210FM	
	2017-12	Rear-All Hardware Included	CFC1391	SBC1391		
Disc Brake Rotor	2016-12	Front-All		PRT5886		
	2017-12	Rear-All		PRT6174		
RAV4						
Disc Brake Pad Set	2019	Front-All Hardware Included	CFC2076	SBC2076		
	2018-17	Front-All Hybrid LE+, Hardware Included	CFC1210	SBC1210	MKD1210FM	
	2018-13	Front-All LE, Hardware Included	CFC1210	SBC1210	MKD1210FM	
	2018	Front-All Adventure, Japan Built Vehicle	CFC1211	SBC1211		
	2018	Front-All Hybrid Limited, Japan Built Vehicle	CFC1211	SBC1211		
	2018	Front-All Hybrid SE, Japan Built Vehicle	CFC1211	SBC1211		
	2018	Front-All Hybrid XLE, Japan Built Vehicle	CFC1211	SBC1211		
	2018	Front-All Limited, Japan Built Vehicle	CFC1211	SBC1211		
	2018	Front-All Platinum, Japan Built Vehicle	CFC1211	SBC1211		
	2018	Front-All SE, Japan Built Vehicle	CFC1211	SBC1211		
	2018	Front-All XLE, Japan Built Vehicle	CFC1211	SBC1211		
	2018	Front-All XLE Plus, Japan Built Vehicle	CFC1211	SBC1211		
	2017-16	Front-All Hybrid Limited, Hardware Included	CFC1211	SBC1211		
	2017-16	Front-All Hybrid XLE, Hardware Included	CFC1211	SBC1211		
	2017-16	Front-All SE, Hardware Included	CFC1211	SBC1211		
	2017-14	Front-All Limited, Hardware Included	CFC1211	SBC1211		
	2017-14	Front-All XLE, Hardware Included	CFC1211	SBC1211		
	2017	Front-All Hybrid SE, Hardware Included	CFC1211	SBC1211		
	2017	Front-All Platinum, Hardware Included	CFC1211	SBC1211		
	2014	Front-All EV, Hardware Included	CFC1211	SBC1211		
	2013	Front-All EV, North American Made	CFC1211	SBC1211		
	2013	Front-All Limited, Japan Made	CFC1211	SBC1211		
	2013	Front-All Limited, North American Made	CFC1211	SBC1211		
	2013	Front-All XLE, Japan Made	CFC1211	SBC1211		
	2013	Front-All XLE, North American Made	CFC1211	SBC1211		
	2012-06	Front-V6 - 3.5L Hardware Included	CFC1211	SBC1211		
	2012	Front-All EV, ELECTRIC, Hardware Included	CFC1210	SBC1210	MKD1210FM	
	2012	Front-L4 - 2.5L w/ 3rd Row Seat	CFC1211	SBC1211		
	2012	Front-L4 - 2.5L w/o 3rd Row Seat	CFC1210	SBC1210	MKD1210FM	
	2011-09	Front-L4 - 2.5L Exc. 3rd Row Seating	CFC1210	SBC1210	MKD1210FM	
	2011-09	Front-L4 - 2.5L w/ 3rd Row Seating	CFC1211	SBC1211		
	2008-06	Front-L4 - 2.4L Exc. 3rd Row Seating	CFC1210	SBC1210	MKD1210FM	
	2008-06	Front-L4 - 2.4L w/ 3rd Row Seating	CFC1211	SBC1211		
	2005-01	Front-All Hardware Included	CFC862	SBC862		
	2000-96	Front-All Hardware Included	CFC562			
	2000-96	Front-All Hardware Not Included		SBC562		
	2019	Rear-All Hardware Included	CFC1805			
	2018	Rear-All Adventure, Hardware Included	CFC1212	SBC1212		
	2018	Rear-All Hybrid LE+, Hardware Included	CFC1212	SBC1212		
	2018	Rear-All Hybrid Limited, Hardware Included	CFC1212	SBC1212		
	2018	Rear-All Hybrid SE, Hardware Included	CFC1212	SBC1212		
	2018	Rear-All Hybrid XLE, Hardware Included	CFC1212	SBC1212		
	2018	Rear-All LE, Hardware Included	CFC1212	SBC1212		
	2018	Rear-All Limited, Hardware Included	CFC1212	SBC1212		
	2018	Rear-All Platinum, Hardware Included	CFC1212	SBC1212		
	2018	Rear-All SE, Hardware Included	CFC1212	SBC1212		
	2018	Rear-All XLE, Hardware Included	CFC1212	SBC1212		
	2018	Rear-All XLE Plus, Hardware Included	CFC1212	SBC1212		
	2017-13	Rear-All Hardware Included	CFC1212	SBC1212		
	2012	Rear-All EV, ELECTRIC, Hardware Included	CFC1212	SBC1212		
	2012	Rear-L4 - 2.5L Hardware Included	CFC1212	SBC1212		
	2012	Rear-V6 - 3.5L Hardware Included	CFC1212	SBC1212		
	2011-06	Rear-All Hardware Included	CFC1212	SBC1212		
	2005-04	Rear-All Hardware Included	CFC1051	SBC1051		
	Drum Brake Shoe	2005-04	Rear-All		802	
		2003	Rear-All w/ 9" X 1.60" Brakes		802	
		2003	Rear-All w/ 10" X 1.99" Brakes		505	
		2002-98	Rear-All w/ 9" X 1.59" Brakes		528	
		2002-98	Rear-All w/ 9" X 1.59" Brakes		587	
		2002-98	Rear-All w/ 10" X 1.38" Brakes		505A	
		1997-96	Rear-All		587	
		1997-96	Rear-All In Supersession Process, Exhaust Current Inventory		528	
		Parking Brake Shoe	2016-15	Rear-All		916
	2012-06		Rear-All		916	
	2005-04		Rear-All		846	
	Disc Brake Rotor	2018-14	Front-All LE; 275mm Rotor Dia.		PRT5886	

BENDIX BRAKE PARTS

PART TYPE	YEAR	APPLICATION	PREMIUM NO.	PART NO.	SEVERE DUTY NO.	
Toyota (Cont'd.)						
RAV4 (Cont'd.)						
Disc Brake Rotor (cont'd)	2018-13	Front-All exc. LE; 296mm Rotor Dia.		PRT5713		
	2013	Front-All LE exc. Japan Built; 296mm Rotor Dia.		PRT5713		
	2013	Front-All LE Japan Built Vehicle; 275mm Rotor Dia.		PRT5886		
	2012-09	Front-L4 - 2.5L exc. 3rd Row Seating; 275mm Rotor Dia.		PRT5886		
	2012-06	Front-All w/ 3rd Row Seating; 296mm Rotor Dia.		PRT5713		
	2008-06	Front-L4 - 2.4L exc. 3rd Row Seating; 275mm Rotor Dia.		PRT5886		
	2005-04	Front-All		PRT5328		
	2003-01	Front-All ELECTRIC		PRT5133		
	2003-01	Front-L4 - 2.0L		PRT5328		
	2000-96	Front-All		PRT5133		
	2018-06	Rear-All		PRT5922		
	2005-04	Rear-All		PRT5548		
	Brake Drum	2004	Rear-All		PDR0782	
2003-02		Rear-L4 - 2.0L		PDR0691 ⁵²		
Sequoia						
Disc Brake Pad Set	2019-09	Front-All Hardware Included	CFC1303	SBC1303	MKD1303FM	
	2008	Front-V8 - 4.7L Hardware Included	CFC1303	SBC1303	MKD1303FM	
	2008	Front-V8 - 5.7L Hardware Included	CFC1303	SBC1303	MKD1303FM	
	2007-01	Front-All w/ 4.7" Pad Plate Length	CFC812	SBC812	MKD812FM	
	2007-01	Front-All w/ 5.3" Pad Plate Length	CFC976	SBC976	MKD976FM	
	2019-09	Rear-All Hardware Included	CFC1304			
	2019-09	Rear-All Hardware Not Included		SBC1304		
	2008	Rear-V8 - 4.7L Hardware Included	CFC1304			
	2008	Rear-V8 - 4.7L Hardware Not Included		SBC1304		
	2008	Rear-V8 - 5.7L Hardware Included	CFC1304			
	2008	Rear-V8 - 5.7L Hardware Not Included		SBC1304		
	2007-01	Rear-All Hardware Included	CFC606	SBC606		
	Parking Brake Shoe	2016-15	Rear-All		943	
2012-08		Rear-All		943		
2007-01		Rear-All		850		
Disc Brake Rotor	2018-08	Front-All		PRT5718	SDR5718	
	2007-01	Front-All		PRT5291		
	2018-08	Rear-All		PRT5719	SDR5719	
	2007-01	Rear-All		PRT5330		
Sienna						
Disc Brake Pad Set	2019-11	Front-All Hardware Included	CFC1324	SBC1324		
	2010	Front-All Hardware Included	CFC906	SBC906	MKD906FM	
	2009-07	Front-V6 - 3.5L Hardware Included	CFC906	SBC906	MKD906FM	
	2006-05	Front-V6 - 3.3L Hardware Included	CFC906	SBC906	MKD906FM	
	2004	Front-All Hardware Included	CFC906	SBC906	MKD906FM	
	2003	Front-V6 - 3.0L Hardware Included	CFC476	SBC476		
	2002-98	Front-All Hardware Included	CFC476	SBC476		
	2019-11	Rear-All Hardware Included	CFC1391	SBC1391		
	2010	Rear-All Hardware Included	CFC995	SBC995		
	2009-07	Rear-V6 - 3.5L Hardware Included	CFC995	SBC995		
	2006-04	Rear-V6 - 3.3L Hardware Included	CFC995	SBC995		
	Drum Brake Shoe	2010-04	Rear-All		804	
		2003-98	Rear-All w/ 9.84" X 1.85" Brakes		729	
Parking Brake Shoe	2015-11	Rear-All w/ 8.13" X 1.19" Brakes		906		
	2010-04	Rear-All		846		
Disc Brake Rotor	2017-11	Front-All		PRT5798		
	2010-04	Front-All		PRT5471		
	2003-98	Front-All		PRT5234		
	2018-11	Rear-All		PRT6001		
	2010-04	Rear-All		PRT5550		
Brake Drum	2010-04	Rear-All		PDR0790		
	2003-98	Rear-All Finned Drum		PDR0717		
Solara						
Disc Brake Pad Set	2008-07	Front-All Hardware Included	CFC906	SBC906	MKD906FM	
	2006-05	Front-L4 - 2.4L Hardware Included	CFC906	SBC906	MKD906FM	
	2006-05	Front-V6 - 3.3L Hardware Included	CFC906	SBC906	MKD906FM	
	2004	Front-All Hardware Included	CFC906	SBC906	MKD906FM	
	2003-99	Front-All Hardware Included	CFC707	SBC707		
	2008-07	Rear-All Hardware Included	CFC828	SBC828		
	2006-05	Rear-L4 - 2.4L Hardware Included	CFC828	SBC828		
	2006-05	Rear-V6 - 3.3L Hardware Included	CFC828	SBC828		
	2004-01	Rear-All Hardware Included	CFC828	SBC828		
	2000-99	Rear-All From 9/99	CFC828	SBC828		
	2000-99	Rear-All To 9/99	CFC325	SBC325		
	Drum Brake Shoe	2003-99	Rear-All w/ 9" X 1.59" Brakes		528	
		2003-99	Rear-All w/ 9" X 1.59" Brakes		587	
Parking Brake Shoe	2008-99	Rear-All w/ 6.69" X 1.57" Brakes		859		
Disc Brake Rotor	2008-04	Front-All		PRT5471		
	2003-99	Front-All		PRT5234		

52 Sell out and reorder PDR0782

BENDIX BRAKE PARTS

PART TYPE	YEAR	APPLICATION	PREMIUM NO.	PART NO.	SEVERE DUTY NO.
Toyota (Cont'd.)					
Solara (Cont'd.)					
Disc Brake Rotor (cont'd)	2008-04	Rear-All		PRT5411	
	2003-02	Rear-L4 - 2.4L		PRT1726	
	2003-99	Rear-V6 - 3.0L		PRT1726	
	2001-99	Rear-L4 - 2.2L		PRT1726	
Brake Drum	2003-02	Rear-L4 - 2.4L		PDR0760	
	2001-99	Rear-L4 - 2.2L		PDR0581	
Starlet					
Disc Brake Pad Set	1984-81	Front-All Hardware Not Included		SBC180	
Disc Brake Rotor	1984-81	Front-All		PRT1239	
Brake Drum	1984-81	Rear-All		PDR0418	
Supra					
Disc Brake Pad Set	1998-93	Front-All Naturally Aspirated, Hardware Included	CFC619	SBC619	
	1992-89	Front-All Hardware Included		SBC336	
	1988	Front-All From 10/87		SBC336	
	1987-86	Front-All Hardware Included		SBC336	
	1998-93	Rear-All Naturally Aspirated, Hardware Not Included		SBC572	
	1992-86	Rear-All Hardware Not Included		SBC337	
Parking Brake Shoe	1998-93	Rear-All		846	
	1998-93	Rear-All In Supersession Process, Exhaust Current Inventory		851	
Disc Brake Rotor	1998-93	Front-L6 - 3.0L Naturally Aspirated		PRT1889	
	1998-93	Front Left-L6 - 3.0L Turbocharged		PRT1855	
	1998-93	Front Right-L6 - 3.0L Turbocharged		PRT1856	
	1992-86	Front-All		PRT1412	
	1998-93	Rear-L6 - 3.0L Naturally Aspirated		PRT1948	
	1998-93	Rear-L6 - 3.0L Turbocharged		PRT1890	
1992-86	Rear-All		PRT1411		
T100					
Disc Brake Pad Set	1998-96	Front-All RWD, 1/2 Ton		SBM604	
	1998-96	Front-All RWD, 1 Ton		SBM434	
	1998	Front-L4 - 2.7L 4WD, w/ 4 Piston Caliper		SBC611	
	1998	Front-V6 - 3.4L 4WD, w/ 4 Piston Caliper		SBC611	
	1997-96	Front-All 4WD, w/ 4 Piston Caliper		SBC611	
	1995	Front-All Base, RWD, Hardware Not Included		SBM604	
	1995	Front-All DX, 4WD, w/ 4 Piston Caliper		SBC611	
	1995	Front-All DX, RWD, Hardware Not Included		SBM604	
	1995	Front-All One-Ton DLX, RWD, Hardware Included		SBM434	
	1995	Front-All SR5, 4WD, w/ 4 Piston Caliper		SBC611	
	1995	Front-All SR5, RWD, Hardware Not Included		SBM604	
	1994	Front-All 4WD, w/ 4 Piston Caliper		SBC611	
	1994	Front-All RWD, 1/2 Ton		SBM604	
	1994	Front-All RWD, 1 Ton		SBM434	
	1993	Front-All Base, 4WD, w/ 4 Piston Caliper		SBC611	
	1993	Front-All Base, RWD, Hardware Not Included		SBM604	
	1993	Front-All One-Ton, RWD, Hardware Included		SBM434	
	1993	Front-All SR5, 4WD, w/ 4 Piston Caliper		SBC611	
	1993	Front-All SR5, RWD, Hardware Not Included		SBM604	
	Drum Brake Shoe	1998-93	Rear-All 4WD		589
Disc Brake Rotor	1998-93	Front-All 4WD		PRT1744	
	1998-93	Front-All RWD, (1/2 Ton Chassis)		PRT1895	
	1998-93	Front-All RWD, (1 Ton Chassis)		PRT1896	
Brake Drum	1998-93	Rear-All 1/2 Ton Chassis		PDR0517	
	1998-93	Rear-All 1 Ton Chassis		PDR0654	
Tacoma					
Disc Brake Pad Set	2019-16	Front-All Hardware Included	CFC976	SBC976	MKD976FM
	2015-05	Front-All Base, 4WD, Hardware Included	CFC976	SBC976	MKD976FM
	2015-05	Front-All Base, RWD, Hardware Included	CFC906	SBC906	MKD906FM
	2015-05	Front-All Pre Runner, RWD, Hardware Included	CFC976	SBC976	MKD976FM
	2015	Front-All TRD Pro, 4WD, Hardware Included	CFC976	SBC976	MKD976FM
	2013-05	Front-All X-Runner, RWD, Hardware Included	CFC906	SBC906	MKD906FM
	2004-99	Front-All w/ 6 Lug Wheels	CFC799	SBC799	MKD799FM
	2004-95	Front-All w/ 5 Lug Wheels	CFC433A	SBC433A	MKD433AFM
	1998-95	Front-All w/ 6 Lug Wheels	CFC436A	SBC436A	MKD436AFM
	Drum Brake Shoe	2019-15	Rear-All		871
2012-05		Rear-All w/ 10" X 1.99" Brakes		871	
2004-95		Rear-All RWD, w/ 10" X 1.99" Brakes		505	
2004		Rear-All 4WD		764	
2003-95		Rear-All 4WD, w/ 11.61" X 2" Brakes		589	
Disc Brake Rotor	2017-15	Front-All		PRT5458	
	2014	Front-All		PRT5819	
	2013-05	Front-All 5 Holes		PRT5717	
	2013-05	Front-All 6 Holes		PRT5458	
	2012-11	Front-All 6 Lug		PRT5819	
	2010	Front-All 4WD		PRT5819	

BENDIX BRAKE PARTS

PART TYPE	YEAR	APPLICATION	PREMIUM NO.	PART NO.	SEVERE DUTY NO.
Toyota (Cont'd.)					
Tacoma (Cont'd.)					
Disc Brake Rotor (cont'd)	2009	Front-All 6 Lug		PRT5819	
	2008	Front-All 4WD		PRT5819	
	2004-95	Front-All 5 Holes		PRT5077	
	2004-95	Front-All 6 Lug Wheels, 11.68" Diameter		PRT5078	
Brake Drum	2004	Front-All 6 Lug Wheels, 12.54" Diameter		PRT5137	
	2017-05	Rear-All 6 Holes		PDR0819	
	2013-05	Rear-All 5 Holes		PDR0813	
	2004-99	Rear-All 4WD, 6 Lug Wheels		PDR0517	
	2004-99	Rear-All RWD, 5 Lug Wheels		PDR0582	
	2004-99	Rear-All RWD, 6 Lug Wheels		PDR0751	
	1998-95	Rear-L4 - 2.4L		PDR0582	
	1998-95	Rear-L4 - 2.7L 4WD		PDR0751	
	1998-95	Rear-L4 - 2.7L RWD		PDR0582	
	1998-95	Rear-V6 - 3.4L 4WD		PDR0751	
1998-95	Rear-V6 - 3.4L RWD		PDR0582		
Tercel					
Disc Brake Pad Set	1999-95	Front-All Hardware Included		SBC242	
	1994	Front-L4 - 1.5L Hardware Included		SBC242	
	1993-83	Front-All Hardware Included		SBC242	
	1982-80	Front-All Hardware Not Included		SBC180	
Drum Brake Shoe	1999-91	Rear-All w/ 7.09" X 1.02" Brakes		642	
	1987-84	Rear-All w/ 7.88" X 1.21" Brakes		551	
	1987-84	Rear-All w/ 7.88" X 1.21" Brakes		597	
Disc Brake Rotor	1999-91	Front-All		PRT1711	
	1990-83	Front-All		PRT1297	
	1982-81	Front-All		PRT1227	
	1980	Front-All 4 Speeds		PRT1691	
	1980	Front-All Manual Trans, 5 Speeds		PRT1227	
Brake Drum	1999-93	Rear-All Non-ABS, Non-ABS		PDR0643	
	1992	Rear-All From 7/92		PDR0643	
	1992	Rear-All To 7/92		PDR0590	
	1991	Rear-All DLX		PDR0590	
	1991	Rear-All LE		PDR0590	
	1990-89	Rear-All		PDR0436	
	1988-84	Rear-All Hatchback, FWD		PDR0436	
	1988-84	Rear-All Wagon, 4WD		PDR0478	
	1987-84	Rear-All Wagon, FWD		PDR0437	
	1983	Rear-All 4WD		PDR0478	
	1983	Rear-All FWD		PDR0436	
1982-80	Rear-All		PDR0425		
Tundra					
Disc Brake Pad Set	2019-13	Front-All Hardware Included	CFC1303	SBC1303	MKD1303FM
	2012	Front-V6 - 4.0L Hardware Included	CFC1303	SBC1303	MKD1303FM
	2012	Front-V8 - 4.6L Hardware Included	CFC1303	SBC1303	MKD1303FM
	2012	Front-V8 - 5.7L Hardware Included	CFC1303	SBC1303	MKD1303FM
	2011	Front-All Hardware Included	CFC1303	SBC1303	MKD1303FM
	2010	Front-V6 - 4.0L Hardware Included	CFC1303	SBC1303	MKD1303FM
	2010	Front-V8 - 4.6L Hardware Included	CFC1303	SBC1303	MKD1303FM
	2010	Front-V8 - 5.7L Hardware Included	CFC1303	SBC1303	MKD1303FM
	2009	Front-All Hardware Included	CFC1303	SBC1303	MKD1303FM
	2008-07	Front-V6 - 4.0L Hardware Included	CFC1303	SBC1303	MKD1303FM
	2008-07	Front-V8 - 4.7L Hardware Included	CFC1303	SBC1303	MKD1303FM
	2008-07	Front-V8 - 5.7L Hardware Included	CFC1303	SBC1303	MKD1303FM
	2006-04	Front-All Hardware Included	CFC976	SBC976	MKD976FM
	2003-00	Front-All w/ 4.7" Pad Plate Length	CFC812	SBC812	MKD812FM
	2003-00	Front-All w/ 5.3" Pad Plate Length	CFC976	SBC976	MKD976FM
	2019-13	Rear-All Hardware Included	CFC1304		
	2019-13	Rear-All Hardware Not Included		SBC1304	
	2012	Rear-V6 - 4.0L Hardware Included	CFC1304		
	2012	Rear-V6 - 4.0L Hardware Not Included		SBC1304	
	2012	Rear-V8 - 4.6L Hardware Included	CFC1304		
	2012	Rear-V8 - 4.6L Hardware Not Included		SBC1304	
	2012	Rear-V8 - 5.7L Hardware Included	CFC1304		
	2012	Rear-V8 - 5.7L Hardware Not Included		SBC1304	
	2011	Rear-All Hardware Included	CFC1304		
	2011	Rear-All Hardware Not Included		SBC1304	
	2010	Rear-V6 - 4.0L Hardware Included	CFC1304		
	2010	Rear-V6 - 4.0L Hardware Not Included		SBC1304	
	2010	Rear-V8 - 4.6L Hardware Included	CFC1304		
	2010	Rear-V8 - 4.6L Hardware Not Included		SBC1304	
	2010	Rear-V8 - 5.7L Hardware Included	CFC1304		
	2010	Rear-V8 - 5.7L Hardware Not Included		SBC1304	
	2009	Rear-All Hardware Included	CFC1304		
	2009	Rear-All Hardware Not Included		SBC1304	
	2008-07	Rear-V6 - 4.0L Hardware Included	CFC1304		

BENDIX BRAKE PARTS

PART TYPE	YEAR	APPLICATION	PREMIUM NO.	PART NO.	SEVERE DUTY NO.	
Toyota (Cont'd.)						
Tundra (Cont'd.)						
Disc Brake Pad Set (cont'd)	2008-07	Rear-V6 - 4.0L Hardware Not Included		SBC1304		
	2008-07	Rear-V8 - 4.7L Hardware Included	CFC1304			
	2008-07	Rear-V8 - 4.7L Hardware Not Included		SBC1304		
	2008-07	Rear-V8 - 5.7L Hardware Included	CFC1304			
	2008-07	Rear-V8 - 5.7L Hardware Not Included		SBC1304		
Drum Brake Shoe	2006-03	Rear-All w/ 11.61" X 1.99" Brakes		764		
	2002-00	Rear-All w/ 11.61" X 2" Brakes		589		
Parking Brake Shoe	2016-15	Rear-All		943		
	2012-07	Rear-All		943		
Disc Brake Rotor	2018-07	Front-All		PRT5718	SDR5718	
	2006-00	Front-All		PRT5291		
	2018-07	Rear-All		PRT5719	SDR5719	
Brake Drum	2006-04	Rear-All		PDR0751		
	2003	Rear-All		PDR0858		
	2003	Rear-All From 08/2002		PDR0751		
	2002-00	Rear-All		PDR0517		
Van						
Drum Brake Shoe	1989-84	Rear-All w/ 10" X 1.99" Brakes		505		
Disc Brake Rotor	1989-87	Front-All 4WD, Vented; 262mm		PRT1802		
	1989	Front-All RWD, From 11/88		PRT1409		
	1989	Front-All RWD, To 11/87		PRT1409		
	1988-86	Front-All RWD		PRT1409		
	1985-84	Front-All		PRT1293		
Brake Drum	1989-87	Rear-All 4WD		PDR0514		
	1989-87	Rear-All RWD		PDR0432		
	1986-84	Rear-All		PDR0432		
Van Wagon						
Drum Brake Shoe	1988	Rear-All w/ 10" X 1.99" Brakes		505		
Disc Brake Rotor	1988	Front-All RWD		PRT1409		
Brake Drum	1988	Rear-All RWD		PDR0432		
Venza						
Disc Brake Pad Set	2016-09	Front-All Hardware Included	CFC1401	SBC1401		
	2016-09	Rear-All Hardware Included	CFC1402	SBC1402		
Parking Brake Shoe	2016-09	Rear-All		846		
	2016-09	Rear-All In Supersession Process, Exhaust Current Inventory		851		
Disc Brake Rotor	2015-09	Front-All		PRT5912		
	2015-09	Rear-All		PRT5913		
Yaris						
Disc Brake Pad Set	2019	Front-All Hardware Included	CFC1852			
	2019	Front-All Hardware Not Included		SBC1852		
	2018	Front-All L, Hardware Included	CFC1184	SBC1184		
	2018	Front-All LE, Hardware Included	CFC1184	SBC1184		
	2018	Front-All SE, Hardware Included	CFC1628	SBC1628		
	2017	Front-All Hardware Included	CFC1184	SBC1184		
	2016	Front-All CE, Exc. Latin America	CFC1184	SBC1184		
	2016	Front-All L, Exc. Latin America	CFC1184	SBC1184		
	2016	Front-All LE, Exc. Latin America	CFC1184	SBC1184		
	2016	Front-All SE, Exc. Latin America	CFC1628	SBC1628		
	2015	Front-All CE, Hardware Included	CFC1184	SBC1184		
	2015	Front-All L, Hardware Included	CFC1184	SBC1184		
	2015	Front-All LE, Hardware Included	CFC1184	SBC1184		
	2015	Front-All SE, Hardware Included	CFC1628	SBC1628		
	2014	Front-All CAN, Hardware Included	CFC1184	SBC1184		
	2014	Front-All USA, Hardware Included	CFC1628	SBC1628		
	2013	Front-All Rear Disc, Hardware Included	CFC1628	SBC1628		
	2013	Front-All Rear Drum, Hardware Included	CFC1184	SBC1184		
	2012	Front-All Hardware Included	CFC1628	SBC1628		
	2011-10	Front-All Hardware Included	CFC1184	SBC1184		
	2009-07	Front-L4 - 1.5L Hardware Included	CFC1184	SBC1184		
	2006	Front-All Hardware Included	CFC1184	SBC1184		
	2018	Rear-All SE, Hardware Included	CFC1354	SBC1354		
	2016-15	Rear-All SE, Hardware Included	CFC1354	SBC1354		
	2014	Rear-All SE, Hardware Included	CFC1423	SBC1423		
	2013	Rear-All Hardware Included	CFC1354	SBC1354		
	2012	Rear-All SE, Hardware Included	CFC1354	SBC1354		
	Drum Brake Shoe	2012-06	Rear-All w/ 7.88" X 1.21" Brakes		917	
	Disc Brake Rotor	2016-14	Front-All		PRT6182	
		2013-12	Front-All 255mm Rotor		PRT5710	
2013-12		Front-All 275mm Rotor		PRT6182		
2011-06		Front-All		PRT5710		
2013-12		Rear-All		PRT6183		
Brake Drum	2018-06	Rear-All		PDR0812		

BENDIX BRAKE PARTS

PART TYPE	YEAR	APPLICATION	PREMIUM NO.	PART NO.	SEVERE DUTY NO.
Toyota (Cont'd.)					
Yaris iA					
Disc Brake Pad Set	2018-17	Front-All Hardware Included	CFC1852		
	2018-17	Front-All Hardware Not Included		SBC1852	
UD					
1200					
Disc Brake Pad Set	2004-99	Front-All Hardware Not Included			MKD701FM
	2004-99	Rear-All Hardware Not Included			MKD701FM
1300					
Disc Brake Pad Set	2007-05	Front-All Hardware Not Included			MKD701FM
	2007-05	Rear-All Hardware Not Included			MKD701FM
1400					
Disc Brake Pad Set	2010-94	Front-All Hardware Not Included			MKD701FM
	2010-95	Rear-All Hardware Not Included			MKD701FM
Volkswagen					
411					
Disc Brake Pad Set	1973	Front-All Hardware Not Included		SBC31	
Disc Brake Rotor	1973-72	Front-All From serial #413-2003-787		PRT1094	
412					
Disc Brake Pad Set	1974-73	Front-All Hardware Not Included		SBC31A	
Disc Brake Rotor	1974-73	Front-All From serial #413-2003-787		PRT1094	
Atlas					
Disc Brake Pad Set	2018	Front-All Hardware Not Included	CFC2074	SBC2074	
	2018	Rear-All Hardware Not Included	CFC1761	SBC1761	
Beetle					
Disc Brake Pad Set	2018	Front-All Hardware Included	CFC1107A	SBC1107A	
	2017	Front-All w/ Electronic Wear Sensor	CFC1107	SBC1107A	
	2016-13	Front-All Exc. Electronic Wear Sensor	CFC1107A	SBC1107A	
	2013	Front-All Naturally Aspirated, w/ Electronic Wear Sensor	CFC1107	SBC1107A	
	2013	Front-All Turbocharged, Intercooled	CFC1107	SBC1107	
	2012	Front-L4 - 2.0L Sportline, Exc. Electronic Wear Sensor	CFC1107A	SBC1107A	
	2012	Front-L4 - 2.0L Turbo, Turbocharged, Exc. Electronic Wear Sensor	CFC1107A	SBC1107A	
	2012	Front-L5 - 2.5L Base, Exc. Electronic Wear Sensor	CFC1107A	SBC1107A	
	2012	Front-L5 - 2.5L Comfortline, Exc. Electronic Wear Sensor	CFC1107A	SBC1107A	
	2012	Front-L5 - 2.5L Highline, Exc. Electronic Wear Sensor	CFC1107A	SBC1107A	
	2012	Front-L5 - 2.5L Premiere, Exc. Electronic Wear Sensor	CFC1107A	SBC1107A	
	2010	Front-All w/ Female 'D' Shaped Electronic Wear Sensor	CFC768S	SBC768A	
	2010	Front-All w/o Sensor		SBM687	
	2010	Front-All w/o Sensor	CFC768	SBC768	
	2010	Front-All w/o Sensor	CFM687		
	2009-06	Front-L5 - 2.5L w/ Female 'D' Shaped Electronic Wear Sensor	CFC768S	SBC768A	
	2009-06	Front-L5 - 2.5L w/o Sensor		SBM687	
	2009-06	Front-L5 - 2.5L w/o Sensor	CFC768	SBC768	
	2009-06	Front-L5 - 2.5L w/o Sensor	CFM687		
	2006-05	Front-L4 - 1.9L w/o Sensor		SBM687	
	2006-05	Front-L4 - 1.9L w/o Sensor	CFC768	SBC768	
	2006-05	Front-L4 - 1.9L w/o Sensor	CFM687		
	2006-02	Front-L4 - 1.9L w/ Female 'D' Shaped Electronic Wear Sensor	CFC768S	SBC768A	
	2005-02	Front-L4 - 2.0L w/ Female 'D' Shaped Electronic Wear Sensor	CFC768S	SBC768A	
	2005	Front-L4 - 1.8L w/ Female 'D' Shaped Electronic Wear Sensor	CFC768S	SBC768A	
	2005	Front-L4 - 1.8L w/o Sensor		SBM687	
	2005	Front-L4 - 1.8L w/o Sensor	CFC768	SBC768	
	2005	Front-L4 - 1.8L w/o Sensor	CFM687		
	2005	Front-L4 - 2.0L w/o Sensor		SBM687	
	2005	Front-L4 - 2.0L w/o Sensor	CFC768	SBC768	
	2005	Front-L4 - 2.0L w/o Sensor	CFM687		
	2004-02	Front-L4 - 1.8L w/ "D" Shaped Electronic Wear Sensor	CFM687	SBM687	
	2001-00	Front-All w/ Female 'D' Shaped Electronic Wear Sensor	CFC768S	SBC768A	
	2001-99	Front-L4 - 1.8L w/o Sensor	CFM687	SBM687	
	2001	Front-L4 - 1.9L w/o Sensor	CFC768	SBC768	
	2001	Front-L4 - 2.0L w/o Sensor	CFC768	SBC768	
	2000	Front-L4 - 1.8L w/ "D" Shaped Electronic Wear Sensor	CFM687	SBM687	
	1999-98	Front-L4 - 1.9L w/o Sensor	CFC768	SBC768	
	1999-98	Front-L4 - 2.0L w/o Sensor	CFC768	SBC768	
	1999	Front-L4 - 1.8L w/o Sensor	CFC768	SBC768	
	1999	Front-L4 - 1.9L w/o Sensor	CFM687	SBM687	
	1999	Front-L4 - 2.0L w/o Sensor	CFM687	SBM687	
	2018	Rear-All Hardware Included	CFM1017	SBM1017	
	2017	Rear-All Hardware Included	CFM1112	SBC340K1	

BENDIX BRAKE PARTS

PART TYPE	YEAR	APPLICATION	PREMIUM NO.	PART NO.	SEVERE DUTY NO.
Volkswagen (Cont'd.)					
Beetle (Cont'd.)					
Disc Brake Pad Set (cont'd)	2016	Rear-All Hardware Included	CFM1017	SBM1017	
	2015	Rear-All Hardware Included	CFM1456	SBC1456	
	2014	Rear-All Hardware Included	CFM1017	SBM1017	
	2013	Rear-All w/ Bosch Brake System	CFM1456	SBC1456	
	2013	Rear-All w/ Girling Brake System	CFM1017	SBM1017	
	2012	Rear-L4 - 2.0L Sportline, Hardware Included	CFM1017	SBM1017	
	2012	Rear-L4 - 2.0L Turbo, Turbocharged, Hardware Included	CFM1456	SBC1456	
	2012	Rear-L5 - 2.5L Base, Hardware Included	CFM1456	SBC1456	
	2012	Rear-L5 - 2.5L Comfortline, Hardware Included	CFM1017	SBM1017	
	2012	Rear-L5 - 2.5L Highline, Hardware Included	CFM1017	SBM1017	
	2012	Rear-L5 - 2.5L Premiere, Hardware Included	CFM1017	SBM1017	
	2010	Rear-All Hardware Included	CFM1017	SBM1017	
	2009-06	Rear-L5 - 2.5L Hardware Included	CFM1017	SBM1017	
	2006	Rear-L4 - 1.9L Hardware Included	CFM1017	SBM1017	
	2005-02	Rear-All Hardware Included	CFM1017	SBM1017	
	2001	Rear-All GL, Hardware Included	CFM1017	SBM1017	
	2001	Rear-All GLS, Hardware Included	CFM1017	SBM1017	
	2001	Rear-All GLX, Hardware Included	CFM1017	SBM1017	
	2001	Rear-All Sport, Hardware Included	CFM1017	SBM1017	
	2000-98	Rear-All Hardware Included	CFM1017	SBM1017	
Drum Brake Shoe	1979-65	Rear-All w/ 9.06" X 1.58" Brakes		315	
Disc Brake Rotor	2016-14	Front-L4 - 1.8L GAS, 288mm Diameter Rotor	BPR5682	PRT5682	
	2016-12	Front-L4 - 2.0L GAS, 312mm Diameter Rotor	BPR5639	PRT5639	
	2015-13	Front-L4 - 2.0L DIESEL, 288mm Diameter Rotor	BPR5682	PRT5682	
	2014-12	Front-L5 - 2.5L GAS, 288mm Diameter Rotor	BPR5682	PRT5682	
	2010-98	Front-All 280mm Rotor	BPR5239	PRT5239	
	2010-98	Front-All 288mm Rotor	BPR5278	PRT5278	
	2016-13	Rear-All	BPR6168	PRT6168	
	2012	Rear-All	BPR6086	PRT6086	
	2010-98	Rear-All	BPR5238	PRT5238	
Brake Drum	1979-68	Front-All 230mm Drum		PDR0244	
	1979-68	Front-All 248mm Drum		PDR0355	
Bora					
Disc Brake Pad Set	2010-06	Front-All w/ 280mm Diameter Rotors	CFC768S	SBC768A	
	2010-06	Front-All w/ Electronic Wear Sensor	CFC1107	SBC1107A	
	2010-06	Rear-All w/ 280mm, 288mm Diameter Front Rotors		SBC1108K2	
	2010-06	Rear-All w/ 280mm, 288mm Diameter Front Rotors	CFM1108K1	SBC1108K1	
	2010-06	Rear-All w/ 280mm, 288mm Diameter Front Rotors	CFM1108K2		
	2010-06	Rear-All w/ 312mm Diameter Front Rotors	CFM1456	SBC1456	
Cabrio					
Disc Brake Pad Set	2002	Front-L4 - 2.0L Hardware Not Included		SBM704	
	2001	Front-L4 - 2.0L From Chassis/VIN #1V-1-810-625		SBM704	
	2000-98	Front-L4 - 2.0L Hardware Not Included		SBM704	
	1997-96	Front-All w/ 15mm Overall Thickness		SBM227A	
	1997-96	Front-L4 - 2.0L w/ 15.2mm Overall Thickness		SBM704	
	1995	Front-All Hardware Not Included		SBM704	
	2002-99	Rear-All Hardware Included	CFM1017	SBM1017	
Drum Brake Shoe	1999-95	Rear-All w/ 7.87" X 1.58" Brakes		662	
Disc Brake Rotor	2002-95	Front-All		PRT1523	
Disc Brake Rotor and Hub Assembly	2002-99	Rear-All 4 Screw Holes		PRT1572	
Brake Drum	1999-95	Rear-All		PDR0563	
Cabriolet					
Disc Brake Pad Set	1993	Front-All Early		SBM280A	
	1993	Front-All Late		SBM280	
	1992-91	Front-All Hardware Included		SBM280A	
	1990	Front-All From Chassis/VIN #013001		SBM280A	
	1990	Front-All To Chassis/VIN #013000		SBM280B	
	1989-85	Front-All Hardware Included		SBM280B	
Drum Brake Shoe	1993-85	Rear-All w/ 7.09" X 1.22" Brakes		559	
Disc Brake Rotor	1993-85	Front-All		PRT1248	
Brake Drum	1993-85	Rear-All		PDR0467	
Caddy					
Disc Brake Pad Set	2017-15	Front-All Hardware Not Included	CFC1760	SBC1760	
	2014	Front-All w/ 280mm Diameter Rotors	CFC768S	SBC768A	
	2017-15	Rear-All Hardware Included	CFM1456	SBC1456	
Camptobile					
Brake Drum	1974-71	Rear-All		PDR0783	
CC					
Disc Brake Pad Set	2017-16	Front-All Hardware Included	CFC1107	SBC1107	
	2015-14	Front-All Executive, Hardware Included	CFC1107	SBC1107	
	2015-14	Front-All Highline, Hardware Included	CFC1107	SBC1107	

BENDIX BRAKE PARTS

PART TYPE	YEAR	APPLICATION	PREMIUM NO.	PART NO.	SEVERE DUTY NO.
Volkswagen (Cont'd.)					
CC (Cont'd.)					
Disc Brake Pad Set (cont'd)	2015-14	Front-All R-Line, Hardware Included	CFC1107	SBC1107	
	2015-14	Front-All Sport, Hardware Included	CFC1107	SBC1107	
	2015-14	Front-All Sportline, Hardware Included	CFC1107	SBC1107	
	2015	Front-All Execline, Hardware Included	CFC1107	SBC1107	
	2015	Front-All Executive 4 Motion, Hardware Not Included	CFC1633	SBC1633	
	2014	Front-All 4 Motion, Hardware Included	CFC1107	SBC1107	
	2014	Front-All Highline V6, Hardware Included	CFC1107	SBC1107	
	2013	Front-L4 - 2.0L Highline, Hardware Included	CFC1107	SBC1107	
	2013	Front-L4 - 2.0L Lux, Hardware Included	CFC1107	SBC1107	
	2013	Front-L4 - 2.0L R-Line, Hardware Included	CFC1107	SBC1107	
	2013	Front-L4 - 2.0L Sport, Hardware Included	CFC1107	SBC1107	
	2013	Front-L4 - 2.0L Sportline, Hardware Included	CFC1107	SBC1107	
	2013	Front-L4 - 2.0L Sport Plus, Hardware Included	CFC1107	SBC1107	
	2013	Front-V6 - 3.6L Highline V6, Hardware Not Included	CFC1633	SBC1633	
	2013	Front-V6 - 3.6L Lux, Hardware Not Included	CFC1633	SBC1633	
	2013	Front-V6 - 3.6L VR6 4Motion Executive, Hardware Not Included	CFC1633	SBC1633	
	2012	Front-L4 - 2.0L w/ Electronic Wear Sensor	CFC1107	SBC1107A	
	2012	Front-V6 - 3.6L Hardware Included	CFC1111A		
	2012	Front-V6 - 3.6L Hardware Not Included		SBM1111A	
	2011-10	Front-L4 - 2.0L Luxury, w/ Electronic Wear Sensor	CFC1107	SBC1107A	
	2011-10	Front-L4 - 2.0L Sport, w/ Electronic Wear Sensor	CFC1107	SBC1107A	
	2011-10	Front-V6 - 3.6L VR6 4Motion, Hardware Included	CFC1111A		
	2011-10	Front-V6 - 3.6L VR6 4Motion, Hardware Not Included		SBM1111A	
	2011	Front-L4 - 2.0L Highline, w/ Electronic Wear Sensor	CFC1107	SBC1107A	
	2011	Front-L4 - 2.0L R-Line, w/ Electronic Wear Sensor	CFC1107	SBC1107A	
	2011	Front-L4 - 2.0L Sportline, w/ Electronic Wear Sensor	CFC1107	SBC1107A	
	2011	Front-V6 - 3.6L Highline V6, Hardware Included	CFC1111A		
	2011	Front-V6 - 3.6L Highline V6, Hardware Not Included		SBM1111A	
	2010	Front-V6 - 3.6L VR6, Hardware Included	CFC1111A		
	2010	Front-V6 - 3.6L VR6, Hardware Not Included		SBM1111A	
	2010	Front-V6 - 3.6L VR6 Sport, Hardware Included	CFC1111A		
	2010	Front-V6 - 3.6L VR6 Sport, Hardware Not Included		SBM1111A	
	2009	Front-L4 - 2.0L w/ Electronic Wear Sensor	CFC1107	SBC1107A	
	2009	Front-V6 - 3.6L Hardware Included	CFC1111A		
	2009	Front-V6 - 3.6L Hardware Not Included		SBM1111A	
	2017	Rear-All w/ 4Motion	CFM1108K2	SBC1108K2	
	2017	Rear-All w/o 4Motion	CFM1108K1	SBC1108K1	
	2016-13	Rear-All Base, Hardware Included	CFM1108K1	SBC1108K1	
	2016-13	Rear-All Highline, Hardware Included	CFM1108K1	SBC1108K1	
	2016-13	Rear-All R-Line, Hardware Included	CFM1108K1	SBC1108K1	
	2016-13	Rear-All Sport, Hardware Included	CFM1108K1	SBC1108K1	
	2016-13	Rear-All Sportline, Hardware Included	CFM1108K1	SBC1108K1	
	2016	Rear-All R-Line Executive, Hardware Included	CFM1108K1	SBC1108K1	
	2016	Rear-All Trend, Hardware Included	CFM1108K1	SBC1108K1	
	2016	Rear-All V6 Executive 4Motion, Hardware Included	CFM1108K2	SBC1108K2	
	2015-14	Rear-All Executive, Hardware Included	CFM1108K1	SBC1108K1	
	2015	Rear-All Execline, Hardware Included	CFM1108K1	SBC1108K1	
	2015	Rear-All Executive 4 Motion, Hardware Included	CFM1108K2	SBC1108K2	
	2014-13	Rear-All Highline V6, Hardware Included	CFM1108K1	SBC1108K1	
	2014	Rear-All 4 Motion, Hardware Included	CFM1108K2	SBC1108K2	
	2013	Rear-All Lux, Hardware Included	CFM1108K1	SBC1108K1	
	2013	Rear-All Sport Plus, Hardware Included	CFM1108K1	SBC1108K1	
	2013	Rear-All VR6 4Motion Executive, Hardware Included	CFM1108K2	SBC1108K2	
	2012	Rear-All w/ 4Motion	CFM1108K2	SBC1108K2	
	2012	Rear-All w/o 4Motion	CFM1108K1	SBC1108K1	
	2011-10	Rear-All Luxury, Hardware Included	CFM1108K1	SBC1108K1	
	2011-10	Rear-All Sport, Hardware Included	CFM1108K1	SBC1108K1	
	2011-10	Rear-All VR6 4Motion, Hardware Included	CFM1108K2	SBC1108K2	
	2011	Rear-All Highline, Hardware Included	CFM1108K1	SBC1108K1	
	2011	Rear-All Highline V6, Hardware Included	CFM1108K1	SBC1108K1	
2011	Rear-All R-Line, Hardware Included	CFM1108K1	SBC1108K1		
2011	Rear-All Sportline, Hardware Included	CFM1108K1	SBC1108K1		
2010	Rear-All VR6, Hardware Included	CFM1108K1	SBC1108K1		
2010	Rear-All VR6 Sport, Hardware Included	CFM1108K1	SBC1108K1		
2009	Rear-L4 - 2.0L Luxury, Hardware Included	CFM1108K1	SBC1108K1		
2009	Rear-L4 - 2.0L Sport, Hardware Included	CFM1108K1	SBC1108K1		
2009	Rear-V6 - 3.6L VR6 4Motion, Hardware Included	CFM1108K2	SBC1108K2		
2009	Rear-V6 - 3.6L VR6, Hardware Included	CFM1108K1	SBC1108K1		
2009	Rear-V6 - 3.6L VR6 Sport, Hardware Included	CFM1108K1	SBC1108K1		
Disc Brake Rotor	2015	Front-All Executive 4 Motion		PRT6252	
	2014	Front-All 4 Motion		PRT6252	
	2013	Front-All 312mm Diameter	BPR5639	PRT5639	
	2013	Front-All VR6 4Motion Executive		PRT6252	

BENDIX BRAKE PARTS

PART TYPE	YEAR	APPLICATION	PREMIUM NO.	PART NO.	SEVERE DUTY NO.
Volkswagen (Cont'd.)					
CC (Cont'd.)					
Disc Brake Rotor (cont'd)	2012	Front-L4 - 2.0L 312mm Diameter	BPR5639	PRT5639	
	2012	Front-V6 - 3.6L		PRT5986	
	2011-09	Front-All Luxury, Sport	BPR5639	PRT5639	
	2011-09	Front-All VR6 4Motion		PRT5986	
	2010-09	Front-All VR6 exc. 4Motion	BPR5639	PRT5639	
	2014	Rear-L4 - 2.0L Sport	BPR6059	PRT6059	
	2013-09	Rear-All Solid Rotors	BPR6059	PRT5683 ⁷⁹	
	2013-09	Rear-All Vented Rotors		PRT5958	
Clasico					
Disc Brake Pad Set	2015-14	Front-All w/ Electronic Wear Sensor	CFC1107	SBC1107A	
	2014	Front-All Exc. Electronic Wear Sensor	CFC1107A	SBC1107A	
	2015	Rear-All Hardware Included	CFM1112	SBC340K1	
	2014	Rear-All Hardware Included	CFM1017	SBM1017	
	2013-11	Rear-All Hardware Included	CFM1456	SBC1456	
Corrado					
Disc Brake Pad Set	1995	Front-All Hardware Not Included		SBM227	
	1994-93	Front-V6 - 2.8L Hardware Not Included		SBM227	
	1992-90	Front-All Hardware Not Included		SBM227	
	1995	Rear-All Hardware Included	CFM1112	SBC340K1	
	1994-93	Rear-V6 - 2.8L Hardware Included	CFM1112	SBC340K1	
	1992-90	Rear-All Hardware Included	CFM1112	SBC340K1	
Disc Brake Rotor	1995-94	Front-All 288mm Rotor		PRT5110	
	1995-93	Front-All 280mm:5 Mounting Holes		PRT1719	
	1992	Front-L4 - 1.8L 4 SCREW HOLES		PRT1564	
	1992	Front-V6 - 2.8L 280mm:5 Mounting Holes		PRT1719	
	1991-90	Front-All 4 SCREW HOLES		PRT1564	
Disc Brake Rotor and Hub Assembly	1995-93	Rear-All		PRT1853	
	1992	Rear-L4 - 1.8L 4 Screw Holes		PRT1572	
	1992	Rear-V6 - 2.8L V6 2.8L		PRT1853	
	1991-90	Rear-All 4 Screw Holes		PRT1572	
Crafter					
Disc Brake Pad Set	2015-08	Front-All Hardware Included	CFM1699	SBM1699	MKD1699FM
	2015-09	Rear-All Standard Cargo Van, Hardware Included	CFM1317	SBM1317	MKD1317FM
	2015-08	Rear-All Cab & Chassis, Hardware Included	CFM1318	SBM1318	MKD1318FM
	2008	Rear-All Mini Cargo Van, Hardware Included	CFM1317	SBM1317	MKD1317FM
Parking Brake Shoe	2015	Rear-All		940	
CrossFox					
Disc Brake Pad Set	2015-11	Front-All Hardware Included	CFC768	SBC768	
	2009-07	Front-All Hardware Included	CFC768S	SBC768A	
Dasher					
Drum Brake Shoe	1981-79	Rear-All		495	
Disc Brake Rotor	1981-74	Front-All		PRT1095	
Brake Drum	1981-79	Rear-All 200mm Drum		PDR0563	
Derby					
Disc Brake Pad Set	2009-06	Front-All Hardware Not Included		SBM704	
	2005-01	Front-All Hardware Not Included		SBM694	
	1996-95	Front-All Hardware Included		SBM280A	
	2005-97	Rear-All Hardware Included	CFM1112	SBC340K1	
e-Golf					
Disc Brake Pad Set	2017-15	Front-All Hardware Not Included	CFC1760	SBC1760	
	2017-15	Rear-All Hardware Not Included	CFC1761	SBC1761	
Disc Brake Rotor	2015	Front-All		PRT5682	
	2015	Rear-All		PRT6086	
Eos					
Disc Brake Pad Set	2016-13	Front-All Hardware Included	CFC1107	SBC1107	
	2012-07	Front-All w/ Electronic Wear Sensor	CFC1107	SBC1107A	
	2016-12	Rear-All Hardware Included	CFM1456	SBC1456	
	2011-07	Rear-All w/ 4Motion	CFM1108K2	SBC1108K2	
	2011-07	Rear-All w/o 4Motion	CFM1108K1	SBC1108K1	
	2015-07	Front-All	BPR5639	PRT5639	
Disc Brake Rotor	2015-09	Rear-All 272mm Rotor	BPR6086	PRT6086	
	2012-09	Rear-All 253mm Rotor	BPR6168	PRT6168	
	2011-07	Rear-All 282mm Rotor	BPR6059	PRT5683 ⁷⁹	
EuroVan					
Disc Brake Pad Set	2001	Front-All CAN, w/ 300mm Brake Rotors		SBM982	
	2001	Front-All USA, w/ 300mm Brake Rotors		SBM982	
	2000	Front-All CAN, w/ 16" Wheels		SBM982	
	2000	Front-All CAN, w/ 208mm Vented Front Rotors		SBM705A	
	2000	Front-All CAN, w/ 280mm Solid Front Brake Rotors		SBM705A	
	2000	Front-All USA, w/ 16" Wheels		SBM982	

79 Sell out and reorder PRT6059

BENDIX BRAKE PARTS

PART TYPE	YEAR	APPLICATION	PREMIUM NO.	PART NO.	SEVERE DUTY NO.
Volkswagen (Cont'd.)					
EuroVan (Cont'd.)					
Disc Brake Pad Set (cont'd)	2000	Front-All USA, w/ 208mm Vented Front Rotors		SBM705A	
	2000	Front-All USA, w/ 280mm Solid Front Brake Rotors		SBM705A	
	1999	Front-All w/ Vented Brake Rotors		SBM705	
	1997	Front-All w/ Vented Brake Rotors		SBM705	
	2009-06	Rear-All Hardware Included	CFM1018	SBM1018	
	2003-02	Rear-All w/ 15", 16" Wheels		SBM877	
Drum Brake Shoe	1996-92	Rear-All		666	
Disc Brake Rotor	2003-01	Front-All VENTED, 313mm Dia.		PRT5531	
	2000-99	Front-All 280mm Dia. (Vented)		PRT6355	
	1997	Front-All 280mm Dia. (Vented)		PRT6355	
	1996-92	Front-All Solid Rotors		PRT5088	
	1996-92	Front-All Vented Rotors		PRT1772	
	2003-00	Rear-All 280mm Rotor		PRT5151	
	2003-00	Rear-All 294mm Rotor		PRT5530	
	1999	Rear-All		PRT5151	
	1997	Rear-All		PRT5151	
	Brake Drum	1996-92	Rear-All		PDR0618
Fox					
Disc Brake Pad Set	1993-87	Front-All Hardware Not Included		SBM350	
Drum Brake Shoe	1993-91	Rear-All w/ 7.09" X 1.22" Brakes		559	
	1990-87	Rear-All 2 Doors, Wagon		495	
	1990-87	Rear-All Sedan		559	
Disc Brake Rotor	1993-87	Front-All		PRT1095	
Brake Drum	1993-87	Rear-All Sedan		PDR0467	
	1990-87	Rear-All Wagon		PDR0563	
Gol					
Disc Brake Pad Set	2009	Front-All Hardware Included	CFC768S	SBC768A	
Golf					
Disc Brake Pad Set	2018-15	Front-All Hardware Not Included	CFC1760	SBC1760	
	2014	Front-All Hardware Included	CFC1107	SBC1107	
	2013	Front-All 2 Doors, Hatchback, w/ 288mm Brake Rotors	CFC1107	SBC1107	
	2013	Front-All 2 Doors, Hatchback, w/ 345mm Brake Rotors	CFM1359	SBM1359	
	2013	Front-All 4 Doors, Hatchback, Hardware Included	CFC1107	SBC1107	
	2013	Front-All 4 Doors, Wagon, Hardware Included	CFM1359	SBM1359	
	2012-11	Front-All Base, w/ Electronic Wear Sensor	CFC1107	SBC1107A	
	2012-11	Front-All Comfortline, Hardware Included	CFC1107	SBC1107A	
	2012-11	Front-All Highline, Hardware Included	CFC1107	SBC1107	
	2012-11	Front-All Sportline, Hardware Included	CFC1107	SBC1107	
	2012-11	Front-All TDI, w/ Electronic Wear Sensor	CFC1107	SBC1107A	
	2012-11	Front-All Trendline, Hardware Included	CFC1107	SBC1107	
	2012	Front-All Comfortline TDI, Hardware Included	CFC1107	SBC1107	
	2012	Front-All Highline TDI, Hardware Included	CFC1107	SBC1107	
	2011	Front-All TDI Comfortline, Hardware Included	CFC1107	SBC1107	
	2011	Front-All TDI Highline, Hardware Included	CFC1107	SBC1107	
	2010	Front-All w/ Electronic Wear Sensor	CFC1107	SBC1107A	
	2007	Front-All w/ 280mm Diameter Rotors	CFC768S	SBC768A	
	2006-05	Front-L4 - 1.9L w/ Female 'D' Shaped Electronic Wear Sensor	CFC768S	SBC768A	
	2006-05	Front-L4 - 1.9L w/o Sensor	CFC768	SBC768	
	2006-05	Front-L4 - 2.0L w/ Female 'D' Shaped Electronic Wear Sensor	CFC768S	SBC768A	
	2006-05	Front-L4 - 2.0L w/o Sensor	CFC768	SBC768	
	2006-02	Front-L4 - 1.8L GTI 1.8T, w/ "D" Shaped Electronic Wear Sensor	CFM687	SBM687	
	2005-96	Front-V6 - 2.8L w/o Sensor	CFM687	SBM687	
	2004-02	Front-L4 - 2.0L GL, w/ Female 'D' Shaped Electronic Wear Sensor	CFC768S	SBC768A	
	2004-02	Front-L4 - 2.0L GLS, w/ Female 'D' Shaped Electronic Wear Sensor	CFC768S	SBC768A	
	2004	Front-L4 - 1.9L GLS TDI, w/ Female 'D' Shaped Electronic Wear Sensor	CFC768S	SBC768A	
	2004	Front-L4 - 1.9L GL TDI, w/ Female 'D' Shaped Electronic Wear Sensor	CFC768S	SBC768A	
	2004	Front-V6 - 3.2L Hardware Not Included		SBM682	
	2003-02	Front-L4 - 1.9L GL, w/ Female 'D' Shaped Electronic Wear Sensor	CFC768S	SBC768A	
	2003-02	Front-L4 - 1.9L GLS, w/ Female 'D' Shaped Electronic Wear Sensor	CFC768S	SBC768A	
	2003	Front-L4 - 1.8L GTI 20th Anniversary, w/ "D" Shaped Electronic Wear Sensor	CFM687	SBM687	
	2002	Front-L4 - 1.8L GTI 337, w/ "D" Shaped Electronic Wear Sensor	CFM687	SBM687	
	2001-00	Front-All w/ Female 'D' Shaped Electronic Wear Sensor	CFC768S	SBC768A	
	2001-99	Front-L4 - 1.9L w/o Sensor	CFC768	SBC768	
	2001	Front-L4 - 1.8L w/o Sensor	CFM687	SBM687	
	2001	Front-L4 - 2.0L w/o Sensor		SBM687	

BENDIX BRAKE PARTS

PART TYPE	YEAR	APPLICATION	PREMIUM NO.	PART NO.	SEVERE DUTY NO.
Volkswagen (Cont'd.)					
Golf (Cont'd.)					
Disc Brake Pad Set (cont'd)	2001	Front-L4 - 2.0L w/o Sensor	CFC768	SBC768	
	2001	Front-L4 - 2.0L w/o Sensor	CFM687		
	2000	Front-L4 - 1.8L w/ "D" Shaped Electronic Wear Sensor	CFM687	SBM687	
	1999-98	Front-All w/ 15.0mm Overall Thickness		SBM227A	
	1999	Front-L4 - 1.9L VIN 1H		SBM694	
	1999	Front-L4 - 2.0L GL, ABA Eng Des, w/ 15.2mm Overall Thickness		SBM704	
	1999	Front-L4 - 2.0L GL, AEG Eng Des, w/o Sensor	CFC768	SBC768	
	1999	Front-L4 - 2.0L GLS, w/o Sensor	CFC768	SBC768	
	1999	Front-L4 - 2.0L GTI, ABA Eng Des, w/ 15.2mm Overall Thickness		SBM704	
	1999	Front-L4 - 2.0L GTI, AEG Eng Des, w/o Sensor	CFC768	SBC768	
	1999	Front-L4 - 2.0L Wolfsburg Edition, ABA Eng Des, w/o Sensor	CFC768	SBC768	
	1998	Front-L4 - 1.9L w/ 15.2mm Overall Thickness		SBM704	
	1998	Front-L4 - 2.0L w/ 15.2mm Overall Thickness		SBM704	
	1997	Front-L4 - 1.8L CL, Hardware Not Included		SBM694	
	1997	Front-L4 - 1.9L CL, Hardware Not Included		SBM694	
	1997	Front-L4 - 1.9L TDI, Hardware Not Included		SBM694	
	1997	Front-L4 - 2.0L GL, Hardware Not Included		SBM704	
	1997	Front-L4 - 2.0L GTI, Hardware Not Included		SBM704	
	1997	Front-L4 - 2.0L Jazz, Hardware Not Included		SBM704	
	1997	Front-L4 - 2.0L K2, Hardware Not Included		SBM704	
	1997	Front-L4 - 2.0L Trek, Hardware Not Included		SBM704	
	1995	Front-All Base, w/ ATE Brake Design		SBM227	
	1995	Front-All Celebration Edition, w/ ATE Brake Design		SBM227	
	1995	Front-All City, w/ ATE Brake Design		SBM227	
	1995	Front-All CL, w/ ATE Brake Design		SBM227	
	1995	Front-All GL, w/ ATE Brake Design		SBM227	
	1995	Front-All Sport, w/ ATE Brake Design		SBM227	
	1995	Front-V6 - 2.8L GTI VR6, Hardware Not Included		SBM684	
	1994	Front-All Hardware Not Included		SBM227	
	1993	Front-All w/ ATE Brake Calipers		SBM227	
	1993	Front-All w/ Kelsey Hayes Brake Design		SBM280	
	1992-90	Front-L4 - 1.8L Hardware Included		SBM280B	
	1992-90	Front-L4 - 2.0L Hardware Included		SBM280A	
	1990	Front-L4 - 1.6L Hardware Included		SBM280B	
	1989-88	Front-L4 - 1.8L Base, Hardware Included		SBM280B	
	1989-87	Front-L4 - 1.8L GL, Hardware Included		SBM280B	
	1989-87	Front-L4 - 1.8L GTI 16-Valve, Hardware Included		SBM280A	
	1989	Front-L4 - 1.6L Base, Hardware Included		SBM280B	
	1989	Front-L4 - 1.6L GL, Hardware Included		SBM280B	
	1988-87	Front-L4 - 1.8L GT, Hardware Included		SBM280B	
	1988-85	Front-L4 - 1.6L Hardware Included		SBM280B	
	1987-85	Front-L4 - 1.8L GTI, Hardware Included		SBM280A	
	1986-85	Front-L4 - 1.8L Base, Hardware Included		SBM280B	
	2018-16	Rear-All Hardware Not Included	CFM1779	SBC1779	
	2015	Rear-All Comfortline, Hardware Not Included	CFM1779	SBC1779	
	2015	Rear-All Comfortline TDI, Hardware Included	CFM1017	SBM1017	
	2015	Rear-All Highline, Hardware Not Included	CFM1779	SBC1779	
	2015	Rear-All Highline TDI, Hardware Included	CFM1017	SBM1017	
	2015	Rear-All Launch Edition, Hardware Not Included	CFM1779	SBC1779	
	2015	Rear-All S, Hardware Not Included	CFM1779	SBC1779	
	2015	Rear-All SE, Hardware Not Included	CFM1779	SBC1779	
	2015	Rear-All SEL, Hardware Not Included	CFM1779	SBC1779	
	2015	Rear-All TDI S, Hardware Included	CFM1017	SBM1017	
	2015	Rear-All TDI SE, Hardware Included	CFM1017	SBM1017	
	2015	Rear-All TDI SEL, Hardware Included	CFM1017	SBM1017	
	2015	Rear-All Trendline, Hardware Not Included	CFM1779	SBC1779	
	2015	Rear-All Trendline TDI, Hardware Included	CFM1017	SBM1017	
	2014-12	Rear-All Hardware Included	CFM1456	SBC1456	
	2011	Rear-All Base, Hardware Included	CFM1017	SBM1017	
	2011	Rear-All Comfortline, Hardware Included	CFM1112	SBC340K1	
	2011	Rear-All Highline, Hardware Included	CFM1112	SBC340K1	
	2011	Rear-All Sportline, Hardware Included	CFM1112	SBC340K1	
	2011	Rear-All TDI, Hardware Included	CFM1456	SBC1456	
	2011	Rear-All TDI Comfortline, Hardware Included	CFM1456	SBC1456	
	2011	Rear-All TDI Highline, Hardware Included	CFM1456	SBC1456	
	2011	Rear-All Trendline, Hardware Included	CFM1112	SBC340K1	
	2010	Rear-All Base, Exc. Latin America		SBM1108K2	
	2010	Rear-All Base, Exc. Latin America	CFM1108K1	SBC1108K1	
	2010	Rear-All Base, Exc. Latin America	CFM1108K2		
	2010	Rear-All Comfortline, Exc. Latin America		SBC1108K2	
	2010	Rear-All Comfortline, Exc. Latin America	CFM1108K1	SBC1108K1	
	2010	Rear-All Comfortline, Exc. Latin America	CFM1108K2		

BENDIX BRAKE PARTS

PART TYPE	YEAR	APPLICATION	PREMIUM NO.	PART NO.	SEVERE DUTY NO.
Volkswagen (Cont'd.)					
Golf (Cont'd.)					
Disc Brake Pad Set (cont'd)	2010	Rear-All Highline, Exc. Latin America		SBC1108K2	
	2010	Rear-All Highline, Exc. Latin America	CFM1108K1	SBC1108K1	
	2010	Rear-All Highline, Exc. Latin America	CFM1108K2		
	2010	Rear-All Latin America	CFM1456	SBC1456	
	2010	Rear-All TDI, Exc. Latin America	CFM1456	SBC1456	
	2010	Rear-All Trendline, Exc. Latin America		SBC1108K2	
	2010	Rear-All Trendline, Exc. Latin America	CFM1108K1	SBC1108K1	
	2010	Rear-All Trendline, Exc. Latin America	CFM1108K2		
	2007	Rear-All Hardware Included	CFM1017	SBM1017	
	2006	Rear-L4 - 1.8L Hardware Included	CFM1017	SBM1017	
	2006	Rear-L4 - 1.9L Hardware Included	CFM1017	SBM1017	
	2006	Rear-L4 - 2.0L Hardware Included	CFM1017	SBM1017	
	2005	Rear-L4 - 1.8L Hardware Included	CFM1112	SBC340K1	
	2005	Rear-L4 - 1.9L Hardware Included	CFM1112	SBC340K1	
	2005	Rear-L4 - 2.0L Hardware Included	CFM1112	SBC340K1	
	2005	Rear-V6 - 2.8L Hardware Included	CFM1112	SBC340K1	
	2004-00	Rear-All Hardware Included	CFM1017	SBM1017	
	1999-96	Rear-L4 - 2.0L Hardware Included	CFM1112	SBC340K1	
	1999-95	Rear-V6 - 2.8L Hardware Included	CFM1112	SBC340K1	
	1999	Rear-L4 - 1.9L Hardware Included	CFM1112	SBC340K1	
	1994	Rear-L4 - 2.0L Hardware Included	CFM1112	SBC340K1	
	1993	Rear-L4 - 2.0L GTI, Hardware Included	CFM1112	SBC340K1	
	1992-90	Rear-L4 - 2.0L Hardware Included	CFM1112	SBC340K1	
	1991-85	Rear-L4 - 1.8L Hardware Included	CFM1112	SBC340K1	
Drum Brake Shoe	1999-93	Rear-L4 - 1.9L Vehicles Built For Canadian Market		662	
	1998-93	Rear-L4 - 2.0L		662	
	1997-93	Rear-L4 - 1.8L Vehicles Built For Canadian Market		662	
	1992-89	Rear-All GL, w/ 200mm x 38.5mm Brakes		495	
	1989-88	Rear-All Base, w/ 180mm x 30mm Brakes		559	
	1989-87	Rear-All GL, w/ 180mm x 30mm Brakes		559	
	1989	Rear-All Base, w/ 200mm x 38.5mm Brakes		495	
	1988-87	Rear-All GT, w/ 180mm x 30mm Brakes		559	
	1986-85	Rear-All Base, w/ 180mm x 30mm Brakes		559	
Disc Brake Rotor	2016-12	Front-All 288mm Rotor		PRT5682	
	2014-12	Front-All 288mm Rotor	BPR5682		
	2013-12	Front-All 345mm Diameter		PRT5986	
	2011-10	Front-All	BPR5682	PRT5682	
	2007-05	Front-All 280mm Rotor	BPR5239	PRT5239	
	2007-05	Front-All 288mm Rotor	BPR5278	PRT5278	
	2005-02	Front-All GTI 1.8T, 288mm Rotor	BPR5278	PRT5278	
	2005-02	Front-All GTI VR6, 288mm Rotor	BPR5278	PRT5278	
	2004-00	Front-All GL, 280mm Rotor	BPR5239	PRT5239	
	2004-00	Front-All GLS, 280mm Rotor	BPR5239	PRT5239	
	2004	Front-All GLS TDI, 280mm Rotor	BPR5239	PRT5239	
	2004	Front-All GL TDI, 280mm Rotor	BPR5239	PRT5239	
	2004	Front Left-All R32		PRT5680	
	2004	Front Right-All R32		PRT5681	
	2003-02	Front-All 312mm Rotor	BPR5830	PRT5830	
	2003	Front-All GTI 20th Anniversary, 288mm Rotor	BPR5278	PRT5278	
	2003	Front-All GTI 20th Anniversary, 312mm Rotor	BPR5830	PRT5830	
	2002	Front-All GTI 1.8T, 312mm Rotor	BPR5830	PRT5830	
	2002	Front-All GTI 337, 312mm Rotor	BPR5830	PRT5830	
	2001-99	Front-All 288mm Rotor	BPR5278	PRT5278	
	1999	Front-All Solid Rotors		PRT1095	
	1999	Front-All VENTED, 256mm Rotor		PRT1523	
	1999	Front-All VENTED, 280mm Dia.	BPR5239	PRT5239	
	1998-96	Front-V6 - 2.8L		PRT5110	
	1998-95	Front-L4 - 1.8L Solid Rotors		PRT1095	
	1998-95	Front-L4 - 1.9L Solid Rotors		PRT1095	
	1998-95	Front-L4 - 2.0L Solid Rotors		PRT1095	
	1998-93	Front-All Vented Rotors		PRT1523	
	1995	Front-V6 - 2.8L 280mm:5 Mounting Holes		PRT1719	
	1994-85	Front-All Solid Rotors		PRT1095	
	1992-85	Front-All Vented Rotors		PRT1248	
	2016-15	Rear-All GAS, Solid Rotors		PRT6086	
	2015-12	Rear-All Solid Rotors	BPR6086		
	2014-12	Rear-All Solid Rotors		PRT6086	
	2013-12	Rear-All Vented Rotors		PRT5958	
	2011-10	Rear-All 10.71" Outside Diameter	BPR6086	PRT6086	
	2010	Rear-All 10.063" Diameter		PRT5644 ⁷⁶	
	2010	Rear-All 256mm diameter	BPR6058		
	2010	Rear-All 260mm Rotor		PRT6058	
	2007-99	Rear-All Solid Rotors	BPR5238	PRT5238	
	2004-02	Rear-All Vented Rotors; 256X22mm	BPR5418	PRT5418	

76 Sell out and reorder PRT6058

BENDIX BRAKE PARTS

PART TYPE	YEAR	APPLICATION	PREMIUM NO.	PART NO.	SEVERE DUTY NO.
Volkswagen (Cont'd.)					
Golf (Cont'd.)					
Disc Brake Rotor (cont'd)	1999	Rear-All 288mm Rotor	BPR5278	PRT5278	
Disc Brake Rotor and Hub Assembly	1999-97	Rear-All 4 Stud Rotor; 4 Screw Holes		PRT1572	
	1999-95	Rear-All 5 Stud Rotor		PRT1853	
	1996	Rear-All 4 Stud Rotor; 4 SCREW HOLES		PRT1572	
	1995	Rear-All 4 Stud Rotor; 4 Screw Holes		PRT1572	
	1994-85	Rear-All Rear Disc, 4 Screw Holes		PRT1572	
Brake Drum	1999-90	Rear-All		PDR0563	
	1989-85	Rear-All Rear Drum		PDR0467	
Golf Alltrack					
Disc Brake Pad Set	2018-17	Front-All Hardware Not Included	CFC1760	SBC1760	
	2018-17	Rear-All Hardware Not Included	CFM1779	SBC1779	
Golf City					
Disc Brake Pad Set	2010	Front-All w/ Electronic Wear Sensor	CFC1107	SBC1107A	
	2009-07	Front-All w/ Female 'D' Shaped Electronic Wear Sensor	CFC768S	SBC768A	
	2010	Rear-All w/ 4Motion	CFM1108K2	SBC1108K2	
	2010	Rear-All w/o 4Motion	CFM1108K1	SBC1108K1	
	2009-07	Rear-All Hardware Included	CFM1112	SBC340K1	
Disc Brake Rotor	2010-07	Front-All	BPR5239	PRT5239	
	2010-07	Rear-All	BPR5238	PRT5238	
Golf R					
Disc Brake Pad Set	2018-15	Front-All Hardware Not Included	CFC1633	SBC1633	
	2012	Front-All w/ Male 'D' Shaped Electronic Wear Sensor	CFC1111	SBM1111	
	2018-17	Rear-All Hardware Not Included	CFC1761	SBC1761	
	2016-15	Rear-All w/o Electronic Wear Sensor	CFC1761	SBC1761	
	2012	Rear-All w/ 4Motion	CFM1108K2	SBC1108K2	
	2012	Rear-All w/o 4Motion	CFM1108K1	SBC1108K1	
Disc Brake Rotor	2015	Front-All		PRT6252	
	2013-12	Front-All		PRT5986	
	2015	Rear-All		PRT5958	
	2013	Rear-All		PRT5958	
	2012	Rear-All Vented Rotors		PRT5958	
Golf SportWagen					
Disc Brake Pad Set	2018-15	Front-All Hardware Not Included	CFC1760	SBC1760	
	2018-16	Rear-All Hardware Not Included	CFM1779	SBC1779	
	2015	Rear-All Comfortline, Hardware Not Included	CFM1779	SBC1779	
	2015	Rear-All Comfortline TDI, Hardware Included	CFM1017	SBM1017	
	2015	Rear-All Highline, Hardware Not Included	CFM1779	SBC1779	
	2015	Rear-All Highline TDI, Hardware Included	CFM1017	SBM1017	
	2015	Rear-All S, Hardware Not Included	CFM1779	SBC1779	
	2015	Rear-All SE, Hardware Not Included	CFM1779	SBC1779	
	2015	Rear-All SEL, Hardware Not Included	CFM1779	SBC1779	
	2015	Rear-All TDI S, Hardware Included	CFM1017	SBM1017	
	2015	Rear-All TDI SE, Hardware Included	CFM1017	SBM1017	
	2015	Rear-All TDI SEL, Hardware Included	CFM1017	SBM1017	
	2015	Rear-All Trendline, Hardware Not Included	CFM1779	SBC1779	
	2015	Rear-All Trendline TDI, Hardware Included	CFM1017	SBM1017	
	Disc Brake Rotor	2015	Front-All 288mm Rotor		PRT5682
2015		Rear-All GAS, Solid Rotors		PRT6086	
GTI					
Disc Brake Pad Set	2018-17	Front-All Autobahn, Hardware Not Included	CFC1633	SBC1633	
	2018-17	Front-All S, Hardware Not Included	CFC1760	SBC1760	
	2018-17	Front-All SE, Hardware Not Included	CFC1633	SBC1633	
	2017	Front-All Sport, Hardware Not Included	CFC1633	SBC1633	
	2016	Front-All w/o Performance Package	CFC1760	SBC1760	
	2016	Front-All w/ Performance Package	CFC1633	SBC1633	
	2015	Front-All w/o Performance Brakes	CFC1760	SBC1760	
	2015	Front-All w/ Performance Brakes	CFC1633	SBC1633	
	2014-13	Front-All Hardware Included	CFC1107	SBC1107	
	2012-10	Front-All w/ Electronic Wear Sensor	CFC1107	SBC1107A	
	2009-07	Front-L4 - 2.0L w/ Electronic Wear Sensor	CFC1107	SBC1107A	
	2006	Front-All w/ Electronic Wear Sensor	CFC1107	SBC1107A	
	2018-17	Rear-All Autobahn, w/ 4Motion	CFM1108K2	SBC1108K2	
	2018-17	Rear-All Autobahn, w/o 4Motion	CFM1108K1	SBC1108K1	
	2018-17	Rear-All S, Hardware Not Included	CFM1779	SBC1779	
	2018-17	Rear-All SE, w/ 4Motion	CFM1108K2	SBC1108K2	
	2018-17	Rear-All SE, w/o 4Motion	CFM1108K1	SBC1108K1	
	2017	Rear-All Sport, w/ 4Motion	CFM1108K2	SBC1108K2	
	2017	Rear-All Sport, w/o 4Motion	CFM1108K1	SBC1108K1	
	2016	Rear-All w/o Performance Package	CFM1779	SBC1779	
	2016	Rear-All w/ Performance Package		SBC1108K2	
	2016	Rear-All w/ Performance Package	CFM1108K1	SBC1108K1	
	2016	Rear-All w/ Performance Package	CFM1108K2		

BENDIX BRAKE PARTS

PART TYPE	YEAR	APPLICATION	PREMIUM NO.	PART NO.	SEVERE DUTY NO.	
Volkswagen (Cont'd.)						
GTI (Cont'd.)						
Disc Brake Pad Set (cont'd)	2015	Rear-All w/o Performance Brakes	CFM1779	SBC1779		
	2015	Rear-All w/ Performance Brakes		SBC1108K2		
	2015	Rear-All w/ Performance Brakes	CFM1108K1	SBC1108K1		
	2015	Rear-All w/ Performance Brakes	CFM1108K2			
	2014-12	Rear-All Hardware Included	CFM1456	SBC1456		
	2011-10	Rear-All w/ 4Motion	CFM1108K2	SBC1108K2		
	2011-10	Rear-All w/o 4Motion	CFM1108K1	SBC1108K1		
	2009-07	Rear-L4 - 2.0L w/ 4Motion	CFM1108K2	SBC1108K2		
	2009-07	Rear-L4 - 2.0L w/o 4Motion	CFM1108K1	SBC1108K1		
	2006	Rear-All w/ 4Motion	CFM1108K2	SBC1108K2		
	2006	Rear-All w/o 4Motion	CFM1108K1	SBC1108K1		
	Disc Brake Rotor	2016-15	Front-All Performance Package		PRT6252	
		2014-08	Front-All	BPR5639	PRT5639	
		2007-06	Front-All 280mm Rotor	BPR5239	PRT5239	
2007-06		Front-All 288mm Rotor	BPR5278	PRT5278		
2007		Front-All 312mm Rotor	BPR5639	PRT5639		
2006		Front-All	BPR5639	PRT5639		
2016-12		Rear-All 272mm Rotor	BPR6086	PRT6086		
2012		Rear-All 253mm Rotor	BPR6168	PRT6168		
2011-06		Rear-All	BPR6059	PRT5683 ⁷⁹		
2007-06		Rear-All Solid Rotors	BPR5238	PRT5238		
Jetta						
Disc Brake Pad Set	2018	Front-All Hardware Included	CFC1107A	SBC1107A		
	2017-16	Front-All w/ Electronic Wear Sensor	CFC1107	SBC1107A		
	2016	Front-All Exc. Electronic Wear Sensor	CFC1107A	SBC1107A		
	2015	Front-All Base, Exc. Electronic Wear Sensor	CFC1107A	SBC1107A		
	2015	Front-All Base, w/ Electronic Wear Sensor	CFC1107	SBC1107A		
	2015	Front-All Comfortline, Exc. Electronic Wear Sensor	CFC1107A	SBC1107A		
	2015	Front-All Comfortline, w/ Electronic Wear Sensor	CFC1107	SBC1107A		
	2015	Front-All Comfortline TDI, Exc. Electronic Wear Sensor	CFC1107A	SBC1107A		
	2015	Front-All Comfortline TDI, w/ Electronic Wear Sensor	CFC1107	SBC1107A		
	2015	Front-All GLI, Exc. Electronic Wear Sensor	CFC1107A	SBC1107A		
	2015	Front-All GLI, w/ Electronic Wear Sensor	CFC1107	SBC1107A		
	2015	Front-All GLI Autobahn, Exc. Electronic Wear Sensor	CFC1107A	SBC1107A		
	2015	Front-All GLI Autobahn, w/ Electronic Wear Sensor	CFC1107	SBC1107A		
	2015	Front-All GLI SE, Exc. Electronic Wear Sensor	CFC1107A	SBC1107A		
	2015	Front-All GLI SE, w/ Electronic Wear Sensor	CFC1107	SBC1107A		
	2015	Front-All GLI SEL, Exc. Electronic Wear Sensor	CFC1107A	SBC1107A		
	2015	Front-All GLI SEL, w/ Electronic Wear Sensor	CFC1107	SBC1107A		
	2015	Front-All Highline, Exc. Electronic Wear Sensor	CFC1107A	SBC1107A		
	2015	Front-All Highline, w/ Electronic Wear Sensor	CFC1107	SBC1107A		
	2015	Front-All Highline TDI, Exc. Electronic Wear Sensor	CFC1107A	SBC1107A		
	2015	Front-All Highline TDI, w/ Electronic Wear Sensor	CFC1107	SBC1107A		
	2015	Front-All Hybrid SEL Premium, Exc. Electronic Wear Sensor	CFC1107A	SBC1107A		
	2015	Front-All Hybrid SEL Premium, w/ Electronic Wear Sensor	CFC1107	SBC1107A		
	2015	Front-All S, w/ 280mm, 288mm Rotors	CFC768	SBC768		
	2015	Front-All SE, Exc. Electronic Wear Sensor	CFC1107A	SBC1107A		
	2015	Front-All SE, w/ Electronic Wear Sensor	CFC1107	SBC1107A		
	2015	Front-All SEL, Exc. Electronic Wear Sensor	CFC1107A	SBC1107A		
	2015	Front-All SEL, w/ Electronic Wear Sensor	CFC1107	SBC1107A		
	2015	Front-All Sport, Exc. Electronic Wear Sensor	CFC1107A	SBC1107A		
	2015	Front-All Sport, w/ Electronic Wear Sensor	CFC1107	SBC1107A		
	2015	Front-All TDI, Exc. Electronic Wear Sensor	CFC1107A	SBC1107A		
	2015	Front-All TDI, w/ Electronic Wear Sensor	CFC1107	SBC1107A		
	2015	Front-All TDI S, Exc. Electronic Wear Sensor	CFC1107A	SBC1107A		
	2015	Front-All TDI S, w/ Electronic Wear Sensor	CFC1107	SBC1107A		
	2015	Front-All TDI SE, Exc. Electronic Wear Sensor	CFC1107A	SBC1107A		
	2015	Front-All TDI SE, w/ Electronic Wear Sensor	CFC1107	SBC1107A		
	2015	Front-All TDI SEL, Exc. Electronic Wear Sensor	CFC1107A	SBC1107A		
	2015	Front-All TDI SEL, w/ Electronic Wear Sensor	CFC1107	SBC1107A		
	2015	Front-All Trendline, Exc. Electronic Wear Sensor	CFC1107A	SBC1107A		
	2015	Front-All Trendline, w/ Electronic Wear Sensor	CFC1107	SBC1107A		
	2015	Front-All Trendline TDI, Exc. Electronic Wear Sensor	CFC1107A	SBC1107A		
	2015	Front-All Trendline TDI, w/ Electronic Wear Sensor	CFC1107	SBC1107A		
	2014	Front-All Active, Sedan, Exc. Electronic Wear Sensor	CFC1107A	SBC1107A		
	2014	Front-All Active, Sedan, w/ Electronic Wear Sensor	CFC1107	SBC1107A		
	2014	Front-All Base, Sedan, Exc. Electronic Wear Sensor	CFC1107A	SBC1107A		
	2014	Front-All Base, Sedan, w/ Electronic Wear Sensor	CFC1107	SBC1107A		
	2014	Front-All Comfort, Sedan, Exc. Electronic Wear Sensor	CFC1107A	SBC1107A		
	2014	Front-All Comfort, Sedan, w/ Electronic Wear Sensor	CFC1107	SBC1107A		
	2014	Front-All Comfort TDI, Sedan, Exc. Electronic Wear Sensor	CFC1107A	SBC1107A		
	2014	Front-All Comfort TDI, Sedan, w/ Electronic Wear Sensor	CFC1107	SBC1107A		

79 Sell out and reorder PRT6059

BENDIX BRAKE PARTS

PART TYPE	YEAR	APPLICATION	PREMIUM NO.	PART NO.	SEVERE DUTY NO.
Volkswagen (Cont'd.)					
Jetta (Cont'd.)					
Disc Brake Pad Set (cont'd)	2014	Front-All GLI, Sedan, Exc. Electronic Wear Sensor	CFC1107A	SBC1107A	
	2014	Front-All GLI, Sedan, w/ Electronic Wear Sensor	CFC1107	SBC1107A	
	2014	Front-All Highline, Sedan, Exc. Electronic Wear Sensor	CFC1107A	SBC1107A	
	2014	Front-All Highline, Sedan, w/ Electronic Wear Sensor	CFC1107	SBC1107A	
	2014	Front-All Highline TDI, Sedan, Exc. Electronic Wear Sensor	CFC1107A	SBC1107A	
	2014	Front-All Highline TDI, Sedan, w/ Electronic Wear Sensor	CFC1107	SBC1107A	
	2014	Front-All Hybrid, Sedan, Exc. Electronic Wear Sensor	CFC1107A	SBC1107A	
	2014	Front-All Hybrid, Sedan, w/ Electronic Wear Sensor	CFC1107	SBC1107A	
	2014	Front-All Hybrid Comfortline, Sedan, Exc. Electronic Wear Sensor	CFC1107A	SBC1107A	
	2014	Front-All Hybrid Comfortline, Sedan, w/ Electronic Wear Sensor	CFC1107	SBC1107A	
	2014	Front-All Hybrid Highline, Sedan, Exc. Electronic Wear Sensor	CFC1107A	SBC1107A	
	2014	Front-All Hybrid Highline, Sedan, w/ Electronic Wear Sensor	CFC1107	SBC1107A	
	2014	Front-All Hybrid SE, Sedan, Exc. Electronic Wear Sensor	CFC1107A	SBC1107A	
	2014	Front-All Hybrid SE, Sedan, w/ Electronic Wear Sensor	CFC1107	SBC1107A	
	2014	Front-All Hybrid SEL, Sedan, Exc. Electronic Wear Sensor	CFC1107A	SBC1107A	
	2014	Front-All Hybrid SEL, Sedan, w/ Electronic Wear Sensor	CFC1107	SBC1107A	
	2014	Front-All Hybrid SEL Premium, Sedan, Exc. Electronic Wear Sensor	CFC1107A	SBC1107A	
	2014	Front-All Hybrid SEL Premium, Sedan, w/ Electronic Wear Sensor	CFC1107	SBC1107A	
	2014	Front-All Hybrid Trendline, Sedan, Exc. Electronic Wear Sensor	CFC1107A	SBC1107A	
	2014	Front-All Hybrid Trendline, Sedan, w/ Electronic Wear Sensor	CFC1107	SBC1107A	
	2014	Front-All S, Sedan, w/ Electronic Wear Sensor	CFC1107	SBC1107A	
	2014	Front-All SE, Sedan, Exc. Electronic Wear Sensor	CFC1107A	SBC1107A	
	2014	Front-All SE, Sedan, w/ Electronic Wear Sensor	CFC1107	SBC1107A	
	2014	Front-All SEL, Sedan, Exc. Electronic Wear Sensor	CFC1107A	SBC1107A	
	2014	Front-All SEL, Sedan, w/ Electronic Wear Sensor	CFC1107	SBC1107A	
	2014	Front-All Sport, Sedan, Exc. Electronic Wear Sensor	CFC1107A	SBC1107A	
	2014	Front-All Sport, Sedan, w/ Electronic Wear Sensor	CFC1107	SBC1107A	
	2014	Front-All Style, Sedan, Exc. Electronic Wear Sensor	CFC1107A	SBC1107A	
	2014	Front-All Style, Sedan, w/ Electronic Wear Sensor	CFC1107	SBC1107A	
	2014	Front-All TDI, Sedan, Exc. Electronic Wear Sensor	CFC1107A	SBC1107A	
	2014	Front-All TDI, Sedan, w/ Electronic Wear Sensor	CFC1107	SBC1107A	
	2014	Front-All TDI Premium, Sedan, Exc. Electronic Wear Sensor	CFC1107A	SBC1107A	
	2014	Front-All TDI Premium, Sedan, w/ Electronic Wear Sensor	CFC1107	SBC1107A	
	2014	Front-All Trendline, Sedan, Exc. Electronic Wear Sensor	CFC1107A	SBC1107A	
	2014	Front-All Trendline, Sedan, w/ Electronic Wear Sensor	CFC1107	SBC1107A	
	2014	Front-All Wagon, Hardware Included	CFC1107	SBC1107	
	2013-11	Front-All Exc. Electronic Wear Sensor	CFC1107A	SBC1107A	
	2013-11	Front-All w/o Sensor	CFC768	SBC768	
	2013-10	Front-All w/ Electronic Wear Sensor	CFC1107	SBC1107A	
	2009-06	Front-L4 - 2.0L w/ Electronic Wear Sensor	CFC1107	SBC1107A	
	2009-05	Front-L5 - 2.5L w/ Electronic Wear Sensor	CFC1107	SBC1107A	
	2006	Front-L4 - 1.9L w/ Electronic Wear Sensor	CFC1107	SBC1107A	
	2005-00	Front-All w/ Female 'D' Shaped Electronic Wear Sensor	CFC768S	SBC768A	
	2005	Front-L4 - 1.8L w/o Sensor		SBM687	
	2005	Front-L4 - 1.8L w/o Sensor	CFC768	SBC768	
	2005	Front-L4 - 1.8L w/o Sensor	CFM687		
	2005	Front-L4 - 1.9L BEW Eng Des, w/o Sensor		SBM687	
	2005	Front-L4 - 1.9L BEW Eng Des, w/o Sensor	CFC768	SBC768	
	2005	Front-L4 - 1.9L BEW Eng Des, w/o Sensor	CFM687		
	2005	Front-L4 - 1.9L BRM Eng Des, w/ Electronic Wear Sensor	CFC1107	SBC1107A	
	2005	Front-L4 - 2.0L w/o Sensor		SBM687	
	2005	Front-L4 - 2.0L w/o Sensor	CFC768	SBC768	
	2005	Front-L4 - 2.0L w/o Sensor	CFM687		
	2004-00	Front-All w/ "D" Shaped Electronic Wear Sensor	CFM687	SBM687	
	2004-00	Front-All w/o Sensor		SBM687	
	2004-00	Front-All w/o Sensor	CFC768	SBC768	
	2004-00	Front-All w/o Sensor	CFM687		
	1999-98	Front-L4 - 1.9L w/ 15.0mm Overall Thickness		SBM227A	
	1999-98	Front-L4 - 1.9L w/ Female 'D' Shaped Electronic Wear Sensor	CFC768S	SBC768A	
	1999-98	Front-L4 - 2.0L w/ 15.0mm Overall Thickness		SBM227A	
	1999-98	Front-L4 - 2.0L w/ Female 'D' Shaped Electronic Wear Sensor	CFC768S	SBC768A	
	1999	Front-L4 - 1.9L w/ "D" Shaped Electronic Wear Sensor	CFM687	SBM687	
	1999	Front-L4 - 1.9L w/o Sensor	CFC768	SBC768	
	1999	Front-L4 - 2.0L ABA Eng Des, w/ 15.2mm Overall Thickness		SBM704	
	1999	Front-L4 - 2.0L AEG Eng Des, w/o Sensor	CFC768	SBC768	

BENDIX BRAKE PARTS

PART TYPE	YEAR	APPLICATION	PREMIUM NO.	PART NO.	SEVERE DUTY NO.
Volkswagen (Cont'd.)					
Jetta (Cont'd.)					
Disc Brake Pad Set (cont'd)	1999	Front-L4 - 2.0L w/ "D" Shaped Electronic Wear Sensor	CFM687	SBM687	
	1998-96	Front-V6 - 2.8L w/o Sensor	CFM687	SBM687	
	1998	Front-L4 - 1.9L w/ 15.2mm Overall Thickness		SBM704	
	1998	Front-L4 - 2.0L w/ 15.2mm Overall Thickness		SBM704	
	1998	Front-V6 - 2.8L w/ 15.0mm Overall Thickness		SBM227A	
	1998	Front-V6 - 2.8L w/ "D" Shaped Electronic Wear Sensor	CFM687	SBM687	
	1997-96	Front-L4 - 2.0L Hardware Not Included		SBM227	
	1997	Front-L4 - 1.9L Hardware Not Included		SBM704	
	1995-94	Front-L4 - 2.0L GL, w/ ATE Brake Design		SBM227	
	1995-94	Front-L4 - 2.0L GLS, w/ ATE Brake Design		SBM227	
	1995-94	Front-V6 - 2.8L GLX, Hardware Not Included		SBM684	
	1995	Front-L4 - 2.0L Celebration Edition, w/ ATE Brake Design		SBM227	
	1995	Front-L4 - 2.0L City, w/ ATE Brake Design		SBM227	
	1994	Front-L4 - 2.0L Limited Edition, w/ ATE Brake Design		SBM227	
	1993	Front-All Base, w/ ATE Brake Design		SBM227	
	1993	Front-All GL, w/ ATE Brake Design		SBM227	
	1993	Front-All GLS, w/ ATE Brake Design		SBM227	
	1992-91	Front-All w/ ATE Brake Design		SBM227	
	1992-91	Front-All w/ Kelsey Hayes Brake Design		SBM280A	
	1990-87	Front-L4 - 1.6L Hardware Not Included		SBM227	
	1990	Front-L4 - 1.8L Carat, RV Eng Des, From Chassis/VIN #520001		SBM280A	
	1990	Front-L4 - 2.0L From Chassis/VIN #520001		SBM280A	
	1989-88	Front-L4 - 1.8L Carat, Hardware Not Included		SBM227	
	1989-87	Front-L4 - 1.8L Base, Hardware Not Included		SBM227	
	1989-87	Front-L4 - 1.8L GL, Hardware Not Included		SBM227	
	1989-87	Front-L4 - 1.8L GLI 16-Valve, w/ Kelsey Hayes Caliper Design		SBM280A	
	1987	Front-L4 - 1.8L GLI, Hardware Not Included		SBM227	
	1987	Front-L4 - 1.8L Wolfsburg Edition, Hardware Not Included		SBM227	
	1986-85	Front-All w/o Shim Kit		SBM280	
	1986-85	Front-L4 - 1.6L w/ Shim Kit		SBM280B	
	1986-85	Front-L4 - 1.8L w/ Shim Kit		SBM280B	
	2018-15	Rear-All Hardware Included	CFM1017	SBM1017	
	2014	Rear-All Sedan, w/ 16.8mm Overall Thickness	CFM1017	SBM1017	
	2014	Rear-All Wagon, w/ 15.5mm Overall Thickness	CFM1456	SBC1456	
	2013-12	Rear-All Comfortline, w/ 15.5mm Overall Thickness	CFM1456	SBC1456	
	2013-12	Rear-All Highline, w/ 15.5mm Overall Thickness	CFM1456	SBC1456	
	2013-12	Rear-All S, w/ 16.8mm Overall Thickness	CFM1017	SBM1017	
	2013-12	Rear-All SE, w/ 15.5mm Overall Thickness	CFM1456	SBC1456	
	2013-12	Rear-All SE, w/ 16.8mm Overall Thickness	CFM1017	SBM1017	
	2013-12	Rear-All SEL, w/ 15.5mm Overall Thickness	CFM1456	SBC1456	
	2013-12	Rear-All SEL, w/ 16.8mm Overall Thickness	CFM1017	SBM1017	
	2013-12	Rear-All Sportline, w/ 15.5mm Overall Thickness	CFM1456	SBC1456	
	2013-12	Rear-All Trendline, w/ 15.5mm Overall Thickness	CFM1456	SBC1456	
	2013	Rear-All Hybrid, w/ 15.5mm Overall Thickness	CFM1456	SBC1456	
	2013	Rear-All Hybrid, w/ 16.8mm Overall Thickness	CFM1017	SBM1017	
	2013	Rear-All Hybrid Comfortline, w/ 15.5mm Overall Thickness	CFM1456	SBC1456	
	2013	Rear-All Hybrid Highline, w/ 15.5mm Overall Thickness	CFM1456	SBC1456	
	2013	Rear-All Hybrid SE, w/ 16.8mm Overall Thickness	CFM1017	SBM1017	
	2013	Rear-All Hybrid SEL, w/ 15.5mm Overall Thickness	CFM1456	SBC1456	
	2013	Rear-All Hybrid SEL, w/ 16.8mm Overall Thickness	CFM1017	SBM1017	
	2013	Rear-All Hybrid Trendline, w/ 15.5mm Overall Thickness	CFM1456	SBC1456	
	2013	Rear-All TDI, w/ 16.8mm Overall Thickness	CFM1017	SBM1017	
	2013	Rear-All TDI Premium, w/ 16.8mm Overall Thickness	CFM1017	SBM1017	
	2012	Rear-All Comfortline, w/ 16.8mm Overall Thickness	CFM1017	SBM1017	
	2012	Rear-All Comfortline TDI, w/ 15.5mm Overall Thickness	CFM1456	SBC1456	
	2012	Rear-All Highline, w/ 16.8mm Overall Thickness	CFM1017	SBM1017	
	2012	Rear-All Highline TDI, w/ 15.5mm Overall Thickness	CFM1456	SBC1456	
	2012	Rear-All S, w/ 15.5mm Overall Thickness	CFM1456	SBC1456	
	2012	Rear-All Sportline, w/ 16.8mm Overall Thickness	CFM1017	SBM1017	
	2012	Rear-All TDI, Sedan, w/ 15.5mm Overall Thickness	CFM1456	SBC1456	
	2012	Rear-All TDI, Wagon, w/ 15.5mm Overall Thickness	CFM1456	SBC1456	
	2012	Rear-All TDI Premium, Sedan, w/ 15.5mm Overall Thickness	CFM1456	SBC1456	
	2012	Rear-All Trendline, w/ 16.8mm Overall Thickness	CFM1017	SBM1017	
	2012	Rear-L4 - 2.0L GLI, w/ 15.5mm Overall Thickness	CFM1456	SBC1456	
	2011	Rear-All w/ 253mm Rear Rotors		SBC1108K2	
	2011	Rear-All w/ 253mm Rear Rotors	CFM1108K1	SBC1108K1	
	2011	Rear-All w/ 253mm Rear Rotors	CFM1108K2		
	2011	Rear-All w/ 273mm Rear Rotors	CFM1456	SBC1456	
	2010	Rear-All w/ 260mm, 286mm Rear Rotors		SBC1108K2	
	2010	Rear-All w/ 260mm, 286mm Rear Rotors	CFM1108K1	SBC1108K1	
	2010	Rear-All w/ 260mm, 286mm Rear Rotors	CFM1108K2		
	2010	Rear-All w/ 272mm Rear Rotors	CFM1456	SBC1456	

BENDIX BRAKE PARTS

PART TYPE	YEAR	APPLICATION	PREMIUM NO.	PART NO.	SEVERE DUTY NO.
Volkswagen (Cont'd.)					
Jetta (Cont'd.)					
Disc Brake Pad Set (cont'd)	2009-07	Rear-L4 - 2.0L w/ 4Motion	CFM1108K2	SBC1108K2	
	2009-07	Rear-L4 - 2.0L w/o 4Motion	CFM1108K1	SBC1108K1	
	2009-05	Rear-L5 - 2.5L w/ 4Motion	CFM1108K2	SBC1108K2	
	2009-05	Rear-L5 - 2.5L w/o 4Motion	CFM1108K1	SBC1108K1	
	2006	Rear-L4 - 1.9L w/ 260mm, 286mm Brake Rotors		SBC1108K2	
	2006	Rear-L4 - 1.9L w/ 260mm, 286mm Brake Rotors	CFM1108K1	SBC1108K1	
	2006	Rear-L4 - 1.9L w/ 260mm, 286mm Brake Rotors	CFM1108K2		
	2006	Rear-L4 - 2.0L 2.0T, w/ 4Motion	CFM1108K2	SBC1108K2	
	2006	Rear-L4 - 2.0L 2.0T, w/o 4Motion	CFM1108K1	SBC1108K1	
	2006	Rear-L4 - 2.0L GLI, w/ 286mm Brake Rotors		SBC1108K2	
	2006	Rear-L4 - 2.0L GLI, w/ 286mm Brake Rotors	CFM1108K1	SBC1108K1	
	2006	Rear-L4 - 2.0L GLI, w/ 286mm Brake Rotors	CFM1108K2		
	2005	Rear-L4 - 1.8L GL, Hardware Included	CFM1112	SBC340K1	
	2005	Rear-L4 - 1.8L GLI, Red Painted Calipers	CFM1112	SBC340K1	
	2005	Rear-L4 - 1.8L GLS, Hardware Included	CFM1112	SBC340K1	
	2005	Rear-L4 - 1.9L w/ 232mm Brake Rotors	CFM1112	SBC340K1	
	2005	Rear-L4 - 1.9L w/ 260mm Brake Rotors		SBC1108K2	
	2005	Rear-L4 - 1.9L w/ 260mm Brake Rotors	CFM1108K1	SBC1108K1	
	2005	Rear-L4 - 1.9L w/ 260mm Brake Rotors	CFM1108K2		
	2005	Rear-L4 - 2.0L Hardware Included	CFM1112	SBC340K1	
	2004	Rear-All Hardware Included	CFM1017	SBM1017	
	2003-02	Rear-V6 - 2.8L GLX, Hardware Included	CFM1017	SBM1017	
	2003	Rear-L4 - 1.8L Hardware Included	CFM1017	SBM1017	
	2003	Rear-L4 - 1.9L Hardware Included	CFM1017	SBM1017	
	2003	Rear-L4 - 2.0L Hardware Included	CFM1017	SBM1017	
	2003	Rear-V6 - 2.8L GLI, Hardware Included	CFM1112	SBC340K1	
	2002	Rear-L4 - 1.8L GLS, Hardware Included	CFM1017	SBM1017	
	2002	Rear-L4 - 1.9L TDI, Hardware Included	CFM1017	SBM1017	
	2002	Rear-L4 - 2.0L GL, Hardware Included	CFM1017	SBM1017	
	2002	Rear-L4 - 2.0L GLS, Hardware Included	CFM1017	SBM1017	
	2002	Rear-V6 - 2.8L GLI, Hardware Included	CFM1017	SBM1017	
	2001	Rear-L4 - 1.8L GLS, w/ 232mm x 9mm Brakes	CFM1112	SBC340K1	
	2001	Rear-L4 - 1.8L Wolfsburg Edition, w/ 256mm Brake Rotors	CFM1017	SBM1017	
	2001	Rear-L4 - 1.9L w/ 232mm x 9mm Brakes	CFM1112	SBC340K1	
	2001	Rear-L4 - 2.0L GL, AEG Eng Des, w/ 232mm x 9mm Brakes	CFM1112	SBC340K1	
	2001	Rear-L4 - 2.0L GL, AVH Eng Des, w/ 256mm Brake Rotors	CFM1017	SBM1017	
	2001	Rear-L4 - 2.0L GL, AZG Eng Des, w/ 256mm Brake Rotors	CFM1017	SBM1017	
	2001	Rear-L4 - 2.0L GLS, AEG Eng Des, w/ 256mm Brake Rotors	CFM1017	SBM1017	
	2001	Rear-L4 - 2.0L GLS, AVH Eng Des, w/ 256mm Brake Rotors	CFM1017	SBM1017	
	2001	Rear-L4 - 2.0L GLS, AZG Eng Des, w/ 256mm Brake Rotors	CFM1017	SBM1017	
	2001	Rear-V6 - 2.8L w/ 232mm x 9mm Brakes	CFM1112	SBC340K1	
	2000-99	Rear-All Hardware Included	CFM1017	SBM1017	
	1998	Rear-All From 12/98	CFM1017	SBM1017	
	1998	Rear-L4 - 2.0L To 11/98	CFM1112	SBC340K1	
	1998	Rear-V6 - 2.8L To 11/98	CFM1112	SBC340K1	
	1997-94	Rear-V6 - 2.8L Hardware Included	CFM1112	SBC340K1	
	1997-90	Rear-L4 - 2.0L Hardware Included	CFM1112	SBC340K1	
	1997	Rear-L4 - 1.9L Hardware Included	CFM1112	SBC340K1	
	1989-85	Rear-L4 - 1.8L Hardware Included	CFM1112	SBC340K1	
	1984	Rear-All Hardware Included	CFM1112	SBC340K1	
Drum Brake Shoe	2012-11	Rear-All		999	
	1999	Rear-All w/ 7.87" X 1.58" Brakes		662	
	1998	Rear-L4 - 1.9L To 11/98		662	
	1998	Rear-L4 - 2.0L To 11/98		662	
	1997-93	Rear-L4 - 2.0L		662	
	1997	Rear-L4 - 1.9L		662	
	1996-93	Rear-L4 - 1.9L Vehicles Built For Canadian Market		662	
	1994-93	Rear-L4 - 1.8L Vehicles Built For Canadian Market		662	
	1992	Rear-All w/ 7.09" X 1.22" Brakes		559	
	1992	Rear-All w/ 7.87" X 1.58" Brakes		495	
	1991-90	Rear-L4 - 1.6L		559	
	1991-90	Rear-L4 - 1.8L		495	
	1989-88	Rear-All Carat		559	
	1989-85	Rear-All Base		559	
	1989-85	Rear-All GL		559	
	1984	Rear-All w/ 7.09" X 1.22" Brakes		559	
	1983	Rear-All GAS		559	
	1982	Rear-All Early		559	
	1982	Rear-All GAS, Late		559	
	1981-80	Rear-All w/ 7.09" X 1.22" Brakes		559	
Disc Brake Rotor	2016	Front-L4 - 1.4L 288mm Rotor		PRT5682	

BENDIX BRAKE PARTS

PART TYPE	YEAR	APPLICATION	PREMIUM NO.	PART NO.	SEVERE DUTY NO.
Volkswagen (Cont'd.)					
Jetta (Cont'd.)					
Disc Brake Rotor (cont'd)	2015-07	Front-All 288mm Rotor		PRT5682	
	2014	Front-All TDI, Wagon, 312mm Rotor		PRT5639	
	2013-11	Front-All 280mm Rotor, PR Code 1ZQ	BPR6154	PRT6154	
	2013-07	Front-All 288mm Rotor	BPR5682		
	2013-07	Front-All 312mm Rotor	BPR5639	PRT5639	
	2006-05	Front-All 280mm Rotor and 7th and 8th digit of VIN is 9M or 1J	BPR5239	PRT5239	
	2006-05	Front-All 288mm Rotor and 7th and 8th digit of VIN is 1K	BPR5682	PRT5682	
	2006-05	Front-All 288mm Rotor and 7th and 8th digit of VIN is 9M or 1J	BPR5278	PRT5278	
	2006-05	Front-All 312 mm Rotor and 7th and 8th digit of VIN is 1K	BPR5639	PRT5639	
	2005	Front-All 312 mm Rotor and 7th and 8th digit of VIN is 9M or 1J	BPR5830	PRT5830	
	2004-99	Front-All 280mm Rotor	BPR5239	PRT5239	
	2004-99	Front-All 288mm Rotor	BPR5278	PRT5278	
	2004	Front-All 312mm Rotor	BPR5830	PRT5830	
	1998-96	Front-All 4 Hole Rotor Solid		PRT1095	
	1998-96	Front-All 4 Hole Rotor Vented		PRT1523	
	1998-96	Front-All 5 Holes		PRT5110	
	1995	Front-All Base, Solid Rotor		PRT1095	
	1995	Front-All Base, W/ Vented Rotor		PRT1523	
	1995	Front-All Celebration Edition, Solid Rotor		PRT1095	
	1995	Front-All Celebration Edition, W/ Vented Rotor		PRT1523	
	1995	Front-All City, Solid Rotor		PRT1095	
	1995	Front-All City, W/ Vented Rotor		PRT1523	
	1995	Front-All GL, Solid Rotor		PRT1095	
	1995	Front-All GL, W/ Vented Rotor		PRT1523	
	1995	Front-All GLS, Solid Rotor		PRT1095	
	1995	Front-All GLS, W/ Vented Rotor		PRT1523	
	1995	Front-All GLX, GLX, W /Vented Rotors; 280mm:5 Mounting Holes		PRT1719	
	1994-93	Front-L4 - 1.8L		PRT1095	
	1994-93	Front-L4 - 1.9L		PRT1095	
	1994-90	Front-L4 - 2.0L		PRT1523	
	1994	Front-V6 - 2.8L 280mm:5 Mounting Holes		PRT1719	
	1994	Front-V6 - 2.8L 288mm Rotor		PRT5110	
	1992-90	Front-L4 - 1.6L Solid Rotors		PRT1095	
	1992-90	Front-L4 - 1.6L Vented Rotors		PRT1248	
	1992-90	Front-L4 - 1.8L Solid Rotors		PRT1095	
	1992-90	Front-L4 - 1.8L Vented Rotors		PRT1248	
	1989-88	Front-All Carat		PRT1095	
	1989-87	Front-All GLI 16-Valve		PRT1095	
	1989-85	Front-All Base		PRT1095	
	1989-85	Front-All GL		PRT1095	
	1987	Front-All Wolfsburg Edition		PRT1095	
	1984-80	Front-All		PRT1095	
	2017-16	Rear-L4 - 1.4L		PRT6168	
	2015-12	Rear-All 253mm Rotor		PRT6168	
	2014-11	Rear-All 272mm Rotor	BPR6086	PRT6086	
	2013-12	Rear-All 253mm Rotor	BPR6168		
	2012	Rear-All TDI		PRT6059	
	2012	Rear-All TDI Premium		PRT6059	
	2010-05	Rear-All 256mm diameter	BPR6058		
	2010-05	Rear-All 260mm Rotor		PRT5644 ⁷⁶	
	2010-05	Rear-All 286mm Rotor		PRT5683 ⁷⁹	
	2010	Rear-All	BPR6059		
	2009-05	Rear-All 232mm Rotor	BPR5238	PRT5238	
	2009-05	Rear-All 286mm Rotor	BPR6059		
	2005	Rear-All 256mm Rotor; 256X22mm	BPR5418	PRT5418	
	2004-03	Rear-All Vented Rotors; 256X22mm	BPR5418	PRT5418	
	2004-00	Rear-All Solid Rotor	BPR5238	PRT5238	
	1999	Rear-L4 - 1.9L New Body Style	BPR5238	PRT5238	
	1999	Rear-L4 - 2.0L New Body Style	BPR5238	PRT5238	
	1999	Rear-V6 - 2.8L New Body Style	BPR5238	PRT5238	
Disc Brake Rotor and Hub Assembly	1999-94	Rear-V6 - 2.8L V6 2.8L		PRT1853	
	1999	Rear-L4 - 2.0L Old Body Style; 4 SCREW HOLES		PRT1572	
	1998-94	Rear-L4 - 1.9L 4 SCREW HOLES		PRT1572	
	1998-94	Rear-L4 - 2.0L 4 SCREW HOLES		PRT1572	
	1995-94	Rear-L4 - 1.8L 4 SCREW HOLES		PRT1572	
	1993	Rear-All 4 SCREW HOLES		PRT1572	
	1992-90	Rear-L4 - 2.0L 4 SCREW HOLES		PRT1572	
	1989	Rear-L4 - 1.8L 4 SCREW HOLES		PRT1572	
	1988-85	Rear-L4 - 1.8L 4 Screw Holes		PRT1572	
Brake Drum	2013-11	Rear-All		PDR0848	

⁷⁶ Sell out and reorder PRT6058

⁷⁹ Sell out and reorder PRT6059

BENDIX BRAKE PARTS

PART TYPE	YEAR	APPLICATION	PREMIUM NO.	PART NO.	SEVERE DUTY NO.
Volkswagen (Cont'd.)					
Jetta (Cont'd.)					
Brake Drum (cont'd)	1999	Rear-L4 - 2.0L GL, Rear Drum		PDR0563	
	1999	Rear-L4 - 2.0L GLS, Rear Drum		PDR0563	
	1998-94	Rear-L4 - 1.9L		PDR0563	
	1998-94	Rear-L4 - 2.0L		PDR0563	
	1995-94	Rear-L4 - 1.8L		PDR0563	
	1993	Rear-All		PDR0563	
	1992-90	Rear-L4 - 1.6L		PDR0563	
	1992-90	Rear-L4 - 1.8L		PDR0563	
	1989-88	Rear-L4 - 1.8L		PDR0467	
	1987-80	Rear-All		PDR0467	
Jetta City					
Disc Brake Pad Set	2009-07	Front-All w/ Female 'D' Shaped Electronic Wear Sensor	CFC768S	SBC768A	
	2009-07	Rear-All Hardware Included	CFM1017	SBM1017	
Disc Brake Rotor	2009-07	Front-All	BPR5239	PRT5239	
	2009-07	Rear-All 232mm Rotor	BPR5238	PRT5238	
	2009-07	Rear-All 256mm diameter	BPR6058		
	2009-07	Rear-All 260mm Rotor		PRT5644 ⁷⁶	
	2009-07	Rear-All 260mm Rotor		PRT6058	
	2009-07	Rear-All 286mm Rotor	BPR6059	PRT5683 ⁷⁹	
Karmann Ghia					
Drum Brake Shoe	1974-65	Rear-All w/ 9.06" X 1.58" Brakes		315	
Brake Drum	1974-68	Front-All 230mm Drum		PDR0244	
	1974-68	Front-All 248mm Drum		PDR0355	
Lupo					
Disc Brake Pad Set	2009-05	Front-All Hardware Included	CFC768	SBC768	
Passat					
Disc Brake Pad Set	2018-12	Front-All Hardware Included	CFM1375	SBC1375	
	2010	Front-L4 - 2.0L w/ Electronic Wear Sensor	CFC1107	SBC1107A	
	2010	Front-V6 - 3.6L Hardware Included	CFC1111A		
	2010	Front-V6 - 3.6L Hardware Not Included		SBM1111A	
	2009	Front-All w/ Electronic Wear Sensor	CFC1107	SBC1107A	
	2008-06	Front-L4 - 2.0L w/ Electronic Wear Sensor	CFC1107	SBC1107A	
	2008-06	Front-V6 - 3.6L Hardware Included	CFC1111A		
	2008-06	Front-V6 - 3.6L Hardware Not Included		SBM1111A	
	2005-04	Front-All w/ 1 Piston Caliper	CFM840	SBM840	
	2005-04	Front-All w/ 2 Piston Caliper		SBM912	
	2005-04	Front-All w/ 2 Piston Caliper		SBM912A	
	2003	Front-All w/ 288mm, 312mm Brake Rotors	CFM840	SBM840	
	2002	Front-All w/ 288mm Brake Rotors	CFM840	SBM840	
	2002	Front-All w/ 321mm Brake Rotors		SBM912	
	2002	Front-All w/ 321mm Brake Rotors		SBM912A	
	2001-00	Front-All w/ 312mm Brake Rotors	CFM840	SBM840	
	1999	Front-All From VIN #491580		SBM555B	
	1999	Front-All To VIN #491579		SBM555A	
	1999	Front-V6 - 2.8L From Chassis/VIN #3B-X-491 581		SBM555	
	1998	Front-L4 - 1.8L w/ Oval Electronic Wear Sensor		SBM555A	
	1998	Front-V6 - 2.8L GLS, From Chassis/VIN #3B-X-491 581		SBM555	
	1998	Front-V6 - 2.8L GLS, To Chassis/VIN #3B-X-491 580		SBM555A	
	1998	Front-V6 - 2.8L GLX, w/ Round Electronic Wear Sensor		SBM555	
	1997-96	Front-All w/ 15.0mm Overall Thickness		SBM227A	
	1997-96	Front-All w/o Sensor	CFM687	SBM687	
	1997	Front-L4 - 1.9L w/ 15.2mm Overall Thickness		SBM704	
	1996	Front-All w/ 18.6mm Overall Thickness		SBM227	
	1995-90	Front-All Hardware Not Included		SBM227	
	2018-16	Rear-All Hardware Not Included	CFM1779	SBC1779	
	2015	Rear-All Comfortline, Hardware Not Included	CFM1779	SBC1779	
	2015	Rear-All Comfortline TDI, Hardware Included	CFM1456	SBC1456	
	2015	Rear-All Highline, Hardware Not Included	CFM1779	SBC1779	
	2015	Rear-All Highline TDI, Hardware Included	CFM1456	SBC1456	
	2015	Rear-All S, Hardware Not Included	CFM1779	SBC1779	
	2015	Rear-All SE, Hardware Not Included	CFM1779	SBC1779	
	2015	Rear-All SEL Premium, Hardware Not Included	CFM1779	SBC1779	
	2015	Rear-All TDI SE, From 7/1/14	CFM1779	SBC1779	
	2015	Rear-All TDI SE, To 6/30/14	CFM1456	SBC1456	
	2015	Rear-All TDI SEL Premium, Hardware Included	CFM1456	SBC1456	
	2015	Rear-All Trendline, Hardware Not Included	CFM1779	SBC1779	
	2015	Rear-All Trendline TDI, Hardware Included	CFM1456	SBC1456	
	2015	Rear-All Wolfsburg Edition, Hardware Not Included	CFM1779	SBC1779	
	2014-12	Rear-All Hardware Included	CFM1456	SBC1456	
	2010	Rear-All w/ 4Motion	CFM1108K2	SBC1108K2	
	2010	Rear-All w/o 4Motion	CFM1108K1	SBC1108K1	
	2009-08	Rear-L4 - 2.0L w/ 4Motion	CFM1108K2	SBC1108K2	
	2009-08	Rear-L4 - 2.0L w/o 4Motion	CFM1108K1	SBC1108K1	

⁷⁶ Sell out and reorder PRT6058
⁷⁹ Sell out and reorder PRT6059

BENDIX BRAKE PARTS

PART TYPE	YEAR	APPLICATION	PREMIUM NO.	PART NO.	SEVERE DUTY NO.
Volkswagen (Cont'd.)					
Passat (Cont'd.)					
Disc Brake Pad Set (cont'd)	2009-08	Rear-V6 - 3.6L w/ 4Motion	CFM1108K2	SBC1108K2	
	2009-08	Rear-V6 - 3.6L w/o 4Motion	CFM1108K1	SBC1108K1	
	2007-06	Rear-All w/ 4Motion	CFM1108K2	SBC1108K2	
	2007-06	Rear-All w/o 4Motion	CFM1108K1	SBC1108K1	
	2005-03	Rear-All Hardware Included	CFM1017	SBM1017	
	2002	Rear-All 1.8T, Hardware Included	CFM1017	SBM1017	
	2002	Rear-All GLS 4 Motion, Hardware Included	CFM1017	SBM1017	
	2002	Rear-All GLS, Hardware Included	CFM1017	SBM1017	
	2002	Rear-All GLX 4 Motion, Hardware Included	CFM1017	SBM1017	
	2002	Rear-All GLX, Hardware Included	CFM1017	SBM1017	
	2002	Rear-All V6 4Motion, Hardware Included	CFM1017	SBM1017	
	2002	Rear-All V6, Hardware Included	CFM1017	SBM1017	
	2002	Rear-All W8, Hardware Included	CFM1017	SBM1017	
	2001-98	Rear-All Hardware Included	CFM1017	SBM1017	
	1997-90	Rear-All Hardware Included	CFM1112	SBC340K1	
Disc Brake Rotor	2016-13	Front-All		PRT6291	
	2014-12	Front-All	BPR5639		
	2012	Front-All		PRT5639	
	2010-06	Front-L4 - 2.0L	BPR5639	PRT5639	
	2010-06	Front-V6 - 3.6L		PRT5986	
	2005-02	Front-All 288mm Rotor; 288MM	BPR5610	PRT5610	
	2005-02	Front-All 321mm Diameter		PRT5923	
	2001-99	Front-All From Chassis # 3B-X-124 901	BPR5000	PRT5000	
	1999-98	Front-All To Chassis # 3B-X-124 900; 282MM		PRT5252	
	1998	Front-All Diesel		PRT5307	
	1997-96	Front-L4 - 1.9L TDI		PRT1523	
	1997-96	Front-V6 - 2.8L GLX, GLX, W /Vented Rotors; 280mm:5 Mounting Holes		PRT1719	
	1996	Front-L4 - 2.0L GLS		PRT1523	
	1995-94	Front-V6 - 2.8L 280mm:5 Mounting Holes		PRT1719	
	1995-93	Front-L4 - 2.0L		PRT1523	
	1993	Front-V6 - 2.8L V6 2.8L		PRT5511	
	1992-90	Front-All		PRT1523	
	2016-14	Rear-All		PRT6396	
	2014-12	Rear-All	BPR6086		
	2013-12	Rear-All		PRT6086	
	2010-06	Rear-All Solid Rotors	BPR6059	PRT5683 ⁷⁹	
	2010-06	Rear-All Vented Rotors		PRT5958	
	2005-04	Rear-L4 - 2.0L w/ 2" Rotor Hub Height	BPR5323	PRT5323	
	2005-04	Rear-L4 - 2.0L W/ 2.5" Rotor Hub Height; 245mm	BPR5002	PRT5002	
	2005-02	Rear-L4 - 1.8L w/ 2" Rotor Hub Height	BPR5323	PRT5323	
	2005-02	Rear-L4 - 1.8L W/ 2.5" Rotor Hub Height; 245mm	BPR5002	PRT5002	
	2005-02	Rear-V6 - 2.8L w/ 2" Rotor Hub Height	BPR5323	PRT5323	
	2005-02	Rear-V6 - 2.8L W/ 2.5" Rotor Hub Height; 245mm	BPR5002	PRT5002	
	2001-99	Rear-All w/ 2" Rotor Hub Height	BPR5323	PRT5323	
	2001-99	Rear-All W/ 2.5" Rotor Hub Height; 245mm	BPR5002	PRT5002	
	1998	Rear-All 245mm Rotor	BPR5002	PRT5002	
Disc Brake Rotor and Hub Assembly	1997-92	Rear-All 5 Hole Rotor		PRT1853	
	1997-91	Rear-All 4 Hole Rotor; 4 SCREW HOLES		PRT1572	
Passat CC					
Disc Brake Pad Set	2012-09	Front-All w/ Electronic Wear Sensor	CFC1107	SBC1107A	
	2010-09	Rear-All w/ 4Motion	CFM1108K2	SBC1108K2	
	2010-09	Rear-All w/o 4Motion	CFM1108K1	SBC1108K1	
Disc Brake Rotor	2010-09	Front-L4 - 2.0L	BPR5639	PRT5639	
	2010-09	Front-V6 - 3.6L		PRT5986	
	2010-09	Rear-L4 - 2.0L	BPR6059	PRT5683 ⁷⁹	
	2010-09	Rear-V6 - 3.6L		PRT5958	
Phaeton					
Disc Brake Pad Set	2006-04	Front-All Hardware Included	CFM1024		
	2006-04	Front-All Hardware Not Included		SBM1024	
	2006-04	Rear-All Hardware Included	CFM1018	SBM1018	
Disc Brake Rotor	2006-04	Front-All		PRT6078	
	2006-04	Rear-All		PRT5746	
Pointer					
Disc Brake Pad Set	2009-08	Front-All w/ Solid Front Rotors		SBM350	
	2009-99	Rear-All w/ TRW/Varga Brakes		SBM693	
Polo					
Disc Brake Pad Set	2014	Front-All w/ Electronic Wear Sensor	CFC1107	SBC1107A	
	2014	Rear-All Hardware Included	CFM1017	SBM1017	
Quantum					
Disc Brake Pad Set	1988-87	Front-All w/o Shims		SBM227	
	1988	Front-All GL, w/ Shim Kit		SBM280B	

79 Sell out and reorder PRT6059

BENDIX BRAKE PARTS

PART TYPE	YEAR	APPLICATION	PREMIUM NO.	PART NO.	SEVERE DUTY NO.	
Volkswagen (Cont'd.)						
Quantum (Cont'd.)						
Disc Brake Pad Set (cont'd)	1987-86	Front-L5 - 2.2L w/ Shim Kit		SBM280B		
	1986	Front-All Syncro, Hardware Not Included		SBM227		
	1985	Front-All w/ Shim Kit		SBM280B		
	1985	Front-L4 - 1.6L Base, w/o Shims		SBM280		
	1985	Front-L4 - 1.6L GL, w/o Shims		SBM280		
	1985	Front-L4 - 1.8L Base, w/o Shims		SBM280		
	1985	Front-L4 - 1.8L GL, w/o Shims		SBM280		
	1984-83	Front-L4 - 1.6L w/o Shims		SBM280		
	1984	Front-L4 - 1.8L w/o Shims		SBM280		
	1984	Front-L5 - 2.2L Hardware Included		SBM280A		
	1983	Front-L4 - 1.7L w/o Shims		SBM280		
	1983	Front-L5 - 2.2L w/ Shims		SBM280A		
	1988	Rear-All Hardware Included	CFM1112	SBC340K1		
	1987-86	Rear-L5 - 2.2L Hardware Included	CFM1112	SBC340K1		
	Drum Brake Shoe	1988-85	Rear-All GL		495	
		1987-85	Rear-All Base		495	
		1984-82	Rear-All		495	
Disc Brake Rotor		1988-86	Front-All Syncro		PRT1523	
	1988-82	Front-All GL		PRT1095		
	1987-85	Front-All Base		PRT1095		
	1984	Front-All Wolfsburg Edition		PRT1095		
	1983-82	Front-All Base		PRT1095		
	1988-86	Rear-All		PRT1518		
	Brake Drum	1988	Rear-All 180 x 30mm Brakes		PDR0467	
1985		Rear-All 200 x 40mm Brakes		PDR0563		
R32						
Disc Brake Pad Set	2008	Front-All Hardware Included	CFC1111A			
	2008	Front-All Hardware Not Included		SBM1111A		
	2008	Rear-All w/ 4Motion	CFM1108K2	SBC1108K2		
	2008	Rear-All w/o 4Motion	CFM1108K1	SBC1108K1		
Disc Brake Rotor	2008	Front-All		PRT5986		
	2008	Rear-All		PRT5958		
Rabbit						
Disc Brake Pad Set	2009-06	Front-All w/ Electronic Wear Sensor	CFC1107	SBC1107A		
	2009-06	Rear-All w/ 4Motion	CFM1108K2	SBC1108K2		
	2009-06	Rear-All w/o 4Motion	CFM1108K1	SBC1108K1		
Drum Brake Shoe	1984-83	Rear-All GTI		559		
	1982-79	Rear-All w/ 7.09" X 1.22" Brakes		559		
Disc Brake Rotor	2009-06	Front-All	BPR5682	PRT5682		
	1984-80	Front-All Solid Rotor		PRT1095		
	1984-80	Front-All Vented Rotors		PRT1248		
	1979-75	Front-All		PRT1095		
	2009-06	Rear-All	BPR6058	PRT5644 ⁷⁶		
Brake Drum	1984-81	Rear-All		PDR0467		
	1980	Rear-All German Built Vehicle		PDR0467		
	1980	Rear-All USA Built		PDR0563		
	1979-75	Rear-All		PDR0467		
Rabbit Convertible						
Drum Brake Shoe	1984-80	Rear-All w/ 7.09" X 1.22" Brakes		559		
Disc Brake Rotor	1984-80	Front-All		PRT1248		
Brake Drum	1984-80	Rear-All		PDR0467		
Rabbit Pickup						
Drum Brake Shoe	1983-80	Rear-All		495		
Disc Brake Rotor	1983-80	Front-All		PRT1095		
Brake Drum	1983-81	Rear-All		PDR0563		
	1980	Rear-All German Built Vehicle		PDR0467		
	1980	Rear-All USA Built		PDR0563		
Routan						
Disc Brake Pad Set	2014-13	Front-All Hardware Included	CFC1589	SBC1589	MKD1589FM	
	2012	Front-All w/ 302mm Front Rotors	CFC1327	SBC1327	MKD1327FM	
	2012	Front-All w/ 330mm Front Rotors	CFC1589	SBC1589	MKD1589FM	
	2011-09	Front-All Hardware Included	CFC1327	SBC1327	MKD1327FM	
	2014-13	Rear-All Hardware Included	CFC1596	SBC1596	MKD1596FM	
	2012	Rear-All w/ 305mm Rear Rotors	CFC1326	SBC1326	MKD1326FM	
	2012	Rear-All w/ 328mm Rear Rotors	CFC1596	SBC1596	MKD1596FM	
	2011-09	Rear-All w/ Wear Sensor	CFC1326	SBC1326	MKD1326FM	
	Disc Brake Rotor	2014-12	Front-All 330mm Diameter		PRT6170	SDR6170
		2014-12	Front-All S, 302mm Diameter		PRT5843	
		2012-09	Front-All 302mm Diameter			SDR5843
2011-09		Front-All 302mm Diameter		PRT5843		
2014-12		Rear-All 305mm Diameter		PRT5844	SDR5844	
2014-12		Rear-All 328mm Diameter		PRT6171		
2012	Rear-All 328mm Diameter			SDR6171		

76 Sell out and reorder PRT6058

BENDIX BRAKE PARTS

PART TYPE	YEAR	APPLICATION	PREMIUM NO.	PART NO.	SEVERE DUTY NO.
Volkswagen (Cont'd.)					
Routan (Cont'd.)					
Disc Brake Rotor (cont'd)	2011-09	Rear-All		PRT5844	SDR5844
Saveiro					
Disc Brake Pad Set	2017-16	Rear-All Hardware Included	CFM1017	SBM1017	
Drum Brake Shoe	2015	Rear-All		999	
Scirocco					
Disc Brake Pad Set	1989-86	Front-All Hardware Not Included		SBM227	
	1985	Front-All Hardware Included		SBM280A	
	1989	Rear-All Hardware Included	CFM1112	SBC340K1	
	1988	Rear-L4 - 1.8L Hardware Included	CFM1112	SBC340K1	
	1987-86	Rear-All Hardware Included	CFM1112	SBC340K1	
Drum Brake Shoe	1989-80	Rear-All w/ 7.09" X 1.22" Brakes		559	
	1979	Rear-All w/ Kelsey Hayes Calipers		559	
Disc Brake Rotor	1989-86	Front-L4 - 1.8L 16 Valve Engine		PRT1523	
	1989-86	Front-L4 - 1.8L Solid Rotor		PRT1095	
	1985-82	Front-All Solid Rotor		PRT1095	
	1981-75	Front-All		PRT1095	
Disc Brake Rotor and Hub Assembly	1989-85	Rear-All 4 SCREW HOLES		PRT1572	
Brake Drum	1988-75	Rear-All		PDR0467	
Sharan					
Disc Brake Pad Set	2008-02	Rear-All w/ 300mm Diameter Front Rotors	CFM1017	SBM1017	
SportVan					
Disc Brake Pad Set	2010-07	Front-All Hardware Included	CFC768S	SBC768A	
Super Beetle					
Drum Brake Shoe	1980-71	Front-All		392	
	1980-71	Rear-All		315	
Brake Drum	1979-71	Front-All 248mm Drum		PDR0355	
Thing					
Drum Brake Shoe	1974-73	Rear-All w/ 9.06" X 1.58" Brakes		315	
Tiguan					
Disc Brake Pad Set	2018	Front-All Hardware Not Included	CFC1633A	SBC1633A	
	2017-09	Front-All Hardware Included	CFM1375	SBC1375	
	2018	Rear-All Hardware Not Included	CFC1761	SBC1761	
	2017-09	Rear-All w/ 4Motion	CFM1108K2	SBC1108K2	
	2017-09	Rear-All w/o 4Motion	CFM1108K1	SBC1108K1	
Disc Brake Rotor	2016-09	Front-All		PRT5639	
	2015-09	Front-All	BPR5639		
	2014-10	Rear-All	BPR6059	PRT6059	
	2009	Rear-All		PRT5683 ⁷⁹	
Tiguan Limited					
Disc Brake Pad Set	2018	Front-All Hardware Included	CFM1375	SBC1375	
	2018	Rear-All w/ 4Motion	CFM1108K2	SBC1108K2	
	2018	Rear-All w/o 4Motion	CFM1108K1	SBC1108K1	
Touareg					
Disc Brake Pad Set	2017-13	Front-All DIESEL, Hardware Included	CFM1129		
	2017-13	Front-All DIESEL, Hardware Not Included		SBM1129	
	2017-13	Front-All GAS, Hardware Included	CFM1129		
	2017-13	Front-All GAS, Hardware Not Included		SBM1129	
	2015-11	Front-All ELECTRIC/GAS, Hardware Not Included		SBM1349	
	2012	Front-All DIESEL, From 10/24/11	CFM1007	SBM1007	
	2012	Front-All DIESEL, To 10/23/11	CFM1129	SBM1129	
	2012	Front-All GAS, From 10/24/11	CFM1007	SBM1007	
	2012	Front-All GAS, To 10/23/11	CFM1129	SBM1129	
	2011	Front-All DIESEL, Hardware Included	CFM1129		
	2011	Front-All DIESEL, Hardware Not Included		SBM1129	
	2011	Front-All GAS, Hardware Included	CFM1129		
	2011	Front-All GAS, Hardware Not Included		SBM1129	
	2010	Front-All w/ 330mm Brake Rotors	CFM1129	SBM1129	
	2010	Front-All w/ 350mm Brake Rotors	CFM1014	SBM1014	
	2009-07	Front-V6 - 3.6L Hardware Included	CFM1129		
	2009-07	Front-V6 - 3.6L Hardware Not Included		SBM1129	
	2009	Front-V6 - 3.0L Hardware Included	CFM1129		
	2009	Front-V6 - 3.0L Hardware Not Included		SBM1129	
	2009	Front-V8 - 4.2L Hardware Included	CFM1129		
	2009	Front-V8 - 4.2L Hardware Not Included		SBM1129	
	2008-07	Front-V8 - 4.2L Hardware Included	CFM1014		
	2008-07	Front-V8 - 4.2L Hardware Not Included		SBM1014	
	2008-05	Front-V10 - 5.0L Hardware Included	CFM1014		
	2008-05	Front-V10 - 5.0L Hardware Not Included		SBM1014	
	2006-04	Front-V6 - 3.2L w/ 330mm Brake Rotors	CFM1007	SBM1007	
	2006-04	Front-V8 - 4.2L w/ 330mm Brake Rotors	CFM1007	SBM1007	

BENDIX BRAKE PARTS

PART TYPE	YEAR	APPLICATION	PREMIUM NO.	PART NO.	SEVERE DUTY NO.
Volkswagen (Cont'd.)					
Touareg (Cont'd.)					
Disc Brake Pad Set (cont'd)	2006	Front-V6 - 3.2L w/ 350mm Brake Rotors	CFM1014	SBM1014	
	2006	Front-V8 - 4.2L w/ 350mm Brake Rotors	CFM1014	SBM1014	
	2004	Front-V8 - 4.2L w/ 350mm Brake Rotors	CFM1014	SBM1014	
	2004	Front-V10 - 4.9L w/ 330mm Brake Rotors	CFM1007	SBM1007	
	2004	Front-V10 - 4.9L w/ 350mm Brake Rotors	CFM1014	SBM1014	
	2017-13	Rear-All Hardware Not Included	CFC1453	SBC1453	
	2012	Rear-V6 - 3.0L Hardware Not Included	CFC1453	SBC1453	
	2012	Rear-V6 - 3.0L Hybrid, ELECTRIC/GAS, Hardware Not Included	CFC1453	SBC1453	
	2012	Rear-V6 - 3.6L Hardware Not Included	CFC1453	SBC1453	
	2011	Rear-All Hardware Included	CFM978		
	2011	Rear-All Hardware Not Included		SBM978	
	2010	Rear-All w/ 1 Piston Caliper	CFM1277	SBM1277	
	2010	Rear-All w/ 2 Piston Caliper	CFM978	SBM978	
	2009-08	Rear-All Hardware Included	CFM978		
	2009-08	Rear-All Hardware Not Included		SBM978	
	2007	Rear-All w/ 4 Piston Caliper	CFM978	SBM978	
	2006	Rear-V6 - 3.2L w/ 2 Piston Caliper	CFM1277	SBM1277	
	2006	Rear-V6 - 3.2L w/ 4 Piston Caliper	CFM978	SBM978	
	2006	Rear-V8 - 4.2L w/ 2 Piston Caliper	CFM1277	SBM1277	
	2006	Rear-V8 - 4.2L w/ 4 Piston Caliper	CFM978	SBM978	
	2006	Rear-V10 - 5.0L w/ 2 Piston Caliper	CFM1277	SBM1277	
	2006	Rear-V10 - 5.0L w/ 4 Piston Caliper	CFM978	SBM978	
	2005-04	Rear-V6 - 3.2L Hardware Included	CFM978		
	2005-04	Rear-V6 - 3.2L Hardware Not Included		SBM978	
	2005-04	Rear-V8 - 4.2L Hardware Included	CFM978		
	2005-04	Rear-V8 - 4.2L Hardware Not Included		SBM978	
	2005	Rear-V10 - 5.0L Hardware Included	CFM978		
	2005	Rear-V10 - 5.0L Hardware Not Included		SBM978	
	2004	Rear-V10 - 4.9L Hardware Included	CFM978		
	2004	Rear-V10 - 4.9L Hardware Not Included		SBM978	
Parking Brake Shoe	2010-04	Rear-All		870	
Disc Brake Rotor	2014-13	Front Left-All Hybrid		PRT6140	
	2013-04	Front Left-All 330mm;		PRT5587	
	2013-04	Front Right-All 330mm		PRT5588	
	2012-11	Front Left-All 360mm Dia.		PRT6137 ⁹⁷	
	2012-11	Front Right-All 360mm Dia.		PRT6138	
	2012-04	Front Left-All 350mm Diameter	BPR5590	PRT5590	
	2012-04	Front Right-All 350mm Diameter	BPR5589	PRT5589	
	2011	Front Left-All From 11/22/2010		PRT6140	
	2011	Front Right-All To 11/22/2010		PRT6139 ⁹⁸	
	2015-04	Rear-All		PRT5758	
	2013-04	Rear-All	BPR5758		
Transporter					
Disc Brake Pad Set	1994-93	Front-All w/ Vented Rotors		SBM705	
	1991-86	Front-All Hardware Not Included		SBM338	
	2017-10	Rear-All Hardware Included	CFM1018	SBM1018	
Drum Brake Shoe	1994-91	Rear-All		666	
Disc Brake Rotor	1994-91	Front-All Vented Rotors		PRT1772	
Disc Brake Rotor and Hub Assembly	1990-87	Front-All		PRT1456	
	1986-85	Front-All		PRT1305	
Brake Drum	1979-71	Rear-All		PDR0783	
Van					
Disc Brake Pad Set	2009-03	Front-All Hardware Not Included		SBM704	
Vanagon					
Disc Brake Pad Set	1991-87	Front-All Hardware Not Included		SBM338	
	1986	Front-H4 - 2.1L Hardware Not Included		SBM338	
Disc Brake Rotor	1991-86	Front-All 4WD		PRT1751	
Disc Brake Rotor and Hub Assembly	1991-86	Front-All RWD		PRT1456	
	1985-80	Front-All		PRT1305	
Brake Drum	1991-80	Rear-All		PDR0446	
Vento					
Disc Brake Pad Set	2014	Rear-All Hardware Included	CFM1017	SBM1017	
Drum Brake Shoe	2017	Rear-All		810	
	2016-15	Rear-All Latin America		810	
Volvo					
122					
Disc Brake Pad Set	1968	Front-All w/ Girling Designed Brakes		SBC43	
142					
Disc Brake Pad Set	1974-69	Front-All w/ Girling Designed Brakes		SBC43	

97 Sell out and reorder PRT6140

98 Sell out and reorder PRT6138

BENDIX BRAKE PARTS

PART TYPE	YEAR	APPLICATION	PREMIUM NO.	PART NO.	SEVERE DUTY NO.
Volvo (Cont'd.)					
142 (Cont'd.)					
Disc Brake Pad Set (cont'd)	1968	Front-L4 - 1.8L w/ Girling Caliper		SBC43	
	1968	Rear-L4 - 1.8L w/ ATE Caliper		SBC31	
144					
Disc Brake Pad Set	1974-69	Front-All w/ Girling Designed Brakes		SBC43	
	1968	Front-All w/ Girling Caliper		SBC43	
	1968	Rear-All w/ ATE Caliper		SBC31	
145					
Disc Brake Pad Set	1974-69	Front-All w/ Girling Designed Brakes		SBC43	
	1968	Front-All w/ Girling Caliper		SBC43	
	1968	Rear-All w/ ATE Caliper		SBC31	
164					
Disc Brake Pad Set	1975	Front-All w/ Girling Designed Brakes		SBC43	
Parking Brake Shoe	1975-70	Rear-All		819	
Disc Brake Rotor	1975	Rear-All		PRT1199	
240					
Disc Brake Pad Set	1993-91	Front-All Hardware Not Included		SBC43	
	1993-91	Rear-All Hardware Not Included		SBM541	
	1990	Rear-All Hardware Not Included		SBC31	
Parking Brake Shoe	1993-90	Rear-All		819	
Disc Brake Rotor	1993-90	Front-All Solid Rotors		PRT1200	
	1993-90	Front-All Vented Rotors		PRT1407	
	1993-90	Rear-All		PRT1199	
242					
Disc Brake Pad Set	1979-76	Front-All w/ Girling Designed Brakes		SBC43	
Disc Brake Rotor	1984-75	Front-All Solid Rotors		PRT1200	
	1984-75	Front-All Vented Rotors		PRT1407	
	1978-77	Front-All Vented Rotors, w/ ATE Brakes		PRT5503	
	1984-75	Rear-All		PRT1199	
244					
Disc Brake Pad Set	1989	Front-All w/ Girling Designed Brakes		SBC43	
	1979-76	Front-All w/ Girling Designed Brakes		SBC43	
Parking Brake Shoe	1989-87	Rear-All		819	
Disc Brake Rotor	1989-75	Front-All Solid Rotors		PRT1200	
	1989-75	Front-All Vented Rotors		PRT1407	
	1978-77	Front-All Vented Rotors, w/ ATE Brakes		PRT5503	
	1989-75	Rear-All		PRT1199	
245					
Disc Brake Pad Set	1979-76	Front-All w/ Girling Designed Brakes		SBC43	
Parking Brake Shoe	1989-87	Rear-All		819	
Disc Brake Rotor	1989-75	Front-All Solid Rotors		PRT1200	
	1989-75	Front-All Vented Rotors		PRT1407	
	1978-77	Front-All Vented Rotors, w/ ATE Brakes		PRT5503	
	1989-75	Rear-All		PRT1199	
262					
Disc Brake Pad Set	1981-80	Front-All w/ Girling Calipers		SBC43	
	1979-78	Front-All w/ Girling Designed Brakes		SBC43	
	1976	Front-All w/ Girling Designed Brakes		SBC43	
	1981-80	Rear-All w/ ATE Calipers		SBC31A	
Disc Brake Rotor	1981-80	Front-All Solid Rotors		PRT1200	
	1981-78	Front-All Vented Rotors		PRT1407	
	1976	Front-All		PRT1407	
	1981-78	Rear-All		PRT1199	
	1976	Rear-All		PRT1199	
264					
Disc Brake Pad Set	1982-80	Front-All w/ Girling Calipers		SBC43	
	1979-76	Front-All w/ Girling Designed Brakes		SBC43	
	1982-80	Rear-All w/ ATE Calipers		SBC31A	
Disc Brake Rotor	1982-80	Front-All Solid Rotors		PRT1200	
	1982-80	Front-All Vented Rotors		PRT1407	
	1979-76	Front-All		PRT1407	
	1979-76	Rear-All		PRT1199	
265					
Disc Brake Pad Set	1981-80	Front-All w/ Girling Calipers		SBC43	
	1979-76	Front-All w/ Girling Designed Brakes		SBC43	
	1981-80	Rear-All w/ ATE Calipers		SBC31A	
Disc Brake Rotor	1981-80	Front-All Solid Rotors		PRT1200	
	1981-80	Front-All Vented Rotors		PRT1407	
	1979-76	Front-All		PRT1407	
	1981-76	Rear-All		PRT1199	

BENDIX BRAKE PARTS

PART TYPE	YEAR	APPLICATION	PREMIUM NO.	PART NO.	SEVERE DUTY NO.
Volvo (Cont'd.)					
740					
Disc Brake Pad Set	1992-91	Front-All Turbocharged, 4-Wheel ABS, w/ Girling Designed Brakes		SBM542	
	1992-88	Front-All w/ Heavy Duty Brakes		SBM492	
	1991	Front-All Naturally Aspirated, w/ Girling Designed Brakes		SBM255	
	1990-86	Front-All w/ Girling Designed Brakes		SBM255	
	1987-85	Front-All w/ Bendix Designed Brakes		SBM492	
	1985	Front-All Turbocharged, Non-ABS, w/ Girling Designed Brakes		SBM255	
	1992-91	Rear-All Hardware Not Included		SBM541	
	1990-85	Rear-All Hardware Not Included		SBC31	
Parking Brake Shoe	1990-85	Rear-All		819	
Disc Brake Rotor	1992-91	Front-All 280mm Rotor		PRT1651	
	1992-85	Front-All 287mm Diameter		PRT1421	
	1990-85	Front-All 262mm Diameter		PRT1531	
	1992-85	Rear-All		PRT1199	
Disc Brake Rotor and Hub Assembly	1987-85	Front-All 262mm Diameter		PRT1341	
745					
Disc Brake Pad Set	1985	Front-All Turbocharged, Non-ABS, w/ Girling Designed Brakes		SBM255	
	1985	Front-All w/ Bendix Designed Brakes		SBM492	
	1985	Rear-All Hardware Not Included		SBC31	
Parking Brake Shoe	1985	Rear-All		819	
Disc Brake Rotor	1985	Front-All 280mm Diameter Solid Rotor		PRT1343	
760					
Disc Brake Pad Set	1990-88	Front-All w/ Girling Designed Brakes		SBM255	
	1990-88	Front-All w/ Heavy Duty Brakes		SBM492	
	1987-83	Front-All w/ Bendix Designed Brakes		SBM492	
	1986-83	Front-All Turbocharged, Non-ABS, w/ Girling Designed Brakes		SBM255	
	1990-88	Rear-All w/ Bendix Designed Brakes		SBM391	
	1990-88	Rear-All w/ Girling Designed Brakes		SBC31B	
	1987-83	Rear-All Hardware Not Included		SBC31B	
Parking Brake Shoe	1990-83	Rear-All		819	
Disc Brake Rotor	1990-88	Front-All		PRT1421	
	1987-85	Front-All 4-Wheel ABS		PRT1421	
	1984-83	Front-All With Lucas Girling calipers		PRT1343	
	1990-88	Rear-All Sedan		PRT1598	
	1990-88	Rear-All Wagon		PRT1199	
	1987-83	Rear-All		PRT1199	
Disc Brake Rotor and Hub Assembly	1986-85	Front-All Non-ABS		PRT1341	
	1984-83	Front-All Non-ABS		PRT1340	
780					
Disc Brake Pad Set	1991	Front-All Hardware Included		SBM542	
	1990-87	Front-All Hardware Not Included		SBM255	
	1991-88	Rear-All Hardware Not Included		SBM391	
	1987	Rear-All Hardware Not Included		SBM541	
Disc Brake Rotor	1991	Front-All Vendor-DBA		PRT1421	
	1991	Front-All Vendor-Girling		PRT1651	
	1990-87	Front-All		PRT1421	
	1991-88	Rear-All		PRT1598	
	1987	Rear-All		PRT1199	
850					
Disc Brake Pad Set	1997-93	Front-All Hardware Not Included		SBM403	
	1997-93	Rear-All Hardware Not Included		SBC31	
Parking Brake Shoe	1997	Rear-All		819	
	1996-93	Rear-All		820	
Disc Brake Rotor	1997-94	Front-All	BPR1942	PRT1942	
	1993	Front-All		PRT1831	
	1997-94	Rear-All	BPR1941	PRT1941	
	1993	Rear-All		PRT1832	
940					
Disc Brake Pad Set	1995	Front-All Optional		SBM542	
	1994	Front-All Hardware Included		SBM542	
	1993-91	Front-All Naturally Aspirated, Hardware Included		SBM542	
	1993-91	Front-All Turbocharged, 4-Wheel ABS, w/ Girling Designed Brakes		SBM542	
	1995	Rear-All Hardware Not Included		SBM541	
	1994-91	Rear-All 4 Doors, Sedan, w/ Bendix Designed Brakes		SBM391	
	1994-91	Rear-All w/o Multilink Suspension		SBM541	
Parking Brake Shoe	1995-92	Rear-All		819	
Disc Brake Rotor	1995	Front-All	BPR1942	PRT1942	
	1994-91	Front-All 4-Wheel ABS		PRT1651	

BENDIX BRAKE PARTS

PART TYPE	YEAR	APPLICATION	PREMIUM NO.	PART NO.	SEVERE DUTY NO.
Volvo (Cont'd.)					
940 (Cont'd.)					
Disc Brake Rotor (cont'd)	1995	Rear-All 265mm Dia.		PRT5105	
	1995	Rear-All 280mm Rotor		PRT1199	
	1994-91	Rear-All 267mm Diameter Rotor		PRT1598	
	1994-91	Rear-All 279mm diameter rotor		PRT1199	
960					
Disc Brake Pad Set	1997-92	Front-All Hardware Included		SBM542	
	1997	Rear-All Exc. Multi-Link Suspension		SBM541	
	1997	Rear-All w/ Multi-Link Suspension		SBM391	
	1996-95	Rear-All Hardware Not Included		SBM541	
	1994-92	Rear-All 4 Doors, Sedan, w/ Bendix Designed Brakes		SBM391	
	1994-92	Rear-All Exc. Multi-Link Suspension		SBM541	
Parking Brake Shoe	1996-95	Rear-All w/ Independent Rear Suspension or w/ Lucas Antilock Brake System		821	
	1994-93	Rear-All w/ Independent Rear Suspension		821	
	1994-93	Rear-All w/ Solid Axle		819	
Disc Brake Rotor	1997-95	Front-All	BPR1942	PRT1942	
	1994-92	Front-All 4-Wheel ABS		PRT1651	
	1997-95	Rear-All w/Multi-Link Suspension		PRT5105	
	1997-92	Rear-All wo/Multi-Link Suspension		PRT1199	
	1994-92	Rear-All w/Multi-Link Suspension		PRT1598	
1800					
Disc Brake Pad Set	1973-69	Front-All w/ Girling Designed Brakes		SBC43	
C30					
Disc Brake Pad Set	2013	Front-All Hardware Included	CFC1044	SBC1044	MKD1044FM
	2012	Front-L5 - 2.5L Turbocharged, Hardware Included	CFC1044	SBC1044	MKD1044FM
	2011	Front-All w/ 278mm, 300mm Brake Rotors	CFC1044	SBC1044	MKD1044FM
	2010-08	Front-L5 - 2.4L Hardware Included	CFC1044	SBC1044	MKD1044FM
	2010	Front-L5 - 2.5L w/ 305mm Brake Rotors	CFC1044	SBC1044	MKD1044FM
	2009-08	Front-L5 - 2.5L Hardware Included	CFC1044	SBC1044	MKD1044FM
	2007	Front-All Hardware Included	CFC1044	SBC1044	MKD1044FM
	2013	Rear-All Hardware Included	CFC1095	SBC1095	
	2012	Rear-L5 - 2.5L Turbocharged, Hardware Included	CFC1095	SBC1095	
	2011	Rear-All Hardware Included	CFC1095	SBC1095	
	2010-08	Rear-L5 - 2.4L Hardware Included	CFC1095	SBC1095	
	2010-08	Rear-L5 - 2.5L Hardware Included	CFC1095	SBC1095	
	2007	Rear-All Hardware Included	CFC1095	SBC1095	
Disc Brake Rotor	2013-07	Front-All 300mm Diameter		PRT5960 ⁹⁰	
	2013-07	Rear-All		PRT5884	
C70					
Disc Brake Pad Set	2013-06	Front-All w/ 320mm Brake Rotors	CFM915A	SBM915A	
	2013	Front-All w/ 300mm Brake Rotors	CFC1044	SBC1044	MKD1044FM
	2012	Front-L5 - 2.5L Turbocharged, w/ 300mm Brake Rotors	CFC1044	SBC1044	MKD1044FM
	2011-10	Front-All w/ 278mm, 305mm Brake Rotors	CFC1044	SBC1044	MKD1044FM
	2009-06	Front-All w/ 300mm Brake Rotors	CFC1044	SBC1044	MKD1044FM
	2005	Front-All w/ 16" Steel Wheels	CFM783	SBM783	
	2004-99	Front-L5 - 2.3L w/ 16" Wheels	CFM783	SBM783	
	2004-99	Front-L5 - 2.3L w/ 17" Wheels	CFM840	SBM840B	
	2004-99	Front-L5 - 2.4L w/ 16" Wheels	CFM783	SBM783	
	2004-99	Front-L5 - 2.4L w/ 17" Wheels	CFM840	SBM840B	
	1998	Front-All w/ 17", 18" Wheels	CFM840	SBM840B	
	2013	Rear-All Hardware Included	CFC1095	SBC1095	
	2012	Rear-L5 - 2.5L Turbocharged, Hardware Included	CFC1095	SBC1095	
	2011-06	Rear-All Hardware Included	CFC1095	SBC1095	
	2004-02	Rear-L5 - 2.3L Hardware Not Included		SBC31	
	2004-02	Rear-L5 - 2.4L Hardware Not Included		SBC31	
	2001-98	Rear-All Hardware Not Included		SBC31	
Parking Brake Shoe	2004-98	Rear-All		820	
Disc Brake Rotor	2013-06	Front-All 320mm Diameter		PRT5962	
	2012-06	Front-All 300mm Diameter		PRT5960 ⁹⁰	
	2005-02	Front-All w/16" Wheels	BPR5481	PRT5481	
	2001-98	Front-All w/16" Wheels		PRT1531	
	2013-06	Rear-All		PRT5884	
	2005-98	Rear-All	BPR1941	PRT1941	
DL					
Disc Brake Pad Set	1984	Front-All w/ Girling Calipers		SBC43	
Disc Brake Rotor	1984	Front-All Solid Rotor		PRT1200	
	1984	Front-All Vented Rotors		PRT1407	
	1984	Rear-All		PRT1199	
GLE					
Disc Brake Pad Set	1984	Front-All w/ Girling Calipers		SBC43	
S40					
Disc Brake Pad Set	2011-10	Front-All w/ 278mm, 300mm Brake Rotors	CFC1044	SBC1044	MKD1044FM
	2011-05	Front-All w/ 320mm Brake Rotors	CFM915A	SBM915A	

90 Sell out and reorder PRT6221

BENDIX BRAKE PARTS

PART TYPE	YEAR	APPLICATION	PREMIUM NO.	PART NO.	SEVERE DUTY NO.	
Volvo (Cont'd.)						
S40 (Cont'd.)						
Disc Brake Pad Set (cont'd)	2009-05	Front-All w/ 278mm, 305mm Brake Rotors	CFC1044	SBC1044	MKD1044FM	
	2004	Front-L4 - 1.9L Hardware Not Included		SBM837		
	2004	Front-L5 - 2.4L w/ 278mm, 305mm Brake Rotors	CFC1044	SBC1044	MKD1044FM	
	2004	Front-L5 - 2.4L w/ 320mm Brake Rotors	CFM915A	SBM915A		
	2004	Front-L5 - 2.5L w/ 278mm, 305mm Brake Rotors	CFC1044	SBC1044	MKD1044FM	
	2004	Front-L5 - 2.5L w/ 320mm Brake Rotors	CFM915A	SBM915A		
	2003-00	Front-All Hardware Not Included		SBM837		
	2011-06	Rear-All Hardware Included	CFC1095	SBC1095		
	2005-04	Rear-L5 - 2.5L Hardware Included	CFC1095	SBC1095		
	2005	Rear-L5 - 2.4L B5244S4 Eng Des, Hardware Included		SBC973		
	2005	Rear-L5 - 2.4L B5244S7 Eng Des, Hardware Included	CFC1095	SBC1095		
	2004	Rear-L4 - 1.9L Hardware Not Included		SBM838		
	2004	Rear-L5 - 2.4L Hardware Included	CFC1095	SBC1095		
	2003-00	Rear-All Hardware Not Included		SBM838		
	Disc Brake Rotor	2011-05	Front-All 300mm Diameter		PRT5960 ⁹⁰	
		2010-05	Front-All 320mm Diameter		PRT5962	
		2004	Front-All L5 2.4L, 2.5L; 300mm Diameter		PRT5960 ⁹⁰	
		2004	Front-All L5 2.4L, 2.5L; 320mm Diameter		PRT5962	
		2004	Front-L4 - 1.9L	BPR5440	PRT5440	
		2003-00	Front-All	BPR5440	PRT5440	
		2011-05	Rear-All		PRT5884	
		2004	Rear-All L5 2.4L, 2.5L		PRT5884	
		2004	Rear-L4 - 1.9L	BPR5428	PRT5428	
		2003-00	Rear-All	BPR5428	PRT5428	
S60						
Disc Brake Pad Set		2018	Front-All T5, Exc. 300mm Front Rotor	CFC1305	SBC1305	
	2018	Front-All T5, w/ 300mm Front Rotor	CFM1306	SBC1306		
	2018	Front-All T5 Dynamic, Exc. 300mm Front Rotor	CFC1305	SBC1305		
	2018	Front-All T5 Dynamic, w/ 300mm Front Rotor	CFM1306	SBC1306		
	2018	Front-All T5 Inscription, Exc. 300mm Front Rotor	CFC1305	SBC1305		
	2018	Front-All T5 Inscription, w/ 300mm Front Rotor	CFM1306	SBC1306		
	2018	Front-All T5 Inscription Platinum, Exc. 300mm Front Rotor	CFC1305	SBC1305		
	2018	Front-All T5 Inscription Platinum, w/ 300mm Front Rotor	CFM1306	SBC1306		
	2018	Front-All T6 Dynamic, Exc. 300mm Front Rotor	CFC1305	SBC1305		
	2018	Front-All T6 Dynamic, w/ 300mm Front Rotor	CFM1306	SBC1306		
	2018	Front-All T6 R-Design Platinum, Exc. 300mm Front Rotor	CFC1305	SBC1305		
	2018	Front-All T6 R-Design Platinum, w/ 300mm Front Rotor	CFM1306	SBC1306		
	2017	Front-All Hardware Not Included	CFC1924			
	2016	Front-All w/ 300mm Brake Rotors	CFM1306	SBC1306		
	2016	Front-All w/o 300mm Brake Rotors	CFC1305	SBC1305		
	2015-14	Front-All Hardware Included	CFC1305			
	2015-14	Front-All Hardware Not Included		SBC1305		
	2013	Front-All w/ 300mm Front Brake Rotors	CFM1306	SBC1306		
	2013	Front-All w/o 300mm Front Brake Rotors	CFC1305	SBC1305		
	2012-11	Front-All Hardware Included	CFC1305			
	2012-11	Front-All Hardware Not Included		SBC1305		
	2009-08	Front-All w/ 286mm, 305mm Brake Rotors	CFM794	SBM794		
	2007-04	Front-L5 - 2.5L 2.5T, w/ 286mm, 305mm Brake Rotors	CFM794	SBM794		
	2007-04	Front-L5 - 2.5L R, Hardware Included	CFM1001			
	2007-04	Front-L5 - 2.5L R, Hardware Not Included		SBC1001		
	2007-02	Front-L5 - 2.4L w/ 286mm, 305mm Brake Rotors	CFM794	SBM794		
	2005-04	Front-L5 - 2.5L 2.5T AWD, w/ 286mm, 305mm Brake Rotors	CFM794	SBM794		
	2004-02	Front-L5 - 2.3L w/ 286mm, 305mm Brake Rotors	CFM794	SBM794		
	2003	Front-L5 - 2.5L w/ 286mm, 305mm Brake Rotors	CFM794	SBM794		
	2001	Front-All w/ 286mm, 305mm Brake Rotors	CFM794	SBM794		
	2018	Rear-All Polestar, Hardware Not Included	CFM1307A			
	2018	Rear-All T5, w/ Solid Rear Rotors	CFM1307SR			
	2018	Rear-All T5, w/ Solid Rotors		SBM1307SR		
	2018	Rear-All T5, w/ Vented Rear Rotors	CFM1307VR			
	2018	Rear-All T5, w/ Vented Rotors		SBM1307VR		
	2018	Rear-All T5 Dynamic, w/ Solid Rear Rotors	CFM1307SR			
	2018	Rear-All T5 Dynamic, w/ Solid Rotors		SBM1307SR		
	2018	Rear-All T5 Dynamic, w/ Vented Rear Rotors	CFM1307VR			
	2018	Rear-All T5 Dynamic, w/ Vented Rotors		SBM1307VR		
	2018	Rear-All T5 Inscription, w/ Solid Rear Rotors	CFM1307SR			
	2018	Rear-All T5 Inscription, w/ Solid Rotors		SBM1307SR		
	2018	Rear-All T5 Inscription, w/ Vented Rear Rotors	CFM1307VR			
	2018	Rear-All T5 Inscription, w/ Vented Rotors		SBM1307VR		
	2018	Rear-All T5 Inscription Platinum, w/ Solid Rear Rotors	CFM1307SR			
	2018	Rear-All T5 Inscription Platinum, w/ Solid Rotors		SBM1307SR		
	2018	Rear-All T5 Inscription Platinum, w/ Vented Rear Rotors	CFM1307VR			
	2018	Rear-All T5 Inscription Platinum, w/ Vented Rotors		SBM1307VR		
	2018	Rear-All T6 Dynamic, w/ Solid Rear Rotors	CFM1307SR			

BENDIX BRAKE PARTS

PART TYPE	YEAR	APPLICATION	PREMIUM NO.	PART NO.	SEVERE DUTY NO.
Volvo (Cont'd.)					
S60 (Cont'd.)					
Disc Brake Pad Set (cont'd)	2018	Rear-All T6 Dynamic, w/ Solid Rotors		SBM1307SR	
	2018	Rear-All T6 Dynamic, w/ Vented Rear Rotors	CFM1307VR		
	2018	Rear-All T6 Dynamic, w/ Vented Rotors		SBM1307VR	
	2018	Rear-All T6 R-Design Platinum, w/ Solid Rear Rotors	CFM1307SR		
	2018	Rear-All T6 R-Design Platinum, w/ Solid Rotors		SBM1307SR	
	2018	Rear-All T6 R-Design Platinum, w/ Vented Rear Rotors	CFM1307VR		
	2018	Rear-All T6 R-Design Platinum, w/ Vented Rotors		SBM1307VR	
	2017	Rear-All w/ Solid Rear Rotors	CFM1307SR		
	2017	Rear-All w/ Solid Rotors		SBM1307SR	
	2017	Rear-All w/ Vented Rear Rotors	CFM1307VR		
	2017	Rear-All w/ Vented Rotors		SBM1307VR	
	2016	Rear-All Hardware Not Included	CFM1307A		
	2015-13	Rear-All w/ Solid Rear Rotors	CFM1307SR		
	2015-13	Rear-All w/ Solid Rotors		SBM1307SR	
	2015-13	Rear-All w/ Vented Rear Rotors	CFM1307VR		
	2015-13	Rear-All w/ Vented Rotors		SBM1307VR	
	2012	Rear-L5 - 2.5L Turbocharged, w/ Solid Rear Rotors	CFM1307SR		
	2012	Rear-L5 - 2.5L Turbocharged, w/ Solid Rotors		SBM1307SR	
	2012	Rear-L5 - 2.5L Turbocharged, w/ Vented Rear Rotors	CFM1307VR		
	2012	Rear-L5 - 2.5L Turbocharged, w/ Vented Rotors		SBM1307VR	
	2012	Rear-L6 - 3.0L Turbocharged, w/ Solid Rear Rotors	CFM1307SR		
	2012	Rear-L6 - 3.0L Turbocharged, w/ Solid Rotors		SBM1307SR	
	2012	Rear-L6 - 3.0L Turbocharged, w/ Vented Rear Rotors	CFM1307VR		
	2012	Rear-L6 - 3.0L Turbocharged, w/ Vented Rotors		SBM1307VR	
	2011	Rear-All w/ Solid Rear Rotors	CFM1307SR		
	2011	Rear-All w/ Solid Rotors		SBM1307SR	
	2011	Rear-All w/ Vented Rear Rotors	CFM1307VR		
	2011	Rear-All w/ Vented Rotors		SBM1307VR	
	2009-08	Rear-All Hardware Included	CFM795		
	2009-08	Rear-All Hardware Not Included		SBM795	
	2007-04	Rear-L5 - 2.5L 2.5T, Hardware Included	CFM795		
	2007-04	Rear-L5 - 2.5L 2.5T, Hardware Not Included		SBM795	
	2007-04	Rear-L5 - 2.5L R, Hardware Included	CFM592A		
	2007-04	Rear-L5 - 2.5L R, Hardware Not Included		SBM592A	
	2007-01	Rear-L5 - 2.4L Hardware Included	CFM795		
	2007-01	Rear-L5 - 2.4L Hardware Not Included		SBM795	
	2005-04	Rear-L5 - 2.5L 2.5T AWD, Hardware Included	CFM795		
	2005-04	Rear-L5 - 2.5L 2.5T AWD, Hardware Not Included		SBM795	
	2004-01	Rear-L5 - 2.3L Hardware Included	CFM795		
	2004-01	Rear-L5 - 2.3L Hardware Not Included		SBM795	
	2003	Rear-L5 - 2.5L Hardware Included	CFM795		
	2003	Rear-L5 - 2.5L Hardware Not Included		SBM795	
Parking Brake Shoe	2009-06	Rear-All w/ 6.99" x 0.98" Shoe		968	
	2005-04	Rear-All 2.4, w/ 7.09" x 0.99" Shoe		829	
	2005-04	Rear-All 2.5T, w/ 7.09" x 0.99" Shoe		829	
	2005-04	Rear-All 2.5T AWD, w/ 7.09" x 0.99" Shoe		829	
	2005-04	Rear-All R, w/ 6.99" x 0.98" Shoe		968	
	2005-04	Rear-All T5, w/ 7.09" x 0.99" Shoe		829	
	2003-01	Rear-All w/ 7.09" x 0.99" Shoe		829	
Disc Brake Rotor	2015-14	Front-All 300mm Diameter		PRT6015	
	2013-11	Front-All 316mm Diameter	BPR6007	PRT6007	
	2013	Front-All 336mm Diameter	BPR6005	PRT6005	
	2012-11	Front-All 300mm Diameter	BPR6015	PRT6015	
	2009-01	Front-All 286mm Rotor Diameter	BPR5433	PRT5433	
	2009-01	Front-All 305mm Diameter	BPR5395	PRT5395	
	2007-04	Front-All 330mm Dia.		PRT5961	
	2015	Rear-All w/ Solid Rotors		PRT5965	
	2014	Rear-All Vented Rotors		PRT6006	
	2013-11	Rear-All Solid Rotors		PRT5965	
	2012-11	Rear-All Vented Rotors	BPR6006	PRT6006	
	2009-01	Rear-All 288mm Rotor	BPR5409	PRT5409	
	2007-04	Rear-All 330mm Dia.		PRT6008	
S60 Cross Country					
Disc Brake Pad Set	2018-16	Front-All Hardware Included	CFC1305		
	2018-16	Front-All Hardware Not Included		SBC1305	
	2018-17	Rear-All w/ Solid Rear Rotors	CFM1307SR		
	2018-17	Rear-All w/ Solid Rotors		SBM1307SR	
	2018-17	Rear-All w/ Vented Rear Rotors	CFM1307VR		
	2018-17	Rear-All w/ Vented Rotors		SBM1307VR	
	2016	Rear-All Hardware Not Included	CFM1307A		
S70					
Disc Brake Pad Set	2000-98	Front-All w/ 15" Wheels		SBM403	
	2000	Front-All w/ 16" & 17" Wheels	CFM783	SBM783	

BENDIX BRAKE PARTS

PART TYPE	YEAR	APPLICATION	PREMIUM NO.	PART NO.	SEVERE DUTY NO.
Volvo (Cont'd.)					
S70 (Cont'd.)					
Disc Brake Pad Set (cont'd)	1999	Front-All w/ 17" Wheels	CFM783	SBM783	
	2000	Rear-All Hardware Not Included		SBC31	
	1999	Rear-All AWD, From Chassis #596636	CFM795	SBM795	
	1999	Rear-All AWD, To Chassis #598922		SBM391	
	1999	Rear-All FWD, Hardware Not Included		SBC31	
Parking Brake Shoe	1998	Rear-All Hardware Not Included		SBC31	
	2000-99	Rear-All FWD, w/o 7" X 0.98" Brakes		820	
	2000-99	Rear-All w/ 7" X 0.98" Brakes		827	
Disc Brake Rotor	1998	Rear-All w/ 7" X 0.98" Brakes		820	
	2000-98	Front-All w/15" Wheels	BPR1942	PRT1942	
	2000-98	Front-All w/16" Wheels	BPR5481	PRT5481	
	2000-99	Rear-All FWD	BPR1941	PRT1941	
	2000	Rear-All AWD		PRT5877	
	1999	Rear-All AWD, (From Chassis # 596636)		PRT5877	
	1999	Rear-All AWD, (To Chassis # 596635)		PRT5148	
	1998	Rear-All	BPR1941	PRT1941	
S80					
Disc Brake Pad Set	2016-07	Front-All w/ 300mm Brake Rotors	CFM1306	SBC1306	
	2016-07	Front-All w/o 300mm Brake Rotors	CFC1305	SBC1305	
	2006-05	Front-L5 - 2.5L Hardware Included	CFM794		
	2006-05	Front-L5 - 2.5L Hardware Not Included		SBM794	
	2005-01	Front-L6 - 2.9L Hardware Included	CFM794		
	2005-01	Front-L6 - 2.9L Hardware Not Included		SBM794	
	2004	Front-L5 - 2.5L w/ 16" Wheels	CFM794	SBM794	
	2001	Front-L6 - 2.8L Hardware Included	CFM794		
	2001	Front-L6 - 2.8L Hardware Not Included		SBM794	
	2000	Front-All Hardware Included	CFM794		
	2000	Front-All Hardware Not Included		SBM794	
	1999	Front-L6 - 2.8L Hardware Included	CFM794		
	1999	Front-L6 - 2.8L Hardware Not Included		SBM794	
	1999	Front-L6 - 2.9L Hardware Included	CFM794		
	1999	Front-L6 - 2.9L Hardware Not Included		SBM794	
	2016	Rear-All w/ 300mm Brake Rotors	CFM1307A		
	2016	Rear-All w/ Vented Rear Brake Rotors	CFM1307A		
	2015-13	Rear-All w/ Solid Rear Rotors	CFM1307SR		
	2015-13	Rear-All w/ Solid Rotors		SBM1307SR	
	2015-13	Rear-All w/ Vented Rear Rotors	CFM1307VR		
	2015-13	Rear-All w/ Vented Rotors		SBM1307VR	
	2012	Rear-L6 - 3.0L w/ Solid Rear Rotors	CFM1307SR		
	2012	Rear-L6 - 3.0L w/ Solid Rotors		SBM1307SR	
	2012	Rear-L6 - 3.0L w/ Vented Rear Rotors	CFM1307VR		
	2012	Rear-L6 - 3.0L w/ Vented Rotors		SBM1307VR	
	2012	Rear-L6 - 3.2L w/ Solid Rear Rotors	CFM1307SR		
	2012	Rear-L6 - 3.2L w/ Solid Rotors		SBM1307SR	
	2012	Rear-L6 - 3.2L w/ Vented Rear Rotors	CFM1307VR		
	2012	Rear-L6 - 3.2L w/ Vented Rotors		SBM1307VR	
	2011-10	Rear-All w/ Solid Rear Rotors	CFM1307SR		
	2011-10	Rear-All w/ Solid Rotors		SBM1307SR	
	2011-10	Rear-All w/ Vented Rear Rotors	CFM1307VR		
	2011-10	Rear-All w/ Vented Rotors		SBM1307VR	
	2009-08	Rear-L6 - 3.0L w/ Solid Rear Rotors	CFM1307SR		
	2009-08	Rear-L6 - 3.0L w/ Solid Rotors		SBM1307SR	
	2009-08	Rear-L6 - 3.0L w/ Vented Rear Rotors	CFM1307VR		
	2009-08	Rear-L6 - 3.0L w/ Vented Rotors		SBM1307VR	
	2009-08	Rear-L6 - 3.2L Hardware Included		SBM1314V	
	2009-08	Rear-V8 - 4.4L w/ Solid Rear Rotors	CFM1307SR		
	2009-08	Rear-V8 - 4.4L w/ Solid Rotors		SBM1307SR	
	2009-08	Rear-V8 - 4.4L w/ Vented Rear Rotors	CFM1307VR		
	2009-08	Rear-V8 - 4.4L w/ Vented Rotors		SBM1307VR	
	2007	Rear-All w/ Manual Parking Brake		SBM1307VR	
	2007	Rear-All w/ Manual Parking Brake	CFM1307SR	SBM1307SR	
	2007	Rear-All w/ Manual Parking Brake	CFM1307VR		
	2007	Rear-All w/ Power Parking Brake		SBM1314V	
	2006-04	Rear-L5 - 2.5L Hardware Included	CFM795		
	2006-04	Rear-L5 - 2.5L Hardware Not Included		SBM795	
	2005-01	Rear-L6 - 2.9L Hardware Included	CFM795		
	2005-01	Rear-L6 - 2.9L Hardware Not Included		SBM795	
	2001	Rear-L6 - 2.8L Hardware Included	CFM795		
	2001	Rear-L6 - 2.8L Hardware Not Included		SBM795	
	2000-99	Rear-All Hardware Included	CFM795		
2000-99	Rear-All Hardware Not Included		SBM795		
Parking Brake Shoe	2008-07	Rear-All 3.2. w/ 6.99" x 0.98" Shoe		968	
	2006-04	Rear-All w/ 6.99" x 0.98" Shoe		968	
	2003-99	Rear-All w/ 7.09" x 0.99" Shoe		829	

BENDIX BRAKE PARTS

PART TYPE	YEAR	APPLICATION	PREMIUM NO.	PART NO.	SEVERE DUTY NO.
Volvo (Cont'd.)					
S80 (Cont'd.)					
Disc Brake Rotor	2015-14	Front-All 300mm Diameter		PRT6015	
	2013-07	Front-All 316mm Diameter	BPR6007	PRT6007	
	2013-07	Front-All 336mm Diameter	BPR6005	PRT6005	
	2012-07	Front-All 300mm Diameter	BPR6015	PRT6015	
	2006-99	Front-All 286mm Rotor Diameter	BPR5433	PRT5433	
	2006-99	Front-All 305mm Diameter	BPR5395	PRT5395	
	2015-14	Rear-All w/ Solid Rotors		PRT5965	
	2013-10	Rear-All Solid Rotors		PRT5965	
	2012-10	Rear-All Vented Rotors	BPR6006	PRT6006	
	2009-08	Rear-L6 - 3.0L Solid Rotors		PRT5965	
	2009-08	Rear-L6 - 3.0L Vented Rotors	BPR6006	PRT6006	
	2009-07	Rear-V8 - 4.4L Solid Rotors		PRT5965	
	2009-07	Rear-V8 - 4.4L Vented Rotors	BPR6006	PRT6006	
	2008-07	Rear-All		PRT6304	
	2006-99	Rear-All	BPR5409	PRT5409	
	S90				
Disc Brake Pad Set	2018	Front-All w/ 296mm, 322mm Front Rotor	CFC1924		
	2018	Front-All w/ 345mm Front Rotor	CFC1865		
	2017	Front-All Hardware Not Included	CFC1865		
	1998-97	Front-All Hardware Included		SBM542	
	2018	Rear-All w/ 302mm Rear Rotor	CFM1938		
	2018	Rear-All w/ 320mm Rear Rotor	CFC1821		
	2017	Rear-All Hardware Not Included	CFM1938		
	1998-97	Rear-All Hardware Not Included		SBM391	
Parking Brake Shoe	1998-97	Rear-All		821	
Disc Brake Rotor	1998-97	Front-All	BPR1942	PRT1942	
	1998-97	Rear-All 15" Wheels		PRT1598	
	1998-97	Rear-All 16" Wheels		PRT5407	
V40					
Disc Brake Pad Set	2017-15	Front-All Hardware Included	CFC1305		
	2017-15	Front-All Hardware Not Included		SBC1305	
	2014	Front-All Hardware Included	CFM1306		
	2014	Front-All Hardware Not Included		SBC1306	
	2004-00	Front-All Hardware Not Included		SBM837	
	2017-15	Rear-All w/ Solid Rear Rotors	CFM1307SR		
	2017-15	Rear-All w/ Solid Rotors		SBM1307SR	
	2017-15	Rear-All w/ Vented Rear Rotors	CFM1307VR		
	2017-15	Rear-All w/ Vented Rotors		SBM1307VR	
	2014	Rear-All Hardware Included	CFC1095	SBC1095	
	2004-00	Rear-All Hardware Not Included		SBM838	
Disc Brake Rotor	2004-00	Front-All	BPR5440	PRT5440	
	2004-00	Rear-All	BPR5428	PRT5428	
V40 Cross Country					
Disc Brake Pad Set	2017-15	Front-All Hardware Included	CFC1305		
	2017-15	Front-All Hardware Not Included		SBC1305	
	2014-13	Front-All Hardware Included	CFM1306		
	2014-13	Front-All Hardware Not Included		SBC1306	
	2017-15	Rear-All w/ Solid Rear Rotors	CFM1307SR		
	2017-15	Rear-All w/ Solid Rotors		SBM1307SR	
	2017-15	Rear-All w/ Vented Rear Rotors	CFM1307VR		
	2017-15	Rear-All w/ Vented Rotors		SBM1307VR	
2014-13	Rear-All Hardware Included	CFC1095	SBC1095		
V50					
Disc Brake Pad Set	2011-05	Front-All w/ 278mm, 305mm Brake Rotors	CFC1044	SBC1044	MKD1044FM
	2011-05	Front-All w/ 320mm Brake Rotors	CFM915A	SBM915A	
	2011-06	Rear-All Hardware Included	CFC1095	SBC1095	
	2005	Rear-L5 - 2.4L B5244S4 Eng Des, Hardware Included		SBC973	
	2005	Rear-L5 - 2.4L B5244S7 Eng Des, Hardware Included	CFC1095	SBC1095	
	2005	Rear-L5 - 2.5L Hardware Included	CFC1095	SBC1095	
Disc Brake Rotor	2011-05	Front-All 300mm Diameter		PRT5960 ⁹⁰	
	2010-05	Front-All 320mm Diameter		PRT5962	
	2011-05	Rear-All		PRT5884	
V60					
Disc Brake Pad Set	2018	Front-All T5, Exc. 300mm Front Rotor	CFC1305	SBC1305	
	2018	Front-All T5, w/ 300mm Front Rotor	CFM1306	SBC1306	
	2018	Front-All T5 Dynamic, Exc. 300mm Front Rotor	CFC1305	SBC1305	
	2018	Front-All T5 Dynamic, w/ 300mm Front Rotor	CFM1306	SBC1306	
	2018	Front-All T5 Platinum, Exc. 300mm Front Rotor	CFC1305	SBC1305	
	2018	Front-All T5 Platinum, w/ 300mm Front Rotor	CFM1306	SBC1306	
	2018	Front-All T5 Premier, Exc. 300mm Front Rotor	CFC1305	SBC1305	
	2018	Front-All T5 Premier, w/ 300mm Front Rotor	CFM1306	SBC1306	
	2018	Front-All T6 Dynamic, Exc. 300mm Front Rotor	CFC1305	SBC1305	

90 Sell out and reorder PRT6221

BENDIX BRAKE PARTS

PART TYPE	YEAR	APPLICATION	PREMIUM NO.	PART NO.	SEVERE DUTY NO.
Volvo (Cont'd.)					
V60 (Cont'd.)					
Disc Brake Pad Set (cont'd)	2018	Front-All T6 Dynamic, w/ 300mm Front Rotor	CFM1306	SBC1306	
	2018	Front-All T6 R-Design Platinum, Exc. 300mm Front Rotor	CFC1305	SBC1305	
	2018	Front-All T6 R-Design Platinum, w/ 300mm Front Rotor	CFM1306	SBC1306	
	2017	Front-All Hardware Included	CFC1305		
	2017	Front-All Hardware Not Included		SBC1305	
	2016	Front-All w/ 300mm Brake Rotors	CFM1306	SBC1306	
	2016	Front-All w/o 300mm Brake Rotors	CFC1305	SBC1305	
	2015	Front-All Hardware Included	CFC1305		
	2015	Front-All Hardware Not Included		SBC1305	
	2014-13	Front-All w/ 300mm Diameter Rotors	CFM1306	SBC1306	
	2014-13	Front-All w/ 316mm Diameter Rotors	CFC1305	SBC1305	
	2018	Rear-All Polestar, Hardware Not Included	CFM1307A		
	2018	Rear-All T5, w/ Solid Rear Rotors	CFM1307SR		
	2018	Rear-All T5, w/ Solid Rotors		SBM1307SR	
	2018	Rear-All T5, w/ Vented Rear Rotors	CFM1307VR		
	2018	Rear-All T5, w/ Vented Rotors		SBM1307VR	
	2018	Rear-All T5 Dynamic, w/ Solid Rear Rotors	CFM1307SR		
	2018	Rear-All T5 Dynamic, w/ Solid Rotors		SBM1307SR	
	2018	Rear-All T5 Dynamic, w/ Vented Rear Rotors	CFM1307VR		
	2018	Rear-All T5 Dynamic, w/ Vented Rotors		SBM1307VR	
	2018	Rear-All T5 Platinum, w/ Solid Rear Rotors	CFM1307SR		
	2018	Rear-All T5 Platinum, w/ Solid Rotors		SBM1307SR	
	2018	Rear-All T5 Platinum, w/ Vented Rear Rotors	CFM1307VR		
	2018	Rear-All T5 Platinum, w/ Vented Rotors		SBM1307VR	
	2018	Rear-All T5 Premier, w/ Solid Rear Rotors	CFM1307SR		
	2018	Rear-All T5 Premier, w/ Solid Rotors		SBM1307SR	
	2018	Rear-All T5 Premier, w/ Vented Rear Rotors	CFM1307VR		
	2018	Rear-All T5 Premier, w/ Vented Rotors		SBM1307VR	
	2018	Rear-All T6 Dynamic, w/ Solid Rear Rotors	CFM1307SR		
	2018	Rear-All T6 Dynamic, w/ Solid Rotors		SBM1307SR	
	2018	Rear-All T6 Dynamic, w/ Vented Rear Rotors	CFM1307VR		
	2018	Rear-All T6 Dynamic, w/ Vented Rotors		SBM1307VR	
	2018	Rear-All T6 R-Design Platinum, w/ Solid Rear Rotors	CFM1307SR		
	2018	Rear-All T6 R-Design Platinum, w/ Solid Rotors		SBM1307SR	
	2018	Rear-All T6 R-Design Platinum, w/ Vented Rear Rotors	CFM1307VR		
	2018	Rear-All T6 R-Design Platinum, w/ Vented Rotors		SBM1307VR	
	2017	Rear-All w/ Solid Rear Rotors	CFM1307SR		
	2017	Rear-All w/ Solid Rotors		SBM1307SR	
	2017	Rear-All w/ Vented Rear Rotors	CFM1307VR		
	2017	Rear-All w/ Vented Rotors		SBM1307VR	
	2016	Rear-All Hardware Not Included	CFM1307A		
	2015-13	Rear-All w/ Solid Rear Rotors	CFM1307SR		
	2015-13	Rear-All w/ Solid Rotors		SBM1307SR	
	2015-13	Rear-All w/ Vented Rear Rotors	CFM1307VR		
	2015-13	Rear-All w/ Vented Rotors		SBM1307VR	
Disc Brake Rotor	2015	Front-All 300mm Diameter		PRT6015	
	2015	Rear-All w/ Solid Rotors		PRT5965	
V60 Cross Country					
Disc Brake Pad Set	2018-15	Front-All Hardware Included	CFC1305		
	2018-15	Front-All Hardware Not Included		SBC1305	
	2018-17	Rear-All w/ Solid Rear Rotors	CFM1307SR		
	2018-17	Rear-All w/ Solid Rotors		SBM1307SR	
	2018-17	Rear-All w/ Vented Rear Rotors	CFM1307VR		
	2018-17	Rear-All w/ Vented Rotors		SBM1307VR	
	2016	Rear-All Hardware Not Included	CFM1307A		
	2015	Rear-All w/ Solid Rear Rotors	CFM1307SR		
	2015	Rear-All w/ Solid Rotors		SBM1307SR	
	2015	Rear-All w/ Vented Rear Rotors	CFM1307VR		
	2015	Rear-All w/ Vented Rotors		SBM1307VR	
Disc Brake Rotor	2015	Front-All		PRT6007	
	2015	Rear-All w/ Solid Rotors		PRT5965	
V70					
Disc Brake Pad Set	2010-08	Front-All w/ 300mm Brake Rotors	CFM1306	SBC1306	
	2010	Front-All w/ 316mm, 336mm Brake Rotors	CFC1305	SBC1305	
	2009-08	Front-All w/ 316mm Brake Rotors	CFC1305	SBC1305	
	2007-04	Front-L5 - 2.4L w/ 286mm, 305mm Brake Rotors	CFM794	SBM794	
	2007-04	Front-L5 - 2.5L 2.5T, w/ 286mm, 305mm Brake Rotors	CFM794	SBM794	
	2007-04	Front-L5 - 2.5L R, Hardware Included	CFM1001		
	2007-04	Front-L5 - 2.5L R, Hardware Not Included		SBC1001	
	2004	Front-L5 - 2.3L w/ 286mm, 305mm Brake Rotors	CFM794	SBM794	
	2004	Front-L5 - 2.5L 2.5T AWD, w/ 286mm, 305mm Brake Rotors	CFM794	SBM794	
	2003	Front-All w/ 286mm, 305mm Brake Rotors	CFM794	SBM794	
	2002-01	Front-L5 - 2.3L w/ 286mm, 305mm Brake Rotors	CFM794	SBM794	

BENDIX BRAKE PARTS

PART TYPE	YEAR	APPLICATION	PREMIUM NO.	PART NO.	SEVERE DUTY NO.
Volvo (Cont'd.)					
V70 (Cont'd.)					
Disc Brake Pad Set (cont'd)	2002-01	Front-L5 - 2.4L 2.4T, w/ 286mm, 305mm Brake Rotors	CFM794	SBM794	
	2002-01	Front-L5 - 2.4L Base, w/ 286mm, 305mm Brake Rotors	CFM794	SBM794	
	2002-01	Front-L5 - 2.4L X/C, Hardware Included	CFM794		
	2002-01	Front-L5 - 2.4L X/C, Hardware Not Included		SBM794	
	2002	Front-L5 - 2.4L AWD, w/ 286mm, 305mm Brake Rotors	CFM794	SBM794	
	2000	Front-All B5234T3 Eng Des, w/ 15" Wheels		SBM403	
	2000	Front-All B5234T3 Eng Des, w/ 16", 17" Wheels	CFM783	SBM783	
	2000	Front-All B5244S Eng Des, w/ 15" Wheels		SBM403	
	2000	Front-All B5244S Eng Des, w/ 16", 17" Wheels	CFM783	SBM783	
	2000	Front-All B5244T Eng Des, w/ 15", 16", 17" Wheels	CFM783	SBM783	
	1999	Front-All AWD, Hardware Included	CFM783		
	1999	Front-All AWD, Hardware Not Included		SBM783	
	1999	Front-All Base, FWD, w/ 15" Wheels		SBM403	
	1999	Front-All GLT, FWD, w/ 15" Wheels	CFM783	SBM783	
	1999	Front-All T5, FWD, w/ 15" Wheels	CFM783	SBM783	
	1999	Front-All w/ 17" Wheels	CFM783	SBM783	
	1998	Front-All w/ 15" Wheels	CFM783	SBM783	
	2010-08	Rear-All w/ Solid Rear Rotors	CFM1307SR		
	2010-08	Rear-All w/ Solid Rotors		SBM1307SR	
	2010-08	Rear-All w/ Vented Rear Rotors	CFM1307VR		
	2010-08	Rear-All w/ Vented Rotors		SBM1307VR	
	2007-04	Rear-L5 - 2.4L Hardware Included	CFM795		
	2007-04	Rear-L5 - 2.4L Hardware Not Included		SBM795	
	2007-04	Rear-L5 - 2.5L 2.5T, Hardware Included	CFM795		
	2007-04	Rear-L5 - 2.5L 2.5T, Hardware Not Included		SBM795	
	2007-04	Rear-L5 - 2.5L R, Hardware Included	CFM592A		
	2007-04	Rear-L5 - 2.5L R, Hardware Not Included		SBM592A	
	2004	Rear-L5 - 2.3L Hardware Included	CFM795		
	2004	Rear-L5 - 2.3L Hardware Not Included		SBM795	
	2004	Rear-L5 - 2.5L 2.5T AWD, Hardware Included	CFM795		
	2004	Rear-L5 - 2.5L 2.5T AWD, Hardware Not Included		SBM795	
	2003	Rear-All Hardware Included	CFM795		
	2003	Rear-All Hardware Not Included		SBM795	
	2002-01	Rear-L5 - 2.3L Hardware Included	CFM795		
	2002-01	Rear-L5 - 2.3L Hardware Not Included		SBM795	
	2002-01	Rear-L5 - 2.4L Hardware Included	CFM795		
	2002-01	Rear-L5 - 2.4L Hardware Not Included		SBM795	
	2000	Rear-L5 - 2.3L Turbocharged, AWD, Hardware Included	CFM795		
	2000	Rear-L5 - 2.3L Turbocharged, AWD, Hardware Not Included		SBM795	
	2000	Rear-L5 - 2.3L Turbocharged, FWD, Hardware Not Included		SBC31	
	2000	Rear-L5 - 2.4L Naturally Aspirated, FWD, Hardware Not Included		SBC31	
	2000	Rear-L5 - 2.4L Turbocharged, AWD, Hardware Included	CFM795		
	2000	Rear-L5 - 2.4L Turbocharged, AWD, Hardware Not Included		SBM795	
	2000	Rear-L5 - 2.4L Turbocharged, FWD, Hardware Not Included		SBC31	
	1999	Rear-All AWD, w/ 15" Wheels		SBC31	
	1999	Rear-All AWD, w/o 15" Wheels		SBM391	
	1999	Rear-All FWD, Hardware Not Included		SBC31	
	1998	Rear-All w/ Girling Designed Brakes		SBC31	
Parking Brake Shoe	2007-06	Rear-All w/ 6.99" x 0.98" Shoe		968	
	2005-04	Rear-All 2.4, w/ 7.09" x 0.99" Shoe		829	
	2005-04	Rear-All 2.5T, w/ 7.09" x 0.99" Shoe		829	
	2005-04	Rear-All R, w/ 6.99" x 0.98" Shoe		968	
	2005-04	Rear-All T5, w/ 7.09" x 0.99" Shoe		829	
	2004	Rear-All 2.5T AWD, w/ 7.09" x 0.99" Shoe		829	
	2003-01	Rear-All w/ 7.09" x 0.99" Shoe		829	
	2000-99	Rear-All w/ 7" X 0.98" Brakes		827	
Disc Brake Rotor	2010-08	Front-All 300mm Diameter	BPR6015	PRT6015	
	2010-08	Front-All 316mm Diameter	BPR6007	PRT6007	
	2010-08	Front-All 336mm Diameter	BPR6005	PRT6005	
	2007-04	Front-All 330mm Diameter		PRT5961	
	2007-01	Front-All 286mm Rotor Diameter	BPR5433	PRT5433	
	2007-01	Front-All 305mm Diameter	BPR5395	PRT5395	
	2000-98	Front-All 15" Wheels	BPR1942	PRT1942	
	2000-98	Front-All 16" Wheels	BPR5481	PRT5481	
	2010-08	Rear-All Solid Rotors		PRT5965	
	2010-08	Rear-All Vented Rotors	BPR6006	PRT6006	
	2007-04	Rear-All Solid Rotors	BPR5409	PRT5409	
	2007-04	Rear-All Vented Rotors		PRT6008	
	2003-01	Rear-All	BPR5409	PRT5409	
	2000-98	Rear-All AWD, Solid, 11.33" Diameter		PRT5877	
	2000-98	Rear-All FWD, Solid Rotor	BPR1941	PRT1941	

BENDIX BRAKE PARTS

PART TYPE	YEAR	APPLICATION	PREMIUM NO.	PART NO.	SEVERE DUTY NO.
Volvo (Cont'd.)					
V70 (Cont'd.)					
Disc Brake Rotor (cont'd)	1999-98	Rear-All AWD, Solid, 11.14" Diameter		PRT5148	
V90					
Disc Brake Pad Set	2018	Front-All w/ 296mm, 322mm Front Rotor	CFC1924		
	2018	Front-All w/ 345mm Front Rotor	CFC1865		
	1998-97	Front-All Hardware Included		SBM542	
	2018	Rear-All w/ 302mm Rear Rotor	CFM1938		
	2018	Rear-All w/ 320mm Rear Rotor	CFC1821		
	1998-97	Rear-All Hardware Not Included		SBM391	
Disc Brake Rotor	1998-97	Front-All	BPR1942	PRT1942	
	1998-97	Rear-All 15" Wheels		PRT1598	
	1998-97	Rear-All 16" Wheels		PRT5407	
V90 Cross Country					
Disc Brake Pad Set	2018	Front-All w/ 296mm, 322mm Front Rotor	CFC1924		
	2018	Front-All w/ 345mm Front Rotor	CFC1865		
	2017	Front-All Hardware Included	CFC1305		
	2017	Front-All Hardware Not Included		SBC1305	
	2018	Rear-All w/ 302mm Rear Rotor	CFM1938		
	2018	Rear-All w/ 320mm Rear Rotor	CFC1821		
	2017	Rear-All w/ Solid Rear Rotors	CFM1307SR		
	2017	Rear-All w/ Solid Rotors		SBM1307SR	
	2017	Rear-All w/ Vented Rear Rotors	CFM1307VR		
	2017	Rear-All w/ Vented Rotors		SBM1307VR	
XC60					
Disc Brake Pad Set	2018	Front-All w/ 322mm Front Rotor	CFC1924		
	2018	Front-All w/ 345mm Front Rotor	CFC1865		
	2017-16	Front-All Hardware Not Included	CFC1866		
	2015-13	Front-All Hardware Included	CFC1412		
	2015-13	Front-All Hardware Not Included		SBC1412	
	2012	Front-L6 - 3.0L Hardware Included	CFC1412		
	2012	Front-L6 - 3.0L Hardware Not Included		SBC1412	
	2012	Front-L6 - 3.2L Hardware Included	CFC1412		
	2012	Front-L6 - 3.2L Hardware Not Included		SBC1412	
	2011-10	Front-All Hardware Included	CFC1412		
	2011-10	Front-All Hardware Not Included		SBC1412	
	2018	Rear-All w/ 302mm Rear Rotor	CFM1938		
	2018	Rear-All w/ 320mm Rear Rotor	CFC1821		
	2017	Rear-All w/ Solid Rear Rotors	CFM1307SR		
	2017	Rear-All w/ Solid Rotors		SBM1307SR	
	2017	Rear-All w/ Vented Rear Rotors	CFM1307VR		
	2017	Rear-All w/ Vented Rotors		SBM1307VR	
	2016	Rear-All Hardware Not Included	CFM1307A		
	2015-13	Rear-All w/ Solid Rear Rotors	CFM1307SR		
	2015-13	Rear-All w/ Solid Rotors		SBM1307SR	
	2015-13	Rear-All w/ Vented Rear Rotors	CFM1307VR		
	2015-13	Rear-All w/ Vented Rotors		SBM1307VR	
	2012	Rear-L6 - 3.0L w/ Solid Rear Rotors	CFM1307SR		
	2012	Rear-L6 - 3.0L w/ Solid Rotors		SBM1307SR	
	2012	Rear-L6 - 3.0L w/ Vented Rear Rotors	CFM1307VR		
	2012	Rear-L6 - 3.0L w/ Vented Rotors		SBM1307VR	
	2012	Rear-L6 - 3.2L w/ Solid Rear Rotors	CFM1307SR		
	2012	Rear-L6 - 3.2L w/ Solid Rotors		SBM1307SR	
	2012	Rear-L6 - 3.2L w/ Vented Rear Rotors	CFM1307VR		
	2012	Rear-L6 - 3.2L w/ Vented Rotors		SBM1307VR	
	2011-10	Rear-All w/ Solid Rear Rotors	CFM1307SR		
	2011-10	Rear-All w/ Solid Rotors		SBM1307SR	
	2011-10	Rear-All w/ Vented Rear Rotors	CFM1307VR		
2011-10	Rear-All w/ Vented Rotors		SBM1307VR		
Disc Brake Rotor	2013-10	Front-All	BPR6009	PRT6009	
	2016-10	Rear-All		PRT6010	
	2013-10	Rear-All	BPR6010		
XC70					
Disc Brake Pad Set	2016	Front-All w/ 300mm Brake Rotors	CFM1306	SBC1306	
	2016	Front-All w/o 300mm Brake Rotors	CFC1305	SBC1305	
	2015-14	Front-All Hardware Included	CFC1305		
	2015-14	Front-All Hardware Not Included		SBC1305	
	2013-12	Front-All w/ 300mm Brake Rotors	CFM1306	SBC1306	
	2013	Front-All w/ 316mm Brake Rotors	CFC1305	SBC1305	
	2012	Front-All w/ 316mm, 336mm Brake Rotors	CFC1305	SBC1305	
	2011	Front-All Hardware Included	CFC1305		
	2011	Front-All Hardware Not Included		SBC1305	
	2010	Front-All w/ 300mm Brake Rotors	CFM1306	SBC1306	
	2010	Front-All w/ 316mm, 336mm Brake Rotors	CFC1305	SBC1305	
	2009-08	Front-All Hardware Included	CFC1305		

BENDIX BRAKE PARTS

PART TYPE	YEAR	APPLICATION	PREMIUM NO.	PART NO.	SEVERE DUTY NO.	
Volvo (Cont'd.)						
XC70 (Cont'd.)						
Disc Brake Pad Set (cont'd)	2009-08	Front-All Hardware Not Included		SBC1305		
	2007-03	Front-All Hardware Included	CFM794			
	2007-03	Front-All Hardware Not Included		SBM794		
	2016	Rear-All w/ 300mm Brake Rotors	CFM1307A			
	2016	Rear-All w/ Vented Rear Brake Rotors	CFM1307A			
	2015-08	Rear-All w/ Solid Rear Rotors	CFM1307SR			
	2015-08	Rear-All w/ Solid Rotors		SBM1307SR		
	2015-08	Rear-All w/ Vented Rear Rotors	CFM1307VR			
	2015-08	Rear-All w/ Vented Rotors		SBM1307VR		
	2007-03	Rear-All Hardware Included	CFM795			
	2007-03	Rear-All Hardware Not Included		SBM795		
	2007-03	Rear-All w/ 6.99" x 0.98" Shoe		968		
	Parking Brake Shoe	2007-03	Rear-All w/ 6.99" x 0.98" Shoe		968	
Disc Brake Rotor	2013-08	Front-All 316mm Diameter	BPR6007	PRT6007		
	2013-08	Front-All 336mm Diameter	BPR6005	PRT6005		
	2012-08	Front-All 300mm Diameter	BPR6015	PRT6015		
	2007-03	Front-All 286mm Rotor Diameter	BPR5433	PRT5433		
	2007-03	Front-All 305mm Diameter	BPR5395	PRT5395		
	2016-08	Rear-All Solid Rotors		PRT5965		
	2016-08	Rear-All Vented Rotors		PRT6006		
	2012-08	Rear-All Vented Rotors	BPR6006			
	2007-03	Rear-All	BPR5409	PRT5409		
XC90						
Disc Brake Pad Set	2018-16	Front-All Hardware Not Included	CFC1865			
	2014-03	Front-All w/ 316mm Brake Rotors	CFM979	SBM979		
	2014-03	Front-All w/ 328mm Brake Rotors	CFC1412	SBC1412		
	2014-03	Front-All w/ 336mm Brake Rotors	CFM1003	SBM1003		
	2018-16	Rear-All Hardware Not Included	CFC1821			
	2014-13	Rear-All Hardware Included	CFM980	SBM980		
	2012	Rear-L6 - 3.2L Hardware Included	CFM980	SBM980		
	2011-05	Rear-All Hardware Included	CFM980	SBM980		
	2004	Rear-L5 - 2.5L Hardware Included	CFM980	SBM980		
	2004	Rear-L6 - 2.9L Hardware Included	CFM980	SBM980		
	2003	Rear-All Hardware Included	CFM980	SBM980		
	Parking Brake Shoe	2013-08	Rear-All w/ 6.99" x 0.98" Shoe		968	
		2007-03	Rear-All w/ 7.09" x 0.99" Shoe		829	
Disc Brake Rotor	2014-03	Front-All 328mm Diameter		PRT6011		
	2013-03	Front-All 316mm Diameter	BPR5552	PRT5552		
	2013-03	Front-All 328mm Diameter	BPR6011			
	2013-03	Front-All 336mm Diameter	BPR6407	PRT6407		
	2013-03	Rear-All	BPR5553	PRT5553		
VPG						
MV-1						
Disc Brake Pad Set	2012-11	Front-All Hardware Included	CFC1075	SBC1075	MKD1075FM	
	2012-11	Rear-All Hardware Included	CFC1093	SBC1093	MKD1093FM	
Workhorse						
FasTrack FT931						
Disc Brake Rotor	2003-02	Front-All W/ Single Rear Wheels, w/ 13x2 1/2" Rear Drums, w/ RWAL, 14.25" Rotor; Vented; 361.5mm		PRT1480		
	2003-02	Rear-All Motorhome Chassis, Single Piston Calipers		PRT1483		
FasTrack FT1061						
Disc Brake Rotor	2003-02	Front-All W/ Single Rear Wheels, w/ 13x2 1/2" Rear Drums, w/ RWAL, 14.25" Rotor; Vented; 361.5mm		PRT1480		
	2003-02	Rear-All Motorhome Chassis, Single Piston Calipers		PRT1483		
FasTrack FT1260						
Disc Brake Rotor	2001-00	Rear-All Motorhome Chassis, Single Piston Calipers		PRT1483		
FasTrack FT1261						
Disc Brake Pad Set	2003-02	Front-All w/ 13" x 2.5" Rear Brakes		SBM153	MKD153FM	
	2003-02	Front-All w/ Dual Piston Calipers			MKD717FM	
	2003-02	Front-All w/ Single Piston Calipers	CFM149	SBM149	MKD149FM	
	2003-02	Rear-All w/ Dual Piston Calipers			MKD717FM	
	2003-02	Rear-All w/ Single Piston Calipers	CFM149	SBM149	MKD149FM	
FasTrack FT1460						
Disc Brake Rotor	2002-00	Rear-All Motorhome Chassis, Single Piston Calipers		PRT1483		
FasTrack FT1461						
Disc Brake Pad Set	2003-02	Front-All w/ 13" x 2.5" Rear Brakes		SBM153	MKD153FM	
	2003-02	Front-All w/ Dual Piston Calipers			MKD717FM	
	2003-02	Front-All w/ Single Piston Calipers	CFM149	SBM149	MKD149FM	
	2003-02	Rear-All w/ Dual Piston Calipers			MKD717FM	
	2003-02	Rear-All w/ Single Piston Calipers	CFM149	SBM149	MKD149FM	
FasTrack FT1600						
Disc Brake Rotor	2001-00	Rear-All Motorhome Chassis, Single Piston Calipers		PRT1483		

BENDIX BRAKE PARTS

PART TYPE	YEAR	APPLICATION	PREMIUM NO.	PART NO.	SEVERE DUTY NO.
Workhorse (Cont'd.)					
FasTrack FT1601					
Disc Brake Pad Set	2003-02	Front-All w/ 13" x 2.5" Rear Brakes		SBM153	MKD153FM
	2003-02	Front-All w/ Dual Piston Calipers			MKD717FM
	2003-02	Front-All w/ Single Piston Calipers	CFM149	SBM149	MKD149FM
	2003-02	Rear-All w/ Dual Piston Calipers			MKD717FM
	2003-02	Rear-All w/ Single Piston Calipers	CFM149	SBM149	MKD149FM
FasTrack FT1800					
Disc Brake Rotor	2001-00	Rear-All Motorhome Chassis, Single Piston Calipers		PRT1483	
FasTrack FT1801					
Disc Brake Pad Set	2003-02	Front-All w/ 13" x 2.5" Rear Brakes		SBM153	MKD153FM
	2003-02	Front-All w/ Dual Piston Calipers			MKD717FM
	2003-02	Front-All w/ Single Piston Calipers	CFM149	SBM149	MKD149FM
	2003-02	Rear-All w/ Dual Piston Calipers			MKD717FM
	2003-02	Rear-All w/ Single Piston Calipers	CFM149	SBM149	MKD149FM
FasTrack FT1802					
Disc Brake Pad Set	2003-02	Front-All w/ 13" x 2.5" Rear Brakes		SBM153	MKD153FM
	2003-02	Front-All w/ Dual Piston Calipers			MKD717FM
	2003-02	Front-All w/ Single Piston Calipers	CFM149	SBM149	MKD149FM
	2003-02	Rear-All w/ Dual Piston Calipers			MKD717FM
	2003-02	Rear-All w/ Single Piston Calipers	CFM149	SBM149	MKD149FM
LF72					
Disc Brake Pad Set	2011-08	Front-All w/ 19,000 lb. GVW			MKD786AFM
	2011-08	Front-All w/ 19,000 lb. GVW			MKD786FM
	2007-05	Front-All w/ 2.60" Or 2.88" Bosch Dual Piston Calipers			MKD786AFM
	2009-08	Rear-All w/ 19,000 lb. GVW			MKD786AFM
	2009-08	Rear-All w/ 19,000 lb. GVW			MKD786FM
P30					
Disc Brake Pad Set	2005	Front-All w/ 52mm Piston Diameter	CFM1699	SBM1699	MKD1699FM
	2004-00	Front-All w/ Single Piston Caliper	CFM149	SBM149	MKD149FM
	2005	Rear-All w/ 52mm Piston Diameter	CFM1699	SBM1699	MKD1699FM
	2004-00	Rear-All w/ Single Piston Caliper	CFM149	SBM149	MKD149FM
Disc Brake Rotor	2000	Rear-All		PRT5028	
Disc Brake Rotor and Hub Assembly	2000	Front-All Dual Rear Wheels (13 x 3 1/2" Brakes)		PRT1862	
	2000	Front-All Dual Rear Wheels (Exc.Solid Front Axle)		PRT1130	
	2000	Front-All Exc.Dual Rear Wheels (Solid Front Axle); INCL.HUB		PRT5368	
	2000	Front-All Single Rear Wheels (13 x 3 1/2" Brakes); W/EXCITER RING & SENSOR		PRT1859	
Brake Drum	2000	Rear-All Dual Rear Wheels (10.50" Ring Gear) (13 x 3.5" Brakes)		PDR0613	
	2000	Rear-All Single Rear Wheels (13 x 3 1/2" Brakes)		PDR0387	
P32					
Disc Brake Pad Set	2005-99	Front-All w/ Bendix 3.38" Single Piston Calipers	CFM149	SBM149	MKD149FM
	2004-99	Front-All w/ 2.60" Dual Piston Bendix Calipers			MKD717FM
	2005-99	Rear-All w/ Bendix 3.38" Single Piston Calipers	CFM149	SBM149	MKD149FM
	2004-99	Rear-All w/ 2.60" Dual Piston Bendix Calipers			MKD717FM
P42					
Disc Brake Pad Set	2005-99	Front-All w/ 2.60" Dual Piston Bendix Calipers			MKD717FM
	2005-99	Front-All w/ 3.38" Single Piston Bendix Calipers	CFM149	SBM149	MKD149FM
	2005-99	Rear-All w/ 2.60" Dual Piston Bendix Calipers			MKD717FM
	2005-99	Rear-All w/ 3.38" Single Piston Bendix Calipers	CFM149	SBM149	MKD149FM
W16					
Disc Brake Pad Set	2007-06	Front-All Brembo	CFM1699	SBM1699	MKD1699FM
	2007-06	Rear-All Brembo	CFM1699	SBM1699	MKD1699FM
W18					
Disc Brake Pad Set	2007-06	Front-All Brembo	CFM1699	SBM1699	MKD1699FM
	2007-06	Rear-All Brembo	CFM1699	SBM1699	MKD1699FM
W20					
Disc Brake Pad Set	2009-01	Front-All w/ 66mm Dual Piston Bosch Caliper			MKD786AFM
	2009-01	Front-All w/ 73mm Dual Piston Bosch Caliper			MKD786FM
	2009-01	Rear-All w/ 66mm Dual Piston Bosch Caliper			MKD786AFM
	2009-01	Rear-All w/ 73mm Dual Piston Bosch Caliper			MKD786FM
Disc Brake Rotor	2009-01	Front-All Hat Shaped 10 Hole Rotor; 3.21" Overall Height		PRT5086	SDR5086
	2009-01	Front-All Hat Shaped 10 Hole Rotor; 4.43" Overall Height			SDR1494
	2009-01	Front-All w/out ABS Brakes, Hat Shaped 6 Hole Rotor		PRT1475	SDR1475
	2009-01	Rear-All 15" Brakes, Hat Shaped 10 Hole Rotor, 3.21" OAH		PRT5086	SDR5086
	2009-01	Rear-All 15" Brakes, Hat Shaped 10 Hole Rotor, 4.43" OAH			SDR1494
	2009-01	Rear-All w/out ABS Brakes, Hat Shaped 6 Hole Rotor		PRT1475	SDR1475
W21					
Disc Brake Pad Set	2009-07	Front-All w/ 66mm Dual Piston Bosch Caliper			MKD786AFM
	2009-07	Front-All w/ 73mm Dual Piston Bosch Caliper			MKD786FM

BENDIX BRAKE PARTS

PART TYPE	YEAR	APPLICATION	PREMIUM NO.	PART NO.	SEVERE DUTY NO.
Workhorse (Cont'd.)					
W21 (Cont'd.)					
Disc Brake Pad Set (cont'd)	2009-07	Rear-All w/ 66mm Dual Piston Bosch Caliper			MKD786AFM
	2009-07	Rear-All w/ 73mm Dual Piston Bosch Caliper			MKD786FM
W22					
Disc Brake Pad Set	2009-01	Front-All w/ 66mm Dual Piston Bosch Caliper			MKD786AFM
	2009-01	Front-All w/ 73mm Dual Piston Bosch Caliper			MKD786FM
	2009-01	Rear-All w/ 66mm Dual Piston Bosch Caliper			MKD786AFM
	2009-01	Rear-All w/ 73mm Dual Piston Bosch Caliper			MKD786FM
Disc Brake Rotor	2009-01	Front-All Hat Shaped 10 Hole Rotor; 3.21" Overall Height		PRT5086	SDR5086
	2009-01	Front-All Hat Shaped 10 Hole Rotor; 4.43" Overall Height			SDR1494
	2009-01	Front-All w/out ABS Brakes, Hat Shaped 6 Hole Rotor		PRT1475	SDR1475
	2009-01	Rear-All 15" Brakes, Hat Shaped 10 Hole Rotor, 3.21" OAH		PRT5086	SDR5086
	2009-01	Rear-All 15" Brakes, Hat Shaped 10 Hole Rotor, 4.43" OAH			SDR1494
	2009-01	Rear-All w/out ABS Brakes, Hat Shaped 6 Hole Rotor		PRT1475	SDR1475
W42					
Disc Brake Pad Set	2011-08	Front-All w/ 52mm Diameter Piston	CFM1699	SBM1699	MKD1699FM
	2011-08	Rear-All w/ 52mm Diameter Piston	CFM1699	SBM1699	MKD1699FM
W62					
Disc Brake Pad Set	2011	Front-All w/ Brembo Calipers	CFM1699	SBM1699	MKD1699FM
	2011	Rear-All w/ Brembo Calipers	CFM1699	SBM1699	MKD1699FM
Workhorse Custom Chassis					
W22					
Disc Brake Pad Set	2009-01	Rear-All w/ 66mm Dual Piston Bosch Caliper			MKD786AFM
Yugo					
Cabrio					
Disc Brake Rotor	1992-90	Front-All		PRT1099	
Brake Drum	1992-90	Rear-All		PDR0551	
GV					
Disc Brake Rotor	1992-86	Front-All		PRT1099	
Brake Drum	1992-86	Rear-All		PDR0551	
GVL					
Disc Brake Rotor	1989-88	Front-All		PRT1099	
Brake Drum	1989-88	Rear-All		PDR0551	
GVS					
Disc Brake Rotor	1988	Front-All		PRT1099	
Brake Drum	1988	Rear-All		PDR0551	
GVX					
Disc Brake Rotor	1989-87	Front-All		PRT1099	
Brake Drum	1989-87	Rear-All		PDR0551	

BUYERS GUIDE

Part Number	Product Line	Position	Application
151	Drum Brake Shoe	Rear	American Motors Ambassador 1974-1962, American 1968-1966, AMX 1970-1968, AMX 1980-1978, Classic 1965-1963, Concord 1983-1979, Eagle 1988-1980, Gremlin 1978-1972, Hornet 1977-1970, Javelin 1974-1968, Marlin 1967-1965, Matador 1976-1971, Pacer 1980-1976, Rambler 1969, Rebel 1969, Spirit 1983-1979, Ford E-100 Econoline 1974-1969, Econoline 1967-1963, Fairlane 1969-1962, Fairmont 1983-1978, Falcon 1969-1963, Falcon Sedan Delivery 1965-1963, Granada 1981, LTD 1986-1983, Maverick 1977-1971, Mustang 1972-1964, Mustang 1982-1980, P-350 1976-1975, P-400 1976-1975, Ranchero 1968-1962, Ranch Wagon 1964-1963, Sprint 1964-1963, Thunderbird 1988-1980, Torino 1968, Jeep Cherokee 1989-1984, CJ5 1983-1978, CJ7 1986-1978, Comanche 1989-1986, Scrambler 1985-1981, Wagoneer 1989-1984, Wrangler 1989-1987, Mercury Comet 1968-1964, Comet 1977-1971, Cougar 1969-1967, Cougar 1988-1981, Cyclone 1968-1967, Marquis 1986-1983, Meteor 1963-1962, Montego 1968, Zephyr 1983-1978
152	Drum Brake Shoe	Rear	Ford Fairlane 1970-1962, Falcon 1970-1966, Granada 1980-1975, Gran Torino 1972, Mustang 1973-1967, Ranchero 1972-1966, Ranch Wagon 1964-1963, Torino 1972-1968, Mercury Comet 1969-1966, Comet 1972-1971, Cougar 1973-1969, Cyclone 1971-1967, Meteor 1963-1962, Monarch 1980-1975, Montego 1972-1968
154	Drum Brake Shoe	Front	Ford Country Squire 1954, Crestline 1954-1952, Custom 1949, Deluxe 1951-1949, Fairlane 1970-1962, Falcon 1970-1963, Falcon Sedan Delivery 1965-1963, Ford 1949, Maverick 1971, Mustang 1971-1964, Ranchero 1968-1960, Ranch Wagon 1964-1963, Skyliner 1954, Sprint 1964-1963, Sunliner 1954, Torino 1971-1968, Victoria 1954, Hudson Wasp 1955, Mercury Comet 1969-1964, Comet 1971, Cougar 1969-1967, Cyclone 1970, Meteor 1963-1962, Montego 1971-1968
169	Drum Brake Shoe	Front, Rear	American Motors Ambassador 1974-1958, American 1968-1966, AMX 1970-1968, Classic 1961, Classic 1966-1963, Gremlin 1976-1972, Hornet 1976-1970, Javelin 1974-1968, Marlin 1967-1965, Matador 1974-1971, Pacer 1976-1975, Rambler 1969, Rebel 1961-1958, Rebel 1970-1967, Dodge 330 1964-1963, 440 1964-1963, A100 1968-1964, Coronet 1969-1965, Dart 1962, Polara 1964-1962, Ford E-100 Econoline 1974-1969, Econoline 1967-1961, Fairlane 1970-1962, Falcon 1970-1962, Maverick 1975-1972, Mustang 1973-1967, Ranchero 1971-1966, Torino 1971-1968, Hudson Wasp 1956, Mercury Cougar 1972-1967, Cougar 1975-1974, Cyclone 1967, Nash Ambassador Custom 1954-1952, Ambassador Super 1954-1952, Statesman 1956, Plymouth Fury 1964-1962, American Motors Ambassador 1974-1971, Concord 1978, Hornet 1976, Matador 1978-1971, Dodge 330 1964-1963, 440 1964-1963, A100 1968-1964, Charger 1969-1966, Coronet 1969-1965, Dart 1962, Polara 1962, Ford Aerostar 1986, Bronco 1975-1966, E-100 Econoline 1970-1969, Econoline 1967-1961, F-100 1982-1980, F-150 1982-1980, Fairlane 1970-1966, Falcon 1965-1960, Gran Torino 1975-1972, Mustang 1968, Ranchero 1974-1966, Ranch Wagon 1964-1963, Ranger 1986-1984, Torino 1975-1968, Mercury Cougar 1969-1967, Cyclone 1967, Montego 1975-1973, Plymouth Fury 1964-1962
183	Drum Brake Shoe	Rear	Ford Thunderbird 1966-1965
197	Drum Brake Shoe	Front, Rear	Buick Century 1955-1954, Electra 1970-1961, Invicta 1963-1961, LeSabre 1970-1961, Riviera 1970-1963, Special 1957-1952, Super 1957-1952, Wildcat 1970-1963, Pontiac Pathfinder 1958-1955, Star Chief 1958-1955, Super Chief 1958-1957, Buick Century 1955-1954, Century 1958, Electra 1961-1959, Invicta 1960-1959, LeSabre 1960-1959, Limited 1958, Roadmaster 1958-1950, Special 1958-1956, Super 1958-1953
216	Drum Brake Shoe	Front, Rear	MG Midget 1979-1963, Austin Mini Cooper 1967-1964, Austin Healey Sprite 1966-1963, Sprite 1970-1968, MG Midget 1979-1963, Morris Minor 1966-1963

BUYERS GUIDE

Part Number	Product Line	Position	Application
228	Drum Brake Shoe	Front, Rear	Chevrolet 3B 1959, 3100 1959, Bel Air 1956-1957, Biscayne 1956, C10 Panel 1967-1960, C10 Pickup 1974-1961, C10 Suburban 1967, C20 Suburban 1967, Corvair Truck 1964-1961, Corvette 1962-1963, K10 Pickup 1963-1960, Malibu 1967-1964, P10 Series 1967-1960, Suburban 1966-1960, Ford Crestline 1954-1952, F1 1952-1948, F-100 1966-1953, F-250 1956, F-350 1956, F Series 1955-1948, F Series 1959-1957, P-100 1966-1964, GMC 100 1959-1951, 1000 Series 1965-1960, C15/C1500 Pickup 1974-1967, C15/C1500 Suburban 1967, C25/C2500 Suburban 1967, K15/K1500 Pickup 1974-1966, P1000 1966, International 1100A 1966, 1100B 1967, 1100C 1968, A100 Truck 1958-1957, AM80 1958-1957, AM80 1962-1961, B100 1960-1959, C110 1962, C900 1964, C1100 1964-1963, CM75 1965-1962, CM80 1965-1962, CM110 1965-1962, D900 1965, D1100 1965, M700 1967-1966, M1100 1968-1966, R100 1955-1954, S100 1957-1956, Jeep CJ5 1977-1972, CJ6 1975-1972, CJ7 1977-1976, DJ5 1974-1972, DJ5 1981-1978, Gladiator 1967-1965, J-300 1965, J-2500 1970-1965, J-2600 1970-1965, J-3600 1970-1965, J-3800 1970-1965, J-4500 1970, J-4500 1973-1972, J-4600 1970, Jeepster 1972-1967, Wagoneer 1973-1963, Mercury Mercury 1951-1949, Monterey 1954-1950, Studebaker 3E7 1958, 3E12 1958, 3E13 1958, 4E2 1959, 4E7 1959, 4E11 1959, 4E12 1959, 4E13 1959, 4E14 1959, Deluxe 1959, Scotsman 1959, Chevrolet 3B 1959, 3100 1959, Bel Air 1970-1959, Biscayne 1970-1959, C10 Panel 1967-1960, C10 Pickup 1974-1961, C10 Suburban 1967, C20 Suburban 1967, Caprice 1970-1966, Corvair Truck 1964-1961, Corvette 1965-1963, El Camino 1960-1959, El Camino 1965-1964, Impala 1970-1959, K10 Pickup 1964-1960, Kingswood 1970-1969, Malibu 1967-1964, P10 Series 1967-1960, Suburban 1966-1960, Townsman 1970-1969, Edsel Bermuda 1958, Citation 1958, Corsair 1959-1958, Pacer 1958, Ranger 1959-1958, Roundup 1958, Villager 1959-1958, Ford Country Sedan 1959, Country Squire 1959, Galaxie 1959, Ranch Wagon 1959-1955, Thunderbird 1958-1957, GMC 100 1959-1958, 1000 Series 1965-1960, C15/C1500 Suburban 1967, C25/C2500 Suburban 1967, P1000 1966, Jeep CJ5 1978-1972, CJ6 1975-1972, CJ7 1978-1976, DJ5 1974-1972, DJ5 1981-1978, Gladiator 1967-1965, J-300 1965, J-2500 1970-1965, J-2500 1973-1972, J-2600 1970-1965, J-3600 1970-1965, J-4500 1973-1972, Jeepster 1972-1967, Wagoneer 1973-1963, Mercury 1951-1949, Monterey 1954-1950, Studebaker 1958-1957, 3E7 1958, 3E12 1958, 3E13 1958, 4E2 1959, 4E7 1959, 4E11 1959, 4E12 1959, 4E13 1959, 4E14 1959, Deluxe 1959, Scotsman 1959, Chevrolet 3B 1959, 3100 1959, Bel Air 1970-1959, Biscayne 1970-1959, C10 Panel 1967-1960, C10 Pickup 1974-1961, C10 Suburban 1967, C20 Suburban 1967, Caprice 1970-1966, Corvair Truck 1964-1961, Corvette 1965-1963, El Camino 1960-1959, El Camino 1965-1964, Impala 1970-1959, K10 Pickup 1964-1960, Kingswood 1970-1969, Malibu 1967-1964, P10 Series 1967-1960, Suburban 1966-1960, Townsman 1970-1969, Edsel Bermuda 1958, Citation 1958, Corsair 1959-1958, Pacer 1958, Ranger 1959-1958, Roundup 1958, Villager 1959-1958, Ford Country Sedan 1959, Country Squire 1959, Galaxie 1959, Ranch Wagon 1959-1955, Thunderbird 1958-1957, GMC 100 1959-1958, 1000 Series 1965-1960, C15/C1500 Suburban 1967, C25/C2500 Suburban 1967, P1000 1966, Jeep CJ5 1978-1972, CJ6 1975-1972, CJ7 1978-1976, DJ5 1974-1972, DJ5 1981-1978, Gladiator 1967-1965, J-300 1965, J-2500 1970-1965, J-2500 1973-1972, J-2600 1970-1965, J-3600 1970-1965, J-4500 1973-1972, Jeepster 1972-1967,
242	Drum Brake Shoe	Front, Rear	Wagoneer 1973-1963, Mercury 1951-1949, Monterey 1954-1950, Studebaker 1958-1957, 3E7 1958, 3E12 1958, 3E13 1958, 4E2 1959, 4E7 1959, 4E11 1959, 4E12 1959, 4E13 1959, 4E14 1959, Deluxe 1959, Scotsman 1959, Chevrolet 3B 1959, 3100 1959, Bel Air 1970-1959, Biscayne 1970-1959, C10 Panel 1967-1960, C10 Pickup 1974-1961, C10 Suburban 1967, C20 Suburban 1967, Caprice 1970-1966, Corvair Truck 1964-1961, Corvette 1965-1963, El Camino 1960-1959, El Camino 1965-1964, Impala 1970-1959, K10 Pickup 1964-1960, Kingswood 1970-1969, Malibu 1967-1964, P10 Series 1967-1960, Suburban 1966-1960, Townsman 1970-1969, Edsel Bermuda 1958, Citation 1958, Corsair 1959-1958, Pacer 1958, Ranger 1959-1958, Roundup 1958, Villager 1959-1958, Ford Country Sedan 1959, Country Squire 1959, Galaxie 1959, Ranch Wagon 1959-1955, Thunderbird 1958-1957, GMC 100 1959-1958, 1000 Series 1965-1960, C15/C1500 Suburban 1967, C25/C2500 Suburban 1967, P1000 1966, Jeep CJ5 1978-1972, CJ6 1975-1972, CJ7 1978-1976, DJ5 1974-1972, DJ5 1981-1978, Gladiator 1967-1965, J-300 1965, J-2500 1970-1965, J-2500 1973-1972, J-2600 1970-1965, J-3600 1970-1965, J-4500 1973-1972, Jeepster 1972-1967, Chevrolet Corvair 1969-1965, Buick Apollo 1975-1973, Century 1975-1973, Electra 1984-1979, GS 455 1972-1970, LeSabre 1985-1977, Skyhawk 1980-1976, Skylark 1972-1967, Skylark 1979-1975, Special 1969-1967, Chevrolet Astro 1989-1987, Camaro 1981-1967, Caprice 1996-1977, Chevelle 1964, Chevelle 1973-1966, Chevy II 1968-1964, El Camino 1975-1964, Impala 1985-1977, Monte Carlo 1975-1970, Monza 1980-1976, Nova 1979-1969, Vega 1977-1976, GMC Safari 1989-1987, Sprint 1975-1971, Oldsmobile 442 1971-1968, Custom Cruiser 1985-1977, Cutlass 1975-1967, Cutlass Supreme 1975-1967, Delta 88 1983-1977, F85 1972-1964, Jetstar 88 1966-1964, Omega 1979-1973, Starfire 1980-1976, Pontiac Astre 1977-1976, Bonneville 1981-1977, Catalina 1981-1977, Firebird 1981-1967, Grand Am 1975-1973, Grand Prix 1975-1969, GTO 1971-1967, LeMans 1975-1970, Parisienne 1986-1977, Phoenix 1979-1977, Sunbird 1980-1976, Tempest 1970-1964, Ventura 1977-1973
245	Drum Brake Shoe	Front, Rear	Chevrolet Corvair 1969-1965, Buick Apollo 1975-1973, Century 1975-1973, Electra 1984-1979, GS 455 1972-1970, LeSabre 1985-1977, Skyhawk 1980-1976, Skylark 1972-1967, Skylark 1979-1975, Special 1969-1967, Chevrolet Astro 1989-1987, Camaro 1981-1967, Caprice 1996-1977, Chevelle 1964, Chevelle 1973-1966, Chevy II 1968-1964, El Camino 1975-1964, Impala 1985-1977, Monte Carlo 1975-1970, Monza 1980-1976, Nova 1979-1969, Vega 1977-1976, GMC Safari 1989-1987, Sprint 1975-1971, Oldsmobile 442 1971-1968, Custom Cruiser 1985-1977, Cutlass 1975-1967, Cutlass Supreme 1975-1967, Delta 88 1983-1977, F85 1972-1964, Jetstar 88 1966-1964, Omega 1979-1973, Starfire 1980-1976, Pontiac Astre 1977-1976, Bonneville 1981-1977, Catalina 1981-1977, Firebird 1981-1967, Grand Am 1975-1973, Grand Prix 1975-1969, GTO 1971-1967, LeMans 1975-1970, Parisienne 1986-1977, Phoenix 1979-1977, Sunbird 1980-1976, Tempest 1970-1964, Ventura 1977-1973

BUYERS GUIDE

Part Number	Product Line	Position	Application
246	Drum Brake Shoe	Front, Rear	Buick Gran Sport 1967, Skylark 1972-1964, Special 1967-1962, Sportwagon 1969-1964, Chevrolet Camaro 1969-1967, Chevelle 1972-1964, Chevy II 1967-1964, El Camino 1972-1964, G10 Van 1970-1964, Malibu 1967-1964, Nova 1974-1969, GMC G15/G1500 Van 1970-1967, G1000 Series 1966-1964, Sprint 1972-1971, Oldsmobile 442 1971-1965, Cutlass 1967-1964, Cutlass Supreme 1972-1967, F85 1972-1964, Jetstar 88 1966-1964, Omega 1974-1973, Vista Cruiser 1970-1964, Pontiac Firebird 1970-1967, Grand Prix 1969, GTO 1969-1964, LeMans 1972-1964, Tempest 1969-1964, Ventura 1974-1971, Buick Gran Sport 1967, GS 350 1969-1968, GS 400 1969-1968, Skylark 1972-1964, Special 1969-1962, Sportwagon 1972-1964, Chevrolet Corvair 1969-1965, Oldsmobile Cutlass 1967-1964, Cutlass Supreme 1972-1967, F85 1968-1964, Vista Cruiser 1972-1964
263	Drum Brake Shoe	Front, Rear	Dodge D100 Pickup 1959, D100 Pickup 1972-1968, D100 Series 1967-1960, Ford Country Sedan 1959, Country Squire 1959, Galaxie 1959, Ranch Wagon 1959-1955, Thunderbird 1956-1955, International 1000A 1966, 1000B 1967, 1000C 1968, C100 1962-1961, C1000 1964-1963, D1000 1965, Ford Bronco 1966-1976, Club Wagon 1967-1965, Country Sedan 1974-1965, Country Squire 1974-1965, Custom 1972-1965, Custom 500 1975-1965, E-100 Econoline 1983-1975, E-100 Econoline Club Wagon 1983-1975, E-150 Econoline 1986-1975, E-150 Econoline Club Wagon 1986-1975, E-200 Econoline 1974-1969, Elite 1976-1975, F-100 1983-1968, F-150 1986-1975, Galaxie 1967-1965, Galaxie 500 1974-1965, Gran Torino 1976-1973, LTD 1977-1965, LTD II 1979-1978, Ranchero 1979-1972, Ranch Wagon 1972-1969, Thunderbird 1972-1967, Thunderbird 1979-1977, Torino 1976-1972, International 1000D 1970-1969, 1010 1973-1971, Lincoln Mark III 1971-1968, Mark IV 1972, Mercury Brougham 1967, Colony Park 1968-1967, Comet 1972, Commuter 1968-1965, Cougar 1979-1976, Marquis 1975-1967, Montclair 1968-1965, Montego 1975-1972, Monterey 1974-1965
264	Drum Brake Shoe	Front, Rear	Ford 300 1963, Country Sedan 1972-1965, Country Squire 1972-1965, Custom 1972-1964, Custom 500 1972-1964, Galaxie 1967-1961, Galaxie 500 1972-1962, LTD 1972-1965, Ranch Wagon 1974-1972, Hudson Hornet 1957-1955, Mercury Marquis 1970-1969, Montclair 1968-1964, Monterey 1970-1961, Oldsmobile 98 1964-1962, Dynamic 1964-1962, Super 88 1964-1962, Packard Clipper 1956-1954, Pontiac Bonneville 1964-1962, Grand Prix 1964-1962, Star Chief 1964-1962, Ford 300 1963, Club Wagon 1967-1962, Country Sedan 1964-1961, Country Sedan 1974-1973, Country Squire 1974-1961, Custom 1964, Custom 500 1964, Custom 500 1977-1972, Elite 1976-1975, Galaxie 1964-1961, Galaxie 500 1964-1962, Galaxie 500 1974-1971, Gran Torino 1976, LTD 1978-1972, LTD II 1978-1977, Ranch Wagon 1962-1961, Thunderbird 1964-1961, Thunderbird 1976-1973, Torino 1976, Lincoln Continental 1979-1970, Mark IV 1974-1973, Mercury Commuter 1961, Commuter 1964, Cougar 1977, Marquis 1978-1973, Montclair 1964, Monterey 1964-1961, Monterey 1974-1973
265	Drum Brake Shoe	Front, Rear	Ford 300 1963, Country Sedan 1972-1961, Country Squire 1972-1961, Custom 1972-1964, Custom 500 1972-1964, E-200 Econoline 1974-1969, F-100 1972-1968, Galaxie 1967-1961, Galaxie 500 1972-1962, LTD 1972-1965, Ranch Wagon 1962-1961, Ranch Wagon 1972-1969, Thunderbird 1962-1961, International 1000D 1970-1969, 1010 1973-1971, D1000 1965, Lincoln Continental 1962-1961, Mercury Colony Park 1968-1967, Commuter 1961, Commuter 1968-1964, Marquis 1971-1967, Montclair 1968-1965, Monterey 1971-1961, Lincoln Continental 1962-1961
267	Drum Brake Shoe	Rear	American Motors Ambassador 1974-1962, American 1968-1966, AMX 1970-1968, AMX 1980-1978, Classic 1965-1963, Concord 1983-1979, Eagle 1988-1980, Gremlin 1978-1972, Hornet 1977-1970, Javelin 1974-1968, Marlin 1967-1965, Matador 1976-1971, Pacer 1980-1976, Rambler 1969, Rebel 1969, Spirit 1983-1979, Ford E-100 Econoline 1974-1969, Econoline 1967-1963, Fairlane 1969-1962, Fairmont 1983-1978, Falcon 1969-1963, Falcon Sedan Delivery 1965-1963, Granada 1981, LTD 1986-1983, Maverick 1977-1971, Mustang 1972-1964, Mustang 1982-1980, P-350 1976-1975, P-400 1976-1975, Ranchero 1968-1962, Ranch Wagon 1964-1963, Sprint 1964-1963, Thunderbird 1988-1980, Torino 1968, Jeep Cherokee 1989-1984, CJ5 1983-1978, CJ7 1986-1978, Comanche 1989-1986, Scrambler 1985-1981, Wagoneer 1989-1984, Wrangler 1989-1987, Mercury Comet 1968-1964, Comet 1977-1971, Cougar 1969-1967, Cougar 1988-1981, Cyclone 1968-1967, Marquis 1986-1983, Meteor 1963-1962, Montego 1968, Zephyr 1983-1978
315	Drum Brake Shoe	Rear	Porsche 924 1982-1977, Volkswagen Beetle 1979-1965, Karmann Ghia 1974-1965, Super Beetle 1980-1971, Thing 1974-1973
331	Drum Brake Shoe	Rear	Dodge Coronet 1969, Dart 1962, Dart 1972-1965, Plymouth Barracuda 1969-1964, Belvedere 1969, Duster 1972-1970, Roadrunner 1969, Satellite 1969, Scamp 1972-1971, Valiant 1972-1969

BUYERS GUIDE

Part Number	Product Line	Position	Application
332	Drum Brake Shoe	Front, Rear	Dodge Dart 1962, Dart 1972-1965, Nash Statesman 1955, Plymouth Barracuda 1969-1964, Duster 1972-1970, Scamp 1972-1971, Valiant 1969-1965, Valiant 1972-1971, Valiant 1970
333	Drum Brake Shoe	Front, Rear	Dodge A100 Pickup 1970-1969, A100 Truck 1970-1969, B100 Van 1972-1971, Challenger 1972-1970, Charger 1972-1969, Coronet 1972-1969, Dart 1975-1973, Plymouth Barracuda 1972-1970, Belvedere 1970-1969, Duster 1975-1973, GTX 1971-1969, Roadrunner 1972-1969, Satellite 1972-1969, Scamp 1975-1973, Valiant 1976-1973, Chrysler Cordoba 1975, Dodge A100 Pickup 1970-1969, A100 Truck 1970-1969, B100 Van 1973-1971, B200 Van 1972-1971, Challenger 1974-1970, Charger 1975-1969, Coronet 1969, D100 Pickup 1972-1970, Dart 1975-1973, Plymouth Barracuda 1974-1970, Belvedere 1970-1969, Cuda 1974-1970, Duster 1975-1973, Fury 1975, GTX 1971-1969, PB100 1975, PB100 Van 1974, Roadrunner 1972-1969, Satellite 1974-1969, Scamp 1975-1973, Valiant 1976-1973
357	Drum Brake Shoe	Front, Rear	Dodge D200 Pickup 1972, Ford F-250 1972-1966, International 1210 1973-1971, MS1210 1973-1972, Dodge B300 1980-1975, B300 Van 1974-1971, B350 1994-1981, B3500 1997-1995, CB300 1980-1976, D150 1993-1984, D200 1980-1975, D200 Pickup 1974-1972, D250 1993-1981, D300 1980-1978, D350 1993-1981, P200 1972, P200 Van 1974-1972, W150 1993-1984, W200 1980-1975, W200 Pickup 1974-1972, W250 1993-1981, W350 1993-1982, Ford E-250 2007-2006, E-250 Econoline 2002-1975, E-250 Econoline Club Wagon 1991-1975, E-300 Econoline 1974-1969, F-250 1999-1966, F-350 1979, International 200 1975-1974, 1200D 1970-1969, 1210 1973-1971, MS1210 1974-1972, Plymouth PB300 1980-1975, PB300 Van 1974, PB350 1983-1981
358	Drum Brake Shoe	Front, Rear	Dodge B300 Van 1972-1971, D200 Pickup 1972, D300 Pickup 1973-1972, W200 Pickup 1974-1972, Ford F-250 1972-1966, F-350 1972-1967, International 1210 1973, 1300D 1970-1969, 1310 1973-1971, MHC1310 1974, MS1210 1974-1973, Dodge B300 1980-1975, B300 Van 1974-1973, B350 1994-1981, B3500 1998-1995, CB300 1980-1976, D150 1993-1984, D200 1980-1975, D200 Pickup 1972, D250 1993-1981, D300 1980-1975, D300 Pickup 1974-1972, D350 1993-1981, D400 1981-1978, D450 1981-1978, M300 1974, P300 1972, W150 1993-1984, W200 1980-1978, W250 1993-1981, W300 1980-1975, W300 Pickup 1974-1972, W350 1993-1981, Ford E-250 Econoline 2002-1984, E-250 Econoline Club Wagon 1991-1987, E-300 Econoline 1974-1969, E-350 Econoline 2000-1975, E-350 Econoline Club Wagon 1998-1977, E-350 Super Duty 2002-2001, E-350 Super Duty 2007-2006, F-250 1999-1966, F-350 1997-1967, P-350 1974-1969, P-350 1976, P-400 1976-1975, International 200 1975-1974, 1210 1973-1971, 1300D 1970-1969, 1310 1973-1971, MHC1310 1974, Plymouth PB300 1980-1975, PB300 Van 1974, PB350 1983-1981
366	Drum Brake Shoe	Rear	Cadillac Brougham 1990-1987, Calais 1976-1971, Commercial Chassis 1984-1975, DeVille 1976-1971, Fleetwood 1968, Fleetwood 1984-1971, Fleetwood 1986, Oldsmobile 98 1975-1971, Custom Cruiser 1976-1971, Delta 88 1976-1971
392	Drum Brake Shoe	Front	Volkswagen Super Beetle 1980-1971
407	Drum Brake Shoe	Rear	Toyota Carina 1973-1971, Celica 1985-1971, Corolla 1987-1971, Corona 1982-1974, Cressida 1987-1978, Mark II 1976-1974
419	Drum Brake Shoe	Rear	GMC C25/C2500 Pickup 1972-1971, C25/C2500 Suburban 1972-1971, K25/K2500 Pickup 1970, K25/K2500 Suburban 1972-1971
428	Drum Brake Shoe	Rear	Honda 600 1972-1969, Accord 1981-1976, Civic 1979-1973
445	Drum Brake Shoe	Front, Rear	Dodge Dart 1976, Plymouth Duster 1976, Scamp 1976, Valiant 1976, Chrysler Cordoba 1983-1975, Fifth Avenue 1989-1983, Imperial 1983-1981, LeBaron 1981-1977, Newport 1981-1979, New Yorker 1982-1979, Town & Country 1981-1978, Dodge Aspen 1980-1976, B100 1980-1975, B100 Van 1974, B150 1984-1981, B200 1980-1975, B200 Van 1974-1973, B250 1984-1981, Challenger 1970, Charger 1976, Charger 1978, Coronet 1976-1971, D100 1979-1975, D100 Pickup 1974-1973, D150 1983-1977, Dakota 1999-1987, Dart 1976, Diplomat 1989-1977, Magnum 1979-1978, Mirada 1983-1980, Monaco 1978-1977, Ramcharger 1983-1978, Royal Monaco 1977, St. Regis 1981-1979, W100 1977-1975, W100 Pickup 1974, W150 1983-1977, W200 1980, Plymouth Caravelle 1982-1978, Duster 1976, Fury 1978-1976, Gran Fury 1977, Gran Fury 1989-1980, PB100 1980-1975, PB150 1983-1981, PB200 1980-1975, PB250 1983-1981, Scamp 1976, Trailduster 1981-1979, Valiant 1976, Volare 1980-1976

BUYERS GUIDE

Part Number	Product Line	Position	Application
446	Drum Brake Shoe	Rear	Chrysler Cordoba 1983-1975, Fifth Avenue 1989-1983, LeBaron 1981, Newport 1981-1975, New Yorker 1982-1976, Town & Country 1977-1976, Town & Country 1981-1979, Town & Country 1995-1992, Dodge Aspen 1980-1976, B100 1980-1975, B100 Van 1974, B150 1994-1981, B200 1980-1975, B200 Van 1974, B250 1994-1981, B1500 1997-1995, B2500 1997-1995, Caravan 1994-1991, Challenger 1972-1971, Charger 1978-1966, Coronet 1976-1971, D100 1979-1975, D100 1989-1986, D100 Pickup 1974, D150 1993-1977, Diplomat 1989-1977, Grand Caravan 1995-1991, Magnum 1979-1978, Mirada 1983-1980, Monaco 1978-1976, Ramcharger 1981-1974, Ramcharger 1993-1984, Royal Monaco 1977, St. Regis 1981-1979, W100 1977-1975, W100 1989-1986, W150 1978-1977, W150 1981-1980, W150 1993-1984, W200 1980, W250 1981, W250 1993-1984, W350 1993-1984, Plymouth Caravelle 1981-1978, Caravelle 1984-1983, Fury 1978-1976, Grand Voyager 1995-1991, Gran Fury 1977-1976, Gran Fury 1989-1980, PB100 1979-1975, PB200 1979-1975, Roadrunner 1975-1971, Trailduster 1978-1974, Volare 1980-1976, Voyager 1993-1992
449	Drum Brake Shoe	Rear	Chevrolet C10 1986-1976, C10 Suburban 1986-1976, C70 1989-1984, G10 1989-1975, G20 1977-1975, K5 Blazer 1986-1980, K10 1986-1976, K10 Suburban 1986-1976, R10 1987, R10 Suburban 1988-1987, GMC C15 1978-1976, C15 Suburban 1978-1976, C1500 1986-1979, C1500 Suburban 1986-1979, G15 1978-1975, G1500 1989-1979, K1500 1986-1979, K1500 Suburban 1986-1979, R1500 1987, R1500 Suburban 1987
451	Drum Brake Shoe	Rear	Chevrolet C20 1986-1975, C20 Pickup 1974-1973, C20 Suburban 1986-1974, C30 1986-1975, C30 Pickup 1974, C1500 Suburban 1999-1994, C2500 2000-1988, C2500 Suburban 1999-1992, C3500 1996-1988, C3500HD 1996-1991, Express 2500 2002-1996, G30 1995-1975, G30 Van 1974, K20 1986-1975, K20 Pickup 1974, K20 Suburban 1986-1974, K1500 Suburban 1999-1994, K2500 2000-1988, K2500 Suburban 1999-1992, K3500 1996-1988, P20 1989-1975, P20 Van 1974, P30 1999-1975, P30 Van 1974, R20 1988-1987, R20 Suburban 1988-1987, R30 1988-1987, R2500 1989, R2500 Suburban 1991-1989, R3500 1991-1989, V20 1987, V20 Suburban 1988-1987, V2500 Suburban 1991-1989, Dodge Ram 2500 1999-1994, GMC C25 1978-1975, C25/C2500 Pickup 1974, C25/C2500 Suburban 1974, C25 Suburban 1978-1975, C35 1978-1975, C35/C3500 Pickup 1974, C1500 Suburban 1999-1998, C2500 1986-1979, C2500 2000-1988, C2500 Suburban 1986-1979, C2500 Suburban 1999-1997, C3500 1986-1979, C3500 1997-1988, C3500HD 1997-1991, G35 1978-1975, G35/G3500 Van 1974, G3500 1996-1979, K15 Suburban 1978-1975, K25 1978-1975, K25/K2500 Pickup 1974-1973, K25/K2500 Suburban 1974, K1500 Suburban 1999-1998, K2500 1986-1979, K2500 2000-1988, K2500 Suburban 1986-1979, K2500 Suburban 1999-1997, K3500 2000-1988, P25 1978-1975, P25/P2500 Van 1974-1973, P35 1978-1975, P35/P3500 Van 1974, P2500 1989-1979, P3500 1999-1979, R2500 1989-1987, R2500 Suburban 1991-1987, R3500 1991-1987, Savana 2500 2002-1996, V2500 1987, V2500 Suburban 1991-1987
452	Drum Brake Shoe	Rear	Chevrolet C30 1986-1975, C30 Pickup 1974, C2500 Suburban 1999-1992, C3500 2000-1988, C3500HD 2000-1991, Express 2500 2002-1996, Express 3500 2002-1996, G30 1996-1975, G30 Van 1974, K30 1986-1977, K2500 Suburban 1999-1992, K3500 2000-1988, P30 1999-1976, R30 1988-1987, R3500 1991-1989, V30 1988-1987, V3500 1991-1989, Dodge Ram 3500 1999-1994, GMC C35 1978-1975, C35/C3500 Pickup 1974, C2500 Suburban 1999-1992, C3500 1986-1979, C3500 2000-1988, C3500HD 2000-1991, G35 1978-1975, G35/G3500 Van 1974, G3500 1996-1979, K35 1978-1977, K2500 Suburban 1999-1992, K3500 1986-1979, K3500 2000-1988, P35 1978-1975, P35/P3500 Van 1974, P3500 1999-1979, R3500 1991-1987, Savana 2500 2002-1996, Savana 3500 2002-1996, V3500 1991-1987

BUYERS GUIDE

Part Number	Product Line	Position	Application
462	Drum Brake Shoe	Rear	Buick Centurion 1973-1971, Century 1977-1973, Commercial Chassis 1996-1991, Electra 1984-1971, Estate Wagon 1983-1977, LeSabre 1990-1971, Regal 1977-1973, Riviera 1978-1971, Roadmaster 1996-1991, Cadillac 60 Special 1993, Brougham 1992-1987, Commercial Chassis 1984-1977, Commercial Chassis 1996-1990, DeVille 1984-1977, DeVille 1993-1990, DeVille 1999-1997, Eldorado 1975-1971, Fleetwood 1986-1977, Fleetwood 1992-1990, Fleetwood 1996-1994, Seville 1976, Checker Marathon 1980-1977, Chevrolet Bel Air 1975-1971, Bel Air 1981, Biscayne 1972-1971, Brookwood 1972-1971, Caprice 1996-1971, Chevelle 1973, El Camino 1977-1973, Impala 1985-1971, Laguna 1973, Laguna 1976-1975, Malibu 1977-1973, Monte Carlo 1977-1976, Dodge Ram 1500 1999-1994, GMC Sprint 1977-1975, Jeep Cherokee 1983-1974, Grand Wagoneer 1991-1984, J10 1988-1974, Wagoneer 1983-1974, Oldsmobile 98 1975-1971, 98 1984-1977, Custom Cruiser 1992-1973, Cutlass 1979-1976, Cutlass Salon 1979-1976, Cutlass Supreme 1977-1976, Cutlass Tiara 1976, Delta 88 1991-1971, Omega 1978-1976, Toronado 1978-1971, Vista Cruiser 1975-1973, Pontiac Bonneville 1981-1971, Catalina 1981-1971, Grand LeMans 1977-1976, Grand Prix 1977-1973, Grand Safari 1978-1971, Grandville 1975-1971, Laurentian 1981-1976, LeMans 1974-1973, LeMans 1977-1976, Parisienne 1986-1976, Phoenix 1977, Safari 1989-1987, Ventura 1977-1976
473	Drum Brake Shoe	Rear	Cadillac Brougham 1992-1991, Commercial Chassis 1996-1994, Escalade 2000-1999, Fleetwood 1996-1993, Chevrolet Blazer 1991-1987, C10 1986-1978, C10 Suburban 1986-1978, C20 1986-1976, C20 Suburban 1986-1976, C1500 1999-1992, C1500 Suburban 1999-1992, C2500 2000-1988, Express 1500 2002-1996, Express 2500 2002-1996, G10 1995-1975, G10 Van 1974, G20 1995-1975, G20 Van 1974, G30 1984-1975, G30 Van 1974, K5 Blazer 1986-1976, K10 1986-1978, K10 Pickup 1974, K10 Suburban 1986-1974, K20 1986-1978, K20 Suburban 1986-1978, K1500 1999-1988, K1500 Suburban 1999-1992, K2500 1998-1988, P10 1980-1978, P20 1989-1978, R10 1987, R10 Suburban 1988-1987, R20 1988-1987, R20 Suburban 1987, R1500 Suburban 1991-1989, Tahoe 2000-1995, V10 1987, V10 Suburban 1988-1987, V20 1987, V20 Suburban 1988-1987, V1500 Suburban 1991-1989, GMC C15 1978, C15 Suburban 1978, C25 1978, C25 Suburban 1978, C1500 1986-1979, C1500 1999-1992, C1500 Suburban 1986-1979, C1500 Suburban 1999-1992, C2500 1986-1979, C2500 1998-1988, C2500 Suburban 1986-1979, G15 1978-1975, G15/G1500 Van 1974, G25 1978, G35 1978-1976, G1500 1995-1979, G2500 1995-1979, G3500 1984-1979, Jimmy 1991-1978, K15 1978-1975, K15 Suburban 1978, K25 1978, K25 Suburban 1978, K1500 1986-1979, K1500 1999-1988, K1500 Suburban 1986-1979, K1500 Suburban 1999-1992, K2500 1986-1979, K2500 1998-1988, K2500 Suburban 1986-1979, P15 1978-1976, P25 1978, P1500 1980-1979, P2500 1989-1979, R1500 1987, R1500 Suburban 1991-1987, R2500 1988-1987, R2500 Suburban 1987, Savana 1500 2002-1996, Savana 2500 2002-1996, Sierra 1500 1999, Sierra 2500 2000-1999, V1500 1987, V1500 Suburban 1991-1987, V2500 1987, V2500 Suburban 1987, Yukon 2000-1992
474	Drum Brake Shoe	Rear	Ford Bronco II 1985-1984, Fairmont 1983-1978, Granada 1982-1981, LTD 1986-1983, Mustang 1986-1979, Mustang II 1978-1975, Pinto 1980-1975, Ranger 1985-1983, Thunderbird 1986-1980, Mercury Bobcat 1980-1975, Capri 1986-1979, Cougar 1987-1980, Marquis 1986-1983, Zephyr 1983-1978
481	Drum Brake Shoe	Rear	Ford Country Squire 1991-1987, LTD 1982-1979, LTD Crown Victoria 1991-1987, LTD II 1979, Jeep Cherokee 1990-1986, Comanche 1992-1986, Wagoneer 1990-1986, Wrangler 1990-1987, Lincoln Continental 1980, Mark VI 1983-1980, Town Car 1990-1981, Mercury Grand Marquis 1991-1979, Marquis 1982-1979
495	Drum Brake Shoe	Rear	Audi 4000 1987-1980, 4000 Quattro 1985-1984, 5000 1979, Coupe 1987-1981, Volkswagen Dasher 1981-1979, Fox 1990-1987, Golf 1992-1989, Jetta 1992-1990, Quantum 1988-1982, Rabbit Pickup 1983-1980
501	Drum Brake Shoe	Rear	Ford Escort 1990-1981, EXP 1988-1982, Tempo 1994-1984, Mercury LN7 1983-1982, Lynx 1987-1981, Topaz 1994-1984, Renault Alliance 1987-1983, Encore 1986-1984
505	Drum Brake Shoe	Rear	Toyota Pickup 1995-1978, Previa 1995-1991, RAV4 2003, Tacoma 2004-1995, Van 1989-1984, Van Wagon 1988
505A	Drum Brake Shoe	Rear	Toyota RAV4 2002-1998

BUYERS GUIDE

Part Number	Product Line	Position	Application
514	Drum Brake Shoe	Rear	Buick Century 1981-1978, Regal 1987-1978, Riviera 1985-1979, Chevrolet Astro 1986-1985, Astro 2002-1990, Blazer 1997-1995, Camaro 1997-1982, El Camino 1987-1978, LLV 1995-1987, Malibu 1983-1978, Monte Carlo 1988-1978, S10 2003-1982, S10 Blazer 1994-1983, GMC Caballero 1987-1978, Jimmy 1997-1992, S15 1990-1982, S15 Jimmy 1991-1983, Safari 1986-1985, Safari 2002-1990, Sonoma 2003-1991, Syclone 1991, Typhoon 1993-1992, Isuzu Hombre 2000-1996, Oldsmobile Bravada 1994-1991, Bravada 1996, Cutlass 1981-1978, Cutlass 1987-1985, Cutlass Calais 1984-1978, Cutlass Cruiser 1983-1980, Cutlass Salon 1980-1978, Cutlass Salon 1987-1985, Cutlass Supreme 1988-1978, Toronado 1983-1979, Pontiac Bonneville 1986-1982, Firebird 1997-1982, Grand Am 1980-1978, Grand LeMans 1983-1978, Grand Prix 1987-1978, LeMans 1981-1978
517	Drum Brake Shoe	Rear	Acura EL 2000-1997, Honda Accord 1989-1982, Civic 2005-1992, Fit 2008-2007, Prelude 1987-1983
519	Drum Brake Shoe	Rear	Chrysler Daytona 1990-1989, LeBaron 1989-1983, Neon 2002-2000, Town & Country 1988-1987, Dodge 400 1983, Aries 1989-1983, Charger 1987-1983, Daytona 1990-1989, Lancer 1989-1985, Neon 2005-1995, Omni 1990-1983, Rampage 1984-1983, Shadow 1994-1987, SX 2.0 2005-2003, Plymouth Horizon 1990-1983, Neon 2001-1995, Reliant 1989-1983, Scamp 1983, Sundance 1994-1987, Turismo 1985-1983
520	Drum Brake Shoe	Rear	Chrysler Daytona 1988-1984, Daytona 1993-1991, Dynasty 1989-1988, E Class 1984-1983, Executive Limousine 1985, Executive Sedan 1984-1983, Laser 1986-1984, LeBaron 1986-1984, New Yorker 1989-1983, Sebring 2000-1996, Town & Country 1988-1983, Dodge 600 1988-1983, Aries 1989-1983, Charger 1987-1985, Daytona 1988-1984, Daytona 1993-1991, Dynasty 1989-1988, Omni 1986-1985, Spirit 1989, Plymouth Acclaim 1989, Caravelle 1989-1985, Reliant 1989-1983
521	Drum Brake Shoe	Rear	Buick Century 1984-1982, Electra 1985, Cadillac DeVille 1985, Fleetwood 1985, Chevrolet Celebrity 1984-1982, Oldsmobile 98 1985, Cutlass Ciera 1984-1982, Pontiac 6000 1984-1982
522	Drum Brake Shoe	Rear	Buick Skyhawk 1984-1982, Skylark 1985-1980, Cadillac Cimarron 1984-1982, Chevrolet Cavalier 1984-1982, Chevette 1984-1980, Citation 1983-1980, Citation II 1984, Oldsmobile Firenza 1984-1982, Omega 1984-1980, Pontiac Acadian 1984-1980, J2000 1983-1982, J2000 Sunbird 1984, Phoenix 1984-1980, T1000 1984-1981
523	Drum Brake Shoe	Rear	Toyota 4Runner 1985-1984, Hi-Lux 1974-1973, Pickup 1985-1971, Pickup 1995-1987
524	Drum Brake Shoe	Rear	Dodge Power Ram 50 1986-1983, Raider 1989-1987, Ram 50 1993-1983, Mitsubishi Mighty Max 1996-1983, Montero 1991-1983, Van 1990-1987
528	Drum Brake Shoe	Rear	Toyota Camry 2006-1987, Celica 1983, RAV4 2002-1996, Solara 2003-1999
529	Drum Brake Shoe	Rear	Toyota Camry 1986-1983, Celica 1997-1986, Corolla 1992-1988
533	Drum Brake Shoe	Rear	Nissan Pulsar NX 1990-1983, Sentra 1990-1983, Pontiac J2000 Sunbird 1985
538	Drum Brake Shoe	Rear	Chrysler Town & Country 1995-1990, Dodge Caravan 1995-1984, Dakota 2002-1987, Grand Caravan 1995-1987, Mini Ram 1988-1984, Royal Mini Ram 1987-1984, Jeep Cherokee 2001-1990, Comanche 1992-1990, TJ 2000-1997, Wagoneer 1990, Wrangler 1995-1990, Wrangler 2000-1997, Plymouth Grand Voyager 1995-1988, Voyager 1995-1984
546	Drum Brake Shoe	Rear	Honda Civic 1995-1984, Civic del Sol 1997-1993, CRX 1991-1988
551	Drum Brake Shoe	Rear	Chevrolet Nova 1988-1985, Prizm 2002-1998, Geo Prizm 1997-1989, Toyota Corolla 1998-1984, Tercel 1987-1984
552	Drum Brake Shoe	Rear	Buick Century 1992-1985, Electra 1986-1985, Cadillac Commercial Chassis 1986-1985, DeVille 1985, Fleetwood 1986-1985, Chevrolet Celebrity 1990-1983, Lumina APV 1991-1990, Oldsmobile 98 1986-1985, Cutlass Ciera 1992-1985, Cutlass Cruiser 1992-1987, Silhouette 1991-1990, Pontiac 6000 1991-1985, Trans Sport 1991-1990
553	Drum Brake Shoe	Rear	Buick Skyhawk 1989-1985, Skylark 1998-1986, Somerset 1987-1986, Somerset Regal 1985, Cadillac Cimarron 1988-1985, Chevrolet Beretta 1996-1990, Cavalier 2002-1985, Chevette 1987-1985, Citation II 1985, Corsica 1996-1987, Oldsmobile Achieva 1998-1992, Calais 1987-1985, Cutlass Calais 1991-1988, Firenza 1988-1985, Pontiac Acadian 1987-1985, Grand Am 1998-1985, Sunbird 1994-1986, Sunfire 2002-1995, T1000 1987-1985, Tempest 1991-1987
558	Drum Brake Shoe	Rear	Dodge Colt 1991-1985, Eagle Summit 1990-1989, Mitsubishi Mirage 1990-1985, Plymouth Colt 1990-1985
559	Drum Brake Shoe	Rear	Volkswagen Cabriolet 1993-1985, Fox 1993-1987, Golf 1989-1985, Jetta 1992-1980, Rabbit 1984-1979, Rabbit Convertible 1984-1980, Scirocco 1989-1979
564	Drum Brake Shoe	Rear	Buick Electra 1990-1987, LeSabre 1990-1986, Park Avenue 1991, Cadillac Commercial Chassis 1991-1987, DeVille 1991-1986, Fleetwood 1991-1987, Oldsmobile 98 1991-1987, Delta 88 1990-1986, Pontiac Bonneville 1990-1987

BUYERS GUIDE

Part Number	Product Line	Position	Application
565	Drum Brake Shoe	Rear	Mazda B2000 1987-1986, B2200 1993-1987, B2600 1993-1987
566	Drum Brake Shoe	Rear	Ford Taurus 1992-1986, Mercury Sable 1992-1986
567	Drum Brake Shoe	Rear	Ford Taurus 1992-1986, Mercury Sable 1992-1986
568	Drum Brake Shoe	Rear	Toyota 4Runner 1986, Pickup 1986
569	Drum Brake Shoe	Rear	Ford Aerostar 1989-1986, Bronco II 1990-1984, Fairmont 1983-1978, Granada 1982-1981, LTD 1986-1983, Mustang 1993-1979, Mustang II 1978-1975, Pinto 1980-1975, Ranger 1994-1983, Thunderbird 1988-1980, Mazda B2300 1994, B3000 1994, B4000 1994, Mercury Bobcat 1980-1975, Capri 1986-1979, Cougar 1988-1980, Marquis 1986-1983, Zephyr 1983-1978
571	Drum Brake Shoe	Rear	Nissan 720 1986-1982, D21 1989-1986
572	Drum Brake Shoe	Rear	Nissan 720 1986, D21 1989-1986, Pathfinder 1988-1987
574	Drum Brake Shoe	Rear	Nissan 720 1986, D21 1994-1986, Frontier 2004-1998, Multi 1986, Pathfinder 1995-1989, Pickup 1997-1995, Stanza 1986, Van 1988-1987
575	Drum Brake Shoe	Rear	Nissan Axxess 1993-1990, Maxima 1994-1989, Multi 1988-1986, Sentra 1989-1987, Stanza 1992-1986
576	Drum Brake Shoe	Rear	Acura EL 2000-1997, Honda Accord 1989-1982, Civic 2005-1992, Fit 2008-2007, Prelude 1987-1983
581	Drum Brake Shoe	Rear	Ford Aerostar 1997-1987, Explorer 1994-1991, Ranger 1994-1987, Mazda B2300 1994, B3000 1994, B4000 1994, Navajo 1994-1991
582	Drum Brake Shoe	Rear	Ford Bronco 1996-1987, E-150 Econoline 1996-1987, E-150 Econoline Club Wagon 1996-1987, F-150 1996-1987
583	Drum Brake Shoe	Rear	Dodge B2500 1998, Ram 2500 2002-2000, Ram 2500 Van 2003-1999, Ram 3500 2003-2000, Ram 3500 Van 2003-1999, Ford E-350 Econoline 1998-1987, E-350 Econoline Club Wagon 1998-1987, F-350 1997-1987
587	Drum Brake Shoe	Rear	Toyota Camry 2006-1987, Celica 1983, RAV4 2002-1996, Solara 2003-1999
588	Drum Brake Shoe	Rear	Toyota Camry 1986-1983, Celica 1997-1986, Corolla 1992-1988
589	Drum Brake Shoe	Rear	Toyota 4Runner 2000-1987, Pickup 1995-1987, T100 1998-1993, Tacoma 2003-1995, Tundra 2002-2000
593	Drum Brake Shoe	Rear	Chevrolet Blazer 1994-1992, C1500 1992-1988, K1500 1992-1988, Tahoe 1996-1995, GMC C1500 1992-1988, K1500 1992-1988, Yukon 1996-1992
595	Drum Brake Shoe	Rear	Ford Festiva 1993-1988
597	Drum Brake Shoe	Rear	Chevrolet Nova 1988-1985, Prizm 2002-1998, Geo Prizm 1997-1989, Toyota Corolla 1998-1984, Tercel 1987-1984
598	Drum Brake Shoe	Rear	Ford Escort 1992-1991, Probe 1992-1989, Mazda 323 1991-1990, 626 1992-1988, MX-6 1992-1988, Protege 1991-1990, Mercury Tracer 1992-1991
599	Drum Brake Shoe	Rear	Dodge Monaco 1992-1990, Eagle Premier 1992-1988, Ford Taurus 2007-1992, Hyundai Sonata 1993-1991, Mercury Sable 2005-1992
600	Drum Brake Shoe	Rear	Suzuki Samurai 1995-1986
608	Drum Brake Shoe	Rear	Chevrolet Metro 1992, Sprint 1991-1989, Geo Metro 1996-1989, Pontiac Firefly 1991-1989, Suzuki Swift 1996-1989
610	Drum Brake Shoe	Rear	Dodge 2000 GTX 1990-1989, Colt 1995-1993, Eagle 2000 GTX 1993-1991, Summit 1996-1992, Mitsubishi Eclipse 1994, Expo LRV 1994-1992, Galant 1993-1989, Mirage 2002-1993, Plymouth Colt 1994-1992
618	Drum Brake Shoe	Rear	Ford Taurus 2000-1992, Thunderbird 1997-1989, Mercury Cougar 1997-1989, Sable 2000-1992
619	Drum Brake Shoe	Rear	Honda Passport 1997-1994, Isuzu Amigo 1994-1989, Pickup 1995-1984, Rodeo 1997-1991, Trooper 1991-1984
627	Drum Brake Shoe	Rear	Honda Accord 2007-1990, Civic 2013-2003, Civic 2015, CR-V 2001-1997
629	Drum Brake Shoe	Rear	Chrysler Dynasty 1992-1990, LeBaron 1990, New Yorker 1990, Dodge Dynasty 1990, Spirit 1990, Plymouth Acclaim 1990
630	Drum Brake Shoe	Rear	Chevrolet Metro 1992, Daihatsu Charade 1992-1989, Geo Metro 1996-1992, Pontiac Firefly 2000-1994, Suzuki Aerio 2007-2002, Esteem 2002-1995, Swift 1994-1990
631	Drum Brake Shoe	Rear	Infiniti QX4 2003-1997, Nissan D21 1994-1990, Frontier 2004-1998, Pathfinder 2004-1996, Pickup 1997-1995, Xterra 2004-2000
635	Parking Brake Shoe	Rear	Nissan Pathfinder 1995-1988
636	Drum Brake Shoe	Rear	Buick Century 2003-1993, LeSabre 1999-1991, Park Avenue 1997-1992, Cadillac 60 Special 1993, Commercial Chassis 1993-1992, DeVille 1993-1992, DeVille 2002, Fleetwood 1993-1992, Chevrolet Beretta 1996-1992, Cavalier 2003-1995, Corsica 1996, Lumina 2001-1994, Lumina APV 1996-1992, Monte Carlo 1999-1995, Venture 2005-1997, Oldsmobile 88 1999-1992, 98 1996-1992, Cutlass Ciera 1996-1993, Cutlass Cruiser 1994-1993, Delta 88 1991, LSS 1999-1996, Regency 1998-1997, Silhouette 2004-1992, Pontiac Bonneville 1999-1991, Montana 2005-1999, Trans Sport 1999-1992
637	Drum Brake Shoe	Rear	Saturn SC 1992-1991, SC1 2002-1993, SC2 2002-1993, SL 2002-1991, SL1 2002-1991, SL2 2002-1991, SW1 1999-1993, SW2 2001-1993
638	Drum Brake Shoe	Rear	Nissan 200SX 1998-1995, NX 1993-1991, Sentra 1999-1991
639	Drum Brake Shoe	Rear	Honda Civic 1995-1984, Civic del Sol 1997-1993, CRX 1991-1988
641	Drum Brake Shoe	Rear	Asuna Sunrunner 1993, Chevrolet Tracker 1991, Geo Tracker 1995-1991, GMC Tracker 1991, Suzuki Sidekick 1995-1991
642	Drum Brake Shoe	Rear	Toyota Paseo 1999-1992, Tercel 1999-1991

BUYERS GUIDE

Part Number	Product Line	Position	Application
643	Parking Brake Shoe	Rear	Chrysler 300M 2004-1999, Cirrus 2000-1995, Concorde 2004-1993, Daytona 1993-1989, Dynasty 1993-1990, Imperial 1993-1990, Intrepid 2004-1993, LeBaron 1995-1989, LHS 1997-1994, LHS 2001-1999, Neon 2002-2000, New Yorker 1996-1990, PT Cruiser 2010-2001, Sebring 2006-1996, Dodge Daytona 1993-1989, Dynasty 1993-1990, Intrepid 2004-1993, Neon 2005-1995, Shadow 1990-1989, Shadow 1993, Spirit 1995-1990, Stratus 2006-1995, Eagle Vision 1997-1993, Plymouth Acclaim 1995-1990, Neon 2001-1995, Sundance 1990-1989, Sundance 1994
644	Drum Brake Shoe	Rear	Dodge Colt 1994-1992, Eagle Summit 1996-1991, Mitsubishi Mirage 1995-1991, Plymouth Colt 1995-1991
647	Parking Brake Shoe	Driveline	Chevrolet B7 2002-1993, C50 1990-1983, C60 1989-1983, C60 Kodiak 1996-1990, C70 1989-1983, C70 Kodiak 1996-1990, C3500 2002-1990, C3500HD 2002-1991, C4500 Kodiak 2006-2003, C5500 Kodiak 2008-2003, C6500 Kodiak 2008-2003, C7500 Kodiak 2008-2003, T6500 2009-2004, T7500 2009-2004, Ford E-450 Super Duty 2005, Econoline Super Duty 1998-1996, F53 1997-1990, F59 1994-1990, F Super Duty 1997-1990, GMC B6000 1991-1983, C3500 2000-1990, C3500HD 2002-1991, C4500 Topkick 2008-2003, C5000 1990-1983, C5500 Topkick 2008-2003, C6000 1989-1983, C6000 Topkick 1996-1990, C6500 Topkick 2008-2003, C7000 1989-1983, C7000 Topkick 1996-1990, C7500 Topkick 2008-2003, T6500 2009-2004, T7500 2009-2004, International 4600 1991
657	Drum Brake Shoe	Rear	Chrysler Concorde 1997-1993, Dynasty 1993, Intrepid 1997-1993, LeBaron 1995-1991, LHS 1997-1994, New Yorker 1996-1991, Dodge Dynasty 1993-1991, Intrepid 1997-1993, Spirit 1995-1991, Eagle Vision 1997-1993, Plymouth Acclaim 1995-1991
658	Drum Brake Shoe	Rear	Chrysler Sebring 1999-1995, Sebring 2005-2001, Dodge Avenger 2000-1995, Stratus 2005-2001, Eagle Summit 1996-1992, Talon 1998-1996, Mitsubishi Eclipse 2005-1995, Expo 1995-1992, Expo LRV 1994-1992, Galant 2003-1994
659	Drum Brake Shoe	Rear	Ford Escort 1996-1993, Mazda 323 1994-1992, MX-3 1996-1992, Protege 1998-1992, Mercury Tracer 1996-1993
660	Drum Brake Shoe	Rear	Suzuki Sidekick 1995-1991
661	Drum Brake Shoe	Rear	Hyundai Elantra 1995-1992
662	Drum Brake Shoe	Rear	Volkswagen Cabrio 1999-1995, Golf 1999-1993, Jetta 1999-1993
663	Drum Brake Shoe	Rear	Hyundai Excel 1994-1990, Scoupe 1995-1993, Mitsubishi Precis 1994-1991
665	Drum Brake Shoe	Rear	Ford Windstar 2003-1995, Mercury Villager 2002-1993, Nissan Quest 2002-1993
666	Drum Brake Shoe	Rear	Volkswagen EuroVan 1996-1992, Transporter 1994-1991
667	Drum Brake Shoe	Rear	Ford Probe 1997-1993, Mazda 626 2002-1993, MX-6 1997-1993
670	Drum Brake Shoe	Rear	Jeep Cherokee 2001-1991, Grand Cherokee 1996-1993, Grand Wagoneer 1993
671	Drum Brake Shoe	Rear	Nissan Altima 1998-1993
673	Parking Brake Shoe	Rear	Chrysler Sebring 2005-1995, Dodge Avenger 2000-1995, Colt 1994-1993, Stealth 1995-1993, Stratus 2005-2001, Eagle Summit 1994-1992, Talon 1998-1995, Mitsubishi 3000GT 1999-1992, Diamante 1996-1992, Eclipse 2005-1994, Expo 1995-1993, Expo LRV 1994-1992, Galant 1996-1994, Galant 2003-1999, Lancer 2004-2003, Outlander 2006-2005, Plymouth Colt 1994-1992
675	Drum Brake Shoe	Rear	Chevrolet C1500 1998-1993, K1500 1999-1993, Tahoe 2000-1997, GMC C1500 1999-1993, K1500 1999-1993, Yukon 2000-1997
676	Drum Brake Shoe	Rear	Subaru Forester 2008-1998, Impreza 2004-1993, Legacy 1993, Legacy 1999-1995, Outback 2002-2000
677	Drum Brake Shoe	Rear	Dodge 2000 GTX 1990-1989, Colt 1995-1993, Eagle 2000 GTX 1993-1991, Summit 1996-1992, Mitsubishi Eclipse 1994, Expo LRV 1994-1992, Galant 1993-1989, Mirage 2002-1993, Plymouth Colt 1994-1992
688	Drum Brake Shoe	Rear	Ford Aspire 1997-1994
696	Drum Brake Shoe	Rear	Ford Contour 2000-1995, Mercury Mystique 2000-1995
697	Drum Brake Shoe	Rear	Kia Sephia 1994
698	Drum Brake Shoe	Rear	Chrysler Cirrus 1998-1995, Stratus 1997-1995, Dodge Stratus 1998-1995, Plymouth Breeze 1998-1996
699	Drum Brake Shoe	Rear	Chevrolet W3500 Tiltmaster 2007-1995, W4500 Tiltmaster 2007-1998, W5500HD Tiltmaster 2007-2004, W5500 Tiltmaster 2007-2004, GMC W3500 Forward 2007-1995, W4500 Forward 2007-1998, W5500 Forward 2007-2004, W5500HD Forward 2007-2004, Isuzu NPR 2012-1987, NPR-HD 2012-1999, NQR 2008-1995, NRR 2008-2005
700	Parking Brake Shoe	Rear	Jeep Grand Cherokee 1994
701	Parking Brake Shoe	Rear	Ford Explorer 2001-1995, Explorer Sport Trac 2005-2003, Windstar 2003-1995, Jeep Grand Cherokee 1998-1994, Mercury Mountaineer 2001-1997
704	Drum Brake Shoe	Rear	Ford Ranger 2009-1995, Mazda B2300 1997-1995, B2300 2009-2001, B2500 2001-1998, B3000 2008-1995, B4000 2009-1995
705	Drum Brake Shoe	Rear	Ford Ranger 2009-1995, Mazda B2300 1997-1995, B2300 2009-2001, B2500 2001-1998, B3000 2008-1995, B4000 2009-1995
706	Drum Brake Shoe	Rear	Kia Sportage 1997-1995

BUYERS GUIDE

Part Number	Product Line	Position	Application
707	Drum Brake Shoe	Rear	Hyundai Accent 1999-1995
709	Drum Brake Shoe	Rear	Toyota Hilux 2015, Previa 1997-1995
710	Drum Brake Shoe	Rear	Chevrolet Tracker 1998, Geo Tracker 1997-1996, Suzuki Sidekick 1998-1996, X-90 1998-1996
711	Drum Brake Shoe	Rear	Chevrolet Tracker 1998, Geo Tracker 1997-1996, Suzuki Sidekick 1998-1996
714	Drum Brake Shoe	Rear	Chrysler Grand Voyager 2000, Town & Country 2000-1996, Town & Country 2007-2003, Voyager 2003-2000, Dodge Caravan 2007-1996, Grand Caravan 2005-1996, Plymouth Grand Voyager 2000-1996, Voyager 2000-1996
715	Drum Brake Shoe	Rear	Hyundai Accent 2006-2003, Elantra 2010-1996, Tiburon 2001-1997
716	Drum Brake Shoe	Rear	Chrysler Cirrus 2000-1995, Stratus 1997-1995, Dodge Stratus 2000-1995, Plymouth Breeze 2000-1996
719	Drum Brake Shoe	Rear	Buick Skyhawk 1989-1985, Skylark 1998-1986, Somerset 1987-1986, Somerset Regal 1985, Cadillac Cimarron 1988-1985, Chevrolet Beretta 1996-1990, Cavalier 2002-1985, Chevette 1987-1985, Citation II 1985, Corsica 1996-1987, Oldsmobile Achieva 1998-1992, Calais 1987-1985, Cutlass Calais 1991-1988, Firenza 1988-1985, Pontiac Acadian 1987-1985, Grand Am 1998-1985, Sunbird 1994-1986, Sunfire 2002-1995, T1000 1987-1985, Tempest 1991-1987
720	Drum Brake Shoe	Rear	Chevrolet Classic 2005-2004, Malibu 2003-1997, Oldsmobile Alero 2004-2003, Cutlass 1999-1997, Cutlass Supreme 1997, Pontiac Grand Am 2005-1999
721	Drum Brake Shoe	Rear	Ford Escort 1992-1991, Escort 2003-1997, Probe 1992-1989, Mazda 323 1991-1990, 626 1992-1988, MX-6 1992-1988, Protege 1991-1990, Mercury Tracer 1992-1991, Tracer 1999-1997
723	Drum Brake Shoe	Rear	Dodge B1500 1998, Dakota 2004-2000, Durango 2002-1998, Ram 1500 2002-2000, Ram 1500 Van 2003-1999, Ford E-150 2003, E-150 Club Wagon 2005-2003, E-150 Econoline 2002-1997, E-150 Econoline Club Wagon 2002-1997, Explorer Sport Trac 2002-2001, F-150 2002-1997, Lincoln Town Car 2005-1998
724	Drum Brake Shoe	Rear	Chevrolet Metro 2000-1998, Geo Metro 1997, Suzuki Swift 2001-1997
725	Parking Brake Shoe	Rear	Ford Crown Victoria 1995-1992, Lincoln Town Car 1995-1991, Mercury Grand Marquis 1995-1991
728	Drum Brake Shoe	Rear	Mitsubishi Montero Sport 2004-1997
729	Drum Brake Shoe	Rear	Toyota Sienna 2003-1998
732	Drum Brake Shoe	Rear	Chevrolet Metro 2001-1998, Geo Metro 1997
735	Drum Brake Shoe	Rear	Honda Passport 2002-1998, Isuzu Amigo 2000-1998, Axiom 2004-2002, Rodeo 2004-1998, Rodeo Sport 2003-2001
736	Drum Brake Shoe	Rear	Ford Contour 2000-1997, Mercury Cougar 2002-1999, Mystique 2000-1997
737	Drum Brake Shoe	Rear	Kia Sportage 2002-1998
738	Drum Brake Shoe	Rear	Chevrolet Tracker 2004-1999, Suzuki Grand Vitara 2005-1999, Vitara 2004-1999
739	Drum Brake Shoe	Rear	Mazda Protege 2003-1999, Protege5 2003-2002
740	Drum Brake Shoe	Rear	Daewoo Lanos 2002-1999
741	Parking Brake Shoe	Rear	Chevrolet Corvette 1982-1965
742	Drum Brake Shoe	Rear	Mercury Cougar 2002-1999
744	Parking Brake Shoe	Rear	Honda Odyssey 2001-1999
745	Parking Brake Shoe	Rear	Ford Crown Victoria 2002-1996, Ranger 2004-1998, Jeep TJ 2006-2003, Lincoln Town Car 2002-1996, Mercury Grand Marquis 2002-1996
746	Drum Brake Shoe	Rear	Hyundai Sonata 2002-1999, Kia Magentis 2001, Optima 2001
747	Drum Brake Shoe	Rear	Chrysler Intrepid 2004, Ford Focus 2011-2000
748	Drum Brake Shoe	Rear	Mazda MPV 2003-2000
749	Drum Brake Shoe	Rear	Hyundai Accent 2003-2000
750	Drum Brake Shoe	Rear	Toyota Corolla 2002-1999
751	Drum Brake Shoe	Rear	Saturn L100 2002-2001, L200 2003-2001, L300 2003-2001, LS 2000, LS1 2000, LS2 2000, LW1 2000, LW2 2000, LW200 2003-2001, LW300 2003-2001
752	Parking Brake Shoe	Rear	Ford Expedition 2002-1997, F-150 2008-1997, F-150 Heritage 2004, F-250 1999-1997, Lincoln Blackwood 2002, Mark LT 2008-2006, Navigator 2001-1998, Town Car 2011-2003
753	Drum Brake Shoe	Rear	Toyota Celica 2005-2000, Prius 2003-2001
754	Drum Brake Shoe	Rear	Toyota Echo 2005-2000
755	Drum Brake Shoe	Rear	Honda Insight 2006-2000
756	Drum Brake Shoe	Rear	Nissan Altima 2001-1999
757	Drum Brake Shoe	Rear	Subaru Legacy 2002-2000
758	Parking Brake Shoe	Rear	Subaru Baja 2006-2003, Legacy 2009-2000, Outback 2009-2000
760	Drum Brake Shoe	Rear	Ford Escape 2007-2001, Mazda Tribute 2006-2001, Tribute 2008, Mercury Mariner 2007-2005
762	Drum Brake Shoe	Rear	Nissan Sentra 2001-2000
763	Drum Brake Shoe	Rear	Kia Sephia 2001-1995, Spectra 2004-2000
764	Drum Brake Shoe	Rear	Toyota 4Runner 2002-2001, Tacoma 2004, Tundra 2006-2003
765	Drum Brake Shoe	Rear	Hyundai Santa Fe 2004-2001

BUYERS GUIDE

Part Number	Product Line	Position	Application
767	Parking Brake Shoe	Rear	Mitsubishi Montero 2005-2001
769	Drum Brake Shoe	Rear	Jeep Cherokee 2001-2000, TJ 2006-2001, Wrangler 2006-2001
770	Parking Brake Shoe	Rear	Buick Allure 2009-2008, Century 2005-2003, Regal 2004-1997, Cadillac STS 2008-2005, Chevrolet Impala 2010-2000, Monte Carlo 2007-2000, Venture 2002-1998, Oldsmobile Achieva 1998, Alero 2004-1999, Intrigue 2002-1998, Silhouette 2004-2002, Pontiac Grand Am 2005-1999, Grand Prix 2003-1997, Grand Prix 2008-2005, Montana 2001-1999, Trans Sport 1998-1997
771	Parking Brake Shoe	Rear	Chevrolet Avalanche 2500 2006-2002, Express 2500 2008-2003, Express 3500 2007-2003, Silverado 1500 2006, Silverado 1500 HD 2003-2002, Silverado 1500 HD 2006-2005, Silverado 1500 HD Classic 2007, Silverado 2500 2004-1999, Silverado 2500 HD 2009-2001, Silverado 2500 HD Classic 2007, Silverado 3500 2007-2001, Silverado 3500 Classic 2007, Silverado 3500 HD 2009-2007, Suburban 2500 2009-2000, Dodge Ram 2500 2005-2001, Ram 2500 Van 2003-2001, Ram 3500 2005-2001, Ford E-250 2005-2003, E-250 Econoline 2002-1999, E-250 Super Duty 2004, E-350 Club Wagon 2003, E-350 Econoline 2000-1999, E-350 Econoline Club Wagon 2002-1999, E-350 Super Duty 2003-2001, E-450 Econoline Super Duty 2002-2000, E-450 Super Duty 2007-2003, Econoline Super Duty 1999, Excursion 2005-2000, F-250 Super Duty 2004-1999, F-350 Super Duty 2004-1999, GMC Savana 2500 2008-2003, Savana 3500 2007-2003, Sierra 1500 2006, Sierra 1500 HD 2003-2001, Sierra 1500 HD 2005, Sierra 1500 HD Classic 2007, Sierra 2500 2004-1999, Sierra 2500 HD 2009-2001, Sierra 2500 HD Classic 2007, Sierra 3500 2006-2001, Sierra 3500 Classic 2007, Sierra 3500 HD 2009-2007, Yukon XL 2500 2009-2000, Hummer H2 2007-2003
772	Parking Brake Shoe	Rear	Ford E-550 Econoline Super Duty 2002, E-550 Super Duty 2003, F53 2004-1999, F-450 Super Duty 2004-1999, F-550 Super Duty 2004-1999
773	Parking Brake Shoe	Rear	Hyundai Santa Fe 2006-2001, Tucson 2009-2005, Kia Sportage 2010-2005
774	Drum Brake Shoe	Rear	Jeep Liberty 2002
775	Drum Brake Shoe	Rear	Kia Rio 2002-2001
777	Parking Brake Shoe	Rear	Chrysler 300 2012-2005, 300 2015, Pacifica 2008-2004, Dodge Challenger 2012-2008, Challenger 2015, Charger 2012-2006, Charger 2015-2014, Magnum 2008-2005, Mercedes-Benz ML55 AMG 2003-2000, ML320 2003-1998, ML350 2005-2003, ML430 2001-1999, ML500 2005-2002
778	Drum Brake Shoe	Rear	Mitsubishi Lancer 2007-2002, Lancer 2011
779	Drum Brake Shoe	Rear	Nissan Sentra 2006-2002
781	Parking Brake Shoe	Rear	Buick Rainier 2007-2004, Cadillac DeVille 2005-2000, DTS 2011-2006, Escalade 2012-2002, Escalade ESV 2012-2003, Escalade EXT 2012-2002, Chevrolet Astro 2005-2003, Avalanche 2012-2007, Avalanche 1500 2006-2002, Express 1500 2012-2003, Silverado 1500 2012-1999, Silverado 1500 Classic 2007, Silverado 1500 HD 2001, Silverado 1500 HD 2003, Silverado 1500 HD 2005, SSR 2006-2003, Suburban 1500 2012-2000, Suburban 2500 2005-2003, Tahoe 2012-2000, Trailblazer 2009-2002, Trailblazer EXT 2006-2002, GMC Envoy 2009-2002, Envoy XL 2006-2002, Envoy XUV 2005-2004, Safari 2005-2003, Savana 1500 2012-2003, Sierra 1500 2012-1999, Sierra 1500 Classic 2007, Sierra 1500 HD 2003, Sierra 1500 HD 2006-2005, Sierra 2500 HD 2004, Yukon 2011-2000, Yukon XL 1500 2011-2000, Yukon XL 2500 2005-2003, Isuzu Ascender 2008-2003, Oldsmobile Bravada 2004-2002, Saab 9-7x 2009-2005
782	Parking Brake Shoe	Rear	Acura CL 2003-2001, RL 2004-1996, TL 2008-1999, Honda CR-V 2004-2002, Element 2011-2003, Odyssey 1997-1995, S2000 2006-2000, Isuzu Oasis 1999-1996
783	Parking Brake Shoe	Rear	Infiniti EX35 2012-2008, FX35 2005-2003, FX45 2005-2003, G25 2012-2011, G35 2008-2003, G37 2012-2008, M35 2010-2006, M45 2010-2006, Q40 2015, Q45 2006-2002, Q60 2015, QX50 2015, Nissan 350Z 2009-2003, 370Z 2012-2009, 370Z 2016-2015, Altima 2012-2002, Altima 2015, Maxima 2012-2003, Maxima 2016, Quest 2007-2006, X-Trail 2008-2005
784	Parking Brake Shoe	Rear	Buick Rendezvous 2007-2002, Cadillac CTS 2007-2003, SRX 2009-2004, STS 2011-2005, XLR 2009-2004, Chevrolet Blazer 2005-1997, Camaro 2002-1998, Caprice 2011, Caprice 2015, Corvette 2012-1997, S10 2004-1997, SS 2015, Venture 2004-2002, GMC Jimmy 2005-1997, Sonoma 2004-1998, Isuzu Hombre 2000-1997, Oldsmobile Bravada 2001-1997, Silhouette 2004-2002, Pontiac Aztek 2005-2001, Firebird 2002-1998, G8 2009-2008, Montana 2005-2002
785	Drum Brake Shoe	Rear	Pontiac Vibe 2008-2003, Toyota Matrix 2008-2003
786	Drum Brake Shoe	Rear	Suzuki XL-7 2006-2002
787	Drum Brake Shoe	Rear	Hyundai Santa Fe 2004-2002
788	Drum Brake Shoe	Rear	Land Rover Freelander 2005-2002
789	Drum Brake Shoe	Rear	Kia Sedona 2004-2002
790	Drum Brake Shoe	Rear	Pontiac Vibe 2006-2003, Toyota Matrix 2006-2003
791	Parking Brake Shoe	Rear	Ford Explorer 2010-2002, Explorer Sport Trac 2010-2007, Lincoln Aviator 2005-2003, Mercury Mountaineer 2010-2002

BUYERS GUIDE

Part Number	Product Line	Position	Application
794	Parking Brake Shoe	Rear	Saab 9-2X 2006-2005, Subaru Forester 2008-1998, Impreza 2007-1993, Legacy 1999-1990
795	Drum Brake Shoe	Rear	Chevrolet Cavalier 2005-2003, Pontiac G5 2008-2007, Sunfire 2005-2003, Saturn Ion 2004-2003
796	Parking Brake Shoe	Rear	Pontiac Vibe 2007-2003, Scion tC 2010-2005, Toyota Celica 2005-2000, Corolla 2006-2005, Matrix 2009-2003
797	Parking Brake Shoe	Rear	Cadillac Catera 2001-1997, Saab 9-3 2003-1999, 9-5 2009-1999, 900 1998-1994, Saturn L100 2002-2001, L200 2003-2001, L300 2005-2001, LS 2000, LS1 2000, LS2 2000, LW1 2000, LW2 2000, LW200 2003-2001, LW300 2003-2001
798	Drum Brake Shoe	Rear	Mitsubishi Outlander 2004-2003
800	Drum Brake Shoe	Rear	Chevrolet Cobalt 2010-2009, HHR 2011-2009, Chrysler Sebring 2006-2003, Dodge Stratus 2006-2003, Pontiac G5 2010-2009
801	Drum Brake Shoe	Rear	Honda Accord 2009-2008, Toyota Corolla 2008-2002
802	Drum Brake Shoe	Rear	Toyota RAV4 2005-2003
803	Parking Brake Shoe	Rear	Dodge Dakota 2004-2003
804	Drum Brake Shoe	Rear	Toyota Sienna 2010-2004
806	Drum Brake Shoe	Rear	Kia Rio 2005-2003
807	Parking Brake Shoe	Rear	Jeep Grand Cherokee 2004-1999
810	Drum Brake Shoe	Rear	Chrysler PT Cruiser 2009-2004, Volkswagen Vento 2016-2015
811	Parking Brake Shoe	Rear	Ford Expedition 2012-2003, Expedition 2016-2015, Lincoln MKT 2015, Navigator 2012-2002, Navigator 2016-2015
812	Parking Brake Shoe	Rear	Chrysler Grand Voyager 2000, Town & Country 2007-1997, Voyager 2003-2000, Dodge Caravan 2007-1997, Grand Caravan 2007-1997, Plymouth Grand Voyager 2000-1997, Voyager 2000-1997
814	Drum Brake Shoe	Rear	Chevrolet Aveo 2011-2004, Aveo5 2011-2006, Spark 2014, Spark 2016, Pontiac G3 2010-2009, Wave 2008-2005, Wave5 2007-2005, Suzuki Swift+ 2009-2004
815	Drum Brake Shoe	Rear	Chevrolet Colorado 2008-2004, GMC Canyon 2008-2004, Isuzu i-280 2006, i-290 2008-2007, i-350 2006, i-370 2008-2007
816	Parking Brake Shoe	Rear	Chrysler Crossfire 2008-2004, Mercedes-Benz 190D 1989-1985, 190E 1993-1985, 260E 1989-1987, 300CE 1993-1988, 300D 1987, 300D 1993-1990, 300E 1993-1986, 300SL 1993-1990, 300TD 1987, 300TE 1993-1988, 400E 1993-1992, 500E 1993-1992, 500SL 1993-1990, 600SL 1993, C32 AMG 2004-2002, C36 AMG 1997-1995, C43 AMG 2000-1998, C55 AMG 2006-2005, C220 1996-1994, C230 2000-1997, C230 2007-2002, C240 2005-2003, C280 2000-1994, C280 2007-2006, C350 2007-2006, CLK55 AMG 2006-2001, CLK63 AMG 2009-2007, CLK320 2005-1998, CLK350 2009-2006, CLK430 2003-1999, CLK500 2006-2003, CLK550 2009-2007, E55 AMG 2002-1999, E300 1999-1995, E320 2002-1994, E420 1995-1994, E420 1997, E430 2002-1998, E500 1994, SL320 1997-1994, SL500 2002-1994, SL600 2002-1994, SLK32 AMG 2004-2002, SLK55 AMG 2010-2005, SLK230 2004-1998, SLK280 2008-2006, SLK300 2011-2009, SLK350 2011-2005
817	Parking Brake Shoe	Rear	BMW 524td 1986-1985, 525i 1995-1989, 528e 1988-1982, 530i 1995-1994, 533i 1984-1983, 535i 1993-1985, 535is 1988, 540i 1995-1994, 635CSi 1989-1985, 735i 1992-1985, 735iL 1992-1988, 740i 1995-1993, 740i 2001-1997, 740iL 2001-1993, 750iL 2001-1988, 840Ci 1997-1994, 850Ci 1997-1993, 850CSi 1995-1994, 850i 1992-1991, L6 1987, L7 1987-1986, M3 1999-1995, M5 1988, M5 1993-1991, M6 1988-1987, Z8 2003-2000
818	Parking Brake Shoe	Rear	BMW 318i 1998-1991, 318is 1997-1992, 318ti 1999-1995, 323i 1999, 323is 1999-1998, 325i 1995-1992, 325is 1995-1992, 325iX 1991-1988, 328i 1999-1996, 328is 1999-1996, Z3 2002-1996
819	Parking Brake Shoe	Rear	Volvo 164 1975-1970, 240 1993-1990, 244 1989-1987, 245 1989-1987, 740 1990-1985, 745 1985, 760 1990-1983, 850 1997, 940 1995-1992, 960 1994-1993
820	Parking Brake Shoe	Rear	Volvo 850 1996-1993, C70 2004-1998, S70 2000-1998
821	Parking Brake Shoe	Rear	Volvo 960 1996-1993, S90 1998-1997
822	Parking Brake Shoe	Rear	Mercedes-Benz CL55 AMG 2006-2001, CL500 2006-2000, CL600 2006-2001, S55 AMG 2002-2001, S55 AMG 2006-2005, S65 AMG 2006, S350 2006, S430 2006-2000, S500 2006-2000, S600 2005-2001
823	Parking Brake Shoe	Rear	Chevrolet W3500 Tiltmaster 1997-1995, W3500 Tiltmaster 2007-1999, W4500 Tiltmaster 2007-1998, GMC W3500 Forward 2007-1995, Isuzu NPR 2008-1995, NPR-HD 2008-1999, NQR 2008-1995, NRR 2008-2005
826	Parking Brake Shoe	Rear	Jaguar Vanden Plas 2003-1990, XJ6 1997-1990, XJ8 2003-1998, XJ12 1996-1994, XJR 2003-1995, XJS 1996-1993, XK8 2006-1997, XKR 2006-2000
827	Parking Brake Shoe	Rear	Volvo S70 2000-1999, V70 2000-1999
828	Parking Brake Shoe	Rear	BMW 128i 2012-2008, 228i 2016-2015, 228i xDrive 2016-2015, 320i 2016-2015, 323i 2010, 325Ci 2006-2001, 325i 2006-2001, 328d 2016-2015, 328i 2000-1999, 328i 2012-2007, 328i 2015, 428i 2016-2015, 428i Gran Coupe 2016-2015, M235i 2016-2015, M235i xDrive 2016-2015, Z4 2008-2003
829	Parking Brake Shoe	Rear	Volvo S60 2005-2001, S80 2003-1999, V70 2005-2001, XC90 2007-2003

BUYERS GUIDE

Part Number	Product Line	Position	Application
831	Parking Brake Shoe	Rear	BMW 1 Series M 2011, 135i 2012-2008, 320i xDrive 2016-2015, 325xi 2006-2001, 328d xDrive 2016-2015, 328i 2016, 328i GT xDrive 2016-2015, 328i xDrive 2012-2009, 328i xDrive 2016-2015, 328xi 2008-2007, 330Ci 2006-2001, 330i 2006-2001, 330xi 2006-2001, 335d 2011-2009, 335i 2012-2007, 335i 2015, 335i GT xDrive 2016-2015, 335is 2012-2011, 335i xDrive 2012-2009, 335i xDrive 2015, 335xi 2008-2007, 340i 2016, 340i xDrive 2016, 428i 2016-2015, 428i xDrive 2016-2015, 428i xDrive Gran Coupe 2016-2015, 435i 2016-2015, 435i Gran Coupe 2016-2015, 435i xDrive 2016-2015, 435i xDrive Gran Coupe 2016-2015, 525i 2003-2001, 528i 2000-1997, 530i 2003-2001, 540i 1999-1997, 540i 2003-2001, ActiveHybrid 3 2015, M3 2012-2008, M3 2016-2015, M4 2016-2015, X1 2015
841	Drum Brake Shoe	Rear	Chrysler Grand Voyager 2000, Town & Country 2000-1996, Town & Country 2007-2003, Voyager 2003-2000, Dodge Caravan 2007-1996, Grand Caravan 2005-1996, Plymouth Grand Voyager 2000-1996, Voyager 2000-1996
843	Parking Brake Shoe	Rear	Jeep Commander 2010-2006, Grand Cherokee 2010-2005
844	Parking Brake Shoe	Rear	Lexus LX450 1997-1996, LX470 2007-1998, Toyota Land Cruiser 2007-1991
845	Parking Brake Shoe	Rear	Hyundai Elantra 2010-2007, Sonata 2010-2006, Tucson 2009-2005, Kia Optima 2010-2007, Sportage 2010-2005
846	Parking Brake Shoe	Rear	Lexus GS300 2005-1993, GS400 2000-1998, GS430 2005-2001, IS300 2005-2001, LS400 2000-1990, RX330 2006-2004, RX350 2009-2007, RX400h 2008-2006, SC300 2000-1992, SC400 2000-1992, SC430 2010-2002, Toyota Highlander 2012-2004, Previa 1997-1994, RAV4 2005-2004, Sienna 2010-2004, Supra 1998-1993, Venza 2016-2009
847	Parking Brake Shoe	Rear	Chevrolet C5500 Kodiak 2006, GMC C5500 Topkick 2006, Chevrolet C4500 Kodiak 2005-2003, C5500 Kodiak 2005-2004, Dodge Ram 4500 2010-2008, Ram 5500 2010-2008, Ford F-450 Super Duty 2009-2005, F-450 Super Duty 2015, F-550 Super Duty 2007-2005, F-550 Super Duty 2015, GMC C4500 Topkick 2005-2003, C4500 Topkick 2008-2007, C5500 Topkick 2005-2004, C5500 Topkick 2008-2007, Ram 4500 2015, 5500 2015
848	Parking Brake Shoe	Rear	Subaru Impreza 2002-1993, Impreza 2007-2005
849	Parking Brake Shoe	Rear	Honda Pilot 2008-2003, Ridgeline 2012-2006
850	Parking Brake Shoe	Rear	Lexus GX460 2012-2010, GX460 2016-2015, GX470 2009-2003, Toyota 4Runner 2012-2003, 4Runner 2016-2015, FJ Cruiser 2012-2007, Sequoia 2007-2001
851	Parking Brake Shoe	Rear	Lexus GS300 1997-1993, IS300 2002-2001, LS400 2000-1990, RX330 2006-2004, RX350 2009-2007, RX400h 2008-2006, SC300 2000-1992, SC400 2000-1992, Toyota Highlander 2012-2004, Previa 1997-1994, Supra 1998-1993, Venza 2016-2009
854	Parking Brake Shoe	Rear	Dodge Ram 1500 2008-2006, Ram 2500 2010-2006, Ram 3500 2010-2006, Ford E-250 2007-2006, E-250 Super Duty 2005, E-350 Super Duty 2007-2004, F33 2011, F-250 Super Duty 2012-2005, F-350 Super Duty 2012-2005, F-450 Super Duty 2012-2011, F-450 Super Duty 2014, F-550 Super Duty 2014-2008, Ram 2500 2012-2011, 2500 2015, 3500 2012-2011, 3500 2015
855	Drum Brake Shoe	Rear	Chevrolet Silverado 1500 2009-2005, Silverado 1500 Classic 2007, GMC Sierra 1500 2009-2005, Sierra 1500 Classic 2007
856	Parking Brake Shoe	Rear	Honda Odyssey 2012-2005
857	Parking Brake Shoe	Rear	Acura RL 2012-2005, TL 2014-2009, Honda Accord Crosstour 2011-2010, Crosstour 2015-2012
858	Parking Brake Shoe	Rear	Acura MDX 2006-2001, Honda Odyssey 2004-2002, Passport 2002-1996, Isuzu Amigo 2000-1998, Axiom 2004-2002, Rodeo 2004-1994, Rodeo Sport 2003-2001
859	Parking Brake Shoe	Rear	Lexus ES300 2003-1992, ES330 2006-2004, ES350 2012-2007, RX300 2003-1999, Toyota Avalon 2012-1995, Camry 2011-1990, Celica 1999-1990, Highlander 2003-2001, Solara 2008-1999
860	Drum Brake Shoe	Rear	Chevrolet Cobalt 2008-2005, HHR 2008-2006, Malibu 2007-2004, Pontiac G6 2007, Pursuit 2006-2005, Saturn Ion 2007-2005
861	Drum Brake Shoe	Rear	Suzuki XL-7 2006-2002
862	Parking Brake Shoe	Rear	Jeep Liberty 2007-2003, Wrangler 2006-2003
863	Parking Brake Shoe	Rear	Honda CR-V 2005
864	Parking Brake Shoe	Rear	Chrysler Sebring 2005-1995, Dodge Avenger 2000-1995, Colt 1994-1993, Stealth 1995-1993, Stratus 2005-2001, Eagle Summit 1994-1992, Talon 1998-1995, Mitsubishi 3000GT 1999-1992, Diamante 1996-1992, Eclipse 2005-1994, Expo 1995-1993, Expo LRV 1994-1992, Galant 1996-1994, Galant 2003-1999, Lancer 2004-2003, Outlander 2006-2005, Plymouth Colt 1994-1992
865	Parking Brake Shoe	Rear	Dodge Sprinter 3500 2006-2004, Freightliner Sprinter 3500 2006-2002

BUYERS GUIDE

Part Number	Product Line	Position	Application
866	Parking Brake Shoe	Rear	Dodge Sprinter 2500 2006-2004, Sprinter 3500 2005-2003, Freightliner Sprinter 2500 2006-2002, Sprinter 3500 2006-2002, Mercedes-Benz G55 AMG 2011-2003, G63 AMG 2015, G500 2008-2002, G550 2011-2009, G550 2015
867	Parking Brake Shoe	Rear	Infiniti FX35 2008-2003, FX45 2008-2003, Nissan Murano 2007-2003, Quest 2007-2004
868	Parking Brake Shoe	Rear	Infiniti QX56 2010-2004, Nissan Armada 2012-2005, Armada 2015, Pathfinder 2004, Titan 2012-2004, Titan 2015
869	Parking Brake Shoe	Rear	Infiniti FX35 2011-2009, FX50 2011-2009, M35h 2012, M37 2012-2011, M56 2012-2011, Q50 2015, Q70 2015, Q70L 2015, QX60 2015, QX70 2015, Nissan Frontier 2012-2005, Frontier 2015, GT-R 2012-2009, GT-R 2016-2015, Murano 2012-2009, Murano 2015, Pathfinder 2015-2005, Quest 2009-2008, Quest 2012-2011, Quest 2015, Xterra 2012-2005, Xterra 2015, Suzuki Equator 2011-2009
870	Parking Brake Shoe	Rear	Audi Q7 2012-2007, Q7 2015, Land Rover Range Rover 2012-2003, Mercedes-Benz GL320 2009-2007, GL350 2011-2010, GL450 2011-2007, GL550 2011-2008, ML63 AMG 2010-2007, ML320 2009-2007, ML350 2011-2006, ML450 2011-2010, ML500 2007-2006, ML550 2011-2008, R63 AMG 2007, R320 2009-2007, R350 2011-2006, R500 2007-2006, Porsche Cayenne 2006-2004, Cayenne 2010-2008, Volkswagen Touareg 2010-2004
871	Drum Brake Shoe	Rear	Toyota Tacoma 2012-2005, Tacoma 2016-2015
872	Parking Brake Shoe	Rear	Kia Sedona 2005-2004
873	Parking Brake Shoe	Rear	Hyundai Azera 2009-2006, Santa Fe 2009-2007, Kia Amanti 2009-2007, Sorento 2009-2003
874	Parking Brake Shoe	Rear	Mercedes-Benz CLS63 AMG 2011-2007, CLS550 2011-2007, E55 AMG 2006-2003, E63 AMG 2009-2007, E320 2009-2003, E350 2009-2006, E500 2006-2003, E550 2009-2007, SL55 AMG 2008-2003, SL63 AMG 2009, SL63 AMG 2012-2011, SL65 AMG 2009-2005, SL65 AMG 2011, SL500 2006-2003, SL550 2009-2007, SL550 2012-2011, SL600 2009-2004, SLR McLaren 2009-2005
875	Parking Brake Shoe	Rear	Mercedes-Benz 220 1973-1968, 230 1978-1974, 240D 1983-1974, 250 1973-1968, 280 1976-1973, 280C 1976-1973, 280CE 1981-1978, 280E 1981-1977, 280S 1976-1975, 280SE 1973-1972, 280SE 1980-1977, 280SEL 1973, 300CD 1985-1978, 300D 1985-1975, 300SD 1985, 300SDL 1987-1986, 300SE 1991-1988, 300SEL 1991-1988, 300TD 1985, 350SD 1991, 350SDL 1991-1990, 350SL 1973-1972, 380SE 1985-1984, 380SEC 1983-1982, 380SEL 1983-1981, 380SL 1985-1981, 420SEL 1991-1986, 450SE 1976-1973, 450SEL 1980-1973, 450SL 1980-1973, 450SLC 1980-1973, 500SEC 1985-1984, 500SEL 1985-1984, 560SEC 1991-1986, 560SEL 1991-1986, 560SL 1989-1986
876	Parking Brake Shoe	Rear	Land Rover LR3 2006-2005, Range Rover Sport 2006
877	Parking Brake Shoe	Rear	Ford Escape 2010-2004, Mazda Tribute 2006-2005, Tribute 2008, Mercury Mariner 2008-2005, Mariner 2010
880	Parking Brake Shoe	Rear	Ford Edge 2010-2007, Lincoln MKX 2010-2007, Mazda CX-7 2011-2007, CX-9 2012-2007, MPV 2006-2005, Pontiac GTO 2006-2004
881	Parking Brake Shoe	Rear	Chevrolet Caprice 1996-1994
882	Parking Brake Shoe	Rear	Daewoo Leganza 2002-1999, Nubira 2002-1999, Hyundai Sonata 2015, Tucson 2016, Kia Cadenza 2015, Optima 2016, Sportage 2012-2011, Sportage 2015, Mitsubishi Diamante 2004-1997
884	Parking Brake Shoe	Rear	Lexus LS430 2006-2001
886	Parking Brake Shoe	Rear	Chrysler 200 2012-2011, Sebring 2010-2007, Dodge Avenger 2012-2008, Caliber 2012-2007, Jeep Compass 2012-2007, Compass 2016-2015, Patriot 2012-2007, Patriot 2016-2015, Mitsubishi Eclipse 2012-2006, Galant 2012-2004, Lancer 2012-2008, Outlander 2011-2007, Outlander Sport 2011
887	Parking Brake Shoe	Rear	Mitsubishi Endeavor 2008-2004, Endeavor 2011-2010, Lancer 2011-2008, Outlander 2012-2007, Subaru Forester 2012-2009, Impreza 2012-2008
888	Parking Brake Shoe	Rear	Chevrolet Spark EV 2015, Suzuki Forenza 2008-2004, Reno 2008-2005, Verona 2006-2004
889	Parking Brake Shoe	Rear	Hyundai Sonata 2005-1999, XG300 2001, XG350 2005-2002, Kia Optima 2006-2001, Soul 2012-2010
890	Parking Brake Shoe	Rear	BMW 525i 2007-2003, 525xi 2007-2006, 528i 2010-2008, 528i xDrive 2010-2009, 528xi 2008, 530i 2007-2003, 530xi 2007-2006, 535i 2010-2008, 535i xDrive 2010-2009, 535xi 2008, 545i 2005-2004, 550i 2009-2006, 645Ci 2005-2004, 650i 2010-2006, 745i 2005-2002, 745Li 2005-2002, 750i 2008-2006, 750Li 2008-2006, 760i 2006-2004, 760Li 2008-2003, Alpina B7 2008-2007, M3 2006-2001, M5 2003-2001, M5 2010-2006, M6 2010-2006, X3 2010-2004, X5 2012-2000, X5 2016-2015, X6 2012-2008, X6 2016-2015, Z4 2008-2006
891	Parking Brake Shoe	Rear	Acura SLX 1999-1996, Isuzu Rodeo 1993, Trooper 2002-1992, VehiCROSS 2001-1999
892	Parking Brake Shoe	Rear	Mazda Millenia 2002-1995
894	Parking Brake Shoe	Rear	Toyota Celica 1986-1982, Cressida 1988-1983

BUYERS GUIDE

Part Number	Product Line	Position	Application
896	Parking Brake Shoe	Rear	Infiniti Q45 1996-1990, Nissan 300ZX 1996-1989
901	Parking Brake Shoe	Rear	BMW 3.0CS 1974-1971, 3.0Si 1976-1975, 318is 1991, 320i 1983-1977, 325 1988-1986, 325e 1987-1984, 325es 1987-1986, 325i 1991-1987, 325is 1991-1987, 528i 1981-1979, 530i 1978-1975, 630CSi 1978-1977, 633CSi 1984-1978, 733i 1984-1978, M3 1991-1988
906	Parking Brake Shoe	Rear	Lexus RX350 2015-2010, RX450h 2015-2010, Subaru B9 Tribeca 2007-2006, Tribeca 2014-2008, Toyota Highlander 2016-2014, Sienna 2015-2011
907	Parking Brake Shoe	Rear	Lexus GS350 2011-2007, GS430 2007, GS450h 2011-2007, GS460 2011-2008, IS250 2012-2006, IS250 2015, IS350 2012-2006, IS350 2015, IS F 2012-2008, LS430 2006-2001
908	Parking Brake Shoe	Rear	Hummer H3 2010-2006, H3T 2010-2009
910	Drum Brake Shoe	Rear	Hyundai Accent 2011-2006, Kia Rio 2011-2006, Rio5 2011-2006
911	Drum Brake Shoe	Rear	Toyota Camry 2006-2004
912	Parking Brake Shoe	Rear	Honda CR-V 2006
913	Drum Brake Shoe	Rear	Honda Civic 2013-2006, Civic 2015, Fit 2012-2009, Fit 2015, Insight 2012-2010
914	Parking Brake Shoe	Rear	Hyundai Accent 2010-2006, Veloster 2012, Kia Forte 2012-2010, Rio 2010-2006, Rio5 2010-2006
916	Parking Brake Shoe	Rear	Lexus HS250h 2012-2010, Nissan Juke 2012-2011, Juke 2015, Leaf 2012-2011, Leaf 2015, Rogue 2012-2008, Rogue Select 2015, Sentra 2012-2007, Sentra 2015, Pontiac Vibe 2010-2009, Toyota Matrix 2011-2009, RAV4 2012-2006, RAV4 2016-2015
917	Drum Brake Shoe	Rear	Toyota Prius 2009, Yaris 2012-2006
918	Parking Brake Shoe	Rear	Hyundai Entourage 2008-2007, Kia Sedona 2012-2006
919	Drum Brake Shoe	Rear	Chrysler Sebring 2009-2007, Dodge Avenger 2010-2008, Caliber 2012-2007, Jeep Compass 2016-2008, Patriot 2016-2008, Nissan Cube 2014-2009, Sentra 2012-2007, Versa 2012-2007
920	Parking Brake Shoe	Rear	Ford Crown Victoria 2011-2003, Ranger 2011-2010, Lincoln Town Car 2011-2003, Mercury Grand Marquis 2011-2003, Marauder 2004-2003
921	Drum Brake Shoe	Rear	Suzuki Grand Vitara 2008-2006
922	Drum Brake Shoe	Rear	Dodge Dakota 2010-2005, Mitsubishi Raider 2009-2006, Ram Dakota 2011
924	Drum Brake Shoe	Rear	Mitsubishi Lancer 2010-2008, Lancer 2014, Nissan Versa 2011-2008
925	Parking Brake Shoe	Rear	Buick Allure 2009-2008, Century 2005-2003, Regal 2004-1997, Cadillac STS 2008-2005, Chevrolet Impala 2010-2000, Monte Carlo 2007-2000, Venture 2002-1998, Oldsmobile Achieva 1998, Alero 2004-1999, Intrigue 2002-1998, Silhouette 2004-2002, Pontiac Grand Am 2005-1999, Grand Prix 2003-1997, Grand Prix 2008-2005, Montana 2001-1999, Trans Sport 1998-1997
928	Parking Brake Shoe	Rear	Acura RDX 2016-2007, Honda CR-V 2013-2005, CR-V 2015
932	Parking Brake Shoe	Rear	Chevrolet Captiva Sport 2015-2012, Equinox 2015-2005, GMC Terrain 2015-2010, Pontiac Torrent 2009-2006, Saturn Vue 2010-2008, Suzuki XL-7 2009-2007
933	Parking Brake Shoe	Rear	Buick Enclave 2011-2008, Enclave 2015, Cadillac XTS 2015, Chevrolet Traverse 2012-2009, Traverse 2015, GMC Acadia 2012-2007, Acadia 2015, Saturn Outlook 2010-2007
934	Drum Brake Shoe	Rear	Kia Spectra 2009-2007, Spectra5 2008
935	Parking Brake Shoe	Rear	Kia Rondo 2010-2007
936	Drum Brake Shoe	Rear	Ford Escape 2012-2007, Mercury Mariner 2011-2007
937	Parking Brake Shoe	Rear	Land Rover LR2 2011-2008
938	Parking Brake Shoe	Rear	Dodge Sprinter 2500 2009-2007, Sprinter 3500 2009-2007, Freightliner Sprinter 2500 2012-2011, Mercedes-Benz Sprinter 2500 2012-2010, Sprinter 2500 2015
940	Parking Brake Shoe	Rear	Dodge Sprinter 3500 2009-2007, Freightliner Sprinter 2500 2014-2007, Sprinter 3500 2014-2007, Mercedes-Benz Sprinter 3500 2015-2010
941	Parking Brake Shoe	Rear	Dodge Nitro 2011-2007, Jeep Liberty 2012-2008, Wrangler 2016-2007
943	Parking Brake Shoe	Rear	Lexus LX570 2011-2008, LX570 2016-2015, Toyota Land Cruiser 2011-2008, Land Cruiser 2016-2015, Sequoia 2012-2008, Sequoia 2016-2015, Tundra 2012-2007, Tundra 2016-2015
944	Parking Brake Shoe	Rear	Land Rover LR3 2009-2007, LR4 2012-2010, LR4 2015, Range Rover Sport 2012-2007
945	Drum Brake Shoe	Rear	Scion xD 2012-2008, Toyota Corolla 2012-2009, Corolla 2016-2015, Prius C 2012, Prius C 2016-2015
946	Parking Brake Shoe	Rear	Hyundai Veracruz 2012-2007
947	Parking Brake Shoe	Rear	Chrysler Aspen 2009-2007, Dodge Durango 2009-2003, Ram 1500 2010-2002, Ram 1500 Van 2003, Ford E-150 2007-2004, E-150 Club Wagon 2005-2004, Ram 1500 2012-2011, 1500 2015
948	Parking Brake Shoe	Rear	Cadillac CTS 2015-2008
949	Drum Brake Shoe	Rear	Subaru Impreza 2008
952	Parking Brake Shoe	Rear	Ford E-150 2012-2008, E-250 2012-2008, E-350 Super Duty 2012-2008, E-350 Super Duty 2016-2015, E-450 Super Duty 2012-2008, E-450 Super Duty 2016-2015, Nissan NV1500 2012, NV1500 2015, NV2500 2012, NV2500 2015, NV3500 2012, NV3500 2015

BUYERS GUIDE

Part Number	Product Line	Position	Application
954	Drum Brake Shoe	Rear	Suzuki SX4 2012-2008
956	Drum Brake Shoe	Rear	Smart Fortwo 2011-2008, Fortwo 2015
957	Parking Brake Shoe	Rear	Ford Edge 2010-2007, Lincoln MKX 2010-2007, Mazda CX-7 2011-2007, CX-9 2012-2007, MPV 2006-2005, Pontiac GTO 2006-2004
959	Drum Brake Shoe	Rear	Chevrolet Colorado 2012-2009, GMC Canyon 2012-2009
960	Drum Brake Shoe	Rear	Chevrolet Silverado 1500 2013-2008, GMC Sierra 1500 2013-2008
961	Parking Brake Shoe	Rear	Ford F-150 2011-2009
962	Parking Brake Shoe	Rear	Buick Allure 2009-2008, LaCrosse 2009-2008, Chevrolet Express 2500 2015-2009, Express 3500 2015-2008, Silverado 2500 HD 2010, Silverado 3500 HD 2010, Suburban 2500 2013-2010, GMC Savana 2500 2013-2009, Savana 2500 2015, Savana 3500 2013-2008, Savana 3500 2015, Sierra 2500 HD 2010, Sierra 3500 HD 2010, Yukon XL 2500 2012-2010, Hummer H2 2009-2008
964	Parking Brake Shoe	Rear	Hyundai Elantra 2011-2009, Tucson 2015-2010
968	Parking Brake Shoe	Rear	Volvo S60 2009-2004, S80 2008-2004, V70 2007-2004, XC70 2007-2003, XC90 2013-2008
971	Parking Brake Shoe	Rear	Suzuki Grand Vitara 2013-2009
973	Parking Brake Shoe	Rear	Chevrolet Express 3500 2009-2008, Express 3500 2015-2011, Express 4500 2014-2009, GMC Savana 3500 2009-2008, Savana 3500 2015-2011, Savana 4500 2014-2009
974	Drum Brake Shoe	Rear	Ford Transit Connect 2013-2010
984	Drum Brake Shoe	Rear	Ford Fiesta 2016-2011
988	Parking Brake Shoe	Rear	Hyundai Tucson 2015-2010, Kia Sportage 2015-2011
999	Drum Brake Shoe	Rear	Volkswagen Jetta 2012-2011
1004	Drum Brake Shoe	Rear	Ford Focus 2016-2012
1010	Drum Brake Shoe	Rear	Scion iQ 2015-2012
1011	Drum Brake Shoe	Rear	Chevrolet Sonic 2014-2012, Trax 2014
1038	Parking Brake Shoe	Rear	Jeep Commander 2010-2006, Grand Cherokee 2010-2005
BPR1815	Disc Brake Rotor	Front	BMW 318i 1999-1992, 318is 1999-1992, 318ti 1999-1998, 320i 1995-1993, 320i 2005-2001, 323Ci 2000, 323i 2000-1998, 323is 1999-1998, 325i 1995-1992, 325is 1995-1992, 328i 1998-1996, 328is 1999-1996, Z3 2002-1997, Z4 2005-2003
BPR1816	Disc Brake Rotor	Front	BMW 540i 2000-1997, 740i 1995, 740i 2001-1997, 740iL 2001-1995, 850Ci 1994-1993, 850CSi 1995-1994, 850i 1992-1991
BPR1941	Disc Brake Rotor	Rear	Volvo 850 1997-1994, C70 2005-1998, S70 2000-1998, V70 2000-1998
BPR1942	Disc Brake Rotor	Front	Volvo 850 1997-1994, 940 1995, 960 1997-1995, C70 2005-1998, S70 2000-1998, S90 1998-1997, V70 2000-1998, V90 1998-1997
BPR1945	Disc Brake Rotor	Front	Audi A4 2006-2002, A4 Quattro 2006-2002, A6 2004-2000, A6 Quattro 2004-2000, A8 1999-1997, A8 Quattro 2000-1997, S4 2002
BPR5000	Disc Brake Rotor	Front	Audi 100 1994-1992, 100 Quattro 1994-1992, A4 2008-1996, A4 Quattro 2006-1996, A6 2001-1995, A6 Quattro 2001-1995, Volkswagen Passat 2001-1999
BPR5002	Disc Brake Rotor	Rear	Audi 100 1994-1992, 100 Quattro 1994-1992, A6 2004-1995, A6 Quattro 1997-1995, Volkswagen Passat 2005-1998
BPR5061	Disc Brake Rotor	Rear	Audi A4 2006-2005, A4 Quattro 2005
BPR5121	Disc Brake Rotor	Rear	Land Rover Discovery 2004-1999, Range Rover 2002-1995
BPR5172	Disc Brake Rotor	Front	Porsche Boxster 2004-1997
BPR5173	Disc Brake Rotor	Rear	Porsche Boxster 2004-1997
BPR5199	Disc Brake Rotor	Rear	Mercedes-Benz ML320 2003-1998, ML350 2005-2003, ML430 1999
BPR5201	Disc Brake Rotor	Front	Mercedes-Benz ML320 2003-1998, ML350 2005-2003, ML430 1999
BPR5238	Disc Brake Rotor	Rear	Audi TT 2006-1999, Volkswagen Beetle 2010-1998, Golf 2007-1999, Golf City 2010-2007, GTI 2007-2006, Jetta 2009-1999, Jetta City 2009-2007
BPR5239	Disc Brake Rotor	Front	Volkswagen Beetle 2010-1998, Golf 2007-1999, Golf City 2010-2007, GTI 2007-2006, Jetta 2006-1999, Jetta City 2009-2007
BPR5277	Disc Brake Rotor	Rear	Mercedes-Benz C36 AMG 1997-1996, C230 2005-2003, C240 2005-2003, C280 2007-2006, C320 2005-2001, C350 2007-2006, CLK320 2005-1998, CLK350 2009-2006, CLK430 2003-1999, E300 1998, E320 2002-1995, E420 1997, E430 2000-1998, SLK300 2011-2009, SLK350 2011-2005
BPR5278	Disc Brake Rotor	Front, Rear	Volkswagen Beetle 2010-1998, Golf 2007-1999, GTI 2007-2006, Jetta 2006-1999, Golf 1999
BPR5286	Disc Brake Rotor	Rear	BMW Z3 2002-1996
BPR5323	Disc Brake Rotor	Rear	Audi A4 Quattro 2001-1996, Volkswagen Passat 2005-1999
BPR5355	Disc Brake Rotor	Rear	Audi A6 Quattro 2004-1998
BPR5371	Disc Brake Rotor	Front	BMW 525i 2003-2001, 528i 2000-1997
BPR5372	Disc Brake Rotor	Rear	BMW 525i 2003-2001, 528i 2000-1997, 530i 2003-2001, 540i 2003-1997
BPR5386	Disc Brake Rotor	Rear	Audi A6 Quattro 2001-1998, S6 2003-2002
BPR5389	Disc Brake Rotor	Front	BMW X5 2006-2000
BPR5390	Disc Brake Rotor	Rear	BMW X5 2006-2000
BPR5395	Disc Brake Rotor	Front	Volvo S60 2009-2001, S80 2006-1999, V70 2007-2001, XC70 2007-2003
BPR5408	Disc Brake Rotor	Front	Audi A4 2009-2005, A4 Quattro 2009-2005
BPR5409	Disc Brake Rotor	Rear	Volvo S60 2009-2001, S80 2006-1999, V70 2007-2001, XC70 2007-2003
BPR5412	Disc Brake Rotor	Front	BMW 330Ci 2006-2001, 330i 2005-2001, 330xi 2005-2001, Z4 2008-2006
BPR5413	Disc Brake Rotor	Front	Mercedes-Benz C230 2005-2002, C240 2005-2001

BUYERS GUIDE

Part Number	Product Line	Position	Application
BPR5416	Disc Brake Rotor	Rear	BMW 330Ci 2006-2001, 330i 2005-2001, 330xi 2005-2001
BPR5417	Disc Brake Rotor	Rear	BMW 323Ci 2000, 325Ci 2006-2001, 325i 2005-2001, 328Ci 2000, 328i 2000-1999
BPR5418	Disc Brake Rotor	Rear	Audi TT Quattro 2006-2001, Volkswagen Golf 2004-2002, Jetta 2005-2003
BPR5428	Disc Brake Rotor	Rear	Volvo S40 2004-2000, V40 2004-2000
BPR5433	Disc Brake Rotor	Front	Volvo S60 2009-2001, S80 2006-1999, V70 2007-2001, XC70 2007-2003
BPR5435	Disc Brake Rotor	Rear	Mercedes-Benz CL500 2003-2000, S430 2006-2000, S500 2004-2000
BPR5436	Disc Brake Rotor	Rear	Mercedes-Benz E320 2003-1998
BPR5440	Disc Brake Rotor	Front	Volvo S40 2004-2000, V40 2004-2000
BPR5445	Disc Brake Rotor	Front	Mini Cooper 2006-2002
BPR5446	Disc Brake Rotor	Rear	Mini Cooper 2006-2002
BPR5469	Disc Brake Rotor	Front	BMW 320i 2005-2001, 323Ci 2000, 325Ci 2006-2001, 325i 2005-2001, 325xi 2005-2001, 328Ci 2000, 328i 2000-1999, Z3 2002-2001, Z4 2008-2003
BPR5470	Disc Brake Rotor	Front	Mercedes-Benz CL500 2003-2000, S430 2002-2000, S500 2002-2000
BPR5474	Disc Brake Rotor	Rear	BMW 320i 2005-2001, 323Ci 2000, 323i 2000-1998
BPR5479	Disc Brake Rotor	Rear	Mercedes-Benz CL500 2006-2003, S350 2006, S430 2006-2003, S500 2006-2004
BPR5481	Disc Brake Rotor	Front	Volvo C70 2005-2002, S70 2000-1998, V70 2000-1998
BPR5482	Disc Brake Rotor	Rear	Mercedes-Benz E300 2009-2008, E320 2009-2004, E350 2006, E500 2006-2003
BPR5483	Disc Brake Rotor	Front	Mercedes-Benz E320 2009-2004, E350 2009-2006
BPR5494	Disc Brake Rotor	Front	Chrysler Crossfire 2008-2004, Mercedes-Benz C240 2005-2003, C280 2007-2006, C320 2005-2001, C350 2007-2006, CLK320 2005-1998, CLK350 2009-2006, CLK430 2003-1999, E300 1999-1998, E320 2003-1996, E420 1997, E430 2002-1998, SLK280 2008-2006, SLK320 2004-2001
BPR5541	Disc Brake Rotor	Rear	Jaguar X-Type 2008-2001
BPR5543	Disc Brake Rotor	Rear	Mercedes-Benz CLS500 2006, CLS550 2011-2007, E55 AMG 2006-2005, E320 2005-2003, E350 2012-2006, E500 2006-2003, E550 2009-2007, GLK350 2012-2010
BPR5552	Disc Brake Rotor	Front	Volvo XC90 2013-2003
BPR5553	Disc Brake Rotor	Rear	Volvo XC90 2013-2003
BPR5560	Disc Brake Rotor	Rear	BMW 745i 2005-2002, 745Li 2005-2002, 760i 2005-2004, 760Li 2005-2003
BPR5561	Disc Brake Rotor	Front	BMW 745i 2005-2002, 745Li 2005-2002, 750i 2008-2006, 750Li 2008-2006, 760i 2006-2004, 760Li 2008-2003
BPR5572	Disc Brake Rotor	Front	Jaguar X-Type 2008-2001
BPR5577	Disc Brake Rotor	Front	Land Rover Discovery 2004-1999
BPR5589	Disc Brake Rotor	Front Right	Audi Q7 2014-2007, Porsche Cayenne 2006-2003, Cayenne 2013-2008, Volkswagen Touareg 2012-2004
BPR5590	Disc Brake Rotor	Front Left	Audi Q7 2014-2007, Porsche Cayenne 2006-2003, Cayenne 2013-2008, Volkswagen Touareg 2012-2004
BPR5610	Disc Brake Rotor	Front	Volkswagen Passat 2005-2002
BPR5639	Disc Brake Rotor	Front	Audi A3 2016-2006, TT 2009-2008, TT Quattro 2014-2008, Volkswagen Beetle 2013-2012, CC 2013-2009, Eos 2014-2007, GTI 2013-2006, Jetta 2013-2005, Passat 2010-2006, Passat 2014-2012, Passat CC 2010-2009, Tiguan 2014-2009
BPR5682	Disc Brake Rotor	Front	Audi A3 2016-2010, Volkswagen Beetle 2013-2012, Golf 2013-2010, Jetta 2013-2005, Rabbit 2009-2006
BPR5758	Disc Brake Rotor	Rear	Audi Q7 2012-2007, Porsche Cayenne 2006-2003, Cayenne 2013-2008, Volkswagen Touareg 2013-2004
BPR5761	Disc Brake Rotor	Front	Audi A6 2011-2006, A6 Quattro 2011-2005
BPR5785	Disc Brake Rotor	Rear	Audi A6 2011-2006, A6 Quattro 2011-2005
BPR5820	Disc Brake Rotor	Rear	BMW 525xi 2007-2006, 528i 2010, 528i xDrive 2010-2009, 528xi 2008, 530xi 2007-2006, 535i xDrive 2010-2009, 535xi 2008
BPR5821	Disc Brake Rotor	Front	BMW 535i 2010-2008, 545i 2005-2004, 550i 2010-2006, 645Ci 2005-2004, 650i 2010-2006
BPR5822	Disc Brake Rotor	Front	BMW 335d 2011-2009, 335i 2012-2007, 335is 2012-2011, 335i xDrive 2012-2009, 335xi 2008-2007, X1 2015-2013
BPR5823	Disc Brake Rotor	Rear	BMW 330i 2006, 330xi 2006, 335d 2011-2009, 335i 2013-2007, 335is 2012-2011, 335i xDrive 2012-2009, 335xi 2008-2007, X1 2015-2013
BPR5830	Disc Brake Rotor	Front	Audi TT 2006-1999, TT Quattro 2006-2000, Volkswagen Golf 2003-2002, Jetta 2005-2004
BPR5858	Disc Brake Rotor	Front	Mercedes-Benz C230 2007-2002, C320 2005-2001, CLK350 2009-2006, SLK350 2011-2005
BPR5859	Disc Brake Rotor	Rear	BMW X3 2010-2004
BPR5860	Disc Brake Rotor	Front	BMW X3 2010-2004
BPR5861	Disc Brake Rotor	Front	BMW 128i 2013-2008, 323i 2007-2006, 325i 2006, 325xi 2006, 328i 2007, 328xi 2007
BPR5862	Disc Brake Rotor	Rear	BMW 320i 2015-2013, 323i 2011-2006, 325i 2006, 328i 2011-2007
BPR5869	Disc Brake Rotor	Front	Mercedes-Benz ML320 2009-2007, ML350 2011-2006, ML450 2011-2010, ML500 2007-2006, R320 2009-2007, R350 2012-2006, R500 2007-2006, SLK300 2011

BUYERS GUIDE

Part Number	Product Line	Position	Application
BPR5870	Disc Brake Rotor	Rear	Mercedes-Benz ML320 2009-2007, ML350 2011-2006, ML450 2011-2010, ML500 2007-2006, R320 2009-2007, R350 2009-2006, R500 2007-2006
BPR5871	Disc Brake Rotor	Front	Mercedes-Benz GL320 2008-2007, GL350 2012-2010, GL450 2012-2007, GL550 2012-2008, ML500 2006, ML550 2011-2008, SLK300 2011-2009
BPR5872	Disc Brake Rotor	Rear	Mercedes-Benz GL320 2009-2007, GL350 2012-2010, GL450 2012-2007, GL550 2012-2008, ML320 2009-2007, ML350 2006, ML500 2007-2006, ML550 2011-2008, R320 2009-2007, R350 2012-2006
BPR5873	Disc Brake Rotor	Rear	BMW 325xi 2005-2001
BPR5884	Disc Brake Rotor	Rear	Volvo C30 2013-2007, C70 2013-2006, S40 2011-2004, V50 2011-2005
BPR5885	Disc Brake Rotor	Rear	BMW 525i 2007-2004, 528i 2009-2008, 530i 2007-2004
BPR5888	Disc Brake Rotor	Front	BMW 530i 2003-2001
BPR5926	Disc Brake Rotor	Front	Mini Cooper 2014-2007
BPR5927	Disc Brake Rotor	Front	Mini Cooper 2013-2007
BPR5933	Disc Brake Rotor	Rear	Audi A4 2006-2002, A4 Quattro 2006-2002
BPR5945	Disc Brake Rotor	Rear	BMW 535i 2010-2008, 545i 2005-2004, 550i 2010-2006, 645Ci 2005-2004, 650i 2010-2006
BPR5956	Disc Brake Rotor	Front	Land Rover LR4 2015-2010, Range Rover Sport 2013-2006
BPR5957	Disc Brake Rotor	Front	Mercedes-Benz E300 2009-2008, E320 2005-2004, E350 2009-2006
BPR5959	Disc Brake Rotor	Front	Audi A6 2011-2006, A6 Quattro 2011-2005
BPR5964	Disc Brake Rotor	Rear	Mini Cooper 2014-2006
BPR5967	Disc Brake Rotor	Front	Land Rover LR3 2009-2005, Range Rover Sport 2009-2006
BPR5968	Disc Brake Rotor	Front	BMW X5 2013-2007, X6 2013-2011
BPR5969	Disc Brake Rotor	Front	BMW X5 2013-2009, X6 2010-2008
BPR5984	Disc Brake Rotor	Front	Mini Cooper 2006-2002
BPR5985	Disc Brake Rotor	Rear	Audi A6 2011-2006, A6 Quattro 2011-2005
BPR5989	Disc Brake Rotor	Rear	Land Rover LR3 2009-2005, LR4 2015-2010, Range Rover Sport 2013-2006
BPR5993	Disc Brake Rotor	Rear	Audi A4 2014-2009, A4 Quattro 2014-2009, A5 2014-2010, A5 Quattro 2014-2008, A6 2013-2012, A6 Quattro 2013, Q5 2014-2009
BPR6003	Disc Brake Rotor	Front	Mercedes-Benz C350 2012-2010, E350 2012-2010
BPR6004	Disc Brake Rotor	Front	Audi A4 2011-2009, A4 Quattro 2011-2009, A5 2011-2010, A5 Quattro 2011-2008, Q5 2011-2009
BPR6005	Disc Brake Rotor	Front	Volvo S60 2013, S80 2013-2007, V70 2010-2008, XC70 2013-2008
BPR6006	Disc Brake Rotor	Rear	Volvo S60 2012-2011, S80 2012-2007, V70 2010-2008, XC70 2012-2008
BPR6007	Disc Brake Rotor	Front	Land Rover LR2 2015-2008, Volvo S60 2013-2011, S80 2013-2007, V70 2010-2008, XC70 2013-2008
BPR6009	Disc Brake Rotor	Front	Volvo XC60 2013-2010
BPR6010	Disc Brake Rotor	Rear	Volvo XC60 2013-2010
BPR6011	Disc Brake Rotor	Front	Volvo XC90 2013-2003
BPR6012	Disc Brake Rotor	Front	BMW 525i 2007-2004, 525xi 2007-2006, 528i 2010-2008, 528i xDrive 2010-2009, 528xi 2008, 530i 2007-2004, 530xi 2007-2006, 535i xDrive 2010-2009, 535xi 2008
BPR6015	Disc Brake Rotor	Front	Land Rover Range Rover Evoque 2013-2012, Volvo S60 2012-2011, S80 2012-2007, V70 2010-2008, XC70 2012-2008
BPR6020	Disc Brake Rotor	Front	Mercedes-Benz CLS500 2006, CLS550 2011-2007, E550 2009-2007, GLK350 2013-2010
BPR6021	Disc Brake Rotor	Rear	Mercedes-Benz C250 2013, C300 2013, C350 2013-2008, E550 2013-2010
BPR6022	Disc Brake Rotor	Rear	Jaguar S-Type 2008-2005, Super V8 2009-2005, Vanden Plas 2009-2005, XF 2012-2009, XJ 2012-2011, XJ8 2009-2006, XJR 2009-2005, XK 2012-2007, XKR 2009-2007
BPR6026	Disc Brake Rotor	Front	Jaguar S-Type 2008-2005, Super V8 2009-2005, XF 2013-2009, XJ 2013-2011, XJR 2009-2005, XK 2013-2010, XKR 2009-2007
BPR6028	Disc Brake Rotor	Front	Mercedes-Benz C350 2012-2008, E350 2012-2010
BPR6038	Disc Brake Rotor	Rear	Audi A4 2009-2005, A4 Quattro 2009-2005
BPR6042	Disc Brake Rotor	Rear	BMW 325xi 2006, 328i 2012-2007, 328i xDrive 2012-2009, 328xi 2008-2007
BPR6046	Disc Brake Rotor	Rear	BMW 128i 2013-2008
BPR6058	Disc Brake Rotor	Rear	Audi A3 2008, Volkswagen Golf 2010, Jetta 2010-2005, Jetta City 2009-2007, Rabbit 2009-2006
BPR6059	Disc Brake Rotor	Rear	Audi A3 2009-2006, Volkswagen CC 2013-2009, Eos 2011-2007, GTI 2011-2006, Jetta 2010-2005, Jetta City 2009-2007, Passat 2010-2006, Passat CC 2010-2009, Tiguan 2009
BPR6070	Disc Brake Rotor	Rear	Mercedes-Benz C230 2009-2008, C250 2013-2010, C300 2012-2008
BPR6071	Disc Brake Rotor	Front	Mercedes-Benz C230 2009-2008, C250 2012-2010, C300 2012-2008
BPR6072	Disc Brake Rotor	Front	Mercedes-Benz C230 2009-2008, C250 2013-2010, C300 2012-2008
BPR6077	Disc Brake Rotor	Front	BMW 320i 2015-2013, 323i 2011-2008, 328i 2012-2007, 328i xDrive 2012-2009, 328xi 2008
BPR6079	Disc Brake Rotor	Front	BMW 330i 2006, 330xi 2006
BPR6080	Disc Brake Rotor	Front	BMW 525i 2007-2004
BPR6086	Disc Brake Rotor	Rear	Audi A3 2013-2010, Volkswagen Beetle 2012, Eos 2014-2009, Golf 2013-2010, GTI 2013-2012, Jetta 2013-2011, Passat 2014-2012
BPR6091	Disc Brake Rotor	Rear	BMW X5 2013-2007, X6 2014-2010
BPR6113	Disc Brake Rotor	Front	Mercedes-Benz E500 2006-2003, E550 2009-2007, SL550 2012-2007

BUYERS GUIDE

Part Number	Product Line	Position	Application
BPR6121	Disc Brake Rotor	Rear	Fiat 500 2013-2012
BPR6122	Disc Brake Rotor	Front	Fiat 500 2013-2012
BPR6154	Disc Brake Rotor	Front	Volkswagen Jetta 2013-2011
BPR6159	Disc Brake Rotor	Rear	Audi A6 Quattro 2013-2012, A7 Quattro 2014-2012, Q5 2014-2013, S4 2013-2011, S5 2013-2011
BPR6161	Disc Brake Rotor	Rear	Mini Cooper Countryman 2012-2011
BPR6162	Disc Brake Rotor	Front	Mini Cooper Countryman 2012-2011
BPR6166	Disc Brake Rotor	Front	BMW X3 2014-2011
BPR6167	Disc Brake Rotor	Rear	BMW X3 2014-2011
BPR6168	Disc Brake Rotor	Rear	Audi A3 2013-2010, Volkswagen Eos 2012-2009, GTI 2012, Jetta 2013-2012
BPR6239	Disc Brake Rotor	Front	Audi A4 2015-2012, A4 Quattro 2014-2012, A5 2014-2012, A5 Quattro 2014-2012, A6 2013-2012, A6 Quattro 2013, Q5 2012
BPR6247	Disc Brake Rotor	Front	Jaguar S-Type 2005-2003, Vanden Plas 2005-2004, XJ8 2005-2004
BPR6263	Disc Brake Rotor	Front	Mercedes-Benz CL550 2013-2009, CL600 2013-2007, S350 2012, S400 2012-2010, S450 2010-2008, S550 2012-2007, S600 2012-2007, SL550 2012-2011
BPR6270	Disc Brake Rotor	Rear	Mercedes-Benz S400 2012-2010, S550 2011-2007, SL550 2012-2007
BPR6271	Disc Brake Rotor	Front	Mercedes-Benz CL550 2008-2007, S400 2013-2010, S550 2011-2007
BPR6272	Disc Brake Rotor	Rear	Mercedes-Benz CL550 2013-2007, CL600 2013-2007, S350 2012, S400 2012-2010, S450 2010-2008, S550 2012-2007, S600 2012-2007
BPR6273	Disc Brake Rotor	Front	Mercedes-Benz CL500 2006-2003, S350 2006, S430 2006-2003, S500 2006-2003
BPR6274	Disc Brake Rotor	Front	BMW 535i 2014-2011
CFC154	Disc Brake Pad	Front, Rear	Avanti II 1985-1979, Buick Century 1981-1978, LeSabre 1979, Regal 1987-1978, Riviera 1985-1979, Cadillac Eldorado 1985-1979, Seville 1985-1979, Chevrolet Blazer 1997-1995, Camaro 1992-1982, El Camino 1987-1978, LLV 1995-1987, Malibu 1983-1978, Monte Carlo 1988-1978, S10 2002-1982, S10 Blazer 1994-1983, GMC Caballero 1987-1978, Jimmy 1984-1982, Jimmy 1997-1992, S15 1990-1982, S15 Jimmy 1991-1983, Sonoma 2002-1991, Syclone 1991, Typhoon 1993-1992, Isuzu Hombre 2000-1996, Oldsmobile Bravada 1994-1991, Bravada 1996, Cutlass 1981-1978, Cutlass 1987-1985, Cutlass Calais 1984-1978, Cutlass Salon 1980-1978, Cutlass Salon 1987-1985, Cutlass Supreme 1988-1978, Toronado 1985-1979, Pontiac Bonneville 1986-1982, Firebird 1978-1973, Firebird 1992-1980, Grand Am 1980-1978, Grand LeMans 1983-1978, Grand Prix 1987-1978, LeMans 1981-1978, Buick LeSabre 1984-1977, Regal 1987-1978, Riviera 1985-1979, Cadillac Commercial Chassis 1984-1979, DeVille 1984-1979, Eldorado 1985-1979, Fleetwood 1984-1979, Seville 1985-1979, Chevrolet Camaro 1988-1982, Oldsmobile Toronado 1985-1979, Pontiac Firebird 1975, Firebird 1988-1979
CFC325	Disc Brake Pad	Rear	Lexus ES250 1991-1990, ES300 1999-1992, RX300 2003-1999, Toyota Camry 1999-1988, Celica 1999-1986, Solara 2000-1999
CFC365	Disc Brake Pad	Rear	Acura CL 1999-1997, CSX 2011-2006, EL 2005-1997, ILX 2016-2013, Integra 1998, Integra 2001-2000, Legend 1990-1987, RSX 2006-2002, TL 1998-1997, TSX 2008-2004, Vigor 1994-1992, Honda Accord 2007-1990, Civic 2015-2005, CR-Z 2015-2011, Prelude 2001-1992, S2000 2009-2000, Suzuki Kizashi 2013-2010, SX4 2013-2007, SX4 Crossover 2012
CFC376	Disc Brake Pad	Front	Buick Regal 1996-1988, Chevrolet Lumina 2001-1990, Monte Carlo 1999-1995, Oldsmobile Cutlass Supreme 1997-1988, Pontiac Grand Prix 1996-1988
CFC383K2	Disc Brake Pad	Rear	Chrysler Sebring 2005-1995, Dodge Avenger 2000-1995, Stealth 1996-1991, Stratus 2005-2001, Eagle Summit 1996-1991, Talon 1998-1995, Vista 1992-1988, Mitsubishi 3000GT 1999-1991, Diamante 1996-1992, Eclipse 2010-1995, Eclipse 2012, Expo 1995-1992, Expo LRV 1994-1992, Galant 1988, Galant 2012-1994, Sigma 1990-1989, Plymouth Colt 1994-1992
CFC430	Disc Brake Pad	Front	Infiniti G20 2002-1999, I30 1999-1996, Nissan Altima 2001-1993, Altra EV 2001-1999, Maxima 1999-1989, Sentra 2006-2000, Suzuki SX4 2007
CFC430A	Disc Brake Pad	Front	Infiniti G35 2005-2003, I30 2001-2000, Nissan 350Z 2005-2003, Altima 1997-1993, Altima 2013-2007, Juke 2015-2011, Maxima 2001-2000, Sentra 2012-2007, Sentra 2015
CFC433A	Disc Brake Pad	Front	Toyota Tacoma 1999-1997, Tacoma 2004
CFC436A	Disc Brake Pad	Front	Toyota 4Runner 2002-1996, Tacoma 2004-1995
CFC465	Disc Brake Pad	Front	Acura CL 1999-1997, Honda Accord 2002-1990, Civic 1996
CFC465AK1	Disc Brake Pad	Front	Honda Accord 2002-1998
CFC465AK2	Disc Brake Pad	Front	Acura EL 2005-1997, Honda Civic 2011-1996, Insight 2014-2010
CFC473	Disc Brake Pad	Front	Ford Escort 2003-1991, Mazda MX-3 1996-1992, Protege 1998-1990, Mercury Tracer 1999-1991
CFC476	Disc Brake Pad	Front	Lexus ES300 1996-1994, LS400 1992-1990, SC300 1996-1992, Toyota Avalon 1997-1995, Camry 1996-1991, Camry 2001-2000, Celica 1994, Sienna 2003-1998

BUYERS GUIDE

Part Number	Product Line	Position	Application
CFC477	Disc Brake Pad	Front	Jeep Cherokee 2001-1990, Comanche 1992-1990, Grand Cherokee 1998-1993, TJ 2006-1997, Wagoneer 1990, Wrangler 1995-1990, Wrangler 2006-1997
CFC503	Disc Brake Pad	Front	Acura CL 1999-1997, Integra 1998, Integra 2001-2000, Legend 1995-1991, NSX 2005-1991, RL 1998-1996, TL 1998-1995, Vigor 1994-1992, Honda Accord 2002-1991, CR-V 2001-1997, EV Plus 1999-1998, Odyssey 1998-1995, Prelude 2001-1993, Isuzu Oasis 1999-1996
CFC507	Disc Brake Pad	Front	Saturn SC 1992-1991, SC1 2002-1993, SC2 2002-1993, SL 2002-1991, SL1 2002-1991, SL2 2002-1991, SW1 1999-1993, SW2 2001-1993
CFC536	Disc Brake Pad	Rear	Acura CL 1997, CL 2003-2001, Legend 1995-1991, RDX 2012-2007, RL 2004-1996, TL 1996-1995, TL 2008-1999, Honda Accord 1996-1994, Civic 2004-2002, CR-V 2004-2002, Element 2011-2003, Odyssey 1998-1995, Isuzu Oasis 1999-1996
CFC540	Disc Brake Pad	Rear	Infiniti G20 1994-1991, G20 2000-1999, I30 2001-1996, Nissan Altima 1995-1993, Altima 2001-1998, Altra EV 1999, Maxima 1991, Maxima 2001-1995, Sentra 2001-2000
CFC562	Disc Brake Pad	Front	Geo Prizm 1997-1993, Lexus ES300 1993-1992, Toyota Camry 2001-1992, Celica 1997-1994, Corolla 1997-1993, RAV4 2000-1996
CFC576	Disc Brake Pad	Front	Mercury Villager 2002-1993, Nissan Quest 2002-1993
CFC591	Disc Brake Pad	Front	Chrysler Concorde 1997-1993, Grand Voyager 2000, LHS 1997-1994, New Yorker 1996-1994, Town & Country 2000-1996, Voyager 2000, Dodge Caravan 2000-1996, Grand Caravan 2000-1996, Intrepid 1997-1993, Eagle Vision 1997-1993, Plymouth Grand Voyager 2000-1996, Voyager 2000-1996
CFC598	Disc Brake Pad	Front	Ford Taurus 1999-1995, Taurus 2007-2001, Thunderbird 1997-1996, Lincoln Continental 2002-1995, Mark VIII 1998-1993, Mercury Cougar 1996, Sable 2005-2001
CFC601	Disc Brake Pad	Front	Ford Taurus 2002-1994, Windstar 1998-1995, Lincoln Continental 1994-1993, Mercury Sable 2001-1994
CFC606	Disc Brake Pad	Rear	Lexus GX460 2016-2010, GX470 2009-2003, LX450 1997-1996, Toyota 4Runner 2016-2003, FJ Cruiser 2014-2007, Land Cruiser 1997-1993, Sequoia 2007-2001
CFC619	Disc Brake Pad	Front	Lexus GS300 2005-1993, GS400 2000-1998, GS430 2005-2001, IS300 2005-2001, SC430 2010-2002, Toyota Supra 1998-1993
CFC621	Disc Brake Pad	Front	Acura ILX 2013, RSX 2006-2002, Honda Civic 1995-1993, Civic 2014-2003, Civic del Sol 1995-1994, Fit 2008-2007, Fit 2013
CFC627	Disc Brake Pad	Rear	Ford Mustang 2004-1994
CFC652	Disc Brake Pad	Front	Ford Explorer 2001-1995, Ranger 2002-1995, Mazda B2300 1997-1995, B2300 2003-2001, B2500 2001-1998, B3000 2003-1995, B4000 2003-1995, Mercury Mountaineer 2001-1997
CFC658	Disc Brake Pad	Rear	Chrysler 300M 2004-1999, Concorde 2004-1995, Intrepid 2001-1995, LHS 1997-1995, LHS 2001-1999, New Yorker 1996-1995, PT Cruiser 2009-2005, Sebring 2002, Dodge Intrepid 2004-1995, Neon 2005-2003, Eagle Vision 1997-1995
CFC679	Disc Brake Pad	Front	Ford F-150 2003-1997, F-150 Heritage 2004, Lincoln Blackwood 2002
CFC683	Disc Brake Pad	Rear	BMW 330Ci 2006-2001, 330i 2005-2001, 330xi 2005-2001, 525i 2007, 740i 1995, 740i 2001-1997, 740iL 2001-1995, 750iL 2001-1995, 840Ci 1997-1994, 850Ci 1997-1993, 850CSi 1995-1994, 850i 1992-1991, M3 2006-2001, M5 2003-2000, X3 2010-2004, X5 2006-2000, Z4 2008-2006, Z8 2003-2000, Land Rover Range Rover 2005-2003
CFC698	Disc Brake Pad	Rear	Buick Century 2005-2004, LaCrosse 2009-2008, Regal 2004-1997, Rendezvous 2007-2002, Chevrolet Impala 2010-2000, Monte Carlo 2007-2000, Venture 2005-2002, Oldsmobile Alero 2004-1999, Intrigue 2002-1998, Silhouette 2004-2002, Pontiac Aztek 2005-2001, Grand Am 2005-1999, Grand Prix 2003-1997, Montana 2005-1999
CFC699K1	Disc Brake Pad	Front	Buick Century 2005-1997, LeSabre 2005-2000, Park Avenue 2005-1997, Regal 2004-1997, Riviera 1999-1997, Cadillac DeVille 2005-1997, Eldorado 2002-1997, Seville 1997, Seville 2004-2003, Chevrolet Impala 2005-2000, Monte Carlo 2005-2000, Venture 2005-1997, Oldsmobile Aurora 1999-1997, Aurora 2003-2001, Intrigue 2002-1998, Silhouette 2004-1997, Pontiac Bonneville 2005-2000, Grand Prix 2003-1997, Montana 2005-1999, Trans Sport 1999-1997
CFC702K1	Disc Brake Pad	Front	Ford Expedition 2002-1997, F-150 2003-2000, F-150 Heritage 2004, F-250 1999-1997, Lincoln Navigator 2002-1998
CFC707	Disc Brake Pad	Front	Lexus ES300 2001-1997, RX300 2001-1999, SC300 1998-1997, Toyota Avalon 2004-1998, Camry 2001-1997, Celica 1999-1998, Solara 2003-1999
CFC711	Disc Brake Pad	Rear	Ford Expedition 2002-1997, F-150 2003-1997, F-150 Heritage 2004, F-250 1999-1997, Lincoln Blackwood 2002, Navigator 2002-1998, Town Car 2010-2003
CFC721	Disc Brake Pad	Front	Subaru Forester 2002-1998, Impreza 2001-1998, Impreza 2003, Legacy 2002-1996, Outback 2001-2000

BUYERS GUIDE

Part Number	Product Line	Position	Application
CFC726	Disc Brake Pad	Front	Chevrolet Blazer 2005-1997, S10 2004-1998, GMC Jimmy 2005-1998, Sonoma 2004-1998, Isuzu Hombre 1999-1998, Oldsmobile Bravada 2001-1997
CFC727	Disc Brake Pad	Front	Chevrolet Classic 2005-2004, Malibu 2003-1997, Oldsmobile Alero 2004-1999, Cutlass 1999-1997, Cutlass Supreme 1997, Pontiac Grand Am 2005-1999
CFC729	Disc Brake Pad	Rear	Chevrolet Blazer 2005-1997, S10 2004-1998, GMC Jimmy 2005-1997, Sonoma 2004-1998, Isuzu Hombre 2000-1998, Oldsmobile Bravada 2001-1997
CFC730	Disc Brake Pad	Front, Rear	Chrysler 300M 2004-1999, Concorde 2004-1998, Intrepid 2004-1993, LHS 2001-1999, Dodge Intrepid 2004-1998, Chrysler Prowler 2001, Plymouth Prowler 1997, Prowler 2001-1999
CFC730A	Disc Brake Pad	Front	Chrysler Neon 2002-2000, Dodge Neon 2005-2000, SX 2.0 2005-2003, Plymouth Neon 2001-2000
CFC741	Disc Brake Pad	Front	Chevrolet Prizm 2002-1998, Toyota Corolla 2002-1998
CFC768	Disc Brake Pad	Front	Audi A3 2009, Volkswagen Beetle 1999-1998, Beetle 2001, Beetle 2010-2005, Golf 2001-1999, Golf 2006-2005, Jetta 2005-1999, Jetta 2013-2010, Jetta 2015
CFC768S	Disc Brake Pad	Front	Volkswagen Beetle 2010-2000, Golf 2006-2000, Golf 2011, Golf City 2009-2007, Jetta 2005-1998, Jetta City 2008
CFC770	Disc Brake Pad	Rear	Subaru Baja 2006-2003, Forester 2003-1998, Impreza 2003-1999, Legacy 2009-2000, Outback 2004-2000
CFC771	Disc Brake Pad	Rear	Lexus GS300 2005-1998, GS400 2000-1998, GS430 2005-2001, IS300 2005-2001, SC430 2010-2002
CFC784	Disc Brake Pad	Front	Cadillac DeVille 2005-2000, DTS 2011-2006, Chevrolet Avalanche 2500 2006-2002, Express 2500 2015-2003, Express 3500 2015-2003, Express 4500 2013-2009, Silverado 1500 HD 2003-2001, Silverado 1500 HD 2006-2005, Silverado 1500 HD Classic 2007, Silverado 2500 2004-1999, Silverado 2500 HD 2010-2001, Silverado 2500 HD Classic 2007, Silverado 3500 2007-2001, Silverado 3500 Classic 2007, Silverado 3500 HD 2010-2007, Suburban 2500 2013-2000, GMC Savana 2500 2015-2003, Savana 3500 2015-2003, Savana 4500 2014-2009, Sierra 1500 2002, Sierra 1500 HD 2003-2001, Sierra 1500 HD 2006-2005, Sierra 1500 HD Classic 2007, Sierra 2500 2004-1999, Sierra 2500 HD 2010-2001, Sierra 2500 HD Classic 2007, Sierra 3500 2006-2001, Sierra 3500 Classic 2007, Sierra 3500 HD 2010-2007, Yukon XL 2500 2013-2000, Hummer H2 2009-2003
CFC785	Disc Brake Pad	Front, Rear	Cadillac Escalade 2006-2002, Escalade ESV 2006-2003, Escalade EXT 2006-2002, Chevrolet Astro 2005-2003, Avalanche 1500 2006-2002, Express 1500 2008-2003, Express 2500 2005-2003, Silverado 1500 2006-1999, Silverado 1500 Classic 2007, Suburban 1500 2006-2000, Tahoe 2006-2000, GMC Safari 2005-2003, Savana 1500 2008-2003, Savana 2500 2005-2003, Sierra 1500 2006-1999, Sierra 1500 Classic 2007, Yukon 2006-2000, Yukon XL 1500 2006-2000, Chevrolet Avalanche 2500 2006-2002, Silverado 1500 HD 2003-2001, Silverado 1500 HD 2006-2005, Silverado 1500 HD Classic 2007, Silverado 2500 2004-1999, Silverado 2500 HD 2010-2001, Silverado 2500 HD Classic 2007, Silverado 3500 2007-2004, Silverado 3500 Classic 2007, Silverado 3500 HD 2010-2007, Suburban 2500 2013-2000, GMC C2500 2000, K2500 2000, Sierra 1500 2003, Sierra 1500 2005, Sierra 1500 HD 2003-2001, Sierra 1500 HD 2006-2005, Sierra 1500 HD Classic 2007, Sierra 2500 2004-1999, Sierra 2500 HD 2010-2001, Sierra 2500 HD Classic 2007, Sierra 3500 2006-2004, Sierra 3500 Classic 2007, Sierra 3500 HD 2010-2007, Yukon XL 2500 2013-2000, Hummer H2 2009-2003
CFC790	Disc Brake Pad	Front	Jeep Grand Cherokee 2002-1999
CFC792HD	Disc Brake Pad	Rear	Cadillac DeVille 2005-2000, DTS 2011-2006, Chevrolet Astro 2005-2003, Silverado 1500 2006-1999, Silverado 1500 Classic 2007, Suburban 1500 2001-2000, Tahoe 2001-2000, GMC Safari 2005-2003, Sierra 1500 2006-1999, Sierra 1500 Classic 2007, Yukon 2001-2000, Yukon XL 1500 2001-2000
CFC793	Disc Brake Pad	Front	Acura MDX 2002-2001, Honda Odyssey 2004-1999
CFC799	Disc Brake Pad	Front	Toyota Tacoma 2004-1999
CFC803	Disc Brake Pad	Front	Ford Windstar 2003-1999
CFC804	Disc Brake Pad	Front	Ford Mustang 2004-1999
CFC812	Disc Brake Pad	Front	Toyota Sequoia 2007-2001, Tundra 2006-2000
CFC813	Disc Brake Pad	Rear	Hyundai Azera 2009-2006, Elantra 2010-2007, Santa Fe 2006-2001, Sonata 2008-1999, Tucson 2009-2005, XG300 2001, XG350 2005-2002, Kia Amanti 2006-2004, Magentis 2010-2001, Optima 2010-2001, Sportage 2010-2005
CFC815A	Disc Brake Pad	Front	Infiniti I35 2004-2002, Nissan Altima 2006-2002, Cube 2014-2009, Maxima 2003-2002, Sentra 2014-2007, Versa 2012-2007, Suzuki SX4 2013, SX4 Crossover 2012
CFC816	Disc Brake Pad	Front	Ford Focus 2004-2000
CFC817	Disc Brake Pad	Front	Scion iC 2010-2005, Toyota Celica 2005-2000

BUYERS GUIDE

Part Number	Product Line	Position	Application
CFC822	Disc Brake Pad	Front	Scion iQ 2012, Toyota Celica 2000, Echo 2002-2001, MR2 Spyder 2001-2000, Prius 2002-2001
CFC824	Disc Brake Pad	Front	Ford Excursion 2005-2000, F-250 Super Duty 2004-1999, F-350 Super Duty 2004-1999
CFC828	Disc Brake Pad	Rear	Toyota Avalon 2007-2000, Camry 2006-2000, Solara 2008-1999
CFC829	Disc Brake Pad	Front	Acura CSX 2011-2007, RSX 2006-2002, Honda Civic 2011-2006, S2000 2009-2000
CFC833	Disc Brake Pad	Front	Ford Explorer 2005-2001, Explorer Sport Trac 2005-2001, Ranger 2011-2003, Mazda B2300 2010-2003, B3000 2008-2003, B4000 2010-2003, Mercury Mountaineer 2005-2002
CFC834	Disc Brake Pad	Rear	Cadillac Escalade 2006-2002, Escalade ESV 2006-2003, Escalade EXT 2006-2002, Chevrolet Avalanche 1500 2006-2002, Silverado 1500 2006-2002, Suburban 1500 2006-2000, Tahoe 2006-2000, GMC Sierra 1500 2006-2002, Yukon 2006-2000, Yukon XL 1500 2006-2000, Yukon XL 2500 2001
CFC835	Disc Brake Pad	Rear	Lexus ES300 2001-2000, Scion tC 2010-2005, Toyota Camry 2001-2000
CFC843	Disc Brake Pad	Front	Ford Escape 2007-2001, Mazda Tribute 2006-2001, Mercury Mariner 2007-2005
CFC844	Disc Brake Pad	Front	Buick Rendezvous 2007-2002, Chevrolet Venture 2004-2002, Oldsmobile Silhouette 2004-2002, Pontiac Aztek 2005-2001, Montana 2004-2002
CFC855	Disc Brake Pad	Front	Acura MDX 2006-2003, Infiniti Q45 2001-2000, QX4 2003-2002, Nissan Pathfinder 2004-2001, Quest 2009-2004, X-Trail 2006-2005
CFC856	Disc Brake Pad	Front	Chrysler Town & Country 2007-2003, Voyager 2003-2001, Dodge Caravan 2007-2001, Grand Caravan 2005-2001, Jeep Liberty 2007-2002
CFC857	Disc Brake Pad	Front	Chrysler Town & Country 2007-2001, Voyager 2003, Dodge Caravan 2007-2001, Grand Caravan 2007-2001
CFC858	Disc Brake Pad	Rear	Chrysler Town & Country 2007-2001, Voyager 2003-2001, Dodge Caravan 2007-2001, Grand Caravan 2007-2001
CFC862	Disc Brake Pad	Front	Toyota RAV4 2005-2001
CFC864	Disc Brake Pad	Front	Hyundai Santa Fe 2006-2001, XG300 2001, XG350 2003-2002, Kia Sedona 2004-2002
CFC865	Disc Brake Pad	Rear	Acura MDX 2006-2001, Honda Odyssey 2004-2002, Pilot 2008-2003
CFC866	Disc Brake Pad	Front	Chrysler 200 2014-2011, Sebring 2005-2001, Sebring 2010-2007, Dodge Avenger 2014-2008, Caliber 2012-2007, Stratus 2005-2001, Jeep Compass 2014-2007, Patriot 2014-2007, Mitsubishi Eclipse 2012-2000, Galant 2012-2000, Lancer 2006-2004, Lancer 2014-2008, Outlander 2004-2003, Outlander 2016-2006, Outlander Sport 2014-2011, RVR 2013-2011
CFC868	Disc Brake Pad	Rear	Chrysler 200 2014-2011, Sebring 2010-2008, Dodge Avenger 2013-2008, Caliber 2008, Jeep Compass 2007, Compass 2010, Compass 2016-2012, Patriot 2016-2007, Mitsubishi Endeavor 2008-2004, Endeavor 2011-2010, Lancer 2010-2008, Lancer 2012, Lancer 2014, Montero 2006-2001, Outlander 2013-2007, Outlander Sport 2012-2011, RVR 2013-2011
CFC869	Disc Brake Pad	Front	Chrysler Sebring 2006-2001, Dodge Stratus 2006-2001
CFC881	Disc Brake Pad	Rear	Ford Explorer 2005-2002, Explorer Sport Trac 2003, Mercury Mountaineer 2005-2002
CFC882	Disc Brake Pad	Front	Buick Rainier 2005-2004, Chevrolet SSR 2006-2003, Trailblazer 2005-2002, Trailblazer EXT 2005-2002, GMC Envoy 2005-2002, Envoy XL 2005-2002, Envoy XUV 2005-2004, Isuzu Ascender 2005-2003, Oldsmobile Bravada 2004-2002, Saab 9-7x 2005
CFC883	Disc Brake Pad	Rear	Buick Enclave 2015-2008, Rainier 2007-2004, Cadillac XTS 2015-2013, Chevrolet SSR 2006-2003, Trailblazer 2009-2002, Trailblazer EXT 2006-2002, Traverse 2015-2009, GMC Acadia 2015-2007, Envoy 2009-2002, Envoy XL 2006-2002, Envoy XUV 2005-2004, Isuzu Ascender 2008-2003, Oldsmobile Bravada 2004-2002, Saab 9-7x 2009-2005, Saturn Outlook 2010-2007
CFC884	Disc Brake Pad	Front	Toyota Highlander 2007-2001
CFC885	Disc Brake Pad	Rear	Lexus ES300 2003-2002, ES330 2006-2004, Toyota Camry 2006-2002, Highlander 2003-2001
CFC887	Disc Brake Pad	Front	Hyundai Elantra 2006-2005, Tiburon 2001, Kia Magentis 2002-2001, Optima 2002-2001
CFC888	Disc Brake Pad	Front	Infiniti EX35 2012-2008, EX37 2013, FX35 2012-2006, FX45 2008-2006, G25 2012-2011, G35 2008-2005, G37 2012-2009, M35 2010-2006, M37 2011, M45 2004-2003, M45 2010-2006, M56 2011, Q40 2015, Q45 2006-2002, Q70 2015-2014, Q70L 2015, QX50 2015-2014, QX70 2015-2014, Nissan 350Z 2009-2006, 370Z 2010-2009, 370Z 2016-2014, Murano 2014-2011, Pathfinder 2012-2008
CFC905	Disc Brake Pad	Rear	Infiniti FX35 2008-2003, FX37 2013, FX45 2008-2003, G35 2007-2003, G37 2013, M35 2009-2006, M37 2011, M37 2013, M45 2009-2006, M56 2013, Nissan 350Z 2009-2003, 370Z 2013, Altima 2006-2002, Altima 2010, Juke 2014-2012, Leaf 2013-2011, Maxima 2008-2004, Maxima 2013, Murano 2007-2003, Quest 2009-2004, Sentra 2013, X-Trail 2006-2005

BUYERS GUIDE

Part Number	Product Line	Position	Application
CFC906	Disc Brake Pad	Front	Lexus ES300 2003-2002, ES330 2006-2004, Toyota Avalon 2007-2005, Camry 2006-2005, Sienna 2010-2004, Solara 2008-2004, Tacoma 2015-2005, Tundra 2015
CFC908	Disc Brake Pad	Front	Lexus GS300 2006, IS250 2013-2009, Toyota Camry 2006-2002
CFC909	Disc Brake Pad	Rear	Chevrolet Silverado 3500 2007-2001, Silverado 3500 Classic 2007, Silverado 3500 HD 2010-2007, GMC Sierra 3500 2006-2001, Sierra 3500 Classic 2007, Sierra 3500 HD 2010-2007
CFC913	Disc Brake Pad	Front	Chevrolet Equinox 2006-2005, Pontiac Torrent 2006, Saturn Vue 2007-2002
CFC914	Disc Brake Pad	Front	Acura ILX 2015-2013, Honda Accord 2013-2003, Accord 2015, Civic 2016-2012, CR-V 2006-2002, CR-V 2016-2012, Element 2011-2003, Fit 2014
CFC919	Disc Brake Pad	Rear	BMW 1 Series M 2011, 535i 2011-2008, 535i GT 2016, 535i GT xDrive 2016, 545i 2005-2004, 550i 2011-2006, 550i GT xDrive 2016, 550i xDrive 2011, 550i xDrive 2013, 645Ci 2005-2004, 650i 2010-2006, 650i 2012, 740Ld xDrive 2015, 745i 2005-2002, 745Li 2005-2002, 750i 2008-2006, 750Li 2008-2006, 760i 2006-2004, 760Li 2008-2003, ActiveHybrid 7 2015-2013, Alpina B7 2008-2007, M3 2013-2008, M5 2010-2006, M6 2010-2006, X5 2016-2007, X6 2016-2008
CFC919A	Disc Brake Pad	Rear	BMW 535i GT 2015-2010, 535i GT xDrive 2015-2011, 550i GT 2015-2010, 550i GT xDrive 2015-2010, 740i 2015-2011, 740Li 2015-2011, 740Li xDrive 2015-2013, 750i 2015-2009, 750i xDrive 2015-2010, 750Li 2015-2009, 750Li xDrive 2015-2010, 760Li 2015-2010, Alpina B7 2015-2011, Alpina B7L 2015-2011, Alpina B7L xDrive 2015-2011, Alpina B7 xDrive 2015-2011
CFC921	Disc Brake Pad	Front	Cadillac CTS 2007-2003, STS 2008-2005, Pontiac Grand Prix 2008-2005
CFC922	Disc Brake Pad	Rear	Cadillac CTS 2007-2003, STS 2011-2005, Pontiac Grand Prix 2008-2005
CFC922A	Disc Brake Pad	Rear	Cadillac CTS 2007-2003, STS 2011-2005, Pontiac Grand Prix 2008-2005
CFC923	Disc Brake Pad	Front	Pontiac Vibe 2008-2003, Toyota Corolla 2008-2003, Matrix 2008-2003
CFC924	Disc Brake Pad	Front	Hyundai Elantra 2010-2007, Sonata 2010-2003, Tiburon 2008-2003, Tucson 2009-2005, Kia Magentis 2010-2003, Optima 2010-2003, Soul 2013-2010, Sportage 2010-2005
CFC929	Disc Brake Pad	Front	Saab 9-2X 2006-2005, Subaru Baja 2006-2003, Forester 2010-2003, Impreza 2011-2002, Legacy 2012-2002, Outback 2012-2002
CFC932	Disc Brake Pad	Rear	Ford Crown Victoria 2010, Lincoln Town Car 2003, Mercury Grand Marquis 2008, Marauder 2004-2003
CFC941	Disc Brake Pad	Front	Hyundai Elantra 2005-2002
CFC943	Disc Brake Pad	Front	Honda Pilot 2008-2003
CFC955	Disc Brake Pad	Front	Kia Sorento 2009-2003
CFC956	Disc Brake Pad	Front	Chevrolet Cobalt 2010-2005, Pontiac G5 2010-2007, Pursuit 2006-2005, Saturn Ion 2007-2003
CFC962	Disc Brake Pad	Front	Dodge Dakota 2004-2003
CFC969	Disc Brake Pad	Front	Infiniti FX35 2006-2003, FX45 2006-2003, Nissan Altima 2006-2005, Maxima 2008-2004, Murano 2007-2003, Murano 2011-2009
CFC970	Disc Brake Pad	Front	Ford Focus 2004-2002, Transit Connect 2013-2010
CFC974	Disc Brake Pad	Rear	Chevrolet Express 2500 2015-2003, Express 3500 2014-2003, GMC Savana 1500 2014, Savana 2500 2015-2003, Savana 3500 2014-2003, Sierra 1500 2003
CFC974A	Disc Brake Pad	Rear	Cadillac Escalade 2006-2002, Chevrolet Avalanche 1500 2006-2002, Express 1500 2014-2003, Silverado 1500 2003, Suburban 1500 2006-2002, Tahoe 2006-2002, GMC Savana 1500 2013-2003, Sierra 1500 2005, Yukon 2006-2002, Yukon XL 1500 2006-2002
CFC976	Disc Brake Pad	Front	Lexus GX460 2016-2010, GX470 2009-2003, Toyota 4Runner 2016-2003, FJ Cruiser 2014-2007, Sequoia 2007-2001, Tacoma 2016-2005, Tundra 2006-2000
CFC981	Disc Brake Pad	Rear	Jeep Liberty 2007-2003, TJ 2006-2004, Wrangler 2006-2004
CFC987	Disc Brake Pad	Front	Mercedes-Benz E320 2009-2003, E350 2009-2006
CFC989	Disc Brake Pad	Rear	Chevrolet Express 3500 2008-2003, GMC Savana 3500 2008-2003
CFC990	Disc Brake Pad	Front	Scion iQ 2015-2013, xA 2004, xB 2004, Toyota Echo 2005-2003, MR2 Spyder 2005-2002, Prius 2009-2003
CFC995	Disc Brake Pad	Rear	Toyota Sienna 2010-2004
CFC996	Disc Brake Pad	Rear	Lexus RX330 2006-2004, RX350 2009-2007, RX400h 2008-2006, Toyota Highlander 2007-2004
CFC997	Disc Brake Pad	Front	Chrysler Pacifica 2008-2004
CFC999	Disc Brake Pad	Rear	Buick Allure 2009-2005, LaCrosse 2009-2005, Chevrolet Impala 2013-2011, Impala 2016-2015, Impala Limited 2015-2014, Pontiac Grand Prix 2008-2004
CFC1005	Disc Brake Pad	Front	Lexus RX330 2006-2004, RX350 2009-2007, RX400h 2008-2006, Toyota Highlander 2007-2006
CFC1015	Disc Brake Pad	Front	Infiniti QX56 2006-2004, Nissan Armada 2006-2005, Pathfinder Armada 2004, Titan 2007-2004
CFC1019	Disc Brake Pad	Front	Cadillac SRX 2009-2004, STS 2008-2005, Pontiac Bonneville 2005-2004
CFC1020	Disc Brake Pad	Rear	Cadillac CTS 2007-2006, SRX 2009-2004, STS 2010-2006
CFC1021	Disc Brake Pad	Rear	Ford Freestar 2007-2004, Mercury Monterey 2007-2004
CFC1022	Disc Brake Pad	Front	Ford Freestar 2007-2004, Mercury Monterey 2007-2004

BUYERS GUIDE

Part Number	Product Line	Position	Application
CFC1028	Disc Brake Pad	Front	Chevrolet Cobalt 2007-2005, HHR 2010-2008, Malibu 2006-2004, Pontiac G5 2007, G6 2005, Pursuit 2006, Solstice 2009-2006, Saturn Ion 2007-2004, Sky 2010-2007
CFC1033	Disc Brake Pad	Rear	Chevrolet Cobalt 2008-2005, HHR 2010-2008, Malibu 2012-2004, Pontiac G5 2010-2007, G6 2010-2005, Pursuit 2006, Saturn Aura 2009-2007, Ion 2007-2004
CFC1035	Disc Brake Pad	Front	Chevrolet Aveo 2011-2004, Aveo5 2011-2006, Optra 2007-2004, Spark 2015-2013, Spark EV 2015-2014, Pontiac G3 2010-2009, G3 Wave 2009, Wave 2008-2005, Wave5 2007-2006, Suzuki Forenza 2008-2004, Reno 2008-2005, Swift+ 2009-2007
CFC1037	Disc Brake Pad	Rear	Chrysler 200 2014-2011, Sebring 2010-2007, Dodge Avenger 2014-2008, Caliber 2012-2007, Jeep Compass 2016-2007, Patriot 2016-2007, Mitsubishi Lancer 2006-2004, Lancer 2014-2008, Outlander 2006-2004
CFC1039	Disc Brake Pad	Front	Chevrolet Colorado 2008-2004, GMC Canyon 2008-2004, Isuzu i-280 2006, i-290 2008-2007, i-350 2006, i-370 2008-2007
CFC1040	Disc Brake Pad	Rear	Ford Crown Victoria 2011-2003, Ranger 2011-2010, Lincoln Town Car 2011-2004, Mercury Grand Marquis 2007-2003, Grand Marquis 2011-2009
CFC1041	Disc Brake Pad	Rear	Infiniti QX56 2010-2004, Jeep Commander 2010-2006, Grand Cherokee 2010-2005, Nissan Armada 2015-2005, Pathfinder 2004, Pathfinder Armada 2004, Titan 2015-2004
CFC1042	Disc Brake Pad	Rear	BMW 525i 2007-2004, 525xi 2007-2006, 528i 2010-2008, 528i xDrive 2010-2009, 528xi 2008, 530i 2007-2004, 530xi 2007-2006, 535i xDrive 2010-2009, 535xi 2008, X5 2016, X6 2016
CFC1042A	Disc Brake Pad	Rear	BMW X5 2015-2007, X6 2015-2009
CFC1044	Disc Brake Pad	Front	Ford Escape 2015, Focus 2007-2005, Focus 2012, Mazda 3 2013-2004, 3 Sport 2010-2009, 3 Sport 2013-2012, 5 2010-2006, 5 2013-2012, MX-5 Miata 2013, Volvo C30 2013-2007, C70 2013-2006, S40 2011-2004, V50 2011-2005
CFC1047	Disc Brake Pad	Front	Ford Escape 2011-2005, Mazda Tribute 2006-2005, Tribute 2011-2008, Mercury Mariner 2011-2005
CFC1047A	Disc Brake Pad	Front	Ford Escape 2009-2006, Escape 2012, Mercury Mariner 2009-2006
CFC1047B	Disc Brake Pad	Front	Ford Escape 2012-2010, Mercury Mariner 2011-2010
CFC1047C	Disc Brake Pad	Front	Ford Escape 2009-2006, Escape 2012, Mercury Mariner 2009-2006
CFC1050	Disc Brake Pad	Front, Rear	Cadillac ATS 2015, CTS 2007-2004, CTS 2015, STS 2011-2005, Chevrolet Camaro 2011, Dodge Viper 2015, Ford GT 2006-2005, Mustang 2011-2007, Mustang 2014-2013, Hyundai Genesis Coupe 2010, Pontiac G8 2009, Dodge Viper 2015, Ford GT 2006-2005
CFC1050A	Disc Brake Pad	Front	Cadillac ATS 2014-2013, XTS 2014-2013, Hyundai Genesis Coupe 2010, Genesis Coupe 2013
CFC1050B	Disc Brake Pad	Front	Hyundai Genesis Coupe 2010
CFC1056K1	Disc Brake Pad	Front	Chrysler 300 2010-2005, Dodge Challenger 2010-2009, Charger 2010-2006, Magnum 2008-2005
CFC1056K2	Disc Brake Pad	Front	Chrysler 300 2015-2011, Dodge Challenger 2016-2009, Charger 2015-2011
CFC1057SR	Disc Brake Pad	Rear	Chrysler 300 2015-2005, Dodge Challenger 2016-2009, Charger 2015-2006, Magnum 2008-2005
CFC1057VR	Disc Brake Pad	Rear	Chrysler 300 2015-2005, Dodge Challenger 2015-2009, Charger 2015-2006, Magnum 2008-2005
CFC1058	Disc Brake Pad	Front	Chrysler 200 2014-2013, 300 2016-2005, Dodge Avenger 2014-2013, Caliber 2009-2008, Challenger 2015-2009, Charger 2015-2006, Magnum 2008-2005
CFC1060	Disc Brake Pad	Rear	Mini Cooper 2008-2002
CFC1070	Disc Brake Pad	Front	Ford Five Hundred 2007-2005, Freestyle 2007-2005, Taurus 2009-2008, Taurus X 2009-2008, Mercury Montego 2007-2005, Sable 2009-2008
CFC1071	Disc Brake Pad	Rear	Ford Five Hundred 2007-2005, Freestyle 2007-2005, Taurus 2009-2008, Taurus X 2009-2008, Jaguar X-Type 2008-2005, Mercury Montego 2007-2005, Sable 2009-2008
CFC1074	Disc Brake Pad	Front	Kia Spectra 2009-2004, Spectra5 2009-2005
CFC1075	Disc Brake Pad	Front	Buick Allure 2009-2005, LaCrosse 2009-2005, Terraza 2007-2005, Chevrolet Uplander 2009-2005, Pontiac Grand Prix 2008-2005, Montana 2009-2005, Saturn Relay 2007-2005, VPG MV-1 2012-2011
CFC1078	Disc Brake Pad	Front	Subaru B9 Tribeca 2007-2006, Forester 2016-2014, Legacy 2016-2005, Outback 2016-2010, Tribeca 2014-2008, WRX 2015-2014
CFC1080	Disc Brake Pad	Front	Jeep Commander 2010-2006, Grand Cherokee 2010-2005
CFC1081	Disc Brake Pad	Front	Ford Mustang 2010-2005
CFC1086	Disc Brake Pad	Rear	Acura RDX 2016-2010, Honda Accord Crosstour 2011-2010, Crosstour 2015-2012, CR-V 2015-2005
CFC1088	Disc Brake Pad	Rear	Honda Odyssey 2010-2005
CFC1090	Disc Brake Pad	Rear	Acura RL 2012-2005
CFC1091	Disc Brake Pad	Front	Acura RL 2012-2005

BUYERS GUIDE

Part Number	Product Line	Position	Application
CFC1092	Disc Brake Pad	Front	Cadillac Escalade 2008-2007, Escalade ESV 2008-2007, Escalade EXT 2008-2007, Chevrolet Avalanche 2008-2007, Silverado 1500 2008-2005, Silverado 1500 Classic 2007, Suburban 1500 2008-2007, Tahoe 2008-2007, GMC Sierra 1500 2008-2005, Sierra 1500 Classic 2007, Yukon 2008-2007, Yukon XL 1500 2008-2007
CFC1093	Disc Brake Pad	Rear	Buick Terraza 2007-2005, Chevrolet Uplander 2009-2005, Pontiac Montana 2009-2005, Saturn Relay 2007-2005, VPG MV-1 2012-2011
CFC1094	Disc Brake Pad	Front	Nissan Frontier 2015-2005, Leaf 2013-2011, NV200 2015-2014, Pathfinder 2012-2005, Xterra 2015-2005, Suzuki Equator 2012-2009
CFC1095	Disc Brake Pad	Rear	Chevrolet Cobalt 2010-2008, Ford Focus 2014-2013, Jaguar S-Type 2008-2005, Super V8 2009-2005, Vanden Plas 2009-2005, XF 2015-2009, XJ 2015-2010, XJ8 2009-2005, XJR 2009-2005, XK 2009-2007, XK 2015-2011, XKR 2009-2007, Mazda 3 2013-2005, 3 Sport 2010-2009, 3 Sport 2013-2012, 5 2010-2006, 5 2014-2012, MX-5 Miata 2013, Pontiac Solstice 2009-2006, Saab 9-3 2011-2004, 9-3X 2011-2010, Saturn Sky 2010-2007, Volvo C30 2013-2007, C70 2013-2006, S40 2011-2004, V50 2011-2005
CFC1100	Disc Brake Pad	Rear	Nissan Frontier 2015-2005, Xterra 2005, Xterra 2015-2008, Suzuki Equator 2012-2009
CFC1101	Disc Brake Pad	Rear	Nissan Pathfinder 2012-2005, Xterra 2007-2006
CFC1103	Disc Brake Pad	Rear	Acura TL 2014-2009, Honda Ridgeline 2014-2006
CFC1107	Disc Brake Pad	Front	Audi A3 2008-2006, A3 2013-2010, A3 Quattro 2013-2006, TT 2009-2008, TT Quattro 2009, TT Quattro 2013-2012, TT Quattro 2015, Volkswagen Beetle 2015-2012, CC 2015-2009, Eos 2015-2007, Golf 2010, Golf 2014-2012, Golf City 2010, GTI 2014-2006, Jetta 2015-2005, Jetta City 2007, Jetta City 2009, Passat 2010-2006, Passat CC 2010-2009, Rabbit 2009-2006
CFC1107A	Disc Brake Pad	Front	Volkswagen Beetle 2013
CFC1109	Disc Brake Pad	Rear	Ford Explorer 2010-2006, Explorer Sport Trac 2010-2007, Jeep Wrangler 2006-2004, Mercury Mountaineer 2010-2006
CFC1111	Disc Brake Pad	Front	Audi A4 2009-2005, A4 Quattro 2009-2003, A6 2011-2006, A6 Quattro 2011-2006, S4 2009-2004, TT Quattro 2012, Volkswagen Golf 2012
CFC1111A	Disc Brake Pad	Front	Volkswagen CC 2012-2009, Passat 2008-2006, Passat 2010, R32 2008
CFC1113	Disc Brake Pad	Rear	Lexus GS300 2006, GS350 2011-2007, GS430 2007-2006, GS450h 2011-2007, GS460 2011-2008, IS250 2013-2006, IS350 2013-2006
CFC1114	Disc Brake Pad	Rear	Scion FR-S 2013, Subaru BRZ 2013, Forester 2015-2009, Impreza 2015-2008, Legacy 2014-2005, Outback 2014-2005, WRX 2015-2013, XV Crosstrek 2015-2013
CFC1124	Disc Brake Pad	Rear	Scion FR-S 2016-2013, Subaru B9 Tribeca 2007-2006, BRZ 2015-2013, Forester 2015, Legacy 2010, Legacy 2012, Legacy 2014, Outback 2014-2010, Tribeca 2014-2008
CFC1125	Disc Brake Pad	Front	Hyundai Azera 2011-2006, Sonata 2010-2006, Kia Amanti 2009-2007
CFC1156	Disc Brake Pad	Front	Hyundai Accent 2011-2006, Kia Rio 2011-2006, Rio5 2011-2006
CFC1157	Disc Brake Pad	Rear	Hyundai Elantra 2012-2011, Sonata 2015, Tucson 2012, Tucson 2016-2014, Kia Cadenza 2015-2014, Forte 2012
CFC1158	Disc Brake Pad	Front	Ford Explorer 2010-2006, Explorer Sport Trac 2010-2007, Taurus 2012-2011, Mercury Mountaineer 2010-2006
CFC1160	Disc Brake Pad	Front	Chevrolet Cobalt 2008, HHR 2011-2006, Malibu 2012-2004, Pontiac G5 2009-2008, G6 2010-2006, Saturn Aura 2009-2007
CFC1161	Disc Brake Pad	Rear	Ford Fusion 2012-2006, Lincoln MKZ 2012-2007, Zephyr 2006, Mazda 6 2013-2006, Mercury Milan 2011-2006
CFC1164	Disc Brake Pad	Front	Ford Fusion 2012-2006, Lincoln MKZ 2012-2007, Zephyr 2006, Mazda 6 2013-2006, Mercury Milan 2011-2006
CFC1169	Disc Brake Pad	Front	Buick Enclave 2015, Rainier 2007-2006, Chevrolet Colorado 2012-2009, Trailblazer 2009-2006, Trailblazer EXT 2006, Traverse 2015, GMC Acadia 2015, Canyon 2012-2009, Envoy 2009-2006, Envoy XL 2006, Isuzu Ascender 2008-2006, Saab 9-7x 2009-2006
CFC1169A	Disc Brake Pad	Front	Buick Enclave 2014-2008, Chevrolet Traverse 2014-2009, GMC Acadia 2014-2007, Saturn Outlook 2010-2007
CFC1172	Disc Brake Pad	Rear	Buick Lucerne 2011-2006, Cadillac DTS 2011-2006
CFC1180	Disc Brake Pad	Rear	Mazda MX-5 Miata 2012-2006, MX-5 Miata 2014, MX-5 Miata 2016
CFC1184	Disc Brake Pad	Front	Lexus CT200h 2016-2015, Toyota Prius 2016-2015, Prius C 2015-2012, Prius Plug-In 2015, Yaris 2011-2006, Yaris 2016-2013
CFC1184A	Disc Brake Pad	Front	Lexus CT200h 2014-2011, Toyota Prius 2014-2010
CFC1194	Disc Brake Pad	Rear	Cadillac Escalade 2000, Escalade 2013-2007, Escalade ESV 2014-2007, Escalade EXT 2013-2007, Chevrolet Avalanche 2013-2007, Silverado 1500 2013-2007, Silverado 1500 Classic 2007, Suburban 1500 2014-2007, Tahoe 2013-2007, GMC Sierra 1500 2013-2007, Sierra 1500 Classic 2007, Yukon 2014-2007, Yukon XL 1500 2014-2007
CFC1202	Disc Brake Pad	Front	Hyundai Entourage 2010-2007, Santa Fe 2009-2007, Santa Fe 2015-2013, Kia Sedona 2012-2006, Sedona 2014
CFC1204	Disc Brake Pad	Front	Mini Cooper 2010-2007, Cooper 2014-2012, Cooper Countryman 2016-2011, Cooper Paceman 2016-2013

BUYERS GUIDE

Part Number	Product Line	Position	Application
CFC1210	Disc Brake Pad	Front	Lexus HS250h 2012-2010, Pontiac Vibe 2010-2009, Scion xB 2015-2008, xD 2014-2008, Toyota Corolla 2016-2009, Matrix 2014-2009, Prius V 2016-2012, RAV4 2015-2006
CFC1211	Disc Brake Pad	Front	Pontiac Vibe 2010-2009, Scion iM 2016, tC 2016-2011, Toyota Corolla 2009, Matrix 2013-2009, Mirai 2016, RAV4 2016-2006
CFC1212	Disc Brake Pad	Rear	Lexus ES300h 2016-2013, ES350 2016-2007, HS250h 2012-2010, Pontiac Vibe 2010-2009, Toyota Avalon 2015-2008, Camry 2016-2007, Matrix 2013-2009, RAV4 2016-2006
CFC1249	Disc Brake Pad	Front	Scion xA 2006-2005, xB 2006-2005
CFC1258	Disc Brake Pad	Front	Ford Edge 2016-2007, Lincoln MKX 2010, MKX 2015-2014, Mazda CX-7 2012-2007, CX-9 2014-2007
CFC1259	Disc Brake Pad	Rear	Ford Edge 2010-2007, Lincoln MKX 2010-2007, Mazda CX-7 2012-2007, CX-9 2011-2007, CX-9 2014-2013
CFC1259A	Disc Brake Pad	Rear	Mazda CX-9 2012
CFC1260	Disc Brake Pad	Front	BMW 323i 2011-2010, 328i 2013-2011, 328i xDrive 2013-2012, 328xi 2008-2007, 335d 2010, 335i 2011-2010, 335i 2013, 335is 2012-2011, 335i xDrive 2012-2010, 525i 2006, 645Ci 2005-2004, 650i 2010-2006, X1 2015-2012
CFC1260B	Disc Brake Pad	Front	BMW 335d 2011, 335is 2013
CFC1260C	Disc Brake Pad	Front	BMW 328i 2010, 328i xDrive 2011-2010
CFC1264	Disc Brake Pad	Front	Chevrolet Captiva Sport 2012, Captiva Sport 2015-2014, Equinox 2009-2007, Pontiac Torrent 2009-2007, Saturn Vue 2010-2008, Suzuki XL-7 2009-2007
CFC1274	Disc Brake Pad	Rear	Dodge Nitro 2011-2007, Jeep Liberty 2012-2008, Wrangler 2016-2007
CFC1275	Disc Brake Pad	Rear	Chevrolet Captiva Sport 2014-2012, Equinox 2015-2007, GMC Terrain 2014-2010, Pontiac Torrent 2009-2007, Saturn Vue 2010-2008, Suzuki XL-7 2009-2007
CFC1279	Disc Brake Pad	Rear	Ford Expedition 2016-2007, Lincoln MKT 2013, MKT 2015, Navigator 2016-2007
CFC1281	Disc Brake Pad	Rear	Acura MDX 2013-2007, ZDX 2013-2010, Honda Odyssey 2015-2011, Pilot 2015-2009
CFC1282	Disc Brake Pad	Front	Lexus LS460 2010-2007, LS460 2016-2012, LS600h 2010-2008, LS600h 2014-2012, LS600h 2016
CFC1283	Disc Brake Pad	Front, Rear	Lexus LS600h 2015, LS460 2016-2007, LS600h 2016-2008
CFC1284	Disc Brake Pad	Front, Rear	Hyundai Genesis Coupe 2015, Entourage 2009-2007, Genesis 2011-2009, Genesis Coupe 2015-2010, Kia Borrego 2011-2009, K900 2015, Sedona 2012-2007, Sedona 2014
CFC1284E	Disc Brake Pad	Rear	Hyundai Equus 2015-2011
CFC1287	Disc Brake Pad	Front	Infiniti G35 2008-2007, G37 2013-2008, Q60 2015-2014
CFC1288	Disc Brake Pad	Rear	Infiniti EX35 2010-2008, FX35 2009, G35 2008-2007, G37 2013-2008, M35 2010, M45 2010, Q60 2015-2014, Nissan 370Z 2009, Altima 2010-2007, Juke 2015, Rogue 2013-2008, Rogue Select 2015-2014, Sentra 2010-2007, Sentra 2012
CFC1293	Disc Brake Pad	Front	Lexus ES300h 2013, ES350 2013-2007, Toyota Avalon 2013-2008, Camry 2013-2007
CFC1294	Disc Brake Pad	Front	BMW X4 2016, X5 2016-2007, X6 2016-2008
CFC1295	Disc Brake Pad	Front	Hyundai Sonata 2015, Tucson 2015-2010, Kia Cadenza 2015-2014, Rondo 2012-2007, Soul EV 2015, Sportage 2015-2011
CFC1296	Disc Brake Pad	Rear	Kia Rondo 2012-2007
CFC1297	Disc Brake Pad	Rear	Hyundai Santa Fe 2009-2007
CFC1301	Disc Brake Pad	Front	Hyundai Veracruz 2012-2007
CFC1302	Disc Brake Pad	Rear	Hyundai Veracruz 2012-2007, Kia Sedona 2015
CFC1303	Disc Brake Pad	Front	Lexus LX570 2011-2008, LX570 2016-2013, Toyota Land Cruiser 2011-2008, Land Cruiser 2016-2013, Sequoia 2016-2008, Tundra 2014-2007, Tundra 2016
CFC1304	Disc Brake Pad	Rear	Lexus LX570 2011-2008, LX570 2016-2013, Toyota Land Cruiser 2011-2008, Land Cruiser 2016-2013, Sequoia 2016-2008, Tundra 2016-2007
CFC1305	Disc Brake Pad	Front	Volvo S60 2016-2011, S60 Cross Country 2016, S80 2012-2007, S80 2016-2014, V60 2016-2015, V60 Cross Country 2016-2015, V70 2010-2008, XC70 2016-2008
CFC1308	Disc Brake Pad	Front	Mini Cooper 2016-2007
CFC1309	Disc Brake Pad	Rear	Mini Cooper 2016-2007, Cooper Countryman 2011
CFC1313	Disc Brake Pad	Rear	Hyundai Accent 2013-2012, Azera 2011-2010, Elantra 2010, Elantra 2013-2012, Sonata 2011-2009, Veloster 2013, Kia Amanti 2009-2007, Rio 2014-2012, Soul 2013-2010
CFC1322	Disc Brake Pad	Front	Audi A4 2016-2009, A4 allroad 2015-2013, A4 Quattro 2016-2009, A5 2015-2010, A5 Quattro 2016-2008, A6 2015-2012, A6 Quattro 2015-2013, A7 Quattro 2015-2014, allroad 2016-2013, Q5 2012-2009, Q5 2016-2015, S4 2015-2010, S5 2016-2008
CFC1324	Disc Brake Pad	Front	Lexus NX200t 2016-2015, NX300h 2016-2015, RX350 2016-2010, RX450h 2016-2010, Toyota Highlander 2016-2008, Sienna 2015-2011
CFC1325	Disc Brake Pad	Rear	Toyota Highlander 2013-2008
CFC1326	Disc Brake Pad	Rear	Chrysler Town & Country 2011-2008, Dodge Grand Caravan 2012-2008, Journey 2012-2009, Ram C/V 2012, Volkswagen Routan 2012-2009

BUYERS GUIDE

Part Number	Product Line	Position	Application
CFC1327	Disc Brake Pad	Front	Chrysler Town & Country 2015-2008, Dodge Grand Caravan 2015-2008, Journey 2013-2009, Nitro 2011-2007, Jeep Liberty 2012-2008, Wrangler 2016-2007, Ram C/V 2015-2012, Volkswagen Routan 2012-2009
CFC1332	Disc Brake Pad	Front	Cadillac CTS 2014-2008, STS 2011-2009
CFC1337	Disc Brake Pad	Rear	Cadillac CTS 2014-2008, SRX 2015-2010, Chevrolet Camaro 2014-2010
CFC1339	Disc Brake Pad	Front	Ford Focus 2011-2008
CFC1340	Disc Brake Pad	Front	Mercedes-Benz C230 2009-2008, C250 2015-2010, C300 2012-2008, C350 2011, E550 2011, SLK250 2015-2013
CFC1341	Disc Brake Pad	Rear	Mercedes-Benz C230 2009-2008, C250 2015-2010, C300 2014-2008, C350 2015-2008, E350 2013-2010, E400 2016, E550 2012-2010, E550 2016-2014, GLK250 2015-2013, GLK350 2015-2010
CFC1342	Disc Brake Pad	Front	Mercedes-Benz C250 2012, C250 2015, C300 2014-2013, C350 2010-2008, C350 2015-2012, CLS400 2016-2015, E250 2016-2014, E300 2013-2012, E350 2016-2010, E400 2016-2013, E550 2016-2015, SLK250 2012, SLK250 2015, SLK350 2015-2012
CFC1345	Disc Brake Pad	Front	Nissan Versa 2011-2008
CFC1346	Disc Brake Pad	Front	Infiniti FX50 2013-2009, G37 2013-2008, M35h 2012, M37 2013-2011, M56 2013-2011, Q50 2015-2014, Q60 2015, Q70 2015-2014, Q70L 2015, Nissan 370Z 2013-2009, 370Z 2016-2015
CFC1347	Disc Brake Pad	Rear	Infiniti FX50 2013-2009, G37 2013-2008, M37 2013-2011, M56 2013-2011, Q50 2015-2014, Q60 2015, Q70 2015-2014, Q70L 2015, Nissan 370Z 2016-2009
CFC1351	Disc Brake Pad	Front	Chevrolet Caprice 2012, Pontiac G8 2009-2008
CFC1352	Disc Brake Pad	Rear	Chevrolet Caprice 2016-2011, SS 2014, Pontiac G8 2009-2008
CFC1354	Disc Brake Pad	Rear	Lexus CT200h 2014-2011, Pontiac Vibe 2010-2009, Scion tC 2016-2011, xB 2015-2008, Toyota Corolla 2011-2009, Corolla 2016-2014, Matrix 2014-2009, Prius 2014-2010, Yaris 2013-2012, Yaris 2016-2015
CFC1363	Disc Brake Pad	Front	Cadillac Escalade 2016-2008, Escalade ESV 2015-2008, Escalade EXT 2013-2008, XTS 2015-2013, Chevrolet Avalanche 2013-2008, Express 1500 2014-2009, Silverado 1500 2016-2005, Silverado 1500 Classic 2007, Suburban 2015, Suburban 1500 2014-2007, Tahoe 2016-2008, GMC Savana 1500 2014-2009, Sierra 1500 2016-2005, Sierra 1500 Classic 2007, Yukon 2016-2008, Yukon XL 2015, Yukon XL 1500 2014-2008
CFC1371	Disc Brake Pad	Front	BMW 135i 2013-2008, 135is 2013, 323i 2009-2006, 328i 2013, 328i xDrive 2013
CFC1374	Disc Brake Pad	Front	Nissan Juke 2015-2014, Maxima 2014-2009, Maxima 2016, Rogue 2013-2008, Rogue Select 2015-2014, Sentra 2012-2007, Suzuki Kizashi 2013-2010
CFC1378	Disc Brake Pad	Front	Acura MDX 2013-2007, RLX 2014, ZDX 2013-2010, Honda Pilot 2015-2009
CFC1384	Disc Brake Pad	Front	Hyundai Genesis 2011-2009, Genesis Coupe 2011-2010
CFC1391	Disc Brake Pad	Rear	Lexus GS350 2015-2013, GS450h 2015-2013, IS200t 2016, IS250 2015-2014, IS300 2016, IS350 2016-2014, RC350 2015, RX350 2015-2010, RX450h 2015-2010, Toyota Highlander 2016-2014, Mirai 2016, Prius V 2016-2012, Sienna 2015-2011
CFC1394	Disc Brake Pad	Front	Honda CR-Z 2012-2011, CR-Z 2015-2014, Fit 2012-2009, Fit 2015
CFC1396	Disc Brake Pad	Front	Hyundai Equus 2011, Genesis 2014-2009
CFC1397K1	Disc Brake Pad	Front	Hyundai Elantra 2012-2009, Kia Forte 2013-2010, Forte5 2013-2012, Forte Koup 2013-2010, Soul 2015-2014
CFC1401	Disc Brake Pad	Front	Toyota Venza 2016-2009
CFC1402	Disc Brake Pad	Rear	Toyota Venza 2016-2009
CFC1404	Disc Brake Pad	Front	Buick Regal 2014, Chevrolet Camaro 2014-2010, Caprice 2016-2011
CFC1406	Disc Brake Pad	Front	Mercedes-Benz GLK250 2015-2013, GLK350 2015-2010
CFC1409	Disc Brake Pad	Front	BMW 535i 2011, 535i GT 2014-2011, 535i GT 2016, 535i GT xDrive 2014-2012, 535i GT xDrive 2016, 535i xDrive 2013, 550i 2016-2011, 550i GT 2015-2011, 550i GT xDrive 2016-2012, 550i xDrive 2016-2012, 650i 2016-2012, 650i Gran Coupe 2016-2013, 650i xDrive 2012, 650i xDrive 2016-2014, 650i xDrive Gran Coupe 2016-2013, 740i 2015-2011, 740Ld xDrive 2015, 740Li 2015-2011, 740Li xDrive 2015-2013, 750i 2009, 750i 2015-2011, 750i xDrive 2015-2011, 750Li 2009, 750Li 2015-2011, 750Li xDrive 2015-2011, 760Li 2012, ActiveHybrid 7 2015-2013
CFC1411	Disc Brake Pad	Front, Rear	Chevrolet Express 4500 2014, Silverado 3500 HD 2011, Silverado 3500 HD 2013, GMC Sierra 2500 HD 2011, Sierra 2500 HD 2013, Sierra 3500 HD 2011, Sierra 3500 HD 2013, Nissan NV200 2013, Chevrolet Express 3500 2013-2009, Express 4500 2014-2009, Silverado 2500 HD 2014-2011, Silverado 3500 HD 2014-2011, GMC Savana 3500 2014-2009, Savana 4500 2014-2009, Sierra 2500 HD 2014-2011, Sierra 3500 HD 2014-2011
CFC1412	Disc Brake Pad	Front	Volvo XC60 2015-2010, XC90 2013-2012
CFC1413	Disc Brake Pad	Front	Hyundai Genesis Coupe 2010, Genesis Coupe 2014-2012, Kia Optima 2014-2011

BUYERS GUIDE

Part Number	Product Line	Position	Application
CFC1415	Disc Brake Pad	Rear	Infiniti EX35 2012-2010, EX37 2013, FX35 2012-2010, G25 2012-2011, G37 2012-2011, JX35 2013, M35h 2013-2012, M37 2012, Q40 2015, Q50 2015-2014, Q70 2015-2014, Q70L 2015, QX50 2015-2014, QX60 2015-2014, QX70 2015-2014, Nissan 370Z 2016-2015, Altima 2015-2011, Juke 2011, Juke 2015, Leaf 2015-2014, Maxima 2012-2009, Maxima 2014, Maxima 2016, Murano 2015-2009, Pathfinder 2015-2013, Quest 2015-2011, Rogue 2015-2014, Sentra 2012-2010, Sentra 2015-2014, Suzuki Grand Vitara 2013-2009
CFC1421	Disc Brake Pad	Front	Buick Allure 2010, LaCrosse 2015-2010, Regal 2015-2011, Cadillac ELR 2015, Chevrolet Equinox 2015-2010, Impala 2015-2014, Malibu 2015-2013, GMC Terrain 2013-2010, Terrain 2015, Saab 9-5 2011-2010
CFC1422	Disc Brake Pad	Front	Cadillac SRX 2015-2010, Saab 9-4X 2011
CFC1423	Disc Brake Pad	Rear	Lexus CT200h 2016-2015, Scion iM 2016, Toyota Prius 2015, Prius Plug-In 2015
CFC1424	Disc Brake Pad	Rear	Mercedes-Benz CL550 2014-2013, CL600 2014-2013, CLS400 2016-2015, CLS550 2016-2014, E250 2016-2014, E300 2013, E350 2012, E350 2016-2014, E400 2016-2013, E550 2013, S400 2011, S550 2013, S600 2011, S600 2013, SL550 2012-2010
CFC1428	Disc Brake Pad	Rear	Hyundai Genesis Coupe 2013-2010, Tesla S 2015-2012
CFC1430SR	Disc Brake Pad	Rear	Buick Allure 2010, LaCrosse 2015-2010, Regal 2015-2011, Cadillac XTS 2015-2013, Chevrolet Impala 2015-2014, Malibu 2015-2013, Saab 9-5 2011-2010
CFC1430VR	Disc Brake Pad	Rear	Buick Allure 2010, LaCrosse 2015-2010, Regal 2015-2011, Cadillac XTS 2015-2013, Chevrolet Impala 2015-2014, Malibu 2015-2013, Saab 9-5 2011-2010
CFC1432	Disc Brake Pad	Front	Hyundai Azera 2014-2012, Santa Fe 2015-2010, Santa Fe XL 2014-2013, Kia Rondo 2015-2014, Sorento 2014-2011
CFC1439	Disc Brake Pad	Rear	Hyundai Santa Fe 2015-2010, Santa Fe XL 2014-2013, Kia Sorento 2015-2011
CFC1444	Disc Brake Pad	Front	Hyundai Sonata 2015-2011, Kia Optima 2015-2011
CFC1445	Disc Brake Pad	Rear	Hyundai Azera 2014-2012, Sonata 2015-2011, Kia Optima 2015-2011
CFC1447	Disc Brake Pad	Front	Hyundai Tucson 2012-2010, Kia Sportage 2011
CFC1451	Disc Brake Pad	Rear	Acura TSX 2014-2009, Honda Accord 2015-2008
CFC1453	Disc Brake Pad	Rear	Porsche Cayenne 2015-2011, Volkswagen Touareg 2015-2012
CFC1454A	Disc Brake Pad	Front	Mazda 2 2014-2011
CFC1463	Disc Brake Pad	Front	Ford Mustang 2013-2011
CFC1464	Disc Brake Pad	Front	Ford Mustang 2011, Mustang 2014-2013
CFC1465	Disc Brake Pad	Rear	Ford Mustang 2014-2005
CFC1467	Disc Brake Pad	Front	Buick Encore 2015-2013, Verano 2012, Verano 2015-2014, Cadillac ATS 2013, ATS 2015, Chevrolet Cruze 2015-2013, Trax 2016-2013, Volt 2012-2011, Volt 2015-2014
CFC1468	Disc Brake Pad	Rear	Buick Encore 2015-2013, Verano 2015-2012, Cadillac ELR 2016-2015, Chevrolet Cruze 2015-2011, Orlando 2013-2012, Sonic 2015-2013, Trax 2015, Volt 2015-2011
CFC1469	Disc Brake Pad	Front, Rear	BMW M5 2013, 550i 2016-2012, 550i xDrive 2012, 550i xDrive 2016-2014, 640i 2016-2012, 640i Gran Coupe 2016-2013, 640i xDrive 2016-2014, 640i xDrive Gran Coupe 2016-2014, 650i 2016-2013, 650i Gran Coupe 2016-2013, 650i xDrive 2016-2012, 650i xDrive Gran Coupe 2016-2013, Alpina B6 xDrive Gran Coupe 2016-2015, M5 2016-2012, M6 2016-2012, M6 Gran Coupe 2016-2014
CFC1473	Disc Brake Pad	Rear	BMW 528i 2016-2011, 528i xDrive 2016-2012, 535d 2016-2014, 535d xDrive 2016-2014, 535i 2016-2012, 535i xDrive 2016-2011, ActiveHybrid 5 2016-2012, X3 2016-2011, X4 2016-2015, Z4 2016-2011
CFC1498	Disc Brake Pad	Rear	Dodge Durango 2015-2011, Jeep Grand Cherokee 2015-2011
CFC1504	Disc Brake Pad	Front	BMW 528i 2016-2011, 528i xDrive 2016-2012
CFC1506	Disc Brake Pad	Front	Acura CL 2003-2001, RL 2004-1999, TL 2008-1999, TSX 2014-2004, Honda Accord 2012-2003
CFC1508	Disc Brake Pad	Front	Ford Explorer 2016-2011, Flex 2015-2009, Taurus 2015-2010, Lincoln MKS 2012-2009, MKT 2015-2010
CFC1509	Disc Brake Pad	Front	Infiniti QX56 2013-2006, QX80 2015-2014, Nissan Armada 2015-2006, Titan 2015-2008
CFC1510	Disc Brake Pad	Rear	Infiniti QX56 2013-2011, QX80 2015-2014
CFC1521	Disc Brake Pad	Front	Acura RDX 2012-2007, Honda Accord Crosstour 2011-2010, Crosstour 2015-2012, CR-V 2015-2007, Odyssey 2015-2005
CFC1522	Disc Brake Pad	Front	Buick Verano 2013, Chevrolet Cruze 2015-2011, Orlando 2013-2012, Sonic 2014-2012, Volt 2013
CFC1539	Disc Brake Pad	Front, Rear	Scion FR-S 2016-2013, Subaru BRZ 2015-2013, Forester 2015-2011, Impreza 2015-2012, Legacy 2014-2013, Outback 2014-2013, XV Crosstrek 2015-2013, Impreza 2013
CFC1544	Disc Brake Pad	Rear	Hyundai Accent 2012, Accent 2014, Elantra 2011, Elantra 2015-2014, Elantra Coupe 2014-2013, Elantra GT 2013, Kia Optima 2014, Optima 2016, Rio 2012, Rio 2015, Rio5 2011
CFC1551	Disc Brake Pad	Rear	Hyundai Genesis 2015-2011, Kia K900 2015

BUYERS GUIDE

Part Number	Product Line	Position	Application
CFC1552	Disc Brake Pad	Front	Nissan Quest 2015-2011
CFC1554	Disc Brake Pad	Rear	Mini Cooper Countryman 2016-2012, Cooper Paceman 2016-2013
CFC1564	Disc Brake Pad	Rear	Ford C-Max 2016-2013, Escape 2016-2013, Focus 2013-2012, Focus 2016-2015, Transit Connect 2016-2014
CFC1568	Disc Brake Pad	Front	Fiat 500 2015-2012
CFC1569	Disc Brake Pad	Rear	Fiat 500 2013-2012, 500 2015
CFC1576	Disc Brake Pad	Front	Hyundai Equus 2015-2012, Kia K900 2015
CFC1578	Disc Brake Pad	Front	Honda Civic 2014-2012
CFC1584	Disc Brake Pad	Front	Acura TL 2014-2009, TLX 2016-2015, Honda Ridgeline 2014-2006
CFC1586	Disc Brake Pad	Front	Lexus GS350 2011-2007, GS350 2015-2013, GS430 2007-2006, GS450h 2011-2007, GS450h 2015-2013, GS460 2011-2008, IS200t 2016, IS300 2016, IS350 2016-2006, LS460 2011, LS600h 2011, RC350 2015
CFC1589	Disc Brake Pad	Front	Chrysler Town & Country 2015-2012, Dodge Grand Caravan 2016-2012, Journey 2016-2012, Ram C/V 2015-2012, Volkswagen Routan 2014-2012
CFC1592	Disc Brake Pad	Front	Nissan Versa 2015-2012, Versa Note 2015-2014
CFC1593	Disc Brake Pad	Front	Hyundai Accent 2014-2012, Kia Rio 2015-2012
CFC1594	Disc Brake Pad	Rear	Hyundai Elantra GT 2014, Sonata 2015, Veloster 2012, Veloster 2015-2014, Kia Cadenza 2015, Forte 2015-2014, Forte Koup 2015-2014, Soul 2015-2014, Soul EV 2015
CFC1595	Disc Brake Pad	Front	Hyundai Elantra 2015-2011, Elantra Coupe 2014-2013, Elantra GT 2014-2013, Veloster 2015-2012, Kia Forte 2015-2014, Forte Koup 2015-2014, Soul 2010
CFC1596	Disc Brake Pad	Rear	Chrysler Town & Country 2015-2012, Dodge Grand Caravan 2016-2012, Journey 2016-2012, Ram C/V 2015-2012, Volkswagen Routan 2014-2012
CFC1597	Disc Brake Pad	Front	BMW 528i 2016-2015, 535d 2016-2014, 535d xDrive 2016-2014, 535i 2016-2012, 535i GT 2015, 535i GT xDrive 2015, 535i xDrive 2012, 535i xDrive 2016-2014, 640i 2016-2012, 640i Gran Coupe 2016-2013, 640i xDrive 2016-2014, 640i xDrive Gran Coupe 2016-2014, 650i xDrive 2013, ActiveHybrid 5 2016-2012
CFC1602	Disc Brake Pad	Rear	Ford F-150 2015-2012
CFC1609	Disc Brake Pad	Front, Rear	BMW 228i 2016-2015, 228i xDrive 2016-2015, 320i 2016, 320i xDrive 2016, 328i 2012, 328i 2016-2015, 328i xDrive 2016-2015, 335i 2015-2012, 335i GT xDrive 2016-2014, 335i xDrive 2015-2014, 340i 2016, 340i xDrive 2016, 428i 2016-2015, 428i Gran Coupe 2016, 428i xDrive 2016-2015, 428i xDrive Gran Coupe 2016, 435i 2016-2014, 435i Gran Coupe 2016-2015, 435i xDrive 2016-2014, 435i xDrive Gran Coupe 2016-2015, ActiveHybrid 3 2015-2013, i8 2014, M3 2016-2015, M4 2016-2015, M235i 2015-2014, M235i xDrive 2016-2015, 228i 2015-2014
CFC1610	Disc Brake Pad	Rear	BMW 335i 2013-2012, 335i 2015, 335i GT xDrive 2016-2014, 335i xDrive 2015-2014, 340i 2016, 340i xDrive 2016, 435i 2016-2015, 435i Gran Coupe 2016-2015, 435i xDrive Gran Coupe 2016-2015, ActiveHybrid 3 2015-2013
CFC1611	Disc Brake Pad	Front, Rear	Ford Explorer 2013-2012, Explorer 2016, Flex 2015-2012, Fusion 2015, Police Interceptor Sedan 2016, Police Interceptor Utility 2016, Taurus 2013, Lincoln MKS 2014, MKT 2015, Ford Flex 2015
CFC1611B	Disc Brake Pad	Front	Ford Explorer 2015, Police Interceptor Sedan 2015-2013, Police Interceptor Utility 2015-2013, Special Service Police Sedan 2015, Taurus 2015, Lincoln MKS 2013, MKS 2015
CFC1613	Disc Brake Pad	Rear	BMW 228i 2016, 228i xDrive 2016-2015, 320i 2016-2012, 320i xDrive 2016-2013, 328d 2016-2014, 328d xDrive 2016-2014, 328i 2016-2012, 328i GT xDrive 2016-2014, 328i xDrive 2016-2013, 428i 2016-2014, 428i Gran Coupe 2016-2015, 428i xDrive 2016-2014, 428i xDrive Gran Coupe 2016-2015
CFC1623	Disc Brake Pad	Front	Mazda CX-5 2015-2013
CFC1624	Disc Brake Pad	Rear	Mazda CX-3 2016, CX-5 2015-2013
CFC1625	Disc Brake Pad	Front	Acura RDX 2016-2013, RLX 2016-2014
CFC1628	Disc Brake Pad	Front	Toyota Yaris 2016-2012
CFC1629	Disc Brake Pad	Front	Dodge Durango 2015-2011, Jeep Grand Cherokee 2015-2011, Mercedes-Benz GL350 2016-2014, GL450 2016-2013, GLE300d 2016, GLE350 2016, GLE400 2016, ML63 AMG 2015-2014, ML250 2015, ML350 2015-2012, ML400 2015, ML550 2015
CFC1630	Disc Brake Pad	Rear	Mercedes-Benz GL63 AMG 2016, GL350 2016, GL450 2016, GL500 2015, GL550 2016, GLA45 AMG 2016, GLE63 AMG 2016, GLE63 AMG S 2016, GLE300d 2016, GLE350 2016, GLE400 2016, GLE450 AMG 2016, ML350 2013-2012, SLK55 AMG 2015
CFC1633	Disc Brake Pad	Front	Audi S3 2016-2015, Volkswagen CC 2013, CC 2015, GTI 2016-2015
CFC1636	Disc Brake Pad	Front	Mercedes-Benz GL500 2015, GL550 2015-2013, ML550 2014-2012
CFC1636A	Disc Brake Pad	Front	Mercedes-Benz GL550 2014-2013, ML550 2014-2012
CFC1640AK1	Disc Brake Pad	Front	Dodge Dart 2015-2013, Jeep Cherokee 2014
CFC1640AK2	Disc Brake Pad	Front	Chrysler 200 2015
CFC1640K1	Disc Brake Pad	Front	Chrysler 200 2016, Dodge Dart 2014-2013, Dart 2016, Jeep Cherokee 2016-2014
CFC1640K2	Disc Brake Pad	Front	Chrysler 200 2015

BUYERS GUIDE

Part Number	Product Line	Position	Application
CFC1645	Disc Brake Pad	Front	Ford Escape 2016-2013, Transit Connect 2016-2014
CFC1647	Disc Brake Pad	Rear	Dodge Dart 2015-2013
CFC1649	Disc Brake Pad	Front	Infiniti JX35 2013, QX60 2015-2014, Nissan Murano 2015, Pathfinder 2015-2013
CFC1650	Disc Brake Pad	Front	Nissan Altima 2015-2013, Leaf 2015-2014
CFC1652	Disc Brake Pad	Front	Mercedes-Benz E550 2014-2012
CFC1653	Disc Brake Pad	Front	Ford Fusion 2017-2013, Lincoln MKZ 2016-2013
CFC1654	Disc Brake Pad	Front	Honda Accord 2015-2013, HR-V 2016
CFC1658	Disc Brake Pad	Front, Rear	Mitsubishi i-MiEV 2012, i-MiEV 2012
CFC1659	Disc Brake Pad	Rear	Cadillac ATS 2016-2013, CTS 2015
CFC1663	Disc Brake Pad	Front	Audi Q5 2013, Q5 2016-2015
CFC1665	Disc Brake Pad	Rear	Ford Fusion 2016-2013, Lincoln MKC 2016-2015, MKZ 2016-2013
CFC1668	Disc Brake Pad	Front	Ford Focus 2014-2013, Lincoln MKC 2015
CFC1675	Disc Brake Pad	Front	Hyundai Veloster 2013, Veloster 2015
CFC1679	Disc Brake Pad	Rear	Mazda 3 2014, 3 Sport 2014, 6 2015-2014, Mitsubishi Outlander 2016-2014, Outlander Sport 2014-2013
CFC1694	Disc Brake Pad	Front	Mercedes-Benz B180 2013-2012, B250 2014-2013, B Electric Drive 2016-2014, CLA250 2016-2014, GLA250 2016-2015
CFC1698	Disc Brake Pad	Rear	Acura RLX 2014, TLX 2016-2015
CFC1707	Disc Brake Pad	Rear	Cadillac Escalade 2015-2014, Escalade ESV 2015, Chevrolet Silverado 1500 2016-2014, Suburban 2015, Tahoe 2015-2014, GMC Sierra 1500 2016-2014, Yukon 2015, Yukon XL 2015
CFC1709	Disc Brake Pad	Front	Jeep Cherokee 2015-2014
CFC1718	Disc Brake Pad	Rear	Chevrolet Corvette 2015-2014
CFC1719	Disc Brake Pad	Rear	Chrysler Town & Country 2015-2012, Dodge Grand Caravan 2015-2012, Journey 2013, Ram C/V 2015-2012
CFC1720	Disc Brake Pad	Front	Fiat 500 2013
CFC1721	Disc Brake Pad	Front	Fiat 500L 2015-2014
CFC1722	Disc Brake Pad	Rear	Fiat 500L 2015-2014
CFC1723	Disc Brake Pad	Front	Acura MDX 2016-2014, Honda Pilot 2016
CFC1724	Disc Brake Pad	Rear	Acura MDX 2016-2014, Honda Pilot 2016
CFC1728	Disc Brake Pad	Front	Mazda 3 2014, 3 Sport 2014
CFC1729	Disc Brake Pad	Rear	Mazda 3 2014, 3 Sport 2014
CFC1733	Disc Brake Pad	Front	Lexus IS250 2014
CFC1734	Disc Brake Pad	Rear	Chrysler 200 2016-2015, Jeep Cherokee 2016-2014
CFC1735	Disc Brake Pad	Front	Kia Forte 2014, Forte Koup 2015-2014
CFC1736	Disc Brake Pad	Front	Infiniti Q50 2015-2014, Nissan Rogue 2015-2014
CFC1737	Disc Brake Pad	Front	Nissan Rogue 2015-2014
CFC1744	Disc Brake Pad	Rear	Fiat 500 2015-2014
CFC1754	Disc Brake Pad	Rear	Ford Edge 2015-2011, Explorer 2016-2011, Flex 2014-2009, Police Interceptor Utility 2016-2013, Taurus 2013-2010, Taurus 2015, Lincoln MKS 2012-2009, MKS 2015, MKT 2013-2010, MKT 2015, MKX 2015-2011, Saab 9-4X 2011
CFC1759	Disc Brake Pad	Front	Mazda 3 2014, 3 Sport 2014
CFC1760	Disc Brake Pad	Front	Audi A3 2016-2015, A3 Quattro 2016-2015, TT Quattro 2016, Volkswagen e-Golf 2015, Golf 2015, Golf SportWagen 2015, GTI 2016-2015
CFC1761	Disc Brake Pad	Rear	Audi A3 2016-2015, A3 Quattro 2016-2015, S3 2016-2015, TT Quattro 2016, Volkswagen Golf 2016
CFC1770	Disc Brake Pad	Front	Ford Expedition 2016-2010, F-150 2015-2010, Lincoln Navigator 2016-2010
CFC1790	Disc Brake Pad	Rear	Ford F-150 2015
CFC1791	Disc Brake Pad	Front	Ford Mustang 2015
CFC1793	Disc Brake Pad	Rear	Ford Mustang 2015
CFC1796	Disc Brake Pad	Front	Mercedes-Benz C300 2016-2015, C400 2015, GLC300 2016
CFC1799	Disc Brake Pad	Front	Hyundai Genesis 2015, Kia K900 2015
CFC1800	Disc Brake Pad	Rear	Mini Cooper 2016-2014
CFC1801	Disc Brake Pad	Front	Mini Cooper 2016-2014, Cooper Clubman 2016
CFC1802	Disc Brake Pad	Front	Chevrolet Colorado 2015, GMC Canyon 2015
CFC1803	Disc Brake Pad	Front	Hyundai Sonata 2016-2015
CFC1805	Disc Brake Pad	Rear	Lexus NX200t 2016-2015, NX300h 2016-2015
CFC1806	Disc Brake Pad	Rear	Chevrolet Colorado 2015, GMC Canyon 2015
CFC1808	Disc Brake Pad	Front, Rear	Subaru Legacy 2015, Legacy 2015, Outback 2015
CFC1809	Disc Brake Pad	Rear	Fiat 500X 2016, Jeep Renegade 2015
CFC1811	Disc Brake Pad	Front	Fiat 500X 2016, Jeep Renegade 2016-2015
CFC1813	Disc Brake Pad	Rear	Hyundai Sonata 2016, Veloster 2016, Kia Optima 2016, Rondo 2016-2014
CFC1814	Disc Brake Pad	Front	Kia Sedona 2015
CFC1818	Disc Brake Pad	Front	Ford Edge 2016-2015, Lincoln MKX 2016
CFC1821	Disc Brake Pad	Rear	Land Rover Discovery Sport 2016-2015, Volvo XC90 2016
CFC1828	Disc Brake Pad	Front	Hyundai Veloster 2016
CFC1829	Disc Brake Pad	Rear	Hyundai Sonata 2016
CFC1838	Disc Brake Pad	Front	Land Rover Discovery Sport 2016-2015, Range Rover Evoque 2016
CFC1838A	Disc Brake Pad	Front	Jaguar XE 2017-2016
CFC1841	Disc Brake Pad	Rear	Honda CR-Z 2016, HR-V 2016
CFC1844	Disc Brake Pad	Front	Chevrolet Volt 2016

BUYERS GUIDE

Part Number	Product Line	Position	Application
CFC1846	Disc Brake Pad	Rear	Mazda CX-5 2016
CFC1847	Disc Brake Pad	Front	Hyundai Tucson 2016
CFC1848	Disc Brake Pad	Rear	Hyundai Tucson 2016
CFC1850	Disc Brake Pad	Rear	BMW 740i 2016, 750i 2016, 750i xDrive 2016
CFC1855	Disc Brake Pad	Front	Kia Optima 2016
CFC1857	Disc Brake Pad	Rear	Chevrolet Volt 2016
CFC1860	Disc Brake Pad	Front	Honda Accord 2016
CFC1861	Disc Brake Pad	Front	Jaguar F-Pace 2017, XE 2017, XF 2016
CFC1865	Disc Brake Pad	Front	Volvo XC90 2016
CFC1866	Disc Brake Pad	Front	Volvo XC60 2016
CFC1867	Disc Brake Pad	Front	BMW 740i 2016
CFC1868	Disc Brake Pad	Front	BMW 750i 2016, 750i xDrive 2016
CFC1869	Disc Brake Pad	Front	Jaguar XE 2017-2016
CFC1871	Disc Brake Pad	Front	Mercedes-Benz C450 AMG 2016, GLC300 2016
CFC1874	Disc Brake Pad	Rear	Mazda 6 2016
CFC1878	Disc Brake Pad	Rear	Honda Civic 2016
CFC1895	Disc Brake Pad	Rear	Audi Q7 2017
CFM149	Disc Brake Pad	Front, Rear	Chevrolet C30 1986-1975, C30 Pickup 1974, G30 1996-1975, G30 Van 1974, K30 1986-1977, P30 1999-1975, P30 Van 1974-1971, R30 1988-1987, R3500 1991-1989, V30 1988-1987, V3500 1991-1989, Dodge D400 1980-1978, D450 1980-1978, W200 1980-1975, W250 1993-1981, W300 1980-1975, W300 Pickup 1974, W350 1993-1981, GMC C35 1978-1975, C35/C3500 Pickup 1974, C3500 1986-1979, G35 1978-1975, G35/G3500 Van 1974, G3500 1996-1979, K35 1978-1977, K35/K3500 Pickup 1974, K3500 1986-1979, P35 1978-1975, P35/P3500 Van 1974-1971, P3500 1985-1979, P3500 1999-1987, R3500 1991-1987, V3500 1991-1987, International 200 1975-1974, Workhorse P30 2004-2000, Chevrolet C30 1986-1975, C30 Pickup 1974, C3500 1994-1988, C3500HD 1994-1991, Express 3500 1996, G30 1996-1975, G30 Van 1974, K30 1986-1977, P30 1999-1975, P30 Van 1974, R30 1988-1987, R3500 1991-1989, V30 1988-1987, V3500 1991-1989, Dodge D400 1980-1979, D450 1980-1979, W200 1980-1975, W250 1993-1981, W300 1980-1975, W300 Pickup 1974, W350 1993-1981, GMC C35 1978-1975, C35/C3500 Pickup 1974, C3500 1986-1979, C3500 1994-1988, C3500HD 1994-1991, G35 1978-1975, G35/G3500 Van 1974, G3500 1994-1979, K35 1978-1977, K3500 1986-1979, P35 1978-1975, P3500 1996-1979, R3500 1991-1987, V3500 1991-1987, International 200 1975-1974, Workhorse P30 2004-2000
CFM369	Disc Brake Pad	Front, Rear	Cadillac 60 Special 1993, Commercial Chassis 1993-1990, DeVille 1993-1990, DeVille 1999-1997, Escalade 2000-1999, Fleetwood 1992-1990, Chevrolet Astro 2002-1990, Blazer 1994-1992, C1500 1999-1988, C1500 Suburban 1999-1992, C2500 2000-1988, Express 1500 2002-1996, Express 2500 2002-1996, K1500 1999-1988, K1500 Suburban 1999-1992, K2500 2000-1988, Tahoe 2000-1995, Dodge Ram 1500 1999-1994, GMC C1500 1999-1988, C1500 Suburban 1999-1992, C2500 2000-1988, K1500 1999-1988, K1500 Suburban 1999-1992, K2500 2000-1988, Safari 2002-1990, Savana 1500 2002-1996, Savana 2500 2002-1996, Yukon 2000-1992, Chevrolet K2500 2000
CFM370	Disc Brake Pad	Front, Rear	Chevrolet C1500 Suburban 1999-1995, C2500 2000-1988, C2500 Suburban 1999-1992, C3500 2000-1990, C3500HD 1993-1991, C3500HD 2000-1999, Express 2500 2002-1996, Express 3500 2002-1996, K1500 Suburban 1999-1995, K2500 2000-1988, K2500 Suburban 1999-1992, K3500 2000-1988, Tahoe 1999-1997, Dodge Ram 2500 1999-1994, GMC C1500 Suburban 1999-1995, C2500 2000-1988, C2500 Suburban 1999-1992, C3500 2000-1990, C3500HD 1991, K1500 Suburban 1999-1995, K2500 2000-1988, K2500 Suburban 1999-1992, K3500 2000-1988, Savana 2500 2002-1996, Savana 3500 2002-1996, Yukon 1998-1997, Chevrolet K2500 2000
CFM411	Disc Brake Pad	Front, Rear	Ford E-450 Econoline Super Duty 2002-2001, E-550 Econoline Super Duty 2002, Econoline Super Duty 1999-1996, F53 1997-1988, F59 1997-1988, F Super Duty 1997-1988, E-450 Econoline Super Duty 2002-2000, E-450 Super Duty 2007-2005, E-550 Econoline Super Duty 2002, Econoline Super Duty 1999-1996, F53 1997-1988, F59 1997-1988, F Super Duty 1997-1988
CFM431	Disc Brake Pad	Front	Ford Mustang 1993-1987, Thunderbird 1988-1985, Mercury Cougar 1986-1985
CFM459	Disc Brake Pad	Front	Chevrolet C3500 2000-1988, C3500HD 1993-1991, C3500HD 2000-1999, Express 2500 2002-2001, Express 3500 2002-1996, K3500 2000-1990, Dodge Ram 2500 1999-1994, Ram 3500 1999-1994, GMC C3500 2000-1988, C3500HD 1993-1991, C3500HD 2000-1999, K3500 2000-1990, Savana 2500 2002-2001, Savana 3500 2002-1996

BUYERS GUIDE

Part Number	Product Line	Position	Application
CFM508	Disc Brake Pad	Rear	Buick LeSabre 2005-2000, Park Avenue 2005-1997, Regal 1996-1994, Riviera 1993-1992, Riviera 1999-1995, Cadillac Allante 1993, DeVille 2005-1997, Eldorado 2002-2000, Seville 1997, Seville 2004-2003, Chevrolet Lumina 1999-1995, Monte Carlo 1999-1995, Oldsmobile Aurora 1999-1995, Aurora 2003-2001, Cutlass Supreme 1997-1994, Pontiac Bonneville 2005-2000, Grand Prix 1996-1994, Saturn SC1 1998-1993, SC2 1998-1996, SL 1998-1996, SL1 1998-1991, SL2 1998-1996, SW1 1998-1993, SW2 1998-1996
CFM592A	Disc Brake Pad	Rear	Cadillac CTS 2007-2004, CTS 2015-2009, STS 2011-2005, Chevrolet Camaro 2014-2010, SS 2015, Chrysler 300 2010-2005, 300 2013-2012, Dodge Challenger 2016-2008, Charger 2010-2006, Charger 2015-2012, Magnum 2008-2006, Jaguar S-Type 2005-2003, Super V8 2005, XJR 2000, XJR 2005-2004, XKR 2006-2000, Jeep Grand Cherokee 2010-2006, Grand Cherokee 2013-2012, Volvo S60 2007-2004, V70 2007-2004
CFM655	Disc Brake Pad	Front, Rear	Dodge B2500 1998, B3500 1998, Ram 2500 Van 2003-1999, Ram 3500 Van 2003-1999, Ford E-150 2007, E-250 2007-2003, E-250 Econoline 2002-1995, E-250 Super Duty 2005-2004, E-350 Club Wagon 2005-2003, E-350 Econoline 2000-1995, E-350 Econoline Club Wagon 2002-1995, E-350 Super Duty 2007-1999, E-450 Econoline Super Duty 2000, E-450 Super Duty 2007-2003, F-250 1997-1995, F-350 1997-1995, E-450 Super Duty 2004-2003
CFM676	Disc Brake Pad	Front	Land Rover Discovery 2004-1999, Range Rover 2002-1995
CFM681	Disc Brake Pad	Front	BMW 530i 2003-2001, 540i 2003-1997, 740i 1995, 740i 2001-1997, 740iL 2001-1995, M5 2003-2000, X5 2006-2000
CFM692	Disc Brake Pad	Rear	BMW 318i 1998-1992, 318is 1997-1992, 318ti 1998-1995, 320i 1995-1992, 323Ci 2000, 325Ci 2005-2004, 325i 1995-1992, 325is 1995-1992, 328Ci 2000, 328i 1998-1996, 328i 2000, 328is 1998-1996, 525i 1995-1989, 525i 2002-2001, 525iT 1993, 528i 2000-1997, 530i 1995-1994, 530i 2002-2001, 535i 1993-1988, 535is 1988, 540i 1995-1994, 540i 2003-1997, 735i 1992-1987, 735iL 1992-1988, 740i 1994-1993, 740iL 1994-1993, 750iL 1994-1988, M3 1991-1988, M3 1999-1994, M5 1993-1991, Z3 2002-1996
CFM702A	Disc Brake Pad	Rear	Dodge Ram 1500 2008-2006, Ram 2500 2008-2001, Ram 2500 Van 2003-2001, Ram 3500 2008-2001, Ram 3500 Van 2003-2001
CFM731	Disc Brake Pad	Front	Cadillac XLR 2009-2004, Chevrolet Corvette 2010-1997, Corvette 2013-2012, Pontiac GTO 2006-2005
CFM732	Disc Brake Pad	Rear	Cadillac XLR 2009-2004, Chevrolet Corvette 2010-1997, Corvette 2013-2012
CFM737	Disc Brake Pad	Front	Porsche Boxster 2008-1997, Cayman 2008-2007
CFM738	Disc Brake Pad	Rear	Porsche 911 2000-1999, 911 2004-2002, 911 2008-2006, Boxster 2008-1997, Boxster 2012, Cayman 2008-2006, Cayman 2012
CFM740	Disc Brake Pad	Front, Rear	Chrysler Crossfire 2008-2004, Mercedes-Benz CLK320 2003-1998, CLK430 2003-1999, E300 1999-1998, E320 2005-1996, E350 2009-2006, E420 1997, E430 2002-1998, SLK320 2004-2001, Dodge Dakota 2005
CFM757	Disc Brake Pad	Rear	Ford Excursion 2005-2000, F-250 Super Duty 2004-1999, F-350 Super Duty 2004-1999
CFM760	Disc Brake Pad	Front	Mercedes-Benz ML320 2003-1998, ML350 2005-2003, ML430 1999
CFM763	Disc Brake Pad	Rear	BMW 318i 1999, 318is 1999-1998, 318ti 1999, 320i 2005-2001, 323Ci 2000, 323i 2000-1998, 323is 1999-1998, 325Ci 2003-2001, 325Ci 2006, 325i 2005-2001, 325xi 2005-2001, 328i 1999, 328is 1999, Z4 2008-2003, Saab 9-5 2009-1999
CFM779	Disc Brake Pad	Rear	Chrysler Crossfire 2008-2004, Mercedes-Benz C230 2000-1999, C230 2007-2002, C240 2005-2001, C280 1998, SLK230 2004-1998, SLK280 2008-2006, SLK300 2011-2009, SLK320 2004-2001
CFM781	Disc Brake Pad	Front	BMW 318i 1999, 318is 1999-1998, 318ti 1999, 320i 2005-2001, 323Ci 2000, 323i 2000-1998, 323is 1999-1998, 325Ci 2006-2001, 325i 2005-2001, 325xi 2005-2001, 328i 2000-1998, 328is 1999-1998, Z3 1998, Z3 2002-2000, Z4 2008-2003
CFM783	Disc Brake Pad	Front	Volvo C70 2004-1999, S70 2000-1999, V70 2000-1998
CFM794	Disc Brake Pad	Front	Volvo S60 2009-2001, S80 2006-1999, V70 2007-2001, XC70 2007-2003
CFM795	Disc Brake Pad	Rear	Volvo S60 2009-2001, S80 2006-1999, V70 2007-2000, XC70 2007-2003
CFM802	Disc Brake Pad	Rear	Ford E-150 2007, E-250 2007-2003, E-250 Econoline 2002-1999, E-250 Super Duty 2005-2004, E-350 Club Wagon 2005-2003, E-350 Econoline 2000-1999, E-350 Econoline Club Wagon 2002-1999, E-350 Super Duty 2007-1999
CFM819	Disc Brake Pad	Front	Saab 9-3 2003-1999, 9-5 2005-1999, Saturn L100 2002-2001, L200 2003-2001, L300 2005-2001, LS 2000, LS1 2000, LS2 2000, LW1 2000, LW2 2000, LW200 2003-2001, LW300 2003-2001
CFM840	Disc Brake Pad	Front	Audi A4 2006-1999, A4 Quattro 2006-1999, A6 2004-2000, A6 Quattro 2004-2000, RS6 2004-2003, S4 2002, S6 2003-2002, Volkswagen Passat 2005-2000

BUYERS GUIDE

Part Number	Product Line	Position	Application
CFM847AK1	Disc Brake Pad	Front	Mercedes-Benz C55 AMG 2006-2005, C230 2004-2003, C240 2004-2002, C320 2004-2001, C350 2007-2006, CL55 AMG 2002-2001, CL500 2006-2000, CL550 2011, CLK55 AMG 2004-2003, CLK500 2006-2003, CLK550 2009-2007, CLS550 2011-2007, ML55 AMG 2003-2000, ML430 2001-2000, ML500 2005-2002, S55 AMG 2002-2001, S350 2006, S600 2006-2001, SL600 2002-2000, SLK55 AMG 2010-2005, SLK350 2006-2005
CFM847AK2	Disc Brake Pad	Front	Mercedes-Benz CL600 2006-2001, CLS500 2006, E350 2009-2006, E550 2009-2007, S430 2006-2000, S500 2006-2000, SL500 2006-1999, SL550 2009-2007, SL550 2012-2011
CFM847AK3	Disc Brake Pad	Front	Mercedes-Benz C32 AMG 2004-2002, E500 2006-2003
CFM847K1	Disc Brake Pad	Front	Mercedes-Benz C32 AMG 2004-2002, C55 AMG 2006-2005, C230 2004-2003, C240 2004-2002, C320 2004-2001, C350 2007-2006, CL55 AMG 2002-2001, CL500 2006-2000, CL550 2011, CLK55 AMG 2004-2003, CLK500 2006-2003, CLK550 2009-2007, CLS550 2011-2007, E500 2006-2003, ML55 AMG 2003-2000, ML430 2001-2000, ML500 2005-2002, S55 AMG 2002-2001, S350 2006, S600 2006-2001, SL600 2002-2000, SLK55 AMG 2010-2005, SLK350 2006-2005
CFM847K2	Disc Brake Pad	Front	Mercedes-Benz CL600 2006-2001, CLS500 2006, E350 2009-2006, E550 2009-2007, S430 2006-2000, S500 2006-2000, SL500 2006-1999, SL550 2009-2007, SL550 2012-2011
CFM872	Disc Brake Pad	Front	Mercedes-Benz C230 2005-2002, C240 2005-2001, C280 2007-2006, C320 2005-2001, C350 2007-2006, CLK320 2005-2003, CLK350 2009-2006, E280 2007, SLK280 2008-2006, SLK300 2011-2009
CFM875	Disc Brake Pad	Rear	Mercedes-Benz ML320 2003-1998, ML350 2005-2003, ML430 1999
CFM886	Disc Brake Pad	Rear	Ford Fiesta 2016-2014, Focus 2007-2000
CFM910	Disc Brake Pad	Front	Jaguar X-Type 2008-2002
CFM915	Disc Brake Pad	Front	Audi A4 2006-2005, A4 Quattro 2006-2005, A6 2004-2002, A6 Quattro 2006-2002, Allroad Quattro 2005-2003, S6 2003-2002
CFM915A	Disc Brake Pad	Front	Mazda 3 2013-2007, Volvo C70 2013-2006, S40 2011-2004, V50 2011-2005
CFM915B	Disc Brake Pad	Front	Saab 9-3 2011-2008, 9-3X 2011-2010
CFM919B	Disc Brake Pad	Rear	BMW X5 2013-2010, X6 2014-2010
CFM927	Disc Brake Pad	Front	Mercedes-Benz G55 AMG 2011, G550 2010, G550 2015-2012
CFM931	Disc Brake Pad	Front	Ford Crown Victoria 2011-2003, Lincoln Town Car 2011-2003, Mercury Grand Marquis 2011-2003, Marauder 2004-2003
CFM939	Disc Brake Pad	Front	Mini Cooper 2008-2002
CFM946	Disc Brake Pad	Front	BMW 330Ci 2006-2001, 330i 2005-2001, 330xi 2005-2001, X3 2010-2004, Z4 2008-2006
CFM947	Disc Brake Pad	Front	BMW 525i 2003-2001, 528i 2000-1999
CFM960	Disc Brake Pad	Front	Infiniti G35 2004, Nissan 350Z 2009-2003, Sentra 2006-2004
CFM961	Disc Brake Pad	Rear	Infiniti G35 2004, Mitsubishi Lancer 2006-2003, Nissan 350Z 2005-2003, 350Z 2009-2007, Subaru Impreza 2013-2004, WRX STI 2015-2013
CFM965	Disc Brake Pad	Front	Dodge Ram 1500 2008-2006, Ram 2500 2008-2003, Ram 3500 2008-2003
CFM967	Disc Brake Pad	Rear	Chrysler Aspen 2009-2007, Dodge Durango 2009-2003, Ram 1500 2010-2002, Ram 1500 Van 2003, Ram 1500 2015-2011
CFM978	Disc Brake Pad	Rear	Audi Q7 2015-2007, Porsche Cayenne 2006-2003, Cayenne 2010-2008, Volkswagen Touareg 2011-2004
CFM979	Disc Brake Pad	Front	Volvo XC90 2010-2003, XC90 2014-2012
CFM980	Disc Brake Pad	Rear	Volvo XC90 2010-2003, XC90 2014-2012
CFM1001	Disc Brake Pad	Front	Buick Regal 2013-2012, Regal 2015, Ford Mustang 2014, Hyundai Genesis Coupe 2012, Mitsubishi Lancer 2006-2003, Lancer 2011-2008, Lancer 2014-2013, Subaru Impreza 2014-2004, WRX 2013, WRX STI 2015-2013, Volvo S60 2007-2004, V70 2007-2004
CFM1003	Disc Brake Pad	Front	Volvo XC90 2006-2003, XC90 2011, XC90 2013
CFM1007	Disc Brake Pad	Front	Porsche Cayenne 2006-2003, Cayenne 2010-2008, Volkswagen Touareg 2006-2004, Touareg 2014-2012
CFM1012	Disc Brake Pad	Rear	Ford F-150 2011-2004, Lincoln Mark LT 2008-2006
CFM1014	Disc Brake Pad	Front	Audi Q7 2015-2007, Porsche Cayenne 2006-2003, Cayenne 2009-2008, Volkswagen Touareg 2008-2004, Touareg 2011-2010
CFM1017	Disc Brake Pad	Rear	Audi A3 2013, A4 2005-1998, A4 Quattro 2004-2002, A6 2003-1999, A6 Quattro 2004-1998, A8 Quattro 2003-2002, Allroad Quattro 2005-2001, S6 2003-2002, TT 2000, TT 2002, TT 2006-2005, TT Quattro 2002-2000, TT Quattro 2006-2005, Seat Alhambra 2002, Volkswagen Beetle 2010-1998, Beetle 2012, Beetle 2014, Beetle 2016, Cabrio 2002-1999, Golf 2004-2000, Golf 2006, Golf 2015, Golf SportWagen 2015, Jetta 2004-1998, Jetta 2014-2012, Jetta 2016, Jetta City 2008, Passat 2005-1998
CFM1018	Disc Brake Pad	Rear	Audi A4 2006-2005, A4 2013, A4 Quattro 2006-2005, A4 Quattro 2013, A5 2013, A5 Quattro 2013, A6 2011-2006, A6 Quattro 2011-2005, A8 Quattro 2010-2004, allroad 2013, Q5 2013, RS4 2008-2007, RS6 2004-2003, S4 2009-2004, S4 2011, S4 2013, S5 2011, S5 2013, S6 2011-2007, S8 2009-2007, Volkswagen Phaeton 2006-2004
CFM1024	Disc Brake Pad	Front	Audi A8 Quattro 2010-2004, S6 2011-2007, S8 2009-2007, Volkswagen Phaeton 2006-2004

BUYERS GUIDE

Part Number	Product Line	Position	Application
CFM1057ASR	Disc Brake Pad	Rear	Dodge Charger 2014-2006, Magnum 2008-2006
CFM1057AVR	Disc Brake Pad	Rear	Dodge Charger 2014-2006, Magnum 2008-2006
CFM1061	Disc Brake Pad	Front	BMW 128i 2011-2008, 325i 2006, 325xi 2006, 328i 2007, 330i 2006, 330xi 2006, 335xi 2007, 525i 2004, Z4 2016-2009
CFM1061A	Disc Brake Pad	Front	BMW 128i 2013-2012
CFM1066	Disc Brake Pad	Front, Rear	Ford F53 2015-2006, F-450 Super Duty 2015-2005, F-550 Super Duty 2015-2005, LCF 2010-2007, F53 2015-2006, F-450 Super Duty 2015-2005, F-550 Super Duty 2015-2005, LCF 2010-2007
CFM1068	Disc Brake Pad	Rear	Ford F-250 Super Duty 2007-2005, F-350 Super Duty 2007-2005
CFM1083	Disc Brake Pad	Front	Ford F-150 2009-2004, Lincoln Mark LT 2008-2006
CFM1084	Disc Brake Pad	Front	Chrysler Aspen 2009-2007, Dodge Dakota 2010-2005, Durango 2009-2007, Ram 1500 2010-2006, Mitsubishi Raider 2009-2006, Ram 1500 2015-2011, Dakota 2011
CFM1098	Disc Brake Pad	Front	Land Rover LR3 2009-2005, Range Rover 2009-2006, Range Rover Sport 2009-2006
CFM1099	Disc Brake Pad	Rear	Land Rover LR2 2013, LR3 2009-2005, LR4 2015-2010, Range Rover 2012-2006, Range Rover Sport 2013-2006
CFM1108K1	Disc Brake Pad	Front, Rear	Audi TT Quattro 2014, A3 2011-2006, A3 2013, A3 Quattro 2011-2006, A3 Quattro 2013, A4 2009-2005, A4 Quattro 2008-2005, A6 2011-2006, A6 Quattro 2011-2005, Q3 2015, Q3 Quattro 2015, TT 2009-2008, TT Quattro 2015-2008, Volkswagen CC 2015-2009, Eos 2011-2007, Golf 2010, Golf City 2010, GTI 2011-2006, GTI 2016-2015, Jetta 2011-2005, Jetta City 2007, Jetta City 2009, Passat 2010-2006, Passat CC 2010-2009, R32 2008, Rabbit 2009-2006, Tiguan 2015-2009
CFM1108K2	Disc Brake Pad	Rear	Volkswagen CC 2015-2009, Eos 2011-2007, Golf 2010, Golf City 2010, GTI 2011-2006, GTI 2016-2015, Jetta 2011-2005, Jetta City 2007, Jetta City 2009, Passat 2010-2006, Passat CC 2010-2009, R32 2008, Rabbit 2009-2006, Tiguan 2015-2009
CFM1112	Disc Brake Pad	Rear	Audi A3 2012, A4 1997, A4 2005-2002, A6 1998, A8 Quattro 2001-2000, Allroad Quattro 2003-2001, S4 2002-2000, S8 2003-2001, TT 2001, TT 2004-2003, TT Quattro 2004-2003, Peugeot 405 1991-1989, Volkswagen Corrado 1995-1990, Golf 1999-1985, Golf 2005, Golf 2011, Golf City 2009-2007, Jetta 1998-1984, Jetta 2001, Jetta 2003, Jetta 2005, Passat 1997-1990, Quantum 1988-1986, Scirocco 1989-1986
CFM1121	Disc Brake Pad	Front	Mercedes-Benz C230 2007-2003, C240 2004-2002, C320 2005-2002, CLK350 2009-2006, SLK300 2011, SLK350 2011-2006
CFM1122	Disc Brake Pad	Rear	Mercedes-Benz G55 AMG 2011, G63 AMG 2015-2013, GL320 2009-2007, GL350 2013-2010, GL450 2012-2007, GL550 2013-2008, ML320 2009-2007, ML350 2011-2006, ML450 2011-2010, ML500 2007-2006, ML550 2013-2008, R320 2009-2007, R350 2012-2006, R500 2007-2006
CFM1123	Disc Brake Pad	Front	Mercedes-Benz E350 2009-2006, E500 2006-2005, E550 2009-2007, G550 2011, GL320 2008-2007, GL350 2013-2011, GL450 2012-2007, GL550 2012-2008, ML320 2009-2007, ML350 2011-2006, ML450 2011-2010, ML500 2007-2006, ML550 2011-2008, R320 2009-2007, R350 2012-2006, R500 2007-2006
CFM1129	Disc Brake Pad	Front, Rear	Volkswagen Touareg 2010-2007, Touareg 2012, Touareg 2015, Chevrolet Camaro 2015, Corvette 2010-2009, Corvette 2012, Corvette 2016-2015
CFM1159	Disc Brake Pad	Front	Buick LaCrosse 2009-2008, Lucerne 2011-2006, Cadillac DTS 2011-2006, Chevrolet Impala 2013-2006, Impala 2016-2015, Impala Limited 2015-2014, Monte Carlo 2007-2006
CFM1170	Disc Brake Pad	Rear	BMW 330i 2006, 330xi 2006, 335d 2011-2009, 335i 2011-2007, 335i 2013, 335is 2013-2011, 335i xDrive 2013-2009, 335xi 2008-2007, X1 2013, X1 2015
CFM1178	Disc Brake Pad	Front	Lexus IS250 2010-2006, IS250 2013, IS250 2015
CFM1179	Disc Brake Pad	Front	Mazda MX-5 Miata 2012-2006, MX-5 Miata 2014
CFM1223	Disc Brake Pad	Front	Mercedes-Benz CL550 2010-2007, CL550 2014-2012, CL600 2014-2007, S350 2013-2012, S400 2013-2010, S450 2011-2008, S550 2012-2007, S600 2012-2007, SL550 2010, SL550 2012
CFM1241	Disc Brake Pad	Front	Jaguar S-Type 2006, Vanden Plas 2009-2006, XF 2010-2009, XF 2014-2013, XFR 2013, XJ8 2009-2006, XK 2007, XK 2009
CFM1252	Disc Brake Pad	Front	Smart Fortwo 2015-2005
CFM1263	Disc Brake Pad	Front	Land Rover Range Rover 2007, Range Rover Sport 2009-2006
CFM1267	Disc Brake Pad	Rear	BMW 128i 2013-2008, 323i 2011-2006, 325i 2006, 325xi 2006, 328i 2013-2007, 328i xDrive 2013-2009, 328xi 2008-2007, X1 2015-2012
CFM1272	Disc Brake Pad	Front	Mercedes-Benz GL320 2009, GL350 2010, GL350 2013
CFM1278	Disc Brake Pad	Front	Ford Expedition 2009-2007, Lincoln Navigator 2009-2007
CFM1306	Disc Brake Pad	Front	Land Rover LR2 2015-2008, Range Rover Evoque 2015-2012, Volvo S60 2013, S60 2016, S80 2013-2010, S80 2016, V60 2016, V70 2010, XC70 2010, XC70 2013-2012, XC70 2016
CFM1307A	Disc Brake Pad	Rear	Volvo S60 2016, S60 Cross Country 2016, S80 2016, V60 2016, V60 Cross Country 2016, XC60 2016, XC70 2016

BUYERS GUIDE

Part Number	Product Line	Position	Application
CFM1307SR	Disc Brake Pad	Rear	Land Rover LR2 2015-2014, Range Rover Evoque 2015-2012, Volvo S60 2015-2011, S80 2015-2007, V60 2015, V60 Cross Country 2015, V70 2010-2008, XC60 2015-2010, XC70 2015-2008, XC90 2011
CFM1307VR	Disc Brake Pad	Rear	Land Rover LR2 2015-2014, Range Rover Evoque 2015-2012, Volvo S60 2015-2011, S80 2015-2007, V60 2015, V60 Cross Country 2015, V70 2010-2008, XC60 2015-2010, XC70 2015-2008, XC90 2011
CFM1317	Disc Brake Pad	Rear	Dodge Sprinter 2500 2009-2007, Freightliner Sprinter 2500 2012-2007, Sprinter 3500 2012-2010, Mercedes-Benz Sprinter 2500 2012-2010, Sprinter 2500 2015-2014, Sprinter 3500 2014-2010
CFM1318	Disc Brake Pad	Rear	Dodge Sprinter 3500 2009-2007, Freightliner Sprinter 3500 2012-2007, Mercedes-Benz Sprinter 3500 2015-2010
CFM1328	Disc Brake Pad	Front	Ford E-150 2014-2008, E-250 2014-2008, E-350 Super Duty 2015-2008, E-450 Super Duty 2015-2008
CFM1329	Disc Brake Pad	Rear	Ford E-150 2014-2008, E-250 2014-2008, E-350 Super Duty 2015-2008, E-450 Super Duty 2011, E-450 Super Duty 2015
CFM1330	Disc Brake Pad	Rear	Ford E-450 Super Duty 2010-2008, E-450 Super Duty 2014-2012
CFM1331	Disc Brake Pad	Front	Cadillac CTS 2013-2008
CFM1334	Disc Brake Pad	Rear	Ford F-250 Super Duty 2012-2008, F-350 Super Duty 2012-2005, F-450 Super Duty 2012
CFM1349A	Disc Brake Pad	Front	Volkswagen Touareg 2014-2012
CFM1359	Disc Brake Pad	Front	Audi TT Quattro 2011-2008, TT Quattro 2013, TT Quattro 2015, Volkswagen Golf 2013
CFM1372	Disc Brake Pad	Rear	BMW 135i 2013-2008, 135is 2013
CFM1375	Disc Brake Pad	Front	Audi Q3 2016-2015, Q3 Quattro 2016-2015, Volkswagen Passat 2015-2012, Tiguan 2015-2009
CFM1379B	Disc Brake Pad	Front	Alfa Romeo 4C 2016, Chevrolet Cobalt 2010-2008, Mazda MX-5 Miata 2016
CFM1381	Disc Brake Pad	Front	BMW X5 2013-2011, X5 2016-2015, X6 2013-2008, X6 2016-2015
CFM1386	Disc Brake Pad	Rear	Audi A4 2012-2009, A4 2016-2014, A4 allroad 2015-2013, A4 Quattro 2012-2009, A4 Quattro 2016-2014, A5 2012-2010, A5 2015-2014, A5 Quattro 2012-2008, A5 Quattro 2016-2014, allroad 2016-2014, Q5 2012-2009, Q5 2016-2014, S4 2010, S4 2012, S4 2015-2014, S5 2010-2008, S5 2012, S5 2016-2014, SQ5 2016-2014
CFM1390	Disc Brake Pad	Rear	Porsche Cayenne 2011-2009, Cayenne 2015
CFM1399	Disc Brake Pad	Front	Dodge Ram 2500 2010-2009, Ram 3500 2010-2009, Ram 1500 2012, 2500 2015-2011, 3500 2015-2011
CFM1400	Disc Brake Pad	Rear	Dodge Ram 2500 2010-2009, Ram 3500 2010-2009, Ram 1500 2012, 2500 2015-2011, 3500 2015-2011
CFM1403	Disc Brake Pad	Front	Mini Cooper 2014-2012
CFM1405	Disc Brake Pad	Front	Cadillac CTS 2010-2009, CTS 2012, CTS 2015, Chevrolet Camaro 2013-2012, Corvette 2015, Dodge Challenger 2015, Jeep Grand Cherokee 2013-2012, Grand Cherokee 2016-2015
CFM1419F	Disc Brake Pad	Front	Chevrolet Corvette 2013-2009
CFM1419R	Disc Brake Pad	Rear	Chevrolet Corvette 2013-2006
CFM1425	Disc Brake Pad	Front	Land Rover Range Rover 2013-2010, Range Rover Sport 2011-2010
CFM1426	Disc Brake Pad	Front	Land Rover Range Rover 2012-2010, Range Rover Sport 2013-2010
CFM1429	Disc Brake Pad	Front	BMW X5 2013-2010, X6 2013-2010
CFM1433	Disc Brake Pad	Rear	BMW Z4 2016-2009
CFM1440	Disc Brake Pad	Front	Lexus GS F 2016, LS460 2016-2011, RC F 2016-2015
CFM1448	Disc Brake Pad	Front	Jaguar XF 2012-2011, XFR 2012-2010, XFR 2015-2014, XFR-S 2015-2013, XJ 2013-2011, XJR 2015-2014, XK 2013, XKR 2015-2010, XKR-S 2015-2012
CFM1449	Disc Brake Pad	Rear	Jaguar XF 2014-2010, XFR 2015-2010, XFR-S 2015-2013, XJ 2014-2011, XJR 2015-2014, XKR 2013-2010, XKR-S 2013-2012
CFM1454	Disc Brake Pad	Front	Ford Fiesta 2016-2011
CFM1456	Disc Brake Pad	Rear	Audi A3 2013-2012, A3 Quattro 2012, Volkswagen Beetle 2013-2012, Beetle 2015, Eos 2015-2012, Golf 2014-2010, GTI 2014-2012, Jetta 2015-2010, Passat 2015-2012
CFM1472	Disc Brake Pad	Front	Jaguar S-Type 2008-2006, Super V8 2009-2006, XF 2015, XJ 2010, XJ 2012, XJ 2015-2014, XJR 2009-2006, XK 2010, XK 2012, XK 2015, XKR 2010-2007
CFM1474	Disc Brake Pad	Front	Cadillac ELR 2015, Chevrolet Camaro 2010, Camaro 2013-2012, Corvette 2014, SS 2016-2015
CFM1474A	Disc Brake Pad	Front	Cadillac XTS 2015, Chevrolet Corvette 2015, SS 2014, Tesla S 2015-2012
CFM1479	Disc Brake Pad	Front	Land Rover LR4 2015-2010, Range Rover 2015-2014, Range Rover Sport 2015-2012
CFM1529	Disc Brake Pad	Front	BMW 760Li 2013, Alpina B7 2013, Alpina B7L 2013, Alpina B7L xDrive 2013, Alpina B7 xDrive 2013, X6 2011-2010
CFM1546	Disc Brake Pad	Front	Audi Q5 2014, SQ5 2016-2014
CFM1547K1	Disc Brake Pad	Rear	Audi A7 Quattro 2016-2012, A8 Quattro 2016-2011, RS5 2015-2013, RS7 2016-2014, S6 2016-2013, S7 2016-2013, S8 2016-2013
CFM1547K2	Disc Brake Pad	Rear	Audi A6 2016-2012, A6 Quattro 2016-2012

BUYERS GUIDE

Part Number	Product Line	Position	Application
CFM1549	Disc Brake Pad	Front	Audi A6 Quattro 2013-2012, A6 Quattro 2016-2015, A7 Quattro 2013-2012, A7 Quattro 2016-2015, A8 Quattro 2011
CFM1558	Disc Brake Pad	Front	Saab 9-5 2011-2010
CFM1561	Disc Brake Pad	Front	BMW 228i 2015-2014, 228i xDrive 2016-2015, 320i 2016-2012, 320i xDrive 2016-2013, 328d 2016-2014, 328d xDrive 2016-2014, 328i 2016-2012, 328i GT xDrive 2016-2014, 328i xDrive 2016-2013, 428i 2016-2014, 428i Gran Coupe 2016-2015, 428i xDrive 2016-2014, 428i xDrive Gran Coupe 2016-2015, X3 2016-2011, X4 2016-2015
CFM1575	Disc Brake Pad	Front	Audi A8 Quattro 2015-2012, S6 2016-2013, S7 2016-2013, S8 2016-2013
CFM1577	Disc Brake Pad	Front	Porsche Cayenne 2015-2013, Macan 2016, Panamera 2013-2012
CFM1609A	Disc Brake Pad	Front	BMW i8 2015
CFM1611A	Disc Brake Pad	Front	Ford Police Interceptor Sedan 2015-2013, Police Interceptor Utility 2015-2013, Lincoln MKT 2013
CFM1612	Disc Brake Pad	Rear	Ford Explorer 2014-2012, Flex 2014-2012, Police Interceptor Sedan 2016-2013, Police Interceptor Utility 2015-2013, Special Service Police Sedan 2015, Taurus 2015-2013, Lincoln MKS 2014-2013, MKT 2014-2013
CFM1629A	Disc Brake Pad	Front	Dodge Durango 2015-2012, Jeep Grand Cherokee 2015-2013, Mercedes-Benz ML350 2013-2012
CFM1634	Disc Brake Pad	Front	Mercedes-Benz CLA45 AMG 2015-2014, CLS550 2012, CLS550 2016-2014, GLA45 AMG 2016-2015, S550 2013, SLK55 AMG 2013-2012, SLK55 AMG 2015
CFM1646	Disc Brake Pad	Rear	Mercedes-Benz B250 2014-2013, B Electric Drive 2016-2015, CLA250 2016-2014, GLA250 2016-2015, SLK250 2015-2012, SLK350 2015-2012
CFM1656	Disc Brake Pad	Rear	BMW 228i 2016, 228i xDrive 2016-2015, 320i 2016, 320i xDrive 2016, 328i 2016-2015, 328i GT xDrive 2015, 328i xDrive 2016-2015, 335i 2015-2013, 335i GT xDrive 2016-2015, 335i xDrive 2015, 340i 2016, 340i xDrive 2016, 428i 2016-2015, 428i Gran Coupe 2016-2015, 428i xDrive 2016-2015, 428i xDrive Gran Coupe 2016-2015, 435i 2016-2014, 435i Gran Coupe 2016-2015, 435i xDrive 2016-2015, 435i xDrive Gran Coupe 2016-2015, ActiveHybrid 3 2015, M3 2016-2015, M4 2016-2015, M235i 2015-2014, M235i xDrive 2015
CFM1670	Disc Brake Pad	Front	Mercedes-Benz SL400 2016-2015, SL550 2015-2013
CFM1678	Disc Brake Pad	Front	Chevrolet Captiva Sport 2013
CFM1680	Disc Brake Pad	Front	Ford F-250 Super Duty 2015-2013, F-350 Super Duty 2015-2013, F-450 Super Duty 2015-2013
CFM1681	Disc Brake Pad	Rear	Mercedes-Benz AMG GT S 2016, Maybach S600 2016, S65 AMG 2015, S550 2015-2014, S600 2016-2015, SL63 AMG 2015, SL65 AMG 2015
CFM1686	Disc Brake Pad	Front	Lexus GS350 2013, GS350 2015, GS450h 2015, RC350 2015
CFM1688	Disc Brake Pad	Front	Mercedes-Benz SL550 2013, SL550 2015
CFM1689	Disc Brake Pad	Rear	Mercedes-Benz SL400 2016-2015, SL500 2015, SL550 2015-2013
CFM1692	Disc Brake Pad	Rear	Land Rover Range Rover 2015-2013, Range Rover Sport 2015-2014
CFM1711	Disc Brake Pad	Front	Mazda 6 2015-2014
CFM1730	Disc Brake Pad	Front	Ford Fiesta 2016-2014
CFM1739	Disc Brake Pad	Rear	Chevrolet Spark EV 2015-2014
CFM1745	Disc Brake Pad	Front	Buick LaCrosse 2016, Regal 2016, GMC Terrain 2015-2014
CFM1751	Disc Brake Pad	Front	Jaguar F-Type 2014, F-Type 2016
CFM1752	Disc Brake Pad	Rear	Jaguar F-Type 2016-2014
CFM1753	Disc Brake Pad	Rear	Jaguar F-Type 2016-2014
CFM1774	Disc Brake Pad	Front	Ford Transit-150 2015, Transit-250 2015, Transit-350 2015, Transit-350 HD 2015
CFM1775	Disc Brake Pad	Rear	Ford Transit-150 2015, Transit-250 2015, Transit-350 2015, Transit-350 HD 2015
CFM1778	Disc Brake Pad	Front	Fiat 500 2015-2013
CFM1779	Disc Brake Pad	Rear	Audi Q3 2016, Q3 Quattro 2016, Volkswagen e-Golf 2015, Golf 2015, Golf SportWagen 2015, GTI 2016-2015, Passat 2015
CFM1780	Disc Brake Pad	Rear	Porsche Macan 2016-2015
CFM1781	Disc Brake Pad	Front	Audi A8 Quattro 2015
CFM1784	Disc Brake Pad	Front	Ford Mustang 2015
CFM1785	Disc Brake Pad	Rear	Audi A8 Quattro 2015, RS7 2015, Porsche Macan 2016
CFM1792	Disc Brake Pad	Front	Ford Mustang 2015
CFM1876	Disc Brake Pad	Front	Audi TT Quattro 2016
CFM1877	Disc Brake Pad	Rear	Cadillac XTS 2017, GMC Acadia 2017
CFM1893	Disc Brake Pad	Rear	Mercedes-Benz Metris 2017-2016

BUYERS GUIDE

Part Number	Product Line	Position	Application
MKD52FM	Disc Brake Pad	Front, Rear	Buick Apollo 1975-1975, Century 1973-1971, Century 1977-1973, Commercial Chassis 1996-1991, Electra 1976-1970, Electra 1987-1980, Estate Wagon 1983-1970, GS 1972-1970, GS 350 1969-1968, GS 400 1969-1968, GS 455 1972-1970, LeSabre 1978-1969, LeSabre 1986-1980, LeSabre 1990-1988, Regal 1977-1973, Riviera 1976-1967, Roadmaster 1996-1991, Skylark 1972-1970, Skylark 1979-1975, Special 1969, Sportwagon 1972-1969, Wildcat 1970, Cadillac Brougham 1992-1987, Calais 1976-1968, Commercial Chassis 1976-1975, Commercial Chassis 1984-1979, Commercial Chassis 1996-1990, DeVille 1976-1968, DeVille 1984-1979, Eldorado 1975-1969, Fleetwood 1976-1968, Fleetwood 1986-1979, Fleetwood 1996-1990, Seville 1976, Checker Marathon 1982-1970, Chevrolet Astro 2002-1985, Bel Air 1975-1969, Biscayne 1972-1969, Blazer 1974-1969, Blazer 1991-1987, Brookwood 1972-1969, C10 1986-1975, C10 Pickup 1974-1971, C10 Suburban 1986-1971, C20 1978-1975, C20 1986-1985, C20 Pickup 1974-1971, C20 Suburban 1978-1971, C20 Suburban 1986-1985, C30 Pickup 1973-1971, Camaro 1981-1970, Caprice 1996-1969, Chevelle 1973-1969, Commercial Chassis 1993-1991, El Camino 1977-1969, G10 1995-1975, G10 Van 1974-1971, G20 1995-1975, G20 Van 1974-1971, G30 Van 1973-1971, Impala 1985-1969, K5 Blazer 1986-1975, K10 1986-1975, K10 Pickup 1974-1971, K10 Suburban 1986-1971, K20 1978-1975, K20 1986-1985, K20 Pickup 1974-1971, K20 Suburban 1978-1971, K20 Suburban 1986-1985, K30 Pickup 1974-1971, Kingswood 1972-1969, Laguna 1976-1973, Malibu 1975-1973, Malibu 1977, Monte Carlo 1977-1970, Nova 1979-1969, P10 1980-1975, P10 Van 1974-1971, P20 1978-1975, P20 1989-1985, P20 Van 1974-1971, P30 Van 1972-1971, R10 1987, R10 Suburban 1988-1987, R20 1988-1987, R20 Suburban 1988-1987, R1500 Suburban 1991-1989, R2500 1989, R2500 Suburban 1991-1989, Townsman 1972-1969, V10 1987, V10 Suburban 1988-1987, V20 1987, V20 Suburban 1988-1987, V1500 Suburban 1991-1989, V2500 Suburban 1991-1989, GMC C15 1978-1975, C15/C1500 Pickup 1974-1971, C15/C1500 Suburban 1974-1971, C15 Suburban 1978-1975, C25 1978-1975, C25/C2500 Pickup 1974, C25/C2500 Suburban 1974-1971, C25 Suburban 1978-1975, C35/C3500 Pickup 1973-1971, C1500 1986-1979, C1500 Suburban 1986-1979, C2500 1986-1985, C2500 Suburban 1986-1985, C45 1979-1975, C45/C4500 Van 1974-1971, C45 1979-1975, Chrysler Town & Country 1983-1978, Dodge B100 1979-1975, B150 1994-1984, B200 1979-1975, B250 1994-1982, B350 1994-1984, B1500 1997-1995, B2500 1997-1995, B3500 1997-1995, CB300 1975, D100 1976, D100 1989-1985, D150 1993-1977, D200 1980, D250 1993-1981, D300 1980, D350 1993-1981, Ramcharger 1993-1975, RD200 1980-1978, W100 1989-1986, W150 1993-1984, W250 1987-1985, W250 1993-1990, W350 1989-1985, Plymouth PB100 1980, PB150 1983-1981, PB200 1980, PB250 1983-1981, PB300 1980, PB350 1983-1981
MKD86FM	Disc Brake Pad	Front	Ford E-250 Econoline 1991-1976, E-250 Econoline Club Wagon 1991-1976, E-350 Econoline 1991-1976, E-350 Econoline Club Wagon 1991-1977, F-250 1994-1976, F-350 1994-1976
MKD120FM	Disc Brake Pad	Front	Ford E-250 Econoline 1991-1976, E-250 Econoline Club Wagon 1991-1976, E-350 Econoline 1991-1976, E-350 Econoline Club Wagon 1991-1977, F-250 1994-1976, F-350 1994-1976
MKD149FM	Disc Brake Pad	Front, Rear	Chevrolet C30 1986-1975, C30 Pickup 1974, G30 1996-1975, G30 Van 1974, K30 1986-1977, P30 1999-1975, P30 Van 1974-1971, R30 1988-1987, R3500 1991-1989, V30 1988-1987, V3500 1991-1989, Dodge D400 1980-1978, D450 1980-1978, W200 1980-1975, W250 1993-1981, W300 1980-1975, W300 Pickup 1974, W350 1993-1981, GMC C35 1978-1975, C35/C3500 Pickup 1974, C3500 1986-1979, G35 1978-1975, G35/G3500 Van 1974, G3500 1996-1979, K35 1978-1977, K35/K3500 Pickup 1974, K3500 1986-1979, P35 1978-1975, P35/P3500 Van 1974-1971, P3500 1985-1979, P3500 1999-1987, R3500 1991-1987, V3500 1991-1987, International 200 1975-1974, Workhorse P30 2004-2000, Chevrolet C30 1986-1975, C30 Pickup 1974, C3500 1994-1988, C3500HD 1994-1991, Express 3500 1996, G30 1996-1975, G30 Van 1974, K30 1986-1977, P30 1999-1975, P30 Van 1974, R30 1988-1987, R3500 1991-1989, V30 1988-1987, V3500 1991-1989, Dodge D400 1980-1979, D450 1980-1979, W200 1980-1975, W250 1993-1981, W300 1980-1975, W300 Pickup 1974, W350 1993-1981, GMC C35 1978-1975, C35/C3500 Pickup 1974, C3500 1986-1979, C3500 1994-1988, C3500HD 1994-1991, G35 1978-1975, G35/G3500 Van 1974, G3500 1994-1979, K35 1978-1977, K3500 1986-1979, P35 1978-1975, P3500 1996-1979, R3500 1991-1987, V3500 1991-1987, International 200 1975-1974, Workhorse P30 2004-2000
MKD153FM	Disc Brake Pad	Front	Chevrolet C20 1986-1979, C20 Suburban 1986-1979, C30 1986-1979, G30 1995-1979, K20 1986-1979, K20 Suburban 1986-1979, P20 1989-1975, P30 1995-1979, R20 1988-1987, R20 Suburban 1988-1987, R30 1988-1987, R3500 1991-1989, V20 1987, V20 Suburban 1988-1987, GMC C2500 1984-1979, C2500 Suburban 1984-1979, G3500 1996-1979, K2500 1984-1979, K2500 Suburban 1984-1979, P2500 1984-1979, P3500 1995-1986

BUYERS GUIDE

Part Number	Product Line	Position	Application
MKD154FM	Disc Brake Pad	Front, Rear	Avanti II 1985-1979, Buick Century 1981-1978, LeSabre 1979, Regal 1987-1978, Riviera 1985-1979, Cadillac Eldorado 1985-1979, Seville 1985-1979, Chevrolet Blazer 1996-1995, Camaro 1992-1982, El Camino 1987-1978, LLV 1995-1987, Malibu 1983-1978, Monte Carlo 1988-1978, S10 1996-1982, S10 2002-1998, S10 Blazer 1994-1983, GMC Caballero 1987-1978, Jimmy 1984-1982, Jimmy 1996-1992, S15 1990-1982, S15 Jimmy 1991-1983, Sonoma 1996-1991, Sonoma 2002-1998, Syclone 1991, Typhoon 1993-1992, Isuzu Hombre 1996, Hombre 2000-1998, Oldsmobile Bravada 1994-1991, Bravada 1996, Cutlass 1981-1978, Cutlass 1987-1985, Cutlass Calais 1984-1978, Cutlass Salon 1980-1978, Cutlass Salon 1987-1985, Cutlass Supreme 1988-1978, Toronado 1985-1979, Pontiac Bonneville 1986-1982, Firebird 1978-1973, Firebird 1992-1980, Grand Am 1980-1978, Grand LeMans 1983-1978, Grand Prix 1987-1978, LeMans 1981-1978, Buick LeSabre 1984-1977, Regal 1987-1978, Riviera 1985-1979, Cadillac Commercial Chassis 1984-1979, DeVille 1984-1979, Eldorado 1985-1979, Fleetwood 1984-1979, Seville 1985-1979, Chevrolet Camaro 1988-1982, Oldsmobile Toronado 1985-1979, Pontiac Firebird 1975, Firebird 1988-1979
MKD184FM	Disc Brake Pad	Front, Rear	International 1452SC 1989-1988, 1652SC 1989-1986, 2554 2000-1990, 2574 1997, 2654 1993-1991, 2654 1996, 2654 2000-1999, 2674 1999, 3000 2000-1996, 3000FE 1999-1997, 3000IC 2000, 3400 2000-1996, 3600 1999-1992, 3700 1994-1990, 3800 1987, 3800 2000-1990, 3900FC 1994-1991, 3900FC 1996, 4600 1994-1990, 4600LP 1994-1990, 4600UH 1990, 4700 1997-1990, 4700LP 1997-1990, 4700LPX 1997-1995, 4800 2000-1990, 4900 2000-1990, Cargostar 1986-1981, F1954 1986, G1954 1987, Genesis RE 2000-1996, M1400 Metro II 1989-1988, M1600 Metro II 1989-1987, S1654 1989-1984, S1654LP 1989-1988, S1723 1985-1981, S1724 1984-1981, S1753 1989-1984, S1754 1989-1981, S1823 1982-1981, S1824 1985-1981, S1853 1989-1981, S1853FC 1989-1987, S1854 1989-1981, S1954 1989-1985, S1955 1989-1985, 1452SC 1989-1988, 1652SC 1989-1986, 2554 2000-1990, 2574 1997, 2654 1993-1991, 2654 1996, 2654 2000-1999, 2674 1999, 3000 2000-1996, 3000FE 1999-1997, 3000IC 2000, 3400 2000-1996, 3600 1999-1992, 3700 1994-1990, 3800 1987, 3800 2000-1990, 3900FC 1994-1991, 3900FC 1996, 4600 1994-1990, 4600LP 1994-1990, 4600UH 1990, 4700 1997-1990, 4700LP 1997-1990, 4700LPX 1997-1995, 4800 2000-1990, 4900 2000-1990, Cargostar 1986-1981, F1954 1986, G1954 1987, Genesis RE 2000-1996, M1400 Metro II 1989-1988, M1600 Metro II 1989-1987, S1654 1989-1984, S1654LP 1989-1988, S1723 1985-1981, S1724 1984-1981, S1753 1989-1984, S1754 1989-1981, S1823 1982-1981, S1824 1985-1981, S1853 1989-1981, S1853FC 1989-1987, S1854 1989-1981, S1954 1989-1985, S1955 1989-1985
MKD202FM	Disc Brake Pad	Front	Chevrolet S10 2000-1998
MKD205FM	Disc Brake Pad	Front	Ford Aerostar 1997-1987, Bronco II 1990-1984, Explorer 1994-1991, Ranger 1985-1983, Ranger 1994-1987, Mazda B2300 1994, B3000 1994, B4000 1994, Navajo 1994-1991

BUYERS GUIDE

Part Number	Product Line	Position	Application
MKD224FM	Disc Brake Pad	Front, Rear	Chevrolet B7 2002-1993, B60 1991-1983, C50 1990-1983, C60 1990-1983, C60 Kodiak 1996-1990, C70 1990-1983, C70 Kodiak 1996-1990, C5500 Kodiak 1990, C6500 Kodiak 2002-1997, C7500 Kodiak 2002-1997, T6500 2002-1999, T7500 2002-1997, Ford B600 1989-1984, B700 1989-1984, B7000 1987-1984, C600 1986-1984, C700 1986-1984, C800 1986-1984, C7000 1986-1984, C8000 1989-1984, CF6000 1990-1986, CF7000 1997-1986, CF8000 1997-1987, F600 1994-1984, F700 1998-1984, F800 1999-1984, F7000 1987-1984, F8000 1987-1984, FT800 1986-1984, FT800 1990-1988, L800 1985-1984, LN600 1985-1984, LN700 1985-1984, LN800 1985-1984, LN7000 1997-1984, LN8000 1997-1984, GMC B7 2002-1993, B6000 1987-1985, C5000 Topkick 1990, C6000 1988-1983, C6000 1990, C6000 Topkick 1996-1991, C6500 Topkick 2002-1997, C7000 1988-1983, C7000 1990, C7000 Topkick 1996-1990, C7500 Topkick 2002-1997, T6500 2002-1997, T7500 2002-1997, Isuzu NPR-HD 2000-1999, NQR 2000-1996, Chevrolet B7 2002-1993, B60 1991-1983, C50 1990-1983, C60 1990-1983, C60 Kodiak 1996-1990, C70 1990-1983, C70 Kodiak 1996-1990, C5500 Kodiak 1990, C6500 Kodiak 2002-1997, C7500 Kodiak 2002-1997, T6500 2002-1999, T7500 2002-1997, Ford B600 1989-1984, B700 1989-1984, B7000 1987-1984, C600 1986-1984, C700 1986-1984, C800 1986-1984, C7000 1986-1984, C8000 1989-1984, CF6000 1990-1986, CF7000 1997-1986, CF8000 1997-1987, F600 1994-1984, F700 1998-1984, F800 1999-1984, F7000 1987-1984, F8000 1987-1984, FT800 1986-1984, FT800 1990-1988, L800 1985-1984, LN600 1985-1984, LN700 1985-1984, LN800 1985-1984, LN7000 1997-1984, LN8000 1997-1984, GMC B7 2002-1993, B6000 1987-1985, C5000 Topkick 1990, C6000 1987-1983, C6000 1990, C6000 Topkick 1996-1991, C6500 Topkick 2002-1997, C7000 1987-1983, C7000 1990, C7000 Topkick 1996-1990, C7500 Topkick 2002-1997, T6500 2002-1997, T7500 2002-1997, Isuzu NPR 2000-1996, NPR-HD 2000-1999, NQR 2000-1996
MKD225FM	Disc Brake Pad	Front, Rear	Chevrolet B7 2002-1993, B60 1991-1980, C50 1987-1983, C60 1990-1983, C60 Kodiak 1996-1990, C70 1990-1983, C70 Kodiak 1996-1990, C6500 Kodiak 2002-1997, C7500 Kodiak 2002-1997, T6500 2002-1997, T7500 2002-1997, GMC B7 1999-1993, B6000 1987-1985, C6000 1990-1983, C6000 Topkick 1996-1991, C6500 Topkick 2000-1997, C7000 1990-1983, C7000 Topkick 1996-1990, C7500 Topkick 2000-1997, T6500 2000-1997, T7500 2000-1997, Chevrolet B7 2002-1993, B60 1991-1980, C50 1987-1983, C60 1990-1983, C60 Kodiak 1996-1990, C70 1990-1983, C70 Kodiak 1996-1990, C6500 Kodiak 2002-1997, C7500 Kodiak 2002-1997, T6500 2002-1997, T7500 2002-1997, GMC B7 1999-1993, B6000 1987-1985, C6000 1990-1983, C6000 Topkick 1996-1991, C6500 Topkick 2000-1997, C7000 1990-1983, C7000 Topkick 1996-1990, C7500 Topkick 2000-1997, T6500 2000-1997, T7500 2000-1997
MKD225AFM	Disc Brake Pad	Front, Rear	International 1652SC 1989-1986, 2554 2000-1990, 2574 1997, 2654 1993-1991, 2654 1996, 2654 2000-1999, 2674 1999, 3000 2000-1996, 3000FE 1999-1997, 3000IC 2000, 3400 2000-1996, 3600 1999-1992, 3700 1994-1990, 3800 1987, 3800 2000-1990, 3900FC 1994-1991, 3900FC 1996, 4600 1994-1990, 4600LP 1994-1990, 4600UH 1990, 4700 1997-1990, 4700LP 1997-1990, 4700LPX 1997-1995, 4800 2000-1990, 4900 2000-1990, Cargostar 1986-1981, F1954 1986, G1954 1987, Genesis RE 2000-1996, M1600 Metro II 1989-1987, S1654 1989-1984, S1654LP 1989-1988, S1723 1985-1981, S1724 1984-1981, S1753 1989-1984, S1754 1989-1981, S1823 1982-1981, S1824 1985-1981, S1853 1989-1981, S1853FC 1989-1987, S1854 1989-1981, S1954 1989-1985, S1955 1989-1985, Isuzu NPR 1986, NPR 1994-1993, NPR-HD 2000-1999, NQR 2000-1994, NRR 1994-1988, International 1652SC 1989-1986, 2554 2000-1990, 2574 1997, 2654 1993-1991, 2654 1996, 2654 2000-1999, 2674 1999, 3000 2000-1996, 3000FE 1999-1997, 3000IC 2000, 3400 2000-1996, 3600 1999-1992, 3700 1994-1990, 3800 1987, 3800 2000-1990, 3900FC 1994-1991, 3900FC 1996, 4600 1994-1990, 4600LP 1994-1990, 4600UH 1990, 4700 1997-1990, 4700LP 1997-1990, 4700LPX 1997-1995, 4800 2000-1990, 4900 2000-1990, Cargostar 1986-1981, F1954 1986, G1954 1987, Genesis RE 2000-1996, M1600 Metro II 1989-1987, S1654 1989-1984, S1654LP 1989-1988, S1723 1985-1981, S1724 1984-1981, S1753 1989-1984, S1754 1989-1981, S1823 1982-1981, S1824 1985-1981, S1853 1989-1981, S1853FC 1989-1987, S1854 1989-1981, S1954 1989-1985, S1955 1989-1985, Isuzu NPR 1990-1986, NPR 2000-1992, NPR-HD 2000-1999, NQR 2000-1994, NRR 1994-1988

BUYERS GUIDE

Part Number	Product Line	Position	Application
MKD369FM	Disc Brake Pad	Front, Rear	Cadillac 60 Special 1993, Commercial Chassis 1993-1990, DeVille 1993-1990, DeVille 1999-1997, Escalade 2000-1999, Fleetwood 1992-1990, Chevrolet Astro 2002-1990, Blazer 1994-1992, C1500 1999-1988, C1500 Suburban 1999-1992, C2500 2000-1988, Express 1500 2002-1996, Express 2500 2002-1996, K1500 1999-1988, K1500 Suburban 1999-1992, K2500 2000-1988, Tahoe 2000-1995, Dodge Ram 1500 1999-1994, GMC C1500 1999-1988, C1500 Suburban 1999-1992, C2500 2000-1988, K1500 1999-1988, K1500 Suburban 1999-1992, K2500 2000-1988, Safari 2002-1990, Savana 1500 2002-1996, Savana 2500 2002-1996, Yukon 2000-1992, Chevrolet K2500 2000
MKD370FM	Disc Brake Pad	Front, Rear	Chevrolet C1500 Suburban 1999-1995, C2500 2000-1988, C2500 Suburban 1999-1992, C3500 2000-1990, C3500HD 1993-1991, C3500HD 2000-1999, Express 2500 2002-1996, Express 3500 2002-1996, K1500 Suburban 1999-1995, K2500 2000-1988, K2500 Suburban 1999-1992, K3500 2000-1988, Tahoe 1999-1997, Dodge Ram 2500 1999-1994, GMC C1500 Suburban 1999-1995, C2500 2000-1988, C2500 Suburban 1999-1992, C3500 2000-1990, C3500HD 1991, K1500 Suburban 1999-1995, K2500 2000-1988, K2500 Suburban 1999-1992, K3500 2000-1988, Savana 2500 2002-1996, Savana 3500 2002-1996, Yukon 1998-1997, Chevrolet K2500 2000
MKD411FM	Disc Brake Pad	Front, Rear	Ford E-450 Econoline Super Duty 2002-2001, E-550 Econoline Super Duty 2002, Econoline Super Duty 1999-1996, F53 1997-1988, F59 1997-1988, F Super Duty 1997-1988, E-450 Econoline Super Duty 2002-2000, E-450 Super Duty 2007-2005, E-550 Econoline Super Duty 2002, Econoline Super Duty 1999-1996, F53 1997-1988, F59 1997-1988, F Super Duty 1997-1988
MKD433FM	Disc Brake Pad	Front	Mazda 929 1991-1988, Toyota Cressida 1992-1989, Pickup 1995-1989, Tacoma 1996-1995, Tacoma 2004-1998
MKD433AFM	Disc Brake Pad	Front	Toyota Tacoma 1999-1997, Tacoma 2004
MKD436FM	Disc Brake Pad	Front	Toyota 4Runner 1991-1988, Pickup 1995-1988, Tacoma 1999-1998, Tacoma 2004-2003
MKD436AFM	Disc Brake Pad	Front	Toyota 4Runner 2002-1996, Tacoma 2004-1995
MKD459FM	Disc Brake Pad	Front	Chevrolet C3500 2000-1988, C3500HD 1993-1991, C3500HD 2000-1999, Express 2500 2002-2001, Express 3500 2002-1996, K3500 2000-1990, Dodge Ram 2500 1999-1994, Ram 3500 1999-1994, GMC C3500 2000-1988, C3500HD 1993-1991, C3500HD 2000-1999, K3500 2000-1990, Savana 2500 2002-2001, Savana 3500 2002-1996
MKD477FM	Disc Brake Pad	Front	Jeep Cherokee 2001-1990, Comanche 1992-1990, Grand Cherokee 1998-1993, TJ 2006-1997, Wagoneer 1990, Wrangler 1995-1990, Wrangler 2006-1997
MKD557FM	Disc Brake Pad	Front	Ford E-250 Econoline 1994-1992, E-350 Econoline 1994-1992, E-350 Econoline Club Wagon 1994-1992
MKD591FM	Disc Brake Pad	Front	Chrysler Concorde 1997-1993, Grand Voyager 2000, LHS 1997-1994, New Yorker 1996-1994, Town & Country 2000-1996, Voyager 2000, Dodge Caravan 2000-1996, Grand Caravan 2000-1996, Intrepid 1997-1993, Eagle Vision 1997-1993, Plymouth Grand Voyager 2000-1996, Voyager 2000-1996
MKD632FM	Disc Brake Pad	Front	Ford Bronco 1996-1994, E-150 2003, E-150 Club Wagon 2003, E-150 Econoline 2002-1994, E-150 Econoline Club Wagon 2002-1994, F-150 1996-1994
MKD652FM	Disc Brake Pad	Front	Ford Explorer 2001-1995, Ranger 2002-1995, Mazda B2300 1997-1995, B2300 2003-2001, B2500 2001-1998, B3000 2003-1995, B4000 2003-1995, Mercury Mountaineer 2001-1997
MKD655FM	Disc Brake Pad	Front, Rear	Dodge B2500 1998, B3500 1998, Ram 2500 Van 2003-1999, Ram 3500 Van 2003-1999, Ford E-150 2007, E-250 2007-2003, E-250 Econoline 2002-1995, E-250 Super Duty 2005-2004, E-350 Club Wagon 2005-2003, E-350 Econoline 2000-1995, E-350 Econoline Club Wagon 2002-1995, E-350 Super Duty 2007-1999, E-450 Econoline Super Duty 2000, E-450 Super Duty 2007-2003, F-250 1997-1995, F-350 1997-1995, E-450 Super Duty 2004-2003
MKD659FM	Disc Brake Pad	Front	Ford Crown Victoria 1997-1995, Lincoln Town Car 1997-1995, Mercury Grand Marquis 1997-1995
MKD667FM	Disc Brake Pad	Rear	Ford Explorer 2003-1995, Ranger 2002-1998, Mercury Mountaineer 2001-1997
MKD667AFM	Disc Brake Pad	Rear	Ford Explorer Sport Trac 2002, Explorer Sport Trac 2005-2004
MKD674FM	Disc Brake Pad	Rear	Ford Crown Victoria 2002-1996, Lincoln Town Car 2002-1996, Mercury Grand Marquis 2002-1996
MKD674AFM	Disc Brake Pad	Rear	Ford Crown Victoria 2002-1996, Lincoln Town Car 2002-1996, Mercury Grand Marquis 2002-1996
MKD679FM	Disc Brake Pad	Front	Ford F-150 2003-1997, F-150 Heritage 2004, Lincoln Blackwood 2002

BUYERS GUIDE

Part Number	Product Line	Position	Application
MKD698FM	Disc Brake Pad	Rear	Buick Century 2005-2004, LaCrosse 2009-2008, Regal 2004-1997, Rendezvous 2007-2002, Chevrolet Monte Carlo 2007-2000, Venture 2005-2002, Oldsmobile Alero 2004-1999, Intrigue 2002-1998, Silhouette 2004-2002, Pontiac Aztek 2005-2001, Grand Am 2005-1999, Grand Prix 2003-1997, Montana 2005-1999
MKD699K1FM	Disc Brake Pad	Front	Buick LeSabre 2005-2000
MKD699K2FM	Disc Brake Pad	Front	Buick Century 2005-1997, LeSabre 2005-2004, Park Avenue 2005-1997, Regal 2004-1997, Riviera 1999-1997, Cadillac DeVille 2005-1997, Eldorado 2002-1997, Seville 1997, Seville 2004-2003, Chevrolet Impala 2005-2000, Monte Carlo 2005-2000, Venture 2005-1997, Oldsmobile Aurora 1999-1997, Aurora 2003-2001, Intrigue 2002-1998, Silhouette 2004-1997, Pontiac Bonneville 2005-2000, Grand Prix 2003-1997, Montana 2005-1999, Trans Sport 1999-1997
MKD701FM	Disc Brake Pad	Front	UD 1200 2004-1999, 1300 2007-2005, 1400 2008-1994
MKD702AFM	Disc Brake Pad	Rear	Dodge Ram 1500 2008-2006, Ram 2500 2008-2001, Ram 2500 Van 2003-2001, Ram 3500 2008-2001, Ram 3500 Van 2003-2001
MKD702K1FM	Disc Brake Pad	Front	Ford Expedition 2002-1997, F-150 2003-2000, F-150 Heritage 2004, F-250 1999-1997, Lincoln Navigator 2002-1998
MKD702K2FM	Disc Brake Pad	Front	Dodge Ram 1500 2001-2000
MKD711FM	Disc Brake Pad	Rear	Ford Expedition 2002-1997, F-150 2003-1997, F-150 Heritage 2004, F-250 1999-1997, Lincoln Blackwood 2002, Navigator 2002-1998, Town Car 2010-2003
MKD717FM	Disc Brake Pad	Front, Rear	Chevrolet B60 1991-1988, C50 1990-1988, C60 Kodiak 1991-1990, C3500 2002-2001, C3500HD 1998-1994, C3500HD 2002-2001, P30 1999-1997, GMC C3500HD 1998-1994, C3500HD 2002-2001, P3500 1999-1997, Chevrolet B60 1991-1988, C50 1990-1988, C60 Kodiak 1991-1990, C3500 2002-1994, C3500HD 2002-1994, P30 1999-1997, GMC C3500 2000-1995, C3500HD 2002-1995, P3500 1999-1997
MKD726FM	Disc Brake Pad	Front	Chevrolet Blazer 2005-1997, S10 2004-1998, GMC Jimmy 2005-1998, Sonoma 2004-1998, Isuzu Hombre 1999-1998, Oldsmobile Bravada 2001-1997
MKD727FM	Disc Brake Pad	Front	Chevrolet Classic 2005-2004, Malibu 2003-1997, Oldsmobile Alero 2004-1999, Cutlass 1999-1997, Cutlass Supreme 1997
MKD748FM	Disc Brake Pad	Front	Ford Crown Victoria 2002-1998, Lincoln Town Car 2002-1998, Mercury Grand Marquis 2002-1998
MKD752FM	Disc Brake Pad	Front	Pontiac Grand Am 2005-1999
MKD757FM	Disc Brake Pad	Rear	Ford Excursion 2005-2000, F-250 Super Duty 2004-1999, F-350 Super Duty 2004-1999
MKD758FM	Disc Brake Pad	Front	Dodge B1500 1998, Ram 1500 2000, Ram 1500 Van 2002-1999
MKD767FM	Disc Brake Pad	Front	Chevrolet Blazer 1997, S10 1997, GMC Jimmy 1997, Sonoma 1997, Isuzu Hombre 1997
MKD777FM	Disc Brake Pad	Front, Rear	Ford E-550 Super Duty 2003, F53 2004-1999, F-450 Super Duty 2004-1999, F-550 Super Duty 2004-1999, E-550 Super Duty 2003, F53 2004-1999, F-450 Super Duty 2004-1999, F-550 Super Duty 2004-1999
MKD784FM	Disc Brake Pad	Front	Cadillac DeVille 2005-2000, DTS 2011-2006, Chevrolet Avalanche 2500 2006-2002, Express 2500 2015-2003, Express 3500 2015-2003, Express 4500 2013-2009, Silverado 1500 HD 2003-2001, Silverado 1500 HD 2006-2005, Silverado 1500 HD Classic 2007, Silverado 2500 2004-1999, Silverado 2500 HD 2010-2001, Silverado 2500 HD Classic 2007, Silverado 3500 2007-2001, Silverado 3500 Classic 2007, Silverado 3500 HD 2010-2007, Suburban 2500 2013-2000, GMC Savana 2500 2015-2003, Savana 3500 2015-2003, Savana 4500 2014-2009, Sierra 1500 2002, Sierra 1500 HD 2003-2001, Sierra 1500 HD 2006-2005, Sierra 1500 HD Classic 2007, Sierra 2500 2004-1999, Sierra 2500 HD 2010-2001, Sierra 2500 HD Classic 2007, Sierra 3500 2006-2001, Sierra 3500 Classic 2007, Sierra 3500 HD 2010-2007, Yukon XL 2500 2013-2000, Hummer H2 2009-2003
MKD785FM	Disc Brake Pad	Front, Rear	Cadillac Escalade 2006-2002, Escalade ESV 2006-2003, Escalade EXT 2006-2002, Chevrolet Astro 2005-2003, Avalanche 1500 2006-2002, Express 1500 2008-2003, Express 2500 2005-2003, Silverado 1500 2006-1999, Silverado 1500 Classic 2007, Suburban 1500 2006-2000, Tahoe 2006-2000, GMC Safari 2005-2003, Savana 1500 2008-2003, Savana 2500 2005-2003, Sierra 1500 2006-1999, Sierra 1500 Classic 2007, Yukon 2006-2000, Yukon XL 1500 2006-2000, Chevrolet Avalanche 2500 2006-2002, Silverado 1500 HD 2003-2001, Silverado 1500 HD 2006-2005, Silverado 1500 HD Classic 2007, Silverado 2500 2004-1999, Silverado 2500 HD 2010-2001, Silverado 2500 HD Classic 2007, Silverado 3500 2007-2004, Silverado 3500 Classic 2007, Silverado 3500 HD 2010-2007, Suburban 2500 2013-2000, GMC C2500 2000, K2500 2000, Sierra 1500 2003, Sierra 1500 2005, Sierra 1500 HD 2003-2001, Sierra 1500 HD 2006-2005, Sierra 1500 HD Classic 2007, Sierra 2500 2004-1999, Sierra 2500 HD 2010-2001, Sierra 2500 HD Classic 2007, Sierra 3500 2006-2004, Sierra 3500 Classic 2007, Sierra 3500 HD 2010-2007, Yukon XL 2500 2013-2000, Hummer H2 2009-2003

BUYERS GUIDE

Part Number	Product Line	Position	Application
MKD786FM	Disc Brake Pad	Front, Rear	Ford F650 2008-2004, F750 2006-2004, Freightliner M2 106 2010-2007, International 1652SC 1998, 3000 2002, 3000IC 2002-2001, 3000RE 2002, 3000RE 2005, 3200 2011-2002, 3300 2011-2005, 3400 2002-2001, 3600 2001, 3800 2004-2001, 4100 2012-2006, 4100 SBA 2008-2006, 4200 2008-2002, 4200LP 2007-2003, 4300 2012-2002, 4300LP 2012-2002, 4400 2012-2002, 4400LP 2012-2002, 4700 2003-1998, 4700LP 2002-1998, 4700LPX 2002-1998, 4800 2003-2001, 4900 2003-2001, Ford F650 2008-2000, F750 2006-2004, Freightliner M2 106 2010-2007, International 1652SC 1998, 3000 2002, 3000IC 2002-2001, 3000RE 2002, 3000RE 2005, 3200 2011-2002, 3300 2011-2005, 3400 2002-2001, 3600 2001, 3800 2004-2001, 4100 2012-2006, 4100 SBA 2008-2006, 4200 2008-2002, 4200LP 2007-2003, 4300 2012-2002, 4300LP 2012-2002, 4400 2012-2002, 4400LP 2012-2002, 4700 2003-1998, 4700LP 2002-1998, 4700LPX 2002-1998, 4800 2003-2001, 4900 2003-2001
MKD786AFM	Disc Brake Pad	Front, Rear	Ford F53 2015, F650 2008-2007, Freightliner M2 106 2012-2007, M2 112 2012-2009, International 3000 2002, 3000IC 2002-2001, 3000RE 2002, 3000RE 2005, 3200 2011-2002, 3300 2011-2005, 3400 2002-2001, 3600 2001, 3800 2004-2001, 4100 2012-2006, 4100 SBA 2008-2006, 4200 2008-2002, 4200LP 2007-2003, 4300 2012-2002, 4300LP 2012-2002, 4400 2012-2002, 4400LP 2012-2002, 4700 2003-1998, 4700LP 2002-1998, 4700LPX 2002-1998, 4800 2003-2001, 4900 2003-2001, Ford F650 2008-2007, Freightliner M2 106 2012-2007, M2 112 2012-2009, International 3000 2002, 3000IC 2002-2001, 3000RE 2002, 3000RE 2005, 3200 2011-2002, 3300 2011-2005, 3400 2002-2001, 3600 2001, 3800 2004-2001, 4100 2012-2006, 4100 SBA 2008-2006, 4200 2008-2002, 4200LP 2007-2003, 4300 2012-2002, 4300LP 2012-2002, 4400 2012-2002, 4400LP 2012-2002, 4700 2003-1998, 4700LP 2002-1998, 4700LPX 2002-1998, 4800 2003-2001, 4900 2003-2001
MKD790FM	Disc Brake Pad	Front	Jeep Grand Cherokee 2002-1999
MKD792HDFM	Disc Brake Pad	Rear	Cadillac DeVille 2005-2000, DTS 2011-2006, Chevrolet Astro 2005-2003, Silverado 1500 2006-1999, Silverado 1500 Classic 2007, Suburban 1500 2001-2000, Tahoe 2001-2000, GMC Safari 2005-2003, Sierra 1500 2006-1999, Sierra 1500 Classic 2007, Yukon 2001-2000, Yukon XL 1500 2001-2000
MKD792SDFM	Disc Brake Pad	Rear	Cadillac DeVille 2005-2000, DTS 2011-2006, Chevrolet Astro 2005-2003, Silverado 1500 2006-1999, Silverado 1500 Classic 2007, Suburban 1500 2001-2000, Tahoe 2001-2000, GMC Safari 2005-2003, Sierra 1500 2006-1999, Sierra 1500 Classic 2007, Yukon 2001-2000, Yukon XL 1500 2001-2000
MKD799FM	Disc Brake Pad	Front	Toyota Tacoma 2004-1999
MKD802FM	Disc Brake Pad	Rear	Ford E-150 2007, E-250 2007-2003, E-250 Econoline 2002-1999, E-250 Super Duty 2005-2004, E-350 Club Wagon 2005-2003, E-350 Econoline 2000-1999, E-350 Econoline Club Wagon 2002-1999, E-350 Super Duty 2007-1999
MKD812FM	Disc Brake Pad	Front	Toyota Sequoia 2007-2001, Tundra 2006-2000
MKD820FM	Disc Brake Pad	Front	Dodge Dakota 2002-2000, Durango 2002-2000
MKD824FM	Disc Brake Pad	Front	Ford Excursion 2005-2000, F-250 Super Duty 2004-1999, F-350 Super Duty 2004-1999
MKD825FM	Disc Brake Pad	Front	Chevrolet W3500 Tiltmaster 2008-1998, W4500 Tiltmaster 2007-1999, W5500 Tiltmaster 2007-2000, GMC W3500 Forward 2008-1998, W4500 Forward 2008-1999, W5500 Forward 2009-2000, Isuzu NPR 2003-1998, NPR 2005, NPR 2009-2008, NPR-HD 2009-2008
MKD827FM	Disc Brake Pad	Front	Chevrolet W3500 Tiltmaster 2007-1999, W4500 Tiltmaster 2008-1999, W5500HD Tiltmaster 2009-2004, W5500 Tiltmaster 2009-2000, GMC W3500 Forward 2007-1999, W4500 Forward 2008-1999, W5500 Forward 2007-2000, W5500HD Forward 2009-2004, Isuzu NPR 2007-1999, NPR 2012, NPR-HD 2010-2004, NPR-HD 2013-2012, NQR 2013-2004, NRR 2013-2005, Reach 2012
MKD830FM	Disc Brake Pad	Front	Nissan Frontier 2004-2003, Xterra 2004-2000
MKD833FM	Disc Brake Pad	Front	Ford Explorer 2005-2001, Explorer Sport Trac 2005-2001, Ranger 2011-2003, Mazda B2300 2010-2003, B3000 2008-2003, B4000 2010-2003, Mercury Mountaineer 2005-2002
MKD834FM	Disc Brake Pad	Rear	Cadillac Escalade 2006-2002, Escalade ESV 2006-2003, Escalade EXT 2006-2002, Chevrolet Avalanche 1500 2006-2002, Silverado 1500 2006-2002, Suburban 1500 2006-2000, Tahoe 2006-2000, GMC Sierra 1500 2006-2002, Yukon 2006-2000, Yukon XL 1500 2006-2000, Yukon XL 2500 2001
MKD843FM	Disc Brake Pad	Front	Ford Escape 2007-2001, Mazda Tribute 2006-2001, Mercury Mariner 2007-2005
MKD844FM	Disc Brake Pad	Front	Buick Rendezvous 2007-2002, Chevrolet Venture 2004-2002, Oldsmobile Silhouette 2004-2002, Pontiac Aztek 2005-2001, Montana 2004-2002
MKD856FM	Disc Brake Pad	Front	Chrysler Town & Country 2007-2003, Voyager 2003-2001, Dodge Caravan 2007-2001, Grand Caravan 2005-2001, Jeep Liberty 2007-2002

BUYERS GUIDE

Part Number	Product Line	Position	Application
MKD857FM	Disc Brake Pad	Front	Chrysler Town & Country 2007-2001, Voyager 2003, Dodge Caravan 2007-2001, Grand Caravan 2007-2001
MKD858FM	Disc Brake Pad	Rear	Chrysler Town & Country 2007-2001, Voyager 2003-2001, Dodge Caravan 2007-2001, Grand Caravan 2007-2001
MKD859FM	Disc Brake Pad	Front	Dodge Ram 2500 2002-2000, Ram 3500 2002-2000
MKD881FM	Disc Brake Pad	Rear	Ford Explorer 2005-2002, Explorer Sport Trac 2003, Mercury Mountaineer 2005-2002
MKD882FM	Disc Brake Pad	Front	Buick Rainier 2005-2004, Chevrolet SSR 2006-2003, Trailblazer 2005-2002, Trailblazer EXT 2005-2002, GMC Envoy 2005-2002, Envoy XL 2005-2002, Envoy XUV 2005-2004, Isuzu Ascender 2005-2003, Oldsmobile Bravada 2004-2002, Saab 9-7x 2005
MKD883FM	Disc Brake Pad	Rear	Buick Enclave 2015-2008, Rainier 2007-2004, Cadillac XTS 2015-2013, Chevrolet SSR 2006-2003, Trailblazer 2009-2002, Trailblazer EXT 2006-2002, Traverse 2015-2009, GMC Acadia 2015-2007, Envoy 2009-2002, Envoy XL 2006-2002, Envoy XUV 2005-2004, Isuzu Ascender 2008-2003, Oldsmobile Bravada 2004-2002, Saab 9-7x 2009-2005, Saturn Outlook 2010-2007
MKD906FM	Disc Brake Pad	Front	Lexus ES300 2003-2002, ES330 2006-2004, Toyota Avalon 2007-2005, Camry 2006-2005, Sienna 2010-2004, Solara 2008-2004, Tacoma 2015-2005, Tundra 2015
MKD909FM	Disc Brake Pad	Rear	Chevrolet Silverado 3500 2007-2001, Silverado 3500 Classic 2007, Silverado 3500 HD 2010-2007, GMC Sierra 3500 2006-2001, Sierra 3500 Classic 2007, Sierra 3500 HD 2010-2007
MKD913FM	Disc Brake Pad	Front	Chevrolet Equinox 2006-2005, Pontiac Torrent 2006, Saturn Vue 2007-2002
MKD928FM	Disc Brake Pad	Rear	Dodge Sprinter 2500 2006-2003, Sprinter 3500 2006-2005, Freightliner Sprinter 2500 2006-2002, Sprinter 3500 2006-2002, Mercedes-Benz G55 AMG 2011-2003, G500 2008-2002, G550 2015-2009
MKD931FM	Disc Brake Pad	Front	Ford Crown Victoria 2011-2003, Lincoln Town Car 2011-2003, Mercury Grand Marquis 2011-2003, Marauder 2004-2003
MKD932AFM	Disc Brake Pad	Rear	Ford Crown Victoria 2010, Lincoln Town Car 2003, Mercury Marauder 2004-2003
MKD932FM	Disc Brake Pad	Rear	Mercury Grand Marquis 2008
MKD934FM	Disc Brake Pad	Front	Ford Expedition 2006-2003, Lincoln Navigator 2006-2003
MKD935FM	Disc Brake Pad	Rear	Ford Expedition 2006-2003, Lincoln Navigator 2006-2003
MKD945FM	Disc Brake Pad	Front	Jeep Grand Cherokee 2004-1999
MKD949FM	Disc Brake Pad	Front, Rear	Dodge Sprinter 2500 2006-2003, Sprinter 3500 2006-2003, Freightliner Sprinter 2500 2006-2002, Sprinter 3500 2006-2002, Dodge Sprinter 2500 2006-2005, Sprinter 3500 2006-2003, Freightliner Sprinter 2500 2006-2002, Sprinter 3500 2006-2002
MKD950FM	Disc Brake Pad	Front	Dodge Sprinter 2500 2006-2003, Sprinter 3500 2006-2003, Freightliner Sprinter 2500 2005-2002, Sprinter 3500 2006-2002
MKD951FM	Disc Brake Pad	Rear	Mercedes-Benz Sprinter 2005-2004
MKD962FM	Disc Brake Pad	Front	Dodge Dakota 2004-2003
MKD963FM	Disc Brake Pad	Rear	Dodge Dakota 2004-2003
MKD965FM	Disc Brake Pad	Front	Dodge Ram 1500 2008-2006, Ram 2500 2008-2003, Ram 3500 2008-2003
MKD966FM	Disc Brake Pad	Front	Dodge Durango 2006-2003, Ram 1500 2005-2002, Ram 1500 Van 2003
MKD967FM	Disc Brake Pad	Rear	Chrysler Aspen 2009-2007, Dodge Durango 2009-2003, Ram 1500 2010-2002, Ram 1500 Van 2003, Ram 1500 2015-2011
MKD970FM	Disc Brake Pad	Front	Ford Focus 2004-2002, Transit Connect 2013-2010
MKD974AFM	Disc Brake Pad	Rear	Cadillac Escalade 2006-2002, Chevrolet Avalanche 1500 2006-2002, Express 1500 2014-2003, Silverado 1500 2003, Suburban 1500 2006-2002, GMC Savana 1500 2013-2003, Sierra 1500 2005, Yukon 2006-2002, Yukon XL 1500 2006-2002
MKD974FM	Disc Brake Pad	Rear	Chevrolet Express 2500 2015-2003, Express 3500 2014-2003, GMC Savana 1500 2014, Savana 2500 2015-2003, Savana 3500 2014-2003, Sierra 1500 2003
MKD976FM	Disc Brake Pad	Front	Lexus GX460 2016-2010, GX470 2009-2003, Toyota 4Runner 2016-2003, FJ Cruiser 2014-2007, Sequoia 2007-2001, Tacoma 2016-2005, Tundra 2006-2000
MKD989FM	Disc Brake Pad	Rear	Chevrolet Express 3500 2008-2003, GMC Savana 3500 2008-2003
MKD1006FM	Disc Brake Pad	Rear	Dodge Sprinter 2500 2006-2003, Sprinter 3500 2006-2005
MKD1010FM	Disc Brake Pad	Front, Rear	Chevrolet C4500 Kodiak 2009-2003, C5500 Kodiak 2009-2003, GMC C5500 Topkick 2006, Chevrolet C4500 Kodiak 2009-2003, C5500 Kodiak 2008-2003, GMC C5500 Topkick 2008
MKD1012FM	Disc Brake Pad	Rear	Ford F-150 2011-2004, Lincoln Mark LT 2008-2006
MKD1015FM	Disc Brake Pad	Front	Infiniti QX56 2006-2004, Nissan Armada 2006-2005, Pathfinder Armada 2004, Titan 2007-2004
MKD1025FM	Disc Brake Pad	Front, Rear	AM General Hummer 1998-1997, Hummer 1998-1997

BUYERS GUIDE

Part Number	Product Line	Position	Application
MKD1032FM	Disc Brake Pad	Front, Rear	Chevrolet C4500 Kodiak 2009-2003, C5500 Kodiak 2009-2003, C6500 Kodiak 2009-2003, C7500 Kodiak 2009-2003, T6500 2009-2004, T7500 2009-2004, GMC C4500 Topkick 2009-2003, C5500 Topkick 2009-2003, C6500 Topkick 2009-2003, C7500 Topkick 2009-2003, T6500 2009-2004, T7500 2009-2004, Hino 238 2012-2007, 258ALP 2012-2008, 258LP 2012-2007, 308 2007, Kenworth T170 2008, T370 2008, Chevrolet C5500 Kodiak 2009-2003, C6500 Kodiak 2009-2003, C7500 Kodiak 2009-2002, T6500 2002, T6500 2009-2004, T7500 2002, T7500 2009-2004, GMC C5500 Topkick 2009-2003, C6500 Topkick 2009-2002, C7500 Topkick 2009-2002, T6500 2002, T6500 2008-2004, T7500 2002, T7500 2008-2004, Hino 185 2010-2009, 238 2012-2007, 258ALP 2012-2008, 258LP 2012-2007, 308 2007, Kenworth T170 2008, T370 2008
MKD1040FM	Disc Brake Pad	Rear	Ford Crown Victoria 2011-2003, Ranger 2011-2010, Lincoln Town Car 2011-2004, Mercury Grand Marquis 2007-2003, Grand Marquis 2011-2009
MKD1044FM	Disc Brake Pad	Front	Ford Escape 2015, Focus 2007-2005, Focus 2012, Mazda 3 2013-2004, 3 Sport 2010-2009, 3 Sport 2013-2012, 5 2010-2006, 5 2013-2012, MX-5 Miata 2013, Volvo C30 2013-2007, C70 2013-2006, S40 2011-2004, V50 2011-2005
MKD1045FM	Disc Brake Pad	Front	Ford E-150 2007-2004, E-150 Club Wagon 2005-2003
MKD1046FM	Disc Brake Pad	Rear	Ford E-150 2007-2004, E-150 Club Wagon 2005-2004
MKD1047BFM	Disc Brake Pad	Front	Ford Escape 2012-2010, Mercury Mariner 2011-2010
KD1057AVRF	Disc Brake Pad	Rear	Dodge Charger 2014-2006, Magnum 2008-2006
MKD1057VRFM	Disc Brake Pad	Rear	Chrysler 300 2015-2005, Dodge Challenger 2015-2009, Charger 2015-2006, Magnum 2008-2005
MKD1058FM	Disc Brake Pad	Front	Chrysler 200 2014-2013, 300 2015-2005, Dodge Avenger 2014-2013, Caliber 2009-2008, Challenger 2015-2009, Charger 2015-2006, Magnum 2008-2005
MKD1064FM	Disc Brake Pad	Rear	Chevrolet C4500 Kodiak 2009-2003, C5500 Kodiak 2009-2008, GMC C4500 Topkick 2009-2007, C5500 Topkick 2008-2006
MKD1066FM	Disc Brake Pad	Front, Rear	Ford F53 2015-2006, F-450 Super Duty 2015-2005, F-550 Super Duty 2015-2005, LCF 2010-2007, F53 2015-2006, F-450 Super Duty 2015-2005, F-550 Super Duty 2015-2005, LCF 2010-2007
MKD1068FM	Disc Brake Pad	Rear	Ford F-250 Super Duty 2007-2005, F-350 Super Duty 2007-2005
MKD1075FM	Disc Brake Pad	Front	Buick Allure 2009-2005, LaCrosse 2009-2005, Terraza 2007-2005, Chevrolet Uplander 2009-2005, Pontiac Grand Prix 2008-2005, Montana 2009-2005, Saturn Relay 2007-2005, VPG MV-1 2012-2011
MKD1080FM	Disc Brake Pad	Front	Jeep Commander 2010-2006, Grand Cherokee 2010-2005
MKD1083FM	Disc Brake Pad	Front	Ford F-150 2009-2004
MKD1084FM	Disc Brake Pad	Front	Chrysler Aspen 2009-2007, Dodge Dakota 2010-2005, Durango 2009-2007, Ram 1500 2010-2006, Mitsubishi Raider 2009-2006, Ram 1500 2015-2011, Dakota 2011
MKD1092FM	Disc Brake Pad	Front	Cadillac Escalade 2008-2007, Escalade ESV 2008-2007, Escalade EXT 2008-2007, Chevrolet Avalanche 2008-2007, Silverado 1500 2008-2005, Silverado 1500 Classic 2007, Suburban 1500 2008-2007, Tahoe 2008-2007, GMC Sierra 1500 2008-2005, Sierra 1500 Classic 2007, Yukon 2008-2007, Yukon XL 1500 2008-2007
MKD1093FM	Disc Brake Pad	Rear	Buick Terraza 2007-2005, Chevrolet Uplander 2009-2005, Pontiac Montana 2009-2005, Saturn Relay 2007-2005, VPG MV-1 2012-2011
MKD1094FM	Disc Brake Pad	Front	Nissan Frontier 2015-2005, Leaf 2013-2011, NV200 2015-2014, Pathfinder 2012-2005, Xterra 2015-2005, Suzuki Equator 2012-2009
MKD1149FM	Disc Brake Pad	Front	Chrysler 300 2008, 300 2010, 300 2014-2012, Dodge Challenger 2008, Challenger 2015-2014, Charger 2015
MKD1159FM	Disc Brake Pad	Front, N/A	Buick LaCrosse 2009-2008, Lucerne 2011-2006, Cadillac DTS 2011-2006, Chevrolet Monte Carlo 2007-2006, Buick Rendezvous 2007
MKD1169AFM	Disc Brake Pad	Front	Buick Enclave 2014-2008, Chevrolet Traverse 2014-2009, GMC Acadia 2014-2007, Saturn Outlook 2010-2007
MKD1169FM	Disc Brake Pad	Front	Buick Enclave 2015, Rainier 2007-2006, Chevrolet Colorado 2012-2009, Trailblazer 2009-2006, Trailblazer EXT 2006, Traverse 2015, GMC Acadia 2015, Canyon 2012-2009, Envoy 2009-2006, Envoy XL 2006, Isuzu Ascender 2008-2006, Saab 9-7x 2009-2006
MKD1194FM	Disc Brake Pad	Rear	Cadillac Escalade 2000, Escalade 2013-2007, Escalade ESV 2014-2007, Escalade EXT 2013-2007, Chevrolet Avalanche 2013-2007, Silverado 1500 2013-2007, Silverado 1500 Classic 2007, Suburban 1500 2014-2007, Tahoe 2013-2007, GMC Sierra 1500 2013-2007, Sierra 1500 Classic 2007, Yukon 2014-2007, Yukon XL 1500 2014-2007
MKD1210FM	Disc Brake Pad	Front	Lexus HS250h 2012-2010, Pontiac Vibe 2010-2009, Scion xB 2015-2008, xD 2014-2008, Toyota Corolla 2016-2009, Matrix 2014-2009, Prius V 2016-2012, RAV4 2015-2006

BUYERS GUIDE

Part Number	Product Line	Position	Application
MKD1265FM	Disc Brake Pad	Front, Rear	Mitsubishi Fuso FE120 2005, FE125 2009-2008, FE140 2007-2006, FE145 2009-2005, FE145CC 2009-2005, FE180 2009-2005, FG140 2009-2005, FK200 2009-2005, FK260 2009-2008, FM260 2007-2005, FM330 2009-2005, FE120 2005, FE125 2009-2008, FE140 2007-2006, FE145 2009-2005, FE145CC 2009-2005, FE180 2009-2005, FG140 2009-2005, FK200 2009-2005, FK260 2009-2008, FM260 2007-2005, FM330 2009-2005
MKD1278FM	Disc Brake Pad	Front	Ford Expedition 2009-2007, Lincoln Navigator 2009-2007
MKD1279FM	Disc Brake Pad	Rear	Ford Expedition 2016-2007, Lincoln MKT 2013, MKT 2015, Navigator 2016-2007
MKD1303FM	Disc Brake Pad	Front	Lexus LX570 2011-2008, LX570 2016-2013, Toyota Land Cruiser 2011-2008, Land Cruiser 2016-2013, Sequoia 2016-2008, Tundra 2014-2007, Tundra 2016
MKD1317FM	Disc Brake Pad	Rear	Dodge Sprinter 2500 2009-2007, Freightliner Sprinter 2500 2012-2007, Sprinter 3500 2012-2010, Mercedes-Benz Sprinter 2500 2012-2010, Sprinter 2500 2015-2014, Sprinter 3500 2014-2010
MKD1318FM	Disc Brake Pad	Rear	Dodge Sprinter 3500 2009-2007, Freightliner Sprinter 3500 2012-2007, Mercedes-Benz Sprinter 3500 2015-2010
MKD1326FM	Disc Brake Pad	Rear	Chrysler Town & Country 2011-2008, Dodge Grand Caravan 2012-2008, Journey 2012-2009, Ram C/V 2012, Volkswagen Routan 2012-2009
MKD1327FM	Disc Brake Pad	Front	Chrysler Town & Country 2015-2008, Dodge Grand Caravan 2015-2008, Journey 2013-2009, Nitro 2011-2007, Jeep Liberty 2012-2008, Wrangler 2016-2007, Ram C/V 2015-2012, Volkswagen Routan 2012-2009
MKD1328FM	Disc Brake Pad	Front	Ford E-150 2014-2008, E-250 2014-2008, E-350 Super Duty 2015-2008, E-450 Super Duty 2015-2008
MKD1329FM	Disc Brake Pad	Rear	Ford E-150 2014-2008, E-250 2014-2008, E-350 Super Duty 2015-2008, E-450 Super Duty 2011, E-450 Super Duty 2015
MKD1330FM	Disc Brake Pad	Rear	Ford E-450 Super Duty 2010-2008, E-450 Super Duty 2014-2012
MKD1334FM	Disc Brake Pad	Rear	Ford F-250 Super Duty 2012-2008, F-350 Super Duty 2012-2005, F-450 Super Duty 2012
MKD1335FM	Disc Brake Pad	Front, Rear	Dodge Ram 4500 2010-2008, Ram 5500 2010-2008, Ram 4500 2013-2011, 4500 2015, 5500 2013-2011, 5500 2015, Dodge Ram 4500 2010-2008, Ram 5500 2010-2008, Ram 4500 2013-2011, 4500 2015, 5500 2013-2011, 5500 2015
MKD1351FM	Disc Brake Pad	Front	Pontiac G8 2009-2008
MKD1352FM	Disc Brake Pad	Rear	Chevrolet SS 2014, Pontiac G8 2009-2008
MKD1363FM	Disc Brake Pad	Front	Cadillac Escalade 2016-2008, Escalade ESV 2015-2008, Escalade EXT 2013-2008, XTS 2015-2013, Chevrolet Avalanche 2013-2008, Express 1500 2014-2009, Silverado 1500 2016-2005, Silverado 1500 Classic 2007, Suburban 2015, Suburban 1500 2014-2007, Tahoe 2016-2008, GMC Savana 1500 2014-2009, Sierra 1500 2016-2005, Sierra 1500 Classic 2007, Yukon 2016-2008, Yukon XL 2015, Yukon XL 1500 2014-2008
MKD1392FM	Disc Brake Pad	Front	Lincoln Mark LT 2008-2006
MKD1399FM	Disc Brake Pad	Front	Dodge Ram 2500 2010-2009, Ram 3500 2010-2009, Ram 1500 2012, 2500 2015-2011, 3500 2015-2011
MKD1400FM	Disc Brake Pad	Rear	Dodge Ram 2500 2010-2009, Ram 3500 2010-2009, Ram 1500 2012, 2500 2015-2011, 3500 2015-2011
MKD1404FM	Disc Brake Pad	Front	Buick Regal 2014, Chevrolet Camaro 2014-2010
MKD1411FM	Disc Brake Pad	Front, Rear	Chevrolet Express 4500 2014, Silverado 3500 HD 2011, Silverado 3500 HD 2013, GMC Sierra 2500 HD 2011, Sierra 2500 HD 2013, Sierra 3500 HD 2011, Sierra 3500 HD 2013, Nissan NV200 2013, Chevrolet Express 3500 2013-2009, Express 4500 2014-2009, Silverado 2500 HD 2014-2011, Silverado 3500 HD 2014-2011, GMC Savana 3500 2014-2009, Savana 4500 2014-2009, Sierra 2500 HD 2014-2011, Sierra 3500 HD 2014-2011
MKD1490FM	Disc Brake Pad	Rear	Ram ProMaster 1500 2015
MKD1498FM	Disc Brake Pad	Rear	Dodge Durango 2015-2011, Jeep Grand Cherokee 2015-2011
MKD1540FM	Disc Brake Pad	Front	Ram ProMaster 2016-2015, ProMaster 1500 2016-2014, ProMaster 2500 2015-2014, ProMaster 3500 2015-2014
MKD1564FM	Disc Brake Pad	Rear	Ford C-Max 2016-2013, Escape 2016-2013, Focus 2013-2012, Focus 2016-2015, Transit Connect 2016-2014
MKD1565AFM	Disc Brake Pad	Front, Rear	Nissan NV1500 2015-2012, NV2500 2015-2012, NV3500 2015-2012, Titan XD 2016, NV1500 2015, NV2500 2015, NV3500 2015
MKD1565BFM	Disc Brake Pad	Front, Rear	Chevrolet Silverado 2500 HD 2015-2011, Silverado 3500 HD 2012, Silverado 3500 HD 2015-2014, GMC Sierra 2500 HD 2012, Sierra 2500 HD 2015-2014, Sierra 3500 HD 2012, Sierra 3500 HD 2015-2014, Chevrolet Express 3500 2015, Express 4500 2015, GMC Savana 3500 2015, Sierra 2500 HD 2015, Sierra 3500 HD 2015
MKD1565FM	Disc Brake Pad	Rear	Nissan NV1500 2014-2012, NV2500 2014-2012, NV3500 2014-2012
MKD1584FM	Disc Brake Pad	Front	Acura TL 2014-2009, TLX 2016-2015, Honda Ridgeline 2014-2006
MKD1589FM	Disc Brake Pad	Front	Chrysler Town & Country 2015-2012, Dodge Grand Caravan 2016-2012, Journey 2016-2012, Ram C/V 2015-2012, Volkswagen Routan 2014-2012
MKD1596FM	Disc Brake Pad	Rear	Chrysler Town & Country 2015-2012, Dodge Grand Caravan 2016-2012, Journey 2016-2012, Ram C/V 2015-2012, Volkswagen Routan 2014-2012
MKD1602FM	Disc Brake Pad	Rear	Ford F-150 2015-2012

BUYERS GUIDE

Part Number	Product Line	Position	Application
MKD1611FM	Disc Brake Pad	Front, Rear	Ford Explorer 2013-2012, Explorer 2016, Flex 2015-2012, Fusion 2015, Police Interceptor Sedan 2016, Police Interceptor Utility 2016, Taurus 2013, Lincoln MKS 2014, MKT 2015, Ford Flex 2015
MKD1611AFM	Disc Brake Pad	Front	Ford Police Interceptor Sedan 2015-2013, Police Interceptor Utility 2015-2013, Lincoln MKT 2013
MKD1611BFM	Disc Brake Pad	Front	Ford Explorer 2015, Taurus 2015, Lincoln MKS 2013, MKS 2015
MKD1612FM	Disc Brake Pad	Rear	Ford Explorer 2014-2012, Flex 2014-2012, Police Interceptor Sedan 2016-2013, Police Interceptor Utility 2015-2013, Special Service Police Sedan 2015, Taurus 2015-2013, Lincoln MKS 2014-2013, MKT 2014-2013
MKD1629FM	Disc Brake Pad	Front	Dodge Durango 2015-2011, Jeep Grand Cherokee 2015-2011, Mercedes-Benz GL350 2016-2014, GL450 2016-2013, GLE300d 2016, GLE350 2016, GLE400 2016, ML63 AMG 2015-2014, ML250 2015, ML350 2015-2012, ML400 2015, ML550 2015
MKD1629AFM	Disc Brake Pad	Front	Dodge Durango 2015-2012, Jeep Grand Cherokee 2015-2013, Mercedes-Benz ML350 2013-2012
MKD1631FM	Disc Brake Pad	Front	Ford F-350 Super Duty 2012-2011
MKD1631AFM	Disc Brake Pad	Front	Ford F-250 Super Duty 2007-2005, F-350 Super Duty 2007-2005, F-350 Super Duty 2012-2011, F-450 Super Duty 2012
MKD1645FM	Disc Brake Pad	Front	Ford Escape 2016-2013, Transit Connect 2016-2014
MKD1680FM	Disc Brake Pad	Front	Ford F-250 Super Duty 2015-2013, F-350 Super Duty 2015-2013, F-450 Super Duty 2015-2013
MKD1682FM	Disc Brake Pad	Front, Rear	Mitsubishi Fuso Canter FE160 2013, Canter FE160 2013
MKD1691FM	Disc Brake Pad	Rear	Ford F-250 Super Duty 2015-2013, F-350 Super Duty 2015-2013, F-450 Super Duty 2015-2013
MKD1693FM	Disc Brake Pad	Front	Dodge Sprinter 2500 2009-2007, Freightliner Sprinter 2500 2014-2007, Mercedes-Benz Metris 2017-2016, Sprinter 2500 2015-2010
MKD1699FM	Disc Brake Pad	Front, Rear	Dodge Sprinter 3500 2009-2007, Freightliner Sprinter 3500 2014-2007, Mercedes-Benz Sprinter 3500 2015-2010, Workhorse P30 2005, P30 2005
MKD1719FM	Disc Brake Pad	Rear	Chrysler Town & Country 2015-2012, Dodge Grand Caravan 2015-2012, Journey 2013, Ram C/V 2015-2012
MKD1746FM	Disc Brake Pad	Rear	Ram ProMaster 1500 2014, ProMaster 2500 2015-2014, ProMaster 3500 2015-2014
MKD1754FM	Disc Brake Pad	Rear	Ford Edge 2015-2011, Explorer 2016-2011, Flex 2014-2009, Police Interceptor Utility 2016-2013, Taurus 2013-2010, Taurus 2015, Lincoln MKS 2012-2009, MKS 2015, MKT 2013-2010, MKT 2015, MKX 2015-2011, Saab 9-4X 2011
MKD1770FM	Disc Brake Pad	Front	Ford Expedition 2016-2010, F-150 2015-2010, Lincoln Navigator 2016-2010
MKD1774FM	Disc Brake Pad	Front	Ford Transit-150 2015, Transit-250 2015, Transit-350 2015, Transit-350 HD 2015
MKD1775FM	Disc Brake Pad	Rear	Ford Transit-150 2015, Transit-250 2015, Transit-350 2015, Transit-350 HD 2015
MKD1790FM	Disc Brake Pad	Rear	Ford F-150 2015
MKD1893FM	Disc Brake Pad	Rear	Mercedes-Benz Metris 2017-2016
PBD698	Disc Brake Pad	Rear	Chevrolet Impala 2010-2000
PBD931	Disc Brake Pad	Front	Ford Crown Victoria 2011-2003
PBD932	Disc Brake Pad	Rear	Ford Crown Victoria 2010
PBD974A	Disc Brake Pad	Rear	Chevrolet Tahoe 2006-2002
PBD999	Disc Brake Pad	Rear	Buick Allure 2009-2005, LaCrosse 2009-2005, Chevrolet Impala 2013-2011, Impala 2016-2015, Impala Limited 2015-2014, Pontiac Grand Prix 2008-2004
PBD1057AVR	Disc Brake Pad	Rear	Dodge Charger 2014-2006, Magnum 2008-2006
PBD1058	Disc Brake Pad	Front	Dodge Challenger 2015-2009, Charger 2015-2006, Magnum 2008-2005
PBD1092	Disc Brake Pad	Front	Chevrolet Silverado 1500 Classic 2007, Suburban 1500 2008-2007, Tahoe 2008-2007, GMC Sierra 1500 2008-2005, Sierra 1500 Classic 2007, Yukon 2008-2007, Yukon XL 1500 2008-2007
PBD1159	Disc Brake Pad	Front	Chevrolet Impala 2013-2006, Impala 2016-2015, Impala Limited 2015-2014
PBD1194	Disc Brake Pad	Rear	Chevrolet Silverado 1500 Classic 2007, Suburban 1500 2014-2007, Tahoe 2013-2007, GMC Sierra 1500 2013-2007, Sierra 1500 Classic 2007, Yukon 2014-2007, Yukon XL 1500 2014-2007
PBD1351	Disc Brake Pad	Front	Chevrolet Caprice 2012
PBD1352	Disc Brake Pad	Rear	Chevrolet Caprice 2016-2011
PBD1363	Disc Brake Pad	Front	Chevrolet Tahoe 2016-2008, GMC Sierra 1500 2015-2005, Sierra 1500 Classic 2007, Yukon 2016-2008
PBD1404	Disc Brake Pad	Front	Chevrolet Caprice 2016-2011
PBD1611A	Disc Brake Pad	Front	Ford Police Interceptor Sedan 2015-2013, Police Interceptor Utility 2015-2013
PBD1611B	Disc Brake Pad	Front	Ford Police Interceptor Sedan 2015-2013, Police Interceptor Utility 2015-2013, Special Service Police Sedan 2015
PBD1612	Disc Brake Pad	Rear	Ford Explorer 2014-2012, Flex 2014-2012, Police Interceptor Sedan 2016-2013, Police Interceptor Utility 2015-2013, Special Service Police Sedan 2015, Taurus 2015-2013
PBD1754	Disc Brake Pad	Rear	Ford Explorer 2016-2011, Flex 2014-2009, Police Interceptor Utility 2016-2013, Taurus 2013-2010, Taurus 2015

BUYERS GUIDE

Part Number	Product Line	Position	Application
PBD1766	Disc Brake Pad	Rear	Dodge Charger 2015-2014
PBD1767	Disc Brake Pad	Front	Dodge Charger 2015-2014
PDR0003	Brake Drum	Front, Rear	Cadillac Eldorado 1968-1967, Oldsmobile Toronado 1969-1966, Cadillac Eldorado 1975-1967, Oldsmobile Toronado 1978-1966
PDR0004	Brake Drum	Front	Pontiac Bonneville 1970-1965, Catalina 1970-1965, Grand Prix 1968-1965
PDR0005	Brake Drum	Front	Buick Gran Sport 1967, GS 1970, GS 350 1969-1968, GS 400 1969-1968, GS 455 1970, Skylark 1968-1967, Skylark 1970, Special 1969-1967, Sportwagon 1970-1967, Pontiac Firebird 1968-1967, GTO 1968-1966, LeMans 1969-1966, Tempest 1968-1966
PDR0010	Brake Drum	Front	Ford Fairlane 1970-1965, Falcon 1970-1969, Maverick 1973-1970, Mustang 1973-1964, Ranchero 1971-1967, Torino 1971-1968, Mercury Caliente 1967-1966, Comet 1969-1966, Comet 1973-1971, Cougar 1973-1967, Country Cruiser 1963, Cyclone 1971-1968, Meteor 1963-1962, Montego 1971-1968, Villager 1967-1966
PDR0012	Brake Drum	Rear	Ford E-250 Econoline 1980-1975, E-250 Econoline Club Wagon 1980-1975, E-300 Econoline 1974-1969, F-250 1979-1967, F-350 1979, P-350 1975-1967, P-400 1976-1975
PDR0013	Brake Drum	Front	Ford Bronco 1975-1969, F-100 1967-1964, F-100 1975-1970, F-150 1975, P-100 1967-1964
PDR0014	Brake Drum	Front	Ford E-300 Econoline 1972-1969, F-350 1972-1967
PDR0015	Brake Drum	Front	Ford F-250 1975-1960
PDR0016	Brake Drum	Front	Ford E-200 Econoline 1974-1969
PDR0017	Brake Drum	Front	Chrysler 300 1969-1965, Newport 1968-1965, New Yorker 1969-1965, Town & Country 1969-1965, Dodge A100 1966-1964, A100 1970, A100 Truck 1970-1964, A108 Van 1970-1967, D100 Pickup 1972, Monaco 1969-1965, Polara 1969-1965, Fargo A100 Van 1970-1964, A108 Van 1970-1967, Plymouth Fury 1969-1965
PDR0018	Brake Drum	Front	Dodge Challenger 1970, Charger 1970-1967, Coronet 1970-1967, Plymouth Barracuda 1970, Belvedere 1970-1962, GTX 1970-1967, Roadrunner 1970-1968, Satellite 1970-1965, Superbird 1970
PDR0019	Brake Drum	Front	Chrysler 300 1969, Newport 1969, New Yorker 1969, Town & Country 1969, Dodge Challenger 1970, Charger 1972-1966, Coronet 1970-1966, Monaco 1969-1965, Polara 1969-1965, Plymouth Barracuda 1970, Belvedere 1970-1966, Cuda 1970, Fury 1969-1965, Fury I 1969-1968, Fury II 1969-1965, Fury III 1969-1965, GTX 1970-1969, Roadrunner 1970-1969, Satellite 1970-1969, Superbird 1970
PDR0022	Brake Drum	Front, Rear	Chevrolet Bel Air 1958-1951, Biscayne 1958, Brookwood 1958, Corvair Truck 1964-1961, Corvette 1962-1953, Del Ray 1958-1957, Fleetline 1952-1951, G10 Van 1971, Impala 1958, Nomad 1958-1955, One-Fifty Series 1957-1953, Sedan Delivery 1951, Sedan Delivery 1958-1953, Styleline Deluxe 1952-1951, Styleline Special 1952-1951, Two-Ten Series 1957-1953, Yeoman 1958, GMC G15/G1500 Van 1971, Chevrolet Bel Air 1970-1951, Biscayne 1970-1958, Brookwood 1961-1958, Brookwood 1970-1969, Caprice 1970-1966, Corvair Truck 1964-1961, Corvette 1964-1953, Del Ray 1958-1957, Estate 1970-1969, Fleetline 1952-1951, G10 Van 1971, Impala 1970-1958, Kingswood 1961-1959, Kingswood 1970-1969, Nomad 1961-1955, One-Fifty Series 1957-1953, Parkwood 1961-1959, Sedan Delivery 1951, Sedan Delivery 1958-1953, Styleline Deluxe 1952-1951, Styleline Special 1952-1951, Townsman 1970-1969, Two-Ten Series 1957-1953, Yeoman 1958
PDR0023	Brake Drum	Front, Rear	Chevrolet 3B 1959, 3100 1959, Blazer 1970-1969, C10 Panel 1967-1960, C10 Pickup 1970-1960, K10 Pickup 1963-1960, P10 Van 1970-1968, Truck 1958-1951, GMC 1000 Series 1965-1960, C15/C1500 Pickup 1970-1967, C15/C1500 Suburban 1970-1968, I1000 1966-1964, I1500 1966-1965, Jimmy 1970, P15/P1500 Van 1970-1967, P1000 1966, Chevrolet 3B 1959, 3100 1959, Blazer 1970-1969, C10 Panel 1967-1960, C10 Pickup 1970-1960, G20 Van 1969-1967, K10 Pickup 1970-1960, K10 Suburban 1970-1968, P10 Series 1967-1960, P10 Van 1970-1968, Truck 1958-1951, GMC 1000 Series 1965-1960, C15/C1500 Pickup 1970-1967, C15/C1500 Suburban 1970-1968, G25/G2500 Van 1970-1967, I1000 1966-1964, I1500 1966-1965, Jimmy 1970, K15/K1500 Pickup 1970-1967, K15/K1500 Suburban 1970-1968, P15/P1500 Van 1970-1967, P1000 1966
PDR0024	Brake Drum	Front, Rear	Chevrolet C20 Panel 1967, C20 Pickup 1970-1961, C20 Suburban 1970-1968, C30 Panel 1966-1961, C30 Pickup 1970-1961, G30 Van 1971-1970, P20 Van 1970-1968, P30 Van 1970-1968, GMC C25/C2500 Pickup 1970-1967, C25/C2500 Suburban 1970-1968, C35/C3500 Pickup 1970-1967, G35/G3500 Van 1971, P25/P2500 Van 1970-1968, P35/P3500 Van 1970-1968, Chevrolet C20 Panel 1967, C20 Pickup 1970-1960, P20 Van 1970, GMC P25/P2500 Van 1970-1968
PDR0026	Brake Drum	Rear	Chevrolet 3B 1959, P20 Series 1967-1960, Truck 1958-1953, GMC P25/P2500 Van 1967

BUYERS GUIDE

Part Number	Product Line	Position	Application
PDR0037	Brake Drum	Front	Buick Gran Sport 1966-1965, Skylark 1972-1964, Special 1969-1964, Sportwagon 1966-1964, Sportwagon 1972-1971, Oldsmobile Cutlass 1972-1964, Cutlass Supreme 1972-1968
PDR0039	Brake Drum	Rear	Pontiac Firebird 1969-1967, Grand Prix 1972-1969, LeMans 1972-1964
PDR0042	Brake Drum	Front	Chevrolet Bel Air 1970-1959, Biscayne 1970-1959, Brookwood 1961-1959, Brookwood 1970-1969, Caprice 1970-1966, Corvette 1964-1963, Estate 1970-1969, Impala 1970-1959
PDR0043	Brake Drum	Rear	Chevrolet G20 Van 1973-1967, GMC G25/G2500 Van 1973-1967
PDR0046	Brake Drum	Rear	Buick Sportwagon 1969-1964, Oldsmobile 442 1971-1970, Cutlass 1972-1964, Cutlass Supreme 1972-1967, F85 1972-1970, Vista Cruiser 1966-1964, Vista Cruiser 1972-1970
PDR0052	Brake Drum	Front, Rear	Chevrolet Camaro 1968-1967, Corvair 1969-1965
PDR0053	Brake Drum	Rear	Buick Apollo 1974, Chevrolet Camaro 1974-1967, Chevelle 1972-1964, El Camino 1972-1964, G10 Van 1971-1967, Malibu 1967-1964, Monte Carlo 1972-1970, Nova 1975-1974, GMC G15/G1500 Van 1971-1967, G1000 Series 1966-1964, Sprint 1972-1971, Oldsmobile Omega 1975, Pontiac Ventura 1975
PDR0057	Brake Drum	Rear	Chevrolet C20 Panel 1967, C20 Pickup 1970-1965, GMC C25/C2500 Pickup 1970-1967
PDR0059	Brake Drum	Front, Rear	Buick Apollo 1974-1973, Chevrolet Camaro 1970-1967, Chevelle 1972-1968, Chevy II 1968-1967, El Camino 1972-1967, G10 Van 1970-1964, Monte Carlo 1972-1970, Nova 1974-1969, GMC G15/G1500 Van 1970-1967, Sprint 1972-1971, Oldsmobile 442 1971-1968, Cutlass 1972-1968, Cutlass Supreme 1972-1968, F85 1972-1968, Omega 1973, Vista Cruiser 1972-1968, Pontiac Ventura 1974-1971, Chevrolet G10 Van 1966-1964, GMC G1000 Series 1966-1964
PDR0063	Brake Drum	Front, Rear	Cadillac DeVille 1968-1961, Fleetwood 1968-1965, Brougham 1990-1987, Commercial Chassis 1982-1980, Commercial Chassis 1984, DeVille 1976-1967, Fleetwood 1982-1980, Fleetwood 1984
PDR0076	Brake Drum	Rear	Checker Marathon 1971-1969, Pontiac Bonneville 1970-1964, Catalina 1970-1964, Grand Prix 1968-1964
PDR0082	Brake Drum	Front, Rear	International Scout 1963-1961, Jeep CJ5 1973-1962, CJ5A 1968-1966, CJ6 1973-1962, CJ6A 1968-1966, DJ5 1973-1965, DJ6 1968-1965, International Scout 1968-1961, Jeep CJ5 1971-1962, CJ5 1973, CJ5A 1968-1966, CJ6 1971-1962, CJ6 1973, CJ6A 1968-1966, DJ5 1971-1965, DJ5 1973, DJ6 1968-1965
PDR0087	Brake Drum	Front, Rear	Jeep FC150 1964-1960, FC170 1964-1960, Gladiator 1966-1963, Willys 1952-1947, Gladiator 1964-1963, Willys 1952-1948
PDR0088	Brake Drum	Front, Rear	Jeep Gladiator 1969-1963, J-100 1973-1963, J-200 1964-1963, J-210 1964-1963, J-220 1964-1963, J-230 1964-1963, J-300 1964-1963, J-310 1964-1963, J-320 1964-1963, J-330 1964-1963, J-2500 1973-1965, J-2600 1970-1965, J-2600 1973-1972, J-2700 1970-1965, J-2800 1968-1965, J-3500 1970-1965, J-3600 1970-1965, J-3700 1966-1965, J-3700 1970-1968, J-3800 1971-1965, J-4500 1973-1970, J-4600 1973-1970, J-4700 1973-1970, J-4800 1973-1971, Wagoneer 1973-1963, Gladiator 1969-1963, J-100 1973-1963, J-200 1964-1963, J-210 1964-1963, J-220 1964-1963, J-230 1964-1963, J-300 1964-1963, J-310 1964-1963, J-320 1964-1963, J-330 1964-1963, J-2500 1973-1965, J-2600 1970-1965, J-2600 1973-1972, J-2700 1970-1965, J-2800 1968-1965, J-3500 1970-1965, J-3600 1970-1965, J-3700 1966-1965, J-3700 1970-1968, J-3800 1971-1965, J-4500 1973-1970, J-4600 1973-1970, J-4700 1973-1970, J-4800 1973-1971
PDR0091	Brake Drum	Front, Rear	Jeep Commando 1973-1966, Jeepster 1973-1966, Commando 1973-1966, Jeepster 1973-1966
PDR0104	Brake Drum	Rear	American Motors Ambassador 1968-1967, American 1968-1958, AMX 1970-1969, Gremlin 1972-1970, Hornet 1972-1970, Javelin 1972-1969, Rambler 1960, Rambler 1969
PDR0105	Brake Drum	Front	American Motors Ambassador 1969-1964, American 1968-1958, Classic 1966-1964, Gremlin 1972-1970, Hornet 1972-1970, Javelin 1972-1968, Rambler 1969
PDR0112	Brake Drum	Front	Ford F-100 1963-1957
PDR0115	Brake Drum	Rear	Ford Bronco 1975-1966, F-100 1967-1957, P-100 1967-1964
PDR0118	Brake Drum	Front	Dodge W100 1977-1975, W100 Pickup 1974, Ford Bronco 1968-1966, F-100 1973-1961, P-100 1966-1964
PDR0122	Brake Drum	Front	Ford P-350 1976-1957
PDR0123	Brake Drum	Rear	Ford P-350 1966-1957
PDR0124	Brake Drum	Front, Rear	Ford Custom 1968-1964, Custom 500 1968-1964, Galaxie 500 1968-1962, Ranch Wagon 1968-1962, Custom 1968-1965, Custom 500 1968-1965, Ranch Wagon 1968-1965

BUYERS GUIDE

Part Number	Product Line	Position	Application
PDR0127	Brake Drum	Rear	Ford Fairlane 1969-1962, Falcon 1970-1960, Falcon Sedan Delivery 1965-1961, Maverick 1973-1970, Mustang 1972-1964, Ranchero 1969-1960, Sprint 1964-1963, Torino 1969-1968, Mercury Caliente 1967-1964, Comet 1969-1962, Comet 1973-1971, Cougar 1971-1967, Country Cruiser 1963, Cyclone 1969-1967, Meteor 1963-1962, Montego 1969-1968, Villager 1967-1962
PDR0136	Brake Drum	Rear	Ford Fairlane 1970-1962, Falcon 1970-1966, Mustang 1973-1964, Ranchero 1971-1966, Torino 1971-1968, Mercury Caliente 1967-1966, Comet 1969-1966, Cougar 1973-1967, Country Cruiser 1963, Cyclone 1971-1967, Meteor 1963-1962, Montego 1971-1968
PDR0137	Brake Drum	Front, Rear	Ford Country Sedan 1972-1969, Custom 1972-1969, Custom 500 1972-1969, Galaxie 500 1972-1969, Ranch Wagon 1972-1969, Mercury Marquis 1969, Ford Country Sedan 1972-1969, Custom 1972-1969, Custom 500 1972-1969, Galaxie 500 1972-1969, Ranch Wagon 1972-1969, Mercury Marquis 1972-1969
PDR0138	Brake Drum	Front, Rear	Ford Falcon 1965-1960, Mustang 1966-1965, Ranchero 1965-1960, Sprint 1964-1963, Mercury Caliente 1965-1964, Comet 1965-1960, Villager 1965-1962, Ford Falcon 1965-1960, Mustang 1966-1965, Ranchero 1965-1960, Sprint 1964-1963, Mercury Caliente 1965-1964, Comet 1965-1960, Villager 1965-1962
PDR0139	Brake Drum	Rear	Ford Falcon 1970-1960, Maverick 1972-1970, Mustang 1970-1965, Ranchero 1966-1960, Sprint 1964-1963, Mercury Caliente 1965-1964, Comet 1965-1960, Comet 1972-1971, Villager 1965-1962
PDR0140	Brake Drum	Front	Ford Falcon 1969-1966, Maverick 1972-1970, Mustang 1970-1967, Mercury Comet 1972-1971
PDR0141	Brake Drum	Rear	Ford E-100 Econoline 1975, E-100 Econoline Club Wagon 1975, E-150 Econoline 1975, E-150 Econoline Club Wagon 1975, E-200 Econoline 1974-1969, F-100 1975-1968, F-150 1975
PDR0144	Brake Drum	Front	Ford E-100 Econoline 1974-1969
PDR0163	Brake Drum	Front, Rear	Dodge A100 1966-1964, A100 1970, A100 Truck 1970-1964, A108 Van 1970-1967, B100 Van 1973-1971, Dart 1962, Dart 1962, Polara 1964-1962, Plymouth Belvedere 1964-1962, Fury 1964-1962
PDR0174	Brake Drum	Front	Dodge Dart 1969-1965, Plymouth Barracuda 1969-1965, Duster 1972-1970, Scamp 1972-1971, Valiant 1972-1962
PDR0178	Brake Drum	Front	Dodge Dart 1970-1963, Plymouth Barracuda 1969-1965, Valiant 1970-1960
PDR0179	Brake Drum	Rear	Dodge Dart 1969-1963, Plymouth Valiant 1970-1960
PDR0181	Brake Drum	Rear	Dodge D200 Pickup 1970-1968, D200 Pickup 1973, D200 Series 1967-1961, W100 Pickup 1968, W100 Series 1967-1961, W200 Pickup 1971-1969
PDR0182	Brake Drum	Rear	Chrysler LeBaron 1981-1977, Town & Country 1981-1978, Dodge A100 1966-1964, A100 1970, A100 Truck 1970-1964, A108 Van 1970-1967, Aspen 1980-1976, B100 1980-1975, B100 Van 1974-1971, B150 1984-1981, B200 Van 1972-1971, B250 1984-1981, Challenger 1974-1970, Charger 1973-1966, Coronet 1974-1965, D100 1979-1975, D100 Pickup 1974-1970, D150 1984-1977, Dart 1962, Dart 1974-1973, Diplomat 1989-1977, Mirada 1983-1980, Ramcharger 1984-1980, Fargo A100 Van 1970-1964, A108 Van 1970-1967, B200 Van 1972-1971, D100 Pickup 1972-1970, Plymouth Barracuda 1974-1970, Belvedere 1970-1965, Belvedere II 1967-1965, Cuda 1974-1970, Duster 1974-1973, GTX 1971-1967, PB100 1980-1975, PB100 Van 1974, PB150 1983-1981, PB200 1980-1975, PB200 Van 1974, PB250 1983-1981, Roadrunner 1974-1968, Satellite 1974-1965, Scamp 1974-1973, Superbird 1970, Trailduster 1981-1980, Valiant 1974-1973, Volare 1980-1976
PDR0187	Brake Drum	Rear	Dodge D100 Pickup 1969, Monaco 1975-1969, Polara 1973-1969, Royal Monaco 1977-1975, Fargo D100 Pickup 1969, Plymouth Gran Fury 1977-1975
PDR0189	Brake Drum	Front	International 1100D 1970-1969
PDR0191	Brake Drum	Front	Dodge Polara 1972-1969, Plymouth Fury 1972-1969, Fury I 1972-1969, Fury II 1972-1969, Fury III 1972-1969
PDR0195	Brake Drum	Front	International 1100C 1968, 1100D 1970-1969, 1110 1973-1971
PDR0199	Brake Drum	Rear	Buick Centurion 1973-1971, Century 1975-1973, Commercial Chassis 1993-1992, Electra 1989-1980, Estate Wagon 1983-1977, LeSabre 1985-1971, Riviera 1978-1977, Roadmaster 1993-1992, Cadillac Brougham 1992-1987, Commercial Chassis 1983-1977, Commercial Chassis 1985, DeVille 1984-1977, Fleetwood 1986-1977, Chevrolet Bel Air 1975-1971, Bel Air 1981, Biscayne 1972-1971, Caprice 1993-1971, Impala 1985-1971, Oldsmobile 98 1984-1971, Custom Cruiser 1985-1977, Delta 88 1985-1971, Pontiac Bonneville 1981-1971, Catalina 1981-1971, Parisienne 1974-1971, Parisienne 1986-1976

BUYERS GUIDE

Part Number	Product Line	Position	Application
PDR0200	Brake Drum	Rear	Buick Centurion 1973-1971, Electra 1976-1971, Estate Wagon 1976-1971, LeSabre 1976-1971, Chevrolet Bel Air 1975-1971, Biscayne 1972-1971, Brookwood 1972-1971, Caprice 1976-1971, Impala 1976-1971, Kingswood 1972-1971, Townsman 1972-1971, Oldsmobile Custom Cruiser 1976-1971, Delta 88 1976-1971, Pontiac Bonneville 1976-1972, Catalina 1976-1972, Grandville 1975-1972
PDR0201	Brake Drum	Rear	Buick Centurion 1973-1971, Commercial Chassis 1996-1991, Electra 1989-1980, Estate Wagon 1983-1977, LeSabre 1985-1971, LeSabre 1990-1988, Riviera 1978-1971, Roadmaster 1996-1991, Cadillac Brougham 1992-1991, Commercial Chassis 1996-1993, Fleetwood 1996-1993, Checker Marathon 1982-1972, Chevrolet Bel Air 1981, Caprice 1996-1976, Impala 1985-1976, Oldsmobile 98 1984-1971, Custom Cruiser 1992-1977, Delta 88 1985-1971, Pontiac Bonneville 1981-1971, Catalina 1981-1971, Grand Safari 1978-1977, Parisienne 1974-1971, Parisienne 1986-1976, Safari 1989-1987
PDR0202	Brake Drum	Rear	Ford Ranchero 1975-1973, Torino 1975-1973, Mercury Montego 1974-1973
PDR0206	Brake Drum	Front	Pontiac Firebird 1969, Grand Prix 1970-1969, GTO 1971-1969, LeMans 1972-1970, Tempest 1970-1969
PDR0207	Brake Drum	Front, Rear	Ford Pinto 1973-1971, Pinto 1973-1971
PDR0209	Brake Drum	Front	Ford F-100 1972-1968
PDR0216	Brake Drum	Front	Chevrolet C10 Pickup 1970-1969, P10 Series 1967-1960, P10 Van 1970-1968
PDR0236	Brake Drum	Rear	Ford Elite 1975, Gran Torino 1976-1972, LTD II 1979-1977, Ranchero 1972, Ranchero 1975-1974, Torino 1975-1972, Mercury Cougar 1975-1974, Montego 1976-1972
PDR0244	Brake Drum	Front	Volkswagen Beetle 1979-1968, Karmann Ghia 1974-1968
PDR0250	Brake Drum	Rear	Dodge W100 Pickup 1973-1969
PDR0253	Brake Drum	Rear	Chevrolet C20 Pickup 1972-1971, GMC C25/C2500 Pickup 1972-1971, Jeep J20 1988-1974
PDR0254	Brake Drum	Rear	Chevrolet Blazer 1974-1971, C10 1986-1975, C10 Pickup 1974-1971, C10 Suburban 1986-1971, G10 1989-1975, G20 Van 1973-1971, K5 Blazer 1975, K5 Blazer 1984-1980, P10 1975, P10 Van 1974-1971, R10 1987, R10 Suburban 1988-1987, GMC C15 1978-1975, C15/C1500 Pickup 1974-1971, C15/C1500 Suburban 1974-1971, C15 Suburban 1978-1975, C1500 1986-1979, C1500 Suburban 1986-1979, G15 1978-1975, G25/G2500 Van 1973-1971, G1500 1989-1979, Jimmy 1984-1971, P15 1978-1975, P15/P1500 Van 1974-1971, P1500 1979, R1500 1987, R1500 Suburban 1987
PDR0255	Brake Drum	Rear	Chevrolet Blazer 1974-1971, K5 Blazer 1975
PDR0264	Brake Drum	Rear	Dodge B300 1980-1975, B300 Van 1974-1972, B350 1987-1981, B350 1994, B3500 1998-1995, D200 1980-1975, D200 Pickup 1974-1972, D250 1993-1981, D300 1980-1975, D300 Pickup 1974-1972, D350 1993-1981, D400 1981-1980, D450 1981-1980, P200 1972, Ram 3500 Van 1997-1996, RD200 1980, W100 1987-1986, W200 1980-1975, W200 Pickup 1974-1969, W250 1993-1981, W300 1980-1975, W300 Pickup 1974-1972, W350 1993-1981, Fargo D200 Pickup 1972, W200 Pickup 1972-1969, Plymouth PB300 1980-1975, PB300 Van 1974, PB350 1983-1981
PDR0267	Brake Drum	Rear	Dodge B250 1994, B300 1980-1975, B300 Van 1974-1971, B350 1994-1981, B3500 1998-1995, D200 1980-1975, D200 Pickup 1974-1972, D250 1993-1981, D300 1980-1975, D300 Pickup 1974-1972, D350 1993-1981, D400 1981-1980, D450 1981-1980, P200 1972, Ram 2500 Van 1997-1996, Ram 3500 Van 1997-1996, RD200 1980, W200 1980-1975, W200 Pickup 1974-1972, W250 1993-1981, W300 1980-1975, W300 Pickup 1974-1972, W350 1993-1981, Fargo B300 Van 1972-1971, D200 Pickup 1972, W200 Pickup 1972, Plymouth PB300 1980-1975, PB300 Van 1974, PB350 1983-1981
PDR0272	Brake Drum	Rear	Ford Country Sedan 1974-1973, Country Squire 1974-1973, Custom 500 1975-1973, Galaxie 500 1974-1973, Ranch Wagon 1974-1973, Mercury Grand Marquis 1977-1975, Marquis 1977-1973
PDR0273	Brake Drum	Rear	Ford Country Sedan 1974-1973, Country Squire 1974-1973, Custom 500 1976-1973, Elite 1976-1975, Galaxie 500 1974-1973, Gran Torino 1976-1973, LTD 1978-1973, LTD II 1979-1977, Ranchero 1973, Ranchero 1979-1976, Ranch Wagon 1974-1973, Thunderbird 1976-1973, Torino 1976-1973, Lincoln Continental 1979-1973, Mark IV 1976-1973, Mark V 1979-1977, Mercury Colony Park 1974-1973, Cougar 1979-1976, Grand Marquis 1978-1975, Marquis 1978-1973, Montego 1976-1973, Monterey 1974-1973
PDR0274	Brake Drum	Rear	Buick Century 1977-1976, Regal 1977-1973, Cadillac Seville 1976, Chevrolet Chevelle 1973, Laguna 1976-1973, Malibu 1977-1976, Monte Carlo 1977-1976, Oldsmobile Cutlass 1977-1973, Cutlass Salon 1977-1975, Cutlass Supreme 1977-1976, Cutlass Tiara 1976, Omega 1979-1976, Vista Cruiser 1975-1973, Pontiac Grand Am 1975-1973, Grand LeMans 1977-1975, Grand Prix 1977-1976, GTO 1973, LeMans 1977-1973, Phoenix 1977, Ventura 1977-1976

BUYERS GUIDE

Part Number	Product Line	Position	Application
PDR0276	Brake Drum	Rear	Chevrolet C20 1980-1975, C20 Pickup 1974-1973, C20 Suburban 1980-1973, G30 1980-1975, G30 Van 1974, K20 1980-1975, K20 Pickup 1974-1973, K20 Suburban 1980-1972, P20 1980-1975, P20 Van 1974-1973, GMC C25 1978-1975, C25/C2500 Pickup 1974-1973, C25/C2500 Suburban 1974-1973, C25 Suburban 1978-1975, C2500 1980-1979, C2500 Suburban 1980-1979, G35 1978-1975, G35/G3500 Van 1974, G3500 1980-1979, K25 1978-1975, K25/K2500 Pickup 1974-1972, K25/K2500 Suburban 1974-1972, K25 Suburban 1978-1975, K2500 1980-1979, K2500 Suburban 1980-1979, P25 1978-1975, P25/P2500 Van 1974-1973, P2500 1980-1979
PDR0278	Brake Drum	Front, Rear	Ford E-300 Econoline 1974, E-300 Econoline 1974-1973, E-350 Econoline 1975, E-350 Econoline 1989-1981, E-350 Econoline Club Wagon 1989-1981, F-350 1984-1975, P-350 1976-1967, P-400 1976-1975
PDR0296	Brake Drum	Rear	Ford Bronco 1975-1966
PDR0303	Brake Drum	Rear	American Motors Ambassador 1974-1973, AMX 1979-1978, Concord 1979, Gremlin 1977-1974, Hornet 1977-1974, Matador 1973, Matador 1976-1975, Pacer 1979, Spirit 1979, Jeep Cherokee 1989-1984, Comanche 1989-1986, Wagoneer 1989-1984, Wrangler 1989-1987
PDR0304	Brake Drum	Rear	American Motors Gremlin 1978-1973, Hornet 1976-1973, Javelin 1974-1973, Pacer 1976-1975
PDR0312	Brake Drum	Front	Dodge D200 Pickup 1973-1972, W200 Pickup 1973-1972
PDR0314	Brake Drum	Front	American Motors Gremlin 1976-1973, Hornet 1976-1973, Javelin 1974-1973
PDR0321	Brake Drum	Rear	Nissan 210 1982-1979, B210 1978-1974
PDR0324	Brake Drum	Rear	Nissan 200SX 1988-1977, 510 1973-1968, 510 1981-1978, 610 1976-1973, 710 1977-1974, 810 1981-1977, Altima 2001-1993, Axxess 1995-1990, Maxima 1984-1982, Stanza 1992-1990
PDR0328	Brake Drum	Rear	Toyota Corona 1973-1968, Mark II 1976-1972
PDR0335	Brake Drum	Front, Rear	Toyota Hi-Lux 1974-1972, Pickup 1974-1972, Hi-Lux 1974, Pickup 1978-1974, Pickup 1983-1981
PDR0337	Brake Drum	Rear	American Motors AMX 1980, Concord 1983-1980, Pacer 1976-1975, Pacer 1980, Spirit 1983-1980
PDR0341	Brake Drum	Rear	Chevrolet Chevette 1987-1976, Pontiac T1000 1987-1981
PDR0342	Brake Drum	Rear	Buick Century 1977-1976, Chevrolet El Camino 1977-1976, Malibu 1977-1976, GMC Sprint 1977-1976, Pontiac Grand LeMans 1977-1976, LeMans 1977-1976
PDR0343	Brake Drum	Rear	Buick Skyhawk 1980-1976, Chevrolet Monza 1980-1976, Vega 1977-1976
PDR0344	Brake Drum	Rear	Ford E-250 Econoline 1986-1984, E-250 Econoline Club Wagon 1986-1984, E-350 Econoline 1986-1976, E-350 Econoline Club Wagon 1986-1977, F-250 1989-1980, F-350 1989-1975
PDR0345	Brake Drum	Rear	Ford Elite 1976, LTD II 1979-1977, Ranchero 1979-1976, Thunderbird 1979-1977, Torino 1976, Mercury Cougar 1979-1976, Montego 1976-1975
PDR0349	Brake Drum	Rear	Dodge Challenger 1983-1978, Colt 1974-1973, Colt 1991-1988, Eagle Summit 1996-1992, Vista 1991-1989, Plymouth Arrow 1980-1976, Colt 1991-1986, Sapporo 1983-1978
PDR0355	Brake Drum	Front	Volkswagen Beetle 1979-1968, Karmann Ghia 1974-1968, Super Beetle 1979-1971
PDR0362	Brake Drum	Rear	Ford E-350 Econoline 1980-1976, E-350 Econoline Club Wagon 1980-1977
PDR0363	Brake Drum	Rear	Chevrolet C20 1986-1975, C20 Pickup 1974-1973, C20 Suburban 1984-1980, C30 1986-1975, C30 Pickup 1974, C2500 2000-1990, C3500 1996-1990, G30 1982-1975, G30 1989-1988, G30 1996-1992, G30 Van 1974, K20 1986-1975, K20 Pickup 1974-1973, K20 Suburban 1986-1980, K30 1980-1977, K2500 2000-1990, K3500 1997-1990, P20 1989-1975, P20 Van 1974-1973, P30 1997-1979, P30 Van 1974, R20 1988-1987, R20 Suburban 1988-1987, R2500 1989, R2500 Suburban 1991-1989, GMC C35 1978-1975, C35/C3500 Pickup 1974, C2500 1986-1980, C2500 2000-1990, C2500 Suburban 1984-1980, C3500 1986-1979, C3500 1996-1990, G35 1978-1975, G35/G3500 Van 1974, G3500 1982-1979, G3500 1989-1988, G3500 1996-1992, K35 1978-1977, K2500 1984-1980, K2500 2000-1990, K2500 Suburban 1984-1980, K3500 1980-1979, K3500 1997-1990, P25 1978-1975, P25/P2500 Van 1974-1973, P2500 1980-1979, P2500 1989-1984, P3500 1998-1979, R2500 1989-1987, R2500 Suburban 1991-1987, Savana 3500 1996
PDR0364	Brake Drum	Front, Rear	Jeep CJ5 1978-1974, CJ7 1978-1976, CJ7 1978-1976

BUYERS GUIDE

Part Number	Product Line	Position	Application
PDR0365	Brake Drum	Front, Rear	Dodge B200 Van 1972-1971, Chrysler 300 1971-1966, Cordoba 1983-1975, Executive Limousine 1985, Fifth Avenue 1989-1983, Imperial 1974, LeBaron 1981-1978, Newport 1981-1966, New Yorker 1982-1966, Town & Country 1981-1966, Town & Country 1995-1992, Dodge Aspen 1980-1976, B100 1980-1975, B100 Van 1974-1971, B150 1984-1981, B200 1980-1975, B200 Van 1974-1973, B250 1984-1981, Caravan 1993-1991, Challenger 1972-1970, Charger 1978-1966, Coronet 1976-1970, D100 1979-1975, D100 Pickup 1974, D150 1984-1977, Diplomat 1989-1977, Grand Caravan 1995-1991, Magnum 1979-1978, Mirada 1983-1980, Monaco 1978-1969, Polara 1973-1969, Ramcharger 1981-1974, Royal Monaco 1977-1975, St. Regis 1981-1979, W100 1977-1975, W100 Pickup 1974-1971, W150 1983-1977, Fargo W100 Pickup 1972-1971, Plymouth Barracuda 1974-1970, Belvedere 1970-1969, Caravelle 1984-1978, Caravelle 1989-1988, Cuda 1974-1970, Fury 1978-1969, Fury I 1974-1969, Fury II 1974-1969, Fury III 1974-1969, Grand Voyager 1995-1991, Gran Fury 1977-1973, Gran Fury 1989-1980, GTX 1971-1967, PB100 1980-1975, PB100 Van 1974, PB150 1983-1981, PB200 1980-1975, PB200 Van 1974, PB250 1983-1981, Roadrunner 1974-1968, Satellite 1974-1967, Superbird 1970, Trailduster 1981-1974, Volare 1980-1976, Voyager 1993-1991
PDR0366	Brake Drum	Rear	Isuzu I-Mark 1984-1981
PDR0371	Brake Drum	Rear	Ford Fairmont 1983-1978, Granada 1982-1981, LTD 1986-1983, Mustang 1993-1979, Mustang II 1978-1974, Pinto 1980-1974, Thunderbird 1982-1980, Thunderbird 1989-1985, Mercury Bobcat 1980-1975, Capri 1986-1979, Cougar 1982-1980, Cougar 1988-1985, Marquis 1986-1983, Zephyr 1983-1978
PDR0372	Brake Drum	Rear	Ford Fairmont 1983-1978, Granada 1982-1981, LTD 1985-1983, Mustang 1984-1979, Thunderbird 1989-1980, Mercury Capri 1983-1981, Cougar 1989-1980, Marquis 1986-1983, Zephyr 1983-1978
PDR0374	Brake Drum	Front, Rear	Nissan 620 1977-1975, 620 Pickup 1974-1972, 521 Pickup 1972-1969, 620 1979-1975, 620 Pickup 1974-1972, 720 1981-1980
PDR0375	Brake Drum	Rear	Toyota Corolla 1979-1975
PDR0378	Brake Drum	Rear	Honda Accord 1981-1976
PDR0381	Brake Drum	Rear	Ford Fiesta 1980-1978
PDR0383	Brake Drum	Rear	Ford Country Squire 1991-1987, LTD 1986-1979, LTD Crown Victoria 1991-1987, Lincoln Continental 1980, Mark VI 1983-1980, Town Car 2003-1981, Mercury Colony Park 1991-1987, Grand Marquis 1991-1979, Marquis 1986-1979
PDR0385	Brake Drum	Rear	Buick Skyhawk 1989-1982, Skylark 1991-1980, Somerset 1987-1986, Somerset Regal 1985, Cadillac Cimarron 1988-1982, Chevrolet Beretta 1996-1987, Cavalier 1993-1982, Citation 1980, Corsica 1993-1987, Oldsmobile Achieva 1993-1992, Calais 1987-1985, Cutlass Calais 1991-1988, Firenza 1988-1982, Omega 1980, Pontiac Grand Am 1993-1985, J2000 1983-1982, J2000 Sunbird 1985-1984, Phoenix 1980, Sunbird 1993-1986, Tempest 1991-1987
PDR0387	Brake Drum	Rear	Chevrolet C30 1978-1975, C30 Pickup 1974, G30 1996-1992, K3500 1997-1992, P30 1999-1991, P30 Van 1974, R3500 1991-1990, GMC C35 1978-1975, C35/C3500 Pickup 1974, G3500 1996-1992, K3500 1997-1992, P3500 1999-1991, V3500 1991-1990, Workhorse P30 2000
PDR0390	Brake Drum	Rear	Ford Escort 1983-1981, EXP 1983-1982, Mercury LN7 1983-1982, Lynx 1983-1981
PDR0391	Brake Drum	Rear	Ford F-100 1983-1980
PDR0392	Brake Drum	Rear	Nissan 310 1982-1979
PDR0393	Brake Drum	Rear	Chevrolet Citation 1983-1980, Citation II 1985-1984
PDR0396	Brake Drum	Rear	Jeep Cherokee 1978-1974, J10 1978-1974
PDR0397	Brake Drum	Rear	Ford E-250 Econoline 1989-1981, E-250 Econoline Club Wagon 1989-1981, F-250 1989-1980
PDR0398	Brake Drum	Rear	Jeep CJ5 1983-1979, CJ7 1986-1979, Scrambler 1985-1981
PDR0401	Brake Drum	Rear	Dodge Colt 1984-1980, Hyundai Excel 1989-1986, Mitsubishi Precis 1989-1987, Plymouth Champ 1982-1979, Colt 1984
PDR0402	Brake Drum	Rear	Honda Accord 1985-1982, Prelude 1987-1983
PDR0403	Brake Drum	Rear	Honda Civic 1983-1981
PDR0404	Brake Drum	Rear	Honda Civic 1983-1980
PDR0407	Brake Drum	Rear	American Motors Concord 1978, Concord 1983-1980, Eagle 1988-1980, Gremlin 1978, Javelin 1974, Matador 1974, Pacer 1978-1975, Pacer 1980
PDR0408	Brake Drum	Rear	Chevrolet C20 1983-1981, C20 Suburban 1983-1981, K20 1983-1981, K20 Suburban 1983-1981, GMC C2500 1983-1981, C2500 Suburban 1983-1981, K2500 1983-1981, K2500 Suburban 1983-1981
PDR0410	Brake Drum	Rear	Chrysler Daytona 1986-1984, E Class 1984-1983, Executive Sedan 1984, Laser 1986-1984, LeBaron 1986-1984, New Yorker 1986-1983, Town & Country 1986-1983, Dodge 600 1986-1983, Aries 1985-1983, Daytona 1986-1984, Plymouth Caravelle 1986-1985, Reliant 1985-1983
PDR0414	Brake Drum	Rear	Renault Alliance 1987-1983, Encore 1986-1984, Fuego 1985
PDR0416	Brake Drum	Rear	Ford Escort 1983-1981

BUYERS GUIDE

Part Number	Product Line	Position	Application
PDR0418	Brake Drum	Rear	Toyota Starlet 1984-1981
PDR0419	Brake Drum	Rear	Toyota Camry 1986-1983
PDR0420	Brake Drum	Rear	Dodge Power Ram 50 1986-1985, Ram 50 1986-1985, Mitsubishi Mighty Max 1986-1983
PDR0424	Brake Drum	Rear	Toyota Pickup 1983-1979
PDR0425	Brake Drum	Rear	Toyota Tercel 1982-1980
PDR0426	Brake Drum	Rear	Buick Century 1991-1982, Chevrolet Cavalier 2002-1995, Celebrity 1989-1982, Oldsmobile Cutlass Ciera 1989-1982, Pontiac 6000 1989-1982, Sunfire 1998-1996
PDR0427	Brake Drum	Rear	Ford Thunderbird 1984-1983, Mercury Cougar 1984-1983
PDR0428	Brake Drum	Rear	Ford Escort 1983
PDR0429	Brake Drum	Rear	Ford Escort 1984-1982, EXP 1984-1982, Mercury LN7 1983, Lynx 1984-1982
PDR0431	Brake Drum	Rear	Nissan 720 1986-1985
PDR0432	Brake Drum	Rear	Toyota Van 1989-1984, Van Wagon 1988
PDR0434	Brake Drum	Rear	Toyota 4Runner 1985-1984, Pickup 1986-1979
PDR0436	Brake Drum	Rear	Toyota Tercel 1990-1983
PDR0437	Brake Drum	Rear	Chevrolet Nova 1988-1985, Toyota Corolla 1988-1984, Tercel 1987-1984
PDR0438	Brake Drum	Rear	Toyota Carina 1973-1972, Celica 1985-1971, Corolla 1981-1971, Corolla 1987-1984, Corona 1982-1974, Cressida 1988-1978
PDR0439	Brake Drum	Rear	Toyota Celica 1983
PDR0445	Brake Drum	Rear	Mazda GLC 1985-1981
PDR0446	Brake Drum	Rear	Volkswagen Vanagon 1991-1980
PDR0448	Brake Drum	Rear	Buick Century 1992-1983, Chevrolet Celebrity 1989-1983, Oldsmobile Cutlass Ciera 1991-1985, Pontiac 6000 1991-1983
PDR0449	Brake Drum	Rear	Chevrolet C20 1986-1983, C20 Suburban 1986-1983, C2500 2000-1988, C2500 Suburban 1996-1992, C2500 Suburban 1999, C3500 1989-1988, C3500 1996-1992, Express 2500 2002-1996, G30 1996-1983, K20 1986-1983, K20 Suburban 1986-1983, K2500 2000-1988, K2500 Suburban 1996-1992, K3500 1989-1988, P20 1989-1984, R20 1988-1987, R20 Suburban 1988-1987, R2500 1989, R2500 Suburban 1991-1989, V20 1987, V20 Suburban 1988-1987, V2500 Suburban 1991-1989, GMC C2500 1986-1983, C2500 2000-1988, C2500 Suburban 1986-1983, C2500 Suburban 1996-1992, C2500 Suburban 1999, C3500 1989-1988, C3500 1996-1992, G3500 1996-1983, K2500 1986-1983, K2500 2000-1988, K2500 Suburban 1986-1984, K2500 Suburban 1996-1992, K3500 1989-1988, P2500 1987-1984, R2500 1989-1987, R2500 Suburban 1991-1987, Savana 2500 2002-1996, V2500 1987, V2500 Suburban 1991-1987
PDR0450	Brake Drum	Rear	Chevrolet C20 1986-1983, C20 Suburban 1983, C20 Suburban 1986-1985, K20 1986-1983, K20 Suburban 1986-1983, P20 1989-1984, R20 1987, R20 Suburban 1987, R2500 Suburban 1991-1990, V20 1987, V20 Suburban 1987, GMC C2500 1986-1983, C2500 Suburban 1983, C2500 Suburban 1986-1985, K2500 1986-1983, K2500 Suburban 1986-1983, P2500 1989-1981, R2500 1987, V2500 1987, V2500 Suburban 1987
PDR0451	Brake Drum	Rear	Buick Century 2003-1984, Electra 1990-1985, LeSabre 1999-1986, Park Avenue 1996-1991, Regal 1998-1997, Cadillac 60 Special 1993, Commercial Chassis 1993-1986, DeVille 1993-1985, Fleetwood 1985, Fleetwood 1992-1987, Chevrolet Celebrity 1990-1985, Classic 2005-2004, Lumina 2001-1995, Lumina APV 1996-1990, Malibu 2004-1997, Monte Carlo 1999-1995, Venture 2005-1997, Oldsmobile 88 1999-1992, 98 1996-1985, Alero 2004-2003, Cutlass 1999-1997, Cutlass Ciera 1986-1985, Cutlass Ciera 1996-1991, Cutlass Cruiser 1994-1987, Delta 88 1991-1986, LSS 1999-1996, Regency 1998-1997, Silhouette 2004-1990, Pontiac 6000 1991-1984, Bonneville 1999-1987, Grand Am 2005-1999, Montana 2005-1999, Trans Sport 1999-1990
PDR0452	Brake Drum	Rear	Ford Aerostar 1991-1986, Bronco II 1989-1984, Ranger 1997-1983, Mazda B2300 1997-1994, B3000 1997-1994, B4000 1997-1994
PDR0453	Brake Drum	Rear	Ford Escort 1990-1985, EXP 1988-1985, Tempo 1994-1984, Mercury Lynx 1987-1985, Topaz 1994-1984

BUYERS GUIDE

Part Number	Product Line	Position	Application
PDR0454	Brake Drum	Rear	Buick Apollo 1975, Century 1975-1973, Century 1981-1978, Electra 1979-1977, GS 1972-1970, GS 350 1969-1968, GS 400 1969-1968, GS 455 1972-1970, LeSabre 1985-1977, Regal 1975-1973, Regal 1987-1978, Riviera 1985-1979, Skylark 1972-1964, Skylark 1979-1975, Special 1969-1964, Sportwagon 1972-1970, Chevrolet Bel Air 1981, Camaro 1992-1975, Caprice 1990-1977, Chevelle 1973, El Camino 1975-1973, El Camino 1987-1978, Impala 1985-1977, Laguna 1975-1973, LLV 1988-1987, Malibu 1975-1973, Malibu 1983-1978, Monte Carlo 1975-1973, Monte Carlo 1988-1978, Nova 1979-1976, S10 1991-1982, S10 Blazer 1991-1983, GMC Caballero 1987-1978, Jimmy 1991-1985, S15 1990-1982, S15 Jimmy 1991-1983, Sonoma 1991, Sprint 1975-1973, Syclone 1991, Oldsmobile 98 1979, 442 1971-1965, Bravada 1991, Custom Cruiser 1979-1977, Cutlass 1975-1964, Cutlass 1981-1978, Cutlass Calais 1979-1978, Cutlass Calais 1984-1981, Cutlass Cruiser 1982-1980, Cutlass Salon 1987-1985, Cutlass Supreme 1975-1967, Cutlass Supreme 1988-1978, Delta 88 1985-1977, F85 1972-1964, Omega 1979-1976, Toronado 1985-1979, Vista Cruiser 1975-1970, Pontiac Bonneville 1986-1977, Catalina 1981-1977, Firebird 1988-1974, Firebird 1992-1990, Grand Am 1975-1973, Grand Am 1980-1978, Grand LeMans 1975, Grand LeMans 1981-1980, Grand Prix 1975-1973, Grand Prix 1987-1978, Grand Safari 1975-1973, Grand Safari 1978, GTO 1973, LeMans 1975-1973, LeMans 1981-1980, Parisienne 1986-1983, Phoenix 1979-1978, Ventura 1977-1976
PDR0456	Brake Drum	Rear	Ford Escort 1990-1984, Mercury Lynx 1987-1984
PDR0457	Brake Drum	Rear	Nissan 720 1986-1983
PDR0458	Brake Drum	Rear	Nissan Stanza 1986-1982
PDR0460	Brake Drum	Rear	Nissan Pulsar 1983, Pulsar NX 1984-1983, Sentra 1984-1982
PDR0461	Brake Drum	Rear	Ford Aerostar 1989-1986, Bronco II 1990-1984, Ranger 1997-1983, Mazda B2300 1997-1994, B3000 1997-1994, B4000 1997-1994
PDR0462	Brake Drum	Rear	Dodge 2000 GTX 1990-1989, Colt 1991-1985, Eagle 2000 GTX 1993-1991, Vista 1988, Vista 1991-1990, Mitsubishi Cordia 1988-1984, Galant 1993-1985, Tredia 1988-1984, Plymouth Colt 1991-1984
PDR0463	Brake Drum	Rear	Mitsubishi Mighty Max 1994-1993
PDR0465	Brake Drum	Rear	Dodge Colt 1991-1989, Eagle Summit 1991-1989, Plymouth Colt 1991-1989
PDR0467	Brake Drum	Rear	Volkswagen Cabriolet 1993-1985, Fox 1993-1987, Golf 1989-1985, Jetta 1989-1980, Quantum 1988, Rabbit 1984-1975, Rabbit Convertible 1984-1980, Rabbit Pickup 1980, Scirocco 1988-1975
PDR0468	Brake Drum	Rear	Audi 5000 1988-1978
PDR0469	Brake Drum	Rear	BMW 320i 1983-1977
PDR0470	Brake Drum	Rear	Chevrolet Spectrum 1988-1985, Geo Spectrum 1989, Isuzu I-Mark 1989-1985, Pontiac Sunburst 1988-1987
PDR0471	Brake Drum	Rear	Chevrolet LUV 1982-1981, Honda Passport 1997-1994, Isuzu Amigo 1993-1989, Pickup 1995-1981, Rodeo 1997-1991, Trooper 1987-1984
PDR0473	Brake Drum	Rear	Honda Civic 1987-1984, Wagovan 1984, Wagovan 1987-1986
PDR0474	Brake Drum	Rear	Honda Civic 1995-1984, Civic del Sol 1997-1993, CRX 1991-1988
PDR0475	Brake Drum	Rear	Mazda 626 1987-1983
PDR0476	Brake Drum	Rear	Nissan Pulsar NX 1986-1983, Sentra 1986-1983
PDR0477	Brake Drum	Rear	Nissan Multi 1988-1986, Stanza 1989-1986
PDR0478	Brake Drum	Rear	Toyota Corolla 1990-1988, Tercel 1988-1983
PDR0479	Brake Drum	Rear	Ford Bronco 1986-1976, E-100 Econoline 1983-1975, E-100 Econoline Club Wagon 1983-1975, E-150 Econoline 1986-1975, E-150 Econoline Club Wagon 1986-1975, F-100 1983-1975, F-150 1986-1975
PDR0481	Brake Drum	Rear	Subaru DL 1989-1985, GL 1983-1980, GL 1989-1985, GL-10 1989-1985, GLF 1982-1980, Loyale 1993-1990, Standard 1987-1980, XT 1991-1985
PDR0483	Brake Drum	Rear	Subaru DL 1979-1976, GL 1979
PDR0484	Brake Drum	Rear	Chevrolet Astro 2002-1985, GMC Safari 2002-1985
PDR0486	Brake Drum	Rear	Dodge Caravan 1985-1984, Mini Ram 1985-1984, Royal Mini Ram 1985-1984, Plymouth Voyager 1985-1984
PDR0489	Brake Drum	Rear	Chrysler Daytona 1988-1985, Daytona 1993-1992, Laser 1986-1985, LeBaron 1986-1985, LeBaron 1995-1990, New Yorker 1987-1985, PT Cruiser 2004-2001, Sebring 2000-1996, Town & Country 1988-1985, Dodge 600 1988-1985, Aries 1989-1986, Charger 1987-1985, Daytona 1988-1985, Daytona 1993-1992, Omni 1986-1985, Spirit 1995-1989, Mitsubishi Mighty Max 1994-1993, Plymouth Acclaim 1995-1989, Caravelle 1988-1985, Reliant 1989-1986
PDR0490	Brake Drum	Rear	Dodge B150 1994-1985, B250 1994-1985, B1500 1997-1995, B2500 1997-1995, D100 1989-1985, D150 1993-1985, D250 1993-1985, D350 1993-1985, Ram 1500 Van 1997-1995, Ram 2500 Van 1997-1996, Ramcharger 1993-1984, W100 1989-1986, W150 1993-1984, W250 1993-1984
PDR0493	Brake Drum	Rear	Ford E-250 Econoline 1994-1992, F-250 1983, F-350 1983
PDR0496	Brake Drum	Rear	Chrysler Town & Country 1995-1990, Dodge Caravan 1995-1987, Grand Caravan 1995-1987, Mini Ram 1988, Royal Mini Ram 1987, Plymouth Grand Voyager 1995-1988, Voyager 1995-1987

BUYERS GUIDE

Part Number	Product Line	Position	Application
PDR0497	Brake Drum	Rear	Dodge Raider 1989-1987, Ram 50 1993-1987, Mitsubishi Mighty Max 1996-1987, Montero 1988-1986, Montero 1991-1990
PDR0499	Brake Drum	Rear	Dodge Dakota 1990-1987
PDR0501	Brake Drum	Rear	Chevrolet C10 1986-1975, C10 Pickup 1974, C10 Suburban 1986-1974, G10 1989-1978, G20 1989-1975, G20 Van 1974, K5 Blazer 1984-1976, P10 1980-1975, P10 Van 1974, R10 1987, R10 Suburban 1988-1987, R1500 Suburban 1991-1989, GMC C15 1978-1975, C15/C1500 Pickup 1974, C15/C1500 Suburban 1974, C15 Suburban 1978-1975, C1500 1986-1979, C1500 Suburban 1986-1979, G15 1978, G25 1978-1975, G25/G2500 Van 1974, G1500 1989-1979, G2500 1989-1979, Jimmy 1984-1976, P15 1978-1975, P15/P1500 Van 1974, P1500 1980-1979, R1500 1987, R1500 Suburban 1991-1987
PDR0502	Brake Drum	Rear	Ford Taurus 2000-1986, Mercury Sable 2000-1986
PDR0504	Brake Drum	Rear	Ford E-250 Econoline 1991-1987, E-250 Econoline Club Wagon 1991-1987, E-350 Econoline 1991-1987, E-350 Econoline Club Wagon 1991-1987, F-250 1999-1985, F-350 1997-1985
PDR0506	Brake Drum	Rear	Chrysler Town & Country 1995-1990, Dodge Caravan 1995-1986, Grand Caravan 1995-1987, Mini Ram 1986, Mini Ram 1988, Royal Mini Ram 1987-1986, Plymouth Grand Voyager 1995-1987, Voyager 1995-1986
PDR0507	Brake Drum	Rear	Ford Festiva 1993-1988
PDR0508	Brake Drum	Rear	Acura EL 2000-1997, Honda Accord 1989-1986, Civic 2000-1992
PDR0510	Brake Drum	Rear	Dodge Ramcharger 1984-1980, W150 1984-1980, Plymouth Trailduster 1981-1980
PDR0511	Brake Drum	Rear	Mazda 626 1982-1979
PDR0512	Brake Drum	Rear	Mazda GLC 1979-1977
PDR0513	Brake Drum	Rear	Toyota Pickup 1988-1984
PDR0514	Brake Drum	Rear	Toyota Van 1989-1987
PDR0515	Brake Drum	Rear	Geo Prizm 1992-1989, Toyota Celica 1991-1986, Corolla 1992-1988
PDR0516	Brake Drum	Rear	Toyota Camry 1991-1987
PDR0517	Brake Drum	Rear	Toyota 4Runner 1994-1986, Pickup 1988-1987, T100 1998-1993, Tacoma 2004-1999, Tundra 2002-2000
PDR0519	Brake Drum	Rear	Subaru Justy 1994-1987
PDR0520	Brake Drum	Rear	Ford E-250 Econoline 1991-1986, E-250 Econoline Club Wagon 1991-1986, F-250 1996-1986
PDR0523	Brake Drum	Rear	Chevrolet Sprint 1988-1985, Pontiac Firefly 1988-1985
PDR0524	Brake Drum	Rear	Nissan Pulsar NX 1990-1987, Sentra 1990-1987
PDR0525	Brake Drum	Rear	Nissan D21 1990-1986, Pathfinder 1988-1987
PDR0526	Brake Drum	Rear	Nissan D21 1994-1986, Frontier 2004-1998, Pathfinder 1995-1989, Pickup 1997-1995
PDR0527	Brake Drum	Rear	Mazda B2000 1987-1986, B2200 1993-1987, B2600 1988-1987, B2600 1993-1990
PDR0528	Brake Drum	Rear	Mazda 323 1989-1986, Mercury Tracer 1990-1987
PDR0531	Brake Drum	Rear	Ford Probe 1992-1989, Mazda 626 1992-1988, MX-6 1992-1988
PDR0532	Brake Drum	Rear	Ford Bronco 1996-1987, E-150 Econoline 1999-1987, E-150 Econoline Club Wagon 1999-1987, F-150 1996-1987
PDR0534	Brake Drum	Rear	Chrysler Dynasty 1993-1988, Imperial 1993-1990, New Yorker 1993-1988, Dodge Dynasty 1993-1988
PDR0535	Brake Drum	Rear	Jeep Cherokee 1990-1984, Comanche 1992-1986, Wagoneer 1990-1984, Wrangler 1990-1987
PDR0536	Brake Drum	Rear	Chevrolet C2500 1990, C3500 1990-1988, K2500 1990, K3500 1990-1988, GMC C2500 1990, C3500 1990-1988, K2500 1990, K3500 1990-1988
PDR0539	Brake Drum	Rear	Hyundai Excel 1991-1990, Scoupe 1993-1991
PDR0540	Brake Drum	Rear	Chevrolet C1500 1999-1988, C1500 Suburban 1998-1997, Tahoe 2000-1995, GMC C1500 1999-1988, C1500 Suburban 1998-1997, Yukon 2000-1995
PDR0541	Brake Drum	Rear	Chevrolet Blazer 1994-1992, K1500 1999-1988, Tahoe 2000-1995, GMC K1500 1999-1988, Yukon 2000-1992
PDR0542	Brake Drum	Rear	Dodge B300 1980-1978, B350 1993-1981, Plymouth PB300 1980, PB350 1983-1981
PDR0543	Brake Drum	Rear	Chevrolet C2500 1998-1988, Express 2500 2002-1996, K1500 1999-1988, K2500 1998-1988, GMC C2500 1998-1988, K1500 1999-1988, K2500 1998-1988, Savana 2500 2002-1996
PDR0544	Brake Drum	Rear	Asuna Sunrunner 1993-1992, Chevrolet Tracker 1991-1989, Geo Tracker 1995-1989, GMC Tracker 1991-1989, Pontiac Sunrunner 1997-1994, Suzuki Sidekick 1995-1989
PDR0545	Brake Drum	Rear	Ford E-350 Club Wagon 2004-2003, E-350 Econoline 1998-1986, E-350 Econoline Club Wagon 1998-1986, E-350 Econoline Club Wagon 2002, E-350 Super Duty 2004, Econoline Super Duty 1998-1996, F-350 1997-1987
PDR0546	Brake Drum	Rear	BMW 318i 1985-1984
PDR0547	Brake Drum	Rear	Dodge B350 1993-1984, D250 1993-1983, D350 1993-1985, W100 1987-1986, W250 1993-1984, W350 1993-1984
PDR0549	Brake Drum	Rear	Dodge Colt 1988-1985, Mitsubishi Mirage 1988-1985, Plymouth Colt 1988-1985

BUYERS GUIDE

Part Number	Product Line	Position	Application
PDR0550	Brake Drum	Rear	Ford F-350 1986-1985
PDR0551	Brake Drum	Rear	Yugo Cabrio 1992-1990, GV 1992-1986, GVL 1989-1988, GVS 1988, GVX 1989-1987
PDR0556	Brake Drum	Rear	Chrysler Cordoba 1983-1975, Executive Limousine 1985, Fifth Avenue 1989-1983, Imperial 1983-1981, LeBaron 1981-1978, Newport 1981-1980, New Yorker 1982-1980, Town & Country 1981-1978, Dodge Aspen 1980-1976, B100 1980-1975, B100 Van 1974-1971, B150 1984-1981, B250 1984-1981, Challenger 1980-1979, Charger 1978-1975, Coronet 1976-1975, D100 1979-1975, D100 Pickup 1974, D150 1984-1977, Dakota 1990-1987, Dart 1976-1975, Diplomat 1989-1977, Magnum 1979-1978, Mirada 1983-1980, Monaco 1978-1976, Ramcharger 1981-1978, St. Regis 1981-1979, W150 1981-1978, Plymouth Caravelle 1984-1978, Caravelle 1989-1988, Duster 1976-1975, Fury 1978-1975, Gran Fury 1989-1980, PB100 1980-1975, PB150 1983-1981, PB200 1980-1975, PB200 Van 1974, PB250 1983-1981, Scamp 1976-1975, Trailduster 1981-1978, Valiant 1976-1975, Volare 1980-1976
PDR0557	Brake Drum	Rear	Honda Accord 2002-1990
PDR0558	Brake Drum	Rear	Chrysler Daytona 1991-1989, LeBaron 1989-1985, Neon 2002-2000, Town & Country 1988-1985, Dodge Aries 1989-1986, Daytona 1991-1989, Lancer 1989-1985, Neon 2005-1995, Shadow 1994-1987, SX 2.0 2005-2003, Plymouth Horizon 1985, Neon 2001-1995, Reliant 1989-1986, Sundance 1994-1987, Turismo 1985, Turismo 2.2 1986
PDR0559	Brake Drum	Rear	Daihatsu Charade 1992-1990
PDR0561	Brake Drum	Rear	Cadillac Commercial Chassis 1993-1990, DeVille 1993-1990, Fleetwood 1992-1990
PDR0563	Brake Drum	Rear	Audi 4000 1987-1980, 4000 Quattro 1985-1984, Coupe 1987-1985, Volkswagen Cabrio 1999-1995, Dasher 1981-1979, Fox 1990-1987, Golf 1999-1990, Jetta 1999-1990, Quantum 1985, Rabbit 1980, Rabbit Pickup 1983-1980
PDR0564	Brake Drum	Rear	Nissan D21 1994-1990, Frontier 2004-1998, Pickup 1997-1995, Xterra 2004-2000
PDR0566	Brake Drum	Rear	Dodge Colt 1994-1993, Eagle Summit 1994-1992, Summit 1996, Mitsubishi Expo LRV 1994-1992, Plymouth Colt 1994-1992
PDR0568	Brake Drum	Rear	Toyota Celica 1993-1990
PDR0569	Brake Drum	Rear	Ford Country Squire 1991-1987, LTD 1986-1979, LTD Crown Victoria 1991-1987, Lincoln Continental 1980, Mark VI 1983-1980, Town Car 1990-1981, Mercury Colony Park 1989-1987, Grand Marquis 1991-1979, Marquis 1986-1979
PDR0570	Brake Drum	Rear	Jeep Cherokee 2001-1990, Comanche 1992-1990, TJ 2006-1997, Wagoneer 1990, Wrangler 1995-1990, Wrangler 2006-1997
PDR0571	Brake Drum	Rear	Mitsubishi Precis 1989
PDR0573	Brake Drum	Rear	Chevrolet Sprint 1992-1989, Geo Metro 1994-1989, Pontiac Firefly 1991-1989
PDR0576	Brake Drum	Rear	Ford Escort 1992-1991, Mazda 323 1991-1990, Protege 1991-1990, Mercury Tracer 1992-1991
PDR0578	Brake Drum	Rear	Hyundai Elantra 1995-1992
PDR0580	Brake Drum	Rear	Toyota Land Cruiser 1995-1990
PDR0581	Brake Drum	Rear	Toyota Camry 2001-1992, Solara 2001-1999
PDR0582	Brake Drum	Rear	Toyota Pickup 1995-1989, Tacoma 2004-1995
PDR0583	Brake Drum	Rear	Nissan 200SX 1998-1995, NX 1993-1991, Sentra 1999-1991
PDR0584	Brake Drum	Rear	Suzuki Samurai 1995-1985, SJ410 1985
PDR0585	Brake Drum	Rear	Nissan Multi 1986, Stanza 1987-1986
PDR0586	Brake Drum	Rear	Nissan Sentra 1990-1986
PDR0587	Brake Drum	Rear	Nissan Axxess 1995-1990
PDR0588	Brake Drum	Rear	Suzuki Sidekick 1994-1991
PDR0589	Brake Drum	Rear	Hyundai Sonata 1993-1991
PDR0590	Brake Drum	Rear	Toyota Paseo 1992, Tercel 1992-1991
PDR0591	Brake Drum	Rear	Chevrolet Metro 1992, Sprint 1992-1989, Geo Metro 1993-1990, Metro 1997-1995, Pontiac Firefly 2000-1994, Suzuki Swift 1996-1989
PDR0592	Brake Drum	Rear	Dodge Monaco 1992-1990, Eagle Premier 1989
PDR0596	Brake Drum	Rear	Asuna GT 1993, SE 1993, Daewoo Lanos 2000-1999, Pontiac LeMans 1993-1988
PDR0597	Brake Drum	Rear	Dodge Dakota 2002-1991
PDR0598	Brake Drum	Rear	Nissan Stanza 1986, Plymouth Colt 1992
PDR0599	Brake Drum	Rear	Mazda 323 1989-1987, Mercury Tracer 1989-1988
PDR0600	Brake Drum	Rear	Chevrolet Blazer 1991-1987, K5 Blazer 1986-1976, K10 1986-1975, K10 Pickup 1974-1971, K10 Suburban 1986-1971, V10 1987, V10 Suburban 1988-1987, V1500 Suburban 1991-1989, GMC Jimmy 1991-1976, K15 1978-1975, K15/K1500 Pickup 1974-1971, K15/K1500 Suburban 1974-1971, K15 Suburban 1978-1975, K1500 1986-1979, K1500 Suburban 1986-1979, V1500 1987, V1500 Suburban 1991-1987
PDR0601	Brake Drum	Rear	Geo Storm 1993-1990, Isuzu Stylus 1993-1991
PDR0602	Brake Drum	Rear	Dodge Dakota 1998-1991

BUYERS GUIDE

Part Number	Product Line	Position	Application
PDR0603	Brake Drum	Rear	Mazda MPV 1994-1989
PDR0604	Brake Drum	Rear	Chevrolet G10 1995-1990, G20 1995-1990, GMC G1500 1995-1990, G2500 1995-1990
PDR0605	Brake Drum	Rear	Toyota Previa 1997-1991
PDR0606	Brake Drum	Rear	Honda Civic 1991-1988
PDR0607	Brake Drum	Rear	Hyundai Sonata 1991-1989
PDR0608	Brake Drum	Rear	Nissan Maxima 1994-1989
PDR0609	Brake Drum	Rear	Eagle Premier 1988
PDR0610	Brake Drum	Rear	Chevrolet Blazer 1997-1995, Camaro 1997-1993, LLV 1995-1989, S10 2003-1992, S10 Blazer 1994-1992, GMC Jimmy 1997-1992, Sonoma 2003-1992, Typhoon 1993-1992, Isuzu Hombre 2000-1996, Oldsmobile Bravada 1994-1992, Bravada 1996, Pontiac Firebird 1997-1993
PDR0611	Brake Drum	Rear	Ford Aerostar 1997-1992
PDR0612	Brake Drum	Rear	Dodge Colt 1992-1991, Eagle Summit 1992, Mitsubishi Mirage 1992-1989, Plymouth Colt 1992-1991
PDR0613	Brake Drum	Rear	Chevrolet C30 1986-1975, C30 Pickup 1974, C3500 2000-1988, Express 3500 2002-1996, G30 1996-1975, G30 Van 1974, K30 1986-1977, K3500 2000-1988, P30 1999-1975, P30 Van 1974, R30 1988-1987, R3500 1991-1989, V30 1988-1987, V3500 1991-1989, GMC C35 1978-1975, C35/C3500 Pickup 1974, C3500 1986-1979, C3500 2000-1988, G35 1978-1975, G35/G3500 Van 1974, G3500 1996-1979, K35 1978-1977, K3500 1986-1979, K3500 2000-1988, P35 1978-1975, P35/P3500 Van 1974, P3500 1999-1979, R3500 1991-1987, Savana 3500 2002-1996, V3500 1991-1987, Workhorse P30 2000
PDR0614	Brake Drum	Rear	Daihatsu Charade 1992-1989
PDR0615	Brake Drum	Rear	Daihatsu Rocky 1992-1990
PDR0616	Brake Drum	Rear	Daihatsu Charade 1992-1988
PDR0618	Brake Drum	Rear	Volkswagen EuroVan 1996-1992
PDR0619	Brake Drum	Rear	Chevrolet C2500 Suburban 1999-1992, C3500 2000-1991, Express 2500 2002-1996, Express 3500 2002-1996, K2500 Suburban 1999-1997, K3500 2000-1996, GMC C2500 Suburban 1999-1992, C3500 2000-1991, K2500 Suburban 1999-1997, K3500 2000-1996, Savana 2500 2002-1996, Savana 3500 2002-1996
PDR0620	Brake Drum	Rear	Ford E-350 Econoline 2000-1992, E-350 Econoline Club Wagon 2002-1992, E-450 Econoline Super Duty 2002, Econoline Super Duty 1998-1996
PDR0621	Brake Drum	Rear	Cadillac Brougham 1992-1991, Commercial Chassis 1996-1993, Fleetwood 1996-1993
PDR0622	Brake Drum	Rear	Chevrolet C1500 1996-1992, C1500 Suburban 1999-1992, Express 1500 2002-1996, Tahoe 2000-1995, GMC C1500 1996-1992, C1500 Suburban 1999-1992, Savana 1500 2002-1996, Yukon 2000-1995
PDR0623	Brake Drum	Rear	Cadillac Escalade 2000-1999, Chevrolet K1500 Suburban 1999-1992, Tahoe 2000-1995, GMC K1500 Suburban 1999-1992, Yukon 2000-1995
PDR0625	Brake Drum	Rear	Mitsubishi Van 1990-1987
PDR0626	Brake Drum	Rear	MG MGB 1980-1964
PDR0628	Brake Drum	Rear	Dodge Caravan 1985-1984, Mini Ram 1985-1984, Royal Mini Ram 1985-1984, Plymouth Voyager 1985-1984
PDR0629	Brake Drum	Rear	Ford Escort 1996-1993, Mazda 323 1995-1992, MX-3 1996-1992, Protege 2003-1992, Protege5 2003-2002, Mercury Tracer 1996-1993
PDR0630	Brake Drum	Rear	Mercury Villager 2002-1993, Nissan Quest 2002-1993
PDR0631	Brake Drum	Rear	Jeep Cherokee 2001-1991, Grand Cherokee 1996-1993
PDR0632	Brake Drum	Rear	Ford Probe 1997-1993, Mazda 626 2002-1993, MX-6 1997-1993
PDR0634	Brake Drum	Rear	Chrysler Concorde 1997-1993, Intrepid 1997-1993, Dodge Intrepid 1997-1993, Eagle Vision 1997-1993
PDR0635	Brake Drum	Rear	Subaru Justy 1994-1988
PDR0636	Brake Drum	Rear	Dodge Colt 1994-1993, Eagle Summit 1996, Mitsubishi Mirage 2002-1993, Plymouth Colt 1994-1993
PDR0637	Brake Drum	Rear	Dodge Colt 1994-1993, Eagle Summit 1995-1993, Plymouth Colt 1994-1993
PDR0639	Brake Drum	Rear	Toyota Land Cruiser 1990-1981
PDR0641	Brake Drum	Rear	Mazda B2600 1993-1987
PDR0642	Brake Drum	Rear	Hyundai Excel 1994-1991, Scoupe 1995-1993, Mitsubishi Precis 1994-1990
PDR0643	Brake Drum	Rear	Toyota Paseo 1996-1993, Tercel 1999-1992
PDR0644	Brake Drum	Rear	Dodge Colt 1985, Eagle Summit 1995, Mitsubishi Expo 1994-1992, Expo LRV 1993-1992, Galant 1998-1994
PDR0645	Brake Drum	Rear	Subaru Forester 2002-1998, Impreza 2001-1993, Legacy 1999-1995
PDR0646	Brake Drum	Rear	Toyota Corolla 1992-1991
PDR0647	Brake Drum	Rear	Mazda GLC 1981-1980, RX-7 1980-1979
PDR0648	Brake Drum	Rear	Toyota Paseo 1996-1993
PDR0651	Brake Drum	Rear	Honda Civic 1987-1986
PDR0652	Brake Drum	Rear	Chevrolet Metro 2001-1998, Geo Metro 1997-1995, Pontiac Firefly 2000-1994
PDR0654	Brake Drum	Rear	Toyota T100 1998-1993
PDR0655	Brake Drum	Rear	Ford Aspire 1996-1994

BUYERS GUIDE

Part Number	Product Line	Position	Application
PDR0657	Brake Drum	Rear	Dodge Ram 3500 1999-1994
PDR0658	Brake Drum	Rear	Dodge Ram 2500 1999-1994
PDR0659	Brake Drum	Rear	Ford Windstar 2003-1995
PDR0660	Brake Drum	Rear	Dodge Ram 1500 1999-1994
PDR0661	Brake Drum	Rear	Chevrolet Prizm 2002-1998, Geo Prizm 1997-1993, Toyota Corolla 2002-1993
PDR0662	Brake Drum	Rear	Toyota Celica 1997-1994
PDR0663	Brake Drum	Rear	Hyundai Sonata 1998-1994
PDR0664	Brake Drum	Rear	Kia Sephia 2001-1994, Spectra 2004-2000
PDR0669	Brake Drum	Rear	Ford Contour 2000-1995, Mercury Cougar 2002-1999, Mystique 2000-1995
PDR0670	Brake Drum	Rear	Chrysler Cirrus 2000-1995, Stratus 1997-1995, Dodge Stratus 2000-1995, Plymouth Breeze 2000-1996
PDR0671	Brake Drum	Rear	Chrysler Sebring 1999-1995, Sebring 2005-2001, Dodge Avenger 2000-1995, Stratus 2005-2001, Eagle Talon 1998-1997, Mitsubishi Eclipse 2005-1995, Galant 2003-1999
PDR0672	Brake Drum	Rear	Mitsubishi Eclipse 1995
PDR0673	Brake Drum	Rear	Chrysler Town & Country 2000-1996, Dodge Caravan 2000-1996, Grand Caravan 2000-1996, Plymouth Voyager 2000-1996
PDR0674	Brake Drum	Rear	Kia Sportage 1997-1995
PDR0675	Brake Drum	Rear	Ford E-250 2006-2003, E-250 Econoline 2002-1995, E-250 Super Duty 2005-2004, E-350 Club Wagon 2005-2003, E-350 Econoline 2000-1995, E-350 Econoline Club Wagon 2002-1995, E-350 Super Duty 2006-2004, Econoline Super Duty 1998-1996
PDR0676	Brake Drum	Rear	Saturn SC 1992-1991, SC1 2002-1993, SC2 2002-1993, SL 2002-1991, SL1 2002-1991, SL2 2002-1991, SW1 1999-1993, SW2 2001-1993
PDR0677	Brake Drum	Rear	Chevrolet Metro 2000-1998, Geo Metro 1997-1995, Pontiac Firefly 1999-1994, Suzuki Swift 2001-1995
PDR0679	Brake Drum	Rear	Dodge B250 1994, B350 1994, B2500 1998-1997, B3500 1998-1995, Ram 2500 Van 1999, Ram 3500 Van 1997-1996, Ram 3500 Van 1999
PDR0680	Brake Drum	Rear	Hyundai Accent 1995
PDR0681	Brake Drum	Rear	Chrysler Grand Voyager 2000, Town & Country 2000-1996, Voyager 2000, Dodge Caravan 2000-1996, Grand Caravan 2000-1996, Plymouth Grand Voyager 2000-1996, Voyager 2000-1996
PDR0682	Brake Drum	Rear	Chevrolet C2500 Suburban 1998-1997, K2500 Suburban 1999-1997, GMC C2500 Suburban 1998-1997, K2500 Suburban 1999-1997
PDR0683	Brake Drum	Rear	Chevrolet Tracker 1998, Geo Tracker 1997-1996, Suzuki Sidekick 1998-1996, X-90 1998-1996
PDR0684	Brake Drum	Rear	Suzuki Sidekick 1998-1996
PDR0685	Brake Drum	Rear	Dodge B250 1994, B350 1994, B2500 1998-1995, B3500 1998-1995, Ram 2500 Van 1997-1996, Ram 2500 Van 1999, Ram 3500 Van 1997-1996, Ram 3500 Van 1999
PDR0686	Brake Drum	Rear	Dodge B250 1994, B350 1994, B2500 1998-1997, B3500 1998-1995, Ram 2500 Van 1999, Ram 3500 Van 1997-1996, Ram 3500 Van 1999
PDR0687	Brake Drum	Rear	Merkur XR4Ti 1989-1985
PDR0688	Brake Drum	Rear	Suzuki Esteem 1998-1995
PDR0690	Brake Drum	Rear	Ford F-150 2000-1997
PDR0691	Brake Drum	Rear	Toyota RAV4 2003-2002
PDR0692	Brake Drum	Rear	Infiniti QX4 2001-1997, Nissan Pathfinder 2001-1996
PDR0693	Brake Drum	Rear	Ford F800 1995
PDR0694	Brake Drum	Front	Ford F700 1998-1994
PDR0695	Brake Drum	Front	Ford F700 1998-1994, F800 1995
PDR0696	Brake Drum	Front	Ford CF8000 1995-1993, CFT8000 1995-1993, LA8000F 1995-1993, LN8000 1995-1993
PDR0697	Brake Drum	Rear	Ford Explorer 1994-1991, Ranger 2009-1998, Mazda B2300 2009-2001, B2500 2001-1998, B3000 2008-1998, B4000 2009-1998, Navajo 1994-1991
PDR0698	Brake Drum	Rear	Hyundai Elantra 2001-1996, Tiburon 2001-1997
PDR0699	Brake Drum	Rear	Ford Escort 2003-1997, Mercury Tracer 1999-1997
PDR0700	Brake Drum	Front, Rear	Ford Courier 1976-1972, Mazda B1600 1974-1972, Ford Courier 1982-1972, Mazda B1600 1976-1972, B1800 1978-1977, B2000 1984-1979, B2200 1984-1982
PDR0701	Brake Drum	Rear	Hyundai Accent 1999-1996
PDR0702	Brake Drum	Rear	Honda CR-V 2001-1997
PDR0703	Brake Drum	Rear	Subaru Forester 2008-1998, Impreza 2003-1996
PDR0704	Brake Drum	Rear	Ford Contour 2000-1997, Mercury Cougar 2002-1999, Mystique 2000-1997
PDR0705	Brake Drum	Rear	Ford Aspire 1997
PDR0707	Brake Drum	Rear	Honda Passport 2000-1998, Isuzu Amigo 2000-1998, Rodeo 1999-1998
PDR0708	Brake Drum	Rear	Dodge Dakota 2002-2000, Durango 2002-1998
PDR0709	Brake Drum	Rear	Mitsubishi Montero Sport 2004-1997
PDR0710	Brake Drum	Rear	Kia Sportage 2002-1998
PDR0711	Brake Drum	Rear	Toyota Pickup 1995-1986
PDR0712	Brake Drum	Rear	Ford F-150 2001-2000, F-250 1999-1997

BUYERS GUIDE

Part Number	Product Line	Position	Application
PDR0713	Brake Drum	Rear	Ford Ranger 2009-1998, Mazda B2300 2009-2001, B2500 2001-1998, B3000 2008-1998, B4000 2009-1998
PDR0716	Brake Drum	Rear	Dodge B2500 1998-1997, B3500 1998-1997, Ram 1500 Van 2003, Ram 2500 Van 2003-1999, Ram 3500 Van 1997, Ram 3500 Van 2003-1999
PDR0717	Brake Drum	Rear	Toyota Sienna 2003-1998
PDR0718	Brake Drum	Rear	Ford Taurus 2001-1986, Thunderbird 1997-1990, Mercury Cougar 1997-1990, Sable 2000-1986
PDR0719	Brake Drum	Rear	Chevrolet Tracker 1999, Suzuki Grand Vitara 1999, Vitara 1999
PDR0720	Brake Drum	Rear	Honda Odyssey 2001-1999
PDR0721	Brake Drum	Rear	Chevrolet Tracker 2004-2000, Suzuki Grand Vitara 2005-2000, Vitara 2004-2000
PDR0722	Brake Drum	Rear	Dodge Ram 2500 2001-2000
PDR0724	Brake Drum	Rear	Dodge B1500 1998, B2500 1998, Ram 1500 Van 2002-1998, Ram 2500 Van 2003-1998, Ram 3500 Van 2002
PDR0725	Brake Drum	Rear	Dodge Dakota 1999
PDR0726	Brake Drum	Rear	Subaru Legacy 2001-2000
PDR0728	Brake Drum	Rear	Dodge Ram 1500 2001-2000
PDR0729	Brake Drum	Rear	Dodge Ram 3500 2001-2000
PDR0731	Brake Drum	Rear	Ford Taurus 2007-2001, Mercury Sable 2005-2001
PDR0732	Brake Drum	Rear	Nissan Sentra 2006-2000
PDR0733	Brake Drum	Rear	Toyota Celica 2005-2002, Corolla 2008-2003, Prius 2008-2004
PDR0734	Brake Drum	Rear	Toyota Echo 2000
PDR0735	Brake Drum	Rear	Mazda MPV 2003-2000
PDR0736	Brake Drum	Rear	Toyota Prius 2003-2001
PDR0737	Brake Drum	Rear	Daewoo Lanos 2002-1999
PDR0738	Brake Drum	Rear	Saturn L100 2002-2001, L200 2003-2001, L300 2005-2001, LS 2000, LS1 2000, LS2 2000, LW1 2000, LW2 2000, LW200 2003-2001, LW300 2003-2001
PDR0739	Brake Drum	Rear	Honda Passport 2002-2000, Isuzu Amigo 2000, Axiom 2004-2002, Rodeo 2004-2000, Rodeo Sport 2003-2001
PDR0740	Brake Drum	Rear	Chrysler Grand Voyager 2002, Town & Country 2002, Voyager 2002, Dodge Caravan 2003-2001, Grand Caravan 2003-2001
PDR0741	Brake Drum	Rear	Jeep Liberty 2002
PDR0742	Brake Drum	Rear	Ford Explorer 2003-2001, Explorer Sport Trac 2003-2001
PDR0743	Brake Drum	Rear	Ford Escape 2007-2001, Mazda Tribute 2006-2001, Mercury Mariner 2007-2005
PDR0744	Brake Drum	Rear	Suzuki Aerio 2007-2002, Esteem 2002-1999
PDR0745	Brake Drum	Rear	Hyundai Accent 2002-2000
PDR0746	Brake Drum	Rear	Honda Civic 2005-2001, Fit 2013-2009, Insight 2014-2010
PDR0747	Brake Drum	Rear	Pontiac Vibe 2008-2003, Toyota Matrix 2008-2003
PDR0748	Brake Drum	Rear	Kia Rio 2002-2001
PDR0749	Brake Drum	Rear	Hyundai Sonata 2002-1999, Kia Magentis 2006-2001, Optima 2002-2001
PDR0750	Brake Drum	Rear	Toyota Echo 2005-2001
PDR0751	Brake Drum	Rear	Toyota 4Runner 2002-1995, Pickup 1995-1989, Tacoma 2004-1995, Tundra 2006-2003
PDR0752	Brake Drum	Rear	Ford F-150 2001-2000
PDR0753	Brake Drum	Rear	Toyota Celica 2005-2002, Corolla 2008-2003, Prius 2008-2004
PDR0755	Brake Drum	Rear	Mitsubishi Lancer 2007-2002
PDR0756	Brake Drum	Rear	Ford E-150 2006-2003, E-150 Club Wagon 2005-2003, E-150 Econoline 2002-2000, E-150 Econoline Club Wagon 2002-2000
PDR0757	Brake Drum	Rear	Honda Civic 2005-2003
PDR0758	Brake Drum	Rear	Honda Accord 2007-2003
PDR0759	Brake Drum	Rear	Infiniti QX4 2003-2002, Nissan Pathfinder 2004-2002
PDR0760	Brake Drum	Rear	Toyota Camry 2005-2002, Solara 2003-2002
PDR0761	Brake Drum	Rear	Chevrolet Equinox 2006-2005, Pontiac Aztek 2005-2001, Torrent 2006, Saturn Vue 2007-2002
PDR0762	Brake Drum	Rear	Chevrolet Cavalier 2005-2003, Pontiac Sunfire 2005-2003
PDR0763	Brake Drum	Rear	Dodge Dakota 2004-2003
PDR0765	Brake Drum	Rear	Chrysler Sebring 2006-2003, Dodge Stratus 2006-2003
PDR0766	Brake Drum	Rear	Chevrolet Cobalt 2008-2005, Pontiac G5 2008-2007, Pursuit 2006-2005, Saturn Ion 2007-2003
PDR0767	Brake Drum	Rear	Ford Focus 2008-2000
PDR0768	Brake Drum	Rear	Nissan 720 1986-1985
PDR0769	Brake Drum	Rear	Toyota Pickup 1992-1980
PDR0772	Brake Drum	Front	Ford F600 1994-1993, F700 1998-1993
PDR0774	Brake Drum	Front	Ford F700 1993-1992
PDR0776	Brake Drum	Rear	Ford B600 1989-1984, F600 1993-1984
PDR0779	Brake Drum	Rear	Ford LN8000 1993
PDR0780	Brake Drum	Rear	Mitsubishi Outlander 2004-2003
PDR0781	Brake Drum	Rear	Hyundai Accent 2005-2003
PDR0782	Brake Drum	Rear	Toyota RAV4 2004
PDR0783	Brake Drum	Rear	Volkswagen Campmobile 1974-1971, Transporter 1979-1971
PDR0787	Brake Drum	Rear	Chevrolet B7 1994-1993, GMC B7 1994-1993

BUYERS GUIDE

Part Number	Product Line	Position	Application
PDR0788	Brake Drum	Rear	Chevrolet B7 1998-1993
PDR0789	Brake Drum	Front	Chevrolet 3B 1959, Truck 1958-1953
PDR0790	Brake Drum	Rear	Toyota Sienna 2010-2004
PDR0791	Brake Drum	Rear	Hyundai Elantra 2006-2002
PDR0792	Brake Drum	Rear	Hyundai Santa Fe 2004-2002
PDR0793	Brake Drum	Rear	Kia Sedona 2004-2002
PDR0794	Brake Drum	Rear	Chrysler PT Cruiser 2009-2004
PDR0795	Brake Drum	Rear	Toyota Camry 2006-2002
PDR0796	Brake Drum	Rear	Land Rover Freelander 2005-2002
PDR0797	Brake Drum	Rear	Hyundai Santa Fe 2001
PDR0798	Brake Drum	Rear	Chevrolet Colorado 2012-2004, GMC Canyon 2012-2004, Isuzu i-280 2006, i-290 2008-2007, i-350 2006, i-370 2008-2007
PDR0799	Brake Drum	Rear	Chrysler Town & Country 2007-2004, Dodge Caravan 2007-2004, Grand Caravan 2005-2004
PDR0800	Brake Drum	Rear	Chevrolet Silverado 1500 2008-2005, Silverado 1500 Classic 2007, GMC Sierra 1500 2008-2005, Sierra 1500 Classic 2007
PDR0801	Brake Drum	Rear	Ford Focus 2007
PDR0802	Brake Drum	Rear	Mitsubishi Lancer 2007-2002
PDR0805	Brake Drum	Rear	Chevrolet Malibu 2007-2005
PDR0807	Brake Drum	Rear	Suzuki XL-7 2006-2002
PDR0808	Brake Drum	Rear	Honda Civic 2015-2006
PDR0809	Brake Drum	Rear	Chevrolet Malibu 2007-2005
PDR0810	Brake Drum	Rear	Ford Ranger 2009-2007
PDR0811	Brake Drum	Rear	Dodge Dakota 2010-2005, Mitsubishi Raider 2009-2006, Ram Dakota 2011
PDR0812	Brake Drum	Rear	Toyota Yaris 2016-2006
PDR0813	Brake Drum	Rear	Toyota Tacoma 2013-2005
PDR0814	Brake Drum	Rear	Honda Civic 2014-2006, Fit 2014-2013
PDR0815	Brake Drum	Rear	Honda Fit 2008-2007
PDR0817	Brake Drum	Rear	Chevrolet Cobalt 2008-2006, HHR 2008-2006, Pontiac G5 2008-2007
PDR0818	Brake Drum	Rear	Hyundai Accent 2011-2006, Kia Rio 2011-2006, Rio5 2011-2006
PDR0819	Brake Drum	Rear	Toyota Tacoma 2016-2005
PDR0820	Brake Drum	Rear	Nissan Cube 2014-2009, Sentra 2012-2007, Versa 2012-2007
PDR0821	Brake Drum	Rear	Scion xA 2006-2004, xB 2006-2004
PDR0822	Brake Drum	Rear	Kia Rio 2002-2001
PDR0823	Brake Drum	Rear	Pontiac Vibe 2006-2003, Toyota Matrix 2006-2003
PDR0824	Brake Drum	Rear	Kia Rio 2005-2003
PDR0825	Brake Drum	Rear	Kia Rio 2005-2003
PDR0826	Brake Drum	Rear	Ford Escape 2012-2007, Mazda Tribute 2011-2008, Mercury Mariner 2011-2007
PDR0827	Brake Drum	Rear	Subaru Impreza 2008
PDR0828	Brake Drum	Rear	Scion xD 2014-2008
PDR0829	Brake Drum	Rear	Chevrolet Aveo 2014-2005, Aveo5 2011-2006, Spark 2015-2013, Pontiac G3 2010-2009, Wave 2008-2005, Wave5 2007-2005, Suzuki Swift+ 2009-2004
PDR0830	Brake Drum	Rear	Chrysler Sebring 2009-2007, Dodge Avenger 2009-2008, Caliber 2012-2007, Jeep Compass 2016-2008, Patriot 2016-2008
PDR0831	Brake Drum	Rear	Kia Sedona 2005-2004
PDR0832	Brake Drum	Rear	Toyota Prius 2009
PDR0833	Brake Drum	Rear	Ford Focus 2011-2009
PDR0834	Brake Drum	Rear	Hyundai Elantra 2010-2007
PDR0835	Brake Drum	Rear	Toyota Corolla 2013-2009
PDR0836	Brake Drum	Rear	Toyota Corolla 2011-2009, Corolla 2014
PDR0837	Brake Drum	Rear	Chevrolet Cobalt 2010-2009, Pontiac G5 2010-2009
PDR0838	Brake Drum	Rear	Chevrolet Cobalt 2010-2009, HHR 2011-2009, Pontiac G5 2010-2009
PDR0839	Brake Drum	Rear	Nissan Versa 2011-2009
PDR0840	Brake Drum	Rear	Ford Transit Connect 2013-2010
PDR0841	Brake Drum	Rear	Ford Fiesta 2016-2011
PDR0842	Brake Drum	Rear	Mazda 2 2014-2011
PDR0843	Brake Drum	Rear	Chevrolet Cruze 2014-2011
PDR0844	Brake Drum	Rear	Ford Focus 2016-2012
PDR0845	Brake Drum	Rear	Chevrolet Sonic 2014-2012
PDR0846	Brake Drum	Rear	Suzuki Grand Vitara 2008-2006
PDR0847	Brake Drum	N/A	Nissan Versa 2015, Versa Note 2015
PDR0848	Brake Drum	Rear	Volkswagen Jetta 2013-2011
PDR0849	Brake Drum	Rear	Scion iQ 2013, Toyota Prius C 2015-2012
PDR0850	Brake Drum	Rear	Smart Fortwo 2014-2008
PDR0851	Brake Drum	Rear	Scion iQ 2015-2012
PDR0852	Brake Drum	Rear	Mitsubishi Lancer 2011-2008
PDR0853	Brake Drum	Rear	Nissan Versa 2014-2013, Versa Note 2014
PDR0854	Brake Drum	Rear	Suzuki SX4 2011-2007
PDR0855	Brake Drum	Rear	Chevrolet Silverado 1500 2012-2009, GMC Sierra 1500 2012-2009
PDR0856	Brake Drum	Rear	Chevrolet City Express 2016-2015, Nissan NV200 2015-2013
PDR0857	Brake Drum	Rear	Kia Spectra 2009-2007

BUYERS GUIDE

Part Number	Product Line	Position	Application
PDR0858	Brake Drum	Rear	Toyota Tundra 2003
PRT1007	Disc Brake Rotor	Front, Rear	Cadillac Eldorado 1978-1969, Oldsmobile Toronado 1978-1969, Cadillac Eldorado 1978-1976
PRT1016	Disc Brake Rotor and Hub Assemb	Front	Ford Country Sedan 1972-1970, Country Squire 1972-1970, Custom 1972-1970, Custom 500 1972-1970, Galaxie 500 1972-1970, Ranch Wagon 1972-1970, Thunderbird 1971-1970, Lincoln Continental 1972-1970, Mark III 1971-1970, Mercury Colony Park 1972-1970, Marquis 1972-1970
PRT1017	Disc Brake Rotor and Hub Assemb	Front	Ford Fairlane 1967, Mustang 1967-1966, Ranchero 1967, Ranch Wagon 1967, Mercury Caliente 1967-1966, Comet 1967-1966, Cougar 1967, Cyclone 1967, Villager 1967-1966
PRT1018	Disc Brake Rotor and Hub Assemb	Front	Ford Fairlane 1969-1968, Mustang 1969-1968, Ranchero 1969-1968, Torino 1969-1968, Mercury Comet 1969-1968, Cougar 1969-1968, Cyclone 1969-1968, Montego 1969-1968
PRT1019	Disc Brake Rotor and Hub Assemb	Front	Ford Fairlane 1970, Falcon 1970, Mustang 1973-1970, Ranchero 1971-1970, Torino 1971-1970, Mercury Comet 1972-1971, Cougar 1973-1970, Cyclone 1971-1970, Montego 1971-1970
PRT1021	Disc Brake Rotor and Hub Assemb	Front	Cadillac DeVille 1971-1968
PRT1023	Disc Brake Rotor	Front	Ford Country Sedan 1968, Country Squire 1968, Custom 1968, Ranch Wagon 1968, Thunderbird 1968, Lincoln Mark III 1968, Mercury Commuter 1968
PRT1036	Disc Brake Rotor and Hub Assemb	Front	Ford Ranchero 1973-1972, Torino 1973-1972, Mercury Montego 1973-1972
PRT1039	Disc Brake Rotor and Hub Assemb	Front	Buick Apollo 1974-1973, Gran Sport 1967, GS 1972-1970, GS 350 1969-1968, GS 400 1969-1968, GS 455 1972-1970, Skylark 1972-1971, Special 1969-1967, Sportwagon 1972-1967, Chevrolet Camaro 1969-1967, Chevelle 1972-1967, Chevy II 1968-1967, El Camino 1972-1967, Malibu 1967, Monte Carlo 1972-1970, Nova 1974-1969, GMC Sprint 1972-1971, Oldsmobile 442 1971-1970, Cutlass 1972-1970, Cutlass Supreme 1972-1970, F85 1972-1970, Omega 1973, Vista Cruiser 1972-1970, Pontiac Firebird 1969, Grand Prix 1972-1969, GTO 1972-1969, LeMans 1972-1969, Tempest 1970-1969, Ventura 1974-1971
PRT1040	Disc Brake Rotor and Hub Assemb	Front	Buick Apollo 1975, Century 1977-1973, LeSabre 1978-1977, Regal 1977-1973, Skylark 1978-1975, Cadillac Seville 1976, Chevrolet Camaro 1978-1970, Caprice 1978-1977, Chevelle 1973, El Camino 1977-1973, G10 Van 1974-1971, Impala 1978-1977, Laguna 1976-1973, Malibu 1977-1973, Monte Carlo 1977-1973, Nova 1978-1975, GMC G15/G1500 Van 1974-1971, Sprint 1977-1973, Oldsmobile Cutlass 1977-1973, Cutlass Salon 1977-1975, Cutlass Supreme 1977-1973, Cutlass Tiara 1976, Delta 88 1978-1977, Omega 1978-1974, Vista Cruiser 1975-1973, Pontiac Bonneville 1978-1977, Catalina 1978-1977, Firebird 1978-1970, Grand Am 1975-1973, Grand LeMans 1977-1975, Grand Prix 1977-1973, Grand Safari 1978-1977, GTO 1973, LeMans 1977-1973, Parisienne 1978-1977, Phoenix 1978-1977, Ventura 1977-1975
PRT1043	Disc Brake Rotor and Hub Assemb	Front	Buick Centurion 1973-1971, Electra 1976-1971, Estate Wagon 1976-1971, LeSabre 1976-1971, Riviera 1976-1971, Cadillac Brougham 1989-1987, Calais 1976-1972, Commercial Chassis 1984-1975, DeVille 1976-1972, Fleetwood 1984-1972, Checker Marathon 1982-1971, Chevrolet Bel Air 1975-1971, Biscayne 1972-1971, Blazer 1974-1971, Brookwood 1972-1971, C10 1986-1975, C10 Pickup 1974-1971, C10 Suburban 1986-1971, Caprice 1976-1971, G10 1993-1975, G20 1993-1975, G20 Van 1974-1971, Impala 1976-1971, K5 Blazer 1984-1975, Kingswood 1972-1971, P10 1980-1975, P10 Van 1974-1971, R10 1987, R10 Suburban 1988-1987, R1500 Suburban 1991-1989, Townsman 1972-1971, GMC C15 1978-1975, C15/C1500 Pickup 1974-1971, C15/C1500 Suburban 1974-1971, C15 Suburban 1978-1975, C1500 1986-1979, C1500 Suburban 1986-1979, G15 1978-1975, G25 1978-1975, G25/G2500 Van 1974-1971, G1500 1993-1979, G2500 1993-1979, Jimmy 1984-1971, P15 1978-1975, P15/P1500 Van 1974-1971, P1500 1980-1979, R1500 1987, R1500 Suburban 1991-1987, Oldsmobile 98 1976-1971, Custom Cruiser 1976-1971, Delta 88 1976-1971, Pontiac Bonneville 1976-1971, Catalina 1976-1971, Grand Safari 1976, Grandville 1975-1971, Parisienne 1976
PRT1047	Disc Brake Rotor	Front	Chrysler 300 1969-1968, Newport 1972-1969, New Yorker 1969, New Yorker 1972-1971, Town & Country 1972-1969, Dodge Coronet 1970, Monaco 1969, Polara 1969, Polara 1972, Plymouth Fury 1969
PRT1049	Disc Brake Rotor	Front	Chevrolet K20 1986-1975, K20 Pickup 1974-1971, K20 Suburban 1986-1971, P30 Van 1973-1971, V20 1987, V20 Suburban 1988-1987, V2500 Suburban 1991-1989, GMC K25 1978-1975, K25/K2500 Pickup 1974-1971, K25/K2500 Suburban 1974-1971, K25 Suburban 1978-1975, K2500 1986-1979, K2500 1991-1988, K2500 Suburban 1986-1979, P35/P3500 Van 1973-1971, V2500 1987, V2500 Suburban 1991-1987, Jeep J20 1988-1974
PRT1052	Disc Brake Rotor and Hub Assemb	Front	Ford F-250 1975-1968
PRT1054	Disc Brake Rotor	Front	Dodge Dart 1972-1965, Plymouth Barracuda 1969-1964, Duster 1972-1971, Scamp 1972-1971, Valiant 1972-1965

BUYERS GUIDE

Part Number	Product Line	Position	Application
PRT1061	Disc Brake Rotor	Front	Opel 1900 1975-1971, Kadett 1972-1966, Manta 1975-1973, Opel 1973-1969
PRT1064	Disc Brake Rotor	Front	Toyota Carina 1973-1972, Celica 1975-1971, Corolla 1973-1971, Corolla 1979-1975, Corona 1973-1971
PRT1065	Disc Brake Rotor and Hub Assemb	Front	Ford F-250 1979-1973
PRT1066	Disc Brake Rotor and Hub Assemb	N/A	Ford F-350 1974-1968
PRT1067	Disc Brake Rotor and Hub Assemb	Front	Ford E-100 Econoline 1983-1975, E-100 Econoline Club Wagon 1983-1975, E-150 Econoline 1993-1975, E-150 Econoline Club Wagon 1993-1975, F-100 1983-1973, F-150 1993-1975
PRT1070	Disc Brake Rotor and Hub Assemb	Front	Ford Country Sedan 1973, Country Squire 1973, Galaxie 500 1973, Thunderbird 1973, Lincoln Continental 1973, Mark IV 1973, Mercury Colony Park 1973, Marquis 1973
PRT1072	Disc Brake Rotor and Hub Assemb	Front	Chrysler Newport 1973-1971, New Yorker 1973-1972, Town & Country 1973-1971, Dodge B100 1980-1975, B100 Van 1974-1973, B150 1981, B200 1980-1975, B200 Van 1974-1973, B250 1981, D100 1979-1975, D100 Pickup 1974-1973, D150 1981-1977, Monaco 1973-1971, Polara 1973-1971, Ramcharger 1981-1974, Plymouth Fury 1973-1971, Fury I 1972-1971, Fury II 1972-1971, Fury III 1972-1971, PB100 1980-1975, PB100 Van 1974, PB150 1981, PB200 1980-1975, PB200 Van 1974, PB250 1981, Trailduster 1981-1974
PRT1076	Disc Brake Rotor and Hub Assemb	Front	Dodge B300 1977-1975, B300 Van 1974-1973, D200 1977-1975, D200 Pickup 1974-1973, D300 1977-1975, D300 Pickup 1974, Plymouth PB300 1977-1975, PB300 Van 1974
PRT1077	Disc Brake Rotor and Hub Assemb	Front	Ford Mustang II 1978-1974, Pinto 1980-1974, Mercury Bobcat 1980-1975
PRT1078	Disc Brake Rotor and Hub Assemb	Front	Ford Elite 1976-1975, Gran Torino 1976-1974, LTD II 1979-1977, Ranchero 1979-1974, Thunderbird 1979-1977, Torino 1976-1974, Mercury Cougar 1979-1974, Montego 1976-1974
PRT1079	Disc Brake Rotor and Hub Assemb	Front	Ford Country Sedan 1974, Country Squire 1974, Custom 500 1977-1974, Galaxie 500 1974, Gran Torino 1976-1974, LTD 1978-1974, Ranch Wagon 1974, Thunderbird 1976-1974, Lincoln Continental 1979-1974, Mark IV 1976-1974, Mark V 1979-1977, Mercury Colony Park 1974, Grand Marquis 1978-1975, Marquis 1978-1974
PRT1084	Disc Brake Rotor	Front	Ford E-350 Econoline 1975, F-350 1975-1968
PRT1086	Disc Brake Rotor and Hub Assemb	Front	Ford Granada 1980-1975, Maverick 1977-1974, Lincoln Versailles 1980-1977, Mercury Comet 1977-1974, Monarch 1980-1975
PRT1088	Disc Brake Rotor	Front	Chevrolet Blazer 1974-1971, Blazer 1991-1987, K5 Blazer 1986-1975, K10 1986-1975, K10 Pickup 1974-1971, K10 Suburban 1986-1971, V10 1987, V10 Suburban 1988-1987, V1500 Suburban 1991-1989, GMC Jimmy 1991-1971, K15 1978-1975, K15/K1500 Pickup 1974-1971, K15/K1500 Suburban 1974-1971, K15 Suburban 1978-1975, K1500 1986-1979, K1500 Suburban 1986-1979, V1500 1987, V1500 Suburban 1991-1987, Jeep Cherokee 1979-1974, CJ7 1980-1978, Grand Wagoneer 1991-1984, Grand Wagoneer 1993, J10 1988-1974, Wagoneer 1983-1974
PRT1089	Disc Brake Rotor	Front	Dodge B300 1980-1975, B300 Van 1974, B350 1994-1981, B3500 1997-1995, CB300 1978, CB300 1980, D200 1977-1975, D200 Pickup 1974, D300 1980-1975, D300 Pickup 1974, D350 1993-1981, D400 1981-1980, D450 1981-1980, Ram 3500 Van 1997-1996, W350 1983, Plymouth PB300 1980-1975, PB300 Van 1974, PB350 1983-1981
PRT1094	Disc Brake Rotor	Front	Porsche 914 1976-1973, Volkswagen 411 1973-1972, 412 1974-1973
PRT1095	Disc Brake Rotor	Front	Audi 4000 1984-1980, Coupe 1982-1981, Fox 1979-1973, Volkswagen Dasher 1981-1974, Fox 1993-1987, Golf 1999-1985, Jetta 1998-1980, Quantum 1988-1982, Rabbit 1984-1975, Rabbit Pickup 1983-1980, Scirocco 1989-1975
PRT1096	Disc Brake Rotor	Front	Nissan 610 1974-1973, 710 1975-1974
PRT1097	Disc Brake Rotor	Front	Nissan 240Z 1973-1970
PRT1098	Disc Brake Rotor	Front	Toyota Corona 1971-1969
PRT1099	Disc Brake Rotor	Front, Rear	Fiat 124 1983-1968, 128 1979-1971, 131 1978-1975, 850 1973-1968, Brava 1981-1978, Strada 1982-1979, X-1/9 1983-1974, Yugo Cabrio 1992-1990, GV 1992-1986, GVL 1989-1988, GVS 1988, GVX 1989-1987, Fiat 124 1983-1968, X-1/9 1983-1974
PRT1105	Disc Brake Rotor	Front	MG MGB 1980-1964
PRT1106	Disc Brake Rotor	Front	Hyundai Stellar 1987-1985, Mercury Capri 1977-1971
PRT1108	Disc Brake Rotor	Front	Toyota Corona 1982-1973, Cressida 1980-1978, Mark II 1976-1973
PRT1116	Disc Brake Rotor	Front	Dodge Colt 1979-1971, Hyundai Pony 1987-1983, Plymouth Arrow 1980-1976
PRT1120	Disc Brake Rotor	Rear Left	Ford Granada 1980-1975, Lincoln Versailles 1980-1977, Mercury Monarch 1980-1975
PRT1121	Disc Brake Rotor	Rear Right	Ford Granada 1980-1975, Lincoln Versailles 1980-1977, Mercury Monarch 1980-1975
PRT1124	Disc Brake Rotor	Rear Left	Ford Custom 500 1977-1976, LTD 1978-1976, Thunderbird 1976-1973, Lincoln Continental 1979-1973, Mark IV 1976-1973, Mark V 1979-1977, Mercury Grand Marquis 1978-1975, Marquis 1978-1975

BUYERS GUIDE

Part Number	Product Line	Position	Application
PRT1125	Disc Brake Rotor	Rear Right	Ford Custom 500 1977-1976, LTD 1978-1976, Thunderbird 1976-1973, Lincoln Continental 1979-1973, Mark IV 1976-1973, Mark V 1979-1977, Mercury Grand Marquis 1978-1975, Marquis 1978-1975
PRT1128	Disc Brake Rotor and Hub Assembl	Front	Ford E-350 Econoline 1975, F-350 1975
PRT1130	Disc Brake Rotor and Hub Assembl	Front	Chevrolet C30 1986-1975, C30 Pickup 1974, G30 1992-1975, G30 Van 1974, P30 1996-1975, P30 1999, P30 Van 1974, R30 1988-1987, R3500 1991-1989, GMC C35 1978-1975, C35/C3500 Pickup 1974, C3500 1986-1979, G35 1978-1975, G35/G3500 Van 1974, G3500 1992-1979, P35 1978-1975, P35/P3500 Van 1974, P3500 1996-1979, P3500 1999, R3500 1991-1987, Workhorse P30 2000
PRT1132	Disc Brake Rotor and Hub Assembl	Front	Chrysler Cordoba 1979-1975, Newport 1981-1979, New Yorker 1981-1979, Dodge Charger 1978-1975, Coronet 1976, Magnum 1979-1978, Monaco 1978-1977, St. Regis 1981-1979, Plymouth Fury 1978-1975, Gran Fury 1981-1980
PRT1135	Disc Brake Rotor	Front	Toyota Celica 1981-1976
PRT1136	Disc Brake Rotor	Front	Toyota Corolla 1974, Corolla 1979-1977
PRT1137	Disc Brake Rotor	Front	Toyota Pickup 1983-1975
PRT1141	Disc Brake Rotor	Front	Nissan 260Z 1975-1974, 280Z 1978-1975
PRT1143	Disc Brake Rotor	Front	Nissan 310 1982-1979, F10 1978-1976
PRT1144	Disc Brake Rotor	Front	Nissan 200SX 1979-1977, 210 1982-1979, 510 1981-1978, 610 1976-1975, 710 1977-1976, B210 1978-1976
PRT1145	Disc Brake Rotor and Hub Assembl	Front	Chrysler Cordoba 1975, Cordoba 1983-1980, Fifth Avenue 1989-1983, Imperial 1983-1981, LeBaron 1981-1977, New Yorker 1982, Town & Country 1981-1978, Dodge Aspen 1980-1976, Challenger 1974-1973, Charger 1975-1973, Coronet 1975-1973, Dart 1976-1973, Diplomat 1989-1977, Mirada 1983-1980, Plymouth Barracuda 1974-1973, Caravelle 1982-1978, Caravelle 1988, Cuda 1974-1973, Duster 1976-1973, Fury 1975, Gran Fury 1989-1982, Roadrunner 1974-1973, Satellite 1974-1973, Scamp 1976-1973, Valiant 1976-1973, Volare 1980-1976
PRT1146	Disc Brake Rotor and Hub Assembl	Front	Chrysler Imperial 1975-1974, Newport 1978-1974, New Yorker 1978-1974, Town & Country 1977-1974, Dodge B150 1984-1982, B250 1984-1982, D150 1984-1982, Monaco 1976-1974, Royal Monaco 1977-1975, Plymouth Fury 1974, Gran Fury 1977-1975, PB100 1980, PB150 1983-1981, PB200 1980, PB250 1983-1981
PRT1149	Disc Brake Rotor and Hub Assembl	Front	American Motors AMX 1978, Concord 1978, Gremlin 1978-1977, Hornet 1977, Pacer 1978-1977
PRT1151	Disc Brake Rotor	Front	Dodge Ramcharger 1981-1974, W100 1977-1975, W100 Pickup 1974, W150 1981-1977, Plymouth Trailduster 1981-1974
PRT1152	Disc Brake Rotor and Hub Assembl	Front	Chevrolet C30 1986-1975, C30 Pickup 1974, G30 1996-1992, P30 1996-1975, P30 Van 1974, R30 1988-1987, R3500 1991-1989, GMC C35 1978-1975, C35/C3500 Pickup 1974, C3500 1986-1979, G3500 1992, G3500 1996-1994, P3500 1996-1979, R3500 1991-1987
PRT1153	Disc Brake Rotor and Hub Assembl	Front	Ford E-350 Econoline 1980-1976, E-350 Econoline Club Wagon 1980-1977, F-350 1979-1976
PRT1154	Disc Brake Rotor and Hub Assembl	Front	Ford E-250 Econoline 1981-1976, E-250 Econoline Club Wagon 1981-1976, F-250 1979-1976
PRT1155	Disc Brake Rotor	Front	International Scout 1971, Scout II 1980-1971, Jeep CJ5 1977, CJ7 1980-1977
PRT1156	Disc Brake Rotor and Hub Assembl	Front	Buick Electra 1977, Estate Wagon 1977, LeSabre 1977, Riviera 1977, Cadillac DeVille 1977, Fleetwood 1977, Seville 1977, Chevrolet Caprice 1977, Impala 1977, Oldsmobile 98 1977, Custom Cruiser 1977, Delta 88 1977, Pontiac Bonneville 1977, Catalina 1977, Grand Safari 1977, Parisienne 1977
PRT1158	Disc Brake Rotor	Front	Chevrolet LUV 1980-1976
PRT1159	Disc Brake Rotor	Front	Ford Fiesta 1980-1978
PRT1164	Disc Brake Rotor	Front	Dodge Challenger 1983-1978, Plymouth Sapporo 1983-1978
PRT1165	Disc Brake Rotor	Rear	Dodge Challenger 1983-1978, Plymouth Sapporo 1983-1978
PRT1167	Disc Brake Rotor and Hub Assembl	Front	Buick Century 1978, Regal 1978, Chevrolet El Camino 1978, Malibu 1978, Monte Carlo 1978, GMC Caballero 1978, Oldsmobile Cutlass 1978, Cutlass Salon 1978, Cutlass Supreme 1978, Pontiac Grand Am 1978, Grand LeMans 1978, Grand Prix 1978, LeMans 1978
PRT1169	Disc Brake Rotor and Hub Assembl	Front	Ford Fairmont 1983-1978, Granada 1982-1981, LTD 1986-1979, Mustang 1979, Mustang 1993-1982, Thunderbird 1988-1980, Mercury Capri 1979, Capri 1986-1982, Cougar 1988-1980, Marquis 1986-1983, Zephyr 1983-1978
PRT1171	Disc Brake Rotor	Front	Ford Courier 1982-1977, Mazda 808 1976-1974, B1600 1976-1974, B1800 1978-1977, B2000 1984-1979, Cosmo 1976, Mizer 1976, Rotary Pickup 1977-1974, RX-2 1974, RX-3 1976-1974, RX-4 1976-1974
PRT1173	Disc Brake Rotor	Front	Ford F-250 1977-1976
PRT1175	Disc Brake Rotor and Hub Assembl	Front	Ford Mustang 1981-1980, Mercury Capri 1981-1980

BUYERS GUIDE

Part Number	Product Line	Position	Application
PRT1176	isc Brake Rotor and Hub Assemb	Front	Ford Country Squire 1991-1987, LTD 1986-1979, LTD Crown Victoria 1991-1987, Lincoln Continental 1980, Mark VI 1983-1980, Town Car 1990-1981, Mercury Colony Park 1991-1987, Grand Marquis 1991-1979, Marquis 1982-1979
PRT1177	Disc Brake Rotor	Front	Mazda GLC 1980-1977
PRT1179	Disc Brake Rotor	Front	Nissan 620 1979-1977, 720 1982-1980
PRT1180	Disc Brake Rotor	Front	Nissan 280ZX 1983-1979
PRT1181	Disc Brake Rotor	Rear	Nissan 200SX 1981-1980, 280ZX 1981-1979
PRT1184	Disc Brake Rotor	Front	Honda Accord 1981-1976
PRT1186	isc Brake Rotor and Hub Assemb	Front	Chevrolet C20 1986-1975, C20 Pickup 1974-1971, C20 Suburban 1986-1971, C30 1979-1975, C30 Pickup 1974-1971, G30 1992-1975, G30 Van 1974-1970, P20 1989-1975, P20 Van 1974-1971, P30 1994-1975, P30 Van 1974-1971, R20 1988-1987, R20 Suburban 1988-1987, R2500 1989, R2500 Suburban 1991-1989, GMC C25 1978-1975, C25/C2500 Pickup 1974-1971, C25/C2500 Suburban 1974-1971, C25 Suburban 1978-1975, C35 1978-1975, C35/C3500 Pickup 1974-1971, C2500 1986-1979, C2500 Suburban 1986-1979, C3500 1979, G35 1978-1975, G35/G3500 Van 1974-1971, G3500 1992-1979, P25 1978-1975, P25/P2500 Van 1974-1971, P35 1978-1975, P35/P3500 Van 1974-1971, P2500 1989-1979, P3500 1994-1979, R2500 1989-1987, R2500 Suburban 1991-1987
PRT1187	Disc Brake Rotor	Rear	Buick Riviera 1978-1977, Cadillac Commercial Chassis 1979-1977, DeVille 1979-1977, Fleetwood 1979-1977, Seville 1979-1977
PRT1191	isc Brake Rotor and Hub Assemb	Front	American Motors AMX 1980-1979, Concord 1983-1979, Pacer 1980-1979, Spirit 1983-1979
PRT1193	Disc Brake Rotor	Front	Dodge B300 1980-1975, B300 Van 1974-1973, B350 1994-1981, B3500 1997-1995, CB300 1980-1978, D200 1978-1975, D200 1980, D200 Pickup 1974-1973, D300 1980-1975, D300 Pickup 1974-1972, D350 1981, Ram 3500 Van 1997-1996, W350 1983, Plymouth PB300 1980-1975, PB300 Van 1974, PB350 1983-1981
PRT1194	Disc Brake Rotor	Front	American Motors Eagle 1988-1980, Jeep Cherokee 1989-1984, Comanche 1989-1986, Wagoneer 1989-1984, Wrangler 1989-1987
PRT1195	Disc Brake Rotor	Front	Ford Escort 1990-1981, EXP 1988-1982, Tempo 1994-1984, Mercury LN7 1983-1982, Lynx 1987-1981, Topaz 1994-1984
PRT1196	isc Brake Rotor and Hub Assemb	Front	Ford F-100 1983-1980
PRT1197	isc Brake Rotor and Hub Assemb	Front	Ford F-250 1985-1980
PRT1198	Disc Brake Rotor	Front	Toyota Corolla 1983-1980
PRT1199	Disc Brake Rotor	Rear	Volvo 164 1975, 240 1993-1990, 242 1984-1975, 244 1989-1975, 245 1989-1975, 262 1976, 262 1981-1978, 264 1979-1976, 265 1981-1976, 740 1992-1985, 760 1990-1983, 780 1987, 940 1995-1991, 960 1997-1992, DL 1984
PRT1200	Disc Brake Rotor	Front	Volvo 240 1993-1990, 242 1984-1975, 244 1989-1975, 245 1989-1975, 262 1981-1980, 264 1982-1980, 265 1981-1980, DL 1984
PRT1201	isc Brake Rotor and Hub Assemb	Front	Buick LeSabre 1985-1979, Skylark 1979, Chevrolet Bel Air 1981, Camaro 1981-1979, Caprice 1990-1979, Impala 1985-1979, Nova 1979, Oldsmobile 98 1984-1979, Delta 88 1985-1979, Omega 1979, Pontiac Bonneville 1981-1979, Catalina 1981-1979, Firebird 1981-1979, Parisienne 1986-1979, Phoenix 1979, Safari 1989-1987
PRT1204	Disc Brake Rotor	Front	Subaru Brat 1983-1982, DL 1983-1980, GL 1983-1980, GLF 1982-1980, Standard 1983-1980
PRT1205	Disc Brake Rotor	Front	Dodge D50 1982-1979, Ram 50 1986-1983, Mitsubishi Mighty Max 1986-1983, Plymouth Arrow Pickup 1982-1979
PRT1206	isc Brake Rotor and Hub Assemb	Front	Mazda RX-7 1983-1979
PRT1207	isc Brake Rotor and Hub Assemb	Front	Mazda 626 1982-1979
PRT1209	Disc Brake Rotor	Front	Toyota Celica 1981-1979
PRT1211	Disc Brake Rotor	Front	Honda Civic 1983-1982
PRT1212	Disc Brake Rotor	Front	Chevrolet Corvette 1982-1965
PRT1213	Disc Brake Rotor	Rear	Chevrolet Camaro 1968, Corvette 1982-1965
PRT1214	Disc Brake Rotor	Front	Ford Bronco 1993-1976, F-100 1976, F-150 1993-1977
PRT1215	isc Brake Rotor and Hub Assemb	Front	Chevrolet Chevette 1987-1978, Pontiac Acadian 1987-1978, T1000 1987-1981
PRT1216	isc Brake Rotor and Hub Assemb	Front	Buick Electra 1987-1978, Estate Wagon 1983-1978, LeSabre 1985-1978, LeSabre 1990, Riviera 1978, Cadillac Brougham 1989-1987, DeVille 1984-1978, Fleetwood 1985-1978, Seville 1979-1978, Chevrolet Astro 1992-1985, Bel Air 1981, C10 1986-1980, C10 Suburban 1986-1980, Caprice 1990-1978, Impala 1985-1978, R10 1987, GMC C1500 1986-1980, C1500 Suburban 1986-1981, R1500 1987, Safari 1992-1985, Oldsmobile 98 1984-1978, Custom Cruiser 1990-1978, Delta 88 1985-1978, Pontiac Bonneville 1981-1978, Catalina 1981-1978, Grand Safari 1978, Parisienne 1986-1978, Safari 1989-1987
PRT1217	Disc Brake Rotor	Front	Subaru Brat 1981-1978, DL 1979-1974, FE 1979, GF 1979-1976, GL 1975-1973, GL 1979, Standard 1979-1976
PRT1218	Disc Brake Rotor	Front	Buick Skyhawk 1984-1982, Cadillac Cimarron 1984-1982, Chevrolet Cavalier 1984-1982, Oldsmobile Firenza 1984-1982, Pontiac J2000 1983-1982, J2000 Sunbird 1984

BUYERS GUIDE

Part Number	Product Line	Position	Application
PRT1219	Disc Brake Rotor and Hub Assembl	Front	Buick Century 1981-1979, Regal 1981-1979, Chevrolet El Camino 1981-1979, Malibu 1981-1979, Monte Carlo 1981-1979, GMC Caballero 1981-1979, Oldsmobile Cutlass 1981-1979, Cutlass Salon 1980-1979, Cutlass Supreme 1981-1979, Pontiac Grand Am 1980-1979, Grand LeMans 1981-1979, Grand Prix 1981-1979, LeMans 1981-1979
PRT1220	Disc Brake Rotor	Front	Buick Century 1990-1982, Skylark 1985-1980, Chevrolet Celebrity 1989-1983, Citation 1983-1980, Citation II 1985-1984, Oldsmobile Cutlass Ciera 1990-1983, Cutlass Cruiser 1990-1987, Omega 1984-1980, Pontiac 6000 1990-1982, Phoenix 1984-1980
PRT1222	Disc Brake Rotor	Front	Nissan 200SX 1987-1984, 810 1981, Maxima 1984-1982
PRT1225	Disc Brake Rotor	Front	Honda Accord 1983-1982
PRT1227	Disc Brake Rotor	Front	Toyota Tercel 1982-1980
PRT1228	Disc Brake Rotor	Front	Nissan 810 1980-1977
PRT1229	Disc Brake Rotor and Hub Assembl	Front	American Motors Concord 1981-1979, Spirit 1981-1979
PRT1231	Disc Brake Rotor	Front	Nissan Pulsar 1983, Pulsar NX 1986-1983, Sentra 1986-1982
PRT1233	Disc Brake Rotor and Hub Assembl	Front	Buick Regal 1987-1982, Chevrolet Camaro 1992-1982, El Camino 1987-1982, LLV 1995-1987, Malibu 1983-1982, Monte Carlo 1988-1982, S10 1995-1982, S10 Blazer 1991-1983, GMC Caballero 1987-1982, S15 1990-1982, S15 Jimmy 1991-1983, Sonoma 1995-1991, Syclone 1991, Typhoon 1993-1992, Oldsmobile Cutlass 1987-1985, Cutlass Supreme 1987-1982, Pontiac Bonneville 1986-1982, Firebird 1992-1982, Grand LeMans 1983-1982, Grand Prix 1987-1982
PRT1236	Disc Brake Rotor	Front	Toyota Celica 1985
PRT1237	Disc Brake Rotor	Front	Ford F-250 1996-1976, F-350 1994-1979
PRT1238	Disc Brake Rotor	Front	Audi 80 1992-1988, 80 Quattro 1992-1988, 90 1991-1988, 90 Quattro 1989-1988, 100 1991-1989, 100 Quattro 1991-1989, 5000 1988-1978
PRT1239	Disc Brake Rotor	Front	Toyota Starlet 1984-1981
PRT1242	Disc Brake Rotor	Front	Toyota Pickup 1983-1979
PRT1244	Disc Brake Rotor	Front	Toyota 4Runner 1985-1984, Pickup 1985-1981
PRT1245	Disc Brake Rotor	Rear	Toyota Celica 1985-1982
PRT1246	Disc Brake Rotor	Rear	Toyota Cressida 1984-1983
PRT1247	Disc Brake Rotor	Front	Toyota Cressida 1982-1981
PRT1248	Disc Brake Rotor	Front	Audi 4000 1987-1985, Coupe 1987-1983, Volkswagen Cabriolet 1993-1985, Golf 1992-1985, Jetta 1992-1990, Rabbit 1984-1980, Rabbit Convertible 1984-1980
PRT1249	Disc Brake Rotor	Front	Subaru Brat 1987-1983, DL 1984-1983, GL 1984-1983, Standard 1987-1983
PRT1252	Disc Brake Rotor	Front	Mazda GLC 1985-1981
PRT1253	Disc Brake Rotor	Rear	Mazda RX-7 1985-1981
PRT1254	Disc Brake Rotor	Front	Nissan 200SX 1983-1980
PRT1256	Disc Brake Rotor	Front	Isuzu I-Mark 1984-1981
PRT1257	Disc Brake Rotor	Front	Jeep CJ5 1983-1978, CJ7 1986-1978, Scrambler 1985-1981
PRT1258	Disc Brake Rotor	Front	Honda Prelude 1987-1983
PRT1260	Disc Brake Rotor	Front	Honda Civic 1983-1980, Prelude 1982-1979
PRT1261	Disc Brake Rotor	Front, Rear	Buick Riviera 1985-1979, Cadillac Eldorado 1985-1979, Seville 1985-1980, Chevrolet Blazer 1997-1995, S10 1997-1983, S10 Blazer 1994-1983, GMC Jimmy 1997-1992, S15 1990-1983, S15 Jimmy 1991-1983, Sonoma 1997-1991, Oldsmobile Bravada 1994-1991, Bravada 1996, Toronado 1985-1979, Buick Riviera 1985-1979, Cadillac Eldorado 1985-1979, Seville 1985-1980, Oldsmobile Toronado 1985-1979
PRT1262	Disc Brake Rotor	Front	Buick Century 1982, Pontiac 6000 1982
PRT1263	Disc Brake Rotor	Front	Buick Century 1996-1984, Electra 1990-1985, LeSabre 1991-1986, Reatta 1991-1988, Riviera 1991-1986, Cadillac Allante 1992-1987, Commercial Chassis 1990-1985, DeVille 1990-1985, Eldorado 1991-1986, Fleetwood 1990-1985, Seville 1991-1986, Chevrolet Celebrity 1990-1983, Lumina APV 1991-1990, Jeep Cherokee 1983-1980, Oldsmobile 98 1990-1985, Cutlass Ciera 1996-1983, Cutlass Cruiser 1994-1987, Delta 88 1991-1986, Silhouette 1991-1990, Toronado 1991-1986, Pontiac 6000 1991-1985, Bonneville 1991-1987
PRT1264	Disc Brake Rotor and Hub Assembl	Front	Ford Aerostar 1991-1986, Bronco II 1990, Ranger 1994-1983, Mazda B2300 1994, B3000 1994, B4000 1994
PRT1265	Disc Brake Rotor and Hub Assembl	Front	Ford Bronco II 1990-1984, Ranger 1994-1983
PRT1266	Disc Brake Rotor	Front	Chrysler E Class 1983, LeBaron 1983, New Yorker 1983, Town & Country 1983, Dodge 400 1983, 600 1983, Aries 1983, Charger 1983, Plymouth Caravelle 1983, Reliant 1983
PRT1267	Disc Brake Rotor	Front	Chrysler LeBaron 1982, Town & Country 1982, Dodge 400 1982, Aries 1983-1981, Plymouth Reliant 1983-1981
PRT1268	Disc Brake Rotor	Front	Dodge Charger 1987-1983, Omni 1990-1978, Rampage 1984-1982, Plymouth Expo 1989-1987, Horizon 1990-1978, Scamp 1983, Turismo 1985-1983, Turismo 2.2 1985

BUYERS GUIDE

Part Number	Product Line	Position	Application
PRT1269	Disc Brake Rotor	Front	Ford B600 1989-1984, B700 1989-1984, C600 1986-1984, C700 1986-1984, C800 1986-1984, C8000 1989-1984, F600 1994-1984, F700 1994-1984, F800 1993-1984, F7000 1987-1984, L800 1984, LN600 1985-1984, LN700 1985-1984, LN800 1984, LN7000 1997-1987, LN8000 1997-1984
PRT1270	Disc Brake Rotor	Front	Ford B600 1989-1984, B700 1989-1984, C700 1986-1984, C800 1986-1984, C8000 1989-1984, CF7000 1996-1990, CF8000 1997-1987, F600 1994-1990, F700 1998-1984, F800 1999, F7000 1987-1984, L800 1984, LN600 1985-1984, LN700 1985-1984, LN800 1984, LN7000 1997-1981, LN8000 1997-1984
PRT1271	Disc Brake Rotor	Front, Rear	Chevrolet B7 2002-1993, B60 1991-1980, C50 1990, C60 1987-1983, C60 1990, C60 Kodiak 1996-1990, C70 1990-1983, C70 Kodiak 1996-1990, C5500 Kodiak 1991-1990, C6500 Kodiak 2002-1997, C7500 Kodiak 2002-1997, T6500 1998-1997, T7500 2002-1997, GMC B7 2002-1993, B6000 1991-1980, C5000 1990, C5000 Topkick 1991-1990, C6000 1987-1983, C6000 1990, C6000 Topkick 1996-1990, C6500 Topkick 2002-1997, C7000 1990-1983, C7000 Topkick 1996-1990, C7500 Topkick 2002-1997, T6500 1998-1997, T7500 2002-1997, Isuzu FSR 2002-1997, FTR 2002-1997, FVR 2002-1997, Chevrolet B7 2002-1993, B60 1991-1980, C50 1987-1983, C50 1990, C60 1990-1988, C60 Kodiak 1996-1990, C70 1990-1983, C70 Kodiak 1996-1990, C5500 Kodiak 1991-1990, C6500 Kodiak 2002-1997, GMC B7 2002-1993, B6000 1991-1980, C5000 1987-1983, C5000 1990, C5000 Topkick 1991-1990, C6000 1990-1988, C6000 Topkick 1996-1990, C6500 Topkick 2002-1997, C7000 1990-1983, C7000 Topkick 1996-1990, C7500 Topkick 2002-1997
PRT1272	Disc Brake Rotor	Front, Rear	Chevrolet B7 2002-1993, B60 1991-1980, C50 1990-1983, C60 1990, C60 Kodiak 1996-1990, C70 1990-1983, C70 Kodiak 1996-1990, C5500 Kodiak 1991-1990, C6500 Kodiak 2002-1997, C7500 Kodiak 2002-1997, GMC B7 2002-1993, B6000 1991-1980, C6000 1990, C6000 Topkick 1996-1990, C6500 Topkick 2002-1997, C7000 1990-1983, C7000 Topkick 1996-1990, C7500 Topkick 2002-1997, Chevrolet B7 2002-1993, B60 1991-1980, C50 1990, C60 1990-1983, C60 Kodiak 1996-1990, C70 1990-1983, C70 Kodiak 1996-1990, C5500 Kodiak 1991-1990, C6500 Kodiak 2002-1997, C7500 Kodiak 2002-1997, GMC B7 2002-1993, B6000 1991-1980, C5000 1990, C5000 Topkick 1991-1990, C6000 1990-1983, C6000 Topkick 1996-1990, C6500 Topkick 2002-1997, C7000 1990-1983, C7000 Topkick 1996-1990, C7500 Topkick 2002-1997
PRT1274	Disc Brake Rotor	Front	International 1452SC 1992-1987, 1652SC 1997-1986, Cargostar 1986-1983, M1600 Metro II 1989-1987, S1624 1982-1980, S1654 1989-1984, S1723 1985-1980, S1753 1989-1984, S1823 1982, S1824 1985-1982, S1853 1989-1982, S1954 1988-1982
PRT1275	Disc Brake Rotor	Front	Ford F800 1997, FT800 1986-1984, FT800 1990-1988
PRT1276	Disc Brake Rotor	Front	Ford B600 1989-1984, B700 1989-1984, C700 1986-1984, C800 1986-1984, C8000 1989-1984, CF7000 1996-1990, F600 1994-1984, F700 1998-1984, F800 1999-1984, FT800 1986-1984, FT800 1990-1988, L800 1984, LN600 1985-1984, LN700 1985-1984, LN800 1984, LN7000 1997-1990, LN8000 1997-1990
PRT1279	Disc Brake Rotor	Front	Mazda 626 1985-1983
PRT1281	Disc Brake Rotor and Hub Assemb	Front	Ford Mustang 1986-1984, Lincoln Continental 1984-1982
PRT1283	Disc Brake Rotor	Front	Chevrolet Corvette 1987-1984
PRT1284	Disc Brake Rotor	Rear	Chevrolet Corvette 1987-1984
PRT1285	Disc Brake Rotor	Rear	Pontiac Fiero 1987-1984
PRT1286	Disc Brake Rotor and Hub Assemb	Front	Pontiac Fiero 1987-1984
PRT1287	Disc Brake Rotor	Rear	Chevrolet Camaro 1988-1982, Pontiac Firebird 1988-1982
PRT1288	Disc Brake Rotor	Front	Dodge Caravan 1985-1984, Mini Ram 1985-1984, Royal Mini Ram 1985-1984, Plymouth Voyager 1985-1984
PRT1289	Disc Brake Rotor	Front	Dodge Ramcharger 1993-1980, W100 1989-1986, W150 1993-1980, W350 1987-1984, Plymouth Trailduster 1981-1980
PRT1290	Disc Brake Rotor	Front	Dodge D50 1982, Power Ram 50 1986-1983, Raider 1987, Mitsubishi Mighty Max 1986-1983, Montero 1987-1983, Plymouth Arrow Pickup 1982-1979
PRT1291	Disc Brake Rotor	Front	Dodge Colt 1984-1980, Hyundai Excel 1987-1986, Mitsubishi Precis 1989-1987, Plymouth Champ 1982-1979, Colt 1984-1983
PRT1292	Disc Brake Rotor	Front	Toyota Pickup 1995-1984
PRT1293	Disc Brake Rotor	Front	Toyota Van 1985-1984
PRT1295	Disc Brake Rotor	Front	Toyota Corolla 1987-1984
PRT1296	Disc Brake Rotor	Front	Toyota Cressida 1984-1983
PRT1297	Disc Brake Rotor	Front	Toyota Tercel 1990-1983
PRT1298	Disc Brake Rotor	Front	Honda Civic 1987-1984
PRT1299	Disc Brake Rotor	Front	Honda Civic 1987-1984, Civic 1991-1989, CRX 1991-1988, Insight 2006-2000, Wagovan 1987-1986
PRT1300	Disc Brake Rotor	Front	Honda Civic 1987-1984
PRT1301	Disc Brake Rotor	Front	Honda Accord 1989-1984, Prelude 1990-1986
PRT1302	Disc Brake Rotor and Hub Assemb	Front	Mazda RX-7 1985-1984

BUYERS GUIDE

Part Number	Product Line	Position	Application
PRT1304	Disc Brake Rotor	Rear	Audi 200 1991-1989, 5000 1988-1981, Coupe 1987, Quattro 1986-1983
PRT1305	Disc Brake Rotor and Hub Assembl	Front	Volkswagen Transporter 1986-1985, Vanagon 1985-1980
PRT1306	Disc Brake Rotor	Front	Nissan 720 1986-1983
PRT1307	Disc Brake Rotor	Front	Nissan 720 1986-1983
PRT1308	Disc Brake Rotor	Rear	Nissan 200SX 1988-1982, 280ZX 1983-1982, 810 1981, Maxima 1984-1982
PRT1310	Disc Brake Rotor	Front	Nissan 200SX 1988-1987, 300ZX 1987-1984
PRT1312	Disc Brake Rotor	Rear	Nissan 300ZX 1986-1984
PRT1313	Disc Brake Rotor	Front	Eagle Vista 1991-1989, Nissan 300ZX 1985-1984
PRT1314	Disc Brake Rotor	Front	Nissan 300ZX 1986-1984
PRT1316	Disc Brake Rotor	Front	Nissan Stanza 1985-1982
PRT1317	Disc Brake Rotor and Hub Assembl	Front	Mazda RX-7 1985-1984
PRT1318	Disc Brake Rotor	Front	Renault Alliance 1987-1983, Encore 1986-1984
PRT1320	Disc Brake Rotor	Front	Dodge 2000 GTX 1990-1989, Colt 1991-1985, Mitsubishi Galant 1987-1985, Galant 1990-1989, Plymouth Colt 1991-1985
PRT1322	Disc Brake Rotor	Front	Chrysler Conquest 1987, Dodge Conquest 1986-1984, Mitsubishi Starion 1989-1983, Plymouth Conquest 1986-1984
PRT1323	Disc Brake Rotor	Front	Dodge Colt 1990-1985, Mitsubishi Cordia 1983, Mirage 1990-1985, Tredia 1983, Plymouth Colt 1990-1985
PRT1324	Disc Brake Rotor	Front	Dodge Colt 1991-1984, Eagle Summit 1990-1989, Mitsubishi Cordia 1988-1984, Mirage 1989-1985, Tredia 1988-1984, Plymouth Colt 1991-1984
PRT1325	Disc Brake Rotor	Rear	Chrysler Conquest 1989-1987, Dodge Conquest 1986-1984, Mitsubishi Starion 1989-1983, Plymouth Conquest 1986-1984
PRT1326	Disc Brake Rotor	Rear	Chrysler Conquest 1987, Dodge Conquest 1984, Mitsubishi Starion 1985-1983, Starion 1987, Plymouth Conquest 1984
PRT1327	Disc Brake Rotor and Hub Assembl	Rear	Nissan Maxima 1987-1985
PRT1328	Disc Brake Rotor	Front	Nissan Maxima 1988-1985
PRT1329	Disc Brake Rotor	Rear	Isuzu Impulse 1989-1983
PRT1334	Disc Brake Rotor	Front	Nissan Sentra 1986-1983
PRT1335	Disc Brake Rotor	Rear	Nissan 200SX 1988-1987, 300ZX 1987-1986
PRT1336	Disc Brake Rotor	Rear	BMW 524td 1986-1985, 528e 1988-1982, 533i 1984-1983, 535i 1988-1985, 635CSi 1989-1985, L6 1987, M5 1988, M6 1988-1987
PRT1337	Disc Brake Rotor	Front	Audi 5000 1986-1980, 5000 Quattro 1986, Quattro 1986-1983
PRT1338	Disc Brake Rotor	Rear	Audi 80 1992-1988, 90 1991-1988, 90 1995-1993, 5000 1988-1984, Cabriolet 1998-1994
PRT1340	Disc Brake Rotor and Hub Assembl	Front	Volvo 760 1984-1983
PRT1341	Disc Brake Rotor and Hub Assembl	Front	Volvo 740 1987-1985, 760 1986-1985
PRT1343	Disc Brake Rotor	Front	Volvo 745 1985, 760 1984-1983
PRT1344	Disc Brake Rotor	Front	BMW 318i 1985-1984
PRT1345	Disc Brake Rotor	Front	BMW 320i 1983-1978
PRT1346	Disc Brake Rotor	Front	BMW 318i 1992-1991, 318is 1991, 325 1988-1986, 325e 1987-1984, 325es 1987-1986, 325i 1993-1987, 325is 1991-1987, 325iX 1991-1988
PRT1347	Disc Brake Rotor	Front	BMW 528i 1981-1979, 530i 1978-1977, 630CSi 1978-1977, 633CSi 1982-1978, 733i 1983-1978
PRT1348	Disc Brake Rotor	Front	BMW 524td 1986-1985, 528e 1988-1982, 533i 1984-1983
PRT1349	Disc Brake Rotor	Front	BMW 535i 1988-1985, 633CSi 1984-1983, 635CSi 1989-1985
PRT1350	Disc Brake Rotor	Front	BMW 733i 1984, 735i 1987-1985, L7 1987-1986
PRT1351	Disc Brake Rotor	Rear	BMW 318i 1992-1991, 318is 1991, 325 1988-1986, 325e 1987-1984, 325es 1987-1986, 325i 1993-1987, 325is 1991-1987
PRT1352	Disc Brake Rotor	Rear	BMW 528i 1981-1979, 530i 1978-1975, 2800 1971-1969, Bavaria 1974-1972
PRT1353	Disc Brake Rotor	Rear	BMW 733i 1984-1982
PRT1354	Disc Brake Rotor	Front	Mazda 626 1987-1983
PRT1355	Disc Brake Rotor	Front	Mazda B2200 1984-1982
PRT1357	Disc Brake Rotor	Front	Nissan Multi 1988-1986, Stanza 1989-1986
PRT1358	Disc Brake Rotor and Hub Assembl	Rear	Honda Prelude 1987-1984
PRT1362	Disc Brake Rotor	Rear	Toyota MR2 1986-1985
PRT1363	Disc Brake Rotor	Rear	Toyota Cressida 1988-1985
PRT1364	Disc Brake Rotor	Rear	Toyota Corolla 1987-1985
PRT1365	Disc Brake Rotor	Front	Toyota Pickup 1994-1984
PRT1367	Disc Brake Rotor	Front	Chevrolet Nova 1988, Toyota Corolla 1988, MR2 1986-1985
PRT1368	Disc Brake Rotor	Front	Toyota Cressida 1987-1985
PRT1369	Disc Brake Rotor	Front	Toyota Camry 1986-1983
PRT1370	Disc Brake Rotor	Rear	Subaru DL 1989-1985, GL 1989-1985, GL-10 1989-1985, Loyale 1994-1990, RX 1989-1986, Standard 1987-1985, XT 1991-1985
PRT1372	Disc Brake Rotor	Front	Subaru DL 1989-1985, GL 1989-1985, GL-10 1989-1985, Loyale 1994-1990, RX 1989-1986, XT 1991-1985
PRT1376	Disc Brake Rotor	Front	Buick Skyhawk 1989-1985, Skylark 1990-1986, Somerset 1987-1986, Somerset Regal 1985, Cadillac Cimarron 1988-1985, Chevrolet Beretta 1991-1987, Cavalier 1991-1985, Corsica 1991-1987, Oldsmobile Calais 1987-1985, Cutlass Calais 1990-1988, Firenze 1988-1985, Pontiac Grand Am 1990-1985, J2000 Sunbird 1985, Sunbird 1991-1986, Tempest 1991-1987

BUYERS GUIDE

Part Number	Product Line	Position	Application
PRT1377	Disc Brake Rotor	Rear	Pontiac 6000 1988-1984
PRT1378	Disc Brake Rotor	Rear	Buick Reatta 1991-1988, Riviera 1991-1986, Cadillac Allante 1992-1987, Eldorado 1991-1986, Seville 1991-1986, Oldsmobile Toronado 1991-1986
PRT1379	Disc Brake Rotor	Front	Chrysler Daytona 1988-1985, Daytona 1993-1990, Dynasty 1993-1988, Executive Limousine 1986-1985, Imperial 1993-1990, Laser 1986-1985, LeBaron 1995-1985, New Yorker 1993-1985, TC Maserati 1991-1989, Town & Country 1988-1984, Town & Country 1995-1991, Dodge 600 1988-1985, Aries 1989-1985, Caravan 1995-1991, Charger 1987-1985, Daytona 1993-1985, Dynasty 1993-1988, Grand Caravan 1995-1991, Lancer 1989-1985, Omni 1986-1985, Shadow 1994-1988, Spirit 1995-1990, Plymouth Acclaim 1995-1990, Caravelle 1988-1985, Grand Voyager 1995-1991, Reliant 1989-1986, Sundance 1994-1987, Voyager 1995-1991
PRT1380	Disc Brake Rotor	Front	Dodge Aries 1989-1986, Shadow 1989-1987, Plymouth Reliant 1989-1986, Sundance 1989-1987
PRT1381	Disc Brake Rotor and Hub Assembl	Front	Dodge B150 1993-1985, B250 1994-1985, B1500 1997-1995, B2500 1997-1995, D100 1989-1985, D150 1993-1985, Ramcharger 1993-1982
PRT1382	Disc Brake Rotor and Hub Assembl	Front	Dodge B300 1980-1979, B350 1994-1981, B3500 1997-1995, CB300 1980-1979, D200 1979, D250 1993-1981, D350 1989-1982, Ram 3500 Van 1997-1996
PRT1383	Disc Brake Rotor	Front	Chrysler Town & Country 1990, Dodge Caravan 1990-1986, Grand Caravan 1990-1987, Mini Ram 1988-1986, Royal Mini Ram 1987-1986, Spirit 1989, Plymouth Acclaim 1989, Grand Voyager 1990-1989, Voyager 1990-1986
PRT1384	Disc Brake Rotor	Front	Chevrolet Nova 1988-1985, Toyota Corolla 1988-1984
PRT1385	Disc Brake Rotor	Front	Chevrolet Spectrum 1988-1985, Geo Spectrum 1989, Isuzu I-Mark 1989-1985, Pontiac Sunburst 1988-1985
PRT1387	Disc Brake Rotor	Front	Mercedes-Benz 230 1978-1975, 240D 1983-1976, 280 1976-1973, 280C 1976-1973, 280CE 1981-1978, 280E 1981-1977, 300CD 1985-1980, 300D 1985-1975, 300TD 1985-1979
PRT1388	Disc Brake Rotor	Rear	Chrysler Daytona 1988-1987, TC Maserati 1991-1989, Dodge Daytona 1988-1987
PRT1389	Disc Brake Rotor	Front	Dodge Dakota 1990-1987
PRT1390	Disc Brake Rotor	Front	Dodge Ram 50 1993-1987, Mitsubishi Mighty Max 1996-1987
PRT1391	Disc Brake Rotor and Hub Assembl	Front	Chevrolet G20 1993-1983, GMC G2500 1993-1983
PRT1392	Disc Brake Rotor	Front	Chrysler Town & Country 1990, Dodge Caravan 1990-1987, Grand Caravan 1990-1987, Mini Ram 1988-1987, Plymouth Grand Voyager 1990-1987, Voyager 1990-1987
PRT1393	Disc Brake Rotor	Front	Buick Skyhawk 1982, Chevrolet Cavalier 1982, Oldsmobile Firenza 1982, Pontiac J2000 1982
PRT1397	Disc Brake Rotor	Front	Dodge W200 1980-1975, W200 Pickup 1974-1972, W250 1993-1981, W300 1980-1975, W300 Pickup 1974, W350 1982-1981, W350 1993-1984
PRT1398	Disc Brake Rotor and Hub Assembl	Front	Ford Mustang 1993-1987
PRT1399	Disc Brake Rotor	Front, Rear	Ford Taurus 1991-1986, Thunderbird 1989, Lincoln Continental 1991-1988, Mercury Sable 1991-1986, Ford Taurus 1989, Lincoln Continental 1989-1988, Mercury Sable 1989-1988
PRT1400	Disc Brake Rotor	Front	Buick Regal 1995-1988, Chevrolet Lumina 1995-1990, Monte Carlo 1995, Oldsmobile Cutlass Supreme 1995-1988, Pontiac Grand Prix 1995-1988
PRT1401	Disc Brake Rotor	Rear	Buick Regal 1993-1988, Chevrolet Lumina 1994-1990, Oldsmobile Cutlass Supreme 1993-1988, Pontiac Grand Prix 1993-1988
PRT1402	Disc Brake Rotor	Front	Honda Accord 1989-1988, Prelude 1991-1988
PRT1403	Disc Brake Rotor	Front	Chevrolet Metro 1992, Sprint 1992-1985, Geo Metro 1994-1989, Pontiac Firefly 1991-1985, Suzuki Forsa 1988-1985, SA310 1985
PRT1405	Disc Brake Rotor	Front	Hyundai Accent 1999-1995, Excel 1994-1988, Scoupe 1995-1991, Mitsubishi Precis 1994-1987
PRT1407	Disc Brake Rotor	Front	Volvo 240 1993-1990, 242 1984-1975, 244 1989-1975, 245 1989-1975, 262 1976, 262 1981-1978, 264 1982-1976, 265 1981-1976, DL 1984
PRT1408	Disc Brake Rotor	Front	Toyota 4Runner 1991-1986, Pickup 1995-1986
PRT1409	Disc Brake Rotor	Front	Toyota Van 1989-1986, Van Wagon 1988
PRT1410	Disc Brake Rotor	Front	Toyota Cressida 1988-1986
PRT1411	Disc Brake Rotor	Rear	Toyota Previa 1997-1991, Supra 1992-1986
PRT1412	Disc Brake Rotor	Front	Toyota Celica 1992-1986, Supra 1992-1986
PRT1414	Disc Brake Rotor	Front	Dodge W300 1980-1975, W300 Pickup 1974, W350 1982-1981, W350 1993-1984
PRT1415	Disc Brake Rotor and Hub Assembl	Front	Dodge Dakota 1988-1987
PRT1416	Disc Brake Rotor	Rear	Isuzu Amigo 1993-1989, Pickup 1995-1988, Trooper 1991-1987
PRT1418	Disc Brake Rotor	Front	Pontiac LeMans 1989-1988
PRT1419	Disc Brake Rotor	Front	Acura Legend 1987-1986
PRT1420	Disc Brake Rotor	Front	Suzuki Samurai 1995-1985, SJ410 1985, SJ413 1985
PRT1421	Disc Brake Rotor	Front	Volvo 740 1992-1985, 760 1990-1985, 780 1991-1987
PRT1423	Disc Brake Rotor	Front	Nissan Pulsar NX 1990-1987, Sentra 1990-1987
PRT1424	Disc Brake Rotor	Front	Acura Integra 1989-1986, Honda Civic 1991-1988, CRX 1991-1988

BUYERS GUIDE

Part Number	Product Line	Position	Application
PRT1425	Disc Brake Rotor	Front	Mercedes-Benz 190E 1987-1986, 260E 1989-1987, 300CE 1989-1988, 300D 1987, 300D 1993-1990, 300E 1993-1986, 300TD 1987, 300TE 1993-1988, 560SL 1989-1986, E300 1995
PRT1426	Disc Brake Rotor	Front	Mercedes-Benz 190D 1989-1984, 190E 1988-1984
PRT1427	Disc Brake Rotor	Rear	Mercedes-Benz 190D 1989-1984, 190E 1993-1985, 260E 1989-1987, 300CE 1989-1988, 300D 1987, 300D 1993-1990, 300E 1993-1986, E300 1995
PRT1430FC	Disc Brake Rotor	Front	Dodge Monaco 1990, Eagle Premier 1990-1988
PRT1431	Disc Brake Rotor	Front	Toyota Camry 1991-1987
PRT1432	Disc Brake Rotor	Rear	Chevrolet Nova 1988, Toyota Corolla 1990-1987
PRT1433	Disc Brake Rotor	Rear	Acura Legend 1988-1986, Honda Prelude 1996-1992
PRT1434	Disc Brake Rotor and Hub Assemb	Rear	Nissan Maxima 1988
PRT1435	Disc Brake Rotor	Rear	Mazda RX-7 1988-1986
PRT1436	Disc Brake Rotor	Front	Mazda 323 1989-1986, Mercury Tracer 1990-1987
PRT1437	Disc Brake Rotor	Front	Mazda RX-7 1988-1986
PRT1438	Disc Brake Rotor	Front	Mazda B2000 1987-1986, B2200 1993-1987, B2600 1988-1987, B2600 1993-1990
PRT1439	Disc Brake Rotor	Rear	Acura Integra 1993-1990, Honda Accord 1989, Civic 1991-1990, CRX 1991-1990, Prelude 1991-1988
PRT1440	Disc Brake Rotor	Rear	Acura Legend 1990-1987
PRT1441	Disc Brake Rotor	Front	Infiniti I30 1999-1996, Nissan Maxima 1999-1989
PRT1442	Disc Brake Rotor	Front	Nissan D21 1994-1986, Pickup 1997-1995
PRT1443	Disc Brake Rotor	Front	Nissan 240SX 1996-1989
PRT1445	Disc Brake Rotor	Front	Nissan NX 1993-1991, Pulsar NX 1987, Sentra 1994-1987
PRT1446	Disc Brake Rotor	Rear	Nissan 300ZX 1989-1987
PRT1447	Disc Brake Rotor	Front	Nissan D21 1994-1986, Frontier 2002-1998, Pathfinder 1995-1987, Pickup 1997-1995
PRT1448	Disc Brake Rotor	Rear	Mercedes-Benz 220 1973, 220D 1973-1968, 230 1976-1974, 240D 1983-1974, 250 1972-1968, 250C 1972-1970, 250S 1967-1966, 250SE 1967-1966, 250SL 1967, 280 1976-1973, 280C 1976-1973, 280CE 1981-1978, 280E 1981-1977, 280S 1976-1975, 280SE 1973-1972, 280SE 1980-1977, 280SEL 1973-1972, 300CD 1985-1978, 300D 1985-1975, 300SD 1985-1979, 300SDL 1987-1986, 300SE 1991-1988, 300SEL 1973-1968, 300SEL 1991-1988, 300TD 1985-1979, 350SD 1991, 350SDL 1991-1990, 380SE 1985-1984, 380SEC 1982, 380SEL 1983-1981, 380SL 1985-1981, 380SLC 1981, 420SEL 1991-1986, 450SE 1976-1973, 450SEL 1980-1973, 450SL 1980-1973, 450SLC 1980-1973, 500SEC 1985-1984, 500SEL 1985-1984, 560SEC 1991-1986, 560SEL 1991-1986, 560SL 1989-1986
PRT1450	Disc Brake Rotor	Front	Ford CF6000 1990-1986, CF7000 1996-1990, CF8000 1997-1987
PRT1451	Disc Brake Rotor	Front	Nissan D21 1994-1986, Pickup 1996-1995
PRT1452	Disc Brake Rotor and Hub Assemb	Front	Ford Bronco 1988-1987, F-150 1988-1987
PRT1453FC	Disc Brake Rotor	Front	Cadillac Escalade 2000-1999, Chevrolet Blazer 1994-1992, K1500 1999-1988, K1500 Suburban 1999-1992, K2500 2000-1988, Tahoe 2000-1995, GMC K1500 1999-1988, K1500 Suburban 1999-1992, K2500 2000-1988, Yukon 2000-1992
PRT1454FC	Disc Brake Rotor	Front	Chevrolet K1500 1991-1988, GMC K1500 1991-1988
PRT1455	Disc Brake Rotor	Front, Rear	Ford F53 1997-1988, F59 1994-1988, F Super Duty 1997-1988, F53 1997-1988, F59 1994-1988, F Super Duty 1997-1988
PRT1456	Disc Brake Rotor and Hub Assemb	Front	Volkswagen Transporter 1990-1987, Vanagon 1991-1986
PRT1458	Disc Brake Rotor	Front	Isuzu Impulse 1987-1983
PRT1459	Disc Brake Rotor	Front	Isuzu Pickup 1987-1984, Trooper 1987-1984
PRT1460	Disc Brake Rotor	Front	Dodge Raider 1989, Ram 50 1993-1987, Mitsubishi Mighty Max 1995-1987, Montero 1991-1989
PRT1462	Disc Brake Rotor	Front	Toyota Celica 1991-1990
PRT1463	Disc Brake Rotor	Front	Toyota Pickup 1980-1979
PRT1464	Disc Brake Rotor and Hub Assemb	Front	Chevrolet Astro 2002-1990, GMC Safari 2002-1990
PRT1466	Disc Brake Rotor	Rear	Nissan Maxima 1990-1989
PRT1467FC	Disc Brake Rotor	Rear	Ford Taurus 1992-1990, Lincoln Continental 1992-1990, Town Car 1990, Mercury Sable 1992-1990
PRT1468	Disc Brake Rotor	Front	Chevrolet K30 1986-1980, V30 1988-1987, V3500 1991-1989, Dodge W350 1993-1990, GMC K3500 1986-1980, V3500 1991-1990
PRT1469	Disc Brake Rotor	Front	Chevrolet K30 1986-1977, V30 1988-1987, V3500 1991-1989, Dodge W250 1993-1990, W350 1993-1990, GMC K35 1978, K3500 1986-1979, V3500 1991-1987
PRT1470	Disc Brake Rotor	Front	Ford Thunderbird 1990, Mercury Cougar 1990-1989
PRT1471	Disc Brake Rotor	Front	Acura EL 2005-1997, Integra 2001-1990, Honda Civic 2005-1990, Civic del Sol 1996-1994, Fit 2013-2007, Insight 2014-2010
PRT1473	Disc Brake Rotor	Rear	Chevrolet Camaro 1992-1988, Pontiac Firebird 1992-1989
PRT1474	Disc Brake Rotor	Rear	Saab 9-2X 2006-2005, Subaru Forester 2008-1998, Impreza 2007-1993, Legacy 1999-1990

BUYERS GUIDE

Part Number	Product Line	Position	Application
PRT1475	Disc Brake Rotor	Front, Rear	Freightliner M2 106 2006-2004, International 1452SC 1992-1987, 1652SC 2001-1986, 1724 1984-1979, 1754 1989-1979, 3900FC 1994-1991, 4600 1994-1990, 4600LP 1994-1990, 4700 2001-1990, 4700LP 2001-1991, 4700LPX 2001-1996, 4800 2001-1990, 4900 2001-1990, 7100 1992-1990, M1600 Metro II 1989-1987, S1624 1982-1980, S1654 1989-1984, S1723 1985-1980, S1753 1989-1984, S1824 1985-1984, S1853 1989-1984, S1954 1989-1984, Kenworth T170 2008, T270 2008, T370 2008, Peterbilt 330 2008, 335 2008, Workhorse W20 2009-2001, W22 2009-2001, Freightliner M2 106 2006-2004, International 1452SC 1992-1987, 1652SC 1997-1986, 1724 1984, 1754 1989-1984, Cargostar 1985, M1400 Metro II 1989-1987, M1600 Metro II 1987, S1624 1982-1980, S1654 1989-1984, S1723 1985-1984, S1753 1989-1984, Kenworth T170 2008, T270 2008, T370 2008, Peterbilt 330 2008, 335 2008, Workhorse W20 2009-2001, W22 2009-2001
PRT1477	Disc Brake Rotor	Front	Chevrolet K1500 Suburban 1999-1994, K2500 2000-1988, K2500 Suburban 1999-1992, K3500 2000-1988, Tahoe 1999-1995, Dodge Ram 2500 1999-1994, GMC K1500 Suburban 1999-1994, K2500 2000-1988, K2500 Suburban 1999-1992, K3500 2000-1988, Yukon 1997-1995
PRT1478	Disc Brake Rotor	Rear	Chevrolet Corvette 1996-1988
PRT1479	Disc Brake Rotor	Front	Chevrolet Corvette 1996-1988
PRT1480	Disc Brake Rotor	Front	Chevrolet C3500 1994-1991, C3500HD 1994-1991, P30 1996-1979, GMC C3500HD 1994-1991, P3500 1996-1979, Workhorse FasTrack FT931 2003-2002, FasTrack FT1061 2003-2002
PRT1481	Disc Brake Rotor and Hub Assemb	Front	Jeep Cherokee 1992-1985, Comanche 1992-1986
PRT1482	Disc Brake Rotor and Hub Assemb	Front	Chevrolet C1500 1991-1988, GMC C1500 1991-1988
PRT1483	Disc Brake Rotor	Rear	Chevrolet C3500 1994, C3500HD 1994-1991, P30 1996-1976, GMC C3500HD 1994-1991, P35 1978-1976, P3500 1996-1979, Workhorse FasTrack FT931 2003-2002, FasTrack FT1061 2003-2002, FasTrack FT1260 2001-2000, FasTrack FT1460 2002-2000, FasTrack FT1600 2001-2000, FasTrack FT1800 2001-2000
PRT1484	Disc Brake Rotor	Rear	Audi 80 Quattro 1992-1988, 90 Quattro 1991-1988, 90 Quattro 1995-1993, 4000 Quattro 1987-1984, Coupe Quattro 1991-1990
PRT1486	Disc Brake Rotor	Front	Geo Prizm 1992-1989, Toyota Corolla 1992-1988
PRT1487	Disc Brake Rotor and Hub Assemb	Front	Ford E-250 Econoline 1991-1986, E-250 Econoline Club Wagon 1991-1986, E-350 Econoline 1991-1986, E-350 Econoline Club Wagon 1991-1986, F-250 1994-1986, F-350 1994-1986
PRT1489	Disc Brake Rotor	Front	Chevrolet C60 1990-1988, GMC C6000 1990-1988
PRT1490	Disc Brake Rotor	Front	Chevrolet C60 1990-1988, C70 1990-1988, GMC C6000 1990-1988, C7000 1990-1988
PRT1491	Disc Brake Rotor	Rear	Infiniti M30 1992-1990
PRT1492	Disc Brake Rotor	Rear	Lexus ES250 1991-1990, Toyota Camry 1991-1988, Celica 1993-1986
PRT1493	Disc Brake Rotor	Front	International 1452SC 1992-1987, 1652SC 1997-1986, 1724 1984-1979, 1754 1989-1979, 3900FC 1993-1991, 4600 1993-1990, 4600LP 1993-1990, 4700 1993-1990, 4700LP 1993-1991, 4800 1993-1990, 4900 1993-1990, 7100 1992-1990, M1400 Metro II 1989-1987, M1600 Metro II 1989-1987, S1624 1982-1980, S1654 1986-1984, S1723 1985-1980, S1753 1989-1984, S1824 1985-1983, S1853 1989-1983
PRT1496	Disc Brake Rotor	Rear	Saab 900 1993-1988, 9000 1998-1986
PRT1497	Disc Brake Rotor	Front	Saab 900 1993-1988, 9000 1989-1987
PRT1498	Disc Brake Rotor and Hub Assemb	Front	Dodge Dakota 1990-1987
PRT1499	Disc Brake Rotor	Front	Infiniti M30 1992-1990
PRT1500	Disc Brake Rotor	Front	Audi 4000 1987-1985, 4000 Quattro 1987-1984, Coupe 1987
PRT1501	Disc Brake Rotor and Hub Assemb	Rear	Mazda 323 1989-1988, Mercury Capri 1994-1991
PRT1502	Disc Brake Rotor	Rear	Infiniti G20 1996-1991, G20 2002-1999, Nissan Altima 2001-1993, Sentra 2006-2000
PRT1503	Disc Brake Rotor and Hub Assemb	Front	Lincoln Continental 1987, Mark VII 1992-1987
PRT1504	Disc Brake Rotor	Rear	Ford Escort 2003-1991, Mazda Miata 1997-1994, Miata 2005-1999, MX-3 1996-1992, Protege 1998-1990, Mercury Tracer 1999-1991
PRT1505	Disc Brake Rotor	Front	Ford E-350 Econoline 1994-1976, E-350 Econoline Club Wagon 1994-1977, F-350 1994-1976
PRT1506	Disc Brake Rotor	Front	Toyota Celica 1989-1986
PRT1507	Disc Brake Rotor	Front	Toyota Camry 1987
PRT1508	Disc Brake Rotor and Hub Assemb	Front	Chevrolet P30 1996-1979, GMC P3500 1996-1979
PRT1509	Disc Brake Rotor	Front	Toyota Celica 1989-1986
PRT1510	Disc Brake Rotor	Front	Toyota Land Cruiser 1990-1981
PRT1511	Disc Brake Rotor	Rear	Hyundai Sonata 1993-1989
PRT1512	Disc Brake Rotor	Rear	Dodge 2000 GTX 1990-1989, Colt 1990-1989, Eagle 2000 GTX 1993-1991, Summit 1991-1989, Mitsubishi Galant 1993-1989, Mirage 1992-1989, Plymouth Colt 1990-1989
PRT1513	Disc Brake Rotor	Front	Acura Integra 1998-1997, Integra 2001-2000, Legend 1995-1991, RL 1998-1996, TL 1998-1996, Honda CR-V 2001-1997, Odyssey 1998-1995, Prelude 2001-1997, Isuzu Oasis 1999-1996

BUYERS GUIDE

Part Number	Product Line	Position	Application
PRT1514	Disc Brake Rotor	Rear	Acura Legend 1995-1991, RL 1998-1996, Honda Odyssey 1998-1995, Isuzu Oasis 1999-1996
PRT1515	Disc Brake Rotor	Front	Jaguar Vanden Plas 1985, XJ6 1985, XJRS 1993, XJS 1996-1976
PRT1517	Disc Brake Rotor	Front	Mercedes-Benz 280SE 1980-1977, 300SD 1980-1979, 300SD 1985, 380SE 1985-1984, 380SEL 1983-1981, 380SL 1985-1981, 380SLC 1981, 450SEL 1980, 450SL 1980, 450SLC 1980, 500SEC 1985-1984, 500SEL 1985-1984
PRT1518	Disc Brake Rotor	Rear	Volkswagen Quantum 1988-1986
PRT1519	Disc Brake Rotor and Hub Assemb	Front	Ford Bronco II 1989-1987, Explorer 1992-1991
PRT1520	Disc Brake Rotor	Front	Mercedes-Benz 190D 1987, 190E 1993-1987
PRT1521	Disc Brake Rotor	Rear	Toyota MR2 1989-1987
PRT1523	Disc Brake Rotor	Front	Volkswagen Cabrio 2002-1995, Golf 1999-1993, Jetta 1998-1990, Passat 1997-1990, Quantum 1988-1986, Scirocco 1989-1986
PRT1526	Disc Brake Rotor	Front	Ford Festiva 1993-1988
PRT1527FC	Disc Brake Rotor	Rear	Ford Mustang 1993, Thunderbird 1988-1987, Mercury Cougar 1988-1987
PRT1528	Disc Brake Rotor	Front	Acura Legend 1990-1987
PRT1530	Disc Brake Rotor	Front	Buick Skylark 1998-1990, Chevrolet Beretta 1996-1992, Cavalier 2005-1992, Corsica 1996-1992, Oldsmobile Achieva 1998-1992, Cutlass Calais 1991, Pontiac Grand Am 1998-1990, Sunbird 1994-1992, Sunfire 2005-1995
PRT1531	Disc Brake Rotor	Front	Volvo 740 1990-1985, C70 2001-1998
PRT1532	Disc Brake Rotor	Rear	Chrysler Daytona 1993-1989, Dynasty 1993-1990, Imperial 1993-1990, LeBaron 1995-1989, New Yorker 1993-1991, Dodge Daytona 1993-1989, Dynasty 1993-1990, Shadow 1994-1990, Spirit 1995-1990, Plymouth Acclaim 1995-1991, Sundance 1994-1990
PRT1533	Disc Brake Rotor	Rear	Chrysler Daytona 1993-1989, LeBaron 1995-1989, Dodge Daytona 1993-1989, Spirit 1995-1991, Plymouth Acclaim 1995-1991
PRT1534	Disc Brake Rotor	Front	Chrysler Daytona 1993-1989, LeBaron 1995-1989, Dodge Daytona 1993-1989, Spirit 1995-1991, Plymouth Acclaim 1995-1991
PRT1535	Disc Brake Rotor	Front	Lexus ES250 1991-1990, Toyota Camry 1991-1988
PRT1536	Disc Brake Rotor	Front	Nissan 300ZX 1996-1990
PRT1537	Disc Brake Rotor	Front	Nissan NX 1993-1991, Pulsar NX 1989-1988, Sentra 1994-1991
PRT1538	Disc Brake Rotor	Front	Nissan Van 1988-1987
PRT1539	Disc Brake Rotor	Front	Dodge Raider 1989-1988, Mitsubishi Montero 1989-1988
PRT1542	Disc Brake Rotor	Front	Daihatsu Charade 1992-1989
PRT1543	Disc Brake Rotor	Front	Eagle 2000 GTX 1993-1991, Summit 1996-1992, Vista 1992, Mitsubishi Expo 1995-1992, Expo LRV 1994-1992, Galant 1988, Galant 1997-1993, Plymouth Colt 1994-1992
PRT1544	Disc Brake Rotor	Front	Mitsubishi Mirage 1992-1991
PRT1545	Disc Brake Rotor	Front	Chevrolet Metro 1992, Metro 2001-1998, Geo Metro 1997-1989, Pontiac Firefly 1991-1985, Firefly 2000-1994, Suzuki Swift 2001-1989
PRT1546	Disc Brake Rotor	Front	Asuna Sunfire 1993, Geo Storm 1993-1990, Isuzu Impulse 1992-1990, Stylus 1993-1991
PRT1547	Disc Brake Rotor	Rear	Ford Crown Victoria 1995-1992, Lincoln Town Car 1995-1991, Mercury Colony Park 1991, Grand Marquis 1995-1992
PRT1548	Disc Brake Rotor	Rear	Subaru XT 1991-1989
PRT1549	Disc Brake Rotor	Front	Subaru Justy 1990-1987, Justy 1995-1994
PRT1550	Disc Brake Rotor	Rear	Subaru XT 1991-1988
PRT1552	Disc Brake Rotor	Rear	Mazda RX-7 1991-1989
PRT1553	Disc Brake Rotor and Hub Assemb	Front	Lincoln Town Car 1990
PRT1554	Disc Brake Rotor	Front	Acura CL 1997, Honda Accord 1997-1991
PRT1555	Disc Brake Rotor	Rear	Nissan 200SX 1998-1995, NX 1993-1991, Sentra 1999-1991
PRT1556	Disc Brake Rotor	Front	Daihatsu Charade 1989-1988
PRT1557	Disc Brake Rotor	Front	Dodge Colt 1992-1991, Eagle Summit 1992-1991, Mitsubishi Mirage 1992-1991, Plymouth Colt 1992-1991
PRT1559	Disc Brake Rotor	Rear	Mitsubishi Galant 1988, Sigma 1990-1989
PRT1561	Disc Brake Rotor	Front	Toyota Previa 1997-1991
PRT1562	Disc Brake Rotor	Front	Suzuki Swift 1994-1990
PRT1564	Disc Brake Rotor	Front	Volkswagen Corrado 1992-1990
PRT1566	Disc Brake Rotor	Rear	Pontiac 6000 1990-1988
PRT1568	Disc Brake Rotor	Front	Daihatsu Rocky 1992-1990
PRT1569	Disc Brake Rotor	Front	Jaguar Vanden Plas 1989-1988, XJ6 1992-1988
PRT1570	Disc Brake Rotor	Rear	Jaguar XJ6 1992-1990
PRT1571	Disc Brake Rotor	Rear	Chrysler Dynasty 1990-1988, Imperial 1990, New Yorker 1990-1988, Dodge Dynasty 1990-1988
PRT1572	Disc Brake Rotor and Hub Assemb	Rear	Volkswagen Cabrio 2002-1999, Corrado 1992-1990, Golf 1999-1985, Jetta 1999-1985, Passat 1997-1991, Scirocco 1989-1985
PRT1573	Disc Brake Rotor	Rear	Acura Integra 1989-1986
PRT1574	Disc Brake Rotor	Front	Dodge Stealth 1996-1991, Eagle Talon 1997-1992, Mitsubishi 3000GT 1999-1991, Diamante 2004-1992, Eclipse 1997-1991, Galant 1999
PRT1575	Disc Brake Rotor	Rear	Eagle Talon 1994-1990, Mitsubishi Eclipse 1994-1990, Plymouth Laser 1994-1990

BUYERS GUIDE

Part Number	Product Line	Position	Application
PRT1576	Disc Brake Rotor	Front	Chrysler Town & Country 1996-1991, Dodge Caravan 1996-1991, Grand Caravan 1996-1991, Plymouth Grand Voyager 1995-1991, Voyager 1995-1991
PRT1577	Disc Brake Rotor	Front	Dodge Dakota 1996-1991
PRT1578	Disc Brake Rotor and Hub Assemb	Front	Dodge Dakota 1996-1991
PRT1579	Disc Brake Rotor	Rear	Dodge Monaco 1992-1990, Eagle Premier 1992-1988
PRT1581	Disc Brake Rotor	Front	Honda Civic 2000-1990, Civic del Sol 1997-1993
PRT1582	Disc Brake Rotor and Hub Assemb	Front	Ford Thunderbird 1988-1987
PRT1583	Disc Brake Rotor	Front, Rear	Chevrolet C60 1989-1988, C70 1989-1983, GMC C6000 1989-1988, C7000 1989-1983, Chevrolet C70 1989-1983, GMC C7000 1989-1983
PRT1584	Disc Brake Rotor	Front	Chevrolet C60 1990-1988, C70 1990-1988, GMC C6000 1990-1988, C7000 1990-1988
PRT1585	Disc Brake Rotor	Front, Rear	Chevrolet B60 1991-1980, C60 1989-1988, C70 1989-1988, GMC B6000 1991-1980, C6000 1989-1988, C7000 1989-1988, International 1652SC 1997-1986, M1600 Metro II 1989-1987, S1624 1982-1980, S1654 1989-1984, S1723 1985-1980, S1753 1989-1984, S1823 1982-1980, S1824 1982-1980, S1853 1982-1981, Chevrolet B60 1991-1980, C50 1988-1983, C50 1990, C60 1989-1988, C70 1989-1988, P6000 1996-1992, GMC C5000 1989-1983, C7000 1989-1988, P4500 1990-1988, International 1652SC 1997-1986, M1600 Metro II 1989-1987, S1624 1982-1980, S1654 1989-1984, S1723 1985-1980, S1753 1988-1984
PRT1586	Disc Brake Rotor	Front	Acura CL 1997, Honda Accord 1997-1990
PRT1587	Disc Brake Rotor	Front	Saab 9000 1988, 9000 1998-1990
PRT1588	Disc Brake Rotor	Front	Alfa Romeo Spider 1994-1982
PRT1589	Disc Brake Rotor	Rear	Alfa Romeo Spider 1994-1982
PRT1591	Disc Brake Rotor	Front	Acura TL 1998-1995, Vigor 1994-1992
PRT1593	Disc Brake Rotor	Rear	Acura Vigor 1994-1992
PRT1594	Disc Brake Rotor	Rear	Infiniti Q45 1996-1990
PRT1595	Disc Brake Rotor	Front	Infiniti J30 1997-1993, Q45 1996-1990
PRT1596	Disc Brake Rotor	Front	Mazda 323 1989-1988, Mercury Capri 1994-1991
PRT1597	Disc Brake Rotor	Rear	Nissan Pathfinder 1995-1987
PRT1598	Disc Brake Rotor	Rear	Volvo 760 1990-1988, 780 1991-1988, 940 1994-1991, 960 1994-1992, S90 1998-1997, V90 1998-1997
PRT1600	Disc Brake Rotor	Front	Hyundai Sonata 1998-1989
PRT1601	Disc Brake Rotor	Rear	BMW 735i 1992-1985, 735iL 1992-1988
PRT1602FC	Disc Brake Rotor	Front	Jeep Cherokee 1999-1990, Comanche 1992-1990, Grand Cherokee 1998-1993, TJ 1999-1997, Wagoneer 1990, Wrangler 1995-1990, Wrangler 1999-1997
PRT1603	Disc Brake Rotor and Hub Assemb	Front	Chevrolet Camaro 1992-1988, Pontiac Firebird 1992-1989
PRT1604	Disc Brake Rotor	Front	Saturn SC 1992-1991, SC1 2002-1993, SC2 2002-1993, SL 2002-1991, SL1 2002-1991, SL2 2002-1991, SW1 1999-1993, SW2 2001-1993
PRT1605	Disc Brake Rotor	Rear	Saturn SC 1992-1991, SC1 1998-1993, SC2 1998-1993, SL 1998-1991, SL1 1998-1991, SL2 1998-1991, SW1 1998-1993, SW2 1998-1993
PRT1606	Disc Brake Rotor	Rear	Chevrolet B60 1991-1980, C50 1990, C60 1990-1988, C60 Kodiak 1996-1990, C70 1990-1988, C70 Kodiak 1996-1990, C5500 Kodiak 1991-1990, GMC B6000 1991-1980, C5000 1990, C5000 Topkick 1991-1990, C6000 1990-1988, C6000 Topkick 1996-1990, C6500 Topkick 2002-1997, C7000 1990, C7000 Topkick 1996-1990, C7500 Topkick 2002-1997
PRT1609	Disc Brake Rotor	Front	Dodge Colt 1992-1991, Eagle Summit 1992-1991, Mitsubishi Mirage 1992-1991, Plymouth Colt 1992-1991
PRT1610	Disc Brake Rotor	Front	Ford Probe 1992-1989, Mazda 626 1992-1988, MX-6 1992-1988
PRT1611	Disc Brake Rotor	Rear	Jaguar Vanden Plas 1987-1985, XJ6 1987-1985, XJS 1992-1980
PRT1612	Disc Brake Rotor	Rear	BMW M3 1991-1988
PRT1619	Disc Brake Rotor	Front, Rear	Pontiac Fiero 1988, Fiero 1988
PRT1621	Disc Brake Rotor	Front	Ford Crown Victoria 1994-1992, Lincoln Town Car 1994-1991, Mercury Colony Park 1991-1990, Grand Marquis 1994-1992
PRT1622	Disc Brake Rotor	Front	Mercedes-Benz 280S 1976-1975, 280SE 1980-1977, 300SD 1980-1978, 450SE 1976-1973, 450SEL 1979-1973, 450SL 1979-1975, 450SLC 1979-1975
PRT1624	Disc Brake Rotor	Rear	BMW 525i 1995-1989, 525iT 1993, 530i 1995-1994, 535i 1993-1989, 535is 1988
PRT1625	Disc Brake Rotor	Front	Mercedes-Benz 220D 1973-1971, 240D 1976-1974
PRT1626	Disc Brake Rotor	Rear	BMW 325iX 1991-1988
PRT1627	Disc Brake Rotor	Rear	International S1624 1982, S1654 1989-1984, S1723 1985-1984, S1724 1984, S1753 1989-1984, S1754 1989-1984, S1824 1985-1984, S1853 1989-1984, S1854 1989-1984
PRT1629	Disc Brake Rotor	Rear	International S1624 1982, S1654 1988-1984, S1723 1985-1984, S1724 1984, S1753 1989-1984, S1754 1989-1984, S1824 1985-1984, S1853 1989-1984, S1854 1989-1984
PRT1630	Disc Brake Rotor and Hub Assemb	Front	Chevrolet C3500 1989-1988, GMC C3500 1989-1988
PRT1631	Disc Brake Rotor and Hub Assemb	Front	Chevrolet Blazer 1997-1995, S10 1995-1994, GMC Jimmy 1996-1995, Sonoma 1991, Sonoma 1995-1994

BUYERS GUIDE

Part Number	Product Line	Position	Application
PRT1632	Disc Brake Rotor	Front	BMW 540i 1995-1994, 735i 1992-1988, 735iL 1992-1988, 740i 1994-1993, 740iL 1994-1993, 750iL 1994-1988
PRT1633	Disc Brake Rotor	Front	Toyota Celica 1992-1990
PRT1634	Disc Brake Rotor	Front	Ford Escort 1998-1991, Mazda 323 1995-1990, Protege 1998-1990, Mercury Tracer 1999-1991
PRT1635	Disc Brake Rotor	Front	Ford Escort 2003-1991, Mazda MX-3 1996-1992, Protege 1990, Protege 1998-1992, Mercury Tracer 1999-1991
PRT1636	Disc Brake Rotor and Hub Assemb	Front	Lincoln Continental 1987-1985, Mark VII 1987-1985
PRT1637	Disc Brake Rotor and Hub Assemb	Front	Mazda 929 1991-1988
PRT1638	Disc Brake Rotor and Hub Assemb	Front	Mazda 929 1991-1988
PRT1640	Disc Brake Rotor	Front	Toyota Pickup 1994-1990
PRT1642	Disc Brake Rotor	Front	Lexus LS400 1992-1991
PRT1643	Disc Brake Rotor	Front	Lexus LS400 1991-1990
PRT1644	Disc Brake Rotor	Rear	Lexus LS400 1992-1990
PRT1645	Disc Brake Rotor	Rear	Nissan Maxima 1994-1991
PRT1646	Disc Brake Rotor and Hub Assemb	Front	Cadillac Brougham 1990
PRT1647	Disc Brake Rotor	Front	Mercedes-Benz 450SL 1974-1973
PRT1648	Disc Brake Rotor	Front	Mercedes-Benz 300SDL 1987-1986, 300SE 1991-1988, 300SEL 1991-1988, 350SD 1991, 350SDL 1991-1990, 420SEL 1991-1986, 560SEC 1991-1986, 560SEL 1991-1986
PRT1649	Disc Brake Rotor	Front	Mercedes-Benz 220 1973-1968, 220D 1970-1968, 230 1969-1967, 230S 1967, 250 1972-1968, 250C 1972-1970, 250S 1967-1966, 250SE 1967-1966, 250SL 1967, 280S 1971-1968, 280SE 1971-1968, 280SEL 1971-1968, 280SL 1971-1968
PRT1650	Disc Brake Rotor	Front	Mercedes-Benz 300SL 1993-1990, 500E 1993-1992, 500SL 1993-1990, E500 1994, SL320 1997-1994, SL500 1996-1994
PRT1651	Disc Brake Rotor	Front	Volvo 740 1992-1991, 780 1991, 940 1994-1991, 960 1994-1992
PRT1652	Disc Brake Rotor	Rear	Toyota Camry 1991-1988
PRT1653	Disc Brake Rotor	Front	Toyota MR2 1995-1991
PRT1654	Disc Brake Rotor	Front	Toyota Previa 1994-1991
PRT1655	Disc Brake Rotor	Rear	Mercedes-Benz 300SL 1993-1990, 500SL 1993-1990, SL320 1996-1995, SL500 1996-1994
PRT1656	Disc Brake Rotor	Front	Infiniti G20 1996-1991, Nissan 240SX 1994-1989, 240SX 1998-1997, Axxess 1995-1990, Stanza 1992-1990
PRT1657	Disc Brake Rotor	Rear	Nissan 300ZX 1996-1990
PRT1658	Disc Brake Rotor	Front	Chrysler Sebring 2000-1995, Dodge Avenger 1999-1995, Eagle Talon 1998-1990, Mitsubishi Eclipse 1998-1990, Plymouth Laser 1994-1990
PRT1659	Disc Brake Rotor	Front	Pontiac LeMans 1990-1989
PRT1660	Disc Brake Rotor	Front	Toyota Pickup 1988-1985
PRT1661	Disc Brake Rotor	Front	Toyota Land Cruiser 1992-1990
PRT1663	Disc Brake Rotor	Front	Dodge D200 1980, D250 1993-1989, D350 1993-1990
PRT1664	Disc Brake Rotor	Front	Dodge RD200 1980, W100 1989-1986, W200 1980, W250 1993-1981, W350 1982, W350 1989-1984
PRT1665	Disc Brake Rotor	Rear	Porsche 924 1982-1980, 924 1988-1987, 928 1985-1980, 944 1986-1983
PRT1666	Disc Brake Rotor	Front	BMW M3 1991-1988
PRT1667	Disc Brake Rotor	Front	BMW 525i 1995-1989, 525iT 1993, 530i 1995-1994, 535i 1993-1989, 535is 1988
PRT1668	Disc Brake Rotor	Rear	BMW 740i 1994-1993, 740iL 1994-1993, 750iL 1994-1988
PRT1669	Disc Brake Rotor	Front	Toyota Corolla 1991-1990, MR2 1989-1987
PRT1670	Disc Brake Rotor and Hub Assemb	Rear	Ford Probe 1989, Mazda 626 1992-1988, MX-6 1992-1988
PRT1672	Disc Brake Rotor	Front	Eagle Talon 1990, Plymouth Laser 1990
PRT1673	Disc Brake Rotor	Front	Honda Passport 1995-1994, Isuzu Amigo 1993-1989, Pickup 1995-1988, Rodeo 1995-1991, Trooper 1991-1987
PRT1675	Disc Brake Rotor	Front	Sterling 825 1988-1987, 827 1991-1989
PRT1676	Disc Brake Rotor	Rear	Mercedes-Benz 300TD 1987, 300TE 1989-1988
PRT1677	Disc Brake Rotor	Rear	Sterling 827 1991-1989
PRT1678	Disc Brake Rotor	Front	Mercedes-Benz 380SEC 1982
PRT1679	Disc Brake Rotor	Rear	Toyota Celica 1981-1979
PRT1680	Disc Brake Rotor	Front	Toyota Pickup 1995-1990
PRT1681	Disc Brake Rotor	Front	Saab 900 1987-1981
PRT1682	Disc Brake Rotor	Front	Saab 900 1987-1986
PRT1683	Disc Brake Rotor	Rear	Toyota MR2 1995-1991
PRT1685	Disc Brake Rotor	Rear	Nissan Sentra 1994-1991
PRT1686	Disc Brake Rotor	Rear	Toyota Celica 1993-1990
PRT1687	Disc Brake Rotor	Front	Toyota Celica 1993-1990
PRT1688	Disc Brake Rotor	Front	Mazda MPV 1994-1992
PRT1689	Disc Brake Rotor	Front	Nissan 300ZX 1989-1988
PRT1691	Disc Brake Rotor	Front	Toyota Tercel 1980
PRT1692	Disc Brake Rotor	Rear	Acura CL 1997, Honda Accord 1997-1991
PRT1693	Disc Brake Rotor	Front	Toyota Cressida 1992-1989
PRT1694	Disc Brake Rotor	Rear	Mazda Miata 1993-1990
PRT1695	Disc Brake Rotor	Front	Mazda B2600 1993-1987
PRT1696	Disc Brake Rotor	Rear	Subaru SVX 1997-1992

BUYERS GUIDE

Part Number	Product Line	Position	Application
PRT1697	Disc Brake Rotor	Front	Subaru SVX 1997-1992
PRT1698	Disc Brake Rotor	Front	Subaru Impreza 2001-1993, Legacy 2001-1990
PRT1699	Disc Brake Rotor	Rear	Toyota Cressida 1992-1989
PRT1702	Disc Brake Rotor	Front	Saab 9000 1986
PRT1704	Disc Brake Rotor	Front	Toyota Paseo 1995-1992
PRT1705	Disc Brake Rotor	Front	Mazda 929 1995-1992
PRT1706	Disc Brake Rotor	Rear	Mazda 929 1995-1992, MPV 1998-1994
PRT1707	Disc Brake Rotor	Rear	Nissan Stanza 1992-1990
PRT1708	Disc Brake Rotor	Rear	Dodge Colt 1994-1993, Eagle Summit 1996-1992, Mitsubishi Expo 1993-1992, Expo 1995, Expo LRV 1993-1992, Galant 1998-1994, Lancer 2006-2004, Plymouth Colt 1994-1992
PRT1709	Disc Brake Rotor	Front	Eagle Summit 1995-1994, Mitsubishi Expo 1993, Expo 1995, Expo LRV 1993-1992, Plymouth Colt 1994-1993
PRT1710	Disc Brake Rotor	Front	Asuna Sunrunner 1993-1992, Chevrolet Tracker 1991-1989, Tracker 1998, Geo Tracker 1997-1989, GMC Tracker 1991-1989, Pontiac Sunrunner 1997-1994, Suzuki Sidekick 1995-1989, Sidekick 1998-1997, X-90 1998-1996
PRT1711	Disc Brake Rotor	Front	Toyota Paseo 1999-1996, Tercel 1999-1991
PRT1713FC	Disc Brake Rotor	Rear	Ford Thunderbird 1992-1989, Mercury Cougar 1992-1989
PRT1714	Disc Brake Rotor	Front	Eagle Medallion 1989-1988
PRT1715	Disc Brake Rotor	Front	Hyundai Elantra 1998-1992, Tiburon 1998-1997
PRT1717	Disc Brake Rotor	Front	Mazda Miata 1993-1990
PRT1718	Disc Brake Rotor	Rear	Merkur Scorpio 1989-1988
PRT1719	Disc Brake Rotor	Front	Volkswagen Corrado 1995-1992, Golf 1995, Jetta 1995-1994, Passat 1997-1994
PRT1721	Disc Brake Rotor	Rear	Mazda 929 1991-1990
PRT1722	Disc Brake Rotor	Front	Toyota Previa 1996-1991
PRT1723	Disc Brake Rotor	Front	Lexus ES300 1996-1992, Toyota Avalon 1997-1995, Camry 1997-1992, Camry 2006-2002
PRT1724	Disc Brake Rotor	Front	Toyota Camry 2001-1992
PRT1725	Disc Brake Rotor	Rear	Mazda 626 1987-1983
PRT1726	Disc Brake Rotor	Rear	Lexus ES300 2001-1997, Toyota Camry 2001-1992, Solara 2003-1999
PRT1727	Disc Brake Rotor	Front	Ford Aerostar 1991-1990
PRT1728	Disc Brake Rotor	Rear	Asuna Sunfire 1993, Isuzu Impulse 1992-1990, Stylus 1993-1991
PRT1730	Disc Brake Rotor	Front	Isuzu NPR 1989-1986
PRT1731	Disc Brake Rotor	Front	Honda Prelude 1996-1992
PRT1732	Disc Brake Rotor	Front	Chevrolet Tracker 1998, Geo Tracker 1997-1996, Suzuki Sidekick 1998-1991
PRT1733	Disc Brake Rotor	Front	Subaru XT 1991-1988
PRT1734	Disc Brake Rotor	Rear	BMW 850Ci 1994-1993, 850i 1992-1991
PRT1735	Disc Brake Rotor	Front	Subaru Justy 1989, Justy 1994-1991
PRT1736	Disc Brake Rotor	Rear	Mazda 929 1989-1988
PRT1737	Disc Brake Rotor	Front	Mazda RX-7 1991-1986
PRT1738	Disc Brake Rotor	Rear	Mazda RX-7 1991-1986
PRT1739	Disc Brake Rotor	Front	Toyota Celica 1989-1988, Celica 1993-1992
PRT1741	Disc Brake Rotor	Front	Ford Taurus 1993-1991, Lincoln Continental 1992-1991, Mercury Sable 1993-1991
PRT1743	Disc Brake Rotor	Front	Asuna GT 1993, SE 1993, Daewoo Lanos 2002-1999, Pontiac LeMans 1993-1990
PRT1744	Disc Brake Rotor	Front	Toyota 4Runner 1995-1991, T100 1998-1993
PRT1745FC	Disc Brake Rotor	Front	Chevrolet Astro 2002-1990, GMC Safari 2002-1990
PRT1748	Disc Brake Rotor	Rear	Subaru Legacy 1994-1990
PRT1749	Disc Brake Rotor	Front	Merkur XR4Ti 1989-1985
PRT1750	Disc Brake Rotor	Front	Eagle Summit 1990-1989, Mitsubishi Cordia 1988-1986, Tredia 1988-1986
PRT1751	Disc Brake Rotor	Front	Volkswagen Vanagon 1991-1986
PRT1752	Disc Brake Rotor	Rear	Ford Mustang 1986-1984, Lincoln Continental 1987-1982, Mark VII 1990-1984
PRT1754	Disc Brake Rotor	Front	Land Rover Defender 110 1993, Discovery 1999-1994, Range Rover 1989-1987
PRT1755	Disc Brake Rotor	Front	Land Rover Defender 90 1995-1994, Defender 90 1997, Range Rover 1994-1990
PRT1756	Disc Brake Rotor	Rear	Land Rover Defender 90 1995-1994, Defender 90 1997, Discovery 1999-1994, Range Rover 1994-1987
PRT1757	Disc Brake Rotor and Hub Assemb	Front Left	Ford Aerostar 1997-1992
PRT1758	Disc Brake Rotor and Hub Assemb	Front Right	Ford Aerostar 1997-1992
PRT1759	Disc Brake Rotor	Front	Nissan 300ZX 1990
PRT1760	Disc Brake Rotor	Front	Renault Fuego 1984-1982, R18i 1986-1985
PRT1761	Disc Brake Rotor	Front	Renault Fuego 1985-1982
PRT1762	Disc Brake Rotor	Front	Saab 99 1980-1975, 900 1980-1979
PRT1763	Disc Brake Rotor	Rear	Saab 99 1980-1975, 900 1987-1979
PRT1764	Disc Brake Rotor	Rear	Acura NSX 1996-1991
PRT1765	Disc Brake Rotor and Hub Assemb	Front	Porsche 924 1982-1977
PRT1767	Disc Brake Rotor	Front	Porsche 944 1989-1987
PRT1769	Disc Brake Rotor	Front	Acura NSX 1996-1991

BUYERS GUIDE

Part Number	Product Line	Position	Application
PRT1770	Disc Brake Rotor	Front	Chevrolet K3500 2000-1990, Dodge Ram 2500 1999-1994, Ram 3500 1999-1994, GMC K3500 2000-1990
PRT1771	Disc Brake Rotor	Rear	Porsche 911 1983-1975
PRT1772	Disc Brake Rotor	Front	Volkswagen EuroVan 1996-1992, Transporter 1994-1991
PRT1773	Disc Brake Rotor	Rear	Dodge Stealth 1996-1991, Mitsubishi 3000GT 1999-1991, Diamante 1996-1992
PRT1774	Disc Brake Rotor	Front	Mazda MPV 1991-1989
PRT1775	Disc Brake Rotor	Front	Mitsubishi Van 1990-1987
PRT1776	Disc Brake Rotor	Front	Mitsubishi Montero 1996-1992, Montero Sport 2004-1997
PRT1777	Disc Brake Rotor	Rear	Mitsubishi Montero 2000-1992, Montero Sport 2004-1997
PRT1778	Disc Brake Rotor	Front, Rear	Alfa Romeo GTV-6 1986-1981, Milano 1989-1987, GTV-6 1986-1985, Milano 1988-1987
PRT1779	Disc Brake Rotor	Rear	Alfa Romeo Milano 1989
PRT1780	Disc Brake Rotor	Front	Porsche 911 1983-1975, 914 1972-1970, 924 1988-1987, 944 1986-1983
PRT1781	Disc Brake Rotor	Front Left	Porsche 911 1989-1986
PRT1782	Disc Brake Rotor	Front Right	Porsche 911 1989-1986
PRT1783	Disc Brake Rotor	Rear	Porsche 911 1994-1989, 944 1991-1987, 968 1995-1992
PRT1784	Disc Brake Rotor	Rear	Suzuki Swift 1994-1989
PRT1785	Disc Brake Rotor	Rear	Acura SLX 1999-1996, Honda Passport 2002-1994, Isuzu Amigo 1994, Amigo 2000-1998, Axiom 2004-2002, Rodeo 2004-1993, Rodeo Sport 2003-2001, Trooper 2002-1992, VehiCROSS 2001-1999
PRT1786	Disc Brake Rotor	Front	Acura SLX 1999-1996, Honda Passport 2001-1994, Isuzu Amigo 1994, Amigo 2000-1998, Axiom 2002, Rodeo 2001-1993, Rodeo Sport 2001, Trooper 2002-1992, VehiCROSS 2001-1999
PRT1787	Disc Brake Rotor	Rear	Infiniti J30 1997-1993, Q45 2001-1997
PRT1790	Disc Brake Rotor	Front	Peugeot 405 1990-1989
PRT1791	Disc Brake Rotor	Rear	Peugeot 405 1991-1989
PRT1792	Disc Brake Rotor	Rear	Buick Park Avenue 1999-1997, Riviera 1993-1992, Riviera 1999-1995, Cadillac Allante 1993, DeVille 1999-1994, Eldorado 2002-1992, Seville 1997-1992, Oldsmobile Aurora 1999-1995, Toronado 1992
PRT1794	Disc Brake Rotor	Front	Nissan NX 1993-1991, Sentra 1994-1991
PRT1795	Disc Brake Rotor	Front	Dodge Stealth 1993-1991, Mitsubishi 3000GT 1993-1991
PRT1796	Disc Brake Rotor	Rear	Dodge Stealth 1993-1991, Mitsubishi 3000GT 1993-1991
PRT1797	Disc Brake Rotor	Front	Lexus SC300 1999-1992
PRT1798	Disc Brake Rotor and Hub Assembl	Front	Ford E-250 Econoline 1993-1992
PRT1799	Disc Brake Rotor	Rear	Lexus SC300 1998-1992
PRT1800	Disc Brake Rotor	Rear	Lexus ES300 1996-1992, RX300 2003-1999, Toyota Camry 1996-1992, Highlander 2003-2001
PRT1801	Disc Brake Rotor	Rear	Mitsubishi Galant 1987-1985
PRT1802	Disc Brake Rotor	Front	Toyota Van 1989-1987
PRT1803	Disc Brake Rotor	Front	Mazda MPV 1995-1992
PRT1804	Disc Brake Rotor	Rear	Mazda RX-7 1995-1993
PRT1805	Disc Brake Rotor	Front	Mazda RX-7 1995-1993
PRT1806	Disc Brake Rotor and Hub Assembl	Front	Chevrolet C2500 1991-1988, GMC C2500 1991-1988
PRT1807	Disc Brake Rotor and Hub Assembl	Front	Chevrolet C2500 1994-1988, C3500 1994-1988, GMC C2500 1994-1988, C3500 1994-1988
PRT1808	Disc Brake Rotor	Front	Ford F-350 1994-1986
PRT1810	Disc Brake Rotor	Front	Isuzu I-Mark 1989-1985
PRT1811	Disc Brake Rotor	Front	Mercury Villager 2002-1993, Nissan Quest 2002-1993
PRT1812	Disc Brake Rotor	Front	Mercedes-Benz S320 1999-1994, S350 1995
PRT1813	Disc Brake Rotor	Rear	Mercedes-Benz 400SE 1992, 400SEL 1993, 500SEC 1993, 500SEL 1993-1992, 600SEC 1993, 600SEL 1993-1992, CL500 1999-1998, CL600 1999-1998, S420 1999-1994, S500 2005-1994, S600 1999-1994
PRT1815	Disc Brake Rotor	Front	BMW 318i 1999-1992, 318is 1999-1992, 318ti 1999-1998, 320i 1995-1993, 320i 2005-2001, 323Ci 2000, 323i 2000-1998, 323is 1999-1998, 325i 1995-1992, 325is 1995-1992, 328i 1998-1996, 328is 1999-1996, Z3 2002-1997, Z4 2005-2003
PRT1816	Disc Brake Rotor	Front	BMW 540i 2000-1997, 740i 1995, 740i 2001-1997, 740iL 2001-1995, 850Ci 1994-1993, 850CSi 1995-1994, 850i 1992-1991
PRT1817	Disc Brake Rotor	Rear	BMW 318i 1999-1992, 318is 1996-1992, 320i 1995-1993, 325i 1995-1992, 325is 1995-1992, 328i 1997-1996, 328is 1997-1996
PRT1818	Disc Brake Rotor and Hub Assembl	Front	Chevrolet C1500 Suburban 1999-1995, C2500 2000-1995, C2500 Suburban 1999-1992, C3500 2000-1995, Express 2500 2002-1996, Express 3500 2002-1996, Tahoe 1999-1995, GMC C1500 Suburban 1999-1995, C2500 2000-1995, C2500 Suburban 1999-1992, C3500 2000-1995, Savana 2500 2002-1996, Savana 3500 2002-1996, Yukon 1997-1992
PRT1820	Disc Brake Rotor	Front Right	Ford Aerostar 1997-1992
PRT1821	Disc Brake Rotor	Front Left	Ford Aerostar 1997-1992
PRT1822	Disc Brake Rotor	Rear	Lincoln Mark VII 1992-1991
PRT1823	Disc Brake Rotor	Rear	Lexus SC400 1994-1992
PRT1829	Disc Brake Rotor and Hub Assembl	Front	Chevrolet C1500 1999-1995, C1500 Suburban 1999-1992, Express 1500 2002-1996, Tahoe 2000-1995, GMC C1500 1999-1995, C1500 Suburban 1999-1992, Savana 1500 2002-1996, Yukon 1999-1996

BUYERS GUIDE

Part Number	Product Line	Position	Application
PRT1830	Disc Brake Rotor and Hub Assembl	Front	Chevrolet C1500 1994-1988, GMC C1500 1994-1988
PRT1831	Disc Brake Rotor	Front	Volvo 850 1993
PRT1832	Disc Brake Rotor	Rear	Volvo 850 1993
PRT1836	Disc Brake Rotor	Front, Front L	Porsche 944 1991-1990, 968 1995-1992, 928 1995-1993, 944 1989-1987, 944 1991, 968 1995-1992
PRT1838	Disc Brake Rotor	Front	Audi 90 Quattro 1991-1990
PRT1840	Disc Brake Rotor	Front	Chrysler Concorde 1995-1993, Intrepid 1995-1993, LHS 1997-1994, New Yorker 1995-1994, Dodge Intrepid 1995-1993, Eagle Vision 1994-1993
PRT1841	Disc Brake Rotor	Rear	Mercedes-Benz 500E 1993-1992, E500 1994
PRT1842	Disc Brake Rotor	Rear	Mercedes-Benz 400E 1993-1992, C36 AMG 1995, C280 1994, E420 1995-1994
PRT1843	Disc Brake Rotor	Front	Jaguar Vanden Plas 1997-1990, XJ6 1996-1990, XJ12 1996-1995, XJR 1996-1995
PRT1844	Disc Brake Rotor	Front	Honda Prelude 1996-1993
PRT1845	Disc Brake Rotor	Front	Ford Probe 1997-1993, Mazda 626 2002-1993, MX-6 1997-1993, Protege 2003-2001, Protege5 2003-2002
PRT1846	Disc Brake Rotor	Rear	Ford Probe 1997-1993, Mazda 626 1997-1993, MX-6 1997-1993, Protege 2003-2001, Protege5 2003-2002
PRT1847	Disc Brake Rotor	Front	Dodge Colt 1995-1993, Eagle Summit 1996-1993, Mitsubishi Mirage 1996-1993, Plymouth Colt 1995-1993
PRT1848	Disc Brake Rotor	Front	Dodge Colt 1995-1993, Eagle Summit 1996-1993, Mitsubishi Mirage 2000-1993, Plymouth Colt 1995-1993
PRT1849	Disc Brake Rotor	Rear	Chrysler 300M 2004-1998, Concorde 2004-1993, Intrepid 2004-1993, LHS 1997-1994, LHS 2001-1999, New Yorker 1996-1994, Dodge Intrepid 2004-1993, Eagle Vision 1997-1993
PRT1850	Disc Brake Rotor	Front	Dodge Viper 2002-1992
PRT1851	Disc Brake Rotor	Rear	Dodge Viper 2002-1992
PRT1852	Disc Brake Rotor	Rear	Dodge Colt 1994-1993, Eagle Summit 1996-1993, Mitsubishi Mirage 1994-1993
PRT1853	Disc Brake Rotor and Hub Assembl	Rear	Volkswagen Corrado 1995-1992, Golf 1999-1995, Jetta 1999-1994, Passat 1997-1992
PRT1855	Disc Brake Rotor	Front Left	Toyota Supra 1998-1993
PRT1856	Disc Brake Rotor	Front Right	Toyota Supra 1998-1993
PRT1857	Disc Brake Rotor and Hub Assembl	Front	Ford Explorer 1994-1993, Mazda Navajo 1994-1992
PRT1859	Disc Brake Rotor and Hub Assembl	Front	Chevrolet G30 1996-1993, P30 1999-1997, GMC G3500 1996-1993, P3500 1999-1997, Workhorse P30 2000
PRT1860	Disc Brake Rotor and Hub Assembl	Front	Ford Bronco II 1990, Explorer 1992-1991, Ranger 1994-1991, Mazda B3000 1994, B4000 1994, Navajo 1992-1991
PRT1861	Disc Brake Rotor and Hub Assembl	Front	Chevrolet G30 1996-1992, GMC G3500 1996-1992
PRT1862	Disc Brake Rotor and Hub Assembl	Front	Chevrolet G30 1996-1993, P30 1999-1997, GMC G3500 1996-1993, P3500 1999-1997, Workhorse P30 2000
PRT1863	Disc Brake Rotor and Hub Assembl	Front	Chevrolet G10 1995-1993, G20 1995-1993, GMC G1500 1995-1993, G2500 1995-1993
PRT1866	Disc Brake Rotor and Hub Assembl	Front	Chevrolet C3500 1994-1990, GMC C3500 1994-1990
PRT1867	Disc Brake Rotor and Hub Assembl	Front	Ford E-250 Econoline 1985-1983, E-250 Econoline Club Wagon 1985-1983, E-350 Econoline 1985-1980, E-350 Econoline Club Wagon 1985-1980, F-250 1985-1980, F-350 1985-1980
PRT1868	Disc Brake Rotor	Front	Buick LeSabre 1997-1992, Park Avenue 1996-1991, Riviera 1993-1992, Riviera 1996-1995, Cadillac 60 Special 1993, Allante 1993, Commercial Chassis 1993-1990, DeVille 1996-1990, Eldorado 1996-1992, Fleetwood 1993-1990, Seville 1996-1992, Chevrolet Camaro 1997-1993, Lumina APV 1996-1992, Oldsmobile 88 1997-1992, 98 1996-1991, Aurora 1996-1995, LSS 1997-1996, Regency 1997, Silhouette 1996-1992, Toronado 1992, Pontiac Bonneville 1997-1992, Firebird 1997-1993, Trans Sport 1996-1990
PRT1869	Disc Brake Rotor	Front	Chevrolet Prizm 2002-1998, Geo Prizm 1997-1993, Toyota Corolla 2002-1993
PRT1870	Disc Brake Rotor	Front	Toyota MR2 1995-1992
PRT1872	Disc Brake Rotor	Front	Eagle 2000 GTX 1992-1991, Mitsubishi Galant 1992-1991
PRT1874	Disc Brake Rotor	Front, Rear	Chevrolet T6500 1998-1997, C60 1990, C60 Kodiak 1996-1990, C70 1990, C70 Kodiak 1996-1990, C6500 Kodiak 2002-1997, C7500 Kodiak 2002-1997, T7500 2002-1997, GMC C6000 1990, C6000 Topkick 1996-1990, C6500 Topkick 2002-1997, C7000 1990, C7000 Topkick 1996-1990, C7500 Topkick 2002-1997, T6500 1998-1997, T7500 2002-1997
PRT1875	Disc Brake Rotor	Front	Blue Bird TC2000 2004-1989
PRT1878	Disc Brake Rotor	Rear	Lexus LX450 1997-1996, Toyota Land Cruiser 1997-1993
PRT1879	Disc Brake Rotor	Front	Lexus LX450 1997-1996, Toyota Land Cruiser 1997-1993
PRT1880	Disc Brake Rotor	Rear	Ford Thunderbird 1997-1993, Lincoln Mark VIII 1998-1993, Mercury Cougar 1997-1993
PRT1881	Disc Brake Rotor	Front	Eagle Summit 1994-1993, Mitsubishi Expo 1994-1993, Expo LRV 1993, Plymouth Colt 1994-1993
PRT1883	Disc Brake Rotor	Front	Subaru Impreza 1997-1993
PRT1885	Disc Brake Rotor and Hub Assembl	Front	Ford Mustang 1993

BUYERS GUIDE

Part Number	Product Line	Position	Application
PRT1887	Disc Brake Rotor	Front	Audi 200 1991-1989, 200 Quattro 1991-1989, 5000 1988-1984, 5000 Quattro 1988-1986, Quattro 1986-1983
PRT1888FC	Disc Brake Rotor	Rear	Chevrolet Camaro 1997-1993, Pontiac Firebird 1997-1993
PRT1889	Disc Brake Rotor	Front	Toyota Supra 1998-1993
PRT1890	Disc Brake Rotor	Rear	Toyota Supra 1998-1993
PRT1891	Disc Brake Rotor	Front	Dodge Monaco 1992-1991, Eagle Premier 1992-1991
PRT1892	Disc Brake Rotor	Front	Infiniti G20 2002-1999, Nissan Altima 2001-1993, Sentra 2006-2000
PRT1893	Disc Brake Rotor	Rear	Ford Taurus 2007-1993, Lincoln Continental 2002-1993, Mercury Sable 2005-1993
PRT1895	Disc Brake Rotor	Front	Toyota T100 1998-1993
PRT1896	Disc Brake Rotor	Front	Toyota T100 1998-1993
PRT1897	Disc Brake Rotor	Front Left	Chevrolet Corvette 1996-1988
PRT1898	Disc Brake Rotor	Front Right	Chevrolet Corvette 1996-1988
PRT1900	Disc Brake Rotor and Hub Assemb	Front	Ford Explorer 1994-1993, Mazda Navajo 1994-1993
PRT1901	Disc Brake Rotor	Rear	Jeep Grand Cherokee 1998-1994
PRT1902	Disc Brake Rotor	Rear	Ford Mustang 2004-1994
PRT1903	Disc Brake Rotor	Front	Ford Taurus 2000-1994, Thunderbird 1997-1991, Windstar 1998-1995, Lincoln Continental 1994-1993, Mercury Cougar 1997-1991, Sable 2000-1994
PRT1904	Disc Brake Rotor	Rear	Dodge Stealth 1996-1994, Mitsubishi 3000GT 1999-1994
PRT1905	Disc Brake Rotor	Front	Ford Bronco 1996-1994, F-150 1996-1994
PRT1906	Disc Brake Rotor and Hub Assemb	Front	Ford E-150 2003, E-150 Club Wagon 2003, E-150 Econoline 2002-1994, E-150 Econoline Club Wagon 2002-1994
PRT1907	Disc Brake Rotor and Hub Assemb	Front	Ford E-150 Econoline 2002-1994, E-150 Econoline Club Wagon 2002, F-150 1996-1994
PRT1908FC	Disc Brake Rotor	Rear	Buick Regal 1996-1994, Chevrolet Lumina 1999-1995, Monte Carlo 1999-1995, Oldsmobile Cutlass Supreme 1997-1994, Pontiac Grand Prix 1996-1994
PRT1909	Disc Brake Rotor	Rear	Alfa Romeo 164 1995-1991
PRT1910	Disc Brake Rotor	Front	Dodge Stealth 1996-1994, Mitsubishi 3000GT 1999-1993
PRT1911	Disc Brake Rotor	Front	Ford Mustang 2004-1994
PRT1916	Disc Brake Rotor	Front	Ford Aspire 1997-1994
PRT1917	Disc Brake Rotor and Hub Assemb	Front	Ford E-250 Econoline 1994, E-350 Econoline 1994, E-350 Econoline Club Wagon 1994
PRT1918	Disc Brake Rotor	Front	Ford Aspire 1997-1994, Kia Rio 2002-2001
PRT1921	Disc Brake Rotor and Hub Assemb	Front	Dodge Ram 1500 1999-1994
PRT1922	Disc Brake Rotor and Hub Assemb	Front	Dodge B150 1994, B250 1994, B1500 1997-1995, B2500 1997-1995, Ram 1500 Van 1997-1995, Ram 2500 Van 1997-1996
PRT1923	Disc Brake Rotor and Hub Assemb	Front	Dodge Ram 2500 1999-1994
PRT1924	Disc Brake Rotor and Hub Assemb	Front	Dodge B350 1994, B3500 1997-1995, CB300 1980, Ram 3500 Van 1997-1996, W350 1983, Plymouth PB300 1980, PB350 1983-1981
PRT1925	Disc Brake Rotor and Hub Assemb	Front	Dodge Dakota 1996-1993
PRT1926	Disc Brake Rotor	Front	Dodge Neon 1997-1995, Plymouth Neon 1997-1995
PRT1927	Disc Brake Rotor and Hub Assemb	Front	Dodge Ram 3500 1999-1994
PRT1930	Disc Brake Rotor and Hub Assemb	Front	Ford E-250 Econoline 1985-1981, E-250 Econoline Club Wagon 1985-1981, F-250 1985-1980
PRT1932	Disc Brake Rotor	Front	Mitsubishi Galant 1987-1985
PRT1933	Disc Brake Rotor	Front	Peugeot 504 1983-1970, 505 1990-1980, 604 1984-1982
PRT1934	Disc Brake Rotor and Hub Assemb	Front	Ford E-250 Econoline 1994, E-350 Econoline 1993-1992, E-350 Econoline Club Wagon 1993-1992
PRT1937	Disc Brake Rotor	Front	Mazda Miata 1997-1994, Miata 2005-1999
PRT1940	Disc Brake Rotor	Front	Dodge Ram 1500 1999-1994
PRT1941	Disc Brake Rotor	Rear	Volvo 850 1997-1994, C70 2005-1998, S70 2000-1998, V70 2000-1998
PRT1942	Disc Brake Rotor	Front	Volvo 850 1997-1994, 940 1995, 960 1997-1995, C70 2005-1998, S70 2000-1998, S90 1998-1997, V70 2000-1998, V90 1998-1997
PRT1943	Disc Brake Rotor	Front	Acura Legend 1995-1993
PRT1945	Disc Brake Rotor	Front	Audi A4 2006-2002, A4 Quattro 2006-2002, A6 2004-2000, A6 Quattro 2004-2000, A8 1999-1997, A8 Quattro 2000-1997, S4 2002
PRT1946	Disc Brake Rotor	Front	Audi 90 1995-1993, 90 Quattro 1995-1993, Cabriolet 1998-1994, Coupe Quattro 1991-1990
PRT1947	Disc Brake Rotor	Front	Lexus GS300 2002-1993, GS400 2000-1998, GS430 2002-2001, IS300 2005-2001, LS400 1994-1993, SC300 2000-1999, SC400 2000-1992, SC430 2002
PRT1948	Disc Brake Rotor	Rear	Lexus GS300 1997-1993, LS400 2000-1992, SC300 2000-1999, SC400 2000-1995, Toyota Supra 1998-1993
PRT1949	Disc Brake Rotor	Front	Audi S4 1994-1992, S6 1997-1995, V8 Quattro 1994-1990
PRT5000	Disc Brake Rotor	Front	Audi 100 1994-1992, 100 Quattro 1994-1992, A4 2008-1996, A4 Quattro 2006-1996, A6 2001-1995, A6 Quattro 2001-1995, Volkswagen Passat 2001-1999
PRT5001	Disc Brake Rotor	Rear	BMW 540i 1995-1994, M5 1993-1991
PRT5002	Disc Brake Rotor	Rear	Audi 100 1994-1992, 100 Quattro 1994-1992, A6 2004-1995, A6 Quattro 1997-1995, Volkswagen Passat 2005-1998

BUYERS GUIDE

Part Number	Product Line	Position	Application
PRT5003	Disc Brake Rotor	Front Right, Rear	Porsche 928 1990, Audi S4 1994-1992, S6 1997-1995, V8 Quattro 1994-1990
PRT5004	Disc Brake Rotor	Front	Toyota Celica 1999-1994
PRT5005	Disc Brake Rotor	Front	Merkur Scorpio 1989-1988
PRT5008	Disc Brake Rotor	Rear	Toyota Celica 1996-1994
PRT5009	Disc Brake Rotor	Front	Toyota Celica 1997-1994, Celica 2001-2000
PRT5010	Disc Brake Rotor	Front	Mazda Millenia 2000-1995, MPV 2006-2000
PRT5011	Disc Brake Rotor	Rear	Mazda Millenia 1996-1995
PRT5012	Disc Brake Rotor and Hub Assembly	Front	Buick Commercial Chassis 1996-1991, Roadmaster 1996-1991, Cadillac 60 Special 1993, Brougham 1992-1991, Commercial Chassis 1996-1993, Fleetwood 1996-1993, Chevrolet Caprice 1996-1991, Commercial Chassis 1994-1991, Impala 1996-1994, Oldsmobile Custom Cruiser 1992-1991
PRT5020	Disc Brake Rotor	Rear	Hyundai Sonata 1998-1994
PRT5021	Disc Brake Rotor	Front	Kia Sephia 2001-1994
PRT5022	Disc Brake Rotor	Rear	Hyundai Elantra 1995-1994
PRT5023	Disc Brake Rotor	Front	Dodge Neon 1999-1995, Plymouth Neon 1999-1995
PRT5025	Disc Brake Rotor	Rear	Toyota MR2 1995-1992
PRT5026	Disc Brake Rotor	Rear	Chrysler PT Cruiser 2006-2001, Dodge Neon 2003-1995, Stratus 2006-2003, SX 2.0 2005-2003, Plymouth Neon 2001-1995
PRT5027	Disc Brake Rotor	Front	Chevrolet C3500 2000-1995, C3500HD 1994, P30 1999-1997, GMC C3500HD 2000-1995, P3500 1999-1997
PRT5028	Disc Brake Rotor	Rear	Chevrolet C3500 1994, C3500HD 1994, P30 1999-1997, GMC C3500HD 2002-1994, P3500 1999-1997, Workhorse P30 2000
PRT5029	Disc Brake Rotor	Rear	Nissan 240SX 1998-1995
PRT5031	Disc Brake Rotor	Rear	Saab 900 1996-1994
PRT5032	Disc Brake Rotor	Front	Saab 900 1996-1994
PRT5033	Disc Brake Rotor	Rear	Chevrolet Caprice 1996-1994, Impala 1996-1994
PRT5035	Disc Brake Rotor	Rear	Ford Mustang 2004-1994
PRT5037	Disc Brake Rotor	Front	Mercedes-Benz 300CE 1993, 300E 1993, E320 1995-1994, E420 1995-1994
PRT5038	Disc Brake Rotor	Front	BMW 840Ci 1997-1994, 850Ci 1997-1994
PRT5039	Disc Brake Rotor	Front	Nissan 240SX 1996-1995
PRT5040	Disc Brake Rotor	Rear	Infiniti I30 2001-1996, I35 2004-2002, Nissan Maxima 2003-1995
PRT5041	Disc Brake Rotor	Front	Chrysler Cirrus 2000-1995, Sebring 2000-1996, Stratus 1997-1995, Dodge Stratus 2000-1995, Plymouth Breeze 2000-1996
PRT5042	Disc Brake Rotor	Rear	Mitsubishi Diamante 1995
PRT5043	Disc Brake Rotor	Front	Chrysler Cirrus 1996-1995
PRT5044	Disc Brake Rotor	Front	Ford Contour 2000-1995, Mystique 2000-1995, Mercury Cougar 2002-1999, Mystique 2000-1995
PRT5046	Disc Brake Rotor	Rear	Dodge Avenger 1996, Eagle Talon 1996-1995, Mitsubishi Eclipse 1995-1994
PRT5047	Disc Brake Rotor	Rear	Chrysler Sebring 2005-1995, Dodge Avenger 2000-1995, Stratus 2005-2001, Eagle Talon 1998-1995, Mitsubishi Eclipse 2005-1994, Galant 2003-1999, Lancer 2006-2004, Outlander 2006-2005
PRT5048	Disc Brake Rotor	Front	Ford Crown Victoria 1997-1995, Lincoln Town Car 1997-1995, Mercury Grand Marquis 1997-1995
PRT5049	Disc Brake Rotor and Hub Assembly	Front	Ford E-250 Econoline 1999-1995, E-350 Super Duty 1999, Econoline Super Duty 1998-1996, F-250 1998-1995, F-350 1997-1995
PRT5050	Disc Brake Rotor	Front	Ford Taurus 1999-1996, Taurus 2007-2001, Thunderbird 1997-1996, Lincoln Continental 2002-1995, Mark VIII 1998-1996, Mercury Cougar 1997-1996, Sable 2005-2001
PRT5051	Disc Brake Rotor	Rear	Chrysler Cirrus 2000-1995, PT Cruiser 2010-2007, Sebring 2006-1996, Stratus 1997-1995, Dodge Neon 2005-2004, Stratus 2006-1995, Plymouth Breeze 2000-1996
PRT5052	Disc Brake Rotor	Rear	Ford Explorer 2002-1995, Explorer Sport Trac 2002-2001, Ranger 2002-1998, Mercury Mountaineer 2001-1997
PRT5053	Disc Brake Rotor	Rear	Ford Windstar 2003-1995
PRT5054	Disc Brake Rotor and Hub Assembly	Front	Ford F-350 1997-1995
PRT5055	Disc Brake Rotor	Front	Ford F-250 1998-1995, F-350 1997-1995
PRT5057	Disc Brake Rotor and Hub Assembly	Front	Ford E-150 2007, E-250 2007-2003, E-250 Econoline 2002-1995, E-250 Super Duty 2005-2004, E-350 Club Wagon 2005-2003, E-350 Econoline 2000-1995, E-350 Econoline Club Wagon 2002-1995, E-350 Super Duty 2007-2000, E-450 Econoline Super Duty 2002-2000, E-550 Econoline Super Duty 2002, Econoline Super Duty 1999-1996, F-250 1998-1997
PRT5058	Disc Brake Rotor	Front	Ford F600 1994
PRT5059	Disc Brake Rotor and Hub Assembly	Front	Ford Ranger 1997-1995, Mazda B2300 1996-1995, B3000 1997-1995, B4000 1997-1995
PRT5060	Disc Brake Rotor	Rear	Acura Integra 2001-1992, Honda Civic 2000-1992, Civic del Sol 1997-1993
PRT5061	Disc Brake Rotor	Rear	Audi A4 2006-2005, A4 Quattro 2005
PRT5062	Disc Brake Rotor and Hub Assembly	Front	Ford Ranger 1997-1995, Mazda B2300 1997-1995, B3000 1997-1995, B4000 1997-1995

BUYERS GUIDE

Part Number	Product Line	Position	Application
PRT5063	Disc Brake Rotor	Front	Chrysler Grand Voyager 2000, Town & Country 2000-1996, Voyager 2000, Dodge Caravan 2000-1996, Grand Caravan 2000-1996, Plymouth Grand Voyager 2000-1996, Voyager 2000-1996
PRT5064FC	Disc Brake Rotor	Front	Buick Regal 1996-1995, Chevrolet Lumina 2001-1995, Monte Carlo 1999-1995, Oldsmobile Cutlass Supreme 1997-1995, Pontiac Grand Prix 1996-1995
PRT5065	Disc Brake Rotor	Front, Rear	AM General Hummer 2001-1992, Hummer H1 2004-2002, AM General Hummer 2001-1992, Hummer H1 2004-2002
PRT5066	Disc Brake Rotor	Front	Kia Sportage 2002-1995
PRT5067	Disc Brake Rotor and Hub Assembl	Front	Ford Ranger 1997-1995, Mazda B2300 1997-1995, B3000 1997-1995, B4000 1997-1995
PRT5069	Disc Brake Rotor	Rear	Ford Contour 2000-1995, Mercury Cougar 2002-1999, Mystique 2000-1995
PRT5070	Disc Brake Rotor	Rear	Toyota Avalon 1999-1995
PRT5071	Disc Brake Rotor and Hub Assembl	Front	Ford E-350 Club Wagon 2005-2003, E-350 Econoline 2000-1995, E-350 Econoline Club Wagon 2002-1995, E-350 Super Duty 2007-2004, E-450 Econoline Super Duty 2002-2000, E-450 Super Duty 2007-2003, E-550 Econoline Super Duty 2002, Econoline Super Duty 1999-1996
PRT5073	Disc Brake Rotor	Front	Lexus LS400 2000-1995
PRT5074	Disc Brake Rotor	Rear	Lexus SC300 1998-1994
PRT5075	Disc Brake Rotor	Front	Ford Explorer 2001-1995, Ranger 2003-1998, Mazda B3000 2002-1998, B4000 2002-1998, Mercury Mountaineer 2001-1997
PRT5076	Disc Brake Rotor and Hub Assembl	Front	Ford Explorer 2001-1995, Ranger 2009-1998, Mazda B2300 2009-2001, B2500 2001, B3000 2008-2001, B4000 2009-2001, Mercury Mountaineer 2001-1997
PRT5077	Disc Brake Rotor	Front	Toyota Tacoma 2004-1995
PRT5078	Disc Brake Rotor	Front	Toyota 4Runner 2002-1996, Tacoma 2004-1995
PRT5079	Disc Brake Rotor	Front	Nissan 200SX 1998-1995, Sentra 1999-1995
PRT5080	Disc Brake Rotor	Front	Nissan 200SX 1998-1995, Sentra 1999-1998
PRT5081	Disc Brake Rotor and Hub Assembl	Front	Chevrolet G10 1995-1993, G20 1995-1993, GMC G1500 1995-1993, G2500 1995-1993
PRT5082	Disc Brake Rotor	Rear Left	BMW M3 1999-1994, Z3 2002-1998
PRT5083	Disc Brake Rotor	Rear Right	BMW M3 1999-1994, Z3 2002-1998
PRT5084	Disc Brake Rotor	Front Left	BMW M3 1999-1994, Z3 2002-1998
PRT5085	Disc Brake Rotor	Front Right	BMW M3 1999-1994, Z3 2002-1998
PRT5086	Disc Brake Rotor	Front, Rear	Workhorse W20 2009-2001, W22 2009-2001, W20 2009-2001, W22 2009-2001
PRT5087	Disc Brake Rotor	Rear	Acura TL 1998-1995
PRT5088	Disc Brake Rotor	Front	Volkswagen EuroVan 1996-1992
PRT5090	Disc Brake Rotor	Front Left	Porsche 911 1998-1994
PRT5092	Disc Brake Rotor	Rear	Acura TL 1998-1996
PRT5097	Disc Brake Rotor	Front Left	Porsche 928 1991-1986, 928 1995-1993, 944 1991-1990, 968 1995-1992
PRT5098	Disc Brake Rotor	Front Right	Porsche 928 1991-1986, 928 1995-1993, 944 1991-1990, 968 1995-1992
PRT5099	Disc Brake Rotor	Rear Left	Porsche 911 1994-1989
PRT5100	Disc Brake Rotor	Rear Right	Porsche 911 1994-1989
PRT5102	Disc Brake Rotor	Rear	Porsche 944 1989-1987
PRT5103	Disc Brake Rotor	Front	Jaguar XJ12 1994
PRT5104	Disc Brake Rotor	Rear	Jaguar Vanden Plas 2003-1995, XJ6 1997-1995, XJ8 2003-1998, XJ12 1996-1995, XJR 2003-1995, XK8 2006-1997, XKR 2002-2000
PRT5105	Disc Brake Rotor	Rear	Volvo 940 1995, 960 1997-1995
PRT5107	Disc Brake Rotor and Hub Assembl	Front	Chevrolet C2500 1999-1995, Express 2500 2002-1996, GMC C2500 1999-1995, Savana 2500 2002-1996
PRT5108	Disc Brake Rotor and Hub Assembl	Front	Dodge Ram 3500 1999-1994
PRT5109	Disc Brake Rotor	Rear	Ford Crown Victoria 2002-1996, Lincoln Town Car 2002-1996, Mercury Grand Marquis 2002-1996
PRT5110	Disc Brake Rotor	Front	Volkswagen Corrado 1995-1994, Golf 1998-1996, Jetta 1994, Jetta 1998-1996
PRT5112	Disc Brake Rotor	Front	Infiniti QX4 1997, Nissan Frontier 2004-2003, Pathfinder 1998-1996, Xterra 2004-2000
PRT5113	Disc Brake Rotor	Front	Suzuki Esteem 2001-1995
PRT5114	Disc Brake Rotor	Rear	Audi 200 Quattro 1991-1989
PRT5115	Disc Brake Rotor	Rear	Audi 200 Quattro 1991-1989, 5000 Quattro 1988-1986, A8 1999-1997, A8 Quattro 2000-1997
PRT5116	Disc Brake Rotor	Rear	Audi 100 Quattro 1991-1989
PRT5117	Disc Brake Rotor	Rear	Audi 100 1991-1989
PRT5118	Disc Brake Rotor	Rear	Mercedes-Benz C220 1996-1994, C230 1998-1997, C280 1995-1994
PRT5119	Disc Brake Rotor	Front	Mercedes-Benz C220 1996-1994, C230 1997, C280 1995-1994
PRT5120	Disc Brake Rotor	Front	Land Rover Range Rover 2002-1995
PRT5121	Disc Brake Rotor	Rear	Land Rover Discovery 2004-1999, Range Rover 2002-1995
PRT5123	Disc Brake Rotor	Front	Suzuki Sidekick 1996
PRT5124	Disc Brake Rotor	Front	Alfa Romeo 164 1993-1991
PRT5125	Disc Brake Rotor	Front	BMW 750iL 1999-1995, Z8 2003-2000
PRT5126	Disc Brake Rotor	Front	BMW 318ti 1997-1995, Z3 1998-1996
PRT5127	Disc Brake Rotor	Rear	BMW 318ti 1999-1995

BUYERS GUIDE

Part Number	Product Line	Position	Application
PRT5128	Disc Brake Rotor	Rear	Toyota Celica 1999-1996
PRT5131	Disc Brake Rotor	Rear	BMW 750iL 2001-1995, Z8 2003-2000
PRT5132	Disc Brake Rotor	Front	Mazda MPV 1998-1996
PRT5133	Disc Brake Rotor	Front	Toyota RAV4 2003-1996
PRT5134	Disc Brake Rotor and Hub Assembl	Front	Chevrolet C3500 2000-1995, Express 3500 2002-1996, GMC C3500 2000-1995, Savana 3500 2002-1996
PRT5137	Disc Brake Rotor	Front	Toyota 4Runner 2002-1996, Tacoma 2004
PRT5138	Disc Brake Rotor	Rear	Hyundai Elantra 2006-1996, Tiburon 2001-1997
PRT5139	Disc Brake Rotor	Rear	Ford F-150 2003-1997, F-250 1999-1997
PRT5140	Disc Brake Rotor	Rear	Ford Expedition 2002-1997, F-150 2000-1997, Lincoln Navigator 2002-1998
PRT5141	Disc Brake Rotor and Hub Assembl	Front	Ford Expedition 2000-1997, F-150 2000-1999, Lincoln Navigator 2000-1998
PRT5142	Disc Brake Rotor	Front	Ford Expedition 2000-1997, Lincoln Navigator 2000-1998
PRT5143	Disc Brake Rotor and Hub Assembl	Front	Ford F-150 2003-1997, F-150 Heritage 2004, F-250 1998-1997
PRT5144	Disc Brake Rotor and Hub Assembl	Front	Ford F-250 1999-1997
PRT5145	Disc Brake Rotor	Front	Ford F-150 2003-2000, F-150 Heritage 2004, F-250 1999-1997
PRT5146	Disc Brake Rotor	Front	Ford F-150 2003-1997, F-150 Heritage 2004
PRT5147	Disc Brake Rotor	Front	Dodge Dakota 2002-1997, Durango 2002-1998
PRT5148	Disc Brake Rotor	Rear	Volvo S70 1999, V70 1999-1998
PRT5150	Disc Brake Rotor	Front	Buick LeSabre 2005-2000, Park Avenue 2005-1997, Riviera 1999-1997, Cadillac DeVille 2005-1997, Eldorado 2002-1997, Seville 2002-1997, Chevrolet Camaro 2002-1998, Impala 2005-2000, Monte Carlo 2005-2000, Oldsmobile Aurora 1999-1997, Aurora 2003-2001, Intrigue 1999-1998, Pontiac Bonneville 2003-2000, Bonneville 2005, Firebird 2002-1998
PRT5151	Disc Brake Rotor	Rear	Volkswagen EuroVan 1997, EuroVan 2003-1999
PRT5152	Disc Brake Rotor	Front	Chrysler Grand Voyager 2000, Prowler 2002-2001, Town & Country 2000-1997, Voyager 2000, Dodge Caravan 2000-1997, Grand Caravan 2000-1997, Plymouth Grand Voyager 2000-1996, Prowler 1997, Prowler 2001-1999, Voyager 2000-1996
PRT5153	Disc Brake Rotor	Rear	Chrysler Grand Voyager 2000, Town & Country 2007-1997, Dodge Caravan 2007-1997, Grand Caravan 2007-1997, Plymouth Grand Voyager 1999-1997, Voyager 2000-1997
PRT5154	Disc Brake Rotor	Rear	Audi A4 2004-1996
PRT5155	Disc Brake Rotor	Rear	Buick Century 2005-1999, Regal 2004-1997, Chevrolet Impala 2005-2000, Monte Carlo 2005-2000, Oldsmobile Alero 2004-1999, Intrigue 2002-1998, Pontiac Grand Am 2005-1999, Grand Prix 2003-1997, Montana 2001-1999, Trans Sport 1999-1997
PRT5157	Disc Brake Rotor	Front	Cadillac Catera 2001-1997
PRT5158	Disc Brake Rotor	Front	Chevrolet Classic 2005-2004, Malibu 2003-1997, Oldsmobile Alero 2004-1999, Cutlass 1999-1997, Pontiac Grand Am 2005-1999
PRT5159	Disc Brake Rotor	Rear	Honda Prelude 2001-1997
PRT5160	Disc Brake Rotor	Front	Nissan 240SX 1998-1997
PRT5161	Disc Brake Rotor	Rear	Jaguar Vanden Plas 1994-1990, XJ6 1994-1990, XJ12 1994, XJRS 1993, XJS 1996-1993
PRT5162	Disc Brake Rotor	Rear	Ford E-450 Econoline Super Duty 2002-2000, E-450 Super Duty 2007-2003, Econoline Super Duty 1999-1996
PRT5163	Disc Brake Rotor	Rear	Mitsubishi Diamante 2004-1997
PRT5167	Disc Brake Rotor	Front Right	Chevrolet Corvette 2004-1997
PRT5168	Disc Brake Rotor	Front Left	Chevrolet Corvette 2004-1997
PRT5169	Disc Brake Rotor	Rear Right	Chevrolet Corvette 2004-1997
PRT5170	Disc Brake Rotor	Rear Left	Chevrolet Corvette 2004-1997
PRT5171	Disc Brake Rotor	Front	Jaguar XJ6 1997
PRT5172	Disc Brake Rotor	Front	Porsche Boxster 2004-1997
PRT5173	Disc Brake Rotor	Rear	Porsche Boxster 2004-1997
PRT5174	Disc Brake Rotor	Rear	Cadillac Catera 2001-1997
PRT5179	Disc Brake Rotor	Front	Jaguar Vanden Plas 2003-1998, XJ8 2003-1998, XK8 1999-1997
PRT5180	Disc Brake Rotor	Rear	Chevrolet Blazer 2005-1997, S10 2004-1998, GMC Jimmy 2005-1997, Sonoma 2004-1998, Isuzu Hombre 2000-1998, Oldsmobile Bravada 2001-1997
PRT5181	Disc Brake Rotor	Rear	Chevrolet Blazer 2005-1997, S10 2003, GMC Jimmy 2002-1998
PRT5182	Disc Brake Rotor	Front	Chevrolet Blazer 2005-1997, S10 2004-1998, GMC Jimmy 2005-1997, Sonoma 2004-1998, Isuzu Hombre 1999-1998, Oldsmobile Bravada 2001-1997
PRT5185	Disc Brake Rotor	Front	Eagle Talon 1998, Mitsubishi Eclipse 1999-1998
PRT5187	Disc Brake Rotor	Front	Nissan Frontier 2004-1998
PRT5189	Disc Brake Rotor and Hub Assembl	Front	Ford Ranger 2001-1998, Mazda B2500 2000-1998, B3000 2000-1998, B4000 2000-1998
PRT5190	Disc Brake Rotor	Rear	Mazda 626 2002-1998, MX-5 Miata 2007-2006, MX-5 Miata 2014
PRT5191	Disc Brake Rotor	Front	Ford Crown Victoria 2002-1998, Lincoln Town Car 2002-1998, Mercury Grand Marquis 2002-1998
PRT5192	Disc Brake Rotor and Hub Assembl	Front	Ford Econoline Super Duty 1998-1996
PRT5193	Disc Brake Rotor	Rear	Acura Integra 1998-1997, Integra 2001-2000
PRT5194	Disc Brake Rotor	Front	Infiniti Q45 2001-1997
PRT5196	Disc Brake Rotor	Front	Ford Contour 2000-1998, Mercury Cougar 2002-1999

BUYERS GUIDE

Part Number	Product Line	Position	Application
PRT5197	Disc Brake Rotor	Front	Chrysler 300M 1999-1998, Concorde 2000-1998, Intrepid 2000-1998, LHS 2000-1999, Dodge Intrepid 2000-1998, Ford CF7000 1996-1990
PRT5198	Disc Brake Rotor	Front	Chrysler 300M 2004-1998, Concorde 2004-1998, Intrepid 2004-1998, LHS 2001-1999, Dodge Intrepid 2004-1998
PRT5199	Disc Brake Rotor	Rear	Mercedes-Benz ML320 2003-1998, ML350 2005-2003, ML430 1999
PRT5200	Disc Brake Rotor	Rear	Lexus GS300 2005-1998, GS400 2000-1998, GS430 2005-2001, IS300 2005-2001, SC430 2010-2002
PRT5201	Disc Brake Rotor	Front	Mercedes-Benz ML320 2003-1998, ML350 2005-2003, ML430 1999
PRT5202	Disc Brake Rotor and Hub Assemb	Front	Dodge B1500 1998, B2500 1998, B3500 1998, Ram 1500 Van 1999, Ram 2500 Van 2003-1998, Ram 3500 Van 2003-1999
PRT5203	Disc Brake Rotor	Rear	Kia Sephia 2001-1998, Spectra 2004-2000
PRT5205	Disc Brake Rotor	Rear	Kia Sephia 1997-1995
PRT5206	Disc Brake Rotor	Rear	Pontiac Firebird 1981-1979
PRT5207	Disc Brake Rotor	Front	Saab 9-2X 2006-2005, Subaru BRZ 2015-2013, Forester 2002-1998, Impreza 2012-1998, Impreza 2015-2014, Legacy 2005-1991, Outback 2000
PRT5208	Disc Brake Rotor	Front	Mercedes-Benz 300TE 1993
PRT5209	Disc Brake Rotor	Front	Mercedes-Benz 300D 1987
PRT5210	Disc Brake Rotor	Front	Toyota Land Cruiser 1980-1976
PRT5213	Disc Brake Rotor	Front	Porsche 944 1986
PRT5214	Disc Brake Rotor and Hub Assemb	Front	Dodge B300 1980-1978, B350 1981, CB300 1979-1978
PRT5215	Disc Brake Rotor	Front	Mitsubishi Montero 2000-1994
PRT5216	Disc Brake Rotor and Hub Assemb	Front	Ford Ranger 2003-1998, Mazda B2300 2009-2001, B2500 2001, B3000 2008-2001, B4000 2009-1998
PRT5220	Disc Brake Rotor	Rear	Buick Park Avenue 2005-2003, Cadillac DeVille 2005-2000, Seville 2004-1998, Pontiac Bonneville 2005-2004
PRT5221	Disc Brake Rotor	Rear	Lexus RX300 2003-1999, Toyota Highlander 2003-2001
PRT5222	Disc Brake Rotor	Front	Lexus LX470 2007-1998, Toyota Land Cruiser 2007-1998
PRT5224	Disc Brake Rotor	Front	Cadillac DeVille 1999-1997
PRT5227	Disc Brake Rotor	Front	Infiniti QX4 2003-1998, Nissan Pathfinder 2004-1999
PRT5229	Disc Brake Rotor	Front	Acura CL 1999-1998, Honda Accord 2002-1998
PRT5230	Disc Brake Rotor	Front	Acura CL 1999-1998
PRT5231	Disc Brake Rotor	Rear	Acura CL 1999-1998, Honda Accord 2002-1998
PRT5232	Disc Brake Rotor	Front	Acura CSX 2006, CSX 2011, ILX 2015-2014, Honda Accord 2013-1998, Civic 2011-2006, Civic 2015-2013, Element 2011-2003, Fit 2014-2013
PRT5233	Disc Brake Rotor	Rear	Acura RSX 2006-2002, Honda Accord 2002-1998
PRT5234	Disc Brake Rotor	Front	Lexus ES300 2001-1997, Toyota Avalon 2004-1998, Camry 2001-1997, Sienna 2003-1998, Solara 2003-1999
PRT5235	Disc Brake Rotor and Hub Assemb	Front	Ford F-150 2001-1997
PRT5236	Disc Brake Rotor	Front	Mazda Protege 2003-1999
PRT5237	Disc Brake Rotor	Front	Mazda Protege 2003-1999
PRT5238	Disc Brake Rotor	Rear	Audi TT 2006-1999, Volkswagen Beetle 2010-1998, Golf 2007-1999, Golf City 2010-2007, GTI 2007-2006, Jetta 2009-1999, Jetta City 2009-2007
PRT5239	Disc Brake Rotor	Front	Volkswagen Beetle 2010-1998, Golf 2007-1999, Golf City 2010-2007, GTI 2007-2006, Jetta 2006-1999, Jetta City 2009-2007
PRT5240	Disc Brake Rotor and Hub Assemb	Front	Ford F-150 1998-1997
PRT5241	Disc Brake Rotor and Hub Assemb	Front	Chevrolet S10 2003-1997, S10 Blazer 1994-1991, GMC Jimmy 1994-1992, S15 Jimmy 1991, Sonoma 2003-1996, Isuzu Hombre 2000-1996
PRT5242	Disc Brake Rotor	Rear	BMW 733i 1981-1978
PRT5243	Disc Brake Rotor	Front	Mercedes-Benz 300CE 1993-1990, 300E 1993, 400E 1993-1992, E320 1995-1994
PRT5244	Disc Brake Rotor	Front	Ford Windstar 2003-1999
PRT5245	Disc Brake Rotor	Front	Ford Excursion 2000, F-250 Super Duty 1999, F-350 Super Duty 1999, F-450 Super Duty 1999, F-550 Super Duty 1999
PRT5246	Disc Brake Rotor	Front	Chrysler Concorde 1997-1996, Intrepid 1997-1996, New Yorker 1996, Dodge Intrepid 1997-1996, Eagle Vision 1997-1995
PRT5247	Disc Brake Rotor	Front	Chrysler Sebring 2005-2000, Dodge Avenger 1997-1995, Avenger 2000-1999, Stratus 2005-2001, Mitsubishi Eclipse 2001-1996, Galant 2001-1999, Plymouth Laser 1994-1990
PRT5248	Disc Brake Rotor	Rear	Mercedes-Benz 300SD 1993-1992, 300SE 1993-1992, S320 1999-1994, S350 1995-1994
PRT5249	Disc Brake Rotor	Front	Chrysler Neon 2002-2000, Dodge Neon 2005-2000, SX 2.0 2005-2003, Plymouth Neon 2001-2000
PRT5250	Disc Brake Rotor	Front	Buick Century 2005-1997, LeSabre 2005-1998, Regal 2004-1997, Chevrolet Venture 2005-1997, Oldsmobile 88 1999-1998, Intrigue 2002-1998, LSS 1999-1998, Regency 1998, Silhouette 2004-1997, Pontiac Bonneville 2005-1998, Grand Prix 2003-1997, Montana 2005-1999, Trans Sport 1999-1997
PRT5251	Disc Brake Rotor	Rear	Ford E-250 2007-2003, E-250 Econoline 2002-1999, E-250 Super Duty 2005-2004, E-350 Club Wagon 2005-2003, E-350 Econoline 2000-1996, E-350 Econoline Club Wagon 2002-1996, E-350 Super Duty 2007-1999, E-450 Econoline Super Duty 2002-2000, E-450 Super Duty 2006-2003, Econoline Super Duty 1999-1996
PRT5252	Disc Brake Rotor	Front	Volkswagen Passat 1999-1998

BUYERS GUIDE

Part Number	Product Line	Position	Application
PRT5253	Disc Brake Rotor	Rear	Jeep Grand Cherokee 2004-1999
PRT5254	Disc Brake Rotor	Front	Jeep Grand Cherokee 2004-1999
PRT5255	Disc Brake Rotor and Hub Assemb	Front	Ford Excursion 2002-2000, F-250 Super Duty 2002-1999, F-350 Super Duty 2002-1999
PRT5256	Disc Brake Rotor and Hub Assemb	Front	Ford F-250 Super Duty 2001-1999, F-350 Super Duty 2001-1999
PRT5257	Disc Brake Rotor	Front	Ford F-250 Super Duty 1999, F-350 Super Duty 1999, F-450 Super Duty 1999, F-450 Super Duty 2002-2001, F-550 Super Duty 2003-1999
PRT5258	Disc Brake Rotor	Rear	Ford Excursion 2005-2000, F-250 Super Duty 2004-1999, F-350 Super Duty 2004-1999
PRT5259	Disc Brake Rotor	Front	Cadillac Escalade 2006-2002, Escalade ESV 2006-2003, Escalade EXT 2006-2002, Chevrolet Astro 2005-2003, Avalanche 1500 2006-2002, Express 1500 2008-2003, Express 2500 2006-2003, Silverado 1500 2006-1999, Silverado 1500 Classic 2007, Silverado 2500 2003, Suburban 1500 2006-2000, Tahoe 2006-2000, GMC Safari 2005-2003, Savana 1500 2008-2003, Savana 2500 2006-2003, Sierra 1500 2006-1999, Sierra 1500 Classic 2007, Sierra 2500 2003, Yukon 2006-2000, Yukon XL 1500 2006-2000, Yukon XL 2500 2003
PRT5260	Disc Brake Rotor	Rear	Chevrolet Avalanche 2500 2006-2002, Express 2500 2007-2006, Express 3500 2014-2003, Silverado 2500 2006-1999, Silverado 2500 HD 2010-2001, Silverado 2500 HD Classic 2007, Silverado 3500 2007-2004, Silverado 3500 Classic 2007, Silverado 3500 HD 2010-2007, Suburban 2500 2006-2001, Suburban 2500 2013-2008, GMC Savana 2500 2014-2006, Savana 3500 2014-2003, Sierra 2500 2004-1999, Sierra 2500 HD 2010-2001, Sierra 2500 HD Classic 2007, Sierra 3500 2006-2004, Sierra 3500 Classic 2007, Sierra 3500 HD 2010-2007, Yukon XL 2500 2006-2001, Yukon XL 2500 2013-2008
PRT5261	Disc Brake Rotor	Front	Cadillac DeVille 2005-2000, Chevrolet Avalanche 2500 2006-2002, Express 2500 2014-2003, Silverado 1500 HD 2003-2001, Silverado 1500 HD 2006-2005, Silverado 1500 HD Classic 2007, Silverado 2500 2006-1999, Silverado 2500 HD 2004-2001, Suburban 2500 2013-2000, GMC Savana 2500 2014-2003, Sierra 1500 HD 2003-2001, Sierra 1500 HD 2006-2005, Sierra 1500 HD Classic 2007, Sierra 2500 2004-1999, Sierra 2500 HD 2004-2001, Yukon XL 2500 2013-2000, Hummer H2 2009-2003
PRT5262	Disc Brake Rotor	Rear	Chevrolet Express 2500 2010-2003, Express 3500 2008-2006, Express 3500 2013-2011, Silverado 1500 HD 2003-2001, Silverado 1500 HD 2006-2005, Silverado 1500 HD Classic 2007, Silverado 2500 2006-1999, Silverado 2500 HD 2006-2001, Suburban 2500 2007-2000, GMC Savana 2500 2010-2003, Savana 3500 2008-2006, Savana 3500 2013-2011, Sierra 1500 HD 2003-2001, Sierra 1500 HD 2006-2005, Sierra 1500 HD Classic 2007, Sierra 2500 2004-1999, Sierra 2500 HD 2006-2001, Yukon XL 2500 2007-2000, Hummer H2 2009-2003
PRT5263	Disc Brake Rotor	Front	Chrysler 300M 2004-1998, Concorde 2004-1998, Intrepid 2004-1998, LHS 2001-1999, Dodge Intrepid 2004-1998
PRT5264	Disc Brake Rotor	Rear	Chevrolet Camaro 2002-1998, Pontiac Firebird 2002-1998
PRT5265	Disc Brake Rotor	Rear	Cadillac Escalade 2002, Chevrolet Astro 2005-2003, Silverado 1500 2007-1999, Silverado 1500 Classic 2007, Silverado 1500 HD 2001, Silverado 2500 2003, Suburban 1500 2006-2000, Suburban 2500 2003, Tahoe 2001-2000, GMC Safari 2005-2003, Sierra 1500 2007-1999, Sierra 1500 Classic 2007, Sierra 1500 HD 2001, Sierra 2500 2003, Yukon 2001-2000, Yukon XL 1500 2006-2000, Yukon XL 2500 2003
PRT5266	Disc Brake Rotor	Rear	Buick LeSabre 2005-2000, Park Avenue 2005-2000, Oldsmobile Aurora 2003-2001, Pontiac Bonneville 2005-2000
PRT5267	Disc Brake Rotor and Hub Assemb	Front	Ford F-350 Super Duty 2002-1999
PRT5268	Disc Brake Rotor	Rear	Ford E-350 Club Wagon 2005-2003, E-350 Econoline 2000-1996, E-350 Econoline Club Wagon 2002-1996, E-350 Super Duty 2007-1999, E-450 Econoline Super Duty 2002, E-450 Super Duty 2006-2003
PRT5269	Disc Brake Rotor	Rear	Ford Thunderbird 2005-2002, Jaguar S-Type 2006-1999, Vanden Plas 2005-2004, XJ8 2005-2004, Lincoln LS 2006-2000
PRT5270	Disc Brake Rotor	Front	Ford Thunderbird 2005-2002, Jaguar S-Type 2004-1999, Lincoln LS 2006-2000
PRT5271	Disc Brake Rotor	Front	Ford Mustang 2001-1994, Mustang 2004-2003
PRT5272	Disc Brake Rotor and Hub Assemb	Front	Ford Ranger 1997-1995
PRT5273	Disc Brake Rotor	Front	Ford Focus 2004-2000
PRT5274	Disc Brake Rotor	Front	Ford Excursion 2005-2000, F-250 Super Duty 2004-1999, F-350 Super Duty 2004-1999, F-450 Super Duty 2004-2000, F-550 Super Duty 2004
PRT5275	Disc Brake Rotor	Front	Ford Expedition 2002-1999, Lincoln Navigator 2002-2000
PRT5276	Disc Brake Rotor	Front	Jeep Cherokee 2001-1999, TJ 2006-1999, Wrangler 2006-1999
PRT5277	Disc Brake Rotor	Rear	Mercedes-Benz C36 AMG 1997-1996, C230 2005-2003, C240 2005-2003, C280 2007-2006, C320 2005-2001, C350 2007-2006, CLK320 2005-1998, CLK350 2009-2006, CLK430 2003-1999, E300 1998, E320 2002-1995, E420 1997, E430 2000-1998, SLK300 2011-2009, SLK350 2011-2005
PRT5278	Disc Brake Rotor	Front, Rear	Volkswagen Beetle 2010-1998, Golf 2007-1999, GTI 2007-2006, Jetta 2006-1999, Golf 1999

BUYERS GUIDE

Part Number	Product Line	Position	Application
PRT5279	Disc Brake Rotor	Front	Ford F-350 1997-1995
PRT5280	Disc Brake Rotor	Rear	Ford F-350 Super Duty 2004-1999
PRT5281	Disc Brake Rotor	Front	Chevrolet Tracker 1999
PRT5283	Disc Brake Rotor	Front	Dodge Ram 2500 2002-2000, Ram 3500 2002-2000
PRT5284	Disc Brake Rotor	Rear	Saab 9-3 2003-1999, 9-5 1999, 900 1998-1997, Saturn L100 2002-2001, L200 2003-2001, L300 2005-2001, LS 2000, LS1 2000, LS2 2000, LW1 2000, LW2 2000, LW200 2003-2001, LW300 2003-2001
PRT5285	Disc Brake Rotor	Front	Saab 9-3 2007-1999, 9-5 2005-1999, 900 1998-1997, Saturn L100 2002-2001, L200 2003-2001, L300 2005-2001, LS 2000, LS1 2000, LS2 2000, LW1 2000, LW2 2000, LW200 2003-2001, LW300 2003-2001
PRT5286	Disc Brake Rotor	Rear	BMW Z3 2002-1996
PRT5287	Disc Brake Rotor	Front	Acura CL 2003-2001, MDX 2006-2001, TL 2003-1999, TL 2008-2006, TSX 2012-2004, Honda Accord 2012-2003, Odyssey 2004-1999, Pilot 2008-2003
PRT5288	Disc Brake Rotor	Front	Suzuki Grand Vitara 1999
PRT5289	Disc Brake Rotor	Front	Acura RL 2004-1999
PRT5290	Disc Brake Rotor	Rear	Acura TL 2003-1999
PRT5291	Disc Brake Rotor	Front	Toyota Sequoia 2007-2001, Tundra 2006-2000
PRT5292	Disc Brake Rotor	Rear	Toyota Avalon 2004-2000
PRT5293	Disc Brake Rotor	Rear	Pontiac Vibe 2006-2003, Scion tC 2010-2005, Toyota Celica 2005-2000, Corolla 2006-2005, Matrix 2008-2003
PRT5294	Disc Brake Rotor	Front	Pontiac Vibe 2008-2003, Scion tC 2010-2005, Toyota Celica 2005-2000, Corolla 2008-2003, Matrix 2008-2003
PRT5295	Disc Brake Rotor	Rear	Acura RL 2001-1999
PRT5296	Disc Brake Rotor	Front	Suzuki Grand Vitara 2005-1999, XL-7 2006-2002
PRT5297	Disc Brake Rotor	Front	Chevrolet Tracker 2004-2000, Suzuki Vitara 2004-1999
PRT5298	Disc Brake Rotor	Rear	Subaru Baja 2006-2003, Legacy 2004-2000, Outback 2004-2000
PRT5299	Disc Brake Rotor	Rear	Ford Expedition 2002-1999, F-150 2004-1997, F-150 Heritage 2004, Lincoln Blackwood 2003-2002
PRT5300	Disc Brake Rotor	Front	Infiniti I30 2001-2000, Nissan Maxima 2001-2000
PRT5301	Disc Brake Rotor	Front	Chrysler PT Cruiser 2010-2001
PRT5302	Disc Brake Rotor	Rear	BMW 318i 1999-1996, 318is 1999-1997, 323is 1999-1998, 328i 1999-1998, 328is 1999-1998
PRT5303	Disc Brake Rotor and Hub Assemb	Front	Ford Expedition 2002-1999, F-150 2002-1999, Lincoln Navigator 2002-2000
PRT5304	Disc Brake Rotor	Front	Buick Rainier 2005-2004, Chevrolet Trailblazer 2005-2002, GMC Envoy 2005-2002, Isuzu Ascender 2006-2004, Oldsmobile Bravada 2004-2002
PRT5305	Disc Brake Rotor	Front	Dodge Ram 1500 2001-2000
PRT5306	Disc Brake Rotor	Front	Dodge Ram 1500 2001-2000
PRT5307	Disc Brake Rotor	Front	Volkswagen Passat 1998
PRT5308	Disc Brake Rotor	Front	Chrysler Town & Country 2007-2003, Voyager 2003-2001, Dodge Caravan 2007-2001, Grand Caravan 2005-2001
PRT5309	Disc Brake Rotor	Front	Ford E-550 Econoline Super Duty 2002, E-550 Super Duty 2003, F-250 Super Duty 2004-1999, F-350 Super Duty 2004-1999, F-450 Super Duty 1999, F-550 Super Duty 2004
PRT5310	Disc Brake Rotor and Hub Assemb	Front	Ford F-150 2003-1999, F-150 Heritage 2004, Lincoln Blackwood 2003-2002
PRT5311	Disc Brake Rotor	Front	Ford Explorer 2005-2002, Mercury Mountaineer 2005-2002
PRT5312	Disc Brake Rotor	Rear	Ford Fiesta 2015-2014, Focus 2007-2000
PRT5313	Disc Brake Rotor	Front	Ford Escape 2007-2001, Mazda Tribute 2006-2001, Mercury Mariner 2007-2005
PRT5314	Disc Brake Rotor	Rear	Buick Rainier 2007-2004, Chevrolet SSR 2006-2003, Trailblazer 2009-2002, Trailblazer EXT 2006-2002, GMC Envoy 2009-2002, Envoy XL 2006-2002, Envoy XUV 2005-2004, Isuzu Ascender 2008-2003, Oldsmobile Bravada 2004-2002, Saab 9-7x 2009-2005
PRT5315	Disc Brake Rotor	Front	Buick Rendezvous 2007-2002, Pontiac Aztek 2005-2001
PRT5316	Disc Brake Rotor	Front	Chevrolet Avalanche 2500 2004-2002, Express 3500 2013-2003, Silverado 2500 HD 2010-2001, Silverado 2500 HD Classic 2007, Silverado 3500 2007-2004, Silverado 3500 Classic 2007, Silverado 3500 HD 2010-2007, GMC Savana 3500 2013-2003, Sierra 2500 HD 2010-2001, Sierra 2500 HD Classic 2007, Sierra 3500 2006-2004, Sierra 3500 Classic 2007, Sierra 3500 HD 2010-2007
PRT5317	Disc Brake Rotor	Front	Chevrolet Express 3500 2014-2003, Express 4500 2014-2009, Silverado 3500 2007-2001, Silverado 3500 Classic 2007, Silverado 3500 HD 2010-2007, GMC Savana 3500 2014-2003, Savana 4500 2014-2009, Sierra 3500 2006-2001, Sierra 3500 Classic 2007, Sierra 3500 HD 2010-2007
PRT5318	Disc Brake Rotor	Front	Daewoo Nubira 2001-1999
PRT5319	Disc Brake Rotor	Rear	Daewoo Leganza 2002-1999
PRT5320	Disc Brake Rotor	Front	Mitsubishi Montero Sport 2004-2000
PRT5321	Disc Brake Rotor	Front	Toyota Echo 2000
PRT5322	Disc Brake Rotor	Front	Toyota Prius 2003-2001
PRT5323	Disc Brake Rotor	Rear	Audi A4 Quattro 2001-1996, Volkswagen Passat 2005-1999
PRT5324	Disc Brake Rotor	Front	Lexus ES300 2003-2002, ES330 2006-2004, RX300 2003-1999, Toyota Camry 2004-2002

BUYERS GUIDE

Part Number	Product Line	Position	Application
PRT5325	Disc Brake Rotor	Front, Rear	Ford F53 2004-1999, F53 2011-2006, E-550 Econoline Super Duty 2002, E-550 Super Duty 2003, F53 2000-1999, F-450 Super Duty 2004-1999, F-550 Super Duty 2001-1999
PRT5326	Disc Brake Rotor	Front	Ford Crown Victoria 2011-2003, Grand Marquis 2004-2003, Lincoln Town Car 2011-2003, Mercury Grand Marquis 2011-2003, Marauder 2004-2003
PRT5327	Disc Brake Rotor	Rear	Daewoo Nubira 2002-1999
PRT5328	Disc Brake Rotor	Front	Toyota RAV4 2005-2001
PRT5329	Disc Brake Rotor	Front	Jeep Liberty 2007-2002
PRT5330	Disc Brake Rotor	Rear	Lexus GX470 2009-2003, Toyota 4Runner 2009-2003, FJ Cruiser 2009-2007, Sequoia 2007-2001
PRT5331	Disc Brake Rotor	Rear	Mercedes-Benz ML55 AMG 2003-2000, ML430 2001-2000, ML500 2005-2002
PRT5332	Disc Brake Rotor	Front	Mercedes-Benz ML55 AMG 2003-2000, ML430 2001-2000, ML500 2005-2002
PRT5333	Disc Brake Rotor	Front, Rear	AM General Hummer 1998-1996, Hummer H1 2004-2002, H1 2006, AM General Hummer 1998-1996, Hummer H1 2004-2002, H1 2006
PRT5334	Disc Brake Rotor	Front	Daewoo Leganza 2002-1999
PRT5335	Disc Brake Rotor	Rear	Cadillac DeVille 2005-2000, DTS 2011-2006
PRT5336	Disc Brake Rotor	Rear	Mitsubishi Montero 2006-2001
PRT5337	Disc Brake Rotor	Rear	Acura CL 2003-2001
PRT5338	Disc Brake Rotor	Front	Hyundai Elantra 2000-1998, Sonata 2004-1999, Tiburon 2001-1998
PRT5339	Disc Brake Rotor	Rear	Chevrolet Express 3500 2009-2003, Silverado 3500 2007-2001, Silverado 3500 HD 2010-2007, GMC Savana 3500 2009-2003, Sierra 3500 2006-2001, Sierra 3500 HD 2010-2007
PRT5340	Disc Brake Rotor and Hub Assembly	Front	Ford Explorer 2003-2001, Explorer Sport Trac 2005-2001
PRT5341	Disc Brake Rotor	Front	Ford Explorer 2003-2001, Explorer Sport Trac 2005-2001, Ranger 2011-2003, Mazda B4000 2009-2003
PRT5342	Disc Brake Rotor	Front	Buick Rainier 2007-2004, Chevrolet SSR 2006-2003, Trailblazer 2008-2002, Trailblazer EXT 2006-2002, GMC Envoy 2009-2002, Envoy XL 2006-2002, Envoy XUV 2005-2004, Isuzu Ascender 2006-2003, Saab 9-7x 2009-2005
PRT5343	Disc Brake Rotor	Front	Buick Rendezvous 2006-2002, Chevrolet Venture 2004-2002, Oldsmobile Silhouette 2004-2002, Pontiac Aztek 2005-2001, Montana 2004-2002
PRT5344	Disc Brake Rotor	Front	Chevrolet Equinox 2006-2005, Pontiac Torrent 2006, Saturn Vue 2007-2002
PRT5345	Disc Brake Rotor	Rear	Chevrolet C5500 Kodiak 1991, C6500 Kodiak 2002-1997, C7500 Kodiak 2002-1997, T6500 2002-1998, T7500 2002-1998, GMC C5000 Topkick 1991, C6500 Topkick 2002-1997, C7500 Topkick 2002-1997, T6500 2002-1998, T7500 2002-1998, Isuzu FSR 2002-1997
PRT5346	Disc Brake Rotor	Front, Rear	Ford F600 1994-1984, F800 1999-1993, Chevrolet B7 2002-1997, T7500 2002-1997, GMC B7 1998-1997, T7500 2002-1997, Isuzu FSR 2002-1998, FTR 2002-1999
PRT5347	Disc Brake Rotor	Front	Chevrolet W3500 Tiltmaster 2008-1999, W4500 Tiltmaster 2007-1997, GMC W3500 Forward 2008-2000, W4500 Forward 2008-2000, Isuzu NPR 2003-1997, NPR 2008-2007, NPR-HD 2011-2010, NQR 2003, NQR 2010-2007
PRT5348	Disc Brake Rotor	Front, Rear	Ford F53 2011-2008, F650 2008-2004, F750 2008-2004, Freightliner FL50 2004-1998, FL60 2004-1998, FL70 2004-1998, M2 106 2006-2004, MT45 2008-2007, MT55 2008-2007, International 1652SC 2004-1998, 3000 2001-1998, 3300 2005, 3900FC 1994-1993, 4200 2007-2002, 4200LP 2007-2003, 4300 2007-2002, 4300LP 2007-2002, 4400 2007-2002, 4400LP 2007-2002, 4700 2002-1998, 4700LP 2002-1998, 4700LPX 2002-1998, 4800 2001-1998, 4900 2002-1998, Kenworth T170 2008, T270 2008, T370 2008, Peterbilt 330 2008, 335 2008, Ford F650 2007-2005, F750 2008-2004, Freightliner FL50 2004-1998, FL60 2004-1998, FL70 2004-1998, M2 106 2006-2004, MT45 2008-2007, MT55 2008-2007, International 1652SC 2004-1998, 3000 2001-1998, 3300 2005, 4200 2007-2002, 4200LP 2007-2003, 4300 2007-2002, 4300LP 2007-2002, 4400 2007-2002, 4400LP 2007-2002, 4700 2002-1998, 4700LP 2002-1998, 4700LPX 2002-1998, 4800 2001-1998, 4900 2002-1998, Kenworth T170 2008, T270 2008, T370 2008, Peterbilt 330 2008, 335 2008
PRT5349	Disc Brake Rotor	Front, Rear	Ford F650 2006-2004, Freightliner M2 106 2006-2004, MT45 2008-2004, MT55 2008-2007, International 1652SC 2004-1998, 3000 2001-1998, 3300 2005, 4200 2007-2002, 4200LP 2007-2003, 4300 2007-2002, 4300LP 2007-2002, 4400 2007-2002, 4400LP 2007-2002, 4600 1994-1993, 4600LP 1994-1993, 4700 2001-1993, 4700LP 2002-1993, 4700LPX 2002-1996, 4800 2001-1993, 4900 2001-1993, Kenworth T170 2008, T270 2008, T370 2008, Peterbilt 330 2008, 335 2008, Ford F650 2007-2005, Freightliner M2 106 2006-2004, MT45 2008-2007, MT55 2008-2007, International 1652SC 2004-1998, 4200 2007-2002, 4200LP 2007-2003, 4300 2007-2002, 4300LP 2007-2002, 4400 2007-2002, 4400LP 2007-2002, 4700 2002-1993, 4700LP 2002-1998, 4700LPX 2002-1998, 4800 2001-1993, 4900 2001-1993, Kenworth T170 2008, T270 2008, T370 2008, Peterbilt 330 2008, 335 2008

BUYERS GUIDE

Part Number	Product Line	Position	Application
PRT5350	Disc Brake Rotor	Front	Chrysler Town & Country 2007-2001, Voyager 2003, Dodge Caravan 2007-2001, Grand Caravan 2007-2001
PRT5351	Disc Brake Rotor	Rear	Chevrolet C6500 Kodiak 2002-1997, GMC C6000 Topkick 1996-1995, C6500 Topkick 2002-1997
PRT5353	Disc Brake Rotor	Rear	Ford Crown Victoria 2011-2003, Grand Marquis 2004-2003, Mercury Grand Marquis 2011-2003
PRT5354	Disc Brake Rotor	Front	Daewoo Nubira 2002
PRT5355	Disc Brake Rotor	Rear	Audi A6 Quattro 2004-1998
PRT5356	Disc Brake Rotor	Rear	Cadillac Catera 2001
PRT5357	Disc Brake Rotor	Rear	Dodge Ram 2500 2002-2001, Ram 3500 2002-2001
PRT5358	Disc Brake Rotor	Rear	Ford Explorer 2010-2002, Explorer Sport Trac 2010-2007, Mercury Mountaineer 2010-2002
PRT5359	Disc Brake Rotor	Rear	Buick Rendezvous 2007-2002, Chevrolet Venture 2005-2002, Oldsmobile Silhouette 2004-2002, Pontiac Aztek 2005-2001, Montana 2005-2002
PRT5360	Disc Brake Rotor and Hub Assemb	Front	Chevrolet Express 3500 2002-2001, GMC Savana 3500 2002-2001
PRT5361	Disc Brake Rotor	Rear	Acura RL 2004-2002
PRT5362	Disc Brake Rotor	Front	Infiniti I35 2004-2002, Nissan Altima 2006-2002, Maxima 2003-2002
PRT5363	Disc Brake Rotor	Front	Nissan Sentra 2006-2000
PRT5364	Disc Brake Rotor	Front	Kia Magentis 2002-2001, Optima 2002-2001
PRT5365	Disc Brake Rotor	Rear	Chrysler Aspen 2009-2007, Dodge Durango 2009-2004, Ram 1500 2010-2002, Ram 1500 2015-2011
PRT5366	Disc Brake Rotor and Hub Assemb	Front	Ford Ranger 2001-1998
PRT5367	Disc Brake Rotor	Front	Ford Expedition 2006-2003, Lincoln Navigator 2006-2003
PRT5368	Disc Brake Rotor and Hub Assemb	Front	Chevrolet P30 1999-1991, GMC P3500 1999-1991, Workhorse P30 2000
PRT5369	Disc Brake Rotor	Rear	Porsche 928 1991-1986, 928 1995-1993, 944 1986
PRT5370	Disc Brake Rotor	Rear	Lexus LX470 2007-1998, Toyota Land Cruiser 2007-1998
PRT5371	Disc Brake Rotor	Front	BMW 525i 2003-2001, 528i 2000-1997
PRT5372	Disc Brake Rotor	Rear	BMW 525i 2003-2001, 528i 2000-1997, 530i 2003-2001, 540i 2003-1997
PRT5373	Disc Brake Rotor	Front	Mercedes-Benz 400SE 1992, 400SEL 1993, 500SEL 1993-1992, 600SEL 1993-1992, CL600 1999-1998, S320 1999-1994
PRT5374	Disc Brake Rotor	Front	BMW 750iL 2001-2000
PRT5375	Disc Brake Rotor	Rear	Toyota MR2 Spyder 2005-2000
PRT5376	Disc Brake Rotor	Front	Toyota Echo 2005-2001, MR2 Spyder 2005-2000
PRT5377	Disc Brake Rotor	Front	Mitsubishi Lancer 2006-2002, Mirage 2002-1999
PRT5378	Disc Brake Rotor	Front	Mitsubishi Montero 2006-2001
PRT5379	Disc Brake Rotor	Rear	Lincoln Town Car 2011-2003, Mercury Marauder 2004-2003
PRT5380	Disc Brake Rotor	Rear	Lincoln Town Car 2011-2003
PRT5381	Disc Brake Rotor	Front	Chrysler Aspen 2009-2007, Dodge Durango 2009-2004, Ram 1500 2010-2002, Ram 1500 2015-2011
PRT5382	Disc Brake Rotor	Front	Dodge Durango 2003
PRT5383	Disc Brake Rotor	Rear	Jeep Liberty 2007-2003, TJ 2006-2003, Wrangler 2006-2003
PRT5384	Disc Brake Rotor	Rear	Chrysler PT Cruiser 2006-2003, Dodge Neon 2005-2003
PRT5385	Disc Brake Rotor	Front	Chrysler PT Cruiser 2009-2003, Dodge Neon 2005-2003
PRT5386	Disc Brake Rotor	Rear	Audi A6 Quattro 2001-1998, S6 2003-2002
PRT5388	Disc Brake Rotor	Front	BMW L6 1987, M5 1988, M6 1988-1987
PRT5389	Disc Brake Rotor	Front	BMW X5 2006-2000
PRT5390	Disc Brake Rotor	Rear	BMW X5 2006-2000
PRT5392	Disc Brake Rotor	Rear	Audi A6 Quattro 2004-2000, Allroad Quattro 2005-2001
PRT5393	Disc Brake Rotor	Rear	Acura MDX 2006-2001, Honda Pilot 2008-2003
PRT5394	Disc Brake Rotor	Front	Mercedes-Benz C36 AMG 1997-1996
PRT5395	Disc Brake Rotor	Front	Volvo S60 2009-2001, S80 2006-1999, V70 2007-2001, XC70 2007-2003
PRT5396	Disc Brake Rotor	Rear	Saab 9-5 2005-1999
PRT5397	Disc Brake Rotor	Front	Acura RSX 2006-2002, Honda Civic 2011-2004, CR-Z 2015-2011
PRT5398	Disc Brake Rotor	Rear	Nissan Altima 2015-2002, Juke 2015-2011, Maxima 2008-2004, Sentra 2015-2007
PRT5399	Disc Brake Rotor	Rear	Honda CR-V 2004-2002
PRT5400	Disc Brake Rotor	Front	Honda CR-V 2004-2002
PRT5401	Disc Brake Rotor	Front	Kia Sephia 2001, Spectra 2004-2001
PRT5402	Disc Brake Rotor	Front	Honda Passport 2002, Isuzu Axiom 2004-2002, Rodeo 2004-2001, Rodeo Sport 2003-2002
PRT5403	Disc Brake Rotor	Front	Hyundai Santa Fe 2006-2001
PRT5404	Disc Brake Rotor	Front	BMW 530i 2003-2001, 540i 2003-2001
PRT5405	Disc Brake Rotor	Rear	Acura TSX 2008-2004, Honda Accord 2007-2003
PRT5406	Disc Brake Rotor	Front	Saab 9-2X 2006-2005, Subaru Baja 2006-2003, Forester 2008-2003, Impreza 2007-2002, Legacy 2005-2000, Outback 2005-2001
PRT5407	Disc Brake Rotor	Rear	Volvo S90 1998-1997, V90 1998-1997
PRT5408	Disc Brake Rotor	Front	Audi A4 2009-2005, A4 Quattro 2009-2005, Allroad Quattro 2005-2001, S4 2001-2000
PRT5409	Disc Brake Rotor	Rear	Volvo S60 2009-2001, S80 2006-1999, V70 2007-2001, XC70 2007-2003
PRT5410	Disc Brake Rotor	Front	Pontiac GTO 2004
PRT5411	Disc Brake Rotor	Rear	Lexus ES300 2003-2002, ES330 2006-2004, Toyota Avalon 2007-2005, Camry 2006-2002, Solara 2008-2004
PRT5412	Disc Brake Rotor	Front	BMW 330Ci 2006-2001, 330i 2005-2001, 330xi 2005-2001, Z4 2008-2006

BUYERS GUIDE

Part Number	Product Line	Position	Application
PRT5413	Disc Brake Rotor	Front	Mercedes-Benz C230 2005-2002, C240 2005-2001
PRT5414	Disc Brake Rotor	Rear	Ford Expedition 2006-2003, Lincoln Navigator 2006-2003
PRT5415	Disc Brake Rotor	Rear	Audi S4 2002-2000
PRT5416	Disc Brake Rotor	Rear	BMW 330Ci 2006-2001, 330i 2005-2001, 330xi 2005-2001
PRT5417	Disc Brake Rotor	Rear	BMW 323Ci 2000, 325Ci 2006-2001, 325i 2005-2001, 328Ci 2000, 328i 2000-1999
PRT5418	Disc Brake Rotor	Rear	Audi TT Quattro 2006-2001, Volkswagen Golf 2004-2002, Jetta 2005-2003
PRT5419	Disc Brake Rotor	Front	Chevrolet Cobalt 2007-2005, Pontiac G5 2007, Pursuit 2006-2005, Saturn Ion 2007-2003
PRT5420	Disc Brake Rotor	Rear	Dodge Dakota 2004-2003
PRT5421	Disc Brake Rotor	Rear	Ford Focus 2004-2002
PRT5422	Disc Brake Rotor	Rear	Ford Explorer 2003, Explorer Sport Trac 2005-2003
PRT5423	Disc Brake Rotor	Rear	Acura TL 2008-2004, Honda Element 2011-2003
PRT5424	Disc Brake Rotor	Front	Dodge Sprinter 2500 2006-2003, Sprinter 3500 2006-2003, Freightliner Sprinter 2500 2006-2002, Sprinter 3500 2006-2002
PRT5425	Disc Brake Rotor	Front	Suzuki Aerio 2007-2002, Esteem 2002-1999
PRT5426	Disc Brake Rotor	Rear	Mercedes-Benz CL55 AMG 2002-2001, CL600 2002-2001, S55 AMG 2002-2001, S600 2002-2001
PRT5427	Disc Brake Rotor	Rear	Pontiac GTO 2004
PRT5428	Disc Brake Rotor	Rear	Volvo S40 2004-2000, V40 2004-2000
PRT5429	Disc Brake Rotor	Rear	Honda Odyssey 2004-2002
PRT5430	Disc Brake Rotor	Rear	Audi TT Quattro 2006-2000
PRT5431	Disc Brake Rotor	Front	Dodge Sprinter 2500 2006-2003, Sprinter 3500 2006-2003, Freightliner Sprinter 2500 2006-2002, Sprinter 3500 2006-2002
PRT5432	Disc Brake Rotor	Rear	Dodge Sprinter 2500 2006-2003, Sprinter 3500 2006-2003, Freightliner Sprinter 2500 2006-2002, Sprinter 3500 2006-2002, Mercedes-Benz G55 AMG 2010-2003, G500 2008-2002, G550 2015-2009
PRT5433	Disc Brake Rotor	Front	Volvo S60 2009-2001, S80 2006-1999, V70 2007-2001, XC70 2007-2003
PRT5434	Disc Brake Rotor	Rear	Audi A4 2006-2002, A4 Quattro 2006-2002
PRT5435	Disc Brake Rotor	Rear	Mercedes-Benz CL500 2003-2000, S430 2006-2000, S500 2004-2000
PRT5436	Disc Brake Rotor	Rear	Mercedes-Benz E320 2003-1998
PRT5437	Disc Brake Rotor	Front Left	Mercedes-Benz E500 1994, SL600 1996-1995
PRT5438	Disc Brake Rotor	Front Right	Mercedes-Benz E500 1994, SL600 1996-1995
PRT5439	Disc Brake Rotor	Front	Daewoo Lanos 2002-1999
PRT5440	Disc Brake Rotor	Front	Volvo S40 2004-2000, V40 2004-2000
PRT5441	Disc Brake Rotor	Rear	Cadillac Escalade 2006-2002, Escalade ESV 2006-2003, Escalade EXT 2006-2002, Chevrolet Avalanche 1500 2006-2002, Avalanche 2500 2002, Avalanche 2500 2004, Express 1500 2014-2003, Silverado 1500 2006-2001, Silverado 1500 HD 2001, Suburban 1500 2006-2000, Suburban 2500 2003-2000, Tahoe 2006-2000, GMC Savana 1500 2014-2003, Sierra 1500 2006-2001, Sierra 1500 HD 2001, Sierra 1500 HD 2003, Yukon 2006-2000, Yukon XL 1500 2006-2000, Yukon XL 2500 2000
PRT5442	Disc Brake Rotor	Rear	Buick Allure 2010-2005, LaCrosse 2009-2005, Chevrolet Impala 2013-2011, Impala Limited 2016-2014, Pontiac Grand Prix 2008-2004
PRT5443	Disc Brake Rotor	Front	Ford Focus 2004-2002
PRT5444	Disc Brake Rotor	Front	Lincoln Aviator 2005-2003
PRT5445	Disc Brake Rotor	Front	Mini Cooper 2006-2002
PRT5446	Disc Brake Rotor	Rear	Mini Cooper 2006-2002
PRT5447	Disc Brake Rotor	Front, Rear	Mercedes-Benz CL55 AMG 2002-2001, CL600 2006-2001, S55 AMG 2002-2001, S600 2006-2001, CL600 2006-2003
PRT5449	Disc Brake Rotor	Front	Cadillac CTS 2007-2003
PRT5452	Disc Brake Rotor	Rear	Dodge Ram 1500 2008-2006, Ram 2500 2008-2003, Ram 3500 2008-2003
PRT5453	Disc Brake Rotor	Rear	Lincoln Aviator 2005-2003
PRT5454	Disc Brake Rotor	Front	Dodge Dakota 2004-2003
PRT5455	Disc Brake Rotor	Front	Chrysler Sebring 2005-2001, Dodge Stratus 2005-2001, Mitsubishi Eclipse 2005-2000, Galant 2012-2000, Lancer 2006-2004, Outlander 2004-2003
PRT5456	Disc Brake Rotor	Front	Dodge Ram 1500 2008-2006, Ram 2500 2008-2003, Ram 3500 2008-2003
PRT5457	Disc Brake Rotor	Front	Lexus GX470 2009-2003, Toyota 4Runner 2009-2003, Hilux 2008-2004
PRT5458	Disc Brake Rotor	Front	Toyota 4Runner 2009-2003, FJ Cruiser 2007, Hilux 2008-2004, Tacoma 2013-2005, Tacoma 2016-2015
PRT5459	Disc Brake Rotor	Rear	Chrysler Crossfire 2008-2004, Mercedes-Benz 300CE 1993-1990, 300E 1993, 300TE 1993-1990, C230 2000-1999, C230 2007-2002, C240 2005-2001, C280 2000-1996, E300 1997-1996, E300 1999, E320 1995-1994, SLK230 2004-1998, SLK280 2008-2006, SLK300 2011-2009, SLK320 2004-2001
PRT5460	Disc Brake Rotor	Front	Mitsubishi Galant 1993-1990, Galant 1998, Lancer 2007-2002, Sigma 1990-1989
PRT5461	Disc Brake Rotor	Rear	Honda S2000 2009-2000
PRT5462	Disc Brake Rotor	Front	Honda S2000 2009-2000
PRT5466	Disc Brake Rotor	Rear	Chevrolet Silverado 1500 HD 2003, Silverado 1500 HD 2006-2005, Silverado 2500 HD 2004, Suburban 2500 2006-2003, GMC Sierra 1500 HD 2003, Sierra 2500 HD 2004, Yukon XL 2500 2006-2004
PRT5468	Disc Brake Rotor	Front	Chrysler Pacifica 2008-2004

BUYERS GUIDE

Part Number	Product Line	Position	Application
PRT5469	Disc Brake Rotor	Front	BMW 320i 2005-2001, 323Ci 2000, 325Ci 2006-2001, 325i 2005-2001, 325xi 2005-2001, 328Ci 2000, 328i 2000-1999, Z3 2002-2001, Z4 2008-2003
PRT5470	Disc Brake Rotor	Front	Mercedes-Benz CL500 2003-2000, S430 2002-2000, S500 2002-2000
PRT5471	Disc Brake Rotor	Front	Toyota Avalon 2007-2005, Camry 2006-2005, Sienna 2010-2004, Solara 2008-2004
PRT5472	Disc Brake Rotor	Front	Hyundai Accent 2002-2000
PRT5473	Disc Brake Rotor	Front	Ford Freestar 2007-2004, Mercury Monterey 2007-2004
PRT5474	Disc Brake Rotor	Rear	BMW 320i 2005-2001, 323Ci 2000, 323i 2000-1998
PRT5475	Disc Brake Rotor	Rear	Infiniti QX56 2010-2004, Nissan Armada 2015-2005, Titan 2015-2004
PRT5476	Disc Brake Rotor	Front	Scion xA 2006-2004, xB 2006-2004
PRT5477	Disc Brake Rotor and Hub Assemb	Front	Chevrolet S10 2003-1996, GMC Sonoma 2003-1996
PRT5478	Disc Brake Rotor	Rear	Ford Freestar 2007-2004, Mercury Monterey 2007-2004
PRT5479	Disc Brake Rotor	Rear	Mercedes-Benz CL500 2006-2003, S350 2006, S430 2006-2003, S500 2006-2004
PRT5480	Disc Brake Rotor and Hub Assemb	Front	Ford Excursion 2004-2003, F-250 Super Duty 2004-2003, F-350 Super Duty 2004-2003
PRT5481	Disc Brake Rotor	Front	Volvo C70 2005-2002, S70 2000-1998, V70 2000-1998
PRT5482	Disc Brake Rotor	Rear	Mercedes-Benz E300 2009-2008, E320 2009-2004, E350 2006, E500 2006-2003
PRT5483	Disc Brake Rotor	Front	Mercedes-Benz E320 2009-2004, E350 2009-2006
PRT5486	Disc Brake Rotor and Hub Assemb	Front	Ford Bronco 1995-1994, F-150 1995-1994
PRT5492	Disc Brake Rotor	Front	Mercedes-Benz C230 2000-1999, C280 2000-1996, E300 1997-1996, SLK230 2004-1998
PRT5493	Disc Brake Rotor	Rear	Mercedes-Benz 500SL 1993, 600SL 1993, SL500 1994, SL500 2002-1998, SL600 2002-1994
PRT5494	Disc Brake Rotor	Front	Chrysler Crossfire 2008-2004, Mercedes-Benz C240 2005-2003, C280 2007-2006, C320 2005-2001, C350 2007-2006, CLK320 2005-1998, CLK350 2009-2006, CLK430 2003-1999, E300 1999-1998, E320 2003-1996, E420 1997, E430 2002-1998, SLK280 2008-2006, SLK320 2004-2001
PRT5495	Disc Brake Rotor	Rear	BMW 633CSi 1982-1978
PRT5496	Disc Brake Rotor	Rear	Chrysler Pacifica 2008-2004
PRT5497	Disc Brake Rotor	Front	Toyota Highlander 2007-2001
PRT5498	Disc Brake Rotor	Front	Hyundai Accent 2006-2002
PRT5499	Disc Brake Rotor	Rear	Ford Fusion 2012-2006, Lincoln MKZ 2012-2007, Zephyr 2006, Mazda 6 2013-2003, Protege 2003, Mercury Milan 2011-2006
PRT5500	Disc Brake Rotor	Front	BMW 3.0Si 1971, 3.0Si 1976-1975, 2500 1971-1969, 2800 1971-1969
PRT5501	Disc Brake Rotor	Front	BMW 2000tii 1972, 2002tii 1974-1972
PRT5503	Disc Brake Rotor	Front	Volvo 242 1978-1977, 244 1978-1977, 245 1978-1977
PRT5504	Disc Brake Rotor	Front	Hyundai Tiburon 2008-2003, Tucson 2009-2005, Kia Sportage 2010-2005
PRT5505	Disc Brake Rotor	Front	Hyundai Santa Fe 2006-2001
PRT5506	Disc Brake Rotor	Front	Infiniti FX35 2006-2003, FX45 2006-2003
PRT5507	Disc Brake Rotor	Front	Infiniti QX56 2005-2004, Nissan Armada 2005, Titan 2005-2004
PRT5508	Disc Brake Rotor	Front	Mitsubishi Lancer 2006-2004
PRT5509	Disc Brake Rotor	Front	Chevrolet Colorado 2008-2004, GMC Canyon 2008-2004, Isuzu i-280 2006, i-290 2008-2007, i-350 2006, i-370 2008-2007
PRT5511	Disc Brake Rotor	Front	Volkswagen Passat 1993
PRT5513	Disc Brake Rotor	Front	BMW 1600 1971, 2002 1976-1968
PRT5515	Disc Brake Rotor	Front	Dodge W100 1977-1975, W150 1981-1977, Plymouth Trailduster 1979-1974
PRT5517	Disc Brake Rotor	Rear	Honda Civic 2005-2004
PRT5518	Disc Brake Rotor	Front	Buick Allure 2009-2005, LaCrosse 2009-2005, Pontiac Grand Prix 2008-2004
PRT5519	Disc Brake Rotor and Hub Assemb	Front	Ford F-150 2008-2004, Lincoln Mark LT 2008-2006
PRT5520	Disc Brake Rotor and Hub Assemb	Front	Ford F-150 2008-2004, Lincoln Mark LT 2008-2006
PRT5521	Disc Brake Rotor	Rear	Ford F-150 2011-2004, Lincoln Mark LT 2008-2006
PRT5522	Disc Brake Rotor	Rear	Ford F-150 2011-2004, Lincoln Mark LT 2008-2006
PRT5523	Disc Brake Rotor	Rear	Dodge Durango 2003
PRT5524	Disc Brake Rotor	Front	Kia Sedona 2004-2002
PRT5525	Disc Brake Rotor	Front	Hyundai XG300 2001, XG350 2003-2002
PRT5526	Disc Brake Rotor	Front	Mitsubishi Galant 2005-2004
PRT5527	Disc Brake Rotor	Front	Ford F-150 2008-2004, Lincoln Mark LT 2008-2006
PRT5528	Disc Brake Rotor	Front	Chevrolet Cobalt 2008-2005, HHR 2010-2008, Malibu 2012-2004, Pontiac G5 2009-2007, G6 2010-2005, Pursuit 2006-2005, Saturn Aura 2009-2007, Ion 2007-2004
PRT5529	Disc Brake Rotor	Front	Audi 90 Quattro 1991-1990
PRT5530	Disc Brake Rotor	Rear	Volkswagen EuroVan 2003-2000
PRT5531	Disc Brake Rotor	Front	Volkswagen EuroVan 2003-2001
PRT5532	Disc Brake Rotor	Rear	Hyundai Sonata 2005-1999, Kia Magentis 2006-2001, Optima 2006-2001
PRT5533	Disc Brake Rotor	Front	Chevrolet W4500 Tiltmaster 1999-1997, Isuzu NPR 1999-1997, NQR 1999
PRT5534	Disc Brake Rotor	Rear	Hyundai Santa Fe 2006-2001, Tucson 2015-2005, Kia Sportage 2014-2005

BUYERS GUIDE

Part Number	Product Line	Position	Application
PRT5535	Disc Brake Rotor	Rear	Hyundai Sonata 2010-2005, Tucson 2009-2005, XG300 2001, XG350 2005-2002, Kia Magentis 2010-2006, Optima 2010-2006, Sportage 2010-2005
PRT5536	Disc Brake Rotor	Rear	Infiniti G35 2005-2003, Nissan 350Z 2005-2003, Leaf 2013-2011, Rogue 2013-2008, Rogue Select 2015-2014, X-Trail 2006-2005
PRT5537	Disc Brake Rotor	Rear	Infiniti FX35 2012-2003, FX37 2013, FX45 2008-2003, JX35 2013, M35h 2013-2012, M37 2012-2011, M56 2012-2011, Q50 2015-2014, Q60 2014, Q70 2015-2014, Q70L 2015, QX70 2014, Nissan Murano 2014-2003, Pathfinder 2013, Quest 2009-2004, Quest 2015-2011
PRT5538	Disc Brake Rotor	Front	Mitsubishi Endeavor 2008-2004, Endeavor 2011-2010
PRT5539	Disc Brake Rotor	Front	Mitsubishi Lancer 2006-2003
PRT5540	Disc Brake Rotor	Front	Acura TL 2005-2004
PRT5541	Disc Brake Rotor	Rear	Jaguar X-Type 2008-2001
PRT5543	Disc Brake Rotor	Rear	Mercedes-Benz CLS500 2006, CLS550 2011-2007, E55 AMG 2006-2005, E320 2005-2003, E350 2012-2006, E500 2006-2003, E550 2009-2007, GLK350 2012-2010
PRT5544	Disc Brake Rotor	Front	Ford F-150 2008-2004, Lincoln Mark LT 2008-2006
PRT5545	Disc Brake Rotor	Rear	Hyundai Tiburon 2008-2003
PRT5546	Disc Brake Rotor	Rear	Mitsubishi Endeavor 2008-2004, Endeavor 2011-2010
PRT5547	Disc Brake Rotor	Rear	Mitsubishi Eclipse 2012-2006, Galant 2012-2004
PRT5548	Disc Brake Rotor	Rear	Toyota RAV4 2005-2004
PRT5549	Disc Brake Rotor	Rear	Lexus RX330 2006-2004, RX350 2009-2007, RX400h 2008-2006, Toyota Highlander 2007-2004
PRT5550	Disc Brake Rotor	Rear	Toyota Sienna 2010-2004
PRT5551	Disc Brake Rotor	Front	Mercedes-Benz E500 2006-2003
PRT5552	Disc Brake Rotor	Front	Volvo XC90 2013-2003
PRT5553	Disc Brake Rotor	Rear	Volvo XC90 2013-2003
PRT5554	Disc Brake Rotor	Rear	Nissan Sentra 2006-2003
PRT5555	Disc Brake Rotor	Front	Audi A6 2004-2002, A6 Quattro 2004-2000, S6 2003-2002
PRT5556	Disc Brake Rotor	Front	Saab 9-3 2002-1999, 9-5 2009-2000, Saturn Astra 2009-2008
PRT5557	Disc Brake Rotor	Front	Acura RSX 2006-2002
PRT5558	Disc Brake Rotor	Front	Chevrolet W4500 Tiltmaster 2008-1998, W5500HD Tiltmaster 2007-2005, W5500 Tiltmaster 2007-2000, GMC W4500 Forward 1999-1998, W5500 Forward 2007-2000, W5500HD Forward 2007-2005, Isuzu NPR 2007-1998, NQR 2006-2003, NRR 2007-2005
PRT5559	Disc Brake Rotor	Front	Infiniti G35 2005-2003, Nissan 350Z 2005-2003
PRT5560	Disc Brake Rotor	Rear	BMW 745i 2005-2002, 745Li 2005-2002, 760i 2005-2004, 760Li 2005-2003
PRT5561	Disc Brake Rotor	Front	BMW 745i 2005-2002, 745Li 2005-2002, 750i 2008-2006, 750Li 2008-2006, 760i 2006-2004, 760Li 2008-2003
PRT5562	Disc Brake Rotor	Front	Kia Rio 2005-2003
PRT5563	Disc Brake Rotor	Rear	Chevrolet Cobalt 2008-2005, HHR 2010-2008, Malibu 2012-2004, Pontiac G5 2010-2007, G6 2010-2005, Pursuit 2006-2005, Saturn Aura 2009-2007, Ion 2007-2003
PRT5564	Disc Brake Rotor	Front	Chevrolet Malibu 2008-2004, Pontiac G6 2007-2006
PRT5565	Disc Brake Rotor	Rear	Ford F53 2004-2001, F53 2011-2006, F-450 Super Duty 2004-2002, F-550 Super Duty 2004-2002
PRT5566	Disc Brake Rotor	Rear	Ford Escape 2008-2005, Mazda Tribute 2006-2005, Tribute 2010-2008, Mercury Mariner 2010-2005
PRT5567	Disc Brake Rotor	Rear	Chrysler 300 2013-2005, Dodge Challenger 2013-2009, Charger 2013-2006, Magnum 2008-2005
PRT5568	Disc Brake Rotor	Rear	Chrysler 300 2013-2005, Dodge Challenger 2013-2009, Charger 2013-2006, Magnum 2008-2005
PRT5569	Disc Brake Rotor	Rear	Mazda MPV 2006-2004
PRT5570	Disc Brake Rotor	Rear	Mitsubishi Lancer 2006-2003
PRT5571	Disc Brake Rotor	Front	Nissan Altima 2006-2005, Maxima 2008-2004, Murano 2004-2003, Murano 2014
PRT5572	Disc Brake Rotor	Front	Jaguar X-Type 2008-2001
PRT5573	Disc Brake Rotor	Rear	Audi A8 Quattro 2003-2000
PRT5574	Disc Brake Rotor	Front, Rear	Chevrolet B7 2002-1993, B60 1991-1983, C50 1990-1988, C60 1989-1983, C70 1989-1983, C5500 Kodiak 1990, P6000 1996-1992, GMC B7 2000-1993, B6000 1991-1983, C5000 1989-1988, C6000 1989-1983, C7000 1989-1983, Chevrolet B7 2002-1993, B60 1991-1980, C50 1990-1988, C70 Kodiak 1996-1991, C6500 Kodiak 2002-1997, P6000 1996-1992, GMC B7 1998-1993, B6000 1991-1980, C5000 1989-1988, C6500 Topkick 2002-1997, C7500 Topkick 2000-1997, Isuzu FSR 2002-1997
PRT5575	Disc Brake Rotor	Rear	Chevrolet C60 1990, C60 Kodiak 1996-1990, C70 1990, C70 Kodiak 1996-1990, C6500 Kodiak 2002-1997, C7500 Kodiak 2002-1997, T6500 1998-1997, T7500 2002-1997, GMC C6000 1990, C6000 Topkick 1996-1990, C6500 Topkick 2002-1997, C7000 1990, C7000 Topkick 1996-1990, C7500 Topkick 2002-1997, T6500 1998-1997, T7500 2002-1997, Isuzu FTR 2002-1997, FVR 2002-1997
PRT5576	Disc Brake Rotor	Front	Hyundai Elantra 2006-2001
PRT5577	Disc Brake Rotor	Front	Land Rover Discovery 2004-1999
PRT5579	Disc Brake Rotor	Rear	Audi A8 Quattro 2003-2001

BUYERS GUIDE

Part Number	Product Line	Position	Application
PRT5580	Disc Brake Rotor	Front	Land Rover Freelander 2005-2002
PRT5581	Disc Brake Rotor	Front	Hyundai Sonata 2005-2004, Kia Magentis 2006-2002, Optima 2006-2002
PRT5582	Disc Brake Rotor	Front	Cadillac Escalade 2015-2007, Escalade ESV 2015-2007, Escalade EXT 2013-2007, XTS 2015-2013, Chevrolet Avalanche 2013-2007, Express 1500 2014-2009, Silverado 1500 2015-2005, Suburban 2015, Suburban 1500 2014-2007, Tahoe 2016-2007, GMC Savana 1500 2014-2009, Sierra 1500 2015-2005, Yukon 2015-2007, Yukon XL 2015, Yukon XL 1500 2014-2007
PRT5583	Disc Brake Rotor	Front	Ford Escape 2012-2005, Mazda Tribute 2006-2005, Tribute 2011-2008, Mercury Mariner 2011-2005
PRT5584	Disc Brake Rotor	Front	Ford F-250 Super Duty 2012-2005, F-350 Super Duty 2012-2005
PRT5585	Disc Brake Rotor	Front	Mazda 3 2013-2004
PRT5586	Disc Brake Rotor	Front	Toyota Prius 2009-2004
PRT5587	Disc Brake Rotor	Front Left	Porsche Cayenne 2006-2003, Cayenne 2010-2008, Volkswagen Touareg 2013-2004
PRT5588	Disc Brake Rotor	Front Right	Porsche Cayenne 2006-2003, Cayenne 2010-2008, Volkswagen Touareg 2013-2004
PRT5589	Disc Brake Rotor	Front Right	Audi Q7 2014-2007, Porsche Cayenne 2006-2003, Cayenne 2013-2008, Volkswagen Touareg 2012-2004
PRT5590	Disc Brake Rotor	Front Left	Audi Q7 2014-2007, Porsche Cayenne 2006-2003, Cayenne 2013-2008, Volkswagen Touareg 2012-2004
PRT5592	Disc Brake Rotor	Rear	BMW 740i 2001-1997, 740i 2016, 740iL 2001-1995, 840Ci 1997-1994, 850Ci 1997-1993, 850CSi 1995-1994, 850i 1992-1991
PRT5593	Disc Brake Rotor	Front	Cadillac CTS 2007-2003, Seville 2004-2003, STS 2008-2005
PRT5594	Disc Brake Rotor	Rear	Chevrolet Express 2500 2006-2003, GMC Savana 2500 2006-2003
PRT5595	Disc Brake Rotor	Front	Cadillac SRX 2009-2004
PRT5596	Disc Brake Rotor	Front	Cadillac CTS 2007-2006, STS 2008-2005, Pontiac Bonneville 2005-2004
PRT5597	Disc Brake Rotor	Front	Mazda 6 2005-2003
PRT5598	Disc Brake Rotor	Rear	Land Rover Range Rover 2005-2003
PRT5599	Disc Brake Rotor	Front	Land Rover Range Rover 2005-2003
PRT5600	Disc Brake Rotor	Front	Saab 9-3 2011-2003, 9-3X 2011-2010
PRT5601	Disc Brake Rotor	Rear	Saab 9-3 2011-2003
PRT5602	Disc Brake Rotor	Front	Buick Rainier 2007-2006, Chevrolet Trailblazer 2009-2006, GMC Envoy 2009-2006, Isuzu Ascender 2008-2007
PRT5603	Disc Brake Rotor	Front	Mazda 3 2013-2004, 5 2010-2006, 5 2014-2012
PRT5604	Disc Brake Rotor	Front	Honda Odyssey 2010-2005
PRT5605	Disc Brake Rotor	Front	Kia Sedona 2005-2004
PRT5606	Disc Brake Rotor	Front	Kia Sorento 2006-2003
PRT5607	Disc Brake Rotor	Rear	Cadillac CTS 2007-2003, STS 2011-2005
PRT5608	Disc Brake Rotor	Front	Hummer H3 2010-2006, H3T 2010-2009
PRT5609	Disc Brake Rotor	Rear	Hummer H3 2010-2006, H3T 2010-2009
PRT5610	Disc Brake Rotor	Front	Volkswagen Passat 2005-2002
PRT5611	Disc Brake Rotor	Front	Infiniti EX35 2012-2008, EX37 2013, G25 2012-2011, G35 2008-2005, G37 2012-2008, M35 2010-2006, M35h 2013-2012, M37 2013-2011, M45 2010-2006, M56 2013-2011, Q40 2015, Q50 2015-2014, Q70 2015-2014, Q70L 2015, Nissan Murano 2007-2005, Murano 2013-2012
PRT5612	Disc Brake Rotor	Front	Chevrolet Optra 2007-2004, Suzuki Forenza 2008-2005, Reno 2008-2005
PRT5613	Disc Brake Rotor	Front	Lexus RX330 2006-2004, RX350 2009-2007, RX400h 2008-2006, Toyota Highlander 2007-2006
PRT5614	Disc Brake Rotor	Rear	Buick Terraza 2005, Chevrolet Uplander 2005, Pontiac Montana 2005, Saturn Relay 2005
PRT5615	Disc Brake Rotor	Front	Ford F-450 Super Duty 2013-2005, F-550 Super Duty 2015-2005
PRT5616	Disc Brake Rotor	Front	Ford Mustang 2010-2005
PRT5617	Disc Brake Rotor	Front	Dodge Dakota 2010-2005, Mitsubishi Raider 2009-2006, Ram Dakota 2011
PRT5618	Disc Brake Rotor	Rear	Acura EL 2005-2001
PRT5619	Disc Brake Rotor	Rear	Mazda 3 2013-2004
PRT5620	Disc Brake Rotor	Rear	Mazda 3 2012-2004
PRT5622	Disc Brake Rotor	Rear	Kia Amanti 2006-2004
PRT5623	Disc Brake Rotor	Front	Saab 9-3 2011-2003
PRT5624	Disc Brake Rotor	Rear	Chevrolet Optra 2007-2004, Suzuki Forenza 2004, Verona 2006-2004
PRT5625	Disc Brake Rotor	Rear	Buick Terraza 2007-2006, Chevrolet Uplander 2009-2006, Pontiac Montana 2009-2006, Saturn Relay 2007-2006
PRT5626	Disc Brake Rotor	Front	Ford F-350 Super Duty 2013-2005, F-450 Super Duty 2013-2011, F-550 Super Duty 2011
PRT5628	Disc Brake Rotor	Rear	Buick Allure 2009-2008, Chevrolet Impala 2010-2006, Monte Carlo 2007-2006
PRT5630	Disc Brake Rotor	Rear	Ford F-350 Super Duty 2012-2005, F-450 Super Duty 2012-2011, F-550 Super Duty 2011
PRT5639	Disc Brake Rotor	Front	Audi A3 2016-2006, A3 Quattro 2013-2006, A3 Quattro 2015, Q3 2016-2015, Q3 Quattro 2016-2015, TT 2009-2008, TT Quattro 2015-2008, Volkswagen Beetle 2013-2012, CC 2013-2009, Eos 2015-2007, GTI 2014-2006, Jetta 2014-2005, Passat 2010-2006, Passat 2014-2012, Passat CC 2010-2009, Tiguan 2015-2009

BUYERS GUIDE

Part Number	Product Line	Position	Application
PRT5644	Disc Brake Rotor	Rear	Audi A3 2008, Volkswagen Golf 2010, Jetta 2010-2005, Jetta City 2009-2007, Rabbit 2009-2006
PRT5650	Disc Brake Rotor	Front	Chrysler 300 2014-2005, Dodge Challenger 2013-2009, Charger 2014-2006, Magnum 2008-2005
PRT5651	Disc Brake Rotor	Front	Chrysler 300 2013-2005, Dodge Challenger 2013-2009, Charger 2014-2006, Magnum 2008-2005
PRT5652	Disc Brake Rotor	Front	Ford Focus 2007-2005
PRT5653	Disc Brake Rotor	Rear	Ford Mustang 2014-2005
PRT5654	Disc Brake Rotor	Front	Buick Lucerne 2011-2006, Chevrolet Impala 2013-2006, Impala Limited 2016-2014, Monte Carlo 2007-2006
PRT5655	Disc Brake Rotor	Front	Jeep Commander 2010-2006, Grand Cherokee 2010-2005
PRT5656	Disc Brake Rotor	Rear	Jeep Commander 2010-2006, Grand Cherokee 2010-2005
PRT5657	Disc Brake Rotor	Front	Scion FR-S 2016-2013, Subaru Baja 2006-2004, BRZ 2015-2013, Forester 2015-2009, Impreza 2014-2008, Legacy 2014-2006, Outback 2014-2005, XV Crosstrek 2015-2013
PRT5658	Disc Brake Rotor	Front	Ford Mustang 2012-2005
PRT5659	Disc Brake Rotor	Front	Nissan Micra 1989-1984
PRT5660	Disc Brake Rotor	Front	Chevrolet Trailblazer 2009-2006, Saab 9-7x 2009-2008
PRT5661	Disc Brake Rotor	Front	Chevrolet HHR 2011-2006
PRT5662	Disc Brake Rotor	Front	Chevrolet Aveo 2014-2004, Aveo5 2011-2006, Spark 2015-2013, Spark EV 2014, Pontiac G3 2010-2009, G3 Wave 2009, Wave 2008-2005, Suzuki Swift+ 2009-2004
PRT5663	Disc Brake Rotor	Rear	Cadillac XLR 2009-2006, Chevrolet Corvette 2013-2005
PRT5664	Disc Brake Rotor	Rear	Cadillac CTS 2007-2006, STS 2009-2005
PRT5665	Disc Brake Rotor	Front	Cadillac DTS 2011-2006
PRT5666	Disc Brake Rotor	Front	Ford Five Hundred 2007-2005, Freestyle 2007-2005, Taurus 2009-2008, Taurus X 2009-2008, Mercury Montego 2007-2005, Sable 2009-2008
PRT5667	Disc Brake Rotor	Rear	Ford Five Hundred 2007-2005, Freestyle 2007-2005, Mercury Montego 2007-2005
PRT5668	Disc Brake Rotor	Front	Ford Fusion 2012-2006, Lincoln MKZ 2012-2007, Zephyr 2006, Mazda 6 2013-2006, Mercury Milan 2011-2006
PRT5669	Disc Brake Rotor	Front	Dodge Sprinter 2500 2006-2003, Sprinter 3500 2006-2003, Freightliner Sprinter 2500 2006-2002, Sprinter 3500 2006-2002
PRT5670	Disc Brake Rotor and Hub Assemb	Front	Dodge Ram 1500 Van 2003
PRT5671	Disc Brake Rotor	Rear	Chrysler 300 2007-2005, 300 2013-2011, Dodge Challenger 2013-2008, Charger 2010-2006, Charger 2013-2012, Magnum 2008-2006
PRT5672	Disc Brake Rotor	Rear	Chrysler 200 2014-2011, Sebring 2010-2007, Dodge Avenger 2014-2008, Caliber 2012-2007, Jeep Compass 2016-2007, Patriot 2016-2007, Mitsubishi Lancer 2012-2008
PRT5673	Disc Brake Rotor	Front	Infiniti M45 2004-2003, Q45 2006-2002, Nissan Quest 2009-2004, Quest 2014-2011
PRT5674	Disc Brake Rotor	Front	Hyundai Azera 2011-2006, XG350 2005-2003, Kia Amanti 2009-2004
PRT5675	Disc Brake Rotor	Front	Nissan Frontier 2012-2005, Pathfinder 2012-2005, Xterra 2012-2005, Suzuki Equator 2011-2009
PRT5676	Disc Brake Rotor	Front	Honda Ridgeline 2014-2006
PRT5677	Disc Brake Rotor	Front	Kia Spectra 2009-2004, Spectra5 2009-2005
PRT5678	Disc Brake Rotor	Rear	Acura RDX 2015-2007, Honda CR-V 2013-2005
PRT5679	Disc Brake Rotor	Rear	Honda Ridgeline 2014-2006
PRT5680	Disc Brake Rotor	Front Left	Volkswagen Golf 2004
PRT5681	Disc Brake Rotor	Front Right	Volkswagen Golf 2004
PRT5682	Disc Brake Rotor	Front	Audi A3 2016-2010, Volkswagen Beetle 2013-2012, e-Golf 2015, Golf 2014-2010, Jetta 2013-2005, Rabbit 2009-2006
PRT5683	Disc Brake Rotor	Rear	Audi A3 2009-2006, Volkswagen CC 2013-2009, Eos 2011-2007, GTI 2011-2006, Jetta 2010-2005, Jetta City 2009-2007, Passat 2010-2006, Passat CC 2010-2009, Tiguan 2009
PRT5684	Disc Brake Rotor	Front	Buick Terraza 2005, Chevrolet Uplander 2005, Pontiac Montana 2005, Saturn Relay 2005
PRT5685	Disc Brake Rotor	Rear	Buick Terraza 2006, Chevrolet Uplander 2006, Pontiac Montana 2006, Saturn Relay 2006
PRT5686	Disc Brake Rotor	Front	Buick Terraza 2007-2006, Chevrolet Uplander 2009-2006, Pontiac Montana 2009-2006, Saturn Relay 2007-2006
PRT5687	Disc Brake Rotor	Rear	Chevrolet C4500 Kodiak 2009-2003, C5500 Kodiak 2009-2004, GMC C4500 Topkick 2009-2003, C5500 Topkick 2009-2004

BUYERS GUIDE

Part Number	Product Line	Position	Application
PRT5688	Disc Brake Rotor	Front, Rear	Chevrolet C5500 Kodiak 2009-2003, C6500 Kodiak 2009-2003, C7500 Kodiak 2009-2003, T6500 2009-2004, T7500 2009-2004, W5500 Tiltmaster 2003, GMC C5500 Topkick 2009-2003, C6500 Topkick 2009-2003, C7500 Topkick 2009-2003, T6500 2009-2004, T7500 2009-2004, W5500 Forward 2003, Hino 238 2010-2005, 258LP 2010-2006, 268 2010-2005, Isuzu FTR 2009-2003, FVR 2009-2003, HTR 2008-2005, HVR 2008-2005, Chevrolet C5500 Kodiak 2009-2003, C6500 Kodiak 2009-2003, C7500 Kodiak 2009-2003, T6500 2009-2004, T7500 2009-2004, W5500 Tiltmaster 2003, GMC C5500 Topkick 2009-2003, C6500 Topkick 2009-2003, C7500 Topkick 2009-2003, T6500 2009-2004, T7500 2009-2004, W5500 Forward 2003, Hino 238 2010-2005, 258LP 2010-2006, 268 2010-2005, Isuzu FTR 2009-2003, FVR 2009-2003, HTR 2008-2005, HVR 2008-2005
PRT5689	Disc Brake Rotor	Front, Rear	Chevrolet C4500 Kodiak 2004-2003, C5500 Kodiak 2009-2003, W5500 Tiltmaster 2003, GMC C4500 Topkick 2009-2003, C5500 Topkick 2009-2003, W5500 Forward 2003, Chevrolet C4500 Kodiak 2009-2003, C5500 Kodiak 2009-2003, GMC C4500 Topkick 2009-2003, C5500 Topkick 2009-2003
PRT5690	Disc Brake Rotor	Front	Chevrolet Cobalt 2010-2007, Pontiac G5 2009-2007
PRT5691	Disc Brake Rotor	Front	Pontiac Solstice 2009-2006, Saturn Sky 2010-2007
PRT5692	Disc Brake Rotor	Rear	Cadillac CTS 2007-2004, STS 2011-2006
PRT5693	Disc Brake Rotor	Front	Chevrolet Captiva Sport 2014-2012, Equinox 2009-2007, Pontiac Torrent 2009-2007, Saturn Vue 2010-2008, Suzuki XL-7 2009-2007
PRT5694	Disc Brake Rotor	Rear	Chevrolet Captiva Sport 2014-2012, Equinox 2009-2007, Pontiac Torrent 2009-2007, Saturn Vue 2010-2008, Suzuki XL-7 2009-2007
PRT5697	Disc Brake Rotor	Rear	Ford E-150 2007-2004, E-150 Club Wagon 2005-2004
PRT5698	Disc Brake Rotor	Front	Ford Expedition 2016-2007, F-150 2016-2010, Lincoln Navigator 2016-2007
PRT5699	Disc Brake Rotor	Rear	Ford Expedition 2016-2007, Lincoln Navigator 2014-2007
PRT5700	Disc Brake Rotor	Front	Ford Mustang 2013-2007
PRT5701	Disc Brake Rotor	Front	Ford Edge 2009-2007, Lincoln MKX 2009-2007
PRT5702	Disc Brake Rotor	Front	Ford Edge 2014-2007, Lincoln MKX 2015-2007
PRT5703	Disc Brake Rotor	Rear	Ford Edge 2010-2007, Lincoln MKX 2010-2007
PRT5704	Disc Brake Rotor	Rear	Dodge Sprinter 2500 2003, Freightliner Sprinter 2500 2003
PRT5705	Disc Brake Rotor	Front	Dodge Caliber 2012-2007, Mitsubishi Lancer 2011-2008
PRT5706	Disc Brake Rotor	Front	Chrysler 200 2014-2011, Sebring 2010-2007, Dodge Avenger 2014-2008, Caliber 2012-2007, Jeep Compass 2016-2007, Patriot 2016-2007, Mitsubishi Lancer 2011-2008, Outlander 2012-2007, Outlander Sport 2012-2011, RVR 2012-2011
PRT5707	Disc Brake Rotor	Front	Dodge Nitro 2011-2007, Jeep Liberty 2012-2008
PRT5708	Disc Brake Rotor	Rear	Dodge Nitro 2011-2007, Jeep Liberty 2012-2008
PRT5709	Disc Brake Rotor	Rear	Honda Odyssey 2010-2005
PRT5710	Disc Brake Rotor	Front	Toyota Prius C 2015-2012, Yaris 2013-2006
PRT5711	Disc Brake Rotor	Front	Mazda 3 2013-2007
PRT5712	Disc Brake Rotor	Rear	Lexus ES350 2012-2007, Toyota Avalon 2012-2008, Camry 2011-2007
PRT5713	Disc Brake Rotor	Front	Lexus ES350 2012-2007, Pontiac Vibe 2010-2009, Scion iM 2016, iC 2016-2011, Toyota Avalon 2012-2008, Camry 2012-2007, Corolla 2009, Matrix 2013-2009, Mirai 2016, RAV4 2016-2006
PRT5714	Disc Brake Rotor	Front	Acura RDX 2012-2007, Honda Accord Crosstour 2011-2010, Crosstour 2015-2012, CR-V 2015-2007
PRT5715	Disc Brake Rotor	Front	Nissan Frontier 2014-2005, Suzuki Equator 2012-2009
PRT5716	Disc Brake Rotor	Rear	Nissan Frontier 2015-2005, Xterra 2015-2005, Suzuki Equator 2011-2009
PRT5717	Disc Brake Rotor	Front	Toyota Tacoma 2013-2005
PRT5718	Disc Brake Rotor	Front	Toyota Sequoia 2016-2008, Tundra 2016-2007
PRT5719	Disc Brake Rotor	Rear	Lexus LX570 2011-2008, LX570 2013, Toyota Land Cruiser 2011-2008, Land Cruiser 2013, Sequoia 2016-2008, Tundra 2016-2007
PRT5720	Disc Brake Rotor	Front	Nissan Altima 2013-2007
PRT5721	Disc Brake Rotor	Front	Nissan Cube 2014-2009, Sentra 2012-2007, Versa 2012-2007
PRT5722	Disc Brake Rotor	Front	Nissan Sentra 2012-2007
PRT5723	Disc Brake Rotor	Front	Nissan Rogue 2013-2008, Rogue Select 2015-2014, Sentra 2012-2007
PRT5724	Disc Brake Rotor	Front	Infiniti QX56 2007-2006, Nissan Armada 2007-2006
PRT5725	Disc Brake Rotor	Front	Jeep Wrangler 2016-2007
PRT5726	Disc Brake Rotor	Rear	Jeep Wrangler 2016-2007
PRT5729	Disc Brake Rotor	Rear	Cadillac Escalade 2014-2007, Escalade ESV 2013-2007, Escalade EXT 2013-2007, Chevrolet Avalanche 2013-2007, Silverado 1500 2014-2007, Suburban 1500 2013-2007, Tahoe 2016-2007, GMC Sierra 1500 2014-2007, Yukon 2013-2007, Yukon XL 1500 2013-2007
PRT5730	Disc Brake Rotor	Rear	Ford F-250 Super Duty 2012-2005, F-350 Super Duty 2012-2005
PRT5731	Disc Brake Rotor	Front, Rear	Ford LCF 2007-2006, Dodge Ram 4500 2010-2009, Ram 5500 2010-2009, Ford F-450 Super Duty 2013-2005, F-550 Super Duty 2015-2005, LCF 2007-2006, Ram 4500 2015-2011, 5500 2015-2011
PRT5732	Disc Brake Rotor	Front	Jeep Grand Cherokee 2010-2006
PRT5733	Disc Brake Rotor	Front	Chrysler 300 2007-2005, Dodge Charger 2007-2006, Magnum 2007-2006
PRT5734	Disc Brake Rotor	Front	Ford Explorer 2010-2006, Explorer Sport Trac 2010-2007, Mercury Mountaineer 2010-2006

BUYERS GUIDE

Part Number	Product Line	Position	Application
PRT5735	Disc Brake Rotor	Front	Infiniti QX56 2006-2005, Nissan Armada 2006-2005, Titan 2007-2005
PRT5736	Disc Brake Rotor	Rear	Jeep Grand Cherokee 2010-2006
PRT5737	Disc Brake Rotor	Front	Pontiac Grand Prix 2008-2005
PRT5738	Disc Brake Rotor	Front	Buick Allure 2009-2008, LaCrosse 2009-2008, Lucerne 2011-2006, Cadillac DTS 2011-2006, Chevrolet Impala 2013-2012, Impala Limited 2016-2014
PRT5739	Disc Brake Rotor	Rear	Chrysler 300 2010-2008, Dodge Charger 2013-2006, Magnum 2008-2006
PRT5740	Disc Brake Rotor	Rear	Buick Lucerne 2011-2006, Cadillac DTS 2011-2006
PRT5741	Disc Brake Rotor	Rear	Chrysler Crossfire 2006-2005, Mercedes-Benz C32 AMG 2004-2002, C43 AMG 2000-1998, C55 AMG 2006-2005, CLK55 AMG 2004-2001, CLK500 2006-2003, CLK550 2009-2007, E55 AMG 2002-1999, E430 2002-2001, SLK32 AMG 2004-2002, SLK55 AMG 2010-2007
PRT5742	Disc Brake Rotor	Front	Cadillac CTS 2007-2004, STS 2011-2006
PRT5743	Disc Brake Rotor	Front	Dodge Ram 1500 2006-2004
PRT5744	Disc Brake Rotor	Rear	Subaru Impreza 2007-2006, Legacy 2009-2005
PRT5745	Disc Brake Rotor	Front	Acura TL 2008-2004
PRT5746	Disc Brake Rotor	Rear	Audi A8 Quattro 2010-2004, S8 2007, Volkswagen Phaeton 2006-2004
PRT5747	Disc Brake Rotor	Rear	Pontiac Grand Prix 2008-2005
PRT5748	Disc Brake Rotor	Front	Buick Enclave 2015-2008, Chevrolet Traverse 2015-2009, GMC Acadia 2015-2007, Saturn Outlook 2010-2007
PRT5749	Disc Brake Rotor	Rear	Buick Enclave 2015-2008, Chevrolet Traverse 2014-2009, GMC Acadia 2014-2007, Saturn Outlook 2010-2007
PRT5750	Disc Brake Rotor	Rear	Dodge Ram 1500 2006-2004
PRT5751	Disc Brake Rotor	Front	Subaru Legacy 2014-2005, Outback 2013-2010
PRT5752	Disc Brake Rotor	Rear	Subaru Legacy 2009-2005, Outback 2009-2005
PRT5753	Disc Brake Rotor	Front	Subaru Impreza 2013-2005
PRT5754	Disc Brake Rotor	Rear	Subaru Impreza 2007-2005
PRT5755	Disc Brake Rotor	Rear	Kia Spectra 2009-2004, SpectraS 2009-2005
PRT5756	Disc Brake Rotor	Front	Hyundai Accent 2011-2006, Kia Rio 2011-2006, Rio5 2011-2006
PRT5757	Disc Brake Rotor	Rear	Hyundai Accent 2008-2006, Kia Rio 2007-2006, Rio 2011-2010, Rio5 2007-2006, Rio5 2011-2010
PRT5758	Disc Brake Rotor	Rear	Audi Q7 2012-2007, Porsche Cayenne 2006-2003, Cayenne 2013-2008, Volkswagen Touareg 2013-2004
PRT5759	Disc Brake Rotor	Rear	Audi A6 Quattro 2004-2000
PRT5761	Disc Brake Rotor	Front	Audi A6 2011-2006, A6 Quattro 2011-2005
PRT5762	Disc Brake Rotor and Hub Assemb	Front	Ford F-350 Super Duty 2004-2003
PRT5763	Disc Brake Rotor	Front	Chevrolet B7 1998-1997, B7 2002-2001, GMC B7 2000-1997, C7500 Topkick 2002-1999, T7500 2002-1997, Isuzu FTR 2002-1997
PRT5764	Disc Brake Rotor	Rear	Honda Civic 2003-2002
PRT5765	Disc Brake Rotor	Rear	Acura CSX 2011-2006, ILX 2015-2013, Honda Civic 2014-2006
PRT5767	Disc Brake Rotor	Front	Acura CSX 2010-2007, ILX 2015-2013, Honda Civic 2015-2006, CR-V 2006-2005
PRT5768	Disc Brake Rotor	Rear	Dodge Sprinter 2500 2006-2003, Sprinter 3500 2006-2003, Freightliner Sprinter 2500 2006-2002, Sprinter 3500 2006-2002
PRT5772	Disc Brake Rotor	Rear	Cadillac SRX 2009-2004
PRT5773	Disc Brake Rotor	Rear	Acura TSX 2014-2009, Honda Accord 2012-2005, Accord 2014
PRT5774	Disc Brake Rotor	Rear	Nissan Pathfinder 2012-2005
PRT5775	Disc Brake Rotor	Front	Hyundai Veracruz 2012-2007
PRT5776	Disc Brake Rotor	Rear	Hyundai Veracruz 2012-2007
PRT5777	Disc Brake Rotor	Front	Hyundai Santa Fe 2009-2007
PRT5778	Disc Brake Rotor	Rear	Hyundai Santa Fe 2009-2007
PRT5780	Disc Brake Rotor	Rear	Hyundai Entourage 2008-2007, Kia Sedona 2012-2006, Sedona 2014
PRT5781	Disc Brake Rotor	Front	Mazda CX-9 2014-2007
PRT5782	Disc Brake Rotor	Rear	Mazda CX-9 2014-2007
PRT5783	Disc Brake Rotor	Front	Acura MDX 2013-2007, ZDX 2013-2010, Honda Pilot 2014-2009
PRT5784	Disc Brake Rotor	Rear	Acura MDX 2013-2007, ZDX 2013-2010, Honda Odyssey 2014-2011, Pilot 2014-2009
PRT5785	Disc Brake Rotor	Rear	Audi A6 2011-2006, A6 Quattro 2011-2005
PRT5786	Disc Brake Rotor	Rear	Dodge Viper 2006-2003, Viper 2010-2008
PRT5787	Disc Brake Rotor	Front	Dodge Viper 2006-2003, Viper 2010-2008
PRT5788	Disc Brake Rotor	Rear	Kia Sorento 2003
PRT5789	Disc Brake Rotor	Front	Cadillac XLR 2009-2006, Chevrolet Corvette 2013-2005
PRT5790	Disc Brake Rotor	Front	Cadillac XLR 2009-2004, Chevrolet Corvette 2013-2005
PRT5791	Disc Brake Rotor	Rear	Cadillac XLR 2009-2004, Chevrolet Corvette 2013-2005
PRT5792	Disc Brake Rotor	Rear	Pontiac Solstice 2009-2006, Saturn Sky 2010-2007
PRT5793	Disc Brake Rotor and Hub Assemb	Front	Ford E-150 2006-2004, E-150 Club Wagon 2005-2004
PRT5794	Disc Brake Rotor	Rear	Subaru B9 Tribeca 2007-2006, Tribeca 2014-2008
PRT5795	Disc Brake Rotor	Front	Subaru B9 Tribeca 2007-2006, Tribeca 2014-2008
PRT5796	Disc Brake Rotor and Hub Assemb	Front	Ford Excursion 2005, F-250 Super Duty 2007-2005, F-350 Super Duty 2007-2005
PRT5797	Disc Brake Rotor and Hub Assemb	Front	Ford F-350 Super Duty 2007-2005
PRT5798	Disc Brake Rotor	Front	Lexus NX200t 2016-2015, NX300h 2016-2015, RX350 2015-2010, RX450h 2015-2010, Toyota Highlander 2016-2008, Sienna 2015-2011
PRT5799	Disc Brake Rotor	Rear	Toyota Highlander 2013-2008

BUYERS GUIDE

Part Number	Product Line	Position	Application
PRT5800	Disc Brake Rotor	Front	Ford Focus 2011-2008
PRT5801	Disc Brake Rotor	Front Right	Lexus LS460 2013-2007, LS600h 2013-2008
PRT5802	Disc Brake Rotor	Front Left	Lexus LS460 2013-2007, LS600h 2013-2008
PRT5803	Disc Brake Rotor	Rear Right	Lexus LS460 2013-2007, LS600h 2013-2008
PRT5804	Disc Brake Rotor	Rear Left	Lexus LS460 2013-2007, LS600h 2013-2008
PRT5805	Disc Brake Rotor	Front	Mazda MX-5 Miata 2014-2006
PRT5806	Disc Brake Rotor	Rear	Mazda MX-5 Miata 2014-2008
PRT5807	Disc Brake Rotor	Front	Nissan Pathfinder 2012-2008
PRT5808	Disc Brake Rotor	Front	Infiniti QX56 2012-2008, Nissan Armada 2012-2008, Titan 2012-2008
PRT5809	Disc Brake Rotor	Front	Saab 9-3 2011-2003
PRT5810	Disc Brake Rotor	Rear	Saab 9-3 2011-2003
PRT5811	Disc Brake Rotor	Rear	Subaru BRZ 2015-2013, Forester 2013-2009, Impreza 2013-2008, Legacy 2014-2010, Outback 2013-2010
PRT5813	Disc Brake Rotor and Hub Assembl	Front	Ford F-250 Super Duty 2012-2011, F-350 Super Duty 2012-2008
PRT5814	Disc Brake Rotor	Front	Infiniti FX50 2013-2009, G37 2013-2008, M37 2013-2011, M56 2013-2011, Q50 2015-2014, Q70 2015-2014, Q70L 2015, Nissan 370Z 2012-2009
PRT5815	Disc Brake Rotor	Front	Infiniti G35 2008-2007, G37 2013-2008
PRT5816	Disc Brake Rotor	Rear	Infiniti G35 2008-2007, G37 2013-2008
PRT5817	Disc Brake Rotor	Rear	Infiniti G37 2013-2008, Nissan 370Z 2014-2009
PRT5818	Disc Brake Rotor	Front	Pontiac Vibe 2010-2009, Scion xD 2014-2008, Toyota Corolla 2016-2009, Matrix 2013-2009
PRT5819	Disc Brake Rotor	Front	Toyota 4Runner 2010-2008, FJ Cruiser 2014-2008, Tacoma 2012-2008, Tacoma 2014
PRT5820	Disc Brake Rotor	Rear	BMW 525xi 2007-2006, 528i 2010, 528i xDrive 2010-2009, 528xi 2008, 530xi 2007-2006, 535i xDrive 2010-2009, 535xi 2008
PRT5821	Disc Brake Rotor	Front	BMW 535i 2010-2008, 545i 2005-2004, 550i 2010-2006, 645Ci 2005-2004, 650i 2010-2006
PRT5822	Disc Brake Rotor	Front	BMW 335d 2011-2009, 335i 2012-2007, 335is 2012-2011, 335i xDrive 2012-2009, 335xi 2008-2007, X1 2015-2013
PRT5823	Disc Brake Rotor	Rear	BMW 330i 2006, 330xi 2006, 335d 2011-2009, 335i 2013-2007, 335is 2012-2011, 335i xDrive 2012-2009, 335xi 2008-2007, X1 2015-2013
PRT5825	Disc Brake Rotor	Front	Dodge Sprinter 2500 2009-2007, Sprinter 3500 2009-2007, Freightliner Sprinter 2500 2012-2007, Sprinter 3500 2009-2007, Mercedes-Benz Sprinter 2500 2012-2010, Sprinter 3500 2012-2010
PRT5826	Disc Brake Rotor	Rear	Dodge Sprinter 2500 2009-2007, Mercedes-Benz Sprinter 2500 2015-2010, Sprinter 3500 2015-2010
PRT5827	Disc Brake Rotor	Rear	Dodge Sprinter 3500 2009-2007, Freightliner Sprinter 2500 2009-2007, Sprinter 3500 2009-2007, Mercedes-Benz Sprinter 3500 2012-2010
PRT5828	Disc Brake Rotor	Front	Chrysler Crossfire 2006-2005
PRT5829	Disc Brake Rotor and Hub Assembl	Front	Ford F-250 Super Duty 2012-2008, F-350 Super Duty 2013-2008
PRT5830	Disc Brake Rotor	Front	Audi TT 2006-1999, TT Quattro 2006-2000, Volkswagen Golf 2003-2002, Jetta 2005-2004
PRT5831	Disc Brake Rotor	Front	Hyundai Elantra 2012-2011, Sonata 2010-2006, Tucson 2012-2010, Kia Magentis 2010-2006, Optima 2010-2006, Rondo 2012-2010, Soul 2013-2012, Sportage 2011
PRT5832	Disc Brake Rotor	Front	Hyundai Sonata 2014-2006, Tucson 2015-2010, Kia Forte 2012-2010, Forte Koup 2012-2010, Optima 2014-2011, Sportage 2013-2011
PRT5833	Disc Brake Rotor	Rear	Mazda RX-8 2011-2004
PRT5834	Disc Brake Rotor	Rear	Pontiac Vibe 2010-2009
PRT5835	Disc Brake Rotor	Front	Cadillac STS 2011-2006
PRT5836	Disc Brake Rotor	Rear	Cadillac CTS 2013-2008, Chevrolet Camaro 2015-2010
PRT5837	Disc Brake Rotor	Rear	Cadillac CTS 2012-2008
PRT5838	Disc Brake Rotor	Rear	Saturn Astra 2009-2008
PRT5839	Disc Brake Rotor	Front	Cadillac CTS 2013-2008, Chevrolet Caprice 2016-2011
PRT5840	Disc Brake Rotor and Hub Assembl	Front	Ford E-350 Super Duty 2016-2008, E-450 Super Duty 2016-2008
PRT5841	Disc Brake Rotor	Rear	Ford E-450 Super Duty 2015-2008
PRT5842	Disc Brake Rotor	Front	Ford Flex 2011-2009, Taurus 2010, Lincoln MKS 2010-2009, MKT 2011-2010
PRT5843	Disc Brake Rotor	Front	Chrysler Town & Country 2015-2008, Dodge Grand Caravan 2014-2008, Journey 2012-2009, Ram C/V 2013-2012, Volkswagen Routan 2012-2009
PRT5844	Disc Brake Rotor	Rear	Chrysler Town & Country 2015-2008, Dodge Grand Caravan 2015-2008, Journey 2013-2009, Ram C/V 2015-2012, Volkswagen Routan 2014-2009
PRT5845	Disc Brake Rotor	Rear	Infiniti EX35 2012-2008, EX37 2013, G25 2012-2011, G35 2008-2005, G37 2013-2009, M35 2010-2006, M45 2010-2006, Q40 2015, Q50 2015-2014, Nissan 350Z 2009-2006, 370Z 2014-2009
PRT5846	Disc Brake Rotor	Rear	Hyundai Sonata 2010-2006
PRT5847	Disc Brake Rotor	Rear	Kia Sorento 2006-2003
PRT5848	Disc Brake Rotor	Front	Lexus IS250 2013-2006
PRT5849	Disc Brake Rotor	Rear	Lexus LS430 2006-2001
PRT5850	Disc Brake Rotor	Front	Kia Borrego 2011-2009
PRT5851	Disc Brake Rotor	Rear	Kia Borrego 2011-2009
PRT5852	Disc Brake Rotor	Rear	Hyundai Azera 2009-2006, Kia Amanti 2009-2007
PRT5853	Disc Brake Rotor	Rear	Pontiac Vibe 2010-2009, Scion xB 2013-2008, Toyota Matrix 2013-2009

BUYERS GUIDE

Part Number	Product Line	Position	Application
PRT5854	Disc Brake Rotor	Rear	Lexus CT200h 2013-2011, Pontiac Vibe 2010-2009, Toyota Corolla 2015-2009, Matrix 2013-2009, Prius 2015-2010, Prius Plug-In 2015-2012
PRT5855	Disc Brake Rotor	Front	Hyundai Genesis 2011-2009
PRT5856	Disc Brake Rotor	Front	Hyundai Genesis 2013-2009
PRT5857	Disc Brake Rotor	Rear	Hyundai Genesis 2011-2009
PRT5858	Disc Brake Rotor	Front	Mercedes-Benz C230 2007-2002, C320 2005-2001, CLK350 2009-2006, SLK350 2011-2005
PRT5859	Disc Brake Rotor	Rear	BMW X3 2010-2004
PRT5860	Disc Brake Rotor	Front	BMW X3 2010-2004
PRT5861	Disc Brake Rotor	Front	BMW 128i 2013-2008, 323i 2007-2006, 325i 2006, 325xi 2006, 328i 2007, 328xi 2007
PRT5862	Disc Brake Rotor	Rear	BMW 320i 2015-2013, 323i 2011-2006, 325i 2006, 328i 2011-2007
PRT5863	Disc Brake Rotor	Front	Pontiac GTO 2006-2005
PRT5864	Disc Brake Rotor	Rear	Pontiac GTO 2006-2005
PRT5865	Disc Brake Rotor	Front	Pontiac G8 2009-2008
PRT5866	Disc Brake Rotor	Front	Kia Rondo 2009-2007
PRT5867	Disc Brake Rotor	Rear	Mazda CX-7 2012-2007
PRT5868	Disc Brake Rotor	Rear	Kia Rondo 2012-2007
PRT5869	Disc Brake Rotor	Front	Mercedes-Benz ML320 2009-2007, ML350 2011-2006, ML450 2011-2010, ML500 2007-2006, R320 2009-2007, R350 2012-2006, R500 2007-2006, SLK300 2011
PRT5870	Disc Brake Rotor	Rear	Mercedes-Benz ML320 2009-2007, ML350 2011-2006, ML450 2011-2010, ML500 2007-2006, R320 2009-2007, R350 2009-2006, R500 2007-2006
PRT5871	Disc Brake Rotor	Front	Mercedes-Benz GL320 2008-2007, GL350 2012-2010, GL450 2012-2007, GL550 2012-2008, ML500 2006, ML550 2011-2008, SLK300 2011-2009
PRT5872	Disc Brake Rotor	Rear	Mercedes-Benz GL320 2009-2007, GL350 2012-2010, GL450 2012-2007, GL550 2012-2008, ML320 2009-2007, ML350 2006, ML500 2007-2006, ML550 2011-2008, R320 2009-2007, R350 2012-2006
PRT5873	Disc Brake Rotor	Rear	BMW 325xi 2005-2001
PRT5874	Disc Brake Rotor	Front	Mercedes-Benz E350 2009-2006, E500 2006-2004, S430 2006-2003, S500 2006-2003
PRT5875	Disc Brake Rotor	Rear	Chevrolet Express 2500 2009-2008, Express 2500 2014-2011, Express 3500 2013-2005, GMC Savana 2500 2009-2008, Savana 2500 2013-2011, Savana 3500 2013-2005
PRT5876	Disc Brake Rotor	Front	Audi S4 2009-2004
PRT5877	Disc Brake Rotor	Rear	Volvo S70 2000-1999, V70 2000-1998
PRT5878	Disc Brake Rotor	Rear	Mitsubishi Eclipse 2012-2006, Galant 2009-2007
PRT5879	Disc Brake Rotor	Front	Suzuki Grand Vitara 2012-2006
PRT5880	Disc Brake Rotor	Front	Mazda 6 2007-2006
PRT5881	Disc Brake Rotor	Front	Hyundai Entourage 2008-2007, Kia Sedona 2012-2006, Sedona 2014
PRT5882	Disc Brake Rotor	Front	Mazda RX-8 2011-2004
PRT5883	Disc Brake Rotor	Front	Mazda RX-8 2007-2004
PRT5884	Disc Brake Rotor	Rear	Volvo C30 2013-2007, C70 2013-2006, S40 2011-2004, V50 2011-2005
PRT5885	Disc Brake Rotor	Rear	BMW 525i 2007-2004, 528i 2009-2008, 530i 2007-2004
PRT5886	Disc Brake Rotor	Front	Lexus HS250h 2012-2010, Scion xB 2015-2008, Toyota Prius V 2016-2012, RAV4 2008-2006, RAV4 2015-2012
PRT5887	Disc Brake Rotor	Front	Mazda Miata 2005-2001
PRT5888	Disc Brake Rotor	Front	BMW 530i 2003-2001
PRT5889	Disc Brake Rotor	Front	Mazda Millenia 2002-2001
PRT5890	Disc Brake Rotor	Front	Kia Sephia 2000-1994, Spectra 2000
PRT5891	Disc Brake Rotor	Front	Hyundai Tiburon 2008-2007
PRT5892	Disc Brake Rotor	Rear	Subaru Impreza 2013-2008
PRT5893	Disc Brake Rotor	Front	Chevrolet Cobalt 2010-2008, HHR 2010-2008
PRT5894	Disc Brake Rotor	Rear	Kia Sorento 2009-2007
PRT5895	Disc Brake Rotor	Front	Kia Sorento 2009-2007
PRT5896	Disc Brake Rotor	Rear	Chrysler 200 2014-2011, Sebring 2010-2007, Dodge Avenger 2014-2008, Caliber 2009-2008, Jeep Compass 2014-2007, Patriot 2014-2007, Mitsubishi Lancer 2011-2008, Outlander 2012-2008, Outlander Sport 2012-2011
PRT5897	Disc Brake Rotor	Front	Mazda CX-7 2012-2007
PRT5898	Disc Brake Rotor	Rear	Ford Edge 2014-2011, Explorer 2016-2011, Flex 2015-2009, Taurus 2015-2008, Taurus X 2009-2008, Lincoln MKS 2012-2009, MKT 2015-2010, MKX 2013-2011, Mercury Sable 2009-2008
PRT5899	Disc Brake Rotor	Front	Chevrolet Cobalt 2010-2008, Pontiac G5 2010-2008
PRT5900	Disc Brake Rotor	Rear	Chevrolet Cobalt 2010-2008
PRT5901	Disc Brake Rotor	Rear	Cadillac CTS 2013-2009, Chevrolet Camaro 2015-2010
PRT5902	Disc Brake Rotor	Rear	Cadillac STS 2011-2009
PRT5903	Disc Brake Rotor	Front	Chevrolet Tahoe 2016-2009
PRT5904	Disc Brake Rotor	Front	Pontiac G8 2009-2008
PRT5905	Disc Brake Rotor	Rear	Chevrolet Express 3500 2009, Express 3500 2013-2011, Express 4500 2014-2009, GMC Savana 3500 2009, Savana 3500 2013-2011, Savana 4500 2014-2009
PRT5906	Disc Brake Rotor	Front	Chevrolet Colorado 2012-2009, GMC Canyon 2012-2009

BUYERS GUIDE

Part Number	Product Line	Position	Application
PRT5907	Disc Brake Rotor	Front	Ford Five Hundred 2007-2005, Freestyle 2007-2005, Taurus 2009-2008, Taurus X 2009-2008, Mercury Montego 2007-2005, Sable 2009-2008
PRT5908	Disc Brake Rotor	Front	Lexus LX570 2011-2008, LX570 2013, Toyota Land Cruiser 2011-2008, Land Cruiser 2013
PRT5909	Disc Brake Rotor	Front	Dodge Ram 2500 2010-2009, Ram 3500 2010-2009, Ram 2500 2015-2011, 3500 2015-2011
PRT5910	Disc Brake Rotor	Rear	Dodge Ram 2500 2010-2009, Ram 3500 2010-2009, Ram 2500 2015-2011, 3500 2015-2011
PRT5911	Disc Brake Rotor	Front	Dodge Ram 4500 2010-2008, Ram 5500 2010-2008, Ram 4500 2015-2011, 5500 2015-2011
PRT5912	Disc Brake Rotor	Front	Toyota Venza 2015-2009
PRT5913	Disc Brake Rotor	Rear	Toyota Venza 2015-2009
PRT5914	Disc Brake Rotor	Rear	Ford E-350 Super Duty 2014-2008
PRT5915	Disc Brake Rotor and Hub Assembl	Front	Ford E-150 2014-2008, E-250 2014-2008, E-350 Super Duty 2016-2008, E-450 Super Duty 2010
PRT5916	Disc Brake Rotor	Rear	Ford E-150 2014-2008, E-250 2014-2008, E-350 Super Duty 2016-2008
PRT5917	Disc Brake Rotor	Front	Dodge Nitro 2011-2008, Jeep Liberty 2012-2008
PRT5918	Disc Brake Rotor	Front	Cadillac CTS 2013-2008
PRT5919	Disc Brake Rotor	Rear	Pontiac G8 2009-2008
PRT5920	Disc Brake Rotor	Front	Chrysler 200 2014-2013, Dodge Avenger 2014-2013, Caliber 2009-2008
PRT5921	Disc Brake Rotor	Front	Hyundai Elantra 2010-2007
PRT5922	Disc Brake Rotor	Rear	Lexus HS250h 2012-2010, Toyota RAV4 2016-2006
PRT5923	Disc Brake Rotor	Front	Volkswagen Passat 2005-2002
PRT5924	Disc Brake Rotor	Rear	BMW Z4 2005-2003
PRT5925	Disc Brake Rotor	Front	Mini Cooper 2008-2006
PRT5926	Disc Brake Rotor	Front	Mini Cooper 2014-2007
PRT5927	Disc Brake Rotor	Front	Mini Cooper 2013-2007
PRT5928	Disc Brake Rotor	Front	Mercedes-Benz C32 AMG 2002, C55 AMG 2006-2005, C350 2006, CLK55 AMG 2005, CLK350 2006, CLK350 2009, CLK550 2009-2007, SLK55 AMG 2010-2008, SLK300 2009, SLK350 2009
PRT5929	Disc Brake Rotor	Front	Lexus LS460 2013-2007
PRT5930	Disc Brake Rotor	Front Right	Lexus GS350 2008-2007, GS350 2013, GS430 2007-2006, GS450h 2008-2007, GS460 2008, IS350 2008-2006
PRT5931	Disc Brake Rotor	Rear	Buick Terraza 2006, Pontiac Montana 2009
PRT5932	Disc Brake Rotor	Rear	Chevrolet Caprice 2011, Pontiac G8 2009-2008
PRT5933	Disc Brake Rotor	Rear	Audi A4 2006-2005, A4 Quattro 2006-2005
PRT5934	Disc Brake Rotor	Rear	Mitsubishi Lancer 2012-2009, Outlander 2012-2007
PRT5935	Disc Brake Rotor	Front	Land Rover Range Rover 2012-2006
PRT5936	Disc Brake Rotor	Rear	Saab 9-5 2009-2002
PRT5937	Disc Brake Rotor	Front Right	Lexus GS350 2008-2007
PRT5938	Disc Brake Rotor	Front	Ford F-150 2009
PRT5939	Disc Brake Rotor	Rear	Land Rover Range Rover 2012-2006
PRT5940	Disc Brake Rotor	Rear	Lexus GS300 2006, GS350 2011-2007, GS430 2007-2006, GS450h 2011-2007, GS460 2011-2008, IS250 2013-2010, IS350 2013-2006
PRT5941	Disc Brake Rotor	Rear	Lexus IS250 2013-2006
PRT5942	Disc Brake Rotor	Rear	Suzuki SX4 2012-2007
PRT5943	Disc Brake Rotor	Front	Lexus IS F 2013-2008
PRT5944	Disc Brake Rotor	Front	Lexus CT200h 2016-2011, Toyota Prius 2015-2010, Prius Plug-In 2015-2012
PRT5945	Disc Brake Rotor	Rear	BMW 535i 2010-2008, 545i 2005-2004, 550i 2010-2006, 645Ci 2005-2004, 650i 2010-2006
PRT5946	Disc Brake Rotor	Front	Mitsubishi Lancer 2009, Outlander 2006-2005
PRT5947	Disc Brake Rotor	Rear	Land Rover LR3 2007-2005
PRT5948	Disc Brake Rotor	Rear	Infiniti M45 2004-2003, Q45 2006-2002
PRT5949	Disc Brake Rotor	Rear	Mazda Miata 2005-2001
PRT5950	Disc Brake Rotor	Front	Infiniti FX35 2012-2006, FX37 2013, FX45 2008-2006
PRT5951	Disc Brake Rotor	Front	Acura RL 2012-2005
PRT5952	Disc Brake Rotor	Rear	Acura RL 2012-2005
PRT5953	Disc Brake Rotor	Front	Nissan Maxima 2014-2009, Murano 2011-2008
PRT5954	Disc Brake Rotor	Front Left	Lexus GS350 2011-2009, GS450h 2011-2009, GS460 2011-2009, IS350 2012-2009
PRT5955	Disc Brake Rotor	Rear	Nissan Maxima 2014-2009
PRT5956	Disc Brake Rotor	Front	Land Rover LR4 2015-2010, Range Rover Sport 2013-2006
PRT5957	Disc Brake Rotor	Front	Mercedes-Benz E300 2009-2008, E320 2005-2004, E350 2009-2006
PRT5958	Disc Brake Rotor	Rear	Audi S3 2015, Volkswagen CC 2013-2009, Golf 2013-2012, Passat 2010-2006, Passat CC 2010-2009, R32 2008
PRT5959	Disc Brake Rotor	Front	Audi A6 2011-2006, A6 Quattro 2011-2005
PRT5960	Disc Brake Rotor	Front	Volvo C30 2013-2007, C70 2012-2006, S40 2011-2004, V50 2011-2005
PRT5961	Disc Brake Rotor	Front	Volvo S60 2007-2004, V70 2007-2004
PRT5962	Disc Brake Rotor	Front	Ford Focus 2013, Volvo C70 2013-2006, S40 2010-2004, V50 2010-2005
PRT5963	Disc Brake Rotor	Front	Mini Cooper 2011-2009
PRT5964	Disc Brake Rotor	Rear	Mini Cooper 2014-2006
PRT5965	Disc Brake Rotor	Rear	Volvo S60 2013-2011, S80 2013-2007, V70 2010-2008, XC70 2013-2008

BUYERS GUIDE

Part Number	Product Line	Position	Application
PRT5966	Disc Brake Rotor	Front	Land Rover LR3 2007-2005
PRT5967	Disc Brake Rotor	Front	Land Rover LR3 2009-2005, Range Rover Sport 2009-2006
PRT5968	Disc Brake Rotor	Front	BMW X5 2013-2007, X6 2013-2011
PRT5969	Disc Brake Rotor	Front	BMW X5 2013-2009, X6 2010-2008
PRT5970	Disc Brake Rotor	Front Left	BMW 760Li 2015-2010, Alpina B6 xDrive Gran Coupe 2016-2015, Alpina B7 2015-2011, Alpina B7L 2015-2011, Alpina B7L xDrive 2015-2011, Alpina B7 xDrive 2015-2011
PRT5971	Disc Brake Rotor	Front Right	BMW 760Li 2015-2010, Alpina B6 xDrive Gran Coupe 2016-2015, Alpina B7 2015-2011, Alpina B7L 2015-2011, Alpina B7L xDrive 2015-2011, Alpina B7 xDrive 2015-2011
PRT5972	Disc Brake Rotor	Rear	Cadillac SRX 2014-2010
PRT5973	Disc Brake Rotor	Front	Buick Allure 2010, LaCrosse 2015-2010, Regal 2014-2011, Chevrolet Camaro 2015-2010, Equinox 2014-2010, Impala 2014, Malibu 2015-2013, GMC Terrain 2014-2010, Saab 9-5 2011-2010
PRT5974	Disc Brake Rotor	Front	Lexus RX330 2006, RX350 2009-2007
PRT5975	Disc Brake Rotor	Front	Hyundai Genesis Coupe 2015-2010
PRT5976	Disc Brake Rotor	Rear	Hyundai Elantra 2010-2007
PRT5977	Disc Brake Rotor	Rear	Mazda 5 2010-2006, 5 2014-2012
PRT5978	Disc Brake Rotor	Rear	Infiniti G35 2004-2003, Nissan 350Z 2009-2003
PRT5979	Disc Brake Rotor	Front	Acura NSX 2005-1997
PRT5980	Disc Brake Rotor	Rear	Acura NSX 2005-1997
PRT5981	Disc Brake Rotor	Front Left	Lexus GS300 2006, IS250 2013-2009, IS350 2013
PRT5982	Disc Brake Rotor	Front Right	Lexus GS300 2006, IS250 2013-2009, IS350 2013
PRT5983	Disc Brake Rotor	Front	Nissan Versa 2011-2009
PRT5984	Disc Brake Rotor	Front	Mini Cooper 2006-2002
PRT5985	Disc Brake Rotor	Rear	Audi A6 2011-2006, A6 Quattro 2011-2005
PRT5986	Disc Brake Rotor	Front	Volkswagen CC 2012-2009, Golf 2013-2012, Passat 2010-2006, Passat CC 2010-2009, R32 2008
PRT5987	Disc Brake Rotor	Front	Smart Fortwo 2013-2005
PRT5988	Disc Brake Rotor	Front	Ford Transit Connect 2013-2010
PRT5989	Disc Brake Rotor	Rear	Land Rover LR3 2009-2005, LR4 2015-2010, Range Rover Sport 2013-2006
PRT5990	Disc Brake Rotor	Front	Kia Soul 2011-2010
PRT5991	Disc Brake Rotor	Front	Kia Forte 2013-2010, Forte Koup 2013-2010, Soul 2011-2010
PRT5992	Disc Brake Rotor	Front Left	Lexus GS350 2008-2007, GS350 2013, GS430 2007-2006, GS450h 2008-2007, GS460 2008, IS350 2008-2006
PRT5993	Disc Brake Rotor	Rear	Audi A4 2015-2009, A4 Quattro 2015-2009, A5 2014-2010, A5 Quattro 2014-2008, A6 2013-2012, A6 Quattro 2013, allroad 2015-2013, Q5 2014-2009
PRT5994	Disc Brake Rotor	Front	Audi Q5 2011-2009, S4 2011-2010, S5 2011-2008
PRT5995	Disc Brake Rotor	Front	Cadillac SRX 2014-2010
PRT5996	Disc Brake Rotor	Rear	Chevrolet Equinox 2014-2010, GMC Terrain 2014-2010
PRT5997	Disc Brake Rotor	Rear	Hyundai Genesis Coupe 2013-2010
PRT5998	Disc Brake Rotor	Rear	Kia Forte 2013-2010, Forte Koup 2013-2010, Soul 2013-2010
PRT5999	Disc Brake Rotor	Front	Buick Regal 2013-2012, Chevrolet Camaro 2015-2010, SS 2014, Pontiac G8 2009
PRT6000	Disc Brake Rotor	Front	Ford F-150 2009
PRT6001	Disc Brake Rotor	Rear	Lexus RX350 2015-2010, RX450h 2013-2010, RX450h 2015, Toyota Highlander 2016-2014, Sienna 2015-2011
PRT6002	Disc Brake Rotor	Front	Audi S6 2011-2007
PRT6003	Disc Brake Rotor	Front	Mercedes-Benz C350 2012-2010, E350 2012-2010
PRT6004	Disc Brake Rotor	Front	Audi A4 2011-2009, A4 Quattro 2011-2009, A5 2011-2010, A5 Quattro 2011-2008, Q5 2011-2009
PRT6005	Disc Brake Rotor	Front	Volvo S60 2013, S80 2013-2007, V70 2010-2008, XC70 2013-2008
PRT6006	Disc Brake Rotor	Rear	Volvo S60 2012-2011, S80 2012-2007, V70 2010-2008, XC70 2012-2008
PRT6007	Disc Brake Rotor	Front	Land Rover LR2 2015-2008, Volvo S60 2013-2011, S80 2013-2007, V70 2010-2008, XC70 2013-2008
PRT6008	Disc Brake Rotor	Rear	Volvo S60 2007-2004, V70 2007-2004
PRT6009	Disc Brake Rotor	Front	Volvo XC60 2013-2010
PRT6010	Disc Brake Rotor	Rear	Volvo XC60 2013-2010
PRT6011	Disc Brake Rotor	Front	Volvo XC90 2013-2003
PRT6012	Disc Brake Rotor	Front	BMW 525i 2007-2004, 525xi 2007-2006, 528i 2010-2008, 528i xDrive 2010-2009, 528xi 2008, 530i 2007-2004, 530xi 2007-2006, 535i xDrive 2010-2009, 535xi 2008
PRT6013	Disc Brake Rotor	Rear	Audi Q5 2010-2009, S4 2011-2010, S5 2011-2008
PRT6014	Disc Brake Rotor	Rear	Audi TT 2011-2008, TT Quattro 2011-2008, TT Quattro 2014-2013
PRT6015	Disc Brake Rotor	Front	Land Rover Range Rover Evoque 2013-2012, Volvo S60 2012-2011, S80 2012-2007, V70 2010-2008, XC70 2012-2008
PRT6016	Disc Brake Rotor	Rear	Infiniti FX50 2013-2009, M37 2013-2011, M56 2013-2011, Q50 2015-2014, Q70 2015-2014, Q70L 2015
PRT6017	Disc Brake Rotor	Rear	Honda Accord Crosstour 2011-2010, Crosstour 2015-2012
PRT6018	Disc Brake Rotor	Rear	Hyundai Genesis Coupe 2013-2010
PRT6019	Disc Brake Rotor	Rear	Hyundai Elantra 2012-2011, Tucson 2013-2010, Kia Sportage 2013-2011

BUYERS GUIDE

Part Number	Product Line	Position	Application
PRT6020	Disc Brake Rotor	Front	Mercedes-Benz CLS500 2006, CLS550 2011-2007, E550 2009-2007, GLK350 2013-2010
PRT6021	Disc Brake Rotor	Rear	Mercedes-Benz C250 2013, C300 2013, C350 2013-2008, E550 2013-2010
PRT6022	Disc Brake Rotor	Rear	Jaguar S-Type 2008-2005, Super V8 2009-2005, Vanden Plas 2009-2005, XF 2012-2009, XJ 2012-2011, XJ8 2009-2006, XJR 2009-2005, XK 2012-2007, XKR 2009-2007
PRT6023	Disc Brake Rotor	Front	Jaguar S-Type 2008-2005, Vanden Plas 2009-2005, XF 2010-2009, XF 2013, XJ8 2009-2005, XK 2009-2007
PRT6024	Disc Brake Rotor	Rear	Jaguar XF 2013-2010, XFR 2013-2010, XJ 2013-2011, XKR 2013-2010, XKR-S 2013-2012
PRT6025	Disc Brake Rotor	Front	Jaguar XF 2013-2011, XFR 2013-2010, XJ 2013-2011, XKR 2013-2010, XKR-S 2013-2012
PRT6026	Disc Brake Rotor	Front	Jaguar S-Type 2008-2005, Super V8 2009-2005, XF 2013-2009, XJ 2013-2011, XJR 2009-2005, XK 2013-2010, XKR 2009-2007
PRT6027	Disc Brake Rotor	Rear	Audi S6 2011-2007
PRT6028	Disc Brake Rotor	Front	Mercedes-Benz C350 2012-2008, E350 2012-2010
PRT6029	Disc Brake Rotor	Front	Mercedes-Benz E350 2012, E550 2011-2010
PRT6030	Disc Brake Rotor	Rear	Mercedes-Benz CLS550 2012, E550 2012-2010
PRT6031	Disc Brake Rotor	Front	BMW 535i xDrive 2010-2009
PRT6032	Disc Brake Rotor	Rear	Chevrolet Optra 2007-2004, Suzuki Forenza 2008-2004, Reno 2008-2005
PRT6033	Disc Brake Rotor	Front	Buick LaCrosse 2015-2012, Regal 2015-2011, Chevrolet Malibu 2015-2013
PRT6034	Disc Brake Rotor	Rear	Buick LaCrosse 2015-2012, Regal 2013-2011, Chevrolet Malibu 2014-2013
PRT6035	Disc Brake Rotor	Front	Ford Mustang 2013-2011
PRT6036	Disc Brake Rotor	Front	Hyundai Santa Fe 2012-2010, Kia Sorento 2013-2011
PRT6037	Disc Brake Rotor	Rear	Hyundai Santa Fe 2014-2010, Kia Sorento 2014-2011
PRT6038	Disc Brake Rotor	Rear	Audi A4 2009-2005, A4 Quattro 2009-2005
PRT6039	Disc Brake Rotor	Front	BMW X5 2013-2011, X6 2014-2008
PRT6041	Disc Brake Rotor	Front	BMW X5 2006-2002
PRT6042	Disc Brake Rotor	Rear	BMW 325xi 2006, 328i 2012-2007, 328i xDrive 2012-2009, 328xi 2008-2007
PRT6043	Disc Brake Rotor	Rear	BMW Z4 2012-2009
PRT6044	Disc Brake Rotor	Rear	BMW X5 2013-2007, X6 2014-2008
PRT6045	Disc Brake Rotor	Rear	BMW 135i 2013-2011
PRT6046	Disc Brake Rotor	Rear	BMW 128i 2013-2008
PRT6047	Disc Brake Rotor	Rear	BMW 135i 2012-2008
PRT6048	Disc Brake Rotor	Rear	BMW 550i GT 2014-2010, 550i GT xDrive 2014-2010, 750i 2014-2009, 750i xDrive 2014-2010, 750Li 2013-2009, 750Li xDrive 2013-2010, 760Li 2014-2010, Alpina B7 2014-2011, Alpina B7L 2014-2011, Alpina B7L xDrive 2014-2011, Alpina B7 xDrive 2014-2011
PRT6049	Disc Brake Rotor	Rear	BMW Z4 2012-2011
PRT6050	Disc Brake Rotor	Front	Chevrolet Corvette 2013-2006
PRT6051	Disc Brake Rotor and Hub Assemb	Front	Ford Ranger 2011-2010, Mazda B2300 2010, B4000 2010
PRT6052	Disc Brake Rotor	Rear	Ford Ranger 2011-2010, Mazda B2300 2010, B4000 2010
PRT6053	Disc Brake Rotor	Front	Ford F-150 2014-2010
PRT6054	Disc Brake Rotor	Front	Acura TL 2014-2009, Honda Odyssey 2014-2011
PRT6055	Disc Brake Rotor	Front	Lexus GS300 2005-2003, GS430 2005-2003, SC430 2010-2003
PRT6056	Disc Brake Rotor	Front	Subaru Impreza 2004
PRT6057	Disc Brake Rotor	Rear	Subaru Impreza 2004
PRT6058	Disc Brake Rotor	Rear	Volkswagen Golf 2010
PRT6059	Disc Brake Rotor	Rear	Audi A3 Quattro 2009-2006, Q3 2015, Volkswagen CC 2014-2009, Eos 2010-2009, Jetta 2012, Passat 2010, Tiguan 2014-2010
PRT6060	Disc Brake Rotor	Rear	Land Rover LR2 2012-2008
PRT6061	Disc Brake Rotor	Front	Ford Fiesta 2013-2011
PRT6062	Disc Brake Rotor	Rear	Buick Encore 2015-2013, Chevrolet Cruze 2014-2011, Sonic 2013
PRT6063	Disc Brake Rotor	Front	Chevrolet Cruze 2015-2011, Sonic 2015-2012
PRT6064	Disc Brake Rotor	Front	Land Rover Range Rover 2013, Range Rover Sport 2013-2010
PRT6065	Disc Brake Rotor	Rear	Land Rover Range Rover 2012-2010
PRT6066	Disc Brake Rotor	Front	Lexus GX460 2013-2010, Toyota 4Runner 2013-2010
PRT6067	Disc Brake Rotor	Rear	Lexus GX460 2013-2010, Toyota 4Runner 2013-2010, FJ Cruiser 2013-2010
PRT6068	Disc Brake Rotor	Front	Mitsubishi Lancer 2012-2010
PRT6069	Disc Brake Rotor	Rear	Mitsubishi Lancer 2011-2008
PRT6070	Disc Brake Rotor	Rear	Mercedes-Benz C230 2009-2008, C250 2013-2010, C300 2012-2008
PRT6071	Disc Brake Rotor	Front	Mercedes-Benz C230 2009-2008, C250 2012-2010, C300 2012-2008
PRT6072	Disc Brake Rotor	Front	Mercedes-Benz C230 2009-2008, C250 2013-2010, C300 2012-2008
PRT6073	Disc Brake Rotor	Rear	Buick LaCrosse 2015-2010, Regal 2014-2011, Cadillac XTS 2014-2013, Chevrolet Impala 2014, Malibu 2013, Saab 9-5 2011-2010
PRT6074	Disc Brake Rotor	Front	Chevrolet Silverado 2500 HD 2014-2011, Silverado 3500 HD 2014-2011, GMC Sierra 2500 HD 2014-2011, Sierra 3500 HD 2014-2011
PRT6075	Disc Brake Rotor	Rear	Chevrolet Silverado 2500 HD 2014-2011, Silverado 3500 HD 2014-2011, GMC Sierra 2500 HD 2014-2011, Sierra 3500 HD 2014-2011
PRT6076	Disc Brake Rotor	Rear	Chevrolet Silverado 3500 HD 2013-2011, GMC Sierra 3500 HD 2013-2011

BUYERS GUIDE

Part Number	Product Line	Position	Application
PRT6077	Disc Brake Rotor	Front	BMW 228i xDrive 2015, 320i 2015-2013, 320i xDrive 2015-2013, 323i 2011-2008, 328i 2012-2007, 328i xDrive 2012-2009, 328xi 2008
PRT6078	Disc Brake Rotor	Front	Audi A8 Quattro 2010-2004, S8 2007, Volkswagen Phaeton 2006-2004
PRT6079	Disc Brake Rotor	Front	BMW 330i 2006, 330xi 2006
PRT6080	Disc Brake Rotor	Front	BMW 525i 2007-2004
PRT6081	Disc Brake Rotor	Front	Audi A8 Quattro 2003-2001
PRT6082	Disc Brake Rotor	Front	Ford F650 2003-2000, F750 2003-2000
PRT6083	Disc Brake Rotor	Rear	Ford F650 2003-2000, F750 2003-2000
PRT6084	Disc Brake Rotor	Rear	Acura TL 2014-2009
PRT6085	Disc Brake Rotor	Front	Infiniti G35 2004-2003, Nissan 350Z 2009-2003
PRT6086	Disc Brake Rotor	Rear	Audi A3 2013-2010, A3 2015, A3 Quattro 2013-2010, A3 Quattro 2015, Volkswagen Beetle 2012, e-Golf 2015, Eos 2015-2009, Golf 2015-2010, GTI 2016-2012, Jetta 2014-2011, Passat 2014-2012
PRT6087	Disc Brake Rotor	Rear	Dodge Ram 1500 Van 2003
PRT6088	Disc Brake Rotor	Front	Suzuki SX4 2012-2007
PRT6089	Disc Brake Rotor	Rear	Mazda 6 2007-2006
PRT6090	Disc Brake Rotor	Front	Mitsubishi Lancer 2008, Lancer 2011-2010
PRT6091	Disc Brake Rotor	Rear	BMW X5 2013-2007, X6 2014-2010
PRT6092	Disc Brake Rotor	Front	Audi A4 2005, A4 Quattro 2006-2005
PRT6093	Disc Brake Rotor	Front	Buick Verano 2015-2012, Chevrolet Cruze 2014, Volt 2015-2011
PRT6094	Disc Brake Rotor	Rear	Mitsubishi Lancer 2014-2010
PRT6095	Disc Brake Rotor	Front	Hyundai Equus 2011, Genesis 2012
PRT6096	Disc Brake Rotor	Rear	Hyundai Equus 2013-2011
PRT6097	Disc Brake Rotor	Rear	Buick Verano 2015-2012, Cadillac ELR 2014, Chevrolet Cruze 2014-2013, Orlando 2013-2012, Volt 2015-2011
PRT6098	Disc Brake Rotor	Rear	Infiniti QX56 2013-2011, QX80 2015-2014
PRT6099	Disc Brake Rotor	Front	Infiniti QX56 2013, QX80 2014
PRT6100	Disc Brake Rotor	Front	Dodge Durango 2014-2011, Jeep Grand Cherokee 2015-2011
PRT6101	Disc Brake Rotor	Rear	Dodge Durango 2014-2011, Jeep Grand Cherokee 2014-2011
PRT6102	Disc Brake Rotor	Front	Dodge Durango 2014-2011, Jeep Grand Cherokee 2014-2011
PRT6103	Disc Brake Rotor	Rear	Dodge Durango 2014-2011, Jeep Grand Cherokee 2014-2011
PRT6104	Disc Brake Rotor	Front	Mazda 2 2014-2011
PRT6105	Disc Brake Rotor	Front	Nissan Juke 2012-2011
PRT6106	Disc Brake Rotor	Rear	Lexus IS F 2013-2008
PRT6107	Disc Brake Rotor	Rear	BMW Z4 2008-2003
PRT6108	Disc Brake Rotor	Rear	Mercedes-Benz S350 2012, SL500 2003
PRT6109	Disc Brake Rotor	Front	Mercedes-Benz C32 AMG 2004-2002, C55 AMG 2006-2005, C350 2007-2006, CLK55 AMG 2005-2003, CLK500 2006-2003, CLK550 2009-2007, SL55 AMG 2008-2007, SLK55 AMG 2010-2007
PRT6110	Disc Brake Rotor	Front	Mercedes-Benz E500 2006-2004, E550 2009-2007
PRT6111	Disc Brake Rotor	Front Left	Porsche Boxster 2008-2005, Cayman 2008-2007
PRT6112	Disc Brake Rotor	Front Right	Porsche Boxster 2008-2005, Cayman 2008-2007
PRT6113	Disc Brake Rotor	Front	Mercedes-Benz E500 2006-2003, E550 2009-2007, SL550 2012-2007
PRT6114	Disc Brake Rotor	Front	Porsche Cayenne 2008
PRT6115	Disc Brake Rotor	Front	Mercedes-Benz G55 AMG 2010-2005, G500 2008-2002, G550 2014-2009
PRT6116	Disc Brake Rotor	Rear	Subaru BRZ 2015-2013, Legacy 2014-2010, Outback 2013-2010
PRT6117	Disc Brake Rotor	Rear	Suzuki Kizashi 2012-2010
PRT6118	Disc Brake Rotor	Rear	Scion tC 2013-2011
PRT6119	Disc Brake Rotor	Front	Suzuki Kizashi 2012-2010
PRT6120	Disc Brake Rotor	Front	Chevrolet City Express 2016-2015, Nissan Leaf 2013-2011, NV200 2015-2013
PRT6121	Disc Brake Rotor	Rear	Fiat 500 2013-2012
PRT6122	Disc Brake Rotor	Front	Fiat 500 2013-2012
PRT6123	Disc Brake Rotor	Front	Kia Sportage 2014-2011
PRT6124	Disc Brake Rotor	Front	Ford Explorer 2016-2011, Flex 2015-2012, Taurus 2015-2011, Lincoln MKS 2012-2011, MKT 2015-2012
PRT6125	Disc Brake Rotor	Rear	Honda CR-Z 2015-2011
PRT6126	Disc Brake Rotor	Rear	Hyundai Genesis 2015-2012
PRT6127	Disc Brake Rotor	Front	Hyundai Azera 2014-2012, Sonata 2015, Kia Cadenza 2014, Optima 2014-2011
PRT6128	Disc Brake Rotor	Front Left	BMW M3 2006-2001
PRT6129	Disc Brake Rotor	Front Right	BMW M3 2006-2001
PRT6130	Disc Brake Rotor	Front	Buick LeSabre 2005, Cadillac DeVille 2005, Chevrolet Impala 2005, Monte Carlo 2005, Pontiac Bonneville 2005-2004
PRT6131	Disc Brake Rotor	Front	Chevrolet Epica 2006-2004, Suzuki Verona 2006-2004
PRT6132	Disc Brake Rotor	Front	Ford C-Max 2016-2013, Focus 2016-2012
PRT6133	Disc Brake Rotor	Rear	Ford Focus 2014-2012
PRT6134	Disc Brake Rotor	Front Left	Lexus LS460 2013-2010
PRT6135	Disc Brake Rotor	Front Right	Lexus LS460 2013-2010
PRT6136	Disc Brake Rotor	Rear	Lexus LS460 2013-2007
PRT6137	Disc Brake Rotor	Front Left	Volkswagen Touareg 2012-2011
PRT6138	Disc Brake Rotor	Front Right	Volkswagen Touareg 2012-2011
PRT6139	Disc Brake Rotor	Front Right	Volkswagen Touareg 2011

BUYERS GUIDE

Part Number	Product Line	Position	Application
PRT6140	Disc Brake Rotor	Front Left	Volkswagen Touareg 2011, Touareg 2013
PRT6141	Disc Brake Rotor	Rear	Suzuki Grand Vitara 2013-2009
PRT6142	Disc Brake Rotor	Rear	Lexus CT200h 2016-2011
PRT6143	Disc Brake Rotor	Front Left	Lexus GS350 2011, GS350 2013
PRT6144	Disc Brake Rotor	Front Right	Lexus GS350 2011, GS350 2013
PRT6145	Disc Brake Rotor	Front	Acura ILX 2015-2013, Honda Civic 2015-2012
PRT6146	Disc Brake Rotor	Front	Hyundai Accent 2014-2012, Kia Rio 2014-2012
PRT6147	Disc Brake Rotor	Rear	Hyundai Accent 2014-2012, Kia Rio 2014-2012
PRT6148	Disc Brake Rotor	Front	Hyundai Elantra 2015-2011, Elantra Coupe 2014-2013, Elantra GT 2014-2013, Veloster 2015-2012, Kia Forte 2014, Forte Koup 2014, Soul 2014
PRT6149	Disc Brake Rotor	Rear	Hyundai Elantra 2015-2011, Elantra Coupe 2014-2013, Elantra GT 2014-2013, Veloster 2015-2012, Kia Forte 2014, Forte Koup 2014, Soul 2014
PRT6150	Disc Brake Rotor	Front	Nissan Versa 2014-2012, Versa Note 2015-2014
PRT6152	Disc Brake Rotor	Rear	Porsche Boxster 2012-2009, Cayman 2010-2007, Cayman 2012
PRT6153	Disc Brake Rotor	Rear	Saab 9-3 2011-2008, 9-3X 2011-2010
PRT6154	Disc Brake Rotor	Front	Volkswagen Jetta 2013-2011
PRT6155	Disc Brake Rotor	Front	Lexus ES300h 2016-2013, ES350 2016-2013, Toyota Avalon 2015-2013, Camry 2016-2013
PRT6156	Disc Brake Rotor	Rear	Lexus ES300h 2016-2013, ES350 2016-2013, Toyota Avalon 2015-2013, Camry 2016-2012
PRT6157	Disc Brake Rotor	Rear	Subaru Forester 2015-2014, Impreza 2015-2012, XV Crosstrek 2015-2013
PRT6158	Disc Brake Rotor	Front	Hyundai Equus 2015-2012
PRT6159	Disc Brake Rotor	Rear	Audi A6 2015-2014, A6 Quattro 2013-2012, A7 Quattro 2014-2012, Q5 2014-2013, S4 2013-2011, S5 2013-2011, SQ5 2015
PRT6160	Disc Brake Rotor	Front	Mini Cooper Countryman 2012-2011
PRT6161	Disc Brake Rotor	Rear	Mini Cooper Countryman 2012-2011
PRT6162	Disc Brake Rotor	Front	Mini Cooper Countryman 2012-2011
PRT6163	Disc Brake Rotor	Rear	Porsche Boxster 2013-2005, Cayman 2012-2007
PRT6164	Disc Brake Rotor	Front	Mini Cooper 2012-2009
PRT6165	Disc Brake Rotor	Rear	Mini Cooper 2013-2009
PRT6166	Disc Brake Rotor	Front	BMW X3 2014-2011
PRT6167	Disc Brake Rotor	Rear	BMW X3 2014-2011
PRT6168	Disc Brake Rotor	Rear	Audi A3 2013-2010, Volkswagen Eos 2012-2009, GTI 2012, Jetta 2013-2012
PRT6169	Disc Brake Rotor	Rear	Chevrolet Caprice 2016-2012
PRT6170	Disc Brake Rotor	Front	Chrysler Town & Country 2015-2013, Dodge Grand Caravan 2015-2012, Journey 2014-2013, Ram C/V 2015-2013, Volkswagen Routan 2014-2012
PRT6171	Disc Brake Rotor	Rear	Chrysler Town & Country 2015-2013, Dodge Grand Caravan 2015-2012, Journey 2016-2013, Ram C/V 2015-2013, Volkswagen Routan 2012
PRT6172	Disc Brake Rotor	Front	Jeep Grand Cherokee 2014-2012
PRT6173	Disc Brake Rotor	Rear	Jeep Grand Cherokee 2015-2012
PRT6174	Disc Brake Rotor	Rear	Toyota Mirai 2016, Prius V 2016-2012
PRT6177	Disc Brake Rotor	Rear	Ford F-150 2015-2012
PRT6178	Disc Brake Rotor	Rear	Ford F-150 2014-2012
PRT6179	Disc Brake Rotor	Front	Dodge Dart 2015-2013
PRT6180	Disc Brake Rotor	Rear	Dodge Dart 2015-2013
PRT6181	Disc Brake Rotor	Front	Kia Rio 2014-2012
PRT6182	Disc Brake Rotor	Front	Toyota Yaris 2016-2012
PRT6183	Disc Brake Rotor	Rear	Toyota Yaris 2013-2012
PRT6184	Disc Brake Rotor	Front	Honda CR-V 2015-2012
PRT6185	Disc Brake Rotor	Front	Audi A6 2016, A6 Quattro 2013-2012, A6 Quattro 2016-2015, A7 Quattro 2016-2012, S4 2012
PRT6186	Disc Brake Rotor	Front	Land Rover Range Rover 2012
PRT6187	Disc Brake Rotor	Rear	Land Rover Range Rover Sport 2013-2010
PRT6188	Disc Brake Rotor	Rear	Land Rover Range Rover Evoque 2015-2012
PRT6189	Disc Brake Rotor	Front	Mercedes-Benz ML350 2013-2012
PRT6190	Disc Brake Rotor	Rear	Mercedes-Benz ML350 2013-2012
PRT6191	Disc Brake Rotor	Rear	Mercedes-Benz ML350 2013-2012, ML550 2013-2012
PRT6192	Disc Brake Rotor	Front	Mercedes-Benz SLK350 2014-2012
PRT6193	Disc Brake Rotor	Rear	Mercedes-Benz SLK250 2014-2012, SLK350 2014-2012
PRT6194	Disc Brake Rotor	Front	Audi TT 2009-2008, TT Quattro 2014-2008
PRT6195	Disc Brake Rotor	Rear	Audi TT 2011-2008, TT Quattro 2015-2008
PRT6196	Disc Brake Rotor	Front	Nissan NV1500 2015-2012, NV2500 2015-2012, NV3500 2015-2012
PRT6197	Disc Brake Rotor	Rear	Nissan NV1500 2015-2012, NV2500 2015-2012, NV3500 2015-2012
PRT6198	Disc Brake Rotor	Front	Scion iQ 2015-2012
PRT6200	Disc Brake Rotor	Rear	Ford C-Max 2016-2013, Escape 2016-2013, Transit Connect 2016-2014
PRT6201	Disc Brake Rotor	Front	Ford Explorer 2016-2013, Flex 2014-2013, Police Interceptor Sedan 2016-2013, Police Interceptor Utility 2016-2013, Special Service Police Sedan 2016-2015, Taurus 2015-2013, Lincoln MKS 2016-2013
PRT6202	Disc Brake Rotor	Rear	Ford Explorer 2016-2013, Flex 2015-2013, Police Interceptor Sedan 2016-2013, Police Interceptor Utility 2016-2013, Special Service Police Sedan 2016-2015, Taurus 2015-2013, Lincoln MKS 2016-2013, MKT 2015-2014
PRT6203	Disc Brake Rotor	Front	Nissan Altima 2015-2013

BUYERS GUIDE

Part Number	Product Line	Position	Application
PRT6204	Disc Brake Rotor	Front	Ford Fusion 2016-2013
PRT6205	Disc Brake Rotor	Rear	Ford Fusion 2013, Fusion 2016-2015, Lincoln MKZ 2016-2015
PRT6206	Disc Brake Rotor	Front	Honda Accord 2014-2013, Civic 2015
PRT6207	Disc Brake Rotor	Front	Honda Accord 2016-2013
PRT6208	Disc Brake Rotor	Rear	Acura ILX 2016, Honda Accord 2015-2013
PRT6209	Disc Brake Rotor	Front	Mini Cooper 2014-2013
PRT6210	Disc Brake Rotor	Front	Mercedes-Benz ML350 2013-2012
PRT6211	Disc Brake Rotor	Front	Mazda 6 2014, CX-5 2015-2013
PRT6212	Disc Brake Rotor	Rear	Mazda CX-5 2014-2013
PRT6213	Disc Brake Rotor	Rear	Honda CR-Z 2013
PRT6214	Disc Brake Rotor	Rear	Ford Mustang 2013
PRT6215	Disc Brake Rotor	Front	Buick Encore 2015-2013
PRT6216	Disc Brake Rotor	Front	Cadillac ATS 2014-2013
PRT6217	Disc Brake Rotor	Front	Cadillac ATS 2014-2013
PRT6218	Disc Brake Rotor	Rear	Cadillac ATS 2014-2013
PRT6219	Disc Brake Rotor	nt, Front R	Cadillac XTS 2014-2013, Buick Regal 2014
PRT6220	Disc Brake Rotor	Rear	Cadillac XTS 2013
PRT6221	Disc Brake Rotor	Front	Ford Escape 2016-2013
PRT6222	Disc Brake Rotor	Front	Acura ILX 2013, Honda Accord 2015, Civic 2012, Civic 2015
PRT6223	Disc Brake Rotor	Front	Acura ILX 2016, RDX 2016-2013
PRT6224	Disc Brake Rotor	Front	Fiat 500 2013
PRT6225	Disc Brake Rotor	Front	Ford Fusion 2015-2013, Lincoln MKZ 2016-2013
PRT6226	Disc Brake Rotor	Rear	Ford Fusion 2014, Lincoln MKC 2016-2015, MKZ 2014-2013
PRT6227	Disc Brake Rotor	Rear	Lincoln MKT 2013
PRT6228	Disc Brake Rotor	Front	Ford F-250 Super Duty 2014-2013, F-350 Super Duty 2014-2013
PRT6229	Disc Brake Rotor	Rear	Ford F-250 Super Duty 2014-2013
PRT6230	Disc Brake Rotor and Hub Assemb	Front	Ford F-350 Super Duty 2014-2013
PRT6231	Disc Brake Rotor	Rear	Ford F-350 Super Duty 2013
PRT6232	Disc Brake Rotor	Front	Infiniti JX35 2013, Q50 2015-2014, Q60 2015-2014, QX60 2015-2014, Nissan Murano 2015, Pathfinder 2015-2013
PRT6233	Disc Brake Rotor	Front	Nissan Sentra 2014-2013
PRT6234	Disc Brake Rotor	Front	Hyundai Santa Fe 2014-2013, Kia Sorento 2014
PRT6237	Disc Brake Rotor	Rear	Lexus GS350 2015-2013, GS450h 2015-2013, IS200t 2016, IS300 2016, IS350 2016-2014, RC350 2015
PRT6238	Disc Brake Rotor	Rear	Land Rover Range Rover 2015-2013, Range Rover Sport 2015-2014
PRT6239	Disc Brake Rotor	Front	Audi A4 2015-2012, A4 Quattro 2015-2012, A5 2014-2012, A5 Quattro 2014-2012, A6 2013-2012, A6 Quattro 2013, allroad 2015-2013, Q5 2012
PRT6240	Disc Brake Rotor	Front	BMW 228i 2015-2014
PRT6241	Disc Brake Rotor	Rear	BMW 335i 2014-2013, 335i GT xDrive 2014, 335i xDrive 2014, 435i 2014, 435i xDrive 2014, ActiveHybrid 3 2014-2013
PRT6242	Disc Brake Rotor	Rear	BMW 320i xDrive 2015-2013, 328d xDrive 2014, 328i GT xDrive 2014, 328i xDrive 2014, 428i xDrive 2014
PRT6243	Disc Brake Rotor	Front	Mercedes-Benz GL350 2014-2013, GL450 2014
PRT6244	Disc Brake Rotor	Front	Mercedes-Benz GL450 2013, GL550 2014-2013, ML550 2013-2012
PRT6245	Disc Brake Rotor	Rear	Mercedes-Benz GL350 2014-2013, GL450 2014, GL550 2014
PRT6246	Disc Brake Rotor	Rear	Mercedes-Benz GL450 2013
PRT6247	Disc Brake Rotor	Front	Jaguar S-Type 2005-2003, Vanden Plas 2005-2004, XJ8 2005-2004
PRT6248	Disc Brake Rotor	Rear	BMW 320i 2012
PRT6249	Disc Brake Rotor	Rear	Mini Cooper Countryman 2014-2013, Cooper Paceman 2014-2013
PRT6250	Disc Brake Rotor	Front	Ford Fiesta 2016-2014
PRT6252	Disc Brake Rotor	Front	Audi S3 2016-2015, Volkswagen CC 2015-2013, GTI 2016-2015
PRT6253	Disc Brake Rotor	Rear	Land Rover LR2 2015-2013
PRT6256	Disc Brake Rotor	Rear	Mazda 3 2014
PRT6257	Disc Brake Rotor	Rear	Mazda 6 2014
PRT6258	Disc Brake Rotor	Front	Mazda 3 2014
PRT6259	Disc Brake Rotor	Front	Mazda 3 2014
PRT6260	Disc Brake Rotor	Front	Mitsubishi i-MiEV 2012, i-MiEV 2014
PRT6262	Disc Brake Rotor	Rear	Mercedes-Benz CLS63 AMG 2013-2012, E63 AMG 2011-2010, S63 AMG 2012-2009
PRT6263	Disc Brake Rotor	Front	Mercedes-Benz CL550 2013-2009, CL600 2013-2007, S350 2012, S400 2012-2010, S450 2010-2008, S550 2012-2007, S600 2012-2007, SL550 2012-2011
PRT6264	Disc Brake Rotor	Front	Audi A6 2015-2014, A6 Quattro 2015-2014, A7 Quattro 2015, Q5 2016-2013, S4 2015-2013, S5 2015-2012
PRT6265	Disc Brake Rotor	Front	Mercedes-Benz C63 AMG 2012-2008, E550 2013-2012
PRT6267	Disc Brake Rotor	Rear	Acura RLX 2014
PRT6269	Disc Brake Rotor	Front	Acura RLX 2014
PRT6270	Disc Brake Rotor	Rear	Mercedes-Benz S400 2012-2010, S550 2011-2007, SL550 2012-2007
PRT6271	Disc Brake Rotor	Front	Mercedes-Benz CL550 2008-2007, S400 2013-2010, S550 2011-2007
PRT6274	Disc Brake Rotor	Front	BMW 535d 2016-2014, 535d xDrive 2016-2014, 535i 2016-2011, 535i xDrive 2016-2011, 640i 2016-2012, 640i Gran Coupe 2016-2013, 640i xDrive 2016-2014, 640i xDrive Gran Coupe 2016-2014, ActiveHybrid 5 2016-2012

BUYERS GUIDE

Part Number	Product Line	Position	Application
PRT6275	Disc Brake Rotor	Front	Dodge Charger 2016-2014
PRT6276	Disc Brake Rotor	Front	Ram ProMaster 1500 2016-2014, ProMaster 2500 2016-2014, ProMaster 3500 2016-2014
PRT6277	Disc Brake Rotor	Rear	Ram ProMaster 1500 2014
PRT6278	Disc Brake Rotor	Rear	Ram ProMaster 2500 2015-2014, ProMaster 3500 2015-2014
PRT6279	Disc Brake Rotor	Front	Ford Transit-150 2016-2015, Transit-250 2016-2015, Transit-350 2016-2015
PRT6280	Disc Brake Rotor	Rear	Ford Transit-150 2016-2015, Transit-250 2016-2015, Transit-350 2016-2015
PRT6281	Disc Brake Rotor	Front	Ford Transit-350 HD 2016-2015
PRT6282	Disc Brake Rotor	Rear	Ford Transit-350 HD 2016-2015
PRT6283	Disc Brake Rotor	Front	Ford Escape 2016-2013, Focus 2014-2013, Transit Connect 2016-2014
PRT6284	Disc Brake Rotor and Hub Assembl	Front	Ford F-250 Super Duty 2016-2013, F-350 Super Duty 2016-2013
PRT6285	Disc Brake Rotor	Rear	Hyundai Sonata 2015, Kia Cadenza 2014, Optima 2014-2013
PRT6286	Disc Brake Rotor	Rear	Mercedes-Benz G63 AMG 2016-2013
PRT6287	Disc Brake Rotor	Front	Chrysler 200 2016-2015, Jeep Cherokee 2015-2014
PRT6288	Disc Brake Rotor	Rear	Chrysler 200 2015, Jeep Cherokee 2015-2014
PRT6289	Disc Brake Rotor	Rear	Jeep Cherokee 2015-2014
PRT6290	Disc Brake Rotor	Rear	Mercedes-Benz CLK55 AMG 2006-2005, CLK63 AMG 2008-2007, SLK55 AMG 2010-2005
PRT6291	Disc Brake Rotor	Front	Volkswagen Passat 2016-2013
PRT6292	Disc Brake Rotor	Front	Honda Odyssey 2016-2011, Pilot 2016
PRT6293	Disc Brake Rotor	Rear	Dodge Charger 2007-2006, Magnum 2008-2006
PRT6294	Disc Brake Rotor	Rear	Mercedes-Benz SL320 1994, SL320 1997, SL500 1998-1997
PRT6295	Disc Brake Rotor	Front	Chrysler Town & Country 2011-2010, Dodge Grand Caravan 2011-2010, Journey 2011-2009
PRT6296	Disc Brake Rotor	Front	Acura MDX 2015-2014, TLX 2016-2015
PRT6297	Disc Brake Rotor	Front Left	Lexus GS350 2008-2007
PRT6298	Disc Brake Rotor	Rear	Acura MDX 2015-2014
PRT6299	Disc Brake Rotor	Rear	Ford Mustang 2016-2015
PRT6300	Disc Brake Rotor	Front	Ford Mustang 2016-2015
PRT6301	Disc Brake Rotor	Front	Ford Mustang 2016-2015
PRT6302	Disc Brake Rotor	Rear	BMW X5 2006-2002
PRT6303	Disc Brake Rotor	Front	Hyundai Genesis Coupe 2015-2010
PRT6304	Disc Brake Rotor	Rear	Volvo S80 2008-2007
PRT6305	Disc Brake Rotor	Front	Audi A4 2009-2005, A4 Quattro 2009-2005, A6 2004-2002, A6 Quattro 2004-2002, S4 2002
PRT6306	Disc Brake Rotor	Rear	Ford Mustang 2016-2015
PRT6307	Disc Brake Rotor	Rear	Porsche Cayenne 2006-2005, Cayenne 2015-2008
PRT6308	Disc Brake Rotor	Front Left	Porsche 911 2008-1999, Boxster 2012-2000, Cayman 2012-2006
PRT6309	Disc Brake Rotor	Front Right	Porsche 911 2008-1999, Boxster 2012-2000, Cayman 2012-2006
PRT6310	Disc Brake Rotor	Front	Mercedes-Benz CL500 2002-2000, S430 2002-2000, S500 2002-2000
PRT6311	Disc Brake Rotor	Rear	Acura TLX 2016-2015
PRT6312	Disc Brake Rotor	Rear	Mercedes-Benz CLA250 2016-2014, GLA250 2016-2015
PRT6313	Disc Brake Rotor	Front	Cadillac CTS 2014
PRT6314	Disc Brake Rotor	Front	Ford Focus 2016-2015, Lincoln MKC 2016-2015
PRT6315	Disc Brake Rotor	Rear	BMW M3 2006-2001, M5 2003-2001
PRT6316	Disc Brake Rotor	Rear	Lexus NX200t 2016-2015, NX300h 2016-2015
PRT6317	Disc Brake Rotor	Front	Ford Mustang 2016-2015
PRT6318	Disc Brake Rotor	Rear	BMW 535i GT 2016-2010, 535i GT xDrive 2016-2011, 550i 2016-2011, 550i xDrive 2016-2011, 640i 2016-2012, 640i Gran Coupe 2016-2013, 640i xDrive 2016-2014, 640i xDrive Gran Coupe 2016-2014, 650i 2016-2012, 650i Gran Coupe 2016-2013, 650i xDrive 2016-2012, 650i xDrive Gran Coupe 2016-2013, 740i 2015-2011, 740Ld xDrive 2015, 740Li 2015-2011, 740Li xDrive 2015-2013, ActiveHybrid 7 2015-2013, Alpina B6 xDrive Gran Coupe 2015
PRT6319	Disc Brake Rotor	Front Left	BMW 535i GT 2016-2010, 535i GT xDrive 2016-2011, 550i 2016-2011, 550i xDrive 2016-2011, 640i 2016-2012, 640i Gran Coupe 2016-2013, 640i xDrive 2016-2014, 640i xDrive Gran Coupe 2016-2014, 650i 2016-2012, 650i Gran Coupe 2016-2013, 650i xDrive 2016-2012, 650i xDrive Gran Coupe 2016-2013, 740i 2015-2011, 740Ld xDrive 2015, 740Li 2015-2011, 740Li xDrive 2015-2013, ActiveHybrid 7 2015-2013, Alpina B6 xDrive Gran Coupe 2015
PRT6320	Disc Brake Rotor	Front Right	BMW 535i GT 2016-2010, 535i GT xDrive 2016-2011, 550i 2016-2011, 550i xDrive 2016-2011, 640i 2016-2012, 640i Gran Coupe 2016-2013, 640i xDrive 2016-2014, 640i xDrive Gran Coupe 2016-2014, 650i 2016-2012, 650i Gran Coupe 2016-2013, 650i xDrive 2016-2012, 650i xDrive Gran Coupe 2016-2013, 740i 2015-2011, 740Ld xDrive 2015, 740Li 2015-2011, 740Li xDrive 2015-2013, ActiveHybrid 7 2015-2013, Alpina B6 xDrive Gran Coupe 2015
PRT6321	Disc Brake Rotor	Rear	BMW 750i 2008-2006, 750Li 2008-2006, 760i 2006-2005, 760Li 2008-2006
PRT6322	Disc Brake Rotor	Front	Saab 9-3 2011-2008, 9-3X 2011-2010
PRT6323	Disc Brake Rotor	Front	Cadillac CTS 2014-2009

BUYERS GUIDE

Part Number	Product Line	Position	Application
PRT6324	Disc Brake Rotor	Rear	BMW X5 2013-2010, X6 2014-2010
PRT6325	Disc Brake Rotor	Front Right	BMW X5 2013-2010, X6 2014-2010
PRT6326	Disc Brake Rotor	Front Left	BMW X5 2013-2010, X6 2014-2010
PRT6327	Disc Brake Rotor	Rear	BMW 228i 2016-2014, 228i xDrive 2016-2015, 320i 2016, 328i 2015-2012, 428i 2016-2014, 428i xDrive 2014, M235i 2016-2014, M235i xDrive 2016-2015
PRT6328	Disc Brake Rotor	Rear	Land Rover Range Rover 2015-2013
PRT6329	Disc Brake Rotor	Rear	Fiat 500L 2016-2014
PRT6330	Disc Brake Rotor	Front	Fiat 500L 2016-2014
PRT6331	Disc Brake Rotor	Rear	Audi A8 Quattro 2014-2011, S6 2014-2013, S7 2014-2013, S8 2013
PRT6332	Disc Brake Rotor	Rear	Toyota Matrix 2013-2009
PRT6333	Disc Brake Rotor	Rear	Subaru Forester 2015-2014
PRT6334	Disc Brake Rotor	Front Left	Porsche Boxster 2016-2013, Cayman 2015-2014
PRT6335	Disc Brake Rotor	Front Right	Porsche Boxster 2016-2013, Cayman 2015-2014
PRT6336	Disc Brake Rotor	Front	Mercedes-Benz S500 2002-2001
PRT6337	Disc Brake Rotor	Rear	Mercedes-Benz SL500 2006-2004
PRT6338	Disc Brake Rotor	Rear	BMW 528i 2016-2011, 528i xDrive 2016-2012, 535d 2016-2014, 535d xDrive 2016-2014, 535i 2016-2011, 535i xDrive 2016-2011, ActiveHybrid 5 2016-2012
PRT6339	Disc Brake Rotor	Front	BMW 528i 2016-2011, 528i xDrive 2016-2012
PRT6340	Disc Brake Rotor	Front	BMW 135i 2013-2008
PRT6341	Disc Brake Rotor	Rear	Mercedes-Benz SL400 2016-2015, SL550 2015-2013
PRT6342	Disc Brake Rotor	Rear Right	BMW M5 2010-2006, M6 2010-2006
PRT6343	Disc Brake Rotor	Rear Right	BMW M5 2010-2006, M6 2010-2006
PRT6344	Disc Brake Rotor	Front Right	BMW 1 Series M 2011, M3 2013-2008
PRT6345	Disc Brake Rotor	Rear Left	BMW 1 Series M 2011, M3 2013-2008
PRT6346	Disc Brake Rotor	Rear Right	BMW 1 Series M 2011, M3 2013-2008
PRT6347	Disc Brake Rotor	Front Left	BMW 1 Series M 2011, M3 2013-2008
PRT6348	Disc Brake Rotor	Rear	Mercedes-Benz SL55 AMG 2008-2003, SL63 AMG 2012-2009, SL65 AMG 2009, SL65 AMG 2011
PRT6349	Disc Brake Rotor	Rear	Mercedes-Benz C63 AMG 2015-2008
PRT6350	Disc Brake Rotor	Front	BMW 135i 2013-2011
PRT6351	Disc Brake Rotor	Rear	Mercedes-Benz SL600 2009-2004
PRT6352	Disc Brake Rotor	Rear	Mercedes-Benz CLS55 AMG 2006, CLS63 AMG 2011-2007, E55 AMG 2006-2003, E63 AMG 2009-2007
PRT6353	Disc Brake Rotor	Front	Mercedes-Benz CLS55 AMG 2006, E55 AMG 2006-2003, SL55 AMG 2006-2003, SL65 AMG 2011, SL600 2009-2004, SLK55 AMG 2016-2012
PRT6354	Disc Brake Rotor	Rear	Mercedes-Benz SL500 2002-2000, SL600 2002-2000
PRT6355	Disc Brake Rotor	Front	Volkswagen EuroVan 1997, EuroVan 2000-1999
PRT6356	Disc Brake Rotor	Front	BMW Z4 2016-2011
PRT6357	Disc Brake Rotor	Front Right	BMW 550i GT 2015-2010, 550i GT xDrive 2016-2010, 750i 2015-2011, 750i xDrive 2015-2010, 750Li 2015-2009, 750Li xDrive 2015-2010
PRT6358	Disc Brake Rotor	Front Left	BMW 550i GT 2015-2010, 550i GT xDrive 2016-2010, 750i 2015-2011, 750i xDrive 2015-2010, 750Li 2015-2009, 750Li xDrive 2015-2010
PRT6359	Disc Brake Rotor	Front	Audi A8 Quattro 2014-2011, SQ5 2014
PRT6360	Disc Brake Rotor	Front	Audi TT Quattro 2010-2008
PRT6361	Disc Brake Rotor	Front	Ford Mustang 2014-2013
PRT6362	Disc Brake Rotor	Front	Mercedes-Benz SL500 2002-1999, SL600 2002-1999
PRT6363	Disc Brake Rotor	Front Left	BMW X6 2011-2010
PRT6364	Disc Brake Rotor	Front Right	BMW X6 2011-2010
PRT6365	Disc Brake Rotor	Front	Mercedes-Benz GL320 2009-2007
PRT6366	Disc Brake Rotor	Front	BMW Z4 2016-2009
PRT6367	Disc Brake Rotor	Rear	Mercedes-Benz SL550 2012-2009
PRT6368	Disc Brake Rotor	Front	Mini Cooper 2013
PRT6369	Disc Brake Rotor	Rear	Mercedes-Benz SLS AMG 2015-2011
PRT6370	Disc Brake Rotor	Rear	Mercedes-Benz C63 AMG 2016, C63 AMG S 2016, SL63 AMG 2015-2013, SL65 AMG 2015-2013
PRT6371	Disc Brake Rotor	Rear	Mercedes-Benz ML63 AMG 2011-2007, R63 AMG 2007
PRT6372	Disc Brake Rotor	Front	Mercedes-Benz ML63 AMG 2011-2007, R63 AMG 2007
PRT6373	Disc Brake Rotor	Rear	Audi R8 2012-2008
PRT6374	Disc Brake Rotor	Front	Audi R8 2012-2008
PRT6375	Disc Brake Rotor	Rear Left	Porsche Panamera 2016-2010
PRT6376	Disc Brake Rotor	Rear Right	Porsche Panamera 2016-2010
PRT6377	Disc Brake Rotor	Front Left	Porsche 911 2016-2009, Boxster 2016-2013, Cayman 2016-2014
PRT6378	Disc Brake Rotor	Front Right	Porsche 911 2016-2009, Boxster 2016-2013, Cayman 2016-2014
PRT6379	Disc Brake Rotor	Rear	Mercedes-Benz CLA45 AMG 2016-2014, SLK55 AMG 2016-2012
PRT6380	Disc Brake Rotor	Rear	Mercedes-Benz SL400 2016-2015, SL550 2016-2013
PRT6381	Disc Brake Rotor	Rear	Ford F-150 2016-2015
PRT6382	Disc Brake Rotor	Rear	Chevrolet Colorado 2015, GMC Canyon 2015
PRT6383	Disc Brake Rotor	Front	Chevrolet Colorado 2015, GMC Canyon 2015
PRT6384	Disc Brake Rotor	Rear	Chevrolet SS 2015
PRT6385	Disc Brake Rotor	Rear	Subaru WRX 2015

BUYERS GUIDE

Part Number	Product Line	Position	Application
SBC11	Disc Brake Pad	Front	Dodge Dart 1972-1965, Ford Fairlane 1967, Falcon 1967-1965, Falcon Sedan Delivery 1965, Mustang 1967-1965, Ranchero 1967, Mercury Comet 1967, Cougar 1967, Cyclone 1967, Plymouth Barracuda 1969-1965, Duster 1972-1970, Scamp 1972-1971, Valiant 1972-1965
SBC21	Disc Brake Pad	Rear	Alfa Romeo Spider 1994-1985, Saab 900 1987-1985
SBC31	Disc Brake Pad	Front, Rear	Opel Deluxe 1971, Manta 1972-1971, Rallye 1968, Porsche 911 1973-1972, 912 1969-1965, Mercedes-Benz 220 1973, 220D 1973, 300CD 1985, 300D 1985, 300SD 1985, 300SDL 1987-1986, 300SE 1991-1988, 300SEL 1991-1988, 300TD 1985, 350SD 1991, 350SDL 1991-1990, 350SL 1972, 380SE 1985, 380SL 1985, 420SEL 1991-1986, 500SEC 1985, 500SEL 1985, 560SEC 1991-1986, 560SEL 1991-1986, 560SL 1989-1986, Porsche 911 1973-1970, Volvo 142 1968, 144 1968, 145 1968, 240 1990, 740 1990-1985, 745 1985, 850 1997-1993, C70 2004-2001, S70 2000, V70 2000-1998
SBC31A	Disc Brake Pad	Front, Rear	Audi Fox 1974-1973, Porsche 914 1976-1973, Volkswagen 412 1974-1973, Porsche 914 1976-1975, Volvo 262 1981-1980, 264 1982-1980, 265 1981-1980
SBC31B	Disc Brake Pad	Rear	Volvo 760 1990-1983
SBC34	Disc Brake Pad	Front	Ford Fairlane 1970-1968, Falcon 1970-1968, Mustang 1973-1968, Ranchero 1971-1968, Torino 1971-1968, Mercury Comet 1969-1968, Comet 1971, Cougar 1973-1967, Cyclone 1971-1968, Montego 1971-1968
SBC43	Disc Brake Pad	Front	Volvo 122 1968, 142 1974-1968, 144 1974-1968, 145 1974-1968, 164 1975, 240 1993-1991, 242 1979-1976, 244 1979-1976, 244 1989, 245 1979-1976, 262 1976, 262 1981-1978, 264 1982-1976, 265 1981-1976, 1800 1973-1969, DL 1984, GLE 1984
SBC52	Disc Brake Pad	Front, Rear	Buick Apollo 1975-1975, Century 1975-1971, Century 1971-1975, Commercial Chassis 1996-1991, Electra 1976-1970, Electra 1987-1980, Estate Wagon 1983-1970, GS 1972-1970, GS 350 1969-1968, GS 400 1969-1968, GS 455 1972-1970, LeSabre 1978-1969, LeSabre 1986-1980, LeSabre 1990-1988, Regal 1977-1973, Riviera 1976-1967, Roadmaster 1996-1991, Skylark 1972-1970, Skylark 1979-1975, Special 1969, Sportwagon 1972-1969, Wildcat 1970, Cadillac Brougham 1992-1987, Calais 1976-1968, Commercial Chassis 1976-1975, Commercial Chassis 1984-1979, Commercial Chassis 1996-1990, DeVille 1976-1968, DeVille 1984-1979, Eldorado 1975-1969, Fleetwood 1976-1968, Fleetwood 1986-1979, Fleetwood 1996-1990, Seville 1976, Checker Marathon 1982-1970, Chevrolet Astro 2002-1985, Bel Air 1975-1969, Biscayne 1972-1969, Blazer 1974-1969, Blazer 1991-1987, Brookwood 1972-1969, C10 1986-1975, C10 Pickup 1974-1971, C10 Suburban 1986-1971, C20 1978-1975, C20 1986-1985, C20 Pickup 1974-1971, C20 Suburban 1978-1971, C20 Suburban 1986-1985, C30 Pickup 1973-1971, Camaro 1981-1970, Caprice 1996-1969, Chevelle 1973-1969, Commercial Chassis 1993-1991, El Camino 1977-1969, G10 1995-1975, G10 Van 1974-1971, G20 1995-1975, G20 Van 1974-1971, G30 Van 1973-1971, Impala 1985-1969, K5 Blazer 1986-1975, K10 1986-1975, K10 Pickup 1974-1971, K10 Suburban 1986-1971, K20 1978-1975, K20 1986-1985, K20 Pickup 1974-1971, K20 Suburban 1978-1971, K20 Suburban 1986-1985, K30 Pickup 1974-1971, Kingswood 1972-1969, Laguna 1976-1973, Malibu 1975-1973, Malibu 1977, Monte Carlo 1977-1970, Nova 1979-1969, P10 1980-1975, P10 Van 1974-1971, P20 1978-1975, P20 1989-1985, P20 Van 1974-1971, P30 Van 1972-1971, R10 1987, R10 Suburban 1988-1987, R20 1988-1987, R20 Suburban 1988-1987, R1500 Suburban 1991-1989, R2500 1989, R2500 Suburban 1991-1989, Townsman 1972-1969, V10 1987, V10 Suburban 1988-1987, V20 1987, V20 Suburban 1988-1987, V1500 Suburban 1991-1989, V2500 Suburban 1991-1989, GMC C15 1978-1975, C15/C1500 Pickup 1974-1971, C15/C1500 Suburban 1974-1971, C15 Suburban 1978-1975, C25 1978-1975, C25/C2500 Pickup 1974, C25/C2500 Suburban 1974-1971, C25 Suburban 1978-1975, C35/C3500 Pickup 1973-1971, C1500 1986-1979, C1500 Suburban 1986-1979, C2500 1986-1985, C2500 Suburban 1986-1985, C15/C1500 Van 1974-1971, C25/C2500 Van 1974-1971
SBC137	Disc Brake Pad	Front	Toyota 4Runner 1989-1984, Land Cruiser 1990-1972, Pickup 1988-1979
SBC145	Disc Brake Pad	Front	Mercedes-Benz 240D 1983-1980, 280CE 1981-1978, 280E 1981-1977, 300CD 1985-1981, 300D 1985-1981, 300SD 1985-1981, 300SDL 1987-1986, 300SE 1991-1988, 300SEL 1991-1988, 300TD 1985-1981, 350SD 1991, 350SDL 1991-1990, 350SL 1972, 380SE 1985, 380SEL 1983-1981, 380SL 1985-1981, 450SEL 1980, 450SLC 1980, 500SEL 1985-1984, 560SEC 1991-1986, 560SEL 1988-1987

BUYERS GUIDE

Part Number	Product Line	Position	Application
SBC154	Disc Brake Pad	Front, Rear	Avanti II 1985-1979, Buick Century 1981-1978, LeSabre 1979, Regal 1987-1978, Riviera 1985-1979, Cadillac Eldorado 1985-1979, Seville 1985-1979, Chevrolet Blazer 1996-1995, Camaro 1992-1982, El Camino 1987-1978, LLV 1995-1987, Malibu 1983-1978, Monte Carlo 1988-1978, S10 1996-1982, S10 2002-1998, S10 Blazer 1994-1983, GMC Caballero 1987-1978, Jimmy 1984-1982, Jimmy 1996-1992, S15 1990-1982, S15 Jimmy 1991-1983, Sonoma 1996-1991, Sonoma 2002-1998, Syclone 1991, Typhoon 1993-1992, Isuzu Hombre 1996, Hombre 2000-1998, Oldsmobile Bravada 1994-1991, Bravada 1996, Cutlass 1981-1978, Cutlass 1987-1985, Cutlass Calais 1984-1978, Cutlass Salon 1980-1978, Cutlass Salon 1987-1985, Cutlass Supreme 1988-1978, Toronado 1985-1979, Pontiac Bonneville 1986-1982, Firebird 1978-1973, Firebird 1992-1980, Grand Am 1980-1978, Grand LeMans 1983-1978, Grand Prix 1987-1978, LeMans 1981-1978, Buick LeSabre 1984-1977, Regal 1987-1978, Riviera 1985-1979, Cadillac Commercial Chassis 1984-1979, DeVille 1984-1979, Eldorado 1985-1979, Fleetwood 1984-1979, Seville 1985-1979, Chevrolet Camaro 1988-1982, Oldsmobile Toronado 1985-1979, Pontiac Firebird 1975, Firebird 1988-1979
SBC176	Disc Brake Pad	Front	Honda Civic 1981, Prelude 1981-1979
SBC180	Disc Brake Pad	Front	Toyota Starlet 1984-1981, Tercel 1982-1980
SBC202	Disc Brake Pad	Front	Chevrolet S10 2000-1998
SBC205	Disc Brake Pad	Front	Ford Aerostar 1997-1987, Bronco II 1990-1984, Explorer 1994-1991, Ranger 1985-1983, Ranger 1994-1987, Mazda B2300 1994, B3000 1994, B4000 1994, Navajo 1994-1991
SBC207	Disc Brake Pad	Front	Toyota Cressida 1988-1981, Pickup 1995-1984
SBC215	Disc Brake Pad	Front	Buick Century 1996-1983, Electra 1990-1985, LeSabre 1991-1986, Cadillac Commercial Chassis 1990-1985, DeVille 1990-1985, Fleetwood 1990-1985, Chevrolet Celebrity 1990-1983, Lumina APV 1991-1990, Oldsmobile 98 1990-1985, Cutlass Ciera 1996-1984, Cutlass Cruiser 1994-1987, Delta 88 1991-1986, Silhouette 1991-1990, Pontiac 6000 1991-1983, Bonneville 1991-1987, Trans Sport 1991-1990
SBC228	Disc Brake Pad	Rear	Alfa Romeo 164 1995-1991, Audi 80 1992-1988, 80 Quattro 1992-1988, 90 1991-1988, 90 1995-1993, 90 Quattro 1995-1988, 100 1994-1989, 100 Quattro 1994-1989, 200 1991-1989, 200 Quattro 1991-1989, 4000 1987-1984, 4000 Quattro 1987-1984, 5000 1988-1980, 5000 Quattro 1988-1986, A4 1997-1996, A4 Quattro 2000-1996, A6 1997-1995, A6 Quattro 1997-1995, A8 Quattro 2000-1997, Cabriolet 1998-1994, Coupe 1987-1983, Coupe Quattro 1991-1990, Quattro 1986-1983, S4 1994-1992, S6 1997-1995, V8 Quattro 1994-1990
SBC242	Disc Brake Pad	Front	Chevrolet Nova 1988-1985, Geo Prizm 1992-1989, Toyota Camry 1986-1983, Celica 1991-1986, Corolla 1992-1984, MR2 1989-1985, MR2 1995-1991, Paseo 1999-1992, Tercel 1999-1983
SBC244	Disc Brake Pad	Front	Nissan 200SX 1983-1982
SBC266	Disc Brake Pad	Front, Rear	Infiniti M30 1992-1990, Nissan 200SX 1988-1987, 300ZX 1989-1984, 720 1986-1983, D21 1994-1986, Maxima 1988-1985, Multi 1988-1986, Pickup 1997-1995, Stanza 1989-1986, Multi 1988-1986
SBC272	Disc Brake Pad	Rear	Nissan 200SX 1987-1984, 240SX 1998-1989, 300ZX 1989-1984
SBC273	Disc Brake Pad	Front	Honda Accord 1985-1984, Civic 2000-1988, Civic del Sol 1997-1993, CRX 1991-1988
SBC275	Disc Brake Pad	Front	Nissan Pulsar NX 1984-1983, Pulsar NX 1990-1986, Sentra 1990-1984
SBC276	Disc Brake Pad	Front	Honda Civic 1987-1984
SBC281	Disc Brake Pad	Front	Honda Civic 1983-1982, Civic 1987-1985
SBC299	Disc Brake Pad	Front	Dodge Colt 1991-1985, Mitsubishi Mirage 1990-1985, Plymouth Colt 1991-1985
SBC309	Disc Brake Pad	Rear	Toyota MR2 1989-1985
SBC311	Disc Brake Pad	Front	Subaru DL 1989-1985, GL 1989-1985, GL-10 1989-1985, Loyale 1994-1990, RX 1989-1985, XT 1991-1985
SBC320	Disc Brake Pad	Front	Mazda B2000 1987-1986, B2200 1993-1987, B2600 1993-1987
SBC323	Disc Brake Pad	Rear	Hyundai Elantra 1995, Elantra 2006-1997, Tiburon 2001-1997, Tiburon 2008-2003, Kia Spectra 2009-2004, Spectra5 2009-2005, Nissan Maxima 1990-1985, Stanza 1992-1990
SBC325	Disc Brake Pad	Rear	Lexus ES250 1991-1990, ES300 1999-1992, RX300 2003-1999, Toyota Camry 1999-1988, Celica 1999-1986, Solara 2000-1999
SBC328	Disc Brake Pad	Front	Dodge Colt 1991-1985, Eagle Summit 1990-1989, Mitsubishi Cordia 1988-1985, Galant 1987-1985, Mirage 1990-1985, Tredia 1988-1985, Plymouth Colt 1990-1985
SBC329	Disc Brake Pad	Rear	Dodge 2000 GTX 1989, Colt 1990-1989, Eagle 2000 GTX 1993-1991, Summit 1990-1989, Talon 1994-1990, Mitsubishi Eclipse 1994-1990, Galant 1987-1985, Galant 1992-1989, Mirage 1989-1988, Mirage 1992-1991, Plymouth Colt 1990-1988, Laser 1994-1990
SBC332	Disc Brake Pad	Rear	Mazda 6 2005-2003, Protege 2003, RX-7 1991-1984, RX-7 1995-1993
SBC333	Disc Brake Pad	Front	Nissan 720 1986, D21 1994-1986, Frontier 2004-1998, Pathfinder 1995-1987, Pickup 1997-1995, Van 1988-1987, Subaru SVX 1997-1992

BUYERS GUIDE

Part Number	Product Line	Position	Application
SBC336	Disc Brake Pad	Front	Toyota Supra 1992-1986
SBC337	Disc Brake Pad	Rear	Toyota Cressida 1992-1985, Supra 1992-1986
SBC340K1	Disc Brake Pad	Rear	Audi A3 2012, A4 1997, A4 2005-2002, A6 1998, A8 Quattro 2001-2000, Allroad Quattro 2003-2001, S4 2002-2000, S8 2003-2001, TT 2001, TT 2004-2003, TT Quattro 2004-2003, Peugeot 405 1991-1989, Volkswagen Corrado 1995-1990, Golf 1999-1985, Golf 2005, Golf 2011, Golf City 2009-2007, Jetta 1998-1984, Jetta 2001, Jetta 2003, Jetta 2005, Passat 1997-1990, Quantum 1988-1986, Scirocco 1989-1986
SBC340K2	Disc Brake Pad	Rear	Audi A4 2006-2004, A4 Quattro 2006-2003, A6 2004-2002, A6 Quattro 2004-2002, S6 2003-2002, TT 2006-2005, TT Quattro 2006-2005
SBC342	Disc Brake Pad	Rear	Acura Legend 1988-1986
SBC347	Disc Brake Pad	Rear	Ford Mustang 1993, Taurus 1992-1989, Thunderbird 1992-1987, Lincoln Continental 1992-1988, Mark VII 1992-1991, Mercury Cougar 1992-1987, Sable 1992-1990
SBC349	Disc Brake Pad	Front	Dodge Raider 1989-1988, Ram 50 1993-1987, Mitsubishi Mighty Max 1996-1987, Montero 1991-1988, Van 1990-1987
SBC356	Disc Brake Pad	Front	Lexus ES250 1991-1990, Toyota Camry 1991-1987, Celica 1993-1988
SBC363	Disc Brake Pad	Front	Honda Passport 1996-1994, Isuzu Amigo 1994-1989, Pickup 1995-1988, Rodeo 1995-1991, Trooper 1991-1987
SBC364	Disc Brake Pad	Rear	Acura Integra 1989-1986, Honda Accord 1989, Prelude 1987-1985
SBC365	Disc Brake Pad	Rear	Acura CL 1999-1997, CSX 2011-2006, EL 2005-1997, ILX 2016-2013, Integra 1998, Integra 2001-2000, Legend 1990-1987, RSX 2006-2002, TL 1998-1997, TSX 2008-2004, Vigor 1994-1992, Honda Accord 2007-1990, Civic 2015-2005, CR-Z 2015-2011, Prelude 2001-1992, S2000 2009-2000, Suzuki Kizashi 2013-2010, SX4 2013-2007, SX4 Crossover 2012
SBC366	Disc Brake Pad	Rear	Mazda 323 1989-1986, MX-3 1996-1992, Mercury Capri 1994-1991, Tracer 1989-1987
SBC374	Disc Brake Pad	Rear	Acura Integra 2001-1990, Honda Civic 1995-1992, Civic 2000-1999, Civic del Sol 1997-1993, CRX 1991-1990, Prelude 1991-1988
SBC376	Disc Brake Pad	Front	Buick Regal 1996-1988, Chevrolet Lumina 2001-1990, Monte Carlo 1999-1995, Oldsmobile Cutlass Supreme 1997-1988, Pontiac Grand Prix 1996-1988
SBC377	Disc Brake Pad	Rear	Buick Regal 1993-1988, Chevrolet Lumina 1994-1990, Oldsmobile Cutlass Supreme 1993-1988, Pontiac Grand Prix 1993-1988
SBC383K1	Disc Brake Pad	Rear	Dodge Stealth 1996-1991, Mitsubishi 3000GT 1999-1991, Diamante 1996-1992
SBC383K2	Disc Brake Pad	Rear	Chrysler Sebring 2005-1995, Dodge Avenger 2000-1995, Stratus 2005-2001, Eagle Summit 1996-1991, Talon 1998-1995, Vista 1992-1988, Mitsubishi Eclipse 2010-1995, Eclipse 2012, Expo 1995-1992, Expo LRV 1994-1992, Galant 1988, Galant 2012-1994, Sigma 1990-1989, Plymouth Colt 1994-1992
SBC390	Disc Brake Pad	Rear	Mazda 929 1991-1988
SBC398	Disc Brake Pad	Rear	Isuzu Amigo 1993-1989, Pickup 1995-1992, Trooper 1991-1988
SBC400	Disc Brake Pad	Rear	Ford Probe 1992-1989, Mazda 626 1992-1988, MX-6 1992-1988
SBC409	Disc Brake Pad	Front	Acura Integra 1993-1990, Legend 1990-1986, Honda Accord 1989-1988, Civic 1993-1990, Prelude 1991-1988
SBC422	Disc Brake Pad	Front	Nissan 240SX 1996-1989
SBC429	Disc Brake Pad	Rear	Hyundai Elantra 1996-1992, Tiburon 2004-2003
SBC430	Disc Brake Pad	Front	Infiniti G20 2002-1999, I30 1999-1996, Nissan Altima 2001-1993, Altra EV 2001-1999, Maxima 1999-1989, Sentra 2006-2000, Suzuki SX4 2007
SBC430A	Disc Brake Pad	Front	Infiniti G35 2005-2003, I30 2001-2000, Nissan 350Z 2005-2003, Altima 1997-1993, Altima 2013-2007, Juke 2015-2011, Maxima 2001-2000, Sentra 2012-2007, Sentra 2015
SBC433	Disc Brake Pad	Front	Mazda 929 1991-1988, Toyota Cressida 1992-1989, Pickup 1995-1989, Tacoma 1996-1995, Tacoma 2004-1998
SBC433A	Disc Brake Pad	Front	Toyota Tacoma 1999-1997, Tacoma 2004
SBC436	Disc Brake Pad	Front	Toyota 4Runner 1991-1988, Pickup 1995-1988, Tacoma 1999-1998, Tacoma 2004-2003
SBC436A	Disc Brake Pad	Front	Toyota 4Runner 2002-1996, Tacoma 2004-1995
SBC449	Disc Brake Pad	Front	Hyundai Elantra 2001-1992, Sonata 2004-1989, Tiburon 2000-1997
SBC458	Disc Brake Pad	Rear	Ford Escort 1996-1991, Mazda Miata 1993-1990, Protege 1994-1990, Mercury Tracer 1996-1991
SBC465	Disc Brake Pad	Front	Acura CL 1999-1997, Honda Accord 2002-1990, Civic 1996
SBC465AK1	Disc Brake Pad	Front	Honda Accord 2002-1998
SBC465AK2	Disc Brake Pad	Front	Acura EL 2005-1997, Honda Civic 2011-1996, Insight 2014-2010
SBC466	Disc Brake Pad	Front	Ford Aspire 1997-1994, Escort 1993-1991, Kia Rio 2002-2001, Mazda 323 1995-1990, Protege 1998-1990, Mercury Tracer 1993-1991
SBC470	Disc Brake Pad	Front	Subaru Impreza 1996-1993, Legacy 1996-1990
SBC471	Disc Brake Pad	Rear	Subaru Impreza 1999-1993, Legacy 1999-1990, SVX 1997-1992
SBC473	Disc Brake Pad	Front	Ford Escort 2003-1991, Mazda MX-3 1996-1992, Protege 1998-1990, Mercury Tracer 1999-1991

BUYERS GUIDE

Part Number	Product Line	Position	Application
SBC476	Disc Brake Pad	Front	Lexus ES300 1996-1994, LS400 1992-1990, SC300 1996-1992, Toyota Avalon 1997-1995, Camry 1996-1991, Camry 2001-2000, Celica 1994, Sienna 2003-1998
SBC477	Disc Brake Pad	Front	Jeep Cherokee 2001-1990, Comanche 1992-1990, Grand Cherokee 1998-1993, TJ 2006-1997, Wagoneer 1990, Wrangler 1995-1990, Wrangler 2006-1997
SBC484	Disc Brake Pad	Front	Chrysler Sebring 2005-1995, Dodge Avenger 2000-1995, Colt 1994-1993, Stratus 2005-2001, Eagle 2000 GTX 1993-1991, Summit 1996-1992, Talon 1998-1990, Vista 1992, Mitsubishi Eclipse 2001-1990, Expo 1995-1992, Expo LRV 1994-1992, Galant 2001-1989, Mirage 1992-1991, Mirage 2002-1999, Plymouth Colt 1994-1992, Laser 1994-1990
SBC485	Disc Brake Pad	Front	Infiniti G20 1996-1991, Nissan 240SX 1994-1989, 240SX 1998-1997, Axxess 1995-1990, Sentra 2006-2000, Stanza 1992-1990
SBC488	Disc Brake Pad	Rear	Lexus LS400 1992-1990
SBC501	Disc Brake Pad	Rear	Toyota Previa 1997-1991
SBC502	Disc Brake Pad	Front	Lexus LX450 1997-1996, Toyota Land Cruiser 1997-1991
SBC503	Disc Brake Pad	Front	Acura CL 1999-1997, Integra 1998, Integra 2001-2000, Legend 1995-1991, NSX 2005-1991, RL 1998-1996, TL 1998-1995, Vigor 1994-1992, Honda Accord 2002-1991, CR-V 2001-1997, EV Plus 1999-1998, Odyssey 1998-1995, Prelude 2001-1993, Isuzu Oasis 1999-1996
SBC505	Disc Brake Pad	Front	Buick LeSabre 1993-1992, Park Avenue 1993-1991, Riviera 1993-1992, Cadillac 60 Special 1993, Allante 1993, Commercial Chassis 1993-1991, DeVille 1993-1991, Eldorado 1993-1992, Fleetwood 1992-1991, Seville 1993-1992, Chevrolet Camaro 1993, Lumina APV 1993-1992, Oldsmobile 88 1993-1992, 98 1993-1991, Silhouette 1993-1992, Toronado 1992, Pontiac Bonneville 1993-1992, Firebird 1993, Trans Sport 1993-1992
SBC506	Disc Brake Pad	Front	Buick Skylark 1998-1990, Chevrolet Beretta 1996-1992, Cavalier 2005-1992, Corsica 1996-1992, Oldsmobile Achieva 1998-1992, Cutlass Calais 1991-1990, Pontiac Grand Am 1998-1990, Sunbird 1994-1992, Sunfire 2005-1995
SBC507	Disc Brake Pad	Front	Saturn SC 1992-1991, SC1 2002-1993, SC2 2002-1993, SL 2002-1991, SL1 2002-1991, SL2 2002-1991, SW1 1999-1993, SW2 2001-1993
SBC508	Disc Brake Pad	Rear	Buick LeSabre 2005-2000, Park Avenue 2005-1997, Regal 1996-1994, Riviera 1993-1992, Riviera 1999-1995, Cadillac Allante 1993, DeVille 2005-1997, Eldorado 2002-2000, Seville 1997, Seville 2004-2003, Chevrolet Lumina 1999-1995, Monte Carlo 1999-1995, Oldsmobile Aurora 1999-1995, Aurora 2003-2001, Cutlass Supreme 1997-1994, Pontiac Bonneville 2005-2000, Grand Prix 1996-1994, Saturn SC1 1998-1993, SC2 1998-1996, SL 1998-1996, SL1 1998-1991, SL2 1998-1996, SW1 1998-1993, SW2 1998-1996
SBC511	Disc Brake Pad	Rear	Nissan NX 1993-1991, Sentra 1994-1991
SBC521	Disc Brake Pad	Front	Chrysler Imperial 1993-1992, LeBaron 1995-1991, New Yorker 1993-1991, Town & Country 1995-1991, Dodge Caravan 1995-1991, Daytona 1993-1991, Dynasty 1993-1991, Grand Caravan 1995-1991, Shadow 1994-1991, Spirit 1995-1991, Plymouth Acclaim 1995-1991, Grand Voyager 1995-1991, Sundance 1994-1991, Voyager 1995-1991
SBC530	Disc Brake Pad	Front	Dodge Stealth 1996-1991, Eagle Talon 1998-1993, Mitsubishi 3000GT 1999-1991, Diamante 2004-1992, Eclipse 2000-1993, Galant 1992-1991, Galant 2000-1999, Lancer 2011-2009, Lancer 2014, Montero 2000-1992, Montero Sport 2004-1997, Outlander 2006-2005, Plymouth Laser 1994-1993
SBC531	Disc Brake Pad	Front	Dodge Stealth 1996-1991, Mitsubishi 3000GT 1999-1991
SBC532	Disc Brake Pad	Rear	Dodge Stealth 1993-1991, Eagle Talon 1995-1994, Mitsubishi Eclipse 2011-2006, Galant 2009-2007
SBC536	Disc Brake Pad	Rear	Acura CL 1997, CL 2003-2001, Legend 1995-1991, RDX 2012-2007, RL 2004-1996, TL 1996-1995, TL 2008-1999, Honda Accord 1996-1994, Civic 2004-2002, CR-V 2004-2002, Element 2011-2003, Odyssey 1998-1995, Isuzu Oasis 1999-1996
SBC538	Disc Brake Pad	Rear	Hyundai Sonata 1994-1991
SBC540	Disc Brake Pad	Rear	Infiniti G20 1994-1991, G20 2000-1999, I30 2001-1996, Nissan Altima 1995-1993, Altima 2001-1998, Altra EV 1999, Maxima 1991, Maxima 2001-1995, Sentra 2001-2000
SBC544	Disc Brake Pad	Rear	Ford Crown Victoria 1995-1992, LTD Crown Victoria 1991-1990, Lincoln Town Car 1995-1990, Mercury Grand Marquis 1995-1990
SBC550	Disc Brake Pad	Front	Mazda MPV 1993-1992
SBC551	Disc Brake Pad	Front	Mazda MPV 1998-1992, MPV 2002-2000
SBC553	Disc Brake Pad	Rear	Mazda 929 1995-1992, Millennia 2002-1995, MPV 1998-1994
SBC556	Disc Brake Pad	Front, Rear	Chevrolet Tracker 2004-1998, Geo Tracker 1997-1996, Suzuki Sidekick 1998-1991, Vitara 2004-1999, Chevrolet Tracker 2002-2001
SBC562	Disc Brake Pad	Front	Geo Prizm 1997-1993, Lexus ES300 1993-1992, Toyota Camry 2001-1992, Celica 1997-1994, Corolla 1997-1993, RAV4 2000-1996
SBC563K1	Disc Brake Pad	Front	Subaru Impreza 1996-1993
SBC563K2	Disc Brake Pad	Front	Subaru Legacy 1994-1991, Legacy 1996

BUYERS GUIDE

Part Number	Product Line	Position	Application
SBC567	Disc Brake Pad	Rear	Eagle Talon 1996-1995, Mitsubishi Montero 2000-1992
SBC568	Disc Brake Pad	Front	Honda Prelude 1996-1992
SBC571	Disc Brake Pad	Front	Lexus SC300 2000-1999, SC400 2000-1992
SBC572	Disc Brake Pad	Rear	Lexus GS300 1997-1993, SC300 2000-1992, SC400 2000-1992, Toyota Supra 1998-1993
SBC576	Disc Brake Pad	Front	Mercury Villager 2002-1993, Nissan Quest 2002-1993
SBC579	Disc Brake Pad	Front	Acura SLX 1999-1996, Honda Passport 2001-1994, Isuzu Amigo 1994, Amigo 2000-1998, Axiom 2002, Rodeo 2001-1993, Rodeo Sport 2001, Trooper 2002-1992, VehiCROSS 2001-1999
SBC580	Disc Brake Pad	Rear	Acura SLX 1999-1996, Honda Passport 2002-1994, Isuzu Amigo 1994, Amigo 2000-1998, Axiom 2004-2002, Rodeo 2004-1993, Rodeo Sport 2003-2001, Trooper 2002-1992, VehiCROSS 2001-1999
SBC583	Disc Brake Pad	Front	Ford Probe 1993, Mazda 626 1993, MX-6 1993
SBC584	Disc Brake Pad	Rear	Ford Probe 1997-1993, Mazda 626 2002-1993, MX-6 1997-1993
SBC587	Disc Brake Pad	Front	Infiniti J30 1997-1993
SBC588	Disc Brake Pad	Rear	Infiniti J30 1997-1993, M45 2004-2003, Q45 2006-1994
SBC591	Disc Brake Pad	Front	Chrysler Concorde 1997-1993, Grand Voyager 2000, LHS 1997-1994, New Yorker 1996-1994, Town & Country 2000-1996, Voyager 2000, Dodge Caravan 2000-1996, Grand Caravan 2000-1996, Intrepid 1997-1993, Eagle Vision 1997-1993, Plymouth Grand Voyager 2000-1996, Voyager 2000-1996
SBC595	Disc Brake Pad	Rear	Infiniti G20 1996-1994, Nissan Altima 1997-1996, Maxima 1994-1992
SBC598	Disc Brake Pad	Front	Ford Taurus 1999-1995, Taurus 2007-2001, Thunderbird 1997-1996, Lincoln Continental 2002-1995, Mark VIII 1998-1993, Mercury Cougar 1996, Sable 2005-2001
SBC599	Disc Brake Pad	Rear	Ford Thunderbird 1997-1993, Lincoln Mark VIII 1998-1993, Mercury Cougar 1997-1993
SBC600	Disc Brake Pad	Front	Ford Mustang 1998-1994, Thunderbird 1997-1993, Mercury Cougar 1997-1993
SBC601	Disc Brake Pad	Front	Ford Taurus 2002-1994, Windstar 1998-1995, Lincoln Continental 1994-1993, Mercury Sable 2001-1994
SBC602	Disc Brake Pad	Front	Dodge Colt 1995-1993, Eagle Summit 1996-1993, Mitsubishi Mirage 2000-1993, Plymouth Colt 1995-1993
SBC603	Disc Brake Pad	Rear	Chrysler Crossfire 2006-2005, Mercedes-Benz 300SD 1993-1992, 300SE 1993-1992, 400SE 1992, 400SEL 1993, 500SEC 1993, 500SEL 1993-1992, 600SEC 1993, 600SEL 1993-1992, 600SL 1993, C32 AMG 2004-2002, C36 AMG 1997-1996, C43 AMG 2000-1998, C55 AMG 2006-2005, CL500 1999-1998, CL600 1999-1998, CLK55 AMG 2004-2001, CLK320 1999-1998, CLK430 1999, CLK500 2006-2003, CLK550 2009-2007, E55 AMG 2002-1999, E300 1999-1998, E320 2003-1995, E420 1997, E430 2002-1998, S320 1999-1994, S350 1995-1994, S420 1999-1994, S500 2006-1994, S600 1999-1994, SL320 1997-1996, SL500 2002-1996, SL600 2002-1994, SLK32 AMG 2004-2002, SLK55 AMG 2010-2007
SBC606	Disc Brake Pad	Rear	Lexus GX460 2016-2010, GX470 2009-2003, LX450 1997-1996, Toyota 4Runner 2016-2003, FJ Cruiser 2014-2007, Land Cruiser 1997-1993, Sequoia 2007-2001
SBC610	Disc Brake Pad	Rear	Ford Taurus 2005-1993, Lincoln Continental 2002-1993, Mercury Sable 2005-1993
SBC611	Disc Brake Pad	Front	Toyota 4Runner 1995-1992, T100 1998-1993
SBC612	Disc Brake Pad	Front	Lexus LS400 1994-1993
SBC613	Disc Brake Pad	Rear	Lexus LS400 2000-1993
SBC617	Disc Brake Pad	Front	Acura Integra 2001-1994, Honda Civic 1995-1994, Civic del Sol 1997-1996
SBC619	Disc Brake Pad	Front	Lexus GS300 2005-1993, GS400 2000-1998, GS430 2005-2001, IS300 2005-2001, SC430 2010-2002, Toyota Supra 1998-1993
SBC621	Disc Brake Pad	Front	Acura ILX 2013, RSX 2006-2002, Honda Civic 1995-1993, Civic 2014-2003, Civic del Sol 1995-1994, Fit 2008-2007, Fit 2013
SBC623	Disc Brake Pad	Front	Buick LeSabre 1999-1994, Park Avenue 1996-1994, Riviera 1996-1995, Cadillac DeVille 1996-1994, Eldorado 1996-1994, Seville 1996-1994, Chevrolet Camaro 1997-1994, Lumina APV 1996-1994, Oldsmobile 88 1999-1994, 98 1996-1994, Aurora 1996-1995, LSS 1999-1996, Regency 1998-1997, Silhouette 1996-1994, Pontiac Bonneville 1999-1994, Firebird 1997-1994, Trans Sport 1996-1994
SBC627	Disc Brake Pad	Rear	Ford Mustang 2004-1994
SBC627A	Disc Brake Pad	Rear	Ford Mustang 2001-1994, Mustang 2004-2003
SBC631	Disc Brake Pad	Rear	Dodge Stealth 1996-1994, Mitsubishi 3000GT 1999-1994
SBC635	Disc Brake Pad	Front	Mazda Miata 1997-1994, Miata 2005-1999
SBC636	Disc Brake Pad	Rear	Ford Escort 2003-1997, Mazda Miata 1997-1994, Miata 2005-1999, Protege 1998-1995, Mercury Tracer 1999-1997
SBC637	Disc Brake Pad	Front	Ford Probe 1997-1994, Mazda 626 2002-1994, MX-6 1997-1994, Protege 2000-1999

BUYERS GUIDE

Part Number	Product Line	Position	Application
SBC641	Disc Brake Pad	Rear	Chrysler 300M 2004-2003, Cirrus 2000-1995, Intrepid 2004-2002, Neon 2002-2000, PT Cruiser 2007-2001, PT Cruiser 2010, Sebring 2006-1996, Dodge Intrepid 2004-2002, Neon 2004-1995, Stratus 2006-1995, Plymouth Breeze 2000-1996, Neon 2001-1995
SBC642	Disc Brake Pad	Front	Dodge Neon 1999-1995, Plymouth Neon 1999-1995
SBC643	Disc Brake Pad	Front	Mazda Millenia 2002-1995
SBC644	Disc Brake Pad	Front	Saab 900 1996-1994
SBC648	Disc Brake Pad	Front	Ford Contour 2000-1995, Mercury Cougar 2002-1999, Mystique 2000-1995
SBC650	Disc Brake Pad	Front	Chrysler Cirrus 2000-1995, Sebring 2000-1996, Dodge Stratus 2000-1995, Plymouth Breeze 2000-1996
SBC652	Disc Brake Pad	Front	Ford Explorer 2001-1995, Ranger 2002-1995, Mazda B2300 1997-1995, B2300 2003-2001, B2500 2001-1998, B3000 2003-1995, B4000 2003-1995, Mercury Mountaineer 2001-1997
SBC655	Disc Brake Pad	Front, Rear	Dodge B2500 1998, B3500 1998, Ram 2500 Van 2003-1999, Ram 3500 Van 2003-1999, Ford E-150 2007, E-250 2007-2003, E-250 Econoline 2002-1995, E-250 Super Duty 2005-2004, E-350 Club Wagon 2005-2003, E-350 Econoline 2000-1995, E-350 Econoline Club Wagon 2002-1995, E-350 Super Duty 2007-1999, E-450 Econoline Super Duty 2000, E-450 Super Duty 2007-2003, F-250 1997-1995, F-350 1997-1995, E-450 Super Duty 2004-2003
SBC658	Disc Brake Pad	Rear	Chrysler 300M 2004-1999, Concorde 2004-1995, Intrepid 2001-1995, LHS 1997-1995, LHS 2001-1999, New Yorker 1996-1995, PT Cruiser 2009-2005, Sebring 2002, Dodge Intrepid 2004-1995, Neon 2005-2003, Eagle Vision 1997-1995
SBC659	Disc Brake Pad	Front	Ford Crown Victoria 1997-1995, Lincoln Town Car 1997-1995, Mercury Grand Marquis 1997-1995
SBC661	Disc Brake Pad	Rear	Ford Contour 2000-1995, Mercury Cougar 2000-1999, Mystique 2000-1995
SBC662	Disc Brake Pad	Rear	Ford Crown Victoria 1995-1992, Mercury Grand Marquis 1995-1992
SBC665	Disc Brake Pad	Front	Lexus LS400 2000-1995
SBC666	Disc Brake Pad	Rear	Jeep Grand Cherokee 1998-1994
SBC668	Disc Brake Pad	Front	Nissan 200SX 1998-1995, Sentra 1999-1995
SBC669	Disc Brake Pad	Rear	Nissan 200SX 1998-1995, Sentra 1999-1995
SBC672	Disc Brake Pad	Rear	Toyota Avalon 1999-1995
SBC677	Disc Brake Pad	Front	Suzuki Esteem 2002-1995
SBC679	Disc Brake Pad	Front	Ford F-150 2003-1997, F-150 Heritage 2004, Lincoln Blackwood 2002
SBC680	Disc Brake Pad	Front	Suzuki Grand Vitara 2005-1999, Sidekick 1998-1996, XL-7 2004-2002
SBC683	Disc Brake Pad	Rear	BMW 330Ci 2006-2001, 330i 2005-2001, 330xi 2005-2001, 525i 2007, 740i 1995, 740i 2001-1997, 740iL 2001-1995, 750iL 2001-1995, 840Ci 1997-1994, 850Ci 1997-1993, 850CSi 1995-1994, 850i 1992-1991, M3 2006-2001, M5 2003-2000, X3 2010-2004, X5 2006-2000, Z4 2008-2006, Z8 2003-2000, Land Rover Range Rover 2005-2003
SBC698	Disc Brake Pad	Rear	Buick Century 2005-2004, LaCrosse 2009-2008, Regal 2004-1997, Rendezvous 2007-2002, Chevrolet Impala 2010-2000, Monte Carlo 2007-2000, Venture 2005-2002, Oldsmobile Alero 2004-1999, Intrigue 2002-1998, Silhouette 2004-2002, Pontiac Aztek 2005-2001, Grand Am 2005-1999, Grand Prix 2003-1997, Montana 2005-1999
SBC699K1	Disc Brake Pad	Front	Buick Century 2005-1997, LeSabre 2005-2000, Park Avenue 2005-1997, Regal 2004-1997, Riviera 1999-1997, Cadillac DeVille 2005-1997, Eldorado 2002-1997, Seville 1997, Seville 2004-2003, Chevrolet Impala 2005-2000, Monte Carlo 2005-2000, Venture 2005-1997, Oldsmobile Aurora 1999-1997, Aurora 2003-2001, Intrigue 2002-1998, Silhouette 2004-1997, Pontiac Bonneville 2005-2000, Grand Prix 2003-1997, Montana 2005-1999, Trans Sport 1999-1997
SBC699K2	Disc Brake Pad	Front	Buick LeSabre 2005-2004
SBC702K1	Disc Brake Pad	Front	Ford Expedition 2002-1997, F-150 2003-2000, F-150 Heritage 2004, F-250 1999-1997, Lincoln Navigator 2002-1998
SBC702K2	Disc Brake Pad	Front	Dodge Ram 1500 2001-2000
SBC707	Disc Brake Pad	Front	Lexus ES300 2001-1997, RX300 2001-1999, SC300 1998-1997, Toyota Avalon 2004-1998, Camry 2001-1997, Celica 1999-1998, Solara 2003-1999
SBC711	Disc Brake Pad	Rear	Ford Expedition 2002-1997, F-150 2003-1997, F-150 Heritage 2004, F-250 1999-1997, Lincoln Blackwood 2002, Navigator 2002-1998, Town Car 2010-2003
SBC716	Disc Brake Pad	Front	Toyota Previa 1997
SBC721	Disc Brake Pad	Front	Subaru Forester 2002-1998, Impreza 2001-1998, Impreza 2003, Legacy 2002-1996, Outback 2001-2000
SBC722	Disc Brake Pad	Front	Subaru Impreza 2001-1997, Legacy 2000-1996
SBC724	Disc Brake Pad	Rear	Daewoo Leganza 2002-1999, Nubira 2002-1999, Mitsubishi Diamante 2004-1997
SBC726	Disc Brake Pad	Front	Chevrolet Blazer 2005-1997, S10 2004-1998, GMC Jimmy 2005-1998, Sonoma 2004-1998, Isuzu Hombre 1999-1998, Oldsmobile Bravada 2001-1997
SBC727	Disc Brake Pad	Front	Chevrolet Classic 2005-2004, Malibu 2003-1997, Oldsmobile Alero 2004-1999, Cutlass 1999-1997, Cutlass Supreme 1997

BUYERS GUIDE

Part Number	Product Line	Position	Application
SBC729	Disc Brake Pad	Rear	Chevrolet Blazer 2005-1997, S10 2004-1998, GMC Jimmy 2005-1997, Sonoma 2004-1998, Isuzu Hombre 2000-1998, Oldsmobile Bravada 2001-1997
SBC730	Disc Brake Pad	Front, Rear	Chrysler 300M 2004-1999, Concorde 2004-1998, Intrepid 2004-1993, LHS 2001-1999, Dodge Intrepid 2004-1998, Chrysler Prowler 2001, Plymouth Prowler 1997, Prowler 2001-1999
SBC730A	Disc Brake Pad	Front	Chrysler Neon 2002-2000, Dodge Neon 2005-2000, SX 2.0 2005-2003, Plymouth Neon 2001-2000
SBC731	Disc Brake Pad	Front	Cadillac XLR 2009-2004, Chevrolet Corvette 2010-1997, Corvette 2013-2012, Pontiac GTO 2006-2005
SBC732	Disc Brake Pad	Rear	Cadillac XLR 2009-2004, Chevrolet Corvette 2010-1997, Corvette 2013-2012
SBC733	Disc Brake Pad	Rear	Mitsubishi Montero Sport 2004-1997
SBC741	Disc Brake Pad	Front	Chevrolet Prizm 2002-1998, Toyota Corolla 2002-1998
SBC748	Disc Brake Pad	Front	Ford Crown Victoria 2002-1998, Lincoln Town Car 2002-1998, Mercury Grand Marquis 2002-1998
SBC749	Disc Brake Pad	Front	Chevrolet Camaro 2002-1998, Pontiac Firebird 2002-1998
SBC750	Disc Brake Pad	Rear	Chevrolet Camaro 2002-1998, Pontiac Firebird 2002-1998
SBC752	Disc Brake Pad	Front	Pontiac Grand Am 2005-1999
SBC754	Disc Brake Pad	Rear	Cadillac Seville 2002-1998
SBC755	Disc Brake Pad	Front	Mazda 626 2002-1998, Protege 2003
SBC758	Disc Brake Pad	Front	Dodge B1500 1998, Ram 1500 2000, Ram 1500 Van 2002-1999
SBC767	Disc Brake Pad	Front	Chevrolet Blazer 1997, S10 1997, GMC Jimmy 1997, Sonoma 1997, Isuzu Hombre 1997
SBC768	Disc Brake Pad	Front	Audi A3 2009, Volkswagen Beetle 1999-1998, Beetle 2001, Beetle 2010-2005, Golf 2001-1999, Golf 2006-2005, Jetta 2005-1999, Jetta 2013-2010, Jetta 2015
SBC768A	Disc Brake Pad	Front	Volkswagen Beetle 2010-2000, Golf 2006-2000, Golf 2011, Golf City 2009-2007, Jetta 2005-1998, Jetta City 2008
SBC770	Disc Brake Pad	Rear	Subaru Baja 2006-2003, Forester 2003-1998, Impreza 2003-1999, Legacy 2009-2000, Outback 2004-2000
SBC771	Disc Brake Pad	Rear	Lexus GS300 2005-1998, GS400 2000-1998, GS430 2005-2001, IS300 2005-2001, SC430 2010-2002
SBC772	Disc Brake Pad	Front	Lexus LX470 2007-1998, Toyota Land Cruiser 2007-1998
SBC773	Disc Brake Pad	Rear	Lexus LX470 2007-1998, Toyota Land Cruiser 2007-1998
SBC774	Disc Brake Pad	Front	Kia Sportage 2002-1998
SBC784	Disc Brake Pad	Front	Cadillac DeVille 2005-2000, DTS 2011-2006, Chevrolet Avalanche 2500 2006-2002, Express 2500 2015-2003, Express 3500 2015-2003, Express 4500 2013-2009, Silverado 1500 HD 2003-2001, Silverado 1500 HD 2006-2005, Silverado 1500 HD Classic 2007, Silverado 2500 2004-1999, Silverado 2500 HD 2010-2001, Silverado 2500 HD Classic 2007, Silverado 3500 2007-2001, Silverado 3500 Classic 2007, Silverado 3500 HD 2010-2007, Suburban 2500 2013-2000, GMC Savana 2500 2015-2003, Savana 3500 2015-2003, Savana 4500 2014-2009, Sierra 1500 2002, Sierra 1500 HD 2003-2001, Sierra 1500 HD 2006-2005, Sierra 1500 HD Classic 2007, Sierra 2500 2004-1999, Sierra 2500 HD 2010-2001, Sierra 2500 HD Classic 2007, Sierra 3500 2006-2001, Sierra 3500 Classic 2007, Sierra 3500 HD 2010-2007, Yukon XL 2500 2013-2000, Hummer H2 2009-2003
SBC785	Disc Brake Pad	Front, Rear	Cadillac Escalade 2006-2002, Escalade ESV 2006-2003, Escalade EXT 2006-2002, Chevrolet Astro 2005-2003, Avalanche 1500 2006-2002, Express 1500 2008-2003, Express 2500 2005-2003, Silverado 1500 2006-1999, Silverado 1500 Classic 2007, Suburban 1500 2006-2000, Tahoe 2006-2000, GMC Safari 2005-2003, Savana 1500 2008-2003, Savana 2500 2005-2003, Sierra 1500 2006-1999, Sierra 1500 Classic 2007, Yukon 2006-2000, Yukon XL 1500 2006-2000, Chevrolet Avalanche 2500 2006-2002, Silverado 1500 HD 2003-2001, Silverado 1500 HD 2006-2005, Silverado 1500 HD Classic 2007, Silverado 2500 2004-1999, Silverado 2500 HD 2010-2001, Silverado 2500 HD Classic 2007, Silverado 3500 2007-2004, Silverado 3500 Classic 2007, Silverado 3500 HD 2010-2007, Suburban 2500 2013-2000, GMC C2500 2000, K2500 2000, Sierra 1500 2003, Sierra 1500 2005, Sierra 1500 HD 2003-2001, Sierra 1500 HD 2006-2005, Sierra 1500 HD Classic 2007, Sierra 2500 2004-1999, Sierra 2500 HD 2010-2001, Sierra 2500 HD Classic 2007, Sierra 3500 2006-2004, Sierra 3500 Classic 2007, Sierra 3500 HD 2010-2007, Yukon XL 2500 2013-2000, Hummer H2 2009-2003
SBC790	Disc Brake Pad	Front	Jeep Grand Cherokee 2002-1999
SBC792HD	Disc Brake Pad	Rear	Cadillac DeVille 2005-2000, DTS 2011-2006, Chevrolet Astro 2005-2003, Silverado 1500 2006-1999, Silverado 1500 Classic 2007, Suburban 1500 2001-2000, Tahoe 2001-2000, GMC Safari 2005-2003, Sierra 1500 2006-1999, Sierra 1500 Classic 2007, Yukon 2001-2000, Yukon XL 1500 2001-2000

BUYERS GUIDE

Part Number	Product Line	Position	Application
SBC792SD	Disc Brake Pad	Rear	Cadillac DeVille 2005-2000, DTS 2011-2006, Chevrolet Astro 2005-2003, Silverado 1500 2006-1999, Silverado 1500 Classic 2007, Suburban 1500 2001-2000, Tahoe 2001-2000, GMC Safari 2005-2003, Sierra 1500 2006-1999, Sierra 1500 Classic 2007, Yukon 2001-2000, Yukon XL 1500 2001-2000
SBC793	Disc Brake Pad	Front	Acura MDX 2002-2001, Honda Odyssey 2004-1999
SBC798	Disc Brake Pad	Front	Mazda Protege 2003-1999
SBC799	Disc Brake Pad	Front	Toyota Tacoma 2004-1999
SBC803	Disc Brake Pad	Front	Ford Windstar 2003-1999
SBC804	Disc Brake Pad	Front	Ford Mustang 2004-1999
SBC805	Disc Brake Pad	Front	Ford Thunderbird 2005-2002, Jaguar S-Type 2002-2000, Lincoln LS 2006-2000
SBC806	Disc Brake Pad	Rear	Ford Thunderbird 2005-2002, Jaguar S-Type 2005-2000, Vanden Plas 2005-2004, XJ8 2005-2004, Lincoln LS 2006-2000
SBC812	Disc Brake Pad	Front	Toyota Sequoia 2007-2001, Tundra 2006-2000
SBC813	Disc Brake Pad	Rear	Hyundai Azera 2009-2006, Elantra 2010-2007, Santa Fe 2006-2001, Sonata 2008-1999, Tucson 2009-2005, XG300 2001, XG350 2005-2002, Kia Amanti 2006-2004, Magentis 2010-2001, Optima 2010-2001, Sportage 2010-2005
SBC815A	Disc Brake Pad	Front	Infiniti I35 2004-2002, Nissan Altima 2006-2002, Cube 2014-2009, Maxima 2003-2002, Sentra 2014-2007, Versa 2012-2007, Suzuki SX4 2013, SX4 Crossover 2012
SBC815K1	Disc Brake Pad	Front	Suzuki SX4 2012-2008
SBC815K2	Disc Brake Pad	Front	Nissan Maxima 2002
SBC816	Disc Brake Pad	Front	Ford Focus 2004-2000
SBC817	Disc Brake Pad	Front	Scion tC 2010-2005, Toyota Celica 2005-2000
SBC820	Disc Brake Pad	Front	Dodge Dakota 2002-2000, Durango 2002-2000
SBC822	Disc Brake Pad	Front	Scion iQ 2012, Toyota Celica 2000, Echo 2002-2001, MR2 Spyder 2001-2000, Prius 2002-2001
SBC823	Disc Brake Pad	Rear	Pontiac Vibe 2006-2003, Toyota Celica 2005-2000, Corolla 2006-2005, Matrix 2008-2003
SBC824	Disc Brake Pad	Front	Ford Excursion 2005-2000, F-250 Super Duty 2004-1999, F-350 Super Duty 2004-1999
SBC828	Disc Brake Pad	Rear	Toyota Avalon 2007-2000, Camry 2006-2000, Solara 2008-1999
SBC829	Disc Brake Pad	Front	Acura CSX 2011-2007, RSX 2006-2002, Honda Civic 2011-2006, S2000 2009-2000
SBC830	Disc Brake Pad	Front	Nissan Frontier 2004-2003, Xterra 2004-2000
SBC831	Disc Brake Pad	Front	Toyota Echo 2000
SBC832	Disc Brake Pad	Front	Honda Insight 2006-2000
SBC833	Disc Brake Pad	Front	Ford Explorer 2005-2001, Explorer Sport Trac 2005-2001, Ranger 2011-2003, Mazda B2300 2010-2003, B3000 2008-2003, B4000 2010-2003, Mercury Mountaineer 2005-2002
SBC834	Disc Brake Pad	Rear	Cadillac Escalade 2006-2002, Escalade ESV 2006-2003, Escalade EXT 2006-2002, Chevrolet Avalanche 1500 2006-2002, Silverado 1500 2006-2002, Suburban 1500 2006-2000, Tahoe 2006-2000, GMC Sierra 1500 2006-2002, Yukon 2006-2000, Yukon XL 1500 2006-2000, Yukon XL 2500 2001
SBC835	Disc Brake Pad	Rear	Lexus ES300 2001-2000, Scion tC 2010-2005, Toyota Camry 2001-2000
SBC841NT	Disc Brake Pad	Front	Chrysler PT Cruiser 2010-2001
SBC841T	Disc Brake Pad	Front	Chrysler PT Cruiser 2009-2003, Dodge Neon 2005-2003
SBC843	Disc Brake Pad	Front	Ford Escape 2007-2001, Mazda Tribute 2006-2001, Mercury Mariner 2007-2005
SBC844	Disc Brake Pad	Front	Buick Rendezvous 2007-2002, Chevrolet Venture 2004-2002, Oldsmobile Silhouette 2004-2002, Pontiac Aztek 2005-2001, Montana 2004-2002
SBC855	Disc Brake Pad	Front	Acura MDX 2006-2003, Infiniti Q45 2001-2000, QX4 2003-2002, Nissan Pathfinder 2004-2001, Quest 2009-2004, X-Trail 2006-2005
SBC856	Disc Brake Pad	Front	Chrysler Town & Country 2007-2003, Voyager 2003-2001, Dodge Caravan 2007-2001, Grand Caravan 2005-2001, Jeep Liberty 2007-2002
SBC857	Disc Brake Pad	Front	Chrysler Town & Country 2007-2001, Voyager 2003, Dodge Caravan 2007-2001, Grand Caravan 2007-2001
SBC858	Disc Brake Pad	Rear	Chrysler Town & Country 2007-2001, Voyager 2003-2001, Dodge Caravan 2007-2001, Grand Caravan 2007-2001
SBC862	Disc Brake Pad	Front	Toyota RAV4 2005-2001
SBC864	Disc Brake Pad	Front	Hyundai Santa Fe 2006-2001, XG300 2001, XG350 2003-2002, Kia Sedona 2004-2002
SBC865	Disc Brake Pad	Rear	Acura MDX 2006-2001, Honda Odyssey 2004-2002, Pilot 2008-2003
SBC866	Disc Brake Pad	Front	Chrysler 200 2014-2011, Sebring 2005-2001, Sebring 2010-2007, Dodge Avenger 2014-2008, Caliber 2012-2007, Stratus 2005-2001, Jeep Compass 2014-2007, Patriot 2014-2007, Mitsubishi Eclipse 2012-2000, Galant 2012-2000, Lancer 2006-2004, Lancer 2014-2008, Outlander 2004-2003, Outlander 2016-2006, Outlander Sport 2014-2011, RVR 2013-2011

BUYERS GUIDE

Part Number	Product Line	Position	Application
SBC867	Disc Brake Pad	Front	Honda Passport 2002, Isuzu Axiom 2004-2002, Rodeo 2004-2002, Rodeo Sport 2003-2002, Mitsubishi Endeavor 2008-2004, Endeavor 2011-2010, Montero 2006-2001
SBC868	Disc Brake Pad	Rear	Chrysler 200 2014-2011, Sebring 2010-2008, Dodge Avenger 2013-2008, Caliber 2008, Jeep Compass 2007, Compass 2010, Compass 2016-2012, Patriot 2016-2007, Mitsubishi Endeavor 2008-2004, Endeavor 2011-2010, Lancer 2010-2008, Lancer 2012, Lancer 2014, Montero 2006-2001, Outlander 2013-2007, Outlander Sport 2012-2011, RVR 2013-2011
SBC869	Disc Brake Pad	Front	Chrysler Sebring 2006-2001, Dodge Stratus 2006-2001
SBC870	Disc Brake Pad	Front	Lexus LS430 2006-2001
SBC871	Disc Brake Pad	Rear	Lexus LS430 2006-2001
SBC881	Disc Brake Pad	Rear	Ford Explorer 2005-2002, Explorer Sport Trac 2003, Mercury Mountaineer 2005-2002
SBC882	Disc Brake Pad	Front	Buick Rainier 2005-2004, Chevrolet SSR 2006-2003, Trailblazer 2005-2002, Trailblazer EXT 2005-2002, GMC Envoy 2005-2002, Envoy XL 2005-2002, Envoy XUV 2005-2004, Isuzu Ascender 2005-2003, Oldsmobile Bravada 2004-2002, Saab 9-7x 2005
SBC883	Disc Brake Pad	Rear	Buick Enclave 2015-2008, Rainier 2007-2004, Cadillac XTS 2015-2013, Chevrolet SSR 2006-2003, Trailblazer 2009-2002, Trailblazer EXT 2006-2002, Traverse 2015-2009, GMC Acadia 2015-2007, Envoy 2009-2002, Envoy XL 2006-2002, Envoy XUV 2005-2004, Isuzu Ascender 2008-2003, Oldsmobile Bravada 2004-2002, Saab 9-7x 2009-2005, Saturn Outlook 2010-2007
SBC884	Disc Brake Pad	Front	Toyota Highlander 2007-2001
SBC885	Disc Brake Pad	Rear	Lexus ES300 2003-2002, ES330 2006-2004, Toyota Camry 2006-2002, Highlander 2003-2001
SBC887	Disc Brake Pad	Front	Hyundai Elantra 2006-2005, Tiburon 2001, Kia Magentis 2002-2001, Optima 2002-2001
SBC888	Disc Brake Pad	Front	Infiniti EX35 2012-2008, EX37 2013, FX35 2012-2006, FX45 2008-2006, G25 2012-2011, G35 2008-2005, G37 2012-2009, M35 2010-2006, M37 2011, M45 2004-2003, M45 2010-2006, M56 2011, Q40 2015, Q45 2006-2002, Q70 2015-2014, Q70L 2015, QX50 2015-2014, QX70 2015-2014, Nissan 350Z 2009-2006, 370Z 2010-2009, 370Z 2016-2014, Murano 2014-2011, Pathfinder 2012-2008
SBC889	Disc Brake Pad	Front	Kia Rio 2005-2003, Sephia 2001-2000, Spectra 2004-2001
SBC890	Disc Brake Pad	Front	Mazda Miata 2005-2001
SBC891	Disc Brake Pad	Rear	Mazda Miata 2005-2001
SBC892	Disc Brake Pad	Rear	Mazda Protege 2003-2001, Protege5 2003-2002
SBC893	Disc Brake Pad	Front	Mazda Protege 2003-2001, Protege5 2003-2002
SBC900	Disc Brake Pad	Rear	Infiniti G20 2002-2001, I30 2001, I35 2004-2002, Nissan Altra EV 2001-2000, Maxima 2003-2002, Sentra 2006-2002
SBC904	Disc Brake Pad	Front	Mitsubishi Lancer 2007-2002
SBC905	Disc Brake Pad	Rear	Infiniti FX35 2008-2003, FX37 2013, FX45 2008-2003, G35 2007-2003, G37 2013, M35 2009-2006, M37 2011, M37 2013, M45 2009-2006, M56 2013, Nissan 350Z 2009-2003, 370Z 2013, Altima 2006-2002, Altima 2010, Juke 2014-2012, Leaf 2013-2011, Maxima 2008-2004, Maxima 2013, Murano 2007-2003, Quest 2009-2004, Sentra 2013, X-Trail 2006-2005
SBC906	Disc Brake Pad	Front	Lexus ES300 2003-2002, ES330 2006-2004, Toyota Avalon 2007-2005, Camry 2006-2005, Sienna 2010-2004, Solara 2008-2004, Tacoma 2015-2005, Tundra 2015
SBC908	Disc Brake Pad	Front	Lexus GS300 2006, IS250 2013-2009, Toyota Camry 2006-2002
SBC909	Disc Brake Pad	Rear	Chevrolet Silverado 3500 2007-2001, Silverado 3500 Classic 2007, Silverado 3500 HD 2010-2007, GMC Sierra 3500 2006-2001, Sierra 3500 Classic 2007, Sierra 3500 HD 2010-2007
SBC913	Disc Brake Pad	Front	Chevrolet Equinox 2006-2005, Pontiac Torrent 2006, Saturn Vue 2007-2002
SBC914	Disc Brake Pad	Front	Acura ILX 2015-2013, Honda Accord 2013-2003, Accord 2015, Civic 2016-2012, CR-V 2006-2002, CR-V 2016-2012, Element 2011-2003, Fit 2014
SBC921	Disc Brake Pad	Front	Cadillac CTS 2007-2003, STS 2008-2005, Pontiac Grand Prix 2008-2005
SBC922	Disc Brake Pad	Rear	Cadillac CTS 2007-2003, STS 2011-2005, Pontiac Grand Prix 2008-2005
SBC922A	Disc Brake Pad	Rear	Cadillac CTS 2007-2003, STS 2011-2005, Pontiac Grand Prix 2008-2005
SBC923	Disc Brake Pad	Front	Pontiac Vibe 2008-2003, Toyota Corolla 2008-2003, Matrix 2008-2003
SBC924	Disc Brake Pad	Front	Hyundai Elantra 2010-2007, Sonata 2010-2003, Tiburon 2008-2003, Tucson 2009-2005, Kia Magentis 2010-2003, Optima 2010-2003, Soul 2013-2010, Sportage 2010-2005
SBC925	Disc Brake Pad	Front	Kia Sephia 1999-1994, Spectra 2000
SBC929	Disc Brake Pad	Front	Saab 9-2X 2006-2005, Subaru Baja 2006-2003, Forester 2010-2003, Impreza 2011-2002, Legacy 2012-2002, Outback 2012-2002
SBC930	Disc Brake Pad	Front	Lexus RX300 2003-2002
SBC931	Disc Brake Pad	Front	Ford Crown Victoria 2011-2003, Lincoln Town Car 2011-2003, Mercury Grand Marquis 2011-2003, Marauder 2004-2003
SBC932	Disc Brake Pad	Rear	Mercury Grand Marquis 2008

BUYERS GUIDE

Part Number	Product Line	Position	Application
SBC932A	Disc Brake Pad	Rear	Ford Crown Victoria 2010, Lincoln Town Car 2003, Mercury Marauder 2004-2003
SBC937	Disc Brake Pad	Front	Suzuki Aerio 2005-2002
SBC939	Disc Brake Pad	Front	Mini Cooper 2008-2002
SBC941	Disc Brake Pad	Front	Hyundai Elantra 2005-2002
SBC943	Disc Brake Pad	Front	Honda Pilot 2008-2003
SBC945	Disc Brake Pad	Front	Jeep Grand Cherokee 2004-1999
SBC952	Disc Brake Pad	Rear	Lincoln Aviator 2005-2003
SBC953	Disc Brake Pad	Front	Lincoln Aviator 2005-2003
SBC954	Disc Brake Pad	Rear	Hyundai Entourage 2007, Kia Sedona 2006, Sorento 2009-2003
SBC955	Disc Brake Pad	Front	Kia Sorento 2009-2003
SBC956	Disc Brake Pad	Front	Chevrolet Cobalt 2010-2005, Pontiac G5 2010-2007, Pursuit 2006-2005, Saturn Ion 2007-2003
SBC957	Disc Brake Pad	Front	Mazda 6 2005-2003
SBC962	Disc Brake Pad	Front	Dodge Dakota 2004-2003
SBC963	Disc Brake Pad	Rear	Dodge Dakota 2004-2003
SBC964	Disc Brake Pad	Rear	Jeep TJ 2003, Wrangler 2006-2003
SBC966	Disc Brake Pad	Front	Dodge Durango 2006-2003, Ram 1500 2005-2002, Ram 1500 Van 2003
SBC967	Disc Brake Pad	Rear	Chrysler Aspen 2009-2007, Dodge Durango 2009-2003, Ram 1500 2010-2002, Ram 1500 Van 2003, Ram 1500 2015-2011
SBC969	Disc Brake Pad	Front	Infiniti FX35 2006-2003, FX45 2006-2003, Nissan Altima 2006-2005, Maxima 2008-2004, Murano 2007-2003, Murano 2011-2009
SBC970	Disc Brake Pad	Front	Ford Focus 2004-2002, Transit Connect 2013-2010
SBC973	Disc Brake Pad	Rear	Mazda 3 2005-2004, 5 2006, Saab 9-3 2003, Volvo S40 2005, V50 2005
SBC974	Disc Brake Pad	Rear	Chevrolet Express 2500 2015-2003, Express 3500 2014-2003, GMC Savana 1500 2014, Savana 2500 2015-2003, Savana 3500 2014-2003, Sierra 1500 2003
SBC974A	Disc Brake Pad	Rear	Cadillac Escalade 2006-2002, Chevrolet Avalanche 1500 2006-2002, Express 1500 2014-2003, Silverado 1500 2003, Suburban 1500 2006-2002, Tahoe 2006-2002, GMC Savana 1500 2013-2003, Sierra 1500 2005, Yukon 2006-2002, Yukon XL 1500 2006-2002
SBC976	Disc Brake Pad	Front	Lexus GX460 2016-2010, GX470 2009-2003, Toyota 4Runner 2016-2003, FJ Cruiser 2014-2007, Sequoia 2007-2001, Tacoma 2016-2005, Tundra 2006-2000
SBC981	Disc Brake Pad	Rear	Jeep Liberty 2007-2003, TJ 2006-2004, Wrangler 2006-2004
SBC987	Disc Brake Pad	Front	Mercedes-Benz E320 2009-2003, E350 2009-2006
SBC988	Disc Brake Pad	Front	Chevrolet S10 2003, GMC Jimmy 2003, Sonoma 2003
SBC989	Disc Brake Pad	Rear	Chevrolet Express 3500 2008-2003, GMC Savana 3500 2008-2003
SBC990	Disc Brake Pad	Front	Scion iQ 2015-2013, xA 2004, xB 2004, Toyota Echo 2005-2003, MR2 Spyder 2005-2002, Prius 2009-2003
SBC995	Disc Brake Pad	Rear	Toyota Sienna 2010-2004
SBC996	Disc Brake Pad	Rear	Lexus RX330 2006-2004, RX350 2009-2007, RX400h 2008-2006, Toyota Highlander 2007-2004
SBC997	Disc Brake Pad	Front	Chrysler Pacifica 2008-2004
SBC998	Disc Brake Pad	Rear	Chrysler Pacifica 2008-2004
SBC999	Disc Brake Pad	Rear	Buick Allure 2009-2005, LaCrosse 2009-2005, Chevrolet Impala 2013-2011, Impala 2016-2015, Impala Limited 2015-2014, Pontiac Grand Prix 2008-2004
SBC1000	Disc Brake Pad	Front	Pontiac Grand Prix 2004
SBC1001	Disc Brake Pad	Front	Buick Regal 2013-2012, Regal 2015, Ford Mustang 2014, Hyundai Genesis Coupe 2012, Mitsubishi Lancer 2006-2003, Lancer 2011-2008, Lancer 2014-2013, Subaru Impreza 2014-2004, WRX 2013, WRX STI 2015-2013, Volvo S60 2007-2004, V70 2007-2004
SBC1004	Disc Brake Pad	Rear	Saab 9-2X 2006-2005, Subaru Forester 2008-2004, Impreza 2007-2004
SBC1005	Disc Brake Pad	Front	Lexus RX330 2006-2004, RX350 2009-2007, RX400h 2008-2006, Toyota Highlander 2007-2006
SBC1008	Disc Brake Pad	Rear	Mazda RX-8 2011-2004
SBC1012	Disc Brake Pad	Rear	Ford F-150 2011-2004, Lincoln Mark LT 2008-2006
SBC1013	Disc Brake Pad	Front	Hyundai XG350 2005-2003, Kia Amanti 2006-2004
SBC1015	Disc Brake Pad	Front	Infiniti QX56 2006-2004, Nissan Armada 2006-2005, Pathfinder Armada 2004, Titan 2007-2004
SBC1019	Disc Brake Pad	Front	Cadillac SRX 2009-2004, STS 2008-2005, Pontiac Bonneville 2005-2004
SBC1020	Disc Brake Pad	Rear	Cadillac CTS 2007-2006, SRX 2009-2004, STS 2010-2006
SBC1021	Disc Brake Pad	Rear	Ford Freestar 2007-2004, Mercury Monterey 2007-2004
SBC1022	Disc Brake Pad	Front	Ford Freestar 2007-2004, Mercury Monterey 2007-2004
SBC1028	Disc Brake Pad	Front	Chevrolet Cobalt 2007-2005, HHR 2010-2008, Malibu 2006-2004, Pontiac G5 2007, G6 2005, Pursuit 2006, Solstice 2009-2006, Saturn Ion 2007-2004, Sky 2010-2007
SBC1030	Disc Brake Pad	Rear	Chevrolet Epica 2006-2004, Suzuki Verona 2006-2004
SBC1031	Disc Brake Pad	Front	Chevrolet Epica 2006-2004, Suzuki Verona 2006-2004
SBC1033	Disc Brake Pad	Rear	Chevrolet Cobalt 2008-2005, HHR 2010-2008, Malibu 2012-2004, Pontiac G5 2010-2007, G6 2010-2005, Pursuit 2006, Saturn Aura 2009-2007, Ion 2007-2004

BUYERS GUIDE

Part Number	Product Line	Position	Application
SBC1035	Disc Brake Pad	Front	Chevrolet Aveo 2011-2004, Aveo5 2011-2006, Optra 2007-2004, Spark 2015-2013, Spark EV 2015-2014, Pontiac G3 2010-2009, G3 Wave 2009, Wave 2008-2005, Wave5 2007-2006, Suzuki Forenza 2008-2004, Reno 2008-2005, Swift+ 2009-2007
SBC1036	Disc Brake Pad	Rear	Chevrolet Optra 2006-2004, Suzuki Forenza 2006-2004, Reno 2006-2005
SBC1037	Disc Brake Pad	Rear	Chrysler 200 2014-2011, Sebring 2010-2007, Dodge Avenger 2014-2008, Caliber 2012-2007, Jeep Compass 2016-2007, Patriot 2016-2007, Mitsubishi Lancer 2006-2004, Lancer 2014-2008, Outlander 2006-2004
SBC1038	Disc Brake Pad	Front	Mazda MPV 2006-2002
SBC1039	Disc Brake Pad	Front	Chevrolet Colorado 2008-2004, GMC Canyon 2008-2004, Isuzu i-280 2006, i-290 2008-2007, i-350 2006, i-370 2008-2007
SBC1040	Disc Brake Pad	Rear	Ford Crown Victoria 2011-2003, Ranger 2011-2010, Lincoln Town Car 2011-2004, Mercury Grand Marquis 2007-2003, Grand Marquis 2011-2009
SBC1041	Disc Brake Pad	Rear	Infiniti QX56 2010-2004, Jeep Commander 2010-2006, Grand Cherokee 2010-2005, Nissan Armada 2015-2005, Pathfinder 2004, Pathfinder Armada 2004, Titan 2015-2004
SBC1043	Disc Brake Pad	Front	Pontiac GTO 2004
SBC1044	Disc Brake Pad	Front	Ford Escape 2015, Focus 2007-2005, Focus 2012, Mazda 3 2013-2004, 3 Sport 2010-2009, 3 Sport 2013-2012, 5 2010-2006, 5 2013-2012, MX-5 Miata 2013, Volvo C30 2013-2007, C70 2013-2006, S40 2011-2004, V50 2011-2005
SBC1047	Disc Brake Pad	Front	Ford Escape 2011-2005, Mazda Tribute 2006-2005, Tribute 2011-2008, Mercury Mariner 2011-2005
SBC1047A	Disc Brake Pad	Front	Ford Escape 2009-2006, Escape 2012, Mercury Mariner 2009-2006
SBC1047B	Disc Brake Pad	Front	Ford Escape 2012-2010, Mercury Mariner 2011-2010
SBC1047C	Disc Brake Pad	Front	Ford Escape 2009-2006, Escape 2012, Mercury Mariner 2009-2006
SBC1048	Disc Brake Pad	Rear	Pontiac GTO 2006-2004
SBC1049	Disc Brake Pad	Front	Acura TL 2008-2004
SBC1050A	Disc Brake Pad	Front	Cadillac ATS 2014-2013, XTS 2014-2013, Hyundai Genesis Coupe 2010, Genesis Coupe 2013
SBC1050B	Disc Brake Pad	Front	Hyundai Genesis Coupe 2010
SBC1051	Disc Brake Pad	Rear	Toyota RAV4 2005-2004
SBC1055	Disc Brake Pad	Rear	Ford Escape 2009-2005, Mazda Tribute 2006-2005, Tribute 2010-2008, Mercury Mariner 2010-2005
SBC1056K1	Disc Brake Pad	Front	Chrysler 300 2010-2005, Dodge Challenger 2010-2009, Charger 2010-2006, Magnum 2008-2005
SBC1056K2	Disc Brake Pad	Front	Chrysler 300 2015-2011, Dodge Challenger 2012-2011, Challenger 2015-2014, Charger 2015-2011
SBC1057ASR	Disc Brake Pad	Rear	Dodge Charger 2014-2006, Magnum 2008-2006
SBC1057AVR	Disc Brake Pad	Rear	Dodge Charger 2014-2006, Magnum 2008-2006
SBC1057SR	Disc Brake Pad	Rear	Chrysler 300 2015-2005, Dodge Challenger 2015-2009, Charger 2015-2006, Magnum 2008-2005
SBC1057VR	Disc Brake Pad	Rear	Chrysler 300 2015-2005, Dodge Challenger 2015-2009, Charger 2015-2006, Magnum 2008-2005
SBC1058	Disc Brake Pad	Front	Chrysler 200 2014-2013, 300 2016-2005, Dodge Avenger 2014-2013, Caliber 2009-2008, Challenger 2015-2009, Charger 2015-2006, Magnum 2008-2005
SBC1060	Disc Brake Pad	Rear	Mini Cooper 2008-2002
SBC1070	Disc Brake Pad	Front	Ford Five Hundred 2007-2005, Freestyle 2007-2005, Taurus 2009-2008, Taurus X 2009-2008, Mercury Montego 2007-2005, Sable 2009-2008
SBC1071	Disc Brake Pad	Rear	Ford Five Hundred 2007-2005, Freestyle 2007-2005, Taurus 2009-2008, Taurus X 2009-2008, Jaguar X-Type 2008-2005, Mercury Montego 2007-2005, Sable 2009-2008
SBC1073	Disc Brake Pad	Rear	Mazda MPV 2006-2004
SBC1074	Disc Brake Pad	Front	Kia Spectra 2009-2004, Spectra5 2009-2005
SBC1075	Disc Brake Pad	Front	Buick Allure 2009-2005, LaCrosse 2009-2005, Terraza 2007-2005, Chevrolet Uplander 2009-2005, Pontiac Grand Prix 2008-2005, Montana 2009-2005, Saturn Relay 2007-2005, VPG MV-1 2012-2011
SBC1078	Disc Brake Pad	Front	Subaru B9 Tribeca 2007-2006, Forester 2016-2014, Legacy 2016-2005, Outback 2016-2010, Tribeca 2014-2008, WRX 2015-2014
SBC1080	Disc Brake Pad	Front	Jeep Commander 2010-2006, Grand Cherokee 2010-2005
SBC1081	Disc Brake Pad	Front	Ford Mustang 2010-2005
SBC1083	Disc Brake Pad	Front	Ford F-150 2009-2004
SBC1084	Disc Brake Pad	Front	Chrysler Aspen 2009-2007, Dodge Dakota 2010-2005, Durango 2009-2007, Ram 1500 2010-2006, Mitsubishi Raider 2009-2006, Ram 1500 2015-2011, Dakota 2011
SBC1086	Disc Brake Pad	Rear	Acura RDX 2016-2010, Honda Accord Crosstour 2011-2010, Crosstour 2015-2012, CR-V 2015-2005
SBC1088	Disc Brake Pad	Rear	Honda Odyssey 2010-2005
SBC1090	Disc Brake Pad	Rear	Acura RL 2012-2005
SBC1091	Disc Brake Pad	Front	Acura RL 2012-2005

BUYERS GUIDE

Part Number	Product Line	Position	Application
SBC1092	Disc Brake Pad	Front	Cadillac Escalade 2008-2007, Escalade ESV 2008-2007, Escalade EXT 2008-2007, Chevrolet Avalanche 2008-2007, Silverado 1500 2008-2005, Silverado 1500 Classic 2007, Suburban 1500 2008-2007, Tahoe 2008-2007, GMC Sierra 1500 2008-2005, Sierra 1500 Classic 2007, Yukon 2008-2007, Yukon XL 1500 2008-2007
SBC1093	Disc Brake Pad	Rear	Buick Terraza 2007-2005, Chevrolet Uplander 2009-2005, Pontiac Montana 2009-2005, Saturn Relay 2007-2005, VPG MV-1 2012-2011
SBC1094	Disc Brake Pad	Front	Nissan Frontier 2015-2005, Leaf 2013-2011, NV200 2015-2014, Pathfinder 2012-2005, Xterra 2015-2005, Suzuki Equator 2012-2009
SBC1095	Disc Brake Pad	Rear	Chevrolet Cobalt 2010-2008, Ford Focus 2014-2013, Jaguar S-Type 2008-2005, Super V8 2009-2005, Vanden Plas 2009-2005, XF 2015-2009, XJ 2015-2010, XJ8 2009-2005, XJR 2009-2005, XK 2009-2007, XK 2015-2011, XKR 2009-2007, Mazda 3 2013-2005, 3 Sport 2010-2009, 3 Sport 2013-2012, 5 2010-2006, 5 2014-2012, MX-5 Miata 2013, Pontiac Solstice 2009-2006, Saab 9-3 2011-2004, 9-3X 2011-2010, Saturn Sky 2010-2007, Volvo C30 2013-2007, C70 2013-2006, S40 2011-2004, V50 2011-2005
SBC1097	Disc Brake Pad	Front	Kia Sedona 2005-2004
SBC1100	Disc Brake Pad	Rear	Nissan Frontier 2015-2005, Xterra 2005, Xterra 2015-2008, Suzuki Equator 2012-2009
SBC1101	Disc Brake Pad	Rear	Nissan Pathfinder 2012-2005, Xterra 2007-2006
SBC1103	Disc Brake Pad	Rear	Acura TL 2014-2009, Honda Ridgeline 2014-2006
SBC1104	Disc Brake Pad	Front	Hyundai Tiburon 2008-2005
SBC1105	Disc Brake Pad	Front	Suzuki XL-7 2006-2004
SBC1107	Disc Brake Pad	Front	Audi A3 2013, A3 Quattro 2011-2010, A3 Quattro 2013, TT Quattro 2012, TT Quattro 2015, Volkswagen Beetle 2013, CC 2015-2013, Eos 2015-2013, Golf 2014-2012, GTI 2014-2013, Jetta 2015
SBC1107A	Disc Brake Pad	Front	Audi A3 2008-2006, A3 2013-2010, A3 Quattro 2009-2006, A3 Quattro 2012, TT 2009-2008, TT Quattro 2009, TT Quattro 2013-2012, Volkswagen Beetle 2015-2012, CC 2012-2009, Eos 2012-2007, Golf 2010, Golf 2012, Golf City 2010, GTI 2012-2006, Jetta 2015-2005, Jetta City 2007, Jetta City 2009, Passat 2010-2006, Passat CC 2010-2009, Rabbit 2009-2006
SBC1108K1	Disc Brake Pad	Front, Rear	Audi TT Quattro 2014, A3 2011-2006, A3 2013, A3 Quattro 2011-2006, A3 Quattro 2013, A4 2009-2005, A4 Quattro 2008-2005, A6 2011-2006, A6 Quattro 2011-2005, Q3 2015, Q3 Quattro 2015, TT 2009-2008, TT Quattro 2015-2008, Volkswagen CC 2015-2009, Eos 2011-2007, Golf 2010, Golf City 2010, GTI 2011-2006, GTI 2016-2015, Jetta 2011-2005, Jetta City 2007, Jetta City 2009, Passat 2010-2006, Passat CC 2010-2009, R32 2008, Rabbit 2009-2006, Tiguan 2015-2009
SBC1108K2	Disc Brake Pad	Rear	Volkswagen CC 2015-2009, Eos 2011-2007, Golf 2010, Golf City 2010, GTI 2011-2006, GTI 2016-2015, Jetta 2011-2005, Jetta City 2007, Jetta City 2009, Passat 2010-2006, Passat CC 2010-2009, R32 2008, Rabbit 2009-2006, Tiguan 2015-2009
SBC1109	Disc Brake Pad	Rear	Ford Explorer 2010-2006, Explorer Sport Trac 2010-2007, Jeep Wrangler 2006-2004, Mercury Mountaineer 2010-2006
SBC1113	Disc Brake Pad	Rear	Lexus GS300 2006, GS350 2011-2007, GS430 2007-2006, GS450h 2011-2007, GS460 2011-2008, IS250 2013-2006, IS350 2013-2006
SBC1114	Disc Brake Pad	Rear	Scion FR-S 2013, Subaru BRZ 2013, Forester 2015-2009, Impreza 2015-2008, Legacy 2014-2005, Outback 2014-2005, WRX 2015-2013, XV Crosstrek 2015-2013
SBC1119	Disc Brake Pad	Front	Hummer H3 2010-2006, H3T 2010-2009
SBC1120	Disc Brake Pad	Rear	Hummer H3 2010-2006, H3T 2010-2009
SBC1124	Disc Brake Pad	Rear	Scion FR-S 2016-2013, Subaru B9 Tribeca 2007-2006, BRZ 2015-2013, Forester 2015, Legacy 2010, Legacy 2012, Legacy 2014, Outback 2014-2010, Tribeca 2014-2008
SBC1125	Disc Brake Pad	Front	Hyundai Azera 2011-2006, Sonata 2010-2006, Kia Amanti 2009-2007
SBC1156	Disc Brake Pad	Front	Hyundai Accent 2011-2006, Kia Rio 2011-2006, Rio5 2011-2006
SBC1157	Disc Brake Pad	Rear	Hyundai Elantra 2012-2011, Sonata 2015, Tucson 2012, Tucson 2016-2014, Kia Cadenza 2015-2014, Forte 2012
SBC1158	Disc Brake Pad	Front	Ford Explorer 2010-2006, Explorer Sport Trac 2010-2007, Taurus 2012-2011, Mercury Mountaineer 2010-2006
SBC1159	Disc Brake Pad	Front	Buick LaCrosse 2009-2008, Lucerne 2011-2006, Cadillac DTS 2011-2006, Chevrolet Impala 2013-2006, Impala 2016-2015, Impala Limited 2015-2014, Monte Carlo 2007-2006
SBC1160	Disc Brake Pad	Front	Chevrolet Cobalt 2008, HHR 2011-2006, Malibu 2012-2004, Pontiac G5 2009-2008, G6 2010-2006, Saturn Aura 2009-2007
SBC1161	Disc Brake Pad	Rear	Ford Fusion 2012-2006, Lincoln MKZ 2012-2007, Zephyr 2006, Mazda 6 2013-2006, Mercury Milan 2011-2006
SBC1164	Disc Brake Pad	Front	Ford Fusion 2012-2006, Lincoln MKZ 2012-2007, Zephyr 2006, Mazda 6 2013-2006, Mercury Milan 2011-2006
SBC1169	Disc Brake Pad	Front	Buick Enclave 2015, Rainier 2007-2006, Chevrolet Colorado 2012-2009, Trailblazer 2009-2006, Trailblazer EXT 2006, Traverse 2015, GMC Acadia 2015, Canyon 2012-2009, Envoy 2009-2006, Envoy XL 2006, Isuzu Ascender 2008-2006, Saab 9-7x 2009-2006

BUYERS GUIDE

Part Number	Product Line	Position	Application
SBC1169A	Disc Brake Pad	Front	Buick Enclave 2014-2008, Chevrolet Traverse 2014-2009, GMC Acadia 2014-2007, Saturn Outlook 2010-2007
SBC1172	Disc Brake Pad	Rear	Buick Lucerne 2011-2006, Cadillac DTS 2011-2006
SBC1179	Disc Brake Pad	Front	Mazda MX-5 Miata 2012-2006, MX-5 Miata 2014
SBC1180	Disc Brake Pad	Rear	Mazda MX-5 Miata 2012-2006, MX-5 Miata 2014, MX-5 Miata 2016
SBC1184	Disc Brake Pad	Front	Lexus CT200h 2016-2015, Toyota Prius 2016-2015, Prius C 2015-2012, Prius Plug-In 2015, Yaris 2011-2006, Yaris 2016-2013
SBC1184A	Disc Brake Pad	Front	Lexus CT200h 2014-2011, Toyota Prius 2014-2010
SBC1188	Disc Brake Pad	Front	Suzuki Grand Vitara 2013-2006
SBC1194	Disc Brake Pad	Rear	Cadillac Escalade 2000, Escalade 2013-2007, Escalade ESV 2014-2007, Escalade EXT 2013-2007, Chevrolet Avalanche 2013-2007, Silverado 1500 2013-2007, Silverado 1500 Classic 2007, Suburban 1500 2014-2007, Tahoe 2013-2007, GMC Sierra 1500 2013-2007, Sierra 1500 Classic 2007, Yukon 2014-2007, Yukon XL 1500 2014-2007
SBC1195	Disc Brake Pad	Front	Suzuki Aerio 2007-2006
SBC1202	Disc Brake Pad	Front	Hyundai Entourage 2010-2007, Santa Fe 2009-2007, Santa Fe 2015-2013, Kia Sedona 2012-2006, Sedona 2014
SBC1210	Disc Brake Pad	Front	Lexus HS250h 2012-2010, Pontiac Vibe 2010-2009, Scion xB 2015-2008, xD 2014-2008, Toyota Corolla 2016-2009, Matrix 2014-2009, Prius V 2016-2012, RAV4 2015-2006
SBC1211	Disc Brake Pad	Front	Pontiac Vibe 2010-2009, Scion iM 2016, iC 2016-2011, Toyota Corolla 2009, Matrix 2013-2009, Mirai 2016, RAV4 2016-2006
SBC1212	Disc Brake Pad	Rear	Lexus ES300h 2016-2013, ES350 2016-2007, HS250h 2012-2010, Pontiac Vibe 2010-2009, Toyota Avalon 2015-2008, Camry 2016-2007, Matrix 2013-2009, RAV4 2016-2006
SBC1249	Disc Brake Pad	Front	Scion xA 2006-2005, xB 2006-2005
SBC1252	Disc Brake Pad	Front	Smart Fortwo 2015-2005
SBC1258	Disc Brake Pad	Front	Ford Edge 2016-2007, Lincoln MKX 2010, MKX 2015-2014, Mazda CX-7 2012-2007, CX-9 2014-2007
SBC1259	Disc Brake Pad	Rear	Ford Edge 2010-2007, Lincoln MKX 2010-2007, Mazda CX-7 2012-2007, CX-9 2011-2007, CX-9 2014-2013
SBC1259A	Disc Brake Pad	Rear	Mazda CX-9 2012
SBC1262	Disc Brake Pad	Rear	Hyundai Sonata 1998-1995
SBC1264	Disc Brake Pad	Front	Chevrolet Captiva Sport 2012, Captiva Sport 2015-2014, Equinox 2009-2007, Pontiac Torrent 2009-2007, Saturn Vue 2010-2008, Suzuki XL-7 2009-2007
SBC1267	Disc Brake Pad	Rear	BMW 128i 2013-2008, 323i 2011-2006, 325i 2006, 325xi 2006, 328i 2013-2007, 328i xDrive 2013-2009, 328xi 2008-2007, X1 2015-2012
SBC1274	Disc Brake Pad	Rear	Dodge Nitro 2011-2007, Jeep Liberty 2012-2008, Wrangler 2016-2007
SBC1275	Disc Brake Pad	Rear	Chevrolet Captiva Sport 2014-2012, Equinox 2015-2007, GMC Terrain 2014-2010, Pontiac Torrent 2009-2007, Saturn Vue 2010-2008, Suzuki XL-7 2009-2007
SBC1281	Disc Brake Pad	Rear	Acura MDX 2013-2007, ZDX 2013-2010, Honda Odyssey 2015-2011, Pilot 2015-2009
SBC1282	Disc Brake Pad	Front	Lexus LS460 2010-2007, LS460 2016-2012, LS600h 2010-2008, LS600h 2014-2012, LS600h 2016
SBC1283	Disc Brake Pad	Front, Rear	Lexus LS600h 2015, LS460 2016-2007, LS600h 2016-2008
SBC1284	Disc Brake Pad	Front, Rear	Hyundai Genesis Coupe 2015, Entourage 2009-2007, Genesis 2011-2009, Genesis Coupe 2015-2010, Kia Borrego 2011-2009, K900 2015, Sedona 2012-2007, Sedona 2014
SBC1284E	Disc Brake Pad	Rear	Hyundai Equus 2015-2011
SBC1287	Disc Brake Pad	Front	Infiniti G35 2008-2007, G37 2013-2008, Q60 2015-2014
SBC1288	Disc Brake Pad	Rear	Infiniti EX35 2010-2008, FX35 2009, G35 2008-2007, G37 2013-2008, M35 2010, M45 2010, Q60 2015-2014, Nissan 370Z 2009, Altima 2010-2007, Juke 2015, Rogue 2013-2008, Rogue Select 2015-2014, Sentra 2010-2007, Sentra 2012
SBC1293	Disc Brake Pad	Front	Lexus ES300h 2013, ES350 2013-2007, Toyota Avalon 2013-2008, Camry 2013-2007
SBC1295	Disc Brake Pad	Front	Hyundai Sonata 2015, Tucson 2015-2010, Kia Cadenza 2015-2014, Rondo 2012-2007, Soul EV 2015, Sportage 2015-2011
SBC1296	Disc Brake Pad	Rear	Kia Rondo 2012-2007
SBC1297	Disc Brake Pad	Rear	Hyundai Santa Fe 2009-2007
SBC1301	Disc Brake Pad	Front	Hyundai Veracruz 2012-2007
SBC1302	Disc Brake Pad	Rear	Hyundai Veracruz 2012-2007, Kia Sedona 2015
SBC1303	Disc Brake Pad	Front	Lexus LX570 2011-2008, LX570 2016-2013, Toyota Land Cruiser 2011-2008, Land Cruiser 2016-2013, Sequoia 2016-2008, Tundra 2014-2007, Tundra 2016
SBC1304	Disc Brake Pad	Rear	Lexus LX570 2011-2008, LX570 2016-2013, Toyota Land Cruiser 2011-2008, Land Cruiser 2016-2013, Sequoia 2016-2008, Tundra 2016-2007
SBC1305	Disc Brake Pad	Front	Volvo S60 2016-2011, S60 Cross Country 2016, S80 2012-2007, S80 2016-2014, V60 2016-2015, V60 Cross Country 2016-2015, V70 2010-2008, XC70 2016-2008

BUYERS GUIDE

Part Number	Product Line	Position	Application
SBC1306	Disc Brake Pad	Front	Land Rover LR2 2015-2008, Range Rover Evoque 2015-2012, Volvo S60 2013, S60 2016, S80 2013-2010, S80 2016, V60 2016, V70 2010, XC70 2010, XC70 2013-2012, XC70 2016
SBC1308	Disc Brake Pad	Front	Mini Cooper 2016-2007
SBC1309	Disc Brake Pad	Rear	Mini Cooper 2016-2007, Cooper Countryman 2011
SBC1313	Disc Brake Pad	Rear	Hyundai Accent 2013-2012, Azera 2011-2010, Elantra 2010, Elantra 2013-2012, Sonata 2011-2009, Veloster 2013, Kia Amanti 2009-2007, Rio 2014-2012, Soul 2013-2010
SBC1315	Disc Brake Pad	Rear	Chevrolet Optra 2007, Suzuki Forenza 2008-2007, Reno 2008-2007
SBC1322	Disc Brake Pad	Front	Audi A4 2016-2009, A4 allroad 2015-2013, A4 Quattro 2016-2009, A5 2015-2010, A5 Quattro 2016-2008, A6 2015-2012, A6 Quattro 2015-2013, A7 Quattro 2015-2014, allroad 2016-2013, Q5 2012-2009, Q5 2016-2015, S4 2015-2010, S5 2016-2008
SBC1324	Disc Brake Pad	Front	Lexus NX200t 2016-2015, NX300h 2016-2015, RX350 2016-2010, RX450h 2016-2010, Toyota Highlander 2016-2008, Sienna 2015-2011
SBC1325	Disc Brake Pad	Rear	Toyota Highlander 2013-2008
SBC1326	Disc Brake Pad	Rear	Chrysler Town & Country 2011-2008, Dodge Grand Caravan 2012-2008, Journey 2012-2009, Ram C/V 2012, Volkswagen Routan 2012-2009
SBC1327	Disc Brake Pad	Front	Chrysler Town & Country 2015-2008, Dodge Grand Caravan 2015-2008, Journey 2013-2009, Nitro 2011-2007, Jeep Liberty 2012-2008, Wrangler 2016-2007, Ram C/V 2015-2012, Volkswagen Routan 2012-2009
SBC1332	Disc Brake Pad	Front	Cadillac CTS 2014-2008, STS 2011-2009
SBC1337	Disc Brake Pad	Rear	Cadillac CTS 2014-2008, SRX 2015-2010, Chevrolet Camaro 2014-2010
SBC1339	Disc Brake Pad	Front	Ford Focus 2011-2008
SBC1340	Disc Brake Pad	Front	Mercedes-Benz C230 2009-2008, C250 2015-2010, C300 2012-2008, C350 2011, E550 2011, SLK250 2015-2013
SBC1342	Disc Brake Pad	Front	Mercedes-Benz C250 2012, C250 2015, C300 2014-2013, C350 2010-2008, C350 2015-2012, CLS400 2016-2015, E250 2016-2014, E300 2013-2012, E350 2016-2010, E400 2016-2013, E550 2016-2015, SLK250 2012, SLK250 2015, SLK350 2015-2012
SBC1345	Disc Brake Pad	Front	Nissan Versa 2011-2008
SBC1346	Disc Brake Pad	Front	Infiniti FX50 2013-2009, G37 2013-2008, M35h 2012, M37 2013-2011, M56 2013-2011, Q50 2015-2014, Q60 2015, Q70 2015-2014, Q70L 2015, Nissan 370Z 2013-2009, 370Z 2016-2015
SBC1347	Disc Brake Pad	Rear	Infiniti FX50 2013-2009, G37 2013-2008, M37 2013-2011, M56 2013-2011, Q50 2015-2014, Q60 2015, Q70 2015-2014, Q70L 2015, Nissan 370Z 2016-2009
SBC1351	Disc Brake Pad	Front	Chevrolet Caprice 2012, Pontiac G8 2009-2008
SBC1352	Disc Brake Pad	Rear	Chevrolet Caprice 2016-2011, SS 2014, Pontiac G8 2009-2008
SBC1354	Disc Brake Pad	Rear	Lexus CT200h 2014-2011, Pontiac Vibe 2010-2009, Scion tC 2016-2011, xB 2015-2008, Toyota Corolla 2011-2009, Corolla 2016-2014, Matrix 2014-2009, Prius 2014-2010, Yaris 2013-2012, Yaris 2016-2015
SBC1361	Disc Brake Pad	Front	Saturn Astra 2009-2008
SBC1363	Disc Brake Pad	Front	Cadillac Escalade 2016-2008, Escalade ESV 2015-2008, Escalade EXT 2013-2008, XTS 2015-2013, Chevrolet Avalanche 2013-2008, Express 1500 2014-2009, Silverado 1500 2016-2005, Silverado 1500 Classic 2007, Suburban 2015, Suburban 1500 2014-2007, Tahoe 2016-2008, GMC Savana 1500 2014-2009, Sierra 1500 2016-2005, Sierra 1500 Classic 2007, Yukon 2016-2008, Yukon XL 2015, Yukon XL 1500 2014-2008
SBC1374	Disc Brake Pad	Front	Nissan Juke 2015-2014, Maxima 2014-2009, Maxima 2016, Rogue 2013-2008, Rogue Select 2015-2014, Sentra 2012-2007, Suzuki Kizashi 2013-2010
SBC1375	Disc Brake Pad	Front	Audi Q3 2016-2015, Q3 Quattro 2016-2015, Volkswagen Passat 2015-2012, Tiguan 2015-2009
SBC1378	Disc Brake Pad	Front	Acura MDX 2013-2007, RLX 2014, ZDX 2013-2010, Honda Pilot 2015-2009
SBC1384	Disc Brake Pad	Front	Hyundai Genesis 2011-2009, Genesis Coupe 2011-2010
SBC1385	Disc Brake Pad	Front	Kia Borrego 2011-2009
SBC1391	Disc Brake Pad	Rear	Lexus GS350 2015-2013, GS450h 2015-2013, IS200t 2016, IS250 2015-2014, IS300 2016, IS350 2016-2014, RC350 2015, RX350 2015-2010, RX450h 2015-2010, Toyota Highlander 2016-2014, Mirai 2016, Prius V 2016-2012, Sienna 2015-2011
SBC1392	Disc Brake Pad	Front	Lincoln Mark LT 2008-2006
SBC1394	Disc Brake Pad	Front	Honda CR-Z 2012-2011, CR-Z 2015-2014, Fit 2012-2009, Fit 2015
SBC1396	Disc Brake Pad	Front	Hyundai Equus 2011, Genesis 2014-2009
SBC1397	Disc Brake Pad	Front	Hyundai Elantra 2012-2009, Kia Forte 2013-2010, Forte5 2013-2012, Forte Koup 2013-2010, Soul 2015-2014
SBC1401	Disc Brake Pad	Front	Toyota Venza 2016-2009
SBC1402	Disc Brake Pad	Rear	Toyota Venza 2016-2009
SBC1404	Disc Brake Pad	Front	Buick Regal 2014, Chevrolet Camaro 2014-2010, Caprice 2016-2011
SBC1406	Disc Brake Pad	Front	Mercedes-Benz GLK250 2015-2013, GLK350 2015-2010

BUYERS GUIDE

Part Number	Product Line	Position	Application
SBC1409	Disc Brake Pad	Front	BMW 535i 2011, 535i GT 2014-2011, 535i GT 2016, 535i GT xDrive 2014-2012, 535i GT xDrive 2016, 535i xDrive 2013, 550i 2016-2011, 550i GT 2015-2011, 550i GT xDrive 2016-2012, 550i xDrive 2016-2012, 650i 2016-2012, 650i Gran Coupe 2016-2013, 650i xDrive 2012, 650i xDrive 2016-2014, 650i xDrive Gran Coupe 2016-2013, 740i 2015-2011, 740Ld xDrive 2015, 740Li 2015-2011, 740Li xDrive 2015-2013, 750i 2009, 750i 2015-2011, 750i xDrive 2015-2011, 750Li 2009, 750Li 2015-2011, 750Li xDrive 2015-2011, 760Li 2012, ActiveHybrid 7 2015-2013
SBC1411	Disc Brake Pad	Front, Rear	Chevrolet Express 4500 2014, Silverado 3500 HD 2011, Silverado 3500 HD 2013, GMC Sierra 2500 HD 2011, Sierra 2500 HD 2013, Sierra 3500 HD 2011, Sierra 3500 HD 2013, Nissan NV200 2013, Chevrolet Express 3500 2013-2009, Express 4500 2014-2009, Silverado 2500 HD 2014-2011, Silverado 3500 HD 2014-2011, GMC Savana 3500 2014-2009, Savana 4500 2014-2009, Sierra 2500 HD 2014-2011, Sierra 3500 HD 2014-2011
SBC1412	Disc Brake Pad	Front	Volvo XC60 2015-2010, XC90 2013-2012
SBC1413	Disc Brake Pad	Front	Hyundai Genesis Coupe 2010, Genesis Coupe 2014-2012, Kia Optima 2014-2011
SBC1415	Disc Brake Pad	Rear	Infiniti EX35 2012-2010, EX37 2013, FX35 2012-2010, G25 2012-2011, G37 2012-2011, JX35 2013, M35h 2013-2012, M37 2012, Q40 2015, Q50 2015-2014, Q70 2015-2014, Q70L 2015, QX50 2015-2014, QX60 2015-2014, QX70 2015-2014, Nissan 370Z 2016-2015, Altima 2015-2011, Juke 2011, Juke 2015, Leaf 2015-2014, Maxima 2012-2009, Maxima 2014, Maxima 2016, Murano 2015-2009, Pathfinder 2015-2013, Quest 2015-2011, Rogue 2015-2014, Sentra 2012-2010, Sentra 2015-2014, Suzuki Grand Vitara 2013-2009
SBC1420	Disc Brake Pad	Front	Mercedes-Benz E550 2010
SBC1421	Disc Brake Pad	Front	Buick Allure 2010, LaCrosse 2015-2010, Regal 2015-2011, Cadillac ELR 2015, Chevrolet Equinox 2015-2010, Impala 2015-2014, Malibu 2015-2013, GMC Terrain 2013-2010, Terrain 2015, Saab 9-5 2011-2010
SBC1422	Disc Brake Pad	Front	Cadillac SRX 2015-2010, Saab 9-4X 2011
SBC1423	Disc Brake Pad	Rear	Lexus CT200h 2016-2015, Scion iM 2016, Toyota Prius 2015, Prius Plug-In 2015
SBC1428	Disc Brake Pad	Rear	Hyundai Genesis Coupe 2013-2010, Tesla S 2015-2012
SBC1430SR	Disc Brake Pad	Rear	Buick Allure 2010, LaCrosse 2015-2010, Regal 2015-2011, Cadillac XTS 2015-2013, Chevrolet Impala 2015-2014, Malibu 2015-2013, Saab 9-5 2011-2010
SBC1430VR	Disc Brake Pad	Rear	Buick Allure 2010, LaCrosse 2015-2010, Regal 2015-2011, Cadillac XTS 2015-2013, Chevrolet Impala 2015-2014, Malibu 2015-2013, Saab 9-5 2011-2010
SBC1432	Disc Brake Pad	Front	Hyundai Azera 2014-2012, Santa Fe 2015-2010, Santa Fe XL 2014-2013, Kia Rondo 2015-2014, Sorento 2014-2011
SBC1439	Disc Brake Pad	Rear	Hyundai Santa Fe 2015-2010, Santa Fe XL 2014-2013, Kia Sorento 2015-2011
SBC1444	Disc Brake Pad	Front	Hyundai Sonata 2015-2011, Kia Optima 2015-2011
SBC1445	Disc Brake Pad	Rear	Hyundai Azera 2014-2012, Sonata 2015-2011, Kia Optima 2015-2011
SBC1447	Disc Brake Pad	Front	Hyundai Tucson 2012-2010, Kia Sportage 2011
SBC1451	Disc Brake Pad	Rear	Acura TSX 2014-2009, Honda Accord 2015-2008
SBC1453	Disc Brake Pad	Rear	Porsche Cayenne 2015-2011, Volkswagen Touareg 2015-2012
SBC1454	Disc Brake Pad	Front	Ford Fiesta 2016-2011
SBC1454A	Disc Brake Pad	Front	Mazda 2 2014-2011
SBC1456	Disc Brake Pad	Rear	Audi A3 2013-2012, A3 Quattro 2012, Volkswagen Beetle 2013-2012, Beetle 2015, Eos 2015-2012, Golf 2014-2010, GTI 2014-2012, Jetta 2015-2010, Passat 2015-2012
SBC1463	Disc Brake Pad	Front	Ford Mustang 2013-2011
SBC1464	Disc Brake Pad	Front	Ford Mustang 2011, Mustang 2014-2013
SBC1465	Disc Brake Pad	Rear	Ford Mustang 2014-2005
SBC1467	Disc Brake Pad	Front	Buick Encore 2015-2013, Verano 2012, Verano 2015-2014, Cadillac ATS 2013, ATS 2015, Chevrolet Cruze 2015-2013, Trax 2016-2013, Volt 2012-2011, Volt 2015-2014
SBC1468	Disc Brake Pad	Rear	Buick Encore 2015-2013, Verano 2015-2012, Cadillac ELR 2016-2015, Chevrolet Cruze 2015-2011, Orlando 2013-2012, Sonic 2015-2013, Trax 2015, Volt 2015-2011
SBC1498	Disc Brake Pad	Rear	Dodge Durango 2015-2011, Jeep Grand Cherokee 2015-2011
SBC1504	Disc Brake Pad	Front	BMW 528i 2016-2011, 528i xDrive 2016-2012
SBC1506	Disc Brake Pad	Front	Acura CL 2003-2001, RL 2004-1999, TL 2008-1999, TSX 2014-2004, Honda Accord 2012-2003
SBC1508	Disc Brake Pad	Front	Ford Explorer 2016-2011, Flex 2015-2009, Taurus 2015-2010, Lincoln MKS 2012-2009, MKT 2015-2010
SBC1509	Disc Brake Pad	Front	Infiniti QX56 2013-2006, QX80 2015-2014, Nissan Armada 2015-2006, Titan 2015-2008
SBC1510	Disc Brake Pad	Rear	Infiniti QX56 2013-2011, QX80 2015-2014
SBC1521	Disc Brake Pad	Front	Acura RDX 2012-2007, Honda Accord Crosstour 2011-2010, Crosstour 2015-2012, CR-V 2015-2007, Odyssey 2015-2005

BUYERS GUIDE

Part Number	Product Line	Position	Application
SBC1522	Disc Brake Pad	Front	Buick Verano 2013, Chevrolet Cruze 2015-2011, Orlando 2013-2012, Sonic 2014-2012, Volt 2013
SBC1539	Disc Brake Pad	Front, Rear	Scion FR-S 2016-2013, Subaru BRZ 2015-2013, Forester 2015-2011, Impreza 2015-2012, Legacy 2014-2013, Outback 2014-2013, XV Crosstrek 2015-2013, Impreza 2013
SBC1544	Disc Brake Pad	Rear	Hyundai Accent 2012, Accent 2014, Elantra 2011, Elantra 2015-2014, Elantra Coupe 2014-2013, Elantra GT 2013, Kia Optima 2014, Optima 2016, Rio 2012, Rio 2015, Rio5 2011
SBC1546	Disc Brake Pad	Front	Audi Q5 2014, SQ5 2016-2014
SBC1551	Disc Brake Pad	Rear	Hyundai Genesis 2015-2011, Kia K900 2015
SBC1552	Disc Brake Pad	Front	Nissan Quest 2015-2011
SBC1564	Disc Brake Pad	Rear	Ford C-Max 2016-2013, Escape 2016-2013, Focus 2013-2012, Focus 2016-2015, Transit Connect 2016-2014
SBC1565	Disc Brake Pad	Rear	Nissan NV1500 2014-2012, NV2500 2014-2012, NV3500 2014-2012
SBC1565A	Disc Brake Pad	Front, Rear	Nissan NV1500 2015-2012, NV2500 2015-2012, NV3500 2015-2012, Titan XD 2016, NV1500 2015, NV2500 2015, NV3500 2015
SBC1565B	Disc Brake Pad	Front, Rear	Chevrolet Silverado 2500 HD 2015-2011, Silverado 3500 HD 2012, Silverado 3500 HD 2015-2014, GMC Sierra 2500 HD 2012, Sierra 2500 HD 2015-2014, Sierra 3500 HD 2012, Sierra 3500 HD 2015-2014, Chevrolet Express 3500 2015, Express 4500 2015, GMC Savana 3500 2015, Sierra 2500 HD 2015, Sierra 3500 HD 2015
SBC1568	Disc Brake Pad	Front	Fiat 500 2015-2012
SBC1569	Disc Brake Pad	Rear	Fiat 500 2013-2012, 500 2015
SBC1576	Disc Brake Pad	Front	Hyundai Equus 2015-2012, Kia K900 2015
SBC1578	Disc Brake Pad	Front	Honda Civic 2014-2012
SBC1584	Disc Brake Pad	Front	Acura TL 2014-2009, TLX 2016-2015, Honda Ridgeline 2014-2006
SBC1586	Disc Brake Pad	Front	Lexus GS350 2011-2007, GS350 2015-2013, GS430 2007-2006, GS450h 2011-2007, GS450h 2015-2013, GS460 2011-2008, IS200t 2016, IS300 2016, IS350 2016-2006, LS460 2011, LS600h 2011, RC350 2015
SBC1589	Disc Brake Pad	Front	Chrysler Town & Country 2015-2012, Dodge Grand Caravan 2016-2012, Journey 2016-2012, Ram C/V 2015-2012, Volkswagen Routan 2014-2012
SBC1592	Disc Brake Pad	Front	Nissan Versa 2015-2012, Versa Note 2015-2014
SBC1593	Disc Brake Pad	Front	Hyundai Accent 2014-2012, Kia Rio 2015-2012
SBC1594	Disc Brake Pad	Rear	Hyundai Elantra GT 2014, Sonata 2015, Veloster 2012, Veloster 2015-2014, Kia Cadenza 2015, Forte 2015-2014, Forte Koup 2015-2014, Soul 2015-2014, Soul EV 2015
SBC1595	Disc Brake Pad	Front	Hyundai Elantra 2015-2011, Elantra Coupe 2014-2013, Elantra GT 2014-2013, Veloster 2015-2012, Kia Forte 2015-2014, Forte Koup 2015-2014, Soul 2010
SBC1596	Disc Brake Pad	Rear	Chrysler Town & Country 2015-2012, Dodge Grand Caravan 2016-2012, Journey 2016-2012, Ram C/V 2015-2012, Volkswagen Routan 2014-2012
SBC1597	Disc Brake Pad	Front	BMW 528i 2016-2015, 535d 2016-2014, 535d xDrive 2016-2014, 535i 2016-2012, 535i GT 2015, 535i GT xDrive 2015, 535i xDrive 2012, 535i xDrive 2016-2014, 640i 2016-2012, 640i Gran Coupe 2016-2013, 640i xDrive 2016-2014, 640i xDrive Gran Coupe 2016-2014, 650i xDrive 2013, ActiveHybrid 5 2016-2012
SBC1602	Disc Brake Pad	Rear	Ford F-150 2015-2012
SBC1608	Disc Brake Pad	Front	Acura CSX 2010-2006, Honda Accord 2007-2003, Civic 2010-2006, Civic 2013-2012
SBC1609	Disc Brake Pad	Front, Rear	BMW 228i 2016-2015, 228i xDrive 2016-2015, 320i 2016, 320i xDrive 2016, 328i 2012, 328i 2016-2015, 328i xDrive 2016-2015, 335i 2015-2012, 335i GT xDrive 2016-2014, 335i xDrive 2015-2014, 340i 2016, 340i xDrive 2016, 428i 2016-2015, 428i Gran Coupe 2016, 428i xDrive 2016-2015, 428i xDrive Gran Coupe 2016, 435i 2016-2014, 435i Gran Coupe 2016-2015, 435i xDrive 2016-2014, 435i xDrive Gran Coupe 2016-2015, ActiveHybrid 3 2015-2013, i8 2014, M3 2016-2015, M4 2016-2015, M235i 2015-2014, M235i xDrive 2016-2015, 228i 2015-2014
SBC1610	Disc Brake Pad	Rear	BMW 335i 2013-2012, 335i 2015, 335i GT xDrive 2016-2014, 335i xDrive 2015-2014, 340i 2016, 340i xDrive 2016, 435i 2016-2015, 435i Gran Coupe 2016-2015, 435i xDrive 2016-2014, 435i xDrive Gran Coupe 2016-2015, ActiveHybrid 3 2015-2013
SBC1611	Disc Brake Pad	Front, Rear	Ford Explorer 2013-2012, Explorer 2016, Flex 2015-2012, Fusion 2015, Police Interceptor Sedan 2016, Police Interceptor Utility 2016, Taurus 2013, Lincoln MKS 2014, MKT 2015, Ford Flex 2015
SBC1611B	Disc Brake Pad	Front	Ford Explorer 2015, Police Interceptor Sedan 2015-2013, Police Interceptor Utility 2015-2013, Special Service Police Sedan 2015, Taurus 2015, Lincoln MKS 2013, MKS 2015
SBC1613	Disc Brake Pad	Rear	BMW 228i 2016, 228i xDrive 2016-2015, 320i 2016-2012, 320i xDrive 2016-2013, 328d 2016-2014, 328d xDrive 2016-2014, 328i 2016-2012, 328i GT xDrive 2016-2014, 328i xDrive 2016-2013, 428i 2016-2014, 428i Gran Coupe 2016-2015, 428i xDrive 2016-2014, 428i xDrive Gran Coupe 2016-2015
SBC1623	Disc Brake Pad	Front	Mazda CX-5 2015-2013

BUYERS GUIDE

Part Number	Product Line	Position	Application
SBC1624	Disc Brake Pad	Rear	Mazda CX-3 2016, CX-5 2015-2013
SBC1625	Disc Brake Pad	Front	Acura RDX 2016-2013, RLX 2016-2014
SBC1628	Disc Brake Pad	Front	Toyota Yaris 2016-2012
SBC1629	Disc Brake Pad	Front	Dodge Durango 2015-2011, Jeep Grand Cherokee 2015-2011, Mercedes-Benz GL350 2016-2014, GL450 2016-2013, GLE300d 2016, GLE350 2016, GLE400 2016, ML63 AMG 2015-2014, ML250 2015, ML350 2015-2012, ML400 2015, ML550 2015
SBC1630	Disc Brake Pad	Rear	Mercedes-Benz GL63 AMG 2016, GL350 2016, GL450 2016, GL500 2015, GL550 2016, GLA45 AMG 2016, GLE63 AMG 2016, GLE63 AMG S 2016, GLE300d 2016, GLE350 2016, GLE400 2016, GLE450 AMG 2016, ML350 2013-2012, SLK55 AMG 2015
SBC1633	Disc Brake Pad	Front	Audi S3 2016-2015, Volkswagen CC 2013, CC 2015, GTI 2016-2015
SBC1636	Disc Brake Pad	Front	Mercedes-Benz GL500 2015, GL550 2015-2013, ML550 2014-2012
SBC1636A	Disc Brake Pad	Front	Mercedes-Benz GL550 2014-2013, ML550 2014-2012
SBC1640AK1	Disc Brake Pad	Front	Dodge Dart 2015-2013, Jeep Cherokee 2014
SBC1640AK2	Disc Brake Pad	Front	Chrysler 200 2015
SBC1640K1	Disc Brake Pad	Front	Chrysler 200 2016, Dodge Dart 2014-2013, Dart 2016, Jeep Cherokee 2016-2014
SBC1640K2	Disc Brake Pad	Front	Chrysler 200 2015
SBC1645	Disc Brake Pad	Front	Ford Escape 2016-2013, Transit Connect 2016-2014
SBC1647	Disc Brake Pad	Rear	Dodge Dart 2015-2013
SBC1649	Disc Brake Pad	Front	Infiniti JX35 2013, QX60 2015-2014, Nissan Murano 2015, Pathfinder 2015-2013
SBC1650	Disc Brake Pad	Front	Nissan Altima 2015-2013, Leaf 2015-2014
SBC1652	Disc Brake Pad	Front	Mercedes-Benz E550 2014-2012
SBC1653	Disc Brake Pad	Front	Ford Fusion 2017-2013, Lincoln MKZ 2016-2013
SBC1654	Disc Brake Pad	Front	Honda Accord 2015-2013, HR-V 2016
SBC1658	Disc Brake Pad	Front, Rear	Mitsubishi i-MiEV 2012, i-MiEV 2012
SBC1659	Disc Brake Pad	Rear	Cadillac ATS 2016-2013, CTS 2015
SBC1663	Disc Brake Pad	Front	Audi Q5 2013, Q5 2016-2015
SBC1665	Disc Brake Pad	Rear	Ford Fusion 2016-2013, Lincoln MKC 2016-2015, MKZ 2016-2013
SBC1675	Disc Brake Pad	Front	Hyundai Veloster 2013, Veloster 2015
SBC1679	Disc Brake Pad	Rear	Mazda 3 2014, 3 Sport 2014, 6 2015-2014, Mitsubishi Outlander 2016-2014, Outlander Sport 2014-2013
SBC1694	Disc Brake Pad	Front	Mercedes-Benz B180 2013-2012, B250 2014-2013, B Electric Drive 2016-2014, CLA250 2016-2014, GLA250 2016-2015
SBC1698	Disc Brake Pad	Rear	Acura RLX 2014, TLX 2016-2015
SBC1707	Disc Brake Pad	Rear	Cadillac Escalade 2015-2014, Escalade ESV 2015, Chevrolet Silverado 1500 2016-2014, Suburban 2015, Tahoe 2015-2014, GMC Sierra 1500 2016-2014, Yukon 2015, Yukon XL 2015
SBC1709	Disc Brake Pad	Front	Jeep Cherokee 2015-2014
SBC1718	Disc Brake Pad	Rear	Chevrolet Corvette 2015-2014
SBC1719	Disc Brake Pad	Rear	Chrysler Town & Country 2015-2012, Dodge Grand Caravan 2015-2012, Journey 2013, Ram C/V 2015-2012
SBC1720	Disc Brake Pad	Front	Fiat 500 2013
SBC1721	Disc Brake Pad	Front	Fiat 500L 2015-2014
SBC1722	Disc Brake Pad	Rear	Fiat 500L 2015-2014
SBC1723	Disc Brake Pad	Front	Acura MDX 2016-2014, Honda Pilot 2016
SBC1724	Disc Brake Pad	Rear	Acura MDX 2016-2014, Honda Pilot 2016
SBC1728	Disc Brake Pad	Front	Mazda 3 2014, 3 Sport 2014
SBC1729	Disc Brake Pad	Rear	Mazda 3 2014, 3 Sport 2014
SBC1731	Disc Brake Pad	Front	Mitsubishi Mirage 2014
SBC1732	Disc Brake Pad	Front	Isuzu NPR 2011-2010, NPR-HD 2011
SBC1733	Disc Brake Pad	Front	Lexus IS250 2014
SBC1734	Disc Brake Pad	Rear	Chrysler 200 2016-2015, Jeep Cherokee 2016-2014
SBC1735	Disc Brake Pad	Front	Kia Forte 2014, Forte Koup 2015-2014
SBC1736	Disc Brake Pad	Front	Infiniti Q50 2015-2014, Nissan Rogue 2015-2014
SBC1737	Disc Brake Pad	Front	Nissan Rogue 2015-2014
SBC1744	Disc Brake Pad	Rear	Fiat 500 2015-2014
SBC1754	Disc Brake Pad	Rear	Ford Edge 2015-2011, Explorer 2016-2011, Flex 2014-2009, Police Interceptor Utility 2016-2013, Taurus 2013-2010, Taurus 2015, Lincoln MKS 2012-2009, MKS 2015, MKT 2013-2010, MKT 2015, MKX 2015-2011, Saab 9-4X 2011
SBC1759	Disc Brake Pad	Front	Mazda 3 2014, 3 Sport 2014
SBC1760	Disc Brake Pad	Front	Audi A3 2016-2015, A3 Quattro 2016-2015, TT Quattro 2016, Volkswagen e-Golf 2015, Golf 2015, Golf SportWagen 2015, GTI 2016-2015
SBC1761	Disc Brake Pad	Rear	Audi A3 2016-2015, A3 Quattro 2016-2015, S3 2016-2015, TT Quattro 2016, Volkswagen Golf 2016
SBC1770	Disc Brake Pad	Front	Ford Expedition 2016-2010, F-150 2015-2010, Lincoln Navigator 2016-2010
SBC1779	Disc Brake Pad	Rear	Audi Q3 2016, Q3 Quattro 2016, Volkswagen e-Golf 2015, Golf 2015, Golf SportWagen 2015, GTI 2016-2015, Passat 2015
SBC1790	Disc Brake Pad	Rear	Ford F-150 2015
SBC1791	Disc Brake Pad	Front	Ford Mustang 2015

BUYERS GUIDE

Part Number	Product Line	Position	Application
SBC1793	Disc Brake Pad	Rear	Ford Mustang 2015
SBC1794	Disc Brake Pad	Front	Mercedes-Benz C300 2016-2015
SBC1796	Disc Brake Pad	Front	Mercedes-Benz C300 2016-2015, C400 2015, GLC300 2016
SBC1800	Disc Brake Pad	Rear	Mini Cooper 2016-2014
SBC1813	Disc Brake Pad	Rear	Hyundai Sonata 2016, Veloster 2016, Kia Optima 2016, Rondo 2016-2014
SBC1841	Disc Brake Pad	Rear	Honda CR-Z 2016, HR-V 2016
SBC1846	Disc Brake Pad	Rear	Mazda CX-5 2016
SBC1847	Disc Brake Pad	Front	Hyundai Tucson 2016
SBC1848	Disc Brake Pad	N/A	Hyundai Tucson 2016
SBC1852	Disc Brake Pad	Front	Scion iA 2016
SBC1855	Disc Brake Pad	Front	Kia Optima 2016
SBC1857	Disc Brake Pad	Rear	Chevrolet Volt 2016
SBC1860	Disc Brake Pad	Front	Honda Accord 2016
SBC1864	Disc Brake Pad	Front	Chevrolet Spark 2016
SBC1874	Disc Brake Pad	Rear	Mazda 6 2016
SBC1878	Disc Brake Pad	Rear	Honda Civic 2016
SBM8	Disc Brake Pad	Front, Rear	Buick Special 1966-1961, Chevrolet Camaro 1974-1968, Corvette 1982-1965, Oldsmobile F85 1966, Vista Cruiser 1966-1964, Pontiac Grand Prix 1966, Chevrolet Camaro 1974-1967, Corvette 1982-1965
SBM50	Disc Brake Pad	Front, Rear	Ford Bronco 1986-1976, Country Sedan 1974-1973, Country Squire 1974-1973, Custom 1972, Custom 500 1977-1972, E-100 Econoline 1983-1975, E-100 Econoline Club Wagon 1983-1975, E-150 Econoline 1986-1975, E-150 Econoline Club Wagon 1986-1975, Elite 1976-1975, F-100 1983-1973, F-150 1985-1975, F-250 1974-1973, F-250 1978, F-250 1982, F-250 1985, Galaxie 500 1974-1973, Gran Torino 1976-1972, LTD 1978-1973, LTD II 1979-1977, Ranchero 1979-1972, Ranch Wagon 1974-1973, Thunderbird 1979-1972, Torino 1976-1972, Lincoln Continental 1979-1973, Mark IV 1976-1972, Mark V 1979-1977, Mercury Colony Park 1974-1973, Comet 1972, Cougar 1979-1974, Grand Marquis 1978-1975, Marquis 1978-1973, Montego 1976-1972, Monterey 1974-1973, Ford Thunderbird 1978-1977
SBM84	Disc Brake Pad	Front, Rear	Chrysler Cordoba 1983-1975, Fifth Avenue 1989-1983, Imperial 1983-1981, LeBaron 1981-1977, Newport 1981-1979, New Yorker 1982-1979, Dodge Aspen 1980-1976, Charger 1978-1975, Dart 1976-1973, Diplomat 1989-1977, Magnum 1979-1978, Mirada 1983-1980, St. Regis 1981-1979, Plymouth Caravelle 1984-1978, Duster 1976-1973, Gran Fury 1989-1980, Scamp 1976-1973, Valiant 1976-1973, Volare 1980-1976, Dodge Mirada 1981, Mirada 1983
SBM86	Disc Brake Pad	Front	Chrysler Town & Country 1983-1978, Dodge B100 1979-1975, B150 1994-1984, B200 1979-1975, B250 1994-1982, B350 1994-1984, B1500 1997-1995, B2500 1997-1995, B3500 1997-1995, CB300 1975, D100 1976, D100 1989-1985, D150 1993-1977, D200 1980, D250 1993-1981, D300 1980, D350 1993-1981, Ramcharger 1993-1975, RD200 1980-1978, W100 1989-1986, W150 1993-1984, W250 1987-1985, W250 1993-1990, W350 1989-1985, Plymouth PB100 1980, PB150 1983-1981, PB200 1980, PB250 1983-1981, PB300 1980, PB350 1983-1981
SBM90	Disc Brake Pad	Front	American Motors AMX 1978, Concord 1981-1980, Gremlin 1978-1976, Spirit 1981-1979, Ford Mustang II 1978-1974, Pinto 1980-1974, Mercury Bobcat 1980-1975
SBM91	Disc Brake Pad	Front	American Motors AMX 1980-1978, Concord 1981-1978, Eagle 1981-1980, Gremlin 1978-1976, Hornet 1977-1975, Pacer 1980-1976, Spirit 1981-1979, Ford F-100 1982-1980, F-150 1982-1980, Granada 1980-1975, Maverick 1977-1974, Jeep CJ5 1981-1978, CJ7 1981-1978, Scrambler 1981, Lincoln Versailles 1980-1977, Mercury Comet 1977-1974, Monarch 1980-1975
SBM120	Disc Brake Pad	Front	Ford E-250 Econoline 1991-1976, E-250 Econoline Club Wagon 1991-1976, E-350 Econoline 1991-1976, E-350 Econoline Club Wagon 1991-1977, F-250 1994-1976, F-350 1994-1976
SBM135	Disc Brake Pad	Front	Aston Martin DB7 2004-2000, Jaguar Vanden Plas 1987-1982, XJ6 1987-1976, XJ12 1979-1975, XJ12 1987-1981, XJRS 1993, XJS 1988-1976, XJS 1996-1990

BUYERS GUIDE

Part Number	Product Line	Position	Application
SBM149	Disc Brake Pad	Front, Rear	Chevrolet C30 1986-1975, C30 Pickup 1974, G30 1996-1975, G30 Van 1974, K30 1986-1977, P30 1999-1975, P30 Van 1974-1971, R30 1988-1987, R3500 1991-1989, V30 1988-1987, V3500 1991-1989, Dodge D400 1980-1978, D450 1980-1978, W200 1980-1975, W250 1993-1981, W300 1980-1975, W300 Pickup 1974, W350 1993-1981, GMC C35 1978-1975, C35/C3500 Pickup 1974, C3500 1986-1979, G35 1978-1975, G35/G3500 Van 1974, G3500 1996-1979, K35 1978-1977, K35/K3500 Pickup 1974, K3500 1986-1979, P35 1978-1975, P35/P3500 Van 1974-1971, P3500 1985-1979, P3500 1999-1987, R3500 1991-1987, V3500 1991-1987, International 200 1975-1974, Workhorse P30 2004-2000, Chevrolet C30 1986-1975, C30 Pickup 1974, C3500 1994-1988, C3500HD 1994-1991, Express 3500 1996, G30 1996-1975, G30 Van 1974, K30 1986-1977, P30 1999-1975, P30 Van 1974, R30 1988-1987, R3500 1991-1989, V30 1988-1987, V3500 1991-1989, Dodge D400 1980-1979, D450 1980-1979, W200 1980-1975, W250 1993-1981, W300 1980-1975, W300 Pickup 1974, W350 1993-1981, GMC C35 1978-1975, C35/C3500 Pickup 1974, C3500 1986-1979, C3500 1994-1988, C3500HD 1994-1991, G35 1978-1975, G35/G3500 Van 1974, G3500 1994-1979, K35 1978-1977, K3500 1986-1979, P35 1978-1975, P3500 1996-1979, R3500 1991-1987, V3500 1991-1987, International 200 1975-1974, Workhorse P30 2004-2000
SBM150	Disc Brake Pad	Front	Ford Country Squire 1991-1990, Crown Victoria 1993-1992, LTD 1984-1979, LTD Crown Victoria 1991-1987, Mustang 1982, Lincoln Continental 1980, Mark VI 1981-1980, Town Car 1981, Mercury Colony Park 1991-1990, Grand Marquis 1980-1979, Grand Marquis 1993-1986, Marquis 1982-1979
SBM152	Disc Brake Pad	Front	Ford Fairmont 1982-1978, Granada 1982-1981, LTD 1984-1983, Mustang 1982-1979, Thunderbird 1982-1980, Mercury Capri 1983-1982, Cougar 1982-1980, Marquis 1983, Zephyr 1983-1978
SBM153	Disc Brake Pad	Front	Chevrolet C20 1986-1979, C20 Suburban 1986-1979, C30 1986-1979, G30 1995-1979, K20 1986-1979, K20 Suburban 1986-1979, P20 1989-1975, P30 1995-1979, R20 1988-1987, R20 Suburban 1988-1987, R30 1988-1987, R3500 1991-1989, V20 1987, V20 Suburban 1988-1987, GMC C2500 1984-1979, C2500 Suburban 1984-1979, G3500 1996-1979, K2500 1984-1979, K2500 Suburban 1984-1979, P2500 1984-1979, P3500 1995-1986
SBM159	Disc Brake Pad	Front	Buick Century 1985-1982, Skylark 1984-1980, Chevrolet Celebrity 1984-1982, Citation 1983-1980, Citation II 1984, Oldsmobile Cutlass Ciera 1984-1982, Cutlass Ciera 1989-1987, Cutlass Cruiser 1989-1987, Omega 1984-1980, Pontiac 6000 1984-1982, Phoenix 1984-1980
SBM163	Disc Brake Pad	Front	BMW 528i 1981-1979, 530i 1978-1977, 630CSi 1978-1977, 633CSi 1982-1978, 733i 1984-1978, 735i 1986-1985, M5 1988, M6 1988-1987
SBM170	Disc Brake Pad	Front	Dodge Aries 1987-1981, Aries 1989, Shadow 1989-1988, Plymouth Reliant 1989-1981, Sundance 1989-1988
SBM199	Disc Brake Pad	Front	Ford Country Squire 1989-1987, Crown Victoria 1994-1992, LTD 1986-1979, LTD Crown Victoria 1991-1987, Lincoln Continental 1980, Mark VI 1983-1980, Town Car 1994-1981, Mercury Colony Park 1989-1987, Grand Marquis 1994-1981, Marquis 1982-1979
SBM203	Disc Brake Pad	Front	American Motors Concord 1983-1982, Eagle 1988-1982, Spirit 1983-1982, Jeep Cherokee 1993-1984, CJ5 1983-1982, CJ7 1986-1982, Comanche 1992-1986, Scrambler 1985-1982, Wagoneer 1989-1984, Wrangler 1989-1987
SBM219	Disc Brake Pad	Front	Chrysler Daytona 1990-1984, Executive Limousine 1985, Laser 1986-1984, LeBaron 1990-1984, New Yorker 1988, Town & Country 1988, Dodge 600 1988-1984, Aries 1989-1987, Daytona 1990-1984, Lancer 1989-1985, Shadow 1990-1987, Spirit 1990-1989, Plymouth Acclaim 1990-1989, Caravelle 1989-1988, Reliant 1989-1987, Sundance 1990-1987
SBM220	Disc Brake Pad	Front, Rear	Chrysler E Class 1984-1983, Executive Sedan 1984-1983, Laser 1986-1985, LeBaron 1983-1982, LeBaron 1987-1985, New Yorker 1987-1983, TC Maserati 1991-1989, Town & Country 1987-1985, Dodge 400 1983-1982, 600 1983, 600 1987, Aries 1987-1983, Charger 1987-1985, Daytona 1987-1985, Lancer 1987-1985, Omni 1986-1985, Shadow 1987, Plymouth Caravelle 1987-1985, Reliant 1987-1983, Sundance 1987, Chrysler LeBaron 1981
SBM221	Disc Brake Pad	Front	Dodge Charger 1987-1983, Omni 1990-1983, Rampage 1984-1983, Plymouth Horizon 1990-1983, Scamp 1983, Turismo 1985-1983
SBM227	Disc Brake Pad	Front	Audi 80 1989-1988, 80 Quattro 1991-1988, 90 1989-1988, 90 Quattro 1989-1988, 4000 1984, 4000 Quattro 1987-1984, 5000 1983-1981, Coupe 1987-1985, Quattro 1986-1985, Volkswagen Corrado 1995-1990, Golf 1995-1993, Jetta 1997-1987, Passat 1996-1990, Quantum 1988-1986, Scirocco 1989-1986
SBM227A	Disc Brake Pad	Front	Volkswagen Cabrio 1997-1996, Golf 1999-1998, Jetta 1999-1998, Passat 1997-1996

BUYERS GUIDE

Part Number	Product Line	Position	Application
SBM233	Disc Brake Pad	Front	Nissan Pulsar 1983, Pulsar NX 1985-1983, Sentra 1983-1982, Subaru Justy 1989
SBM253	Disc Brake Pad	Front	BMW 524td 1986-1985, 528e 1988-1982, 533i 1984-1983, 535i 1987-1985, 633CSi 1984-1983, 635CSi 1989-1985, L6 1987, M3 1991-1988, Porsche 928 1985-1982
SBM255	Disc Brake Pad	Front	Volvo 740 1991-1985, 745 1985, 760 1986-1983, 760 1990-1988, 780 1990-1987
SBM256	Disc Brake Pad	Front	Honda Civic 1987-1984, CRX 1991-1988, Insight 2006-2001, Prelude 1987-1982, Wagovan 1984, Wagovan 1987-1986
SBM257	Disc Brake Pad	Front	Ford Escort 1990-1988, EXP 1988, Tempo 1994-1988, Mercury Topaz 1994-1988
SBM259	Disc Brake Pad	Front	Chrysler Town & Country 1984, Town & Country 1990, Dodge Caravan 1990-1984, Grand Caravan 1990-1987, Mini Ram 1988-1984, Royal Mini Ram 1987-1984, Plymouth Grand Voyager 1990-1987, Voyager 1990-1984
SBM261	Disc Brake Pad	Front	Pontiac Fiero 1987-1984
SBM264	Disc Brake Pad	Front	Mazda 626 1987-1983
SBM278	Disc Brake Pad	Front	BMW 318i 1985-1984, Mercedes-Benz 190D 1985-1984, 190E 1985-1984, Saab 900 1989-1988, 900 1991, 9000 1989-1987
SBM279	Disc Brake Pad	Rear	BMW 318i 1992-1991, 318is 1991, 325 1988-1986, 325e 1987-1984, 325es 1987-1986, 325i 1993-1987, 325is 1991-1987, 325iX 1991-1988, 524td 1986-1985, 528e 1988-1982, 533i 1984-1983, 535i 1987-1985, 633CSi 1984-1983, 635CSi 1989-1985, 735i 1986-1985, L6 1987, L7 1987-1986, M5 1988, M6 1988-1987
SBM280	Disc Brake Pad	Front	Volkswagen Cabriolet 1993, Golf 1993
SBM280A	Disc Brake Pad	Front	Volkswagen Cabriolet 1993-1990, Golf 1992-1985, Jetta 1992-1987, Quantum 1984-1983, Scirocco 1985
SBM280B	Disc Brake Pad	Front	Volkswagen Cabriolet 1990-1985, Golf 1992-1985, Jetta 1986-1985, Quantum 1988-1985
SBM289	Disc Brake Pad	Front	Buick Century 1989-1985, Skyhawk 1989-1982, Skylark 1990-1985, Somerset 1987-1986, Somerset Regal 1985, Cadillac Cimarron 1988-1982, Chevrolet Beretta 1991-1987, Cavalier 1991-1982, Celebrity 1989-1985, Citation II 1985, Corsica 1991-1987, Oldsmobile Calais 1987-1985, Cutlass Calais 1990-1988, Cutlass Ciera 1986-1985, Firenza 1988-1982, Pontiac 6000 1989-1985, Grand Am 1990-1985, J2000 1983-1982, J2000 Sunbird 1985-1984, Sunbird 1991-1986, Tempest 1991-1987
SBM290	Disc Brake Pad	Front	Audi 80 1992-1990, 80 Quattro 1992, 90 1991-1990, 90 Quattro 1992, 100 1991-1989, 100 Quattro 1991-1989, 5000 1988-1984, 5000 Quattro 1986, Quattro 1985
SBM294	Disc Brake Pad	Front	Chevrolet Corvette 1987-1986
SBM295	Disc Brake Pad	Rear	Chevrolet Corvette 1987-1986
SBM303	Disc Brake Pad	Front	Toyota Pickup 1988-1985
SBM310	Disc Brake Pad	Front	Ford Fairmont 1983
SBM315	Disc Brake Pad	Front	Buick Reatta 1991-1988, Riviera 1991-1986, Cadillac Allante 1992-1987, Eldorado 1991-1986, Seville 1991-1986, Oldsmobile Toronado 1991-1986
SBM316	Disc Brake Pad	Rear	Buick Reatta 1991-1988, Riviera 1991-1986, Cadillac Allante 1992-1987, Eldorado 1991-1986, Seville 1991-1986, Oldsmobile Toronado 1991-1986
SBM319	Disc Brake Pad	Front	Mazda 323 1989-1986, Mercury Capri 1994-1991, Tracer 1989-1987
SBM322	Disc Brake Pad	Rear	Saab 900 1993-1988, 9000 1998-1986
SBM326	Disc Brake Pad	Front	Ford Aerostar 1987-1986, Bronco II 1986, Ranger 1987-1986
SBM334	Disc Brake Pad	Front	Acura Integra 1989-1986, Honda Accord 1989-1986, Prelude 1987-1985
SBM335	Disc Brake Pad	Rear	Mercedes-Benz 190D 1984, 190E 1984, 190E 1987-1986, 260E 1989-1987, 300CE 1991-1990, 300D 1993-1992, 300E 1993-1990, 300SL 1991-1990, C220 1996-1994, C280 1995-1994, E300 1995
SBM338	Disc Brake Pad	Front	Volkswagen Vanagon 1991-1986
SBM344	Disc Brake Pad	Front	Dodge Dakota 1990-1987
SBM344A	Disc Brake Pad	Front	Dodge Dakota 1990-1987
SBM350	Disc Brake Pad	Front	Volkswagen Fox 1993-1987
SBM357	Disc Brake Pad	Front	Nissan Pulsar NX 1989-1988, Sentra 1990-1987
SBM360	Disc Brake Pad	Front	Ford Bronco 1993-1987
SBM367	Disc Brake Pad	Front	Dodge Caravan 1988-1987, Grand Caravan 1988, Mini Ram 1988-1987, Royal Mini Ram 1987, Plymouth Grand Voyager 1988, Voyager 1988-1987
SBM368	Disc Brake Pad	Front	Chevrolet C1500 1991-1988, K1500 1991-1988, GMC C1500 1991-1988, K1500 1991-1988
SBM369	Disc Brake Pad	Front, Rear	Cadillac 60 Special 1993, Commercial Chassis 1993-1990, DeVille 1993-1990, DeVille 1999-1997, Escalade 2000-1999, Fleetwood 1992-1990, Chevrolet Astro 2002-1990, Blazer 1994-1992, C1500 1999-1988, C1500 Suburban 1999-1992, C2500 2000-1988, Express 1500 2002-1996, Express 2500 2002-1996, K1500 1999-1988, K1500 Suburban 1999-1992, K2500 2000-1988, Tahoe 2000-1995, Dodge Ram 1500 1999-1994, GMC C1500 1999-1988, C1500 Suburban 1999-1992, C2500 2000-1988, K1500 1999-1988, K1500 Suburban 1999-1992, K2500 2000-1988, Safari 2002-1990, Savana 1500 2002-1996, Savana 2500 2002-1996, Yukon 2000-1992, Chevrolet K2500 2000

BUYERS GUIDE

Part Number	Product Line	Position	Application
SBM370	Disc Brake Pad	Front, Rear	Chevrolet C1500 Suburban 1999-1995, C2500 2000-1988, C2500 Suburban 1999-1992, C3500 2000-1990, C3500HD 1993-1991, C3500HD 2000-1999, Express 2500 2002-1996, Express 3500 2002-1996, K1500 Suburban 1999-1995, K2500 2000-1988, K2500 Suburban 1999-1992, K3500 2000-1988, Tahoe 1999-1997, Dodge Ram 2500 1999-1994, GMC C1500 Suburban 1999-1995, C2500 2000-1988, C2500 Suburban 1999-1992, C3500 2000-1990, C3500HD 1991, K1500 Suburban 1999-1995, K2500 2000-1988, K2500 Suburban 1999-1992, K3500 2000-1988, Savana 2500 2002-1996, Savana 3500 2002-1996, Yukon 1998-1997, Chevrolet K2500 2000
SBM373	Disc Brake Pad	Front	Honda Civic 1991-1990, CRX 1991-1990, Prelude 1990-1988
SBM375	Disc Brake Pad	Front	Ford E-150 Econoline 1993-1987, E-150 Econoline Club Wagon 1993-1987, F-150 1993-1986
SBM385	Disc Brake Pad	Front	Chrysler Dynasty 1989-1988, New Yorker 1989-1988, Dodge Dynasty 1989-1988
SBM391	Disc Brake Pad	Rear	Volvo 760 1990-1988, 780 1991-1988, 940 1994-1991, 960 1994-1992, S90 1998-1997, V70 1999, V90 1998-1997
SBM394	Disc Brake Pad	Front	BMW 525i 1995-1989, 525iT 1993, 530i 1995-1994, 535i 1993-1988, 535is 1988, 540i 1995-1994, 735i 1992-1987, 735iL 1992-1988, 740i 1994-1993, 740iL 1994-1993, 750iL 1994-1988, M3 1999-1994, M3 2002-2001, M5 1993-1991, Z3 2002-1998
SBM394A	Disc Brake Pad	Front	Audi 100 Quattro 1989, 200 1991-1989, 200 Quattro 1991-1989, Coupe Quattro 1991, Jaguar Vanden Plas 2003-1990, XJ6 1997-1990, XJ8 1999-1998, XJ8 2003-2002, XJ12 1992-1990, XJ12 1996-1994, XJR 1999-1995, XK8 2006-1997
SBM396	Disc Brake Pad	Rear	BMW 318i 1998-1992, 318is 1997-1992, 318ti 1998-1995, 320i 1995-1992, 323Ci 2000, 325Ci 2005-2004, 325i 1995-1992, 325is 1995-1992, 328Ci 2000, 328i 1998-1996, 328i 2000, 328is 1998-1996, 525i 1995-1989, 525i 2002-2001, 525iT 1993, 528i 2000-1997, 530i 1995-1994, 530i 2002-2001, 535i 1993-1988, 535is 1988, 540i 1995-1994, 540i 2003-1997, 735i 1992-1987, 735iL 1992-1988, 740i 1994-1993, 740iL 1994-1993, 750iL 1994-1988, M3 1991-1988, M3 1999-1994, M5 1993-1991
SBM399	Disc Brake Pad	Front	Ford Probe 1992-1989, Mazda 626 1992-1988, MX-6 1992-1988
SBM401	Disc Brake Pad	Rear	Nissan Pathfinder 1995-1987
SBM402	Disc Brake Pad	Front, Rear	Ford Festiva 1993-1988, Festiva 1992-1991
SBM403	Disc Brake Pad	Front	Volvo 850 1997-1993, S70 2000-1998, V70 2000-1999
SBM411	Disc Brake Pad	Front, Rear	Ford E-450 Econoline Super Duty 2002-2001, E-550 Econoline Super Duty 2002, Econoline Super Duty 1999-1996, F53 1997-1988, F59 1997-1988, F Super Duty 1997-1988, E-450 Econoline Super Duty 2002-2000, E-450 Super Duty 2007-2005, E-550 Econoline Super Duty 2002, Econoline Super Duty 1999-1996, F53 1997-1988, F59 1997-1988, F Super Duty 1997-1988
SBM412	Disc Brake Pad	Front	Chevrolet Camaro 1992-1988, Corvette 1996-1988, Ford Mustang 2001-1994, Mustang 2004-2003, Pontiac Firebird 1992-1988
SBM413	Disc Brake Pad	Rear	Chevrolet Camaro 1997-1988, Pontiac Firebird 1997-1988
SBM413A	Disc Brake Pad	Rear	Chevrolet Corvette 1996-1988
SBM415	Disc Brake Pad	Rear	Chrysler Intrepid 1994-1993, LeBaron 1990-1989, Dodge Daytona 1990-1989, Shadow 1990-1988, Spirit 1990, Spirit 1995, Plymouth Acclaim 1990, Sundance 1990-1989
SBM416	Disc Brake Pad	Front	Chrysler Town & Country 1990, Dodge Caravan 1990-1989, Grand Caravan 1990-1989, Plymouth Grand Voyager 1990-1989, Voyager 1990-1989
SBM417	Disc Brake Pad	Front	Ford Thunderbird 1992-1989, Mercury Cougar 1992-1989
SBM418	Disc Brake Pad	Front	Asuna Sunrunner 1993, Chevrolet Tracker 1991-1989, Tracker 1998, Geo Tracker 1997-1989, GMC Tracker 1991-1989, Suzuki Sidekick 1998-1989, X-90 1998-1996
SBM419	Disc Brake Pad	Front	Audi 90 1995-1993, 90 Quattro 1991-1990, 90 Quattro 1995-1993, 200 1991-1989, 200 Quattro 1991-1989, 5000 1986-1985, 5000 Quattro 1988-1986, Cabriolet 1998-1994, Coupe Quattro 1990, Quattro 1985
SBM420	Disc Brake Pad	Front	Chevrolet Sprint 1989, Geo Metro 1994-1990, Pontiac Firefly 1989
SBM421	Disc Brake Pad	Front	Ford Taurus 1993-1986, Lincoln Continental 1992-1988, Mercury Sable 1993-1986
SBM421A	Disc Brake Pad	Front	Ford Taurus 1993, Mercury Sable 1993
SBM423	Disc Brake Pad	Front	Mercedes-Benz 190E 1987-1986, 260E 1989-1987, 300CE 1989-1988, 300D 1987, 300D 1993-1990, 300E 1993-1986, 300TD 1987, 300TE 1993-1988, E300 1995
SBM424	Disc Brake Pad	Front	Mercedes-Benz 560SL 1989-1986
SBM427	Disc Brake Pad	Rear	Saab 900 1996-1994
SBM428	Disc Brake Pad	Front	Mazda MPV 1991-1989
SBM431	Disc Brake Pad	Front	Ford Mustang 1993-1987, Thunderbird 1988-1985, Mercury Cougar 1986-1985
SBM434	Disc Brake Pad	Front	Toyota Pickup 1995-1989, T100 1998-1993
SBM439	Disc Brake Pad	Front	Saab 900 1993-1990

BUYERS GUIDE

Part Number	Product Line	Position	Application
SBM440	Disc Brake Pad	Front	Hyundai Accent 2005-1995, Excel 1994-1989, Scoupe 1991, Scoupe 1995-1993, Stellar 1987, Mitsubishi Precis 1994-1990
SBM451	Disc Brake Pad	Front	Chevrolet Metro 1992, Metro 2001-1998, Sprint 1991-1990, Geo Metro 1997-1989, Pontiac Firefly 1991-1990, Firefly 2000-1994, Suzuki Swift 2001-1989
SBM459	Disc Brake Pad	Front	Chevrolet C3500 2000-1988, C3500HD 1993-1991, C3500HD 2000-1999, Express 2500 2002-2001, Express 3500 2002-1996, K3500 2000-1990, Dodge Ram 2500 1999-1994, Ram 3500 1999-1994, GMC C3500 2000-1988, C3500HD 1993-1991, C3500HD 2000-1999, K3500 2000-1990, Savana 2500 2002-2001, Savana 3500 2002-1996
SBM460	Disc Brake Pad	Front	Nissan 300ZX 1993-1990
SBM461	Disc Brake Pad	Rear	Nissan 300ZX 1996-1989, Subaru Impreza 2007-2006
SBM478	Disc Brake Pad	Front	Chrysler Dynasty 1990, Imperial 1991-1990, Imperial 1993, New Yorker 1990, New Yorker 1993, Dodge Dynasty 1990
SBM480	Disc Brake Pad	Front	Subaru Justy 1995-1989
SBM481	Disc Brake Pad	Rear	Infiniti Q45 1994-1990
SBM486	Disc Brake Pad	Front	Infiniti Q45 1996-1990
SBM489	Disc Brake Pad	Front	Toyota MR2 1992-1991
SBM491	Disc Brake Pad	Rear	Dodge Monaco 1992-1990, Viper 2000-1992, Eagle Premier 1992-1988, Lotus Elise 2006-2005, Exige 2006
SBM492	Disc Brake Pad	Front	Volvo 740 1992-1988, 760 1990-1988
SBM493	Disc Brake Pad	Front	BMW 318i 1992-1991, 318is 1991, 325 1988-1986, 325e 1987-1984, 325es 1987-1986, 325i 1993-1987, 325is 1991-1987, 325iX 1991-1988, Mercedes-Benz 190D 1989-1986, 190E 1993-1986
SBM493A	Disc Brake Pad	Rear	Land Rover Discovery 2004-1999, Range Rover 2002-1995
SBM495	Disc Brake Pad	Rear	Mercedes-Benz 300CE 1993-1992, 300E 1993, 300SL 1993-1992, 300TD 1987, 300TE 1993-1988, 400E 1993-1992, 500E 1993-1992, 500SL 1993-1990, C36 AMG 1995, C230 2000-1999, C280 2000-1996, E300 1997-1996, E320 1995-1994, E420 1995-1994, E500 1994, SL320 1995-1994, SL500 1995-1994
SBM496	Disc Brake Pad	Front	Honda Accord 1993-1990
SBM498	Disc Brake Pad	Front	Subaru Justy 1994-1990
SBM499	Disc Brake Pad	Front	Ford Crown Victoria 1994-1993, Lincoln Town Car 1994, Mercury Grand Marquis 1994-1993
SBM500	Disc Brake Pad	Front	Toyota Previa 1996-1991
SBM506	Disc Brake Pad	Front	Buick Skylark 1998-1990, Chevrolet Beretta 1996-1992, Cavalier 2005-1992, Corsica 1996-1992, Oldsmobile Achieva 1998-1992, Cutlass Calais 1991-1990, Pontiac Grand Am 1998-1990, Sunbird 1994-1992, Sunfire 2005-1995
SBM508	Disc Brake Pad	Rear	Buick LeSabre 2005-2000, Park Avenue 2005-1997, Regal 1996-1994, Riviera 1993-1992, Riviera 1999-1995, Cadillac Allante 1993, DeVille 2005-1997, Eldorado 2002-2000, Seville 1997, Seville 2004-2003, Chevrolet Lumina 1999-1995, Monte Carlo 1999-1995, Oldsmobile Aurora 1999-1995, Aurora 2003-2001, Cutlass Supreme 1997-1994, Pontiac Bonneville 2005-2000, Grand Prix 1996-1994, Saturn SC1 1998-1993, SC2 1998-1996, SL 1998-1996, SL1 1998-1991, SL2 1998-1996, SW1 1998-1993, SW2 1998-1996
SBM509	Disc Brake Pad	Front	Nissan NX 1991, Sentra 1994-1991
SBM510	Disc Brake Pad	Front	Nissan NX 1993-1991, Sentra 1994-1991
SBM517	Disc Brake Pad	Rear	Jaguar Vanden Plas 1994-1990, XJ6 1994-1990, XJ12 1994, XJS 1994-1993
SBM517A	Disc Brake Pad	Rear	Aston Martin DB7 2004-2000
SBM518	Disc Brake Pad	Rear	Land Rover Discovery 1999, Range Rover 1994-1987
SBM519	Disc Brake Pad	Front	Land Rover Range Rover 1989-1987
SBM520	Disc Brake Pad	Front	Land Rover Range Rover 1994-1990
SBM522	Disc Brake Pad	Front	Chrysler Daytona 1993-1991, LeBaron 1995-1991, Town & Country 1994-1991, Dodge Caravan 1994-1991, Daytona 1993-1991, Grand Caravan 1994-1991, Spirit 1994-1991, Plymouth Acclaim 1994-1991, Grand Voyager 1994-1991, Voyager 1994-1991
SBM525	Disc Brake Pad	Front	Asuna Sunfire 1993, Geo Storm 1993-1990, Isuzu Impulse 1992-1990, Stylus 1993-1991, Mazda Miata 1993-1990
SBM527	Disc Brake Pad	Front	Toyota Celica 1985-1982, Previa 1992-1991, Previa 1996-1994
SBM529	Disc Brake Pad	Front	Dodge Dakota 1998-1991
SBM541	Disc Brake Pad	Rear	Volvo 240 1993-1991, 740 1992-1991, 780 1987, 940 1995-1991, 960 1997-1992, C70 2000-1998, S70 1999-1998
SBM542	Disc Brake Pad	Front	Volvo 740 1992-1991, 780 1991, 940 1995-1991, 960 1997-1992, S90 1998-1997, V90 1998-1997
SBM555	Disc Brake Pad	Front	Audi 100 1994-1992, 100 Quattro 1994-1992, A6 1999-1995, A6 Quattro 1999-1995, A8 1999-1997, A8 Quattro 1998-1997, A8 Quattro 2000, Volkswagen Passat 1999-1998
SBM555A	Disc Brake Pad	Front	Audi A4 2000-1997, A4 Quattro 2000-1997, Volkswagen Passat 1999-1998
SBM555B	Disc Brake Pad	Front	Audi A6 1999, A6 Quattro 1999-1998, Volkswagen Passat 1999

BUYERS GUIDE

Part Number	Product Line	Position	Application
SBM557	Disc Brake Pad	Front	Ford E-250 Econoline 1994-1992, E-350 Econoline 1994-1992, E-350 Econoline Club Wagon 1994-1992
SBM558	Disc Brake Pad	Front	BMW 318i 1998-1992, 318is 1997-1992, 318ti 1998-1995, 320i 1995-1992, 325i 1995-1992, 325is 1995-1992, 328Ci 2000, 328i 1997-1996, 328is 1997-1996, Z3 1999-1996
SBM561	Disc Brake Pad	Front	Ferrari 512 M 1995, 512 TR 1994-1992, Mercedes-Benz 300CE 1993-1990, 300E 1993, 300SL 1993-1990, 400E 1993-1992, 500E 1993-1992, 500SL 1993-1990, 600SL 1993, C36 AMG 1997-1995, E300 1995, E320 1995-1994, E420 1995-1994, E500 1994, SL320 1997-1994, SL500 1998-1994, SL600 1999-1994
SBM577	Disc Brake Pad	Front	Mercedes-Benz 300SD 1993-1992, 300SE 1993-1992, 400SE 1992, 400SEL 1993, 500SEC 1993, 500SEL 1993-1992, 600SEC 1993, 600SEL 1993-1992, CL500 1999-1998, CL600 1999-1998, S320 1999-1994, S350 1995-1994, S420 1999-1994, S500 1999-1994, S600 1999-1994
SBM592	Disc Brake Pad	Front	Dodge Viper 2002-1992
SBM592A	Disc Brake Pad	Rear	Cadillac CTS 2007-2004, CTS 2015-2009, STS 2011-2005, Chevrolet Camaro 2014-2010, SS 2015, Chrysler 300 2010-2005, 300 2013-2012, Dodge Challenger 2016-2008, Charger 2010-2006, Charger 2015-2012, Magnum 2008-2006, Jaguar S-Type 2005-2003, Super V8 2005, XJR 2000, XJR 2005-2004, XKR 2006-2000, Jeep Grand Cherokee 2010-2006, Grand Cherokee 2013-2012, Volvo S60 2007-2004, V70 2007-2004
SBM594	Disc Brake Pad	Front	Audi A8 Quattro 2000, A8 Quattro 2003-2002, S8 2003-2001
SBM601	Disc Brake Pad	Front	Ford Taurus 2002-1994, Windstar 1998-1995, Lincoln Continental 1994-1993, Mercury Sable 2001-1994
SBM604	Disc Brake Pad	Front	Toyota T100 1998-1993
SBM614	Disc Brake Pad	Front	Chevrolet Caprice 1996-1993, Commercial Chassis 1994-1993, Impala 1996-1994
SBM614A	Disc Brake Pad	Front	Chevrolet Caprice 1994
SBM620	Disc Brake Pad	Rear	Mercedes-Benz 300E 1993-1990, C280 1997-1994
SBM625	Disc Brake Pad	Rear	Jeep Grand Cherokee 1994
SBM628	Disc Brake Pad	Rear	Chevrolet Caprice 1996-1994, Commercial Chassis 1994, Impala 1996-1994
SBM632	Disc Brake Pad	Front	Ford Bronco 1996-1994, E-150 2003, E-150 Club Wagon 2003, E-150 Econoline 2002-1994, E-150 Econoline Club Wagon 2002-1994, F-150 1996-1994
SBM633	Disc Brake Pad	Front	Dodge Neon 1996-1995, Plymouth Neon 1996-1995
SBM639	Disc Brake Pad	Front	BMW 840Ci 1997-1994, 850Ci 1997-1994
SBM645	Disc Brake Pad	Front	Mercedes-Benz C220 1996-1994, C230 1998-1997, C280 1995-1994
SBM647	Disc Brake Pad	Front	Nissan 300ZX 1996-1994
SBM649	Disc Brake Pad	Front	Kia Sephia 1996, Sephia 2000
SBM655	Disc Brake Pad	Front, Rear	Dodge B2500 1998, B3500 1998, Ram 2500 Van 2003-1999, Ram 3500 Van 2003-1999, Ford E-150 2007, E-250 2007-2003, E-250 Econoline 2002-1995, E-250 Super Duty 2005-2004, E-350 Club Wagon 2005-2003, E-350 Econoline 2000-1995, E-350 Econoline Club Wagon 2002-1995, E-350 Super Duty 2007-1999, E-450 Econoline Super Duty 2000, E-450 Super Duty 2007-2003, F-250 1997-1995, F-350 1997-1995, E-450 Super Duty 2004-2003
SBM664	Disc Brake Pad	Rear	Ford Windstar 2003-1995
SBM667	Disc Brake Pad	Rear	Ford Explorer 2003-1995, Ranger 2002-1998, Mercury Mountaineer 2001-1997
SBM667A	Disc Brake Pad	Rear	Ford Explorer Sport Trac 2002, Explorer Sport Trac 2005-2004
SBM670	Disc Brake Pad	Front	Kia Sportage 1997-1995
SBM671	Disc Brake Pad	Front	Land Rover Defender 90 1995-1994, Defender 90 1997, Defender 110 1993
SBM674	Disc Brake Pad	Rear	Ford Crown Victoria 2002-1996, Lincoln Town Car 2002-1996, Mercury Grand Marquis 2002-1996
SBM674A	Disc Brake Pad	Rear	Ford Crown Victoria 2002-1996, Lincoln Town Car 2002-1996, Mercury Grand Marquis 2002-1996
SBM676	Disc Brake Pad	Front	Land Rover Discovery 2004-1999, Range Rover 2002-1995
SBM679	Disc Brake Pad	Front	Ford F-150 2003-1997, F-150 Heritage 2004, Lincoln Blackwood 2002
SBM681	Disc Brake Pad	Front	BMW 530i 2003-2001, 540i 2003-1997, 740i 1995, 740i 2001-1997, 740iL 2001-1995, M5 2003-2000, X5 2006-2000
SBM682	Disc Brake Pad	Front	Audi TT Quattro 2006-2004, BMW 750iL 2001-1995, Z8 2003-2000, Chrysler Crossfire 2005, Mercedes-Benz C43 AMG 2000-1998, CLK55 AMG 2002-2001, E55 AMG 2002-1999, E350 2006, E430 2002-2000, E500 2006-2004, S430 2006-2003, S500 2006-2003, SLK32 AMG 2004-2002, Volkswagen Golf 2004
SBM684	Disc Brake Pad	Front	Volkswagen Golf 1995, Jetta 1995-1994
SBM687	Disc Brake Pad	Front	Audi A4 1996, A4 Quattro 1996, TT 2006-2000, TT Quattro 2006-2000, Volkswagen Beetle 2010-1999, Golf 2006-1996, Jetta 2005-1996, Passat 1997-1996
SBM692	Disc Brake Pad	Rear	BMW Z3 2002-1996
SBM693	Disc Brake Pad	Rear	Kia Sephia 1997-1995

BUYERS GUIDE

Part Number	Product Line	Position	Application
SBM694	Disc Brake Pad	Front	Volkswagen Golf 1997, Golf 1999, Jetta 1996
SBM702A	Disc Brake Pad	Rear	Dodge Ram 1500 2008-2006, Ram 2500 2008-2001, Ram 2500 Van 2003-2001, Ram 3500 2008-2001, Ram 3500 Van 2003-2001
SBM704	Disc Brake Pad	Front	Volkswagen Cabrio 2002-1995, Golf 1999-1997, Jetta 1999-1997, Passat 1997
SBM705	Disc Brake Pad	Front	Volkswagen EuroVan 1997, EuroVan 1999, EuroVan 2002, Transporter 1994-1993
SBM705A	Disc Brake Pad	Front	Volkswagen EuroVan 2000
SBM709	Disc Brake Pad	Rear	Cadillac Catera 2001-1997, Saab 9-3 2003-1999, 9-5 1999, 900 1998-1997, Saturn L100 2002-2001, L200 2003-2001, L300 2005-2001, LS 2000, LS1 2000, LS2 2000, LW2 2000, LW200 2003-2001, LW300 2003-2001
SBM710	Disc Brake Pad	Front	Mercedes-Benz C230 2000-1999, C280 2000-1996, E300 1997-1996, SLK230 2004-1998
SBM720	Disc Brake Pad	Front	Cadillac Catera 2001-1997
SBM725	Disc Brake Pad	Front	BMW 528i 1998-1997
SBM737	Disc Brake Pad	Front	Porsche Boxster 2008-1997, Cayman 2008-2007
SBM738	Disc Brake Pad	Rear	Porsche 911 2000-1999, 911 2004-2002, 911 2008-2006, Boxster 2008-1997, Boxster 2012, Cayman 2008-2006, Cayman 2012
SBM739	Disc Brake Pad	Rear	Mercedes-Benz C230 1998-1997
SBM740	Disc Brake Pad	Front, Rear	Chrysler Crossfire 2008-2004, Mercedes-Benz CLK320 2003-1998, CLK430 2003-1999, E300 1999-1998, E320 2005-1996, E350 2009-2006, E420 1997, E430 2002-1998, SLK320 2004-2001, Dodge Dakota 2005
SBM746	Disc Brake Pad	Front	Dodge Dakota 1999, Durango 1999-1998
SBM751	Disc Brake Pad	Rear	Chrysler Town & Country 2000-1997, Dodge Caravan 2000, Grand Caravan 2000-1997, Plymouth Voyager 2000-1998
SBM753	Disc Brake Pad	Front	Cadillac Seville 2002-1998
SBM757	Disc Brake Pad	Rear	Ford Excursion 2005-2000, F-250 Super Duty 2004-1999, F-350 Super Duty 2004-1999
SBM760	Disc Brake Pad	Front	Mercedes-Benz ML320 2003-1998, ML350 2005-2003, ML430 1999
SBM761	Disc Brake Pad	Rear	Mercedes-Benz ML320 1998
SBM762	Disc Brake Pad	Front	Ford Contour 2000-1998
SBM763	Disc Brake Pad	Rear	BMW 318i 1999, 318is 1999-1998, 318ti 1999, 320i 2005-2001, 323Ci 2000, 323i 2000-1998, 323is 1999-1998, 325Ci 2003-2001, 325Ci 2006, 325i 2005-2001, 325xi 2005-2001, 328i 1999, 328is 1999, Z4 2008-2003, Saab 9-5 2009-1999
SBM775	Disc Brake Pad	Rear	Kia Sephia 2001-1998, Spectra 2004-2000
SBM779	Disc Brake Pad	Rear	Chrysler Crossfire 2008-2004, Mercedes-Benz C230 2000-1999, C230 2007-2002, C240 2005-2001, C280 1998, SLK230 2004-1998, SLK280 2008-2006, SLK300 2011-2009, SLK320 2004-2001
SBM781	Disc Brake Pad	Front	BMW 318i 1999, 318is 1999-1998, 318ti 1999, 320i 2005-2001, 323Ci 2000, 323i 2000-1998, 323is 1999-1998, 325Ci 2006-2001, 325i 2005-2001, 325xi 2005-2001, 328i 2000-1998, 328is 1999-1998, Z3 1998, Z3 2002-2000, Z4 2008-2003
SBM783	Disc Brake Pad	Front	Volvo C70 2004-1999, S70 2000-1999, V70 2000-1998
SBM784	Disc Brake Pad	Front	Cadillac DeVille 2005-2000, DTS 2011-2006, Chevrolet Avalanche 2500 2006-2002, Express 2500 2015-2003, Express 3500 2015-2003, Express 4500 2013-2009, Silverado 1500 HD 2003-2001, Silverado 1500 HD 2006-2005, Silverado 1500 HD Classic 2007, Silverado 2500 2004-1999, Silverado 2500 HD 2010-2001, Silverado 2500 HD Classic 2007, Silverado 3500 2007-2001, Silverado 3500 Classic 2007, Silverado 3500 HD 2010-2007, Suburban 2500 2013-2000, GMC Savana 2500 2015-2003, Savana 3500 2015-2003, Savana 4500 2014-2009, Sierra 1500 2002, Sierra 1500 HD 2003-2001, Sierra 1500 HD 2006-2005, Sierra 1500 HD Classic 2007, Sierra 2500 2004-1999, Sierra 2500 HD 2010-2001, Sierra 2500 HD Classic 2007, Sierra 3500 2006-2001, Sierra 3500 Classic 2007, Sierra 3500 HD 2010-2007, Yukon XL 2500 2013-2000, Hummer H2 2009-2003
SBM785	Disc Brake Pad	Front, Rear	Cadillac Escalade 2006-2002, Escalade ESV 2006-2003, Escalade EXT 2006-2002, Chevrolet Astro 2005-2003, Avalanche 1500 2006-2002, Express 1500 2008-2003, Express 2500 2005-2003, Silverado 1500 2006-1999, Silverado 1500 Classic 2007, Suburban 1500 2006-2000, Tahoe 2006-2000, GMC Safari 2005-2003, Savana 1500 2008-2003, Savana 2500 2005-2003, Sierra 1500 2006-1999, Sierra 1500 Classic 2007, Yukon 2006-2000, Yukon XL 1500 2006-2000, Chevrolet Avalanche 2500 2006-2002, Silverado 1500 HD 2003-2001, Silverado 1500 HD 2006-2005, Silverado 1500 HD Classic 2007, Silverado 2500 2004-1999, Silverado 2500 HD 2010-2001, Silverado 2500 HD Classic 2007, Silverado 3500 2007-2004, Silverado 3500 Classic 2007, Silverado 3500 HD 2010-2007, Suburban 2500 2013-2000, GMC C2500 2000, K2500 2000, Sierra 1500 2003, Sierra 1500 2005, Sierra 1500 HD 2003-2001, Sierra 1500 HD 2006-2005, Sierra 1500 HD Classic 2007, Sierra 2500 2004-1999, Sierra 2500 HD 2010-2001, Sierra 2500 HD Classic 2007, Sierra 3500 2006-2004, Sierra 3500 Classic 2007, Sierra 3500 HD 2010-2007, Yukon XL 2500 2013-2000, Hummer H2 2009-2003

BUYERS GUIDE

Part Number	Product Line	Position	Application
SBM791	Disc Brake Pad	Rear	Jeep Grand Cherokee 2004-1999
SBM792HD	Disc Brake Pad	Rear	Cadillac DeVille 2005-2000, DTS 2011-2006, Chevrolet Astro 2005-2003, Silverado 1500 2006-1999, Silverado 1500 Classic 2007, Suburban 1500 2001-2000, Tahoe 2001-2000, GMC Safari 2005-2003, Sierra 1500 2006-1999, Sierra 1500 Classic 2007, Yukon 2001-2000, Yukon XL 1500 2001-2000
SBM792SD	Disc Brake Pad	Rear	Cadillac DeVille 2005-2000, DTS 2011-2006, Chevrolet Astro 2005-2003, Silverado 1500 2006-1999, Silverado 1500 Classic 2007, Suburban 1500 2001-2000, Tahoe 2001-2000, GMC Safari 2005-2003, Sierra 1500 2006-1999, Sierra 1500 Classic 2007, Yukon 2001-2000, Yukon XL 1500 2001-2000
SBM794	Disc Brake Pad	Front	Volvo S60 2009-2001, S80 2006-1999, V70 2007-2001, XC70 2007-2003
SBM795	Disc Brake Pad	Rear	Volvo S60 2009-2001, S80 2006-1999, V70 2007-2000, XC70 2007-2003
SBM796	Disc Brake Pad	Front	Daewoo Lanos 2002-1999
SBM797	Disc Brake Pad	Front	Daewoo Leganza 2002-1999, Nubira 2002-1999, Suzuki Swift+ 2006-2004
SBM800	Disc Brake Pad	Front	Saab 9-3 2003, 9-5 2001-1999, 900 1998-1997
SBM801	Disc Brake Pad	Front	Ford Contour 2000-1998, Mercury Cougar 2002-2000, Mystique 2000-1998
SBM802	Disc Brake Pad	Rear	Ford E-150 2007, E-250 2007-2003, E-250 Econoline 2002-1999, E-250 Super Duty 2005-2004, E-350 Club Wagon 2005-2003, E-350 Econoline 2000-1999, E-350 Econoline Club Wagon 2002-1999, E-350 Super Duty 2007-1999
SBM819	Disc Brake Pad	Front	Saab 9-3 2003-1999, 9-5 2005-1999, Saturn L100 2002-2001, L200 2003-2001, L300 2005-2001, LS 2000, LS1 2000, LS2 2000, LW1 2000, LW2 2000, LW200 2003-2001, LW300 2003-2001
SBM837	Disc Brake Pad	Front	Volvo S40 2004-2000, V40 2004-2000
SBM838	Disc Brake Pad	Rear	Volvo S40 2004-2000, V40 2004-2000
SBM840	Disc Brake Pad	Front	Audi A4 2006-1999, A4 Quattro 2006-1999, A6 2004-2000, A6 Quattro 2004-2000, RS6 2004-2003, S4 2002, S6 2003-2002, Volkswagen Passat 2005-2000
SBM840A	Disc Brake Pad	Front	Saab 9-5 2009-2006
SBM840B	Disc Brake Pad	Front	Volvo C70 2004-1998
SBM847	Disc Brake Pad	Front	Mercedes-Benz C32 AMG 2004-2002, C55 AMG 2006-2005, C230 2004-2003, C240 2004-2002, C320 2004-2001, C350 2007-2006, CL55 AMG 2002-2001, CL500 2006-2000, CL550 2011, CL600 2006-2001, CLK55 AMG 2004-2003, CLK500 2006-2003, CLK550 2009-2007, CLS500 2006, CLS550 2011-2007, E350 2009-2006, E500 2006-2003, E550 2009-2007, ML55 AMG 2003-2000, ML430 2001-2000, ML500 2005-2002, S55 AMG 2002-2001, S350 2006, S430 2006-2000, S500 2006-2000, S600 2006-2001, SL500 2006-1999, SL550 2009-2007, SL550 2012-2011, SL600 2002-2000, SLK55 AMG 2010-2005, SLK350 2006-2005
SBM847A	Disc Brake Pad	Front	Mercedes-Benz C32 AMG 2004-2002, C55 AMG 2006-2005, C230 2004-2003, C240 2004-2002, C320 2004-2001, C350 2007-2006, CL55 AMG 2002-2001, CL500 2006-2000, CL550 2011, CL600 2006-2001, CLK55 AMG 2004-2003, CLK500 2006-2003, CLK550 2009-2007, CLS500 2006, CLS550 2011-2007, E350 2009-2006, E500 2006-2003, E550 2009-2007, ML55 AMG 2003-2000, ML430 2001-2000, ML500 2005-2002, S55 AMG 2002-2001, S350 2006, S430 2006-2000, S500 2006-2000, S600 2006-2001, SL500 2006-1999, SL550 2009-2007, SL550 2012-2011, SL600 2002-2000, SLK55 AMG 2010-2005, SLK350 2006-2005
SBM848	Disc Brake Pad	Rear	Mercedes-Benz CL55 AMG 2002-2001, CL500 2003-2000, CL600 2002-2001, S55 AMG 2003-2001, S430 2002-2000, S500 2002-2000, S600 2002-2001
SBM851	Disc Brake Pad	Rear	Audi A4 Quattro 1998, A4 Quattro 2001, A8 1999-1997, A8 Quattro 2000
SBM856	Disc Brake Pad	Front	Chrysler Town & Country 2007-2003, Voyager 2003-2001, Dodge Caravan 2007-2001, Grand Caravan 2005-2001, Jeep Liberty 2007-2002
SBM859	Disc Brake Pad	Front	Dodge Ram 2500 2002-2000, Ram 3500 2002-2000
SBM872	Disc Brake Pad	Front	Mercedes-Benz C230 2005-2002, C240 2005-2001, C280 2007-2006, C320 2005-2001, C350 2007-2006, CLK320 2005-2003, CLK350 2009-2006, E280 2007, SLK280 2008-2006, SLK300 2011-2009
SBM874	Disc Brake Pad	Rear	Mercedes-Benz ML55 AMG 2003-2000, ML430 2001-2000, ML500 2005-2002
SBM875	Disc Brake Pad	Rear	Mercedes-Benz ML320 2003-1998, ML350 2005-2003, ML430 1999
SBM876	Disc Brake Pad	Rear	Mercedes-Benz C32 AMG 2004-2002, C230 2007-2003, C240 2005-2003, C280 2007-2006, C320 2005-2001, C350 2007-2006, CLK320 2005-2000, CLK350 2009-2006, CLK430 2003-2000, E280 2007, E320 2002-1996, E420 1997, E430 2002-1998, SLK350 2011-2005
SBM877	Disc Brake Pad	Rear	Volkswagen EuroVan 2003-2002
SBM886	Disc Brake Pad	Rear	Ford Fiesta 2016-2014, Focus 2007-2000
SBM894	Disc Brake Pad	Rear	Audi A8 Quattro 2003-2002, TT Quattro 2005, Seat Alhambra 2002
SBM899	Disc Brake Pad	Rear	Mercury Cougar 2002-1999
SBM899A	Disc Brake Pad	Rear	Mercury Cougar 2002-2001
SBM902	Disc Brake Pad	Front	Daewoo Lanos 2002-1999

BUYERS GUIDE

Part Number	Product Line	Position	Application
SBM909	Disc Brake Pad	Rear	Chevrolet Silverado 3500 2007-2001, Silverado 3500 Classic 2007, Silverado 3500 HD 2010-2007, GMC Sierra 3500 2006-2001, Sierra 3500 Classic 2007, Sierra 3500 HD 2010-2007
SBM910	Disc Brake Pad	Front	Jaguar X-Type 2008-2002
SBM911	Disc Brake Pad	Rear	Jaguar X-Type 2005-2002
SBM912	Disc Brake Pad	Front	Audi A8 Quattro 2000, A8 Quattro 2003-2002, Volkswagen Passat 2005-2004
SBM912A	Disc Brake Pad	Front	Audi A8 Quattro 2000, A8 Quattro 2003-2002, Volkswagen Passat 2005-2004
SBM915	Disc Brake Pad	Front	Audi A4 2006-2005, A4 Quattro 2006-2005, A6 2004-2002, A6 Quattro 2006-2002, Allroad Quattro 2005-2003, S6 2003-2002
SBM915A	Disc Brake Pad	Front	Mazda 3 2013-2007, Volvo C70 2013-2006, S40 2011-2004, V50 2011-2005
SBM915B	Disc Brake Pad	Front	Saab 9-3 2011-2008, 9-3X 2011-2010
SBM916	Disc Brake Pad	Front	Porsche 911 2010-2006, 911 2012
SBM917	Disc Brake Pad	Front, Rear	Porsche 911 2005-2001, Boxster 2006-2000, Cayman 2008-2006, 911 2005-2001
SBM919	Disc Brake Pad	Rear	BMW 1 Series M 2011, 535i 2011-2008, 535i GT 2016, 535i GT xDrive 2016, 545i 2005-2004, 550i 2011-2006, 550i GT xDrive 2016, 550i xDrive 2011, 550i xDrive 2013, 645Ci 2005-2004, 650i 2010-2006, 650i 2012, 740Ld xDrive 2015, 745i 2005-2002, 745Li 2005-2002, 750i 2008-2006, 750Li 2008-2006, 760i 2006-2004, 760Li 2008-2003, ActiveHybrid 7 2015-2013, Alpina B7 2008-2007, M3 2013-2008, M5 2010-2006, M6 2010-2006, X5 2016-2007, X6 2016-2008
SBM919A	Disc Brake Pad	Rear	BMW 535i GT 2015-2010, 535i GT xDrive 2015-2011, 550i GT 2015-2010, 550i GT xDrive 2015-2010, 740i 2015-2011, 740Li 2015-2011, 740Li xDrive 2015-2013, 750i 2015-2009, 750i xDrive 2015-2010, 750Li 2015-2009, 750Li xDrive 2015-2010, 760Li 2015-2010, Alpina B7 2015-2011, Alpina B7L 2015-2011, Alpina B7L xDrive 2015-2011, Alpina B7 xDrive 2015-2011
SBM919B	Disc Brake Pad	Rear	BMW X5 2013-2010, X6 2014-2010
SBM920	Disc Brake Pad	Front	BMW X5 2006-2002
SBM926	Disc Brake Pad	Front	Land Rover Freelander 2005-2002
SBM927	Disc Brake Pad	Front	Mercedes-Benz G55 AMG 2011, G550 2010, G550 2015-2012
SBM928	Disc Brake Pad	Rear	Dodge Sprinter 2500 2006-2003, Sprinter 3500 2006-2005, Freightliner Sprinter 2500 2006-2002, Sprinter 3500 2006-2002, Mercedes-Benz G55 AMG 2011-2003, G500 2008-2002, G550 2015-2009
SBM931	Disc Brake Pad	Front	Ford Crown Victoria 2011-2003, Lincoln Town Car 2011-2003, Mercury Grand Marquis 2011-2003, Marauder 2004-2003
SBM932	Disc Brake Pad	Rear	Ford Crown Victoria 2010, Lincoln Town Car 2003, Mercury Grand Marquis 2008, Marauder 2004-2003
SBM934	Disc Brake Pad	Front	Ford Expedition 2006-2003, Lincoln Navigator 2006-2003
SBM935	Disc Brake Pad	Rear	Ford Expedition 2006-2003, Lincoln Navigator 2006-2003
SBM938	Disc Brake Pad	Front	Jaguar S-Type 2005-2003, Super V8 2005, XF 2009, XJ 2011, XJR 2005-2004, XK 2011
SBM946	Disc Brake Pad	Front	BMW 330Ci 2006-2001, 330i 2005-2001, 330xi 2005-2001, X3 2010-2004, Z4 2008-2006
SBM946A	Disc Brake Pad	Front	BMW M3 2006-2003
SBM947	Disc Brake Pad	Front	BMW 525i 2003-2001, 528i 2000-1999
SBM949	Disc Brake Pad	Front, Rear	Dodge Sprinter 2500 2006-2003, Sprinter 3500 2006-2003, Freightliner Sprinter 2500 2006-2002, Sprinter 3500 2006-2002, Dodge Sprinter 2500 2006-2005, Sprinter 3500 2006-2003, Freightliner Sprinter 2500 2006-2002, Sprinter 3500 2006-2002
SBM950	Disc Brake Pad	Front	Dodge Sprinter 2500 2006-2003, Sprinter 3500 2006-2003, Freightliner Sprinter 2500 2005-2002, Sprinter 3500 2006-2002
SBM951	Disc Brake Pad	Rear	Mercedes-Benz Sprinter 2005-2004
SBM960	Disc Brake Pad	Front	Infiniti G35 2004, Nissan 350Z 2009-2003, Sentra 2006-2004
SBM961	Disc Brake Pad	Rear	Infiniti G35 2004, Mitsubishi Lancer 2006-2003, Nissan 350Z 2005-2003, 350Z 2009-2007, Subaru Impreza 2013-2004, WRX STI 2015-2013
SBM965	Disc Brake Pad	Front	Dodge Ram 1500 2008-2006, Ram 2500 2008-2003, Ram 3500 2008-2003
SBM972	Disc Brake Pad	Front	Saab 9-3 2008-2004, 9-3 2010, 9-3X 2010
SBM978	Disc Brake Pad	Rear	Audi Q7 2015-2007, Porsche Cayenne 2006-2003, Cayenne 2010-2008, Volkswagen Touareg 2011-2004
SBM979	Disc Brake Pad	Front	Volvo XC90 2010-2003, XC90 2014-2012
SBM980	Disc Brake Pad	Rear	Volvo XC90 2010-2003, XC90 2014-2012
SBM982	Disc Brake Pad	Front	Volkswagen EuroVan 2001-2000, EuroVan 2003
SBM983	Disc Brake Pad	Front	Mercedes-Benz CL55 AMG 2006-2003, CL65 AMG 2006-2005, CLS55 AMG 2006, E55 AMG 2006-2003, S55 AMG 2006-2003, S65 AMG 2006, SL55 AMG 2006-2003, SL65 AMG 2006-2005, SL600 2007-2004, SLR McLaren 2009-2005
SBM985	Disc Brake Pad	Front	Mercedes-Benz S500 2006-2000

BUYERS GUIDE

Part Number	Product Line	Position	Application
SBM986	Disc Brake Pad	Rear	Mercedes-Benz CL550 2014-2013, CL600 2014-2013, CLS400 2016-2015, CLS550 2016-2014, E250 2016-2014, E300 2013, E350 2012, E350 2016-2014, E400 2016-2013, E550 2013, S400 2011, S550 2013, S600 2011, S600 2013, SL550 2012-2010
SBM991	Disc Brake Pad	Front, Rear	Porsche 911 2010-2006, 911 2012, Boxster 2010-2008, Boxster 2012, Carrera GT 2005-2004, Cayman 2010-2009, Cayman 2012, Carrera GT 2004
SBM992	Disc Brake Pad	Front, Rear	Land Rover Range Rover 2005-2003, Porsche Carrera GT 2005
SBM994	Disc Brake Pad	Rear	Porsche 911 2012-2004, Boxster 2010-2005, Boxster 2012, Boxster 2016-2015, Cayman 2010-2006, Cayman 2012, Cayman 2015
SBM1003	Disc Brake Pad	Front	Volvo XC90 2006-2003, XC90 2011, XC90 2013
SBM1006	Disc Brake Pad	Rear	Dodge Sprinter 2500 2006-2003, Sprinter 3500 2006-2005
SBM1007	Disc Brake Pad	Front	Porsche Cayenne 2006-2003, Cayenne 2010-2008, Volkswagen Touareg 2006-2004, Touareg 2014-2012
SBM1009	Disc Brake Pad	Front	Mazda RX-8 2011-2004
SBM1012	Disc Brake Pad	Rear	Ford F-150 2011-2004, Lincoln Mark LT 2008-2006
SBM1014	Disc Brake Pad	Front	Audi Q7 2015-2007, Porsche Cayenne 2006-2003, Cayenne 2009-2008, Volkswagen Touareg 2008-2004, Touareg 2011-2010
SBM1017	Disc Brake Pad	Rear	Audi A3 2013, A4 2005-1998, A4 Quattro 2004-2002, A6 2003-1999, A6 Quattro 2004-1998, A8 Quattro 2003-2002, Allroad Quattro 2005-2001, S6 2003-2002, TT 2000, TT 2002, TT 2006-2005, TT Quattro 2002-2000, TT Quattro 2006-2005, Volkswagen Beetle 2010-1998, Beetle 2012, Beetle 2014, Beetle 2016, Cabrio 2002-1999, Golf 2004-2000, Golf 2006, Golf 2015, Golf SportWagen 2015, Jetta 2004-1998, Jetta 2014-2012, Jetta 2016, Jetta City 2008, Passat 2005-1998
SBM1018	Disc Brake Pad	Rear	Audi A4 2006-2005, A4 2013, A4 Quattro 2006-2005, A4 Quattro 2013, A5 2013, A5 Quattro 2013, A6 2011-2006, A6 Quattro 2011-2005, A8 Quattro 2010-2004, allroad 2013, Q5 2013, RS4 2008-2007, RS6 2004-2003, S4 2009-2004, S4 2011, S4 2013, S5 2011, S5 2013, S6 2011-2007, S8 2009-2007, Volkswagen Phaeton 2006-2004
SBM1024	Disc Brake Pad	Front	Audi A8 Quattro 2010-2004, S6 2011-2007, S8 2009-2007, Volkswagen Phaeton 2006-2004
SBM1025	Disc Brake Pad	Front, Rear	AM General Hummer 1998-1997, Hummer 1998-1997
SBM1029	Disc Brake Pad	Front	Audi R8 2011-2010
SBM1042	Disc Brake Pad	Rear	BMW 525i 2007-2004, 525xi 2007-2006, 528i 2010-2008, 528i xDrive 2010-2009, 528xi 2008, 530i 2007-2004, 530xi 2007-2006, 535i xDrive 2010-2009, 535xi 2008, X5 2016, X6 2016
SBM1042A	Disc Brake Pad	Rear	BMW X5 2015-2007, X6 2015-2009
SBM1045	Disc Brake Pad	Front	Ford E-150 2007-2004, E-150 Club Wagon 2005-2003
SBM1046	Disc Brake Pad	Rear	Ford E-150 2007-2004, E-150 Club Wagon 2005-2004
SBM1050	Disc Brake Pad	Front, Rear	Cadillac ATS 2015, CTS 2007-2004, CTS 2015, STS 2011-2005, Chevrolet Camaro 2011, Dodge Viper 2015, Ford GT 2006-2005, Mustang 2011-2007, Mustang 2014-2013, Hyundai Genesis Coupe 2010, Pontiac G8 2009, Dodge Viper 2015, Ford GT 2006-2005
SBM1050A	Disc Brake Pad	Front	Cadillac ATS 2014-2013, XTS 2014-2013, Hyundai Genesis Coupe 2010, Genesis Coupe 2013
SBM1054	Disc Brake Pad	Front	Dodge Ram 1500 2004
SBM1061	Disc Brake Pad	Front	BMW 128i 2011-2008, 325i 2006, 325xi 2006, 328i 2007, 330i 2006, 330xi 2006, 335xi 2007, 525i 2004, Z4 2016-2009
SBM1061A	Disc Brake Pad	Front	BMW 128i 2013-2012
SBM1065	Disc Brake Pad	Front	Jaguar S-Type 2005-2003, Vanden Plas 2005-2004, XJ8 2005-2004
SBM1066	Disc Brake Pad	Front, Rear	Ford F53 2015-2006, F-450 Super Duty 2015-2005, F-550 Super Duty 2015-2005, LCF 2010-2007, F53 2015-2006, F-450 Super Duty 2015-2005, F-550 Super Duty 2015-2005, LCF 2010-2007
SBM1068	Disc Brake Pad	Rear	Ford F-250 Super Duty 2007-2005, F-350 Super Duty 2007-2005
SBM1077	Disc Brake Pad	Rear	Dodge Ram 1500 2005-2004
SBM1083	Disc Brake Pad	Front	Ford F-150 2009-2004
SBM1084	Disc Brake Pad	Front	Chrysler Aspen 2009-2007, Dodge Dakota 2010-2005, Durango 2009-2007, Ram 1500 2010-2006, Mitsubishi Raider 2009-2006, Ram 1500 2015-2011, Dakota 2011
SBM1085	Disc Brake Pad	Front	Dodge Ram 1500 2006-2005
SBM1098	Disc Brake Pad	Front	Land Rover LR3 2009-2005, Range Rover 2009-2006, Range Rover Sport 2009-2006
SBM1099	Disc Brake Pad	Rear	Land Rover LR2 2013, LR3 2009-2005, LR4 2015-2010, Range Rover 2012-2006, Range Rover Sport 2013-2006
SBM1111	Disc Brake Pad	Front	Audi A4 2009-2005, A4 Quattro 2009-2003, A6 2011-2006, A6 Quattro 2011-2006, S4 2009-2004, TT Quattro 2012, Volkswagen Golf 2012
SBM1111A	Disc Brake Pad	Front	Volkswagen CC 2012-2009, Passat 2008-2006, Passat 2010, R32 2008
SBM1116	Disc Brake Pad	Front	Maserati Ghibli 2015, Mercedes-Benz CLK55 AMG 2006-2005, CLK63 AMG 2009-2007, SLK55 AMG 2011
SBM1121	Disc Brake Pad	Front	Mercedes-Benz C230 2007-2003, C240 2004-2002, C320 2005-2002, CLK350 2009-2006, SLK300 2011, SLK350 2011-2006

BUYERS GUIDE

Part Number	Product Line	Position	Application
SBM1122	Disc Brake Pad	Rear	Mercedes-Benz G55 AMG 2011, G63 AMG 2015-2013, GL320 2009-2007, GL350 2013-2010, GL450 2012-2007, GL550 2013-2008, ML320 2009-2007, ML350 2011-2006, ML450 2011-2010, ML500 2007-2006, ML550 2013-2008, R320 2009-2007, R350 2012-2006, R500 2007-2006
SBM1123	Disc Brake Pad	Front	Mercedes-Benz E350 2009-2006, E500 2006-2005, E550 2009-2007, G550 2011, GL320 2008-2007, GL350 2013-2011, GL450 2012-2007, GL550 2012-2008, ML320 2009-2007, ML350 2011-2006, ML450 2011-2010, ML500 2007-2006, ML550 2011-2008, R320 2009-2007, R350 2012-2006, R500 2007-2006
SBM1129	Disc Brake Pad	Front, Rear	Volkswagen Touareg 2010-2007, Touareg 2012, Touareg 2015, Chevrolet Camaro 2015, Corvette 2010-2009, Corvette 2012, Corvette 2016-2015
SBM1130	Disc Brake Pad	Front	Audi R8 2012, R8 2015, R8 2017, RS5 2013, RS5 2015, Porsche Cayenne 2006-2003, Cayenne 2010-2008
SBM1134	Disc Brake Pad	Rear	Porsche 911 2005, Boxster 2016-2005, Cayman 2012-2007, Cayman 2015-2014
SBM1135	Disc Brake Pad	Front, Rear	Porsche 911 2008-2006, Boxster 2008, Boxster 2012-2010, Cayman 2012-2010, 911 2008-2006, 911 2010, 911 2012
SBM1149	Disc Brake Pad	Front	Chrysler 300 2008, 300 2010, 300 2014-2012, Dodge Challenger 2008, Challenger 2015-2014, Charger 2015
SBM1170	Disc Brake Pad	Rear	BMW 330i 2006, 330xi 2006, 335d 2011-2009, 335i 2011-2007, 335i 2013, 335is 2013-2011, 335i xDrive 2013-2009, 335xi 2008-2007, X1 2013, X1 2015
SBM1178	Disc Brake Pad	Front	Lexus IS250 2010-2006, IS250 2013, IS250 2015
SBM1182	Disc Brake Pad	Front	Subaru Impreza 2007-2006
SBM1186	Disc Brake Pad	Front	Mazda 6 2007-2006
SBM1204	Disc Brake Pad	Front	Mini Cooper 2010-2007, Cooper 2014-2012, Cooper Countryman 2016-2011, Cooper Paceman 2016-2013
SBM1223	Disc Brake Pad	Front	Mercedes-Benz CL550 2010-2007, CL550 2014-2012, CL600 2014-2007, S350 2013-2012, S400 2013-2010, S450 2011-2008, S550 2012-2007, S600 2012-2007, SL550 2010, SL550 2012
SBM1241	Disc Brake Pad	Front	Jaguar S-Type 2006, Vanden Plas 2009-2006, XF 2010-2009, XF 2014-2013, XFR 2013, XJ8 2009-2006, XK 2007, XK 2009
SBM1257	Disc Brake Pad	Front	Saab 9-3 2007-2004, 9-3 2009, 9-3 2011, 9-3X 2011
SBM1260	Disc Brake Pad	Front	BMW 323i 2011-2010, 328i 2013-2011, 328i xDrive 2013-2012, 328xi 2008-2007, 335d 2010, 335i 2011-2010, 335i 2013, 335is 2012-2011, 335i xDrive 2012-2010, 525i 2006, 645Ci 2005-2004, 650i 2010-2006, X1 2015-2012
SBM1260A	Disc Brake Pad	Front	BMW 328i xDrive 2009, 530i 2007-2004
SBM1260B	Disc Brake Pad	Front	BMW 335d 2011, 335is 2013
SBM1260C	Disc Brake Pad	Front	BMW 328i 2010, 328i xDrive 2011-2010
SBM1263	Disc Brake Pad	Front	Land Rover Range Rover 2007, Range Rover Sport 2009-2006
SBM1271	Disc Brake Pad	Front	Mercedes-Benz ML63 AMG 2013-2007, R63 AMG 2007
SBM1272	Disc Brake Pad	Front	Mercedes-Benz GL320 2009, GL350 2010, GL350 2013
SBM1277	Disc Brake Pad	Rear	Volkswagen Touareg 2006, Touareg 2010
SBM1278	Disc Brake Pad	Front	Ford Expedition 2009-2007, Lincoln Navigator 2009-2007
SBM1279	Disc Brake Pad	Rear	Ford Expedition 2016-2007, Lincoln MKT 2013, MKT 2015, Navigator 2016-2007
SBM1289	Disc Brake Pad	Front	Mercedes-Benz CL63 AMG 2010-2008, CL63 AMG 2014-2012, CL65 AMG 2010-2008, CL65 AMG 2014-2012, S63 AMG 2013-2008, S65 AMG 2012-2007
SBM1290	Disc Brake Pad	Rear	Mercedes-Benz CL63 AMG 2014-2008, CL65 AMG 2014-2008, ML63 AMG 2011-2007, R63 AMG 2007, S63 AMG 2012-2008, S65 AMG 2012-2007, SL65 AMG 2013
SBM1291	Disc Brake Pad	Front	Audi RS7 2016-2014, Mercedes-Benz AMG GT S 2016, C63 AMG 2015-2008, C63 AMG S 2016, CL63 AMG 2011, CLK63 AMG 2008, CLS63 AMG 2014-2007, CLS63 AMG S 2016-2014, E63 AMG 2009-2007, E63 AMG 2015-2011, E63 AMG S 2016-2014, G63 AMG 2015-2013, GL63 AMG 2016-2013, GLE63 AMG 2016, GLE63 AMG S 2016, Maybach S600 2016, S63 AMG 2015, S65 AMG 2015, S600 2016-2015, SL55 AMG 2008-2007, SL63 AMG 2013-2009, SL63 AMG 2015, SL65 AMG 2010-2009, SL65 AMG 2015-2014, SL600 2011-2008, SLS AMG 2012, SLS AMG 2015-2014
SBM1294	Disc Brake Pad	Front	BMW X4 2016, X5 2016-2007, X6 2016-2008
SBM1307SR	Disc Brake Pad	Rear	Land Rover LR2 2015-2014, Range Rover Evoque 2015-2012, Volvo S60 2015-2011, S80 2015-2007, V60 2015, V60 Cross Country 2015, V70 2010-2008, XC60 2015-2010, XC70 2015-2008, XC90 2011
SBM1307VR	Disc Brake Pad	Rear	Land Rover LR2 2015-2014, Range Rover Evoque 2015-2012, Volvo S60 2015-2011, S80 2015-2007, V60 2015, V60 Cross Country 2015, V70 2010-2008, XC60 2015-2010, XC70 2015-2008, XC90 2011
SBM1308A	Disc Brake Pad	Front	BMW i3 2015-2014
SBM1314LR	Disc Brake Pad	Rear	Land Rover LR2 2012-2008
SBM1314V	Disc Brake Pad	Rear	Volvo S80 2009-2007
SBM1317	Disc Brake Pad	Rear	Dodge Sprinter 2500 2009-2007, Freightliner Sprinter 2500 2012-2007, Sprinter 3500 2012-2010, Mercedes-Benz Sprinter 2500 2012-2010, Sprinter 2500 2015-2014, Sprinter 3500 2014-2010

BUYERS GUIDE

Part Number	Product Line	Position	Application
SBM1318	Disc Brake Pad	Rear	Dodge Sprinter 3500 2009-2007, Freightliner Sprinter 3500 2012-2007, Mercedes-Benz Sprinter 3500 2015-2010
SBM1320	Disc Brake Pad	Front	Mercedes-Benz CLS63 AMG 2010-2007, SL55 AMG 2008-2007, SL65 AMG 2009-2007, SL65 AMG 2011
SBM1321	Disc Brake Pad	Front	Daewoo Lanos 2002-2001
SBM1328	Disc Brake Pad	Front	Ford E-150 2014-2008, E-250 2014-2008, E-350 Super Duty 2015-2008, E-450 Super Duty 2015-2008
SBM1329	Disc Brake Pad	Rear	Ford E-150 2014-2008, E-250 2014-2008, E-350 Super Duty 2015-2008, E-450 Super Duty 2011, E-450 Super Duty 2015
SBM1330	Disc Brake Pad	Rear	Ford E-450 Super Duty 2010-2008, E-450 Super Duty 2014-2012
SBM1331	Disc Brake Pad	Front	Cadillac CTS 2013-2008
SBM1334	Disc Brake Pad	Rear	Ford F-250 Super Duty 2012-2008, F-350 Super Duty 2012-2005, F-450 Super Duty 2012
SBM1341	Disc Brake Pad	Rear	Mercedes-Benz C230 2009-2008, C250 2015-2010, C300 2014-2008, C350 2015-2008, E350 2013-2010, E400 2016, E550 2012-2010, E550 2016-2014, GLK250 2015-2013, GLK350 2015-2010
SBM1349	Disc Brake Pad	Front	Porsche Cayenne 2013-2009, Cayenne 2015, Macan 2016, Panamera 2010, Panamera 2012, Panamera 2016, Volkswagen Touareg 2015
SBM1349A	Disc Brake Pad	Front	Volkswagen Touareg 2014-2012
SBM1350	Disc Brake Pad	Rear	Porsche Cayenne 2010-2008
SBM1355	Disc Brake Pad	Front	Jaguar XK 2008, XKR 2009-2008
SBM1356	Disc Brake Pad	Rear	Jaguar XK 2010, XKR 2010, XKR 2012, XKR-S 2012
SBM1359	Disc Brake Pad	Front	Audi TT Quattro 2011-2008, TT Quattro 2013, TT Quattro 2015, Volkswagen Golf 2013
SBM1362	Disc Brake Pad	Rear	Saturn Astra 2009-2008
SBM1365	Disc Brake Pad	Front	Lexus IS F 2014-2008
SBM1366	Disc Brake Pad	Rear	Lexus IS F 2014-2008
SBM1368	Disc Brake Pad	Rear	Mitsubishi Lancer 2010-2008, Lancer 2012, Lancer 2014
SBM1371	Disc Brake Pad	Front	BMW 135i 2013-2008, 135is 2013, 323i 2009-2006, 328i 2013, 328i xDrive 2013
SBM1372	Disc Brake Pad	Rear	BMW 135i 2013-2008, 135is 2013
SBM1373	Disc Brake Pad	Rear	Mercedes-Benz C63 AMG 2010-2008, C63 AMG 2013-2012, CLS63 AMG 2011-2007, CLS63 AMG 2013, E63 AMG 2009-2007, SL63 AMG 2010-2009, SL63 AMG 2012, SL65 AMG 2010-2007
SBM1379	Disc Brake Pad	Front	Alfa Romeo 4C 2016, Chevrolet Cobalt 2010-2008, Mazda MX-5 Miata 2016
SBM1379A	Disc Brake Pad	Front	Alfa Romeo 4C 2015
SBM1381	Disc Brake Pad	Front	BMW X5 2013-2011, X5 2016-2015, X6 2013-2008, X6 2016-2015
SBM1386	Disc Brake Pad	Rear	Audi A4 2012-2009, A4 2016-2014, A4 allroad 2015-2013, A4 Quattro 2012-2009, A4 Quattro 2016-2014, A5 2012-2010, A5 2015-2014, A5 Quattro 2012-2008, A5 Quattro 2016-2014, allroad 2016-2014, Q5 2012-2009, Q5 2016-2014, S4 2010, S4 2012, S4 2015-2014, S5 2010-2008, S5 2012, S5 2016-2014, SQ5 2016-2014
SBM1390	Disc Brake Pad	Rear	Porsche Cayenne 2011-2009, Cayenne 2015
SBM1392	Disc Brake Pad	Front	Lincoln Mark LT 2008-2006
SBM1395	Disc Brake Pad	Front	Chevrolet Camaro 2015, Corvette 2010-2009, Corvette 2013-2012, Corvette 2016-2015
SBM1399	Disc Brake Pad	Front	Dodge Ram 2500 2010-2009, Ram 3500 2010-2009, Ram 1500 2012, 2500 2015-2011, 3500 2015-2011
SBM1400	Disc Brake Pad	Rear	Dodge Ram 2500 2010-2009, Ram 3500 2010-2009, Ram 1500 2012, 2500 2015-2011, 3500 2015-2011
SBM1403	Disc Brake Pad	Front	Mini Cooper 2014-2012
SBM1405	Disc Brake Pad	Front	Cadillac CTS 2010-2009, CTS 2012, CTS 2015, Chevrolet Camaro 2013-2012, Corvette 2015, Dodge Challenger 2015, Jeep Grand Cherokee 2013-2012, Grand Cherokee 2016-2015
SBM1419F	Disc Brake Pad	Front	Chevrolet Corvette 2013-2009
SBM1419R	Disc Brake Pad	Rear	Chevrolet Corvette 2013-2006
SBM1425	Disc Brake Pad	Front	Land Rover Range Rover 2013-2010, Range Rover Sport 2011-2010
SBM1426	Disc Brake Pad	Front	Land Rover Range Rover 2012-2010, Range Rover Sport 2013-2010
SBM1427	Disc Brake Pad	Rear	Land Rover Range Rover 2012-2010, Range Rover Sport 2010, Range Rover Sport 2013-2012
SBM1429	Disc Brake Pad	Front	BMW X5 2013-2010, X6 2013-2010
SBM1431	Disc Brake Pad	Front	Porsche 911 2010
SBM1433	Disc Brake Pad	Rear	BMW Z4 2016-2009
SBM1440	Disc Brake Pad	Front	Lexus GS F 2016, LS460 2016-2011, RC F 2016-2015
SBM1448	Disc Brake Pad	Front	Jaguar XF 2012-2011, XFR 2012-2010, XFR 2015-2014, XFR-S 2015-2013, XJ 2013-2011, XJR 2015-2014, XK 2013, XKR 2015-2010, XKR-S 2015-2012
SBM1449	Disc Brake Pad	Rear	Jaguar XF 2014-2010, XFR 2015-2010, XFR-S 2015-2013, XJ 2014-2011, XJR 2015-2014, XKR 2013-2010, XKR-S 2013-2012
SBM1450	Disc Brake Pad	Rear	Mercedes-Benz C63 AMG 2012, C63 AMG 2015-2014, CLS63 AMG 2012, CLS63 AMG 2014, CLS63 AMG S 2016-2014, E63 AMG 2010, E63 AMG 2012, E63 AMG 2015-2014, E63 AMG S 2016-2014

BUYERS GUIDE

Part Number	Product Line	Position	Application
SBM1452	Disc Brake Pad	Front	Jaguar XF 2012-2011, Porsche Cayenne 2012-2011
SBM1469	Disc Brake Pad	Front, Rear	BMW M5 2013, 550i 2016-2012, 550i xDrive 2012, 550i xDrive 2016-2014, 640i 2016-2012, 640i Gran Coupe 2016-2013, 640i xDrive 2016-2014, 640i xDrive Gran Coupe 2016-2014, 650i 2016-2013, 650i Gran Coupe 2016-2013, 650i xDrive 2016-2012, 650i xDrive Gran Coupe 2016-2013, Alpina B6 xDrive Gran Coupe 2016-2015, M5 2016-2012, M6 2016-2012, M6 Gran Coupe 2016-2014
SBM1472	Disc Brake Pad	Front	Jaguar S-Type 2008-2006, Super V8 2009-2006, XF 2015, XJ 2010, XJ 2012, XJ 2015-2014, XJR 2009-2006, XK 2010, XK 2012, XK 2015, XKR 2010-2007
SBM1473	Disc Brake Pad	Rear	BMW 528i 2016-2011, 528i xDrive 2016-2012, 535d 2016-2014, 535d xDrive 2016-2014, 535i 2016-2012, 535i xDrive 2016-2011, ActiveHybrid 5 2016-2012, X3 2016-2011, X4 2016-2015, Z4 2016-2011
SBM1474	Disc Brake Pad	Front	Cadillac ELR 2015, Chevrolet Camaro 2010, Camaro 2013-2012, Corvette 2014, SS 2016-2015
SBM1474A	Disc Brake Pad	Front	Cadillac XTS 2015, Chevrolet Corvette 2015, SS 2014, Tesla S 2015-2012
SBM1479	Disc Brake Pad	Front	Land Rover LR4 2015-2010, Range Rover 2015-2014, Range Rover Sport 2015-2012
SBM1490	Disc Brake Pad	Rear	Ram ProMaster 1500 2015
SBM1529	Disc Brake Pad	Front	BMW 760Li 2013, Alpina B7 2013, Alpina B7L 2013, Alpina B7L xDrive 2013, Alpina B7 xDrive 2013, X6 2011-2010
SBM1540	Disc Brake Pad	Front	Ram ProMaster 2016-2015, ProMaster 1500 2016-2014, ProMaster 2500 2015-2014, ProMaster 3500 2015-2014
SBM1547	Disc Brake Pad	Rear	Audi A6 2016-2012, A6 Quattro 2016-2012, A7 Quattro 2016-2012, A8 Quattro 2016-2011, RS5 2015-2013, RS7 2016-2014, S6 2016-2013, S7 2016-2013, S8 2016-2013
SBM1549	Disc Brake Pad	Front	Audi A6 Quattro 2013-2012, A6 Quattro 2016-2015, A7 Quattro 2013-2012, A7 Quattro 2016-2015, A8 Quattro 2011
SBM1554	Disc Brake Pad	Rear	Mini Cooper Countryman 2016-2012, Cooper Paceman 2016-2013
SBM1558	Disc Brake Pad	Front	Saab 9-5 2011-2010
SBM1561	Disc Brake Pad	Front	BMW 228i 2015-2014, 228i xDrive 2016-2015, 320i 2016-2012, 320i xDrive 2016-2013, 328d 2016-2014, 328d xDrive 2016-2014, 328i 2016-2012, 328i GT xDrive 2016-2014, 328i xDrive 2016-2013, 428i 2016-2014, 428i Gran Coupe 2016-2015, 428i xDrive 2016-2014, 428i xDrive Gran Coupe 2016-2015, X3 2016-2011, X4 2016-2015
SBM1575	Disc Brake Pad	Front	Audi A8 Quattro 2015-2012, S6 2016-2013, S7 2016-2013, S8 2016-2013
SBM1577	Disc Brake Pad	Front	Porsche Cayenne 2015-2013, Macan 2016, Panamera 2013-2012
SBM1609A	Disc Brake Pad	Front	BMW i8 2015
SBM1609B	Disc Brake Pad	Front, Rear	BMW 228i 2016-2015, 228i xDrive 2016-2015, 320i 2016, 320i xDrive 2016, 328i 2012, 328i 2016-2015, 328i xDrive 2016-2015, 335i 2015-2012, 335i GT xDrive 2016-2014, 335i xDrive 2015-2014, 340i 2016, 340i xDrive 2016, 428i 2016-2015, 428i Gran Coupe 2016, 428i xDrive 2016-2015, 428i xDrive Gran Coupe 2016, 435i 2016-2014, 435i Gran Coupe 2016-2015, 435i xDrive 2016-2014, 435i xDrive Gran Coupe 2016-2015, ActiveHybrid 3 2015-2013, i8 2014, M3 2016-2015, M4 2016-2015, M235i 2015-2014, M235i xDrive 2016-2015, 228i 2015-2014
SBM1611A	Disc Brake Pad	Front	Ford Police Interceptor Sedan 2015-2013, Police Interceptor Utility 2015-2013, Lincoln MKT 2013
SBM1612	Disc Brake Pad	Rear	Ford Explorer 2014-2012, Flex 2014-2012, Police Interceptor Sedan 2016-2013, Police Interceptor Utility 2015-2013, Special Service Police Sedan 2015, Taurus 2015-2013, Lincoln MKS 2014-2013, MKT 2014-2013
SBM1629A	Disc Brake Pad	Front	Dodge Durango 2015-2012, Jeep Grand Cherokee 2015-2013, Mercedes-Benz ML350 2013-2012
SBM1630A	Disc Brake Pad	Rear	Mercedes-Benz CLA45 AMG 2015-2014, GL63 AMG 2015-2013, GL350 2015-2014, GL450 2015-2013, GL550 2015-2014, GLA45 AMG 2015, ML63 AMG 2015-2012, ML250 2015, ML350 2015-2014, ML400 2015, ML550 2015-2014
SBM1631	Disc Brake Pad	Front	Ford F-350 Super Duty 2012-2011
SBM1631A	Disc Brake Pad	Front, Rear	Ford F-250 Super Duty 2012-2005, F-350 Super Duty 2012-2005, F-450 Super Duty 2009, F-450 Super Duty 2012-2011, F-550 Super Duty 2011, F-450 Super Duty 2009
SBM1634	Disc Brake Pad	Front	Mercedes-Benz CLS550 2012, CLS550 2016-2014, S550 2013, SLK55 AMG 2013-2012, SLK55 AMG 2015
SBM1634A	Disc Brake Pad	Front	Mercedes-Benz CLA45 AMG 2015-2014, GLA45 AMG 2016-2015
SBM1646	Disc Brake Pad	Rear	Mercedes-Benz B250 2014-2013, B Electric Drive 2016-2015, CLA250 2016-2014, GLA250 2016-2015, SLK250 2015-2012, SLK350 2015-2012
SBM1648	Disc Brake Pad	Front	BMW M5 2012, M5 2016-2014, M6 2016-2012, M6 Gran Coupe 2016-2014

BUYERS GUIDE

Part Number	Product Line	Position	Application
SBM1656	Disc Brake Pad	Rear	BMW 228i 2016, 228i xDrive 2016-2015, 320i 2016, 320i xDrive 2016, 328i 2016-2015, 328i GT xDrive 2015, 328i xDrive 2016-2015, 335i 2015-2013, 335i GT xDrive 2016-2015, 335i xDrive 2015, 340i 2016, 340i xDrive 2016, 428i 2016-2015, 428i Gran Coupe 2016-2015, 428i xDrive 2016-2015, 428i xDrive Gran Coupe 2016-2015, 435i 2016-2014, 435i Gran Coupe 2016-2015, 435i xDrive 2016-2015, 435i xDrive Gran Coupe 2016-2015, ActiveHybrid 3 2015, M3 2016-2015, M4 2016-2015, M235i 2015-2014, M235i xDrive 2015
SBM1666	Disc Brake Pad	Front	Ford Mustang 2014-2013
SBM1668	Disc Brake Pad	Front	Ford Focus 2014-2013, Lincoln MKC 2015
SBM1669	Disc Brake Pad	Rear	Mercedes-Benz SL63 AMG 2013, SL63 AMG 2015, SL65 AMG 2015
SBM1670	Disc Brake Pad	Front	Mercedes-Benz SL400 2016-2015, SL550 2015-2013
SBM1678	Disc Brake Pad	Front	Chevrolet Captiva Sport 2013
SBM1680	Disc Brake Pad	Front	Ford F-250 Super Duty 2015-2013, F-350 Super Duty 2015-2013, F-450 Super Duty 2015-2013
SBM1681	Disc Brake Pad	Rear	Mercedes-Benz AMG GT S 2016, Maybach S600 2016, S65 AMG 2015, S550 2015-2014, S600 2016-2015, SL63 AMG 2015, SL65 AMG 2015
SBM1686	Disc Brake Pad	Front	Lexus GS350 2013, GS350 2015, GS450h 2015, RC350 2015
SBM1688	Disc Brake Pad	Front	Mercedes-Benz SL550 2013, SL550 2015
SBM1689	Disc Brake Pad	Rear	Mercedes-Benz SL400 2016-2015, SL500 2015, SL550 2015-2013
SBM1691	Disc Brake Pad	Rear	Ford F-250 Super Duty 2015-2013, F-350 Super Duty 2015-2013, F-450 Super Duty 2015-2013
SBM1692	Disc Brake Pad	Rear	Land Rover Range Rover 2015-2013, Range Rover Sport 2015-2014
SBM1693	Disc Brake Pad	Front	Dodge Sprinter 2500 2009-2007, Freightliner Sprinter 2500 2014-2007, Mercedes-Benz Metris 2017-2016, Sprinter 2500 2015-2010
SBM1699	Disc Brake Pad	Front, Rear	Dodge Sprinter 3500 2009-2007, Freightliner Sprinter 3500 2014-2007, Mercedes-Benz Sprinter 3500 2015-2010, Workhorse P30 2005, P30 2005
SBM1701	Disc Brake Pad	Rear	Jaguar Vanden Plas 1999-1998, XJ8 1999-1998, XJR 1999-1998, XJR 2008-2001
SBM1701A	Disc Brake Pad	Front, Rear	Daewoo Lanos 1999, Aston Martin DB7 2004-2000, Jaguar Vanden Plas 1997-1995, Vanden Plas 2003-2000, XJ6 1997-1995, XJ8 2003-1998, XJ12 1996-1995, XJR 1997-1995, XJR 2003-2001, XJS 1996-1995, XK8 2006-1997
SBM1711	Disc Brake Pad	Front	Mazda 6 2015-2014
SBM1730	Disc Brake Pad	Front	Ford Fiesta 2016-2014
SBM1739	Disc Brake Pad	Rear	Chevrolet Spark EV 2015-2014
SBM1746	Disc Brake Pad	Rear	Ram ProMaster 1500 2014, ProMaster 2500 2015-2014, ProMaster 3500 2015-2014
SBM1762	Disc Brake Pad	Rear	BMW i3 2015-2014, X1 2016, Mini Cooper Clubman 2016
SBM1766	Disc Brake Pad	Rear	Dodge Charger 2015-2014
SBM1767	Disc Brake Pad	Front	Dodge Charger 2015-2014
SBM1774	Disc Brake Pad	Front	Ford Transit-150 2015, Transit-250 2015, Transit-350 2015, Transit-350 HD 2015
SBM1775	Disc Brake Pad	Rear	Ford Transit-150 2015, Transit-250 2015, Transit-350 2015, Transit-350 HD 2015
SBM1778	Disc Brake Pad	Front	Fiat 500 2015-2013
SBM1780	Disc Brake Pad	Rear	Porsche Macan 2016-2015
SBM1781	Disc Brake Pad	Front	Audi A8 Quattro 2015
SBM1785	Disc Brake Pad	Rear	Audi A8 Quattro 2015, RS7 2015, Porsche Macan 2016
SBM1792	Disc Brake Pad	Front	Ford Mustang 2015
SBM1877	Disc Brake Pad	Rear	Cadillac XTS 2017, GMC Acadia 2017
SBM1893	Disc Brake Pad	Rear	Mercedes-Benz Metris 2017-2016
SDR1272	Disc Brake Rotor	Front, Rear	Chevrolet B7 2002-1993, B60 1991-1980, C50 1990-1983, C60 1990, C60 Kodiak 1996-1990, C70 1990-1983, C70 Kodiak 1996-1990, C5500 Kodiak 1991-1990, C6500 Kodiak 2002-1997, C7500 Kodiak 2002-1997, GMC B7 2002-1993, B6000 1991-1980, C6000 1990, C6000 Topkick 1996-1990, C6500 Topkick 2002-1997, C7000 1990-1983, C7000 Topkick 1996-1990, C7500 Topkick 2002-1997, Chevrolet B7 2002-1993, B60 1991-1980, C50 1990, C60 1990-1983, C60 Kodiak 1996-1990, C70 1990-1983, C70 Kodiak 1996-1990, C5500 Kodiak 1991-1990, C6500 Kodiak 2002-1997, C7500 Kodiak 2002-1997, GMC B7 2002-1993, B6000 1991-1980, C5000 1990, C5000 Topkick 1991-1990, C6000 1990-1983, C6000 Topkick 1996-1990, C6500 Topkick 2002-1997, C7000 1990-1983, C7000 Topkick 1996-1990, C7500 Topkick 2002-1997

BUYERS GUIDE

Part Number	Product Line	Position	Application
SDR1475	Disc Brake Rotor	Front, Rear	Freightliner M2 106 2006-2004, International 1452SC 1992-1987, 1652SC 2001-1986, 1724 1984-1979, 1754 1989-1979, 3900FC 1994-1991, 4600 1994-1990, 4600LP 1994-1990, 4700 2001-1990, 4700LP 2001-1991, 4700LPX 2001-1996, 4800 2001-1990, 4900 2001-1990, 7100 1992-1990, M1600 Metro II 1989-1987, S1624 1982-1980, S1654 1989-1984, S1723 1985-1980, S1753 1989-1984, S1824 1985-1984, S1853 1989-1984, S1954 1989-1984, Kenworth T170 2008, T270 2008, T370 2008, Peterbilt 330 2008, 335 2008, Workhorse W20 2009-2001, W22 2009-2001, Freightliner M2 106 2006-2004, International 1452SC 1992-1987, 1652SC 1997-1986, 1724 1984, 1754 1989-1984, Cargostar 1985, M1400 Metro II 1989-1987, M1600 Metro II 1987, S1624 1982-1980, S1654 1989-1984, S1723 1985-1984, S1753 1989-1984, Kenworth T170 2008, T270 2008, T370 2008, Peterbilt 330 2008, 335 2008, Workhorse W20 2009-2001, W22 2009-2001
SDR1494	Disc Brake Rotor	Front, Rear	International 1452SC 1991, 1652SC 1998-1987, 1724 1984-1980, 1754 1989-1981, 3900FC 1994-1991, 4600 1994-1990, 4600LP 1994-1990, 4700 1997-1990, 4700LP 1997-1991, 4700LPX 1997-1996, 4800 1997-1990, 4900 1997-1990, 7100 1992-1990, Cargostar 1984-1983, M1600 Metro II 1989-1987, S1624 1982-1980, S1723 1985-1980, S1753 1989-1984, S1824 1985-1983, S1853 1989-1983, Workhorse W20 2009-2001, W22 2009-2001, International 1452SC 1991-1987, 1652SC 1997-1987, 4600 1994-1990, 4600LP 1994-1990, 4700 1997-1990, 4700LP 1997-1991, 4700LPX 1997-1996, 4800 1997-1990, 4900 1997-1990, 7100 1992-1990, M1400 Metro II 1989-1987, M1600 Metro II 1989-1987, S1624 1982-1980, Workhorse W20 2009-2001, W22 2009-2001
SDR1621	Disc Brake Rotor	Front	Ford Crown Victoria 1994-1992, Lincoln Town Car 1994-1991, Mercury Colony Park 1991-1990, Grand Marquis 1994-1992
SDR1730	Disc Brake Rotor	Front	Isuzu NPR 1989-1986
SDR1874	Disc Brake Rotor	Front, Rear	Chevrolet T6500 1998-1997, C60 1990, C60 Kodiak 1996-1990, C70 1990, C70 Kodiak 1996-1990, C6500 Kodiak 2002-1997, C7500 Kodiak 2002-1997, T7500 2002-1997, GMC C6000 1990, C6000 Topkick 1996-1990, C6500 Topkick 2002-1997, C7000 1990, C7000 Topkick 1996-1990, C7500 Topkick 2002-1997, T6500 1998-1997, T7500 2002-1997
SDR5049	Disc Brake Rotor and Hub Assembl	Front	Ford E-250 Econoline 1999-1995, Econoline Super Duty 1998-1996, F-250 1998-1995, F-350 1997-1995
SDR5071	Disc Brake Rotor and Hub Assembl	Front	Ford E-350 Club Wagon 2005-2003, E-350 Econoline 2000-1995, E-350 Econoline Club Wagon 2002-1995, E-350 Super Duty 2007-2004, E-450 Econoline Super Duty 2002-2000, E-450 Super Duty 2007-2003, E-550 Econoline Super Duty 2002, Econoline Super Duty 1999-1996
SDR5086	Disc Brake Rotor	Front, Rear	Workhorse W20 2009-2001, W22 2009-2001, W20 2009-2001, W22 2009-2001
SDR5134	Disc Brake Rotor and Hub Assembl	Front	Chevrolet C3500 2000-1995, Express 3500 2002-1996, GMC C3500 2000-1995, Savana 3500 2002-1996
SDR5139	Disc Brake Rotor	Rear	Ford F-150 2003-1997, F-250 1999-1997
SDR5143	Disc Brake Rotor and Hub Assembl	Front	Ford F-150 2003-1997, F-150 Heritage 2004, F-250 1998-1997
SDR5144	Disc Brake Rotor and Hub Assembl	Front	Ford F-250 1999-1997
SDR5145	Disc Brake Rotor	Front	Ford F-150 2003-2000, F-150 Heritage 2004, F-250 1999-1997
SDR5162	Disc Brake Rotor	Rear	Ford E-450 Econoline Super Duty 2002-2000, E-450 Super Duty 2007-2003, Econoline Super Duty 1999-1996
SDR5191	Disc Brake Rotor	Front	Ford Crown Victoria 2002-1998, Lincoln Town Car 2002-1998, Mercury Grand Marquis 2002-1998
SDR5258	Disc Brake Rotor	Rear	Ford Excursion 2005-2000, F-250 Super Duty 2004-1999, F-350 Super Duty 2004-1999
SDR5259	Disc Brake Rotor	Front	Cadillac Escalade 2006-2002, Chevrolet Astro 2005-2003, Avalanche 1500 2006-2002, Express 1500 2008-2003, Express 2500 2006-2003, Silverado 1500 2006-1999, Silverado 2500 2003, Suburban 1500 2006-2000, Tahoe 2006-2000, GMC Safari 2005-2003, Savana 1500 2008-2003, Savana 2500 2006-2003, Sierra 1500 2007-1999, Sierra 2500 2003, Yukon 2006-2000, Yukon XL 1500 2006-2000, Yukon XL 2500 2003
SDR5260	Disc Brake Rotor	Rear	Chevrolet Avalanche 2500 2006-2002, Express 2500 2007-2006, Express 3500 2013-2003, Silverado 2500 2006-1999, Silverado 2500 HD 2010-2001, Silverado 3500 2007-2004, Silverado 3500 HD 2010-2007, Suburban 2500 2006-2001, Suburban 2500 2013-2008, GMC Savana 2500 2007-2006, Savana 3500 2013-2003, Sierra 2500 2004-1999, Sierra 2500 HD 2010-2001, Sierra 3500 2006-2004, Sierra 3500 HD 2010-2007, Yukon XL 2500 2006-2001, Yukon XL 2500 2013-2008
SDR5261	Disc Brake Rotor	Front	Cadillac DeVille 2005-2000, Chevrolet Avalanche 2500 2006-2002, Express 2500 2014-2003, Silverado 1500 HD 2003-2001, Silverado 1500 HD 2006-2005, Silverado 2500 2006-1999, Silverado 2500 HD 2004-2001, Suburban 2500 2013-2000, GMC Savana 2500 2014-2003, Sierra 1500 HD 2003-2001, Sierra 1500 HD 2006-2005, Sierra 2500 2004-1999, Sierra 2500 HD 2004-2001, Yukon XL 2500 2013-2000, Hummer H2 2009-2003

BUYERS GUIDE

Part Number	Product Line	Position	Application
SDR5265	Disc Brake Rotor	Rear	Cadillac Escalade 2002, Chevrolet Astro 2005-2003, Silverado 1500 2007-1999, Silverado 1500 HD 2001, Silverado 2500 2003, Suburban 1500 2006-2000, Suburban 2500 2003, Tahoe 2001-2000, GMC Safari 2005-2003, Sierra 1500 2007-1999, Sierra 1500 HD 2001, Sierra 2500 2003, Yukon 2001-2000, Yukon XL 1500 2006-2000, Yukon XL 2500 2003
SDR5267	Disc Brake Rotor and Hub Assembly	Front	Ford F-350 Super Duty 2002-1999
SDR5268	Disc Brake Rotor	Rear	Ford E-350 Club Wagon 2005-2003, E-350 Econoline 2000-1996, E-350 Econoline Club Wagon 2002-1996, E-350 Super Duty 2007-1999, E-450 Econoline Super Duty 2002, E-450 Super Duty 2006-2003
SDR5274	Disc Brake Rotor	Front	Ford Excursion 2005-2000, F-250 Super Duty 2004-1999, F-350 Super Duty 2004-1999, F-450 Super Duty 2004-1999, F-550 Super Duty 2004
SDR5275	Disc Brake Rotor	Front	Ford Expedition 2002-1999, Lincoln Navigator 2002-2000
SDR5299	Disc Brake Rotor	Rear	Ford Expedition 2002-1999, F-150 2004-1997, F-150 Heritage 2004, Lincoln Blackwood 2003-2002
SDR5303	Disc Brake Rotor and Hub Assembly	Front	Ford Expedition 2002-1999, F-150 2001-1999, Lincoln Navigator 2002-2000
SDR5310	Disc Brake Rotor and Hub Assembly	Front	Ford F-150 2003-1999, F-150 Heritage 2004, Lincoln Blackwood 2003-2002
SDR5316	Disc Brake Rotor	Front	Chevrolet Avalanche 2500 2004-2002, Express 3500 2013-2003, Silverado 2500 HD 2010-2001, Silverado 3500 2007-2004, Silverado 3500 HD 2010-2007, GMC Savana 3500 2013-2003, Sierra 2500 HD 2010-2001, Sierra 3500 2006-2004, Sierra 3500 HD 2010-2007
SDR5317	Disc Brake Rotor	Front	Chevrolet Express 3500 2014-2003, Express 4500 2014-2009, Silverado 3500 2007-2001, Silverado 3500 HD 2010-2007, GMC Savana 3500 2014-2003, Savana 4500 2014-2009, Sierra 3500 2006-2001, Sierra 3500 HD 2010-2007
SDR5326	Disc Brake Rotor	Front	Ford Crown Victoria 2011-2003, Grand Marquis 2004-2003, Lincoln Town Car 2011-2003, Mercury Grand Marquis 2011-2003, Marauder 2004-2003
SDR5339	Disc Brake Rotor	Rear	Chevrolet Express 3500 2009-2003, Silverado 3500 2007-2001, Silverado 3500 HD 2010-2007, GMC Savana 3500 2009-2003, Sierra 3500 2006-2001, Sierra 3500 HD 2010-2007
SDR5345	Disc Brake Rotor	Rear	Chevrolet C5500 Kodiak 1991, C6500 Kodiak 2002-1997, C7500 Kodiak 2002-1997, T6500 2002-1998, T7500 2002-1998, GMC C5000 Topkick 1991, C6500 Topkick 2002-1997, C7500 Topkick 2002-1997, T6500 2002-1998, T7500 2002-1998, Isuzu FSR 2002-1997
SDR5346	Disc Brake Rotor	Front, Rear	Ford F600 1994-1984, F800 1999-1993, Chevrolet B7 2002-1997, T7500 2002-1997, GMC B7 1998-1997, T7500 2002-1997, Isuzu FSR 2002-1998, FTR 2002-1999
SDR5347	Disc Brake Rotor	Front	Chevrolet W3500 Tiltmaster 2008-1999, W4500 Tiltmaster 2007-1997, GMC W3500 Forward 2008-2000, W4500 Forward 2008-2000, Isuzu NPR 2003-1997, NPR 2008-2007, NPR-HD 2011-2010, NQR 2003, NQR 2010-2007
SDR5353	Disc Brake Rotor	Rear	Ford Crown Victoria 2011-2003, Grand Marquis 2004-2003, Mercury Grand Marquis 2011-2003
SDR5365	Disc Brake Rotor	Rear	Chrysler Aspen 2009-2007, Dodge Durango 2009-2004, Ram 1500 2010-2002, Ram 1500 2015-2011
SDR5367	Disc Brake Rotor	Front	Ford Expedition 2006-2003, Lincoln Navigator 2006-2003
SDR5381	Disc Brake Rotor	Front	Chrysler Aspen 2009-2007, Dodge Durango 2009-2004, Ram 1500 2010-2002, Ram 1500 2015-2011
SDR5414	Disc Brake Rotor	Rear	Ford Expedition 2006-2003, Lincoln Navigator 2006-2003
SDR5424	Disc Brake Rotor	Front	Dodge Sprinter 2500 2006-2003, Sprinter 3500 2006-2003, Freightliner Sprinter 2500 2006-2002, Sprinter 3500 2006-2002
SDR5431	Disc Brake Rotor	Front	Dodge Sprinter 2500 2006-2003, Sprinter 3500 2006-2003, Freightliner Sprinter 2500 2006-2002, Sprinter 3500 2006-2002
SDR5432	Disc Brake Rotor	Rear	Dodge Sprinter 2500 2006-2003, Sprinter 3500 2006-2003, Freightliner Sprinter 2500 2006-2002, Sprinter 3500 2006-2002, Mercedes-Benz G55 AMG 2010-2003, G500 2008-2002, G550 2014-2009
SDR5441	Disc Brake Rotor	Rear	Cadillac Escalade 2003-2002, Escalade 2006, Escalade ESV 2003, Escalade ESV 2006, Escalade EXT 2003-2002, Escalade EXT 2006, Chevrolet Avalanche 1500 2005-2002, Avalanche 2500 2002, Avalanche 2500 2004, Silverado 1500 2003, Suburban 1500 2006-2000, Suburban 2500 2003-2000, Tahoe 2000, GMC Sierra 1500 2003, Sierra 1500 HD 2003, Yukon 2001-2000, Yukon 2004-2003, Yukon XL 1500 2006-2000
SDR5442	Disc Brake Rotor	Rear	Buick Allure 2010-2005, LaCrosse 2009-2005, Chevrolet Impala 2013-2011, Impala Limited 2016-2014, Pontiac Grand Prix 2008-2004
SDR5456	Disc Brake Rotor	Front	Dodge Ram 1500 2008-2006, Ram 2500 2008-2003, Ram 3500 2008-2003
SDR5480	Disc Brake Rotor and Hub Assembly	Front	Ford Excursion 2004-2003, F-250 Super Duty 2004-2003, F-350 Super Duty 2004-2003
SDR5519	Disc Brake Rotor and Hub Assembly	Front	Ford F-150 2008-2004, Lincoln Mark LT 2008-2006
SDR5520	Disc Brake Rotor and Hub Assembly	Front	Ford F-150 2008-2004, Lincoln Mark LT 2008-2006
SDR5521	Disc Brake Rotor	Rear	Ford F-150 2011-2004, Lincoln Mark LT 2008-2006
SDR5522	Disc Brake Rotor	Rear	Ford F-150 2011-2004, Lincoln Mark LT 2008-2006
SDR5527	Disc Brake Rotor	Front	Ford F-150 2008-2004, Lincoln Mark LT 2008-2006
SDR5533	Disc Brake Rotor	Front	Chevrolet W4500 Tiltmaster 1999-1997, Isuzu NPR 1999-1997, NQR 1999
SDR5544	Disc Brake Rotor	Front	Ford F-150 2008-2004, Lincoln Mark LT 2008-2006

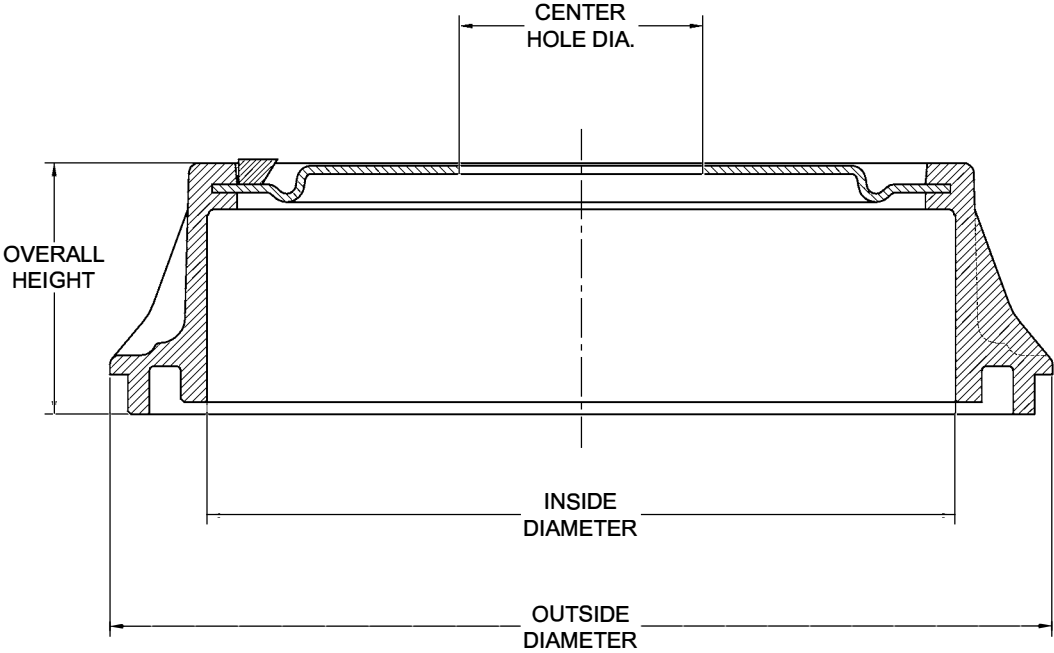
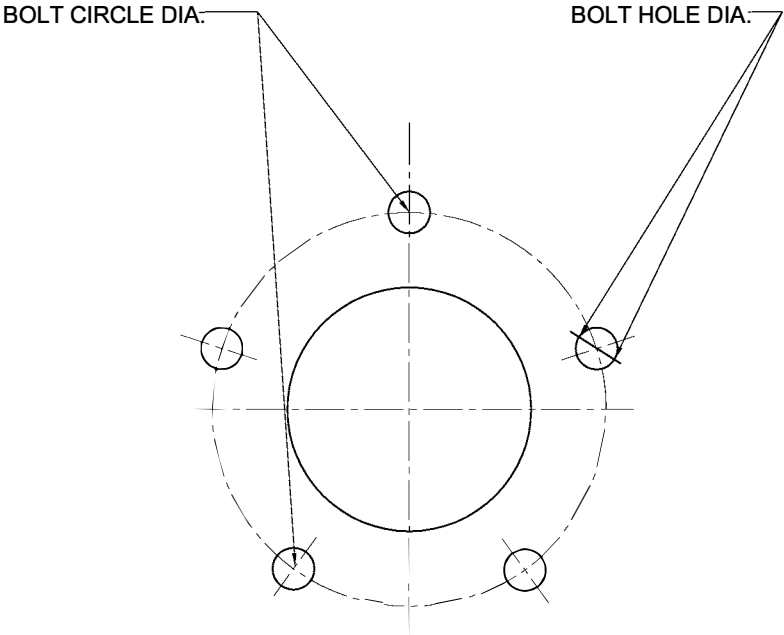
BUYERS GUIDE

Part Number	Product Line	Position	Application
SDR5558	Disc Brake Rotor	Front	Chevrolet W4500 Tiltmaster 2008-1998, W5500HD Tiltmaster 2007-2005, W5500 Tiltmaster 2007-2000, GMC W4500 Forward 1999-1998, W5500 Forward 2007-2000, W5500HD Forward 2007-2005, Isuzu NPR 2007-1998, NQR 2006-2003, NRR 2007-2005
SDR5574	Disc Brake Rotor	Front, Rear	Chevrolet B7 2002-1993, B60 1991-1983, C50 1990-1988, C60 1989-1983, C70 1989-1983, C5500 Kodiak 1990, P6000 1996-1992, GMC B7 2000-1993, B6000 1991-1983, C5000 1989-1988, C6000 1989-1983, C7000 1989-1983, Chevrolet B7 2002-1993, B60 1991-1980, C50 1990-1988, C70 Kodiak 1996-1991, C6500 Kodiak 2002-1997, P6000 1996-1992, GMC B7 1998-1993, B6000 1991-1980, C5000 1989-1988, C6500 Topkick 2002-1997, C7500 Topkick 2000-1997, Isuzu FSR 2002-1997
SDR5582	Disc Brake Rotor	Front	Cadillac Escalade 2015-2007, Escalade ESV 2015-2007, Escalade EXT 2013-2007, XTS 2015-2013, Chevrolet Avalanche 2013-2007, Express 1500 2014-2009, Silverado 1500 2015-2005, Silverado 1500 Classic 2007, Suburban 2015, Suburban 1500 2014-2007, Tahoe 2016-2007, GMC Savana 1500 2014-2009, Sierra 1500 2015-2005, Yukon 2015-2007, Yukon XL 2015, Yukon XL 1500 2014-2007
SDR5584	Disc Brake Rotor	Front	Ford F-250 Super Duty 2012-2005, F-350 Super Duty 2012-2005
SDR5615	Disc Brake Rotor	Front	Ford F-450 Super Duty 2013-2005, F-550 Super Duty 2015-2005
SDR5626	Disc Brake Rotor	Front	Ford F-350 Super Duty 2013-2005, F-450 Super Duty 2013-2011, F-550 Super Duty 2011
SDR5628	Disc Brake Rotor	Rear	Buick Allure 2009-2008, Century 2005-2004, Regal 2004-1997, Chevrolet Impala 2010-2006, Monte Carlo 2007-2006, Pontiac Grand Am 2005-1999, Grand Prix 2003-1997
SDR5630	Disc Brake Rotor	Rear	Ford F-350 Super Duty 2012-2005, F-450 Super Duty 2012-2011, F-550 Super Duty 2011
SDR5651	Disc Brake Rotor	Front	Chrysler 300 2013-2005, Dodge Challenger 2013-2009, Charger 2014-2006, Magnum 2008-2005
SDR5654	Disc Brake Rotor	Front	Buick Lucerne 2011-2006, Chevrolet Impala 2013-2006, Impala Limited 2016-2014, Monte Carlo 2007-2006
SDR5667	Disc Brake Rotor	Rear	Ford Five Hundred 2007-2005, Freestyle 2007-2005, Mercury Montego 2007-2005
SDR5669	Disc Brake Rotor	Front	Dodge Sprinter 2500 2006-2003, Sprinter 3500 2006-2003, Freightliner Sprinter 2500 2006-2002, Sprinter 3500 2006-2002
SDR5671	Disc Brake Rotor	Rear	Chrysler 300 2007-2005, 300 2013-2011, Dodge Challenger 2013-2008, Charger 2010-2006, Charger 2013-2012, Magnum 2008-2006
SDR5689	Disc Brake Rotor	Front, Rear	Chevrolet C4500 Kodiak 2004-2003, C5500 Kodiak 2009-2003, W5500 Tiltmaster 2003, GMC C4500 Topkick 2009-2003, C5500 Topkick 2009-2003, W5500 Forward 2003, Chevrolet C4500 Kodiak 2009-2003, C5500 Kodiak 2009-2003, GMC C4500 Topkick 2009-2003, C5500 Topkick 2009-2003
SDR5698	Disc Brake Rotor	Front	Ford Expedition 2016-2007, F-150 2016-2010, Lincoln Navigator 2016-2007
SDR5699	Disc Brake Rotor	Rear	Ford Expedition 2016-2007, Lincoln Navigator 2014-2007
SDR5718	Disc Brake Rotor	Front	Toyota Sequoia 2016-2008, Tundra 2013-2007
SDR5719	Disc Brake Rotor	Rear	Lexus LX570 2011-2008, LX570 2013, Toyota Land Cruiser 2011-2008, Land Cruiser 2013, Sequoia 2016-2008, Tundra 2013-2007
SDR5729	Disc Brake Rotor	Rear	Cadillac Escalade 2014-2007, Escalade ESV 2013-2007, Escalade EXT 2013-2007, Chevrolet Avalanche 2013-2007, Silverado 1500 2014-2007, Suburban 1500 2013-2007, Tahoe 2016-2007, GMC Sierra 1500 2013-2007, Yukon 2013-2007, Yukon XL 1500 2013-2007
SDR5730	Disc Brake Rotor	Rear	Ford F-250 Super Duty 2012-2005, F-350 Super Duty 2012-2005
SDR5733	Disc Brake Rotor	Front	Chrysler 300 2007-2005, Dodge Charger 2007-2006, Magnum 2007-2006
SDR5738	Disc Brake Rotor	Front	Buick Allure 2009-2008, LaCrosse 2009-2008, Lucerne 2011-2006, Cadillac DTS 2011-2006, Chevrolet Impala 2013-2012, Impala Limited 2016-2014
SDR5739	Disc Brake Rotor	Rear	Chrysler 300 2010-2008, Dodge Charger 2016-2006, Magnum 2008-2006
SDR5762	Disc Brake Rotor and Hub Assemb	Front	Ford F-350 Super Duty 2004-2003
SDR5763	Disc Brake Rotor	Front	Chevrolet B7 1998-1997, B7 2002-2001, GMC B7 2000-1997, C7500 Topkick 2002-1999, T7500 2002-1997, Isuzu FTR 2002-1997
SDR5768	Disc Brake Rotor	Rear	Dodge Sprinter 2500 2006-2003, Sprinter 3500 2006-2003, Freightliner Sprinter 2500 2006-2002, Sprinter 3500 2006-2002
SDR5796	Disc Brake Rotor and Hub Assemb	Front	Ford Excursion 2005, F-250 Super Duty 2007-2005, F-350 Super Duty 2007-2005
SDR5825	Disc Brake Rotor	Front	Dodge Sprinter 2500 2009-2007, Sprinter 3500 2009-2007, Freightliner Sprinter 2500 2012-2007, Sprinter 3500 2009-2007, Mercedes-Benz Sprinter 2500 2012-2010, Sprinter 3500 2012-2010
SDR5826	Disc Brake Rotor	Rear	Dodge Sprinter 2500 2009-2007, Mercedes-Benz Sprinter 2500 2012-2010, Sprinter 3500 2012-2010
SDR5827	Disc Brake Rotor	Rear	Dodge Sprinter 3500 2009-2007, Freightliner Sprinter 2500 2009-2007, Sprinter 3500 2009-2007, Mercedes-Benz Sprinter 3500 2012-2010
SDR5829	Disc Brake Rotor and Hub Assemb	Front	Ford F-250 Super Duty 2012-2008, F-350 Super Duty 2013-2008
SDR5839	Disc Brake Rotor	Front	Cadillac CTS 2014-2008, Chevrolet Caprice 2016-2011
SDR5840	Disc Brake Rotor and Hub Assemb	Front	Ford E-350 Super Duty 2016-2008, E-450 Super Duty 2016-2008

BUYERS GUIDE

Part Number	Product Line	Position	Application
SDR5843	Disc Brake Rotor	Front	Chrysler Town & Country 2015-2008, Dodge Grand Caravan 2014-2008, Journey 2012-2009, Ram C/V 2013-2012, Volkswagen Routan 2012-2009
SDR5844	Disc Brake Rotor	Rear	Chrysler Town & Country 2015-2008, Dodge Grand Caravan 2015-2008, Journey 2013-2009, Ram C/V 2015-2012, Volkswagen Routan 2014-2009
SDR5898	Disc Brake Rotor	Rear	Ford Edge 2014-2011, Explorer 2016-2011, Flex 2015-2009, Taurus 2015-2008, Taurus X 2009-2008, Lincoln MKS 2012-2009, MKT 2015-2010, MKX 2015-2011, Mercury Sable 2009-2008
SDR5903	Disc Brake Rotor	Front	Chevrolet Tahoe 2016-2009
SDR5905	Disc Brake Rotor	Rear	Chevrolet Express 3500 2009, Express 3500 2014-2011, Express 4500 2014-2009, GMC Savana 3500 2009, Savana 3500 2014-2011, Savana 4500 2014-2009
SDR5906	Disc Brake Rotor	Front	Chevrolet Colorado 2012-2009, GMC Canyon 2012-2009
SDR5909	Disc Brake Rotor	Front	Dodge Ram 2500 2010-2009, Ram 3500 2010-2009, Ram 2500 2015-2011, 3500 2015-2011
SDR5910	Disc Brake Rotor	Rear	Dodge Ram 2500 2010-2009, Ram 3500 2010-2009, Ram 2500 2015-2011, 3500 2015-2011
SDR5914	Disc Brake Rotor	Rear	Ford E-350 Super Duty 2014-2008
SDR5915	Disc Brake Rotor and Hub Assemb	Front	Ford E-150 2014-2008, E-250 2014-2008, E-350 Super Duty 2016-2008, E-450 Super Duty 2010
SDR5916	Disc Brake Rotor	Rear	Ford E-150 2014-2008, E-250 2014-2008, E-350 Super Duty 2016-2008
SDR5918	Disc Brake Rotor	Front	Cadillac CTS 2014-2008
SDR5932	Disc Brake Rotor	Rear	Chevrolet Caprice 2011, Pontiac G8 2009-2008
SDR5988	Disc Brake Rotor	Front	Ford Transit Connect 2013-2010
SDR6053	Disc Brake Rotor	Front	Ford F-150 2014-2010
SDR6124	Disc Brake Rotor	Front	Ford Explorer 2016-2011, Flex 2015-2012, Taurus 2015-2011, Lincoln MKS 2012-2011, MKT 2015-2012
SDR6169	Disc Brake Rotor	Rear	Chevrolet Caprice 2016-2012
SDR6170	Disc Brake Rotor	Front	Chrysler Town & Country 2015-2013, Dodge Grand Caravan 2015-2012, Journey 2014-2013, Ram C/V 2015-2013, Volkswagen Routan 2014-2012
SDR6171	Disc Brake Rotor	Rear	Chrysler Town & Country 2015-2013, Dodge Grand Caravan 2015-2012, Journey 2016-2013, Ram C/V 2015-2013, Volkswagen Routan 2012
SDR6177	Disc Brake Rotor	Rear	Ford F-150 2014-2012
SDR6178	Disc Brake Rotor	Rear	Ford F-150 2014-2012
SDR6200	Disc Brake Rotor	Rear	Ford C-Max 2016-2013, Escape 2016-2013, Transit Connect 2016-2014
SDR6201	Disc Brake Rotor	Front	Ford Explorer 2016-2013, Flex 2014-2013, Police Interceptor Sedan 2016-2013, Police Interceptor Utility 2016-2013, Special Service Police Sedan 2016-2015, Taurus 2015-2013, Lincoln MKS 2016-2013
SDR6202	Disc Brake Rotor	Rear	Ford Explorer 2016-2013, Flex 2015-2013, Police Interceptor Sedan 2016-2013, Police Interceptor Utility 2016-2013, Special Service Police Sedan 2016-2015, Taurus 2014-2013, Lincoln MKS 2016-2013
SDR6228	Disc Brake Rotor	Front	Ford F-250 Super Duty 2014-2013, F-350 Super Duty 2014-2013
SDR6230	Disc Brake Rotor and Hub Assemb	Front	Ford F-350 Super Duty 2014-2013
SDR6275	Disc Brake Rotor	Front	Dodge Charger 2016-2014
SDR6276	Disc Brake Rotor	Front	Ram ProMaster 1500 2016-2014, ProMaster 2500 2016-2014, ProMaster 3500 2016-2014
SDR6277	Disc Brake Rotor	Rear	Ram ProMaster 1500 2014
SDR6278	Disc Brake Rotor	Rear	Ram ProMaster 2500 2015-2014, ProMaster 3500 2015-2014
SDR6279	Disc Brake Rotor	Front	Ford Transit-150 2016-2015, Transit-250 2016-2015, Transit-350 2016-2015, Transit-350 HD 2016-2015
SDR6280	Disc Brake Rotor	Rear	Ford Transit-150 2015, Transit-250 2015, Transit-350 2015, Transit-350 HD 2015
SDR6281	Disc Brake Rotor	Front	Ford Transit-350 HD 2015
SDR6282	Disc Brake Rotor	Rear	Ford Transit-350 HD 2015
SDR6283	Disc Brake Rotor	Front	Ford Escape 2016-2013, Focus 2014-2013, Transit Connect 2016-2014
SDR6284	Disc Brake Rotor and Hub Assemb	Front	Ford F-250 Super Duty 2016-2013, F-350 Super Duty 2016-2013

DRUM SCHEMATIC



BRAKE ROTORS CRITICAL DIMENSIONS BY PART NUMBER

Part Number	Rotor Type	Vent d/ Solid	Outside Diameter	Over-all Height	Center-hole Diameter	Bolt Holes	Bolt Circle	Bolt Hole Diameter	Nominal Thickne ss	Discard Thickne ss
PRT1007	Rotor	V	280.00	58.40	78.35	5	127.00	13.80	30.80	29.72
PRT1016	H & R	V	298.00	115.00	59.00 / 45.00	5	114.30	15.30	30.10	28.45
PRT1017	H & R	V	286.50	107.00	59.12 / 45.22	5	114.30	15.30	20.50	19.80
PRT1018	H & R	V	287.00	107.40	59.10 / 45.21	5	114.30	15.30	23.90	22.23
PRT1019	H & R	V	286.80	107.44	59.08 / 45.19	5	114.30	15.45	23.88	22.23
PRT1021	H & R	V	304.00	127.60	65.01 / 49.92	5	127.00	15.24	32.00	30.86
PRT1023	Rotor	V	297.68	58.67	83.00	5	114.30	16.38	30.10	29.72
PRT1036	H & R	V	272.29	122.68	70.36	5	114.30	1/2"x20	30.23	28.45
PRT1039	H & R	V	279.40	103.75	59.08 / 45.19	5	120.65	13.54	26.30	24.50
PRT1040	H & R	V	279.40	118.00	59.08 / 45.19	5	120.65	13.59	26.30	24.50
PRT1043	H & R	V	301.20	125.40	65.04 / 49.95	5	127.00	15.24	32.64	30.86
PRT1047	Rotor	V	298.45	126.31	---	5	114.30	15.24	31.62	29.97
PRT1049	Rotor	V	317.50	71.25	130.21	8	165.10	16.66	32.90	30.86
PRT1052	H & R	V	319.20	135.40	73.38 / 61.95	8	165.10	15.45	25.40	23.90
PRT1054	Rotor	V	280.00	57.70	74.00	5	101.60	15.10	20.60	20.00
PRT1061	Rotor	S	238.00	55.50	73.00	4	92.00	10.45	11.00	8.00
PRT1064	Rotor	S	228.00	18.00	64.04	4	87.00	10.50	10.00	9.00
PRT1065	H & R	V	321.20	147.74	59.08 / 45.19	8	165.10	15.45	30.10	28.50
PRT1066	H & R	V	319.02	135.43	---	8	165.10	15.24	25.40	23.88
PRT1067	H & R	V	297.70	137.00	59.08 / 45.19	5	139.70	15.44	30.10	28.45
PRT1070	H & R	V	297.69	122.68	77.72	5	127.00	1/2"x20	30.23	28.45
PRT1072	H & R	V	298.50	126.10	59.96 / 45.96	5	114.30	15.37	31.62	30.00
PRT1076	H & R	V	326.00	144.70	60.00 / 46.00	8	165.10	15.40	30.10	28.45
PRT1077	H & R	V	236.00	99.50	59.08 / 45.19	4	107.95	13.95	22.23	20.60
PRT1078	H & R	V	272.00	122.40	62.96 / 45.19	5	114.30	13.87	30.10	28.40
PRT1079	H & R	V	299.70	122.40	62.96 / 45.19	5	127.00	15.37	30.10	28.40
PRT1084	Rotor	V	319.00	97.96	90.80	8	120.65	14.10	25.65	23.88
PRT1086	H & R	V	279.40	105.30	59.11 / 45.19	5	114.30	13.87	22.23	20.60
PRT1088	Rotor	V	301.00	58.80	101.69	6	139.70	15.12	32.89	30.90
PRT1089	Rotor	V	325.60	75.44	122.94	8	165.10	15.00	30.23	28.58
PRT1094	Rotor	S	281.00	92.45	---	4	130.00	5.12	11.20	9.40
PRT1095	Rotor	S	238.80	35.50	65.10	4	100.00	12.87	12.00	10.00
PRT1096	Rotor	S	231.90	35.56	73.03	4	95.00	10.57	10.01	8.41
PRT1097	Rotor	S	271.00	51.50	81.00	4	103.00	10.60	12.50	10.50
PRT1098	Rotor	S	243.84	53.19	73.96	4	97.99	31.75	10.01	8.99
PRT1099	Rotor	S	227.25	45.70	62.00	4	98.00	13.00	10.90	9.00
PRT1105	Rotor	S	273.75	44.70	73.08	4	95.25	9.65	8.90	7.60
PRT1106	Rotor	S	244.40	26.90	68.35	4	92.46	10.20	12.70	11.40
PRT1108	Rotor	S	265.90	41.90	76.11	4	100.00	10.60	12.50	11.50
PRT1116	Rotor	S	229.00	30.00	67.04	4	86.00	10.50	13.00	11.40
PRT1120	Rotor	V	271.00	69.10	70.74	5	114.30	14.30	24.10	22.73
PRT1121	Rotor	V	271.15	69.34	70.66	5	114.30	14.30	24.00	22.73
PRT1124	Rotor	V	292.10	61.72	77.98	5	127.00	14.50	24.10	22.85
PRT1125	Rotor	V	292.40	61.80	78.00	5	127.00	14.40	24.10	22.73
PRT1128	H & R	V	319.10	135.74	---	8	165.10	9/16"x18	25.40	23.88
PRT1130	H & R	V	317.50	219.40	73.38 / 61.85	8	165.10	15.52	39.10	37.20
PRT1132	H & R	V	298.50	122.81	59.93 / 45.19	5	114.30	15.32	25.40	23.87
PRT1135	Rotor	S	253.60	15.90	73.10	4	96.80	10.63	12.80	11.45
PRT1136	Rotor	S	217.93	29.97	64.03	4	84.00	31.75	10.01	8.99
PRT1137	Rotor	S	266.40	41.80	79.25	5	104.00	10.70	12.50	11.50
PRT1141	Rotor	S	271.00	43.30	81.00	4	103.00	10.60	12.50	10.50
PRT1143	Rotor	S	238.76	38.86	64.03	4	96.01	8.18	9.50	8.61
PRT1144	Rotor	S	245.00	35.50	73.04	4	95.00	10.50	10.00	8.40
PRT1145	H & R	V	279.40	122.81	59.93 / 45.19	5	114.30	15.32	25.40	23.88
PRT1146	H & R	V	298.50	126.50	62.89 / 45.89	5	114.30	13.87	31.62	29.97

BRAKE ROTORS CRITICAL DIMENSIONS BY PART NUMBER

Part Number	Rotor Type	Vent d/ Solid	Outside Diameter	Over-all Height	Center-hole Diameter	Bolt Holes	Bolt Circle	Bolt Hole Diameter	Nominal Thickne ss	Discard Thickne ss
PRT1149	H & R	V	274.65	120.90	---	5	114.30	---	22.35	20.57
PRT1151	Rotor	V	298.00	66.90	82.50	5	114.30	16.70	31.88	29.97
PRT1152	H & R	V	316.50	131.30	73.38 / 61.95	8	165.10	15.45	39.00	37.20
PRT1153	H & R	V	319.00	137.60	73.38 / 61.95	8	165.10	15.17	31.62	30.00
PRT1154	H & R	V	319.10	131.00	73.38 / 61.95	8	165.10	15.45	31.62	30.00
PRT1155	Rotor	V	298.50	56.00	95.30	5	139.70	16.70	30.30	28.50
PRT1156	H & R	V	301.10	117.80	59.08 / 45.19	5	127.00	15.32	26.30	24.50
PRT1158	Rotor	S	250.00	33.85	80.00	6	102.00	M10x1.25	18.10	16.60
PRT1159	Rotor	S	220.60	42.20	71.98	4	108.00	13.62	10.00	8.70
PRT1164	Rotor	S	254.99	27.51	79.96	4	100.00	10.57	12.50	11.00
PRT1165	Rotor	S	246.89	48.01	90.07	4	114.30	12.70	10.16	8.38
PRT1167	H & R	V	266.70	100.10	59.08 / 45.19	5	120.65	13.59	26.30	24.30
PRT1169	H & R	V	256.00	102.00	59.93 / 45.19	4	107.95	13.78	22.23	20.60
PRT1171	Rotor	S	256.00	36.00	80.04	4	102.00	10.00	12.00	11.00
PRT1173	Rotor	V	319.00	84.00	127.10	8	165.10	16.50	31.88	29.97
PRT1175	H & R	V	236.00	102.00	59.89 / 45.16	4	107.95	13.87	22.23	20.57
PRT1176	H & R	V	281.50	134.50	59.93 / 45.19	5	114.30	14.55	26.30	24.70
PRT1177	Rotor	S	207.14	95.50	---	4	109.73	4.32	13.00	11.99
PRT1179	Rotor	S	271.00	43.30	81.03	6	103.00	10.57	12.50	10.52
PRT1180	Rotor	V	251.70	29.00	81.04	4	103.00	10.90	20.00	18.00
PRT1181	Rotor	S	269.00	68.60	68.20	4	114.30	12.86	9.70	8.60
PRT1184	Rotor	S	231.00	41.00	86.04	4	116.00	M10x1.25	12.00	10.50
PRT1186	H & R	V	317.50	120.50	73.38 / 61.95	8	165.10	15.45	32.64	30.86
PRT1187	Rotor	V	283.20	56.00	77.80	5	127.00	13.50	24.64	23.00
PRT1191	H & R	V	274.60	120.93	59.08 / 45.19	5	114.30	14.05	22.23	20.60
PRT1193	Rotor	V	325.60	75.44	122.90	8	165.10	19.00	30.24	28.60
PRT1194	Rotor	V	280.00	76.93	72.02	5	114.30	15.50	22.20	20.70
PRT1195	Rotor	V	236.00	56.50	63.49	4	107.95	14.50	24.00	22.40
PRT1196	H & R	V	280.40	108.80	66.58 / 45.19	5	114.30	13.95	22.22	20.60
PRT1197	H & R	V	324.70	139.40	59.08 / 45.19	8	165.10	15.45	30.10	28.50
PRT1198	Rotor	S	229.00	23.00	64.04	4	87.00	10.50	12.50	11.50
PRT1199	Rotor	S	281.00	73.20	68.00	4	108.00	16.50	9.60	8.41
PRT1200	Rotor	S	262.50	64.90	68.22	5	108.00	16.70	14.10	13.14
PRT1201	H & R	V	279.40	117.80	59.08 / 49.96	5	120.65	13.59	26.30	24.50
PRT1204	Rotor	S	229.20	51.50	69.95	4	90.00	M10x1.25	12.60	10.00
PRT1205	Rotor	S	254.80	33.20	84.30	6	104.00	10.90	20.10	18.40
PRT1206	H & R	V	227.10	100.05	40.60	4	110.00	M12x1.50	18.00	17.00
PRT1207	H & R	S	231.14	95.63	---	4	109.73	4.32	13.08	11.99
PRT1209	Rotor	S	254.00	25.65	76.02	4	100.00	10.44	12.57	11.51
PRT1211	Rotor	S	214.80	50.17	61.04	4	100.00	12.50	11.06	9.00
PRT1212	Rotor	V	298.40	78.50	71.50	5	120.65	11.60	32.00	30.86
PRT1213	Rotor	V	298.50	78.43	71.47	5	120.65	11.40	31.50	30.86
PRT1214	Rotor	V	297.50	68.80	98.55	5	139.70	16.30	30.35	28.45
PRT1215	H & R	S	246.10	97.10	50.24 / 39.83	4	100.00	13.51	11.80	9.50
PRT1216	H & R	V	301.20	117.80	59.08 / 43.40	5	127.00	15.32	26.30	24.50
PRT1217	Rotor	S	229.36	45.97	70.00	4	89.99	31.75	10.01	8.51
PRT1218	Rotor	V	246.50	45.74	58.43	5	100.00	13.00	22.35	20.70
PRT1219	H & R	V	266.70	109.60	59.11 / 49.99	5	120.65	13.59	26.30	24.28
PRT1220	Rotor	V	246.40	49.41	57.84	5	100.00	13.00	22.35	20.70
PRT1222	Rotor	V	250.00	22.00	73.04	4	95.00	10.50	18.00	16.00
PRT1225	Rotor	V	231.00	49.60	61.04	4	100.00	12.70	17.00	15.00
PRT1227	Rotor	S	226.00	30.00	76.00	4	96.00	M10x1.25	10.00	9.00
PRT1228	Rotor	S	269.75	47.75	73.00	4	95.00	10.64	12.57	10.49
PRT1229	H & R	V	261.11	120.90	71.37	5	114.30	1/2"x20	22.35	20.57
PRT1231	Rotor	S	239.50	35.00	76.04	4	96.00	8.20	12.00	11.00

BRAKE ROTORS CRITICAL DIMENSIONS BY PART NUMBER

Part Number	Rotor Type	Vent d/ Solid	Outside Diameter	Over-all Height	Center-hole Diameter	Bolt Holes	Bolt Circle	Bolt Hole Diameter	Nominal Thickness	Discard Thickness
PRT1233	H & R	V	266.70	109.30	59.08 / 45.19	5	120.65	12.27	26.30	25.40
PRT1236	Rotor	V	258.00	26.00	76.04	4	100.00	10.50	20.00	19.00
PRT1237	Rotor	V	319.00	81.90	130.20	8	165.10	16.30	31.88	30.00
PRT1238	Rotor	V	255.70	46.30	68.04	4	107.95	15.30	22.00	20.00
PRT1239	Rotor	S	225.57	31.00	64.00	4	84.00	M10x1.25	10.15	9.00
PRT1242	Rotor	V	251.97	26.01	79.10	5	103.99	10.36	19.99	18.03
PRT1244	Rotor	S	302.00	47.80	100.04	6	139.70	14.70	12.50	11.50
PRT1245	Rotor	V	265.90	60.40	60.10	4	114.30	14.81	18.00	17.00
PRT1246	Rotor	V	260.60	60.83	60.10	4	114.30	14.68	17.91	16.99
PRT1247	Rotor	V	248.00	28.20	76.30	4	100.00	10.84	18.10	17.00
PRT1248	Rotor	V	239.00	38.80	65.04	4	100.00	13.80	20.00	18.00
PRT1249	Rotor	V	230.00	51.80	70.10	4	90.00	M10x1.25	18.10	15.50
PRT1252	Rotor	S	227.00	31.00	75.00	4	94.00	10.50	11.00	10.00
PRT1253	Rotor	S	236.00	72.20	48.10	4	110.00	12.50	10.20	9.00
PRT1254	Rotor	S	253.87	47.75	73.03	4	95.00	10.57	12.50	11.48
PRT1256	Rotor	S	239.00	47.00	68.00	4	88.00	M10x1.25	10.00	9.00
PRT1257	Rotor	V	299.40	55.75	95.34	5	139.70	16.90	22.23	20.70
PRT1258	Rotor	V	231.00	49.50	61.04	4	100.00	12.70	19.00	17.00
PRT1260	Rotor	S	231.20	49.00	61.00	4	100.00	13.63	12.10	10.00
PRT1261	Rotor	V	266.70	52.01	70.64	5	120.65	13.00	26.29	24.30
PRT1262	Rotor	V	260.60	49.53	57.84	5	100.00	14.02	22.23	20.70
PRT1263	Rotor	V	260.60	51.01	70.65	5	115.00	14.00	26.30	24.30
PRT1264	H & R	V	261.00	105.00	59.08 / 45.19	5	114.30	13.95	22.23	20.60
PRT1265	H & R	V	276.00	94.70	73.74 / 73.74	5	114.30	13.87	22.10	20.60
PRT1266	Rotor	V	260.00	38.09	61.04	4	100.00	13.00	24.00	22.40
PRT1267	Rotor	V	239.50	38.09	61.04	4	100.00	13.00	24.00	22.40
PRT1268	Rotor	S	232.00	38.00	61.04	4	100.00	14.00	12.70	10.95
PRT1269	Rotor	V	374.90	96.70	137.30	6	184.15	20.00	34.30	31.10
PRT1270	Rotor	V	390.65	120.73	234.98	6	285.75	19.71	38.99	37.59
PRT1271	Rotor	V	374.90	96.10	137.30	5	171.45	16.85	34.10	31.10
PRT1272	Rotor	V	390.70	86.30	152.55	10	184.15	15.25	39.00	36.10
SDR1272	Rotor	V	390.70	86.30	152.55	10	184.15	15.25	39.00	36.10
PRT1274	Rotor	V	381.00	114.30	233.35	5	285.75	16.54	36.45	33.53
PRT1275	Rotor	V	390.65	154.18	220.68	10	285.75	21.31	38.99	35.94
PRT1276	Rotor	V	390.50	152.80	163.70	6	222.25	21.44	39.00	35.94
PRT1279	Rotor	S	249.80	34.60	75.00	4	94.00	10.66	14.10	12.50
PRT1281	H & R	V	278.00	91.90	65.04 / 45.19	5	114.30	14.56	26.30	24.70
PRT1283	Rotor	V	292.00	63.75	70.65	5	120.65	13.00	20.04	18.40
PRT1284	Rotor	V	292.10	64.01	70.66	5	120.65	13.10	20.06	18.40
PRT1285	Rotor	S	246.40	45.74	57.88	5	100.00	13.00	12.60	10.90
PRT1286	H & R	S	246.40	105.79	50.24 / 39.83	5	100.00	12.35	11.10	9.50
PRT1287	Rotor	V	266.70	61.13	70.61	5	120.65	13.03	26.20	24.40
PRT1288	Rotor	V	260.00	38.09	61.04	4	100.00	14.00	22.00	20.40
PRT1289	Rotor	V	295.40	66.00	101.65	5	139.70	16.21	31.62	29.80
PRT1290	Rotor	V	255.20	45.30	87.10	6	108.00	10.56	20.20	18.40
PRT1291	Rotor	S	229.00	39.45	86.13	4	104.00	M10x1.25	13.10	11.40
PRT1292	Rotor	V	247.90	46.00	84.04	5	110.00	M10x1.25	22.00	21.00
PRT1293	Rotor	V	255.10	43.20	74.10	4	94.00	M10x1.25	20.00	19.00
PRT1295	Rotor	V	233.90	38.00	64.04	4	87.00	10.70	18.00	17.00
PRT1296	Rotor	V	249.00	28.00	76.00	4	100.00	10.60	22.00	21.00
PRT1297	Rotor	S	243.00	39.20	54.04	4	100.00	14.50	11.00	10.00
PRT1298	Rotor	S	230.70	44.30	61.02	4	100.00	12.80	12.00	10.00
PRT1299	Rotor	V	231.00	44.00	61.04	4	100.00	12.70	17.00	15.00
PRT1300	Rotor	S	215.00	44.60	61.10	4	100.00	12.74	11.10	9.00
PRT1301	Rotor	V	241.50	49.60	61.04	4	100.00	12.70	19.00	17.00

BRAKE ROTORS CRITICAL DIMENSIONS BY PART NUMBER

Part Number	Rotor Type	Vent d/ Solid	Outside Diameter	Over-all Height	Center-hole Diameter	Bolt Holes	Bolt Circle	Bolt Hole Diameter	Nominal Thickne ss	Discard Thickne ss
PRT1302	H & R	V	250.00	90.40	51.96 / 46.93	4	114.30	12.53	22.00	20.00
PRT1304	Rotor	S	244.98	59.44	68.02	5	111.99	15.24	10.01	8.00
PRT1305	H & R	S	278.00	118.50	68.00 / 45.21	5	112.00	M14x1.5	13.00	11.00
PRT1306	Rotor	V	266.80	39.20	100.10	6	124.00	M10x1.25	22.00	20.10
PRT1307	Rotor	V	250.00	29.90	81.05	6	103.00	10.50	21.90	20.00
PRT1308	Rotor	S	258.00	47.00	68.00	4	114.30	12.70	10.00	9.00
PRT1310	Rotor	V	274.10	35.70	81.04	5	103.00	10.50	22.00	20.00
PRT1312	Rotor	S	290.00	47.00	68.10	4	114.30	12.27	10.10	8.50
PRT1313	Rotor	V	274.00	35.70	81.03	4	103.00	10.57	21.97	20.07
PRT1314	Rotor	V	250.00	35.00	81.00	4	103.00	10.50	22.00	20.00
PRT1316	Rotor	V	232.00	31.40	79.04	4	103.00	10.80	18.00	16.00
PRT1317	H & R	V	227.00	91.00	59.30	4	110.00	M12x1.5	18.00	17.00
PRT1318	Rotor	S	237.80	41.00	61.04	4	100.00	15.00	12.00	11.00
PRT1320	Rotor	V	265.00	44.90	69.04	4	114.30	12.51	24.00	22.40
PRT1322	Rotor	V	256.03	35.05	80.06	4	100.00	10.57	24.00	22.40
PRT1323	Rotor	S	243.00	34.00	86.00	4	104.00	10.50	13.00	11.40
PRT1324	Rotor	V	242.00	34.30	86.04	4	104.00	10.60	18.00	16.40
PRT1325	Rotor	V	266.80	46.80	90.04	5	114.30	13.10	18.00	16.40
PRT1326	Rotor	V	246.76	46.99	90.09	4	114.30	12.57	18.01	16.41
PRT1327	H & R	S	284.80	88.50	53.94 / 45.19	4	114.30	12.34	9.80	9.00
PRT1328	Rotor	V	274.50	50.30	68.04	4	114.30	12.70	22.00	20.10
PRT1329	Rotor	V	266.07	59.44	---	4	100.00	3.94	18.03	16.61
PRT1334	Rotor	V	232.00	36.50	76.00	4	96.01	10.59	18.01	16.00
PRT1335	Rotor	S	290.00	47.20	68.10	5	114.30	12.73	10.10	9.00
PRT1336	Rotor	S	284.00	61.50	75.00	5	120.00	14.50	10.00	8.40
PRT1337	Rotor	V	279.85	46.20	68.00	5	112.00	15.30	22.00	20.00
PRT1338	Rotor	S	244.80	59.20	68.00	4	108.00	15.30	10.00	8.00
PRT1340	H & R	V	286.77	87.63	---	5	114.30	---	22.00	19.98
PRT1341	H & R	V	262.10	87.52	59.93 / 45.93	5	108.00	13.18	22.00	20.00
PRT1343	Rotor	S	279.53	56.26	68.07	5	107.95	13.84	13.97	11.51
PRT1344	Rotor	S	259.80	35.00	66.06	4	100.00	14.75	12.70	11.00
PRT1345	Rotor	S	254.80	75.20	63.00	4	100.00	14.65	12.80	11.10
PRT1346	Rotor	V	260.20	35.00	66.05	4	100.00	14.50	22.00	20.40
PRT1347	Rotor	V	279.91	77.98	74.07	5	119.99	14.61	21.95	20.40
PRT1348	Rotor	V	284.00	76.10	79.09	5	120.00	14.80	22.00	20.40
PRT1349	Rotor	V	281.30	76.10	79.00	5	120.00	14.50	25.00	23.40
PRT1350	Rotor	V	279.75	78.00	74.00	5	120.00	14.50	25.00	23.40
PRT1351	Rotor	S	257.60	60.00	62.00	4	100.00	14.50	10.00	8.40
PRT1352	Rotor	S	271.78	61.21	75.06	5	119.99	14.61	9.45	8.51
PRT1353	Rotor	S	283.85	68.50	75.00	5	120.00	14.50	10.00	9.00
PRT1354	Rotor	V	250.00	34.50	75.04	4	94.00	10.50	20.00	18.50
PRT1355	Rotor	S	256.03	35.71	80.01	4	102.01	10.01	19.99	19.00
PRT1357	Rotor	V	250.00	49.50	68.04	4	114.30	12.70	22.00	20.00
PRT1358	H & R	S	239.00	72.00	50.30 / 45.21	4	100.00	12.00	10.00	8.00
PRT1362	Rotor	S	239.52	40.13	54.00	4	100.00	14.68	10.03	8.99
PRT1363	Rotor	V	269.50	61.25	60.20	4	114.30	14.74	18.00	17.00
PRT1364	Rotor	S	231.50	47.30	60.00	4	114.30	14.70	10.00	9.00
PRT1365	Rotor	V	256.70	46.60	84.20	5	110.00	M10x1.25	25.00	24.00
PRT1367	Rotor	V	242.80	47.00	54.04	4	100.00	14.70	18.00	17.00
PRT1368	Rotor	V	247.90	40.10	76.10	4	100.00	10.80	22.10	21.00
PRT1369	Rotor	V	242.80	45.60	54.04	5	100.00	14.50	22.00	21.00
PRT1370	Rotor	S	225.81	42.55	80.06	4	100.00	31.75	10.01	8.51
PRT1372	Rotor	V	242.00	43.80	70.04	4	90.00	M10x1.25	18.00	16.00
PRT1376	Rotor	V	246.40	48.00	58.43	5	100.00	13.00	22.35	20.70
PRT1377	Rotor	S	262.00	47.65	70.66	5	115.06	13.06	12.50	10.90

BRAKE ROTORS CRITICAL DIMENSIONS BY PART NUMBER

Part Number	Rotor Type	Vent d/ Solid	Outside Diameter	Over-all Height	Center-hole Diameter	Bolt Holes	Bolt Circle	Bolt Hole Diameter	Nominal Thickne ss	Discard Thickne ss
PRT1378	Rotor	S	254.40	38.10	70.78	5	115.00	13.00	12.60	10.90
PRT1379	Rotor	V	260.00	38.09	61.04	5	100.00	14.00	24.00	22.40
PRT1380	Rotor	V	239.50	38.09	61.08	5	100.00	14.00	24.00	22.40
PRT1381	H & R	V	298.50	126.50	62.96 / 45.19	5	139.70	13.97	31.62	30.00
PRT1382	H & R	V	325.60	145.40	62.96 / 45.19	8	165.10	15.37	31.62	30.00
PRT1383	Rotor	V	260.00	38.09	61.08	5	100.00	14.00	22.00	20.40
PRT1384	Rotor	S	243.00	47.20	54.04	4	100.00	14.30	13.50	12.50
PRT1385	Rotor	S	227.00	42.00	57.04	4	100.00	12.30	11.00	9.60
PRT1387	Rotor	S	277.80	63.20	80.03	5	104.00	14.80	12.50	10.60
PRT1388	Rotor	S	274.50	34.90	57.55	5	100.00	13.94	9.00	7.50
PRT1389	Rotor	V	287.80	63.70	73.64	5	114.30	13.80	22.00	20.60
PRT1390	Rotor	V	258.20	33.40	84.06	6	104.00	10.60	22.00	20.40
PRT1391	H & R	V	301.50	125.50	73.40 / 56.90	5	127.00	15.30	32.64	30.86
PRT1392	Rotor	V	281.90	38.09	73.44	5	114.30	14.00	22.00	20.40
PRT1393	Rotor	S	246.50	45.70	58.40	5	100.00	13.00	12.60	10.90
PRT1397	Rotor	V	327.00	70.60	127.15	8	165.10	17.50	30.00	28.60
PRT1398	H & R	V	277.40	95.00	65.46 / 45.19	4	107.95	14.48	26.30	24.70
PRT1399	Rotor	V	258.00	48.56	64.50	5	107.95	14.75	26.00	24.75
PRT1400	Rotor	V	266.70	36.60	70.78	5	115.00	13.00	26.30	24.70
PRT1401	Rotor	S	256.50	28.30	70.78	5	115.00	13.00	12.50	10.90
PRT1402	Rotor	V	261.60	51.20	64.14	4	100.00	12.70	21.00	19.00
PRT1403	Rotor	S	215.10	33.00	86.04	4	102.00	M10x1.25	10.00	8.00
PRT1405	Rotor	V	242.00	40.50	86.04	4	104.00	M10x1.25	19.00	17.70
PRT1407	Rotor	V	263.00	67.30	68.04	5	108.00	16.50	22.00	20.40
PRT1408	Rotor	V	289.00	64.30	100.04	6	127.00	10.70	20.00	18.00
PRT1409	Rotor	V	255.00	41.70	74.08	4	100.00	M12x1.25	20.00	19.00
PRT1410	Rotor	V	272.20	40.20	76.04	4	100.00	10.80	22.00	21.00
PRT1411	Rotor	V	290.40	68.40	60.04	5	114.30	14.50	18.00	17.00
PRT1412	Rotor	V	302.10	53.80	60.04	5	114.30	14.50	22.00	21.00
PRT1414	Rotor	V	327.03	70.61	127.13	8	165.10	14.94	30.00	28.58
PRT1415	H & R	V	271.50	113.07	62.93 / 45.19	5	114.30	14.05	22.00	20.60
PRT1416	Rotor	S	265.10	47.40	96.52	6	139.00	12.50	12.00	10.60
PRT1418	Rotor	S	235.90	41.00	60.05	6	100.00	14.20	12.55	9.70
PRT1419	Rotor	V	261.80	51.30	64.16	4	114.30	12.60	21.00	19.00
PRT1420	Rotor	S	289.90	46.40	107.10	5	140.00	12.72	10.10	9.00
PRT1421	Rotor	V	286.80	56.00	68.02	5	108.00	14.00	22.00	20.00
PRT1423	Rotor	S	240.00	45.10	61.04	4	100.00	12.70	12.00	11.00
PRT1424	Rotor	V	241.80	44.00	61.04	4	100.00	12.70	19.00	17.00
PRT1425	Rotor	V	284.00	43.50	67.04	5	112.00	15.00	22.00	19.40
PRT1426	Rotor	S	262.20	45.50	67.04	5	112.00	14.80	11.00	9.00
PRT1427	Rotor	S	257.90	55.30	67.00	5	112.00	15.10	9.00	7.30
PRT1430F	Rotor	V	265.10	37.70	61.20	5	108.00	14.50	22.00	20.50
PRT1431	Rotor	V	255.00	48.00	54.04	5	100.00	14.50	25.00	24.00
PRT1432	Rotor	S	242.00	36.40	54.00	4	100.00	14.50	9.00	8.00
PRT1433	Rotor	S	259.80	43.20	64.04	4	114.30	13.00	10.00	8.00
PRT1434	H & R	S	258.50	73.50	54.00 / 45.21	4	114.30	M12x1.25	10.00	9.00
PRT1435	Rotor	S	260.86	53.34	66.04	4	114.30	12.24	10.00	8.00
PRT1436	Rotor	V	237.80	31.00	75.04	4	94.00	10.50	18.00	16.00
PRT1437	Rotor	V	249.50	65.20	77.00	4	114.30	12.53	22.10	20.00
PRT1438	Rotor	V	256.00	20.00	86.04	6	108.00	10.50	20.00	18.00
PRT1439	Rotor	S	238.40	48.15	61.04	4	100.00	12.80	10.00	8.00
PRT1440	Rotor	S	259.80	53.10	64.30	4	114.30	13.00	10.00	8.00
PRT1441	Rotor	V	280.00	49.50	68.00	5	114.30	12.70	22.00	20.00
PRT1442	Rotor	V	249.40	37.00	81.04	6	103.00	10.50	22.00	20.00
PRT1443	Rotor	V	251.60	49.40	68.10	4	114.30	12.80	19.80	18.00

BRAKE ROTORS CRITICAL DIMENSIONS BY PART NUMBER

Part Number	Rotor Type	Vent d/ Solid	Outside Diameter	Over-all Height	Center-hole Diameter	Bolt Holes	Bolt Circle	Bolt Hole Diameter	Nominal Thickness	Discard Thickness
PRT1445	Rotor	V	239.50	45.36	61.04	4	100.00	12.70	18.00	16.00
PRT1446	Rotor	V	282.00	57.50	68.30	5	114.30	13.13	20.20	18.00
PRT1447	Rotor	V	277.00	39.00	100.00	6	124.00	M10x1.25	26.00	24.00
PRT1448	Rotor	S	279.00	71.55	67.00	5	112.00	15.00	10.00	8.30
PRT1450	Rotor	V	390.65	158.75	212.01	8	275.01	21.44	38.99	36.07
PRT1451	Rotor	V	260.20	37.40	81.04	6	103.00	10.50	26.00	24.00
PRT1452	H & R	V	297.70	114.10	82.52 / 82.52	5	139.70	13.87	30.10	28.50
PRT1453F	Rotor	V	295.00	66.10	78.58	6	139.70	15.50	32.64	30.86
PRT1454F	Rotor	V	295.00	59.65	78.58	6	139.70	15.50	26.30	24.46
PRT1455	Rotor	V	327.80	123.80	123.27	10	145.00	13.00	38.00	36.30
PRT1456	H & R	S	257.80	95.40	55.15 / 54.93	5	112.00	M14x1.5	16.00	13.00
PRT1458	Rotor	V	250.00	31.90	68.00	4	88.00	M10x1.25	18.00	16.60
PRT1459	Rotor	V	251.10	33.20	80.04	6	102.00	M10x1.25	18.00	16.60
PRT1460	Rotor	V	277.30	45.20	87.10	6	108.00	10.60	22.00	20.40
PRT1462	Rotor	V	237.90	46.10	54.10	4	100.00	14.70	22.00	20.00
PRT1463	Rotor	S	302.00	48.00	100.00	6	140.00	10.20	12.50	11.50
PRT1464	H & R	V	301.20	117.80	59.08 / 49.96	5	127.00	15.24	26.30	24.50
PRT1466	Rotor	S	257.60	45.10	68.04	5	114.30	13.00	10.00	9.00
PRT1467F	Rotor	V	256.40	52.45	64.50	5	107.95	13.50	24.00	22.75
PRT1468	Rotor	V	327.10	78.30	127.10	8	165.10	15.00	39.00	37.20
PRT1469	Rotor	V	327.10	78.40	127.10	8	165.10	17.50	39.00	37.20
PRT1470	Rotor	V	275.80	50.90	64.50	5	107.95	14.00	26.00	23.75
PRT1471	Rotor	V	261.60	44.60	64.10	4	100.00	12.70	21.00	19.00
PRT1473	Rotor	V	296.00	50.00	70.70	5	120.65	13.36	20.00	18.00
PRT1474	Rotor	S	265.90	66.70	58.05	5	100.00	12.50	10.00	8.50
PRT1475	Rotor	V	381.00	89.03	137.16	6	171.45	19.56	36.60	33.50
SDR1475	Rotor	V	381.00	89.03	137.16	6	171.45	19.56	36.60	33.50
PRT1477	Rotor	V	317.50	69.94	137.27	8	165.10	16.50	32.76	30.86
PRT1478	Rotor	V	304.80	49.91	70.69	5	120.65	13.10	20.00	18.40
PRT1479	Rotor	V	304.80	56.04	70.69	5	120.65	13.00	20.04	18.40
PRT1480	Rotor	V	361.60	81.40	130.35	8	165.10	16.60	38.90	37.20
PRT1481	H & R	V	280.00	109.00	59.08 / 45.19	5	114.30	13.95	22.23	20.70
PRT1482	H & R	V	295.00	106.40	59.08 / 49.96	5	127.00	15.45	26.30	24.50
PRT1483	Rotor	V	349.30	111.10	139.80	10	184.15	17.10	39.00	37.20
PRT1484	Rotor	S	245.00	39.80	68.00	4	108.00	14.80	10.00	8.00
PRT1486	Rotor	V	238.00	48.20	54.04	4	100.00	14.50	18.00	17.00
PRT1487	H & R	V	319.50	142.90	73.23 / 61.98	8	165.10	15.32	31.62	30.00
PRT1489	Rotor	V	361.95	75.69	---	5	152.40	---	36.45	33.53
PRT1490	Rotor	V	361.95	75.44	116.84	6	152.40	13.46	36.45	33.53
PRT1491	Rotor	S	266.00	69.40	68.10	4	114.30	13.10	10.00	9.00
PRT1492	Rotor	S	268.80	64.20	54.05	5	100.00	14.20	10.00	9.00
PRT1493	Rotor	V	381.00	114.05	233.35	5	285.75	19.71	36.45	33.53
SDR1494	Rotor	V	381.00	112.65	152.47	10	184.40	14.80	36.60	33.53
PRT1496	Rotor	S	257.80	43.40	68.00	4	108.00	14.80	9.00	7.50
PRT1497	Rotor	V	279.90	43.60	68.06	4	108.00	15.00	23.40	21.50
PRT1498	H & R	V	290.00	110.60	62.93 / 45.19	5	114.30	14.05	22.00	20.60
PRT1499	Rotor	V	273.60	47.80	68.10	4	114.30	13.00	22.00	20.00
PRT1500	Rotor	V	255.78	41.78	68.07	4	107.95	15.24	19.94	18.01
PRT1501	H & R	S	222.30	66.05	50.24 / 45.19	4	114.30	12.35	10.00	8.00
PRT1502	Rotor	S	257.80	44.40	68.10	4	114.30	12.70	9.00	8.00
PRT1503	H & R	V	277.40	95.00	65.411 / 45.19	5	114.30	14.56	26.30	24.70
PRT1504	Rotor	S	251.00	34.50	55.00	4	100.00	13.00	9.00	8.00
PRT1505	Rotor	V	319.00	93.22	91.01	8	120.65	13.50	31.88	30.00
PRT1506	Rotor	V	243.00	47.40	54.05	4	100.00	14.50	22.00	21.00
PRT1507	Rotor	V	255.30	48.00	54.05	5	100.00	14.30	22.00	21.00

BRAKE ROTORS CRITICAL DIMENSIONS BY PART NUMBER

Part Number	Rotor Type	Vent d/ Solid	Outside Diameter	Over-all Height	Center-hole Diameter	Bolt Holes	Bolt Circle	Bolt Hole Diameter	Nominal Thickness	Discard Thickness
PRT1508	H & R	V	317.50	195.20/218.80	76.16 / 61.85	8	165.10	15.24	39.00	37.21
PRT1509	Rotor	V	257.50	47.80	54.00	5	100.00	14.72	22.10	21.00
PRT1510	Rotor	V	301.50	47.90	100.15	6	139.70	14.90	20.00	19.00
PRT1511	Rotor	S	262.38	45.97	90.07	4	114.30	12.57	11.99	10.49
PRT1512	Rotor	S	265.00	49.30	90.00	4	114.30	12.60	10.00	8.40
PRT1513	Rotor	V	281.20	46.90	70.20	5	114.30	12.80	23.00	21.00
PRT1514	Rotor	S	281.80	61.00	70.22	5	114.30	12.70	9.10	7.49
PRT1515	Rotor	V	284.20	60.50	82.44	5	111.10	11.30	24.00	22.90
PRT1517	Rotor	V	278.00	68.50	80.00	5	112.00	15.00	22.00	19.40
PRT1518	Rotor	S	238.80	38.60	65.00	4	100.00	13.60	9.90	8.00
PRT1519	H & R	V	261.00	105.00	59.08 / 45.19	5	114.30	13.78	22.23	20.60
PRT1520	Rotor	V	262.00	44.50	67.00	5	120.00	15.00	22.00	19.40
PRT1521	Rotor	S	263.00	40.20	54.00	4	100.00	14.80	9.90	9.00
PRT1523	Rotor	V	256.00	38.90	65.00	4	100.00	13.80	20.00	18.00
PRT1526	Rotor	S	218.80	37.20	75.10	4	94.00	10.55	13.10	11.00
PRT1527Ft	Rotor	V	258.30	55.85	64.50	4	108.00	14.60	24.10	22.76
PRT1528	Rotor	V	281.70	51.00	64.20	4	114.30	12.80	20.90	19.00
PRT1530	Rotor	V	259.00	48.00	58.42	5	100.00	14.00	20.35	18.70
PRT1531	Rotor	V	262.20	55.95	68.05	5	108.00	14.00	22.00	20.00
PRT1532	Rotor	S	270.00	51.50	57.38	5	100.00	13.90	12.00	10.40
PRT1533	Rotor	V	285.90	51.50	57.38	5	100.00	13.90	22.00	20.20
PRT1534	Rotor	V	281.90	38.00	61.10	5	100.00	13.70	24.00	22.40
PRT1535	Rotor	V	276.70	48.20	54.04	5	100.00	14.70	25.00	24.00
PRT1536	Rotor	V	280.40	53.60	68.30	5	114.30	13.00	30.23	28.00
PRT1537	Rotor	V	249.70	45.30	61.04	4	100.00	13.00	18.00	16.00
PRT1538	Rotor	V	259.75	57.10	84.34	5	114.30	12.60	26.00	24.00
PRT1539	Rotor	V	258.06	45.47	87.07	6	107.95	10.44	21.97	20.40
PRT1542	Rotor	V	233.93	46.99	56.08	4	100.00	12.95	18.03	16.99
PRT1543	Rotor	V	255.70	45.20	69.00	4	114.30	12.50	24.00	22.40
PRT1544	Rotor	V	256.03	33.91	86.03	4	103.99	10.44	24.00	22.40
PRT1545	Rotor	V	231.20	50.00	64.18	4	114.30	13.00	17.00	15.00
PRT1546	Rotor	V	247.90	45.10	57.04	4	100.00	12.70	22.00	20.60
PRT1547	Rotor	S	290.00	58.70	70.72	5	114.30	14.25	14.00	11.25
PRT1548	Rotor	S	255.78	59.69	58.04	5	100.00	12.95	10.01	8.51
PRT1549	Rotor	V	212.00	36.50	65.00	4	94.00	M10x1.25	18.00	15.50
PRT1550	Rotor	S	255.78	52.58	58.04	5	100.00	12.95	10.01	8.48
PRT1552	Rotor	S	260.80	53.10	66.15	5	114.30	12.80	10.00	8.00
PRT1553	H & R	V	281.50	134.50	63.48 / 45.19	5	114.30	14.55	26.30	24.70
PRT1554	Rotor	V	281.70	34.50	92.00	4	114.30	M10x1.25	25.00	23.00
PRT1555	Rotor	S	234.00	39.30	68.04	4	100.00	12.70	7.00	6.00
PRT1556	Rotor	S	234.00	47.20	56.10	4	100.00	12.95	11.00	10.00
PRT1557	Rotor	S	233.80	33.60	86.20	4	104.00	10.49	13.25	11.40
PRT1559	Rotor	V	265.94	60.20	90.07	4	111.99	13.92	18.03	16.41
PRT1561	Rotor	V	279.20	52.60	62.03	5	114.20	14.43	22.00	20.00
PRT1562	Rotor	V	250.00	47.00	54.06	4	114.30	12.70	18.50	16.50
PRT1564	Rotor	V	279.80	39.20	65.00	4	100.00	13.60	21.90	20.00
PRT1566	Rotor	V	265.18	47.63	70.64	5	115.01	13.92	19.05	17.30
PRT1568	Rotor	S	277.00	29.50	96.00	5	118.00	10.50	12.50	11.50
PRT1569	Rotor	V	295.00	66.70	80.08	5	120.60	13.00	22.50	21.00
PRT1570	Rotor	S	278.00	67.75	73.71	5	120.65	13.30	10.00	8.80
PRT1571	Rotor	S	256.10	34.90	57.60	5	100.00	14.00	8.80	7.40
PRT1572	H & R	S	225.80	71.10	50.24 / 39.85	4	100.00	M12x1.50	9.80	8.00
PRT1573	Rotor	S	238.70	33.90	48.00	4	100.00	12.92	10.10	8.00
PRT1574	Rotor	V	275.80	45.30	69.20	5	114.30	12.60	24.00	22.40
PRT1575	Rotor	S	264.90	49.00	90.00	5	114.30	12.50	10.00	8.40

BRAKE ROTORS CRITICAL DIMENSIONS BY PART NUMBER

Part Number	Rotor Type	Vent d/ Solid	Outside Diameter	Over-all Height	Center-hole Diameter	Bolt Holes	Bolt Circle	Bolt Hole Diameter	Nominal Thickne ss	Discard Thickne ss
PRT1576	Rotor	V	281.90	38.10	73.44	5	114.30	14.00	24.00	22.40
PRT1577	Rotor	V	287.50	64.26	73.61	6	114.30	14.00	24.13	22.60
PRT1578	H & R	V	287.50	111.20	62.93 / 45.19	6	114.30	14.05	24.00	22.40
PRT1579	Rotor	S	255.02	30.99	66.07	5	107.95	12.93	10.41	9.50
PRT1581	Rotor	V	239.80	44.60	61.00	4	100.00	12.70	21.00	19.00
PRT1582	H & R	V	277.37	95.00	63.75	4	107.95	1/2"x20	26.42	24.64
PRT1583	Rotor	V	374.70	96.77	137.26	6	171.45	16.76	34.16	31.00
PRT1584	Rotor	V	374.70	96.77	137.26	5	171.45	16.76	34.16	31.00
PRT1585	Rotor	V	374.70	96.52	137.26	6	171.45	16.76	34.16	31.12
PRT1586	Rotor	V	260.10	34.10	92.04	4	114.30	M10x1.25	23.00	21.00
PRT1587	Rotor	V	280.00	43.90	68.00	4	108.00	15.00	25.00	23.00
PRT1588	Rotor	S	272.00	68.50	62.00	4	108.00	12.00	12.70	10.70
PRT1589	Rotor	S	266.90	64.25	69.92	4	107.95	12.80	9.40	7.50
PRT1591	Rotor	V	282.00	34.20	92.00	4	114.30	M10x1.25	23.10	21.00
PRT1593	Rotor	S	260.00	63.70	64.20	4	114.30	12.80	10.00	8.00
PRT1594	Rotor	S	292.20	63.86	68.05	5	114.30	12.60	9.10	7.90
PRT1595	Rotor	V	279.50	53.59	68.00	5	114.30	12.63	28.00	25.93
PRT1596	Rotor	V	259.20	30.80	75.10	4	94.00	10.50	18.00	16.00
PRT1597	Rotor	V	286.00	69.70	100.60	6	139.70	12.70	18.00	16.00
PRT1598	Rotor	S	265.00	53.10	68.04	5	107.95	16.00	10.00	8.00
PRT1600	Rotor	V	256.50	45.40	69.14	4	114.30	12.70	21.90	20.00
PRT1601	Rotor	S	299.60	68.00	75.00	5	120.00	14.60	11.90	10.40
PRT1602F	Rotor	V	280.00	81.50	72.00	5	114.30	15.50	24.10	22.71
PRT1603	H & R	V	301.20	117.80	59.08 / 49.96	5	120.65	12.27	26.30	24.50
PRT1604	Rotor	V	250.40	43.50	59.74	4	100.00	13.00	18.00	15.80
PRT1605	Rotor	S	245.10	41.30	57.53	4	100.00	13.00	11.00	9.00
PRT1606	Rotor	V	390.40	156.97	241.27	10	285.75	11.25	38.86	36.07
PRT1609	Rotor	V	236.10	33.70	86.20	4	104.00	10.83	18.10	16.40
PRT1610	Rotor	V	264.00	47.60	64.04	5	114.30	12.70	24.00	22.00
PRT1611	Rotor	S	263.60	25.60	69.85	4	95.25	11.50	12.80	11.40
PRT1612	Rotor	S	281.94	65.15	75.06	5	119.99	14.68	11.94	10.39
PRT1619	Rotor	V	265.00	47.50	57.90	5	100.00	14.00	19.00	17.30
PRT1621	Rotor	V	281.40	82.30	71.84	5	114.30	15.00	26.29	24.70
SDR1621	Rotor	V	281.40	82.30	71.84	5	114.30	15.00	26.29	24.70
PRT1622	Rotor	V	278.00	66.60	80.00	5	112.00	15.00	22.00	20.00
PRT1624	Rotor	S	299.70	60.95	75.06	5	120.04	14.73	9.90	8.40
PRT1625	Rotor	S	273.00	63.30	80.00	5	112.00	14.80	12.60	11.00
PRT1626	Rotor	S	257.81	74.68	62.03	4	100.00	14.61	9.91	8.41
PRT1627	Rotor	V	381.00	149.86	361.00	5	323.85	19.33	36.45	33.53
PRT1629	Rotor	V	381.00	132.97	336.00	5	304.80	12.00	36.96	33.53
PRT1630	H & R	V	317.50	208.28	---	8	165.10	15.32	32.64	30.86
PRT1631	H & R	V	266.30	109.40	59.08 / 45.19	5	120.65	12.34	26.30	24.50
PRT1632	Rotor	V	301.80	75.93	79.09	5	120.00	14.80	27.94	26.40
PRT1633	Rotor	V	255.00	46.00	54.00	5	100.00	14.70	21.80	20.00
PRT1634	Rotor	V	235.00	45.00	55.07	4	100.00	13.00	22.00	20.00
PRT1635	Rotor	V	257.00	45.10	55.04	4	100.00	13.00	22.00	20.00
PRT1636	H & R	V	277.00	95.00	---	5	114.30	14.45	26.30	24.70
PRT1637	H & R	V	255.00	90.32	74.00 / 53.09	5	114.00	12.34	22.20	20.00
PRT1638	H & R	V	255.00	72.50	74.00 / 53.09	5	114.00	12.34	22.20	20.00
PRT1640	Rotor	V	262.00	60.00	84.00	6	110.00	M10x1.50	30.00	28.00
PRT1642	Rotor	V	274.96	50.75	60.05	5	114.30	14.38	27.94	26.00
PRT1643	Rotor	V	275.00	48.00	60.00	5	114.30	14.50	25.00	23.00
PRT1644	Rotor	V	290.40	67.50	60.10	5	114.30	14.70	16.00	15.00
PRT1645	Rotor	S	257.60	44.60	68.15	5	114.30	12.85	9.00	8.00
PRT1646	H & R	V	301.80	117.80	59.08 / 49.96	5	127.00	15.32	26.30	24.50

BRAKE ROTORS CRITICAL DIMENSIONS BY PART NUMBER

Part Number	Rotor Type	Vent d/ Solid	Outside Diameter	Over-all Height	Center-hole Diameter	Bolt Holes	Bolt Circle	Bolt Hole Diameter	Nominal Thickness	Discard Thickness
PRT1647	Rotor	V	273.00	66.50	80.00	5	111.99	14.99	22.00	20.00
PRT1648	Rotor	V	300.20	68.26	80.02	5	112.00	15.00	28.00	25.40
PRT1649	Rotor	S	273.00	63.30	68.60	5	112.00	14.80	12.60	11.00
PRT1650	Rotor	V	300.00	45.50	67.00	5	112.00	15.10	27.80	25.40
PRT1651	Rotor	V	279.90	56.30	68.00	5	108.00	14.00	26.00	23.00
PRT1652	Rotor	S	268.40	59.50	54.10	5	100.00	14.70	9.90	9.00
PRT1653	Rotor	V	257.80	47.37	62.03	5	114.30	14.73	25.02	24.00
PRT1654	Rotor	V	254.40	52.70	62.08	5	114.30	14.70	25.00	23.00
PRT1655	Rotor	S	277.88	58.42	67.01	5	111.99	14.99	9.02	7.29
PRT1656	Rotor	V	257.00	49.20	68.04	4	114.30	12.60	22.00	20.00
PRT1657	Rotor	V	296.90	63.00	68.00	5	114.30	12.70	18.00	16.00
PRT1658	Rotor	V	255.80	45.10	69.04	5	114.30	12.70	24.00	22.40
PRT1659	Rotor	V	255.80	41.00	60.00	6	100.00	14.27	23.90	21.00
PRT1660	Rotor	V	257.00	46.20	84.00	6	110.00	M10x1.25	25.00	24.00
PRT1661	Rotor	V	285.60	58.40	105.30	6	140.00	M12x1.25	25.00	23.00
PRT1663	Rotor	V	325.70	76.30	122.90	8	165.10	19.10	31.80	30.10
PRT1664	Rotor	V	325.50	83.30	130.18	8	165.10	10.20	30.23	28.60
PRT1665	Rotor	V	289.00	71.00	103.00	5	130.00	15.50	20.00	18.60
PRT1666	Rotor	V	279.80	40.00	79.07	5	119.99	14.68	24.77	23.39
PRT1667	Rotor	V	301.90	76.10	79.06	5	120.00	14.57	22.00	20.40
PRT1668	Rotor	V	299.85	68.50	75.00	5	120.00	14.50	20.00	18.40
PRT1669	Rotor	V	258.10	47.40	54.04	4	100.00	14.70	22.00	21.00
PRT1670	H & R	S	259.10	73.10	57.90 / 47.90	5	114.30	12.40	10.00	8.00
PRT1672	Rotor	V	266.07	45.47	68.83	5	114.30	12.37	24.00	22.40
PRT1673	Rotor	V	257.00	36.00	88.00	6	109.00	M12x1.25	22.00	20.60
PRT1675	Rotor	V	285.00	51.20	64.14	4	114.30	12.90	21.00	19.00
PRT1676	Rotor	S	278.00	56.50	67.00	5	112.00	14.75	9.00	7.30
PRT1677	Rotor	S	259.80	43.10	64.16	4	114.30	12.50	10.20	8.00
PRT1678	Rotor	V	285.80	60.00	80.00	5	112.00	15.00	22.00	19.40
PRT1679	Rotor	S	258.00	47.00	60.00	4	114.30	14.50	10.00	9.00
PRT1680	Rotor	V	254.10	46.10	84.00	5	110.00	M10x1.25	22.00	20.00
PRT1681	Rotor	S	279.60	65.20	86.20	4	114.30	13.80	12.60	11.70
PRT1682	Rotor	V	280.00	70.50	86.10	4	114.30	13.70	20.00	18.90
PRT1683	Rotor	V	263.00	46.20	62.00	10	114.30	14.30	16.00	15.00
PRT1685	Rotor	S	258.00	44.50	68.02	4	100.00	12.50	9.00	8.00
PRT1686	Rotor	S	288.04	59.44	54.00	5	100.00	14.61	10.03	8.99
PRT1687	Rotor	V	276.90	46.15	54.14	5	100.00	14.80	24.90	23.00
PRT1688	Rotor	V	255.60	66.00	72.04	5	114.30	13.10	30.00	28.00
PRT1689	Rotor	V	279.70	57.28	68.07	5	114.30	12.83	26.16	24.00
PRT1691	Rotor	S	203.96	29.85	76.00	4	96.01	31.75	9.91	8.99
PRT1692	Rotor	S	259.50	48.70	64.25	4	114.30	12.90	10.00	8.00
PRT1693	Rotor	V	278.70	68.40	60.10	5	114.30	14.83	22.10	21.00
PRT1694	Rotor	S	231.20	34.50	55.10	4	100.00	13.04	9.00	8.00
PRT1695	Rotor	V	272.30	24.60	93.80	6	116.00	10.24	22.00	20.00
PRT1696	Rotor	S	289.80	65.66	58.03	5	114.30	12.70	10.00	8.50
PRT1697	Rotor	V	301.80	56.70	58.00	5	114.30	12.80	27.90	26.00
PRT1698	Rotor	V	259.50	56.90	58.00	5	100.00	12.70	24.00	22.00
PRT1699	Rotor	V	271.50	70.30	60.04	5	114.30	14.70	18.00	17.00
PRT1702	Rotor	V	279.75	43.50	68.00	4	108.00	14.80	22.50	20.00
PRT1704	Rotor	V	254.00	42.90	55.05	4	100.00	14.70	18.00	17.00
PRT1705	Rotor	V	273.60	47.40	72.00	5	114.30	13.10	24.00	22.00
PRT1706	Rotor	V	285.50	57.40	72.10	5	114.30	13.08	18.03	16.00
PRT1707	Rotor	S	258.00	45.00	68.02	4	114.30	12.75	10.00	9.00
PRT1708	Rotor	S	261.90	60.10	90.00	4	114.30	12.50	10.00	8.40
PRT1709	Rotor	V	255.80	45.40	69.04	4	114.30	12.70	24.00	22.40

BRAKE ROTORS CRITICAL DIMENSIONS BY PART NUMBER

Part Number	Rotor Type	Vent d/ Solid	Outside Diameter	Over-all Height	Center-hole Diameter	Bolt Holes	Bolt Circle	Bolt Hole Diameter	Nominal Thickness	Discard Thickness
PRT1710	Rotor	S	289.50	46.20	107.00	5	139.70	12.80	10.00	8.00
PRT1711	Rotor	V	238.00	42.90	55.00	4	100.00	14.50	18.00	17.00
PRT1713Fc	Rotor	V	258.50	48.80	64.90	5	108.00	14.70	24.30	22.73
PRT1714	Rotor	V	264.67	31.75	---	4	100.00	3.94	20.45	17.70
PRT1715	Rotor	V	257.00	34.00	86.05	4	104.00	10.60	22.00	20.00
PRT1717	Rotor	V	235.00	45.00	55.00	4	100.00	13.50	18.00	16.00
PRT1718	Rotor	S	252.60	33.00	63.50	5	112.00	13.75	10.13	8.90
PRT1719	Rotor	V	280.00	28.20	65.00	5	100.00	15.50	22.00	20.00
PRT1721	Rotor	V	266.20	55.28	68.14	5	114.30	12.90	18.13	16.00
PRT1722	Rotor	V	271.20	52.70	62.08	5	114.30	14.60	25.00	23.00
PRT1723	Rotor	V	274.80	49.30	62.00	5	114.30	14.70	28.00	26.00
PRT1724	Rotor	V	255.00	49.35	62.04	5	114.30	14.50	28.00	26.00
PRT1725	Rotor	S	254.00	72.26	---	4	114.30	12.40	10.16	8.99
PRT1726	Rotor	S	268.80	64.50	62.05	5	114.30	14.50	10.00	9.00
PRT1727	Rotor	V	261.10	65.10	64.50	5	114.30	14.00	22.25	20.60
PRT1728	Rotor	S	256.30	47.25	57.02	4	100.00	12.32	9.14	7.60
PRT1730	Rotor	V	281.90	62.60	110.08	12	136.00	12.83	35.05	32.00
SDR1730	Rotor	V	281.90	62.60	110.08	12	136.00	12.83	35.05	32.00
PRT1731	Rotor	V	259.60	47.20	64.15	4	114.30	12.80	23.00	21.00
PRT1732	Rotor	V	287.20	46.17	107.07	5	139.70	12.63	17.10	15.00
PRT1733	Rotor	V	263.00	60.80	68.04	5	100.00	12.70	22.00	19.99
PRT1734	Rotor	S	323.90	60.95	75.00	5	120.00	14.55	11.94	10.40
PRT1735	Rotor	V	240.03	36.58	65.02	4	93.98	31.75	18.03	15.49
PRT1736	Rotor	S	265.70	56.70	68.10	5	114.30	12.64	10.20	8.00
PRT1737	Rotor	V	276.00	65.10	77.10	5	114.30	12.87	22.00	20.00
PRT1738	Rotor	V	272.90	53.30	66.20	5	114.30	12.43	20.00	18.00
PRT1739	Rotor	V	254.90	46.33	54.02	5	100.00	14.73	25.00	24.00
PRT1741	Rotor	V	258.00	46.07	71.07	5	107.95	14.00	26.00	24.75
PRT1743	Rotor	V	235.90	41.00	60.05	6	100.00	14.20	19.88	17.00
PRT1744	Rotor	V	291.10	65.50	99.95	6	127.00	10.50	24.80	23.00
PRT1745Fc	Rotor	V	295.00	83.20	78.63	5	127.00	14.00	32.64	30.86
PRT1748	Rotor	V	265.18	67.44	58.04	5	100.00	12.93	18.03	16.00
PRT1749	Rotor	V	260.20	58.05	63.58	4	108.00	13.80	24.20	22.80
PRT1750	Rotor	V	266.00	34.00	86.00	4	104.00	10.55	24.00	22.40
PRT1751	Rotor	S	258.00	57.50	67.00	5	112.00	15.60	16.00	13.00
PRT1752	Rotor	V	287.50	62.60	70.78	5	114.30	14.50	24.00	22.75
PRT1754	Rotor	S	298.50	70.10	101.63	5	127.00	10.22	14.00	13.00
PRT1755	Rotor	V	297.90	70.10	101.65	5	127.00	10.08	24.00	22.00
PRT1756	Rotor	S	289.80	61.34	101.63	5	127.00	10.03	12.58	11.50
PRT1757	H & R	V	261.00	105.00	59.08 / 45.19	5	114.30	13.95	22.23	20.60
PRT1758	H & R	V	261.00	105.00	59.08 / 45.19	5	114.30	13.95	22.23	20.60
PRT1759	Rotor	V	280.00	53.70	68.10	5	114.30	12.80	26.10	24.00
PRT1760	Rotor	V	238.00	46.00	60.00	4	100.00	12.45	20.00	17.70
PRT1761	Rotor	S	238.00	46.00	60.00	4	100.00	12.65	12.00	10.50
PRT1762	Rotor	S	279.75	47.50	86.00	4	114.30	10.92	13.00	11.70
PRT1763	Rotor	S	269.60	66.10	86.14	4	114.30	13.80	10.40	9.50
PRT1764	Rotor	V	281.60	32.50	64.18	5	114.30	12.50	21.00	19.00
PRT1765	H & R	S	256.60	84.00	50.24 / 39.83	4	112.00	M14x1.5	13.00	11.50
PRT1767	Rotor	V	282.45	74.17	102.92	5	130.00	15.37	20.32	19.08
PRT1769	Rotor	V	281.75	36.30	70.15	5	114.30	12.80	28.00	26.00
PRT1770	Rotor	V	317.50	69.86	137.31	8	165.10	16.50	39.00	37.21
PRT1771	Rotor	V	289.81	83.06	89.94	5	130.00	15.42	19.94	18.01
PRT1772	Rotor	V	279.80	64.50	68.15	5	112.00	16.45	24.00	20.00
PRT1773	Rotor	V	265.90	65.60	90.10	5	114.30	12.82	18.03	16.40
PRT1774	Rotor	V	256.00	62.00	72.00	5	114.30	14.00	24.00	22.00

BRAKE ROTORS CRITICAL DIMENSIONS BY PART NUMBER

Part Number	Rotor Type	Vent d/ Solid	Outside Diameter	Over-all Height	Center-hole Diameter	Bolt Holes	Bolt Circle	Bolt Hole Diameter	Nominal Thickness	Discard Thickness
PRT1775	Rotor	V	258.20	33.10	84.00	5	104.00	10.70	22.00	20.40
PRT1776	Rotor	V	275.90	45.10	87.14	6	107.95	10.70	24.00	22.40
PRT1777	Rotor	S	314.90	84.24	108.02	6	139.70	12.20	18.06	16.40
PRT1778	Rotor	V	268.99	95.76	72.01	5	97.99	11.99	22.00	19.99
PRT1779	Rotor	S	250.01	21.01	62.00	6	80.01	10.31	9.91	8.00
PRT1780	Rotor	V	282.00	35.25	107.00	5	126.00	8.50	20.50	19.10
PRT1781	Rotor	V	303.86	56.85	107.01	5	126.01	8.38	31.85	30.61
PRT1782	Rotor	V	303.86	56.85	107.01	5	126.01	8.38	31.85	30.61
PRT1783	Rotor	V	298.96	100.08	103.02	5	130.00	15.82	23.88	22.00
PRT1784	Rotor	S	240.03	34.80	64.01	4	114.30	12.57	10.03	8.00
PRT1785	Rotor	V	313.20	80.30	101.00	6	139.70	12.60	18.00	16.60
PRT1786	Rotor	V	280.00	36.00	88.04	6	109.00	M12x1.25	26.00	24.60
PRT1787	Rotor	V	291.70	63.30	68.10	5	114.30	12.80	15.88	14.00
PRT1790	Rotor	V	265.60	27.35	66.04	4	107.95	13.00	20.50	18.50
PRT1791	Rotor	S	247.00	34.30	71.04	4	108.00	13.60	10.00	8.00
PRT1792	Rotor	S	280.90	38.40	70.76	5	115.00	13.00	11.00	9.50
PRT1794	Rotor	V	256.50	45.20	61.20	4	100.00	12.80	26.00	23.90
PRT1795	Rotor	V	296.00	45.30	69.00	5	114.30	12.80	30.10	28.40
PRT1796	Rotor	V	284.23	52.83	89.94	5	114.30	12.70	20.07	18.39
PRT1797	Rotor	V	274.60	50.60	62.20	5	114.30	15.00	28.00	26.00
PRT1798	H & R	V	319.50	142.70	73.38 / 61.95	8	165.10	15.17	31.62	30.00
PRT1799	Rotor	V	291.00	67.50	62.03	5	114.30	14.70	15.90	15.00
PRT1800	Rotor	S	287.60	64.95	62.04	5	114.30	14.80	10.00	8.99
PRT1801	Rotor	S	281.18	71.37	---	4	114.30	14.00	10.03	8.38
PRT1802	Rotor	V	262.00	44.83	95.12	5	117.98	10.57	24.89	24.00
PRT1803	Rotor	V	275.80	63.90	72.14	5	114.30	13.10	28.00	26.00
PRT1804	Rotor	V	293.88	45.09	71.98	5	114.30	12.95	20.07	18.01
PRT1805	Rotor	V	293.62	67.06	71.98	5	114.30	12.95	22.09	19.99
PRT1806	H & R	V	295.20	113.90	65.04 / 49.96	6	139.70	15.32	32.64	30.86
PRT1807	H & R	V	317.50	126.00	73.38 / 61.85	8	165.10	15.45	32.64	30.86
PRT1808	Rotor	V	319.00	81.92	130.00	8	165.10	15.00	31.88	30.00
PRT1810	Rotor	V	230.00	43.00	57.00	4	100.00	12.50	18.00	16.60
PRT1811	Rotor	V	276.90	52.00	74.00	5	114.30	12.80	26.00	24.00
PRT1812	Rotor	V	310.13	81.92	66.95	5	112.01	16.94	27.94	25.40
PRT1813	Rotor	V	300.00	59.75	67.00	5	112.00	16.80	22.00	19.40
BPR1815	Rotor	V	286.00	51.70	79.07	5	120.00	14.40	22.00	20.40
PRT1815	Rotor	V	286.00	51.70	79.07	5	120.00	14.40	22.00	20.40
BPR1816	Rotor	V	323.90	77.09	79.05	5	120.00	14.55	29.85	28.40
PRT1816	Rotor	V	323.90	77.09	79.05	5	120.00	14.55	29.85	28.40
PRT1817	Rotor	S	280.00	60.00	75.00	5	120.00	14.60	10.00	8.40
PRT1818	H & R	V	317.50	126.00	73.38 / 61.85	8	165.10	15.44	32.64	30.86
PRT1820	Rotor	V	261.30	65.20	64.60	5	114.30	14.05	22.20	20.60
PRT1821	Rotor	V	261.30	65.20	64.60	5	114.30	14.05	22.20	20.60
PRT1822	Rotor	V	267.30	63.00	70.80	5	114.30	14.72	24.10	22.70
PRT1823	Rotor	V	306.70	67.00	62.00	5	114.30	14.50	16.00	15.00
PRT1829	H & R	V	294.90	113.90	65.04 / 49.96	5	127.00	15.45	32.64	30.86
PRT1830	H & R	V	295.00	114.00	65.04 / 49.96	5	127.00	15.45	32.64	30.86
PRT1831	Rotor	V	279.80	50.00	68.00	4	108.00	14.40	26.00	23.00
PRT1832	Rotor	S	295.00	72.00	68.00	4	108.00	14.50	9.60	8.40
PRT1836	Rotor	V	297.99	73.99	103.00	5	130.00	15.14	27.99	26.01
PRT1838	Rotor	V	255.78	51.31	68.07	4	107.95	15.42	21.97	19.99
PRT1840	Rotor	V	282.00	52.00	73.44	5	114.30	14.00	24.00	22.40
PRT1841	Rotor	V	278.10	57.00	67.00	5	112.00	14.86	24.01	21.40
PRT1842	Rotor	V	278.00	55.00	67.00	5	112.00	15.00	24.00	21.40
PRT1843	Rotor	V	290.80	66.80	80.04	5	120.65	13.50	28.40	26.00

BRAKE ROTORS CRITICAL DIMENSIONS BY PART NUMBER

Part Number	Rotor Type	Vent d/ Solid	Outside Diameter	Over-all Height	Center-hole Diameter	Bolt Holes	Bolt Circle	Bolt Hole Diameter	Nominal Thickness	Discard Thickness
PRT1844	Rotor	V	281.75	47.05	64.15	4	114.30	12.60	23.00	21.00
PRT1845	Rotor	V	258.20	48.70	72.05	5	114.30	13.00	24.20	22.00
PRT1846	Rotor	S	260.70	39.90	72.20	5	114.30	12.80	10.00	8.00
PRT1847	Rotor	S	233.90	45.00	64.04	4	100.00	12.50	13.00	11.40
PRT1848	Rotor	V	236.00	45.10	64.05	4	100.00	12.80	18.00	16.40
PRT1849	Rotor	S	270.00	51.33	73.40	5	114.30	14.00	12.00	10.40
PRT1850	Rotor	V	330.60	62.30	73.46	6	114.30	13.92	32.00	30.40
PRT1851	Rotor	V	330.00	43.50	73.50	6	114.30	14.10	22.00	20.40
PRT1852	Rotor	S	236.00	41.00	64.00	4	100.00	12.50	10.00	8.40
PRT1853	H & R	S	225.80	71.13	51.96 / 39.83	5	100.00	M14x1.50	9.90	8.00
PRT1855	Rotor	V	319.00	48.50	62.00	5	114.30	14.40	28.90	28.00
PRT1856	Rotor	V	322.80	49.00	62.20	5	114.30	14.50	30.00	28.00
PRT1857	H & R	V	261.00	105.00	59.08 / 45.19	5	114.30	13.78	22.23	20.60
PRT1859	H & R	V	317.50	131.30	73.41 / 61.89	8	165.10	15.32	39.00	37.20
PRT1860	H & R	V	276.00	108.26	77.76 / 77.76	5	114.30	13.87	22.10	20.60
PRT1861	H & R	V	317.50	121.00	73.38 / 61.95	8	165.10	15.45	32.64	30.90
PRT1862	H & R	V	317.50	219.40	73.38 / 61.85	8	165.10	15.52	39.10	37.20
PRT1863	H & R	V	301.20	125.40	65.04 / 49.96	5	127.00	15.32	32.64	30.90
PRT1866	H & R	V	317.70	242.20	73.38 / 61.85	8	165.10	15.45	39.10	37.25
PRT1867	H & R	V	319.50	142.10	73.38 / 61.95	8	165.10	15.17	31.50	30.00
PRT1868	Rotor	V	277.80	52.00	70.73	5	118.00	16.30	32.26	30.70
PRT1869	Rotor	V	255.20	48.10	55.15	4	100.00	14.50	22.00	20.00
PRT1870	Rotor	V	275.08	47.24	62.03	5	114.30	14.40	29.85	27.99
PRT1872	Rotor	V	275.84	45.01	69.00	4	114.30	13.87	24.00	22.40
PRT1874	Rotor	V	374.70	96.77	152.48	10	184.15	15.11	34.16	31.12
SDR1874	Rotor	V	374.70	96.77	152.48	10	184.15	15.11	34.16	31.12
PRT1875	Rotor	V	381.00	121.54	---	5	285.75	11.25	36.58	33.53
PRT1878	Rotor	V	334.90	102.60	106.25	6	139.70	14.40	18.00	16.00
PRT1879	Rotor	V	311.50	58.30	105.06	6	139.70	M12x1.25	32.00	30.00
PRT1880	Rotor	V	258.00	45.70	64.50	5	107.95	14.30	18.20	16.70
PRT1881	Rotor	V	255.80	45.40	69.04	4	114.30	12.70	24.00	22.40
PRT1883	Rotor	V	242.60	52.87	58.08	5	100.00	13.08	18.02	16.00
PRT1885	H & R	V	277.37	95.00	---	4	107.95	14.45	26.29	24.69
PRT1887	Rotor	V	275.84	46.23	68.00	5	111.99	15.16	24.99	23.01
PRT1888Ft	Rotor	V	293.30	49.10	70.76	5	118.00	16.30	20.00	18.40
PRT1889	Rotor	V	295.91	50.80	62.03	10	114.30	14.61	31.88	30.00
PRT1890	Rotor	V	323.80	67.20	62.00	5	114.30	14.50	16.00	15.00
PRT1891	Rotor	V	265.10	38.70	61.30	5	108.00	15.00	24.10	22.50
PRT1892	Rotor	V	280.00	49.10	68.15	4	114.30	12.80	22.00	20.00
PRT1893	Rotor	S	256.60	39.20	64.47	5	107.95	14.50	14.00	12.75
PRT1895	Rotor	V	280.00	45.40	84.04	6	119.00	10.50	25.00	23.00
PRT1896	Rotor	V	283.70	58.10	84.10	6	119.00	10.60	24.90	23.00
PRT1897	Rotor	V	330.20	56.01	70.69	5	120.65	13.08	27.90	26.40
PRT1898	Rotor	V	330.20	56.01	70.69	5	120.65	13.08	27.94	26.40
PRT1900	H & R	V	276.00	108.26	77.76 / 77.76	5	114.30	13.87	22.10	20.60
PRT1901	Rotor	S	284.80	60.44	72.04	5	114.30	15.50	11.00	9.50
PRT1902	Rotor	S	266.80	50.00	70.75	5	114.30	14.50	14.00	12.80
PRT1903	Rotor	V	275.80	46.50	71.03	5	107.95	14.00	26.00	24.75
PRT1904	Rotor	V	297.00	51.50	90.00	5	114.30	12.70	20.00	18.40
PRT1905	Rotor	V	297.70	64.70	98.51	5	139.70	16.25	26.00	24.40
PRT1906	H & R	V	297.70	133.30	59.08 / 45.19	5	139.70	15.45	26.00	24.45
PRT1907	H & R	V	297.70	133.30	59.08 / 45.19	5	139.70	15.45	26.00	24.45
PRT1908Ft	Rotor	S	278.00	27.50	70.78	5	115.00	13.00	11.00	9.40
PRT1909	Rotor	S	251.50	50.50	59.02	5	98.00	13.00	10.00	9.00
PRT1910	Rotor	V	313.94	45.09	69.01	5	114.30	12.70	30.10	28.40

BRAKE ROTORS CRITICAL DIMENSIONS BY PART NUMBER

Part Number	Rotor Type	Vent d/ Solid	Outside Diameter	Over-all Height	Center-hole Diameter	Bolt Holes	Bolt Circle	Bolt Hole Diameter	Nominal Thickness	Discard Thickness
PRT1911	Rotor	V	276.00	46.80	70.98	5	114.30	15.20	26.00	24.70
PRT1916	Rotor	V	235.00	44.70	55.04	4	100.00	12.70	18.00	16.00
PRT1917	H & R	V	319.02	142.90	73.41 / 61.98	8	165.10	15.24	31.62	30.00
PRT1918	Rotor	V	234.70	44.70	55.10	4	100.00	13.00	22.00	20.00
PRT1921	H & R	V	294.90	113.90	65.04 / 49.96	5	139.70	13.95	32.64	30.86
PRT1922	H & R	V	298.50	126.50	62.93 / 45.19	5	139.70	13.95	31.62	30.10
PRT1923	H & R	V	317.50	131.14	73.38 / 61.95	8	165.10	15.45	32.64	30.80
PRT1924	H & R	V	325.60	145.40	62.93 / 45.19	8	165.10	15.45	31.62	29.97
PRT1925	H & R	V	287.50	111.20	62.93 / 45.19	6	114.30	14.05	24.00	22.60
PRT1926	Rotor	V	239.00	38.10	61.00	4	100.00	14.00	21.50	18.40
PRT1927	H & R	V	317.70	228.30	73.38 / 61.95	8	165.10	15.32	39.10	37.25
PRT1930	H & R	V	319.50	142.10	73.38 / 61.95	8	165.10	15.45	31.50	30.00
PRT1932	Rotor	V	288.04	45.21	69.01	4	114.30	12.57	24.13	22.40
PRT1933	Rotor	S	273.00	43.00	76.00	4	98.00	10.30	12.60	10.70
PRT1934	H & R	V	319.10	142.70	73.38 / 61.95	8	165.10	15.16	31.62	30.00
PRT1937	Rotor	V	254.90	45.05	55.05	4	100.00	12.77	20.00	18.00
PRT1940	Rotor	V	294.90	65.73	78.58	5	139.70	15.75	32.64	30.86
BPR1941	Rotor	S	295.00	72.00	68.00	5	108.00	14.50	9.60	8.40
PRT1941	Rotor	S	295.00	72.00	68.00	5	108.00	14.50	9.60	8.40
BPR1942	Rotor	V	279.20	50.60	68.13	5	107.95	14.80	26.00	23.00
PRT1942	Rotor	V	279.20	50.60	68.13	5	107.95	14.80	26.00	23.00
PRT1943	Rotor	V	281.80	46.90	70.30	5	114.30	13.00	28.00	26.00
BPR1945	Rotor	V	311.80	46.23	68.00	10	112.00	15.30	25.00	23.00
PRT1945	Rotor	V	311.80	46.23	68.00	10	112.00	15.30	25.00	23.00
PRT1946	Rotor	V	275.80	56.20	68.00	4	108.00	15.37	24.90	23.00
PRT1947	Rotor	V	295.80	50.80	62.00	5	114.30	14.50	32.00	30.00
PRT1948	Rotor	V	306.60	67.28	62.10	5	114.30	14.70	16.07	15.00
PRT1949	Rotor	V	276.20	59.20	68.10	5	112.00	15.40	25.00	23.00
BPR5000	Rotor	V	288.00	46.53	68.00	5	112.00	15.35	25.00	23.00
PRT5000	Rotor	V	288.00	46.53	68.00	5	112.00	15.35	25.00	23.00
PRT5001	Rotor	V	299.72	61.09	75.06	5	120.04	14.68	19.94	18.39
BPR5002	Rotor	S	245.00	64.00	68.00	5	112.00	15.35	10.00	7.20
PRT5002	Rotor	S	245.00	64.00	68.00	5	112.00	15.35	10.00	7.20
PRT5003	Rotor	V	269.00	59.20	68.00	5	112.00	15.30	19.90	18.00
PRT5004	Rotor	V	274.60	49.05	55.04	5	100.00	14.90	28.30	26.00
PRT5005	Rotor	V	260.10	52.90	63.60	5	112.00	13.80	24.05	22.00
PRT5008	Rotor	S	269.20	65.00	55.00	5	100.00	14.80	10.00	9.00
PRT5009	Rotor	V	254.80	49.28	55.02	5	100.00	14.73	25.02	23.00
PRT5010	Rotor	V	273.80	51.00	72.00	5	114.30	13.00	28.00	26.00
PRT5011	Rotor	S	285.70	56.65	72.00	5	114.30	13.00	9.50	7.60
PRT5012	H & R	V	301.20	117.80	59.08 / 49.96	5	127.00	12.27	26.30	24.50
PRT5020	Rotor	S	260.00	59.40	90.10	4	114.30	12.60	12.10	10.50
PRT5021	Rotor	V	242.80	42.60	57.15	4	100.00	13.00	19.90	18.00
PRT5022	Rotor	S	258.06	40.01	90.07	4	114.30	12.70	10.16	8.89
PRT5023	Rotor	V	256.80	38.00	61.00	5	100.00	14.00	20.00	18.40
PRT5025	Rotor	V	280.92	46.23	62.03	5	114.30	14.68	22.10	21.01
PRT5026	Rotor	S	270.00	53.20	57.64	5	100.00	14.50	9.00	7.25
PRT5027	Rotor	V	351.80	74.55	127.12	5	161.00	16.76	36.30	34.70
PRT5028	Rotor	V	345.20	111.00	139.70	10	184.15	17.00	36.00	34.70
PRT5029	Rotor	S	258.00	46.50	68.04	5	114.30	13.10	9.00	8.00
PRT5031	Rotor	S	260.00	69.20	65.67	5	110.00	14.50	10.00	8.00
PRT5032	Rotor	V	283.60	40.70	70.06	7	110.00	14.00	23.90	22.00
PRT5033	Rotor	V	294.90	59.10	77.90	5	127.00	12.80	20.07	18.50
PRT5035	Rotor	V	296.20	51.06	70.78	5	114.30	14.81	18.30	16.80
PRT5037	Rotor	V	294.00	49.80	67.00	5	112.00	15.15	25.00	22.40

BRAKE ROTORS CRITICAL DIMENSIONS BY PART NUMBER

Part Number	Rotor Type	Vent d/ Solid	Outside Diameter	Over-all Height	Center-hole Diameter	Bolt Holes	Bolt Circle	Bolt Hole Diameter	Nominal Thickness	Discard Thickness
PRT5038	Rotor	V	323.85	77.09	79.07	5	120.04	14.68	29.97	28.40
PRT5039	Rotor	V	252.00	49.20	68.00	5	114.30	12.75	20.00	18.00
PRT5040	Rotor	S	277.80	44.40	68.15	5	114.30	12.80	9.00	8.00
PRT5041	Rotor	V	260.00	32.00	61.00	5	100.00	14.00	23.00	21.40
PRT5042	Rotor	V	283.97	65.71	90.00	5	114.30	12.37	19.99	18.39
PRT5043	Rotor	V	281.90	32.10	61.00	5	100.00	14.00	23.00	21.41
PRT5044	Rotor	V	260.10	46.89	63.59	4	107.95	13.80	24.00	22.20
PRT5046	Rotor	V	283.97	60.20	90.07	5	114.30	12.57	20.07	18.39
PRT5047	Rotor	S	261.90	60.20	90.10	5	114.30	12.80	10.10	8.40
PRT5048	Rotor	V	290.80	65.50	71.84	5	114.30	15.25	26.00	24.75
PRT5049	H & R	V	331.00	143.50	73.38 / 61.95	8	165.10	15.17	30.10	28.00
SDR5049	H & R	V	331.00	143.50	73.38 / 61.95	8	165.10	15.17	30.10	28.00
PRT5050	Rotor	V	293.90	46.50	71.16	5	107.95	14.00	26.00	24.45
PRT5051	Rotor	S	269.90	52.90	57.46	5	100.00	14.10	9.14	7.25
PRT5052	Rotor	S	285.00	58.30	71.03	5	114.30	14.50	12.10	11.00
PRT5053	Rotor	S	283.80	61.52	64.50	5	107.95	15.60	12.00	10.40
PRT5054	H & R	V	330.90	238.30	73.38 / 61.95	8	165.10	15.32	30.00	28.00
PRT5055	Rotor	V	329.20	79.00	130.21	8	165.10	16.25	30.10	28.50
PRT5057	H & R	V	331.00	143.50	73.38 / 61.95	8	165.10	15.17	30.10	28.00
PRT5058	Rotor	V	374.70	96.90	152.48	10	184.15	19.94	34.16	31.12
PRT5059	H & R	V	285.90	103.50	77.73 / 77.73	5	114.30	13.85	26.00	24.50
PRT5060	Rotor	S	238.70	47.60	61.05	4	100.00	12.80	9.00	8.00
BPR5061	Rotor	S	244.90	39.87	68.05	5	112.00	15.54	10.00	8.00
PRT5061	Rotor	S	244.90	39.87	68.05	5	112.00	15.54	10.00	8.00
PRT5062	H & R	V	261.20	107.50	65.04 / 45.19	5	114.30	13.95	26.00	24.50
PRT5063	Rotor	V	255.90	38.20	61.00	5	100.00	14.00	24.00	22.40
PRT5064F	Rotor	V	285.00	39.30	70.78	5	115.00	13.00	26.30	24.70
PRT5065	Rotor	V	265.90	34.40	90.15	6	110.00	11.10	22.00	20.70
PRT5066	Rotor	V	284.60	51.30	96.60	5	139.70	12.90	24.00	22.40
PRT5067	H & R	V	261.10	108.00	65.04 / 45.19	5	114.30	13.95	26.00	24.50
PRT5069	Rotor	V	253.00	43.60	63.59	4	107.95	13.70	20.00	18.00
PRT5070	Rotor	S	291.00	64.80	62.15	5	114.30	14.70	9.00	8.00
PRT5071	H & R	V	330.90	232.60	73.38 / 61.95	8	165.10	15.32	30.00	28.00
SDR5071	H & R	V	330.90	232.60	73.38 / 61.95	8	165.10	15.32	30.00	28.00
PRT5073	Rotor	V	315.00	53.10	62.04	5	114.30	14.80	27.94	26.00
PRT5074	Rotor	V	291.00	67.50	62.03	5	114.30	14.70	15.90	15.00
PRT5075	Rotor	V	285.80	66.00	72.04	5	114.30	16.00	26.00	24.50
PRT5076	H & R	V	286.50	107.50	65.04 / 45.19	5	114.30	13.85	26.00	24.45
PRT5077	Rotor	V	253.80	40.90	86.05	5	110.00	M10x1.25	21.80	20.00
PRT5078	Rotor	V	296.30	70.40	108.04	6	139.70	14.60	22.00	20.00
PRT5079	Rotor	V	232.00	45.30	61.04	4	100.00	12.70	18.00	16.00
PRT5080	Rotor	V	246.90	45.21	61.00	4	100.00	12.80	18.10	16.00
PRT5081	H & R	V	301.20	125.40	73.38 / 56.85	5	127.00	15.32	32.64	30.90
PRT5082	Rotor	V	312.00	61.00	75.00	5	120.00	14.75	20.00	18.40
PRT5083	Rotor	V	312.00	62.00	75.00	5	120.00	14.75	20.00	18.40
PRT5084	Rotor	V	314.80	52.50	79.00	5	120.00	14.40	27.90	26.40
PRT5085	Rotor	V	314.80	52.50	79.00	5	120.00	14.40	27.90	26.40
PRT5086	Rotor	V	381.00	81.53	152.48	10	184.15	14.80	36.45	33.53
SDR5086	Rotor	V	381.00	81.53	152.48	10	184.15	14.80	36.45	33.53
PRT5087	Rotor	S	259.50	63.70	64.20	4	114.30	12.90	9.00	7.50
PRT5088	Rotor	S	282.00	65.00	68.00	5	112.00	16.20	17.90	15.00
PRT5090	Rotor	V	303.80	72.00	103.00	5	130.00	15.30	32.00	30.00
PRT5092	Rotor	S	259.50	73.90	58.00	5	114.30	12.80	9.00	7.50
PRT5097	Rotor	V	304.01	76.99	103.00	5	130.00	15.27	32.00	30.00
PRT5098	Rotor	V	304.01	76.99	103.00	5	130.00	15.27	32.00	30.00

BRAKE ROTORS CRITICAL DIMENSIONS BY PART NUMBER

Part Number	Rotor Type	Vent d/ Solid	Outside Diameter	Over-all Height	Center-hole Diameter	Bolt Holes	Bolt Circle	Bolt Hole Diameter	Nominal Thickness	Discard Thickness
PRT5099	Rotor	V	298.70	73.92	103.02	5	130.00	15.54	28.00	26.00
PRT5100	Rotor	V	298.70	73.92	103.02	5	130.00	14.54	28.00	26.00
PRT5102	Rotor	V	289.05	100.08	103.02	5	130.00	15.42	19.94	18.59
PRT5103	Rotor	V	297.69	66.80	80.01	5	120.65	13.41	28.19	27.00
PRT5104	Rotor	V	304.90	67.80	73.75	5	120.65	13.30	19.90	18.00
PRT5105	Rotor	S	265.00	71.00	68.00	5	108.00	15.70	10.00	8.00
PRT5107	H & R	V	294.90	113.90	65.04 / 49.96	6	139.70	15.32	32.64	30.86
PRT5108	H & R	V	317.70	228.30	73.38 / 61.95	8	165.10	15.32	39.10	37.25
PRT5109	Rotor	S	284.70	57.45	70.72	5	114.30	14.00	14.00	13.00
PRT5110	Rotor	V	288.00	28.35	65.00	5	100.00	16.04	25.10	23.00
PRT5112	Rotor	V	282.70	38.00	100.10	6	124.00	M10x1.25	28.00	26.00
PRT5113	Rotor	V	235.00	49.53	60.03	4	100.00	12.65	20.07	18.00
PRT5114	Rotor	V	268.80	46.35	68.00	5	112.00	15.40	20.00	18.00
PRT5115	Rotor	S	244.90	46.20	68.10	5	112.00	15.40	9.90	8.00
PRT5116	Rotor	S	244.86	46.23	68.07	4	107.95	15.47	10.03	8.00
PRT5117	Rotor	S	245.00	65.20	68.00	4	108.00	15.30	10.00	8.00
PRT5118	Rotor	S	257.90	55.25	67.00	5	112.00	12.90	9.00	7.30
PRT5119	Rotor	V	284.00	43.44	67.01	5	112.00	13.08	21.84	19.41
PRT5120	Rotor	V	297.00	64.50	70.25	5	120.00	14.20	25.00	22.00
BPR5121	Rotor	S	304.30	62.86	70.18	5	120.00	14.00	12.57	11.70
PRT5121	Rotor	S	304.30	62.86	70.18	5	120.00	14.00	12.57	11.70
PRT5123	Rotor	V	310.20	46.30	107.08	5	139.70	12.70	22.00	20.00
PRT5124	Rotor	V	284.00	43.50	59.02	5	98.00	12.90	22.00	20.20
PRT5125	Rotor	V	333.76	77.09	79.07	5	119.99	14.68	32.00	30.40
PRT5126	Rotor	S	286.00	51.30	79.09	5	120.00	14.50	12.00	10.40
PRT5127	Rotor	S	272.00	78.00	75.00	5	120.00	14.80	10.00	8.40
PRT5128	Rotor	S	269.00	64.20	55.00	5	100.00	14.50	9.00	8.00
PRT5131	Rotor	V	327.99	61.01	75.01	5	119.99	14.38	19.99	18.39
PRT5132	Rotor	V	275.90	57.90	72.10	5	114.30	13.00	28.00	26.00
PRT5133	Rotor	V	301.80	46.30	62.04	5	114.30	14.80	17.90	16.00
PRT5134	H & R	V	317.50	207.90/232.47	73.38 / 61.85	8	165.10	15.32	39.00	37.20
SDR5134	H & R	V	317.50	207.90/232.47	73.38 / 61.85	8	165.10	15.32	39.00	37.20
PRT5137	Rotor	V	318.70	70.56	108.00	6	139.70	14.50	22.00	20.00
PRT5138	Rotor	S	258.10	40.38	76.10	4	114.30	12.65	10.03	8.00
PRT5139	Rotor	S	334.00	79.66	87.45	7	150.00	14.35	14.10	12.00
SDR5139	Rotor	S	334.00	79.66	87.45	7	150.00	14.35	14.10	12.00
PRT5140	Rotor	S	334.00	56.00	87.50	5	135.00	14.25	14.00	12.00
PRT5141	H & R	V	308.00	103.00	66.55 / 45.19	5	135.00	14.45	30.10	27.70
PRT5142	Rotor	V	307.80	47.20	92.44	5	135.00	15.00	30.10	27.70
PRT5143	H & R	V	308.10	102.90	66.95 / 45.21	7	150.01	14.30	30.10	27.70
SDR5143	H & R	V	308.10	102.90	66.95 / 45.21	7	150.01	14.30	30.10	27.70
PRT5144	H & R	V	308.00	102.60	62.93 / 45.19	7	150.00	14.45	30.10	27.70
SDR5144	H & R	V	308.00	102.60	62.93 / 45.19	7	150.00	14.45	30.10	27.70
PRT5145	Rotor	V	307.80	47.10	92.45	7	150.00	15.00	30.00	27.70
SDR5145	Rotor	V	307.80	47.10	92.45	7	150.00	15.00	30.00	27.70
PRT5146	Rotor	V	307.80	52.00	90.00	5	135.00	15.00	26.00	24.50
PRT5147	Rotor	V	287.00	64.00	73.44	6	114.30	14.00	24.00	22.60
PRT5148	Rotor	S	283.40	61.90	68.00	5	108.00	15.60	10.00	8.00
PRT5150	Rotor	V	302.70	51.90	70.73	5	118.00	16.00	32.26	30.70
PRT5151	Rotor	S	279.80	40.40	68.15	5	112.00	16.30	12.00	10.00
PRT5152	Rotor	V	281.90	38.10	73.40	5	114.30	14.00	24.00	22.40
PRT5153	Rotor	S	290.00	56.40	72.00	5	114.30	14.25	12.60	11.25
PRT5154	Rotor	S	245.00	83.60	50.25 / 45.18	5	112.00	M14x1.50	9.90	8.00
PRT5155	Rotor	S	277.90	50.10	70.65	5	118.00	16.25	11.00	9.00
PRT5157	Rotor	V	295.50	58.30	70.02	5	110.00	14.30	28.00	25.00

BRAKE ROTORS CRITICAL DIMENSIONS BY PART NUMBER

Part Number	Rotor Type	Vent d/ Solid	Outside Diameter	Over-all Height	Center-hole Diameter	Bolt Holes	Bolt Circle	Bolt Hole Diameter	Nominal Thickness	Discard Thickness
PRT5158	Rotor	V	277.80	49.00	70.73	5	118.00	16.30	26.00	24.70
PRT5159	Rotor	S	259.50	42.30	64.10	5	114.30	12.72	9.00	8.00
PRT5160	Rotor	V	256.60	49.10	68.04	5	114.30	12.60	22.00	20.00
PRT5161	Rotor	S	294.00	68.00	73.76	5	120.65	13.13	9.75	8.79
PRT5162	Rotor	V	327.70	123.83	123.32	8	145.00	12.88	38.10	36.30
SDR5162	Rotor	V	327.70	123.83	123.32	8	145.00	12.88	38.10	36.30
PRT5163	Rotor	S	258.10	57.02	90.05	5	114.30	12.57	10.41	8.40
PRT5167	Rotor	V	325.10	45.47	70.66	5	120.65	13.36	32.00	30.30
PRT5168	Rotor	V	325.10	45.47	70.65	5	120.65	13.36	32.00	30.30
PRT5169	Rotor	V	304.80	48.40	70.66	5	120.65	13.36	26.04	24.50
PRT5170	Rotor	V	304.80	48.40	70.66	5	120.65	13.36	26.06	24.50
PRT5171	Rotor	V	290.80	66.80	80.04	5	120.65	13.50	28.40	26.00
BPR5172	Rotor	V	297.94	67.06	98.04	5	130.00	---	24.00	22.10
PRT5172	Rotor	V	297.99	67.01	97.99	5	130.00	15.27	24.00	22.10
BPR5173	Rotor	V	291.80	66.93	98.30	5	130.00	15.50	20.00	18.00
PRT5173	Rotor	V	291.80	66.93	98.30	5	130.00	15.50	20.00	18.00
PRT5174	Rotor	S	285.90	69.40	65.60	5	110.00	14.30	12.00	10.00
PRT5179	Rotor	V	304.80	49.30	73.71	5	120.65	13.60	28.10	26.00
PRT5180	Rotor	V	294.70	95.20	70.73	5	120.65	13.00	20.00	18.50
PRT5181	Rotor	V	294.90	73.10	70.68	5	120.65	13.00	20.07	18.50
PRT5182	Rotor	V	274.00	54.50	70.73	5	120.65	13.00	29.00	27.50
PRT5185	Rotor	V	268.00	46.30	69.02	5	114.30	12.06	26.00	24.40
PRT5187	Rotor	V	259.90	40.10	92.24	6	114.30	10.70	26.20	24.10
PRT5189	H & R	V	260.90	107.50	65.04 / 45.19	5	114.30	13.95	26.00	24.50
PRT5190	Rotor	S	279.80	39.88	72.06	5	114.30	12.98	10.01	8.00
PRT5191	Rotor	V	316.00	66.00	71.73	5	114.30	15.20	28.00	25.75
SDR5191	Rotor	V	316.00	66.00	71.73	5	114.30	15.20	28.00	25.75
PRT5192	H & R	V	330.90	232.60	73.38 / 61.95	8	165.10	15.32	30.00	28.00
PRT5193	Rotor	S	259.80	48.20	64.14	5	114.30	12.50	9.00	8.00
PRT5194	Rotor	V	295.90	53.59	68.02	5	114.30	12.57	27.94	26.00
PRT5196	Rotor	V	277.90	46.90	63.61	4	107.95	13.80	24.00	22.20
PRT5197	Rotor	V	282.20	54.00	73.40	5	114.30	14.00	26.00	24.40
PRT5198	Rotor	V	297.00	54.00	73.35	5	114.30	14.00	26.00	24.40
BPR5199	Rotor	S	285.00	55.40	67.00	5	112.00	15.20	14.90	13.00
PRT5199	Rotor	S	285.00	55.40	67.00	5	112.00	15.20	14.90	13.00
PRT5200	Rotor	S	306.80	63.63	62.08	5	114.30	14.35	12.00	10.50
BPR5201	Rotor	V	302.80	51.40	67.00	5	112.00	15.20	25.90	23.00
PRT5201	Rotor	V	302.80	51.40	67.00	5	112.00	15.20	25.90	23.00
PRT5202	H & R	V	325.63	121.55	73.41 / 59.11	8	165.10	15.24	31.62	30.00
PRT5203	Rotor	S	260.70	40.00	57.04	4	100.00	13.20	10.00	8.00
PRT5205	Rotor	S	270.00	60.96	57.02	4	100.00	12.98	10.01	8.00
PRT5206	Rotor	V	283.40	56.00	70.80	5	120.65	11.60	25.00	23.00
PRT5207	Rotor	V	276.70	56.80	58.00	5	100.00	12.80	24.00	22.00
PRT5208	Rotor	V	284.00	43.50	67.00	5	112.00	14.80	22.00	19.40
PRT5209	Rotor	S	284.00	43.50	67.04	5	112.00	15.00	12.00	10.00
PRT5210	Rotor	V	301.50	47.90	100.15	6	139.70	14.90	20.00	19.00
PRT5213	Rotor	V	297.80	50.00	107.00	5	126.00	8.20	28.00	26.00
PRT5214	H & R	V	325.63	146.00	108.46	8	165.10	1/2"x20	31.75	29.97
PRT5215	Rotor	V	275.90	45.00	87.14	6	107.95	10.70	27.00	25.40
PRT5216	H & R	V	260.90	108.00	65.04 / 45.19	5	114.30	13.95	26.00	24.50
PRT5220	Rotor	S	297.60	38.50	70.76	5	118.00	16.50	11.00	9.00
PRT5221	Rotor	S	288.00	59.95	62.03	5	114.30	14.38	10.03	9.00
PRT5222	Rotor	V	312.90	69.72	115.00	5	144.00	12.50	32.00	30.00
PRT5224	Rotor	V	295.80	59.25	70.86	6	120.00	16.16	32.75	30.70
PRT5227	Rotor	V	299.80	37.90	100.10	6	124.00	M10x1.25	28.10	26.00

BRAKE ROTORS CRITICAL DIMENSIONS BY PART NUMBER

Part Number	Rotor Type	Vent d/ Solid	Outside Diameter	Over-all Height	Center-hole Diameter	Bolt Holes	Bolt Circle	Bolt Hole Diameter	Nominal Thickne ss	Discard Thickne ss
PRT5229	Rotor	V	259.90	47.00	64.20	4	114.30	12.60	23.00	21.00
PRT5230	Rotor	V	281.90	46.99	64.11	4	114.30	12.57	22.99	21.00
PRT5231	Rotor	S	259.70	48.34	64.20	4	114.30	12.80	9.10	8.00
PRT5232	Rotor	V	281.90	47.00	64.15	5	114.30	12.70	23.00	21.00
PRT5233	Rotor	S	259.60	48.20	64.16	5	114.30	12.64	9.00	8.00
PRT5234	Rotor	V	275.00	49.20	62.05	5	114.30	14.50	28.00	26.00
PRT5235	H & R	V	308.00	104.05	62.93 / 45.19	5	135.00	14.35	26.10	24.70
PRT5236	Rotor	V	234.60	45.81	55.07	4	100.00	13.15	22.00	20.00
PRT5237	Rotor	V	257.70	46.74	55.07	4	100.00	12.98	24.00	22.00
BPR5238	Rotor	S	230.40	39.60	65.00	5	100.00	15.80	8.90	7.00
PRT5238	Rotor	S	230.40	39.60	65.00	5	100.00	15.80	8.90	7.00
BPR5239	Rotor	V	279.90	36.50	65.15	5	100.00	15.90	21.90	19.00
PRT5239	Rotor	V	279.90	36.50	65.15	5	100.00	15.90	21.90	19.00
PRT5240	H & R	V	308.00	104.05	62.93 / 45.19	5	135.00	14.35	26.10	24.70
PRT5241	H & R	V	266.30	109.40	59.08 / 45.19	5	120.65	12.34	26.30	24.50
PRT5242	Rotor	S	279.91	68.20	75.01	5	119.99	12.67	9.91	8.99
PRT5243	Rotor	V	294.80	49.50	67.00	5	112.00	15.00	22.00	19.40
PRT5244	Rotor	V	281.80	46.60	71.07	5	107.95	14.00	26.00	24.75
PRT5245	Rotor	V	330.80	94.50	129.08	8	170.00	16.00	38.10	36.00
PRT5246	Rotor	V	281.90	52.00	73.40	5	114.30	14.00	24.00	22.40
PRT5247	Rotor	V	255.90	45.30	69.00	5	114.30	12.50	23.90	22.40
PRT5248	Rotor	S	290.00	59.57	67.00	5	112.00	16.89	12.00	9.80
PRT5249	Rotor	V	256.90	38.10	61.07	5	100.00	14.12	22.00	20.40
PRT5250	Rotor	V	277.80	52.20	70.62	5	118.00	16.30	32.26	30.70
PRT5251	Rotor	V	325.90	98.50	127.34	8	165.10	16.40	30.10	28.00
PRT5252	Rotor	V	282.40	46.20	68.10	5	112.00	15.40	25.00	23.00
PRT5253	Rotor	S	305.00	75.20	72.20	5	127.00	15.50	10.00	8.50
PRT5254	Rotor	V	305.00	63.40	72.00	5	127.00	15.50	26.00	24.50
PRT5255	H & R	V	330.96	143.50	73.41 / 61.98	8	170.00	15.32	38.00	36.00
PRT5256	H & R	V	330.96	143.50	73.41 / 61.98	8	170.00	15.32	38.00	36.00
PRT5257	Rotor	V	369.20	93.20	129.18	8	170.00	16.30	38.00	36.00
PRT5258	Rotor	V	325.90	98.50	127.00	8	170.00	16.00	30.10	28.00
SDR5258	Rotor	V	325.90	98.50	127.00	8	170.00	16.00	30.10	28.00
PRT5259	Rotor	V	304.70	58.00	78.55	6	139.70	16.00	29.00	27.20
SDR5259	Rotor	V	304.70	58.00	78.55	6	139.70	16.00	29.00	27.20
PRT5260	Rotor	V	330.20	92.76	122.83	8	165.10	16.51	29.00	27.00
SDR5260	Rotor	V	330.20	92.76	122.83	8	165.10	16.51	29.00	27.00
PRT5261	Rotor	V	324.90	89.00	118.14	8	165.10	16.40	38.10	36.50
SDR5261	Rotor	V	324.90	89.00	118.14	8	165.10	16.40	38.10	36.50
PRT5262	Rotor	V	330.20	86.90	117.67	8	165.10	15.90	29.00	26.50
PRT5263	Rotor	V	297.20	53.98	73.50	5	114.30	14.40	26.00	24.40
PRT5264	Rotor	V	305.00	60.70	70.72	5	118.00	15.90	25.70	24.70
PRT5265	Rotor	V	325.00	85.07	78.60	6	139.70	16.30	20.07	18.50
SDR5265	Rotor	V	325.00	85.07	78.60	6	139.70	16.30	20.07	18.50
PRT5266	Rotor	S	280.80	38.52	70.76	5	118.00	16.33	10.90	9.00
PRT5267	H & R	V	330.90	261.90	73.38 / 61.95	8	170.00	15.32	38.10	36.00
SDR5267	H & R	V	330.90	261.90	73.38 / 61.95	8	170.00	15.32	38.10	36.00
PRT5268	Rotor	V	325.90	110.67	123.33	8	144.50	13.10	30.00	28.00
SDR5268	Rotor	V	325.90	110.67	123.33	8	144.50	13.10	30.00	28.00
PRT5269	Rotor	V	287.90	32.39	64.54	5	107.95	14.15	20.07	18.50
PRT5270	Rotor	V	300.00	42.75	71.10	5	107.95	14.35	30.00	28.00
PRT5271	Rotor	V	330.10	43.56	71.07	5	114.30	15.16	28.07	26.40
PRT5272	H & R	V	285.90	103.50	77.76 / 77.76	5	114.30	13.85	26.03	24.50
PRT5273	Rotor	V	257.90	43.40	63.59	4	107.95	13.70	22.00	20.00
PRT5274	Rotor	V	330.80	99.40	129.08	8	170.00	16.50	38.10	36.00

BRAKE ROTORS CRITICAL DIMENSIONS BY PART NUMBER

Part Number	Rotor Type	Vent d/ Solid	Outside Diameter	Over-all Height	Center-hole Diameter	Bolt Holes	Bolt Circle	Bolt Hole Diameter	Nominal Thickness	Discard Thickness
SDR5274	Rotor	V	330.80	99.40	129.08	8	170.00	16.50	38.10	36.00
PRT5275	Rotor	V	307.80	47.10	92.44	5	135.00	16.00	30.10	27.70
SDR5275	Rotor	V	307.80	47.10	92.44	5	135.00	16.00	30.10	27.70
PRT5276	Rotor	V	280.10	78.00	72.10	5	114.30	16.00	24.30	22.70
BPR5277	Rotor	S	290.00	55.70	67.07	5	112.00	12.96	10.04	8.30
PRT5277	Rotor	S	290.00	55.70	67.07	5	112.00	12.96	10.04	8.30
BPR5278	Rotor	V	287.70	34.30	65.04	5	100.00	15.70	25.00	22.00
PRT5278	Rotor	V	287.70	34.30	65.04	5	100.00	15.70	25.00	22.00
PRT5279	Rotor	V	329.00	79.00	130.21	8	165.10	16.30	30.20	28.50
PRT5280	Rotor	V	325.90	112.70	120.12	8	142.10	13.00	30.10	28.00
PRT5281	Rotor	V	286.80	29.09	107.08	5	139.70	12.57	17.02	15.00
PRT5282	Rotor	V	330.20	95.57	78.60	6	139.70	16.50	30.00	28.50
SDR5282	Rotor	V	330.20	95.57	78.60	6	139.70	16.50	30.00	28.50
PRT5283	Rotor	V	326.50	102.00	122.37	8	165.10	16.90	35.50	33.53
PRT5284	Rotor	S	286.00	69.22	65.61	5	110.01	14.55	10.01	8.00
PRT5285	Rotor	V	287.90	42.10	70.10	7	110.00	14.20	25.00	22.00
BPR5286	Rotor	S	271.80	83.00	75.06	5	120.00	14.55	9.90	8.40
PRT5286	Rotor	S	271.80	83.00	75.06	5	120.00	14.55	9.90	8.40
PRT5287	Rotor	V	300.00	47.30	64.19	5	114.30	12.50	28.10	26.00
PRT5288	Rotor	V	309.70	29.04	107.08	5	139.70	12.75	21.96	20.00
PRT5289	Rotor	V	299.70	47.30	70.20	5	114.30	12.70	28.00	26.00
PRT5290	Rotor	S	282.20	58.93	64.14	5	114.30	12.57	9.02	7.50
PRT5291	Rotor	V	318.80	70.24	108.02	6	139.70	14.40	28.00	26.00
PRT5292	Rotor	S	288.00	65.02	62.08	5	114.30	14.55	11.99	11.00
PRT5293	Rotor	S	268.90	55.80	55.12	5	100.00	14.54	9.00	7.50
PRT5294	Rotor	V	275.00	49.32	55.03	5	100.00	14.73	24.90	23.00
PRT5295	Rotor	S	281.80	57.20	70.23	5	114.30	12.70	12.10	10.00
PRT5296	Rotor	V	309.80	28.96	108.30	5	139.70	12.70	22.00	20.00
PRT5297	Rotor	V	286.80	29.09	108.35	5	139.70	12.57	17.02	15.00
PRT5298	Rotor	S	289.40	67.14	58.04	5	100.00	13.10	10.00	8.50
PRT5299	Rotor	S	333.90	57.20	87.53	5	135.00	15.63	14.10	12.00
SDR5299	Rotor	S	333.90	57.20	87.53	5	135.00	15.63	14.10	12.00
PRT5300	Rotor	V	279.80	49.12	67.90	5	114.30	12.62	26.00	24.00
PRT5301	Rotor	V	280.00	39.30	61.04	5	100.00	14.00	23.00	21.40
PRT5302	Rotor	S	280.00	60.00	75.00	5	120.00	14.60	10.00	8.40
PRT5303	H & R	V	308.00	103.00	62.93 / 45.19	5	135.00	15.63	30.10	28.00
SDR5303	H & R	V	308.00	103.00	62.93 / 45.19	5	135.00	15.63	30.10	28.00
PRT5304	Rotor	V	305.00	54.28	79.18	6	127.00	13.13	29.00	27.50
PRT5305	Rotor	V	307.50	73.60	78.48	5	139.70	15.75	30.10	28.39
PRT5306	Rotor	V	304.00	70.00	79.68	5	139.70	15.75	30.10	28.39
PRT5307	Rotor	V	279.80	46.20	68.00	5	112.00	15.30	22.00	20.00
PRT5308	Rotor	V	280.90	38.00	73.50	5	114.30	13.85	28.00	25.30
PRT5309	Rotor	V	369.00	98.00	129.30	8	170.00	16.56	38.00	36.00
PRT5310	H & R	V	308.00	104.00	62.93 / 45.19	5	135.00	15.35	26.10	24.50
SDR5310	H & R	V	308.00	104.00	62.93 / 45.19	5	135.00	15.35	26.10	24.50
PRT5311	Rotor	V	305.40	56.10	82.16	5	114.30	14.30	26.00	24.50
PRT5312	Rotor	S	252.70	33.00	63.55	4	108.00	13.70	10.00	8.90
PRT5313	Rotor	V	278.00	47.00	72.04	5	114.30	14.00	24.00	22.00
PRT5314	Rotor	V	325.20	85.00	78.63	6	127.00	13.00	20.00	18.50
PRT5315	Rotor	V	275.20	52.00	71.08	5	115.00	14.30	30.10	27.00
PRT5316	Rotor	V	324.90	89.00	118.14	8	165.10	16.40	38.18	36.50
SDR5316	Rotor	V	324.90	89.00	118.14	8	165.10	16.40	38.18	36.50
PRT5317	Rotor	V	324.90	89.00	118.14	8	165.10	16.40	38.18	36.50
SDR5317	Rotor	V	324.90	89.00	118.14	8	165.10	16.40	38.18	36.50
PRT5318	Rotor	V	255.90	47.25	60.17	6	100.00	13.59	24.00	22.40

BRAKE ROTORS CRITICAL DIMENSIONS BY PART NUMBER

Part Number	Rotor Type	Vent d/ Solid	Outside Diameter	Over-all Height	Center-hole Diameter	Bolt Holes	Bolt Circle	Bolt Hole Diameter	Nominal Thickness	Discard Thickness
PRT5319	Rotor	S	257.80	64.65	57.13	5	114.30	12.98	10.29	8.00
PRT5320	Rotor	V	313.90	45.18	87.07	6	107.95	10.63	23.90	22.40
PRT5321	Rotor	V	234.80	43.45	55.23	4	100.00	14.53	18.10	16.00
PRT5322	Rotor	V	255.00	49.00	55.20	4	100.00	14.87	22.10	20.00
BPR5323	Rotor	S	244.90	47.75	68.04	5	111.99	15.37	10.00	8.00
PRT5323	Rotor	S	244.90	47.75	68.04	5	111.99	15.37	10.00	8.00
PRT5324	Rotor	V	295.90	49.28	62.14	5	114.30	14.63	27.94	26.00
PRT5325	Rotor	V	395.00	123.70	139.50	10	163.00	13.35	38.10	36.00
PRT5326	Rotor	V	305.20	45.00	71.74	5	114.30	16.00	28.00	26.35
SDR5326	Rotor	V	305.20	45.00	71.74	5	114.30	16.00	28.00	26.35
PRT5327	Rotor	S	257.80	64.80	57.12	4	100.00	13.00	10.30	8.00
PRT5328	Rotor	V	275.10	49.40	62.05	5	114.30	14.50	25.00	23.00
PRT5329	Rotor	V	287.90	64.80	72.10	5	114.30	15.50	28.00	26.00
PRT5330	Rotor	V	312.00	68.08	106.00	6	139.70	14.55	18.04	16.00
PRT5331	Rotor	S	331.00	54.99	67.06	5	112.00	15.20	13.90	12.30
PRT5332	Rotor	V	345.10	50.80	67.06	5	112.00	15.19	31.90	30.00
PRT5333	Rotor	V	304.55	35.94	90.12	6	110.01	10.87	25.91	24.69
PRT5334	Rotor	V	255.80	46.86	60.10	5	114.30	12.57	24.02	22.40
PRT5335	Rotor	V	325.00	84.98	118.12	8	165.10	14.20	20.00	18.50
PRT5336	Rotor	V	300.10	72.39	94.06	6	139.70	12.58	21.98	20.40
PRT5337	Rotor	S	282.20	65.70	64.10	5	114.30	12.96	9.00	7.50
PRT5338	Rotor	V	256.90	45.72	69.01	4	114.30	12.83	24.00	22.40
PRT5339	Rotor	V	325.00	132.30	122.70	8	165.10	16.30	30.10	28.50
SDR5339	Rotor	V	325.00	132.30	122.70	8	165.10	16.30	30.10	28.50
PRT5340	H & R	V	305.50	107.50	65.411 / 45.19	5	114.30	13.85	26.00	24.50
PRT5341	Rotor	V	305.00	66.04	72.06	5	114.30	16.41	26.00	24.50
PRT5342	Rotor	V	325.00	54.20	79.20	6	127.00	13.30	29.10	27.50
PRT5343	Rotor	V	300.00	52.00	71.00	5	115.00	14.10	30.00	28.50
PRT5344	Rotor	V	295.91	51.44	70.71	5	115.01	13.36	26.04	24.50
PRT5345	Rotor	V	390.80	86.36	152.60	10	184.15	15.20	36.45	33.53
SDR5345	Rotor	V	390.80	86.36	152.60	10	184.15	15.20	36.45	33.53
PRT5346	Rotor	V	390.40	86.36	152.48	10	184.15	15.20	39.00	36.07
SDR5346	Rotor	V	390.40	86.36	152.48	10	184.15	15.20	39.00	36.07
PRT5347	Rotor	V	293.10	57.53	110.03	12	136.00	12.37	40.00	37.00
SDR5347	Rotor	V	293.10	57.53	110.03	12	136.00	12.37	40.00	37.00
PRT5348	Rotor	V	381.00	81.53	152.65	10	184.15	14.73	36.58	33.53
PRT5349	Rotor	V	381.00	88.90	137.21	5	171.45	19.89	36.58	33.53
PRT5350	Rotor	V	281.00	38.00	73.40	5	114.30	14.00	28.00	25.30
PRT5351	Rotor	V	390.40	86.36	152.47	10	184.15	15.20	39.00	36.07
PRT5353	Rotor	V	295.00	58.20	70.73	5	114.30	14.30	19.00	18.00
SDR5353	Rotor	V	295.00	58.20	70.73	5	114.30	14.30	19.00	18.00
PRT5354	Rotor	V	255.90	47.24	59.06	6	100.00	13.34	24.00	22.40
BPR5355	Rotor	S	255.00	53.72	68.02	5	112.00	15.11	10.00	8.00
PRT5355	Rotor	S	255.00	53.72	68.02	5	112.00	15.11	10.00	8.00
PRT5356	Rotor	V	285.90	67.10	65.53	5	110.01	14.15	20.10	18.00
PRT5357	Rotor	V	323.30	130.81	122.94	8	165.10	17.58	30.10	28.40
PRT5358	Rotor	S	301.10	57.85	82.02	5	114.30	13.75	12.00	11.00
PRT5359	Rotor	S	290.30	46.22	70.73	5	115.01	13.87	11.05	9.00
PRT5360	H & R	V	316.70	125.86	73.41 / 61.90	8	165.10	15.32	39.00	37.20
PRT5361	Rotor	S	281.80	57.20	64.15	5	114.30	12.90	12.00	10.00
PRT5362	Rotor	V	295.90	49.15	68.01	5	114.30	12.83	24.00	22.00
PRT5363	Rotor	V	256.80	49.02	68.09	4	114.30	12.57	21.97	20.00
PRT5364	Rotor	V	256.80	47.24	69.04	4	114.30	12.57	24.51	22.40
PRT5365	Rotor	V	352.10	72.00	78.40	5	139.70	17.10	22.00	20.40
SDR5365	Rotor	V	352.10	72.00	78.40	5	139.70	17.10	22.00	20.40

BRAKE ROTORS CRITICAL DIMENSIONS BY PART NUMBER

Part Number	Rotor Type	Vent d/ Solid	Outside Diameter	Over-all Height	Center-hole Diameter	Bolt Holes	Bolt Circle	Bolt Hole Diameter	Nominal Thickness	Discard Thickness
PRT5366	H & R	V	286.50	107.50	65.04 / 45.19	5	114.30	13.85	26.00	24.50
PRT5367	Rotor	V	329.90	48.10	90.09	6	135.00	16.20	30.00	27.00
SDR5367	Rotor	V	329.90	48.10	90.09	6	135.00	16.20	30.00	27.00
PRT5368	H & R	V	317.50	218.80	76.18 / 61.89	8	165.10	15.24	39.00	37.21
PRT5369	Rotor	V	299.01	70.99	103.00	5	130.00	15.27	24.00	22.00
PRT5370	Rotor	V	329.20	102.62	110.00	5	150.01	16.38	18.04	16.00
BPR5371	Rotor	V	295.80	76.00	79.00	5	120.00	14.62	21.80	20.40
PRT5371	Rotor	V	295.80	76.00	79.00	5	120.00	14.62	21.80	20.40
BPR5372	Rotor	V	297.90	61.20	75.10	5	120.00	14.81	20.00	18.40
PRT5372	Rotor	V	297.90	61.20	75.10	5	120.00	14.81	20.00	18.40
PRT5373	Rotor	V	319.80	82.00	67.00	5	112.00	16.80	30.00	27.40
PRT5374	Rotor	V	333.76	76.96	79.04	5	119.99	14.38	32.00	30.40
PRT5375	Rotor	V	263.00	41.20	55.00	8	100.00	14.50	16.00	15.00
PRT5376	Rotor	V	255.00	43.06	55.00	4	100.00	14.38	19.94	18.00
PRT5377	Rotor	V	256.00	45.09	64.01	4	100.00	12.57	24.01	22.40
PRT5378	Rotor	V	289.90	46.23	94.06	6	139.70	12.57	26.04	24.40
PRT5379	Rotor	V	295.00	61.30	70.66	10	114.30	14.15	19.00	18.00
PRT5380	Rotor	S	334.00	57.14	70.69	5	114.30	14.15	14.10	12.00
PRT5381	Rotor	V	335.90	67.40	78.54	5	139.70	17.20	27.99	26.40
SDR5381	Rotor	V	335.90	67.40	78.54	5	139.70	17.20	27.99	26.40
PRT5382	Rotor	V	308.00	61.09	73.43	6	114.30	13.77	28.08	26.60
PRT5383	Rotor	S	285.00	59.49	72.00	5	114.30	16.64	12.00	11.00
PRT5384	Rotor	S	270.00	53.10	57.49	5	100.00	14.56	11.99	10.39
PRT5385	Rotor	V	279.90	39.60	61.03	5	100.00	14.00	28.00	26.40
BPR5386	Rotor	S	244.90	53.58	68.02	5	112.00	15.37	9.90	8.00
PRT5386	Rotor	S	244.90	53.58	68.02	5	112.00	15.37	9.90	8.00
PRT5388	Rotor	V	299.85	76.00	79.00	5	120.00	14.50	30.00	28.40
BPR5389	Rotor	V	331.70	61.96	75.00	5	120.00	16.54	29.97	28.40
PRT5389	Rotor	V	331.70	61.96	75.00	5	120.00	16.54	29.97	28.40
BPR5390	Rotor	S	323.90	80.10	75.01	5	120.00	16.61	12.00	10.40
PRT5390	Rotor	S	323.90	80.10	75.01	5	120.00	16.61	12.00	10.40
PRT5392	Rotor	S	254.80	47.60	68.02	5	112.00	15.37	9.90	8.00
PRT5393	Rotor	S	313.20	55.76	64.17	5	114.30	12.70	11.05	9.50
PRT5394	Rotor	V	316.00	46.51	67.01	5	111.99	12.88	27.99	25.40
BPR5395	Rotor	V	305.00	50.00	68.04	5	108.00	16.50	28.00	25.00
PRT5395	Rotor	V	305.00	50.00	68.04	5	108.00	16.50	28.00	25.00
PRT5396	Rotor	S	285.90	69.10	65.50	5	110.00	14.10	10.00	8.00
PRT5397	Rotor	V	261.90	47.10	64.30	5	114.30	12.95	21.10	19.00
PRT5398	Rotor	S	291.60	62.10	68.04	5	114.30	12.80	9.00	8.00
PRT5399	Rotor	S	281.80	58.60	64.20	5	114.30	12.90	9.00	7.50
PRT5400	Rotor	V	281.60	47.15	64.18	5	114.30	12.60	23.00	21.00
PRT5401	Rotor	V	257.80	48.52	57.06	4	100.00	12.88	24.00	22.00
PRT5402	Rotor	V	290.10	57.20	101.03	6	139.70	12.51	26.00	24.60
PRT5403	Rotor	V	294.13	46.23	69.06	5	114.30	12.57	26.04	24.40
PRT5404	Rotor	V	323.90	77.09	79.05	5	120.00	14.55	29.85	28.40
PRT5405	Rotor	S	259.80	48.68	64.15	5	114.30	12.60	9.00	8.00
PRT5406	Rotor	V	293.20	56.64	58.00	5	100.00	12.57	24.00	22.00
PRT5407	Rotor	S	277.00	71.33	62.12	5	108.00	16.23	12.00	10.00
BPR5408	Rotor	V	321.00	46.40	68.00	10	112.00	15.30	30.00	28.00
PRT5408	Rotor	V	321.00	46.40	68.00	10	112.00	15.30	30.00	28.00
BPR5409	Rotor	S	288.00	65.00	68.00	5	108.00	16.70	12.00	10.00
PRT5409	Rotor	S	288.00	65.00	68.00	5	108.00	16.70	12.00	10.00
PRT5410	Rotor	V	295.70	82.10	71.70	5	120.00	12.73	28.00	25.00
PRT5411	Rotor	S	269.00	64.70	62.04	5	114.30	14.40	12.00	10.50
BPR5412	Rotor	V	324.70	52.70	79.10	5	120.00	14.70	25.00	23.40

BRAKE ROTORS CRITICAL DIMENSIONS BY PART NUMBER

Part Number	Rotor Type	Vent d/ Solid	Outside Diameter	Over-all Height	Center-hole Diameter	Bolt Holes	Bolt Circle	Bolt Hole Diameter	Nominal Thickne ss	Discard Thickne ss
PRT5412	Rotor	V	324.70	52.70	79.10	5	120.00	14.70	25.00	23.40
PRT5413	Rotor	V	287.80	46.60	67.00	5	112.00	13.00	25.00	22.40
PRT5414	Rotor	V	342.00	50.80	90.02	6	135.00	16.15	21.96	19.00
SDR5414	Rotor	V	342.00	50.80	90.02	6	135.00	16.15	21.96	19.00
PRT5415	Rotor	V	255.80	47.80	68.20	5	112.00	15.50	21.90	20.00
BPR5416	Rotor	V	320.00	60.70	75.02	5	120.00	14.50	22.00	20.40
PRT5416	Rotor	V	320.00	60.70	75.02	5	120.00	14.50	22.00	20.40
BPR5417	Rotor	V	294.10	59.30	75.00	5	120.00	14.73	19.00	17.40
PRT5417	Rotor	V	294.10	59.30	75.00	5	120.00	14.73	19.00	17.40
BPR5418	Rotor	V	255.80	36.37	65.00	5	100.00	15.25	21.90	20.00
PRT5418	Rotor	V	255.80	36.37	65.00	5	100.00	15.25	21.90	20.00
PRT5419	Rotor	V	256.10	46.89	60.25	4	100.00	14.25	24.00	22.00
PRT5420	Rotor	S	311.91	81.41	72.01	6	114.30	16.54	14.99	13.49
PRT5421	Rotor	S	279.90	33.00	63.80	4	108.00	14.15	10.30	8.90
PRT5422	Rotor	S	300.60	58.25	71.18	5	114.30	14.70	12.00	10.50
PRT5423	Rotor	S	281.90	59.10	64.20	5	114.30	12.84	9.20	7.50
PRT5424	Rotor	V	276.00	77.00	85.00	5	130.00	15.00	22.00	19.00
SDR5424	Rotor	V	276.00	77.00	85.00	5	130.00	15.00	22.00	19.00
PRT5425	Rotor	V	246.00	50.00	60.00	4	100.00	12.70	20.00	18.00
PRT5426	Rotor	V	315.00	59.20	67.00	5	112.00	14.90	21.80	19.40
PRT5427	Rotor	S	285.90	78.70	70.00	5	170.00	12.60	16.00	13.90
BPR5428	Rotor	S	260.25	41.00	90.05	4	114.30	12.60	10.00	8.40
PRT5428	Rotor	S	260.25	41.00	90.05	4	114.30	12.60	10.00	8.40
PRT5429	Rotor	S	313.18	67.06	64.17	5	114.30	12.57	11.05	9.00
PRT5430	Rotor	S	238.80	33.40	65.00	5	100.00	15.30	8.90	7.00
PRT5431	Rotor	V	276.00	77.00	85.00	5	130.00	15.20	22.00	19.00
SDR5431	Rotor	V	276.00	77.00	85.00	5	130.00	15.20	22.00	19.00
PRT5432	Rotor	S	271.70	96.50	85.00	5	130.00	15.20	15.90	14.00
SDR5432	Rotor	S	271.70	96.50	85.00	5	130.00	15.20	15.90	14.00
BPR5433	Rotor	V	285.70	50.20	68.04	5	108.00	16.70	26.00	23.00
PRT5433	Rotor	V	285.70	50.20	68.04	5	108.00	16.70	26.00	23.00
PRT5434	Rotor	S	255.00	39.73	68.00	9	112.00	15.50	12.00	10.00
BPR5435	Rotor	V	299.80	58.50	67.00	5	112.00	14.80	22.00	19.40
PRT5435	Rotor	V	299.80	58.50	67.00	5	112.00	14.80	22.00	19.40
BPR5436	Rotor	S	290.00	56.20	67.00	5	112.00	13.30	12.00	10.30
PRT5436	Rotor	S	290.00	56.20	67.00	5	112.00	13.30	12.00	10.30
PRT5437	Rotor	V	320.00	50.40	67.00	5	112.00	12.90	30.00	28.00
PRT5438	Rotor	V	320.00	50.40	67.00	5	112.00	12.90	30.00	28.00
PRT5439	Rotor	V	256.10	40.90	60.10	6	100.00	14.45	23.80	22.40
BPR5440	Rotor	V	280.80	45.50	69.00	4	114.30	12.50	24.00	22.00
PRT5440	Rotor	V	280.80	45.50	69.00	4	114.30	12.50	24.00	22.00
PRT5441	Rotor	V	329.90	95.39	78.67	6	139.70	16.36	30.00	28.50
SDR5441	Rotor	V	329.90	95.39	78.67	6	139.70	16.36	30.00	28.50
PRT5442	Rotor	S	270.00	36.79	70.71	5	115.00	14.20	14.00	12.50
SDR5442	Rotor	S	270.00	36.79	70.71	5	115.00	14.20	14.00	12.50
PRT5443	Rotor	V	300.50	44.20	63.60	4	108.00	14.00	23.80	22.20
PRT5444	Rotor	V	330.20	58.17	82.00	5	114.30	13.72	28.00	26.50
BPR5445	Rotor	V	275.80	44.20	64.15	4	100.00	14.60	22.00	20.40
PRT5445	Rotor	V	275.80	44.20	64.15	4	100.00	14.60	22.00	20.40
BPR5446	Rotor	S	258.80	43.90	64.12	4	100.00	14.80	10.00	8.40
PRT5446	Rotor	S	258.80	43.90	64.12	4	100.00	14.80	10.00	8.40
PRT5447	Rotor	V	345.00	76.10	67.10	5	112.00	15.30	32.00	30.00
PRT5449	Rotor	V	302.80	51.82	70.70	5	115.01	14.15	32.26	30.70
PRT5452	Rotor	V	352.40	130.90	123.00	8	165.10	17.10	30.10	28.40
PRT5453	Rotor	S	322.90	58.25	82.05	5	114.30	13.75	12.00	10.50

BRAKE ROTORS CRITICAL DIMENSIONS BY PART NUMBER

Part Number	Rotor Type	Vent d/ Solid	Outside Diameter	Over-all Height	Center-hole Diameter	Bolt Holes	Bolt Circle	Bolt Hole Diameter	Nominal Thickness	Discard Thickness
PRT5454	Rotor	V	307.98	62.86	73.43	6	114.30	13.87	26.04	24.50
PRT5455	Rotor	V	276.00	45.40	69.10	5	114.30	12.85	26.00	24.40
PRT5456	Rotor	V	352.90	102.00	122.37	8	165.10	16.94	35.50	34.00
SDR5456	Rotor	V	352.90	102.00	122.37	8	165.10	16.94	35.50	34.00
PRT5457	Rotor	V	337.80	67.06	108.04	6	139.70	14.56	27.94	26.00
PRT5458	Rotor	V	318.70	67.40	108.10	6	140.00	14.70	28.00	26.00
PRT5459	Rotor	S	277.90	55.45	67.01	5	112.00	12.88	9.02	7.30
PRT5460	Rotor	V	256.00	45.22	69.05	4	114.30	12.57	24.00	22.40
PRT5461	Rotor	S	281.60	39.80	64.24	5	114.30	12.66	12.00	10.00
PRT5462	Rotor	V	300.00	39.70	70.00	5	114.30	12.70	25.00	23.00
PRT5466	Rotor	V	330.00	85.70	117.22	8	165.10	16.37	29.00	26.50
PRT5468	Rotor	V	318.30	47.00	82.10	5	127.00	15.57	28.00	26.50
BPR5469	Rotor	V	300.00	51.50	79.04	5	120.00	14.55	21.84	20.40
PRT5469	Rotor	V	300.00	51.50	79.04	5	120.00	14.55	21.84	20.40
BPR5470	Rotor	V	329.80	76.00	67.00	5	112.00	15.11	32.00	30.00
PRT5470	Rotor	V	329.80	76.00	67.00	5	112.00	15.11	32.00	30.00
PRT5471	Rotor	V	295.90	49.03	62.05	5	114.30	14.38	27.94	26.00
PRT5472	Rotor	V	241.20	51.82	63.35	4	100.00	12.57	19.08	17.00
PRT5473	Rotor	V	292.90	48.52	71.04	5	114.30	14.55	30.10	28.40
BPR5474	Rotor	V	276.00	60.00	75.00	5	120.00	14.60	19.00	17.40
PRT5474	Rotor	V	276.00	60.00	75.00	5	120.00	14.60	19.00	17.40
PRT5475	Rotor	S	319.80	58.05	82.14	6	139.65	13.51	14.00	12.00
PRT5476	Rotor	V	254.90	43.10	55.10	4	100.00	14.80	22.00	20.00
PRT5477	H & R	V	266.70	109.30	59.08 / 45.19	5	120.65	12.27	26.30	25.40
PRT5478	Rotor	V	316.00	38.73	64.46	5	114.30	14.55	19.99	18.40
BPR5479	Rotor	S	299.80	58.30	67.00	5	112.00	15.30	11.00	9.30
PRT5479	Rotor	S	299.80	58.30	67.00	5	112.00	15.30	11.00	9.30
PRT5480	H & R	V	331.00	147.20	73.38 / 61.95	8	170.00	15.40	38.00	36.00
SDR5480	H & R	V	331.00	147.20	73.38 / 61.95	8	170.00	15.40	38.00	36.00
BPR5481	Rotor	V	301.80	50.25	68.00	5	108.00	14.40	26.00	23.00
PRT5481	Rotor	V	301.80	50.25	68.00	5	108.00	14.40	26.00	23.00
BPR5482	Rotor	S	299.80	68.50	67.00	5	112.00	14.80	9.85	8.30
PRT5482	Rotor	S	299.80	68.50	67.00	5	112.00	14.80	9.85	8.30
BPR5483	Rotor	V	295.00	54.50	67.00	5	112.00	15.30	28.00	25.40
PRT5483	Rotor	V	295.00	54.50	67.00	5	112.00	15.30	28.00	25.40
PRT5486	H & R	V	297.69	176.28	---	5	139.70	5.50	26.03	24.38
PRT5492	Rotor	V	288.00	46.50	67.06	5	112.00	13.34	25.00	22.40
PRT5493	Rotor	V	299.97	57.51	67.01	5	111.99	14.86	22.00	19.41
BPR5494	Rotor	V	299.70	46.50	67.05	5	112.00	13.33	27.94	25.40
PRT5494	Rotor	V	299.70	46.50	67.05	5	112.00	13.33	27.94	25.40
PRT5495	Rotor	V	271.88	68.50	75.01	5	119.99	14.99	19.00	17.40
PRT5496	Rotor	S	312.00	60.20	82.00	5	127.00	15.80	14.10	12.50
PRT5497	Rotor	V	295.90	49.20	62.00	5	114.30	14.80	28.00	26.00
PRT5498	Rotor	V	241.20	51.90	62.25	4	100.00	12.57	19.10	17.00
PRT5499	Rotor	S	279.90	40.85	72.00	5	114.30	13.00	11.00	8.00
PRT5500	Rotor	S	280.00	78.00	74.00	5	120.00	14.90	12.60	11.10
PRT5501	Rotor	S	255.91	59.69	---	4	92.00	3.62	12.70	11.71
PRT5503	Rotor	V	262.89	64.14	---	5	107.95	4.25	23.88	22.78
PRT5504	Rotor	V	280.00	47.40	69.10	5	114.30	12.83	26.00	24.40
PRT5505	Rotor	V	276.00	47.10	69.10	5	114.30	12.80	26.00	24.40
PRT5506	Rotor	V	319.60	49.20	68.00	5	114.30	12.85	28.00	26.00
PRT5507	Rotor	V	319.90	43.20	82.13	6	139.70	13.53	26.00	24.50
PRT5508	Rotor	V	275.80	45.50	69.00	4	114.30	12.30	26.00	24.40
PRT5509	Rotor	V	280.00	39.90	92.06	6	112.00	M12x1.25	27.00	25.60
PRT5511	Rotor	V	280.00	39.50	65.00	5	100.00	15.75	22.00	20.00

BRAKE ROTORS CRITICAL DIMENSIONS BY PART NUMBER

Part Number	Rotor Type	Vent d/ Solid	Outside Diameter	Over-all Height	Center-hole Diameter	Bolt Holes	Bolt Circle	Bolt Hole Diameter	Nominal Thickness	Discard Thickness
PRT5513	Rotor	S	240.00	58.50	63.00	4	80.00	10.50	10.00	8.40
PRT5515	Rotor	V	298.45	84.07	---	5	114.30	4.50	31.88	29.97
PRT5517	Rotor	S	259.70	48.50	64.20	5	114.30	12.83	10.00	8.00
PRT5518	Rotor	V	296.93	52.00	70.69	5	117.98	16.15	32.27	30.70
PRT5519	H & R	V	329.90	124.00	84.94 / 69.00	6	135.00	15.28	30.00	28.50
SDR5519	H & R	V	329.90	124.00	84.94 / 69.00	6	135.00	15.28	30.00	28.50
PRT5520	H & R	V	329.90	123.92	84.94 / 69.00	7	150.00	15.28	30.00	28.50
SDR5520	H & R	V	329.90	123.92	84.94 / 69.00	7	150.00	15.28	30.00	28.50
PRT5521	Rotor	V	348.10	87.10	90.06	6	135.00	15.55	20.00	18.50
SDR5521	Rotor	V	348.10	87.10	90.06	6	135.00	15.55	20.00	18.50
PRT5522	Rotor	V	348.10	87.10	90.06	7	150.00	15.34	20.00	18.50
SDR5522	Rotor	V	348.10	87.10	90.06	7	150.00	15.34	20.00	18.50
PRT5523	Rotor	V	316.60	71.10	72.00	6	114.30	16.00	22.00	20.60
PRT5524	Rotor	V	275.90	48.40	72.10	5	114.30	13.10	26.00	24.00
PRT5525	Rotor	V	275.60	46.10	69.10	5	114.30	12.83	26.00	24.40
PRT5526	Rotor	V	294.00	45.50	69.00	5	114.30	12.74	25.70	24.40
PRT5527	Rotor	V	329.90	53.70	90.10	6	135.00	15.52	30.00	28.50
SDR5527	Rotor	V	329.90	53.70	90.10	6	135.00	15.52	30.00	28.50
PRT5528	Rotor	V	296.10	43.58	65.71	5	110.00	14.27	26.00	23.00
PRT5529	Rotor	V	276.00	51.50	68.00	4	108.00	15.00	25.00	23.00
PRT5530	Rotor	S	293.80	41.20	68.15	5	112.00	16.30	13.50	11.50
PRT5531	Rotor	V	312.80	56.40	68.15	5	112.00	16.30	26.00	22.00
PRT5532	Rotor	S	262.10	61.20	76.00	4	114.30	12.60	10.00	8.40
PRT5533	Rotor	V	310.10	55.50	110.03	12	136.00	12.37	42.00	39.00
SDR5533	Rotor	V	310.10	55.50	110.03	12	136.00	12.37	42.00	39.00
PRT5534	Rotor	S	283.90	61.00	76.00	5	114.30	12.60	10.00	8.40
PRT5535	Rotor	S	262.00	61.10	76.00	5	114.30	12.63	10.00	8.40
PRT5536	Rotor	V	292.00	62.20	68.00	5	114.30	12.80	16.00	14.00
PRT5537	Rotor	V	307.70	62.00	68.00	5	114.30	12.81	16.00	14.00
PRT5538	Rotor	V	290.00	46.10	69.00	5	114.30	12.85	26.00	24.40
PRT5539	Rotor	V	320.30	43.40	69.04	5	114.30	12.60	32.10	29.80
PRT5540	Rotor	V	300.00	47.20	64.26	5	114.30	12.87	28.10	26.00
BPR5541	Rotor	S	280.00	34.00	63.50	5	108.00	13.70	12.00	10.00
PRT5541	Rotor	S	280.00	34.00	63.50	5	108.00	13.70	12.00	10.00
BPR5543	Rotor	V	300.00	68.20	67.00	5	112.00	15.30	22.00	19.40
PRT5543	Rotor	V	300.00	68.20	67.00	5	112.00	15.30	22.00	19.40
PRT5544	Rotor	V	329.90	53.70	90.10	7	150.00	15.52	30.00	28.50
SDR5544	Rotor	V	329.90	53.70	90.10	7	150.00	15.52	30.00	28.50
PRT5545	Rotor	S	257.80	45.40	76.00	5	114.30	12.64	10.00	8.00
PRT5546	Rotor	S	301.80	58.44	69.04	5	114.30	12.63	9.83	8.40
PRT5547	Rotor	S	261.80	60.20	69.10	5	114.30	12.85	10.00	8.41
PRT5548	Rotor	S	302.90	62.85	62.13	5	114.30	14.58	9.10	8.00
PRT5549	Rotor	S	288.00	69.55	62.19	5	114.30	14.31	10.10	8.50
PRT5550	Rotor	S	290.80	68.55	62.00	5	114.30	14.47	12.00	10.50
PRT5551	Rotor	V	312.00	64.50	67.00	5	112.00	15.30	28.00	25.40
BPR5552	Rotor	V	316.00	50.00	68.00	5	108.00	16.29	28.00	25.00
PRT5552	Rotor	V	316.00	50.00	68.00	5	108.00	16.29	28.00	25.00
BPR5553	Rotor	V	307.90	64.75	68.04	5	108.00	16.29	20.00	18.00
PRT5553	Rotor	V	307.90	64.75	68.04	5	108.00	16.29	20.00	18.00
PRT5554	Rotor	S	277.90	44.58	68.07	4	114.30	12.67	9.00	8.00
PRT5555	Rotor	V	320.80	52.20	68.00	10	112.00	15.30	30.00	28.00
PRT5556	Rotor	V	307.80	41.90	70.00	7	110.00	14.00	25.00	22.00
PRT5557	Rotor	V	299.80	47.30	64.14	5	114.30	12.50	25.00	23.00
PRT5558	Rotor	V	363.10	100.33	110.03	12	136.00	12.37	42.00	39.00
SDR5558	Rotor	V	363.10	100.33	110.03	12	136.00	12.37	42.00	39.00

BRAKE ROTORS CRITICAL DIMENSIONS BY PART NUMBER

Part Number	Rotor Type	Vent d/ Solid	Outside Diameter	Over-all Height	Center-hole Diameter	Bolt Holes	Bolt Circle	Bolt Hole Diameter	Nominal Thickness	Discard Thickness
PRT5559	Rotor	V	295.80	49.20	68.06	5	114.30	12.88	24.00	22.00
BPR5560	Rotor	V	344.80	67.12	79.00	5	120.00	16.62	24.00	22.40
PRT5560	Rotor	V	344.80	67.12	79.00	5	120.00	16.62	24.00	22.40
BPR5561	Rotor	V	347.90	81.00	79.00	5	120.00	16.65	30.00	28.40
PRT5561	Rotor	V	347.90	81.00	79.00	5	120.00	16.65	30.00	28.40
PRT5562	Rotor	V	253.70	50.70	55.20	4	100.00	13.16	24.00	22.00
PRT5563	Rotor	S	270.00	45.20	65.72	5	110.00	14.27	14.00	12.00
PRT5564	Rotor	V	276.10	43.06	65.72	5	110.00	14.10	26.00	23.00
PRT5565	Rotor	V	395.00	123.70	139.45	10	163.00	13.00	38.10	36.00
PRT5566	Rotor	S	301.80	55.97	72.03	5	114.30	13.90	12.00	11.00
PRT5567	Rotor	S	320.00	67.07	72.87	5	115.00	16.64	10.08	8.50
PRT5568	Rotor	V	320.00	67.00	72.62	5	115.00	16.90	22.00	20.50
PRT5569	Rotor	V	285.70	57.80	72.04	5	114.30	13.00	18.00	16.00
PRT5570	Rotor	V	300.00	57.30	90.00	5	114.30	12.50	22.00	20.40
PRT5571	Rotor	V	320.10	49.20	68.10	5	114.30	12.83	28.10	25.10
BPR5572	Rotor	V	299.90	47.00	63.60	5	107.95	13.57	24.00	22.00
PRT5572	Rotor	V	299.90	47.00	63.60	5	107.95	13.57	24.00	22.00
PRT5573	Rotor	V	268.80	46.30	68.00	5	112.00	15.30	21.90	20.00
PRT5574	Rotor	V	374.80	96.80	137.16	5	171.45	16.60	34.20	31.10
SDR5574	Rotor	V	374.80	96.80	137.16	5	171.45	16.60	34.20	31.10
PRT5575	Rotor	V	374.70	96.52	152.48	10	184.15	15.19	34.16	31.12
PRT5576	Rotor	V	257.00	46.35	69.01	4	114.30	12.57	24.01	22.40
BPR5577	Rotor	V	297.50	91.40	70.10	5	120.00	14.22	25.00	22.00
PRT5577	Rotor	V	297.50	91.40	70.10	5	120.00	14.22	25.00	22.00
PRT5579	Rotor	V	279.80	46.36	68.02	5	112.00	15.37	22.00	20.00
PRT5580	Rotor	V	276.80	51.00	66.15	5	114.30	12.60	20.87	18.00
PRT5581	Rotor	V	280.00	47.40	69.10	4	114.30	12.85	26.00	24.40
PRT5582	Rotor	V	329.90	55.50	78.60	6	139.70	15.88	30.00	28.00
SDR5582	Rotor	V	329.90	55.50	78.60	6	139.70	15.88	30.00	28.00
PRT5583	Rotor	V	303.00	47.00	72.04	5	114.30	13.90	26.00	24.00
PRT5584	Rotor	V	346.90	100.00	129.14	8	170.00	16.20	38.00	36.40
SDR5584	Rotor	V	346.90	100.00	129.14	8	170.00	16.20	38.00	36.40
PRT5585	Rotor	V	277.80	48.40	72.04	5	114.30	14.00	25.00	23.00
PRT5586	Rotor	V	254.80	49.10	55.16	5	100.00	14.80	22.00	20.00
PRT5587	Rotor	V	329.80	68.40	85.00	5	130.00	15.30	31.85	30.00
PRT5588	Rotor	V	329.80	68.40	85.00	5	130.00	15.30	31.85	30.00
BPR5589	Rotor	V	349.80	68.75	85.00	5	130.00	15.50	34.00	32.00
PRT5589	Rotor	V	349.80	68.75	85.00	5	130.00	15.50	34.00	32.00
BPR5590	Rotor	V	349.80	68.75	85.00	5	130.00	15.50	34.00	32.00
PRT5590	Rotor	V	349.80	68.75	85.00	5	130.00	15.50	34.00	32.00
PRT5592	Rotor	S	323.90	60.95	75.06	5	120.00	14.55	11.94	10.40
PRT5593	Rotor	V	302.80	51.80	70.70	5	115.00	14.30	32.26	30.70
PRT5594	Rotor	V	330.20	86.63	78.70	6	139.70	16.54	29.00	26.50
PRT5595	Rotor	V	323.10	51.92	70.71	6	115.00	14.34	32.17	30.70
PRT5596	Rotor	V	323.10	51.98	70.76	5	115.00	14.44	32.45	30.71
PRT5597	Rotor	V	282.60	48.40	72.04	5	114.30	13.10	25.00	23.00
PRT5598	Rotor	S	353.80	75.00	79.00	5	120.00	16.50	11.90	10.40
PRT5599	Rotor	V	343.70	75.90	79.00	5	120.00	16.64	30.00	28.40
PRT5600	Rotor	V	302.00	45.10	70.00	5	110.00	14.28	28.00	25.00
PRT5601	Rotor	S	277.80	41.50	65.50	7	110.00	14.00	11.90	10.00
PRT5602	Rotor	V	302.00	54.20	79.20	6	127.00	13.30	29.10	27.50
PRT5603	Rotor	V	300.00	48.40	72.00	5	114.30	14.00	25.00	23.00
PRT5604	Rotor	V	295.90	47.32	70.17	5	120.10	15.58	28.00	26.00
PRT5605	Rotor	V	276.10	50.20	72.20	5	114.30	13.11	28.30	26.00
PRT5606	Rotor	V	299.80	54.10	96.30	5	139.70	12.70	28.00	26.00

BRAKE ROTORS CRITICAL DIMENSIONS BY PART NUMBER

Part Number	Rotor Type	Vent d/ Solid	Outside Diameter	Over-all Height	Center-hole Diameter	Bolt Holes	Bolt Circle	Bolt Hole Diameter	Nominal Thickne ss	Discard Thickne ss
PRT5607	Rotor	V	297.80	48.10	70.70	5	115.00	13.00	26.00	24.00
PRT5608	Rotor	V	315.00	70.22	100.76	6	139.70	13.80	28.00	26.50
PRT5609	Rotor	S	311.90	66.40	101.00	6	139.70	13.60	12.00	10.50
BPR5610	Rotor	V	287.70	46.10	68.04	10	112.00	15.30	25.00	23.00
PRT5610	Rotor	V	287.70	46.10	68.04	10	112.00	15.30	25.00	23.00
PRT5611	Rotor	V	319.60	49.20	68.00	5	114.30	12.80	28.00	26.00
PRT5612	Rotor	V	255.50	47.08	60.14	4	114.30	12.57	24.00	22.00
PRT5613	Rotor	V	318.80	49.20	62.03	5	114.30	14.60	28.00	26.00
PRT5614	Rotor	S	300.08	35.39	70.77	5	115.00	14.20	12.15	10.50
PRT5615	Rotor	V	369.00	98.50	129.13	10	170.00	16.18	39.00	37.40
SDR5615	Rotor	V	369.00	98.50	129.13	10	170.00	16.18	39.00	37.40
PRT5616	Rotor	V	293.00	48.00	71.10	5	114.30	15.10	30.00	28.40
PRT5617	Rotor	V	312.10	66.00	78.47	5	139.70	16.50	28.00	26.00
PRT5618	Rotor	S	259.60	48.20	61.00	4	100.00	12.50	9.00	8.00
PRT5619	Rotor	S	264.80	40.80	72.04	5	114.30	14.00	11.00	9.00
PRT5620	Rotor	S	279.90	40.80	72.00	5	114.30	14.00	11.00	9.00
PRT5622	Rotor	S	283.70	69.70	76.10	5	114.30	12.73	10.00	8.40
PRT5623	Rotor	V	284.80	42.00	70.03	5	110.00	13.87	25.00	23.00
PRT5624	Rotor	S	275.70	58.20	60.11	4	114.30	12.52	12.00	10.01
PRT5625	Rotor	S	300.10	34.75	70.74	6	115.00	14.00	12.10	10.50
PRT5626	Rotor	V	347.00	100.00	129.13	8	170.00	16.19	38.00	36.40
SDR5626	Rotor	V	347.00	100.00	129.13	8	170.00	16.19	38.00	36.40
PRT5628	Rotor	S	277.80	50.60	70.70	5	115.00	14.50	11.00	9.00
SDR5628	Rotor	S	277.80	50.60	70.70	5	115.00	14.50	11.00	9.00
PRT5630	Rotor	V	340.60	125.00	128.20	8	155.80	13.00	34.20	32.40
SDR5630	Rotor	V	340.60	125.00	128.20	8	155.80	13.00	34.20	32.40
BPR5639	Rotor	V	311.90	49.80	65.04	9	112.00	15.50	25.00	22.00
PRT5639	Rotor	V	311.90	49.80	65.04	9	112.00	15.50	25.00	22.00
PRT5644	Rotor	S	256.00	48.30	65.00	9	112.00	15.30	12.00	10.00
PRT5650	Rotor	V	320.10	54.60	72.64	5	115.00	16.90	28.00	26.50
PRT5651	Rotor	V	345.00	54.60	72.64	5	115.00	16.90	28.00	26.50
SDR5651	Rotor	V	345.00	54.60	72.64	5	115.00	16.90	28.00	26.50
PRT5652	Rotor	V	277.90	44.80	63.56	4	108.00	13.71	25.00	23.00
PRT5653	Rotor	V	300.00	35.00	70.74	5	114.30	14.55	19.00	17.40
PRT5654	Rotor	V	302.80	51.80	70.77	5	115.00	14.15	30.00	28.60
SDR5654	Rotor	V	302.80	51.80	70.77	5	115.00	14.15	30.00	28.60
PRT5655	Rotor	V	328.00	53.00	72.00	5	127.00	16.20	30.10	28.50
PRT5656	Rotor	S	320.20	66.30	72.00	5	127.00	16.30	14.00	12.50
PRT5657	Rotor	V	293.40	56.60	58.00	5	100.00	12.57	24.00	22.00
PRT5658	Rotor	V	316.20	48.10	71.07	5	114.30	15.00	30.10	28.50
PRT5659	Rotor	S	214.00	43.00	59.00	4	100.00	12.50	11.90	11.00
PRT5660	Rotor	V	325.00	54.50	79.20	6	127.00	13.40	29.00	27.50
PRT5661	Rotor	V	275.80	42.90	65.69	5	109.64	13.75	26.00	23.00
PRT5662	Rotor	V	256.00	40.90	59.06	6	100.00	12.57	24.00	22.00
PRT5663	Rotor	V	330.00	49.00	70.70	5	120.65	13.35	26.00	24.00
PRT5664	Rotor	V	320.00	48.00	70.70	5	115.00	13.00	26.00	24.00
PRT5665	Rotor	V	330.00	84.20	118.10	8	165.10	16.38	38.00	36.00
PRT5666	Rotor	V	315.20	47.15	68.07	5	114.30	14.28	28.00	26.50
PRT5667	Rotor	S	330.10	38.68	68.12	5	114.30	14.24	11.05	10.00
SDR5667	Rotor	S	330.10	38.68	68.12	5	114.30	14.24	11.05	10.00
PRT5668	Rotor	V	299.00	48.40	72.06	5	114.30	12.98	25.00	23.00
PRT5669	Rotor	V	285.00	72.00	85.00	5	130.00	15.20	22.00	19.00
SDR5669	Rotor	V	285.00	72.00	85.00	5	130.00	15.20	22.00	19.00
PRT5670	H & R	V	323.00	125.50	62.92 / 45.92	5	139.70	16.33	30.00	28.40
PRT5671	Rotor	V	349.80	68.00	72.62	5	115.00	16.69	28.20	26.00

BRAKE ROTORS CRITICAL DIMENSIONS BY PART NUMBER

Part Number	Rotor Type	Vent d/ Solid	Outside Diameter	Over-all Height	Center-hole Diameter	Bolt Holes	Bolt Circle	Bolt Hole Diameter	Nominal Thickness	Discard Thickness
SDR5671	Rotor	V	349.80	68.00	72.62	5	115.00	16.69	28.20	26.00
PRT5672	Rotor	S	262.00	60.20	80.15	5	114.30	12.53	10.10	8.40
PRT5673	Rotor	V	289.80	49.20	68.02	5	114.30	12.80	28.00	26.00
PRT5674	Rotor	V	303.00	47.00	69.00	5	114.30	12.58	28.00	26.40
PRT5675	Rotor	V	295.70	38.10	68.04	6	114.30	12.90	28.00	26.00
PRT5676	Rotor	V	319.80	47.10	70.22	5	120.00	14.80	28.00	26.00
PRT5677	Rotor	V	275.00	47.26	69.00	4	114.30	12.98	26.00	24.00
PRT5678	Rotor	S	304.70	61.00	64.11	5	114.30	12.70	9.10	7.50
PRT5679	Rotor	S	333.60	55.60	70.15	5	120.00	14.75	11.00	9.00
PRT5680	Rotor	V	333.80	35.20	65.10	9	100.00	15.20	32.00	30.00
PRT5681	Rotor	V	333.80	35.00	65.00	9	100.00	15.30	32.00	30.00
BPR5682	Rotor	V	287.60	49.50	65.00	9	112.00	15.33	25.00	22.00
PRT5682	Rotor	V	287.60	49.50	65.00	9	112.00	15.33	25.00	22.00
PRT5683	Rotor	S	281.80	48.41	65.00	9	112.00	15.30	12.00	10.00
PRT5684	Rotor	V	297.40	52.02	70.73	5	115.00	14.39	32.20	30.70
PRT5685	Rotor	S	300.00	29.95	70.69	6	115.00	14.15	12.00	10.50
PRT5686	Rotor	V	297.40	52.02	70.73	6	115.00	14.24	32.17	30.70
PRT5687	Rotor	V	389.89	109.73	139.45	10	198.00	---	39.12	37.34
PRT5688	Rotor	V	391.00	86.50	152.50	10	184.00	15.10	39.00	36.05
PRT5689	Rotor	V	381.00	105.00	131.50	5	172.00	16.61	39.00	36.10
SDR5689	Rotor	V	381.00	105.00	131.50	5	172.00	16.61	39.00	36.10
PRT5690	Rotor	V	280.00	47.10	65.80	5	110.00	14.30	24.00	22.00
PRT5691	Rotor	V	295.80	45.55	70.10	5	110.00	14.27	26.00	23.00
PRT5692	Rotor	V	365.00	45.10	70.86	6	115.00	14.30	28.00	26.00
PRT5693	Rotor	V	296.00	51.50	70.70	5	115.00	12.57	29.00	27.40
PRT5694	Rotor	V	303.00	71.70	70.69	5	115.00	12.57	20.00	18.40
PRT5697	Rotor	V	331.00	75.65	87.47	5	139.70	15.12	21.80	20.40
PRT5698	Rotor	V	350.00	49.50	90.10	6	135.00	16.20	34.00	32.00
SDR5698	Rotor	V	350.00	49.50	90.10	6	135.00	16.20	34.00	32.00
PRT5699	Rotor	V	342.20	56.00	90.10	6	135.00	16.20	22.00	20.00
SDR5699	Rotor	V	342.20	56.00	90.10	6	135.00	16.20	22.00	20.00
PRT5700	Rotor	V	355.00	46.00	71.00	5	114.30	15.20	32.00	30.00
PRT5701	Rotor	V	295.70	48.30	72.00	5	114.30	13.87	28.00	26.00
PRT5702	Rotor	V	320.00	48.25	72.00	5	114.30	13.87	28.00	26.00
PRT5703	Rotor	V	301.80	56.00	72.00	5	114.30	13.87	18.00	16.00
PRT5704	Rotor	S	271.70	96.50	85.00	5	130.00	15.00	15.90	14.00
PRT5705	Rotor	V	276.00	45.50	69.03	5	114.30	12.98	26.00	24.40
PRT5706	Rotor	V	294.00	45.60	69.03	5	114.30	12.98	26.00	24.40
PRT5707	Rotor	V	302.00	64.10	72.00	5	114.30	16.61	28.00	26.40
PRT5708	Rotor	S	316.00	76.40	72.10	5	114.30	16.61	12.00	10.40
PRT5709	Rotor	S	313.00	63.68	70.17	5	120.00	14.64	11.00	9.00
PRT5710	Rotor	V	255.00	46.00	55.00	4	100.00	14.55	22.00	19.00
PRT5711	Rotor	V	320.00	48.50	72.00	5	114.30	13.80	25.00	23.00
PRT5712	Rotor	S	281.00	66.60	62.04	5	114.30	14.60	10.00	8.50
PRT5713	Rotor	V	295.80	49.40	62.03	5	114.30	14.60	28.00	25.00
PRT5714	Rotor	V	296.00	47.20	64.16	5	114.30	12.57	28.00	26.00
PRT5715	Rotor	V	282.80	38.10	68.00	6	114.30	12.80	28.00	26.00
PRT5716	Rotor	V	285.50	61.76	68.00	6	114.30	12.80	18.00	16.00
PRT5717	Rotor	V	275.00	58.50	62.03	5	114.30	14.50	25.00	23.00
PRT5718	Rotor	V	354.00	83.25	112.00	5	150.00	16.38	32.00	29.00
SDR5718	Rotor	V	354.00	83.25	112.00	5	150.00	16.38	32.00	29.00
PRT5719	Rotor	V	345.00	76.20	112.00	5	150.00	16.38	18.00	16.00
SDR5719	Rotor	V	345.00	76.20	112.00	5	150.00	16.38	18.00	16.00
PRT5720	Rotor	V	295.80	49.20	68.00	5	114.30	12.57	26.00	24.00
PRT5721	Rotor	V	279.90	43.90	68.04	4	114.30	12.90	24.00	22.00

BRAKE ROTORS CRITICAL DIMENSIONS BY PART NUMBER

Part Number	Rotor Type	Vent d/ Solid	Outside Diameter	Over-all Height	Center-hole Diameter	Bolt Holes	Bolt Circle	Bolt Hole Diameter	Nominal Thickne ss	Discard Thickne ss
PRT5722	Rotor	V	319.70	44.00	68.00	5	114.30	12.57	28.00	26.00
PRT5723	Rotor	V	295.70	44.00	68.03	5	114.30	12.57	26.00	24.00
PRT5724	Rotor	V	349.80	43.15	82.10	6	139.70	13.36	30.00	28.50
PRT5725	Rotor	V	302.00	55.10	72.10	5	127.00	16.61	28.00	26.40
PRT5726	Rotor	S	316.00	76.45	72.10	5	127.00	16.61	12.00	10.40
PRT5729	Rotor	V	344.70	85.10	78.69	6	139.70	16.38	20.00	18.00
SDR5729	Rotor	V	344.70	85.10	78.69	6	139.70	16.38	20.00	18.00
PRT5730	Rotor	V	340.00	126.15	127.00	8	170.00	16.41	34.00	32.40
SDR5730	Rotor	V	340.00	126.15	127.00	8	170.00	16.41	34.00	32.40
PRT5731	Rotor	V	390.00	124.20	139.40	10	163.00	13.00	39.00	37.40
PRT5732	Rotor	V	359.80	53.04	72.03	5	127.00	16.10	32.00	30.00
PRT5733	Rotor	V	360.00	57.90	72.60	5	115.00	16.60	32.00	30.00
SDR5733	Rotor	V	360.00	57.90	72.60	5	115.00	16.60	32.00	30.00
PRT5734	Rotor	V	305.00	54.00	82.00	5	114.30	13.72	30.00	28.50
PRT5735	Rotor	V	320.00	43.10	82.15	6	139.70	13.60	26.00	24.50
PRT5736	Rotor	V	350.00	68.20	72.00	5	127.00	16.20	28.00	26.00
PRT5737	Rotor	V	323.00	51.85	70.69	5	115.00	14.15	32.00	30.00
PRT5738	Rotor	V	323.00	52.02	70.60	5	115.00	14.30	30.20	28.60
SDR5738	Rotor	V	323.00	52.02	70.60	5	115.00	14.30	30.20	28.60
PRT5739	Rotor	V	350.00	67.00	72.60	5	115.00	17.00	26.00	24.50
SDR5739	Rotor	V	350.00	67.00	72.60	5	115.00	17.00	26.00	24.50
PRT5740	Rotor	S	292.00	48.70	70.69	5	115.00	14.12	12.00	10.50
PRT5741	Rotor	V	300.00	55.30	67.00	5	112.00	13.27	22.00	19.40
PRT5742	Rotor	V	355.00	49.80	70.70	6	115.00	14.00	32.00	30.00
PRT5743	Rotor	V	380.00	76.50	78.50	5	139.70	17.22	35.50	33.90
PRT5744	Rotor	V	289.80	67.38	58.07	5	100.00	12.57	18.00	16.00
PRT5745	Rotor	V	309.90	45.00	64.11	5	114.30	12.57	24.90	23.00
PRT5746	Rotor	V	309.90	42.20	68.00	5	112.00	15.28	22.00	20.00
PRT5747	Rotor	V	305.00	50.70	70.80	5	115.00	14.30	26.00	24.00
PRT5748	Rotor	V	325.00	54.50	75.60	6	132.00	15.49	29.00	27.50
PRT5749	Rotor	V	331.00	53.40	75.60	6	132.00	15.88	20.00	18.40
PRT5750	Rotor	V	350.00	84.20	78.55	5	139.60	16.92	30.00	28.40
PRT5751	Rotor	V	315.80	56.80	58.04	5	100.00	13.00	30.00	28.00
PRT5752	Rotor	S	272.80	65.65	58.00	5	100.00	13.20	10.00	8.50
PRT5753	Rotor	V	326.00	52.70	58.00	5	114.30	13.10	30.00	28.00
PRT5754	Rotor	V	289.80	67.38	58.07	5	100.00	12.57	18.00	16.00
PRT5755	Rotor	S	258.00	41.50	76.00	4	114.30	13.00	10.00	8.00
PRT5756	Rotor	V	256.00	45.60	62.20	4	100.00	12.60	22.00	20.40
PRT5757	Rotor	S	262.00	63.48	62.70	4	100.00	12.80	10.00	8.40
BPR5758	Rotor	V	330.00	73.50	85.00	5	130.00	15.40	28.00	26.00
PRT5758	Rotor	V	330.00	73.50	85.00	5	130.00	15.40	28.00	26.00
PRT5759	Rotor	V	268.00	53.80	68.00	5	112.00	15.50	22.00	20.00
BPR5761	Rotor	V	320.80	59.40	68.00	5	112.00	15.10	30.00	28.00
PRT5761	Rotor	V	320.80	59.40	68.00	5	112.00	15.10	30.00	28.00
PRT5762	H & R	V	331.00	263.50	76.23 / 61.98	8	170.00	15.32	38.00	36.00
SDR5762	H & R	V	331.00	263.50	76.23 / 61.98	8	170.00	15.32	38.00	36.00
PRT5763	Rotor	V	390.80	86.36	152.48	10	184.15	15.20	36.45	33.53
SDR5763	Rotor	V	390.80	86.36	152.48	10	184.15	15.20	36.45	33.53
PRT5764	Rotor	S	259.60	48.50	61.02	4	100.00	12.80	10.00	8.00
PRT5765	Rotor	S	260.00	42.05	64.16	5	114.30	12.57	9.00	8.00
PRT5767	Rotor	V	300.10	47.00	64.04	5	114.30	12.90	25.10	23.00
PRT5768	Rotor	V	285.00	93.00	120.00	6	145.00	15.00	22.00	19.00
SDR5768	Rotor	V	285.00	93.00	120.00	6	145.00	15.00	22.00	19.00
PRT5772	Rotor	V	320.10	47.95	70.72	6	115.00	13.02	26.00	24.00
PRT5773	Rotor	S	281.80	48.70	64.10	5	114.30	12.70	9.00	8.00

BRAKE ROTORS CRITICAL DIMENSIONS BY PART NUMBER

Part Number	Rotor Type	Vent d/ Solid	Outside Diameter	Over-all Height	Center-hole Diameter	Bolt Holes	Bolt Circle	Bolt Hole Diameter	Nominal Thickness	Discard Thickness
PRT5774	Rotor	V	307.80	62.50	68.00	6	114.30	12.88	18.00	16.00
PRT5775	Rotor	V	321.00	49.00	69.00	5	114.30	12.57	28.00	26.40
PRT5776	Rotor	S	324.00	67.00	69.00	5	114.30	12.60	12.00	10.40
PRT5777	Rotor	V	298.00	49.00	69.00	5	114.30	12.60	28.00	25.40
PRT5778	Rotor	S	302.00	71.45	69.00	5	114.30	12.57	11.00	9.40
PRT5780	Rotor	S	302.00	69.50	96.30	6	139.70	12.57	12.00	10.40
PRT5781	Rotor	V	320.00	48.25	72.00	5	114.30	13.10	28.00	26.00
PRT5782	Rotor	V	325.00	55.60	72.00	5	114.30	13.20	18.00	16.00
PRT5783	Rotor	V	329.80	47.20	70.10	5	120.00	14.55	28.00	26.00
PRT5784	Rotor	S	333.70	63.70	70.27	5	120.00	14.70	11.00	9.00
BPR5785	Rotor	S	302.00	49.00	68.00	9	112.00	15.30	12.00	10.00
PRT5785	Rotor	S	302.00	49.00	68.00	9	112.00	15.30	12.00	10.00
PRT5786	Rotor	V	355.00	51.08	73.40	6	114.30	13.20	32.00	30.00
PRT5787	Rotor	V	355.00	59.40	73.40	6	114.30	13.60	32.00	30.00
PRT5788	Rotor	V	315.00	50.30	62.00	5	114.30	14.50	30.00	28.00
PRT5789	Rotor	V	340.00	45.37	70.73	5	120.65	13.43	32.00	30.00
PRT5790	Rotor	V	325.00	45.30	70.90	5	120.65	13.36	32.00	30.00
PRT5791	Rotor	V	305.00	48.86	70.68	5	120.65	13.33	26.00	24.00
PRT5792	Rotor	S	277.80	41.50	70.00	7	110.00	14.20	11.90	10.00
PRT5793	H & R	V	325.90	124.70	59.08 / 45.19	5	139.70	15.32	31.50	29.20
PRT5794	Rotor	V	319.70	67.40	58.00	5	114.30	13.20	18.00	16.00
PRT5795	Rotor	V	315.60	56.50	58.00	5	114.30	13.20	30.00	28.00
PRT5796	H & R	V	347.00	150.70	73.38 / 61.95	8	170.00	15.32	38.00	36.40
SDR5796	H & R	V	347.00	150.70	73.38 / 61.95	8	170.00	15.32	38.00	36.40
PRT5797	H & R	V	347.00	253.60	73.38 / 61.95	8	200.00	15.32	38.00	36.40
PRT5798	Rotor	V	328.00	49.20	62.00	5	114.30	14.60	28.00	25.00
PRT5799	Rotor	S	309.00	69.40	62.00	5	114.30	14.37	10.00	8.50
PRT5800	Rotor	V	275.00	45.00	63.60	4	108.00	13.86	25.00	23.00
PRT5801	Rotor	V	357.00	60.30	62.00	5	120.00	16.50	34.00	31.00
PRT5802	Rotor	V	357.00	60.30	62.00	5	120.00	16.50	34.00	31.00
PRT5803	Rotor	V	335.00	65.95	62.00	5	120.00	16.60	22.00	20.00
PRT5804	Rotor	V	335.00	65.95	62.00	5	120.00	16.60	22.00	20.00
PRT5805	Rotor	V	289.70	45.00	72.00	5	114.30	13.13	22.00	20.00
PRT5806	Rotor	S	279.80	39.88	72.06	5	114.30	12.98	10.01	8.00
PRT5807	Rotor	V	320.00	38.15	68.00	6	114.30	12.80	28.00	26.00
PRT5808	Rotor	V	349.80	43.15	90.13	6	139.70	13.36	30.00	28.50
PRT5809	Rotor	V	314.00	45.10	70.00	5	110.00	14.20	28.00	25.00
PRT5810	Rotor	V	291.80	41.50	65.50	5	110.00	14.00	20.00	18.00
PRT5811	Rotor	S	285.60	63.60	58.00	5	100.00	13.00	10.00	8.50
PRT5813	H & R	V	347.00	253.70	82.88 / 72.97	8	200.00	15.32	38.00	36.40
PRT5814	Rotor	V	354.60	49.30	68.00	5	114.30	12.80	32.00	30.00
PRT5815	Rotor	V	330.00	49.20	68.00	5	114.30	12.80	32.00	30.00
PRT5816	Rotor	V	329.70	62.10	68.00	5	114.30	12.70	16.00	13.50
PRT5817	Rotor	V	349.80	62.00	68.00	5	114.30	12.80	20.00	18.00
PRT5818	Rotor	V	275.00	46.20	55.05	5	100.00	14.56	22.00	19.00
PRT5819	Rotor	V	318.70	67.50	108.00	6	139.70	14.50	28.00	26.00
BPR5820	Rotor	V	320.00	83.80	75.00	5	120.00	14.55	19.90	18.40
PRT5820	Rotor	V	320.00	83.80	75.00	5	120.00	14.55	19.90	18.40
BPR5821	Rotor	V	348.00	77.01	79.00	5	120.00	14.39	30.00	28.40
PRT5821	Rotor	V	348.00	77.01	79.00	5	120.00	14.39	30.00	28.40
BPR5822	Rotor	V	347.80	73.10	79.00	5	120.00	14.70	30.00	28.40
PRT5822	Rotor	V	347.80	73.10	79.00	5	120.00	14.70	30.00	28.40
BPR5823	Rotor	V	335.80	67.20	75.00	5	120.00	14.50	22.00	20.40
PRT5823	Rotor	V	335.80	67.20	75.00	5	120.00	14.50	22.00	20.40
PRT5825	Rotor	V	299.80	68.40	85.00	6	130.00	15.30	28.00	25.00

BRAKE ROTORS CRITICAL DIMENSIONS BY PART NUMBER

Part Number	Rotor Type	Vent d/ Solid	Outside Diameter	Over-all Height	Center-hole Diameter	Bolt Holes	Bolt Circle	Bolt Hole Diameter	Nominal Thickness	Discard Thickness
SDR5825	Rotor	V	299.80	68.40	85.00	6	130.00	15.30	28.00	25.00
PRT5826	Rotor	S	298.00	71.20	85.00	6	130.00	15.30	16.00	14.40
SDR5826	Rotor	S	298.00	71.20	85.00	6	130.00	15.30	16.00	14.40
PRT5827	Rotor	V	303.00	93.00	120.00	6	145.00	14.87	28.00	25.00
SDR5827	Rotor	V	303.00	93.00	120.00	6	145.00	14.87	28.00	25.00
PRT5828	Rotor	V	330.00	46.50	67.00	5	112.00	13.13	32.00	29.40
PRT5829	H & R	V	347.00	150.70	82.88 / 72.97	8	170.00	15.32	38.00	36.40
SDR5829	H & R	V	347.00	150.70	82.88 / 72.97	8	170.00	15.32	38.00	36.40
BPR5830	Rotor	V	311.80	34.30	65.00	9	100.00	15.30	24.90	23.00
PRT5830	Rotor	V	311.80	34.30	65.00	9	100.00	15.30	24.90	23.00
PRT5831	Rotor	V	280.20	47.30	69.00	5	114.30	12.60	26.00	24.00
PRT5832	Rotor	V	300.00	47.30	69.00	5	114.30	12.60	28.00	26.40
PRT5833	Rotor	V	301.50	43.10	72.15	5	114.30	13.20	18.00	16.00
PRT5834	Rotor	S	281.00	55.10	62.10	5	114.30	14.50	10.00	8.40
PRT5835	Rotor	V	315.90	51.25	70.72	5	115.00	12.90	30.00	28.50
PRT5836	Rotor	V	315.00	48.00	67.40	5	120.00	16.20	23.00	21.50
PRT5837	Rotor	V	338.90	48.10	67.48	5	120.00	16.40	23.00	21.50
PRT5838	Rotor	S	263.80	42.10	65.50	5	110.00	14.00	9.90	8.00
PRT5839	Rotor	V	344.90	51.10	67.40	5	120.00	16.60	30.00	28.40
SDR5839	Rotor	V	344.90	51.10	67.40	5	120.00	16.60	30.00	28.40
PRT5840	H & R	V	345.00	242.40	73.38 / 61.95	8	165.10	15.20	40.00	38.40
SDR5840	H & R	V	345.00	242.40	73.38 / 61.95	8	165.10	15.20	40.00	38.40
PRT5841	Rotor	V	345.00	116.60	123.30	8	145.00	13.00	42.00	40.40
PRT5842	Rotor	V	325.00	47.00	68.00	5	114.30	14.00	30.00	28.50
PRT5843	Rotor	V	302.00	38.00	72.50	5	127.00	13.87	28.10	26.40
SDR5843	Rotor	V	302.00	38.00	72.50	5	127.00	13.87	28.10	26.40
PRT5844	Rotor	S	305.00	33.00	72.50	5	127.00	13.87	12.00	10.40
SDR5844	Rotor	S	305.00	33.00	72.50	5	127.00	13.87	12.00	10.40
PRT5845	Rotor	V	307.60	62.00	68.00	5	114.30	12.80	16.00	14.00
PRT5846	Rotor	S	284.00	54.40	76.00	5	114.30	12.50	10.00	8.40
PRT5847	Rotor	V	314.90	87.52	96.35	5	139.60	12.50	20.00	18.40
PRT5848	Rotor	V	296.00	49.30	62.00	5	114.30	14.50	28.00	26.00
PRT5849	Rotor	V	310.00	67.30	62.00	5	114.30	14.50	16.00	14.50
PRT5850	Rotor	V	328.00	56.60	69.00	6	114.30	12.60	28.00	26.00
PRT5851	Rotor	S	324.00	66.00	69.00	6	114.30	12.50	13.00	11.40
PRT5852	Rotor	S	284.00	54.20	76.00	5	114.30	12.87	10.00	8.40
PRT5853	Rotor	S	278.80	30.20	62.00	5	114.30	14.50	10.00	8.50
PRT5854	Rotor	S	259.00	30.40	55.00	5	80.00	14.40	9.00	7.50
PRT5855	Rotor	V	320.00	56.60	69.10	5	114.30	12.50	28.00	26.40
PRT5856	Rotor	V	330.00	56.60	69.00	5	114.30	12.50	30.00	28.40
PRT5857	Rotor	S	314.40	60.40	69.00	5	114.30	12.50	13.00	11.40
BPR5858	Rotor	V	329.80	46.50	67.00	5	112.00	12.90	28.00	26.00
PRT5858	Rotor	V	329.80	46.50	67.00	5	112.00	12.90	28.00	26.00
BPR5859	Rotor	V	320.00	79.74	75.00	5	120.00	16.85	22.00	20.40
PRT5859	Rotor	V	320.00	79.74	75.00	5	120.00	16.85	22.00	20.40
BPR5860	Rotor	V	324.80	61.10	75.00	5	120.00	16.30	25.00	23.40
PRT5860	Rotor	V	324.80	61.10	75.00	5	120.00	16.30	25.00	23.40
BPR5861	Rotor	V	300.00	73.50	79.00	5	120.00	14.90	24.00	22.40
PRT5861	Rotor	V	300.00	73.50	79.00	5	120.00	14.90	24.00	22.40
BPR5862	Rotor	V	300.00	66.00	75.00	5	120.00	14.60	20.00	18.40
PRT5862	Rotor	V	300.00	66.00	75.00	5	120.00	14.60	20.00	18.40
PRT5863	Rotor	V	320.00	82.50	71.60	5	120.00	12.80	32.00	30.00
PRT5864	Rotor	V	285.70	79.50	70.00	5	120.00	12.60	18.00	16.00
PRT5865	Rotor	V	321.00	52.00	67.40	5	120.00	16.25	30.00	28.00
PRT5866	Rotor	V	280.00	47.30	69.02	5	114.30	12.60	26.00	24.00

BRAKE ROTORS CRITICAL DIMENSIONS BY PART NUMBER

Part Number	Rotor Type	Vent d/ Solid	Outside Diameter	Over-all Height	Center-hole Diameter	Bolt Holes	Bolt Circle	Bolt Hole Diameter	Nominal Thickne ss	Discard Thickne ss
PRT5867	Rotor	V	301.80	56.00	72.00	5	114.30	12.90	18.00	16.00
PRT5868	Rotor	S	275.00	61.00	76.00	5	114.30	12.60	10.00	8.40
BPR5869	Rotor	V	330.50	54.50	67.00	5	112.00	15.30	32.00	29.40
PRT5869	Rotor	V	330.50	54.50	67.00	5	112.00	15.30	32.00	29.40
BPR5870	Rotor	S	329.80	62.75	67.00	5	112.00	15.00	14.00	12.00
PRT5870	Rotor	S	329.80	62.75	67.00	5	112.00	15.00	14.00	12.00
BPR5871	Rotor	V	350.00	54.50	67.00	5	112.00	15.30	32.00	30.00
PRT5871	Rotor	V	350.00	54.50	67.00	5	112.00	15.30	32.00	30.00
BPR5872	Rotor	V	330.00	62.90	67.00	5	112.00	15.20	22.00	19.40
PRT5872	Rotor	V	330.00	62.90	67.00	5	112.00	15.20	22.00	19.40
BPR5873	Rotor	V	293.80	60.50	75.00	5	120.00	14.55	19.00	17.40
PRT5873	Rotor	V	293.80	60.50	75.00	5	120.00	14.55	19.00	17.40
PRT5874	Rotor	V	330.00	47.50	67.00	5	112.00	15.30	32.00	29.40
PRT5875	Rotor	V	330.00	86.80	117.54	8	165.10	16.40	29.00	27.50
PRT5876	Rotor	V	344.80	46.20	68.00	5	112.00	15.30	30.00	28.00
PRT5877	Rotor	S	288.00	61.90	68.00	5	108.00	15.88	12.00	10.00
PRT5878	Rotor	V	284.00	60.20	69.00	5	114.30	12.60	20.00	18.40
PRT5879	Rotor	V	294.50	49.00	62.00	5	114.30	13.20	25.00	23.00
PRT5880	Rotor	V	319.70	46.00	72.00	5	114.30	13.20	25.00	23.00
PRT5881	Rotor	V	298.00	54.00	96.40	6	139.70	12.87	28.00	26.00
PRT5882	Rotor	V	323.00	44.90	72.00	5	114.30	13.00	24.00	22.00
PRT5883	Rotor	V	302.80	45.00	72.00	5	114.30	13.00	24.00	22.00
BPR5884	Rotor	S	280.00	40.90	63.54	5	108.00	13.80	11.00	9.00
PRT5884	Rotor	S	280.00	40.90	63.54	5	108.00	13.80	11.00	9.00
BPR5885	Rotor	V	320.00	63.30	75.00	5	120.00	14.55	20.00	18.40
PRT5885	Rotor	V	320.00	63.30	75.00	5	120.00	14.55	20.00	18.40
PRT5886	Rotor	V	275.00	46.20	62.00	5	114.30	14.55	25.00	22.00
PRT5887	Rotor	V	270.00	46.00	55.00	4	100.00	13.00	22.00	20.00
BPR5888	Rotor	V	324.00	73.80	79.00	5	120.00	14.70	30.00	28.40
PRT5888	Rotor	V	324.00	73.80	79.00	5	120.00	14.70	30.00	28.40
PRT5889	Rotor	V	295.70	51.00	72.00	5	114.30	12.98	28.00	26.00
PRT5890	Rotor	V	242.80	43.50	57.00	4	100.00	13.00	20.00	18.00
PRT5891	Rotor	V	303.00	47.30	69.00	5	114.30	12.70	26.00	24.40
PRT5892	Rotor	V	316.00	63.35	58.00	5	114.30	12.80	20.00	18.00
PRT5893	Rotor	V	315.40	43.00	65.55	5	110.00	14.20	26.00	24.00
PRT5894	Rotor	V	315.00	78.50	96.20	5	139.70	12.47	20.00	18.40
PRT5895	Rotor	V	300.00	54.00	96.30	5	139.70	12.50	28.00	26.40
PRT5896	Rotor	S	302.00	60.25	80.00	5	114.30	12.60	10.00	8.40
PRT5897	Rotor	V	295.70	48.30	72.00	5	114.30	13.10	28.00	26.00
PRT5898	Rotor	S	330.10	38.70	68.08	5	114.30	14.21	11.00	10.00
SDR5898	Rotor	S	330.10	38.70	68.08	5	114.30	14.21	11.00	10.00
PRT5899	Rotor	V	256.00	46.80	60.25	4	100.00	14.15	24.00	22.00
PRT5900	Rotor	V	291.90	62.70	65.57	5	110.00	14.15	20.00	18.40
PRT5901	Rotor	V	365.00	47.45	67.50	5	120.00	16.60	28.00	26.00
PRT5902	Rotor	V	320.00	48.00	70.70	5	115.00	13.00	26.00	24.00
PRT5903	Rotor	V	329.90	55.50	78.60	6	139.70	15.88	30.00	28.00
SDR5903	Rotor	V	329.90	55.50	78.60	6	139.70	15.88	30.00	28.00
PRT5904	Rotor	V	298.00	52.00	67.40	5	120.00	16.25	30.00	28.00
PRT5905	Rotor	V	345.00	146.40	123.20	8	165.10	16.30	40.00	38.00
SDR5905	Rotor	V	345.00	146.40	123.20	8	165.10	16.30	40.00	38.00
PRT5906	Rotor	V	298.00	40.00	87.50	6	112.00	M12x1.25	29.00	27.50
SDR5906	Rotor	V	298.00	40.00	87.50	6	112.00	M12x1.25	29.00	27.50
PRT5907	Rotor	V	315.20	47.15	68.07	5	114.30	14.28	28.00	26.50
PRT5908	Rotor	V	340.00	83.35	112.00	5	150.00	16.60	32.00	29.00
PRT5909	Rotor	V	360.00	102.00	123.00	8	165.10	16.60	39.00	37.40

BRAKE ROTORS CRITICAL DIMENSIONS BY PART NUMBER

Part Number	Rotor Type	Vent d/ Solid	Outside Diameter	Over-all Height	Center-hole Diameter	Bolt Holes	Bolt Circle	Bolt Hole Diameter	Nominal Thickness	Discard Thickness
SDR5909	Rotor	V	360.00	102.00	123.00	8	165.10	16.60	39.00	37.40
PRT5910	Rotor	V	358.20	124.90	123.00	8	165.10	16.50	34.00	32.40
SDR5910	Rotor	V	358.20	124.90	123.00	8	165.10	16.50	34.00	32.40
PRT5911	Rotor	V	390.00	110.60	125.10	10	170.00	17.00	39.00	37.40
PRT5912	Rotor	V	324.00	49.20	62.00	5	114.30	14.50	28.00	26.00
PRT5913	Rotor	S	298.00	69.70	62.00	5	114.30	14.50	10.00	9.00
PRT5914	Rotor	V	345.00	106.80	123.30	8	145.00	12.80	36.00	34.40
SDR5914	Rotor	V	345.00	106.80	123.30	8	145.00	12.80	36.00	34.40
PRT5915	H & R	V	345.00	143.90	73.38 / 61.95	8	165.10	15.20	40.00	38.40
SDR5915	H & R	V	345.00	143.90	73.38 / 61.95	8	165.10	15.20	40.00	38.40
PRT5916	Rotor	V	345.00	90.40	127.00	8	165.10	15.89	36.00	34.00
SDR5916	Rotor	V	345.00	90.40	127.00	8	165.10	15.89	36.00	34.00
PRT5917	Rotor	V	331.80	64.10	72.00	5	114.30	16.60	28.00	26.40
PRT5918	Rotor	V	316.00	51.00	67.44	5	120.00	16.55	30.00	28.40
SDR5918	Rotor	V	316.00	51.00	67.44	5	120.00	16.55	30.00	28.40
PRT5919	Rotor	V	302.00	55.80	67.00	5	120.00	16.25	22.00	20.00
PRT5920	Rotor	V	340.00	43.60	69.00	5	114.30	13.15	28.00	26.50
PRT5921	Rotor	V	275.10	47.36	69.00	5	114.30	12.64	26.10	24.00
PRT5922	Rotor	S	281.00	55.00	62.00	5	114.30	14.70	12.00	10.50
PRT5923	Rotor	V	320.80	52.20	68.00	10	112.00	15.34	30.00	27.00
PRT5924	Rotor	S	280.00	75.00	75.00	5	120.00	14.60	10.00	8.40
PRT5925	Rotor	V	275.80	44.20	64.15	4	100.00	16.60	22.00	20.40
BPR5926	Rotor	V	279.80	44.00	64.15	4	100.00	16.20	22.00	20.40
PRT5926	Rotor	V	279.80	44.00	64.15	4	100.00	16.20	22.00	20.40
BPR5927	Rotor	V	294.00	44.00	64.20	4	100.00	16.00	22.00	20.40
PRT5927	Rotor	V	294.00	44.00	64.20	4	100.00	16.00	22.00	20.40
PRT5928	Rotor	V	345.00	46.60	67.00	5	112.00	13.20	30.00	27.40
PRT5929	Rotor	V	334.00	60.30	62.00	5	120.00	15.00	30.00	27.00
PRT5930	Rotor	V	334.00	50.80	62.00	5	114.30	14.50	30.00	27.00
PRT5931	Rotor	S	300.00	29.95	70.69	6	115.00	14.15	12.00	10.50
PRT5932	Rotor	V	324.00	55.80	67.40	5	120.00	16.25	22.00	20.00
SDR5932	Rotor	V	324.00	55.80	67.40	5	120.00	16.25	22.00	20.00
BPR5933	Rotor	S	255.00	39.73	68.00	9	112.00	15.50	12.00	10.00
PRT5933	Rotor	S	255.00	39.73	68.00	9	112.00	15.50	12.00	10.00
PRT5934	Rotor	S	302.00	58.90	80.00	5	114.30	12.50	10.00	8.40
PRT5935	Rotor	V	360.00	81.00	79.00	5	120.00	16.60	30.00	27.00
PRT5936	Rotor	V	299.90	69.44	65.57	5	110.00	14.15	20.00	18.00
PRT5937	Rotor	V	334.00	51.00	62.00	5	114.30	14.50	30.00	27.00
PRT5938	Rotor	V	330.00	52.50	90.00	7	150.00	15.50	30.00	28.50
PRT5939	Rotor	V	354.00	75.00	79.00	5	120.00	16.61	20.00	17.00
PRT5940	Rotor	V	310.00	67.30	62.00	5	114.30	14.60	18.00	16.50
PRT5941	Rotor	S	291.00	61.30	62.00	5	114.30	14.50	10.00	8.50
PRT5942	Rotor	S	278.00	43.50	62.00	5	114.30	12.76	9.00	8.00
PRT5943	Rotor	V	360.00	60.50	62.00	5	114.30	14.50	30.00	28.00
PRT5944	Rotor	V	254.80	49.40	55.00	5	100.00	14.60	25.00	22.00
BPR5945	Rotor	V	345.00	63.27	75.00	5	120.00	14.39	24.00	22.40
PRT5945	Rotor	V	345.00	63.27	75.00	5	120.00	14.39	24.00	22.40
PRT5946	Rotor	V	294.00	45.70	69.00	5	114.30	12.60	24.00	22.40
PRT5947	Rotor	V	325.00	59.00	79.00	5	120.00	15.05	20.00	17.00
PRT5948	Rotor	V	292.00	64.50	68.00	5	114.30	12.70	16.00	14.00
PRT5949	Rotor	S	275.70	34.70	55.00	4	100.00	13.00	10.00	8.00
PRT5950	Rotor	V	320.00	49.20	68.00	5	114.30	12.80	34.00	32.00
PRT5951	Rotor	V	319.00	50.28	70.10	5	120.00	14.70	28.00	26.00
PRT5952	Rotor	V	309.50	67.00	70.10	5	120.00	14.70	16.14	14.00
PRT5953	Rotor	V	319.60	49.13	68.00	5	114.30	12.78	28.00	26.00

BRAKE ROTORS CRITICAL DIMENSIONS BY PART NUMBER

Part Number	Rotor Type	Vent d/ Solid	Outside Diameter	Over-all Height	Center-hole Diameter	Bolt Holes	Bolt Circle	Bolt Hole Diameter	Nominal Thickne ss	Discard Thickne ss
PRT5954	Rotor	V	334.00	50.80	62.00	5	114.30	14.50	30.00	28.00
PRT5955	Rotor	V	307.60	62.00	68.00	5	114.30	12.80	16.00	14.00
BPR5956	Rotor	V	360.00	62.00	79.00	5	120.00	15.00	30.00	27.00
PRT5956	Rotor	V	360.00	62.00	79.00	5	120.00	15.00	30.00	27.00
BPR5957	Rotor	V	304.00	47.60	67.10	5	112.00	15.30	30.00	27.40
PRT5957	Rotor	V	304.00	47.60	67.10	5	112.00	15.30	30.00	27.40
PRT5958	Rotor	V	309.80	48.30	65.00	9	112.00	15.30	22.00	20.00
BPR5959	Rotor	V	346.90	59.45	68.00	5	112.00	15.30	30.00	28.00
PRT5959	Rotor	V	346.90	59.45	68.00	5	112.00	15.30	30.00	28.00
PRT5960	Rotor	V	300.00	48.50	63.55	5	108.00	13.60	25.00	23.00
PRT5961	Rotor	V	330.00	50.40	68.00	5	108.00	16.80	32.00	30.00
PRT5962	Rotor	V	319.80	48.50	63.50	5	108.00	13.60	25.00	23.00
PRT5963	Rotor	V	293.80	44.05	64.13	4	100.00	16.15	22.00	20.40
BPR5964	Rotor	S	259.00	44.05	64.20	4	100.00	16.20	10.00	8.40
PRT5964	Rotor	S	259.00	44.05	64.20	4	100.00	16.20	10.00	8.40
PRT5965	Rotor	S	301.80	40.80	63.55	5	108.00	15.60	11.00	9.00
PRT5966	Rotor	V	317.00	62.00	79.00	5	120.00	15.00	30.00	27.00
BPR5967	Rotor	V	337.40	62.00	79.00	5	120.00	15.00	30.00	27.00
PRT5967	Rotor	V	337.40	62.00	79.00	5	120.00	15.00	30.00	27.00
BPR5968	Rotor	V	332.00	62.10	75.00	5	120.00	16.50	30.00	28.40
PRT5968	Rotor	V	332.00	62.10	75.00	5	120.00	16.50	30.00	28.40
BPR5969	Rotor	V	348.00	62.10	75.00	5	120.00	16.50	30.00	28.40
PRT5969	Rotor	V	348.00	62.10	75.00	5	120.00	16.50	30.00	28.40
PRT5970	Rotor	V	373.90	66.10	75.00	5	120.00	16.60	36.00	34.40
PRT5971	Rotor	V	373.90	66.10	75.00	5	120.00	16.60	36.00	34.40
PRT5972	Rotor	V	315.00	48.00	67.40	6	120.00	16.20	23.00	21.50
PRT5973	Rotor	V	321.00	51.10	67.40	5	120.00	16.30	30.00	27.00
PRT5974	Rotor	V	318.80	49.20	62.03	5	114.30	14.60	28.00	26.00
PRT5975	Rotor	V	340.00	56.60	69.00	5	114.30	12.40	28.00	26.00
PRT5976	Rotor	S	262.20	61.10	76.00	5	114.30	12.45	10.00	8.40
PRT5977	Rotor	S	301.60	40.70	72.00	5	114.30	14.04	11.00	9.00
PRT5978	Rotor	V	322.00	61.20	68.07	5	114.30	12.51	22.00	20.20
PRT5979	Rotor	V	297.69	36.07	70.11	5	114.30	---	---	25.91
PRT5980	Rotor	V	302.77	32.77	64.26	5	114.30	---	---	21.08
PRT5981	Rotor	V	296.10	50.84	62.00	5	114.30	14.56	32.00	30.00
PRT5982	Rotor	V	296.10	50.84	62.00	5	114.30	14.56	32.00	30.00
PRT5983	Rotor	V	260.00	44.00	68.00	4	114.30	12.84	22.00	20.00
BPR5984	Rotor	V	294.00	44.00	64.20	4	100.00	14.75	22.00	20.40
PRT5984	Rotor	V	294.00	44.00	64.20	4	100.00	14.75	22.00	20.40
BPR5985	Rotor	V	330.00	49.05	68.00	5	112.00	15.30	21.90	20.00
PRT5985	Rotor	V	330.00	49.05	68.00	5	112.00	15.30	21.90	20.00
PRT5986	Rotor	V	344.90	49.70	65.00	9	112.00	15.30	30.00	27.00
PRT5987	Rotor	S	279.80	38.00	58.00	3	112.00	12.50	9.60	8.00
PRT5988	Rotor	V	278.00	44.50	63.60	5	108.00	13.60	24.00	22.00
SDR5988	Rotor	V	278.00	44.50	63.60	5	108.00	13.60	24.00	22.00
BPR5989	Rotor	V	350.00	59.00	79.00	5	120.00	14.90	20.00	17.00
PRT5989	Rotor	V	350.00	59.00	79.00	5	120.00	14.90	20.00	17.00
PRT5990	Rotor	V	270.00	47.45	69.00	5	114.30	12.43	22.00	20.00
PRT5991	Rotor	V	280.00	47.35	69.00	5	114.30	12.50	26.00	24.00
PRT5992	Rotor	V	334.00	50.80	62.00	5	114.30	14.50	30.00	27.00
BPR5993	Rotor	S	300.00	36.20	68.00	5	112.00	15.30	12.00	10.00
PRT5993	Rotor	S	300.00	36.20	68.00	5	112.00	15.30	12.00	10.00
PRT5994	Rotor	V	344.80	51.90	68.00	5	112.00	15.30	29.40	28.00
PRT5995	Rotor	V	344.90	51.10	67.40	6	120.00	16.10	30.00	28.40
PRT5996	Rotor	V	303.00	71.60	67.40	5	120.00	16.15	20.00	18.40

BRAKE ROTORS CRITICAL DIMENSIONS BY PART NUMBER

Part Number	Rotor Type	Vent d/ Solid	Outside Diameter	Over-all Height	Center-hole Diameter	Bolt Holes	Bolt Circle	Bolt Hole Diameter	Nominal Thickne ss	Discard Thickne ss
PRT5997	Rotor	V	330.00	60.40	69.00	5	114.30	12.40	20.00	18.00
PRT5998	Rotor	S	261.90	63.20	76.00	5	114.30	12.48	10.00	8.40
PRT5999	Rotor	V	355.00	49.80	67.40	5	120.00	16.20	32.00	30.00
PRT6000	Rotor	V	330.00	52.50	90.00	6	135.00	15.50	30.00	28.50
PRT6001	Rotor	S	309.00	61.70	62.00	5	114.30	14.60	10.00	8.50
PRT6002	Rotor	V	385.00	61.10	68.00	5	112.00	15.30	36.00	33.50
BPR6003	Rotor	V	322.00	64.40	67.00	5	112.00	15.30	32.00	29.40
PRT6003	Rotor	V	322.00	64.40	67.00	5	112.00	15.30	32.00	29.40
BPR6004	Rotor	V	319.80	52.20	68.00	5	112.00	15.30	30.00	28.00
PRT6004	Rotor	V	319.80	52.20	68.00	5	112.00	15.30	30.00	28.00
BPR6005	Rotor	V	336.00	52.00	63.50	5	108.00	15.75	28.00	26.00
PRT6005	Rotor	V	336.00	52.00	63.50	5	108.00	15.75	28.00	26.00
BPR6006	Rotor	V	302.00	40.80	63.60	5	108.00	15.70	22.00	20.00
PRT6006	Rotor	V	302.00	40.80	63.60	5	108.00	15.70	22.00	20.00
BPR6007	Rotor	V	316.00	52.00	63.50	5	108.00	15.80	28.00	26.00
PRT6007	Rotor	V	316.00	52.00	63.50	5	108.00	15.80	28.00	26.00
PRT6008	Rotor	V	329.80	64.60	68.00	5	108.00	16.70	28.00	26.00
BPR6009	Rotor	V	328.00	52.00	63.60	5	108.00	15.80	30.00	28.00
PRT6009	Rotor	V	328.00	52.00	63.60	5	108.00	15.80	30.00	28.00
BPR6010	Rotor	V	302.00	50.90	63.60	5	108.00	15.80	22.00	20.00
PRT6010	Rotor	V	302.00	50.90	63.60	5	108.00	15.80	22.00	20.00
BPR6011	Rotor	V	335.80	51.30	68.00	5	108.00	16.61	30.00	27.00
PRT6011	Rotor	V	328.00	51.30	68.00	5	108.00	16.80	30.00	27.00
BPR6012	Rotor	V	324.00	77.00	79.00	5	120.00	14.50	30.00	28.40
PRT6012	Rotor	V	324.00	77.00	79.00	5	120.00	14.50	30.00	28.40
PRT6013	Rotor	V	330.00	36.20	68.00	5	112.00	15.30	22.00	20.00
PRT6014	Rotor	S	286.00	58.30	65.00	5	112.00	15.30	12.00	10.00
BPR6015	Rotor	V	300.00	52.00	63.50	5	108.00	15.80	28.00	26.00
PRT6015	Rotor	V	300.00	52.00	63.50	5	108.00	15.80	28.00	26.00
PRT6016	Rotor	V	349.70	62.00	68.00	5	114.30	12.80	20.00	18.00
PRT6017	Rotor	S	304.30	60.42	64.15	5	114.30	12.70	9.00	7.00
PRT6018	Rotor	S	314.00	60.40	69.00	5	114.30	12.50	13.00	11.00
PRT6019	Rotor	S	262.00	61.00	76.00	5	114.30	12.50	10.00	8.40
BPR6020	Rotor	V	330.00	64.50	67.00	5	112.00	15.30	32.00	29.40
PRT6020	Rotor	V	330.00	64.50	67.00	5	112.00	15.30	32.00	29.40
BPR6021	Rotor	V	300.00	57.50	67.00	5	112.00	15.30	22.00	19.40
PRT6021	Rotor	V	300.00	57.50	67.00	5	112.00	15.30	22.00	19.40
BPR6022	Rotor	V	325.80	38.30	64.50	5	108.00	14.00	20.00	18.00
PRT6022	Rotor	V	325.80	38.30	64.50	5	108.00	14.00	20.00	18.00
PRT6023	Rotor	V	326.00	46.20	71.00	5	108.00	14.30	30.00	28.00
PRT6024	Rotor	V	375.90	42.10	64.50	5	108.00	14.20	26.00	24.00
PRT6025	Rotor	V	380.00	48.00	71.00	5	108.00	14.20	36.00	34.00
BPR6026	Rotor	V	355.00	47.90	71.00	5	108.00	14.20	32.00	30.00
PRT6026	Rotor	V	355.00	47.90	71.00	5	108.00	14.20	32.00	30.00
PRT6027	Rotor	V	329.90	42.20	68.00	5	112.00	15.24	22.00	20.00
BPR6028	Rotor	V	322.00	64.40	67.00	5	112.00	15.30	32.00	30.00
PRT6028	Rotor	V	322.00	64.40	67.00	5	112.00	15.30	32.00	30.00
PRT6029	Rotor	V	344.00	64.50	67.00	5	112.00	15.30	32.00	30.00
PRT6030	Rotor	V	320.80	68.50	67.00	5	112.00	15.30	23.90	21.40
PRT6031	Rotor	V	324.00	77.00	79.00	5	120.00	14.50	30.00	28.40
PRT6032	Rotor	S	257.80	57.20	60.00	4	114.30	12.60	10.40	8.00
PRT6033	Rotor	V	296.00	51.00	67.40	5	120.00	16.30	30.00	27.00
PRT6034	Rotor	S	292.00	48.05	67.46	5	120.00	16.30	12.10	10.50
PRT6035	Rotor	V	336.00	48.00	71.00	5	114.30	15.10	30.00	28.40
PRT6036	Rotor	V	300.00	49.10	69.00	5	114.30	12.50	28.00	26.40

BRAKE ROTORS CRITICAL DIMENSIONS BY PART NUMBER

Part Number	Rotor Type	Vent d/ Solid	Outside Diameter	Over-all Height	Center-hole Diameter	Bolt Holes	Bolt Circle	Bolt Hole Diameter	Nominal Thickness	Discard Thickness
PRT6037	Rotor	S	302.00	71.90	69.00	5	114.30	12.48	11.00	9.00
BPR6038	Rotor	S	287.80	35.90	68.00	5	112.00	15.30	12.00	10.00
PRT6038	Rotor	S	287.80	35.90	68.00	5	112.00	15.30	12.00	10.00
PRT6039	Rotor	V	365.00	62.00	75.00	5	120.00	16.50	36.00	34.40
PRT6041	Rotor	V	355.90	62.10	75.00	5	120.00	16.38	36.00	34.40
BPR6042	Rotor	V	299.80	66.10	75.00	5	120.00	14.72	19.90	18.40
PRT6042	Rotor	V	299.80	66.10	75.00	5	120.00	14.72	19.90	18.40
PRT6043	Rotor	V	300.00	54.00	75.00	5	112.00	14.60	20.00	18.40
PRT6044	Rotor	V	345.00	78.10	75.00	5	120.00	16.60	24.00	22.40
PRT6045	Rotor	V	323.90	77.15	75.00	5	120.00	14.60	22.00	20.40
BPR6046	Rotor	V	300.00	76.00	75.00	5	120.00	14.60	20.00	18.40
PRT6046	Rotor	V	300.00	76.00	75.00	5	120.00	14.60	20.00	18.40
PRT6047	Rotor	V	323.90	77.15	75.00	5	120.00	14.60	22.00	20.40
PRT6048	Rotor	V	370.00	69.20	75.00	5	120.00	16.60	24.00	22.40
PRT6049	Rotor	V	323.90	54.05	75.00	5	120.00	14.60	20.00	18.40
PRT6050	Rotor	V	355.00	45.20	70.70	5	120.65	13.30	32.00	30.00
PRT6051	H & R	V	286.50	107.50	65.41 / 45.19	5	114.30	13.85	26.00	24.50
PRT6052	Rotor	V	295.00	61.40	70.66	5	114.30	14.30	19.00	18.00
PRT6053	Rotor	V	350.00	49.50	90.10	7	150.00	15.80	34.00	32.00
SDR6053	Rotor	V	350.00	49.50	90.10	7	150.00	15.80	34.00	32.00
PRT6054	Rotor	V	320.00	47.10	70.20	5	120.00	14.60	28.00	26.00
PRT6055	Rotor	V	295.90	50.80	62.07	5	114.30	14.81	31.88	30.00
PRT6056	Rotor	V	326.00	52.74	58.00	5	100.00	13.20	30.00	28.00
PRT6057	Rotor	V	316.00	67.14	58.00	5	100.00	13.30	20.00	18.00
BPR6058	Rotor	S	256.00	48.30	65.00	9	112.00	15.30	12.00	10.00
PRT6058	Rotor	S	256.00	48.30	65.00	9	112.00	15.30	12.00	10.00
BPR6059	Rotor	S	281.80	48.41	65.00	9	112.00	15.30	12.00	10.00
PRT6059	Rotor	S	281.80	48.41	65.00	9	112.00	15.30	12.00	10.00
PRT6060	Rotor	V	302.00	65.95	63.60	5	108.00	15.70	20.00	18.00
PRT6061	Rotor	V	257.70	43.90	63.50	4	108.00	13.00	23.00	21.00
PRT6062	Rotor	S	268.00	45.10	60.00	5	105.00	14.20	12.20	10.00
PRT6063	Rotor	V	276.00	45.60	60.00	5	105.00	14.30	26.10	24.10
PRT6064	Rotor	V	380.00	62.00	79.00	5	120.00	15.00	34.00	31.00
PRT6065	Rotor	V	365.00	75.00	79.00	5	120.00	16.60	20.00	17.00
PRT6066	Rotor	V	338.00	68.00	108.00	6	139.70	14.50	32.00	29.00
PRT6067	Rotor	V	312.00	68.08	108.00	6	139.70	14.55	18.04	16.00
PRT6068	Rotor	V	294.00	45.70	69.00	5	114.30	12.50	24.00	22.40
PRT6069	Rotor	V	328.88	57.80	80.06	5	---	---	22.04	20.00
BPR6070	Rotor	S	300.00	57.60	67.00	5	112.00	15.30	10.00	8.30
PRT6070	Rotor	S	300.00	57.60	67.00	5	112.00	15.30	10.00	8.30
BPR6071	Rotor	V	295.00	64.50	67.00	5	112.00	15.30	28.00	25.40
PRT6071	Rotor	V	295.00	64.50	67.00	5	112.00	15.30	28.00	25.40
BPR6072	Rotor	V	295.00	64.50	67.00	5	112.00	15.30	28.00	25.40
PRT6072	Rotor	V	295.00	64.50	67.00	5	112.00	15.30	28.00	25.40
PRT6073	Rotor	V	315.00	48.00	67.50	5	120.00	16.30	23.00	21.50
PRT6074	Rotor	V	355.00	102.50	127.15	8	180.00	16.30	40.00	38.50
PRT6075	Rotor	V	360.00	119.10	127.20	8	180.00	16.20	34.00	32.50
PRT6076	Rotor	V	355.00	150.00	130.00	8	180.00	16.30	40.00	38.50
BPR6077	Rotor	V	312.00	73.50	79.00	5	120.00	14.50	24.00	22.40
PRT6077	Rotor	V	312.00	73.50	79.00	5	120.00	14.50	24.00	22.40
PRT6078	Rotor	V	359.90	59.50	68.00	5	112.00	15.30	34.00	31.00
BPR6079	Rotor	V	330.00	73.00	79.00	5	120.00	14.70	24.00	22.40
PRT6079	Rotor	V	330.00	73.00	79.00	5	120.00	14.70	24.00	22.40
BPR6080	Rotor	V	310.00	77.00	79.00	5	120.00	14.00	24.00	22.40
PRT6080	Rotor	V	310.00	77.00	79.00	5	120.00	14.00	24.00	22.40

BRAKE ROTORS CRITICAL DIMENSIONS BY PART NUMBER

Part Number	Rotor Type	Vent d/ Solid	Outside Diameter	Over-all Height	Center-hole Diameter	Bolt Holes	Bolt Circle	Bolt Hole Diameter	Nominal Thickne ss	Discard Thickne ss
PRT6081	Rotor	V	323.00	59.60	68.00	10	112.00	15.50	30.00	28.00
PRT6082	Rotor	V	390.40	86.36	151.38	10	184.15	---	---	36.07
PRT6083	Rotor	V	390.40	86.10	151.38	10	184.15	---	---	36.07
PRT6084	Rotor	S	333.80	60.45	70.10	5	120.00	14.70	11.00	9.00
PRT6085	Rotor	V	324.00	49.00	68.00	5	114.30	12.70	30.00	28.40
BPR6086	Rotor	S	271.80	48.35	65.00	9	112.00	15.30	10.00	8.40
PRT6086	Rotor	S	271.80	48.35	65.00	9	112.00	15.30	10.00	8.40
PRT6087	Rotor	V	316.50	71.12	90.40	5	139.70	17.00	22.00	20.60
PRT6088	Rotor	V	279.80	46.90	62.00	5	114.30	12.70	22.00	20.00
PRT6089	Rotor	S	313.70	40.90	72.00	5	114.30	13.20	11.00	9.00
PRT6090	Rotor	V	349.80	44.40	68.99	5	---	---	32.05	29.97
BPR6091	Rotor	V	319.90	78.64	75.00	5	120.00	16.60	20.00	18.40
PRT6091	Rotor	V	319.90	78.64	75.00	5	120.00	16.60	20.00	18.40
PRT6092	Rotor	V	287.80	46.20	68.00	9	112.00	15.30	24.90	23.00
PRT6093	Rotor	V	300.00	45.40	70.75	5	115.00	14.30	26.00	23.00
PRT6094	Rotor	V	262.00	60.20	80.00	5	114.30	12.50	10.00	8.40
PRT6095	Rotor	V	345.00	56.60	69.00	5	114.30	12.60	30.00	28.00
PRT6096	Rotor	V	314.00	60.00	69.00	5	114.30	12.50	20.00	18.40
PRT6097	Rotor	S	292.00	45.00	70.70	5	115.00	14.30	12.00	10.00
PRT6098	Rotor	V	349.80	64.00	82.00	6	139.70	14.80	20.00	18.40
PRT6099	Rotor	V	349.80	43.15	90.13	6	139.70	15.45	30.00	28.50
PRT6100	Rotor	V	350.00	54.50	72.00	5	127.00	17.00	32.00	30.50
PRT6101	Rotor	V	330.00	63.60	72.00	5	127.00	17.00	22.00	20.50
PRT6102	Rotor	V	330.00	55.00	72.00	5	127.00	17.00	32.00	30.50
PRT6103	Rotor	S	330.00	63.70	72.00	5	127.00	16.80	14.00	12.50
PRT6104	Rotor	V	257.90	44.00	55.00	4	100.00	13.00	23.00	21.00
PRT6105	Rotor	V	295.70	43.80	68.00	5	114.30	12.80	26.00	24.00
PRT6106	Rotor	V	345.00	61.40	62.00	5	114.30	14.50	28.00	26.00
PRT6107	Rotor	V	294.00	74.50	75.00	5	120.00	14.70	19.00	17.40
PRT6108	Rotor	V	300.00	58.30	67.00	5	112.00	15.30	22.00	19.40
PRT6109	Rotor	V	344.80	46.50	67.00	5	112.00	12.90	30.00	27.40
PRT6110	Rotor	V	330.00	47.50	67.00	5	112.00	15.30	32.00	29.40
PRT6111	Rotor	V	298.00	67.00	98.00	5	130.00	---	24.00	22.00
PRT6112	Rotor	V	298.00	67.00	98.00	5	130.00	---	24.00	22.00
BPR6113	Rotor	V	330.00	64.50	67.00	5	112.00	15.27	32.00	30.00
PRT6113	Rotor	V	330.00	64.50	67.00	5	112.00	15.27	32.00	30.00
PRT6114	Rotor	V	367.80	68.50	85.00	5	130.00	15.30	36.00	34.00
PRT6115	Rotor	V	315.00	82.90	85.00	5	130.00	15.30	30.00	27.40
PRT6116	Rotor	V	289.80	63.45	58.00	5	100.00	13.00	18.00	16.00
PRT6117	Rotor	S	278.00	46.30	62.00	5	114.30	12.70	12.00	11.00
PRT6118	Rotor	S	279.00	42.30	62.00	5	114.30	14.50	10.00	8.50
PRT6119	Rotor	V	300.00	49.60	62.00	5	114.30	12.70	26.00	24.00
PRT6120	Rotor	V	283.00	44.00	68.00	5	114.30	12.80	28.00	26.00
BPR6121	Rotor	S	240.25	40.00	59.00	4	98.00	13.00	11.00	9.20
PRT6121	Rotor	S	240.25	40.00	59.00	4	98.00	13.00	11.00	9.20
BPR6122	Rotor	V	257.30	40.50	59.00	4	98.00	12.90	22.00	20.00
PRT6122	Rotor	V	257.30	40.50	59.00	4	98.00	12.90	22.00	20.00
PRT6123	Rotor	V	300.00	47.30	69.00	5	114.30	12.60	28.00	26.40
PRT6124	Rotor	V	325.00	47.00	68.00	5	114.30	14.00	30.00	28.50
SDR6124	Rotor	V	325.00	47.00	68.00	5	114.30	14.00	30.00	28.50
PRT6125	Rotor	S	260.00	31.00	64.15	5	114.30	12.70	9.00	8.00
PRT6126	Rotor	S	314.40	60.40	69.00	5	114.30	12.50	13.00	11.40
PRT6127	Rotor	V	320.00	47.20	69.00	5	114.30	12.50	28.00	26.40
PRT6128	Rotor	V	324.70	52.70	79.10	5	120.00	14.60	27.90	26.40
PRT6129	Rotor	V	324.70	52.70	79.10	5	120.00	14.60	27.90	26.40

BRAKE ROTORS CRITICAL DIMENSIONS BY PART NUMBER

Part Number	Rotor Type	Vent d/ Solid	Outside Diameter	Over-all Height	Center-hole Diameter	Bolt Holes	Bolt Circle	Bolt Hole Diameter	Nominal Thickne ss	Discard Thickne ss
PRT6130	Rotor	V	303.00	51.10	70.70	5	118.00	16.00	30.00	28.60
PRT6131	Rotor	V	278.00	47.00	60.00	4	114.30	12.50	24.00	22.00
PRT6132	Rotor	V	278.00	48.50	63.55	5	108.00	13.60	25.00	23.00
PRT6133	Rotor	S	271.00	40.70	63.60	5	108.00	13.80	10.90	9.00
PRT6134	Rotor	V	380.00	60.30	62.10	5	120.00	16.60	36.00	33.00
PRT6135	Rotor	V	380.00	60.30	62.10	5	120.00	16.60	36.00	33.00
PRT6136	Rotor	V	315.00	66.37	62.00	5	126.00	16.60	20.00	18.00
PRT6137	Rotor	V	359.80	68.50	85.00	5	130.00	15.30	36.00	34.00
PRT6138	Rotor	V	359.80	68.50	85.00	5	130.00	15.30	36.00	34.00
PRT6139	Rotor	V	359.80	68.50	85.00	5	130.00	15.30	36.00	34.00
PRT6140	Rotor	V	359.80	68.50	85.00	5	130.00	15.30	36.00	34.00
PRT6141	Rotor	V	308.00	56.80	62.00	5	114.30	12.70	16.00	14.00
PRT6142	Rotor	S	279.00	30.30	55.00	5	100.00	14.50	10.00	8.50
PRT6143	Rotor	V	334.00	50.80	62.00	5	114.30	14.50	30.00	28.00
PRT6144	Rotor	V	334.00	50.80	62.00	5	114.30	14.50	30.00	28.00
PRT6145	Rotor	V	261.80	47.10	64.15	5	114.30	12.60	21.00	19.00
PRT6146	Rotor	V	256.00	43.90	62.20	4	100.00	12.50	22.00	20.00
PRT6147	Rotor	S	262.00	44.00	62.50	4	100.00	12.60	10.00	8.40
PRT6148	Rotor	V	279.90	44.25	69.00	5	114.30	12.50	23.00	21.40
PRT6149	Rotor	S	262.00	45.00	76.00	5	114.30	12.50	10.00	8.40
PRT6150	Rotor	V	260.00	44.00	61.00	4	100.00	12.80	22.00	20.00
PRT6153	Rotor	V	302.00	43.66	70.00	7	110.00	14.20	20.00	18.00
BPR6154	Rotor	V	279.80	49.55	65.00	9	112.00	15.30	22.00	19.00
PRT6154	Rotor	V	279.80	49.55	65.00	9	112.00	15.30	22.00	19.00
PRT6155	Rotor	V	296.00	49.40	62.00	5	114.30	14.80	28.00	25.00
PRT6156	Rotor	S	281.00	66.80	62.04	5	114.30	14.60	10.00	8.50
PRT6157	Rotor	S	274.00	63.45	58.00	5	100.00	13.00	10.00	8.50
PRT6158	Rotor	V	360.00	56.40	69.00	5	114.30	12.40	30.00	28.40
BPR6159	Rotor	V	329.90	36.20	68.00	5	112.00	15.30	22.00	20.00
PRT6159	Rotor	V	329.90	36.20	68.00	5	112.00	15.30	22.00	20.00
PRT6160	Rotor	V	294.00	45.10	79.00	5	120.00	16.60	22.00	20.40
BPR6161	Rotor	S	279.90	50.10	79.00	5	120.00	16.80	10.00	8.40
PRT6161	Rotor	S	279.90	50.10	79.00	5	120.00	16.80	10.00	8.40
BPR6162	Rotor	V	307.00	45.10	79.00	5	120.00	16.60	24.00	22.40
PRT6162	Rotor	V	307.00	45.10	79.00	5	120.00	16.60	24.00	22.40
PRT6163	Rotor	V	298.70	67.06	98.04	5	130.05	---	---	18.00
PRT6164	Rotor	V	316.00	45.10	64.10	4	100.00	16.15	22.00	20.00
PRT6165	Rotor	S	280.00	44.00	64.20	4	100.00	16.20	10.00	8.40
BPR6166	Rotor	V	327.80	73.10	75.00	5	120.00	16.60	28.00	26.50
PRT6166	Rotor	V	327.80	73.10	75.00	5	120.00	16.60	28.00	26.50
BPR6167	Rotor	V	329.90	71.10	75.00	5	120.00	16.60	20.00	18.40
PRT6167	Rotor	V	329.90	71.10	75.00	5	120.00	16.60	20.00	18.40
BPR6168	Rotor	S	254.70	51.20	65.00	9	112.00	12.80	9.90	8.00
PRT6168	Rotor	S	254.70	51.20	65.00	9	112.00	12.80	9.90	8.00
PRT6169	Rotor	V	324.00	55.80	67.40	5	120.00	16.25	22.00	20.00
SDR6169	Rotor	V	324.00	55.80	67.40	5	120.00	16.25	22.00	20.00
PRT6170	Rotor	V	331.50	38.00	72.60	5	127.00	14.50	28.00	26.40
SDR6170	Rotor	V	331.50	38.00	72.60	5	127.00	14.50	28.00	26.40
PRT6171	Rotor	S	328.00	33.00	72.60	5	127.00	14.50	12.00	10.40
SDR6171	Rotor	S	328.00	33.00	72.60	5	127.00	14.50	12.00	10.40
PRT6172	Rotor	V	380.00	54.40	72.00	5	127.00	17.00	34.00	32.00
PRT6173	Rotor	V	350.00	63.50	72.00	5	127.00	17.00	28.00	26.00
PRT6174	Rotor	S	290.00	53.30	62.00	5	114.30	14.50	12.00	10.50
PRT6177	Rotor	V	348.00	79.90	90.10	6	135.00	15.50	25.00	23.00
SDR6177	Rotor	V	348.00	79.90	90.10	6	135.00	15.50	25.00	23.00

BRAKE ROTORS CRITICAL DIMENSIONS BY PART NUMBER

Part Number	Rotor Type	Vent d/ Solid	Outside Diameter	Over-all Height	Center-hole Diameter	Bolt Holes	Bolt Circle	Bolt Hole Diameter	Nominal Thickness	Discard Thickness
PRT6178	Rotor	V	348.00	79.90	90.10	7	150.00	15.50	25.00	23.00
SDR6178	Rotor	V	348.00	79.90	90.10	7	150.00	15.50	25.00	23.00
PRT6179	Rotor	V	304.80	39.60	70.00	5	110.00	16.40	28.00	26.00
PRT6180	Rotor	S	264.00	40.50	70.00	5	110.00	14.30	10.00	8.00
PRT6181	Rotor	V	280.00	43.90	62.20	4	100.00	12.50	22.00	19.40
PRT6182	Rotor	V	275.00	46.20	55.05	4	100.00	14.56	22.00	19.00
PRT6183	Rotor	S	259.00	30.40	55.00	4	100.00	14.50	9.00	7.50
PRT6184	Rotor	V	299.80	47.20	64.15	5	114.30	12.60	25.00	23.00
PRT6185	Rotor	V	356.00	52.10	68.00	5	112.00	15.30	34.00	31.50
PRT6186	Rotor	V	380.00	81.00	79.00	5	120.00	16.60	34.00	31.00
PRT6187	Rotor	V	365.00	59.00	79.00	5	120.00	15.00	20.00	17.00
PRT6188	Rotor	S	301.80	50.80	63.55	5	108.00	15.60	11.00	9.00
PRT6189	Rotor	V	330.00	54.30	67.00	5	112.00	15.20	32.00	29.40
PRT6190	Rotor	S	325.00	54.00	67.00	5	112.00	15.20	14.00	11.40
PRT6191	Rotor	V	330.00	53.90	67.00	5	112.00	15.30	22.00	19.40
PRT6192	Rotor	V	344.00	64.50	67.00	5	112.00	15.30	32.00	30.00
PRT6193	Rotor	S	300.00	41.40	67.00	5	112.00	15.30	10.00	8.30
PRT6194	Rotor	V	340.00	49.60	65.00	5	112.00	15.30	30.00	28.00
PRT6195	Rotor	V	310.00	58.30	65.00	5	112.00	15.30	22.00	20.00
PRT6196	Rotor	V	360.00	96.00	122.90	8	165.00	14.50	38.00	36.50
PRT6197	Rotor	V	365.00	91.30	123.00	8	165.00	14.60	30.00	28.50
PRT6198	Rotor	V	255.00	46.20	55.00	4	100.00	14.50	20.00	18.00
PRT6200	Rotor	S	280.00	50.80	63.50	5	108.00	13.70	11.00	9.00
SDR6200	Rotor	S	280.00	50.80	63.50	5	108.00	13.70	11.00	9.00
PRT6201	Rotor	V	352.00	47.10	68.00	5	114.30	15.80	32.00	30.00
SDR6201	Rotor	V	352.00	47.10	68.00	5	114.30	15.80	32.00	30.00
PRT6202	Rotor	V	344.90	38.70	68.00	5	114.30	12.60	19.00	17.50
SDR6202	Rotor	V	344.90	38.70	68.00	5	114.30	12.60	19.00	17.50
PRT6203	Rotor	V	295.70	49.20	68.00	5	114.30	12.80	26.00	24.00
PRT6204	Rotor	V	299.98	50.70	63.60	5	107.95	13.80	28.00	26.50
PRT6205	Rotor	S	301.80	51.00	63.50	5	108.00	13.80	11.30	9.50
PRT6206	Rotor	V	292.67	47.10	64.10	5	114.30	12.70	25.00	23.00
PRT6207	Rotor	V	292.70	47.10	64.10	5	114.30	12.70	25.00	23.00
PRT6208	Rotor	S	282.00	48.80	64.00	5	114.30	12.70	9.00	8.00
PRT6209	Rotor	V	316.00	45.10	64.10	4	100.00	16.15	22.00	20.00
PRT6210	Rotor	V	350.00	54.50	67.00	5	112.00	15.30	32.00	29.40
PRT6211	Rotor	V	296.80	51.50	68.00	5	114.30	13.30	28.00	26.00
PRT6212	Rotor	S	302.77	39.63	68.07	5	114.30	---	10.00	8.00
PRT6213	Rotor	S	260.00	31.00	64.15	5	114.30	12.70	9.00	8.00
PRT6215	Rotor	V	300.00	45.50	60.00	5	104.80	14.20	26.00	23.00
PRT6216	Rotor	V	300.00	61.10	70.80	5	115.00	14.20	26.00	23.00
PRT6217	Rotor	V	321.00	---	---	5	---	---	24.00	23.01
PRT6218	Rotor	V	315.00	48.00	70.80	5	115.00	14.20	23.00	21.00
PRT6221	Rotor	V	300.00	48.50	63.55	5	108.00	13.60	25.00	23.00
PRT6222	Rotor	V	281.80	47.00	64.14	5	114.00	12.50	23.00	22.00
PRT6223	Rotor	V	311.90	47.30	64.20	5	114.30	12.50	25.00	23.00
PRT6224	Rotor	V	284.00	43.50	59.02	4	98.00	12.90	22.00	20.20
PRT6225	Rotor	V	316.00	50.70	63.60	5	107.95	13.80	28.00	26.50
PRT6226	Rotor	S	316.00	50.90	63.60	5	107.95	13.80	11.00	9.50
PRT6227	Rotor	V	330.00	40.00	70.00	5	110.00	15.60	28.00	26.40
PRT6228	Rotor	V	363.00	99.90	129.10	8	170.00	16.10	38.00	36.40
SDR6228	Rotor	V	363.00	99.90	129.10	8	170.00	16.10	38.00	36.40
PRT6229	Rotor	V	363.00	126.20	127.00	8	170.00	16.10	38.00	36.40
PRT6230	H & R	V	362.00	253.70	82.85 / 72.94	8	200.00	15.32	38.00	36.40
SDR6230	H & R	V	362.00	253.70	82.85 / 72.94	8	200.00	15.32	38.00	36.40

BRAKE ROTORS CRITICAL DIMENSIONS BY PART NUMBER

Part Number	Rotor Type	Vent d/ Solid	Outside Diameter	Over-all Height	Center-hole Diameter	Bolt Holes	Bolt Circle	Bolt Hole Diameter	Nominal Thickness	Discard Thickness
PRT6231	Rotor	V	363.00	126.20	128.00	8	155.80	13.00	38.00	36.40
PRT6232	Rotor	V	319.70	49.20	68.00	5	114.30	12.80	28.00	26.00
PRT6233	Rotor	V	280.00	43.90	68.00	5	114.30	12.80	24.00	22.00
PRT6234	Rotor	V	320.00	49.10	69.00	5	114.30	12.60	28.00	26.00
PRT6237	Rotor	V	310.00	67.30	62.00	5	114.30	14.60	18.00	16.50
PRT6238	Rotor	V	365.00	48.90	79.00	5	120.00	13.00	25.00	22.00
BPR6239	Rotor	V	319.70	52.20	68.00	5	112.00	15.30	30.00	28.00
PRT6239	Rotor	V	319.70	52.20	68.00	5	112.00	15.30	30.00	28.00
PRT6240	Rotor	V	330.00	73.20	79.00	5	120.00	16.80	24.00	22.40
PRT6241	Rotor	V	329.80	66.20	75.00	5	120.00	16.70	20.00	18.40
PRT6242	Rotor	V	299.80	66.20	75.00	5	120.00	16.70	20.00	18.40
PRT6243	Rotor	V	350.00	54.50	67.00	5	112.00	15.30	32.00	29.40
PRT6244	Rotor	V	375.00	54.50	67.00	5	112.00	15.30	36.00	33.40
PRT6245	Rotor	V	345.00	54.00	67.00	5	112.00	15.30	22.00	19.40
PRT6246	Rotor	V	345.00	54.00	67.00	5	112.00	15.30	22.00	19.40
BPR6247	Rotor	V	320.00	43.00	71.00	5	108.00	13.83	30.00	28.40
PRT6247	Rotor	V	320.00	43.00	71.00	5	108.00	13.83	30.00	28.40
PRT6248	Rotor	V	300.00	66.00	75.00	5	120.00	14.60	20.00	18.40
PRT6249	Rotor	S	295.80	50.20	79.00	5	120.00	16.60	10.00	8.40
PRT6250	Rotor	V	277.70	43.90	63.50	4	108.00	13.00	23.00	21.00
PRT6252	Rotor	V	340.00	49.70	65.00	9	120.00	---	30.00	27.00
PRT6253	Rotor	S	302.00	64.20	63.60	5	108.00	15.70	11.00	9.00
PRT6258	Rotor	V	295.00	51.90	68.00	5	114.30	13.20	25.00	23.00
PRT6259	Rotor	V	280.00	51.90	68.00	5	114.30	13.20	25.00	23.00
PRT6260	Rotor	V	257.00	38.30	---	4	100.00	---	---	15.00
PRT6262	Rotor	V	359.80	68.20	67.00	5	112.00	15.30	26.00	24.00
BPR6263	Rotor	V	350.00	64.50	67.00	5	112.00	15.30	32.00	30.00
PRT6263	Rotor	V	350.00	64.50	67.00	5	112.00	15.30	32.00	30.00
PRT6264	Rotor	V	345.00	30.00	---	5	112.00	---	30.00	28.00
PRT6265	Rotor	V	360.00	64.50	67.00	5	112.00	15.30	36.00	34.00
BPR6270	Rotor	S	300.00	58.27	67.10	5	112.00	15.30	12.00	10.00
PRT6270	Rotor	S	300.00	58.27	67.10	5	112.00	15.30	12.00	10.00
BPR6271	Rotor	V	335.00	64.50	67.00	5	112.00	15.30	32.00	30.00
PRT6271	Rotor	V	335.00	64.50	67.00	5	112.00	15.30	32.00	30.00
BPR6272	Rotor	V	320.00	58.30	67.00	5	112.00	15.30	24.00	21.40
BPR6273	Rotor	V	312.00	76.00	67.00	5	112.00	15.00	28.00	26.00
BPR6274	Rotor	V	347.90	66.20	75.00	5	120.00	16.60	30.00	28.40
PRT6274	Rotor	V	347.90	66.20	75.00	5	120.00	16.60	30.00	28.40
PRT6275	Rotor	V	370.00	56.50	72.50	5	115.00	16.70	32.00	30.00
SDR6275	Rotor	V	370.00	56.50	72.50	5	115.00	16.70	32.00	30.00
PRT6276	Rotor	V	299.80	73.70	80.00	5	130.00	17.70	32.00	30.00
SDR6276	Rotor	V	299.80	73.70	80.00	5	130.00	17.70	32.00	30.00
PRT6277	Rotor	S	279.70	82.00	79.00	5	130.00	17.50	16.00	14.20
SDR6277	Rotor	S	279.70	82.00	79.00	5	130.00	17.50	16.00	14.20
PRT6278	Rotor	V	299.80	80.00	79.00	5	130.00	17.80	22.00	20.00
SDR6278	Rotor	V	299.80	80.00	79.00	5	130.00	17.80	22.00	20.00
PRT6279	Rotor	V	308.00	55.40	93.10	5	112.00	M10x1.5	33.00	30.00
SDR6279	Rotor	V	308.00	55.40	93.10	5	112.00	M10x1.5	33.00	30.00
PRT6280	Rotor	S	308.00	25.70	---	5	150.00	---	18.00	15.00
SDR6280	Rotor	S	308.00	25.70	---	5	150.00	---	18.00	15.00
PRT6281	Rotor	V	308.00	61.00	93.10	5	114.30	M12x1.5	31.00	28.00
SDR6281	Rotor	V	308.00	61.00	93.10	5	114.30	M12x1.5	31.00	28.00
PRT6282	Rotor	S	308.00	22.00	---	6	150.00	---	18.00	15.00
SDR6282	Rotor	S	308.00	22.00	---	6	150.00	---	18.00	15.00
PRT6283	Rotor	V	320.00	48.80	63.60	5	108.00	13.80	25.00	23.00

BRAKE ROTORS CRITICAL DIMENSIONS BY PART NUMBER

Part Number	Rotor Type	Vent d/ Solid	Outside Diameter	Over-all Height	Center-hole Diameter	Bolt Holes	Bolt Circle	Bolt Hole Diameter	Nominal Thickness	Discard Thickness
SDR6283	Rotor	V	320.00	48.80	63.60	5	108.00	13.80	25.00	23.00
PRT6284	H & R	V	363.00	148.80	82.88 / 72.98	8	170.00	15.32	38.00	36.40
SDR6284	H & R	V	363.00	148.80	82.88 / 72.98	8	170.00	15.32	38.00	36.40
PRT6285	Rotor	S	284.00	32.20	76.00	5	114.30	12.50	10.00	8.40
PRT6287	Rotor	V	329.80	39.70	70.00	5	110.00	16.40	28.00	26.00
PRT6288	Rotor	S	278.00	33.30	70.00	5	110.00	15.70	12.00	10.00
PRT6290	Rotor	V	329.90	56.30	67.00	5	---	---	26.00	24.00
PRT6291	Rotor	V	311.90	49.80	65.04	5	112.00	15.30	25.00	22.00
PRT6292	Rotor	V	319.80	47.10	70.20	5	120.00	14.70	28.00	26.00
PRT6293	Rotor	V	350.00	68.40	72.60	5	114.30	16.70	28.00	26.00
PRT6294	Rotor	S	290.00	57.20	67.00	5	112.00	13.20	10.00	8.30
PRT6295	Rotor	V	302.00	39.00	72.50	5	127.00	14.04	28.00	26.40
PRT6296	Rotor	V	320.00	47.20	64.10	5	114.30	12.70	28.00	26.00
PRT6297	Rotor	V	334.00	51.00	62.00	5	114.30	14.50	30.00	27.00
PRT6298	Rotor	S	329.80	44.80	64.10	5	114.30	12.70	11.00	9.00
PRT6299	Rotor	V	330.00	43.60	71.00	5	114.30	15.80	25.00	23.00
PRT6300	Rotor	V	352.00	64.00	71.00	5	114.30	15.80	32.00	30.00
PRT6301	Rotor	V	320.00	62.00	71.00	5	114.30	15.80	30.00	28.00
PRT6302	Rotor	V	323.80	80.20	75.00	5	120.00	16.30	20.00	18.40
PRT6303	Rotor	V	320.30	56.70	69.00	5	114.30	12.60	28.00	26.40
PRT6304	Rotor	S	301.90	69.30	63.55	5	108.00	15.60	12.00	10.00
PRT6305	Rotor	V	320.00	46.40	68.00	9	112.00	15.30	30.00	28.00
PRT6306	Rotor	S	320.00	41.50	71.00	5	114.30	15.80	11.50	9.90
PRT6307	Rotor	V	357.80	73.70	85.00	5	130.00	15.37	28.00	26.00
PRT6308	Rotor	V	318.00	67.00	98.00	5	130.00	15.30	28.00	26.00
PRT6309	Rotor	V	318.00	67.00	98.00	5	130.00	15.30	28.00	26.00
PRT6310	Rotor	V	329.80	76.00	67.00	5	112.00	15.11	32.00	30.00
PRT6311	Rotor	S	309.80	37.30	64.20	5	114.30	12.70	10.00	8.00
PRT6312	Rotor	S	295.00	42.50	67.00	5	112.00	15.30	9.80	8.00
PRT6314	Rotor	V	334.80	48.80	63.60	5	108.00	12.90	25.00	23.00
PRT6315	Rotor	V	327.80	61.10	72.00	5	120.00	14.82	20.00	18.40
PRT6317	Rotor	V	380.00	63.90	71.00	5	114.30	15.80	34.00	31.00
PRT6318	Rotor	V	344.90	69.20	75.00	5	120.00	16.60	24.00	22.40
PRT6319	Rotor	V	348.00	66.10	75.00	5	120.00	16.60	36.00	34.40
PRT6320	Rotor	V	348.00	66.10	75.00	5	120.00	16.60	36.00	34.40
PRT6321	Rotor	V	344.80	74.17	79.00	5	120.00	16.62	24.00	22.40
PRT6322	Rotor	V	344.80	45.50	70.00	7	110.00	14.20	30.00	27.00
PRT6323	Rotor	V	370.00	49.85	67.50	5	120.00	16.50	34.00	32.00
PRT6324	Rotor	V	384.90	78.00	75.00	5	120.00	16.60	24.00	22.40
PRT6325	Rotor	V	394.80	62.10	75.00	5	120.00	16.80	36.00	34.40
PRT6326	Rotor	V	394.80	62.10	75.00	5	120.00	16.80	36.00	34.40
PRT6327	Rotor	V	344.82	65.95	75.00	5	120.00	16.60	24.00	22.00
PRT6330	Rotor	V	305.00	45.70	59.00	5	98.00	13.30	28.00	26.00
PRT6331	Rotor	V	355.80	36.20	68.00	5	112.00	15.30	21.90	20.00
PRT6332	Rotor	S	281.00	54.80	62.00	5	114.30	14.50	10.00	8.50
PRT6333	Rotor	V	277.80	62.10	58.00	5	100.00	---	18.00	16.00
PRT6334	Rotor	V	315.00	69.00	98.00	5	130.00	15.30	28.00	26.00
PRT6335	Rotor	V	315.00	99.00	98.00	5	130.00	15.30	28.00	26.00
PRT6336	Rotor	V	344.90	76.00	67.00	5	112.00	15.30	32.00	30.00
PRT6337	Rotor	S	299.80	58.30	67.00	5	112.00	15.10	10.00	8.30
PRT6338	Rotor	V	329.90	69.20	75.00	5	120.00	16.60	20.00	18.40
PRT6339	Rotor	V	329.90	66.20	75.00	5	120.00	16.60	24.00	22.40
PRT6340	Rotor	V	337.80	73.00	79.00	5	120.00	14.60	26.00	24.40
PRT6341	Rotor	V	320.00	50.40	67.00	5	112.00	15.30	24.00	21.50
PRT6342	Rotor	V	370.00	61.00	75.00	5	120.00	14.80	24.00	22.40

BRAKE ROTORS CRITICAL DIMENSIONS BY PART NUMBER

Part Number	Rotor Type	Vent d/ Solid	Outside Diameter	Over-all Height	Center-hole Diameter	Bolt Holes	Bolt Circle	Bolt Hole Diameter	Nominal Thickne ss	Discard Thickne ss
PRT6343	Rotor	V	370.00	61.00	75.00	5	120.00	14.80	24.00	22.40
PRT6344	Rotor	V	360.00	62.40	79.00	5	120.00	14.70	30.00	28.40
PRT6345	Rotor	V	350.00	67.20	75.00	5	120.00	14.70	24.00	22.40
PRT6346	Rotor	V	350.00	67.20	75.00	5	120.00	14.70	24.00	22.40
PRT6347	Rotor	V	360.00	62.40	79.00	5	120.00	14.70	30.00	28.40
PRT6348	Rotor	V	330.00	58.20	67.00	5	112.00	15.30	26.00	24.00
PRT6349	Rotor	V	330.00	57.24	67.00	5	112.00	15.20	26.00	24.00
PRT6350	Rotor	V	337.80	73.00	79.00	5	120.00	14.60	26.00	24.40
PRT6351	Rotor	V	330.00	55.50	67.00	5	112.00	15.30	26.00	23.40
PRT6352	Rotor	V	330.00	68.10	67.00	5	112.00	15.30	26.00	24.00
PRT6353	Rotor	V	360.00	64.50	67.00	5	112.00	15.30	36.00	34.00
PRT6354	Rotor	V	300.00	57.50	67.00	5	112.00	15.30	22.00	20.00
PRT6355	Rotor	V	279.80	55.25	68.15	5	112.00	16.30	24.00	20.00
PRT6356	Rotor	V	347.90	73.20	79.00	5	120.00	14.60	30.00	28.40
PRT6357	Rotor	V	373.90	66.10	75.00	5	120.00	16.60	36.00	34.40
PRT6358	Rotor	V	373.90	66.10	75.00	5	120.00	16.60	36.00	34.40
PRT6359	Rotor	V	380.00	52.20	68.00	5	112.00	15.30	36.00	34.00
PRT6360	Rotor	V	339.80	49.70	65.00	5	112.00	15.20	30.00	28.40
PRT6362	Rotor	V	334.00	51.50	67.00	5	112.00	13.30	32.00	30.00
PRT6363	Rotor	V	385.00	62.10	75.00	5	120.00	12.60	36.00	34.40
PRT6364	Rotor	V	385.00	62.10	75.00	5	120.00	12.60	36.00	34.40
PRT6365	Rotor	V	375.00	54.45	67.00	5	112.00	15.30	32.00	29.40
PRT6366	Rotor	V	329.90	73.10	79.00	5	120.00	14.70	24.00	22.40
PRT6367	Rotor	V	320.00	58.30	67.00	5	112.00	15.30	24.00	21.40
PRT6368	Rotor	V	330.20	45.50	64.20	4	100.00	16.20	26.00	24.40
PRT6369	Rotor	V	359.80	58.20	67.00	5	112.00	17.00	26.00	24.00
PRT6370	Rotor	V	360.00	50.60	67.00	5	112.00	15.30	26.00	24.00
PRT6371	Rotor	V	364.90	62.70	67.00	5	112.00	15.30	26.00	23.40
PRT6372	Rotor	V	390.00	55.00	67.00	5	112.00	15.30	36.00	33.40
PRT6373	Rotor	V	356.00	43.50	68.00	5	112.00	15.20	32.00	30.40
PRT6374	Rotor	V	365.00	52.40	68.00	5	112.00	15.20	34.00	32.40
PRT6375	Rotor	V	330.00	75.00	98.00	5	130.00	15.50	28.00	26.00
PRT6376	Rotor	V	330.00	75.00	98.00	5	130.00	15.50	28.00	26.00
PRT6377	Rotor	V	329.90	69.00	98.00	5	130.00	15.50	28.00	26.00
PRT6378	Rotor	V	329.90	69.00	98.00	5	130.00	15.50	28.00	26.00
PRT6379	Rotor	V	330.00	41.60	67.00	5	---	---	22.00	---
PRT6380	Rotor	V	320.00	50.40	67.00	5	112.00	15.30	24.00	21.40
PRT6381	Rotor	V	336.00	43.10	90.10	6	135.00	15.80	22.00	20.00
PRT6382	Rotor	V	324.10	80.00	71.00	6	120.00	16.00	18.00	16.00
PRT6383	Rotor	V	310.00	61.00	71.00	6	120.00	16.00	27.00	25.00
PRT6384	Rotor	V	360.30	52.00	67.50	5	120.00	16.30	28.00	26.00

* Reference purposes only, not responsible for incomplete or incorrect content

BRAKE DRUM CRITICAL DIMENSIONS BY PART NUMBER

Part Number	Drum Type	Outside Diameter	Hat Outside Diameter	Over-all Height	Braking Surface Depth	Center-hole Diameter	Bolt Holes	Bolt Hole Diameter	Bolt Circle	Nominal Brake Diameter	Maximum Brake Diameter
PDR0003	CD	320.00	---	86.11	---	78.49	5	13.72	127.00	279.40	281.69
PDR0004	D	329.95	---	116.08	---	77.73	5	14.73	127.00	279.15	281.69
PDR0005	CD	305.06	---	102.87	---	70.87	5	13.50	120.65	241.30	242.82
PDR0010	D	316.70	298.90	96.59	86.34	61.92	5	15.68	114.30	254.20	255.52
PDR0012	D	357.10	322.10	125.73	79.50	127.03	8	16.53	165.10	304.70	307.09
PDR0013	D	325.10	297.20	78.65	60.10	90.60	5	14.88	139.70	279.20	281.69
PDR0014	D	358.90	---	102.87	---	127.00	8	16.76	165.10	304.80	256.29
PDR0015	D	357.88	---	91.95	76.20	127.00	8	16.75	165.10	304.80	307.09
PDR0016	D	327.15	---	104.14	87.38	90.73	5	15.13	139.70	280.16	281.69
PDR0017	D	320.55	---	102.11	80.26	---	5	---	114.30	279.40	280.92
PDR0018	D	294.13	---	92.96	72.64	---	5	---	114.30	254.00	256.29
PDR0019	D	323.09	---	107.69	---	71.63	5	16.50	114.30	279.40	280.92
PDR0022	CD	314.30	296.20	78.86	61.98	71.45	5	11.40	120.65	279.40	280.92
PDR0023	CD	313.20	291.30	76.87	60.00	90.60	6	11.50	139.70	279.40	281.69
PDR0024	CD	314.30	304.00	97.00	80.70	116.80	8	13.00	165.10	283.40	284.73
PDR0026	CD	345.95	---	144.46	---	116.84	8	13.50	165.10	304.80	306.32
PDR0037	CD	294.00	259.00	87.00	73.50	70.80	5	14.00	120.65	241.30	242.82
PDR0039	CD	301.80	258.60	79.99	65.40	70.69	5	13.25	120.65	241.17	243.60
PDR0042	CD	324.40	302.50	101.00	87.20	71.60	5	11.40	131.50	279.40	281.70
PDR0043	CD	313.94	---	77.72	---	90.42	6	11.43	139.70	279.15	280.92
PDR0046	CD	296.60	---	93.73	---	70.92	5	---	120.65	241.30	242.82
PDR0052	CD	288.00	258.00	90.30	76.50	71.60	5	11.40	120.65	241.30	243.59
PDR0053	CD	301.80	258.60	80.69	64.30	71.53	5	11.25	120.65	241.17	243.59
PDR0057	CD	355.50	325.00	135.20	73.90	116.74	8	13.50	165.10	304.80	306.32
PDR0059	CD	296.40	255.90	93.80	79.93	71.44	5	11.25	120.65	241.30	242.80
PDR0063	CD	367.50	323.00	107.50	74.90	77.90	5	15.50	127.00	304.80	306.32
PDR0076	CD	329.95	---	102.11	---	77.98	5	13.46	127.00	279.40	281.69
PDR0082	CD	262.89	---	76.20	---	105.66	5	16.00	139.70	228.60	230.12
PDR0087	D	320.55	---	74.42	59.44	---	5	---	139.70	279.40	280.92
PDR0088	CD	315.70	298.00	73.50	60.50	105.80	5	15.90	139.70	279.40	280.92
PDR0091	D	294.50	268.00	74.00	61.60	105.70	5	16.40	139.70	254.00	255.52
PDR0104	CD	270.00	---	73.15	---	51.05	5	15.50	114.30	228.60	230.88
PDR0105	D	266.19	---	69.09	71.63	62.10	5	16.00	114.30	228.60	230.12
PDR0112	CD	315.98	---	77.22	---	80.26	5	15.50	139.70	279.40	281.69
PDR0115	CD	317.50	293.70	71.94	53.54	73.10	5	15.60	139.70	279.40	281.69
PDR0118	CD	318.00	297.20	77.49	61.46	90.67	5	15.80	139.70	279.40	280.92
PDR0122	CD	359.00	327.00	78.00	65.80	120.70	8	16.00	165.10	307.98	309.63
PDR0123	CD	353.00	---	99.57	---	120.65	8	16.00	165.10	307.85	309.63
PDR0124	CD	325.00	295.20	86.50	72.50	62.00	5	15.60	114.30	280.19	281.69
PDR0127	CD	295.70	269.50	85.47	54.00	61.90	5	15.60	114.30	254.00	256.29
PDR0136	CD	296.40	269.00	89.57	31.91	62.00	5	15.60	114.30	254.00	256.29
PDR0137	CD	325.12	---	92.96	---	70.36	5	15.50	114.30	279.40	281.69
PDR0138	CD	272.60	245.40	79.70	64.00	61.90	4	15.60	114.30	228.60	230.89
PDR0139	CD	273.00	245.00	60.60	42.94	61.90	4	15.60	114.30	228.60	230.89
PDR0140	D	273.05	---	78.99	66.04	---	4	---	114.30	228.60	230.12
PDR0141	CD	325.10	296.10	93.60	71.00	73.08	5	15.50	139.70	280.20	282.45
PDR0144	D	298.07	---	85.85	74.93	---	5	---	114.30	254.00	255.52
PDR0163	CD	290.07	---	93.47	---	71.37	5	16.25	114.30	254.00	255.52
PDR0174	CD	294.00	270.00	84.00	71.00	58.80	5	14.30	101.60	254.00	255.53
PDR0178	CD	264.80	242.00	84.50	71.20	58.90	5	14.10	101.60	228.60	230.89
PDR0179	CD	263.00	243.00	71.50	60.30	58.75	5	11.80	101.60	228.60	230.89
PDR0181	CD	350.52	328.40	83.97	64.75	120.84	8	15.39	165.10	307.98	310.13
PDR0182	CD	294.00	270.50	94.10	74.00	72.13	5	16.60	114.30	254.00	256.29
PDR0187	CD	345.95	---	108.72	---	71.88	5	16.50	114.30	279.40	281.69
PDR0189	D	323.22	---	92.96	87.88	---	5	---	139.70	280.16	281.69
PDR0191	D	320.00	---	103.38	81.02	71.62	5	16.00	114.30	279.40	280.92
PDR0195	D	323.22	---	106.43	85.34	---	5	---	139.70	280.16	281.69
PDR0199	CD	324.00	292.50	84.17	63.33	77.83	5	13.50	127.00	279.40	218.69
PDR0200	D	386.08	---	125.23	63.50	77.72	5	13.46	127.00	304.80	307.09
PDR0201	CD	356.10	295.00	109.75	86.97	77.79	5	13.54	127.00	279.40	218.69
PDR0202	D	325.12	---	91.44	---	70.61	5	15.75	114.30	279.40	281.69
PDR0206	D	293.50	---	99.60	76.45	70.70	5	13.50	120.65	241.30	242.80
PDR0207	D	269.88	---	70.10	60.45	---	4	---	107.95	228.60	230.12
PDR0209	D	325.00	295.30	99.25	87.30	90.60	5	14.83	139.70	279.90	281.69
PDR0216	D	345.95	---	95.83	81.03	90.55	6	11.43	5.00	279.40	280.92
PDR0236	D	312.93	---	110.49	90.42	---	5	---	114.30	254.00	256.29
PDR0244	ID	262.50	242.00	89.50	47.00	50.28 / 39.87	4	M14x1.5	130.00	230.00	231.00
PDR0250	CD	320.00	---	90.42	---	72.14	5	15.75	139.70	279.40	280.92
PDR0253	CD	355.50	325.00	135.20	73.90	116.74	8	15.50	165.10	304.80	306.32

BRAKE DRUM CRITICAL DIMENSIONS BY PART NUMBER

Part Number	Drum Type	Outside Diameter	Hat Outside Diameter	Over-all Height	Braking Surface Depth	Center-hole Diameter	Bolt Holes	Bolt Hole Diameter	Bolt Circle	Nominal Brake Diameter	Maximum Brake Diameter
PDR0254	CD	340.20	297.20	89.94	75.20	78.59	5	13.00	127.00	279.27	281.69
PDR0255	CD	341.00	297.50	88.50	62.70	90.50	6	11.50	139.70	279.40	280.90
PDR0264	D	355.50	323.80	159.80	90.40	131.95	8	17.43	165.10	304.80	307.09
PDR0267	D	355.40	324.40	101.80	88.55	120.75	8	16.64	165.10	304.70	306.32
PDR0272	CD	325.12	---	92.20	74.93	77.98	5	14.00	127.00	280.67	281.69
PDR0273	CD	348.00	---	112.27	---	73.41	5	14.00	127.00	280.67	281.69
PDR0274	CD	324.00	292.50	84.17	63.33	70.69	5	12.04	120.65	279.40	281.69
PDR0276	CD	348.00	304.00	135.36	89.33	116.84	8	15.80	165.10	283.21	284.73
PDR0278	D	358.50	324.30	179.00	89.30	135.48	8	16.60	165.10	304.80	306.32
PDR0296	CD	295.91	---	88.65	---	72.90	5	15.75	139.70	254.00	255.52
PDR0303	CD	318.00	267.50	103.70	75.93	72.30	5	15.70	114.30	254.00	255.52
PDR0304	CD	270.00	---	75.18	---	72.26	5	---	114.30	228.60	230.12
PDR0312	D	326.11	---	97.79	---	120.65	8	15.75	120.65	304.80	306.32
PDR0314	CD	262.30	242.00	81.50	66.40	71.50	5	15.60	114.30	228.60	230.89
PDR0321	D	302.50	---	78.00	---	67.00	5	14.50	114.30	254.00	255.50
PDR0324	D	265.90	243.30	63.28	55.15	68.12	4	12.70	114.30	228.60	230.00
PDR0328	D	272.03	---	62.99	48.01	---	4	---	114.30	228.60	230.00
PDR0335	D	302.50	272.00	78.00	66.50	67.00	5	14.50	114.25	254.10	255.50
PDR0337	D	267.97	---	72.64	59.18	72.14	5	15.50	114.30	228.60	230.12
PDR0341	D	232.03	---	65.28	53.85	---	4	---	100.00	200.03	201.40
PDR0342	D	355.60	---	108.20	87.63	---	5	---	120.65	279.40	280.92
PDR0343	D	291.08	---	75.18	62.48	---	4	---	101.60	241.30	242.82
PDR0344	D	357.50	327.40	125.50	91.00	137.27	8	16.60	165.10	304.80	306.32
PDR0345	CD	347.00	298.00	111.50	67.00	71.00	5	14.30	114.30	280.19	282.45
PDR0349	D	269.00	244.50	61.50	49.80	89.80	4	12.90	114.30	228.60	230.60
PDR0355	ID	278.90	---	89.60	---	50.29 / 39.88	4	M12x1.5	---	248.20	---
PDR0362	D	357.12	---	179.07	89.41	---	8	---	165.10	304.80	306.32
PDR0363	D	388.30	360.10	131.89	79.80	131.89	8	15.39	165.10	330.25	332.49
PDR0364	CD	341.70	294.50	97.00	79.47	105.68	5	16.16	139.70	279.30	280.92
PDR0365	CD	346.00	297.00	115.40	91.50	72.10	5	16.58	114.30	279.35	280.92
PDR0366	D	273.00	---	64.52	49.00	---	4	---	100.00	227.99	230.00
PDR0371	CD	270.00	241.30	72.77	54.80	64.47	4	14.38	107.95	228.47	230.12
PDR0372	CD	296.10	272.20	87.17	60.00	64.56	4	14.25	107.95	254.00	255.52
PDR0374	D	288.00	265.00	59.50	---	90.00	6	13.00	139.70	254.00	255.50
PDR0375	D	234.95	---	62.99	49.53	---	4	---	114.30	200.03	201.98
PDR0378	D	225.81	---	71.63	42.93	---	4	---	119.99	179.96	181.10
PDR0381	D	216.15	---	63.00	42.42	---	4	---	107.95	177.80	179.32
PDR0383	CD	330.70	296.90	99.29	70.87	70.69	5	14.35	114.30	280.16	281.69
PDR0385	CD	231.60	212.90	65.28	54.45	57.58	5	14.25	100.00	199.90	201.40
PDR0387	D	416.50	357.40	160.53	108.20	112.00	8	15.52	165.10	330.20	332.49
PDR0390	D	235.46	---	62.23	41.91	---	4	---	107.95	203.20	204.72
PDR0391	CD	297.30	267.90	89.85	72.88	70.69	5	14.50	114.30	254.00	256.30
PDR0392	D	240.03	---	77.72	44.45	---	4	---	114.30	203.20	204.50
PDR0393	D	250.70	---	72.14	58.42	---	5	---	100.00	200.03	201.42
PDR0396	CD	324.40	292.00	85.50	65.00	77.90	6	11.30	139.70	279.40	281.70
PDR0397	D	357.30	321.20	119.20	76.30	119.40	8	13.98	165.10	304.70	307.09
PDR0398	CD	296.00	268.00	69.67	54.00	105.66	5	16.00	139.70	254.00	255.52
PDR0401	ID	209.40	196.00	92.00	42.00	50.21 / 39.80	4	13.80	114.30	180.00	182.00
PDR0402	ID	242.00	213.20	71.80	40.50	50.28 / 45.22	4	11.90	100.00	200.10	201.00
PDR0403	D	215.90	---	71.88	33.53	---	4	---	100.00	179.96	180.98
PDR0404	D	239.78	---	71.76	33.02	---	4	---	100.00	200.03	200.99
PDR0407	D	298.60	262.00	82.40	64.50	72.20	5	15.50	114.30	254.00	255.50
PDR0408	D	330.71	---	120.65	---	117.60	8	16.00	165.10	279.40	285.50
PDR0410	D	250.83	---	68.07	47.75	---	4	---	100.00	219.96	221.23
PDR0414	D	235.46	---	58.17	43.43	---	4	---	100.00	203.20	204.72
PDR0416	D	216.41	---	77.85	42.16	---	4	---	107.95	179.96	181.51
PDR0418	D	242.06	---	56.39	43.69	---	4	---	114.30	200.03	201.98
PDR0419	CD	235.10	216.00	65.57	43.57	54.14	5	14.76	100.00	199.90	201.00
PDR0420	D	286.77	---	80.77	61.72	---	6	---	139.70	241.30	243.33
PDR0424	D	298.00	---	70.50	---	67.00	5	14.50	114.30	254.00	256.00
PDR0425	D	214.12	---	80.26	38.86	---	4	---	114.30	179.96	181.00
PDR0426	CD	259.80	243.30	72.38	61.66	57.58	5	14.00	100.00	225.12	227.25
PDR0427	CD	269.70	244.50	90.84	56.73	64.47	4	14.50	107.95	228.60	230.12
PDR0428	D	216.41	---	77.85	42.16	---	4	---	107.95	179.96	181.51
PDR0429	CD	237.49	---	63.50	---	63.50	4	14.22	107.95	203.20	204.72
PDR0431	D	291.00	270.00	69.00	52.00	90.00	6	12.60	139.70	254.00	255.50
PDR0432	D	298.07	---	73.91	63.50	---	4	---	114.30	254.00	256.03
PDR0434	D	300.50	272.00	77.95	68.30	90.90	6	14.48	139.70	253.87	256.00
PDR0436	ID	207.00	195.70	94.60	37.90	46.95 / 39.83	4	13.86	100.00	179.90	181.00

BRAKE DRUM CRITICAL DIMENSIONS BY PART NUMBER

Part Number	Drum Type	Outside Diameter	Hat Outside Diameter	Over-all Height	Braking Surface Depth	Center-hole Diameter	Bolt Holes	Bolt Hole Diameter	Bolt Circle	Nominal Brake Diameter	Maximum Brake Diameter
PDR0437	D	226.40	215.70	66.30	44.05	54.09	4	15.00	100.00	200.00	201.00
PDR0438	D	271.70	240.70	70.01	56.99	60.07	4	14.55	114.30	228.39	230.60
PDR0439	D	271.50	---	71.12	---	59.94	4	14.40	114.30	228.60	230.60
PDR0445	D	211.33	---	65.91	36.32	---	4	---	114.30	179.96	181.00
PDR0446	D	285.50	274.50	78.00	64.00	65.00	5	15.80	112.00	252.00	253.50
PDR0448	CD	259.80	243.30	72.38	61.66	70.69	5	14.00	115.00	225.12	227.25
PDR0449	D	393.20	355.40	165.40	92.40	117.55	8	15.67	165.10	330.20	332.49
PDR0450	D	338.00	304.00	162.50	80.60	117.40	8	16.00	165.10	283.40	285.50
PDR0451	CD	275.80	243.30	72.38	61.66	70.69	5	14.00	115.00	225.12	226.30
PDR0452	CD	297.20	271.80	90.07	74.10	64.47	5	14.50	114.30	254.00	256.29
PDR0453	CD	235.50	218.40	68.33	73.96	66.09	4	14.27	107.95	203.20	204.72
PDR0454	CD	301.80	258.60	79.99	65.40	70.69	5	13.25	120.65	241.17	243.60
PDR0456	ID	216.30	193.20	95.30	42.20	50.28 / 45.22	4	14.10	107.95	180.00	181.51
PDR0457	D	258.32	---	114.81	71.12	---	6	---	170.00	219.71	221.49
PDR0458	ID	240.00	162.00	86.50	43.00	53.94 / 45.20	4	12.50	114.30	203.30	204.50
PDR0460	D	219.46	---	82.30	41.91	---	4	---	114.30	179.96	181.00
PDR0461	CD	269.10	242.50	71.30	53.95	64.58	5	14.53	114.30	228.65	230.12
PDR0462	ID	234.90	178.00	88.10	41.80	50.25 / 39.75	4	14.00	114.30	203.20	205.00
PDR0463	D	303.02	---	83.06	58.42	93.55	6	12.60	139.70	254.00	256.00
PDR0465	D	207.01	---	70.86	44.96	---	4	---	114.30	179.96	182.12
PDR0467	ID	211.30	193.00	74.70	39.60	50.24 / 39.85	4	M12x1.50	100.00	179.90	181.50
PDR0468	D	289.56	---	90.17	51.82	---	4	---	107.95	228.60	230.89
PDR0469	D	285.75	---	63.75	47.24	---	4	---	100.00	249.73	250.95
PDR0470	D	214.12	---	68.58	39.88	---	4	---	100.00	179.96	181.41
PDR0471	D	294.10	272.00	72.90	60.45	96.54	6	12.52	139.70	254.00	255.52
PDR0473	SD	237.20	161.00	61.30	38.80	61.00	4	12.60	100.00	200.00	201.00
PDR0474	D	217.00	201.50	61.50	38.00	61.00	4	12.75	100.00	180.00	181.00
PDR0475	ID	260.00	155.50	72.00	26.20	45.23 / 49.96	4	12.40	114.30	200.18	201.00
PDR0476	D	235.71	---	82.30	41.91	---	4	---	114.30	203.20	204.47
PDR0477	D	264.00	162.00	78.00	47.00	54.00 / 45.25	4	M12x1.25	114.30	228.60	230.00
PDR0478	D	242.00	214.00	70.00	---	54.00	4	14.70	100.00	200.00	201.00
PDR0479	CD	323.90	297.20	95.14	70.87	73.10	5	14.88	139.70	280.16	282.45
PDR0481	D	230.38	---	83.57	39.37	---	4	---	139.70	179.96	181.99
PDR0483	D	211.33	---	84.07	39.12	---	4	---	139.70	179.96	181.99
PDR0484	CD	304.00	253.20	81.00	66.03	78.74	5	13.50	127.00	241.30	243.59
PDR0486	CD	261.87	---	80.77	---	57.40	4	14.22	100.08	228.60	230.89
PDR0489	CD	250.80	237.50	68.33	47.85	57.45	5	14.06	100.00	219.91	221.23
PDR0490	CD	346.00	297.90	113.44	92.54	90.50	5	16.56	139.70	279.40	281.69
PDR0493	D	357.60	326.10	124.71	89.66	114.80	8	16.76	165.10	304.80	307.09
PDR0496	CD	281.40	244.00	105.70	92.00	72.00	5	14.20	114.30	228.60	229.70
PDR0497	D	302.90	---	83.06	62.23	---	6	---	139.70	254.00	256.01
PDR0499	CD	280.20	243.00	105.70	92.40	50.67	5	16.53	114.30	224.10	230.00
PDR0501	CD	335.90	307.00	104.70	91.12	78.80	5	13.16	127.00	283.20	284.73
PDR0502	CD	265.70	239.30	71.00	52.62	64.58	5	14.43	108.00	224.90	226.55
PDR0504	D	357.00	323.90	135.26	91.20	127.03	8	15.63	165.10	304.80	307.09
PDR0506	CD	279.50	243.20	105.70	91.57	57.50	5	14.20	100.00	228.65	230.89
PDR0507	ID	193.80	183.00	70.00	34.00	50.21 / 39.80	4	M12x1.50	114.30	169.90	171.50
PDR0508	D	239.00	220.00	59.00	42.80	61.27	4	12.52	100.00	199.90	201.00
PDR0510	CD	293.88	---	93.00	---	90.68	5	16.76	139.70	254.00	256.29
PDR0511	D	276.61	---	61.21	50.29	---	4	---	109.98	228.60	229.59
PDR0512	D	230.00	---	73.15	38.10	---	5	---	109.98	200.03	200.99
PDR0513	D	306.00	273.50	72.55	62.00	67.08	5	14.50	114.30	254.00	256.01
PDR0514	D	298.20	---	90.93	59.94	---	5	---	138.00	254.00	256.01
PDR0515	D	235.30	214.50	64.70	54.60	54.09	4	14.70	100.00	199.90	201.00
PDR0516	D	271.78	---	71.12	60.96	---	5	---	100.00	228.60	230.61
PDR0517	D	342.80	312.40	83.40	64.10	106.08	6	14.50	139.70	294.90	296.90
PDR0519	ID	212.09	---	67.56	42.16	---	4	---	100.00	179.96	181.99
PDR0520	D	357.10	322.60	119.34	76.70	119.38	8	15.95	165.10	304.80	307.09
PDR0523	ID	218.00	---	65.50	---	---	4	10.00	114.30	180.00	182.00
PDR0524	ID	236.30	218.40	92.00	41.80	51.89	4	12.35	100.00	203.00	204.50
PDR0525	D	300.23	---	80.26	70.87	---	6	---	139.70	254.00	255.50
PDR0526	D	300.30	277.30	73.95	64.20	100.45	6	12.60	139.70	259.90	261.49
PDR0527	D	301.50	276.00	70.40	53.50	93.00	6	12.50	139.70	259.90	261.90
PDR0528	D	225.00	---	64.70	---	---	4	12.50	114.30	200.00	201.00
PDR0531	ID	251.60	156.00	73.30	37.90	47.95	5	12.43	114.30	228.60	230.10
PDR0532	CD	323.90	297.20	95.14	70.87	87.45	5	14.88	139.70	280.16	282.45
PDR0534	CD	266.70	239.70	67.85	48.35	57.58	5	14.00	100.00	220.00	221.23
PDR0535	CD	319.80	300.20	112.37	91.44	72.25	5	15.57	114.30	254.00	255.52
PDR0536	D	409.96	---	133.60	98.04	---	8	---	165.10	330.20	332.49

BRAKE DRUM CRITICAL DIMENSIONS BY PART NUMBER

Part Number	Drum Type	Outside Diameter	Hat Outside Diameter	Over-all Height	Braking Surface Depth	Center-hole Diameter	Bolt Holes	Bolt Hole Diameter	Bolt Circle	Nominal Brake Diameter	Maximum Brake Diameter
PDR0539	D	215.90	---	71.63	41.40	---	4	---	114.30	179.96	181.99
PDR0540	CD	303.20	275.20	91.22	68.64	78.66	5	14.78	127.00	253.90	256.31
PDR0541	CD	302.60	276.20	90.67	69.00	78.59	6	14.80	139.70	254.00	256.29
PDR0542	D	351.80	326.40	114.30	91.44	130.17	8	17.40	165.10	304.80	307.09
PDR0543	D	341.00	311.10	134.50	81.50	78.74	6	15.60	139.70	283.20	285.50
PDR0544	D	261.50	232.00	61.00	42.00	50.10	4	12.80	80.00	220.00	222.00
PDR0545	D	359.70	326.60	174.76	107.70	127.03	8	CB 15.63/ 26.70x4.11	165.10	307.85	310.10
PDR0546	D	269.88	---	58.67	46.99	---	4	---	100.00	228.60	229.49
PDR0547	D	352.00	323.70	98.80	79.00	120.75	8	16.60	165.10	304.80	307.09
PDR0549	ID	214.88	---	71.50	23.62	---	4	---	114.30	179.96	181.99
PDR0550	D	357.40	324.90	159.26	88.90	122.40	4	20.60	165.10	304.80	307.09
PDR0551	D	219.20	---	53.34	37.59	---	4	---	97.99	184.99	186.82
PDR0556	CD	320.80	267.90	110.72	89.23	72.17	5	16.62	114.30	253.98	255.52
PDR0557	D	268.40	240.00	59.94	44.45	64.21	4	12.50	114.30	219.96	221.00
PDR0558	CD	231.70	216.70	60.70	40.75	57.50	5	14.20	100.00	200.00	201.17
PDR0559	D	232.92	---	56.64	41.15	---	4	---	100.00	200.03	200.99
PDR0561	D	349.25	---	106.68	82.80	---	5	---	114.99	279.40	281.69
PDR0563	ID	240.00	211.00	82.00	50.00	50.21 / 39.80	4	M12x1.50	100.00	200.00	203.00
PDR0564	D	336.30	315.20	88.64	69.09	100.57	6	12.70	139.70	295.02	296.49
PDR0566	D	234.95	---	63.75	40.39	---	4	---	114.30	202.95	204.98
PDR0568	D	235.00	---	65.50	---	54.00	5	14.55	100.00	200.00	201.00
PDR0569	CD	305.00	271.10	97.32	76.73	70.95	5	14.52	114.30	254.22	255.52
PDR0570	CD	273.00	245.00	90.75	79.45	72.00	5	15.55	114.30	228.50	230.00
PDR0571	D	215.90	---	66.80	42.67	---	4	---	114.30	179.96	182.12
PDR0573	ID	221.50	279.00	66.50	35.50	51.98 / 47.00	4	9.85	114.30	180.34	182.00
PDR0576	D	252.20	250.50	55.23	38.90	54.99	4	14.04	100.00	228.53	230.10
PDR0578	D	246.13	---	70.10	45.97	---	4	---	114.30	203.20	205.21
PDR0580	D	344.90	310.13	79.90	72.64	106.11	6	14.10	139.70	295.02	297.00
PDR0581	D	271.80	245.10	71.25	61.98	62.20	5	14.55	114.30	228.50	230.61
PDR0582	D	306.10	272.00	72.39	63.75	67.00	5	14.45	114.30	254.00	256.00
PDR0583	D	219.80	200.00	58.20	37.40	68.10	4	12.50	100.00	179.90	181.00
PDR0584	D	258.00	---	63.50	---	56.65	5	12.60	139.70	219.71	222.00
PDR0585	D	297.43	---	73.41	63.25	---	4	---	114.30	259.97	261.49
PDR0586	D	265.94	---	63.25	54.36	---	4	---	100.00	228.60	230.00
PDR0587	D	296.16	---	61.21	52.83	---	4	---	114.30	259.97	261.49
PDR0588	D	296.29	---	66.04	53.34	---	5	---	139.70	254.00	255.52
PDR0589	D	265.18	---	72.14	54.36	---	4	---	114.30	225.04	227.00
PDR0590	ID	207.00	194.20	93.70	34.92	48.93 / 39.81	4	CB 13.77/22.45	100.00	180.00	181.00
PDR0591	ID	222.10	189.85	74.10	36.50	51.93 / 46.95	4	11.76	114.30	180.01	182.00
PDR0592	D	258.06	---	73.41	53.59	---	5	---	107.95	225.04	226.57
PDR0596	CD	241.80	212.70	65.80	42.90	57.09	4	14.30	100.00	199.90	201.00
PDR0597	CD	280.40	243.00	105.20	91.40	71.95	6	16.50	114.30	228.50	230.00
PDR0598	D	298.07	---	---	60.45	---	4	---	114.30	259.97	261.49
PDR0599	D	254.00	---	57.91	32.26	---	4	---	114.30	228.60	229.59
PDR0600	CD	339.00	306.70	99.40	86.83	90.50	6	11.38	139.70	283.20	285.50
PDR0601	D	235.90	209.00	53.53	38.75	57.08	4	12.77	100.00	200.06	201.40
PDR0602	CD	321.00	267.90	108.55	88.62	72.15	6	17.03	114.30	254.00	255.52
PDR0603	D	312.70	280.60	76.11	61.30	72.13	5	13.91	114.30	259.98	261.49
PDR0604	CD	339.60	305.70	99.40	86.81	78.68	5	13.14	127.00	283.10	285.50
PDR0605	D	303.00	272.00	73.00	63.00	60.00	5	14.50	114.30	254.00	256.00
PDR0606	D	239.00	220.00	57.00	40.50	61.00	4	12.75	100.00	200.00	201.00
PDR0607	D	271.78	---	69.60	57.15	---	4	---	114.30	228.60	230.61
PDR0608	D	265.60	245.40	65.35	55.11	68.15	5	12.79	114.30	228.72	230.00
PDR0609	D	258.06	---	73.41	53.59	---	5	---	107.95	225.04	226.57
PDR0610	CD	305.00	253.40	80.40	67.10	70.71	5	13.30	120.65	241.20	243.60
PDR0611	CD	315.40	272.50	90.07	74.10	64.47	5	14.50	114.30	254.00	256.29
PDR0612	D	207.01	---	64.77	40.64	---	4	---	114.30	179.96	181.99
PDR0613	D	411.00	354.90	193.30	109.80	116.77	8	15.53	165.10	330.20	332.49
PDR0614	D	232.79	---	86.61	40.64	---	4	---	100.00	200.03	200.99
PDR0615	D	299.72	---	66.04	51.82	---	5	---	139.70	254.00	256.29
PDR0616	D	212.85	---	72.64	33.78	---	4	---	100.00	180.09	181.00
PDR0618	D	310.90	---	87.88	65.02	---	5	---	111.99	267.97	269.49
PDR0619	D	416.80	362.40	159.98	107.65	122.94	8	15.36	165.00	330.21	332.50
PDR0620	D	359.90	325.10	146.24	107.24	127.07	4	20.42	165.10	307.98	310.13
PDR0621	D	339.10	---	135.13	---	78.50	5	12.95	127.00	282.96	285.50
PDR0622	CD	339.00	306.70	99.40	85.90	78.59	5	14.80	127.00	283.36	285.50
PDR0623	CD	339.00	306.70	99.40	85.90	78.59	6	14.80	139.70	283.36	285.50
PDR0625	D	296.93	---	70.36	60.96	---	5	---	114.30	254.00	256.01

BRAKE DRUM CRITICAL DIMENSIONS BY PART NUMBER

Part Number	Drum Type	Outside Diameter	Hat Outside Diameter	Over-all Height	Braking Surface Depth	Center-hole Diameter	Bolt Holes	Bolt Hole Diameter	Bolt Circle	Nominal Brake Diameter	Maximum Brake Diameter
PDR0626	D	285.00	---	60.00	---	77.93	4	12.50	114.30	254.00	256.00
PDR0628	CD	261.87	---	99.31	---	57.40	4	14.22	99.82	228.60	230.89
PDR0629	D	241.60	216.60	58.02	41.15	55.20	4	14.03	100.00	200.16	201.50
PDR0630	D	325.10	265.60	87.79	71.93	74.15	5	12.66	114.30	249.95	251.50
PDR0631	CD	317.20	266.00	103.20	75.11	72.09	5	15.50	114.30	254.04	255.50
PDR0632	D	269.90	244.40	60.49	37.20	71.94	5	12.97	114.30	228.59	230.10
PDR0634	D	250.70	238.00	68.07	56.64	72.46	5	14.02	114.30	219.96	221.21
PDR0635	ID	215.90	---	67.56	41.66	---	4	---	100.00	179.96	181.99
PDR0636	D	240.80	222.30	64.00	42.00	64.16	4	12.58	100.00	202.82	205.00
PDR0637	D	214.60	200.33	64.70	45.43	64.10	4	12.51	100.00	180.07	182.00
PDR0639	D	344.68	---	85.09	75.69	---	6	---	139.70	295.02	296.93
PDR0641	D	311.15	---	75.69	62.99	---	6	---	139.70	259.97	261.49
PDR0642	D	203.45	---	71.37	46.48	---	4	---	114.30	179.96	181.99
PDR0643	ID	214.90	194.10	93.60	35.79	48.93 / 39.81	4	13.77	100.00	179.96	181.00
PDR0644	D	269.00	244.50	61.50	49.80	89.80	4	12.90	114.30	228.60	230.60
PDR0645	D	269.36	246.60	63.44	45.41	58.09	5	13.26	100.00	228.60	230.60
PDR0646	D	242.00	---	70.36	---	54.86	4	14.50	100.00	200.91	201.00
PDR0647	D	238.51	---	73.41	38.10	---	4	---	109.98	200.03	200.99
PDR0648	ID	215.00	191.95	94.60	29.20	39.82	4	13.77	100.00	180.00	181.00
PDR0651	D	224.03	---	61.72	---	61.00	4	---	100.00	180.00	181.00
PDR0652	D	245.00	210.00	57.00	40.00	64.30	4	13.00	114.30	200.00	202.00
PDR0654	D	345.00	323.20	97.68	91.88	106.06	6	14.29	139.70	295.00	297.00
PDR0655	ID	245.09	216.87	67.22	44.71	46.12	4	M12x1.5	100.00	199.96	201.50
PDR0657	D	398.20	357.20	225.21	111.50	123.06	8	16.52	165.10	330.15	332.49
PDR0658	D	394.60	218.40	133.62	90.66	123.25	8	16.36	165.10	330.44	332.50
PDR0659	D	293.80	267.40	77.58	64.14	64.52	5	15.39	108.00	249.90	251.55
PDR0660	D	343.70	295.40	95.80	68.80	78.43	5	17.07	139.70	279.40	281.60
PDR0661	D	235.30	214.50	65.80	55.90	55.00	4	14.50	100.00	199.90	201.00
PDR0662	D	234.70	216.62	65.57	55.26	55.10	5	14.45	100.00	200.00	201.00
PDR0663	D	272.16	---	62.99	55.37	---	4	---	114.27	228.68	230.61
PDR0664	D	245.90	230.30	58.42	41.40	57.09	4	13.59	100.00	200.03	201.00
PDR0669	D	243.10	221.00	63.50	49.28	63.50	4	13.71	107.95	203.20	204.50
PDR0670	CD	255.20	216.00	61.20	40.25	57.55	5	14.33	100.00	200.00	201.19
PDR0671	D	266.40	246.60	62.37	49.28	90.25	5	12.63	114.30	228.52	230.60
PDR0672	D	235.20	---	59.94	44.70	---	5	---	114.30	203.20	205.00
PDR0673	D	307.80	267.00	77.80	69.10	72.00	5	14.40	114.30	250.00	251.20
PDR0674	D	280.16	---	90.17	64.90	---	5	---	139.70	249.94	251.21
PDR0675	D	357.20	324.00	124.80	89.93	126.99	8	15.49	165.10	304.90	307.10
PDR0676	CD	242.60	212.60	51.00	37.00	57.60	4	14.50	100.00	200.00	201.40
PDR0677	D	222.20	189.56	50.77	36.35	63.96	4	13.04	114.30	180.28	182.00
PDR0679	D	357.60	316.50	112.83	95.25	122.98	8	16.56	165.10	304.80	307.09
PDR0680	D	216.20	198.12	58.42	44.68	90.04	4	12.73	114.30	179.83	182.00
PDR0681	D	307.90	265.90	78.05	69.08	57.51	5	14.26	100.00	250.03	251.21
PDR0682	D	418.08	---	160.78	---	117.35	8	15.50	165.10	330.20	285.50
PDR0683	D	261.50	232.03	61.00	42.44	100.08	5	12.94	139.70	220.20	222.00
PDR0684	D	313.00	---	67.00	---	100.00	5	12.60	140.00	254.00	256.00
PDR0685	D	357.60	316.50	107.45	90.17	120.54	8	16.26	165.10	304.80	307.09
PDR0686	D	357.60	322.80	129.80	92.18	123.10	8	17.02	165.10	304.80	307.09
PDR0687	CD	299.97	---	80.26	---	63.50	4	14.00	107.95	253.75	255.00
PDR0688	D	244.60	214.30	56.44	40.20	58.12	4	12.72	100.00	199.98	202.00
PDR0690	CD	323.20	295.20	95.94	72.02	87.58	5	14.49	135.00	280.05	282.40
PDR0691	D	277.90	255.52	64.32	52.12	62.15	5	14.43	114.30	228.50	230.61
PDR0692	D	340.40	310.20	88.49	68.12	100.56	6	12.64	139.70	295.12	296.50
PDR0693	D	432.31	---	261.37	190.50	---	10	---	285.75	381.00	---
PDR0694	D	469.90	---	234.44	153.54	---	10	---	285.75	419.10	422.15
PDR0695	D	433.83	---	224.28	113.54	---	10	---	285.75	381.00	---
PDR0696	D	481.58	---	246.38	168.66	---	10	---	285.75	419.10	---
PDR0697	CD	297.60	268.10	90.40	74.10	71.35	5	14.45	114.30	254.00	256.30
PDR0698	D	243.30	220.41	61.16	47.64	76.39	4	12.91	114.30	203.21	205.20
PDR0699	D	269.70	244.40	55.94	38.17	55.05	4	13.13	100.00	228.59	230.10
PDR0700	D	302.26	---	61.98	50.04	---	6	---	139.70	259.97	262.13
PDR0701	D	215.70	198.05	58.48	44.69	76.12	4	12.79	114.30	179.83	182.00
PDR0702	D	268.30	240.80	59.53	45.10	64.20	5	12.53	114.30	220.12	221.00
PDR0703	D	277.40	244.70	68.66	43.28	58.14	5	13.01	100.00	228.47	230.61
PDR0704	D	268.30	241.33	66.02	53.45	63.51	4	13.97	107.95	228.59	230.10
PDR0705	D	245.11	---	67.18	40.51	---	4	---	100.00	200.03	201.50
PDR0707	D	335.20	313.00	80.60	61.16	96.65	6	12.63	139.70	295.00	296.60
PDR0708	D	330.50	295.00	103.00	77.88	72.00	6	16.58	114.30	280.00	282.30
PDR0709	D	330.60	286.50	92.80	76.19	108.05	6	12.57	139.70	270.71	272.01

BRAKE DRUM CRITICAL DIMENSIONS BY PART NUMBER

Part Number	Drum Type	Outside Diameter	Hat Outside Diameter	Over-all Height	Braking Surface Depth	Center-hole Diameter	Bolt Holes	Bolt Hole Diameter	Bolt Circle	Nominal Brake Diameter	Maximum Brake Diameter
PDR0710	D	290.10	278.07	82.70	57.67	43.00	5	12.54	139.70	259.89	261.19
PDR0711	D	301.50	---	86.70	---	113.90	6	10.40	154.00	254.00	256.00
PDR0712	D	356.80	320.60	119.48	76.45	87.59	7	14.54	150.00	304.68	307.10
PDR0713	CD	269.50	241.40	72.20	54.87	71.18	5	14.40	114.30	228.45	230.12
PDR0716	D	359.50	325.30	129.40	104.57	123.06	8	16.64	165.10	308.00	310.00
PDR0717	D	335.00	271.80	78.74	59.69	62.12	5	14.50	114.30	250.06	251.99
PDR0718	CD	290.50	269.30	68.40	54.13	64.58	5	15.49	108.00	250.00	251.46
PDR0719	D	261.60	235.50	63.94	54.10	100.02	5	12.96	139.70	220.07	222.00
PDR0720	D	313.69	275.83	77.31	53.66	64.19	5	12.55	114.30	253.90	255.00
PDR0721	D	261.70	236.00	63.80	55.88	108.33	5	12.85	139.70	220.00	222.00
PDR0722	D	360.10	326.60	159.78	108.08	123.02	8	16.61	165.10	307.82	310.00
PDR0724	D	327.10	297.20	104.13	80.28	90.60	5	16.51	139.70	279.91	282.30
PDR0725	CD	297.69	---	91.19	---	71.88	6	16.51	114.30	254.00	256.29
PDR0726	D	269.36	246.60	63.44	45.41	58.09	5	13.26	100.00	228.60	230.60
PDR0728	D	327.10	297.20	104.13	80.28	78.42	5	16.94	139.70	279.91	282.30
PDR0729	D	360.40	233.20	230.89	108.22	123.05	8	16.51	165.10	307.98	310.00
PDR0731	D	267.20	239.40	66.83	55.83	64.50	5	14.50	107.95	224.94	226.55
PDR0732	D	236.20	226.06	66.50	43.46	68.02	4	12.70	114.30	203.27	204.50
PDR0733	D	241.90	224.50	51.62	41.41	55.40	5	14.55	100.00	200.07	201.00
PDR0734	D	219.60	192.06	48.63	39.67	55.07	4	14.69	100.00	180.18	181.00
PDR0735	D	295.20	277.67	78.00	60.76	72.22	5	14.69	114.30	254.08	255.50
PDR0736	D	233.00	---	52.00	---	55.17	4	41.30	100.00	200.00	200.92
PDR0737	ID	242.00	216.00	81.00	53.52	50.29 / 39.80	4	M12x1.5	100.00	200.00	201.00
PDR0738	CD	265.20	251.50	67.28	50.16	65.51	5	14.38	109.98	230.00	230.99
PDR0739	D	335.30	313.18	80.52	60.96	101.09	6	12.57	139.70	295.02	296.49
PDR0740	D	307.80	267.00	77.80	69.10	72.00	5	14.40	114.30	250.00	251.20
PDR0741	D	300.80	266.00	85.00	56.55	72.00	5	16.65	114.30	253.90	255.50
PDR0742	D	325.40	296.70	99.82	66.80	71.26	5	14.55	114.30	280.16	281.61
PDR0743	D	274.10	251.60	66.40	50.40	72.00	5	14.00	114.30	228.70	230.10
PDR0744	D	244.60	214.30	56.44	40.20	58.12	4	12.72	100.00	199.98	202.00
PDR0745	D	221.20	196.09	62.78	46.25	62.48	4	12.57	100.00	180.01	182.00
PDR0746	D	246.10	220.13	63.45	48.71	61.11	4	12.55	100.00	199.96	201.00
PDR0747	D	271.90	248.63	55.30	45.62	55.10	5	14.49	100.00	228.62	229.60
PDR0748	ID	230.40	216.20	67.37	31.01	50.24 / 45.18	4	10.59	100.00	200.03	201.50
PDR0749	D	271.60	247.34	63.35	54.85	76.00	4	12.71	114.30	228.56	230.60
PDR0750	D	219.50	191.94	48.40	38.19	55.38	4	14.65	100.00	180.00	181.00
PDR0751	D	342.80	312.93	83.31	66.04	106.11	6	14.55	139.70	295.02	297.00
PDR0752	CD	331.80	296.40	94.11	72.04	87.43	5	16.03	135.00	280.24	282.40
PDR0753	D	241.90	224.50	51.62	41.41	55.40	5	14.55	100.00	200.07	201.00
PDR0755	D	243.20	225.25	59.93	41.92	90.07	4	12.75	114.30	202.91	205.00
PDR0756	D	331.50	303.50	97.03	68.58	87.45	5	15.49	139.70	280.16	282.50
PDR0757	D	282.30	235.70	60.05	45.25	61.01	4	12.70	100.00	219.90	221.00
PDR0758	D	268.30	240.10	60.50	45.66	64.10	5	12.47	114.30	219.91	221.00
PDR0759	D	340.40	310.20	88.49	68.12	100.56	6	12.64	139.70	295.12	296.50
PDR0760	D	271.90	250.30	70.60	61.41	62.17	5	14.46	114.30	228.53	230.60
PDR0761	D	295.90	262.60	73.66	57.15	70.66	5	14.55	114.99	250.06	251.49
PDR0762	CD	271.20	243.20	70.50	53.78	57.69	5	14.34	100.00	230.10	231.00
PDR0763	D	331.30	296.30	118.66	77.92	71.95	6	16.79	114.30	280.19	282.30
PDR0765	D	274.00	248.79	65.72	51.98	57.32	5	13.96	100.00	228.54	230.60
PDR0766	D	271.20	243.16	73.60	55.40	56.93	4	14.13	100.00	230.12	231.00
PDR0767	ID	239.00	223.00	96.10	44.50	52.90	4	12.27	107.95	203.20	204.29
PDR0768	D	291.00	270.00	69.00	52.00	90.00	6	12.60	139.70	254.00	255.50
PDR0769	D	300.00	---	77.70	65.60	67.00	5	---	114.30	254.00	256.00
PDR0772	D	440.44	---	215.90	116.84	---	8	---	269.88	381.00	---
PDR0774	D	442.21	---	223.77	109.73	---	10	---	285.75	381.00	---
PDR0776	HSD	429.51	---	203.71	139.06	228.60	8	21.40	275.60	381.25	384.05
PDR0779	D	478.03	---	231.14	138.18	---	10	---	285.75	419.10	---
PDR0780	D	279.10	252.61	60.41	39.62	90.00	5	12.74	114.30	228.55	230.61
PDR0781	D	249.00	221.14	64.09	44.95	62.56	4	12.76	100.00	203.14	205.21
PDR0782	D	277.90	255.52	64.32	52.12	62.15	5	14.43	114.30	228.50	230.61
PDR0783	CD	262.00	---	77.50	---	65.00	5	15.50	112.00	252.00	253.50
PDR0787	D	478.79	---	222.00	192.02	---	5	---	285.75	419.10	---
PDR0788	D	474.98	---	262.13	194.31	---	10	---	285.75	419.10	---
PDR0789	CD	345.95	---	83.57	---	116.84	8	12.70	165.10	304.80	306.32
PDR0790	D	305.70	288.47	73.70	62.08	62.04	5	14.67	114.30	253.94	256.01
PDR0791	D	242.60	221.15	58.95	48.27	75.91	4	12.76	114.30	203.12	205.21
PDR0792	D	298.00	273.02	76.24	62.81	76.19	5	12.60	114.30	254.18	256.01
PDR0793	D	296.50	274.13	90.56	64.65	71.06	5	13.01	114.30	253.81	256.01
PDR0794	D	279.00	246.20	69.60	48.70	57.45	5	14.80	100.00	228.50	230.60

BRAKE DRUM CRITICAL DIMENSIONS BY PART NUMBER

Part Number	Drum Type	Outside Diameter	Hat Outside Diameter	Over-all Height	Braking Surface Depth	Center-hole Diameter	Bolt Holes	Bolt Hole Diameter	Bolt Circle	Nominal Brake Diameter	Maximum Brake Diameter
PDR0795	D	281.70	245.90	70.90	58.60	62.10	5	14.76	114.30	228.50	230.60
PDR0796	D	303.00	279.00	75.20	---	66.10	5	12.60	114.30	253.00	255.49
PDR0797	D	299.00	275.80	75.52	60.15	76.00	5	12.52	114.30	254.04	256.00
PDR0798	D	334.90	312.75	80.43	61.20	100.96	6	13.54	139.70	295.02	296.50
PDR0799	D	307.40	262.82	77.09	68.57	72.06	5	14.57	114.30	249.97	251.21
PDR0800	D	335.10	312.15	96.37	75.59	78.60	6	16.56	139.70	294.93	296.42
PDR0801	ID	239.00	223.00	96.10	44.50	52.90	4	12.27	107.95	203.20	204.29
PDR0802	D	243.20	225.20	59.80	41.90	64.10	4	---	100.00	202.90	205.00
PDR0805	D	271.10	243.21	73.54	53.94	65.42	5	14.00	110.00	230.04	231.00
PDR0807	D	301.70	288.80	70.15	62.69	108.33	5	12.65	139.70	254.05	256.00
PDR0808	D	250.10	216.32	55.05	38.74	64.34	5	12.61	114.30	199.92	201.00
PDR0809	D	271.10	243.21	73.54	53.94	65.42	5	14.00	110.00	230.04	231.00
PDR0810	CD	297.60	268.10	90.40	74.10	71.35	5	14.45	114.30	254.00	256.30
PDR0811	D	358.90	310.28	112.14	72.57	78.58	5	17.03	140.00	295.04	297.50
PDR0812	D	252.09	220.10	52.99	43.81	55.10	4	12.60	100.00	200.06	201.00
PDR0813	D	306.00	281.00	73.70	61.67	62.04	5	14.42	114.30	254.02	256.00
PDR0814	D	282.30	235.70	60.05	45.25	64.18	5	12.47	114.30	219.90	221.00
PDR0815	D	238.70	219.80	59.39	43.02	51.26	4	12.61	100.00	200.00	201.00
PDR0817	D	271.40	252.97	73.54	54.70	65.55	5	14.03	110.00	230.18	231.00
PDR0818	D	243.08	217.56	57.51	38.74	62.60	4	12.40	100.00	203.23	205.20
PDR0819	D	306.00	281.00	73.70	61.67	108.04	6	14.42	139.70	254.02	256.00
PDR0820	D	264.80	243.19	60.31	50.77	68.10	4	12.69	114.30	228.64	230.00
PDR0821	D	242.00	223.92	52.17	41.20	55.11	4	14.63	100.00	200.02	201.64
PDR0822	ID	230.10	215.60	67.55	30.88	50.24 / 45.19	4	M12x1.5	100.00	200.07	201.50
PDR0823	D	271.70	248.67	81.44	46.12	45.09	10	14.34	100.00	228.58	229.60
PDR0824	ID	230.40	222.80	88.50	33.80	45.19	4	12.48	100.00	200.03	201.50
PDR0825	ID	230.40	222.80	88.50	33.80	50.24 / 45.19	4	12.48	100.00	200.03	201.50
PDR0826	D	297.20	278.43	72.07	62.00	72.07	5	13.51	114.30	254.22	256.30
PDR0827	D	306.00	---	70.87	48.26	57.91	5	12.98	100.07	254.00	256.00
PDR0828	D	284.00	248.80	65.10	46.40	55.00	5	16.40	100.00	228.60	229.60
PDR0829	D	230.00	216.07	57.21	40.78	57.01	4	12.35	100.00	200.10	201.00
PDR0830	D	267.80	252.58	60.36	44.30	80.32	5	12.58	114.30	228.50	230.60
PDR0831	D	336.10	313.30	84.10	59.10	71.30	5	13.00	114.30	295.00	297.00
PDR0832	D	252.00	220.00	53.30	---	55.00	5	14.50	100.00	200.00	201.00
PDR0833	ID	239.00	223.30	98.20	49.10	56.91	4	12.27	108.00	203.00	204.30
PDR0834	D	244.60	---	55.37	41.91	76.00	5	12.47	114.30	205.20	---
PDR0835	D	284.00	248.52	56.32	46.51	55.07	5	14.51	100.00	228.60	229.60
PDR0836	D	284.00	248.52	56.32	46.51	55.07	5	14.51	100.00	228.60	229.60
PDR0837	D	274.00	241.90	71.60	52.02	56.95	4	13.50	100.00	228.50	230.60
PDR0838	D	274.10	241.60	71.50	51.98	65.51	5	13.96	110.00	228.50	230.60
PDR0839	D	239.10	227.10	66.10	42.16	68.00	4	12.70	114.30	203.00	204.50
PDR0840	D	279.20	247.30	89.60	---	63.40	5	13.00	108.00	228.40	230.20
PDR0841	D	244.30	219.36	57.61	40.46	63.52	4	13.97	108.00	200.00	201.50
PDR0842	D	239.50	219.00	57.40	40.30	55.00	4	14.00	100.00	200.00	201.50
PDR0843	D	298.00	270.61	69.54	50.27	60.11	5	13.94	105.00	254.08	256.00
PDR0844	D	271.10	246.80	65.70	51.70	63.50	5	13.70	107.95	228.40	230.20
PDR0845	D	274.00	245.20	63.20	---	60.00	5	14.50	105.00	230.00	232.00
PDR0846	D	301.60	280.83	61.40	47.26	62.00	5	12.58	114.30	254.00	256.00
PDR0847	D	255.90	222.70	75.00	59.90	49.00	4	12.30	100.00	203.30	204.20
PDR0848	D	290.00	253.20	64.80	39.80	65.04	5	15.65	112.00	228.00	231.50
PDR0849	D	284.00	248.52	56.32	46.51	55.07	4	14.60	100.00	228.60	229.60
PDR0850	D	235.00	220.00	58.70	40.20	58.00	3	12.70	112.00	199.50	204.50
PDR0851	D	221.50	202.00	51.20	41.40	55.00	4	14.70	100.00	180.00	181.00
PDR0852	D	240.30	225.30	59.20	---	80.00	5	12.50	114.30	203.00	205.00
PDR0853	D	255.90	222.70	75.00	59.90	49.00	4	12.30	100.00	203.30	204.20
PDR0854	D	261.40	235.40	59.00	39.90	61.98	5	12.70	114.30	220.10	222.00
PDR0855	D	335.60	319.16	96.40	76.68	78.60	6	16.40	139.70	295.00	296.50
PDR0856	D	265.00	243.30	66.70	57.00	68.00	5	12.70	114.30	228.60	230.00
PDR0857	D	246.00	216.55	54.44	40.46	76.03	4	12.90	114.30	203.20	205.20
PDR0858	D	342.90	---	83.05	64.00	106.12	6	14.88	139.70	295.00	297.00

* Reference purposes only, not responsible for incomplete or incorrect content

ROTOR SCHEMATIC

