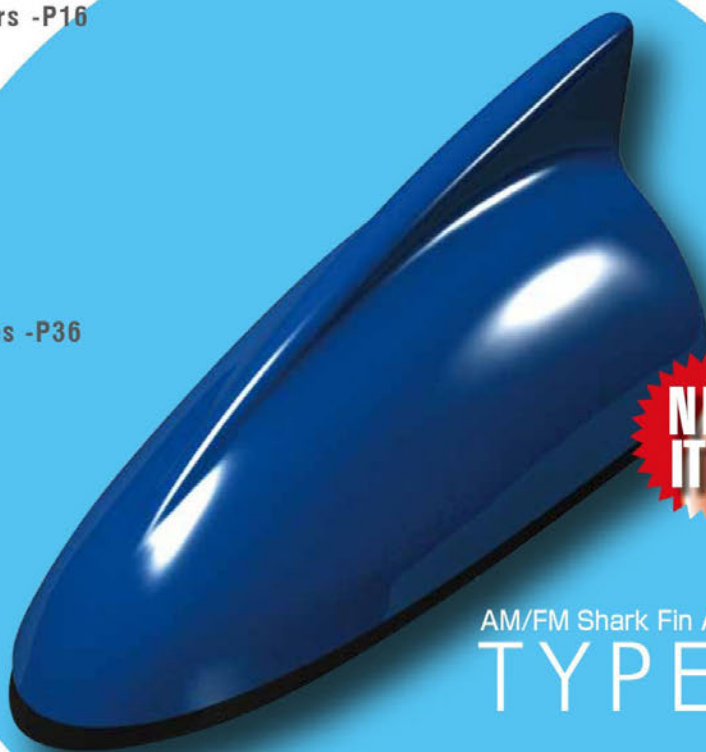


 **Beat-Sonic®**

2014 CATALOG

Stereo Interface Adapters,
Audio-Video Accessories,
Mobile Holders and Aero Parts

- Stereo Interface Adapter Kits -P2
- Amplifiers / Audio Selectors / Audio Transducers -P16
- Factory DVD & NAV Control Modules -P18
- Video Input / Output Cables -P20
- Video Interface Devices -P22
- Video Noise Filters & Video Splitters -P23
- iPod/iPhone/HDMI Accessories -P24
- HDMI Cables and Adapters -P29
- Back-up Cameras -P30
- Video Input and Back-up Camera OEM Interfaces -P36
- Sound Damping Spray -P37
- USB Power Supply/SD Extension cable -P38
- Shark Fin Antennas and Roof Spoiler -P39
- Custom Mobile Holder Kits -P46
- LED Home Application Bulbs -P51



AM/FM Shark Fin Antennas
TYPE 8



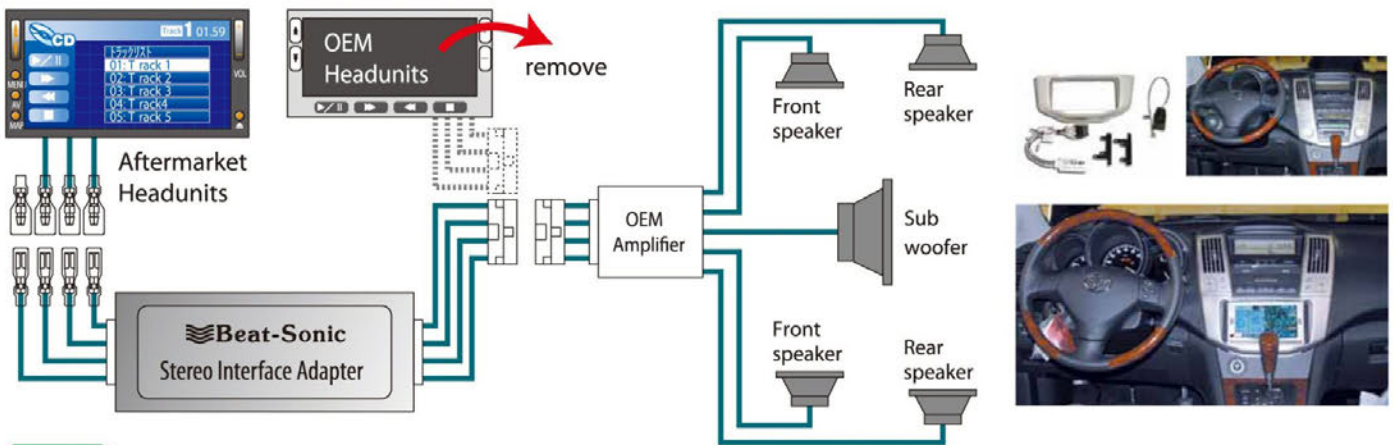
7th Edition

Beat-Sonic Stereo Interface Adapter Introduction

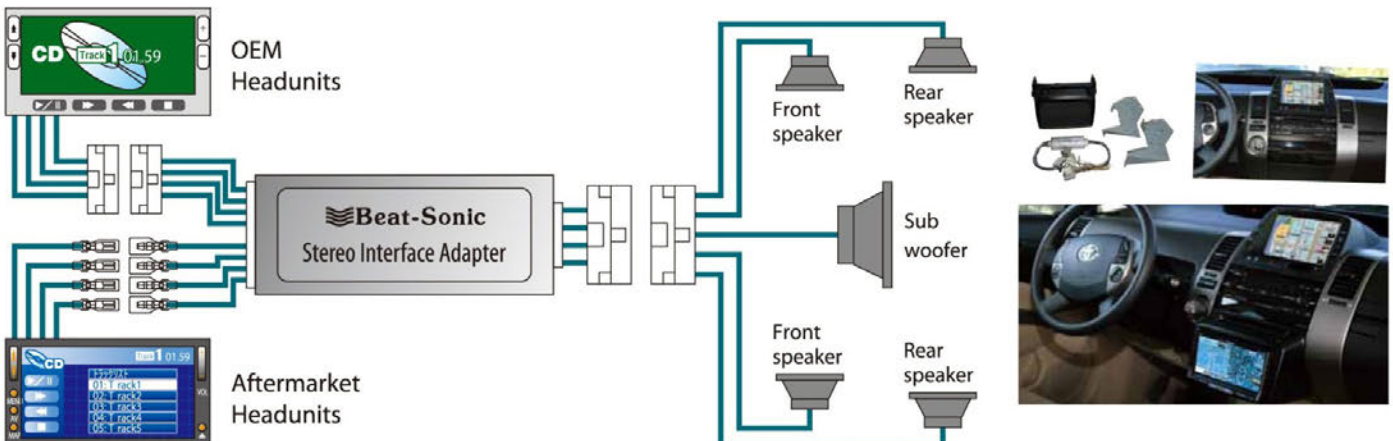
As vehicles become more advanced in today's fast-paced evolving technology, many difficulties are encountered when installing aftermarket stereo systems. However, with extensive research and specialist expertise, Beat-Sonic's highly experienced engineering team has been able to design seamless plug and play solutions that allow interfacing of factory electronic systems to work in conjunction with aftermarket stereo systems. These vehicle model specific interface adapter kits also feature retention of factory amplifier and other essential electronic components such as the factory navigation, screen controls, turn by turn navigation prompt, AC controls, etc. Where required, Beat-Sonic interface adapter kits include OEM quality face panels and brackets to match factory interior trim and are compatible with all the major aftermarket head unit manufacturers.



Change OEM Headunits to Aftermarket Headunits.



Add Aftermarket Headunits and leave OEM Headunits.



Stereo Interface Adapter Kits

Lexus

| Make & Model | Year | OEM Nav | OEM Stereo | Kit | Page |
|-----------------------|-----------|---------|-----------------|---------------------|------|
| Lexus LS430 | 2001-2003 | No | Lexus Premium | SLA-23A | 4 |
| | | Yes | Mark Levinson | SLA-23A / SLX-82AAD | |
| | 2004-2006 | No | Lexus Premium | SLA-24A | |
| | | Yes | Mark Levinson | MVA-24L | |
| Lexus LS 400 | 1990-1994 | No | W/out Nakamichi | SLA-20 | 5 |
| | 1995-1997 | | W/ Nakamichi | SLA-21A | |
| | 1998-2000 | | W/out Nakamichi | SLA-22 | |
| Lexus RX 330 350 400h | 2004-2009 | No | All Models | SLX-82A | 6 |
| | | Yes | All Models | RX-82 | |
| Lexus RX 300 | 1999-2003 | Any | Pioneer System | AOK-01FB | 7 |
| Lexus GX 470 | 2003-2009 | No | Lexus Premium | SLA-81 | |
| | | | Mark Levinson | SLA-81 / SLX-82AAD | |
| Lexus LX 470 | 1998-2002 | No | Mark Levinson | SLA-100 / SLX-82AAD | 8 |
| Lexus SC 430 | 2002-2004 | Yes | Mark Levinson | MVA-12L | 9 |
| | 2005-2009 | | | MVA-13L | |
| Lexus SC 300 400 | 1992-2000 | No | Lexus Premium | SLA-10B | 10 |
| Lexus GS 300 350 430 | 1997-2005 | Any | All Models | SLA-31AFB | |
| | | No | Mark Levinson | SLA-31A / SLX-82AAD | |
| Lexus IS 300 | 2002-2005 | No | Lexus Premium | SLA-91 | |

Toyota

| Make & Model | Year | OEM Nav | OEM Stereo | Kit | Page |
|--------------------|-----------|---------|---------------------|---------------------|------|
| Toyota Landcruiser | 1998-2002 | No | Mark Levinson | SLA-100 / SLX-82AAD | 8 |
| | 2003-2007 | | W/out Mark Levinson | SLA-101 | |
| | 2008-2009 | | | SLA-102 | |
| Toyota 4 Runner | 2003-2010 | No | JBL | SLX-82AAD | 11 |
| Toyota Camry | 2007-2010 | | | | |
| Toyota Highlander | 2008 | | | | |
| Toyota Rav4 | 2004-2010 | | | | |
| Toyota Sequoia | 2005-2010 | | | | |
| Toyota Sienna | 2004-2010 | | | | |
| Toyota Solara | 2006-2009 | | | | |
| Toyota Tacoma | 2005-2010 | | | | |
| Toyota Tundra | 2004-2012 | | | | |
| Toyota Venza | 2009-2010 | | | | |

Acura

| Make & Model | Year | OEM Nav | OEM Stereo | Kit | Page |
|--------------|-----------|---------|------------|----------|------|
| Acura RL | 1996-1998 | No | All Models | HSA-11 | 12 |
| | | Yes | | HSA-13 | |
| | 1999-2004 | No | | HSA-15 | |
| Acura TL | 1999-2003 | Any | Bose | HSA-09AD | 13 |

Honda

| Make & Model | Year | OEM Nav | OEM Stereo | Kit | Page |
|--------------|-----------|---------|------------|--------|------|
| Honda Accord | 2004-2007 | Any | Base model | HSA-05 | 13 |

Infiniti

| Make & Model | Year | OEM Nav | OEM Stereo | Kit | Page |
|--------------|-----------|---------|------------|---------|------|
| Infiniti Q45 | 1996-2001 | Any | All Models | AOK-07 | 14 |
| | 2002-2006 | | | AOK-17 | |
| Infiniti G35 | 2003-2009 | Yes | W/out Bose | NSA-03A | 15 |
| | | | W/ Bose | NSA-05 | |
| | | No | NSA-04 | | |

Nissan

| Make & Model | Year | OEM Nav | OEM Stereo | Kit | Page |
|--------------|-----------|---------|------------|---------|------|
| Nissan 350Z | 2003-2009 | Yes | W/out Bose | NSA-02A | 15 |
| | | | W/ Bose | NSA-05 | |
| | | No | NSA-04 | | |

Stereo Interface Adapter Kits



LS 430



| Make & Model | Year | OEM Nav | OEM Stereo | Kit |
|--------------|-----------|---------------|---------------|---------------|
| Lexus LS430 | 2001-2003 | No | Lexus Premium | SLA-23A |
| | | Yes | Mark Levinson | SLA-23A/82AAD |
| | MVA-23L | | | |
| | 2004-2006 | No | Lexus Premium | SLA-24A |
| Yes | | Mark Levinson | MVA-24L | |

SLA-23A, SLA-23A/82AAD, SLA24A

SLA-23A, SLA-23A/82AAD and SLA-24A kits are to replace factory head unit to an aftermarket head unit.



Before

>>>



After



SLA-23A



SLA-24A



Wood trim is available.

MVA-23L, MVA-24L

MVA-23L and MVA-24L kits are to replace factory head unit to an aftermarket head unit and retains factory navigation, screen controls and partial steering wheel controls. Video input function to the factory screen is also added.



Before

>>>



After



MVA-23L



MVA-24L



Wood trim is available.

Stereo Interface Adapter Kits



LS 400



| Make & Model | Year | OEM Nav | OEM Stereo | Kit |
|--------------|-----------|---------|-----------------|---------|
| Lexus LS 400 | 1990-1994 | No | W/out Nakamichi | SLA-20 |
| | | | W/ Nakamichi | |
| | 1995-1997 | | W/out Nakamichi | SLA-21A |
| | 1998-2000 | | W/out Nakamichi | SLA-22 |

SLA-20

SLA-20 kit is to replace factory head unit to an aftermarket head unit.



>>>



Before

After



SLA-20

SLA-21A, SLA-22

SLA-21A, SLA-22 kits are to replace factory head unit to an aftermarket head unit.



>>>



Before

After



SLA-21A



SLA-22



Wood trim is available.

Stereo Interface Adapter Kits



RX 330/350/400h



| Make & Model | Year | OEM Nav | OEM Stereo | Kit |
|-----------------------|-----------|---------|------------|---------|
| Lexus RX 330 350 400h | 2004-2009 | No | All Models | SLX-82A |
| | | Yes | All Models | RX-82 |

SLX-82A

SLX-82A interface adapter kit to replace factory head unit to an aftermarket head unit and retains factory amplifier and other controls except for steering wheel controls.



Before

>>>



After



SLX-82A

RX-82

RX-82 kit is to replace factory head unit to an aftermarket head unit and retains factory navigation, screen controls and partial steering wheel controls.



Before

>>>



After



RX-82

Stereo Interface Adapter Kits



RX 300



| Make & Model | Year | OEM Nav | OEM Stereo | Kit |
|--------------|-----------|---------|------------|----------|
| Lexus RX 300 | 1999-2003 | Any | All Models | AOK-01FB |

AOK-01

AOK-01 kit is to add an additional aftermarket head unit retaining factory stereo and screen (if available).



Before

>>>



After



AOK-01FB



GX470



| Make & Model | Year | OEM Nav | OEM Stereo | Kit |
|--------------|-----------|---------|---------------|--------------|
| Lexus GX 470 | 2003-2009 | No | Lexus Premium | SLA-81 |
| | | | Mark Levinson | SLA-81/82AAD |

SLA-81, SLA-81/82AAD

SLA-81 and SLA-81/82AAD kits are to replace factory head unit to an aftermarket head unit.



Before

>>>



After



SLA-81/82AAD



SLA-81

Stereo Interface Adapter Kits



LX 470

LAND CRUISER



| Make & Model | Year | OEM Nav | OEM Stereo | Kit |
|--------------|-----------|---------|---------------|---------------|
| Lexus LX 470 | 1998-2002 | No | Mark Levinson | SLA-100/82AAD |

| Make & Model | Year | OEM Nav | OEM Stereo | Kit |
|--------------------|--------------|---------|---------------------|---------------|
| Toyota Landcruiser | 1998-2002 | No | Mark Levinson | SLA-100/82AAD |
| | 2003-2007 | | W/out Mark Levinson | SLA-101 |
| | 2008-present | | SLA-102 | |

SLA-100/82AAD

SLA-100/82AAD kit is to replace factory head unit to an aftermarket head unit.



>>>



Before

After



SLA-100/82AAD

SLA-101

SLA-101 kit is to replace factory head unit to an aftermarket head unit.



>>>



Before

After



SLA-101

SLA-102

SLA-102 kit is to replace factory head unit to an aftermarket head unit.



>>>



Before

After



SLA-102

Stereo Interface Adapter Kits

LEXUS

SC 430



| Make & Model | Year | OEM Nav | OEM Stereo | Kit |
|--------------|-----------|---------|---------------|---------|
| Lexus SC 430 | 2002-2004 | Yes | Mark Levinson | MVA-12L |
| | 2005-2009 | Yes | Mark Levinson | MVA-13L |

MVA-12L, MVA-13L

MVA-12L and MVA-13L kits are to replace factory head unit to an aftermarket head unit and retains factory navigation, screen controls and partial steering wheel controls. Video input function to the factory screen is also added.



Before

>>>



After



MVA-12L
shown above

LEXUS

SC 300/400



| Make & Model | Year | OEM Nav | OEM Stereo | Kit |
|------------------|-----------|---------|-----------------|---------|
| Lexus SC 300 400 | 1992-2000 | No | W/out Nakamichi | SLA-10B |

SLA-10B

SLA-10B kit is to replace factory head unit to an aftermarket head unit.



Before

>>>



After



SLA-10B

Stereo Interface Adapter Kits



GS 300/400/430



| Make & Model | Year | OEM Nav | OEM Stereo | Kit |
|----------------------|-----------|---------|---------------|---------------|
| Lexus GS 300 350 430 | 1997-2005 | Any | All Models | SLA-31AFB |
| | | No | Mark Levinson | SLA-31A/82AAD |

SLA-31AFB, SLA-31A/82AAD

SLA-31A and SLA-31A/82AAD kits are to replace factory head unit to an aftermarket head unit.



Before

>>>



After



SLA-31AFB



SLA-31A/82AAD



IS 300



| Make & Model | Year | OEM Nav | OEM Stereo | Kit |
|--------------|-----------|---------|---------------|--------|
| Lexus IS 300 | 2002-2005 | No | Lexus Premium | SLA-91 |

SLA-91

SLA-91 kits are to replace factory head unit to an aftermarket head unit.



Before

>>>



After



SLA-91

Stereo Interface Adapter Kits

TOYOTA

AVALON



| Make & Model | Year | OEM Nav | OEM Stereo | Kit |
|---------------|-----------|---------|------------|--------------|
| Toyota Avalon | 2000-2004 | No | W/out JBL | SLA-86 |
| | | No | JBL | SLA-86/82AAD |

SLA-86, SLA-86,SLX-82AAD

SLA-86 and SLA-86/82AAD kits are to replace factory head unit to an aftermarket head unit.



Before

>>>



After



SLA-86



SLX-82AAD

TOYOTA

TACOMA/TUNDRA/VENZA/CAMRY/ HIGHLANDER/RAV4/4RUNNER/SEQUOIA SIENNA/SOLARA



| Make & Model | Year | OEM Nav | OEM Stereo | Kit |
|-------------------|-----------|---------|------------|-----------|
| Toyota 4 Runner | 2003-2010 | No | JBL | SLX-82AAD |
| Toyota Camry | 2007-2010 | | | |
| Toyota Highlander | 2008 | | | |
| Toyota Rav4 | 2004-2010 | | | |
| Toyota Sequoia | 2005-2010 | | | |
| Toyota Sienna | 2004-2010 | | | |
| Toyota Solara | 2006-2009 | | | |
| Toyota Tacoma | 2005-2010 | | | |
| Toyota Tundra | 2004-2012 | | | |
| Toyota Venza | 2009-2010 | | | |

SLX-82AAD

SLX-82AAD is to replace factory head unit to an aftermarket head unit.



Before

>>>



After



SLX-82AAD

Stereo Interface Adapter Kits



RL



| Make & Model | Year | OEM Nav | OEM Stereo | Kit |
|--------------|-----------|---------|------------|--------|
| Acura RL | 1996-1998 | No | All Models | HSA-11 |
| | | Yes | | HSA-13 |
| | 1999-2004 | No | | HSA-15 |

HSA-11

HSA-11 kit is to replace factory head unit to an aftermarket head unit.



Before

>>>



After



HSA-11

HSA-13

HSA-13 kit is to replace factory head unit to an aftermarket head unit.



Before

>>>



After



HSA-13

HSA-15

HSA-15 kit is to replace factory head unit to an aftermarket head unit.



Before

>>>



After



HSA-15

Stereo Interface Adapter Kits

ACURA

TL



| Make & Model | Year | OEM Nav | OEM Stereo | Kit |
|--------------|-----------|---------|------------|----------|
| Acura TL | 1999-2003 | Any | Bose | HSA-09AD |

HSA-09AD

HSA-09AD is to replace factory head unit to an aftermarket head unit.



Before

>>>



After



HSA-09AD

HONDA

Accord



| Make & Model | Year | OEM Nav | OEM Stereo | Kit |
|--------------|-----------|---------|------------|--------|
| Honda Accord | 2004-2007 | Any | Base model | HSA-05 |

HSA-05

HSA-05 kit is to add an additional aftermarket head unit retaining factory stereo and screen (if available).



Before

>>>



After



HSA-05

Stereo Interface Adapter Kits



Q45



| Make & Model | Year | OEM Nav | OEM Stereo | Kit |
|--------------|-----------|---------|------------|--------|
| Infiniti Q45 | 1996-2001 | Any | All Models | AOK-07 |
| | 2002-2006 | Any | All Models | AOK-17 |

AOK-07

AOK-07 kit is to add an additional aftermarket head unit retaining factory stereo and screen (if available).



Before

>>>



After



AOK-07

AOK-17

AOK-17 kit is to add an additional aftermarket head unit retaining factory stereo and screen (if available).



Before

>>>



After



AOK-17

Stereo Interface Adapter Kits



G35



| Make & Model | Year | OEM Nav | OEM Stereo | Kit |
|--------------|-----------|---------|------------|---------|
| Infiniti G35 | 2003-2009 | Yes | W/out Bose | NSA-03A |
| | | | W/ Bose | NSA-05 |
| | | No | | NSA-04 |

NSA-03A, NSA-04, NSA-05

NSA-03A and NSA-04 kits are to replace factory head unit to an aftermarket head unit retaining factory screen.
NSA-04 kit is to replace factory head unit to an aftermarket head unit.



Before

>>>



After



NSA-03A



NSA-04



NSA-05

NISSAN

350Z



| Make & Model | Year | OEM Nav | OEM Stereo | Kit |
|--------------|-----------|---------|------------|---------|
| Nissan 350Z | 2003-2009 | Yes | W/out Bose | NSA-02A |
| | | | W/ Bose | NSA-05 |
| | | No | | NSA-04 |

NSA-02A, NSA-04, NSA-05

NSA-02A and NSA-04 kits are to replace factory head unit to an aftermarket head unit retaining factory screen.
NSA-04 kit is to replace factory head unit to an aftermarket head unit.



Before

>>>



After



NSA-02A



NSA-04



NSA-05

Amplifiers / Audio Selectors / Audio Transducers



Micro Power Amplifier



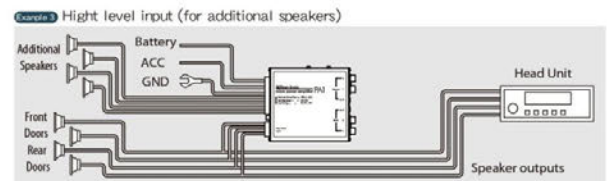
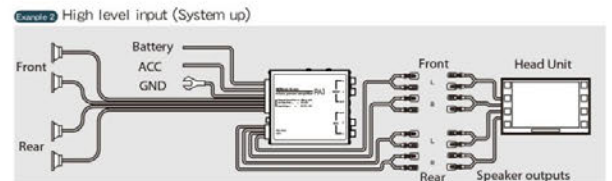
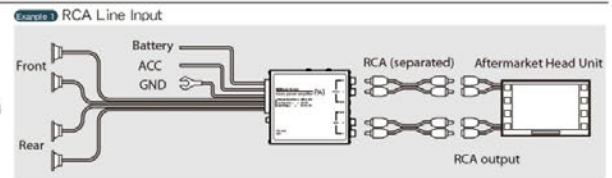
PA1

Description:

- *Super compact design
- *High power output (43W x 4ch)
- *Supports both line level input and high level input

Specifications:

- *Power: DC12V-15V
- *Output power: 43W x 4ch (4Ω)
- *Input: RCA and speaker level
- *Impedance adaptation: 4 - 8 Ω
- *Frequency characteristic: 15 - 20 kHz
- *Size: W3.8 x H1.4 x D4.5 (in)
- *Weight: 310g (main body only)



Drive Amplifier



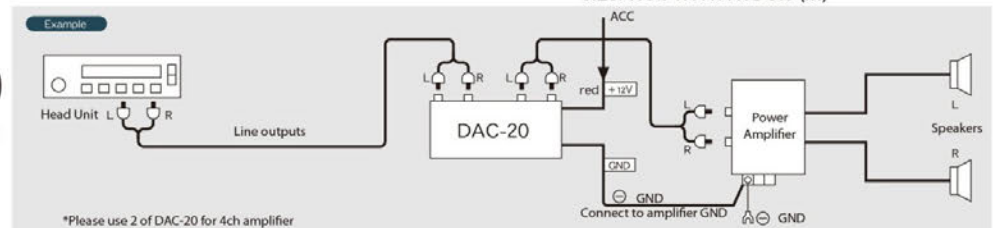
DAC-20

Description:

- *Amplifier for RCA audio signals
- *Continuous-variable from 0 to +26dB
- *Low noise and high quality sound

Specifications:

- *Power: DC10V-15V
- *Max Output power: 10Vp-p x 2ch
- *Frequency characteristic: 15 - 30kHz
- *Amplification level: 1-18 times
- *RCA Cable length: 59 inches
- *Size: W3.7 x H1.4 x D3.0 (in)



Audio Selector



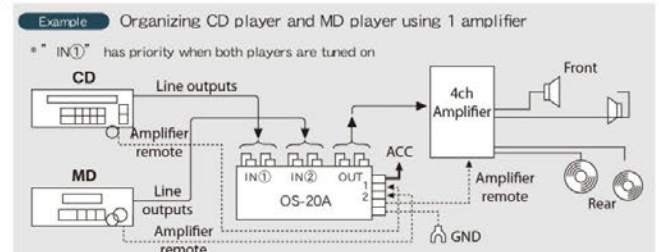
OS-20A

Description:

- Connect 2 head units to 1 amplifier
- *Switch audio lines automatically
- *Low noise and high quality sound

Specifications:

- *Power: DC12V
- *Output: 1 line
- *Input: 2 lines
- *Size: W5.5 x H1.6 x D2.4 (in)



Amplifiers / Audio Selectors / Audio Transducers

Audio Relay Selector



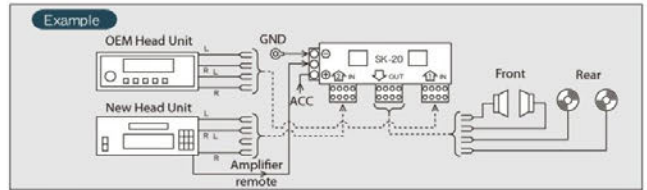
SK-20

Description:

- *Selector between 2 of 4ch head units with amplifier
- *Automatically switches using amplifier remote signals
- *Requires at least 1 head unit with an amplifier remote line

Specifications:

- *Power: DC12V
- *Output: 4 outputs (2 front/2 Rear)
- *Size: 3.3 x 1.4 x 7.6 (in)
- *Weight: 550g



Description:

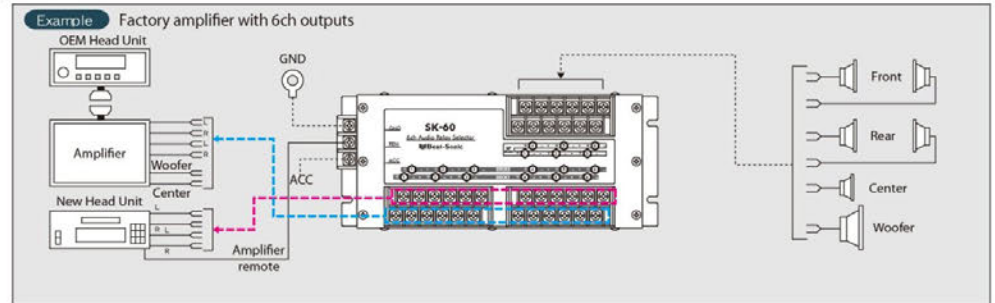
- *Selector between 2 of 6ch (or 5.1ch) amplifiers or head units
- *Automatically switches using amplifier remote signals
- *Required at least 1 head unit with an amplifier remote line

Specifications:

- *Power: DC12V
- *Output: 6 (5.1ch) outputs
- *Size: 3.4 x 1.7 x 8.3 (in)
- *Weight: 700g



SK-60



| OEM Head Unit | New Head Unit | Output Sound |
|---------------|---------------|---------------|
| ON | OFF | OEM head unit |
| OFF | ON | New head unit |
| ON | ON | New head unit |

*OEM NAV sound is not available when the new head unit is ON

Transducer Line Cable



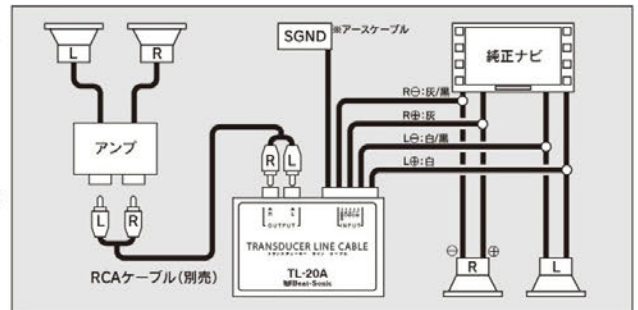
TL-20A

Description:

- *Transduce 2 additional RCA outputs from an OEM head unit
- *Low noise and high quality sound

Specifications:

- *Maximum input: 50W
- *Frequency characteristic: 20 - 40kHz
- *Output level: input level - 3dB
- *Size: 3.7 x 2.7 x 1.3 (in)



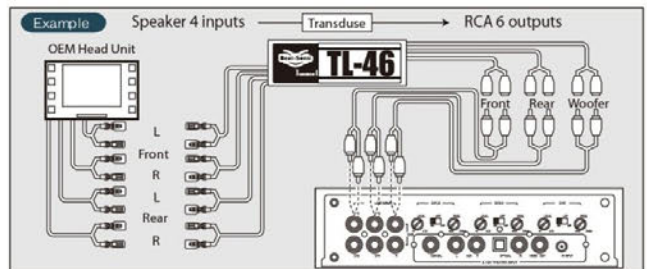
TL-46

Description:

- *Transduce 6 RCA outputs from an OEM head unit
- *Low noise and high quality sound
- *Woofer outputs are synchronized with Rear speakers

Specifications:

- *Maximum input: 50W



Factory DVD & NAV Control Modules



VIDEO-IN-MOTION Controller

Enhance your Factory DVD Entertainment System

- Plug and play application.
 - Easily reversible to factory specifications.
- Simple switch design to override factory DVD lockout.
 - Access lockout caused when the parking brake is released.
- Also supports vehicles with factory backup cameras.
 - Will switch to backup camera automatically when in "R" gear.



NAV-Controller

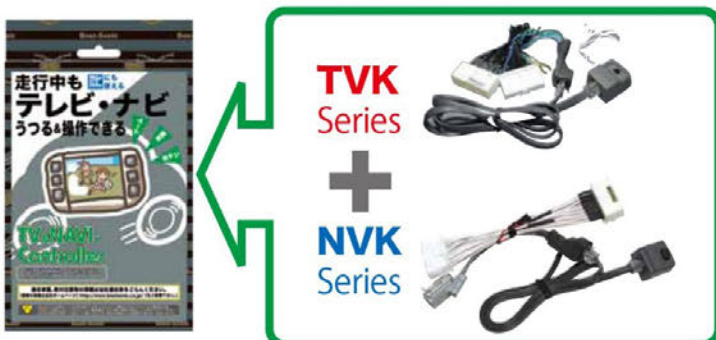
Expand the use of your Factory Navigation System

- Plug and play application.
 - Easily reversible to factory specifications.
- One-touch switch to easily override factory nav system.
 - Allow full access to factory navigation controls while vehicle is in motion.



TVK & NVK Combo

VIDEO-IN-MOTION Controller+NAV-Controller in one



FACTORY OEM VIDEO-IN-MOTION and NAV-IN-MOTION

Lexus

| Model | Year(s) | TVK | NT |
|-------------------|-----------|--------|-----------|
| | | Part# | Part# |
| CT200h | 2011-2012 | TVK-46 | NT4618 |
| | 2013 | TVK-62 | NT6223 |
| ES350 | 2007-2009 | TVK-32 | NT3203 |
| | 2010-2012 | TVK-46 | NT4618 |
| ES300H | 2013-2014 | TVK-62 | NT6223 |
| | 2013-2014 | TVK-62 | NT6223 |
| GS300/GS400/GS430 | 2000-2005 | TVK-02 | NT0202 |
| GS350/GS430/GS460 | 2006-2009 | TVK-32 | NT3203USA |
| GS350/GS460 | 2010-2011 | TVK-46 | NT4618 |
| GS350 | 2013-2014 | TVK-62 | NT6223 |
| | 2006-2009 | TVK-32 | NT3203USA |
| GS450h | 2010-2011 | TVK-46 | NT4618 |
| | 2013-2014 | TVK-62 | NT6223 |
| GX460/GX470 | 2005-2006 | TVK-27 | NT2701 |
| | 2007-2009 | TVK-37 | NT3712* |
| | 2010-2013 | TVK-46 | NT4618 |
| HS250h | 2010-2012 | TVK-46 | NT4618 |
| IS F | 2008-2009 | TVK-32 | NT3203 |
| | 2010-2012 | TVK-46 | NT4618 |
| IS250C/IS350C | 2009-2012 | TVK-46 | NT4618 |
| | 2006-2009 | TVK-32 | NT3203 |
| IS250/IS350 | 2010-2012 | TVK-46 | NT4618 |
| | 2013-2014 | TVK-62 | NT6223 |
| LS430 | 2001-2003 | TVK-02 | NT0201 |
| | 2004-2006 | TVK-27 | NT2701 |
| LS460 | 2007-2009 | TVK-32 | NT3203 |
| | 2010-2012 | TVK-46 | NT4618 |
| | 2013-2014 | TVK-62 | NT6223 |
| LS600h/LS600hL | 2008-2009 | TVK-32 | NT3203 |
| | 2010-2012 | TVK-46 | NT4618 |
| | 2013-2014 | TVK-62 | NT6233 |
| LX470 | 2004-2007 | TVK-27 | N/A |
| LX570 | 2008-2009 | TVK-32 | NT3203 |
| | 2010-2011 | TVK-46 | NT4618 |
| | 2013-2014 | TVK-62 | NT6223 |
| RX330 | 2004 | TVK-02 | NT0201 |
| RX330/RX400h | 2005-2006 | TVK-27 | NT2701 |
| RX350/RX400h | 2007-2009 | TVK-37 | NT3712* |
| RX350/RX450h | 2010-2012 | TVK-46 | NT4618 |
| | 2013 | TVK-62 | NT6223 |
| SC430 | 2010-2011 | TVK-46 | NT4618 |

* 30 Second Navigation Bypass only for NT3712

The navigation bypass is limited to 30 seconds. After 30 seconds, user will need to press the button again to disengage the bypass, wait 2 seconds and then press the button to engage the bypass to continue where left off.

Subaru

| Model | Year(s) | TVK | NT |
|---------------|--------------|--------|--------|
| | | Part# | Part# |
| BRZ | 2013-2014 | TVK-61 | NT6122 |
| Forester | 2008-present | | TVK-54 |
| | 2012-2014 | TVK-61 | NT6122 |
| Impreza | 2008-2010 | | TVK-54 |
| | 2012-2014 | TVK-61 | NT6122 |
| Legacy | 2008 | | TVK-54 |
| | 2009 | | TVK-54 |
| Outback | 2008-2009 | | TVK-54 |
| WRX / WRX STI | 2012-2014 | TVK-61 | NT6122 |

Toyota

| Model | Year(s) | TVK | NT |
|----------------------------------|--------------|--------|--------|
| | | Part# | Part# |
| Camry | 2000-2011 | | TVK-10 |
| | 2012-2013 | TVK-61 | NT6122 |
| Highlander | 2004-2006 | TVK-27 | NT2701 |
| | 2008-2010 | | TVK-10 |
| Highlander w/out JBL | 2013 | TVK-61 | NT6122 |
| | 2013 | TVK-61 | NT6122 |
| Highlander w/ JBL with Display | 2013 | TVK-61 | NT6122 |
| Highlander w/ JBL with NAV | 2013 | | TVK-10 |
| | 2004-2007 | TVK-27 | N/A |
| Landcruiser | 2009 | TVK-32 | NT3203 |
| | 2010-2011 | TVK-46 | NT4618 |
| | 2013 | TVK-62 | NT6223 |
| Prius (All models) | 2010-2011 | | TVK-10 |
| | 2012-Present | TVK-61 | NT6122 |
| Scion (All models with Be-spoke) | 2013 | TVK-61 | NT6122 |
| | 2014 | TVK-61 | NT6122 |
| Scion (All models) | 2014 | TVK-61 | NT6122 |
| | 2006-2007 | | TVK-10 |
| Scion Xb | 2008-2010 | | TVK-10 |
| | 2001-2005 | | TVK-10 |
| RAV4 | 2006-2011 | | TVK-10 |
| | 2006-2013 | | TVK-10 |
| Sienna | 2007 | | TVK-10 |
| Sequoia | 2008-2013 | | TVK-10 |
| Solara | 2007-2008 | | TVK-10 |
| Tacoma | 2012 | TVK-61 | NT6122 |
| Venza | 2013 | TVK-61 | NT6122 |
| 4Runner | 2013 | TVK-61 | NT6122 |

Infiniti

| Model | Year(s) | TVK | NT |
|----------------------|--------------|-------|--------|
| | | Part# | Part# |
| EX35 | 2008-2009 | | TVK-43 |
| | 2010-2012 | | TVK-56 |
| G35 with OEM NAV | 2003-2004 | | TVK-05 |
| | 2005-2006 | | TVK-17 |
| G35 without OEM NAV | 2007-2008 | | TVK-43 |
| | 2007-2008 | | TVK-49 |
| G37 | 2008-2009 | | TVK-43 |
| | 2010-2012 | | TVK-56 |
| G37 without OEM NAV | 2008-2009 | | TVK-49 |
| | 2003-2004 | | TVK-17 |
| M35/M45 with OEM NAV | 2006-2007 | | TVK-35 |
| | 2008-2010 | | TVK-43 |
| M37/M56/M35h | 2011-present | | TVK-56 |
| Q45 | 2004-2006 | | TVK-17 |
| FX35/FX45 | 2003-2005 | | TVK-17 |
| FX35/FX50 | 2009 | | TVK-43 |
| | 2010-2011 | | TVK-56 |
| QX56 | 2008-2010 | | TVK-43 |

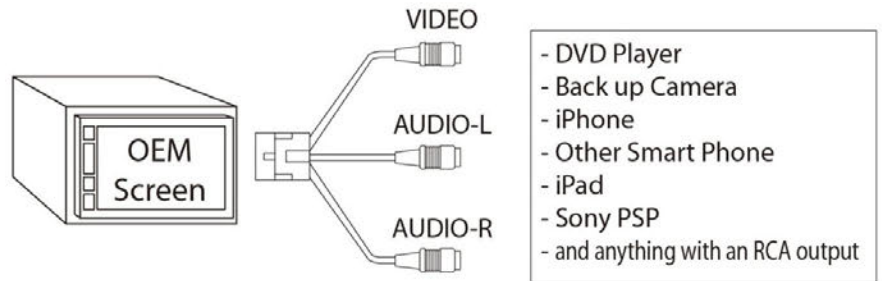
Nissan

| Model | Year(s) | TVK | NT |
|-------------|--------------|-------|--------|
| | | Part# | Part# |
| Cube | 2009-Present | | TVK-56 |
| Pathfinder | 2008-2011 | | TVK-43 |
| Skyline GTR | 2009 | | TVK-43 |
| | 2010-Present | | TVK-56 |
| Armada | 2008-2010 | | TVK-43 |

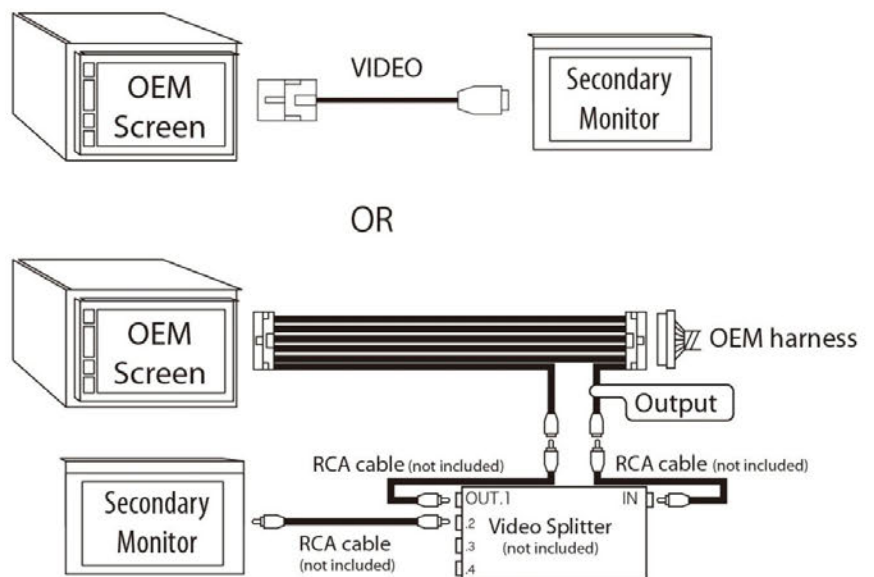
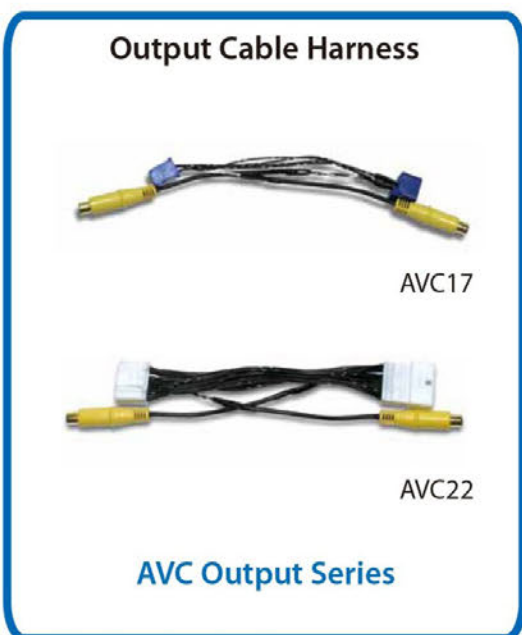
Video Input / Output Cables



Audio Video RCA Input Cable Harness



Audio Video RCA Output Cable Harness



VIDEO INPUT AND OUTPUT CABLES

Lexus

| Model | Year(s) | AVC Input Adapter Part# | AVC Output Adapter Part# |
|--------------------------|--------------|-------------------------|--------------------------|
| ES300/ES330 | 2002-2006 | AVC1 | N/A |
| GS300/GS400/GS430 | 2000-2005 | AVC2 | AVC12 |
| GS350/GS430/GS450h/GS460 | 2006-2009 | AVC1 | AVC17 |
| GS350/GS450h/GS460 | 2010-2011 | AVC20 | N/A |
| GS350/GS450h | 2013-2014 | AVC38 | AVC37 |
| GX470 | 2003-2004 | AVC1 | AVC12 |
| | 2005-2006 | AVC1 | AVC11 |
| | 2007-2009 | AVC1 | N/A |
| | 2010-Present | AVC20 | N/A |
| HS250h | 2010-Present | AVC20 | N/A |
| IS300 | 2002-2005 | AVC1 | N/A |
| IS250/IS350 | 2006-2009 | AVC1 | AVC17 |
| | 2010-Present | AVC20 | N/A |
| IS250C/IS350C | 2009-Present | AVC20 | N/A |
| IS F | 2008-2009 | AVC1 | AVC17 |
| | 2010-Present | AVC20 | N/A |
| LS430 | 2001-2003 | AVC34 | AVC12 |
| | 2004-2006 | AVC34 | AVC11 |
| LS460/LS600h/LS600hL | 2007-2009 | AVC1 | AVC17 |
| | 2010-Present | AVC20 | N/A |
| LX470 | 2000-2002 | AVC2 | AVC12 |
| | 2003 | AVC1 | AVC12 |
| | 2004-2007 | AVC1 | AVC11 |
| | 2008-2009 | AVC1 | AVC17 |
| | 2010-Present | AVC20 | N/A |
| RX300 | 2001-2003 | AVC2 | N/A |
| RX330/RX400h | 2004-2006 | N/A | AVC12 |
| RX350/RX400h | 2007-2009 | N/A | AVC12 |
| RX350/RX450h | 2010-2012 | AVC20 | AVC22 |
| RX350/RX450h | 2013 | AVC38 | AVC37 |
| SC430 | 2010-2011 | AVC20 | N/A |

Toyota

| Model | Year(s) | AVC Input Adapter Part# | AVC Output Adapter Part# |
|--------------------------------|-----------|-------------------------|--------------------------|
| 4Runner | 2013 | AVC39 | N/A |
| Avalon | 2013 | AVC39 | N/A |
| Camry | 2000-2006 | AVC1 | N/A |
| | 2007-2009 | AVC1 | N/A |
| | 2012-2014 | AVC39 | N/A |
| Corolla | 2012-2014 | AVC39 | N/A |
| Highlander w/out Nav | 2013-2014 | AVC39 | N/A |
| Prius +Prius C and V models | 2001-2003 | AVC2 | N/A |
| | 2004-2005 | AVC1 | AVC11 |
| | 2006-2009 | AVC1 | AVC11 |
| | 2010-2011 | AVC20/AVC30 | N/A |
| | 2012-2014 | AVC39 | N/A |
| RAV4 | 2001-2008 | AVC1 | N/A |
| | 2009-2011 | AVC20 | N/A |
| | 2013 | AVC39 | N/A |
| Scion xB | 2006-2007 | AVC1 | N/A |
| | 2008-2010 | AVC20 | AVC21 |
| Venza | 2013-2014 | AVC39 | N/A |
| Scion xA | 2006-2007 | AVC1 | N/A |
| Scion (All Models) | 2014 | AVC39 | N/A |
| Tacoma | 2012-2014 | AVC39 | N/A |

Infiniti

| Model | Year(s) | AVC Input Adapter Part# | AVC Output Adapter Part# |
|-------|-----------|-------------------------|--------------------------|
| G35 | 2003-2004 | AVC14 | N/A |
| | 2005-2006 | AVC14 | N/A |
| | 2007-2008 | AVC14 | N/A |
| G37 | 2008-2010 | N/A | AVC23 |

Nissan

| Model | Year(s) | AVC Input Adapter Part# | AVC Output Adapter Part# |
|-------------|--------------|-------------------------|--------------------------|
| 350z | 2004-2007 | AVC14 | N/A |
| | 2008-2009 | AVC14 | N/A |
| 370z | 2010-Present | N/A | AVC23 |
| Murano | 2003-2005 | AVC14 | N/A |
| | 2006-2008 | AVC14 | N/A |
| | 2009-2011 | N/A | AVC23 |
| Skyline GTR | 2009-2010 | AVC27 | AVC23 |
| Cube | 2009-Present | AVC1 | N/A |

Acura

| Model | Year(s) | AVC Input Adapter Part# | AVC Output Adapter Part# |
|-------|-----------|-------------------------|--------------------------|
| TSX | 2006-2008 | AVC8 | N/A |
| RL | 2007-2008 | AVC8 | N/A |

Honda

| Model | Year(s) | AVC Input Adapter Part# | AVC Output Adapter Part# |
|--------|-----------|-------------------------|--------------------------|
| Accord | 2006-2007 | AVC8 | N/A |
| CR-V | 2007-2009 | AVC3 | AVC4 |
| Civic | 2006-2008 | AVC3 | AVC4 |
| Fit | 2007-2008 | AVC3 | AVC4 |

Mitsubishi

| Model | Year(s) | AVC Input Adapter Part# | AVC Output Adapter Part# |
|-----------|--------------|-------------------------|--------------------------|
| Outlander | 2006-present | AVC3 | AVC4 |

Mazda

| Model | Year(s) | AVC Input Adapter Part# | AVC Output Adapter Part# |
|--------|-----------|-------------------------|--------------------------|
| RX-8 | 2004-2008 | AVC29 | N/A |
| Mazda6 | 2003-2008 | AVC29 | N/A |
| | 2009-2010 | N/A | AVC24 |
| Mazda5 | 2006-2007 | AVC29 | N/A |
| | 2008-2010 | N/A | AVC24 |

Subaru

| Model | Year(s) | AVC Input Adapter Part# | AVC Output Adapter Part# |
|---------|-----------|-------------------------|--------------------------|
| Legacy | 2007-2009 | AVC9 | N/A |
| Outback | 2007-2009 | AVC9 | N/A |

* Note that these harnesses may require an additional interface adapter. The harness by itself does not guarantee video display from input or output.

Video Interface Devices

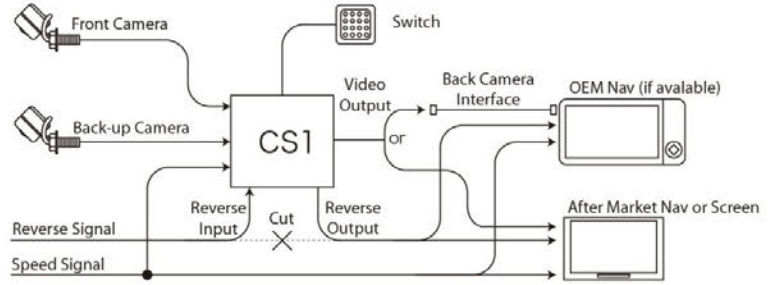
Front Camera Selector With Video Noise Filter



CS1

Description:
 *1 Line of Front Camera Input
 *1 Line of Backup Camera Input
 *Prevents incoming noises
 *Highly Selected Parts Inside
 *Extremely Compact Size
 *Select Back-up Camera Automatically

Specifications:
 *Power: DC11V-15V
 *Input/Output Terminal: Gold Plated RCA Terminal
 *Input/Output Level: Video-1.0 Vpp 75 ohm
 *Power Consumption: Less than 50mA
 *Weight: 55g (main body only)
 *Size: W1.57 x H0.98 x D2.24 (in)



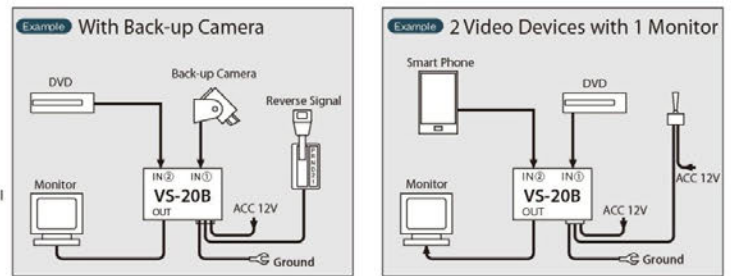
Audio Video Auto Selector



VS-20B

Description:
 *1 Line of Audio Video output
 *2 Lines of video Input
 *Highly Selected Parts Inside
 *Extremely Compact Size

Specifications:
 *Power: DC11V-15V
 *Input/Output Terminal: Gold Plated RCA Terminal
 *Size: W3.70 x D3.00 x H1.37(in)



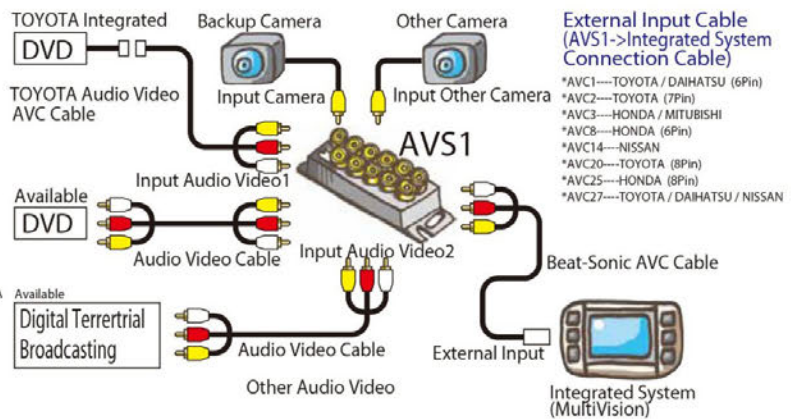
Automatic Audio Video Selector



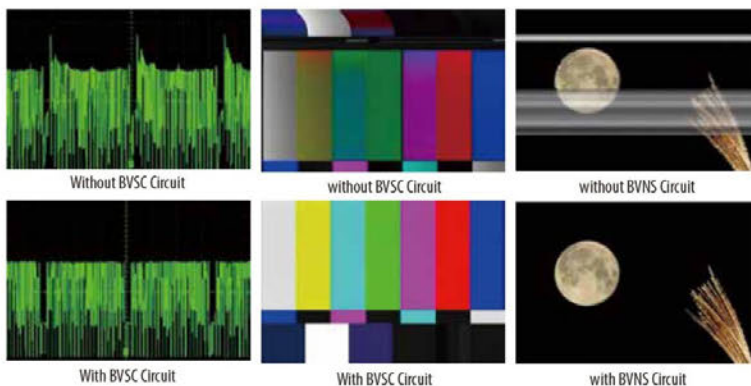
AVS1

Description:
 *2 Lines of Audio Video Input
 *1 Line of Backup Camera Input
 *1 Line of Any Camera Input
 *1 Line of Audio Video Output
 *Select Each Signal Automatically
 *Prevents incoming noises
 *Highly Selected Parts Inside
 *Extremely Compact Size

Specifications:
 *Power: DC11V-15V
 *Input/Output Terminal: Gold Plated RCA Terminal
 *Input/Output Level: Video-1.0 Vpp 75 ohm
 *Audio-10 Vpp(MAX)
 *Power Consumption: Less than 500mA
 *Weight: 120g (main body only)
 *Size: W4.48 x D1.38 x H1.02(in)



Premium Video Noise Filters & Video Splitters



Premium Video Noise Filter



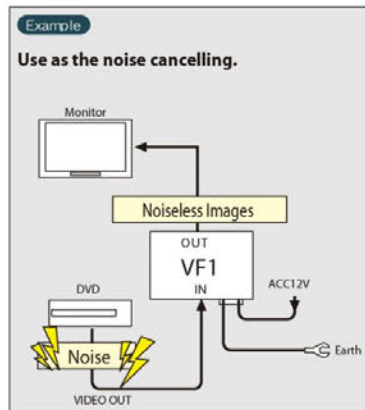
VF1

Description:

- *Made to install for a clear and stabilized picture
- *Hard aluminum body protects the device from heat and the harsh environment of inside the car
- *Prevents the incoming noises
- *Gold plated terminal, high quality circuit, and specially selected parts are available for a high clarity picture
- *Extremely Compact Size

Specifications:

- *Power: DC11V-15V
- *Input/Output: 1 input, 1 output
- *Input/Output terminal: Gold plated RCA terminal
- *Input/Output level: 1.0 Vpp 75 ohm
- *Power consumption: Less than 50mA
- *Size: 1.57 x H0.98 x D2.24 (in)
- *What's in the box: L-Form Video Cable
- VF1 Main Body
- Cable



Premium Video Splitter with Noise filter



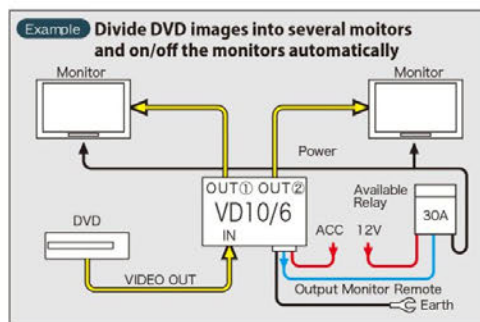
VD10

Description:

- *1 input for 10 output video signal divider
- *Made to install for a clear and stabilized picture
- *Hard aluminum body protects the device from heat and the harsh environment of inside the car
- *Prevents the incoming noises
- *Gold plated terminal, high quality circuit, and specially selected parts are available for a high clarity picture
- *Extremely Compact Size

Specifications:

- *Power: DC11V-15V
- *Input/Output: 1 input, 10 output
- *Input/Output terminal: Gold plated RCA terminal
- *Input/Output level: 1.0 Vpp 75 ohm
- *Power consumption: Less than 50mA
- *Size: W4.48 x D1.38 x H1.02(in)
- *Weight: 120g (main body only)
- *What's in the box: L-Form Video Cable
- VD10 Main Body
- Cable



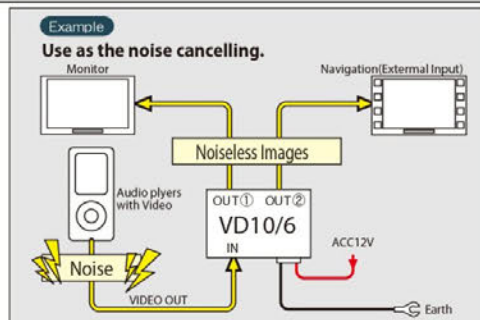
VD6

Description:

- *1 input for 6 output video signal divider
- *Made to install for a clear and stabilized picture
- *Hard aluminum body protects the device from heat and the harsh environment of inside the car
- *Prevents the incoming noises
- *Gold plated terminal, high quality circuit, and specially selected parts are available for a high clarity picture
- *Extremely Compact Size

Specifications:

- *Power: DC11V-15V
- *Input/Output: 1 input, 6 output
- *Input/Output terminal: Gold plated RCA terminal
- *Input/Output level: 1.0 Vpp 75 ohm
- *Power consumption: Less than 50mA
- *Size: W4.48 x D1.38 x H1.02(in)
- *Weight: 120g (main body only)
- *What's in the box: L-Form Video Cable
- VD6 Main Body
- Cable



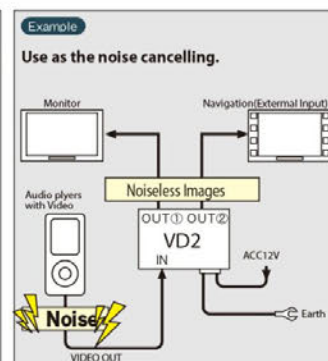
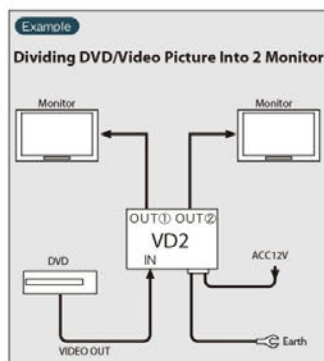
VD2

Description:

- *1 input -> 2output video signal divider
- *BVSC Circuit, an original device from the Beat-Sonic made to install for a clear and stabilized picture.
- *The hard aluminum body of this product sufficiently protects the device from heat and the harsh environment inside the car and it also prevents the incoming noises.
- *Gold plated terminal, high quality circuit, and specially selected parts are available for a high clarity picture.
- *Compact size. (At present, smallest size in the world.)

Specifications:

- *Power: DC11V-15V
- *Input/Output: 1 input 2 out put.
- *Input/Output terminal: Gold plated RCA terminal.
- *Input/Output level: 1.0 Vpp 75
- *Power consumption: less than 50mA
- *Size: W1.57 x H0.98 x D2.24 (in)



iPod/iPhone/HDMI Audio Video Devices



HDMI to HDMI and RCA Interface Adapter - Smartphone Screen Mirror



IF12

MSRP: 268.00

Included in this kit:

- 1 x IF12 Interface Adapter
- 1 x Power supply unit 12V-5V

Enable to mirror smart phone screen to monitors or devices with video input using HDMI and/or RCA inputs.

Description:

Mirror your smart phone screen to screen with video inputs including Google maps, YouTube, images and more. Perfect for HDMI in-car entertainment system to connect smart phones. High quality and specialized parts ensure clear and stabilized output. Digital processing of HDMI signals to analog video and audio with extreme high quality. HDMI input with HDMI and RCA outputs. Simultaneous connections to both HDMI out and RCA out.

Specifications:

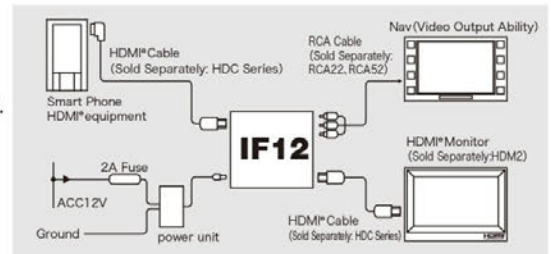
IF12 Interface Adapter
 Power: DC5V
 Quiescent current: 2.1A
 Input terminal: 1 channel HDMI terminal
 Output terminal: 1 channel HDMI terminal and RCA (Audio and Video) terminals
 Body Dimensions: 4.5 x 1 x 4.2 inches
 Weight: 260g

12V-5V power supply unit

Power: DC11V-15V
 Quiescent current: 2A
 Fuse: 12V2A
 Dimensions: 2.7 inches x 1.85 inches x 1.45 inches
 Cable Length: 12V Power Cable (12 inches)
 Cable Length: 5V Power Supply (20 inches)
 Weight: 110g

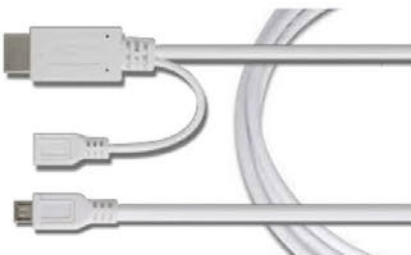
Additional Information:

If noise occurs, please check the connection of the power supply and ground. We recommend to use HDA and HDC series cabled and adapters to accompany this adapter.



iPod/iPhone/HDMI Audio Video Devices

MHL to HDMI Adapter Cable



Connect your MHL-enabled smart phone to your high definition TV, monitor or HDMI enabled head unit.

Features:

- Connect your MHL-enabled phone to your high definition TV, monitor or HDMI enabled head unit.
- Supports HD signals up to 1080p.
- Powered for maximum quality and minimal signal loss.
- High quality and specialized parts ensure clear and stabilized output.
- Long cable at 5 foot to access any areas in the vehicle.
- Strategically placed micro USB terminal for power to not get in the way when MHL side is plugged into your phone.

Compatibility:

- Pioneer App Radio Series
- Other head units and stereo systems with HDMI input
- High definition TV, monitor and other media devices with HDMI input

Specifications

- Power: DC5V
- Cable Length: 5 foot
- Quiescent current: 2A or more
- Input terminal: Male micro USB terminal to connect smart phone
- Output terminal: Female micro USB for power supply and standard HDMI (A) male connector

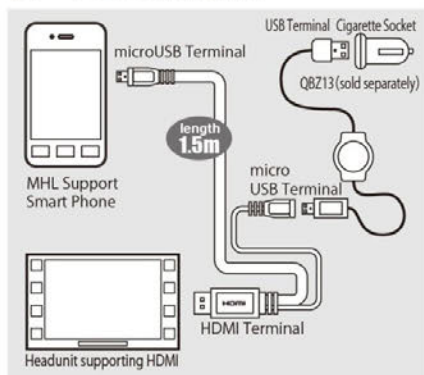
Included in this kit:

- 1 x IF15 Cable

Additional Information

- If noise occurs, please check the connection of the power supply and ground.
- Micro USB charging cable required for power supply. We recommend Beat-Sonic QBZ13 to be used.
- All smart phones are not MHL enabled. Please only use this product with an MHL compatible smart phone.

IF15 MSRP: \$220.00



HDMI to RCA Conversion Interface Adapter - Smartphone Screen Mirror

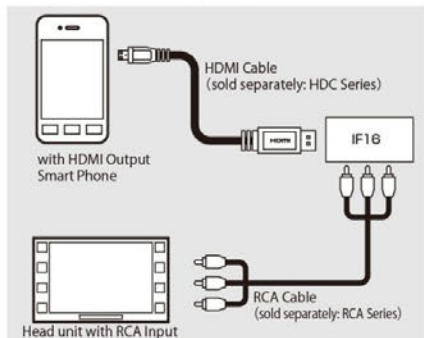


Enable to mirror smart phone screen to monitors or devices with video input using RCA inputs.

Features:

- Mirror your smart phone screen to screen with video inputs including Google maps, YouTube, images and more.
- Connect your HDMI devices to RCA composite outputs.
- Perfect for HDMI in-car entertainment system to connect smart phones or HDMI media devices to RCA cables.
- High quality and specialized parts ensure clear and stabilized output.
- Digital processing of HDMI signals to analog video and audio with extreme high quality.
- HDMI input with audio and video outputs.

IF16 MSRP: \$105.00



Specifications

- Power: DC5V
- Quiescent current: 0.5A or less
- Input terminal: standard HDMI (A) female connector
- Output terminal: RCA terminals
- Body Dimensions: 2.6 x .78 x 2.1 inches

Included in this kit:

- 1 x IF16 Interface Adapter

Additional Information

- If noise occurs, please check the connection of the power supply and ground.
- We recommend to use HDA and HDC series cabled and adapters to accompany this adapter.

iPod/iPhone/HDMI Audio Video Devices

HDMI to HDMI + RCA Conversion Interface Adapter

Enable to convert HDMI input signals to RCA composites for Music while retaining HDMI output for high quality video



IF17 MSRP: \$64.00

Features:

- Connect your HDMI devices to RCA composites for Music while retaining HDMI output for high quality video. Perfect for HDMI in-car entertainment system to connect smart phones or HDMI media devices to RCA cables for sound to head units while retaining HDMI quality for videos to additional monitor(s).
- High quality and specialized parts ensure clear and stabilized output.
- Digital processing of HDMI signals to analog.
- HDMI input with two outputs - 3.5mm Audio and HDMI

Specifications

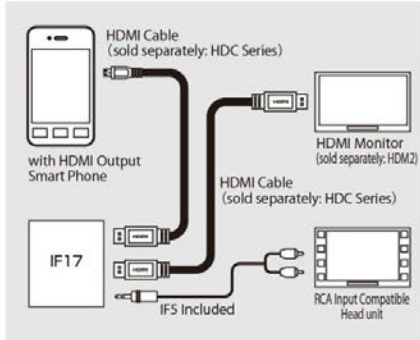
- Power: DC5V
- Quiescent current: 0.5A or less
- Input terminal: standard HDMI (A) female connector
- Output terminal: standard HDMI (A) female connector and 3.5mm stereo mini-jack
- Body Dimensions: 2.4 x .78 x 2.1 inches

Included in this kit:

- 1 x IF17 Interface Adapter
- 1 x IF5 Conversion cable from 3/5mm mini to RCA.

Additional Information

If noise occurs, please check the connection of the power supply and ground. We recommend to use HDA and HDC series cabled and adapters to accompany this adapter.



HDMI 1 into 2 Splitter

Split an incoming HDMI audio and video signals to four other connections using this 1-to-2 HDMI signal distribution amplifier .



IF18 MSRP: \$76.00

Features:

- 1 input for 2 output of high quality HDMI audio and video signal splitter.
- Powered for maximum quality and minimal signal loss.
- High quality and specialized parts ensure clear and stabilized output.

Specifications

- IF18 HDMI Splitter
- Power: DC5V
- Input/Output: 1 input, 4 output
- Quiescent current: 2A or more
- Input/Output terminals: Standard HDMI (A) female connector
- Cable Length: 5V Power Supply (20 inches)

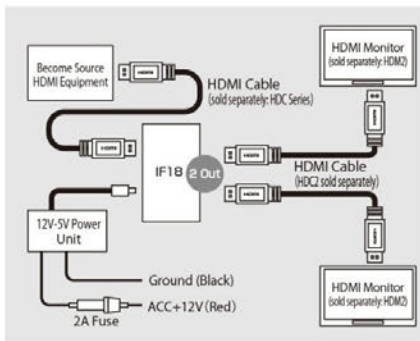
- 12V-5V power supply unit
- Power: DC11V-15V
- Quiescent current: 2A
- Fuse: 12V2A
- Dimensions: 2.7 inches x 1.85 inches x 1.45 inches
- Cable Length: 12V Power Cable (12 inches)
- Cable Length: 5V Power Supply (20 inches)

Included in this kit:

- 1 x IF18 HDMI Splitter
- 1 x 12V-5V Power Supply

Additional Information

If noise occurs, please check the connection of the power supply and ground. Please do not connect any other power supply other than the included 12V-5V power supply as other alternatives may cause malfunction. Combine this item with our HDA and HDC series HDMI cables for best performance.



iPod/iPhone/HDMI Audio Video Devices

HDMI 1 into 4 Splitter



Split an incoming HDMI audio and video signals to four other connections using this 1-to-4 HDMI signal distribution amplifier.

Features:

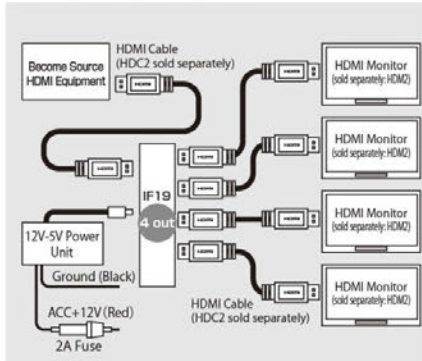
- 1 input for 4 output of high quality HDMI audio and video signal splitter.
- Powered for maximum quality and minimal signal loss.
- High quality and specialized parts ensure clear and stabilized output.

Specifications

- IF19 HDMI Splitter
- Power: DC5V
- Input/Output: 1 input, 4 output
- Quiescent current: 2A or more
- Input/Output terminals: Standard HDMI (A) female connector
- Cable Length: 5V Power Supply (20 inches)
- Dimensions: 5.75 inches x .8 inches x 2.4 inches

- 12V-5V power supply unit
- Power: DC11V-15V
- Quiescent current: 2A
- Fuse: 12V2A
- Dimensions: 2.7 inches x 1.85 inches x 1.45 inches
- Cable Length: 12V Power Cable (12 inches)
- Cable Length: 5V Power Supply (20 inches)

IF19



Included in this kit:

- 1 x IF19 HDMI Splitter
- 1 x 12V-5V Power Supply

Additional Information

- If noise occurs, please check the connection of the power supply and ground.
- Please do not connect any other power supply other than the included 12V-5V power supply as other alternatives may cause malfunction.
- Combine this item with our HDA and HDC series HDMI cables for best performance.

11Pin MHL to Micro USB Adapter



Connect your MHL enabled smart phone to your high definition TV, monitor or HDMI enabled head unit.

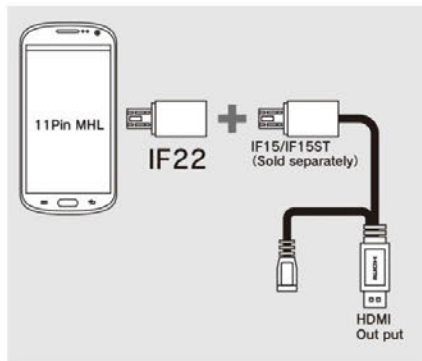
Features:

- Designed for Galaxy S3, S4 and Galaxy Note II.
- Converts 11Pin MHL to micro USB.
- Compact and low profile design.

Specifications:

- Dimensions: 0.5 x 0.2 x 1.1(W x H x L)inch
- Input terminal: 11Pin male connector
- Output terminal: Micro USB female connector

IF22



Additional Information:

- Not all smart phones are MHL enabled. Please use this product with an MHL compatible smart phone.
- This product does not include adapter cable. Please purchase adapter cable separately.
- For in-car installation please refer to our QB series.

iPod/iPhone/HDMI Audio Video Devices

HDMI Monitor



Super High Quality HDMI Monitor to Accompany Today's High Resolution Media Vehicle Integration

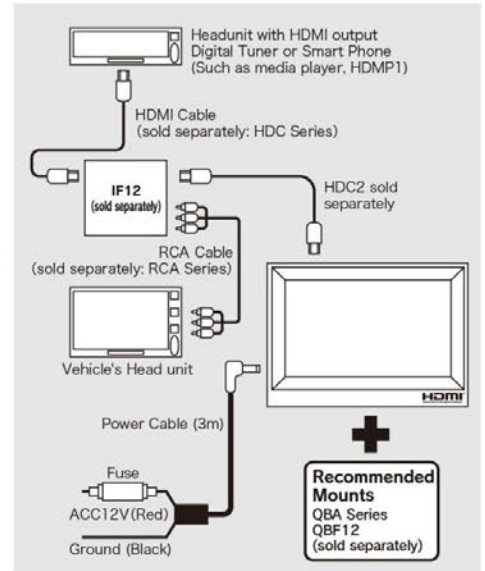
Features:

The easy-to-read bright screen high quality HDMI Monitor with 1000:1 contrast Equipped with a 4-step dimmer and LED back-light.

Other Information

Q-BAN series QBF9 QG3 and QBF5 slide rail equipment accessories are recommended to use to mount this monitor inside the vehicle

HDM2



HDMI Media Player



Media player utilizing USB and SD card input to HDMI or RCA Output .

Features:

Play your video, music and picture data on an aftermarket head unit or other devices with HDMI or RCA input. Perfect for HDMI in-car entertainment system to play media through files saved on USB memory card or SD card. High quality and specialized parts ensure clear and stabilized output. Digital processing of HDMI signals to analog video and audio with extreme high quality. HDMI input with HDMI and RCA outputs. Simple to use mulch-function remote controller included. Small business card body size for flexibility for mounting location.

Specifications

Supported Formats: MPEG1, MPEG2, MPEG4, H264, WMV9/VC-1, Real Video, MP3, WMA, WAV, AAC, OGG, FALC, RA, AC3, DTS, JPG, BMP, PNG, GIF
 Quiescent current: 2A
 Input: SD Card, USB Storage
 Output terminal: 1 channel HDMI terminal and 3.5mm video and audio
 Body Dimensions: 3x .6 x 2.3 inches
 Weight: 260g
 Weight: 110g
 12V-5V power supply unit
 Power: DC11V-15V
 Quiescent current: 2A
 Fuse: 12V2A
 Dimensions: 2.7 inches x 1.85 inches x 1.45 inches
 Cable Length: 12V Power Cable (12 inches)
 Cable Length: 5V Power Supply (20 inches)
 Weight: 110g

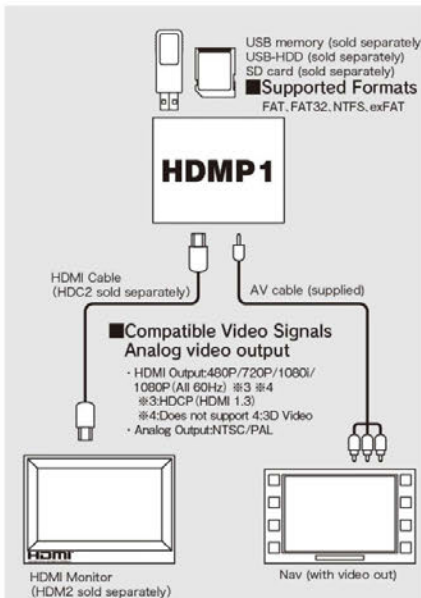
Included in this kit:

- 1 x HDMP1 Media Player
- 1 x Power supply unit 12V-5V
- 1 x Remote Controller
- 1 x AV Cable

Additional Information

If noise occurs, please check the connection of the power supply and ground. We recommend to use HDA and HDC series cabled and adapters to accompany this adapter.

HDMP1



HDMI Cables and Adapters

HDMI Cable Line-up

HDMI, High Definition Multimedia Interface is now today's standard in video and audio application to accompany super high resolution medias. Beat-Sonic is proud to be one of the first manufacturers to introduce a full line of HDMI products for high definition vehicle integration.



HDMI Cable(6.5 Foot)

HDMI to HDMI - Type A Male connector to Type A Male Connector

HDC2



HDMI Cable(5.9 Foot)

HDMI to mini HDMI - Type A Male connector to Type C Male Connector

HDC3



HDMI Cable(5.9 Foot)

HDMI to micro HDMI - Type A Male connector to Type D Male Connector

HDC4



HDMI Cable(HDMI Reel Cable with Conversion Adapter)

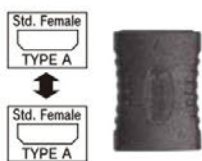
Type A Male connector to Type C Male or D Male Connector

HDC5

HDMI Adapters Line-up

HDMI Extension Adapter

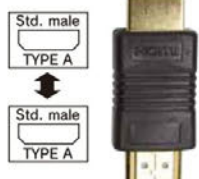
HDMI to HDMI - Type A Female connector to Type A Female Connector



HDA2

HDMI Adapter

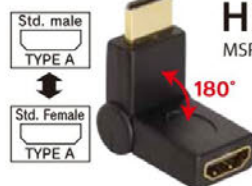
Type A Male connector to Type A Male Connector



HDA3

HDMI 180 Degrees Angle

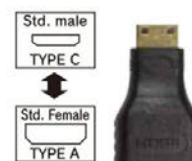
Type A Male connector to Type A Female Connector



HDA4
MSRP: \$18.00

HDMI Adapter

Type A Female connector to Type C Male Connector

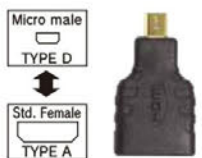


HDA5

MSRP: \$13.00

HDMI Extension Adapter

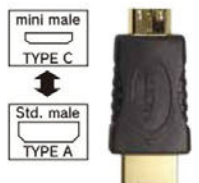
Type A Female connector to Type D Male Connector



HDA6

HDMI Adapter

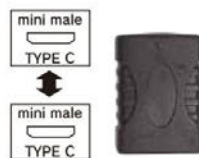
Type A Male connector to Type C Male Connector



HDA7

HDMI Extension Adapter

Type C Female connector to Type C Female Connector



HDA8

Specifications

- Ethernet compatible (HEC)
- High quality triple shielded twisted cable pair used with gold-plated leads.
- Support: 4096x2160, 4K, 2K, 3D Full HD (60Hz 2 1080p screens), ARC (Audio Return Channel) and high speed HDMI signal - 1.4a standard
- Maximum transfer rate: 10.2Gbit/second, 304MHz, 4096x2160 pixel resolution

HDMI Adapters

- Ethernet compatible (HEC)
- High quality casing used with gold-plated leads.
- Support: 4096x2160, 4K, 2K, 3D Full HD (60Hz 2 1080p screens), ARC (Audio Return Channel) and high speed HDMI signal - 1.4a standard
- Maximum transfer rate: 10.2Gbit/second, 304MHz, 4096x2160 pixel resolution

Back-up Cameras



TOPGUN Camera BCAM5

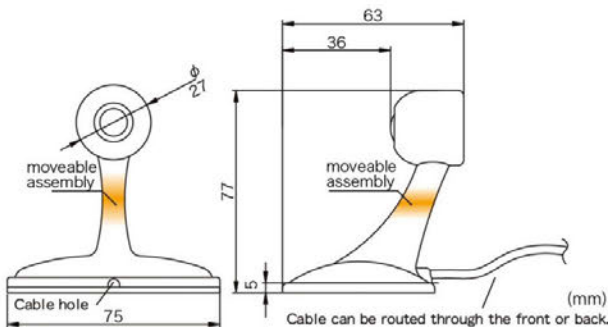
- *SAFELY DETECT YOUR CAR REAR VIEWS.
- *EASY INSTALLATION WITHOUT DRILLING EXTRA HOLE.
- *CAMERA ALSO COMES WITH A GUIDE THAT DISPLAYS IN THE FRONT MONITOR DURING OPERATION.

- *HIGH INTENSITY CABLE USED TO ENSURE QUALITY PICTURE.
- *PROFESSIONAL EXTERIOR WATER PROOF STRUCTURE PROVIDES BEST PERFORMANCE IN ANY WEATHER CONDITION.

mounting position on van



mounting position on hatchback



SPECIFICATION

| | | | |
|---------------------|--|-------------------------|---------------------------|
| Power | DC12V | S/N | 48dB |
| Consumption Current | 55±5 mA | Minimum illumination | 1 LUX |
| Mirror | Switchable by ON/OFF wire | Video Output | NTSC (RCA pin) 1Vpp (75Ω) |
| Guide line | Switchable by on/off wire | Operating Temperature | 14F~122F |
| Mounting Method | Heavy Duty double-sided tape | Waterproof construction | IP67 |
| Cable direction | Up or down | External dimension | 75(W)×77(H)×63(D) |
| Image | 1/4 inch color CMOS image sensor | Weight | 90g (camera body) |
| Pixels | 640 x 480 | | |
| View angle | 100 degrees horizontally and 77 degrees vertically | | |

Back-up Cameras

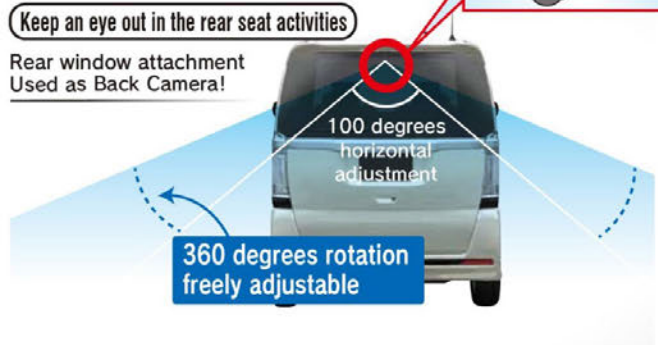
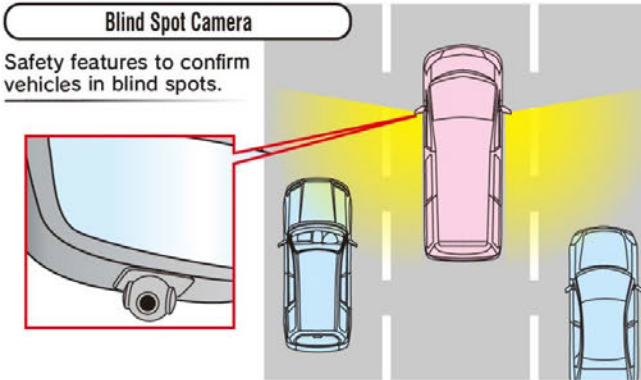
Interior Camera

Camera used exclusive to the vehicle's interior to display inside of the cargo room or outside through the window!

Inside/Blind spot camera

BCAM6

- Interior mounting
- Safe from moisture
- Safe from theft
- Customizable mounting location
- 360 degree rotation



QBF7

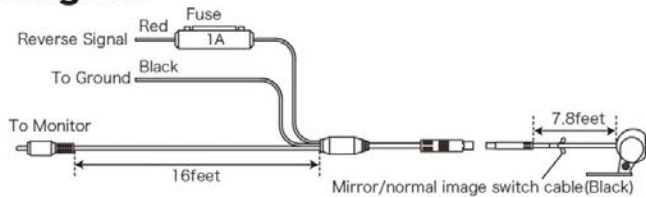
Stand 40 + More

QBF6 Clip-on Type

QBF7 Clip-on Type

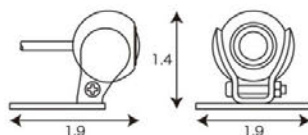
BCAM6 can be combined with any of the L-hook Beat-Sonic Stands for optimal interior mounting.

Diagram



SPECIFICATION

| | |
|----------------------|--|
| Power | DC12V Negative earth |
| Consumption current | 55±5 mA |
| Mirror | Switchable by ON/OFF wire |
| Angle of view | Horizontal : 100degree Vertical : 77degree |
| Guide line | Switchable by on/off wire |
| Minimum illumination | 1LUX |
| External dimension | 1.6 (W) x 1.4 (H) x 1.9 (D) in |
| Weight | 30g (camera body) |



Features

- Allow flexible mounting locations for vehicle's interior.
- Allow flexible viewing angle with unlimited adjustability horizontally and vertically. Seamless adjustability with 1 lock screw.
- In default setting, the display from the camera will show a mirror image. This may be adjusted to a standard image by cutting 1 wire.
- In default setting, the display from the camera will show guidelines to assist in reverse parking. The guidelines may be erased by cutting 1 wire.
- Waterproof design for outside mounting.

Can be rotated freely!
customizable pointing direction.



Interior Camera BCAM6



Back-up and Front Cameras

Back-up camera view



Chameleon Back-up Camera



Chameleon Back-up and Front Camera BCAM7W/BCAM8W



- *SAFELY DETECT YOUR CAR REAR VIEWS.
- *EASY INSTALLATION WITHOUT DRILLING A HOLE.
- *HIGH INTENSITY (ABLES TO ENSURE CLEAR PICTURE)
- *PROFESSIONAL EXTERIOR WATER PROOF STRUCTURE PROVIDES BEST PERFORMANCE IN ANY WEATHER CONDITION.



BCAM7W/BCAM8W
(BACK-UP CAMERA) (FRONT CAMERA)

Additional Description

Remove the right side screw on the rear license plate and install the CHAMELEON BACK-UP CAMERA.



after installation

The rear views will automatically display on front monitor during operation.

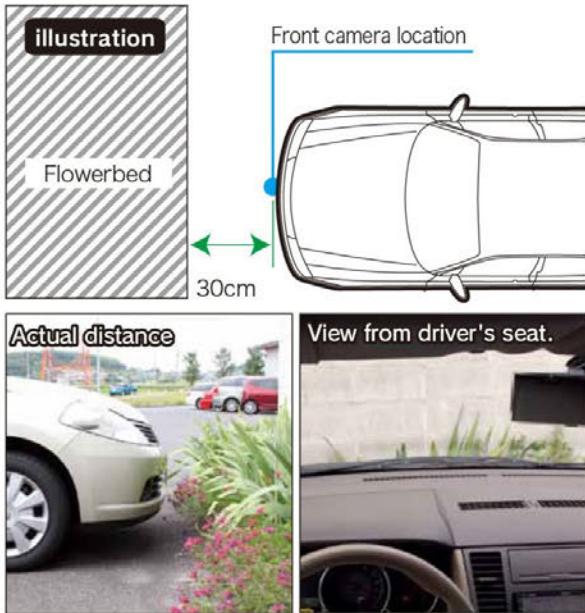


Specifications

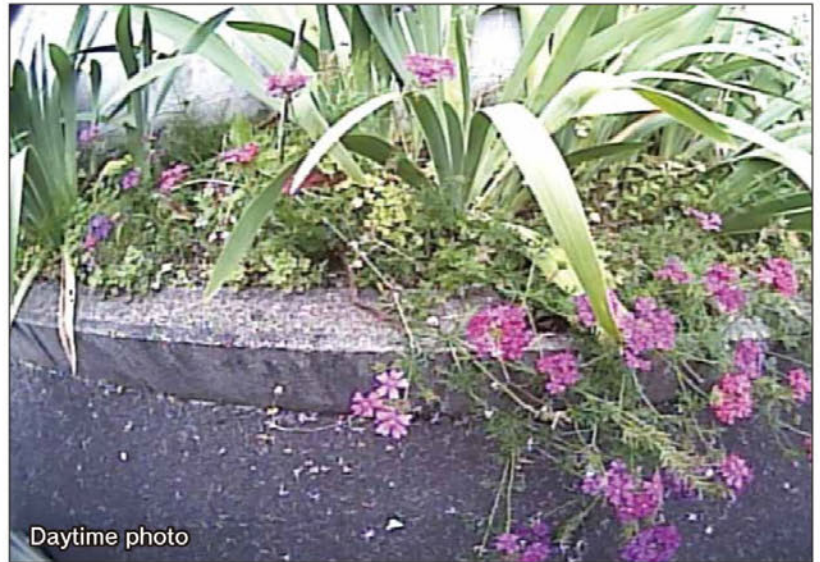
| | |
|-------------------------|--|
| Power | DC 12V negative earth |
| Image orientation | Rear view only |
| Imaging element | 1/4 inch CMOS color image sensor |
| Angle of view | Horizontal: 112 degrees / Vertical: approx 88 degrees |
| S / N | 48dB |
| Video output | NTSC (RCA pin) 1 Vpp (75 ohm) |
| Waterproof construction | IP67 |
| Weight | Approximately 25g (camera body) |

| | |
|-----------------------------|--|
| Consumption current | 55±5mA |
| Guideline | N/A |
| Effective pixels | 640 horizontal x 480vertical 310,000 pixels |
| Synchronization scheme | Internal synchronization |
| Minimum illumination | 1 lux |
| Operating temperature range | -10 degree C ~ 50 degree C |
| External dimensions | 0.8(W) x 0.9(H) x 0.9(D) in |
| Mirror | Mirror(BCAM7W)/Normal(BCAM8W) |

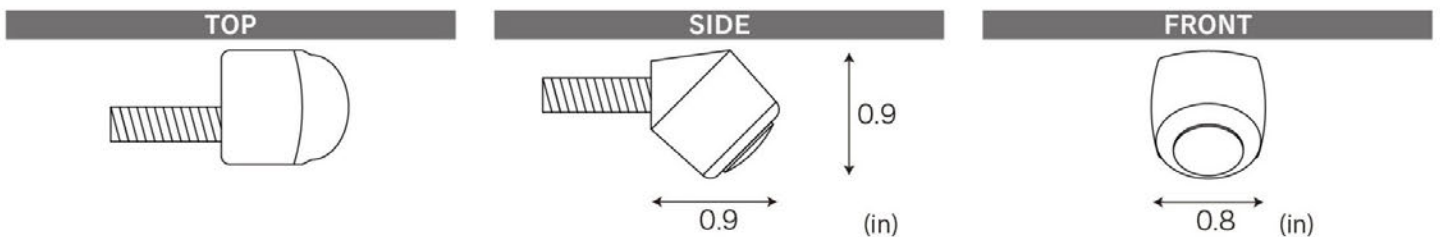
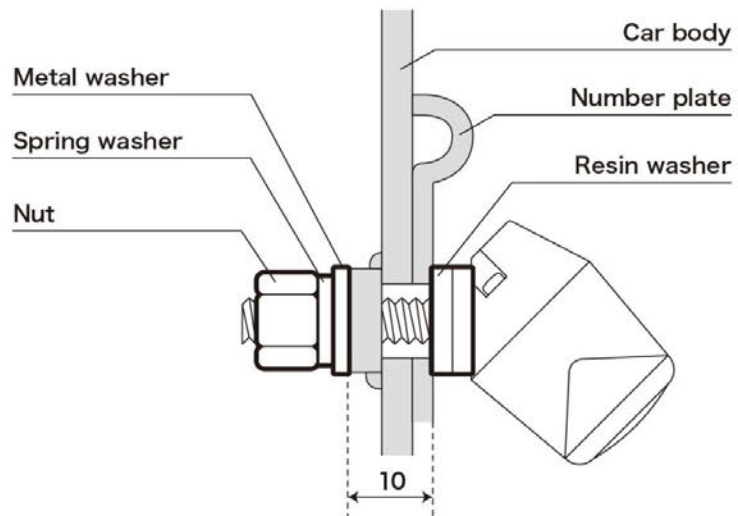
Back-up and Front Cameras



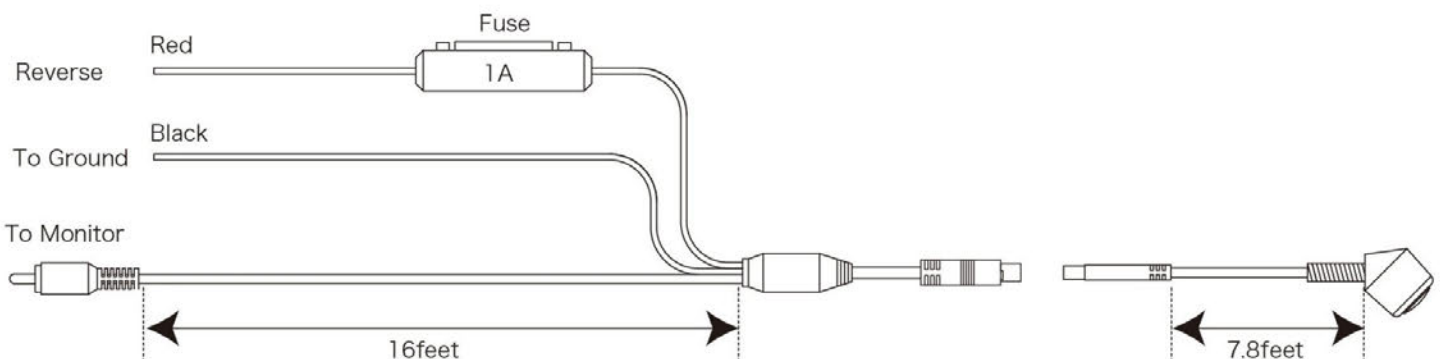
BCAM8 Front Camera View



Water proof IP67



CONNECTION DIAGRAM



Back-up Camera OEM Interfaces

Back-up Camera OEM Interface

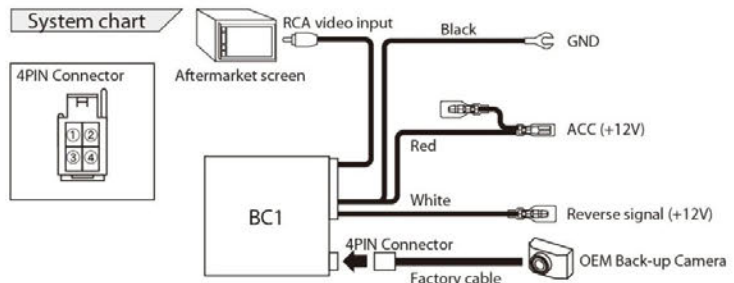
Integrate an OEM back-up camera to an aftermarket navigation

- Plug and play application.

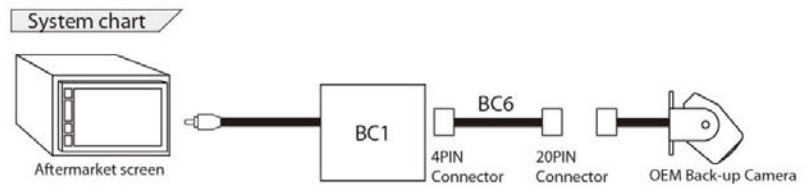
Easily reversible to factory specifications.



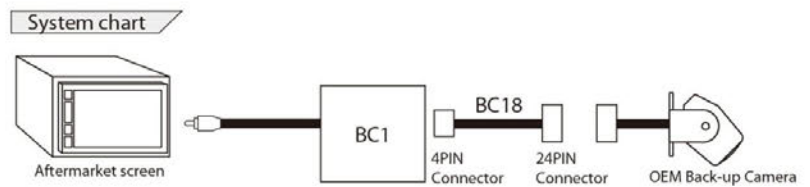
BC1



BC6



BC18



Compatibility Table

| Make | Model | Year | OEM Nav | OEM Options | Item |
|---------------|-----------|-----------|-------------------|---|------------------------|
| Toyota | Sienna | 2005 | Yes | | BC1 |
| | | 2006-2010 | Yes | | BC18+BC1 |
| | | 2011 | Yes | DVD Navigation Without USB Audio | BC6+BC1 |
| | | 2012-2013 | Yes | DVD Navigation Without USB Audio SD Navigation | BC6+BC1 |
| | | 2014 | Yes | SD Navigation | BC6+BC1 |
| | | 2005 | Yes | | BC1 |
| | 4Runner | 2006-2011 | Yes | | BC18+BC1 |
| | | 2012-2013 | Yes | | BC18+BC1 |
| | | 2014 | No | Radio and Display | Will be available 2014 |
| | | | Yes | | |
| | | 2014 | No | Radio and Display | |
| | Sequoia | 2008-2009 | Yes | | BC18+BC1 |
| | | 2010-2011 | Yes | 8 Speakers | BC6+BC1 |
| | | | Yes | 14 Speakers | BC18+BC1 |
| | | 2012 | Yes | SD Navigation | BC6+BC1 |
| | | | Yes | DVD Navigation | BC18+BC1 |
| | | 2013 | Yes | SD Navigation | BC6+BC1 |
| | | | Yes | HDD Navigation | |
| | 2014 | No | Radio and Display | Will be available 2014 | |
| | Tundra | 2007-2009 | Yes | | BC18+BC1 |
| | | 2010-2011 | Yes | Without JBL | BC6+BC1 |
| | | | Yes | With JBL | BC18+BC1 |
| | | 2012-2013 | Yes | SD Navigation | BC6+BC1 |
| | | | Yes | DVD Navigation | BC18+BC1 |
| | | 2014 | Yes | | Will be available 2014 |
| | | | No | Radio and Display | |
| Highlander | 2008-2012 | Yes | | BC18+BC1 | |
| | 2013 | Yes | | BC18+BC1 | |
| | | No | Radio and Display | Will be available 2014 | |
| Highlander HV | 2008-2012 | Yes | | BC18+BC1 | |
| | 2013 | Yes | | BC18+BC1 | |
| | | No | Radio and Display | Will be available 2014 | |
| Venza | 2009-2012 | Yes | | BC18+BC1 | |
| | 2013-2014 | Yes | | Will be available 2014 | |
| | | No | Radio and Display | | |

Back-up Camera Accessories



BR01

Video Selector Module

Add additional inputs to display to your monitor(s)

Features

One of industry's smallest vision selector.
Add an additional video input for vehicles that only came with 1 video input: For ex, 1 back up camera standard, and want to add DVD player.
Uses 12v signal to trigger display of input video.
Works great with vehicles limited to only one video input such as a back up camera video input.
Automatically switch over to the backup camera when put in reverse gear.
Equipped with a noise resistant aluminum case to shield against interference.

Included in this kit

BR01 Module
Male to Male RCA cable adapter

Specifications

Power: 12V
Input Terminal: Two RCA Video Input (One male, one female)
Output Terminal: 1 channel RCA Video Output (Female)
Video System: NTSC composite Video
Dimensions: 1.5x1.5x1 inch



BR02

Video Selector Module

Add additional inputs to display to your monitor(s)

Features

One of industry's smallest vision selector.
Add an additional video input for vehicles that only came with 1 video input.
Uses video signal to trigger display of input video.
Works great with vehicles limited to only one video input but want to add an additional input.
Equipped with a noise resistant aluminum case to shield against interference.

Included in this kit

BR02 Module
Male to Male RCA cable adapter

Specifications

Power: 12V
Input Terminal: Two RCA Video Input (One male, one female)
Output Terminal: 1 channel RCA Video Output (Female)
Video System: NTSC composite Video
Dimensions: 1.5x1.5x1 inch

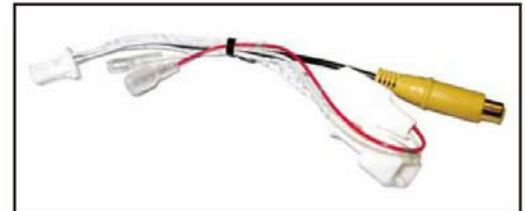
Back-up Camera OEM Interfaces

Beat-Sonic® Back-up Camera Adapters



Back-up Camera Adapter for TOYOTA models (BCUS3)

Add a Rear Camera input to your factory screen.



Features:

- Plug and play adapter allow video input for back up camera.
- Automatic switching to reverse camera when the vehicle is put into reverse gear.
- Made from the highest quality materials available.
- Original Equipment Manufacture connector housings are used to ensure perfect connection.

| Make | Model | Year |
|--------|------------------------------|-----------|
| Toyota | 4Runner | 2013-2014 |
| | Avalon | 2013-2014 |
| | Camry | 2012-2014 |
| | Corolla | 2012-2013 |
| | Highlander w/out Nav | 2013-2014 |
| | Prius + Prius C and V models | 2012-2014 |
| | RAV4 | 2013-2014 |
| | Tacoma | 2012-2014 |
| | Tacoma | 2012-2014 |
| Venza | 2013-2014 | |

| Make | Model | Year |
|-------|-------|-----------|
| Scion | FR-S | 2013-2014 |
| | iQ | 2013-2014 |
| | xB | 2013-2014 |
| | xD | 2013-2014 |

| Make | Model | Year |
|--------|----------|-----------|
| Subaru | BRZ | 2013-2014 |
| | Forester | 2012-2014 |
| | Impreza | 2012-2014 |
| | WRX | 2012-2014 |

Sound Damping Spray



Engineered specifically to reduce ambient noise levels.

Works well on treated or coated metal, fiberglass, plastic and wood.

Weatherproof and Highly Durable.

Perfect for irregular shapes and hard to reach locations.

BP-DNSR

Application Directions



.1
Raise the vehicle using jack stands and remove wheels. Please take extra care due to the dangerous nature of this step.



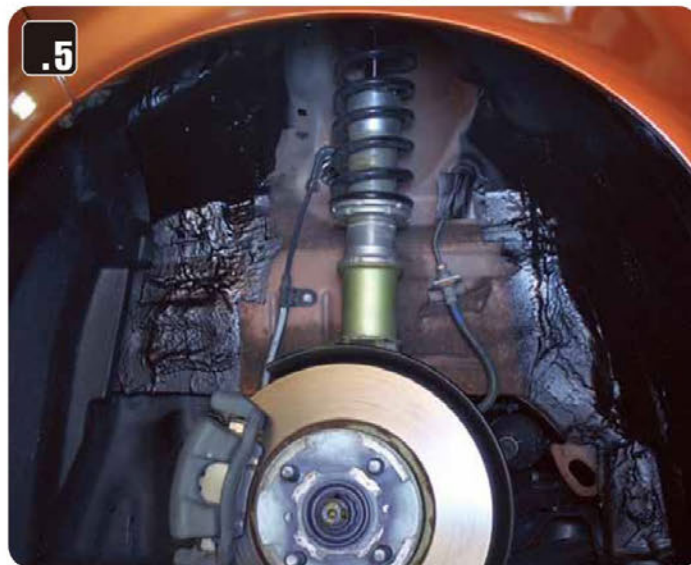
.2
Mask the body area surrounding the wheel wells using newspaper to protect from overspray.



.3
Spray the noise reducer to the front wheel well evenly. Use 1/2 can to the left and right front wheel wells.



.4
Repeat steps 2 and 3 for the rear wheel wells.



.5
Allow the noise reducer to dry completely and re-install the wheels. Installation is now complete.

USB Power Supply/SD Extension cable/Tool

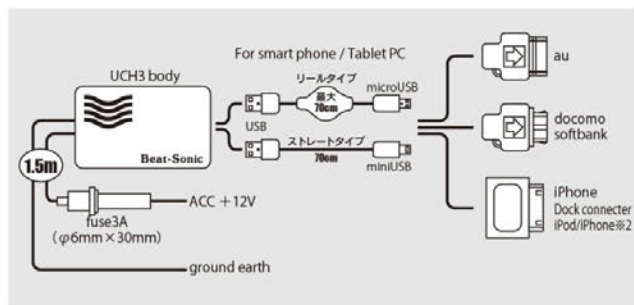
USB Power Supply



UCH3A

Description:
USB Power Supply

Specifications:
input power DC12V
output power DC5V
current consumption 2A
output current 3.4A (MAX)
output terminal USBconnector(female)
external dimension 3×0.7×1.9 (W×H×L) in
(Body only)

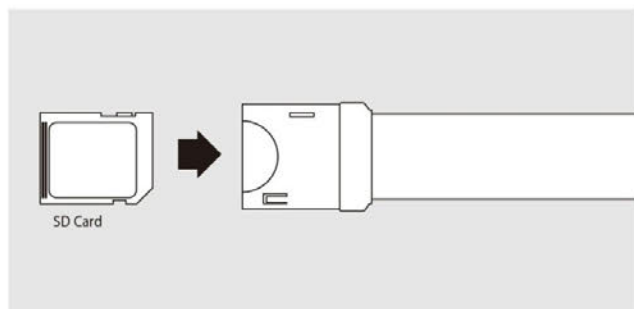
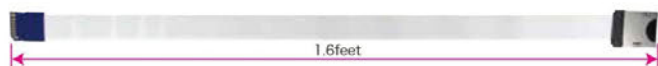


SD Card Extension cable(without cover)



Description:
SD card extension cable
without cover <1.6feet>

SD2

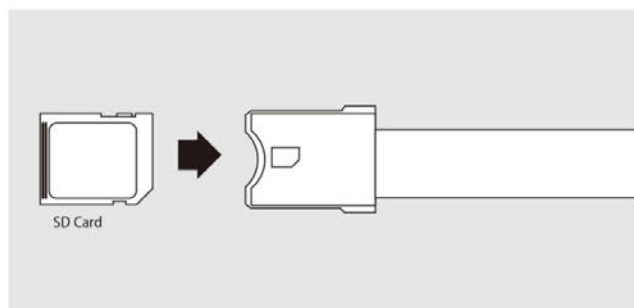


SD Card extension cable(with cover)



Description:
SD card extension cable
with cover <1.6feet>

SD3



Radio Removal Kit

TOOL1 14 Piece Radio Removal Kit



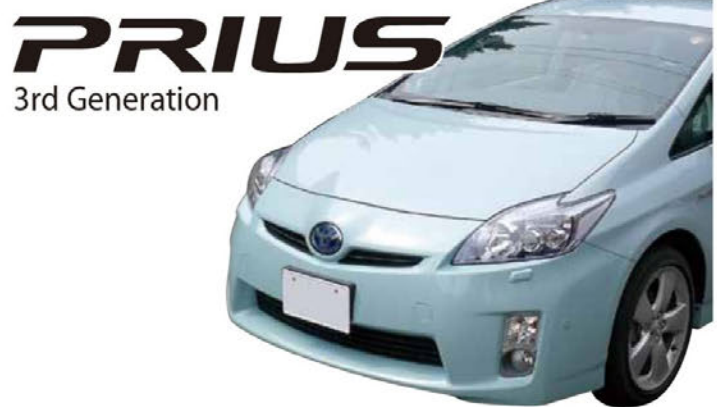
Specialized tools used specifically to remove factory radio and panels with ease and without damaging interior

Features:
- 14 piece tool kit essential to remove radio and dash on domestic and imported vehicles.
- Prevent damage and headache for stereos and center consoles that are hard to remove such as Mercedes, Volkswagen, Audi, CITROEN, AlfaRomeo, FIAT, OPEL, FORD + More!

Specification:
- 14 Pieces

TOOL1

PRIUS 3rd Generation PRIUS v / PRIUS c AM/FM Radio Antenna



COLOR LINE UP

Blizzard pearl
[070]
FDA31-070



Classic silver metallic
[1F7]
FDA31-1F7



Black
[202]
FDA31-202



Barcelona red metallic
[3R3]
FDA31-3R3



Blue ribbon metallic
[8T5]
FDA31-8T5



Sandy beach metallic
[4T8]
FDA31-4T8



Super white
[040]
FDA31-040



Magnetic grey metallic
[1G3]
FDA31-1G3



Nautical Blue Metallic
[8S6]
FDA31-8S6



Sea Glass Pearl
[781]
FDA31-781



Winter Gray Metallic
[8V1]
FDA31-8V1



Clearwater Blue Metallic
[8W1]
FDA31-8W1



Absolutely Red
[3P0]
FDA31-3P0



Black Sand Pearl
[209]
FDA31-209



Blue Streak Metallic
[8T7]
FDA31-8T7



Moonglow
[082]
FDA31-082



Habanero
[4V7]
FDA31-4V7



Clear Sky Metallic
[787]
FDA31-787



Black Cherry Pearl
[3P2]
FDA31-3P2



Specifications

- *Antenna Type: Helical Coil
- *Connection: Direct connection to antenna base
- *Fixation: Double-side adhesive tape
- *Attachment Screw: M5/M6 Size



Scion FR-S AM/FM Radio Antenna



Only compatible with **SMALL** base



COLOR LINE UP

Hot Lava
[H8R]
FDA43-H8R



Ultramarine
[E8H]
FDA43-E8H



Firestorm
[C7P]
FDA43-C7P



Raven
[D4S]
FDA43-D4S



Asphalt
[61K]
FDA43-61K



Argento
[D6S]
FDA43-D6S



Whiteout
[37J]
FDA43-37J



10th Anniversary Scion Release
Silver Ignition
[J8A]
FDA43-J8A



Specifications

*Antenna Type: Helical Coil
*Connection: Direct connection to antenna base

*Fixation: Double-side adhesive tape
*Attachment Screw: M5 Size

Roof Spoiler



Scion FR-S SUBARU BRZ Roof Spoiler



Firestorm
[C7P]
FRW1-C7P

COLOR LINE UP



Whiteout
[37J]
FRW1-37J



Raven
[D4S]
FRW1-D4S



Ultramarine
[E8H]
FRW1-E8H



World Rally Blue
[42C]
FRW1-42C



Asphalt
[61K]
FRW1-61K



Hot Lava
[H8R]
FRW1-H8R



Argento
[D6S]
FRW1-D6S



Silver Ignition
[J8A]
FRW1-J8A

Features:

Roof Spoiler specially designed and manufactured for 2013 Scion FR-S and Subaru BRZ models to enhance the body lines that connect the roof and the trunk.

Matches the curves of Scion FR-S and Subaru BRZ to ensure exact fitment.

Pre-painted and color matched to Scion FR-S and Subaru BRZ models for an exact match in color using high quality OEM paint.

Directly attached to the top edge of the rear window easily using automotive grade 3M double-sided tape.

Installation requires no modification and easily reversible.

**NEW
ITEM**

Shark Fin Antennas

TYPE9



SUBARU BRZ AM/FM Radio Antenna



Compatible with **both** bases



COLOR LINE UP

World Rally Blue
[42C]
FDA9-42C



Satin White Pearl
[37J]
FDA9-37J



Galaxy Blue Silica
[E8H]
FDA9-E8H



Crystal Black Silica
[D4S]
FDA9-D4S



Lightning Red
[C7P]
FDA9-C7P



Dark Grey Metallic
[61K]
FDA9-61K



Sterling Silver Metallic
[D6S]
FDA9-D6S



Specifications

- *Antenna Type: Helical Coil
- *Connection: Direct connection to antenna base
- *Fixation: Double-side adhesive tape
- *Attachment Screw: M5/M6 Size

Shark Fin Antennas



for Subaru models

AM/FM Radio Antenna



Specifications

- *Antenna Type: Helical Coil
- *Connection: Direct connection to antenna base
- *Fixation: Double-side adhesive tape
- *Attachment Screw: M5 Size

Only compatible with **SMALL** base



COLOR LINE UP

Dark Gray Metallic
[61K]
FDA81-61K



Ice Silver Metallic
[G1U]
FDA81-G1U



Desert Khaki
[H6Q]
FDA81-H6Q



Satin White Pearl
[37J]
FDA81-37J



Deep Cherry Pearl
[G3U]
FDA81-G3U



World Rally Blue Pearl
[02C]
FDA81-02C



Obsidian Black Pearl
[32J]
FDA81-32J



Crystal Black Silica Pearl
[D4S]
FDA81-D4S



Deep Sea Blue Pearl
[H3Q]
FDA81-H3Q



Camellia Red Pearl
[9Z]
FDA81-9Z



Venetian Red Pearl
[H2Q]
FDA81-H2Q



Tangerine Orange Pearl Metallic
[G2U]
FDA81-G2U



Plasma Blue Silica Pearl
[F9T]
FDA81-F9T



Burnished Bronze Metallic
[H4Q]
FDA81-H4Q



Plasma Green Pearl
[J9U]
FDA81-J9U



Carbon Look
FDA81-J9U



Shark Fin Antennas



for SCION xB xD iQ models

AM/FM Radio Antenna



Only compatible with **SMALL**



Specifications

- *Antenna Type: Helical Coil
- *Connection: Direct connection to antenna base
- *Fixation: Double-side adhesive tape
- *Attachment Screw: M5 Size

COLOR LINE UP

Super White
[040]
FDA51-040



Classic Silver Metallic
[1F7]
FDA51-1F7



Elusive Blue Metallic
[9AF]
FDA51-9AF



Nautical Blue Metallic
[8S6]
FDA51-8S6



Barcelona Red Metallic
[3R3]
FDA51-3R3



Blizzard Pearl
[070]
FDA51-070



Magnetic Gray Metallic
[1G3]
FDA51-1G3



Black Sand Pearl
[209]
FDA51-209



Unpainted
[N]
FDA5N



Shark Fin Antennas

Universal Shark Fin

AM/FM Radio Antenna

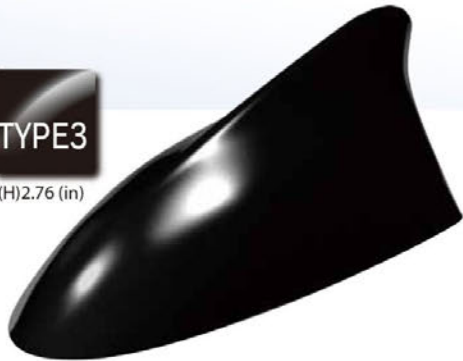
Compatible to: **FDA3, FDA4, FDA5**

Compatible to: **FDA3**



FDA3 Series TYPE3

Size:(W)4.28 (D)8.41 (H)2.76 (in)



FDA3W FDA3B FDA3S FDA3PW FDA3-070 FDA3-209 FDA3N

FDA4 Series TYPE4

Size:(W)6.21 (D)3.30 (H)2.87(in)



FDA4W FDA4B FDA4S FDA4PW FDA4-070 FDA4-209 FDA4N

FDA5 Series TYPE5

Size:(W)3.62 (D)6.29 (H)2.52 (in)



FDA5W FDA5B FDA5S FDA5PW FDA5-070 FDA5-209 FDA5N

FDA7 Series TYPE7

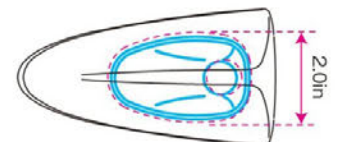
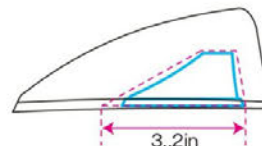
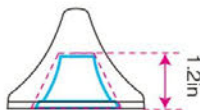
Size:(W)3.03 (D)5.74 (H) 2.24 (in)



FDA7B FDA7S FDA7PW FDA7N

Specifications

- *AntennaType:Helical coil type
- *Connection:Direct connection to antenna base
- *Fixation:Double-sided adhesive tape
- *Attachment screw:M4,M5,M6size



Custom Mobile Holder Kits

Beat-Sonic

QB Kit

Custom mobile holder kits

Smart Phone

Installation



Line up of more than 100 products!

Mix and match to meet your exact need

Customizable combination of holders and stands based on the smart phone you own and the location you want to mount.

Securing the stand

Stands for Holders

Suction stands are easily detachable and easily installs to vehicle. All holders and stands are connected using the L hook connection. Stand and holder combination can be made to accommodate personal preference.



+40 Types



- ① Clean the surface where the suction will attach to.
- ② Lower the lever to attach suction.
- ③ Connect with holder.

Seamless phone holder

Mobile Holders

Over 50 holders to accommodate all types of Smart Phones, Tablets, Notebooks, Monitors, etc.



+50 Types



- ① Press the button to release arm.
- ② Place the phone in the center of the holder.
- ③ Press the arm together until phone is secured.

Double sided tape stands used in locations where suction cup cannot be attached.

Base for Stands

Suction stands are easily attached and detached using this base.



6 Types



- ① Remove adhesive cover and apply on the dash panel, etc.
- ② Can be mounted on surface with slight curves

Useful

Assistant parts

Useful accessories to use for installation such as cleaning supplies, tape, etc



+3 Types

Useful

Accessory Parts

Increase the visibility of your monitors!



+13 Types

Custom Mobile Holder Kits



Smart Phone and Tablet PC

Secured Installation

Selectable Bases

Easily install using suction cups or clips and combines with the mobile holder using the patented L-hook design. Large number of application for personalized mounting location

50
+ More

Dash Mount

QBD14



Pillar Mount

QBF7



Drink Holder Mount

QBG9



Seat Mount

QBD25



Handlebar Mount

QBH1



Custom Mobile Holder Kits



Smart Phone and Tablet PC

Secured Installation

Selectable Bases

Easily install using suction cups or clips and combines with the mobile holder using the patented L-hook design.
Large number of application for personalized mounting location

(50 + More)

CD Player Mount

QBD26



Single Din Mount

QBG15



FR-S/86/BRZ Mount

QBF13



Console Mount

QBC23



Air Vent Mount

QBF14





Smart Phone and Tablet PC

Easy Smartphone mount

Selectable Holders

With over 50 different holder models can accommodate mounting your smart phone, tablet PC and other mobile phones securely.

40
+ More

Tablet



Model Specific Holders

QBA33



Multi-Fit Holders

QBA29



Smart Phone



Model Specific Holders

QBA51



Multi-Fit Holders

QBA17



Portable Nav



Model Specific Holders

QG2



Multi-Fit Holders

QBA4



Custom Mobile Holder Kits



Smart Phone and Tablet PC

Easy Smartphone mount

All In One Holders

With over 50 different holder models can accommodate mounting your smart phone, tablet PC and other mobile phones securely.

40
+ More

Stationary Type

Mounts on top of the dash

QBA40



Smartphone



Tablet



Adaptable mobile terminal size : 120(height)×12.2(Weight)mm

Adhesive type

Detachable magnet holder

QBA48



Gel Type

Sticky material for phone stick-on!

QBA46



Fixed Type Suction

Tablet mounted in an easy-to-view location!

QBA49



Shadow Allure



Glowing filament light of elegance.

Shadow Allure

LED light bulb made of authentic glass to create attractive filament light patterns.

Equipped with a new technology diffuser to emit a softer light even with a clear light bulb. Improved design to provide warmth in its gleam of light.



 **GOOD DESIGN AWARD 2013**

Specifications

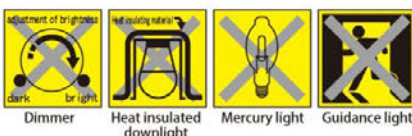
| part# | Size | Lumin | Color temperature | Color rendering properties | Life (h) | Curr (A) | Volt (V) | Cons. (W) | Size (mm) | | Weight (g) | |
|-------|------|-------|-------------------|----------------------------|----------|----------|--------------|-----------|-----------|--------|------------|----|
| | | (lm) | (K) | (Ra) | | | | | Outer dia | Length | | |
| LDB26 | E26 | 280 | 2900 | 82 | 30000 | 0.09 | 100(50/60Hz) | 5.0 | 58 | 108 | 67 | |
| LDB24 | E17 | 220 | | | | | | | 4.0 | 34 | 102 | 35 |
| LDB23 | E17 | 220 | | | | | | | 4.0 | 50 | 75 | 42 |
| LDB20 | E17 | 220 | | | | | | | 4.0 | 39 | 77 | 32 |



 **GOOD DESIGN AWARD 2013**

Specifications

| part# | Size | Lumin | Light color | Kelvin | Color rendering properties | Life (h) | Curr (A) | Volt (V) | Cons. (W) | Size | | | | | | | |
|-------|-------|-------|--------------|--------|----------------------------|----------|----------|---------------|-----------|------|------|-------|------|------------|-----|----|----|
| | | (lm) | | (K) | (Ra) | | | | | (φ) | (mm) | | | | | | |
| LDH4 | E26 | 270 | Incandescent | 2800 | 82 | 30000 | 0.09 | 100 (50/60Hz) | 5.3 | 50 | 58 | | | | | | |
| LDH5 | | 310 | Neutral | 5000 | | | | | | | 70 | | | | | | |
| LDH6 | E17 | 270 | Incandescent | 2800 | | | | | | | 68 | | | | | | |
| LDH7 | | 310 | Neutral | 5000 | | | | | | | 68 | | | | | | |
| LDH8 | E11 | 270 | Incandescent | 2800 | 82 | 30000 | 0.09 | 100 (50/60Hz) | 5.3 | 50 | 68 | | | | | | |
| LDH9 | | 310 | Neutral | 5000 | | | | | | | 68 | | | | | | |
| LDH21 | GU5.3 | 270 | Incandescent | 2800 | | | | | | | 82 | 30000 | 0.55 | 12 (AC/DC) | 5.3 | 50 | 54 |
| LDH22 | | 310 | Neutral | 5000 | | | | | | | | | | | | | 54 |



Please do not use in the following conditions:

- Environment with extremely high humidity levels and moisture.
- Light fixtures with light dimming capability.
- When the lamp and the reflector is too close together.
- Mercury lamps, sodium lamps and HID lamp fixtures.
- Induction lamps and emergency lighting fixtures.